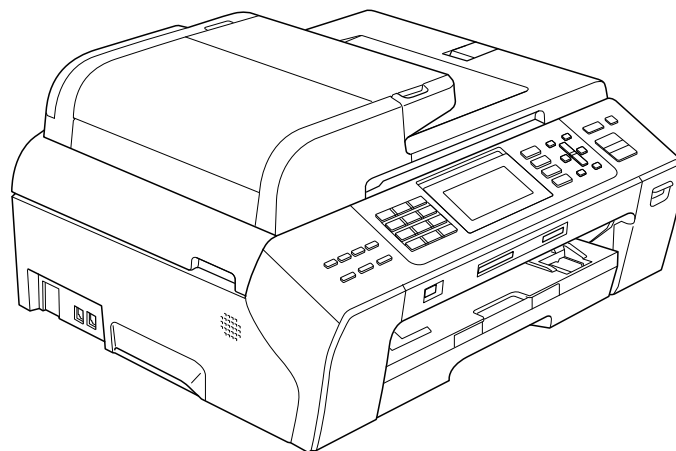




Inkjet DCP/MFC **PARTS REFERENCE LIST**

MODEL
MFC-5890CN / MFC-5895CW



Read this list thoroughly before maintenance work.

Keep this list in a convenient place for quick and easy reference at all times.

NOTE FOR USING THIS PARTS REFERENCE LIST

1. In the case of ordering parts, it is necessary to mention the following items;

- (1) Code
- (2) Q'ty
- (3) Description
- (4) Symbol (PCB No. etc)

Note: Orders without Parts Code or Tool No. can not be accepted.

< Example >

	(1) REF.NO. CODE	(2) Q'TY	(3) DESCRIPTION	(4) SYMBOL	REMARK

2. Design-changed parts :

If any of the parts is changed, one of the following symbols is indicated in the REMARK column.

CHG(chg) : The parts is changed to a new parts.

ADD(add) : The parts is newly added.

DEL(del) : The parts is deleted.

Symbol in capital letters indicates the latest parts change information in the page.

3. Parts change will be informed by the Parts change information.

4. Parts are subject to change in design without prior notice.

COUNTRIES

U.S.A ---- US

CANADA ---- CAN

GERMANY ---- GER

UNITED KINGDOM ---- UK

FRANCE ---- FRA

BELGIUM ---- BEL

NETHERLANDS ---- NLD

SWITZERLAND ---- CHE

SPAIN ---- SPA

ITALY ---- ITA

PORTUGAL ---- POR

ASIA (SINGAPORE & GULF) ---- ASA

GENERAL ---- GNR

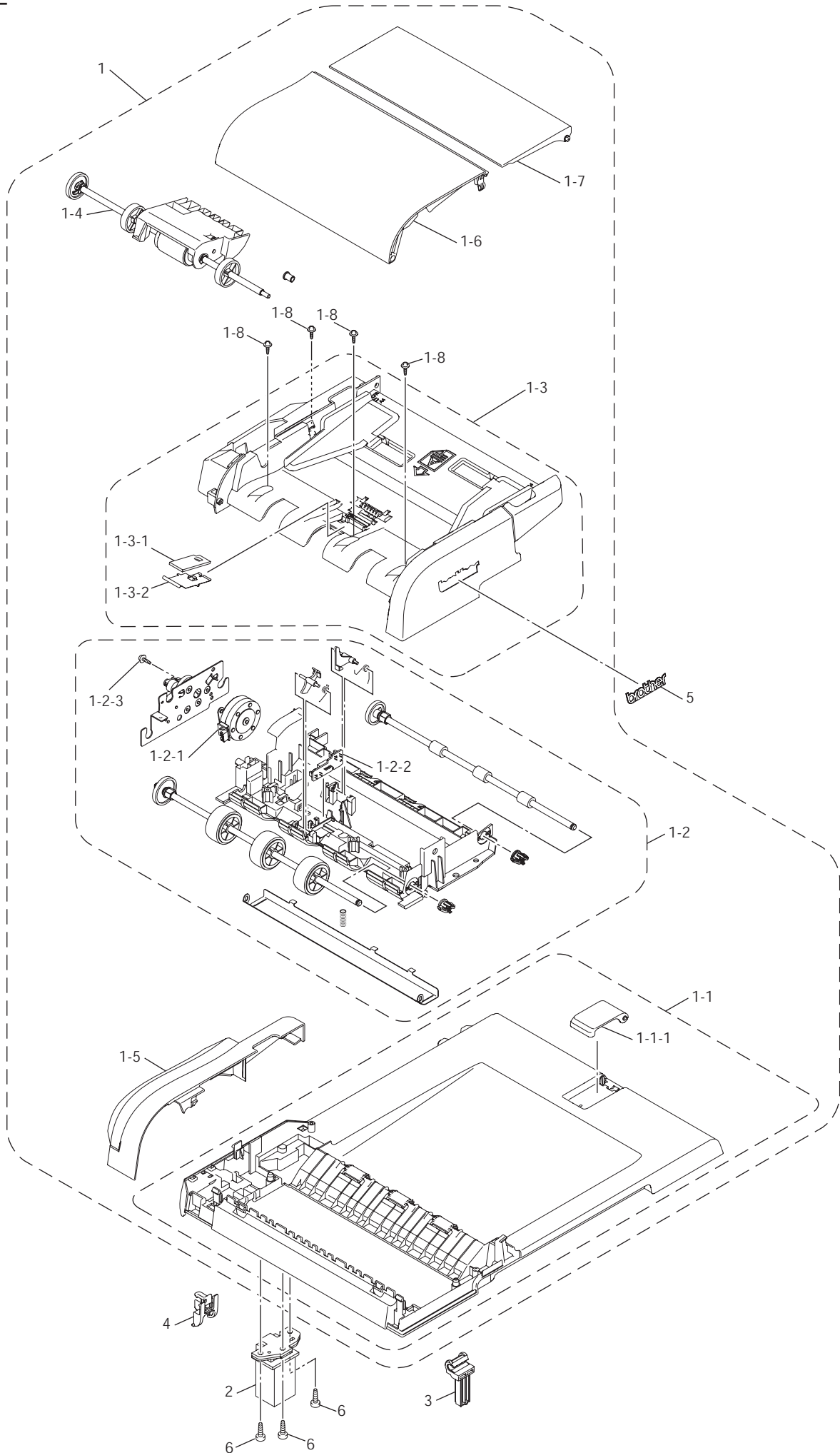
OCEANIA (AUSTRALIA / NEW ZEALAND) ---- OCE

PAN NORDIC (NORWAY / FINLAND / DENMARK / SWEDEN) ---- PND

CONTENTS

1.	<u>ADF</u>	1
2.	<u>SCANNER</u>	3
3.	<u>ENGINE</u>	5
4.	<u>CARTRIDGE CASE</u>	7
5.	<u>HEAD</u>	9
6.	<u>PAPER TRAY</u>	11
7.	<u>COVER</u>	13
8.	<u>PANEL</u>	15
9.	<u>PCB</u>	18
10.	<u>ACCESSORIES</u>	20
11.	<u>PRINTED MATERIALS</u>	22
12.	<u>PACKAGING</u>	24
13.	<u>OTHERS</u>	26

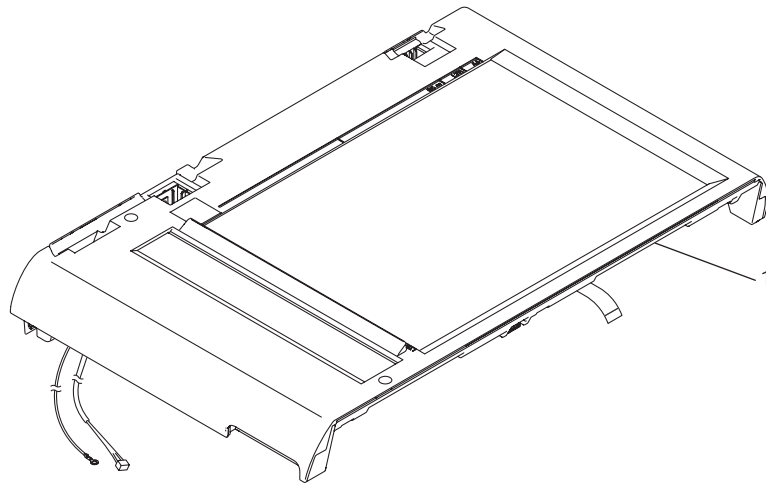
1 ADF



List1(ADF)

REF No.	CODE	Q'TY	DESCRIPTION	RECOMMEND	SYMBOL	REMARKS
1	LS6481001	1	ADF UNIT L9 ASSY(SP)	√		
1-1	LS4785001	1	DOCUMENT COVER ASSY			
1-1-1	LS4787005	1	DOCUMENT STOPPER			
1-2	LS4788001	1	LOWER ADF CHUTE ASSY			
1-2-1	LS4414001	1	ADF MOTOR			
1-2-2	LT0293001	1	DOCUMENT SENSOR PCB ASSY		B53K964	
1-2-3	0A4300606	1	SCREW PAN (S/P WASHER) M3X6			
1-3	LS4801001	1	UPPER ADF CHUTE ASSY			
1-3-1	LS4615001	1	SEPARATION RUBBER			
1-3-2	LS4617001	1	SEPERATION PLATE			
1-4	LS4805001	1	DOCUMENT PULL-IN/SEPERATION ROLLER ASSY			
1-5	LS4808005	1	ADF REAR COVER			
1-6	LS4809001	1	ADF COVER ASSY			
1-7	LS4811004	1	DOCUMENT SUPPORT			
1-8	087311016	4	TAPTITE CUP B M3X10			
2	LS6745001	1	HINGE ARM L			chg
3	LS4442005	1	HINGE ARM R			
4	LP1628001	1	HARNESS SUPPORT			
5	LX1347001	1	EMBLEM BROTHER			CHG
6	085411216	3	TAPTITE BIND B M4X12			

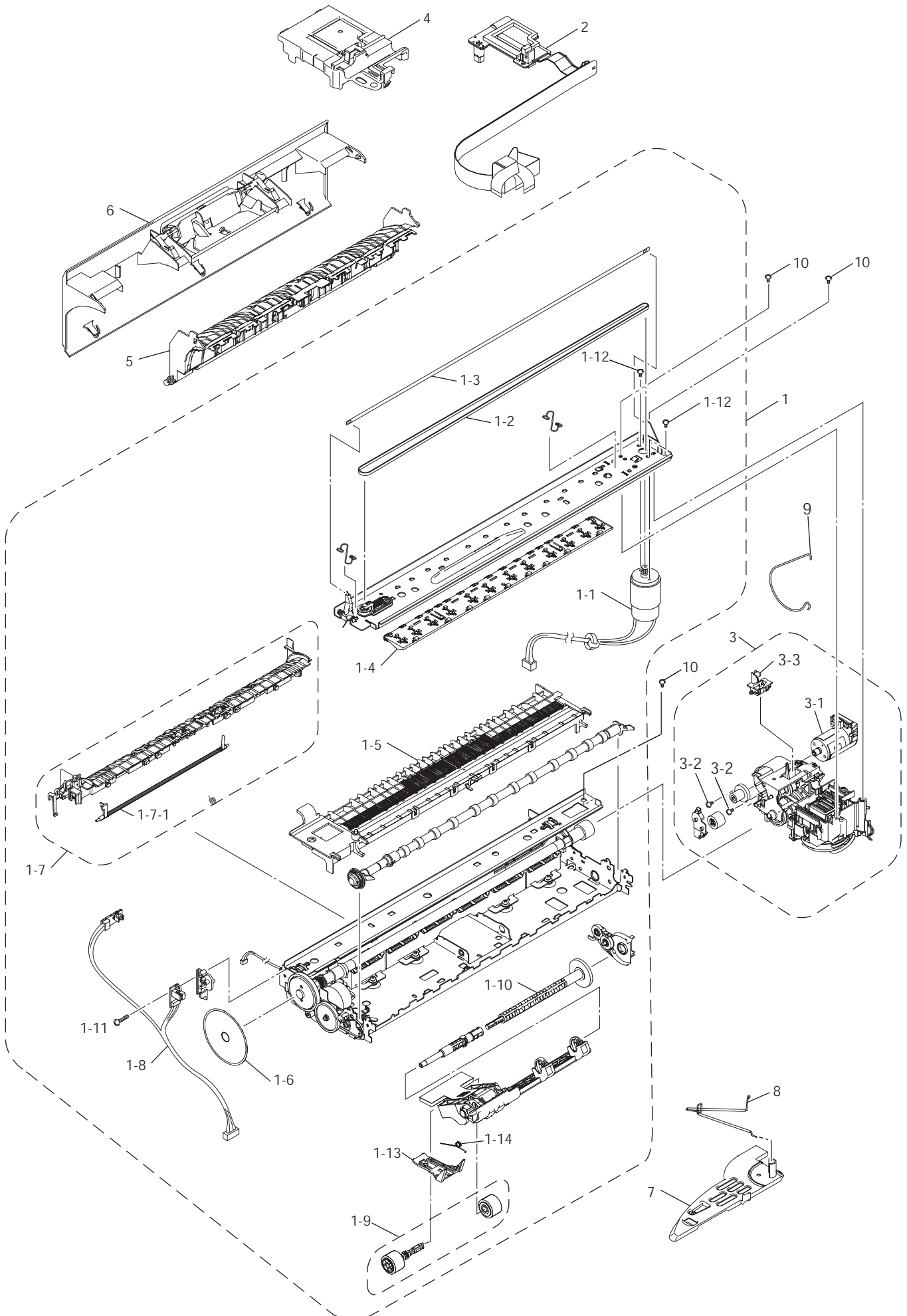
2 SCANNER



List2(SCANNER)

REF No.	CODE	Q'TY	DESCRIPTION	RECOMMEND	REMARKS
1	LS6487001	1	SCANNER UNIT ASSY (SP)	√	

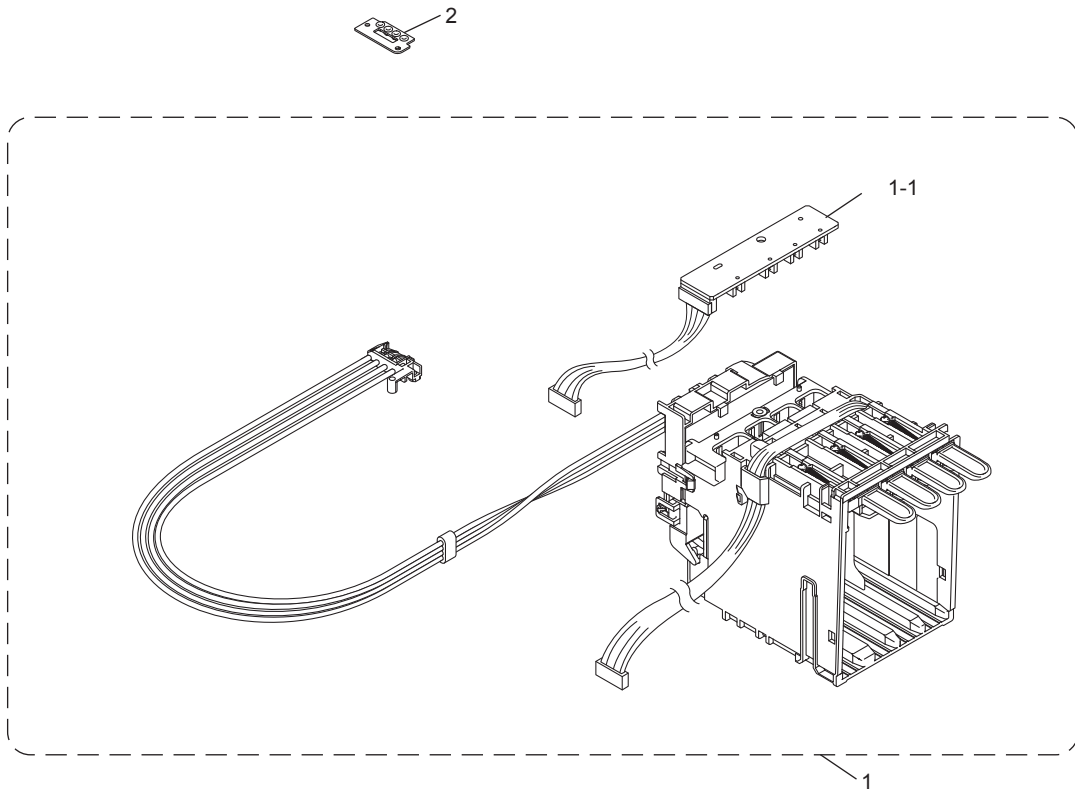
3 ENGINE



List3(ENGINE)

REF No.	CODE	Q'TY	DESCRIPTION	RECOMMEND	REMARKS
1	LS6956001	1	ENGINE UNIT ASSY (SP)		
1-1	LS4376001	1	CARRIAGE MOTOR ASSY		
1-2	LS4001001	1	TIMING BELT		
1-3	LS4379001	1	CR ENCODER STRIP		
1-4	LS4302001	1	STAR WHEEL HOLDER ASSY		
1-5	LS4305001	1	PLATEN ASSY		
1-6	LP1471001	1	PF ENCODER DISK		
1-7	LS4033001	1	INNER CHUTE ASSY		
1-7-1	LS4036001	1	REGISTRATION SENSOR ACTUATOR		
1-8	LT0350001	1	PF ENCODER/REGISTRATION SENSOR HARNESS		
1-9	LX0126001	1	PAPER PULL-IN ROLLER ASSY		CHG
1-10	LS4060001	1	ASF GEAR SHAFT OUTER		
1-11	000021206	1	SCREW BIND M2X12		
1-12	000300606	2	SCREW BIND M3X6		
1-13	LS4120001	1	PE ACTUATOR 9 ASSY		ADD
1-14	LS4075001	1	PE ACTUATOR SPRING		ADD
2	LS5946001	1	CR PCB ASSY (SP)		
3	LS5945001	1	MAINTENANCE UNIT ASSY (SP)		
3-1	LS4091001	1	ASF MOTOR ASSY		
3-2	LS4375001	2	SCREW PAN (S/P WASHER) M3X5		
3-3	LS4098001	1	SWITCHING LEVER GUIDE		
4	LS4383001	1	HEAD COVER ASSY		
5	LS4040001	1	INNER BACK COVER		
6	LS4295001	1	JAM CLEAR COVER		
7	LS4386001	1	TUBE SUPPORT PLATE		
8	LS4387001	1	TUBE SUPPORT WIRE		
9	LS5775001	1	EARTH SPRING		
10	087311016	3	TAPTITE CUP B M3X10		

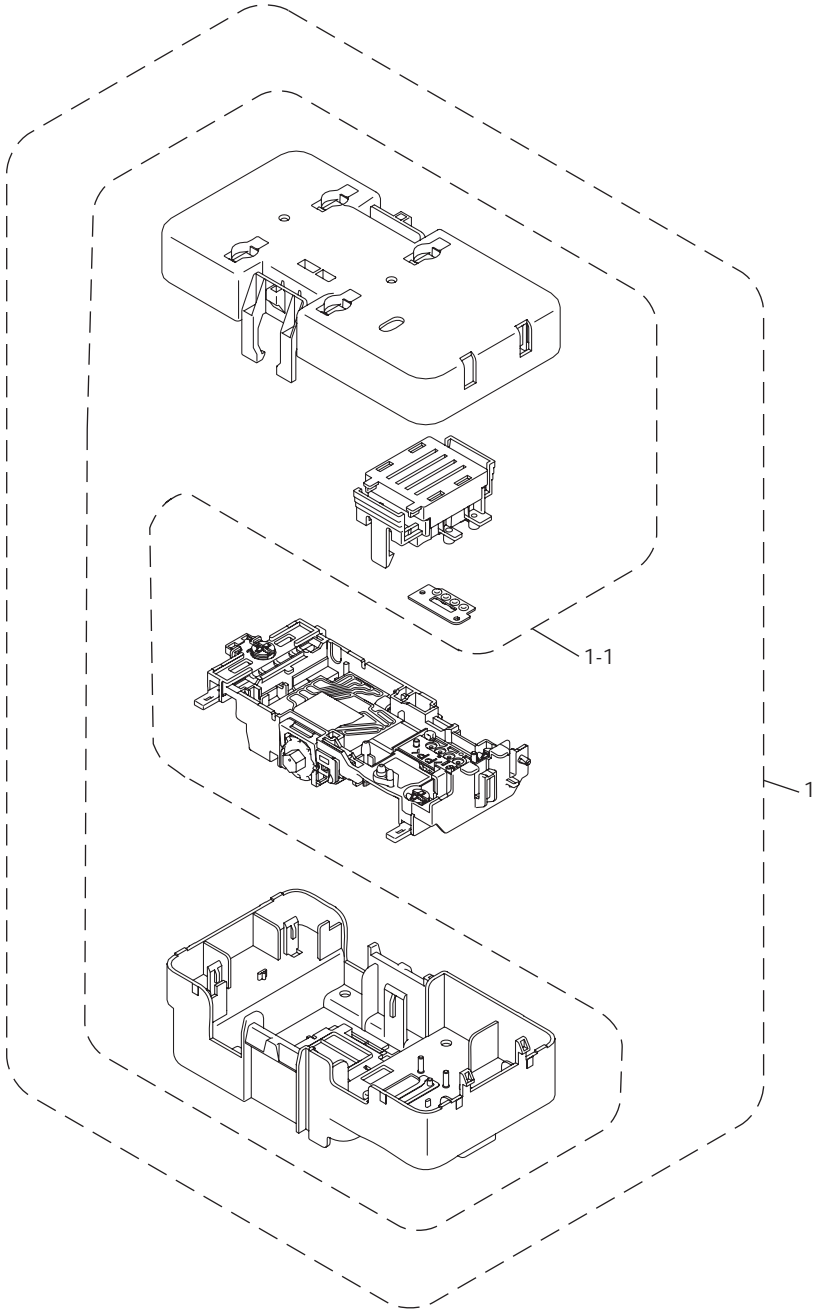
4 CARTRIDGE CASE



List4(CARTRIDGE CASE)

REF No.	CODE	Q'TY	DESCRIPTION	RECOMMEND	SYMBOL	REMARKS
1	LK3552001	1	INK REFILL ASSY (SP)	√		
1-1	LK3329001	1	INK CARTRIDGE DETECTION SENSOR PCB		B57C002	ADD
2	LK3555001	1	HEAD JOINT RUBBER (SP)			

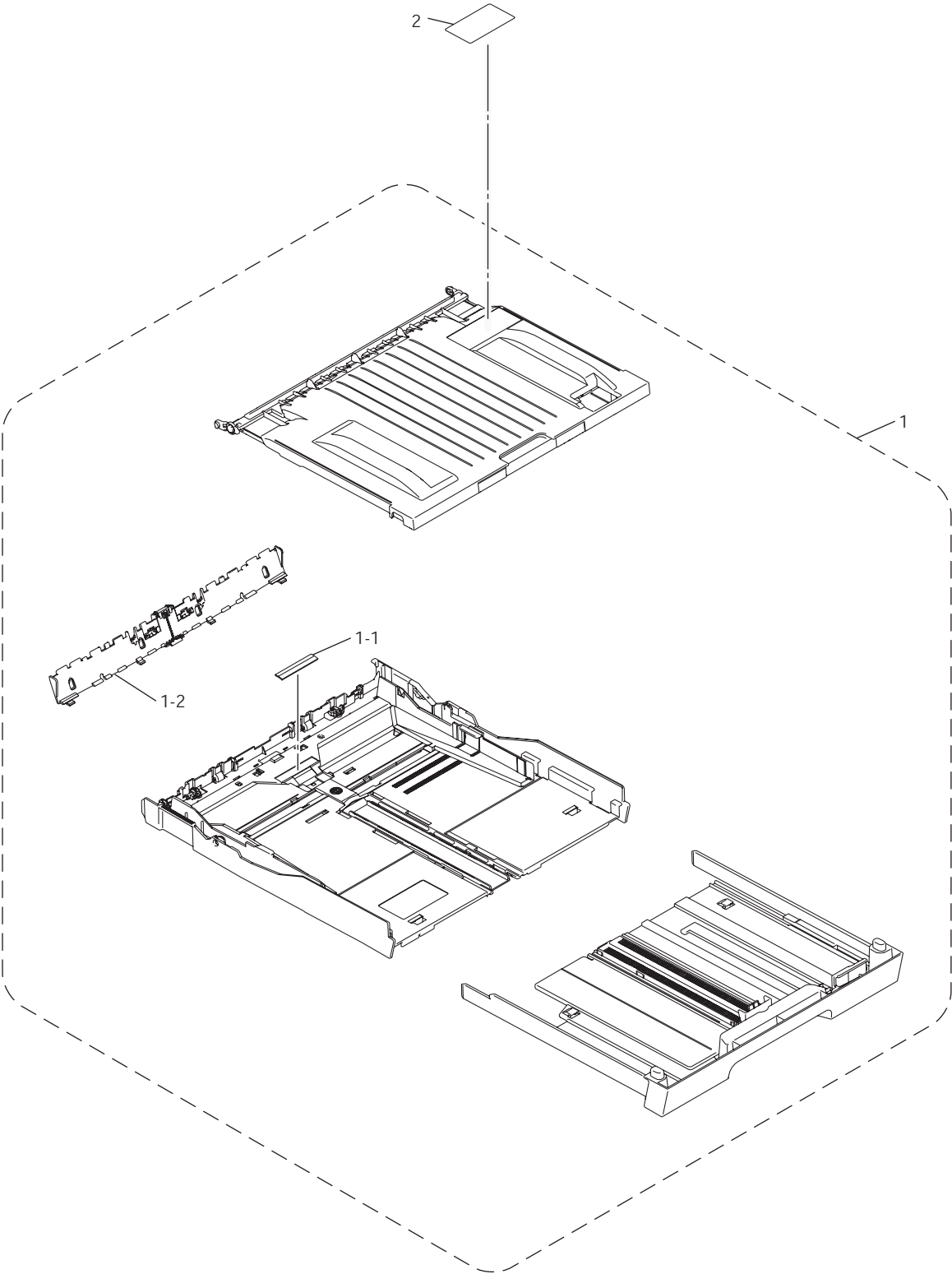
5 HEAD



List5(HEAD)

REF No.	CODE	Q'TY	DESCRIPTION	RECOMMEND	REMARKS
1	LK3197001	1	HEAD/CARRIAGE UNIT SUPPLY ASSY (without CARRIAGE PCB ASSY)		
1-1	LK3215001	1	PROTECTOR PARTS SUPPLY ASSY(SP)		

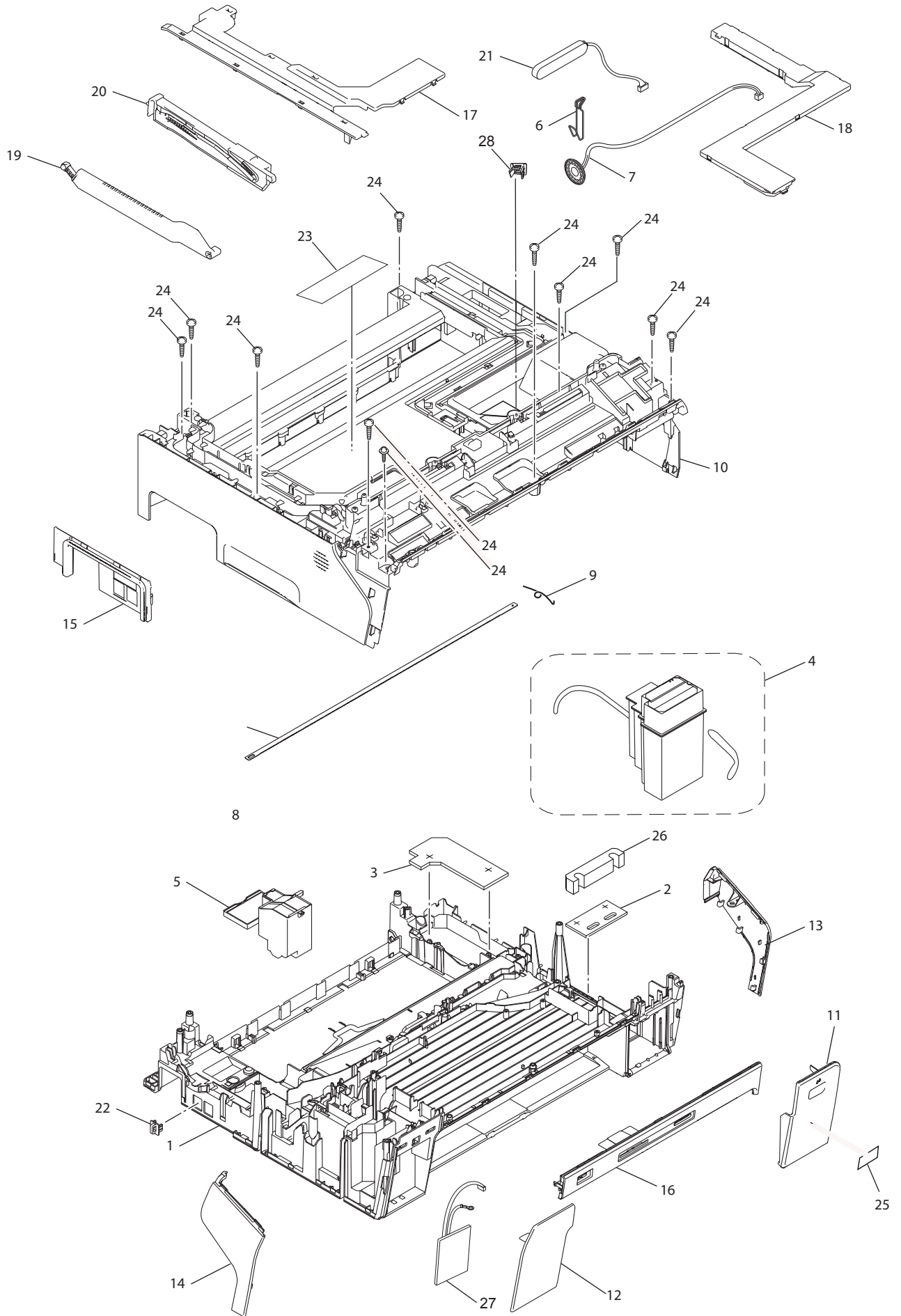
6 PAPER TRAY



List6(PAPER TRAY)

REF No.	CODE	Q'TY	DESCRIPTION	RECOMMEND	REMARKS
1	LS5890001	1	PAPER TRAY A3 ASSY(SP)		
1-1	LP1575001	1	BASE PAD		
1-2	LS4115001	1	BANK ASSY		
2	LS5475001	1	EXIT INSTRUCTION LABEL		

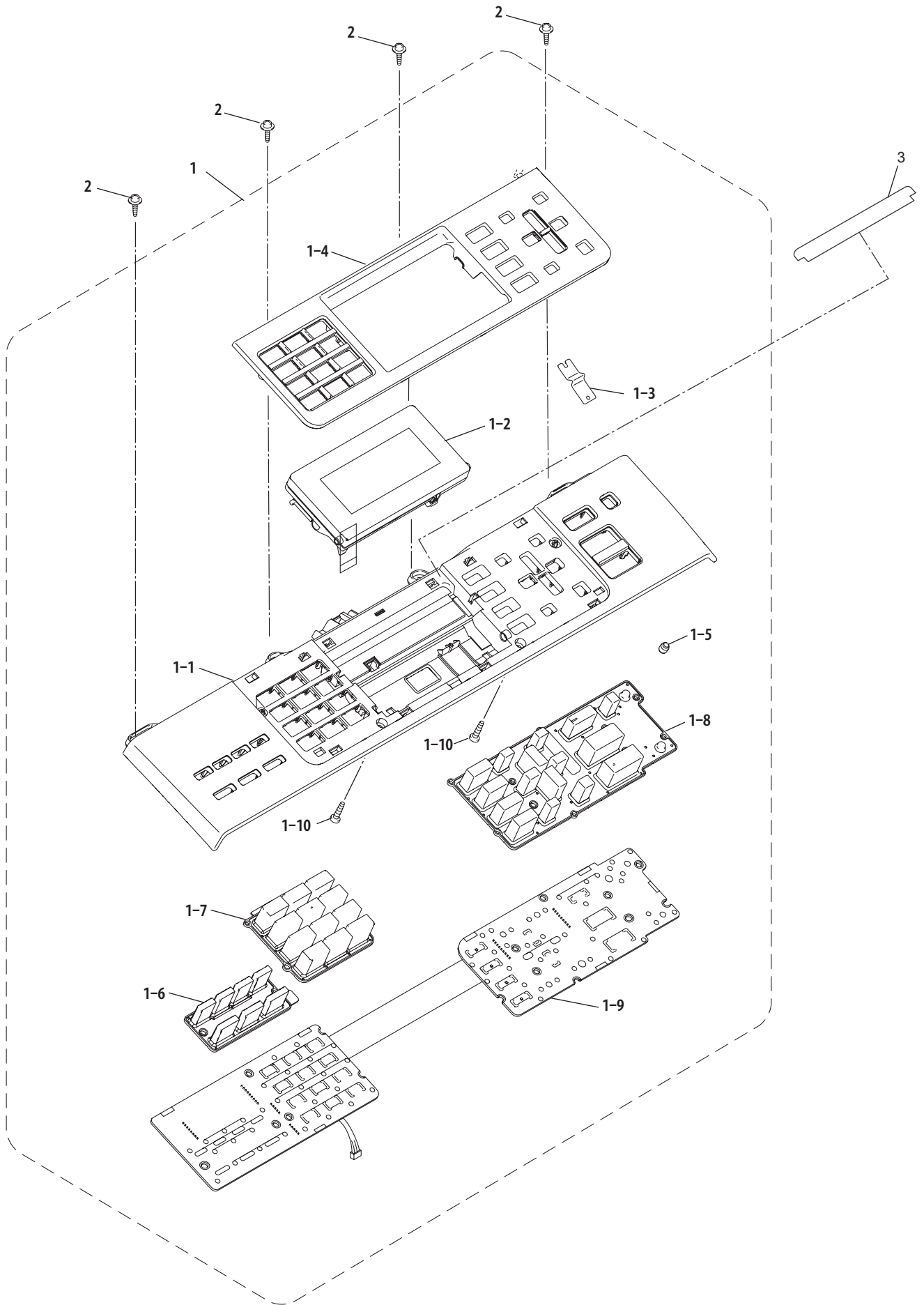
7 COVER



List7(COVER)

REF No.	CODE	Q'TY	DESCRIPTION	RECOMMEND	SYMBOL	REMARKS
1	LS5459001	1	LOWER COVER			
2	LS4699001	1	INK ABSORBER FELT			
3	LS4700001	1	INK FOAM M			
4	LX1372001	1	INK ABSORBER TUBE ASSY (SP)			CHG
5	LS4707001	1	FLUSHING BOX ASSY	√		
6	LS5462001	1	SPEAKER SPRING			
7	LT0375001	1	SPEAKER UNIT			
8	LS5901001	1	ENCODER GUARD FILM A3			
9	LS5902001	1	ENCODER GUARD SPRING			
10	LS5463005	1	UPPER COVER			
11	LS5464005	1	INK CARTRIDGE COVER			
12	LS5465005	1	FRONT COVER			
13	LS5466006	1	SIDE COVER R FOR MFC5890CN			
13	LS5466007	1	SIDE COVER R FOR MFC5895CW			
14	LS5467006	1	SIDE COVER L FOR MFC5890CN			
14	LS5467007	1	SIDE COVER L FOR MFC5895CW			
15	LS5468005	1	MJ SIDE COVER			
16	LS5469005	1	MEDIA MODULE COVER			
17	LS5471005	1	HARNESS COVER			
18	LS5472005	1	CIS FLAT CABLE COVER			
19	LS5455001	1	SCANNER COVER SUPPORT			
20	LS5457001	1	SCANNER COVER DAMPER			
21	LT0319001	1	BACKUP BATTERY EXCEPT FOR OCE			
21	LT0319002	1	BACKUP BATTERY FOR OCE			
22	LE8842001	1	EXT CAP			
			FOR US/CAN/NLD/CHE/SPA/POR/CHN/ASA/GNR/OCE/PND			
22	UF5745000	1	MJ COVER EXT FOR GER/UK/FRA/BEL/ITA			
23	LS6466001	1	ENCODER CAUTION LABEL			
24	085411216	11	TAPTITE BIND B M4X12			
25	LS5371001	1	INNOBELLA LABEL, MFC5890CN FOR US			
25	LX3721001	1	INNOBELLA LABEL, MFC5895CW FOR US			
25	LS5370001	1	INNOBELLA LABEL, MFC5890CN EXCEPT FOR US			
25	LX3722001	1	INNOBELLA LABEL, MFC5895CW EXCEPT FOR US			
26	LX6286001	1	INK ABSORBER FELT(INK ABSORBER BOX UPPER)			ADD
27	LT0962001	1	W-LAN PCB FOR MFC5895CW			
28	LY0872001	1	LAN PORT CAP			

8 PANEL



List8(PANEL)

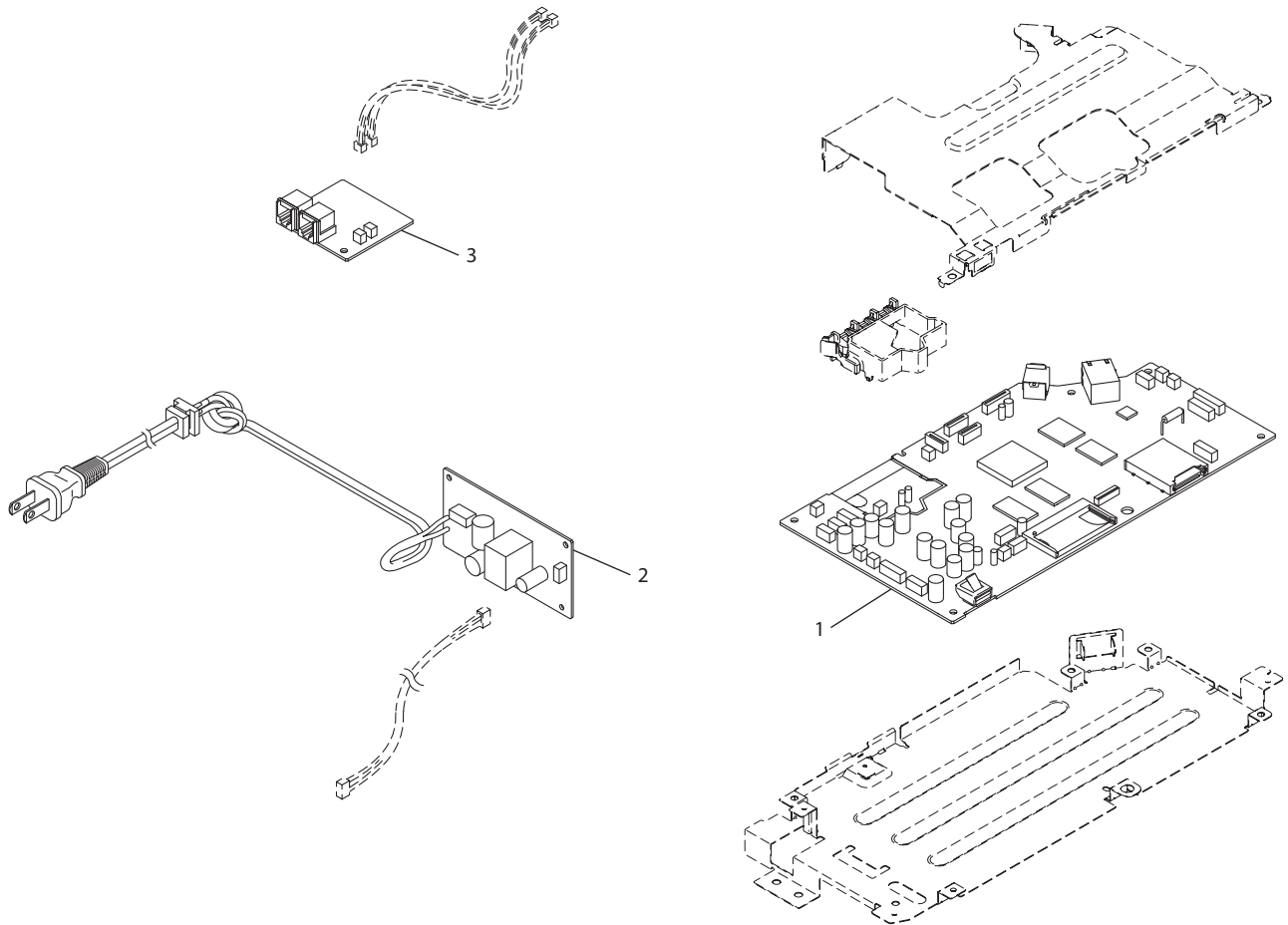
REF No.	CODE	QTY	DESCRIPTION	RECOMMEND	SYMBOL	REMARKS
1	LS5641001	1	CONTROL PANEL ASSY, MFC5890CN FOR US/CAN	√		
1	LX6857001	1	CONTROL PANEL ASSY, MFC5895CW FOR US/CAN	√		
1	LS6700001	1	CONTROL PANEL ASSY, MFC5890CN FOR GER	√		
1	LX7182001	1	CONTROL PANEL ASSY, MFC5895CW FOR GER	√		
1	LS5788001	1	CONTROL PANEL ASSY, MFC5890CN FOR UK/BEL/CHE	√		
1	LX6863001	1	CONTROL PANEL ASSY, MFC5895CW FOR UK/BEL/CHE/GNR	√		
1	LS6703001	1	CONTROL PANEL ASSY, MFC5890CN FOR FRA	√		
1	LX7185001	1	CONTROL PANEL ASSY, MFC5895CW FOR FRA	√		
1	LS6715001	1	CONTROL PANEL ASSY, MFC5890CN FOR NLD	√		
1	LX7506001	1	CONTROL PANEL ASSY, MFC5895CW FOR NLD	√		
1	LS6709001	1	CONTROL PANEL ASSY, MFC5890CN FOR SPA	√		
1	LX7188001	1	CONTROL PANEL ASSY, MFC5895CW FOR SPA	√		
1	LS6706001	1	CONTROL PANEL ASSY, MFC5890CN FOR ITA	√		
1	LX7191001	1	CONTROL PANEL ASSY, MFC5895CW FOR ITA	√		
1	LS6712001	1	CONTROL PANEL ASSY, MFC5890CN FOR POR	√		
1	LX7509001	1	CONTROL PANEL ASSY, MFC5895CW FOR POR	√		
1	LX0480001	1	CONTROL PANEL ASSY FOR CHN	√		
1	LX0318001	1	CONTROL PANEL ASSY FOR ASA/OCE	√		
1	LS6718001	1	CONTROL PANEL ASSY, MFC5890CN FOR PND	√		
1	LX7512001	1	CONTROL PANEL ASSY, MFC5895CW FOR PND	√		
1-1	LS5642001	1	CONTROL PANEL BASE, MFC5890CN FOR US/CAN			
1-1	LX6858001	1	CONTROL PANEL BASE, MFC5895CW FOR US/CAN			
1-1	LS6701001	1	CONTROL PANEL BASE, MFC5890CN FOR GER			
1-1	LX7183001	1	CONTROL PANEL BASE, MFC5895CW FOR GER			
1-1	LS5789001	1	CONTROL PANEL BASE, MFC5890CN FOR UK/BEL/CHE/PND			
1-1	LX6864001	1	CONTROL PANEL BASE, MFC5895CW FOR UK/BEL/CHE/GNR/PND			
1-1	LS6704001	1	CONTROL PANEL BASE, MFC5890CN FOR FRA			
1-1	LX7186001	1	CONTROL PANEL BASE, MFC5895CW FOR FRA			
1-1	LS6716001	1	CONTROL PANEL BASE, MFC5890CN FOR NLD			
1-1	LX7507001	1	CONTROL PANEL BASE, MFC5895CW FOR NLD			
1-1	LS6710001	1	CONTROL PANEL BASE, MFC5890CN FOR SPA			
1-1	LX7189001	1	CONTROL PANEL BASE, MFC5895CW FOR SPA			
1-1	LS6707001	1	CONTROL PANEL BASE, MFC5890CN FOR ITA			
1-1	LX7192001	1	CONTROL PANEL BASE, MFC5895CW FOR ITA			
1-1	LX0481001	1	CONTROL PANEL BASE FOR CHN			
1-1	LX0317001	1	CONTROL PANEL BASE FOR ASA/OCE			
1-1	LS6713001	1	CONTROL PANEL BASE, MFC5890CN FOR POR			
1-1	LX7510001	1	CONTROL PANEL BASE, MFC5895CW FOR POR			
1-2	LS5643001	1	COLOR LCD UNIT FOR MFC5890CN			
1-2	LX6859001	1	COLOR LCD UNIT FOR MFC5895CW			
1-3	LS4760001	1	LATCH SPRING			
1-4	LS5645001	1	PRINTED PANEL PLATE, MFC5890CN FOR US/CAN			
1-4	LX6871001	1	PRINTED PANEL PLATE, MFC5895CW FOR US/CAN			
1-4	LS6702001	1	PRINTED PANEL PLATE, MFC5890CN FOR GER			
1-4	LX7184001	1	PRINTED PANEL PLATE, MFC5895CW FOR GER			
1-4	LS5790001	1	PRINTED PANEL PLATE, MFC5890CN FOR UK/BEL/CHE/ASA/OCE			
1-4	LX6872001	1	PRINTED PANEL PLATE, MFC5895CW FOR UK/BEL/CHE/GNR			
1-4	LS6705001	1	PRINTED PANEL PLATE, MFC5890CN FOR FRA			
1-4	LX7187001	1	PRINTED PANEL PLATE, MFC5895CW FOR FRA			
1-4	LS6717001	1	PRINTED PANEL PLATE, MFC5890CN FOR NLD			
1-4	LX7508001	1	PRINTED PANEL PLATE, MFC5895CW FOR NLD			
1-4	LS6711001	1	PRINTED PANEL PLATE, MFC5890CN FOR SPA			
1-4	LX7190001	1	PRINTED PANEL PLATE, MFC5895CW FOR SPA			
1-4	LS6708001	1	PRINTED PANEL PLATE, MFC5890CN FOR ITA			
1-4	LX7193001	1	PRINTED PANEL PLATE, MFC5895CW FOR ITA			
1-4	LS6714001	1	PRINTED PANEL PLATE, MFC5890CN FOR POR			
1-4	LX7511001	1	PRINTED PANEL PLATE, MFC5895CW FOR POR			
1-4	LX0607001	1	PRINTED PANEL PLATE FOR CHN			
1-4	LS6719001	1	PRINTED PANEL PLATE, MFC5890CN FOR PND			
1-4	LX7513001	1	PRINTED PANEL PLATE, MFC5895CW FOR PND			
1-5	LS5810001	1	FRONT COVER SENSOR RUBBER			
1-6	LS4742001	1	PRINTED RUBBER KEY FUNCTION FOR MFC5890CN			
1-6	LX6861001	1	PRINTED RUBBER KEY FUNCTION FOR MFC5895CW			
1-7	LS4744001	1	PRINTED RUBBER KEY TEN FOR MFC5890CN			
1-7	LS4744002	1	PRINTED RUBBER KEY TEN FOR MFC5895CW			
1-8	LS5646001	1	PRINTED RUBBER KEY STEP FOR MFC5890CN			
1-8	LX6862001	1	PRINTED RUBBER KEY STEP FOR MFC5895CW			
1-9	LT0452001	1	CONTROL PANEL PCB ASSY			

B53K985

List8(PANEL)

REF No.	CODE	QTY	DESCRIPTION	RECOMMEND	SYMBOL	REMARKS
1-10	085310816	2	TAPTITE BIND B M3X8			
2	087311016	4	TAPTITE CUP B M3X10			
3	LS6303001	1	LCD BACK FILM FOR MFC5890CN			ADD

9 PCB

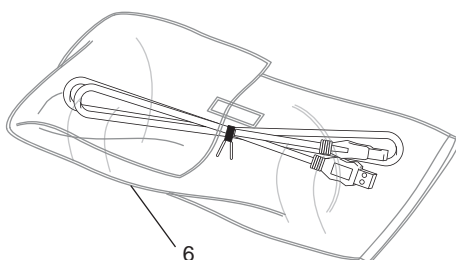
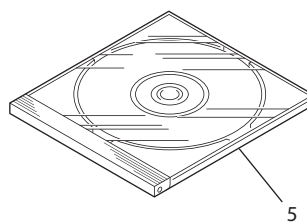
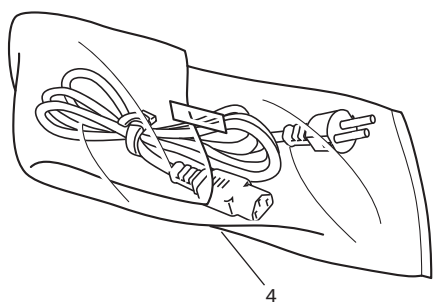
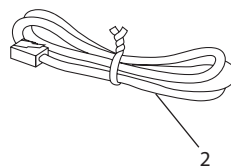
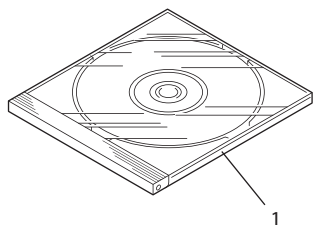


List9(PCB)

REF No.	CODE	Q'TY	DESCRIPTION	RECOMMEND	SYMBOL	REMARKS
1	LT0313012	1	MAIN PCB ASSY, MFC5890CN FOR US*	√	B53K959	
1	LT1363052	1	MAIN PCB ASSY, MFC5895CW FOR US*	√	B53K959	
1	LT0313011	1	MAIN PCB ASSY, MFC5890CN FOR US/CAN/GER/UK/FRA/BEL/NLD/CHE/SPA/ITA/POR/ CHN/ASA/OCE/PND	√	B53K959	
1	LT1363051	1	MAIN PCB ASSY FOR MFC5895CW	√	B53K959	
4	LT0313015	4	MAIN PCB ASSY, MFC5890CN FOR CHN	√	B53K959	DEL
2	LT0416001	1	POWER SUPPLY PCB ASSY (INCLUDING AC CORD), FOR US/CAN	√		
2	LT0485001	1	POWER SUPPLY PCB ASSY (EXCLUDING AC CORD), EXCEPT FOR US/CAN/CHN/ASA	√		
2	LT0586001	1	POWER SUPPLY PCB ASSY (EXCLUDING AC CORD), FOR	√		
2	LT0660001	1	POWER SUPPLY PCB ASSY (EXCLUDING AC CORD), FOR ASA	√		
3	LT0405001	1	MJ PCB ASSY FOR US/CAN/CHN/ASA/OCE	√	B53K967	
3	LT0405004	1	MJ PCB ASSY EXCEPT FOR US/CAN/CHN/ASA/OCE	√	B53K967	

*: First 3-months production only

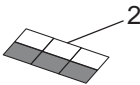
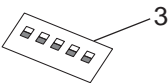
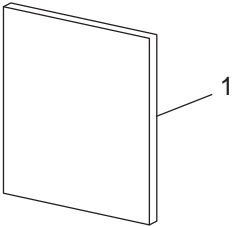
10 ACCESSORIES



List10(Accessories)

REF No.	CODE	QTY	DESCRIPTION	RECOMMEND	REMARKS
1	LS5033001	1	CD-ROM ASSY, MFC5890CN FOR US/CAN		
1	LX7057001	1	CD-ROM ASSY (Windows), MFC5895CW FOR US/CAN		
1	LX7058001	1	CD-ROM ASSY (Macintosh), MFC5895CW FOR US/CAN		
1	LS5094001	1	CD-ROM ASSY, MFC5890CN FOR GER/UK/FRA/CHE/ASA/OCE		
1	LX7214001	1	CD-ROM ASSY (Windows), MFC-5895CW FOR GER/UK/FRA/CHE		
1	LX7216001	1	CD-ROM ASSY (Macintosh), MFC5895CW FOR GER/UK/FRA/SPA/ITA		
1	LS5096001	1	CD-ROM ASSY, MFC5890CN FOR BEL/NLD		
1	LX7527001	1	CD-ROM ASSY (Windows), MFC5895CW FOR BEL/NLD		
1	LX7531001	1	CD-ROM ASSY (Macintosh), MFC5895CW FOR BEL/NLD/CHE/POR/GNR/PND		
1	LS5303001	1	CD-ROM ASSY, MFC5890CN FOR CHN		
1	LS5095001	1	CD-ROM ASSY, MFC5890CN FOR SPA/ITA/POR		
1	LX7215001	1	CD-ROM ASSY (Windows), MFC5895CW FOR SPA/ITA/POR		
1	LX7529001	1	CD-ROM ASSY (Windows), MFC5895CW FOR GNR		
1	LX7530001	1	CD-ROM ASSY (Windows), MFC5895CW FOR GNR		
1	LS5097001	1	CD-ROM ASSY (Windows), MFC5890CN FOR PND		
1	LX7528001	1	CD-ROM ASSY (Windows), MFC5895CW FOR PND		
1	LS6119001	1	CD-ROM ASSY (Macintosh), MFC5890CN FOR PNC		
2	UG3625001	1	TELEPHONE LINE CORD GER FOR GER		
2	UG3626001	1	TELEPHONE LINE CORD UK6P FOR UK		
2	LG3077001	1	TELEPHONE LINE CORD CSA FOR US/CAN/UK/NLD/SPA/POR/CHN/ASA/GNR/OCE		
2	UG3627001	1	TELEPHONE LINE CORD FRA FOR FRA		
2	UG1575001	1	TELEPHONE LINE CORD BEL FOR BEL		
2	LG7202001	1	TELEPHONE LINE CORD SWI FOR CHE		
2	UG3634001	1	TELEPHONE LINE CORD ITA FOR ITA		
2	UG3290001	1	TELEPHONE LINE CORD NZ FOR OCE		
2	LG5827001	1	TELEPHONE LINE CORD RJ45 FOR PND		
(3)	LG3622001	1	TELEPHONE PLUG DUT FOR NLD		
(3)	LG6573001	1	TELEPHONE PLUG ARL FOR OCE		chg
(3)	LG5830001	1	TELEPHONE PLUG SWE FOR PND		
(3)	LG5829001	1	TELEPHONE PLUG FIN FOR PND		
(3)	LG5828001	1	TELEPHONE PLUG DEN FOR PND		
4	LG5717001	1	AC CORD BAG ASSY LF VDE		
4	LG5732001	1	AC CORD BAG ASSY LF SEV		
4	LG5692001	1	AC CORD BAG ASSY LF UK		
4	LG5736001	1	AC CORD BAG ASSY LF DEMKO		
4	LG5734001	1	AC CORD BAG ASSY LF SAA		
4	LT1404001	1	AC DORD BAG ASSY LF CCC 60227		CHG
5	LX3172001	1	CD-ROM ASSY, MFC5890CN FOR US/CAN (Windows7)		add
5	LX3173001	1	CD-ROM ASSY, MFC5890CN FOR GER/UK/FRA/CHE/ASA/OCE (Windows7)		add
5	LX3174001	1	CD-ROM ASSY, MFC5890CN FOR SPA/ITA/POR (Windows7)		add
5	LX3175001	1	CD-ROM ASSY, MFC5890CN FOR BEL/NLD (Windows7)		add
5	LX3176001	1	CD-ROM ASSY, MFC5890CN FOR PND (Windows7)		add
5	LX3178001	1	CD-ROM ASSY, MFC5890CN FOR CHN (Windows7)		add
6	LP0001001	1	USB CABLE 2.0		

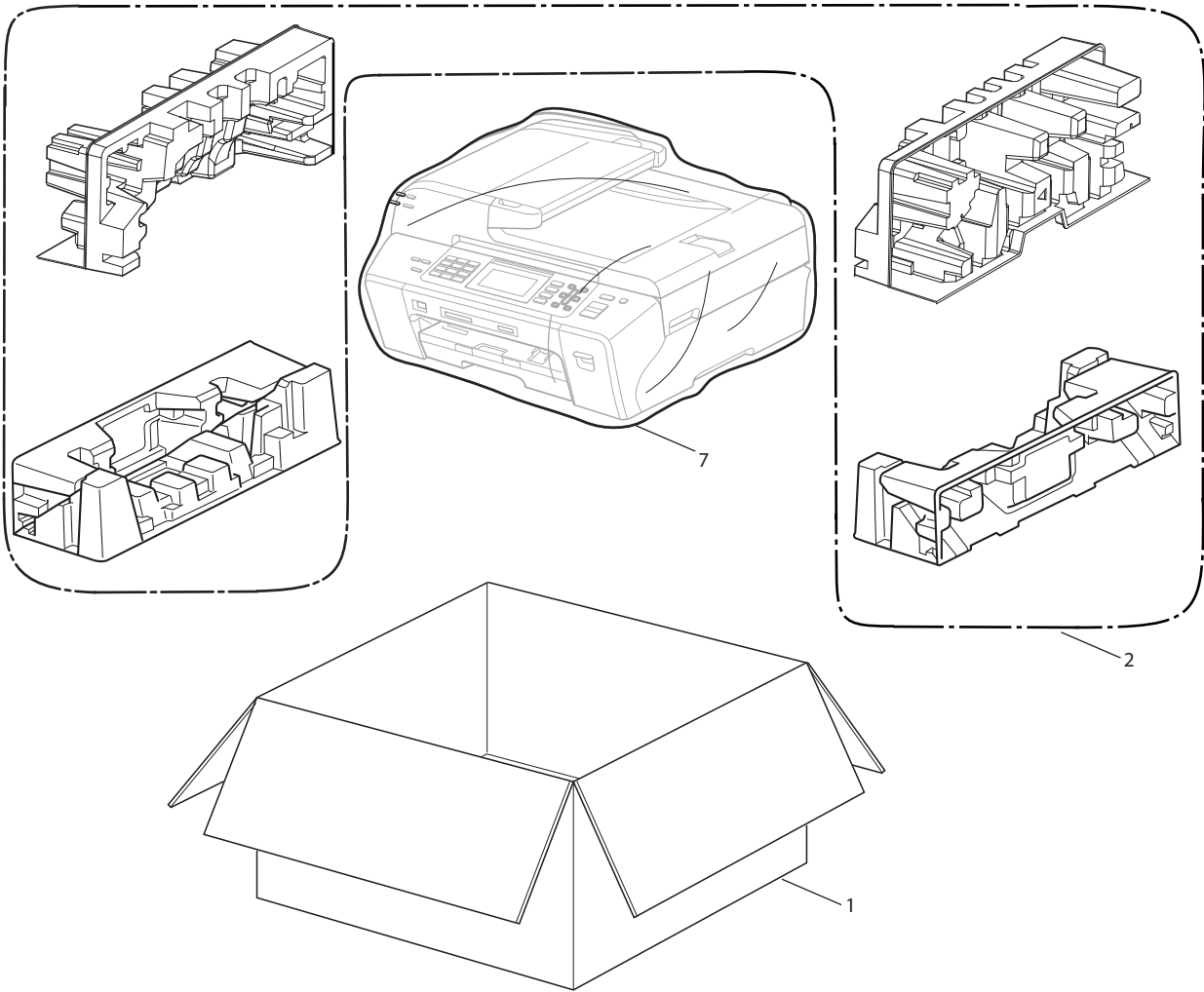
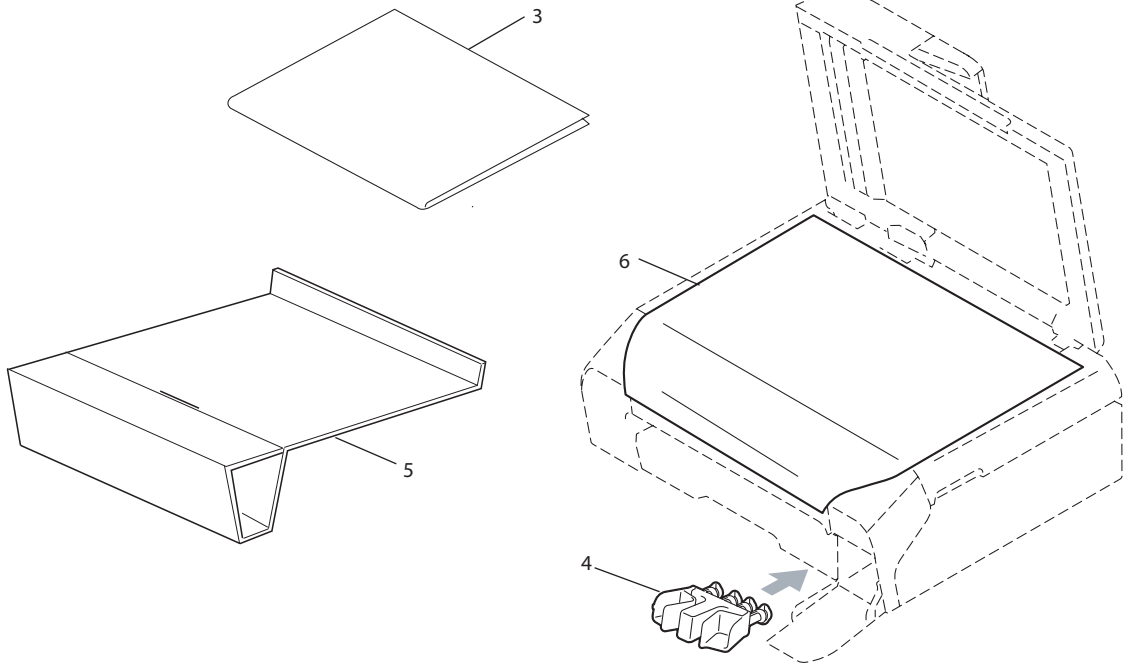
11 PRINTED MATERIALS



List11(PRINTED MATERIALS)

REF No.	CODE	QTY	DESCRIPTION	RECOMMEND	REMARKS
1	LS6555001	1	USER'S GUIDE, MFC5890CN FOR US/CAN (ENGLISH)		
1	LX7054001	1	USER'S GUIDE, MFC5895CW FOR US/CAN (ENGLISH)		
4	LS6555002	4	USER'S GUIDE, MFC5890CN FOR CAN (FRENCH)		DEL
1	LX7054002	1	USER'S GUIDE, MFC5890CN/MFC5895CW FOR CAN (FRENCH)		
4	LS6734003	4	USER'S GUIDE, MFC5890CN FOR GER		DEL
1	LX7196003	1	USER'S GUIDE, MFC5890CN/MFC5895CW FOR GER		
4	LS6734004	4	USER'S GUIDE, MFC5890CN FOR UK		DEL
1	LX7196004	1	USER'S GUIDE, MFC5890CN/MFC5895CW FOR UK		
4	LS6734005	4	USER'S GUIDE, MFC5890CN FOR FRA		DEL
1	LX7196005	1	USER'S GUIDE, MFC5890CN/MFC5895CW FOR FRA		
4	LS6734008	4	USER'S GUIDE, MFC5890CN FOR BEL (DUTCH)		DEL
1	LX7196008	1	USER'S GUIDE, MFC5890CN/MFC5895CW FOR BEL (DUTCH)		
4	LS6734058	4	USER'S GUIDE, MFC5890CN FOR BEL/CHE (FRENCH)		DEL
1	LX7196058	1	USER'S GUIDE, MFC5890CN/MFC5895CW FOR BEL/CHE (FRENCH)		
4	LS6734009	4	USER'S GUIDE, MFC5890CN FOR NLD		DEL
1	LX7196009	1	USER'S GUIDE, MFC5890CN/MFC5895CW FOR NLD		
4	LS6734010	4	USER'S GUIDE, MFC5890CN FOR CHE (GERMAN)		DEL
1	LX7196010	1	USER'S GUIDE, MFC5890CN/MFC5895CW FOR CHE (GERMAN)		
1	LX7196016	1	USER'S GUIDE, MFC5890CN/MFC5895CW FOR CHE/ITA (ITALIAN)		
4	LS6734034	4	USER'S GUIDE, MFC5890CN FOR SPA		DEL
1	LX7196015	1	USER'S GUIDE, MFC5890CN/MFC5895CW FOR SPA		
4	LS6734016	4	USER'S GUIDE, MFC5890CN FOR ITA		DEL
4	LS6734018	4	USER'S GUIDE, MFC5890CN FOR POR		DEL
1	LX7196018	1	USER'S GUIDE, MFC5890CN/MFC5895CW FOR POR		
1	LX0486020	1	USER'S GUIDE, MFC5890CN FOR CHN		
1	LS6734040	1	USER'S GUIDE, MFC5890CN FOR ASA/OCE		
4	LS6744007	4	USER'S GUIDE, MFC5890CN FOR PND (NORWEGIAN/SWEDISH)		DEL
1	LX7520007	1	USER'S GUIDE, MFC5890CN/MFC5895CW FOR PND (NORWEGIAN/SWEDISH)		
4	LS6744013	4	USER'S GUIDE, MFC5890CN FOR PND (FINNISH/DANISH)		DEL
1	LX7520013	1	USER'S GUIDE, MFC5890CN/MFC5895CW FOR PND (FINNISH/DANISH)		
2	LS5575001	1	ADDRESS LABEL		
3	LS6454001	1	FRENCH SEAL, MFC5890CN FOR CAN		
3	LX7062001	1	FRENCH SEAL, MFC5895CW FOR CAN		

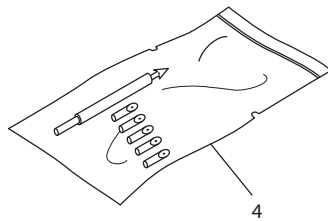
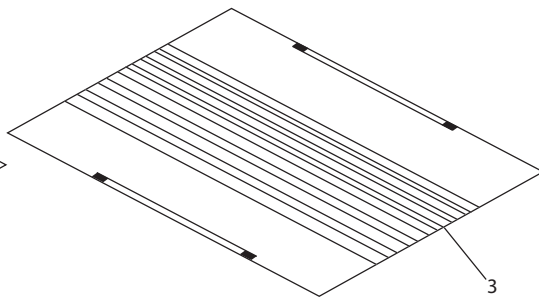
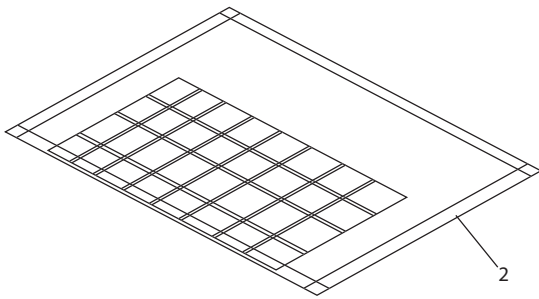
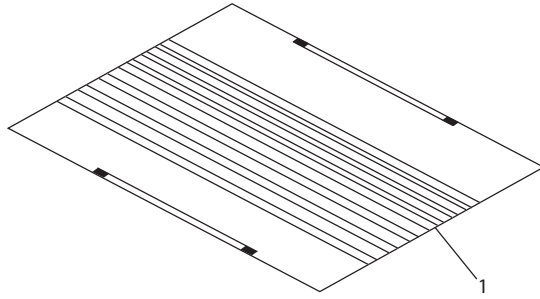
12 PACKAGING



List12(PACKAGING)

REF No.	CODE	QTY	DESCRIPTION	RECOMMEND	REMARKS
1	LS6456001	1	CARTON BROTHER, MFC5890CN FOR US	√	
1	LX7055001	1	CARTON BROTHER, MFC5895CW FOR US	√	
1	LS6457001	1	CARTON BROTHER, MFC5890CN FOR CAN	√	
1	LX7060001	1	CARTON BROTHER, MFC5895CW FOR CAN	√	
1	LS6750001	1	CARTON BROTHER, MFC5890CN FOR GER/CHE	√	
1	LX7201001	1	CARTON BROTHER, MFC5895CW FOR GER/CHE	√	
1	LS6751001	1	CARTON BROTHER, MFC5890CN FOR UK/PND	√	
1	LX7202001	1	CARTON BROTHER, MFC5895CW FOR UK/GNR/PND	√	
1	LS6752001	1	CARTON BROTHER, MFC5890CN FOR FRA/BEL/NLD	√	
1	LX7203001	1	CARTON BROTHER, MFC5895CW FOR FRA/BEL/NLD	√	
1	LS6753001	1	CARTON BROTHER, MFC5890CN FOR SPA/ITA/POR	√	
1	LX7204001	1	CARTON BROTHER, MFC5895CW FOR SPA/ITA/POR	√	
1	LS6793001	1	CARTON BROTHER, MFC5890CN FOR CHN	√	
1	LX0246001	1	CARTON BROTHER, MFC5890CN FOR ASA/OCE	√	
2	LS5660001	1	PULP CUSHION ASSY		
3	LS6560001	1	QUICK SETUP GUIDE, MFC5890CN FOR US/CAN (ENGLISH)		
3	LX7056001	1	QUICK SETUP GUIDE, MFC5895CW FOR US/CAN (ENGLISH)		
3	LS6560002	1	QUICK SETUP GUIDE, MFC5890CN FOR CAN (FRENCH)		
3	LX7056002	1	QUICK SETUP GUIDE, MFC5895CW FOR CAN (FRENCH)		
3	LS6774003	1	QUICK SETUP GUIDE, MFC5890CN FOR GER		
3	LX7210003	1	QUICK SETUP GUIDE, MFC5895CW FOR GER		
3	LS6774004	1	QUICK SETUP GUIDE, MFC5890CN FOR UK		
3	LX7210004	1	QUICK SETUP GUIDE, MFC5895CW FOR UK		
3	LS6774005	1	QUICK SETUP GUIDE, MFC5890CN FOR FRA		
3	LX7210005	1	QUICK SETUP GIODE, MFC5895CW FOR FRA		
3	LS6774008	1	QUICK SETUP GUIDE, MFC5890CN FOR BEL (DUTCH)		
3	LX7210008	1	QUICK SETUP GUIDE, MFC5895CW FOR BEL (DUTCH)		
3	LS6774058	1	QUICK SETUP GUIDE, MFC5890CN FOR BEL/CHE (FRENCH)		
3	LX7210058	1	QUICK SETUP GUIDE, MFC5895CW FOR BEL/CHE (FRENCH)		
3	LS6774009	1	QUICK SETUP GUIDE, MFC5890CN FOR NLD		
3	LX7210009	1	QUICK SETUP GUIDE, MFC5895CW FOR NLD		
3	LS6774010	1	QUICK SETUP GUIDE, MFC5890CN FOR CHE (GERMAN)		
3	LS6774016	1	QUICK SETUP GUIDE, MFC5890CN FOR CHE/ITA (ITALIAN)		
3	LX7210010	1	QUICK SETUP GUIDE, MFC5895CW FOR CHE (GERMAN)		
3	LX7210016	1	QUICK SETUP GUIDE, MFC5895CW FOR CHE/ITA (ITALIAN)		
3	LS6774015	1	QUICK SETUP GUIDE, MFC5890CN FOR SPA		
3	LX7210015	1	QUICK SETUP GUIDE, MFC5895CW FOR SPA		
3	LS6774018	1	QUICK SETUP GUIDE, MFC5890CN FOR POR		
3	LX7210018	1	QUICK SETUP GUIDE, MFC5895CW FOR POR		
3	LX0503020	1	QUICK SETUP GUIDE, MFC5890CN FOR CHN		
3	LS6774040	1	QUICK SETUP GUIDE, MFC5890CN FOR ASA/OCE		
3	LX7210037	1	QUICK SETUP GUIDE, MFC5895CW FOR GNR (CZECH)		
3	LX7210059	1	QUICK SETUP GUIDE, MFC5895CW FOR GNR (HUNGARIAN)		
3	LS6774007	1	QUICK SETUP GUIDE, MFC5890CN FOR PND (NORWEGIAN)		
3	LX7210007	1	QUICK SETUP GUIDE, MFC5895CW FOR PND (NORWEGIAN)		
3	LS6774012	1	QUICK SETUP GUIDE, MFC5890CN FOR PND (FINNISH)		
3	LS6774013	1	QUICK SETUP GUIDE, MFC5890CN FOR PND (DANISH)		
3	LX7210013	1	QUICK SETUP GUIDE, MFC5895CW FOR PND (DANISH)		
3	LS6774026	1	QUICK SETUP GUIDE, MFC5890CN FOR PND (SWEDISH)		
4	LK4424001	1	PROTECT CTG SUPPLY ASSY(SP)		
5	LS5665001	1	ACCESSORIES SHEET		
(5)	LS6127001	1	ACCESSORIES SHEET, MFC5895CW FOR CAN		add
6	LS2119001	1	SHEET 420X450		
7	LS6863001	1	BAG 1000X850H		

13 OTHERS



List13(OTHERS)

REF No.	CODE	Q'TY	DESCRIPTION	RECOMMEND	REMARKS
1	UF8263001	1	TEST CHART-027		
2	UF9258001	1	COLOR TEST CHART CTC-001		
3	UF4600001	1	CONTRAST CHART TC-023		
4	ZA0310001	1	HEAD CLEANER STICK ASSY		