

Thank you for choosing Brother, your support is important to us and we value your business. Your Brother product is engineered and manufactured to the highest standards to deliver reliable performance, day-in and day-out.


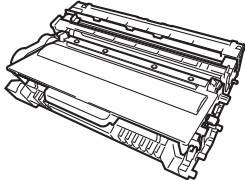
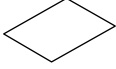
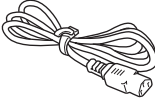

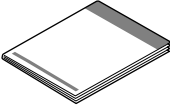


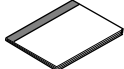
Please read the Product Safety Guide first, then read this Quick Setup Guide for the correct setup and installation procedure.

To view the Quick Setup Guide in other languages, please visit <http://solutions.brother.com/>.

**Note**

Not all models are available in all countries.

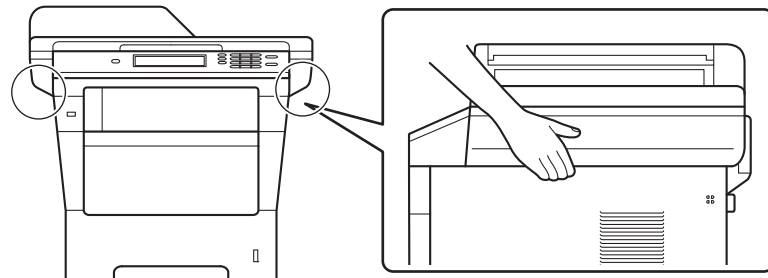
1**Unpack the machine and check the components**

	 <p>Drum Unit and Toner Cartridge Assembly (pre-installed)</p>	 <p>Product Registration Sheet (USA only)</p>
 <p>AC Power Cord</p>	 <p>Installer CD-ROM</p>	 <p>Quick Setup Guide</p>
 <p>Telephone Line Cord</p>	 <p>Product Safety Guide</p>	 <p>Basic User's Guide</p>

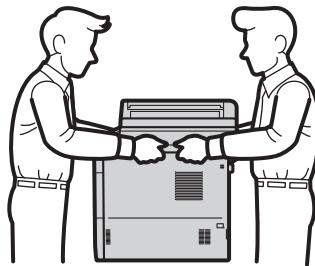
⚠ WARNING	WARNING indicates a potentially hazardous situation which, if not avoided, could result in death or serious injuries.
⚠ CAUTION	CAUTION indicates a potentially hazardous situation which, if not avoided, may result in minor or moderate injuries.

⚠ WARNING

- Plastic bags are used in the packing of your machine. Plastic bags are not toys. To avoid the danger of suffocation, keep these bags away from babies and children and dispose of them correctly.
- When moving the machine, grasp the side handholds firmly from the front of the machine. The side handholds are located under the scanner. **DO NOT** carry the machine by holding it at the bottom.



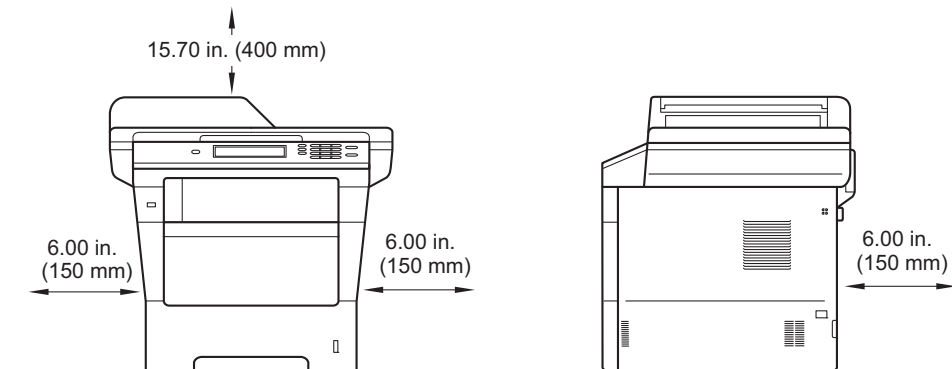
- This machine is heavy and weighs more than 39.7 lb. (18.0 kg) including paper. To prevent possible injuries at least two people should lift the machine by holding it from the front and back.



- If you use a Lower Tray, **DO NOT** carry the machine with the Lower Tray as you may be injured or cause damage to the machine because it is not attached to the Lower Tray.

 **Note**

- Keep a minimum gap around the machine as shown in the illustration.



- The components included in the box may differ depending on your country.
- We recommend that you save the original packaging.
- If for any reason you must ship your machine, carefully repack the machine in the original packaging to avoid any damage during transit. The machine should be adequately insured with the carrier. For how to repack the machine, see *Packing and shipping the machine* in the *Advanced User's Guide*.
- Illustrations in this Quick Setup Guide are based on the MFC-8950DW.
- The interface cable is not a standard accessory. Buy the appropriate interface cable for the connection you want to use (USB or Network).

USB cable

- It is recommended to use a USB 2.0 cable (Type A/B) that is no longer than 6 feet (2 meters).
- DO NOT connect the interface cable at this time. Connecting the interface cable is done during the MFL-Pro Suite installation process.

Network cable

Use a straight-through Category 5e (or greater) Shielded Twisted-Pair (STP) cable for 10BASE-T, 100BASE-TX Fast Ethernet Network or 1000BASE-T Gigabit Ethernet Network. When you connect the machine to a Gigabit Ethernet Network, use network devices complying with 1000BASE-T.

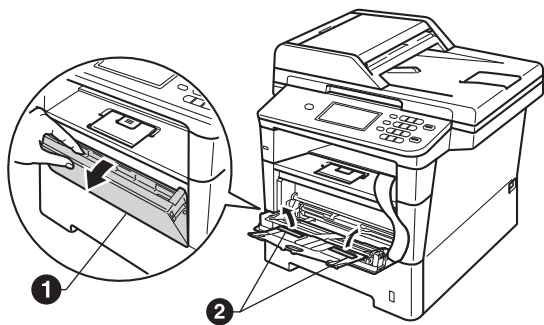
2 Remove the packing material from the machine

⚠ Important

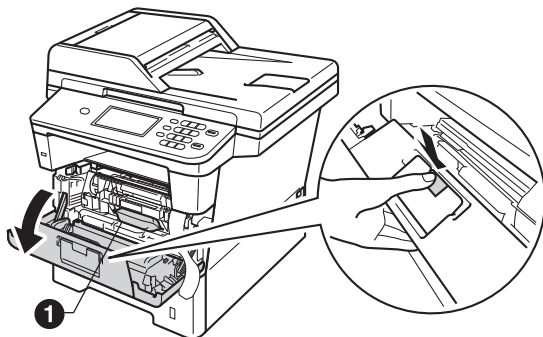
DO NOT connect the AC power cord yet.

a Remove the packing tape from the outside of the machine and the film covering the scanner glass.

b Open the MP tray ①, and remove the packing tape ② from the MP tray support, then close the MP tray.



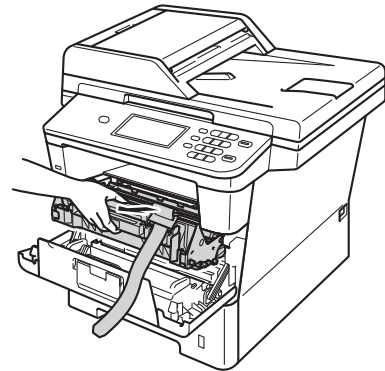
c Press the front cover release button and open the front cover. Remove the silica gel pack ①.



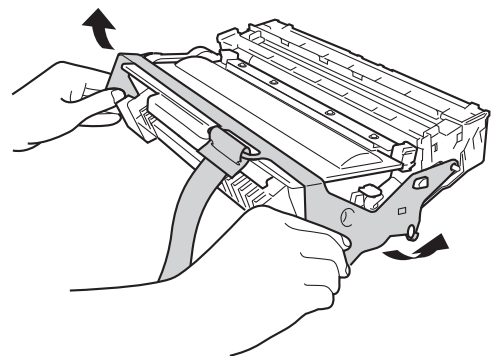
⚠ CAUTION

DO NOT eat the silica gel pack. Please throw away. If ingested, seek medical attention immediately.

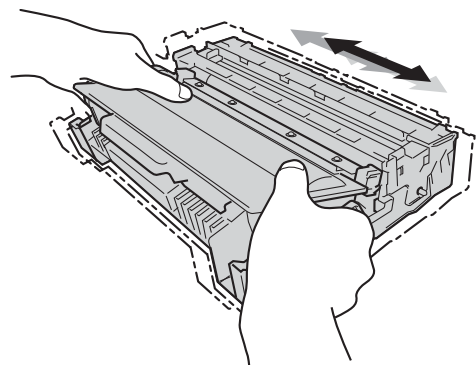
d Take out the drum unit and toner cartridge assembly.



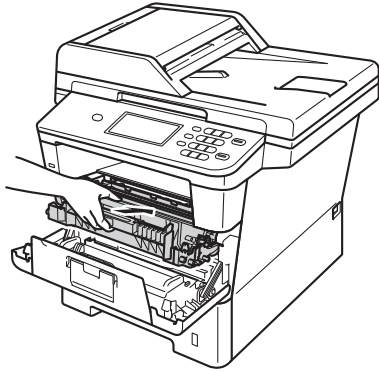
e Remove the orange protective material from the drum unit and toner cartridge assembly.



f Hold the drum unit and toner cartridge assembly level with both hands and gently shake it from side to side several times to distribute the toner evenly inside the cartridge.



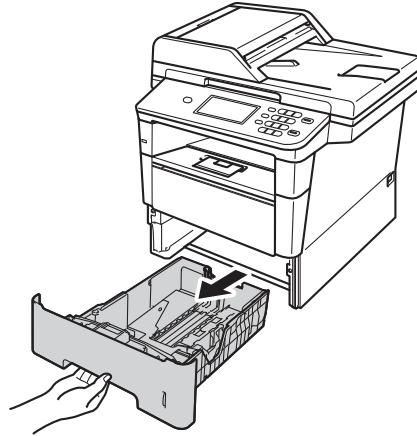
- g** Put the drum unit and toner cartridge assembly firmly back in the machine.



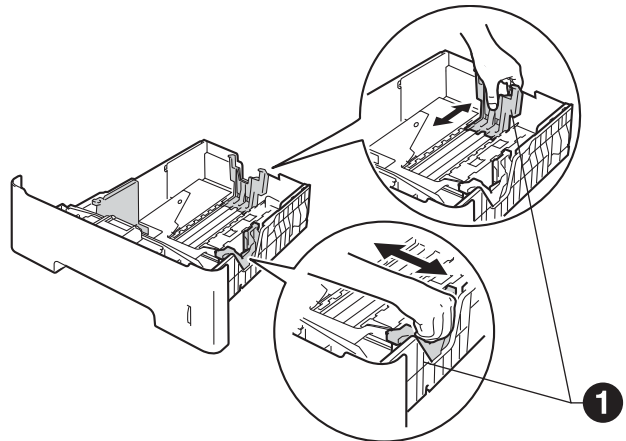
- h** Close the front cover of the machine.

3 Load paper in the paper tray

- a** Pull the paper tray completely out of the machine.



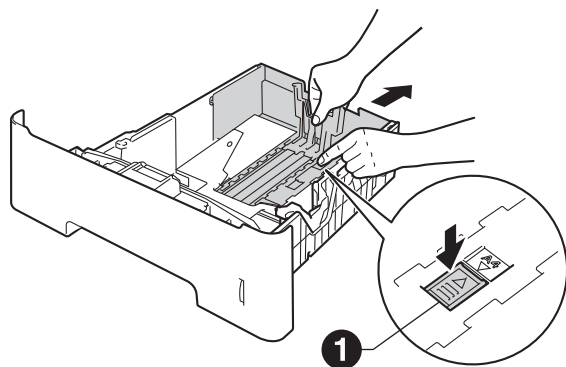
- b** While pressing the green paper-guide release lever **1**, slide the paper guides to fit the paper size you are loading in the tray. Make sure that the guides are firmly in the slots.



Note

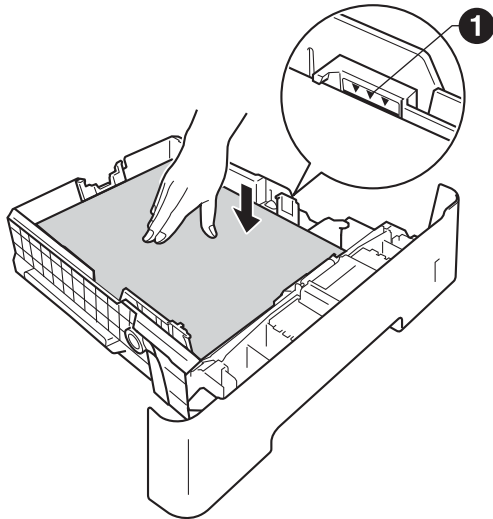
For Legal or Folio size paper, press the release button **1** in the bottom of the paper tray and then pull out the back of the paper tray.

(Legal or Folio size paper are not available in some regions.)



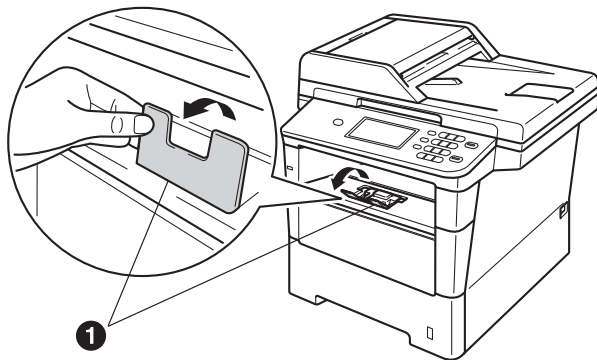
c Fan the stack of paper well to avoid paper jams and misfeeds.


- d** Put the paper in the tray and make sure:
- The paper is below the maximum paper mark (▼▼▼) ❶.
- Over filling the paper tray will cause paper jams.
- The side to be printed on is face down.
 - The paper guides touch the sides of the paper so it will feed properly.



e Put the paper tray firmly back in the machine. Make sure that it is completely inserted into the machine.

f Lift up the support flap ❶ to prevent paper from sliding off the face-down output tray.



 For more information about recommended paper, see *Recommended paper and print media* in the *Basic User's Guide*.

4 Connect the power cord and telephone line

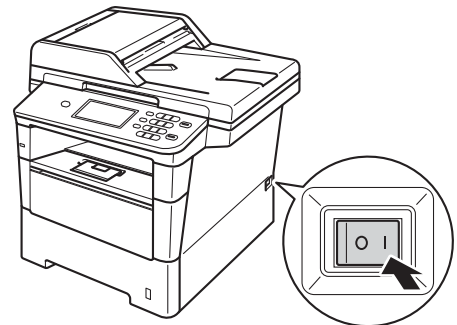
❗ Important

DO NOT connect the interface cable yet.



a Connect the AC power cord to the machine and then plug it into an AC power outlet.

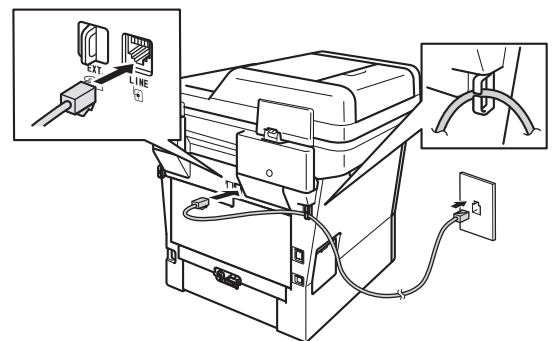
b Turn the machine's power switch on.



❗ Important

DO NOT touch the Touchscreen immediately after plugging in the power cord or turning the machine on. Doing this may cause an error.

c Connect the telephone line cord. Connect one end of the telephone line cord to the jack on the machine marked **LINE** and the other end to a modular wall jack.



❗ Important

The telephone line cord **MUST** be connected to the jack on the machine marked **LINE**.

⚠ WARNING

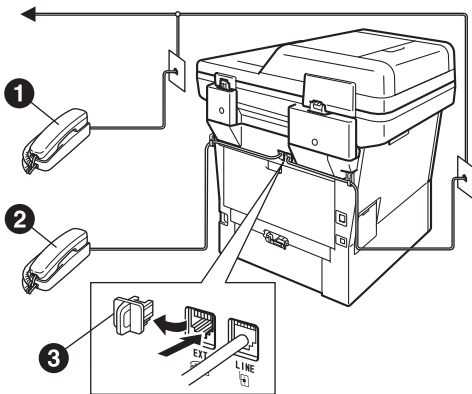
The machine must be grounded using a 3-prong plug.

Since the machine is grounded through the power outlet, you can protect yourself from potentially hazardous electrical conditions on the telephone network by keeping the power cord connected to your machine when you connect it to a telephone line. Similarly, you can protect yourself when you want to move your machine by disconnecting the telephone line first and then the power cord.

📝 Note

If you are sharing one telephone line with an external telephone, connect it as shown below.

Before you connect the external telephone, remove the protective cap ③ from the **EXT.** jack on the machine.

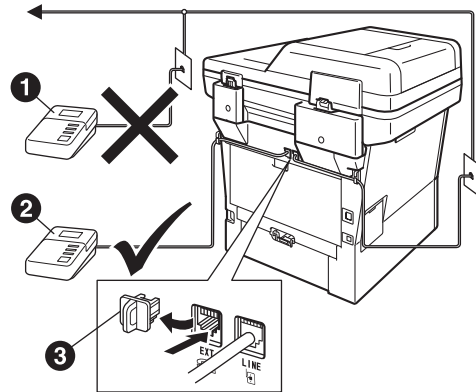


- ① Extension telephone
- ② External telephone
- ③ Protective cap

📝 Note

If you are sharing one telephone line with an external telephone answering machine, connect it as shown below.

Before you connect the external telephone answering machine, remove the protective cap ③ from the **EXT.** jack on the machine.



- ① Extension telephone answering machine (not supported)
- ② External telephone answering machine
- ③ Protective cap



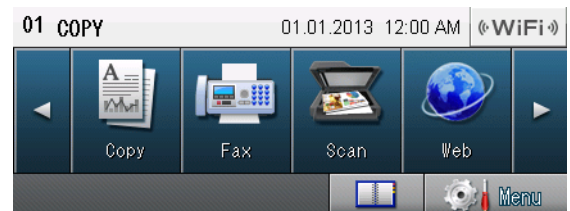
Set the receive mode to **External TAD** if you have an external answering machine. See *Choose the correct Receive Mode* on page 9. For additional details, see *Connecting an external TAD (telephone answering device)* in the *Basic User's Guide*.

5 Choose your language (if needed)

- a Press **Menu**.
- b Press **▲** or **▼** to display **Initial Setup**.
Press **Initial Setup**.
- c Press **▲** or **▼** to display **Local Language**.
Press **Local Language**.
- d Press your language.
- e Press **Stop/Exit**.

6 Wireless setup (if needed)

- a Do one of the following:
 - If you are using a Macintosh computer or a mobile device on a wireless network, you can configure the wireless settings by pressing the **WiFi** button at the top right on the Touchscreen. Go to **b**.
 - If you are using a Windows® computer, want to connect your Macintosh using USB or wired network, or want to change the initial settings on your machine first, skip this step and go to step **7**. You will be able to configure the wireless settings later.



- b Press the **WiFi** button on the Touchscreen.
Then go to step **19** on page 25 to continue the wireless setup.
After finishing the wireless setup you will need to return to step **7** to finish the machine setup.

7

Choose the correct Receive Mode

The correct Receive Mode is determined by the external devices and telephone subscriber services (Voice Mail, Distinctive Ring, etc.) you have (or will be using) on the same line as the Brother machine.

Will you be using a Distinctive Ring number for receiving faxes?

Brother uses the term “Distinctive Ring” but telephone companies may have other names for this service such as Custom Ringing, RingMaster, Personalized Ring, Teen Ring, Ident-A-Call, and Smart Ring. See *Distinctive Ring* in the *Basic User's Guide* for instruction on setting up your machine using this feature.

Will you be using Voice Mail on the same telephone line as your Brother machine?

If you have Voice Mail on the same telephone line as your Brother machine, there is a strong possibility that Voice Mail and the Brother machine will conflict with each other when receiving incoming calls. See *Voice Mail* in the *Basic User's Guide* for instructions on setting up your machine using this service.

Will you be using a Telephone Answering Device on the same telephone line as your Brother machine?

Your external telephone answering device (TAD) will automatically answer every call. Voice messages are stored on the external TAD and fax messages are printed. Choose `External TAD` as your receive mode. See the instructions below.

Will you be using your Brother machine on a dedicated fax line?

Your machine automatically answers every call as a fax. Choose `Fax Only` as your receive mode. See the instructions below.

Will you be using your Brother machine on the same line as your telephone?


Do you want to receive voice calls and faxes automatically?

The `Fax/Tel` receive mode is used when sharing the Brother machine and your telephone on the same line. Choose `Fax/Tel` as your receive mode. See the instructions below.

Important Note: You cannot receive voice messages on either Voice Mail or an answering machine when choosing the `Fax/Tel` mode.

Do you expect to receive very few faxes?

Choose `Manual` as your receive mode. You control the telephone line and must answer every call yourself. See the instructions below.

 For details, see *Using receive modes* in the *Basic User's Guide*.

- a** Press `Menu`.
- b** Press `▲` or `▼` to display `Initial Setup`.
Press `Initial Setup`.
- c** Press `▲` or `▼` to display `Receive Mode`.
Press `Receive Mode`.
- d** Press your receive mode.
- e** Press `Stop/Exit`.

8 Set the LCD brightness (if needed)

If you are having difficulty reading the LCD, try changing the brightness setting.

- a** Press **Menu**.
- b** Press **▲** or **▼** to display **General Setup**. Press **General Setup**.
- c** Press **▲** or **▼** to display **LCD Settings**. Press **LCD Settings**.
- d** Press **Backlight**.
- e** Press **Light**, **Med** or **Dark**.
- f** Press **Stop/Exit**.

9 Set the date and time

The machine displays the date and time, and if you set up the station ID, the date and time will be added to each fax you send.

- a** Press **Menu**.
- b** Press **▲** or **▼** to display **Initial Setup**. Press **Initial Setup**.
- c** Press **▲** or **▼** to display **Date&Time**. Press **Date&Time**.
- d** Press **Date&Time** again.
- e** Enter the last two digits of the year using the buttons on the Touchscreen, and then press **OK**.



(e.g. Enter 1, 2 for 2012.)

- f** Enter the two digits for the month using the buttons on the Touchscreen, and then press **OK**.
(e.g. Enter 0, 3 for March.)
- g** Enter the two digits for the day using the buttons on the Touchscreen, and then press **OK**.
(e.g. Enter 2, 5 for 25th.)
- h** Do one of the following:
 - If you want to use the 24-hour clock, press **24h Clock**. Go to step **i**.
 - If you want to use the 12-hour clock, press **12h Clock**. Go to step **j**.
- i** Enter the time in 24-hour format using the buttons on the Touchscreen, and then press **OK**. Go to step **l**.
(e.g. Enter 1, 5, 2, 5 for 15:25.)
- j** Enter the time in 12-hour format using the buttons on the Touchscreen.
(e.g. Enter 0, 3, 2, 5 for 3:25.)
- k** Press **AM** or **PM**, and then press **OK**.
(e.g. Choose **PM** for 3:25 P.M.)
- l** Press **Stop/Exit**.

10



Set your Station ID

The machine displays the date and time, and if you set up the Station ID, it will add it to each fax you send.

- a** Press **Menu**.
- b** Press **▲** or **▼** to display `Initial Setup`.
Press `Initial Setup`.
- c** Press **▲** or **▼** to display `Station ID`.
Press `Station ID`.
- d** Enter your fax number (up to 20 digits) using the buttons on the Touchscreen, and then press **OK**.
- e** Enter your telephone number (up to 20 digits) using the buttons on the Touchscreen, and then press **OK**. (If your telephone number and fax number are the same, enter the same number again.)
- f** Use the buttons on the Touchscreen to enter your name (up to 20 characters), and then press **OK**.



Note

- To enter numbers or special characters, press  repeatedly until the character you want to enter appears, then press the character you want.
- If you entered a character incorrectly and want to change it, press **◀** or **▶** to move the cursor to the incorrect character, then press .
- To enter a space, press the space key button or **▶**.



For more details, see *Entering text* in the *Basic User's Guide*.

- g** Press **Stop/Exit**.



Note

If you make a mistake and want to start again, press **Stop/Exit** and go back to step **a**.

(USA only) The Telephone Consumer Protection Act of 1991 makes it unlawful for any person to use a computer or electronic device to send any message via a telephone fax machine unless such messages clearly contain, in a margin at the top or bottom of each transmitted page, or on the first page of the transmission, the date and time it is sent and an identification of the business or other entity or other individual sending the message and the telephone number of the sending machines or such business, other entity or individual. To program this information into your machine, see *Set the date and time* on page 10 and *Set your Station ID* on page 11.

11 Fax Transmission Report

Your Brother machine is equipped with a Transmission Verification Report that can be used as confirmation that you sent a fax. This report lists the name or fax number of the receiving party, the date, time and duration of the transmission, the number of pages transmitted, and whether or not the transmission was successful. If you want to use the Fax Transmission Report feature see *Printing reports* in the *Advanced User's Guide*.

12 Set tone or pulse dialing mode (Canada only)

Your machine comes set for a Tone dialing service. If you have a Pulse dialing service (rotary), you need to change the dialing mode.

- a** Press **Menu**.
- b** Press **▲** or **▼** to display **Initial Setup**.
Press **Initial Setup**.
- c** Press **▲** or **▼** to display **Tone/Pulse**.
Press **Tone/Pulse**.
- d** Press **Pulse** (or **Tone**).
- e** Press **Stop/Exit**.

13 Set the telephone line compatibility

If you are connecting the machine to a VoIP service (over the Internet) you need to change the compatibility setting.



Note

If you are using an analog telephone line you can skip this step.

- a** Press **Menu**.
- b** Press **▲** or **▼** to display **Fax**.
Press **Fax**.
- c** Press **▲** or **▼** to display **Miscellaneous**.
Press **Miscellaneous**.
- d** Press **Compatibility**.
- e** Press **Basic** (for VoIP).
- f** Press **Stop/Exit**.

14 Dial Prefix

The dial prefix setting will automatically dial a predefined number before every fax number you dial. For example: If your phone system requires a 9 to dial an outside number this setting will automatically dial 9 for every fax you send.

- a** Press Menu.
- b** Press ▲ or ▼ to display Initial Setup.
Press Initial Setup.
- c** Press ▲ or ▼ to display Dial Prefix.
Press Dial Prefix.
- d** Press On.
- e** Press Dial Prefix.
- f** Enter the prefix number (up to 5 digits) using the buttons on the Touchscreen, and then press OK.

Note

- You can use the numbers 0 to 9, #, * and !.
- You cannot use ! with any other numbers or characters.
- If your telephone system requires a timed break recall (hookflash), press ! on the Touchscreen.
- If the pulse dialing mode is on, # and * are not available to use. (Canada only)

- g** Press **Stop/Exit**.

15 Automatic Daylight Saving Time

You can set the machine to change automatically for Daylight Saving Time. It will reset itself forward one hour in the Spring and backward one hour in the Fall.

- a** Press Menu.
- b** Press ▲ or ▼ to display Initial Setup.
Press Initial Setup.
- c** Press ▲ or ▼ to display Date&Time.
Press Date&Time.
- d** Press Auto Daylight.
- e** Press On (or Off).
- f** Press **Stop/Exit**.

16 Set the Time Zone

You can set the time zone (not summer time but standard time) on the machine for your location. For example, the time zone for Eastern Time in the USA and Canada is UTC-05:00.

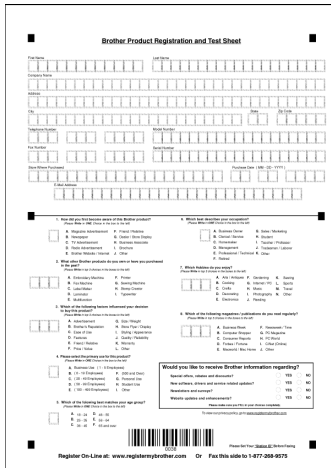
- a** Press Menu.
- b** Press ▲ or ▼ to display Initial Setup.
Press Initial Setup.
- c** Press ▲ or ▼ to display Date&Time.
Press Date&Time.
- d** Press Time Zone.
- e** Press + or - to set your time zone.
Press OK.
- f** Press **Stop/Exit**.

17

Send in the Product Registration and Test Sheet (USA only)

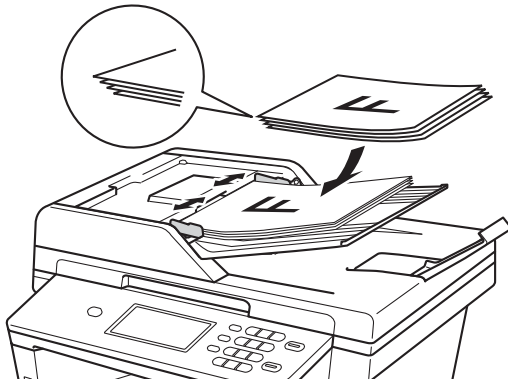
You can also register your product online using the On-Line Registration link from the installer CD-ROM or visit <http://www.brother.com/registration/>.

- a** Fill out the Product Registration and Test Sheet.



The image shows a 'Brother Product Registration and Test Sheet' form. It contains several sections for user information, product details, and registration preferences. At the bottom, there is a barcode and the text 'Register On-Line at: www.registery.brother.com Or Fax this side to 1-877-268-9575'.

- b** Put the sheet face up in the ADF (Automatic Document Feeder) or face down on the scanner glass.



- c** Make sure you have pressed the **Fax** button.
- d** Enter the toll-free fax number: 1-877-268-9575.
- e** Press **Start**.



Note

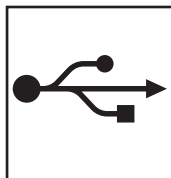
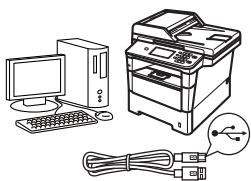
You will receive a confirmation fax of your Product Registration.

18 Choose your connection type

These installation instructions are for Windows® XP Home/Windows® XP Professional, Windows® XP Professional x64 Edition, Windows Vista®, Windows® 7, and Mac OS X (versions 10.5.8, 10.6.x and 10.7.x).

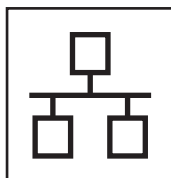
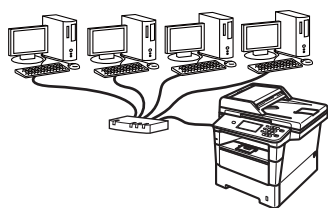
Note

- For Windows Server® 2003/2003 x64 Edition/2008/2008 R2 and Linux®, visit your model page at <http://solutions.brother.com/>.
- You can visit us at <http://solutions.brother.com/> where you can get product support, the latest driver updates and utilities, and answers to frequently asked questions (FAQs) and technical questions.



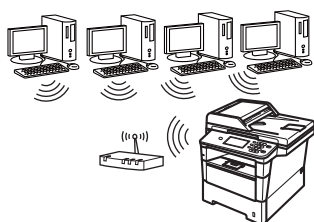
For USB Interface Users

Windows®, go to page 16
Macintosh, go to page 18



For Wired Network

Windows®, go to page 20
Macintosh, go to page 23



For Wireless Network

Windows® and Macintosh,
go to page 25

Note

To connect your iOS or Android™ device or Windows® Phone to your Brother machine using Wi-Fi Direct™, please download the Wi-Fi Direct™ Guide at <http://solutions.brother.com/>.

USB	Windows®
	Macintosh
Wired Network	Windows®
	Macintosh
Wireless Network	Windows®
	Macintosh



For USB Interface Users (Windows® XP/XP Professional x64 Edition/Windows Vista®/ Windows® 7)

19 Before you install

- a** Make sure that your computer is ON and you are logged on with Administrator rights.

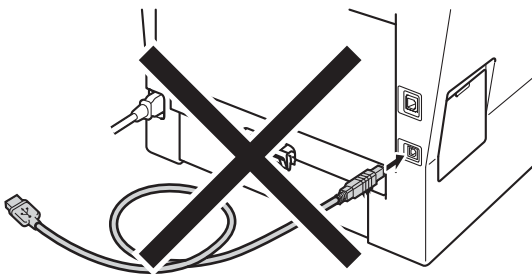
Important

- If there are any programs running, close them.
- The screens may differ depending on your operating system.

Note

The installer CD-ROM includes Nuance™ PaperPort™ 12SE. This software supports Windows® XP (SP3 or greater), XP Professional x64 Edition (SP2 or greater), Windows Vista® (SP2 or greater) and Windows® 7. Update to the latest Windows® Service Pack before installing MFL-Pro Suite.

- b** Turn off the machine and make sure the USB interface cable is **NOT** connected to the machine. If you have already connected the cable, disconnect it.



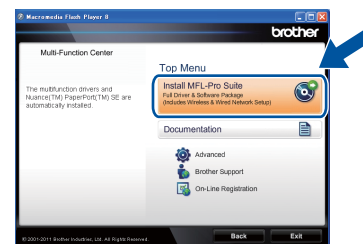
20 Install MFL-Pro Suite

- a** Put the installer CD-ROM into your CD-ROM drive. If the model name screen appears, choose your machine. If the language screen appears, choose your language.

Note

If the Brother screen does not appear automatically, go to **My Computer (Computer)**, double-click the CD-ROM icon, and then double-click **start.exe**.

- b** Click **Install MFL-Pro Suite**, and click **Yes** if you accept the license agreements.



Note

- If the installation does not continue automatically, open the top menu again by ejecting and then reinserting the CD-ROM or double-click the **start.exe** program from the root folder, and continue from step **b** to install MFL-Pro Suite.
- For Windows Vista® and Windows® 7 users, when the **User Account Control** screen appears, click **Allow** or **Yes**.

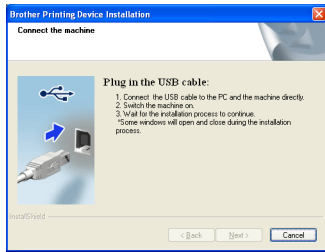
- c** Choose **Local Connection (USB)** and then click **Next**.


Note

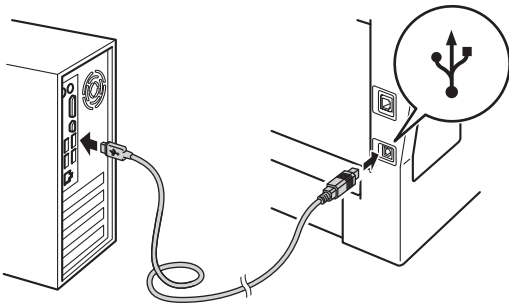
If you want to install the PS driver (BR-Script3 printer driver), choose **Custom Install** and then follow the on-screen instructions.



- d** Follow the on-screen instructions until this screen appears.



- e** Connect the USB cable to the USB port marked with the  symbol on your machine and then connect the cable to your computer.



- f** Turn the machine on.
The installation will automatically continue. The installation screens appear one after another. If prompted, follow any on-screen instructions.

! Important
DO NOT cancel any of the screens during the installation. It may take a few seconds for all screens to appear.

Note
For Windows Vista® and Windows® 7 users, when the **Windows Security** screen appears, click the check box and click **Install** to complete the installation correctly.

- g** When the **On-Line Registration** screen appears, make your selection and follow the on-screen instructions. Once you have completed the registration process, click **Next**.

- h** When the **Setup Complete** screen appears, check the box of the action you want to perform, and then click **Next**.

21 Finish and restart

- a** Click **Finish** to restart your computer. After restarting the computer, you must log on with Administrator rights.

Note

- If an error message appears during the software installation, run the **Installation Diagnostics** located in **Start/All Programs/Brother/MFC-XXXX** (where MFC-XXXX is your model name).
- Depending on your security settings, a Windows® Security or antivirus software window may appear when using the machine or its software. Please allow or permit the window to continue.

Finish The installation is now complete.

Note

XML Paper Specification Printer Driver

The XML Paper Specification Printer Driver is the most suitable driver for Windows Vista® and Windows® 7 when printing from applications that use the XML Paper Specification. Please download the latest driver by accessing the Brother Solutions Center at <http://solutions.brother.com/>.



For USB Interface Users (Mac OS X 10.5.8 - 10.7.x)

19 Before you install

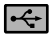
- a** Make sure your machine is connected to the power and your Macintosh is ON. You must be logged on with Administrator rights.

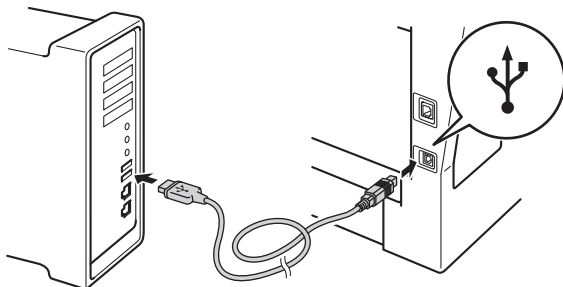
Important

For users of Mac OS X 10.5.7 or lower, upgrade to Mac OS X 10.5.8 - 10.7.x. (For the latest drivers and information for the Mac OS X you are using, visit <http://solutions.brother.com/>.)

Note

If you want to add the PS driver (BR-Script3 printer driver), please go to the Brother Solutions Center at <http://solutions.brother.com/> and visit FAQ's on your model page for instructions.

- b** Connect the USB cable to the USB port marked with the  symbol on your machine and then connect the cable to your Macintosh.



- c** Make sure your machine's power switch is on.

20 Install MFL-Pro Suite

- a** Put the installer CD-ROM into your CD-ROM drive.
- b** Double-click the **Start Here OSX** icon. If prompted, select your model.

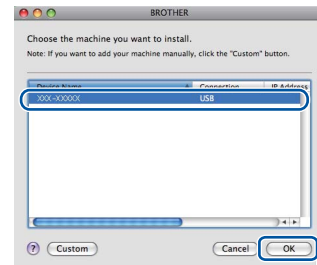


- c** Choose **Local Connection (USB)** and then click **Next**. Follow the on-screen instructions.

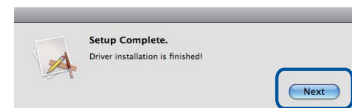
Important

DO NOT cancel any of the screens during the installation. It may take a few minutes for the installation to complete.

- d** Choose your machine from the list, and then click **OK**.



- e** When this screen appears, click **Next**.



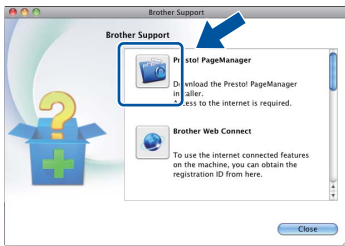
- OK!** The installation of MFL-Pro Suite is now complete. Go to step 21 on page 19.



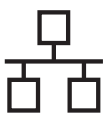
21 Download and install Presto! PageManager

When Presto! PageManager is installed OCR capability is added to Brother ControlCenter2. You can easily scan, share and organize photos and documents using Presto! PageManager.

- a On the **Brother Support** screen, click **Presto! PageManager** and follow the on-screen instructions.



Finish The installation is now complete.



For Wired Network Interface Users (Windows® XP/XP Professional x64 Edition/Windows Vista®/ Windows® 7)

19 Before you install


- a** Make sure that your computer is ON and you are logged on with Administrator rights.

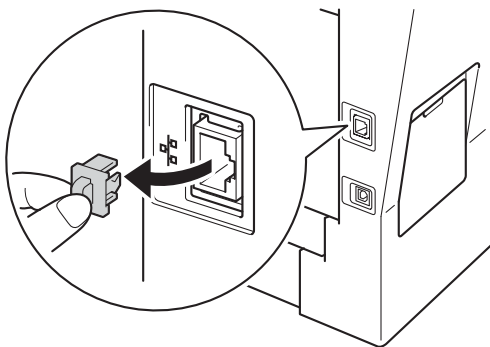
Important

- If there are any programs running, close them.
- The screens may differ depending on your operating system.

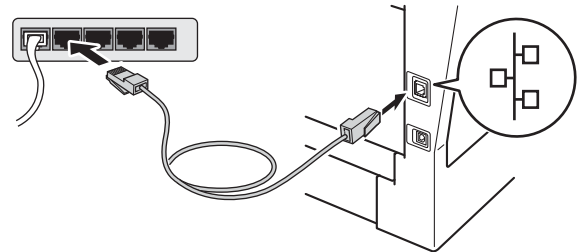
Note

- The installer CD-ROM includes Nuance™ PaperPort™ 12SE. This software supports Windows® XP (SP3 or greater), XP Professional x64 Edition (SP2 or greater), Windows Vista® (SP2 or greater) and Windows® 7. Update to the latest Windows® Service Pack before installing MFL-Pro Suite.
- Disable all personal firewall software (other than Windows® Firewall), anti-spyware or antivirus applications for the duration of the installation.

- b** Remove the protective cap from the Ethernet port marked with a  symbol.



- c** Connect the network interface cable to the Ethernet port and then connect it to a free port on your hub.



- d** Make sure your machine's power switch is on.

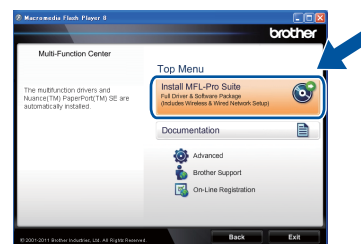
20 Install MFL-Pro Suite

- a** Put the installer CD-ROM into your CD-ROM drive. If the model name screen appears, choose your machine. If the language screen appears, choose your language.

Note

If the Brother screen does not appear automatically, go to **My Computer (Computer)**, double-click the CD-ROM icon, and then double-click **start.exe**.

- b** Click **Install MFL-Pro Suite**, and click **Yes** if you accept the license agreements.



Note

- If the installation does not continue automatically, open the top menu again by ejecting and then reinserting the CD-ROM or double-click the **start.exe** program from the root folder, and continue from step **b** to install MFL-Pro Suite.
- For Windows Vista® and Windows® 7 users, when the **User Account Control** screen appears, click **Allow** or **Yes**.

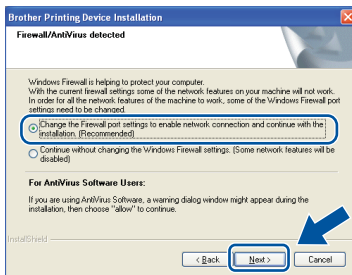


- c** Choose **Wired Network Connection (Ethernet)** and then click **Next**.

Note

If you want to install the PS driver (BR-Script3 printer driver), choose **Custom Install** and then follow the on-screen instructions.

- d** When the **Firewall/AntiVirus detected** screen appears, choose **Change the Firewall port settings to enable network connection and continue with the installation. (Recommended)** and click **Next**.



If you are not using the Windows® Firewall, see the user's guide for your software for information on how to add the following network ports.

- For network scanning, add UDP port 54925.
- For network PC-Fax receiving, add UDP port 54926.
- If you still have trouble with your network connection, add UDP port 161 and 137.

- e** The installation will automatically continue. The installation screens appear one after another. If prompted, follow any on-screen instructions.

Important

DO NOT cancel any of the screens during the installation. It may take a few seconds for all screens to appear.

Note

- If prompted, choose your machine from the list, and then click **Next**.
- If your machine is not found over the network, confirm your settings by following the on-screen instructions.
- If there is more than one of the same model connected on your network, the IP Address and Node Name will be displayed to help you identify the machine.
- You can find your machine's IP address and the node name by printing out the Network Configuration Report. See *Print the Network Configuration Report* on page 41.
- For Windows Vista® and Windows® 7 users, when the **Windows Security** screen appears, click the check box and click **Install** to complete the installation correctly.

- f** When the **On-Line Registration** screen appears, make your selection and follow the on-screen instructions. Once you have completed the registration process, click **Next**.

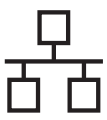
- g** When the **Setup Complete** screen appears, check the box of the action you want to perform, and then click **Next**.

21 Finish and restart

- a** Click **Finish** to restart your computer. After restarting the computer, you must log on with Administrator rights.

Note

- If an error message appears during the software installation, run the **Installation Diagnostics** located in **Start/All Programs/Brother/MFC-XXXX LAN** (where MFC-XXXX is your model name).
- Depending on your security settings, a Windows® Security or antivirus software window may appear when using the machine or its software. Please allow or permit the window to continue.



22

Install MFL-Pro Suite on additional computers (if needed)

If you want to use your machine with multiple computers on the network, install MFL-Pro Suite on each computer. Go to step **20** on page 20.



Note

Network license (Windows®)

This product includes a PC license for up to 5 users. This license supports the installation of the MFL-Pro Suite including Nuance™ PaperPort™ 12SE on up to 5 PCs on the network. If you want to use more than 5 PCs with Nuance™ PaperPort™ 12SE installed, please purchase the Brother NL-5 pack which is a multiple PC license agreement pack for up to 5 additional users. To purchase the NL-5 pack, contact your authorized Brother dealer or contact Brother customer service.

Finish

The installation is now complete.



Note

XML Paper Specification Printer Driver

The XML Paper Specification Printer Driver is the most suitable driver for Windows Vista® and Windows® 7 when printing from applications that use the XML Paper Specification. Please download the latest driver by accessing the Brother Solutions Center at <http://solutions.brother.com/>.



For Wired Network Interface Users (Mac OS X 10.5.8 - 10.7.x)

19 Before you install


- a** Make sure your machine is connected to the power and your Macintosh is ON. You must be logged on with Administrator rights.

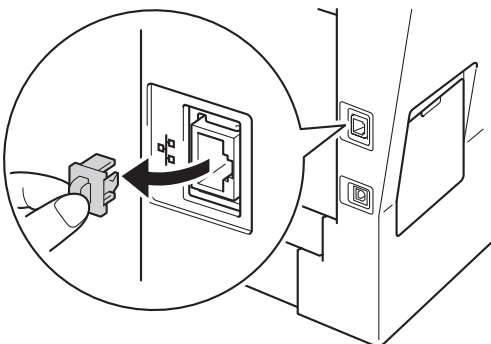
Important

For users of Mac OS X 10.5.7 or lower, upgrade to Mac OS X 10.5.8 - 10.7.x. (For the latest drivers and information for the Mac OS X you are using, visit <http://solutions.brother.com/>.)

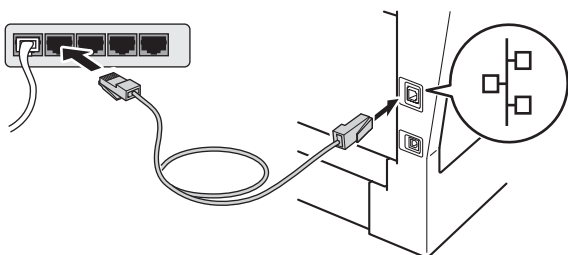
Note

If you want to add the PS driver (BR-Script3 printer driver), please go to the Brother Solutions Center at <http://solutions.brother.com/> and visit FAQ's on your model page for instructions.

- b** Remove the protective cap from the Ethernet port marked with a  symbol.



- c** Connect the network interface cable to the Ethernet port and then connect it to a free port on your hub.



- d** Make sure your machine's power switch is on.

20 Install MFL-Pro Suite

- a** Put the installer CD-ROM into your CD-ROM drive.
- b** Double-click the **Start Here OSX** icon. If prompted, select your model.

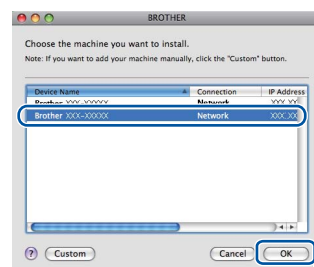


- c** Choose **Wired Network Connection (Ethernet)** and then click **Next**. Follow the on-screen instructions.

Important

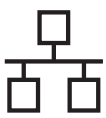
DO NOT cancel any of the screens during the installation. It may take a few minutes for the installation to complete.

- d** Choose your machine from the list, and then click **OK**.



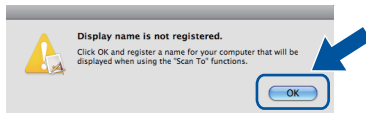
Note

If your machine is not found over the network, confirm your network settings. See *Before you install* on page 23.

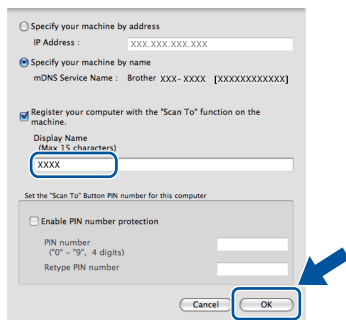


Note

- You can find your machine's MAC Address (Ethernet Address) and IP Address by printing out the Network Configuration Report. See *Print the Network Configuration Report* on page 41.
- If this screen appears click **OK**.

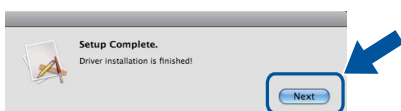


- Enter a name for your Macintosh in **Display Name** (up to 15 characters long).
- If you want to use the machine's **Scan** button to scan over the network, you must check the **Register your computer with the "Scan To" function on the machine box**.
- Click **OK**. Go to **e**.



- The name you enter will appear on the machine's LCD when you press the **Scan** button and choose a scan option. (For more information, see *Network Scanning (For network models)* in the *Software User's Guide*.)

- e** When this screen appears, click **Next**.

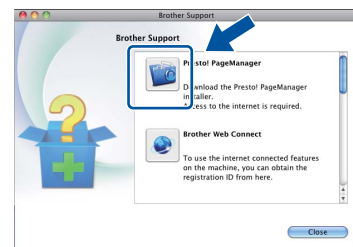


- OK!** The installation of MFL-Pro Suite is now complete. Go to step 21 on page 24.

21 Download and install Presto! PageManager

When Presto! PageManager is installed OCR capability is added to Brother ControlCenter2. You can easily scan, share and organize photos and documents using Presto! PageManager.

- a** On the **Brother Support** screen, click **Presto! PageManager** and follow the on-screen instructions.



22 Install MFL-Pro Suite on additional computers (if needed)

If you want to use your machine with multiple computers on the network, install MFL-Pro Suite on each computer. Go to step 20 on page 23.

Finish The installation is now complete.



For Wireless Network Interface Users

19 Before you begin

First you must configure the wireless network settings of your machine to communicate with your wireless access point/router. After the machine is configured to communicate with your wireless access point/router, computers and mobile devices on your network will have access to the machine. To use the machine from a computer, you will need to install the drivers and software. The following steps will guide you through the configuration and installation process.

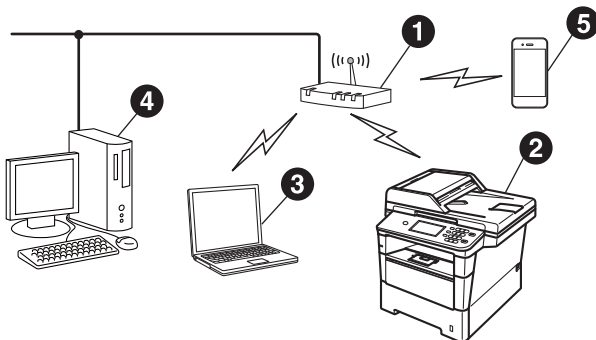
Important

- If you are going to connect the machine to your network, we recommend that you contact your system administrator prior to installation. You must know your wireless network settings before you proceed with this installation.
- If you have previously configured the wireless settings of the machine, you must reset the network (LAN) settings before you can configure the wireless settings again.
 1. On your machine, press **Menu**.
 2. Press **▲** or **▼** to display **Network**, and press **Network**.
 3. Press **▲** or **▼** to display **Network Reset**, and press **Network Reset**.
 4. Press **Yes**.
 5. Press **Yes** for 2 seconds.

Note

- To achieve optimum results with normal everyday document printing, place the Brother machine as close to the wireless access point/router as possible with minimal obstructions. Large objects and walls between the two devices as well as interference from other electronic devices can affect the data transfer speed of your documents.
Due to these factors, wireless may not be the best method of connection for all types of documents and applications. If you are printing large files, such as multi-page documents with mixed text and large graphics, you may want to consider choosing wired Ethernet for a faster data transfer or USB for the fastest throughput speed.
- Although the Brother MFC-8950DW(T) can be used in both a wired and wireless network, only one of the connection methods can be used at a time.
- If you use your machine in an IEEE 802.1x supported wireless network, see *Using IEEE 802.1x authentication* in the *Network User's Guide*.

Infrastructure Mode



- 1 Wireless access point/router
- 2 Wireless Network machine (your machine)
- 3 Wireless capable computer connected to the wireless access point/router
- 4 Wired computer connected to the wireless access point/router
- 5 Mobile device connected to the wireless access point/router



20 Choose your wireless setup method

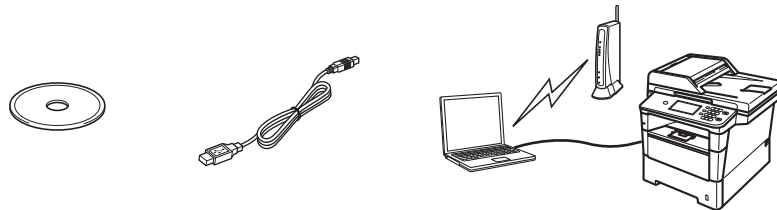
The following instructions will offer three methods for setting up your Brother machine on a wireless network. If you began the wireless setup from step **6** on page 8 (for Macintosh and mobile devices), go to method **b** (Setup Wizard). For all other users, choose the method you prefer for your environment.



Note

To setup your machine in any other wireless environment, you can find instructions in the *Network User's Guide*.

a Setup using the Installer CD-ROM and temporarily using a USB cable (Windows® only)



It is recommended that you use a PC wirelessly connected to your network for this method.

! Important

- You need to temporarily use a USB cable during configuration (cable not included).
- If you are using Windows® XP, or using a network cable to connect your computer with your wireless access point/router, you need to know the SSID and Network Key of your wireless access point/router before you proceed. Please write down your wireless network settings in the area below.
- Please do not contact Brother Customer Service for assistance without the wireless security information. We cannot assist you in locating your network security settings.

Item	Record the current wireless network settings
SSID (Network Name)	
Network Key (Security Key/Encryption Key)	

* The Network Key may also be described as the Password, Security Key or Encryption Key.



Note

- If you do not know this information (SSID and Network Key), you cannot continue the wireless setup.
- How can I find this information (SSID and Network Key)?
 1. You should see the documentation provided with your wireless access point/router.
 2. The initial network name could be the manufacturer's name or the model name.
 3. If you do not know the security information, please consult the router manufacturer, your system administrator, or internet provider.

Now go to

page 28



b Manual setup from the control panel using the Setup Wizard (Macintosh, mobile devices and Windows®)

If your wireless access point/router does not support WPS (Wi-Fi Protected Setup™) or AOSS™, write down the wireless network settings of your wireless access point/router in the area below.

! Important

Please do not contact Brother Customer Service for assistance without the wireless security information. We cannot assist you in locating your network security settings.

Item	Record the current wireless network settings
SSID (Network Name)	
Network Key (Security Key/Encryption Key)	

* The Network Key may also be described as the Password, Security Key or Encryption Key.

Note

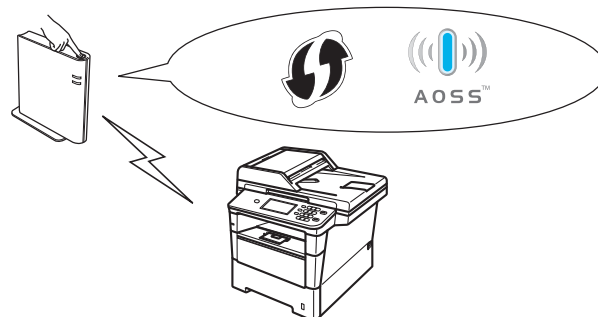
- If you do not know this information (SSID and Network Key), you cannot continue the wireless setup.
- How can I find this information (SSID and Network Key)?
 1. You should see the documentation provided with your wireless access point/router.
 2. The initial network name could be the manufacturer's name or the model name.
 3. If you do not know the security information, please consult the router manufacturer, your system administrator, or internet provider.

Now go to

page 30

c One push setup using WPS or AOSS™ (Windows® and Macintosh)

If your wireless access point/router supports automatic wireless (one-push) setup (WPS or AOSS™)



Now go to

page 32



Setup using the Installer CD-ROM and temporarily using a USB cable (Windows® only)

21 Setup the wireless settings

Important

- You need to temporarily use a USB cable during configuration (cable not included).
- If you are using Windows® XP, or using a network cable to connect your computer with your wireless access point/router, you need to know the SSID and Network Key of your wireless access point/router you wrote down in step **20-a** on page 26 before you proceed.

Note

If you use your machine in an IEEE 802.1x supported wireless network, see *Using IEEE 802.1x authentication* in the *Network User's Guide*.

- a** Put the installer CD-ROM into your CD-ROM drive. If the model name screen appears, choose your machine. If the language screen appears, choose your language.

Note

If the Brother screen does not appear automatically, go to **My Computer (Computer)**, double-click the CD-ROM icon, and then double-click **start.exe**.

- b** Click **Install MFL-Pro Suite**, and click **Yes** if you accept the license agreements.



Note

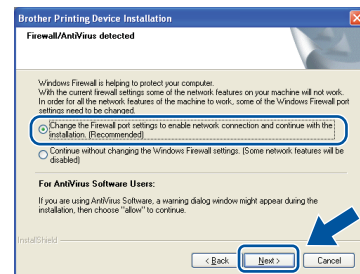
- If the installation does not continue automatically, open the top menu again by ejecting and then reinserting the CD-ROM or double-click the **start.exe** program from the root folder, and continue from step **b** to install MFL-Pro Suite.
- For Windows Vista® and Windows® 7 users, when the **User Account Control** screen appears, click **Allow** or **Yes**.

- c** Choose **Wireless Network Connection** and then click **Next**.

Note

If you want to install the PS driver (BR-Script3 printer driver), choose **Custom Install** and then follow the on-screen instructions.

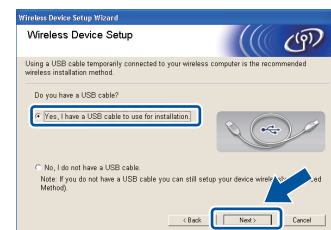
- d** When the **Firewall/AntiVirus detected** screen appears, choose **Change the Firewall port settings to enable network connection and continue with the installation. (Recommended)** and click **Next**.



If you are not using the Windows® Firewall, see the user's guide for your software for information on how to add the following network ports.

- For network scanning, add UDP port 54925.
- For network PC-Fax receiving, add UDP port 54926.
- If you still have trouble with your network connection, add UDP port 161 and 137.

- e** Choose **Yes, I have a USB cable to use for installation**, and then click **Next**.



Note

If the **Important Notice** screen appears, read the notice. Check the box after you confirm the SSID and Network Key, and then click **Next**.



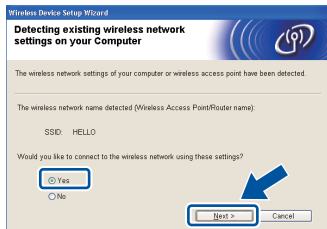
For Wireless Network Users

- f** Temporarily connect the USB cable (not included) directly to the computer and the machine.

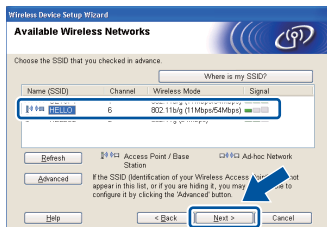


- g** Do one of the following:
- If the **Installation confirmation** screen appears, check the box and click **Next**, go to **h**.
 - Otherwise, go to **i**.

- h** Check **Yes** if you want to connect with the listed SSID. Click **Next** and go to **k**.



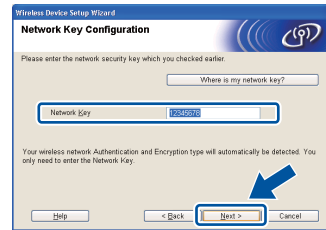
- i** The wizard will search for wireless networks available from your machine. Choose the SSID that you wrote down for your network in step **20-a** on page 26, and then click **Next**.



Note

- If the list is blank, check that the wireless access point/router has power and is broadcasting the SSID, and then see if the machine and the wireless access point/router are within range for wireless communication. Then, click **Refresh**.
- If your wireless access point/router is set to not broadcast the SSID you can manually add it by clicking the **Advanced** button. Follow the on-screen instructions for entering the **Name (SSID)**, and then click **Next**.

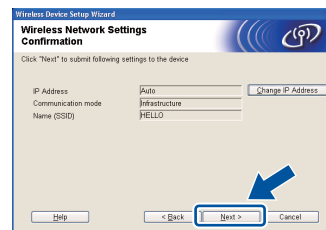
- j** Enter the **Network Key** you wrote down in step **20-a** on page 26, and then click **Next**.



Note

If your network is not configured for Authentication and Encryption, the **ATTENTION!** screen will appear. To continue configuration, click **OK**.

- k** Confirm the wireless network settings and then click **Next**. The settings will be sent to your machine.



Note

- The settings will remain unchanged if you click **Cancel**.
- If you want to manually enter the IP address settings of your machine, click **Change IP Address** and enter the necessary IP address settings for your network.
- If the wireless setup failure screen appears, click **Retry**.

- Disconnect the USB cable between the computer and the machine and then click **Next**.



Wireless setup is now complete. A four level indicator at the top right of your machine's LCD will show the wireless signal strength of your wireless access point/router.

To install the MFL-Pro Suite, continue to step 23-e on page 38.

Now go to

page 38



Manual setup from the control panel using the Setup Wizard (Macintosh, mobile devices and Windows®)

21 Setup the wireless settings

Important

You must have the wireless settings you wrote down for your network in step **20-b** on page 27 before you proceed.

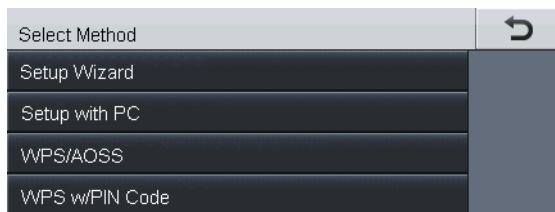
Note

If you use your machine in an IEEE 802.1x supported wireless network, see *Using IEEE 802.1x authentication* in the *Network User's Guide*.

a If you began the wireless setup from step **6** on page 8 (for Macintosh and mobile devices), press **Setup Wizard**.

Then go to **c**.

All other users, go to **b**.



b On your machine, press **Menu**. Press **▲** or **▼** to display **Network**, and press **Network**. Press **WLAN**, and then **Setup Wizard**.

c When **WLAN Enable?** is displayed, press **On**. This will start the wireless setup wizard. Otherwise press **Stop/Exit** to exit from the wireless setup wizard.

d The machine will search for available SSIDs. It will take several seconds to display a list of available SSIDs. If a list of SSIDs is displayed, use **▲** or **▼** to choose the SSID you wrote down in step **20-b** on page 27.

- e** Do one of the following:
- If the wireless access point/router of the selected SSID supports WPS and The selected access point / router supports WPS. Use **WPS?** appears, go to **f**.
 - If you are using an authentication and encryption method that requires a Network Key, go to **g**.
 - If your authentication method is Open System and your encryption mode is None, go to **h**.

Note

- If a list of SSIDs is not displayed, make sure your wireless access point/router is on. Move your machine closer to the wireless access point/router and try starting from **b** again.
- If your wireless access point/router is set to not broadcast the SSID you will have to manually add the SSID name. For details, see *Configuring your machine when the SSID is not broadcast* in the *Network User's Guide*.

f To connect your machine using the automatic wireless mode, press **Yes**. (If you choose **No (Manual)**, go to **g** to enter the Network Key.) When **Start WPS** on your wireless access point / router, then press **Next**. **appears**, press the **WPS** button on your wireless access point/router, and then press **Next**. Go to **h**.

g Enter the Network Key you wrote down in step **20-b** on page 27 using the buttons on the Touchscreen to choose each character or number. To delete the characters you have entered, press **<X>**.

To enter numbers or special characters, press **A 1 @** repeatedly until the character you want to enter appears, then press the character you want.

Press **⇧** to change between upper case and lower case.

For more information, see *Entering Text for Wireless Settings* on page 36.

Press **OK** when you have entered all the characters, then press **Yes** to apply your settings.



h Your machine will now try to connect to your wireless network using the information you have entered.

A connection result message appears on the LCD and a WLAN report will automatically be printed.

If the connection failed, check the error code on the printed report and refer to *Troubleshooting* on page 33.



Wireless setup is now complete. A four level indicator at the top right of your machine's LCD will show the wireless signal strength of your wireless access point/router.

For computer users, please install MFL-Pro Suite.

For Macintosh Users:

Now go to
step 22 on page 39

For Windows® Users:

Now go to
step 22 on page 37

For mobile device users who began the setup from step 6 on page 8, go back to step 7 to continue the machine settings.



Note

For Mobile Device users, please go to the User's Guide for the application you are using (e.g. Brother iPrint&Scan or other applications) for additional details on how to use your machine with the application. To download the User's Guide for the application you are using, please go to the manuals download section on your model's home page on the Brother Solutions Center at <http://solutions.brother.com/>.



One push setup using WPS (Wi-Fi Protected Setup) or AOSS™ (Windows® and Macintosh)

21 Configure the wireless settings

- a** Confirm your wireless access point/router has the WPS or AOSS™ symbol as shown below.



- b** Place the Brother machine within range of your WPS or AOSS™ access point/router. The range may differ depending on your environment. Refer to the instructions provided with your wireless access point/router.

If you began the wireless setup from step 6 on page 8, press WPS/AOSS.

Then go to **d**.

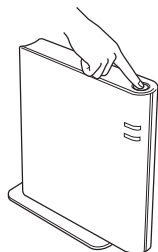
All other users, go to **c**.

- c** On your machine, press Menu. Press ▲ or ▼ to display Network, and press Network. Press WLAN, and then WPS/AOSS.

- d** When WLAN Enable? is displayed, press On. This will start the wireless setup wizard.

Otherwise press **Stop/Exit** to exit from the wireless setup wizard.

- e** When Start WPS or AOSS on your wireless access point / router , then press OK. appears, press the WPS or AOSS™ button on your wireless access point/router. See the user's guide for your wireless access point/router for instructions. And then press OK.



This feature will automatically detect which mode (WPS or AOSS™) your wireless access point/router uses to configure your machine.

Note

If your wireless access point/router supports WPS (PIN Method) and you want to configure your machine using the PIN (Personal Identification Number) Method, see *Configuration using the PIN Method of WPS (Wi-Fi Protected Setup)* in the *Network User's Guide*.

- f** A connection result message appears on the LCD and a WLAN report will automatically be printed.

If the connection failed, check the error code on the printed report and refer to *Troubleshooting* on page 33.

OK! Wireless setup is now complete. A four level indicator at the top right of your machine's LCD will show the wireless signal strength of your wireless access point/router.

To install the MFL-Pro Suite, continue to step 22.

For Windows® Users:

Now go to
page 37

For Macintosh Users:

Now go to
page 39



Troubleshooting

Important

Please do not contact Brother Customer Service for assistance without the wireless security information. We cannot assist you in locating your network security settings.

How can I find the wireless settings (Network Name (SSID) and Network Key)

1. You should see the documentation provided with your wireless access point/router.
2. The initial network name could be the manufacturer's name or the model name.
3. If you do not know the security information, please consult the router manufacturer, your system administrator or internet provider.

- * The Network Key may also be described as the Password, Security Key or Encryption Key.
- * If the wireless access point/router is set to not broadcast the SSID, the SSID will not automatically be detected. You will have to manually enter the SSID name. See *Configuring your machine when the SSID is not broadcast* in the *Network User's Guide*.

WLAN report


If the WLAN report that printed shows that the connection failed, check the error code on the printed report and refer to the following instructions.

Error code	Recommended Solutions
TS-01	<p>The wireless setting is not activated, turn the wireless setting to ON.</p> <ul style="list-style-type: none"> - If a LAN cable is connected to your machine, disconnect it and turn the wireless setting of your machine to ON. <ol style="list-style-type: none"> 1. On your machine, press Menu. 2. Press ▲ or ▼ to display Network, and press Network. 3. Press WLAN, and then Setup Wizard. 4. When WLAN Enable? is displayed, press On. This will start the wireless setup wizard.
TS-02	<p>The wireless access point/router cannot be detected.</p> <ol style="list-style-type: none"> 1. Check the following 4 points. <ul style="list-style-type: none"> - Make sure that the wireless access point/router is powered on. - Move your machine to an obstruction-free area, or closer to the wireless access point/router. - Temporarily place your machine within about 3.3 feet (one meter) from the wireless access point/router when you are configuring the wireless settings. - If your wireless access point/router is using MAC address filtering, confirm the MAC address of the Brother machine is allowed in the filter. See <i>Print the Network Configuration Report</i> on page 41. 2. If you manually entered the SSID and security information (SSID/authentication method/encryption method/Network Key) the information may be incorrect. Reconfirm the SSID and security information and reenter the correct information as necessary. See <i>How can I find the wireless settings (Network Name (SSID) and Network Key)</i> on page 33 to confirm.



Error code	Recommended Solutions												
TS-03	<p>The wireless network and security setting you entered may be incorrect. Reconfirm the wireless network settings.</p> <p>* Check if the entered or selected SSID/authentication method/encryption method/UserID/Userpass are correct.</p> <p>See <i>How can I find the wireless settings (Network Name (SSID) and Network Key)</i> on page 33 to confirm.</p>												
TS-04	<p>The Authentication/Encryption methods used by the selected wireless access point/router are not supported by your machine.</p> <p>For infrastructure mode, change the authentication and encryption methods of the wireless access point/router. Your machine supports the following authentication methods WPA™, WPA2™, OPEN and Shared key. WPA supports TKIP or AES encryption methods. WPA2 supports AES for the encryption method. OPEN and Shared key correspond to WEP encryption.</p> <p>If your problem is not solved the SSID or network settings you entered may be incorrect. Reconfirm the wireless network settings.</p> <p>Combined table of authentication and encryption methods</p> <table border="1" data-bbox="414 943 1173 1240"> <thead> <tr> <th>Authentication method</th> <th>Encryption method</th> </tr> </thead> <tbody> <tr> <td rowspan="2">WPA-Personal</td> <td>TKIP</td> </tr> <tr> <td>AES</td> </tr> <tr> <td>WPA2-Personal</td> <td>AES</td> </tr> <tr> <td rowspan="2">OPEN</td> <td>WEP</td> </tr> <tr> <td>NONE (without encryption)</td> </tr> <tr> <td>Shared key</td> <td>WEP</td> </tr> </tbody> </table> <p>See <i>How can I find the wireless settings (Network Name (SSID) and Network Key)</i> on page 33 to confirm.</p> <p>For ad-hoc mode, change the authentication and encryption methods of your computer for the wireless setting. Your machine supports OPEN authentication method only, with optional WEP encryption.</p>	Authentication method	Encryption method	WPA-Personal	TKIP	AES	WPA2-Personal	AES	OPEN	WEP	NONE (without encryption)	Shared key	WEP
Authentication method	Encryption method												
WPA-Personal	TKIP												
	AES												
WPA2-Personal	AES												
OPEN	WEP												
	NONE (without encryption)												
Shared key	WEP												
TS-05	<p>The security information (SSID/Network Key) is incorrect. Reconfirm the SSID and security information (Network Key). If your router uses WEP encryption, enter the key used as the first WEP key. Your Brother machine supports the use of the first WEP key only.</p> <p>See <i>How can I find the wireless settings (Network Name (SSID) and Network Key)</i> on page 33 to confirm.</p>												
TS-06	<p>The wireless security information (Authentication method/Encryption method/Network Key) is incorrect. Reconfirm the wireless security information (Authentication method/Encryption method/Network Key) in the table of TS-04. If your router uses WEP encryption, enter the key used as the first WEP key. Your Brother machine supports the use of the first WEP key only.</p> <p>See <i>How can I find the wireless settings (Network Name (SSID) and Network Key)</i> on page 33 to confirm.</p>												



Error code	Recommended Solutions
TS-07	<p>The machine cannot detect a wireless access point/router that has WPS or AOSS™ enabled.</p> <p>If you would like to configure your wireless settings using WPS or AOSS™, you must operate both your machine and the wireless access point/router. Confirm your wireless access point/router supports WPS or AOSS™ and try starting again.</p>  <p>If you do not know how to operate your wireless access point/router using WPS or AOSS™, see the documentation provided with your wireless access point/router, ask the manufacturer of your wireless access point/router or ask your network administrator.</p>
TS-08	<p>Two or more wireless access points/routers that have WPS or AOSS™ enabled are detected.</p> <ul style="list-style-type: none">- Confirm that only one wireless access point/router within range has the WPS or AOSS™ method active and try again.- Try starting again after a few minutes in order to avoid interference from other wireless access points/routers.



Entering Text for Wireless Settings

When you are setting certain menu selections, you may need to enter text into the machine. Press **A 1 ①** repeatedly to choose between letters, numbers and special characters. Press **⏶** to change between upper case and lower case.



Inserting spaces

To enter a space, press the space key button or **▶**.

Making corrections

If you entered a character incorrectly and want to change it, press **◀** or **▶** to move the cursor under the incorrect character. Then press **✕**. Enter the correct character.



Note

- The characters available may differ depending on your country.
- The keyboard layout may differ depending on the function you are setting.



Install the Drivers & Software (Windows® XP/XP Professional x64 Edition/Windows Vista®/ Windows® 7)

22 Before you install

a Make sure that your computer is ON and you are logged on with Administrator rights.

! Important

- If there are any programs running, close them.
- The screens may differ depending on your operating system.

Note

- The installer CD-ROM includes Nuance™ PaperPort™ 12SE. This software supports Windows® XP (SP3 or greater), XP Professional x64 Edition (SP2 or greater), Windows Vista® (SP2 or greater) and Windows® 7. Update to the latest Windows® Service Pack before installing MFL-Pro Suite.
- Disable all personal firewall software (other than Windows® Firewall), anti-spyware or antivirus applications for the duration of the installation.

23 Install MFL-Pro Suite

a Put the installer CD-ROM into your CD-ROM drive. If the model name screen appears, choose your machine. If the language screen appears, choose your language.

Note

If the Brother screen does not appear automatically, go to **My Computer (Computer)**, double-click the CD-ROM icon, and then double-click **start.exe**.

b Click **Install MFL-Pro Suite**, and click **Yes** if you accept the license agreements.



Note

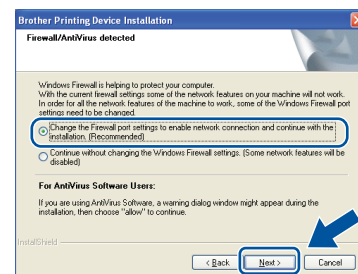
- If the installation does not continue automatically, open the top menu again by ejecting and then reinserting the CD-ROM or double-click the **start.exe** program from the root folder, and continue from step **b** to install MFL-Pro Suite.
- For Windows Vista® and Windows® 7 users, when the **User Account Control** screen appears, click **Allow** or **Yes**.

c Choose **Wireless Network Connection** and click **Next**.

Note

If you want to install the PS driver (BR-Script3 printer driver), choose **Custom Install** and then follow the on-screen instructions.

d When the **Firewall/AntiVirus detected** screen appears, choose **Change the Firewall port settings to enable network connection and continue with the installation. (Recommended)** and click **Next**.

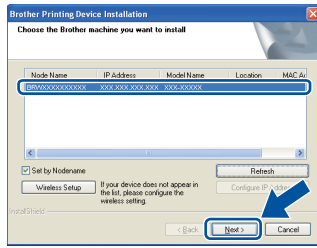


If you are not using the Windows® Firewall, see the user's guide for your software for information on how to add the following network ports.

- For network scanning, add UDP port 54925.
- For network PC-Fax receiving, add UDP port 54926.
- If you still have trouble with your network connection, add UDP port 161 and 137.



- e** Choose the machine from the list, and then click **Next**.



Note

If you are using WEP and the LCD displayed 'Connected' but your machine is not found, make sure you entered the WEP key correctly. The WEP key is case sensitive.

- f** The installation will automatically continue. The installation screens appear one after another. If prompted, follow any on-screen instructions.

Important

DO NOT cancel any of the screens during the installation. It may take a few seconds for all screens to appear.

Note

For Windows Vista® and Windows® 7 users, when the **Windows Security** screen appears, click the check box and click **Install** to complete the installation correctly.

- g** When the **On-Line Registration** screen appears, make your selection and follow the on-screen instructions. Once you have completed the registration process, click **Next**.

- h** When the **Setup Complete** screen appears, check the box of the action you want to perform, and then click **Next**.

24 Finish and restart

- a** Click **Finish** to restart your computer. After restarting the computer, you must log on with Administrator rights.

Note

- If an error message appears during the software installation, run the **Installation Diagnostics** located in **Start/All Programs/Brother/MFC-XXXX LAN** (where MFC-XXXX is your model name).
- Depending on your security settings, a Windows® Security or antivirus software window may appear when using the machine or its software. Please allow or permit the window to continue.

25 Install MFL-Pro Suite on additional computers (if needed)

If you want to use your machine with multiple computers on the network, install MFL-Pro Suite on each computer. Go to step **23** on page 37.

Note

Network license (Windows®)

This product includes a PC license for up to 5 users. This license supports the installation of the MFL-Pro Suite including Nuance™ PaperPort™ 12SE on up to 5 PCs on the network. If you want to use more than 5 PCs with Nuance™ PaperPort™ 12SE installed, please purchase the Brother NL-5 pack which is a multiple PC license agreement pack for up to 5 additional users. To purchase the NL-5 pack, contact your authorized Brother dealer or contact Brother customer service.

Finish The installation is now complete.

Note

XML Paper Specification Printer Driver

The XML Paper Specification Printer Driver is the most suitable driver for Windows Vista® and Windows® 7 when printing from applications that use the XML Paper Specification. Please download the latest driver by accessing the Brother Solutions Center at <http://solutions.brother.com/>.



Install the Drivers & Software (Mac OS X 10.5.8 - 10.7.x)

22 Before you install

a Make sure your machine is connected to the power and your Macintosh is ON. You must be logged on with Administrator rights.

Important

For users of Mac OS X 10.5.7 or lower, upgrade to Mac OS X 10.5.8 - 10.7.x. (For the latest drivers and information for the Mac OS X you are using, visit <http://solutions.brother.com/>.)

Note

If you want to add the PS driver (BR-Script3 printer driver), please go to the Brother Solutions Center at <http://solutions.brother.com/> and visit FAQ's on your model page for instructions.

23 Install MFL-Pro Suite

a Put the installer CD-ROM into your CD-ROM drive.

b Double-click the **Start Here OSX** icon. If prompted, select your model.



c Choose **Wireless Network Connection** and then click **Next**.

d Follow the on-screen instructions.

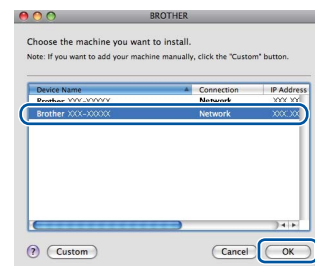
Important

DO NOT cancel any of the screens during the installation. It may take a few minutes for the installation to complete.

Note

If your wireless settings fail, the **Wireless Device Setup Wizard** screen appears. Follow the on-screen instructions to complete the wireless configuration.

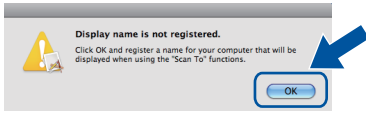
e Choose your machine from the list, and then click **OK**.



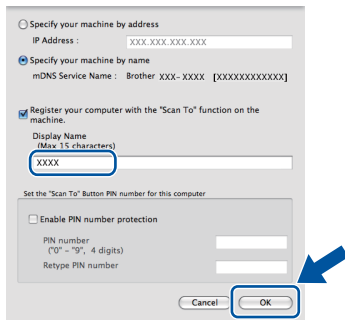


Note

- You can find your machine's MAC Address (Ethernet Address) and IP Address by printing out the Network Configuration Report. See *Print the Network Configuration Report* on page 41.
- If this screen appears click **OK**.

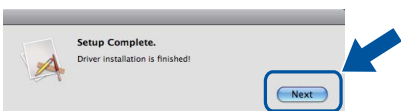


- Enter a name for your Macintosh in **Display Name** (up to 15 characters long).
- If you want to use the machine's **Scan** button to scan over the network, you must check the **Register your computer with the "Scan To" function on the machine box**.
- Click **OK**. Go to **f**.



- The name you enter will appear on the machine's LCD when you press the **Scan** button and choose a scan option. (For more information, see *Network Scanning (For network models)* in the *Software User's Guide*.)

f When this screen appears, click **Next**.

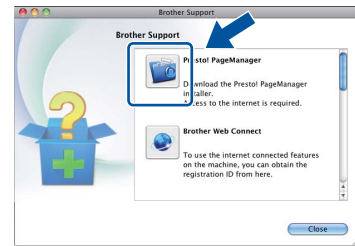


OK! The installation of MFL-Pro Suite is now complete.
Go to step 24 on page 40.

24 Download and install Presto! PageManager

When Presto! PageManager is installed OCR capability is added to Brother ControlCenter2. You can easily scan, share and organize photos and documents using Presto! PageManager.

- On the **Brother Support** screen, click **Presto! PageManager** and follow the on-screen instructions.



25 Install MFL-Pro Suite on additional computers (if needed)

If you want to use your machine with multiple computers on the network, install MFL-Pro Suite on each computer. Go to step 23 on page 39.

Finish The installation is now complete.

Note

If you began the wireless setup from step 6 on page 8, go back to step 7 to continue the machine settings.

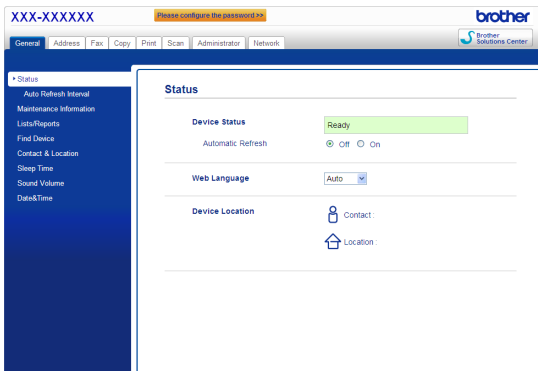
Web Based Management (web browser)

The Brother print server is equipped with a web server that allows you to monitor its status or change some of its configuration settings, using HTTP (Hyper Text Transfer Protocol).

Note

We recommend Windows® Internet Explorer® 7.0/8.0 or Firefox® 3.6 for Windows® and Safari 4.0/5.0 for Macintosh. Please also make sure that JavaScript and cookies are always enabled in whichever browser you use. To use a web browser, you will need to know the IP address of the print server. The IP address of the print server is listed on the Network Configuration Report.

- a** Open your browser.
- b** Type “http://machine’s IP address/” into your browser’s address bar (where “machine’s IP address” is the IP address of the Brother machine or the print server name).
 - For example: http://192.168.1.2/



Note

If you have configured an optional login password, you must enter it when prompted to access the Web Based Management.

For more information, see *Web Based Management* in the *Network User's Guide*.

Print the Network Configuration Report

You can print the Network Configuration Report to confirm the current network settings.

- a** Turn on the machine and wait until the machine is in the Ready state.
- b** Press **Menu**.
- c** Press **▲** or **▼** to display **Print Reports**. Press **Print Reports**.
- d** Press **▲** or **▼** to display **Network Config**. Press **Network Config**.
- e** Press **Start**.
The machine will print the current network settings.

Restore the network settings to the factory default

To restore all network settings of the internal Print/Scan server to the factory default, please follow the steps below.

- a** Make sure the machine is not operating, then disconnect all the cables from the machine (except the power cord).
- b** Press **Menu**.
- c** Press **▲** or **▼** to display **Network**. Press **Network**.
- d** Press **▲** or **▼** to display **Network Reset**. Press **Network Reset**.
- e** Press **Yes**.
- f** Press **Yes** for 2 seconds.
The machine will restart, re-connect the cables once this is complete.

Brother CreativeCenter



Get inspired. If you're using Windows®, double-click the Brother CreativeCenter icon on your desktop to access our FREE web site with many ideas and resources for personal and professional use.




Mac users can access Brother CreativeCenter at this web address:

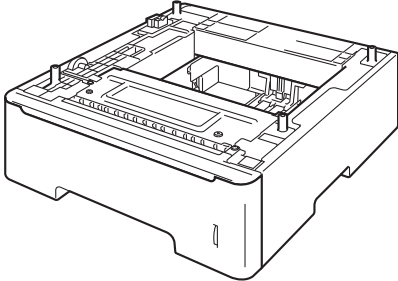
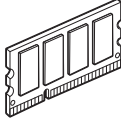
<http://www.brother.com/creativecenter/>

Options and Consumables

Options

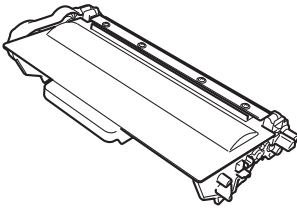
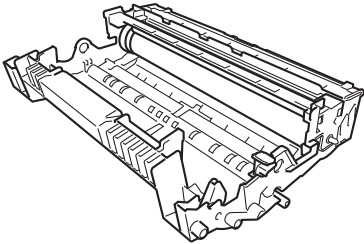
The machine has the following optional accessories. You can expand the capabilities of the machine by adding these items. For more information about the optional Lower Tray Unit and compatible SO-DIMM Memory, visit us at <http://solutions.brother.com/>.

 For installing the SO-DIMM Memory, see *Installing extra memory* in the *Advanced User's Guide*.

Lower Tray Unit for MFC-8950DW	SO-DIMM Memory
LT-5400	
<p>The lower paper tray unit can hold up to 500 sheets of paper. When the tray is installed, the machine expands total input capacity up to 1,050 sheets.</p> 	<p>You can increase the memory by installing one SO-DIMM (Small Outline Dual In-line Memory Module).</p> 

Consumables

When the time comes to replace consumable items, an error will be indicated by the LCD on the control panel. For more information about the consumables for your machine, visit us at <http://www.brother.com/original/> or contact your local Brother reseller.

Toner cartridge	Drum unit
<p>Standard Toner: TN-720 High Yield Toner: TN-750 Super High Yield Toner: TN-780</p>	DR-720
	

Trademarks

The Brother logo is a registered trademark of Brother Industries, Ltd.

Brother is a registered trademark of Brother Industries, Ltd.

Microsoft, Windows, Windows Server and Internet Explorer are either registered trademarks or trademarks of Microsoft Corporation in the United States and/or other countries.

Windows Vista is either a registered trademark or trademark of Microsoft Corporation in the United States and/or other countries.

Apple, Macintosh, Safari and Mac OS are trademarks of Apple Inc., registered in the U.S. and other countries.

Linux is the registered trademark of Linus Torvalds in the U.S. and other countries.

Wi-Fi Direct, Wi-Fi Protected Setup, WPA and WPA2 are marks of the Wi-Fi Alliance.

AOSS is a trademark of Buffalo Inc.

Android is a trademark of Google Inc.

Nuance, the Nuance logo, PaperPort and ScanSoft are trademarks or registered trademarks of Nuance Communications, Inc. or its affiliates in the United States and/or other countries.

Each company whose software title is mentioned in this manual has a Software License Agreement specific to its proprietary programs.

Any trade names and product names of companies appearing on Brother products, related documents and any other materials are all trademarks or registered trademarks of those respective companies.

Compilation and Publication

Under the supervision of Brother Industries, Ltd., this manual has been compiled and published, covering the latest product descriptions and specifications.

The contents of this manual and the specifications of this product are subject to change without notice.

Brother reserves the right to make changes without notice in the specifications and materials contained herein and shall not be responsible for any damages (including consequential) caused by reliance on the materials presented, including but not limited to typographical and other errors relating to the publication.

Copyright and License

©2012 Brother Industries, Ltd. All rights reserved.

This product includes software developed by the following vendors:

©1983-1998 PACIFIC SOFTWARES, INC. ALL RIGHTS RESERVED.

©2008 Devicescape Software, Inc. All rights reserved.

This product includes the "KASAGO TCP/IP" software developed by ZUKEN ELMIC, Inc.