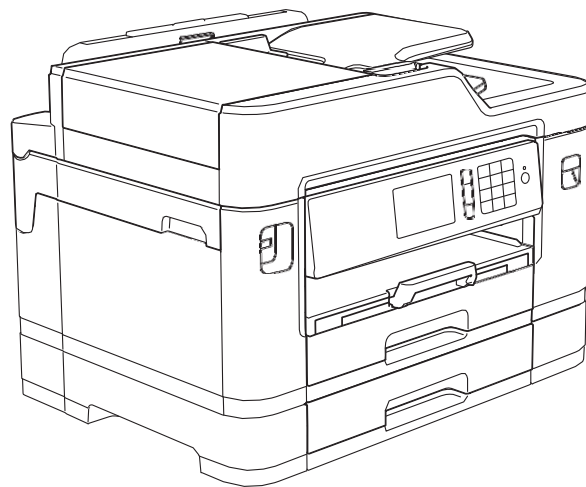




Brother Inkjet MFC

PARTS REFERENCE LIST

**MODELS: MFC-J2330DW/J2730DW/
J5330DW/J5335DW/
J5730DW/J5830DW/
J5930DW**



Read this list thoroughly before maintenance work.
Keep this list in a convenient place for quick and easy reference at all times.

September 2016
PL-FAX238
8CH2*
Ver.6

Confidential

NOTE FOR USING THIS PARTS REFERENCE LIST

1. In the case of ordering parts, it is necessary to mention the following items;

- (1) Code
- (2) Q'ty
- (3) Description

Note: Orders without Parts Code or Tool No. cannot be accepted.

< Example >

	(1) CODE	(2) Q'TY	(3) DESCRIPTION	
REF.NO.	CODE	Q'TY	DESCRIPTION	REMARK

2. Design-changed parts :

If any of the parts code is changed in this Parts List, one of the following symbols is indicated in the REMARK column.

CHG(chg) : The parts code is changed to a new one in this Parts List.

ADD(add) : The parts code is newly added in this Parts List.

DEL(del) : The parts code is deleted in this Parts List.

Symbol in capital letters indicates the latest parts change information in the page.

3. Parts change will be informed by the Parts change information.

4. Parts are subject to change in design without prior notice.

COUNTRIES AND AREAS

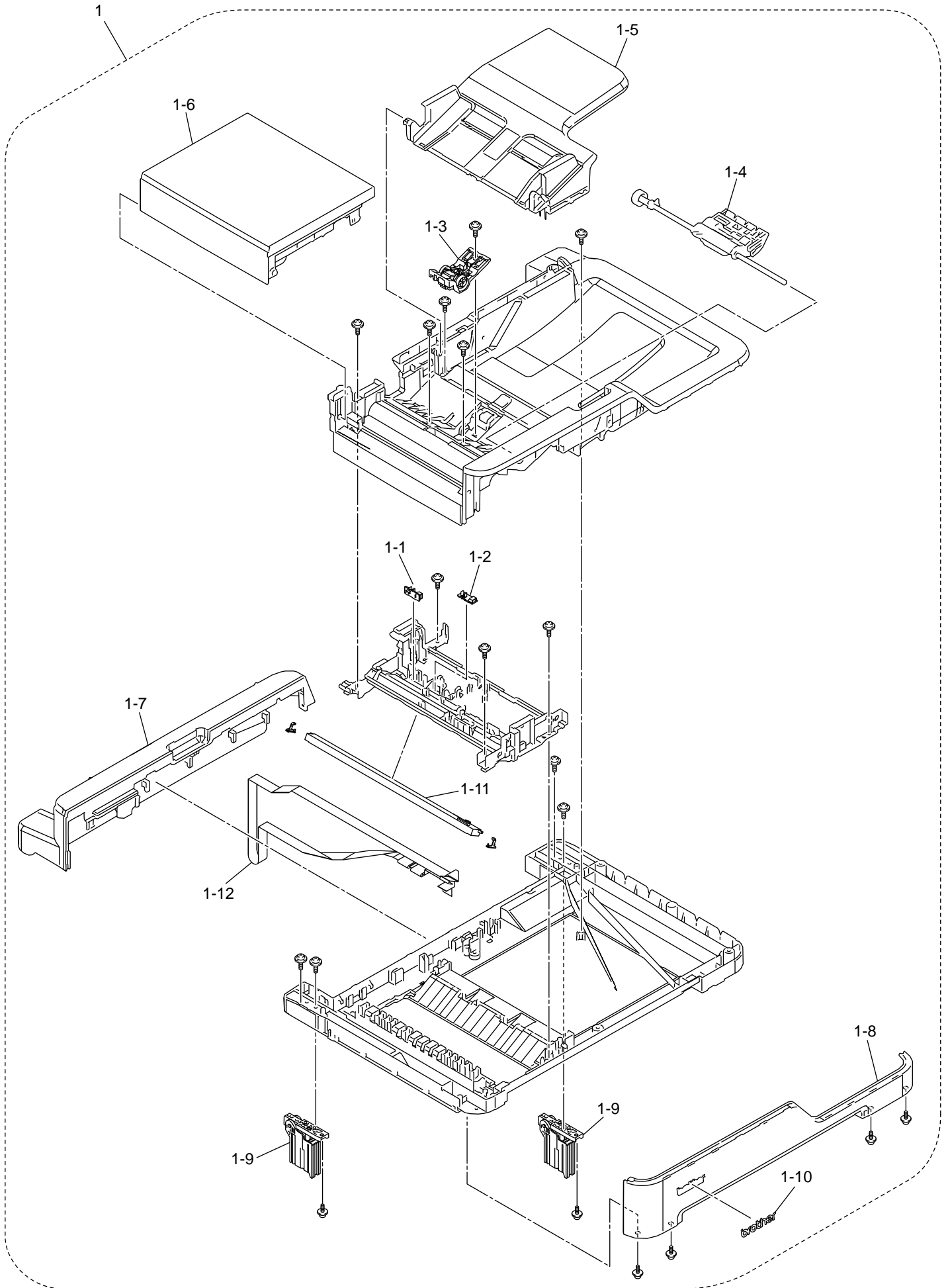
US ----- U.S.A.
 CAN ----- CANADA
 GER ----- GERMANY
 UK ----- UNITED KINGDOM
 FRA ----- FRANCE
 CHE ----- SWITZERLAND
 CHN ----- CHINA
 SAF ----- SOUTH AFRICA
 HK ----- HONG KONG
 THA ----- THAILAND
 CHL ----- CHILE
 GUL ----- GULF

FRA/BEL/NLD ----- FRANCE/BELGIUM/NETHERLANDS
 ITA/IBR ----- ITALY/IBERIA (ITALY/SPAIN/PORTUGAL)
 PND ----- PAN-NORDIC
 (NORWAY/FINLAND/DENMARK/SWEDEN)
 OCE ----- OCEANIA (AUSTRALIA/NEW ZEALAND)
 CEE ----- CEE GENERAL
 MYS ----- MALAYSIA

CONTENTS

1.	<u>ADE</u>	1
2.	<u>DOCUMENT SCANNER</u>	3
3.	<u>CARTRIDGE CASE</u>	5
4.	<u>ENGINE</u>	7
5.	<u>HEAD</u>	9
6.	<u>PAPER TRAY</u>	11
7.	<u>MP TRAY</u>	13
8.	<u>COVERS & LABELS</u>	15
9.	<u>PANEL</u>	17
10.	<u>PCB</u>	19
11.	<u>ACCESSORIES</u>	21
12.	<u>PRINTED MATERIALS</u>	24
13.	<u>PACKING MATERIALS</u>	27
14.	<u>OTHERS</u>	29
15.	<u>LOWER TRAY</u>	31

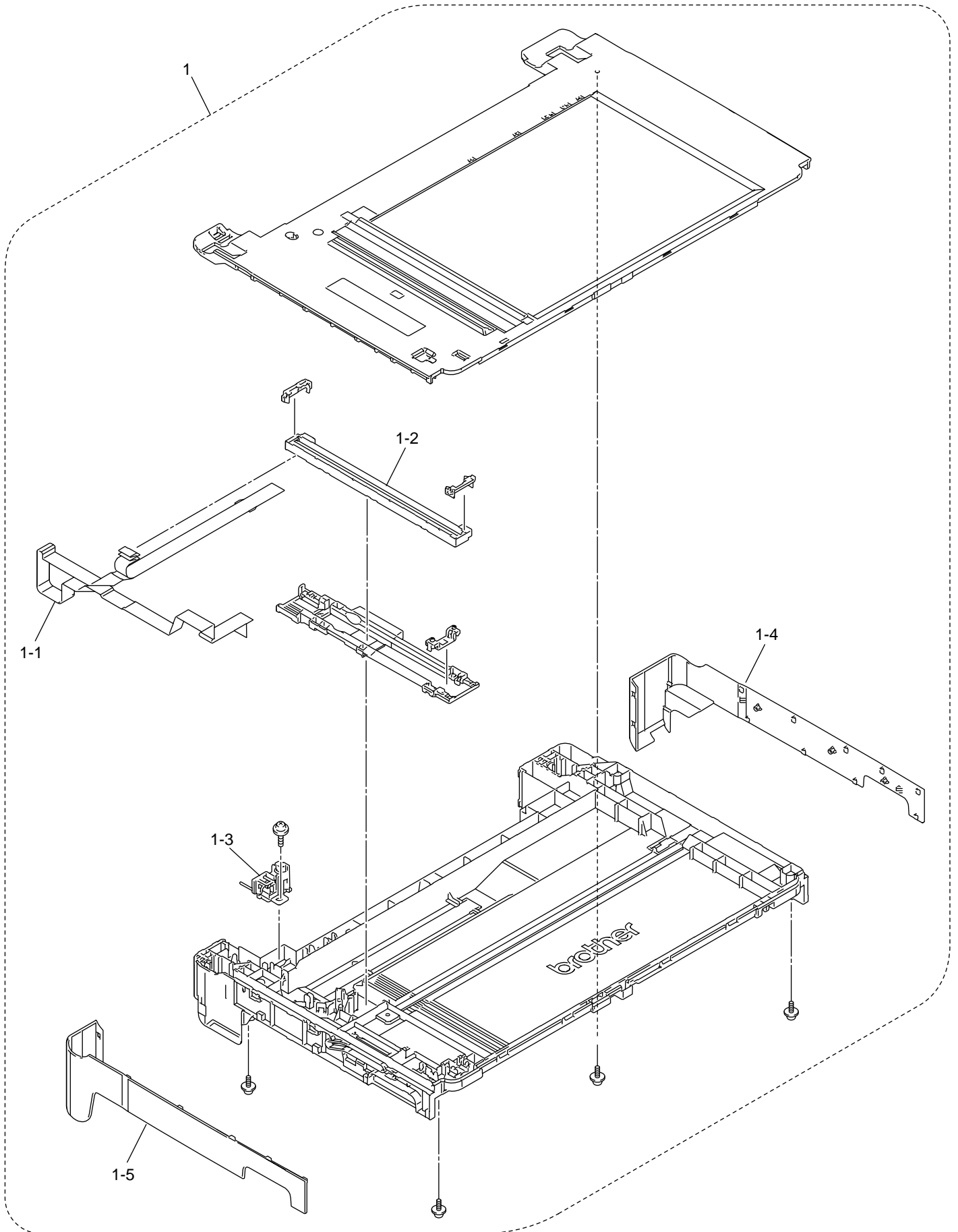
1.ADF



1. ADF

REF No.	CODE	QTY	DESCRIPTION	MODEL	SPEC	REMARKS
1	D00HU3001	1	ADF UNIT SP	MFC-J2330DW/J5330DW/J5335DW		
1	D00HU4001	1	ADF UNIT SP	MFC-J2730DW/J5730DW		
1	D00HU5001	1	ADF UNIT SP	MFC-J5830DW		
1	D00HU6001	1	ADF UNIT SP	MFC-J5930DW		
1-1	LG6753001	1	DOCUMENT SCANNING POSITION SENSOR PCB			
1-2	LG6753001	1	ADF DOCUMENT DETECTION SENSOR PCB			
1-3	D00DW5001	1	ADF SEPARATION PAD HOLDER ASSY			
1-4	D00227001	1	DOCUMENT SEPARATION ROLLER ASSY			
1-5	D00GKL001	1	ADF DOCUMENT SUPPORT SP	MFC-J2330DW/J2730DW/J5330DW/ J5335DW/J5730DW		
1-5	D00GKP001	1	ADF DOCUMENT SUPPORT SP	MFC-J5830DW/J5930DW		
1-6	D002U6001	1	ADF COVER	MFC-J2330DW/J2730DW/J5330DW/ J5335DW/J5730DW		
1-6	D006TX001	1	ADF COVER	MFC-J5830DW/J5930DW		
1-7	D0025E001	1	ADF REAR COVER	MFC-J2330DW/J2730DW/J5330DW/ J5335DW/J5730DW		
1-7	D0025E002	1	ADF REAR COVER	MFC-J5830DW/J5930DW		
1-8	D003DV001	1	ADF FRONT COVER	MFC-J2330DW/J2730DW/J5330DW/ J5335DW/J5730DW		
1-8	D006TY001	1	ADF FRONT COVER	MFC-J5830DW/J5930DW		
1-9	D002UG001	2	ADF HINGE			
1-10	LX1347001	1	EMBLEM BROTHER	MFC-J2330DW/J2730DW/J5330DW/ J5335DW/J5730DW		
1-10	LX1347007	1	EMBLEM BROTHER	MFC-J5830DW/J5930DW		
1-11	LT2868001	1	SECOND SIDE CIS UNIT	MFC-J2730DW/J5730DW/J5930DW		
1-12	D0031G001	1	SECOND SIDE CIS FLAT CABLE	MFC-J2730DW/J5730DW/J5930DW		

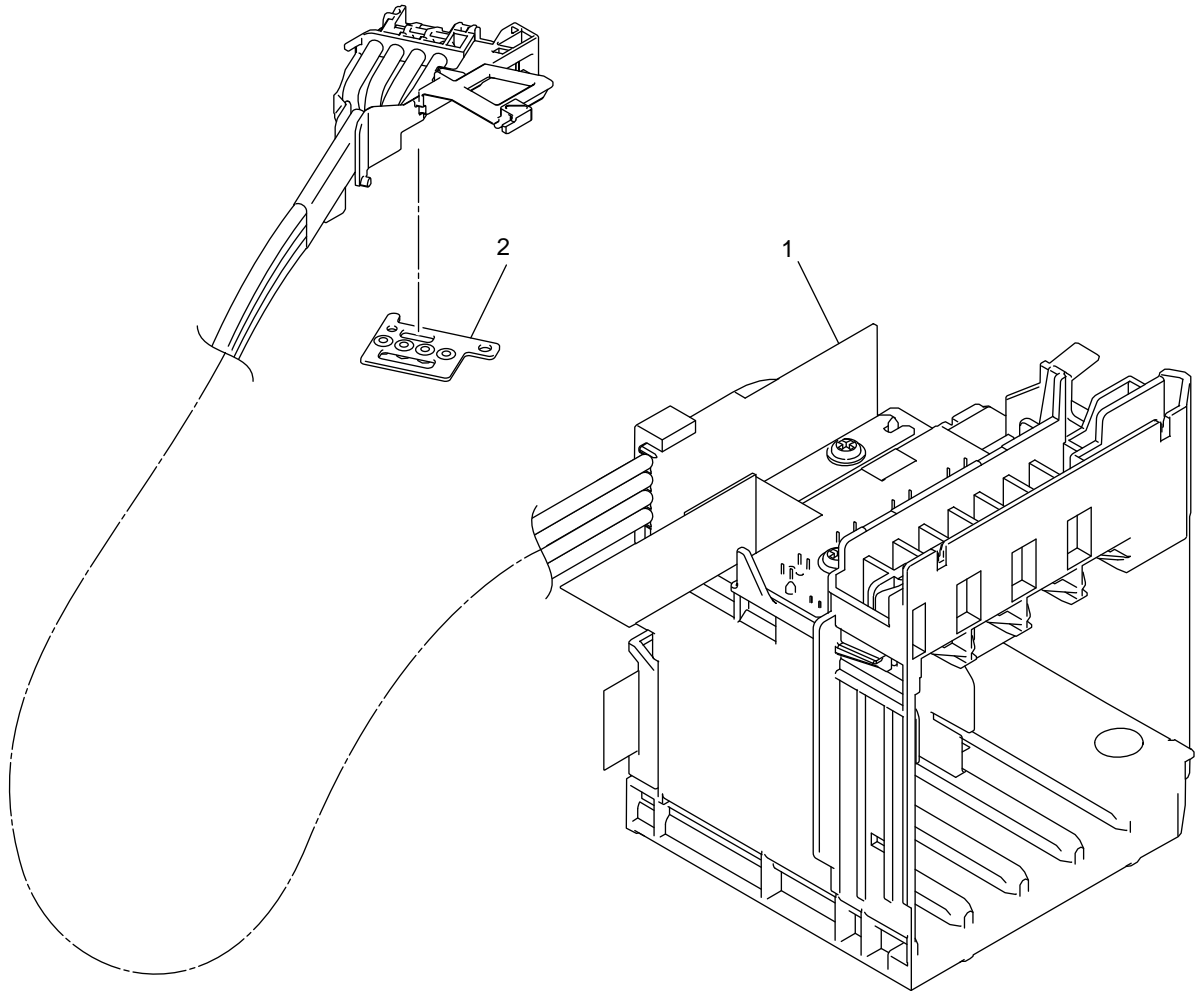
2. DOCUMENT SCANNER



2. DOCUMENT SCANNER

REF No.	CODE	QTY	DESCRIPTION	MODEL	SPEC	REMARKS
1	D00HU8001	1	DOCUMENT SCANNER UNIT SP	MFC-J2330DW/J5330DW/J5335DW		
1	D00HU9001	1	DOCUMENT SCANNER UNIT SP	MFC-J2730DW/J5730DW		
1	D00HUA001	1	DOCUMENT SCANNER UNIT SP	MFC-J5830DW		
1	D00HUB001	1	DOCUMENT SCANNER UNIT SP	MFC-J5930DW		
1-1	D0031M001	1	FIRST SIDE CIS FLAT CABLE			
1-2	D004GW001	1	FIRST SIDE CIS UNIT			
1-3	D0069H001	1	DOCUMENT COVER SENSOR	MFC-J2330DW/J5330DW/J5335DW		
1-3	D004XT001	1	DOCUMENT COVER SENSOR	MFC-J2730DW/J5730DW/J5830DW/ J5930DW		
1-4	D003DY001	1	DOCUMENT SCANNER SIDE COVER R	MFC-J2330DW/J2730DW/J5330DW/ J5335DW/J5730DW		
1-4	D003DY002	1	DOCUMENT SCANNER SIDE COVER R	MFC-J5830DW/J5930DW		
1-5	D003DZ001	1	DOCUMENT SCANNER SIDE COVER L	MFC-J2330DW/J2730DW/J5330DW/ J5335DW/J5730DW		
1-5	D003DZ002	1	DOCUMENT SCANNER SIDE COVER L	MFC-J5830DW/J5930DW		

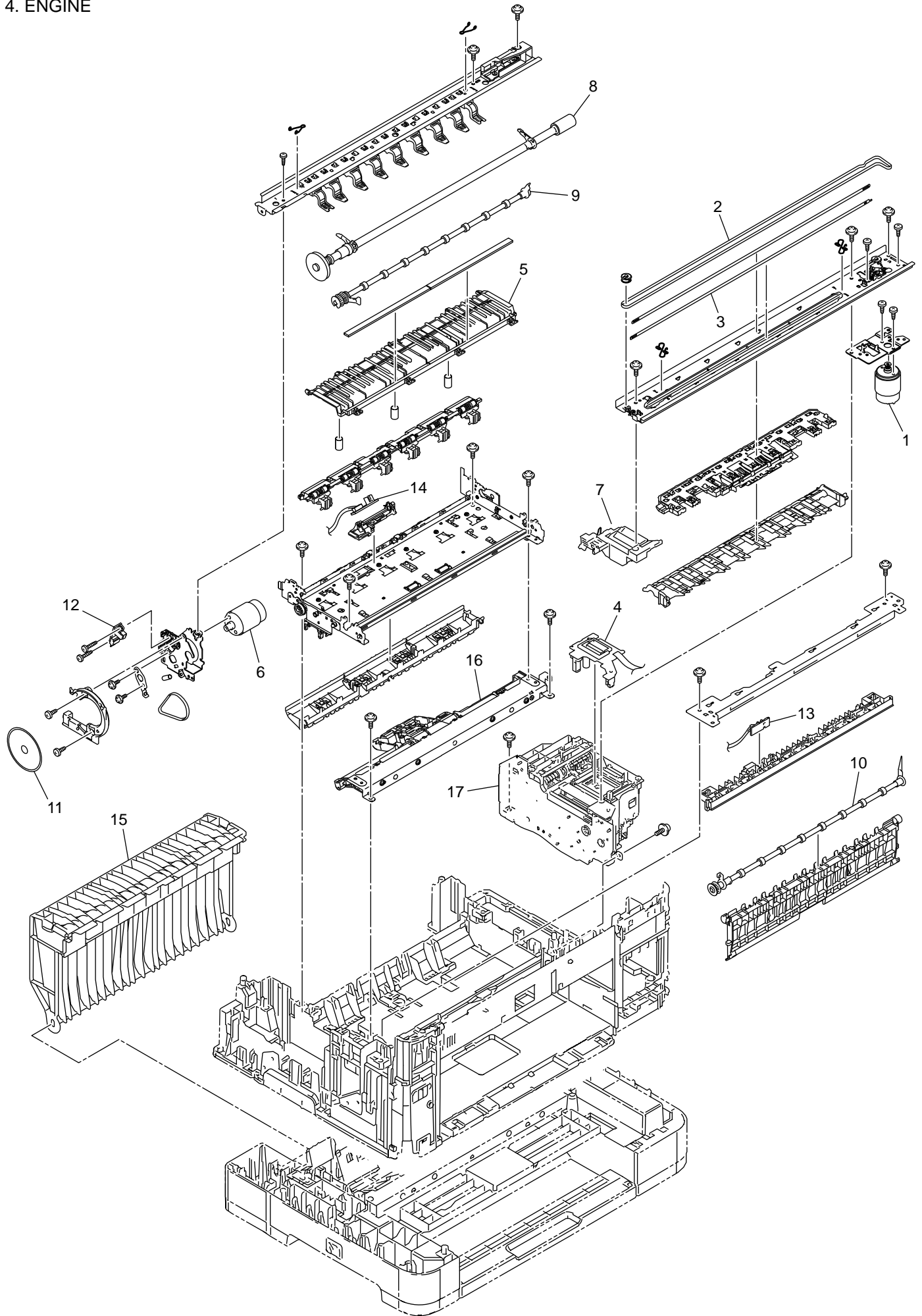
3. CARTRIDGE CASE



3. CARTRIDGE CASE

REF No.	CODE	Q'TY	DESCRIPTION	MODEL	SPEC	REMARKS
1	D00GKJ001	1	INK REFILL ASSY (SP)	MFC-J2330DW/ J2730DW/ J5330DW/ J5335DW/ J5730DW	US/ CAN/ GER/ UK/ FRA/ CHE/ HK/ THA/ CHL/ GUL/ FRA/ NLD/ OCE/ PND/ ITA/ IBR/ CEE/ SAF/ BEL/ MYS	
1	D00GKK001	1	INK REFILL ASSY (SP)	MFC-J5830DW/ J5930DW	CHN	
1	D00MCF001	1	INK REFILL ASSY (SP)			
2	D00G5S001	1	HEAD JOINT RUBBER SP			

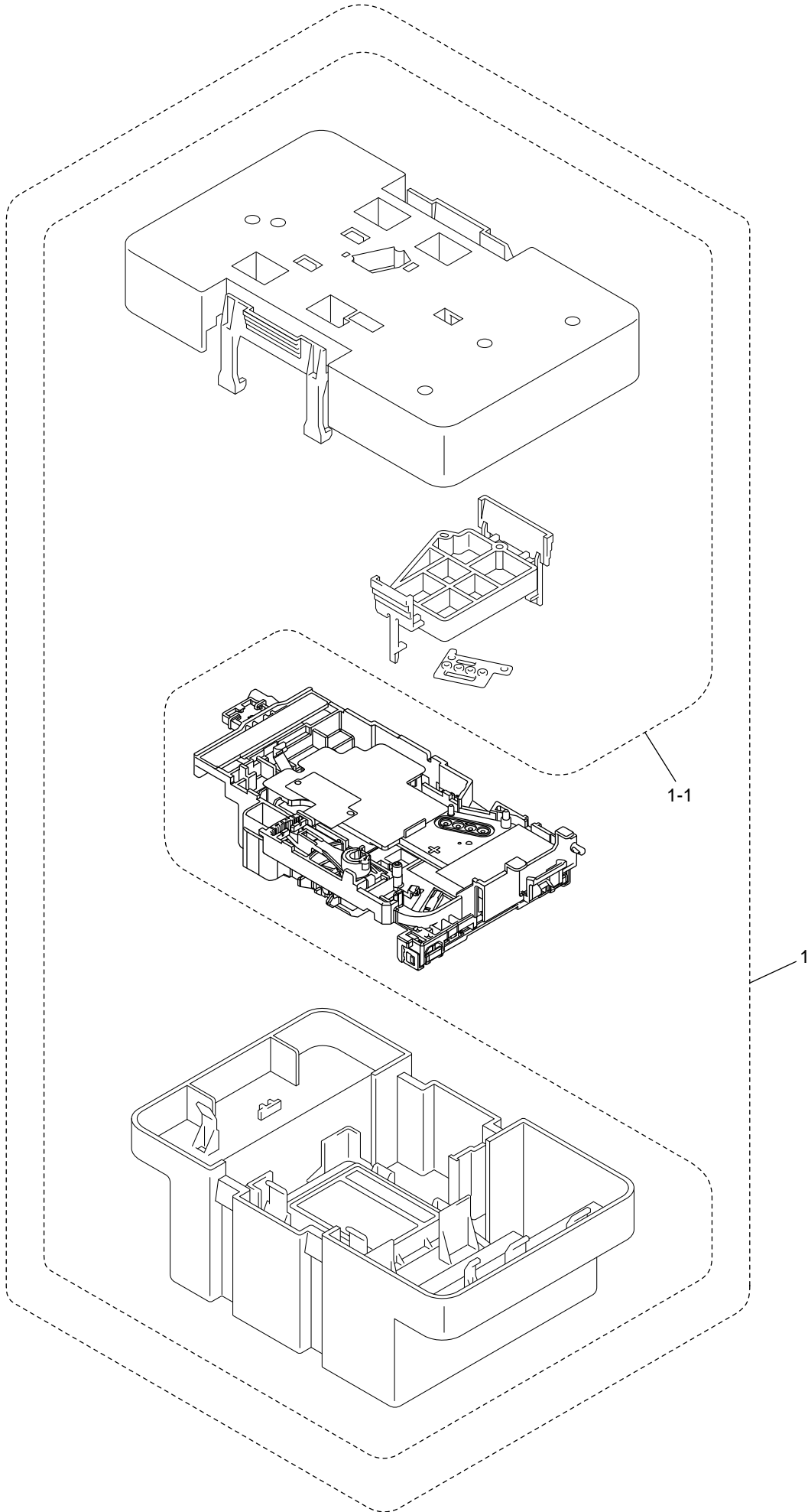
4. ENGINE



4. ENGINE

REF No.	CODE	QTY	DESCRIPTION	MODEL	SPEC	REMARKS
1	D003JL001	1	CARRIAGE MOTOR			
2	D002E4001	1	CR TIMING BELT			
3	D002EN001	1	CR ENCODER STRIP			
4	D00F2M001	1	CARRIAGE PCB ASSY (SP)			
5	D001ZC001	1	PLATEN			
6	D00FCV001	1	PAPER FEED MOTOR			
7	D002C8001	1	FLUSHING BASE			
8	D002C9001	1	PAPER FEED ROLLER			
9	D002CF001	1	PAPER EJECTION ROLLER			
10	D002CR001	1	SWITCHBACK ROLLER			
11	D001ZU001	1	PF ENCODER DISK			
12	LT1509002	1	PF ENCODER SENSOR PCB			
13	D007R0001	1	SWITCHBACK SENSOR PCB			
14	D002P5001	1	REGISTRATION SENSOR PCB			
15	D003JH001	1	JAM CLEAR COVER	MFC-J2330DW/J5330DW/J5335DW		
15	D002B9001	1	JAM CLEAR COVER	MFC-J2730DW/J5730DW		
15	D003JH002	1	JAM CLEAR COVER	MFC-J5830DW		
15	D002B9002	1	JAM CLEAR COVER	MFC-J5930DW		
16	D002BA001	1	PAPER FEED ARM FRAME ASSY	EXCEPT FOR MFC-J5930DW		
16	D00M2X001	1	PAPER FEED ARM FRAME ASSY	MFC-J5930DW		CHG
17	D00F2P001	1	MAINTENANCE UNIT (SP)	MFC-J2330DW/J5330DW/J5335DW		
17	D00F2N001	1	MAINTENANCE UNIT (SP)	MFC-J2730DW/J5730DW/J5830DW/ J5930DW		

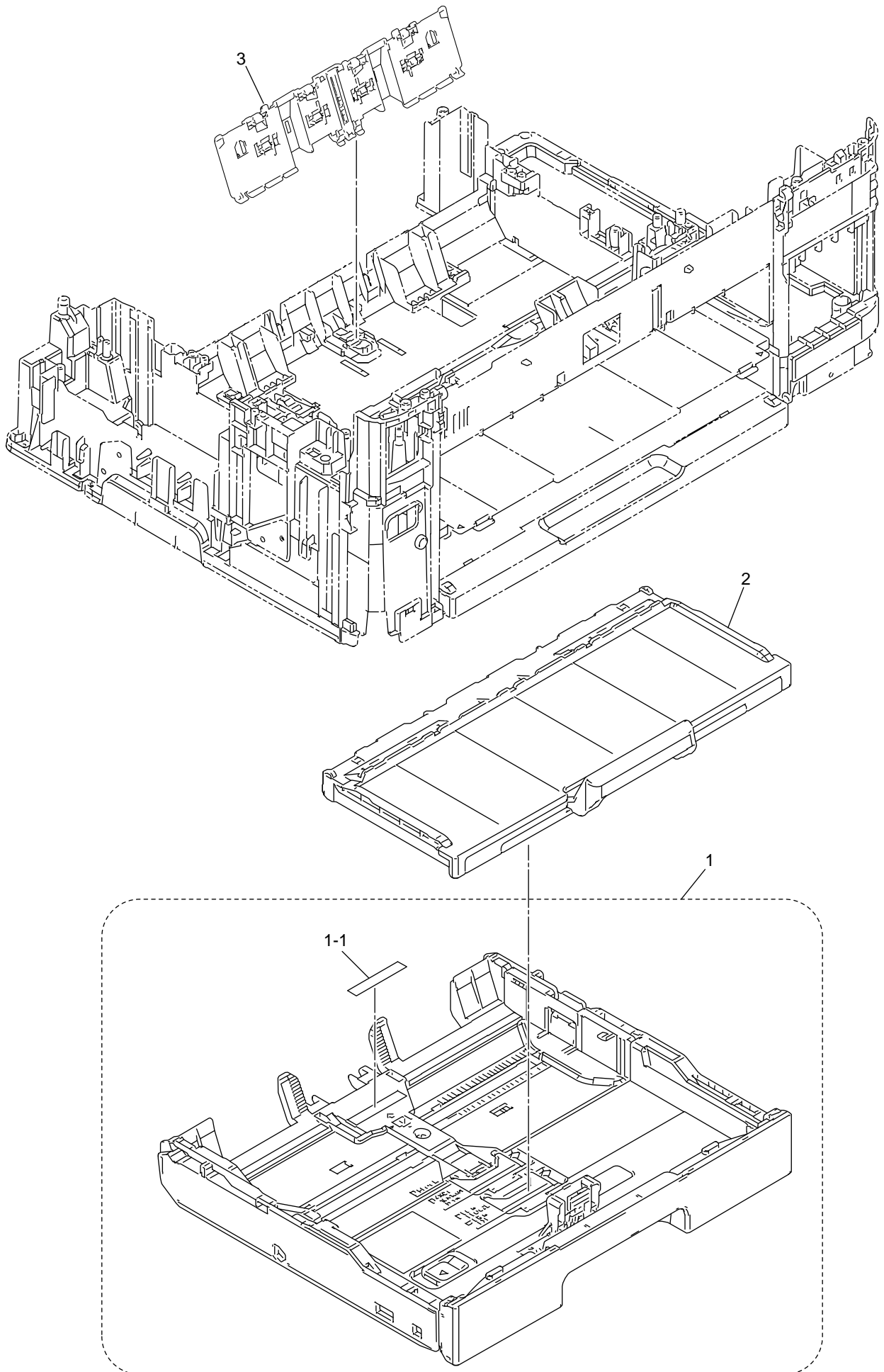
5. HEAD



5. HEAD

REF No.	CODE	QTY	DESCRIPTION	MODEL	SPEC	REMARKS
1	D006S7001	1	HEAD/CARRIAGE UNIT (SP)			
1-1	D006VP001	1	PROTECTOR SUPPLY ASSY			

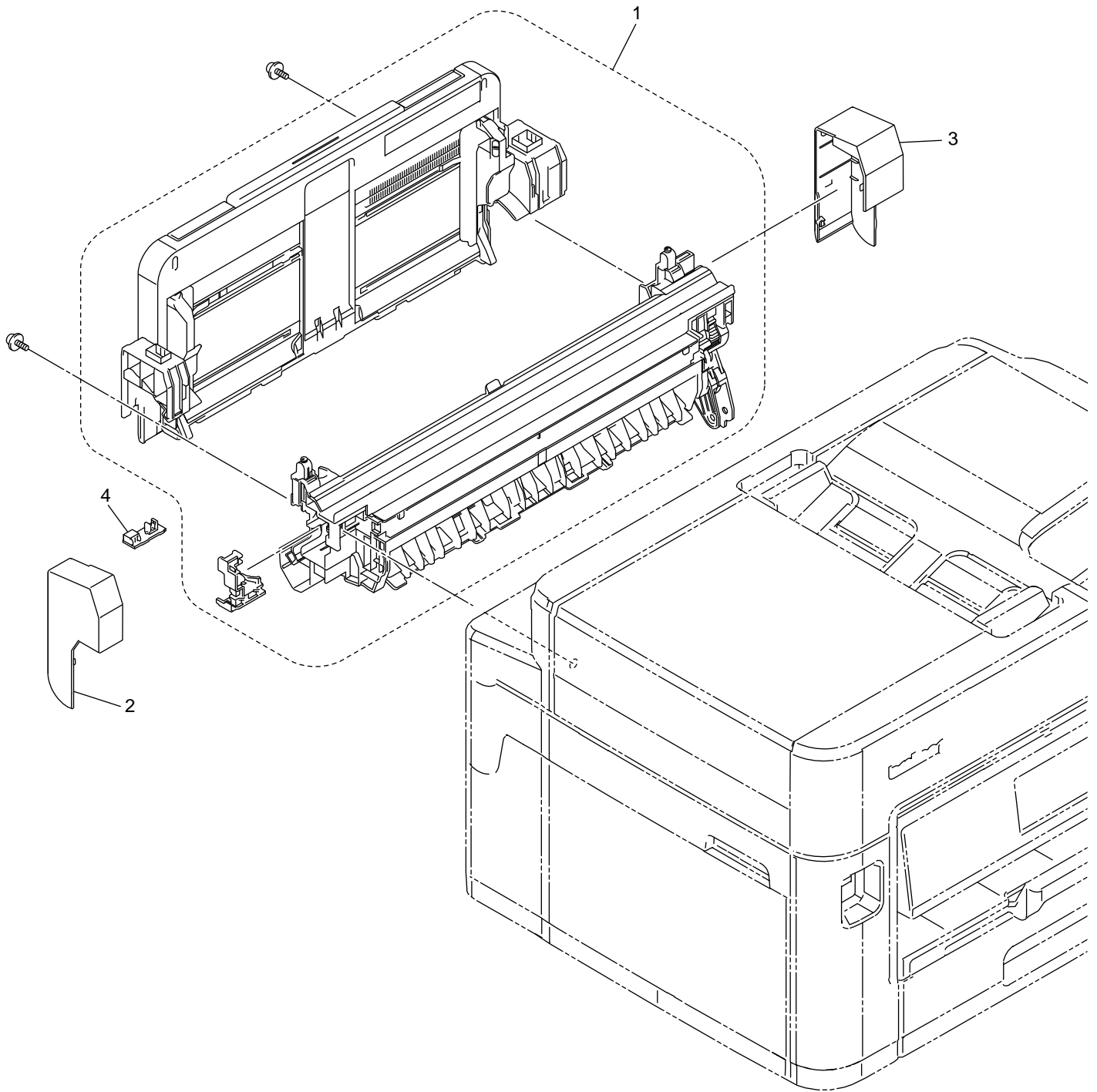
6. PAPER TRAY



6. PAPER TRAY

REF No.	CODE	QTY	DESCRIPTION	MODEL	SPEC	REMARKS
1	D0032E001	1	PAPER TRAY ASSY #1	MFC-J2330DW/J5330DW/ J5335DW		
1	D00CD3001	1	PAPER TRAY ASSY #1	MFC-J2730DW/J5730DW		
1	D0032E002	1	PAPER TRAY ASSY #1	MFC-J5830DW		
1	D00CD3002	1	PAPER TRAY ASSY #1	MFC-J5930DW		
1-1	LED275001	1	T1 BASE PAD			
2	D0032P001	1	EXIT TRAY ASSY	MFC-J2330DW/J2730DW/ J5330DW/J5335DW/J5730DW		
2	D0032P002	1	EXIT TRAY ASSY	MFC-J5830DW/J5930DW		
3	LET495001	1	T1 BANK ASSY			

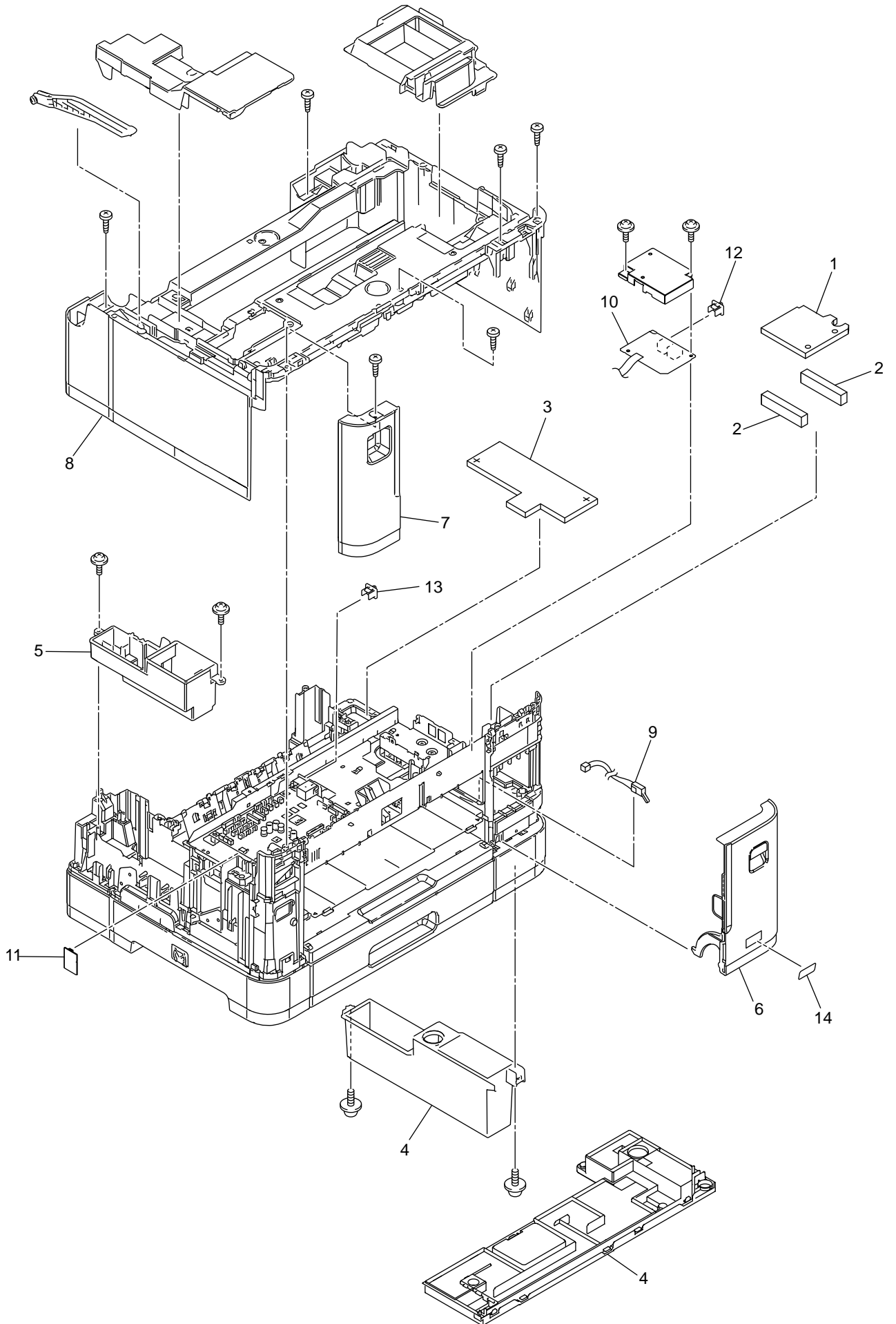
7. MP TRAY



7. MP TRAY

REF No.	CODE	QTY	DESCRIPTION	MODEL	SPEC	REMARKS
1	D004WY001	1	MANUAL PAPER TRAY ASSY	MFC-J2330DW/J5330DW/J5335DW		
1	D0029E001	1	MP TRAY ASSY	MFC-J2730DW/J5730DW		
1	D009XX001	1	MP TRAY ASSY	MFC-J5830DW/J5930DW		
2	D002A6001	1	MP SIDE COVER L	MFC-J2330DW/J2730DW/J5330DW/ J5335DW/J5730DW		
2	D002A6002	1	MP SIDE COVER L	MFC-J5830DW/J5930DW		
3	D002A7001	1	MP SIDE COVER R	MFC-J2330DW/J2730DW/J5330DW/ J5335DW/J5730DW		
3	D002A7002	1	MP SIDE COVER R	MFC-J5830DW/J5930DW		
4	D002P5001	1	MP PAPER DETECTION SENSOR PCB	MFC-J2730DW/J5730DW/J5830DW/ J5930DW		

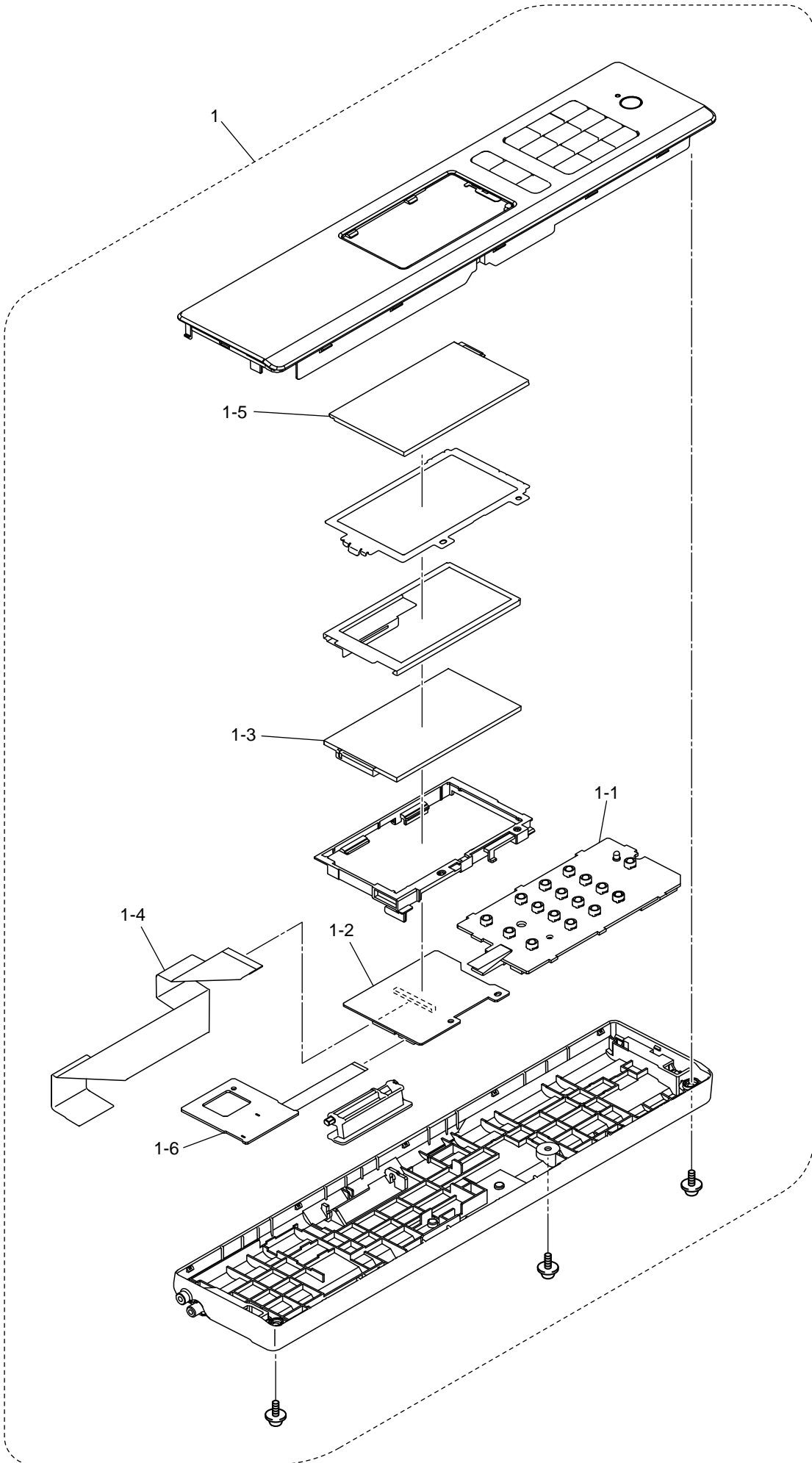
8. COVERS & LABELS



8. COVERS & LABELS

REF No.	CODE	Q'TY	DESCRIPTION	MODEL	SPEC	REMARKS
1	D002XG001	1	INK ABSORBER FELT (FOR INK REFILL ASSY) 2			
2	D0068G001	2	INK ABSORBER FELT (FOR INK REFILL ASSY) 2			
3	D002UP001	1	INK ABSORBER FELT (FOR MAINTENANCE UNIT)			
4	D004V5001	1	INK ABSORBER BOX	MFC-J2330DW/ J5330DW/ J5335DW/ J5830DW		
4	D002UR001	1	INK ABSORBER BOX	MFC-J2730DW/ J5730DW/ J5930DW		
5	D002UX001	1	FLUSHING BOX			
6	D002X9001	1	INK CARTRIDGE COVER	MFC-J2330DW/ J2730DW/ J5330DW/ J5335DW/ J5730DW		
6	D002X9002	1	INK CARTRIDGE COVER	MFC-J5830DW/ J5930DW		
7	D0068Y001	1	FRONT COVER L	MFC-J2330DW/ J2730DW/ J5330DW/ J5335DW/ J5730DW		
7	D002XA001	1	FRONT COVER L	MFC-J5830DW/ J5930DW		
8	D00HUC001	1	UPPER COVER SP	MFC-J2330DW/ J5330DW/ J5335DW		
8	D00HUD001	1	UPPER COVER SP	MFC-J2730DW/ J5730DW		
8	D00HUE001	1	UPPER COVER SP	MFC-J5830DW		
8	D00HUF001	1	UPPER COVER SP	MFC-J5930DW		
9	D00818001	1	INK CARTRIDGE COVER SENSOR			
10	D002M8003	1	MODEM PCB	MFC-J2330DW/ J5330DW/ J5335DW	US/ CAN/ GER/ UK/ FRA/ CHE/ SAF/ HK/ THA/ CHL/ FRA/ BEL/ NLD/ PND/ IBR/ MYS/ CEE/ CHN/ GUL/ ITA	
10	D002M8002	1	MODEM PCB	MFC-J2730DW/ J5730DW/ J5830DW/ J5930DW	US/ CAN/ GER/ UK/ CHE/ SAF/ THA/ FRA/ BEL/ PND/ ITA/ IBR/ MYS/ CHN/ NLD OCE	
10	D002M8008	1	MODEM PCB	MFC-J5330DW	OCE	
10	D002M8007	1	MODEM PCB	MFC-J5730DW/ J5930DW	OCE	
11	LD1969001	1	WIRELESS LAN PCB			
12	LE8842001	1	EXT CAP			
12	UF5745000	1	MJ COVER EXT			EXCEPT FOR GER/ UK GER/ UK
13	LEG124001	1	LAN PORT CAP			
14	LX3721001	1	INNOBELLA LABEL	MFC-J5330DW	US	
14	LX3722001	1	INNOBELLA LABEL	MFC-J2330DW/ J2730DW/ J5330DW/ J5335DW/ J5730DW/ J5930DW	CAN/ GER/ UK/ FRA/ CHE/ SAF/ HK/ THA/ CHL/ FRA/ BEL/ NLD/ OCE/ ITA/ IBR/ MYS/ CHN/ GUL/ PND	
14	LEW468001	1	INKVESTMENT LABEL	MFC-J5830DW/ J5930DW	US/ CAN	
14	LEX288001	1	INKBENEFIT LABEL		CEE	

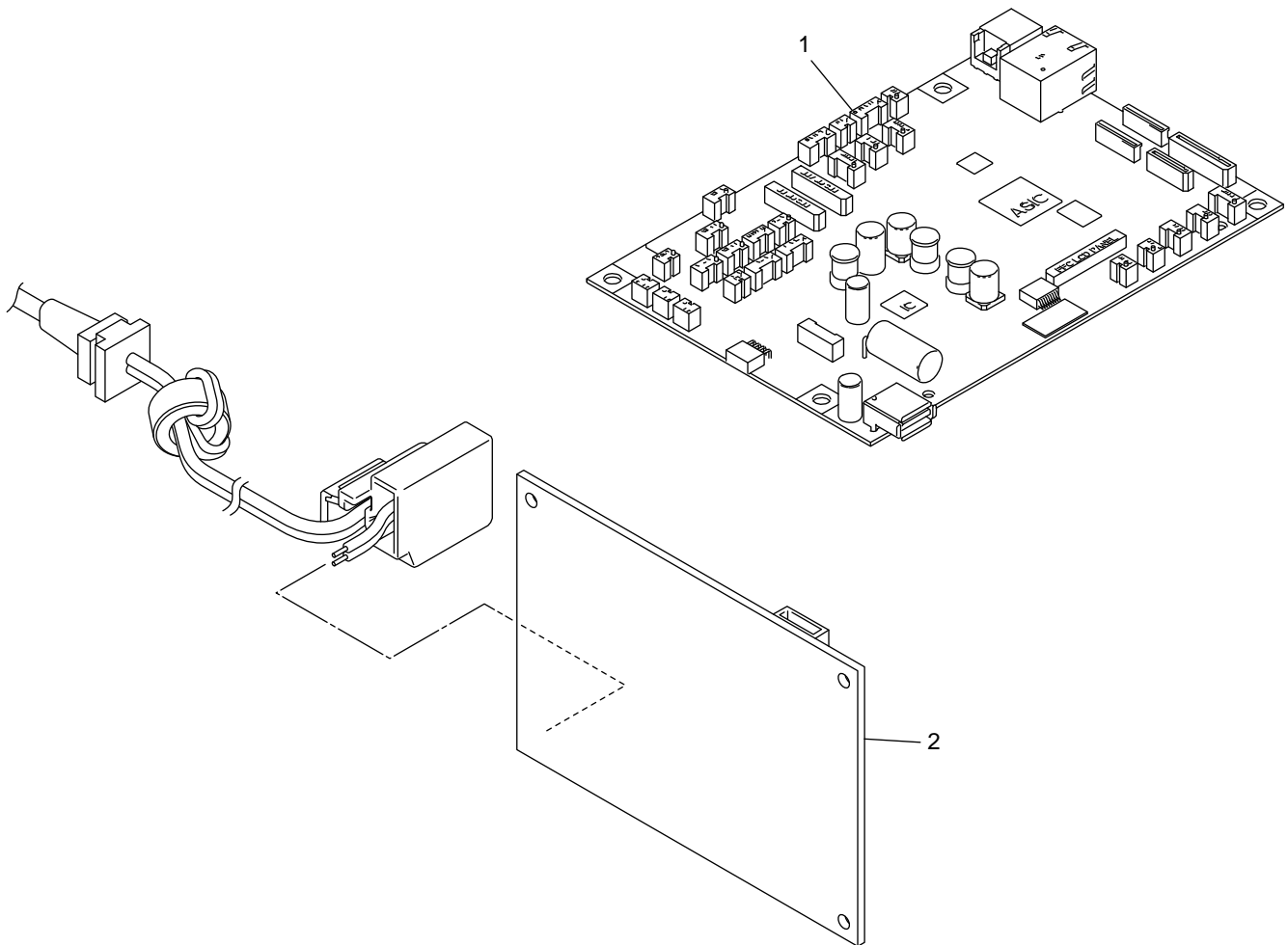
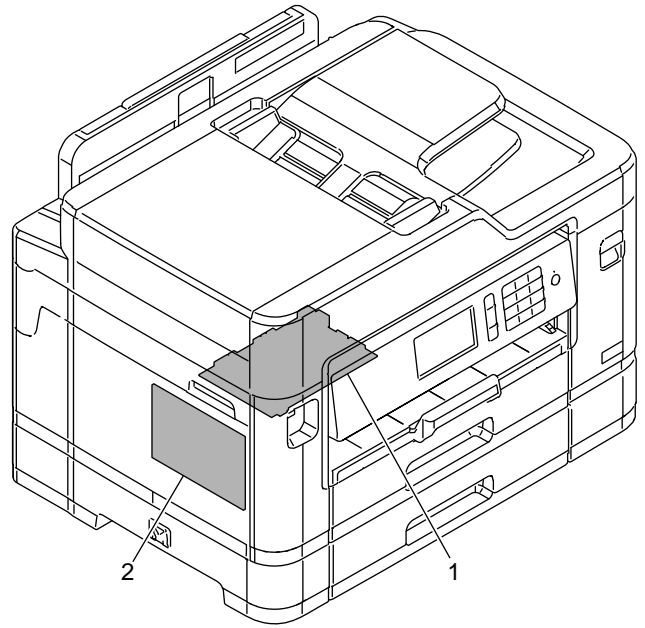
9.PANEL



9. PANEL

REF No.	CODE	Q'TY	DESCRIPTION	MODEL	SPEC	REMARKS
1	D009C3001	1	CONTROL PANEL ASSY	MFC-J5330DW	US/ CAN/ CHL	
1	D006RW001	1	CONTROL PANEL ASSY	MFC-J5330DW	GER/ UK/ CHE/ FRA/ BEL/ PND/ ITA/ IBR/ NLD	
1	D00GUE001	1	CONTROL PANEL ASSY	MFC-J5335DW		
1	D009C7001	1	CONTROL PANEL ASSY	MFC-J5730DW	GER/ UK/ CHE/ FRA/ BEL/ PND/ ITA/ IBR/ NLD	
1	D00986001	1	CONTROL PANEL ASSY	MFC-J5830DW		
1	D006SC001	1	CONTROL PANEL ASSY	MFC-J5930DW	US	
1	D00HKC001	1	CONTROL PANEL ASSY	MFC-J2330DW	SAF/ HK/ GUL/ CEE	
1	D006T2001	1	CONTROL PANEL ASSY	MFC-J5930DW	GER/ UK/ CHE/ FRA/ BEL/ PND/ ITA/ IBR/ NLD	
1	D00K0N001	1	CONTROL PANEL ASSY	MFC-J5330DW	OCE	
1	D009C9001	1	CONTROL PANEL ASSY	MFC-J2730DW	THA/ MYS	
1	D00K2N001	1	CONTROL PANEL ASSY	MFC-J5930DW	OCE	
1	D00JFE001	1	CONTROL PANEL ASSY	MFC-J5730DW	OCE	
1	D009C5001	1	CONTROL PANEL ASSY	MFC-J2330DW	THA/ MYS	
1	D00KFG001	1	CONTROL PANEL ASSY	MFC-J2730DW	SAF	
1	D00LLB001	1	CONTROL PANEL ASSY	MFC-J2330DW	CHN	
1	D00LM1001	1	CONTROL PANEL ASSY	MFC-J2730DW	CHN	
1-1	D002F4001	1	PANEL PCB			
1-2	D003DB001	1	LCD PCB	MFC-J2330DW/ J5330DW/ J5335DW		
1-2	D002LP001	1	LCD PCB	MFC-J2730DW/ J5730DW/ J5830DW		
1-2	D002LP002	1	LCD PCB	MFC-J5930DW		
1-3	D003CR001	1	LCD	MFC-J2330DW/ J5330DW/ J5335DW		
1-3	D002LR001	1	LCD	MFC-J2730DW/ J5730DW/ J5830DW/ J5930DW		
1-4	D002LS001	1	PANEL FLAT CABLE			
1-5	D003DD001	1	TOUCH PANEL	MFC-J2330DW/ J5330DW/ J5335DW		
1-5	D003D9001	1	TOUCH PANEL	MFC-J2730DW/ J5730DW/ J5830DW/ J5930DW		
1-6	D000T003	1	NFC PCB	MFC-J5930DW		

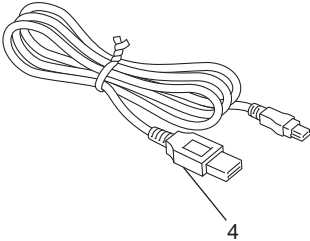
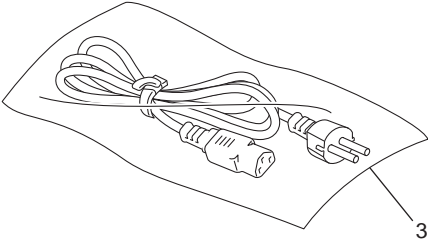
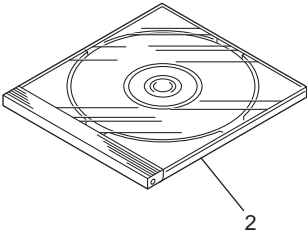
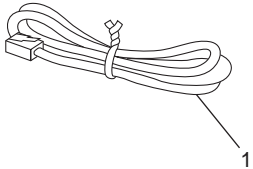
10. PCB



10. PCB

REF No.	CODE	Q'TY	DESCRIPTION	MODEL	SPEC	REMARKS
1	D00JNX001	1	MAIN PCB SP (PRESET 74 CODE:0001)	MFC-J5330DW	US/ CAN/ CHL	
1	D00JNX004	1	MAIN PCB SP (PRESET 74 CODE:0004)	MFC-J5330DW/ J5335DW	GER/ UK/ FRA/ CHE/ FRA/ NLD/ PND/ ITA/ IBR/ BEL	
1	D00JNX056	1	MAIN PCB SP (PRESET 74 CODE:0056)	MFC-J5330DW	OCE	
1	D00JNX071	1	MAIN PCB SP (PRESET 74 CODE:0140)	MFC-J2330DW	SAF/ HK/ THA/ GUL/ MYS/ CEE	
1	D00JNY004	1	MAIN PCB SP (PRESET 74 CODE:0104)	MFC-J5730DW	GER/ UK/ CHE/ FRA/ BEL/ PND/ ITA/ IBR/ NLD	
1	D00JNY056	1	MAIN PCB SP (PRESET 74 CODE:0156)	MFC-J5730DW	OCE	
1	D00JNY071	1	MAIN PCB SP (PRESET 74 CODE:0440)	MFC-J2730DW	SAF/ THA/ MYS	
1	D00JNZ001	1	MAIN PCB SP (PRESET 74 CODE:0501)	MFC-J5830DW		
1	D00JP0001	1	MAIN PCB SP (PRESET 74 CODE:0201)	MFC-J5930DW	US	
1	D00JP0004	1	MAIN PCB SP (PRESET 74 CODE:0204)	MFC-J5930DW	GER/ UK/ CHE/ FRA/ BEL/ PND/ ITA/ IBR/ NLD	
1	D00JP0056	1	MAIN PCB SP (PRESET 74 CODE:0256)	MFC-J5930DW	OCE	
1	D00MJ0020	1	MAIN PCB SP (PRESET 74 CODE:0120)	MFC-J2330DW	CHN	
1	D00MJ1020	1	MAIN PCB SP (PRESET 74 CODE:0420)	MFC-J2730DW	CHN	
2	D002ZV001	1	POWER SUPPLY PCB ASSY		EXCEPT FOR US/ CAN/ CHN	
2	D002ZU001	1	POWER SUPPLY PCB ASSY		US	
2	D00JS7001	1	POWER SUPPLY PCB ASSY		CAN	
2	D00GFG001	1	POWER SUPPLY PCB ASSY		CHN	

11. ACCESSORIES



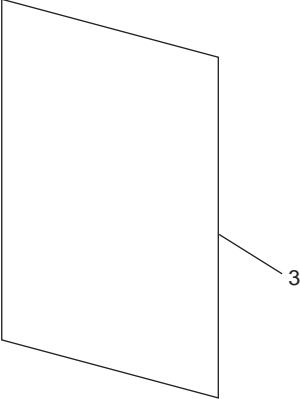
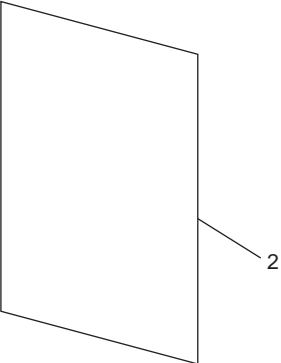
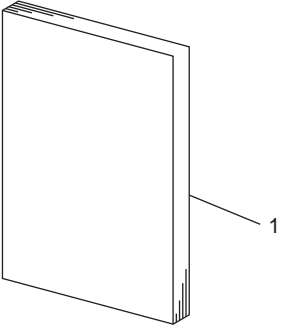
11. ACCESSORIES

REF No.	CODE	QTY	DESCRIPTION	MODEL	SPEC	REMARKS
1	LG3077001	1	TELEPHONE LINE CORD CSA	MFC-J2330DW/ J2730DW/ J5330DW/ J5730DW/ J5830DW/ J5930DW	US/ CAN/ UK/ CHN/ SAF/ THA/ GUL/ FRA/ BEL/ NLD/ IBR/ MYS/ CEE/ CHL/ ITA GER	
1	UG3625001	1	TELEPHONE LINE CORD GER		UK	
1	UG3626001	1	TELEPHONE LINE CORD UK6P		UK	
1	UG3627001	1	TELEPHONE LINE CORD FRA		FRA/ FRA/ BEL/ NLD	
1	LG7202001	1	TELEPHONE LINE CORD SWI		CHE	
1	LG5827001	1	TELEPHONE LINE CORD RJ45		PND	
1	LT2144001	1	TELEPHONE LINE CORD ITA		ITA/ IBR	
1	UG3290001	1	TELEPHONE LINE CORD NZ		HK/ OCE	
1	LT3317001	1	TELEPHONE LINE CORD UK6P		OCE	
2	D006RY001	1	CD-ROM		EXCEPT FOR CHN	
2	D006S0001	1	CD-ROM		CHN	
3	LT2509001	1	AC CORD BAG ASSY EUR		GER/ FRA/ THA/ GUL/ FRA/ NLD/ ITA/ IBR/ CEE/ BEL	
3	LT2544001	1	AC CORD BAG ASSY UK		UK/ HK/ GUL/ MYS	
3	LT2637001	1	AC CORD BAG ASSY SEV		CHE	
3	LT3387001	1	AC CORD BAG ASSY PAN-NOR		PND	
3	LT3643001	1	AC CORD BAG ASSY PERU		CHL/ MYS	
3	LT2691001	1	AC CORD BAG ASSY CHILE		CHL	
3	LT2639001	1	AC CORD BAG ASSY SA		OCE	
3	LT3516001	1	AC CORD BAG ASSY SAF		SAF	
3	LT2757001	1	AC CORD BAG ASSY SEV		CHN	
4	LT3290001	1	USB CABLE 2.0	MFC-J2330DW/ J2730DW/ J5330DW/	CHN/ SAF/ HK/ THA/ CHL/ GUL/ MYS	
(5)	LT3927001	1	TELEPHONE PLUG ARL2		OCE	
(5)	LG5828001	1	TELEPHONE PLUG DEN		PND	
(5)	LG5830001	1	TELEPHONE PLUG SWE		PND	
(5)	LG5829001	1	TELEPHONE PLUG FIN		PND	
(5)	UG3468000	1	TELEPHONE PLUG		HK	
(6)	D0025K001	1	INITIAL STARTER SETUP CARTRIDGE LC3017BK	MFC-J5330DW	US/ CAN/ CHL	ADD
(6)	D004Y1001	1	INITIAL STARTER SETUP CARTRIDGE LC3029BK	MFC-J5830DW/ J5930DW	US/ CAN	ADD
(6)	D002T2001	1	INITIAL STARTER SETUP CARTRIDGE LC3217BK	MFC-J5330DW/ J5335DW/ J5730DW	GER/ UK/ CHE/ FRA/ BEL/ NLD/ PND/ ITA/ IBR/ FRA	ADD
(6)	D00J5T001	1	INITIAL STARTER SETUP CARTRIDGE LC3219XLBK	MFC-J5930DW	GER/ UK/ CHE/ FRA/ BEL/ NLD/ PND/ ITA/ IBR	ADD
(6)	D008P8001	1	INITIAL STARTER SETUP CARTRIDGE LC3317BK	MFC-J5330DW/ J5730DW	OCE	ADD
(6)	D00962001	1	INITIAL STARTER SETUP CARTRIDGE LC3329XLBK	MFC-J5930DW	OCE	ADD
(6)	D008EN001	1	INITIAL STARTER SETUP CARTRIDGE LC3617BK		HK/ THA/ MYS	ADD
(6)	D00GBV001	1	INITIAL STARTER SETUP CARTRIDGE LC3617BK CEE		CEE	ADD
(6)	D0096J001	1	INITIAL STARTER SETUP CARTRIDGE LC3717BK		SAF/ GUL	ADD
(7)	D0025L001	1	INITIAL STARTER SETUP CARTRIDGE LC3017C	MFC-J5330DW	US/ CAN/ CHL	ADD
(7)	D004Y2001	1	INITIAL STARTER SETUP CARTRIDGE LC3029C	MFC-J5830DW/ J5930DW	US/ CAN	ADD
(7)	D002T3001	1	INITIAL STARTER SETUP CARTRIDGE LC3217C	MFC-J5330DW/ J5335DW/ J5730DW	GER/ UK/ CHE/ FRA/ BEL/ NLD/ PND/ ITA/ IBR/ FRA	ADD
(7)	D00J5U001	1	INITIAL STARTER SETUP CARTRIDGE LC3219XLC	MFC-J5930DW	GER/ UK/ CHE/ FRA/ BEL/ NLD/ PND/ ITA/ IBR	ADD
(7)	D008P9001	1	INITIAL STARTER SETUP CARTRIDGE LC3317C	MFC-J5330DW/ J5730DW	OCE	ADD
(7)	D00963001	1	INITIAL STARTER SETUP CARTRIDGE LC3329XLC	MFC-J5930DW	OCE	ADD
(7)	D008EP001	1	INITIAL STARTER SETUP CARTRIDGE LC3617C		HK/ THA/ MYS	ADD
(7)	D00GBW001	1	INITIAL STARTER SETUP CARTRIDGE LC3617C CEE		CEE	ADD
(7)	D0096K001	1	INITIAL STARTER SETUP CARTRIDGE LC3717C		SAF/ GUL	ADD
(8)	D0025M001	1	INITIAL STARTER SETUP CARTRIDGE LC3017M	MFC-J5330DW	US/ CAN/ CHL	ADD
(8)	D004Y3001	1	INITIAL STARTER SETUP CARTRIDGE LC3029M	MFC-J5830DW/ J5930DW	US/ CAN	ADD
(8)	D002T4001	1	INITIAL STARTER SETUP CARTRIDGE LC3217M	MFC-J5330DW/ J5335DW/ J5730DW	GER/ UK/ CHE/ FRA/ BEL/ NLD/ PND/ ITA/ IBR/ FRA	ADD

11. ACCESSORIES

REF No.	CODE	Q'TY	DESCRIPTION	MODEL	SPEC	REMARKS
(8)	D00J5V001	1	INITIAL STARTER SETUP CARTRIDGE LC3219XLM	MFC-J5930DW	GER/ UK/ CHE/ FRA/ BEL/ NLD/ PND/ ITA/ IBR OCE	ADD
(8)	D008PA001	1	INITIAL STARTER SETUP CARTRIDGE LC3317M	MFC-J5330DW/ J5730DW		ADD
(8)	D00964001	1	INITIAL STARTER SETUP CARTRIDGE LC3329XLM	MFC-J5930DW	OCE	ADD
(8)	D008ER001	1	INITIAL STARTER SETUP CARTRIDGE LC3617M		HK/ THA/ MYS	ADD
(8)	D00GBX001	1	INITIAL STARTER SETUP CARTRIDGE LC3617M CEE		CEE	ADD
(8)	D0096L001	1	INITIAL STARTER SETUP CARTRIDGE LC3717M		SAF/ GUL	ADD
(9)	D0025N001	1	INITIAL STARTER SETUP CARTRIDGE LC3017Y	MFC-J5330DW	US/ CAN/ CHL	ADD
(9)	D004Y4001	1	INITIAL STARTER SETUP CARTRIDGE LC3029Y	MFC-J5830DW/ J5930DW	US/ CAN	ADD
(9)	D002T5001	1	INITIAL STARTER SETUP CARTRIDGE LC3217Y	MFC-J5330DW/ J5335DW/ J5730DW	GER/ UK/ CHE/ FRA/ BEL/ NLD/ PND/ ITA/ IBR/ FRA	ADD
(9)	D00J5W001	1	INITIAL STARTER SETUP CARTRIDGE LC3219XLY	MFC-J5930DW	GER/ UK/ CHE/ FRA/ BEL/ NLD/ PND/ ITA/ IBR	ADD
(9)	D008PB001	1	INITIAL STARTER SETUP CARTRIDGE LC3317Y	MFC-J5330DW/ J5730DW	OCE	ADD
(9)	D00965001	1	INITIAL STARTER SETUP CARTRIDGE LC3329XLY	MFC-J5930DW	OCE	ADD
(9)	D008ES001	1	INITIAL STARTER SETUP CARTRIDGE LC3617Y		HK/ THA/ MYS	ADD
(9)	D00GBY001	1	INITIAL STARTER SETUP CARTRIDGE LC3617Y CEE		CEE	ADD
(9)	D0096M001	1	INITIAL STARTER SETUP CARTRIDGE LC3717Y		SAF/ GUL	ADD

12. PRINTED MATERIALS



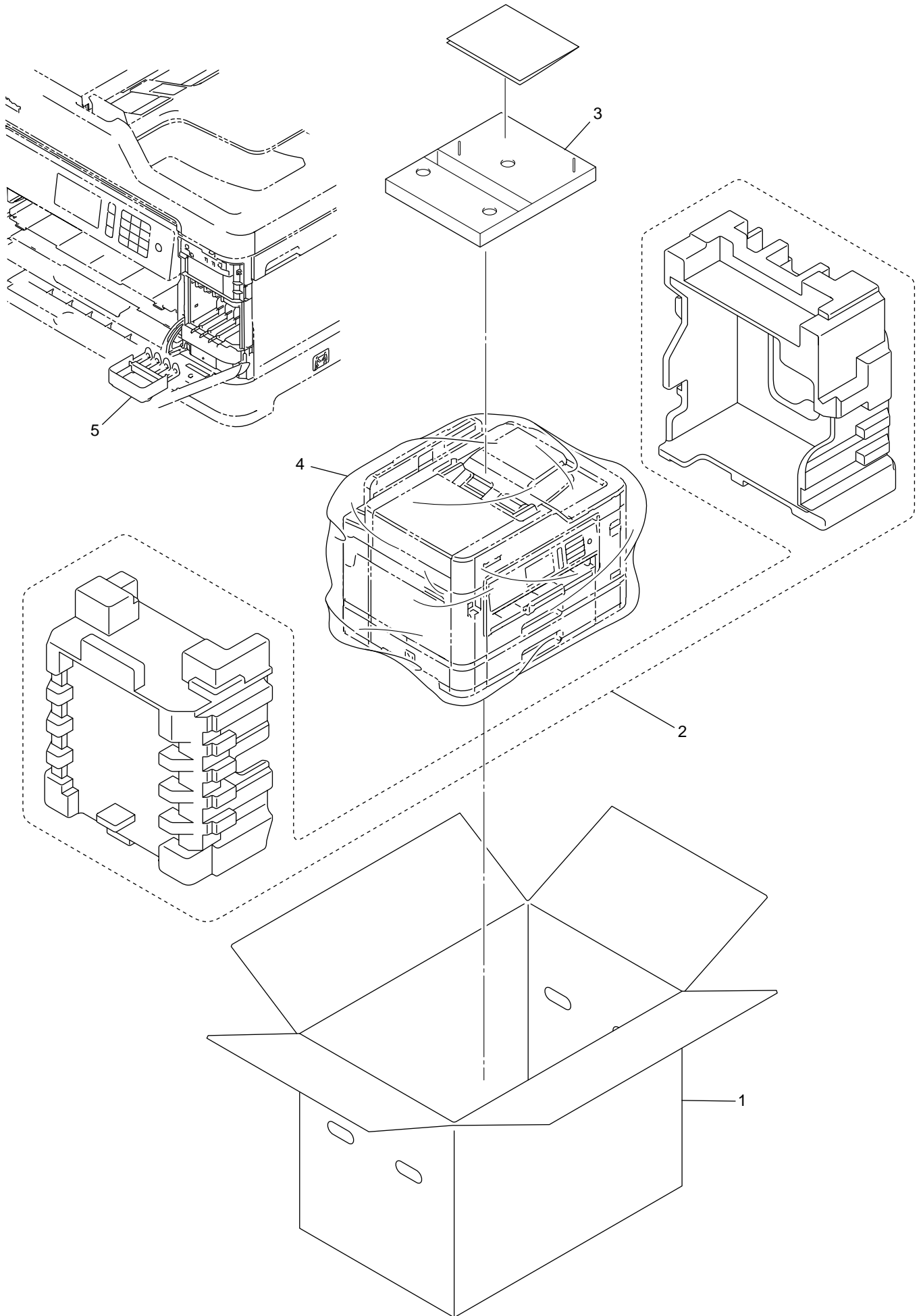
12. PRINTED MATERIALS

REF No.	CODE	QTY	DESCRIPTION	MODEL	SPEC	REMARKS
1	D00GTR001	1	USER'S GUIDE (ENGLISH)	MFC-J5330DW	US/ CAN	
1	D009D6001	1	USER'S GUIDE (ENGLISH)	MFC-J5830DW/ J5930DW	US/ CAN	
1	D00J2B001	1	USER'S GUIDE (FRENCH)	MFC-J5330DW	CAN	
1	D00F22001	1	USER'S GUIDE (FRENCH)	MFC-J5830DW	CAN	
1	D00G7Y001	1	USER'S GUIDE (GERMAN)	MFC-J5330DW/ J5335DW	GER/ CHE	
1	D00FGL001	1	USER'S GUIDE (GERMAN)	MFC-J5730DW	GER/ CHE	
1	D008HB001	1	USER'S GUIDE (GERMAN)	MFC-J5930DW	GER/ CHE	
1	D00G90001	1	USER'S GUIDE (ENGLISH)	MFC-J5330DW/ J5335DW	UK	
1	D00FFR001	1	USER'S GUIDE (ENGLISH)	MFC-J5730DW	UK	
1	D00J8S001	1	USER'S GUIDE (ENGLISH)	MFC-J5930DW	UK	
1	D00G9K001	1	USER'S GUIDE (FRENCH)	MFC-J5330DW/ J5335DW	FRA/ CHE/ FRA/ BEL/ NLD	
1	D00FGS001	1	USER'S GUIDE (FRENCH)	MFC-J5730DW	CHE/ FRA/ BEL/ NLD	
1	D00J9X001	1	USER'S GUIDE (FRENCH)	MFC-J5930DW	CHE/ FRA/ BEL/ NLD	
1	D00G9L001	1	USER'S GUIDE (DUTCH)	MFC-J5330DW	FRA/ BEL/ NLD	
1	D00FGU001	1	USER'S GUIDE (DUTCH)	MFC-J5730DW	FRA/ BEL/ NLD	
1	D00J9Y001	1	USER'S GUIDE (DUTCH)	MFC-J5930DW	FRA/ BEL/ NLD	
1	D00G9U001	1	USER'S GUIDE (ITALIAN)	MFC-J5330DW	ITA/ IBR	
1	D00FHK001	1	USER'S GUIDE (ITALIAN)	MFC-J5730DW	ITA/ IBR	
1	D00JA4001	1	USER'S GUIDE (ITALIAN)	MFC-J5930DW	ITA/ IBR	
1	D00G9V001	1	USER'S GUIDE (SPANISH/PORTUGUESE)	MFC-J5330DW	ITA/ IBR	
1	D00FHH001	1	USER'S GUIDE (SPANISH/PORTUGUESE)	MFC-J5730DW	ITA/ IBR	
1	D00JA5001	1	USER'S GUIDE (SPANISH/PORTUGUESE)	MFC-J5930DW	ITA/ IBR	
1	D00HEY001	1	USER'S GUIDE	MFC-J5330DW/ J5335DW	PND	
1	D00HGE001	1	USER'S GUIDE	MFC-J5730DW	PND	
1	D00HKE001	1	USER'S GUIDE (ENGLISH/CZECH/HUNGARIAN/POLISH)		CEE	
1	D00HKF001	1	USER'S GUIDE (BULGARIAN/ROMANIAN/SLOVAK)		CEE	
1	D00JMU001	1	USER'S GUIDE (ENGLISH)	MFC-J2330DW/ J5330DW	SAF/ HK/ THA/ GUL/ OCE/ MYS	
1	D00JFK001	1	USER'S GUIDE (ENGLISH)	MFC-J2730DW/J5730DW	SAF/ THA/ OCE/	
1	D00JMV001	1	USER'S GUIDE (THAI)	MFC-J2330DW	THA	
1	D00JR2001	1	USER'S GUIDE (THAI)	MFC-J2730DW	THA	
1	D00KNW001	1	USER'S GUIDE (CHINESE)		HK	
1	D00K2U001	1	USER'S GUIDE (ENGLISH)	MFC-J5930DW	OCE	
1	D00K11001	1	USER'S GUIDE (ENGLISH)	MFC-J5930DW	PND	
1	D00JVE001	1	USER'S GUIDE (SPANISH)		CHL	
1	D00LLU001	1	USER'S GUIDE (CHINESE)	MFC-J2330DW	CHN	
1	D00LM4001	1	USER'S GUIDE (CHINESE)	MFC-J2730DW	CHN	
2	D00F23001	1	QUICK SETUP GUIDE (ENGLISH)	MFC-J5330DW	US/ CAN	
2	D009D5001	1	QUICK SETUP GUIDE (ENGLISH)	MFC-J5830DW/ J5930DW	US/ CAN	
2	D00J2C001	1	QUICK SETUP GUIDE (FRENCH)	MFC-J5330DW	CAN	
2	D00F24001	1	QUICK SETUP GUIDE (FRENCH)	MFC-J5830DW	CAN	
2	D00G7Z001	1	QUICK SETUP GUIDE (GERMAN)	MFC-J5330DW/ J5335DW	GER/ CHE	
2	D00FGJ001	1	QUICK SETUP GUIDE (GERMAN)	MFC-J5730DW/ J5930DW	GER/ CHE	
2	D00G93001	1	QUICK SETUP GUIDE (ENGLISH)	MFC-J2330DW/ J5330DW/ J5335DW	UK/ CEE	
2	D00FFN001	1	QUICK SETUP GUIDE (ENGLISH)	MFC-J5730DW/ J5930DW	UK	
2	D00G9W001	1	QUICK SETUP GUIDE (ITALIAN)	MFC-J5330DW/ J5335DW	CHE/ ITA/ IBR	
2	D00FHJ001	1	QUICK SETUP GUIDE (ITALIAN)	MFC-J5730DW/ J5930DW	CHE/ ITA/ IBR	
2	D00FGP001	1	QUICK SETUP GUIDE (FRENCH)	MFC-J5730DW/ J5930DW	CHE/ FRA/ BEL/ NLD	
2	D00G9G001	1	QUICK SETUP GUIDE (FRENCH)	MFC-J5330DW/ J5335DW	FRA/ CHE/ FRA/ BEL/ NLD	
2	D00G9H001	1	QUICK SETUP GUIDE (DUTCH)	MFC-J5330DW	FRA/ BEL/ NLD	
2	D00FGT001	1	QUICK SETUP GUIDE (DUTCH)	MFC-J5730DW/ J5930DW	FRA/ BEL/ NLD	
2	D00HF0001	1	QUICK SETUP GUIDE (DANISH)	MFC-J5330DW/ J5335DW	PND	
2	D00HGF001	1	QUICK SETUP GUIDE (DANISH)	MFC-J5730DW/ J5930DW	PND	
2	D00HF1001	1	QUICK SETUP GUIDE (NORWEGIAN)	MFC-J5330DW/ J5335DW	PND	
2	D00HGG001	1	QUICK SETUP GUIDE (NORWEGIAN)	MFC-J5730DW/ J5930DW	PND	
2	D00HF2001	1	QUICK SETUP GUIDE (SWEDISH)	MFC-J5330DW/ J5335DW	PND	
2	D00HGH001	1	QUICK SETUP GUIDE (SWEDISH)	MFC-J5730DW/ J5930DW	PND	
2	D00HF3001	1	QUICK SETUP GUIDE (FINNISH)	MFC-J5330DW/ J5335DW	PND	
2	D00HGJ001	1	QUICK SETUP GUIDE (FINNISH)	MFC-J5730DW/ J5930DW	PND	
2	D00G9X001	1	QUICK SETUP GUIDE (SPANISH)	MFC-J5330DW	ITA/ IBR	
2	D00FHL001	1	QUICK SETUP GUIDE (SPANISH)	MFC-J5730DW/ J5930DW	ITA/ IBR	
2	D00G9Y001	1	QUICK SETUP GUIDE (PORTUGUESE)	MFC-J5330DW	ITA/ IBR	
2	D00FHN001	1	QUICK SETUP GUIDE (PORTUGUESE)	MFC-J5730DW/ J5930DW	ITA/ IBR	
2	D00HKG001	1	QUICK SETUP GUIDE		CEE	
2	D00HKH001	1	QUICK SETUP GUIDE		CEE	
2	D00HKJ001	1	QUICK SETUP GUIDE		CEE	
2	D00JMX001	1	QUICK SETUP GUIDE (THAI)	MFC-J2330DW	THA	
2	D00JR3001	1	QUICK SETUP GUIDE (THAI)	MFC-J2730DW	THA	
2	D00KF6001	1	QUICK SETUP GUIDE (ARABIC)		GUL	
2	D00JMW001	1	QUICK SETUP GUIDE (ENGLISH)	MFC-J2330DW/ J5330DW	SAF/ HK/ THA/ GUL/ OCE/ MYS	
2	D00JFL001	1	QUICK SETUP GUIDE (ENGLISH)	MFC-J2730DW/ J5730DW/ J5930DW	SAF/ THA/ OCE/	
2	D00KNX001	1	QUICK SETUP GUIDE (CHINESE)		HK	
2	D00JV001	1	QUICK SETUP GUIDE (SPANISH)		CHL	
2	D00LLV001	1	QUICK SETUP GUIDE (CHINESE)	MFC-J2330DW	CHN	
2	D00LM6001	1	QUICK SETUP GUIDE (CHINESE)	MFC-J2730DW	CHN	

12. PRINTED MATERIALS

REF No.	CODE	Q'TY	DESCRIPTION	MODEL	SPEC	REMARKS
3	LET814001	1	JAM CLEAR SHEET PAD		US/ CAN/ CHL	
3	LET815001	1	JAM CLEAR SHEET PAD		GER/ UK/ FRA/ CHE/ FRA/ BEL/ PND/ ITA/ IBR/ CEE/ NLD	
3	LET816001	1	JAM CLEAR SHEET PAD		CHN/ SAF/ HK/ THA/ GUL/ MYS/ OCE	

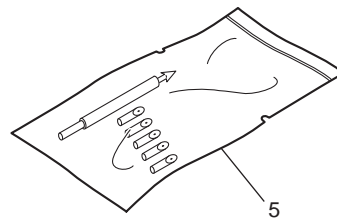
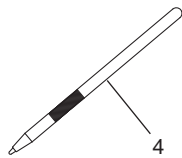
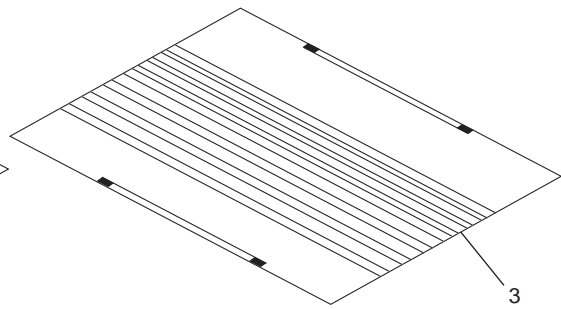
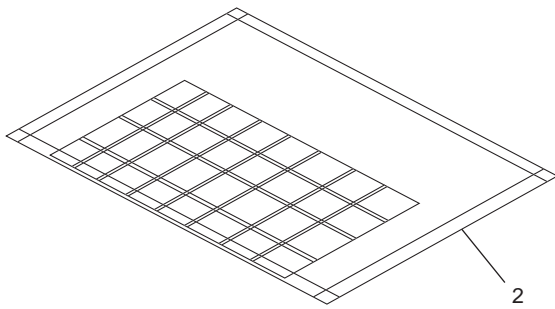
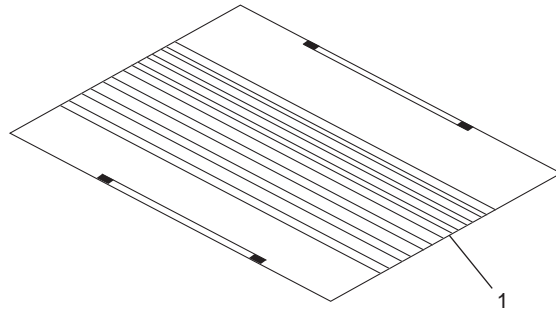
13. PACKING MATERIALS



13. PACKING MATERIALS

REF No.	CODE	QTY	DESCRIPTION	MODEL	SPEC	REMARKS
1	D00GTT001	1	CARTON BROTHER	MFC-J5330DW	US	
1	D00971001	1	CARTON BROTHER	MFC-J5830DW	US	
1	D00GV7001	1	CARTON BROTHER	MFC-J5730DW/ J5930DW	US/ ITA/ IBR	
1	D00F2C001	1	CARTON BROTHER	MFC-J5830DW	CAN	
1	D008JC001	1	CARTON BROTHER	MFC-J5330DW	GER/ UK/ CHE/ FRA/ BEL/ PND/ ITA/ IBR/ NLD	
1	D00GUR001	1	CARTON BROTHER	MFC-J5335DW	GER	
1	D00FGN001	1	CARTON BROTHER	MFC-J5730DW	GER	
1	D00GUW001	1	CARTON BROTHER	MFC-J5335DW	UK/ FRA/ CHE/ PND	
1	D00FGC001	1	CARTON BROTHER	MFC-J5730DW	UK/ CHE/ FRA/ BEL/ NLD/ ITA/ IBR/ PND	
1	D00HKS001	1	CARTON BROTHER		CEE	
1	D00J91001	1	CARTON BROTHER	MFC-J5930DW	GER/ UK/ CHE/ FRA/ BEL/ PND/ ITA/ IBR/ NLD	
1	D00J2H001	1	CARTON BROTHER	MFC-J5330DW	CAN	
1	D00K0T001	1	CARTON BROTHER	MFC-J5330DW	OCE	
1	D00JR4001	1	CARTON BROTHER	MFC-J2730DW	SAF/ THA/ MYS	
1	D00K2V001	1	CARTON BROTHER	MFC-J5930DW	OCE	
1	D00JFN001	1	CARTON BROTHER	MFC-J5730DW	OCE	
1	D00JVG001	1	CARTON BROTHER		CHL	
1	D00JNJ001	1	CARTON BROTHER	MFC-J2330DW	SAF/ HK/ THA/ GUL/ MYS	
1	D00LLW001	1	CARTON BROTHER	MFC-J2330DW	CHN	
1	D00LM0001	1	CARTON BROTHER	MFC-J2730DW	CHN	
2	D0052L001	1	PACKING PAD ASSY	MFC-J2330DW/ J5330DW/ J5335DW/ J5830DW		
2	D0058Z001	1	PACKING PAD ASSY	MFC-J2730DW/ J5730DW/ J5930DW		
3	D0052K001	1	ACCESSORIES SHEET			
4	D00G53001	1	BAG 820X1135H			
5	D00G5R001	1	PROTECTIVE PART SP			

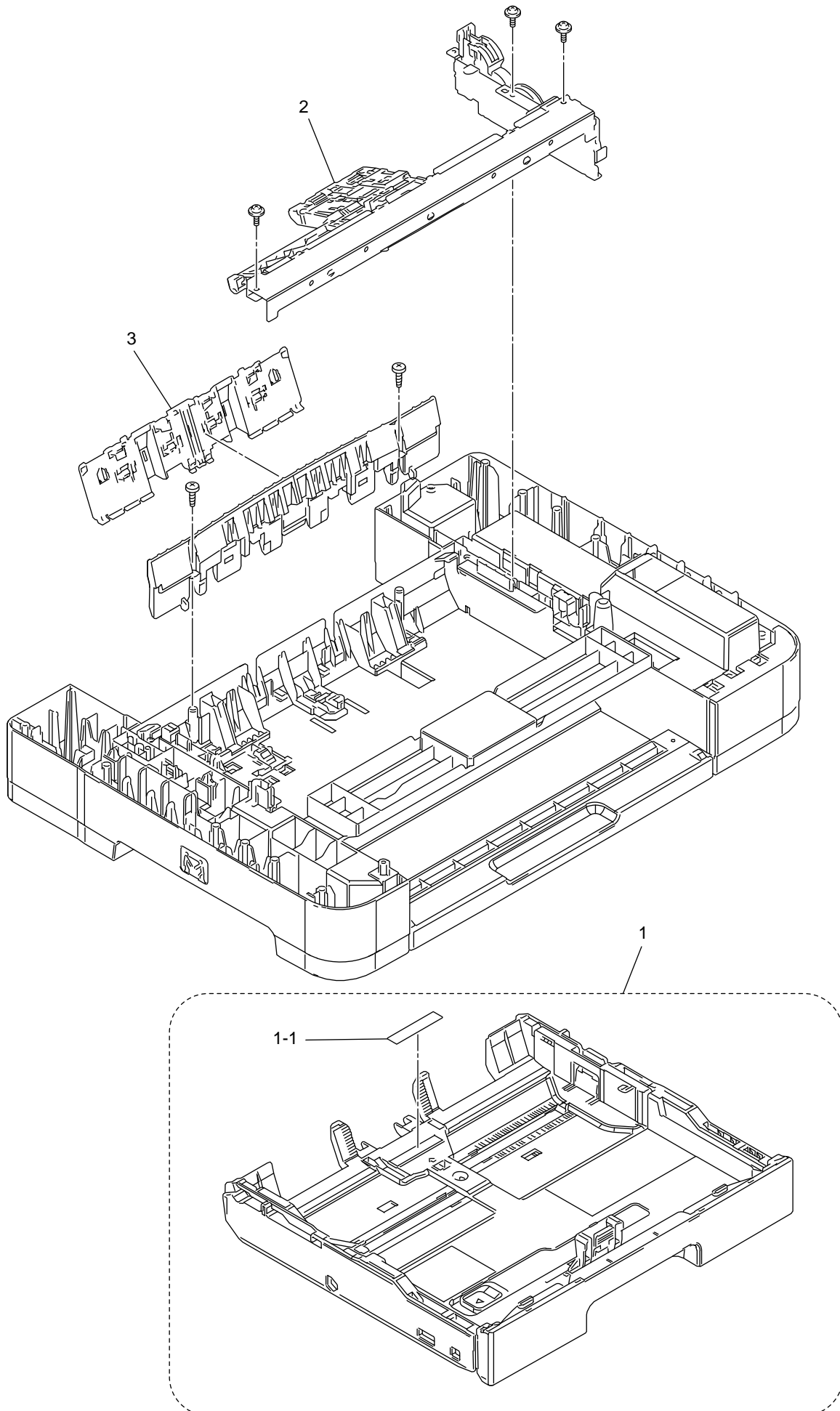
14. OTHERS



14. OTHERS

REF No.	CODE	QTY	DESCRIPTION	MODEL	SPEC	REMARKS
1	UF8263001	1	TEST CHART-027			
2	UF9258001	1	COLOR TEST CHART CTC-001			
3	UF4600001	1	CONTRAST CHART TC-023			
4	XA9940051	1	TOUCH PEN			
5	ZA0310001	1	HEAD CLEANER STICK ASSY			

15.LOWER TRAY



15. LOWER TRAY

REF No.	CODE	QTY	DESCRIPTION	MODEL	SPEC	REMARKS
1	D00340001	1	PAPER TRAY ASSY #2	MFC-J2730DW/J5730DW		
1	D00340002	1	PAPER TRAY ASSY #2	MFC-J5930DW		
1-1	LED275001	1	T2 BASE PAD	MFC-J2730DW/J5730DW/J5930DW		
2	D0049E001	1	LT FRAME ASSY	MFC-J2730DW/J5730DW		
2	D00M28001	1	LT FRAME ASSY	MFC-J5930DW		CHG
3	LET495001	1	T2 BANK ASSY	MFC-J2730DW/J5730DW/J5930DW		