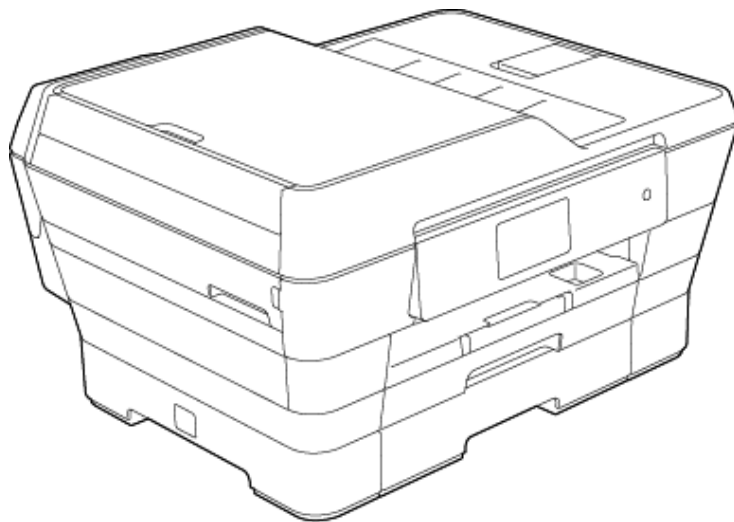




Inkjet MFC

PARTS REFERENCE LIST

**MODEL: MFC-J3520/J3720/
J6520DW/J6720DW/J6920DW**



Read this list thoroughly before maintenance work.

Keep this list in a convenient place for quick and easy reference at all times.

NOTE FOR USING THIS PARTS REFERENCE LIST

1. In the case of ordering parts, it is necessary to mention the following items;

- (1) Code
- (2) Q'ty
- (3) Description

Note: Orders without Parts Code or Tool No. can not be accepted.

< Example >

REF.NO.	(1) CODE	(2) Q'TY	(3) DESCRIPTION	REMARK

2. Design-changed parts :

If any of the parts is changed, one of the following symbols is indicated in the REMARK column.

CHG(chg) : The parts is changed to a new parts.

ADD(add) : The parts is newly added.

DEL(del) : The parts is deleted.

Symbol in capital letters indicates the latest parts change information in the page.

3. Parts change will be informed by the Parts change information.

4. Parts are subject to change in design without prior notice.

COUNTRIES AND AREAS

US --- U.S.A.

CAN --- CANADA

GER --- GERMANY

UK --- UNITED KINGDOM

FRA --- FRANCE

BEL --- BELGIUM

NLD --- NETHERLANDS

CHE --- SWITZERLAND

ITA --- ITALY

ISR --- ISRAEL

CHN --- CHINA

TWN --- TAIWAN

ZAF --- SOUTH AFRICA

TUR --- TURKEY

HK --- HONG KONG

IDN --- INDONESIA

ARG --- ARGENTINA

CHL --- CHILE

ASA --- ASIA (SINGAPORE/GULF)

BRA --- BRAZIL

KOR --- KOREA

RUS --- RUSSIA

OCE --- OCEANIA (AUSTRALIA/NEW ZEALAND)

PND --- PAN NORDIC

(NORWAY/FINLAND/DENMARK/SWEDEN)

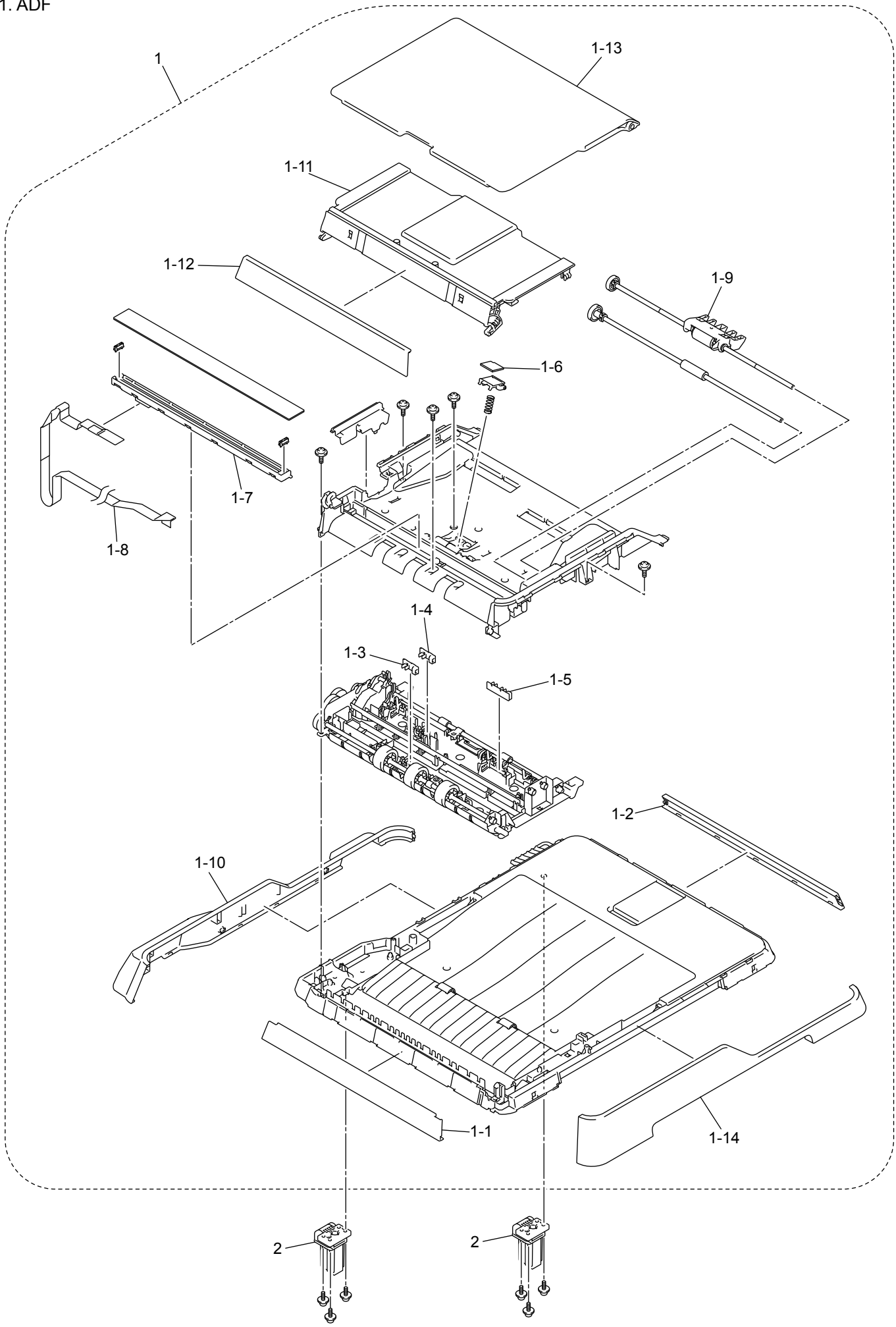
IBR --- IBERIA (SPAIN/PORTUGAL)

CEE --- CEE GENERAL

CONTENTS

1.	<u>ADF</u>	1
2.	<u>DOCUMENT SCANNER</u>	3
3.	<u>CARTRIDGE CASE</u>	5
4.	<u>ENGINE</u>	7
5.	<u>HEAD</u>	9
6.	<u>PAPER TRAY</u>	11
7.	<u>LOWER TRAY</u>	13
8.	<u>COVERS & LABELS</u>	15
9.	<u>PANEL</u>	17
10.	<u>PCB</u>	19
11.	<u>ACCESSORIES</u>	21
12.	<u>PRINTED MATERIALS</u>	23
13.	<u>PACKING MATERIALS</u>	26
14.	<u>OTHERS</u>	28

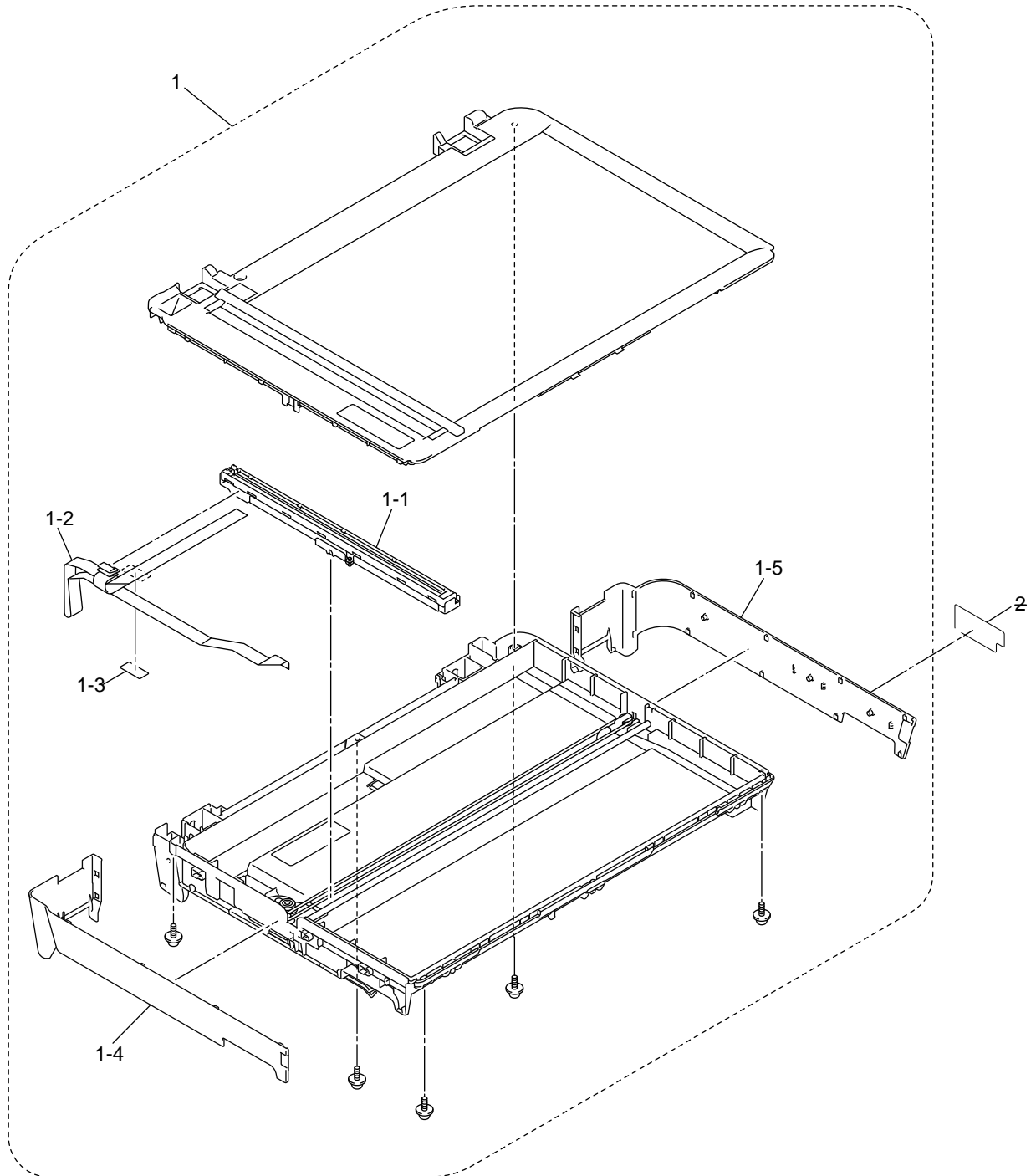
1. ADF



1. ADF

REF No.	CODE	Q'TY	DESCRIPTION	REMARKS
1	LEL762001	1	ADF UNIT (SP), MFC-J3520/J3720/J6520DW/J6720DW	
1	LEL763001	1	ADF UNIT (SP), MFC-J6920DW	
1-1	LEK006022	1	DOCUMENT COVER L PANEL	
1-2	LEK007022	1	DOCUMENT COVER R PANEL	
1-3	LG6753001	1	FIRST SIDE DOCUMENT SCANNING POSITION SENSOR PCB	
1-4	LG6753001	1	SECOND SIDE DOCUMENT SCANNING POSITION SENSOR PCB, MFC-J6920DW	
1-5	LT2519001	1	DOCUMENT DETECTION SENSOR / DOCUMENT WIDTH SENSOR PCB	
1-6	LX3833001	1	ADF SEPARATION PAD	
1-7	LT2521001	1	SECOND SIDE CIS UNIT, MFC-J6920DW	
1-8	LEK994001	1	SECOND SIDE CIS FLAT CABLE, MFC-J6920DW	
1-9	LEK031001	1	DOCUMENT SEPARATE ROLLER ASSY	
1-10	LEK032022	1	ADF BACK COVER	
1-11	LEK074001	1	ADF COVER ASSY, MFC-J3520/J3720/J6520DW/J6720DW	
1-11	LEK034001	1	ADF COVER ASSY, MFC-J6920DW	
1-12	LEK037022	1	ADF COVER PANEL	
1-13	LEK038007	1	ADF DOCUMENT SUPPORT	
1-14	LEK039022	1	FRONT COVER	
2	LEK040001	2	ADF HINGE	

2. DOCUMENT SCANNER

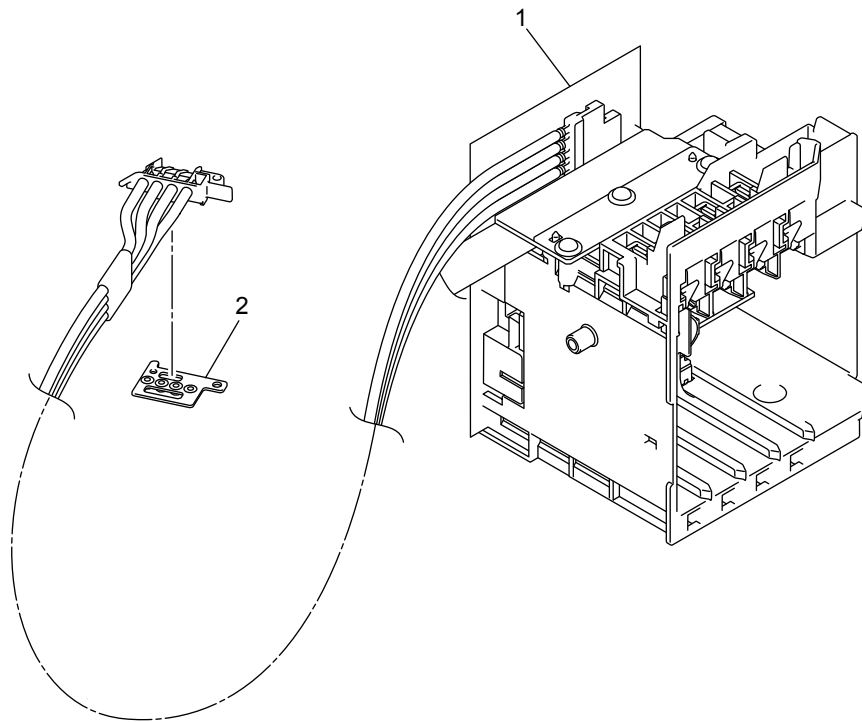


2. DOCUMENT SCANNER

REF No.	CODE	Q'TY	DESCRIPTION	REMARKS
1	LEL770001	1	DOCUMENT SCANNER UNIT (SP), MFC-J3520/J3720/J6520DW/J6720DW	
1	LEL774001	1	DOCUMENT SCANNER UNIT (SP), MFC-J6920DW	
1-1	LT2525001	1	FIRST SIDE CIS UNIT	
1-2	LT2526001	1	FIRST SIDE CIS FLAT CABLE	
1-3	LX7136001	1	FFC FILM	
1-4	LEK064022	1	DOCUMENT SCANNER SIDE COVER L	
1-5	LEK065022	1	DOCUMENT SCANNER SIDE COVER R	
2	LEK808001	4	USER ACCESS PORT LABEL *	CHG

*USER ACCESS PORT LABEL was moved to "Parts List:8 COVERS & LABELS REF No.22".
Please refer to the Parts Change Information: 1000043364 for the detail.

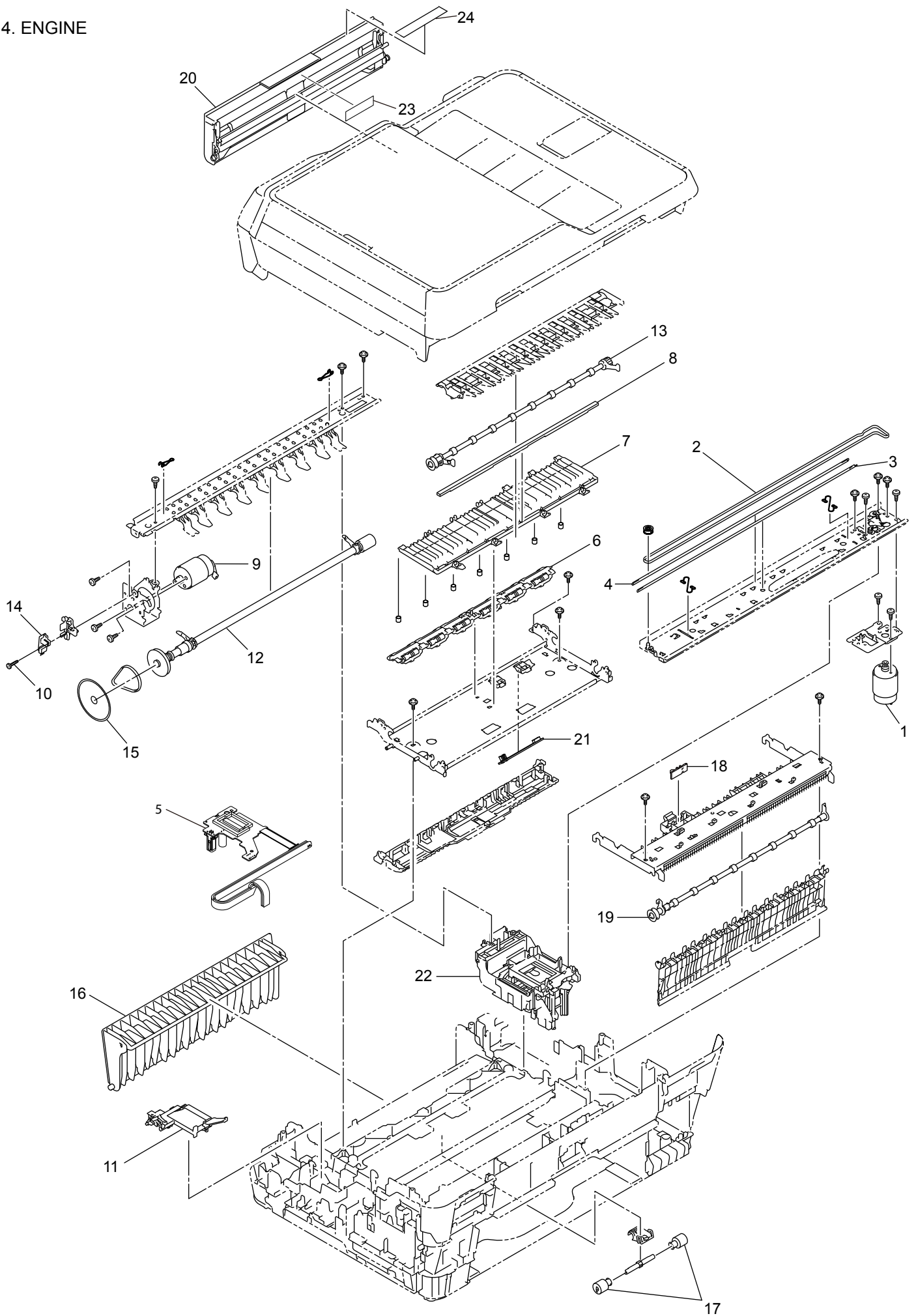
3. CARTRIDGE CASE



3. CARTRIDGE CASE

REF No.	CODE	Q'TY	DESCRIPTION	REMARKS
1	LEL519001	1	INK REFILL ASSY (SP), MFC-J6520DW/J6720DW/J6920DW	
1	LEU307001	1	INK REFILL ASSY (SP), MFC-J3520/J3720 FOR CHN	ADD
1	LET168001	1	INK REFILL ASSY (SP), MFC-J3520/J3720 FOR CHN/IDN	
1	LET167001	1	INK REFILL ASSY (SP), MFC-J3520/J3720 FOR TWN/ZAF/TUR/HK/ASA/KOR/RUS	
2	LEE059001	1	HEAD JOINT RUBBR (SP)	

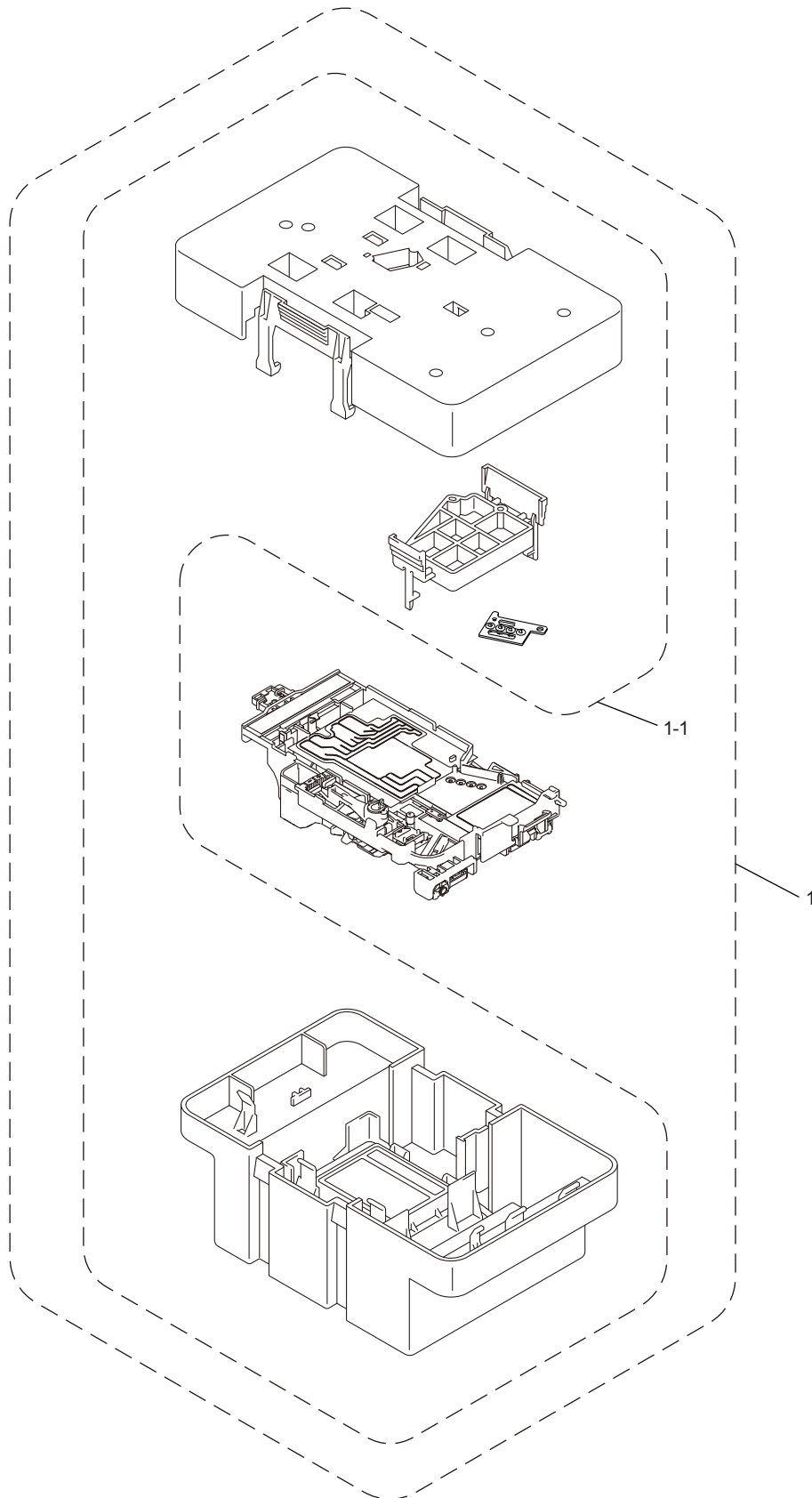
4. ENGINE



4. ENGINE

REF No.	CODE	Q'TY	DESCRIPTION	REMARKS
1	LEK513001	1	CARRIAGE MOTOR ASSY	
2	LED137001	1	CR TIMING BELT	
3	LED146001	1	CR ENCODER STRIP	
4	LED148001	1	ENCODER STRIP GUARD FILM	
5	LEL522001	1	CARRIAGE PCB ASSY (SP)	
6	LED374001	1	INNER CHUTE ASSY	
7	LED382001	1	PLATEN	
8	LED383001	1	PLATEN FOAM	
9	LEK836001	1	PAPER FEED MOTOR	
10	000021206	1	SCREW BIND M2X12	
11	LED391001	1	FLUSHING BASE	
12	LEL883001	1	PAPER FEED ROLLER (SP)	
13	LED409001	1	PAPER EJECTION ROLLER	
14	LT1509002	1	PF ENCODER SENSOR PCB ASSY	
15	LED906001	1	PF ENCODER DISK	
16	LEK115007	1	JAM CLEAR COVER	
17	LEL245001	2	T1 PAPER PULL-IN ROLLER	
18	LT2697001	1	SWITCHBACK SENSOR PCB	
19	LEL016001	1	SWITCHBACK ROLLER	
20	LEK116001	1	MANUAL FEED SLOT COVER ASSY	
21	LT2699001	1	REGISTRATION SENSOR PCB ASSY	
22	LEL523001	1	MAINTENANCE UNIT (SP)	
23	LEK809001	1	MANUAL FEED SLOT LABEL	
24	LEK118001	1	BYPASS INSTRUCTION LABEL	

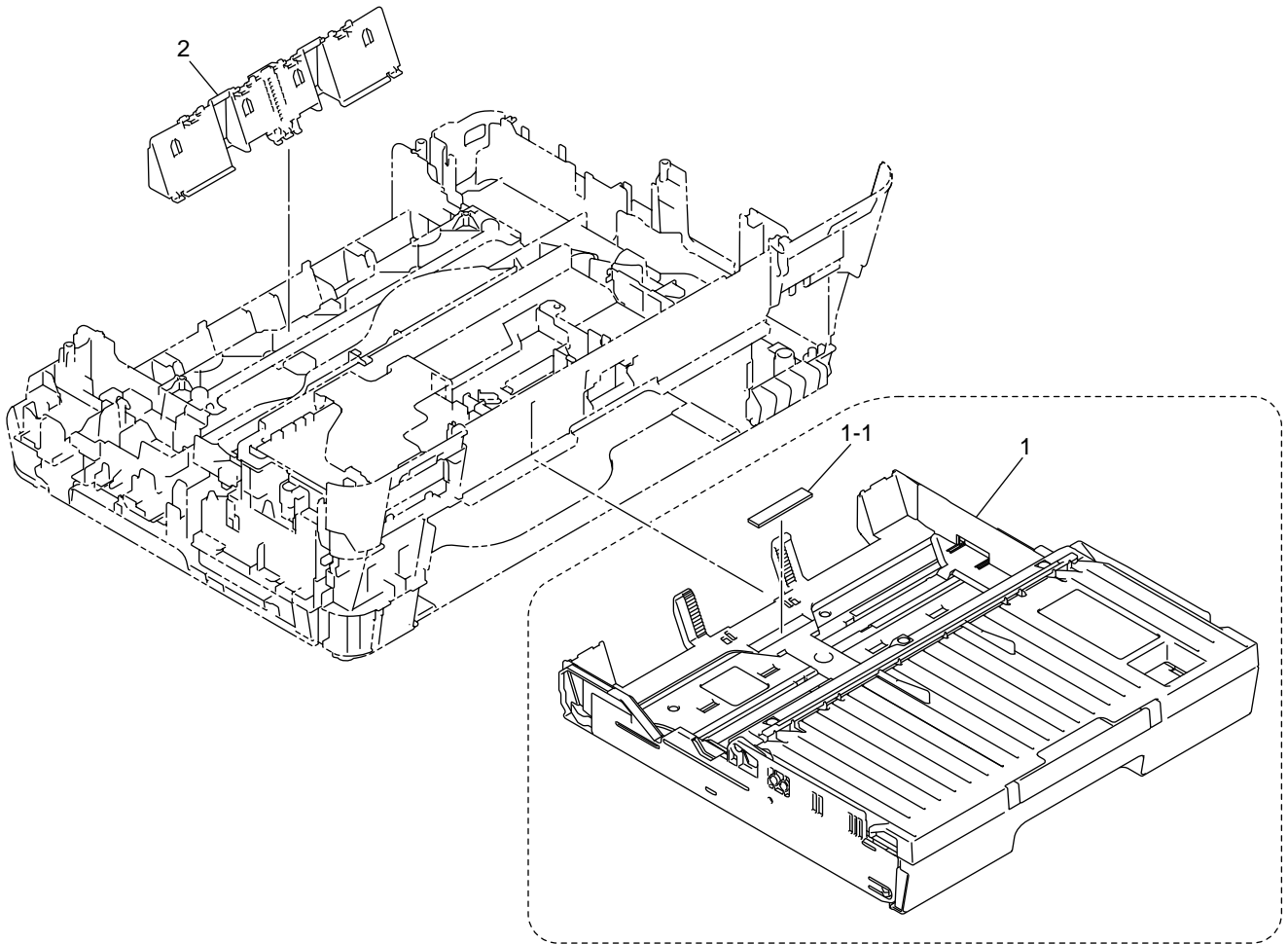
5. HEAD



5. HEAD

REF No.	CODE	Q'TY	DESCRIPTION	REMARKS
1	LK6584001	1	HEAD/CARRIAGE UNIT (SP)	
1-1	LK6601001	1	PROTECTOR SUPPLY ASSY (SP)	

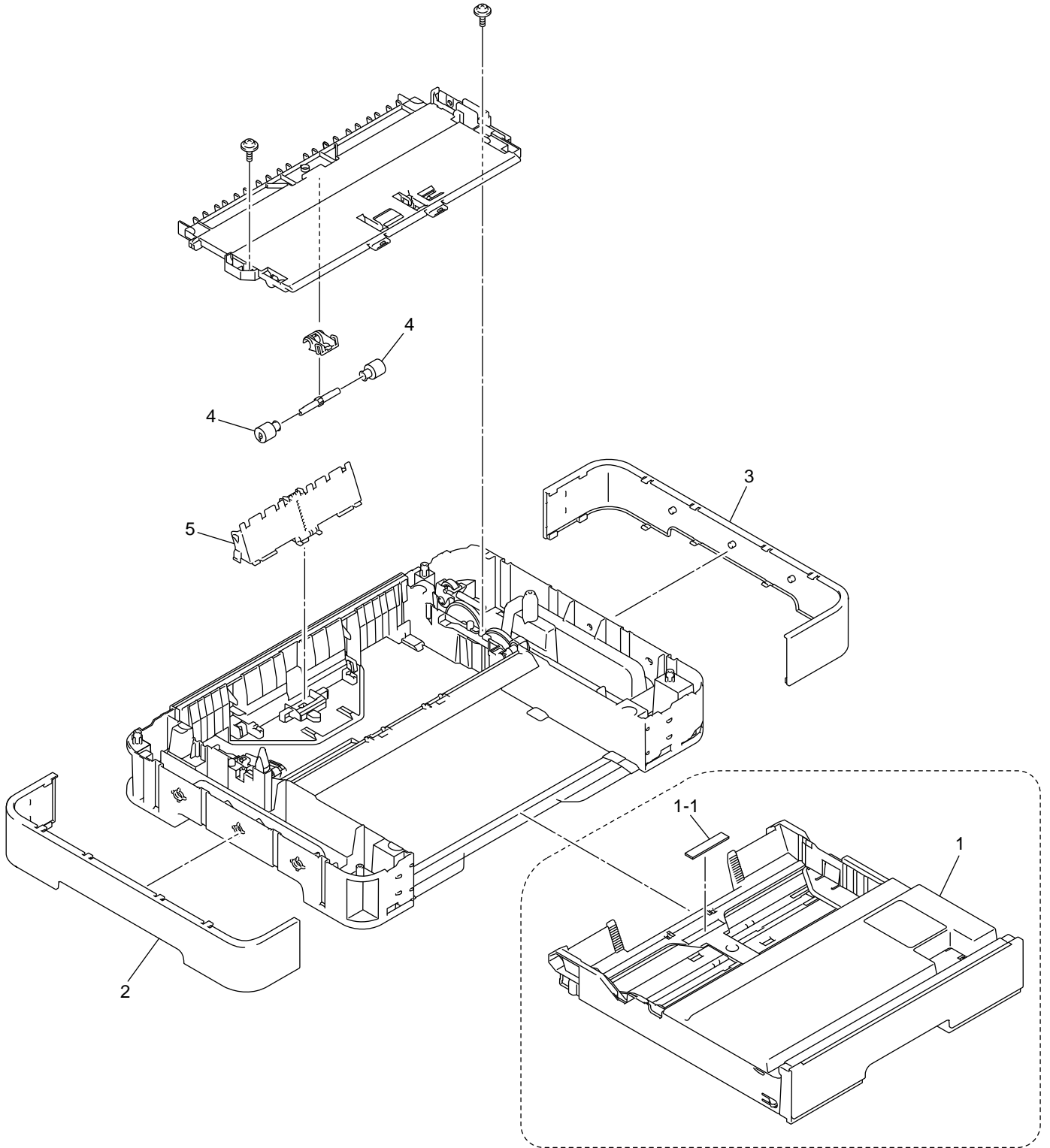
6. PAPER TRAY



6. PAPER TRAY

REF No.	CODE	Q'TY	DESCRIPTION	REMARKS
1	LEL552001	1	PAPER TRAY ASSY #1 (SP), MFC-J3520/J6520DW	
1	LEL551001	1	PAPER TRAY ASSY #1 (SP), MFC-J3720/J6720DW/J6920DW	
1-1	LED275001	1	BASE PAD	
2	LEK143001	1	T1 BANK ASSY	ADD

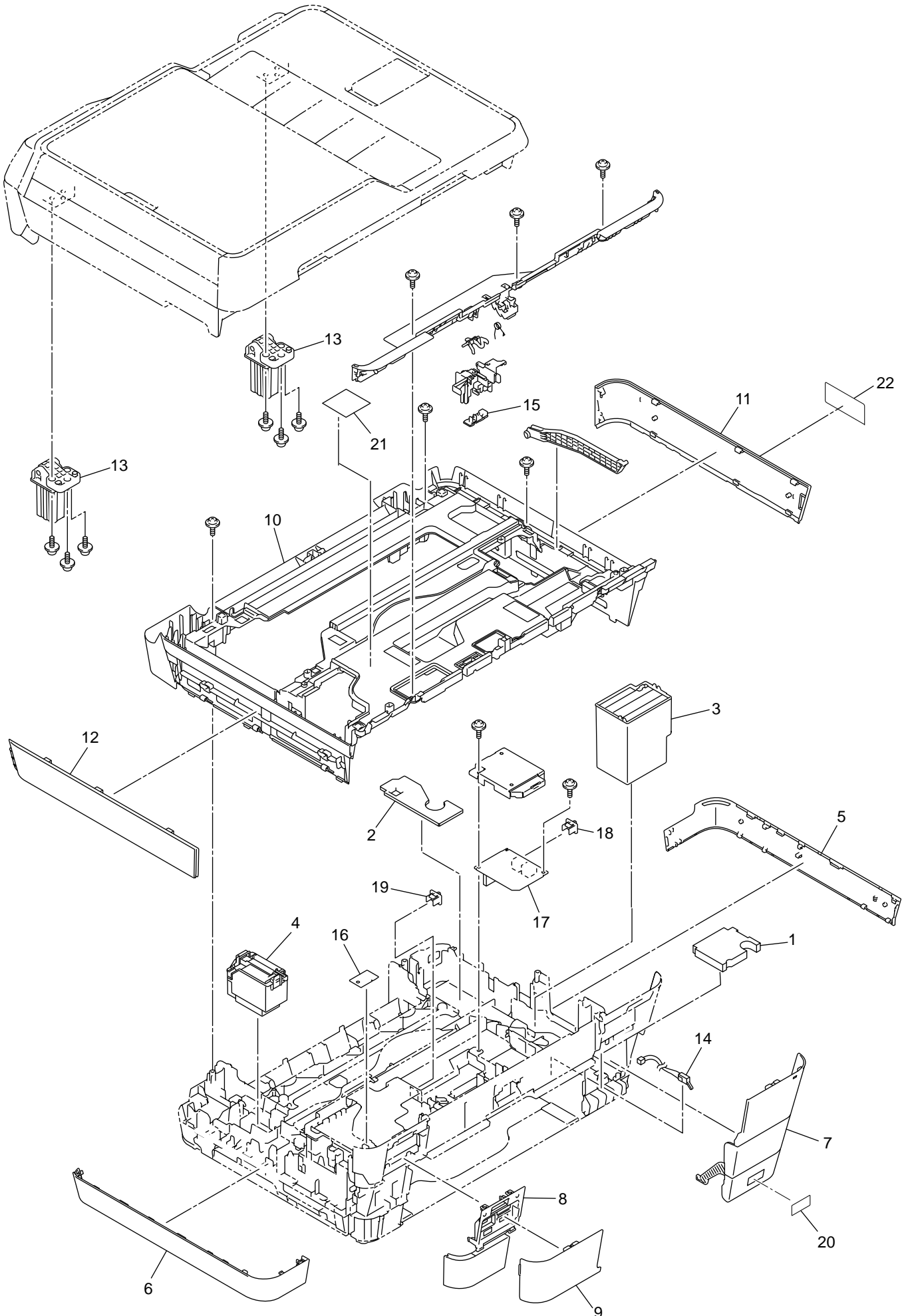
Ī. LOWER TRAY



7. LOWER TRAY

REF No.	CODE	Q'TY	DESCRIPTION	REMARKS
1	LEL553001	1	PAPER TRAY ASSY #2 (SP), MFC-J3720/J6720DW/J6920DW	
1-1	LED275001	1	BASE PAD, MFC-J3720/J6720DW/J6920DW	
2	LEK167022	1	SIDE COVER L, MFC-J3720/J6720DW/J6920DW	
3	LEK168022	1	SIDE COVER R, MFC-J3720/J6720DW/J6920DW	
4	LEL245001	2	T2 PAPER PULL-IN ROLLER, MFC-J3720/J6720DW/J6920DW	
5	LED538001	1	T2 BANK ASSY, MFC-J3720/J6720DW/J6920DW	ADD

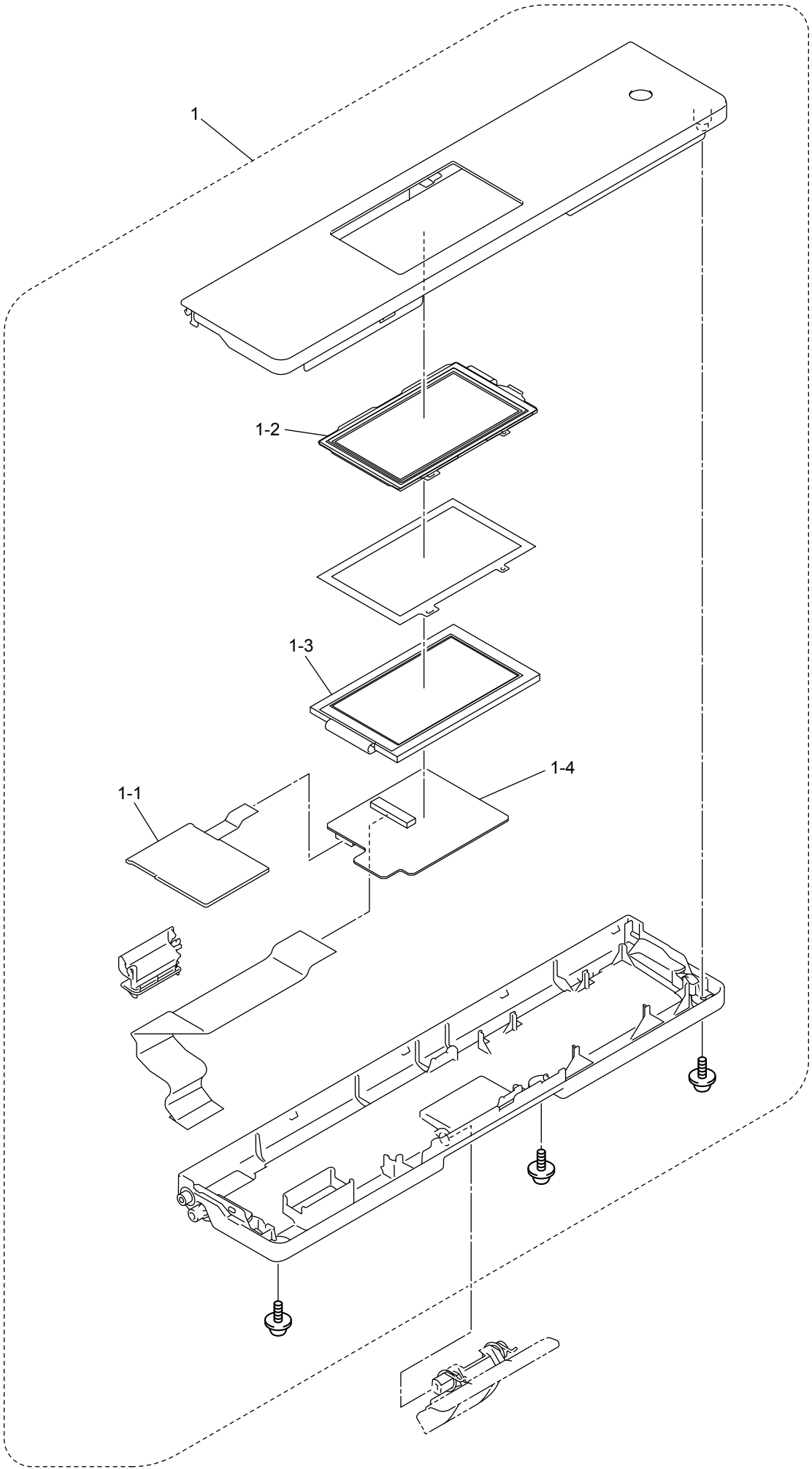
8. COVERS & LABELS



8. COVERS LABELS

REF No.	CODE	Q'TY	DESCRIPTION	REMARKS
1	LEK259001	1	INK ABSORBER FELT (FOR INK REFILL ASSY)	
2	LED460001	1	INK ABSORBER FELT (FOR MAINTENANCE UNIT)	
3	LEK243001	1	INK ABSORBER BOX	
4	LED467001	1	FLUSHING BOX	
5	LEK251022	1	LOWER SIDE COVER R, MFC-J3520/J6520DW	
5	LEK264022	1	LOWER SIDE COVER R, MFC-J3720/J6720DW/J6920DW	
5	LEK250022	1	LOWER SIDE COVER L, MFC-J3520/J6520DW	
6	LEK265022	1	LOWER SIDE COVER L, MFC-J3720/J6720DW/J6920DW	
7	LEK239001	1	INK CARTRIDGE COVER	
8	LEK255007	1	INNER MEDIA COVER	
9	LEK238022	1	FRONT COVER L	
10	LEL554001	1	UPPER COVER (SP)	
11	LEK262007	1	UPPER SIDE COVER R	
12	LEK261007	1	UPPER SIDE COVER L	
13	LEK235001	2	FB HINGE	
14	LT2608001	1	INK CARTRIDGE COVER SENSOR ASSY	
15	LG6753001	1	DOCUMENT SCANNER SENSOR	
16	LT2822001	1	WIRELESS LAN PCB ASSY	
17	LT2051001	1	MJ PCB ASSY FOR US/CAN/CHN/TWN/HK/IDN/ARG/CHL/ASA/KOR/OCE	
17	LT2051004	1	MJ PCB ASSY FOR GER/UK/FRA/BEL/NLD/CHE/ITA/ISR/ZAF/TUR/RUS/PND/IBR/CEE	
17	LT2051042	1	MJ PCB ASSY FOR BRA	
18	LE8842001	1	EXT CAP FOR US/CAN/NLD/CHE/ITA/ISR/CHN/TWN/ZAF/TUR/HK/IDN/ARG/ CHL/ASA/BRA/KOR/RUS/OCE/PND/IBR/CEE	
18	UF5745000	1	MJ COVER EXT FOR GER/UK/FRA/BEL	
19	LEG124001	1	LAN PORT CAP	
20	LX3721001	1	INNOBELLA LABEL FOR US	
20	LX3722001	1	INNOBELLA LABEL EXCEPT FOR US	
21	LEK811001	1	FB CLOSE CAUTION LABEL	
22	LET998001	1	USER ACCESS PORT LABEL	CHG

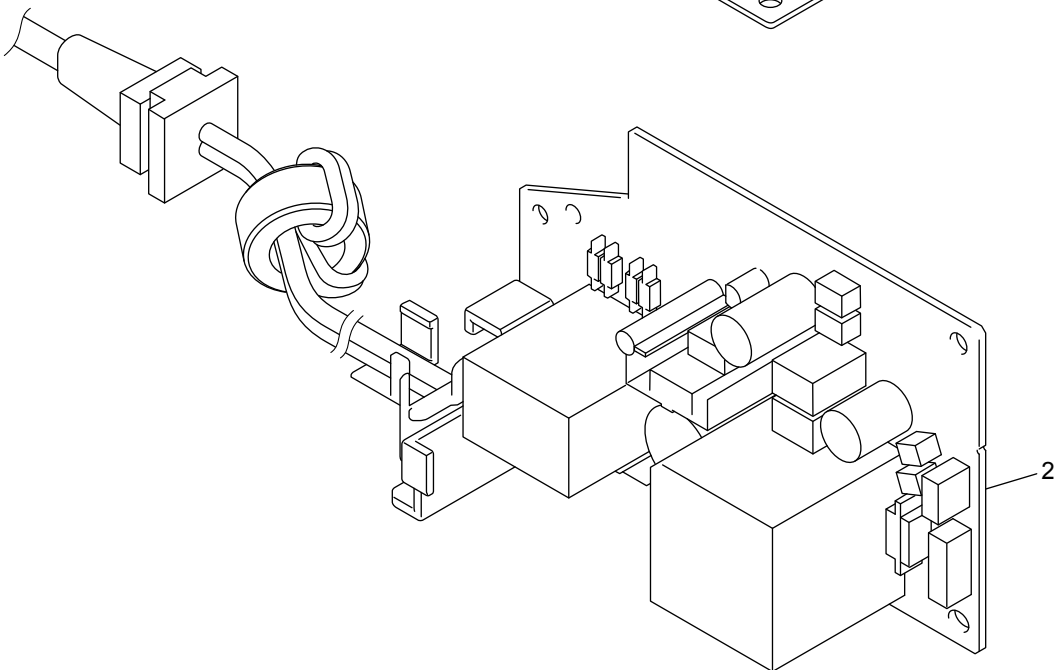
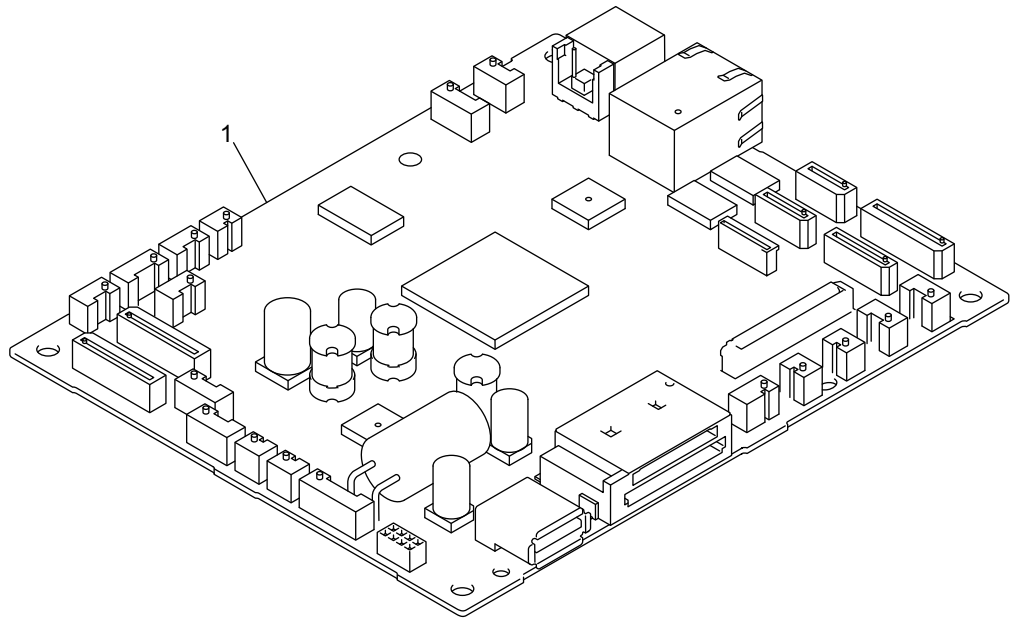
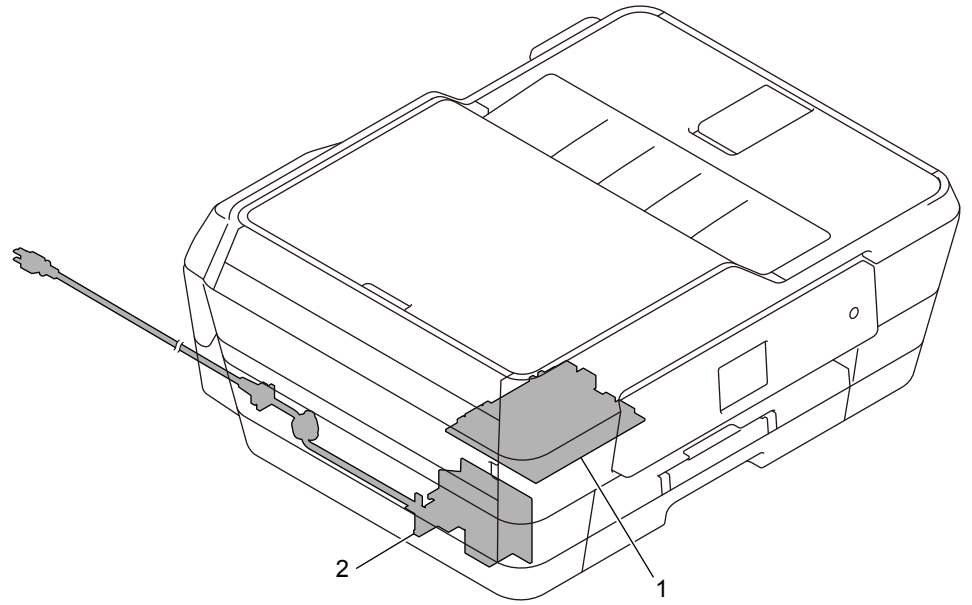
9. PANEL



9. PANEL

REF No.	CODE	Q'TY	DESCRIPTION	REMARKS
1	LEK349001	1	PANEL ASSY, MFC-J6520DW FOR US/CAN/BRA	
1	LEK337001	1	PANEL ASSY, MFC-J6720DW FOR US/CAN/ARG/CHL/BRA	
1	LEK335001	1	PANEL ASSY, MFC-J6920DW FOR US/CAN/BRA	
1	LEL294001	1	PANEL ASSY, MFC-J6520DW FOR GER/UK/FRA/BEL/NLD/CHE/ ITA/ISR/OCE/PND/IBR/CEE	
1	LEL296001	1	PANEL ASSY, MFC-J6720DW FOR GER/UK/FRA/BEL/NLD/CHE/OCE/PND/IBR	
1	LEL188001	1	PANEL ASSY, MFC-J6920DW FOR GER/UK/FRA/BEL/NLD/CHE/ ITA/OCE/PND/IBR/CEE	
1	LET360001	1	PANEL ASSY, MFC-J3520 FOR CHN	
1	LET276001	1	PANEL ASSY, MFC-J3720 FOR CHN	
1	LER971001	1	PANEL ASSY, MFC-J3520 FOR TWN/ZAF/HK/IDN/ASA/KOR/RUS	
1	LER813001	1	PANEL ASSY, MFC-J3720 FOR TWN/ZAF/TUR/IDN/ASA/KOR/RUS	
1-1	LT2354002	1	NFC PCB, MFC-J6920DW	
1-2	LEG646001	1	TOUCH PANEL ASSY, MFC-J3520/J3720/J6520DW/J6720DW	
1-2	LED448001	1	TOUCH PANEL ASSY, MFC-J6920DW	
1-3	A63408001	1	LCD, MFC-J3520/J3720/J6520DW/J6720DW	
1-3	A63291001	1	LCD, MFC-J6920DW	
1-4	LT2622001	1	LCD PCB ASSY, MFC-J3520/J3720/J6520DW/J6720DW	
1-4	LT2617001	1	LCD PCB ASSY, MFC-J6920DW	

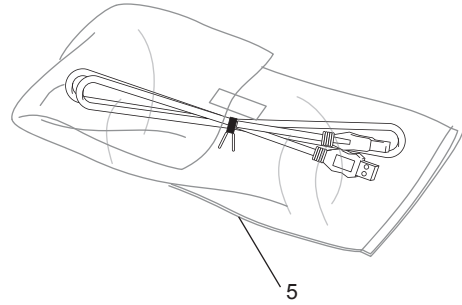
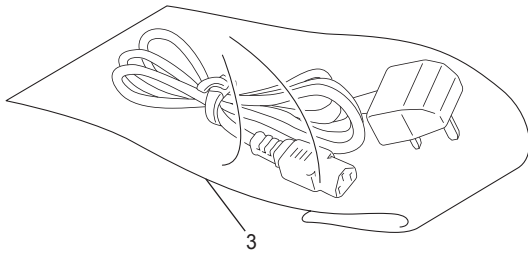
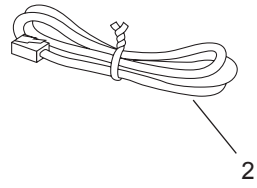
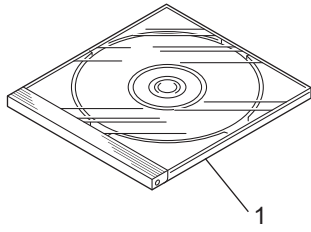
10. PCB



10. PCB

REF No.	CODE	Q'TY	DESCRIPTION	REMARKS
1	LT3067001	1	MAIN PCB ASSY (SP), MFC-J6520DW FOR US/CAN/BRA (PRESET 74 CODE:0001)	
1	LT3068001	1	MAIN PCB ASSY (SP), MFC-J6720DW FOR US/CAN/ARG/CHL/BRA (PRESET 74 CODE:0101)	
1	LT3069001	1	MAIN PCB ASSY (SP), MFC-J6920DW FOR US/CAN/BRA (PRESET 74 CODE:0001)	
1	LT3067004	1	MAIN PCB ASSY (SP), MFC-J3520/J6520DW FOR GER/UK/FRA/BEL/NLD/CHE/ ITA/ISR/RUS/PND/IBR/CEE (PRESET 74 CODE:0004)	
1	LT3068004	1	MAIN PCB ASSY (SP), MFC-J3720/J6720DW FOR GER/UK/FRA/BEL/NLD/CHE/ RUS/PND/IBR (PRESET 74 CODE:0104)	
1	LT3069004	1	MAIN PCB ASSY (SP), MFC-J6920DW FOR GER/UK/FRA/BEL/NLD/CHE/ITA/PND/IBR/CEE (PRESET 74 CODE:0004)	
1	LT3373020	1	MAIN PCB ASSY (SP), MFC-J3520 FOR CHN (PRESET 74 CODE:0220)	
1	LT3374020	1	MAIN PCB ASSY (SP), MFC-J3720 FOR CHN (PRESET 74 CODE:0320)	
1	LT3067040	1	MAIN PCB ASSY (SP), MFC-J3520 FOR TWN/ZAF/HK/IDN/ASA/KOR (PRESET 74 CODE:0240)	
1	LT3068040	1	MAIN PCB ASSY (SP), MFC-J3720 FOR TWN/ZAF/TUR/IDN/ASA/KOR (PRESET 74 CODE:0340)	
1	LT3067056	1	MAIN PCB ASSY (SP), MFC-J6520DW FOR OCE (PRESET 74 CODE:0056)	
1	LT3068056	1	MAIN PCB ASSY (SP), MFC-J6720DW FOR OCE (PRESET 74 CODE:0156)	
1	LT3069056	1	MAIN PCB ASSY (SP), MFC-J6920DW FOR OCE (PRESET 74 CODE:0056)	
2	LT2610001	1	POWER SUPPLY PCB ASSY FOR US/CAN	
2	LT2611005	1	POWER SUPPLY PCB ASSY FOR CHN/IDN	
2	LT2824001	1	POWER SUPPLY PCB ASSY FOR TWN	
2	LT2823001	1	POWER SUPPLY PCB ASSY FOR BRA	
2	LT2611001	1	POWER SUPPLY PCB ASSY EXCEPT FOR US/CAN/CHN/TWN/IDN/BRA	

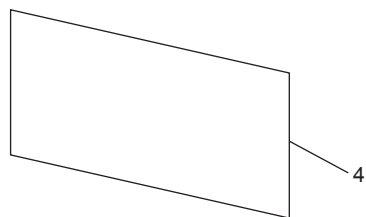
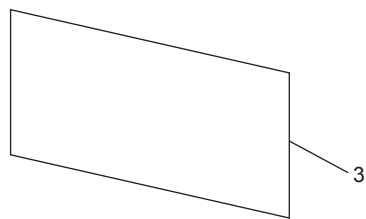
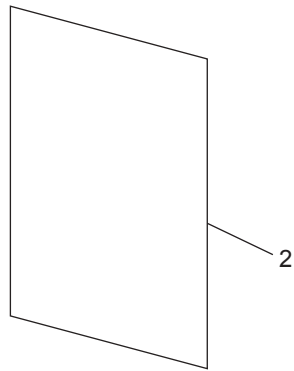
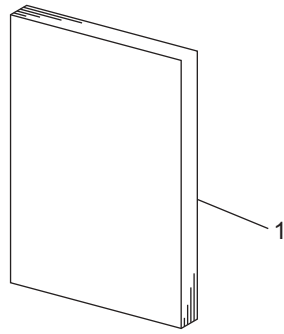
11. ACCESSORIES



11. ACCESSORIES

REF No.	CODE	Q'TY	DESCRIPTION	REMARKS
1	LEK862001	1	CD-ROM ASSY, MFC-J6520DW FOR US	
1	LEK863001	1	CD-ROM ASSY, MFC-J6720DW FOR US	
1	LEK864001	1	CD-ROM ASSY, MFC-J6920DW FOR US	
1	LEL524001	1	CD-ROM ASSY, MFC-J6520DW FOR CAN/BRA	
1	LEL525001	1	CD-ROM ASSY, MFC-J6720DW FOR CAN/ARG/CHL/BRA	
1	LEL526001	1	CD-ROM ASSY, MFC-J6920DW FOR CAN/BRA	
1	LEL198001	1	CD-ROM ASSY, MFC-J6520DW FOR GER/UK/FRA/BEL/NLD/CHE/ITA/ISR/IBR	
1	LEL199001	1	CD-ROM ASSY, MFC-J6720DW FOR GER/UK/FRA/BEL/NLD/CHE/IBR	
1	LEL200001	1	CD-ROM ASSY, MFC-J6920DW FOR GER/UK/FRA/BEL/NLD/CHE/ITA/IBR	
1	LEL535001	1	CD-ROM ASSY, MFC-J3720 FOR CHN/TWN/KOR	
1	LEL532001	1	CD-ROM ASSY, MFC-J3520 FOR ZAF/IDN/ASA	
1	LEL533001	1	CD-ROM ASSY, MFC-J3720 FOR ZAF/TUR/IDN/ASA	
1	LEL534001	1	CD-ROM ASSY, MFC-J3520 FOR CHN/TWN/HK/KOR	
1	LEL527001	1	CD-ROM ASSY, MFC-J3520 FOR RUS	
1	LEL528001	1	CD-ROM ASSY, MFC-J3720 FOR RUS	
1	LEL529001	1	CD-ROM ASSY, MFC-J6520DW FOR OCE	
1	LEL530001	1	CD-ROM ASSY, MFC-J6720DW FOR OCE	
1	LEL531001	1	CD-ROM ASSY, MFC-J6920DW FOR OCE	
1	LEL201001	1	CD-ROM ASSY, MFC-J6520DW FOR PND	
1	LEL202001	1	CD-ROM ASSY, MFC-J6720DW FOR PND	
1	LEL203001	1	CD-ROM ASSY, MFC-J6920DW FOR PND	
1	LEL204001	1	CD-ROM ASSY, MFC-J6520DW FOR CEE	
1	LEL205001	1	CD-ROM ASSY, MFC-J6920DW FOR CEE	
2	LG3077001	1	TELEPHONE LINE CORD CSA FOR US/CAN/UK/NLD/ISR/CHN/TWN/ ZAF/TUR/IDN/ARG/CHL/ASA/BRA/KOR/RUS/OCE/IBR/CEE	
2	UG3625001	1	TELEPHONE LINE CORD FOR GER	
2	UG3626001	1	TELEPHONE LINE CORD FOR UK	
2	UG3627001	1	TELEPHONE LINE CORD FOR FRA	
2	UG1575001	1	TELEPHONE LINE CORD FOR BEL	
2	LG7202001	1	TELEPHONE LINE CORD FOR CHE	
2	LT2144001	1	TELEPHONE LINE CORD FOR ITA	
2	UG3290001	1	TELEPHONE LINE CORD NZ FOR HK/OCE	
2	LG5827001	1	TELEPHONE LINE CORD FOR PND	
3	LT2509001	1	AC CORD BAG ASSY C5RA EUR FOR GER/FRA/BEL/NLD/ITA/ TUR/IDN/ASA/RUS/ PND /IBR/CEE	
3	LT2544001	1	AC CORD BAG ASSY C5RA UK FOR UK/HK/ASA	
3	LT2637001	1	AC CORD BAG ASSY C5RA SEV FOR CHE	
3	LT2675001	1	AC CORD BAG ASSY C5RA SEV FOR ISR	
3	LT2757001	1	AC CORD BAG ASSY C5RA CCC FOR CHN	
3	LT2820001	1	AC CORD BAG ASSY C5RA SAF FOR ZAF	
3	LT3058001	1	AC CORD BAG ASSY C5RA IND FOR IDN	
3	LT2688001	1	AC CORD BAG ASSY C5RA IRAM FOR ARG	
3	LT2691001	1	AC CORD BAG ASSY C5RA FOR CHL	
3	LT2731001	1	AC CORD BAG ASSY C5RA KOR FOR KOR	
3	LT2639001	1	AC CORD BAG ASSY C5RA SAI FOR OCE	
3	LT3387001	1	AC CORD BAG ASSY C5RA PAN-NOR FOR PND	
(4)	LG3622001	4	TELEPHONE PLUG DUT FOR NLD	CHG del
(4)	UG3468000	1	TELEPHONE PLUG HK FOR HK	
(4)	LG6573001	1	TELEPHONE PLUG ARL FOR OCE	
(4)	LG5828001	1	TELEPHONE PLUG DEN FOR PND	
(4)	LG5830001	1	TELEPHONE PLUG SWE FOR PND	
(4)	LG5829001	1	TELEPHONE PLUG FIN FOR PND	
5	LJ9803001	1	USB CABLE 2.0	

12. PRINTED MATERIALS



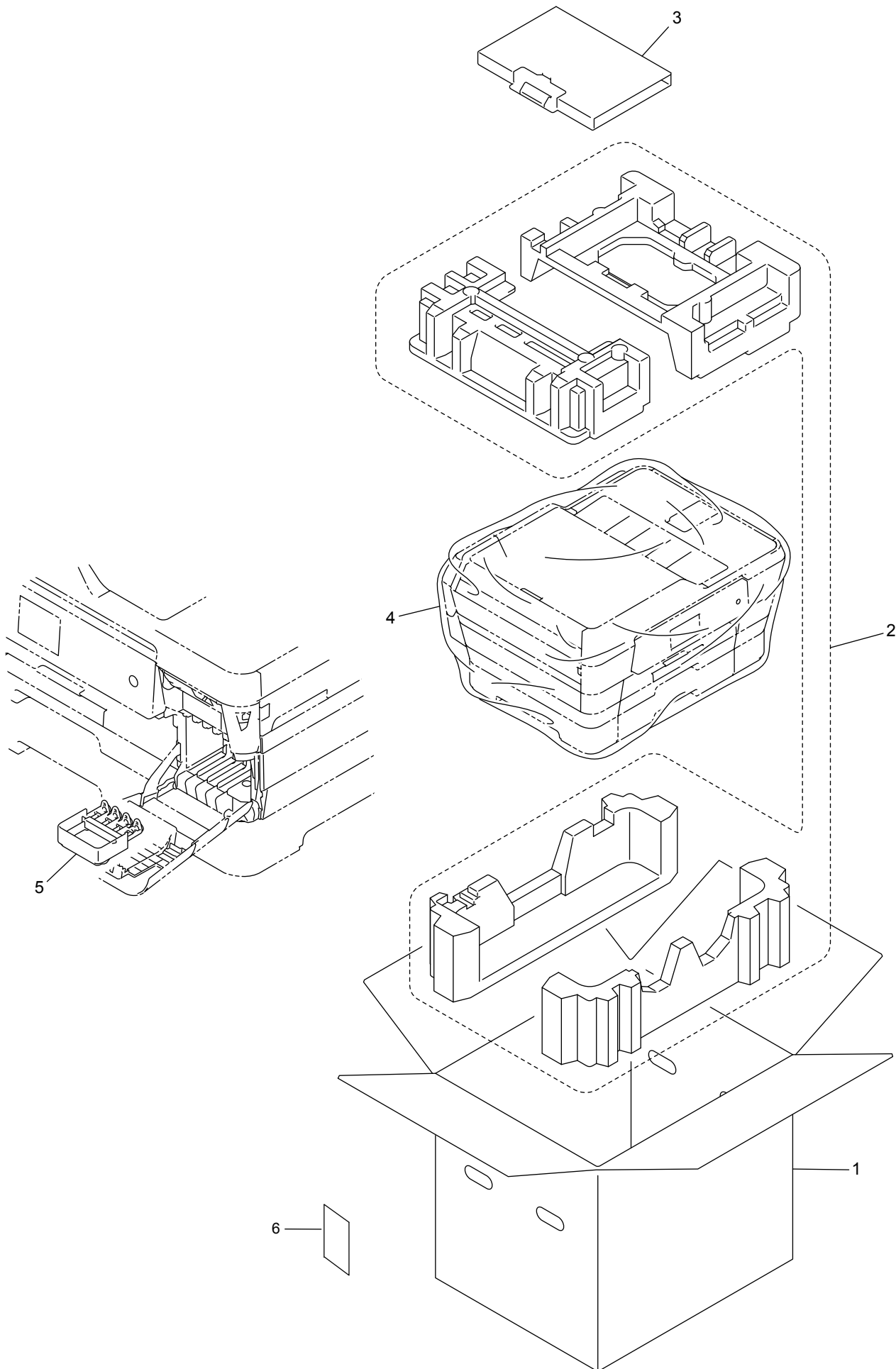
12. PRINTED MATERIALS

REF No.	CODE	Q'TY	DESCRIPTION	REMARKS
1	LEL905001	1	USER'S GUIDE, MFC-J6520DW/J6720DW FOR US/CAN (ENGLISH)	
1	LEL566001	1	USER'S GUIDE, MFC-J6920DW FOR US/CAN (ENGLISH)	
1	LEL905002	1	USER'S GUIDE, MFC-J6520DW/J6720DW FOR CAN (FRENCH)	
1	LEL566002	1	USER'S GUIDE, MFC-J6920DW FOR CAN (FRENCH)	
1	LER043003	1	USER'S GUIDE, MFC-J6520DW/J6720DW FOR GER/CHE (GERMAN)	
1	LEL864003	1	USER'S GUIDE, MFC-J6920DW FOR GER/CHE (GERMAN)	
1	LER043004	1	USER'S GUIDE, MFC-J6520DW/J6720DW FOR UK	
1	LEL864004	1	USER'S GUIDE, MFC-J6920DW FOR UK	
1	LER043005	1	USER'S GUIDE, MFC-J6520DW/J6720DW FOR FRA/BEL/CHE (FRENCH)	
1	LER043009	1	USER'S GUIDE, MFC-J6520DW/J6720DW FOR BEL/NLD (DUTCH)	
1	LEL864005	1	USER'S GUIDE, MFC-J6920DW FOR FRA/BEL/CHE (FRENCH)	
1	LEL864009	1	USER'S GUIDE, MFC-J6920DW FOR BEL/NLD (DUTCH)	
1	LER043016	1	USER'S GUIDE, MFC-J6520DW FOR ITA	
1	LEL864016	1	USER'S GUIDE, MFC-J6920DW FOR ITA	
1	LET278020	1	USER'S GUIDE, MFC-J3520/J3720 FOR CHN	
1	LER043023	1	USER'S GUIDE, MFC-J3520/J3720 FOR TWN/HK (CANTONESE)	
1	LER043025	1	USER'S GUIDE, MFC-J3720 FOR TUR	
1	LER043029	1	USER'S GUIDE, MFC-J3520/J3720 FOR IDN (INDONESIAN)	
1	LER043031	1	USER'S GUIDE, MFC-J6720DW FOR ARG/CHL	
1	LER043056	1	USER'S GUIDE, MFC-J3520/J3720/J6520DW/J6720DW FOR ZAF/HK/IDN/ASA/OCE (ENGLISH)	
1	LER043030	1	USER'S GUIDE, MFC-J3520/J3720 FOR ASA (THAI)	
1	LER043042	1	USER'S GUIDE, MFC-J6520DW/J6720DW FOR BRA	
1	LEL864042	1	USER'S GUIDE, MFC-J6920DW FOR BRA	
1	LER043044	1	USER'S GUIDE, MFC-J3520/J3720 FOR KOR	
1	LER043048	1	USER'S GUIDE, MFC-J3520/J3720 FOR RUS	
1	LEL864056	1	USER'S GUIDE, MFC-J6920DW FOR OCE	
1	LER065007	1	USER'S GUIDE, MFC-J6520DW/J6720DW FOR PND (NORWEGIAN/SWEDISH)	
1	LER065013	1	USER'S GUIDE, MFC-J6520DW/J6720DW FOR PND (FINNISH/DANISH)	
1	LEL960007	1	USER'S GUIDE, MFC-J6920DW FOR PND (NORWEGIAN/SWEDISH)	
1	LEL960013	1	USER'S GUIDE, MFC-J6920DW FOR PND (FINNISH/DANISH)	
1	LER065065	1	USER'S GUIDE, MFC-J6520DW/J6720DW FOR IBR	
1	LEL960065	1	USER'S GUIDE, MFC-J6920DW FOR IBR	
2	LER852001	1	QUICK SETUP GUIDE, MFC-J6520DW/J6720DW FOR US/CAN (ENGLISH)	
2	LEL568001	1	QUICK SETUP GUIDE, MFC-J6920DW FOR US/CAN (ENGLISH)	
2	LEL910002	1	QUICK SETUP GUIDE, MFC-J6520DW/J6720DW FOR CAN (FRENCH)	
2	LEL568002	1	QUICK SETUP GUIDE, MFC-J6920DW FOR CAN (FRENCH)	
2	LER047003	1	QUICK SETUP GUIDE, MFC-J6520DW/J6720DW FOR GER/CHE (GERMAN)	
2	LEL865003	1	QUICK SETUP GUIDE, MFC-J6920DW FOR GER/CHE (GERMAN)	
2	LER047004	1	QUICK SETUP GUIDE, MFC-J6520DW/J6720DW FOR UK/ISR	
2	LEL865004	1	QUICK SETUP GUIDE, MFC-J6920DW FOR UK	
2	LER047005	1	QUICK SETUP GUIDE, MFC-J6520DW/J6720DW FOR FRA/BEL/CHE (FRENCH)	
2	LEL865005	1	QUICK SETUP GUIDE, MFC-J6920DW FOR FRA/BEL/CHE (FRENCH)	
2	LER047009	1	QUICK SETUP GUIDE, MFC-J6520DW/J6720DW FOR BEL/NLD (DUTCH)	
2	LEL865009	1	QUICK SETUP GUIDE, MFC-J6920DW FOR BEL/NLD (DUTCH)	
2	LER047016	1	QUICK SETUP GUIDE, MFC-J6520DW/J6720DW FOR CHE/ITA (ITALIAN)	
2	LEL865016	1	QUICK SETUP GUIDE, MFC-J6920DW FOR CHE/ITA (ITALIAN)	
2	LER047020	1	QUICK SETUP GUIDE, MFC-J3520/J3720 FOR CHN	
2	LER047056	1	QUICK SETUP GUIDE, MFC-J3520/J3720/J6520DW/J6720DW FOR ZAF/HK/IDN/ASA/OCE (ENGLISH)	
2	LER047025	1	QUICK SETUP GUIDE, MFC-J3720 FOR TUR	
2	LER047023	1	QUICK SETUP GUIDE, MFC-J3520/J3720 FOR TWN/HK (CANTONESE)	
2	LER047029	1	QUICK SETUP GUIDE, MFC-J3520/J3720 FOR IDN (INDONESIAN)	
2	LER047031	1	QUICK SETUP GUIDE, MFC-J6720DW FOR ARG/CHL	
2	LER047030	1	QUICK SETUP GUIDE, MFC-J3520/J3720 FOR ASA (THAI)	
2	LER047042	1	QUICK SETUP GUIDE, MFC-J6520DW/J6720DW FOR BRA	
2	LEL865042	1	QUICK SETUP GUIDE, MFC-J6920DW FOR BRA	
2	LER047044	1	QUICK SETUP GUIDE, MFC-J3520/J3720 FOR KOR	
2	LER047048	1	QUICK SETUP GUIDE, MFC-J3520/J3720 FOR RUS	
2	LEL865056	1	QUICK SETUP GUIDE, MFC-J6920DW FOR OCE	
2	LER047007	1	QUICK SETUP GUIDE, MFC-J6520DW/J6720DW FOR PND (NORWEGIAN/SWEDISH)	
2	LER047013	1	QUICK SETUP GUIDE, MFC-J6520DW/J6720DW FOR PND (FINNISH/DANISH)	
2	LEL865007	1	QUICK SETUP GUIDE, MFC-J6920DW FOR PND (NORWEGIAN/SWEDISH)	
2	LEL865013	1	QUICK SETUP GUIDE, MFC-J6920DW FOR PND (FINNISH/DANISH)	
2	LER047065	1	QUICK SETUP GUIDE, MFC-J6520DW/J6720DW FOR IBR	
2	LEL865065	1	QUICK SETUP GUIDE, MFC-J6920DW FOR IBR	
2	LER047037	1	QUICK SETUP GUIDE, MFC-J6520DW FOR CEE (CZECH/HUNGARIAN/POLISH/ENGLISH)	
2	LER047059	1	QUICK SETUP GUIDE, MFC-J6520DW FOR CEE (BULGARIAN/ROMANIAN/SLOVAK)	

12. PRINTED MATERIALS

REF No.	CODE	Q'TY	DESCRIPTION	REMARKS
2	LEL865037	1	QUICK SETUP GUIDE, MFC-J6920DW FOR CEE (CZECH/HUNGARIAN/POLISH/ENGLISH)	
2	LEL865059	1	QUICK SETUP GUIDE, MFC-J6920DW FOR CEE (BULGARIAN/ROMANIAN/SLOVAK)	
3	LEK110001	1	FRENCH SEAL FOR CAN	
4	LEL237001	1	SIRM ALPHABET LABEL, MFC-J3520/J3720 FOR ASA	

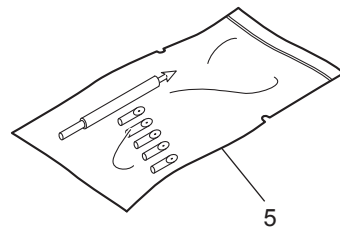
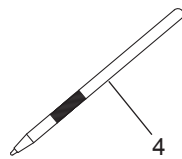
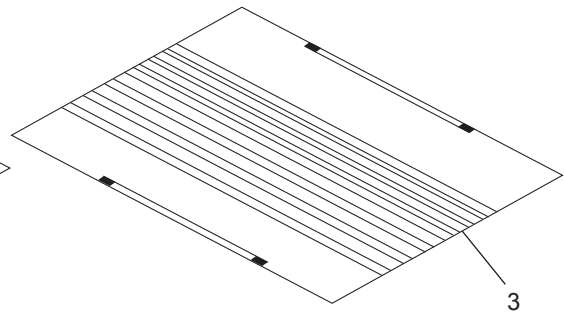
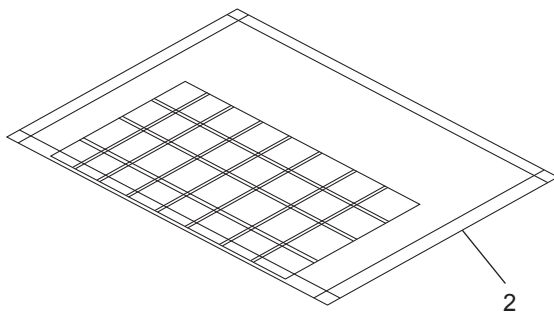
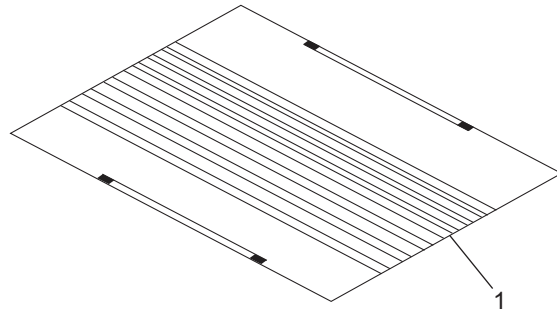
13. PACKING MATERIALS



13. PACKING MATERIALS

REF No.	CODE	Q'TY	DESCRIPTION	REMARKS
1	LER578001	1	CARTON BROTHER, MFC-J6520DW FOR US	
1	LEL906001	1	CARTON BROTHER, MFC-J6720DW FOR US	
1	LEL581001	1	CARTON BROTHER, MFC-J6920DW FOR US	
1	LER582001	1	CARTON BROTHER, MFC-J6520DW FOR CAN	
1	LEL914001	1	CARTON BROTHER, MFC-J6720DW FOR CAN	
1	LEL584001	1	CARTON BROTHER, MFC-J6920DW FOR CAN	
1	LER771001	1	CARTON BROTHER, MFC-J6520DW FOR GER/UK/FRA/BEL/NLD/CHE/ ITA/ISR/PND/IBR/CEE	
1	LER044001	1	CARTON BROTHER, MFC-J6720DW FOR GER/UK/FRA/BEL/NLD/CHE/PND/IBR	
1	LEL866001	1	CARTON BROTHER, MFC-J6920DW FOR GER/UK/FRA/BEL/NLD/CHE/ITA/PND/IBR/CEE	
1	LET178001	1	CARTON BROTHER, MFC-J3520 FOR CHN	
1	LET179001	1	CARTON BROTHER, MFC-J3720 FOR CHN	
1	LER819001	1	CARTON BROTHER, MFC-J3520 FOR TWN/ZAF/HK/ASA/KOR	
1	LER817001	1	CARTON BROTHER, MFC-J3720 FOR TWN/ZAF/TUR/ASA/KOR	
1	LER829001	1	CARTON BROTHER, MFC-J3520 FOR IDN	
1	LER828001	1	CARTON BROTHER, MFC-J3720 FOR IDN	
1	LET080001	1	CARTON BROTHER, MFC-J6720DW FOR ARG/CHL	
1	LET142001	1	CARTON BROTHER, MFC-J6520DW FOR BRA	
1	LET087001	1	CARTON BROTHER, MFC-J6720DW FOR BRA	
1	LER959001	1	CARTON BROTHER, MFC-J6920DW FOR BRA	
1	LET091001	1	CARTON BROTHER, MFC-J3520 FOR RUS	
1	LER906001	1	CARTON BROTHER, MFC-J3720 FOR RUS	
1	LER468001	1	CARTON BROTHER, MFC-J6520DW FOR OCE	
1	LER469001	1	CARTON BROTHER, MFC-J6720DW FOR OCE	
1	LER470001	1	CARTON BROTHER, MFC-J6920DW FOR OCE	
2	LEK903001	1	PACKING PAD ASSY, MFC-J3520/J6520DW	
2	LEK816001	1	PACKING PAD ASSY, MFC-J3720/J6720DW/J6920DW	
3	LEK815001	1	ACCESSORIES SHEET	
4	LEL152001	1	BAG 1000X1000H, MFC-J3520/J6520DW	
4	LX8038001	1	BAG 1200X1000H, MFC-J3720/J6720DW/J6920DW	
5	LET128001	1	PROTECTIVE PART (SP)	
6	LET391001	1	CHINA ENERGY LABEL, MFC-J3520 FOR CHN	
6	LET280001	1	CHINA ENERGY LABEL, MFC-J3720 FOR CHN	CHG

14. OTHERS



14. OTHERS

REF No.	CODE	Q'TY	DESCRIPTION	REMARKS
1	UF8263001	1	TEST CHART-027	
2	UF9258001	1	COLOR TEST CHART CTC-001	
3	UF4600001	1	CONTRAST CHART TC-023	
4	XA9940051	1	TOUCH PEN	
5	ZA0310001	1	HEAD CLEANER STICK ASSY	