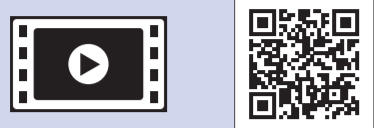


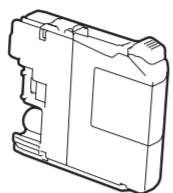
Unpack the machine and check the components



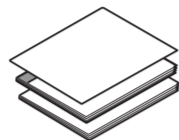
Watch our FAQ Videos for help with setting up your Brother machine.
solutions.brother.com/videos

Visit the Brother support website
<http://support.brother.com>

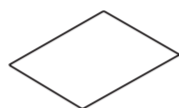
1. Remove the protective tape and film covering the machine, and also from the Touchscreen.
2. Make sure you have all components.
The components included in the box may differ depending on your country.



Introductory Ink Cartridges [x4]
Black
Yellow
Cyan
Magenta
(Approx. 65% yield of the replacement cartridge (High Yield) >> *Basic User's Guide: Supplies*)



**Quick Setup Guide
Basic User's Guide
Product Safety Guide**



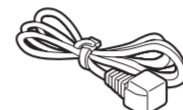
Maintenance Sheet



CD-ROM



Telephone Line Cord



Power Cord

WARNING

Plastic bags are used in the packing of your machine. To avoid the danger of suffocation, keep these plastic bags away from babies and children. Plastic bags are not toys.

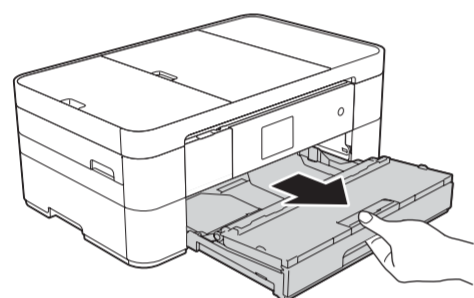
NOTE

Save all packing materials and the box in case for any reason you must ship your machine.

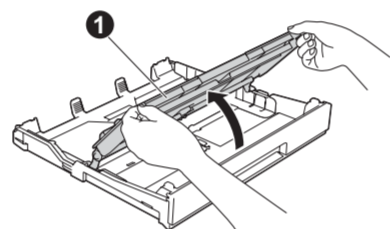
USB cable

- You must purchase the correct USB cable.
- We recommend using a USB 2.0 cable (Type A/B) that is no more than 2 metres long.

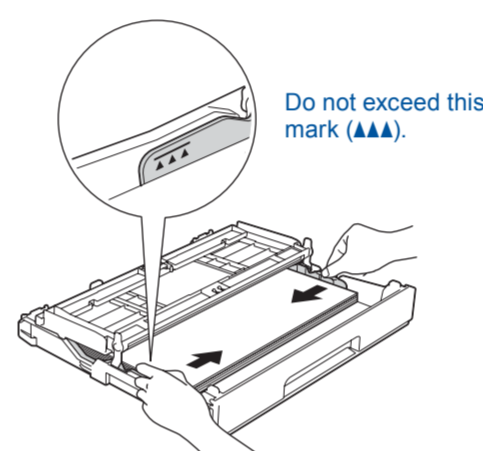
1 Load plain A4 paper



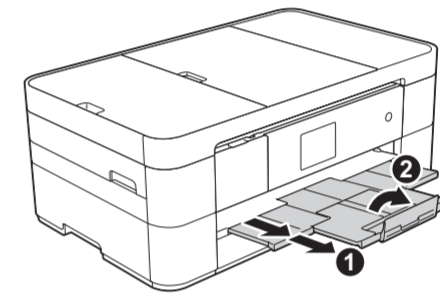
Pull the paper tray completely out of the machine.



Open the output paper tray cover ①.



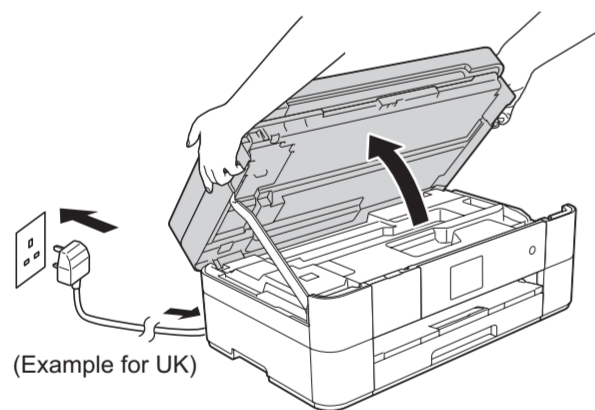
Fan the paper well and load it in the tray.



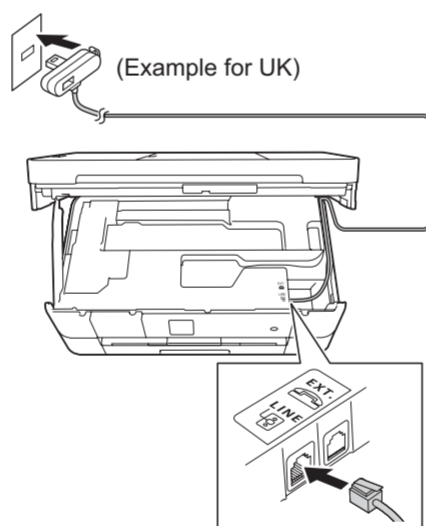
Pull out the paper support ①, and unfold the paper support flap ②.

2 Connect power cord and telephone line cord

If you are not using your machine as a fax, connect the power cord and go to 3.



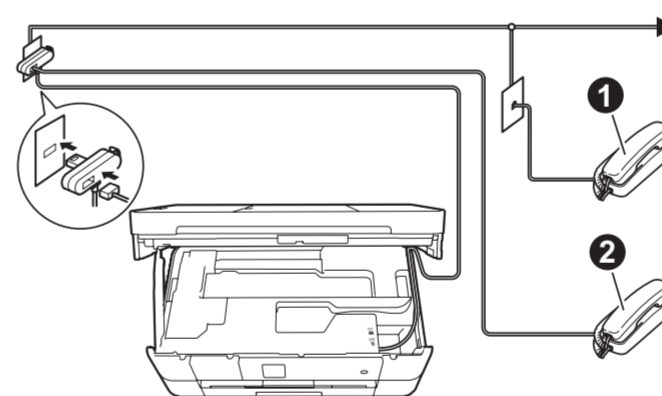
Connect the power cord. Lift the scanner cover.



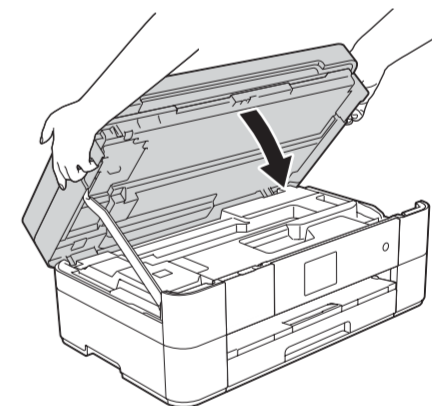
Connect the telephone line cord. Use the socket marked **LINE** and guide the cord out the back of the machine.

NOTE

If you are sharing one telephone line with an external telephone, connect it as shown below.

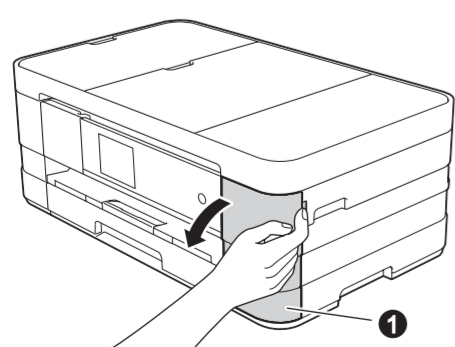


- ①. Extension telephone
- ②. External telephone

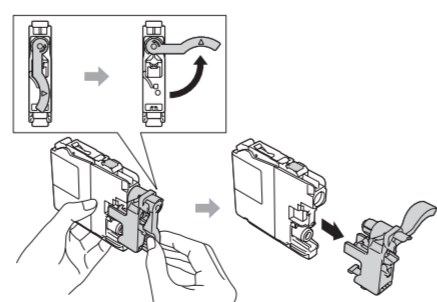


Close the scanner cover.

3 Install introductory ink cartridges



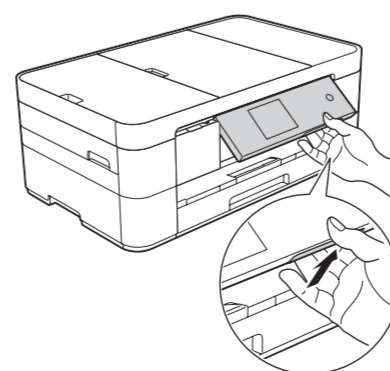
Open the ink cartridge cover ①.



Follow the Touchscreen instructions to install the ink cartridges. The machine will prepare the ink tube system for printing.

NOTE

You can adjust the angle of the control panel by lifting it.



4 Machine Settings

When the machine has finished the initial cleaning process, follow the Touchscreen instructions to configure the machine settings.

- Check print quality
- Set date and time
- Print the installation sheet



5 Choose your method

Mobile

Go to **6 For Wireless Networks Method B**

Wireless Network

Go to **6 For Wireless Networks Method A or Method B**

USB

Go to **6 For USB Connections**

6 Connect to your device and install software

For Wireless Networks

To connect additional computers, repeat Method A for each computer.

Method A Setup from the computer

Make sure that you are logged on with Administrator rights.

Download

Put the CD-ROM into your CD-ROM drive. If you do not have a CD-ROM drive, download the software at:
 For Windows®: solutions.brother.com/windows
 For Macintosh: solutions.brother.com/mac

Windows®

Macintosh

Follow the on-screen instructions to continue installation.

A USB cable may be needed in some cases.

Finish

Method B Manual setup using the Setup Wizard

Set up your machine

- Write your wireless access point/router information in the area below. This information may be hidden on the bottom of the wireless access point/router. If you cannot find it, ask your network administrator or wireless access point/router manufacturer.

SSID (Network Name)	
Network Key (Password)	



- Press **WiFi** on your Brother machine's Touchscreen, and then press Setup Wizard. When Enable WLAN? is displayed, press Yes.
- Select the SSID you wrote down in 1. Press OK.
- If the machine prompts you to enter a Network Key, enter the key you wrote down in 1. Press OK.
- Press Yes to apply your settings.

Install Brother iPrint&Scan

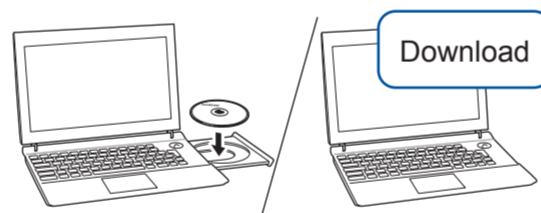


You can print from and scan to mobile devices using our free application "Brother iPrint&Scan." Download and install the application from solutions.brother.com/ips.

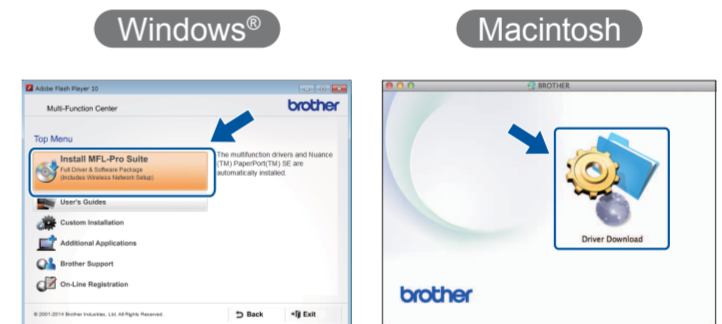
Finish

Install MFL-Pro Suite

Make sure that you are logged on with Administrator rights.



Put the CD-ROM into your CD-ROM drive. If you do not have a CD-ROM drive, download the software at:
 For Windows®: solutions.brother.com/windows
 For Macintosh: solutions.brother.com/mac



Follow the on-screen instructions to continue installation.

Finish

For USB Connections

Install MFL-Pro Suite

Windows®

Download

Put the CD-ROM into your CD-ROM drive. If you do not have a CD-ROM drive, download the software at:
solutions.brother.com/windows

Make sure that you are logged on with Administrator rights.



Follow the on-screen instructions.

Connect the USB cable

Follow the on-screen instructions to continue installation.

Finish

Connect the USB cable

Macintosh

Make sure that you are logged on with Administrator rights.

Install MFL-Pro Suite

Download

Put the CD-ROM into your CD-ROM drive. If you do not have a CD-ROM drive, download the software at:
solutions.brother.com/mac

Internet access is required. Follow the on-screen instructions to continue installation.

Finish