

Quick Setup Guide

Read the Product Safety Guide first, then read this Quick Setup Guide for the correct installation procedure.

WARNING

WARNING indicates a potentially hazardous situation which, if not avoided, could result in death or serious injuries.

NOTE

NOTE specifies the operating environment, conditions for installation, or special conditions of use.



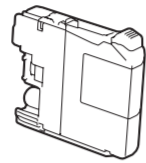
Watch our FAQ Videos for help with setting up your Brother machine.
solutions.brother.com/videos



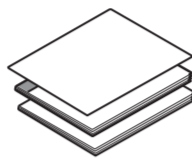
Visit the Brother support website
<http://support.brother.com>

Unpack the machine and check the components

1. Remove the protective tape and film covering the machine and the LCD.
2. Make sure you have all components shown below.



Starter Ink Cartridges [x4]
• Black
• Yellow
• Cyan
• Magenta



**Quick Setup Guide
Basic User's Guide
Product Safety Guide**



CD-ROM



Telephone Line Cord

WARNING

Plastic bags are used in the packing of your machine. Plastic bags are not toys. To avoid the danger of suffocation, keep these bags away from babies and children, and dispose of them correctly.

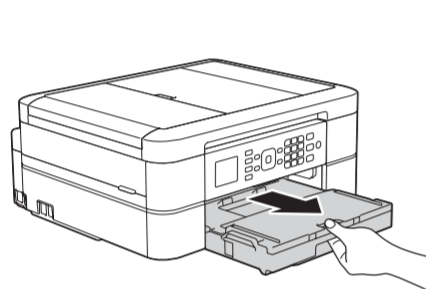
NOTE

Manuals in Spanish for these models are available at support.brother.com.
Manuales en Español para este modelo están disponibles en support.brother.com.
• Most of the illustrations in this Quick Setup Guide show the MFC-J480DW.
• Save all packing materials and the box in case for any reason you must ship your machine.
• **You must purchase the correct interface cable for the interface you want to use (for a USB connection).**

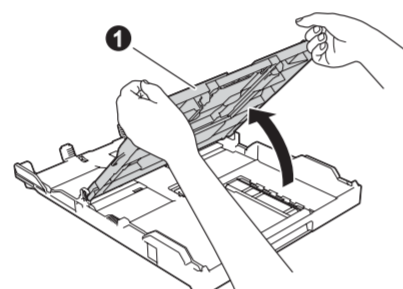
USB cable

We recommend using a USB 2.0 cable (Type A/B) that is no more than 6 feet (2 meters) long.

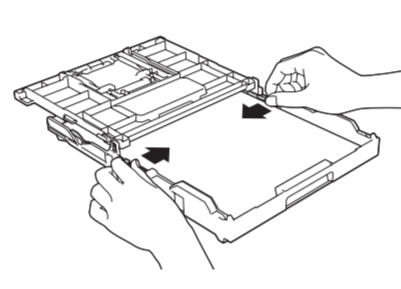
1 Load plain Letter/A4 paper



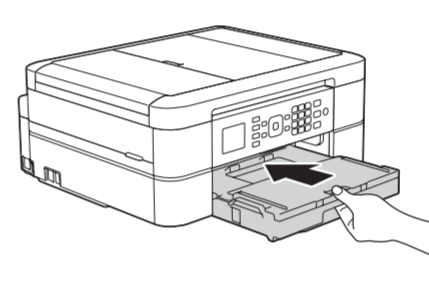
Pull the paper tray completely out of the machine.



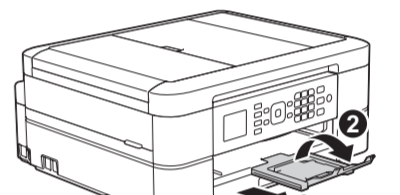
Open the output paper tray cover ❶.



Fan the paper well and load it in the tray, and then adjust the paper guides.



Close the output paper tray cover, and then slowly push the tray completely into the machine.

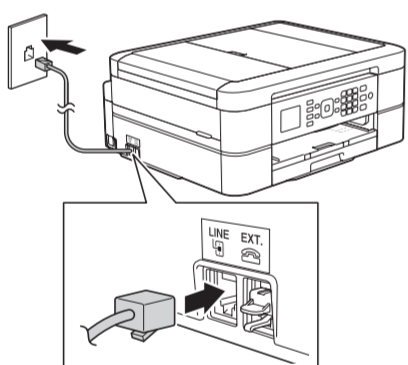


NOTE

Pull out the paper support ❶, and unfold the paper support flap ❷ so that the printed pages do not fall.

2 Connect the telephone line cord

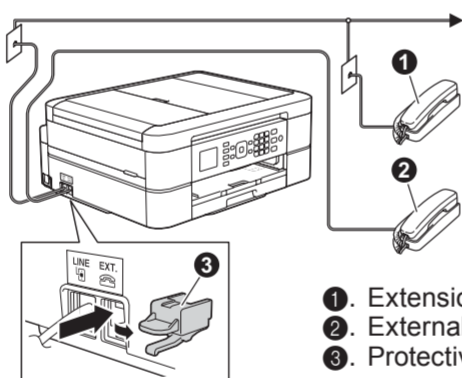
If you are not using your machine as a fax, go to ❸



Connect the telephone line cord. Use the jack marked **LINE**.

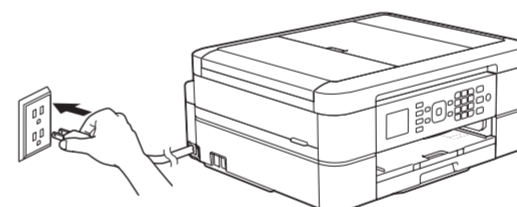
NOTE

If your machine is sharing one telephone line with an external telephone, connect it as shown below. Before you connect the external telephone, remove the white protective cap ❸ from the **EXT.** jack of the machine.



- ❶ Extension telephone
- ❷ External telephone
- ❸ Protective cap

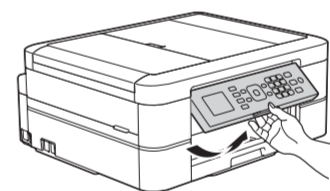
3 Connect the power cord



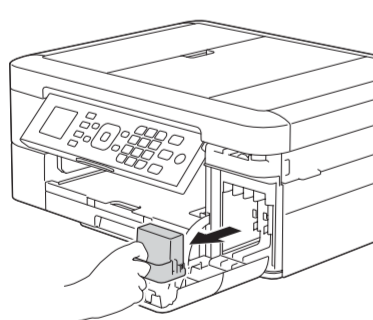
Connect the power cord. The machine will power on automatically.

NOTE

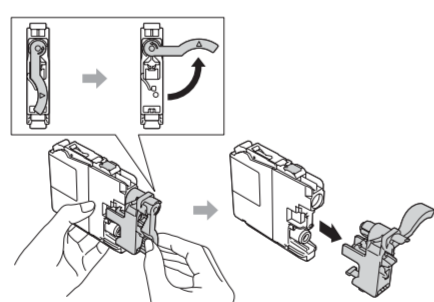
You can adjust the control panel angle to read the LCD more easily.



4 Install starter ink cartridges



Open the ink cartridge cover, and then remove the orange protective part from the machine.



Follow the on-screen instructions to install the ink cartridges. The machine will prepare the ink tube system for printing.

5 Machine settings

When the machine has finished the initial cleaning process, follow the on-screen instructions to configure the machine settings.

- Check print quality
- Set date and time
- Set Firmware Update Notice
- Print the installation sheet

6 Choose your language (if needed)

1. Press **Settings**.
2. Press **▲** or **▼** to select the following:
 - a. Select [Initial Setup]. Press **OK**.
 - b. Select [Local Language]. Press **OK**.
 - c. Select your language. Press **OK**.
3. Press **Stop/Exit**.

7 Choose the correct Receive Mode

If you are not using your machine as a fax, go to ❹

The correct Receive Mode is determined by the external devices and telephone subscriber services (Voice Mail, Distinctive Ring, etc.) you will be using on the same line as the Brother machine. For more information, see *Receive Modes* in chapter 6 of the *Basic User's Guide*.

1. Press **Settings**.
2. Press **▲** or **▼** to select the following:
 - a. Select [Fax]. Press **OK**.
 - b. Select [Setup Receive]. Press **OK**.
 - c. Select [Receive Mode]. Press **OK**.
 - d. Press your preferred Receive Mode. Press **OK**.
3. Press **Stop/Exit**.

8 Set your Station ID

If you are not using your machine as a fax, go to ❹

Store your name and fax number so the machine prints it on all outgoing fax pages. For more information, see *Enter Text on Your Brother Machine* in Appendix of the *Basic User's Guide*.

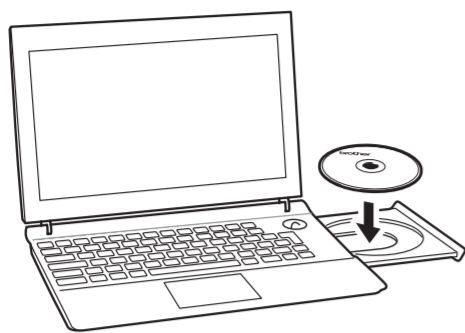
1. Press **Settings**.
2. Press **▲** or **▼** to select the following:
 - a. Select [Initial Setup]. Press **OK**.
 - b. Select [Station ID]. Press **OK**.
 - c. Enter your fax number (up to 20 digits) using the dial pad, and then press **OK**.
 - d. Enter your name (up to 20 characters) using the dial pad, and then press **OK**.
3. Press **Stop/Exit**.



9 Print from a computer

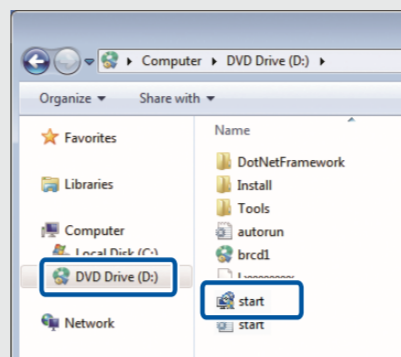
Put the CD-ROM into your CD/DVD drive.

- If you do not have a CD/DVD drive, download the software:
For Windows®: solutions.brother.com/windows
For Macintosh: solutions.brother.com/mac

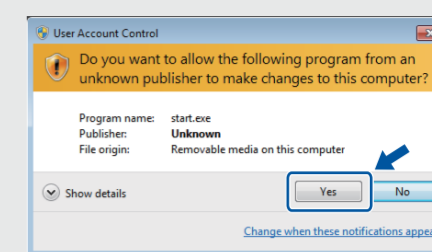


When the device installation screen appears, follow the on-screen instructions.

- If the Brother screen does not appear automatically, click (Start) > **Computer (My Computer)**.
(For Windows® 8: click the **File Explorer** icon on the taskbar, and then go to **Computer (This PC)**.)
Double-click the CD/DVD-ROM icon, and then double-click **start.exe**.

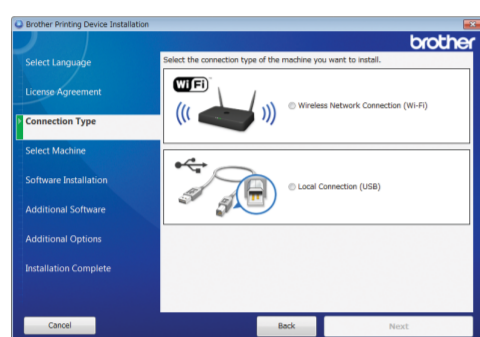


- If the **User Account Control** screen appears, click **Yes** to continue installation.

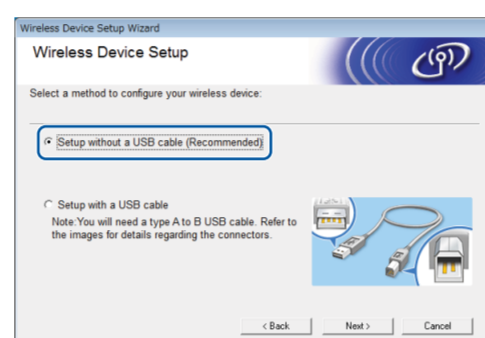


- To install the machine on additional computers, repeat this procedure for each computer.

When you reach **Connection Type**, select the connection type you want.

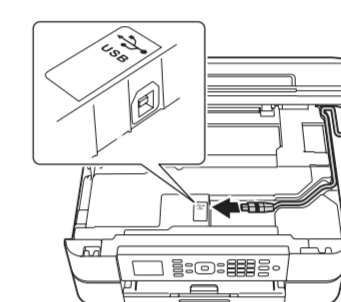


If you selected **Wireless Network Connection (Wi-Fi)**:
When the **Wireless Device Setup** screen appears, select **Setup without a USB cable (Recommended)**.



If you selected **Local Connection (USB)**:

Wait until the on-screen instructions tell you to connect to your computer: lift the scanner cover, insert your cable into the jack indicated below, and guide the cable out the back of the machine. Close the scanner cover, and then connect the cable to your computer.



If you select **Local Connection (USB)**, DO NOT connect the USB cable until instructed. Follow the on-screen instructions to continue installation.

Continue to follow the on-screen instructions. When **Installation Complete** appears, your Brother machine is successfully installed. Click **Finish**.

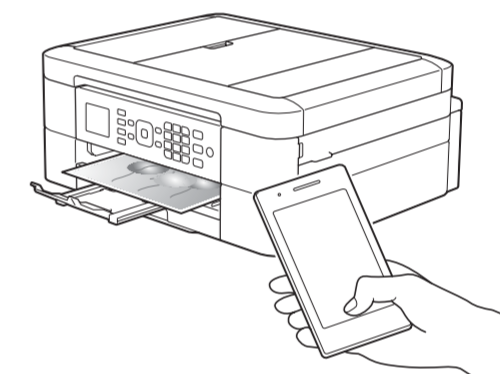
If wireless connection is not successful, connect your machine manually using the control panel, following the instructions below in **Using the Wireless Setup Wizard**.



Print from a smartphone or other mobile device

Print from and scan to smartphones and other mobile devices using our free application **Brother iPrint&Scan**.

Download and install **Brother iPrint&Scan** at solutions.brother.com/ips or



You can also use AirPrint, a mobile printing solution that lets you wirelessly print photos, emails, web pages, and documents from your iPad, iPhone and iPod touch without the need to install a driver. For more information about using AirPrint, see the *AirPrint Guide* on your model's **Manuals** page.

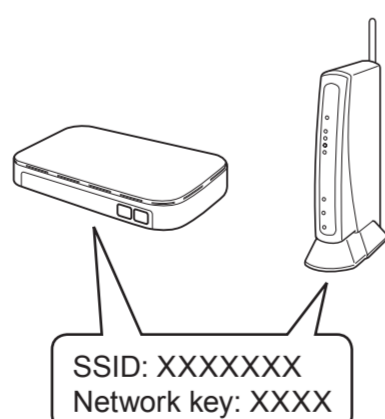
Your smartphone or mobile device must be connected to the Brother machine wirelessly. Connect your smartphone or mobile device to a wireless access point/router, and connect your Brother machine to the same wireless access point/router, using the Wireless Setup Wizard. See **Using the Wireless Setup Wizard**.



Using the Wireless Setup Wizard

Use Brother's Wireless Setup Wizard to manually connect your Brother machine to your wireless network. Your computer, smartphone, or mobile device must be connected to the same wireless network if you want to print wirelessly.

- Turn off your wireless access point/router, wait 10 seconds, and then turn it on again.
- Find your SSID (Network Name) and Network Key (Password) on your wireless access point/router and write them in the table provided below. If you cannot find this information, ask your network administrator or wireless access point/router manufacturer.
- Press **▼** to display the wireless settings menu, and then press **▲** or **▼** to select [Setup Wizard]. Press **OK**.



SSID (Network Name)	
Network Key (Password)	



- Press **▲** or **▼** to select the Network Name (SSID) you found in **2**. Press **OK**.
- Enter the Network Key (Password) you found in **2** using the dial pad, and then press **OK**.
- When wireless setup is successful, the LCD displays [Connected]. Press **OK**, and then return to step **9** to install the driver. If the machine does not connect to the network, verify your Network Key (Password) and repeat these steps. For additional help, see your model's **FAQs & Troubleshooting** page on the Brother Solutions Center at <http://support.brother.com>

