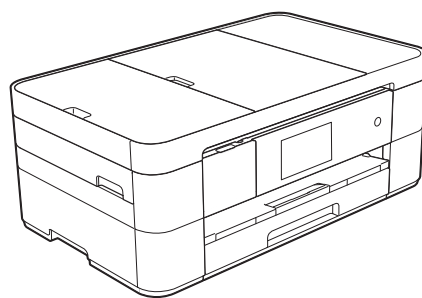


**brother**

# Basic User's Guide

**MFC-J4620DW**  
**MFC-J4625DW**



Version 0

UK

## **If you must contact Customer Service**

**Please complete this information for future reference:**

**Model Number: MFC-J4620DW and MFC-J4625DW  
(Circle your model number)**

**Serial Number:** <sup>1</sup> \_\_\_\_\_

**Date of Purchase:** \_\_\_\_\_

**Place of Purchase:** \_\_\_\_\_

<sup>1</sup> **The serial number is on the back of the unit. Retain this User's Guide with your sales receipt as a permanent record of your purchase, in the event of theft, fire or warranty service.**

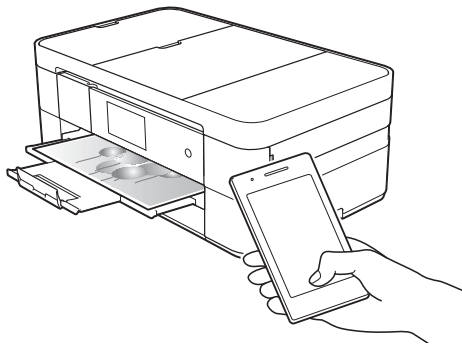
**Register your product on-line at**

**<http://www.brother.com/registration>**

# You can use the following features!

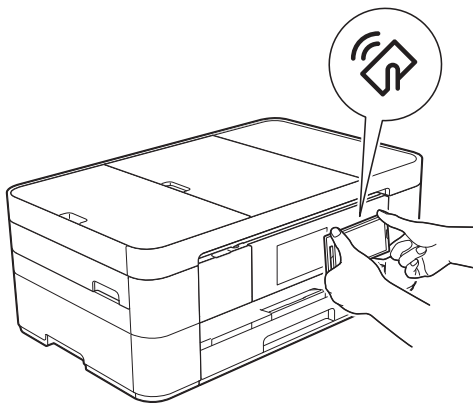
## Mobile Connect

Use Brother iPrint&Scan to print and scan images and files from mobile devices.



If your Android™ device supports Near Field Communication (NFC), print and scan just by touching your device to the NFC logo on the control panel.

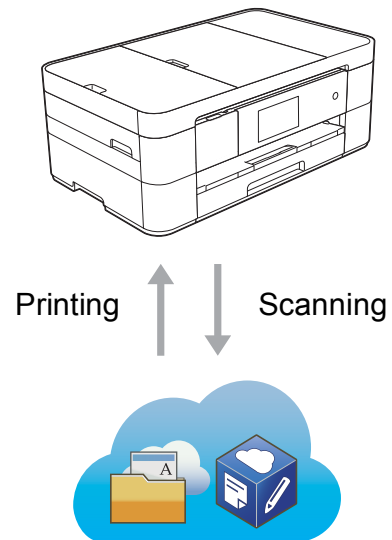
(See Mobile Print/Scan Guide for Brother iPrint&Scan at [solutions.brother.com/manuals](http://solutions.brother.com/manuals).)



## Web Connect / Brother Apps

Scan and upload images and files to popular web services directly from your machine. Capture and convert information directly from your machine without your computer.

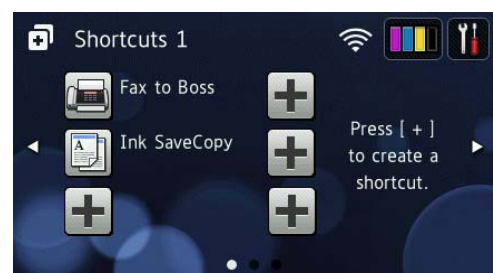
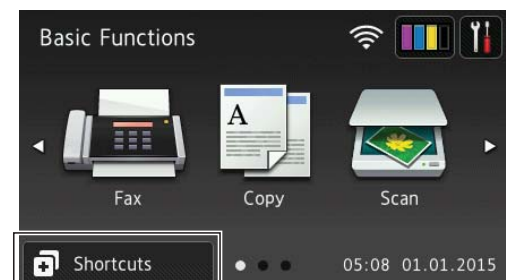
(See Web Connect Guide at [solutions.brother.com/manuals](http://solutions.brother.com/manuals).)



## Add Shortcuts

Save your most frequently-used settings as Shortcuts.

(See Online User's Guide at [solutions.brother.com/manuals](http://solutions.brother.com/manuals).)



# User's Guides and where to find them

Which Guide?	What's in it?	Where is it?
<b>Product Safety Guide</b>	Read this Guide first. Please read the Safety Instructions before you set up your machine. See this Guide for trademarks and legal limitations.	Printed / In the box
<b>Quick Setup Guide</b>	Follow the instructions for setting up your machine, and installing the drivers and software for the operating system and connection type you are using.	Printed / In the box
<b>Basic User's Guide</b>	Learn the basic Fax, Copy, Scan and PhotoCapture Center operations and basic machine maintenance. See troubleshooting tips.	Printed / In the box
<b>Online User's Guide</b>	This HTML (Web) guide includes the contents of the Basic User's Guide, and additional information about the machine's settings and operations, security features, troubleshooting tips, and maintenance instructions.  In addition to information about the PC-Print, Scan, Copy, Fax (MFC models only), and PhotoCapture Center and Brother ControlCenter operations, useful information is included about using the machine on a network.	HTML / CD-ROM (Windows®) / Brother Solution Center <sup>1</sup> (Macintosh)
<b>Web Connect Guide</b>	This Guide provides useful information about accessing Internet services from the Brother machine, as well as downloading images, printing data and uploading files directly to Internet services.	PDF file / Brother Solutions Center <sup>1</sup>
<b>AirPrint Guide</b>	This Guide provides information for using AirPrint to print from OS X v10.7.x or later and your iPhone, iPod touch, iPad, or other iOS device to your Brother machine without installing a printer driver.	PDF file / Brother Solutions Center <sup>1</sup>
<b>Google Cloud Print Guide</b>	This Guide provides details on how to use Google Cloud Print™ services for printing over the Internet.	PDF file / Brother Solutions Center <sup>1</sup>
<b>Mobile Print/Scan Guide for Brother iPrint&amp;Scan</b>	This Guide provides useful information about printing from your mobile device and scanning from your Brother machine to your mobile device when connected to a Wi-Fi® network.	PDF file / Brother Solutions Center <sup>1</sup>

<sup>1</sup> Visit [solutions.brother.com/manuals](http://solutions.brother.com/manuals).



# The Online User's Guide helps you get the most out of your machine.

- Quicker navigation!
  - Search box
  - Navigation index in a separate pane
- Comprehensive!
  - All topics in one guide
- Simplified layout!
  - Provides step-by-step instructions
  - Summarizes the feature at the top of the page




- 1 Search Box
- 2 Navigation Index
- 3 Feature Summary
- 4 Step-by-Step Instructions

## Where can I find the Online User's Guide?

(Windows®)

Click  (Start) > **All Programs** > **Brother** > **Brother Utilities** > **MFC-XXXX** (Where XXXX is your model name.) > **Support** > **User's Guides**.

(Windows® 8)

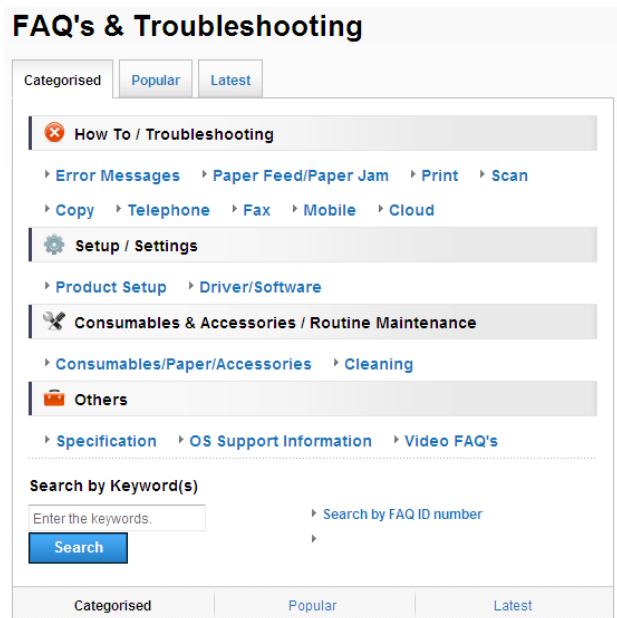
Tap or click  (Brother Utilities) > **MFC-XXXX** (Where XXXX is your model name.) > **Support** > **User's Guides**.

(Macintosh or other options)

Visit Brother Solutions Center: [solutions.brother.com/manuals](http://solutions.brother.com/manuals).

# If you have questions or problems, please take a look at your model's FAQs.

- Provides several ways to search
- Displays related questions for additional information
- Receives regular updates based on customer feedback



\* The FAQ home page will vary depending on your model.

## Where can I find these FAQs?



Brother Solutions Center  
<http://support.brother.com>

# Table of Contents

<b>1</b>	<b>General information .....</b>	<b>1</b>	<b>6</b>	<b>Scanning to a computer ...</b>	<b>21</b>
	How to use the documentation .....	1		Before scanning .....	21
	Symbols and conventions .....	1		How to scan a document as a PDF file using ControlCenter4 (Windows®) .....	21
	About Brother Utilities (Windows®) .....	1		How to scan a document as a PDF file using the Touchscreen....	22
	Control panel overview .....	2	<b>7</b>	<b>Printing and scanning with Near Field Communication (NFC) .....</b>	<b>23</b>
	3.7"(93.4 mm) Touchscreen LCD .....	4		How to print with NFC .....	23
	Entering Text .....	8		How to scan with NFC .....	23
<b>2</b>	<b>Loading paper .....</b>	<b>9</b>	<b>8</b>	<b>Printing photos from a memory card or USB flash drive .....</b>	<b>24</b>
	Before loading paper .....	9		PhotoCapture Center operations (PHOTO mode) .....	24
	Loading paper in the paper tray .....	9		How to print images .....	24
	Loading paper in the manual feed slot .....	11		View Photos .....	24
	Paper settings .....	14		PhotoCapture Center print settings overview .....	25
	Set Paper Size and Type .....	14	<b>9</b>	<b>Telephone services and external devices .....</b>	<b>26</b>
	Check Paper setting .....	15		Telephone services overview .....	26
	Recommended print media .....	15		Voicemail .....	26
	Handling and using print media .....	15		Voice over Internet Protocol (VoIP) .....	26
<b>3</b>	<b>Loading documents .....</b>	<b>16</b>		Connecting an external telephone answering device (TAD) .....	26
	How to load documents .....	16		External and extension telephones .....	26
	Using the ADF .....	16	<b>10</b>	<b>Sending a fax .....</b>	<b>27</b>
	Using the scanner glass .....	17		How to send a fax .....	27
<b>4</b>	<b>Printing from a computer .....</b>	<b>18</b>		Stop faxing .....	28
	How to print a document .....	18		How to store numbers .....	28
<b>5</b>	<b>Copying .....</b>	<b>19</b>		Storing a pause .....	28
	How to copy .....	19		Storing Address Book numbers .....	28
	Stop copying .....	19		How to set your Station ID .....	29
	Copy options overview .....	19			
	Paper Type .....	20			
	Paper Size .....	20			

---

## **11 Receiving a fax ..... 30**

Receive Modes .....	30
Choose the Receive Mode.....	30
Using Receive Modes.....	31
Receive Mode settings.....	32
Ring Delay .....	32
F/T Ring Time (Fax/Tel mode only).....	32

---

## **A Routine maintenance ..... 33**

How to clean and check the machine .....	33
Cleaning the scanner glass.....	33
Checking the print quality.....	33
Checking the print alignment .....	35

---

## **B Troubleshooting ..... 36**

Identifying the problem.....	36
Error and maintenance messages.....	36
Error animations.....	46
Transferring your faxes or Fax Journal report.....	46
Document jam .....	47
Printer jam or paper jam .....	48
Troubleshooting for Wireless LAN setup .....	54
Wireless LAN report.....	54
If you are having difficulty with your machine .....	55
Dial Tone detection.....	65
Telephone Line Interference or VoIP System .....	65
Machine Information .....	66
Checking the serial number .....	66
Checking the firmware version .....	66
Reset operations overview.....	66
How to reset the machine .....	67

---

## **C Index ..... 68**

---

<b>Supplies .....</b>	<b>71</b>
-----------------------	-----------

---

## How to use the documentation

Thank you for buying a Brother product!  
Reading the documentation will help you make the most of your machine.

## Symbols and conventions

The following symbols and conventions are used throughout the documentation.

<b>Bold</b>	Bold typeface identifies buttons on your computer screen.
<i>Italics</i>	Italicized typeface emphasizes an important point or refers you to a related topic.
Courier New	Text in the Courier New font identifies messages displayed on the machine's Touchscreen LCD.

## IMPORTANT

**IMPORTANT** indicates a potentially hazardous situation which, if not avoided, may result in damage to property or loss of product functionality.



## NOTE


**NOTE** specifies the operating environment, conditions for installation, or special conditions of use.



## About Brother Utilities (Windows®)

**Brother Utilities** is an application launcher that offers convenient access to all Brother applications installed on your device.

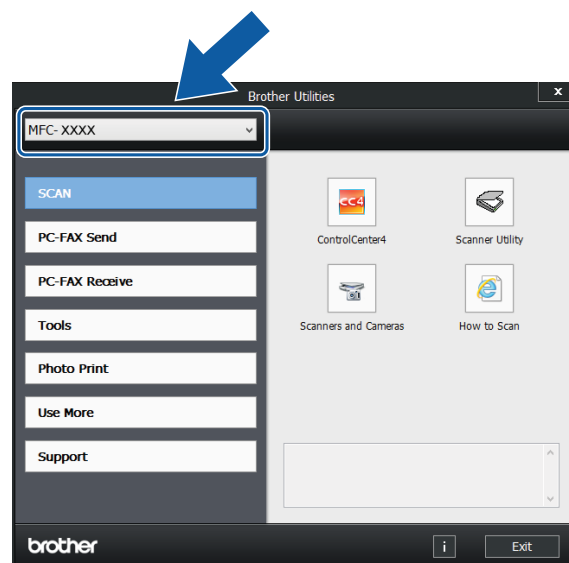
- (Windows® XP, Windows Vista®, Windows® 7, Windows Server® 2003, Windows Server® 2008 and Windows Server® 2008 R2)

Click  (**Start**) > **All Programs** > **Brother**, and  (**Brother Utilities**).  
(Windows® 8 and Windows Server® 2012)

Tap or click  (**Brother Utilities**) either on the Start screen or the desktop.  
(Windows® 8.1 and Windows Server® 2012 R2)

Move your mouse to the lower left corner of the **Start** screen and click  (if you are using a touch-based device, swipe up from the bottom of the **Start** screen to bring up the **Apps** screen).  
When the **Apps** screen appears, tap or click  (**Brother Utilities**).

- Select your machine.



- Choose the operation you want.

# Control panel overview

The MFC-J4620DW and MFC-J4625DW have the same 3.7"(93.4 mm) Touchscreen LCD and Touchpanel.



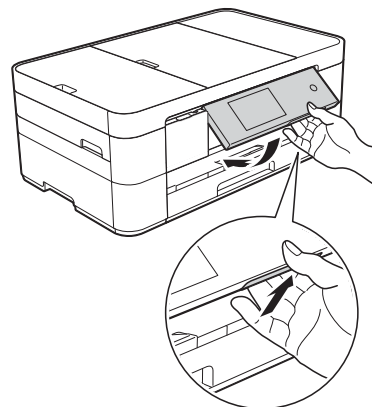
## NOTE

Most of the illustrations in this User's Guide show the MFC-J4620DW.

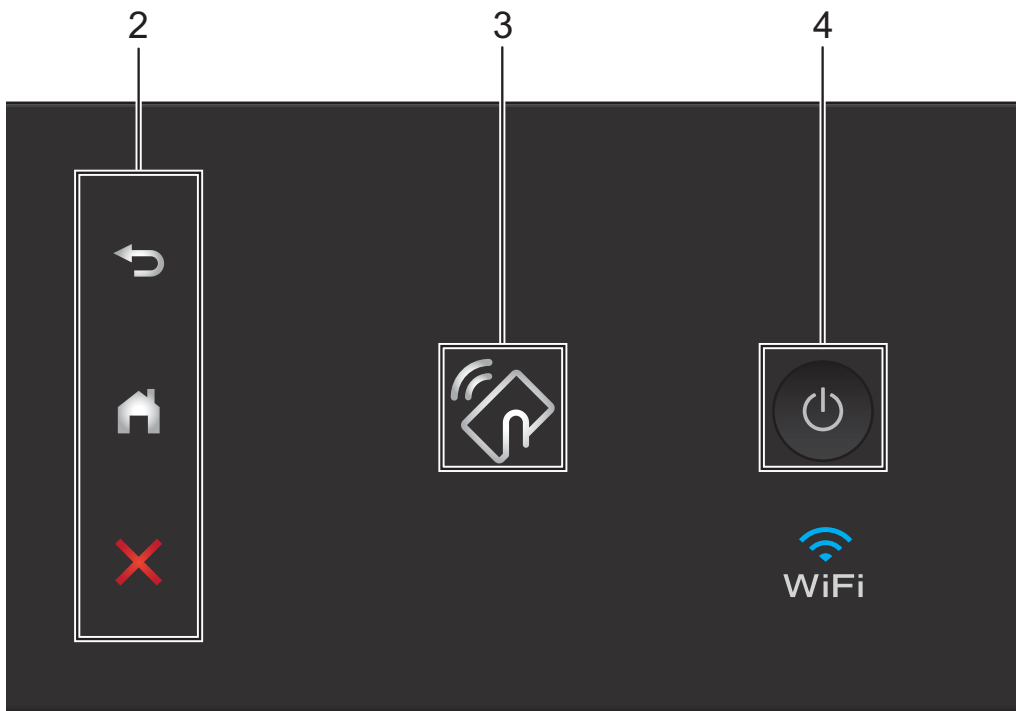
### 1 3.7"(93.4 mm) Touchscreen LCD (Liquid Crystal Display)

Access the menus and options you want by pressing them as they are displayed on the Touchscreen LCD.




You can adjust the angle of the Touchscreen LCD and Touchpanel by lifting it. To lower this control panel, press the release button that is located behind it, as shown in the illustration.








## 2 Touchpanel:

-  **Back**  
Press to go back to the previous menu level.
-  **Home**  
Press to return to the Home screen. By default it displays the date and time, but you can change the default settings.
-  **Cancel**  
Press to cancel an operation when lit.

## 3 **NFC (Near Field Communication) logo**

The NFC logo light on the right side of the control panel is on when NFC is set to On.

(To turn off the NFC feature, press  >


All Settings > Network > NFC > Off. The NFC logo light goes off.)


If your Android™ device supports the NFC standard, you can print and scan to your device by touching it to the NFC logo.

You must download and install Brother iPrint&Scan to your Android™ device to use this feature.


(See *Printing and scanning with Near Field Communication (NFC)* on page 23.)

## 4 **Power On/Off**


Press  to turn the machine on.

Press and hold down  to turn the machine off. The Touchscreen LCD displays *Shutting Down* and stays on for a few seconds before turning off.

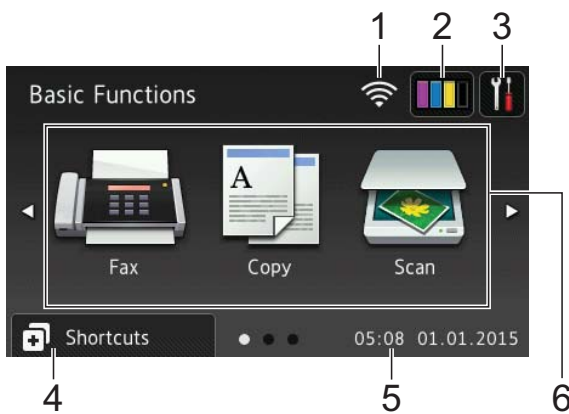
If you have connected an external telephone or TAD, it is always available for use.

If you turn the machine off using , it still periodically cleans the print head to maintain print quality. To prolong the life of the print head, provide better ink efficiency, and maintain print quality, keep your machine connected to the power at all times.

## 3.7"(93.4 mm) Touchscreen LCD

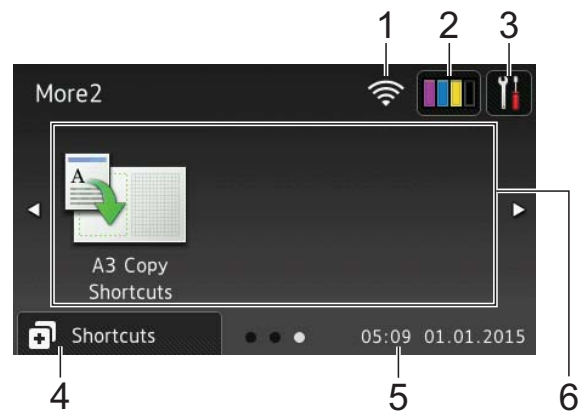
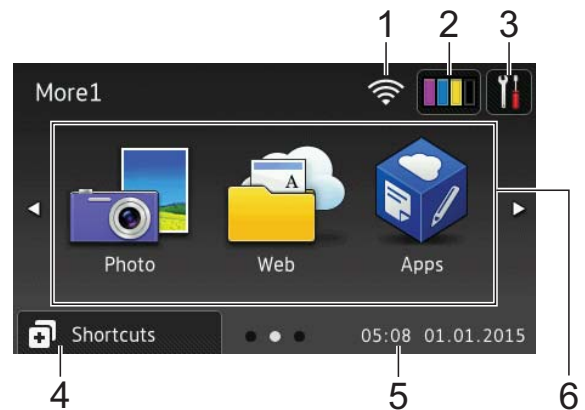
Select from three types of screens to set the Home screen: Basic Functions screen, More screens and Shortcuts screens. When the Basic Functions screen is displayed, swipe left or right or press ◀ or ▶ to display the More screens. Press  to display the Shortcut screens.

### Basic Functions screen



The Basic Functions screen displays the date and time and provides access to the Fax, Copy and Scan modes.

### More screens



The More screens display the date and time and provides access to additional features, such as Photo, Web, Apps and A3 Copy Shortcuts.

### Shortcut screens




You can save certain settings as a Shortcut so you can quickly send a fax, copy, scan and use Web Connect services. (See Online User's Guide.)

## 1 Wireless Status

A four-level indicator on the Ready Mode screen displays the current wireless signal strength when using a wireless connection.



- When  appears on the Touchscreen, press it to configure your wireless settings. For more information, see Quick Setup Guide.

## 2 Ink

Displays the available ink volume. Press to access the `Ink` menu.

When the ink cartridge is near the end of its life or having a problem, an error icon is displayed on the ink colour.

(See Online User's Guide.)

## 3 Settings

Press to access the settings.

(See *Settings screen* on page 7.)

## 4 Shortcuts

Press to access the Shortcuts screens.

## 5 Date & Time

Displays the date and time that has been set in the machine.

## 6 Modes:

### ■ Fax

Press to access Fax mode.

### ■ Copy

Press to access Copy mode.

### ■ Scan

Press to access Scan mode.

### ■ Photo

Press to access Photo mode.

### ■ Web

Press to connect the Brother machine to an Internet service.

For details, see Web Connect Guide.

### ■ Apps

Press to connect the Brother machine to the Brother Apps menu.

### ■ A3 Copy Shortcuts

Use this preset shortcut to copy on A3 or Ledger size.

(See Online User's Guide.)

## 7 Add Shortcut

Create Shortcuts for frequently-used operations, such as sending a fax, copying, scanning and using Web Connect.

Three Shortcuts screens are available with space for up to six Shortcuts on each screen.

For more information, see Online User's Guide.

## NOTE

When one of the Shortcuts screens is set as the Home screen, press



, displayed at the bottom of the screen to access the Basic Functions screen.

8 **Stored Faxes:**



When Fax Preview is set to Off, Stored Faxes displays how many received faxes are in the machine's memory.

Press Print to print the faxes.

9 **New Fax(es):**



When Fax Preview is set to On, New Fax(es) displays how many new faxes you have received and stored in the machine's memory.

Press View to view the faxes on the Touchscreen.

10 **Warning icon** !



The warning icon ! appears when there is an error or maintenance message; press Detail to view it, and then press X to return to Ready mode.


(See Error and maintenance messages on page 36.)

**NOTE**

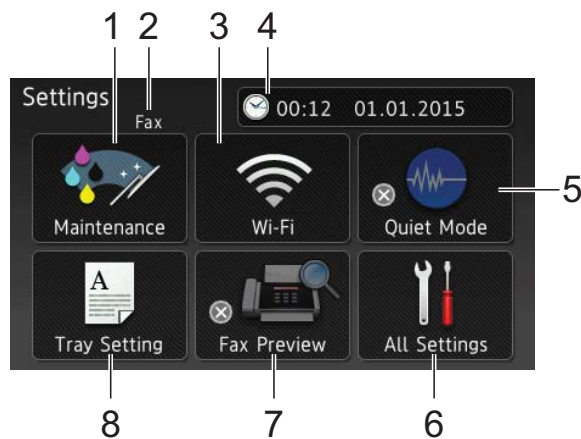
- This product adopts the font of ARPHIC TECHNOLOGY CO.,LTD.
- MascotCapsule UI Framework and MascotCapsule Tangiblet developed by HI CORPORATION are used. MascotCapsule is a registered trademark of HI CORPORATION in Japan.



## Settings screen

When you press , the Touchscreen LCD displays the machine's status.

This screen provides access to all the machine's settings.



### 1 Maintenance

Press to access the `Maintenance` menu.

Check and improve the print quality, clean the print head and check the available ink volume. You can also use the Maintenance solution menu to solve a recurring paper jam error.


### 2 Receive Mode

Displays the current Receive Mode:

- Fax (Fax Only)
- Fax/Tel
- External TAD
- Manual

### 3 Wi-Fi

Press to set up a wireless network connection.

A four-level indicator  on the screen displays the current wireless signal strength if you are using a wireless connection.


### 4 Date & Time

Displays the date and time that has been set in the machine.

Press to access the `Date & Time` menu.

### 5 Quiet Mode

Displays the Quiet Mode setting. Press to access the `Quiet Mode` menu.

When this menu is set to `On`,  is displayed on the Home screen. The machine's printing noise has been reduced.

For more information, see Online User's Guide.

### 6 All Settings

Press to access the Settings menu.

### 7 Fax Preview

Displays the Fax Preview setting.

Press to access the `Fax Preview` menu.

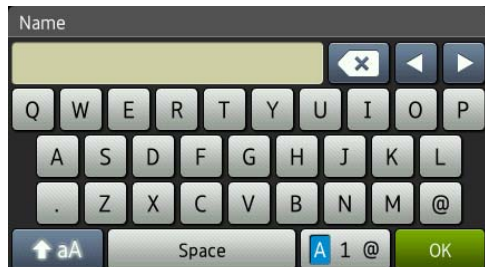
### 8 Tray Setting


Press to access the `Tray Setting` menu to change the paper size and paper type.

## Entering Text

---


When you must enter text into the machine, a keyboard appears on the Touchscreen.




Press  to cycle between letters, numbers and special characters.

### NOTE

---

To change between lowercase or uppercase, press .

### Inserting spaces



To enter a space, press `Space` or you can press  to move the cursor.


### NOTE

---

The characters that are available may differ depending on your country.

### Making corrections

If you entered an incorrect character and want to change it, press  to move the cursor to highlight the incorrect character, and then press . Enter the correct character. You can also use the cursor to go back and insert characters.

To erase all the characters, press  repeatedly.



## Before loading paper

Load only one size of paper and one type of paper in the paper tray at a time.

- When loading a different paper size in the tray, you must also change the paper size setting in the machine. (See *Set Paper Size and Type* on page 14.)
- If the Check Paper setting is set to On, the machine displays a message asking if you want to change the paper type and paper size when you pull the paper tray out of the machine. Change the paper size and paper type settings if needed, according to the instructions on the Touchscreen. (See *Check Paper setting* on page 15.)

We explain how to load paper for each tray:

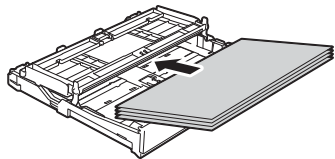
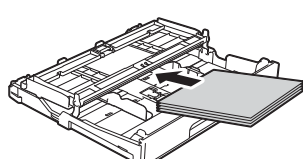
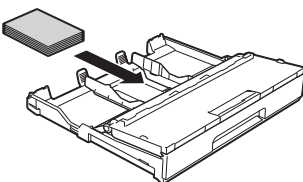
Paper tray . . . . . See page 9.

Manual feed slot . . . . . See page 11.

## Loading paper in the paper tray

### Paper size and loading orientation

The paper size determines the orientation when loading paper in the paper tray.

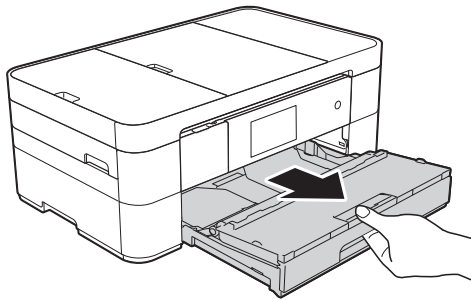
Paper tray	
A4 ♦ Letter ♦ Executive ♦	Landscape orientation 
A5 A6 Photo 2L Index card Envelope	Portrait orientation 
Photo Photo L	Portrait orientation 

♦ See the details in this chapter.

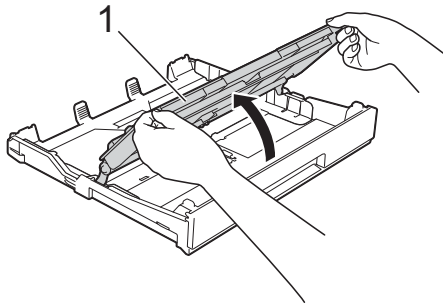
For information about other paper sizes, see Online User's Guide.

**When using A4, Letter or Executive size paper:**

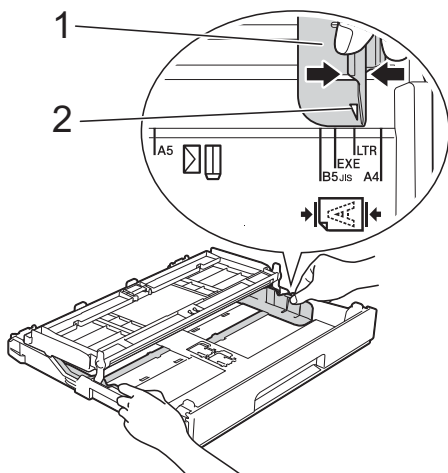
- 1 Pull the paper tray completely out of the machine.



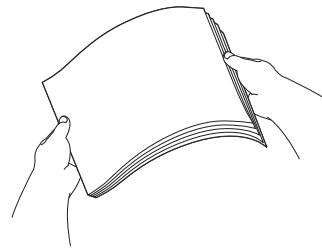
- 2 Open the output paper tray cover (1).



- 3 Gently press and slide the paper guides (1) to fit the paper size. Make sure the triangular mark (2) on the paper guide (1) lines up with the mark for the paper size you are using.



- 4 Fan the stack of paper well to avoid paper jams and misfeeds.

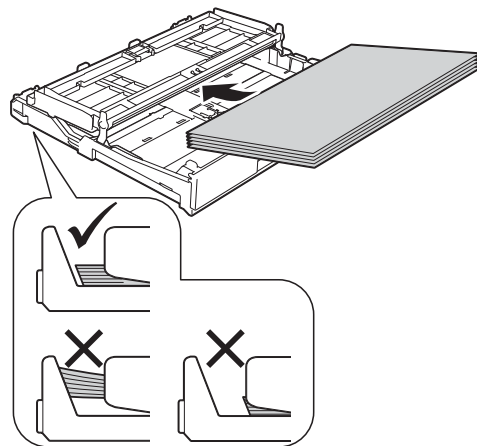


**NOTE**

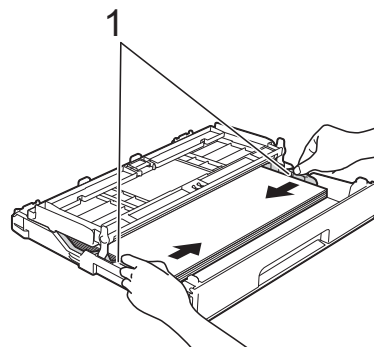
Always make sure the paper is not curled.

- 5 Load paper in the paper tray with the printing surface **face down**. Check that the paper is flat in the tray.

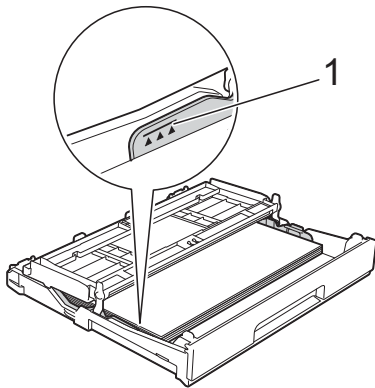
**Landscape orientation**



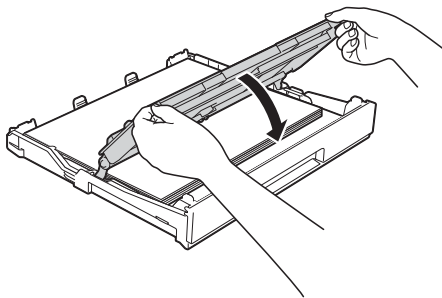
- 6 Gently adjust the paper guides (1) to fit the paper. Make sure the paper guides touch the sides of the paper.



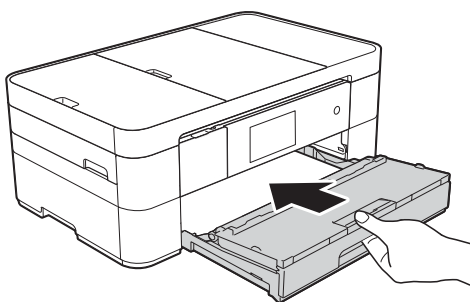
- 7 Check that the paper is flat in the tray and below the maximum paper mark (1). Overfilling the paper tray may cause paper jams.



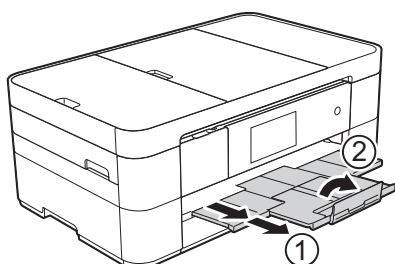
- 8 Close the output paper tray cover.



- 9 Slowly push the paper tray completely into the machine.



- 10 Pull out the paper support (1) until it locks into place, and then unfold the paper support flap (2).



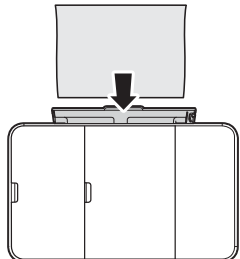
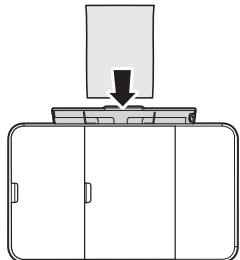
- 11 Change the paper size setting in the machine's menu, if needed. (See *Set Paper Size and Type* on page 14.)

## Loading paper in the manual feed slot

Use the manual feed slot to load special print media, one sheet at a time. The manual feed slot cannot be used for printing faxes.

### Paper size and loading orientation

The paper size determines the orientation when loading paper in the manual feed slot.

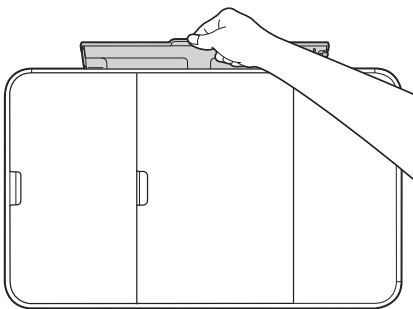
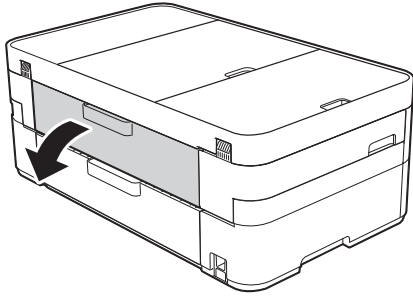
Manual feed slot	
A4 Letter Executive	Landscape orientation 
A3 ♦ Ledger ♦ Legal A5 A6 Photo Photo L Photo 2L Index card Envelope	Portrait orientation 

♦ See the details in this chapter.

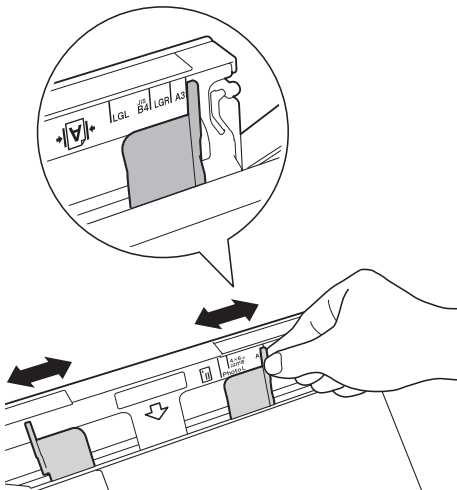
For information about other paper sizes, see Online User's Guide.

**When using A3 or Ledger size paper:**

- 1 Open the manual feed slot cover.

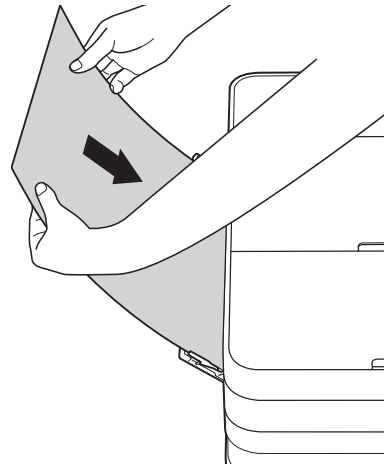


- 2 Slide the manual feed slot paper guides to fit the paper width that you are using.

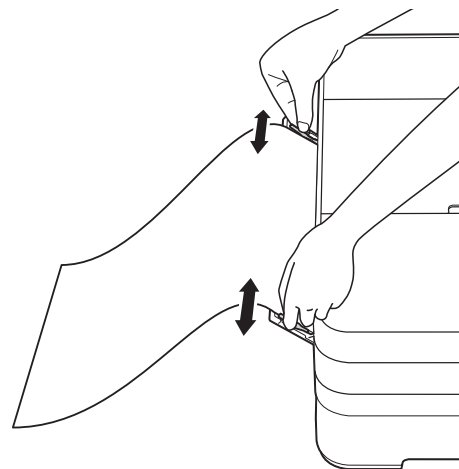


- 3 Load *only one* sheet of paper in the manual feed slot with the printing surface **face up**.

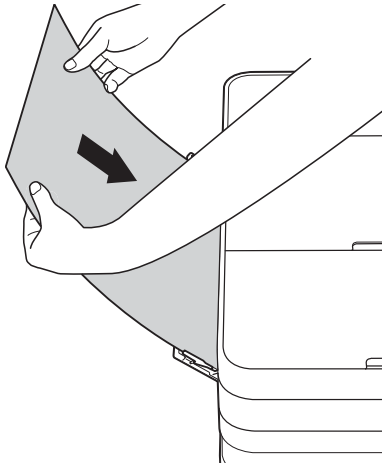
**Portrait orientation**



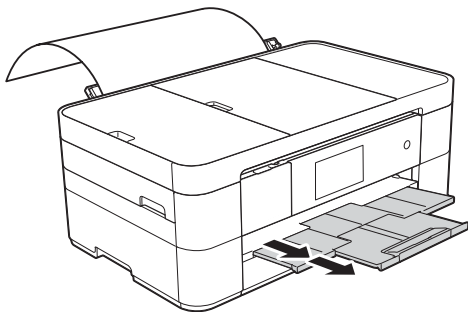
- 4 Using both hands, gently adjust the manual feed slot paper guides to fit the paper.



- 5 Using both hands, load one sheet of paper in the manual feed slot until the front edge touches the paper feed rollers. Let go of the paper when you hear the machine pull it in a short distance. The Touchscreen displays `Manual Feed Slot ready`.

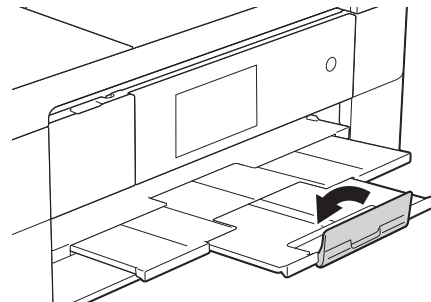


- 6 Pull out the paper support until it locks into place.



## NOTE

- If the data does not fit on one sheet, the Touchscreen will prompt you to load another sheet of paper. Place another sheet of paper in the manual feed slot, and then press `OK` on the Touchscreen.
- If you are using paper that is longer than A4 or Letter size or envelopes that are longer than the tray length, close the paper support flap.




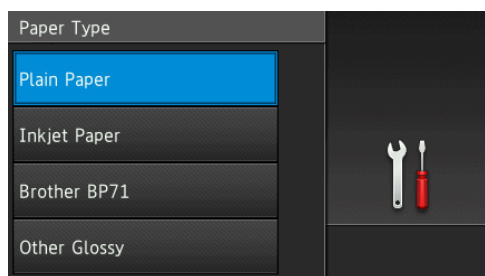
# Paper settings

## Set Paper Size and Type

### Paper Type

To get the best print quality, set the machine for the type of paper you are using.

- 1 Press  (Settings).
- 2 Press Tray Setting.
- 3 Press Paper Type.
- 4 Press Plain Paper, Inkjet Paper, Brother BP71 or Other Glossy.




- 5 Press .

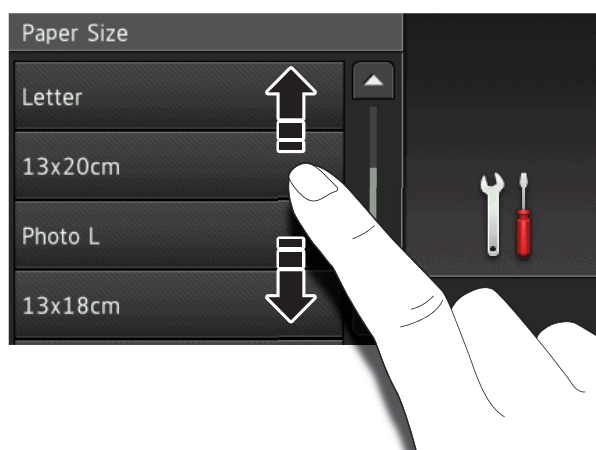
### NOTE

The machine ejects paper with the printed surface face up onto the paper tray at the front of the machine. When using glossy paper, remove each sheet at once to prevent smudging or paper jams.

### Paper Size

You can use the following sizes of paper for copies: A4, A5, A3, Photo (10 × 15 cm), Ledger, Letter and Legal and the following sizes for printing faxes: A4 or Letter. When loading a different size of paper in the machine, you must change the paper size setting so your machine can fit an incoming fax on the page.

- 1 Press  (Settings).
- 2 Press Tray Setting.
- 3 Press Paper Size.
- 4 Swipe up or down or press ▲ or ▼ to display the paper size options, and then press the option you want.



- 5 Press .



### NOTE

When you copy using A3, Legal or Ledger size paper, set the paper size option in Copy mode.



## Check Paper setting

If the Check Paper setting is set to **On**, the machine displays a message asking if you want to change the paper type and paper size setting. This message will appear each time you pull the tray out of the machine. The default setting is **On**.

- 1 Press  (Settings).
- 2 Press **All Settings**.
- 3 Swipe up or down or press **▲** or **▼** to display **General Setup**.
- 4 Press **General Setup**.
- 5 Swipe up or down or press **▲** or **▼** to display **Check Paper**.
- 6 Press **Check Paper**.
- 7 Press **Off** (or **On**).
- 8 Press .

## Recommended print media

To get the best print quality, we recommend using the Brother paper in the table.

If Brother paper is not available in your country, we recommend testing various papers before purchasing large quantities.

### Brother paper

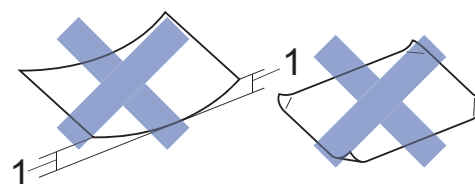
Paper Type	Item
A3 Plain	BP60PA3
A3 Glossy Photo	BP71GA3
A3 Inkjet (Matte)	BP60MA3
A4 Plain	BP60PA
A4 Glossy Photo	BP71GA4
A4 Inkjet (Matte)	BP60MA
10 × 15 cm Glossy Photo	BP71GP

## Handling and using print media

### IMPORTANT

DO NOT use the following kinds of paper:

- Damaged, curled, wrinkled, or irregularly shaped paper



**1 2 mm or greater curl may cause jams to occur.**

- Extremely shiny or highly textured paper
- Paper that cannot be arranged uniformly when stacked
- Short grain paper

# 3

## Loading documents

### How to load documents

You can send a fax, make copies, or scan from the automatic document feeder (ADF) and from the scanner glass.

### Using the ADF

The ADF can hold up to 20 pages and feed each sheet individually. Use paper that is within the sizes and weights shown in the table. Always fan the edges of the pages before placing them in the ADF.

### Document Sizes and Weights

Length:	148 to 355.6 mm
Width:	148 to 215.9 mm
Paper weight:	64 to 90 g/m <sup>2</sup>

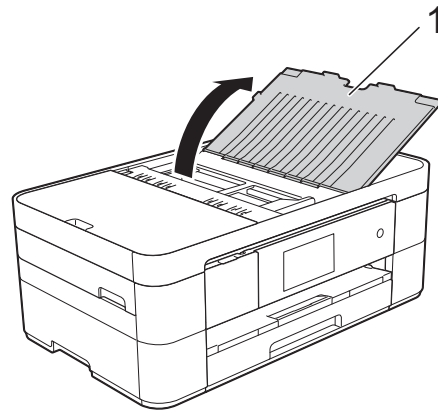
### How to load documents

#### IMPORTANT

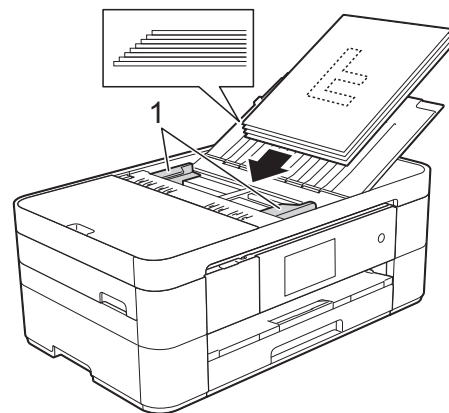
- DO NOT pull on the document while it is feeding.
- DO NOT use paper that is curled, wrinkled, folded, ripped, stapled, paper clipped, glued or taped.
- DO NOT use cardboard, newspaper or fabric.
- DO NOT leave thick documents on the scanner glass. If you do this, the ADF may jam.

Make sure documents written with ink or modified with correction fluid are completely dry.

- 1 Lift up and unfold the ADF document support (1).



- 2 Fan the pages well.
- 3 Adjust the paper guides (1) to fit the width of your documents.



- 4 Place your documents **face down, top edge first** in the ADF underneath the guides until you feel them touch the feed rollers.  
The Touchscreen displays **ADF Ready**.

## Using the scanner glass

Use the scanner glass to fax, copy, or scan single pages or pages of a book.

### Document Sizes Supported

Length:	Up to 297 mm
Width:	Up to 215.9 mm
Weight:	Up to 2 kg

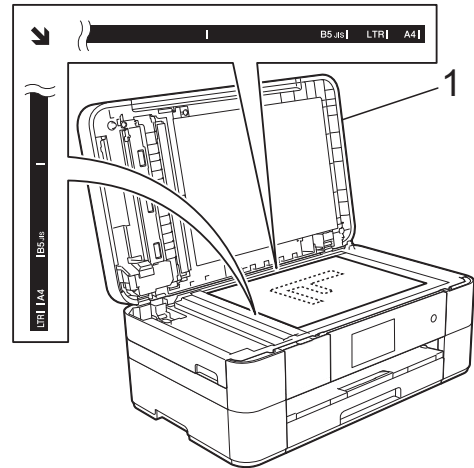
### How to load documents

#### NOTE

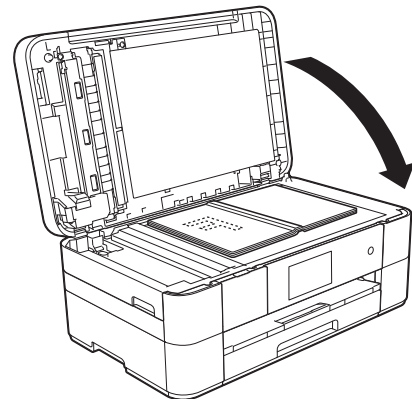
To use the scanner glass, the ADF must be empty.

- 1 Lift the document cover.

- 2 Place the document **face down** in the upper left corner of the scanner glass, aligned with the arrow.



#### 1 Document Cover



- 3 Close the document cover.

#### IMPORTANT

If you are scanning a book or thick document, **DO NOT** slam or press on the document cover.

# 4

## Printing from a computer

### How to print a document

The machine can receive and print data from your computer. Before you can print from a computer, you must install the printer driver.

(See Online User's Guide.)

- 1 Install the Brother printer driver from the CD-ROM or Brother Solutions Center.  
(See Quick Setup Guide.)
- 2 From your application, select the Print command.
- 3 Select the name of your machine in the **Print** dialog box and click **Properties** or **Preferences**, depending on the application you are using.
- 4 Select the settings you want to change in the Properties dialog box.  
Commonly used settings include:
  - **Media Type**
  - **Print Quality**
  - **Paper Size**
  - **Orientation**
  - **Colour / Greyscale**
  - **Ink Save Mode**
  - **Scaling**
  - **2-sided / Booklet**
- 5 Click **OK**.
- 6 Click **Print** (or **OK** depending on the application you are using) to begin printing.

# 5

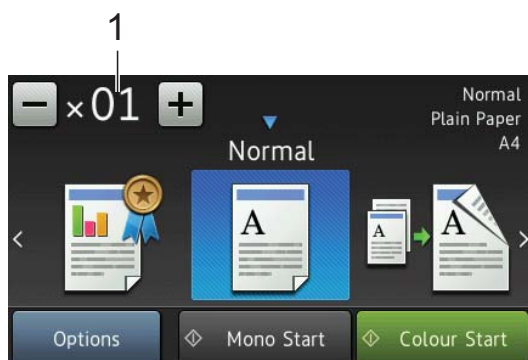
## Copying

### How to copy

- 1 Do one of the following to load your document:
  - Place the document *face down* in the ADF.  
(See *Using the ADF* on page 16.)
  - Place the document *face down* on the scanner glass.  
(See *Using the scanner glass* on page 17.)

- 2 Press  (Copy).

- The Touchscreen displays:



#### 1 No. of Copies

Enter the number of copies:

- Press - or + on the Touchscreen.
- Press the displayed number of copies on the Touchscreen, and then enter the number of copies you want.  
Press **OK**.

- 3 If you want more than one copy, enter the number (up to 99).
- 4 Press **Mono Start** or **Colour Start**.

### Stop copying

To stop copying, press .

### Copy options overview

To change the copy options, press **Copy**, and then press **Options**. Swipe up or down or press **▲** or **▼** to scroll through the copy settings. When the setting you want is displayed, press it and choose your option. When you have finished changing options, press **OK**.

For more information about changing the following copy options, see page 20.

- Paper Type
- Paper Size


For details about changing the following copy options, see Online User's Guide.

- Quality
- Enlarge/Reduce
- Page Layout
- 2 in 1 (ID)
- Stack/Sort
- Density
- Ink Save Mode
- Thin Paper Copy
- Book Copy
- Watermark Copy
- Remove Background Colour
- 2-sided Copy

## Paper Type

---


If you are copying on a special type of paper, set the machine for the type of paper you are using to get the best print quality.

- 1 Load your document.
- 2 Press  (Copy).
- 3 Enter the number of copies you want.
- 4 Press **Options**.
- 5 Swipe up or down or press ▲ or ▼ to display **Paper Type**.
- 6 Press **Paper Type**.
- 7 Press **Plain Paper**, **Inkjet Paper**, **Brother BP71** or **Other Glossy**.
- 8 Press **OK**.
- 9 Press **Mono Start** or **Colour Start**.

## Paper Size

---

If you are copying on paper other than A4 size, you must change the Paper Size setting. You can copy only on A4, A5, A3, Photo (10 × 15 cm), Letter, Legal or Ledger paper.

- 1 Load your document.
- 2 Press  (Copy).
- 3 Enter the number of copies you want.
- 4 Press **Options**.
- 5 Swipe up or down or press ▲ or ▼ to display **Paper Size**.
- 6 Press **Paper Size**.

- 7 Swipe up or down or press ▲ or ▼ to display **A4**, **A5**, **A3**, **10x15cm**, **Letter**, **Legal** or **Ledger**, and then press the option you want to set.

### NOTE

---

- If you select **A3**, **Legal** or **Ledger**, the precautions for loading paper appear. Read the information on the Touchscreen, and confirm by pressing **OK**.
- If you are using the manual feed slot, insert only one sheet of paper at a time. (See *Loading paper in the manual feed slot* on page 11.)

- 8 Press **OK**.
- 9 Press **Mono Start** or **Colour Start**.



# 6

## Scanning to a computer

### Before scanning

To use the machine as a scanner, install a scanner driver. If the machine is on a network, configure it with a TCP/IP address.

- Install the scanner drivers from the CD-ROM. (See Quick Setup Guide.)
- Configure the machine with a TCP/IP address if network scanning does not work.

(See Online User's Guide.)


### How to scan a document as a PDF file using ControlCenter4 (Windows®)

(For detailed information, see Online User's Guide.)

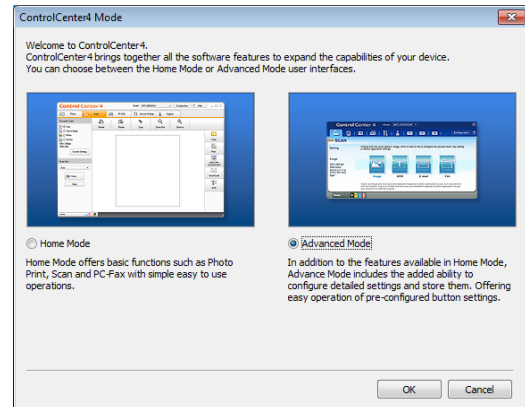
#### NOTE

- The screens on your PC may vary depending on your model.
- This section is based on using the Advanced Mode of ControlCenter4.

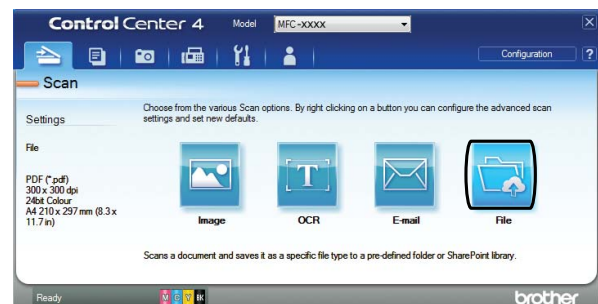
ControlCenter4 is a software utility that lets you access the applications you use most often without having to manually launch specific applications.

- 1 Load your document. (See *How to load documents* on page 16.)
- 2 Click the  (ControlCenter4) icon in the task tray, and then click **Open**.

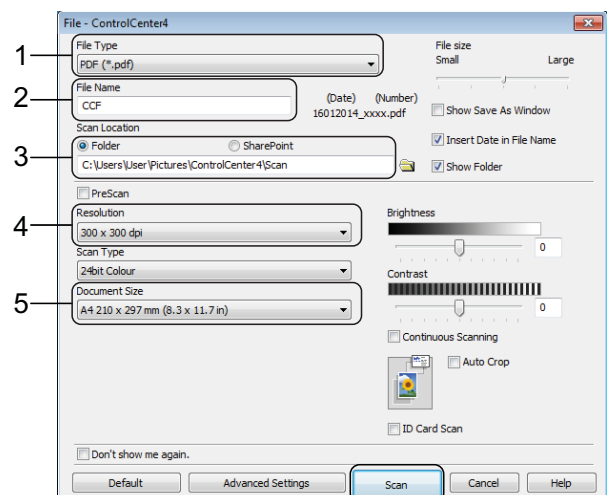
- 3 If the ControlCenter4 Mode screen appears, click **Advanced Mode**, and then click **OK**.




- 4 Select your machine from the **Model** drop-down list at the top of the screen.
- 5 Click the **Scan** tab. Then click **File**.





The configuration dialog box appears. Change the default settings if needed.



- 1 Select **PDF (\*.pdf)** from the **File Type** drop-down list.
  - 2 Type a file name for the document.
  - 3 Click **Folder**. You can save the file to the default folder, or select your preferred folder by clicking the  (**Browse**) button.
  - 4 Select a scanning resolution from the **Resolution** drop-down list.
  - 5 Select the document size from the **Document Size** drop-down list.
- 6 Click **Scan**.  
The machine starts scanning. The folder where the file is saved opens automatically.

## How to scan a document as a PDF file using the Touchscreen

- 1 Load your document. (See *How to load documents* on page 16.)
- 2 Press  (Scan).
- 3 Swipe left or right to display `to File`.
- 4 Press `to File`.  
 is highlighted and appears in the centre of the Touchscreen.
- 5 Press **OK**.  
If the machine is connected to a network, press the PC Name.  
Do one of the following:
  - To use the default settings, go to step 10.
  - To change the default settings, go to step 6.
- 6 Press **Options**.

- 7 Press **Scan Settings**, and then press **Set at Device**.
- 8 Choose the settings for **Scan Type**, **Resolution**, **File Type**, **Scan Size** and **Remove Background Colour** if required.
- 9 Press **OK**.
- 10 Press **Start**.  
The machine starts scanning.

### NOTE

The following scan modes are available:

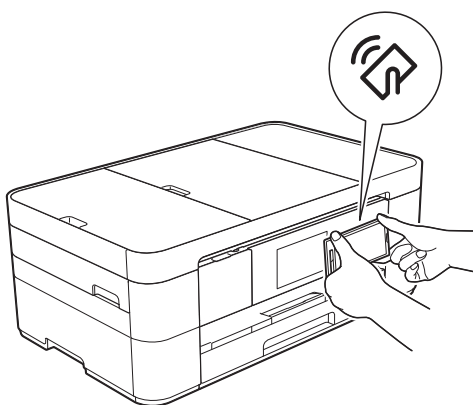
- to OCR
- to File
- to Image
- to Media
- to E-mail
- to E-mail Server
- to FTP
- to Network
- to Web
- WS Scan<sup>1</sup> (Web Services Scan)

<sup>1</sup> Windows® users only. (Includes Windows Vista® SP2 or later, Windows® 7 and Windows® 8) (See Online User's Guide.)

# Printing and scanning with Near Field Communication (NFC)

## How to print with NFC

If your Android™ device supports the NFC feature, you can print photos, PDF files, text files, web pages and email messages from your device by touching it to the NFC logo on the right side of the control panel.

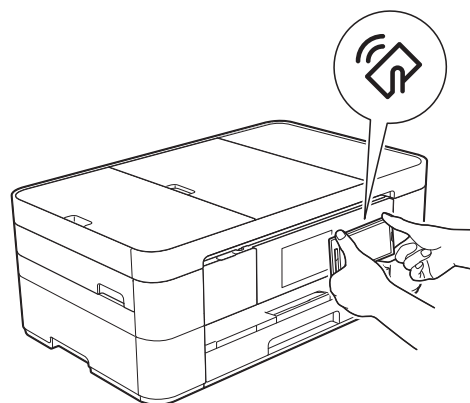


Before you can print using the NFC feature, you must download and install Brother iPrint&Scan on your Android™ device.

(For more information, see Mobile Print/Scan Guide for Brother iPrint&Scan: *For Android™ Devices.*)

## How to scan with NFC

If your Android™ device supports the NFC feature, you can scan photos and documents to your device by touching it to the NFC logo on the right side of the control panel.



Before you can scan using the NFC feature, you must download and install Brother iPrint&Scan on your Android™ device.

(For more information, see Mobile Print/Scan Guide for Brother iPrint&Scan: *For Android™ Devices.*)

### NOTE

NFC allows for simplified transactions, data exchange and wireless connections between two devices that are in close range of each other.

## PhotoCapture Center operations (PHOTO mode)

Even if your machine is *not* connected to a computer, you can print photos directly from digital camera media or a USB flash drive.

## How to print images

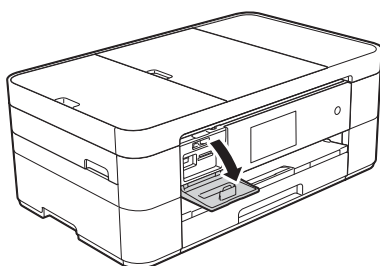
### View Photos

You can preview your photos on the Touchscreen before you print them. If your photos are large files there may be a delay before each photo appears.

### IMPORTANT

DO NOT insert more than one media card in the machine at the same time. Doing this may damage the machine.

- 1 Open the media slot cover.



- 2 Put the memory card or USB flash drive in the correct slot.
- 3 Press **Photo**.
- 4 Swipe left or right to display **View Photos**.
- 5 Press **View Photos**. Press **OK**.

- 6 Do one of the following:
  - To choose the photos you want to print, or to print multiple copies of an image, go to step 7.
  - To print all the photos, press **Print All**. Press **Yes** to confirm. Go to step 10.
- 7 Swipe left or right or press ◀ or ▶ to display the photo you want to print, and then press it.
- 8 Enter the number of copies:
  - Press **-** or **+** on the Touchscreen.
  - Press the number of copies to display the dial pad on the Touchscreen, and then use it to enter the number of copies. Press **OK**.
 Press **OK**.
- 9 Repeat steps 7 and 8 until you have selected all the photos you want to print.
- 10 Press **OK**.
- 11 Read and confirm the displayed list of options.

- 12 Press **Print Settings** to change the paper type and paper size.



- Swipe up or down or press ▲ or ▼ to display **Paper Type** and press it, and then press the option you want.
- Swipe up or down or press ▲ or ▼ to display **Paper Size** and press it, and then press the option you want.

Change other print settings if needed. When finished, press **OK**.

- 13 Press **Start**.

- 14 Wait until the message on the Touchscreen disappears after printing, and then remove the memory card or USB flash drive from the media slot.

## PhotoCapture Center print settings overview

You can temporarily change the print settings for the next print.

The machine returns to its default settings after printing.

### NOTE

You can save the print settings you use most often by setting them as the default.

(See Online User's Guide.)

## Telephone services overview

You can use a range of services and connections with your Brother machine. For more information or advice on setup, see Online User's Guide.

### Voicemail

---

If you have a voicemail service on the telephone line that your Brother machine is connected to, they may conflict with one another when receiving incoming faxes. If using this service, we suggest setting the Brother machine's *Receive Mode* to *Manual*. (See *Choose the Receive Mode* on page 30.)

### Voice over Internet Protocol (VoIP)

---

VoIP is a type of phone system that uses an Internet connection instead of a traditional telephone line. Your machine may not work with some VoIP systems. If you have questions about how to connect your machine to the VoIP system, contact your VoIP provider.

## Connecting an external telephone answering device (TAD)

---

You may choose to connect an external answering device to your Brother machine. To receive faxes successfully, you must connect it correctly. Connect your external TAD to the T-piece connector on the Brother line cable supplied with your machine. When recording an outgoing message on your external TAD, we recommend recording 5 seconds of silence at the beginning of your message, and limiting your speaking to 20 seconds. Set your machine's *Receive Mode* to *External TAD*.

## External and extension telephones

---




You can connect a separate phone into the T-piece connector on your Brother line cable supplied with your machine. If you answer a fax call on an extension or external telephone, you can make your machine receive the fax by pressing \* 5 1. If the machine answers a voice call and fast double rings for you to take over, press # 5 1 to take the call on an extension telephone.

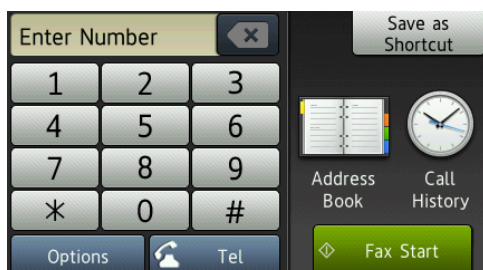
## How to send a fax

- 1 Do one of the following:
  - Place the document *face down* in the ADF. (See *Using the ADF* on page 16.)
  - Place your document *face down* on the scanner glass. (See *Using the scanner glass* on page 17.)

### NOTE

- To send faxes with multiple pages, use the ADF.
- If you send a mono fax from the ADF when the memory is full, it will be sent in real time.
- You can use the scanner glass to fax pages of a book one at a time. The documents can be up to A4 or Letter size.

- 2 Do one of the following:
  - When Fax Preview is set to *Off*, press  (Fax).
  - When Fax Preview is set to *On*, press  (Fax) and then  (Sending Faxes).
  - The Touchscreen displays:



- 3 To change the fax-sending settings, press *Options*. Swipe up or down or press ▲ or ▼ to scroll through the fax settings. When the setting you want is displayed, press it and choose your new option. When finished changing options, press *OK*.

For more advanced fax-sending operations and settings, see Online User's Guide.

- Fax Resolution
- Contrast
- Glass Scan Size
- Colour Fax Transmission
- Preview Outgoing Fax
- Faxing at the end of a call
- Broadcasting
- Real Time Transmission
- Overseas Mode
- Delayed Fax
- Batch Transmission
- Cancelling Waiting Jobs
- Set New Default
- Factory Reset
- Polled Transmit
- Transmission Verification Report

- 4 Enter the fax number.

### Using the dial pad on the Touchscreen

#### Using (Address Book)

- Address Book

#### Using (Call History)

- Redial
- Outgoing Call
- Caller ID history

### NOTE

- To preview a fax message before sending it, set `Preview to On`.  
(See Online User's Guide.)
- If your network supports the LDAP protocol you can search for fax numbers and email addresses on your server.  
(See Online User's Guide.)

- 5 Press `Fax Start`.

### Faxing from the ADF

- The machine starts scanning the document to be sent.

### Faxing from the scanner glass

- If you select `Mono` in `Colour Setting` (default setting), the machine starts scanning the first page. Go to step 6.
- If you select `Colour` in `Colour Setting`, the Touchscreen asks if you want to send a colour fax. Press `Yes (Colour fax)` to confirm. The machine dials and sends the page.

- 6 When the Touchscreen displays `Next Page?`, do one of the following:

- To send a single page, press `No`.

The machine sends the document.

- To send more than one page, press `Yes` and go to step 7.

- 7 Place the next page on the scanner glass. Press `OK`. The machine scans the page. (Repeat steps 6 and 7 for each additional page.)

### Stop faxing

To stop faxing, press .

## How to store numbers

Store fax and telephone numbers in your machine's Address Book or create Groups of fax recipients so you can broadcast a fax to many people at once.

### NOTE

If you lose electrical power, stored Address Book numbers will not be lost.

### Storing a pause


When storing Address Book numbers, you can insert one or more 3.5 second pauses by pressing `Pause` on the Touchscreen.

## Storing Address Book numbers

Store up to 100 Addresses with a name; each name can have two numbers.


- 1 Press  (`Fax`).




- 2 Press  (Address Book).
- 3 Press **Edit**.
- 4 Press **Add New Address**.
- 5 Press **Name**.
- 6 Enter the name (up to 16 characters) using the Touchscreen.  
Press **OK**.  
(See *Entering Text* on page 8.)
- 7 Press **Address 1**.
- 8 Enter the first fax or telephone number (up to 20 digits) using the Touchscreen.  
Press **OK**.

## NOTE



- Be sure to include the area code when entering a fax or telephone number. Depending on the country, the Caller ID names and history may not be displayed correctly if the area code is not registered with the fax or telephone number.
- *If you downloaded the Internet Fax (I-Fax) feature:*

To store an email address to use with Internet Fax (I-Fax) or Scan to E-mail server, press  and enter the email address, and then press **OK**.

- 9 To store a second fax or telephone number, press **Address 2**. Enter the fax or telephone number (up to 20 digits) using the Touchscreen.  
Press **OK**.
- 10 Press **OK** to confirm.
- 11 Do one of the following:
  - To store another Address Book number, repeat steps 3 to 10.
  - When finished, press .

## How to set your Station ID

Set your machine's Station ID so that the date and time appear on each fax you send.

- 1 Press  (Settings).
- 2 Press **All Settings**.
- 3 Swipe up or down or press **▲** or **▼** to display **Initial Setup**.  
Press **Initial Setup**.
- 4 Press **Station ID**.
- 5 Press **Fax**.
- 6 Enter your fax number (up to 20 digits) using the Touchscreen, and then press **OK**.
- 7 Press **Name**.
- 8 Enter your name (up to 20 characters) using the Touchscreen, and then press **OK**.  
(See *Entering Text* on page 8.)
- 9 Press .

# 11

## Receiving a fax

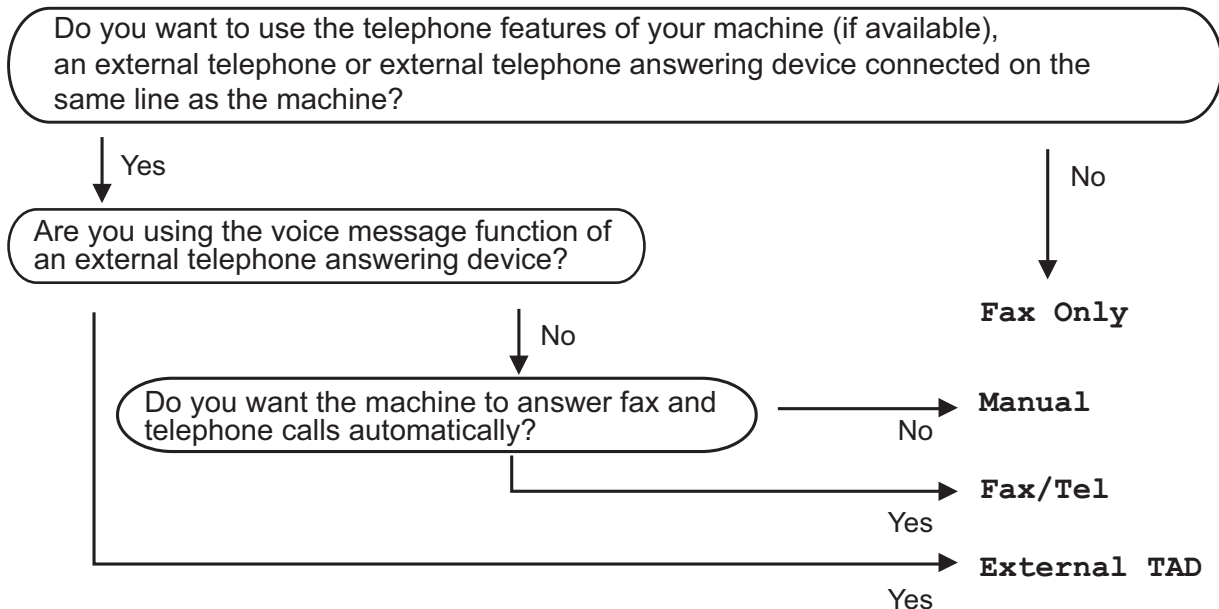
### Receive Modes

You must choose a Receive Mode depending on the external devices and telephone services you have on your line.


### Choose the Receive Mode

By default, your machine will automatically receive any faxes that are sent to it. The diagram below will help you choose the correct mode.

(See *Using Receive Modes* on page 31.)



To set the Receive Mode follow the instructions:

- 1 Press  (Settings).
- 2 Press All Settings.
- 3 Swipe up or down or press ▲ or ▼ to display Fax.
- 4 Press Fax.
- 5 Swipe up or down or press ▲ or ▼ to display Setup Receive.
- 6 Press Setup Receive.
- 7 Swipe up or down or press ▲ or ▼ to display Receive Mode.

- 8 Press **Receive Mode**.

## NOTE

If the option to change the receive mode is unavailable, make sure the BT Call Sign feature is set to **Off**. (See *Online User's Guide*.)

- 9 Press **Fax Only**, **Fax/Tel**, **External TAD** or **Manual**.

- 10 Press .

## Using Receive Modes

Some Receive Modes answer automatically (**Fax Only** and **Fax/Tel**). You may want to change the *Ring Delay* before using these modes. (See *Ring Delay* on page 32.)

### Fax Only

**Fax Only** mode will automatically answer every call as a fax call.

### Fax/Tel

**Fax/Tel** mode helps you manage incoming calls by recognising whether they are fax or voice calls and dealing with them in one of the following ways:

- Faxes will be automatically received.
- Voice calls will start the **F/T Ring** to tell you to pick up the line. The **F/T Ring** is a fast double-ring made by your machine.

(See *F/T Ring Time (Fax/Tel mode only)* on page 32.)

(See *Ring Delay* on page 32.)

### Manual

**Manual** mode turns off all automatic answering functions unless you are using the BT Call Sign feature.

To receive a fax in **Manual** mode, lift the handset of an external telephone. When you hear fax tones (short repeating beeps), press **Fax Start** and choose **Receive**. You can also use the Fax Detect feature to receive faxes by lifting a handset on the same line as the machine.

(See *Online User's Guide*.)

### External TAD

**External TAD** mode lets an external answering device manage your incoming calls. Incoming calls will be dealt with in one of the following ways:

- Faxes will be automatically received.
- Voice callers can record a message on the external TAD.


To connect your External TAD, see *Online User's Guide*.

## Receive Mode settings

### Ring Delay

Ring Delay sets the number of times the machine rings before it answers in **Fax Only** or **Fax/Tel** mode. If you have external or extension telephones on the same line as the machine, choose the maximum number of rings.

(See Online User's Guide.)

- 1 Press  (Settings).
- 2 Press **All Settings**.
- 3 Swipe up or down or press ▲ or ▼ to display **Fax**.
- 4 Press **Fax**.
- 5 Swipe up or down or press ▲ or ▼ to display **Setup Receive**.
- 6 Press **Setup Receive**.
- 7 Swipe up or down or press ▲ or ▼ to display **Ring Delay**.
- 8 Press **Ring Delay**.
- 9 Swipe up or down or press ▲ or ▼ to display the options, and then press the number of times the machine will ring before it answers.  
If you select 0, the machine will answer immediately and the line will not ring at all.

- 10 Press .



### F/T Ring Time (Fax/Tel mode only)

When your machine receives a call, you and your caller will hear the normal telephone ring. The number of rings is set in the ring delay setting.

If the call is a fax, then your machine will receive it. However, if it is a voice call then the machine will sound the F/T Ring (a fast double-ring) for the time you have set in the F/T Ring Time setting. If you hear the F/T Ring, it means that you have a voice caller on the line.

Because the F/T Ring is made by the machine, extension and external telephones will not ring. However, you can still answer the call on any telephone by using a remote code.

(See Online User's Guide.)

- 1 Press  (Settings).
- 2 Press **All Settings**.
- 3 Swipe up or down or press ▲ or ▼ to display **Fax**.
- 4 Press **Fax**.
- 5 Swipe up or down or press ▲ or ▼ to display **Setup Receive**.
- 6 Press **Setup Receive**.
- 7 Swipe up or down or press ▲ or ▼ to display **F/T Ring Time**.
- 8 Press **F/T Ring Time**.
- 9 Press 20, 30, 40 or 70 seconds.
- 10 Press .

#### NOTE

Even if the caller hangs up during the fast double-ring, the machine will continue to ring for the set time.

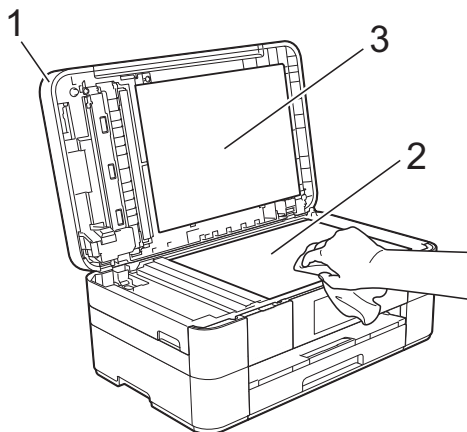
# A

## Routine maintenance

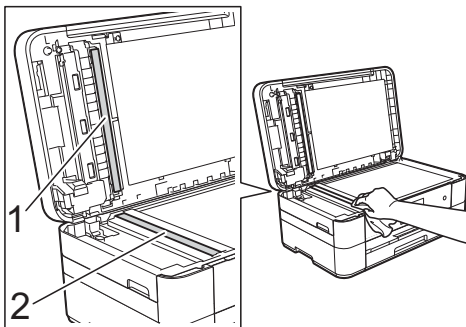
### How to clean and check the machine

#### Cleaning the scanner glass

- 1 Unplug the machine from the electrical socket.
- 2 Lift the document cover (1). Clean the scanner glass (2) and the white plastic (3) with a soft lint-free cloth moistened with a non-flammable glass cleaner.



- 3 In the ADF unit, clean the white bar (1) and the glass strip (2) with a lint-free cloth moistened with a non-flammable glass cleaner.



#### Checking the print quality

If faded or streaked colours and text appear on your printouts, some of the print head nozzles may be clogged. Check this by printing the Print Quality Check Sheet and looking at the nozzle check pattern.

- 1 Press .

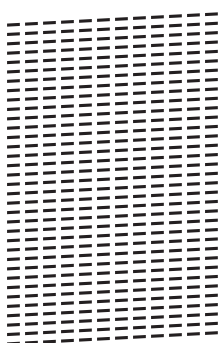
#### NOTE

You can also press  and then press Maintenance.

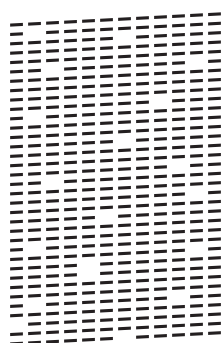
- 2 Press Improve Print Quality.
- 3 Press Check Print Quality.
- 4 Following the instructions on the Touchscreen, load A4 or Letter size plain paper in the paper tray, and then press OK. The machine prints the Print Quality Check Sheet.
- 5 Check the quality of the four colour blocks on the sheet.


- 6 The Touchscreen displays a message asking about the print quality. Do one of the following:
- If all lines are clear and visible, press **No** to finish the Print Quality check, and then go to step 10.
  - If you can see missing short lines as shown in the illustration, press **Yes**.

OK



Poor



- 7 The Touchscreen displays a message asking you to check the print quality of each colour. Following the instructions on the Touchscreen, press 1, 2, 3 or 4 to select the example most similar to the Print Quality Check Sheet for each colour.
- 8 If you press number 2, 3, or 4, the Touchscreen prompts you to start cleaning. Press **Start**.
- 9 After the cleaning procedure is finished, press **Yes**, and return to step 4.
- 10 Press .

If you clean the print head at least five times and the print has not improved, try installing a new Brother Original Innobella replacement ink cartridge for each problem colour. Try cleaning the print head up to five more times. If the print has not improved, contact Brother customer service or your local Brother dealer.

## IMPORTANT

DO NOT touch the print head. Touching the print head may cause permanent damage and may void the print head's warranty.

## NOTE

When a print head nozzle is clogged, the printed sample looks like this.



Letter, A4 and Executive



A3, Ledger, Legal, A5, A6, envelopes, Photo (10 × 15 cm), Photo L (89 × 127 mm), Photo 2L (13 × 18 cm) and Index Card (127 × 203 mm)

After the print head nozzle is cleaned, the horizontal lines are gone.



## Checking the print alignment

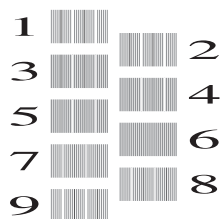
If your printed text becomes blurred or images become faded, you may need to adjust the print alignment after transporting the machine.

- 1 Press .

### NOTE

You can also press  and then Maintenance.

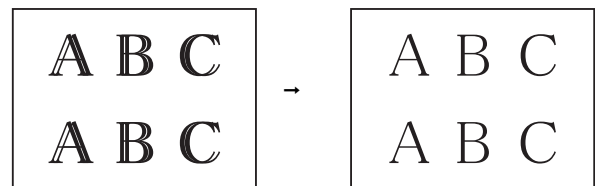
- 2 Press Improve Print Quality.
- 3 Press Alignment.
- 4 Press Next.
- 5 Swipe up or down or press ▲ or ▼ to display the paper size that needs a print alignment adjustment, and then press it.
- 6 Press Basic alignment or Advanced alignment.
- 7 Following the instructions on the Touchscreen, load plain paper of the selected size in the paper tray or manual feed slot, and then press Start. The machine prints the Alignment Check Sheet.



- 8 For the “A” pattern, swipe up or down or press ▲ or ▼ to display the number of the test print that has the least visible vertical stripes (1-9), and then press it. Then press OK.  
In the example, number 6 is the best choice.

- 9 Do one of the following:
  - If you selected Basic alignment, repeat step 8 for patterns B to H.
  - If you selected Advanced alignment, repeat step 8 for patterns B to Z.

### NOTE



When the print alignment is not adjusted correctly, text looks blurry.

After the print alignment is adjusted correctly, text looks sharp.

- 10 Press .

### NOTE

For more information about cleaning and checking the machine, see Online User’s Guide.

# B

# Troubleshooting

If you think there is a problem with your machine, check each of the items below first and follow the troubleshooting tips.

You can correct most problems yourself. If you need additional help, the Brother Solutions Center offers the latest FAQs and troubleshooting tips.

Visit <http://support.brother.com>.

## Identifying the problem

First, check the following.

- The machine's power cord is connected correctly and the machine's power switch is turned on.
- All of the protective parts have been removed.
- Paper is loaded correctly in the paper tray.
- The interface cables are securely connected to the machine and the computer, or the wireless connection is set up on both the machine and your computer.
- Touchscreen Messages

(See *Error and maintenance messages* on page 36.)

If you did not solve the problem with the above checks: See *If you are having difficulty with your machine* on page 55.

## Error and maintenance messages

As with any sophisticated office product, errors may occur and supplies must be replaced. If this happens, your machine identifies the error or required routine maintenance and displays the appropriate message. The most common error and maintenance messages are shown in the table.


If the Touchscreen displays errors and your Android™ device supports the NFC feature, touch your device to the NFC logo on the right side of the control panel to access the Brother Solutions Center and browse the latest FAQs from your device. (Your mobile telephone provider's message and data rates may apply to your use of this function.)

Make sure the NFC setting of your machine and Android™ device is set to On.




Error Message	Cause	Action
<p>B&amp;W 1-sided Print Only</p> <p>Replace ink.</p>	<p>One or more of the colour ink cartridges have reached the end of their life.</p> <p>You can use the machine in monochrome mode for approximately four weeks depending on the number of pages you print.</p> <p>While this message appears on the Touchscreen, each operation works in the following way:</p> <ul style="list-style-type: none"> <li>■ <b>Printing</b> <p>If the media type is set to <b>Plain Paper</b> in the <b>Basic</b> tab and <b>Greyscale</b> is chosen in the <b>Advanced</b> tab of the printer driver, you can use the machine as a monochrome printer.</p> <p>2-sided printing is not available when this message appears.</p> </li> <li>■ <b>Copying</b> <p>If the paper type is set to <b>Plain Paper</b> you can make copies in monochrome.</p> <p>2-sided copying is not available when this message appears.</p> </li> <li>■ <b>Faxing</b> <p>If the paper type is set to <b>Plain Paper</b> or <b>Inkjet Paper</b>, the machine will receive and print the faxes in monochrome.</p> <p>If a sending machine has a colour fax, the machine's "handshake" will ask that the fax be sent as monochrome.</p> </li> </ul>	<p>Replace the ink cartridges. (See Online User's Guide.)</p> <p><b>NOTE</b></p> <p>The machine will stop all print operations, you cannot use the machine until a new ink cartridge is installed in the following cases:</p> <ul style="list-style-type: none"> <li>• If you unplug the machine or take out the ink cartridge.</li> <li>• (Windows®) If you select <b>Slow Drying Paper</b> in the <b>Basic</b> tab of the printer driver.</li> <li>(Macintosh) If you select <b>Slow Drying Paper</b> in the <b>Print Settings</b> drop-down list of the printer driver.</li> </ul>
<p>BT Call Sign On (U.K. only)</p>	<p>BT Call Sign is set to ON. You cannot change the Receive Mode from Manual to another mode.</p>	<p>Set BT Call Sign to OFF. (See Online User's Guide.)</p>


Error Message	Cause	Action
Cannot Detect	You installed a new ink cartridge too quickly and the machine did not detect it.	Take out the new ink cartridge and reinstall it slowly and firmly until the cartridge lever lifts.
	An ink cartridge is not installed correctly.	(See Online User's Guide.)
	A used ink cartridge was reinstalled.	Remove the used ink cartridge and install a new one.
	If you are using non Brother Original ink, the machine may not detect the ink cartridge.	Replace the cartridge with a Brother Original ink cartridge. If the error message remains, contact Brother customer service or your local Brother dealer.
	The ink cartridge must be replaced.	Replace the ink cartridge with a new, genuine Brother ink cartridge.
	The new ink cartridge has an air bubble.	Slowly turn the ink cartridge so that the ink supply port is pointing downward, and then reinstall the cartridge.
	The wrong Brother model ink cartridge was installed.	Check the model numbers of the ink cartridges and install the correct ink cartridges. (See <i>Supplies</i> on page 71.)
Cannot Detect Ink Volume	If you are using non Brother Original ink, the machine may not detect the ink volume.	Replace the cartridge with a Brother Original ink cartridge. If the error message remains, contact Brother customer service or your local Brother dealer.
Cannot Print Replace ink.	One or more of the ink cartridges have reached the end of their life. The machine will stop all print operations. While memory is available, monochrome faxes will be stored in the memory. If a sending machine has a colour fax, the machine's "handshake" will ask that the fax be sent as monochrome.	Replace the ink cartridges. (See Online User's Guide.)
Comm.Error	Poor telephone line quality caused a communication error.	If the problem continues, call the telephone company and ask them to check your telephone line.
Connection Failed	You tried to poll a fax machine that is not in Polled Waiting mode.	Check the other fax machine's polling setup.
Current Tray Settings	This message is displayed when the Check Paper setting to confirm the paper type and size is enabled.	To not display this confirmation message, set the Check Paper setting to Off. (See <i>Check Paper setting</i> on page 15.)


Error Message	Cause	Action
Data Remaining in Memory	Print data is left in the machine's memory.	Press  . The machine will cancel the job and clear it from the memory. Try to print again.
Disconnected	The other person or other person's fax machine stopped the call.	Try to send or receive again. If calls are stopped repeatedly and you are using a VoIP (Voice over IP) system, try changing the Compatibility to <i>Basic (for VoIP)</i> . (See <i>Telephone Line Interference or VoIP System</i> on page 65.)
Document Jam/too Long	The document was not inserted or fed correctly, or the document scanned from the ADF was too long.	(See <i>Using the ADF</i> on page 16.) (See <i>Document jam</i> on page 47.)
High Temperature	The room temperature is too high.	After lowering the room temperature, allow the machine to cool down to room temperature. Try again when the machine has cooled down.
Hub is Unusable.	A hub or USB flash drive with hub has been connected to the USB direct interface.	Hubs, including USB flash drives with built-in hubs, are not supported. Unplug the device from the USB direct interface.
Image Too Long	The proportions of your photo are irregular so effects could not be added.	Choose a regularly proportioned image.
Image Too Small	The size of your photo is too small to trim.	Choose a larger image.

Error Message	Cause	Action
Ink Absorber Pad Full	<p>The ink absorber box or flushing box is full. These components are periodic maintenance items that may require replacement after a period of time to ensure optimum performance from your Brother machine. Because these components are periodic maintenance items, the replacement is not covered under the warranty. The need to replace these items and the time period before replacement is dependent on the number of purges and flushes required to clean the ink system. These boxes acquire amounts of ink during the different purging and flushing operations. The number of times a machine purges and flushes for cleaning varies depending on different situations. For example, frequently powering the machine on and off will cause numerous cleaning cycles since the machine automatically cleans itself upon power up. The use of non-Brother ink may cause frequent cleanings because non-Brother ink could cause poor print quality, which is resolved by cleaning. The more cleaning the machine requires, the faster these boxes will fill up.</p> <p><b>NOTE</b></p> <p><i>Repairs resulting from the use of non-Brother supplies may not be covered under the stated product warranty.</i></p>	<p>The ink absorber box or flushing box must be replaced. Contact Brother customer service or your local Brother Authorised Service Centre to have your machine serviced.</p> <p>Other reasons for cleaning are:</p> <ol style="list-style-type: none"> <li>1 After a paper jam has been cleared, the machine automatically cleans itself before the next received fax page is printed.</li> <li>2 The machine automatically cleans itself after sitting idle for more than 30 days (infrequent use).</li> <li>3 The machine automatically cleans itself after ink cartridges of the same colour have been replaced 12 times.</li> </ol>
Ink Absorber Pad NearFull	The ink absorber box or flushing box is nearly full.	<p>The ink absorber box or flushing box must be replaced soon.</p> <p>Contact Brother customer service or your local Brother dealer.</p>
Ink Low	One or more of the ink cartridges are near the end of their life. If one of the colour ink cartridges is near the end of its life and someone is sending you a colour fax, your machine's "handshake" will ask that the fax be sent as monochrome. If the sending machine has the ability to convert it, the colour fax will be printed at your machine as a monochrome fax.	<p>Order a new ink cartridge. You can continue printing until the Touchscreen displays <code>Cannot Print</code>.</p> <p>(See Online User's Guide.)</p>

Error Message	Cause	Action
Low Temperature	The room temperature is too low.	After increasing the room temperature, allow the machine to warm up to room temperature. Try again when the machine has warmed up.
Media Error	The memory card is either corrupted, incorrectly formatted, or there is a problem with the memory card.	Remove the memory card from the media drive (slot) of the machine and format it correctly.
		Put the card firmly into the slot again to make sure it is in the correct position. If the error remains, check the media drive (slot) of the machine by inserting a working memory card.
Media is Full.	The memory card or USB flash drive you are using already contains 999 files.	Your machine can save to your memory card or USB flash drive only if it contains less than 999 files. Delete unused files and try again.
	The memory card or USB flash drive you are using does not have enough free space to scan the documents.	Press  . Delete unused files from your memory card or USB flash drive to make some free space, and then try again.
No Caller ID	There is no incoming call history. You did not receive calls or you have not subscribed to the Caller ID service from your telephone company.	If you want to use the Caller ID feature, call your telephone company. (See Online User's Guide.)
No Ink Cartridge	An ink cartridge is not installed correctly.	Take out the new ink cartridge and re-install it slowly and firmly until the cartridge lever lifts. (See Online User's Guide.)

Error Message	Cause	Action
No Paper Fed	The machine is out of paper, or paper is not correctly loaded in the paper tray.	Do one of the following: <ul style="list-style-type: none"> <li>■ Refill the paper tray, and then press <b>OK</b> on the Touchscreen.</li> <li>■ Remove and reload the paper, then press <b>OK</b> on the Touchscreen. (See <i>Before loading paper</i> on page 9.)</li> </ul>
	The paper tray was not fully inserted.	Remove the paper tray and reinstall it until it locks into place, and then press <b>OK</b> on the Touchscreen.
	The paper was not inserted in the centre position of the manual feed slot.	Remove the paper and re-insert it in the centre of the manual feed slot, and then press <b>OK</b> on the Touchscreen. (See <i>Loading paper in the manual feed slot</i> on page 11.)
	The Jam Clear Cover is not closed correctly.	Make sure the Jam Clear Cover is closed evenly at both ends. (See <i>Printer jam or paper jam</i> on page 48.)
	Paper dust has accumulated on the surface of the paper pick-up rollers.	Clean the paper pick-up rollers. (See <i>Online User's Guide</i> .)
	The paper is jammed in the machine.	Remove the jammed paper by following the steps. (See <i>Printer jam or paper jam</i> on page 48.)  If this error occurs often during 2-sided copying or 2-sided printing, the paper feed rollers may be stained with ink. Clean the paper feed rollers. (See <i>Online User's Guide</i> .)
Out of Fax Memory	The fax memory is full.	Do one of the following: <ul style="list-style-type: none"> <li>■ Clear the data from the memory. To gain extra memory, you can turn off Memory Receive. (See <i>Online User's Guide</i>.)</li> <li>■ Print the faxes that are in the memory. (See <i>Online User's Guide</i>.)</li> </ul>

Error Message	Cause	Action
Out of Memory	The machine's memory is full.	<p><b>If a fax-sending or copy operation is in process:</b></p> <ul style="list-style-type: none"> <li>■ Press  or <code>Quit</code> or <code>Close</code> and wait until the other operations that are in process finish, and then try again.</li> <li>■ Press <code>Send Now</code> to send the pages scanned so far.</li> <li>■ Press <code>Partial Print</code> to copy the pages scanned so far.</li> <li>■ Clear the data in the memory. To gain extra memory, you can turn off <code>Memory Receive</code>. (See <i>Online User's Guide</i>.)</li> <li>■ Print the faxes that are in the memory. (See <i>Online User's Guide</i>.)</li> </ul>
<p>Paper Jam [Front] Paper Jam [Front,Rear] Paper Jam [Rear]</p>	The paper is jammed in the machine.	<p>Remove the jammed paper by following the steps. (See <i>Printer jam or paper jam</i> on page 48.)</p> <p>Make sure the paper guides are set to the correct paper size.</p> <p>If there is a repeat paper jam, try another paper jam operation. (See <i>Additional paper jam clear operations</i> on page 53.)</p>
Paper Tray not detected	<p>The paper tray is not completely inserted.</p> <p>Jammed paper or a foreign object has prevented the paper tray from being inserted properly.</p>	<p>Slowly push the paper tray completely into the machine.</p> <p>Pull the paper tray out of the machine and remove the paper or foreign object. If you cannot find or remove the jammed paper, follow the steps. (See <i>Printer jam or paper jam</i> on page 48.) Slowly push the paper tray completely into the machine.</p>
Touchscreen Initialisation Failed	<p>The Touchscreen was pressed before the power on initialization was completed.</p> <p>Debris may be stuck between the lower part of the Touchscreen and its frame.</p>	<p>Make sure that nothing is touching or resting on the Touchscreen, especially when plugging in the machine.</p> <p>Insert a piece of stiff paper between the lower part of the Touchscreen and its frame and slide it back and forth to push out the debris.</p>

Error Message	Cause	Action
Unable to Clean XX Unable to Initialize XX Unable to Print XX	The machine has a mechanical problem.  <b>—OR—</b> A foreign object, such as a paper clip or a piece of ripped paper, is in the machine.	Open the scanner cover and remove any foreign objects and paper scraps from inside the machine. If the error message continues, disconnect the machine from the power for several minutes, and then reconnect it.  You can try additional paper jam clear operations. (See <i>Additional paper jam clear operations</i> on page 53.)  (The machine can be turned off without losing faxes stored in the memory. (See <i>Transferring your faxes or Fax Journal report</i> on page 46.))
Unable to Scan XX	The machine has a mechanical problem.	Disconnect the machine from the power for several minutes, and then reconnect it.  The machine can be turned off without losing faxes stored in the memory. (See <i>Transferring your faxes or Fax Journal report</i> on page 46.)
Unusable Device  Disconnect device from front connector & turn machine off & then on	A broken device has been connected to the USB direct interface.	Unplug the device from the USB direct interface, and then press  to turn the machine off and then on again.
Unusable Device  Please disconnect USB device.	A USB device or USB flash drive that is not supported has been connected to the USB direct interface.	Unplug the device from the USB direct interface. Turn the machine off and then on again.
Wrong Ink Colour	An ink cartridge has been installed in the wrong position.	Check which ink cartridges are not matched by colour to their ink cartridge positions and move them to their correct positions.



Error Message	Cause	Action
Wrong Paper	The paper size setting does not match the size of paper in the tray.	1 Check that the paper size you choose on the Touchscreen matches the size of the paper in the tray.
	The paper orientation is incorrect for the paper size.	
	You did not set the paper guides in the tray to the indicators for the paper size you are using.	<p>(See <i>Set Paper Size and Type</i> on page 14.)</p> <p>2 Make sure you load the paper in the proper orientation, and set the paper guides to the indicators for your paper size. (See <i>Before loading paper</i> on page 9.)</p> <p>3 After you have checked the paper size and the paper orientation, press <b>OK</b> on the Touchscreen.</p>
		<p>If you are printing from your computer, make sure the paper size you choose in the printer driver matches the size of paper in the tray. (See <i>Online User's Guide</i>.)</p>

## Error animations

Error animations display step-by-step instructions when paper gets jammed. You can read the steps at your own pace by pressing **▶** to see the next step and **◀** to go back a step.

## Transferring your faxes or Fax Journal report

If the Touchscreen displays:

- Unable to Clean XX
- Unable to Initialize XX
- Unable to Print XX
- Unable to Scan XX

We recommend transferring your faxes to another fax machine or to your PC.

(See *Transferring faxes to another fax machine* on page 46.)

(See *Transferring faxes to your PC* on page 46.)



Transfer the Fax Journal report to see if there are any faxes you must transfer.


(See *Transferring the Fax Journal report to another fax machine* on page 47.)

### Transferring faxes to another fax machine

If you have not set up your Station ID, you cannot enter fax transfer mode.


(See *How to set your Station ID* on page 29.)

- 1 Press  to temporarily interrupt the error.
- 2 Press  (Settings).
- 3 Press All Settings.
- 4 Swipe up or down or press **▲** or **▼** to display Service.
- 5 Press Service.


- 6 Press Data Transfer.
- 7 Press Fax Transfer.
- 8 Do one of the following:
  - If the Touchscreen displays No Data, there are no faxes in the machine's memory.  
Press Close, and then press .
  - Enter the fax number where faxes will be forwarded.
- 9 Press Fax Start.

### Transferring faxes to your PC


Transfer faxes from your machine's memory to your PC.


- 1 Press  to temporarily interrupt the error.
- 2 Make sure you have installed **MFL-Pro Suite** on your PC, and then turn on **PC-FAX Receive** on the PC. Do one of the following:

(Windows<sup>®</sup> XP, Windows Vista<sup>®</sup> and Windows<sup>®</sup> 7)

From  (Start), select **All Programs**, **Brother**, **Brother Utilities**, **MFC-XXXX**, **PC-FAX Receive**, and select **Receive**. (Where XXXX is your model name.)



(Windows<sup>®</sup> 8)

Click  (**Brother Utilities**), and then click the drop-down list and select your model name (if not already selected). Click **PC-FAX Receive** in the left navigation bar, and then click **Receive**.

- 3 Make sure you have set PC-Fax Receive on the machine.  
(See Online User's Guide.)  
If faxes are in the machine's memory when you set up PC-Fax Receive, the Touchscreen displays a message asking if you want to transfer the faxes to your PC.
- 4 Do one of the following:
  - To transfer all faxes to your PC, press **Yes**. If Fax Preview is set to **Off**, the Touchscreen displays a message asking if you also want to turn on the backup print option.
  - To exit and leave the faxes in the machine's memory, press **No**.
- 5 Press .

### Transferring the Fax Journal report to another fax machine

If you have not set up your Station ID, you cannot enter fax transfer mode.  
(See *How to set your Station ID* on page 29.)

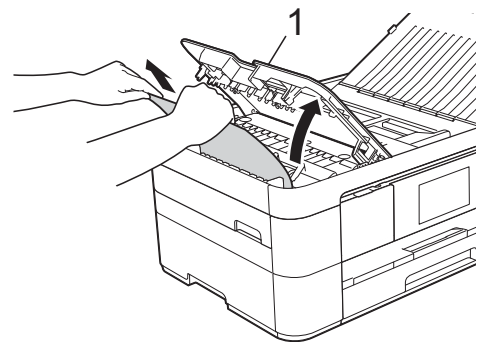
- 1 Press  to temporarily interrupt the error.
- 2 Press  (Settings).
- 3 Press **All Settings**.
- 4 Swipe up or down or press **▲** or **▼** to display **Service**.
- 5 Press **Service**.
- 6 Press **Data Transfer**.
- 7 Press **Report Transfer**.
- 8 Enter the fax number where the Fax Journal report will be forwarded.
- 9 Press **Fax Start**.

## Document jam


Documents can jam in the ADF if they are not inserted or fed correctly, or if they are too long. Follow the steps to clear a document jam.

### Document is jammed in the top of the ADF

- 1 Take out any paper from the ADF that is not jammed.
- 2 Open the ADF cover.
- 3 Remove the jammed document by pulling it upward.



1 ADF cover

- 4 Close the ADF cover.
- 5 Press .

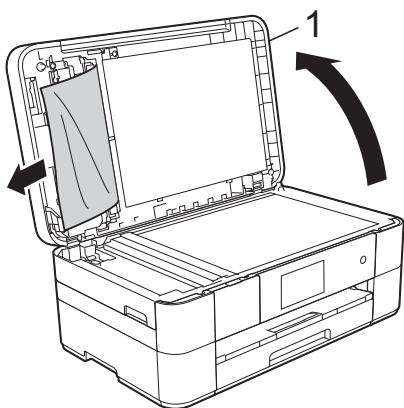
### IMPORTANT

To avoid document jams, close the ADF cover correctly by pushing it gently in the centre.


### Document is jammed inside the ADF

- 1 Take any paper that is not jammed out of the ADF.
- 2 Lift the document cover.

- 3 Pull the jammed document out to the left.

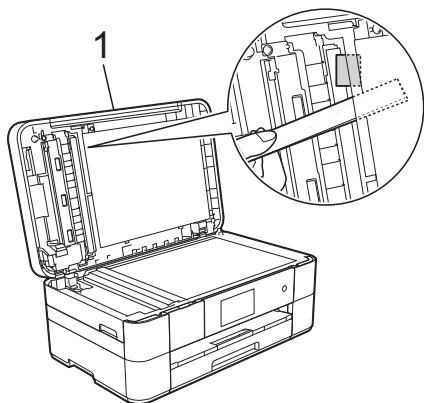


1 Document Cover


- 4 Close the document cover.
- 5 Press .

### Small document is jammed in the ADF

- 1 Lift the document cover.
- 2 Insert a piece of stiff paper, such as cardstock, into the ADF to push any small paper scraps through.



1 Document Cover

- 3 Close the document cover.
- 4 Press .

## Printer jam or paper jam

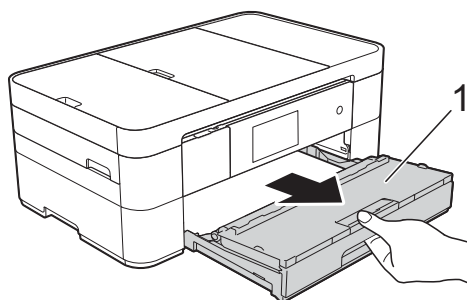
Follow these steps to locate and remove the jammed paper if the Touchscreen displays:

Paper Jam [Front] or  
Paper Jam [Front,Rear]

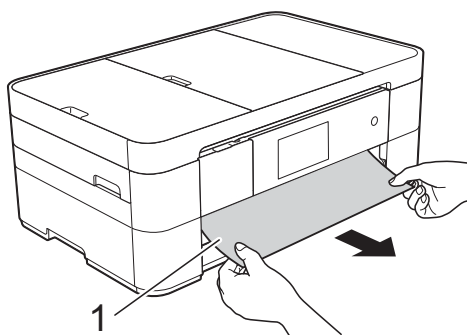
### NOTE

If the Touchscreen displays  
Paper Jam [Rear], see page 51.

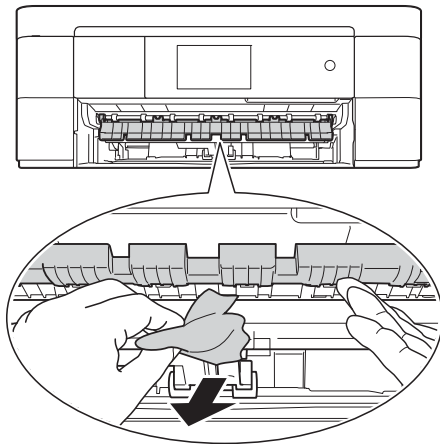
- 1 Unplug the machine from the electrical socket.
- 2 Pull the paper tray (1) completely out of the machine.



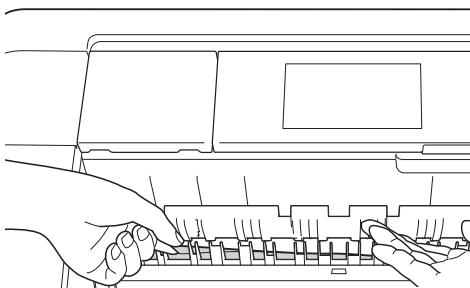
- 3 Pull out the jammed paper (1).



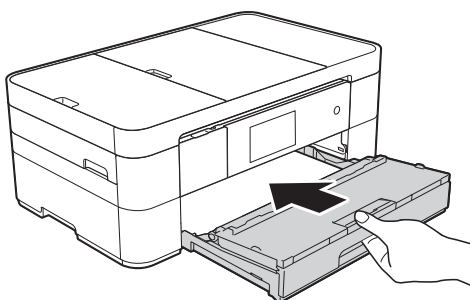
- 4 Lift the Jam Clear Flap, and remove the jammed paper.



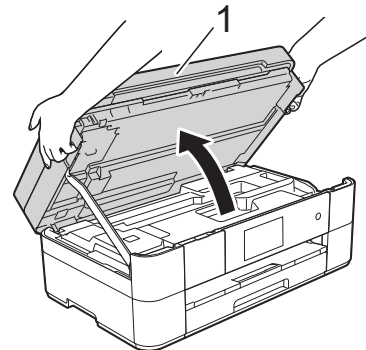
- 5 Make sure you look carefully inside the machine above and below the Jam Clear Flap for scraps of paper.



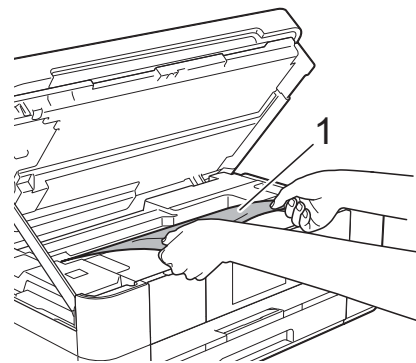
- 6 Put the paper tray firmly back in the machine.



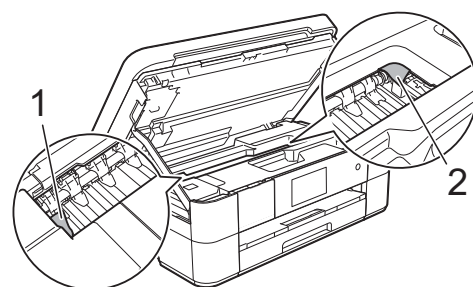
- 7 Using both hands, use the finger holds on each side of the machine to lift the scanner cover (1) into the open position.




- 8 Slowly pull the jammed paper (1) out of the machine.

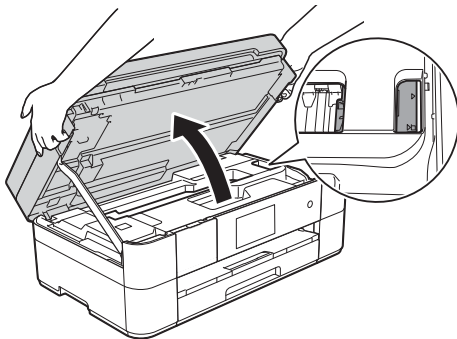


- 9 Move the print head (if necessary) to reach any paper remaining in this area. Make sure no jammed paper is left in the corners of the machine (1) and (2).



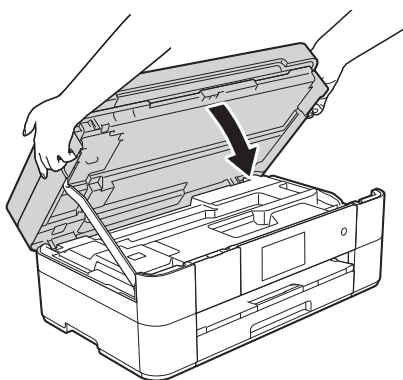
## IMPORTANT

- If paper is jammed under the print head, unplug the machine from the power source, and then move the print head to reach the paper.
- If the print head is in the right corner as shown in the illustration, you cannot move the print head. Reconnect the power cord. Hold down  until the print head moves to the centre. Then unplug the machine from the power source and remove the paper.



- If ink gets onto your skin, immediately wash with soap and plenty of water.

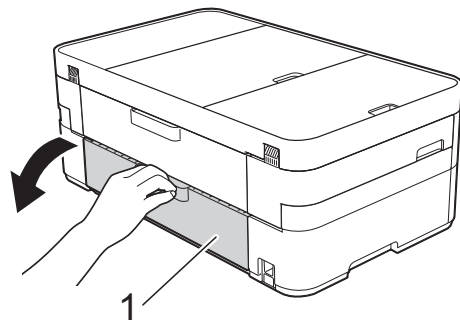
- 10** Gently close the scanner cover using the finger holds on each side.



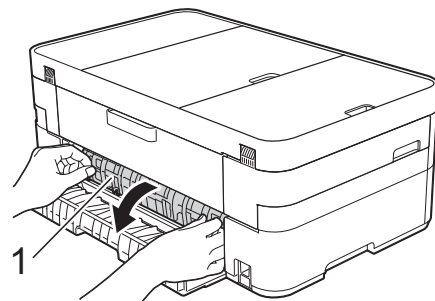
Do one of the following:

- If the Touchscreen displays Paper Jam [Front], go to step **15**.
- If the Touchscreen displays Paper Jam [Front, Rear], go to step **11**.

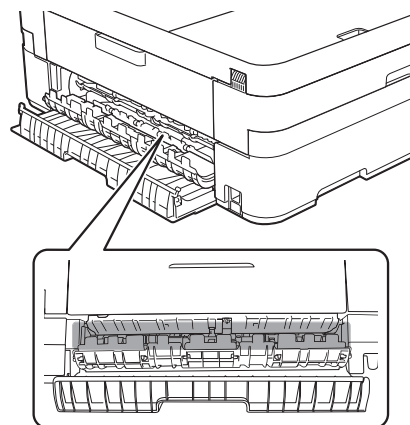
- 11** Open the Jam Clear Cover (1) at the back of the machine.



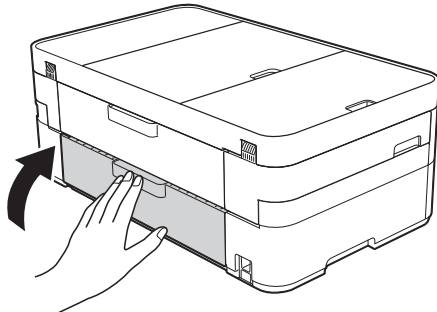
- 12** Open the inside cover (1).



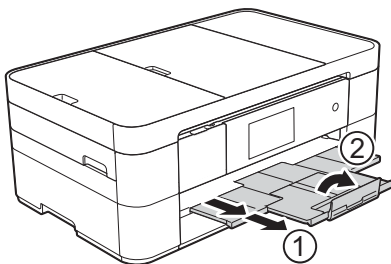
- 13** Make sure you look carefully inside for jammed paper. If there is any jammed paper, slowly pull it out of the machine.



- 14 Close the inside cover and Jam Clear Cover. Make sure the covers are closed completely.



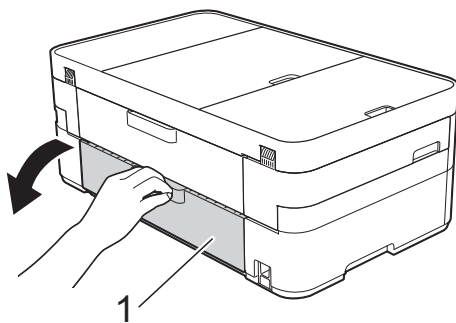
- 15 Pull out the paper support (1) until it locks into place, and then unfold the paper support flap (2).



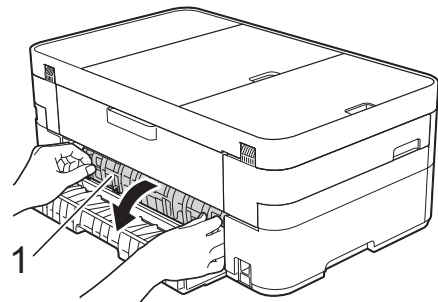
- 16 Reconnect the power cord.

**If the Touchscreen displays Paper Jam [Rear], follow these steps:**

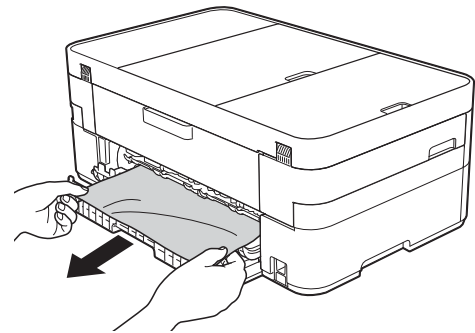
- 1 Unplug the machine from the AC power outlet.
- 2 Open the Jam Clear Cover (1) at the back of the machine.



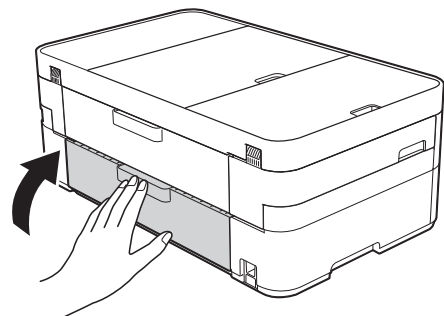
- 3 Open the inside cover (1).



- 4 Pull the jammed paper out of the machine.

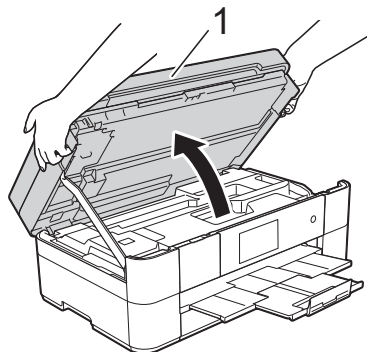


- 5 Close the inside cover and Jam Clear Cover. Make sure the covers are closed properly.

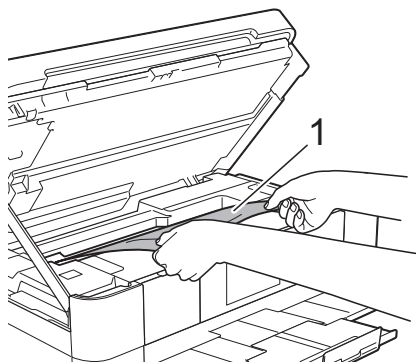




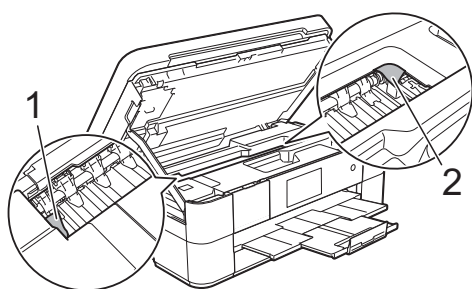
- 6 Using both hands, use the finger holds on each side of the machine to lift the scanner cover (1) into the open position.




- 7 Slowly pull the jammed paper (1) out of the machine.

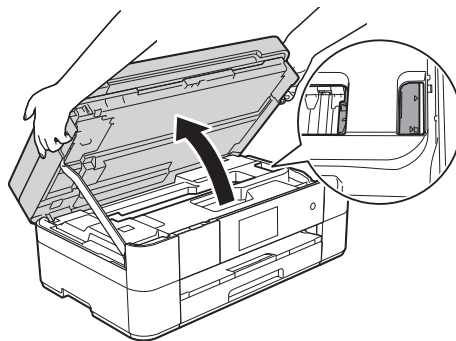


- 8 Move the print head (if necessary) to reach any paper remaining in this area. Make sure no jammed paper is left in the corners of the machine (1) and (2).



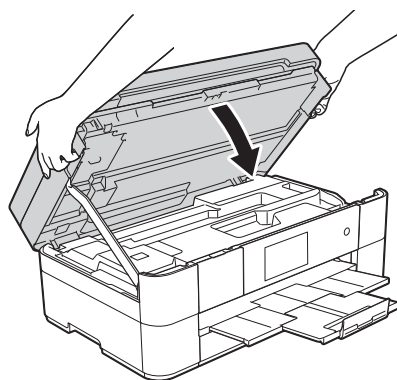
## IMPORTANT

- If paper is jammed under the print head, unplug the machine from the power source, and then move the print head to reach the paper.
- If the print head is in the right corner as shown in the illustration, you cannot move the print head. Reconnect the power cord. Hold down  until the print head moves to the centre. Then unplug the machine from the power source and remove the paper.



- If ink gets onto your skin, immediately wash with soap and plenty of water.

- 9 Gently close the scanner cover using the finger holds on each side.




- 10 Reconnect the power cord.



**NOTE**

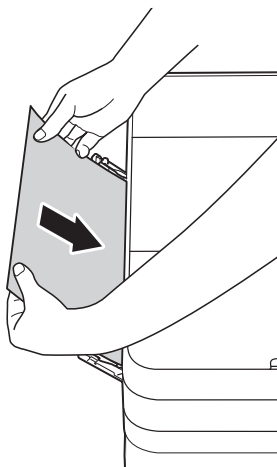
If there is a repeat paper jam, a small scrap of paper may be stuck in the machine. (See *Additional paper jam clear operations* on page 53.)

**Additional paper jam clear operations**

- 1 If you experience paper jams repeatedly (3 times or more), the Touchscreen displays a message asking if you want to remove paper scraps from the machine.  
Press **Yes** to return to the Home screen.
- 2 Press  (Settings).
- 3 Press **Maintenance**.
- 4 Press **Remove Paper Scraps**.
- 5 Follow the instructions on the Touchscreen to locate and remove the jammed paper.

**NOTE**

During the procedure, you must load the Maintenance sheet (included with your machine) in Landscape position in the manual feed slot. (If you do not have the Maintenance sheet, use one sheet of A4 or Letter size thick paper, such as glossy paper.)



# Troubleshooting for Wireless LAN setup

## Wireless LAN report

After you configure the wireless LAN settings of the machine, a wireless LAN report will be printed automatically.

If the printed report shows that the connection failed, check the error code on the printed report and refer to the following instructions.

Error code	Recommended Solutions
TS-01	The wireless setting is not activated, change the wireless setting to ON. <ul style="list-style-type: none"><li>■ If a network cable is connected to your machine, disconnect it and change your machine's wireless setting to ON.</li></ul>
TS-02	Your wireless access point/router cannot be detected. Please try the following: <ul style="list-style-type: none"><li>■ Check that you are selecting the correct SSID (network name) and are entering the correct network key.</li><li>■ Check that your wireless access point/router is not using additional security settings, such as MAC address filtering.</li><li>■ Try moving the device closer to your wireless access point/router. After it is connected to the network, you should be able to move it back to its previous location.</li></ul>
TS-04	Unsupported authentication/encryption method has been detected on your wireless access point/router. <ul style="list-style-type: none"><li>■ Your wireless access point/router is using an authentication/encryption method that is not supported by the device. Check that you are selecting the correct SSID (network name).</li></ul>
TS-05	The specified SSID and network key are incorrect. <ul style="list-style-type: none"><li>■ Check that you are selecting the correct SSID (network name) and are entering the correct network key.</li></ul>
TS-06	The specified wireless security information is incorrect. <ul style="list-style-type: none"><li>■ Check the authentication/encryption method that you are selecting and make sure you are entering the correct network key.</li></ul>
TS-07	The machine cannot detect a wireless access point/router that has WPS or AOSS™ enabled. <ul style="list-style-type: none"><li>■ If you would like to configure your wireless settings using WPS or AOSS™, you must set up WPS or AOSS™ on both your machine and the wireless access point/router. Confirm your wireless access point/router supports WPS or AOSS™ and try starting again.</li></ul>
TS-08	Two or more wireless access points with WPS or AOSS™ enabled are detected. <ul style="list-style-type: none"><li>■ Try starting again after a few minutes to avoid interference from other access points.</li></ul>

# If you are having difficulty with your machine

## IMPORTANT

Using non-Brother supplies may affect the print quality, hardware performance, and machine reliability.

If you think there is a problem with your machine, check the following tables of troubleshooting tips. You can correct most problems by yourself.

If you need additional help, the Brother Solutions Center offers the latest FAQs and troubleshooting tips.

Visit <http://support.brother.com>.

## NOTE





For technical help, contact Brother customer support.

## Printing Difficulties



Difficulty	Suggestions
The headers or footers appear when the document is displayed on the screen but they do not show up when it is printed.	There is an unprintable area on the top and bottom of the page. Adjust the top and bottom margins in your document to allow for this. (See Online User's Guide.)
Print speed is too slow.	Try changing the printer driver setting. The highest resolution needs longer data processing, sending and printing time. Try the other quality settings in the printer driver as follows:  (Windows®) Click <b>Colour Settings</b> on the <b>Advanced</b> tab, and make sure you clear <b>Colour Enhancement</b> .  (Macintosh) Choose <b>Color Settings</b> , click <b>Advanced Color Settings</b> , and make sure you clear <b>Color Enhancement</b> .
	Turn the Borderless feature off. Borderless printing is slower than normal printing. (See Online User's Guide.)



## Print Quality Difficulties

Difficulty	Suggestions
<p>Poor print quality.</p>	<p>Check the print quality. (See <i>Checking the print quality</i> on page 33.)</p> <p>Make sure that the <b>Media Type</b> setting in the printer driver or the <b>Paper Type</b> setting in the machine's menu matches the type of paper you are using. (See <i>Set Paper Size and Type</i> on page 14.) (See Online User's Guide.)</p> <p>Make sure that your ink cartridges are fresh. The following may cause ink to clog:</p> <ul style="list-style-type: none"> <li>■ The expiration date written on the cartridge package has passed. (Brother Original cartridges stay usable for up to two years if kept in their original packaging.)</li> <li>■ The ink cartridge has been in your machine for over six months.</li> <li>■ The ink cartridge may not have been stored correctly before use.</li> </ul> <p>Make sure you are using Brother Original Innobella ink. Brother does not recommend the use of cartridges other than Brother Original cartridges or the refilling of used cartridges with ink from other sources.</p> <p>Make sure you are using one of the recommended types of paper. (See Online User's Guide.)</p> <p>The recommended environment for your machine is between 20 °C to 33 °C.</p>
<p>White horizontal lines appear in text or graphics.</p>  <p>A4, Letter and Executive</p>  <p>A3, Ledger, Legal, A5, A6, envelopes, Photo (10 × 15 cm), Photo L (89 × 127 mm), Photo 2L (13 × 18 cm) and Index Card (127 × 203 mm)</p>	<p>Check the print quality. (See <i>Checking the print quality</i> on page 33.)</p> <p>Make sure you are using Brother Original Innobella ink.</p> <p>Try using the recommended types of paper. (See Online User's Guide.)</p> <p>To prolong print head life, provide the best ink cartridge economy and maintain print quality, we do not recommend frequently unplugging the machine and/or leaving the machine unplugged for extended periods of time. We recommend using  to power down the machine. Using  allows minimal power to the machine, resulting in periodic, but less frequent cleaning of the print head.</p>

## Print Quality Difficulties (continued)

Difficulty	Suggestions
The machine prints blank pages.	Check the print quality. (See <i>Checking the print quality</i> on page 33.)
	Make sure you are using Brother Original Innobella ink.
	To prolong print head life, provide the best ink cartridge economy and maintain print quality, we do not recommend frequently unplugging the machine and/or leaving the machine unplugged for extended periods of time. We recommend using  to power down the machine. Using  allows minimal power to the machine, resulting in periodic, but less frequent cleaning of the print head.
Characters and lines are blurred.	Check the printing alignment. (See <i>Checking the print alignment</i> on page 35.)
Printed text or images are skewed.	Make sure the paper is loaded correctly in the paper tray and the paper guides are adjusted correctly. (See <i>Before loading paper</i> on page 9.)
	Make sure the Jam Clear Cover is closed correctly.
Smudge or stain at the top centre of the printed page.	Make sure the paper is not too thick or curled. (See Online User's Guide.)
Printing appears dirty or ink seems to run.	Make sure you are using the recommended types of paper. (See Online User's Guide.)
	Do not handle the paper until the ink is dry.
	Make sure the printing surface is face down in the paper tray.
	Make sure you are using Brother Original Innobella ink.
	If you are using photo paper, make sure that you have set the correct paper type. If you are printing a photo from your PC, set the <b>Media Type</b> in the printer driver.
Ink is smudged or wet when using glossy photo paper.	Be sure to check the front and back of the paper. Place the glossy surface (printing surface) face down. (See <i>Set Paper Size and Type</i> on page 14.)
	If you use glossy photo paper, make sure that the paper type setting is correct.
Printouts appear dirty or the paper jams when using A3 paper.	(PC print for Windows®)
	Select <b>Slow Drying Paper</b> in the <b>Basic</b> tab of the printer driver.
	(PC print for Macintosh)
	Select <b>Print Settings</b> from the drop-down list and then check <b>Slow Drying Paper</b> of the printer driver.
	(Copy)
	Adjust the copy density to make copies lighter. (See Online User's Guide.)
Stains appear on the reverse side or at the bottom of the page.	Make sure the printer platen is not dirty with ink. (See Online User's Guide.)
	Make sure you are using Brother Original Innobella ink.
	Make sure you are using the paper support flap. (See <i>Before loading paper</i> on page 9.)
	Make sure the paper feed rollers are not dirty with ink. (See Online User's Guide.)

## Print Quality Difficulties (continued)

Difficulty	Suggestions
The printouts are wrinkled.	(Windows®) In the printer driver <b>Advanced</b> tab, click <b>Colour Settings</b> and clear <b>Bi-Directional Printing</b> .
	(Macintosh) In the printer driver, choose <b>Print Settings</b> , click <b>Advanced</b> , choose <b>Other Print Options</b> and clear <b>Bi-Directional Printing</b> .
	Make sure you are using Brother Original Innobella ink.

## Paper Handling Difficulties

Difficulties	Suggestions
Photo paper does not feed correctly.	When you print on Brother Photo paper, load one extra sheet of the same photo paper in the paper tray. An extra sheet has been included in the paper package for this purpose.
Machine feeds multiple pages.	Do the following: (See <i>Before loading paper</i> on page 9.) <ul style="list-style-type: none"> <li>■ Make sure the paper is loaded correctly in the paper tray.</li> <li>■ Remove all the paper from the tray and fan the stack of paper well, then put it back in the tray.</li> <li>■ Make sure you do not push the paper in too far.</li> </ul>
	Make sure the Jam Clear Cover is closed correctly. (See <i>Printer jam or paper jam</i> on page 48.)
	Make sure the Base Pad in the paper tray is not dirty. (See <i>Online User's Guide</i> .)
There is a paper jam.	Remove the jammed paper by following the steps. (See <i>Printer jam or paper jam</i> on page 48.) Make sure the paper guides are set to the correct paper size.
Paper jam reoccurs.	If there is a repeat paper jam, a small piece of paper may be stuck in the machine. Make sure paper is not still jammed in the machine. (See <i>Additional paper jam clear operations</i> on page 53.)

## Printing Received Faxes

Difficulty	Suggestions
<ul style="list-style-type: none"> <li>■ Condensed print</li> <li>■ Horizontal streaks</li> <li>■ Top and bottom sentences are cut off</li> <li>■ Missing lines</li> </ul>	<p>This is usually caused by a poor telephone connection. Make a copy; if your copy looks good, you probably had a bad connection with static or interference on the telephone line. Ask the other party to re-send the fax.</p>
Vertical black lines when receiving.	The sender's scanner may be dirty. Ask the sender to make a copy to see if the problem is with the sending machine. Try receiving from another fax machine.
Left and right margins are cut off or a single page is printed on two pages.	<p>If the received faxes are divided and printed on two pages or if you get an extra blank page, your paper size setting may not be correct for the paper you are using. (See <i>Set Paper Size and Type</i> on page 14.)</p>
	<p>Turn on <i>Auto Reduction</i>. (See <i>Online User's Guide</i>.)</p>

## Telephone Line or Connections

Difficulty	Suggestions
Dialling does not work. (No dial tone)	Check all line cord connections. Make sure the telephone line cord is plugged into the telephone wall socket and the LINE socket inside the machine.
	Change the Tone/Pulse setting. (See <i>Online User's Guide</i> .)
	If an external phone is connected to the machine, send a manual fax by lifting the handset of the external telephone and dialling the number using the external telephone. Wait to hear the fax receiving tones before sending fax.
	If there is no dial tone, connect a known-working telephone and telephone line cord to the socket. Then lift the external telephone's handset and listen for a dial tone. If there is still no dial tone, ask your telephone company to check the line and/or wall socket.
The machine does not answer when called.	Make sure the machine is in the correct <i>Receive Mode</i> for your setup. (See <i>Choose the Receive Mode</i> on page 30.) Check for a dial tone. If possible, call your machine to hear it answer. If there is still no answer, check the telephone line cord connection. If there is no ringing when you call your machine, ask your telephone company to check the line.

## Receiving Faxes

Difficulty	Suggestions
<p>Cannot receive a fax.</p>	<p>Check all line cord connections. Make sure the telephone line cord is plugged into the telephone wall socket and the LINE socket inside the machine. If you subscribe to DSL or VoIP services, contact your service provider for connection instructions.</p> <p>If you have problems due to possible interference on the telephone line, you can change the compatibility setting. (See <i>Telephone Line Interference or VoIP System</i> on page 65.)</p> <p>Make sure the machine is in the correct Receive Mode. This is determined by the external devices and telephone subscriber services you have on the same line as the Brother machine. (See <i>Choose the Receive Mode</i> on page 30.)</p> <p>If you have a dedicated fax line and want your Brother machine to automatically answer all incoming faxes, select <b>Fax Only</b> mode.</p> <p>If your Brother machine shares a line with an external answering machine, select <b>External TAD</b> mode. In <b>External TAD</b> mode, your Brother machine will automatically receive incoming faxes and voice callers will be able to leave a message on your answering machine.</p> <p>If your Brother machine shares a line with other telephones and you want it to automatically answer all incoming faxes, select <b>Fax/Tel</b> mode. In <b>Fax/Tel</b> mode, your Brother machine will automatically receive faxes and produce a fast double-ring to alert you to answer voice calls.</p> <p>If you do not want your Brother machine to automatically answer incoming faxes, select <b>Manual</b> mode. In <b>Manual</b> mode, you must answer every incoming call and activate the machine to receive faxes.</p> <p>Another device or service at your location may be answering the call before your Brother machine answers. To test this, lower the Ring Delay setting:</p> <ul style="list-style-type: none"> <li>■ If the Receive Mode is set to <b>Fax Only</b> or <b>Fax/Tel</b>, reduce the Ring Delay to 1 ring. (See <i>Ring Delay</i> on page 32.)</li> <li>■ If the Receive Mode is set to <b>External TAD</b>, reduce the number of rings programmed on your answering machine to 2.</li> <li>■ If the Receive Mode is set to <b>Manual</b>, DO NOT adjust the Ring Delay setting.</li> </ul> <p>Have someone send you a test fax:</p> <ul style="list-style-type: none"> <li>■ If you received the test fax successfully, your machine is operating correctly. Remember to reset your Ring Delay or answering machine setting back to your original setting. If receiving problems recur after resetting the Ring Delay, then a person, device, or subscriber service is answering the fax call before the machine has a chance to answer.</li> <li>■ If you were not able to receive the fax, then another device or subscriber service may be interfering with your fax reception or there may be a problem with your fax line.</li> </ul>



## Receiving Faxes (continued)

Difficulty	Suggestions
<p>Cannot receive a fax. (continued)</p>	<p>If you are using a telephone answering machine (<b>External TAD mode</b>) on the same line as the Brother machine, make sure your answering machine is set up correctly.</p> <p>(See Online User's Guide.)</p> <ol style="list-style-type: none"> <li>1 Connect the external TAD correctly. (See Online User's Guide.)</li> <li>2 Set your answering machine to answer in one or two rings.</li> <li>3 Record the outgoing message on your answering machine.                             <ul style="list-style-type: none"> <li>■ Record five seconds of silence at the beginning of your outgoing message.</li> <li>■ Limit your speaking to 20 seconds.</li> <li>■ End your outgoing message with your Remote Activation Code for people sending manual faxes. For example: "After the beep, leave a message or press * <b>5 1</b> and <b>Start</b> to send a fax."</li> </ul> </li> <li>4 Set your answering machine to answer calls.</li> <li>5 Set your Brother machine's Receive Mode to <b>External TAD</b>. (See <i>Choose the Receive Mode</i> on page 30.)</li> </ol> <p>Make sure your Brother machine's Fax Detect feature is turned On. Fax Detect is a feature that allows you to receive a fax even if you have answered the call on an external or extension telephone.</p> <p>(See Online User's Guide.)</p> <p>If you often get transmission errors due to possible interference on the telephone line, try changing the Compatibility setting to <b>Basic (for VoIP)</b>. (See <i>Telephone Line Interference or VoIP System</i> on page 65.)</p> <p>If you connect your machine to a PBX or ISDN line, set the menu setting of Telephone Line Type to your telephone line type. (See Online User's Guide.)</p>

## Sending Faxes


Difficulty	Suggestions
<p>Cannot send a fax.</p>	<p>Check all line cord connections. Make sure the telephone line cord is plugged into the telephone wall socket and the LINE socket inside the machine.</p> <p>Print the Transmission Verification Report and check for an error.</p> <p>(See Online User's Guide.)</p> <p>Ask the other party to check that the receiving machine has paper.</p>
<p>Poor fax send quality.</p>	<p>Try changing your resolution to <b>Fine</b> or <b>S. Fine</b>. Make a copy to check your machine's scanner operation. If the copy quality is poor, clean the scanner. (See <i>Cleaning the scanner glass</i> on page 33.)</p>



## Sending Faxes (continued)

Difficulty	Suggestions
Transmission Verification Report says <code>RESULT:ERROR</code> .	<p>There is probably temporary noise or static on the line. Try sending the fax again. If you send a PC FAX message and get <code>RESULT:ERROR</code> on the Transmission Verification Report, your machine may be out of memory.</p> <p>To gain extra memory, you can turn off Memory Receive, print fax messages from the machine's memory or cancel a Delayed Fax or Polling Job. (See Online User's Guide.)</p> <p>If the problem continues, ask the telephone company to check your telephone line.</p> <p>If you often get transmission errors due to possible interference on the telephone line, try changing the machine's Compatibility setting to <code>Basic (for VoIP)</code>. (See <i>Telephone Line Interference or VoIP System</i> on page 65.)</p> <p>If you connect your machine to PBX or ISDN, set the menu setting of Telephone Line Type to your telephone line type. (See Online User's Guide.)</p>
Vertical black lines when sending.	Black vertical lines on faxes you send are typically caused by dirt or correction fluid on the glass strip. Clean the glass strip. (See <i>Cleaning the scanner glass</i> on page 33.)

## Handling Incoming Calls

Difficulty	Suggestions
The machine "hears" a voice as a CNG Tone.	<p>If Fax Detect is set to <code>On</code>, your machine is more sensitive to sounds. It may mistakenly interpret certain voices or music on the line as a fax machine calling and respond with fax-receiving tones. Deactivate the machine by pressing . Try avoiding this problem by turning Fax Detect to <code>Off</code>.</p> <p>(See Online User's Guide.)</p>
Sending a fax call to the machine.	If you answered on an extension or external telephone, press your Remote Activation Code (the factory default is * 5 1). If you answered on an external telephone, press <code>Fax Start</code> , and then press <code>Receive</code> to receive the fax. When your machine answers, hang up.
Custom features on a single line.	<p>If you have Call Waiting, Call Waiting/Caller ID, Caller ID, Voice Mail, an answering machine, an alarm system or other custom feature on a single telephone line with your machine, it may create a problem sending or receiving faxes.</p> <p><b>For example:</b> If you subscribe to Call Waiting or another custom service and its signal comes through the line while your machine is sending or receiving a fax, the signal can temporarily interrupt the fax. Brother's ECM (Error Correction Mode) feature should help overcome this problem. This condition is related to the telephone system industry and is common to all devices that send and receive information on a single, shared line with custom features. If avoiding a slight interruption is crucial to your business, we recommend using a separate telephone line with no custom features.</p>

## Copying Difficulties

Difficulty	Suggestions
Vertical black lines or streaks appear in copies.	Black vertical lines on copies are typically caused by dirt or correction fluid on the glass strip. Clean the glass strip, scanner glass, and the white bar and white plastic above them. (See <i>Cleaning the scanner glass</i> on page 33.)
Black marks or spots appear in copies.	Black marks or spots on copies are typically caused by dirt or correction fluid on the scanner glass. Clean the scanner glass and white plastic above it. (See <i>Cleaning the scanner glass</i> on page 33.)
Poor copy results when using the ADF.	Try using the scanner glass. (See <i>Using the scanner glass</i> on page 17.)
Fit to Page does not work correctly.	Make sure your source document is not skewed. Reposition the document and try again.

## Scanning Difficulties

Difficulty	Suggestions
Poor scanning results when using the ADF.	Clean the white bar and the glass strip underneath it. (See <i>Cleaning the scanner glass</i> on page 33.)
<ul style="list-style-type: none"> <li>■ Vertical black lines appear in the scanned data.</li> </ul>	Try using the scanner glass. (See <i>Using the scanner glass</i> on page 17.)

## PhotoCapture Center Difficulties


Difficulty	Suggestions
Removable Disk does not work correctly.	<ol style="list-style-type: none"> <li>1 Take out the memory card or USB flash drive and put it back in again.</li> <li>2 If you have tried “Eject” from within Windows®, take out the memory card or USB flash drive before you continue.</li> <li>3 If an error message appears when you try to eject the memory card or USB flash drive, it means the card is being accessed. Wait a while, and then try again.</li> <li>4 If all of the above do not work, turn off your PC and machine, and then turn them on again.</li> </ol>
Part of my photo is missing when printed.	Make sure that Borderless printing and Cropping are turned off. (See Online User’s Guide.)

## Software Difficulties

Difficulty	Suggestions
Cannot install software or print.	(Windows®) Run the <b>Repair MFL-Pro Suite</b> program on the CD-ROM. This program will repair and reinstall the software.





## Network Difficulties

Difficulty	Suggestions
Cannot print over the network.	<p>Make sure that your machine is powered on and is online and in the Ready mode. Print a Network Configuration Report (see Online User's Guide) and check the current Network settings printed in this list. Reconnect the LAN cable to the hub to verify that the cabling and network connections are good.</p> <p>If you are using a wireless connection or are having network problems, see Online User's Guide.</p>
The network scanning feature does not work.	<p>It is necessary to configure the third-party Security/Firewall Software to allow Network scanning. Add port 54925 for Network scanning.</p> <p>(See Online User's Guide.)</p>
The network PC-Fax Receive feature does not work.	<p>(Windows®)</p> <p>It is necessary to set the third-party Security/Firewall Software to allow PC-FAX Rx. Add port 54926 for Network PC-FAX Rx.</p> <p>(See Online User's Guide.)</p>
The Brother software cannot be installed.	<p>(Windows®)</p> <p>Allow network access to the following programs if your security software displays an alert message during MFL-Pro Suite installation.</p> <p>(Macintosh)</p> <p>If you are using a firewall function of anti-spyware or antivirus security software, temporarily disable it and then install the Brother software.</p>
Cannot connect to wireless network.	<p>Investigate the problem using the WLAN Report.</p> <p>Press , All Settings, and then swipe up or down or press ▲ or ▼ to display Print Reports. Press Print Reports. Swipe up or down or press ▲ or ▼ to display WLAN Report, and then press WLAN Report.</p> <p>(See Online User's Guide.)</p>


## Dial Tone detection

When sending a fax, by default your machine will wait for a fixed amount of time before it starts to dial the number. By changing the Dial Tone setting to *Detection*, you can make your machine dial as soon as it detects a dial tone. This setting can save a small amount of time when sending a fax to many different numbers. If you change the setting and start having problems when dialling, you should change it back to the *No Detection* setting.

- 1 Press  (Settings).
- 2 Press *All Settings*.
- 3 Swipe up or down or press ▲ or ▼ to display *Initial Setup*.
- 4 Press *Initial Setup*.
- 5 Swipe up or down or press ▲ or ▼ to display *Dial Tone*.
- 6 Press *Dial Tone*.
- 7 Press *Detection* or *No Detection*.
- 8 Press .

## Telephone Line Interference or VoIP System

If you are having problems sending or receiving a fax due to possible interference on the telephone line, or if you are using a VoIP system, we recommend that you change the modem speed to minimize errors in fax operations.

- 1 Press  (Settings).
- 2 Press *All Settings*.
- 3 Swipe up or down or press ▲ or ▼ to display *Initial Setup*.

- 4 Press *Initial Setup*.
- 5 Swipe up or down or press ▲ or ▼ to display *Compatibility*.
- 6 Press *Compatibility*.
- 7 Press *Normal* or *Basic (for VoIP)*.

- *Basic (for VoIP)* reduces the modem speed to 9,600 bps and turns off colour fax receiving and Error Correction Mode (ECM), except for colour fax-sending. Unless interference is a recurring problem on your telephone line, you may prefer to use it only when needed.

To improve compatibility with most VoIP services, Brother recommends changing the compatibility setting to *Basic (for VoIP)*.

- *Normal* sets the modem speed at 14,400 bps.

- 8 Press .



### NOTE

VoIP (Voice over IP) is a type of phone system that uses an Internet connection, rather than a traditional phone line.

# Machine Information


## Checking the serial number

You can see the machine's serial number on the Touchscreen.

- 1 Press  (Settings).
- 2 Press All Settings.
- 3 Swipe up or down or press ▲ or ▼ to display Machine Info.
- 4 Press Machine Info.
- 5 Press Serial No.  
Your machine's serial number will appear on the Touchscreen.
- 6 Press .

## Checking the firmware version

You can see the machine's firmware version on the Touchscreen.

- 1 Press  (Settings).
- 2 Press All Settings.
- 3 Swipe up or down or press ▲ or ▼ to display Machine Info.
- 4 Press Machine Info.
- 5 Press Firmware Version.
- 6 Press Main Version.  
Your machine's firmware version will appear on the Touchscreen.
- 7 Press .

## Reset operations overview

The following reset operations are available:

### 1 Machine Reset

You can reset all the machine's settings that you have changed, such as the date and time, telephone line type and Ring Delay.

### 2 Network

You can reset the print server back to its default factory settings, such as the password and IP address information.

### 3 Address Book & Fax

Address Book & Fax resets the following settings:

- Address Book  
(Address Book and Setup Groups)
- Programmed fax jobs in the memory  
(Polled Transmit, Delayed Fax and Delayed Batch Transmission)
- Station ID  
(Name and Number)
- Remote Fax Options  
(Fax Forwarding)
- Report settings  
(Transmission Verification Report, Address Book and Fax Journal)
- History  
(Caller ID history and Outgoing Call)
- Faxes in memory

### 4 All Settings


You can restore all settings to the factory default.

Brother strongly recommends performing this procedure before handing over or disposing of the machine.

**NOTE**

Unplug the interface cable before you choose `Network` or `All Settings`.

**How to reset the machine**

- 1 Press  (`Settings`).
- 2 Press `All Settings`.
- 3 Swipe up or down or press ▲ or ▼ to display `Initial Setup`.
- 4 Press `Initial Setup`.
- 5 Swipe up or down or press ▲ or ▼ to display `Reset`.
- 6 Press `Reset`.
- 7 Press the option you want to reset.
- 8 Press `Yes` to confirm.
- 9 Press `Yes` for two seconds to reboot the machine.

# C

# Index

<b>A</b>	
<hr/>	
Address Book	
setting up .....	28
ADF (automatic document feeder) .....	16
Automatic	
fax receive .....	30
<b>C</b>	
<hr/>	
Cleaning	
scanner .....	33
Control panel overview .....	2
ControlCenter	
See Online User's Guide.	
Copy	
paper size .....	20
paper type .....	20
using scanner glass .....	17
Custom telephone features on a single line .....	62
<b>D</b>	
<hr/>	
Dialling	
a pause .....	28
Document	
loading .....	16, 17
<b>E</b>	
<hr/>	
Envelopes .....	9, 11
Error messages on Touchscreen .....	36
<b>F</b>	
<hr/>	
Fax, from PC	
See Online User's Guide.	
Fax, stand-alone	
receiving .....	30
difficulties .....	59, 60
F/T Ring Time, setting .....	32
Ring Delay, setting .....	32
telephone line interference or VoIP system .....	65
sending .....	27
difficulties .....	61
telephone line interference or VoIP system .....	65
Fax/Tel mode	
Ring Delay .....	32
<b>J</b>	
<hr/>	
Jams	
document .....	47
paper .....	48
<b>L</b>	
<hr/>	
LCD (Liquid Crystal Display) .....	2
<b>M</b>	
<hr/>	
Manual	
receive .....	30
Manual feed slot .....	11
<b>N</b>	
<hr/>	
Network	
Printing	
See Online User's Guide.	
Scanning	
See Online User's Guide.	
NFC (Near Field Communication) .....	23
printing .....	23
scanning .....	23



## P

---

Paper	
Check Paper setting .....	15
loading .....	9
size of document .....	16
type .....	14
PhotoCapture Center	
from PC	
See Online User's Guide.	
Preview photos .....	24
Print	
difficulties .....	55
paper jams .....	48
Printing	
See Online User's Guide.	

## R

---

Receive Mode	
External TAD .....	30
Fax Only .....	30
Fax/Tel .....	30
Manual .....	30
Ring Delay, setting .....	32

## S

---

Scanning	
See Online User's Guide.	
Serial Number	
how to find .....	See inside front cover
Supplies .....	71

## T

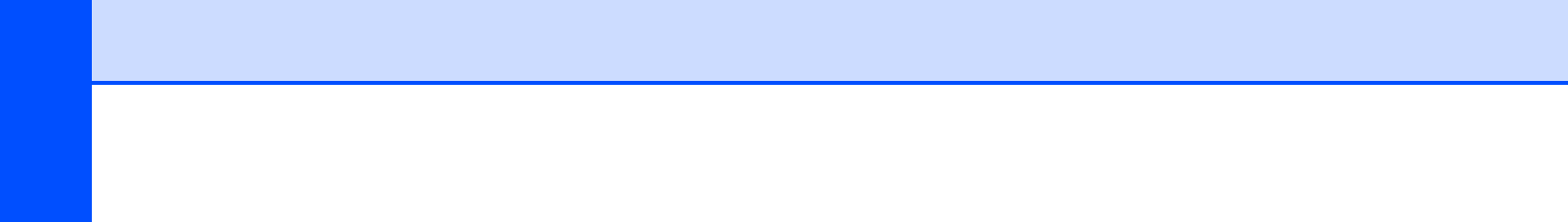
---

TAD (telephone answering device),	
external .....	30
Receive Mode .....	30
Telephone line	
difficulties .....	59
interference or VoIP system .....	65
Text, entering .....	8
Transferring your faxes or	
Fax Journal report .....	46
Troubleshooting	
document jam .....	47
error and maintenance messages on	
Touchscreen .....	36
if you are having difficulty	
copying .....	63
document jam .....	47
incoming calls .....	62
Network .....	64
paper handling .....	58
PhotoCapture Center .....	63
print quality .....	56
printing .....	55
printing received faxes .....	59
receiving faxes .....	60
scanning .....	63
software .....	63
telephone line or connections .....	59
paper jam .....	48
wireless LAN setup	
Wireless LAN report .....	54

## W

---

Wireless Network	
See Quick Setup Guide and Online User's	
Guide.	



# Supplies

<b>Ink</b>	The machine uses individual Black, Yellow, Cyan and Magenta ink cartridges that are separate from the print head assembly.
<b>Service Life of Ink Cartridge</b>	The first time you install a set of ink cartridges the machine will use an amount of ink to fill the ink delivery tubes for high quality printouts. This process will only happen once. After this process is complete the cartridges provided with your machine will have a lower yield than regular capacity cartridges (65%). With all following ink cartridges you can print the specified number of pages.
<b>Replacement Supplies</b>	<p>&lt;Super High Yield Black&gt; LC227XLBK &lt;Super High Yield Yellow&gt; LC225XLY &lt;Super High Yield Cyan&gt; LC225XLC &lt;Super High Yield Magenta&gt; LC225XLM</p> <p>Black, Yellow, Cyan, and Magenta - Approximately 1,200 pages <sup>1</sup></p> <p>&lt;High Yield Black&gt; LC223BK &lt;High Yield Yellow&gt; LC223Y &lt;High Yield Cyan&gt; LC223C &lt;High Yield Magenta&gt; LC223M</p> <p>Black, Yellow, Cyan and Magenta - Approximately 550 pages <sup>1</sup></p> <p><sup>1</sup> Approx. cartridge yield is declared in accordance with ISO/IEC 24711.</p> <p>For more information about the replacement supplies, visit <a href="http://www.brother.com/pageyield">http://www.brother.com/pageyield</a>.</p>

## What is Innobella?

Innobella is a range of genuine supplies offered by Brother. The name "Innobella" derives from the words "Innovation" and "Bella" (meaning "Beautiful" in Italian) and is a representation of the "innovative" technology providing you with "beautiful" and "long lasting" print results.



When you print photo images, Brother recommends Innobella glossy photo paper (BP71 series) for high quality. Brilliant prints are made easier with Innobella Ink and paper.



If you're using Windows<sup>®</sup>, double-click the Brother CreativeCenter icon on your desktop to access our **FREE** website designed as a resource to help you easily create and print customized materials for business and home use with photos, text and creative touch.

Mac users can access Brother CreativeCenter at this web address: <http://www.brother.com/creativecenter>

# brother

**Visit us on the World Wide Web**  
**<http://www.brother.com>**

These machines are approved for use in the country of purchase only. Local Brother companies or their dealers will support only machines purchased in their own countries.



[www.brotherearth.com](http://www.brotherearth.com)