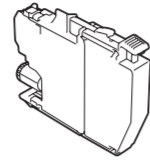
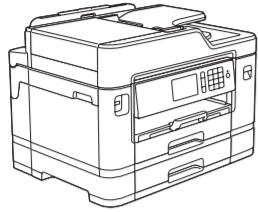


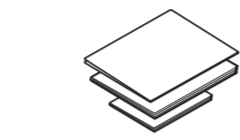
1 Unpack the machine and check the components

The components included in the box may differ depending on your country.



Ink Cartridges

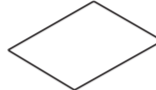
- Black
- Yellow
- Cyan
- Magenta



Quick Setup Guide
Basic User's Guide
Product Safety Guide



Brother Installation Disc



Maintenance Sheet



Telephone Line Cord



Watch our FAQ Videos for help with setting up your Brother machine.
solutions.brother.com/videos

NOTE

Manuals in Spanish for this model are available at support.brother.com.
Manuales en Español para este modelo están disponibles en support.brother.com.
• Most of the illustrations in this Quick Setup Guide show the MFC-J5930DW.
• Save all packing materials and the box in case for any reason you must ship your machine.
• **You must purchase the correct interface cable for the interface you want to use.**

USB cable

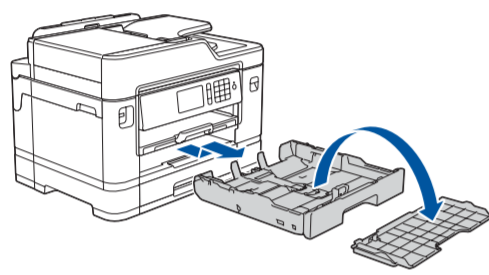
We recommend using a USB 2.0 cable (Type A/B) that is no more than 16 feet (5 meters) long.

Ethernet (Network) cable

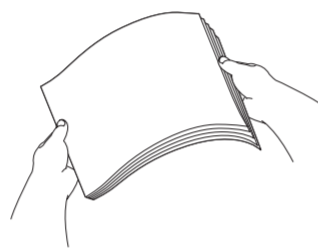
Use a straight-through Category5 (or greater) twisted-pair cable for 10BASE-T or 100BASE-TX Fast Ethernet Network.

2 Load plain Letter/A4 paper

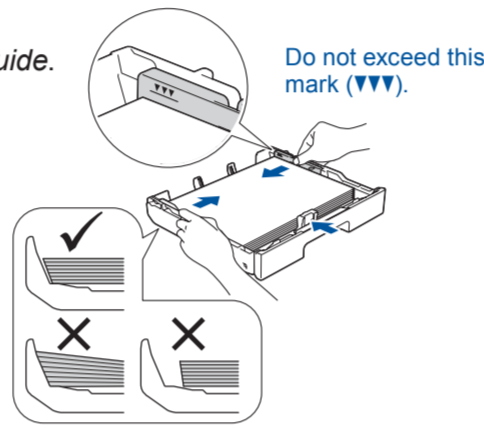
For loading other paper sizes and types, see *Paper Handling* in the *Basic User's Guide*.



Pull the paper tray completely out of the machine as shown by the arrow. Take off the tray top cover.

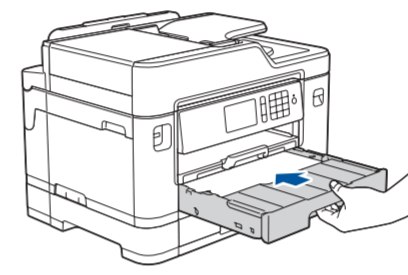


Fan the paper well.

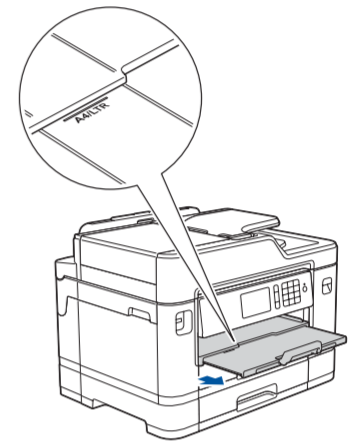


Adjust the paper guides.
Load the paper in the tray.

Do not exceed this mark (▼▼▼).

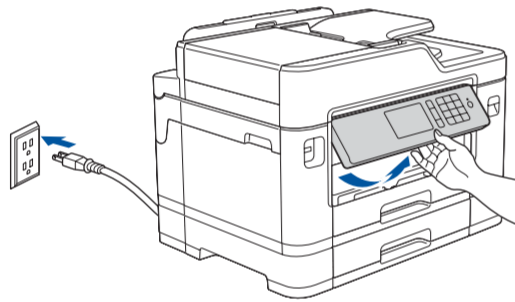


Put on the tray top cover, and then slowly push the paper tray completely into the machine.



Pull out the paper support until it locks into place.

3 Connect the power cord



Connect the power cord. The machine will power on automatically.

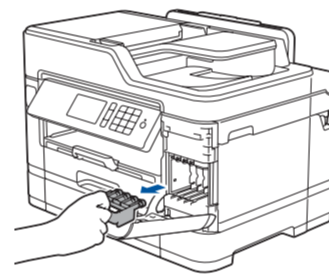
NOTE

You can adjust the control panel angle to read the Touchscreen more easily.

4 Set the date and time

Follow the Touchscreen instructions to set the date and time.

5 Install the starter ink cartridges

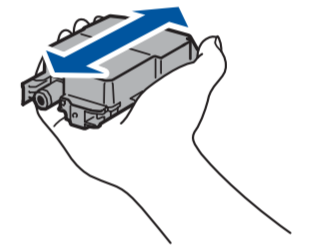


Open the ink cartridge cover and remove the orange protective part from the machine.

NOTE

Follow the Touchscreen instructions to store the orange protective part inside the machine. If you must transport the machine, remove the ink cartridges and replace this part.

Follow the Touchscreen instructions to unpack and install the ink cartridges. The machine will prepare the ink tube system for printing.



Quickly shake just the **black** ink cartridge horizontally 15 times as shown, before inserting it into the machine.

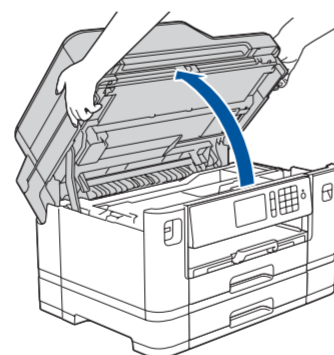
6 Machine settings

When the machine has finished the initial cleaning process, follow the Touchscreen instructions to configure the machine settings.

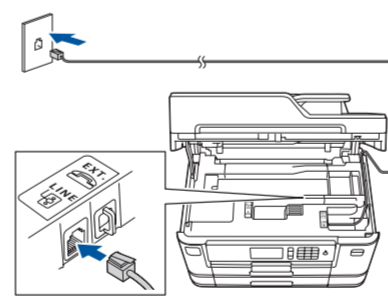
- Check print quality
- Configure the tray or paper size settings
- View operation tips
- Set Brother LCD Message defaults
- Print the installation sheet

7 Connect the telephone line cord

If you are not using your machine as a fax, go to **8**



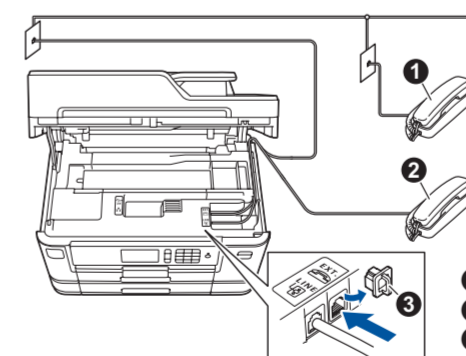
Lift the scanner cover.



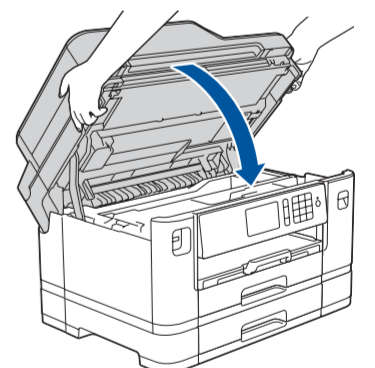
Connect the telephone line cord. Use the jack marked **LINE** and guide the cord out the back of the machine.

NOTE

If you are sharing one telephone line with an external telephone, connect it as shown below. Before you connect the external telephone, remove the white protective cap **3** from the **EXT.** jack of the machine.



1. Extension telephone
2. External telephone
3. Protective cap



Close the scanner cover.

8 Choose your language (if needed)

1. Press **[Y]** [Settings] > [All Settings] > [Initial Setup] > [Local Language].
2. Press your language.
3. Press **[OK]**.

9 Choose the correct Receive Mode

If you are not using your machine as a fax, go to **11**

The correct Receive Mode is determined by the external devices and telephone subscriber services (Voice Mail, Distinctive Ring, etc.) you will be using on the same line as the Brother machine. For more information, see *Receive Modes Overview* in *chapter 6* of the *Basic User's Guide*.

1. Press **[Y]** [Settings] > [All Settings] > [Fax] > [Setup Receive] > [Receive Mode].
2. Press your preferred Receive Mode.
3. Press **[OK]**.

10 Set your Station ID

If you are not using your machine as a fax, go to **11**

Store your name and fax number so the machine prints it on all outgoing fax pages. For more information, see *Enter Text on Your Brother Machine* in *Appendix* of the *Basic User's Guide*.

1. Press **[Y]** [Settings] > [All Settings] > [Initial Setup] > [Station ID] > [Fax].
2. Enter your fax number (up to 20 digits) on the Touchscreen, and then press **[OK]**.
3. Press **[Name]**.
4. Enter your name (up to 20 characters) using the Touchscreen, and then press **[OK]**.
5. Press **[OK]**.



11 Select a device to connect to your machine

Computer



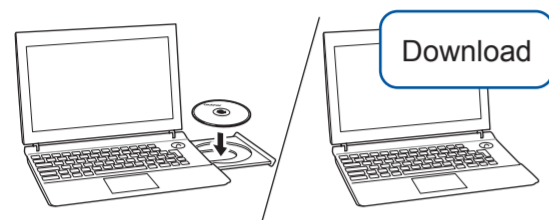
Go to **12** and follow the instructions.

Mobile Device



Go to **13** and follow the instructions.

12 Connect your computer



Put the installation disc into your CD/DVD drive, or download the Full Driver & Software Package at:

For Windows®: solutions.brother.com/windows
For Macintosh: solutions.brother.com/mac

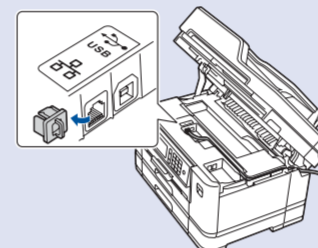
If you are using a recently released operating system on your computer, visit the above websites for updated driver and software information.

Follow the on-screen instructions and prompts.

For Windows®:
If the Brother screen does not appear automatically, go to **Computer (My Computer/This PC)**. Double-click the CD/DVD-ROM icon, and then double-click **start.exe**.

For Macintosh:
For full driver functionality, we recommend choosing the **CUPS driver** when adding a printer.

For Wired Network Connection and USB Connection:
Locate the correct port (based on the cable you are using) inside the machine as shown.



Finished

Brother regularly updates firmware to add features and apply bug fixes. To check for the latest firmware, visit solutions.brother.com/up2.

Can't Connect? Check the following:

Wireless network

Restart your wireless access point/router (if possible).

Wired network
USB connection

Disconnect the cable.

Restart your machine and computer, and then go to **12**

If still not successful, go to **13**

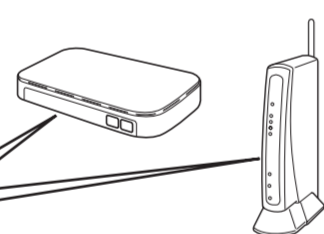
If still not successful, visit support.brother.com for FAQs and Troubleshooting.

13 Alternative wireless setup

Find your SSID (Network Name) and Network Key (Password) on your wireless access point/router and write them in the table provided below.

SSID (Network Name)	
Network Key (Password)	

SSID: XXXXXXXX
Network key: XXXX



If you cannot find this information, ask your network administrator or wireless access point/router manufacturer.

Go to your machine, and press [WiFi] > [Setup Wizard] > [Yes].



Select the SSID (Network Name) for your access point/router and enter the Network Key (Password).

When the wireless setup is successful, the Touchscreen displays [Connected].

If setup is not successful, restart your Brother machine and your wireless access point/router, and repeat **13**

For Computer

Go to **12** to install software.

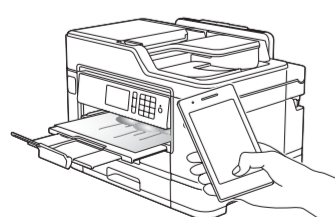
For Mobile Device

Go to **14** to install apps.

Even if you do not have a wireless access point/router, you can connect your device and your machine directly. For additional wireless network support, go to solutions.brother.com/wireless-support.

14 Print or scan using your mobile device

Download and install our free application "**Brother iPrint&Scan**" from a mobile application store, such as the App Store, Google Play™ or Windows Phone® Store using your mobile device.



NOTE
Your mobile device and machine must be connected to the same wireless network.

Brother SupportCenter is a mobile app that provides the latest support information for your Brother product. Visit the App Store or Google Play™ to download.



Finished

Optional apps

You can print from and scan to your mobile device using various apps. For instructions, see the *Online User's Guide*.

(USA only) For more information on apps, visit www.brother-usa.com/connect.



Additional Wireless Support: solutions.brother.com/wireless-support

For FAQs, Troubleshooting, and to download software and manuals, visit support.brother.com.

© 2018 Brother Industries, Ltd. All rights reserved.