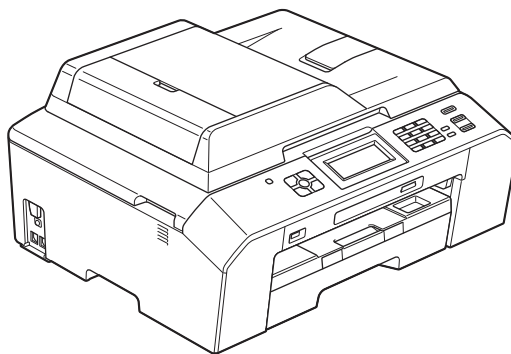




Inkjet MFC **PARTS REFERENCE LIST**

MODEL: MFC-J5910DW



Read this list thoroughly before maintenance work.

Keep this list in a convenient place for quick and easy reference at all times.

NOTE FOR USING THIS PARTS REFERENCE LIST

1. In the case of ordering parts, it is necessary to mention the following items;

- (1) Code
- (2) Q'ty
- (3) Description
- (4) Symbol (PCB No. etc)

Note: Orders without Parts Code or Tool No. can not be accepted.

< Example >

	(1) CODE	(2) Q'TY	(3) DESCRIPTION	(4) SYMBOL	REMARK
REF.NO.					

2. Design-changed parts :

If any of the parts is changed, one of the following symbols is indicated in the REMARK column.

CHG(chg) : The parts is changed to a new parts.

ADD(add) : The parts is newly added.

DEL(del) : The parts is deleted.

Symbol in capital letters indicates the latest parts change information in the page.

3. Parts change will be informed by the Parts change information.

4. Parts are subject to change in design without prior notice.

COUNTRIES

U.S.A. ---- US

CANADA ---- CAN

GERMANY ---- GER

UNITED KINGDOM ---- U.K.

FRANCE ---- FRA

BELGIUM ---- BEL

NETHERLANDS ---- NLD

SWITZERLAND ---- CHE

ITALY ---- ITA

ISRAEL ---- ISR

CHINA ---- CHN

TAIWAN ---- TWN

INDONESIA ---- IDN

CHILE ---- CHL

POLAND ---- POL

ASIA (SINGAPORE/GULF) ---- ASA

BRAZIL ---- BRA

KOREA ---- KOR

RUSSIA ---- RUS

OCEANIA (AUSTRALIA/NEW ZEALAND) ---- OCE

PAN-NORDIC

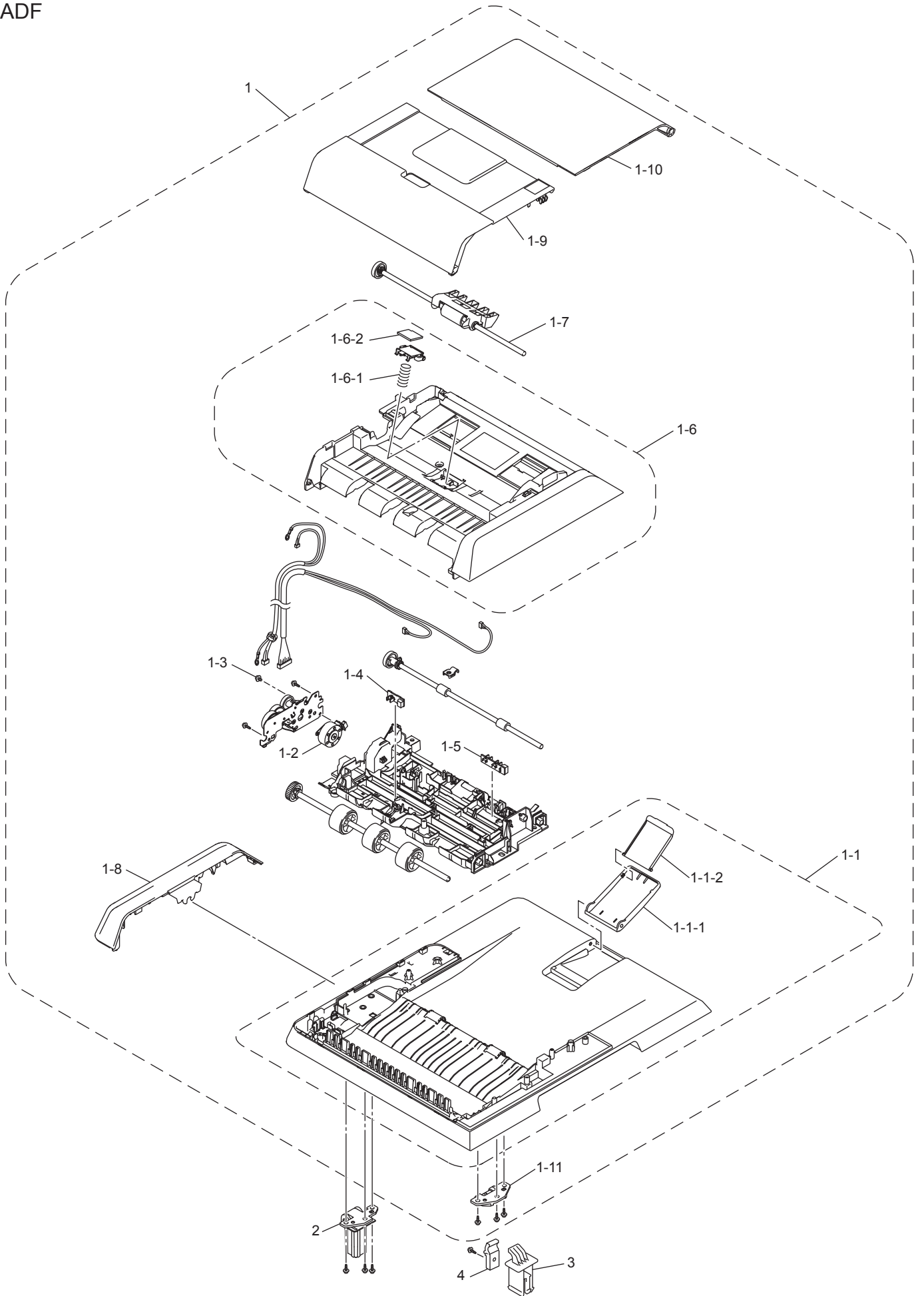
(NORWAY/FINLAND/DENMARK/SWEDEN) ---- PND

IBERIA (SPAIN/PORTUGAL) ---- IBR

CEE GENERAL ---- CEE

CONTENTS

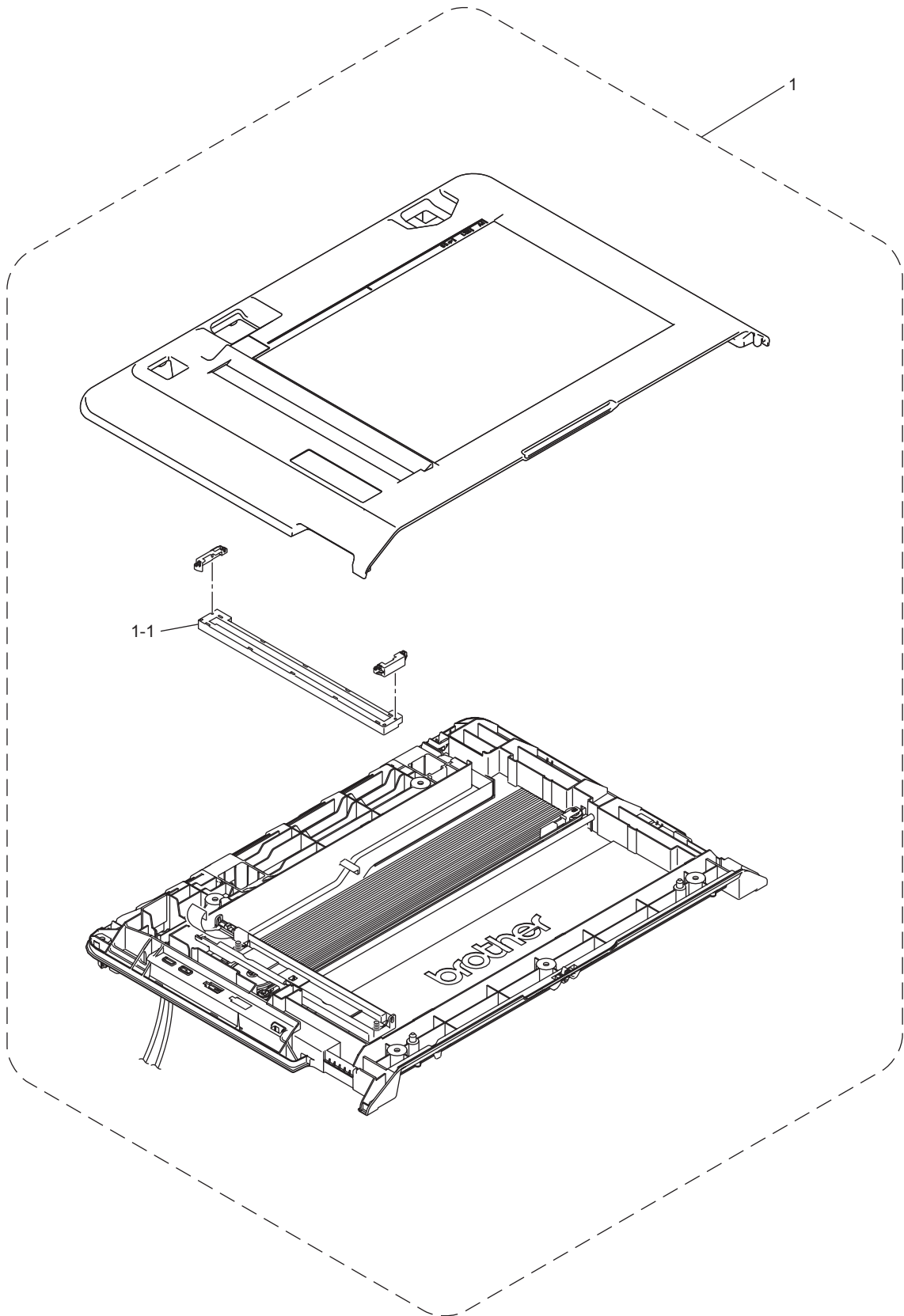
1.	<u>ADF</u>	1
2.	<u>SCANNER</u>	3
3.	<u>ENGINE</u>	5
4.	<u>CARTRIDGE CASE</u>	7
5.	<u>HEAD</u>	9
6.	<u>PAPER TRAY</u>	11
7.	<u>COVER</u>	13
8.	<u>PANEL</u>	15
9.	<u>PCB</u>	17
10.	<u>ACCESSORIES</u>	19
11.	<u>PRINTED MATERIALS</u>	21
12.	<u>PACKAGING</u>	23
13.	<u>OTHERS</u>	25



List1(ADF)

REF No.	CODE	Q'TY	DESCRIPTION	RECOMMEND	REMARKS
1	LED024001	1	ADF UNIT (SP)		
1-1	LX8105001	1	DOCUMENT COVER ASSY		
1-1-1	LX8050007	1	ADF DOCUMENT OUTPUT SUPPORT FLAP A		
1-1-2	LX8051007	1	ADF DOCUMENT OUTPUT SUPPORT FLAP B		
1-2	LS4414001	1	ADF MOTOR		
1-3	0A4300606	1	SCREW PAN (S/P WASHER) M3X6		
1-4	LG6753001	1	DOCUMENT SCANNING POSITION SENSOR PCB		
1-5	LT1120001	1	DOCUMENT DETECTION SENSOR / ADF COVER PCB		
1-6	LX8110001	1	UPPER ADF CHUTE		
1-6-1	LX3831001	1	ADF SEPARATION SPRING		
1-6-2	LX3833001	1	ADF SEPARATION PAD		
1-7	LX9296001	1	DOCUMENT SEPARATION ROLLER ASSY		
1-8	LX8054007	1	ADF BACK COVER		
1-9	LX8112001	1	ADF COVER ASSY		
1-10	LX8056004	1	ADF DOCUMENT SUPPORT		
1-11	LS8141005	1	ADF HINGE ARM R		
2	LX8113001	1	ADF HINGE L		
3	LX5180005	1	ADF HINGE R		
4	LS8155005	1	ADF HINGE SUPPORT R		

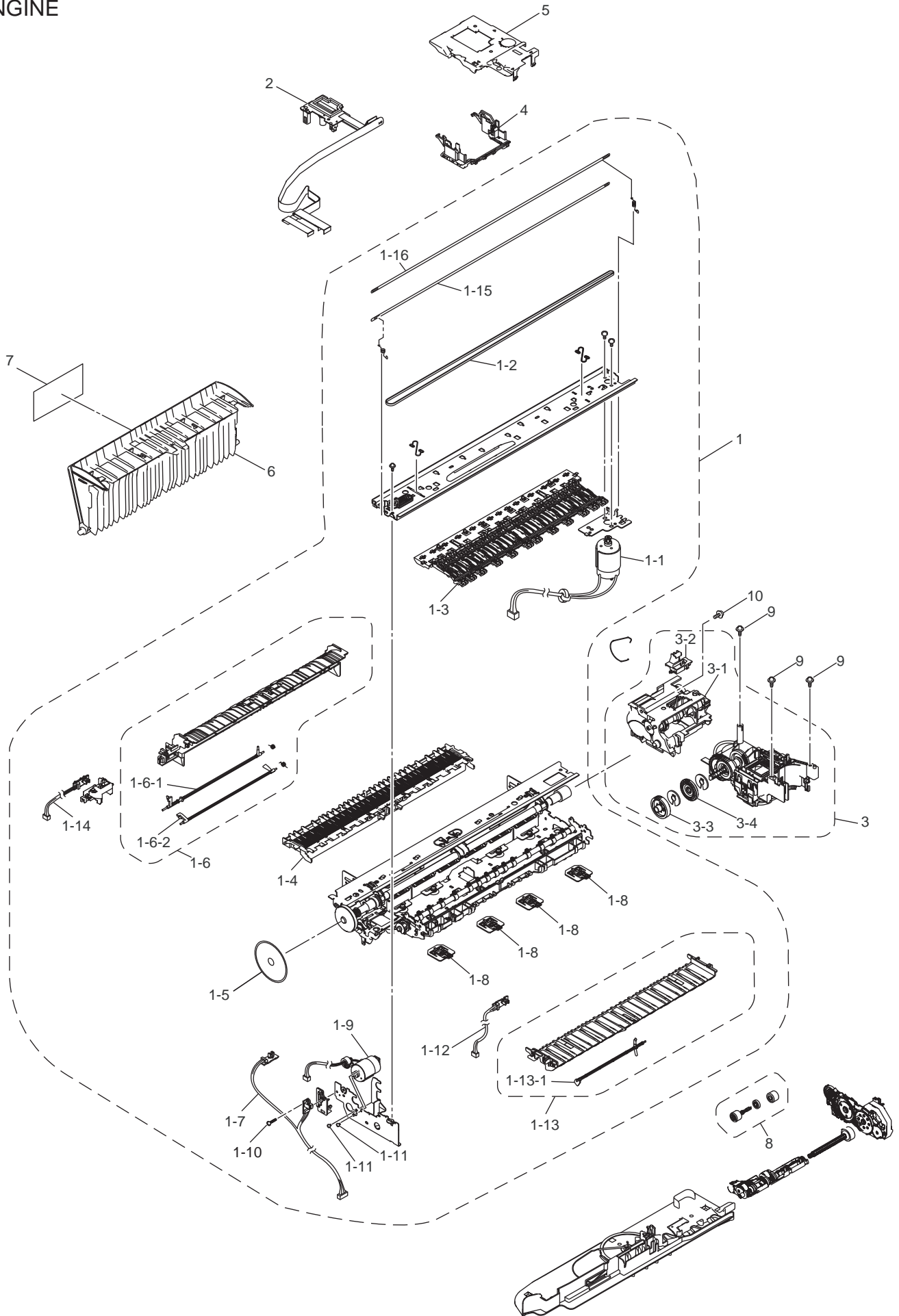
2 SCANNER



List2(SCANNER)

REF No.	CODE	Q'TY	DESCRIPTION	RECOMMEND	REMARKS
1	LED027001	1	DOCUMENT SCANNER UNIT (SP)		
1-1	LT1446001	1	CIS UNIT		

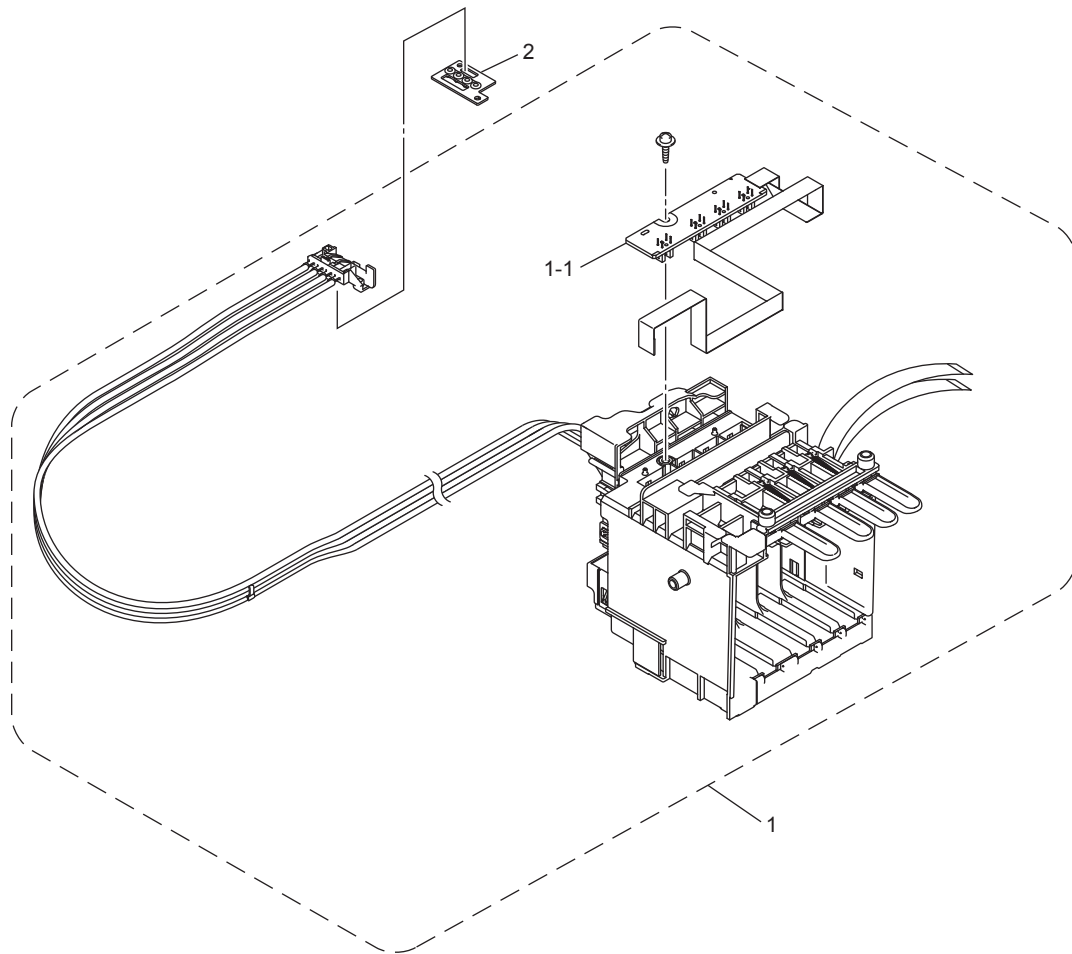
3 ENGINE



List3(ENGINE)

REF No.	CODE	Q'TY	DESCRIPTION	RECOMMEND	REMARKS
1	LX7217001	1	ENGINE UNIT (SP)		
1-1	LX3323001	1	CARRIAGE MOTOR		
1-2	LX3324001	1	CR TIMING BELT		
1-3	LX3245001	1	STAR WHEEL HOLDER ASSY		
1-4	LX3248001	1	PLATEN ASSY		
1-5	LP1471001	1	PF ENCODER DISK		
1-6	LX3424001	1	INNER CHUTE ASSY		
1-6-1	LX3426001	1	REGISTRATION SENSOR ACTUATOR		
1-6-2	LX3428001	1	PAPER FEED SENSOR ACTUATOR		
1-7	LT1060001	1	PF ENCODER / PF SENSOR HARNESS UNIT		
1-8	LX3479001	4	DX CHUTE ROLLER HOLDER ASSY		
1-9	LX3275001	1	PAPER FEED MOTOR		
1-10	000021206	1	SCREW BIND M2X12		
1-11	LS4781001	2	SCREW BIND M2.6X4		
1-12	LT1062001	1	SWITCHBACK PAPER SENSOR PCB ASSY		
1-13	LX3285001	1	INNER PAPER GUIDE ASSY		
1-13-1	LX3287001	1	SWITCH BACK PAPER DETECTION ACTUATOR		
1-14	LT1241001	1	REGISTRATION SENSOR PCB ASSY		
1-15	LX3325001	1	CR ENCODER STRIP		CHG
1-16	LX3327001	1	ENCODER STRIP GUARD FILM		
2	LX7223001	1	CARRIAGE PCB ASSY (SP)		
3	LX6875001	1	MAINTENANCE UNIT (SP)		
3-1	LX3400001	1	ASF DRIVE ASSY		
3-2	LX3422001	1	SWITCHING LEVER GUIDE		
3-3	LX3419001	1	ASF SWITCHING GEAR A		
3-4	LX3420001	1	ASF SWITCHING GEAR B		
4	LX8279001	1	LEVELER ROLLER ASSY		
5	LX3339001	1	HEAD COVER ASSY		
6	LX8088007	1	JAM CLEAR COVER		
7	LX8178001	1	JAM CLEAR COVER LABEL		
8	LX0126001	1	PAPER PULL-IN ROLLER ASSY		
9	087311016	3	TAPTITE CUP B M3X10		
10	087320616	1	TAPTITE CUP S M3X6		

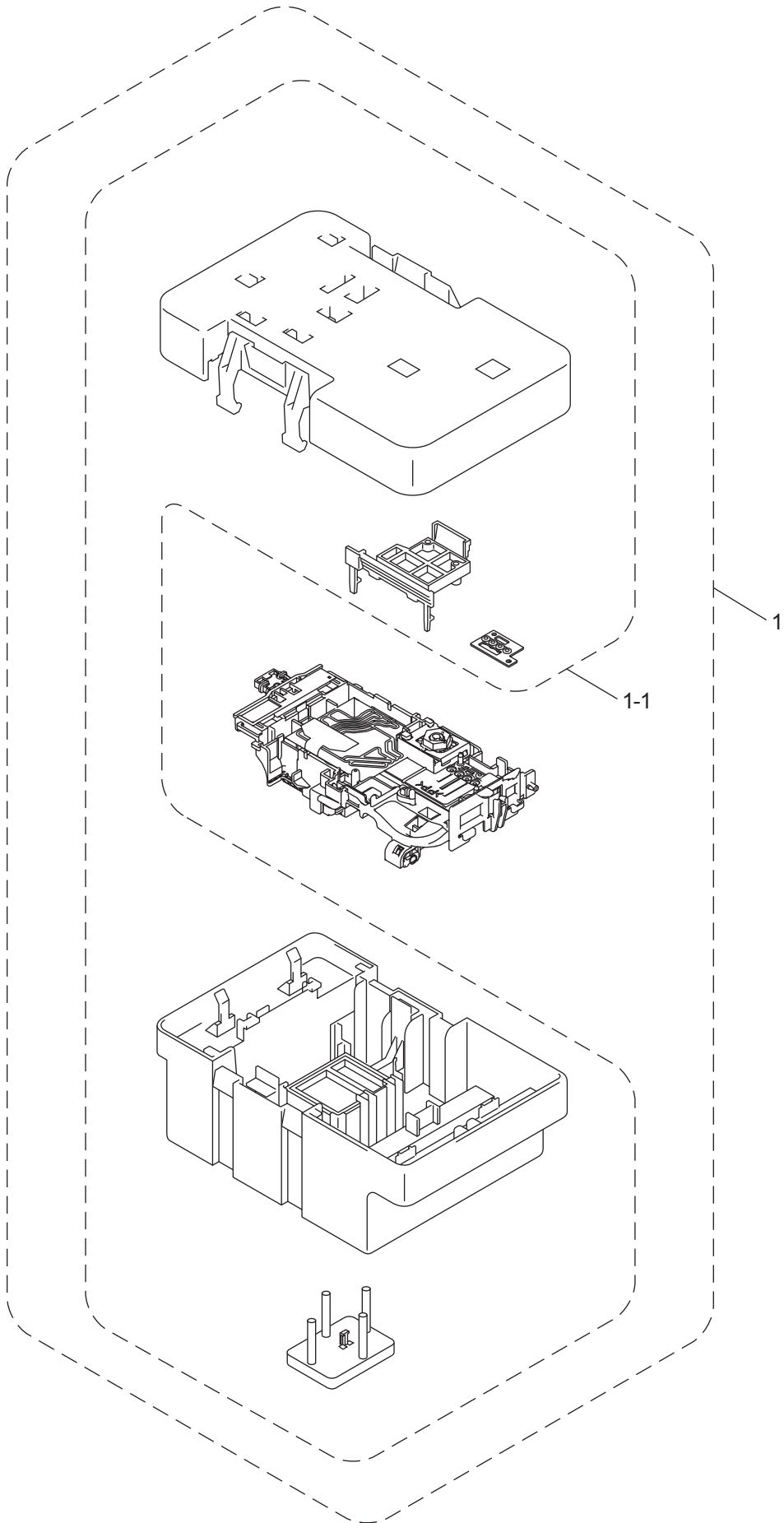
4 CARTRIDGE CASE



List4(CARTRIDGE CASE)

REF No.	CODE	Q'TY	DESCRIPTION	RECOMMEND	REMARKS
1	LK5792001	1	INK REFILL ASSY (SP) EXCEPT FOR CHN/IDN		
1	LK6301001	1	INK REFILL ASSY (SP) FOR CHN/IDN		
1-1	LK5136001	1	INK CARTRIDGE DETECTION SENSOR PCB		
2	LK5793001	1	HEAD JOINT RUBBER (SP)		

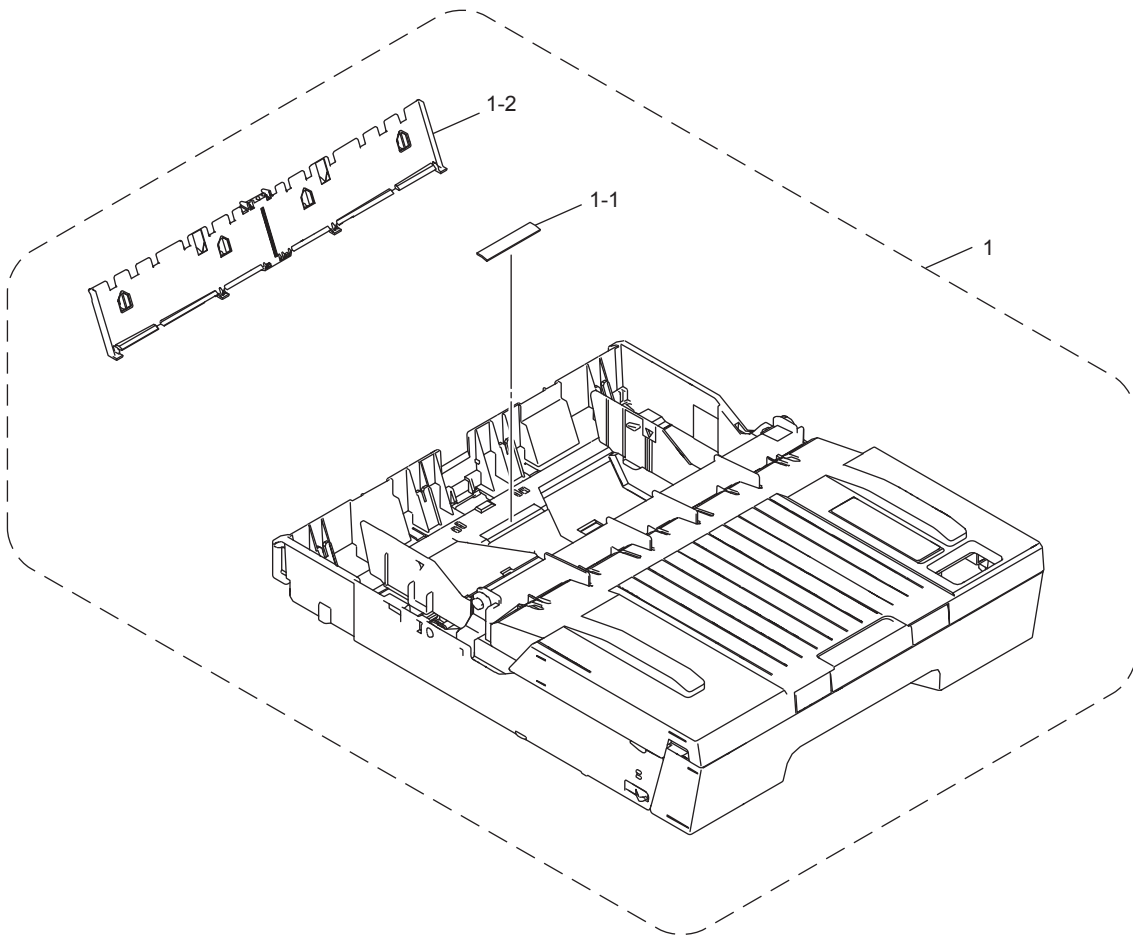
5 HEAD



List5(HEAD)

REF No.	CODE	Q'TY	DESCRIPTION	RECOMMEND	REMARKS
1	LK5374001	1	HEAD/CARRIAGE UNIT SUPPLY ASSY (SP)		
1-1	LK5391001	1	PROTECTOR SUPPLY ASSY (SP)		

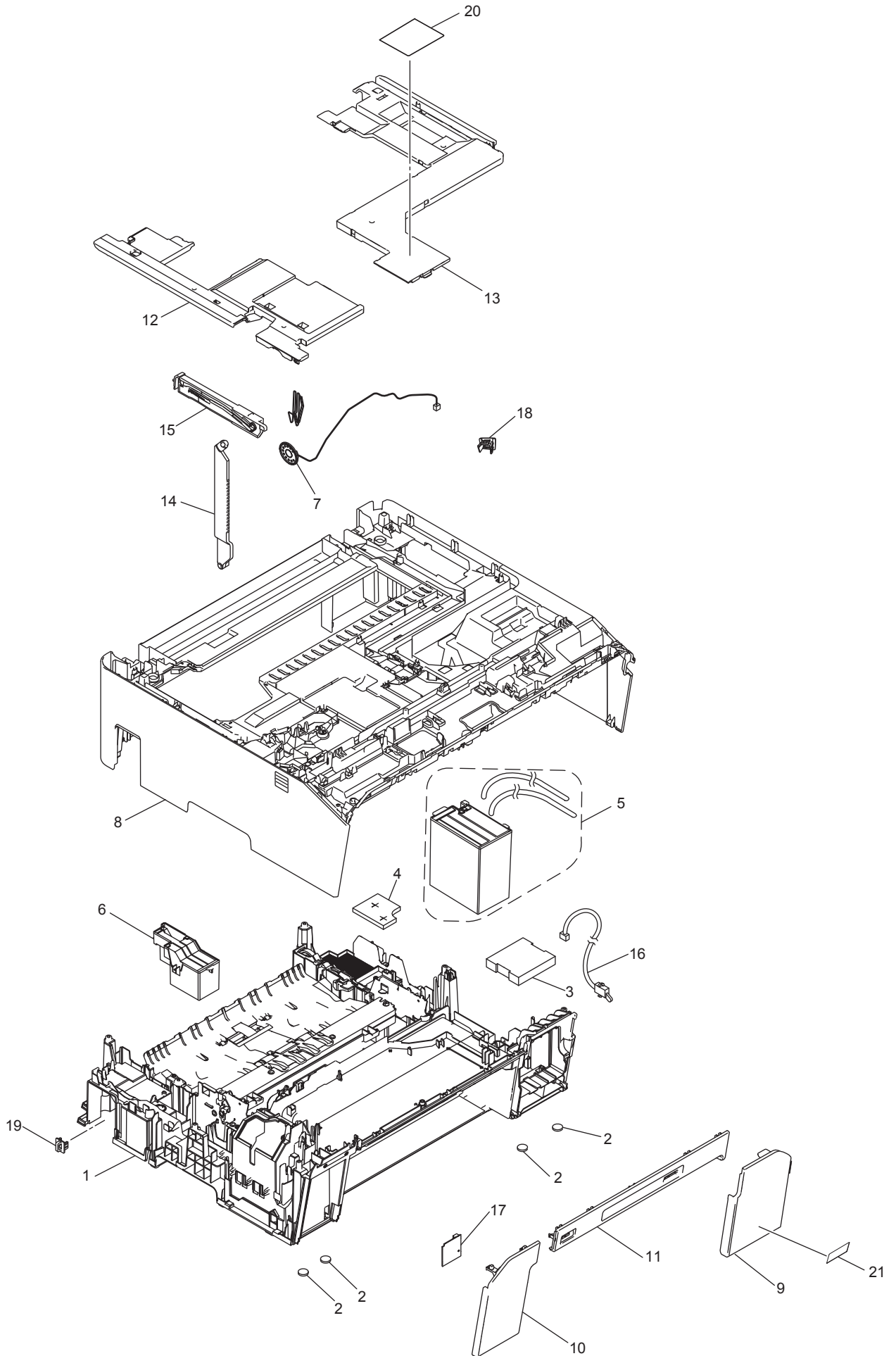
6 PAPER TRAY



List6(PAPER TRAY)

REF No.	CODE	Q'TY	DESCRIPTION	RECOMMEND	REMARKS
1	LX6878001	1	PAPER TRAY A3 ASSY (SP)		
1-1	LX3530001	1	BASE PAD		
1-2	LS4162001	1	BANK ASSY		

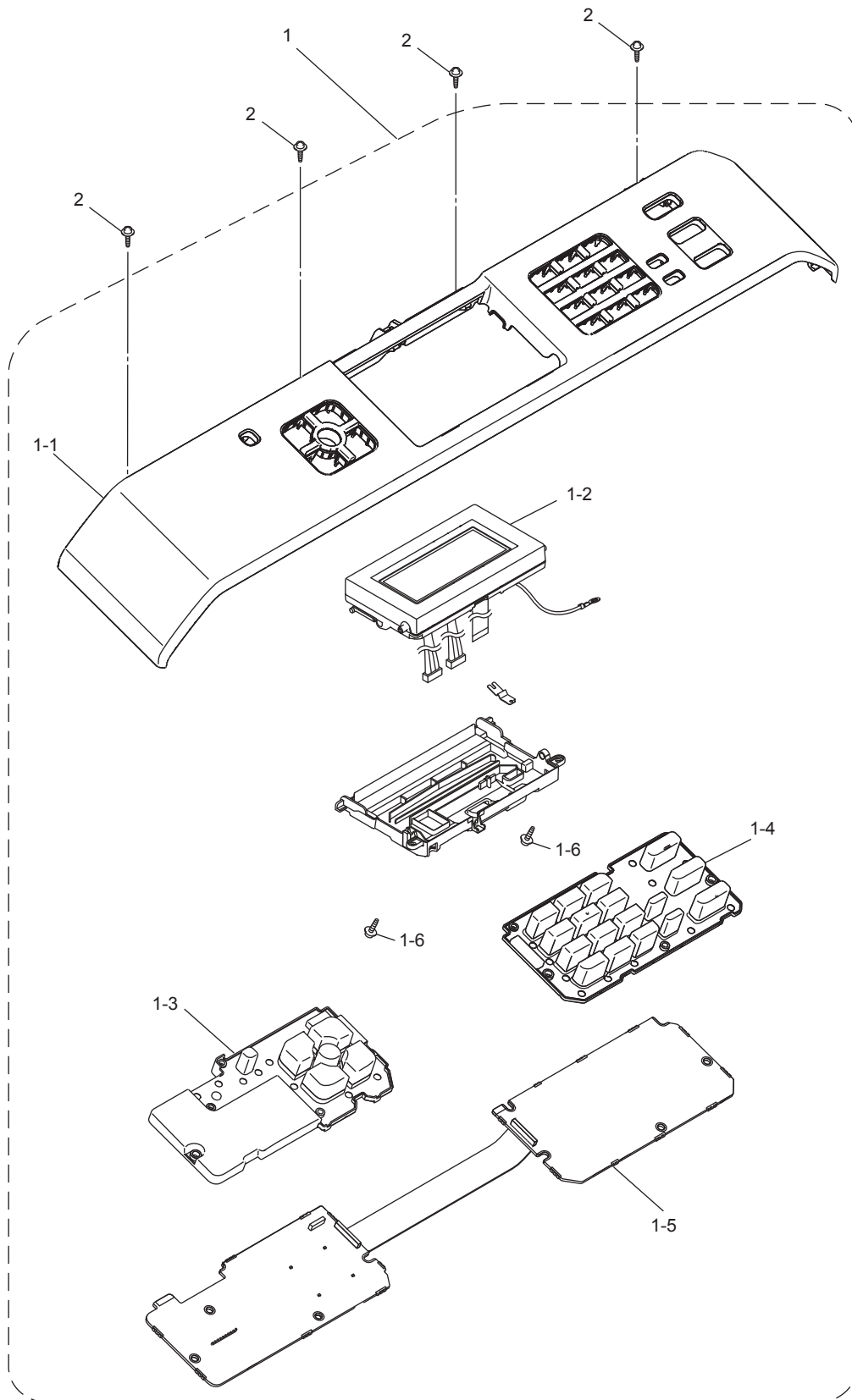
7 COVER



List7(COVER)

REF	CODE	Q'TY	DESCRIPTION	RECOMMEND	REMARKS
1	LX3882007	1	LOWER COVER		
2	LP1763001	4	BOTTOM RUBBER		
3	LX3883001	1	INK ABSORBER FELT (FOR INK REFILL ASSY)		
4	LX3884001	1	INK ABSORBER FELT (FOR MAINTENANCE UNIT)		
5	LX6684001	1	INK ABSORBER TUBE ASSY (SP)		
6	LX3890001	1	FLUSHING BOX		
7	LT1260001	1	SPEAKER		
8	LX7799007	1	UPPER COVER		
9	LX7800007	1	INK CARTRIDGE COVER		
10	LX7801007	1	FRONT COVER		
11	LX7802001	1	MEDIA MODULE COVER		
12	LX7804007	1	HARNES COVER		
13	LX7805007	1	CIS FLAT CABLE COVER		
14	LS5455001	1	SCANNER COVER SUPPORT		
15	LS5457001	1	SCANNER COVER DAMPER		
16	LT1165001	1	INK CARTRIDGE COVER SENSOR ASSY		
17	LT2155001	1	WIRELESS LAN PCB		CHG
18	LY0872001	1	LAN PORT CAP		
19	LE8842001	1	EXT CAP FOR US/CAN/NLD/CHE/ISR/CHN/TWN/IDN/CHL/POL/ASA/BRA/ KOR/RUS/OCE/PND/IBR/CEE		
19	UF5745000	1	MJ COVER EXT FOR GER/UK/FRA/BEL/ITA		
20	LX8179001	1	FB CLOSE CAUTION LABEL		
21	LX3721001	1	INNOBELLA LABEL FOR US		
21	LX3722001	1	INNOBELLA LABEL EXCEPT FOR US		

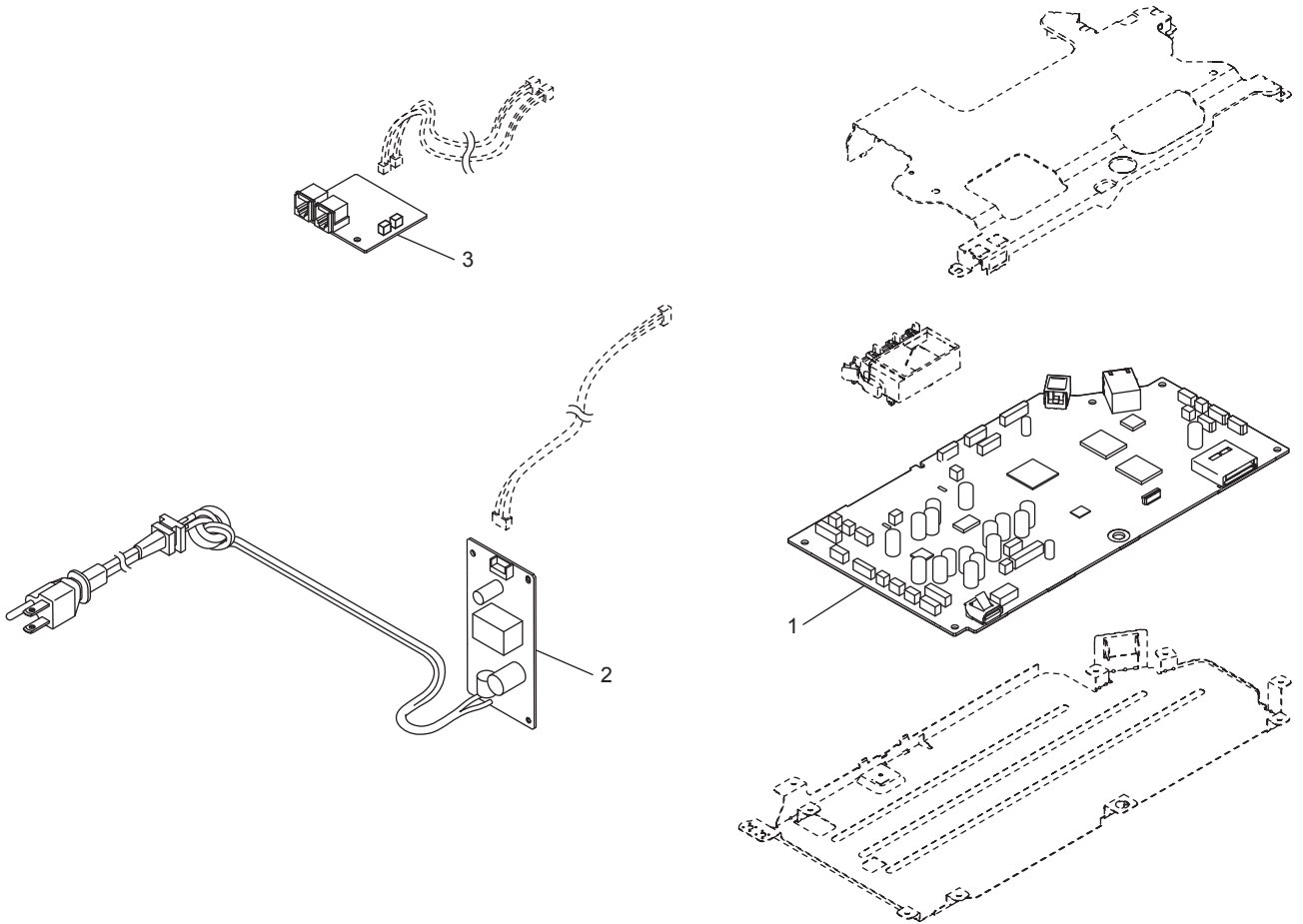
8 PANEL



List8(PANEL)

REF	CODE	Q'TY	DESCRIPTION	RECOMMEND	REMARKS
1	LX7817001	1	CONTROL PANEL ASSY FOR US/CAN		
1	LX8997001	1	CONTROL PANEL ASSY FOR GER		
1	LX8138001	1	CONTROL PANEL ASSY FOR UK/BEL/CHE/ISR/CEE		
1	LED032001	1	CONTROL PANEL ASSY FOR FRA		
1	LED543001	1	CONTROL PANEL ASSY FOR NLD		
1	LED046001	1	CONTROL PANEL ASSY FOR ITA		
1	LEG130001	1	CONTROL PANEL ASSY FOR CHN		
1	LED953001	1	CONTROL PANEL ASSY FOR TWN		
1	LED701001	1	CONTROL PANEL ASSY FOR IDN/ASA/OCE		
1	LED808001	1	CONTROL PANEL ASSY FOR CHL		
1	LED551001	1	CONTROL PANEL ASSY FOR POL		
1	LED919001	1	CONTROL PANEL ASSY FOR BRA		
1	LED958001	1	CONTROL PANEL ASSY FOR KOR		
1	LED739001	1	CONTROL PANEL ASSY FOR RUS		
1	LED554001	1	CONTROL PANEL ASSY FOR PND		
1	LED051001	1	CONTROL PANEL ASSY FOR IBR		
1-1	LX7818001	1	CONTROL PANEL BASE FOR US/CAN		
1-1	LX8998001	1	CONTROL PANEL BASE FOR GER		
1-1	LX8139001	1	CONTROL PANEL BASE FOR UK/BEL/CHE/ISR/CEE		
1-1	LED033001	1	CONTROL PANEL BASE FOR FRA		
1-1	LED544001	1	CONTROL PANEL BASE FOR NLD		
1-1	LED047001	1	CONTROL PANEL BASE FOR ITA		
1-1	LEG131001	1	CONTROL PANEL BASE FOR CHN		
1-1	LED954001	1	CONTROL PANEL BASE FOR TWN		
1-1	LED702001	1	CONTROL PANEL BASE FOR IDN/ASA/OCE		
1-1	LED809001	1	CONTROL PANEL BASE FOR CHL		
1-1	LED552001	1	CONTROL PANEL BASE FOR POL		
1-1	LED920001	1	CONTROL PANEL BASE FOR BRA		
1-1	LED959001	1	CONTROL PANEL BASE FOR KOR		
1-1	LED740001	1	CONTROL PANEL BASE FOR RUS		
1-1	LED555001	1	CONTROL PANEL BASE FOR PND		
1-1	LED052001	1	CONTROL PANEL BASE FOR IBR		
1-2	LX7820001	1	LCD UNIT		
1-3	LX7827001	1	RUBBER KEY L		
1-4	LX7829001	1	RUBBER KEY R		
1-5	LT1457001	1	PANEL PCB ASSY		
1-6	087311016	2	TAPTITE CUP B M3X10		
2	087311016	4	TAPTITE CUP B M3X10		

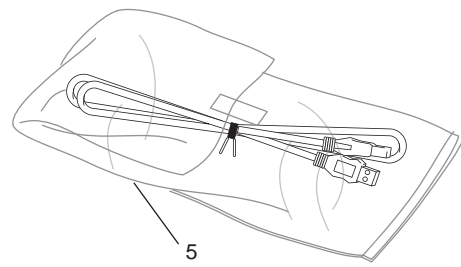
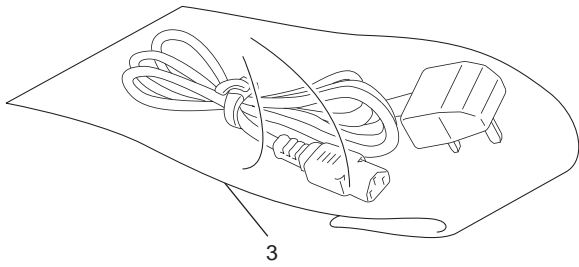
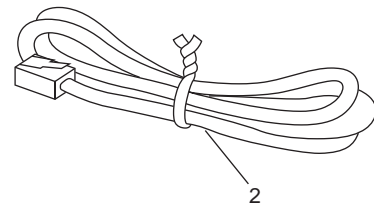
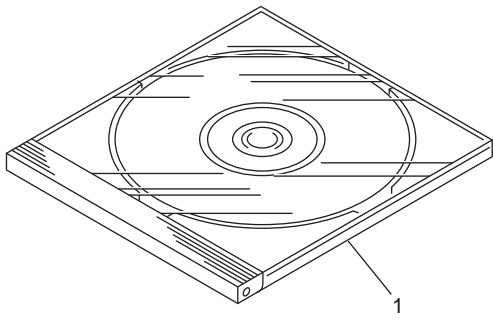
9 PCB



List9(PCB)

REF	CODE	Q'TY	DESCRIPTION	RECOMMEND	SYMBOL	REMARKS
1	LT1632001	1	MAIN PCB ASSY		B57U107	
2	LT1264001	1	POWER SUPPLY PCB ASSY FOR US/CAN			
2	LT1692001	1	POWER SUPPLY PCB ASSY FOR CHN/IDN			
2	LT1686001	1	POWER SUPPLY PCB ASSY FOR TWN			
2	LT2352001	1	POWER SUPPLY PCB ASSY FOR BRA			CHG
2	LT1672001	1	POWER SUPPLY PCB ASSY FOR RUS			
2	LT1347001	1	POWER SUPPLY PCB ASSY EXCEPT FOR US/CAN/CHN/TWN/IDN/BRA/RUS			
3	LT1335001	1	MJ PCB ASSY FOR US/CAN/CHN/TWN/IDN/ CHL/ASA/OCE		B57U077	
3	LT1335044	1	MJ PCB ASSY FOR BRA/KOR			
3	LT1335004	1	MJ PCB ASSY EXCEPT FOR US/CAN/CHN/TWN/IDN/CHL/ASA/BRA/KOR/OCE		B57U077	

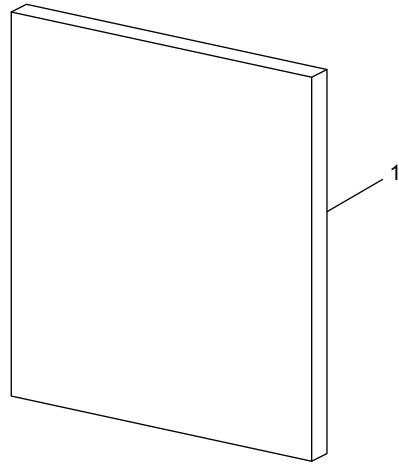
10 ACCESSORIES



List10(Accessories)

REF No.	CODE	Q'TY	DESCRIPTION	RECOMMEND	REMARKS
1	LX8382001	1	CD-ROM ASSY FOR US/CAN/CHL/BRA		
1	LX8391001	1	CD-ROM ASSY FOR GER/UK/FRA/BEL/NLD/CHE/ITA/ ISR/IDN/ASA/OCE/IBR		
1	LX8419001	1	CD-ROM ASSY FOR CHN/TWN		
1	LX8406001	1	CD-ROM ASSY FOR POL/CEE		
1	LX8423001	1	CD-ROM ASSY FOR KOR		
1	LX8912001	1	CD-ROM ASSY FOR RUS/PND		
2	LG3077001	1	TELEPHONE LINE CORD CSA FOR US/CAN/UK/NLD/ISR/CHN/TWN/IDN/CHL/POL/ASA/BRA/ KOR/RUS/OCE/IBR/CEE		
2	UG3625001	1	TELEPHONE LINE CORD FOR GER		
2	UG3626001	1	TELEPHONE LINE CORD FOR UK		
2	UG3627001	1	TELEPHONE LINE CORD FOR FRA		
2	UG1575001	1	TELEPHONE LINE CORD FOR BEL		
2	LG7202001	1	TELEPHONE LINE CORD FOR CHE		
2	UG3634001	1	TELEPHONE LINE CORD FOR ITA		
2	UG3290001	1	TELEPHONE LINE CORD FOR OCE		
2	LG5827001	1	TELEPHONE LINE CORD FOR PND		
3	LG5717001	1	AC CORD BAG ASSY LF VDE FOR GER/FRA/BEL/NLD/ITA/IDN/POL/ASA/RUS/ PND/IBR/CEE		
3	LG5692001	1	AC CORD BAG ASSY LF UK FOR UK/ASA		
3	LT2260001	1	AC CORD BAG ASSY LF SEV FOR CHE		CHG
3	LG7005001	1	AC CORD BAG ASSY LF ISRAEL FOR ISR		
3	LT1404001	1	AC CORD BAG ASSY LF CCC 60227 FOR CHN		
3	LT0613001	1	AC CORD BAG ASSY LF IND FOR IDN		
3	LG6426001	1	AC CORD BAG ASSY LF CHILE FOR CHL		
3	LT0935001	1	AC CORD BAG ASSY LF KOR S FOR KOR		
3	LG5734001	1	AC CORD BAG ASSY LF SAA FOR OCE		
3	LG5736001	1	AC CORD BAG ASSY LF DEMKO FOR PND		
(4)	LG3622001	1	TELEPHONE PLUG DUT FOR NLD		
(4)	LG6573001	1	TELEPHONE PLUG ARL FOR OCE		
(4)	LG5828001	1	TELEPHONE PLUG DEN FOR PND		
(4)	LG5830001	1	TELEPHONE PLUG SWE FOR PND		
(4)	LG5829001	1	TELEPHONE PLUG FIN FOR PND		
5	LP0001001	1	USB CABLE 2.0		

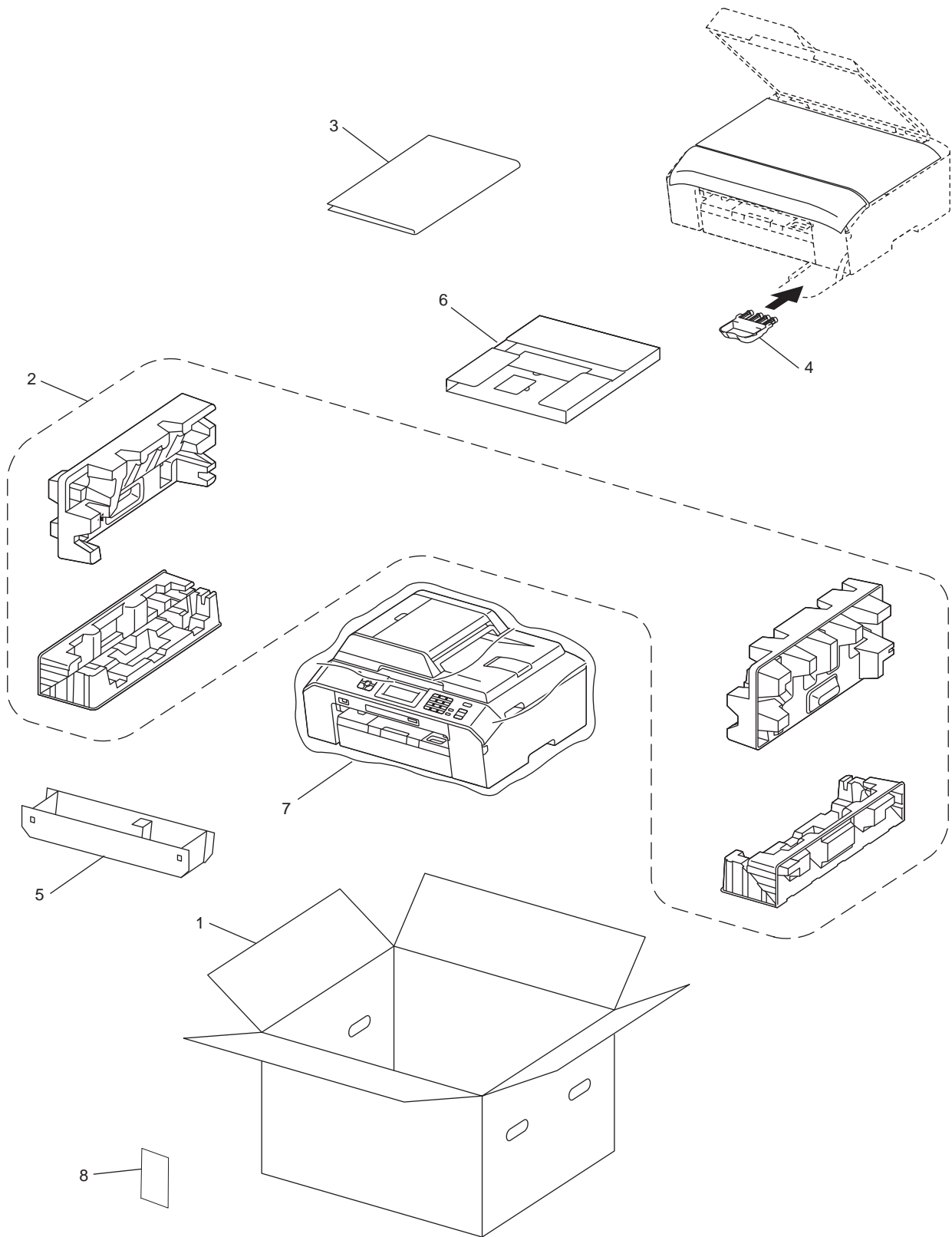
11 PRINTED MATERIALS



List11(PRINTED MATERIALS)

REF No.	CODE	Q'TY	DESCRIPTION	RECOMMEND	REMARKS
1	LX8860001	1	USER'S GUIDE FOR US/CAN (ENGLISH)		
1	LX8860002	1	USER'S GUIDE FOR CAN (FRENCH)		
1	LED020003	1	USER'S GUIDE FOR GER		
1	LED020004	1	USER'S GUIDE FOR UK		
1	LED020005	1	USER'S GUIDE FOR FRA		
1	LED020008	1	USER'S GUIDE FOR BEL (DUTCH)		
1	LED020058	1	USER'S GUIDE FOR BEL/CHE (FRENCH)		
1	LED020009	1	USER'S GUIDE FOR NLD		
1	LEG133020	1	USER'S GUIDE FOR CHN		
1	LED020023	1	USER'S GUIDE FOR TWN		
1	LED020010	1	USER'S GUIDE FOR CHE (GERMAN)		
1	LED020016	1	USER'S GUIDE FOR ITA		
1	LED020040	1	USER'S GUIDE FOR IDN/ASA/OCE		
1	LED020036	1	USER'S GUIDE FOR CHL		
1	LED020042	1	USER'S GUIDE FOR BRA		
1	LED020044	1	USER'S GUIDE FOR KOR		
1	LED020048	1	USER'S GUIDE FOR RUS		
1	LED054007	1	USER'S GUIDE FOR PND (NORWEGIAN/SWEDISH)		
1	LED054013	1	USER'S GUIDE FOR PND (FINNISH/DANISH)		
1	LED054065	1	USER'S GUIDE FOR IBR		

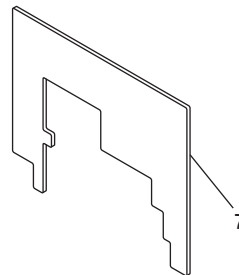
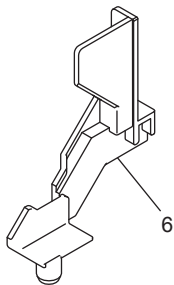
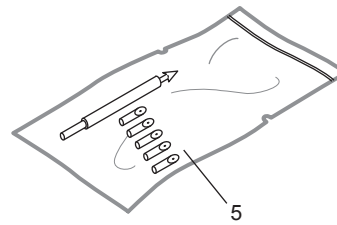
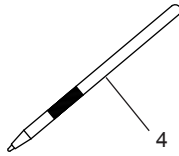
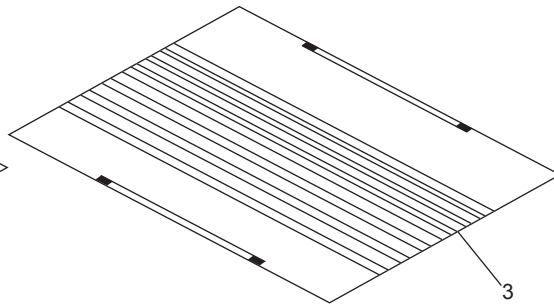
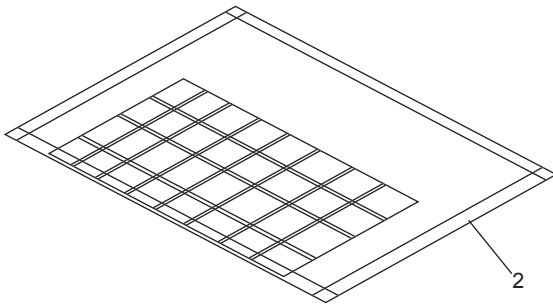
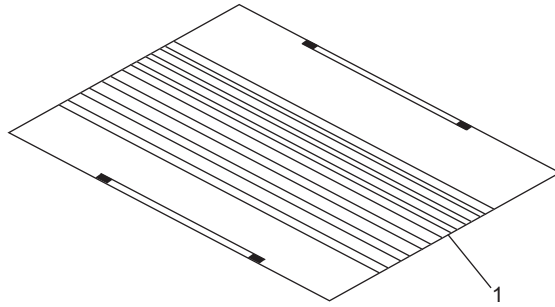
12 PACKAGING



List12(PACKAGING)

REF No.	CODE	Q'TY	DESCRIPTION	RECOMMEND	REMARKS
1	LX8869001	1	CARTON BROTHER FOR US		
1	LX8877001	1	CARTON BROTHER FOR CAN		
1	LED021001	1	CARTON BROTHER FOR GER/CHE		
1	LED031001	1	CARTON BROTHER FOR UK/ISR/POL/RUS/PND/CEE		
1	LED035001	1	CARTON BROTHER FOR FRA/BEL/NLD		
1	LED049001	1	CARTON BROTHER FOR ITA/IBR		
1	LEG039001	1	CARTON BROTHER FOR CHN		
1	LED704001	1	CARTON BROTHER FOR TWN/IDN/ASA/KOR/OCE		
1	LED811001	1	CARTON BROTHER FOR CHL		
1	LED922001	1	CARTON BROTHER FOR BRA		
2	LX8125001	1	PULP CUSHION ASSY		
3	LX8873001	1	QUICK SETUP GUIDE FOR US/CAN (ENGLISH)		
3	LX8873002	1	QUICK SETUP GUIDE FOR CAN (FRENCH)		
3	LED023003	1	QUICK SETUP GUIDE FOR GER		
3	LED023004	1	QUICK SETUP GUIDE FOR UK/ISR		
3	LED023005	1	QUICK SETUP GUIDE FOR FRA		
3	LED023008	1	QUICK SETUP GUIDE FOR BEL (DUTCH)		
3	LED023058	1	QUICK SETUP GUIDE FOR BEL/CHE (FRENCH)		
3	LED023009	1	QUICK SETUP GUIDE FOR NLD		
3	LED023010	1	QUICK SETUP GUIDE FOR CHE (GERMAN)		
3	LED023016	1	QUICK SETUP GUIDE FOR ITA/CHE (ITALIAN)		
3	LED023020	1	QUICK SETUP GUIDE FOR CHN		
3	LED023023	1	QUICK SETUP GUIDE FOR TWN		
3	LED023040	1	QUICK SETUP GUIDE FOR IDN/ASA/OCE		
3	LED023036	1	QUICK SETUP GUIDE FOR CHL		
3	LED023039	1	QUICK SETUP GUIDE FOR POL		
3	LED023042	1	QUICK SETUP GUIDE FOR BRA		
3	LED023044	1	QUICK SETUP GUIDE FOR KOR		
3	LED023048	1	QUICK SETUP GUIDE FOR RUS		
3	LED023007	1	QUICK SETUP GUIDE FOR PND (NORWEGIAN/SWEDISH)		
3	LED023013	1	QUICK SETUP GUIDE FOR PND (FINNISH/DANISH)		
3	LED023065	1	QUICK SETUP GUIDE FOR IBR		
3	LED023037	1	QUICK SETUP GUIDE FOR CEE (CZECH/HUNGARIAN/POLISH/ENGLISH)		
3	LED023059	1	QUICK SETUP GUIDE FOR CEE (BULGARIAN/ROMANIAN/SLOVAK)		
4	LK5912001	1	PROTECTIVE PART (SP)		
5	LX8976001	1	ACCESSORIES SHEET FRONT		
6	LX8977001	1	ACCESSORIES SHEET UPPER		
7	LX8038001	1	BAG 1200X1000H		
8	LEG134001	1	CHINA ENERGY LABEL FOR CHN		

13.OTHERS



List13(OTHERS)

REF No.	CODE	Q'TY	DESCRIPTION	RECOMMEND	REMARKS
1	UF8263001	1	TEST CHART-027		
2	UF9258001	1	COLOR TEST CHART CTC-001		
3	UF4600001	1	CONTRAST CHART TC-023		
4	XA9940051	1	TOUCH PEN		
5	ZA0310001	1	CLEANER STICK ASSY		
6	LX6388002	1	LR POSITIONING JIG		
7	LX7243001	1	LR FITTING JIG		