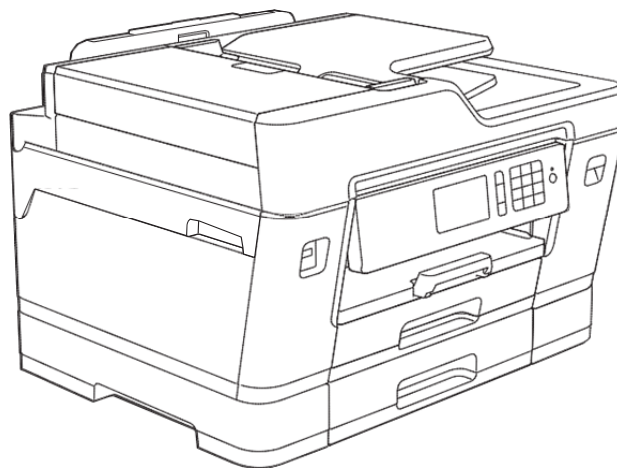




Brother Inkjet MFC **PARTS REFERENCE LIST**

**MODELS: MFC-J6530DW/J6535DW/
J6930DW**



Read this list thoroughly before maintenance work.
Keep this list in a convenient place for quick and easy reference at all times.

August 2016
PL-FAX237
8CH1*
Ver.1

Confidential

NOTE FOR USING THIS PARTS REFERENCE LIST

1. In the case of ordering parts, it is necessary to mention the following items;

- (1) Code
- (2) Q'ty
- (3) Description

Note: Orders without Parts Code or Tool No. cannot be accepted.

< Example >

REF.NO.	(1) CODE	(2) Q'TY	(3) DESCRIPTION	REMARK

2. Design-changed parts :

If any of the parts code is changed in this Parts List, one of the following symbols is indicated in the REMARK column.

CHG(chg) : The parts code is changed to a new one in this Parts List.

ADD(add) : The parts code is newly added in this Parts List.

DEL(del) : The parts code is deleted in this Parts List.

Symbol in capital letters indicates the latest parts change information in the page.

3. Parts change will be informed by the Parts change information.

4. Parts are subject to change in design without prior notice.

COUNTRIES AND AREAS

US ----- U.S.A.

GER ----- GERMANY

UK ----- UNITED KINGDOM

FRA/BEL/NLD -----

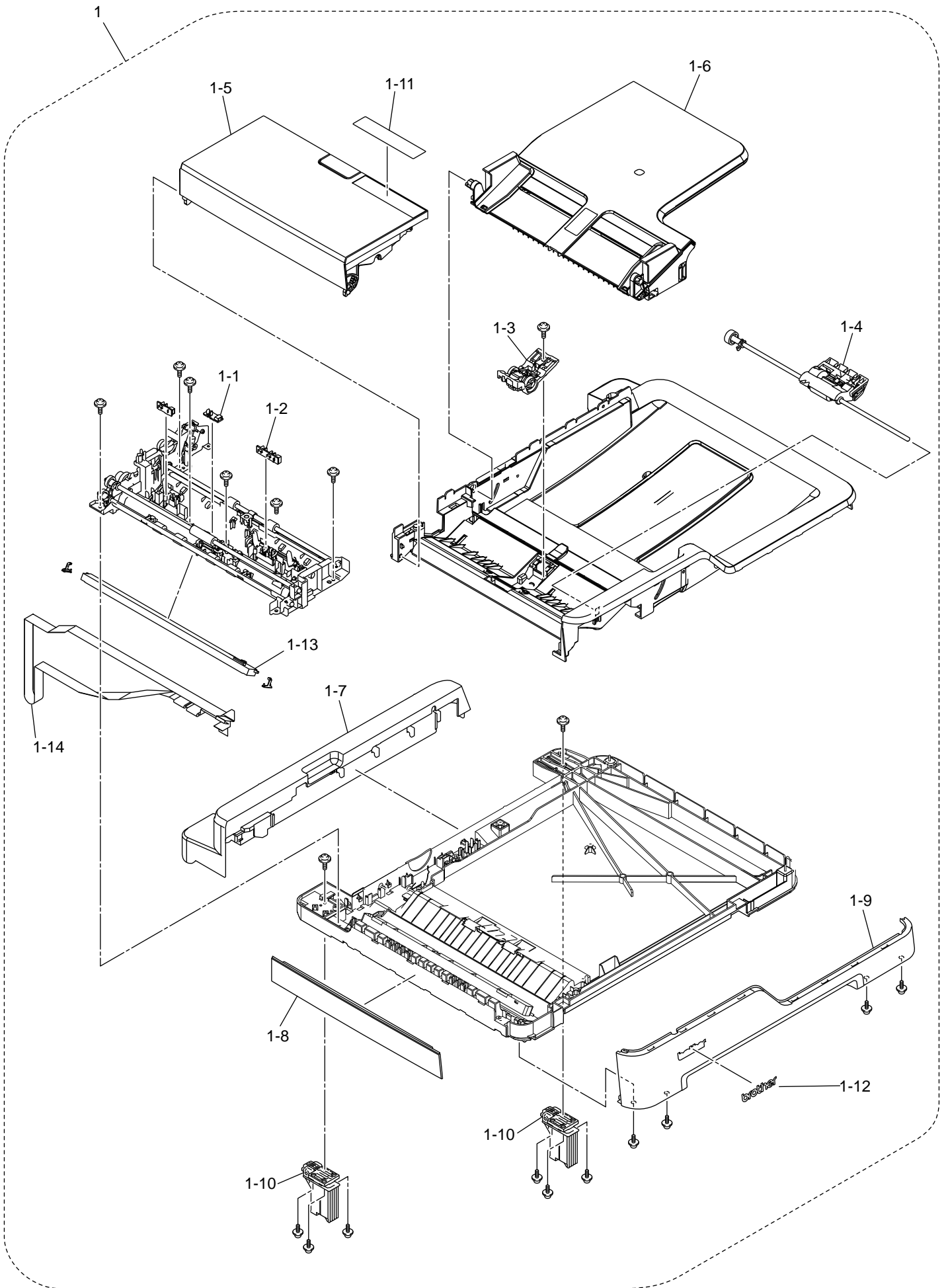
FRANCE/BELGIUM/NETHERLANDS

ITA/IBR ----- ITALY/IBERIA

CONTENTS

1.	<u>ADF</u>	1
2.	<u>DOCUMENT SCANNER</u>	3
3.	<u>CARTRIDGE CASE</u>	5
4.	<u>ENGINE</u>	7
5.	<u>HEAD</u>	9
6.	<u>PAPER TRAY</u>	11
7.	<u>MP TRAY</u>	13
8.	<u>COVERS & LABELS</u>	15
9.	<u>PANEL</u>	17
10.	<u>PCB</u>	19
11.	<u>ACCESSORIES</u>	21
12.	<u>PRINTED MATERIALS</u>	23
13.	<u>PACKING MATERIALS</u>	25
14.	<u>OTHERS</u>	27
15.	<u>LOWER TRAY</u>	29

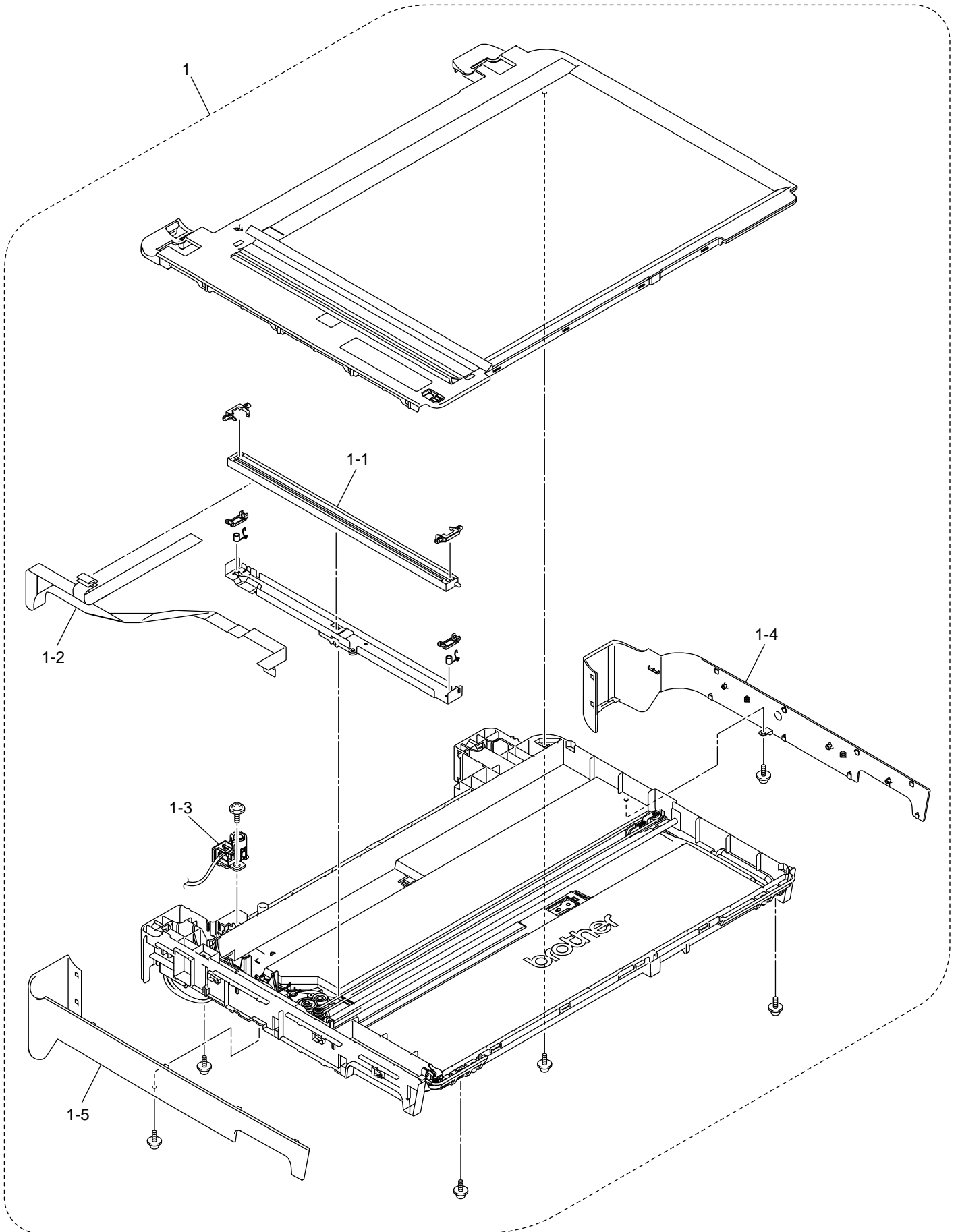
1. ADF



1. ADF

REF No.	CODE	QTY	DESCRIPTION	MODEL	SPEC	REMARKS
1	D00G4A001	1	ADF UNIT SP	MFC-J6530DW		
1	D00G4E001	1	ADF UNIT SP	MFC-J6535DW		
1	D00G4C001	1	ADF UNIT SP	MFC-J6930DW		
1-1	LG6753001	1	DOCUMENT SCANNING POSITION SENSOR PCB			
1-2	LT2519001	1	ADF DOCUMENT DETECTION SENSOR/ ADF DOCUMENT WIDTH SENSOR PCB			
1-3	D00DW5001	1	ADF SEPARATION PAD HOLDER ASSY			
1-4	D002BK001	1	DOCUMENT SEPARATION ROLLER ASSY			
1-5	D002DK001	1	ADF COVER	EXCEPT FOR MFC-J6535DW		
1-5	D006R9001	1	ADF COVER	MFC-J6535DW		
1-6	D00FUD001	1	ADF DOCUMENT SUPPORT SP	EXCEPT FOR MFC-J6535DW		
1-6	D00FUG001	1	ADF DOCUMENT SUPPORT SP	MFC-J6535DW		
1-7	D002E2001	1	ADF REAR COVER	EXCEPT FOR MFC-J6535DW		
1-7	D002E2002	1	ADF REAR COVER	MFC-J6535DW		
1-8	D003VF001	1	ADF SIDE COVER	EXCEPT FOR MFC-J6535DW		
1-8	D003VF002	1	ADF SIDE COVER	MFC-J6535DW		
1-9	D004UG001	1	ADF FRONT COVER	EXCEPT FOR MFC-J6535DW		
1-9	D006RD001	1	ADF FRONT COVER	MFC-J6535DW		
1-10	D002E3001	2	ADF HINGE			
1-11	D004NK001	1	ADF SIZE LABEL	EXCEPT FOR MFC-J6535DW		
1-11	D006KL001	1	ADF SIZE LABEL	MFC-J6535DW		
1-12	LX1347001	1	EMBLEM BROTHER	EXCEPT FOR MFC-J6535DW		
1-12	LX1347007	1	EMBLEM BROTHER	MFC-J6535DW		
1-13	D002RG001	1	SECOND SIDE CIS UNIT	MFC-J6930DW		
1-14	D002B5001	1	SECOND SIDE CIS FLAT CABLE	MFC-J6930DW		

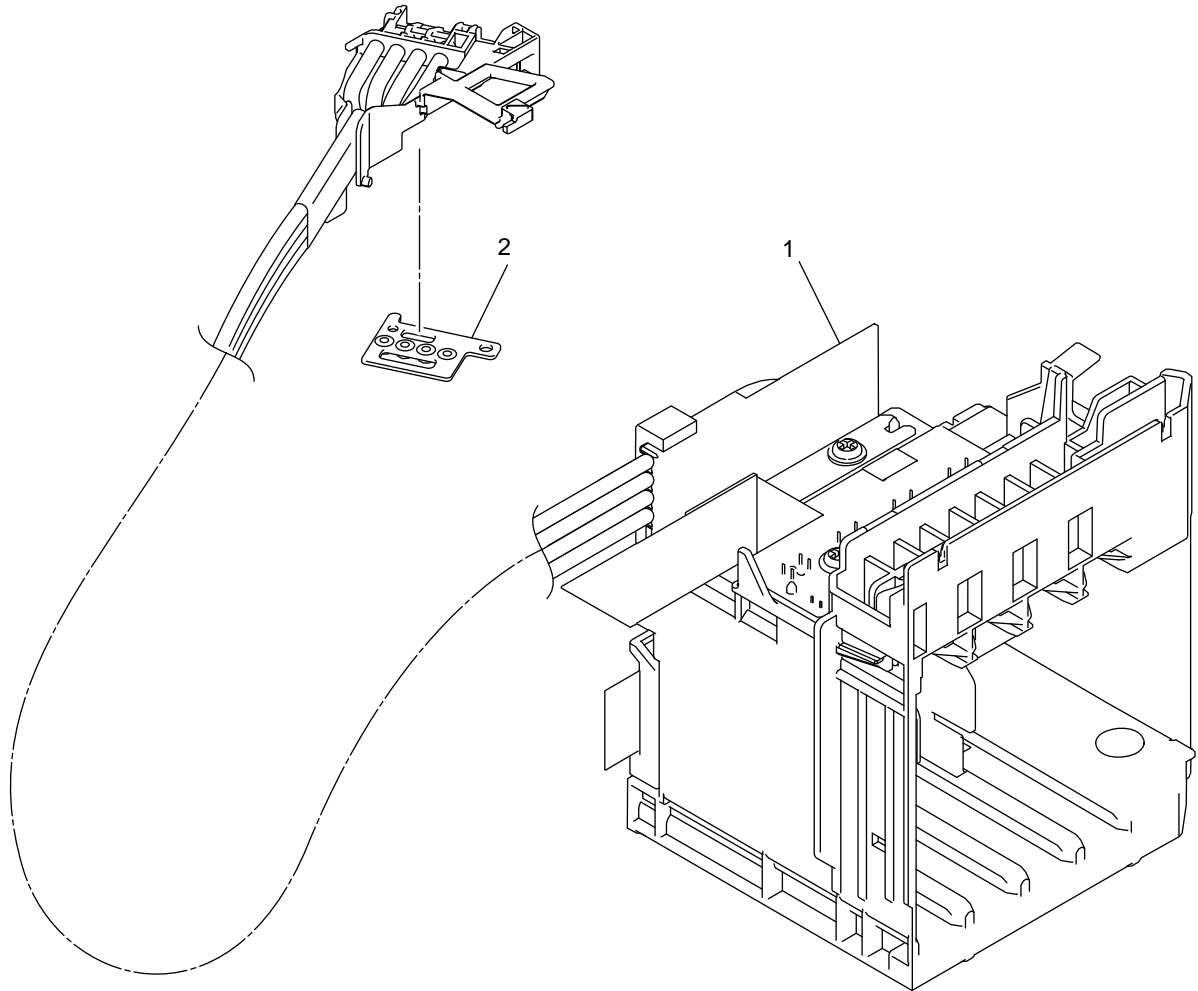
2. DOCUMENT SCANNER



2. DOCUMENT SCANNER

REF No.	CODE	QTY	DESCRIPTION	MODEL	SPEC	REMARKS
1	D00G4H001	1	DOCUMENT SCANNER UNIT SP	MFC-J6530DW		
1	D00G4L001	1	DOCUMENT SCANNER UNIT SP	MFC-J6535DW		
1	D00G4J001	1	DOCUMENT SCANNER UNIT SP	MFC-J6930DW		
1-1	D002RG001	1	FIRST SIDE CIS UNIT			
1-2	D002RL001	1	FIRST SIDE CIS FLAT CABLE			
1-3	D00682001	1	DOCUMENT COVER SENSOR	MFC-J6530DW		
1-3	D004UD001	1	DOCUMENT COVER SENSOR	MFC-J6535DW/J6930DW		
1-4	D003DR001	1	DOCUMENT SCANNER SIDE COVER R	EXCEPT FOR MFC-J6535DW		
1-4	D003DR002	1	DOCUMENT SCANNER SIDE COVER R	MFC-J6535DW		
1-5	D003DS001	1	DOCUMENT SCANNER SIDE COVER L	EXCEPT FOR MFC-J6535DW		
1-5	D003DS002	1	DOCUMENT SCANNER SIDE COVER L	MFC-J6535DW		

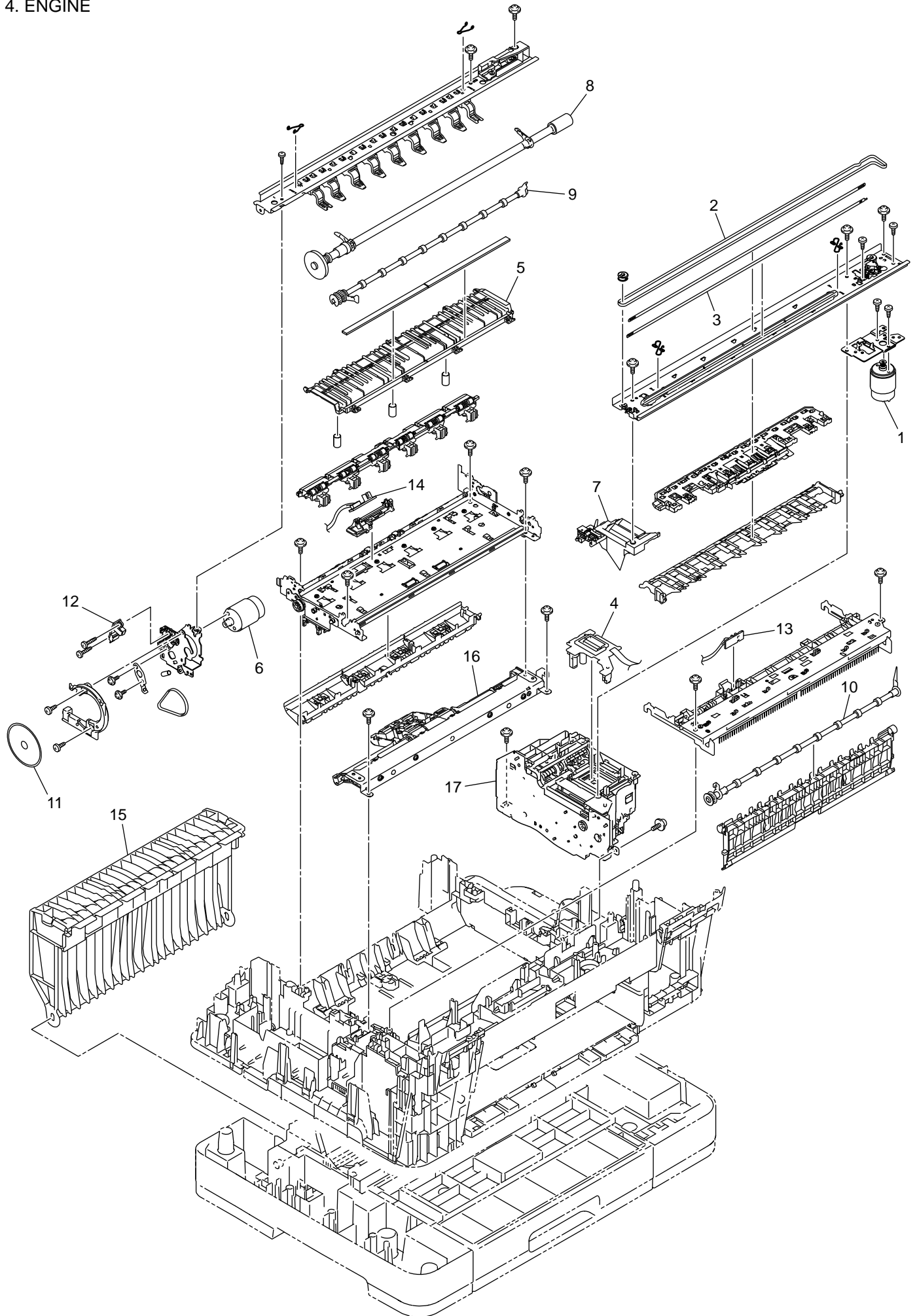
3. CARTRIDGE CASE



3. CARTRIDGE CASE

REF No.	CODE	QTY	DESCRIPTION	MODEL	SPEC	REMARKS
1	D00FUB001	1	INK REFILL ASSY (SP)	EXCEPT FOR MFC-J6535DW		
1	D00FUC001	1	INK REFILL ASSY (SP)	MFC-J6535DW		
2	D00G5S001	1	HEAD JOINT RUBBER SP			

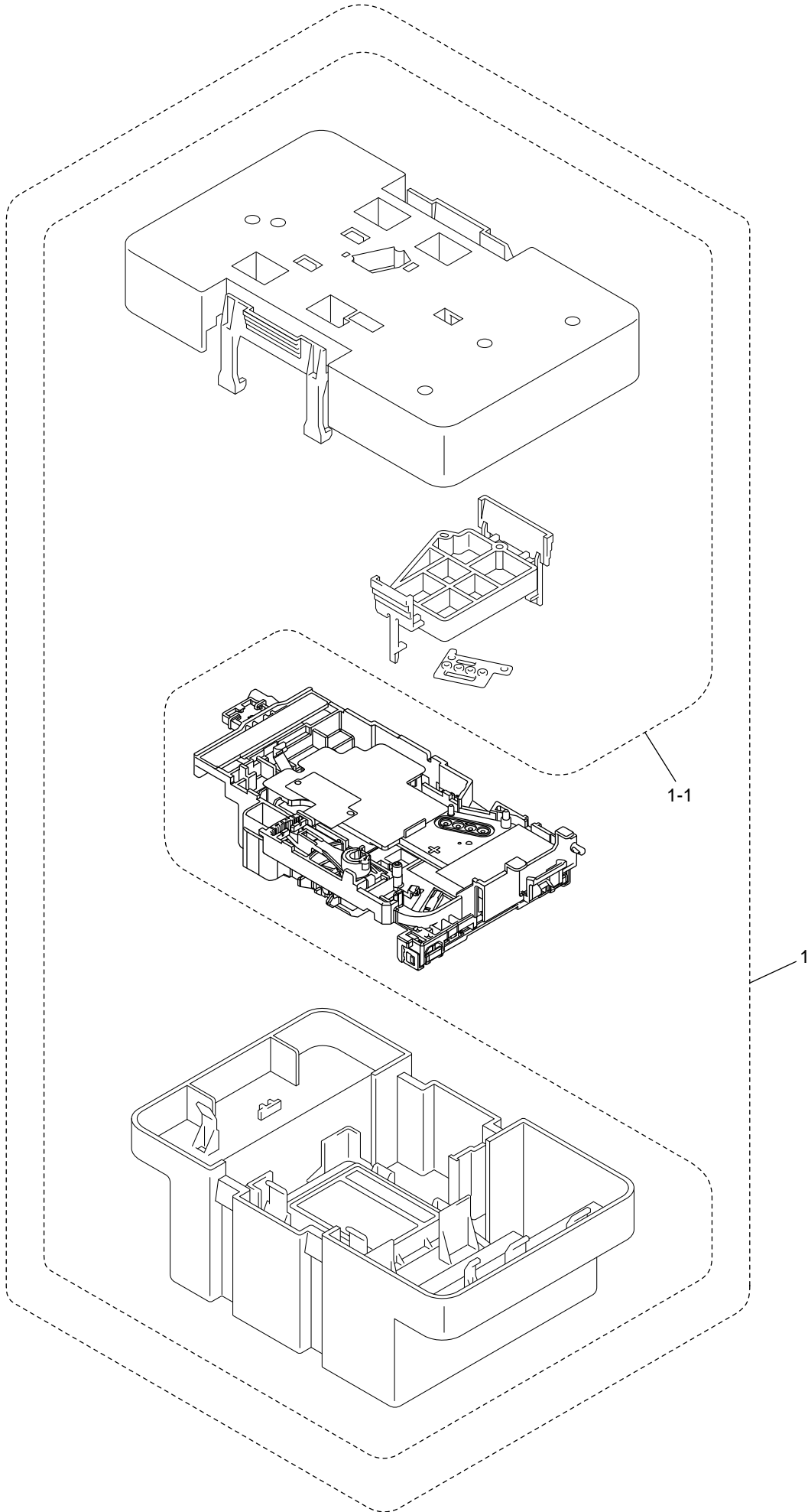
4. ENGINE



4. ENGINE

REF No.	CODE	QTY	DESCRIPTION	MODEL	SPEC	REMARKS
1	D002DL001	1	CARRIAGE MOTOR			
2	D002E4001	1	CR TIMING BELT			
3	D002EN001	1	CR ENCODER STRIP			
4	D00F0N001	1	CARRIAGE PCB ASSY (SP)			
5	D001ZC001	1	PLATEN			
6	D00FCV001	1	PAPER FEED MOTOR			
7	D002C8001	1	FLUSHING BASE			
8	D002C9001	1	PAPER FEED ROLLER			
9	D002CF001	1	PAPER EJECTION ROLLER			
10	D002CR001	1	SWITCHBACK ROLLER			
11	D001ZU001	1	PF ENCODER DISK			
12	LT1509002	1	PF ENCODER SENSOR PCB			
13	D002P4001	1	SWITCHBACK SENSOR PCB			
14	D002P5001	1	REGISTRATION SENSOR PCB			
15	D003JH001	1	JAM CLEAR COVER	MFC-J6530DW		
15	D002B9001	1	JAM CLEAR COVER	MFC-J6930DW		
15	D003JH002	1	JAM CLEAR COVER	MFC-J6535DW		
16	D002BA001	1	PAPER FEED ARM FRAME ASSY			
17	D00F0P001	1	MAINTENANCE UNIT (SP)	MFC-J6535DW/ J6930DW		
17	D00F0T001	1	MAINTENANCE UNIT (SP)	MFC-J6530DW		

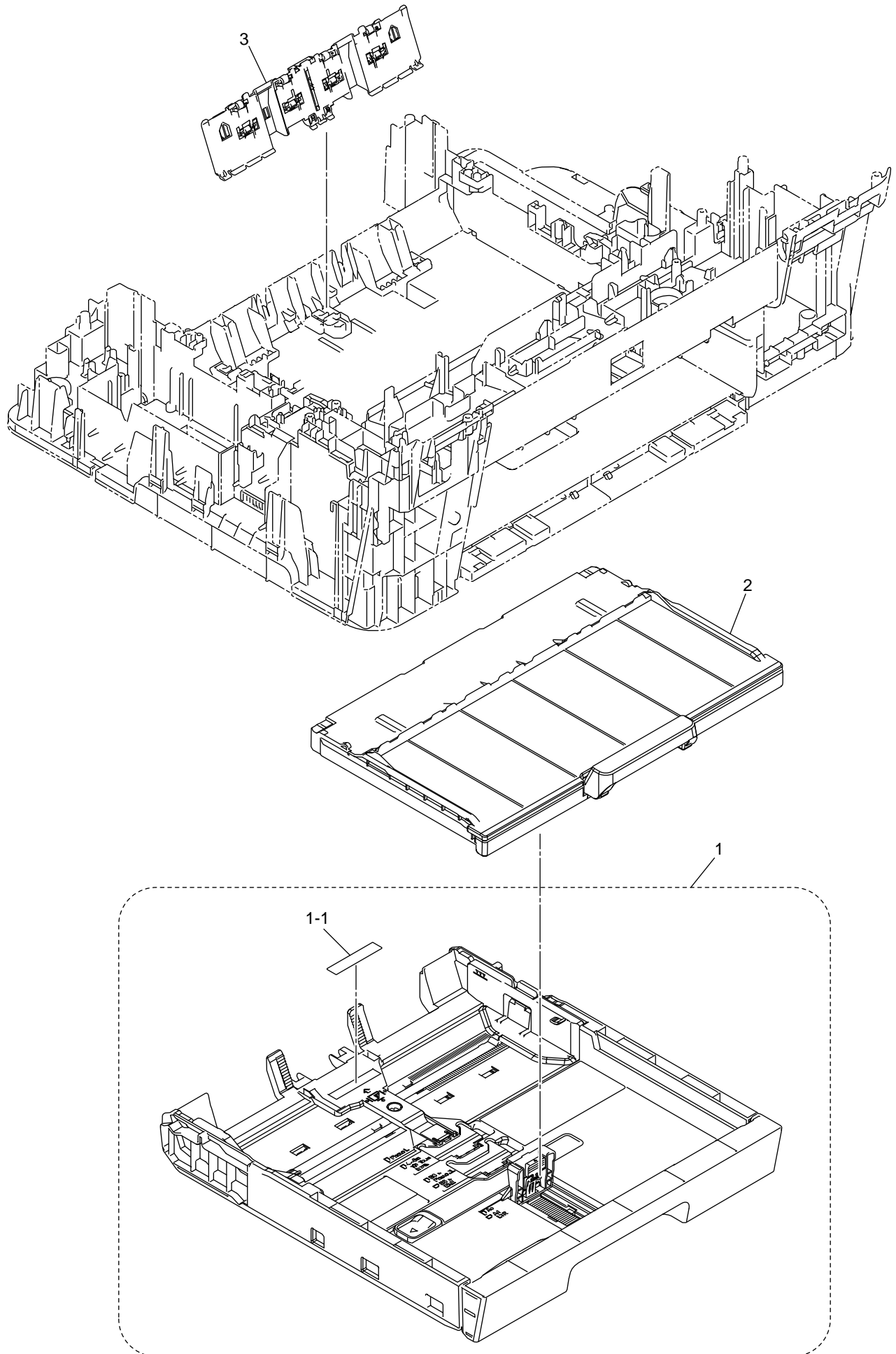
5. HEAD



5. HEAD

REF No.	CODE	QTY	DESCRIPTION	MODEL	SPEC	REMARKS
1	D006S7001	1	HEAD/CARRIAGE UNIT (SP)			
1-1	D006VP001	1	PROTECTOR SUPPLY ASSY			

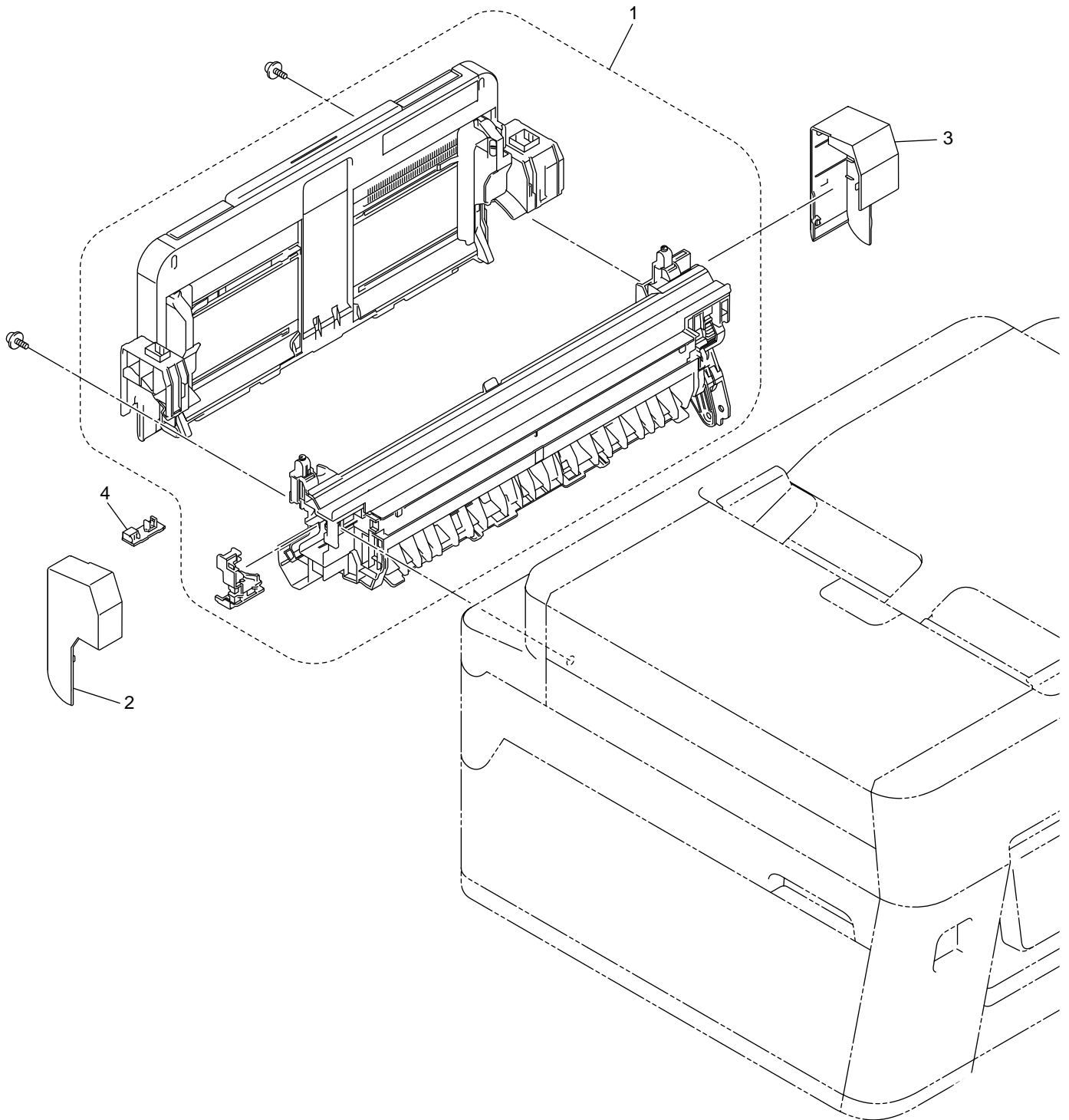
6. PAPER TRAY



6. PAPER TRAY

REF No.	CODE	QTY	DESCRIPTION	MODEL	SPEC	REMARKS
1	D002AU001	1	PAPER TRAY ASSY #1	MFC-J6530DW		
1	D002AU002	1	PAPER TRAY ASSY #1	MFC-J6535DW		
1	D009NW001	1	PAPER TRAY ASSY #1	MFC-J6930DW		
1-1	LED275001	1	T1 BASE PAD			
2	D002CU001	1	EXIT TRAY ASSY	EXCEPT FOR MFC-J6535DW		
2	D002CU002	1	EXIT TRAY ASSY	MFC-J6535DW		
3	LET495001	1	T1 BANK ASSY			

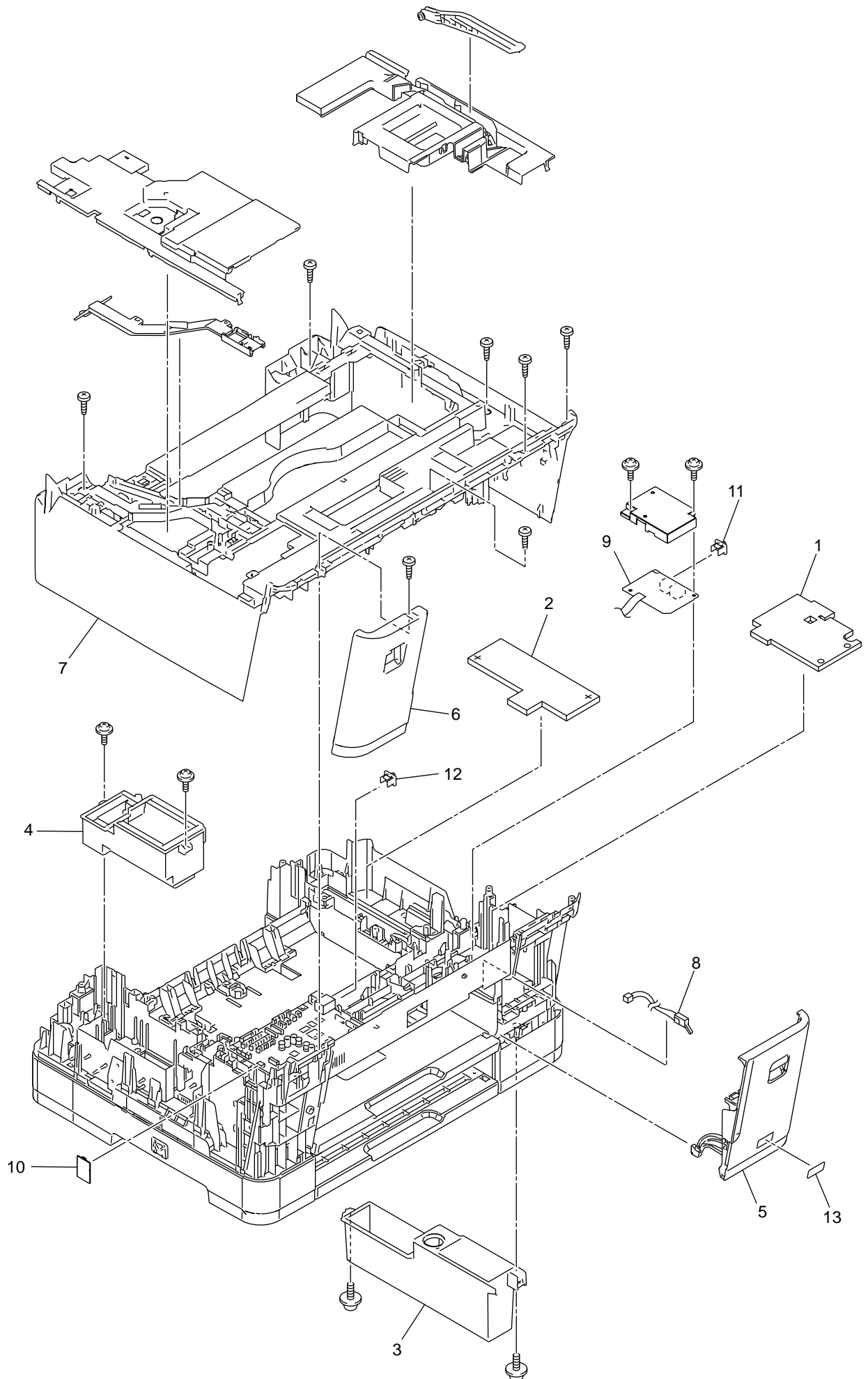
7. MP TRAY



7. MP TRAY

REF No.	CODE	QTY	DESCRIPTION	MODEL	SPEC	REMARKS
1	D004WY001	1	MANUAL PAPER TRAY ASSY	MFC-J6530DW		
1	D009XX001	1	MP TRAY ASSY	MFC-J6535DW		
1	D0029E001	1	MP TRAY ASSY	MFC-J6930DW		
2	D002A6001	1	MP SIDE COVER L	EXCEPT FOR MFC-J6535DW		
2	D002A6002	1	MP SIDE COVER L	MFC-J6535DW		
3	D002A7001	1	MP SIDE COVER R	EXCEPT FOR MFC-J6535DW		
3	D002A7002	1	MP SIDE COVER R	MFC-J6535DW		
4	D002P5001	1	MP PAPER DETECTION SENSOR PCB	MFC-J6535DW/J6930DW		

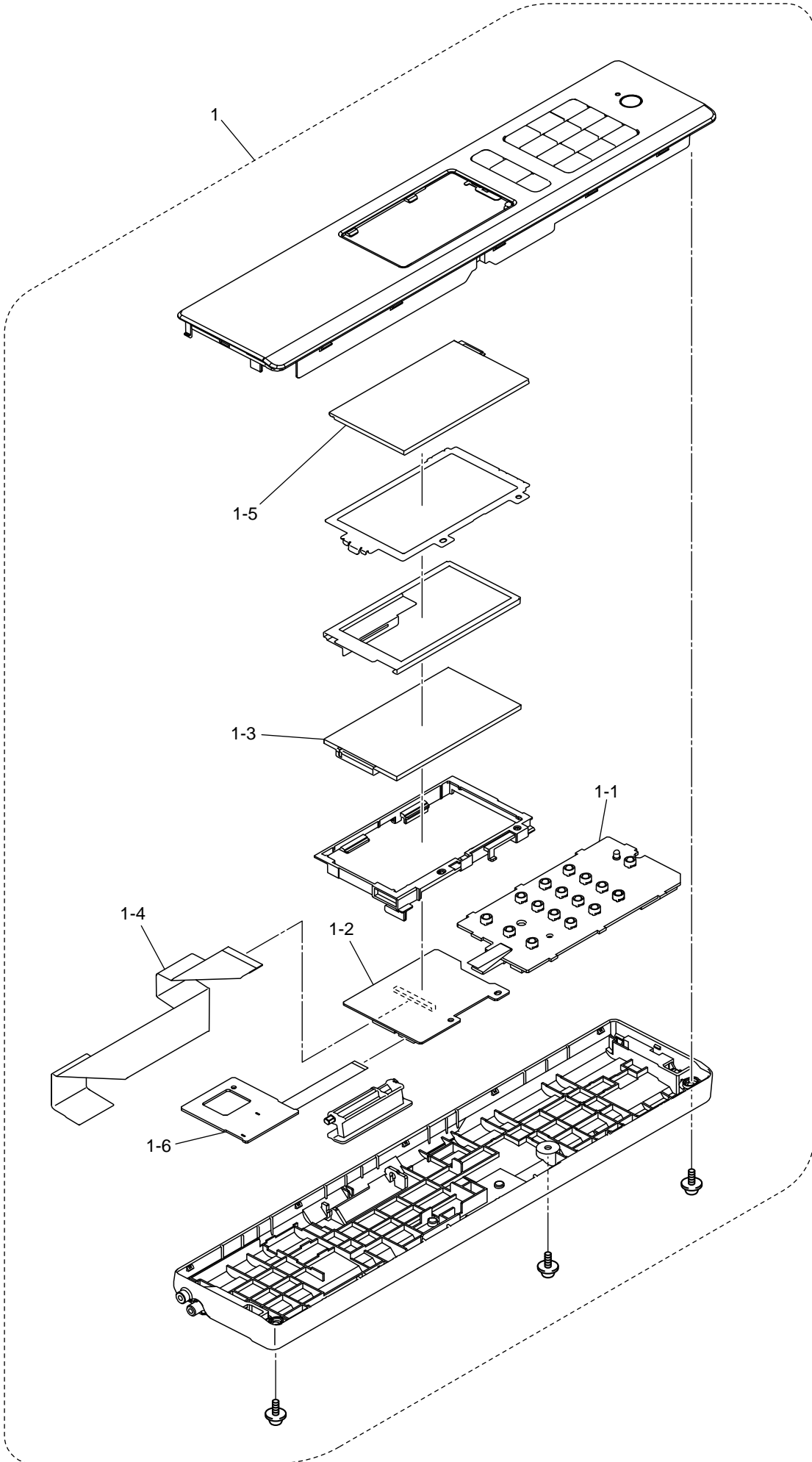
8. COVERS&LABELS



8. COVERS & LABELS

REF No.	CODE	QTY	DESCRIPTION	MODEL	SPEC	REMARKS
1	D002AZ001	1	INK ABSORBER FELT (FOR INK REFILL ASSY)			
2	D002B0001	1	INK ABSORBER FELT (FOR MAINTENANCE UNIT)			
3	D003B6001	1	INK ABSORBER BOX	MFC-J6530DW/J6535DW		
3	D002X8001	1	INK ABSORBER BOX	MFC-J6930DW		
4	D003YF001	1	FLUSHING BOX			
5	D002KP001	1	INK CARTRIDGE COVER	EXCEPT FOR MFC-J6535DW		
5	D002KP002	1	INK CARTRIDGE COVER	MFC-J6535DW		
6	D005XH001	1	FRONT COVER L	EXCEPT FOR MFC-J6535DW		
6	D004MN002	1	FRONT COVER L	MFC-J6535DW		
7	D00G5T001	1	UPPER COVER SP	MFC-J6530DW		
7	D00G5W001	1	UPPER COVER SP	MFC-J6930DW		
7	D00G5X001	1	UPPER COVER SP	MFC-J6535DW		
8	D002M5001	1	INK CARTRIDGE COVER SENSOR			
9	D002M8001	1	MODEM PCB			
10	LD1969001	1	WIRELESS LAN PCB			
11	LE8842001	1	EXT CAP		US/FRA/BEL/NLD/ ITA/IBR GER/UK	
11	UF5745000	1	MJ COVER EXT			
12	LEG124001	1	LAN PORT CAP			
13	LX3722001	1	INNOBELLA LABEL	EXCEPT FOR MFC-J6535DW		
13	LEW468001	1	INKVESTMENT LABEL	MFC-J6535DW		

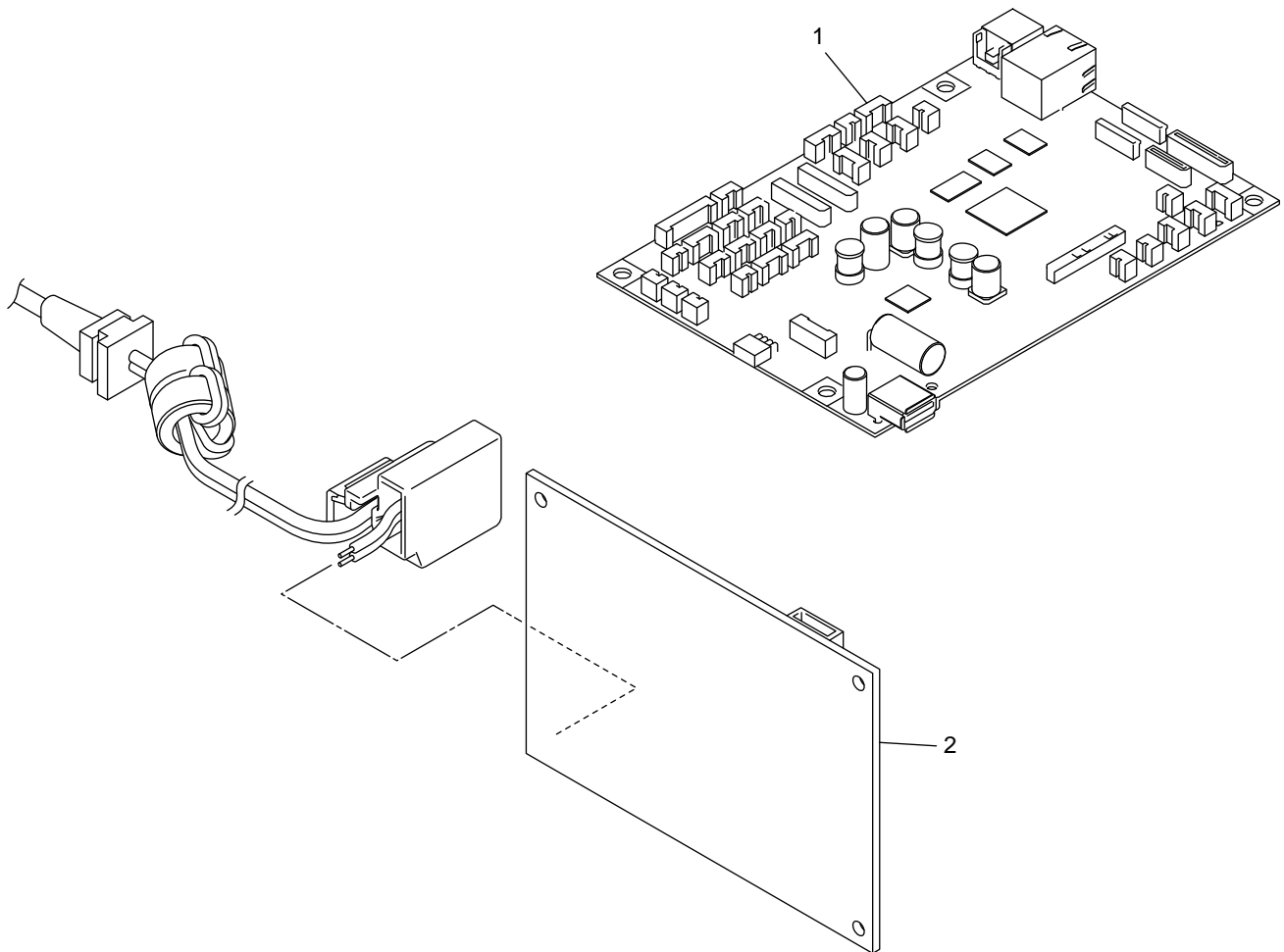
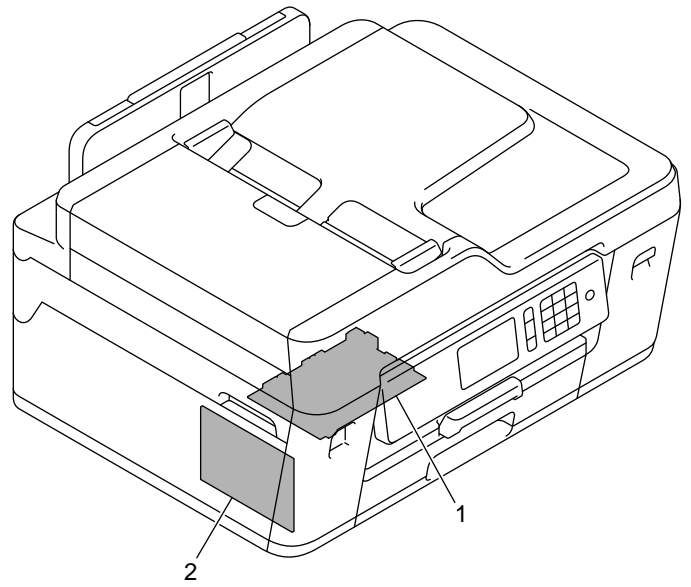
9. PANEL



9. PANEL

REF No.	CODE	QTY	DESCRIPTION	MODEL	SPEC	REMARKS
1	D008PG001	1	CONTROL PANEL ASSY	MFC-J6535DW		
1	D004ZU001	1	CONTROL PANEL ASSY	MFC-J6530DW		
1	D008FG001	1	CONTROL PANEL ASSY	MFC-J6930DW		
1-1	D002F4001	1	PANEL PCB			
1-2	D002LP001	1	LCD PCB	MFC-J6535DW		
1-2	D003DB001	1	LCD PCB	MFC-J6530DW		
1-2	D002LP002	1	LCD PCB	MFC-J6930DW		
1-3	D002LR001	1	LCD	MFC-J6535DW/ J6930DW		
1-3	D003CR001	1	LCD	MFC-J6530DW		
1-4	D002LS001	1	PANEL FLAT CABLE			
1-5	D003D9001	1	TOUCH PANEL	MFC-J6535DW/ J6930DW		
1-5	D005HR001	1	TOUCH PANEL	MFC-J6530DW		
1-6	D0000T003	1	NFC PCB	MFC-J6930DW		

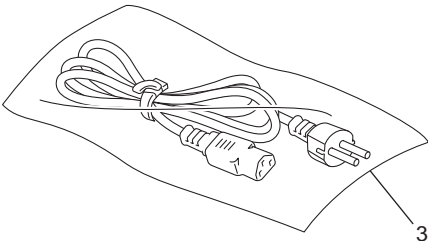
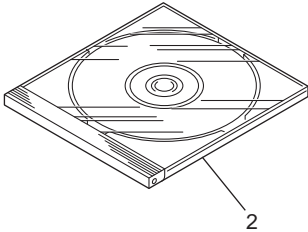
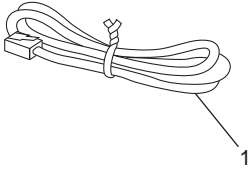
10. PCB



10. PCB

REF No.	CODE	QTY	DESCRIPTION	MODEL	SPEC	REMARKS
1	D00HTH004	1	MAIN PCB SP (PRESET 74 CODE:0004)	MFC-J6530DW		
1	D00HTL001	1	MAIN PCB SP (PRESET 74 CODE:0501)	MFC-J6535DW		
1	D00HTK004	1	MAIN PCB SP (PRESET 74 CODE:0004)	MFC-J6930DW		
2	D003K7001	1	POWER SUPPLY PCB ASSY	EXCEPT FOR MFC-J6535DW		
2	D002BP001	1	POWER SUPPLY PCB ASSY	MFC-J6535DW		

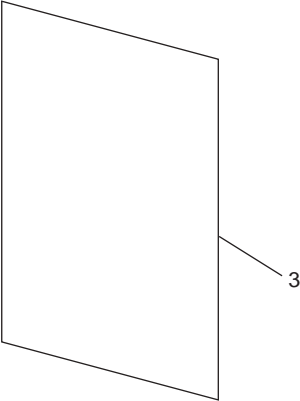
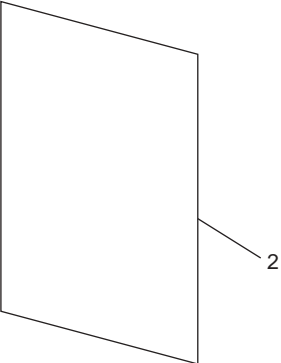
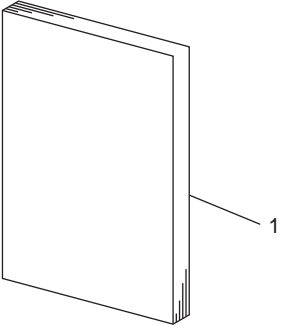
11. ACCESSORIES



11. ACCESSORIES

REF No.	CODE	QTY	DESCRIPTION	MODEL	SPEC	REMARKS
1	LG3077001	1	TELEPHONE LINE CORD CSA		US/UK/FRA/BEL/NLD/ITA/IBR	
1	UG3625001	1	TELEPHONE LINE CORD GER		GER	
1	UG3626001	1	TELEPHONE LINE CORD UK6P		UK	
1	UG3627001	1	TELEPHONE LINE CORD FRA		FRA/BEL/NLD	
1	LT2144001	1	TELEPHONE LINE CORD ITA		ITA/IBR	
2	D004XU001	1	CD-ROM			
3	LT2509001	1	AC CORD ASSY		GER/FRA/BEL/NLD/ITA/IBR	
3	LT2544001	1	AC CORD ASSY		UK	

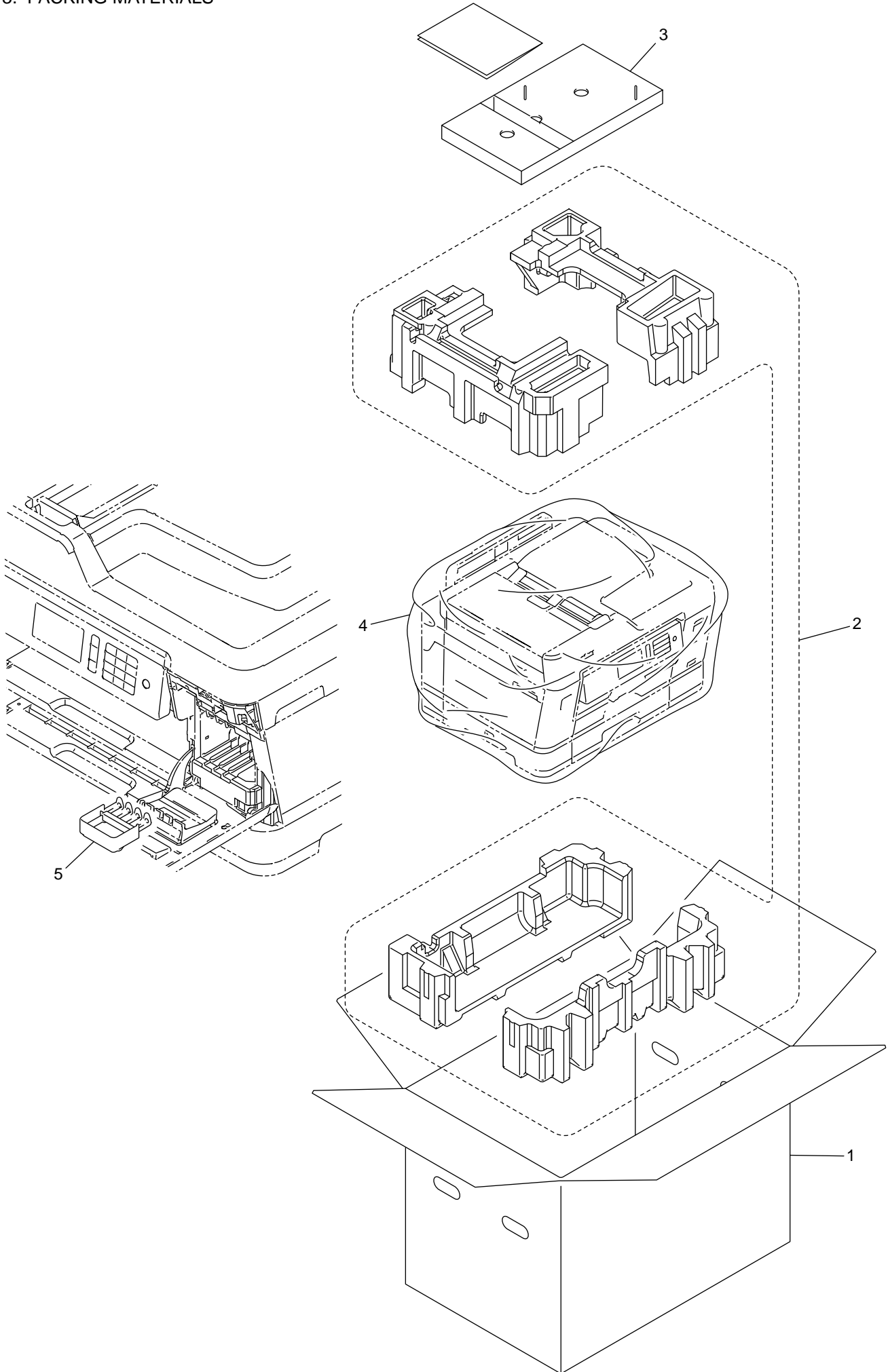
12. PRINTED MATERIALS



12. PRINTED MATERIALS

REF No.	CODE	QTY	DESCRIPTION	MODEL	SPEC	REMARKS
1	D009BX001	1	USER'S GUIDE (ENGLISH)	MFC-J6535DW	US	
1	D00DNX001	1	USER'S GUIDE (GERMAN)	MFC-J6530DW	GER	
1	D00DKW001	1	USER'S GUIDE (GERMAN)	MFC-J6930DW	GER	
1	D00DNM001	1	USER'S GUIDE (ENGLISH)	MFC-J6530DW	UK	
1	D00DJS001	1	USER'S GUIDE (ENGLISH)	MFC-J6930DW	UK	
1	D00DR7001	1	USER'S GUIDE (FRENCH)	MFC-J6530DW	FRA/BEL/NLD	
1	D00DLP001	1	USER'S GUIDE (FRENCH)	MFC-J6930DW	FRA/BEL/NLD	
1	D00DLS001	1	USER'S GUIDE (DUTCH)	MFC-J6930DW	FRA/BEL/NLD	
1	D00DRA001	1	USER'S GUIDE (DUTCH)	MFC-J6530DW	FRA/BEL/NLD	
1	D00DRM001	1	USER'S GUIDE (ITALIAN)	MFC-J6530DW	ITA/IBR	
1	D00DLY001	1	USER'S GUIDE (ITALIAN)	MFC-J6930DW	ITA/IBR	
1	D00DRT001	1	USER'S GUIDE (SPANISH/PORTUGUESE)	MFC-J6530DW	ITA/IBR	
1	D00DM0001	1	USER'S GUIDE (SPANISH/PORTUGUESE)	MFC-J6930DW	ITA/IBR	
2	D009C0001	1	QUICK SETUP GUIDE (ENGLISH)	MFC-J6535DW	US	
2	D00DNW001	1	QUICK SETUP GUIDE (GERMAN)	MFC-J6530DW	GER	
2	D00DKX001	1	QUICK SETUP GUIDE (GERMAN)	MFC-J6930DW	GER	
2	D00DNN001	1	QUICK SETUP GUIDE (ENGLISH)	MFC-J6530DW	UK	
2	D00DJN001	1	QUICK SETUP GUIDE (ENGLISH)	MFC-J6930DW	UK	
2	D00DR6001	1	QUICK SETUP GUIDE (FRENCH)	MFC-J6530DW	FRA/BEL/NLD	
2	D00DLR001	1	QUICK SETUP GUIDE (FRENCH)	MFC-J6930DW	FRA/BEL/NLD	
2	D00DRC001	1	QUICK SETUP GUIDE (DUTCH)	MFC-J6530DW	FRA/BEL/NLD	
2	D00DLU001	1	QUICK SETUP GUIDE (DUTCH)	MFC-J6930DW	FRA/BEL/NLD	
2	D00DRS001	1	QUICK SETUP GUIDE (ITALIAN)	MFC-J6530DW	ITA/IBR	
2	D00DLZ001	1	QUICK SETUP GUIDE (ITALIAN)	MFC-J6930DW	ITA/IBR	
2	D00DRP001	1	QUICK SETUP GUIDE (SPANISH)	MFC-J6530DW	ITA/IBR	
2	D00DM1001	1	QUICK SETUP GUIDE (SPANISH)	MFC-J6930DW	ITA/IBR	
2	D00DRR001	1	QUICK SETUP GUIDE (PORTUGUESE)	MFC-J6530DW	ITA/IBR	
2	D00DME001	1	QUICK SETUP GUIDE (PORTUGUESE)	MFC-J6930DW	ITA/IBR	
3	LET814001	1	JAM CLEAR SHEET PAD		US	
3	LET815001	1	JAM CLEAR SHEET PAD		EXCEPT FOR US	

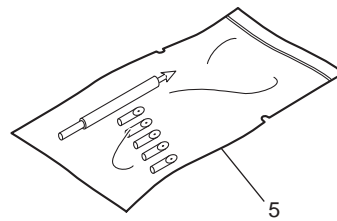
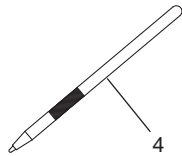
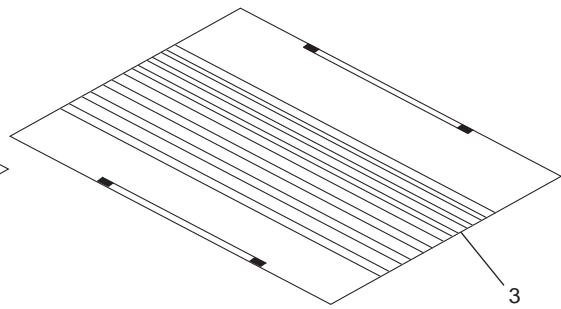
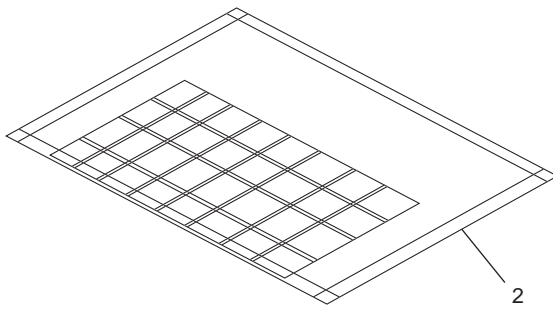
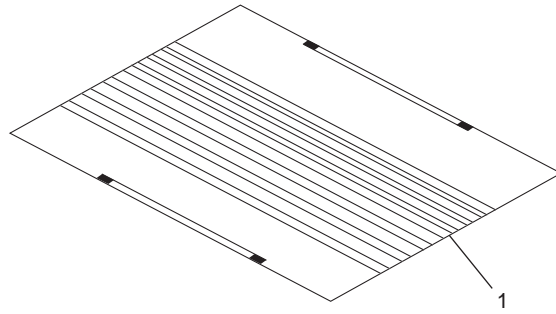
13. PACKING MATERIALS



13. PACKING MATERIALS

REF No.	CODE	QTY	DESCRIPTION	MODEL	SPEC	REMARKS
1	D00DNP001	1	CARTON BROTHER	MFC-J6530DW		
1	D0096X001	1	CARTON BROTHER	MFC-J6535DW		
1	D00DJT001	1	CARTON BROTHER	MFC-J6930DW		
2	D004U0001	1	PACKING PAD ASSY	MFC-J6530DW/ J6535DW		
2	D002K8001	1	PACKING PAD ASSY	MFC-J6930DW		
3	D002KD001	1	ACCESSORIES SHEET			
4	D00AX9001	1	BAG 933X1135H			
5	D00G5R001	1	PROTECTIVE PART SP			

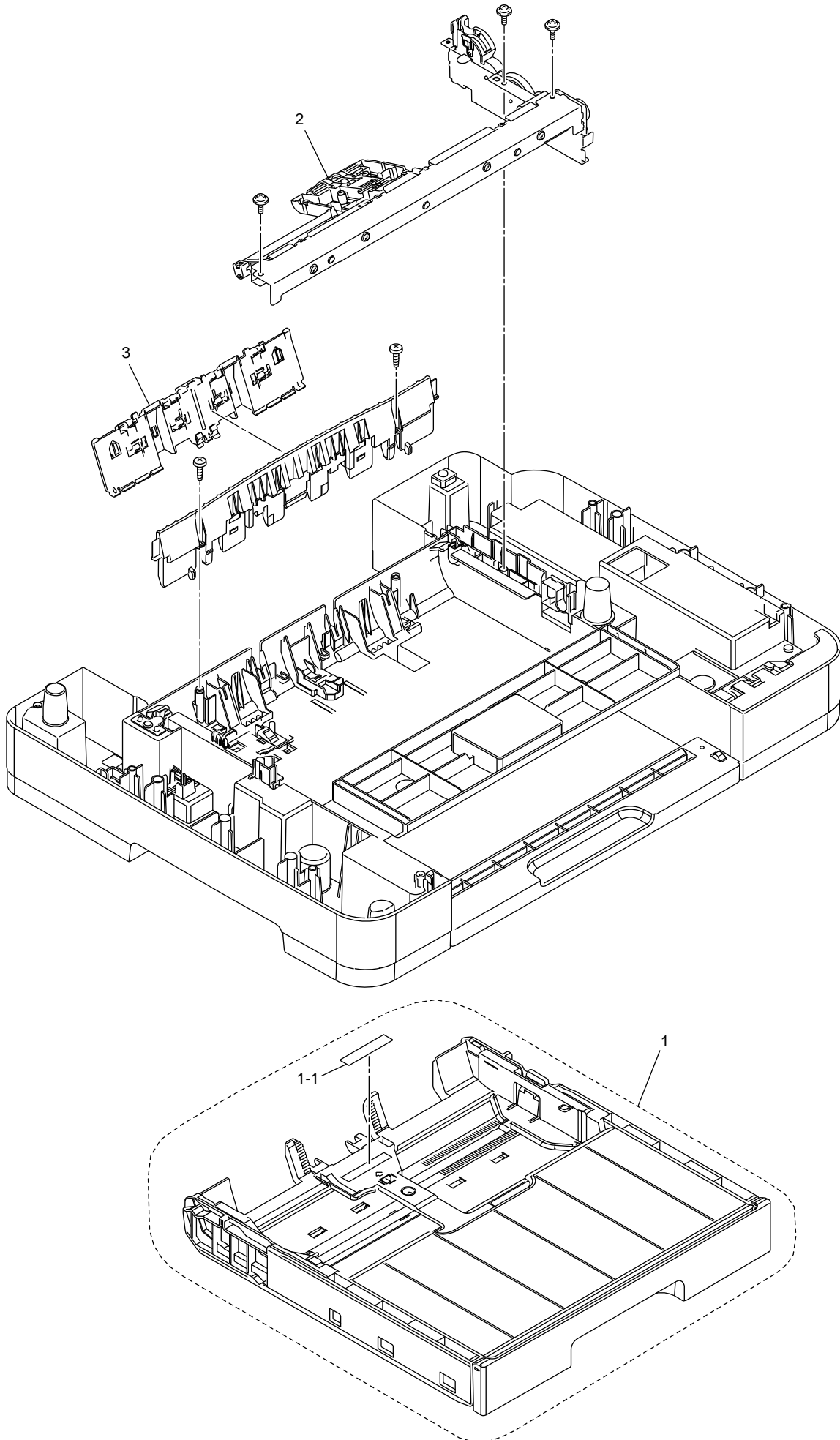
14. OTHERS



14. OTHERS

REF No.	CODE	QTY	DESCRIPTION	MODEL	SPEC	REMARKS
1	UF8263001	1	TEST CHART-027			
2	UF9258001	1	COLOR TEST CHART CTC-001			
3	UF4600001	1	CONTRAST CHART TC-023			
4	XA9940051	1	TOUCH PEN			
5	ZA0310001	1	HEAD CLEANER STICK ASSY			

15.LOWER TRAY



15. LOWER TRAY

REF No.	CODE	QTY	DESCRIPTION	MODEL	SPEC	REMARKS
1	D002JU001	1	PAPER TRAY ASSY #2	MFC-J6930DW		
1-1	LED275001	1	T2 BASE PAD	MFC-J6930DW		
2	D0049E001	1	LT FRAME ASSY	MFC-J6930DW		
3	LET495001	1	T2 BANK ASSY	MFC-J6930DW		