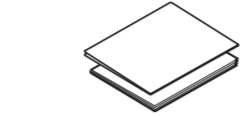
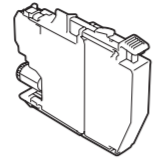
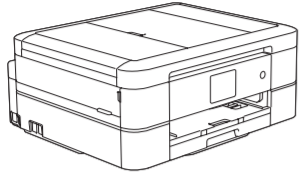


1 Unpack the machine and check the components

The components included in the box may differ depending on your country. Remove the protective tape and film covering the machine and the touchscreen.



Starter Ink Cartridges

- Black
- Yellow
- Cyan
- Magenta

**Quick Setup Guide
Product Safety Guide**

Brother Installation Disc



Telephone Line Cord

NOTE

Manuals in Spanish for this model are available at support.brother.com.
Manuales en Español para este modelo están disponibles en support.brother.com.
• Most of the illustrations in this *Quick Setup Guide* show the MFC-J690DW.
• Save all packing materials and the box in case you must ship your machine.
• **You must purchase the correct interface cable for the interface you want to use. A USB cable is included in some countries.**

USB cable

We recommend using a USB 2.0 cable (Type A/B) that is no more than 6 feet (2 meters) long.

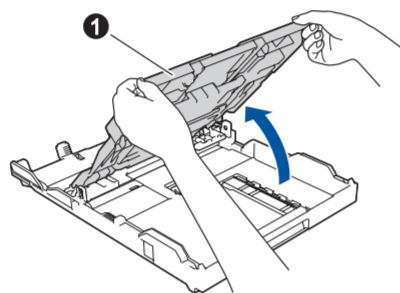
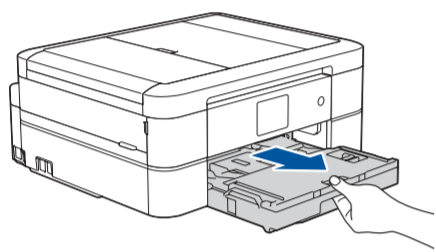
Ethernet (Network) cable (MFC-J895DW only)

Use a straight-through Category 5 (or greater) twisted-pair cable for 10BASE-T or 100BASE-TX Fast Ethernet Network.

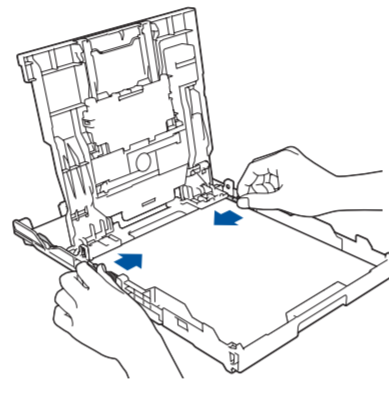


Watch our FAQ Videos for help with setting up your Brother machine.
support.brother.com/videos

2 Load paper in the paper tray

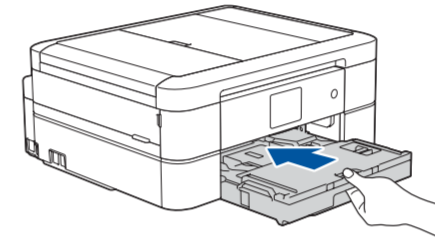


Open the output paper tray cover ❶.

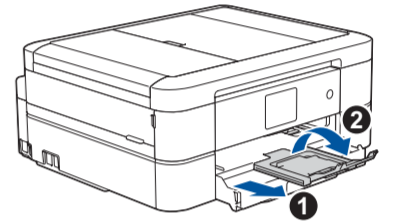


Adjust the paper guides.

Fan the paper well and load it in the tray.



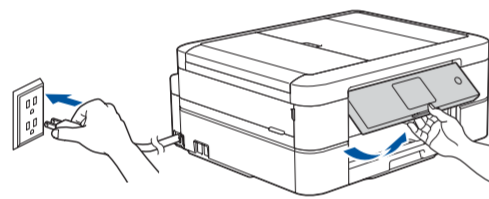
Close the output paper tray cover, and then slowly push the tray completely into the machine.



NOTE

Pull out the paper support ❶, and unfold the paper support flap ❷ so that the printed pages do not fall.

3 Connect the power cord



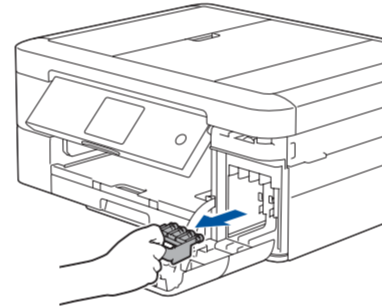
NOTE

You can adjust the control panel angle to read the touchscreen more easily.

4 Set the date and time

Follow the touchscreen instructions to set the date and time.

5 Install the starter ink cartridges

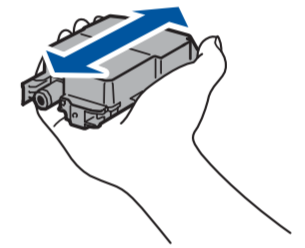


Open the ink cartridge cover and remove the orange protective part from the machine.

NOTE

Do not throw away the orange protective part. You will need it if you transport the machine.

Follow the touchscreen instructions to unpack and install the ink cartridges. The machine will prepare the ink tube system for printing.



Quickly shake just the **black** ink cartridge horizontally 15 times as shown, before inserting it into the machine.

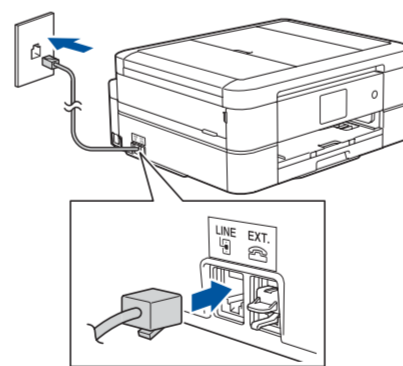
6 Machine settings

When the machine has finished the initial cleaning process, follow the touchscreen instructions to configure the machine settings.

- Check print quality
- Set Brother LCD Message defaults
- Print the installation sheet

7 Connect the telephone line cord

If you are not using your machine as a fax, go to ❸. For more information on using the fax feature, see the *Online User's Guide*.



8 Select your language (if needed)

1. Press [Settings] > [All Settings] > [Initial Setup] > [Local Language].
2. Press your language.
3. Press .

9 Select the correct Receive Mode

If you are not using your machine as a fax, go to ❶.

1. Press [Settings] > [All Settings] > [Fax] > [Setup Receive] > [Receive Mode].
2. Press your preferred Receive Mode.
3. Press .

10 Set your Station ID

If you are not using your machine as a fax, go to ❶.

Store your name and fax number so the machine prints it on all outgoing fax pages.

1. Press [Settings] > [All Settings] > [Initial Setup] > [Station ID] > [Fax].
2. Enter your fax number (up to 20 digits) on the touchscreen, and then press [OK].
3. Press [Name].
4. Enter your name (up to 20 characters) using the touchscreen, and then press [OK].
5. Press .



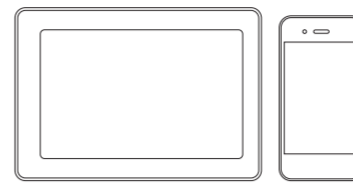
11 Select a device to connect to your machine

Computer



Go to **12** and follow the instructions.

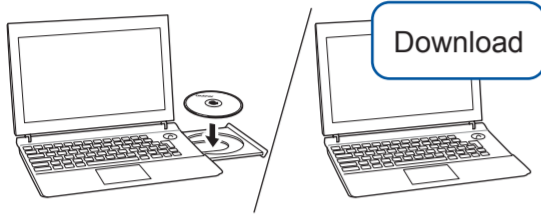
Mobile Device



Go to **13** and follow the instructions.

12 Connect your computer

Brother regularly updates firmware to add features and apply bug fixes. To check for the latest firmware, visit support.brother.com/up4.



Follow the on-screen instructions and prompts.

Put the installation disc into your CD/DVD drive, or download the Full Driver & Software Package at:

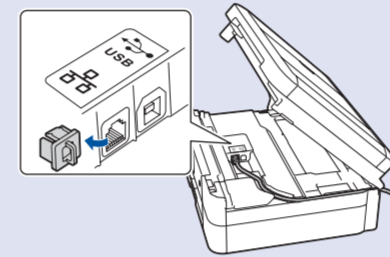
For Windows®: support.brother.com/windows
For Mac: support.brother.com/mac

If you are using a recently released operating system on your computer, visit the above websites for updated driver and software information.

For Windows®:
If the Brother screen does not appear automatically, go to **Computer (My Computer/This PC)**. Double-click the CD/DVD-ROM icon, and then double-click **start.exe**.

For Mac:
For full driver functionality, we recommend choosing the **CUPS driver** when adding a printer.

For Wired Network Connection* and USB Connection:
Locate the correct port (based on the cable you are using) inside the machine as shown.



*MFC-J895DW only

Finished

For Network Users: Important Notice for Network Security
The default password to manage this machine's settings is located on the back of the machine and marked "Pwd". We recommend immediately changing the default password to use network tools/utilities securely and to protect your machine from unauthorized access.

Can't Connect? Check the following:

Wireless network

Restart your wireless access point/router (if possible).

Wired network (MFC-J895DW only)
USB connection

Disconnect the cable.

Restart your machine and computer, and then go to **12**.

If still not successful, go to **13**.

If still not successful, visit support.brother.com for FAQs and Troubleshooting.

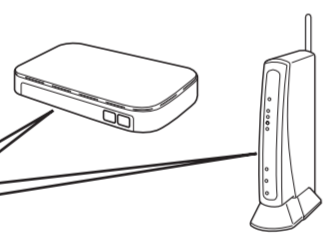
13 Alternative wireless setup

Even if you do not have a wireless access point/router, you can connect your device and your machine directly. For additional wireless network support, go to support.brother.com/wireless-support.

Find your SSID (Network Name) and Network Key (Password) on your wireless access point/router and write them in the table provided below.

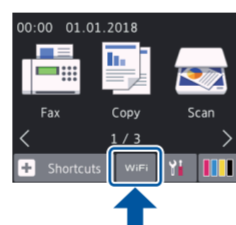
SSID (Network Name)	
Network Key (Password)	

SSID: XXXXXXXX
Network key: XXXX



If you cannot find this information, ask your network administrator or wireless access point/router manufacturer.

Go to your machine, and press **[WiFi]** > [Setup Wizard] > [Yes].



Select the SSID (Network Name) for your access point/router and enter the Network Key (Password).

When the wireless setup is successful, the touchscreen displays [Connected].

If setup is not successful, restart your Brother machine and your wireless access point/router, and repeat **13**.

For Computer

Go to **12** to install software.

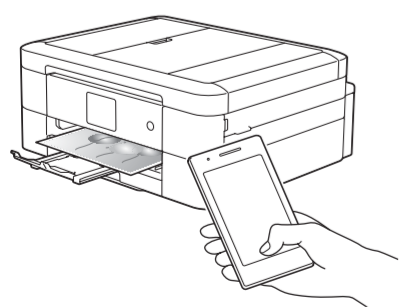
For Mobile Device

Go to **14** to install apps.

14 Print or scan using your mobile device

Your mobile device must be connected to the same wireless network as your Brother machine.

Brother SupportCenter is a mobile app that provides the latest support information for your Brother product. Visit the App Store or Google Play™ to download.



Works with
Apple AirPrint

AirPrint is available for all supported iOS devices including iPhone, iPad, and iPod touch. You do not need to download any software to use AirPrint. For more information, see the *Online User's Guide*.



Download and install the Mopria® Print Service app from Google Play™ using your Android™ device.



Download and install our free application **Brother iPrint&Scan** from a mobile application store, such as the App Store, Google Play™ or Microsoft® Store using your mobile device.

Optional apps

You can print from and scan to your mobile device using various apps. For instructions, see the *Online User's Guide*.

(USA only) For more information on apps, visit www.brother-usa.com/connect.



Additional Wireless Support: support.brother.com/wireless-support

For FAQs, Troubleshooting, and to download software and manuals, visit support.brother.com. For product specifications, see the *Online User's Guide*.

© 2018 Brother Industries, Ltd. All rights reserved.