

Read the Product Safety Guide first, then read this Quick Setup Guide for the correct installation procedure.

## WARNING

WARNING indicates a potentially hazardous situation which, if not avoided, could result in death or serious injuries.

## NOTE

NOTE specifies the operating environment, conditions for installation, or special conditions of use.



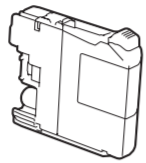
Watch our FAQ Videos for help with setting up your Brother machine.  
[solutions.brother.com/videos](http://solutions.brother.com/videos)



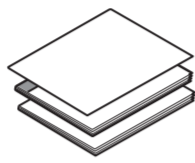
Visit the Brother support website  
<http://support.brother.com>

## Unpack the machine and check the components

1. Remove the protective tape and film covering the machine and the Touchscreen.
2. Make sure you have all components shown below.



**Starter Ink Cartridges [x4]**  
• Black  
• Yellow  
• Cyan  
• Magenta



**Quick Setup Guide  
Basic User's Guide  
Product Safety Guide**



**CD-ROM**



**Telephone Line Cord**

## WARNING

Plastic bags are used in the packing of your machine. Plastic bags are not toys. To avoid the danger of suffocation, keep these bags away from babies and children, and dispose of them correctly.

## NOTE

- Most of the illustrations in this Quick Setup Guide show the MFC-J880DW.
- Save all packing materials and the box in case for any reason you must ship your machine.
- **You must purchase the correct interface cable for the interface you want to use (for either a USB or network connection).**

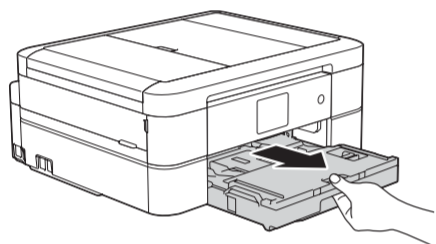
### USB cable

We recommend using a USB 2.0 cable (Type A/B) that is no more than 6 feet (2 meters) long.

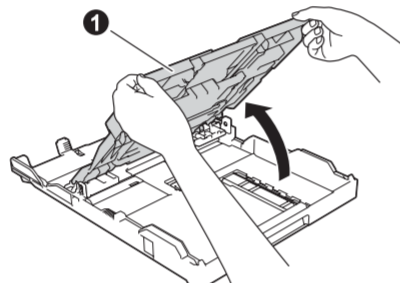
### Ethernet (Network) cable

Use a straight-through Category5 (or greater) twisted-pair cable for 10BASE-T or 100BASE-TX Fast Ethernet Network.

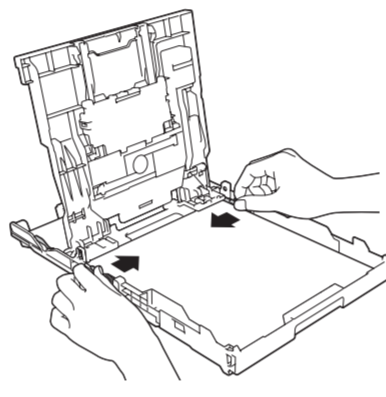
## 1 Load plain Letter/A4 paper



Pull the paper tray completely out of the machine.

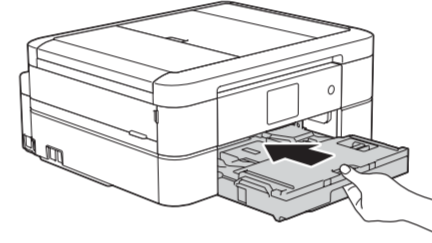


Open the output paper tray cover ❶.

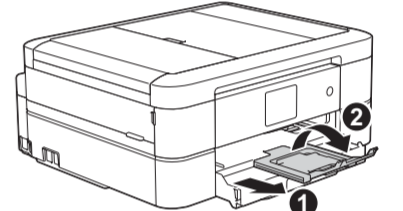


Adjust the paper guides.

Fan the paper well and load it in the tray.



Close the output paper tray cover, and then slowly push the tray completely into the machine.

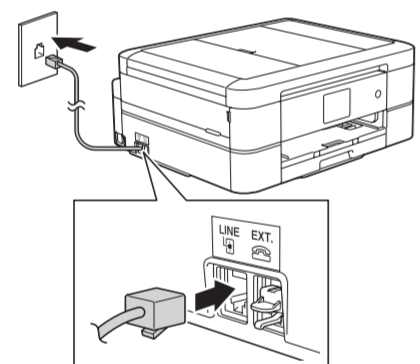


## NOTE

Pull out the paper support ❶, and unfold the paper support flap ❷ so that the printed pages do not fall.

## 2 Connect the telephone line cord

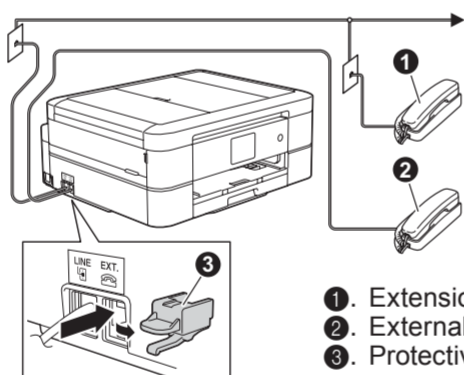
If you are not using your machine as a fax, go to 3



Connect the telephone line cord. Use the jack marked **LINE** and guide the cord out the back of the machine.

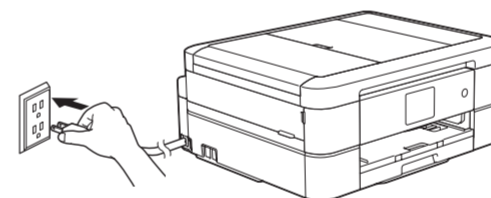
## NOTE

If you are sharing one telephone line with an external telephone, connect it as shown below. Before you connect the external telephone, remove the white protective cap ❸ from the **EXT.** jack of the machine.



- ❶. Extension telephone
- ❷. External telephone
- ❸. Protective cap

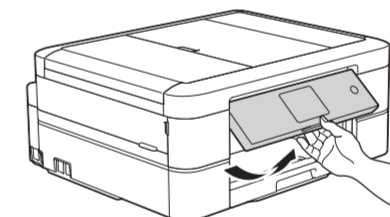
## 3 Connect the power cord



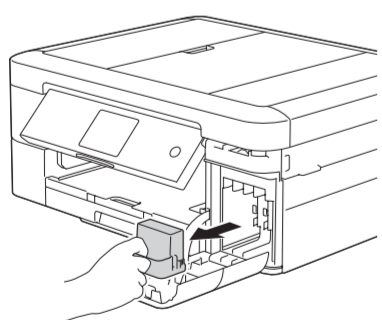
Connect the power cord. The machine will power on automatically.

## NOTE

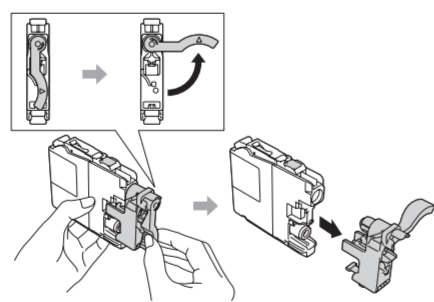
You can adjust the control panel angle to read the Touchscreen more easily.



## 4 Install starter ink cartridges



Open the ink cartridge cover, and then remove the orange protective part from the machine.



Follow the Touchscreen instructions to install the ink cartridges. The machine will prepare the ink tube system for printing.

## 5 Machine Settings

When the machine has finished the initial cleaning process, follow the Touchscreen instructions to configure the machine settings.

- Check print quality
- Set date and time
- View operation tips
- Set New Function Notice
- Print the installation sheet

## 6 Choose your language (if needed)

1. Press [Settings] > [All Settings] > [Initial Setup] > [Local Language].
2. Press your language.
3. Press .

## 7 Choose the correct Receive Mode

If you are not using your machine as a fax, go to 9

The correct Receive Mode is determined by the external devices and telephone subscriber services (Voice Mail, Distinctive Ring, etc.) you will be using on the same line as the Brother machine. For more information, see *Receive Modes* in chapter 7 of the *Basic User's Guide*.

1. Press [Settings] > [All Settings] > [Fax] > [Setup Receive] > [Receive Mode].
2. Press your preferred Receive Mode.
3. Press .

## 8 Set your Station ID

If you are not using your machine as a fax, go to 9

Store your name and fax number so the machine prints it on all outgoing fax pages. For more information, see *Enter Text on Your Brother Machine* in Appendix of the *Basic User's Guide*.

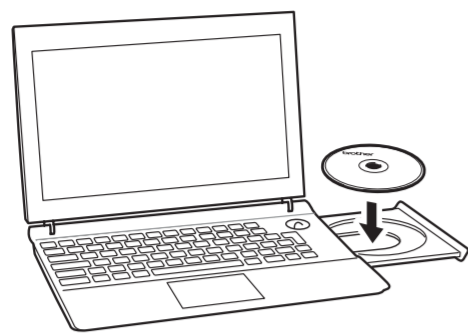
1. Press [Settings] > [All Settings] > [Initial Setup] > [Station ID] > [Fax].
2. Enter your fax number (up to 20 digits) on the Touchscreen, and then press [OK].
3. Press [Name].
4. Enter your name (up to 20 characters) using the Touchscreen, and then press [OK].
5. Press .



## 9 Print from a computer

Put the CD-ROM into your CD/DVD drive.

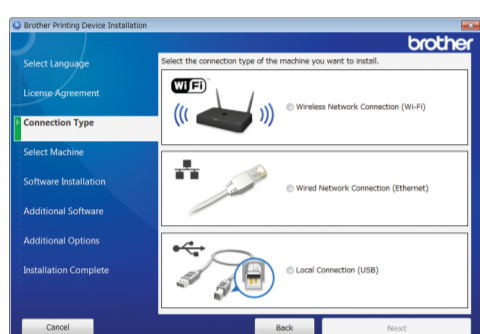
- If you do not have a CD/DVD drive, download the software:  
For Windows®: [solutions.brother.com/windows](http://solutions.brother.com/windows)  
For Macintosh: [solutions.brother.com/mac](http://solutions.brother.com/mac)



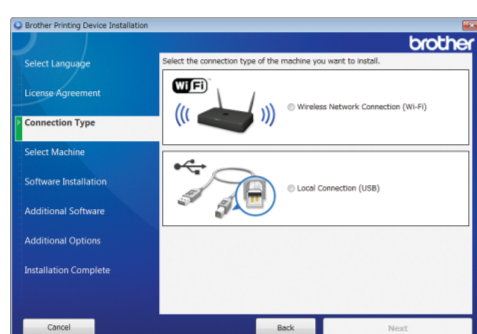
When the device installation screen appears, follow the on-screen instructions.

When you reach **Connection Type**, select the connection type you want.

(MFC-J880DW/J885DW)



(MFC-J680DW)

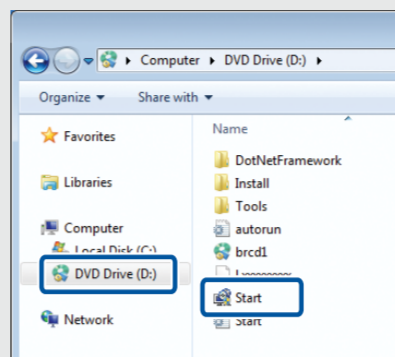


If you select **Local Connection (USB)**, DO NOT connect the USB cable yet. Wait until instructed. Follow the on-screen instructions to continue installation.

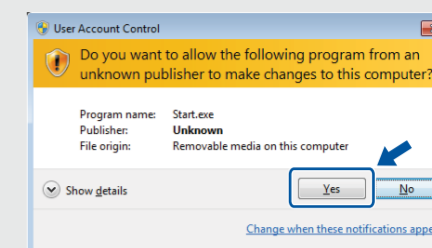
Continue to follow the on-screen instructions. When **Installation Complete** appears, your Brother machine is successfully installed. Click **Finish**.

If wireless connection is not successful, connect your machine manually using the control panel, using the instructions below in **Using the Wireless Setup Wizard**.

- If the Brother screen does not appear automatically, click **(Start) > Computer (My Computer)**.  
(For Windows® 8: click the **File Explorer** icon on the taskbar, and then go to **Computer**.)  
Double-click the CD/DVD-ROM icon, and then double-click **start.exe**.



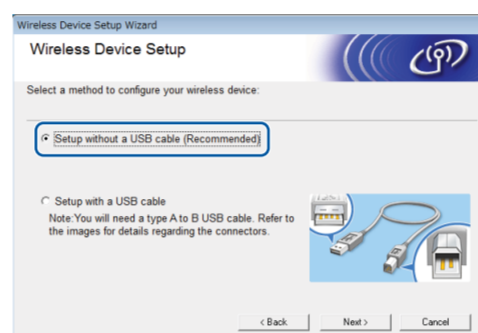
- If the **User Account Control** screen appears, click **Yes** to continue installation.



- To connect additional computers, repeat this procedure for each computer.

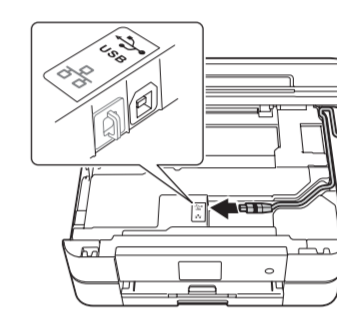
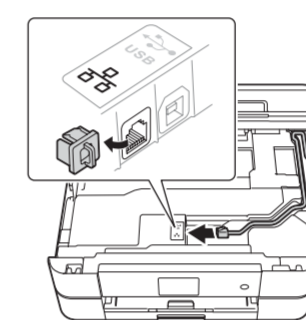
If you selected **Wireless Network Connection (Wi-Fi)**

When the **Wireless Device Setup** screen appears, select **Setup without a USB cable (Recommended)**.



If you selected **Wired Network Connection (Ethernet) or Local Connection (USB)**

Wait until the on-screen instructions tell you to connect to your computer: lift the scanner cover, insert your cable into the correct jack, and guide the cable out the back of the machine. Close the scanner cover, and then connect the cable to your computer.

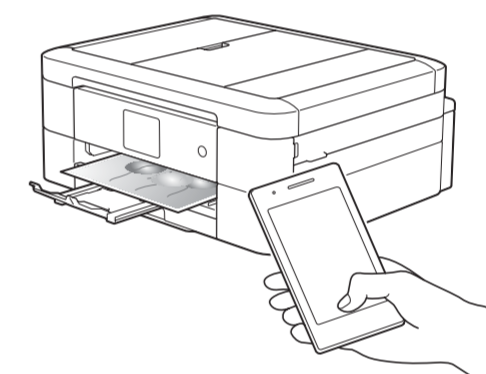


## Print from a smartphone or other mobile device



Print from and scan to smartphones and other mobile devices using our free application **Brother iPrint&Scan**.

Download and install **Brother iPrint&Scan** at [solutions.brother.com/ips](http://solutions.brother.com/ips) or



You can also use AirPrint, a mobile printing solution that lets you wirelessly print photos, email, web page, and documents from your iPad, iPhone and iPod touch without the need to install a driver. For more information about using AirPrint, see the *AirPrint Guide* on your model's **Manuals** page.

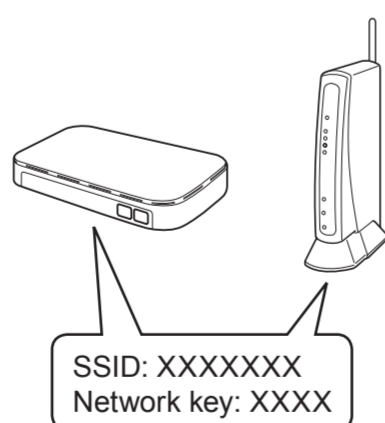
Your smartphone or mobile device must be connected to the Brother machine wirelessly. Connect your smartphone or mobile device to a wireless access point/router, and connect your Brother machine to the same wireless access point/router, using the **Wireless Setup Wizard**. See **Using the Wireless Setup Wizard**.



### Using the Wireless Setup Wizard

Use Brother's Wireless Setup Wizard to manually connect your Brother machine to your wireless network. Your computer, smartphone, or mobile device must be connected to the same wireless network.

- Turn off your wireless access point/router, wait 10 seconds, and then turn it on again.
- Find your SSID (Network Name) and Network Key (Password) on your wireless access point/router and write them in the table provided below. If you cannot find this information, ask your network administrator or wireless access point/router manufacturer.
- Press **WiFi** on your Brother machine's Touchscreen, and then press [Setup Wizard].



SSID (Network Name)	
Network Key (Password)	



- Select the SSID (Network Name) you found in **2**, and then press [OK].
- Enter the Network Key (Password) you found in **2**, and then press [OK].
- When wireless setup is successful, the Touchscreen displays [Connected]. Press [OK], and then return to step **9** to install the driver.  
If the machine does not connect to the network, verify your Network Key (Password) and repeat these steps. For additional help, see your model's **FAQs & Troubleshooting** page on the Brother Solutions Center at <http://support.brother.com>

