



Color LaserJet Pro MFP M377 Color LaserJet Pro M452 Color LaserJet Pro MFP M477

Repair Manual



M452nw
M452dn



M452dw



M377dw
M477fnw
M477fnw
M477fdw



www.hp.com/support/colorljM377MFP
www.hp.com/support/colorlj452
www.hp.com/support/colorlj477MFP
For printer theory and problem solving
information, see the Troubleshooting Manual.



**HP Color LaserJet Pro MFP M377, HP Color
LaserJet Pro M452 and HP Color LaserJet
Pro MFP M477**

Repair Manual

Copyright and License

© Copyright 2016 HP Development Company, L.P.


Reproduction, adaptation, or translation without prior written permission is prohibited, except as allowed under the copyright laws.


The information contained herein is subject to change without notice.


The only warranties for HP products and services are set forth in the express warranty statements accompanying such products and services. Nothing herein should be construed as constituting an additional warranty. HP shall not be liable for technical or editorial errors or omissions contained herein.


Edition 3, 4/2016

Conventions used in this guide


 **TIP:** Helpful hints or shortcuts.

 **NOTE:** Information that explains a concept or how to complete a task.

 **Reinstallation tip:** Reinstallation helpful hints, shortcuts, or considerations.

 **IMPORTANT:** Information that help the user to avoid potential printer error conditions.

 **CAUTION:** Procedures that the user must follow to avoid losing data or damaging the printer.

 **WARNING!** Procedures that the user must follow to avoid personal injury, catastrophic loss of data, or extensive damage to the printer.

For additional service and support information

HP service personnel, go to the Service Access Work Bench (SAW) at <http://h41302.www4.hp.com/km/saw/home.do>.

Channel partners, go to HP Channel Services Network (CNS) at <https://h30125.www3.hp.com/hpcsn>.

At these locations, find information on the following topics:

- Install and configure
- Printer specifications
- Up-to-date control panel message (CPMD) troubleshooting
- Solutions for printer issues and emerging issues
- Remove and replace part instructions and videos
- Service advisories
- Warranty and regulatory information

To access HP PartSurfer information from any mobile device, go to <http://partsurfermobile.hp.com/> or scan the Quick Response (QR) code below.



Table of contents

| | |
|---|----------|
| 1 Removal and replacement | 1 |
| For additional service and support | 2 |
| Removal and replacement strategy | 3 |
| Introduction | 3 |
| Considerations during removal and replacement | 3 |
| Electrostatic discharge | 4 |
| Required tools | 4 |
| Fasteners used in this printer | 5 |
| Service approach | 6 |
| Before performing service | 6 |
| Secondary service menu | 6 |
| After performing service | 6 |
| Post service tests | 7 |
| Print-quality test | 7 |
| Copy-quality test (M377, M477 models) | 7 |
| Fax-quality test (M477 models) | 7 |
| Order parts by authorized service providers | 8 |
| Orderable parts | 8 |
| Whole unit replacement (WUR) part numbers | 8 |
| Supplies part numbers | 9 |
| Related documentation and software | 9 |
| Removal and replacement procedures | 11 |
| Customer self-repair (CSR) A parts and assemblies | 11 |
| Removal and replacement: Toner cartridges | 12 |
| Removal and replacement: Trays | 18 |
| Removal and replacement: Tray 2 | 19 |
| Removal and replacement: Tray 3 | 21 |
| Field replaceable units (FRUs) | 23 |
| Removal and replacement: Rollers | 23 |
| Removal and replacement: Tray 1 pickup roller | 24 |
| Removal and replacement: Tray 1 separation pad | 29 |
| Removal and replacement: Tray 2 pickup and feed rollers | 34 |

| | |
|---|-----|
| Removal and replacement: Tray 2 separation roller | 47 |
| Removal and replacement: Tray 3 pickup and feed rollers | 59 |
| Removal and replacement: Tray 3 separation roller | 66 |
| Removal and replacement: Secondary transfer roller | 72 |
| Removal and replacement: External panels, covers, and doors | 78 |
| Removal and replacement: Right cover (M452 models) | 79 |
| Removal and replacement: Left cover (M452 models) | 94 |
| Removal and replacement: Right cover (M377, M477 models) | 109 |
| Removal and replacement: Left cover (M377, M477 models) | 127 |
| Removal and replacement: Front door assembly | 146 |
| Removal and replacement: Duplexer door assembly (duplex models) | 180 |
| Removal and replacement: Rear top cover (simplex models) | 227 |
| Removal and replacement: Rear lower cover (simplex models) | 272 |
| Removal and replacement: Rear door (simplex models) | 317 |
| Removal and replacement: Top cover (M452 models) | 364 |
| Removal and replacement: Top cover (M377, M477 models) | 405 |
| Removal and replacement: Touchscreen control panel (M452dw model) | 470 |
| Removal and replacement: Touchscreen control panel (M377, M477 models) | 507 |
| Removal and replacement: Integrated scanner assembly (M377, M477 models) | 569 |
| Introduction | 569 |
| Step 1: Remove Tray 2 | 569 |
| Step 2: Open the front door and rear door or duplexer door | 570 |
| Step 3: Remove the left cover (M377, M477 models) | 572 |
| Step 4: Remove the integrated scanner assembly | 576 |
| Step 5: Unpack the replacement part | 581 |
| Step 6: Install the integrated scanner assembly | 581 |
| Step 7: Install the left cover (M377, M477 models) | 586 |
| Step 8: Close the front door and rear door or duplexer door | 592 |
| Step 9: Install Tray 2 | 593 |
| Removal and replacement: Internal parts and assemblies | 595 |
| Removal and replacement: Power switch assembly | 597 |
| Removal and replacement: Toner cartridge tray | 626 |
| Removal and replacement: Cartridge fan | 660 |
| Removal and replacement: Power supply fan | 689 |
| Removal and replacement: Low-voltage power supply (LVPS) | 719 |
| Removal and replacement: Pickup motor | 778 |
| Removal and replacement: Driver PCA | 839 |
| Removal and replacement: Drum motor | 869 |
| Removal and replacement: Developer motor | 936 |

| | |
|---|------|
| Removal and replacement: Secondary transfer assembly (simplex models) | 1003 |
| Removal and replacement: Secondary transfer assembly (duplex models) | 1009 |
| Removal and replacement: Intermediate transfer belt (ITB) | 1016 |
| Removal and replacement: Registration density sensor | 1082 |
| Removal and replacement: Re-pickup assembly (duplex models) | 1166 |
| Removal and replacement: Engine controller PCA | 1222 |
| Removal and replacement: Lifter drive assembly | 1251 |
| Removal and replacement: Pickup assembly | 1321 |
| Removal and replacement: Front feed guide assembly | 1411 |
| Removal and replacement: Rear feed guide assembly | 1508 |
| Removal and replacement: Registration assembly | 1606 |
| Removal and replacement: Memory PCA | 1708 |
| Removal and replacement: Laser scanner (M452 models) | 1795 |
| Removal and replacement: Laser scanner (M377, M477 models) | 1855 |
| Removal and replacement: Fuser (simplex models) | 1939 |
| Removal and replacement: Fuser (duplex models) | 2027 |
| Removal and replacement: Fuser power supply | 2116 |
| Removal and replacement: Fuser motor | 2148 |
| Removal and replacement: Duplex drive assembly (duplex models) | 2181 |
| Removal and replacement: Wireless antenna (M452nw/dw models) | 2278 |
| Removal and replacement: Wireless PCA (M452nw/dw models) | 2317 |
| Removal and replacement: Wireless PCA (M377, M477fnw/fdw models) | 2336 |
| Removal and replacement: Formatter PCA | 2361 |
| Removal and replacement: Environmental sensor | 2393 |
| Removal and replacement: Fax PCA (M477 models) | 2420 |
| Removal and replacement: NFC PCA (M452dw and M477dw models) ... | 2460 |
| Removal and replacement: Walk-up USB port (M452dw model) | 2544 |
| Removal and replacement: Walk-up USB port (M377, M477 models) | 2577 |
| Removal and replacement: Drawer connector | 2639 |
| Removal and replacement: Accessories | 2665 |
| 550-sheet paper feeder | 2666 |

2 Parts and diagrams 2985

| | |
|---|------|
| For additional service and support | 2986 |
| Assembly locations | 2987 |
| Base printer, M452 | 2987 |
| Base printer, M377 and M477 | 2988 |
| 550-sheet paper feeder (all models) | 2989 |

| | |
|---|-------------|
| Order parts, accessories, and supplies | 2990 |
| Ordering | 2990 |
| Orderable parts | 2990 |
| Supplies | 2990 |
| Accessories | 2991 |
| Customer self-repair kits | 2991 |
| Related documentation and software | 2991 |
| How to use the parts lists and diagrams | 2992 |
| Parts and diagrams: Document feeder and scanner whole units | 2994 |
| Document feeder and scanner (M377, M477) | 2994 |
| Parts and diagrams: Covers and control panels | 2996 |
| M452 covers and control panels | 2996 |
| M377, M477 covers and control panel | 2998 |
| Parts and diagrams: Internal components | 3000 |
| Internal components (1 of 5) | 3000 |
| Internal components (2 of 5) | 3002 |
| Internal components (3 of 5) | 3004 |
| Internal components (4 of 5) | 3006 |
| Internal components (5 of 5) | 3008 |
| Parts and diagrams: 550-sheet paper feeder | 3010 |
| 550-sheet paper feeder covers | 3010 |
| 550-sheet paper feeder main body (1 of 2) | 3012 |
| 550-sheet paper feeder main body (2 of 2) | 3014 |
| Alphabetical parts list | 3016 |
| Numerical parts list | 3023 |
| Index | 3031 |

List of tables

| | | |
|------------|---|------|
| Table 1-1 | Supplies part numbers | 9 |
| Table 2-1 | Base printer, M452 (no optional trays or accessories) | 2987 |
| Table 2-2 | Base printer, M377, M477 (no optional trays or accessories) | 2988 |
| Table 2-3 | 550-sheet paper feeder (all models) | 2989 |
| Table 2-4 | Supplies | 2990 |
| Table 2-5 | Accessories | 2991 |
| Table 2-6 | Document feeder and scanner (M377, M477) | 2995 |
| Table 2-7 | M452 covers and control panels | 2997 |
| Table 2-8 | M377, M477 covers and control panel | 2999 |
| Table 2-9 | Internal components (1 of 5) | 3001 |
| Table 2-10 | Internal components (2 of 5) | 3003 |
| Table 2-11 | Internal components (3 of 5) | 3005 |
| Table 2-12 | Internal components (4 of 5) | 3007 |
| Table 2-13 | Internal components (5 of 5) | 3009 |
| Table 2-14 | 550-sheet paper feeder covers | 3011 |
| Table 2-15 | 550-sheet paper feeder main body (1 of 2) | 3013 |
| Table 2-16 | 550-sheet paper feeder main body (2 of 2) | 3015 |

List of figures

| | | |
|-------------|--|----|
| Figure 1-1 | Screwdrivers | 4 |
| Figure 1-2 | Open the front door | 13 |
| Figure 1-3 | Open the cartridge drawer | 13 |
| Figure 1-4 | Remove the toner cartridge | 14 |
| Figure 1-5 | Recycle and unpack | 14 |
| Figure 1-6 | Rock the toner cartridge | 15 |
| Figure 1-7 | Do not touch imaging drum | 15 |
| Figure 1-8 | Install a toner cartridge | 16 |
| Figure 1-9 | Close the toner cartridge drawer | 16 |
| Figure 1-10 | Close the front door | 17 |
| Figure 1-11 | Remove the tray | 19 |
| Figure 1-12 | Recycle and unpack | 20 |
| Figure 1-13 | Install the tray | 20 |
| Figure 1-14 | Remove the tray | 21 |
| Figure 1-15 | Recycle and unpack | 22 |
| Figure 1-16 | Install the tray | 22 |
| Figure 1-17 | Release the front door | 25 |
| Figure 1-18 | Open the front door | 25 |
| Figure 1-19 | Release two tabs | 26 |
| Figure 1-20 | Remove the pickup roller | 26 |
| Figure 1-21 | Recycle and unpack | 27 |
| Figure 1-22 | Install the pickup roller | 27 |
| Figure 1-23 | Close the front door | 28 |
| Figure 1-24 | Release the front door | 30 |
| Figure 1-25 | Open the front door | 30 |
| Figure 1-26 | Press down and release tabs | 31 |
| Figure 1-27 | Remove the separation pad | 31 |
| Figure 1-28 | Recycle and unpack | 32 |
| Figure 1-29 | Position the separation pad | 32 |
| Figure 1-30 | Snap the separation pad into place | 33 |
| Figure 1-31 | Close the front door | 33 |
| Figure 1-32 | Open the front door | 35 |

| | | |
|-------------|--|----|
| Figure 1-33 | Open the cartridge drawer | 35 |
| Figure 1-34 | Remove the toner cartridge | 36 |
| Figure 1-35 | Slide the cartridge tray in | 36 |
| Figure 1-36 | Close the front door | 37 |
| Figure 1-37 | Remove the tray | 37 |
| Figure 1-38 | Release the feed guide | 38 |
| Figure 1-39 | Release the roller holder | 38 |
| Figure 1-40 | Remove the roller case | 39 |
| Figure 1-41 | Locate the rollers | 39 |
| Figure 1-42 | Remove the roller | 40 |
| Figure 1-43 | Recycle and unpack | 40 |
| Figure 1-44 | Position the roller | 41 |
| Figure 1-45 | Install the roller | 41 |
| Figure 1-46 | Position the roller case | 42 |
| Figure 1-47 | Install the roller case | 42 |
| Figure 1-48 | Install the tray | 43 |
| Figure 1-49 | Open the front door | 43 |
| Figure 1-50 | Slide the cartridge tray out | 44 |
| Figure 1-51 | Do not touch imaging drum | 44 |
| Figure 1-52 | Install a toner cartridge | 45 |
| Figure 1-53 | Close the toner cartridge drawer | 45 |
| Figure 1-54 | Close the front door | 46 |
| Figure 1-55 | Open the front door | 48 |
| Figure 1-56 | Open the cartridge drawer | 48 |
| Figure 1-57 | Remove the toner cartridge | 49 |
| Figure 1-58 | Slide the cartridge tray in | 49 |
| Figure 1-59 | Close the front door | 50 |
| Figure 1-60 | Remove the tray | 50 |
| Figure 1-61 | Release the tabs | 51 |
| Figure 1-62 | Remove the cover | 51 |
| Figure 1-63 | Release the separation roller | 52 |
| Figure 1-64 | Remove the separation roller | 52 |
| Figure 1-65 | Recycle and unpack | 53 |
| Figure 1-66 | Install the separation roller | 53 |
| Figure 1-67 | Position the roller cover | 54 |
| Figure 1-68 | Release two tabs | 54 |
| Figure 1-69 | Install the tray | 55 |
| Figure 1-70 | Open the front door | 55 |
| Figure 1-71 | Slide the cartridge tray out | 56 |
| Figure 1-72 | Do not touch imaging drum | 56 |
| Figure 1-73 | Install a toner cartridge | 57 |

| | | |
|--------------|--|----|
| Figure 1-74 | Close the toner cartridge drawer | 57 |
| Figure 1-75 | Close the front door | 58 |
| Figure 1-76 | Remove the tray | 60 |
| Figure 1-77 | Release the roller holder | 60 |
| Figure 1-78 | Remove the roller case | 61 |
| Figure 1-79 | Locate the rollers | 61 |
| Figure 1-80 | Remove the roller | 62 |
| Figure 1-81 | Recycle and unpack | 62 |
| Figure 1-82 | Position the roller | 63 |
| Figure 1-83 | Install the roller | 63 |
| Figure 1-84 | Position the roller case | 64 |
| Figure 1-85 | Install the roller case | 64 |
| Figure 1-86 | Install the tray | 65 |
| Figure 1-87 | Remove the tray | 67 |
| Figure 1-88 | Release the tabs | 67 |
| Figure 1-89 | Remove the cover | 68 |
| Figure 1-90 | Release the separation roller | 68 |
| Figure 1-91 | Remove the separation roller | 69 |
| Figure 1-92 | Recycle and unpack | 69 |
| Figure 1-93 | Install the separation roller | 70 |
| Figure 1-94 | Position the roller cover | 70 |
| Figure 1-95 | Release two tabs | 71 |
| Figure 1-96 | Install the tray | 71 |
| Figure 1-97 | Release two tabs | 73 |
| Figure 1-98 | Lift the end of the roller | 73 |
| Figure 1-99 | Remove the stopper | 74 |
| Figure 1-100 | Reattach the stopper spring | 74 |
| Figure 1-101 | Remove the secondary transfer roller | 75 |
| Figure 1-102 | Recycle and unpack | 75 |
| Figure 1-103 | Position the secondary transfer roller | 76 |
| Figure 1-104 | Attach stopper | 76 |
| Figure 1-105 | Install the secondary transfer roller | 77 |
| Figure 1-106 | Check the tabs | 77 |
| Figure 1-107 | Remove the tray | 80 |
| Figure 1-108 | Release the front door | 80 |
| Figure 1-109 | Open the front door | 81 |
| Figure 1-110 | Open the duplexer door | 81 |
| Figure 1-111 | Open the rear door | 82 |
| Figure 1-112 | Remove one screw | 82 |
| Figure 1-113 | Remove one screw | 83 |
| Figure 1-114 | Locate the tabs | 83 |

| | | |
|--------------|---|-----|
| Figure 1-115 | Release front lower tabs | 84 |
| Figure 1-116 | Release lower rear tab | 84 |
| Figure 1-117 | Release two front tabs | 85 |
| Figure 1-118 | Release upper tabs | 85 |
| Figure 1-119 | Remove the right cover | 86 |
| Figure 1-120 | Recycle and unpack | 86 |
| Figure 1-121 | Position two tabs | 87 |
| Figure 1-122 | Install rear tab | 87 |
| Figure 1-123 | Install the right cover | 88 |
| Figure 1-124 | Install upper tabs | 88 |
| Figure 1-125 | Install the front tabs | 89 |
| Figure 1-126 | Install the front lower tab | 89 |
| Figure 1-127 | Install two tabs | 90 |
| Figure 1-128 | Install one screw | 90 |
| Figure 1-129 | Install one screw | 91 |
| Figure 1-130 | Close the front door | 91 |
| Figure 1-131 | Close the duplexer door | 92 |
| Figure 1-132 | Close the rear door | 92 |
| Figure 1-133 | Install the tray | 93 |
| Figure 1-134 | Remove the tray | 95 |
| Figure 1-135 | Release the front door | 95 |
| Figure 1-136 | Open the front door | 96 |
| Figure 1-137 | Open the duplexer door | 96 |
| Figure 1-138 | Open the rear door | 97 |
| Figure 1-139 | Remove one screw | 97 |
| Figure 1-140 | Release two tabs | 98 |
| Figure 1-141 | Locate the tabs | 98 |
| Figure 1-142 | Release bottom tabs | 99 |
| Figure 1-143 | Release three tabs | 99 |
| Figure 1-144 | Release two tabs | 100 |
| Figure 1-145 | Remove the button | 100 |
| Figure 1-146 | Recycle and unpack | 101 |
| Figure 1-147 | Install the button | 101 |
| Figure 1-148 | Install two tabs | 102 |
| Figure 1-149 | Position three tabs | 102 |
| Figure 1-150 | Install one tab | 103 |
| Figure 1-151 | Install the left cover | 104 |
| Figure 1-152 | Make sure the tab does not get caught | 104 |
| Figure 1-153 | Install four tabs | 105 |
| Figure 1-154 | Engage two tabs | 105 |
| Figure 1-155 | Install hinge pin | 106 |

| | | |
|--------------|--|-----|
| Figure 1-156 | Install one screw | 106 |
| Figure 1-157 | Close the front door | 107 |
| Figure 1-158 | Close the duplexer door | 107 |
| Figure 1-159 | Close the rear door | 108 |
| Figure 1-160 | Install the tray | 108 |
| Figure 1-161 | Remove the tray | 110 |
| Figure 1-162 | Release the front door | 110 |
| Figure 1-163 | Open the front door | 111 |
| Figure 1-164 | Open the duplexer door | 111 |
| Figure 1-165 | Open the rear door | 112 |
| Figure 1-166 | Raise the scanner | 112 |
| Figure 1-167 | Remove one screw | 113 |
| Figure 1-168 | Remove one screw | 113 |
| Figure 1-169 | Locate the tabs | 114 |
| Figure 1-170 | Release front lower tabs | 114 |
| Figure 1-171 | Release lower rear tab | 115 |
| Figure 1-172 | Release front upper tabs | 115 |
| Figure 1-173 | Rotate the front of the cover | 116 |
| Figure 1-174 | Release top tabs | 116 |
| Figure 1-175 | Release one tab and one hook | 117 |
| Figure 1-176 | Lower the scanner | 117 |
| Figure 1-177 | Remove the right cover | 118 |
| Figure 1-178 | Recycle and unpack | 118 |
| Figure 1-179 | Install rear tab | 119 |
| Figure 1-180 | Raise the scanner | 119 |
| Figure 1-181 | Rotate the right cover | 120 |
| Figure 1-182 | Position the hooks in the slots | 120 |
| Figure 1-183 | Slide the cover | 121 |
| Figure 1-184 | Rotate the front of the cover | 121 |
| Figure 1-185 | Install two tabs | 122 |
| Figure 1-186 | Install the front and lower tabs | 122 |
| Figure 1-187 | Install one screw | 123 |
| Figure 1-188 | Install one screw | 123 |
| Figure 1-189 | Lower the scanner | 124 |
| Figure 1-190 | Close the front door | 124 |
| Figure 1-191 | Close the duplexer door | 125 |
| Figure 1-192 | Close the rear door | 125 |
| Figure 1-193 | Install the tray | 126 |
| Figure 1-194 | Remove the tray | 128 |
| Figure 1-195 | Release the front door | 128 |
| Figure 1-196 | Open the front door | 129 |

| | | |
|--------------|---|-----|
| Figure 1-197 | Open the duplexer door | 129 |
| Figure 1-198 | Open the rear door | 130 |
| Figure 1-199 | Raise the scanner | 130 |
| Figure 1-200 | Remove one screw | 131 |
| Figure 1-201 | Release two tabs | 131 |
| Figure 1-202 | Locate the tabs | 132 |
| Figure 1-203 | Release four tabs | 132 |
| Figure 1-204 | Rotate the cover | 133 |
| Figure 1-205 | Release one tab and two hooks | 133 |
| Figure 1-206 | Lower the scanner | 134 |
| Figure 1-207 | Remove the left cover | 134 |
| Figure 1-208 | Release two tabs | 135 |
| Figure 1-209 | Remove the button | 135 |
| Figure 1-210 | Recycle and unpack | 136 |
| Figure 1-211 | Install the button | 136 |
| Figure 1-212 | Install two tabs | 137 |
| Figure 1-213 | Install one tab | 137 |
| Figure 1-214 | Rotate the left cover | 138 |
| Figure 1-215 | Make sure the tab does not get caught | 138 |
| Figure 1-216 | Raise the scanner | 139 |
| Figure 1-217 | Position the hooks in the slots | 139 |
| Figure 1-218 | Install the top hooks | 140 |
| Figure 1-219 | Make sure the tab does not get caught | 140 |
| Figure 1-220 | Install four tabs | 141 |
| Figure 1-221 | Install two tabs | 141 |
| Figure 1-222 | Install hinge pin | 142 |
| Figure 1-223 | Install one screw | 142 |
| Figure 1-224 | Lower the scanner | 143 |
| Figure 1-225 | Close the front door | 143 |
| Figure 1-226 | Close the duplexer door | 144 |
| Figure 1-227 | Close the rear door | 144 |
| Figure 1-228 | Install the tray | 145 |
| Figure 1-229 | Remove the tray | 147 |
| Figure 1-230 | Release the front door | 147 |
| Figure 1-231 | Open the front door | 148 |
| Figure 1-232 | Open the duplexer door | 148 |
| Figure 1-233 | Open the rear door | 149 |
| Figure 1-234 | Remove one screw | 149 |
| Figure 1-235 | Remove one screw | 150 |
| Figure 1-236 | Locate the tabs | 150 |
| Figure 1-237 | Release front lower tabs | 151 |

| | | |
|--------------|-------------------------------------|-----|
| Figure 1-238 | Release lower rear tab | 151 |
| Figure 1-239 | Release two front tabs | 152 |
| Figure 1-240 | Release upper tabs | 152 |
| Figure 1-241 | Remove the right cover | 153 |
| Figure 1-242 | Raise the scanner | 153 |
| Figure 1-243 | Remove one screw | 154 |
| Figure 1-244 | Remove one screw | 154 |
| Figure 1-245 | Locate the tabs | 155 |
| Figure 1-246 | Release front lower tabs | 155 |
| Figure 1-247 | Release lower rear tab | 156 |
| Figure 1-248 | Release front upper tabs | 156 |
| Figure 1-249 | Rotate the front of the cover | 157 |
| Figure 1-250 | Release top tabs | 157 |
| Figure 1-251 | Release one tab and one hook | 158 |
| Figure 1-252 | Lower the scanner | 158 |
| Figure 1-253 | Remove the right cover | 159 |
| Figure 1-254 | Remove one screw | 159 |
| Figure 1-255 | Tilt the door up | 160 |
| Figure 1-256 | Release the right hinge cover | 160 |
| Figure 1-257 | Release one tab | 161 |
| Figure 1-258 | Release the left hinge cover | 161 |
| Figure 1-259 | Remove one screw | 162 |
| Figure 1-260 | Release one arm | 162 |
| Figure 1-261 | Remove the front door | 163 |
| Figure 1-262 | Recycle and unpack | 163 |
| Figure 1-263 | Install the front door | 164 |
| Figure 1-264 | Install one arm | 164 |
| Figure 1-265 | Install one screw | 165 |
| Figure 1-266 | Attach left hinge cover | 165 |
| Figure 1-267 | Install the left hinge cover | 166 |
| Figure 1-268 | Attach right hinge cover | 166 |
| Figure 1-269 | Install the hinge cover | 167 |
| Figure 1-270 | Install one screw | 167 |
| Figure 1-271 | Position two tabs | 168 |
| Figure 1-272 | Install rear tab | 168 |
| Figure 1-273 | Install the right cover | 169 |
| Figure 1-274 | Install upper tabs | 169 |
| Figure 1-275 | Install the front tabs | 170 |
| Figure 1-276 | Install the front lower tab | 170 |
| Figure 1-277 | Install two tabs | 171 |
| Figure 1-278 | Install one screw | 171 |

| | | |
|--------------|--|-----|
| Figure 1-279 | Install one screw | 172 |
| Figure 1-280 | Install rear tab | 172 |
| Figure 1-281 | Raise the scanner | 173 |
| Figure 1-282 | Rotate the right cover | 173 |
| Figure 1-283 | Position the hooks in the slots | 174 |
| Figure 1-284 | Slide the cover | 174 |
| Figure 1-285 | Rotate the front of the cover | 175 |
| Figure 1-286 | Install two tabs | 175 |
| Figure 1-287 | Install the front and lower tabs | 176 |
| Figure 1-288 | Install one screw | 176 |
| Figure 1-289 | Install one screw | 177 |
| Figure 1-290 | Lower the scanner | 177 |
| Figure 1-291 | Close the front door | 178 |
| Figure 1-292 | Close the duplexer door | 178 |
| Figure 1-293 | Close the rear door | 179 |
| Figure 1-294 | Install the tray | 179 |
| Figure 1-295 | Remove the tray | 181 |
| Figure 1-296 | Release the front door | 181 |
| Figure 1-297 | Open the front door | 182 |
| Figure 1-298 | Open the duplexer door | 182 |
| Figure 1-299 | Remove one screw | 183 |
| Figure 1-300 | Remove one screw | 183 |
| Figure 1-301 | Locate the tabs | 184 |
| Figure 1-302 | Release front lower tabs | 184 |
| Figure 1-303 | Release lower rear tab | 185 |
| Figure 1-304 | Release two front tabs | 185 |
| Figure 1-305 | Release upper tabs | 186 |
| Figure 1-306 | Remove the right cover | 186 |
| Figure 1-307 | Raise the scanner | 187 |
| Figure 1-308 | Remove one screw | 187 |
| Figure 1-309 | Remove one screw | 188 |
| Figure 1-310 | Locate the tabs | 188 |
| Figure 1-311 | Release front lower tabs | 189 |
| Figure 1-312 | Release lower rear tab | 189 |
| Figure 1-313 | Release front upper tabs | 190 |
| Figure 1-314 | Rotate the front of the cover | 190 |
| Figure 1-315 | Release top tabs | 191 |
| Figure 1-316 | Release one tab and one hook | 191 |
| Figure 1-317 | Lower the scanner | 192 |
| Figure 1-318 | Remove the right cover | 192 |
| Figure 1-319 | Remove one screw | 193 |

| | | |
|--------------|---|-----|
| Figure 1-320 | Release two tabs | 193 |
| Figure 1-321 | Locate the tabs | 194 |
| Figure 1-322 | Release bottom tabs | 194 |
| Figure 1-323 | Release three tabs | 195 |
| Figure 1-324 | Raise the scanner | 195 |
| Figure 1-325 | Remove one screw | 196 |
| Figure 1-326 | Release two tabs | 196 |
| Figure 1-327 | Locate the tabs | 197 |
| Figure 1-328 | Release four tabs | 197 |
| Figure 1-329 | Rotate the cover | 198 |
| Figure 1-330 | Release one tab and two hooks | 198 |
| Figure 1-331 | Lower the scanner | 199 |
| Figure 1-332 | Remove the left cover | 199 |
| Figure 1-333 | Close the secondary transfer assembly | 200 |
| Figure 1-334 | Remove three screws | 200 |
| Figure 1-335 | Release the retention arm | 201 |
| Figure 1-336 | Remove the duplexer door | 201 |
| Figure 1-337 | Recycle and unpack | 202 |
| Figure 1-338 | Position the tab in the slot | 202 |
| Figure 1-339 | Install the duplexer door | 203 |
| Figure 1-340 | Install the retaining arm | 203 |
| Figure 1-341 | Install three screws | 204 |
| Figure 1-342 | Position three tabs | 204 |
| Figure 1-343 | Install one tab | 205 |
| Figure 1-344 | Install the left cover | 206 |
| Figure 1-345 | Make sure the tab does not get caught | 206 |
| Figure 1-346 | Install four tabs | 207 |
| Figure 1-347 | Engage two tabs | 207 |
| Figure 1-348 | Install hinge pin | 208 |
| Figure 1-349 | Install one screw | 208 |
| Figure 1-350 | Install one tab | 209 |
| Figure 1-351 | Rotate the left cover | 210 |
| Figure 1-352 | Make sure the tab does not get caught | 210 |
| Figure 1-353 | Raise the scanner | 211 |
| Figure 1-354 | Position the hooks in the slots | 211 |
| Figure 1-355 | Install the top hooks | 212 |
| Figure 1-356 | Make sure the tab does not get caught | 212 |
| Figure 1-357 | Install four tabs | 213 |
| Figure 1-358 | Install two tabs | 213 |
| Figure 1-359 | Install hinge pin | 214 |
| Figure 1-360 | Install one screw | 214 |

| | | |
|--------------|--|-----|
| Figure 1-361 | Lower the scanner | 215 |
| Figure 1-362 | Position two tabs | 215 |
| Figure 1-363 | Install rear tab | 216 |
| Figure 1-364 | Install the right cover | 216 |
| Figure 1-365 | Install upper tabs | 217 |
| Figure 1-366 | Install the front tabs | 217 |
| Figure 1-367 | Install the front lower tab | 218 |
| Figure 1-368 | Install two tabs | 218 |
| Figure 1-369 | Install one screw | 219 |
| Figure 1-370 | Install one screw | 219 |
| Figure 1-371 | Install rear tab | 220 |
| Figure 1-372 | Raise the scanner | 220 |
| Figure 1-373 | Rotate the right cover | 221 |
| Figure 1-374 | Position the hooks in the slots | 221 |
| Figure 1-375 | Slide the cover | 222 |
| Figure 1-376 | Rotate the front of the cover | 222 |
| Figure 1-377 | Install two tabs | 223 |
| Figure 1-378 | Install the front and lower tabs | 223 |
| Figure 1-379 | Install one screw | 224 |
| Figure 1-380 | Install one screw | 224 |
| Figure 1-381 | Lower the scanner | 225 |
| Figure 1-382 | Close the front door | 225 |
| Figure 1-383 | Close the duplexer door | 226 |
| Figure 1-384 | Install the tray | 226 |
| Figure 1-385 | Remove the tray | 228 |
| Figure 1-386 | Release the front door | 228 |
| Figure 1-387 | Open the front door | 229 |
| Figure 1-388 | Open the rear door | 229 |
| Figure 1-389 | Remove one screw | 230 |
| Figure 1-390 | Remove one screw | 230 |
| Figure 1-391 | Locate the tabs | 231 |
| Figure 1-392 | Release front lower tabs | 231 |
| Figure 1-393 | Release lower rear tab | 232 |
| Figure 1-394 | Release two front tabs | 232 |
| Figure 1-395 | Release upper tabs | 233 |
| Figure 1-396 | Remove the right cover | 233 |
| Figure 1-397 | Raise the scanner | 234 |
| Figure 1-398 | Remove one screw | 234 |
| Figure 1-399 | Remove one screw | 235 |
| Figure 1-400 | Locate the tabs | 235 |
| Figure 1-401 | Release front lower tabs | 236 |

| | | |
|--------------|---|-----|
| Figure 1-402 | Release lower rear tab | 236 |
| Figure 1-403 | Release front upper tabs | 237 |
| Figure 1-404 | Rotate the front of the cover | 237 |
| Figure 1-405 | Release top tabs | 238 |
| Figure 1-406 | Release one tab and one hook | 238 |
| Figure 1-407 | Lower the scanner | 239 |
| Figure 1-408 | Remove the right cover | 239 |
| Figure 1-409 | Remove one screw | 240 |
| Figure 1-410 | Release two tabs | 240 |
| Figure 1-411 | Locate the tabs | 241 |
| Figure 1-412 | Release bottom tabs | 241 |
| Figure 1-413 | Release three tabs | 242 |
| Figure 1-414 | Raise the scanner | 242 |
| Figure 1-415 | Remove one screw | 243 |
| Figure 1-416 | Release two tabs | 243 |
| Figure 1-417 | Locate the tabs | 244 |
| Figure 1-418 | Release four tabs | 244 |
| Figure 1-419 | Rotate the cover | 245 |
| Figure 1-420 | Release one tab and two hooks | 245 |
| Figure 1-421 | Lower the scanner | 246 |
| Figure 1-422 | Remove the left cover | 246 |
| Figure 1-423 | Release six tabs | 247 |
| Figure 1-424 | Remove the rear top cover | 247 |
| Figure 1-425 | Recycle and unpack | 248 |
| Figure 1-426 | Install the rear top cover | 248 |
| Figure 1-427 | Release two tabs | 249 |
| Figure 1-428 | Position three tabs | 249 |
| Figure 1-429 | Install one tab | 250 |
| Figure 1-430 | Install the left cover | 251 |
| Figure 1-431 | Make sure the tab does not get caught | 251 |
| Figure 1-432 | Install four tabs | 252 |
| Figure 1-433 | Engage two tabs | 252 |
| Figure 1-434 | Install hinge pin | 253 |
| Figure 1-435 | Install one screw | 253 |
| Figure 1-436 | Install one tab | 254 |
| Figure 1-437 | Rotate the left cover | 255 |
| Figure 1-438 | Make sure the tab does not get caught | 255 |
| Figure 1-439 | Raise the scanner | 256 |
| Figure 1-440 | Position the hooks in the slots | 256 |
| Figure 1-441 | Install the top hooks | 257 |
| Figure 1-442 | Make sure the tab does not get caught | 257 |

| | | |
|--------------|--|-----|
| Figure 1-443 | Install four tabs | 258 |
| Figure 1-444 | Install two tabs | 258 |
| Figure 1-445 | Install hinge pin | 259 |
| Figure 1-446 | Install one screw | 259 |
| Figure 1-447 | Lower the scanner | 260 |
| Figure 1-448 | Position two tabs | 260 |
| Figure 1-449 | Install rear tab | 261 |
| Figure 1-450 | Install the right cover | 261 |
| Figure 1-451 | Install upper tabs | 262 |
| Figure 1-452 | Install the front tabs | 262 |
| Figure 1-453 | Install the front lower tab | 263 |
| Figure 1-454 | Install two tabs | 263 |
| Figure 1-455 | Install one screw | 264 |
| Figure 1-456 | Install one screw | 264 |
| Figure 1-457 | Install rear tab | 265 |
| Figure 1-458 | Raise the scanner | 265 |
| Figure 1-459 | Rotate the right cover | 266 |
| Figure 1-460 | Position the hooks in the slots | 266 |
| Figure 1-461 | Slide the cover | 267 |
| Figure 1-462 | Rotate the front of the cover | 267 |
| Figure 1-463 | Install two tabs | 268 |
| Figure 1-464 | Install the front and lower tabs | 268 |
| Figure 1-465 | Install one screw | 269 |
| Figure 1-466 | Install one screw | 269 |
| Figure 1-467 | Lower the scanner | 270 |
| Figure 1-468 | Close the front door | 270 |
| Figure 1-469 | Close the rear door | 271 |
| Figure 1-470 | Install the tray | 271 |
| Figure 1-471 | Remove the tray | 273 |
| Figure 1-472 | Release the front door | 273 |
| Figure 1-473 | Open the front door | 274 |
| Figure 1-474 | Open the rear door | 274 |
| Figure 1-475 | Remove one screw | 275 |
| Figure 1-476 | Remove one screw | 275 |
| Figure 1-477 | Locate the tabs | 276 |
| Figure 1-478 | Release front lower tabs | 276 |
| Figure 1-479 | Release lower rear tab | 277 |
| Figure 1-480 | Release two front tabs | 277 |
| Figure 1-481 | Release upper tabs | 278 |
| Figure 1-482 | Remove the right cover | 278 |
| Figure 1-483 | Raise the scanner | 279 |

| | | |
|--------------|---|-----|
| Figure 1-484 | Remove one screw | 279 |
| Figure 1-485 | Remove one screw | 280 |
| Figure 1-486 | Locate the tabs | 280 |
| Figure 1-487 | Release front lower tabs | 281 |
| Figure 1-488 | Release lower rear tab | 281 |
| Figure 1-489 | Release front upper tabs | 282 |
| Figure 1-490 | Rotate the front of the cover | 282 |
| Figure 1-491 | Release top tabs | 283 |
| Figure 1-492 | Release one tab and one hook | 283 |
| Figure 1-493 | Lower the scanner | 284 |
| Figure 1-494 | Remove the right cover | 284 |
| Figure 1-495 | Remove one screw | 285 |
| Figure 1-496 | Release two tabs | 285 |
| Figure 1-497 | Locate the tabs | 286 |
| Figure 1-498 | Release bottom tabs | 286 |
| Figure 1-499 | Release three tabs | 287 |
| Figure 1-500 | Raise the scanner | 287 |
| Figure 1-501 | Remove one screw | 288 |
| Figure 1-502 | Release two tabs | 288 |
| Figure 1-503 | Locate the tabs | 289 |
| Figure 1-504 | Release four tabs | 289 |
| Figure 1-505 | Rotate the cover | 290 |
| Figure 1-506 | Release one tab and two hooks | 290 |
| Figure 1-507 | Lower the scanner | 291 |
| Figure 1-508 | Remove the left cover | 291 |
| Figure 1-509 | Close the secondary transfer assembly | 292 |
| Figure 1-510 | Remove two screws and release one tab | 292 |
| Figure 1-511 | Remove the rear lower cover | 293 |
| Figure 1-512 | Recycle and unpack | 293 |
| Figure 1-513 | Install the rear lower cover | 294 |
| Figure 1-514 | Engage tab and install screws | 294 |
| Figure 1-515 | Position three tabs | 295 |
| Figure 1-516 | Install one tab | 295 |
| Figure 1-517 | Install the left cover | 296 |
| Figure 1-518 | Make sure the tab does not get caught | 296 |
| Figure 1-519 | Install four tabs | 297 |
| Figure 1-520 | Engage two tabs | 297 |
| Figure 1-521 | Install hinge pin | 298 |
| Figure 1-522 | Install one screw | 298 |
| Figure 1-523 | Install one tab | 299 |
| Figure 1-524 | Rotate the left cover | 300 |

| | | |
|--------------|---|-----|
| Figure 1-525 | Make sure the tab does not get caught | 300 |
| Figure 1-526 | Raise the scanner | 301 |
| Figure 1-527 | Position the hooks in the slots | 301 |
| Figure 1-528 | Install the top hooks | 302 |
| Figure 1-529 | Make sure the tab does not get caught | 302 |
| Figure 1-530 | Install four tabs | 303 |
| Figure 1-531 | Install two tabs | 303 |
| Figure 1-532 | Install hinge pin | 304 |
| Figure 1-533 | Install one screw | 304 |
| Figure 1-534 | Lower the scanner | 305 |
| Figure 1-535 | Position two tabs | 305 |
| Figure 1-536 | Install rear tab | 306 |
| Figure 1-537 | Install the right cover | 306 |
| Figure 1-538 | Install upper tabs | 307 |
| Figure 1-539 | Install the front tabs | 307 |
| Figure 1-540 | Install the front lower tab | 308 |
| Figure 1-541 | Install two tabs | 308 |
| Figure 1-542 | Install one screw | 309 |
| Figure 1-543 | Install one screw | 309 |
| Figure 1-544 | Install rear tab | 310 |
| Figure 1-545 | Raise the scanner | 310 |
| Figure 1-546 | Rotate the right cover | 311 |
| Figure 1-547 | Position the hooks in the slots | 311 |
| Figure 1-548 | Slide the cover | 312 |
| Figure 1-549 | Rotate the front of the cover | 312 |
| Figure 1-550 | Install two tabs | 313 |
| Figure 1-551 | Install the front and lower tabs | 313 |
| Figure 1-552 | Install one screw | 314 |
| Figure 1-553 | Install one screw | 314 |
| Figure 1-554 | Lower the scanner | 315 |
| Figure 1-555 | Close the front door | 315 |
| Figure 1-556 | Close the rear door | 316 |
| Figure 1-557 | Install the tray | 316 |
| Figure 1-558 | Remove the tray | 318 |
| Figure 1-559 | Release the front door | 319 |
| Figure 1-560 | Open the front door | 319 |
| Figure 1-561 | Open the rear door | 320 |
| Figure 1-562 | Remove one screw | 320 |
| Figure 1-563 | Remove one screw | 321 |
| Figure 1-564 | Locate the tabs | 321 |
| Figure 1-565 | Release front lower tabs | 322 |

| | | |
|--------------|---|-----|
| Figure 1-566 | Release lower rear tab | 322 |
| Figure 1-567 | Release two front tabs | 323 |
| Figure 1-568 | Release upper tabs | 323 |
| Figure 1-569 | Remove the right cover | 324 |
| Figure 1-570 | Raise the scanner | 324 |
| Figure 1-571 | Remove one screw | 325 |
| Figure 1-572 | Remove one screw | 325 |
| Figure 1-573 | Locate the tabs | 326 |
| Figure 1-574 | Release front lower tabs | 326 |
| Figure 1-575 | Release lower rear tab | 327 |
| Figure 1-576 | Release front upper tabs | 327 |
| Figure 1-577 | Rotate the front of the cover | 328 |
| Figure 1-578 | Release top tabs | 328 |
| Figure 1-579 | Release one tab and one hook | 329 |
| Figure 1-580 | Lower the scanner | 329 |
| Figure 1-581 | Remove the right cover | 330 |
| Figure 1-582 | Remove one screw | 330 |
| Figure 1-583 | Release two tabs | 331 |
| Figure 1-584 | Locate the tabs | 331 |
| Figure 1-585 | Release bottom tabs | 332 |
| Figure 1-586 | Release three tabs | 332 |
| Figure 1-587 | Raise the scanner | 333 |
| Figure 1-588 | Remove one screw | 333 |
| Figure 1-589 | Release two tabs | 334 |
| Figure 1-590 | Locate the tabs | 334 |
| Figure 1-591 | Release four tabs | 335 |
| Figure 1-592 | Rotate the cover | 335 |
| Figure 1-593 | Release one tab and two hooks | 336 |
| Figure 1-594 | Lower the scanner | 336 |
| Figure 1-595 | Remove the left cover | 337 |
| Figure 1-596 | Close the secondary transfer assembly | 337 |
| Figure 1-597 | Remove two screws and release one tab | 338 |
| Figure 1-598 | Remove the rear lower cover | 338 |
| Figure 1-599 | Remove the rear door | 339 |
| Figure 1-600 | Recycle and unpack | 339 |
| Figure 1-601 | Install the rear door | 340 |
| Figure 1-602 | Install the rear lower cover | 340 |
| Figure 1-603 | Engage tab and install screws | 341 |
| Figure 1-604 | Position three tabs | 341 |
| Figure 1-605 | Install one tab | 342 |
| Figure 1-606 | Install the left cover | 343 |

| | | |
|--------------|---|-----|
| Figure 1-607 | Make sure the tab does not get caught | 343 |
| Figure 1-608 | Install four tabs | 344 |
| Figure 1-609 | Engage two tabs | 344 |
| Figure 1-610 | Install hinge pin | 345 |
| Figure 1-611 | Install one screw | 345 |
| Figure 1-612 | Install one tab | 346 |
| Figure 1-613 | Rotate the left cover | 347 |
| Figure 1-614 | Make sure the tab does not get caught | 347 |
| Figure 1-615 | Raise the scanner | 348 |
| Figure 1-616 | Position the hooks in the slots | 348 |
| Figure 1-617 | Install the top hooks | 349 |
| Figure 1-618 | Make sure the tab does not get caught | 349 |
| Figure 1-619 | Install four tabs | 350 |
| Figure 1-620 | Install two tabs | 350 |
| Figure 1-621 | Install hinge pin | 351 |
| Figure 1-622 | Install one screw | 351 |
| Figure 1-623 | Lower the scanner | 352 |
| Figure 1-624 | Position two tabs | 352 |
| Figure 1-625 | Install rear tab | 353 |
| Figure 1-626 | Install the right cover | 353 |
| Figure 1-627 | Install upper tabs | 354 |
| Figure 1-628 | Install the front tabs | 354 |
| Figure 1-629 | Install the front lower tab | 355 |
| Figure 1-630 | Install two tabs | 355 |
| Figure 1-631 | Install one screw | 356 |
| Figure 1-632 | Install one screw | 356 |
| Figure 1-633 | Install rear tab | 357 |
| Figure 1-634 | Raise the scanner | 357 |
| Figure 1-635 | Rotate the right cover | 358 |
| Figure 1-636 | Position the hooks in the slots | 358 |
| Figure 1-637 | Slide the cover | 359 |
| Figure 1-638 | Rotate the front of the cover | 359 |
| Figure 1-639 | Install two tabs | 360 |
| Figure 1-640 | Install the front and lower tabs | 360 |
| Figure 1-641 | Install one screw | 361 |
| Figure 1-642 | Install one screw | 361 |
| Figure 1-643 | Lower the scanner | 362 |
| Figure 1-644 | Close the front door | 362 |
| Figure 1-645 | Close the rear door | 363 |
| Figure 1-646 | Install the tray | 363 |
| Figure 1-647 | Remove the tray | 365 |

| | | |
|--------------|---|-----|
| Figure 1-648 | Release the front door | 366 |
| Figure 1-649 | Open the front door | 366 |
| Figure 1-650 | Open the duplexer door | 367 |
| Figure 1-651 | Open the rear door | 367 |
| Figure 1-652 | Remove one screw | 368 |
| Figure 1-653 | Remove one screw | 368 |
| Figure 1-654 | Locate the tabs | 369 |
| Figure 1-655 | Release front lower tabs | 369 |
| Figure 1-656 | Release lower rear tab | 370 |
| Figure 1-657 | Release two front tabs | 370 |
| Figure 1-658 | Release upper tabs | 371 |
| Figure 1-659 | Remove the right cover | 371 |
| Figure 1-660 | Remove one screw | 372 |
| Figure 1-661 | Release two tabs | 372 |
| Figure 1-662 | Locate the tabs | 373 |
| Figure 1-663 | Release bottom tabs | 373 |
| Figure 1-664 | Release three tabs | 374 |
| Figure 1-665 | Release six tabs | 374 |
| Figure 1-666 | Remove the rear top cover | 375 |
| Figure 1-667 | Disconnect one connector | 375 |
| Figure 1-668 | Disconnect one connector | 376 |
| Figure 1-669 | Disconnect the antenna | 376 |
| Figure 1-670 | Remove two screws | 377 |
| Figure 1-671 | Remove the guide | 377 |
| Figure 1-672 | Remove three screws | 378 |
| Figure 1-673 | Release two tabs | 378 |
| Figure 1-674 | Remove screw and release two tabs | 379 |
| Figure 1-675 | Remove two screws and release one tab | 379 |
| Figure 1-676 | Remove the top cover | 380 |
| Figure 1-677 | Remove three screws and unroute cable | 380 |
| Figure 1-678 | Remove the bracket | 381 |
| Figure 1-679 | Rotate the control panel | 381 |
| Figure 1-680 | Remove the control panel | 382 |
| Figure 1-681 | Recycle and unpack | 382 |
| Figure 1-682 | Set the control panel in place | 383 |
| Figure 1-683 | Install the bracket | 383 |
| Figure 1-684 | Install three screws and fasten the cable | 384 |
| Figure 1-685 | Remove protective backing from adhesive strip | 384 |
| Figure 1-686 | Install the top adhesive strip | 385 |
| Figure 1-687 | Peel the silver tape up | 385 |
| Figure 1-688 | Remove the protective backing | 386 |

| | | |
|--------------|---|-----|
| Figure 1-689 | Press the silver tape | 386 |
| Figure 1-690 | Position the tape | 387 |
| Figure 1-691 | Remove the protective cover | 387 |
| Figure 1-692 | Position the top cover | 388 |
| Figure 1-693 | Engage tab and install screws | 388 |
| Figure 1-694 | Install two tabs and one screw | 389 |
| Figure 1-695 | Install two tabs | 389 |
| Figure 1-696 | Install three screws | 390 |
| Figure 1-697 | Install the guide | 390 |
| Figure 1-698 | Install two screws | 391 |
| Figure 1-699 | Connect one connector | 391 |
| Figure 1-700 | Connect one connector | 392 |
| Figure 1-701 | Connect the antenna | 392 |
| Figure 1-702 | Install the rear top cover | 393 |
| Figure 1-703 | Release two tabs | 393 |
| Figure 1-704 | Position three tabs | 394 |
| Figure 1-705 | Install one tab | 394 |
| Figure 1-706 | Install the left cover | 395 |
| Figure 1-707 | Make sure the tab does not get caught | 395 |
| Figure 1-708 | Install four tabs | 396 |
| Figure 1-709 | Engage two tabs | 396 |
| Figure 1-710 | Install hinge pin | 397 |
| Figure 1-711 | Install one screw | 397 |
| Figure 1-712 | Position two tabs | 398 |
| Figure 1-713 | Install rear tab | 398 |
| Figure 1-714 | Install the right cover | 399 |
| Figure 1-715 | Install upper tabs | 399 |
| Figure 1-716 | Install the front tabs | 400 |
| Figure 1-717 | Install the front lower tab | 400 |
| Figure 1-718 | Install two tabs | 401 |
| Figure 1-719 | Install one screw | 401 |
| Figure 1-720 | Install one screw | 402 |
| Figure 1-721 | Close the front door | 402 |
| Figure 1-722 | Close the duplexer door | 403 |
| Figure 1-723 | Close the rear door | 403 |
| Figure 1-724 | Install the tray | 404 |
| Figure 1-725 | Remove the tray | 406 |
| Figure 1-726 | Release the front door | 407 |
| Figure 1-727 | Open the front door | 407 |
| Figure 1-728 | Open the duplexer door | 408 |
| Figure 1-729 | Open the rear door | 408 |

| | | |
|--------------|---|-----|
| Figure 1-730 | Raise the scanner | 409 |
| Figure 1-731 | Remove one screw | 409 |
| Figure 1-732 | Remove one screw | 410 |
| Figure 1-733 | Locate the tabs | 410 |
| Figure 1-734 | Release front lower tabs | 411 |
| Figure 1-735 | Release lower rear tab | 411 |
| Figure 1-736 | Release front upper tabs | 412 |
| Figure 1-737 | Rotate the front of the cover | 412 |
| Figure 1-738 | Release top tabs | 413 |
| Figure 1-739 | Release one tab and one hook | 413 |
| Figure 1-740 | Lower the scanner | 414 |
| Figure 1-741 | Remove the right cover | 414 |
| Figure 1-742 | Raise the scanner | 415 |
| Figure 1-743 | Remove one screw | 415 |
| Figure 1-744 | Release two tabs | 416 |
| Figure 1-745 | Locate the tabs | 416 |
| Figure 1-746 | Release four tabs | 417 |
| Figure 1-747 | Rotate the cover | 417 |
| Figure 1-748 | Release one tab and two hooks | 418 |
| Figure 1-749 | Lower the scanner | 418 |
| Figure 1-750 | Remove the left cover | 419 |
| Figure 1-751 | Release six tabs | 419 |
| Figure 1-752 | Remove the rear top cover | 420 |
| Figure 1-753 | Disconnect the scanner cables | 420 |
| Figure 1-754 | Remove one screw and release the ground wire | 421 |
| Figure 1-755 | Raise the scanner | 421 |
| Figure 1-756 | Release the scanner arm pin | 422 |
| Figure 1-757 | Remove the scanner arm pin. | 422 |
| Figure 1-758 | Release one tab | 423 |
| Figure 1-759 | Remove the scanner cable cover | 423 |
| Figure 1-760 | Release the cables | 424 |
| Figure 1-761 | Remove the scanner assembly | 424 |
| Figure 1-762 | Disconnect one connector and remove four screws | 425 |
| Figure 1-763 | Remove the fax cover | 425 |
| Figure 1-764 | Remove the fax PCA | 426 |
| Figure 1-765 | Disconnect two connectors | 426 |
| Figure 1-766 | Remove one screw and the sheet metal plate | 427 |
| Figure 1-767 | Lower the support arm and remove one screw | 427 |
| Figure 1-768 | Remove the scanner support arm | 428 |
| Figure 1-769 | Remove three screws | 428 |
| Figure 1-770 | Release the control panel cover | 429 |

| | | |
|--------------|---|-----|
| Figure 1-771 | Remove the control panel cover | 429 |
| Figure 1-772 | Release the flat cable | 430 |
| Figure 1-773 | Remove three screws | 430 |
| Figure 1-774 | Remove one screw | 431 |
| Figure 1-775 | Refasten the control panel to the top cover | 431 |
| Figure 1-776 | Release the USB cable | 432 |
| Figure 1-777 | Remove two screws | 432 |
| Figure 1-778 | Release one retainer and three tabs | 433 |
| Figure 1-779 | Remove the top cover | 433 |
| Figure 1-780 | Remove the flat cable from the guides | 434 |
| Figure 1-781 | Remove one screw | 434 |
| Figure 1-782 | Remove the control panel | 435 |
| Figure 1-783 | Remove two screws | 435 |
| Figure 1-784 | Slide the walk-up USB port | 436 |
| Figure 1-785 | Remove the walk-up USB port | 436 |
| Figure 1-786 | Recycle and unpack | 437 |
| Figure 1-787 | Connect the walk-up USB port | 437 |
| Figure 1-788 | Install the walk-up USB port | 438 |
| Figure 1-789 | Install two screws | 438 |
| Figure 1-790 | Install the flat cable | 439 |
| Figure 1-791 | Install one screw | 439 |
| Figure 1-792 | Route the flat cable | 440 |
| Figure 1-793 | Position the top cover | 440 |
| Figure 1-794 | Install one retainer and three tabs | 441 |
| Figure 1-795 | Install two screws | 441 |
| Figure 1-796 | Install the USB cable | 442 |
| Figure 1-797 | Remove one screw | 442 |
| Figure 1-798 | Install one screw | 443 |
| Figure 1-799 | Install three screws | 443 |
| Figure 1-800 | Install the flat cable | 444 |
| Figure 1-801 | Install the control panel cover | 444 |
| Figure 1-802 | Install one screw | 445 |
| Figure 1-803 | Install three screws | 445 |
| Figure 1-804 | Install the scanner support arm | 446 |
| Figure 1-805 | Raise the metal plate | 446 |
| Figure 1-806 | Lower the support arm and install one screw | 447 |
| Figure 1-807 | Install the metal plate | 447 |
| Figure 1-808 | Install one screw | 448 |
| Figure 1-809 | Connect two connectors | 448 |
| Figure 1-810 | Install the fax PCA | 449 |
| Figure 1-811 | Install the fax cover | 449 |

| | | |
|--------------|---|-----|
| Figure 1-812 | Install four screws and connect one connector | 450 |
| Figure 1-813 | Install the scanner assembly | 450 |
| Figure 1-814 | Press the cables | 451 |
| Figure 1-815 | Position the scanner cable cover | 451 |
| Figure 1-816 | Install the scanner cable cover | 452 |
| Figure 1-817 | Install the scanner arm pin | 452 |
| Figure 1-818 | Secure the scanner arm pin | 453 |
| Figure 1-819 | Lower the scanner | 453 |
| Figure 1-820 | Install the ground wire | 454 |
| Figure 1-821 | Install the M377, M477 scanner | 454 |
| Figure 1-822 | Install the rear top cover | 455 |
| Figure 1-823 | Release two tabs | 455 |
| Figure 1-824 | Install one tab | 456 |
| Figure 1-825 | Rotate the left cover | 457 |
| Figure 1-826 | Make sure the tab does not get caught | 457 |
| Figure 1-827 | Raise the scanner | 458 |
| Figure 1-828 | Position the hooks in the slots | 458 |
| Figure 1-829 | Install the top hooks | 459 |
| Figure 1-830 | Make sure the tab does not get caught | 459 |
| Figure 1-831 | Install four tabs | 460 |
| Figure 1-832 | Install two tabs | 460 |
| Figure 1-833 | Install hinge pin | 461 |
| Figure 1-834 | Install one screw | 461 |
| Figure 1-835 | Lower the scanner | 462 |
| Figure 1-836 | Install rear tab | 462 |
| Figure 1-837 | Raise the scanner | 463 |
| Figure 1-838 | Rotate the right cover | 463 |
| Figure 1-839 | Position the hooks in the slots | 464 |
| Figure 1-840 | Slide the cover | 464 |
| Figure 1-841 | Rotate the front of the cover | 465 |
| Figure 1-842 | Install two tabs | 465 |
| Figure 1-843 | Install the front and lower tabs | 466 |
| Figure 1-844 | Install one screw | 466 |
| Figure 1-845 | Install one screw | 467 |
| Figure 1-846 | Lower the scanner | 467 |
| Figure 1-847 | Close the front door | 468 |
| Figure 1-848 | Close the duplexer door | 468 |
| Figure 1-849 | Close the rear door | 469 |
| Figure 1-850 | Install the tray | 469 |
| Figure 1-851 | Remove the tray | 471 |
| Figure 1-852 | Release the front door | 471 |

| | | |
|--------------|---|-----|
| Figure 1-853 | Open the front door | 472 |
| Figure 1-854 | Open the duplexer door | 472 |
| Figure 1-855 | Open the rear door | 473 |
| Figure 1-856 | Remove one screw | 473 |
| Figure 1-857 | Remove one screw | 474 |
| Figure 1-858 | Locate the tabs | 474 |
| Figure 1-859 | Release front lower tabs | 475 |
| Figure 1-860 | Release lower rear tab | 475 |
| Figure 1-861 | Release two front tabs | 476 |
| Figure 1-862 | Release upper tabs | 476 |
| Figure 1-863 | Remove the right cover | 477 |
| Figure 1-864 | Remove one screw | 477 |
| Figure 1-865 | Release two tabs | 478 |
| Figure 1-866 | Locate the tabs | 478 |
| Figure 1-867 | Release bottom tabs | 479 |
| Figure 1-868 | Release three tabs | 479 |
| Figure 1-869 | Release six tabs | 480 |
| Figure 1-870 | Remove the rear top cover | 480 |
| Figure 1-871 | Disconnect one connector | 481 |
| Figure 1-872 | Disconnect one connector | 481 |
| Figure 1-873 | Disconnect the antenna | 482 |
| Figure 1-874 | Remove two screws | 482 |
| Figure 1-875 | Remove the guide | 483 |
| Figure 1-876 | Remove three screws | 483 |
| Figure 1-877 | Release two tabs | 484 |
| Figure 1-878 | Remove screw and release two tabs | 484 |
| Figure 1-879 | Remove two screws and release one tab | 485 |
| Figure 1-880 | Remove the top cover | 485 |
| Figure 1-881 | Remove three screws and unroute cable | 486 |
| Figure 1-882 | Remove the bracket | 486 |
| Figure 1-883 | Rotate the control panel | 487 |
| Figure 1-884 | Remove the control panel | 487 |
| Figure 1-885 | Recycle and unpack | 488 |
| Figure 1-886 | Set the control panel in place | 488 |
| Figure 1-887 | Install the bracket | 489 |
| Figure 1-888 | Install three screws and fasten the cable | 489 |
| Figure 1-889 | Position the top cover | 490 |
| Figure 1-890 | Engage tab and install screws | 490 |
| Figure 1-891 | Install two tabs and one screw | 491 |
| Figure 1-892 | Install two tabs | 491 |
| Figure 1-893 | Install three screws | 492 |

| | | |
|--------------|---|-----|
| Figure 1-894 | Install the guide | 492 |
| Figure 1-895 | Install two screws | 493 |
| Figure 1-896 | Connect one connector | 493 |
| Figure 1-897 | Connect one connector | 494 |
| Figure 1-898 | Connect the antenna | 494 |
| Figure 1-899 | Install the rear top cover | 495 |
| Figure 1-900 | Release two tabs | 495 |
| Figure 1-901 | Position three tabs | 496 |
| Figure 1-902 | Install one tab | 496 |
| Figure 1-903 | Install the left cover | 497 |
| Figure 1-904 | Make sure the tab does not get caught | 497 |
| Figure 1-905 | Install four tabs | 498 |
| Figure 1-906 | Engage two tabs | 498 |
| Figure 1-907 | Install hinge pin | 499 |
| Figure 1-908 | Install one screw | 499 |
| Figure 1-909 | Position two tabs | 500 |
| Figure 1-910 | Install rear tab | 500 |
| Figure 1-911 | Install the right cover | 501 |
| Figure 1-912 | Install upper tabs | 501 |
| Figure 1-913 | Install the front tabs | 502 |
| Figure 1-914 | Install the front lower tab | 502 |
| Figure 1-915 | Install two tabs | 503 |
| Figure 1-916 | Install one screw | 503 |
| Figure 1-917 | Install one screw | 504 |
| Figure 1-918 | Close the front door | 504 |
| Figure 1-919 | Close the duplexer door | 505 |
| Figure 1-920 | Close the rear door | 505 |
| Figure 1-921 | Install the tray | 506 |
| Figure 1-922 | Remove the tray | 508 |
| Figure 1-923 | Release the front door | 509 |
| Figure 1-924 | Open the front door | 509 |
| Figure 1-925 | Open the duplexer door | 510 |
| Figure 1-926 | Open the rear door | 510 |
| Figure 1-927 | Raise the scanner | 511 |
| Figure 1-928 | Remove one screw | 511 |
| Figure 1-929 | Remove one screw | 512 |
| Figure 1-930 | Locate the tabs | 512 |
| Figure 1-931 | Release front lower tabs | 513 |
| Figure 1-932 | Release lower rear tab | 513 |
| Figure 1-933 | Release front upper tabs | 514 |
| Figure 1-934 | Rotate the front of the cover | 514 |

| | | |
|--------------|---|-----|
| Figure 1-935 | Release top tabs | 515 |
| Figure 1-936 | Release one tab and one hook | 515 |
| Figure 1-937 | Lower the scanner | 516 |
| Figure 1-938 | Remove the right cover | 516 |
| Figure 1-939 | Raise the scanner | 517 |
| Figure 1-940 | Remove one screw | 517 |
| Figure 1-941 | Release two tabs | 518 |
| Figure 1-942 | Locate the tabs | 518 |
| Figure 1-943 | Release four tabs | 519 |
| Figure 1-944 | Rotate the cover | 519 |
| Figure 1-945 | Release one tab and two hooks | 520 |
| Figure 1-946 | Lower the scanner | 520 |
| Figure 1-947 | Remove the left cover | 521 |
| Figure 1-948 | Release six tabs | 521 |
| Figure 1-949 | Remove the rear top cover | 522 |
| Figure 1-950 | Disconnect the scanner cables | 522 |
| Figure 1-951 | Remove one screw and release the ground wire | 523 |
| Figure 1-952 | Raise the scanner | 523 |
| Figure 1-953 | Release the scanner arm pin | 524 |
| Figure 1-954 | Remove the scanner arm pin | 524 |
| Figure 1-955 | Release one tab | 525 |
| Figure 1-956 | Remove the scanner cable cover | 525 |
| Figure 1-957 | Release the cables | 526 |
| Figure 1-958 | Remove the scanner assembly | 526 |
| Figure 1-959 | Disconnect one connector and remove four screws | 527 |
| Figure 1-960 | Remove the fax cover | 527 |
| Figure 1-961 | Remove the fax PCA | 528 |
| Figure 1-962 | Disconnect two connectors | 528 |
| Figure 1-963 | Remove one screw and the sheet metal plate | 529 |
| Figure 1-964 | Lower the support arm and remove one screw | 529 |
| Figure 1-965 | Remove the scanner support arm | 530 |
| Figure 1-966 | Remove three screws | 530 |
| Figure 1-967 | Release the control panel cover | 531 |
| Figure 1-968 | Remove the control panel cover | 531 |
| Figure 1-969 | Release the flat cable | 532 |
| Figure 1-970 | Remove three screws | 532 |
| Figure 1-971 | Remove one screw | 533 |
| Figure 1-972 | Refasten the control panel to the top cover | 533 |
| Figure 1-973 | Release the USB cable | 534 |
| Figure 1-974 | Remove two screws | 534 |
| Figure 1-975 | Release one retainer and three tabs | 535 |

| | | |
|---------------|---|-----|
| Figure 1-976 | Remove the top cover | 535 |
| Figure 1-977 | Remove the flat cable from the guides | 536 |
| Figure 1-978 | Remove one screw | 536 |
| Figure 1-979 | Remove the control panel | 537 |
| Figure 1-980 | Recycle and unpack | 537 |
| Figure 1-981 | Install the flat cable | 538 |
| Figure 1-982 | Install one screw | 538 |
| Figure 1-983 | Route the flat cable | 539 |
| Figure 1-984 | Position the top cover | 539 |
| Figure 1-985 | Install one retainer and three tabs | 540 |
| Figure 1-986 | Install two screws | 540 |
| Figure 1-987 | Install the USB cable | 541 |
| Figure 1-988 | Remove one screw | 541 |
| Figure 1-989 | Install one screw | 542 |
| Figure 1-990 | Install three screws | 542 |
| Figure 1-991 | Install the flat cable | 543 |
| Figure 1-992 | Install the control panel cover | 543 |
| Figure 1-993 | Install one screw | 544 |
| Figure 1-994 | Install three screws | 544 |
| Figure 1-995 | Install the scanner support arm | 545 |
| Figure 1-996 | Raise the metal plate | 545 |
| Figure 1-997 | Lower the support arm and install one screw | 546 |
| Figure 1-998 | Install the metal plate | 546 |
| Figure 1-999 | Install one screw | 547 |
| Figure 1-1000 | Connect two connectors | 547 |
| Figure 1-1001 | Install the fax PCA | 548 |
| Figure 1-1002 | Install the fax cover | 548 |
| Figure 1-1003 | Install four screws and connect one connector | 549 |
| Figure 1-1004 | Install the scanner assembly | 549 |
| Figure 1-1005 | Press the cables | 550 |
| Figure 1-1006 | Position the scanner cable cover | 550 |
| Figure 1-1007 | Install the scanner cable cover | 551 |
| Figure 1-1008 | Install the scanner arm pin | 551 |
| Figure 1-1009 | Secure the scanner arm pin | 552 |
| Figure 1-1010 | Lower the scanner | 552 |
| Figure 1-1011 | Install the ground wire | 553 |
| Figure 1-1012 | Install the M377, M477 scanner | 553 |
| Figure 1-1013 | Install the rear top cover | 554 |
| Figure 1-1014 | Release two tabs | 554 |
| Figure 1-1015 | Install one tab | 555 |
| Figure 1-1016 | Rotate the left cover | 556 |

| | | |
|---------------|--|-----|
| Figure 1-1017 | Make sure the tab does not get caught | 556 |
| Figure 1-1018 | Raise the scanner | 557 |
| Figure 1-1019 | Position the hooks in the slots | 557 |
| Figure 1-1020 | Install the top hooks | 558 |
| Figure 1-1021 | Make sure the tab does not get caught | 558 |
| Figure 1-1022 | Install four tabs | 559 |
| Figure 1-1023 | Install two tabs | 559 |
| Figure 1-1024 | Install hinge pin | 560 |
| Figure 1-1025 | Install one screw | 560 |
| Figure 1-1026 | Lower the scanner | 561 |
| Figure 1-1027 | Install rear tab | 561 |
| Figure 1-1028 | Raise the scanner | 562 |
| Figure 1-1029 | Rotate the right cover | 562 |
| Figure 1-1030 | Position the hooks in the slots | 563 |
| Figure 1-1031 | Slide the cover | 563 |
| Figure 1-1032 | Rotate the front of the cover | 564 |
| Figure 1-1033 | Install two tabs | 564 |
| Figure 1-1034 | Install the front and lower tabs | 565 |
| Figure 1-1035 | Install one screw | 565 |
| Figure 1-1036 | Install one screw | 566 |
| Figure 1-1037 | Lower the scanner | 566 |
| Figure 1-1038 | Close the front door | 567 |
| Figure 1-1039 | Close the duplexer door | 567 |
| Figure 1-1040 | Close the rear door | 568 |
| Figure 1-1041 | Install the tray | 568 |
| Figure 1-1042 | Remove the tray | 570 |
| Figure 1-1043 | Release the front door | 570 |
| Figure 1-1044 | Open the front door | 571 |
| Figure 1-1045 | Open the duplexer door | 571 |
| Figure 1-1046 | Open the rear door | 572 |
| Figure 1-1047 | Raise the scanner | 572 |
| Figure 1-1048 | Remove one screw | 573 |
| Figure 1-1049 | Release two tabs | 573 |
| Figure 1-1050 | Locate the tabs | 574 |
| Figure 1-1051 | Release four tabs | 574 |
| Figure 1-1052 | Rotate the cover | 575 |
| Figure 1-1053 | Release one tab and two hooks | 575 |
| Figure 1-1054 | Lower the scanner | 576 |
| Figure 1-1055 | Remove the left cover | 576 |
| Figure 1-1056 | Disconnect the scanner cables | 577 |
| Figure 1-1057 | Remove one screw and release the ground wire | 577 |

| | | |
|---------------|---|-----|
| Figure 1-1058 | Raise the scanner | 578 |
| Figure 1-1059 | Release the scanner arm pin | 578 |
| Figure 1-1060 | Remove the scanner arm pin. | 579 |
| Figure 1-1061 | Release one tab | 579 |
| Figure 1-1062 | Remove the scanner cable cover | 580 |
| Figure 1-1063 | Release the cables | 580 |
| Figure 1-1064 | Remove the scanner assembly | 581 |
| Figure 1-1065 | Recycle and unpack | 581 |
| Figure 1-1066 | Install the scanner assembly | 582 |
| Figure 1-1067 | Press the cables | 582 |
| Figure 1-1068 | Position the scanner cable cover | 583 |
| Figure 1-1069 | Install the scanner cable cover | 583 |
| Figure 1-1070 | Install the scanner arm pin | 584 |
| Figure 1-1071 | Secure the scanner arm pin | 584 |
| Figure 1-1072 | Lower the scanner | 585 |
| Figure 1-1073 | Install the ground wire | 585 |
| Figure 1-1074 | Install the M377, M477 scanner | 586 |
| Figure 1-1075 | Install one tab | 586 |
| Figure 1-1076 | Rotate the left cover | 587 |
| Figure 1-1077 | Make sure the tab does not get caught | 587 |
| Figure 1-1078 | Raise the scanner | 588 |
| Figure 1-1079 | Position the hooks in the slots | 588 |
| Figure 1-1080 | Install the top hooks | 589 |
| Figure 1-1081 | Make sure the tab does not get caught | 589 |
| Figure 1-1082 | Install four tabs | 590 |
| Figure 1-1083 | Install two tabs | 590 |
| Figure 1-1084 | Install hinge pin | 591 |
| Figure 1-1085 | Install one screw | 591 |
| Figure 1-1086 | Lower the scanner | 592 |
| Figure 1-1087 | Close the front door | 592 |
| Figure 1-1088 | Close the duplexer door | 593 |
| Figure 1-1089 | Close the rear door | 593 |
| Figure 1-1090 | Install the tray | 594 |
| Figure 1-1091 | Remove the tray | 598 |
| Figure 1-1092 | Release the front door | 598 |
| Figure 1-1093 | Open the front door | 599 |
| Figure 1-1094 | Open the duplexer door | 599 |
| Figure 1-1095 | Open the rear door | 600 |
| Figure 1-1096 | Remove one screw | 600 |
| Figure 1-1097 | Remove one screw | 601 |
| Figure 1-1098 | Locate the tabs | 601 |

| | | |
|---------------|---|-----|
| Figure 1-1099 | Release front lower tabs | 602 |
| Figure 1-1100 | Release lower rear tab | 602 |
| Figure 1-1101 | Release two front tabs | 603 |
| Figure 1-1102 | Release upper tabs | 603 |
| Figure 1-1103 | Remove the right cover | 604 |
| Figure 1-1104 | Raise the scanner | 604 |
| Figure 1-1105 | Remove one screw | 605 |
| Figure 1-1106 | Remove one screw | 605 |
| Figure 1-1107 | Locate the tabs | 606 |
| Figure 1-1108 | Release front lower tabs | 606 |
| Figure 1-1109 | Release lower rear tab | 607 |
| Figure 1-1110 | Release front upper tabs | 607 |
| Figure 1-1111 | Rotate the front of the cover | 608 |
| Figure 1-1112 | Release top tabs | 608 |
| Figure 1-1113 | Release one tab and one hook | 609 |
| Figure 1-1114 | Lower the scanner | 609 |
| Figure 1-1115 | Remove the right cover | 610 |
| Figure 1-1116 | Remove one screw and release three tabs | 610 |
| Figure 1-1117 | Disconnect one connector | 611 |
| Figure 1-1118 | Recycle and unpack | 611 |
| Figure 1-1119 | Install the power switch | 612 |
| Figure 1-1120 | Check the spring position | 612 |
| Figure 1-1121 | Install one screw and connect one connector | 613 |
| Figure 1-1122 | Position two tabs | 613 |
| Figure 1-1123 | Install rear tab | 614 |
| Figure 1-1124 | Install the right cover | 614 |
| Figure 1-1125 | Install upper tabs | 615 |
| Figure 1-1126 | Install the front tabs | 615 |
| Figure 1-1127 | Install the front lower tab | 616 |
| Figure 1-1128 | Install two tabs | 616 |
| Figure 1-1129 | Install one screw | 617 |
| Figure 1-1130 | Install one screw | 617 |
| Figure 1-1131 | Install rear tab | 618 |
| Figure 1-1132 | Raise the scanner | 618 |
| Figure 1-1133 | Rotate the right cover | 619 |
| Figure 1-1134 | Position the hooks in the slots | 619 |
| Figure 1-1135 | Slide the cover | 620 |
| Figure 1-1136 | Rotate the front of the cover | 620 |
| Figure 1-1137 | Install two tabs | 621 |
| Figure 1-1138 | Install the front and lower tabs | 621 |
| Figure 1-1139 | Install one screw | 622 |

| | | |
|---------------|--|-----|
| Figure 1-1140 | Install one screw | 622 |
| Figure 1-1141 | Lower the scanner | 623 |
| Figure 1-1142 | Close the front door | 623 |
| Figure 1-1143 | Close the duplexer door | 624 |
| Figure 1-1144 | Close the rear door | 624 |
| Figure 1-1145 | Install the tray | 625 |
| Figure 1-1146 | Remove the tray | 627 |
| Figure 1-1147 | Open the front door | 627 |
| Figure 1-1148 | Open the cartridge drawer | 628 |
| Figure 1-1149 | Remove the toner cartridge | 628 |
| Figure 1-1150 | Slide the cartridge tray in | 629 |
| Figure 1-1151 | Close the front door | 629 |
| Figure 1-1152 | Open the duplexer door | 630 |
| Figure 1-1153 | Open the rear door | 630 |
| Figure 1-1154 | Remove one screw | 631 |
| Figure 1-1155 | Release two tabs | 631 |
| Figure 1-1156 | Locate the tabs | 632 |
| Figure 1-1157 | Release bottom tabs | 632 |
| Figure 1-1158 | Release three tabs | 633 |
| Figure 1-1159 | Raise the scanner | 633 |
| Figure 1-1160 | Remove one screw | 634 |
| Figure 1-1161 | Release two tabs | 634 |
| Figure 1-1162 | Locate the tabs | 635 |
| Figure 1-1163 | Release four tabs | 635 |
| Figure 1-1164 | Rotate the cover | 636 |
| Figure 1-1165 | Release one tab and two hooks | 636 |
| Figure 1-1166 | Lower the scanner | 637 |
| Figure 1-1167 | Remove the left cover | 637 |
| Figure 1-1168 | Release the hinge arm | 638 |
| Figure 1-1169 | Remove two screws | 638 |
| Figure 1-1170 | Remove the cover | 639 |
| Figure 1-1171 | Pull the tray slide mechanism out | 639 |
| Figure 1-1172 | Rotate the cartridge tray to release one shaft | 640 |
| Figure 1-1173 | Remove the cartridge tray | 640 |
| Figure 1-1174 | Recycle and unpack | 641 |
| Figure 1-1175 | Install the white clip | 641 |
| Figure 1-1176 | Install the silver shaft | 642 |
| Figure 1-1177 | Rotate the tray | 642 |
| Figure 1-1178 | Slide the tray slide mechanism in | 643 |
| Figure 1-1179 | Install the cover | 643 |
| Figure 1-1180 | Install two screws | 644 |

| | | |
|---------------|---|-----|
| Figure 1-1181 | Install the hinge arm | 644 |
| Figure 1-1182 | Position three tabs | 645 |
| Figure 1-1183 | Install one tab | 645 |
| Figure 1-1184 | Install the left cover | 646 |
| Figure 1-1185 | Make sure the tab does not get caught | 646 |
| Figure 1-1186 | Install four tabs | 647 |
| Figure 1-1187 | Engage two tabs | 647 |
| Figure 1-1188 | Install hinge pin | 648 |
| Figure 1-1189 | Install one screw | 648 |
| Figure 1-1190 | Install one tab | 649 |
| Figure 1-1191 | Rotate the left cover | 650 |
| Figure 1-1192 | Make sure the tab does not get caught | 650 |
| Figure 1-1193 | Raise the scanner | 651 |
| Figure 1-1194 | Position the hooks in the slots | 651 |
| Figure 1-1195 | Install the top hooks | 652 |
| Figure 1-1196 | Make sure the tab does not get caught | 652 |
| Figure 1-1197 | Install four tabs | 653 |
| Figure 1-1198 | Install two tabs | 653 |
| Figure 1-1199 | Install hinge pin | 654 |
| Figure 1-1200 | Install one screw | 654 |
| Figure 1-1201 | Lower the scanner | 655 |
| Figure 1-1202 | Close the duplexer door | 655 |
| Figure 1-1203 | Close the rear door | 656 |
| Figure 1-1204 | Open the front door | 656 |
| Figure 1-1205 | Slide the cartridge tray out | 657 |
| Figure 1-1206 | Do not touch imaging drum | 657 |
| Figure 1-1207 | Install a toner cartridge | 658 |
| Figure 1-1208 | Close the toner cartridge drawer | 658 |
| Figure 1-1209 | Close the front door | 659 |
| Figure 1-1210 | Install the tray | 659 |
| Figure 1-1211 | Remove the tray | 661 |
| Figure 1-1212 | Release the front door | 661 |
| Figure 1-1213 | Open the front door | 662 |
| Figure 1-1214 | Open the duplexer door | 662 |
| Figure 1-1215 | Open the rear door | 663 |
| Figure 1-1216 | Remove one screw | 663 |
| Figure 1-1217 | Remove one screw | 664 |
| Figure 1-1218 | Locate the tabs | 664 |
| Figure 1-1219 | Release front lower tabs | 665 |
| Figure 1-1220 | Release lower rear tab | 665 |
| Figure 1-1221 | Release two front tabs | 666 |

| | | |
|---------------|---|-----|
| Figure 1-1222 | Release upper tabs | 666 |
| Figure 1-1223 | Remove the right cover | 667 |
| Figure 1-1224 | Raise the scanner | 667 |
| Figure 1-1225 | Remove one screw | 668 |
| Figure 1-1226 | Remove one screw | 668 |
| Figure 1-1227 | Locate the tabs | 669 |
| Figure 1-1228 | Release front lower tabs | 669 |
| Figure 1-1229 | Release lower rear tab | 670 |
| Figure 1-1230 | Release front upper tabs | 670 |
| Figure 1-1231 | Rotate the front of the cover | 671 |
| Figure 1-1232 | Release top tabs | 671 |
| Figure 1-1233 | Release one tab and one hook | 672 |
| Figure 1-1234 | Lower the scanner | 672 |
| Figure 1-1235 | Remove the right cover | 673 |
| Figure 1-1236 | Disconnect one connector and release cables from guides | 673 |
| Figure 1-1237 | Release three tabs | 674 |
| Figure 1-1238 | Remove the cartridge fan | 674 |
| Figure 1-1239 | Recycle and unpack | 675 |
| Figure 1-1240 | Install the cartridge fan | 675 |
| Figure 1-1241 | Install three tabs | 676 |
| Figure 1-1242 | Connect one connector and install cables into guides | 676 |
| Figure 1-1243 | Position two tabs | 677 |
| Figure 1-1244 | Install rear tab | 677 |
| Figure 1-1245 | Install the right cover | 678 |
| Figure 1-1246 | Install upper tabs | 678 |
| Figure 1-1247 | Install the front tabs | 679 |
| Figure 1-1248 | Install the front lower tab | 679 |
| Figure 1-1249 | Install two tabs | 680 |
| Figure 1-1250 | Install one screw | 680 |
| Figure 1-1251 | Install one screw | 681 |
| Figure 1-1252 | Install rear tab | 681 |
| Figure 1-1253 | Raise the scanner | 682 |
| Figure 1-1254 | Rotate the right cover | 682 |
| Figure 1-1255 | Position the hooks in the slots | 683 |
| Figure 1-1256 | Slide the cover | 683 |
| Figure 1-1257 | Rotate the front of the cover | 684 |
| Figure 1-1258 | Install two tabs | 684 |
| Figure 1-1259 | Install the front and lower tabs | 685 |
| Figure 1-1260 | Install one screw | 685 |
| Figure 1-1261 | Install one screw | 686 |
| Figure 1-1262 | Lower the scanner | 686 |

| | | |
|---------------|---|-----|
| Figure 1-1263 | Close the front door | 687 |
| Figure 1-1264 | Close the duplexer door | 687 |
| Figure 1-1265 | Close the rear door | 688 |
| Figure 1-1266 | Install the tray | 688 |
| Figure 1-1267 | Remove the tray | 690 |
| Figure 1-1268 | Release the front door | 690 |
| Figure 1-1269 | Open the front door | 691 |
| Figure 1-1270 | Open the duplexer door | 691 |
| Figure 1-1271 | Open the rear door | 692 |
| Figure 1-1272 | Remove one screw | 692 |
| Figure 1-1273 | Remove one screw | 693 |
| Figure 1-1274 | Locate the tabs | 693 |
| Figure 1-1275 | Release front lower tabs | 694 |
| Figure 1-1276 | Release lower rear tab | 694 |
| Figure 1-1277 | Release two front tabs | 695 |
| Figure 1-1278 | Release upper tabs | 695 |
| Figure 1-1279 | Remove the right cover | 696 |
| Figure 1-1280 | Raise the scanner | 696 |
| Figure 1-1281 | Remove one screw | 697 |
| Figure 1-1282 | Remove one screw | 697 |
| Figure 1-1283 | Locate the tabs | 698 |
| Figure 1-1284 | Release front lower tabs | 698 |
| Figure 1-1285 | Release lower rear tab | 699 |
| Figure 1-1286 | Release front upper tabs | 699 |
| Figure 1-1287 | Rotate the front of the cover | 700 |
| Figure 1-1288 | Release top tabs | 700 |
| Figure 1-1289 | Release one tab and one hook | 701 |
| Figure 1-1290 | Lower the scanner | 701 |
| Figure 1-1291 | Remove the right cover | 702 |
| Figure 1-1292 | Disconnect one connector and release cables from guides | 702 |
| Figure 1-1293 | Release the spring | 703 |
| Figure 1-1294 | Release two tabs | 703 |
| Figure 1-1295 | Remove the power supply fan | 704 |
| Figure 1-1296 | Recycle and unpack | 704 |
| Figure 1-1297 | Install the power supply fan | 705 |
| Figure 1-1298 | Install two tabs | 705 |
| Figure 1-1299 | Install the spring | 706 |
| Figure 1-1300 | Connect one connector and install cables into guides | 706 |
| Figure 1-1301 | Position two tabs | 707 |
| Figure 1-1302 | Install rear tab | 707 |
| Figure 1-1303 | Install the right cover | 708 |

| | | |
|---------------|--|-----|
| Figure 1-1304 | Install upper tabs | 708 |
| Figure 1-1305 | Install the front tabs | 709 |
| Figure 1-1306 | Install the front lower tab | 709 |
| Figure 1-1307 | Install two tabs | 710 |
| Figure 1-1308 | Install one screw | 710 |
| Figure 1-1309 | Install one screw | 711 |
| Figure 1-1310 | Install rear tab | 711 |
| Figure 1-1311 | Raise the scanner | 712 |
| Figure 1-1312 | Rotate the right cover | 712 |
| Figure 1-1313 | Position the hooks in the slots | 713 |
| Figure 1-1314 | Slide the cover | 713 |
| Figure 1-1315 | Rotate the front of the cover | 714 |
| Figure 1-1316 | Install two tabs | 714 |
| Figure 1-1317 | Install the front and lower tabs | 715 |
| Figure 1-1318 | Install one screw | 715 |
| Figure 1-1319 | Install one screw | 716 |
| Figure 1-1320 | Lower the scanner | 716 |
| Figure 1-1321 | Close the front door | 717 |
| Figure 1-1322 | Close the duplexer door | 717 |
| Figure 1-1323 | Close the rear door | 718 |
| Figure 1-1324 | Install the tray | 718 |
| Figure 1-1325 | Remove the tray | 720 |
| Figure 1-1326 | Release the front door | 721 |
| Figure 1-1327 | Open the front door | 721 |
| Figure 1-1328 | Open the duplexer door | 722 |
| Figure 1-1329 | Open the rear door | 722 |
| Figure 1-1330 | Remove one screw | 723 |
| Figure 1-1331 | Remove one screw | 723 |
| Figure 1-1332 | Locate the tabs | 724 |
| Figure 1-1333 | Release front lower tabs | 724 |
| Figure 1-1334 | Release lower rear tab | 725 |
| Figure 1-1335 | Release two front tabs | 725 |
| Figure 1-1336 | Release upper tabs | 726 |
| Figure 1-1337 | Remove the right cover | 726 |
| Figure 1-1338 | Raise the scanner | 727 |
| Figure 1-1339 | Remove one screw | 727 |
| Figure 1-1340 | Remove one screw | 728 |
| Figure 1-1341 | Locate the tabs | 728 |
| Figure 1-1342 | Release front lower tabs | 729 |
| Figure 1-1343 | Release lower rear tab | 729 |
| Figure 1-1344 | Release front upper tabs | 730 |

| | | |
|---------------|---|-----|
| Figure 1-1345 | Rotate the front of the cover | 730 |
| Figure 1-1346 | Release top tabs | 731 |
| Figure 1-1347 | Release one tab and one hook | 731 |
| Figure 1-1348 | Lower the scanner | 732 |
| Figure 1-1349 | Remove the right cover | 732 |
| Figure 1-1350 | Remove one screw | 733 |
| Figure 1-1351 | Release two tabs | 733 |
| Figure 1-1352 | Locate the tabs | 734 |
| Figure 1-1353 | Release bottom tabs | 734 |
| Figure 1-1354 | Release three tabs | 735 |
| Figure 1-1355 | Raise the scanner | 735 |
| Figure 1-1356 | Remove one screw | 736 |
| Figure 1-1357 | Release two tabs | 736 |
| Figure 1-1358 | Locate the tabs | 737 |
| Figure 1-1359 | Release four tabs | 737 |
| Figure 1-1360 | Rotate the cover | 738 |
| Figure 1-1361 | Release one tab and two hooks | 738 |
| Figure 1-1362 | Lower the scanner | 739 |
| Figure 1-1363 | Remove the left cover | 739 |
| Figure 1-1364 | Close the secondary transfer assembly | 740 |
| Figure 1-1365 | Remove three screws | 740 |
| Figure 1-1366 | Release the retention arm | 741 |
| Figure 1-1367 | Remove the duplexer door | 741 |
| Figure 1-1368 | Remove the rear door | 742 |
| Figure 1-1369 | Disconnect one connector and release cables from guides | 742 |
| Figure 1-1370 | Remove two screws | 743 |
| Figure 1-1371 | Release the hinge arm | 743 |
| Figure 1-1372 | Release one tab | 744 |
| Figure 1-1373 | Remove the power supply fan and holder | 744 |
| Figure 1-1374 | Check the connectors | 745 |
| Figure 1-1375 | Disconnect five connectors and remove four screws | 745 |
| Figure 1-1376 | Remove two screws and release three tabs | 746 |
| Figure 1-1377 | Remove the LVPS | 746 |
| Figure 1-1378 | Recycle and unpack | 747 |
| Figure 1-1379 | Install the side tabs of the LVPS | 747 |
| Figure 1-1380 | Install the back tabs of the LVPS | 748 |
| Figure 1-1381 | Install two screws | 748 |
| Figure 1-1382 | Connect five connectors and install four screws | 749 |
| Figure 1-1383 | Check the connectors | 749 |
| Figure 1-1384 | Remove the power supply fan and holder | 750 |
| Figure 1-1385 | Install the hinge arm | 750 |

| | | |
|---------------|--|-----|
| Figure 1-1386 | Install two screws | 751 |
| Figure 1-1387 | Connect one connector and install cables in the guides | 751 |
| Figure 1-1388 | Install the rear door | 752 |
| Figure 1-1389 | Position the tab in the slot | 752 |
| Figure 1-1390 | Install the duplexer door | 753 |
| Figure 1-1391 | Install the retaining arm | 753 |
| Figure 1-1392 | Install three screws | 754 |
| Figure 1-1393 | Position three tabs | 754 |
| Figure 1-1394 | Install one tab | 755 |
| Figure 1-1395 | Install the left cover | 756 |
| Figure 1-1396 | Make sure the tab does not get caught | 756 |
| Figure 1-1397 | Install four tabs | 757 |
| Figure 1-1398 | Engage two tabs | 757 |
| Figure 1-1399 | Install hinge pin | 758 |
| Figure 1-1400 | Install one screw | 758 |
| Figure 1-1401 | Install one tab | 759 |
| Figure 1-1402 | Rotate the left cover | 760 |
| Figure 1-1403 | Make sure the tab does not get caught | 760 |
| Figure 1-1404 | Raise the scanner | 761 |
| Figure 1-1405 | Position the hooks in the slots | 761 |
| Figure 1-1406 | Install the top hooks | 762 |
| Figure 1-1407 | Make sure the tab does not get caught | 762 |
| Figure 1-1408 | Install four tabs | 763 |
| Figure 1-1409 | Install two tabs | 763 |
| Figure 1-1410 | Install hinge pin | 764 |
| Figure 1-1411 | Install one screw | 764 |
| Figure 1-1412 | Lower the scanner | 765 |
| Figure 1-1413 | Position two tabs | 765 |
| Figure 1-1414 | Install rear tab | 766 |
| Figure 1-1415 | Install the right cover | 766 |
| Figure 1-1416 | Install upper tabs | 767 |
| Figure 1-1417 | Install the front tabs | 767 |
| Figure 1-1418 | Install the front lower tab | 768 |
| Figure 1-1419 | Install two tabs | 768 |
| Figure 1-1420 | Install one screw | 769 |
| Figure 1-1421 | Install one screw | 769 |
| Figure 1-1422 | Install rear tab | 770 |
| Figure 1-1423 | Raise the scanner | 770 |
| Figure 1-1424 | Rotate the right cover | 771 |
| Figure 1-1425 | Position the hooks in the slots | 771 |
| Figure 1-1426 | Slide the cover | 772 |

| | | |
|---------------|--|-----|
| Figure 1-1427 | Rotate the front of the cover | 772 |
| Figure 1-1428 | Install two tabs | 773 |
| Figure 1-1429 | Install the front and lower tabs | 773 |
| Figure 1-1430 | Install one screw | 774 |
| Figure 1-1431 | Install one screw | 774 |
| Figure 1-1432 | Lower the scanner | 775 |
| Figure 1-1433 | Close the front door | 775 |
| Figure 1-1434 | Close the duplexer door | 776 |
| Figure 1-1435 | Close the rear door | 776 |
| Figure 1-1436 | Install the tray | 777 |
| Figure 1-1437 | Remove the tray | 779 |
| Figure 1-1438 | Release the front door | 780 |
| Figure 1-1439 | Open the front door | 780 |
| Figure 1-1440 | Open the duplexer door | 781 |
| Figure 1-1441 | Open the rear door | 781 |
| Figure 1-1442 | Remove one screw | 782 |
| Figure 1-1443 | Remove one screw | 782 |
| Figure 1-1444 | Locate the tabs | 783 |
| Figure 1-1445 | Release front lower tabs | 783 |
| Figure 1-1446 | Release lower rear tab | 784 |
| Figure 1-1447 | Release two front tabs | 784 |
| Figure 1-1448 | Release upper tabs | 785 |
| Figure 1-1449 | Remove the right cover | 785 |
| Figure 1-1450 | Raise the scanner | 786 |
| Figure 1-1451 | Remove one screw | 786 |
| Figure 1-1452 | Remove one screw | 787 |
| Figure 1-1453 | Locate the tabs | 787 |
| Figure 1-1454 | Release front lower tabs | 788 |
| Figure 1-1455 | Release lower rear tab | 788 |
| Figure 1-1456 | Release front upper tabs | 789 |
| Figure 1-1457 | Rotate the front of the cover | 789 |
| Figure 1-1458 | Release top tabs | 790 |
| Figure 1-1459 | Release one tab and one hook | 790 |
| Figure 1-1460 | Lower the scanner | 791 |
| Figure 1-1461 | Remove the right cover | 791 |
| Figure 1-1462 | Remove one screw | 792 |
| Figure 1-1463 | Release two tabs | 792 |
| Figure 1-1464 | Locate the tabs | 793 |
| Figure 1-1465 | Release bottom tabs | 793 |
| Figure 1-1466 | Release three tabs | 794 |
| Figure 1-1467 | Raise the scanner | 794 |

| | | |
|---------------|---|-----|
| Figure 1-1468 | Remove one screw | 795 |
| Figure 1-1469 | Release two tabs | 795 |
| Figure 1-1470 | Locate the tabs | 796 |
| Figure 1-1471 | Release four tabs | 796 |
| Figure 1-1472 | Rotate the cover | 797 |
| Figure 1-1473 | Release one tab and two hooks | 797 |
| Figure 1-1474 | Lower the scanner | 798 |
| Figure 1-1475 | Remove the left cover | 798 |
| Figure 1-1476 | Close the secondary transfer assembly | 799 |
| Figure 1-1477 | Remove three screws | 799 |
| Figure 1-1478 | Release the retention arm | 800 |
| Figure 1-1479 | Remove the duplexer door | 800 |
| Figure 1-1480 | Remove the rear door | 801 |
| Figure 1-1481 | Disconnect one connector and release cables from guides | 801 |
| Figure 1-1482 | Remove two screws | 802 |
| Figure 1-1483 | Release the hinge arm | 802 |
| Figure 1-1484 | Release one tab | 803 |
| Figure 1-1485 | Remove the power supply fan and holder | 803 |
| Figure 1-1486 | Check the connectors | 804 |
| Figure 1-1487 | Disconnect five connectors and remove four screws | 804 |
| Figure 1-1488 | Remove two screws and release three tabs | 805 |
| Figure 1-1489 | Remove the LVPS | 805 |
| Figure 1-1490 | Remove the fan duct | 806 |
| Figure 1-1491 | Remove the pickup motor | 806 |
| Figure 1-1492 | Recycle and unpack | 807 |
| Figure 1-1493 | Install the pickup motor | 807 |
| Figure 1-1494 | Install the fan duct | 808 |
| Figure 1-1495 | Install the side tabs of the LVPS | 808 |
| Figure 1-1496 | Install the back tabs of the LVPS | 809 |
| Figure 1-1497 | Install two screws | 809 |
| Figure 1-1498 | Connect five connectors and install four screws | 810 |
| Figure 1-1499 | Check the connectors | 810 |
| Figure 1-1500 | Remove the power supply fan and holder | 811 |
| Figure 1-1501 | Install the hinge arm | 811 |
| Figure 1-1502 | Install two screws | 812 |
| Figure 1-1503 | Connect one connector and install cables in the guides | 812 |
| Figure 1-1504 | Install the rear door | 813 |
| Figure 1-1505 | Position the tab in the slot | 813 |
| Figure 1-1506 | Install the duplexer door | 814 |
| Figure 1-1507 | Install the retaining arm | 814 |
| Figure 1-1508 | Install three screws | 815 |

| | | |
|---------------|---|-----|
| Figure 1-1509 | Position three tabs | 815 |
| Figure 1-1510 | Install one tab | 816 |
| Figure 1-1511 | Install the left cover | 817 |
| Figure 1-1512 | Make sure the tab does not get caught | 817 |
| Figure 1-1513 | Install four tabs | 818 |
| Figure 1-1514 | Engage two tabs | 818 |
| Figure 1-1515 | Install hinge pin | 819 |
| Figure 1-1516 | Install one screw | 819 |
| Figure 1-1517 | Install one tab | 820 |
| Figure 1-1518 | Rotate the left cover | 821 |
| Figure 1-1519 | Make sure the tab does not get caught | 821 |
| Figure 1-1520 | Raise the scanner | 822 |
| Figure 1-1521 | Position the hooks in the slots | 822 |
| Figure 1-1522 | Install the top hooks | 823 |
| Figure 1-1523 | Make sure the tab does not get caught | 823 |
| Figure 1-1524 | Install four tabs | 824 |
| Figure 1-1525 | Install two tabs | 824 |
| Figure 1-1526 | Install hinge pin | 825 |
| Figure 1-1527 | Install one screw | 825 |
| Figure 1-1528 | Lower the scanner | 826 |
| Figure 1-1529 | Position two tabs | 826 |
| Figure 1-1530 | Install rear tab | 827 |
| Figure 1-1531 | Install the right cover | 827 |
| Figure 1-1532 | Install upper tabs | 828 |
| Figure 1-1533 | Install the front tabs | 828 |
| Figure 1-1534 | Install the front lower tab | 829 |
| Figure 1-1535 | Install two tabs | 829 |
| Figure 1-1536 | Install one screw | 830 |
| Figure 1-1537 | Install one screw | 830 |
| Figure 1-1538 | Install rear tab | 831 |
| Figure 1-1539 | Raise the scanner | 831 |
| Figure 1-1540 | Rotate the right cover | 832 |
| Figure 1-1541 | Position the hooks in the slots | 832 |
| Figure 1-1542 | Slide the cover | 833 |
| Figure 1-1543 | Rotate the front of the cover | 833 |
| Figure 1-1544 | Install two tabs | 834 |
| Figure 1-1545 | Install the front and lower tabs | 834 |
| Figure 1-1546 | Install one screw | 835 |
| Figure 1-1547 | Install one screw | 835 |
| Figure 1-1548 | Lower the scanner | 836 |
| Figure 1-1549 | Close the front door | 836 |

| | | |
|---------------|--|-----|
| Figure 1-1550 | Close the duplexer door | 837 |
| Figure 1-1551 | Close the rear door | 837 |
| Figure 1-1552 | Install the tray | 838 |
| Figure 1-1553 | Remove the tray | 840 |
| Figure 1-1554 | Release the front door | 840 |
| Figure 1-1555 | Open the front door | 841 |
| Figure 1-1556 | Open the duplexer door | 841 |
| Figure 1-1557 | Open the rear door | 842 |
| Figure 1-1558 | Remove one screw | 842 |
| Figure 1-1559 | Remove one screw | 843 |
| Figure 1-1560 | Locate the tabs | 843 |
| Figure 1-1561 | Release front lower tabs | 844 |
| Figure 1-1562 | Release lower rear tab | 844 |
| Figure 1-1563 | Release two front tabs | 845 |
| Figure 1-1564 | Release upper tabs | 845 |
| Figure 1-1565 | Remove the right cover | 846 |
| Figure 1-1566 | Raise the scanner | 846 |
| Figure 1-1567 | Remove one screw | 847 |
| Figure 1-1568 | Remove one screw | 847 |
| Figure 1-1569 | Locate the tabs | 848 |
| Figure 1-1570 | Release front lower tabs | 848 |
| Figure 1-1571 | Release lower rear tab | 849 |
| Figure 1-1572 | Release front upper tabs | 849 |
| Figure 1-1573 | Rotate the front of the cover | 850 |
| Figure 1-1574 | Release top tabs | 850 |
| Figure 1-1575 | Release one tab and one hook | 851 |
| Figure 1-1576 | Lower the scanner | 851 |
| Figure 1-1577 | Remove the right cover | 852 |
| Figure 1-1578 | Disconnect one connector | 852 |
| Figure 1-1579 | Disconnect all connectors and remove one screw | 853 |
| Figure 1-1580 | Remove the driver PCA | 853 |
| Figure 1-1581 | Recycle and unpack | 854 |
| Figure 1-1582 | Install the driver PCA | 854 |
| Figure 1-1583 | Fan connector locations | 855 |
| Figure 1-1584 | Install one screw and connect all connectors | 855 |
| Figure 1-1585 | Connect one connector | 856 |
| Figure 1-1586 | Position two tabs | 856 |
| Figure 1-1587 | Install rear tab | 857 |
| Figure 1-1588 | Install the right cover | 857 |
| Figure 1-1589 | Install upper tabs | 858 |
| Figure 1-1590 | Install the front tabs | 858 |

| | | |
|---------------|--|-----|
| Figure 1-1591 | Install the front lower tab | 859 |
| Figure 1-1592 | Install two tabs | 859 |
| Figure 1-1593 | Install one screw | 860 |
| Figure 1-1594 | Install one screw | 860 |
| Figure 1-1595 | Install rear tab | 861 |
| Figure 1-1596 | Raise the scanner | 861 |
| Figure 1-1597 | Rotate the right cover | 862 |
| Figure 1-1598 | Position the hooks in the slots | 862 |
| Figure 1-1599 | Slide the cover | 863 |
| Figure 1-1600 | Rotate the front of the cover | 863 |
| Figure 1-1601 | Install two tabs | 864 |
| Figure 1-1602 | Install the front and lower tabs | 864 |
| Figure 1-1603 | Install one screw | 865 |
| Figure 1-1604 | Install one screw | 865 |
| Figure 1-1605 | Lower the scanner | 866 |
| Figure 1-1606 | Close the front door | 866 |
| Figure 1-1607 | Close the duplexer door | 867 |
| Figure 1-1608 | Close the rear door | 867 |
| Figure 1-1609 | Install the tray | 868 |
| Figure 1-1610 | Remove the tray | 870 |
| Figure 1-1611 | Release the front door | 871 |
| Figure 1-1612 | Open the front door | 871 |
| Figure 1-1613 | Open the duplexer door | 872 |
| Figure 1-1614 | Open the rear door | 872 |
| Figure 1-1615 | Remove one screw | 873 |
| Figure 1-1616 | Remove one screw | 873 |
| Figure 1-1617 | Locate the tabs | 874 |
| Figure 1-1618 | Release front lower tabs | 874 |
| Figure 1-1619 | Release lower rear tab | 875 |
| Figure 1-1620 | Release two front tabs | 875 |
| Figure 1-1621 | Release upper tabs | 876 |
| Figure 1-1622 | Remove the right cover | 876 |
| Figure 1-1623 | Raise the scanner | 877 |
| Figure 1-1624 | Remove one screw | 877 |
| Figure 1-1625 | Remove one screw | 878 |
| Figure 1-1626 | Locate the tabs | 878 |
| Figure 1-1627 | Release front lower tabs | 879 |
| Figure 1-1628 | Release lower rear tab | 879 |
| Figure 1-1629 | Release front upper tabs | 880 |
| Figure 1-1630 | Rotate the front of the cover | 880 |
| Figure 1-1631 | Release top tabs | 881 |

| | | |
|---------------|---|-----|
| Figure 1-1632 | Release one tab and one hook | 881 |
| Figure 1-1633 | Lower the scanner | 882 |
| Figure 1-1634 | Remove the right cover | 882 |
| Figure 1-1635 | Remove one screw | 883 |
| Figure 1-1636 | Release two tabs | 883 |
| Figure 1-1637 | Locate the tabs | 884 |
| Figure 1-1638 | Release bottom tabs | 884 |
| Figure 1-1639 | Release three tabs | 885 |
| Figure 1-1640 | Raise the scanner | 885 |
| Figure 1-1641 | Remove one screw | 886 |
| Figure 1-1642 | Release two tabs | 886 |
| Figure 1-1643 | Locate the tabs | 887 |
| Figure 1-1644 | Release four tabs | 887 |
| Figure 1-1645 | Rotate the cover | 888 |
| Figure 1-1646 | Release one tab and two hooks | 888 |
| Figure 1-1647 | Lower the scanner | 889 |
| Figure 1-1648 | Remove the left cover | 889 |
| Figure 1-1649 | Close the secondary transfer assembly | 890 |
| Figure 1-1650 | Remove three screws | 890 |
| Figure 1-1651 | Release the retention arm | 891 |
| Figure 1-1652 | Remove the duplexer door | 891 |
| Figure 1-1653 | Remove the rear door | 892 |
| Figure 1-1654 | Disconnect one connector and release cables from guides | 892 |
| Figure 1-1655 | Remove two screws | 893 |
| Figure 1-1656 | Release the hinge arm | 893 |
| Figure 1-1657 | Release one tab | 894 |
| Figure 1-1658 | Remove the power supply fan and holder | 894 |
| Figure 1-1659 | Check the connectors | 895 |
| Figure 1-1660 | Disconnect five connectors and remove four screws | 895 |
| Figure 1-1661 | Remove two screws and release three tabs | 896 |
| Figure 1-1662 | Remove the LVPS | 896 |
| Figure 1-1663 | Disconnect one connector | 897 |
| Figure 1-1664 | Disconnect all connectors and remove one screw | 897 |
| Figure 1-1665 | Remove the driver PCA | 898 |
| Figure 1-1666 | Disconnect one connector and release cables from guides | 898 |
| Figure 1-1667 | Release three tabs | 899 |
| Figure 1-1668 | Remove the driver PCA holder | 899 |
| Figure 1-1669 | Remove the drum motor | 900 |
| Figure 1-1670 | Recycle and unpack | 900 |
| Figure 1-1671 | Install the drum motor | 901 |
| Figure 1-1672 | Install the cables in the driver PCA holder | 901 |

| | | |
|---------------|--|-----|
| Figure 1-1673 | Install the driver PCA holder | 902 |
| Figure 1-1674 | Connect one connector and install cables into the guides | 902 |
| Figure 1-1675 | Install the driver PCA | 903 |
| Figure 1-1676 | Fan connector locations | 903 |
| Figure 1-1677 | Install one screw and connect all connectors | 904 |
| Figure 1-1678 | Connect one connector | 904 |
| Figure 1-1679 | Install the side tabs of the LVPS | 905 |
| Figure 1-1680 | Install the back tabs of the LVPS | 905 |
| Figure 1-1681 | Install two screws | 906 |
| Figure 1-1682 | Connect five connectors and install four screws | 907 |
| Figure 1-1683 | Check the connectors | 907 |
| Figure 1-1684 | Remove the power supply fan and holder | 908 |
| Figure 1-1685 | Install the hinge arm | 908 |
| Figure 1-1686 | Install two screws | 909 |
| Figure 1-1687 | Connect one connector and install cables in the guides | 909 |
| Figure 1-1688 | Install the rear door | 910 |
| Figure 1-1689 | Position the tab in the slot | 910 |
| Figure 1-1690 | Install the duplexer door | 911 |
| Figure 1-1691 | Install the retaining arm | 911 |
| Figure 1-1692 | Install three screws | 912 |
| Figure 1-1693 | Position three tabs | 912 |
| Figure 1-1694 | Install one tab | 913 |
| Figure 1-1695 | Install the left cover | 914 |
| Figure 1-1696 | Make sure the tab does not get caught | 914 |
| Figure 1-1697 | Install four tabs | 915 |
| Figure 1-1698 | Engage two tabs | 915 |
| Figure 1-1699 | Install hinge pin | 916 |
| Figure 1-1700 | Install one screw | 916 |
| Figure 1-1701 | Install one tab | 917 |
| Figure 1-1702 | Rotate the left cover | 918 |
| Figure 1-1703 | Make sure the tab does not get caught | 918 |
| Figure 1-1704 | Raise the scanner | 919 |
| Figure 1-1705 | Position the hooks in the slots | 919 |
| Figure 1-1706 | Install the top hooks | 920 |
| Figure 1-1707 | Make sure the tab does not get caught | 920 |
| Figure 1-1708 | Install four tabs | 921 |
| Figure 1-1709 | Install two tabs | 921 |
| Figure 1-1710 | Install hinge pin | 922 |
| Figure 1-1711 | Install one screw | 922 |
| Figure 1-1712 | Lower the scanner | 923 |
| Figure 1-1713 | Position two tabs | 923 |

| | | |
|---------------|--|-----|
| Figure 1-1714 | Install rear tab | 924 |
| Figure 1-1715 | Install the right cover | 924 |
| Figure 1-1716 | Install upper tabs | 925 |
| Figure 1-1717 | Install the front tabs | 925 |
| Figure 1-1718 | Install the front lower tab | 926 |
| Figure 1-1719 | Install two tabs | 926 |
| Figure 1-1720 | Install one screw | 927 |
| Figure 1-1721 | Install one screw | 927 |
| Figure 1-1722 | Install rear tab | 928 |
| Figure 1-1723 | Raise the scanner | 928 |
| Figure 1-1724 | Rotate the right cover | 929 |
| Figure 1-1725 | Position the hooks in the slots | 929 |
| Figure 1-1726 | Slide the cover | 930 |
| Figure 1-1727 | Rotate the front of the cover | 930 |
| Figure 1-1728 | Install two tabs | 931 |
| Figure 1-1729 | Install the front and lower tabs | 931 |
| Figure 1-1730 | Install one screw | 932 |
| Figure 1-1731 | Install one screw | 932 |
| Figure 1-1732 | Lower the scanner | 933 |
| Figure 1-1733 | Close the front door | 933 |
| Figure 1-1734 | Close the duplexer door | 934 |
| Figure 1-1735 | Close the rear door | 934 |
| Figure 1-1736 | Install the tray | 935 |
| Figure 1-1737 | Remove the tray | 937 |
| Figure 1-1738 | Release the front door | 938 |
| Figure 1-1739 | Open the front door | 938 |
| Figure 1-1740 | Open the duplexer door | 939 |
| Figure 1-1741 | Open the rear door | 939 |
| Figure 1-1742 | Remove one screw | 940 |
| Figure 1-1743 | Remove one screw | 940 |
| Figure 1-1744 | Locate the tabs | 941 |
| Figure 1-1745 | Release front lower tabs | 941 |
| Figure 1-1746 | Release lower rear tab | 942 |
| Figure 1-1747 | Release two front tabs | 942 |
| Figure 1-1748 | Release upper tabs | 943 |
| Figure 1-1749 | Remove the right cover | 943 |
| Figure 1-1750 | Raise the scanner | 944 |
| Figure 1-1751 | Remove one screw | 944 |
| Figure 1-1752 | Remove one screw | 945 |
| Figure 1-1753 | Locate the tabs | 945 |
| Figure 1-1754 | Release front lower tabs | 946 |

| | | |
|---------------|---|-----|
| Figure 1-1755 | Release lower rear tab | 946 |
| Figure 1-1756 | Release front upper tabs | 947 |
| Figure 1-1757 | Rotate the front of the cover | 947 |
| Figure 1-1758 | Release top tabs | 948 |
| Figure 1-1759 | Release one tab and one hook | 948 |
| Figure 1-1760 | Lower the scanner | 949 |
| Figure 1-1761 | Remove the right cover | 949 |
| Figure 1-1762 | Remove one screw | 950 |
| Figure 1-1763 | Release two tabs | 950 |
| Figure 1-1764 | Locate the tabs | 951 |
| Figure 1-1765 | Release bottom tabs | 951 |
| Figure 1-1766 | Release three tabs | 952 |
| Figure 1-1767 | Raise the scanner | 952 |
| Figure 1-1768 | Remove one screw | 953 |
| Figure 1-1769 | Release two tabs | 953 |
| Figure 1-1770 | Locate the tabs | 954 |
| Figure 1-1771 | Release four tabs | 954 |
| Figure 1-1772 | Rotate the cover | 955 |
| Figure 1-1773 | Release one tab and two hooks | 955 |
| Figure 1-1774 | Lower the scanner | 956 |
| Figure 1-1775 | Remove the left cover | 956 |
| Figure 1-1776 | Close the secondary transfer assembly | 957 |
| Figure 1-1777 | Remove three screws | 957 |
| Figure 1-1778 | Release the retention arm | 958 |
| Figure 1-1779 | Remove the duplexer door | 958 |
| Figure 1-1780 | Remove the rear door | 959 |
| Figure 1-1781 | Disconnect one connector and release cables from guides | 959 |
| Figure 1-1782 | Remove two screws | 960 |
| Figure 1-1783 | Release the hinge arm | 960 |
| Figure 1-1784 | Release one tab | 961 |
| Figure 1-1785 | Remove the power supply fan and holder | 961 |
| Figure 1-1786 | Check the connectors | 962 |
| Figure 1-1787 | Disconnect five connectors and remove four screws | 962 |
| Figure 1-1788 | Remove two screws and release three tabs | 963 |
| Figure 1-1789 | Remove the LVPS | 963 |
| Figure 1-1790 | Disconnect one connector | 964 |
| Figure 1-1791 | Disconnect all connectors and remove one screw | 964 |
| Figure 1-1792 | Remove the driver PCA | 965 |
| Figure 1-1793 | Disconnect one connector and release cables from guides | 965 |
| Figure 1-1794 | Release three tabs | 966 |
| Figure 1-1795 | Remove the driver PCA holder | 966 |

| | | |
|---------------|--|-----|
| Figure 1-1796 | Remove the developer motor | 967 |
| Figure 1-1797 | Recycle and unpack | 967 |
| Figure 1-1798 | Install the developer motor | 968 |
| Figure 1-1799 | Install the cables in the driver PCA holder | 968 |
| Figure 1-1800 | Install the driver PCA holder | 969 |
| Figure 1-1801 | Connect one connector and install cables into the guides | 969 |
| Figure 1-1802 | Install the driver PCA | 970 |
| Figure 1-1803 | Fan connector locations | 970 |
| Figure 1-1804 | Install one screw and connect all connectors | 971 |
| Figure 1-1805 | Connect one connector | 971 |
| Figure 1-1806 | Install the side tabs of the LVPS | 972 |
| Figure 1-1807 | Install the back tabs of the LVPS | 972 |
| Figure 1-1808 | Install two screws | 973 |
| Figure 1-1809 | Connect five connectors and install four screws | 974 |
| Figure 1-1810 | Check the connectors | 974 |
| Figure 1-1811 | Remove the power supply fan and holder | 975 |
| Figure 1-1812 | Install the hinge arm | 975 |
| Figure 1-1813 | Install two screws | 976 |
| Figure 1-1814 | Connect one connector and install cables in the guides | 976 |
| Figure 1-1815 | Install the rear door | 977 |
| Figure 1-1816 | Position the tab in the slot | 977 |
| Figure 1-1817 | Install the duplexer door | 978 |
| Figure 1-1818 | Install the retaining arm | 978 |
| Figure 1-1819 | Install three screws | 979 |
| Figure 1-1820 | Position three tabs | 979 |
| Figure 1-1821 | Install one tab | 980 |
| Figure 1-1822 | Install the left cover | 981 |
| Figure 1-1823 | Make sure the tab does not get caught | 981 |
| Figure 1-1824 | Install four tabs | 982 |
| Figure 1-1825 | Engage two tabs | 982 |
| Figure 1-1826 | Install hinge pin | 983 |
| Figure 1-1827 | Install one screw | 983 |
| Figure 1-1828 | Install one tab | 984 |
| Figure 1-1829 | Rotate the left cover | 985 |
| Figure 1-1830 | Make sure the tab does not get caught | 985 |
| Figure 1-1831 | Raise the scanner | 986 |
| Figure 1-1832 | Position the hooks in the slots | 986 |
| Figure 1-1833 | Install the top hooks | 987 |
| Figure 1-1834 | Make sure the tab does not get caught | 987 |
| Figure 1-1835 | Install four tabs | 988 |
| Figure 1-1836 | Install two tabs | 988 |

| | | |
|---------------|--|------|
| Figure 1-1837 | Install hinge pin | 989 |
| Figure 1-1838 | Install one screw | 989 |
| Figure 1-1839 | Lower the scanner | 990 |
| Figure 1-1840 | Position two tabs | 990 |
| Figure 1-1841 | Install rear tab | 991 |
| Figure 1-1842 | Install the right cover | 991 |
| Figure 1-1843 | Install upper tabs | 992 |
| Figure 1-1844 | Install the front tabs | 992 |
| Figure 1-1845 | Install the front lower tab | 993 |
| Figure 1-1846 | Install two tabs | 993 |
| Figure 1-1847 | Install one screw | 994 |
| Figure 1-1848 | Install one screw | 994 |
| Figure 1-1849 | Install rear tab | 995 |
| Figure 1-1850 | Raise the scanner | 995 |
| Figure 1-1851 | Rotate the right cover | 996 |
| Figure 1-1852 | Position the hooks in the slots | 996 |
| Figure 1-1853 | Slide the cover | 997 |
| Figure 1-1854 | Rotate the front of the cover | 997 |
| Figure 1-1855 | Install two tabs | 998 |
| Figure 1-1856 | Install the front and lower tabs | 998 |
| Figure 1-1857 | Install one screw | 999 |
| Figure 1-1858 | Install one screw | 999 |
| Figure 1-1859 | Lower the scanner | 1000 |
| Figure 1-1860 | Close the front door | 1000 |
| Figure 1-1861 | Close the duplexer door | 1001 |
| Figure 1-1862 | Close the rear door | 1001 |
| Figure 1-1863 | Install the tray | 1002 |
| Figure 1-1864 | Open the rear door | 1004 |
| Figure 1-1865 | Remove one retainer collar | 1004 |
| Figure 1-1866 | Slide the assembly left | 1005 |
| Figure 1-1867 | Remove the secondary transfer assembly | 1005 |
| Figure 1-1868 | Recycle and unpack | 1006 |
| Figure 1-1869 | Position the secondary transfer assembly | 1006 |
| Figure 1-1870 | Slide the assembly right | 1007 |
| Figure 1-1871 | Install one retainer collar | 1007 |
| Figure 1-1872 | Close the rear door | 1008 |
| Figure 1-1873 | Open the duplexer door | 1010 |
| Figure 1-1874 | Remove one retainer collar | 1010 |
| Figure 1-1875 | Remove one screw and release the arm | 1011 |
| Figure 1-1876 | Slide the assembly left | 1011 |
| Figure 1-1877 | Remove the secondary transfer assembly | 1012 |

| | | |
|---------------|--|------|
| Figure 1-1878 | Recycle and unpack | 1012 |
| Figure 1-1879 | Position the secondary transfer assembly | 1013 |
| Figure 1-1880 | Slide the assembly right | 1013 |
| Figure 1-1881 | Install the retaining arm | 1014 |
| Figure 1-1882 | Install one retainer collar | 1014 |
| Figure 1-1883 | Close the duplexer door | 1015 |
| Figure 1-1884 | Remove the tray | 1017 |
| Figure 1-1885 | Release the front door | 1018 |
| Figure 1-1886 | Open the front door | 1018 |
| Figure 1-1887 | Open the duplexer door | 1019 |
| Figure 1-1888 | Open the rear door | 1019 |
| Figure 1-1889 | Remove one screw | 1020 |
| Figure 1-1890 | Remove one screw | 1020 |
| Figure 1-1891 | Locate the tabs | 1021 |
| Figure 1-1892 | Release front lower tabs | 1021 |
| Figure 1-1893 | Release lower rear tab | 1022 |
| Figure 1-1894 | Release two front tabs | 1022 |
| Figure 1-1895 | Release upper tabs | 1023 |
| Figure 1-1896 | Remove the right cover | 1023 |
| Figure 1-1897 | Raise the scanner | 1024 |
| Figure 1-1898 | Remove one screw | 1024 |
| Figure 1-1899 | Remove one screw | 1025 |
| Figure 1-1900 | Locate the tabs | 1025 |
| Figure 1-1901 | Release front lower tabs | 1026 |
| Figure 1-1902 | Release lower rear tab | 1026 |
| Figure 1-1903 | Release front upper tabs | 1027 |
| Figure 1-1904 | Rotate the front of the cover | 1027 |
| Figure 1-1905 | Release top tabs | 1028 |
| Figure 1-1906 | Release one tab and one hook | 1028 |
| Figure 1-1907 | Lower the scanner | 1029 |
| Figure 1-1908 | Remove the right cover | 1029 |
| Figure 1-1909 | Remove one screw | 1030 |
| Figure 1-1910 | Release two tabs | 1030 |
| Figure 1-1911 | Locate the tabs | 1031 |
| Figure 1-1912 | Release bottom tabs | 1031 |
| Figure 1-1913 | Release three tabs | 1032 |
| Figure 1-1914 | Raise the scanner | 1032 |
| Figure 1-1915 | Remove one screw | 1033 |
| Figure 1-1916 | Release two tabs | 1033 |
| Figure 1-1917 | Locate the tabs | 1034 |
| Figure 1-1918 | Release four tabs | 1034 |

| | | |
|---------------|---|------|
| Figure 1-1919 | Rotate the cover | 1035 |
| Figure 1-1920 | Release one tab and two hooks | 1035 |
| Figure 1-1921 | Lower the scanner | 1036 |
| Figure 1-1922 | Remove the left cover | 1036 |
| Figure 1-1923 | Open the rear door | 1037 |
| Figure 1-1924 | Remove one retainer collar | 1037 |
| Figure 1-1925 | Slide the assembly left | 1038 |
| Figure 1-1926 | Remove the secondary transfer assembly | 1038 |
| Figure 1-1927 | Open the duplexer door | 1039 |
| Figure 1-1928 | Remove one retainer collar | 1039 |
| Figure 1-1929 | Remove one screw and release the arm | 1040 |
| Figure 1-1930 | Slide the assembly left | 1040 |
| Figure 1-1931 | Remove the secondary transfer assembly | 1041 |
| Figure 1-1932 | Slide the cartridge tray out | 1041 |
| Figure 1-1933 | Release two levers | 1042 |
| Figure 1-1934 | Pull two levers out | 1042 |
| Figure 1-1935 | Release one tab | 1043 |
| Figure 1-1936 | Remove the cover. | 1043 |
| Figure 1-1937 | Disconnect two connectors | 1044 |
| Figure 1-1938 | Release two tabs | 1044 |
| Figure 1-1939 | Remove the fuser cover | 1045 |
| Figure 1-1940 | Remove two screws | 1045 |
| Figure 1-1941 | Release two tabs | 1046 |
| Figure 1-1942 | Slide the ITB out | 1046 |
| Figure 1-1943 | Recycle and unpack | 1047 |
| Figure 1-1944 | Clean the mylar strips | 1047 |
| Figure 1-1945 | Check tabs on the end of the ITB | 1048 |
| Figure 1-1946 | Lower both tabs on each side of the ITB to the position shown | 1048 |
| Figure 1-1947 | Slide the ITB in | 1049 |
| Figure 1-1948 | Install two screws | 1049 |
| Figure 1-1949 | Install the fuser cover | 1050 |
| Figure 1-1950 | Connect two connectors | 1050 |
| Figure 1-1951 | Install the cover. | 1051 |
| Figure 1-1952 | Push two levers in | 1052 |
| Figure 1-1953 | Push two levers in (different view) | 1052 |
| Figure 1-1954 | Rotate two levers into place | 1053 |
| Figure 1-1955 | Slide the cartridge tray in | 1053 |
| Figure 1-1956 | Position the secondary transfer assembly | 1054 |
| Figure 1-1957 | Slide the assembly right | 1054 |
| Figure 1-1958 | Install one retainer collar | 1055 |
| Figure 1-1959 | Close the rear door | 1055 |

| | | |
|---------------|--|------|
| Figure 1-1960 | Position the secondary transfer assembly | 1056 |
| Figure 1-1961 | Slide the assembly right | 1056 |
| Figure 1-1962 | Install the retaining arm | 1057 |
| Figure 1-1963 | Install one retainer collar | 1057 |
| Figure 1-1964 | Close the duplexer door | 1058 |
| Figure 1-1965 | Position three tabs | 1058 |
| Figure 1-1966 | Install one tab | 1059 |
| Figure 1-1967 | Install the left cover | 1060 |
| Figure 1-1968 | Make sure the tab does not get caught | 1060 |
| Figure 1-1969 | Install four tabs | 1061 |
| Figure 1-1970 | Engage two tabs | 1061 |
| Figure 1-1971 | Install hinge pin | 1062 |
| Figure 1-1972 | Install one screw | 1062 |
| Figure 1-1973 | Install one tab | 1063 |
| Figure 1-1974 | Rotate the left cover | 1064 |
| Figure 1-1975 | Make sure the tab does not get caught | 1064 |
| Figure 1-1976 | Raise the scanner | 1065 |
| Figure 1-1977 | Position the hooks in the slots | 1065 |
| Figure 1-1978 | Install the top hooks | 1066 |
| Figure 1-1979 | Make sure the tab does not get caught | 1066 |
| Figure 1-1980 | Install four tabs | 1067 |
| Figure 1-1981 | Install two tabs | 1067 |
| Figure 1-1982 | Install hinge pin | 1068 |
| Figure 1-1983 | Install one screw | 1068 |
| Figure 1-1984 | Lower the scanner | 1069 |
| Figure 1-1985 | Position two tabs | 1069 |
| Figure 1-1986 | Install rear tab | 1070 |
| Figure 1-1987 | Install the right cover | 1070 |
| Figure 1-1988 | Install upper tabs | 1071 |
| Figure 1-1989 | Install the front tabs | 1071 |
| Figure 1-1990 | Install the front lower tab | 1072 |
| Figure 1-1991 | Install two tabs | 1072 |
| Figure 1-1992 | Install one screw | 1073 |
| Figure 1-1993 | Install one screw | 1073 |
| Figure 1-1994 | Install rear tab | 1074 |
| Figure 1-1995 | Raise the scanner | 1074 |
| Figure 1-1996 | Rotate the right cover | 1075 |
| Figure 1-1997 | Position the hooks in the slots | 1075 |
| Figure 1-1998 | Slide the cover | 1076 |
| Figure 1-1999 | Rotate the front of the cover | 1076 |
| Figure 1-2000 | Install two tabs | 1077 |

| | | |
|---------------|--|------|
| Figure 1-2001 | Install the front and lower tabs | 1077 |
| Figure 1-2002 | Install one screw | 1078 |
| Figure 1-2003 | Install one screw | 1078 |
| Figure 1-2004 | Lower the scanner | 1079 |
| Figure 1-2005 | Close the front door | 1079 |
| Figure 1-2006 | Close the duplexer door | 1080 |
| Figure 1-2007 | Close the rear door | 1080 |
| Figure 1-2008 | Install the tray | 1081 |
| Figure 1-2009 | Remove the tray | 1083 |
| Figure 1-2010 | Open the front door | 1084 |
| Figure 1-2011 | Open the cartridge drawer | 1084 |
| Figure 1-2012 | Remove the toner cartridge | 1085 |
| Figure 1-2013 | Slide the cartridge tray in | 1085 |
| Figure 1-2014 | Close the front door | 1086 |
| Figure 1-2015 | Open the duplexer door | 1086 |
| Figure 1-2016 | Open the rear door | 1087 |
| Figure 1-2017 | Remove one screw | 1087 |
| Figure 1-2018 | Remove one screw | 1088 |
| Figure 1-2019 | Locate the tabs | 1088 |
| Figure 1-2020 | Release front lower tabs | 1089 |
| Figure 1-2021 | Release lower rear tab | 1089 |
| Figure 1-2022 | Release two front tabs | 1090 |
| Figure 1-2023 | Release upper tabs | 1090 |
| Figure 1-2024 | Remove the right cover | 1091 |
| Figure 1-2025 | Raise the scanner | 1091 |
| Figure 1-2026 | Remove one screw | 1092 |
| Figure 1-2027 | Remove one screw | 1092 |
| Figure 1-2028 | Locate the tabs | 1093 |
| Figure 1-2029 | Release front lower tabs | 1093 |
| Figure 1-2030 | Release lower rear tab | 1094 |
| Figure 1-2031 | Release front upper tabs | 1094 |
| Figure 1-2032 | Rotate the front of the cover | 1095 |
| Figure 1-2033 | Release top tabs | 1095 |
| Figure 1-2034 | Release one tab and one hook | 1096 |
| Figure 1-2035 | Lower the scanner | 1096 |
| Figure 1-2036 | Remove the right cover | 1097 |
| Figure 1-2037 | Remove one screw | 1097 |
| Figure 1-2038 | Release two tabs | 1098 |
| Figure 1-2039 | Locate the tabs | 1098 |
| Figure 1-2040 | Release bottom tabs | 1099 |
| Figure 1-2041 | Release three tabs | 1099 |

| | | |
|---------------|--|------|
| Figure 1-2042 | Raise the scanner | 1100 |
| Figure 1-2043 | Remove one screw | 1100 |
| Figure 1-2044 | Release two tabs | 1101 |
| Figure 1-2045 | Locate the tabs | 1101 |
| Figure 1-2046 | Release four tabs | 1102 |
| Figure 1-2047 | Rotate the cover | 1102 |
| Figure 1-2048 | Release one tab and two hooks | 1103 |
| Figure 1-2049 | Lower the scanner | 1103 |
| Figure 1-2050 | Remove the left cover | 1104 |
| Figure 1-2051 | Open the rear door | 1104 |
| Figure 1-2052 | Remove one retainer collar | 1105 |
| Figure 1-2053 | Slide the assembly left | 1105 |
| Figure 1-2054 | Remove the secondary transfer assembly | 1106 |
| Figure 1-2055 | Open the duplexer door | 1106 |
| Figure 1-2056 | Remove one retainer collar | 1107 |
| Figure 1-2057 | Remove one screw and release the arm | 1107 |
| Figure 1-2058 | Slide the assembly left | 1108 |
| Figure 1-2059 | Remove the secondary transfer assembly | 1108 |
| Figure 1-2060 | Slide the cartridge tray out | 1109 |
| Figure 1-2061 | Release two levers | 1109 |
| Figure 1-2062 | Pull two levers out | 1110 |
| Figure 1-2063 | Release one tab | 1110 |
| Figure 1-2064 | Remove the cover | 1111 |
| Figure 1-2065 | Disconnect two connectors | 1111 |
| Figure 1-2066 | Release two tabs | 1112 |
| Figure 1-2067 | Remove the fuser cover | 1112 |
| Figure 1-2068 | Remove two screws | 1113 |
| Figure 1-2069 | Release two tabs | 1113 |
| Figure 1-2070 | Slide the ITB out | 1114 |
| Figure 1-2071 | Release the hinge arm | 1114 |
| Figure 1-2072 | Remove two screws | 1115 |
| Figure 1-2073 | Remove the cover | 1115 |
| Figure 1-2074 | Pull the tray slide mechanism out | 1116 |
| Figure 1-2075 | Rotate the cartridge tray to release one shaft | 1116 |
| Figure 1-2076 | Remove the cartridge tray | 1117 |
| Figure 1-2077 | Location of the registration density sensor | 1117 |
| Figure 1-2078 | Disconnect one connector and release cables | 1118 |
| Figure 1-2079 | Release one tab | 1118 |
| Figure 1-2080 | Slide the sensor and cable guide right | 1119 |
| Figure 1-2081 | Release the connector | 1119 |
| Figure 1-2082 | Remove the registration density sensor and guide | 1120 |

| | | |
|---------------|---|------|
| Figure 1-2083 | Release the cables from the guides | 1120 |
| Figure 1-2084 | Remove the cable guide | 1121 |
| Figure 1-2085 | Recycle and unpack | 1121 |
| Figure 1-2086 | Reinstall spring | 1122 |
| Figure 1-2087 | Install the cables in the guides | 1122 |
| Figure 1-2088 | Install the connector | 1123 |
| Figure 1-2089 | Install the cable guide tabs | 1123 |
| Figure 1-2090 | Install two tabs | 1124 |
| Figure 1-2091 | Install the registration density sensor | 1124 |
| Figure 1-2092 | Connect one connector | 1125 |
| Figure 1-2093 | Install the white clip | 1125 |
| Figure 1-2094 | Install the silver shaft | 1126 |
| Figure 1-2095 | Rotate the tray | 1126 |
| Figure 1-2096 | Slide the tray slide mechanism in | 1127 |
| Figure 1-2097 | Install the cover | 1127 |
| Figure 1-2098 | Install two screws | 1128 |
| Figure 1-2099 | Install the hinge arm | 1128 |
| Figure 1-2100 | Clean the mylar strips | 1129 |
| Figure 1-2101 | Check tabs on the end of the ITB | 1130 |
| Figure 1-2102 | Lower both tabs on each side of the ITB to the position shown | 1130 |
| Figure 1-2103 | Slide the ITB in | 1131 |
| Figure 1-2104 | Install two screws | 1131 |
| Figure 1-2105 | Install the fuser cover | 1132 |
| Figure 1-2106 | Connect two connectors | 1132 |
| Figure 1-2107 | Install the cover | 1133 |
| Figure 1-2108 | Push two levers in | 1134 |
| Figure 1-2109 | Push two levers in (different view) | 1134 |
| Figure 1-2110 | Rotate two levers into place | 1135 |
| Figure 1-2111 | Slide the cartridge tray in | 1135 |
| Figure 1-2112 | Position the secondary transfer assembly | 1136 |
| Figure 1-2113 | Slide the assembly right | 1136 |
| Figure 1-2114 | Install one retainer collar | 1137 |
| Figure 1-2115 | Close the rear door | 1137 |
| Figure 1-2116 | Position the secondary transfer assembly | 1138 |
| Figure 1-2117 | Slide the assembly right | 1138 |
| Figure 1-2118 | Install the retaining arm | 1139 |
| Figure 1-2119 | Install one retainer collar | 1139 |
| Figure 1-2120 | Close the duplexer door | 1140 |
| Figure 1-2121 | Position three tabs | 1140 |
| Figure 1-2122 | Install one tab | 1141 |
| Figure 1-2123 | Install the left cover | 1142 |

| | | |
|---------------|---|------|
| Figure 1-2124 | Make sure the tab does not get caught | 1142 |
| Figure 1-2125 | Install four tabs | 1143 |
| Figure 1-2126 | Engage two tabs | 1143 |
| Figure 1-2127 | Install hinge pin | 1144 |
| Figure 1-2128 | Install one screw | 1144 |
| Figure 1-2129 | Install one tab | 1145 |
| Figure 1-2130 | Rotate the left cover | 1146 |
| Figure 1-2131 | Make sure the tab does not get caught | 1146 |
| Figure 1-2132 | Raise the scanner | 1147 |
| Figure 1-2133 | Position the hooks in the slots | 1147 |
| Figure 1-2134 | Install the top hooks | 1148 |
| Figure 1-2135 | Make sure the tab does not get caught | 1148 |
| Figure 1-2136 | Install four tabs | 1149 |
| Figure 1-2137 | Install two tabs | 1149 |
| Figure 1-2138 | Install hinge pin | 1150 |
| Figure 1-2139 | Install one screw | 1150 |
| Figure 1-2140 | Lower the scanner | 1151 |
| Figure 1-2141 | Position two tabs | 1151 |
| Figure 1-2142 | Install rear tab | 1152 |
| Figure 1-2143 | Install the right cover | 1152 |
| Figure 1-2144 | Install upper tabs | 1153 |
| Figure 1-2145 | Install the front tabs | 1153 |
| Figure 1-2146 | Install the front lower tab | 1154 |
| Figure 1-2147 | Install two tabs | 1154 |
| Figure 1-2148 | Install one screw | 1155 |
| Figure 1-2149 | Install one screw | 1155 |
| Figure 1-2150 | Install rear tab | 1156 |
| Figure 1-2151 | Raise the scanner | 1156 |
| Figure 1-2152 | Rotate the right cover | 1157 |
| Figure 1-2153 | Position the hooks in the slots | 1157 |
| Figure 1-2154 | Slide the cover | 1158 |
| Figure 1-2155 | Rotate the front of the cover | 1158 |
| Figure 1-2156 | Install two tabs | 1159 |
| Figure 1-2157 | Install the front and lower tabs | 1159 |
| Figure 1-2158 | Install one screw | 1160 |
| Figure 1-2159 | Install one screw | 1160 |
| Figure 1-2160 | Lower the scanner | 1161 |
| Figure 1-2161 | Close the duplexer door | 1161 |
| Figure 1-2162 | Close the rear door | 1162 |
| Figure 1-2163 | Open the front door | 1162 |
| Figure 1-2164 | Slide the cartridge tray out | 1163 |

| | | |
|---------------|--|------|
| Figure 1-2165 | Do not touch imaging drum | 1163 |
| Figure 1-2166 | Install a toner cartridge | 1164 |
| Figure 1-2167 | Close the toner cartridge drawer | 1164 |
| Figure 1-2168 | Close the front door | 1165 |
| Figure 1-2169 | Install the tray | 1165 |
| Figure 1-2170 | Remove the tray | 1167 |
| Figure 1-2171 | Open the front door | 1168 |
| Figure 1-2172 | Open the cartridge drawer | 1168 |
| Figure 1-2173 | Remove the toner cartridge | 1169 |
| Figure 1-2174 | Slide the cartridge tray in | 1169 |
| Figure 1-2175 | Close the front door | 1170 |
| Figure 1-2176 | Open the duplexer door | 1170 |
| Figure 1-2177 | Remove one screw | 1171 |
| Figure 1-2178 | Remove one screw | 1171 |
| Figure 1-2179 | Locate the tabs | 1172 |
| Figure 1-2180 | Release front lower tabs | 1172 |
| Figure 1-2181 | Release lower rear tab | 1173 |
| Figure 1-2182 | Release two front tabs | 1173 |
| Figure 1-2183 | Release upper tabs | 1174 |
| Figure 1-2184 | Remove the right cover | 1174 |
| Figure 1-2185 | Raise the scanner | 1175 |
| Figure 1-2186 | Remove one screw | 1175 |
| Figure 1-2187 | Remove one screw | 1176 |
| Figure 1-2188 | Locate the tabs | 1176 |
| Figure 1-2189 | Release front lower tabs | 1177 |
| Figure 1-2190 | Release lower rear tab | 1177 |
| Figure 1-2191 | Release front upper tabs | 1178 |
| Figure 1-2192 | Rotate the front of the cover | 1178 |
| Figure 1-2193 | Release top tabs | 1179 |
| Figure 1-2194 | Release one tab and one hook | 1179 |
| Figure 1-2195 | Lower the scanner | 1180 |
| Figure 1-2196 | Remove the right cover | 1180 |
| Figure 1-2197 | Remove one screw | 1181 |
| Figure 1-2198 | Release two tabs | 1181 |
| Figure 1-2199 | Locate the tabs | 1182 |
| Figure 1-2200 | Release bottom tabs | 1182 |
| Figure 1-2201 | Release three tabs | 1183 |
| Figure 1-2202 | Raise the scanner | 1183 |
| Figure 1-2203 | Remove one screw | 1184 |
| Figure 1-2204 | Release two tabs | 1184 |
| Figure 1-2205 | Locate the tabs | 1185 |

| | | |
|---------------|---|------|
| Figure 1-2206 | Release four tabs | 1185 |
| Figure 1-2207 | Rotate the cover | 1186 |
| Figure 1-2208 | Release one tab and two hooks | 1186 |
| Figure 1-2209 | Lower the scanner | 1187 |
| Figure 1-2210 | Remove the left cover | 1187 |
| Figure 1-2211 | Close the secondary transfer assembly | 1188 |
| Figure 1-2212 | Remove three screws | 1188 |
| Figure 1-2213 | Release the retention arm | 1189 |
| Figure 1-2214 | Remove the duplexer door | 1189 |
| Figure 1-2215 | Disconnect two connectors and remove cables from guides | 1190 |
| Figure 1-2216 | Remove six screws | 1190 |
| Figure 1-2217 | Release four tabs | 1191 |
| Figure 1-2218 | Remove the re-pickup assembly | 1191 |
| Figure 1-2219 | Recycle and unpack | 1192 |
| Figure 1-2220 | Position the foot through the opening | 1192 |
| Figure 1-2221 | Install four tabs | 1193 |
| Figure 1-2222 | Install six screws | 1193 |
| Figure 1-2223 | Connect two connectors and install cables in guides | 1194 |
| Figure 1-2224 | Position the tab in the slot | 1194 |
| Figure 1-2225 | Install the duplexer door | 1195 |
| Figure 1-2226 | Install the retaining arm | 1195 |
| Figure 1-2227 | Install three screws | 1196 |
| Figure 1-2228 | Position three tabs | 1196 |
| Figure 1-2229 | Install one tab | 1197 |
| Figure 1-2230 | Install the left cover | 1198 |
| Figure 1-2231 | Make sure the tab does not get caught | 1198 |
| Figure 1-2232 | Install four tabs | 1199 |
| Figure 1-2233 | Engage two tabs | 1199 |
| Figure 1-2234 | Install hinge pin | 1200 |
| Figure 1-2235 | Install one screw | 1200 |
| Figure 1-2236 | Install one tab | 1201 |
| Figure 1-2237 | Rotate the left cover | 1202 |
| Figure 1-2238 | Make sure the tab does not get caught | 1202 |
| Figure 1-2239 | Raise the scanner | 1203 |
| Figure 1-2240 | Position the hooks in the slots | 1203 |
| Figure 1-2241 | Install the top hooks | 1204 |
| Figure 1-2242 | Make sure the tab does not get caught | 1204 |
| Figure 1-2243 | Install four tabs | 1205 |
| Figure 1-2244 | Install two tabs | 1205 |
| Figure 1-2245 | Install hinge pin | 1206 |
| Figure 1-2246 | Install one screw | 1206 |

| | | |
|---------------|--|------|
| Figure 1-2247 | Lower the scanner | 1207 |
| Figure 1-2248 | Position two tabs | 1207 |
| Figure 1-2249 | Install rear tab | 1208 |
| Figure 1-2250 | Install the right cover | 1208 |
| Figure 1-2251 | Install upper tabs | 1209 |
| Figure 1-2252 | Install the front tabs | 1209 |
| Figure 1-2253 | Install the front lower tab | 1210 |
| Figure 1-2254 | Install two tabs | 1210 |
| Figure 1-2255 | Install one screw | 1211 |
| Figure 1-2256 | Install one screw | 1211 |
| Figure 1-2257 | Install rear tab | 1212 |
| Figure 1-2258 | Raise the scanner | 1212 |
| Figure 1-2259 | Rotate the right cover | 1213 |
| Figure 1-2260 | Position the hooks in the slots | 1213 |
| Figure 1-2261 | Slide the cover | 1214 |
| Figure 1-2262 | Rotate the front of the cover | 1214 |
| Figure 1-2263 | Install two tabs | 1215 |
| Figure 1-2264 | Install the front and lower tabs | 1215 |
| Figure 1-2265 | Install one screw | 1216 |
| Figure 1-2266 | Install one screw | 1216 |
| Figure 1-2267 | Lower the scanner | 1217 |
| Figure 1-2268 | Close the duplexer door | 1217 |
| Figure 1-2269 | Open the front door | 1218 |
| Figure 1-2270 | Slide the cartridge tray out | 1218 |
| Figure 1-2271 | Do not touch imaging drum | 1219 |
| Figure 1-2272 | Install a toner cartridge | 1219 |
| Figure 1-2273 | Close the toner cartridge drawer | 1220 |
| Figure 1-2274 | Close the front door | 1220 |
| Figure 1-2275 | Install the tray | 1221 |
| Figure 1-2276 | Remove the tray | 1223 |
| Figure 1-2277 | Release the front door | 1223 |
| Figure 1-2278 | Open the front door | 1224 |
| Figure 1-2279 | Open the duplexer door | 1224 |
| Figure 1-2280 | Open the rear door | 1225 |
| Figure 1-2281 | Remove one screw | 1225 |
| Figure 1-2282 | Release two tabs | 1226 |
| Figure 1-2283 | Locate the tabs | 1226 |
| Figure 1-2284 | Release bottom tabs | 1227 |
| Figure 1-2285 | Release three tabs | 1227 |
| Figure 1-2286 | Raise the scanner | 1228 |
| Figure 1-2287 | Remove one screw | 1228 |

| | | |
|---------------|---|------|
| Figure 1-2288 | Release two tabs | 1229 |
| Figure 1-2289 | Locate the tabs | 1229 |
| Figure 1-2290 | Release four tabs | 1230 |
| Figure 1-2291 | Rotate the cover | 1230 |
| Figure 1-2292 | Release one tab and two hooks | 1231 |
| Figure 1-2293 | Lower the scanner | 1231 |
| Figure 1-2294 | Remove the left cover | 1232 |
| Figure 1-2295 | Check the cables | 1232 |
| Figure 1-2296 | Disconnect all of the connectors | 1233 |
| Figure 1-2297 | Remove six screws | 1233 |
| Figure 1-2298 | Release four tabs | 1234 |
| Figure 1-2299 | Remove the engine controller PCA | 1234 |
| Figure 1-2300 | Recycle and unpack | 1235 |
| Figure 1-2301 | Position the engine controller PCA | 1235 |
| Figure 1-2302 | Install four tabs | 1236 |
| Figure 1-2303 | Install six screws | 1236 |
| Figure 1-2304 | Connect all of the connectors | 1237 |
| Figure 1-2305 | Position three tabs | 1238 |
| Figure 1-2306 | Install one tab | 1238 |
| Figure 1-2307 | Install the left cover | 1239 |
| Figure 1-2308 | Make sure the tab does not get caught | 1239 |
| Figure 1-2309 | Install four tabs | 1240 |
| Figure 1-2310 | Engage two tabs | 1240 |
| Figure 1-2311 | Install hinge pin | 1241 |
| Figure 1-2312 | Install one screw | 1241 |
| Figure 1-2313 | Install one tab | 1242 |
| Figure 1-2314 | Rotate the left cover | 1243 |
| Figure 1-2315 | Make sure the tab does not get caught | 1243 |
| Figure 1-2316 | Raise the scanner | 1244 |
| Figure 1-2317 | Position the hooks in the slots | 1244 |
| Figure 1-2318 | Install the top hooks | 1245 |
| Figure 1-2319 | Make sure the tab does not get caught | 1245 |
| Figure 1-2320 | Install four tabs | 1246 |
| Figure 1-2321 | Install two tabs | 1246 |
| Figure 1-2322 | Install hinge pin | 1247 |
| Figure 1-2323 | Install one screw | 1247 |
| Figure 1-2324 | Lower the scanner | 1248 |
| Figure 1-2325 | Close the front door | 1248 |
| Figure 1-2326 | Close the duplexer door | 1249 |
| Figure 1-2327 | Close the rear door | 1249 |
| Figure 1-2328 | Install the tray | 1250 |

| | | |
|---------------|-------------------------------------|------|
| Figure 1-2329 | Remove the tray | 1252 |
| Figure 1-2330 | Open the front door | 1253 |
| Figure 1-2331 | Open the cartridge drawer | 1253 |
| Figure 1-2332 | Remove the toner cartridge | 1254 |
| Figure 1-2333 | Slide the cartridge tray in | 1254 |
| Figure 1-2334 | Close the front door | 1255 |
| Figure 1-2335 | Open the duplexer door | 1255 |
| Figure 1-2336 | Open the rear door | 1256 |
| Figure 1-2337 | Remove one screw | 1256 |
| Figure 1-2338 | Remove one screw | 1257 |
| Figure 1-2339 | Locate the tabs | 1257 |
| Figure 1-2340 | Release front lower tabs | 1258 |
| Figure 1-2341 | Release lower rear tab | 1258 |
| Figure 1-2342 | Release two front tabs | 1259 |
| Figure 1-2343 | Release upper tabs | 1259 |
| Figure 1-2344 | Remove the right cover | 1260 |
| Figure 1-2345 | Raise the scanner | 1260 |
| Figure 1-2346 | Remove one screw | 1261 |
| Figure 1-2347 | Remove one screw | 1261 |
| Figure 1-2348 | Locate the tabs | 1262 |
| Figure 1-2349 | Release front lower tabs | 1262 |
| Figure 1-2350 | Release lower rear tab | 1263 |
| Figure 1-2351 | Release front upper tabs | 1263 |
| Figure 1-2352 | Rotate the front of the cover | 1264 |
| Figure 1-2353 | Release top tabs | 1264 |
| Figure 1-2354 | Release one tab and one hook | 1265 |
| Figure 1-2355 | Lower the scanner | 1265 |
| Figure 1-2356 | Remove the right cover | 1266 |
| Figure 1-2357 | Remove one screw | 1266 |
| Figure 1-2358 | Release two tabs | 1267 |
| Figure 1-2359 | Locate the tabs | 1267 |
| Figure 1-2360 | Release bottom tabs | 1268 |
| Figure 1-2361 | Release three tabs | 1268 |
| Figure 1-2362 | Raise the scanner | 1269 |
| Figure 1-2363 | Remove one screw | 1269 |
| Figure 1-2364 | Release two tabs | 1270 |
| Figure 1-2365 | Locate the tabs | 1270 |
| Figure 1-2366 | Release four tabs | 1271 |
| Figure 1-2367 | Rotate the cover | 1271 |
| Figure 1-2368 | Release one tab and two hooks | 1272 |
| Figure 1-2369 | Lower the scanner | 1272 |

| | | |
|---------------|---|------|
| Figure 1-2370 | Remove the left cover | 1273 |
| Figure 1-2371 | Close the secondary transfer assembly | 1273 |
| Figure 1-2372 | Remove three screws | 1274 |
| Figure 1-2373 | Release the retention arm | 1274 |
| Figure 1-2374 | Remove the duplexer door | 1275 |
| Figure 1-2375 | Remove the rear door | 1275 |
| Figure 1-2376 | Check the cables | 1276 |
| Figure 1-2377 | Disconnect all of the connectors | 1276 |
| Figure 1-2378 | Remove six screws | 1277 |
| Figure 1-2379 | Release four tabs | 1277 |
| Figure 1-2380 | Remove the engine controller PCA | 1278 |
| Figure 1-2381 | Disconnect two connectors and remove cables from guides | 1278 |
| Figure 1-2382 | Remove six screws | 1279 |
| Figure 1-2383 | Release four tabs | 1279 |
| Figure 1-2384 | Remove the re-pickup assembly | 1280 |
| Figure 1-2385 | Remove four screws and release cables | 1280 |
| Figure 1-2386 | Remove one cover | 1281 |
| Figure 1-2387 | Remove one screw | 1281 |
| Figure 1-2388 | Remove the shaft | 1282 |
| Figure 1-2389 | Locate the tray sensor switch | 1282 |
| Figure 1-2390 | Release three tabs | 1283 |
| Figure 1-2391 | Release the tray sensor switch | 1283 |
| Figure 1-2392 | Remove the tray sensor switch | 1284 |
| Figure 1-2393 | Remove the lifter drive assembly | 1284 |
| Figure 1-2394 | Recycle and unpack | 1285 |
| Figure 1-2395 | Install the lifter drive assembly | 1285 |
| Figure 1-2396 | Install the tray sensor switch cable | 1286 |
| Figure 1-2397 | Install the tray sensor switch | 1286 |
| Figure 1-2398 | Install the shaft | 1287 |
| Figure 1-2399 | Install one screw | 1287 |
| Figure 1-2400 | Install one cover | 1288 |
| Figure 1-2401 | Install four screws and cables | 1288 |
| Figure 1-2402 | Position the foot through the opening | 1289 |
| Figure 1-2403 | Install four tabs | 1289 |
| Figure 1-2404 | Install six screws | 1290 |
| Figure 1-2405 | Connect two connectors and install cables in guides | 1290 |
| Figure 1-2406 | Position the engine controller PCA | 1291 |
| Figure 1-2407 | Install four tabs | 1291 |
| Figure 1-2408 | Install six screws | 1292 |
| Figure 1-2409 | Connect all of the connectors | 1292 |
| Figure 1-2410 | Install the rear door | 1293 |

| | | |
|---------------|---|------|
| Figure 1-2411 | Position the tab in the slot | 1293 |
| Figure 1-2412 | Install the duplexer door | 1294 |
| Figure 1-2413 | Install the retaining arm | 1294 |
| Figure 1-2414 | Install three screws | 1295 |
| Figure 1-2415 | Position three tabs | 1295 |
| Figure 1-2416 | Install one tab | 1296 |
| Figure 1-2417 | Install the left cover | 1297 |
| Figure 1-2418 | Make sure the tab does not get caught | 1297 |
| Figure 1-2419 | Install four tabs | 1298 |
| Figure 1-2420 | Engage two tabs | 1298 |
| Figure 1-2421 | Install hinge pin | 1299 |
| Figure 1-2422 | Install one screw | 1299 |
| Figure 1-2423 | Install one tab | 1300 |
| Figure 1-2424 | Rotate the left cover | 1301 |
| Figure 1-2425 | Make sure the tab does not get caught | 1301 |
| Figure 1-2426 | Raise the scanner | 1302 |
| Figure 1-2427 | Position the hooks in the slots | 1302 |
| Figure 1-2428 | Install the top hooks | 1303 |
| Figure 1-2429 | Make sure the tab does not get caught | 1303 |
| Figure 1-2430 | Install four tabs | 1304 |
| Figure 1-2431 | Install two tabs | 1304 |
| Figure 1-2432 | Install hinge pin | 1305 |
| Figure 1-2433 | Install one screw | 1305 |
| Figure 1-2434 | Lower the scanner | 1306 |
| Figure 1-2435 | Position two tabs | 1306 |
| Figure 1-2436 | Install rear tab | 1307 |
| Figure 1-2437 | Install the right cover | 1307 |
| Figure 1-2438 | Install upper tabs | 1308 |
| Figure 1-2439 | Install the front tabs | 1308 |
| Figure 1-2440 | Install the front lower tab | 1309 |
| Figure 1-2441 | Install two tabs | 1309 |
| Figure 1-2442 | Install one screw | 1310 |
| Figure 1-2443 | Install one screw | 1310 |
| Figure 1-2444 | Install rear tab | 1311 |
| Figure 1-2445 | Raise the scanner | 1311 |
| Figure 1-2446 | Rotate the right cover | 1312 |
| Figure 1-2447 | Position the hooks in the slots | 1312 |
| Figure 1-2448 | Slide the cover | 1313 |
| Figure 1-2449 | Rotate the front of the cover | 1313 |
| Figure 1-2450 | Install two tabs | 1314 |
| Figure 1-2451 | Install the front and lower tabs | 1314 |

| | | |
|---------------|--|------|
| Figure 1-2452 | Install one screw | 1315 |
| Figure 1-2453 | Install one screw | 1315 |
| Figure 1-2454 | Lower the scanner | 1316 |
| Figure 1-2455 | Close the duplexer door | 1316 |
| Figure 1-2456 | Close the rear door | 1317 |
| Figure 1-2457 | Open the front door | 1317 |
| Figure 1-2458 | Slide the cartridge tray out | 1318 |
| Figure 1-2459 | Do not touch imaging drum | 1318 |
| Figure 1-2460 | Install a toner cartridge | 1319 |
| Figure 1-2461 | Close the toner cartridge drawer | 1319 |
| Figure 1-2462 | Close the front door | 1320 |
| Figure 1-2463 | Install the tray | 1320 |
| Figure 1-2464 | Remove the tray | 1323 |
| Figure 1-2465 | Open the front door | 1323 |
| Figure 1-2466 | Open the cartridge drawer | 1324 |
| Figure 1-2467 | Remove the toner cartridge | 1324 |
| Figure 1-2468 | Slide the cartridge tray in | 1325 |
| Figure 1-2469 | Close the front door | 1325 |
| Figure 1-2470 | Open the duplexer door | 1326 |
| Figure 1-2471 | Open the rear door | 1326 |
| Figure 1-2472 | Remove one screw | 1327 |
| Figure 1-2473 | Remove one screw | 1327 |
| Figure 1-2474 | Locate the tabs | 1328 |
| Figure 1-2475 | Release front lower tabs | 1328 |
| Figure 1-2476 | Release lower rear tab | 1329 |
| Figure 1-2477 | Release two front tabs | 1329 |
| Figure 1-2478 | Release upper tabs | 1330 |
| Figure 1-2479 | Remove the right cover | 1330 |
| Figure 1-2480 | Raise the scanner | 1331 |
| Figure 1-2481 | Remove one screw | 1331 |
| Figure 1-2482 | Remove one screw | 1332 |
| Figure 1-2483 | Locate the tabs | 1332 |
| Figure 1-2484 | Release front lower tabs | 1333 |
| Figure 1-2485 | Release lower rear tab | 1333 |
| Figure 1-2486 | Release front upper tabs | 1334 |
| Figure 1-2487 | Rotate the front of the cover | 1334 |
| Figure 1-2488 | Release top tabs | 1335 |
| Figure 1-2489 | Release one tab and one hook | 1335 |
| Figure 1-2490 | Lower the scanner | 1336 |
| Figure 1-2491 | Remove the right cover | 1336 |
| Figure 1-2492 | Remove one screw | 1337 |

| | | |
|---------------|---|------|
| Figure 1-2493 | Release two tabs | 1337 |
| Figure 1-2494 | Locate the tabs | 1338 |
| Figure 1-2495 | Release bottom tabs | 1338 |
| Figure 1-2496 | Release three tabs | 1339 |
| Figure 1-2497 | Raise the scanner | 1339 |
| Figure 1-2498 | Remove one screw | 1340 |
| Figure 1-2499 | Release two tabs | 1340 |
| Figure 1-2500 | Locate the tabs | 1341 |
| Figure 1-2501 | Release four tabs | 1341 |
| Figure 1-2502 | Rotate the cover | 1342 |
| Figure 1-2503 | Release one tab and two hooks | 1342 |
| Figure 1-2504 | Lower the scanner | 1343 |
| Figure 1-2505 | Remove the left cover | 1343 |
| Figure 1-2506 | Close the secondary transfer assembly | 1344 |
| Figure 1-2507 | Remove three screws | 1344 |
| Figure 1-2508 | Release the retention arm | 1345 |
| Figure 1-2509 | Remove the duplexer door | 1345 |
| Figure 1-2510 | Remove the rear door | 1346 |
| Figure 1-2511 | Check the cables | 1346 |
| Figure 1-2512 | Disconnect all of the connectors | 1347 |
| Figure 1-2513 | Remove six screws | 1347 |
| Figure 1-2514 | Release four tabs | 1348 |
| Figure 1-2515 | Remove the engine controller PCA | 1348 |
| Figure 1-2516 | Disconnect one connector | 1349 |
| Figure 1-2517 | Disconnect all connectors and remove one screw | 1349 |
| Figure 1-2518 | Remove the driver PCA | 1350 |
| Figure 1-2519 | Disconnect one connector and release cables from guides | 1350 |
| Figure 1-2520 | Remove two screws | 1351 |
| Figure 1-2521 | Release the hinge arm | 1351 |
| Figure 1-2522 | Release one tab | 1352 |
| Figure 1-2523 | Remove the power supply fan and holder | 1352 |
| Figure 1-2524 | Check the connectors | 1353 |
| Figure 1-2525 | Disconnect five connectors and remove four screws | 1353 |
| Figure 1-2526 | Remove two screws and release three tabs | 1354 |
| Figure 1-2527 | Remove the LVPS | 1354 |
| Figure 1-2528 | Remove the fan duct | 1355 |
| Figure 1-2529 | Remove the pickup motor | 1355 |
| Figure 1-2530 | Disconnect two connectors and remove cables from guides | 1356 |
| Figure 1-2531 | Remove six screws | 1356 |
| Figure 1-2532 | Release four tabs | 1357 |
| Figure 1-2533 | Remove the re-pickup assembly | 1357 |

| | | |
|---------------|---|------|
| Figure 1-2534 | Remove four screws and release cables | 1358 |
| Figure 1-2535 | Remove one cover | 1358 |
| Figure 1-2536 | Remove one screw | 1359 |
| Figure 1-2537 | Remove the shaft | 1359 |
| Figure 1-2538 | Locate the tray sensor switch | 1360 |
| Figure 1-2539 | Release three tabs | 1360 |
| Figure 1-2540 | Release the tray sensor switch | 1361 |
| Figure 1-2541 | Remove the tray sensor switch | 1361 |
| Figure 1-2542 | Remove the lifter drive assembly | 1362 |
| Figure 1-2543 | Remove three screws | 1362 |
| Figure 1-2544 | Release the cables from the cable guides | 1363 |
| Figure 1-2545 | Release the cables | 1363 |
| Figure 1-2546 | Remove the pickup assembly | 1364 |
| Figure 1-2547 | Release the cables | 1364 |
| Figure 1-2548 | Recycle and unpack | 1365 |
| Figure 1-2549 | Thread the cables | 1365 |
| Figure 1-2550 | Install the pickup assembly | 1366 |
| Figure 1-2551 | Install the cable | 1366 |
| Figure 1-2552 | Install the cables in the cable guides | 1367 |
| Figure 1-2553 | Install three screws | 1367 |
| Figure 1-2554 | Install the lifter drive assembly | 1368 |
| Figure 1-2555 | Install the tray sensor switch cable | 1368 |
| Figure 1-2556 | Install the tray sensor switch | 1369 |
| Figure 1-2557 | Install the shaft | 1369 |
| Figure 1-2558 | Install one screw | 1370 |
| Figure 1-2559 | Install one cover | 1370 |
| Figure 1-2560 | Install four screws and cables | 1371 |
| Figure 1-2561 | Position the foot through the opening | 1371 |
| Figure 1-2562 | Install four tabs | 1372 |
| Figure 1-2563 | Install six screws | 1372 |
| Figure 1-2564 | Connect two connectors and install cables in guides | 1373 |
| Figure 1-2565 | Install the pickup motor | 1373 |
| Figure 1-2566 | Install the fan duct | 1374 |
| Figure 1-2567 | Install the side tabs of the LVPS | 1374 |
| Figure 1-2568 | Install the back tabs of the LVPS | 1375 |
| Figure 1-2569 | Install two screws | 1375 |
| Figure 1-2570 | Connect five connectors and install four screws | 1376 |
| Figure 1-2571 | Check the connectors | 1376 |
| Figure 1-2572 | Remove the power supply fan and holder | 1377 |
| Figure 1-2573 | Install the hinge arm | 1377 |
| Figure 1-2574 | Install two screws | 1378 |

| | | |
|---------------|--|------|
| Figure 1-2575 | Connect one connector and install cables in the guides | 1378 |
| Figure 1-2576 | Install the driver PCA | 1379 |
| Figure 1-2577 | Fan connector locations | 1379 |
| Figure 1-2578 | Install one screw and connect all connectors | 1380 |
| Figure 1-2579 | Connect one connector | 1380 |
| Figure 1-2580 | Position the engine controller PCA | 1381 |
| Figure 1-2581 | Install four tabs | 1381 |
| Figure 1-2582 | Install six screws | 1382 |
| Figure 1-2583 | Connect all of the connectors | 1382 |
| Figure 1-2584 | Install the rear door | 1383 |
| Figure 1-2585 | Position the tab in the slot | 1383 |
| Figure 1-2586 | Install the duplexer door | 1384 |
| Figure 1-2587 | Install the retaining arm | 1384 |
| Figure 1-2588 | Install three screws | 1385 |
| Figure 1-2589 | Position three tabs | 1385 |
| Figure 1-2590 | Install one tab | 1386 |
| Figure 1-2591 | Install the left cover | 1387 |
| Figure 1-2592 | Make sure the tab does not get caught | 1387 |
| Figure 1-2593 | Install four tabs | 1388 |
| Figure 1-2594 | Engage two tabs | 1388 |
| Figure 1-2595 | Install hinge pin | 1389 |
| Figure 1-2596 | Install one screw | 1389 |
| Figure 1-2597 | Install one tab | 1390 |
| Figure 1-2598 | Rotate the left cover | 1391 |
| Figure 1-2599 | Make sure the tab does not get caught | 1391 |
| Figure 1-2600 | Raise the scanner | 1392 |
| Figure 1-2601 | Position the hooks in the slots | 1392 |
| Figure 1-2602 | Install the top hooks | 1393 |
| Figure 1-2603 | Make sure the tab does not get caught | 1393 |
| Figure 1-2604 | Install four tabs | 1394 |
| Figure 1-2605 | Install two tabs | 1394 |
| Figure 1-2606 | Install hinge pin | 1395 |
| Figure 1-2607 | Install one screw | 1395 |
| Figure 1-2608 | Lower the scanner | 1396 |
| Figure 1-2609 | Position two tabs | 1396 |
| Figure 1-2610 | Install rear tab | 1397 |
| Figure 1-2611 | Install the right cover | 1397 |
| Figure 1-2612 | Install upper tabs | 1398 |
| Figure 1-2613 | Install the front tabs | 1398 |
| Figure 1-2614 | Install the front lower tab | 1399 |
| Figure 1-2615 | Install two tabs | 1399 |

| | | |
|---------------|--|------|
| Figure 1-2616 | Install one screw | 1400 |
| Figure 1-2617 | Install one screw | 1400 |
| Figure 1-2618 | Install rear tab | 1401 |
| Figure 1-2619 | Raise the scanner | 1401 |
| Figure 1-2620 | Rotate the right cover | 1402 |
| Figure 1-2621 | Position the hooks in the slots | 1402 |
| Figure 1-2622 | Slide the cover | 1403 |
| Figure 1-2623 | Rotate the front of the cover | 1403 |
| Figure 1-2624 | Install two tabs | 1404 |
| Figure 1-2625 | Install the front and lower tabs | 1404 |
| Figure 1-2626 | Install one screw | 1405 |
| Figure 1-2627 | Install one screw | 1405 |
| Figure 1-2628 | Lower the scanner | 1406 |
| Figure 1-2629 | Close the duplexer door | 1406 |
| Figure 1-2630 | Close the rear door | 1407 |
| Figure 1-2631 | Open the front door | 1407 |
| Figure 1-2632 | Slide the cartridge tray out | 1408 |
| Figure 1-2633 | Do not touch imaging drum | 1408 |
| Figure 1-2634 | Install a toner cartridge | 1409 |
| Figure 1-2635 | Close the toner cartridge drawer | 1409 |
| Figure 1-2636 | Close the front door | 1410 |
| Figure 1-2637 | Install the tray | 1410 |
| Figure 1-2638 | Remove the tray | 1413 |
| Figure 1-2639 | Open the front door | 1413 |
| Figure 1-2640 | Open the cartridge drawer | 1414 |
| Figure 1-2641 | Remove the toner cartridge | 1414 |
| Figure 1-2642 | Slide the cartridge tray in | 1415 |
| Figure 1-2643 | Close the front door | 1415 |
| Figure 1-2644 | Open the duplexer door | 1416 |
| Figure 1-2645 | Open the rear door | 1416 |
| Figure 1-2646 | Remove one screw | 1417 |
| Figure 1-2647 | Remove one screw | 1417 |
| Figure 1-2648 | Locate the tabs | 1418 |
| Figure 1-2649 | Release front lower tabs | 1418 |
| Figure 1-2650 | Release lower rear tab | 1419 |
| Figure 1-2651 | Release two front tabs | 1419 |
| Figure 1-2652 | Release upper tabs | 1420 |
| Figure 1-2653 | Remove the right cover | 1420 |
| Figure 1-2654 | Raise the scanner | 1421 |
| Figure 1-2655 | Remove one screw | 1421 |
| Figure 1-2656 | Remove one screw | 1422 |

| | | |
|---------------|---|------|
| Figure 1-2657 | Locate the tabs | 1422 |
| Figure 1-2658 | Release front lower tabs | 1423 |
| Figure 1-2659 | Release lower rear tab | 1423 |
| Figure 1-2660 | Release front upper tabs | 1424 |
| Figure 1-2661 | Rotate the front of the cover | 1424 |
| Figure 1-2662 | Release top tabs | 1425 |
| Figure 1-2663 | Release one tab and one hook | 1425 |
| Figure 1-2664 | Lower the scanner | 1426 |
| Figure 1-2665 | Remove the right cover | 1426 |
| Figure 1-2666 | Remove one screw | 1427 |
| Figure 1-2667 | Release two tabs | 1427 |
| Figure 1-2668 | Locate the tabs | 1428 |
| Figure 1-2669 | Release bottom tabs | 1428 |
| Figure 1-2670 | Release three tabs | 1429 |
| Figure 1-2671 | Raise the scanner | 1429 |
| Figure 1-2672 | Remove one screw | 1430 |
| Figure 1-2673 | Release two tabs | 1430 |
| Figure 1-2674 | Locate the tabs | 1431 |
| Figure 1-2675 | Release four tabs | 1431 |
| Figure 1-2676 | Rotate the cover | 1432 |
| Figure 1-2677 | Release one tab and two hooks | 1432 |
| Figure 1-2678 | Lower the scanner | 1433 |
| Figure 1-2679 | Remove the left cover | 1433 |
| Figure 1-2680 | Close the secondary transfer assembly | 1434 |
| Figure 1-2681 | Remove three screws | 1434 |
| Figure 1-2682 | Release the retention arm | 1435 |
| Figure 1-2683 | Remove the duplexer door | 1435 |
| Figure 1-2684 | Remove the rear door | 1436 |
| Figure 1-2685 | Check the cables | 1436 |
| Figure 1-2686 | Disconnect all of the connectors | 1437 |
| Figure 1-2687 | Remove six screws | 1437 |
| Figure 1-2688 | Release four tabs | 1438 |
| Figure 1-2689 | Remove the engine controller PCA | 1438 |
| Figure 1-2690 | Disconnect one connector | 1439 |
| Figure 1-2691 | Disconnect all connectors and remove one screw | 1439 |
| Figure 1-2692 | Remove the driver PCA | 1440 |
| Figure 1-2693 | Disconnect one connector and release cables from guides | 1440 |
| Figure 1-2694 | Remove two screws | 1441 |
| Figure 1-2695 | Release the hinge arm | 1441 |
| Figure 1-2696 | Release one tab | 1442 |
| Figure 1-2697 | Remove the power supply fan and holder | 1442 |

| | | |
|---------------|---|------|
| Figure 1-2698 | Check the connectors | 1443 |
| Figure 1-2699 | Disconnect five connectors and remove four screws | 1443 |
| Figure 1-2700 | Remove two screws and release three tabs | 1444 |
| Figure 1-2701 | Remove the LVPS | 1444 |
| Figure 1-2702 | Remove the fan duct | 1445 |
| Figure 1-2703 | Remove the pickup motor | 1445 |
| Figure 1-2704 | Disconnect two connectors and remove cables from guides | 1446 |
| Figure 1-2705 | Remove six screws | 1446 |
| Figure 1-2706 | Release four tabs | 1447 |
| Figure 1-2707 | Remove the re-pickup assembly | 1447 |
| Figure 1-2708 | Remove four screws and release cables | 1448 |
| Figure 1-2709 | Remove one cover | 1448 |
| Figure 1-2710 | Remove one screw | 1449 |
| Figure 1-2711 | Remove the shaft | 1449 |
| Figure 1-2712 | Locate the tray sensor switch | 1450 |
| Figure 1-2713 | Release three tabs | 1450 |
| Figure 1-2714 | Release the tray sensor switch | 1451 |
| Figure 1-2715 | Remove the tray sensor switch | 1451 |
| Figure 1-2716 | Remove the lifter drive assembly | 1452 |
| Figure 1-2717 | Remove three screws | 1452 |
| Figure 1-2718 | Release the cables from the cable guides | 1453 |
| Figure 1-2719 | Release the cables | 1453 |
| Figure 1-2720 | Remove the pickup assembly | 1454 |
| Figure 1-2721 | Release the cables | 1454 |
| Figure 1-2722 | Release the cables | 1455 |
| Figure 1-2723 | Release the tray 1 feed guide | 1455 |
| Figure 1-2724 | Slide the roller holder | 1456 |
| Figure 1-2725 | Remove the pickup and feed rollers | 1456 |
| Figure 1-2726 | Remove six screws | 1457 |
| Figure 1-2727 | Remove the roller holder | 1457 |
| Figure 1-2728 | Remove the front feed guide assembly | 1458 |
| Figure 1-2729 | Recycle and unpack | 1458 |
| Figure 1-2730 | Position the front feed guide assembly | 1459 |
| Figure 1-2731 | Position the flag | 1459 |
| Figure 1-2732 | Install the front feed guide assembly | 1460 |
| Figure 1-2733 | Install the roller holder | 1460 |
| Figure 1-2734 | Install six screws | 1461 |
| Figure 1-2735 | Remove the pickup and feed rollers | 1461 |
| Figure 1-2736 | Release the cables | 1462 |
| Figure 1-2737 | Thread the cables | 1462 |
| Figure 1-2738 | Install the pickup assembly | 1463 |

| | | |
|---------------|--|------|
| Figure 1-2739 | Install the cable | 1463 |
| Figure 1-2740 | Install the cables in the cable guides | 1464 |
| Figure 1-2741 | Install three screws | 1464 |
| Figure 1-2742 | Install the lifter drive assembly | 1465 |
| Figure 1-2743 | Install the tray sensor switch cable | 1465 |
| Figure 1-2744 | Install the tray sensor switch | 1466 |
| Figure 1-2745 | Install the shaft | 1466 |
| Figure 1-2746 | Install one screw | 1467 |
| Figure 1-2747 | Install one cover | 1467 |
| Figure 1-2748 | Install four screws and cables | 1468 |
| Figure 1-2749 | Position the foot through the opening | 1468 |
| Figure 1-2750 | Install four tabs | 1469 |
| Figure 1-2751 | Install six screws | 1469 |
| Figure 1-2752 | Connect two connectors and install cables in guides | 1470 |
| Figure 1-2753 | Install the pickup motor | 1470 |
| Figure 1-2754 | Install the fan duct | 1471 |
| Figure 1-2755 | Install the side tabs of the LVPS | 1471 |
| Figure 1-2756 | Install the back tabs of the LVPS | 1472 |
| Figure 1-2757 | Install two screws | 1472 |
| Figure 1-2758 | Connect five connectors and install four screws | 1473 |
| Figure 1-2759 | Check the connectors | 1473 |
| Figure 1-2760 | Remove the power supply fan and holder | 1474 |
| Figure 1-2761 | Install the hinge arm | 1474 |
| Figure 1-2762 | Install two screws | 1475 |
| Figure 1-2763 | Connect one connector and install cables in the guides | 1475 |
| Figure 1-2764 | Install the driver PCA | 1476 |
| Figure 1-2765 | Fan connector locations | 1476 |
| Figure 1-2766 | Install one screw and connect all connectors | 1477 |
| Figure 1-2767 | Connect one connector | 1477 |
| Figure 1-2768 | Position the engine controller PCA | 1478 |
| Figure 1-2769 | Install four tabs | 1478 |
| Figure 1-2770 | Install six screws | 1479 |
| Figure 1-2771 | Connect all of the connectors | 1479 |
| Figure 1-2772 | Install the rear door | 1480 |
| Figure 1-2773 | Position the tab in the slot | 1480 |
| Figure 1-2774 | Install the duplexer door | 1481 |
| Figure 1-2775 | Install the retaining arm | 1481 |
| Figure 1-2776 | Install three screws | 1482 |
| Figure 1-2777 | Position three tabs | 1482 |
| Figure 1-2778 | Install one tab | 1483 |
| Figure 1-2779 | Install the left cover | 1484 |

| | | |
|---------------|---|------|
| Figure 1-2780 | Make sure the tab does not get caught | 1484 |
| Figure 1-2781 | Install four tabs | 1485 |
| Figure 1-2782 | Engage two tabs | 1485 |
| Figure 1-2783 | Install hinge pin | 1486 |
| Figure 1-2784 | Install one screw | 1486 |
| Figure 1-2785 | Install one tab | 1487 |
| Figure 1-2786 | Rotate the left cover | 1488 |
| Figure 1-2787 | Make sure the tab does not get caught | 1488 |
| Figure 1-2788 | Raise the scanner | 1489 |
| Figure 1-2789 | Position the hooks in the slots | 1489 |
| Figure 1-2790 | Install the top hooks | 1490 |
| Figure 1-2791 | Make sure the tab does not get caught | 1490 |
| Figure 1-2792 | Install four tabs | 1491 |
| Figure 1-2793 | Install two tabs | 1491 |
| Figure 1-2794 | Install hinge pin | 1492 |
| Figure 1-2795 | Install one screw | 1492 |
| Figure 1-2796 | Lower the scanner | 1493 |
| Figure 1-2797 | Position two tabs | 1493 |
| Figure 1-2798 | Install rear tab | 1494 |
| Figure 1-2799 | Install the right cover | 1494 |
| Figure 1-2800 | Install upper tabs | 1495 |
| Figure 1-2801 | Install the front tabs | 1495 |
| Figure 1-2802 | Install the front lower tab | 1496 |
| Figure 1-2803 | Install two tabs | 1496 |
| Figure 1-2804 | Install one screw | 1497 |
| Figure 1-2805 | Install one screw | 1497 |
| Figure 1-2806 | Install rear tab | 1498 |
| Figure 1-2807 | Raise the scanner | 1498 |
| Figure 1-2808 | Rotate the right cover | 1499 |
| Figure 1-2809 | Position the hooks in the slots | 1499 |
| Figure 1-2810 | Slide the cover | 1500 |
| Figure 1-2811 | Rotate the front of the cover | 1500 |
| Figure 1-2812 | Install two tabs | 1501 |
| Figure 1-2813 | Install the front and lower tabs | 1501 |
| Figure 1-2814 | Install one screw | 1502 |
| Figure 1-2815 | Install one screw | 1502 |
| Figure 1-2816 | Lower the scanner | 1503 |
| Figure 1-2817 | Close the duplexer door | 1503 |
| Figure 1-2818 | Close the rear door | 1504 |
| Figure 1-2819 | Open the front door | 1504 |
| Figure 1-2820 | Slide the cartridge tray out | 1505 |

| | | |
|---------------|--|------|
| Figure 1-2821 | Do not touch imaging drum | 1505 |
| Figure 1-2822 | Install a toner cartridge | 1506 |
| Figure 1-2823 | Close the toner cartridge drawer | 1506 |
| Figure 1-2824 | Close the front door | 1507 |
| Figure 1-2825 | Install the tray | 1507 |
| Figure 1-2826 | Remove the tray | 1510 |
| Figure 1-2827 | Open the front door | 1510 |
| Figure 1-2828 | Open the cartridge drawer | 1511 |
| Figure 1-2829 | Remove the toner cartridge | 1511 |
| Figure 1-2830 | Slide the cartridge tray in | 1512 |
| Figure 1-2831 | Close the front door | 1512 |
| Figure 1-2832 | Open the duplexer door | 1513 |
| Figure 1-2833 | Open the rear door | 1513 |
| Figure 1-2834 | Remove one screw | 1514 |
| Figure 1-2835 | Remove one screw | 1514 |
| Figure 1-2836 | Locate the tabs | 1515 |
| Figure 1-2837 | Release front lower tabs | 1515 |
| Figure 1-2838 | Release lower rear tab | 1516 |
| Figure 1-2839 | Release two front tabs | 1516 |
| Figure 1-2840 | Release upper tabs | 1517 |
| Figure 1-2841 | Remove the right cover | 1517 |
| Figure 1-2842 | Raise the scanner | 1518 |
| Figure 1-2843 | Remove one screw | 1518 |
| Figure 1-2844 | Remove one screw | 1519 |
| Figure 1-2845 | Locate the tabs | 1519 |
| Figure 1-2846 | Release front lower tabs | 1520 |
| Figure 1-2847 | Release lower rear tab | 1520 |
| Figure 1-2848 | Release front upper tabs | 1521 |
| Figure 1-2849 | Rotate the front of the cover | 1521 |
| Figure 1-2850 | Release top tabs | 1522 |
| Figure 1-2851 | Release one tab and one hook | 1522 |
| Figure 1-2852 | Lower the scanner | 1523 |
| Figure 1-2853 | Remove the right cover | 1523 |
| Figure 1-2854 | Remove one screw | 1524 |
| Figure 1-2855 | Release two tabs | 1524 |
| Figure 1-2856 | Locate the tabs | 1525 |
| Figure 1-2857 | Release bottom tabs | 1525 |
| Figure 1-2858 | Release three tabs | 1526 |
| Figure 1-2859 | Raise the scanner | 1526 |
| Figure 1-2860 | Remove one screw | 1527 |
| Figure 1-2861 | Release two tabs | 1527 |

| | | |
|---------------|---|------|
| Figure 1-2862 | Locate the tabs | 1528 |
| Figure 1-2863 | Release four tabs | 1528 |
| Figure 1-2864 | Rotate the cover | 1529 |
| Figure 1-2865 | Release one tab and two hooks | 1529 |
| Figure 1-2866 | Lower the scanner | 1530 |
| Figure 1-2867 | Remove the left cover | 1530 |
| Figure 1-2868 | Close the secondary transfer assembly | 1531 |
| Figure 1-2869 | Remove three screws | 1531 |
| Figure 1-2870 | Release the retention arm | 1532 |
| Figure 1-2871 | Remove the duplexer door | 1532 |
| Figure 1-2872 | Remove the rear door | 1533 |
| Figure 1-2873 | Check the cables | 1533 |
| Figure 1-2874 | Disconnect all of the connectors | 1534 |
| Figure 1-2875 | Remove six screws | 1534 |
| Figure 1-2876 | Release four tabs | 1535 |
| Figure 1-2877 | Remove the engine controller PCA | 1535 |
| Figure 1-2878 | Disconnect one connector | 1536 |
| Figure 1-2879 | Disconnect all connectors and remove one screw | 1536 |
| Figure 1-2880 | Remove the driver PCA | 1537 |
| Figure 1-2881 | Disconnect one connector and release cables from guides | 1537 |
| Figure 1-2882 | Remove two screws | 1538 |
| Figure 1-2883 | Release the hinge arm | 1538 |
| Figure 1-2884 | Release one tab | 1539 |
| Figure 1-2885 | Remove the power supply fan and holder | 1539 |
| Figure 1-2886 | Check the connectors | 1540 |
| Figure 1-2887 | Disconnect five connectors and remove four screws | 1540 |
| Figure 1-2888 | Remove two screws and release three tabs | 1541 |
| Figure 1-2889 | Remove the LVPS | 1541 |
| Figure 1-2890 | Remove the fan duct | 1542 |
| Figure 1-2891 | Remove the pickup motor | 1542 |
| Figure 1-2892 | Disconnect two connectors and remove cables from guides | 1543 |
| Figure 1-2893 | Remove six screws | 1543 |
| Figure 1-2894 | Release four tabs | 1544 |
| Figure 1-2895 | Remove the re-pickup assembly | 1544 |
| Figure 1-2896 | Remove four screws and release cables | 1545 |
| Figure 1-2897 | Remove one cover | 1545 |
| Figure 1-2898 | Remove one screw | 1546 |
| Figure 1-2899 | Remove the shaft | 1546 |
| Figure 1-2900 | Locate the tray sensor switch | 1547 |
| Figure 1-2901 | Release three tabs | 1547 |
| Figure 1-2902 | Release the tray sensor switch | 1548 |

| | | |
|---------------|---|------|
| Figure 1-2903 | Remove the tray sensor switch | 1548 |
| Figure 1-2904 | Remove the lifter drive assembly | 1549 |
| Figure 1-2905 | Remove three screws | 1549 |
| Figure 1-2906 | Release the cables from the cable guides | 1550 |
| Figure 1-2907 | Release the cables | 1550 |
| Figure 1-2908 | Remove the pickup assembly | 1551 |
| Figure 1-2909 | Release the cables | 1551 |
| Figure 1-2910 | Release the cables | 1552 |
| Figure 1-2911 | Release the tray 1 feed guide | 1552 |
| Figure 1-2912 | Slide the roller holder | 1553 |
| Figure 1-2913 | Remove the pickup and feed rollers | 1553 |
| Figure 1-2914 | Remove six screws | 1554 |
| Figure 1-2915 | Remove the roller holder | 1554 |
| Figure 1-2916 | Remove the front feed guide assembly | 1555 |
| Figure 1-2917 | Remove the rear feed guide assembly | 1555 |
| Figure 1-2918 | Recycle and unpack | 1556 |
| Figure 1-2919 | Install the rear feed guide assembly | 1556 |
| Figure 1-2920 | Position the front feed guide assembly | 1557 |
| Figure 1-2921 | Position the flag | 1557 |
| Figure 1-2922 | Install the front feed guide assembly | 1558 |
| Figure 1-2923 | Install the roller holder | 1558 |
| Figure 1-2924 | Install six screws | 1559 |
| Figure 1-2925 | Remove the pickup and feed rollers | 1559 |
| Figure 1-2926 | Release the cables | 1560 |
| Figure 1-2927 | Thread the cables | 1560 |
| Figure 1-2928 | Install the pickup assembly | 1561 |
| Figure 1-2929 | Install the cable | 1561 |
| Figure 1-2930 | Install the cables in the cable guides | 1562 |
| Figure 1-2931 | Install three screws | 1562 |
| Figure 1-2932 | Install the lifter drive assembly | 1563 |
| Figure 1-2933 | Install the tray sensor switch cable | 1563 |
| Figure 1-2934 | Install the tray sensor switch | 1564 |
| Figure 1-2935 | Install the shaft | 1564 |
| Figure 1-2936 | Install one screw | 1565 |
| Figure 1-2937 | Install one cover | 1565 |
| Figure 1-2938 | Install four screws and cables | 1566 |
| Figure 1-2939 | Position the foot through the opening | 1566 |
| Figure 1-2940 | Install four tabs | 1567 |
| Figure 1-2941 | Install six screws | 1567 |
| Figure 1-2942 | Connect two connectors and install cables in guides | 1568 |
| Figure 1-2943 | Install the pickup motor | 1568 |

| | | |
|---------------|--|------|
| Figure 1-2944 | Install the fan duct | 1569 |
| Figure 1-2945 | Install the side tabs of the LVPS | 1569 |
| Figure 1-2946 | Install the back tabs of the LVPS | 1570 |
| Figure 1-2947 | Install two screws | 1570 |
| Figure 1-2948 | Connect five connectors and install four screws | 1571 |
| Figure 1-2949 | Check the connectors | 1571 |
| Figure 1-2950 | Remove the power supply fan and holder | 1572 |
| Figure 1-2951 | Install the hinge arm | 1572 |
| Figure 1-2952 | Install two screws | 1573 |
| Figure 1-2953 | Connect one connector and install cables in the guides | 1573 |
| Figure 1-2954 | Install the driver PCA | 1574 |
| Figure 1-2955 | Fan connector locations | 1574 |
| Figure 1-2956 | Install one screw and connect all connectors | 1575 |
| Figure 1-2957 | Connect one connector | 1575 |
| Figure 1-2958 | Position the engine controller PCA | 1576 |
| Figure 1-2959 | Install four tabs | 1576 |
| Figure 1-2960 | Install six screws | 1577 |
| Figure 1-2961 | Connect all of the connectors | 1577 |
| Figure 1-2962 | Install the rear door | 1578 |
| Figure 1-2963 | Position the tab in the slot | 1578 |
| Figure 1-2964 | Install the duplexer door | 1579 |
| Figure 1-2965 | Install the retaining arm | 1579 |
| Figure 1-2966 | Install three screws | 1580 |
| Figure 1-2967 | Position three tabs | 1580 |
| Figure 1-2968 | Install one tab | 1581 |
| Figure 1-2969 | Install the left cover | 1582 |
| Figure 1-2970 | Make sure the tab does not get caught | 1582 |
| Figure 1-2971 | Install four tabs | 1583 |
| Figure 1-2972 | Engage two tabs | 1583 |
| Figure 1-2973 | Install hinge pin | 1584 |
| Figure 1-2974 | Install one screw | 1584 |
| Figure 1-2975 | Install one tab | 1585 |
| Figure 1-2976 | Rotate the left cover | 1586 |
| Figure 1-2977 | Make sure the tab does not get caught | 1586 |
| Figure 1-2978 | Raise the scanner | 1587 |
| Figure 1-2979 | Position the hooks in the slots | 1587 |
| Figure 1-2980 | Install the top hooks | 1588 |
| Figure 1-2981 | Make sure the tab does not get caught | 1588 |
| Figure 1-2982 | Install four tabs | 1589 |
| Figure 1-2983 | Install two tabs | 1589 |
| Figure 1-2984 | Install hinge pin | 1590 |

| | | |
|---------------|--|------|
| Figure 1-2985 | Install one screw | 1590 |
| Figure 1-2986 | Lower the scanner | 1591 |
| Figure 1-2987 | Position two tabs | 1591 |
| Figure 1-2988 | Install rear tab | 1592 |
| Figure 1-2989 | Install the right cover | 1592 |
| Figure 1-2990 | Install upper tabs | 1593 |
| Figure 1-2991 | Install the front tabs | 1593 |
| Figure 1-2992 | Install the front lower tab | 1594 |
| Figure 1-2993 | Install two tabs | 1594 |
| Figure 1-2994 | Install one screw | 1595 |
| Figure 1-2995 | Install one screw | 1595 |
| Figure 1-2996 | Install rear tab | 1596 |
| Figure 1-2997 | Raise the scanner | 1596 |
| Figure 1-2998 | Rotate the right cover | 1597 |
| Figure 1-2999 | Position the hooks in the slots | 1597 |
| Figure 1-3000 | Slide the cover | 1598 |
| Figure 1-3001 | Rotate the front of the cover | 1598 |
| Figure 1-3002 | Install two tabs | 1599 |
| Figure 1-3003 | Install the front and lower tabs | 1599 |
| Figure 1-3004 | Install one screw | 1600 |
| Figure 1-3005 | Install one screw | 1600 |
| Figure 1-3006 | Lower the scanner | 1601 |
| Figure 1-3007 | Close the duplexer door | 1601 |
| Figure 1-3008 | Close the rear door | 1602 |
| Figure 1-3009 | Open the front door | 1602 |
| Figure 1-3010 | Slide the cartridge tray out | 1603 |
| Figure 1-3011 | Do not touch imaging drum | 1603 |
| Figure 1-3012 | Install a toner cartridge | 1604 |
| Figure 1-3013 | Close the toner cartridge drawer | 1604 |
| Figure 1-3014 | Close the front door | 1605 |
| Figure 1-3015 | Install the tray | 1605 |
| Figure 1-3016 | Remove the tray | 1608 |
| Figure 1-3017 | Open the front door | 1608 |
| Figure 1-3018 | Open the cartridge drawer | 1609 |
| Figure 1-3019 | Remove the toner cartridge | 1609 |
| Figure 1-3020 | Slide the cartridge tray in | 1610 |
| Figure 1-3021 | Close the front door | 1610 |
| Figure 1-3022 | Open the duplexer door | 1611 |
| Figure 1-3023 | Open the rear door | 1611 |
| Figure 1-3024 | Remove one screw | 1612 |
| Figure 1-3025 | Remove one screw | 1612 |

| | | |
|---------------|---|------|
| Figure 1-3026 | Locate the tabs | 1613 |
| Figure 1-3027 | Release front lower tabs | 1613 |
| Figure 1-3028 | Release lower rear tab | 1614 |
| Figure 1-3029 | Release two front tabs | 1614 |
| Figure 1-3030 | Release upper tabs | 1615 |
| Figure 1-3031 | Remove the right cover | 1615 |
| Figure 1-3032 | Raise the scanner | 1616 |
| Figure 1-3033 | Remove one screw | 1616 |
| Figure 1-3034 | Remove one screw | 1617 |
| Figure 1-3035 | Locate the tabs | 1617 |
| Figure 1-3036 | Release front lower tabs | 1618 |
| Figure 1-3037 | Release lower rear tab | 1618 |
| Figure 1-3038 | Release front upper tabs | 1619 |
| Figure 1-3039 | Rotate the front of the cover | 1619 |
| Figure 1-3040 | Release top tabs | 1620 |
| Figure 1-3041 | Release one tab and one hook | 1620 |
| Figure 1-3042 | Lower the scanner | 1621 |
| Figure 1-3043 | Remove the right cover | 1621 |
| Figure 1-3044 | Remove one screw | 1622 |
| Figure 1-3045 | Release two tabs | 1622 |
| Figure 1-3046 | Locate the tabs | 1623 |
| Figure 1-3047 | Release bottom tabs | 1623 |
| Figure 1-3048 | Release three tabs | 1624 |
| Figure 1-3049 | Raise the scanner | 1624 |
| Figure 1-3050 | Remove one screw | 1625 |
| Figure 1-3051 | Release two tabs | 1625 |
| Figure 1-3052 | Locate the tabs | 1626 |
| Figure 1-3053 | Release four tabs | 1626 |
| Figure 1-3054 | Rotate the cover | 1627 |
| Figure 1-3055 | Release one tab and two hooks | 1627 |
| Figure 1-3056 | Lower the scanner | 1628 |
| Figure 1-3057 | Remove the left cover | 1628 |
| Figure 1-3058 | Close the secondary transfer assembly | 1629 |
| Figure 1-3059 | Remove three screws | 1629 |
| Figure 1-3060 | Release the retention arm | 1630 |
| Figure 1-3061 | Remove the duplexer door | 1630 |
| Figure 1-3062 | Remove the rear door | 1631 |
| Figure 1-3063 | Check the cables | 1631 |
| Figure 1-3064 | Disconnect all of the connectors | 1632 |
| Figure 1-3065 | Remove six screws | 1632 |
| Figure 1-3066 | Release four tabs | 1633 |

| | | |
|---------------|---|------|
| Figure 1-3067 | Remove the engine controller PCA | 1633 |
| Figure 1-3068 | Disconnect one connector | 1634 |
| Figure 1-3069 | Disconnect all connectors and remove one screw | 1634 |
| Figure 1-3070 | Remove the driver PCA | 1635 |
| Figure 1-3071 | Disconnect one connector and release cables from guides | 1635 |
| Figure 1-3072 | Remove two screws | 1636 |
| Figure 1-3073 | Release the hinge arm | 1636 |
| Figure 1-3074 | Release one tab | 1637 |
| Figure 1-3075 | Remove the power supply fan and holder | 1637 |
| Figure 1-3076 | Check the connectors | 1638 |
| Figure 1-3077 | Disconnect five connectors and remove four screws | 1638 |
| Figure 1-3078 | Remove two screws and release three tabs | 1639 |
| Figure 1-3079 | Remove the LVPS | 1639 |
| Figure 1-3080 | Remove the fan duct | 1640 |
| Figure 1-3081 | Remove the pickup motor | 1640 |
| Figure 1-3082 | Disconnect two connectors and remove cables from guides | 1641 |
| Figure 1-3083 | Remove six screws | 1641 |
| Figure 1-3084 | Release four tabs | 1642 |
| Figure 1-3085 | Remove the re-pickup assembly | 1642 |
| Figure 1-3086 | Remove four screws and release cables | 1643 |
| Figure 1-3087 | Remove one cover | 1643 |
| Figure 1-3088 | Remove one screw | 1644 |
| Figure 1-3089 | Remove the shaft | 1644 |
| Figure 1-3090 | Locate the tray sensor switch | 1645 |
| Figure 1-3091 | Release three tabs | 1645 |
| Figure 1-3092 | Release the tray sensor switch | 1646 |
| Figure 1-3093 | Remove the tray sensor switch | 1646 |
| Figure 1-3094 | Remove the lifter drive assembly | 1647 |
| Figure 1-3095 | Remove three screws | 1647 |
| Figure 1-3096 | Release the cables from the cable guides | 1648 |
| Figure 1-3097 | Release the cables | 1648 |
| Figure 1-3098 | Remove the pickup assembly | 1649 |
| Figure 1-3099 | Release the cables | 1649 |
| Figure 1-3100 | Release the cables | 1650 |
| Figure 1-3101 | Release the tray 1 feed guide | 1650 |
| Figure 1-3102 | Slide the roller holder | 1651 |
| Figure 1-3103 | Remove the pickup and feed rollers | 1651 |
| Figure 1-3104 | Remove six screws | 1652 |
| Figure 1-3105 | Remove the roller holder | 1652 |
| Figure 1-3106 | Remove the front feed guide assembly | 1653 |
| Figure 1-3107 | Remove the rear feed guide assembly | 1653 |

| | | |
|---------------|---|------|
| Figure 1-3108 | Remove two screws | 1654 |
| Figure 1-3109 | Release five tabs | 1654 |
| Figure 1-3110 | Remove the registration assembly | 1655 |
| Figure 1-3111 | Recycle and unpack | 1655 |
| Figure 1-3112 | Position the registration assembly | 1656 |
| Figure 1-3113 | Install two tabs | 1656 |
| Figure 1-3114 | Install five tabs | 1657 |
| Figure 1-3115 | Check the tabs | 1657 |
| Figure 1-3116 | Install the rear feed guide assembly | 1658 |
| Figure 1-3117 | Position the front feed guide assembly | 1658 |
| Figure 1-3118 | Position the flag | 1659 |
| Figure 1-3119 | Install the front feed guide assembly | 1659 |
| Figure 1-3120 | Install the roller holder | 1660 |
| Figure 1-3121 | Install six screws | 1660 |
| Figure 1-3122 | Remove the pickup and feed rollers | 1661 |
| Figure 1-3123 | Release the cables | 1661 |
| Figure 1-3124 | Thread the cables | 1662 |
| Figure 1-3125 | Install the pickup assembly | 1662 |
| Figure 1-3126 | Install the cable | 1663 |
| Figure 1-3127 | Install the cables in the cable guides | 1663 |
| Figure 1-3128 | Install three screws | 1664 |
| Figure 1-3129 | Install the lifter drive assembly | 1664 |
| Figure 1-3130 | Install the tray sensor switch cable | 1665 |
| Figure 1-3131 | Install the tray sensor switch | 1665 |
| Figure 1-3132 | Install the shaft | 1666 |
| Figure 1-3133 | Install one screw | 1666 |
| Figure 1-3134 | Install one cover | 1667 |
| Figure 1-3135 | Install four screws and cables | 1667 |
| Figure 1-3136 | Position the foot through the opening | 1668 |
| Figure 1-3137 | Install four tabs | 1668 |
| Figure 1-3138 | Install six screws | 1669 |
| Figure 1-3139 | Connect two connectors and install cables in guides | 1669 |
| Figure 1-3140 | Install the pickup motor | 1670 |
| Figure 1-3141 | Install the fan duct | 1670 |
| Figure 1-3142 | Install the side tabs of the LVPS | 1671 |
| Figure 1-3143 | Install the back tabs of the LVPS | 1671 |
| Figure 1-3144 | Install two screws | 1672 |
| Figure 1-3145 | Connect five connectors and install four screws | 1673 |
| Figure 1-3146 | Check the connectors | 1673 |
| Figure 1-3147 | Remove the power supply fan and holder | 1674 |
| Figure 1-3148 | Install the hinge arm | 1674 |

| | | |
|---------------|--|------|
| Figure 1-3149 | Install two screws | 1675 |
| Figure 1-3150 | Connect one connector and install cables in the guides | 1675 |
| Figure 1-3151 | Install the driver PCA | 1676 |
| Figure 1-3152 | Fan connector locations | 1676 |
| Figure 1-3153 | Install one screw and connect all connectors | 1677 |
| Figure 1-3154 | Connect one connector | 1677 |
| Figure 1-3155 | Position the engine controller PCA | 1678 |
| Figure 1-3156 | Install four tabs | 1678 |
| Figure 1-3157 | Install six screws | 1679 |
| Figure 1-3158 | Connect all of the connectors | 1679 |
| Figure 1-3159 | Install the rear door | 1680 |
| Figure 1-3160 | Position the tab in the slot | 1680 |
| Figure 1-3161 | Install the duplexer door | 1681 |
| Figure 1-3162 | Install the retaining arm | 1681 |
| Figure 1-3163 | Install three screws | 1682 |
| Figure 1-3164 | Position three tabs | 1682 |
| Figure 1-3165 | Install one tab | 1683 |
| Figure 1-3166 | Install the left cover | 1684 |
| Figure 1-3167 | Make sure the tab does not get caught | 1684 |
| Figure 1-3168 | Install four tabs | 1685 |
| Figure 1-3169 | Engage two tabs | 1685 |
| Figure 1-3170 | Install hinge pin | 1686 |
| Figure 1-3171 | Install one screw | 1686 |
| Figure 1-3172 | Install one tab | 1687 |
| Figure 1-3173 | Rotate the left cover | 1688 |
| Figure 1-3174 | Make sure the tab does not get caught | 1688 |
| Figure 1-3175 | Raise the scanner | 1689 |
| Figure 1-3176 | Position the hooks in the slots | 1689 |
| Figure 1-3177 | Install the top hooks | 1690 |
| Figure 1-3178 | Make sure the tab does not get caught | 1690 |
| Figure 1-3179 | Install four tabs | 1691 |
| Figure 1-3180 | Install two tabs | 1691 |
| Figure 1-3181 | Install hinge pin | 1692 |
| Figure 1-3182 | Install one screw | 1692 |
| Figure 1-3183 | Lower the scanner | 1693 |
| Figure 1-3184 | Position two tabs | 1693 |
| Figure 1-3185 | Install rear tab | 1694 |
| Figure 1-3186 | Install the right cover | 1694 |
| Figure 1-3187 | Install upper tabs | 1695 |
| Figure 1-3188 | Install the front tabs | 1695 |
| Figure 1-3189 | Install the front lower tab | 1696 |

| | | |
|---------------|--|------|
| Figure 1-3190 | Install two tabs | 1696 |
| Figure 1-3191 | Install one screw | 1697 |
| Figure 1-3192 | Install one screw | 1697 |
| Figure 1-3193 | Install rear tab | 1698 |
| Figure 1-3194 | Raise the scanner | 1698 |
| Figure 1-3195 | Rotate the right cover | 1699 |
| Figure 1-3196 | Position the hooks in the slots | 1699 |
| Figure 1-3197 | Slide the cover | 1700 |
| Figure 1-3198 | Rotate the front of the cover | 1700 |
| Figure 1-3199 | Install two tabs | 1701 |
| Figure 1-3200 | Install the front and lower tabs | 1701 |
| Figure 1-3201 | Install one screw | 1702 |
| Figure 1-3202 | Install one screw | 1702 |
| Figure 1-3203 | Lower the scanner | 1703 |
| Figure 1-3204 | Close the duplexer door | 1703 |
| Figure 1-3205 | Close the rear door | 1704 |
| Figure 1-3206 | Open the front door | 1704 |
| Figure 1-3207 | Slide the cartridge tray out | 1705 |
| Figure 1-3208 | Do not touch imaging drum | 1705 |
| Figure 1-3209 | Install a toner cartridge | 1706 |
| Figure 1-3210 | Close the toner cartridge drawer | 1706 |
| Figure 1-3211 | Close the front door | 1707 |
| Figure 1-3212 | Install the tray | 1707 |
| Figure 1-3213 | Remove the tray | 1709 |
| Figure 1-3214 | Release the front door | 1710 |
| Figure 1-3215 | Open the front door | 1710 |
| Figure 1-3216 | Open the duplexer door | 1711 |
| Figure 1-3217 | Open the rear door | 1711 |
| Figure 1-3218 | Remove one screw | 1712 |
| Figure 1-3219 | Remove one screw | 1712 |
| Figure 1-3220 | Locate the tabs | 1713 |
| Figure 1-3221 | Release front lower tabs | 1713 |
| Figure 1-3222 | Release lower rear tab | 1714 |
| Figure 1-3223 | Release two front tabs | 1714 |
| Figure 1-3224 | Release upper tabs | 1715 |
| Figure 1-3225 | Remove the right cover | 1715 |
| Figure 1-3226 | Raise the scanner | 1716 |
| Figure 1-3227 | Remove one screw | 1716 |
| Figure 1-3228 | Remove one screw | 1717 |
| Figure 1-3229 | Locate the tabs | 1717 |
| Figure 1-3230 | Release front lower tabs | 1718 |

| | | |
|---------------|---|------|
| Figure 1-3231 | Release lower rear tab | 1718 |
| Figure 1-3232 | Release front upper tabs | 1719 |
| Figure 1-3233 | Rotate the front of the cover | 1719 |
| Figure 1-3234 | Release top tabs | 1720 |
| Figure 1-3235 | Release one tab and one hook | 1720 |
| Figure 1-3236 | Lower the scanner | 1721 |
| Figure 1-3237 | Remove the right cover | 1721 |
| Figure 1-3238 | Remove one screw | 1722 |
| Figure 1-3239 | Release two tabs | 1722 |
| Figure 1-3240 | Locate the tabs | 1723 |
| Figure 1-3241 | Release bottom tabs | 1723 |
| Figure 1-3242 | Release three tabs | 1724 |
| Figure 1-3243 | Raise the scanner | 1724 |
| Figure 1-3244 | Remove one screw | 1725 |
| Figure 1-3245 | Release two tabs | 1725 |
| Figure 1-3246 | Locate the tabs | 1726 |
| Figure 1-3247 | Release four tabs | 1726 |
| Figure 1-3248 | Rotate the cover | 1727 |
| Figure 1-3249 | Release one tab and two hooks | 1727 |
| Figure 1-3250 | Lower the scanner | 1728 |
| Figure 1-3251 | Remove the left cover | 1728 |
| Figure 1-3252 | Release six tabs | 1729 |
| Figure 1-3253 | Remove the rear top cover | 1729 |
| Figure 1-3254 | Disconnect the scanner cables | 1730 |
| Figure 1-3255 | Remove one screw and release the ground wire | 1730 |
| Figure 1-3256 | Raise the scanner | 1731 |
| Figure 1-3257 | Release the scanner arm pin | 1731 |
| Figure 1-3258 | Remove the scanner arm pin. | 1732 |
| Figure 1-3259 | Release one tab | 1732 |
| Figure 1-3260 | Remove the scanner cable cover | 1733 |
| Figure 1-3261 | Release the cables | 1733 |
| Figure 1-3262 | Remove the scanner assembly | 1734 |
| Figure 1-3263 | Disconnect one connector and remove four screws | 1734 |
| Figure 1-3264 | Remove the fax cover | 1735 |
| Figure 1-3265 | Remove the fax PCA | 1735 |
| Figure 1-3266 | Disconnect two connectors | 1736 |
| Figure 1-3267 | Remove one screw and the sheet metal plate | 1736 |
| Figure 1-3268 | Lower the support arm and remove one screw | 1737 |
| Figure 1-3269 | Remove the scanner support arm | 1737 |
| Figure 1-3270 | Remove three screws | 1738 |
| Figure 1-3271 | Release the control panel cover | 1738 |

| | | |
|---------------|---|------|
| Figure 1-3272 | Remove the control panel cover | 1739 |
| Figure 1-3273 | Release the flat cable | 1739 |
| Figure 1-3274 | Remove three screws | 1740 |
| Figure 1-3275 | Remove one screw | 1740 |
| Figure 1-3276 | Refasten the control panel to the top cover | 1741 |
| Figure 1-3277 | Release the USB cable | 1741 |
| Figure 1-3278 | Remove two screws | 1742 |
| Figure 1-3279 | Release one retainer and three tabs | 1742 |
| Figure 1-3280 | Remove the top cover | 1743 |
| Figure 1-3281 | Disconnect one connector | 1743 |
| Figure 1-3282 | Disconnect one connector | 1744 |
| Figure 1-3283 | Disconnect the antenna | 1744 |
| Figure 1-3284 | Remove two screws | 1745 |
| Figure 1-3285 | Remove the guide | 1745 |
| Figure 1-3286 | Remove three screws | 1746 |
| Figure 1-3287 | Release two tabs | 1746 |
| Figure 1-3288 | Remove screw and release two tabs | 1747 |
| Figure 1-3289 | Remove two screws and release one tab | 1747 |
| Figure 1-3290 | Remove the top cover | 1748 |
| Figure 1-3291 | Locate the memory PCA | 1748 |
| Figure 1-3292 | Remove the memory PCA | 1749 |
| Figure 1-3293 | Recycle and unpack | 1749 |
| Figure 1-3294 | Position the memory PCA | 1750 |
| Figure 1-3295 | Install the memory PCA | 1750 |
| Figure 1-3296 | Position the top cover | 1751 |
| Figure 1-3297 | Engage tab and install screws | 1751 |
| Figure 1-3298 | Install two tabs and one screw | 1752 |
| Figure 1-3299 | Install two tabs | 1752 |
| Figure 1-3300 | Install three screws | 1753 |
| Figure 1-3301 | Install the guide | 1753 |
| Figure 1-3302 | Install two screws | 1754 |
| Figure 1-3303 | Connect one connector | 1754 |
| Figure 1-3304 | Connect one connector | 1755 |
| Figure 1-3305 | Connect the antenna | 1755 |
| Figure 1-3306 | Position the top cover | 1756 |
| Figure 1-3307 | Install one retainer and three tabs | 1756 |
| Figure 1-3308 | Install two screws | 1757 |
| Figure 1-3309 | Install the USB cable | 1757 |
| Figure 1-3310 | Remove one screw | 1758 |
| Figure 1-3311 | Install one screw | 1758 |
| Figure 1-3312 | Install three screws | 1759 |

| | | |
|---------------|---|------|
| Figure 1-3313 | Install the flat cable | 1759 |
| Figure 1-3314 | Install the control panel cover | 1760 |
| Figure 1-3315 | Install one screw | 1760 |
| Figure 1-3316 | Install three screws | 1761 |
| Figure 1-3317 | Install the scanner support arm | 1761 |
| Figure 1-3318 | Raise the metal plate | 1762 |
| Figure 1-3319 | Lower the support arm and install one screw | 1762 |
| Figure 1-3320 | Install the metal plate | 1763 |
| Figure 1-3321 | Install one screw | 1763 |
| Figure 1-3322 | Connect two connectors | 1764 |
| Figure 1-3323 | Install the fax PCA | 1764 |
| Figure 1-3324 | Install the fax cover | 1765 |
| Figure 1-3325 | Install four screws and connect one connector | 1765 |
| Figure 1-3326 | Install the scanner assembly | 1766 |
| Figure 1-3327 | Press the cables | 1766 |
| Figure 1-3328 | Position the scanner cable cover | 1767 |
| Figure 1-3329 | Install the scanner cable cover | 1767 |
| Figure 1-3330 | Install the scanner arm pin | 1768 |
| Figure 1-3331 | Secure the scanner arm pin | 1768 |
| Figure 1-3332 | Lower the scanner | 1769 |
| Figure 1-3333 | Install the ground wire | 1769 |
| Figure 1-3334 | Install the M377, M477 scanner | 1770 |
| Figure 1-3335 | Install the rear top cover | 1770 |
| Figure 1-3336 | Release two tabs | 1771 |
| Figure 1-3337 | Position three tabs | 1771 |
| Figure 1-3338 | Install one tab | 1772 |
| Figure 1-3339 | Install the left cover | 1773 |
| Figure 1-3340 | Make sure the tab does not get caught | 1773 |
| Figure 1-3341 | Install four tabs | 1774 |
| Figure 1-3342 | Engage two tabs | 1774 |
| Figure 1-3343 | Install hinge pin | 1775 |
| Figure 1-3344 | Install one screw | 1775 |
| Figure 1-3345 | Install one tab | 1776 |
| Figure 1-3346 | Rotate the left cover | 1777 |
| Figure 1-3347 | Make sure the tab does not get caught | 1777 |
| Figure 1-3348 | Raise the scanner | 1778 |
| Figure 1-3349 | Position the hooks in the slots | 1778 |
| Figure 1-3350 | Install the top hooks | 1779 |
| Figure 1-3351 | Make sure the tab does not get caught | 1779 |
| Figure 1-3352 | Install four tabs | 1780 |
| Figure 1-3353 | Install two tabs | 1780 |

| | | |
|---------------|--|------|
| Figure 1-3354 | Install hinge pin | 1781 |
| Figure 1-3355 | Install one screw | 1781 |
| Figure 1-3356 | Lower the scanner | 1782 |
| Figure 1-3357 | Position two tabs | 1782 |
| Figure 1-3358 | Install rear tab | 1783 |
| Figure 1-3359 | Install the right cover | 1783 |
| Figure 1-3360 | Install upper tabs | 1784 |
| Figure 1-3361 | Install the front tabs | 1784 |
| Figure 1-3362 | Install the front lower tab | 1785 |
| Figure 1-3363 | Install two tabs | 1785 |
| Figure 1-3364 | Install one screw | 1786 |
| Figure 1-3365 | Install one screw | 1786 |
| Figure 1-3366 | Install rear tab | 1787 |
| Figure 1-3367 | Raise the scanner | 1787 |
| Figure 1-3368 | Rotate the right cover | 1788 |
| Figure 1-3369 | Position the hooks in the slots | 1788 |
| Figure 1-3370 | Slide the cover | 1789 |
| Figure 1-3371 | Rotate the front of the cover | 1789 |
| Figure 1-3372 | Install two tabs | 1790 |
| Figure 1-3373 | Install the front and lower tabs | 1790 |
| Figure 1-3374 | Install one screw | 1791 |
| Figure 1-3375 | Install one screw | 1791 |
| Figure 1-3376 | Lower the scanner | 1792 |
| Figure 1-3377 | Close the front door | 1792 |
| Figure 1-3378 | Close the duplexer door | 1793 |
| Figure 1-3379 | Close the rear door | 1793 |
| Figure 1-3380 | Install the tray | 1794 |
| Figure 1-3381 | Remove the tray | 1796 |
| Figure 1-3382 | Release the front door | 1797 |
| Figure 1-3383 | Open the front door | 1797 |
| Figure 1-3384 | Open the duplexer door | 1798 |
| Figure 1-3385 | Open the rear door | 1798 |
| Figure 1-3386 | Remove one screw | 1799 |
| Figure 1-3387 | Remove one screw | 1799 |
| Figure 1-3388 | Locate the tabs | 1800 |
| Figure 1-3389 | Release front lower tabs | 1800 |
| Figure 1-3390 | Release lower rear tab | 1801 |
| Figure 1-3391 | Release two front tabs | 1801 |
| Figure 1-3392 | Release upper tabs | 1802 |
| Figure 1-3393 | Remove the right cover | 1802 |
| Figure 1-3394 | Remove one screw | 1803 |

| | | |
|---------------|---|------|
| Figure 1-3395 | Release two tabs | 1803 |
| Figure 1-3396 | Locate the tabs | 1804 |
| Figure 1-3397 | Release bottom tabs | 1804 |
| Figure 1-3398 | Release three tabs | 1805 |
| Figure 1-3399 | Release six tabs | 1805 |
| Figure 1-3400 | Remove the rear top cover | 1806 |
| Figure 1-3401 | Disconnect one connector | 1806 |
| Figure 1-3402 | Disconnect one connector | 1807 |
| Figure 1-3403 | Disconnect the antenna | 1807 |
| Figure 1-3404 | Remove two screws | 1808 |
| Figure 1-3405 | Remove the guide | 1808 |
| Figure 1-3406 | Remove three screws | 1809 |
| Figure 1-3407 | Release two tabs | 1809 |
| Figure 1-3408 | Remove screw and release two tabs | 1810 |
| Figure 1-3409 | Remove two screws and release one tab | 1810 |
| Figure 1-3410 | Remove the top cover | 1811 |
| Figure 1-3411 | Locate the memory PCA | 1811 |
| Figure 1-3412 | Remove the memory PCA | 1812 |
| Figure 1-3413 | Remove one screw and release one tab | 1812 |
| Figure 1-3414 | Disconnect one connector | 1813 |
| Figure 1-3415 | Disconnect four connectors | 1813 |
| Figure 1-3416 | Lift the flat cable | 1814 |
| Figure 1-3417 | Release the cables from the guides | 1814 |
| Figure 1-3418 | Remove the bracket | 1815 |
| Figure 1-3419 | Remove two screws | 1815 |
| Figure 1-3420 | Remove the grounding plate | 1816 |
| Figure 1-3421 | Disconnect one connector | 1816 |
| Figure 1-3422 | Remove the USB bracket | 1817 |
| Figure 1-3423 | Remove one screw | 1817 |
| Figure 1-3424 | Remove the front door switch holder | 1818 |
| Figure 1-3425 | Release one tab on the cover | 1818 |
| Figure 1-3426 | Remove the cover | 1819 |
| Figure 1-3427 | Release one tab | 1819 |
| Figure 1-3428 | Remove the cover | 1820 |
| Figure 1-3429 | Remove one screw | 1820 |
| Figure 1-3430 | Release one tab | 1821 |
| Figure 1-3431 | Remove the exhaust duct | 1821 |
| Figure 1-3432 | Release three springs | 1822 |
| Figure 1-3433 | Lift the duct to release the spring | 1822 |
| Figure 1-3434 | Remove the laser scanner | 1823 |
| Figure 1-3435 | Recycle and unpack | 1823 |

| | | |
|---------------|---|------|
| Figure 1-3436 | Install three tabs | 1824 |
| Figure 1-3437 | Install five tabs | 1824 |
| Figure 1-3438 | Spring position | 1825 |
| Figure 1-3439 | Reposition the spring | 1825 |
| Figure 1-3440 | Install three springs | 1826 |
| Figure 1-3441 | Lift the duct to install the spring | 1826 |
| Figure 1-3442 | Position the exhaust duct | 1827 |
| Figure 1-3443 | Install one tab | 1827 |
| Figure 1-3444 | Install one screw | 1828 |
| Figure 1-3445 | Position the cover | 1828 |
| Figure 1-3446 | Install the cover | 1829 |
| Figure 1-3447 | Position the cover | 1829 |
| Figure 1-3448 | Install the cover | 1830 |
| Figure 1-3449 | Position the front door switch holder | 1830 |
| Figure 1-3450 | Position the spring and install one screw | 1831 |
| Figure 1-3451 | Install the USB bracket | 1831 |
| Figure 1-3452 | Connect one connector | 1832 |
| Figure 1-3453 | Install the grounding plate | 1832 |
| Figure 1-3454 | Install two screws | 1833 |
| Figure 1-3455 | Install the bracket | 1833 |
| Figure 1-3456 | Install the cables in the guides | 1834 |
| Figure 1-3457 | Position the flat cable | 1834 |
| Figure 1-3458 | Connect four connectors | 1835 |
| Figure 1-3459 | Connect one connector | 1835 |
| Figure 1-3460 | Position the NFC PCA | 1836 |
| Figure 1-3461 | Install one tab and one screw | 1836 |
| Figure 1-3462 | Position the memory PCA | 1837 |
| Figure 1-3463 | Install the memory PCA | 1837 |
| Figure 1-3464 | Position the top cover | 1838 |
| Figure 1-3465 | Engage tab and install screws | 1838 |
| Figure 1-3466 | Install two tabs and one screw | 1839 |
| Figure 1-3467 | Install two tabs | 1839 |
| Figure 1-3468 | Install three screws | 1840 |
| Figure 1-3469 | Install the guide | 1840 |
| Figure 1-3470 | Install two screws | 1841 |
| Figure 1-3471 | Connect one connector | 1841 |
| Figure 1-3472 | Connect one connector | 1842 |
| Figure 1-3473 | Connect the antenna | 1842 |
| Figure 1-3474 | Install the rear top cover | 1843 |
| Figure 1-3475 | Release two tabs | 1843 |
| Figure 1-3476 | Position three tabs | 1844 |

| | | |
|---------------|---|------|
| Figure 1-3477 | Install one tab | 1844 |
| Figure 1-3478 | Install the left cover | 1845 |
| Figure 1-3479 | Make sure the tab does not get caught | 1845 |
| Figure 1-3480 | Install four tabs | 1846 |
| Figure 1-3481 | Engage two tabs | 1846 |
| Figure 1-3482 | Install hinge pin | 1847 |
| Figure 1-3483 | Install one screw | 1847 |
| Figure 1-3484 | Position two tabs | 1848 |
| Figure 1-3485 | Install rear tab | 1848 |
| Figure 1-3486 | Install the right cover | 1849 |
| Figure 1-3487 | Install upper tabs | 1849 |
| Figure 1-3488 | Install the front tabs | 1850 |
| Figure 1-3489 | Install the front lower tab | 1850 |
| Figure 1-3490 | Install two tabs | 1851 |
| Figure 1-3491 | Install one screw | 1851 |
| Figure 1-3492 | Install one screw | 1852 |
| Figure 1-3493 | Close the front door | 1852 |
| Figure 1-3494 | Close the duplexer door | 1853 |
| Figure 1-3495 | Close the rear door | 1853 |
| Figure 1-3496 | Install the tray | 1854 |
| Figure 1-3497 | Remove the tray | 1856 |
| Figure 1-3498 | Release the front door | 1857 |
| Figure 1-3499 | Open the front door | 1857 |
| Figure 1-3500 | Open the duplexer door | 1858 |
| Figure 1-3501 | Open the rear door | 1858 |
| Figure 1-3502 | Raise the scanner | 1859 |
| Figure 1-3503 | Remove one screw | 1859 |
| Figure 1-3504 | Remove one screw | 1860 |
| Figure 1-3505 | Locate the tabs | 1860 |
| Figure 1-3506 | Release front lower tabs | 1861 |
| Figure 1-3507 | Release lower rear tab | 1861 |
| Figure 1-3508 | Release front upper tabs | 1862 |
| Figure 1-3509 | Rotate the front of the cover | 1862 |
| Figure 1-3510 | Release top tabs | 1863 |
| Figure 1-3511 | Release one tab and one hook | 1863 |
| Figure 1-3512 | Lower the scanner | 1864 |
| Figure 1-3513 | Remove the right cover | 1864 |
| Figure 1-3514 | Raise the scanner | 1865 |
| Figure 1-3515 | Remove one screw | 1865 |
| Figure 1-3516 | Release two tabs | 1866 |
| Figure 1-3517 | Locate the tabs | 1866 |

| | | |
|---------------|---|------|
| Figure 1-3518 | Release four tabs | 1867 |
| Figure 1-3519 | Rotate the cover | 1867 |
| Figure 1-3520 | Release one tab and two hooks | 1868 |
| Figure 1-3521 | Lower the scanner | 1868 |
| Figure 1-3522 | Remove the left cover | 1869 |
| Figure 1-3523 | Release six tabs | 1869 |
| Figure 1-3524 | Remove the rear top cover | 1870 |
| Figure 1-3525 | Disconnect the scanner cables | 1870 |
| Figure 1-3526 | Remove one screw and release the ground wire | 1871 |
| Figure 1-3527 | Raise the scanner | 1871 |
| Figure 1-3528 | Release the scanner arm pin | 1872 |
| Figure 1-3529 | Remove the scanner arm pin. | 1872 |
| Figure 1-3530 | Release one tab | 1873 |
| Figure 1-3531 | Remove the scanner cable cover | 1873 |
| Figure 1-3532 | Release the cables | 1874 |
| Figure 1-3533 | Remove the scanner assembly | 1874 |
| Figure 1-3534 | Disconnect one connector and remove four screws | 1875 |
| Figure 1-3535 | Remove the fax cover | 1875 |
| Figure 1-3536 | Remove the fax PCA | 1876 |
| Figure 1-3537 | Disconnect two connectors | 1876 |
| Figure 1-3538 | Remove one screw and the sheet metal plate | 1877 |
| Figure 1-3539 | Lower the support arm and remove one screw | 1877 |
| Figure 1-3540 | Remove the scanner support arm | 1878 |
| Figure 1-3541 | Remove three screws | 1878 |
| Figure 1-3542 | Release the control panel cover | 1879 |
| Figure 1-3543 | Remove the control panel cover | 1879 |
| Figure 1-3544 | Release the flat cable | 1880 |
| Figure 1-3545 | Remove three screws | 1880 |
| Figure 1-3546 | Remove one screw | 1881 |
| Figure 1-3547 | Refasten the control panel to the top cover | 1881 |
| Figure 1-3548 | Release the USB cable | 1882 |
| Figure 1-3549 | Remove two screws | 1882 |
| Figure 1-3550 | Release one retainer and three tabs | 1883 |
| Figure 1-3551 | Remove the top cover | 1883 |
| Figure 1-3552 | Locate the memory PCA | 1884 |
| Figure 1-3553 | Remove the memory PCA | 1884 |
| Figure 1-3554 | Remove one screw and release one tab | 1885 |
| Figure 1-3555 | Disconnect one connector | 1885 |
| Figure 1-3556 | Disconnect four connectors | 1886 |
| Figure 1-3557 | Lift the flat cable | 1886 |
| Figure 1-3558 | Release the cables from the guides | 1887 |

| | | |
|---------------|---|------|
| Figure 1-3559 | Remove one screw | 1887 |
| Figure 1-3560 | Remove four screws | 1888 |
| Figure 1-3561 | Release the cables | 1888 |
| Figure 1-3562 | Remove the metal bracket | 1889 |
| Figure 1-3563 | Remove one screw | 1889 |
| Figure 1-3564 | Remove the front door switch holder | 1890 |
| Figure 1-3565 | Release one tab on the cover | 1890 |
| Figure 1-3566 | Remove the cover | 1891 |
| Figure 1-3567 | Release one tab | 1891 |
| Figure 1-3568 | Remove the cover | 1892 |
| Figure 1-3569 | Remove one screw | 1892 |
| Figure 1-3570 | Release one tab | 1893 |
| Figure 1-3571 | Remove the exhaust duct | 1893 |
| Figure 1-3572 | Release three springs | 1894 |
| Figure 1-3573 | Lift the duct to release the spring | 1894 |
| Figure 1-3574 | Remove the laser scanner | 1895 |
| Figure 1-3575 | Recycle and unpack | 1895 |
| Figure 1-3576 | Install three tabs | 1896 |
| Figure 1-3577 | Install five tabs | 1896 |
| Figure 1-3578 | Spring position | 1897 |
| Figure 1-3579 | Reposition the spring | 1897 |
| Figure 1-3580 | Install three springs | 1898 |
| Figure 1-3581 | Lift the duct to install the spring | 1898 |
| Figure 1-3582 | Position the exhaust duct | 1899 |
| Figure 1-3583 | Install one tab | 1899 |
| Figure 1-3584 | Install one screw | 1900 |
| Figure 1-3585 | Position the cover | 1900 |
| Figure 1-3586 | Install the cover | 1901 |
| Figure 1-3587 | Position the cover | 1901 |
| Figure 1-3588 | Install the cover | 1902 |
| Figure 1-3589 | Position the front door switch holder | 1902 |
| Figure 1-3590 | Position the spring and install one screw | 1903 |
| Figure 1-3591 | Position the metal bracket | 1903 |
| Figure 1-3592 | Install the metal bracket | 1904 |
| Figure 1-3593 | Insert the cables | 1904 |
| Figure 1-3594 | Install four screws | 1905 |
| Figure 1-3595 | Install one screw | 1905 |
| Figure 1-3596 | Install the cables in the guides | 1906 |
| Figure 1-3597 | Position the flat cable | 1906 |
| Figure 1-3598 | Connect four connectors | 1907 |
| Figure 1-3599 | Connect one connector | 1907 |

| | | |
|---------------|---|------|
| Figure 1-3600 | Position the NFC PCA | 1908 |
| Figure 1-3601 | Install one tab and one screw | 1908 |
| Figure 1-3602 | Position the memory PCA | 1909 |
| Figure 1-3603 | Install the memory PCA | 1909 |
| Figure 1-3604 | Position the top cover | 1910 |
| Figure 1-3605 | Install one retainer and three tabs | 1910 |
| Figure 1-3606 | Install two screws | 1911 |
| Figure 1-3607 | Install the USB cable | 1911 |
| Figure 1-3608 | Remove one screw | 1912 |
| Figure 1-3609 | Install one screw | 1912 |
| Figure 1-3610 | Install three screws | 1913 |
| Figure 1-3611 | Install the flat cable | 1913 |
| Figure 1-3612 | Install the control panel cover | 1914 |
| Figure 1-3613 | Install one screw | 1914 |
| Figure 1-3614 | Install three screws | 1915 |
| Figure 1-3615 | Install the scanner support arm | 1915 |
| Figure 1-3616 | Raise the metal plate | 1916 |
| Figure 1-3617 | Lower the support arm and install one screw | 1916 |
| Figure 1-3618 | Install the metal plate | 1917 |
| Figure 1-3619 | Install one screw | 1917 |
| Figure 1-3620 | Connect two connectors | 1918 |
| Figure 1-3621 | Install the fax PCA | 1918 |
| Figure 1-3622 | Install the fax cover | 1919 |
| Figure 1-3623 | Install four screws and connect one connector | 1919 |
| Figure 1-3624 | Install the scanner assembly | 1920 |
| Figure 1-3625 | Press the cables | 1920 |
| Figure 1-3626 | Position the scanner cable cover | 1921 |
| Figure 1-3627 | Install the scanner cable cover | 1921 |
| Figure 1-3628 | Install the scanner arm pin | 1922 |
| Figure 1-3629 | Secure the scanner arm pin | 1922 |
| Figure 1-3630 | Lower the scanner | 1923 |
| Figure 1-3631 | Install the ground wire | 1923 |
| Figure 1-3632 | Install the M377, M477 scanner | 1924 |
| Figure 1-3633 | Install the rear top cover | 1924 |
| Figure 1-3634 | Release two tabs | 1925 |
| Figure 1-3635 | Install one tab | 1925 |
| Figure 1-3636 | Rotate the left cover | 1926 |
| Figure 1-3637 | Make sure the tab does not get caught | 1926 |
| Figure 1-3638 | Raise the scanner | 1927 |
| Figure 1-3639 | Position the hooks in the slots | 1927 |
| Figure 1-3640 | Install the top hooks | 1928 |

| | | |
|---------------|---|------|
| Figure 1-3641 | Make sure the tab does not get caught | 1928 |
| Figure 1-3642 | Install four tabs | 1929 |
| Figure 1-3643 | Install two tabs | 1929 |
| Figure 1-3644 | Install hinge pin | 1930 |
| Figure 1-3645 | Install one screw | 1930 |
| Figure 1-3646 | Lower the scanner | 1931 |
| Figure 1-3647 | Install rear tab | 1931 |
| Figure 1-3648 | Raise the scanner | 1932 |
| Figure 1-3649 | Rotate the right cover | 1932 |
| Figure 1-3650 | Position the hooks in the slots | 1933 |
| Figure 1-3651 | Slide the cover | 1933 |
| Figure 1-3652 | Rotate the front of the cover | 1934 |
| Figure 1-3653 | Install two tabs | 1934 |
| Figure 1-3654 | Install the front and lower tabs | 1935 |
| Figure 1-3655 | Install one screw | 1935 |
| Figure 1-3656 | Install one screw | 1936 |
| Figure 1-3657 | Lower the scanner | 1936 |
| Figure 1-3658 | Close the front door | 1937 |
| Figure 1-3659 | Close the duplexer door | 1937 |
| Figure 1-3660 | Close the rear door | 1938 |
| Figure 1-3661 | Install the tray | 1938 |
| Figure 1-3662 | Remove the tray | 1940 |
| Figure 1-3663 | Release the front door | 1941 |
| Figure 1-3664 | Open the front door | 1941 |
| Figure 1-3665 | Open the rear door | 1942 |
| Figure 1-3666 | Remove one screw | 1942 |
| Figure 1-3667 | Remove one screw | 1943 |
| Figure 1-3668 | Locate the tabs | 1943 |
| Figure 1-3669 | Release front lower tabs | 1944 |
| Figure 1-3670 | Release lower rear tab | 1944 |
| Figure 1-3671 | Release two front tabs | 1945 |
| Figure 1-3672 | Release upper tabs | 1945 |
| Figure 1-3673 | Remove the right cover | 1946 |
| Figure 1-3674 | Raise the scanner | 1946 |
| Figure 1-3675 | Remove one screw | 1947 |
| Figure 1-3676 | Remove one screw | 1947 |
| Figure 1-3677 | Locate the tabs | 1948 |
| Figure 1-3678 | Release front lower tabs | 1948 |
| Figure 1-3679 | Release lower rear tab | 1949 |
| Figure 1-3680 | Release front upper tabs | 1949 |
| Figure 1-3681 | Rotate the front of the cover | 1950 |

| | | |
|---------------|---|------|
| Figure 1-3682 | Release top tabs | 1950 |
| Figure 1-3683 | Release one tab and one hook | 1951 |
| Figure 1-3684 | Lower the scanner | 1951 |
| Figure 1-3685 | Remove the right cover | 1952 |
| Figure 1-3686 | Remove one screw | 1952 |
| Figure 1-3687 | Release two tabs | 1953 |
| Figure 1-3688 | Locate the tabs | 1953 |
| Figure 1-3689 | Release bottom tabs | 1954 |
| Figure 1-3690 | Release three tabs | 1954 |
| Figure 1-3691 | Raise the scanner | 1955 |
| Figure 1-3692 | Remove one screw | 1955 |
| Figure 1-3693 | Release two tabs | 1956 |
| Figure 1-3694 | Locate the tabs | 1956 |
| Figure 1-3695 | Release four tabs | 1957 |
| Figure 1-3696 | Rotate the cover | 1957 |
| Figure 1-3697 | Release one tab and two hooks | 1958 |
| Figure 1-3698 | Lower the scanner | 1958 |
| Figure 1-3699 | Remove the left cover | 1959 |
| Figure 1-3700 | Release six tabs | 1959 |
| Figure 1-3701 | Remove the rear top cover | 1960 |
| Figure 1-3702 | Disconnect the scanner cables | 1960 |
| Figure 1-3703 | Remove one screw and release the ground wire | 1961 |
| Figure 1-3704 | Raise the scanner | 1961 |
| Figure 1-3705 | Release the scanner arm pin | 1962 |
| Figure 1-3706 | Remove the scanner arm pin. | 1962 |
| Figure 1-3707 | Release one tab | 1963 |
| Figure 1-3708 | Remove the scanner cable cover | 1963 |
| Figure 1-3709 | Release the cables | 1964 |
| Figure 1-3710 | Remove the scanner assembly | 1964 |
| Figure 1-3711 | Disconnect one connector and remove four screws | 1965 |
| Figure 1-3712 | Remove the fax cover | 1965 |
| Figure 1-3713 | Remove the fax PCA | 1966 |
| Figure 1-3714 | Disconnect two connectors | 1966 |
| Figure 1-3715 | Remove one screw and the sheet metal plate | 1967 |
| Figure 1-3716 | Lower the support arm and remove one screw | 1967 |
| Figure 1-3717 | Remove the scanner support arm | 1968 |
| Figure 1-3718 | Remove three screws | 1968 |
| Figure 1-3719 | Release the control panel cover | 1969 |
| Figure 1-3720 | Remove the control panel cover | 1969 |
| Figure 1-3721 | Release the flat cable | 1970 |
| Figure 1-3722 | Remove three screws | 1970 |

| | | |
|---------------|---|------|
| Figure 1-3723 | Remove one screw | 1971 |
| Figure 1-3724 | Refasten the control panel to the top cover | 1971 |
| Figure 1-3725 | Release the USB cable | 1972 |
| Figure 1-3726 | Remove two screws | 1972 |
| Figure 1-3727 | Release one retainer and three tabs | 1973 |
| Figure 1-3728 | Remove the top cover | 1973 |
| Figure 1-3729 | Disconnect one connector | 1974 |
| Figure 1-3730 | Disconnect one connector | 1974 |
| Figure 1-3731 | Disconnect the antenna | 1975 |
| Figure 1-3732 | Remove two screws | 1975 |
| Figure 1-3733 | Remove the guide | 1976 |
| Figure 1-3734 | Remove three screws | 1976 |
| Figure 1-3735 | Release two tabs | 1977 |
| Figure 1-3736 | Remove screw and release two tabs | 1977 |
| Figure 1-3737 | Remove two screws and release one tab | 1978 |
| Figure 1-3738 | Remove the top cover | 1978 |
| Figure 1-3739 | Disconnect one connector | 1979 |
| Figure 1-3740 | Disconnect six connectors | 1979 |
| Figure 1-3741 | Disconnect two connectors | 1980 |
| Figure 1-3742 | Remove five screws | 1980 |
| Figure 1-3743 | Remove the fuser | 1981 |
| Figure 1-3744 | Recycle and unpack | 1981 |
| Figure 1-3745 | Position the fuser | 1982 |
| Figure 1-3746 | Install five screws | 1982 |
| Figure 1-3747 | Connect two connectors | 1983 |
| Figure 1-3748 | Connect six connectors | 1983 |
| Figure 1-3749 | Connect one connector | 1984 |
| Figure 1-3750 | Position the top cover | 1984 |
| Figure 1-3751 | Engage tab and install screws | 1985 |
| Figure 1-3752 | Install two tabs and one screw | 1985 |
| Figure 1-3753 | Install two tabs | 1986 |
| Figure 1-3754 | Install three screws | 1986 |
| Figure 1-3755 | Install the guide | 1987 |
| Figure 1-3756 | Install two screws | 1987 |
| Figure 1-3757 | Connect one connector | 1988 |
| Figure 1-3758 | Connect one connector | 1988 |
| Figure 1-3759 | Connect the antenna | 1989 |
| Figure 1-3760 | Position the top cover | 1989 |
| Figure 1-3761 | Install one retainer and three tabs | 1990 |
| Figure 1-3762 | Install two screws | 1990 |
| Figure 1-3763 | Install the USB cable | 1991 |

| | | |
|---------------|---|------|
| Figure 1-3764 | Remove one screw | 1991 |
| Figure 1-3765 | Install one screw | 1992 |
| Figure 1-3766 | Install three screws | 1992 |
| Figure 1-3767 | Install the flat cable | 1993 |
| Figure 1-3768 | Install the control panel cover | 1993 |
| Figure 1-3769 | Install one screw | 1994 |
| Figure 1-3770 | Install three screws | 1994 |
| Figure 1-3771 | Install the scanner support arm | 1995 |
| Figure 1-3772 | Raise the metal plate | 1995 |
| Figure 1-3773 | Lower the support arm and install one screw | 1996 |
| Figure 1-3774 | Install the metal plate | 1996 |
| Figure 1-3775 | Install one screw | 1997 |
| Figure 1-3776 | Connect two connectors | 1997 |
| Figure 1-3777 | Install the fax PCA | 1998 |
| Figure 1-3778 | Install the fax cover | 1998 |
| Figure 1-3779 | Install four screws and connect one connector | 1999 |
| Figure 1-3780 | Install the scanner assembly | 1999 |
| Figure 1-3781 | Press the cables | 2000 |
| Figure 1-3782 | Position the scanner cable cover | 2000 |
| Figure 1-3783 | Install the scanner cable cover | 2001 |
| Figure 1-3784 | Install the scanner arm pin | 2001 |
| Figure 1-3785 | Secure the scanner arm pin | 2002 |
| Figure 1-3786 | Lower the scanner | 2002 |
| Figure 1-3787 | Install the ground wire | 2003 |
| Figure 1-3788 | Install the M377, M477 scanner | 2003 |
| Figure 1-3789 | Install the rear top cover | 2004 |
| Figure 1-3790 | Release two tabs | 2004 |
| Figure 1-3791 | Position three tabs | 2005 |
| Figure 1-3792 | Install one tab | 2005 |
| Figure 1-3793 | Install the left cover | 2006 |
| Figure 1-3794 | Make sure the tab does not get caught | 2006 |
| Figure 1-3795 | Install four tabs | 2007 |
| Figure 1-3796 | Engage two tabs | 2007 |
| Figure 1-3797 | Install hinge pin | 2008 |
| Figure 1-3798 | Install one screw | 2008 |
| Figure 1-3799 | Install one tab | 2009 |
| Figure 1-3800 | Rotate the left cover | 2010 |
| Figure 1-3801 | Make sure the tab does not get caught | 2010 |
| Figure 1-3802 | Raise the scanner | 2011 |
| Figure 1-3803 | Position the hooks in the slots | 2011 |
| Figure 1-3804 | Install the top hooks | 2012 |

| | | |
|---------------|---|------|
| Figure 1-3805 | Make sure the tab does not get caught | 2012 |
| Figure 1-3806 | Install four tabs | 2013 |
| Figure 1-3807 | Install two tabs | 2013 |
| Figure 1-3808 | Install hinge pin | 2014 |
| Figure 1-3809 | Install one screw | 2014 |
| Figure 1-3810 | Lower the scanner | 2015 |
| Figure 1-3811 | Position two tabs | 2015 |
| Figure 1-3812 | Install rear tab | 2016 |
| Figure 1-3813 | Install the right cover | 2016 |
| Figure 1-3814 | Install upper tabs | 2017 |
| Figure 1-3815 | Install the front tabs | 2017 |
| Figure 1-3816 | Install the front lower tab | 2018 |
| Figure 1-3817 | Install two tabs | 2018 |
| Figure 1-3818 | Install one screw | 2019 |
| Figure 1-3819 | Install one screw | 2019 |
| Figure 1-3820 | Install rear tab | 2020 |
| Figure 1-3821 | Raise the scanner | 2020 |
| Figure 1-3822 | Rotate the right cover | 2021 |
| Figure 1-3823 | Position the hooks in the slots | 2021 |
| Figure 1-3824 | Slide the cover | 2022 |
| Figure 1-3825 | Rotate the front of the cover | 2022 |
| Figure 1-3826 | Install two tabs | 2023 |
| Figure 1-3827 | Install the front and lower tabs | 2023 |
| Figure 1-3828 | Install one screw | 2024 |
| Figure 1-3829 | Install one screw | 2024 |
| Figure 1-3830 | Lower the scanner | 2025 |
| Figure 1-3831 | Close the front door | 2025 |
| Figure 1-3832 | Close the rear door | 2026 |
| Figure 1-3833 | Install the tray | 2026 |
| Figure 1-3834 | Remove the tray | 2028 |
| Figure 1-3835 | Release the front door | 2029 |
| Figure 1-3836 | Open the front door | 2029 |
| Figure 1-3837 | Open the duplexer door | 2030 |
| Figure 1-3838 | Remove one screw | 2030 |
| Figure 1-3839 | Remove one screw | 2031 |
| Figure 1-3840 | Locate the tabs | 2031 |
| Figure 1-3841 | Release front lower tabs | 2032 |
| Figure 1-3842 | Release lower rear tab | 2032 |
| Figure 1-3843 | Release two front tabs | 2033 |
| Figure 1-3844 | Release upper tabs | 2033 |
| Figure 1-3845 | Remove the right cover | 2034 |

| | | |
|---------------|---|------|
| Figure 1-3846 | Raise the scanner | 2034 |
| Figure 1-3847 | Remove one screw | 2035 |
| Figure 1-3848 | Remove one screw | 2035 |
| Figure 1-3849 | Locate the tabs | 2036 |
| Figure 1-3850 | Release front lower tabs | 2036 |
| Figure 1-3851 | Release lower rear tab | 2037 |
| Figure 1-3852 | Release front upper tabs | 2037 |
| Figure 1-3853 | Rotate the front of the cover | 2038 |
| Figure 1-3854 | Release top tabs | 2038 |
| Figure 1-3855 | Release one tab and one hook | 2039 |
| Figure 1-3856 | Lower the scanner | 2039 |
| Figure 1-3857 | Remove the right cover | 2040 |
| Figure 1-3858 | Remove one screw | 2040 |
| Figure 1-3859 | Release two tabs | 2041 |
| Figure 1-3860 | Locate the tabs | 2041 |
| Figure 1-3861 | Release bottom tabs | 2042 |
| Figure 1-3862 | Release three tabs | 2042 |
| Figure 1-3863 | Raise the scanner | 2043 |
| Figure 1-3864 | Remove one screw | 2043 |
| Figure 1-3865 | Release two tabs | 2044 |
| Figure 1-3866 | Locate the tabs | 2044 |
| Figure 1-3867 | Release four tabs | 2045 |
| Figure 1-3868 | Rotate the cover | 2045 |
| Figure 1-3869 | Release one tab and two hooks | 2046 |
| Figure 1-3870 | Lower the scanner | 2046 |
| Figure 1-3871 | Remove the left cover | 2047 |
| Figure 1-3872 | Disconnect the scanner cables | 2047 |
| Figure 1-3873 | Remove one screw and release the ground wire | 2048 |
| Figure 1-3874 | Raise the scanner | 2048 |
| Figure 1-3875 | Release the scanner arm pin | 2049 |
| Figure 1-3876 | Remove the scanner arm pin. | 2049 |
| Figure 1-3877 | Release one tab | 2050 |
| Figure 1-3878 | Remove the scanner cable cover | 2050 |
| Figure 1-3879 | Release the cables | 2051 |
| Figure 1-3880 | Remove the scanner assembly | 2051 |
| Figure 1-3881 | Disconnect one connector and remove four screws | 2052 |
| Figure 1-3882 | Remove the fax cover | 2052 |
| Figure 1-3883 | Remove the fax PCA | 2053 |
| Figure 1-3884 | Disconnect two connectors | 2053 |
| Figure 1-3885 | Remove one screw and the sheet metal plate | 2054 |
| Figure 1-3886 | Lower the support arm and remove one screw | 2054 |

| | | |
|---------------|---|------|
| Figure 1-3887 | Remove the scanner support arm | 2055 |
| Figure 1-3888 | Remove three screws | 2055 |
| Figure 1-3889 | Release the control panel cover | 2056 |
| Figure 1-3890 | Remove the control panel cover | 2056 |
| Figure 1-3891 | Release the flat cable | 2057 |
| Figure 1-3892 | Remove three screws | 2057 |
| Figure 1-3893 | Remove one screw | 2058 |
| Figure 1-3894 | Refasten the control panel to the top cover | 2058 |
| Figure 1-3895 | Release the USB cable | 2059 |
| Figure 1-3896 | Remove two screws | 2059 |
| Figure 1-3897 | Release one retainer and three tabs | 2060 |
| Figure 1-3898 | Remove the top cover | 2060 |
| Figure 1-3899 | Disconnect one connector | 2061 |
| Figure 1-3900 | Disconnect one connector | 2061 |
| Figure 1-3901 | Disconnect the antenna | 2062 |
| Figure 1-3902 | Remove two screws | 2062 |
| Figure 1-3903 | Remove the guide | 2063 |
| Figure 1-3904 | Remove three screws | 2063 |
| Figure 1-3905 | Release two tabs | 2064 |
| Figure 1-3906 | Remove screw and release two tabs | 2064 |
| Figure 1-3907 | Remove two screws and release one tab | 2065 |
| Figure 1-3908 | Remove the top cover | 2065 |
| Figure 1-3909 | Remove four screws | 2066 |
| Figure 1-3910 | Remove the guide | 2066 |
| Figure 1-3911 | Disconnect one connector | 2067 |
| Figure 1-3912 | Disconnect eight connectors | 2067 |
| Figure 1-3913 | Disconnect two connectors | 2068 |
| Figure 1-3914 | Remove three screws | 2068 |
| Figure 1-3915 | Remove the fuser | 2069 |
| Figure 1-3916 | Recycle and unpack | 2069 |
| Figure 1-3917 | Install the lever through the opening | 2070 |
| Figure 1-3918 | Switchback lever shaft | 2070 |
| Figure 1-3919 | Switchback lever position | 2071 |
| Figure 1-3920 | Install three screws | 2071 |
| Figure 1-3921 | Connect two connectors | 2072 |
| Figure 1-3922 | Connect eight connectors | 2072 |
| Figure 1-3923 | Connect one connector | 2073 |
| Figure 1-3924 | Position the guide | 2073 |
| Figure 1-3925 | Install four screws | 2074 |
| Figure 1-3926 | Position the top cover | 2074 |
| Figure 1-3927 | Engage tab and install screws | 2075 |

| | | |
|---------------|---|------|
| Figure 1-3928 | Install two tabs and one screw | 2075 |
| Figure 1-3929 | Install two tabs | 2076 |
| Figure 1-3930 | Install three screws | 2076 |
| Figure 1-3931 | Install the guide | 2077 |
| Figure 1-3932 | Install two screws | 2077 |
| Figure 1-3933 | Connect one connector | 2078 |
| Figure 1-3934 | Connect one connector | 2078 |
| Figure 1-3935 | Connect the antenna | 2079 |
| Figure 1-3936 | Position the top cover | 2079 |
| Figure 1-3937 | Install one retainer and three tabs | 2080 |
| Figure 1-3938 | Install two screws | 2080 |
| Figure 1-3939 | Install the USB cable | 2081 |
| Figure 1-3940 | Remove one screw | 2081 |
| Figure 1-3941 | Install one screw | 2082 |
| Figure 1-3942 | Install three screws | 2082 |
| Figure 1-3943 | Install the flat cable | 2083 |
| Figure 1-3944 | Install the control panel cover | 2083 |
| Figure 1-3945 | Install one screw | 2084 |
| Figure 1-3946 | Install three screws | 2084 |
| Figure 1-3947 | Install the scanner support arm | 2085 |
| Figure 1-3948 | Raise the metal plate | 2085 |
| Figure 1-3949 | Lower the support arm and install one screw | 2086 |
| Figure 1-3950 | Install the metal plate | 2086 |
| Figure 1-3951 | Install one screw | 2087 |
| Figure 1-3952 | Connect two connectors | 2087 |
| Figure 1-3953 | Install the fax PCA | 2088 |
| Figure 1-3954 | Install the fax cover | 2088 |
| Figure 1-3955 | Install four screws and connect one connector | 2089 |
| Figure 1-3956 | Install the scanner assembly | 2089 |
| Figure 1-3957 | Press the cables | 2090 |
| Figure 1-3958 | Position the scanner cable cover | 2090 |
| Figure 1-3959 | Install the scanner cable cover | 2091 |
| Figure 1-3960 | Install the scanner arm pin | 2091 |
| Figure 1-3961 | Secure the scanner arm pin | 2092 |
| Figure 1-3962 | Lower the scanner | 2092 |
| Figure 1-3963 | Install the ground wire | 2093 |
| Figure 1-3964 | Install the M377, M477 scanner | 2093 |
| Figure 1-3965 | Position three tabs | 2094 |
| Figure 1-3966 | Install one tab | 2094 |
| Figure 1-3967 | Install the left cover | 2095 |
| Figure 1-3968 | Make sure the tab does not get caught | 2095 |

| | | |
|---------------|---|------|
| Figure 1-3969 | Install four tabs | 2096 |
| Figure 1-3970 | Engage two tabs | 2096 |
| Figure 1-3971 | Install hinge pin | 2097 |
| Figure 1-3972 | Install one screw | 2097 |
| Figure 1-3973 | Install one tab | 2098 |
| Figure 1-3974 | Rotate the left cover | 2099 |
| Figure 1-3975 | Make sure the tab does not get caught | 2099 |
| Figure 1-3976 | Raise the scanner | 2100 |
| Figure 1-3977 | Position the hooks in the slots | 2100 |
| Figure 1-3978 | Install the top hooks | 2101 |
| Figure 1-3979 | Make sure the tab does not get caught | 2101 |
| Figure 1-3980 | Install four tabs | 2102 |
| Figure 1-3981 | Install two tabs | 2102 |
| Figure 1-3982 | Install hinge pin | 2103 |
| Figure 1-3983 | Install one screw | 2103 |
| Figure 1-3984 | Lower the scanner | 2104 |
| Figure 1-3985 | Position two tabs | 2104 |
| Figure 1-3986 | Install rear tab | 2105 |
| Figure 1-3987 | Install the right cover | 2105 |
| Figure 1-3988 | Install upper tabs | 2106 |
| Figure 1-3989 | Install the front tabs | 2106 |
| Figure 1-3990 | Install the front lower tab | 2107 |
| Figure 1-3991 | Install two tabs | 2107 |
| Figure 1-3992 | Install one screw | 2108 |
| Figure 1-3993 | Install one screw | 2108 |
| Figure 1-3994 | Install rear tab | 2109 |
| Figure 1-3995 | Raise the scanner | 2109 |
| Figure 1-3996 | Rotate the right cover | 2110 |
| Figure 1-3997 | Position the hooks in the slots | 2110 |
| Figure 1-3998 | Slide the cover | 2111 |
| Figure 1-3999 | Rotate the front of the cover | 2111 |
| Figure 1-4000 | Install two tabs | 2112 |
| Figure 1-4001 | Install the front and lower tabs | 2112 |
| Figure 1-4002 | Install one screw | 2113 |
| Figure 1-4003 | Install one screw | 2113 |
| Figure 1-4004 | Lower the scanner | 2114 |
| Figure 1-4005 | Close the front door | 2114 |
| Figure 1-4006 | Close the duplexer door | 2115 |
| Figure 1-4007 | Install the tray | 2115 |
| Figure 1-4008 | Remove the tray | 2117 |
| Figure 1-4009 | Release the front door | 2117 |

| | | |
|---------------|---|------|
| Figure 1-4010 | Open the front door | 2118 |
| Figure 1-4011 | Open the duplexer door | 2118 |
| Figure 1-4012 | Open the rear door | 2119 |
| Figure 1-4013 | Remove one screw | 2119 |
| Figure 1-4014 | Remove one screw | 2120 |
| Figure 1-4015 | Locate the tabs | 2120 |
| Figure 1-4016 | Release front lower tabs | 2121 |
| Figure 1-4017 | Release lower rear tab | 2121 |
| Figure 1-4018 | Release two front tabs | 2122 |
| Figure 1-4019 | Release upper tabs | 2122 |
| Figure 1-4020 | Remove the right cover | 2123 |
| Figure 1-4021 | Raise the scanner | 2123 |
| Figure 1-4022 | Remove one screw | 2124 |
| Figure 1-4023 | Remove one screw | 2124 |
| Figure 1-4024 | Locate the tabs | 2125 |
| Figure 1-4025 | Release front lower tabs | 2125 |
| Figure 1-4026 | Release lower rear tab | 2126 |
| Figure 1-4027 | Release front upper tabs | 2126 |
| Figure 1-4028 | Rotate the front of the cover | 2127 |
| Figure 1-4029 | Release top tabs | 2127 |
| Figure 1-4030 | Release one tab and one hook | 2128 |
| Figure 1-4031 | Lower the scanner | 2128 |
| Figure 1-4032 | Remove the right cover | 2129 |
| Figure 1-4033 | Disconnect two connectors | 2129 |
| Figure 1-4034 | Remove two screws | 2130 |
| Figure 1-4035 | Release the retainer arm | 2130 |
| Figure 1-4036 | Disconnect two connectors and remove three screws | 2131 |
| Figure 1-4037 | Remove the fuser power supply | 2131 |
| Figure 1-4038 | Recycle and unpack | 2132 |
| Figure 1-4039 | Install two tabs | 2132 |
| Figure 1-4040 | Install one tab | 2133 |
| Figure 1-4041 | Disconnect two connectors and remove three screws | 2133 |
| Figure 1-4042 | Install the retainer arm | 2134 |
| Figure 1-4043 | Install two screws | 2134 |
| Figure 1-4044 | Connect two connectors | 2135 |
| Figure 1-4045 | Position two tabs | 2135 |
| Figure 1-4046 | Install rear tab | 2136 |
| Figure 1-4047 | Install the right cover | 2136 |
| Figure 1-4048 | Install upper tabs | 2137 |
| Figure 1-4049 | Install the front tabs | 2137 |
| Figure 1-4050 | Install the front lower tab | 2138 |

| | | |
|---------------|--|------|
| Figure 1-4051 | Install two tabs | 2138 |
| Figure 1-4052 | Install one screw | 2139 |
| Figure 1-4053 | Install one screw | 2139 |
| Figure 1-4054 | Install rear tab | 2140 |
| Figure 1-4055 | Raise the scanner | 2140 |
| Figure 1-4056 | Rotate the right cover | 2141 |
| Figure 1-4057 | Position the hooks in the slots | 2141 |
| Figure 1-4058 | Slide the cover | 2142 |
| Figure 1-4059 | Rotate the front of the cover | 2142 |
| Figure 1-4060 | Install two tabs | 2143 |
| Figure 1-4061 | Install the front and lower tabs | 2143 |
| Figure 1-4062 | Install one screw | 2144 |
| Figure 1-4063 | Install one screw | 2144 |
| Figure 1-4064 | Lower the scanner | 2145 |
| Figure 1-4065 | Close the front door | 2145 |
| Figure 1-4066 | Close the duplexer door | 2146 |
| Figure 1-4067 | Close the rear door | 2146 |
| Figure 1-4068 | Install the tray | 2147 |
| Figure 1-4069 | Remove the tray | 2149 |
| Figure 1-4070 | Release the front door | 2149 |
| Figure 1-4071 | Open the front door | 2150 |
| Figure 1-4072 | Open the duplexer door | 2150 |
| Figure 1-4073 | Open the rear door | 2151 |
| Figure 1-4074 | Remove one screw | 2151 |
| Figure 1-4075 | Remove one screw | 2152 |
| Figure 1-4076 | Locate the tabs | 2152 |
| Figure 1-4077 | Release front lower tabs | 2153 |
| Figure 1-4078 | Release lower rear tab | 2153 |
| Figure 1-4079 | Release two front tabs | 2154 |
| Figure 1-4080 | Release upper tabs | 2154 |
| Figure 1-4081 | Remove the right cover | 2155 |
| Figure 1-4082 | Raise the scanner | 2155 |
| Figure 1-4083 | Remove one screw | 2156 |
| Figure 1-4084 | Remove one screw | 2156 |
| Figure 1-4085 | Locate the tabs | 2157 |
| Figure 1-4086 | Release front lower tabs | 2157 |
| Figure 1-4087 | Release lower rear tab | 2158 |
| Figure 1-4088 | Release front upper tabs | 2158 |
| Figure 1-4089 | Rotate the front of the cover | 2159 |
| Figure 1-4090 | Release top tabs | 2159 |
| Figure 1-4091 | Release one tab and one hook | 2160 |

| | | |
|---------------|---|------|
| Figure 1-4092 | Lower the scanner | 2160 |
| Figure 1-4093 | Remove the right cover | 2161 |
| Figure 1-4094 | Disconnect two connectors | 2161 |
| Figure 1-4095 | Remove two screws | 2162 |
| Figure 1-4096 | Release the retainer arm | 2162 |
| Figure 1-4097 | Disconnect two connectors and remove three screws | 2163 |
| Figure 1-4098 | Remove the fuser power supply | 2163 |
| Figure 1-4099 | Remove the fuser motor | 2164 |
| Figure 1-4100 | Recycle and unpack | 2164 |
| Figure 1-4101 | Install the fuser motor | 2165 |
| Figure 1-4102 | Install two tabs | 2165 |
| Figure 1-4103 | Install one tab | 2166 |
| Figure 1-4104 | Disconnect two connectors and remove three screws | 2166 |
| Figure 1-4105 | Install the retainer arm | 2167 |
| Figure 1-4106 | Install two screws | 2167 |
| Figure 1-4107 | Connect two connectors | 2168 |
| Figure 1-4108 | Position two tabs | 2168 |
| Figure 1-4109 | Install rear tab | 2169 |
| Figure 1-4110 | Install the right cover | 2169 |
| Figure 1-4111 | Install upper tabs | 2170 |
| Figure 1-4112 | Install the front tabs | 2170 |
| Figure 1-4113 | Install the front lower tab | 2171 |
| Figure 1-4114 | Install two tabs | 2171 |
| Figure 1-4115 | Install one screw | 2172 |
| Figure 1-4116 | Install one screw | 2172 |
| Figure 1-4117 | Install rear tab | 2173 |
| Figure 1-4118 | Raise the scanner | 2173 |
| Figure 1-4119 | Rotate the right cover | 2174 |
| Figure 1-4120 | Position the hooks in the slots | 2174 |
| Figure 1-4121 | Slide the cover | 2175 |
| Figure 1-4122 | Rotate the front of the cover | 2175 |
| Figure 1-4123 | Install two tabs | 2176 |
| Figure 1-4124 | Install the front and lower tabs | 2176 |
| Figure 1-4125 | Install one screw | 2177 |
| Figure 1-4126 | Install one screw | 2177 |
| Figure 1-4127 | Lower the scanner | 2178 |
| Figure 1-4128 | Close the front door | 2178 |
| Figure 1-4129 | Close the duplexer door | 2179 |
| Figure 1-4130 | Close the rear door | 2179 |
| Figure 1-4131 | Install the tray | 2180 |
| Figure 1-4132 | Remove the tray | 2182 |

| | | |
|---------------|--|------|
| Figure 1-4133 | Release the front door | 2183 |
| Figure 1-4134 | Open the front door | 2183 |
| Figure 1-4135 | Open the duplexer door | 2184 |
| Figure 1-4136 | Remove one screw | 2184 |
| Figure 1-4137 | Remove one screw | 2185 |
| Figure 1-4138 | Locate the tabs | 2185 |
| Figure 1-4139 | Release front lower tabs | 2186 |
| Figure 1-4140 | Release lower rear tab | 2186 |
| Figure 1-4141 | Release two front tabs | 2187 |
| Figure 1-4142 | Release upper tabs | 2187 |
| Figure 1-4143 | Remove the right cover | 2188 |
| Figure 1-4144 | Raise the scanner | 2188 |
| Figure 1-4145 | Remove one screw | 2189 |
| Figure 1-4146 | Remove one screw | 2189 |
| Figure 1-4147 | Locate the tabs | 2190 |
| Figure 1-4148 | Release front lower tabs | 2190 |
| Figure 1-4149 | Release lower rear tab | 2191 |
| Figure 1-4150 | Release front upper tabs | 2191 |
| Figure 1-4151 | Rotate the front of the cover | 2192 |
| Figure 1-4152 | Release top tabs | 2192 |
| Figure 1-4153 | Release one tab and one hook | 2193 |
| Figure 1-4154 | Lower the scanner | 2193 |
| Figure 1-4155 | Remove the right cover | 2194 |
| Figure 1-4156 | Remove one screw | 2194 |
| Figure 1-4157 | Release two tabs | 2195 |
| Figure 1-4158 | Locate the tabs | 2195 |
| Figure 1-4159 | Release bottom tabs | 2196 |
| Figure 1-4160 | Release three tabs | 2196 |
| Figure 1-4161 | Raise the scanner | 2197 |
| Figure 1-4162 | Remove one screw | 2197 |
| Figure 1-4163 | Release two tabs | 2198 |
| Figure 1-4164 | Locate the tabs | 2198 |
| Figure 1-4165 | Release four tabs | 2199 |
| Figure 1-4166 | Rotate the cover | 2199 |
| Figure 1-4167 | Release one tab and two hooks | 2200 |
| Figure 1-4168 | Lower the scanner | 2200 |
| Figure 1-4169 | Remove the left cover | 2201 |
| Figure 1-4170 | Disconnect the scanner cables | 2201 |
| Figure 1-4171 | Remove one screw and release the ground wire | 2202 |
| Figure 1-4172 | Raise the scanner | 2202 |
| Figure 1-4173 | Release the scanner arm pin | 2203 |

| | | |
|---------------|---|------|
| Figure 1-4174 | Remove the scanner arm pin. | 2203 |
| Figure 1-4175 | Release one tab | 2204 |
| Figure 1-4176 | Remove the scanner cable cover | 2204 |
| Figure 1-4177 | Release the cables | 2205 |
| Figure 1-4178 | Remove the scanner assembly | 2205 |
| Figure 1-4179 | Disconnect one connector and remove four screws | 2206 |
| Figure 1-4180 | Remove the fax cover | 2206 |
| Figure 1-4181 | Remove the fax PCA | 2207 |
| Figure 1-4182 | Disconnect two connectors | 2207 |
| Figure 1-4183 | Remove one screw and the sheet metal plate | 2208 |
| Figure 1-4184 | Lower the support arm and remove one screw | 2208 |
| Figure 1-4185 | Remove the scanner support arm | 2209 |
| Figure 1-4186 | Remove three screws | 2209 |
| Figure 1-4187 | Release the control panel cover | 2210 |
| Figure 1-4188 | Remove the control panel cover | 2210 |
| Figure 1-4189 | Release the flat cable | 2211 |
| Figure 1-4190 | Remove three screws | 2211 |
| Figure 1-4191 | Remove one screw | 2212 |
| Figure 1-4192 | Refasten the control panel to the top cover | 2212 |
| Figure 1-4193 | Release the USB cable | 2213 |
| Figure 1-4194 | Remove two screws | 2213 |
| Figure 1-4195 | Release one retainer and three tabs | 2214 |
| Figure 1-4196 | Remove the top cover | 2214 |
| Figure 1-4197 | Disconnect one connector | 2215 |
| Figure 1-4198 | Disconnect one connector | 2215 |
| Figure 1-4199 | Disconnect the antenna | 2216 |
| Figure 1-4200 | Remove two screws | 2216 |
| Figure 1-4201 | Remove the guide | 2217 |
| Figure 1-4202 | Remove three screws | 2217 |
| Figure 1-4203 | Release two tabs | 2218 |
| Figure 1-4204 | Remove screw and release two tabs | 2218 |
| Figure 1-4205 | Remove two screws and release one tab | 2219 |
| Figure 1-4206 | Remove the top cover | 2219 |
| Figure 1-4207 | Remove four screws | 2220 |
| Figure 1-4208 | Remove the guide | 2220 |
| Figure 1-4209 | Disconnect one connector | 2221 |
| Figure 1-4210 | Disconnect eight connectors | 2221 |
| Figure 1-4211 | Disconnect two connectors | 2222 |
| Figure 1-4212 | Remove three screws | 2222 |
| Figure 1-4213 | Remove the fuser | 2223 |
| Figure 1-4214 | Disconnect two connectors | 2223 |

| | | |
|---------------|---|------|
| Figure 1-4215 | Remove two screws | 2224 |
| Figure 1-4216 | Release the retainer arm | 2224 |
| Figure 1-4217 | Disconnect two connectors and remove three screws | 2225 |
| Figure 1-4218 | Remove the fuser power supply | 2225 |
| Figure 1-4219 | Release one tab | 2226 |
| Figure 1-4220 | Remove the duplex drive assembly | 2226 |
| Figure 1-4221 | Recycle and unpack | 2227 |
| Figure 1-4222 | Install one tab | 2227 |
| Figure 1-4223 | Install the duplex drive assembly | 2228 |
| Figure 1-4224 | Install two tabs | 2228 |
| Figure 1-4225 | Install one tab | 2229 |
| Figure 1-4226 | Disconnect two connectors and remove three screws | 2229 |
| Figure 1-4227 | Install the retainer arm | 2230 |
| Figure 1-4228 | Install two screws | 2230 |
| Figure 1-4229 | Connect two connectors | 2231 |
| Figure 1-4230 | Install the lever through the opening | 2231 |
| Figure 1-4231 | Switchback lever shaft | 2232 |
| Figure 1-4232 | Switchback lever position | 2232 |
| Figure 1-4233 | Install three screws | 2233 |
| Figure 1-4234 | Connect two connectors | 2233 |
| Figure 1-4235 | Connect eight connectors | 2234 |
| Figure 1-4236 | Connect one connector | 2234 |
| Figure 1-4237 | Position the guide | 2235 |
| Figure 1-4238 | Install four screws | 2235 |
| Figure 1-4239 | Position the top cover | 2236 |
| Figure 1-4240 | Engage tab and install screws | 2236 |
| Figure 1-4241 | Install two tabs and one screw | 2237 |
| Figure 1-4242 | Install two tabs | 2237 |
| Figure 1-4243 | Install three screws | 2238 |
| Figure 1-4244 | Install the guide | 2238 |
| Figure 1-4245 | Install two screws | 2239 |
| Figure 1-4246 | Connect one connector | 2239 |
| Figure 1-4247 | Connect one connector | 2240 |
| Figure 1-4248 | Connect the antenna | 2240 |
| Figure 1-4249 | Position the top cover | 2241 |
| Figure 1-4250 | Install one retainer and three tabs | 2241 |
| Figure 1-4251 | Install two screws | 2242 |
| Figure 1-4252 | Install the USB cable | 2242 |
| Figure 1-4253 | Remove one screw | 2243 |
| Figure 1-4254 | Install one screw | 2243 |
| Figure 1-4255 | Install three screws | 2244 |

| | | |
|---------------|---|------|
| Figure 1-4256 | Install the flat cable | 2244 |
| Figure 1-4257 | Install the control panel cover | 2245 |
| Figure 1-4258 | Install one screw | 2245 |
| Figure 1-4259 | Install three screws | 2246 |
| Figure 1-4260 | Install the scanner support arm | 2246 |
| Figure 1-4261 | Raise the metal plate | 2247 |
| Figure 1-4262 | Lower the support arm and install one screw | 2247 |
| Figure 1-4263 | Install the metal plate | 2248 |
| Figure 1-4264 | Install one screw | 2248 |
| Figure 1-4265 | Connect two connectors | 2249 |
| Figure 1-4266 | Install the fax PCA | 2249 |
| Figure 1-4267 | Install the fax cover | 2250 |
| Figure 1-4268 | Install four screws and connect one connector | 2250 |
| Figure 1-4269 | Install the scanner assembly | 2251 |
| Figure 1-4270 | Press the cables | 2251 |
| Figure 1-4271 | Position the scanner cable cover | 2252 |
| Figure 1-4272 | Install the scanner cable cover | 2252 |
| Figure 1-4273 | Install the scanner arm pin | 2253 |
| Figure 1-4274 | Secure the scanner arm pin | 2253 |
| Figure 1-4275 | Lower the scanner | 2254 |
| Figure 1-4276 | Install the ground wire | 2254 |
| Figure 1-4277 | Install the M377, M477 scanner | 2255 |
| Figure 1-4278 | Position three tabs | 2255 |
| Figure 1-4279 | Install one tab | 2256 |
| Figure 1-4280 | Install the left cover | 2257 |
| Figure 1-4281 | Make sure the tab does not get caught | 2257 |
| Figure 1-4282 | Install four tabs | 2258 |
| Figure 1-4283 | Engage two tabs | 2258 |
| Figure 1-4284 | Install hinge pin | 2259 |
| Figure 1-4285 | Install one screw | 2259 |
| Figure 1-4286 | Install one tab | 2260 |
| Figure 1-4287 | Rotate the left cover | 2261 |
| Figure 1-4288 | Make sure the tab does not get caught | 2261 |
| Figure 1-4289 | Raise the scanner | 2262 |
| Figure 1-4290 | Position the hooks in the slots | 2262 |
| Figure 1-4291 | Install the top hooks | 2263 |
| Figure 1-4292 | Make sure the tab does not get caught | 2263 |
| Figure 1-4293 | Install four tabs | 2264 |
| Figure 1-4294 | Install two tabs | 2264 |
| Figure 1-4295 | Install hinge pin | 2265 |
| Figure 1-4296 | Install one screw | 2265 |

| | | |
|---------------|--|------|
| Figure 1-4297 | Lower the scanner | 2266 |
| Figure 1-4298 | Position two tabs | 2266 |
| Figure 1-4299 | Install rear tab | 2267 |
| Figure 1-4300 | Install the right cover | 2267 |
| Figure 1-4301 | Install upper tabs | 2268 |
| Figure 1-4302 | Install the front tabs | 2268 |
| Figure 1-4303 | Install the front lower tab | 2269 |
| Figure 1-4304 | Install two tabs | 2269 |
| Figure 1-4305 | Install one screw | 2270 |
| Figure 1-4306 | Install one screw | 2270 |
| Figure 1-4307 | Install rear tab | 2271 |
| Figure 1-4308 | Raise the scanner | 2271 |
| Figure 1-4309 | Rotate the right cover | 2272 |
| Figure 1-4310 | Position the hooks in the slots | 2272 |
| Figure 1-4311 | Slide the cover | 2273 |
| Figure 1-4312 | Rotate the front of the cover | 2273 |
| Figure 1-4313 | Install two tabs | 2274 |
| Figure 1-4314 | Install the front and lower tabs | 2274 |
| Figure 1-4315 | Install one screw | 2275 |
| Figure 1-4316 | Install one screw | 2275 |
| Figure 1-4317 | Lower the scanner | 2276 |
| Figure 1-4318 | Close the front door | 2276 |
| Figure 1-4319 | Close the duplexer door | 2277 |
| Figure 1-4320 | Install the tray | 2277 |
| Figure 1-4321 | Remove the tray | 2279 |
| Figure 1-4322 | Release the front door | 2279 |
| Figure 1-4323 | Open the front door | 2280 |
| Figure 1-4324 | Open the duplexer door | 2280 |
| Figure 1-4325 | Open the rear door | 2281 |
| Figure 1-4326 | Remove one screw | 2281 |
| Figure 1-4327 | Remove one screw | 2282 |
| Figure 1-4328 | Locate the tabs | 2282 |
| Figure 1-4329 | Release front lower tabs | 2283 |
| Figure 1-4330 | Release lower rear tab | 2283 |
| Figure 1-4331 | Release two front tabs | 2284 |
| Figure 1-4332 | Release upper tabs | 2284 |
| Figure 1-4333 | Remove the right cover | 2285 |
| Figure 1-4334 | Remove one screw | 2285 |
| Figure 1-4335 | Release two tabs | 2286 |
| Figure 1-4336 | Locate the tabs | 2286 |
| Figure 1-4337 | Release bottom tabs | 2287 |

| | | |
|---------------|---|------|
| Figure 1-4338 | Release three tabs | 2287 |
| Figure 1-4339 | Release six tabs | 2288 |
| Figure 1-4340 | Remove the rear top cover | 2288 |
| Figure 1-4341 | Disconnect one connector | 2289 |
| Figure 1-4342 | Disconnect one connector | 2289 |
| Figure 1-4343 | Disconnect the antenna | 2290 |
| Figure 1-4344 | Remove two screws | 2290 |
| Figure 1-4345 | Remove the guide | 2291 |
| Figure 1-4346 | Remove three screws | 2291 |
| Figure 1-4347 | Release two tabs | 2292 |
| Figure 1-4348 | Remove screw and release two tabs | 2292 |
| Figure 1-4349 | Remove two screws and release one tab | 2293 |
| Figure 1-4350 | Remove the top cover | 2293 |
| Figure 1-4351 | Locate the wireless antenna | 2294 |
| Figure 1-4352 | Loosen the tape | 2294 |
| Figure 1-4353 | Remove the antenna | 2295 |
| Figure 1-4354 | Recycle and unpack | 2295 |
| Figure 1-4355 | Remove protective backing from adhesive strip | 2296 |
| Figure 1-4356 | Install the top adhesive strip | 2296 |
| Figure 1-4357 | Peel the silver tape up | 2297 |
| Figure 1-4358 | Remove the protective backing | 2297 |
| Figure 1-4359 | Press the silver tape | 2298 |
| Figure 1-4360 | Position the tape | 2298 |
| Figure 1-4361 | Remove the protective cover | 2299 |
| Figure 1-4362 | Position the top cover | 2299 |
| Figure 1-4363 | Engage tab and install screws | 2300 |
| Figure 1-4364 | Install two tabs and one screw | 2300 |
| Figure 1-4365 | Install two tabs | 2301 |
| Figure 1-4366 | Install three screws | 2301 |
| Figure 1-4367 | Install the guide | 2302 |
| Figure 1-4368 | Install two screws | 2302 |
| Figure 1-4369 | Connect one connector | 2303 |
| Figure 1-4370 | Connect one connector | 2303 |
| Figure 1-4371 | Connect the antenna | 2304 |
| Figure 1-4372 | Install the rear top cover | 2304 |
| Figure 1-4373 | Release two tabs | 2305 |
| Figure 1-4374 | Position three tabs | 2305 |
| Figure 1-4375 | Install one tab | 2306 |
| Figure 1-4376 | Install the left cover | 2307 |
| Figure 1-4377 | Make sure the tab does not get caught | 2307 |
| Figure 1-4378 | Install four tabs | 2308 |

| | | |
|---------------|---|------|
| Figure 1-4379 | Engage two tabs | 2308 |
| Figure 1-4380 | Install hinge pin | 2309 |
| Figure 1-4381 | Install one screw | 2309 |
| Figure 1-4382 | Position two tabs | 2310 |
| Figure 1-4383 | Install rear tab | 2310 |
| Figure 1-4384 | Install the right cover | 2311 |
| Figure 1-4385 | Install upper tabs | 2311 |
| Figure 1-4386 | Install the front tabs | 2312 |
| Figure 1-4387 | Install the front lower tab | 2312 |
| Figure 1-4388 | Install two tabs | 2313 |
| Figure 1-4389 | Install one screw | 2313 |
| Figure 1-4390 | Install one screw | 2314 |
| Figure 1-4391 | Close the front door | 2314 |
| Figure 1-4392 | Close the duplexer door | 2315 |
| Figure 1-4393 | Close the rear door | 2315 |
| Figure 1-4394 | Install the tray | 2316 |
| Figure 1-4395 | Remove the tray | 2318 |
| Figure 1-4396 | Release the front door | 2318 |
| Figure 1-4397 | Open the front door | 2319 |
| Figure 1-4398 | Open the duplexer door | 2319 |
| Figure 1-4399 | Open the rear door | 2320 |
| Figure 1-4400 | Remove one screw | 2320 |
| Figure 1-4401 | Release two tabs | 2321 |
| Figure 1-4402 | Locate the tabs | 2321 |
| Figure 1-4403 | Release bottom tabs | 2322 |
| Figure 1-4404 | Release three tabs | 2322 |
| Figure 1-4405 | Disconnect all of the connectors) | 2323 |
| Figure 1-4406 | Remove four screws | 2323 |
| Figure 1-4407 | Disconnect the antenna | 2324 |
| Figure 1-4408 | Remove the formatter PCA | 2324 |
| Figure 1-4409 | Remove the wireless PCA | 2325 |
| Figure 1-4410 | Recycle and unpack | 2325 |
| Figure 1-4411 | Position the wireless PCA | 2326 |
| Figure 1-4412 | Connect the wireless PCA | 2326 |
| Figure 1-4413 | Check the tabs | 2327 |
| Figure 1-4414 | Position the formatter PCA ports | 2327 |
| Figure 1-4415 | Connect the antenna | 2328 |
| Figure 1-4416 | Install four screws | 2328 |
| Figure 1-4417 | Connect all of the connectors | 2329 |
| Figure 1-4418 | Position three tabs | 2329 |
| Figure 1-4419 | Install one tab | 2330 |

| | | |
|---------------|---|------|
| Figure 1-4420 | Install the left cover | 2331 |
| Figure 1-4421 | Make sure the tab does not get caught | 2331 |
| Figure 1-4422 | Install four tabs | 2332 |
| Figure 1-4423 | Engage two tabs | 2332 |
| Figure 1-4424 | Install hinge pin | 2333 |
| Figure 1-4425 | Install one screw | 2333 |
| Figure 1-4426 | Close the front door | 2334 |
| Figure 1-4427 | Close the duplexer door | 2334 |
| Figure 1-4428 | Close the rear door | 2335 |
| Figure 1-4429 | Install the tray | 2335 |
| Figure 1-4430 | Remove the tray | 2337 |
| Figure 1-4431 | Release the front door | 2337 |
| Figure 1-4432 | Open the front door | 2338 |
| Figure 1-4433 | Open the duplexer door | 2338 |
| Figure 1-4434 | Open the rear door | 2339 |
| Figure 1-4435 | Raise the scanner | 2339 |
| Figure 1-4436 | Remove one screw | 2340 |
| Figure 1-4437 | Release two tabs | 2340 |
| Figure 1-4438 | Locate the tabs | 2341 |
| Figure 1-4439 | Release four tabs | 2341 |
| Figure 1-4440 | Rotate the cover | 2342 |
| Figure 1-4441 | Release one tab and two hooks | 2342 |
| Figure 1-4442 | Lower the scanner | 2343 |
| Figure 1-4443 | Remove the left cover | 2343 |
| Figure 1-4444 | Disconnect one connector | 2344 |
| Figure 1-4445 | Slide the wireless PCA holder forward | 2344 |
| Figure 1-4446 | Remove the wireless PCA holder | 2345 |
| Figure 1-4447 | Remove one screw | 2345 |
| Figure 1-4448 | Release the cable | 2346 |
| Figure 1-4449 | Feed the cable through the holder | 2346 |
| Figure 1-4450 | Remove the wireless PCA from the holder | 2347 |
| Figure 1-4451 | Disconnect one connector | 2347 |
| Figure 1-4452 | Recycle and unpack | 2348 |
| Figure 1-4453 | Connect one connector | 2348 |
| Figure 1-4454 | Install the wireless PCA on the holder | 2349 |
| Figure 1-4455 | Feed the cable through the holder | 2349 |
| Figure 1-4456 | Install the cable | 2350 |
| Figure 1-4457 | Install one screw | 2350 |
| Figure 1-4458 | Install the wireless PCA holder | 2351 |
| Figure 1-4459 | Slide the wireless PCA holder | 2351 |
| Figure 1-4460 | Connect one connector | 2352 |

| | | |
|---------------|---|------|
| Figure 1-4461 | Install one tab | 2352 |
| Figure 1-4462 | Rotate the left cover | 2353 |
| Figure 1-4463 | Make sure the tab does not get caught | 2353 |
| Figure 1-4464 | Raise the scanner | 2354 |
| Figure 1-4465 | Position the hooks in the slots | 2354 |
| Figure 1-4466 | Install the top hooks | 2355 |
| Figure 1-4467 | Make sure the tab does not get caught | 2355 |
| Figure 1-4468 | Install four tabs | 2356 |
| Figure 1-4469 | Install two tabs | 2356 |
| Figure 1-4470 | Install hinge pin | 2357 |
| Figure 1-4471 | Install one screw | 2357 |
| Figure 1-4472 | Lower the scanner | 2358 |
| Figure 1-4473 | Close the front door | 2358 |
| Figure 1-4474 | Close the duplexer door | 2359 |
| Figure 1-4475 | Close the rear door | 2359 |
| Figure 1-4476 | Install the tray | 2360 |
| Figure 1-4477 | Remove the tray | 2362 |
| Figure 1-4478 | Release the front door | 2363 |
| Figure 1-4479 | Open the front door | 2363 |
| Figure 1-4480 | Open the duplexer door | 2364 |
| Figure 1-4481 | Open the rear door | 2364 |
| Figure 1-4482 | Remove one screw | 2365 |
| Figure 1-4483 | Release two tabs | 2365 |
| Figure 1-4484 | Locate the tabs | 2366 |
| Figure 1-4485 | Release bottom tabs | 2366 |
| Figure 1-4486 | Release three tabs | 2367 |
| Figure 1-4487 | Raise the scanner | 2367 |
| Figure 1-4488 | Remove one screw | 2368 |
| Figure 1-4489 | Release two tabs | 2368 |
| Figure 1-4490 | Locate the tabs | 2369 |
| Figure 1-4491 | Release four tabs | 2369 |
| Figure 1-4492 | Rotate the cover | 2370 |
| Figure 1-4493 | Release one tab and two hooks | 2370 |
| Figure 1-4494 | Lower the scanner | 2371 |
| Figure 1-4495 | Remove the left cover | 2371 |
| Figure 1-4496 | Disconnect all of the connectors) | 2372 |
| Figure 1-4497 | Remove four screws | 2372 |
| Figure 1-4498 | Disconnect the antenna | 2373 |
| Figure 1-4499 | Remove the formatter PCA | 2373 |
| Figure 1-4500 | Remove the wireless PCA | 2374 |
| Figure 1-4501 | Remove the bracket | 2374 |

| | | |
|---------------|---|------|
| Figure 1-4502 | Recycle and unpack | 2375 |
| Figure 1-4503 | Install the bracket | 2375 |
| Figure 1-4504 | Position the wireless PCA | 2376 |
| Figure 1-4505 | Connect the wireless PCA | 2376 |
| Figure 1-4506 | Check the tabs | 2377 |
| Figure 1-4507 | Position the formatter PCA ports | 2377 |
| Figure 1-4508 | Connect the antenna | 2378 |
| Figure 1-4509 | Install four screws | 2378 |
| Figure 1-4510 | Connect all of the connectors | 2379 |
| Figure 1-4511 | Position three tabs | 2379 |
| Figure 1-4512 | Install one tab | 2380 |
| Figure 1-4513 | Install the left cover | 2381 |
| Figure 1-4514 | Make sure the tab does not get caught | 2381 |
| Figure 1-4515 | Install four tabs | 2382 |
| Figure 1-4516 | Engage two tabs | 2382 |
| Figure 1-4517 | Install hinge pin | 2383 |
| Figure 1-4518 | Install one screw | 2383 |
| Figure 1-4519 | Install one tab | 2384 |
| Figure 1-4520 | Rotate the left cover | 2385 |
| Figure 1-4521 | Make sure the tab does not get caught | 2385 |
| Figure 1-4522 | Raise the scanner | 2386 |
| Figure 1-4523 | Position the hooks in the slots | 2386 |
| Figure 1-4524 | Install the top hooks | 2387 |
| Figure 1-4525 | Make sure the tab does not get caught | 2387 |
| Figure 1-4526 | Install four tabs | 2388 |
| Figure 1-4527 | Install two tabs | 2388 |
| Figure 1-4528 | Install hinge pin | 2389 |
| Figure 1-4529 | Install one screw | 2389 |
| Figure 1-4530 | Lower the scanner | 2390 |
| Figure 1-4531 | Close the front door | 2390 |
| Figure 1-4532 | Close the duplexer door | 2391 |
| Figure 1-4533 | Close the rear door | 2391 |
| Figure 1-4534 | Install the tray | 2392 |
| Figure 1-4535 | Remove the tray | 2394 |
| Figure 1-4536 | Release the front door | 2394 |
| Figure 1-4537 | Open the front door | 2395 |
| Figure 1-4538 | Open the duplexer door | 2395 |
| Figure 1-4539 | Open the rear door | 2396 |
| Figure 1-4540 | Remove one screw | 2396 |
| Figure 1-4541 | Release two tabs | 2397 |
| Figure 1-4542 | Locate the tabs | 2397 |

| | | |
|---------------|--|------|
| Figure 1-4543 | Release bottom tabs | 2398 |
| Figure 1-4544 | Release three tabs | 2398 |
| Figure 1-4545 | Raise the scanner | 2399 |
| Figure 1-4546 | Remove one screw | 2399 |
| Figure 1-4547 | Release two tabs | 2400 |
| Figure 1-4548 | Locate the tabs | 2400 |
| Figure 1-4549 | Release four tabs | 2401 |
| Figure 1-4550 | Rotate the cover | 2401 |
| Figure 1-4551 | Release one tab and two hooks | 2402 |
| Figure 1-4552 | Lower the scanner | 2402 |
| Figure 1-4553 | Remove the left cover | 2403 |
| Figure 1-4554 | Disconnect one connector and release two tabs | 2403 |
| Figure 1-4555 | Disconnect one connector and remove the sensor | 2404 |
| Figure 1-4556 | Recycle and unpack | 2404 |
| Figure 1-4557 | Reposition the spring | 2405 |
| Figure 1-4558 | Connect one connector | 2405 |
| Figure 1-4559 | Install two tabs and connect one connector | 2406 |
| Figure 1-4560 | Position three tabs | 2406 |
| Figure 1-4561 | Install one tab | 2407 |
| Figure 1-4562 | Install the left cover | 2408 |
| Figure 1-4563 | Make sure the tab does not get caught | 2408 |
| Figure 1-4564 | Install four tabs | 2409 |
| Figure 1-4565 | Engage two tabs | 2409 |
| Figure 1-4566 | Install hinge pin | 2410 |
| Figure 1-4567 | Install one screw | 2410 |
| Figure 1-4568 | Install one tab | 2411 |
| Figure 1-4569 | Rotate the left cover | 2412 |
| Figure 1-4570 | Make sure the tab does not get caught | 2412 |
| Figure 1-4571 | Raise the scanner | 2413 |
| Figure 1-4572 | Position the hooks in the slots | 2413 |
| Figure 1-4573 | Install the top hooks | 2414 |
| Figure 1-4574 | Make sure the tab does not get caught | 2414 |
| Figure 1-4575 | Install four tabs | 2415 |
| Figure 1-4576 | Install two tabs | 2415 |
| Figure 1-4577 | Install hinge pin | 2416 |
| Figure 1-4578 | Install one screw | 2416 |
| Figure 1-4579 | Lower the scanner | 2417 |
| Figure 1-4580 | Close the front door | 2417 |
| Figure 1-4581 | Close the duplexer door | 2418 |
| Figure 1-4582 | Close the rear door | 2418 |
| Figure 1-4583 | Install the tray | 2419 |

| | | |
|---------------|---|------|
| Figure 1-4584 | Remove the tray | 2421 |
| Figure 1-4585 | Release the front door | 2421 |
| Figure 1-4586 | Open the front door | 2422 |
| Figure 1-4587 | Open the duplexer door | 2422 |
| Figure 1-4588 | Open the rear door | 2423 |
| Figure 1-4589 | Raise the scanner | 2423 |
| Figure 1-4590 | Remove one screw | 2424 |
| Figure 1-4591 | Remove one screw | 2424 |
| Figure 1-4592 | Locate the tabs | 2425 |
| Figure 1-4593 | Release front lower tabs | 2425 |
| Figure 1-4594 | Release lower rear tab | 2426 |
| Figure 1-4595 | Release front upper tabs | 2426 |
| Figure 1-4596 | Rotate the front of the cover | 2427 |
| Figure 1-4597 | Release top tabs | 2427 |
| Figure 1-4598 | Release one tab and one hook | 2428 |
| Figure 1-4599 | Lower the scanner | 2428 |
| Figure 1-4600 | Remove the right cover | 2429 |
| Figure 1-4601 | Raise the scanner | 2429 |
| Figure 1-4602 | Remove one screw | 2430 |
| Figure 1-4603 | Release two tabs | 2430 |
| Figure 1-4604 | Locate the tabs | 2431 |
| Figure 1-4605 | Release four tabs | 2431 |
| Figure 1-4606 | Rotate the cover | 2432 |
| Figure 1-4607 | Release one tab and two hooks | 2432 |
| Figure 1-4608 | Lower the scanner | 2433 |
| Figure 1-4609 | Remove the left cover | 2433 |
| Figure 1-4610 | Disconnect the scanner cables | 2434 |
| Figure 1-4611 | Remove one screw and release the ground wire | 2434 |
| Figure 1-4612 | Raise the scanner | 2435 |
| Figure 1-4613 | Release the scanner arm pin | 2435 |
| Figure 1-4614 | Remove the scanner arm pin. | 2436 |
| Figure 1-4615 | Release one tab | 2436 |
| Figure 1-4616 | Remove the scanner cable cover | 2437 |
| Figure 1-4617 | Release the cables | 2437 |
| Figure 1-4618 | Remove the scanner assembly | 2438 |
| Figure 1-4619 | Disconnect one connector and remove four screws | 2438 |
| Figure 1-4620 | Remove the fax cover | 2439 |
| Figure 1-4621 | Remove the fax PCA | 2439 |
| Figure 1-4622 | Recycle and unpack | 2440 |
| Figure 1-4623 | Install the fax PCA | 2440 |
| Figure 1-4624 | Install the fax cover | 2441 |

| | | |
|---------------|---|------|
| Figure 1-4625 | Install four screws and connect one connector | 2441 |
| Figure 1-4626 | Install the scanner assembly | 2442 |
| Figure 1-4627 | Press the cables | 2442 |
| Figure 1-4628 | Position the scanner cable cover | 2443 |
| Figure 1-4629 | Install the scanner cable cover | 2443 |
| Figure 1-4630 | Install the scanner arm pin | 2444 |
| Figure 1-4631 | Secure the scanner arm pin | 2444 |
| Figure 1-4632 | Lower the scanner | 2445 |
| Figure 1-4633 | Install the ground wire | 2445 |
| Figure 1-4634 | Install the M377, M477 scanner | 2446 |
| Figure 1-4635 | Install one tab | 2446 |
| Figure 1-4636 | Rotate the left cover | 2447 |
| Figure 1-4637 | Make sure the tab does not get caught | 2447 |
| Figure 1-4638 | Raise the scanner | 2448 |
| Figure 1-4639 | Position the hooks in the slots | 2448 |
| Figure 1-4640 | Install the top hooks | 2449 |
| Figure 1-4641 | Make sure the tab does not get caught | 2449 |
| Figure 1-4642 | Install four tabs | 2450 |
| Figure 1-4643 | Install two tabs | 2450 |
| Figure 1-4644 | Install hinge pin | 2451 |
| Figure 1-4645 | Install one screw | 2451 |
| Figure 1-4646 | Lower the scanner | 2452 |
| Figure 1-4647 | Install rear tab | 2452 |
| Figure 1-4648 | Raise the scanner | 2453 |
| Figure 1-4649 | Rotate the right cover | 2453 |
| Figure 1-4650 | Position the hooks in the slots | 2454 |
| Figure 1-4651 | Slide the cover | 2454 |
| Figure 1-4652 | Rotate the front of the cover | 2455 |
| Figure 1-4653 | Install two tabs | 2455 |
| Figure 1-4654 | Install the front and lower tabs | 2456 |
| Figure 1-4655 | Install one screw | 2456 |
| Figure 1-4656 | Install one screw | 2457 |
| Figure 1-4657 | Lower the scanner | 2457 |
| Figure 1-4658 | Close the front door | 2458 |
| Figure 1-4659 | Close the duplexer door | 2458 |
| Figure 1-4660 | Close the rear door | 2459 |
| Figure 1-4661 | Install the tray | 2459 |
| Figure 1-4662 | Remove the tray | 2461 |
| Figure 1-4663 | Release the front door | 2462 |
| Figure 1-4664 | Open the front door | 2462 |
| Figure 1-4665 | Open the duplexer door | 2463 |

| | | |
|---------------|--|------|
| Figure 1-4666 | Remove one screw | 2463 |
| Figure 1-4667 | Remove one screw | 2464 |
| Figure 1-4668 | Locate the tabs | 2464 |
| Figure 1-4669 | Release front lower tabs | 2465 |
| Figure 1-4670 | Release lower rear tab | 2465 |
| Figure 1-4671 | Release two front tabs | 2466 |
| Figure 1-4672 | Release upper tabs | 2466 |
| Figure 1-4673 | Remove the right cover | 2467 |
| Figure 1-4674 | Raise the scanner | 2467 |
| Figure 1-4675 | Remove one screw | 2468 |
| Figure 1-4676 | Remove one screw | 2468 |
| Figure 1-4677 | Locate the tabs | 2469 |
| Figure 1-4678 | Release front lower tabs | 2469 |
| Figure 1-4679 | Release lower rear tab | 2470 |
| Figure 1-4680 | Release front upper tabs | 2470 |
| Figure 1-4681 | Rotate the front of the cover | 2471 |
| Figure 1-4682 | Release top tabs | 2471 |
| Figure 1-4683 | Release one tab and one hook | 2472 |
| Figure 1-4684 | Lower the scanner | 2472 |
| Figure 1-4685 | Remove the right cover | 2473 |
| Figure 1-4686 | Remove one screw | 2473 |
| Figure 1-4687 | Release two tabs | 2474 |
| Figure 1-4688 | Locate the tabs | 2474 |
| Figure 1-4689 | Release bottom tabs | 2475 |
| Figure 1-4690 | Release three tabs | 2475 |
| Figure 1-4691 | Raise the scanner | 2476 |
| Figure 1-4692 | Remove one screw | 2476 |
| Figure 1-4693 | Release two tabs | 2477 |
| Figure 1-4694 | Locate the tabs | 2477 |
| Figure 1-4695 | Release four tabs | 2478 |
| Figure 1-4696 | Rotate the cover | 2478 |
| Figure 1-4697 | Release one tab and two hooks | 2479 |
| Figure 1-4698 | Lower the scanner | 2479 |
| Figure 1-4699 | Remove the left cover | 2480 |
| Figure 1-4700 | Disconnect the scanner cables | 2480 |
| Figure 1-4701 | Remove one screw and release the ground wire | 2481 |
| Figure 1-4702 | Raise the scanner | 2481 |
| Figure 1-4703 | Release the scanner arm pin | 2482 |
| Figure 1-4704 | Remove the scanner arm pin. | 2482 |
| Figure 1-4705 | Release one tab | 2483 |
| Figure 1-4706 | Remove the scanner cable cover | 2483 |

| | | |
|---------------|---|------|
| Figure 1-4707 | Release the cables | 2484 |
| Figure 1-4708 | Remove the scanner assembly | 2484 |
| Figure 1-4709 | Disconnect one connector and remove four screws | 2485 |
| Figure 1-4710 | Remove the fax cover | 2485 |
| Figure 1-4711 | Remove the fax PCA | 2486 |
| Figure 1-4712 | Disconnect two connectors | 2486 |
| Figure 1-4713 | Remove one screw and the sheet metal plate | 2487 |
| Figure 1-4714 | Lower the support arm and remove one screw | 2487 |
| Figure 1-4715 | Remove the scanner support arm | 2488 |
| Figure 1-4716 | Remove three screws | 2488 |
| Figure 1-4717 | Release the control panel cover | 2489 |
| Figure 1-4718 | Remove the control panel cover | 2489 |
| Figure 1-4719 | Release the flat cable | 2490 |
| Figure 1-4720 | Remove three screws | 2490 |
| Figure 1-4721 | Remove one screw | 2491 |
| Figure 1-4722 | Refasten the control panel to the top cover | 2491 |
| Figure 1-4723 | Release the USB cable | 2492 |
| Figure 1-4724 | Remove two screws | 2492 |
| Figure 1-4725 | Release one retainer and three tabs | 2493 |
| Figure 1-4726 | Remove the top cover | 2493 |
| Figure 1-4727 | Disconnect one connector | 2494 |
| Figure 1-4728 | Disconnect one connector | 2494 |
| Figure 1-4729 | Disconnect the antenna | 2495 |
| Figure 1-4730 | Remove two screws | 2495 |
| Figure 1-4731 | Remove the guide | 2496 |
| Figure 1-4732 | Remove three screws | 2496 |
| Figure 1-4733 | Release two tabs | 2497 |
| Figure 1-4734 | Remove screw and release two tabs | 2497 |
| Figure 1-4735 | Remove two screws and release one tab | 2498 |
| Figure 1-4736 | Remove the top cover | 2498 |
| Figure 1-4737 | Remove one screw and release one tab | 2499 |
| Figure 1-4738 | Disconnect one connector | 2499 |
| Figure 1-4739 | Recycle and unpack | 2500 |
| Figure 1-4740 | Connect one connector | 2500 |
| Figure 1-4741 | Position the NFC PCA | 2501 |
| Figure 1-4742 | Install one tab and one screw | 2501 |
| Figure 1-4743 | Position the top cover | 2502 |
| Figure 1-4744 | Engage tab and install screws | 2502 |
| Figure 1-4745 | Install two tabs and one screw | 2503 |
| Figure 1-4746 | Install two tabs | 2503 |
| Figure 1-4747 | Install three screws | 2504 |

| | | |
|---------------|---|------|
| Figure 1-4748 | Install the guide | 2504 |
| Figure 1-4749 | Install two screws | 2505 |
| Figure 1-4750 | Connect one connector | 2505 |
| Figure 1-4751 | Connect one connector | 2506 |
| Figure 1-4752 | Connect the antenna | 2506 |
| Figure 1-4753 | Position the top cover | 2507 |
| Figure 1-4754 | Install one retainer and three tabs | 2507 |
| Figure 1-4755 | Install two screws | 2508 |
| Figure 1-4756 | Install the USB cable | 2508 |
| Figure 1-4757 | Remove one screw | 2509 |
| Figure 1-4758 | Install one screw | 2509 |
| Figure 1-4759 | Install three screws | 2510 |
| Figure 1-4760 | Install the flat cable | 2510 |
| Figure 1-4761 | Install the control panel cover | 2511 |
| Figure 1-4762 | Install one screw | 2511 |
| Figure 1-4763 | Install three screws | 2512 |
| Figure 1-4764 | Install the scanner support arm | 2512 |
| Figure 1-4765 | Raise the metal plate | 2513 |
| Figure 1-4766 | Lower the support arm and install one screw | 2513 |
| Figure 1-4767 | Install the metal plate | 2514 |
| Figure 1-4768 | Install one screw | 2514 |
| Figure 1-4769 | Connect two connectors | 2515 |
| Figure 1-4770 | Install the fax PCA | 2515 |
| Figure 1-4771 | Install the fax cover | 2516 |
| Figure 1-4772 | Install four screws and connect one connector | 2516 |
| Figure 1-4773 | Install the scanner assembly | 2517 |
| Figure 1-4774 | Press the cables | 2517 |
| Figure 1-4775 | Position the scanner cable cover | 2518 |
| Figure 1-4776 | Install the scanner cable cover | 2518 |
| Figure 1-4777 | Install the scanner arm pin | 2519 |
| Figure 1-4778 | Secure the scanner arm pin | 2519 |
| Figure 1-4779 | Lower the scanner | 2520 |
| Figure 1-4780 | Install the ground wire | 2520 |
| Figure 1-4781 | Install the M377, M477 scanner | 2521 |
| Figure 1-4782 | Position three tabs | 2521 |
| Figure 1-4783 | Install one tab | 2522 |
| Figure 1-4784 | Install the left cover | 2523 |
| Figure 1-4785 | Make sure the tab does not get caught | 2523 |
| Figure 1-4786 | Install four tabs | 2524 |
| Figure 1-4787 | Engage two tabs | 2524 |
| Figure 1-4788 | Install hinge pin | 2525 |

| | | |
|---------------|---|------|
| Figure 1-4789 | Install one screw | 2525 |
| Figure 1-4790 | Install one tab | 2526 |
| Figure 1-4791 | Rotate the left cover | 2527 |
| Figure 1-4792 | Make sure the tab does not get caught | 2527 |
| Figure 1-4793 | Raise the scanner | 2528 |
| Figure 1-4794 | Position the hooks in the slots | 2528 |
| Figure 1-4795 | Install the top hooks | 2529 |
| Figure 1-4796 | Make sure the tab does not get caught | 2529 |
| Figure 1-4797 | Install four tabs | 2530 |
| Figure 1-4798 | Install two tabs | 2530 |
| Figure 1-4799 | Install hinge pin | 2531 |
| Figure 1-4800 | Install one screw | 2531 |
| Figure 1-4801 | Lower the scanner | 2532 |
| Figure 1-4802 | Position two tabs | 2532 |
| Figure 1-4803 | Install rear tab | 2533 |
| Figure 1-4804 | Install the right cover | 2533 |
| Figure 1-4805 | Install upper tabs | 2534 |
| Figure 1-4806 | Install the front tabs | 2534 |
| Figure 1-4807 | Install the front lower tab | 2535 |
| Figure 1-4808 | Install two tabs | 2535 |
| Figure 1-4809 | Install one screw | 2536 |
| Figure 1-4810 | Install one screw | 2536 |
| Figure 1-4811 | Install rear tab | 2537 |
| Figure 1-4812 | Raise the scanner | 2537 |
| Figure 1-4813 | Rotate the right cover | 2538 |
| Figure 1-4814 | Position the hooks in the slots | 2538 |
| Figure 1-4815 | Slide the cover | 2539 |
| Figure 1-4816 | Rotate the front of the cover | 2539 |
| Figure 1-4817 | Install two tabs | 2540 |
| Figure 1-4818 | Install the front and lower tabs | 2540 |
| Figure 1-4819 | Install one screw | 2541 |
| Figure 1-4820 | Install one screw | 2541 |
| Figure 1-4821 | Lower the scanner | 2542 |
| Figure 1-4822 | Close the front door | 2542 |
| Figure 1-4823 | Close the duplexer door | 2543 |
| Figure 1-4824 | Install the tray | 2543 |
| Figure 1-4825 | Remove the tray | 2545 |
| Figure 1-4826 | Release the front door | 2545 |
| Figure 1-4827 | Open the front door | 2546 |
| Figure 1-4828 | Open the duplexer door | 2546 |
| Figure 1-4829 | Remove one screw | 2547 |

| | | |
|---------------|--|------|
| Figure 1-4830 | Remove one screw | 2547 |
| Figure 1-4831 | Locate the tabs | 2548 |
| Figure 1-4832 | Release front lower tabs | 2548 |
| Figure 1-4833 | Release lower rear tab | 2549 |
| Figure 1-4834 | Release two front tabs | 2549 |
| Figure 1-4835 | Release upper tabs | 2550 |
| Figure 1-4836 | Remove the right cover | 2550 |
| Figure 1-4837 | Remove one screw | 2551 |
| Figure 1-4838 | Release two tabs | 2551 |
| Figure 1-4839 | Locate the tabs | 2552 |
| Figure 1-4840 | Release bottom tabs | 2552 |
| Figure 1-4841 | Release three tabs | 2553 |
| Figure 1-4842 | Disconnect one connector | 2553 |
| Figure 1-4843 | Disconnect one connector | 2554 |
| Figure 1-4844 | Disconnect the antenna | 2554 |
| Figure 1-4845 | Remove two screws | 2555 |
| Figure 1-4846 | Remove the guide | 2555 |
| Figure 1-4847 | Remove three screws | 2556 |
| Figure 1-4848 | Release two tabs | 2556 |
| Figure 1-4849 | Remove screw and release two tabs | 2557 |
| Figure 1-4850 | Remove two screws and release one tab | 2557 |
| Figure 1-4851 | Remove the top cover | 2558 |
| Figure 1-4852 | Locate the walk-up USB port | 2558 |
| Figure 1-4853 | Remove screws and disconnect connector | 2559 |
| Figure 1-4854 | Remove the walk-up USB port | 2559 |
| Figure 1-4855 | Recycle and unpack | 2560 |
| Figure 1-4856 | Install the walk-up USB port | 2560 |
| Figure 1-4857 | Install screws and connect connector | 2561 |
| Figure 1-4858 | Position the top cover | 2561 |
| Figure 1-4859 | Engage tab and install screws | 2562 |
| Figure 1-4860 | Install two tabs and one screw | 2562 |
| Figure 1-4861 | Install two tabs | 2563 |
| Figure 1-4862 | Install three screws | 2563 |
| Figure 1-4863 | Install the guide | 2564 |
| Figure 1-4864 | Install two screws | 2564 |
| Figure 1-4865 | Connect one connector | 2565 |
| Figure 1-4866 | Connect one connector | 2565 |
| Figure 1-4867 | Connect the antenna | 2566 |
| Figure 1-4868 | Position three tabs | 2566 |
| Figure 1-4869 | Install one tab | 2567 |
| Figure 1-4870 | Install the left cover | 2568 |

| | | |
|---------------|---|------|
| Figure 1-4871 | Make sure the tab does not get caught | 2568 |
| Figure 1-4872 | Install four tabs | 2569 |
| Figure 1-4873 | Engage two tabs | 2569 |
| Figure 1-4874 | Install hinge pin | 2570 |
| Figure 1-4875 | Install one screw | 2570 |
| Figure 1-4876 | Position two tabs | 2571 |
| Figure 1-4877 | Install rear tab | 2571 |
| Figure 1-4878 | Install the right cover | 2572 |
| Figure 1-4879 | Install upper tabs | 2572 |
| Figure 1-4880 | Install the front tabs | 2573 |
| Figure 1-4881 | Install the front lower tab | 2573 |
| Figure 1-4882 | Install two tabs | 2574 |
| Figure 1-4883 | Install one screw | 2574 |
| Figure 1-4884 | Install one screw | 2575 |
| Figure 1-4885 | Close the front door | 2575 |
| Figure 1-4886 | Close the duplexer door | 2576 |
| Figure 1-4887 | Install the tray | 2576 |
| Figure 1-4888 | Remove the tray | 2578 |
| Figure 1-4889 | Release the front door | 2579 |
| Figure 1-4890 | Open the front door | 2579 |
| Figure 1-4891 | Open the duplexer door | 2580 |
| Figure 1-4892 | Open the rear door | 2580 |
| Figure 1-4893 | Raise the scanner | 2581 |
| Figure 1-4894 | Remove one screw | 2581 |
| Figure 1-4895 | Remove one screw | 2582 |
| Figure 1-4896 | Locate the tabs | 2582 |
| Figure 1-4897 | Release front lower tabs | 2583 |
| Figure 1-4898 | Release lower rear tab | 2583 |
| Figure 1-4899 | Release front upper tabs | 2584 |
| Figure 1-4900 | Rotate the front of the cover | 2584 |
| Figure 1-4901 | Release top tabs | 2585 |
| Figure 1-4902 | Release one tab and one hook | 2585 |
| Figure 1-4903 | Lower the scanner | 2586 |
| Figure 1-4904 | Remove the right cover | 2586 |
| Figure 1-4905 | Raise the scanner | 2587 |
| Figure 1-4906 | Remove one screw | 2587 |
| Figure 1-4907 | Release two tabs | 2588 |
| Figure 1-4908 | Locate the tabs | 2588 |
| Figure 1-4909 | Release four tabs | 2589 |
| Figure 1-4910 | Rotate the cover | 2589 |
| Figure 1-4911 | Release one tab and two hooks | 2590 |

| | | |
|---------------|---|------|
| Figure 1-4912 | Lower the scanner | 2590 |
| Figure 1-4913 | Remove the left cover | 2591 |
| Figure 1-4914 | Release six tabs | 2591 |
| Figure 1-4915 | Remove the rear top cover | 2592 |
| Figure 1-4916 | Disconnect the scanner cables | 2592 |
| Figure 1-4917 | Remove one screw and release the ground wire | 2593 |
| Figure 1-4918 | Raise the scanner | 2593 |
| Figure 1-4919 | Release the scanner arm pin | 2594 |
| Figure 1-4920 | Remove the scanner arm pin. | 2594 |
| Figure 1-4921 | Release one tab | 2595 |
| Figure 1-4922 | Remove the scanner cable cover | 2595 |
| Figure 1-4923 | Release the cables | 2596 |
| Figure 1-4924 | Remove the scanner assembly | 2596 |
| Figure 1-4925 | Disconnect one connector and remove four screws | 2597 |
| Figure 1-4926 | Remove the fax cover | 2597 |
| Figure 1-4927 | Remove the fax PCA | 2598 |
| Figure 1-4928 | Disconnect two connectors | 2598 |
| Figure 1-4929 | Remove one screw and the sheet metal plate | 2599 |
| Figure 1-4930 | Lower the support arm and remove one screw | 2599 |
| Figure 1-4931 | Remove the scanner support arm | 2600 |
| Figure 1-4932 | Remove three screws | 2600 |
| Figure 1-4933 | Release the control panel cover | 2601 |
| Figure 1-4934 | Remove the control panel cover | 2601 |
| Figure 1-4935 | Release the flat cable | 2602 |
| Figure 1-4936 | Remove three screws | 2602 |
| Figure 1-4937 | Remove one screw | 2603 |
| Figure 1-4938 | Refasten the control panel to the top cover | 2603 |
| Figure 1-4939 | Release the USB cable | 2604 |
| Figure 1-4940 | Remove two screws | 2604 |
| Figure 1-4941 | Release one retainer and three tabs | 2605 |
| Figure 1-4942 | Remove the top cover | 2605 |
| Figure 1-4943 | Remove two screws | 2606 |
| Figure 1-4944 | Slide the walk-up USB port | 2606 |
| Figure 1-4945 | Remove the walk-up USB port | 2607 |
| Figure 1-4946 | Recycle and unpack | 2607 |
| Figure 1-4947 | Connect the walk-up USB port | 2608 |
| Figure 1-4948 | Install the walk-up USB port | 2608 |
| Figure 1-4949 | Install two screws | 2609 |
| Figure 1-4950 | Position the top cover | 2609 |
| Figure 1-4951 | Install one retainer and three tabs | 2610 |
| Figure 1-4952 | Install two screws | 2610 |

| | | |
|---------------|---|------|
| Figure 1-4953 | Install the USB cable | 2611 |
| Figure 1-4954 | Remove one screw | 2611 |
| Figure 1-4955 | Install one screw | 2612 |
| Figure 1-4956 | Install three screws | 2612 |
| Figure 1-4957 | Install the flat cable | 2613 |
| Figure 1-4958 | Install the control panel cover | 2613 |
| Figure 1-4959 | Install one screw | 2614 |
| Figure 1-4960 | Install three screws | 2614 |
| Figure 1-4961 | Install the scanner support arm | 2615 |
| Figure 1-4962 | Raise the metal plate | 2615 |
| Figure 1-4963 | Lower the support arm and install one screw | 2616 |
| Figure 1-4964 | Install the metal plate | 2616 |
| Figure 1-4965 | Install one screw | 2617 |
| Figure 1-4966 | Connect two connectors | 2617 |
| Figure 1-4967 | Install the fax PCA | 2618 |
| Figure 1-4968 | Install the fax cover | 2618 |
| Figure 1-4969 | Install four screws and connect one connector | 2619 |
| Figure 1-4970 | Install the scanner assembly | 2619 |
| Figure 1-4971 | Press the cables | 2620 |
| Figure 1-4972 | Position the scanner cable cover | 2620 |
| Figure 1-4973 | Install the scanner cable cover | 2621 |
| Figure 1-4974 | Install the scanner arm pin | 2621 |
| Figure 1-4975 | Secure the scanner arm pin | 2622 |
| Figure 1-4976 | Lower the scanner | 2622 |
| Figure 1-4977 | Install the ground wire | 2623 |
| Figure 1-4978 | Install the M377, M477 scanner | 2623 |
| Figure 1-4979 | Install the rear top cover | 2624 |
| Figure 1-4980 | Release two tabs | 2624 |
| Figure 1-4981 | Install one tab | 2625 |
| Figure 1-4982 | Rotate the left cover | 2626 |
| Figure 1-4983 | Make sure the tab does not get caught | 2626 |
| Figure 1-4984 | Raise the scanner | 2627 |
| Figure 1-4985 | Position the hooks in the slots | 2627 |
| Figure 1-4986 | Install the top hooks | 2628 |
| Figure 1-4987 | Make sure the tab does not get caught | 2628 |
| Figure 1-4988 | Install four tabs | 2629 |
| Figure 1-4989 | Install two tabs | 2629 |
| Figure 1-4990 | Install hinge pin | 2630 |
| Figure 1-4991 | Install one screw | 2630 |
| Figure 1-4992 | Lower the scanner | 2631 |
| Figure 1-4993 | Install rear tab | 2631 |

| | | |
|---------------|---|------|
| Figure 1-4994 | Raise the scanner | 2632 |
| Figure 1-4995 | Rotate the right cover | 2632 |
| Figure 1-4996 | Position the hooks in the slots | 2633 |
| Figure 1-4997 | Slide the cover | 2633 |
| Figure 1-4998 | Rotate the front of the cover | 2634 |
| Figure 1-4999 | Install two tabs | 2634 |
| Figure 1-5000 | Install the front and lower tabs | 2635 |
| Figure 1-5001 | Install one screw | 2635 |
| Figure 1-5002 | Install one screw | 2636 |
| Figure 1-5003 | Lower the scanner | 2636 |
| Figure 1-5004 | Close the front door | 2637 |
| Figure 1-5005 | Close the duplexer door | 2637 |
| Figure 1-5006 | Close the rear door | 2638 |
| Figure 1-5007 | Install the tray | 2638 |
| Figure 1-5008 | Remove the tray | 2640 |
| Figure 1-5009 | Release the front door | 2640 |
| Figure 1-5010 | Open the front door | 2641 |
| Figure 1-5011 | Open the duplexer door | 2641 |
| Figure 1-5012 | Open the rear door | 2642 |
| Figure 1-5013 | Remove one screw | 2642 |
| Figure 1-5014 | Release two tabs | 2643 |
| Figure 1-5015 | Locate the tabs | 2643 |
| Figure 1-5016 | Release bottom tabs | 2644 |
| Figure 1-5017 | Release three tabs | 2644 |
| Figure 1-5018 | Raise the scanner | 2645 |
| Figure 1-5019 | Remove one screw | 2645 |
| Figure 1-5020 | Release two tabs | 2646 |
| Figure 1-5021 | Locate the tabs | 2646 |
| Figure 1-5022 | Release four tabs | 2647 |
| Figure 1-5023 | Rotate the cover | 2647 |
| Figure 1-5024 | Release one tab and two hooks | 2648 |
| Figure 1-5025 | Lower the scanner | 2648 |
| Figure 1-5026 | Remove the left cover | 2649 |
| Figure 1-5027 | Disconnect one connector and release two tabs | 2649 |
| Figure 1-5028 | Remove the drawer connector | 2650 |
| Figure 1-5029 | Recycle and unpack | 2650 |
| Figure 1-5030 | Install the drawer connector | 2651 |
| Figure 1-5031 | Install two tabs and connect one connector | 2651 |
| Figure 1-5032 | Position three tabs | 2652 |
| Figure 1-5033 | Install one tab | 2652 |
| Figure 1-5034 | Install the left cover | 2653 |

| | | |
|---------------|---|------|
| Figure 1-5035 | Make sure the tab does not get caught | 2653 |
| Figure 1-5036 | Install four tabs | 2654 |
| Figure 1-5037 | Engage two tabs | 2654 |
| Figure 1-5038 | Install hinge pin | 2655 |
| Figure 1-5039 | Install one screw | 2655 |
| Figure 1-5040 | Install one tab | 2656 |
| Figure 1-5041 | Rotate the left cover | 2657 |
| Figure 1-5042 | Make sure the tab does not get caught | 2657 |
| Figure 1-5043 | Raise the scanner | 2658 |
| Figure 1-5044 | Position the hooks in the slots | 2658 |
| Figure 1-5045 | Install the top hooks | 2659 |
| Figure 1-5046 | Make sure the tab does not get caught | 2659 |
| Figure 1-5047 | Install four tabs | 2660 |
| Figure 1-5048 | Install two tabs | 2660 |
| Figure 1-5049 | Install hinge pin | 2661 |
| Figure 1-5050 | Install one screw | 2661 |
| Figure 1-5051 | Lower the scanner | 2662 |
| Figure 1-5052 | Close the front door | 2662 |
| Figure 1-5053 | Close the duplexer door | 2663 |
| Figure 1-5054 | Close the rear door | 2663 |
| Figure 1-5055 | Install the tray | 2664 |
| Figure 1-5056 | Remove the tray | 2668 |
| Figure 1-5057 | Remove two screws | 2668 |
| Figure 1-5058 | Release three tabs | 2669 |
| Figure 1-5059 | Release one tab | 2669 |
| Figure 1-5060 | Recycle and unpack | 2670 |
| Figure 1-5061 | Install one tab | 2670 |
| Figure 1-5062 | Install three tabs | 2671 |
| Figure 1-5063 | Install two screws | 2671 |
| Figure 1-5064 | Install the tray | 2672 |
| Figure 1-5065 | Remove the tray | 2674 |
| Figure 1-5066 | Remove two screws | 2674 |
| Figure 1-5067 | Release one tab | 2675 |
| Figure 1-5068 | Release four tabs | 2675 |
| Figure 1-5069 | Remove the cover | 2676 |
| Figure 1-5070 | Recycle and unpack | 2676 |
| Figure 1-5071 | Install two tabs | 2677 |
| Figure 1-5072 | Install four tabs | 2677 |
| Figure 1-5073 | Install three tabs | 2678 |
| Figure 1-5074 | Install two screws | 2678 |
| Figure 1-5075 | Install the tray | 2679 |

| | | |
|---------------|-----------------------------|------|
| Figure 1-5076 | Remove the tray | 2681 |
| Figure 1-5077 | Remove two screws | 2681 |
| Figure 1-5078 | Release three tabs | 2682 |
| Figure 1-5079 | Release one tab | 2682 |
| Figure 1-5080 | Remove two screws | 2683 |
| Figure 1-5081 | Release one tab | 2683 |
| Figure 1-5082 | Release four tabs | 2684 |
| Figure 1-5083 | Remove the cover | 2684 |
| Figure 1-5084 | Remove two screws | 2685 |
| Figure 1-5085 | Remove the rear cover | 2685 |
| Figure 1-5086 | Recycle and unpack | 2686 |
| Figure 1-5087 | Install the tabs | 2686 |
| Figure 1-5088 | Rotate the cover | 2687 |
| Figure 1-5089 | Install two screws | 2687 |
| Figure 1-5090 | Install two tabs | 2688 |
| Figure 1-5091 | Install four tabs | 2688 |
| Figure 1-5092 | Install three tabs | 2689 |
| Figure 1-5093 | Install two screws | 2689 |
| Figure 1-5094 | Install one tab | 2690 |
| Figure 1-5095 | Install three tabs | 2690 |
| Figure 1-5096 | Install two screws | 2691 |
| Figure 1-5097 | Install the tray | 2691 |
| Figure 1-5098 | Remove the tray | 2693 |
| Figure 1-5099 | Remove two screws | 2694 |
| Figure 1-5100 | Release three tabs | 2694 |
| Figure 1-5101 | Release one tab | 2695 |
| Figure 1-5102 | Remove two screws | 2695 |
| Figure 1-5103 | Release one tab | 2696 |
| Figure 1-5104 | Release four tabs | 2696 |
| Figure 1-5105 | Remove the cover | 2697 |
| Figure 1-5106 | Remove two screws | 2697 |
| Figure 1-5107 | Remove the rear cover | 2698 |
| Figure 1-5108 | Remove two screws | 2698 |
| Figure 1-5109 | Remove the PCA cover | 2699 |
| Figure 1-5110 | Remove six screws | 2699 |
| Figure 1-5111 | Release one tab | 2700 |
| Figure 1-5112 | Remove the foot | 2700 |
| Figure 1-5113 | Release two tabs | 2701 |
| Figure 1-5114 | Remove the baseplate | 2701 |
| Figure 1-5115 | Release the cables | 2702 |
| Figure 1-5116 | Remove four screws | 2702 |

| | | |
|---------------|--|------|
| Figure 1-5117 | Remove the feed frame assembly | 2703 |
| Figure 1-5118 | Disconnect connector and remove five screws | 2703 |
| Figure 1-5119 | Locate the switch cable assembly | 2704 |
| Figure 1-5120 | Release the cables from the guides | 2704 |
| Figure 1-5121 | Remove the switch cable assembly and holder | 2705 |
| Figure 1-5122 | Remove the cables from the guides | 2705 |
| Figure 1-5123 | Release two tabs | 2706 |
| Figure 1-5124 | Remove the switch cable assembly | 2706 |
| Figure 1-5125 | Recycle and unpack | 2707 |
| Figure 1-5126 | Position the switch cable assembly | 2707 |
| Figure 1-5127 | Install the cables in the guides | 2708 |
| Figure 1-5128 | Install the switch cable assembly | 2708 |
| Figure 1-5129 | Install the cables in the guides | 2709 |
| Figure 1-5130 | Install the cables and connect one connector | 2709 |
| Figure 1-5131 | Install the feed frame assembly | 2710 |
| Figure 1-5132 | Install four screws | 2710 |
| Figure 1-5133 | Install the cables | 2711 |
| Figure 1-5134 | Release two tabs | 2711 |
| Figure 1-5135 | Rotate the baseplate down | 2712 |
| Figure 1-5136 | Install two tabs | 2712 |
| Figure 1-5137 | Remove the foot | 2713 |
| Figure 1-5138 | Install six screws | 2713 |
| Figure 1-5139 | Install the PCA cover | 2714 |
| Figure 1-5140 | Install two screws | 2714 |
| Figure 1-5141 | Install the tabs | 2715 |
| Figure 1-5142 | Rotate the cover | 2715 |
| Figure 1-5143 | Install two screws | 2716 |
| Figure 1-5144 | Install two tabs | 2716 |
| Figure 1-5145 | Install four tabs | 2717 |
| Figure 1-5146 | Install three tabs | 2717 |
| Figure 1-5147 | Install two screws | 2718 |
| Figure 1-5148 | Install one tab | 2718 |
| Figure 1-5149 | Install three tabs | 2719 |
| Figure 1-5150 | Install two screws | 2719 |
| Figure 1-5151 | Install the tray | 2720 |
| Figure 1-5152 | Remove the tray | 2722 |
| Figure 1-5153 | Remove two screws | 2723 |
| Figure 1-5154 | Release three tabs | 2723 |
| Figure 1-5155 | Release one tab | 2724 |
| Figure 1-5156 | Remove two screws | 2724 |
| Figure 1-5157 | Release one tab | 2725 |

| | | |
|---------------|---|------|
| Figure 1-5158 | Release four tabs | 2725 |
| Figure 1-5159 | Remove the cover | 2726 |
| Figure 1-5160 | Remove two screws | 2726 |
| Figure 1-5161 | Remove the rear cover | 2727 |
| Figure 1-5162 | Remove two screws | 2727 |
| Figure 1-5163 | Remove the PCA cover | 2728 |
| Figure 1-5164 | Remove six screws | 2728 |
| Figure 1-5165 | Release one tab | 2729 |
| Figure 1-5166 | Remove the foot | 2729 |
| Figure 1-5167 | Release two tabs | 2730 |
| Figure 1-5168 | Remove the baseplate | 2730 |
| Figure 1-5169 | Release the cables | 2731 |
| Figure 1-5170 | Remove four screws | 2731 |
| Figure 1-5171 | Remove the feed frame assembly | 2732 |
| Figure 1-5172 | Disconnect one connector | 2732 |
| Figure 1-5173 | Disconnect one connector | 2733 |
| Figure 1-5174 | Release the cables | 2733 |
| Figure 1-5175 | Release the cables | 2734 |
| Figure 1-5176 | Remove the cables | 2734 |
| Figure 1-5177 | Disconnect connector and remove five screws | 2735 |
| Figure 1-5178 | Remove the shaft | 2735 |
| Figure 1-5179 | Release the tray sensor switch | 2736 |
| Figure 1-5180 | Release the tray sensor switch cables | 2736 |
| Figure 1-5181 | Remove eight screws | 2737 |
| Figure 1-5182 | Remove the cross braces | 2737 |
| Figure 1-5183 | Remove screws and release tabs | 2738 |
| Figure 1-5184 | Remove the tray guide | 2738 |
| Figure 1-5185 | Remove the lifter drive assembly | 2739 |
| Figure 1-5186 | Recycle and unpack | 2739 |
| Figure 1-5187 | Install the lifter drive assembly | 2740 |
| Figure 1-5188 | Install the tray guide | 2740 |
| Figure 1-5189 | Install screws and tabs | 2741 |
| Figure 1-5190 | Install the cross braces | 2741 |
| Figure 1-5191 | Install eight screws | 2742 |
| Figure 1-5192 | Install the tray sensor switch cables | 2742 |
| Figure 1-5193 | Install the tray sensor switch | 2743 |
| Figure 1-5194 | Install the shaft | 2743 |
| Figure 1-5195 | Disconnect connector and remove five screws | 2744 |
| Figure 1-5196 | Install the cables | 2744 |
| Figure 1-5197 | Install the cables | 2745 |
| Figure 1-5198 | Install the cables | 2745 |

| | | |
|---------------|---------------------------------------|------|
| Figure 1-5199 | Connect one connector | 2746 |
| Figure 1-5200 | Connect one connector | 2746 |
| Figure 1-5201 | Install the feed frame assembly | 2747 |
| Figure 1-5202 | Install four screws | 2747 |
| Figure 1-5203 | Install the cables | 2748 |
| Figure 1-5204 | Release two tabs | 2748 |
| Figure 1-5205 | Rotate the baseplate down | 2749 |
| Figure 1-5206 | Install two tabs | 2749 |
| Figure 1-5207 | Remove the foot | 2750 |
| Figure 1-5208 | Install six screws | 2750 |
| Figure 1-5209 | Install the PCA cover | 2751 |
| Figure 1-5210 | Install two screws | 2751 |
| Figure 1-5211 | Install the tabs | 2752 |
| Figure 1-5212 | Rotate the cover | 2752 |
| Figure 1-5213 | Install two screws | 2753 |
| Figure 1-5214 | Install two tabs | 2753 |
| Figure 1-5215 | Install four tabs | 2754 |
| Figure 1-5216 | Install three tabs | 2754 |
| Figure 1-5217 | Install two screws | 2755 |
| Figure 1-5218 | Install one tab | 2755 |
| Figure 1-5219 | Install three tabs | 2756 |
| Figure 1-5220 | Install two screws | 2756 |
| Figure 1-5221 | Install the tray | 2757 |
| Figure 1-5222 | Remove the tray | 2759 |
| Figure 1-5223 | Remove two screws | 2760 |
| Figure 1-5224 | Release three tabs | 2760 |
| Figure 1-5225 | Release one tab | 2761 |
| Figure 1-5226 | Remove two screws | 2761 |
| Figure 1-5227 | Release one tab | 2762 |
| Figure 1-5228 | Release four tabs | 2762 |
| Figure 1-5229 | Remove the cover | 2763 |
| Figure 1-5230 | Remove two screws | 2763 |
| Figure 1-5231 | Remove the rear cover | 2764 |
| Figure 1-5232 | Remove two screws | 2764 |
| Figure 1-5233 | Remove the PCA cover | 2765 |
| Figure 1-5234 | Remove six screws | 2765 |
| Figure 1-5235 | Release one tab | 2766 |
| Figure 1-5236 | Remove the foot | 2766 |
| Figure 1-5237 | Release two tabs | 2767 |
| Figure 1-5238 | Remove the baseplate | 2767 |
| Figure 1-5239 | Release the cables | 2768 |

| | | |
|---------------|---|------|
| Figure 1-5240 | Remove four screws | 2768 |
| Figure 1-5241 | Remove the feed frame assembly | 2769 |
| Figure 1-5242 | Disconnect one connector | 2769 |
| Figure 1-5243 | Disconnect one connector | 2770 |
| Figure 1-5244 | Release the cables | 2770 |
| Figure 1-5245 | Release the cables | 2771 |
| Figure 1-5246 | Remove the cables | 2771 |
| Figure 1-5247 | Disconnect connector and remove five screws | 2772 |
| Figure 1-5248 | Remove the shaft | 2772 |
| Figure 1-5249 | Release the tray sensor switch | 2773 |
| Figure 1-5250 | Release the tray sensor switch cables | 2773 |
| Figure 1-5251 | Remove eight screws | 2774 |
| Figure 1-5252 | Remove the cross braces | 2774 |
| Figure 1-5253 | Remove screws and release tabs | 2775 |
| Figure 1-5254 | Remove the tray guide | 2775 |
| Figure 1-5255 | Remove the lifter drive assembly | 2776 |
| Figure 1-5256 | Remove the motor | 2776 |
| Figure 1-5257 | Remove screws and release tabs | 2777 |
| Figure 1-5258 | Remove the tray guide | 2777 |
| Figure 1-5259 | Remove three screws | 2778 |
| Figure 1-5260 | Remove the pickup assembly | 2778 |
| Figure 1-5261 | Release the cables | 2779 |
| Figure 1-5262 | Recycle and unpack | 2779 |
| Figure 1-5263 | Install the cables | 2780 |
| Figure 1-5264 | Install the pickup assembly | 2780 |
| Figure 1-5265 | Install three screws | 2781 |
| Figure 1-5266 | Install the tray guide | 2781 |
| Figure 1-5267 | Install screws and tabs | 2782 |
| Figure 1-5268 | Install the motor | 2782 |
| Figure 1-5269 | Install the lifter drive assembly | 2783 |
| Figure 1-5270 | Install the tray guide | 2783 |
| Figure 1-5271 | Install screws and tabs | 2784 |
| Figure 1-5272 | Install the cross braces | 2784 |
| Figure 1-5273 | Install eight screws | 2785 |
| Figure 1-5274 | Install the tray sensor switch cables | 2785 |
| Figure 1-5275 | Install the tray sensor switch | 2786 |
| Figure 1-5276 | Install the shaft | 2786 |
| Figure 1-5277 | Disconnect connector and remove five screws | 2787 |
| Figure 1-5278 | Install the cables | 2787 |
| Figure 1-5279 | Install the cables | 2788 |
| Figure 1-5280 | Install the cables | 2788 |

| | | |
|---------------|---------------------------------------|------|
| Figure 1-5281 | Connect one connector | 2789 |
| Figure 1-5282 | Connect one connector | 2789 |
| Figure 1-5283 | Install the feed frame assembly | 2790 |
| Figure 1-5284 | Install four screws | 2790 |
| Figure 1-5285 | Install the cables | 2791 |
| Figure 1-5286 | Release two tabs | 2791 |
| Figure 1-5287 | Rotate the baseplate down | 2792 |
| Figure 1-5288 | Install two tabs | 2792 |
| Figure 1-5289 | Remove the foot | 2793 |
| Figure 1-5290 | Install six screws | 2793 |
| Figure 1-5291 | Install the PCA cover | 2794 |
| Figure 1-5292 | Install two screws | 2794 |
| Figure 1-5293 | Install the tabs | 2795 |
| Figure 1-5294 | Rotate the cover | 2795 |
| Figure 1-5295 | Install two screws | 2796 |
| Figure 1-5296 | Install two tabs | 2796 |
| Figure 1-5297 | Install four tabs | 2797 |
| Figure 1-5298 | Install three tabs | 2797 |
| Figure 1-5299 | Install two screws | 2798 |
| Figure 1-5300 | Install one tab | 2798 |
| Figure 1-5301 | Install three tabs | 2799 |
| Figure 1-5302 | Install two screws | 2799 |
| Figure 1-5303 | Install the tray | 2800 |
| Figure 1-5304 | Remove the tray | 2802 |
| Figure 1-5305 | Remove two screws | 2803 |
| Figure 1-5306 | Release three tabs | 2803 |
| Figure 1-5307 | Release one tab | 2804 |
| Figure 1-5308 | Remove two screws | 2804 |
| Figure 1-5309 | Release one tab | 2805 |
| Figure 1-5310 | Release four tabs | 2805 |
| Figure 1-5311 | Remove the cover | 2806 |
| Figure 1-5312 | Remove two screws | 2806 |
| Figure 1-5313 | Remove the rear cover | 2807 |
| Figure 1-5314 | Remove two screws | 2807 |
| Figure 1-5315 | Remove the PCA cover | 2808 |
| Figure 1-5316 | Remove six screws | 2808 |
| Figure 1-5317 | Release one tab | 2809 |
| Figure 1-5318 | Remove the foot | 2809 |
| Figure 1-5319 | Release two tabs | 2810 |
| Figure 1-5320 | Remove the baseplate | 2810 |
| Figure 1-5321 | Release the cables | 2811 |

| | | |
|---------------|---|------|
| Figure 1-5322 | Remove four screws | 2811 |
| Figure 1-5323 | Remove the feed frame assembly | 2812 |
| Figure 1-5324 | Disconnect one connector | 2812 |
| Figure 1-5325 | Disconnect one connector | 2813 |
| Figure 1-5326 | Release the cables | 2813 |
| Figure 1-5327 | Release the cables | 2814 |
| Figure 1-5328 | Remove the cables | 2814 |
| Figure 1-5329 | Disconnect connector and remove five screws | 2815 |
| Figure 1-5330 | Remove the shaft | 2815 |
| Figure 1-5331 | Release the tray sensor switch | 2816 |
| Figure 1-5332 | Release the tray sensor switch cables | 2816 |
| Figure 1-5333 | Remove eight screws | 2817 |
| Figure 1-5334 | Remove the cross braces | 2817 |
| Figure 1-5335 | Remove screws and release tabs | 2818 |
| Figure 1-5336 | Remove the tray guide | 2818 |
| Figure 1-5337 | Remove the lifter drive assembly | 2819 |
| Figure 1-5338 | Remove the motor | 2819 |
| Figure 1-5339 | Remove screws and release tabs | 2820 |
| Figure 1-5340 | Remove the tray guide | 2820 |
| Figure 1-5341 | Remove three screws | 2821 |
| Figure 1-5342 | Remove the pickup assembly | 2821 |
| Figure 1-5343 | Release the cables | 2822 |
| Figure 1-5344 | Disconnect one connector | 2822 |
| Figure 1-5345 | Slide the roller holder | 2823 |
| Figure 1-5346 | Remove the pickup and feed rollers | 2823 |
| Figure 1-5347 | Remove six screws | 2824 |
| Figure 1-5348 | Remove the roller holder | 2824 |
| Figure 1-5349 | Remove the front feed guide assembly | 2825 |
| Figure 1-5350 | Recycle and unpack | 2825 |
| Figure 1-5351 | Install the front feed guide assembly | 2826 |
| Figure 1-5352 | Install the roller holder | 2826 |
| Figure 1-5353 | Install six screws | 2827 |
| Figure 1-5354 | Install the pickup and feed rollers | 2827 |
| Figure 1-5355 | Slide the roller holder | 2828 |
| Figure 1-5356 | Connect one connector | 2828 |
| Figure 1-5357 | Install the cables | 2829 |
| Figure 1-5358 | Install the pickup assembly | 2829 |
| Figure 1-5359 | Install three screws | 2830 |
| Figure 1-5360 | Install the tray guide | 2830 |
| Figure 1-5361 | Install screws and tabs | 2831 |
| Figure 1-5362 | Install the motor | 2831 |

| | | |
|---------------|---|------|
| Figure 1-5363 | Install the lifter drive assembly | 2832 |
| Figure 1-5364 | Install the tray guide | 2832 |
| Figure 1-5365 | Install screws and tabs | 2833 |
| Figure 1-5366 | Install the cross braces | 2833 |
| Figure 1-5367 | Install eight screws | 2834 |
| Figure 1-5368 | Install the tray sensor switch cables | 2834 |
| Figure 1-5369 | Install the tray sensor switch | 2835 |
| Figure 1-5370 | Install the shaft | 2835 |
| Figure 1-5371 | Disconnect connector and remove five screws | 2836 |
| Figure 1-5372 | Install the cables | 2836 |
| Figure 1-5373 | Install the cables | 2837 |
| Figure 1-5374 | Install the cables | 2837 |
| Figure 1-5375 | Connect one connector | 2838 |
| Figure 1-5376 | Connect one connector | 2838 |
| Figure 1-5377 | Install the feed frame assembly | 2839 |
| Figure 1-5378 | Install four screws | 2839 |
| Figure 1-5379 | Install the cables | 2840 |
| Figure 1-5380 | Release two tabs | 2840 |
| Figure 1-5381 | Rotate the baseplate down | 2841 |
| Figure 1-5382 | Install two tabs | 2841 |
| Figure 1-5383 | Remove the foot | 2842 |
| Figure 1-5384 | Install six screws | 2842 |
| Figure 1-5385 | Install the PCA cover | 2843 |
| Figure 1-5386 | Install two screws | 2843 |
| Figure 1-5387 | Install the tabs | 2844 |
| Figure 1-5388 | Rotate the cover | 2844 |
| Figure 1-5389 | Install two screws | 2845 |
| Figure 1-5390 | Install two tabs | 2845 |
| Figure 1-5391 | Install four tabs | 2846 |
| Figure 1-5392 | Install three tabs | 2846 |
| Figure 1-5393 | Install two screws | 2847 |
| Figure 1-5394 | Install one tab | 2847 |
| Figure 1-5395 | Install three tabs | 2848 |
| Figure 1-5396 | Install two screws | 2848 |
| Figure 1-5397 | Install the tray | 2849 |
| Figure 1-5398 | Remove the tray | 2851 |
| Figure 1-5399 | Remove two screws | 2852 |
| Figure 1-5400 | Release three tabs | 2852 |
| Figure 1-5401 | Release one tab | 2853 |
| Figure 1-5402 | Remove two screws | 2853 |
| Figure 1-5403 | Release one tab | 2854 |

| | | |
|---------------|---|------|
| Figure 1-5404 | Release four tabs | 2854 |
| Figure 1-5405 | Remove the cover | 2855 |
| Figure 1-5406 | Remove two screws | 2855 |
| Figure 1-5407 | Remove the rear cover | 2856 |
| Figure 1-5408 | Remove two screws | 2856 |
| Figure 1-5409 | Remove the PCA cover | 2857 |
| Figure 1-5410 | Remove six screws | 2857 |
| Figure 1-5411 | Release one tab | 2858 |
| Figure 1-5412 | Remove the foot | 2858 |
| Figure 1-5413 | Release two tabs | 2859 |
| Figure 1-5414 | Remove the baseplate | 2859 |
| Figure 1-5415 | Release the cables | 2860 |
| Figure 1-5416 | Remove four screws | 2860 |
| Figure 1-5417 | Remove the feed frame assembly | 2861 |
| Figure 1-5418 | Disconnect one connector | 2861 |
| Figure 1-5419 | Disconnect one connector | 2862 |
| Figure 1-5420 | Release the cables | 2862 |
| Figure 1-5421 | Release the cables | 2863 |
| Figure 1-5422 | Remove the cables | 2863 |
| Figure 1-5423 | Disconnect connector and remove five screws | 2864 |
| Figure 1-5424 | Remove the shaft | 2864 |
| Figure 1-5425 | Release the tray sensor switch | 2865 |
| Figure 1-5426 | Release the tray sensor switch cables | 2865 |
| Figure 1-5427 | Remove eight screws | 2866 |
| Figure 1-5428 | Remove the cross braces | 2866 |
| Figure 1-5429 | Remove screws and release tabs | 2867 |
| Figure 1-5430 | Remove the tray guide | 2867 |
| Figure 1-5431 | Remove the lifter drive assembly | 2868 |
| Figure 1-5432 | Remove the motor | 2868 |
| Figure 1-5433 | Remove screws and release tabs | 2869 |
| Figure 1-5434 | Remove the tray guide | 2869 |
| Figure 1-5435 | Remove three screws | 2870 |
| Figure 1-5436 | Remove the pickup assembly | 2870 |
| Figure 1-5437 | Release the cables | 2871 |
| Figure 1-5438 | Disconnect one connector | 2871 |
| Figure 1-5439 | Slide the roller holder | 2872 |
| Figure 1-5440 | Remove the pickup and feed rollers | 2872 |
| Figure 1-5441 | Remove six screws | 2873 |
| Figure 1-5442 | Remove the roller holder | 2873 |
| Figure 1-5443 | Remove the front feed guide assembly | 2874 |
| Figure 1-5444 | Remove the rear feed guide assembly | 2874 |

| | | |
|---------------|---|------|
| Figure 1-5445 | Recycle and unpack | 2875 |
| Figure 1-5446 | Install the rear feed guide assembly | 2875 |
| Figure 1-5447 | Install the front feed guide assembly | 2876 |
| Figure 1-5448 | Install the roller holder | 2876 |
| Figure 1-5449 | Install six screws | 2877 |
| Figure 1-5450 | Install the pickup and feed rollers | 2877 |
| Figure 1-5451 | Slide the roller holder | 2878 |
| Figure 1-5452 | Connect one connector | 2878 |
| Figure 1-5453 | Install the cables | 2879 |
| Figure 1-5454 | Install the pickup assembly | 2879 |
| Figure 1-5455 | Install three screws | 2880 |
| Figure 1-5456 | Install the tray guide | 2880 |
| Figure 1-5457 | Install screws and tabs | 2881 |
| Figure 1-5458 | Install the motor | 2881 |
| Figure 1-5459 | Install the lifter drive assembly | 2882 |
| Figure 1-5460 | Install the tray guide | 2882 |
| Figure 1-5461 | Install screws and tabs | 2883 |
| Figure 1-5462 | Install the cross braces | 2883 |
| Figure 1-5463 | Install eight screws | 2884 |
| Figure 1-5464 | Install the tray sensor switch cables | 2884 |
| Figure 1-5465 | Install the tray sensor switch | 2885 |
| Figure 1-5466 | Install the shaft | 2885 |
| Figure 1-5467 | Disconnect connector and remove five screws | 2886 |
| Figure 1-5468 | Install the cables | 2886 |
| Figure 1-5469 | Install the cables | 2887 |
| Figure 1-5470 | Install the cables | 2887 |
| Figure 1-5471 | Connect one connector | 2888 |
| Figure 1-5472 | Connect one connector | 2888 |
| Figure 1-5473 | Install the feed frame assembly | 2889 |
| Figure 1-5474 | Install four screws | 2889 |
| Figure 1-5475 | Install the cables | 2890 |
| Figure 1-5476 | Release two tabs | 2890 |
| Figure 1-5477 | Rotate the baseplate down | 2891 |
| Figure 1-5478 | Install two tabs | 2891 |
| Figure 1-5479 | Remove the foot | 2892 |
| Figure 1-5480 | Install six screws | 2892 |
| Figure 1-5481 | Install the PCA cover | 2893 |
| Figure 1-5482 | Install two screws | 2893 |
| Figure 1-5483 | Install the tabs | 2894 |
| Figure 1-5484 | Rotate the cover | 2894 |
| Figure 1-5485 | Install two screws | 2895 |

| | | |
|---------------|---|------|
| Figure 1-5486 | Install two tabs | 2895 |
| Figure 1-5487 | Install four tabs | 2896 |
| Figure 1-5488 | Install three tabs | 2896 |
| Figure 1-5489 | Install two screws | 2897 |
| Figure 1-5490 | Install one tab | 2897 |
| Figure 1-5491 | Install three tabs | 2898 |
| Figure 1-5492 | Install two screws | 2898 |
| Figure 1-5493 | Install the tray | 2899 |
| Figure 1-5494 | Remove the tray | 2901 |
| Figure 1-5495 | Remove two screws | 2902 |
| Figure 1-5496 | Release three tabs | 2902 |
| Figure 1-5497 | Release one tab | 2903 |
| Figure 1-5498 | Remove two screws | 2903 |
| Figure 1-5499 | Release one tab | 2904 |
| Figure 1-5500 | Release four tabs | 2904 |
| Figure 1-5501 | Remove the cover | 2905 |
| Figure 1-5502 | Remove two screws | 2905 |
| Figure 1-5503 | Remove the rear cover | 2906 |
| Figure 1-5504 | Remove two screws | 2906 |
| Figure 1-5505 | Remove the PCA cover | 2907 |
| Figure 1-5506 | Remove six screws | 2907 |
| Figure 1-5507 | Release one tab | 2908 |
| Figure 1-5508 | Remove the foot | 2908 |
| Figure 1-5509 | Release two tabs | 2909 |
| Figure 1-5510 | Remove the baseplate | 2909 |
| Figure 1-5511 | Release the cables | 2910 |
| Figure 1-5512 | Remove four screws | 2910 |
| Figure 1-5513 | Remove the feed frame assembly | 2911 |
| Figure 1-5514 | Disconnect one connector | 2911 |
| Figure 1-5515 | Disconnect one connector | 2912 |
| Figure 1-5516 | Release the cables | 2912 |
| Figure 1-5517 | Release the cables | 2913 |
| Figure 1-5518 | Remove the cables | 2913 |
| Figure 1-5519 | Disconnect connector and remove five screws | 2914 |
| Figure 1-5520 | Remove the shaft | 2914 |
| Figure 1-5521 | Release the tray sensor switch | 2915 |
| Figure 1-5522 | Release the tray sensor switch cables | 2915 |
| Figure 1-5523 | Remove eight screws | 2916 |
| Figure 1-5524 | Remove the cross braces | 2916 |
| Figure 1-5525 | Remove screws and release tabs | 2917 |
| Figure 1-5526 | Remove the tray guide | 2917 |

| | | |
|---------------|---|------|
| Figure 1-5527 | Remove the lifter drive assembly | 2918 |
| Figure 1-5528 | Remove the motor | 2918 |
| Figure 1-5529 | Remove screws and release tabs | 2919 |
| Figure 1-5530 | Remove the tray guide | 2919 |
| Figure 1-5531 | Remove three screws | 2920 |
| Figure 1-5532 | Remove the pickup assembly | 2920 |
| Figure 1-5533 | Release the cables | 2921 |
| Figure 1-5534 | Disconnect one connector | 2921 |
| Figure 1-5535 | Slide the roller holder | 2922 |
| Figure 1-5536 | Remove the pickup and feed rollers | 2922 |
| Figure 1-5537 | Remove six screws | 2923 |
| Figure 1-5538 | Remove the roller holder | 2923 |
| Figure 1-5539 | Remove the front feed guide assembly | 2924 |
| Figure 1-5540 | Remove the rear feed guide assembly | 2924 |
| Figure 1-5541 | Disconnect one connector | 2925 |
| Figure 1-5542 | Remove three screws | 2925 |
| Figure 1-5543 | Remove the front paper feed guide | 2926 |
| Figure 1-5544 | Remove two screws | 2926 |
| Figure 1-5545 | Remove the paper feed assembly | 2927 |
| Figure 1-5546 | Recycle and unpack | 2927 |
| Figure 1-5547 | Install the paper feed assembly | 2928 |
| Figure 1-5548 | Install five tabs | 2928 |
| Figure 1-5549 | Install two screws | 2929 |
| Figure 1-5550 | Install the front paper feed guide | 2929 |
| Figure 1-5551 | Install three screws | 2930 |
| Figure 1-5552 | Connect one connector | 2930 |
| Figure 1-5553 | Install the rear feed guide assembly | 2931 |
| Figure 1-5554 | Install the front feed guide assembly | 2931 |
| Figure 1-5555 | Install the roller holder | 2932 |
| Figure 1-5556 | Install six screws | 2932 |
| Figure 1-5557 | Install the pickup and feed rollers | 2933 |
| Figure 1-5558 | Slide the roller holder | 2933 |
| Figure 1-5559 | Connect one connector | 2934 |
| Figure 1-5560 | Install the cables | 2934 |
| Figure 1-5561 | Install the pickup assembly | 2935 |
| Figure 1-5562 | Install three screws | 2935 |
| Figure 1-5563 | Install the tray guide | 2936 |
| Figure 1-5564 | Install screws and tabs | 2936 |
| Figure 1-5565 | Install the motor | 2937 |
| Figure 1-5566 | Install the lifter drive assembly | 2937 |
| Figure 1-5567 | Install the tray guide | 2938 |

| | | |
|---------------|---|------|
| Figure 1-5568 | Install screws and tabs | 2938 |
| Figure 1-5569 | Install the cross braces | 2939 |
| Figure 1-5570 | Install eight screws | 2939 |
| Figure 1-5571 | Install the tray sensor switch cables | 2940 |
| Figure 1-5572 | Install the tray sensor switch | 2940 |
| Figure 1-5573 | Install the shaft | 2941 |
| Figure 1-5574 | Disconnect connector and remove five screws | 2941 |
| Figure 1-5575 | Install the cables | 2942 |
| Figure 1-5576 | Install the cables | 2942 |
| Figure 1-5577 | Install the cables | 2943 |
| Figure 1-5578 | Connect one connector | 2943 |
| Figure 1-5579 | Connect one connector | 2944 |
| Figure 1-5580 | Install the feed frame assembly | 2944 |
| Figure 1-5581 | Install four screws | 2945 |
| Figure 1-5582 | Install the cables | 2945 |
| Figure 1-5583 | Release two tabs | 2946 |
| Figure 1-5584 | Rotate the baseplate down | 2946 |
| Figure 1-5585 | Install two tabs | 2947 |
| Figure 1-5586 | Remove the foot | 2947 |
| Figure 1-5587 | Install six screws | 2948 |
| Figure 1-5588 | Install the PCA cover | 2948 |
| Figure 1-5589 | Install two screws | 2949 |
| Figure 1-5590 | Install the tabs | 2949 |
| Figure 1-5591 | Rotate the cover | 2950 |
| Figure 1-5592 | Install two screws | 2950 |
| Figure 1-5593 | Install two tabs | 2951 |
| Figure 1-5594 | Install four tabs | 2951 |
| Figure 1-5595 | Install three tabs | 2952 |
| Figure 1-5596 | Install two screws | 2952 |
| Figure 1-5597 | Install one tab | 2953 |
| Figure 1-5598 | Install three tabs | 2953 |
| Figure 1-5599 | Install two screws | 2954 |
| Figure 1-5600 | Install the tray | 2954 |
| Figure 1-5601 | Remove the tray | 2956 |
| Figure 1-5602 | Remove two screws | 2956 |
| Figure 1-5603 | Release one tab | 2957 |
| Figure 1-5604 | Release four tabs | 2957 |
| Figure 1-5605 | Remove the cover | 2958 |
| Figure 1-5606 | Remove the pickup motor | 2958 |
| Figure 1-5607 | Recycle and unpack | 2959 |
| Figure 1-5608 | Install the pickup motor | 2959 |

| | | |
|---------------|--|------|
| Figure 1-5609 | Install two tabs | 2960 |
| Figure 1-5610 | Install four tabs | 2960 |
| Figure 1-5611 | Install three tabs | 2961 |
| Figure 1-5612 | Install two screws | 2961 |
| Figure 1-5613 | Install the tray | 2962 |
| Figure 1-5614 | Remove the tray | 2964 |
| Figure 1-5615 | Remove two screws | 2964 |
| Figure 1-5616 | Release three tabs | 2965 |
| Figure 1-5617 | Release one tab | 2965 |
| Figure 1-5618 | Disconnect one connector | 2966 |
| Figure 1-5619 | Remove two screws | 2966 |
| Figure 1-5620 | Release two tabs | 2967 |
| Figure 1-5621 | Remove the cables | 2967 |
| Figure 1-5622 | Disconnect the wire harness | 2968 |
| Figure 1-5623 | Recycle and unpack | 2968 |
| Figure 1-5624 | Connect the wire harness | 2969 |
| Figure 1-5625 | Install the cables | 2969 |
| Figure 1-5626 | Check the tabs | 2970 |
| Figure 1-5627 | Install the connector holder | 2970 |
| Figure 1-5628 | Install two screws | 2971 |
| Figure 1-5629 | Connect one connector | 2971 |
| Figure 1-5630 | Install one tab | 2972 |
| Figure 1-5631 | Install three tabs | 2972 |
| Figure 1-5632 | Install two screws | 2973 |
| Figure 1-5633 | Install the tray | 2973 |
| Figure 1-5634 | Remove the tray | 2975 |
| Figure 1-5635 | Remove two screws | 2975 |
| Figure 1-5636 | Release three tabs | 2976 |
| Figure 1-5637 | Release one tab | 2976 |
| Figure 1-5638 | Remove two screws | 2977 |
| Figure 1-5639 | Remove the PCA cover | 2977 |
| Figure 1-5640 | Disconnect all of the connectors | 2978 |
| Figure 1-5641 | Remove four screws | 2978 |
| Figure 1-5642 | Remove the driver PCA | 2979 |
| Figure 1-5643 | Recycle and unpack | 2979 |
| Figure 1-5644 | Position the driver PCA | 2980 |
| Figure 1-5645 | Install four screws | 2980 |
| Figure 1-5646 | Connect all of the connectors | 2981 |
| Figure 1-5647 | Install the PCA cover | 2981 |
| Figure 1-5648 | Install two screws | 2982 |
| Figure 1-5649 | Install one tab | 2982 |

| | | |
|---------------|---|------|
| Figure 1-5650 | Install three tabs | 2983 |
| Figure 1-5651 | Install two screws | 2983 |
| Figure 1-5652 | Install the tray | 2984 |
| Figure 2-1 | Base printer, M452 | 2987 |
| Figure 2-2 | Base printer, M377 and M477 | 2988 |
| Figure 2-3 | 550-sheet paper feeder (all models) | 2989 |
| Figure 2-4 | Document feeder and scanner (M377, M477) | 2994 |
| Figure 2-5 | M452 covers and control panels | 2996 |
| Figure 2-6 | M377, M477 covers and control panel | 2998 |
| Figure 2-7 | Internal components (1 of 5) | 3000 |
| Figure 2-8 | Internal components (2 of 5) | 3002 |
| Figure 2-9 | Internal components (3 of 5) | 3004 |
| Figure 2-10 | Internal components (4 of 5) | 3006 |
| Figure 2-11 | Internal components (5 of 5) | 3008 |
| Figure 2-12 | 550-sheet paper feeder covers | 3010 |
| Figure 2-13 | 550-sheet paper feeder main body (1 of 2) | 3012 |
| Figure 2-14 | 550-sheet paper feeder main body (2 of 2) | 3014 |

1 Removal and replacement

- [For additional service and support](#)
- [Removal and replacement strategy](#)
- [Service approach](#)
- [Order parts by authorized service providers](#)
- [Removal and replacement procedures](#)

For additional service and support

HP service personnel, go to the Service Access Work Bench (SAW) at <http://h41302.www4.hp.com/km/saw/home.do>.

Channel partners, go to HP Channel Services Network (CSN) at <https://h30125.www3.hp.com/hpcsn>.

At these locations, find information on the following topics:

- Install and configure
- Printer specifications
- Up-to-date control panel message (CPMD) troubleshooting
- Solutions for printer issues and emerging issues
- Remove and replace part instructions and videos
- Service advisories
- Warranty and regulatory information

To access HP PartSurfer information from any mobile device, go to <http://partsurfermobile.hp.com/> or scan the Quick Response (QR) code below.



Removal and replacement strategy

Introduction

The printer uses a field repair strategy. Defective parts are diagnosed and replaced at the Field Replaceable Unit (FRU) assembly level. Repair normally begins by using the printer internal diagnostics and the following two-step process:

1. Isolate the problem to the major system (for example, the network or server, or the printer).
2. Troubleshoot the problem by using the procedures in the troubleshooting chapter.

After locating a faulty part, the printer can usually be repaired at the assembly level by replacing FRUs. Some mechanical assemblies might need to be repaired at the subassembly level. HP does not support replacement of components on the printed circuit assemblies.


The user replaces toner cartridges as they are depleted. Additional instructions about other user-replaceable parts are provided in this section.

The printer tracks the amount of use on the customer-replaceable supplies by keeping a page count. The printer prompts the user to replace certain items when a supply is depleted or a specific number of pages has been printed.

Swapping toner cartridges between printers might cause a misrepresentation of supply life values and is not recommended.


Considerations during removal and replacement

HP does not support repairing individual subassemblies or troubleshooting to the printed-circuit assembly (PCA) component level.

 **WARNING!** Never operate or service the printer with the protective cover removed from the laser scanner assembly. The reflected beam, although invisible, can cause damage the eyes.

The sheet-metal parts can have sharp edges. Be careful when handling sheet-metal parts.


Turn the printer off, wait 5 seconds, and then remove the power cord before attempting to service the printer. *If this warning is not followed, severe injury and damage to the printer can result.* The power must be on for certain functional checks during troubleshooting. However, the power cord must be disconnected during parts removal. AC voltage is still present inside the printer when the power switch is in the off position. The power cord must be *disconnected* before servicing the printer.


 **CAUTION:** Incorrectly routed or loose wire harnesses might interfere with other internal components or assemblies and be damaged, pinched, or frayed. Make sure that wire harnesses are correctly routed and retained when installing assemblies.

Do not bend or fold the flat cables during removal or installation.

Do not expose the toner cartridge (or toner cartridges), to strong light even for a short time.


Be careful when using a screwdriver to remove the printer covers. The screwdriver might slip and cause cosmetic damage to the covers.

 **IMPORTANT:** When an assembly is removed that includes a rating plate or tag (or a printer code label), make sure to transfer the plate or tag (or code label) to the replacement assembly.



 **NOTE:** During assembly removal and replacement, or if the printer is moved, remove the toner cartridge or cartridges.

Toner is a non-poisonous substance composed of plastic and a small number of colored components. If toner gets on the skin or clothing, wipe it off with dry tissue paper and wash in cold water. Hot water sets toner and it might be difficult, or impossible, to remove. Toner easily breaks down vinyl materials—avoid letting toner contact with vinyl.

During assembly removal and replacement, or if the printer is moved, remove the tray cassette or cassettes.

 **TIP:** For clarity, some figures in this chapter show assemblies removed that are not required to be removed to service the printer (for example, the scanner and document feeder assemblies). The procedures in this manual are correct for this printer.

Electrostatic discharge

 **CAUTION:**  Some parts are sensitive to electrostatic discharge (ESD). Look for the ESD reminder when removing printer parts. Always perform service work at an ESD-protected workstation or mat. If an ESD workstation or mat is not available, touch the sheet-metal chassis to provide a static ground *before* touching an ESD-sensitive assembly.

Protect the ESD-sensitive assemblies by placing them in ESD pouches when they are out of the printer.

Required tools

- #2 Phillips screwdriver with a magnetic tip and a 152-mm (6-in) shaft length
- Small, flat-blade screwdriver
- Needle-nose pliers
- ESD strap (if one is available)
- Penlight


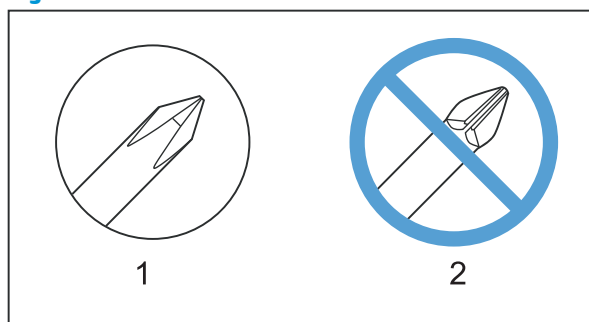


 **CAUTION:** Always use a #2 Phillips screwdriver (callout 1). Do not use a Pozidriv screwdriver (callout 2) or any motorized screwdriver. These can damage screws or screw threads.

Figure 1-1 Screwdrivers



Fasteners used in this printer

 **WARNING!** Make sure that assemblies are replaced with the correct screw type. Using the incorrect screw (for example, substituting a long screw for the correct shorter screw) can cause damage to the printer or interfere with printer operation. Do not intermix screws that are removed from one assembly with the screws that are removed from another assembly.

 **NOTE:** To install a screw, first turn it counterclockwise to align it with the existing thread pattern, and then carefully turn it clockwise to tighten. Do not overtighten. If a self-tapping screw-hole becomes stripped, repair the screw-hole or replace the affected assembly.

Always take note of the length, diameter, color, type, and location of each removed screw. Make sure that screws are installed in the original location they were removed from during reinstallation.

Fasteners used in M452 models


- M3x10mm Plastite (metallic)
- M3x8mm Taptite (metallic)
- M3x6mm Taptite (black)

Fasteners used in M377, M477 models

- M3x10mm Plastite (metallic)
- M3x8mm Taptite (metallic)
- M3x6mm Taptite (black)
- M4x13.3mm Plastite (black chrome)
- M3x14 Taptite (black)
- M3x8mm Plastite (metallic)

Service approach

Before performing service



 **WARNING!** Turn the printer off, wait 30 seconds, and then remove the power cord before attempting to service the printer. *If this warning is not followed, severe injury and damage to the printer can result.* The power must be on for certain functional checks during troubleshooting. However, the power supply should be disconnected during parts removal.

1. Remove all paper.
2. Place the printer on an ESD mat (if available). If an ESD workstation or mat is not available, touch the sheet-metal chassis to provide a static ground *before* touching an ESD-sensitive assembly.
3. Remove the toner cartridge or toner cartridges.
4. Remove the trays.






Secondary service menu

Use the secondary service menu to print service-related reports and to run special tests. Customers do not have access to this menu.

Two-line control panels

1. From the printer control panel, press the **OK** button.
2. Select the **Setup** menu, and then press the **OK** button.
3. Press the left arrow  button, and then quickly press the Cancel  button. The control panel returns to the **Ready** state.
4. Press the **OK** button, and then reopen the **Setup** menu.
5. Select the **2ndary Service** menu, and then press the **OK** button.

Touchscreen control panels

1. From the Home screen on the printer control panel, swipe to and touch the **Setup**  button.
2. Touch the space between the Home  and Help  control-panel buttons.
3. Touch the Back  button. The control panel returns to the Home screen.
4. From the Home screen on the printer control panel, swipe to and touch the **Setup**  button.
5. Touch the **2ndary Service** menu.

After performing service

1. Reinstall the toner cartridge or toner cartridges.
2. Reinstall the trays.
3. Return all paper to the trays.

4. Plug in the power cable and turn on the printer.
5. Perform print-quality tests by printing from a host computer.

Post service tests

After service has been completed, perform the following tests to verify that the repair or replacement was successful.

Print-quality test

1. Verify that you have completed the necessary reassembly steps.
2. Ensure that the input tray contains clean, unmarked paper.
3. With the power cord and interface cables attached, turn on the printer.
4. Verify that the expected start up sounds occur.
5. Print a configuration page, and then verify that the expected printing sounds occur.
6. Print a demo page, and then verify that the print quality is as expected.
7. Send a print job from the host computer, and then verify that the output meets expectations.
8. If necessary, restore any customer-specified settings.
9. Clean the outside of the printer with a damp cloth.

Copy-quality test (M377, M477 models)

1. Verify that you have completed the necessary reassembly steps.
2. Ensure that the input tray contains clean, unmarked paper.
3. With the power cord attached, turn on the printer.
4. Verify that the expected start up sounds occur.
5. Print a configuration page, and then verify that the expected printing sounds occur.
6. Place the configuration page in the document feeder or on the flatbed glass.
7. Print a copy job, and then verify the results.
8. Clean the outside of the printer with a damp cloth.

Fax-quality test (M477 models)

1. Place the configuration page in the document feeder.
2. Type a valid fax number, and send the fax job.
3. Verify that the send quality and the receive quality meet expectations.

Order parts by authorized service providers

| | |
|--|--|
| Order supplies and paper | www.hp.com/go/suresupply |
| Order genuine HP parts or accessories | www.hp.com/buy/parts |
| Order through service or support providers | Contact an HP-authorized service or support provider. |
| Order using the HP Embedded Web Server (EWS) | To access, in a supported Web browser on your computer, enter the printer IP address or host name in the address/URL field. The EWS contains a link to the HP SureSupply Web site, which provides options for purchasing Original HP supplies. |

Orderable parts

Not all of the assemblies described in this chapter can be ordered. Use the parts chapter in this manual to determine if an assembly is orderable.

Whole unit replacement (WUR) part numbers

| Part number | Description |
|-------------|-------------------------|
| CF388-67056 | 220V M452nw WUR CN |
| CF388-69001 | 220V M452nw WUR EMEA |
| CF388-69002 | 220V M452nw WUR AP |
| CF388-69003 | 110V M452nw WUR WW |
| CF389-67056 | 220V M452dn WUR CN |
| CF389-69001 | 220V M452dn WUR WW |
| CF389-69002 | 220V M452dn WUR AP |
| CF389-69003 | 110V M452dn WUR WW |
| CF394-67056 | 220V M452dw WUR CN |
| CF394-69001 | 220V M452dw WUR LAC |
| CF394-69002 | 220V M452dw WUR AP |
| CF394-69003 | 110V M452dw WUR WW |
| CF377-67055 | 110V M477fnw WUR BR |
| CF377-67056 | 220V M477fnw WUR CN/MY |
| CF377-69001 | 220V M477fnw WUR EMEA |
| CF377-69002 | 110V M477fnw WUR NAR/TW |
| CF377-69003 | 220V M477fnw WUR AP/LAR |
| CF377-69004 | 220V M477fnw WUR CL/AR |
| CF378-69001 | 220V M477fdn WUR EMEA |
| CF378-69002 | 110V M477fdn WUR NAR/TW |
| CF379-67055 | 110V M477fdw WUR BR |

| Part number | Description |
|-------------|-------------------------|
| CF379-67056 | 220V M477fdw WUR CN/MY |
| CF379-69001 | 220V M477fdw WUR EMEA |
| CF379-69002 | 110V M477fdw WUR NAR/TW |
| CF379-69003 | 220V M477fdw WUR AP/LAR |
| CF379-69004 | 220V M477fdw WUR CL/AR |
| M5H23-67001 | 220V M377dw WUR CN/MY |
| M5H23-69001 | 220V M377dw WUR EMEA |
| M5H23-69002 | 220V M377dw WUR AP/LAR |
| M5H23-69003 | 110V M377dw WUR NAR/TW |

Supplies part numbers

Table 1-1 Supplies part numbers

| Item | Description | Cartridge number | Part number |
|--|---|------------------|-------------|
| Supplies | | | |
| HP 410A Black Original LaserJet Toner Cartridge | Standard-capacity replacement black toner cartridge | 410A | CF410A |
| HP 410X High Yield Black Original LaserJet Toner Cartridge | High-capacity replacement black toner cartridge | 410X | CF410X |
| HP 410A Cyan Original LaserJet Toner Cartridge | Standard-capacity replacement cyan toner cartridge | 410A | CF411A |
| HP 410X High Yield Cyan Original LaserJet Toner Cartridge | High-capacity replacement cyan toner cartridge | 410X | CF411X |
| HP 410A Yellow Original LaserJet Toner Cartridge | Standard-capacity replacement yellow toner cartridge | 410A | CF412A |
| HP 410X High Yield Yellow Original LaserJet Toner Cartridge | High-capacity replacement yellow toner cartridge | 410X | CF412X |
| HP 410A Magenta Original LaserJet Toner Cartridge | Standard-capacity replacement magenta toner cartridge | 410A | CF413A |
| HP 410X High Yield Magenta Original LaserJet Toner Cartridge | High-capacity replacement magenta toner cartridge | 410X | CF413X |
| Accessories | | | |
| Optional 550-sheet paper feeder | Optional Tray 3 | | CF404A |
| USB 2.0 printer cable | A-to-B cable (2-meter standard) | | C6518A |

Related documentation and software

HP service personnel, go to the Link Service Access Work Bench (SAW) at <http://h41302.www4.hp.com/km/saw/home.do>.

Channel partners, go to Link HP Channel Services Network (CNS) at <https://h30125.www3.hp.com/hpcsn>.

Removal and replacement procedures

Customer self-repair (CSR) A parts and assemblies

- [Removal and replacement: Toner cartridges](#)
- [Removal and replacement: Trays](#)

The CSR level indicates the expected difficulty the customer will experience when removing and replacing an assembly. The CSR A assemblies in this section are easy for the customer to remove and replace.

Removal and replacement: Toner cartridges

Introduction

This document provides the procedures to remove and replace the toner cartridges.

Before performing service

CAUTION: To prevent damage to a toner cartridge, do not expose it to light for more than a few minutes. Cover the green imaging drum if the toner cartridge must be removed from the printer for an extended period of time.

If toner gets on clothing, wipe it off by using a dry cloth and wash the clothes in cold water. Hot water sets toner into fabric.

Use the table below to identify the correct part number for your printer. To order the part, go to www.hp.com/buy/parts.

Toner cartridge part numbers

| | |
|-------------|---|
| CF410-67901 | Standard-capacity replacement black toner cartridge |
| CF410-67902 | High-capacity replacement black toner cartridge |
| CF411-67901 | Standard-capacity replacement cyan cartridge |
| CF411-67902 | High-capacity replacement cyan toner cartridge |
| CF412-67901 | Standard-capacity replacement yellow toner cartridge |
| CF412-67902 | High-capacity replacement yellow toner cartridge |
| CF413-67901 | Standard-capacity replacement magenta toner cartridge |
| CF413-67902 | High-capacity replacement magenta toner cartridge |

Required tools


No special tools are required to install this part.

After performing service


Make sure that the cartridge tray and front door are fully closed after replacing a toner cartridge.

Post service test

The print quality page shows bands of colors that can indicate whether the printer is producing colors correctly.

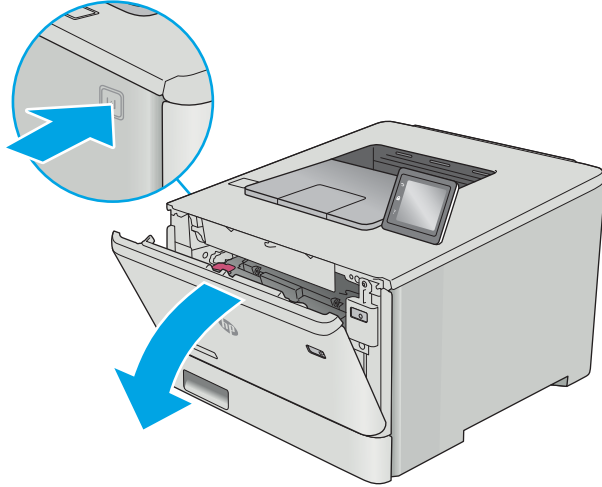
- 2-line control panels:** On the printer control panel, press the **OK** button.
Touchscreen control panels: From the Home screen, touch the **Setup**  button.
- Open the **Reports** menu.
- Select the **Print Quality Page** menu item.

Step 1: Remove the toner cartridges

 **NOTE:** The M452 model is pictured in the figures in this section. The procedure is the same for the M477 model.

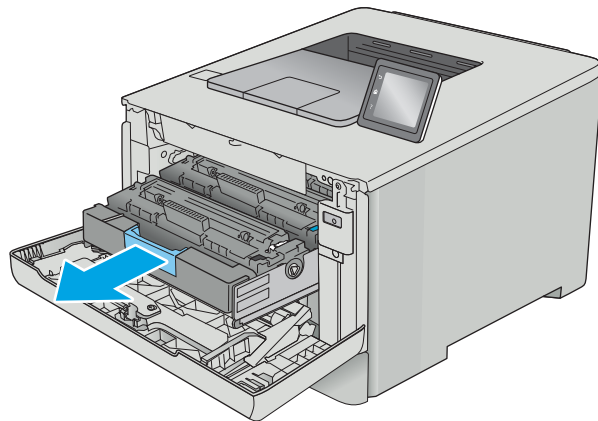
1. Open the front door by pressing the button on the left cover.

Figure 1-2 Open the front door



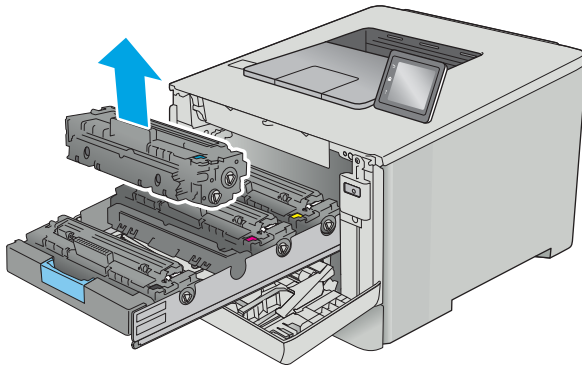
2. Grasp the blue handle on the toner cartridge tray, and then pull out the tray.

Figure 1-3 Open the cartridge drawer



3. Grasp the handle on the toner cartridge, and then pull the toner cartridge straight up to remove it.

Figure 1-4 Remove the toner cartridge



Step 2: Unpack the replacement part

Remove the new toner cartridge from its protective shell by tearing off the plastic strip and opening the package. Save all packaging for recycling the used toner cartridge.

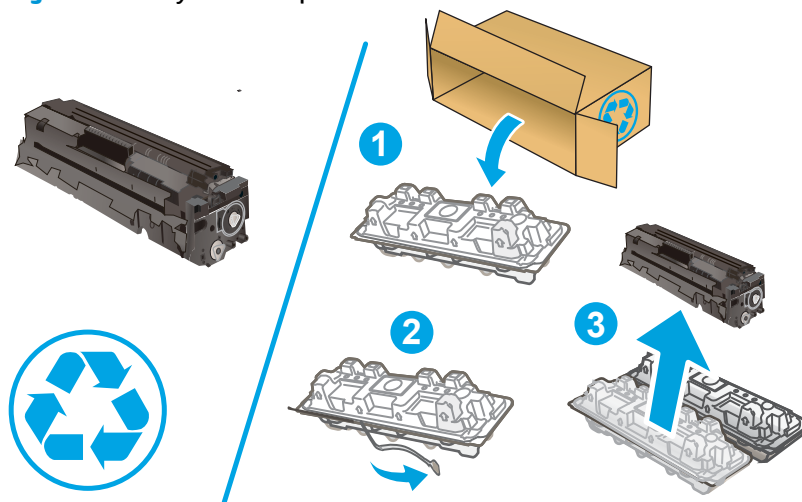
[Product return and recycling](#)

CAUTION: To prevent damage to a replacement toner cartridge, do not expose it to light for more than a few minutes. Cover the green imaging drum if the toner cartridge must be removed from the printer for an extended period of time.

If toner gets on clothing, wipe it off by using a dry cloth and wash the clothes in cold water. Hot water sets toner into fabric.

NOTE: HP recommends responsible disposal of the defective assembly.

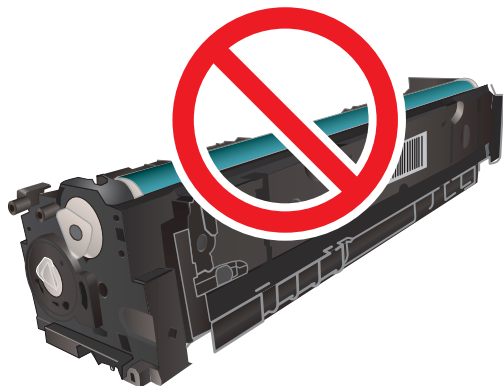
Figure 1-5 Recycle and unpack



Step 3: Install a toner cartridge

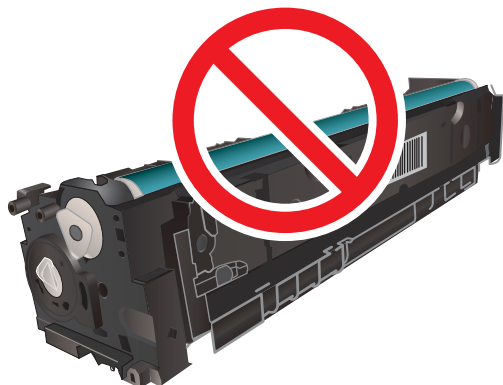
1. Hold both ends of the toner cartridge and rock it 5-6 times.

Figure 1-6 Rock the toner cartridge



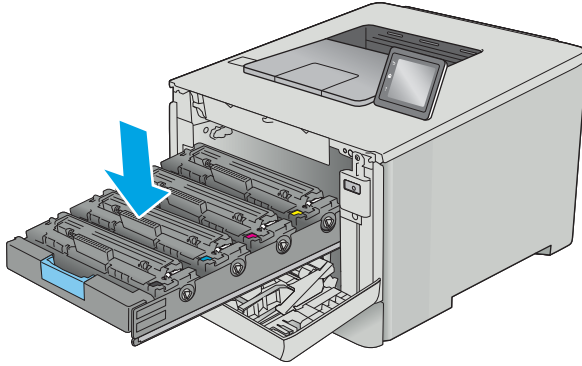
2. Do not touch the imaging drum on the bottom of the toner cartridge. Fingerprints on the imaging drum can cause print-quality problems.

Figure 1-7 Do not touch imaging drum



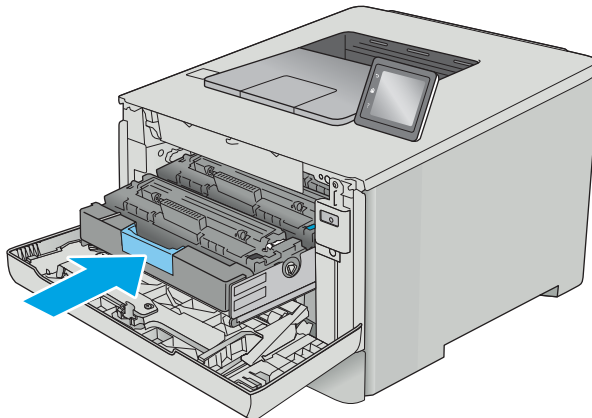
3. Insert the new toner cartridge into the tray. Make sure that the color chip on the cartridge matches the color chip on the tray.

Figure 1-8 Install a toner cartridge



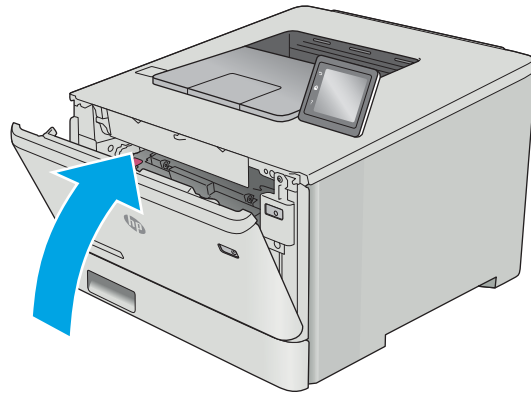
4. Close the toner cartridge tray.

Figure 1-9 Close the toner cartridge drawer



5. Close the front door.

Figure 1-10 Close the front door



Removal and replacement: Trays

- [Removal and replacement: Tray 2](#)
- [Removal and replacement: Tray 3](#)

Removal and replacement: Tray 2

- [Introduction](#)
- [Step 1: Remove Tray 2](#)
- [Step 2: Unpack the replacement part](#)
- [Step 3: Install Tray 2](#)

Introduction

This document provides the procedures to remove and replace Tray 2.

Before performing service

Use the table below to identify the correct part number for your printer, and then go to <http://h20141.www2.hp.com/hpparts> to order the part.

| Tray 2 part number | |
|--------------------|--------|
| RM2-6377-000CN | Tray 2 |

Required tools

No special tools are required to install this part.

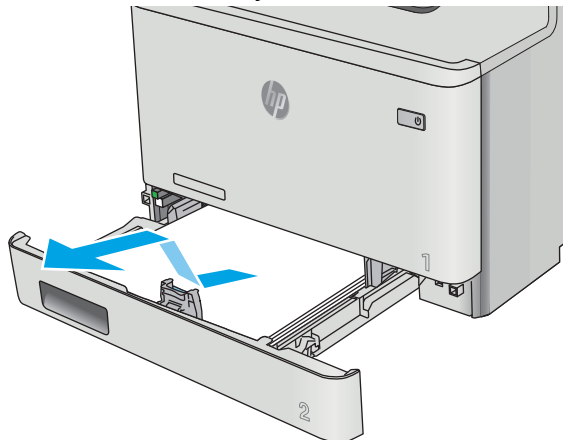
After performing service

Make sure that Tray 2 is fully closed after replacing it.

Step 1: Remove Tray 2

- ▲ Pull the tray out until it stops. Lift the front of the tray, and then pull it out of the printer to remove it.

Figure 1-11 Remove the tray



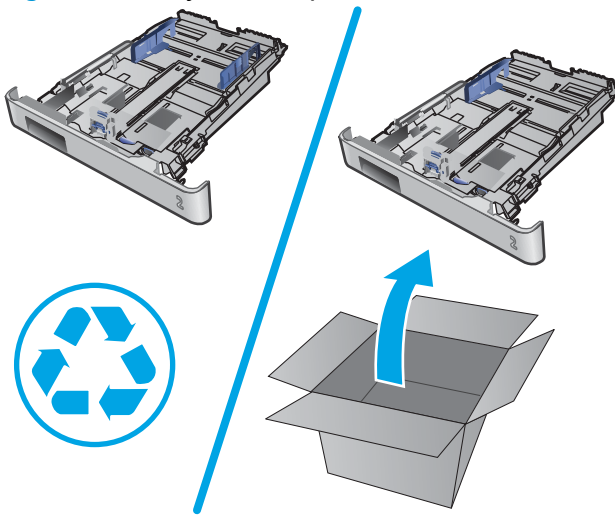
Step 2: Unpack the replacement part

Remove the new part from its package. Save all packaging for recycling the used part.

For complete information on HP's recycling programs, go to [Product return and recycling](#).

 **NOTE:** HP recommends responsible disposal of the defective part.

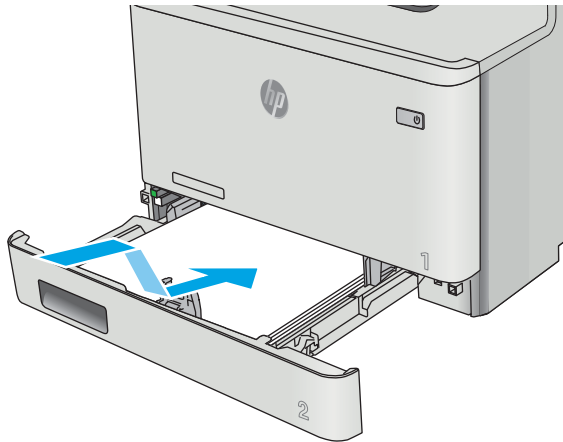
Figure 1-12 Recycle and unpack



Step 3: Install Tray 2

- ▲ With the front of the tray slightly lifted, align the sides of the tray with the rails in the printer, and then carefully slide the tray into the printer. As the tray slides into the printer, lower the front of the tray, and then close it.

Figure 1-13 Install the tray



Removal and replacement: Tray 3

- [Introduction](#)
- [Step 1: Remove the tray](#)
- [Step 2: Unpack the replacement tray](#)
- [Step 3: Install the tray](#)

Introduction

This document provides the procedures to remove and replace Tray 3.

Before performing service

Use the table below to identify the correct part number for your printer, and then go to <http://h20141.www2.hp.com/hpparts> to order the part.

| Tray 3 part number | |
|--------------------|--------|
| RM2-6486-000CN | Tray 3 |

Required tools

No special tools are required to install this part.

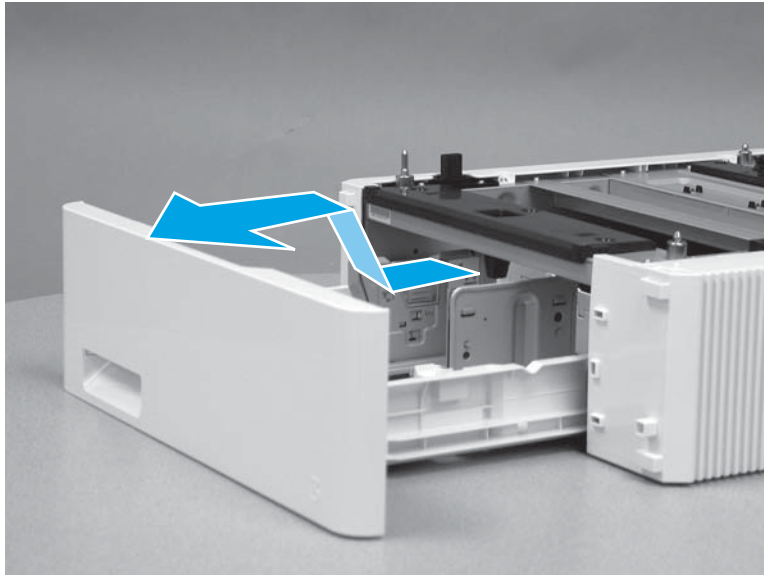
After performing service

Make sure that Tray 3 is fully closed after replacing it.

Step 1: Remove the tray

- ▲ Pull the tray out until it stops. Lift the front of the tray, and then pull it out of the printer to remove it.

Figure 1-14 Remove the tray



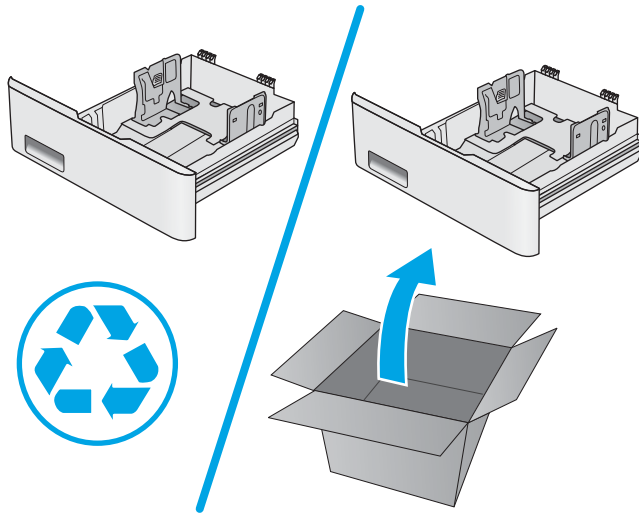
Step 2: Unpack the replacement tray

Remove the new part from its package. Save all packaging for recycling the used part.

For complete information on HP's recycling programs, go to [Product return and recycling](#).

 **NOTE:** HP recommends responsible disposal of the defective part.

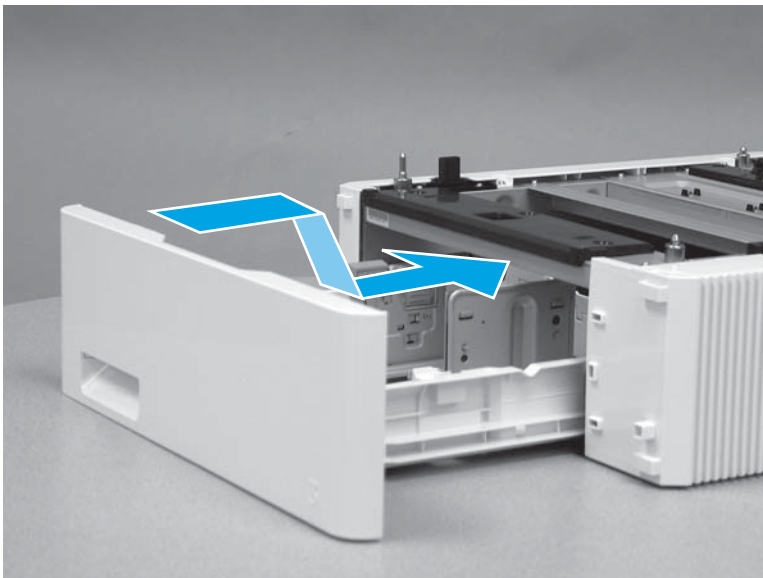
Figure 1-15 Recycle and unpack



Step 3: Install the tray

- ▲ With the front of the tray slightly lifted, align the sides of the tray with the rails in the feeder, and then carefully slide the tray into the feeder. As the tray slides into the feeder, lower the front of the tray, and then close it.

Figure 1-16 Install the tray



Field replaceable units (FRUs)

Removal and replacement: Rollers

- [Removal and replacement: Tray 1 pickup roller](#)
- [Removal and replacement: Tray 1 separation pad](#)
- [Removal and replacement: Tray 2 pickup and feed rollers](#)
- [Removal and replacement: Tray 2 separation roller](#)
- [Removal and replacement: Tray 3 pickup and feed rollers](#)
- [Removal and replacement: Tray 3 separation roller](#)
- [Removal and replacement: Secondary transfer roller](#)

Removal and replacement: Tray 1 pickup roller


- [Introduction](#)
- [Step 1: Open the front door](#)
- [Step 2: Remove the Tray 1 pickup roller](#)
- [Step 3: Unpack the replacement part](#)
- [Step 4: Install the Tray 1 pickup roller](#)
- [Step 5: Close the front door](#)

Introduction

This document provides the procedures to remove and replace the Tray 1 pickup roller.

Before you begin

- Turn off the printer.
- Disconnect the power cable.

 **WARNING!** To avoid damage to the printer, turn the printer off, wait 30 seconds, and then remove the power cord before attempting to service the printer.

- Use the table below to identify the correct part number for your printer. To order the part, go to www.hp.com/buy/parts to order the part.

| Tray 1 pickup roller part number | |
|----------------------------------|--|
|----------------------------------|--|

| | |
|----------------|----------------------|
| RL1-2593-000CN | Tray 1 pickup roller |
|----------------|----------------------|

Required tools

- Small, flat-blade screwdriver

After performing service

- Connect the power cable.
- Use the power switch to turn the power on.

Step 1: Open the front door

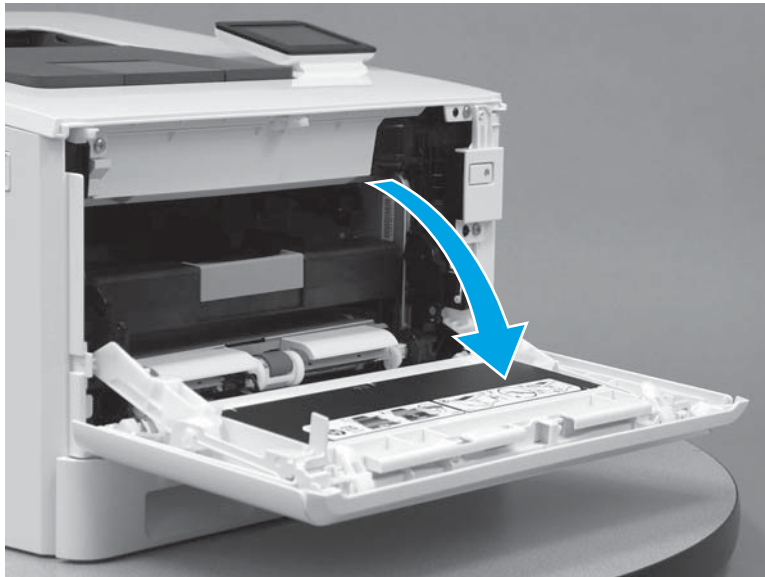
1. Press the button (callout 1) on the left side of the printer to release the front door.

Figure 1-17 Release the front door



2. Open the front door.

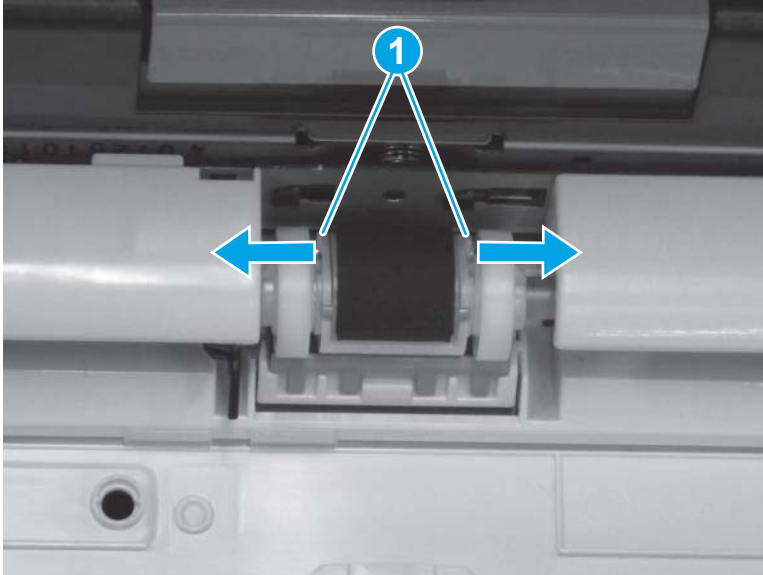
Figure 1-18 Open the front door



Step 2: Remove the Tray 1 pickup roller

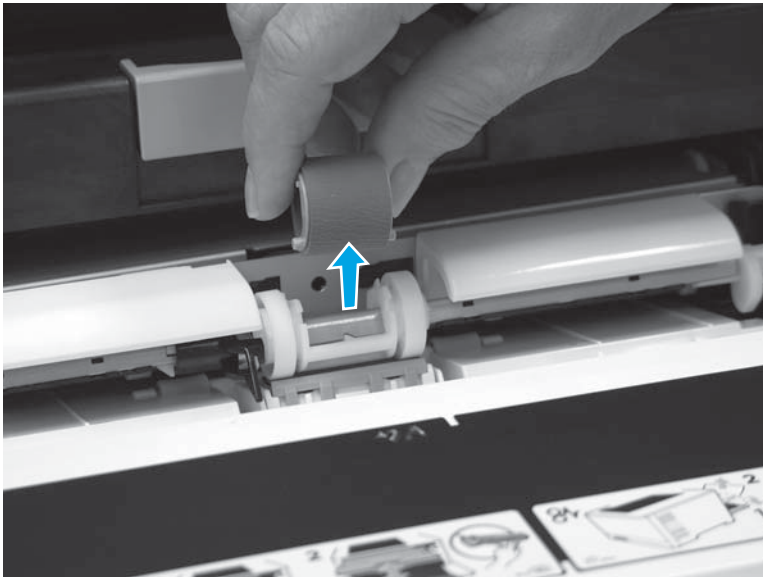
1. Release two tabs (callout 1).

Figure 1-19 Release two tabs



2. Remove the pickup roller.

Figure 1-20 Remove the pickup roller



Step 3: Unpack the replacement part

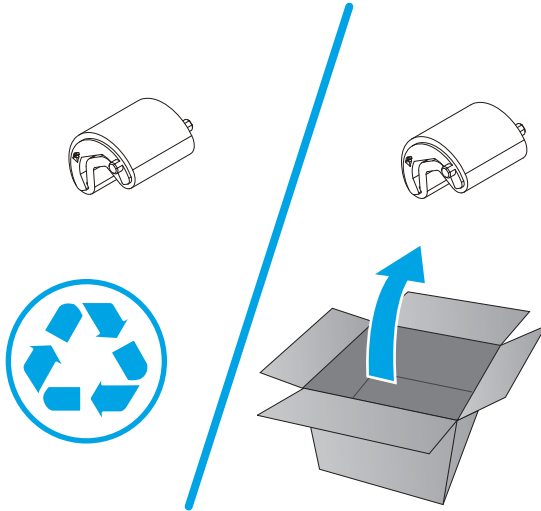
Remove the new pickup roller from its package. Save all packaging for recycling the used parts.

For complete information on HP's recycling programs, go to [Product return and recycling](#).



NOTE: HP recommends responsible disposal of the defective assembly.

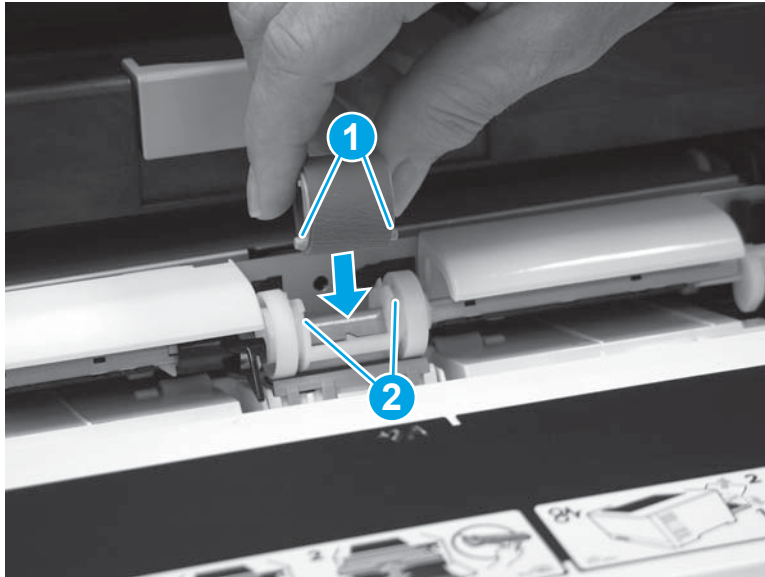
Figure 1-21 Recycle and unpack



Step 4: Install the Tray 1 pickup roller

- ▲ Position the tabs (callout 1) on the roller into the slots (callout 2) on the roller shaft. Press down to snap the roller into place.

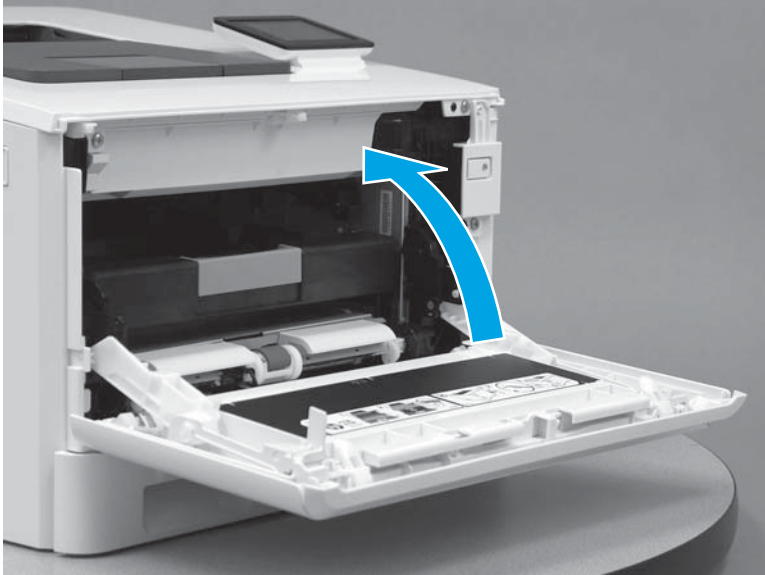
Figure 1-22 Install the pickup roller



Step 5: Close the front door

- ▲ Close the front door.

Figure 1-23 Close the front door



Removal and replacement: Tray 1 separation pad


- [Introduction](#)
- [Step 1: Open the front door](#)
- [Step 2: Remove the Tray 1 separation pad](#)
- [Step 3: Unpack the replacement part](#)
- [Step 4: Install the Tray 1 separation pad](#)
- [Step 5: Close the front door](#)

Introduction

This document provides the procedures to remove and replace the Tray 1 separation pad.

Before you begin

- Turn off the printer.
- Disconnect the power cable.

 **WARNING!** To avoid damage to the printer, turn the printer off, wait 30 seconds, and then remove the power cord before attempting to service the printer.

- Use the table below to identify the correct part number for your printer. To order the part, go to www.hp.com/buy/parts to order the part.

| Tray 1 separation pad part number | |
|-----------------------------------|--|
|-----------------------------------|--|

| |
|----------------|
| RM2-6406-000CN |
|----------------|

| |
|-----------------------|
| Tray 1 separation pad |
|-----------------------|

Required tools

- Small, flat-blade screwdriver

After performing service

- Connect the power cable.
- Use the power switch to turn the power on.

Step 1: Open the front door

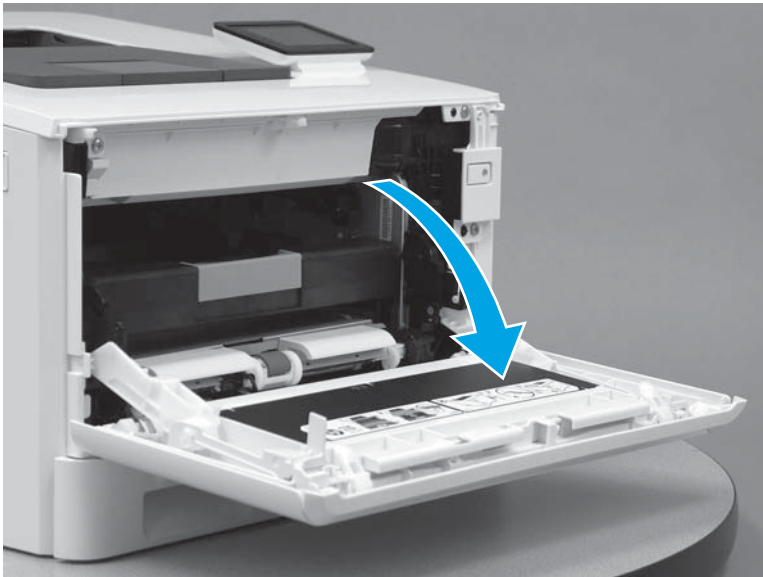
1. Press the button (callout 1) on the left side of the printer to release the front door.

Figure 1-24 Release the front door



2. Open the front door.

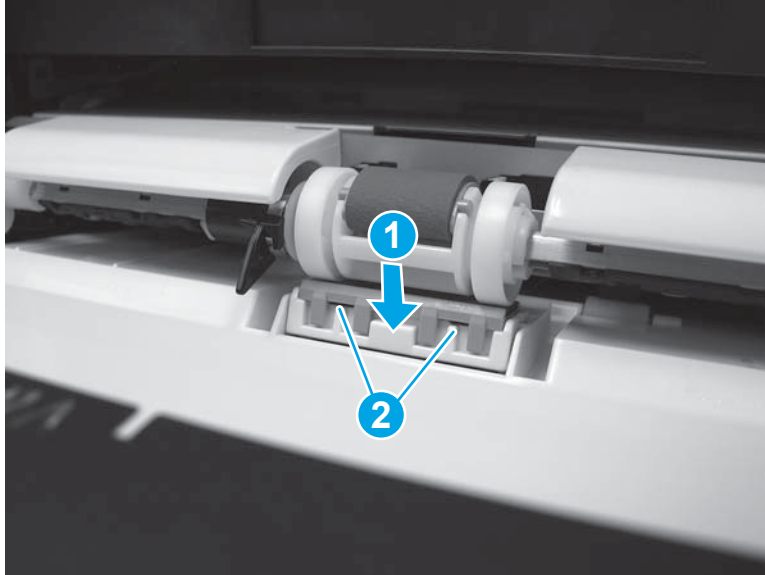
Figure 1-25 Open the front door



Step 2: Remove the Tray 1 separation pad

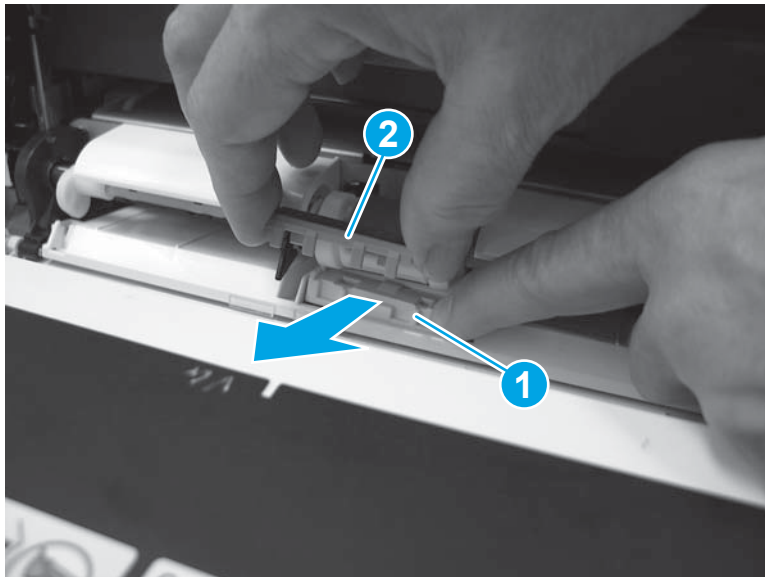
1. Press down on the separation pad holder (callout 1) and release two tabs (callout 2).

Figure 1-26 Press down and release tabs



2. Continue to press down on the separation pad holder (callout 1), and then slide the separation pad (callout 2) away from the printer to remove it.

Figure 1-27 Remove the separation pad



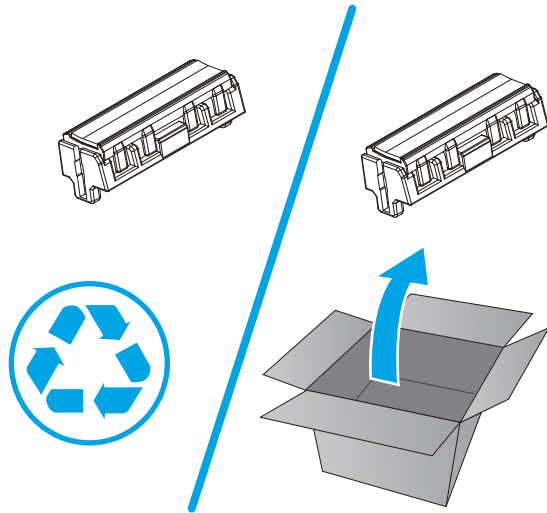
Step 3: Unpack the replacement part

Remove the new separation roller from its package. Save all packaging for recycling the used part.

For complete information on HP's recycling programs, go to [Product return and recycling](#)

 **NOTE:** HP recommends responsible disposal of the defective assembly.

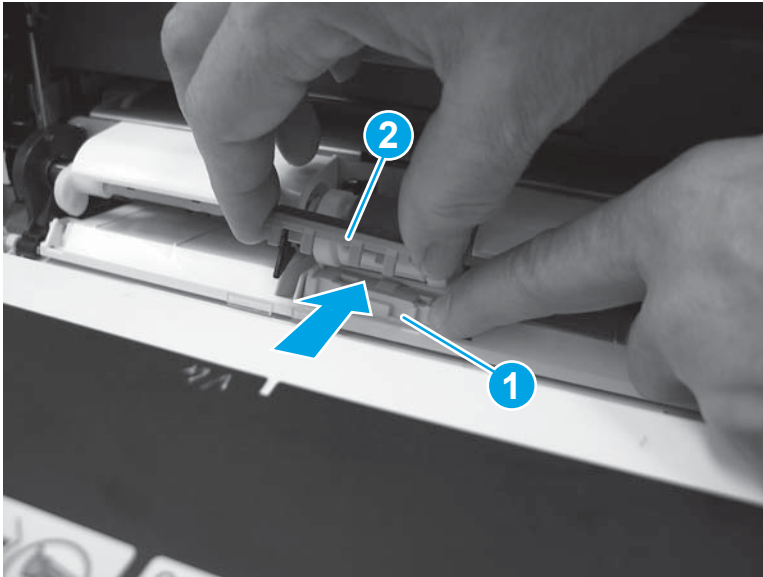
Figure 1-28 Recycle and unpack



Step 4: Install the Tray 1 separation pad

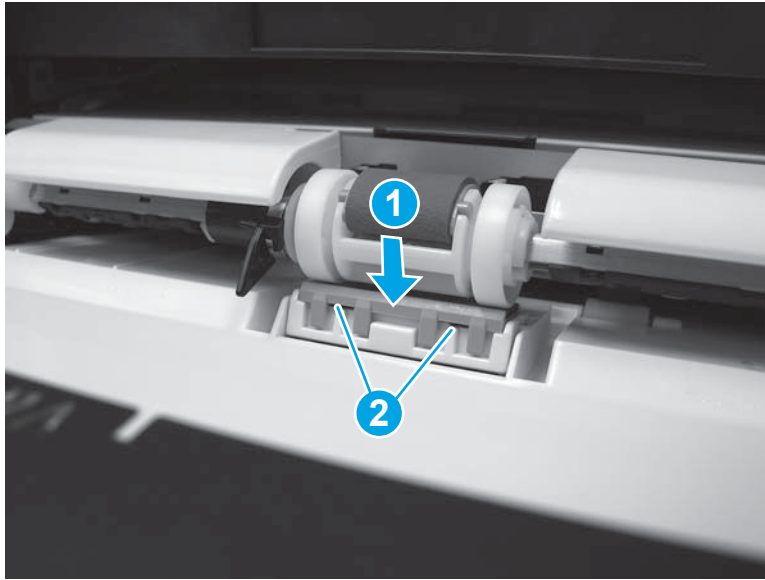
1. Press down on the separation pad holder (callout 1), and then slide the separation pad (callout 2) toward the printer to install it.

Figure 1-29 Position the separation pad



2. Press down on the separation pad (callout 1) until the two tabs (callout 2) snap into place.

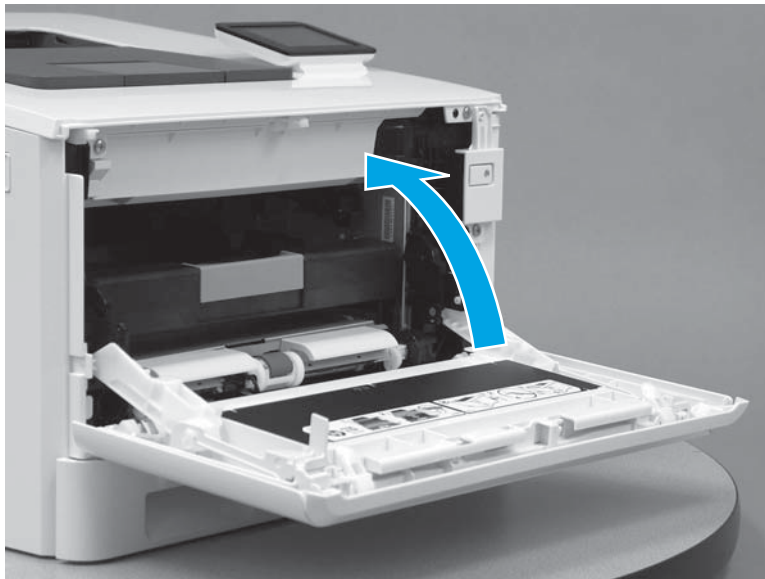
Figure 1-30 Snap the separation pad into place



Step 5: Close the front door

- ▲ Close the front door.

Figure 1-31 Close the front door



Removal and replacement: Tray 2 pickup and feed rollers


- [Introduction](#)
- [Step 1: Remove the toner cartridges](#)
- [Step 2: Remove Tray 2](#)
- [Step 3: Remove the Tray 2 pickup or feed roller](#)
- [Step 4: Unpack the replacement part](#)
- [Step 5: Install the Tray 2 pickup or feed roller](#)
- [Step 6: Install Tray 2](#)
- [Step 7: Install the toner cartridges](#)

Introduction

This document provides the procedures to remove and replace the Tray 2 pickup and feed rollers.

Before you begin

- Turn off the printer.
- Disconnect the power cable.

 **WARNING!** To avoid damage to the printer, turn the printer off, wait 30 seconds, and then remove the power cord before attempting to service the printer.

- Use the table below to identify the correct part number for your printer. To order the part, go to www.hp.com/buy/parts to order the part.

| Tray 2 pickup and feed rollers part numbers | |
|---|----------------------|
| RM2-5576-000CN | Tray 2 pickup roller |
| RM2-5577-000CN | Tray 2 feed roller |


Required tools

- No tools are required to install this part.

After performing service

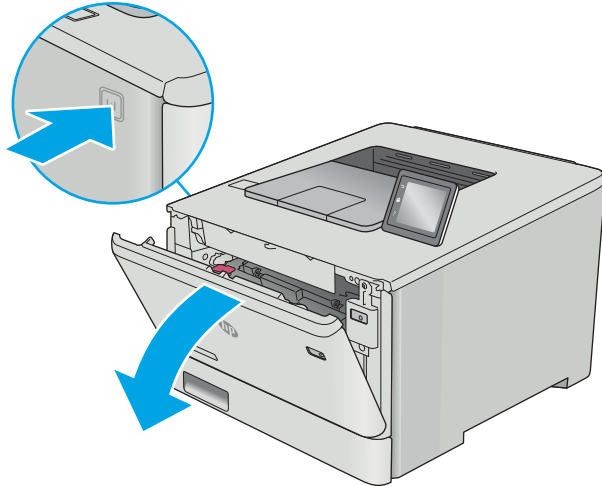
- Connect the power cable.
- Use the power switch to turn the power on.

Step 1: Remove the toner cartridges

 **NOTE:** The M452 model is pictured in the figures in this section. The procedure is the same for the M377, M477 models.

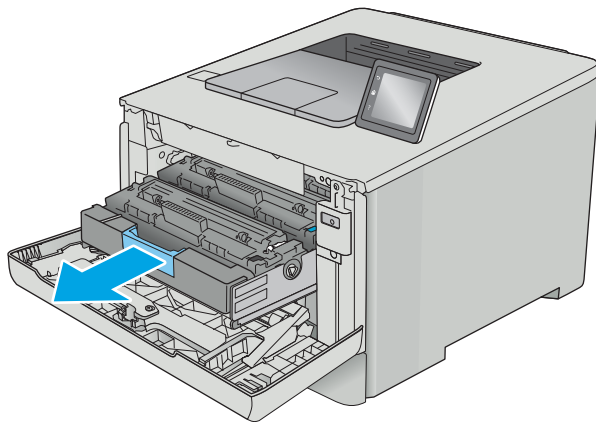
1. Open the front door by pressing the button on the left cover.

Figure 1-32 Open the front door



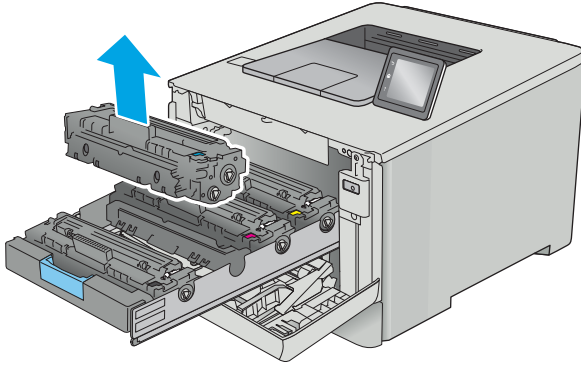
2. Grasp the blue handle on the toner cartridge tray, and then pull out the tray.

Figure 1-33 Open the cartridge drawer



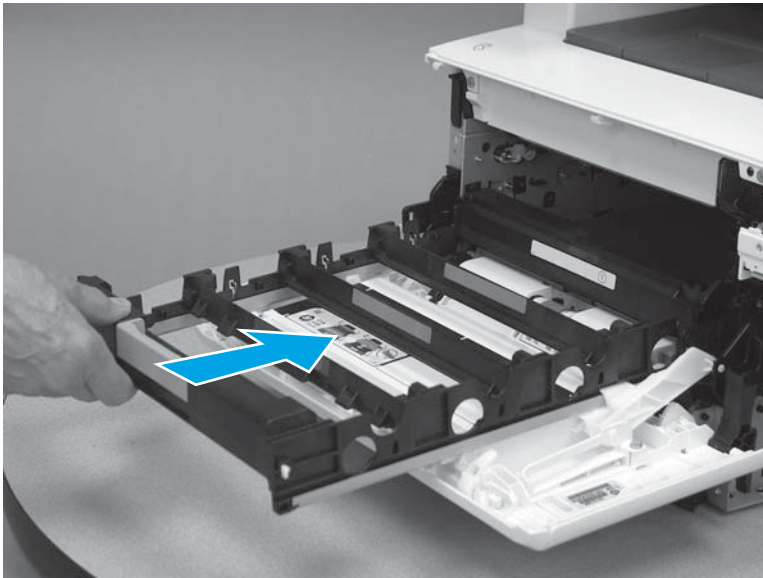
3. Grasp the handle on the toner cartridge, and then pull the toner cartridge straight up to remove it. Repeat this step for each toner cartridge.

Figure 1-34 Remove the toner cartridge



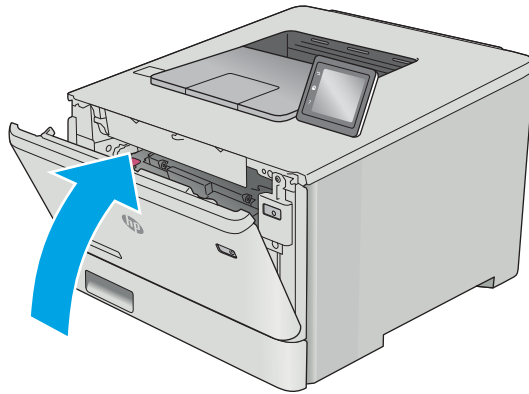
4. Slide the cartridge tray into the printer.

Figure 1-35 Slide the cartridge tray in



5. Close the front door.

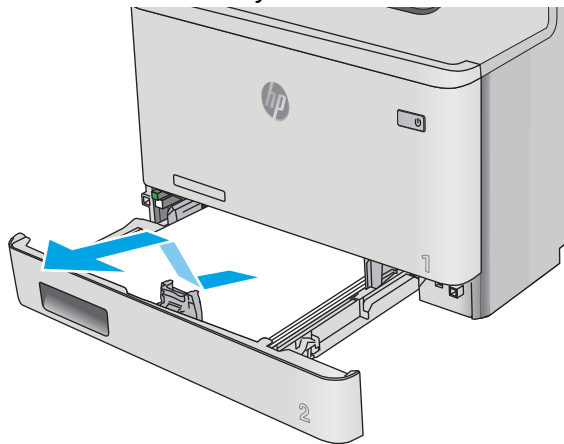
Figure 1-36 Close the front door



Step 2: Remove Tray 2

- ▲ Pull the tray out until it stops. Lift the front of the tray, and then pull it out of the printer to remove it.

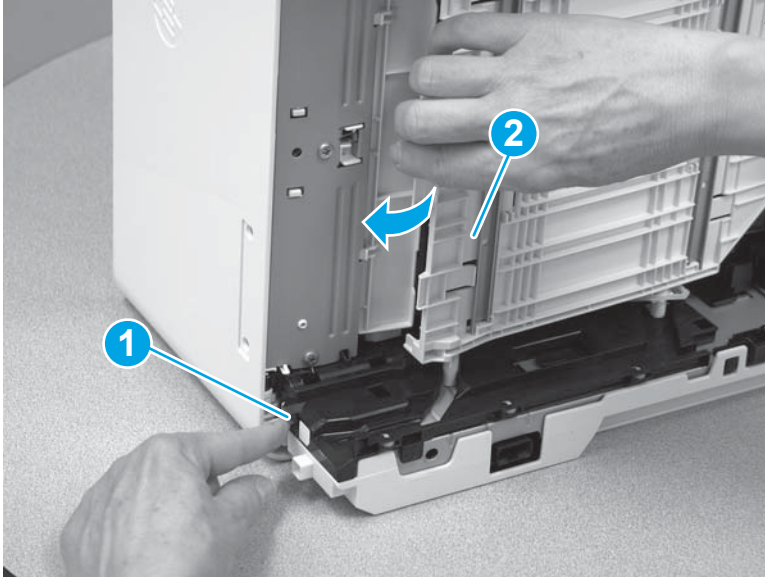
Figure 1-37 Remove the tray



Step 3: Remove the Tray 2 pickup or feed roller

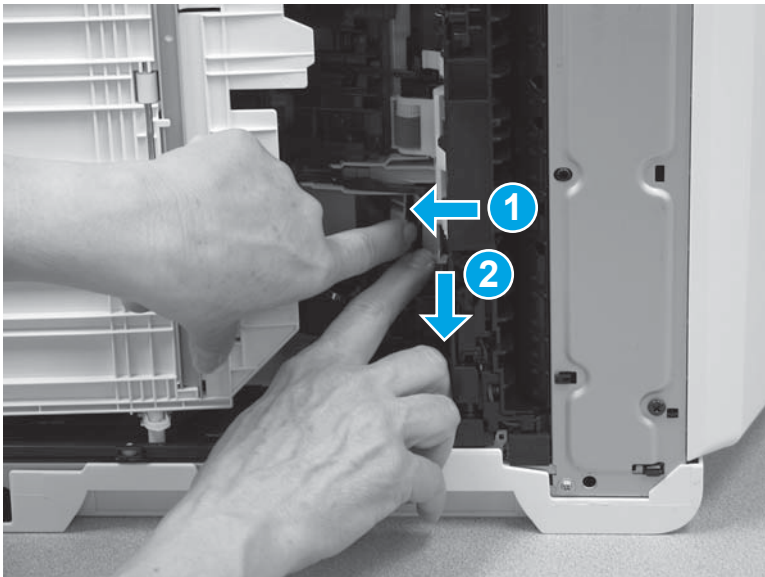
1. Turn the printer right side up, so that it is resting on the left side. Press the release button (callout 1), and then release the Tray 1 feed guide (callout 2) toward the front of the printer.

Figure 1-38 Release the feed guide



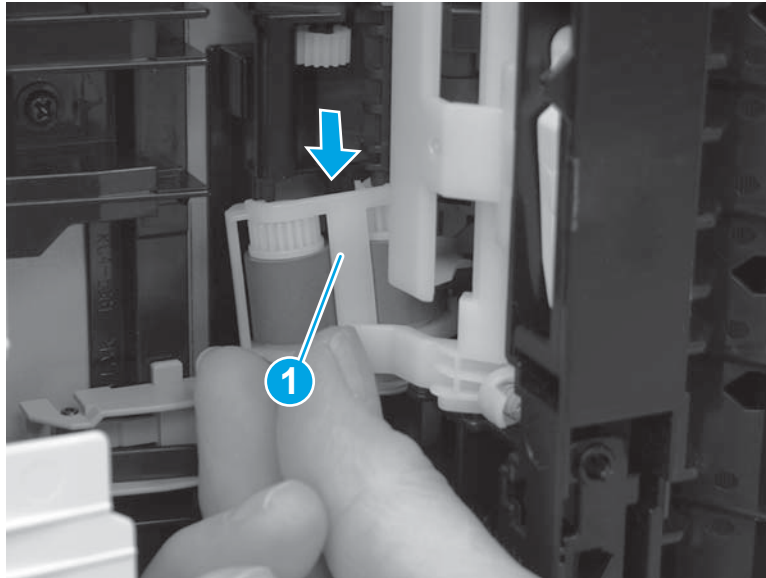
2. On the underside of the printer, press the tab (callout 1) toward the front of the printer, and then slide the roller holder down (callout 2).

Figure 1-39 Release the roller holder



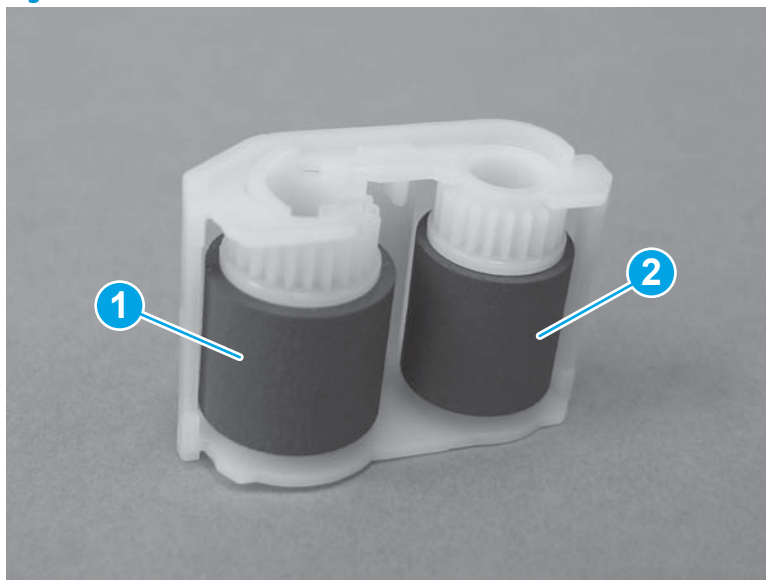
3. Remove the pickup and feed roller case (callout 1).

Figure 1-40 Remove the roller case



4. Locate the feed roller (callout 1) and the pickup roller (callout 2).

Figure 1-41 Locate the rollers



5. Release the top of the roller and remove it from the case.

 **NOTE:** The feed roller is shown in the figure below. The procedure is the same for the pickup roller.

Figure 1-42 Remove the roller



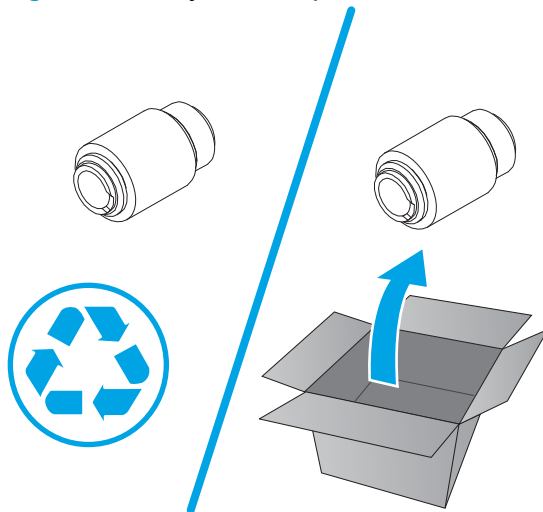
Step 4: Unpack the replacement part

Remove the part from its package. Save all packaging for recycling the used part.

For complete information on HP's recycling programs, go to [Product return and recycling](#)

 **NOTE:** HP recommends responsible disposal of the defective part.

Figure 1-43 Recycle and unpack

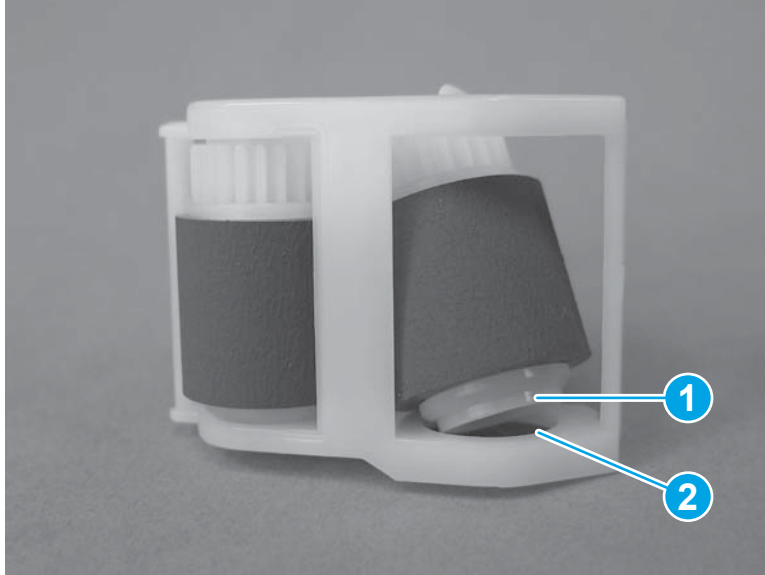


Step 5: Install the Tray 2 pickup or feed roller

1. Install the ridge on the bottom of the roller (callout 1) in the hole in the bottom of the case (callout 2).

 **NOTE:** The feed roller is shown in the figure below. The procedure is the same for the pickup roller.

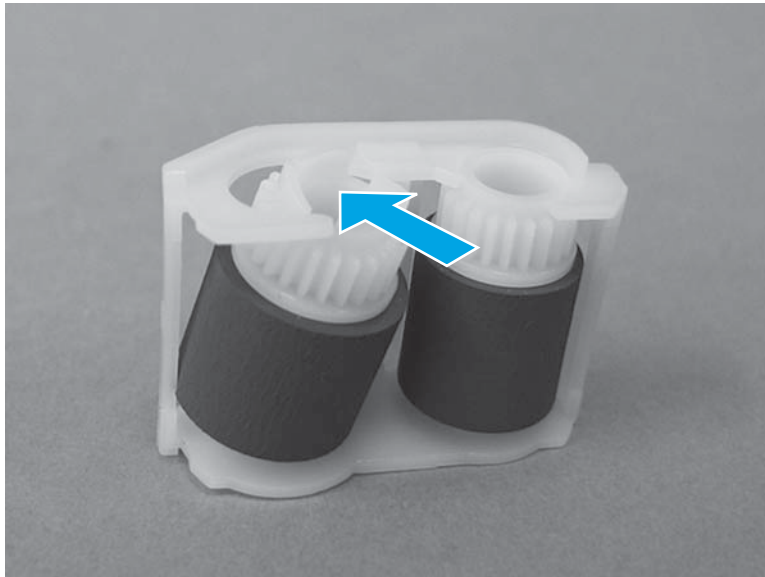
Figure 1-44 Position the roller



2. Rotate the top of the roller into the case. Make sure that the roller snaps into place.

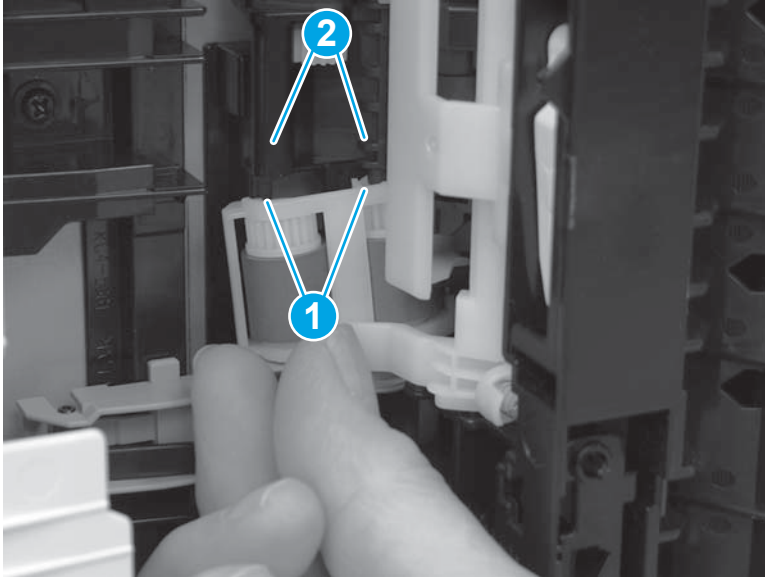
 **NOTE:** The feed roller is shown in the figure below. The procedure is the same for the pickup roller.

Figure 1-45 Install the roller



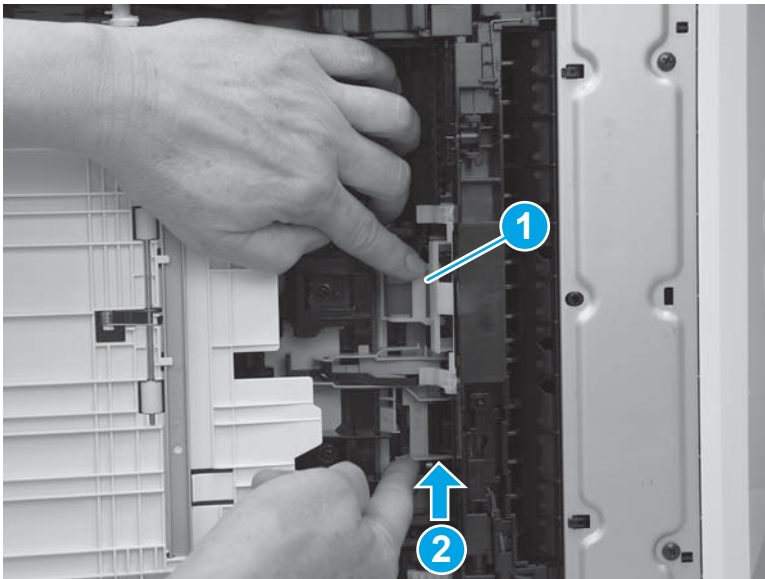
3. Make sure that the printer is positioned right side up, so that it is resting on the left side. Install the ends of the rollers (callout 1) in the roller case over the shafts (callout 2) on the printer.

Figure 1-46 Position the roller case



4. Hold the roller case in position (callout 1) and slide the roller holder (callout 2) up until it snaps into place.

Figure 1-47 Install the roller case

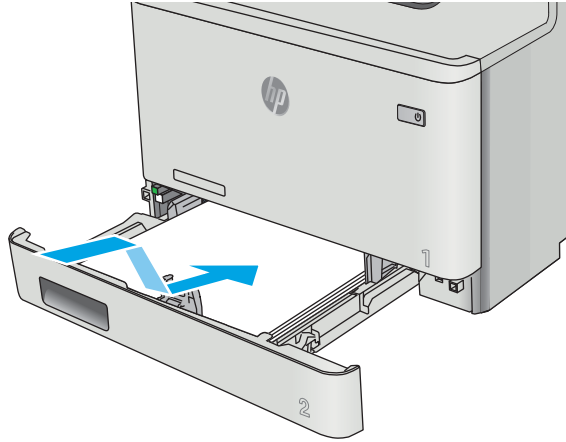


5. Return the printer to an upright position so that the bottom side is down.

Step 6: Install Tray 2

- ▲ With the front of the tray slightly lifted, align the sides of the tray with the rails in the printer, and then carefully slide the tray into the printer. As the tray slides into the printer, lower the front of the tray, and then close it.

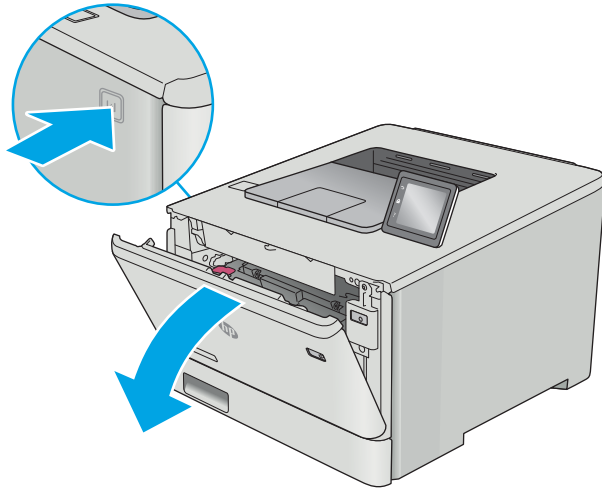
Figure 1-48 Install the tray



Step 7: Install the toner cartridges

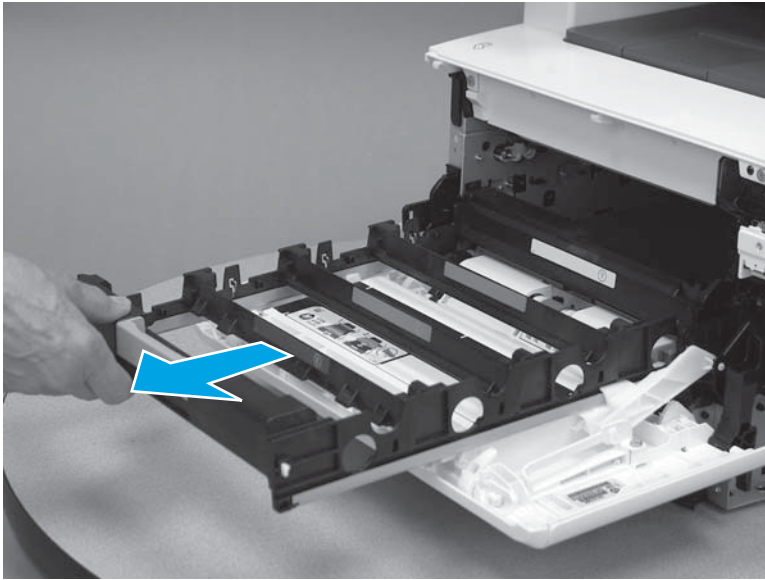
1. Open the front door by pressing the button on the left cover.

Figure 1-49 Open the front door



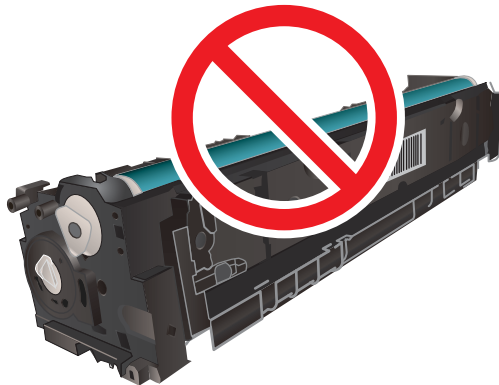
2. Slide the cartridge tray out of the printer.

Figure 1-50 Slide the cartridge tray out



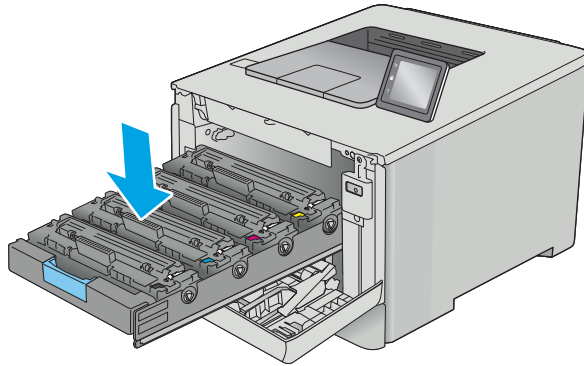
3. Do not touch the imaging drum on the bottom of the toner cartridge. Fingerprints on the imaging drum can cause print-quality problems.

Figure 1-51 Do not touch imaging drum



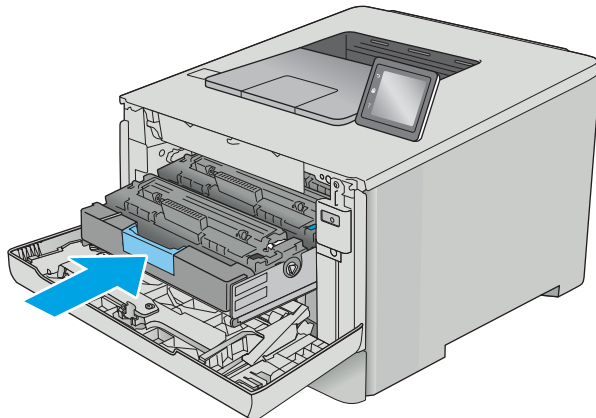
4. Insert the toner cartridge into the tray. Make sure that the color chip on the cartridge matches the color chip on the tray. Repeat this step for each toner cartridge.

Figure 1-52 Install a toner cartridge



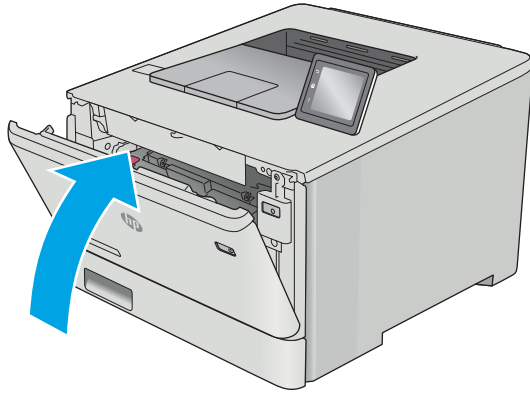
5. Close the toner cartridge drawer.

Figure 1-53 Close the toner cartridge drawer



6. Close the front door.

Figure 1-54 Close the front door



Removal and replacement: Tray 2 separation roller


- [Introduction](#)
- [Step 1: Remove the toner cartridges](#)
- [Step 2: Remove Tray 2](#)
- [Step 3: Remove the Tray 2 separation roller](#)
- [Step 4: Unpack the replacement part](#)
- [Step 5: Install the Tray 2 separation roller](#)
- [Step 6: Install Tray 2](#)
- [Step 7: Install the toner cartridges](#)

Introduction

This document provides the procedures to remove and replace the Tray 2 separation roller.

Before you begin

- Turn off the printer.
- Disconnect the power cable.

 **WARNING!** To avoid damage to the printer, turn the printer off, wait 30 seconds, and then remove the power cord before attempting to service the printer.

- Use the table below to identify the correct part number for your printer. To order the part, go to www.hp.com/buy/parts to order the part.

| Tray 2 separation roller part number | |
|--------------------------------------|--|
|--------------------------------------|--|

| |
|----------------|
| RM2-5881-000CN |
|----------------|

| |
|--------------------------|
| Tray 2 separation roller |
|--------------------------|


Required tools

- Small, flat-blade screwdriver

After performing service

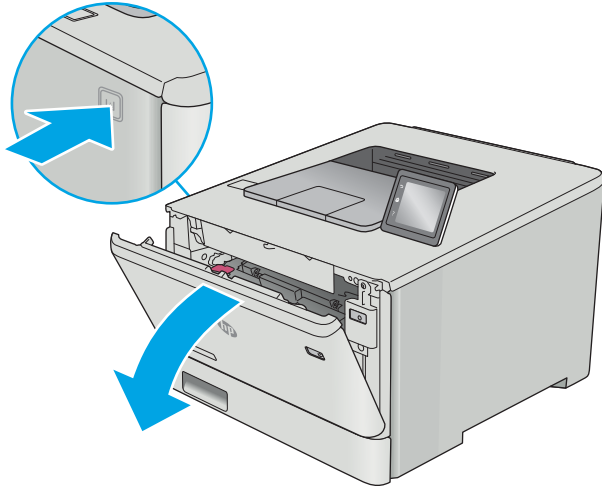
- Connect the power cable.
- Use the power switch to turn the power on.

Step 1: Remove the toner cartridges

 **NOTE:** The M452 model is pictured in the figures in this section. The procedure is the same for the M377, M477 models.

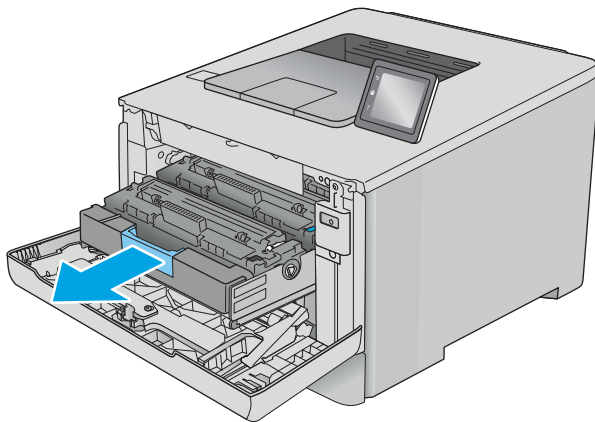
1. Open the front door by pressing the button on the left cover.

Figure 1-55 Open the front door



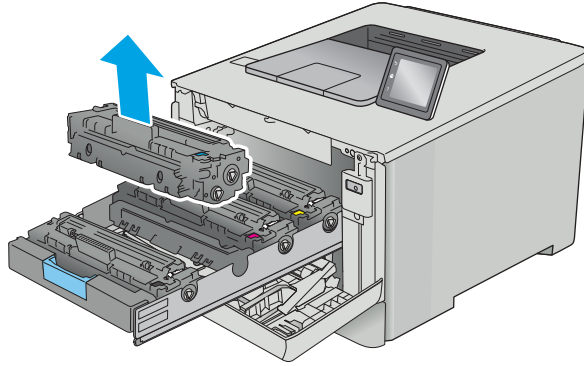
2. Grasp the blue handle on the toner cartridge tray, and then pull out the tray.

Figure 1-56 Open the cartridge drawer



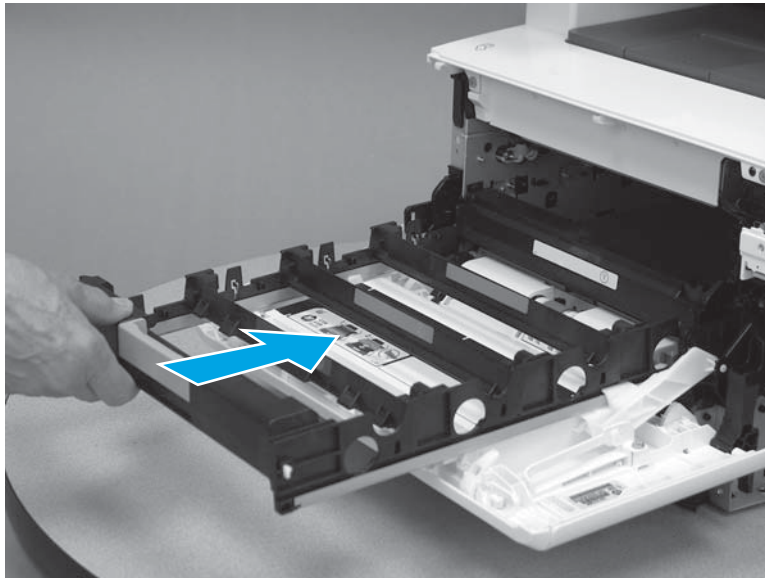
3. Grasp the handle on the toner cartridge, and then pull the toner cartridge straight up to remove it. Repeat this step for each toner cartridge.

Figure 1-57 Remove the toner cartridge



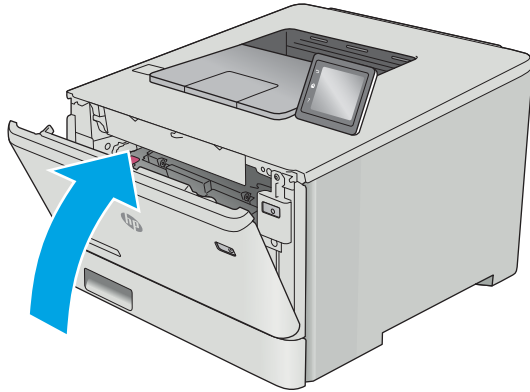
4. Slide the cartridge tray into the printer.

Figure 1-58 Slide the cartridge tray in



5. Close the front door.

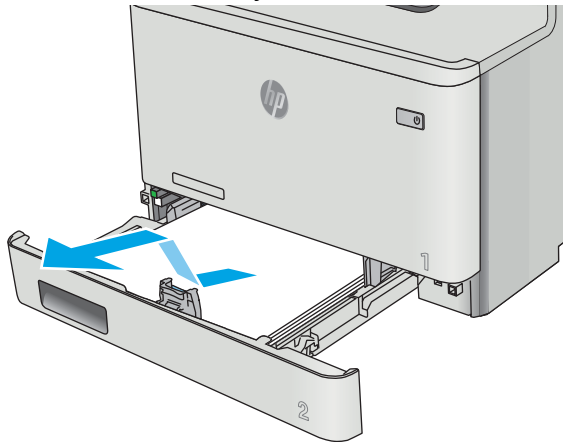
Figure 1-59 Close the front door



Step 2: Remove Tray 2

- ▲ Pull the tray out until it stops. Lift the front of the tray, and then pull it out of the printer to remove it.

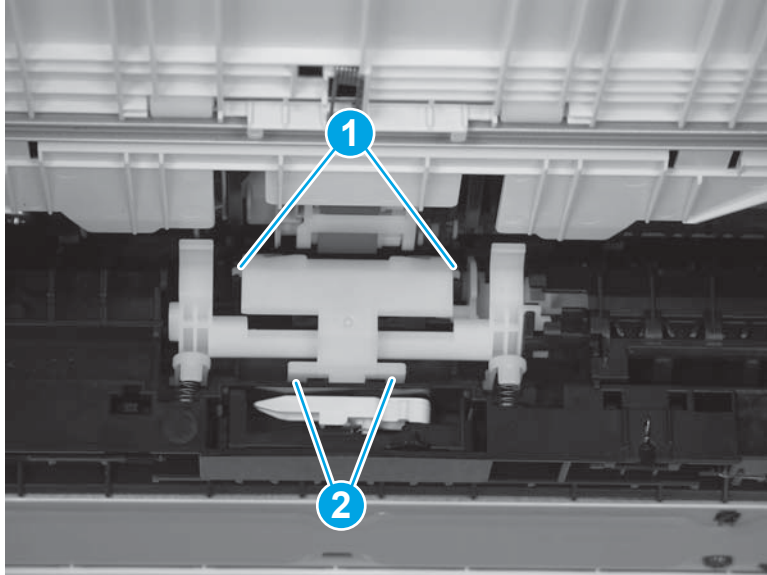
Figure 1-60 Remove the tray



Step 3: Remove the Tray 2 separation roller

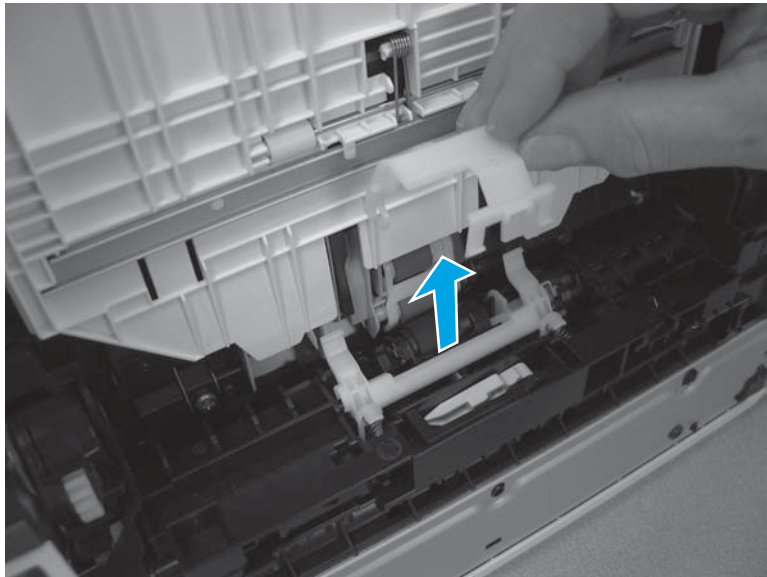
1. Turn the printer front side up, so that it is resting on the rear door or duplexer door. On the underside of the printer, release two hinge tabs (callout 1), and then release two tabs (callout 2).

Figure 1-61 Release the tabs



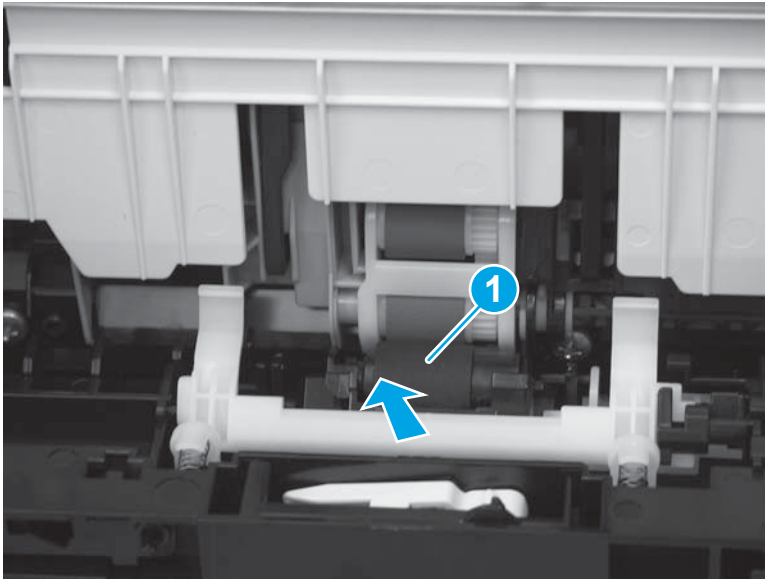
2. Lift up to remove the separation roller cover.

Figure 1-62 Remove the cover



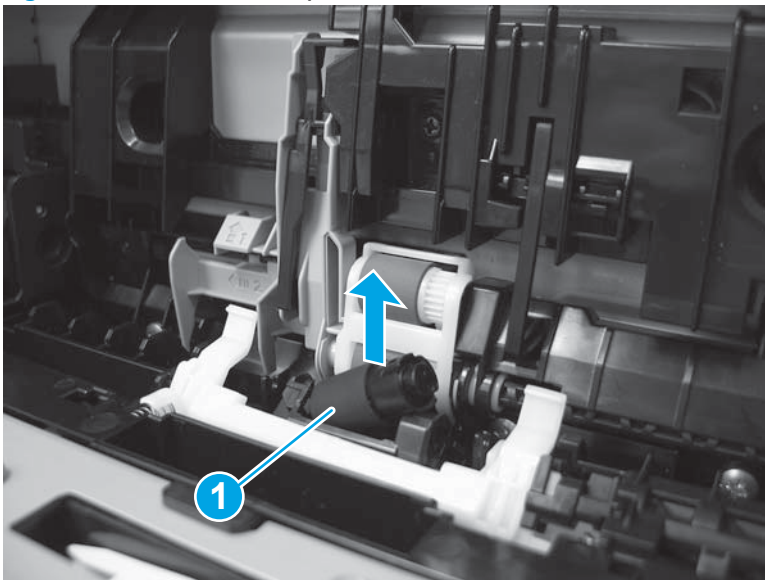
3. Press on the left side of the separation roller (callout 1) to release it.

Figure 1-63 Release the separation roller



4. Remove the separation roller (callout 1).

Figure 1-64 Remove the separation roller



Step 4: Unpack the replacement part

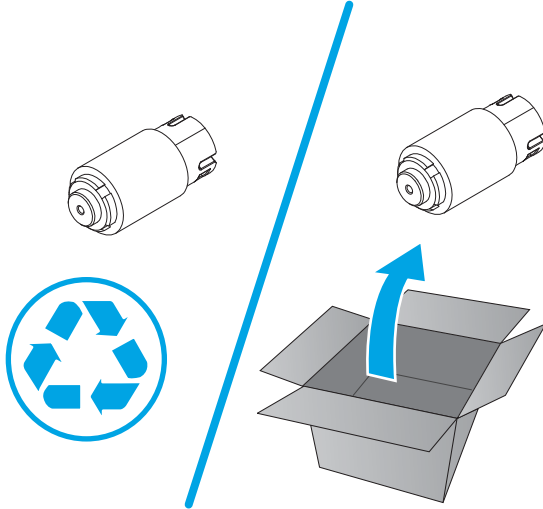
Remove the part from its package. Save all packaging for recycling the used part.

For complete information on HP's recycling programs, go to [Product return and recycling](#).



NOTE: HP recommends responsible disposal of the defective assembly.

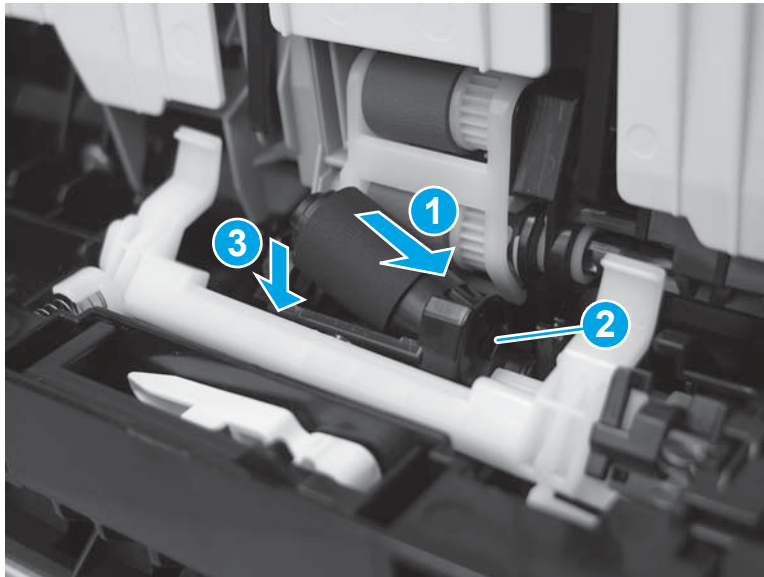
Figure 1-65 Recycle and unpack



Step 5: Install the Tray 2 separation roller

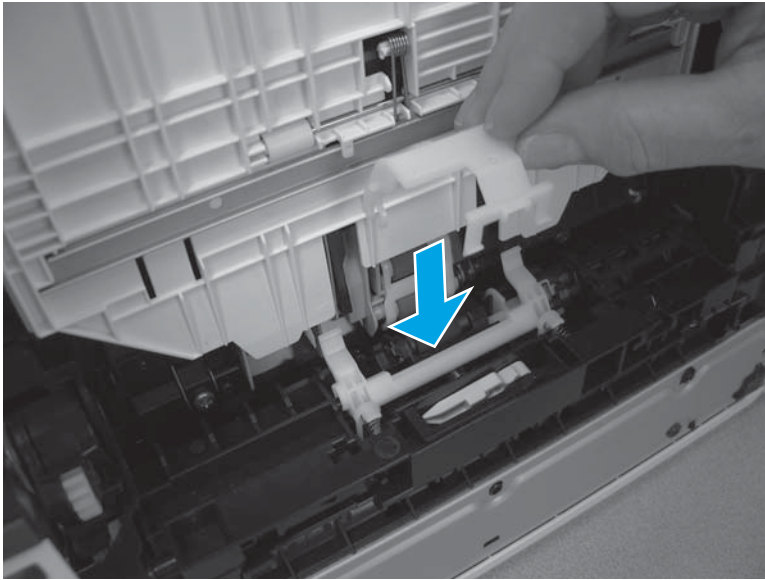
1. Make sure that the printer is positioned front side up, so that it is resting on the rear door or duplexer. On the underside of the printer, position the end of the roller into the slot in the printer (callout 1). It might be necessary to rotate the roller until it fits correctly into the slot (callout 2). Press down on the left side of the roller (callout 3) until it snaps into place.

Figure 1-66 Install the separation roller



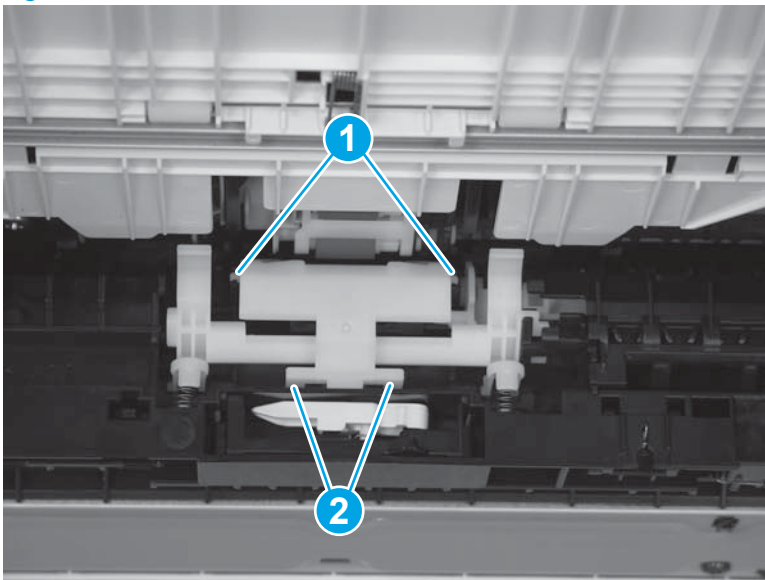
2. Position the roller cover (callout 1) over the roller.

Figure 1-67 Position the roller cover



3. Make sure that the hinge tabs (callout 1) and the tabs (callout 2) snap into place.

Figure 1-68 Release two tabs

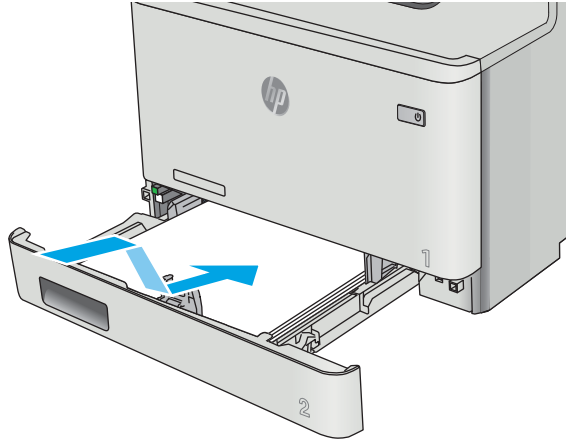


4. Return the printer to an upright position so that the bottom side is down.

Step 6: Install Tray 2

- ▲ With the front of the tray slightly lifted, align the sides of the tray with the rails in the printer, and then carefully slide the tray into the printer. As the tray slides into the printer, lower the front of the tray, and then close it.

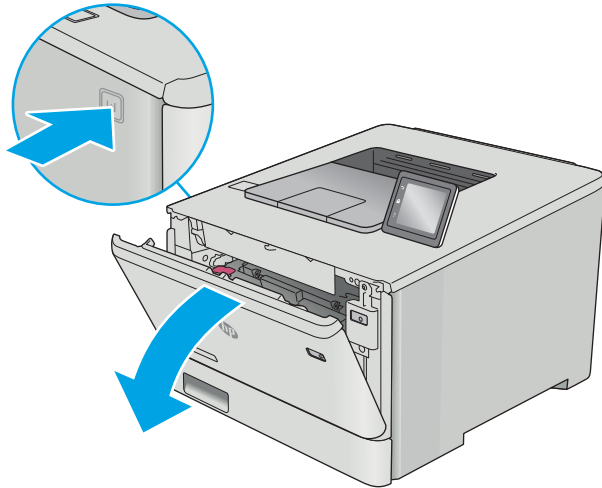
Figure 1-69 Install the tray



Step 7: Install the toner cartridges

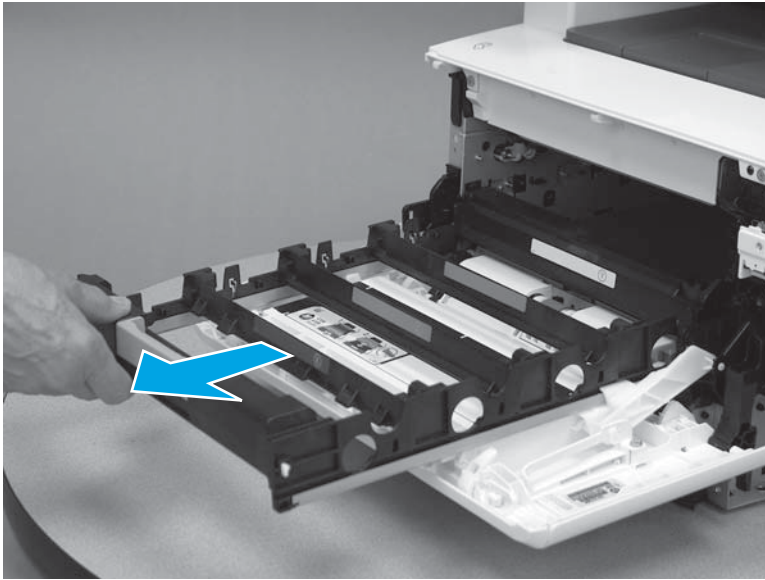
1. Open the front door by pressing the button on the left cover.

Figure 1-70 Open the front door



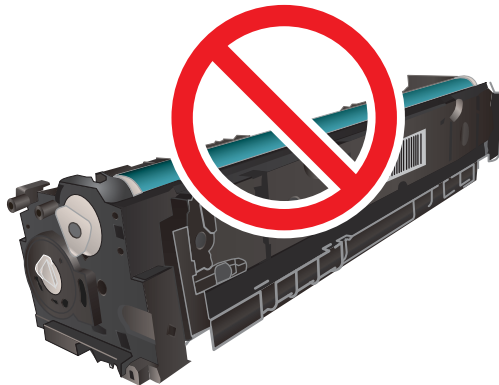
2. Slide the cartridge tray out of the printer.

Figure 1-71 Slide the cartridge tray out



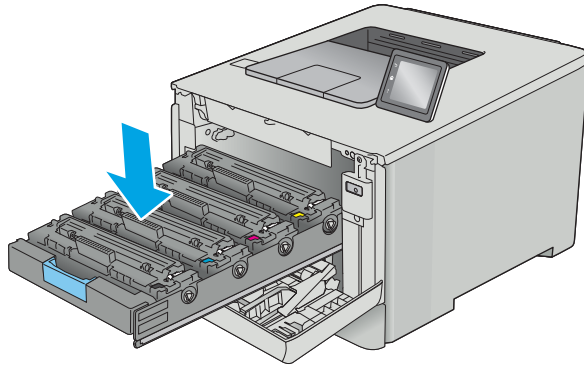
3. Do not touch the imaging drum on the bottom of the toner cartridge. Fingerprints on the imaging drum can cause print-quality problems.

Figure 1-72 Do not touch imaging drum



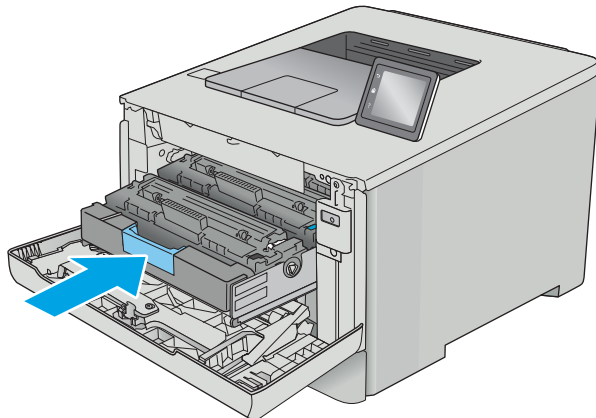
4. Insert the toner cartridge into the tray. Make sure that the color chip on the cartridge matches the color chip on the tray. Repeat this step for each toner cartridge.

Figure 1-73 Install a toner cartridge



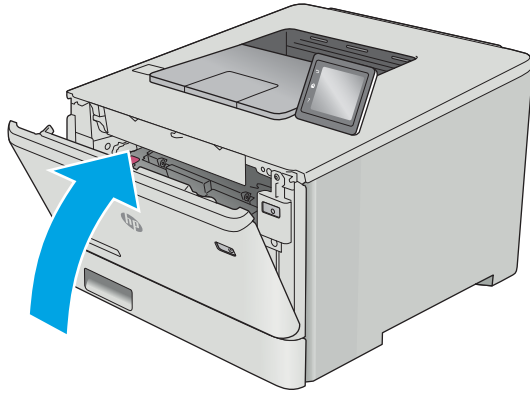
5. Close the toner cartridge drawer.

Figure 1-74 Close the toner cartridge drawer



6. Close the front door.

Figure 1-75 Close the front door



Removal and replacement: Tray 3 pickup and feed rollers


- [Introduction](#)
- [Step 1: Remove Tray 3](#)
- [Step 2: Remove the Tray 3 pickup or feed roller](#)
- [Step 3: Unpack the replacement part](#)
- [Step 4: Install the Tray 3 paper pickup roller](#)
- [Step 5: Install Tray 3](#)

Introduction

This document provides the procedures to remove and replace the Tray 3 pickup roller.

Before you begin

- Turn off the printer.
- Disconnect the power cable.

 **WARNING!** To avoid damage to the printer, turn the printer off, wait 30 seconds, and then remove the power cord before attempting to service the printer.

- Use the table below to identify the correct part number for your printer. To order the part, go to www.hp.com/buy/parts to order the part.

Tray 3 pickup and feed rollers part numbers

| | |
|-----------------------|----------------------|
| RM2-5576-000CN | Tray 3 pickup roller |
| RM2-5577-000CN | Tray 3 feed roller |

Required tools

- No tools are required to install this part.

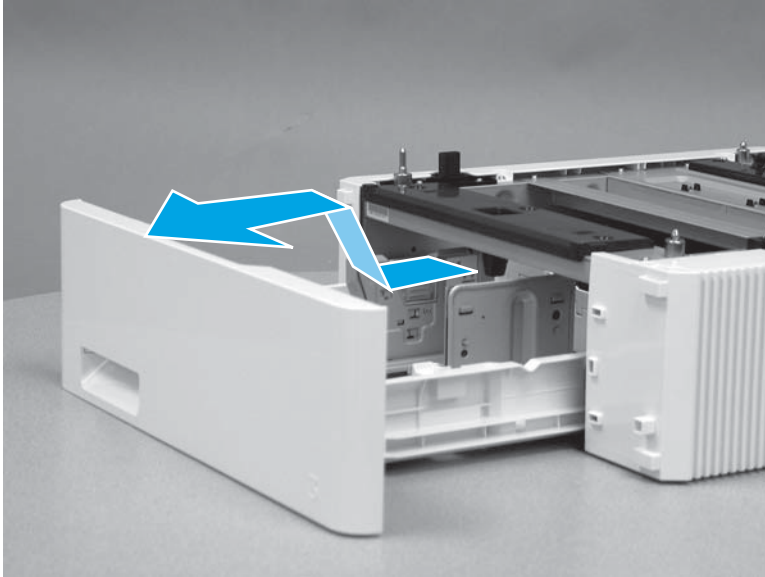
After performing service

- Connect the power cable.
- Use the power switch to turn the power on.

Step 1: Remove Tray 3

- ▲ Pull the tray out until it stops. Lift the front of the tray, and then pull it out of the printer to remove it.

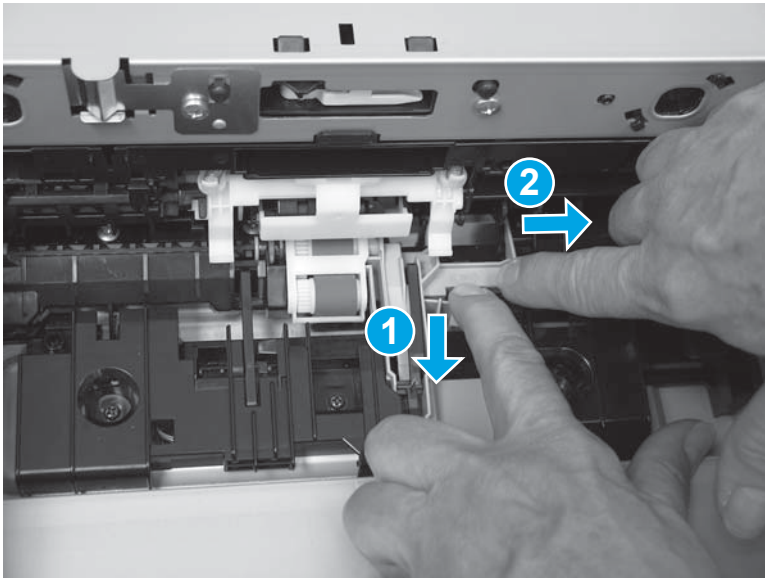
Figure 1-76 Remove the tray



Step 2: Remove the Tray 3 pickup or feed roller

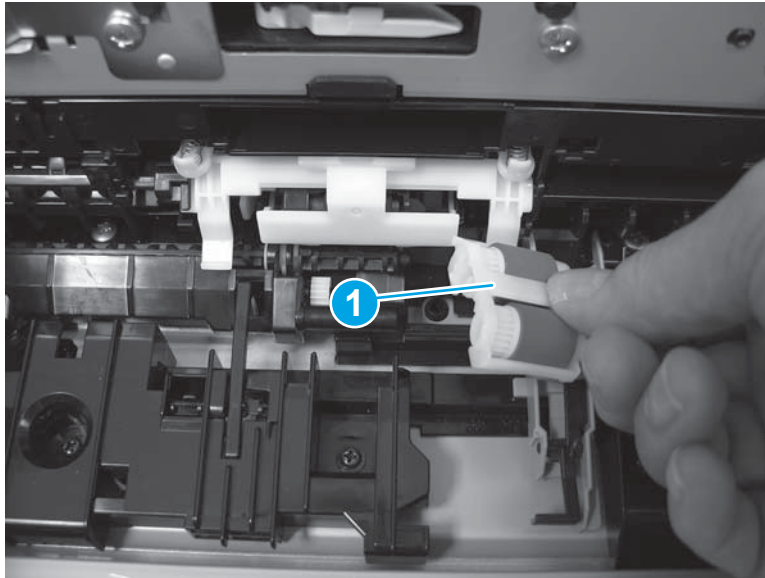
1. Press the tab (callout 1) toward the front of the feeder, and then slide the roller holder to the right (callout 2).

Figure 1-77 Release the roller holder



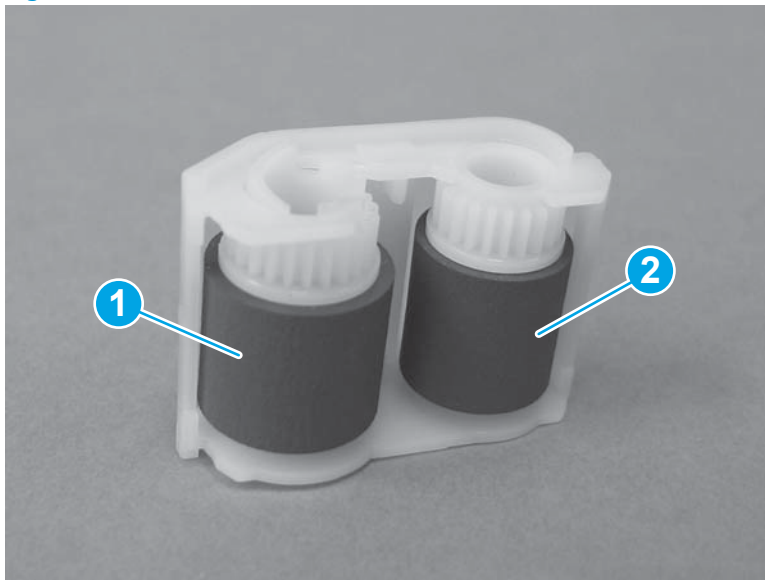
2. Remove the pickup and feed roller case (callout 1).

Figure 1-78 Remove the roller case



3. Locate the feed roller (callout 1) and the pickup roller (callout 2).

Figure 1-79 Locate the rollers



4. Release the top of the roller and remove it from the case.

 **NOTE:** The feed roller is shown in the figure below. The procedure is the same for the pickup roller.

Figure 1-80 Remove the roller



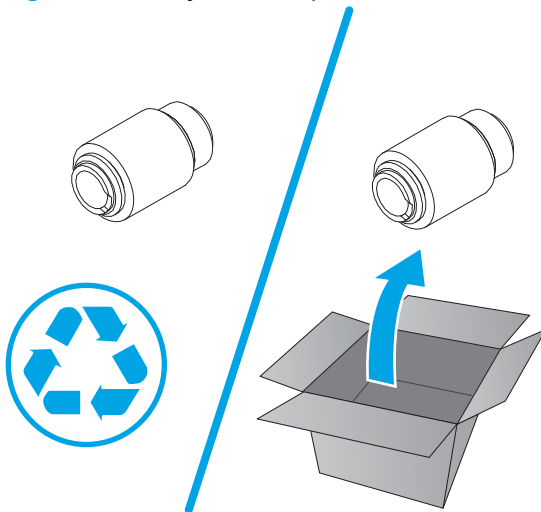
Step 3: Unpack the replacement part

Remove the new pickup roller from its package. Save all packaging for recycling the used parts.

For complete information on HP's recycling programs, go to [Product return and recycling](#)

 **NOTE:** HP recommends responsible disposal of the defective assembly.

Figure 1-81 Recycle and unpack

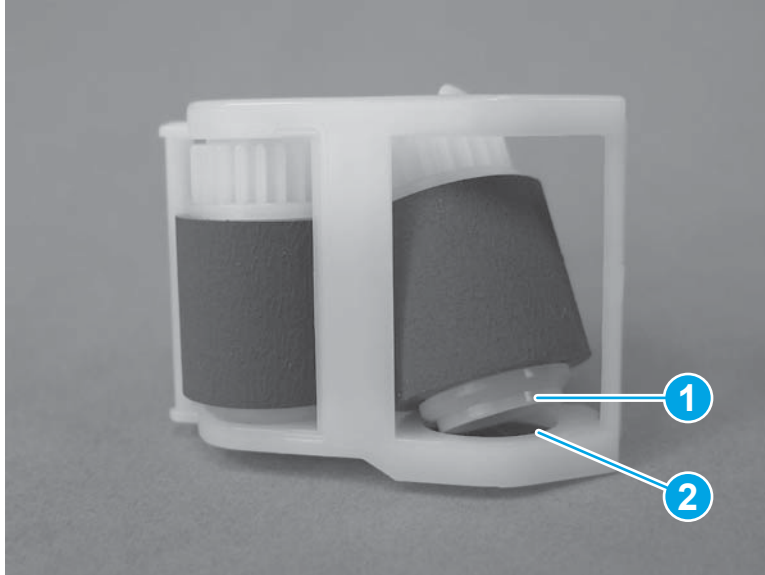


Step 4: Install the Tray 3 paper pickup roller

1. Install the ridge on the bottom of the roller (callout 1) in the hole in the bottom of the case (callout 2).

 **NOTE:** The feed roller is shown in the figure below. The procedure is the same for the pickup roller.

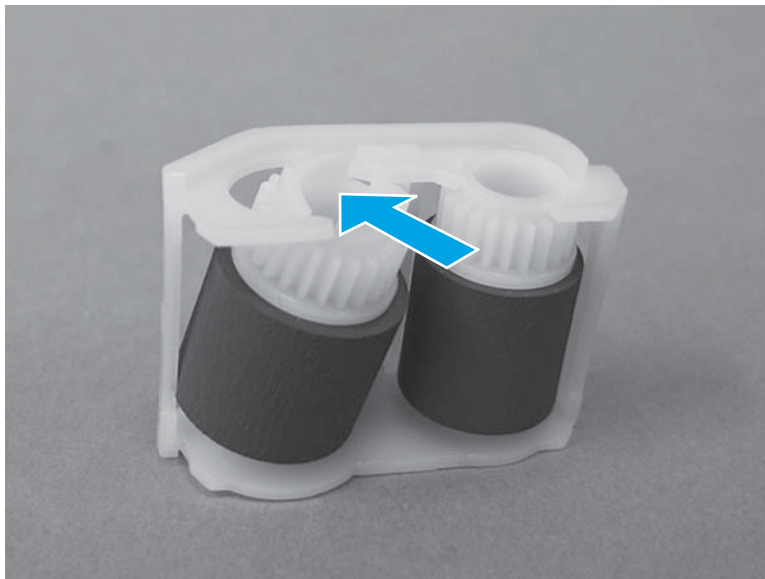
Figure 1-82 Position the roller



2. Rotate the top of the roller into the case. Make sure that the roller snaps into place.

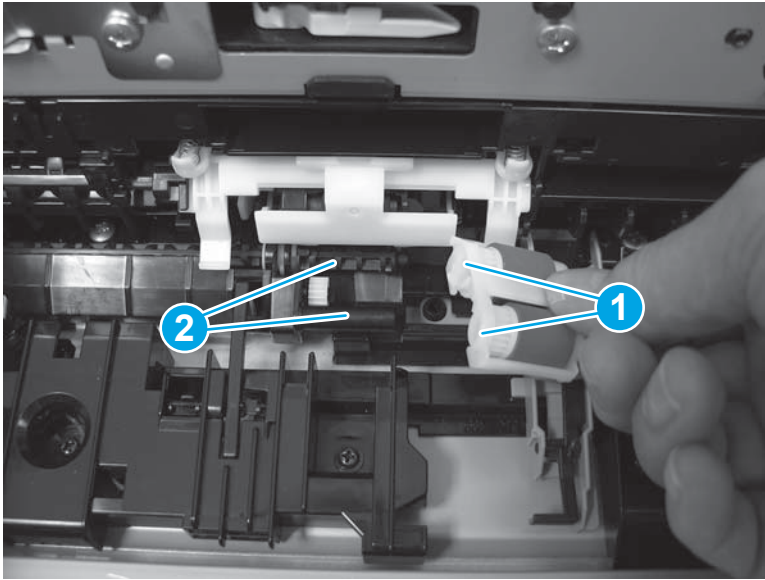
 **NOTE:** The feed roller is shown in the figure below. The procedure is the same for the pickup roller.

Figure 1-83 Install the roller



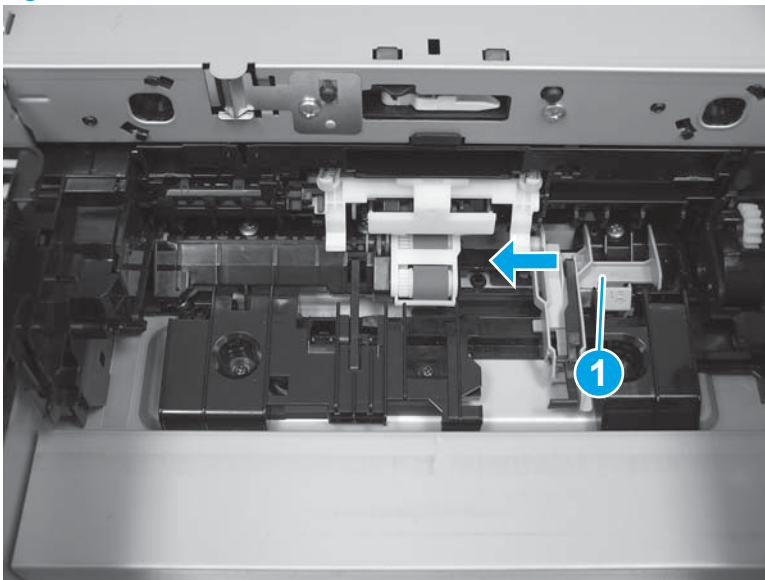
3. Install the ends of the rollers (callout 1) in the roller case over the shafts (callout 2) on the printer.

Figure 1-84 Position the roller case



4. Slide the roller holder (callout 1) to the left until it snaps into place.

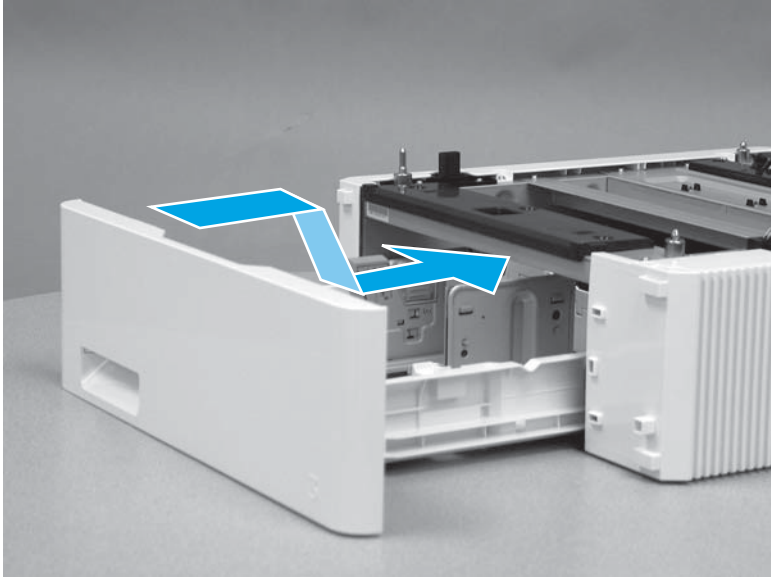
Figure 1-85 Install the roller case



Step 5: Install Tray 3

- ▲ With the front of the tray slightly lifted, align the sides of the tray with the rails in the feeder, and then carefully slide the tray into the feeder. As the tray slides into the feeder, lower the front of the tray, and then close it.

Figure 1-86 Install the tray



Removal and replacement: Tray 3 separation roller


- [Introduction](#)
- [Step 1: Remove Tray 3](#)
- [Step 2: Remove the Tray 3 separation roller](#)
- [Step 3: Unpack the replacement part](#)
- [Step 4: Install the Tray 3 separation roller](#)
- [Step 5: Install Tray 3](#)

Introduction

This document provides the procedures to remove and replace the Tray 3 separation roller.

Before you begin

- Turn off the printer.
- Disconnect the power cable.

 **WARNING!** To avoid damage to the printer, turn the printer off, wait 30 seconds, and then remove the power cord before attempting to service the printer.

- Use the table below to identify the correct part number for your printer. To order the part, go to www.hp.com/buy/parts to order the part.

| Tray 3 separation roller kit part number | |
|--|--|
|--|--|

| | |
|----------------|--------------------------|
| RM2-5881-000CN | Tray 3 separation roller |
|----------------|--------------------------|

Required tools

- Small, flat-blade screwdriver

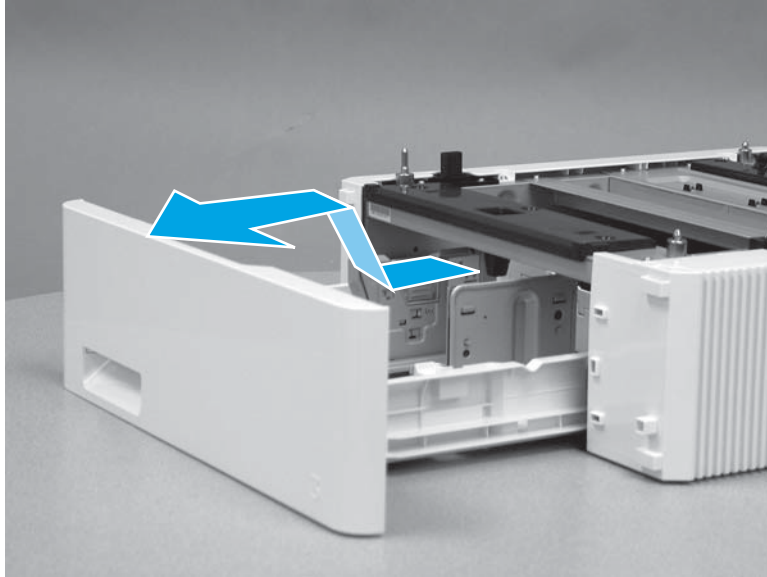
After performing service

- Connect the power cable.
- Use the power switch to turn the power on.

Step 1: Remove Tray 3

- ▲ Pull the tray out until it stops. Lift the front of the tray, and then pull it out of the printer to remove it.

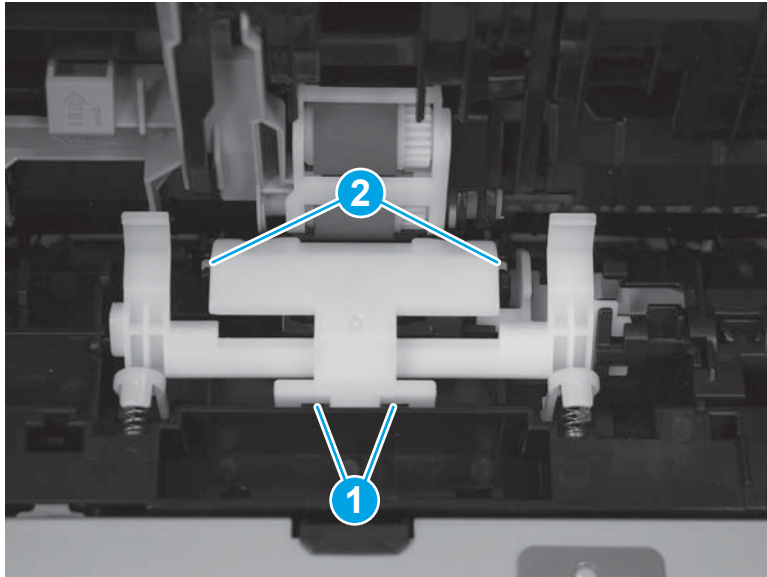
Figure 1-87 Remove the tray



Step 2: Remove the Tray 3 separation roller

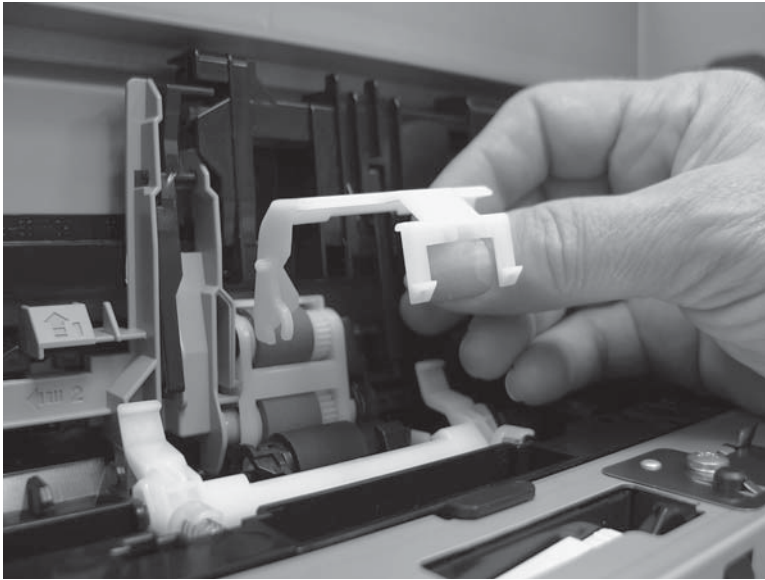
1. Release two tabs (callout 1), and then release two hinge tabs (callout 2).

Figure 1-88 Release the tabs



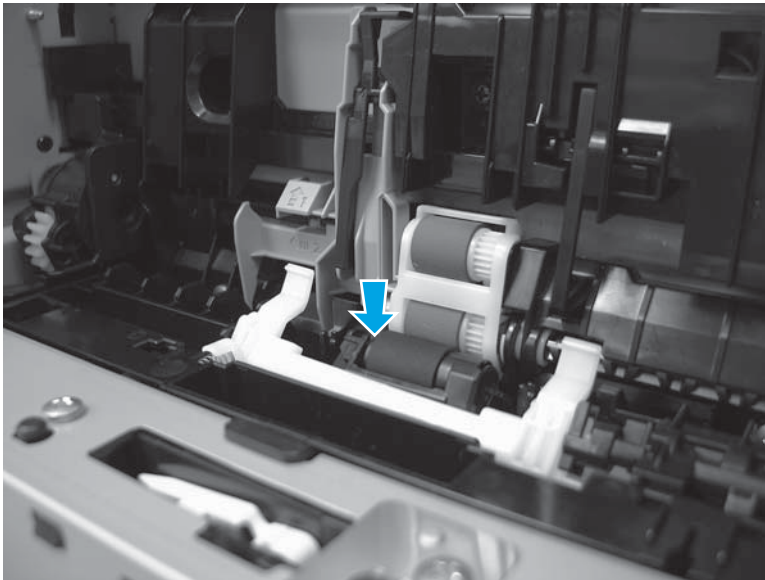
2. Lift up to remove the separation roller cover.

Figure 1-89 Remove the cover



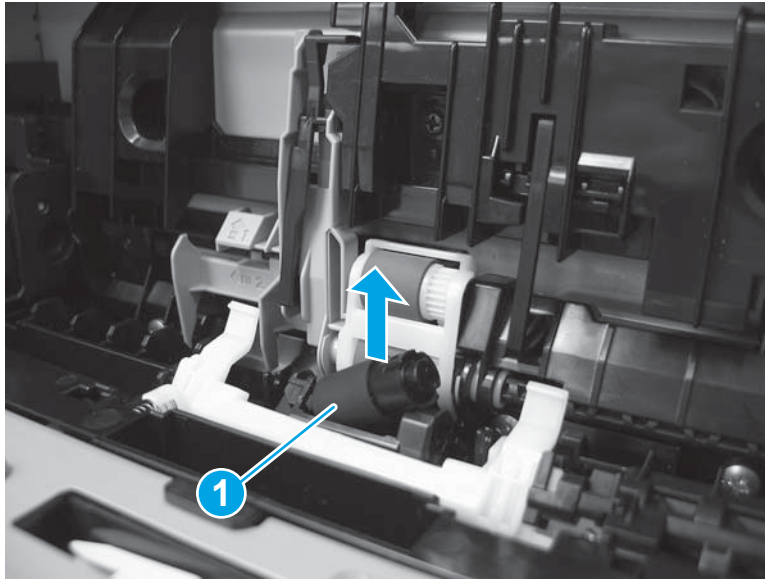
3. Press on the left side of the separation roller to release it.

Figure 1-90 Release the separation roller



4. Remove the separation roller (callout 1).

Figure 1-91 Remove the separation roller



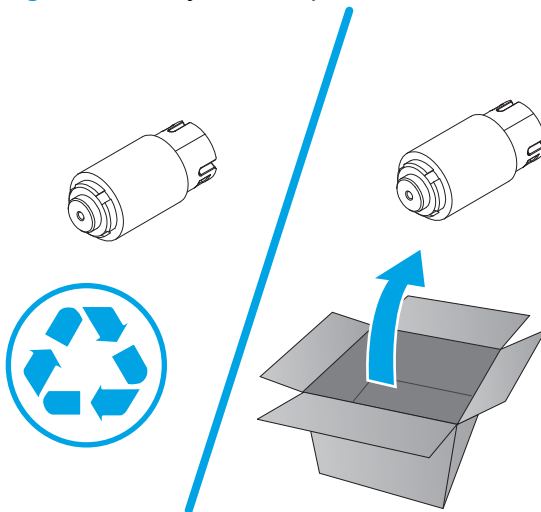
Step 3: Unpack the replacement part

Remove the new separation roller from its package. Save all packaging for recycling the used part.

For complete information on HP's recycling programs, go to [Product return and recycling](#).

 **NOTE:** HP recommends responsible disposal of the defective assembly.

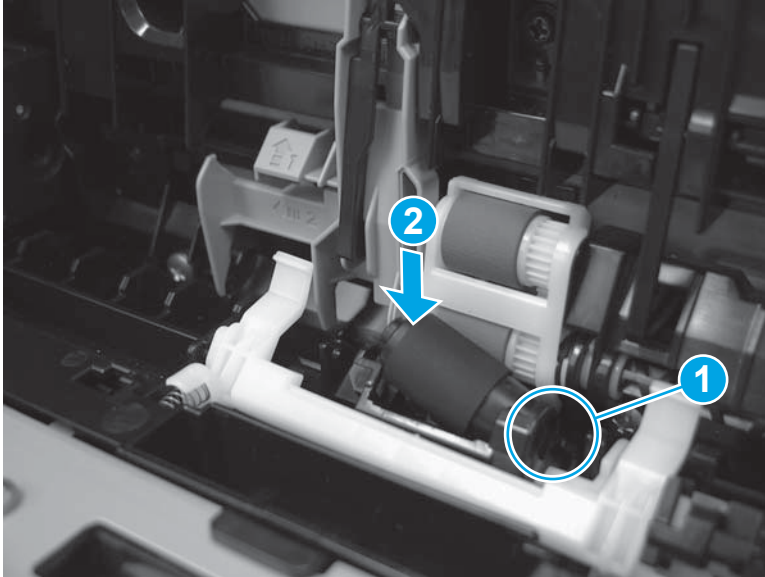
Figure 1-92 Recycle and unpack



Step 4: Install the Tray 3 separation roller

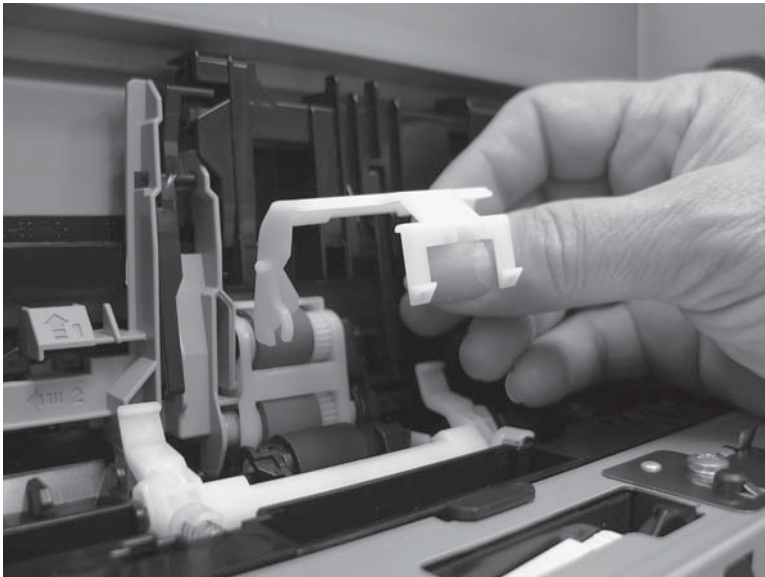
1. Position the end of the roller into the slot in the printer (callout 1). It might be necessary to rotate the roller until it fits correctly into the slot. Press down on the left side of the roller (callout 2) until it snaps into place.

Figure 1-93 Install the separation roller



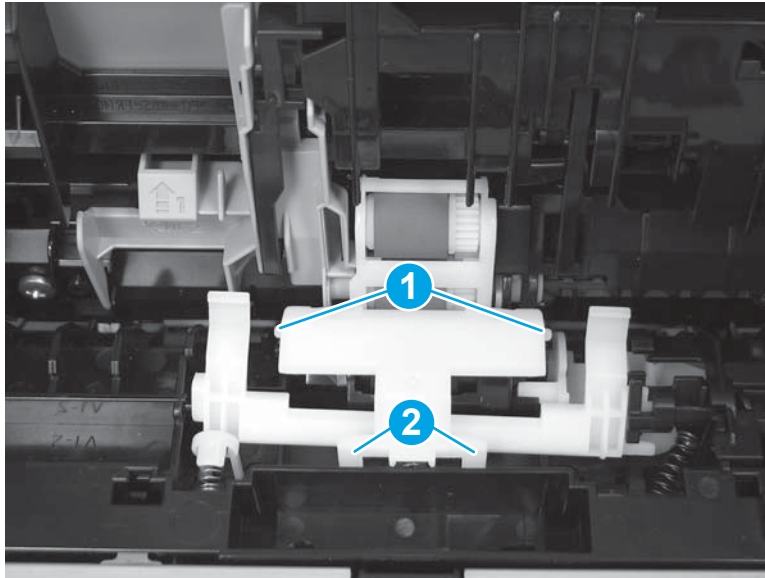
2. Position the roller cover over the separation roller.

Figure 1-94 Position the roller cover



3. Install the roller cover. Make sure that the hinge tabs (callout 1) and the tabs (callout 2) snap into place.

Figure 1-95 Release two tabs

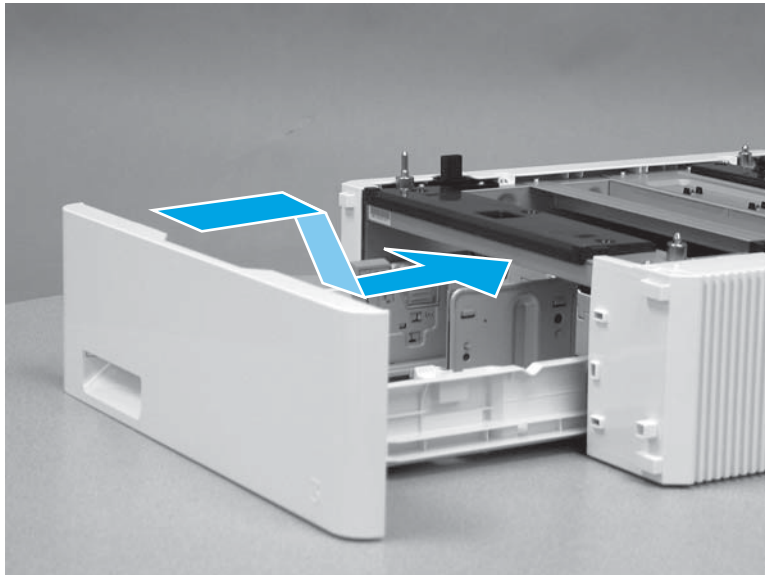


4. Return the printer to an upright position so that the bottom side is down.

Step 5: Install Tray 3

- ▲ With the front of the tray slightly lifted, align the sides of the tray with the rails in the feeder, and then carefully slide the tray into the feeder. As the tray slides into the feeder, lower the front of the tray, and then close it.

Figure 1-96 Install the tray



Removal and replacement: Secondary transfer roller


- [Introduction](#)
- [Step 1: Remove the secondary transfer roller](#)
- [Step 2:Unpack the replacement part](#)
- [Step 3: Install the secondary transfer roller](#)

Introduction

This document provides the procedures to remove and replace the secondary transfer roller.

Before you begin

- Turn off the printer.
- Disconnect the power cable.

 **WARNING!** To avoid damage to the printer, turn the printer off, wait 30 seconds, and then remove the power cord before attempting to service the printer.

- Use the table below to identify the correct part number for your printer. To order the part, go to www.hp.com/buy/parts to order the part.

| Secondary transfer roller part number | |
|---------------------------------------|---------------------------|
| RM2-6455-000CN | Secondary transfer roller |

Required tools

- No tools are required to install this part.

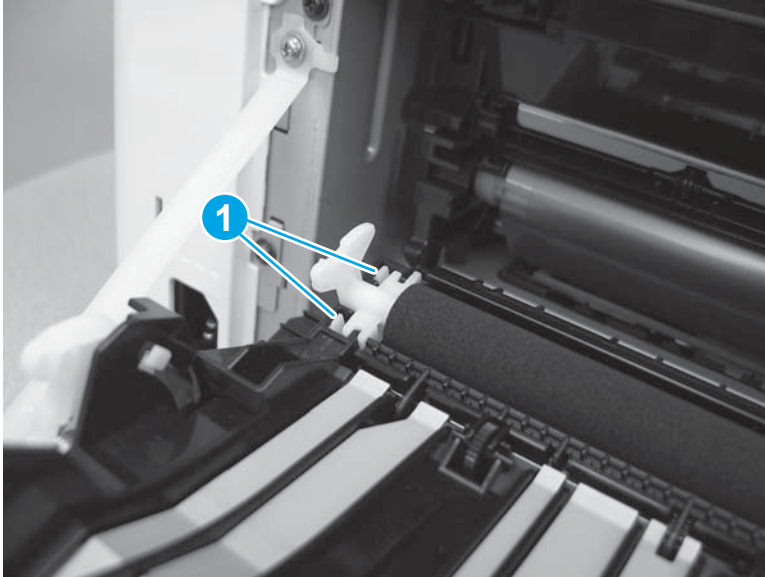
After performing service

- Connect the power cable.
- Use the power switch to turn the power on.

Step 1: Remove the secondary transfer roller

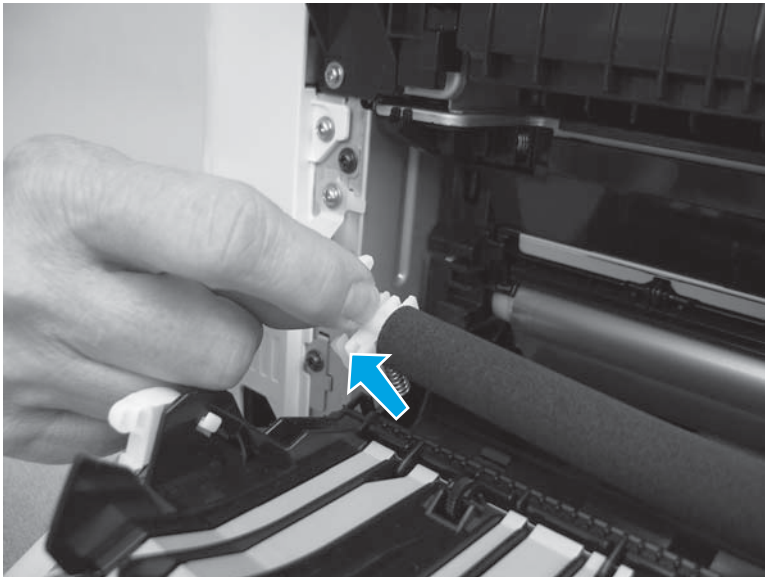
1. For simplex models (M452nw and M477fnw) open the rear cover. For duplex models (M377dw, M452dn, M452dw, M477fdn, and M477fdw), open the duplex door assembly. Inside the door assembly, release two tabs (callout 1).

Figure 1-97 Release two tabs



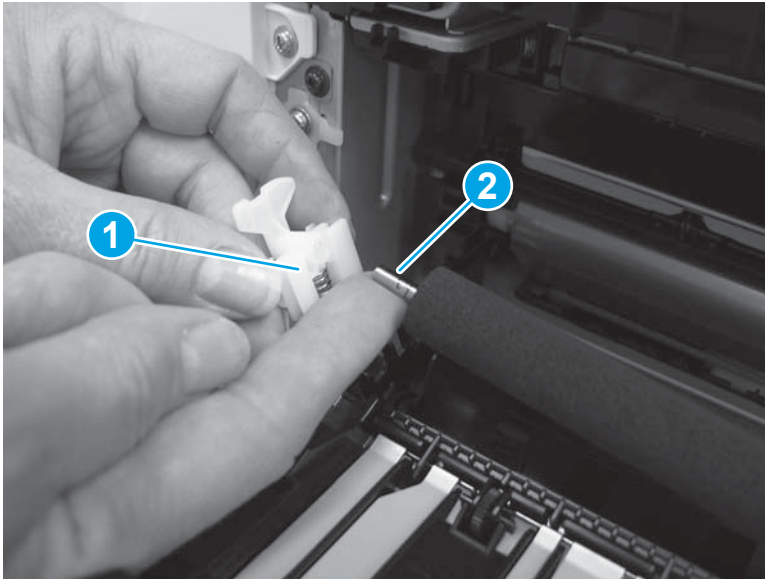
2. Lift up the left end of the roller.

Figure 1-98 Lift the end of the roller



3. Remove the stopper (callout 1) from the end of the roller (callout 2).

Figure 1-99 Remove the stopper




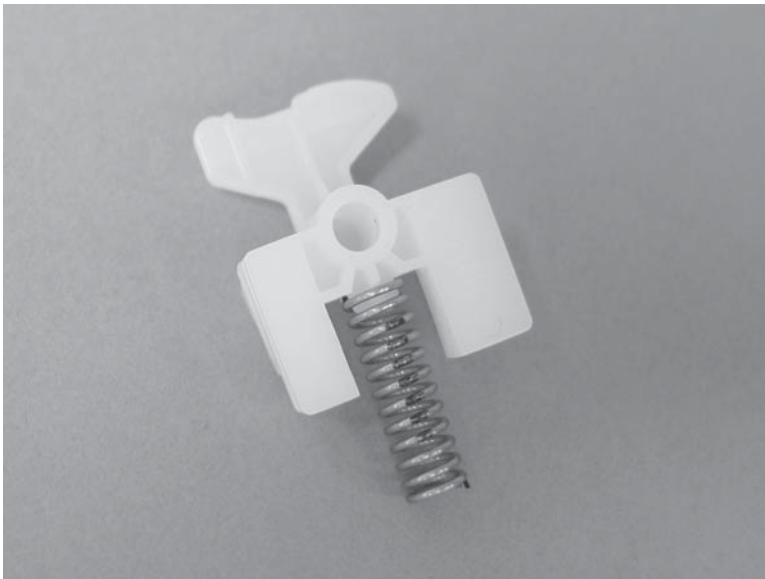
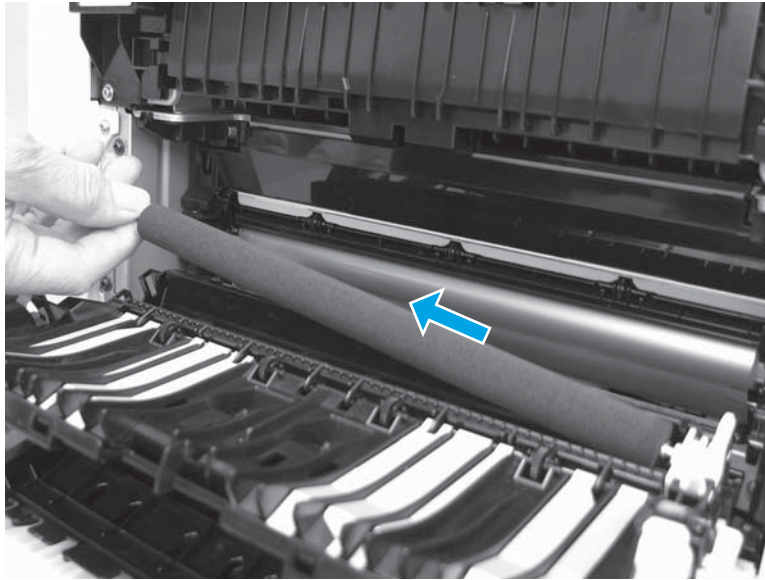
 **NOTE:** If the spring falls off of the stopper, reattach it as shown below.

Figure 1-100 Reattach the stopper spring



4. Remove the secondary transfer roller.

Figure 1-101 Remove the secondary transfer roller



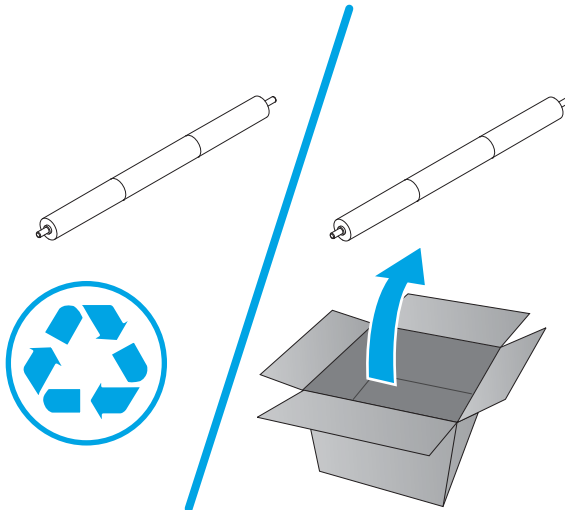
Step 2: Unpack the replacement part

Remove the new secondary transfer roller from its package. Save all packaging for recycling the used part.

For complete information on HP's recycling programs, go to [Product return and recycling](#).

 **NOTE:** HP recommends responsible disposal of the defective assembly.

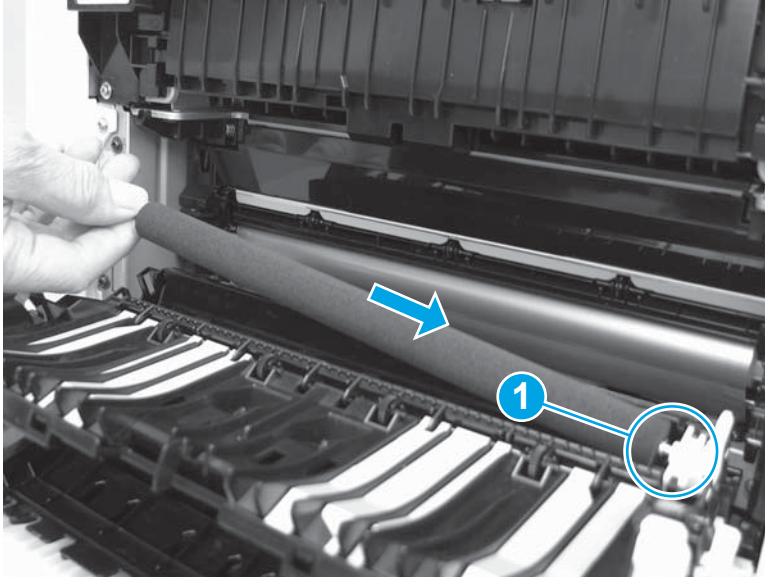
Figure 1-102 Recycle and unpack



Step 3: Install the secondary transfer roller

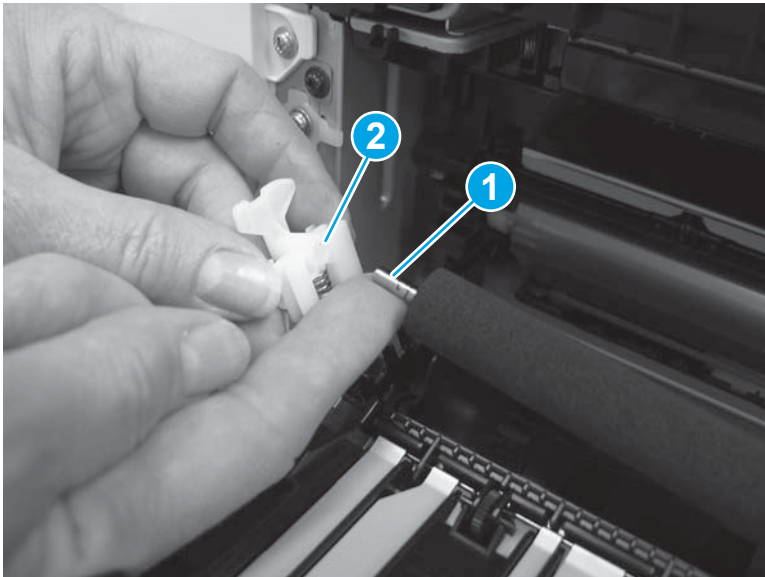
1. Position the end of the secondary transfer roller into the slot in the holder (callout 1).

Figure 1-103 Position the secondary transfer roller



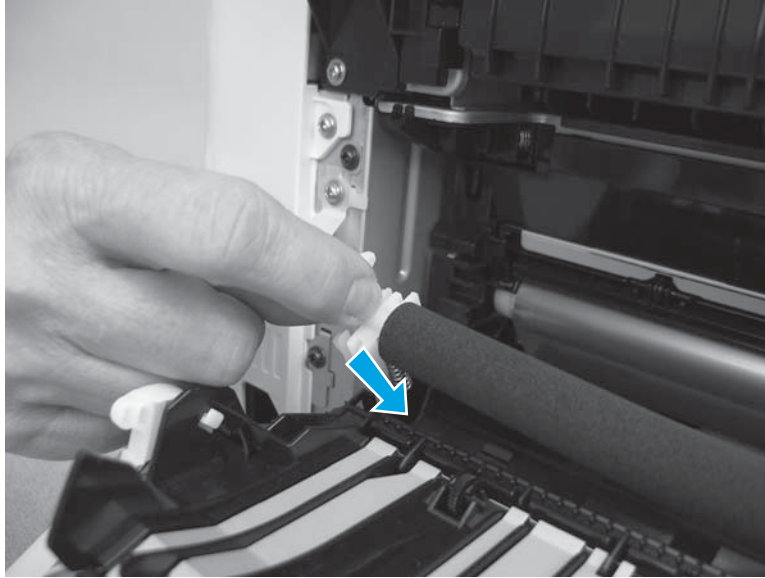
2. Position the metal shaft (callout 1) on the end of the roller into the opening (callout 2) in the stopper.

Figure 1-104 Attach stopper



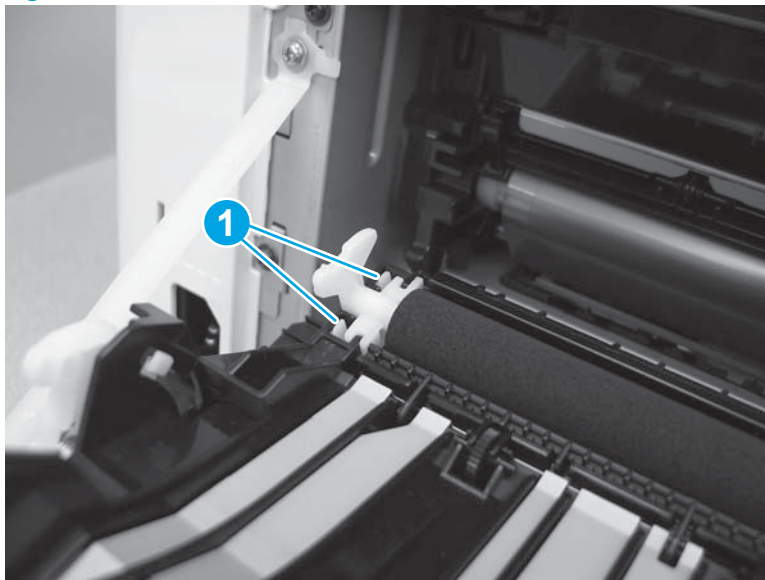
3. Lower the secondary transfer roller and stopper into position.

Figure 1-105 Install the secondary transfer roller



4. Make sure that two tabs (callout 1) snap into place. Close the rear cover or the duplex door assembly.

Figure 1-106 Check the tabs



Removal and replacement: External panels, covers, and doors

- [Removal and replacement: Right cover \(M452 models\)](#)
- [Removal and replacement: Left cover \(M452 models\)](#)
- [Removal and replacement: Right cover \(M377, M477 models\)](#)
- [Removal and replacement: Left cover \(M377, M477 models\)](#)
- [Removal and replacement: Front door assembly](#)
- [Removal and replacement: Duplexer door assembly \(duplex models\)](#)
- [Removal and replacement: Rear top cover \(simplex models\)](#)
- [Removal and replacement: Rear lower cover \(simplex models\)](#)
- [Removal and replacement: Rear door \(simplex models\)](#)
- [Removal and replacement: Top cover \(M452 models\)](#)
- [Removal and replacement: Top cover \(M377, M477 models\)](#)
- [Removal and replacement: Touchscreen control panel \(M452dw model\)](#)
- [Removal and replacement: Touchscreen control panel \(M377, M477 models\)](#)

Removal and replacement: Right cover (M452 models)


- [Introduction](#)
- [Step 1: Remove Tray 2](#)
- [Step 2: Open the front door and rear door or duplexer door](#)
- [Step 3: Remove the right cover](#)
- [Step 4: Unpack the replacement part](#)
- [Step 5: Install the right cover](#)
- [Step 6: Close the front door and rear door or duplexer door](#)
- [Step 7: Install Tray 2](#)

Introduction

This document provides the procedures to remove and replace the right cover for the M452.

Before you begin

- Turn off the printer.
- Disconnect the power cable.

 **WARNING!** To avoid damage to the printer, turn the printer off, wait 30 seconds, and then remove the power cord before attempting to service the printer.

- Use the table below to identify the correct part number for your printer. To order the part, go to www.hp.com/buy/parts.

| Right cover part number (M452 models) | |
|---------------------------------------|--|
|---------------------------------------|--|

| | |
|----------------|---------------------------|
| RC4-4853-000CN | Right cover (M452 models) |
|----------------|---------------------------|

Required tools

- #2 Phillips screwdriver with a magnetic tip

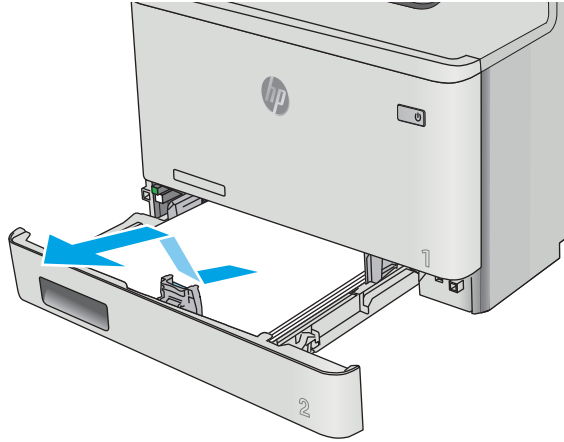
After performing service

- Connect the power cable.
- Use the power switch to turn the power on.

Step 1: Remove Tray 2

- ▲ Pull the tray out until it stops. Lift the front of the tray, and then pull it out of the printer to remove it.

Figure 1-107 Remove the tray



Step 2: Open the front door and rear door or duplexer door

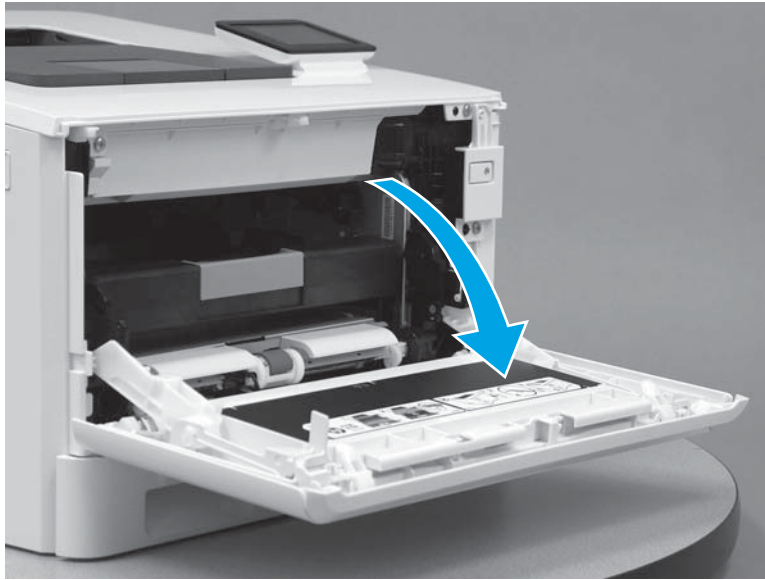
1. Press the button (callout 1) on the left side of the printer to release the front door.

Figure 1-108 Release the front door



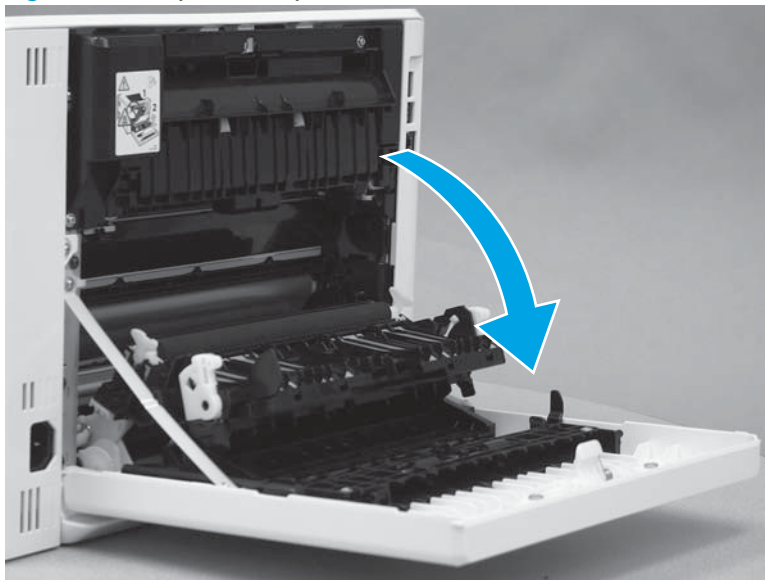
2. Open the front door.

Figure 1-109 Open the front door



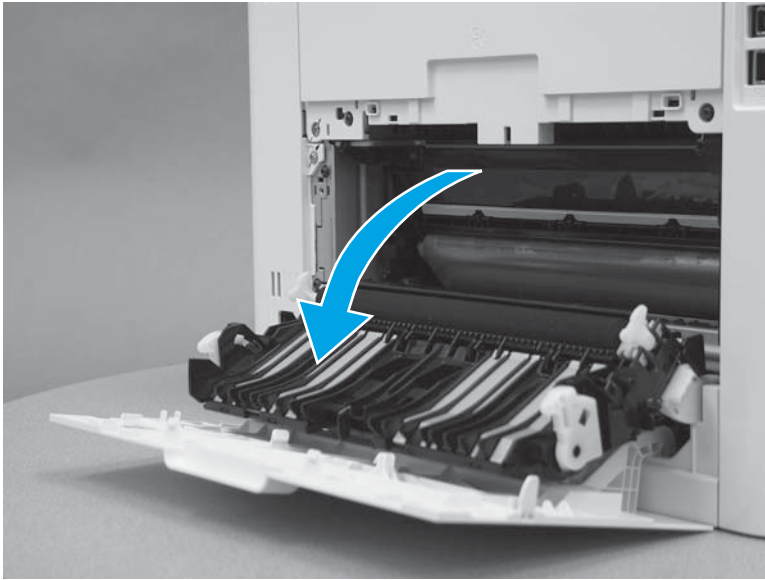
3. **Duplex models:** Open the duplexer door.

Figure 1-110 Open the duplexer door



4. **Simplex models:** Open the rear door.

Figure 1-111 Open the rear door



Step 3: Remove the right cover

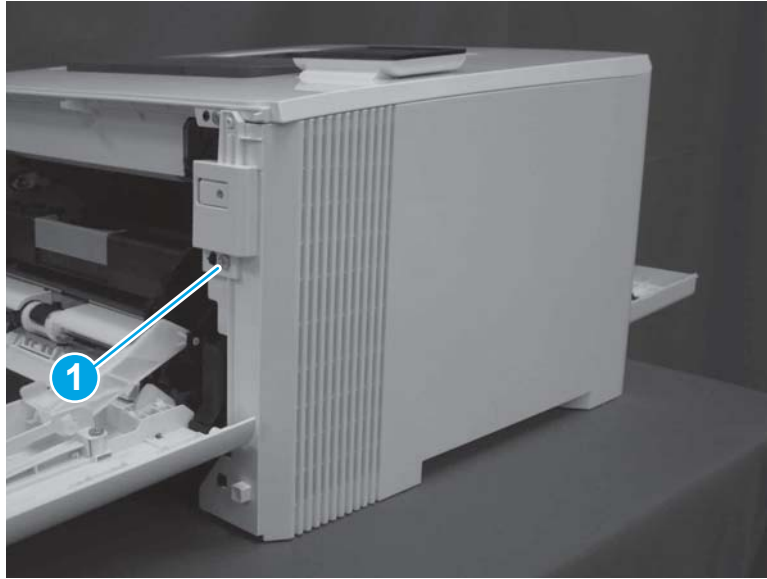
1. At the back of the printer, remove one screw (callout 1).

Figure 1-112 Remove one screw



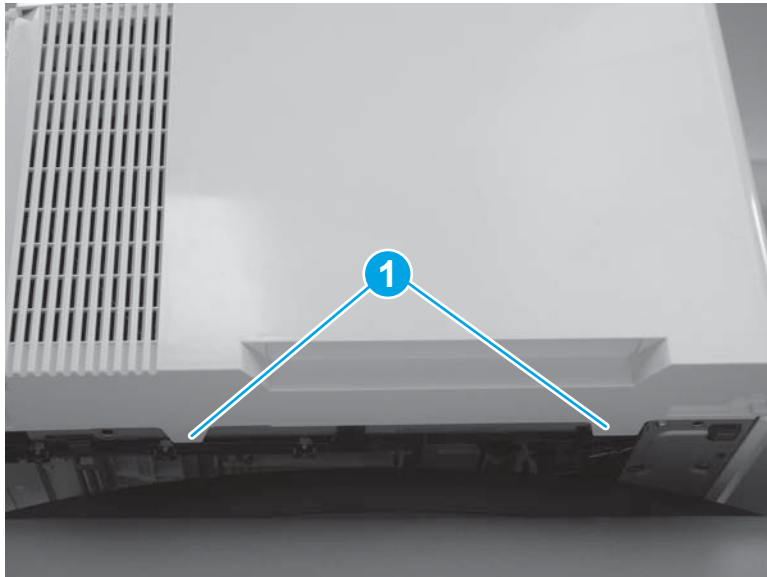
2. At the front of the printer, remove one screw (callout 1).

Figure 1-113 Remove one screw



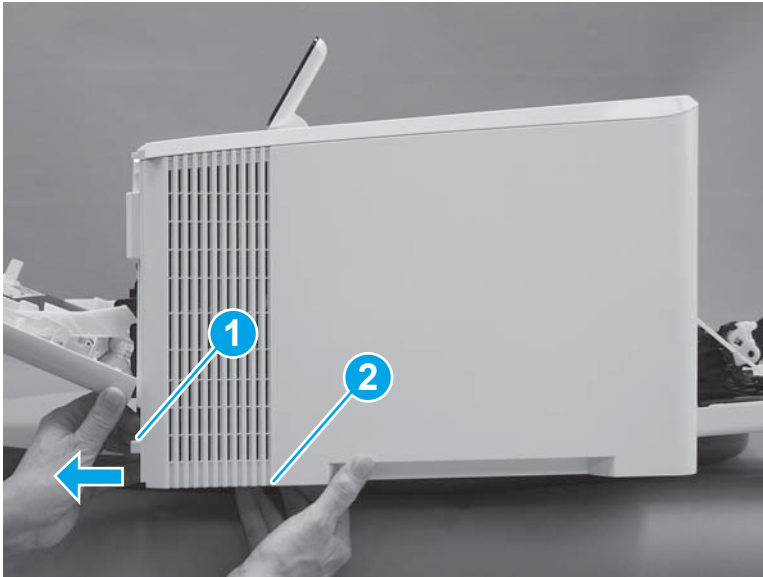
3. Slide the printer to the edge of a work surface. Note the location of the tabs on the lower edge of the cover (callout 1).

Figure 1-114 Locate the tabs



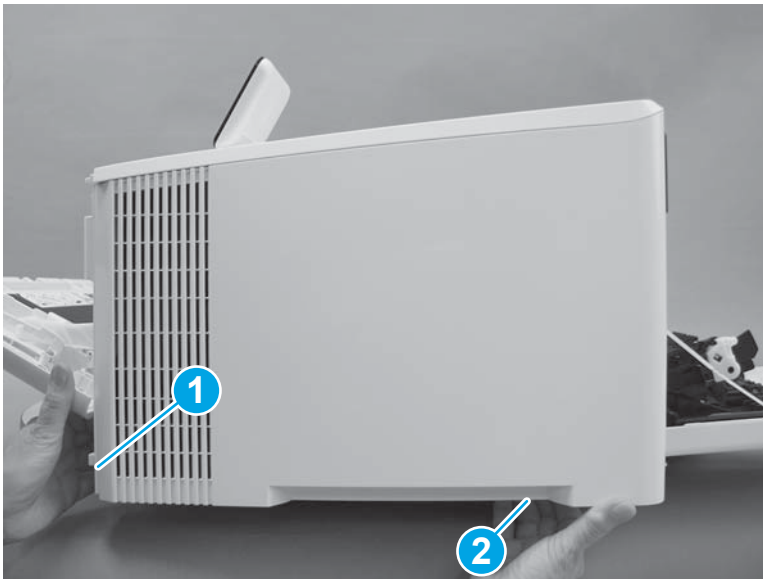
4. Release one tab (callout 1) on the front of the cover by slightly pulling the cover away from the printer. While holding the cover in the released position, release one tab (callout 2) on the bottom of the cover.

Figure 1-115 Release front lower tabs



5. Hold the front tabs in the released position (callout 1), and then release one tab (callout 2) on the bottom of the cover, toward the back of the printer.

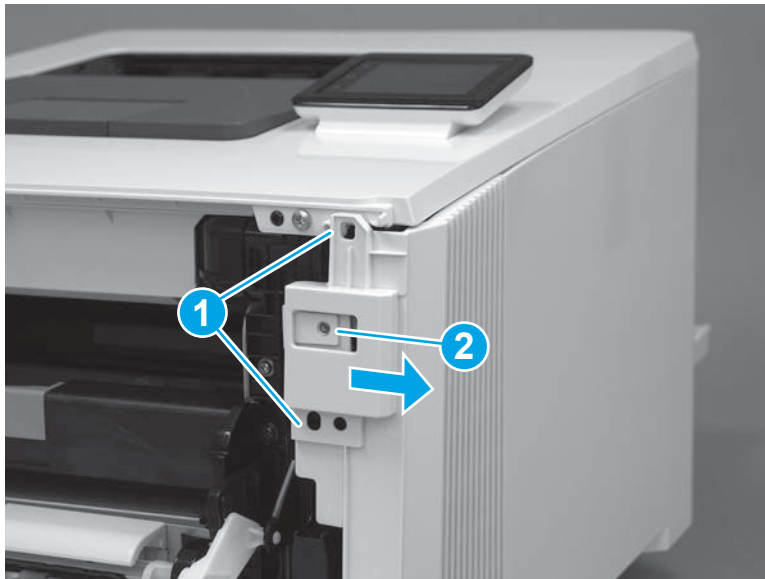
Figure 1-116 Release lower rear tab



6. Release two tabs at the front of the printer (callout 1) by slightly pulling the cover away from the printer.

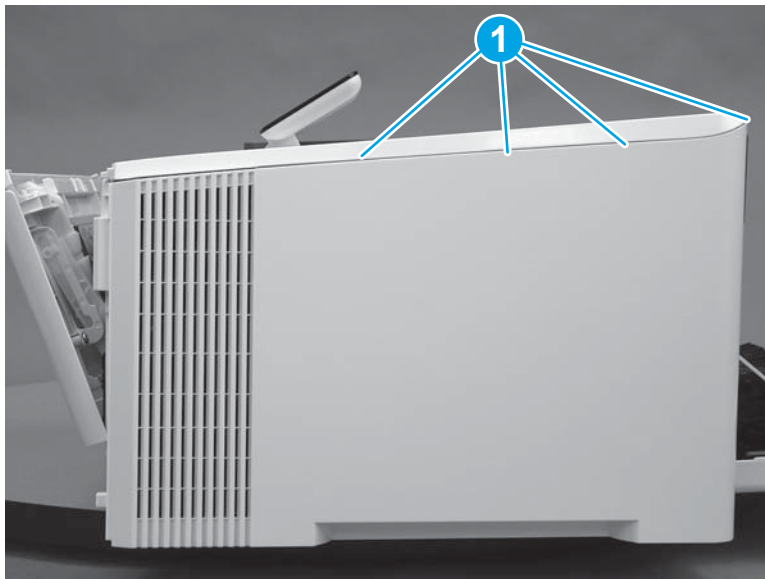
⚠ CAUTION: Be careful not to dislodge the power switch (callout 2).

Figure 1-117 Release two front tabs



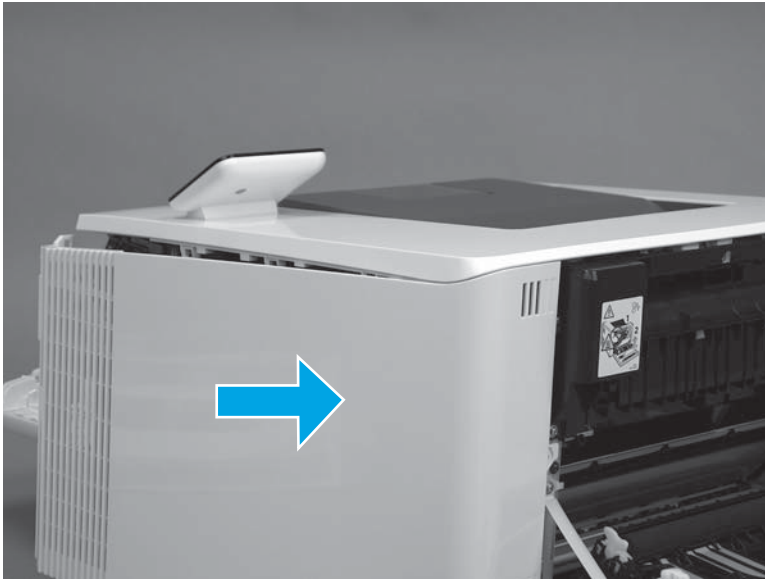
7. Release four tabs on the top of the printer (callout 1).

Figure 1-118 Release upper tabs



8. Slide the cover toward the back of the printer to remove it.

Figure 1-119 Remove the right cover



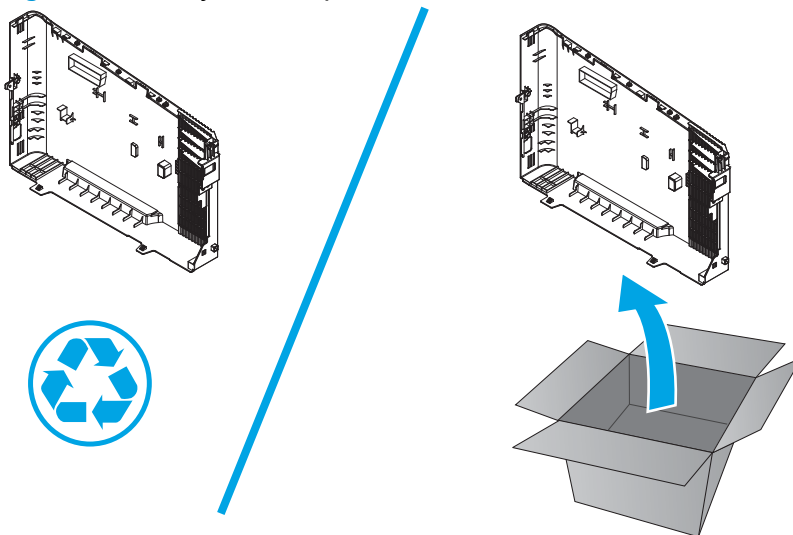
Step 4: Unpack the replacement part

Remove the new part from its package. Save all packaging for recycling the used part.

For complete information on HP's recycling programs, go to [Product return and recycling](#).

 **NOTE:** HP recommends responsible disposal of the defective part.

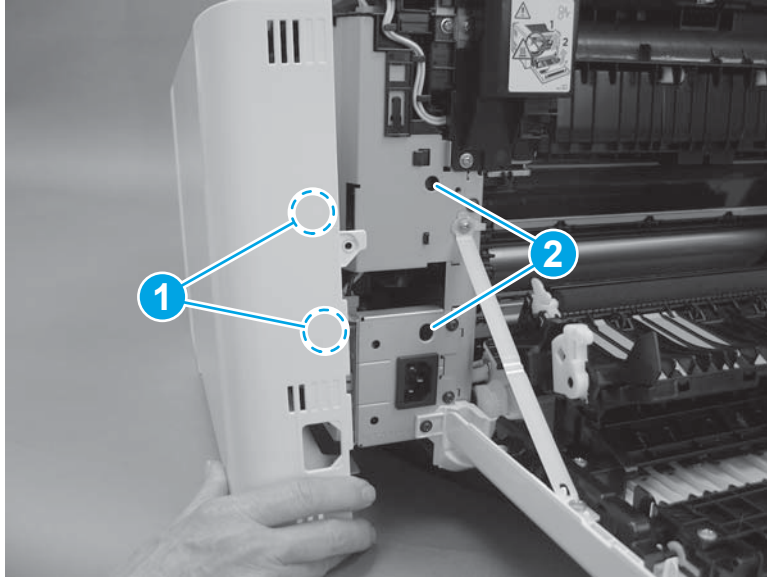
Figure 1-120 Recycle and unpack



Step 5: Install the right cover

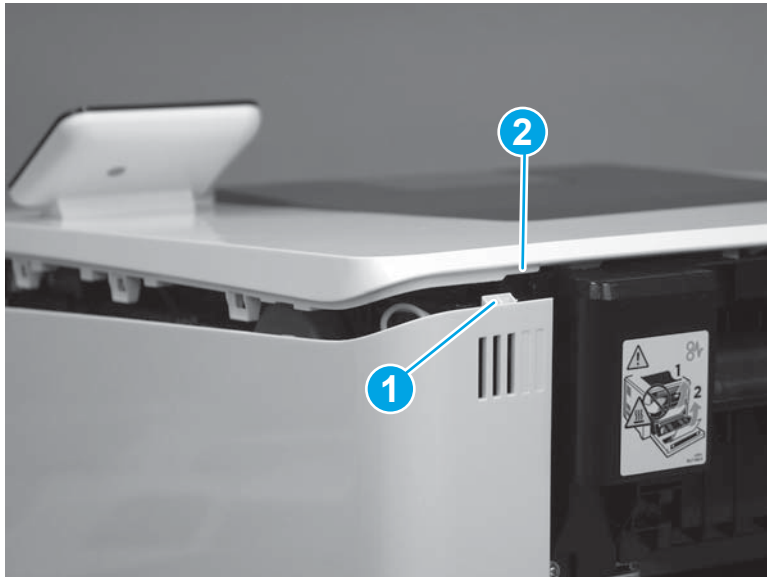
1. Position two tabs (callout 1) on the back of the cover in the slots (callout 2) in the printer.

Figure 1-121 Position two tabs



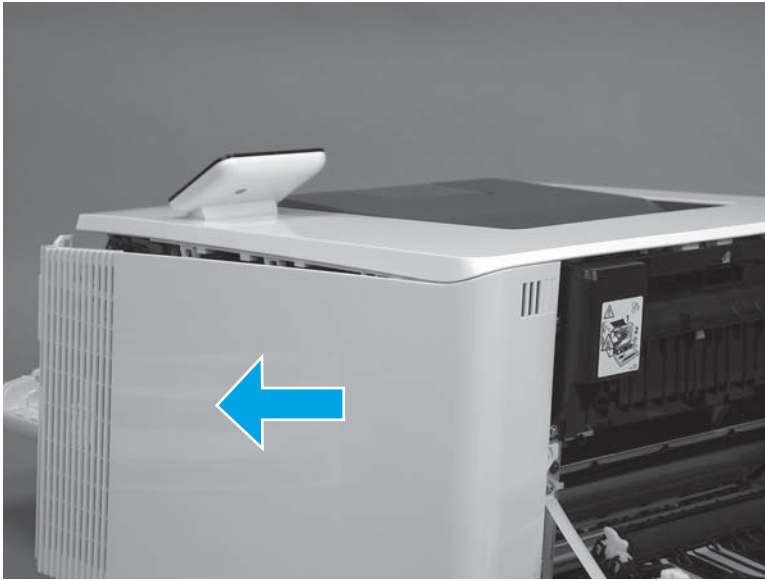
2. At the back of the printer, install the tab (callout 1) under the edge of the top cover (callout 2).

Figure 1-122 Install rear tab



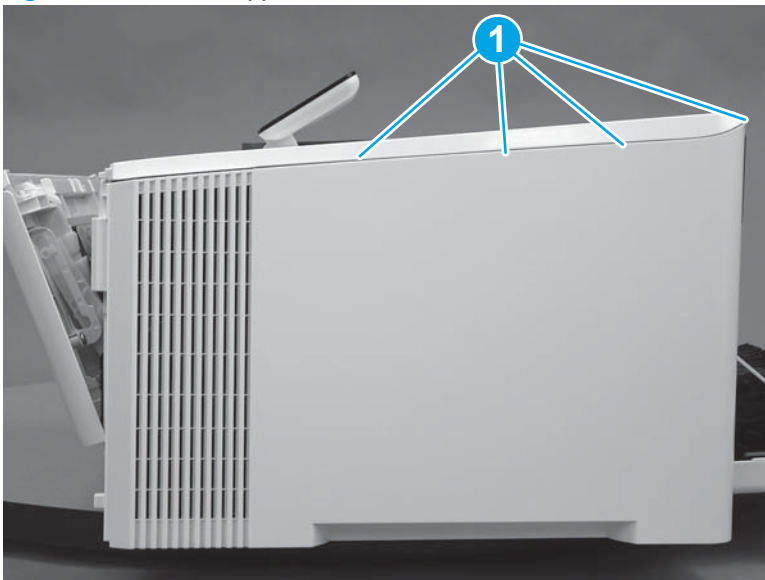
3. Slide the cover toward the front of the printer to install it.

Figure 1-123 Install the right cover



4. Engage three tabs (callout 2) on the top of the cover.

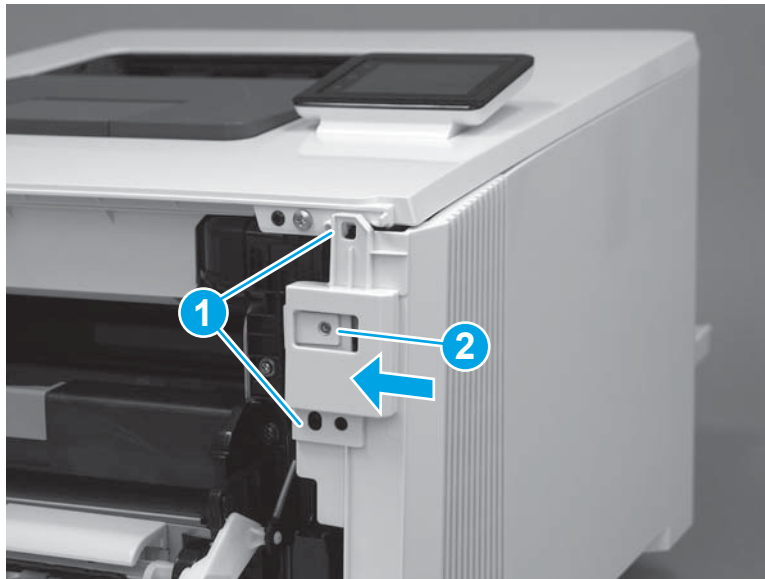
Figure 1-124 Install upper tabs



5. At the front of the printer, position the front of the cover over two tabs (callout 1).

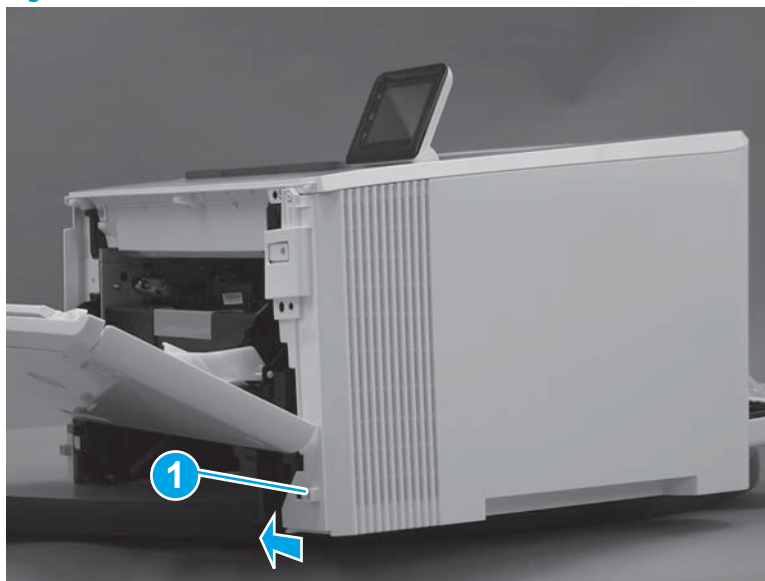
CAUTION: Be careful not to dislodge the power switch (callout 2).

Figure 1-125 Install the front tabs



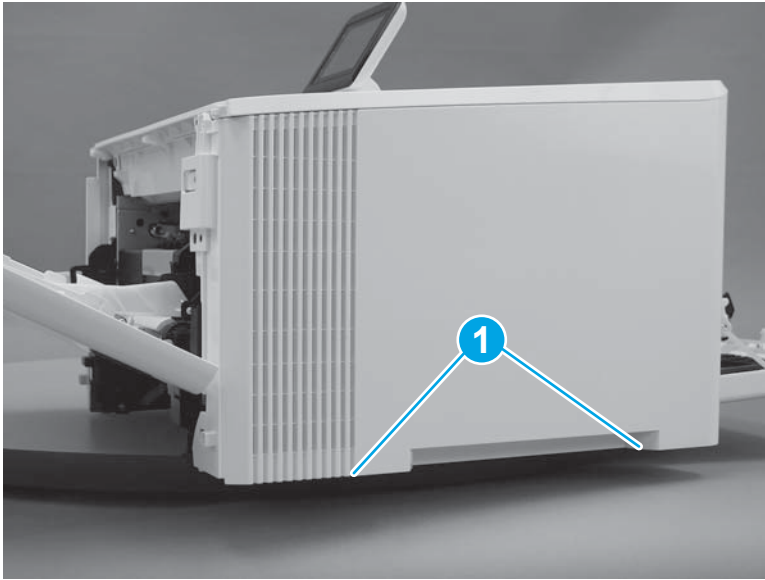
6. Press the right cover toward the printer to engage one tab (callout 1) on the front of the cover.

Figure 1-126 Install the front lower tab



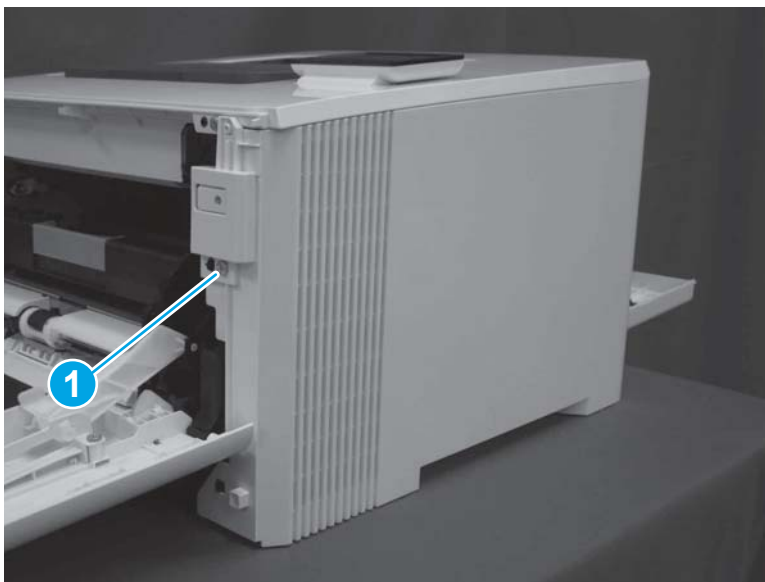
7. Install two tabs on the bottom of the cover (callout 1).

Figure 1-127 Install two tabs



8. At the front of the printer, install one screw (callout 1).

Figure 1-128 Install one screw



9. At the back of the printer, install one screw (callout 1).

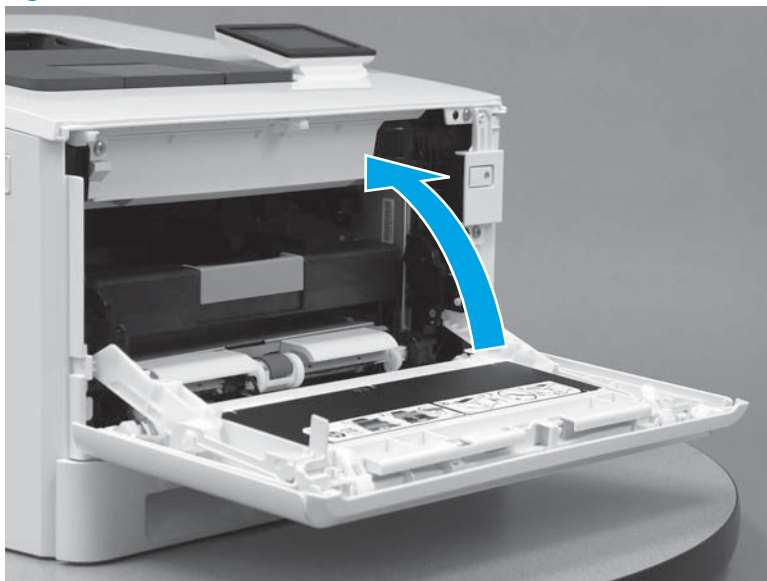
Figure 1-129 Install one screw



Step 6: Close the front door and rear door or duplexer door

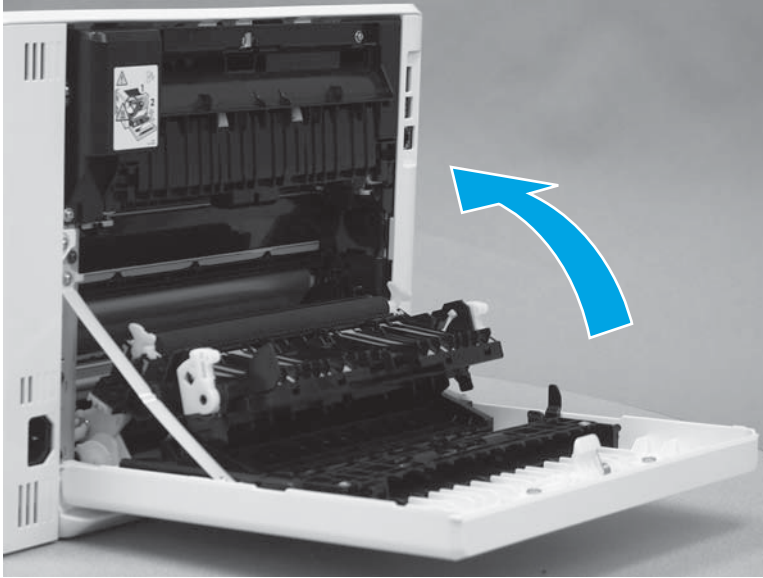
1. Close the front door.

Figure 1-130 Close the front door



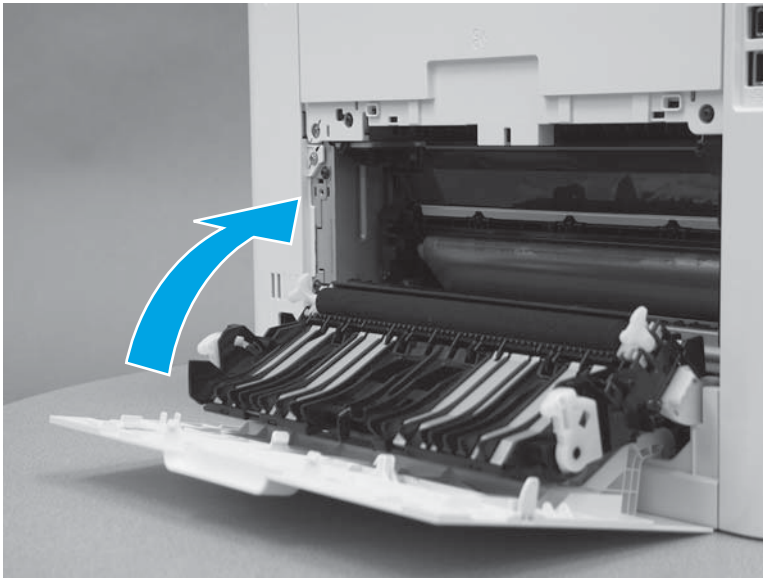
2. **Duplex models:** Close the duplexer door.

Figure 1-131 Close the duplexer door



3. **Simplex models:** Close the rear door.

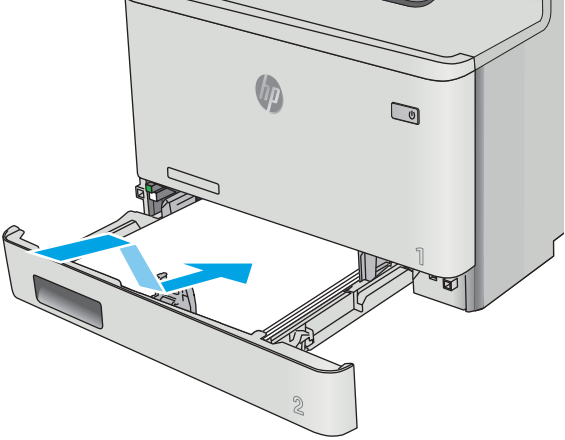
Figure 1-132 Close the rear door



Step 7: Install Tray 2

- ▲ With the front of the tray slightly lifted, align the sides of the tray with the rails in the printer, and then carefully slide the tray into the printer. As the tray slides into the printer, lower the front of the tray, and then close it.

Figure 1-133 Install the tray



Removal and replacement: Left cover (M452 models)


- [Introduction](#)
- [Step 1: Remove Tray 2](#)
- [Step 2: Open the front door and rear door or duplexer door](#)
- [Step 3: Remove the left cover \(M452 models\)](#)
- [Step 4: Unpack the replacement part](#)
- [Step 5: Install the left cover \(M452 models\)](#)
- [Step 6: Close the front door and rear door or duplexer door](#)
- [Step 7: Install Tray 2](#)

Introduction

This document provides the procedures to remove and replace the left cover for the M452.

Before you begin

- Turn off the printer.
- Disconnect the power cable.

 **WARNING!** To avoid damage to the printer, turn the printer off, wait 30 seconds, and then remove the power cord before attempting to service the printer.

- Use the table below to identify the correct part number for your printer. To order the part, go to www.hp.com/buy/parts.

| Left cover part numbers | |
|-------------------------|--------------------------|
| RC4-4854-000CN | Left cover (M452 models) |

Required tools

- #2 Phillips screwdriver with a magnetic tip

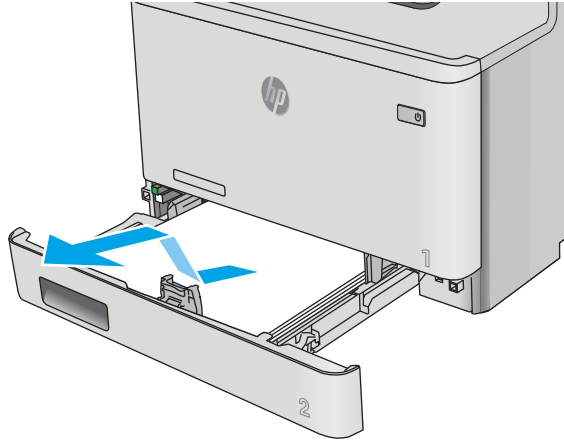
After performing service

- Connect the power cable.
- Use the power switch to turn the power on.

Step 1: Remove Tray 2

- ▲ Pull the tray out until it stops. Lift the front of the tray, and then pull it out of the printer to remove it.

Figure 1-134 Remove the tray



Step 2: Open the front door and rear door or duplexer door

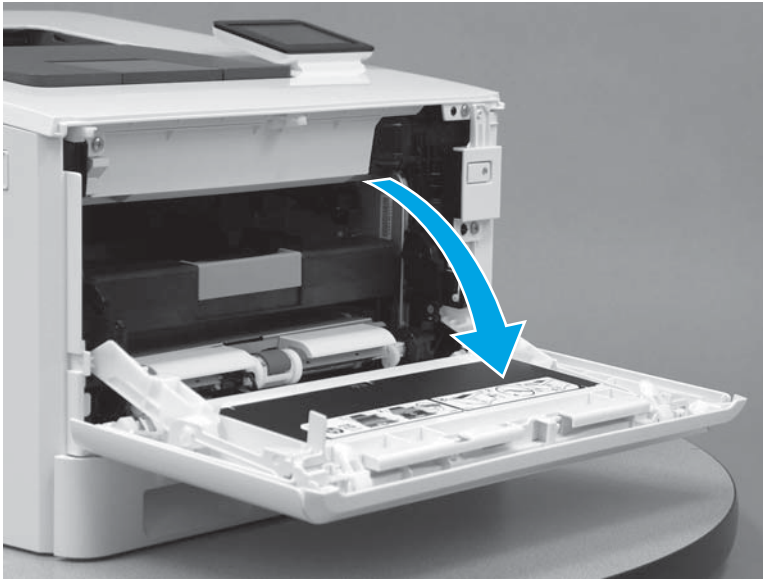
1. Press the button (callout 1) on the left side of the printer to release the front door.

Figure 1-135 Release the front door



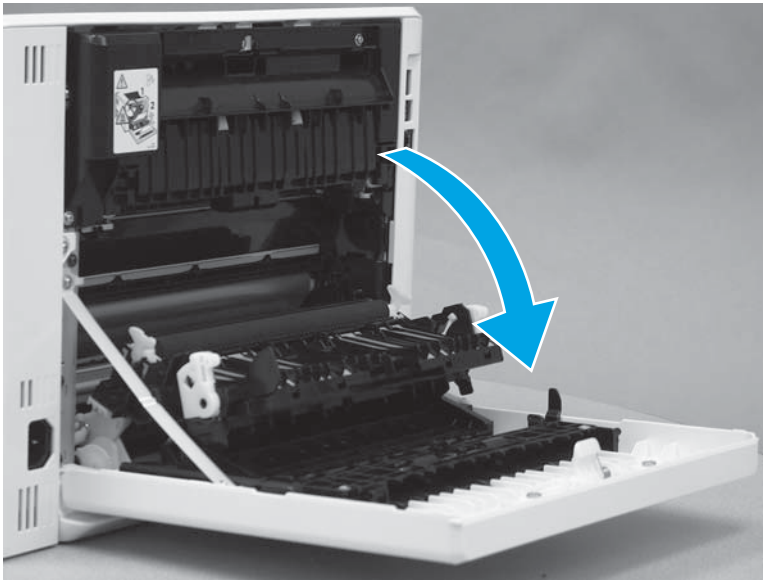
2. Open the front door.

Figure 1-136 Open the front door



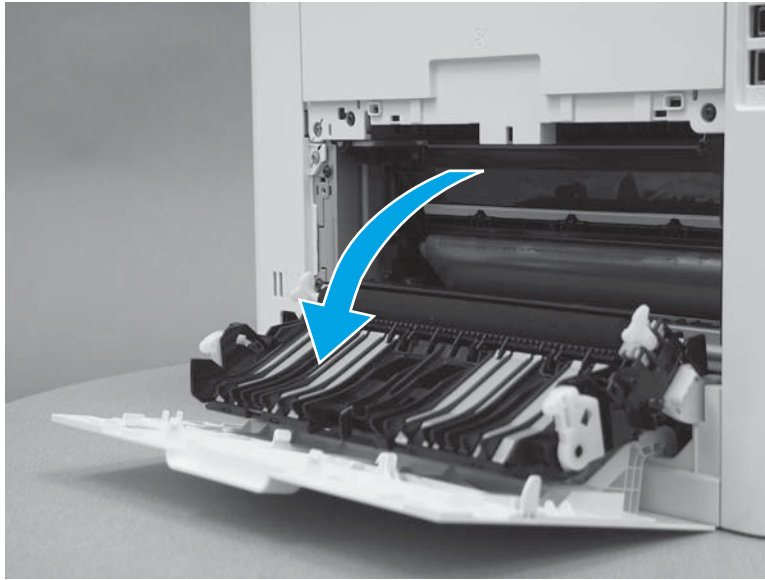
3. **Duplex models:** Open the duplexer door.

Figure 1-137 Open the duplexer door



4. **Simplex models:** Open the rear door.

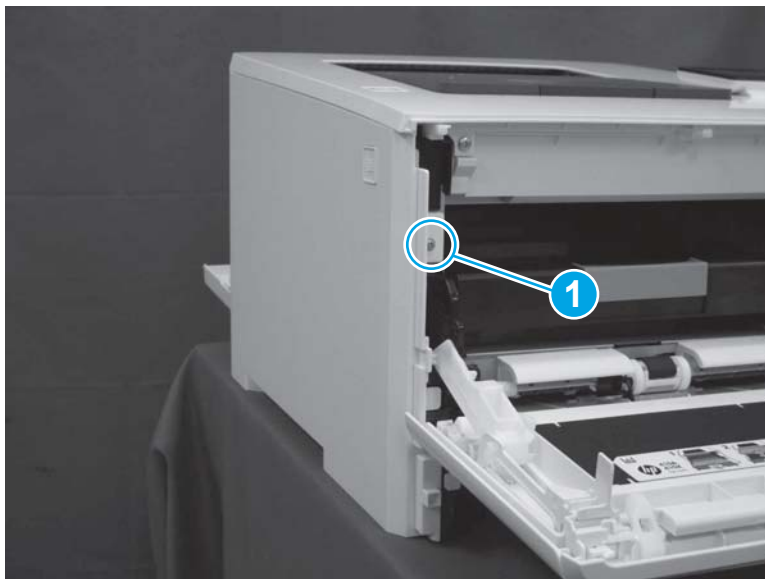
Figure 1-138 Open the rear door



Step 3: Remove the left cover (M452 models)

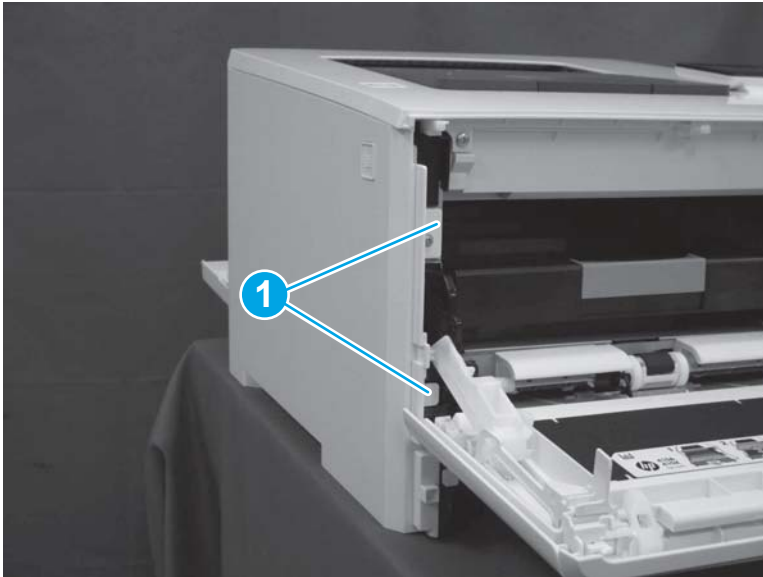
1. At the front of the printer, remove one screw (callout 1).

Figure 1-139 Remove one screw



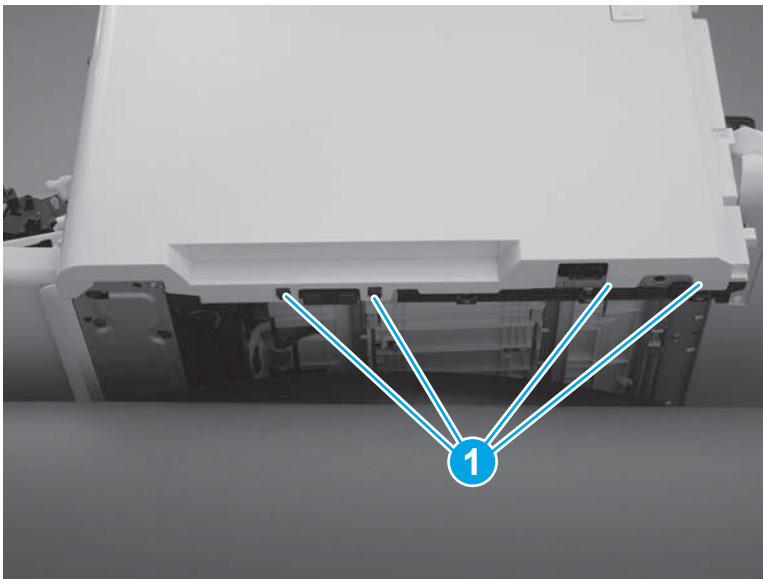
2. Release two tabs (callout 1) at the front of the cover. Hold the cover open to prevent the tabs from reengaging.

Figure 1-140 Release two tabs



3. Slide the printer to the edge of a work surface. Note the location of the tabs on the lower edge of the cover (callout 1).

Figure 1-141 Locate the tabs



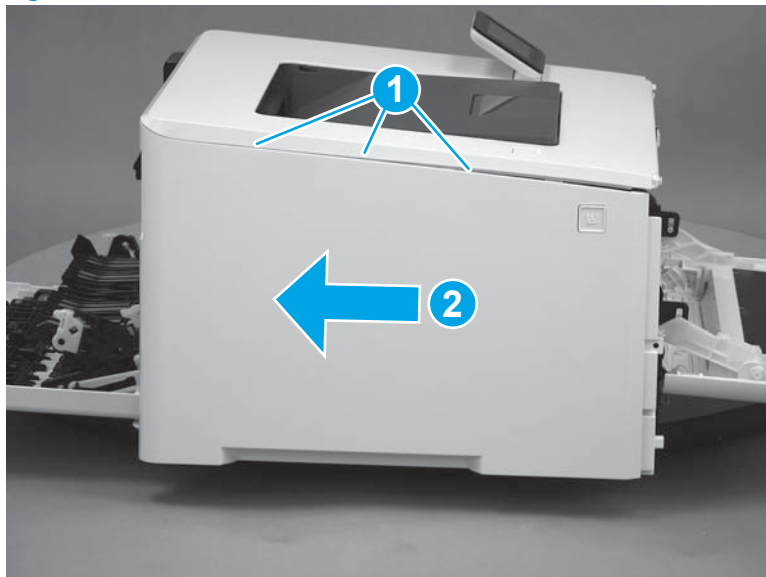
4. Beginning from the front of the cover, release four tabs (callouts 1-4) on the lower edge of the cover.

Figure 1-142 Release bottom tabs



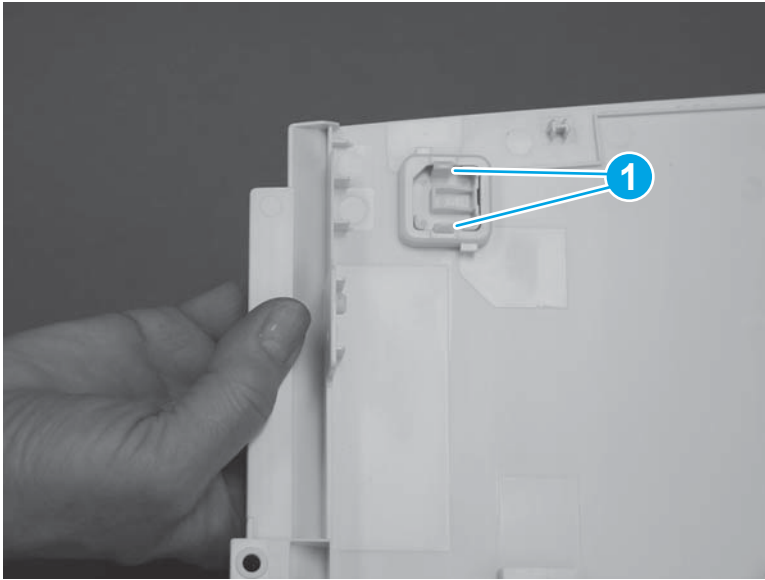
5. Release three tabs at the top of the cover (callout 1), and then slide the cover toward the rear of the printer to remove it.

Figure 1-143 Release three tabs



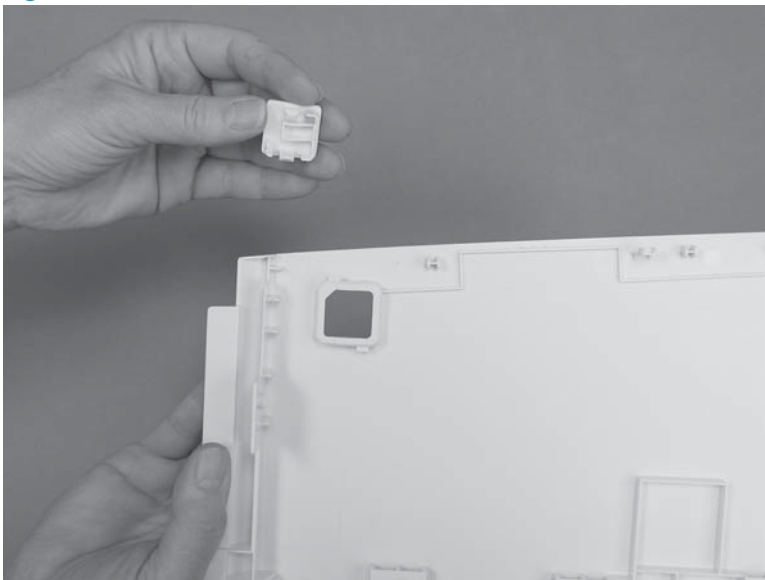
6. On the inside of the left cover, release two tabs (callout 1).

Figure 1-144 Release two tabs



7. Remove the door-release button. Save this button for installation on the replacement left cover.

Figure 1-145 Remove the button



Step 4: Unpack the replacement part

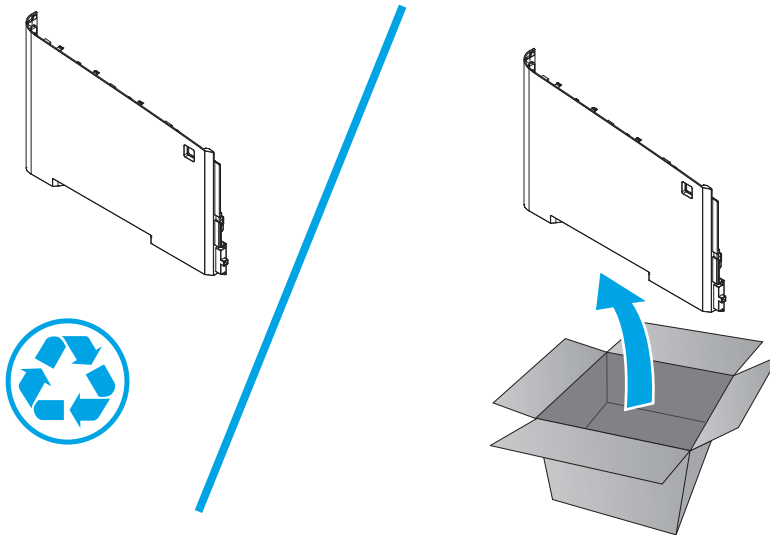
Remove the new part from its package. Save all packaging for recycling the used part.

For complete information on HP's recycling programs, go to [Product return and recycling](#).



NOTE: HP recommends responsible disposal of the defective part.

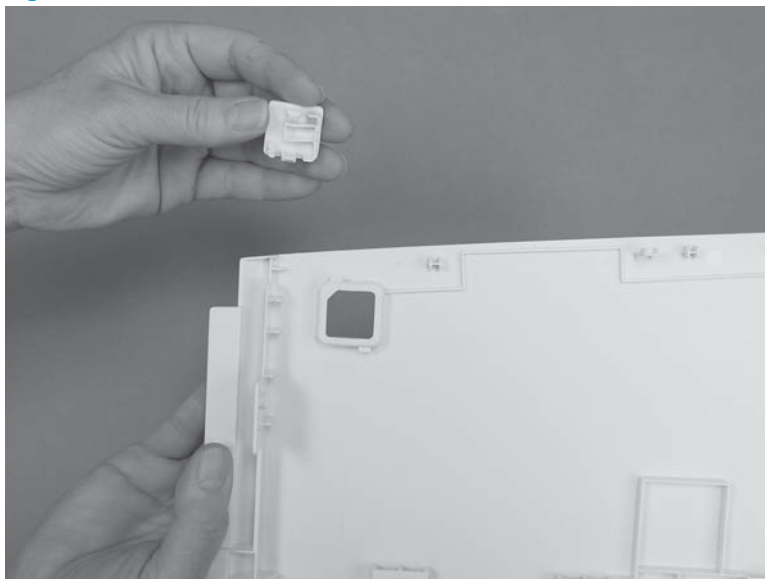
Figure 1-146 Recycle and unpack



Step 5: Install the left cover (M452 models)

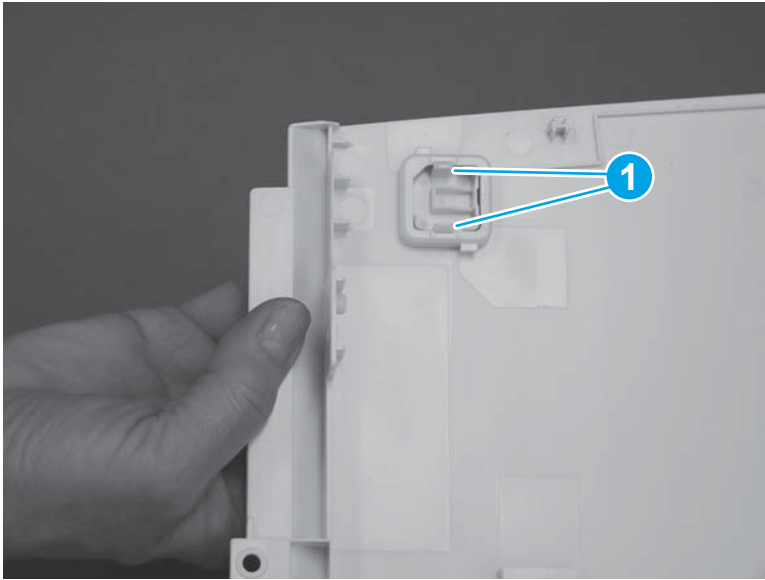
1. Install the door-release button removed from the old left cover into the replacement left cover in the orientation shown.

Figure 1-147 Install the button



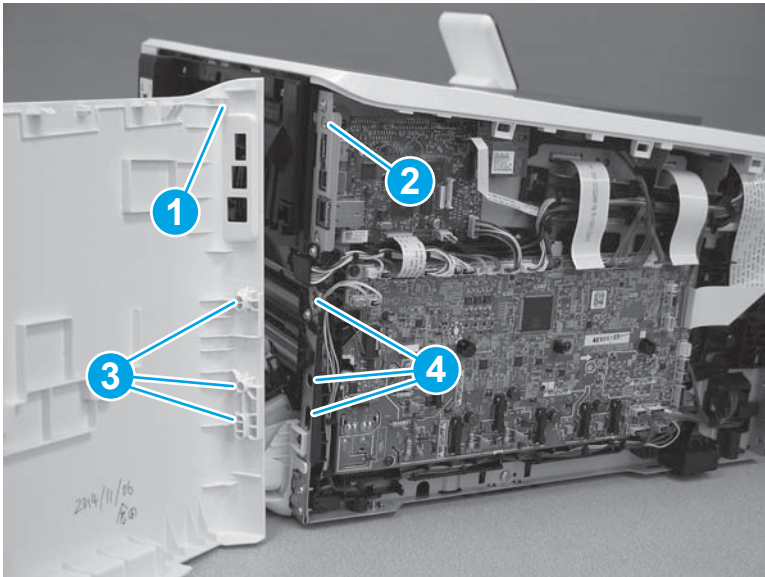
2. Make sure that the two tabs (callout 1) snap into place.

Figure 1-148 Install two tabs



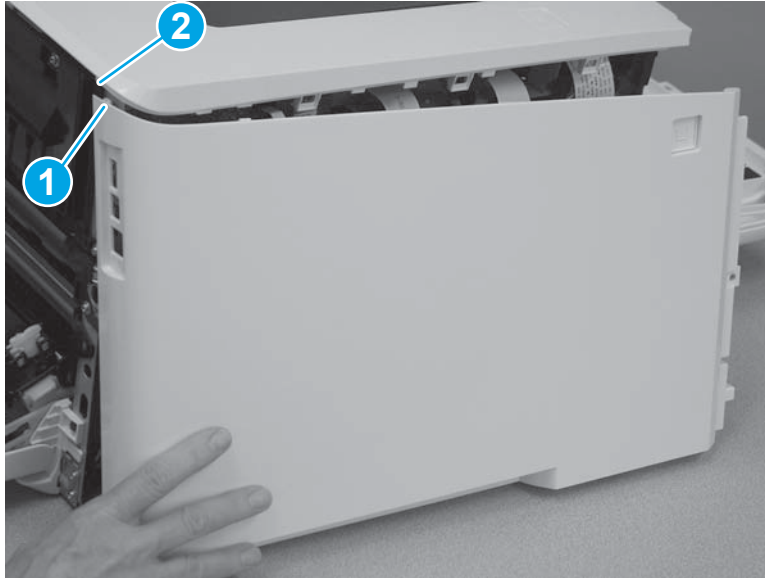
3. Position the hook (callout 1) on the cover in the slot (callout 2) on the printer. Position three tabs (callout 3) on the back of the cover in the slots (callout 4) in the printer.

Figure 1-149 Position three tabs



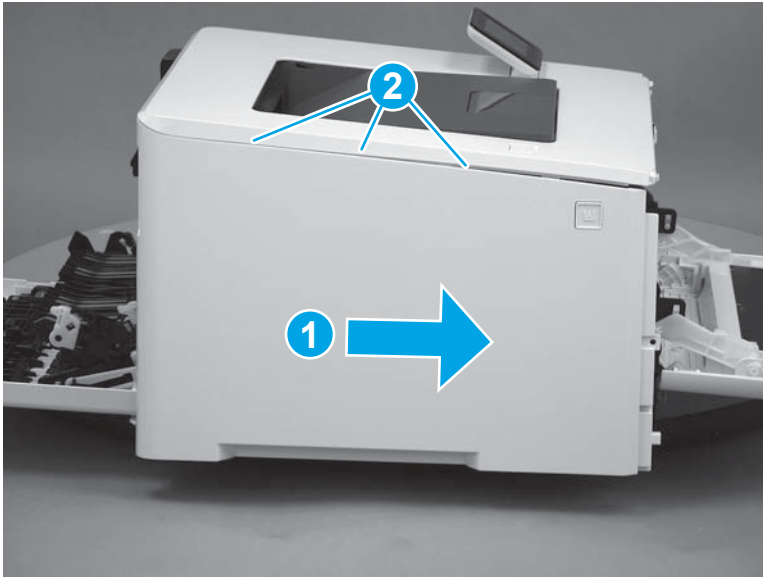
4. At the back of the printer, install the tab (callout 1) under the edge of the top cover (callout 2).

Figure 1-150 Install one tab



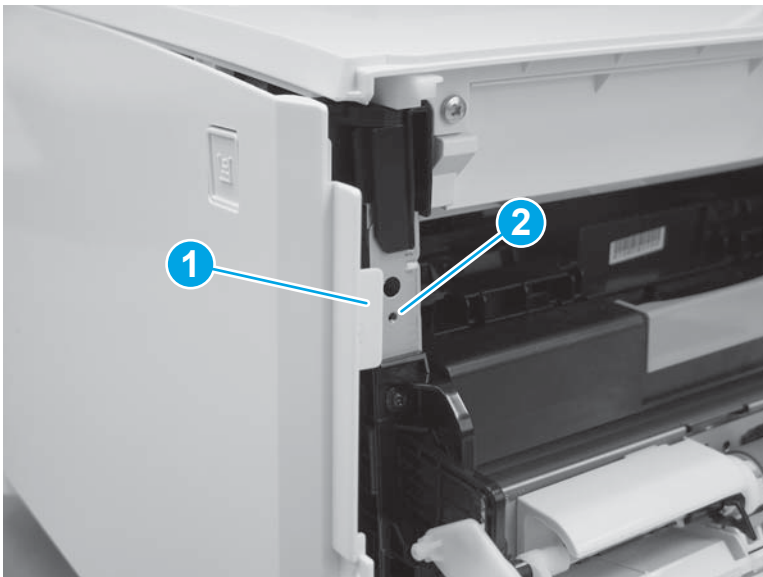
5. Slide the cover toward the front of the printer (callout 1), and then engage three tabs (callout 2) on the top of the cover.

Figure 1-151 Install the left cover



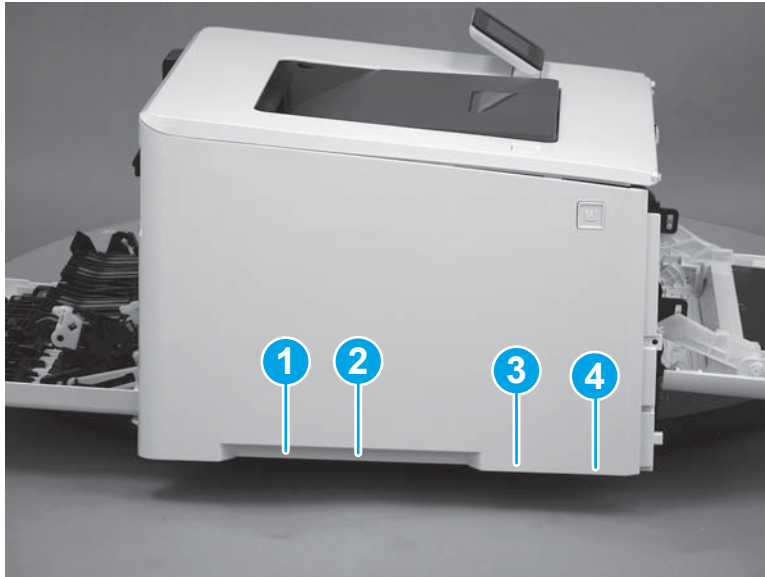
CAUTION: Make sure that the tab (callout 1) does not get caught behind the printer frame (callout 2).

Figure 1-152 Make sure the tab does not get caught



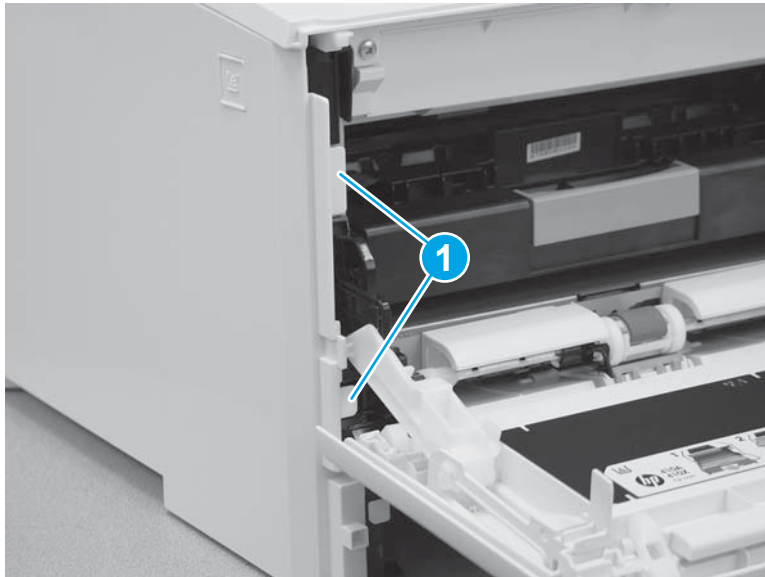
6. Slide the printer to the edge of a work surface in order to access the tabs on the bottom of the cover. Beginning from the back of the cover, install four tabs (callouts 1-4) on the lower edge of the cover.

Figure 1-153 Install four tabs



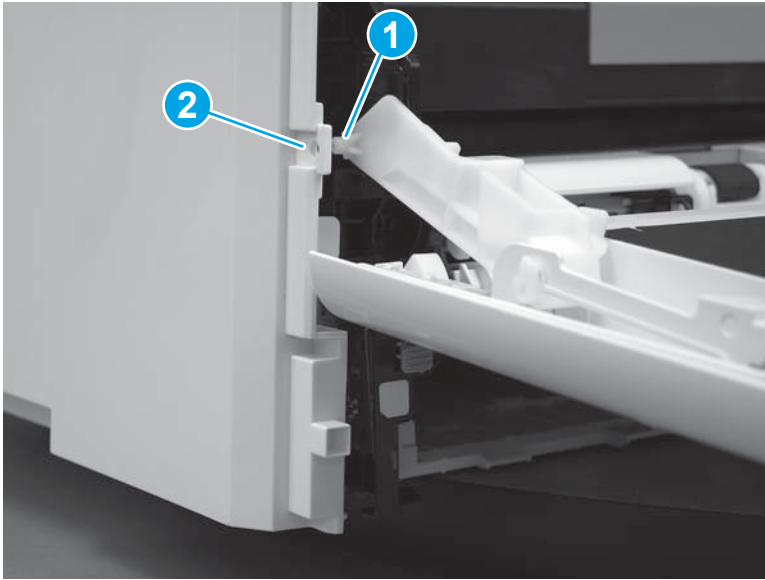
7. Install two tabs (callout 1) at the front of the cover.

Figure 1-154 Engage two tabs



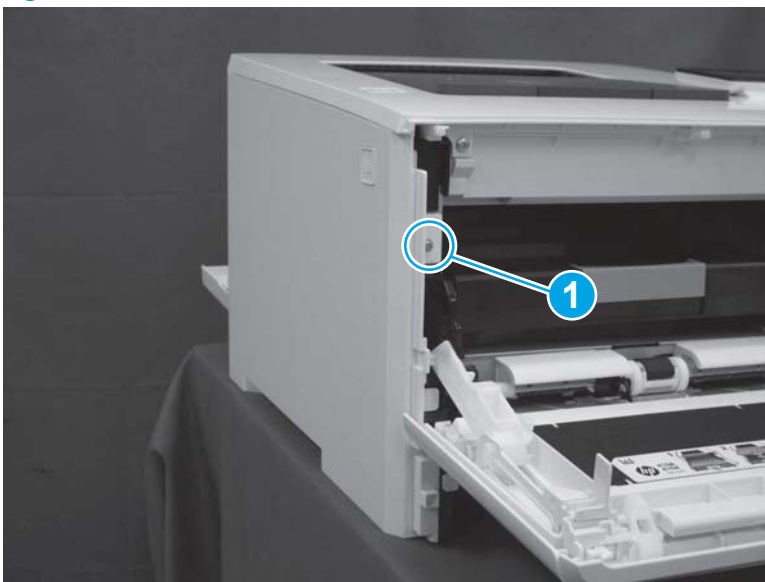
8. Make sure that the hinge pin (callout 1) on the front door fits into the slot (callout 2) on the left cover.

Figure 1-155 Install hinge pin



9. Install one screw (callout 1).

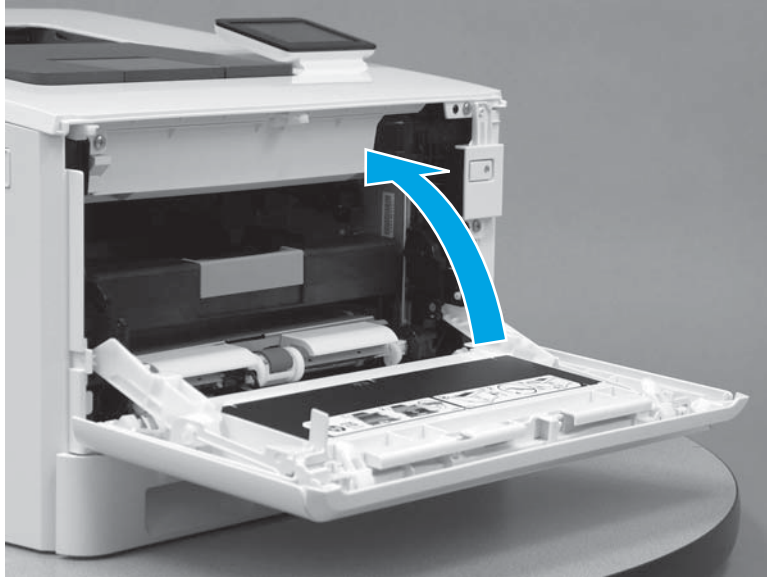
Figure 1-156 Install one screw



Step 6: Close the front door and rear door or duplexer door

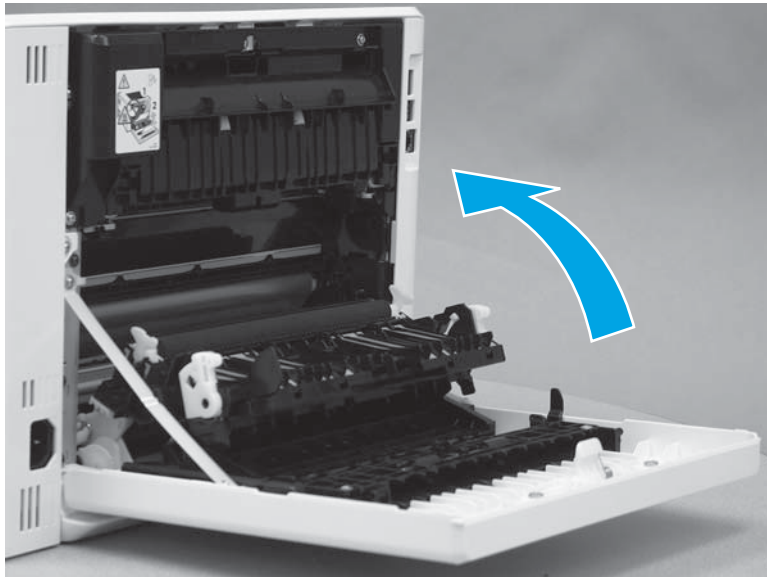
1. Close the front door.

Figure 1-157 Close the front door



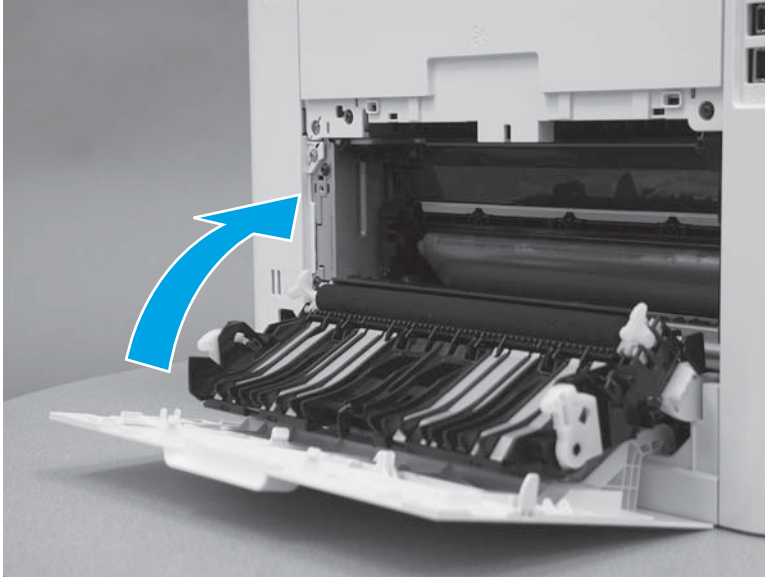
- 2. Duplex models:** Close the duplexer door.

Figure 1-158 Close the duplexer door



3. **Simplex models:** Close the rear door.

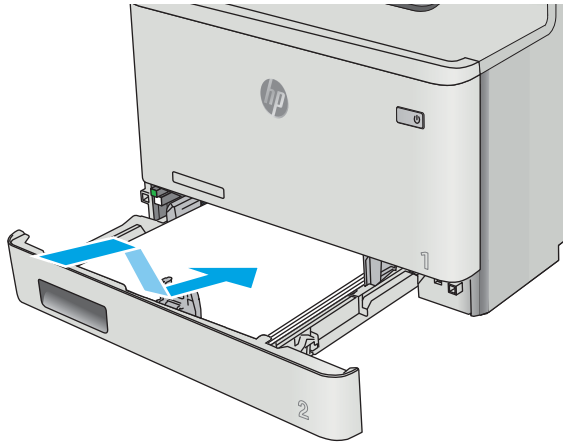
Figure 1-159 Close the rear door



Step 7: Install Tray 2

- ▲ With the front of the tray slightly lifted, align the sides of the tray with the rails in the printer, and then carefully slide the tray into the printer. As the tray slides into the printer, lower the front of the tray, and then close it.

Figure 1-160 Install the tray



Removal and replacement: Right cover (M377, M477 models)


- [Introduction](#)
- [Step 1: Remove Tray 2](#)
- [Step 2: Open the front door and rear door or duplexer door](#)
- [Step 3: Remove the right cover](#)
- [Step 4: Unpack a replacement right cover](#)
- [Step 5: Install the right cover](#)
- [Step 6: Close the front door and rear door or duplexer door](#)
- [Step 7: Install Tray 2](#)

Introduction

This document provides the procedures to remove and replace the right cover for the M377, M477.

Before you begin

- Turn off the printer.
- Disconnect the power cable.

 **WARNING!** To avoid damage to the printer, turn the printer off, wait 30 seconds, and then remove the power cord before attempting to service the printer.

- Use the table below to identify the correct part number for your printer. To order the part, go to www.hp.com/buy/parts.

Right cover part number (M377, M477 models)

RC4-6044-000CN

Right cover (M377, M477 models)

Required tools

- #2 Phillips screwdriver with a magnetic tip

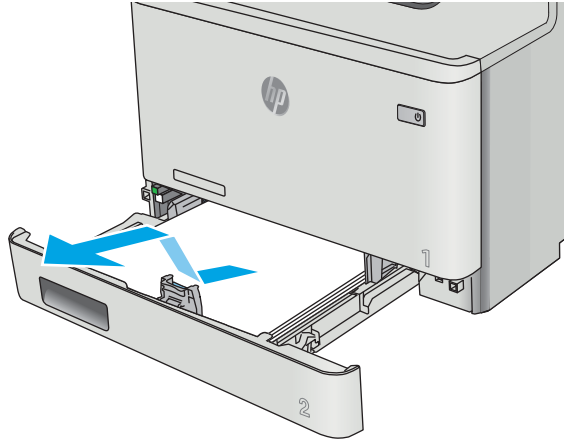
After performing service

- Connect the power cable.
- Use the power switch to turn the power on.

Step 1: Remove Tray 2

- ▲ Pull the tray out until it stops. Lift the front of the tray, and then pull it out of the printer to remove it.

Figure 1-161 Remove the tray



Step 2: Open the front door and rear door or duplexer door

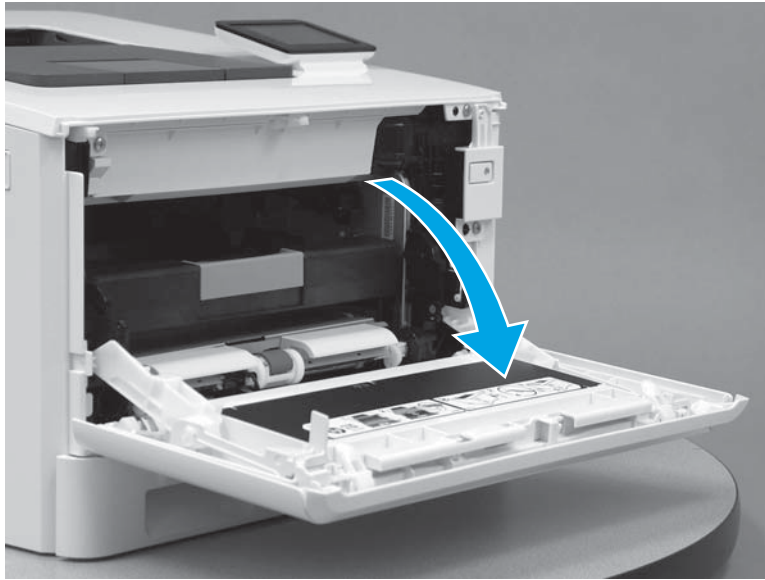
1. Press the button (callout 1) on the left side of the printer to release the front door.

Figure 1-162 Release the front door



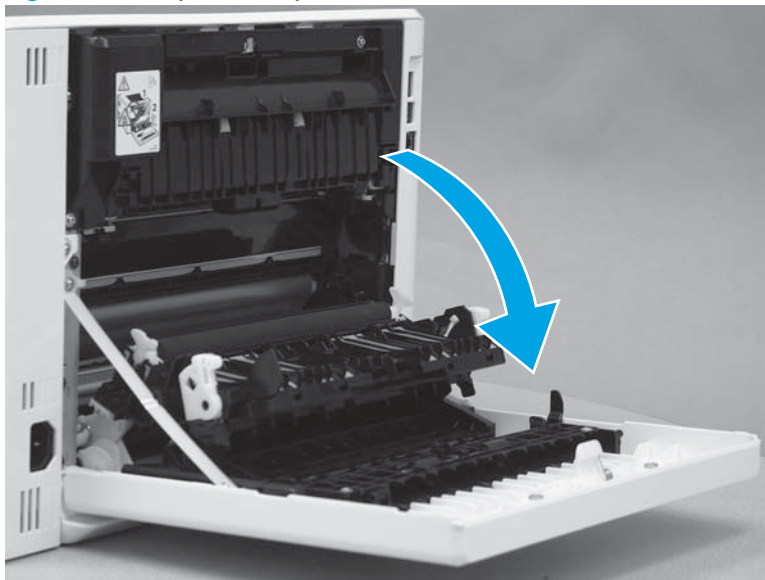
2. Open the front door.

Figure 1-163 Open the front door



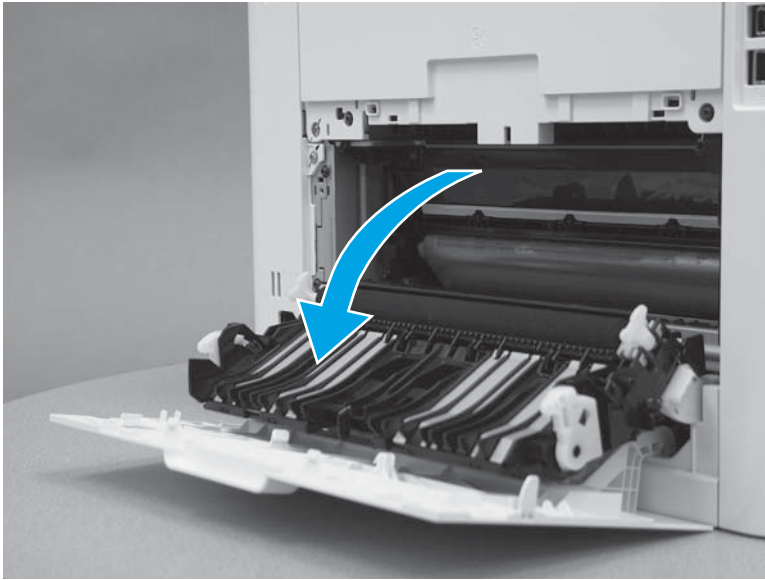
3. **Duplex models:** Open the duplexer door.

Figure 1-164 Open the duplexer door



4. **Simplex models:** Open the rear door.

Figure 1-165 Open the rear door



Step 3: Remove the right cover

1. Raise the scanner.

Figure 1-166 Raise the scanner



2. At the back of the printer, remove one screw (callout 1).

Figure 1-167 Remove one screw



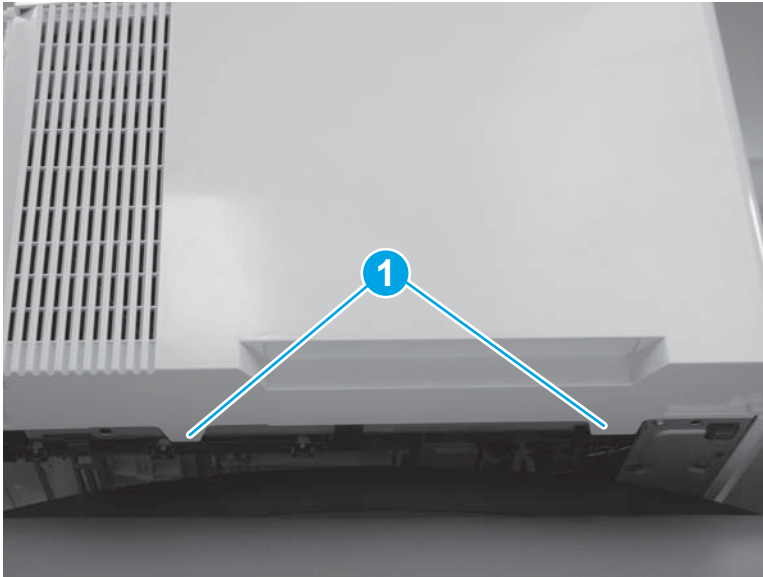
3. At the front of the printer, remove one screw (callout 1).

Figure 1-168 Remove one screw



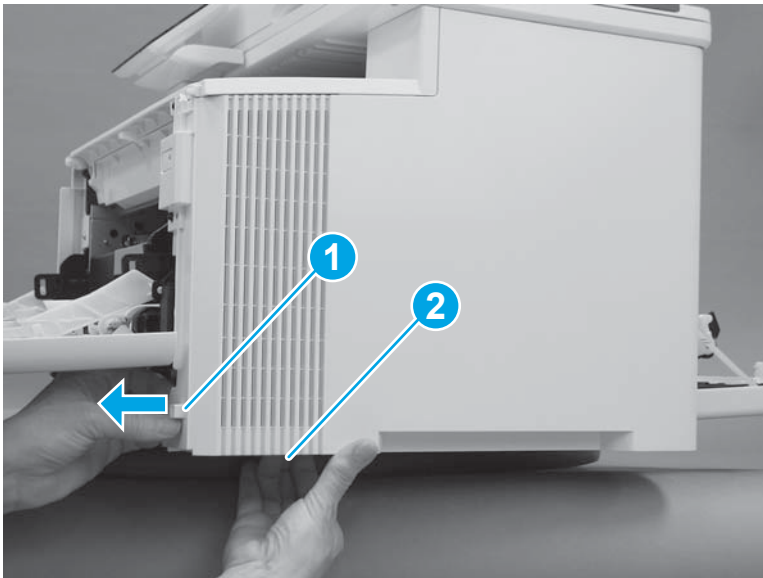
4. Slide the printer to the edge of a work surface. Note the location of the tabs on the lower edge of the cover (callout 1).

Figure 1-169 Locate the tabs



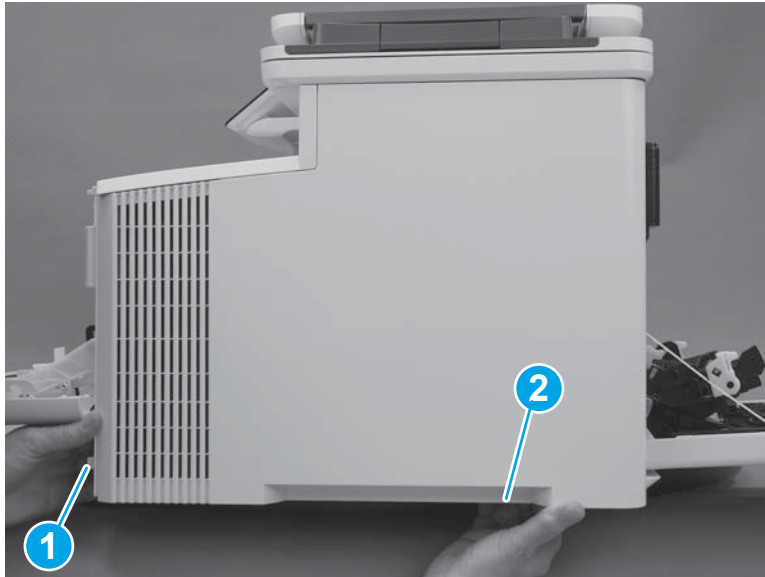
5. Release one tab (callout 1) on the front of the cover by slightly pulling the cover away from the printer. While holding the cover in the released position, release one tab (callout 2) on the lower edge of the cover.

Figure 1-170 Release front lower tabs



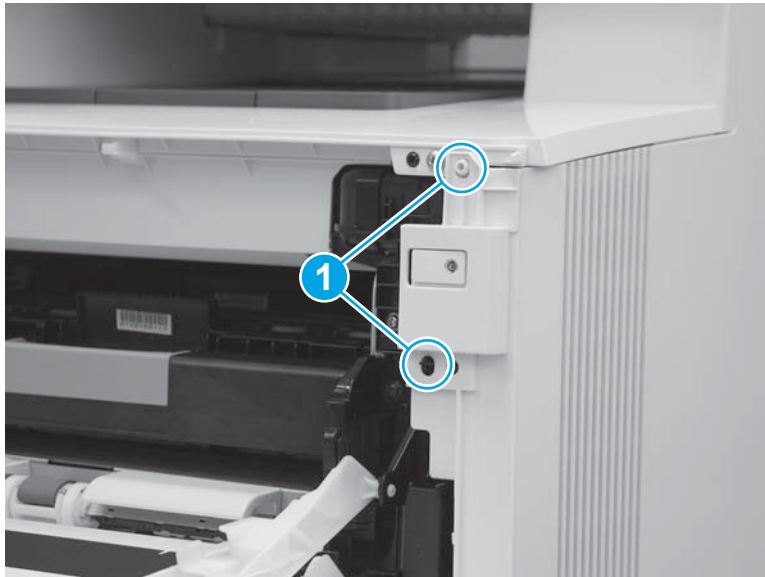
6. Hold the front tabs in the released position (callout 1), and then release one tab (callout 2) on the lower edge of the cover, toward the back of the printer.

Figure 1-171 Release lower rear tab



7. Release two tabs at the front of the printer (callout 1) by slightly pulling the cover away from the printer.

Figure 1-172 Release front upper tabs



8. Rotate the front of the cover away from the printer (callout 1).

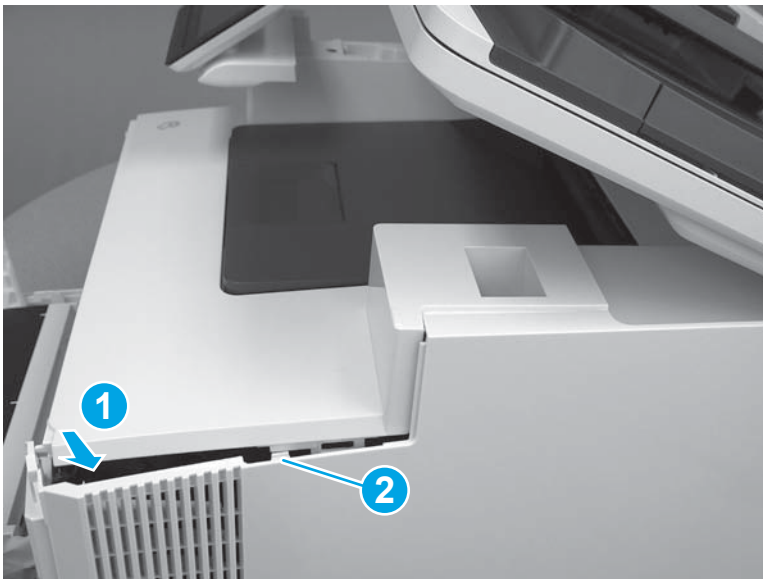
⚠ CAUTION: Be careful not to dislodge the power switch (callout 2).

Figure 1-173 Rotate the front of the cover



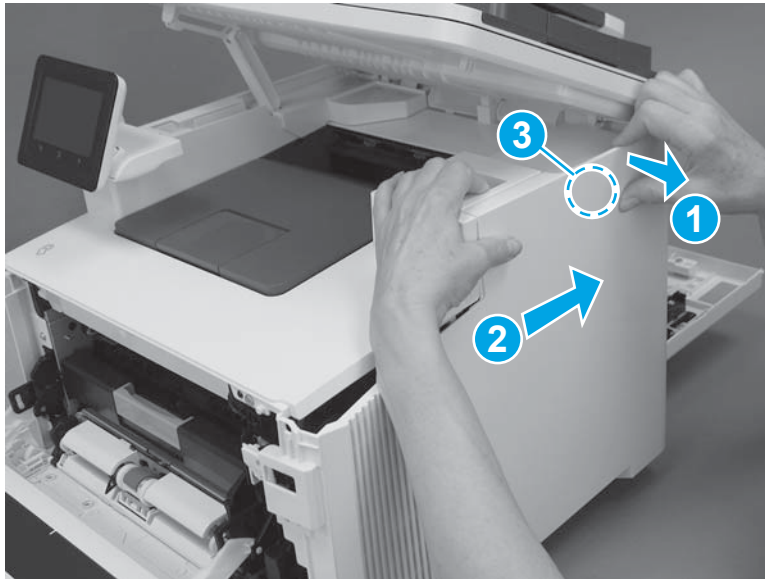
9. Slightly pull the front of the cover away from the printer (callout 1) to release one tab (callout 2).

Figure 1-174 Release top tabs



10. At the top of the printer, slightly pull the top of the cover away from the printer to release one retention tab (callout 1) on the inside of the cover. While holding the cover away, slide the cover toward the back of the printer (callout 2) to release one hook (callout 3) on the inside of the cover.

Figure 1-175 Release one tab and one hook



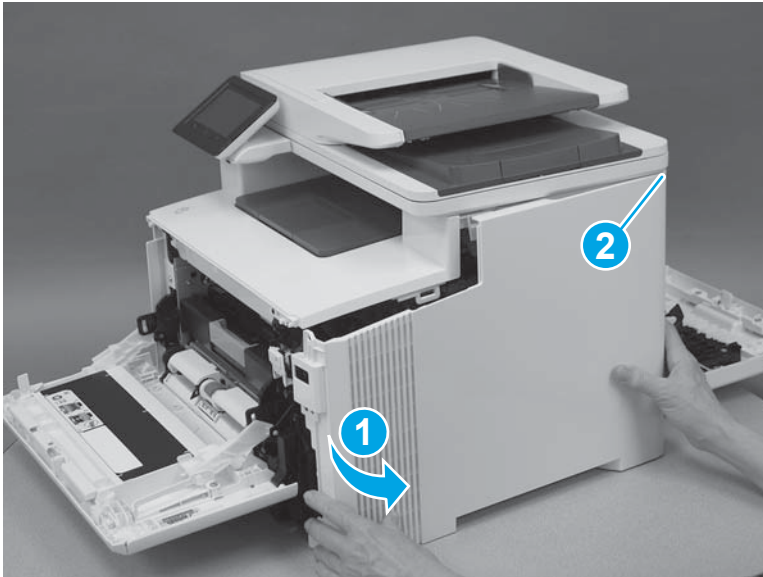
11. Lower the scanner.

Figure 1-176 Lower the scanner



12. Rotate the cover away from the printer (callout 1) to release one tab (callout 2) at the back of the printer, and then remove the cover.

Figure 1-177 Remove the right cover



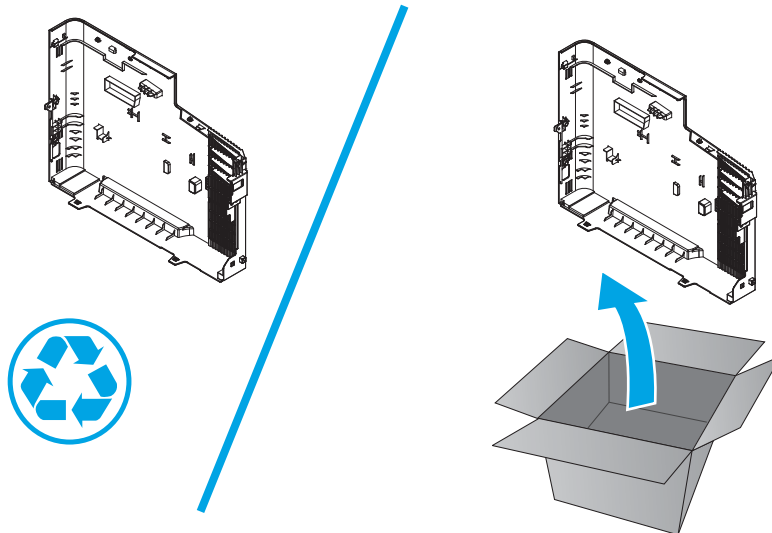
Step 4: Unpack a replacement right cover

Remove the new part from its package. Save all packaging for recycling the used part.

For complete information on HP's recycling programs, go to [Product return and recycling](#).

 **NOTE:** HP recommends responsible disposal of the defective part.

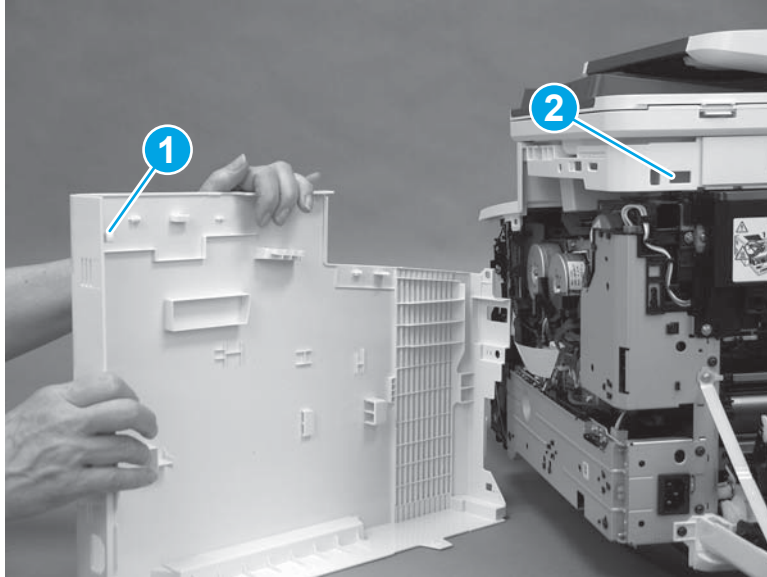
Figure 1-178 Recycle and unpack



Step 5: Install the right cover

1. At the back of the printer, install the tab (callout 1) on the cover into the slot (callout 2) on the printer.

Figure 1-179 Install rear tab



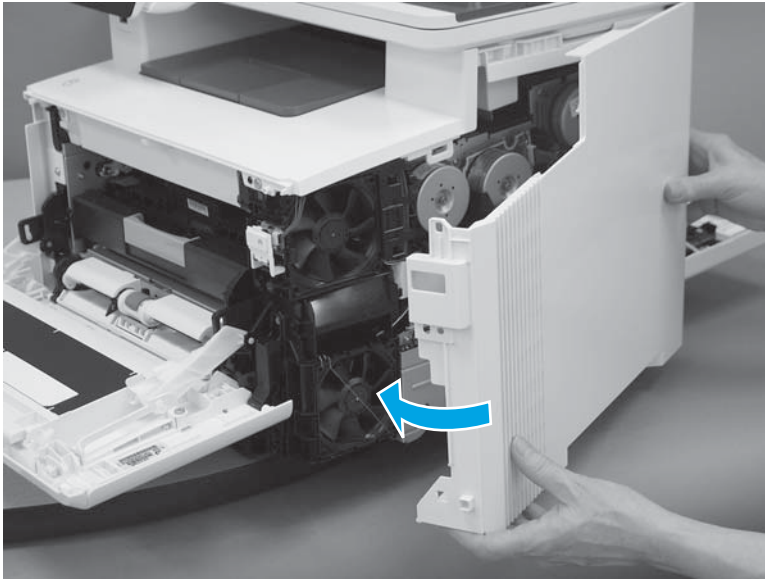
2. Raise the scanner.

Figure 1-180 Raise the scanner



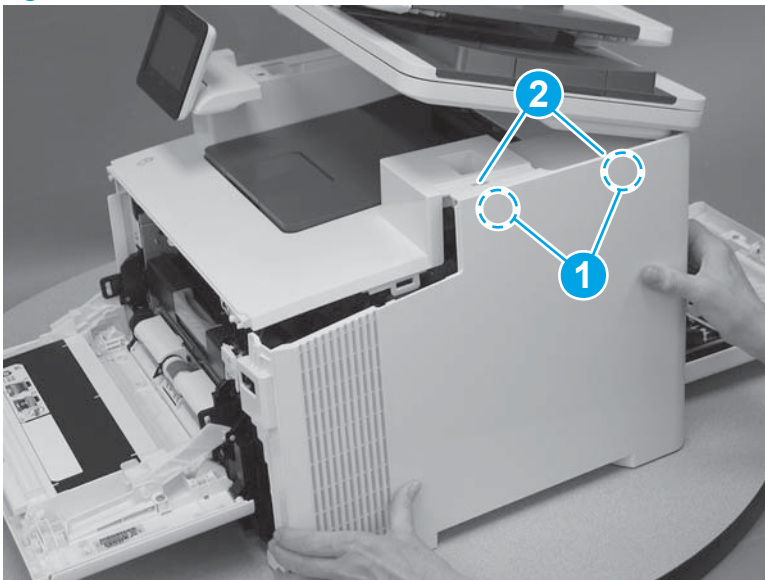
3. Rotate the right cover toward the printer.

Figure 1-181 Rotate the right cover



4. Position the hooks (callout 1) on the inside of the cover into the slots (callout 2) in the printer.

Figure 1-182 Position the hooks in the slots



- Engage one hook (callout 1) on the inside of the cover. Hold the top of the cover closed (callout 2) while sliding the cover toward the front of the printer (callout 3).

Figure 1-183 Slide the cover



- Rotate the front of the cover toward the printer (callout 1).

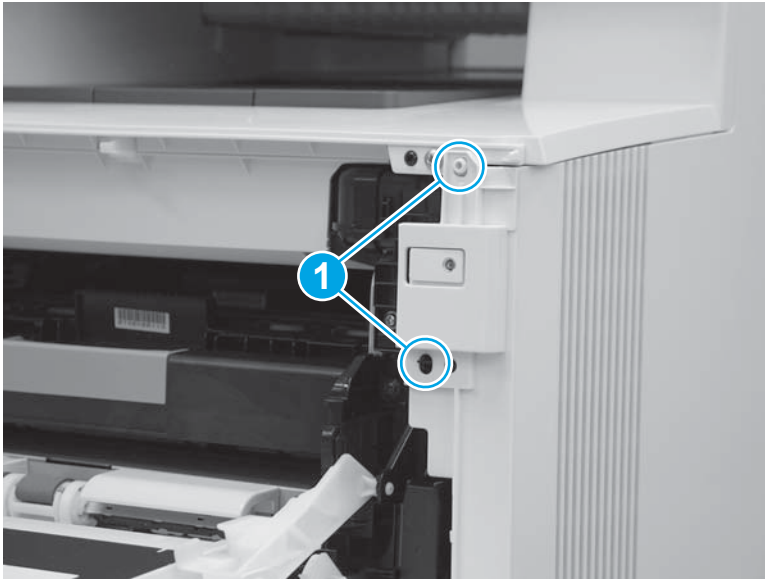
CAUTION: Be careful not to dislodge the power switch (callout 2).

Figure 1-184 Rotate the front of the cover



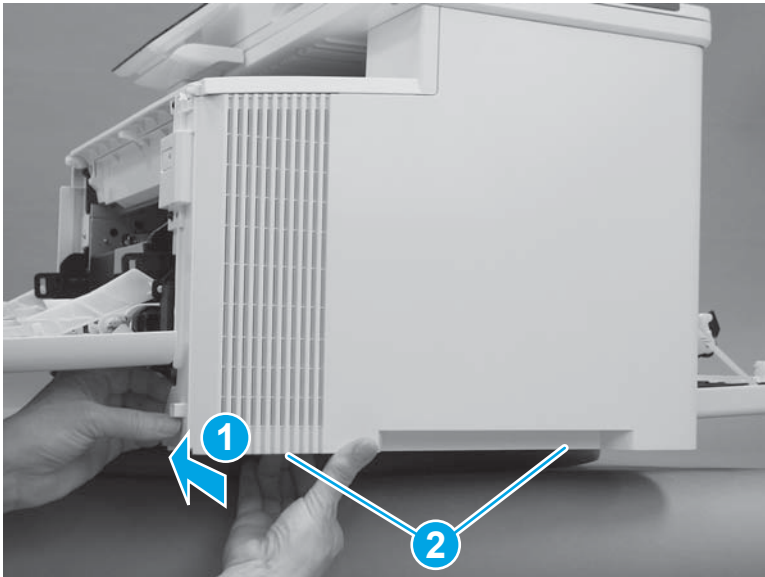
7. Install two tabs at the front of the printer (callout 1).

Figure 1-185 Install two tabs



8. Press the right cover toward the printer (callout 1) to engage one tab on the front of the cover, and two tabs (callout 2) on the lower edge of the cover.

Figure 1-186 Install the front and lower tabs



9. At the front of the printer, install one screw (callout 1).

Figure 1-187 Install one screw



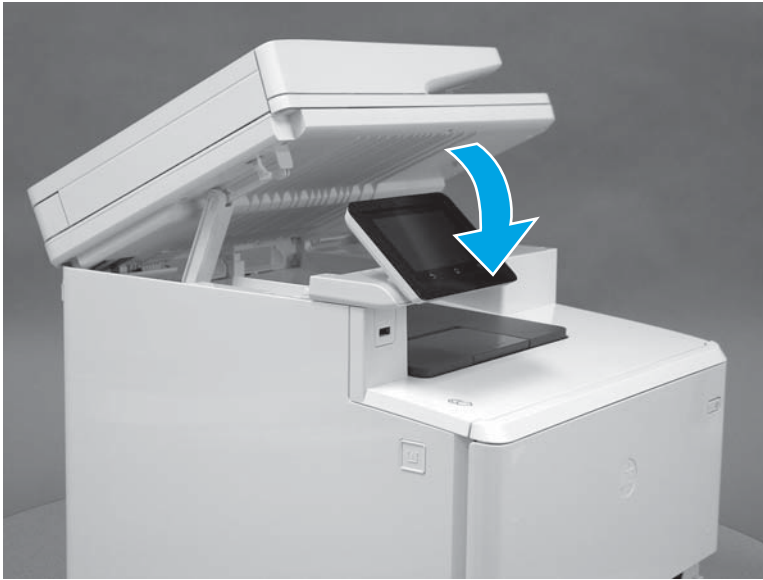
10. At the back of the printer, install one screw (callout 1).

Figure 1-188 Install one screw



11. Lower the scanner.

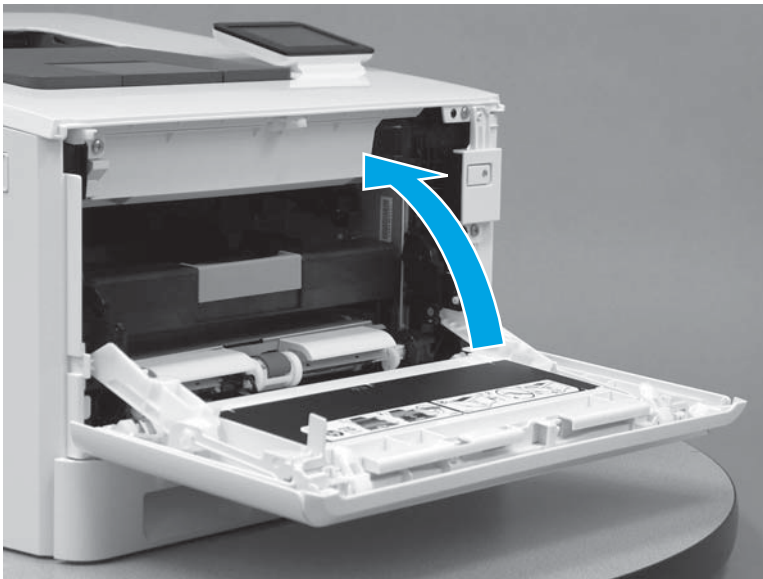
Figure 1-189 Lower the scanner



Step 6: Close the front door and rear door or duplexer door

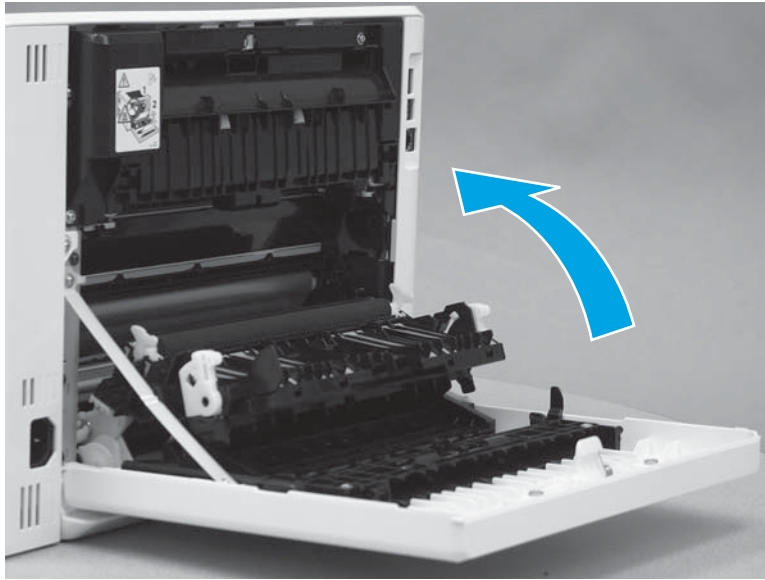
1. Close the front door.

Figure 1-190 Close the front door



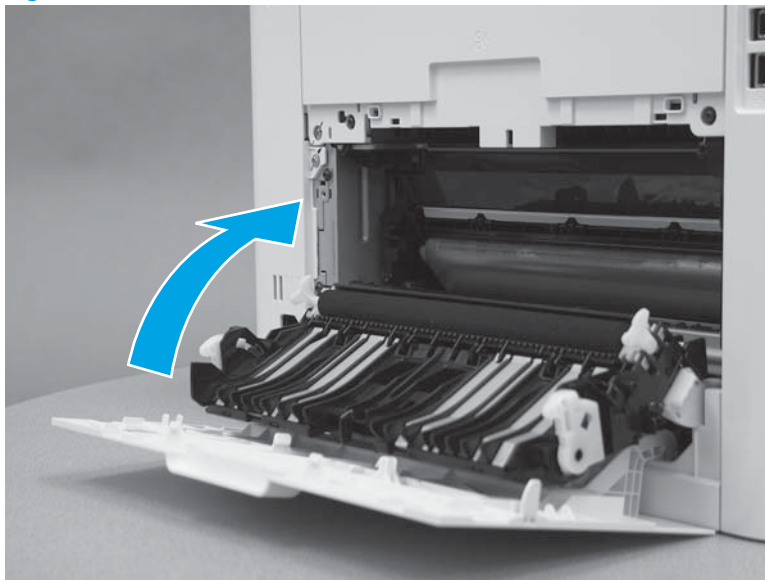
2. **Duplex models:** Close the duplexer door.

Figure 1-191 Close the duplexer door



3. **Simplex models:** Close the rear door.

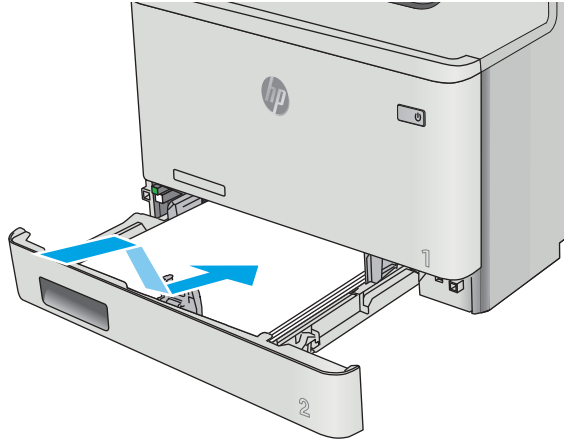
Figure 1-192 Close the rear door



Step 7: Install Tray 2

- ▲ With the front of the tray slightly lifted, align the sides of the tray with the rails in the printer, and then carefully slide the tray into the printer. As the tray slides into the printer, lower the front of the tray, and then close it.

Figure 1-193 Install the tray



Removal and replacement: Left cover (M377, M477 models)


- [Introduction](#)
- [Step 1: Remove Tray 2](#)
- [Step 2: Open the front door and rear door or duplexer door](#)
- [Step 3: Remove the left cover](#)
- [Step 4: Unpack the replacement part](#)
- [Step 5: Install the left cover](#)
- [Step 6: Close the front door and rear door or duplexer door](#)
- [Step 7: Install Tray 2](#)

Introduction

This document provides the procedures to remove and replace the left cover for the M377, M477.

Before you begin

- Turn off the printer.
- Disconnect the power cable.

 **WARNING!** To avoid damage to the printer, turn the printer off, wait 30 seconds, and then remove the power cord before attempting to service the printer.

- Use the table below to identify the correct part number for your printer. To order the part, go to www.hp.com/buy/parts.

Left cover part numbers

| | |
|-----------------------|--------------------------------|
| RC4-6045-000CN | Left cover (M377, M477 models) |
|-----------------------|--------------------------------|

Required tools

- #2 Phillips screwdriver with a magnetic tip

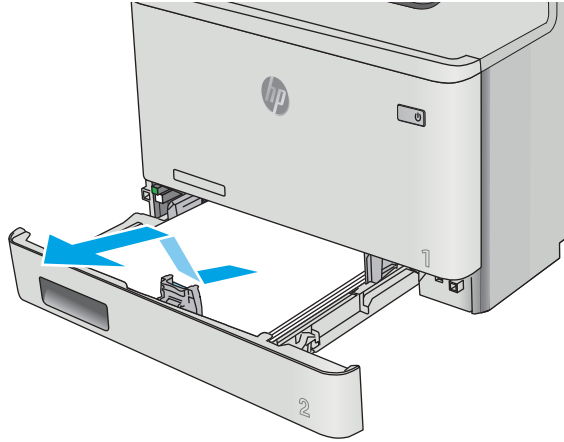
After performing service

- Connect the power cable.
- Use the power switch to turn the power on.

Step 1: Remove Tray 2

- ▲ Pull the tray out until it stops. Lift the front of the tray, and then pull it out of the printer to remove it.

Figure 1-194 Remove the tray



Step 2: Open the front door and rear door or duplexer door

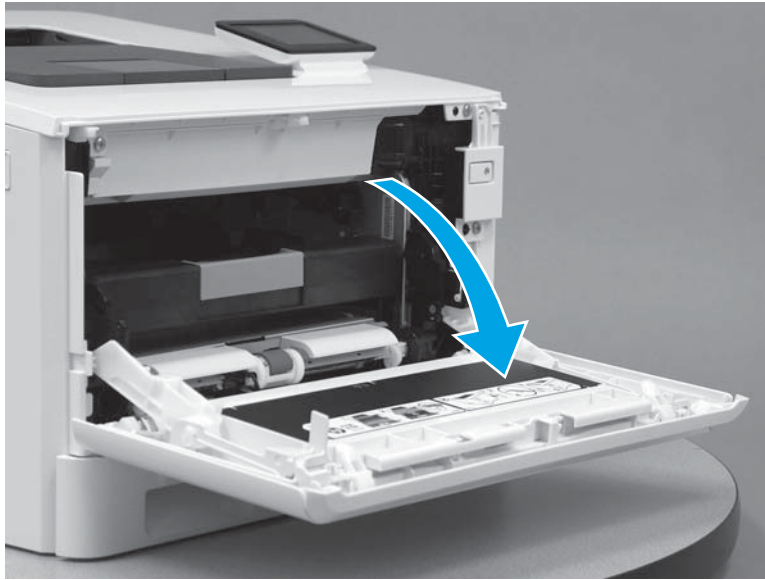
1. Press the button (callout 1) on the left side of the printer to release the front door.

Figure 1-195 Release the front door



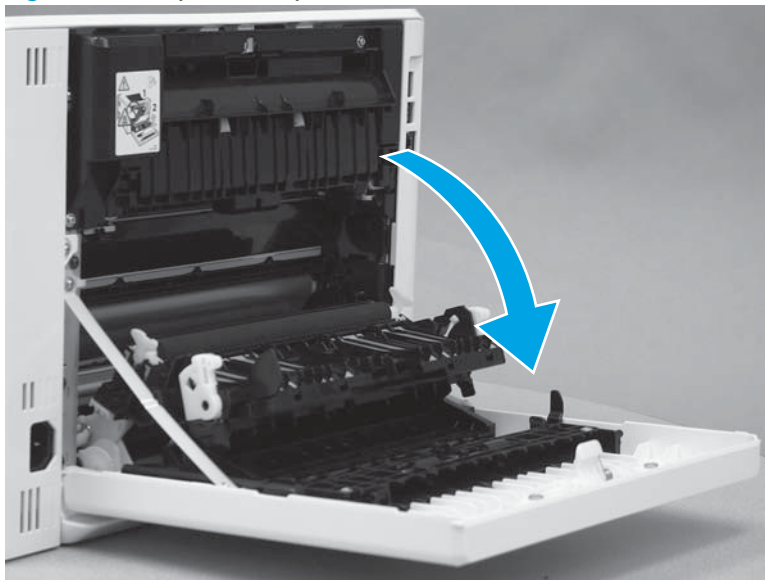
2. Open the front door.

Figure 1-196 Open the front door



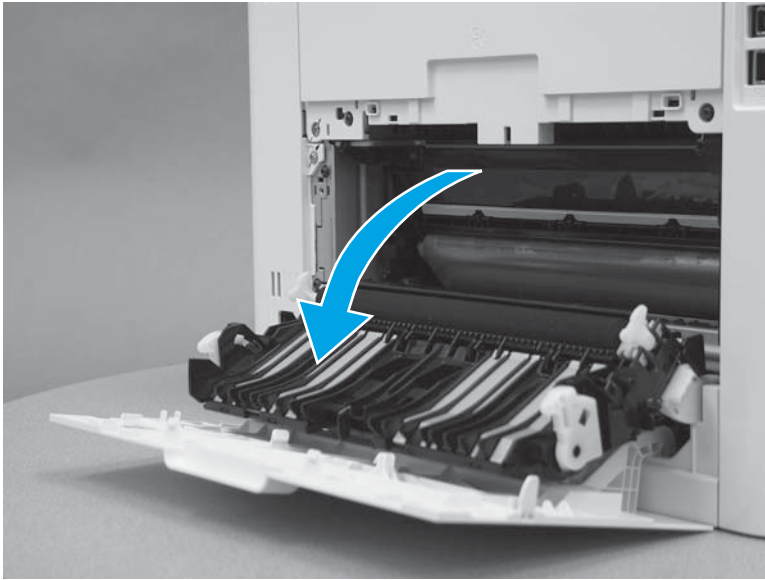
3. **Duplex models:** Open the duplexer door.

Figure 1-197 Open the duplexer door



4. **Simplex models:** Open the rear door.

Figure 1-198 Open the rear door



Step 3: Remove the left cover

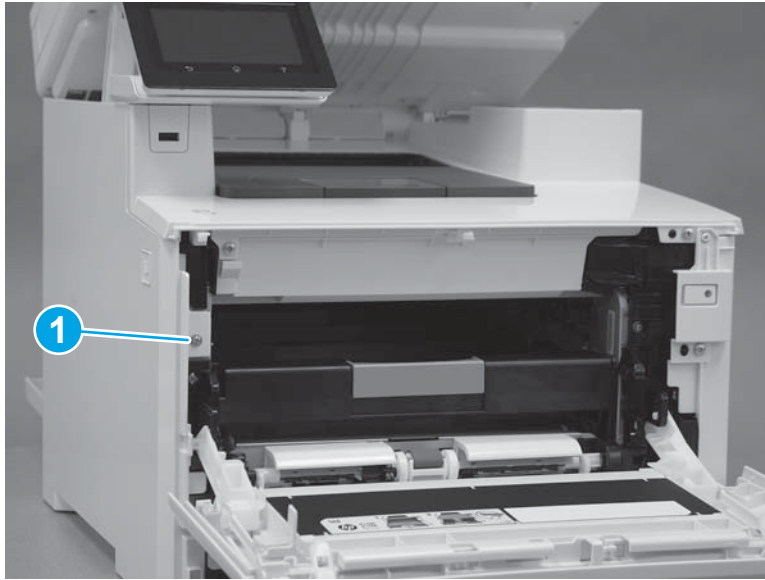
1. Raise the scanner.

Figure 1-199 Raise the scanner



2. At the front of the printer, remove one screw (callout 1).

Figure 1-200 Remove one screw



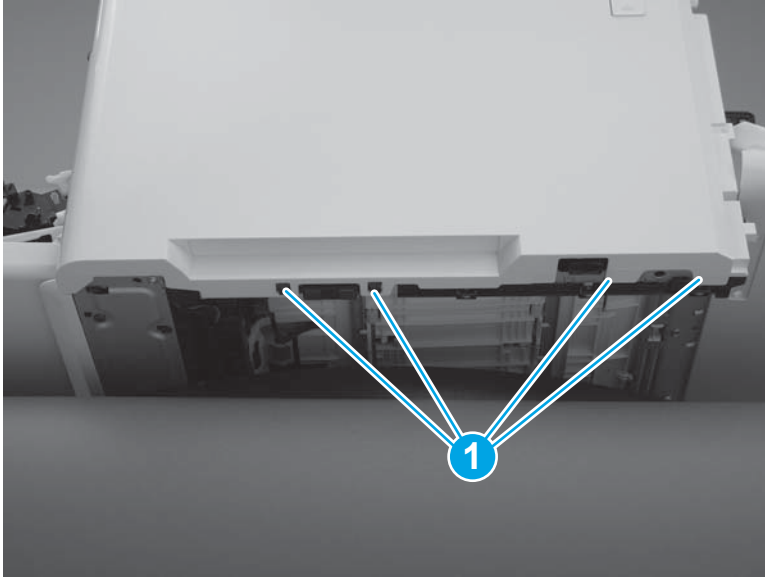
3. Release two tabs (callout 1) at the front of the cover. Hold the cover open to prevent the tabs from re-engaging.

Figure 1-201 Release two tabs



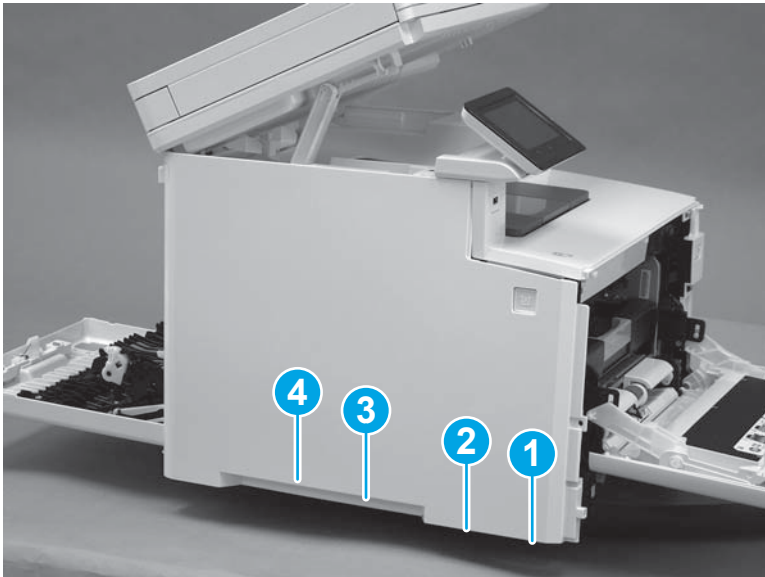
4. Slide the printer to the edge of a work surface. Note the location of the tabs on the lower edge of the cover (callout 1).

Figure 1-202 Locate the tabs



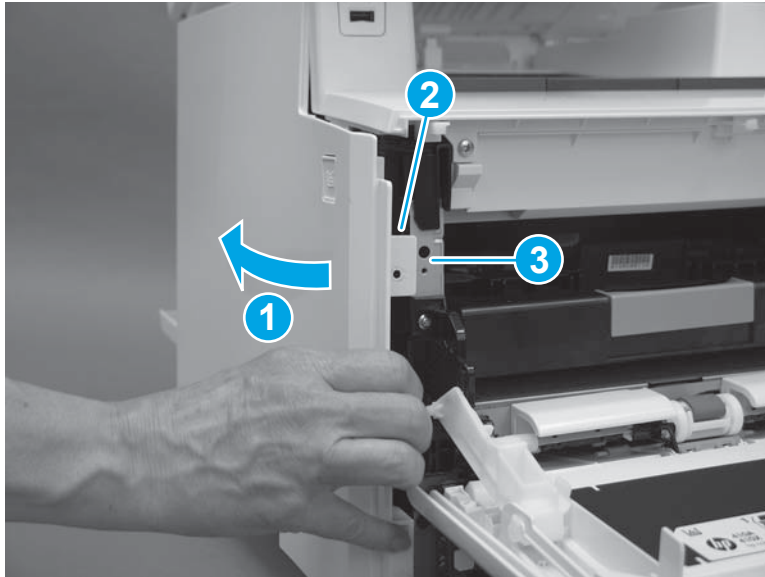
5. Beginning from the front of the cover, release the four tabs (callouts 1-4) on the lower edge of the cover.

Figure 1-203 Release four tabs



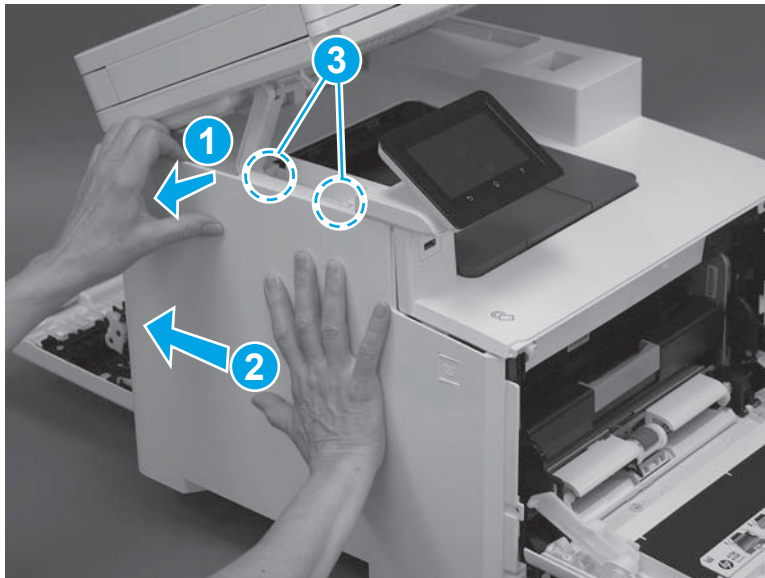
6. Rotate the front of the cover away from the printer (callout 1). Make sure that the tab (callout 2) does not get caught on the printer frame (callout 3).

Figure 1-204 Rotate the cover



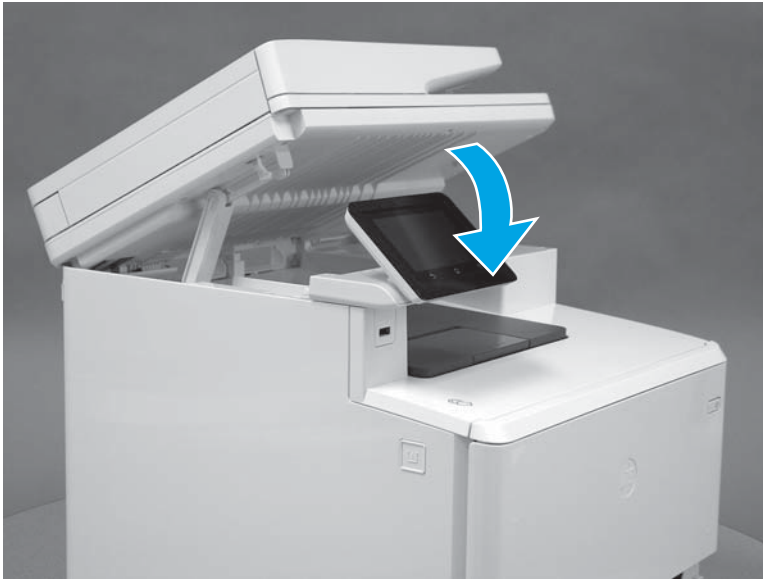
7. At the top of the printer, slightly pull the top of the cover away from the printer to release one retention tab (callout 1) on the inside of the cover. While holding the cover away, slide the cover toward the back of the printer (callout 2) to release two hooks (callout 3) inside the cover.

Figure 1-205 Release one tab and two hooks



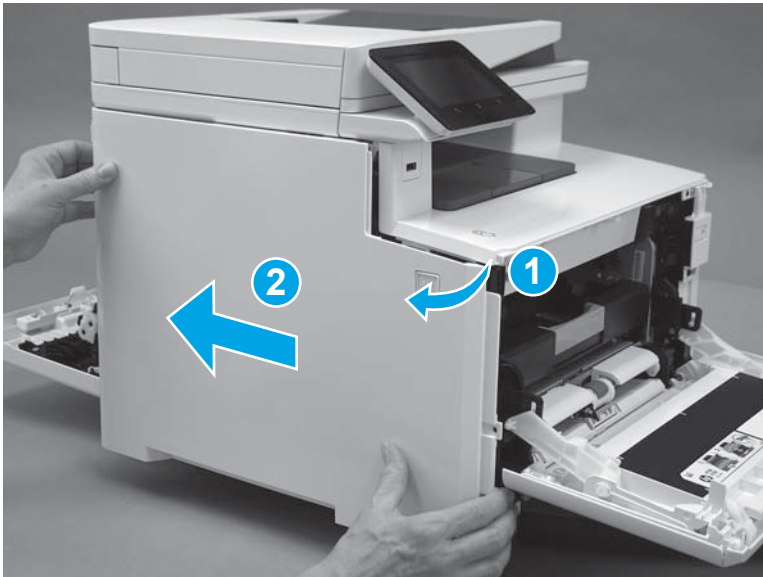
8. Lower the scanner.

Figure 1-206 Lower the scanner



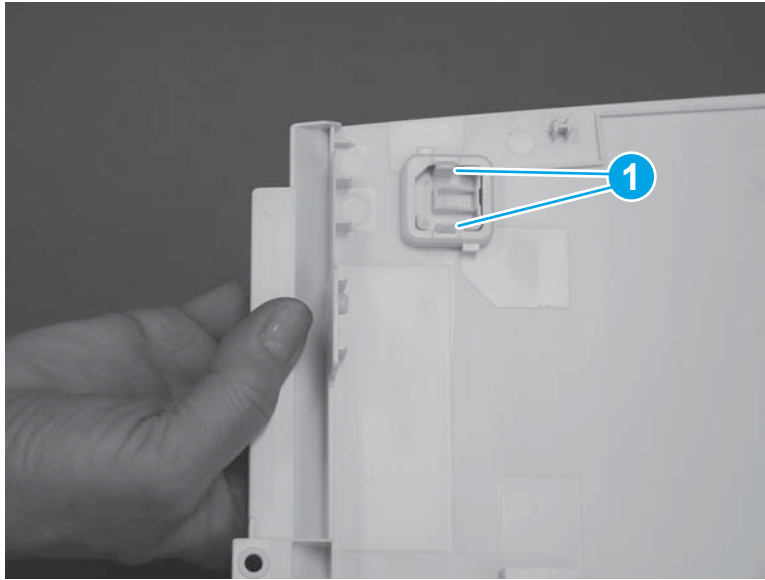
9. Rotate the cover away from the printer (callout 1), and then slide the cover (callout 2) toward the back of the printer to remove it.

Figure 1-207 Remove the left cover



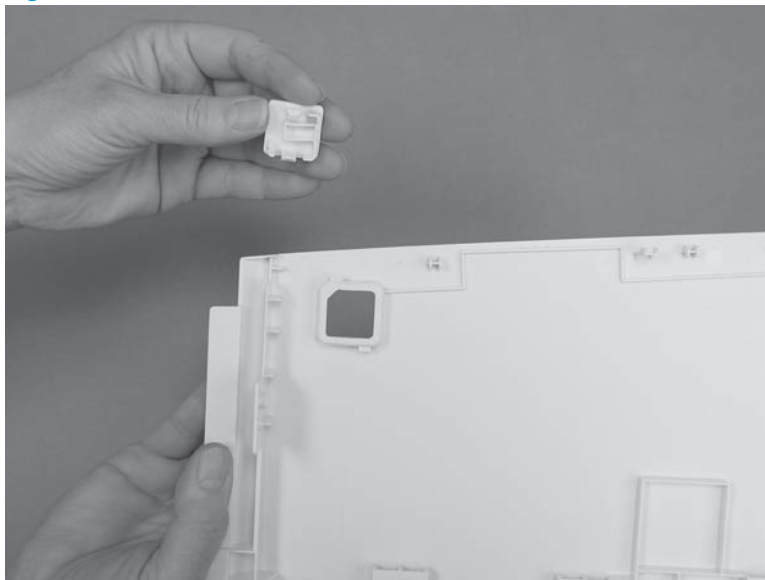
10. On the inside of the left cover, release two tabs (callout 1).

Figure 1-208 Release two tabs



11. Remove the door-release button. Save this button for installation on the replacement left cover.

Figure 1-209 Remove the button



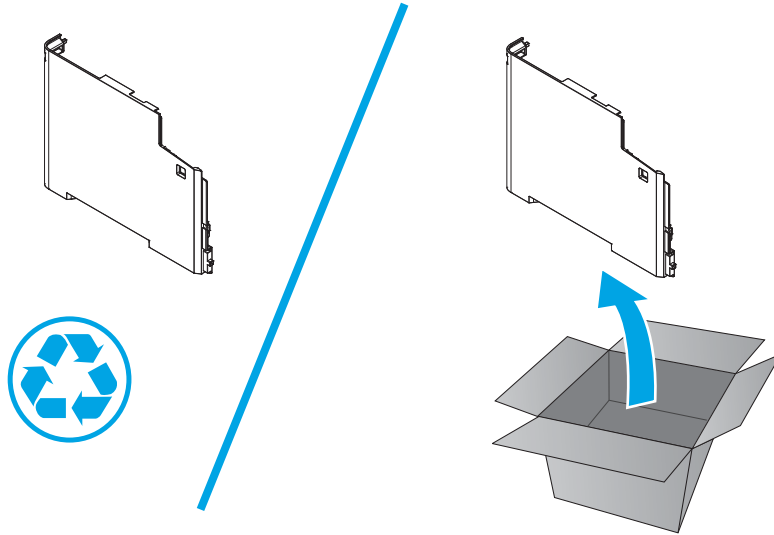
Step 4: Unpack the replacement part

Remove the new part from its package. Save all packaging for recycling the used part.

For complete information on HP's recycling programs, go to [Product return and recycling](#).

 **NOTE:** HP recommends responsible disposal of the defective part.

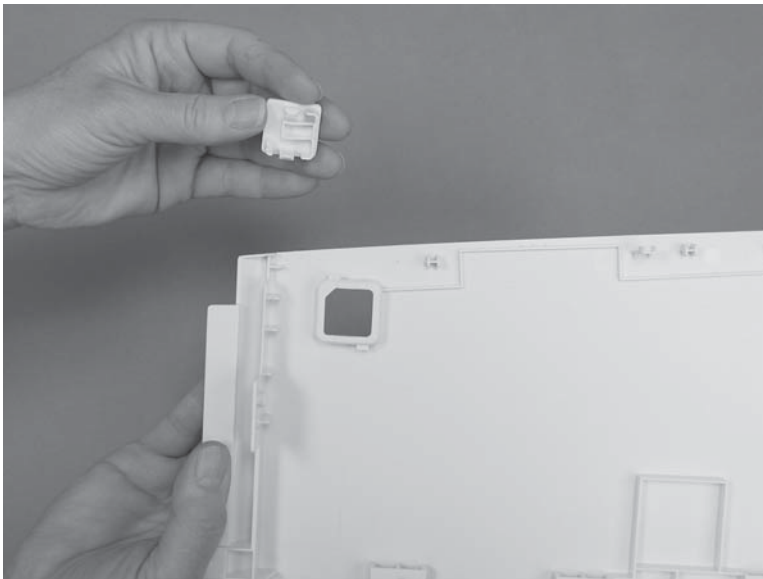
Figure 1-210 Recycle and unpack



Step 5: Install the left cover

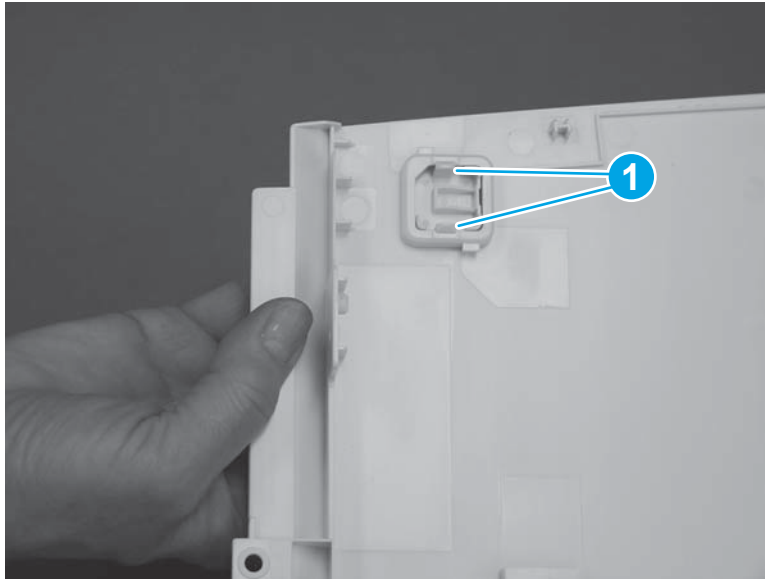
1. Install the door-release button removed from the old left cover into the replacement left cover in the orientation shown.

Figure 1-211 Install the button



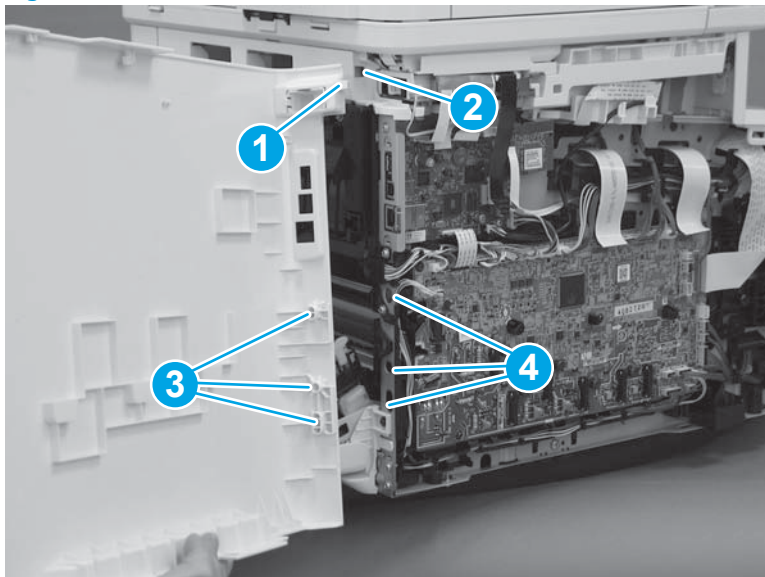
2. Make sure that the two tabs (callout 1) snap into place.

Figure 1-212 Install two tabs



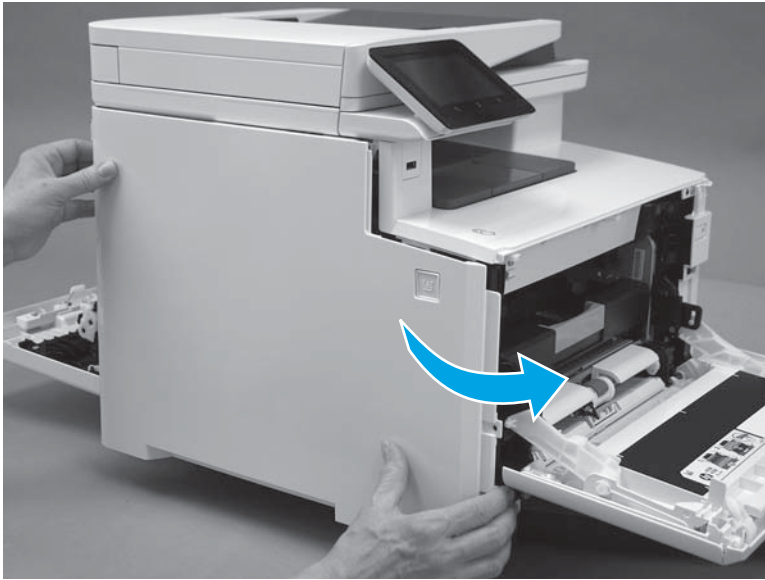
3. At the back of the printer, install the tab (callout 1) on the cover into the slot (callout 2) in the printer. Install the locator pins (callout 3) into the slots (callout 4) in the printer.

Figure 1-213 Install one tab



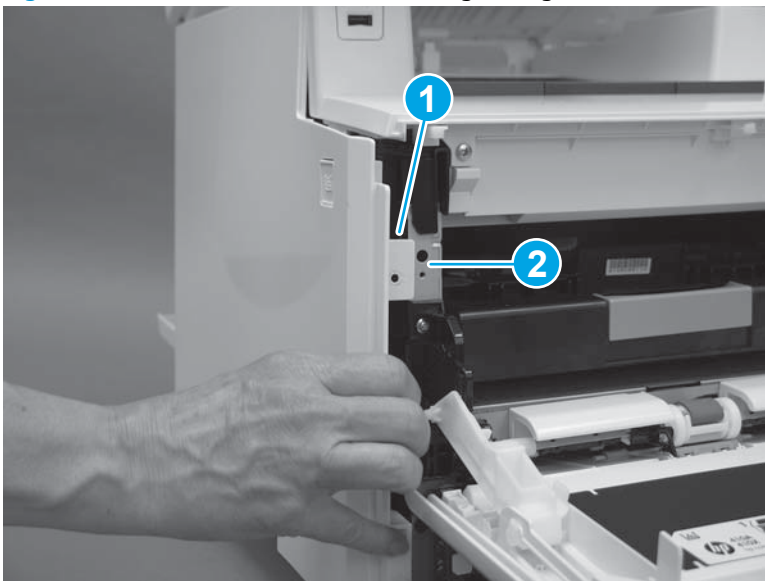
4. Rotate the cover toward the printer.

Figure 1-214 Rotate the left cover



CAUTION: Make sure that the tab (callout 1) does not get caught behind the printer frame (callout 2).

Figure 1-215 Make sure the tab does not get caught



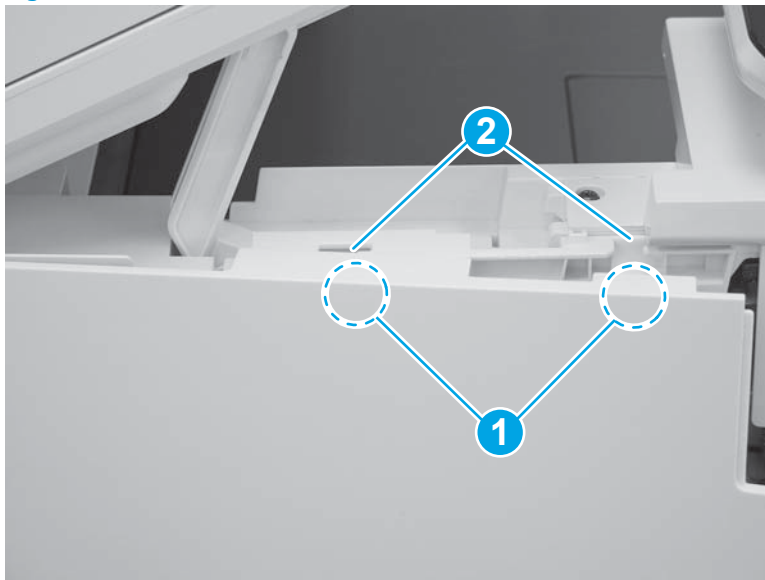
5. Raise the scanner.

Figure 1-216 Raise the scanner



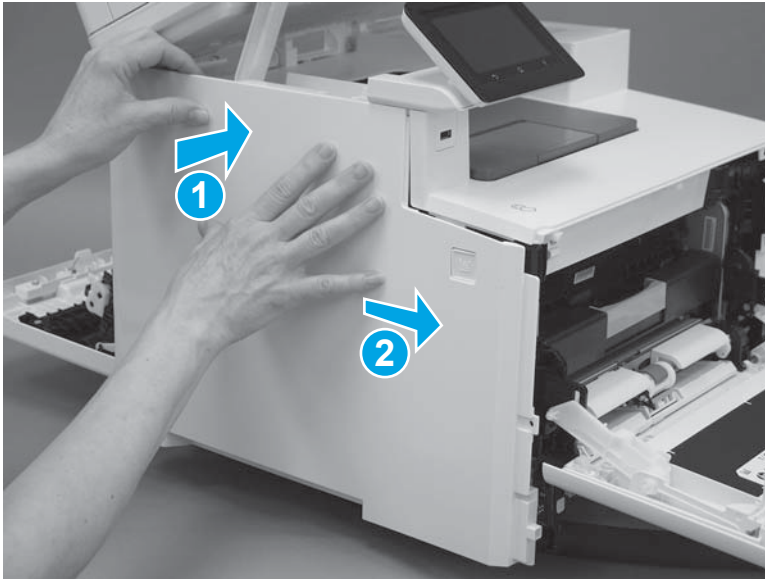
6. Position the hooks (callout 1) on the inside of the cover into the slots (callout 2) on the printer.

Figure 1-217 Position the hooks in the slots



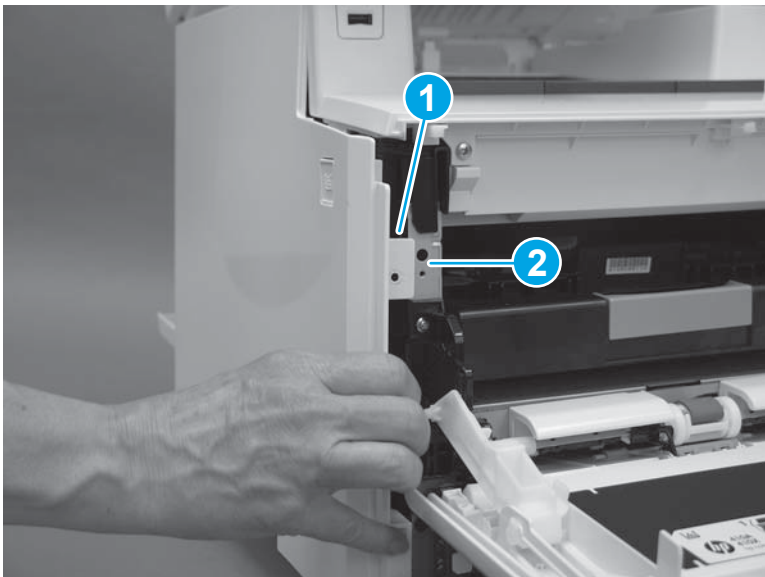
7. Hold the cover against the printer (callout 1), and then slide it (callout 2) toward the front of the printer.

Figure 1-218 Install the top hooks



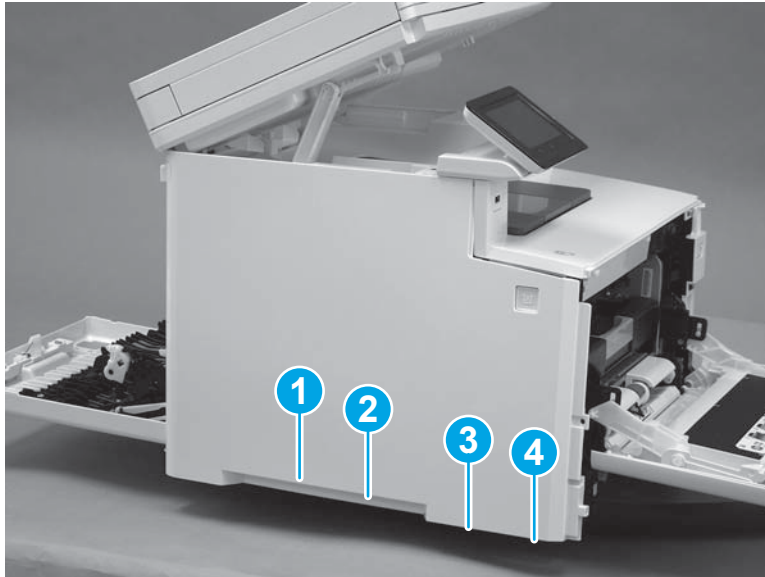
CAUTION: Make sure that the tab (callout 1) on the front of the cover does not get caught behind the printer frame (callout 2).

Figure 1-219 Make sure the tab does not get caught



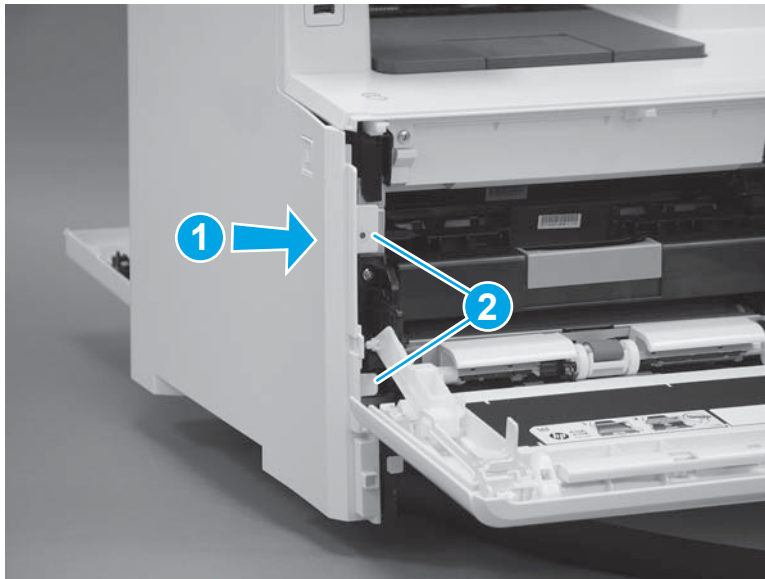
8. Slide the printer to the edge of a work surface in order to access the tabs on the bottom of the cover. Beginning from the back of the cover, install four tabs (callouts 1-4) on the lower edge of the cover.

Figure 1-220 Install four tabs



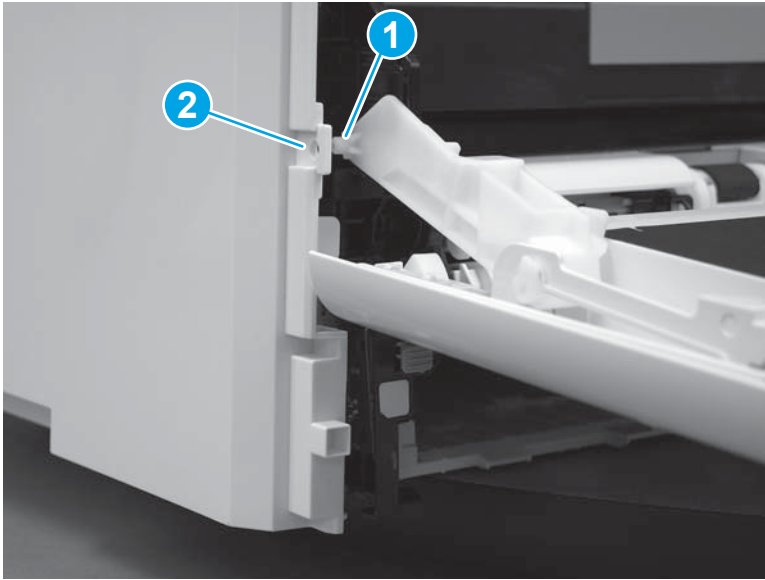
9. Press the cover toward the printer (callout 1), and then install two tabs (callout 2) at the front of the cover.

Figure 1-221 Install two tabs



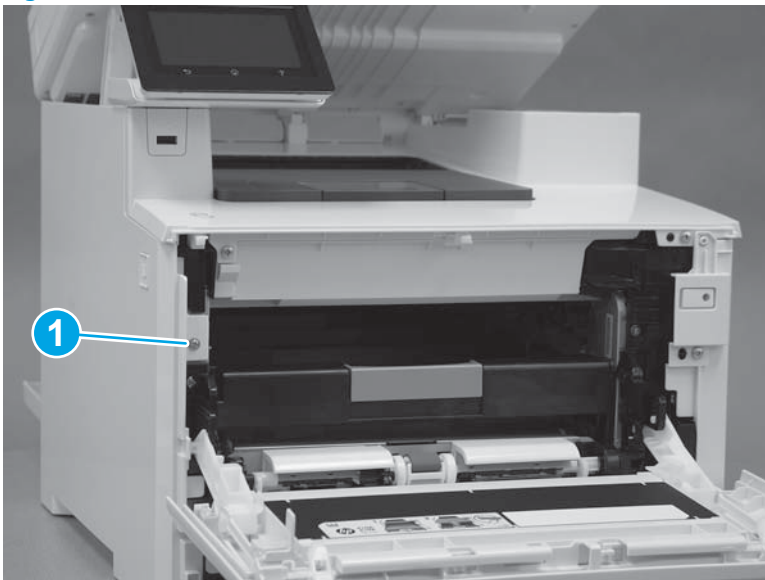
10. Make sure that the hinge pin (callout 1) on the front door fits into the slot (callout 2) on the left cover.

Figure 1-222 Install hinge pin



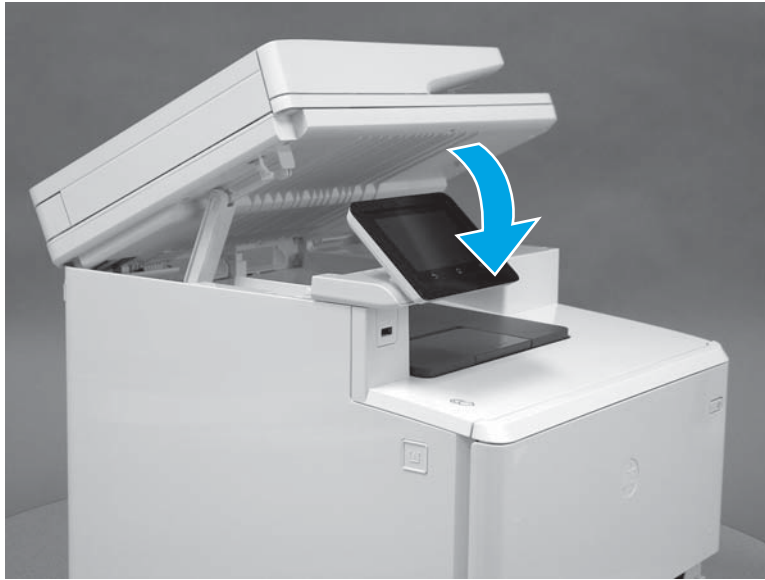
11. Install one screw (callout 1).

Figure 1-223 Install one screw



12. Lower the scanner.

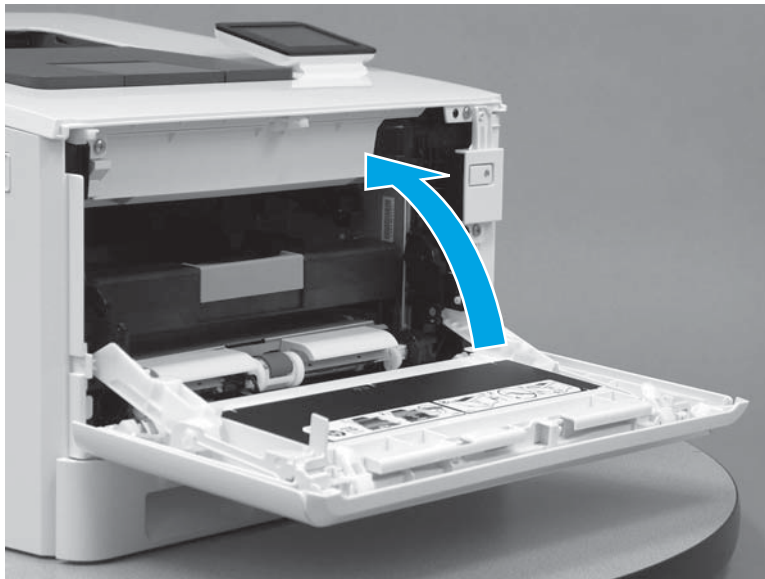
Figure 1-224 Lower the scanner



Step 6: Close the front door and rear door or duplexer door

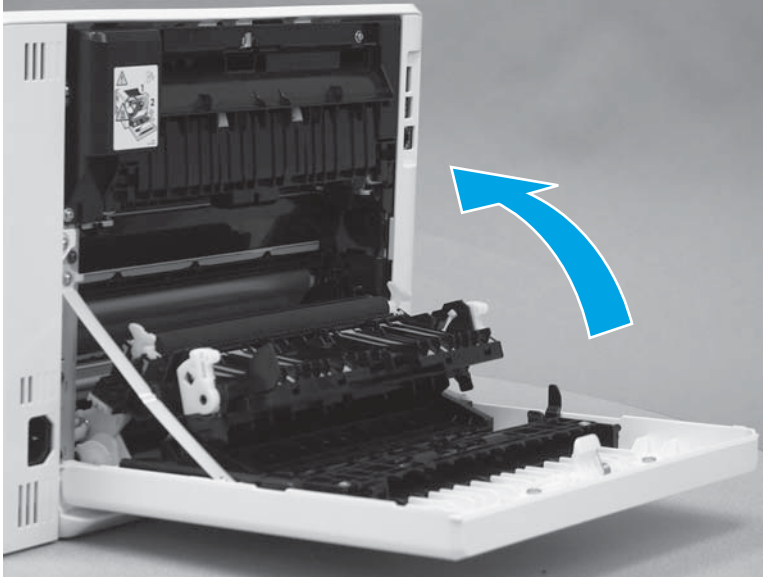
1. Close the front door.

Figure 1-225 Close the front door



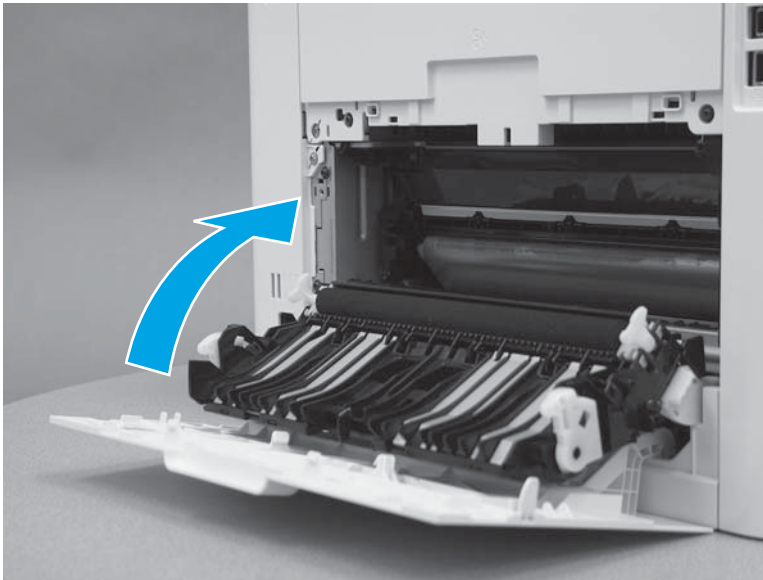
2. **Duplex models:** Close the duplexer door.

Figure 1-226 Close the duplexer door



3. **Simplex models:** Close the rear door.

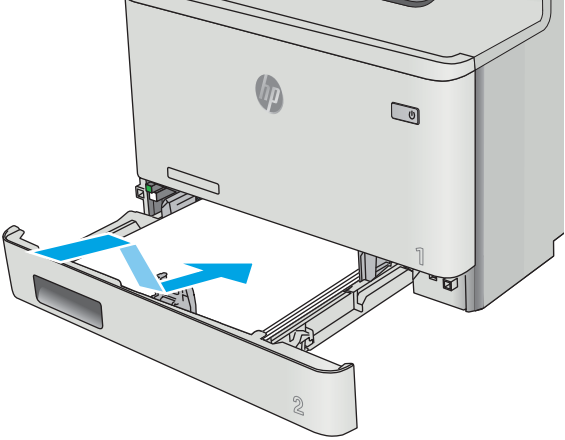
Figure 1-227 Close the rear door



Step 7: Install Tray 2

- ▲ With the front of the tray slightly lifted, align the sides of the tray with the rails in the printer, and then carefully slide the tray into the printer. As the tray slides into the printer, lower the front of the tray, and then close it.

Figure 1-228 Install the tray



Removal and replacement: Front door assembly


- [Introduction](#)
- [Step 1: Remove Tray 2](#)
- [Step 2: Open the front door and rear door or duplexer door](#)
- [Step 3: Remove the right cover \(M452 models\)](#)
- [Step 4: Remove the right cover \(M377, M477 models\)](#)
- [Step 5: Remove the front door assembly](#)
- [Step 6: Unpack the replacement part](#)
- [Step 7: Install the front door assembly](#)
- [Step 8: Install the right cover \(M452 models\)](#)
- [Step 9: Install the right cover \(M377, M477 models\)](#)
- [Step 10: Close the front door and rear door or duplexer door](#)
- [Step 11: Install Tray 2](#)

Introduction

This document provides the procedures to remove and replace the front door.

Before you begin

- Turn off the printer.
- Disconnect the power cable.

 **WARNING!** To avoid damage to the printer, turn the printer off, wait 30 seconds, and then remove the power cord before attempting to service the printer.

- Use the table below to identify the correct part number for your printer. To order the part, go to www.hp.com/buy/parts.

| Front door part numbers | |
|-------------------------|---------------------|
| RM2-6390-000CN | Front door assembly |

Required tools

- Small flat-blade screwdriver
- #2 Phillips screwdriver with a magnetic tip

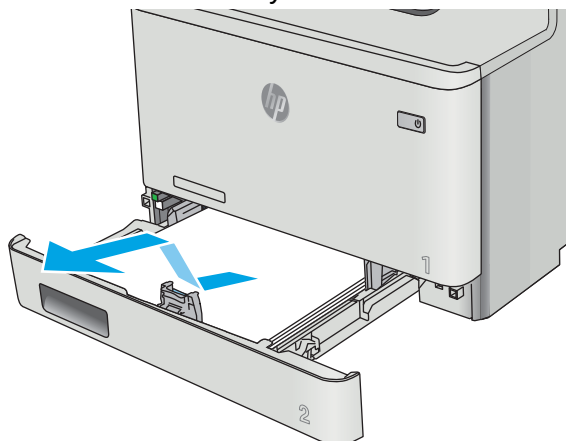
After performing service

- Connect the power cable.
- Use the power switch to turn the power on.

Step 1: Remove Tray 2

- ▲ Pull the tray out until it stops. Lift the front of the tray, and then pull it out of the printer to remove it.

Figure 1-229 Remove the tray



Step 2: Open the front door and rear door or duplexer door

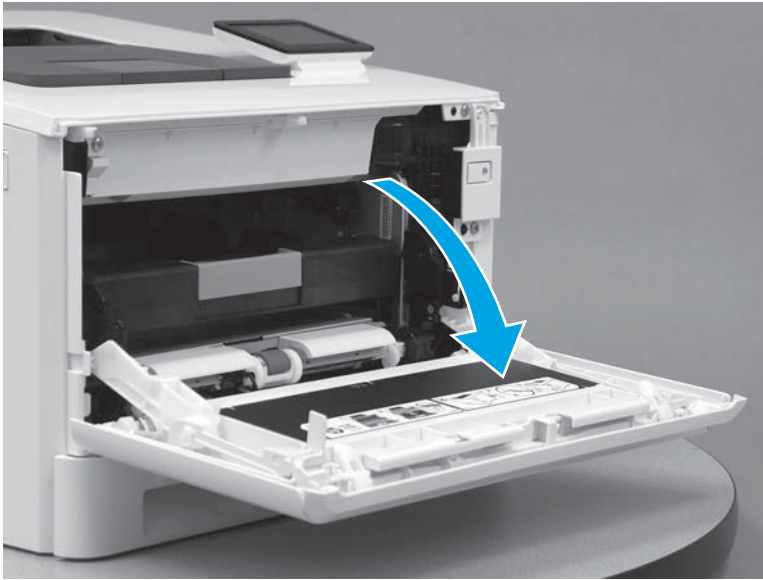
1. Press the button (callout 1) on the left side of the printer to release the front door.

Figure 1-230 Release the front door



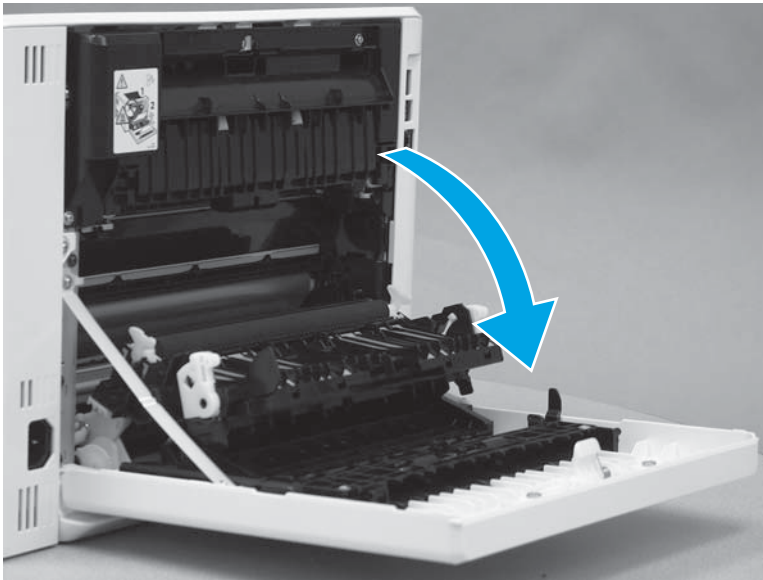
2. Open the front door.

Figure 1-231 Open the front door



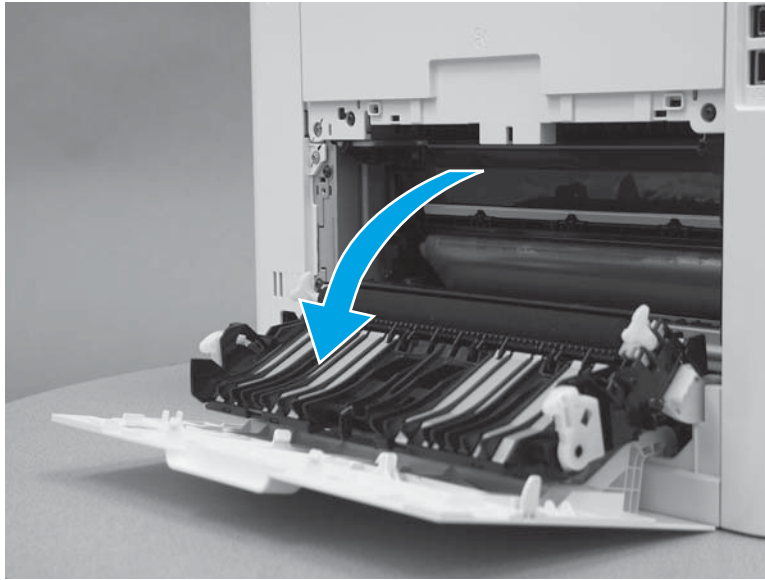
3. **Duplex models:** Open the duplexer door.

Figure 1-232 Open the duplexer door



4. **Simplex models:** Open the rear door.

Figure 1-233 Open the rear door



Step 3: Remove the right cover (M452 models)

 **NOTE:** This step is for the M452 models. For the M377, M477 models, skip this step and go to [Step 4: Remove the right cover \(M377, M477 models\) on page 153.](#)

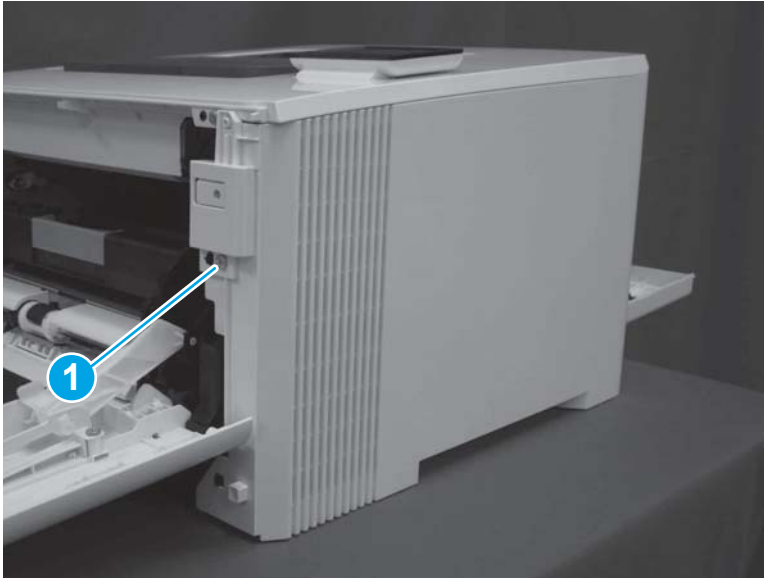
1. At the back of the printer, remove one screw (callout 1).

Figure 1-234 Remove one screw



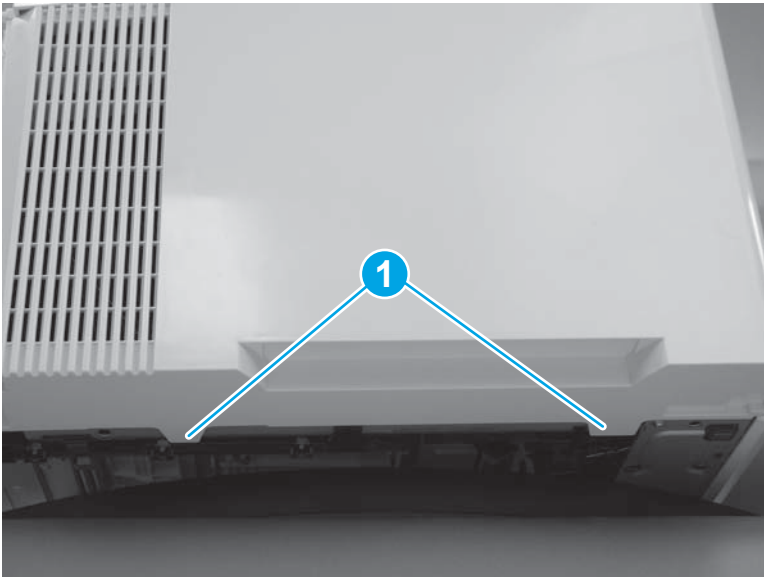
2. At the front of the printer, remove one screw (callout 1).

Figure 1-235 Remove one screw



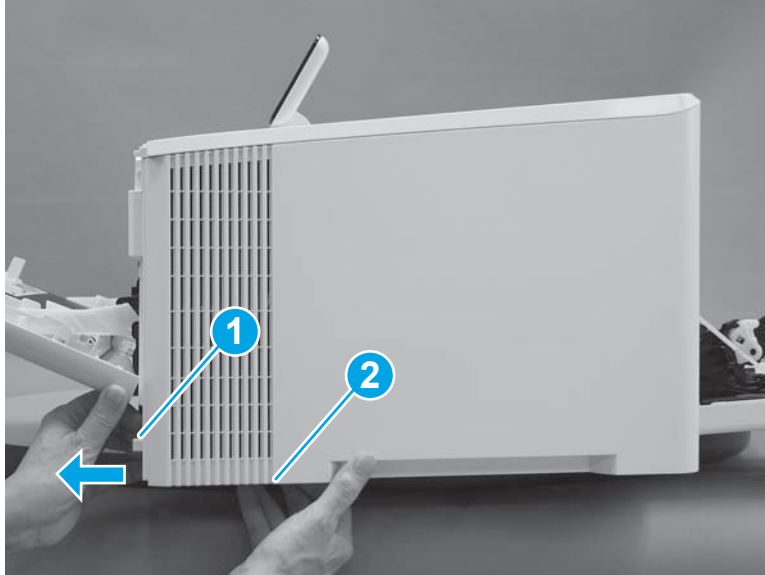
3. Slide the printer to the edge of a work surface. Note the location of the tabs on the lower edge of the cover (callout 1).

Figure 1-236 Locate the tabs



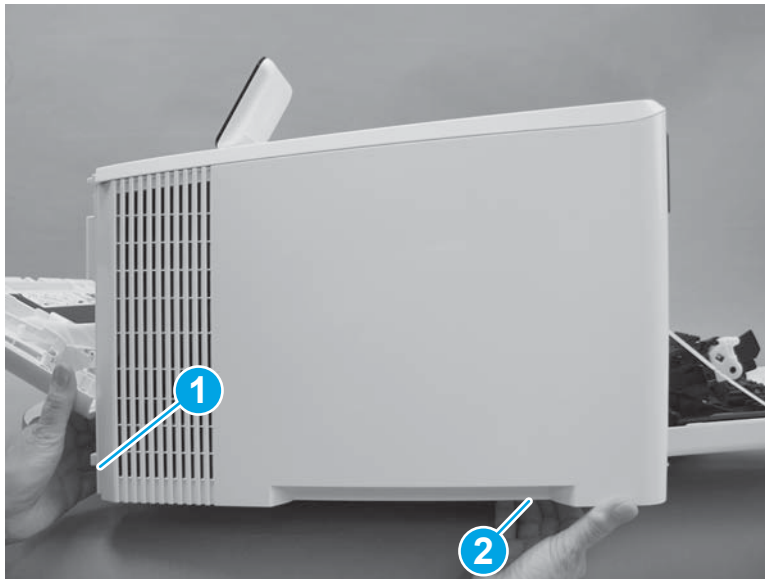
4. Release one tab (callout 1) on the front of the cover by slightly pulling the cover away from the printer. While holding the cover in the released position, release one tab (callout 2) on the bottom of the cover.

Figure 1-237 Release front lower tabs



5. Hold the front tabs in the released position (callout 1), and then release one tab (callout 2) on the bottom of the cover, toward the back of the printer.

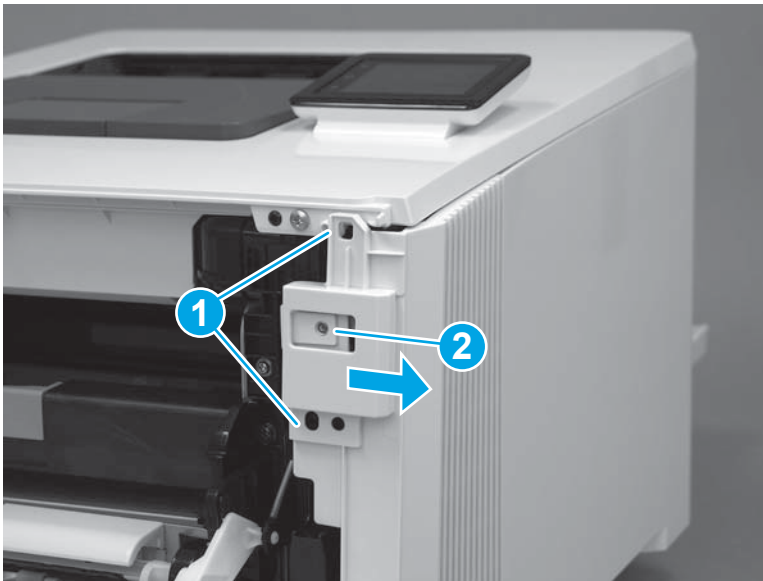
Figure 1-238 Release lower rear tab



6. Release two tabs at the front of the printer (callout 1) by slightly pulling the cover away from the printer.

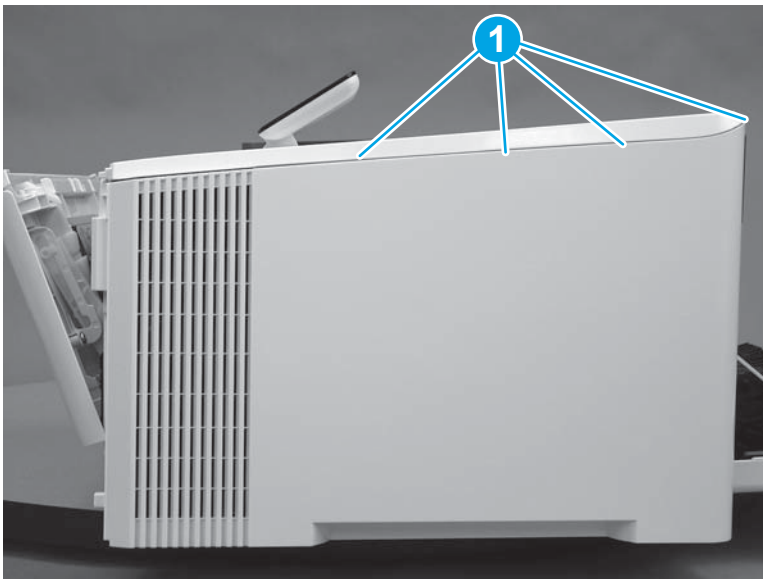
⚠ CAUTION: Be careful not to dislodge the power switch (callout 2).

Figure 1-239 Release two front tabs



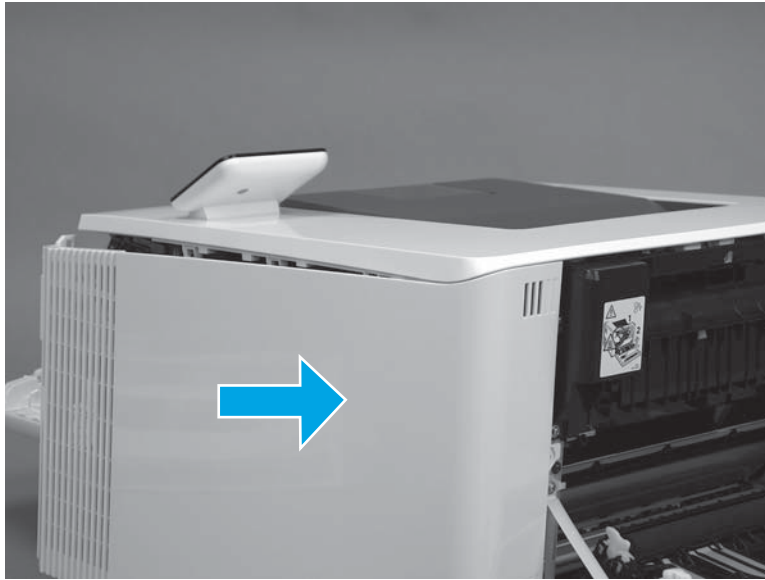
7. Release four tabs on the top of the printer (callout 1).

Figure 1-240 Release upper tabs




8. Slide the cover toward the back of the printer to remove it.

Figure 1-241 Remove the right cover



Step 4: Remove the right cover (M377, M477 models)

 **NOTE:** This step is for the M377, M477 models. For the M452 models, skip this step and go to [Step 5: Remove the front door assembly on page 159.](#)

1. Raise the scanner.

Figure 1-242 Raise the scanner



2. At the back of the printer, remove one screw (callout 1).

Figure 1-243 Remove one screw



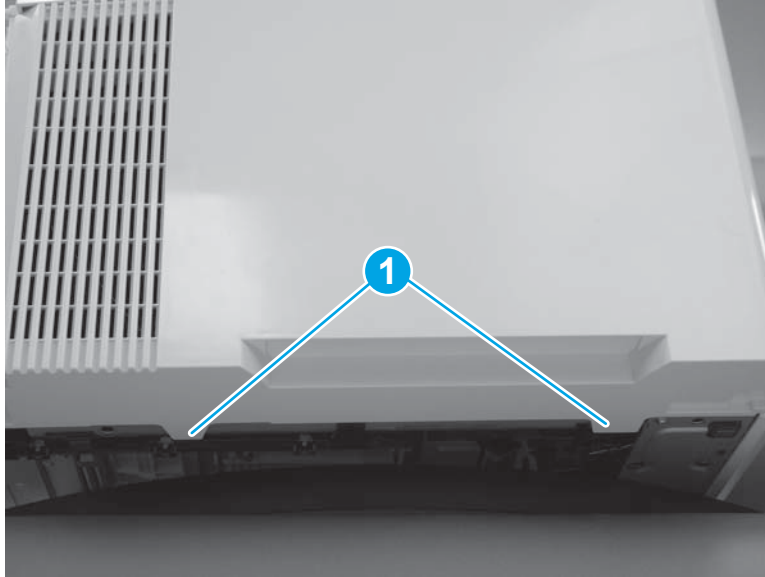
3. At the front of the printer, remove one screw (callout 1).

Figure 1-244 Remove one screw



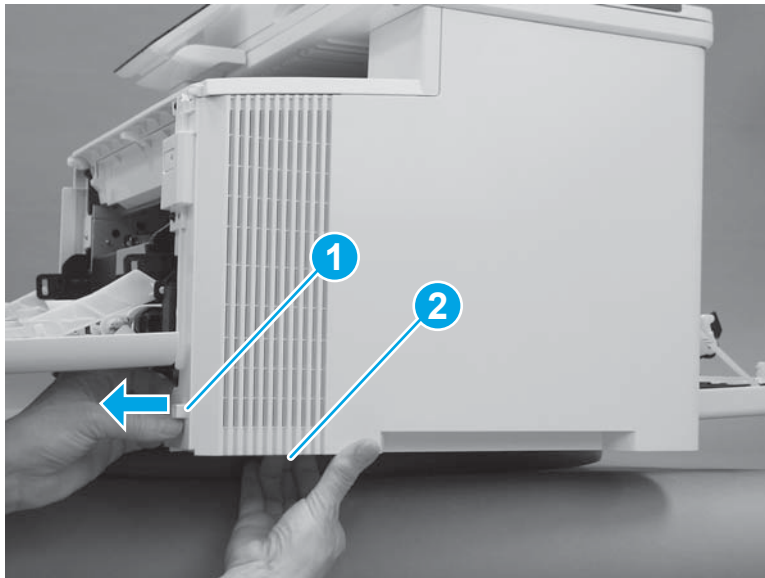
4. Slide the printer to the edge of a work surface. Note the location of the tabs on the lower edge of the cover (callout 1).

Figure 1-245 Locate the tabs



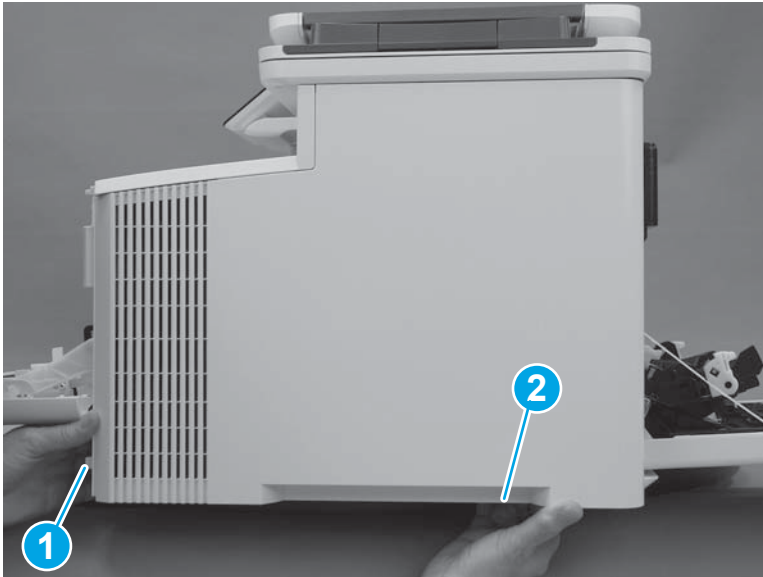
5. Release one tab (callout 1) on the front of the cover by slightly pulling the cover away from the printer. While holding the cover in the released position, release one tab (callout 2) on the lower edge of the cover.

Figure 1-246 Release front lower tabs



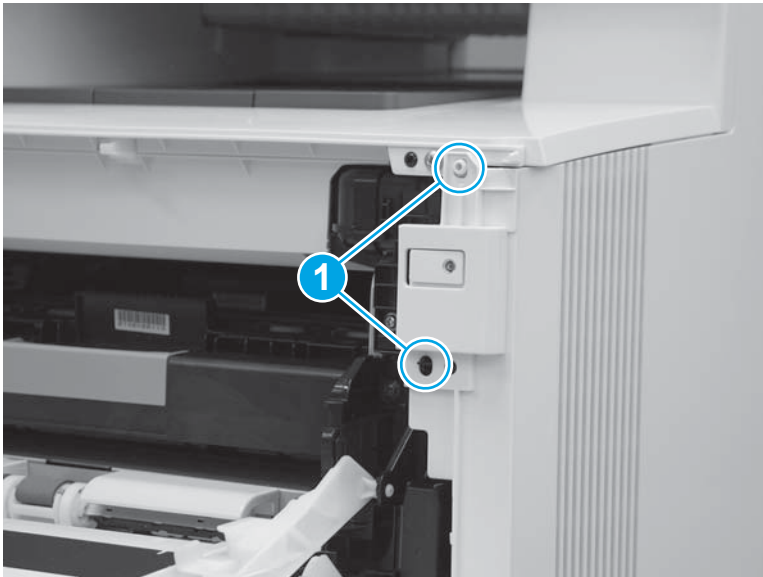
6. Hold the front tabs in the released position (callout 1), and then release one tab (callout 2) on the lower edge of the cover, toward the back of the printer.

Figure 1-247 Release lower rear tab



7. Release two tabs at the front of the printer (callout 1) by slightly pulling the cover away from the printer.

Figure 1-248 Release front upper tabs



8. Rotate the front of the cover away from the printer (callout 1).

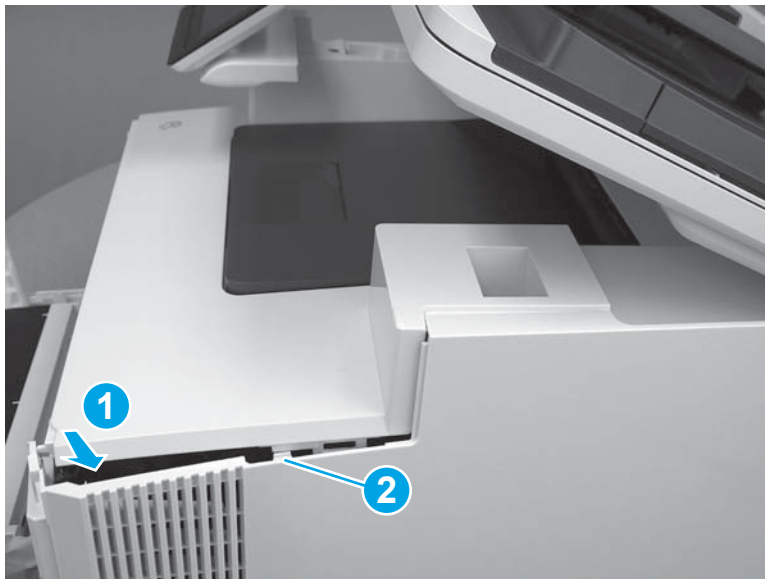
CAUTION: Be careful not to dislodge the power switch (callout 2).

Figure 1-249 Rotate the front of the cover



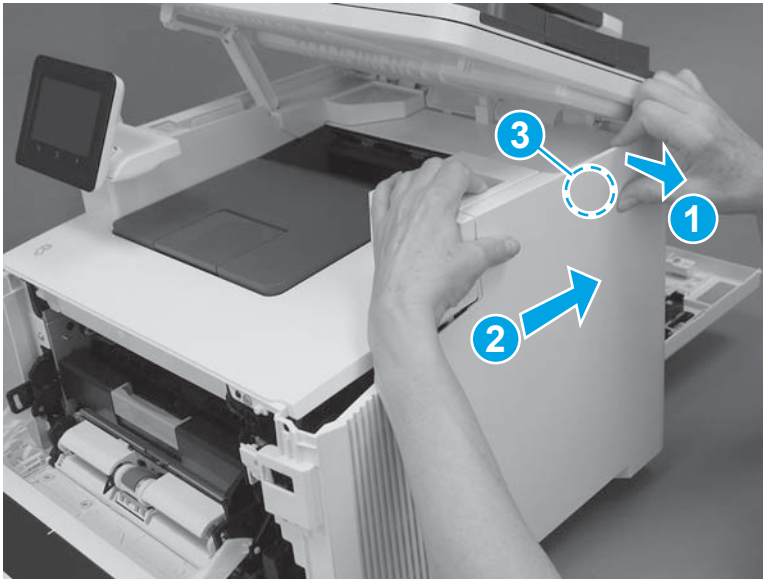
9. Slightly pull the front of the cover away from the printer (callout 1) to release one tab (callout 2).

Figure 1-250 Release top tabs



10. At the top of the printer, slightly pull the top of the cover away from the printer to release one retention tab (callout 1) on the inside of the cover. While holding the cover away, slide the cover toward the back of the printer (callout 2) to release one hook (callout 3) on the inside of the cover.

Figure 1-251 Release one tab and one hook



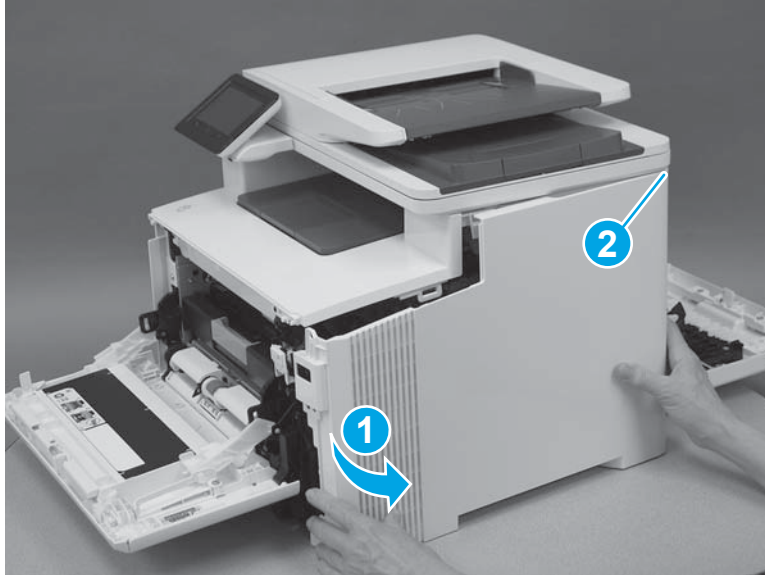
11. Lower the scanner.

Figure 1-252 Lower the scanner



12. Rotate the cover away from the printer (callout 1) to release one tab (callout 2) at the back of the printer, and then remove the cover.

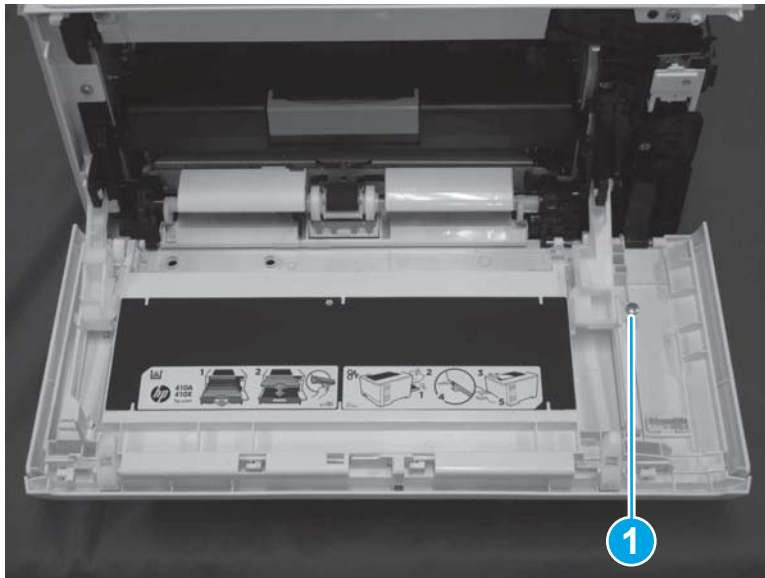
Figure 1-253 Remove the right cover



Step 5: Remove the front door assembly

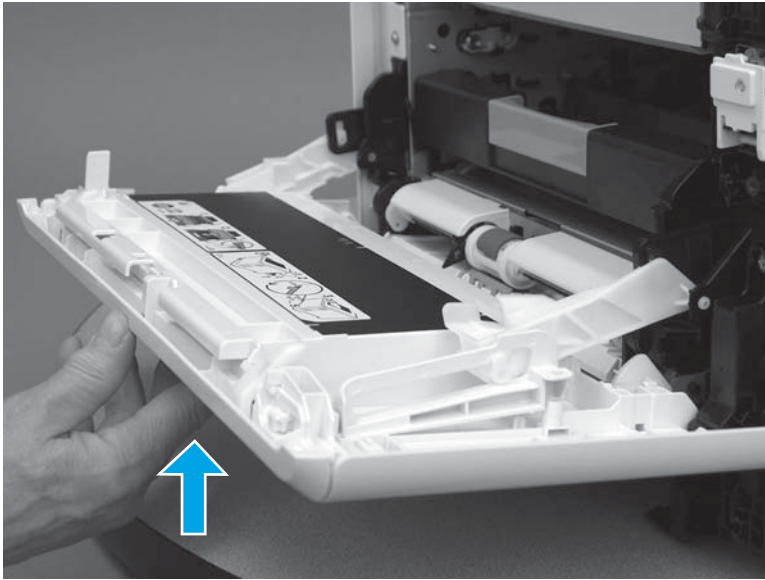
1. Remove one screw (callout 1).

Figure 1-254 Remove one screw



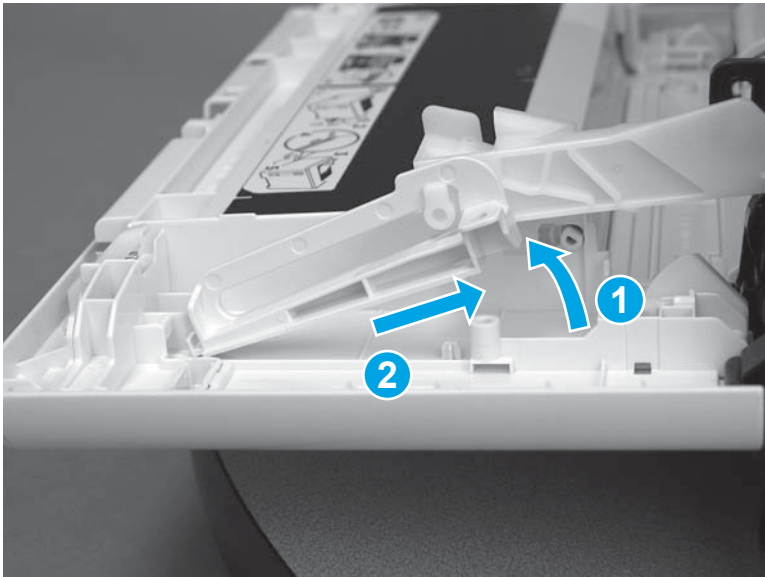
2. Tilt the front door up to about a 45-degree angle.

Figure 1-255 Tilt the door up



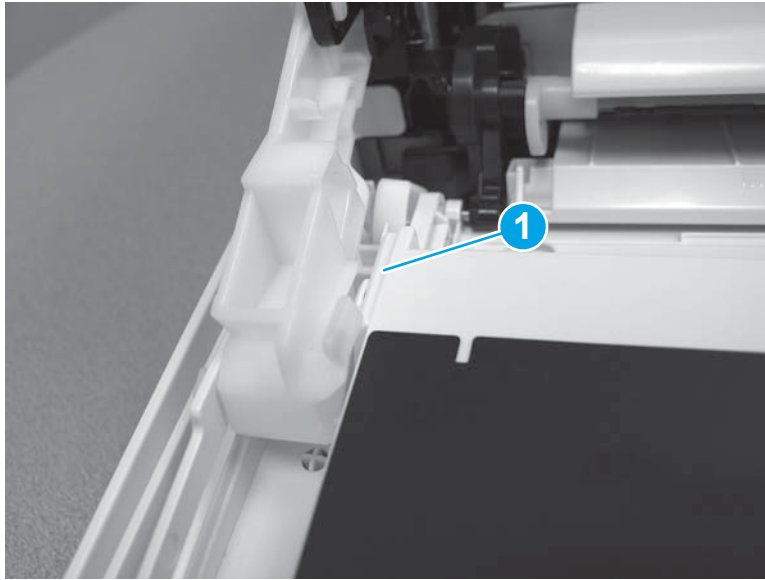
3. Lift the end of the right hinge cover up (callout 1), and then slide it away from the door (callout 2) to disconnect it.

Figure 1-256 Release the right hinge cover



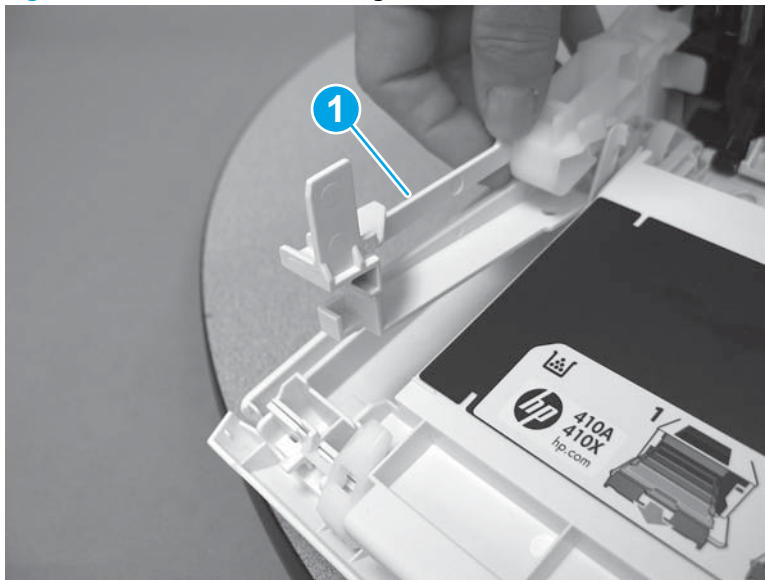
4. On the left side of the door, release one tab (callout 1).

Figure 1-257 Release one tab



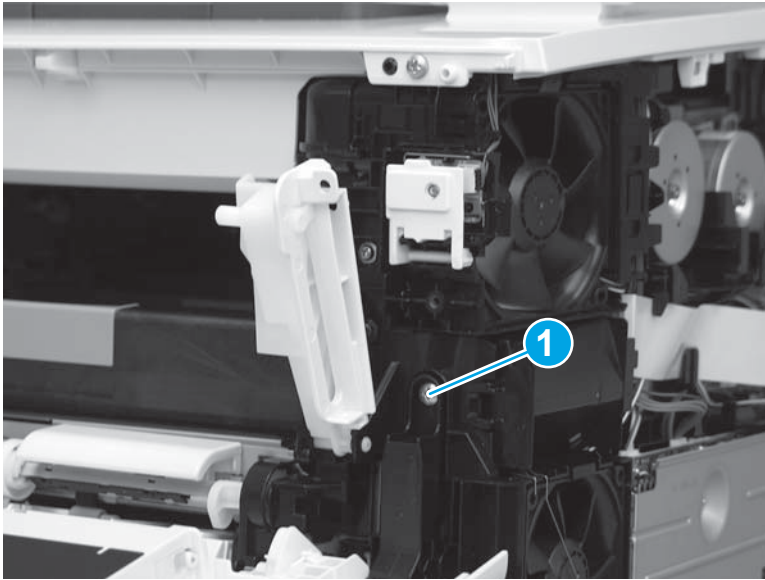
5. Release the left hinge cover (callout 1).

Figure 1-258 Release the left hinge cover



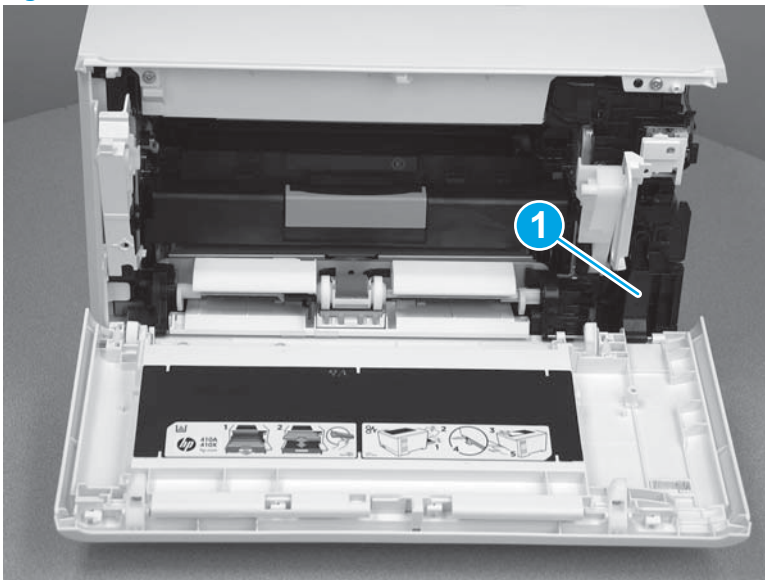
6. Remove one screw (callout 1).

Figure 1-259 Remove one screw



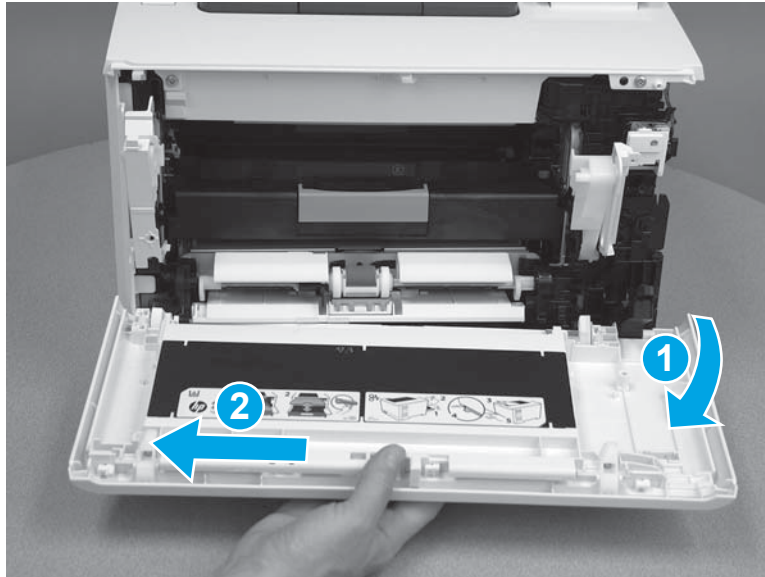
7. Release one arm (callout 1).

Figure 1-260 Release one arm



8. Lift the front door up slightly, swing the right side of the door away from the printer (callout 1), and then slide the door left (callout 2) to remove it.

Figure 1-261 Remove the front door



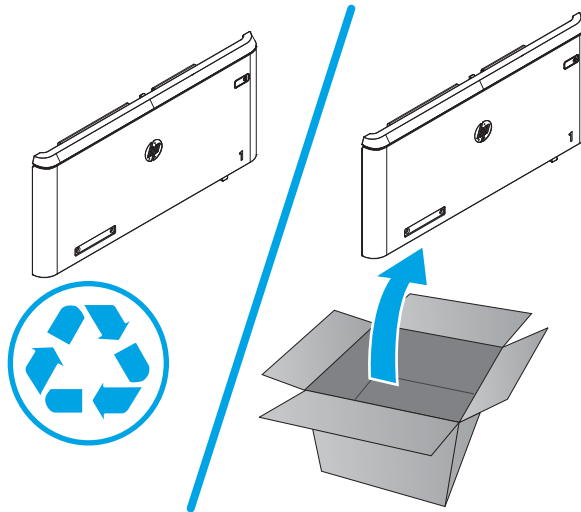
Step 6: Unpack the replacement part

Remove the new part from its package. Save all packaging for recycling the used part.

For complete information on HP's recycling programs, go to [Product return and recycling](#).

 **NOTE:** HP recommends responsible disposal of the defective part.

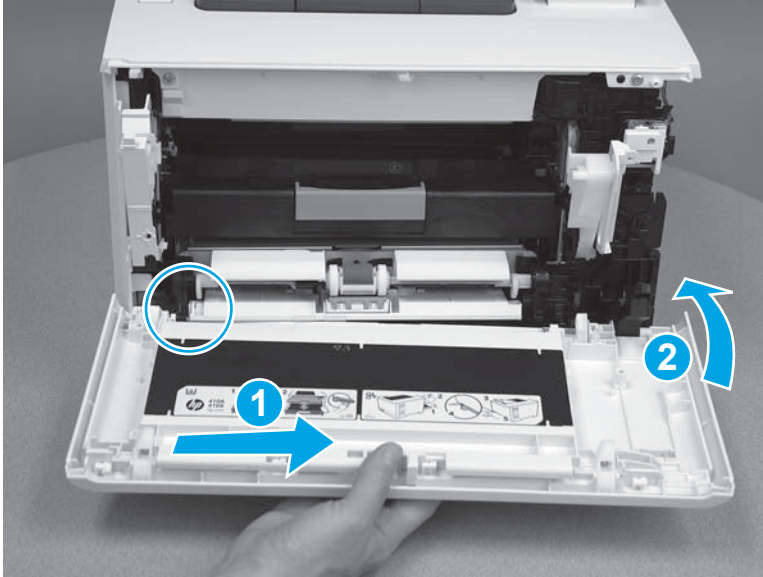
Figure 1-262 Recycle and unpack



Step 7: Install the front door assembly

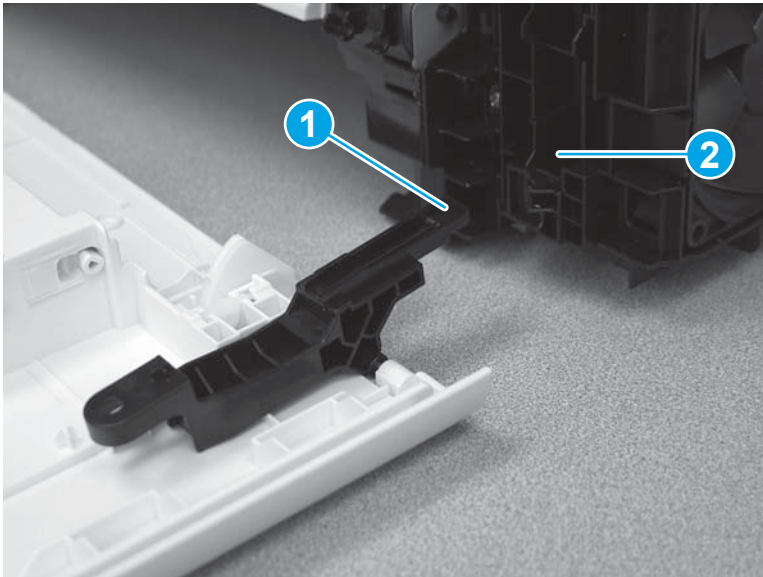
1. Install the hinge on the left side of the door, and then slide the door left (callout 1). Rotate the right side of the door (callout 2) toward the printer.

Figure 1-263 Install the front door



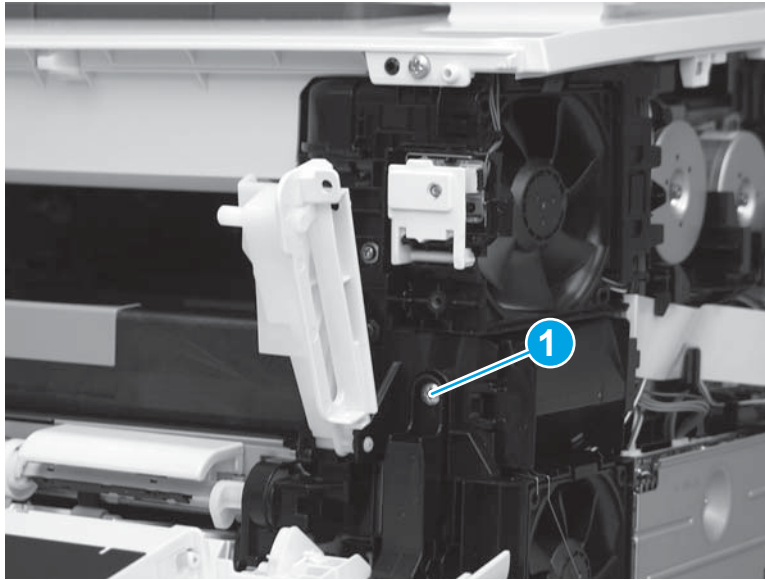
2. Install the tab on the end of the arm (callout 1) into the slot (callout 2) in the printer.

Figure 1-264 Install one arm



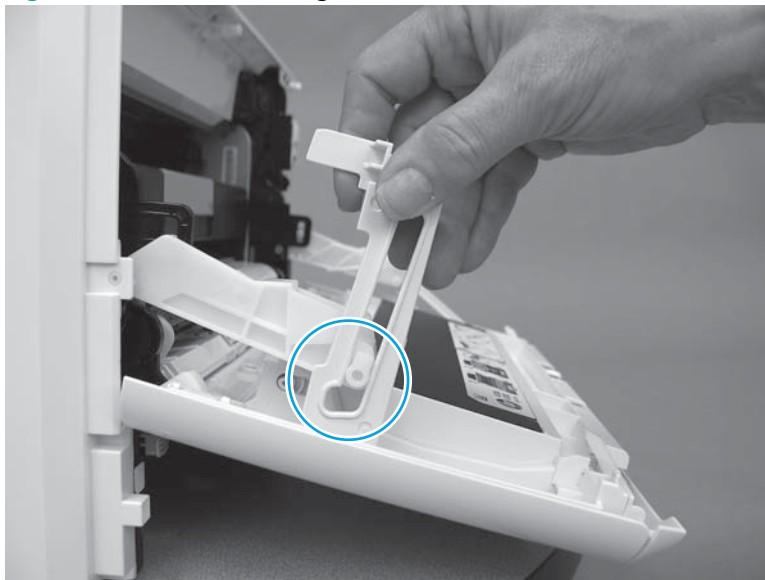
3. Install one screw (callout 1).

Figure 1-265 Install one screw



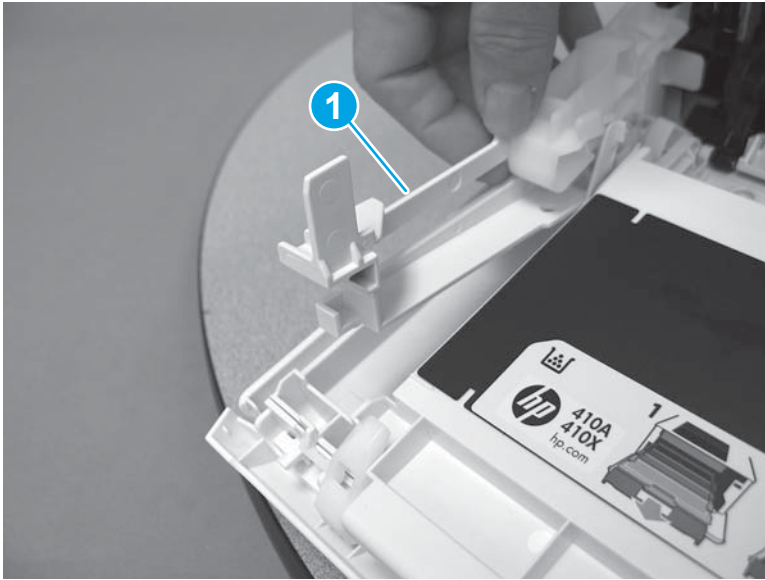
4. If the left hinge cover becomes detached, reattach it as shown below.

Figure 1-266 Attach left hinge cover



5. Press down to reinstall the left hinge cover (callout 1).

Figure 1-267 Install the left hinge cover



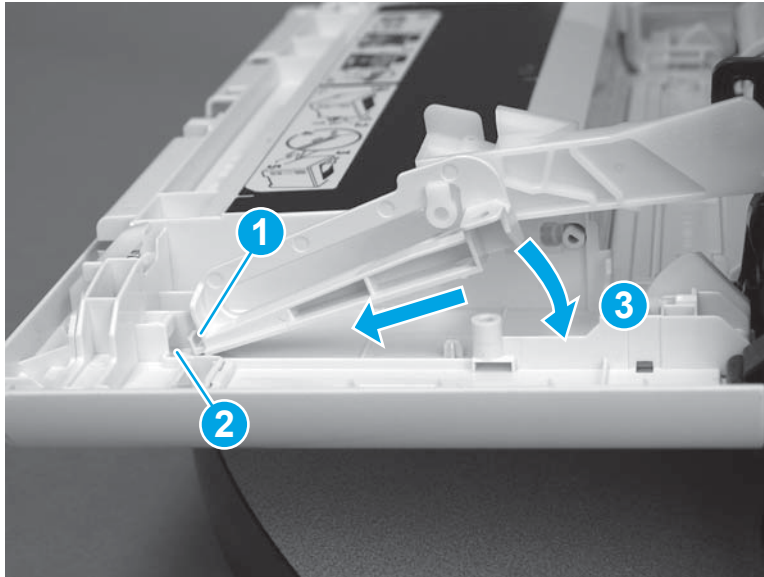
6. If the right hinge cover becomes detached, reattach it as shown below.

Figure 1-268 Attach right hinge cover



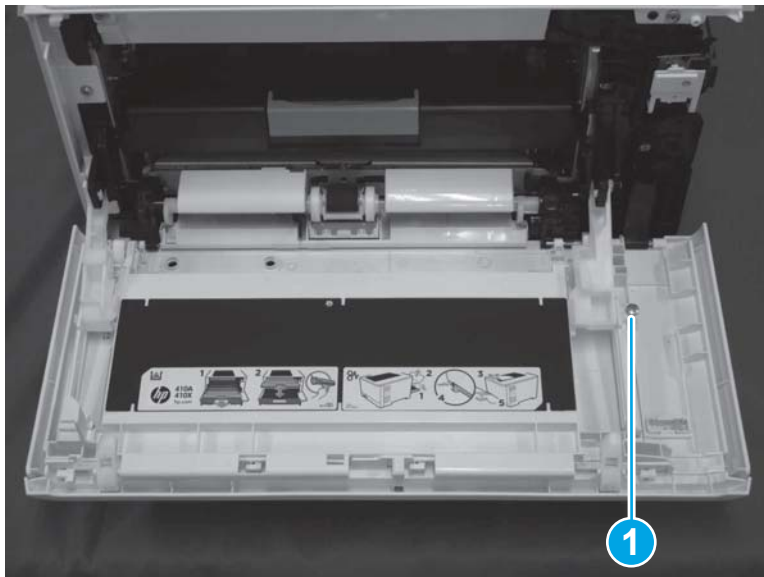
7. Install the tab (callout 1) on the hinge cover in the slot (callout 2) on the front door, and then rotate (callout 3) the cover down toward the door.

Figure 1-269 Install the hinge cover




8. Install one screw (callout 1).

Figure 1-270 Install one screw

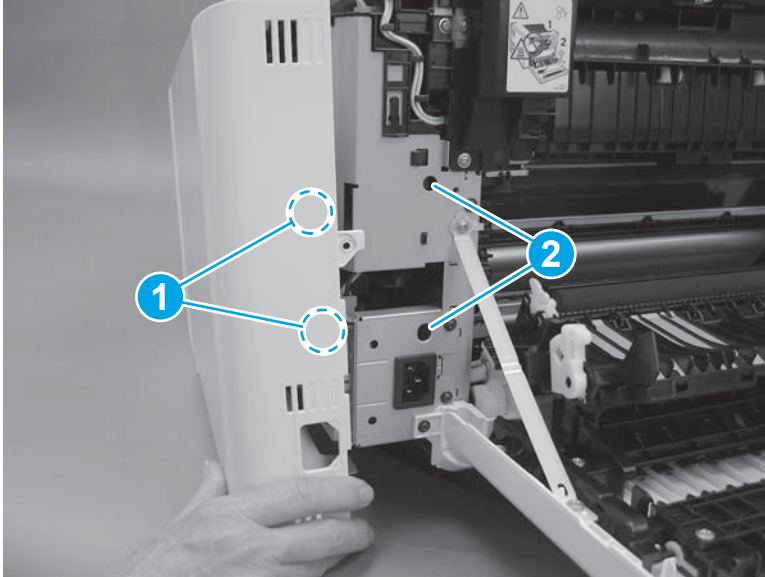


Step 8: Install the right cover (M452 models)

 **NOTE:** This step is for the M452 models. For the M377, M477 models, skip this step and go to [Step 9: Install the right cover \(M377, M477 models\) on page 172.](#)

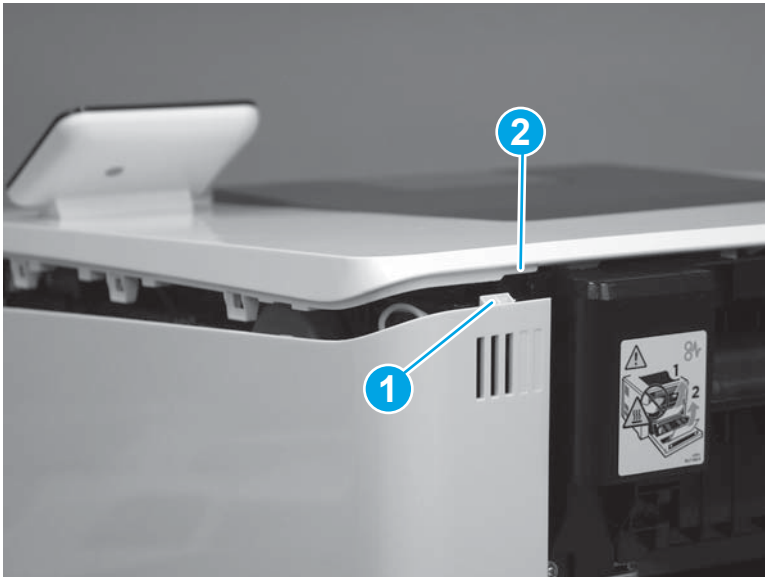
1. Position two tabs (callout 1) on the back of the cover in the slots (callout 2) in the printer.

Figure 1-271 Position two tabs



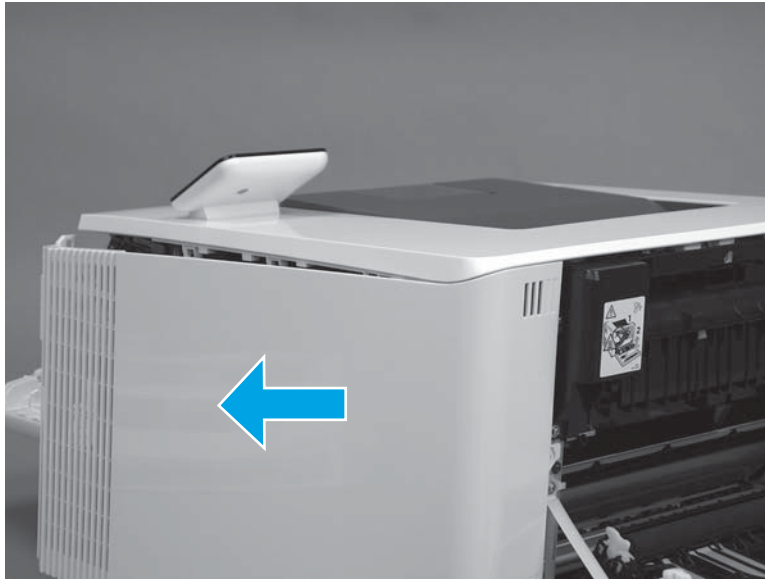
2. At the back of the printer, install the tab (callout 1) under the edge of the top cover (callout 2).

Figure 1-272 Install rear tab



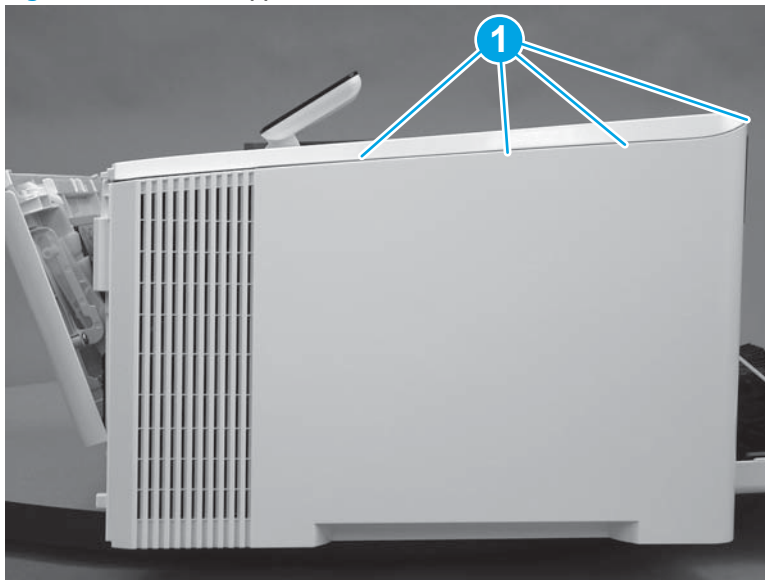
3. Slide the cover toward the front of the printer to install it.

Figure 1-273 Install the right cover



4. Engage three tabs (callout 2) on the top of the cover.

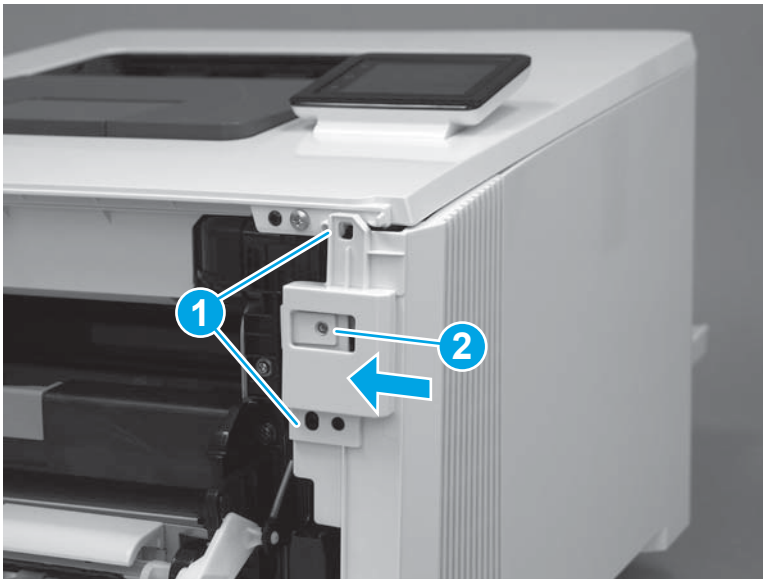
Figure 1-274 Install upper tabs



5. At the front of the printer, position the front of the cover over two tabs (callout 1).

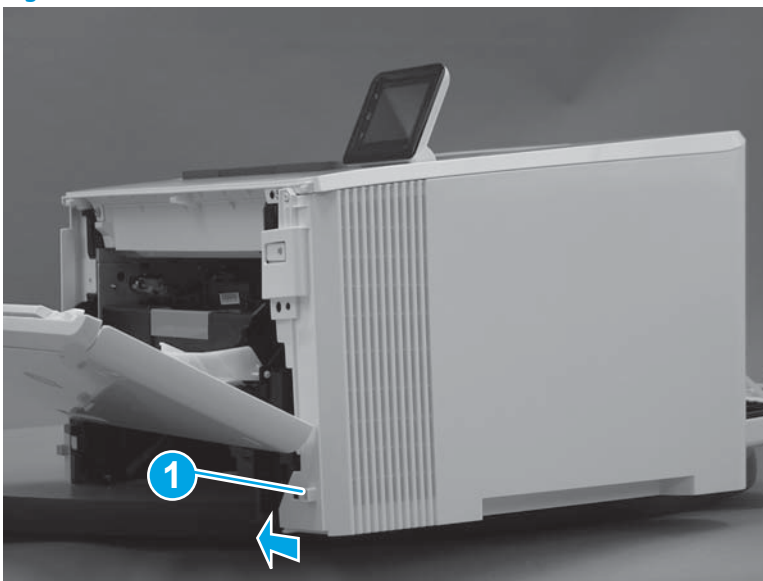
⚠ CAUTION: Be careful not to dislodge the power switch (callout 2).

Figure 1-275 Install the front tabs



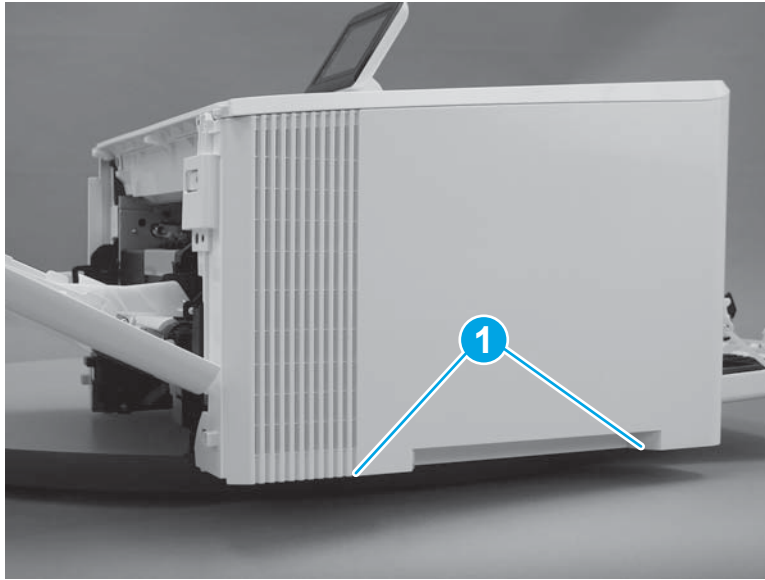
6. Press the right cover toward the printer to engage one tab (callout 1) on the front of the cover.

Figure 1-276 Install the front lower tab



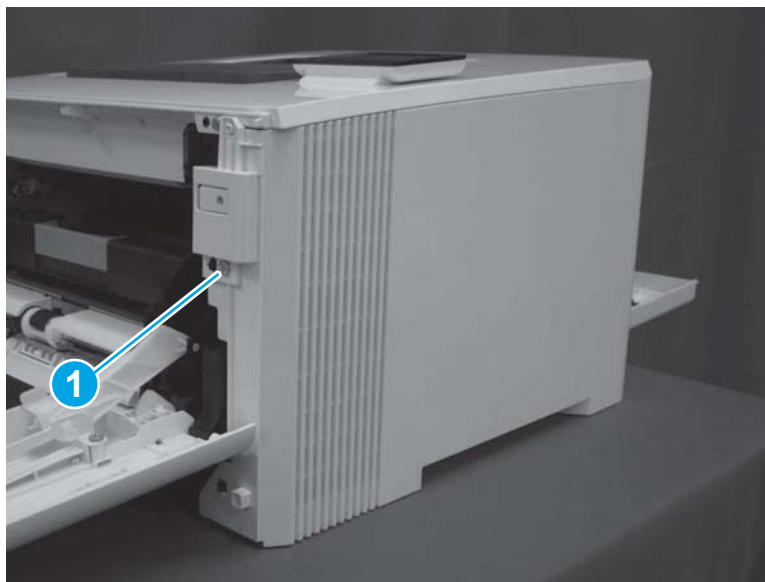
7. Install two tabs on the bottom of the cover (callout 1).

Figure 1-277 Install two tabs



8. At the front of the printer, install one screw (callout 1).

Figure 1-278 Install one screw




9. At the back of the printer, install one screw (callout 1).

Figure 1-279 Install one screw

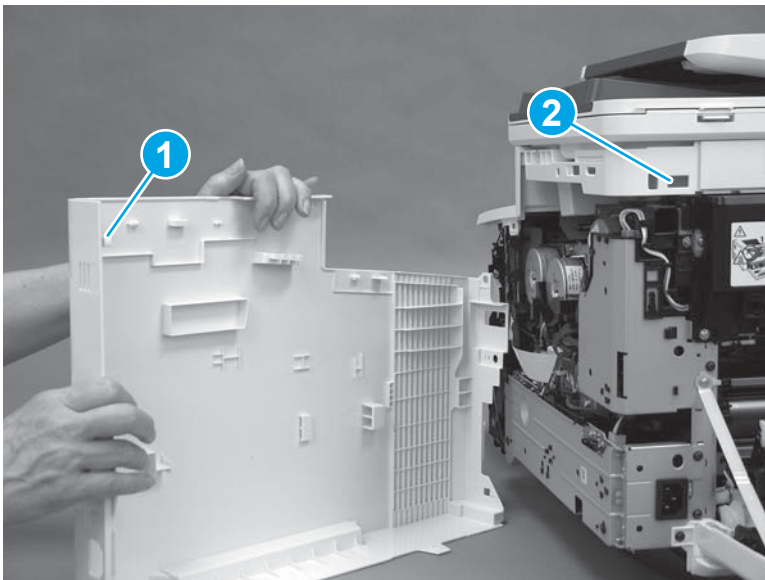


Step 9: Install the right cover (M377, M477 models)

 **NOTE:** This step is for the M377, M477 models. For the M452 models, skip this step and go to [Step 10: Close the front door and rear door or duplexer door on page 177](#).

1. At the back of the printer, install the tab (callout 1) on the cover into the slot (callout 2) on the printer.

Figure 1-280 Install rear tab



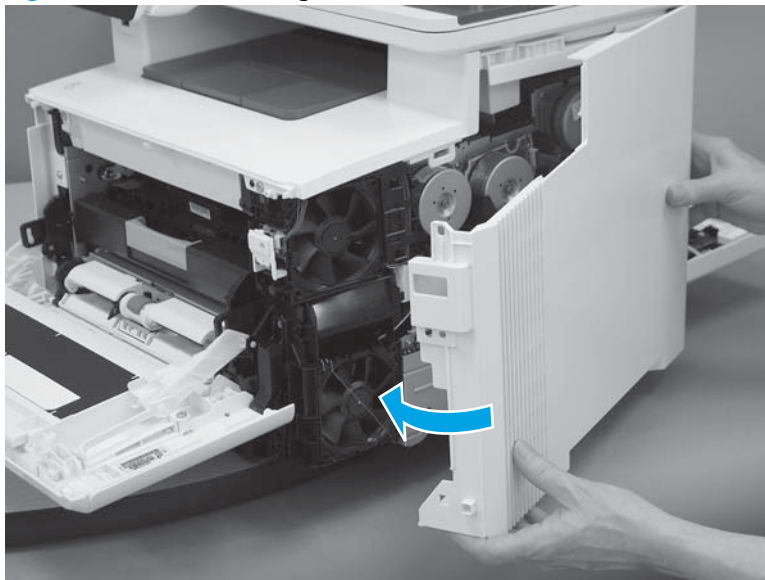
2. Raise the scanner.

Figure 1-281 Raise the scanner



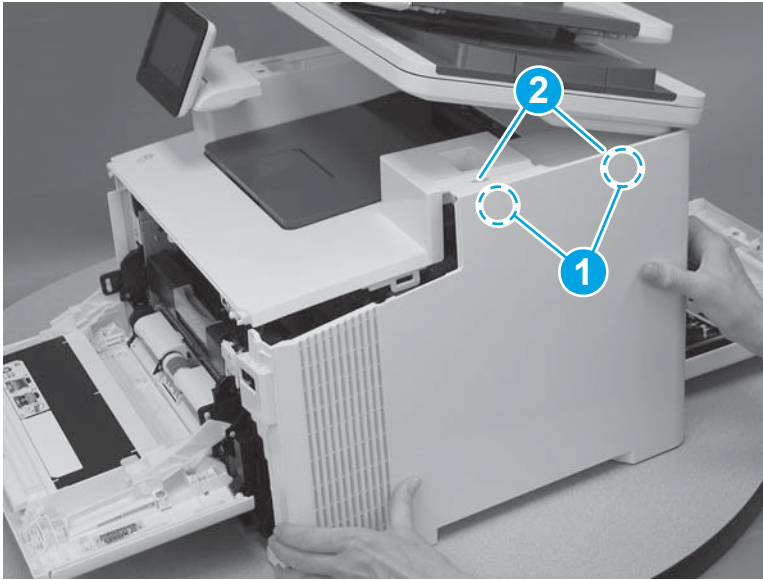
3. Rotate the right cover toward the printer.

Figure 1-282 Rotate the right cover



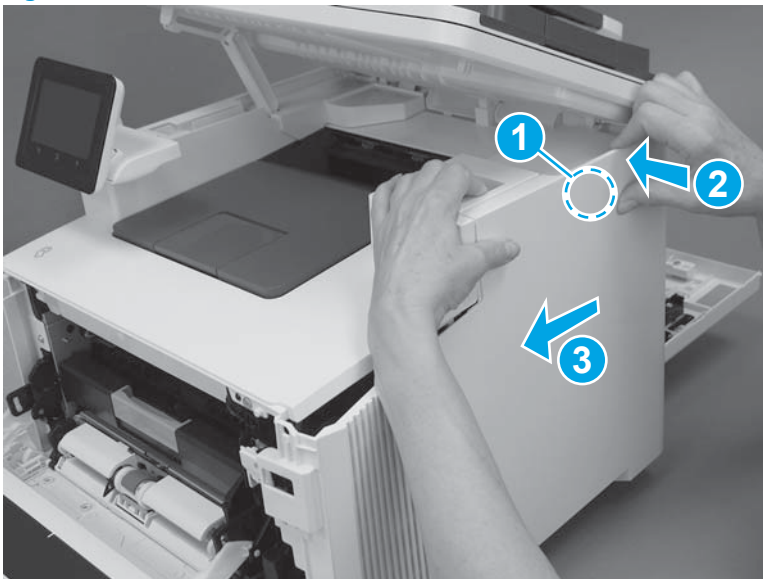
4. Position the hooks (callout 1) on the inside of the cover into the slots (callout 2) in the printer.

Figure 1-283 Position the hooks in the slots



5. Engage one hook (callout 1) on the inside of the cover. Hold the top of the cover closed (callout 2) while sliding the cover toward the front of the printer (callout 3).

Figure 1-284 Slide the cover



6. Rotate the front of the cover toward the printer (callout 1).

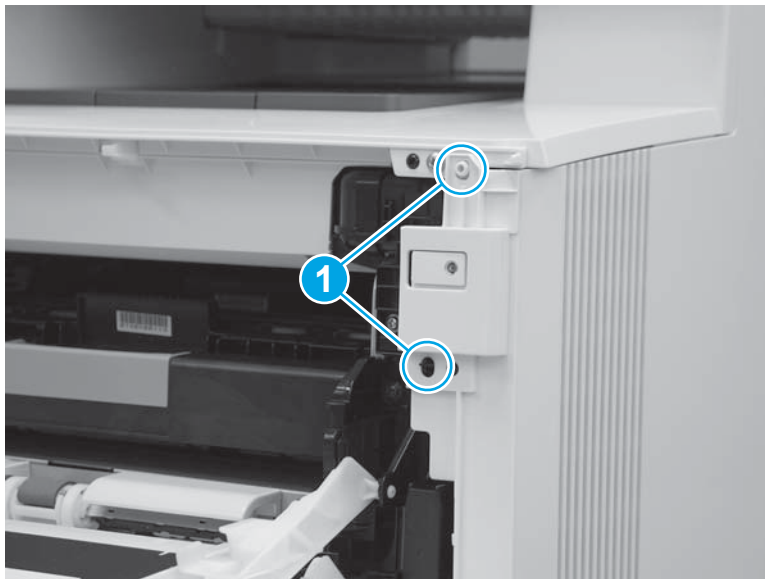
⚠ CAUTION: Be careful not to dislodge the power switch (callout 2).

Figure 1-285 Rotate the front of the cover



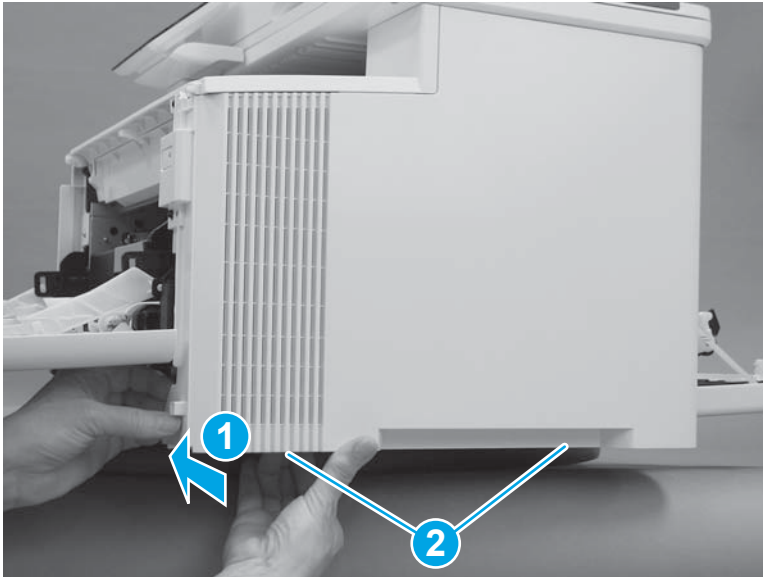
7. Install two tabs at the front of the printer (callout 1).

Figure 1-286 Install two tabs



8. Press the right cover toward the printer (callout 1) to engage one tab on the front of the cover, and two tabs (callout 2) on the lower edge of the cover.

Figure 1-287 Install the front and lower tabs



9. At the front of the printer, install one screw (callout 1).

Figure 1-288 Install one screw



10. At the back of the printer, install one screw (callout 1).

Figure 1-289 Install one screw



11. Lower the scanner.

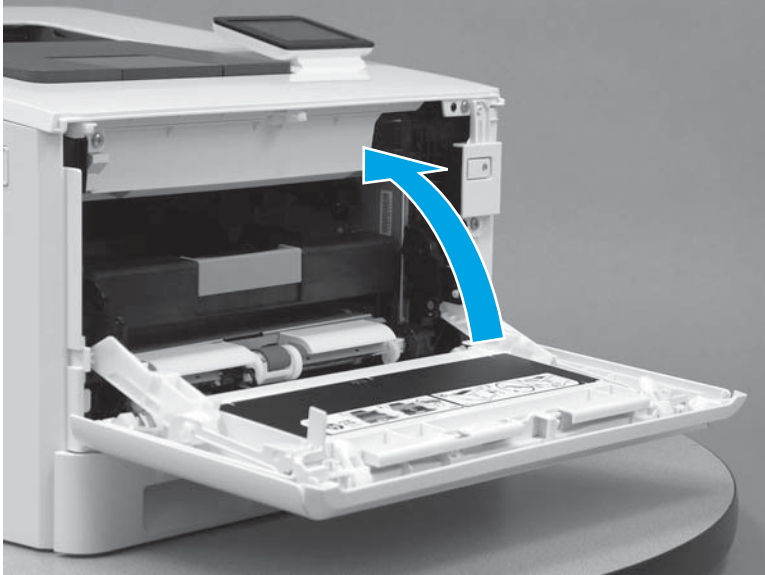
Figure 1-290 Lower the scanner



Step 10: Close the front door and rear door or duplexer door

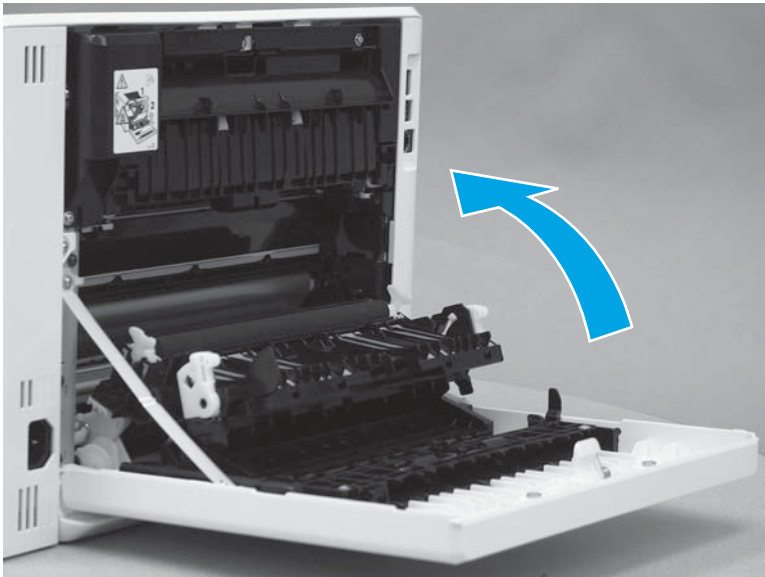
1. Close the front door.

Figure 1-291 Close the front door



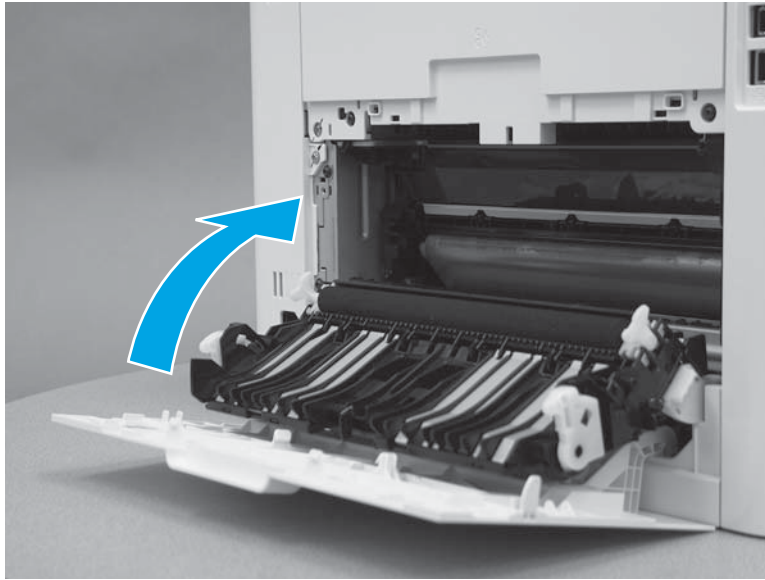
2. **Duplex models:** Close the duplexer door.

Figure 1-292 Close the duplexer door



3. **Simplex models:** Close the rear door.

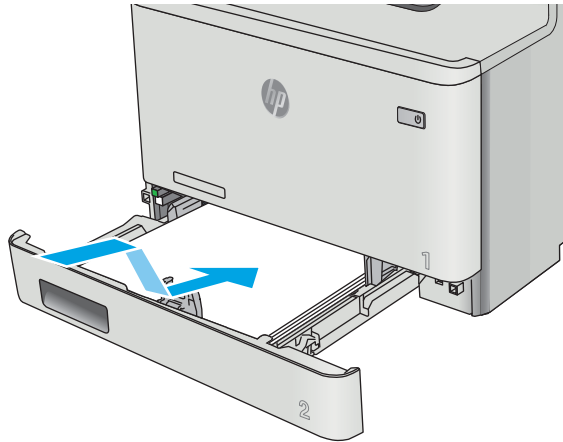
Figure 1-293 Close the rear door



Step 11: Install Tray 2

- ▲ With the front of the tray slightly lifted, align the sides of the tray with the rails in the printer, and then carefully slide the tray into the printer. As the tray slides into the printer, lower the front of the tray, and then close it.

Figure 1-294 Install the tray



Removal and replacement: Duplexer door assembly (duplex models)


- [Introduction](#)
- [Step 1: Remove Tray 2](#)
- [Step 2: Open the front door and duplexer door](#)
- [Step 3: Remove the right cover \(M452 models\)](#)
- [Step 4: Remove the right cover \(M377, M477 models\)](#)
- [Step 5: Remove the left cover \(M452 models\)](#)
- [Step 6: Remove the left cover \(M377, M477 models\)](#)
- [Step 7: Remove the duplexer door assembly](#)
- [Step 8: Unpack the replacement part](#)
- [Step 9: Install the duplexer door assembly](#)
- [Step 10: Install the left cover \(M452 models\)](#)
- [Step 11: Install the left cover \(M377, M477 models\)](#)
- [Step 12: Install the right cover \(M452 models\)](#)
- [Step 13: Install the right cover \(M377, M477 models\)](#)
- [Step 14: Close the front door and duplexer door](#)
- [Step 15: Install Tray 2](#)

Introduction

This document provides the procedures to remove and replace the duplexer door for duplex models.

Before you begin

- Turn off the printer.
- Disconnect the power cable.

 **WARNING!** To avoid damage to the printer, turn the printer off, wait 30 seconds, and then remove the power cord before attempting to service the printer.

- Use the table below to identify the correct part number for your printer. To order the part, go to www.hp.com/buy/parts.

| Duplexer door part number | |
|---------------------------|---------------|
| RM2-6383-000CN | Duplexer door |

Required tools

- #2 Phillips screwdriver with a magnetic tip
- Small flat-blade screwdriver

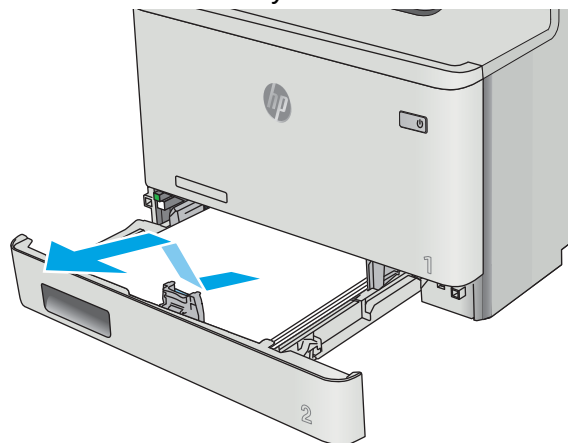
After performing service

- Connect the power cable.
- Use the power switch to turn the power on.

Step 1: Remove Tray 2

- ▲ Pull the tray out until it stops. Lift the front of the tray, and then pull it out of the printer to remove it.

Figure 1-295 Remove the tray



Step 2: Open the front door and duplexer door

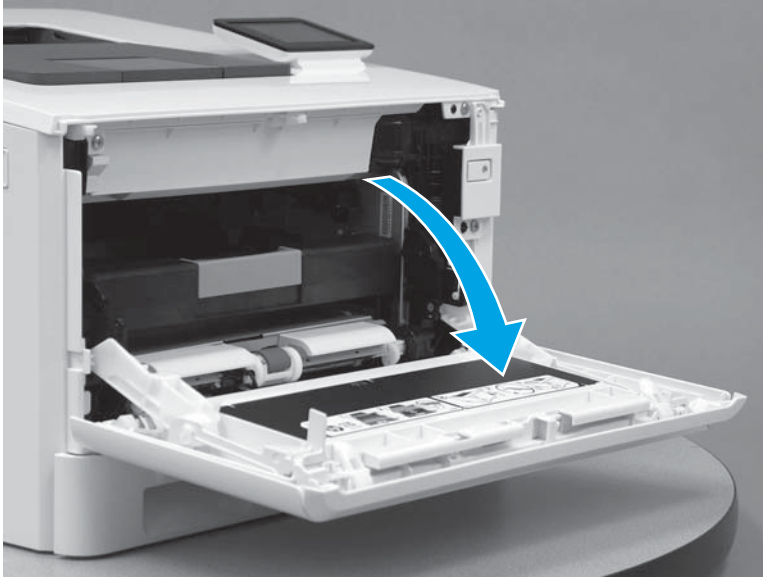
1. Press the button (callout 1) on the left side of the printer to release the front door.

Figure 1-296 Release the front door



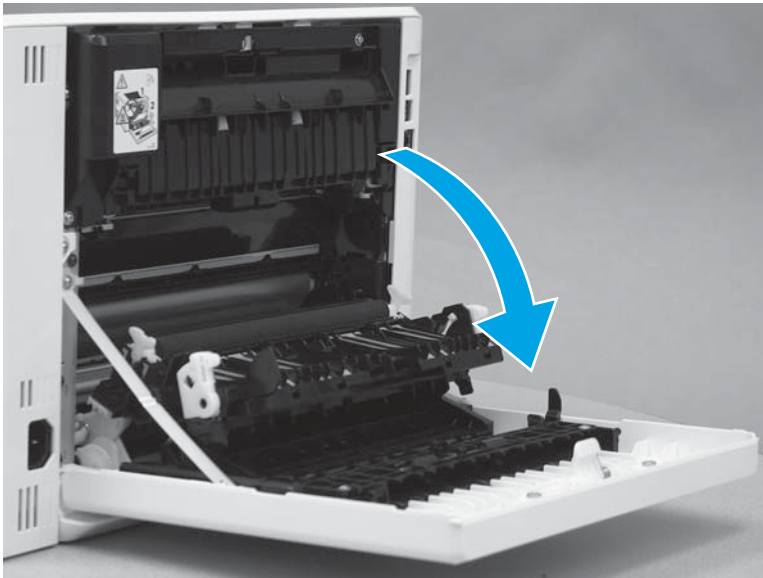
2. Open the front door.

Figure 1-297 Open the front door




3. Open the duplexer door.

Figure 1-298 Open the duplexer door



Step 3: Remove the right cover (M452 models)

 **NOTE:** This step is for the M452 models. For the M377, M477 models, skip this step and go to [Step 4: Remove the right cover \(M377, M477 models\) on page 186.](#)

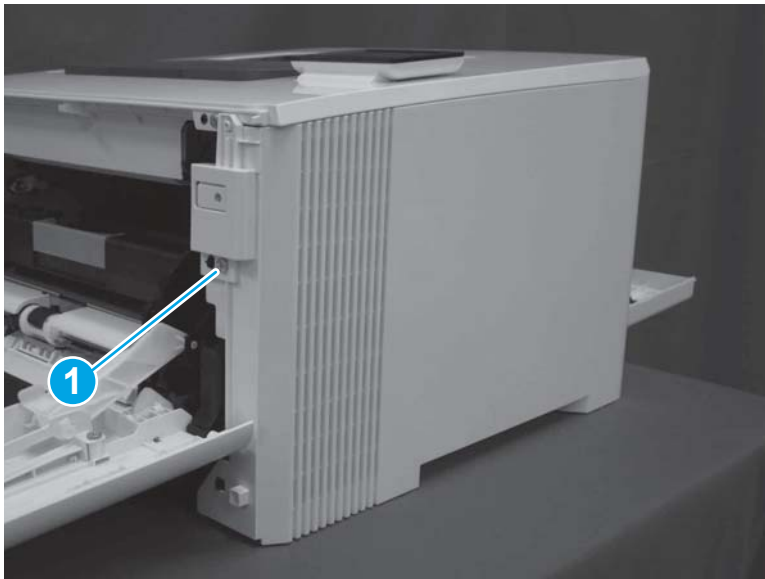
1. At the back of the printer, remove one screw (callout 1).

Figure 1-299 Remove one screw



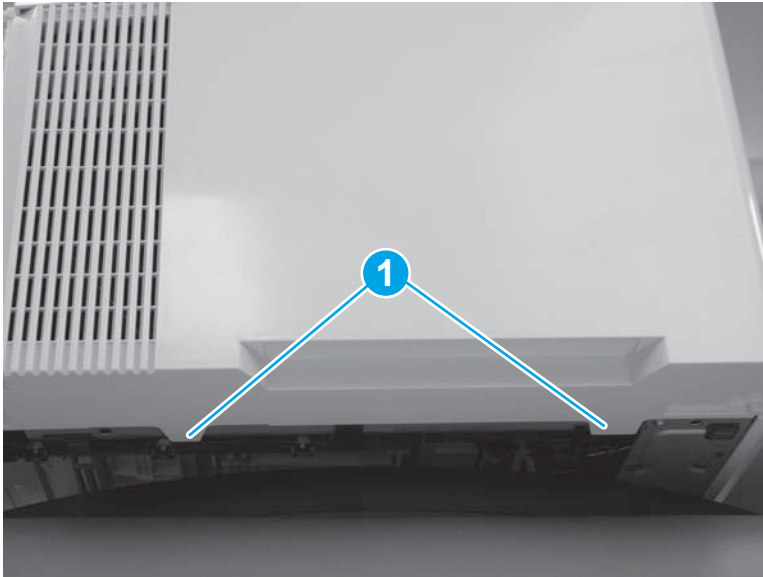
2. At the front of the printer, remove one screw (callout 1).

Figure 1-300 Remove one screw



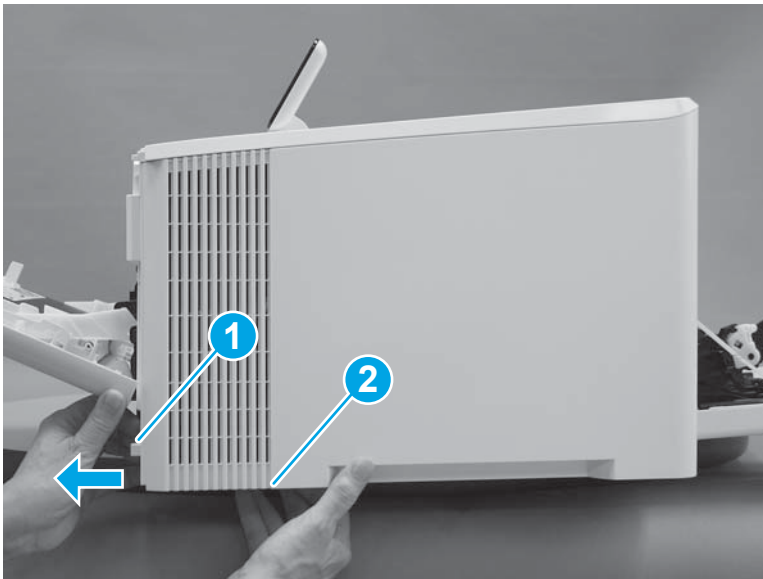
3. Slide the printer to the edge of a work surface. Note the location of the tabs on the lower edge of the cover (callout 1).

Figure 1-301 Locate the tabs



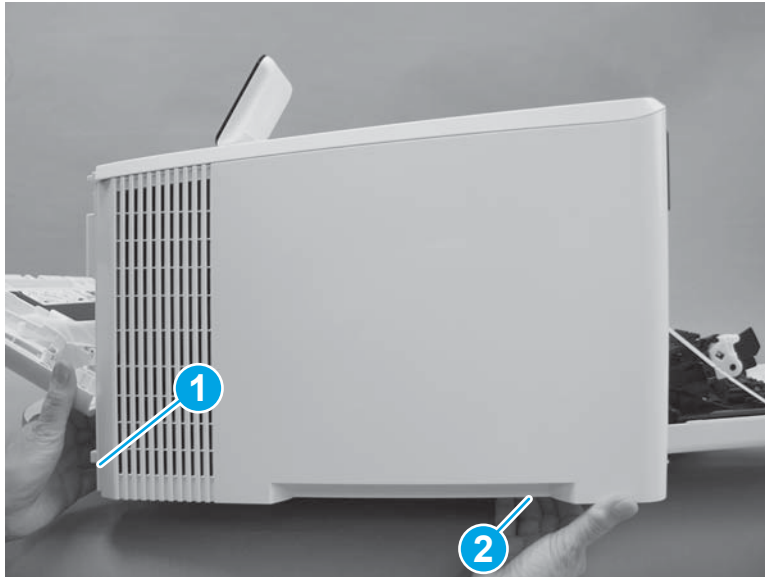
4. Release one tab (callout 1) on the front of the cover by slightly pulling the cover away from the printer. While holding the cover in the released position, release one tab (callout 2) on the bottom of the cover.

Figure 1-302 Release front lower tabs



5. Hold the front tabs in the released position (callout 1), and then release one tab (callout 2) on the bottom of the cover, toward the back of the printer.

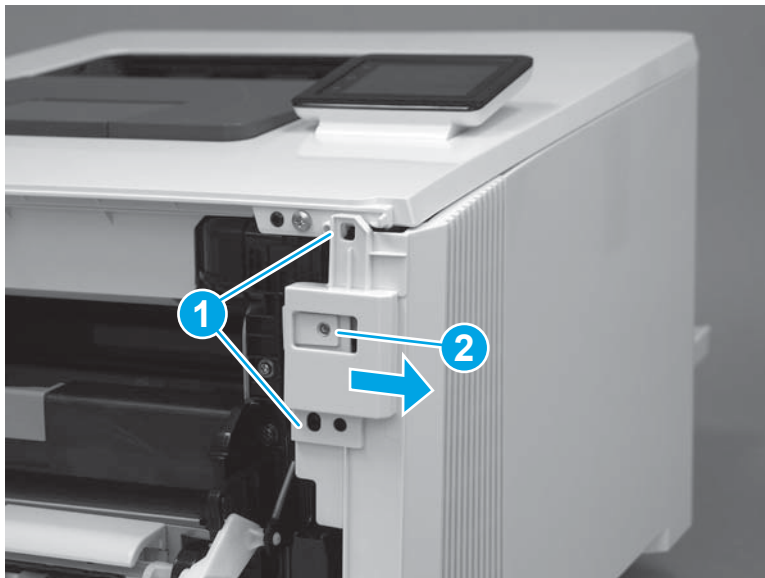
Figure 1-303 Release lower rear tab



6. Release two tabs at the front of the printer (callout 1) by slightly pulling the cover away from the printer.

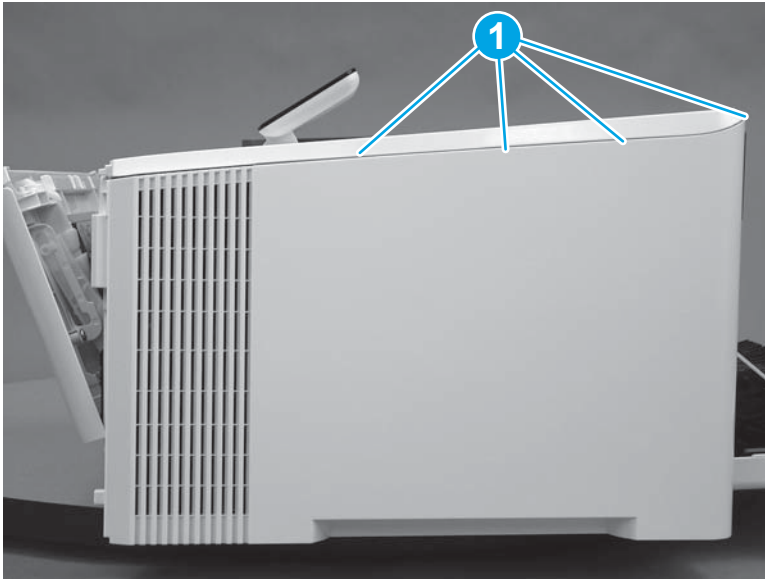
⚠ CAUTION: Be careful not to dislodge the power switch (callout 2).

Figure 1-304 Release two front tabs



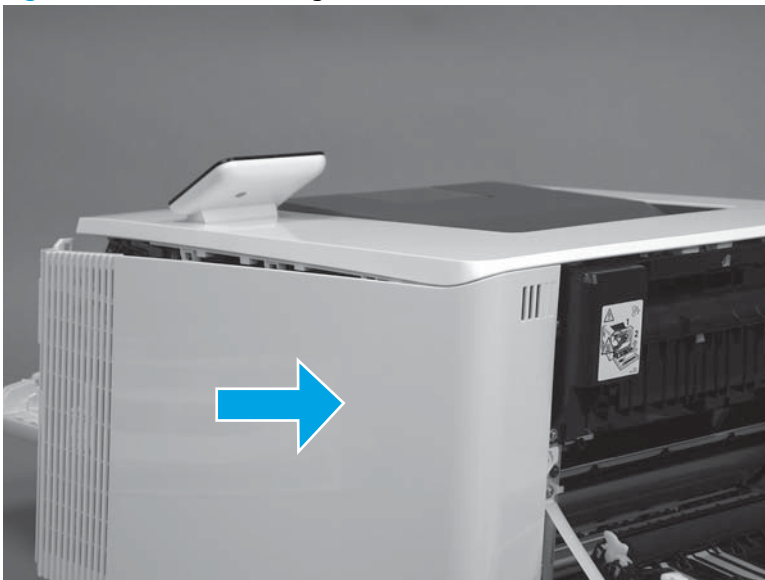
7. Release four tabs on the top of the printer (callout 1).

Figure 1-305 Release upper tabs



8. Slide the cover toward the back of the printer to remove it.

Figure 1-306 Remove the right cover



Step 4: Remove the right cover (M377, M477 models)

 **NOTE:** This step is for the M377, M477 models. For the M452 models, skip this step and go to [Step 5: Remove the left cover \(M452 models\) on page 192.](#)

1. Raise the scanner.

Figure 1-307 Raise the scanner



2. At the back of the printer, remove one screw (callout 1).

Figure 1-308 Remove one screw



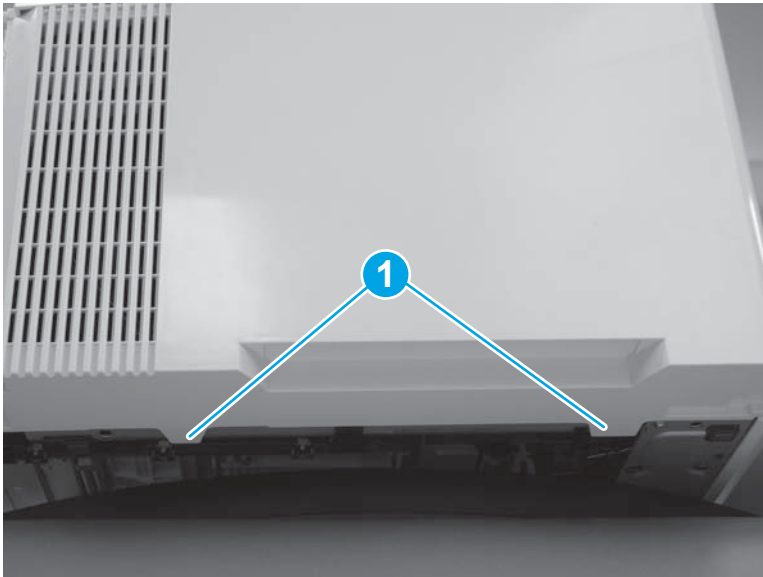
3. At the front of the printer, remove one screw (callout 1).

Figure 1-309 Remove one screw



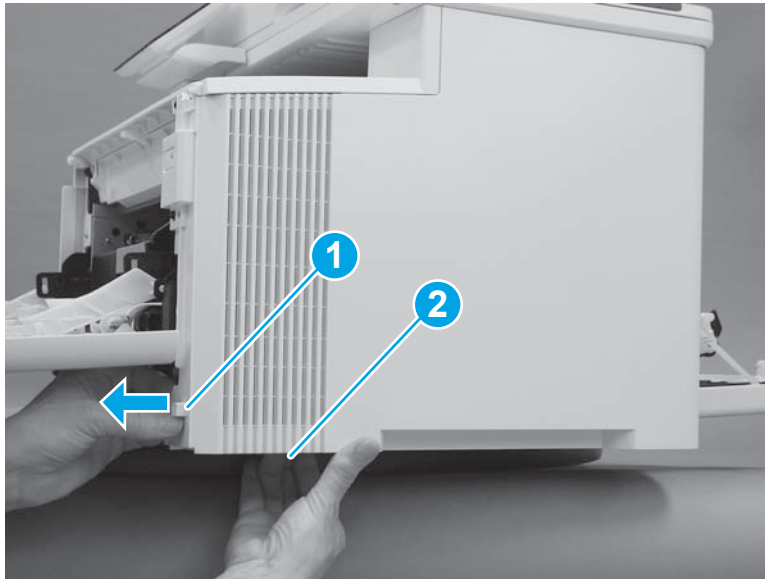
4. Slide the printer to the edge of a work surface. Note the location of the tabs on the lower edge of the cover (callout 1).

Figure 1-310 Locate the tabs



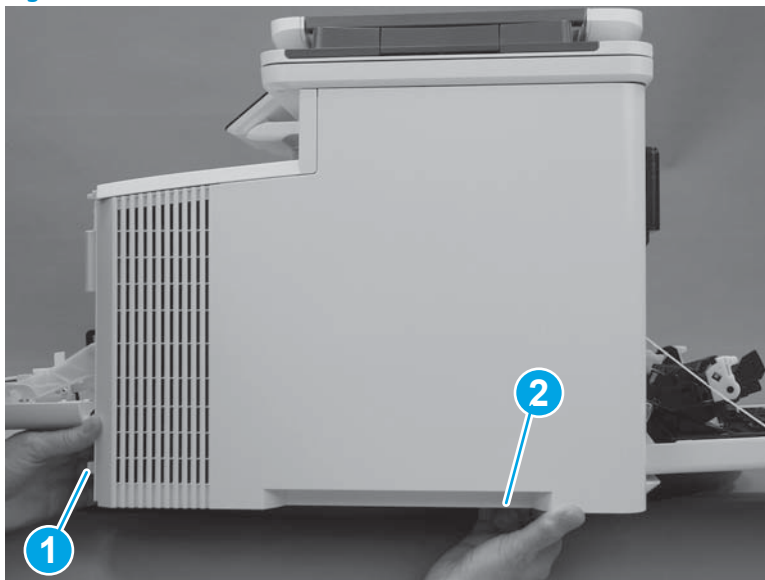
5. Release one tab (callout 1) on the front of the cover by slightly pulling the cover away from the printer. While holding the cover in the released position, release one tab (callout 2) on the lower edge of the cover.

Figure 1-311 Release front lower tabs



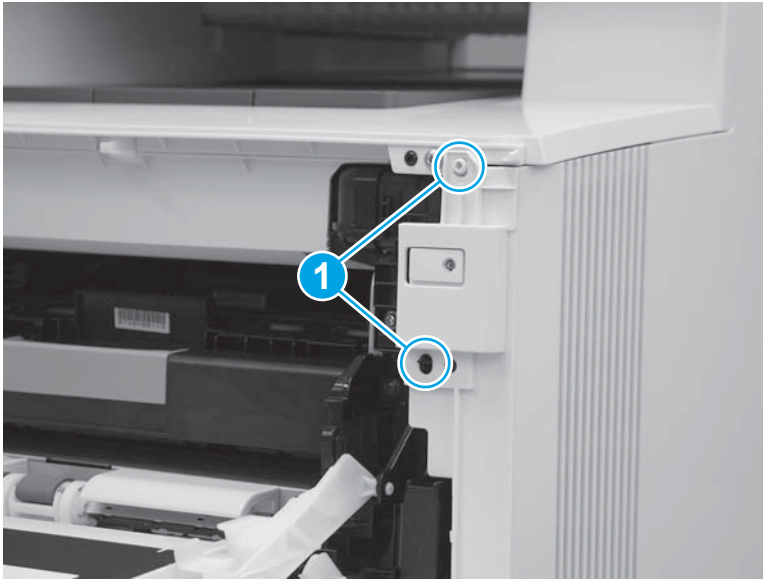
6. Hold the front tabs in the released position (callout 1), and then release one tab (callout 2) on the lower edge of the cover, toward the back of the printer.

Figure 1-312 Release lower rear tab



7. Release two tabs at the front of the printer (callout 1) by slightly pulling the cover away from the printer.

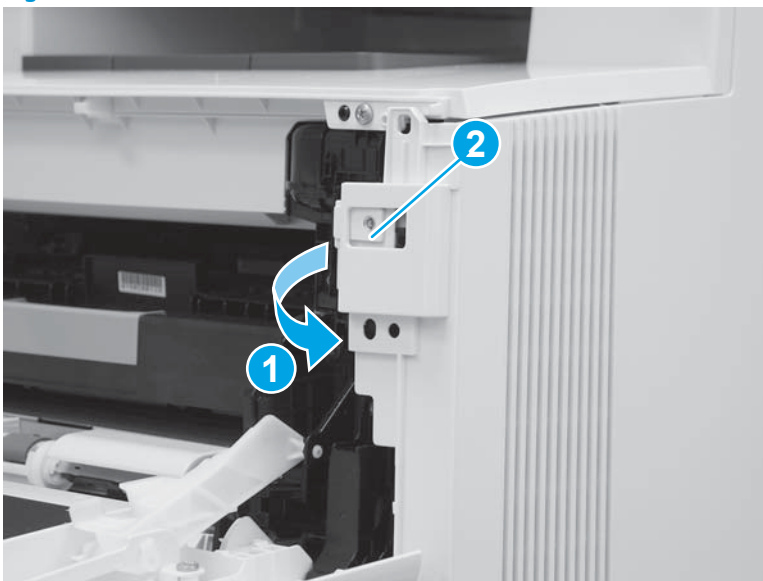
Figure 1-313 Release front upper tabs



8. Rotate the front of the cover away from the printer (callout 1).

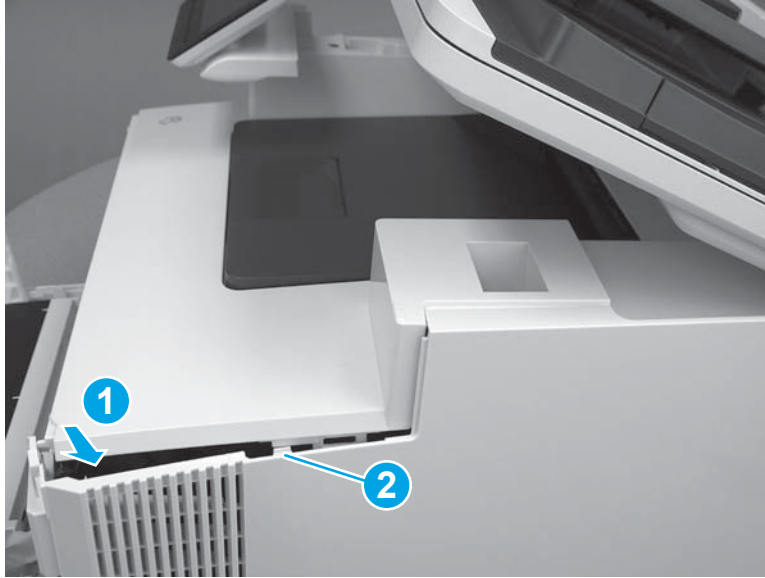
CAUTION: Be careful not to dislodge the power switch (callout 2).

Figure 1-314 Rotate the front of the cover



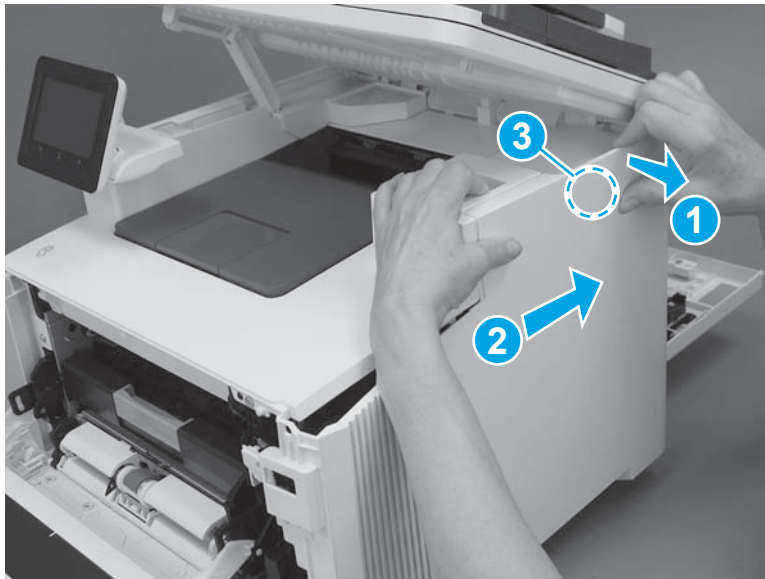
9. Slightly pull the front of the cover away from the printer (callout 1) to release one tab (callout 2).

Figure 1-315 Release top tabs



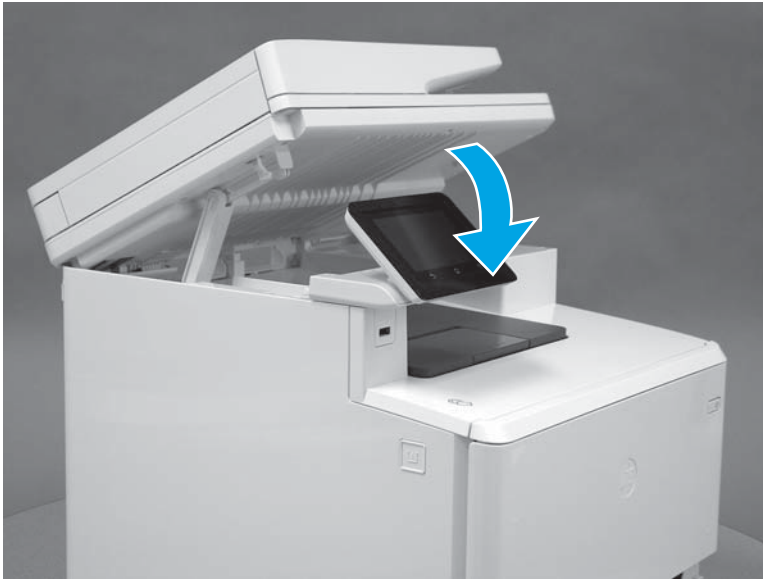
10. At the top of the printer, slightly pull the top of the cover away from the printer to release one retention tab (callout 1) on the inside of the cover. While holding the cover away, slide the cover toward the back of the printer (callout 2) to release one hook (callout 3) on the inside of the cover.

Figure 1-316 Release one tab and one hook



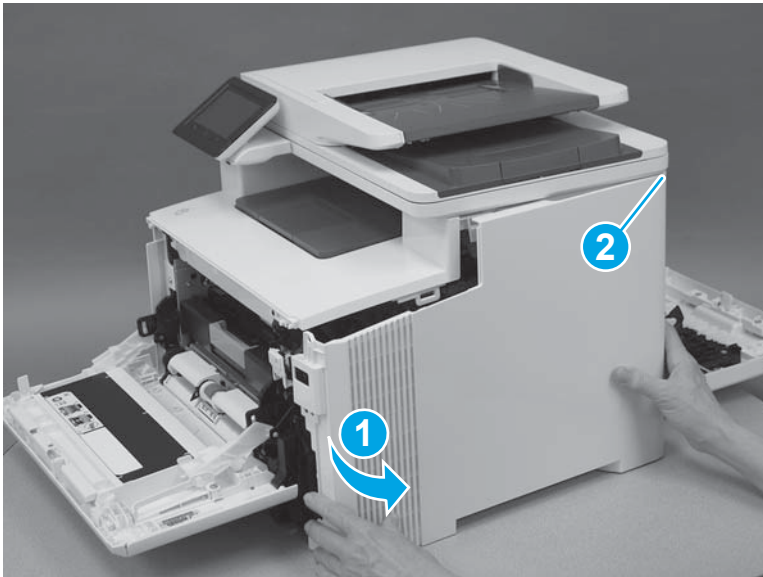
11. Lower the scanner.

Figure 1-317 Lower the scanner




12. Rotate the cover away from the printer (callout 1) to release one tab (callout 2) at the back of the printer, and then remove the cover.

Figure 1-318 Remove the right cover

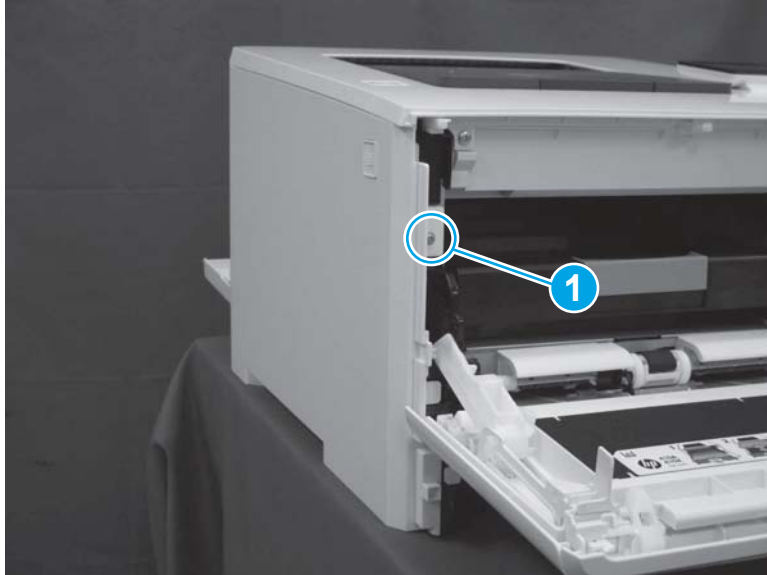


Step 5: Remove the left cover (M452 models)

 **NOTE:** This step is for the M452 models. For the M377, M477 models, skip this step and go to [Step 6: Remove the left cover \(M377, M477 models\) on page 195.](#)

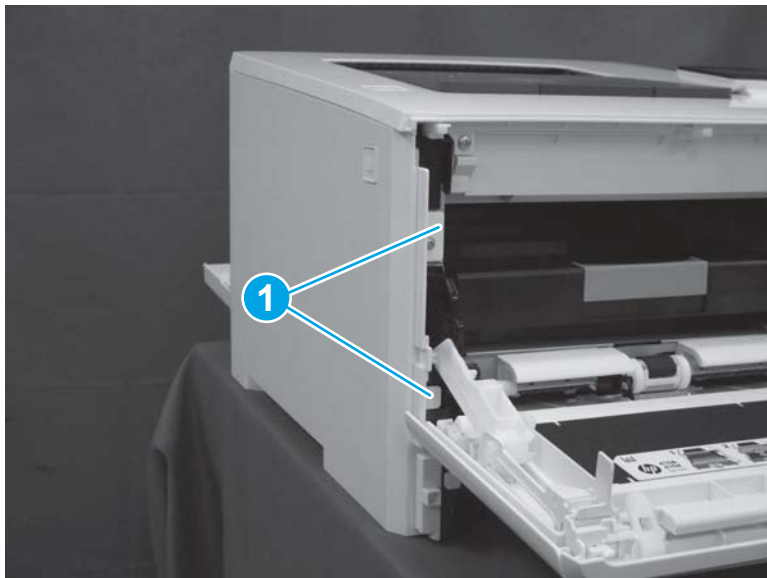
1. At the front of the printer, remove one screw (callout 1).

Figure 1-319 Remove one screw



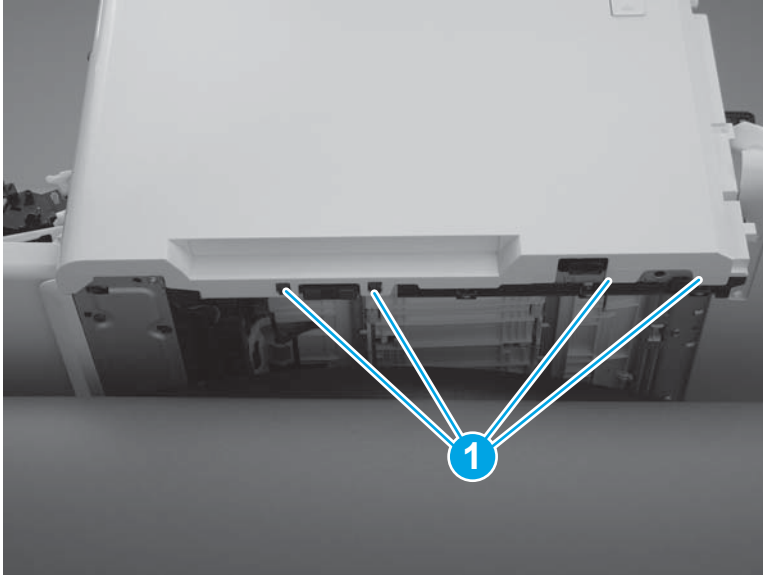
2. Release two tabs (callout 1) at the front of the cover. Hold the cover open to prevent the tabs from reengaging.

Figure 1-320 Release two tabs



3. Slide the printer to the edge of a work surface. Note the location of the tabs on the lower edge of the cover (callout 1).

Figure 1-321 Locate the tabs



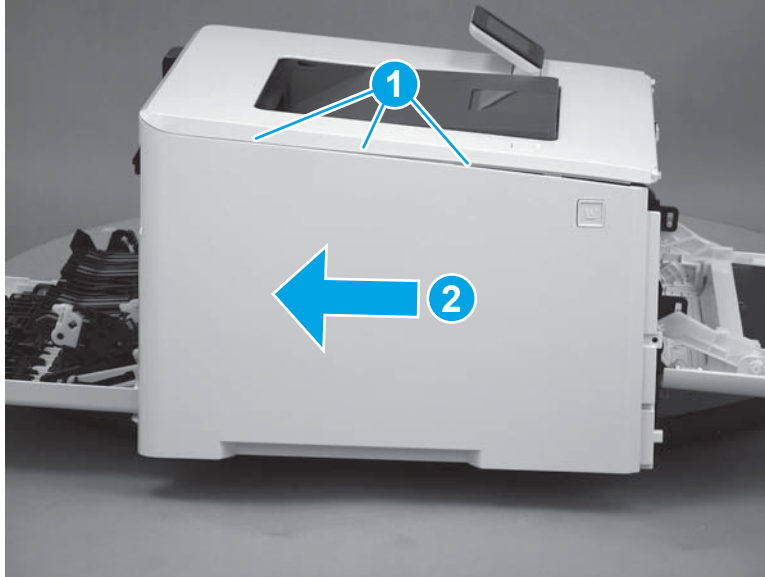
4. Beginning from the front of the cover, release four tabs (callouts 1-4) on the lower edge of the cover.

Figure 1-322 Release bottom tabs



5. Release three tabs at the top of the cover (callout 1), and then slide the cover toward the rear of the printer to remove it.

Figure 1-323 Release three tabs



Step 6: Remove the left cover (M377, M477 models)

 **NOTE:** This step is for the M377, M477 models. For the M452 models, skip this step and go to [Step 7: Remove the duplexer door assembly on page 199](#).

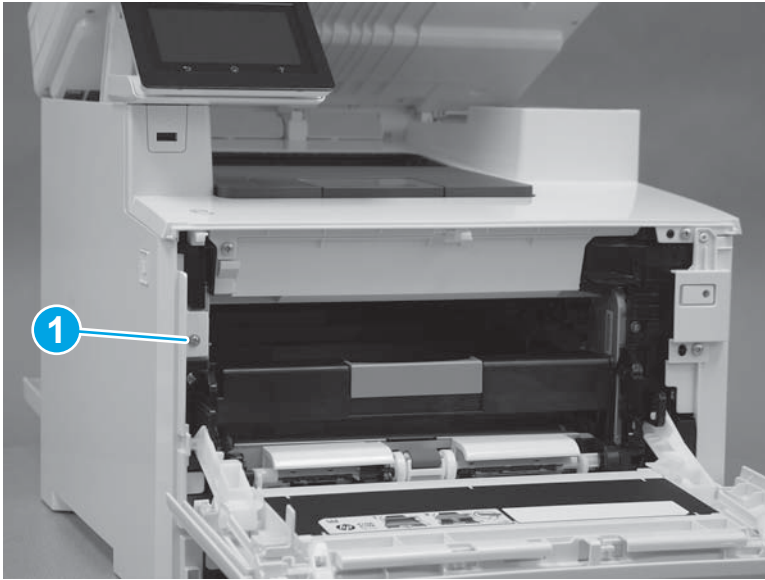
1. Raise the scanner.

Figure 1-324 Raise the scanner



2. At the front of the printer, remove one screw (callout 1).

Figure 1-325 Remove one screw



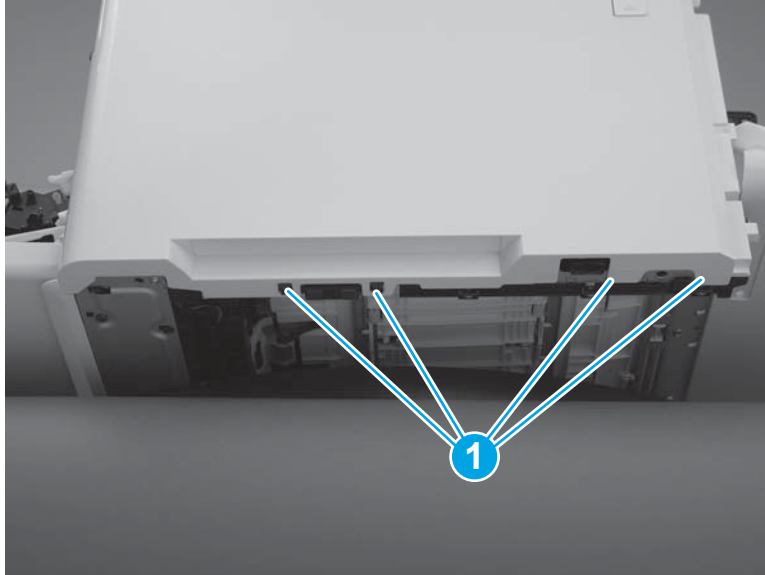
3. Release two tabs (callout 1) at the front of the cover. Hold the cover open to prevent the tabs from re-engaging.

Figure 1-326 Release two tabs



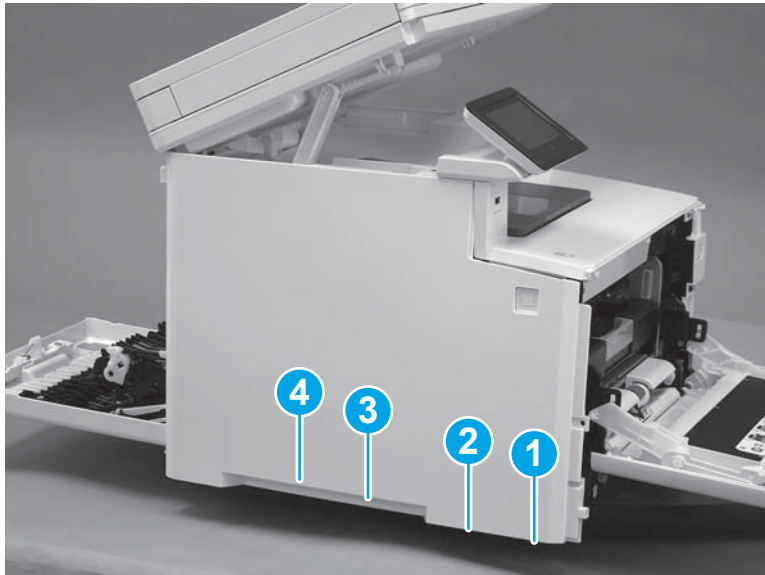
4. Slide the printer to the edge of a work surface. Note the location of the tabs on the lower edge of the cover (callout 1).

Figure 1-327 Locate the tabs



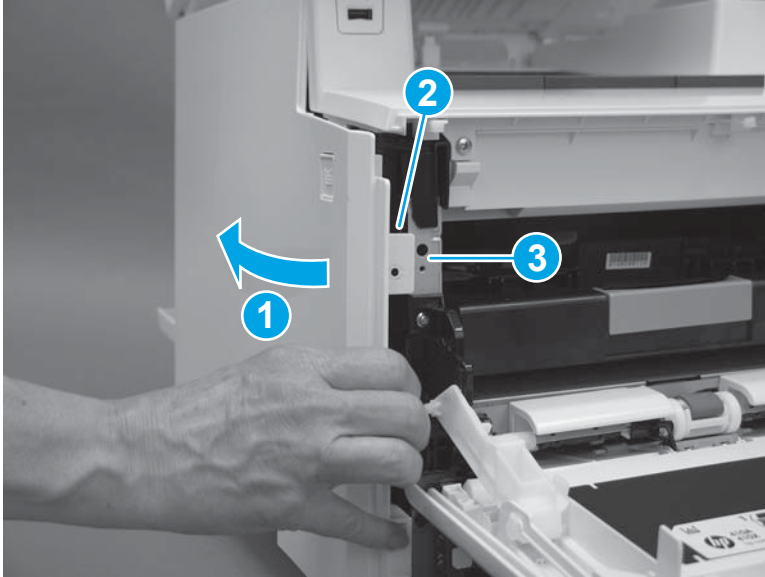
5. Beginning from the front of the cover, release the four tabs (callouts 1-4) on the lower edge of the cover.

Figure 1-328 Release four tabs



6. Rotate the front of the cover away from the printer (callout 1). Make sure that the tab (callout 2) does not get caught on the printer frame (callout 3).

Figure 1-329 Rotate the cover



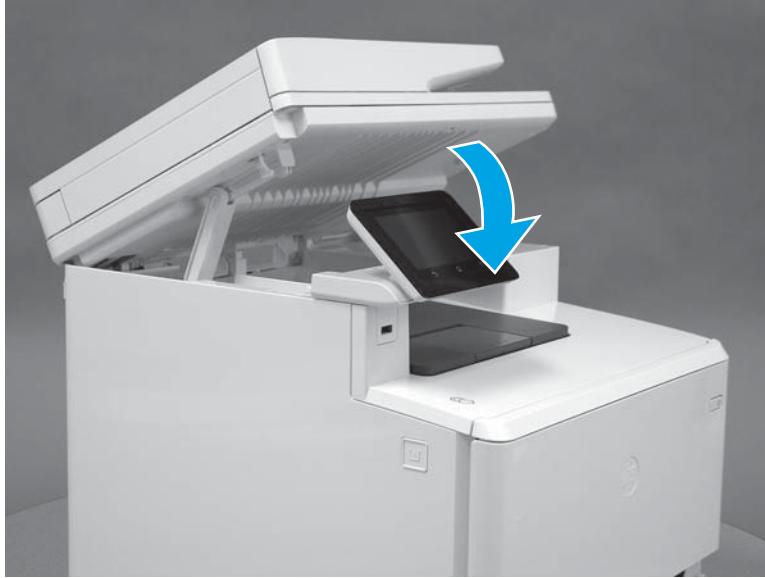
7. At the top of the printer, slightly pull the top of the cover away from the printer to release one retention tab (callout 1) on the inside of the cover. While holding the cover away, slide the cover toward the back of the printer (callout 2) to release two hooks (callout 3) inside the cover.

Figure 1-330 Release one tab and two hooks



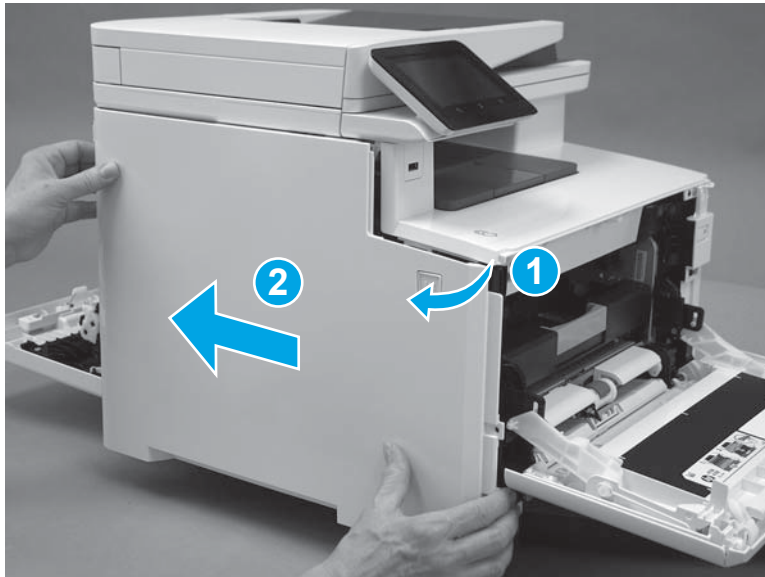
8. Lower the scanner.

Figure 1-331 Lower the scanner



9. Rotate the cover away from the printer (callout 1), and then slide the cover (callout 2) toward the back of the printer to remove it.

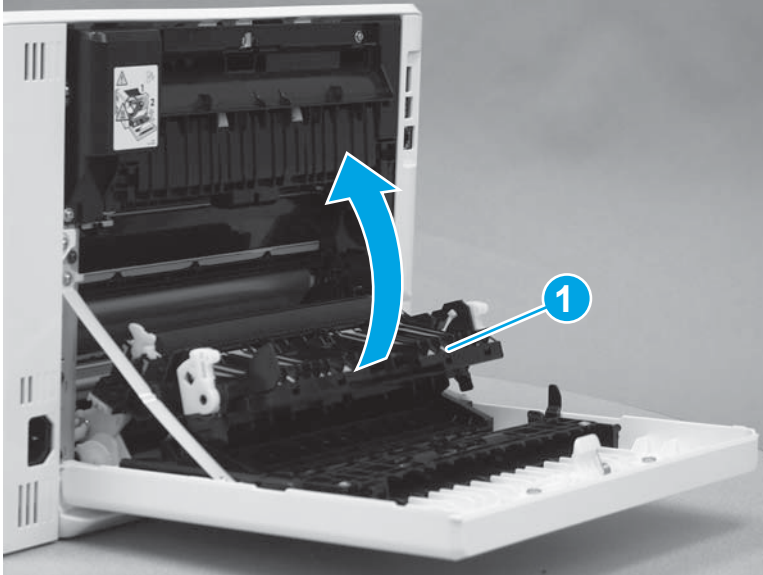
Figure 1-332 Remove the left cover



Step 7: Remove the duplexer door assembly

1. Rotate the secondary transfer assembly (callout 1) toward the printer to close it.

Figure 1-333 Close the secondary transfer assembly



2. At the back of the printer, remove two screws (callout 1), and then remove one screw (callout 2) that holds the retention arm.


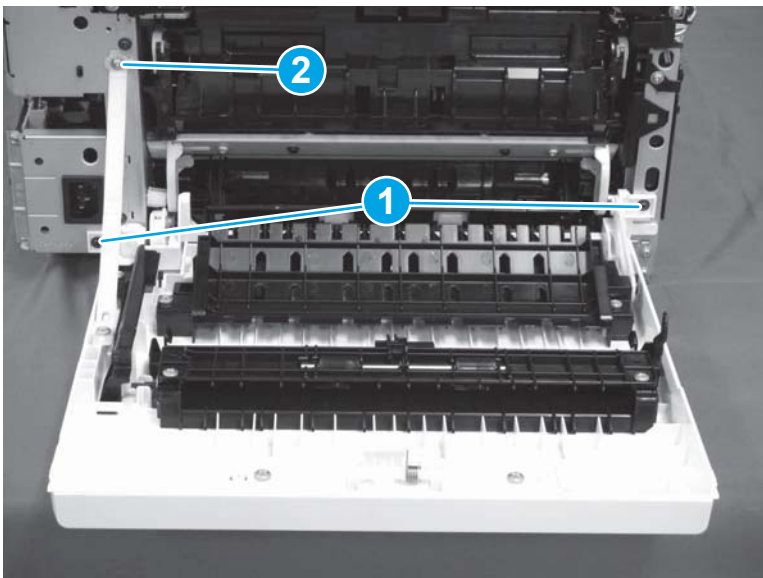
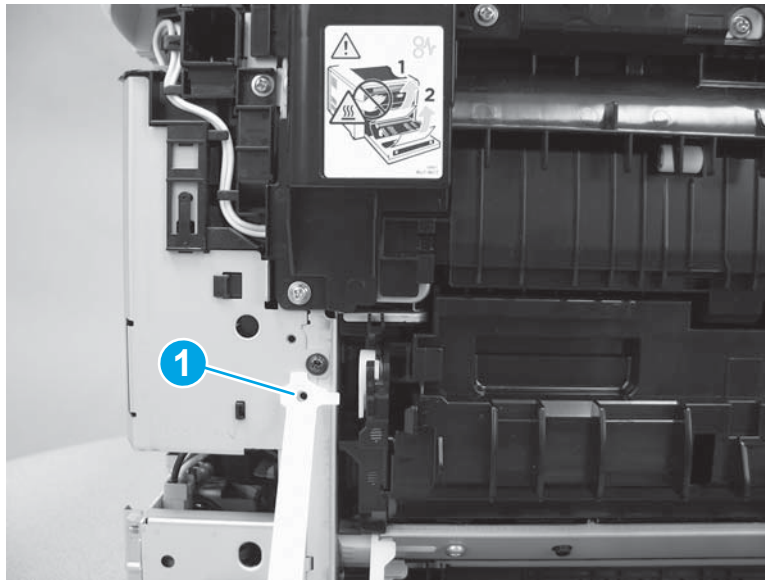
 **Reinstallation tip:** Note that the screw (callout 2) that holds the retention arm is longer than the other two. Make sure this screw is installed in the correct position.

Figure 1-334 Remove three screws



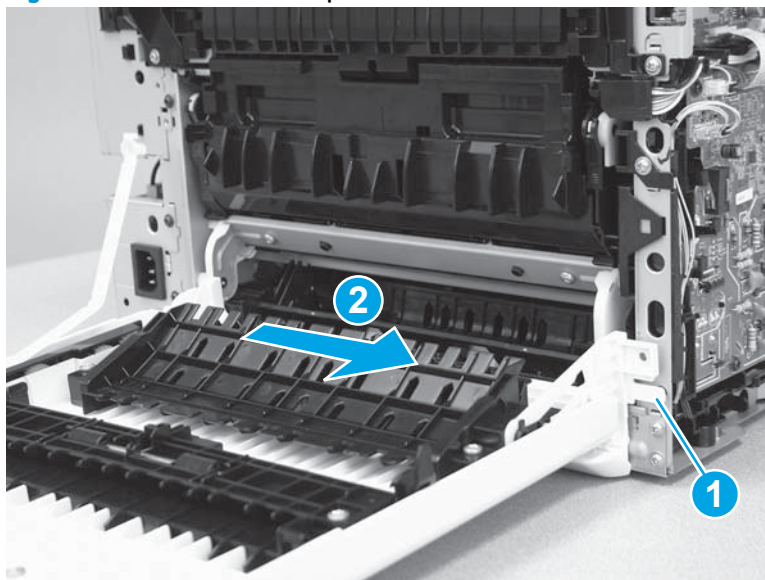
3. Release the retention arm (callout 1).

Figure 1-335 Release the retention arm



4. Release one tab (callout 1), and then slide the duplexer door (callout 2) to the right to remove it.

Figure 1-336 Remove the duplexer door



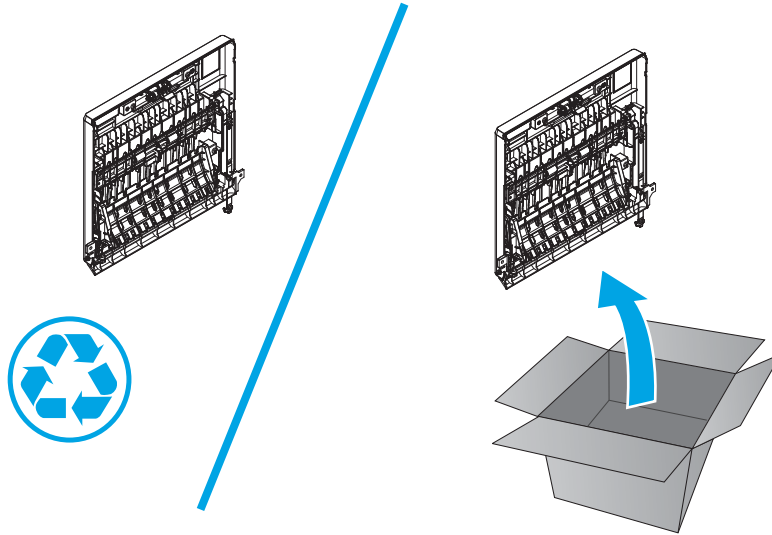
Step 8: Unpack the replacement part

Remove the new part from its package. Save all packaging for recycling the used part.

For complete information on HP's recycling programs, go to [Product return and recycling](#).

 **NOTE:** HP recommends responsible disposal of the defective part.

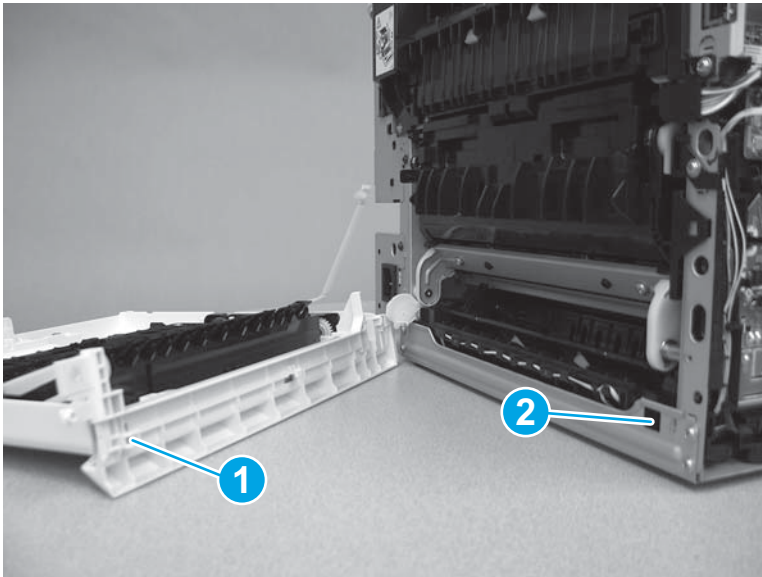
Figure 1-337 Recycle and unpack



Step 9: Install the duplexer door assembly

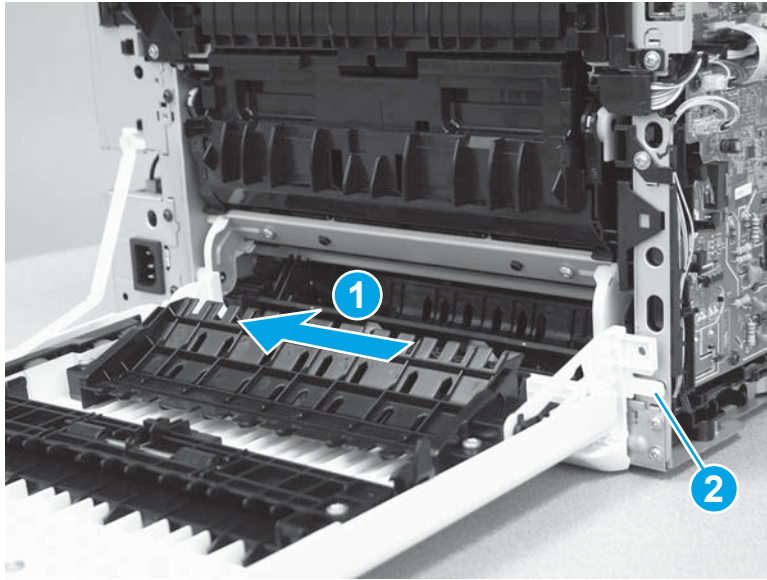
1. Position the tab (callout 1) on the door into the slot (callout 2) on the printer.

Figure 1-338 Position the tab in the slot



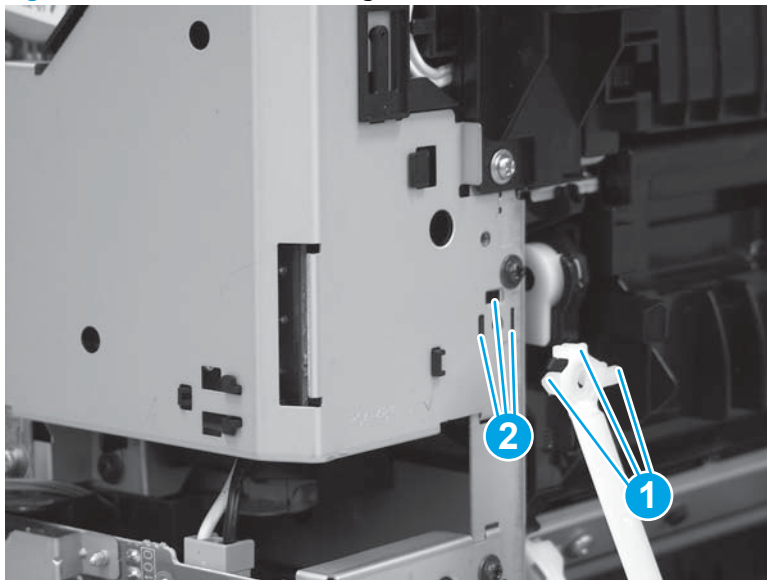
2. Slide the door to the left (callout 1) until the tab (callout 2) snaps into place.

Figure 1-339 Install the duplexer door



3. Install the tabs (callout 1) on the retaining arm into the slots (callout 2) in the printer.

Figure 1-340 Install the retaining arm



4. At the back of the printer, install two screws (callout 1), and then install one screw (callout 2) that holds the retention arm.


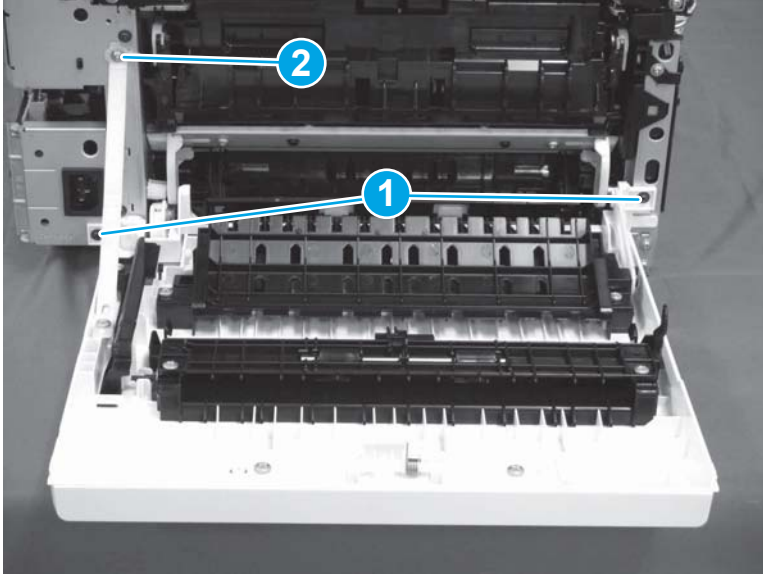

 **Reinstallation tip:** Note that the screw (callout 2) that holds the retention arm is longer than the other two. Make sure this screw is installed in the correct position.

Figure 1-341 Install three screws

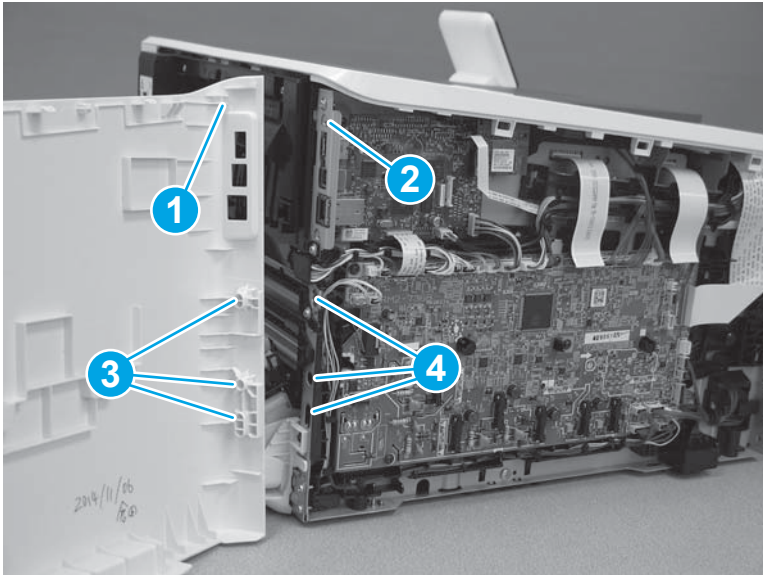


Step 10: Install the left cover (M452 models)

 **NOTE:** This step is for the M452 models. For the M377, M477 models, skip this step and go to [Step 11: Install the left cover \(M377, M477 models\) on page 208](#).

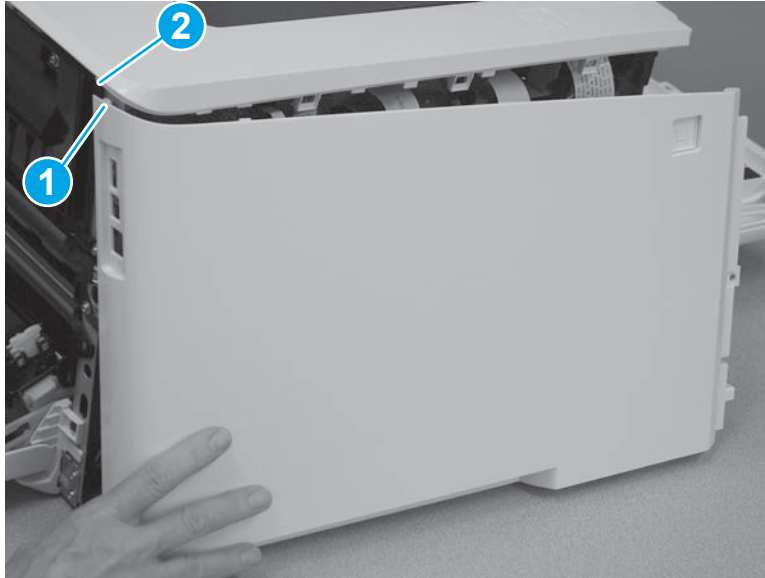
1. Position the hook (callout 1) on the cover in the slot (callout 2) on the printer. Position three tabs (callout 3) on the back of the cover in the slots (callout 4) in the printer.

Figure 1-342 Position three tabs



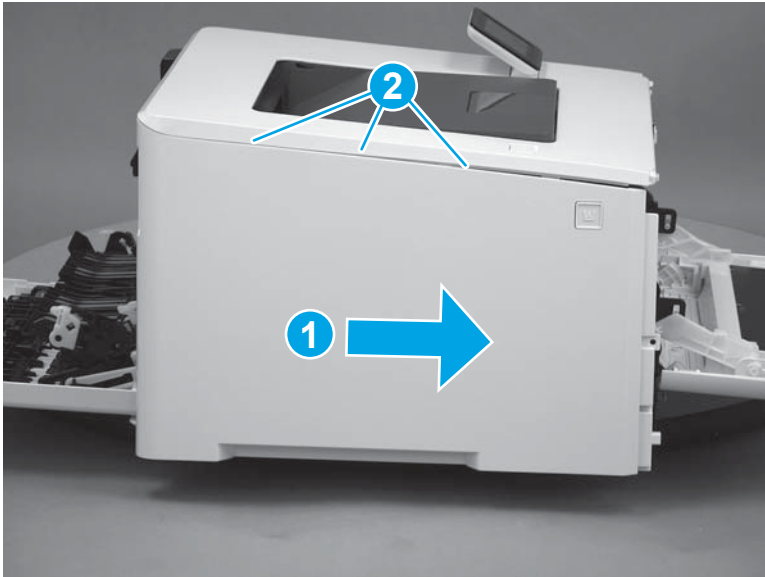
2. At the back of the printer, install the tab (callout 1) under the edge of the top cover (callout 2).

Figure 1-343 Install one tab



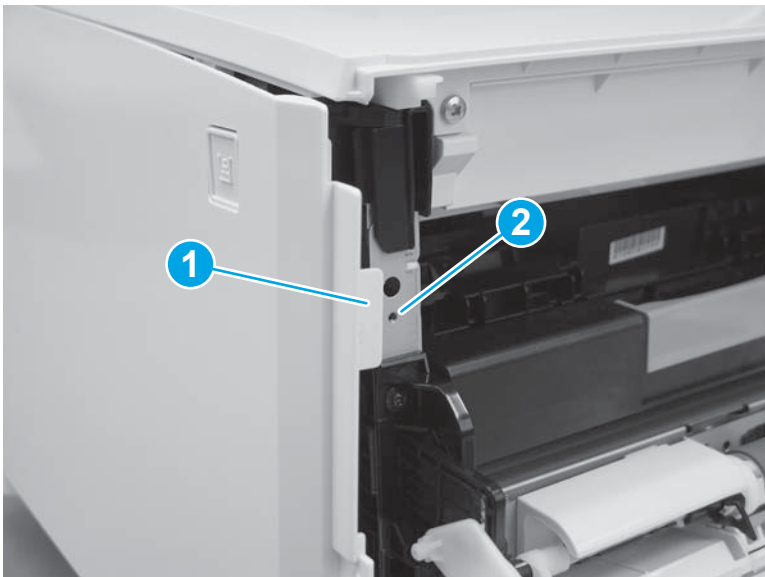
3. Slide the cover toward the front of the printer (callout 1), and then engage three tabs (callout 2) on the top of the cover.

Figure 1-344 Install the left cover



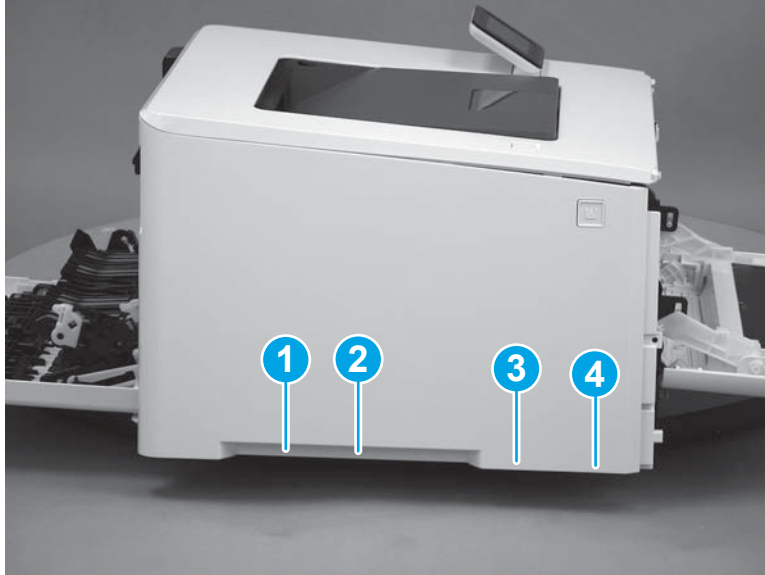
CAUTION: Make sure that the tab (callout 1) does not get caught behind the printer frame (callout 2).

Figure 1-345 Make sure the tab does not get caught



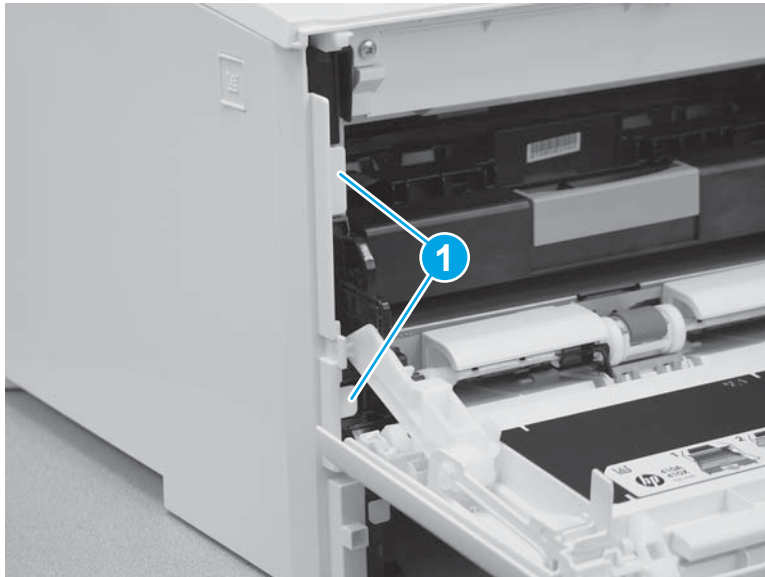
4. Slide the printer to the edge of a work surface in order to access the tabs on the bottom of the cover. Beginning from the back of the cover, install four tabs (callouts 1-4) on the lower edge of the cover.

Figure 1-346 Install four tabs



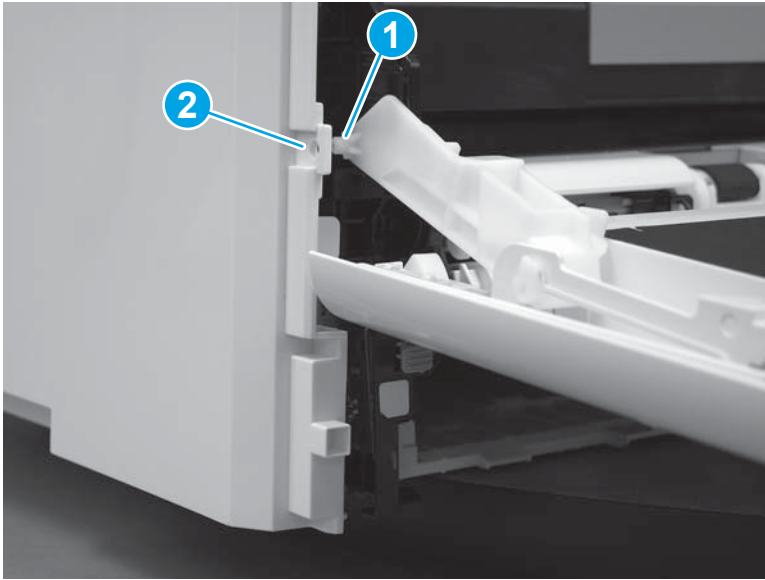
5. Install two tabs (callout 1) at the front of the cover.

Figure 1-347 Engage two tabs



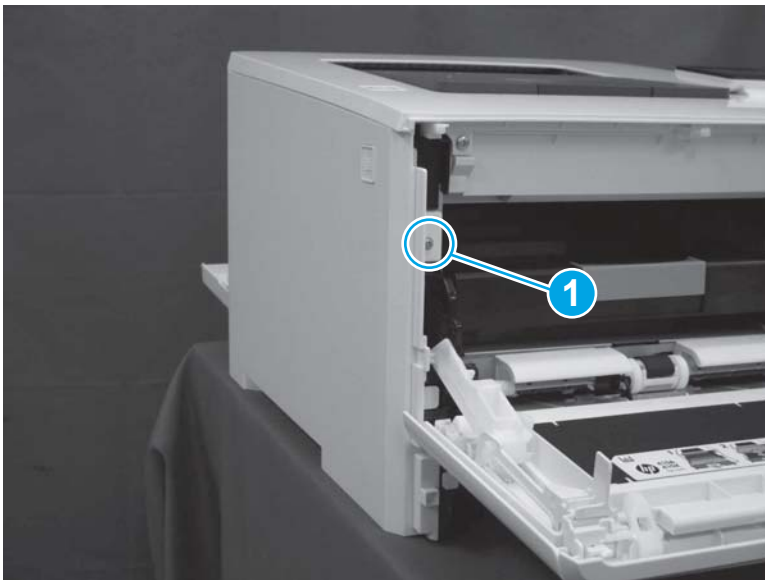
6. Make sure that the hinge pin (callout 1) on the front door fits into the slot (callout 2) on the left cover.

Figure 1-348 Install hinge pin




7. Install one screw (callout 1).

Figure 1-349 Install one screw

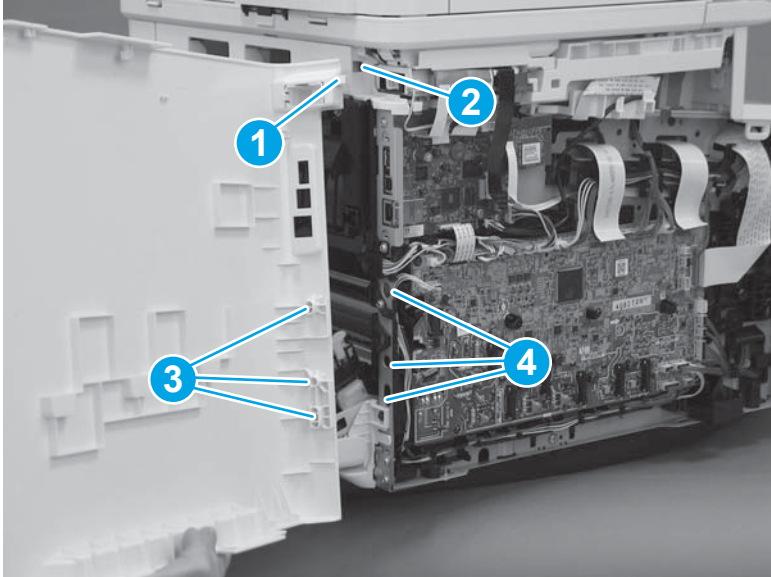


Step 11: Install the left cover (M377, M477 models)

 **NOTE:** This step is for the M377, M477 models. For the M452 models, skip this step and go to [Step 12: Install the right cover \(M452 models\) on page 215](#).

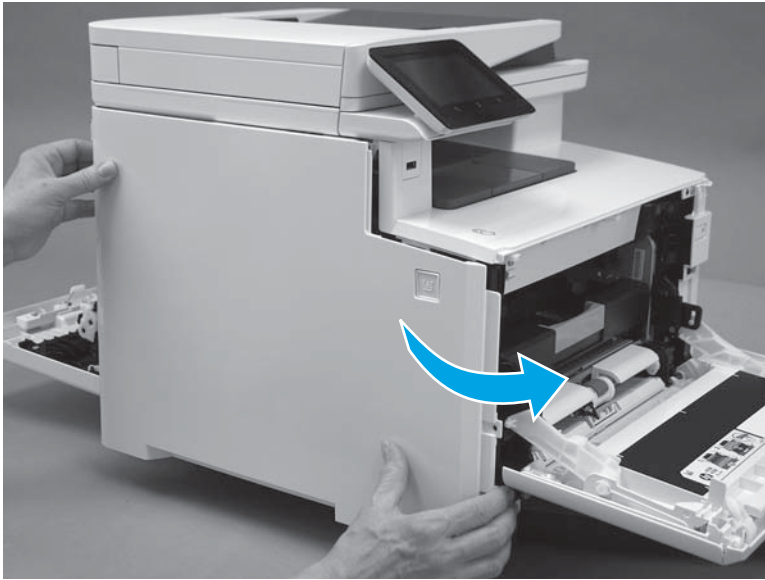
1. At the back of the printer, install the tab (callout 1) on the cover into the slot (callout 2) in the printer. Install the locator pins (callout 3) into the slots (callout 4) in the printer.

Figure 1-350 Install one tab



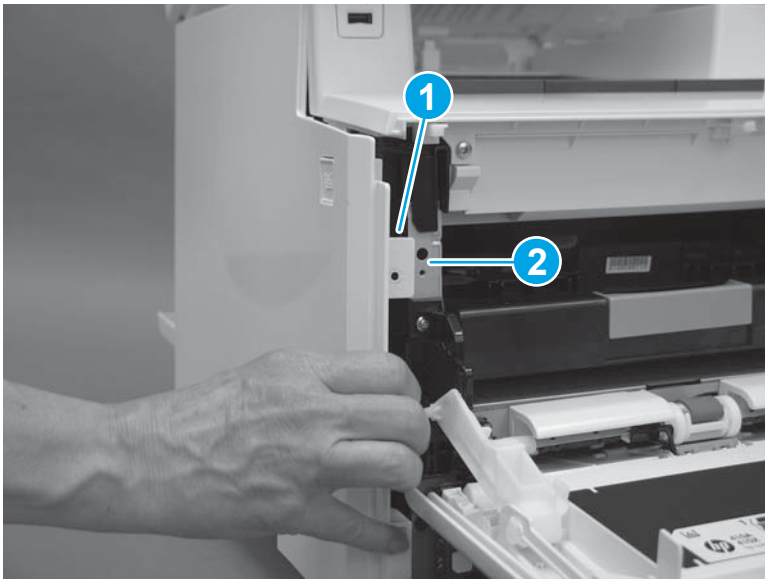
2. Rotate the cover toward the printer.

Figure 1-351 Rotate the left cover



CAUTION: Make sure that the tab (callout 1) does not get caught behind the printer frame (callout 2).

Figure 1-352 Make sure the tab does not get caught



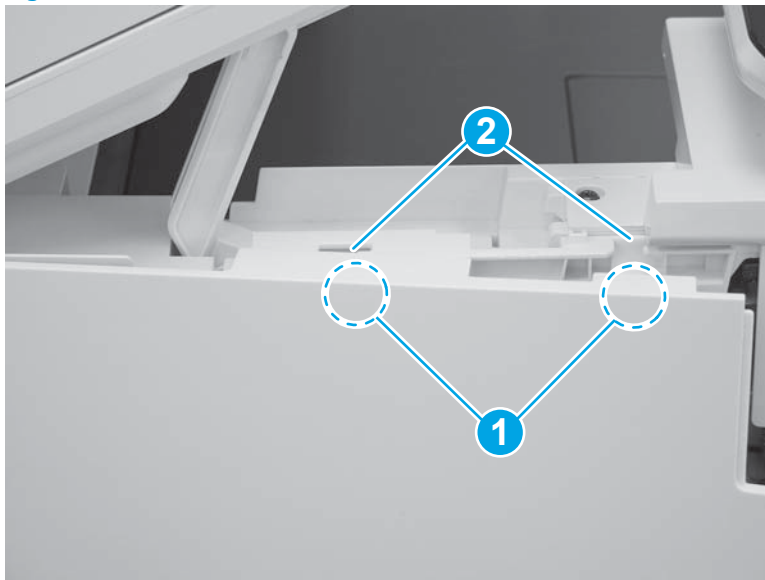
3. Raise the scanner.

Figure 1-353 Raise the scanner



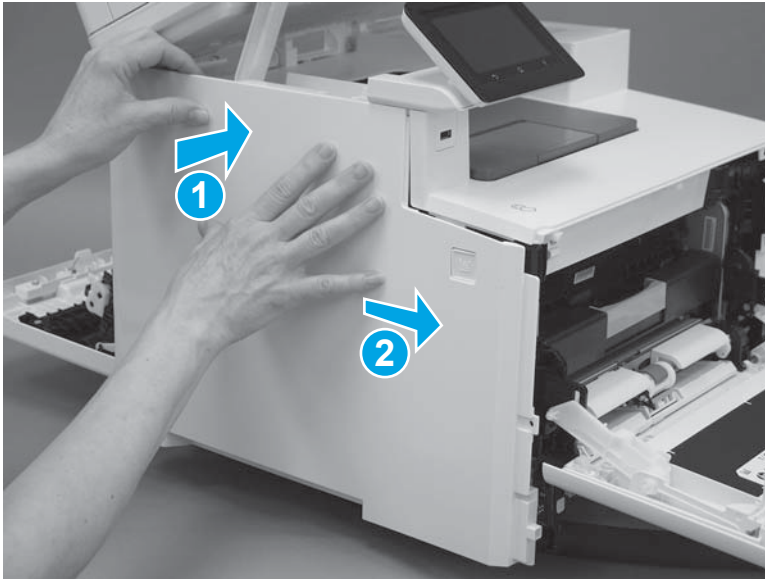
4. Position the hooks (callout 1) on the inside of the cover into the slots (callout 2) on the printer.

Figure 1-354 Position the hooks in the slots



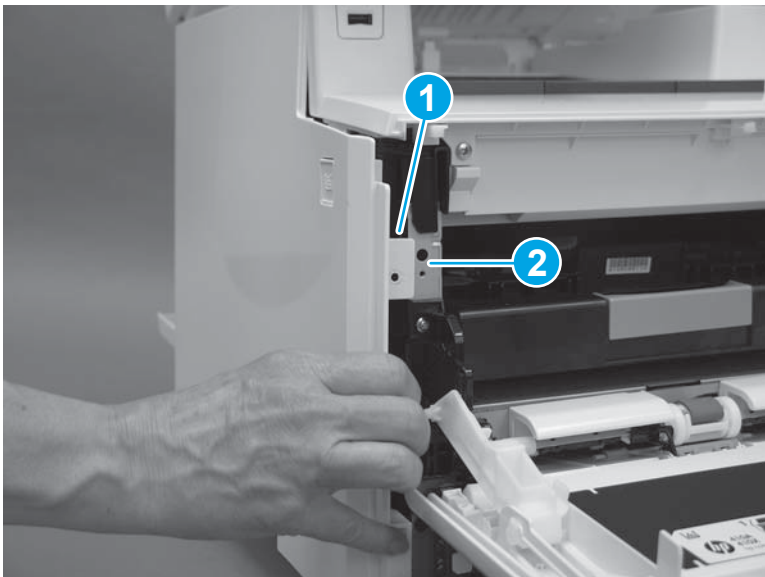
5. Hold the cover against the printer (callout 1), and then slide it (callout 2) toward the front of the printer.

Figure 1-355 Install the top hooks



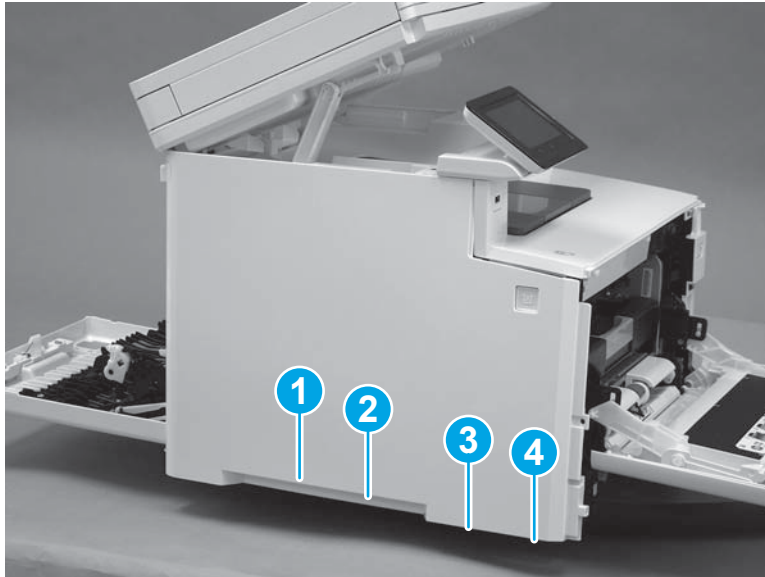
CAUTION: Make sure that the tab (callout 1) on the front of the cover does not get caught behind the printer frame (callout 2).

Figure 1-356 Make sure the tab does not get caught



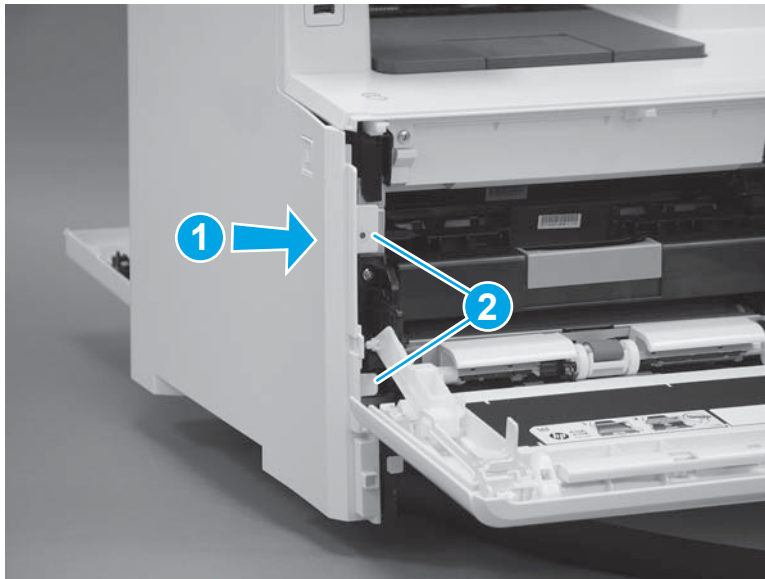
6. Slide the printer to the edge of a work surface in order to access the tabs on the bottom of the cover. Beginning from the back of the cover, install four tabs (callouts 1-4) on the lower edge of the cover.

Figure 1-357 Install four tabs



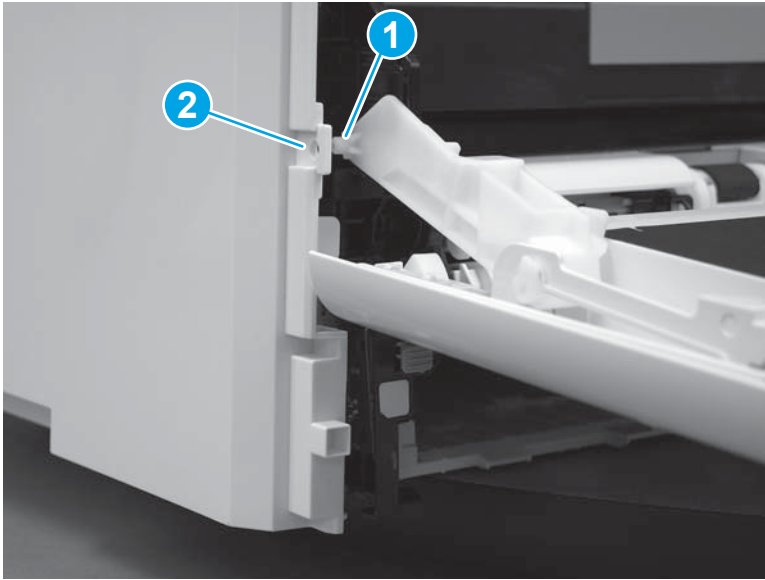
7. Press the cover toward the printer (callout 1), and then install two tabs (callout 2) at the front of the cover.

Figure 1-358 Install two tabs



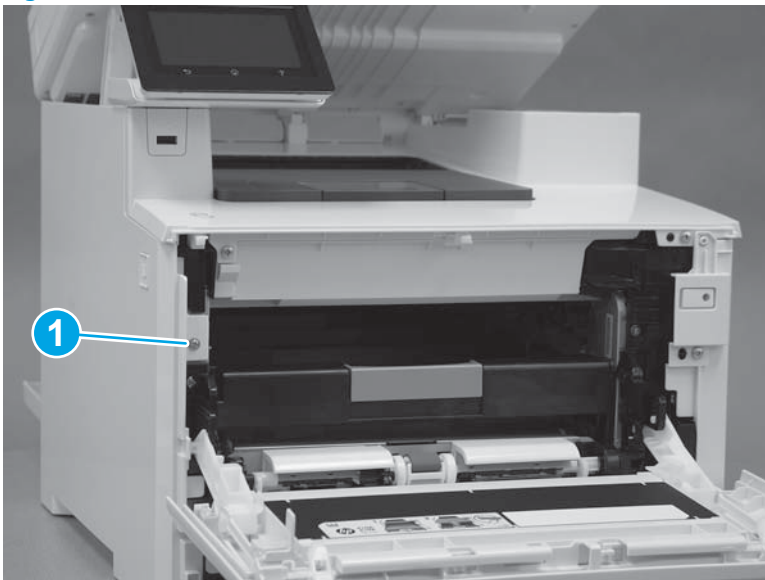
8. Make sure that the hinge pin (callout 1) on the front door fits into the slot (callout 2) on the left cover.

Figure 1-359 Install hinge pin



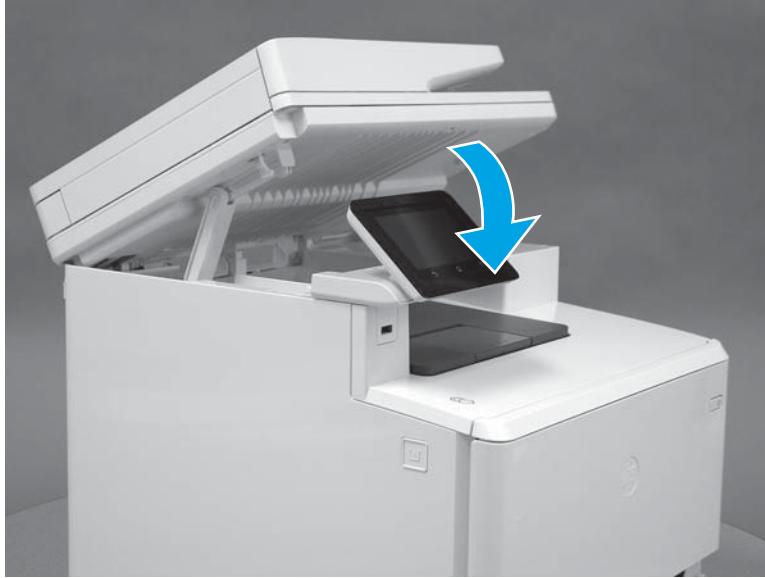
9. Install one screw (callout 1).

Figure 1-360 Install one screw



10. Lower the scanner.

Figure 1-361 Lower the scanner

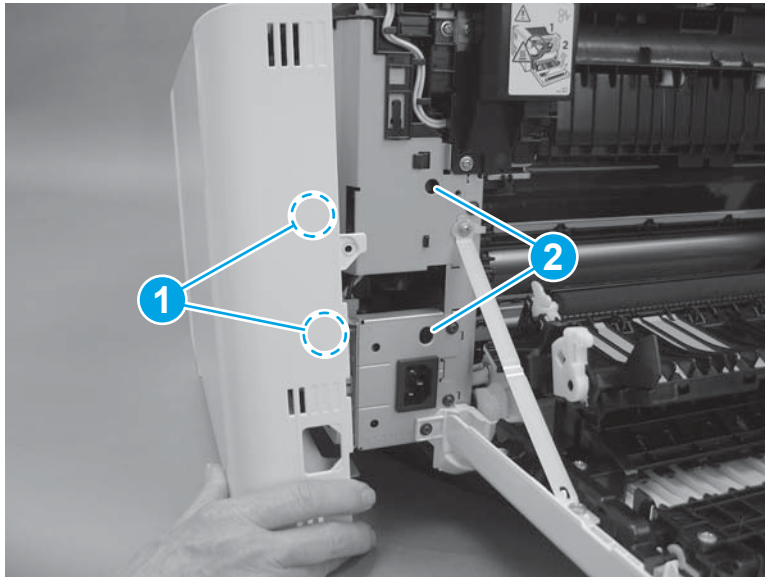


Step 12: Install the right cover (M452 models)

 **NOTE:** This step is for the M452 models. For the M377, M477 models, skip this step and go to [Step 13: Install the right cover \(M377, M477 models\) on page 219.](#)

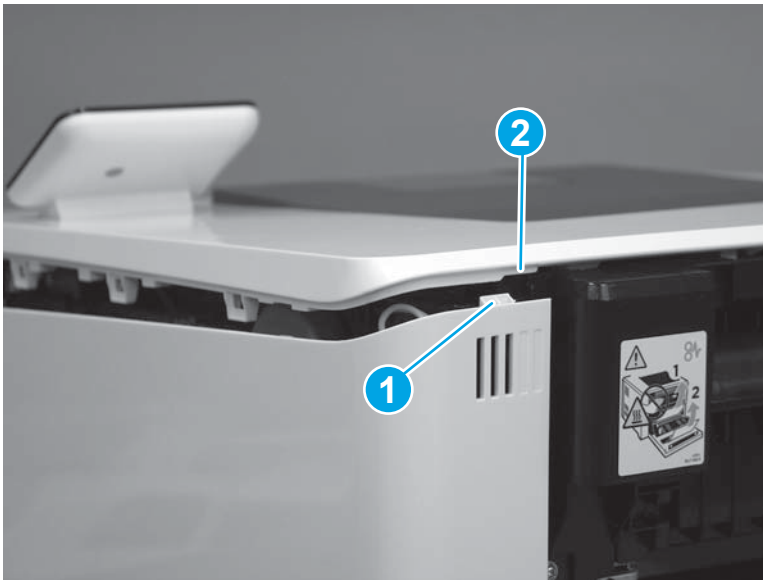
1. Position two tabs (callout 1) on the back of the cover in the slots (callout 2) in the printer.

Figure 1-362 Position two tabs



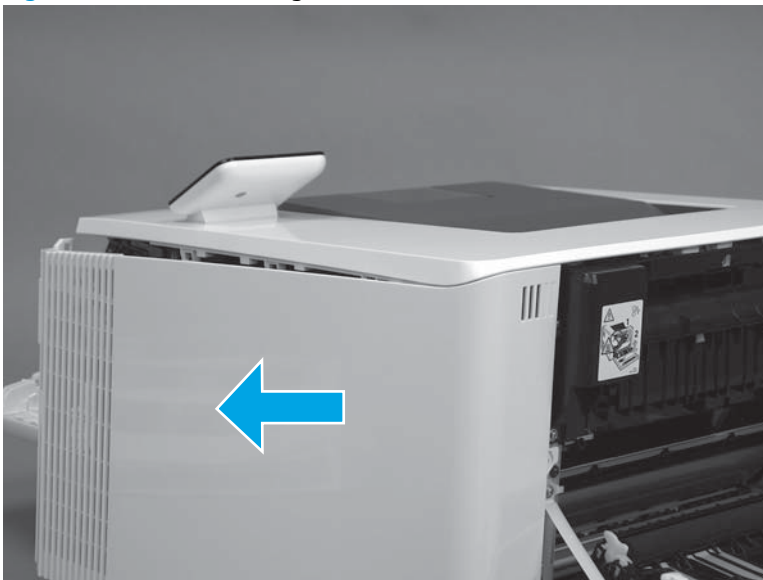
2. At the back of the printer, install the tab (callout 1) under the edge of the top cover (callout 2).

Figure 1-363 Install rear tab



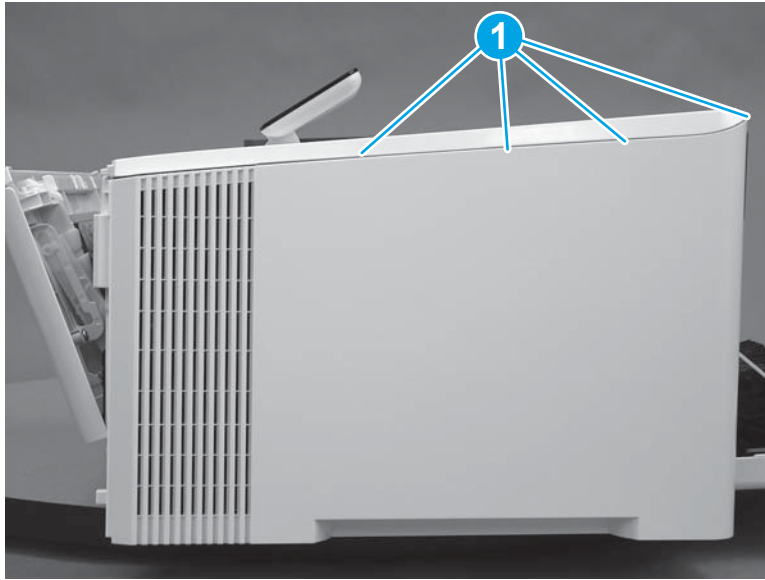
3. Slide the cover toward the front of the printer to install it.

Figure 1-364 Install the right cover



- Engage three tabs (callout 2) on the top of the cover.

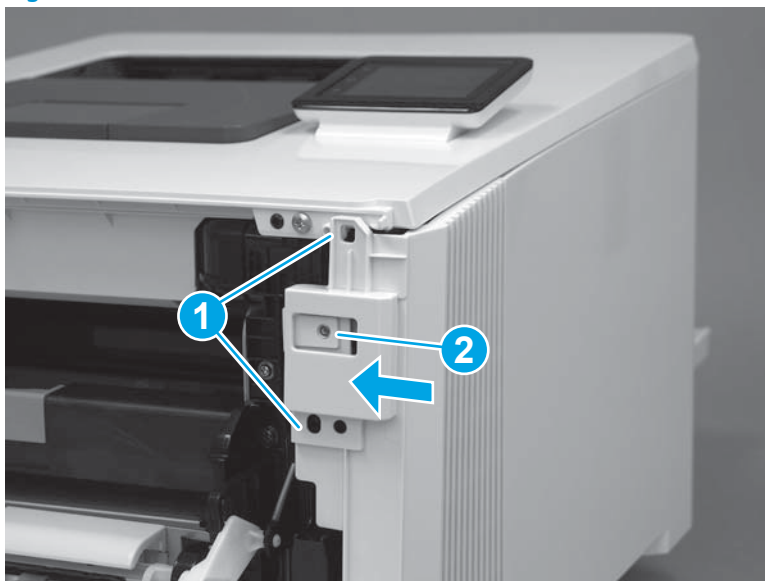
Figure 1-365 Install upper tabs



- At the front of the printer, position the front of the cover over two tabs (callout 1).

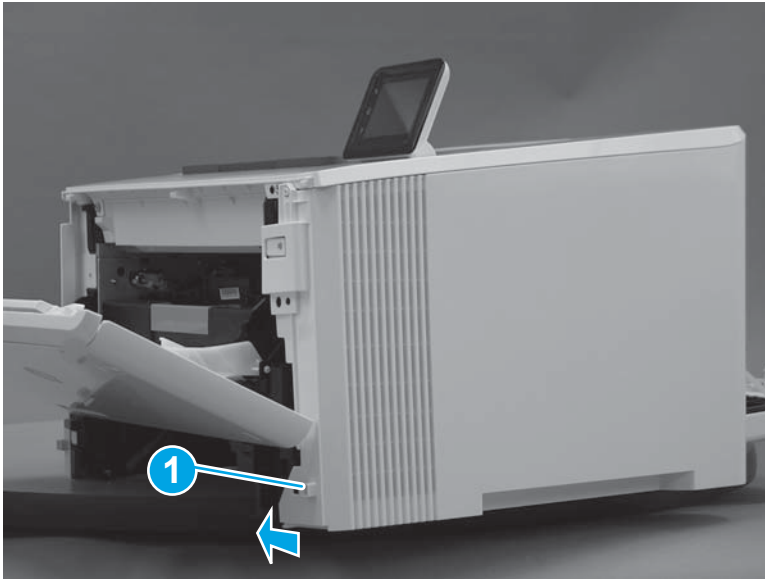
⚠ CAUTION: Be careful not to dislodge the power switch (callout 2).

Figure 1-366 Install the front tabs



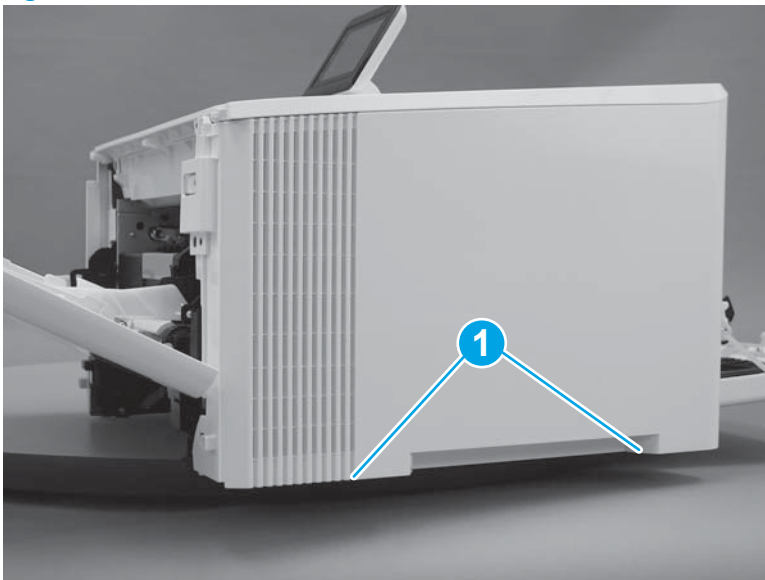
6. Press the right cover toward the printer to engage one tab (callout 1) on the front of the cover.

Figure 1-367 Install the front lower tab



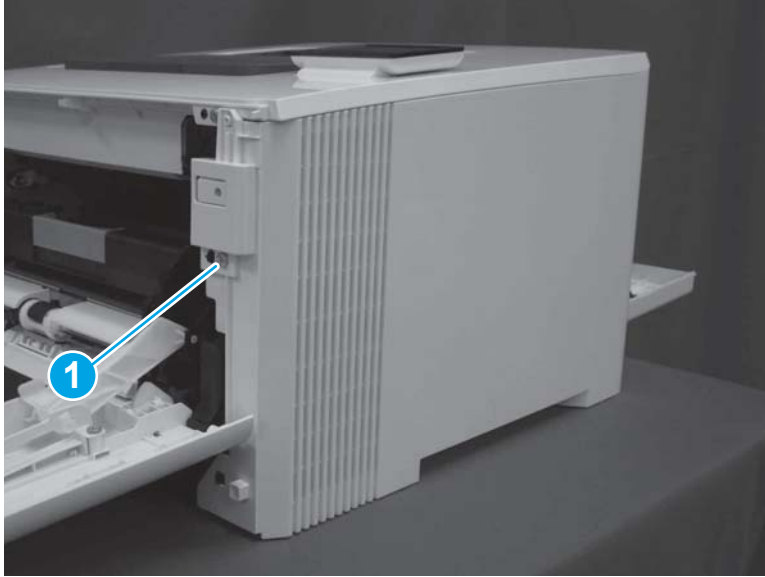
7. Install two tabs on the bottom of the cover (callout 1).

Figure 1-368 Install two tabs



8. At the front of the printer, install one screw (callout 1).

Figure 1-369 Install one screw




9. At the back of the printer, install one screw (callout 1).

Figure 1-370 Install one screw

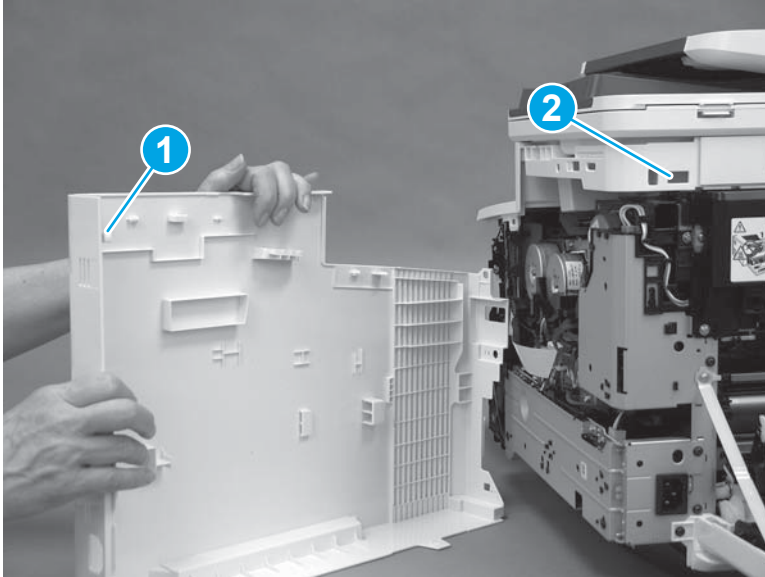


Step 13: Install the right cover (M377, M477 models)

 **NOTE:** This step is for the M377, M477 models. For the M452 models, skip this step and go to [Step 14: Close the front door and duplexer door on page 225](#).

1. At the back of the printer, install the tab (callout 1) on the cover into the slot (callout 2) on the printer.

Figure 1-371 Install rear tab



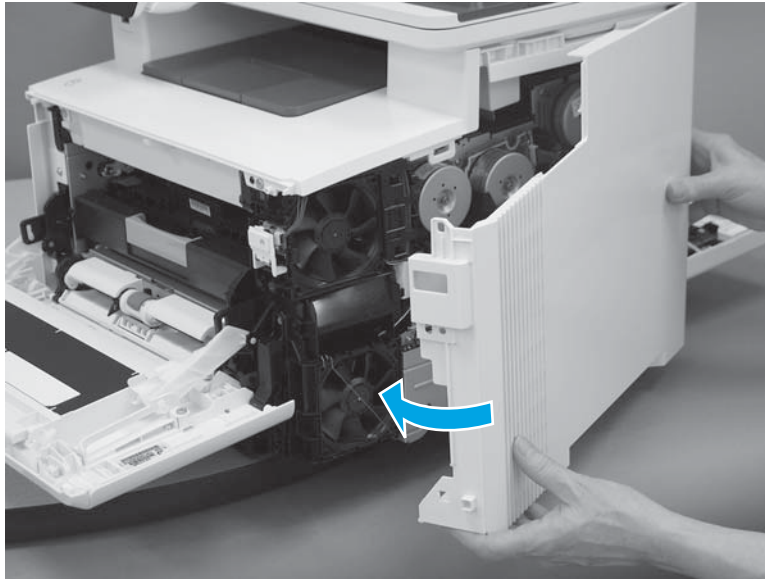
2. Raise the scanner.

Figure 1-372 Raise the scanner



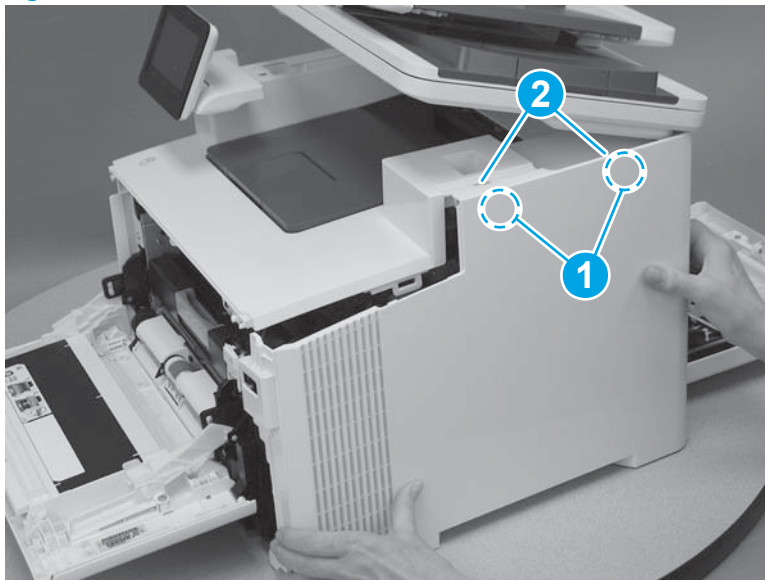
3. Rotate the right cover toward the printer.

Figure 1-373 Rotate the right cover



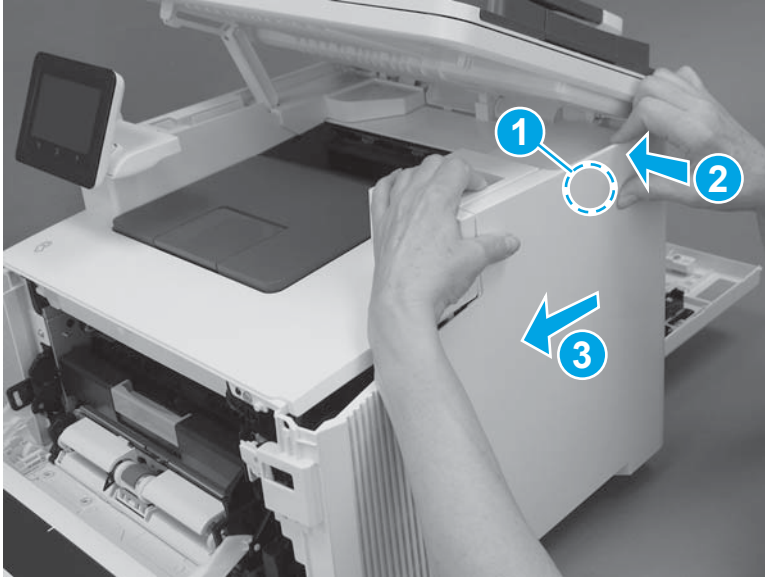
4. Position the hooks (callout 1) on the inside of the cover into the slots (callout 2) in the printer.

Figure 1-374 Position the hooks in the slots



- Engage one hook (callout 1) on the inside of the cover. Hold the top of the cover closed (callout 2) while sliding the cover toward the front of the printer (callout 3).

Figure 1-375 Slide the cover



- Rotate the front of the cover toward the printer (callout 1).

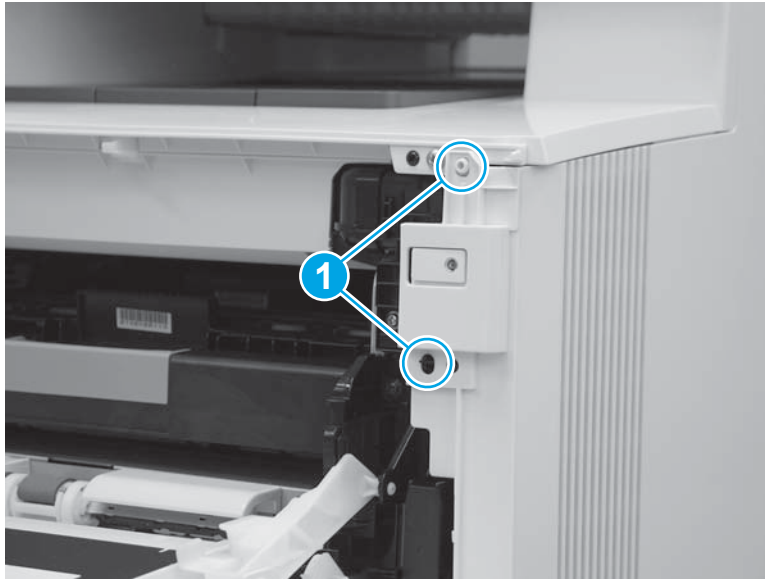
CAUTION: Be careful not to dislodge the power switch (callout 2).

Figure 1-376 Rotate the front of the cover



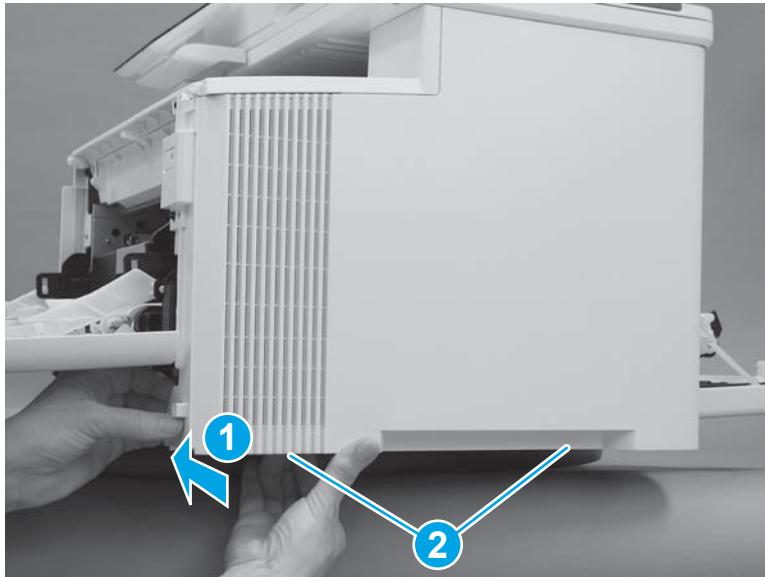
7. Install two tabs at the front of the printer (callout 1).

Figure 1-377 Install two tabs



8. Press the right cover toward the printer (callout 1) to engage one tab on the front of the cover, and two tabs (callout 2) on the lower edge of the cover.

Figure 1-378 Install the front and lower tabs



9. At the front of the printer, install one screw (callout 1).

Figure 1-379 Install one screw



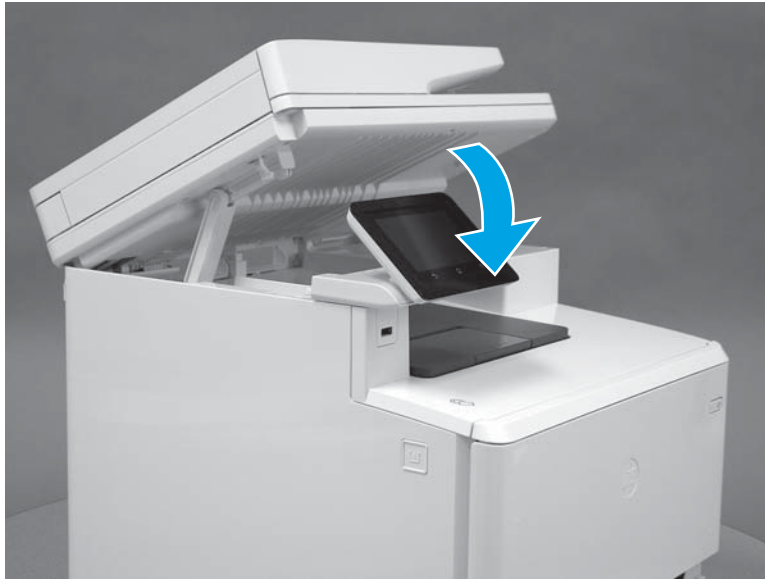
10. At the back of the printer, install one screw (callout 1).

Figure 1-380 Install one screw



11. Lower the scanner.

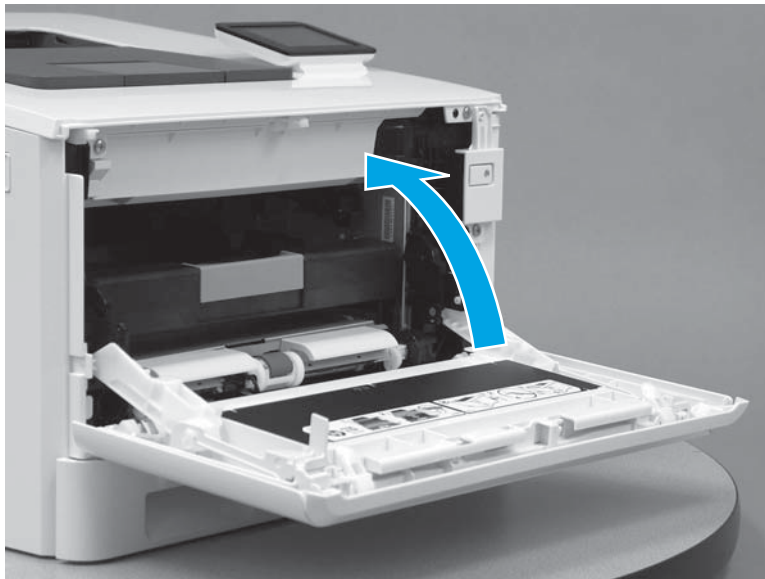
Figure 1-381 Lower the scanner



Step 14: Close the front door and duplexer door

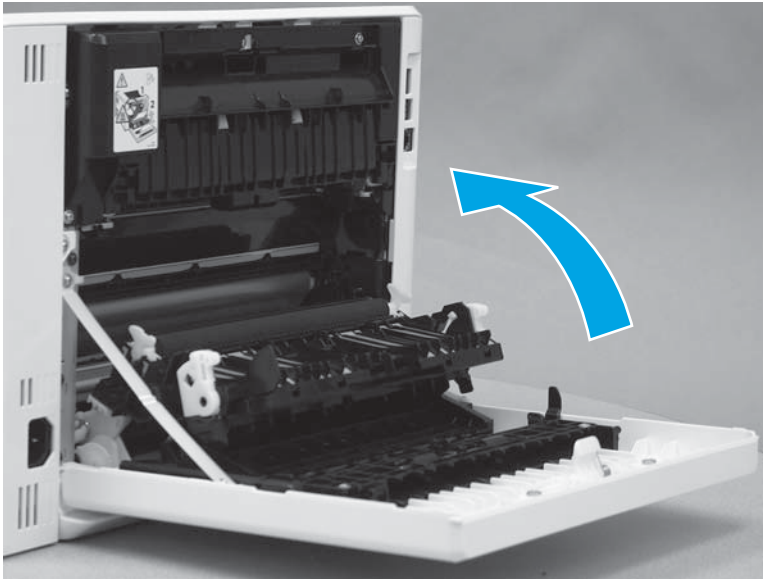
1. Close the front door.

Figure 1-382 Close the front door



2. Close the duplexer door.

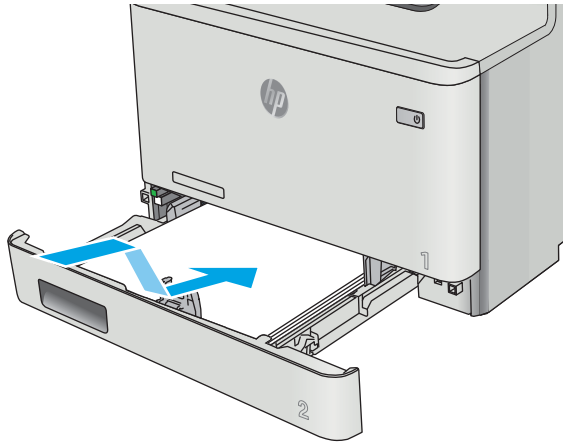
Figure 1-383 Close the duplexer door



Step 15: Install Tray 2

- ▲ With the front of the tray slightly lifted, align the sides of the tray with the rails in the printer, and then carefully slide the tray into the printer. As the tray slides into the printer, lower the front of the tray, and then close it.

Figure 1-384 Install the tray



Removal and replacement: Rear top cover (simplex models)


- [Introduction](#)
- [Step 1: Remove Tray 2](#)
- [Step 2: Open the front door and rear door](#)
- [Step 3: Remove the right cover \(M452 models\)](#)
- [Step 4: Remove the right cover \(M377, M477 models\)](#)
- [Step 5: Remove the left cover \(M452 models\)](#)
- [Step 6: Remove the left cover \(M377, M477 models\)](#)
- [Step 7: Remove the rear top cover](#)
- [Step 8: Unpack the replacement part](#)
- [Step 9: Install the rear top cover](#)
- [Step 10: Install the left cover \(M452 models\)](#)
- [Step 11: Install the left cover \(M377, M477 models\)](#)
- [Step 12: Install the right cover \(M452 models\)](#)
- [Step 13: Install the right cover \(M377, M477 models\)](#)
- [Step 14: Close the front door and rear door](#)
- [Step 15: Install Tray 2](#)

Introduction

This document provides the procedures to remove and replace the rear top cover for simplex models.

Before you begin

- Turn off the printer.
- Disconnect the power cable.

 **WARNING!** To avoid damage to the printer, turn the printer off, wait 30 seconds, and then remove the power cord before attempting to service the printer.

- Use the table below to identify the correct part number for your printer. To order the part, go to www.hp.com/buy/parts.

Rear top cover part number

RC4-4855-000CNRear top cover

Required tools

- Small, flat-blade screwdriver

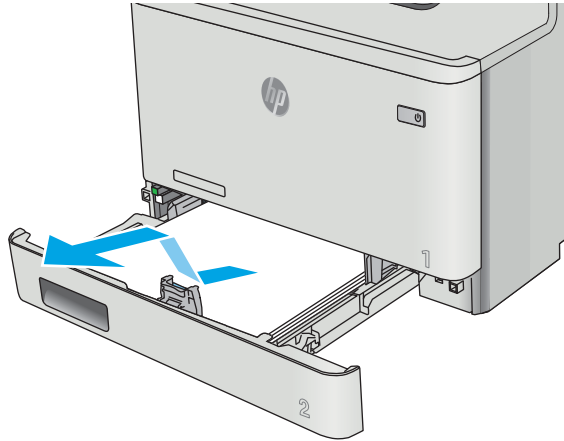
After performing service

- Connect the power cable.
- Use the power switch to turn the power on.

Step 1: Remove Tray 2

- ▲ Pull the tray out until it stops. Lift the front of the tray, and then pull it out of the printer to remove it.

Figure 1-385 Remove the tray



Step 2: Open the front door and rear door

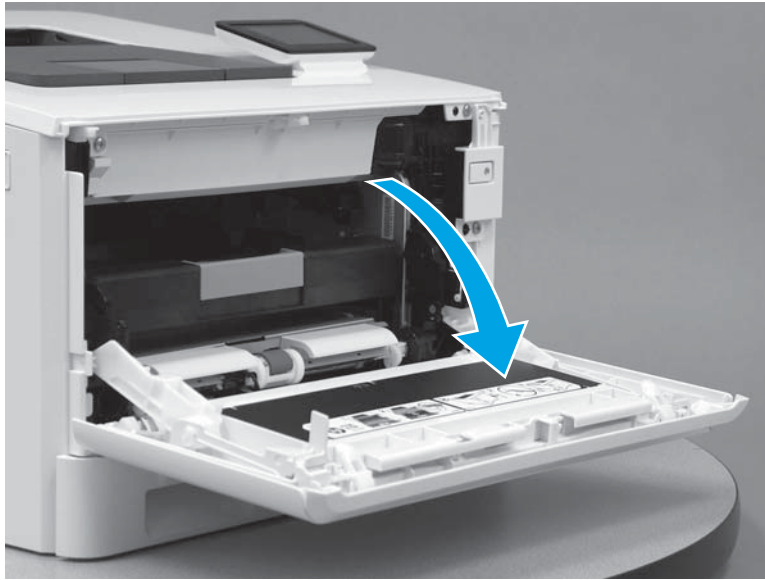
1. Press the button (callout 1) on the left side of the printer to release the front door.

Figure 1-386 Release the front door



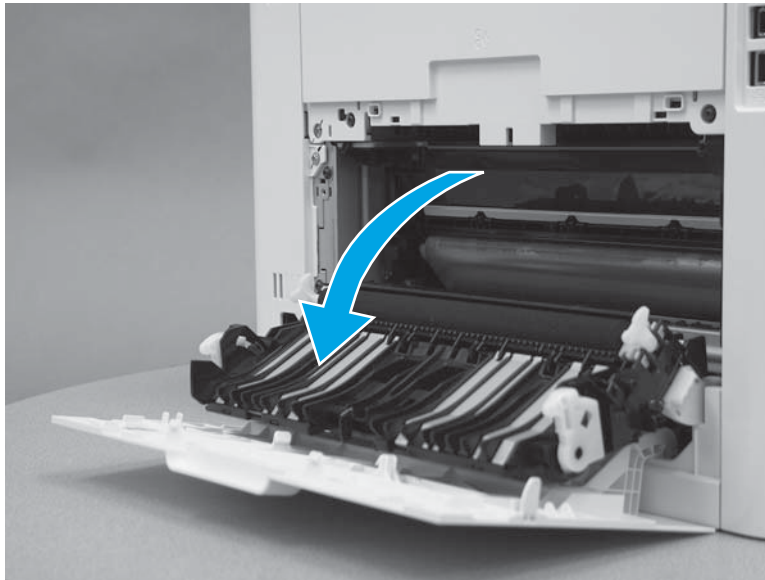
2. Open the front door.

Figure 1-387 Open the front door




3. Open the rear door.

Figure 1-388 Open the rear door



Step 3: Remove the right cover (M452 models)

 **NOTE:** This step is for the M452 models. For the M377, M477 models, skip this step and go to [Step 4: Remove the right cover \(M377, M477 models\) on page 233.](#)

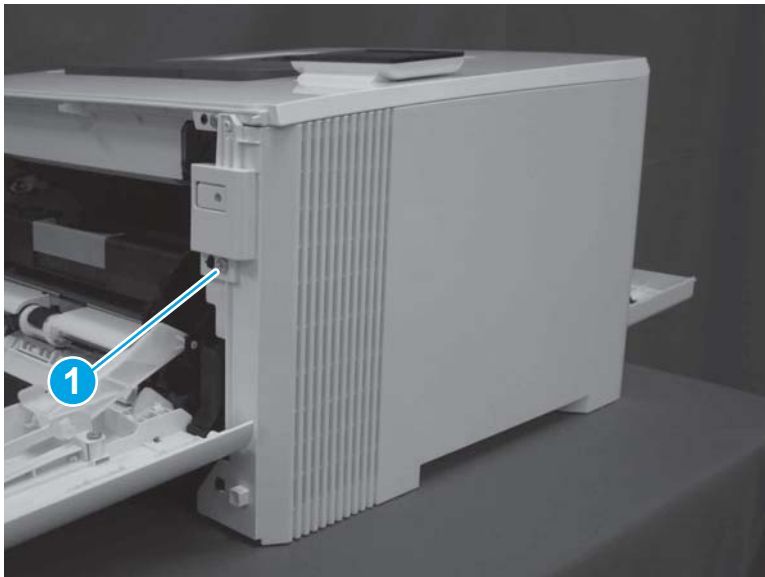
1. At the back of the printer, remove one screw (callout 1).

Figure 1-389 Remove one screw



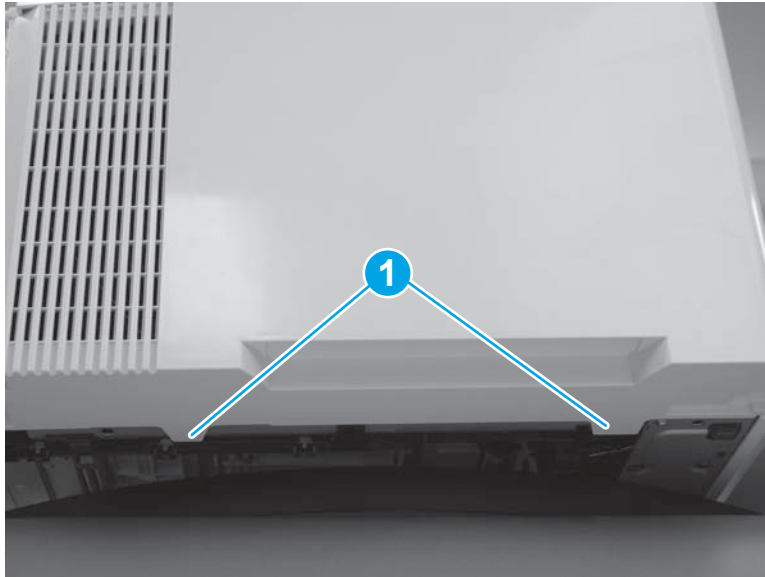
2. At the front of the printer, remove one screw (callout 1).

Figure 1-390 Remove one screw



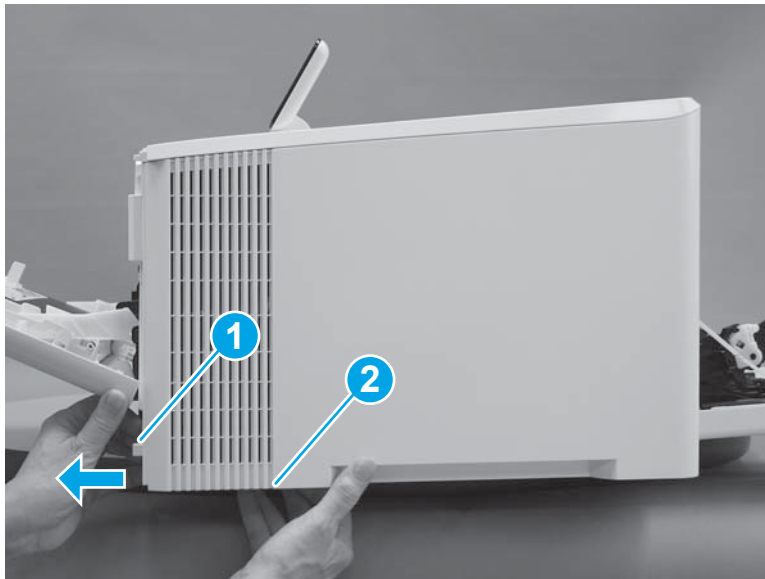
3. Slide the printer to the edge of a work surface. Note the location of the tabs on the lower edge of the cover (callout 1).

Figure 1-391 Locate the tabs



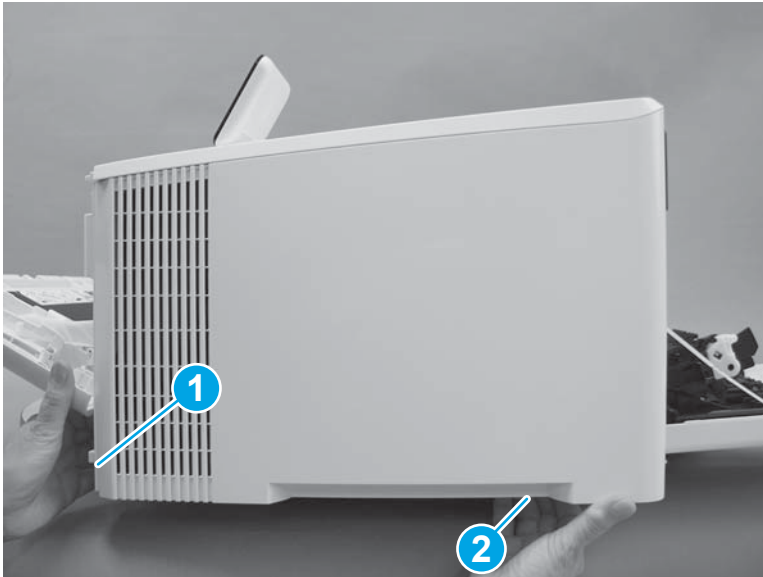
4. Release one tab (callout 1) on the front of the cover by slightly pulling the cover away from the printer. While holding the cover in the released position, release one tab (callout 2) on the bottom of the cover.

Figure 1-392 Release front lower tabs



5. Hold the front tabs in the released position (callout 1), and then release one tab (callout 2) on the bottom of the cover, toward the back of the printer.

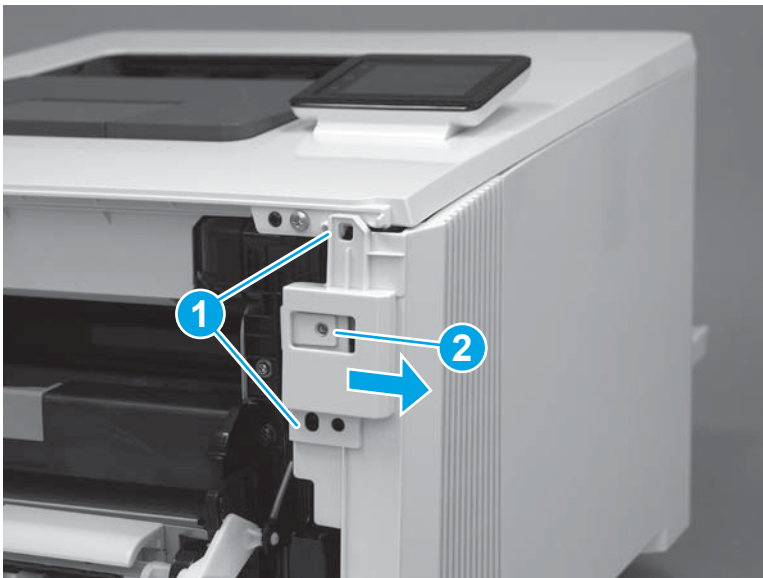
Figure 1-393 Release lower rear tab



6. Release two tabs at the front of the printer (callout 1) by slightly pulling the cover away from the printer.

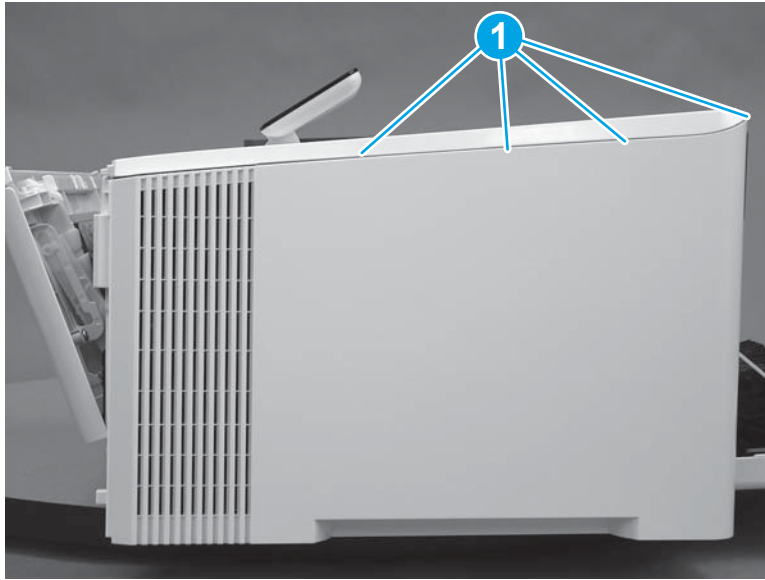
CAUTION: Be careful not to dislodge the power switch (callout 2).

Figure 1-394 Release two front tabs



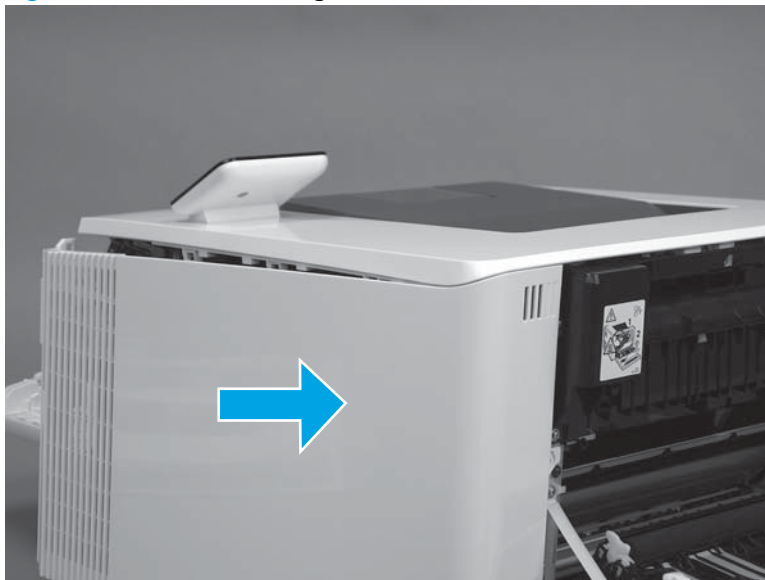
7. Release four tabs on the top of the printer (callout 1).

Figure 1-395 Release upper tabs



8. Slide the cover toward the back of the printer to remove it.

Figure 1-396 Remove the right cover



Step 4: Remove the right cover (M377, M477 models)

 **NOTE:** This step is for the M377, M477 models. For the M452 models, skip this step and go to [Step 5: Remove the left cover \(M452 models\) on page 239.](#)

1. Raise the scanner.

Figure 1-397 Raise the scanner



2. At the back of the printer, remove one screw (callout 1).

Figure 1-398 Remove one screw



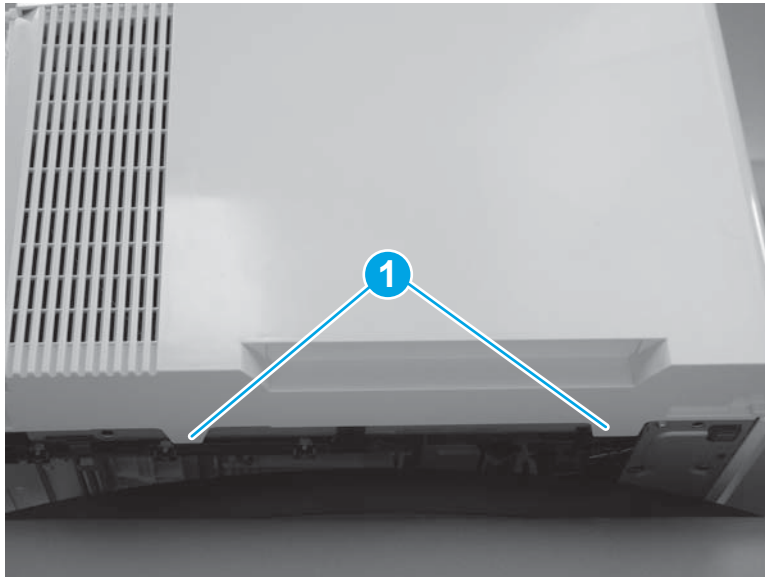
3. At the front of the printer, remove one screw (callout 1).

Figure 1-399 Remove one screw



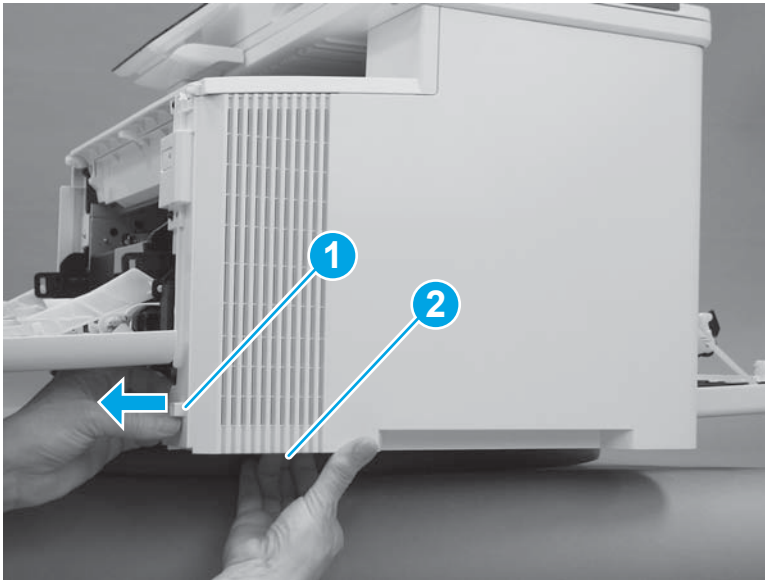
4. Slide the printer to the edge of a work surface. Note the location of the tabs on the lower edge of the cover (callout 1).

Figure 1-400 Locate the tabs



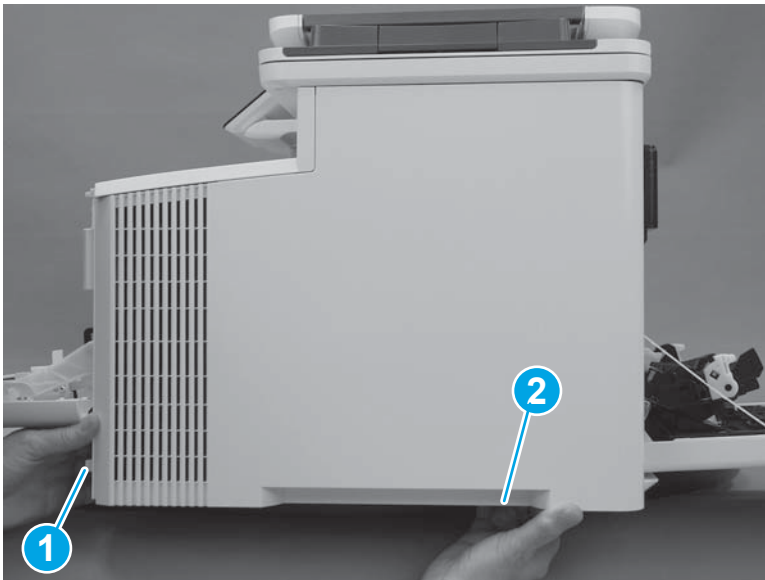
5. Release one tab (callout 1) on the front of the cover by slightly pulling the cover away from the printer. While holding the cover in the released position, release one tab (callout 2) on the lower edge of the cover.

Figure 1-401 Release front lower tabs



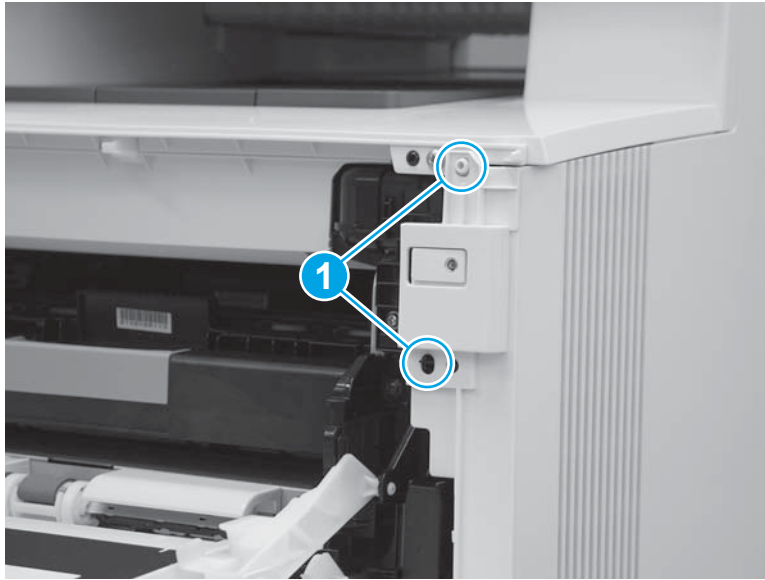
6. Hold the front tabs in the released position (callout 1), and then release one tab (callout 2) on the lower edge of the cover, toward the back of the printer.

Figure 1-402 Release lower rear tab



7. Release two tabs at the front of the printer (callout 1) by slightly pulling the cover away from the printer.

Figure 1-403 Release front upper tabs



8. Rotate the front of the cover away from the printer (callout 1).

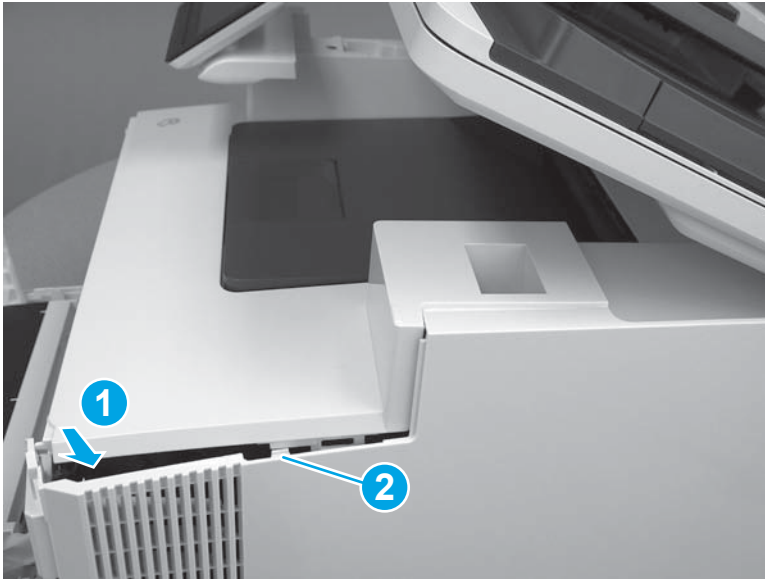
⚠ CAUTION: Be careful not to dislodge the power switch (callout 2).

Figure 1-404 Rotate the front of the cover



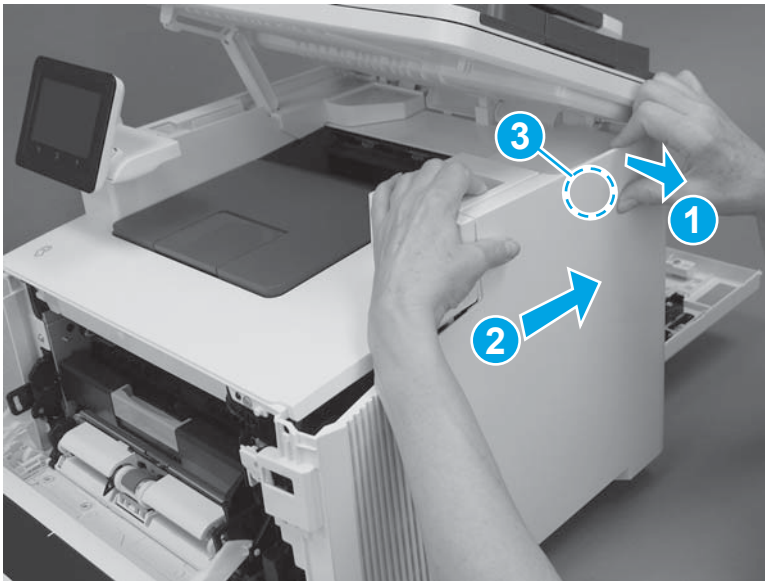
9. Slightly pull the front of the cover away from the printer (callout 1) to release one tab (callout 2).

Figure 1-405 Release top tabs



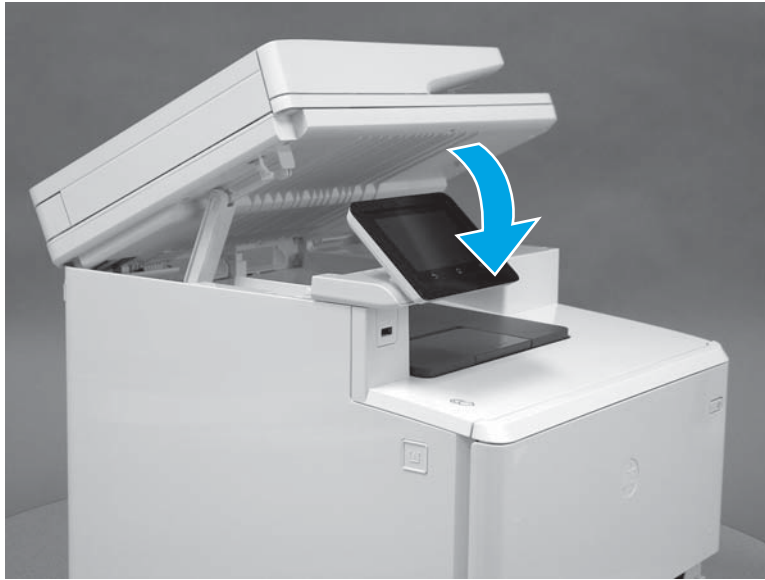
10. At the top of the printer, slightly pull the top of the cover away from the printer to release one retention tab (callout 1) on the inside of the cover. While holding the cover away, slide the cover toward the back of the printer (callout 2) to release one hook (callout 3) on the inside of the cover.

Figure 1-406 Release one tab and one hook



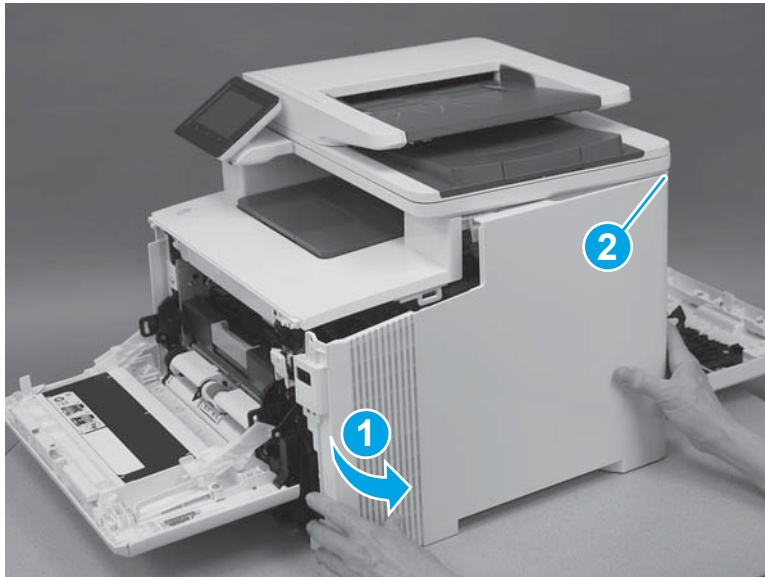
11. Lower the scanner.

Figure 1-407 Lower the scanner




12. Rotate the cover away from the printer (callout 1) to release one tab (callout 2) at the back of the printer, and then remove the cover.

Figure 1-408 Remove the right cover

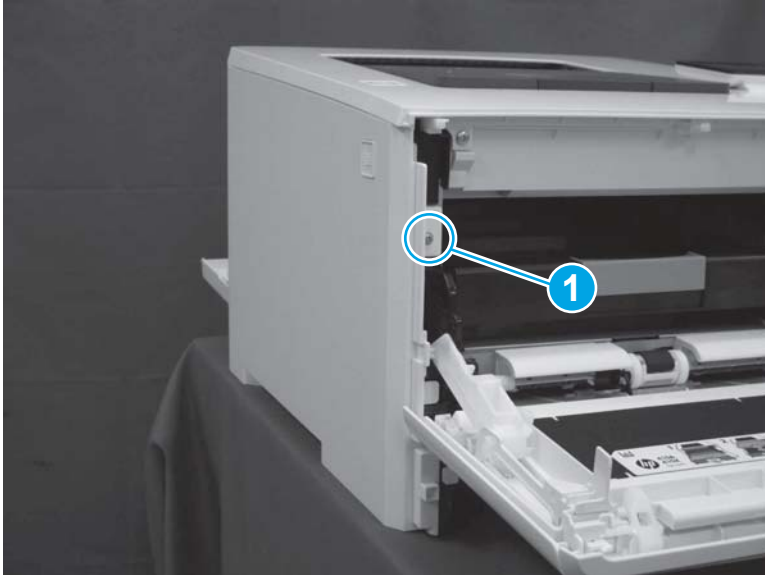


Step 5: Remove the left cover (M452 models)

 **NOTE:** This step is for the M452 models. For the M377, M477 models, skip this step and go to [Step 6: Remove the left cover \(M377, M477 models\) on page 242.](#)

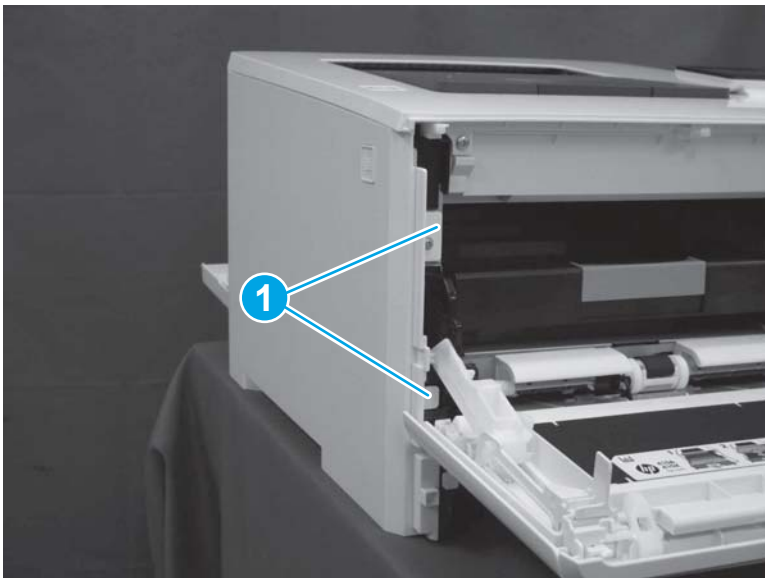
1. At the front of the printer, remove one screw (callout 1).

Figure 1-409 Remove one screw



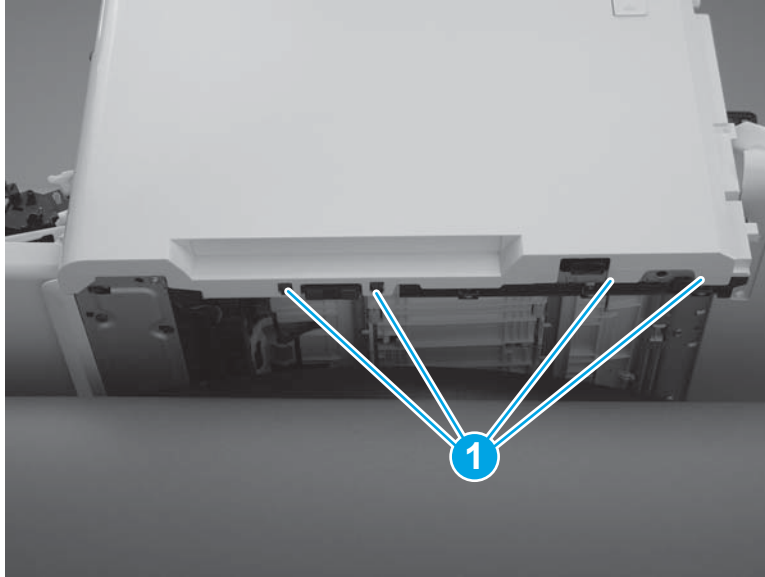
2. Release two tabs (callout 1) at the front of the cover. Hold the cover open to prevent the tabs from reengaging.

Figure 1-410 Release two tabs



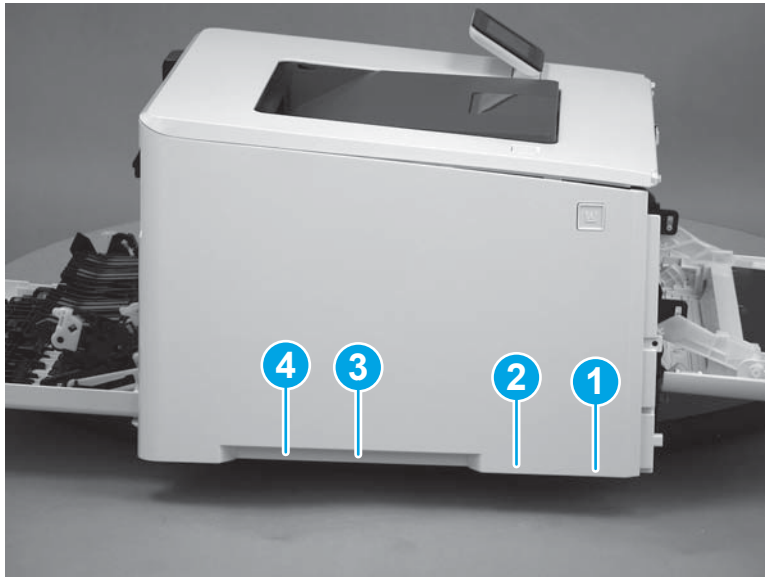
3. Slide the printer to the edge of a work surface. Note the location of the tabs on the lower edge of the cover (callout 1).

Figure 1-411 Locate the tabs



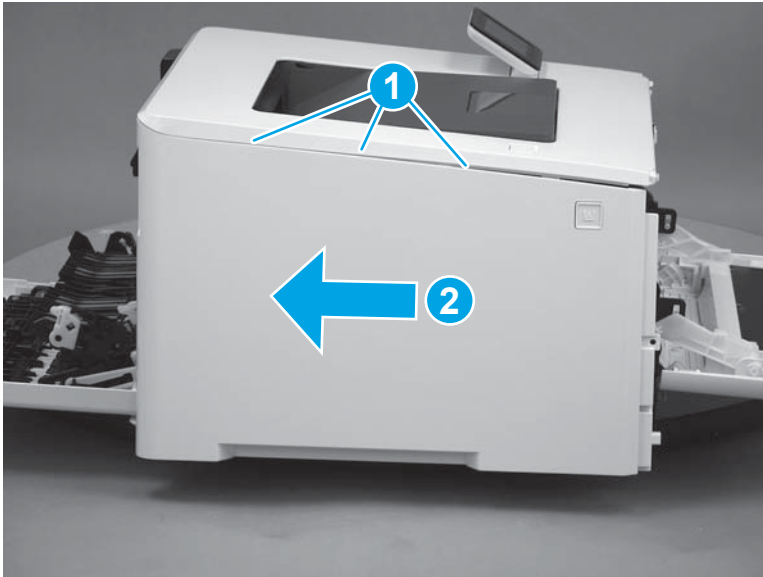
4. Beginning from the front of the cover, release four tabs (callouts 1-4) on the lower edge of the cover.

Figure 1-412 Release bottom tabs



5. Release three tabs at the top of the cover (callout 1), and then slide the cover toward the rear of the printer to remove it.

Figure 1-413 Release three tabs



Step 6: Remove the left cover (M377, M477 models)

 **NOTE:** This step is for the M377, M477 models. For the M452 models, skip this step and go to [Step 7: Remove the rear top cover on page 246.](#)

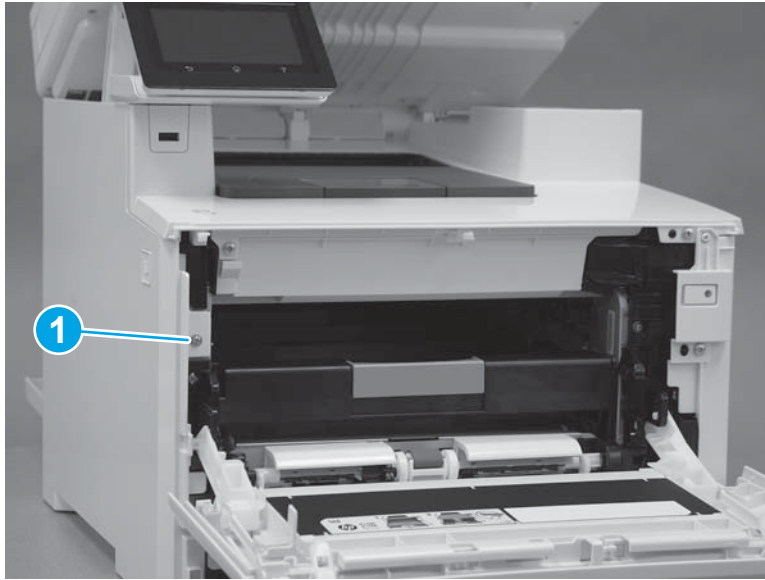
1. Raise the scanner.

Figure 1-414 Raise the scanner



2. At the front of the printer, remove one screw (callout 1).

Figure 1-415 Remove one screw



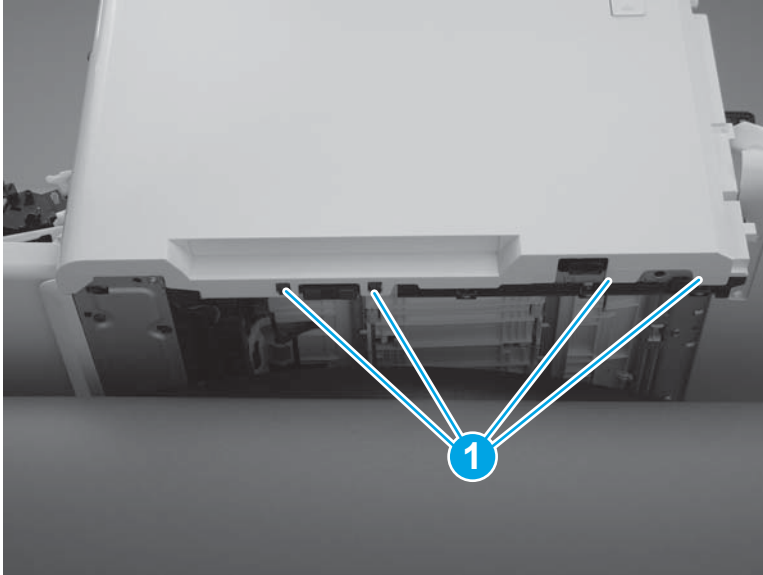
3. Release two tabs (callout 1) at the front of the cover. Hold the cover open to prevent the tabs from re-engaging.

Figure 1-416 Release two tabs



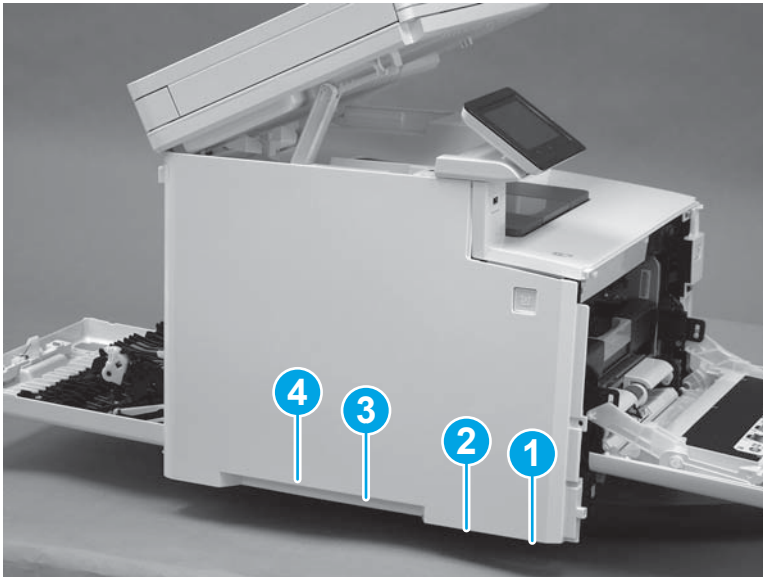
4. Slide the printer to the edge of a work surface. Note the location of the tabs on the lower edge of the cover (callout 1).

Figure 1-417 Locate the tabs



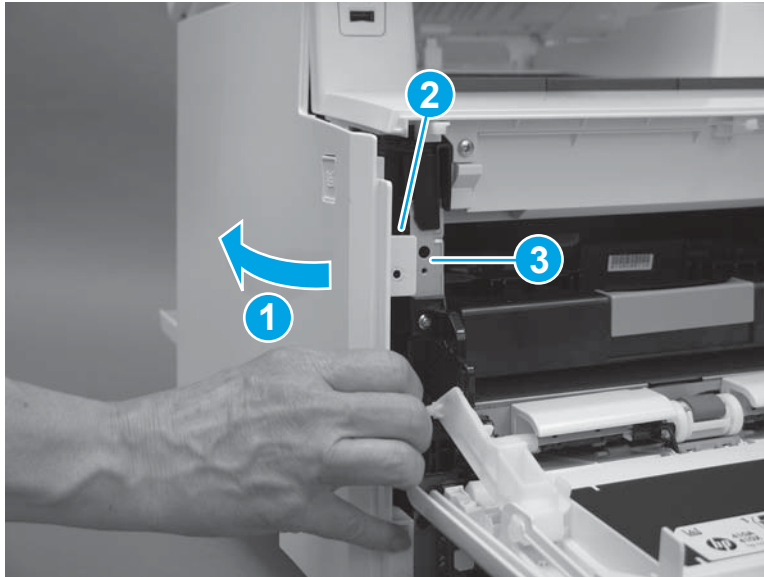
5. Beginning from the front of the cover, release the four tabs (callouts 1-4) on the lower edge of the cover.

Figure 1-418 Release four tabs



6. Rotate the front of the cover away from the printer (callout 1). Make sure that the tab (callout 2) does not get caught on the printer frame (callout 3).

Figure 1-419 Rotate the cover



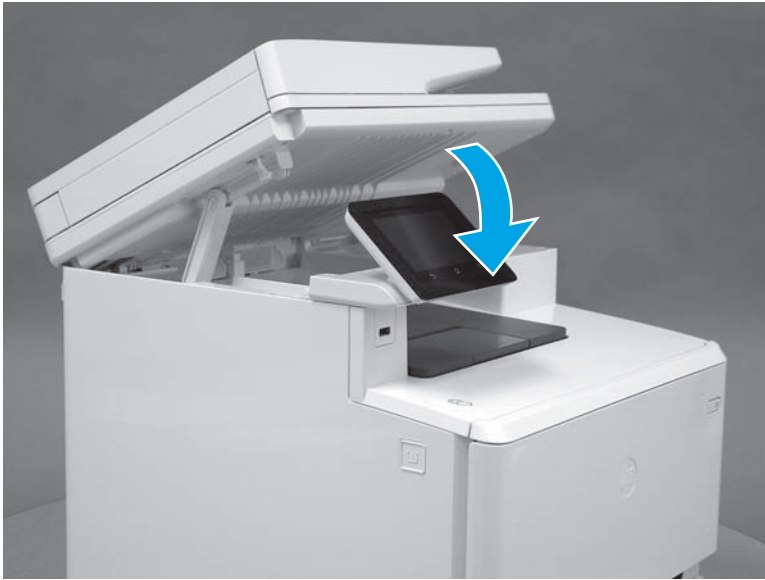
7. At the top of the printer, slightly pull the top of the cover away from the printer to release one retention tab (callout 1) on the inside of the cover. While holding the cover away, slide the cover toward the back of the printer (callout 2) to release two hooks (callout 3) inside the cover.

Figure 1-420 Release one tab and two hooks



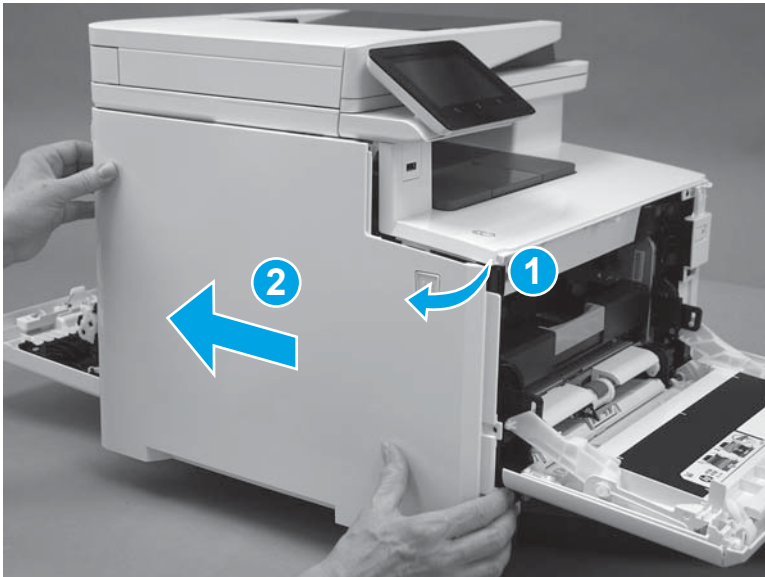
8. Lower the scanner.

Figure 1-421 Lower the scanner



9. Rotate the cover away from the printer (callout 1), and then slide the cover (callout 2) toward the back of the printer to remove it.

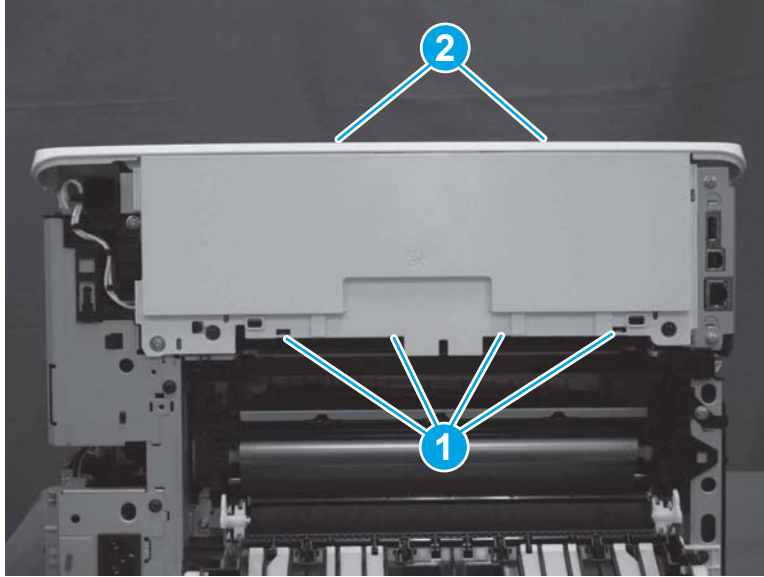
Figure 1-422 Remove the left cover



Step 7: Remove the rear top cover

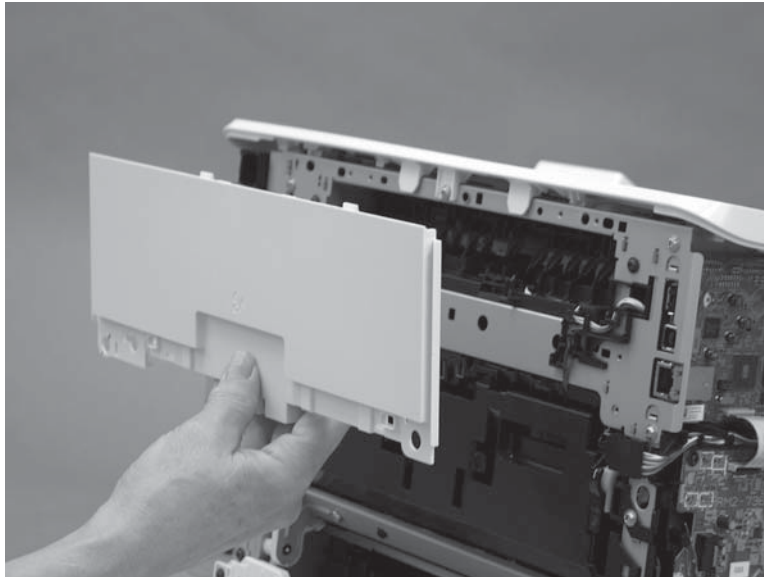
1. At the back of the printer, release four tabs (callout 1) on the bottom of the cover and two tabs (callout 2) on the top of the cover.

Figure 1-423 Release six tabs



2. Remove the rear top cover.

Figure 1-424 Remove the rear top cover



Step 8: Unpack the replacement part

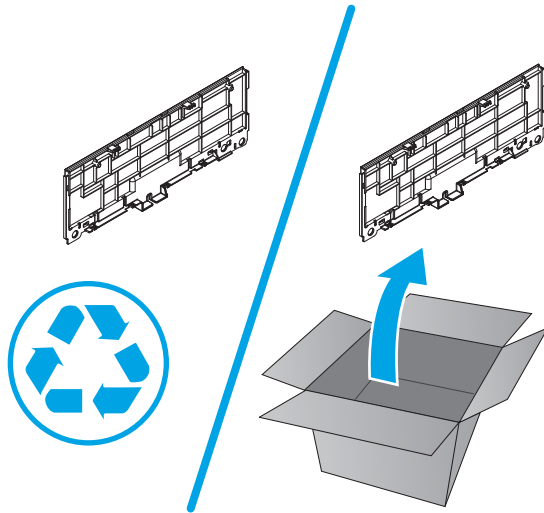
Remove the new part from its package. Save all packaging for recycling the used part.

For complete information on HP's recycling programs, go to [Product return and recycling](#).



NOTE: HP recommends responsible disposal of the defective part.

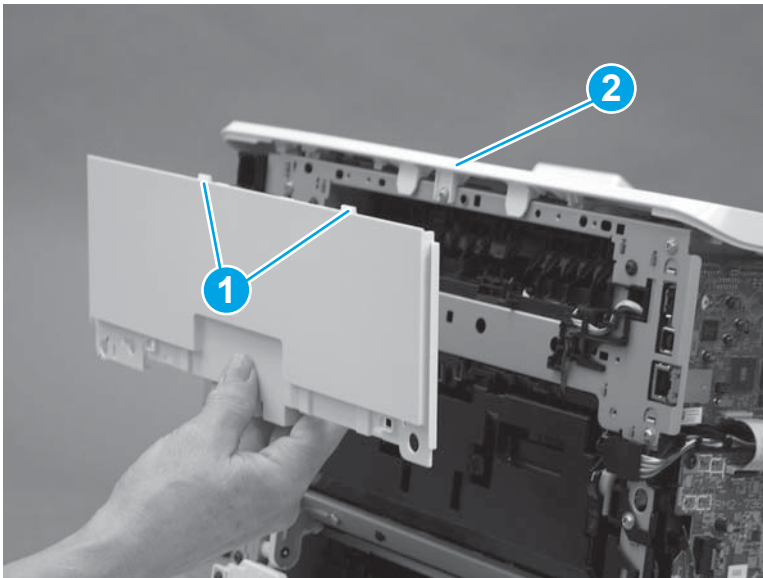
Figure 1-425 Recycle and unpack



Step 9: Install the rear top cover

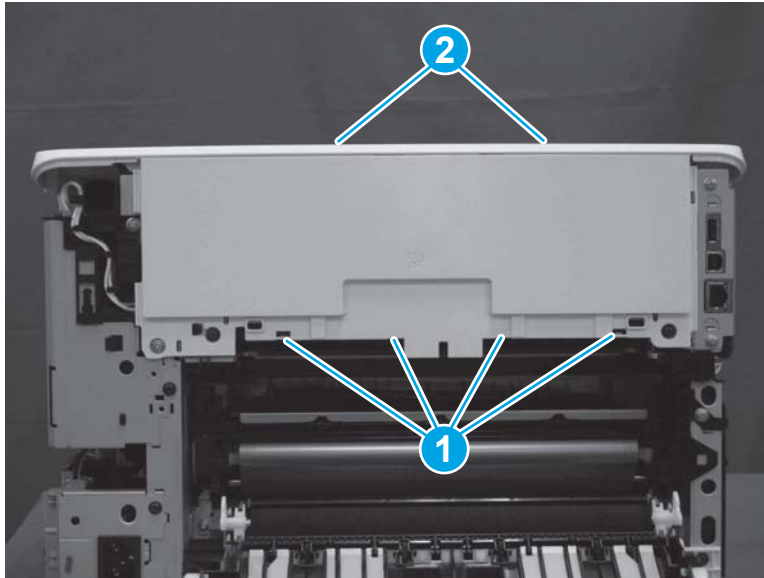
1. Position the tabs on top of the rear top cover (callout 1) under the edge of the top cover (callout 2).

Figure 1-426 Install the rear top cover



2. Make sure that the tabs on the bottom (callout 1) and the tabs on the top (callout 2) snap into place.

Figure 1-427 Release two tabs

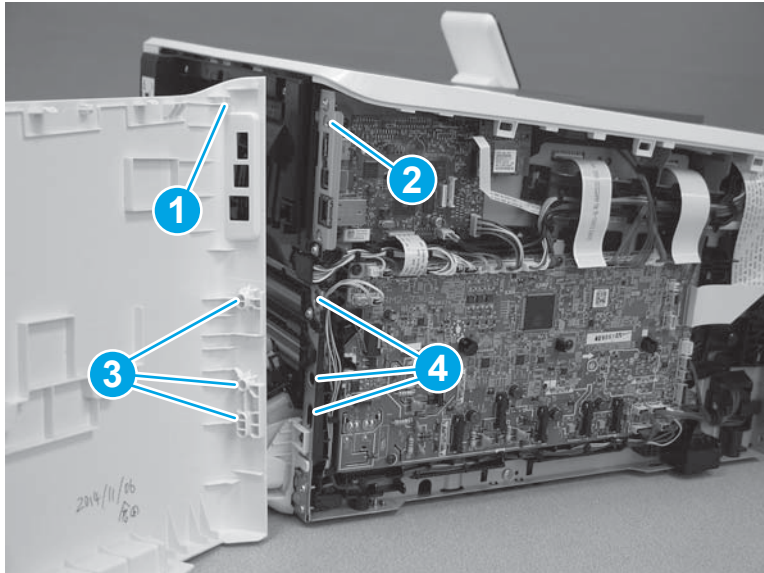


Step 10: Install the left cover (M452 models)

 **NOTE:** This step is for the M452 models. For the M377, M477 models, skip this step and go to [Step 11: Install the left cover \(M377, M477 models\) on page 253](#).

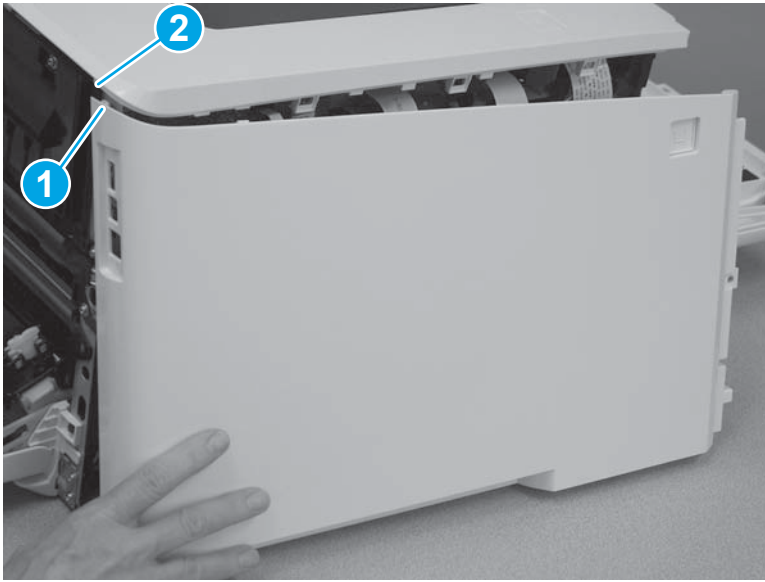
1. Position the hook (callout 1) on the cover in the slot (callout 2) on the printer. Position three tabs (callout 3) on the back of the cover in the slots (callout 4) in the printer.

Figure 1-428 Position three tabs



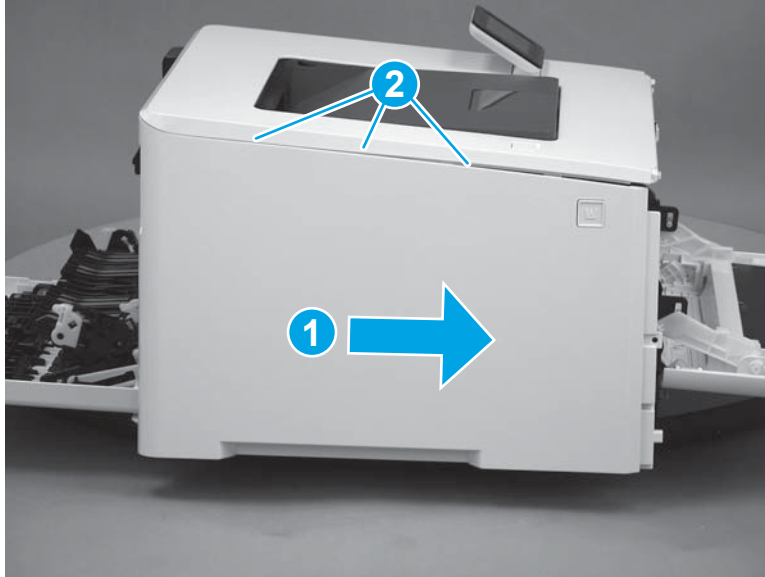
2. At the back of the printer, install the tab (callout 1) under the edge of the top cover (callout 2).

Figure 1-429 Install one tab



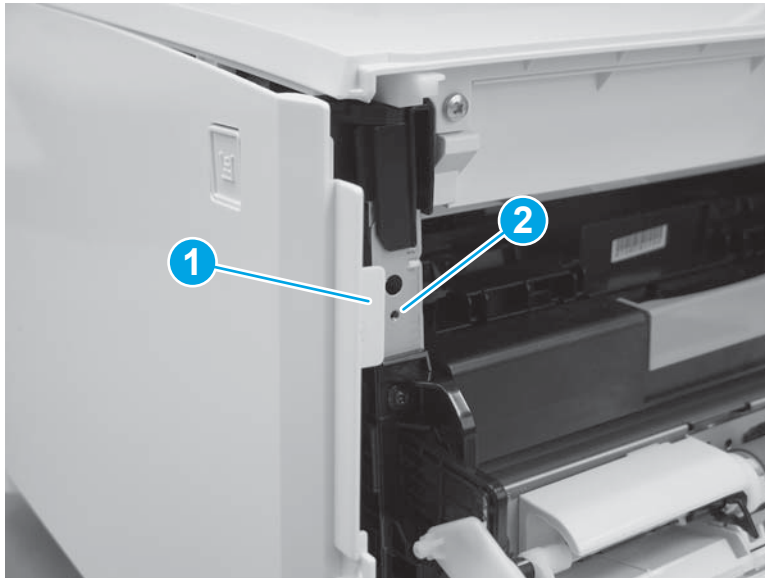
3. Slide the cover toward the front of the printer (callout 1), and then engage three tabs (callout 2) on the top of the cover.

Figure 1-430 Install the left cover



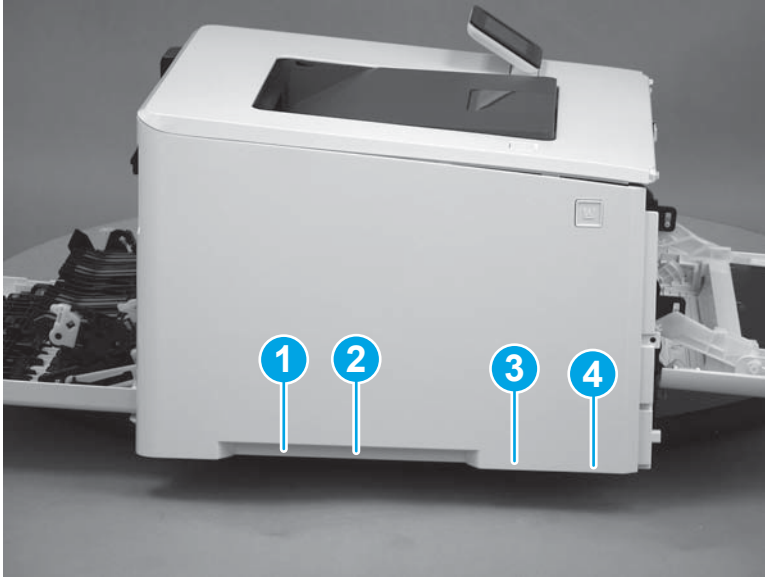
⚠ CAUTION: Make sure that the tab (callout 1) does not get caught behind the printer frame (callout 2).

Figure 1-431 Make sure the tab does not get caught



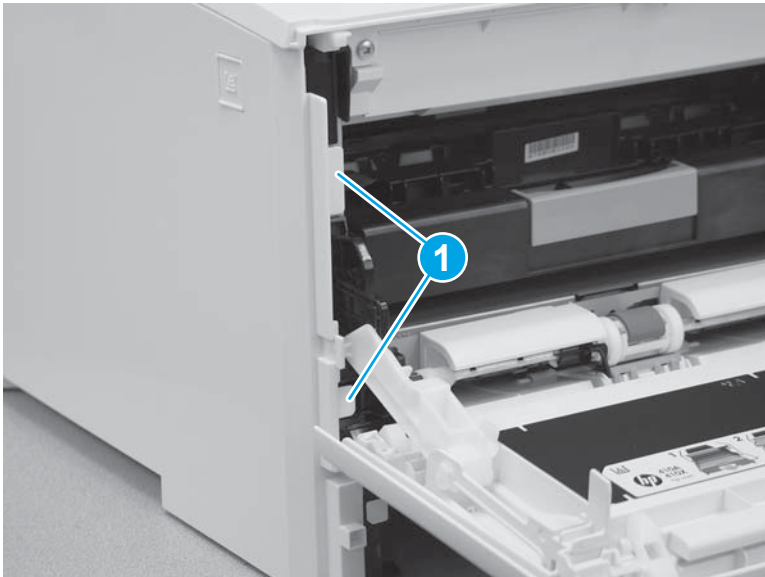
4. Slide the printer to the edge of a work surface in order to access the tabs on the bottom of the cover. Beginning from the back of the cover, install four tabs (callouts 1-4) on the lower edge of the cover.

Figure 1-432 Install four tabs



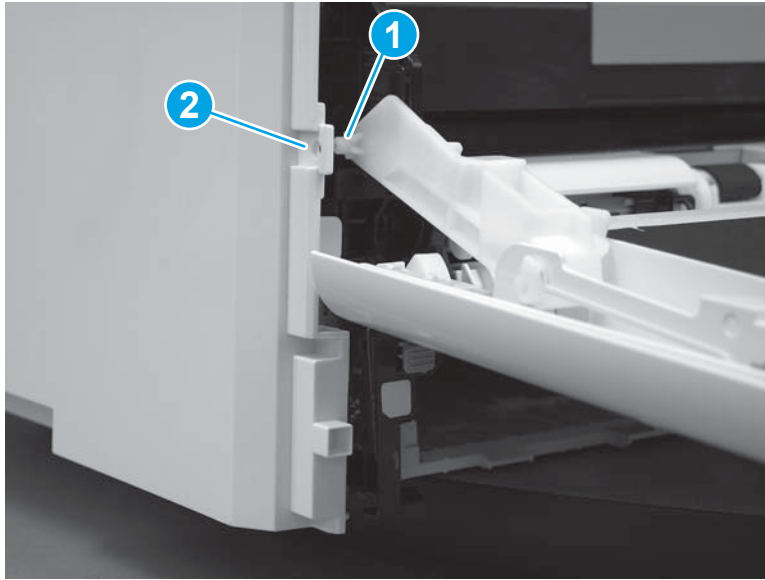
5. Install two tabs (callout 1) at the front of the cover.

Figure 1-433 Engage two tabs



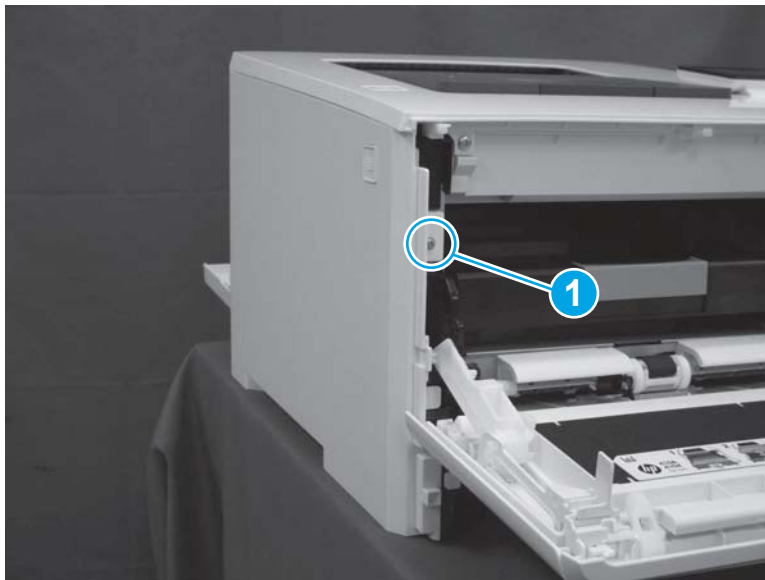
6. Make sure that the hinge pin (callout 1) on the front door fits into the slot (callout 2) on the left cover.

Figure 1-434 Install hinge pin




7. Install one screw (callout 1).

Figure 1-435 Install one screw

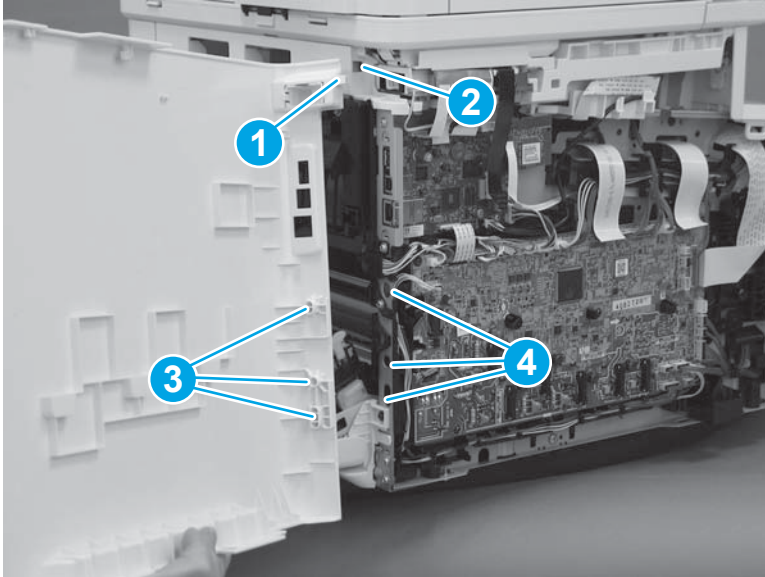


Step 11: Install the left cover (M377, M477 models)

 **NOTE:** This step is for the M377, M477 models. For the M452 models, skip this step and go to [Step 12: Install the right cover \(M452 models\) on page 260.](#)

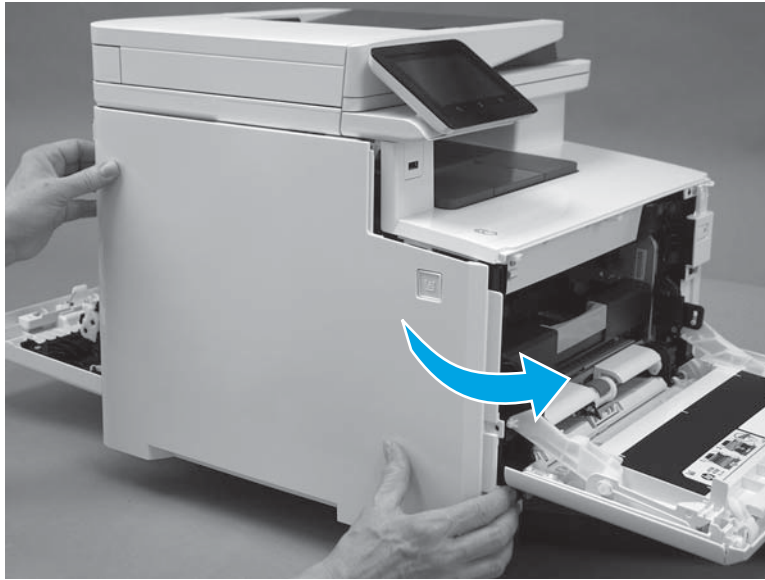
1. At the back of the printer, install the tab (callout 1) on the cover into the slot (callout 2) in the printer. Install the locator pins (callout 3) into the slots (callout 4) in the printer.

Figure 1-436 Install one tab



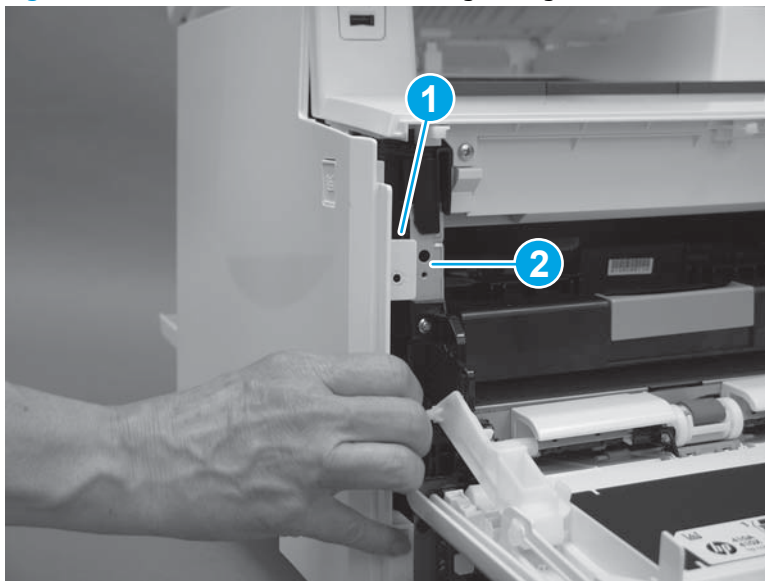
2. Rotate the cover toward the printer.

Figure 1-437 Rotate the left cover



⚠ CAUTION: Make sure that the tab (callout 1) does not get caught behind the printer frame (callout 2).

Figure 1-438 Make sure the tab does not get caught



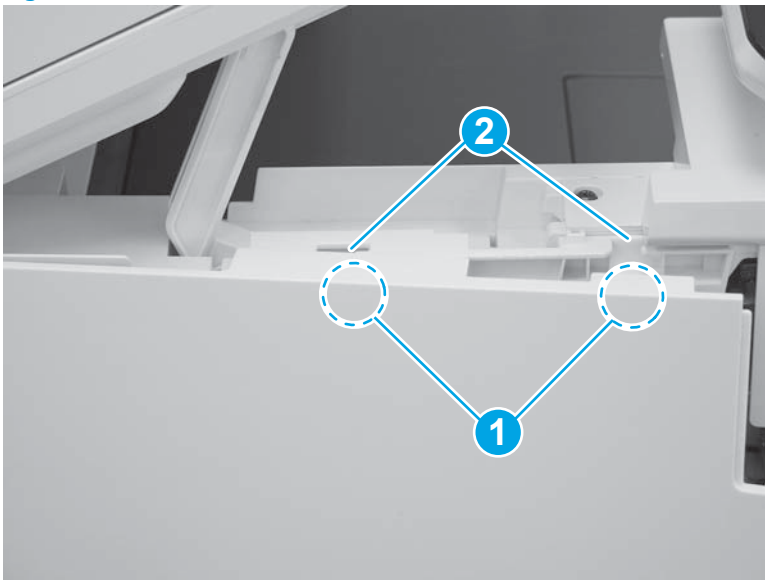
3. Raise the scanner.

Figure 1-439 Raise the scanner



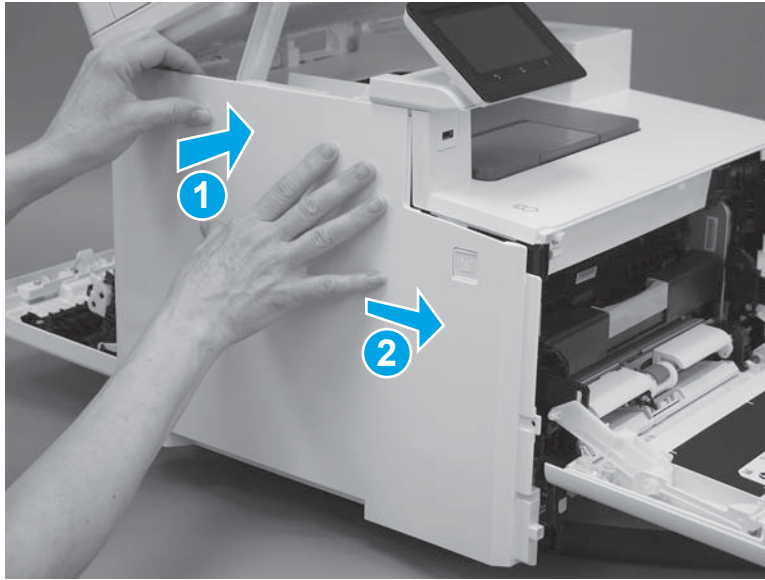
4. Position the hooks (callout 1) on the inside of the cover into the slots (callout 2) on the printer.

Figure 1-440 Position the hooks in the slots



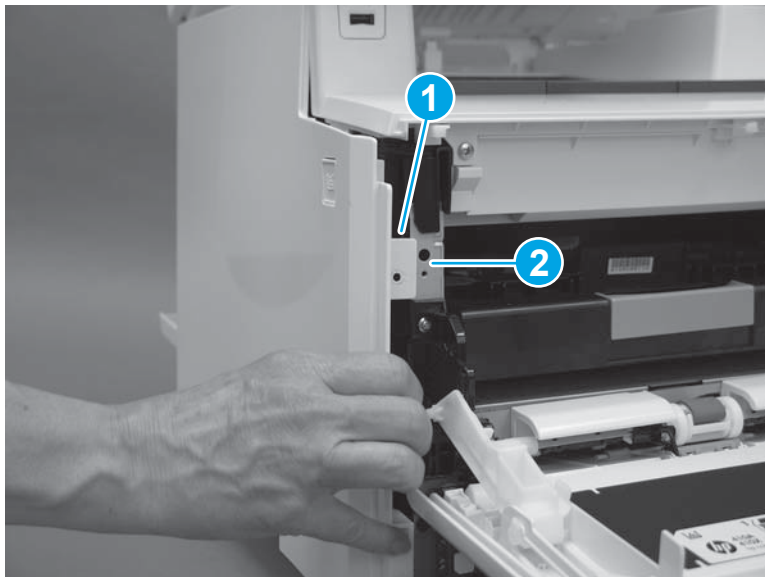
5. Hold the cover against the printer (callout 1), and then slide it (callout 2) toward the front of the printer.

Figure 1-441 Install the top hooks



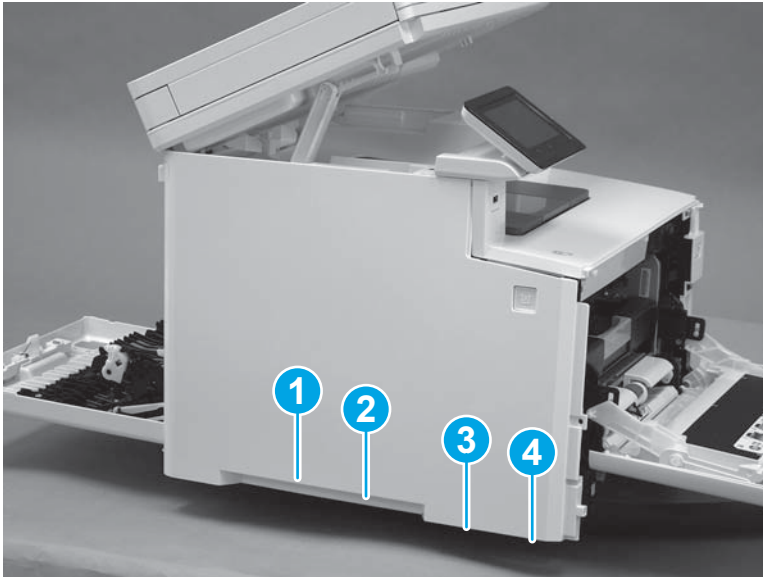
⚠ CAUTION: Make sure that the tab (callout 1) on the front of the cover does not get caught behind the printer frame (callout 2).

Figure 1-442 Make sure the tab does not get caught



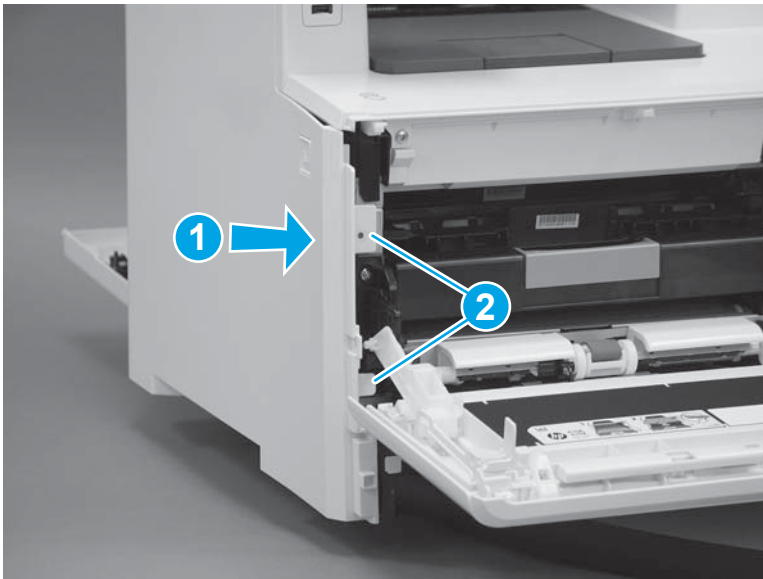
6. Slide the printer to the edge of a work surface in order to access the tabs on the bottom of the cover. Beginning from the back of the cover, install four tabs (callouts 1-4) on the lower edge of the cover.

Figure 1-443 Install four tabs



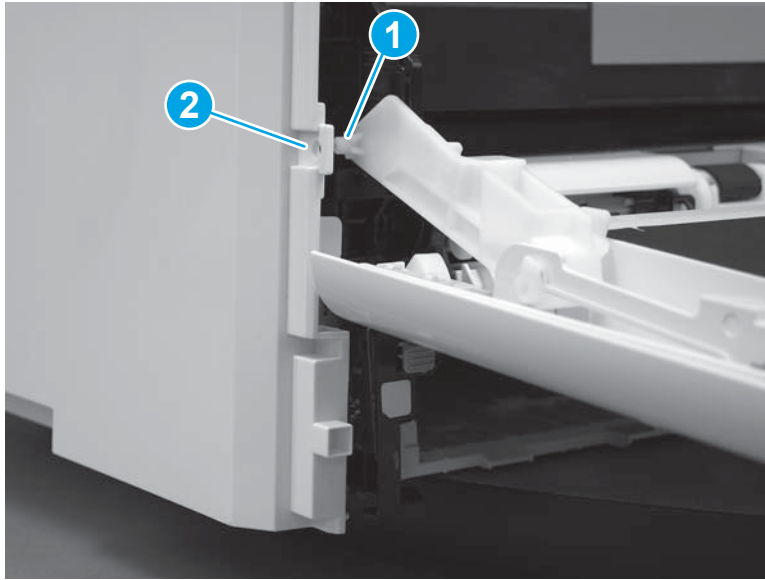
7. Press the cover toward the printer (callout 1), and then install two tabs (callout 2) at the front of the cover.

Figure 1-444 Install two tabs



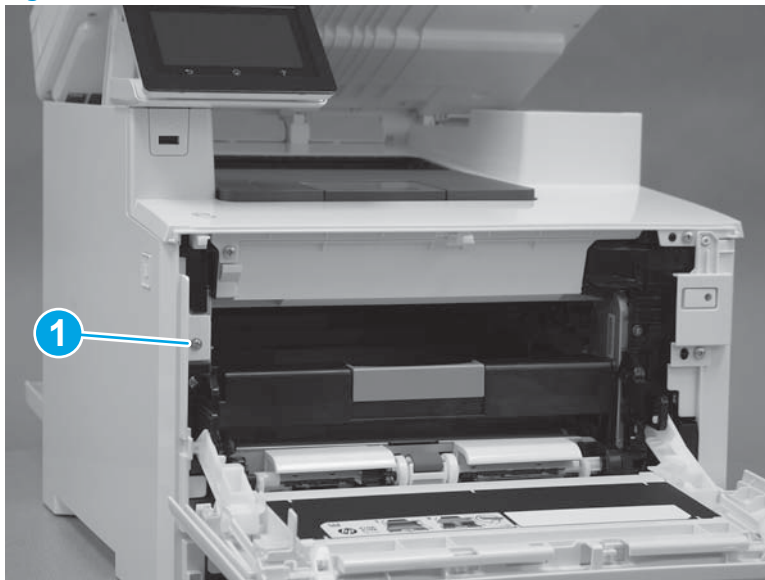
8. Make sure that the hinge pin (callout 1) on the front door fits into the slot (callout 2) on the left cover.

Figure 1-445 Install hinge pin



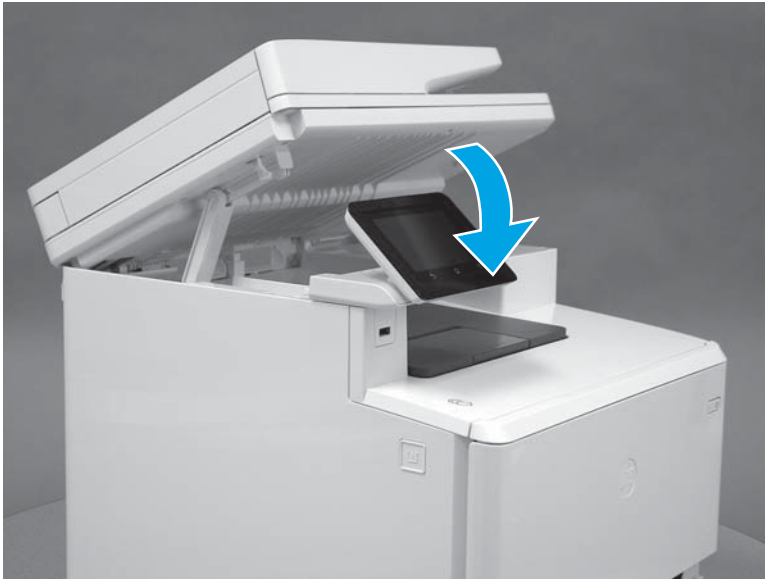
9. Install one screw (callout 1).

Figure 1-446 Install one screw




10. Lower the scanner.

Figure 1-447 Lower the scanner

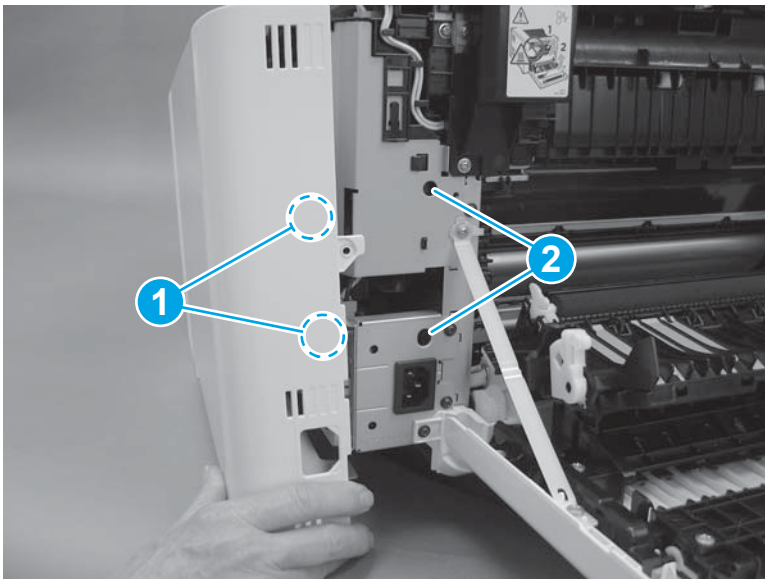


Step 12: Install the right cover (M452 models)

 **NOTE:** This step is for the M452 models. For the M377, M477 models, skip this step and go to [Step 13: Install the right cover \(M377, M477 models\) on page 264.](#)

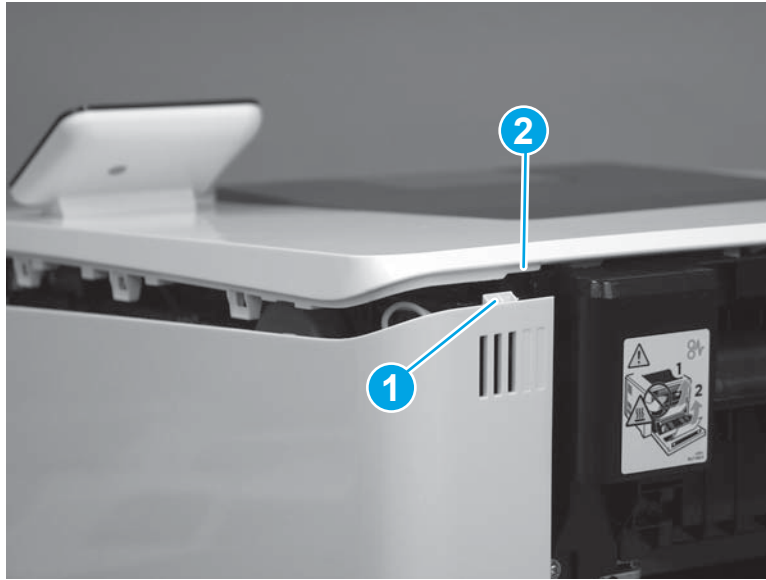
1. Position two tabs (callout 1) on the back of the cover in the slots (callout 2) in the printer.

Figure 1-448 Position two tabs



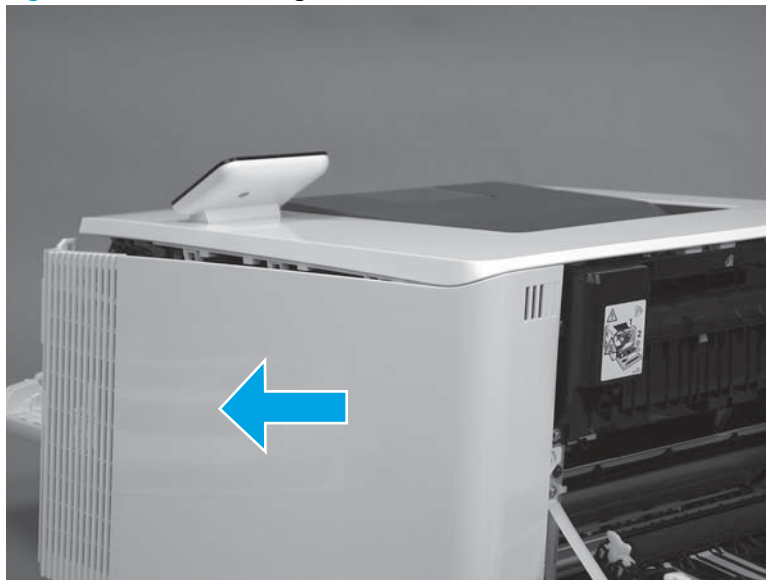
2. At the back of the printer, install the tab (callout 1) under the edge of the top cover (callout 2).

Figure 1-449 Install rear tab



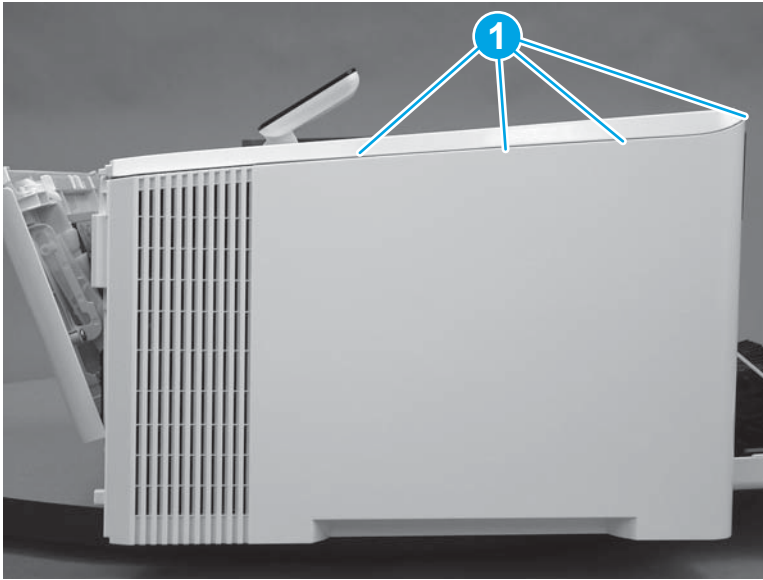
3. Slide the cover toward the front of the printer to install it.

Figure 1-450 Install the right cover



- Engage three tabs (callout 2) on the top of the cover.

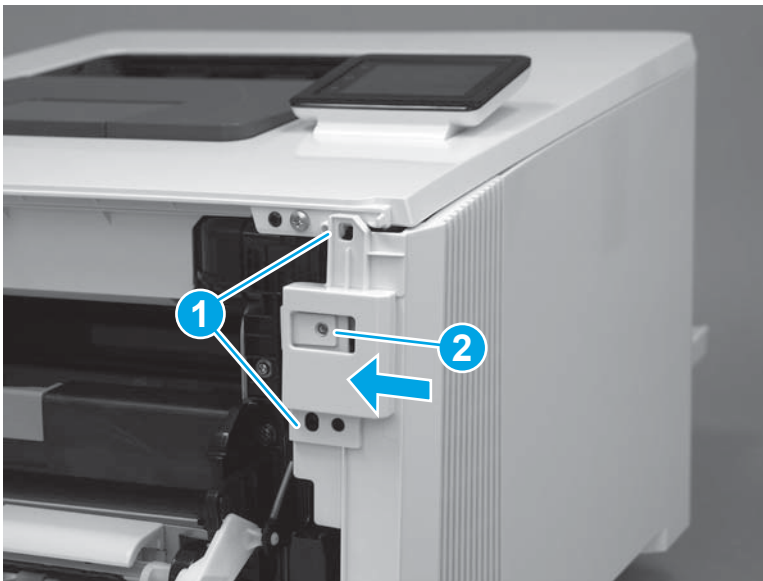
Figure 1-451 Install upper tabs



- At the front of the printer, position the front of the cover over two tabs (callout 1).

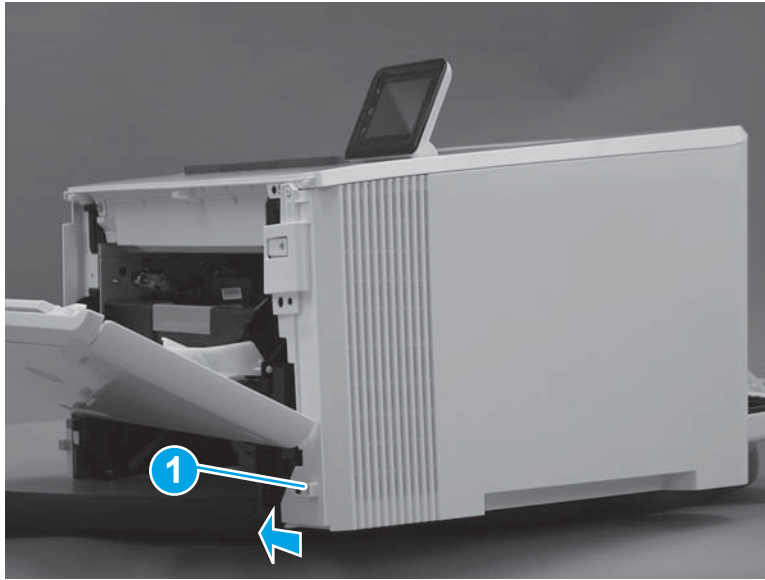
CAUTION: Be careful not to dislodge the power switch (callout 2).

Figure 1-452 Install the front tabs



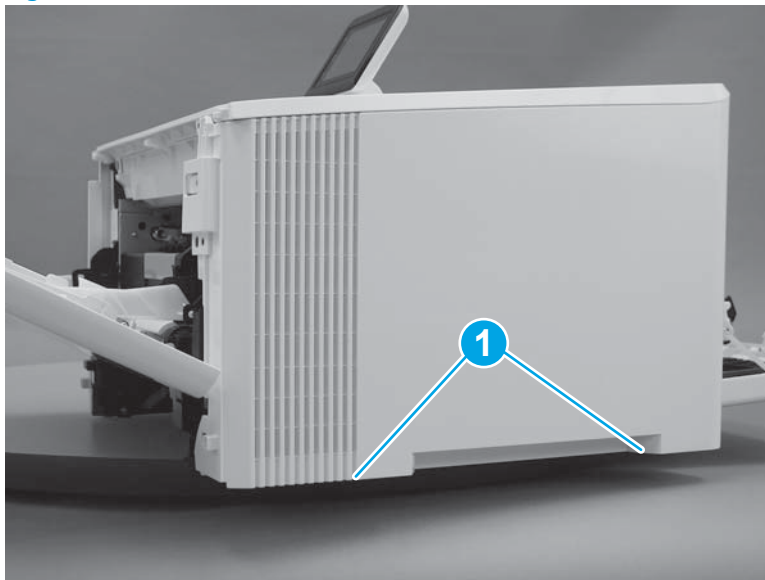
6. Press the right cover toward the printer to engage one tab (callout 1) on the front of the cover.

Figure 1-453 Install the front lower tab



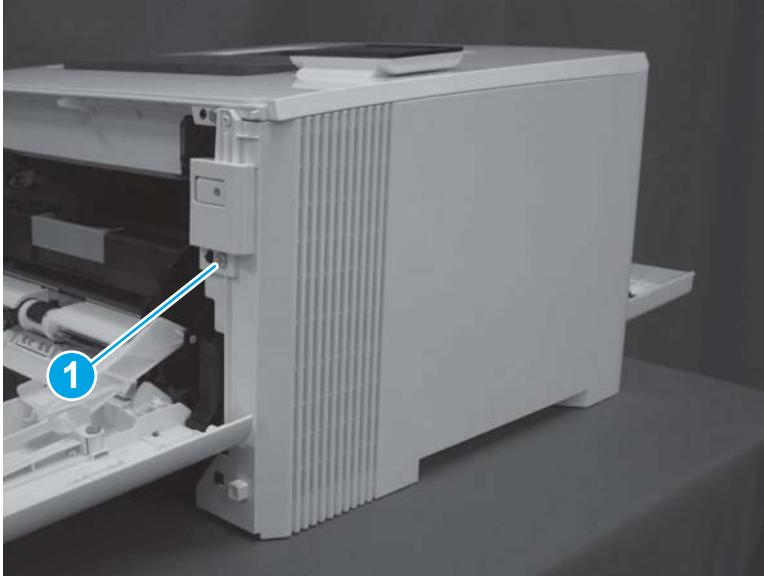
7. Install two tabs on the bottom of the cover (callout 1).

Figure 1-454 Install two tabs



8. At the front of the printer, install one screw (callout 1).

Figure 1-455 Install one screw




9. At the back of the printer, install one screw (callout 1).

Figure 1-456 Install one screw

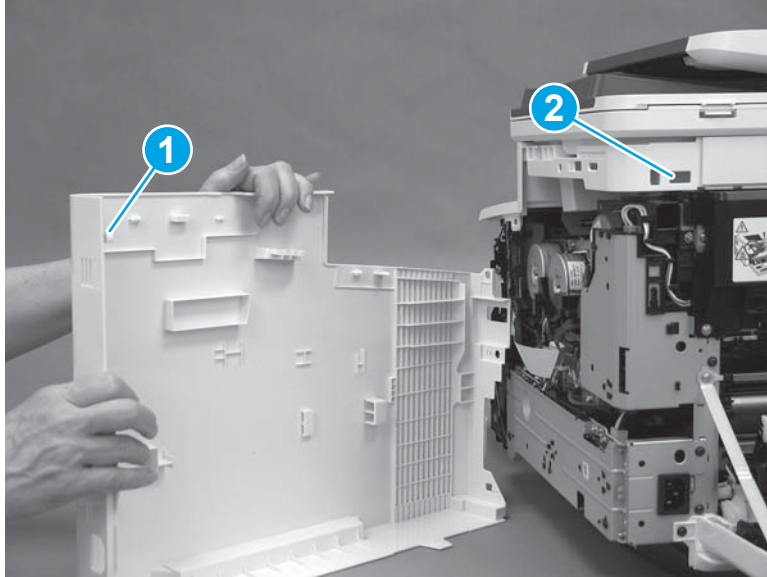


Step 13: Install the right cover (M377, M477 models)

 **NOTE:** This step is for the M377, M477 models. For the M452 models, skip this step and go to [Step 14: Close the front door and rear door on page 270](#).

1. At the back of the printer, install the tab (callout 1) on the cover into the slot (callout 2) on the printer.

Figure 1-457 Install rear tab



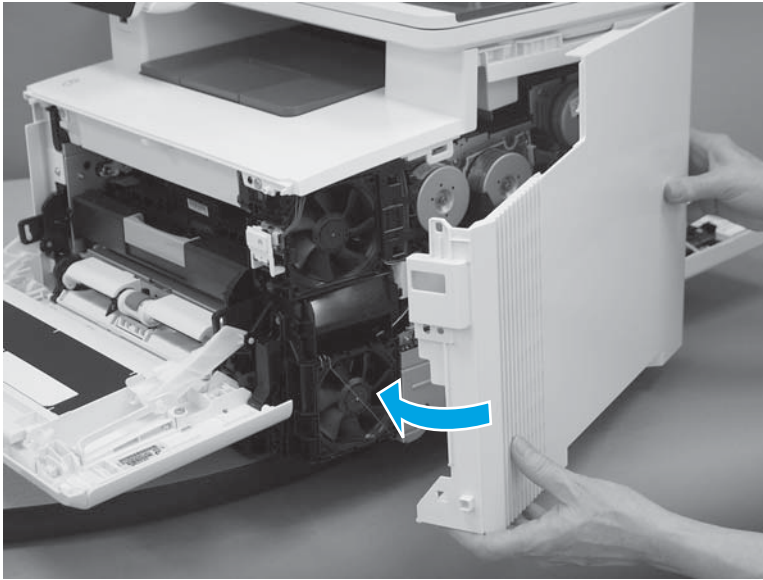
2. Raise the scanner.

Figure 1-458 Raise the scanner



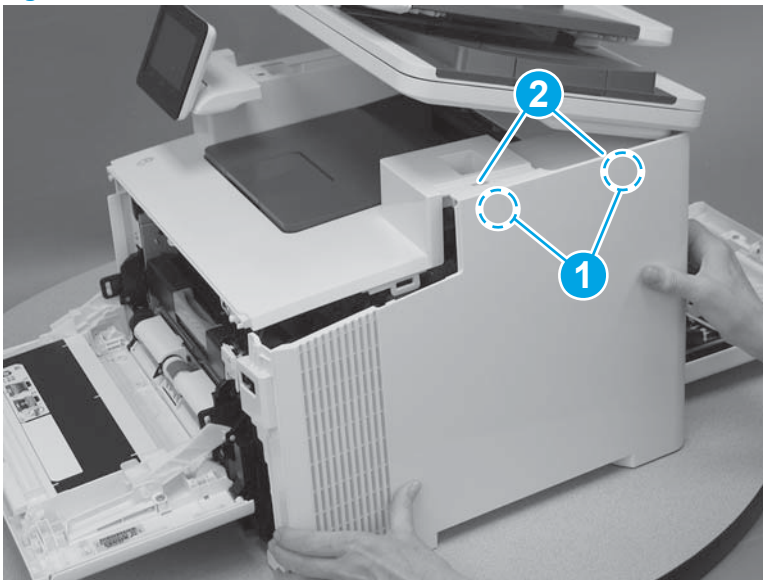
3. Rotate the right cover toward the printer.

Figure 1-459 Rotate the right cover



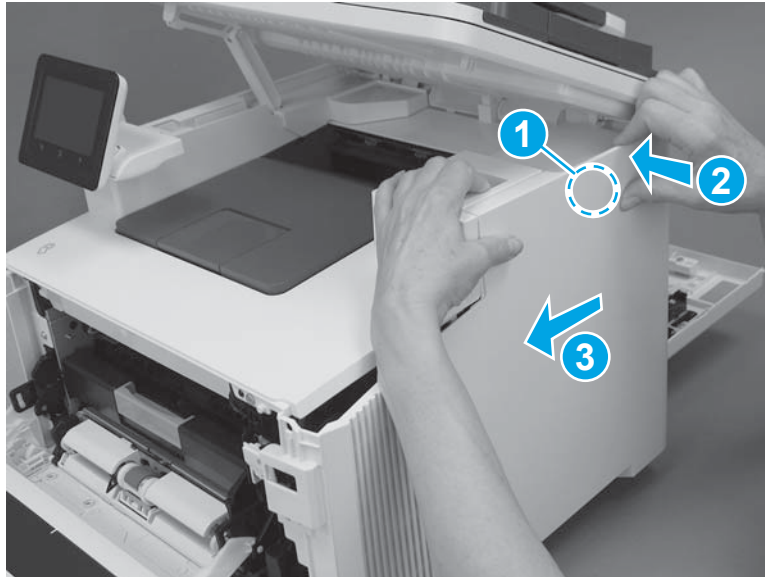
4. Position the hooks (callout 1) on the inside of the cover into the slots (callout 2) in the printer.

Figure 1-460 Position the hooks in the slots



- Engage one hook (callout 1) on the inside of the cover. Hold the top of the cover closed (callout 2) while sliding the cover toward the front of the printer (callout 3).

Figure 1-461 Slide the cover



- Rotate the front of the cover toward the printer (callout 1).

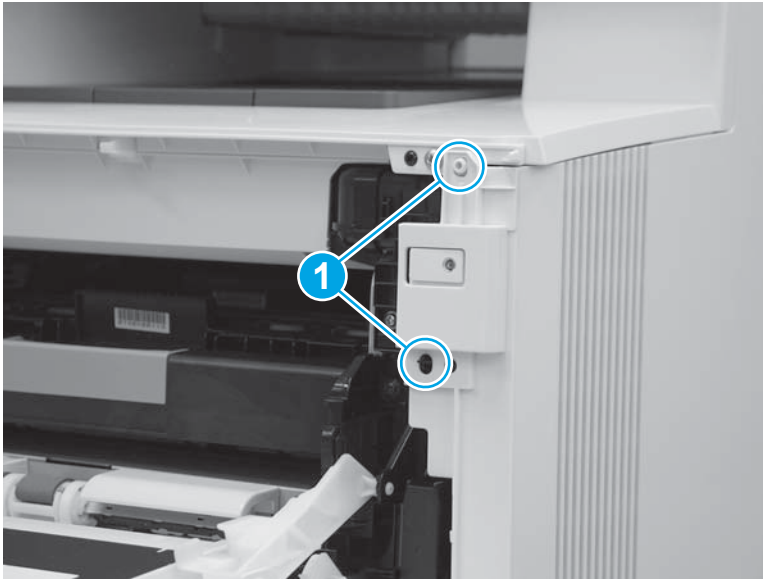
⚠ CAUTION: Be careful not to dislodge the power switch (callout 2).

Figure 1-462 Rotate the front of the cover



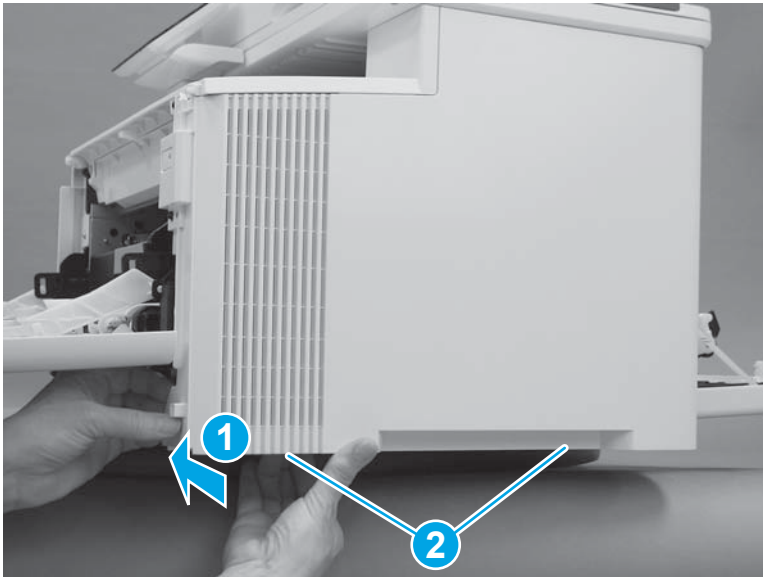
7. Install two tabs at the front of the printer (callout 1).

Figure 1-463 Install two tabs



8. Press the right cover toward the printer (callout 1) to engage one tab on the front of the cover, and two tabs (callout 2) on the lower edge of the cover.

Figure 1-464 Install the front and lower tabs



9. At the front of the printer, install one screw (callout 1).

Figure 1-465 Install one screw



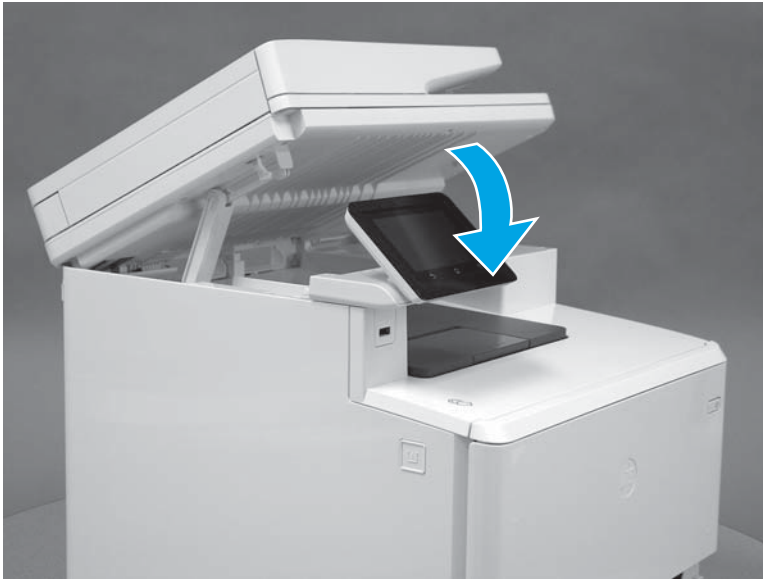
10. At the back of the printer, install one screw (callout 1).

Figure 1-466 Install one screw



11. Lower the scanner.

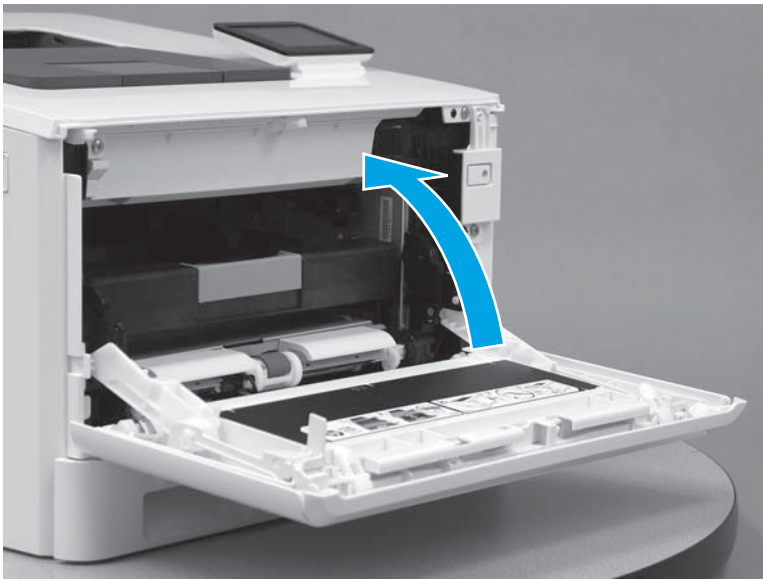
Figure 1-467 Lower the scanner



Step 14: Close the front door and rear door

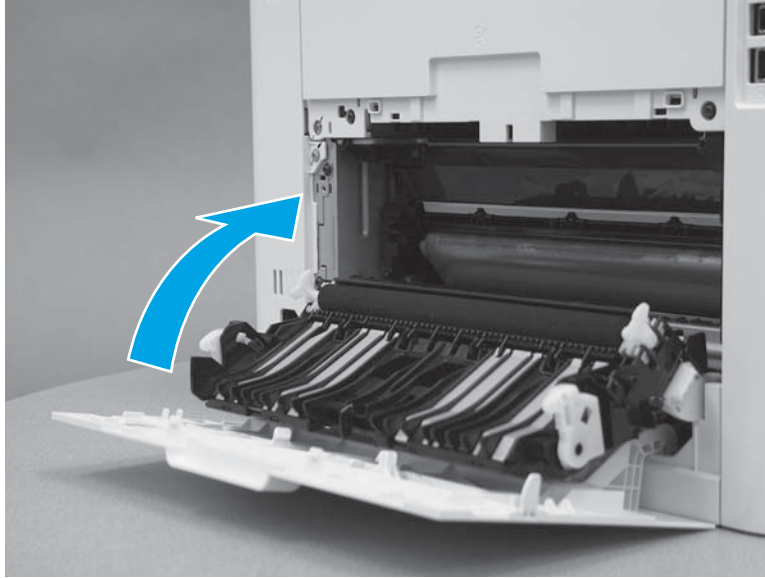
1. Close the front door.

Figure 1-468 Close the front door



2. Close the rear door.

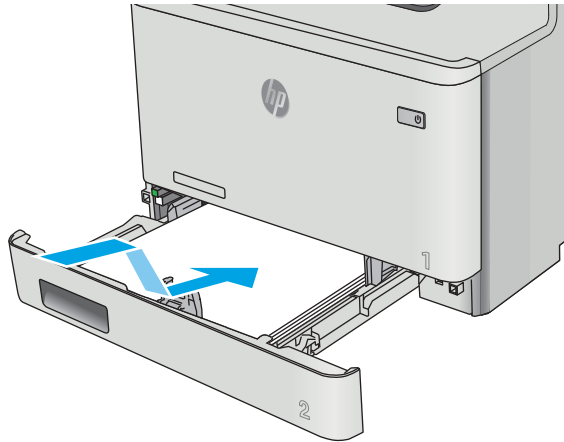
Figure 1-469 Close the rear door



Step 15: Install Tray 2

- ▲ With the front of the tray slightly lifted, align the sides of the tray with the rails in the printer, and then carefully slide the tray into the printer. As the tray slides into the printer, lower the front of the tray, and then close it.

Figure 1-470 Install the tray



Removal and replacement: Rear lower cover (simplex models)


- [Introduction](#)
- [Step 1: Remove Tray 2](#)
- [Step 2: Open the front door and rear door](#)
- [Step 3: Remove the right cover \(M452 models\)](#)
- [Step 4: Remove the right cover \(M477 models\)](#)
- [Step 5: Remove the left cover \(M452 models\)](#)
- [Step 6: Remove the left cover \(M477 models\)](#)
- [Step 7: Remove the rear lower cover \(simplex models\)](#)
- [Step 8: Unpack the replacement part](#)
- [Step 9: Install the rear lower cover \(simplex models\)](#)
- [Step 10: Install the left cover \(M452 models\)](#)
- [Step 11: Install the left cover \(M477 models\)](#)
- [Step 12: Install the right cover \(M452 models\)](#)
- [Step 13: Install the right cover \(M477 models\)](#)
- [Step 14: Close the front door and rear door](#)
- [Step 15: Install Tray 2](#)

Introduction

This document provides the procedures to remove and replace the rear lower cover for simplex models.

Before you begin

- Turn off the printer.
- Disconnect the power cable.

 **WARNING!** To avoid damage to the printer, turn the printer off, wait 30 seconds, and then remove the power cord before attempting to service the printer.

- Use the table below to identify the correct part number for your printer. To order the part, go to www.hp.com/buy/parts.

| Rear lower cover part number | |
|------------------------------|------------------|
| RC4-5131-000CN | Rear lower cover |

Required tools

- #2 Phillips screwdriver with a magnetic tip

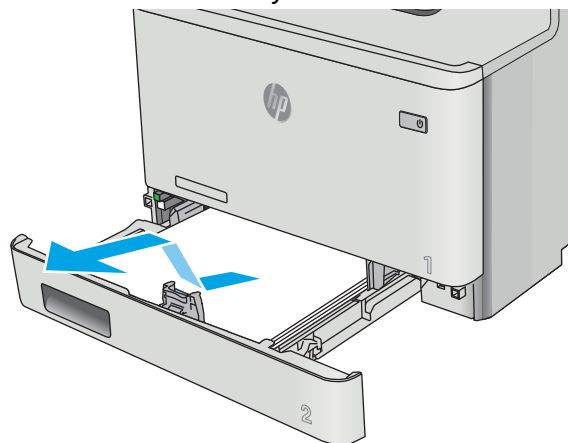
After performing service

- Connect the power cable.
- Use the power switch to turn the power on.

Step 1: Remove Tray 2

- ▲ Pull the tray out until it stops. Lift the front of the tray, and then pull it out of the printer to remove it.

Figure 1-471 Remove the tray



Step 2: Open the front door and rear door

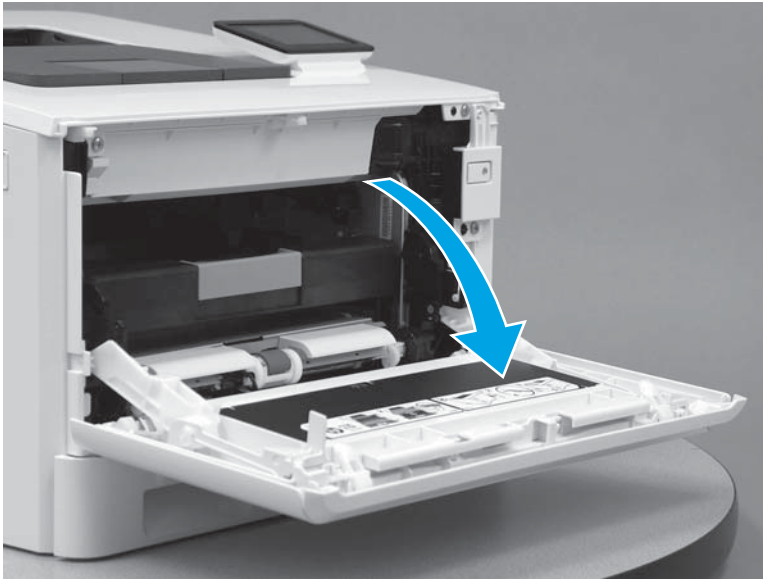
1. Press the button (callout 1) on the left side of the printer to release the front door.

Figure 1-472 Release the front door



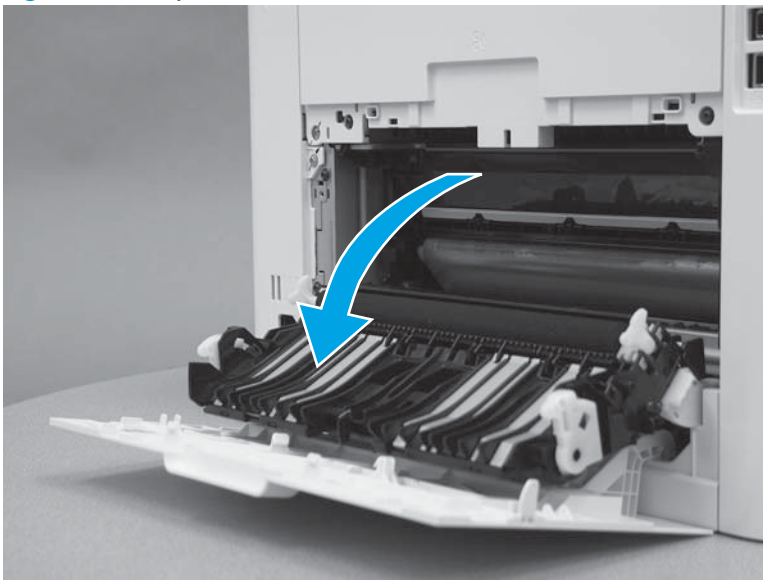
2. Open the front door.

Figure 1-473 Open the front door



3. Open the rear door.

Figure 1-474 Open the rear door



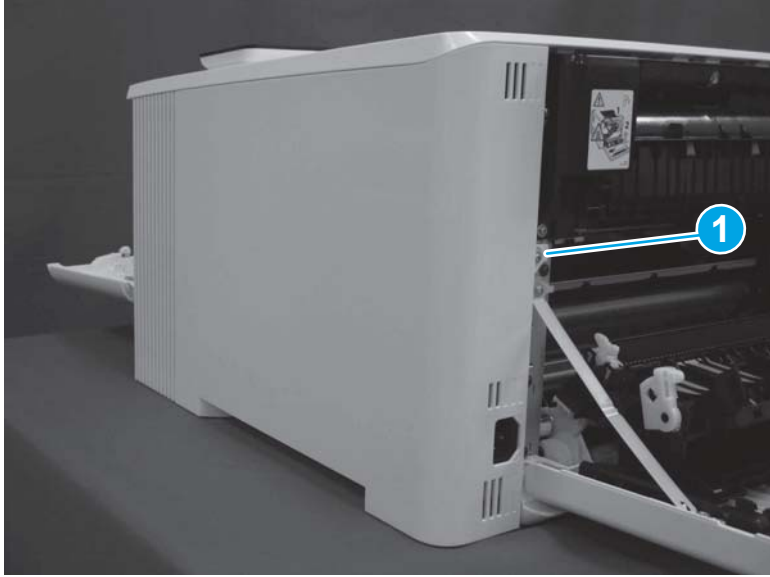
Step 3: Remove the right cover (M452 models)



NOTE: This step is for the M452 models. For the M477 models, skip this step and go to [Step 4: Remove the right cover \(M477 models\) on page 278](#).

1. At the back of the printer, remove one screw (callout 1).

Figure 1-475 Remove one screw



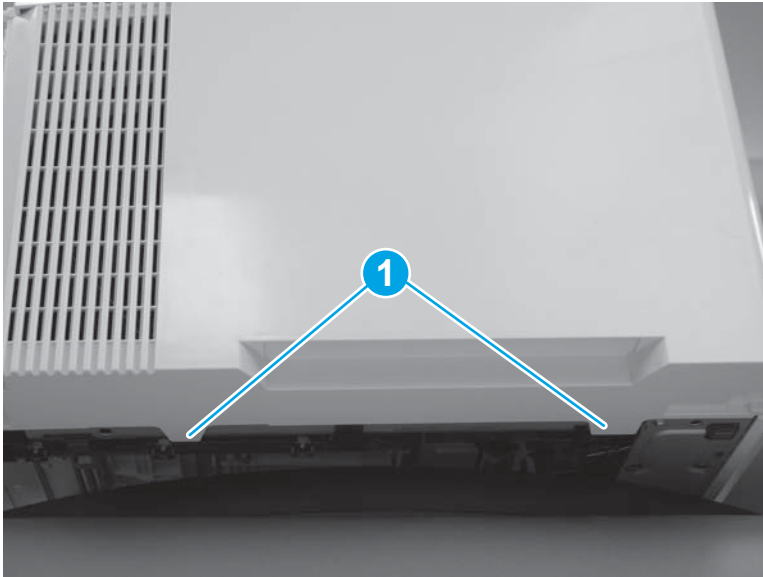
2. At the front of the printer, remove one screw (callout 1).

Figure 1-476 Remove one screw



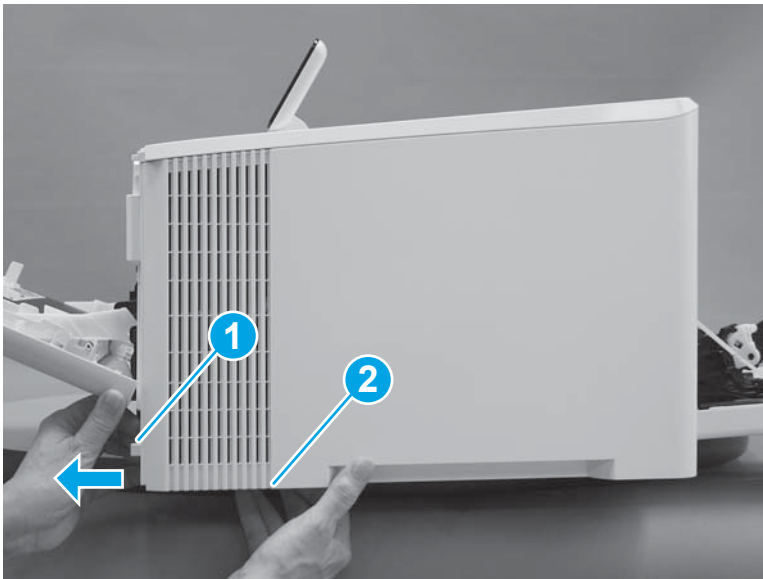
3. Slide the printer to the edge of a work surface. Note the location of the tabs on the lower edge of the cover (callout 1).

Figure 1-477 Locate the tabs



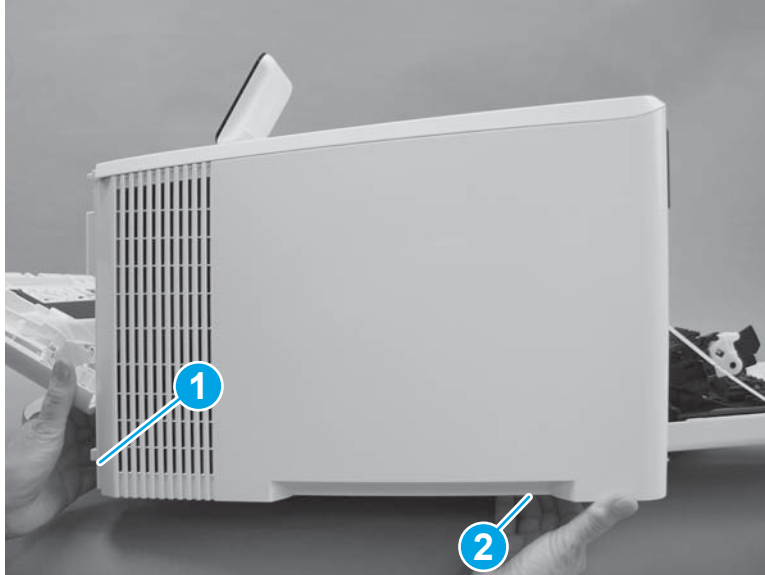
4. Release one tab (callout 1) on the front of the cover by slightly pulling the cover away from the printer. While holding the cover in the released position, release one tab (callout 2) on the bottom of the cover.

Figure 1-478 Release front lower tabs



5. Hold the front tabs in the released position (callout 1), and then release one tab (callout 2) on the bottom of the cover, toward the back of the printer.

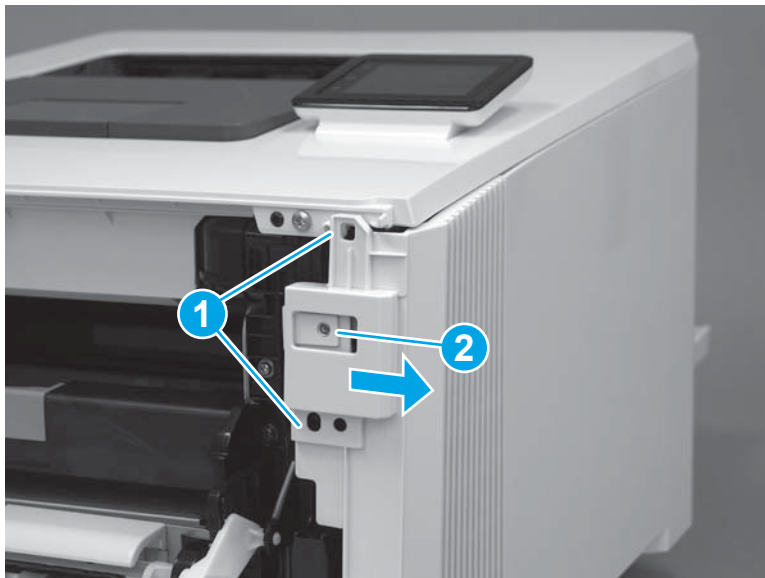
Figure 1-479 Release lower rear tab



6. Release two tabs at the front of the printer (callout 1) by slightly pulling the cover away from the printer.

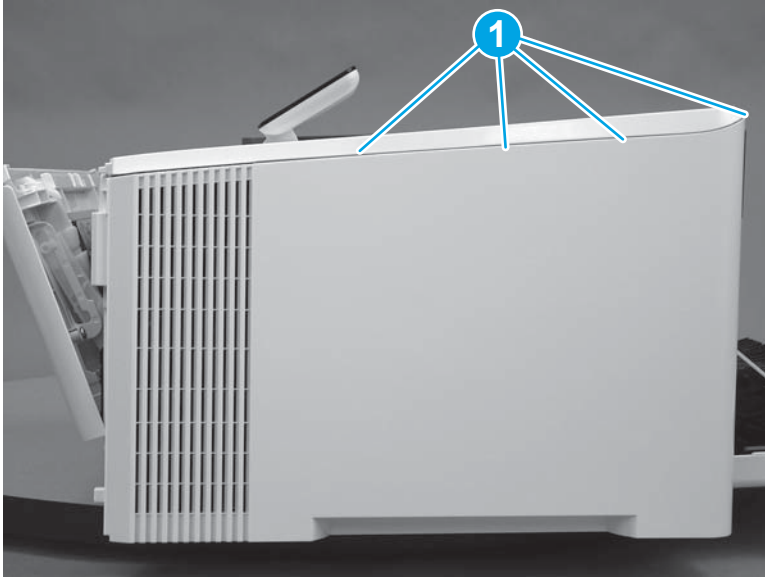
⚠ CAUTION: Be careful not to dislodge the power switch (callout 2).

Figure 1-480 Release two front tabs



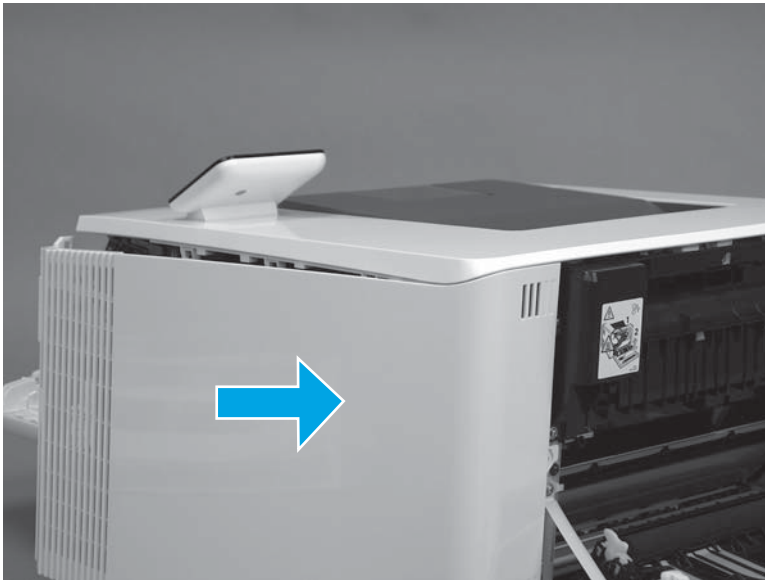
7. Release four tabs on the top of the printer (callout 1).

Figure 1-481 Release upper tabs



8. Slide the cover toward the back of the printer to remove it.

Figure 1-482 Remove the right cover



Step 4: Remove the right cover (M477 models)



NOTE: This step is for the M477 models. For the M452 models, skip this step and go to [Step 5: Remove the left cover \(M452 models\) on page 284](#).

1. Raise the scanner.

Figure 1-483 Raise the scanner



2. At the back of the printer, remove one screw (callout 1).

Figure 1-484 Remove one screw



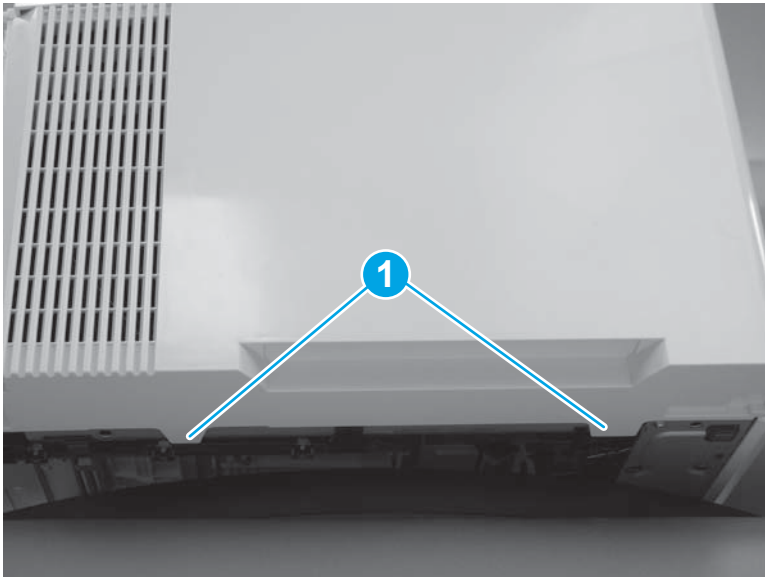
3. At the front of the printer, remove one screw (callout 1).

Figure 1-485 Remove one screw



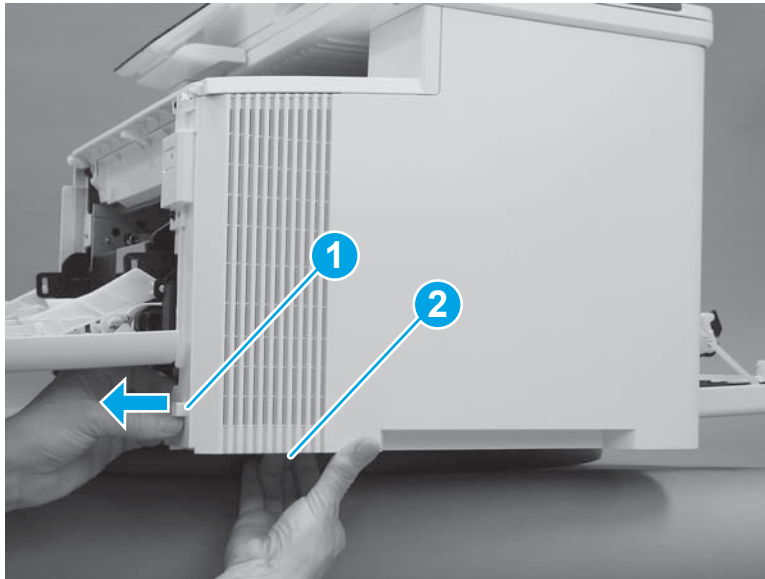
4. Slide the printer to the edge of a work surface. Note the location of the tabs on the lower edge of the cover (callout 1).

Figure 1-486 Locate the tabs



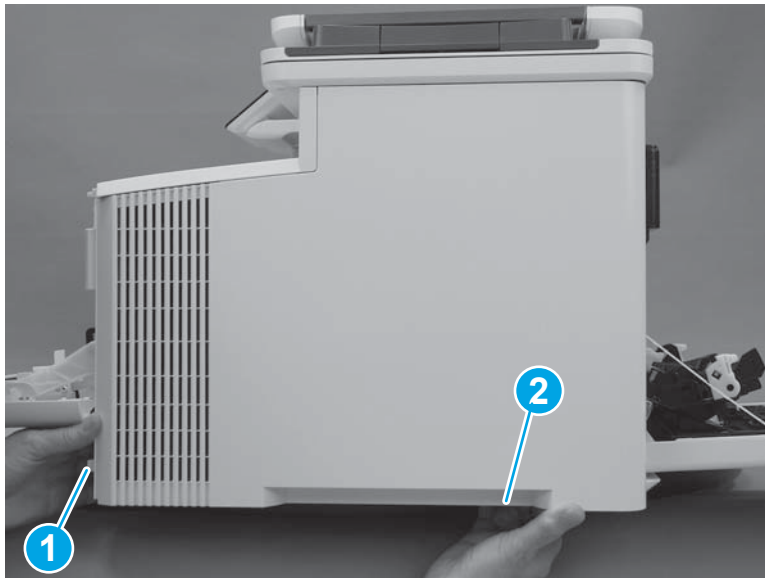
5. Release one tab (callout 1) on the front of the cover by slightly pulling the cover away from the printer. While holding the cover in the released position, release one tab (callout 2) on the lower edge of the cover.

Figure 1-487 Release front lower tabs



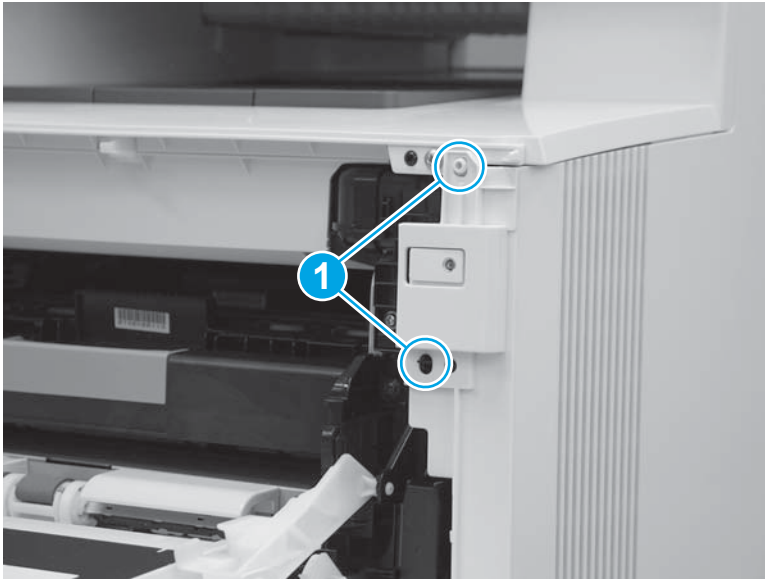
6. Hold the front tabs in the released position (callout 1), and then release one tab (callout 2) on the lower edge of the cover, toward the back of the printer.

Figure 1-488 Release lower rear tab



7. Release two tabs at the front of the printer (callout 1) by slightly pulling the cover away from the printer.

Figure 1-489 Release front upper tabs



8. Rotate the front of the cover away from the printer (callout 1).

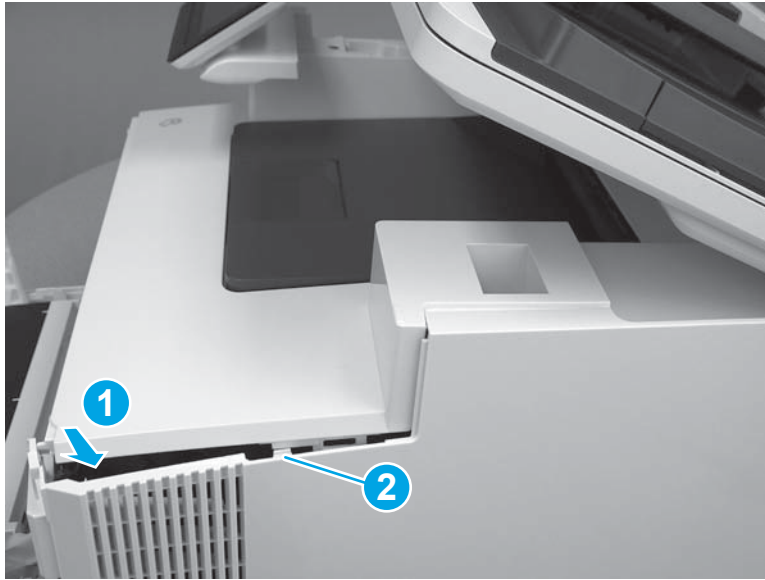
CAUTION: Be careful not to dislodge the power switch (callout 2).

Figure 1-490 Rotate the front of the cover



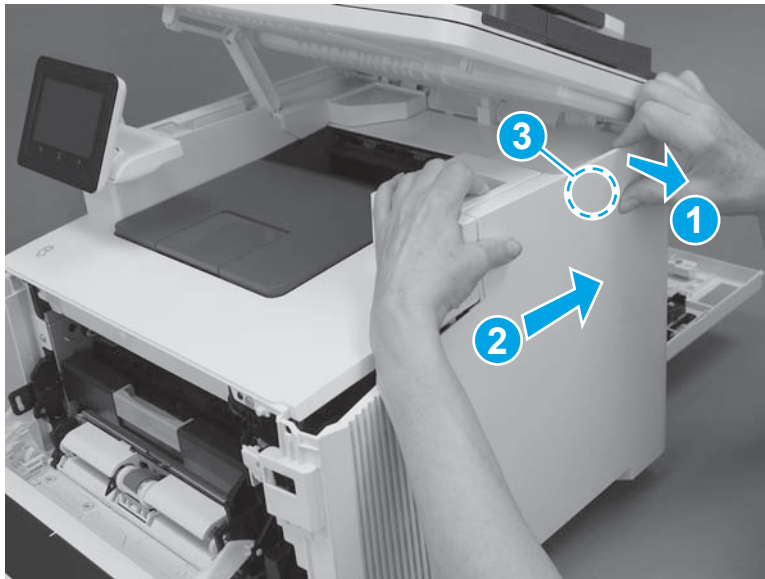
9. Slightly pull the front of the cover away from the printer (callout 1) to release one tab (callout 2).

Figure 1-491 Release top tabs



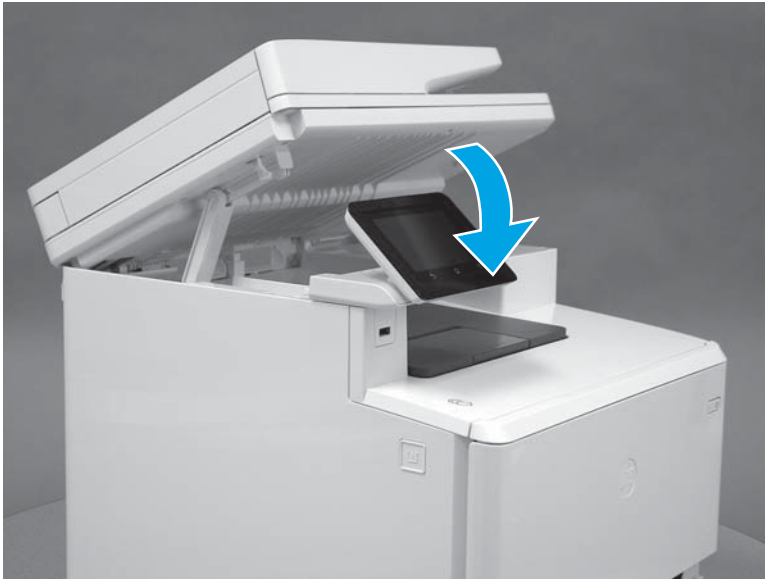
10. At the top of the printer, slightly pull the top of the cover away from the printer to release one retention tab (callout 1) on the inside of the cover. While holding the cover away, slide the cover toward the back of the printer (callout 2) to release one hook (callout 3) on the inside of the cover.

Figure 1-492 Release one tab and one hook



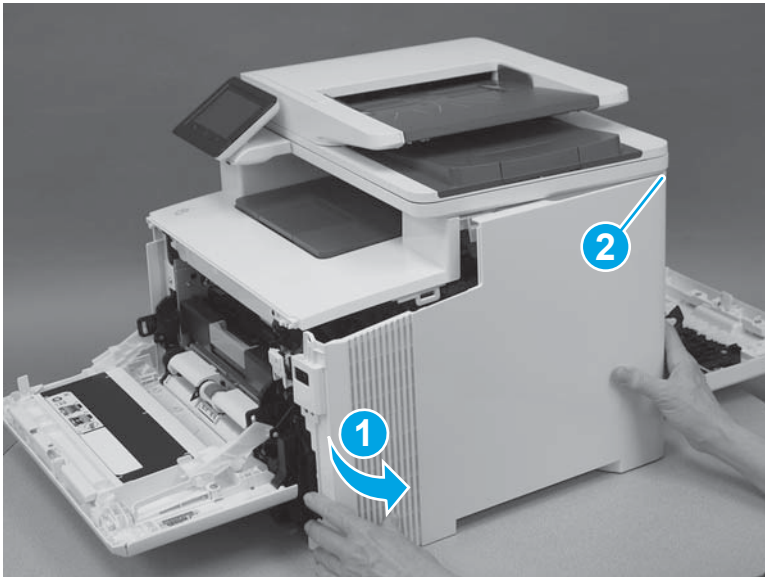
11. Lower the scanner.

Figure 1-493 Lower the scanner




12. Rotate the cover away from the printer (callout 1) to release one tab (callout 2) at the back of the printer, and then remove the cover.

Figure 1-494 Remove the right cover

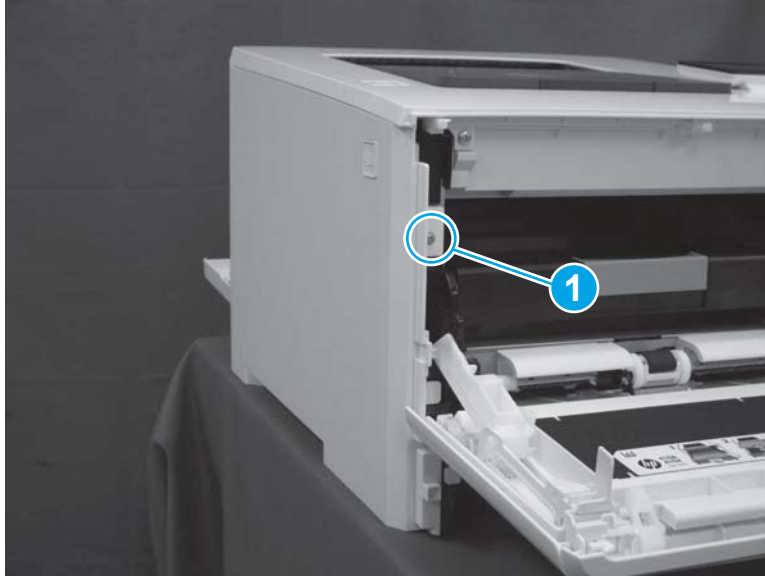


Step 5: Remove the left cover (M452 models)

 **NOTE:** This step is for the M452 models. For the M477 models, skip this step and go to [Step 6: Remove the left cover \(M477 models\) on page 287](#).

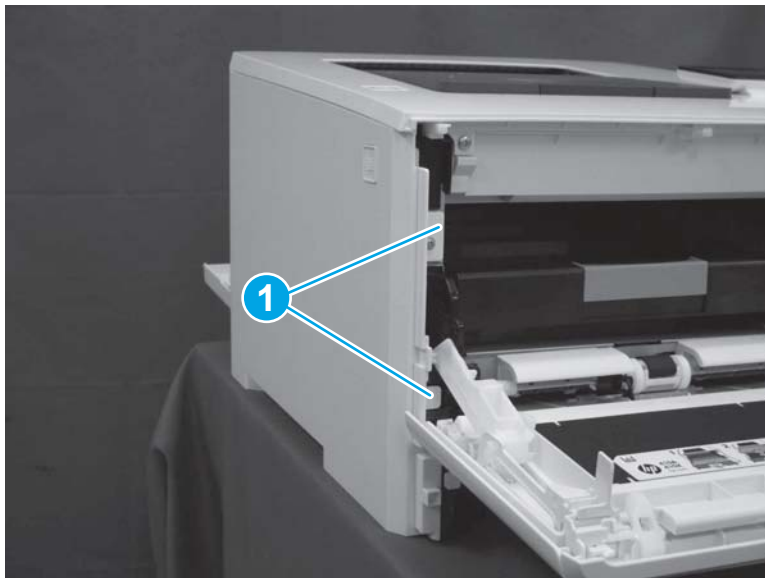
1. At the front of the printer, remove one screw (callout 1).

Figure 1-495 Remove one screw



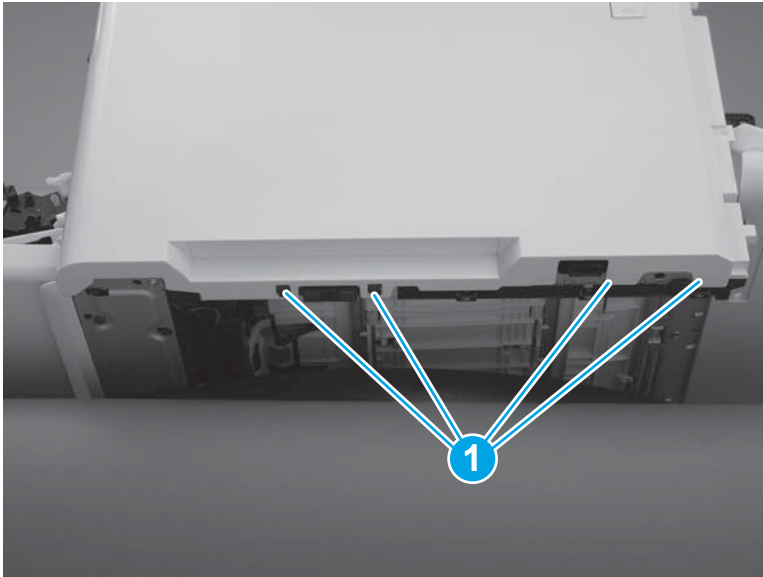
2. Release two tabs (callout 1) at the front of the cover. Hold the cover open to prevent the tabs from reengaging.

Figure 1-496 Release two tabs



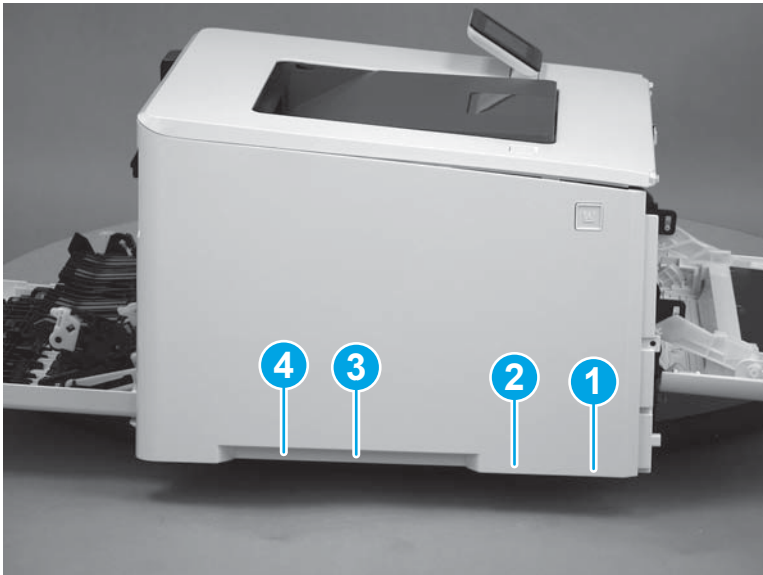
3. Slide the printer to the edge of a work surface. Note the location of the tabs on the lower edge of the cover (callout 1).

Figure 1-497 Locate the tabs



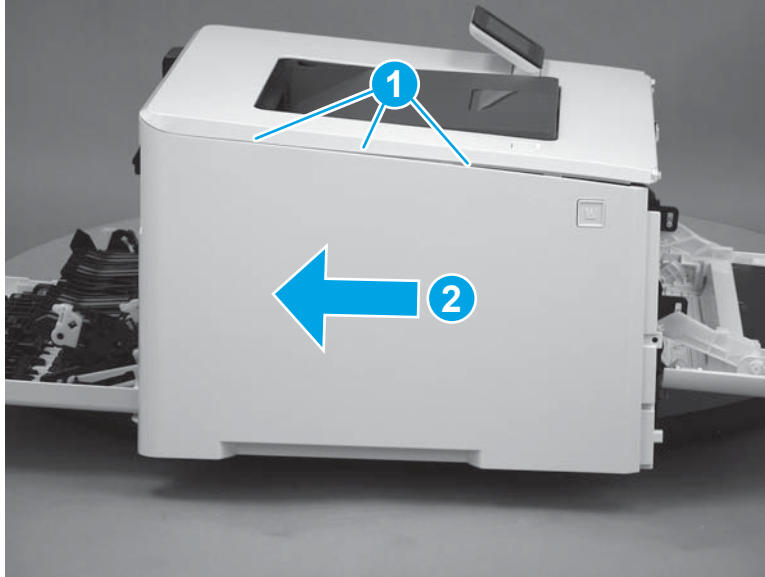
4. Beginning from the front of the cover, release four tabs (callouts 1-4) on the lower edge of the cover.

Figure 1-498 Release bottom tabs




5. Release three tabs at the top of the cover (callout 1), and then slide the cover toward the rear of the printer to remove it.

Figure 1-499 Release three tabs



Step 6: Remove the left cover (M477 models)

 **NOTE:** This step is for the M477 models. For the M452 models, skip this step and go to [Step 7: Remove the rear lower cover \(simplex models\) on page 291](#).

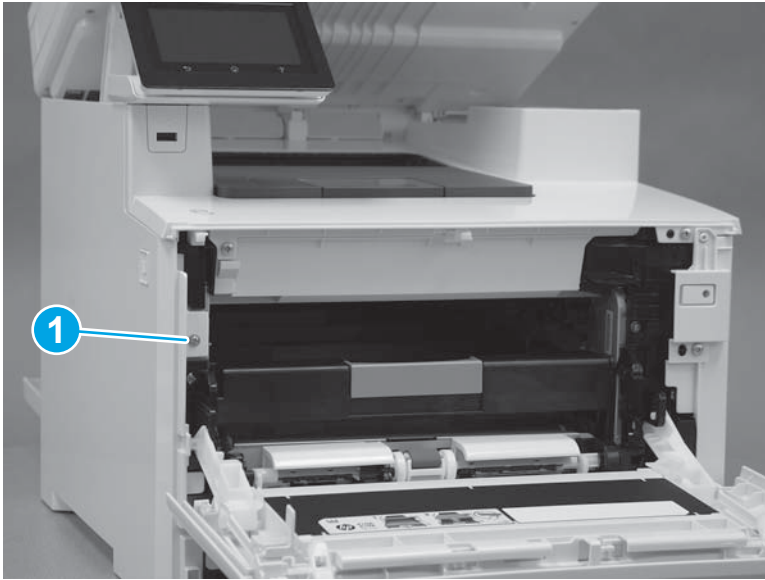
1. Raise the scanner.

Figure 1-500 Raise the scanner



2. At the front of the printer, remove one screw (callout 1).

Figure 1-501 Remove one screw



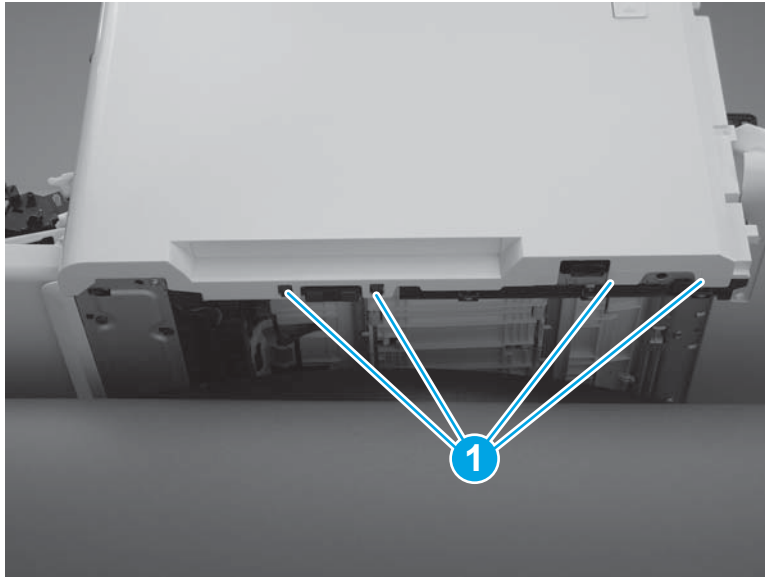
3. Release two tabs (callout 1) at the front of the cover. Hold the cover open to prevent the tabs from re-engaging.

Figure 1-502 Release two tabs



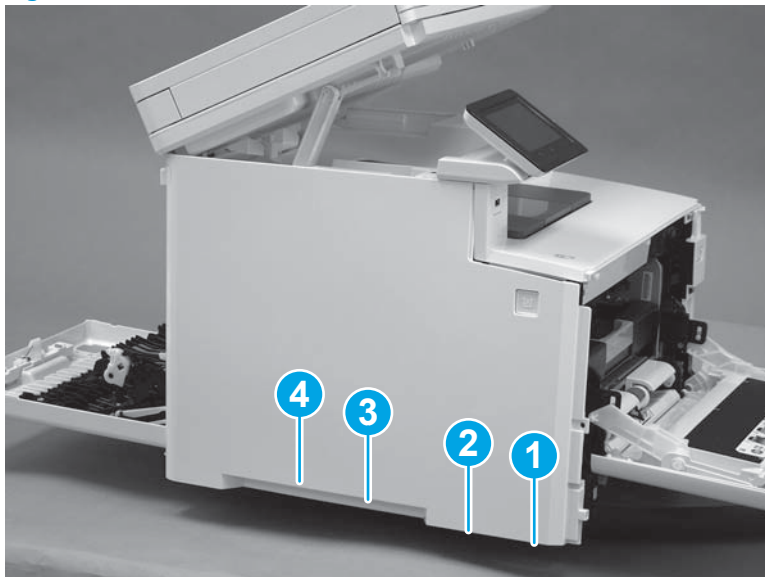
4. Slide the printer to the edge of a work surface. Note the location of the tabs on the lower edge of the cover (callout 1).

Figure 1-503 Locate the tabs



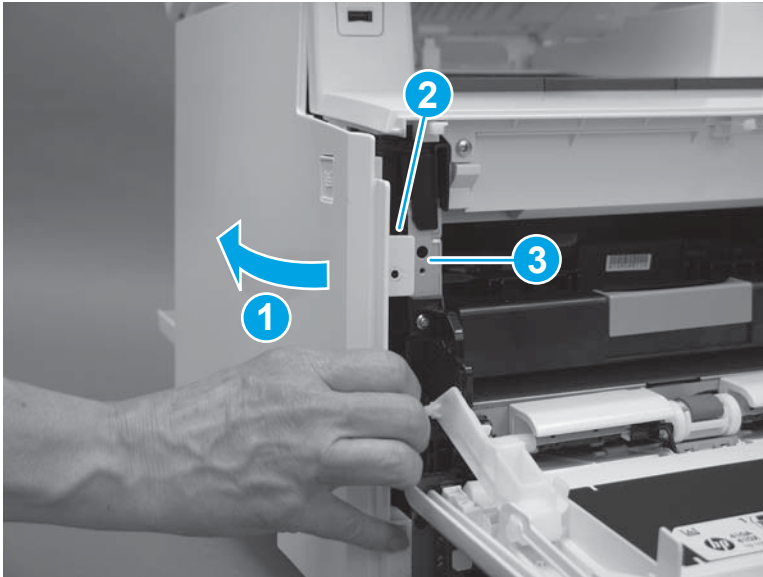
5. Beginning from the front of the cover, release the four tabs (callouts 1-4) on the lower edge of the cover.

Figure 1-504 Release four tabs



6. Rotate the front of the cover away from the printer (callout 1). Make sure that the tab (callout 2) does not get caught on the printer frame (callout 3).

Figure 1-505 Rotate the cover



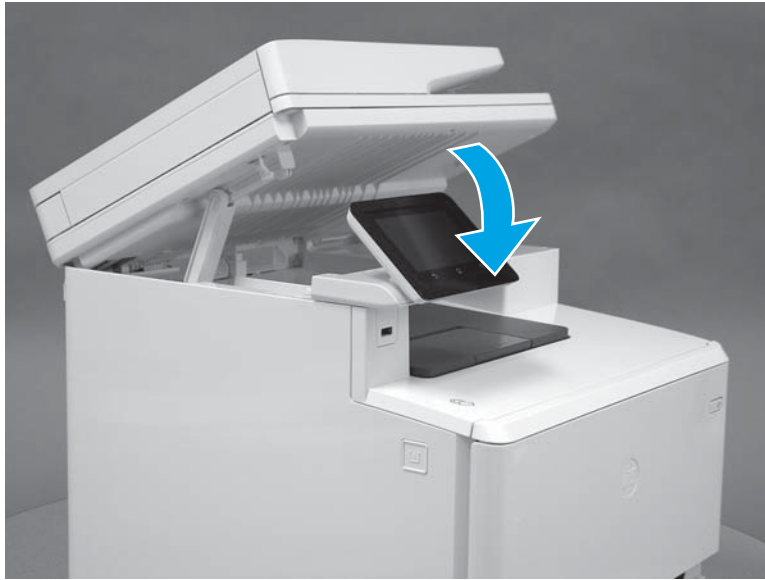
7. At the top of the printer, slightly pull the top of the cover away from the printer to release one retention tab (callout 1) on the inside of the cover. While holding the cover away, slide the cover toward the back of the printer (callout 2) to release two hooks (callout 3) inside the cover.

Figure 1-506 Release one tab and two hooks



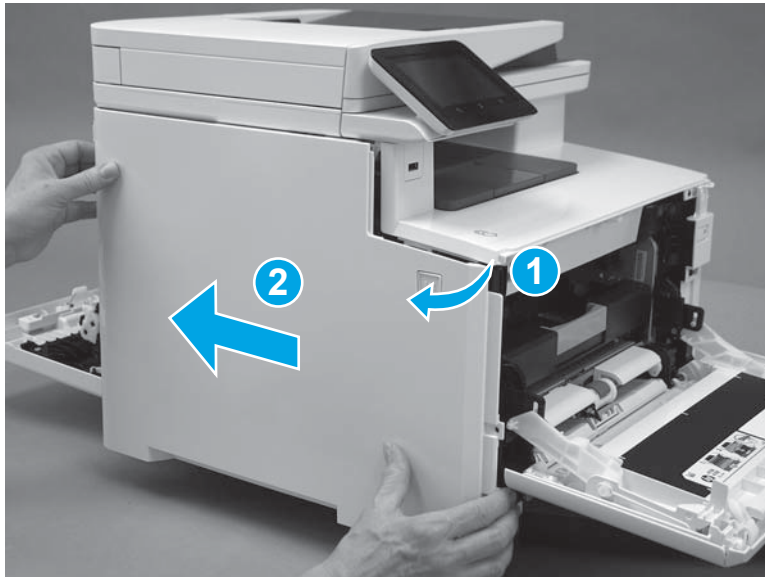
8. Lower the scanner.

Figure 1-507 Lower the scanner



9. Rotate the cover away from the printer (callout 1), and then slide the cover (callout 2) toward the back of the printer to remove it.

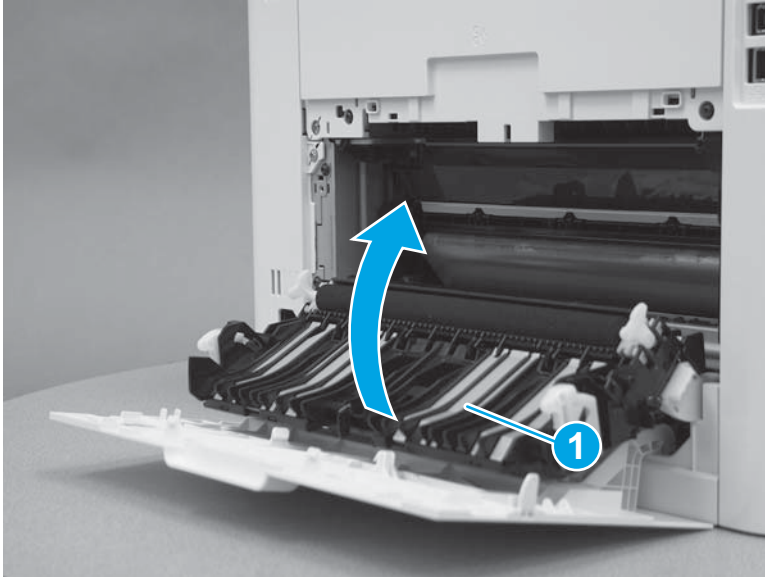
Figure 1-508 Remove the left cover



Step 7: Remove the rear lower cover (simplex models)

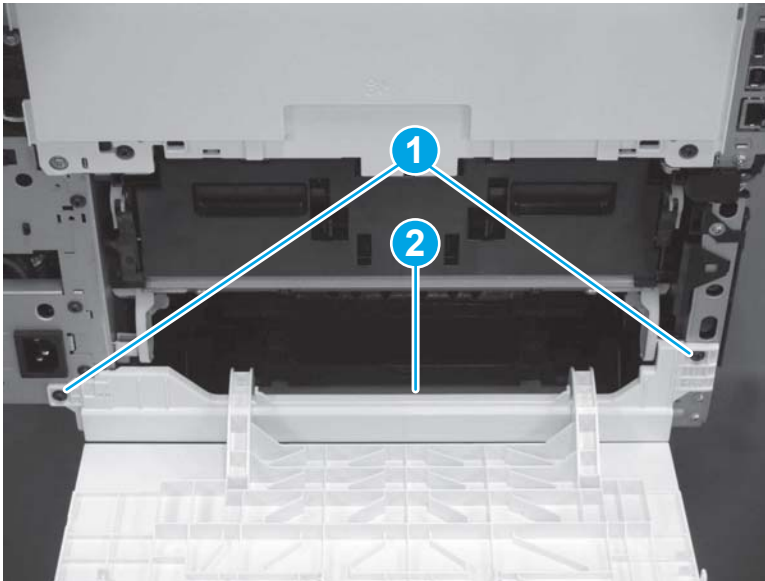
1. Rotate the secondary transfer assembly (callout 1) toward the printer to close it.

Figure 1-509 Close the secondary transfer assembly



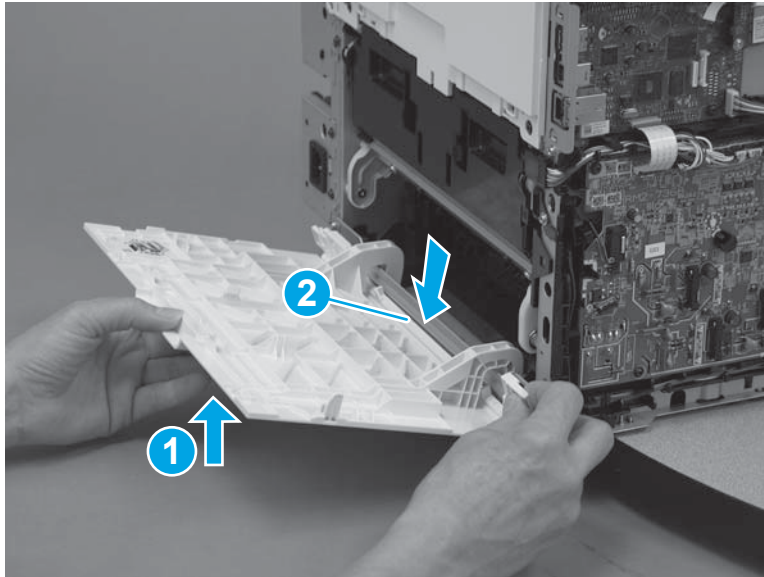
2. Remove two screws (callout 1) and release one tab (callout 2).

Figure 1-510 Remove two screws and release one tab



3. Slide the printer to the edge of a work surface in order to allow removal of the cover. Lift the rear door up (callout 1), and then move the rear lower cover down to remove it (callout 2).

Figure 1-511 Remove the rear lower cover



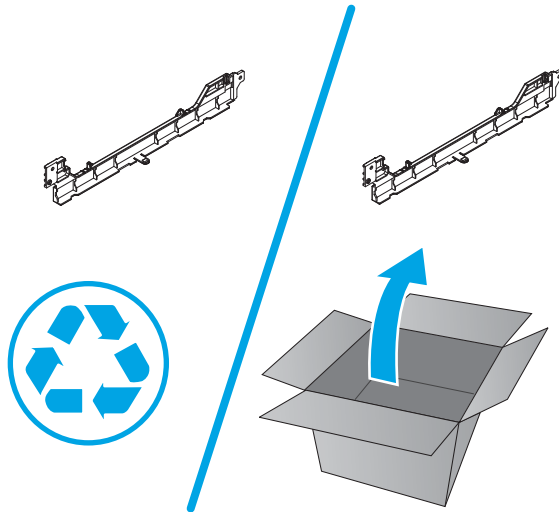
Step 8: Unpack the replacement part

Remove the new part from its package. Save all packaging for recycling the used part.

For complete information on HP's recycling programs, go to [Product return and recycling](#).

 **NOTE:** HP recommends responsible disposal of the defective part.

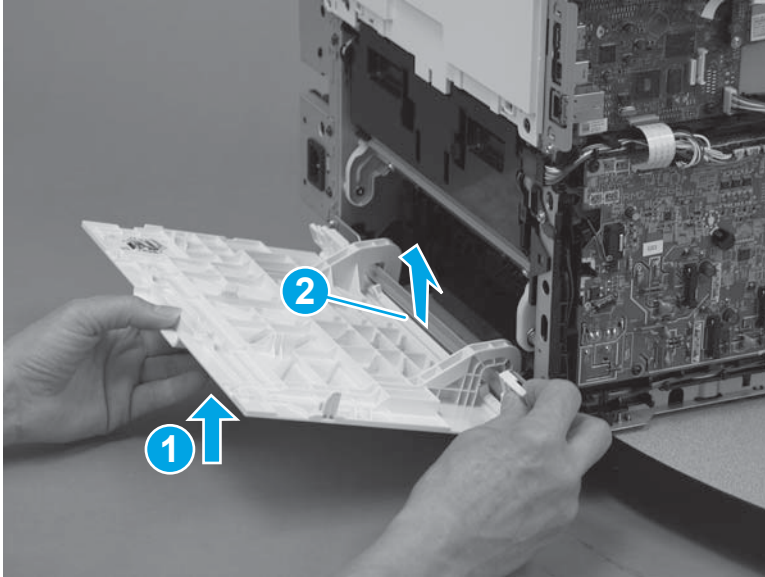
Figure 1-512 Recycle and unpack



Step 9: Install the rear lower cover (simplex models)

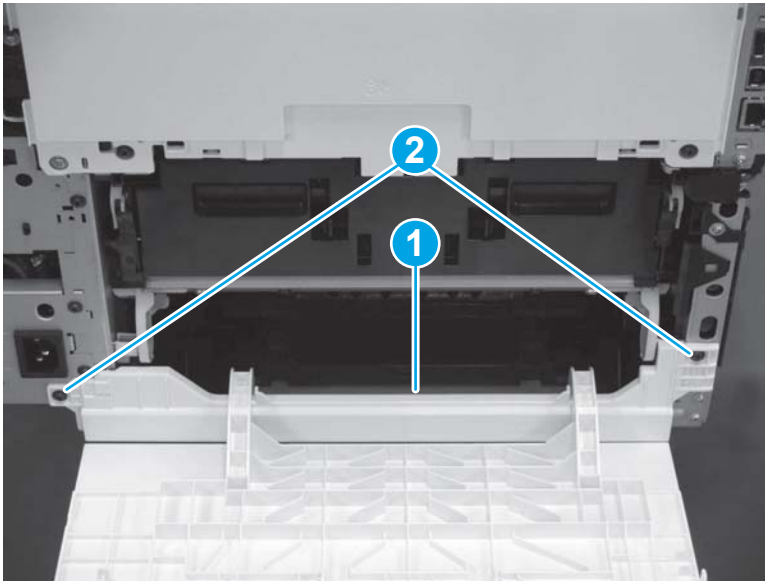
1. Slide the printer to the edge of a work surface in order to allow installation of the cover. Lift the rear door up (callout 1), and then move the rear lower cover up to install it (callout 2).

Figure 1-513 Install the rear lower cover



2. Engage one tab (callout 1), and then install two screws (callout 2).

Figure 1-514 Engage tab and install screws



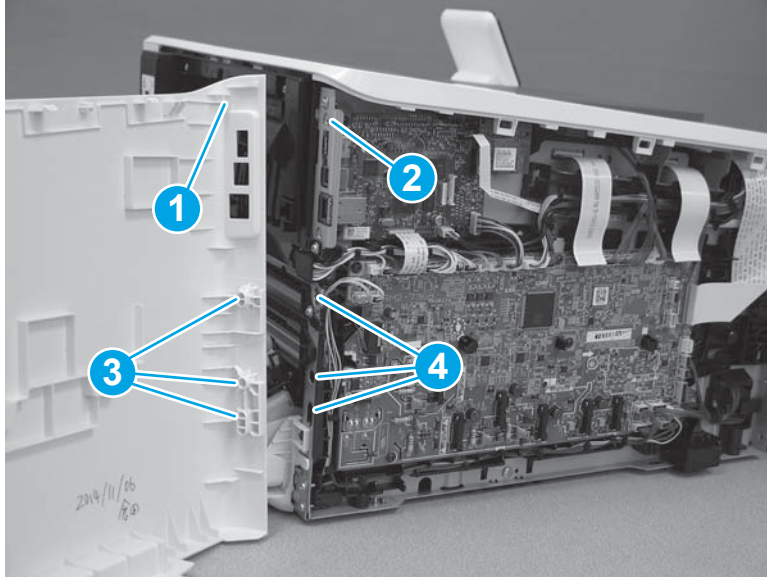
Step 10: Install the left cover (M452 models)



NOTE: This step is for the M452 models. For the M477 models, skip this step and go to [Step 11: Install the left cover \(M477 models\) on page 298](#).

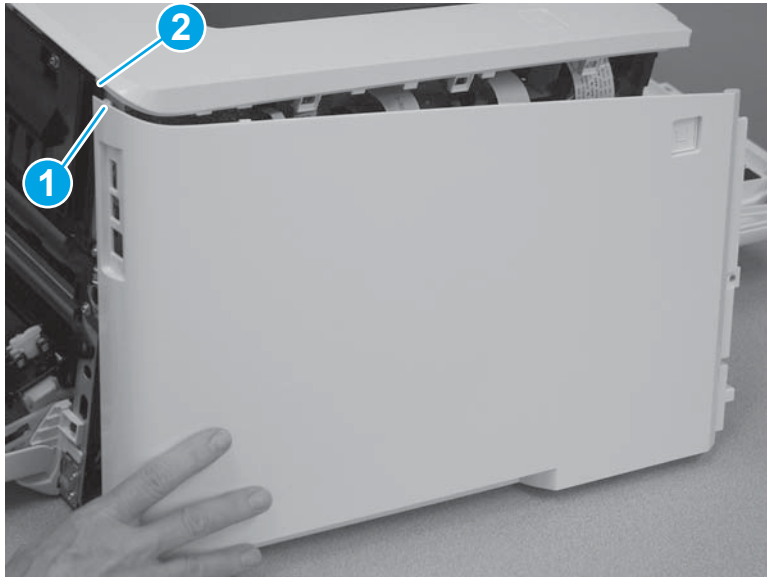
1. Position the hook (callout 1) on the cover in the slot (callout 2) on the printer. Position three tabs (callout 3) on the back of the cover in the slots (callout 4) in the printer.

Figure 1-515 Position three tabs



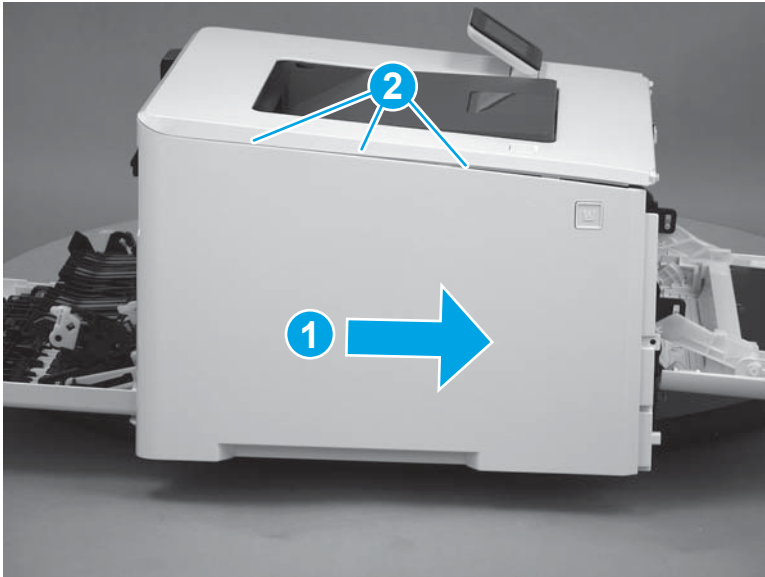
2. At the back of the printer, install the tab (callout 1) under the edge of the top cover (callout 2).

Figure 1-516 Install one tab



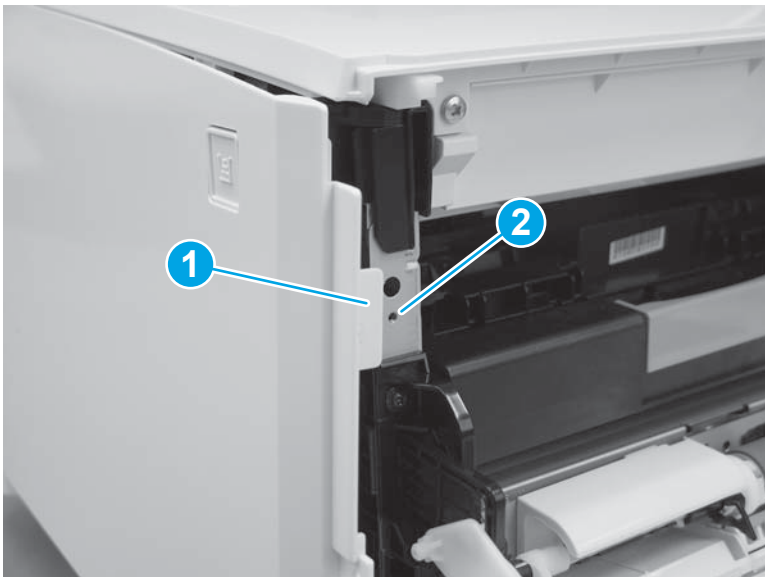
3. Slide the cover toward the front of the printer (callout 1), and then engage three tabs (callout 2) on the top of the cover.

Figure 1-517 Install the left cover



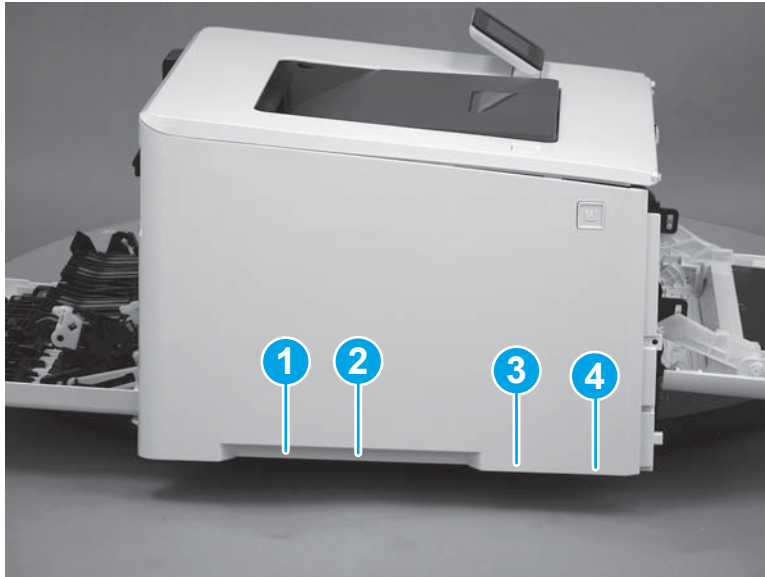
CAUTION: Make sure that the tab (callout 1) does not get caught behind the printer frame (callout 2).

Figure 1-518 Make sure the tab does not get caught



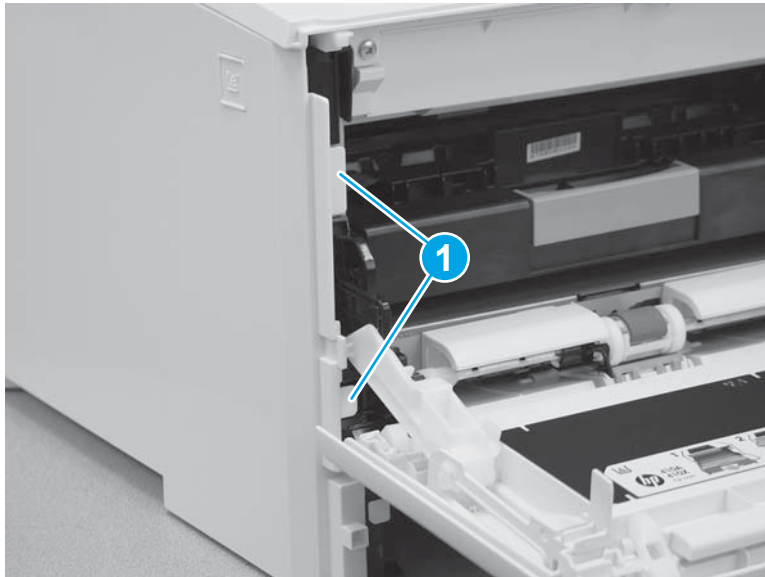
4. Slide the printer to the edge of a work surface in order to access the tabs on the bottom of the cover. Beginning from the back of the cover, install four tabs (callouts 1-4) on the lower edge of the cover.

Figure 1-519 Install four tabs



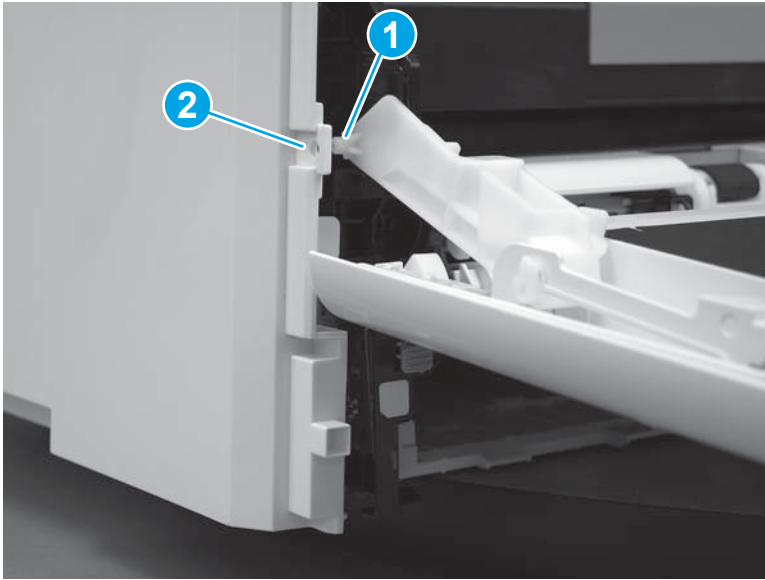
5. Install two tabs (callout 1) at the front of the cover.

Figure 1-520 Engage two tabs



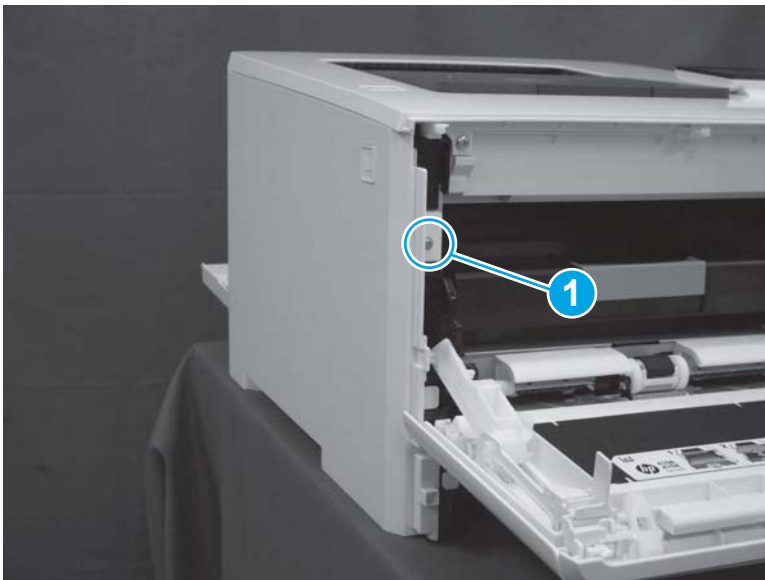
6. Make sure that the hinge pin (callout 1) on the front door fits into the slot (callout 2) on the left cover.

Figure 1-521 Install hinge pin




7. Install one screw (callout 1).

Figure 1-522 Install one screw

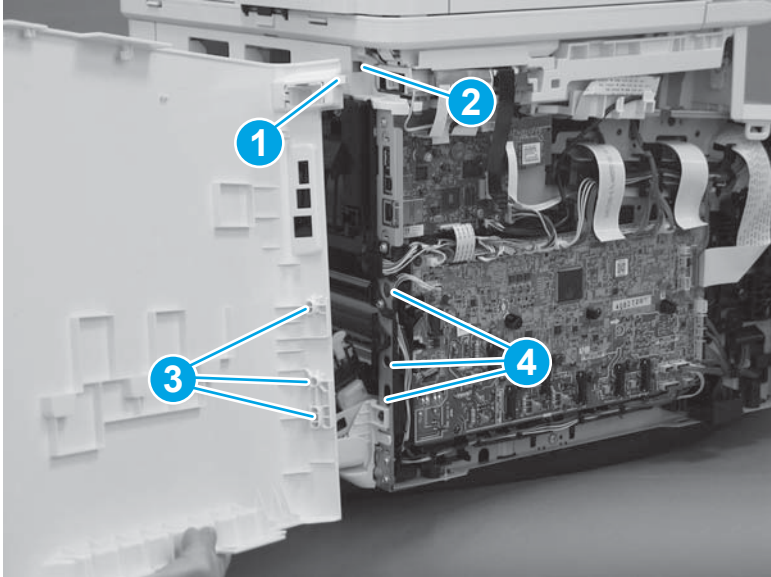


Step 11: Install the left cover (M477 models)

 **NOTE:** This step is for the M477 models. For the M452 models, skip this step and go to [Step 12: Install the right cover \(M452 models\) on page 305](#).

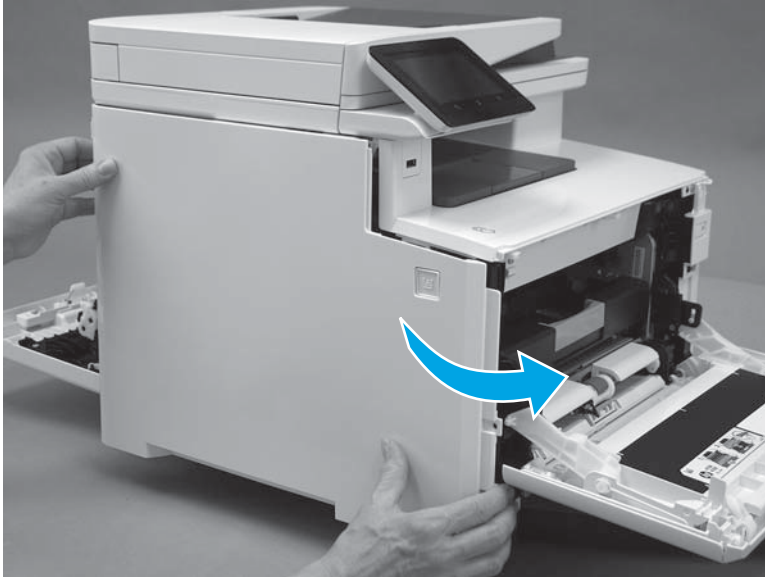
1. At the back of the printer, install the tab (callout 1) on the cover into the slot (callout 2) in the printer. Install the locator pins (callout 3) into the slots (callout 4) in the printer.

Figure 1-523 Install one tab



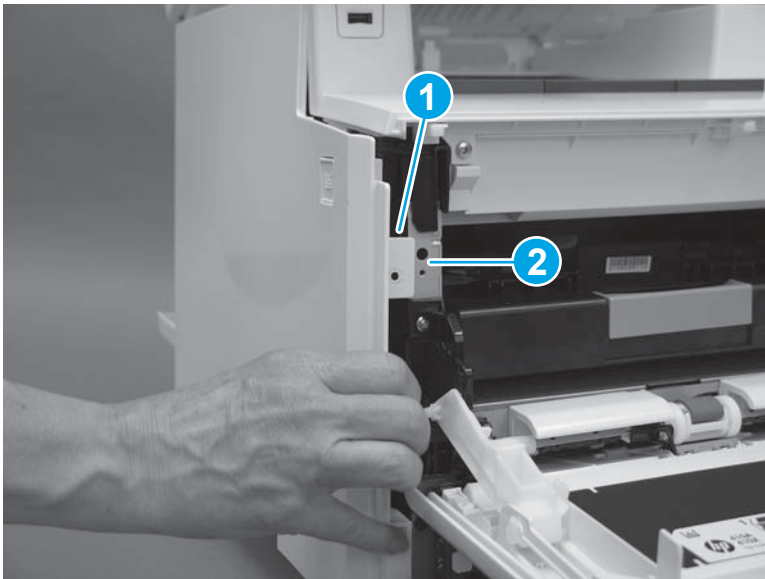
2. Rotate the cover toward the printer.

Figure 1-524 Rotate the left cover



CAUTION: Make sure that the tab (callout 1) does not get caught behind the printer frame (callout 2).

Figure 1-525 Make sure the tab does not get caught



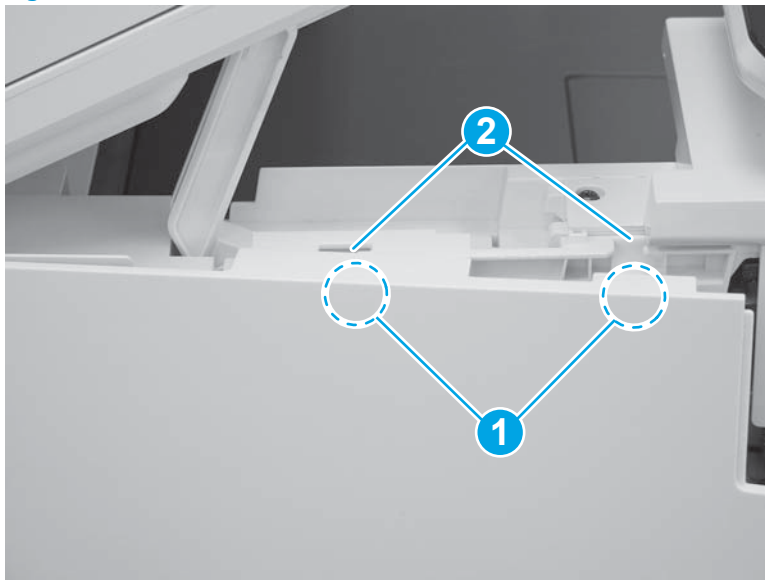
3. Raise the scanner.

Figure 1-526 Raise the scanner



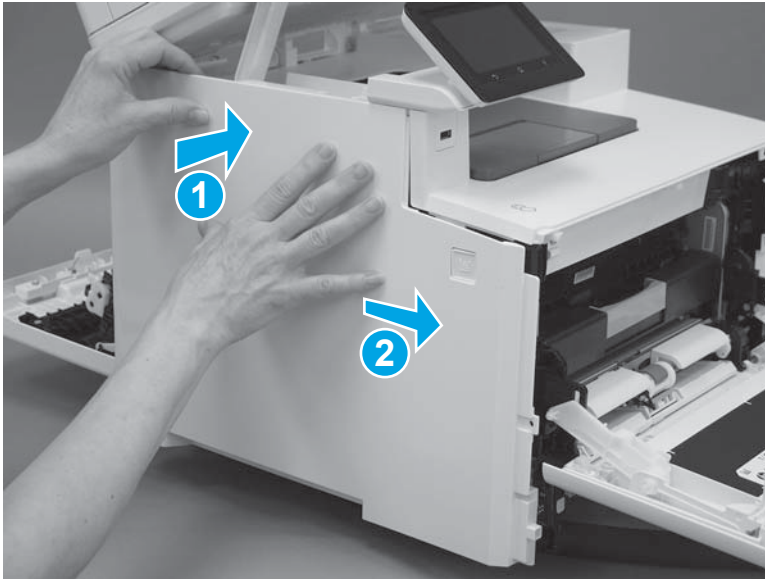
4. Position the hooks (callout 1) on the inside of the cover into the slots (callout 2) on the printer.

Figure 1-527 Position the hooks in the slots



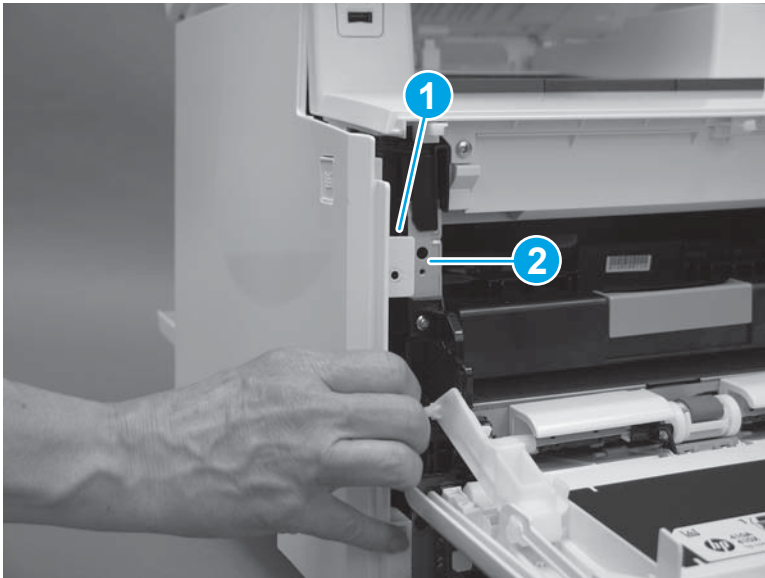
5. Hold the cover against the printer (callout 1), and then slide it (callout 2) toward the front of the printer.

Figure 1-528 Install the top hooks



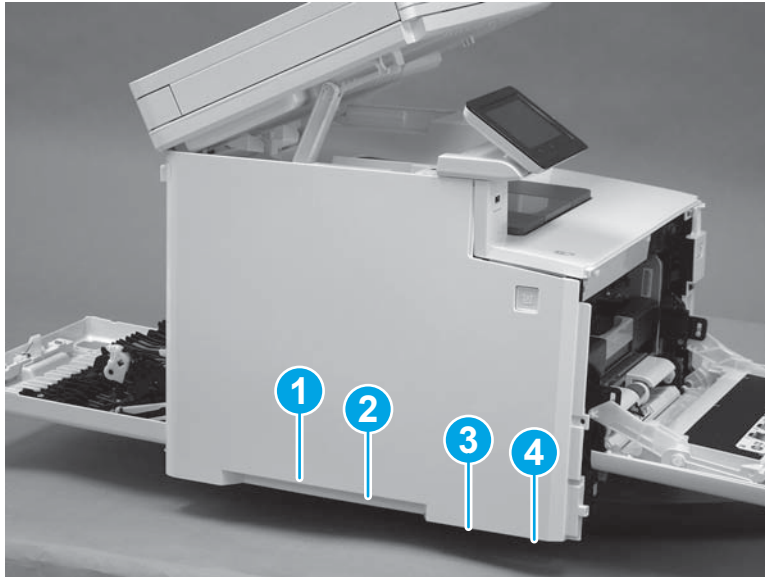
CAUTION: Make sure that the tab (callout 1) on the front of the cover does not get caught behind the printer frame (callout 2).

Figure 1-529 Make sure the tab does not get caught



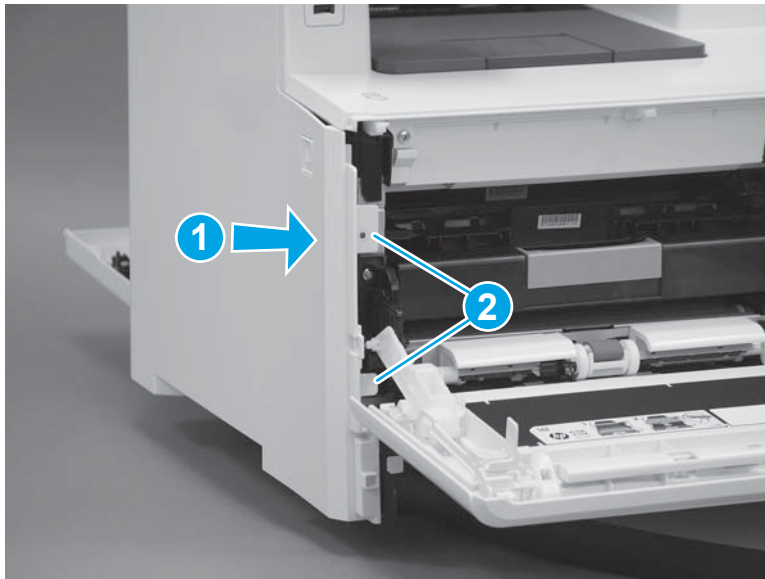
6. Slide the printer to the edge of a work surface in order to access the tabs on the bottom of the cover. Beginning from the back of the cover, install four tabs (callouts 1-4) on the lower edge of the cover.

Figure 1-530 Install four tabs



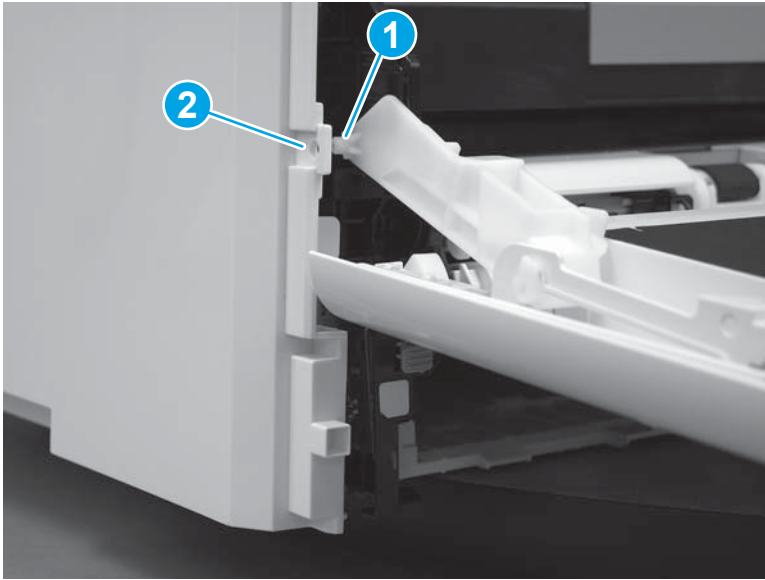
7. Press the cover toward the printer (callout 1), and then install two tabs (callout 2) at the front of the cover.

Figure 1-531 Install two tabs



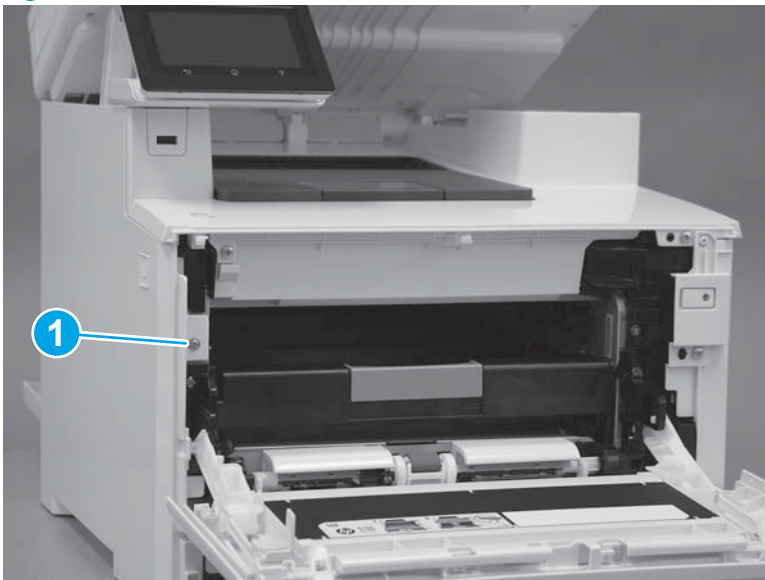
8. Make sure that the hinge pin (callout 1) on the front door fits into the slot (callout 2) on the left cover.

Figure 1-532 Install hinge pin



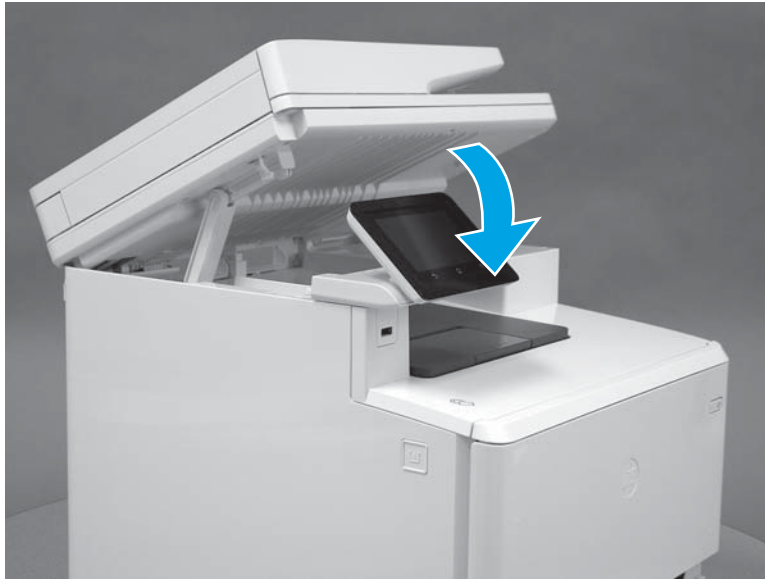
9. Install one screw (callout 1).

Figure 1-533 Install one screw




10. Lower the scanner.

Figure 1-534 Lower the scanner

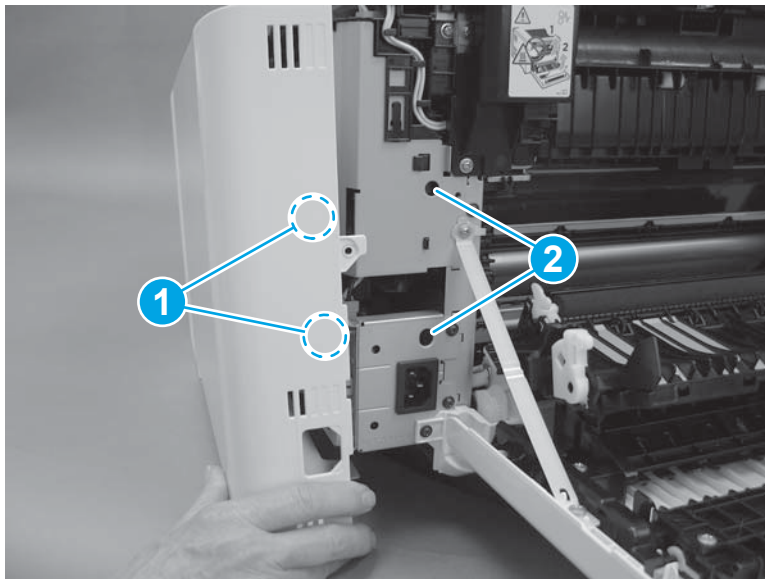


Step 12: Install the right cover (M452 models)

 **NOTE:** This step is for the M452 models. For the M477 models, skip this step and go to [Step 13: Install the right cover \(M477 models\) on page 309](#).

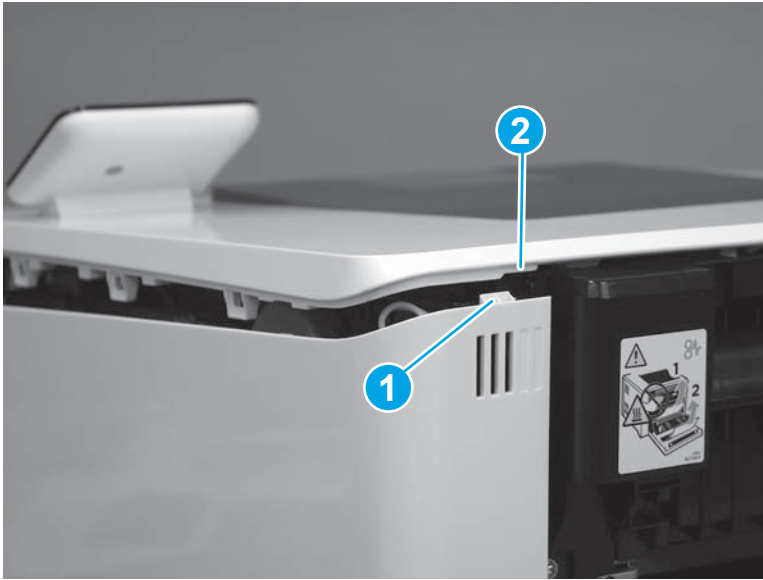
1. Position two tabs (callout 1) on the back of the cover in the slots (callout 2) in the printer.

Figure 1-535 Position two tabs



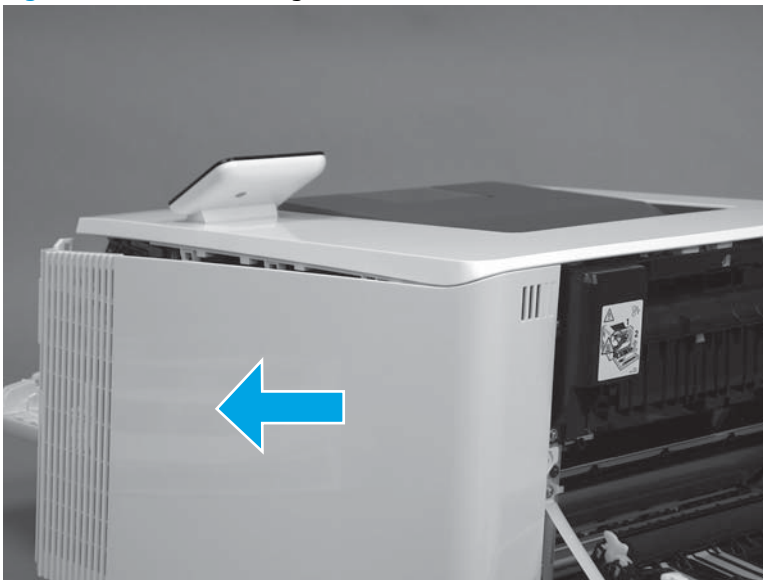
2. At the back of the printer, install the tab (callout 1) under the edge of the top cover (callout 2).

Figure 1-536 Install rear tab



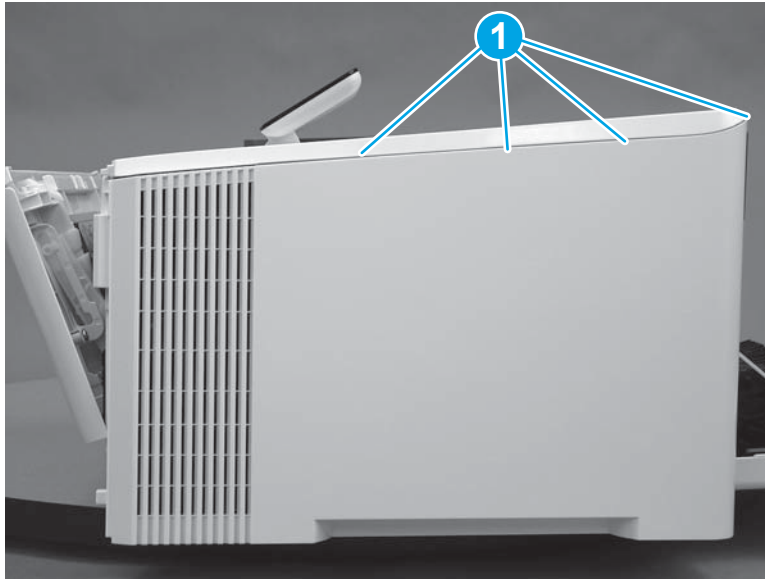
3. Slide the cover toward the front of the printer to install it.

Figure 1-537 Install the right cover



- Engage three tabs (callout 2) on the top of the cover.

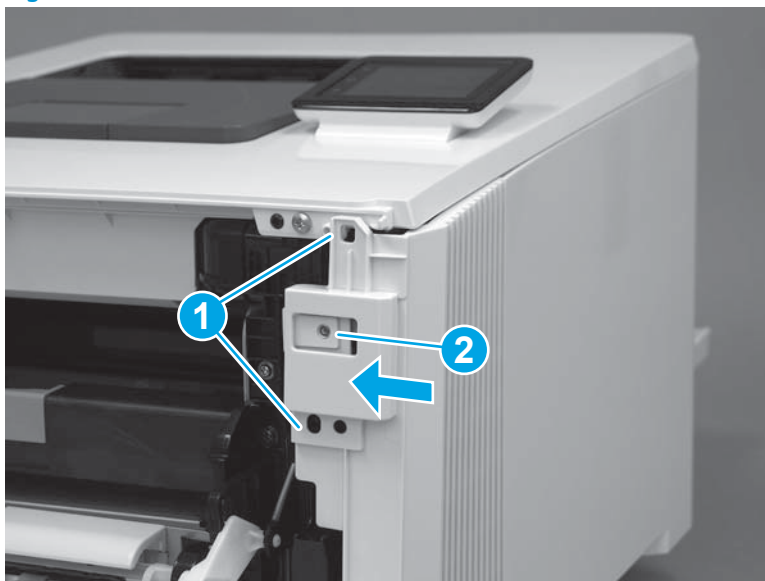
Figure 1-538 Install upper tabs



- At the front of the printer, position the front of the cover over two tabs (callout 1).

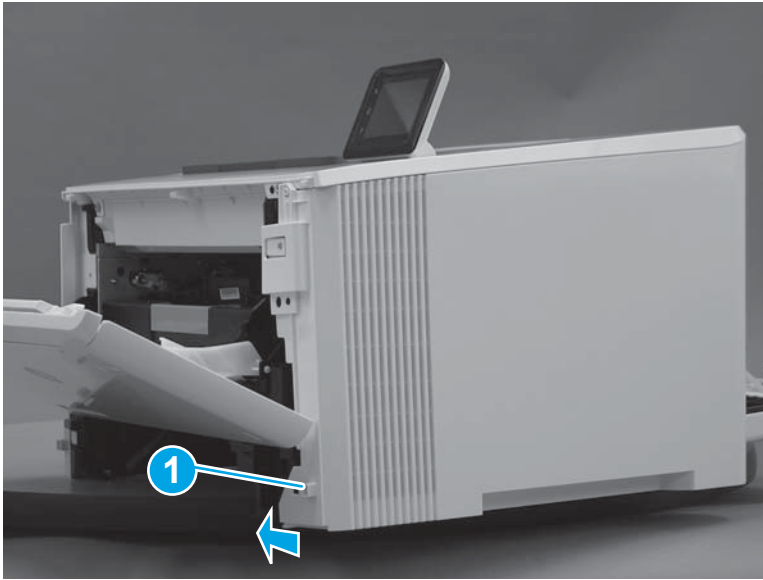
⚠ CAUTION: Be careful not to dislodge the power switch (callout 2).

Figure 1-539 Install the front tabs



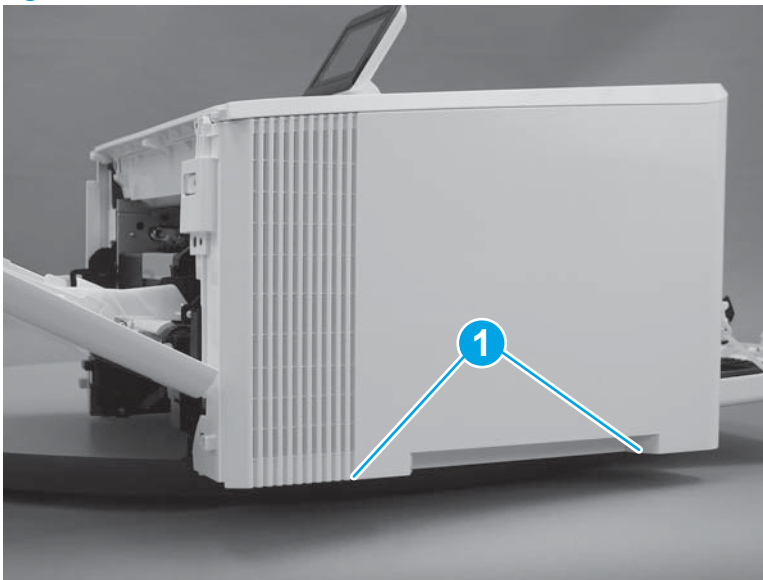
6. Press the right cover toward the printer to engage one tab (callout 1) on the front of the cover.

Figure 1-540 Install the front lower tab



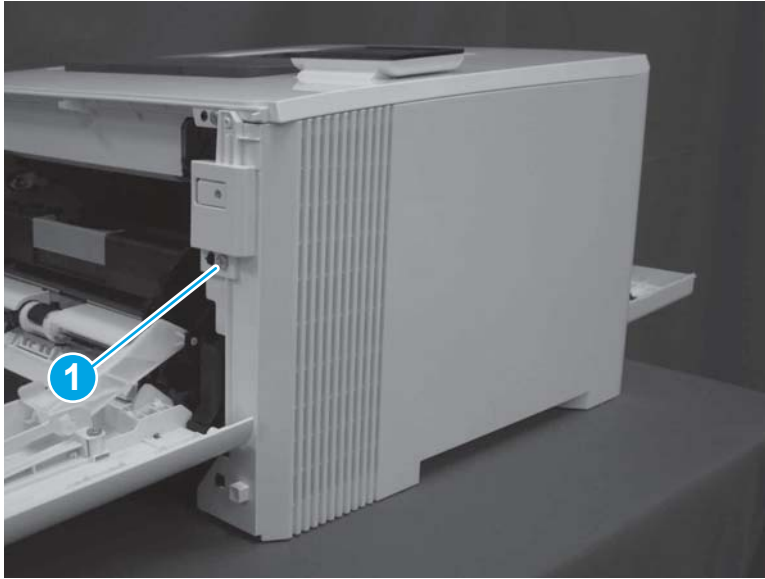
7. Install two tabs on the bottom of the cover (callout 1).

Figure 1-541 Install two tabs



8. At the front of the printer, install one screw (callout 1).

Figure 1-542 Install one screw




9. At the back of the printer, install one screw (callout 1).

Figure 1-543 Install one screw

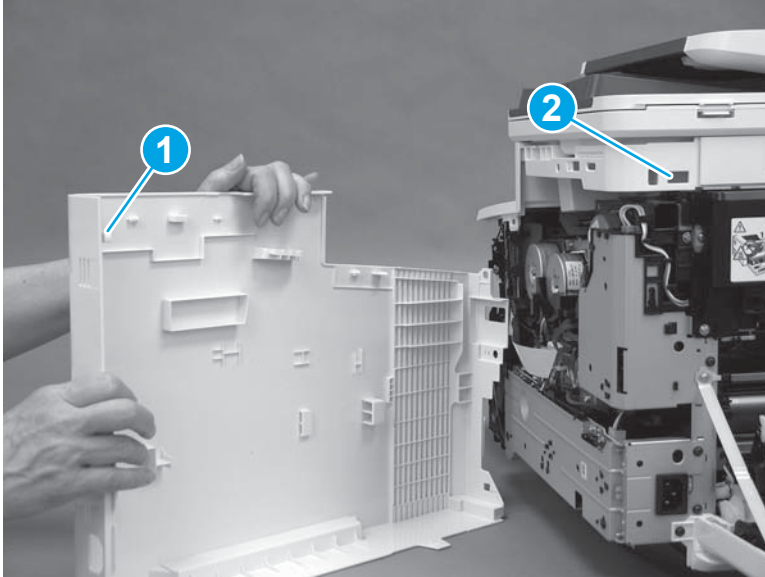


Step 13: Install the right cover (M477 models)

 **NOTE:** This step is for the M477 models. For the M452 models, skip this step and go to [Step 14: Close the front door and rear door on page 315](#).

1. At the back of the printer, install the tab (callout 1) on the cover into the slot (callout 2) on the printer.

Figure 1-544 Install rear tab



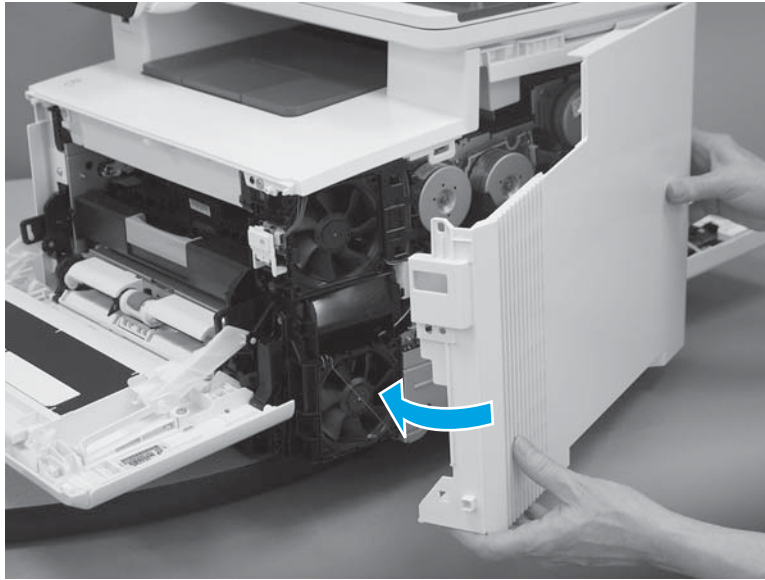
2. Raise the scanner.

Figure 1-545 Raise the scanner



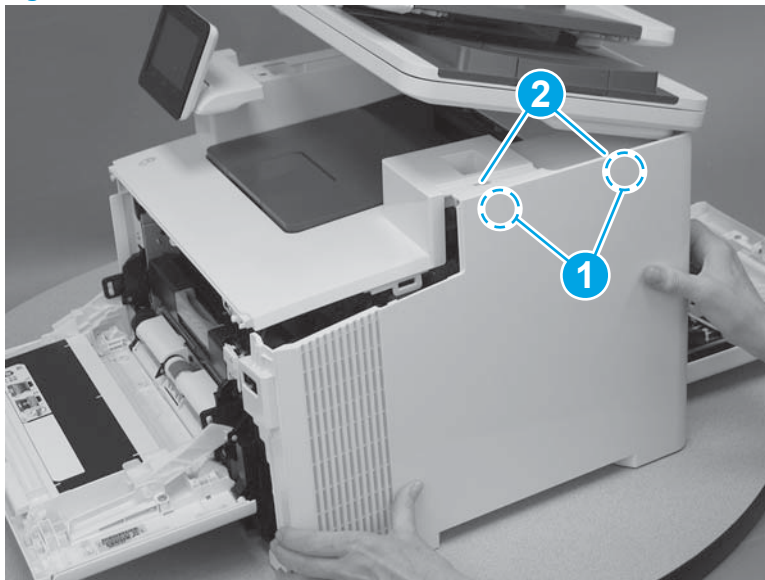
3. Rotate the right cover toward the printer.

Figure 1-546 Rotate the right cover



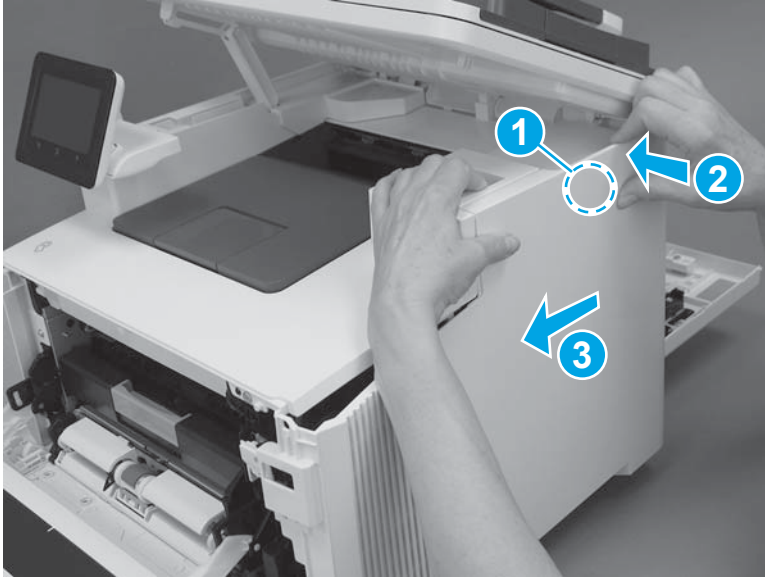
4. Position the hooks (callout 1) on the inside of the cover into the slots (callout 2) in the printer.

Figure 1-547 Position the hooks in the slots



- Engage one hook (callout 1) on the inside of the cover. Hold the top of the cover closed (callout 2) while sliding the cover toward the front of the printer (callout 3).

Figure 1-548 Slide the cover



- Rotate the front of the cover toward the printer (callout 1).

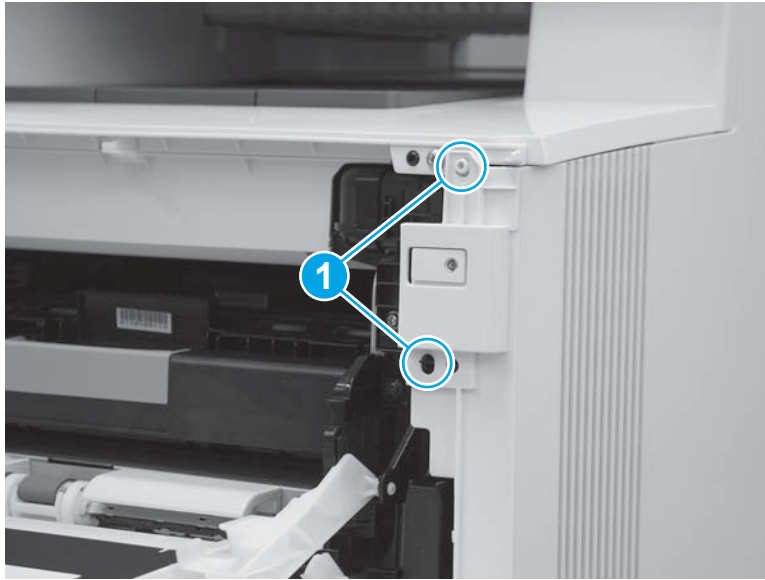
CAUTION: Be careful not to dislodge the power switch (callout 2).

Figure 1-549 Rotate the front of the cover



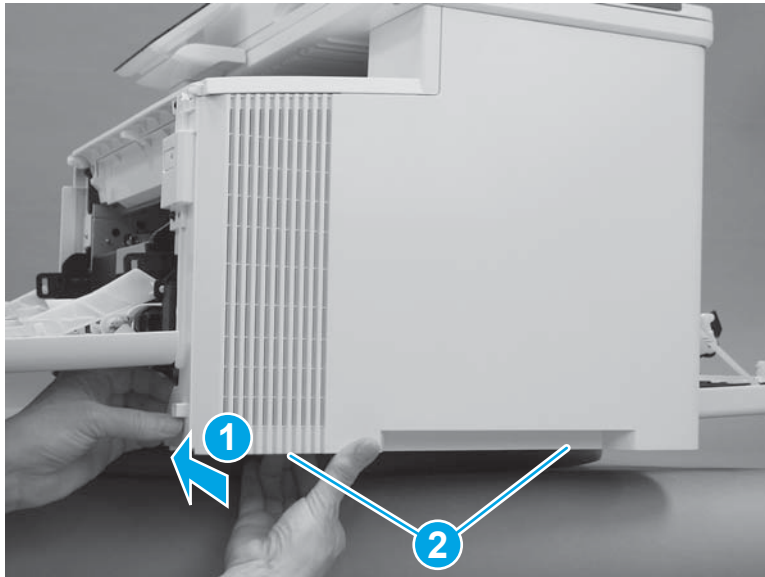
7. Install two tabs at the front of the printer (callout 1).

Figure 1-550 Install two tabs



8. Press the right cover toward the printer (callout 1) to engage one tab on the front of the cover, and two tabs (callout 2) on the lower edge of the cover.

Figure 1-551 Install the front and lower tabs



9. At the front of the printer, install one screw (callout 1).

Figure 1-552 Install one screw



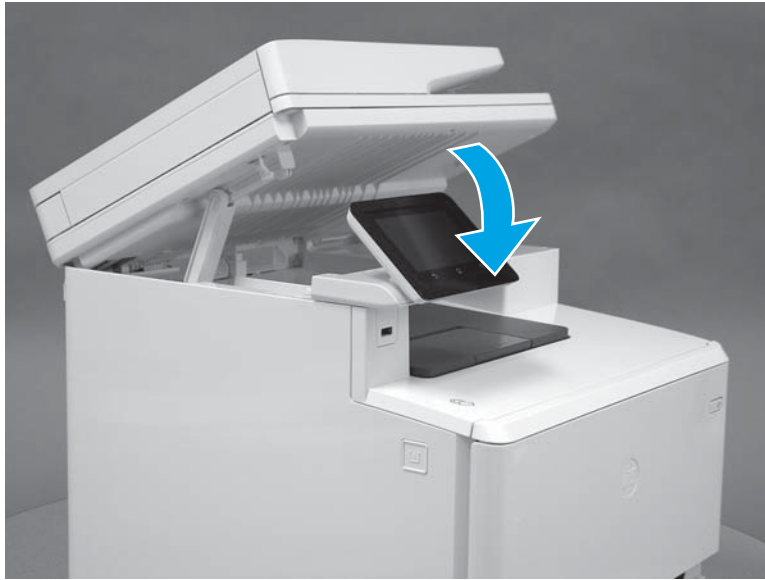
10. At the back of the printer, install one screw (callout 1).

Figure 1-553 Install one screw



11. Lower the scanner.

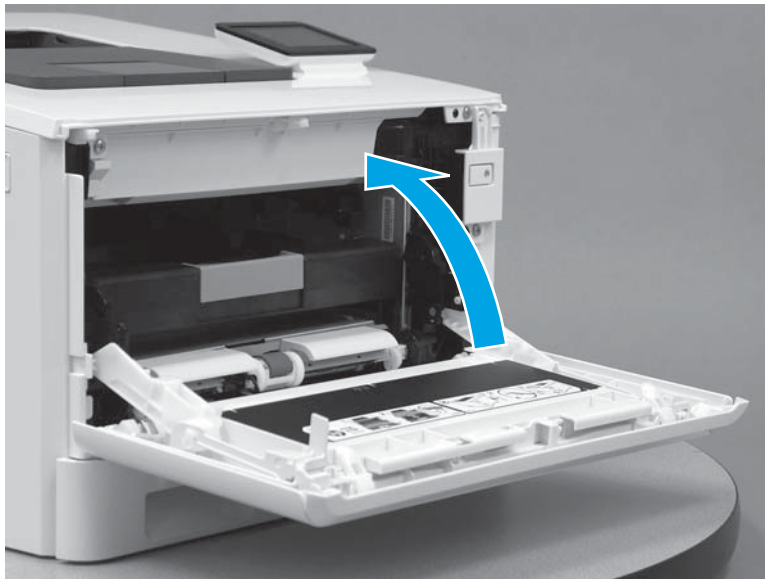
Figure 1-554 Lower the scanner



Step 14: Close the front door and rear door

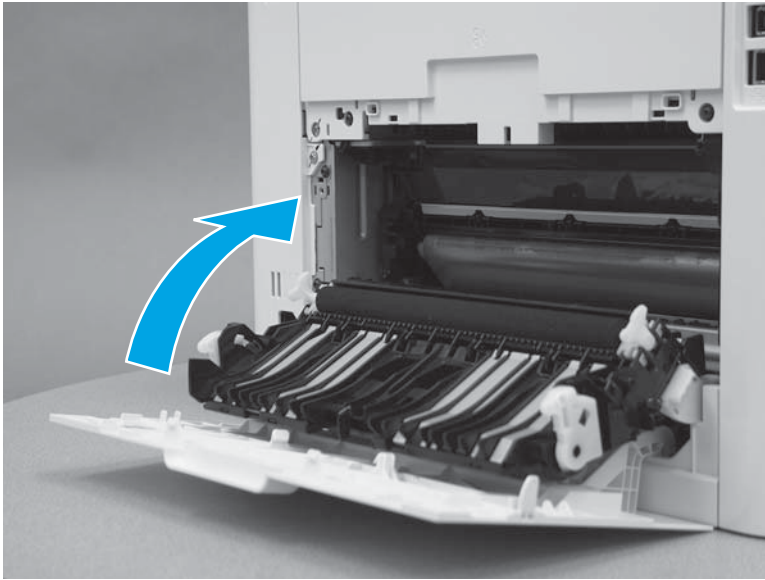
1. Close the front door.

Figure 1-555 Close the front door



2. Close the rear door.

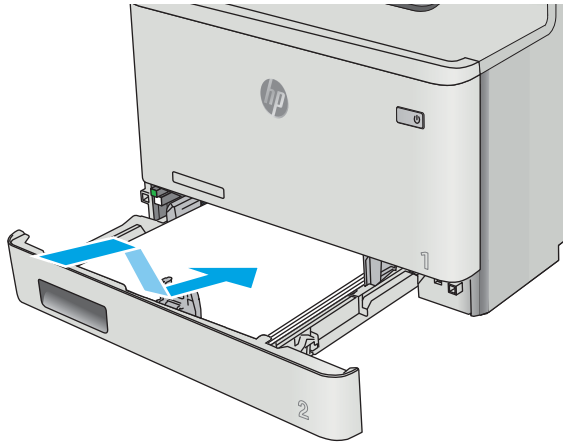
Figure 1-556 Close the rear door



Step 15: Install Tray 2

- ▲ With the front of the tray slightly lifted, align the sides of the tray with the rails in the printer, and then carefully slide the tray into the printer. As the tray slides into the printer, lower the front of the tray, and then close it.

Figure 1-557 Install the tray



Removal and replacement: Rear door (simplex models)


- [Introduction](#)
- [Step 1: Remove Tray 2](#)
- [Step 2: Open the front door and rear door](#)
- [Step 3: Remove the right cover \(M452 models\)](#)
- [Step 4: Remove the right cover \(M477 models\)](#)
- [Step 5: Remove the left cover \(M452 models\)](#)
- [Step 6: Remove the left cover \(M477 models\)](#)
- [Step 7: Remove the rear lower cover \(simplex models\)](#)
- [Step 8: Remove the rear door \(simplex models\)](#)
- [Step 9: Unpack the replacement part](#)
- [Step 10: Install the rear door \(simplex models\)](#)
- [Step 11: Install the rear lower cover \(simplex models\)](#)
- [Step 12: Install the left cover \(M452 models\)](#)
- [Step 13: Install the left cover \(M477 models\)](#)
- [Step 14: Install the right cover \(M452 models\)](#)
- [Step 15: Install the right cover \(M477 models\)](#)
- [Step 16: Close the front door and rear door](#)
- [Step 17: Install Tray 2](#)

Introduction

This document provides the procedures to remove and replace the rear door for simplex models.

Before you begin

- Turn off the printer.
- Disconnect the power cable.

 **WARNING!** To avoid damage to the printer, turn the printer off, wait 30 seconds, and then remove the power cord before attempting to service the printer.

- Use the table below to identify the correct part number for your printer. To order the part, go to www.hp.com/buy/parts.

| Rear door part number | |
|-----------------------|--|
|-----------------------|--|

| | |
|----------------|-----------|
| RC4-5130-000CN | Rear door |
|----------------|-----------|

Required tools

- #2 Phillips screwdriver with a magnetic tip
- Small flat-blade screwdriver

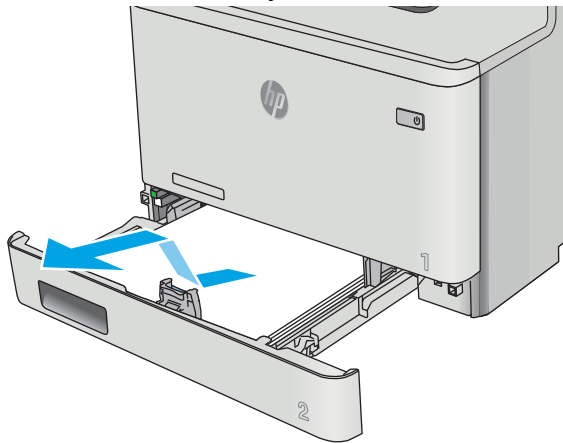
After performing service

- Connect the power cable.
- Use the power switch to turn the power on.

Step 1: Remove Tray 2

- ▲ Pull the tray out until it stops. Lift the front of the tray, and then pull it out of the printer to remove it.

Figure 1-558 Remove the tray



Step 2: Open the front door and rear door

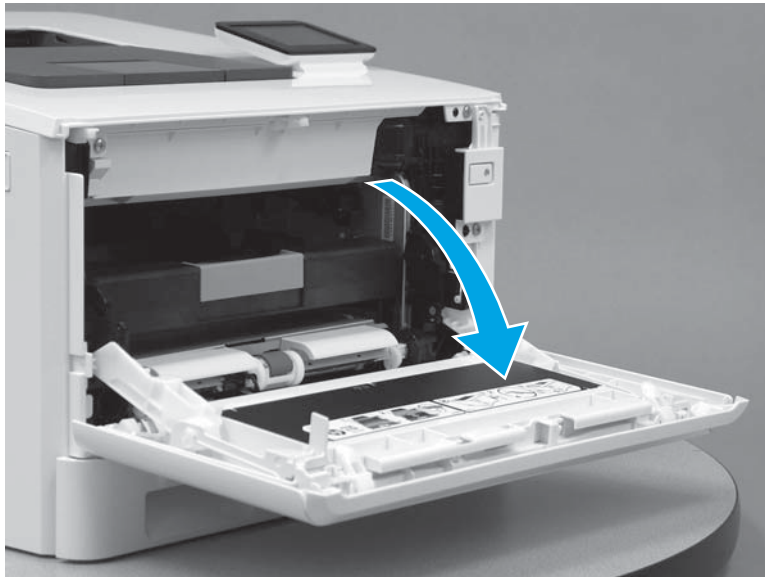
1. Press the button (callout 1) on the left side of the printer to release the front door.

Figure 1-559 Release the front door



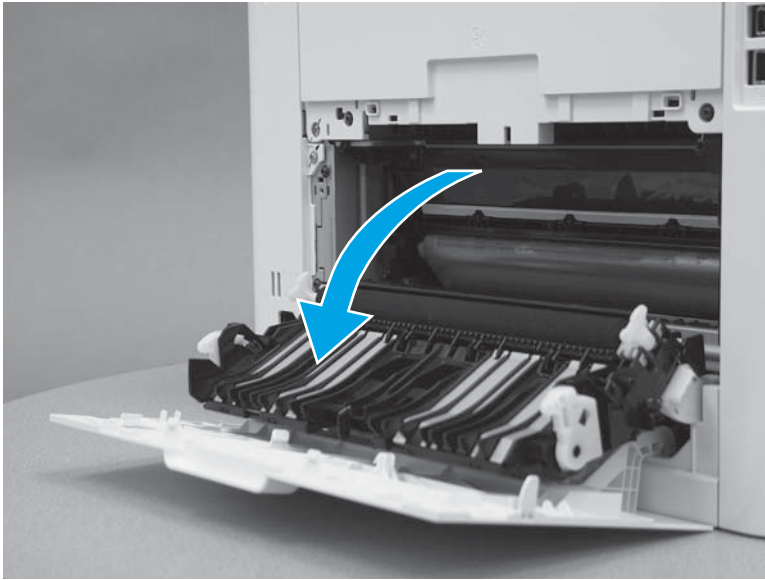
2. Open the front door.

Figure 1-560 Open the front door



3. Open the rear door.

Figure 1-561 Open the rear door



Step 3: Remove the right cover (M452 models)



NOTE: This step is for the M452 models. For the M477 models, skip this step and go to [Step 4: Remove the right cover \(M477 models\) on page 324](#).

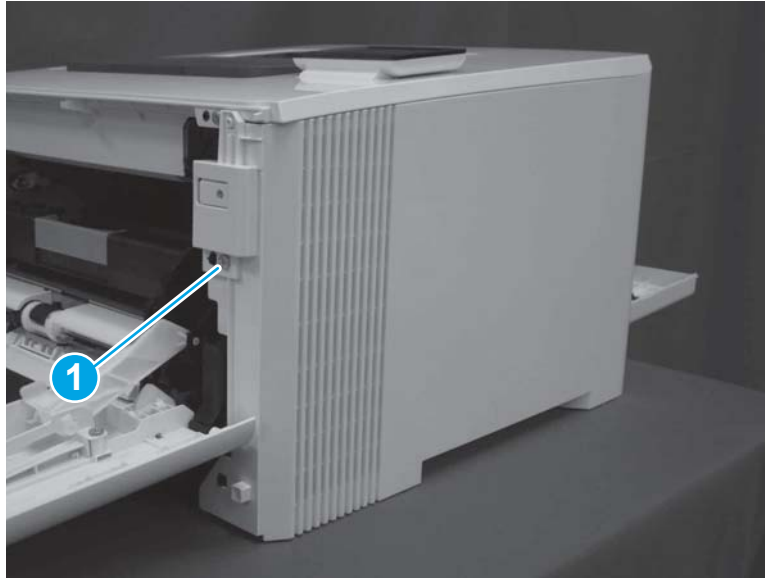
1. At the back of the printer, remove one screw (callout 1).

Figure 1-562 Remove one screw



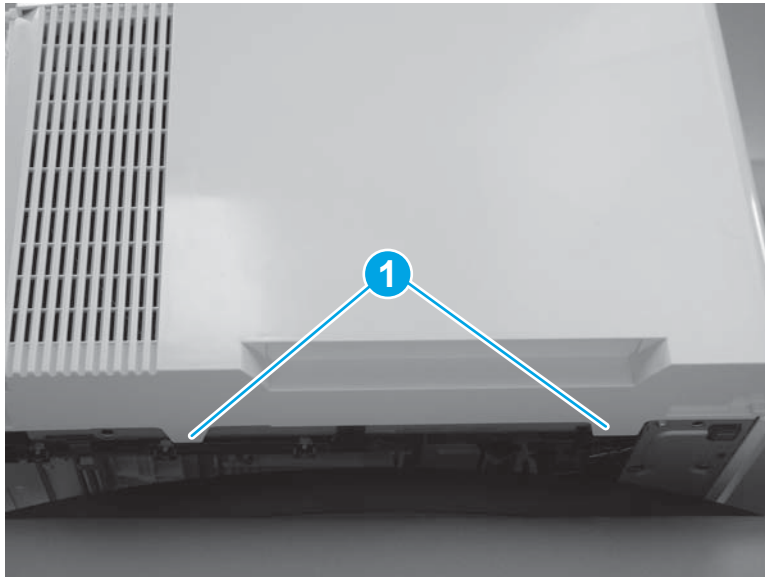
2. At the front of the printer, remove one screw (callout 1).

Figure 1-563 Remove one screw



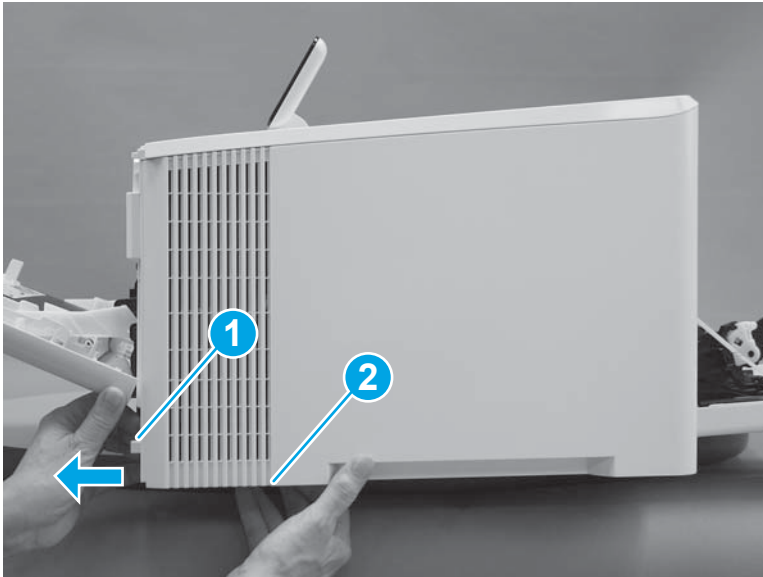
3. Slide the printer to the edge of a work surface. Note the location of the tabs on the lower edge of the cover (callout 1).

Figure 1-564 Locate the tabs



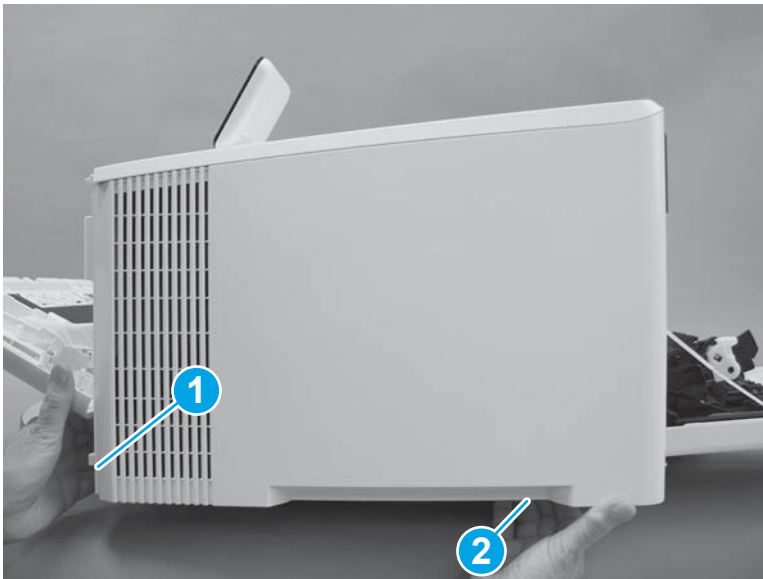
4. Release one tab (callout 1) on the front of the cover by slightly pulling the cover away from the printer. While holding the cover in the released position, release one tab (callout 2) on the bottom of the cover.

Figure 1-565 Release front lower tabs



5. Hold the front tabs in the released position (callout 1), and then release one tab (callout 2) on the bottom of the cover, toward the back of the printer.

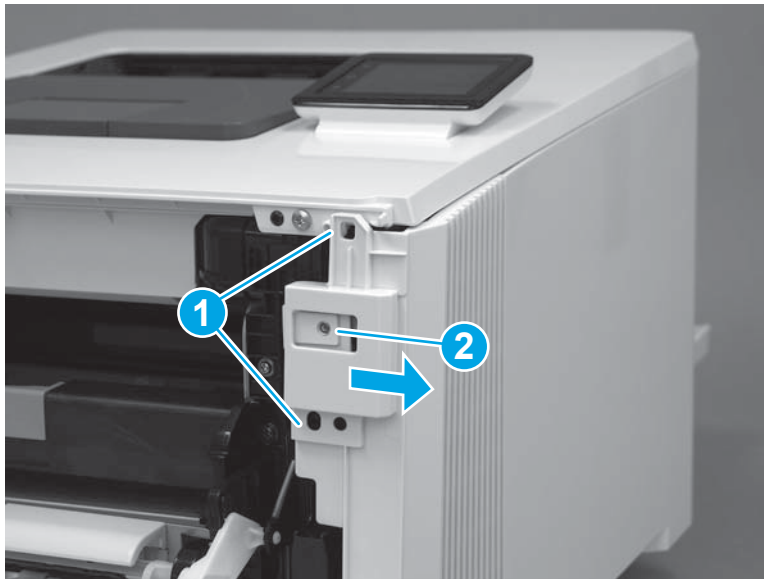
Figure 1-566 Release lower rear tab



6. Release two tabs at the front of the printer (callout 1) by slightly pulling the cover away from the printer.

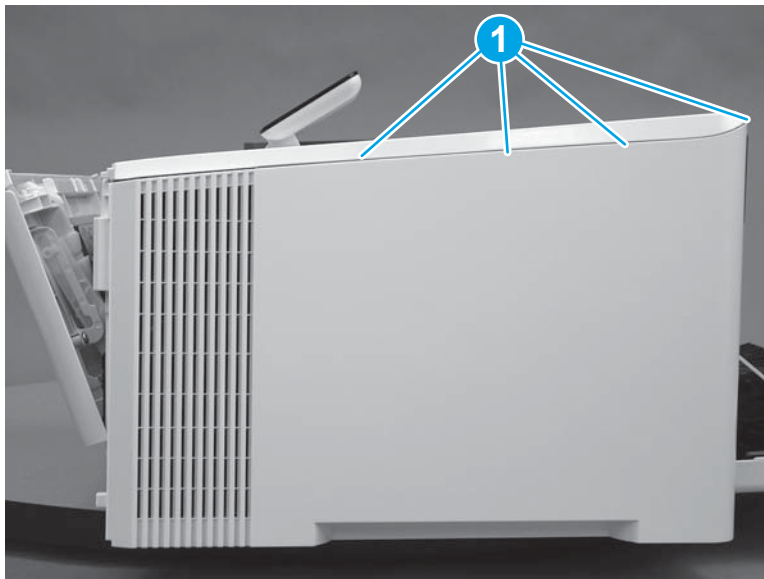
⚠ CAUTION: Be careful not to dislodge the power switch (callout 2).

Figure 1-567 Release two front tabs



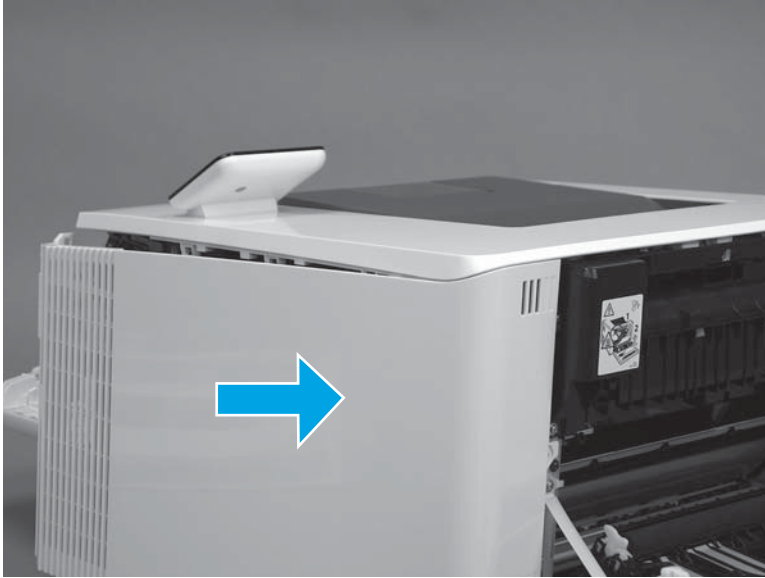
7. Release four tabs on the top of the printer (callout 1).

Figure 1-568 Release upper tabs



8. Slide the cover toward the back of the printer to remove it.

Figure 1-569 Remove the right cover



Step 4: Remove the right cover (M477 models)



NOTE: This step is for the M477 models. For the M452 models, skip this step and go to [Step 5: Remove the left cover \(M452 models\) on page 330](#).

1. Raise the scanner.

Figure 1-570 Raise the scanner



2. At the back of the printer, remove one screw (callout 1).

Figure 1-571 Remove one screw



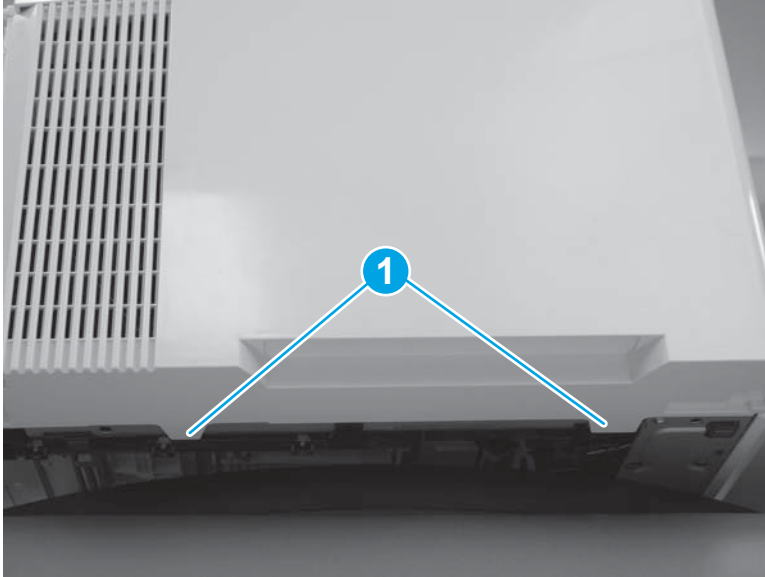
3. At the front of the printer, remove one screw (callout 1).

Figure 1-572 Remove one screw



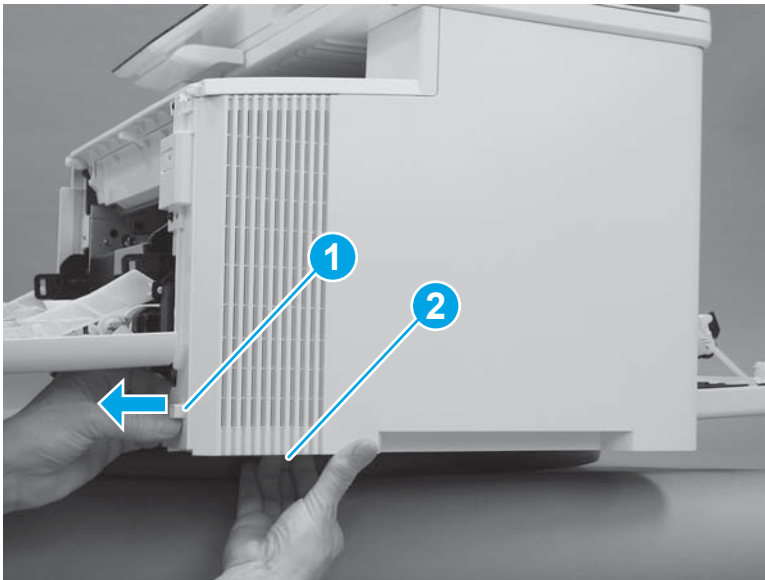
4. Slide the printer to the edge of a work surface. Note the location of the tabs on the lower edge of the cover (callout 1).

Figure 1-573 Locate the tabs



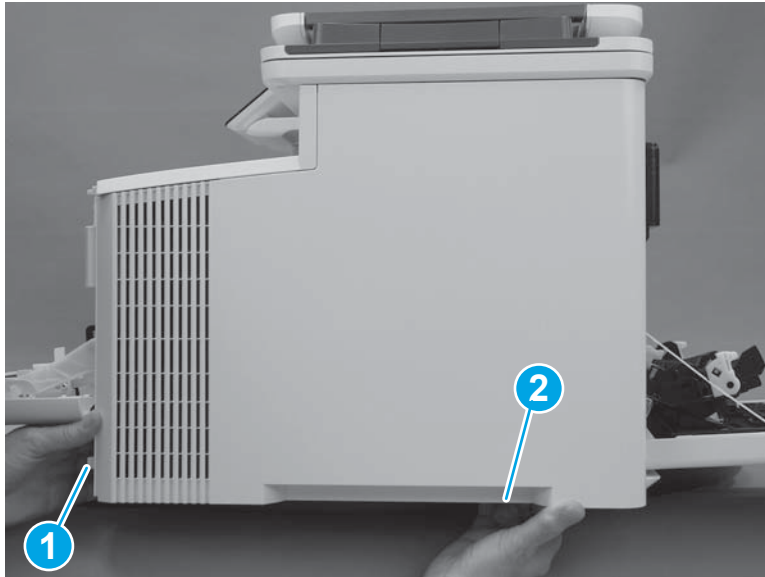
5. Release one tab (callout 1) on the front of the cover by slightly pulling the cover away from the printer. While holding the cover in the released position, release one tab (callout 2) on the lower edge of the cover.

Figure 1-574 Release front lower tabs



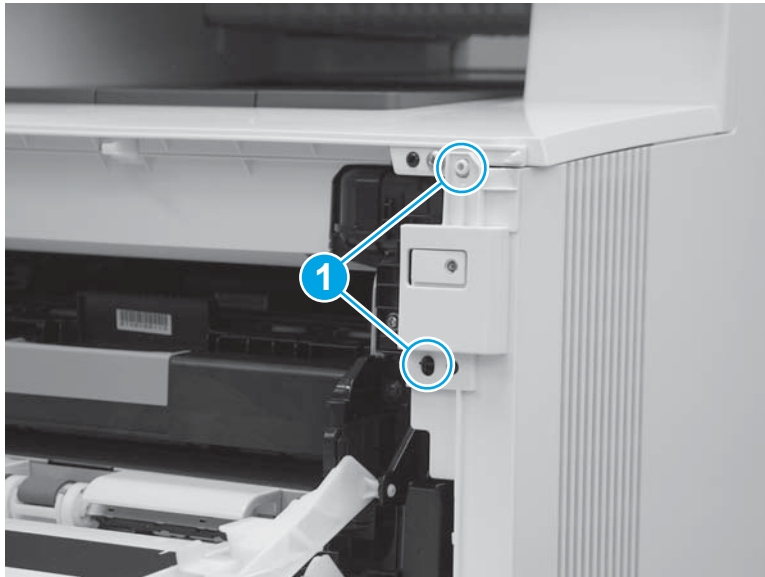
6. Hold the front tabs in the released position (callout 1), and then release one tab (callout 2) on the lower edge of the cover, toward the back of the printer.

Figure 1-575 Release lower rear tab



7. Release two tabs at the front of the printer (callout 1) by slightly pulling the cover away from the printer.

Figure 1-576 Release front upper tabs



8. Rotate the front of the cover away from the printer (callout 1).

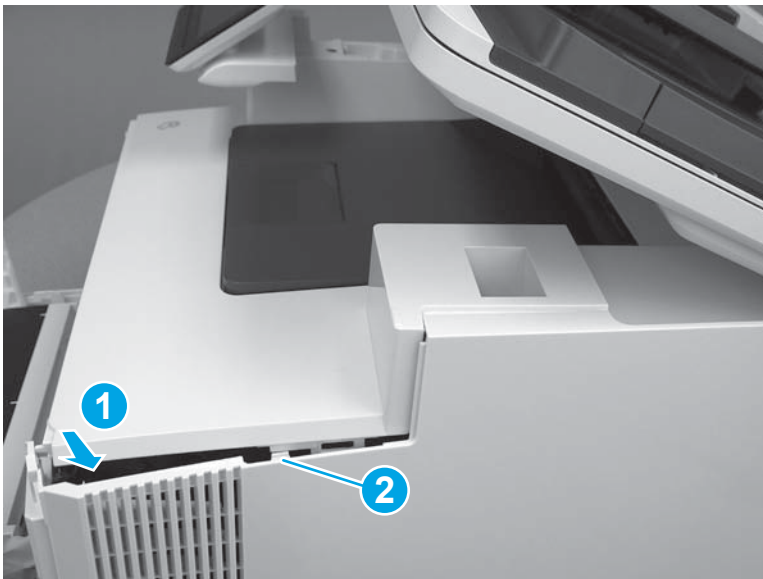
⚠ CAUTION: Be careful not to dislodge the power switch (callout 2).

Figure 1-577 Rotate the front of the cover



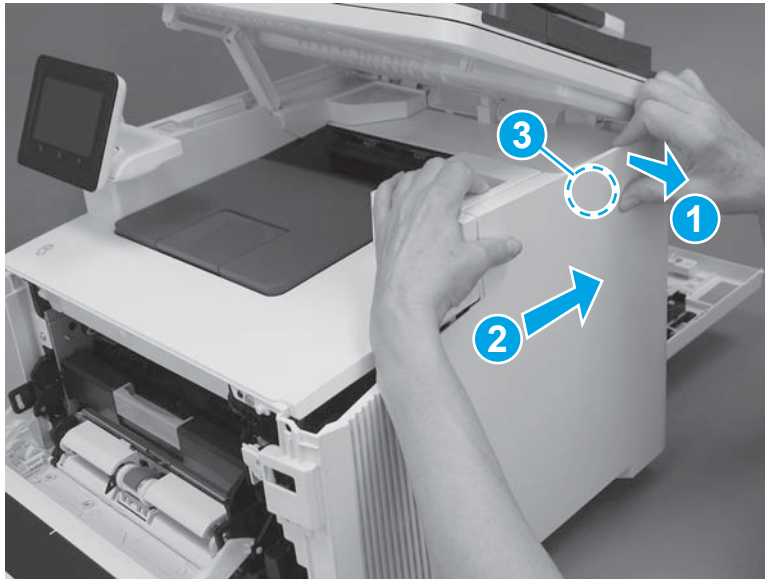
9. Slightly pull the front of the cover away from the printer (callout 1) to release one tab (callout 2).

Figure 1-578 Release top tabs



10. At the top of the printer, slightly pull the top of the cover away from the printer to release one retention tab (callout 1) on the inside of the cover. While holding the cover away, slide the cover toward the back of the printer (callout 2) to release one hook (callout 3) on the inside of the cover.

Figure 1-579 Release one tab and one hook



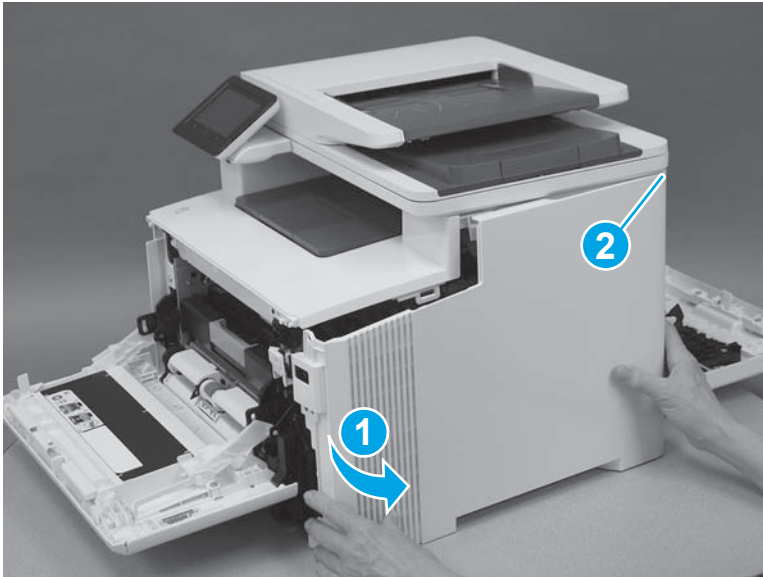
11. Lower the scanner.

Figure 1-580 Lower the scanner




12. Rotate the cover away from the printer (callout 1) to release one tab (callout 2) at the back of the printer, and then remove the cover.

Figure 1-581 Remove the right cover

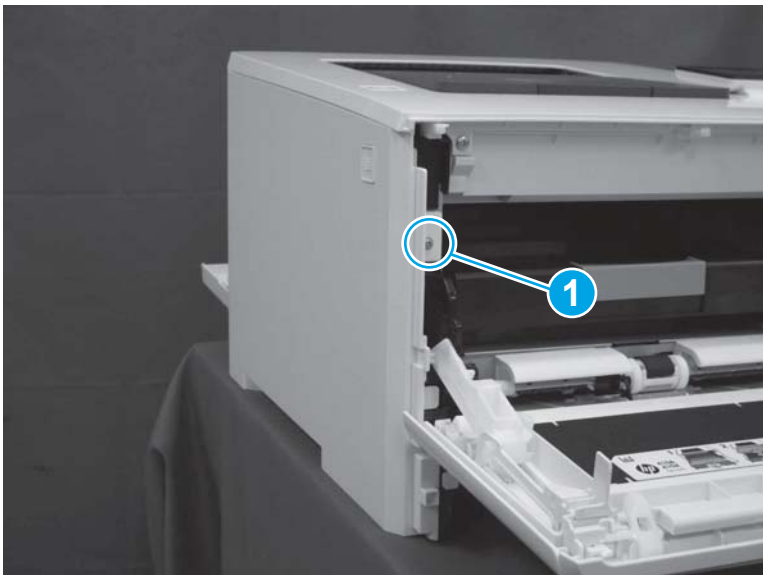


Step 5: Remove the left cover (M452 models)

 **NOTE:** This step is for the M452 models. For the M477 models, skip this step and go to [Step 6: Remove the left cover \(M477 models\) on page 332](#).

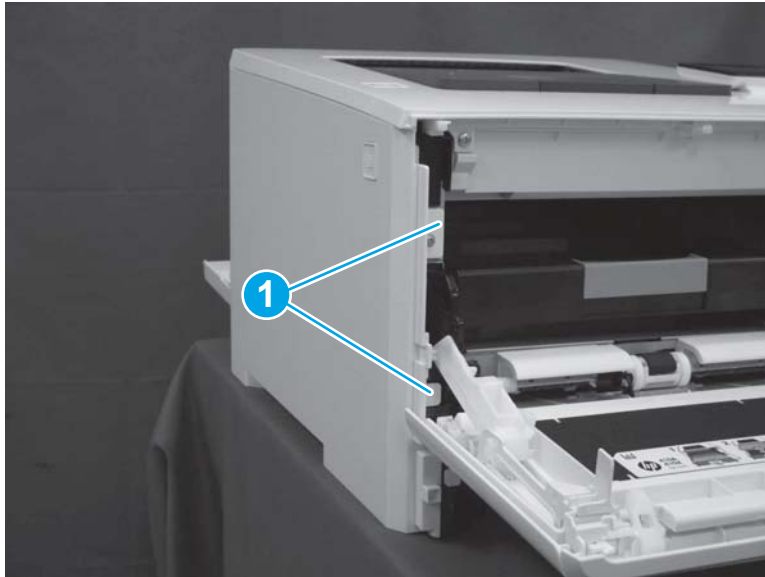
1. At the front of the printer, remove one screw (callout 1).

Figure 1-582 Remove one screw



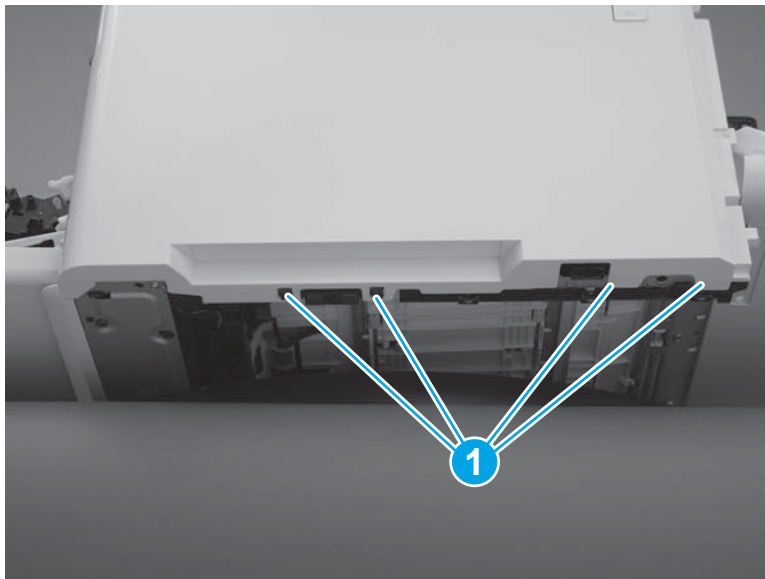
2. Release two tabs (callout 1) at the front of the cover. Hold the cover open to prevent the tabs from reengaging.

Figure 1-583 Release two tabs



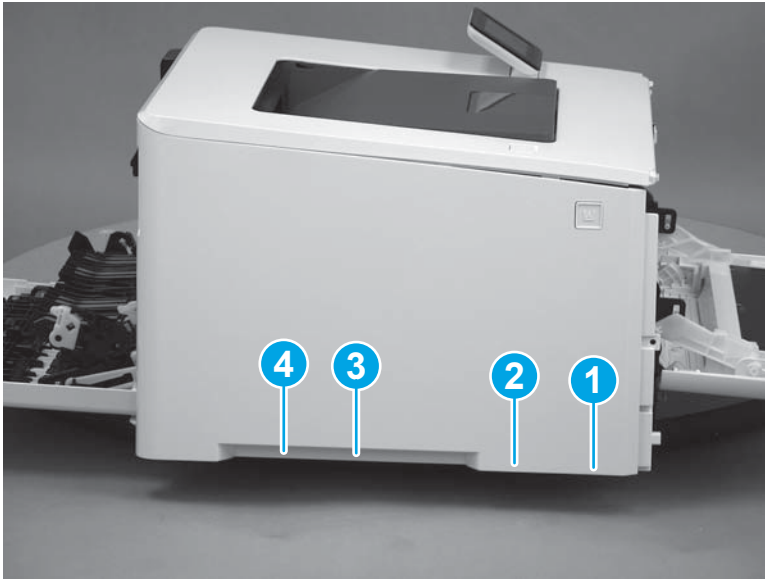
3. Slide the printer to the edge of a work surface. Note the location of the tabs on the lower edge of the cover (callout 1).

Figure 1-584 Locate the tabs



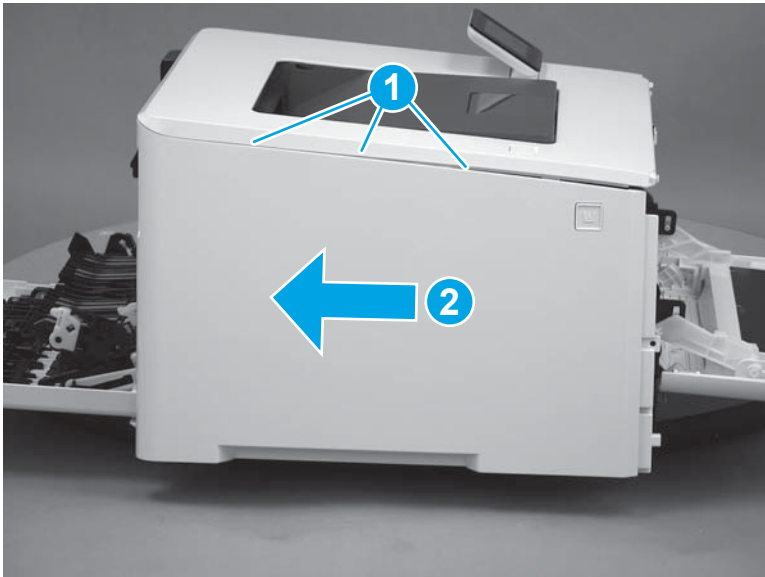
4. Beginning from the front of the cover, release four tabs (callouts 1-4) on the lower edge of the cover.

Figure 1-585 Release bottom tabs




5. Release three tabs at the top of the cover (callout 1), and then slide the cover toward the rear of the printer to remove it.

Figure 1-586 Release three tabs



Step 6: Remove the left cover (M477 models)

 **NOTE:** This step is for the M477 models. For the M452 models, skip this step and go to [Step 7: Remove the rear lower cover \(simplex models\) on page 337](#).

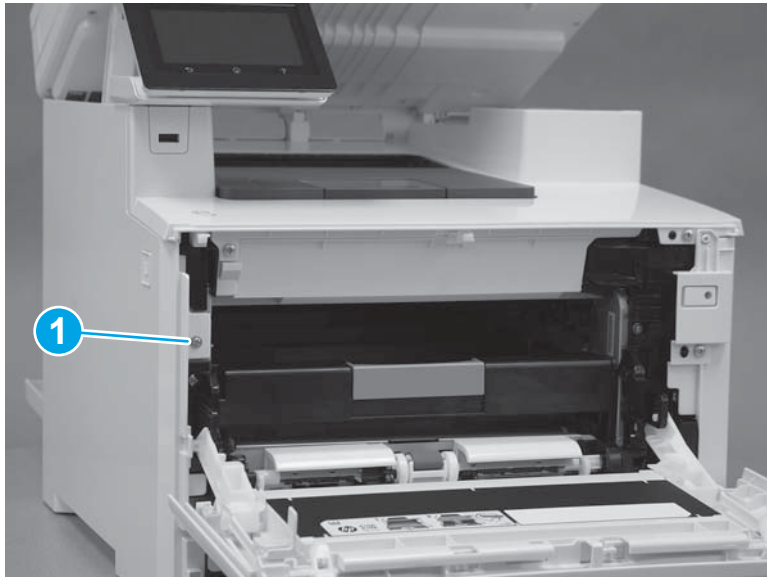
1. Raise the scanner.

Figure 1-587 Raise the scanner



2. At the front of the printer, remove one screw (callout 1).

Figure 1-588 Remove one screw



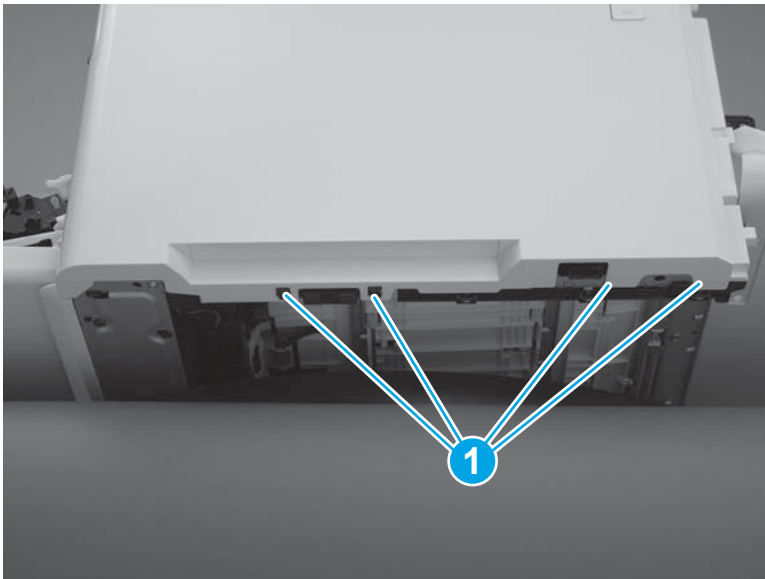
3. Release two tabs (callout 1) at the front of the cover. Hold the cover open to prevent the tabs from re-engaging.

Figure 1-589 Release two tabs



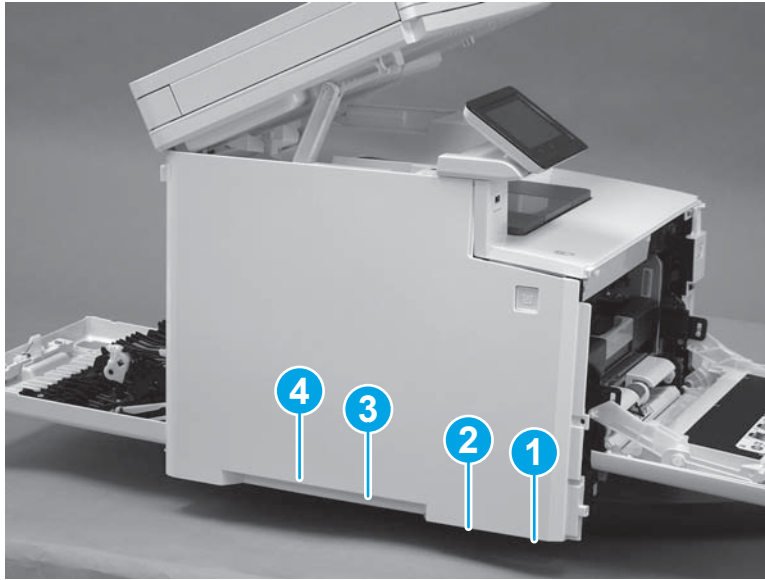
4. Slide the printer to the edge of a work surface. Note the location of the tabs on the lower edge of the cover (callout 1).

Figure 1-590 Locate the tabs



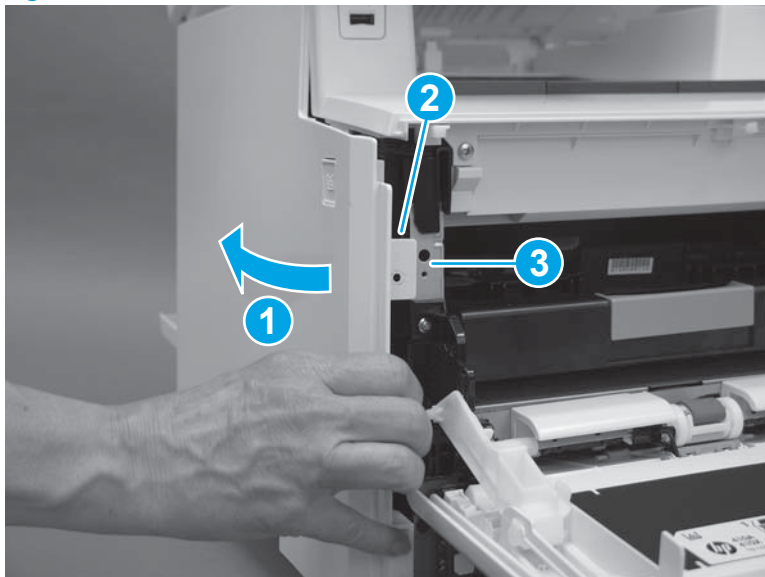
5. Beginning from the front of the cover, release the four tabs (callouts 1-4) on the lower edge of the cover.

Figure 1-591 Release four tabs



6. Rotate the front of the cover away from the printer (callout 1). Make sure that the tab (callout 2) does not get caught on the printer frame (callout 3).

Figure 1-592 Rotate the cover



7. At the top of the printer, slightly pull the top of the cover away from the printer to release one retention tab (callout 1) on the inside of the cover. While holding the cover away, slide the cover toward the back of the printer (callout 2) to release two hooks (callout 3) inside the cover.

Figure 1-593 Release one tab and two hooks



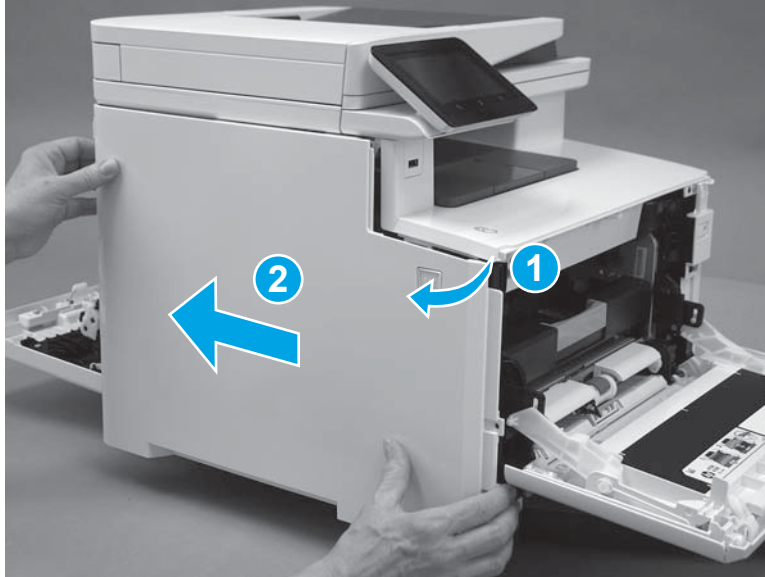
8. Lower the scanner.

Figure 1-594 Lower the scanner



9. Rotate the cover away from the printer (callout 1), and then slide the cover (callout 2) toward the back of the printer to remove it.

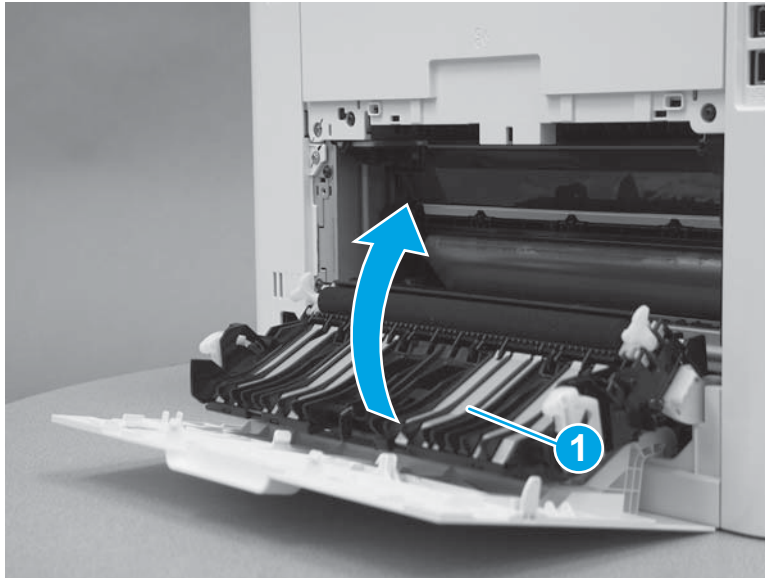
Figure 1-595 Remove the left cover



Step 7: Remove the rear lower cover (simplex models)

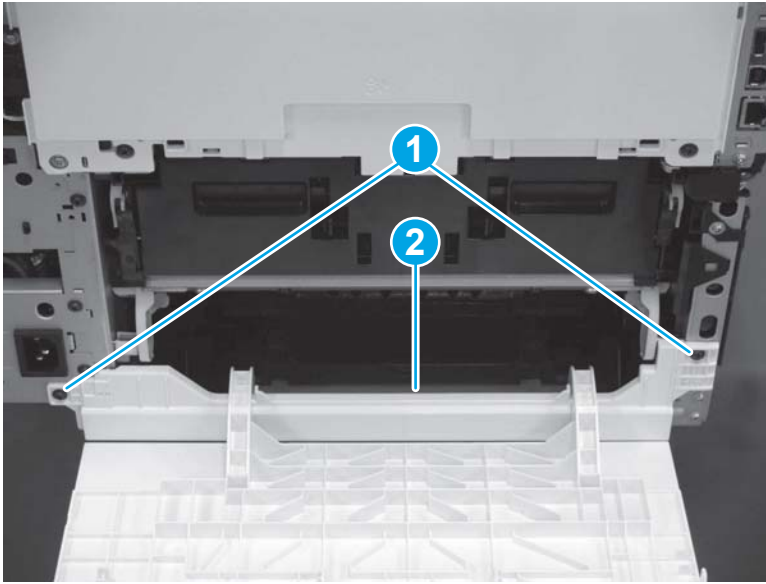
1. Rotate the secondary transfer assembly (callout 1) toward the printer to close it.

Figure 1-596 Close the secondary transfer assembly



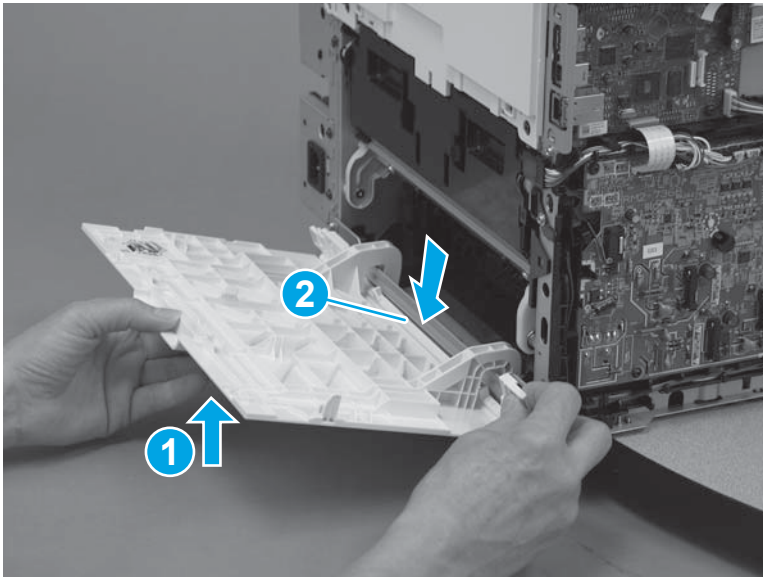
2. Remove two screws (callout 1) and release one tab (callout 2).

Figure 1-597 Remove two screws and release one tab



3. Slide the printer to the edge of a work surface in order to allow removal of the cover. Lift the rear door up (callout 1), and then move the rear lower cover down to remove it (callout 2).

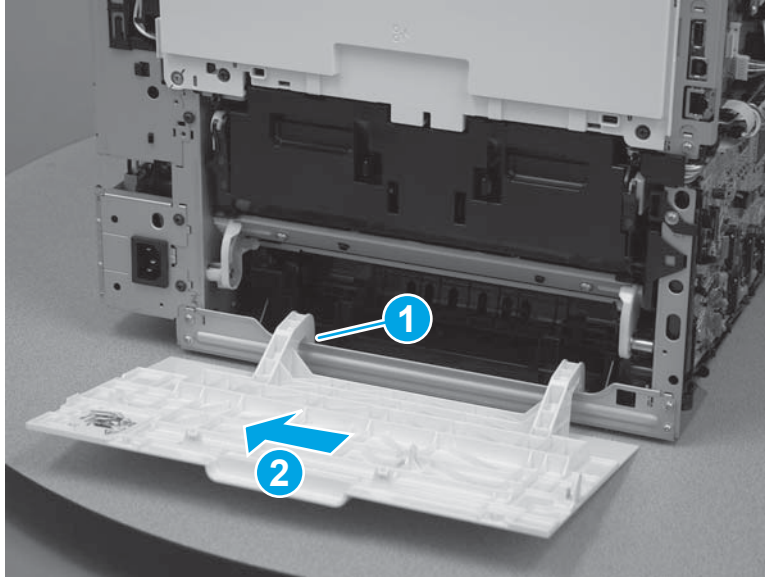
Figure 1-598 Remove the rear lower cover



Step 8: Remove the rear door (simplex models)

- ▲ Slightly flex one hinge arm (callout 1) to release a hinge pin, and then slide the rear door to the left (callout 2) to remove it.

Figure 1-599 Remove the rear door



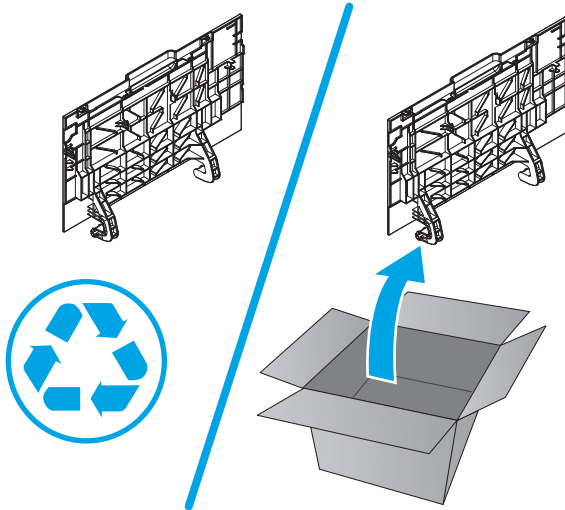
Step 9: Unpack the replacement part

Remove the new part from its package. Save all packaging for recycling the used part.

For complete information on HP's recycling programs, go to [Product return and recycling](#).

 **NOTE:** HP recommends responsible disposal of the defective part.

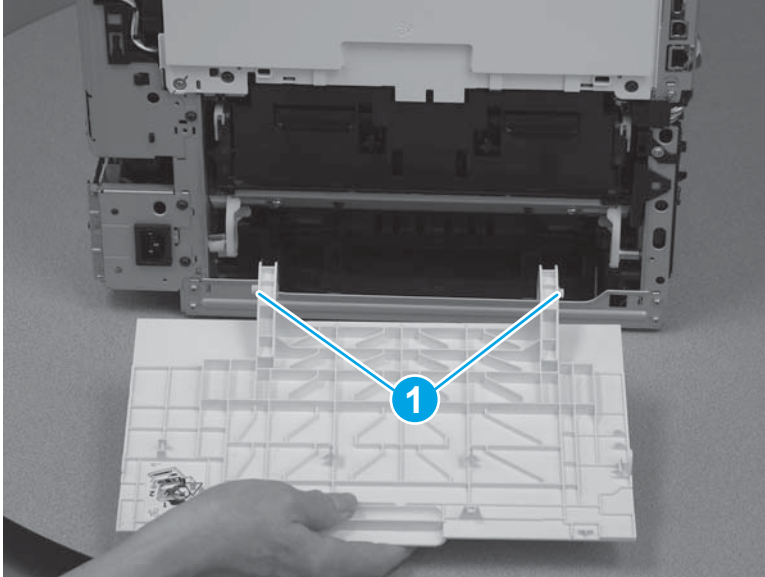
Figure 1-600 Recycle and unpack



Step 10: Install the rear door (simplex models)

- ▲ Slightly flex the door hinge arms to install two hinge pins (callout 1).

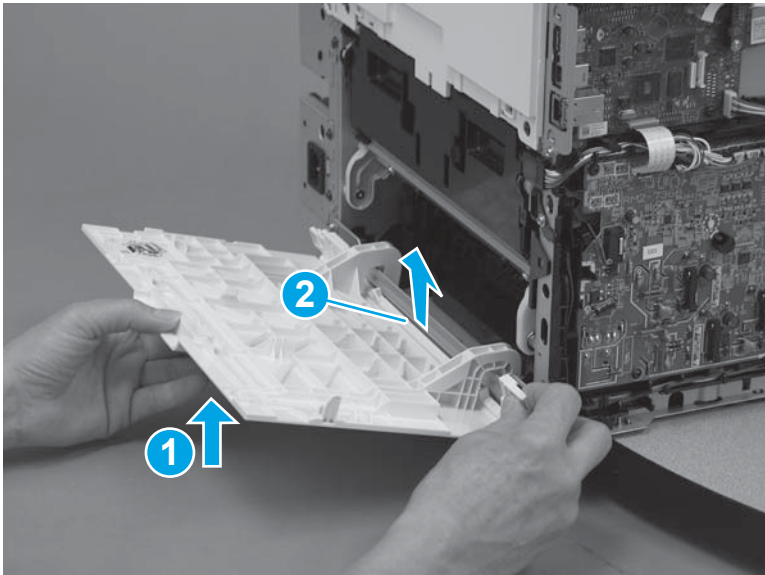
Figure 1-601 Install the rear door



Step 11: Install the rear lower cover (simplex models)

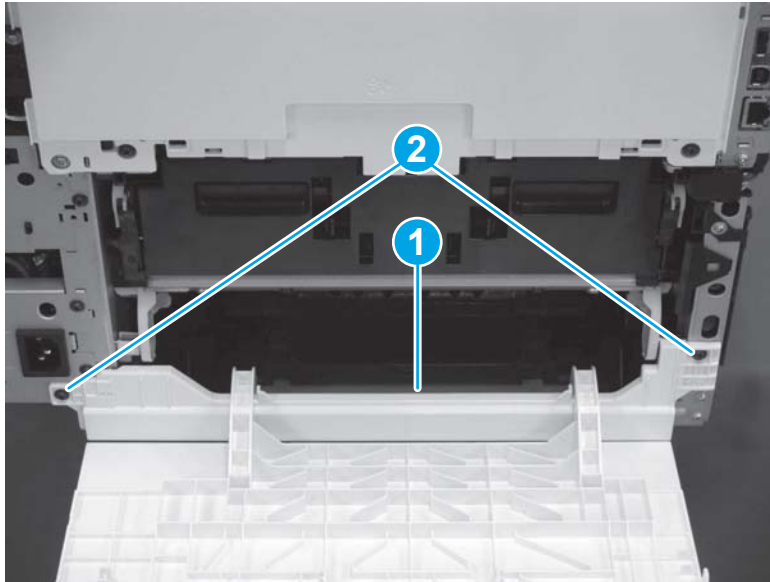
1. Slide the printer to the edge of a work surface in order to allow installation of the cover. Lift the rear door up (callout 1), and then move the rear lower cover up to install it (callout 2).

Figure 1-602 Install the rear lower cover




2. Engage one tab (callout 1), and then install two screws (callout 2).

Figure 1-603 Engage tab and install screws

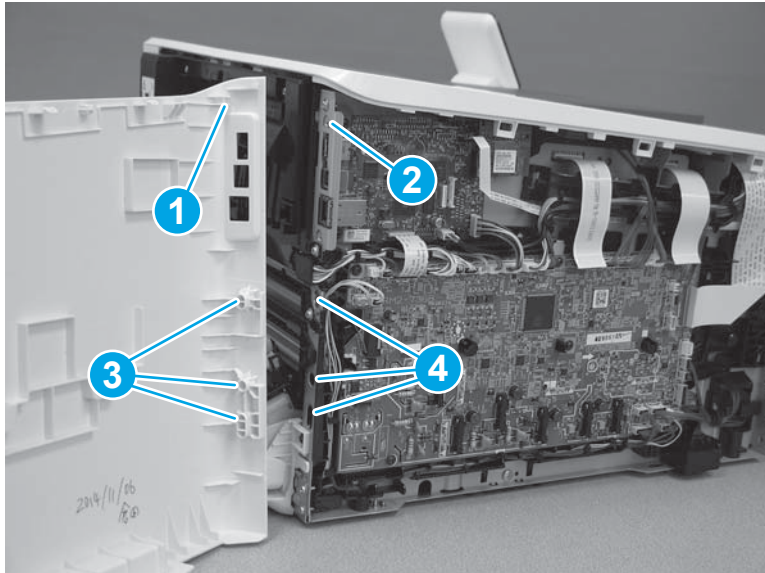


Step 12: Install the left cover (M452 models)

 **NOTE:** This step is for the M452 models. For the M477 models, skip this step and go to [Step 13: Install the left cover \(M477 models\)](#) on page 345.

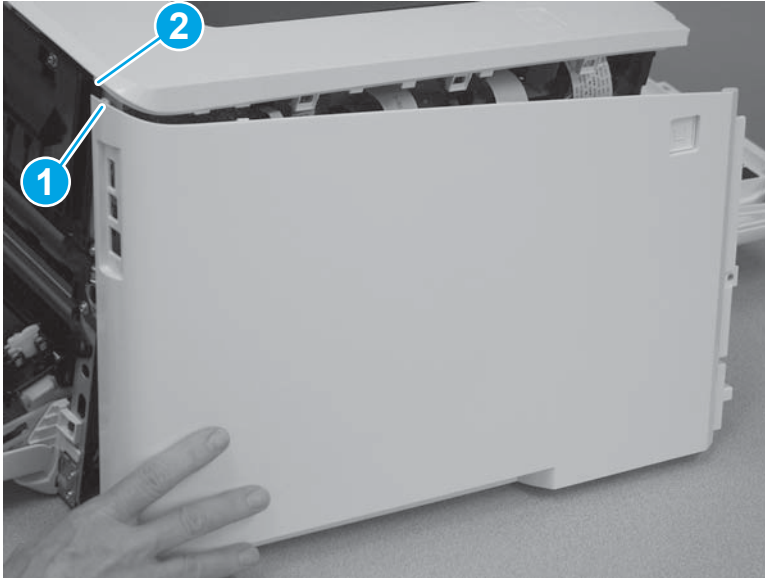
1. Position the hook (callout 1) on the cover in the slot (callout 2) on the printer. Position three tabs (callout 3) on the back of the cover in the slots (callout 4) in the printer.

Figure 1-604 Position three tabs



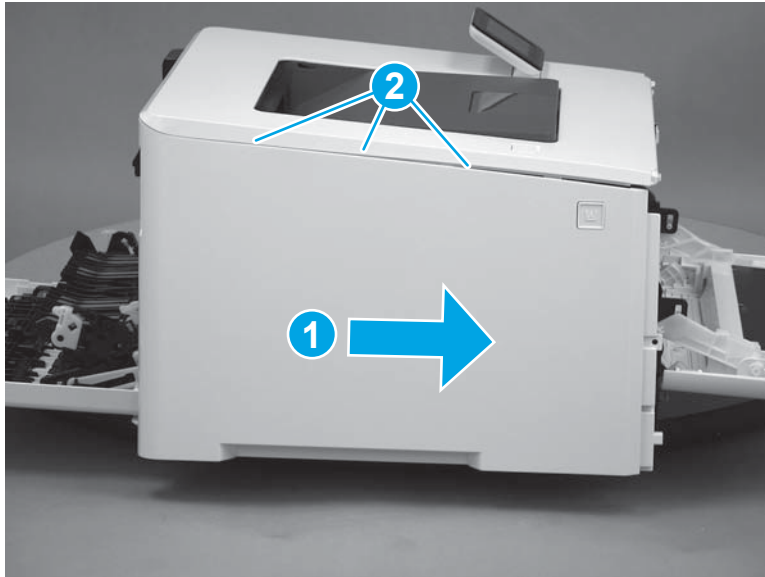
2. At the back of the printer, install the tab (callout 1) under the edge of the top cover (callout 2).

Figure 1-605 Install one tab



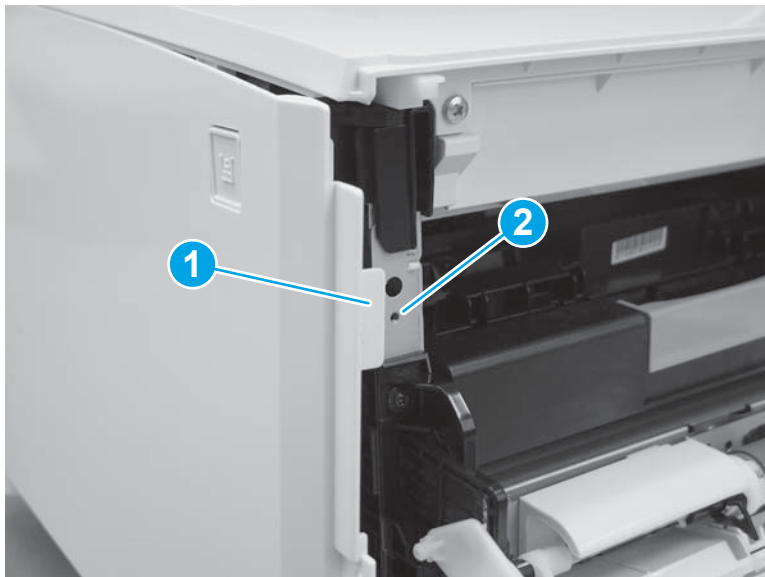
3. Slide the cover toward the front of the printer (callout 1), and then engage three tabs (callout 2) on the top of the cover.

Figure 1-606 Install the left cover



⚠ CAUTION: Make sure that the tab (callout 1) does not get caught behind the printer frame (callout 2).

Figure 1-607 Make sure the tab does not get caught



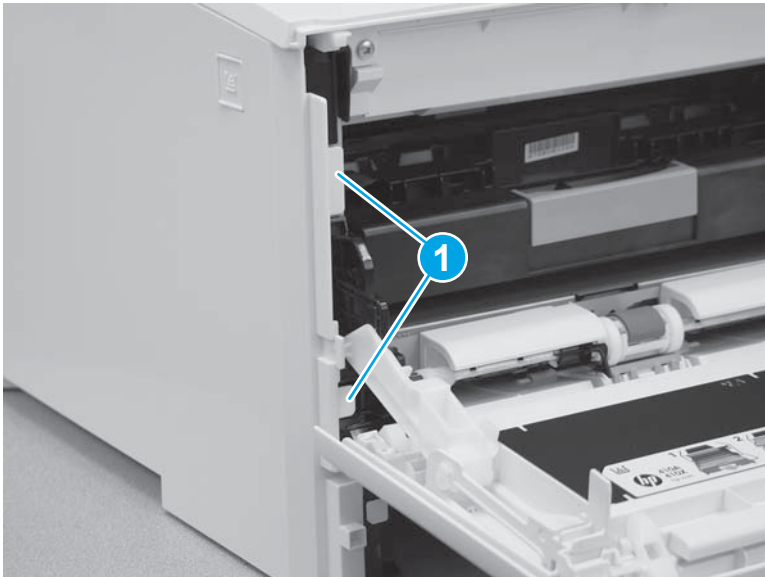
4. Slide the printer to the edge of a work surface in order to access the tabs on the bottom of the cover. Beginning from the back of the cover, install four tabs (callouts 1-4) on the lower edge of the cover.

Figure 1-608 Install four tabs



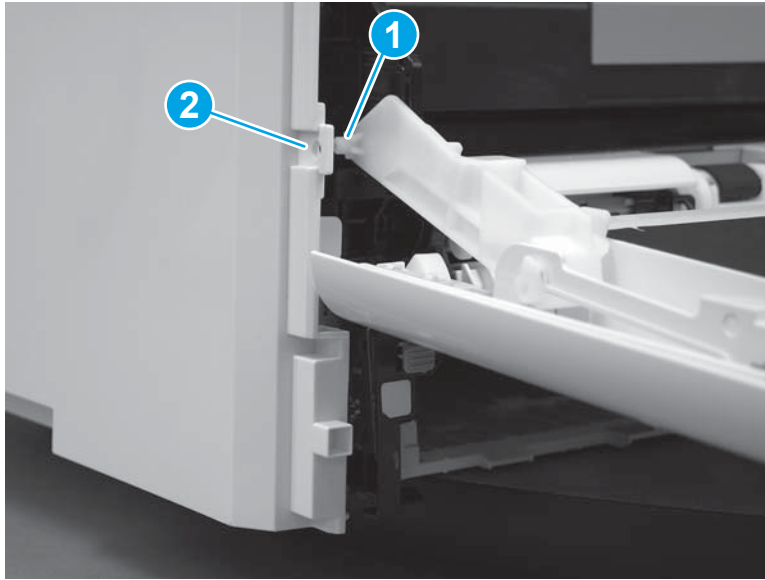
5. Install two tabs (callout 1) at the front of the cover.

Figure 1-609 Engage two tabs



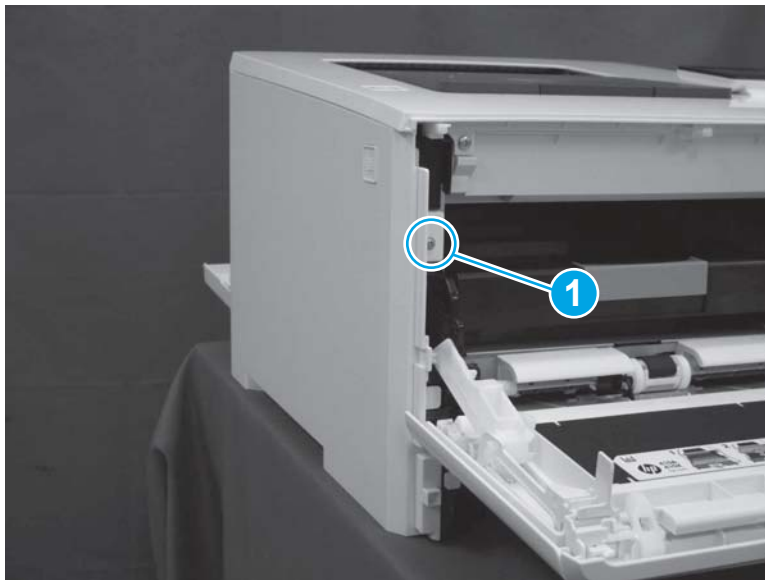
6. Make sure that the hinge pin (callout 1) on the front door fits into the slot (callout 2) on the left cover.

Figure 1-610 Install hinge pin




7. Install one screw (callout 1).

Figure 1-611 Install one screw

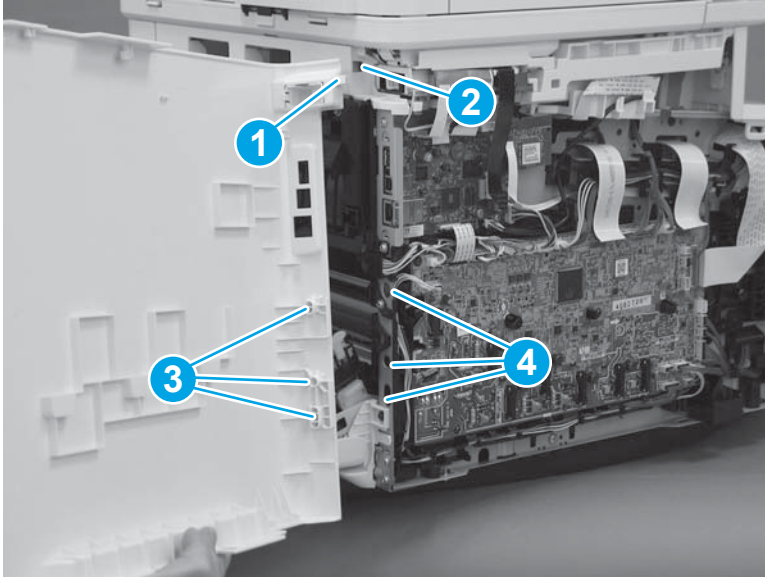


Step 13: Install the left cover (M477 models)

 **NOTE:** This step is for the M477 models. For the M452 models, skip this step and go to [Step 14: Install the right cover \(M452 models\) on page 352](#).

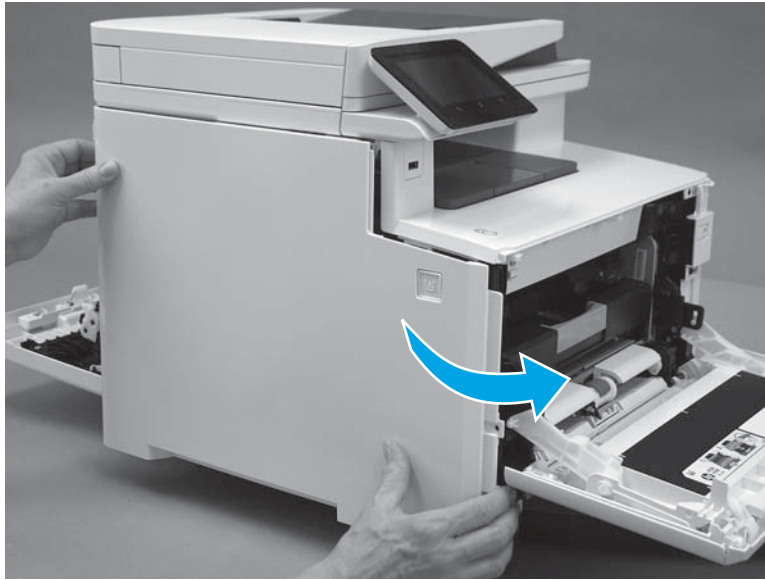
1. At the back of the printer, install the tab (callout 1) on the cover into the slot (callout 2) in the printer. Install the locator pins (callout 3) into the slots (callout 4) in the printer.

Figure 1-612 Install one tab



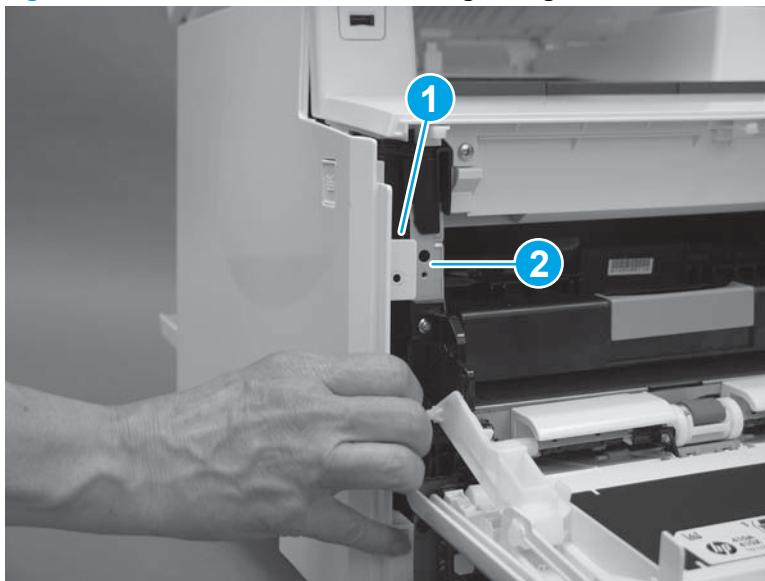
2. Rotate the cover toward the printer.

Figure 1-613 Rotate the left cover



⚠ CAUTION: Make sure that the tab (callout 1) does not get caught behind the printer frame (callout 2).

Figure 1-614 Make sure the tab does not get caught



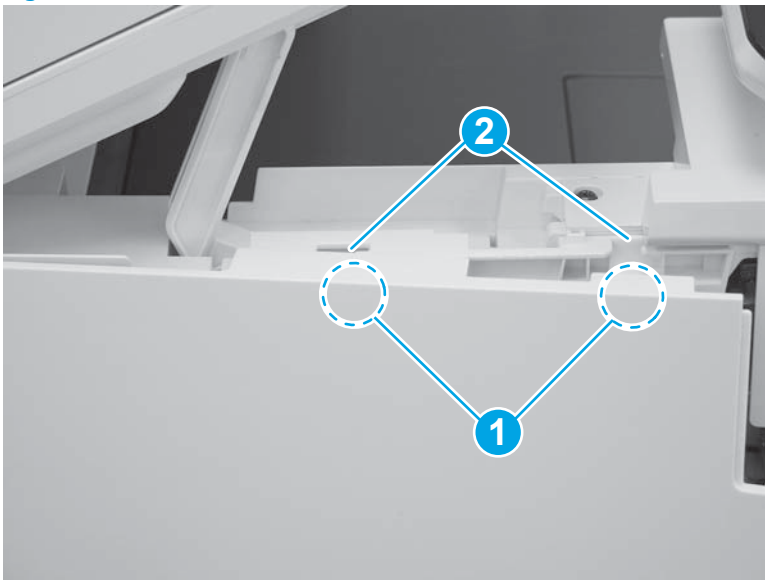
3. Raise the scanner.

Figure 1-615 Raise the scanner



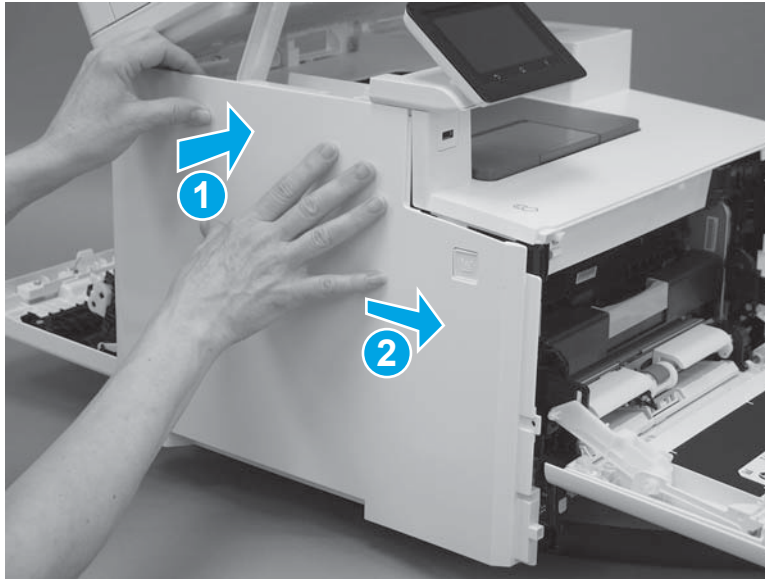
4. Position the hooks (callout 1) on the inside of the cover into the slots (callout 2) on the printer.

Figure 1-616 Position the hooks in the slots



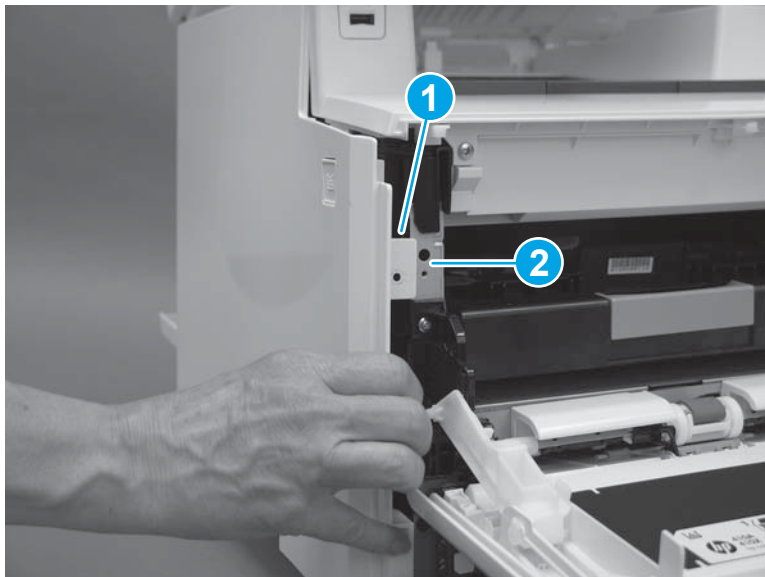
5. Hold the cover against the printer (callout 1), and then slide it (callout 2) toward the front of the printer.

Figure 1-617 Install the top hooks



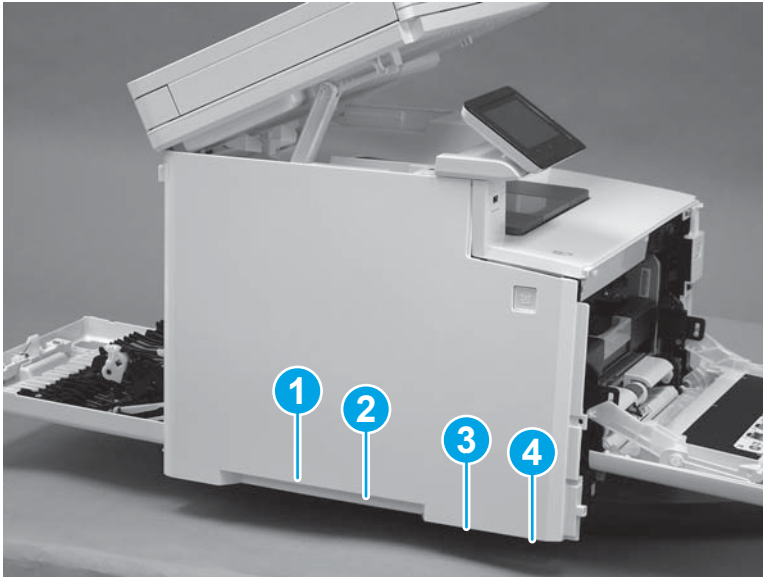
⚠ CAUTION: Make sure that the tab (callout 1) on the front of the cover does not get caught behind the printer frame (callout 2).

Figure 1-618 Make sure the tab does not get caught



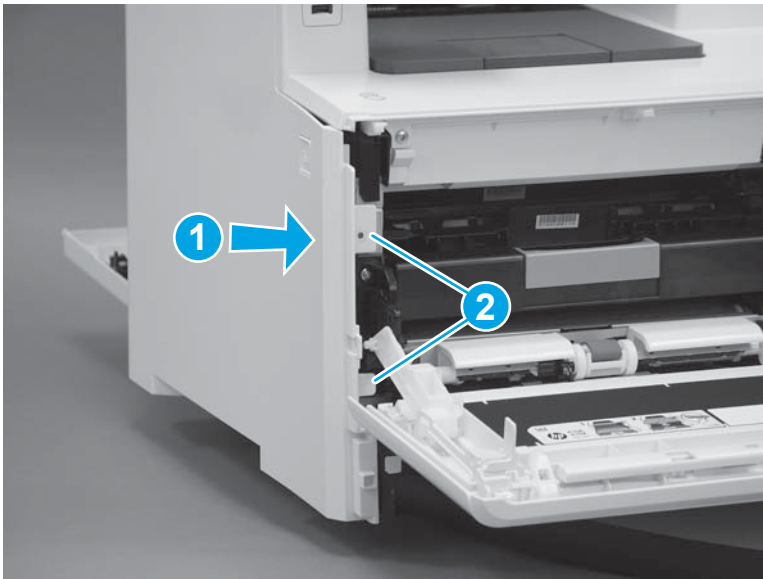
6. Slide the printer to the edge of a work surface in order to access the tabs on the bottom of the cover. Beginning from the back of the cover, install four tabs (callouts 1-4) on the lower edge of the cover.

Figure 1-619 Install four tabs



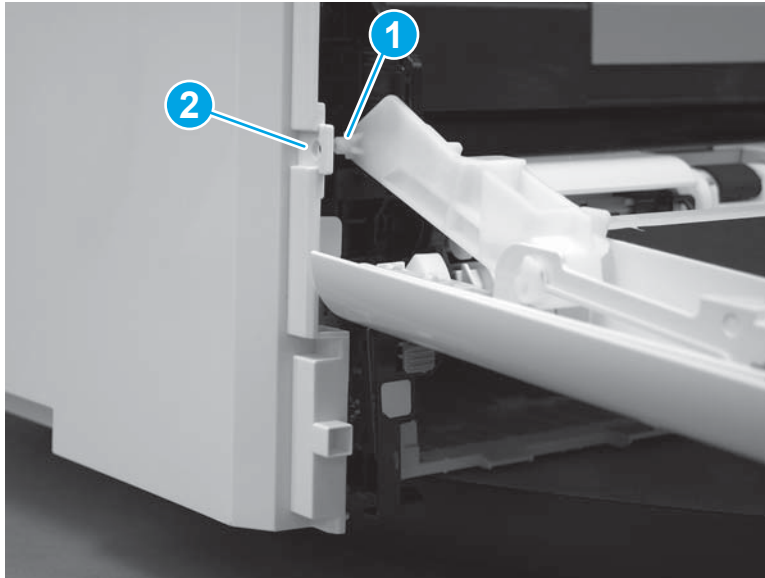
7. Press the cover toward the printer (callout 1), and then install two tabs (callout 2) at the front of the cover.

Figure 1-620 Install two tabs



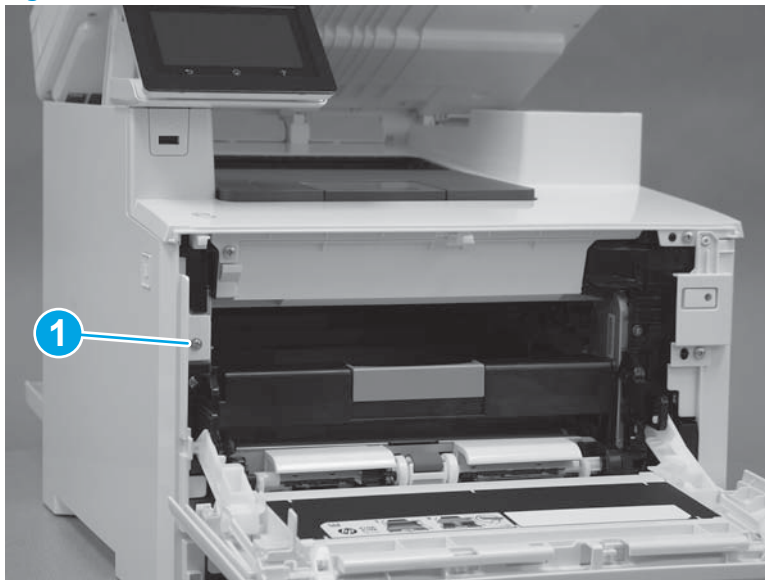
8. Make sure that the hinge pin (callout 1) on the front door fits into the slot (callout 2) on the left cover.

Figure 1-621 Install hinge pin



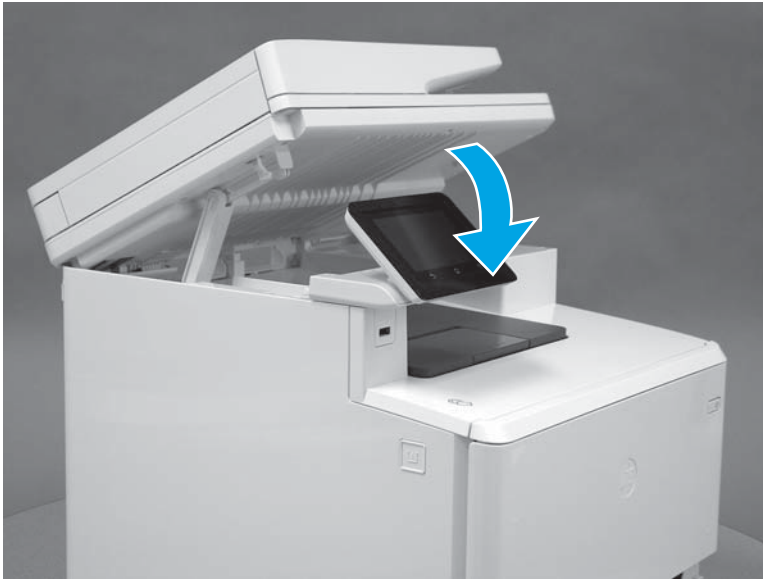
9. Install one screw (callout 1).

Figure 1-622 Install one screw



10. Lower the scanner.

Figure 1-623 Lower the scanner



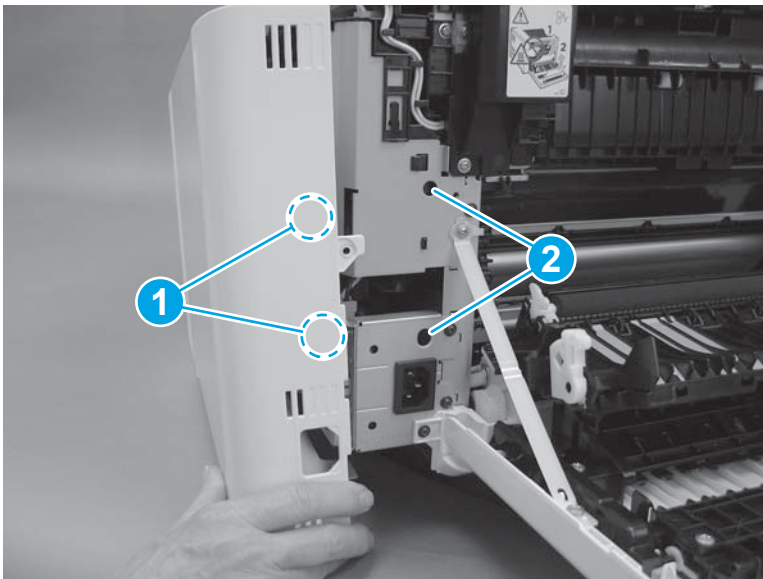
Step 14: Install the right cover (M452 models)



NOTE: This step is for the M452 models. For the M477 models, skip this step and go to [Step 15: Install the right cover \(M477 models\) on page 356](#).

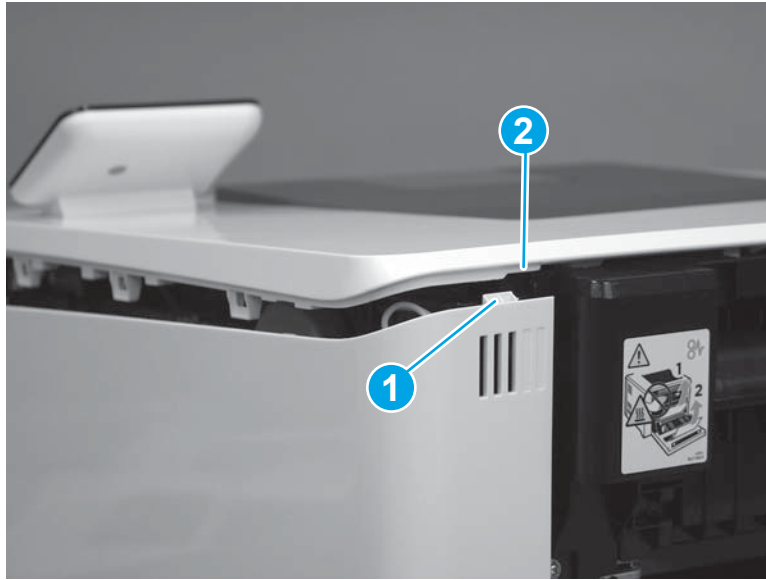
1. Position two tabs (callout 1) on the back of the cover in the slots (callout 2) in the printer.

Figure 1-624 Position two tabs



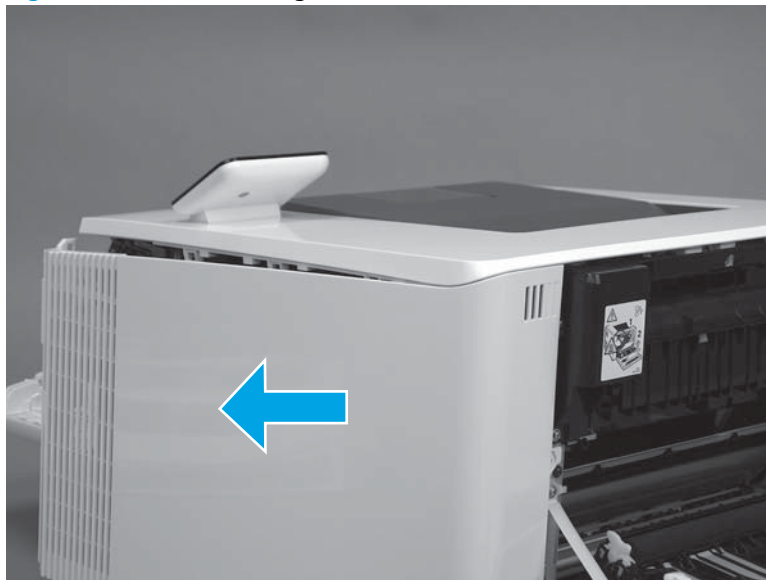
2. At the back of the printer, install the tab (callout 1) under the edge of the top cover (callout 2).

Figure 1-625 Install rear tab



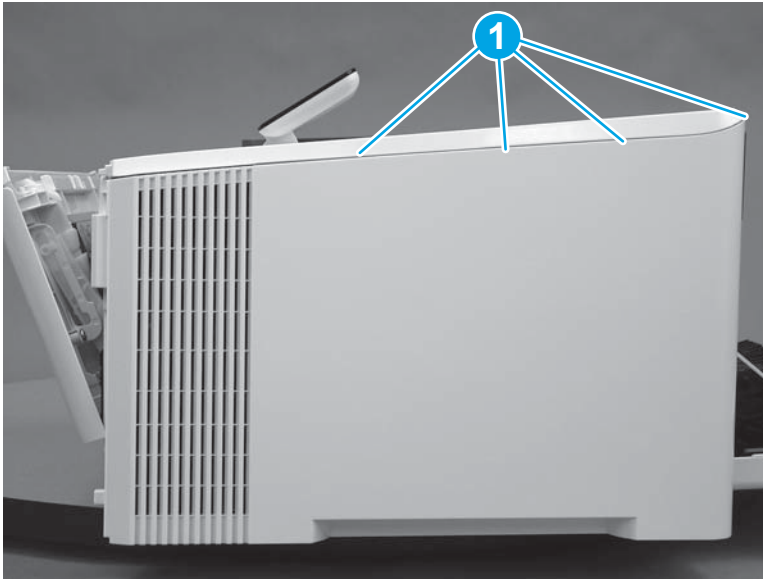
3. Slide the cover toward the front of the printer to install it.

Figure 1-626 Install the right cover



- Engage three tabs (callout 2) on the top of the cover.

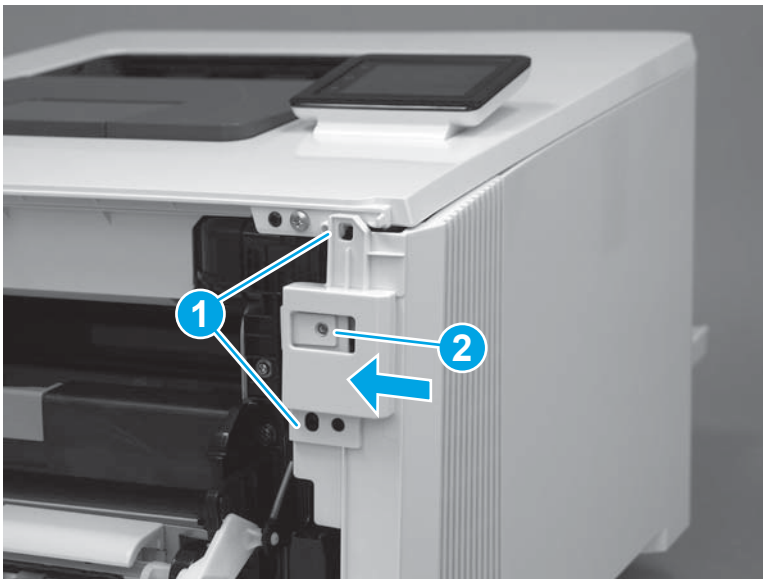
Figure 1-627 Install upper tabs



- At the front of the printer, position the front of the cover over two tabs (callout 1).

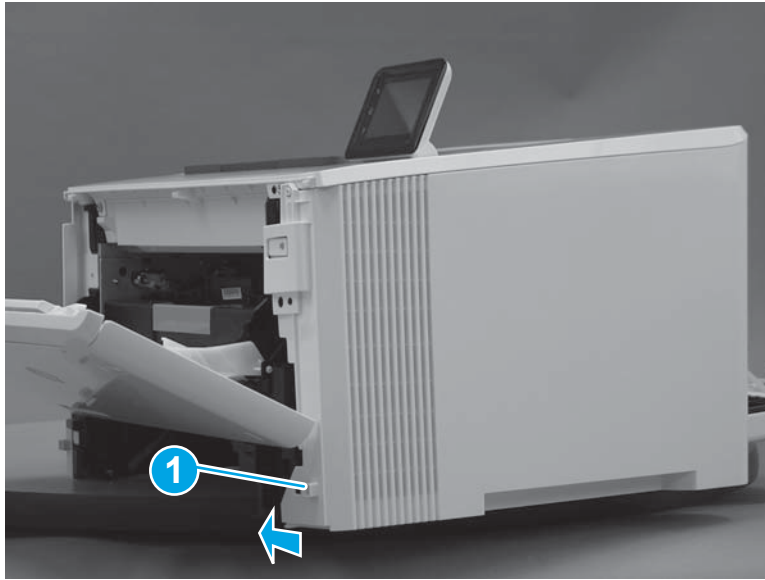
CAUTION: Be careful not to dislodge the power switch (callout 2).

Figure 1-628 Install the front tabs



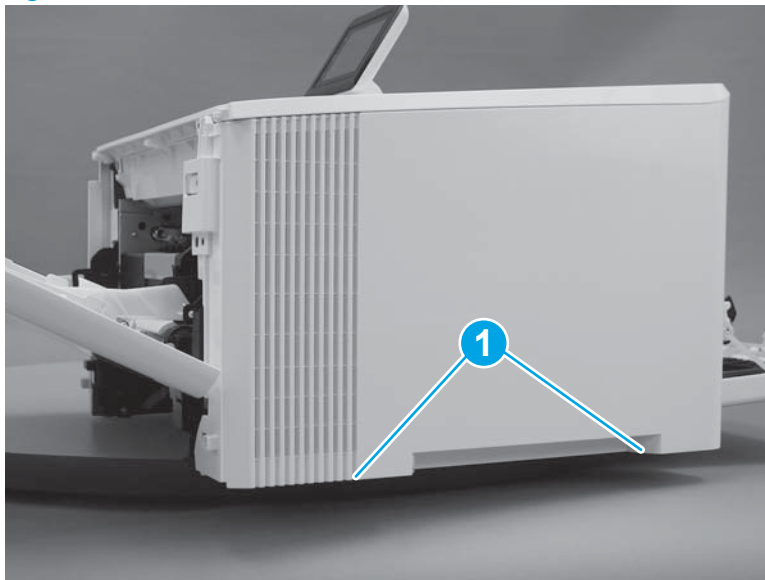
6. Press the right cover toward the printer to engage one tab (callout 1) on the front of the cover.

Figure 1-629 Install the front lower tab



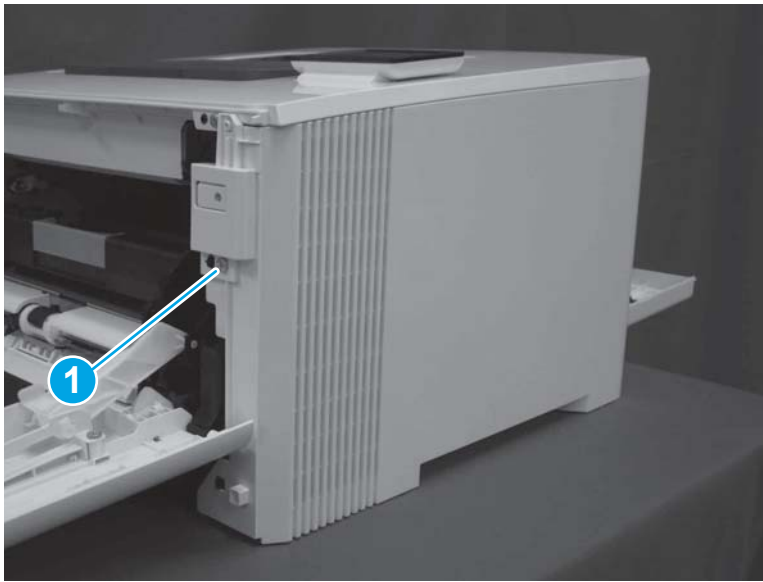
7. Install two tabs on the bottom of the cover (callout 1).

Figure 1-630 Install two tabs



8. At the front of the printer, install one screw (callout 1).

Figure 1-631 Install one screw




9. At the back of the printer, install one screw (callout 1).

Figure 1-632 Install one screw

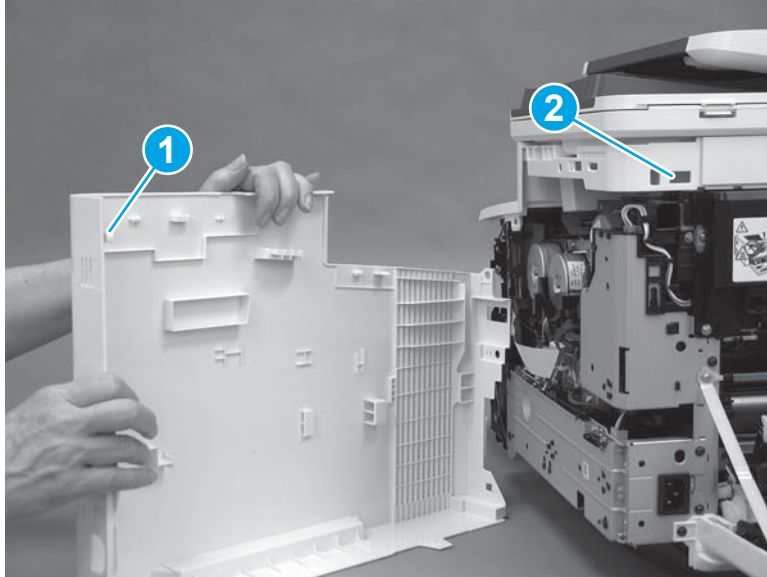


Step 15: Install the right cover (M477 models)

 **NOTE:** This step is for the M477 models. For the M452 models, skip this step and go to [Step 16: Close the front door and rear door on page 362](#).

1. At the back of the printer, install the tab (callout 1) on the cover into the slot (callout 2) on the printer.

Figure 1-633 Install rear tab



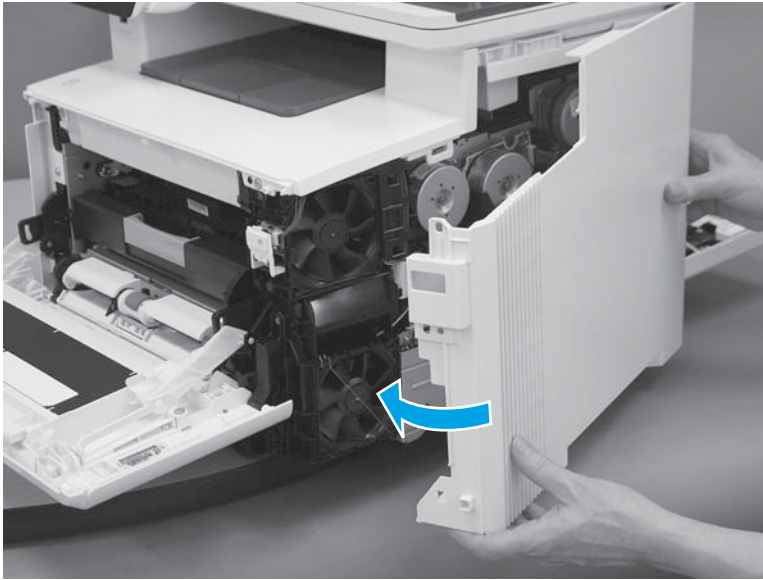
2. Raise the scanner.

Figure 1-634 Raise the scanner



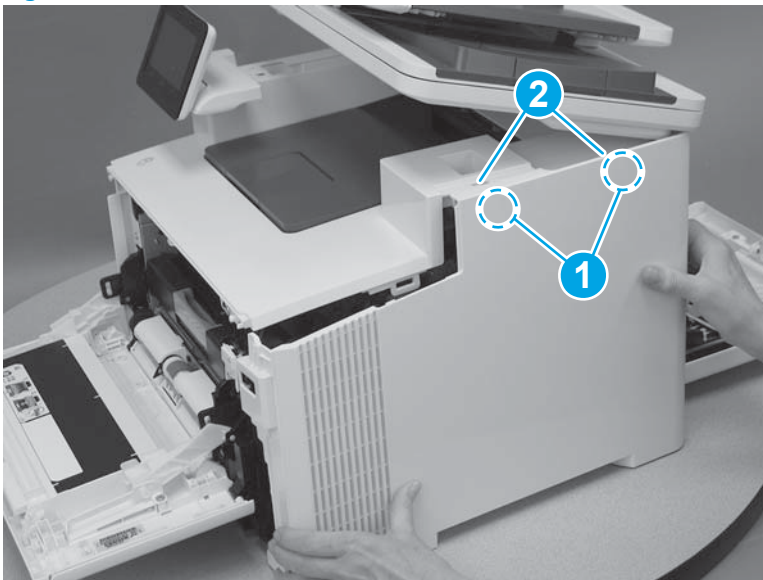
3. Rotate the right cover toward the printer.

Figure 1-635 Rotate the right cover



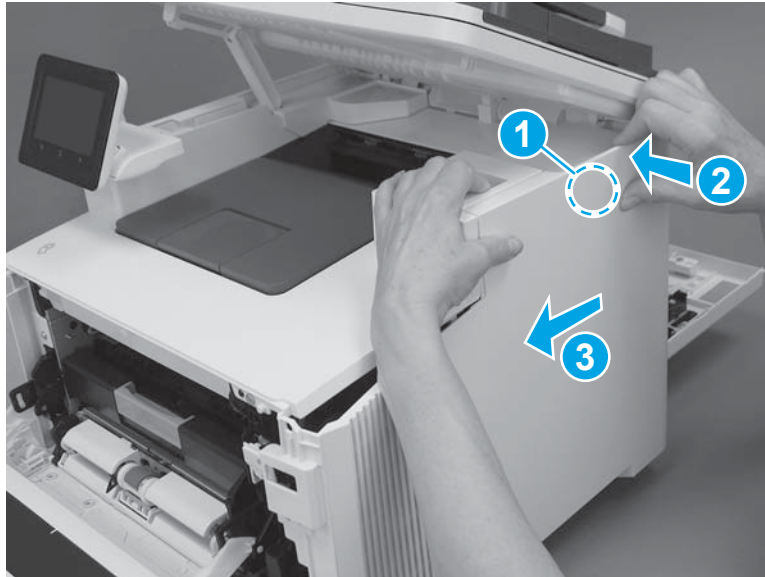
4. Position the hooks (callout 1) on the inside of the cover into the slots (callout 2) in the printer.

Figure 1-636 Position the hooks in the slots



- Engage one hook (callout 1) on the inside of the cover. Hold the top of the cover closed (callout 2) while sliding the cover toward the front of the printer (callout 3).

Figure 1-637 Slide the cover



- Rotate the front of the cover toward the printer (callout 1).

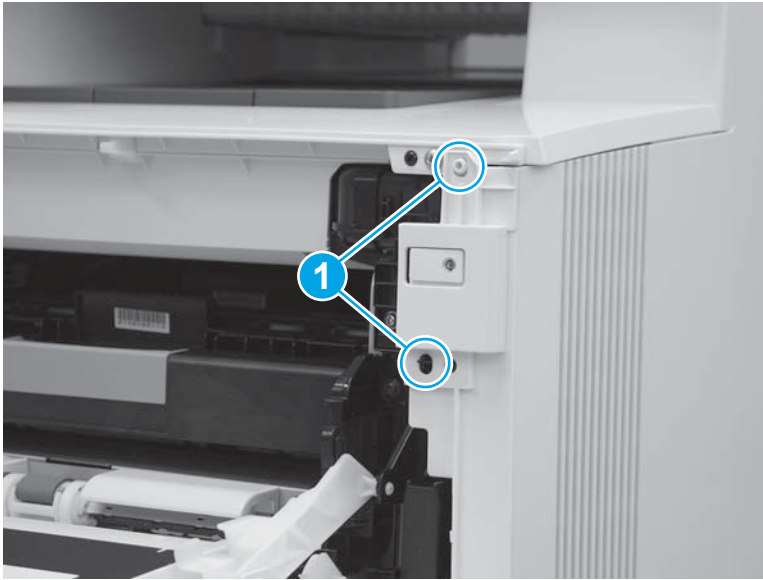
⚠ CAUTION: Be careful not to dislodge the power switch (callout 2).

Figure 1-638 Rotate the front of the cover



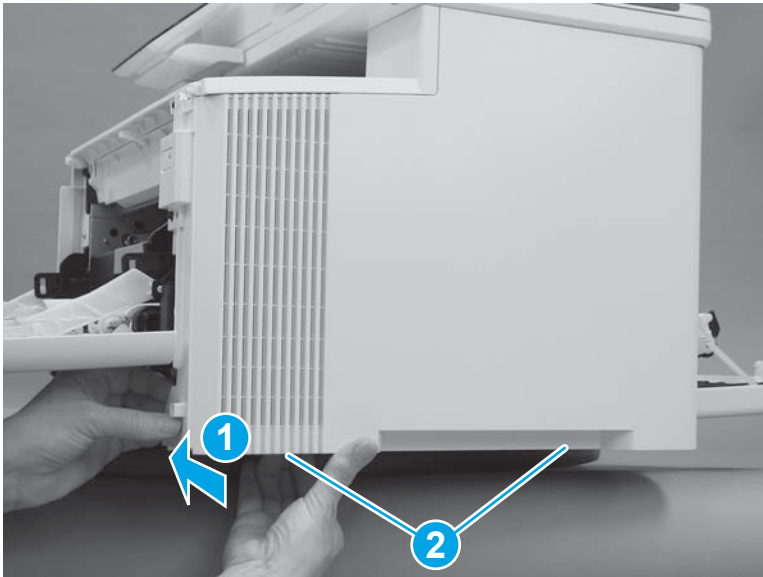
7. Install two tabs at the front of the printer (callout 1).

Figure 1-639 Install two tabs



8. Press the right cover toward the printer (callout 1) to engage one tab on the front of the cover, and two tabs (callout 2) on the lower edge of the cover.

Figure 1-640 Install the front and lower tabs



9. At the front of the printer, install one screw (callout 1).

Figure 1-641 Install one screw



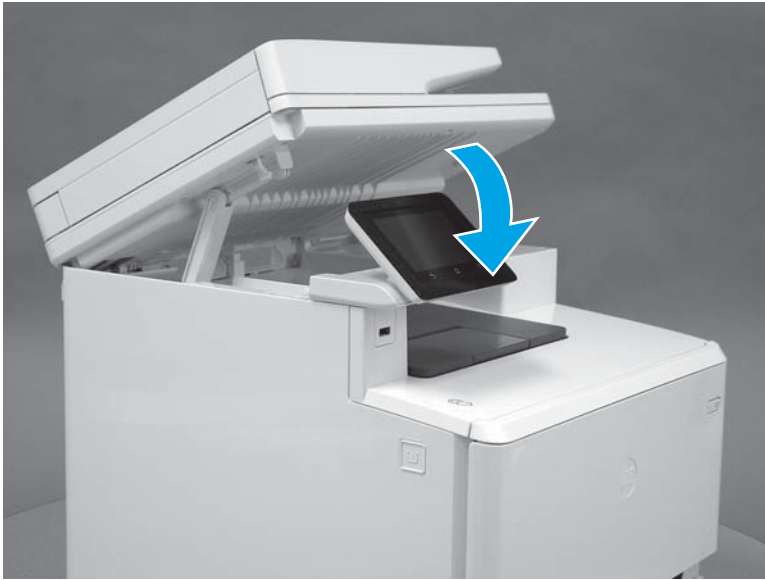
10. At the back of the printer, install one screw (callout 1).

Figure 1-642 Install one screw



11. Lower the scanner.

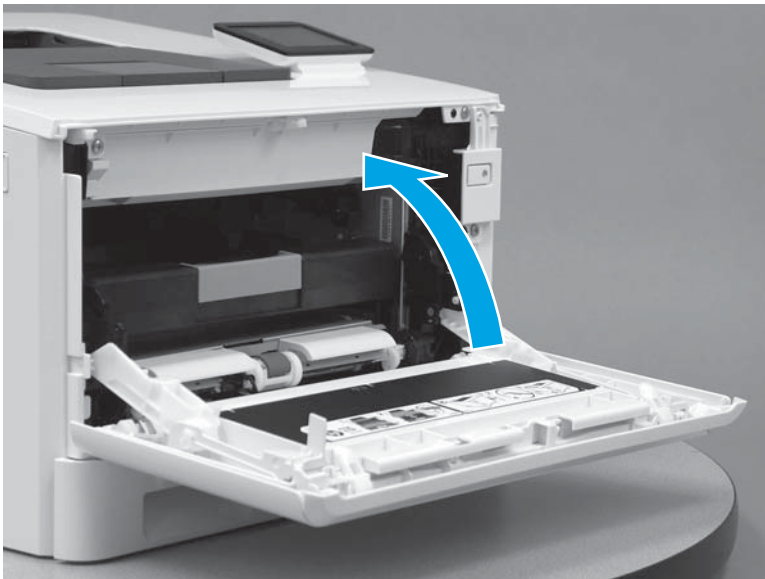
Figure 1-643 Lower the scanner



Step 16: Close the front door and rear door

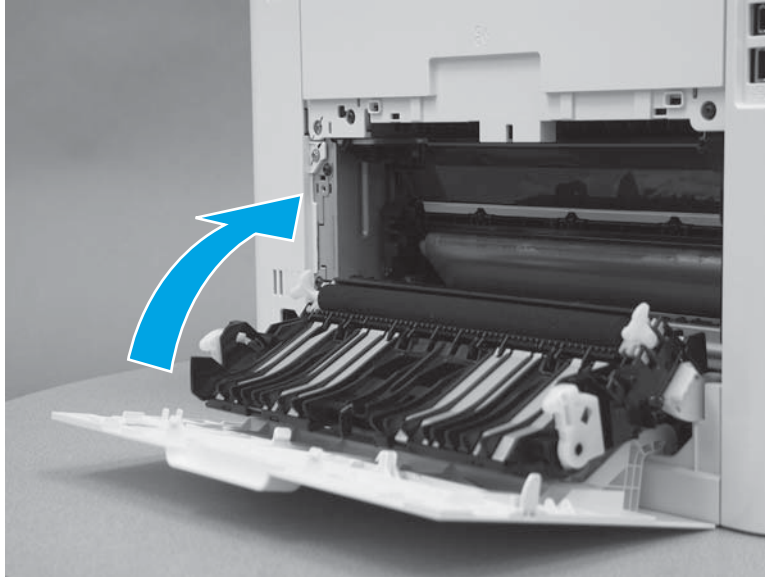
1. Close the front door.

Figure 1-644 Close the front door



2. Close the rear door.

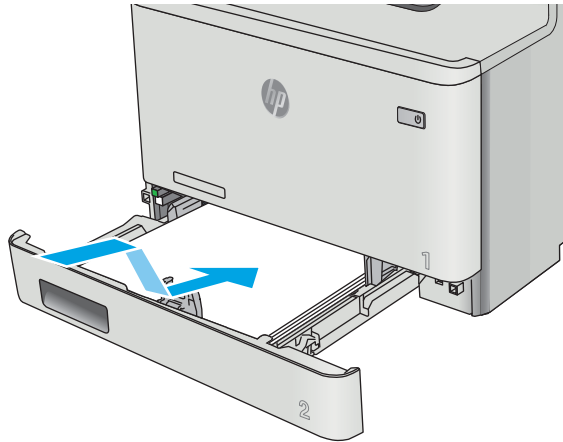
Figure 1-645 Close the rear door



Step 17: Install Tray 2

- ▲ With the front of the tray slightly lifted, align the sides of the tray with the rails in the printer, and then carefully slide the tray into the printer. As the tray slides into the printer, lower the front of the tray, and then close it.

Figure 1-646 Install the tray



Removal and replacement: Top cover (M452 models)


- [Introduction](#)
- [Step 1: Remove Tray 2](#)
- [Step 2: Open the front door and rear door or duplexer door](#)
- [Step 3: Remove the right cover \(M452 models\)](#)
- [Step 4: Remove the left cover \(M452 models\)](#)
- [Step 5: Remove the rear top cover \(simplex model\)](#)
- [Step 6: Remove the top cover \(M452 models\)](#)
- [Step 7: Remove the control panel \(M452dw model\)](#)
- [Step 8: Unpack the replacement part](#)
- [Step 9: Install the control panel \(M452dw model\)](#)
- [Step 10: Install the wireless antenna \(M452nw/dw models\)](#)
- [Step 11: Install the top cover \(M452 models\)](#)
- [Step 12: Install the rear top cover \(simplex model\)](#)
- [Step 13: Install the left cover \(M452 models\)](#)
- [Step 14: Install the right cover \(M452 models\)](#)
- [Step 15: Close the front door and rear door or duplexer door](#)
- [Step 16: Install Tray 2](#)

Introduction


This document provides the procedures to remove and replace the top cover for the M452.

Before you begin

- Turn off the printer.
- Disconnect the power cable.

 **WARNING!** To avoid damage to the printer, turn the printer off, wait 30 seconds, and then remove the power cord before attempting to service the printer.

- Use the table below to identify the correct part number for your printer. To order the part, go to www.hp.com/buy/parts.

 **IMPORTANT:** **M452nw and M452dw models:** Make sure to order a replacement antenna from the table below when replacing the top cover. This new antenna must be installed on the replacement top cover.

| Top cover part numbers | |
|------------------------|--------------------|
| RM2-6433-000CN | Top cover (M452nw) |
| RM2-6442-000CN | Top cover (M452dn) |

Top cover part numbers

| | |
|-----------------------|--------------------|
| RM2-6456-000CN | Top cover (M452dw) |
| 0960-3467 | Remote antenna |

Required tools

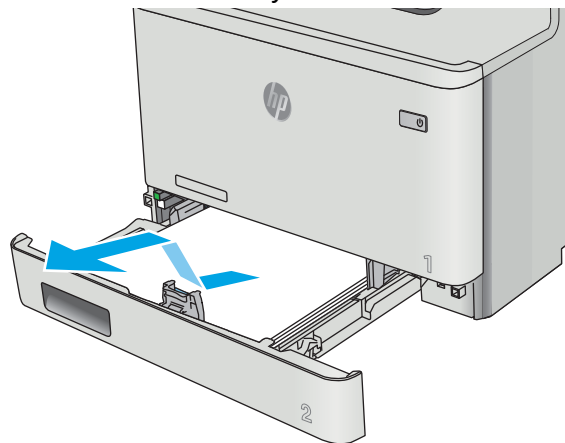
- #2 Phillips screwdriver with a magnetic tip
- Small flat-blade screwdriver

After performing service

- Connect the power cable.
- Use the power switch to turn the power on.

Step 1: Remove Tray 2

- ▲ Pull the tray out until it stops. Lift the front of the tray, and then pull it out of the printer to remove it.

Figure 1-647 Remove the tray**Step 2: Open the front door and rear door or duplexer door**

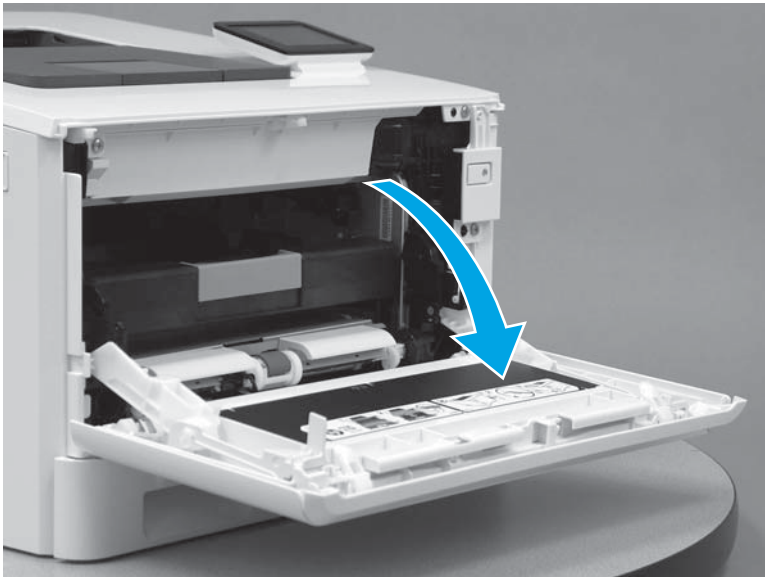
1. Press the button (callout 1) on the left side of the printer to release the front door.

Figure 1-648 Release the front door



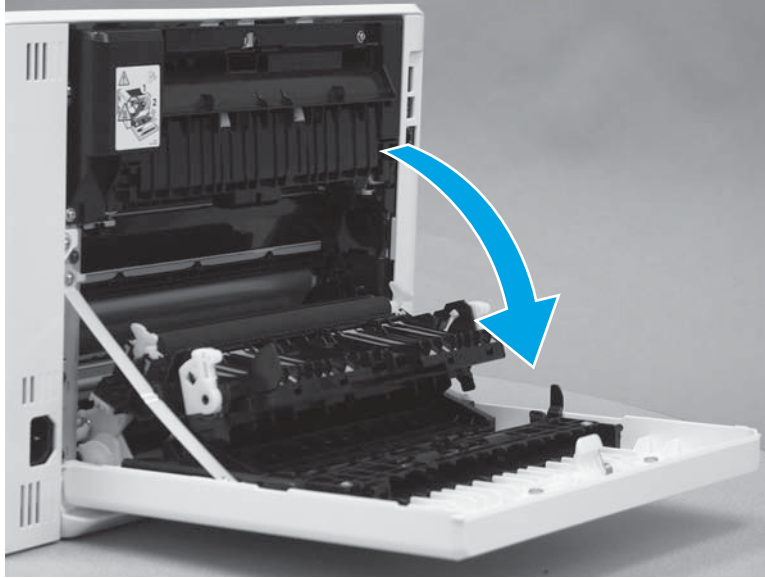
2. Open the front door.

Figure 1-649 Open the front door



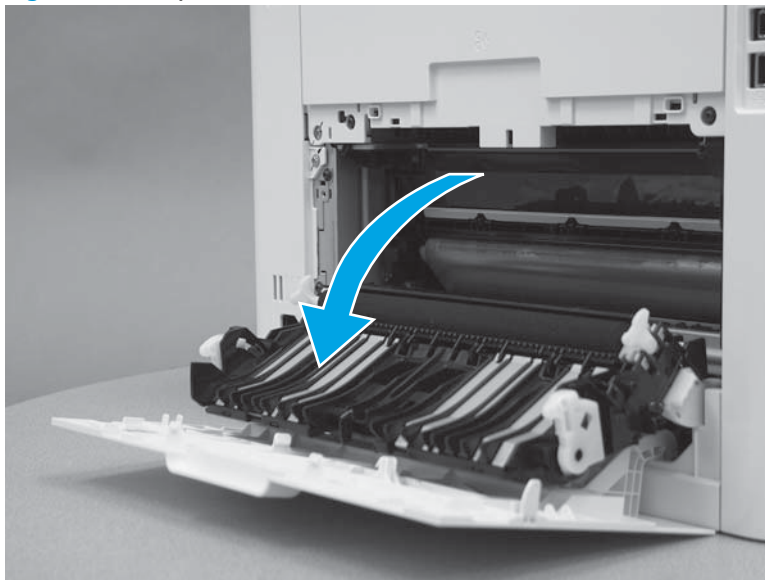
3. **Duplex models:** Open the duplexer door.

Figure 1-650 Open the duplexer door



4. **Simplex models:** Open the rear door.

Figure 1-651 Open the rear door



Step 3: Remove the right cover (M452 models)

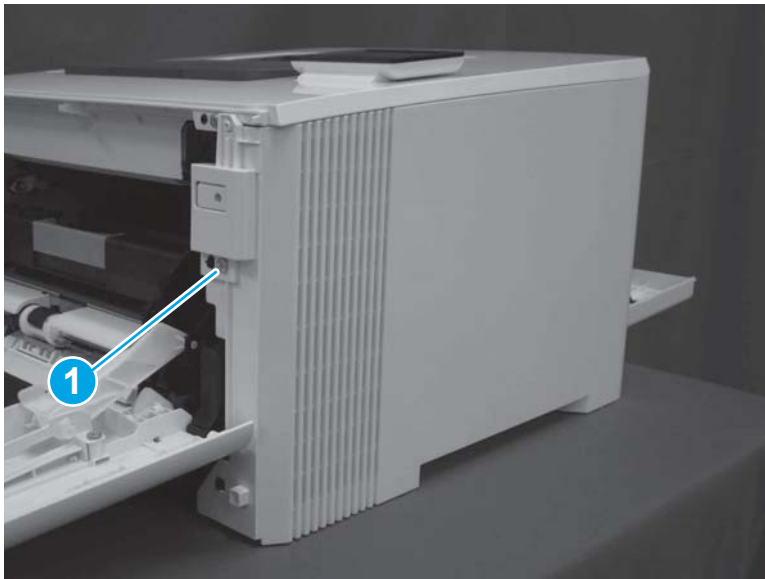
1. At the back of the printer, remove one screw (callout 1).

Figure 1-652 Remove one screw



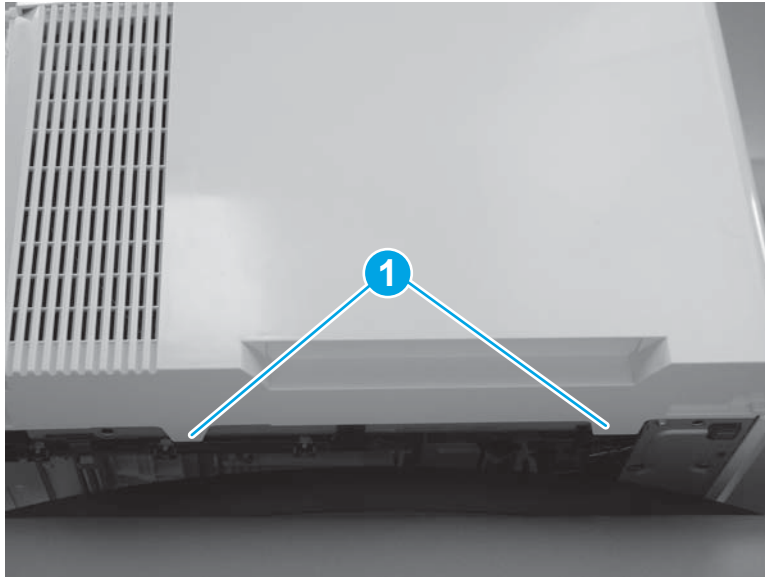
2. At the front of the printer, remove one screw (callout 1).

Figure 1-653 Remove one screw



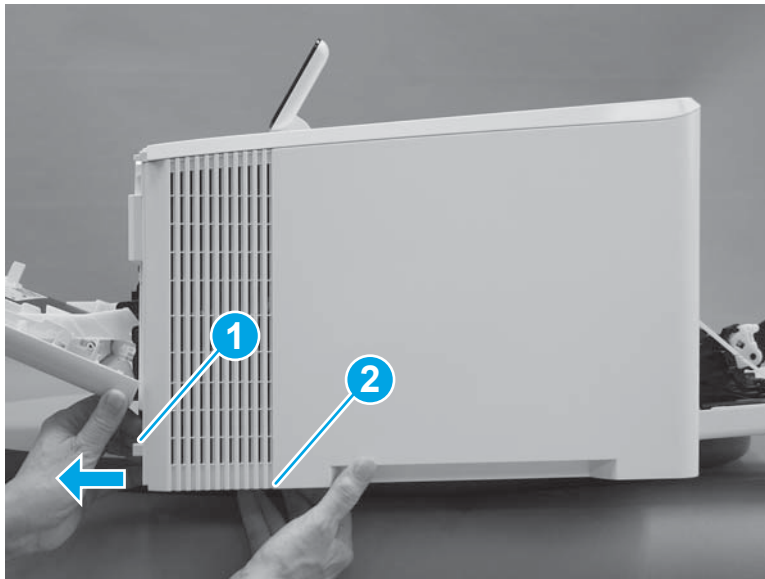
3. Slide the printer to the edge of a work surface. Note the location of the tabs on the lower edge of the cover (callout 1).

Figure 1-654 Locate the tabs



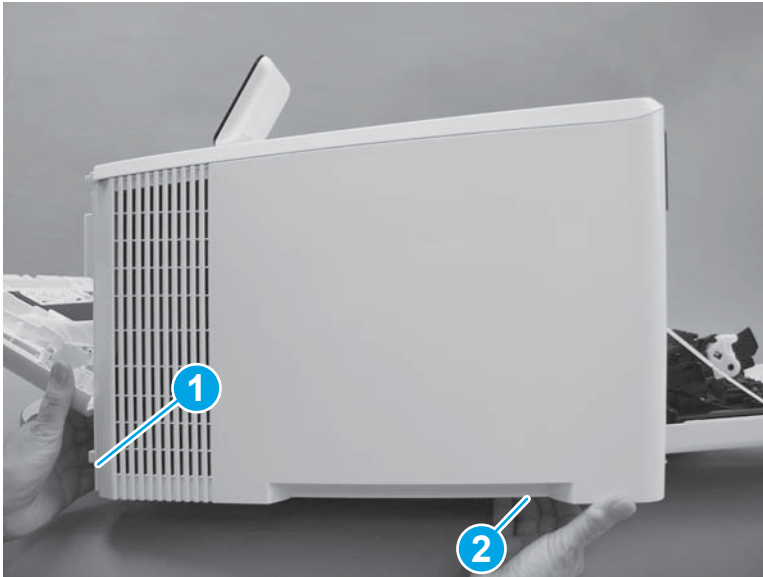
4. Release one tab (callout 1) on the front of the cover by slightly pulling the cover away from the printer. While holding the cover in the released position, release one tab (callout 2) on the bottom of the cover.

Figure 1-655 Release front lower tabs



5. Hold the front tabs in the released position (callout 1), and then release one tab (callout 2) on the bottom of the cover, toward the back of the printer.

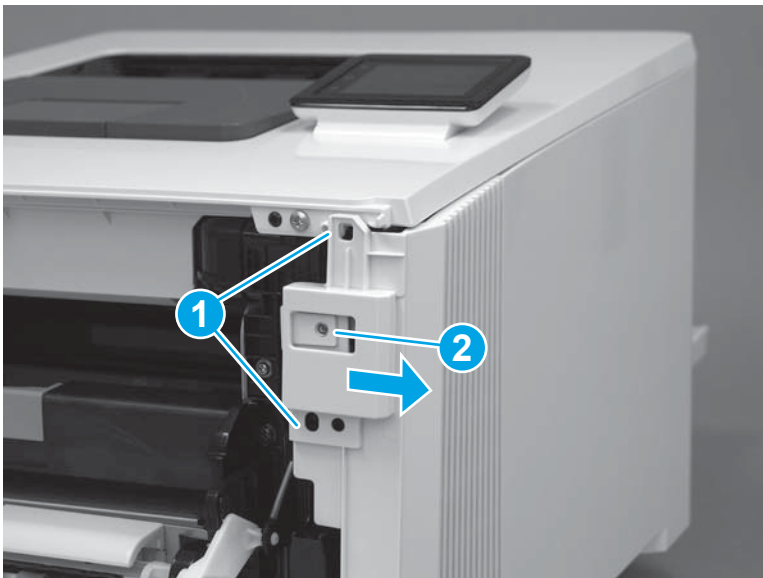
Figure 1-656 Release lower rear tab



6. Release two tabs at the front of the printer (callout 1) by slightly pulling the cover away from the printer.

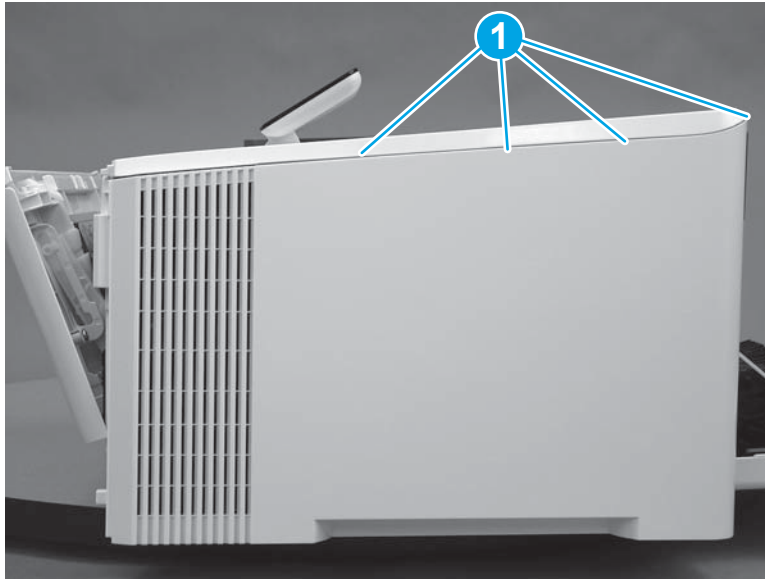
CAUTION: Be careful not to dislodge the power switch (callout 2).

Figure 1-657 Release two front tabs



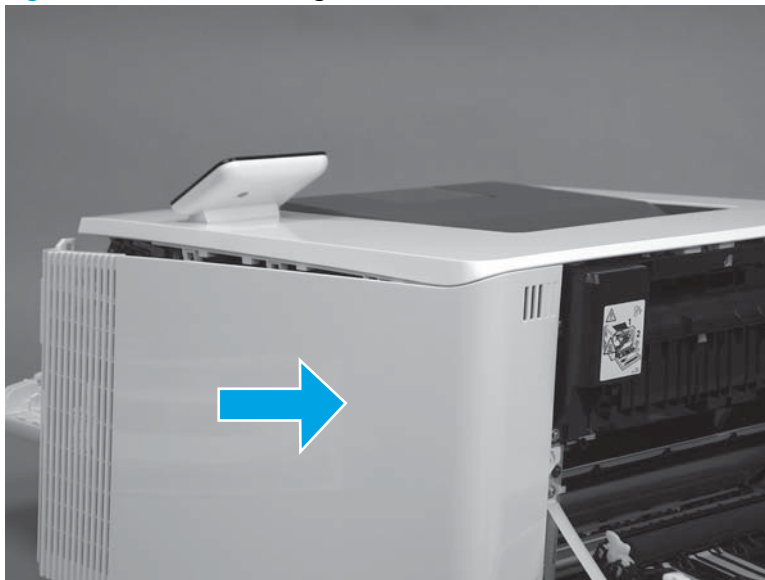
7. Release four tabs on the top of the printer (callout 1).

Figure 1-658 Release upper tabs



8. Slide the cover toward the back of the printer to remove it.

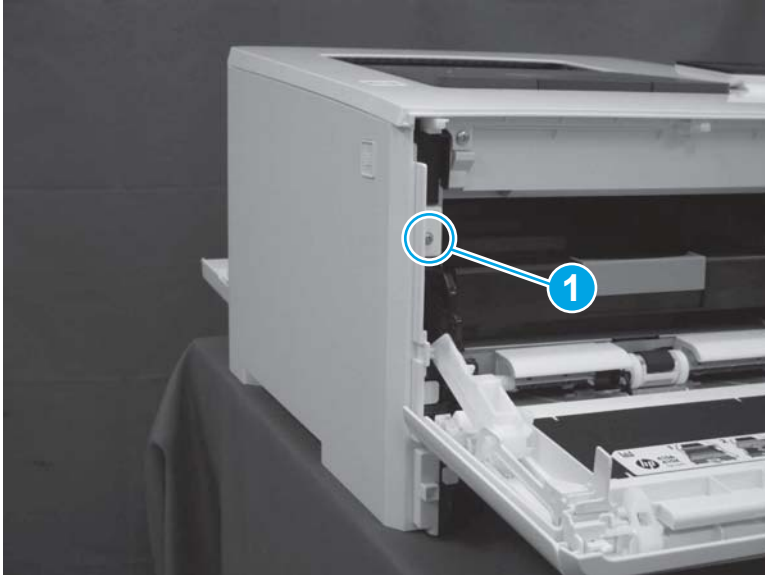
Figure 1-659 Remove the right cover



Step 4: Remove the left cover (M452 models)

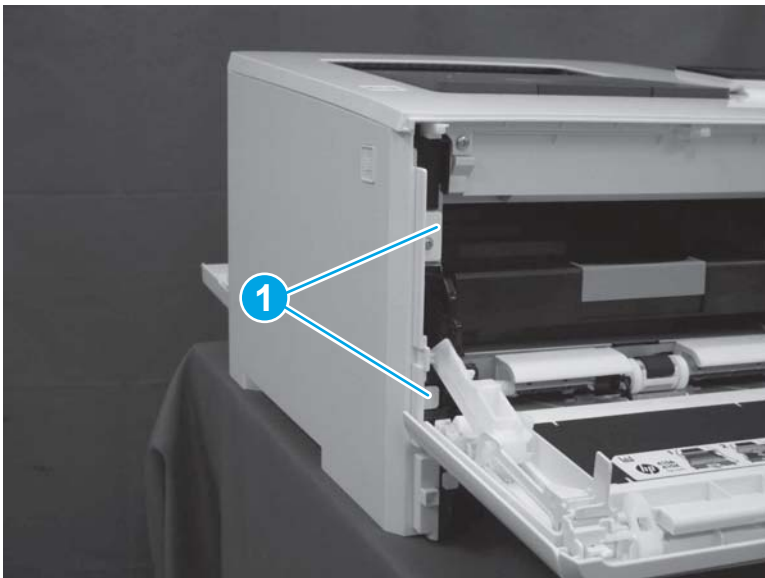
1. At the front of the printer, remove one screw (callout 1).

Figure 1-660 Remove one screw



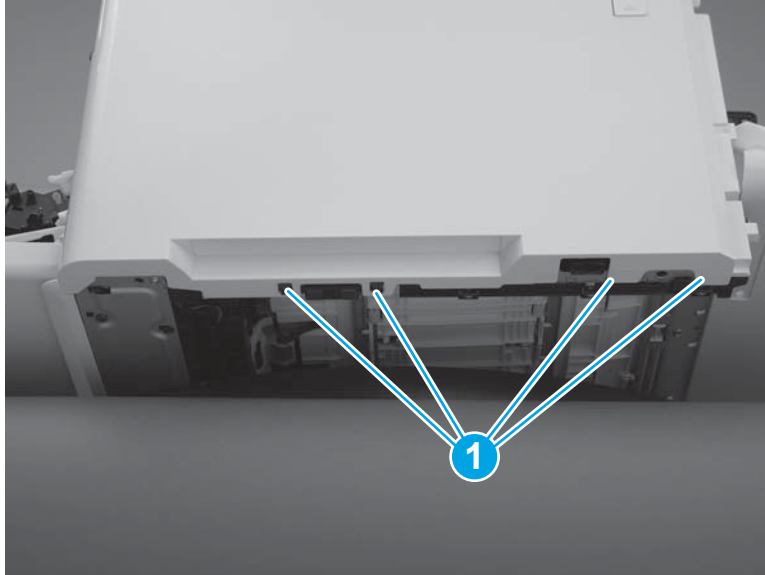
2. Release two tabs (callout 1) at the front of the cover. Hold the cover open to prevent the tabs from reengaging.

Figure 1-661 Release two tabs



3. Slide the printer to the edge of a work surface. Note the location of the tabs on the lower edge of the cover (callout 1).

Figure 1-662 Locate the tabs



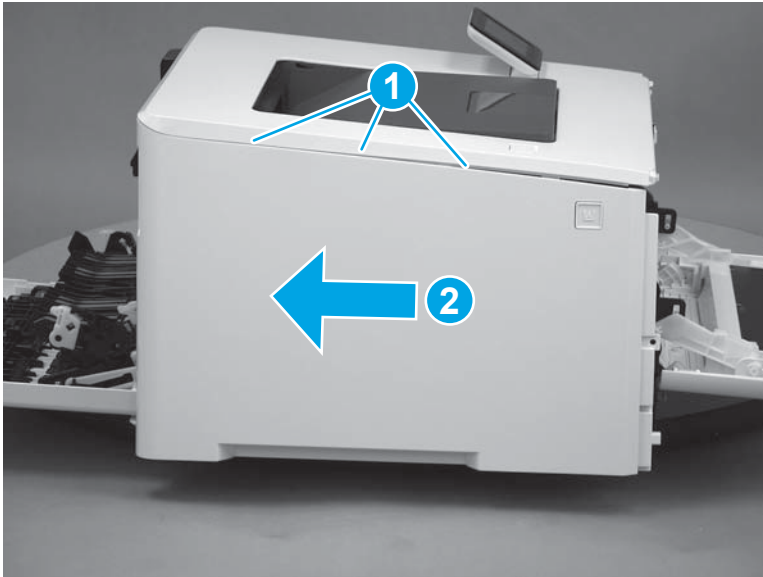
4. Beginning from the front of the cover, release four tabs (callouts 1-4) on the lower edge of the cover.

Figure 1-663 Release bottom tabs



5. Release three tabs at the top of the cover (callout 1), and then slide the cover toward the rear of the printer to remove it.

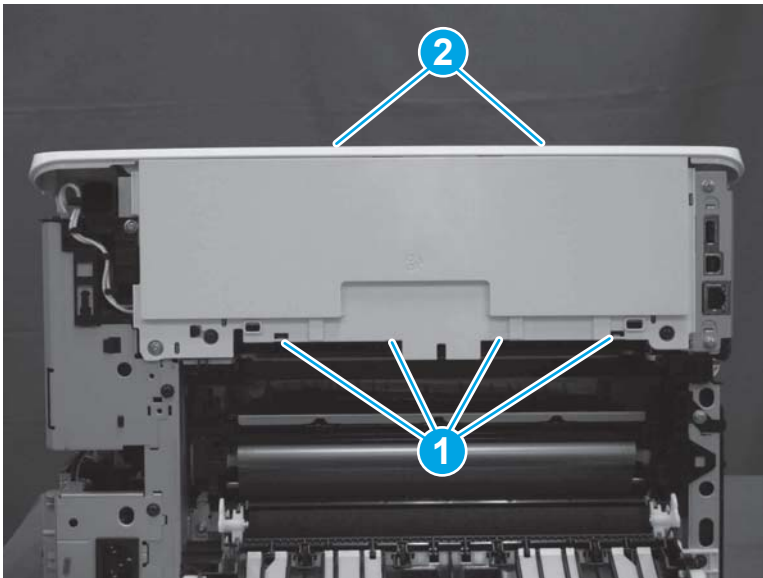
Figure 1-664 Release three tabs



Step 5: Remove the rear top cover (simplex model)

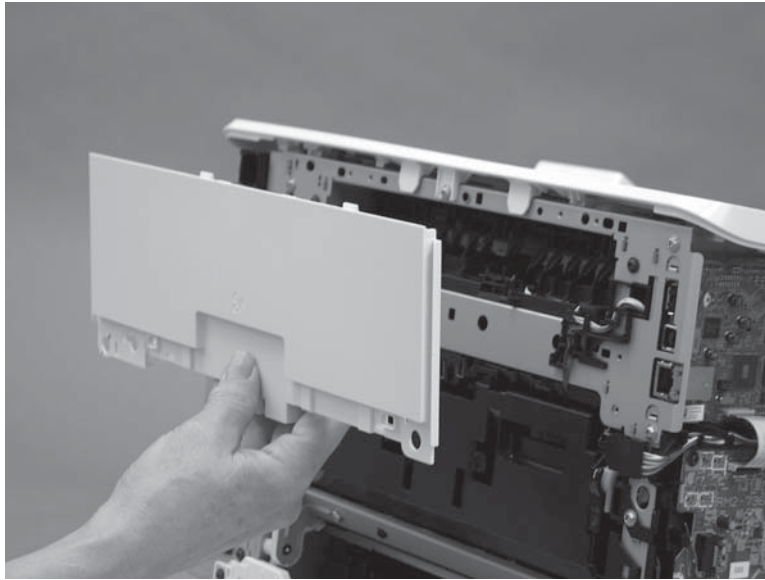
1. At the back of the printer, release four tabs (callout 1) on the bottom of the cover and two tabs (callout 2) on the top of the cover.

Figure 1-665 Release six tabs



2. Remove the rear top cover.

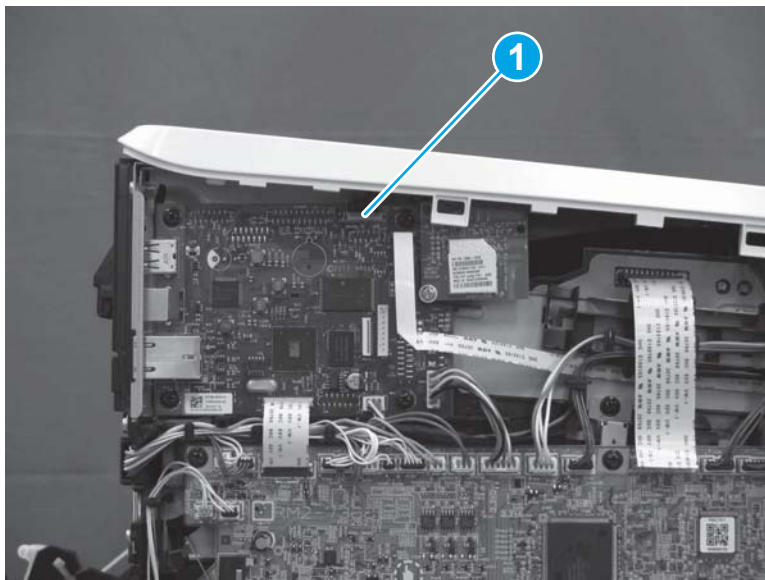
Figure 1-666 Remove the rear top cover



Step 6: Remove the top cover (M452 models)

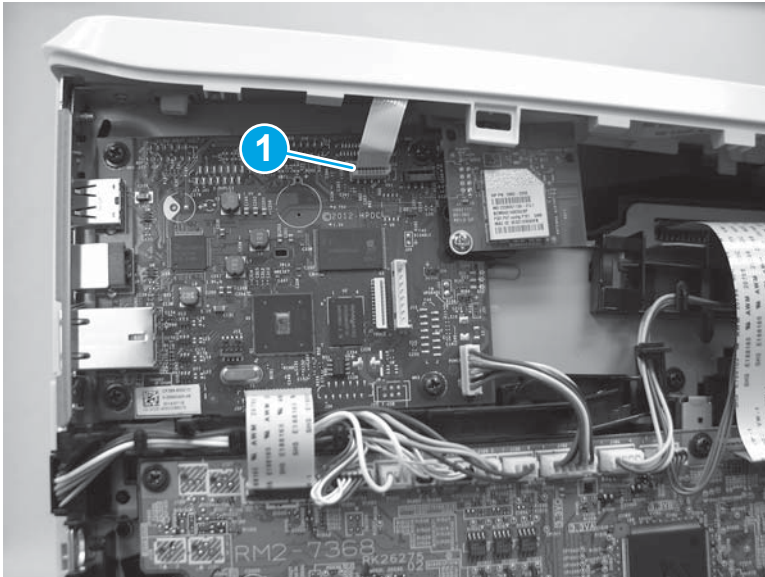
1. **M452dw model only:** On the left side of the printer, on the formatter, disconnect one connector (callout 1).

Figure 1-667 Disconnect one connector



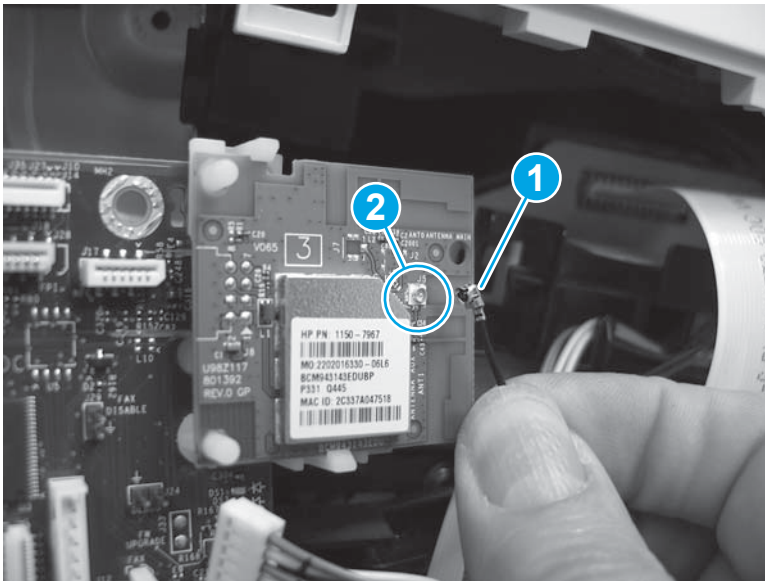
2. **M452nw/dn models only:** On the left side of the printer, on the formatter, disconnect one connector (callout 1).

Figure 1-668 Disconnect one connector



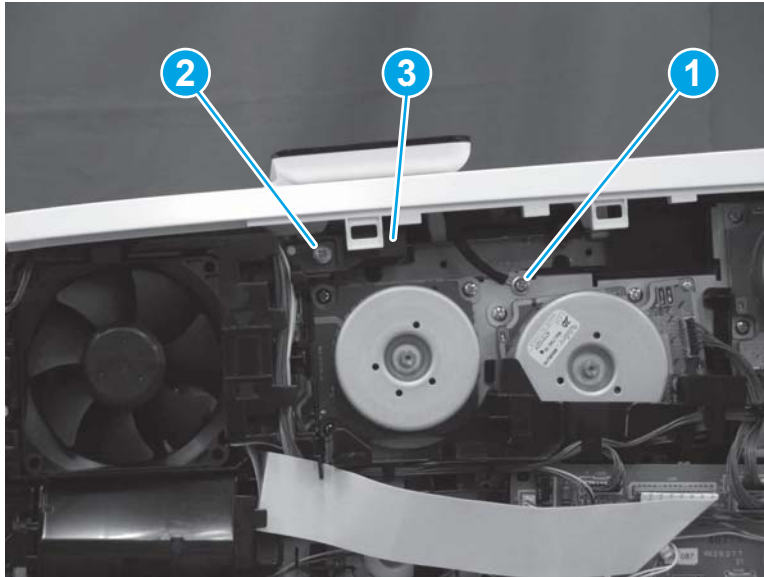
3. **M452nw/dw models only:** Disconnect the antenna (callout 1) from the connector (callout 2) on the wireless PCA.

Figure 1-669 Disconnect the antenna



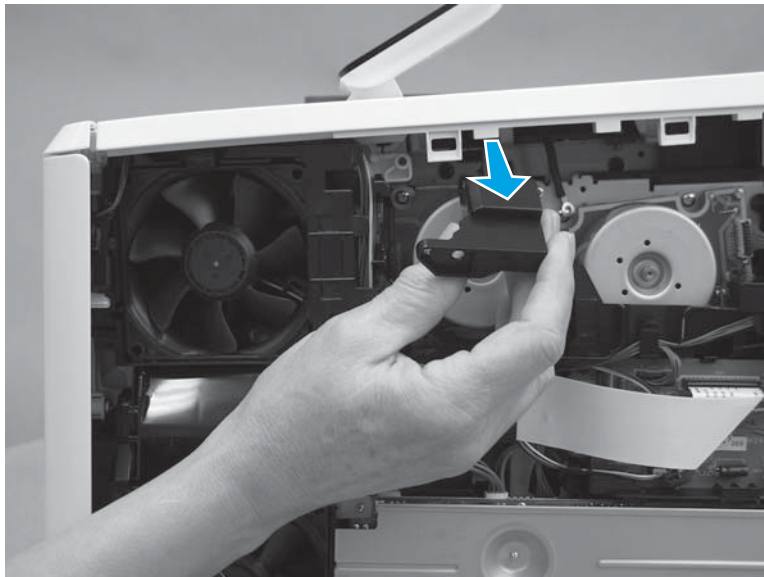
- 4. M452dw model only:** Remove one screw (callout 1) and release one ground wire. Remove one screw (callout 2). Note the location (callout 3) of the guide.

Figure 1-670 Remove two screws



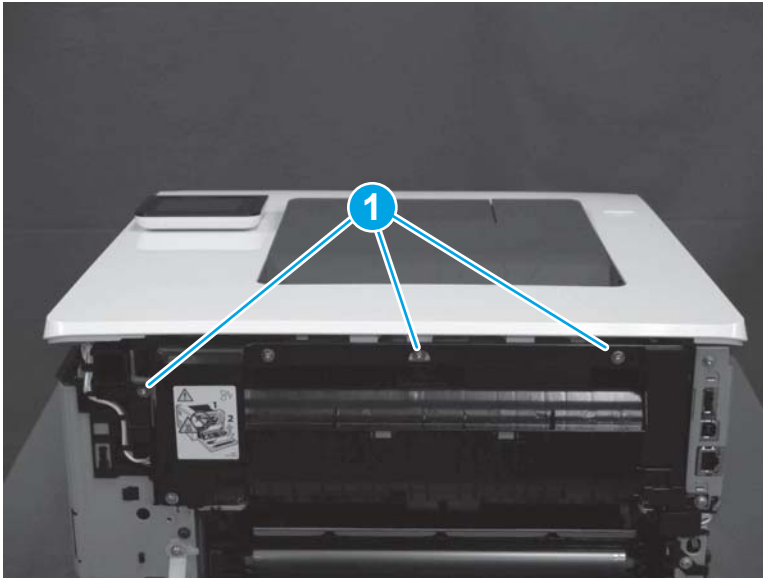
- 5. M452dw model only:** Remove the guide.

Figure 1-671 Remove the guide



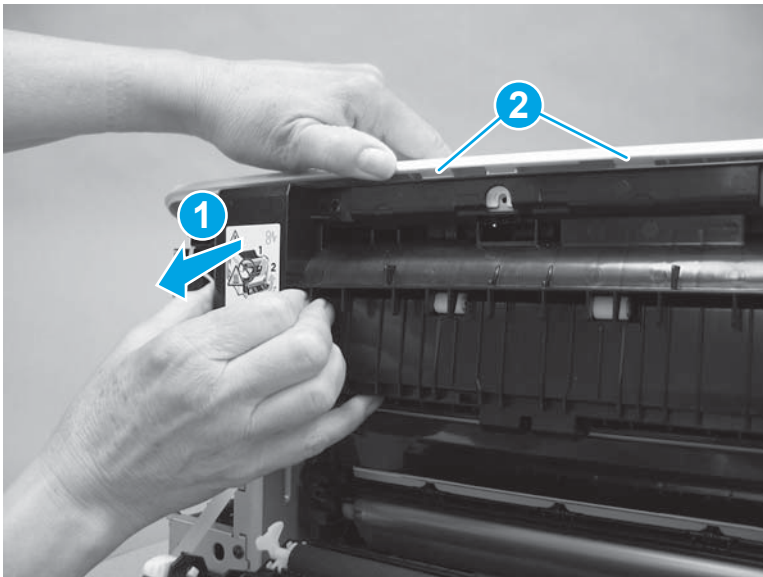
6. **M452dn/dw models only:** At the back of the printer, remove three screws (callout 1).

Figure 1-672 Remove three screws



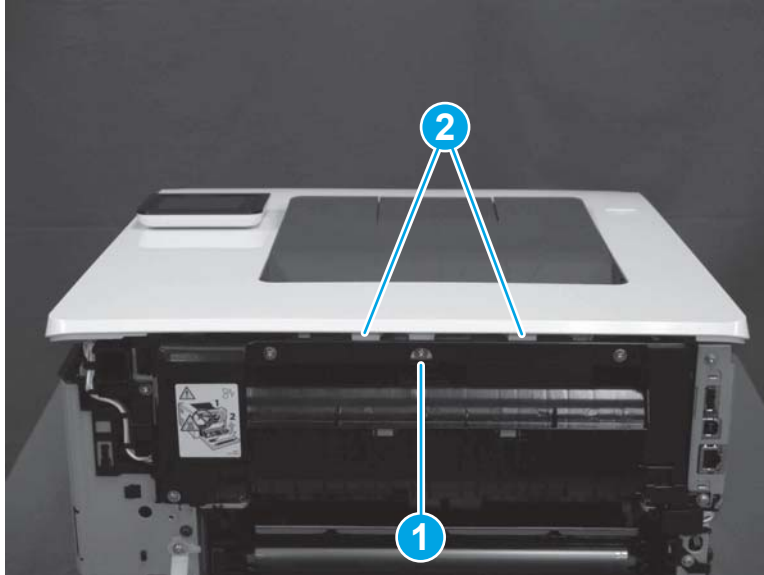
7. **M452dn/dw models only:** Gently pull the top of the fuser away (callout 1), and then release two tabs (callout 2).

Figure 1-673 Release two tabs



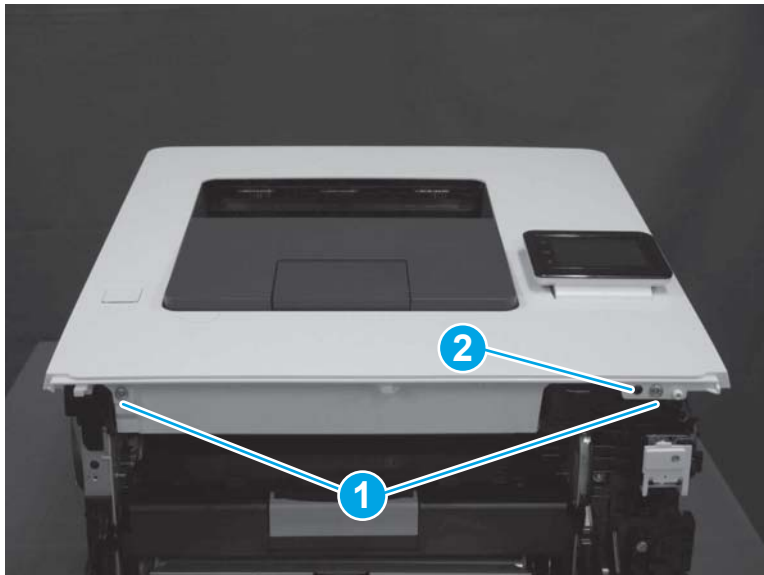
8. **M452nw model only:** At the back of the printer, remove one screw (callout 1), and then release two tabs (callout 2).

Figure 1-674 Remove screw and release two tabs



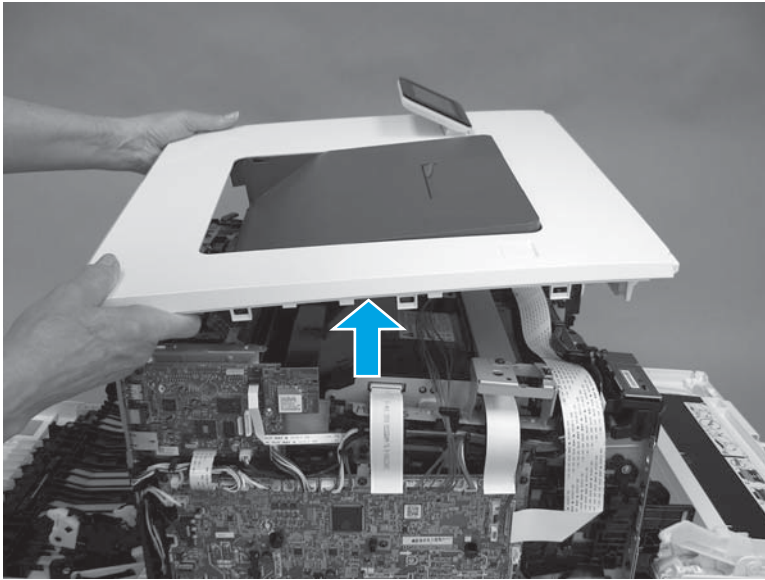
9. At the front of the printer, remove two screws (callout 1), and then release one tab (callout 2).

Figure 1-675 Remove two screws and release one tab



10. Remove the top cover.

Figure 1-676 Remove the top cover

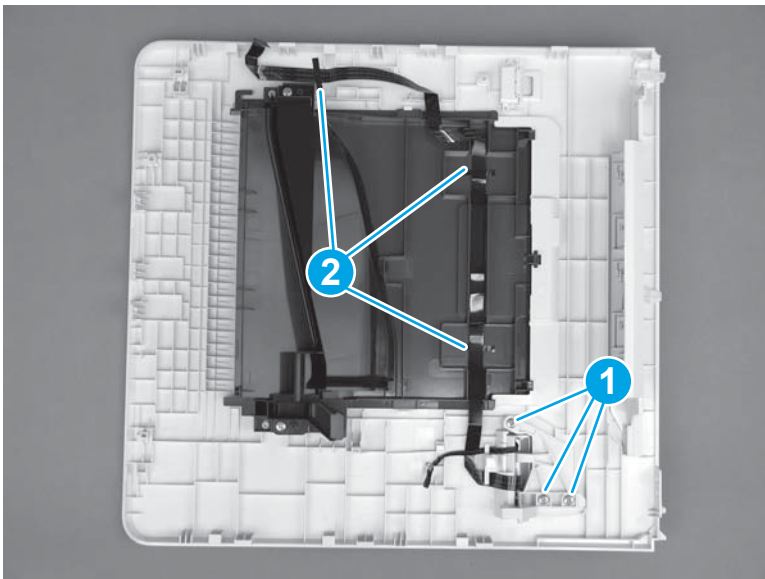


Step 7: Remove the control panel (M452dw model)

1. On the underside of the top cover, remove three screws (callout 1), and then carefully unfasten the tape strips (callout 2) to unroute the control-panel flat cable.

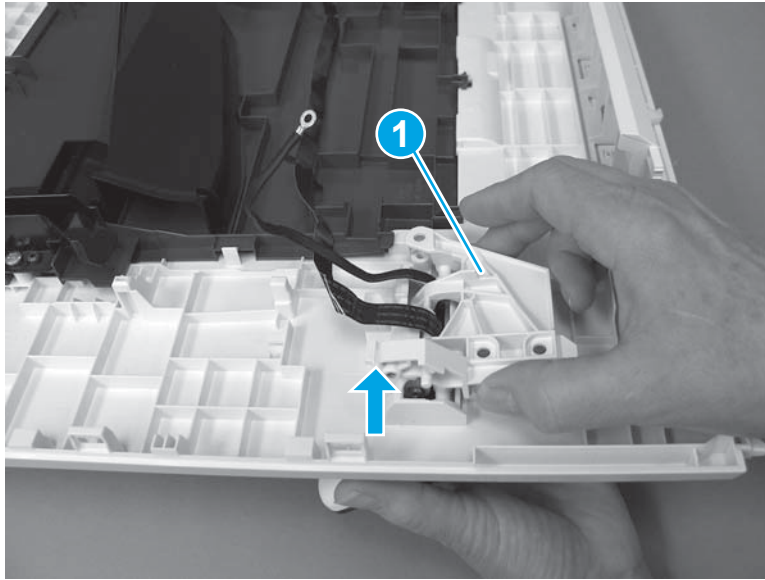
 **TIP:** HP recommends keeping the tape strips for reuse when the control panel is reinstalled.

Figure 1-677 Remove three screws and unroute cable



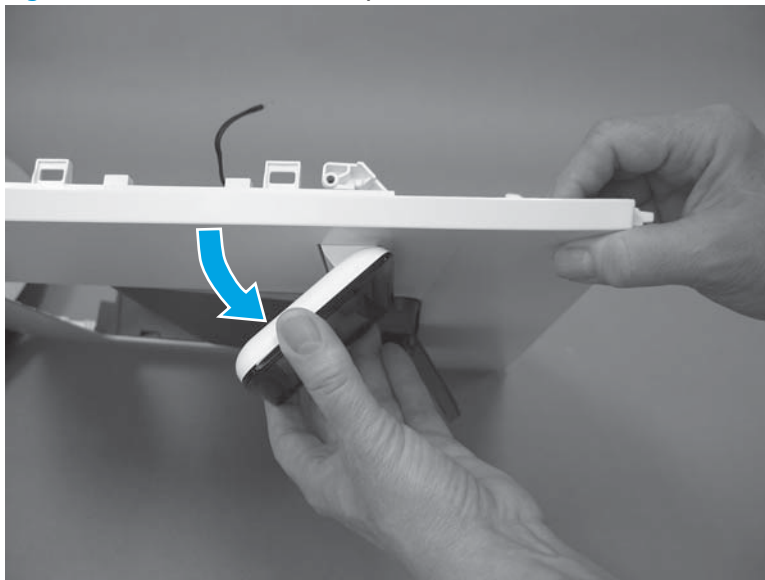
2. Lift up on the bracket (callout 1) to remove it.

Figure 1-678 Remove the bracket



3. Rotate the control panel away from the top cover.

Figure 1-679 Rotate the control panel



4. Pull the control panel away from the top side of the top cover to remove it.

Figure 1-680 Remove the control panel



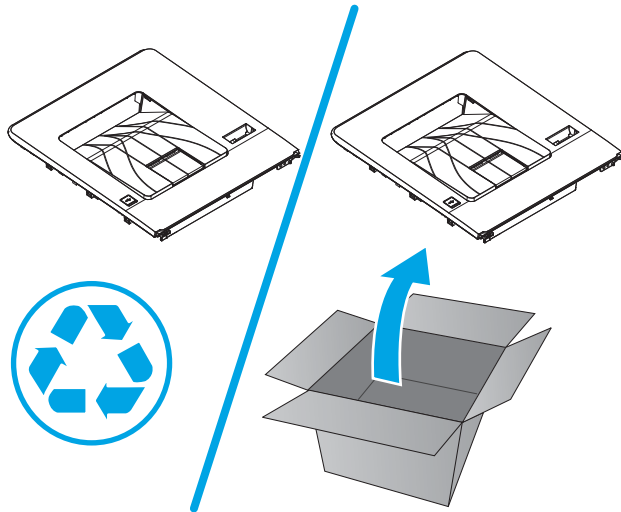
Step 8: Unpack the replacement part

Remove the new part from its package. Save all packaging for recycling the used part.

For complete information on HP's recycling programs, go to [Product return and recycling](#).

 **NOTE:** HP recommends responsible disposal of the defective part.

Figure 1-681 Recycle and unpack



Step 9: Install the control panel (M452dw model)

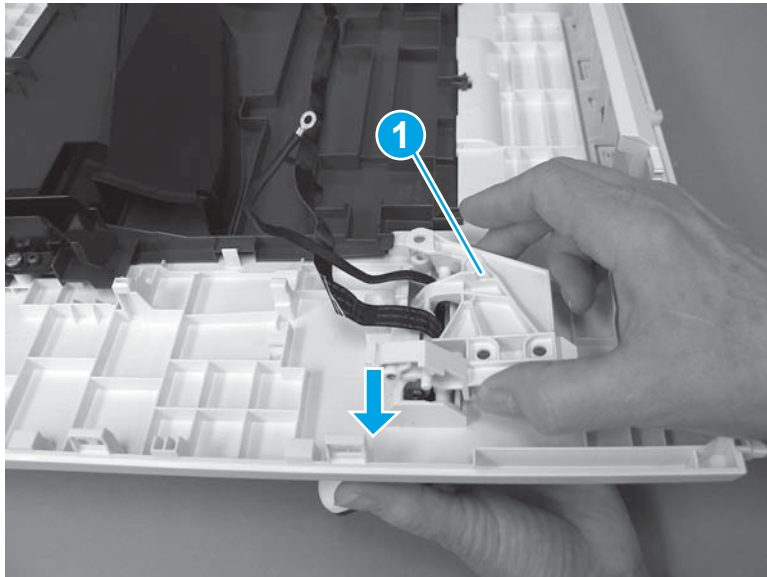
1. On the top side of the top cover, set the control panel in place.

Figure 1-682 Set the control panel in place



2. On the underside of the top cover, install the bracket (callout 1).

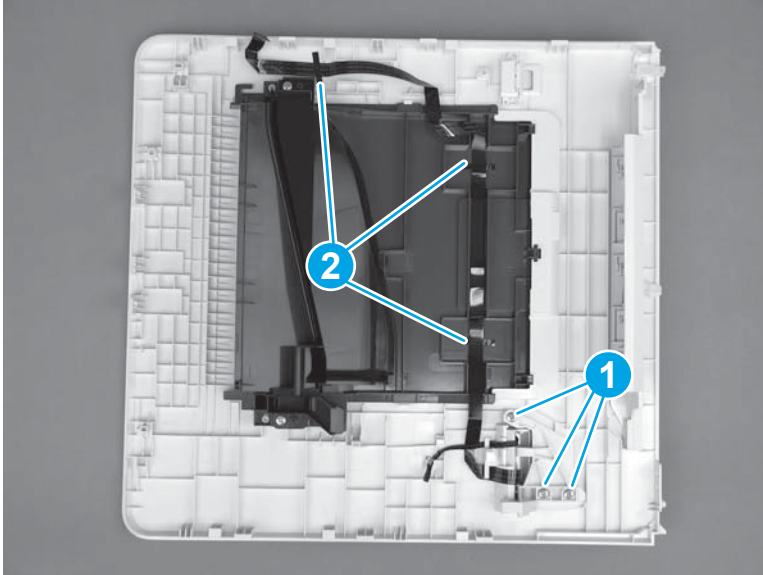
Figure 1-683 Install the bracket



3. On the underside of the top cover, install three screws (callout 1), and then carefully fasten the tape strips (callout 2) to affix the control-panel flat cable to the cover.

⚠ CAUTION: Ensure that the control-panel cable is securely fastened to the control panel and the top cover. Pinching the cable between the cover and the chassis can damage the cable.

Figure 1-684 Install three screws and fasten the cable

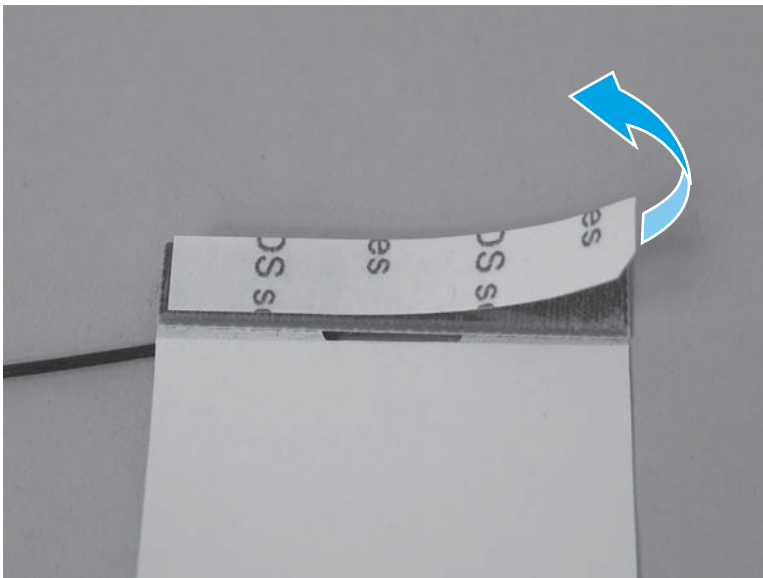


Step 10: Install the wireless antenna (M452nw/dw models)

Unpack the wireless antenna from its packaging and install it following the procedure below.

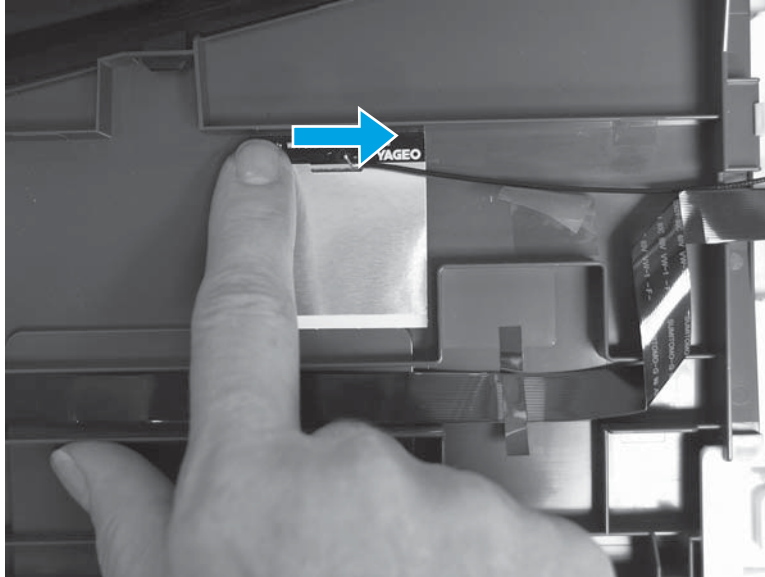
1. On the back of the antenna at the top edge, peel the protective backing off of the adhesive strip.

Figure 1-685 Remove protective backing from adhesive strip



2. Position the antenna on the top cover, and then press along the top edge to make sure that the adhesive strip is securely in place.

Figure 1-686 Install the top adhesive strip



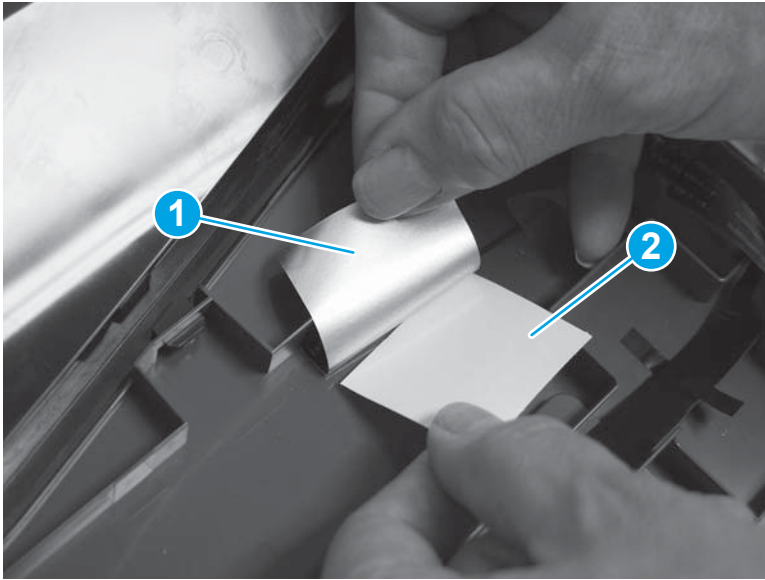
3. Begin peeling the silver tape up and away from the protective backing.

Figure 1-687 Peel the silver tape up



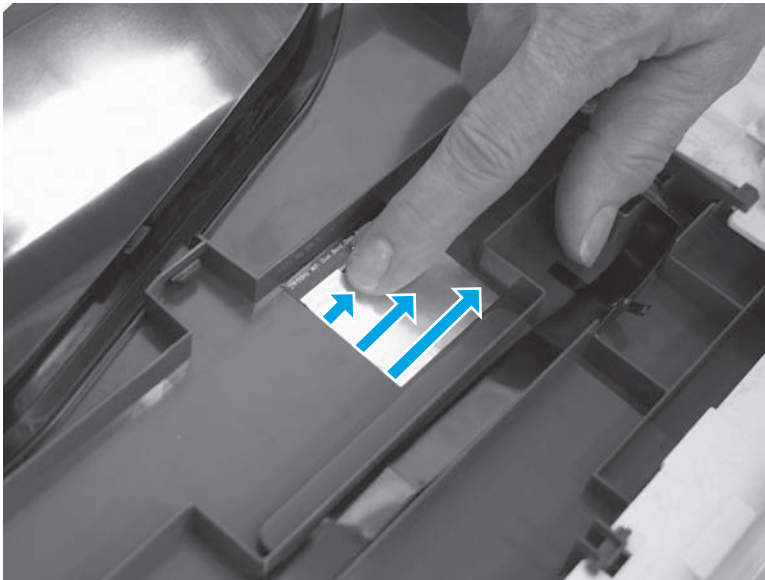
4. Peel the silver tape (callout 1) all the way up, and then remove the protective backing (callout 2).

Figure 1-688 Remove the protective backing



5. Press the entire surface of the silver tape down to make sure it is securely attached to the top cover.

Figure 1-689 Press the silver tape



6. Position the tape over the antenna cable to hold it securely against the top cover.


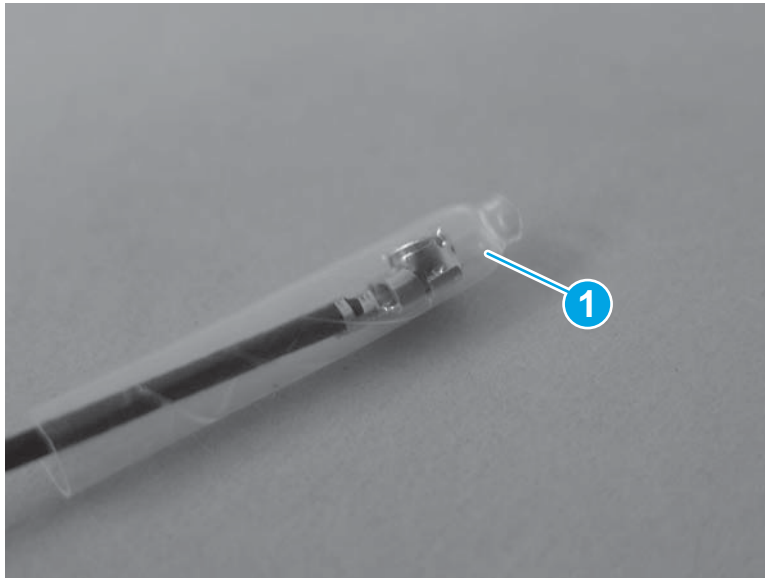
 **NOTE:** If the tape is missing, use a small piece of electrical tape to secure the antenna to the top cover at the location shown.

Figure 1-690 Position the tape



7. Remove the protective cover (callout 1) from the end of the antenna cable.

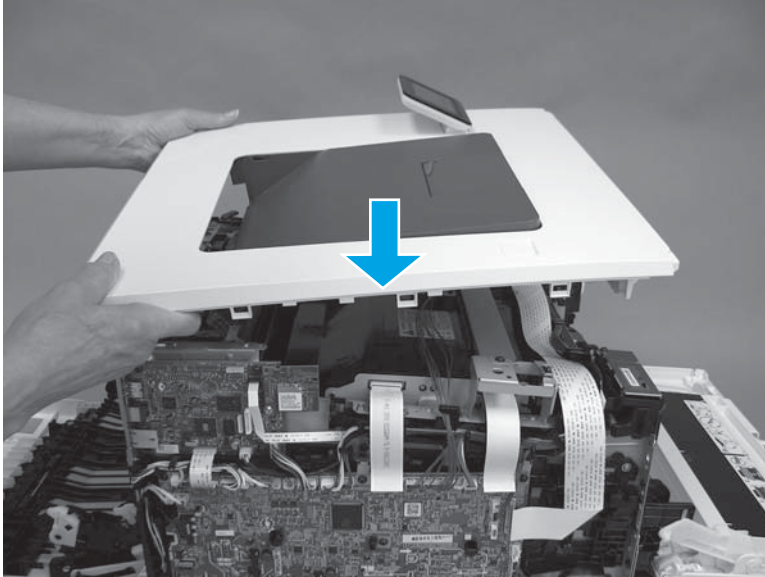
Figure 1-691 Remove the protective cover



Step 11: Install the top cover (M452 models)

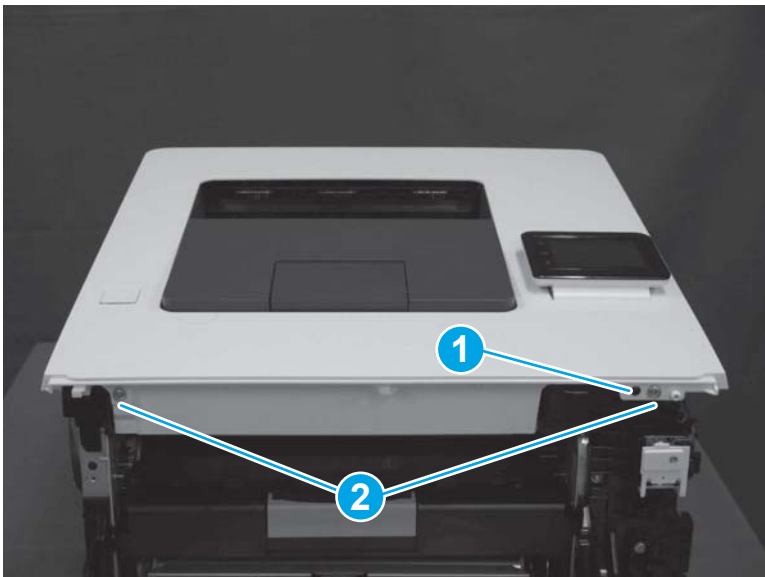
1. Position the top cover on top of the printer.

Figure 1-692 Position the top cover



2. At the front of the printer, engage one tab (callout 1), and then install two screws (callout 2).

Figure 1-693 Engage tab and install screws



- M452nw model only:** At the back of the printer, install two tabs (callout 1), and then install one screw (callout 2).


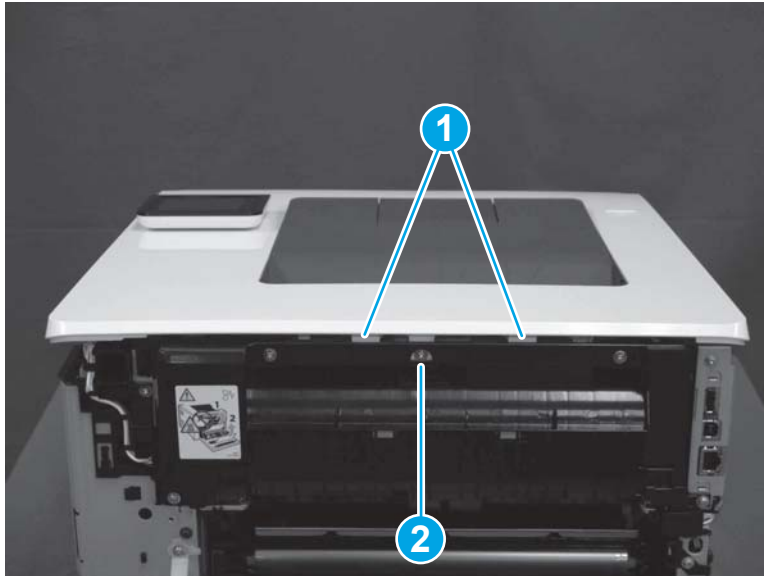
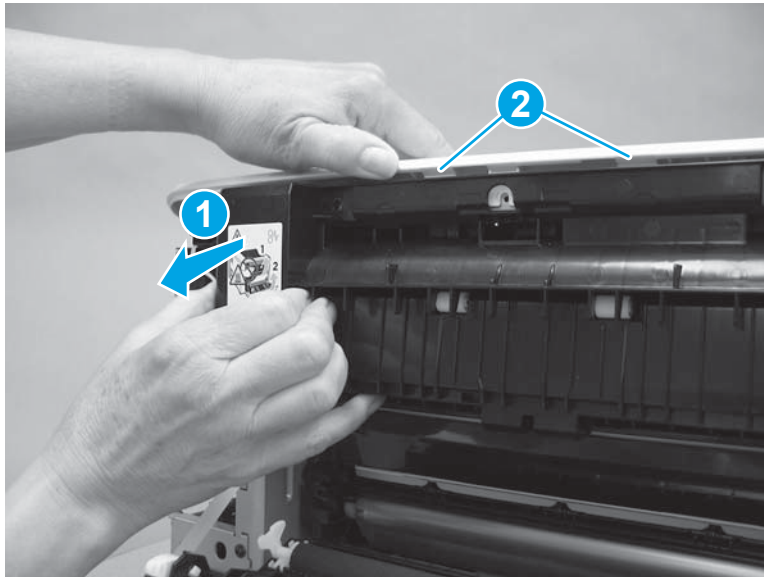
 **NOTE:** The M452dw model is shown. The procedure is correct for the M452nw model.

Figure 1-694 Install two tabs and one screw



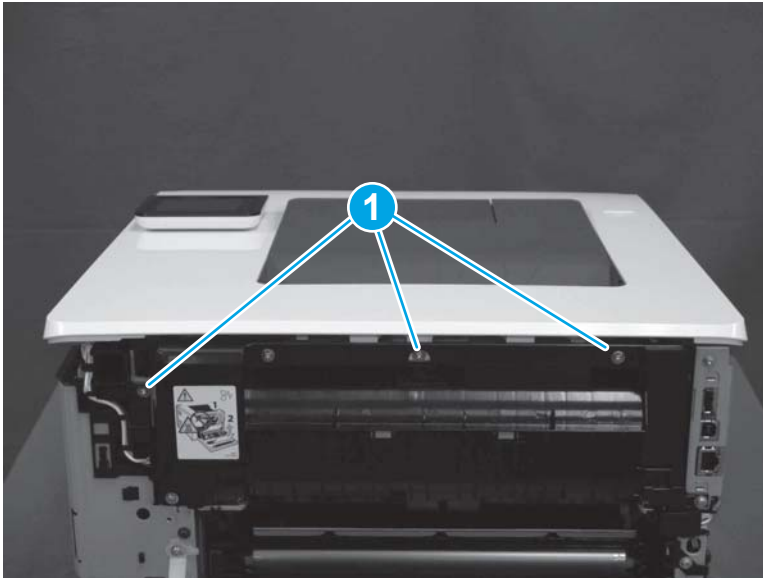
- M452dn/dw models only:** Gently pull the top of the fuser away (callout 1), and then install two tabs (callout 2).

Figure 1-695 Install two tabs



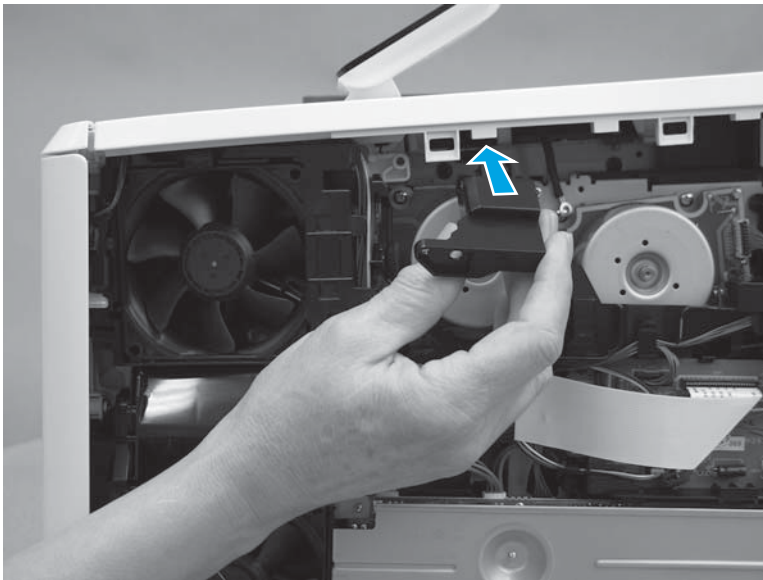
5. **M452dn/dw models only:** At the back of the printer, install three screws (callout 1).

Figure 1-696 Install three screws



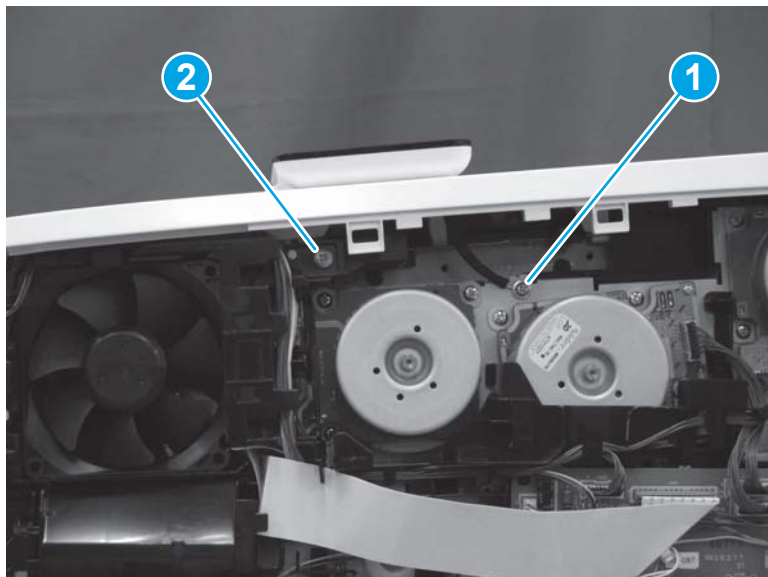
6. **M452dw model only:** Position the guide in the printer.

Figure 1-697 Install the guide



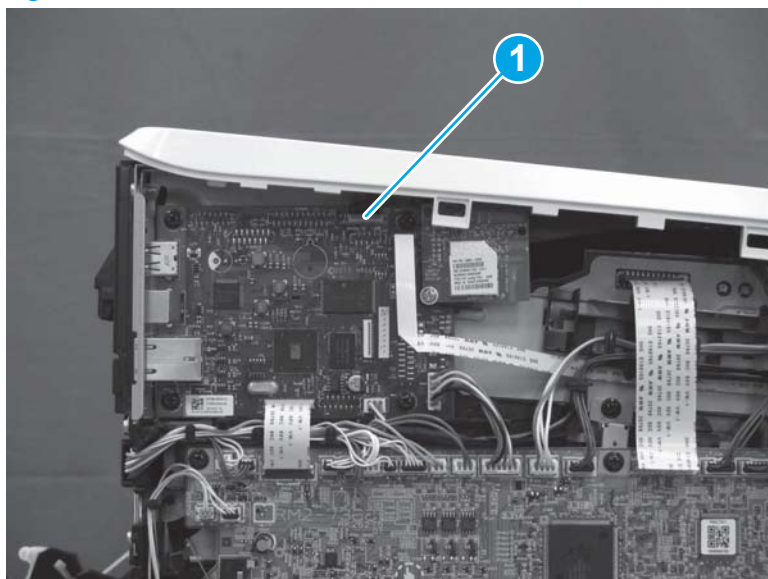
- 7. M452dw model only:** Position the ground wire and install one screw (callout 1). Install one screw (callout 2).

Figure 1-698 Install two screws



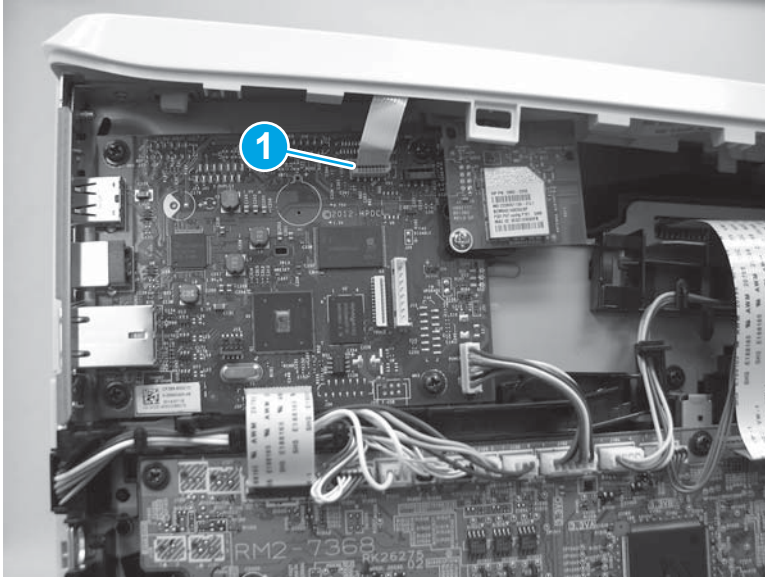
- 8. M452dw model only:** On the left side of the printer, on the formatter, connect one connector (callout 1).

Figure 1-699 Connect one connector



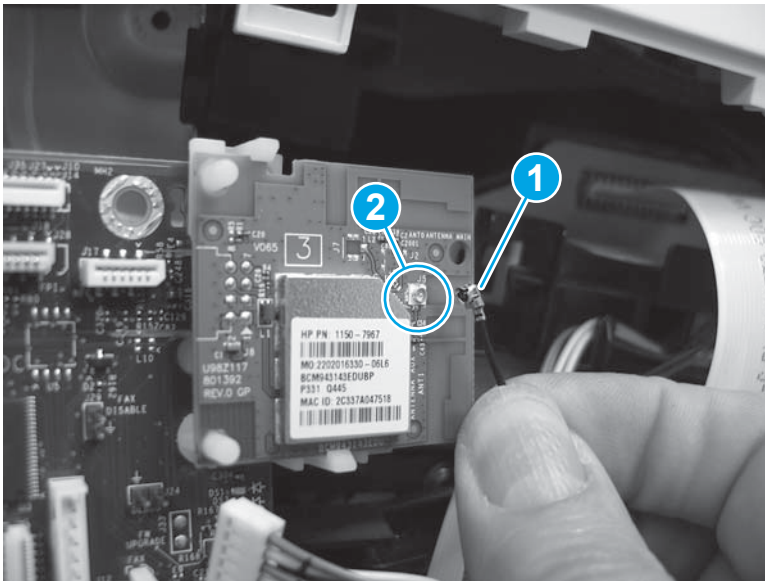
9. **M452nw/dn models only:** On the left side of the printer, on the formatter, connect one connector (callout 1).

Figure 1-700 Connect one connector



10. **M452nw/dw models only:** Connect the antenna (callout 1) to the connector (callout 2) on the wireless PCA.

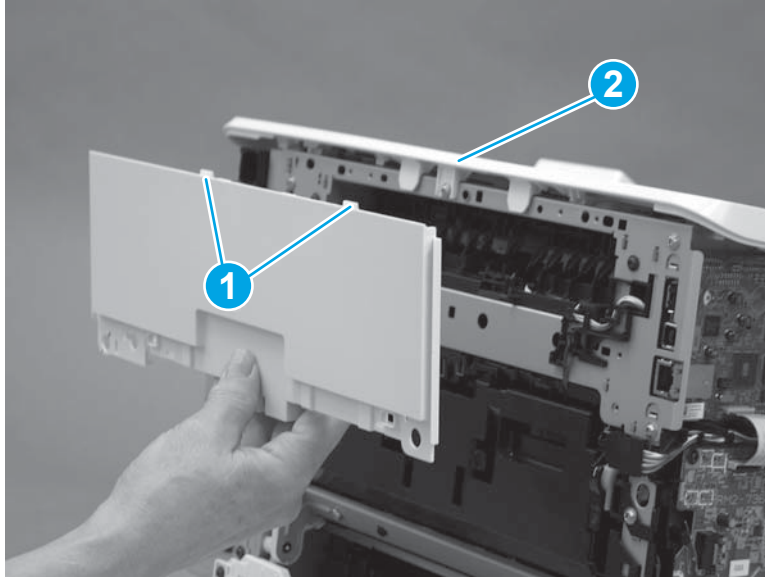
Figure 1-701 Connect the antenna



Step 12: Install the rear top cover (simplex model)

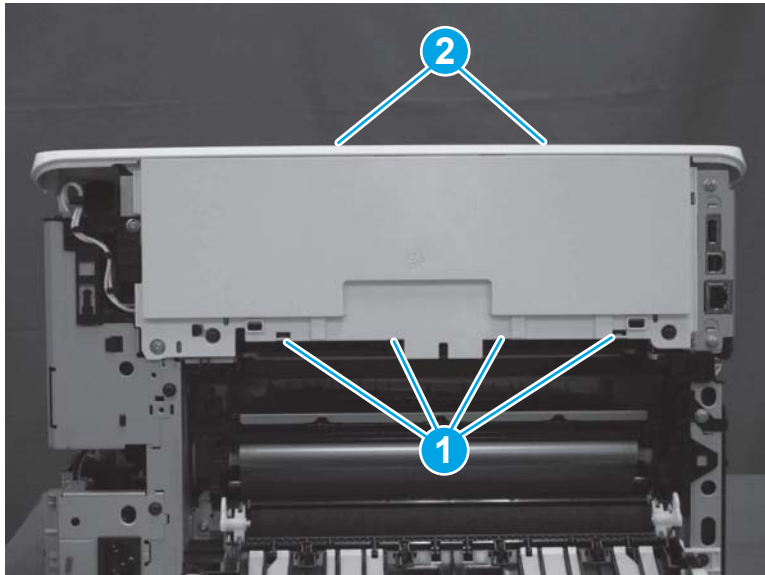
1. Position the tabs on top of the rear top cover (callout 1) under the edge of the top cover (callout 2).

Figure 1-702 Install the rear top cover



2. Make sure that the tabs on the bottom (callout 1) and the tabs on the top (callout 2) snap into place.

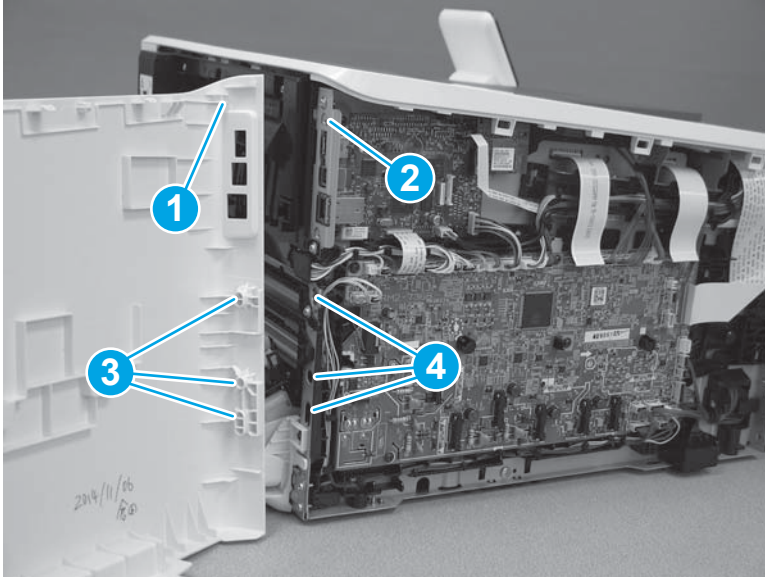
Figure 1-703 Release two tabs



Step 13: Install the left cover (M452 models)

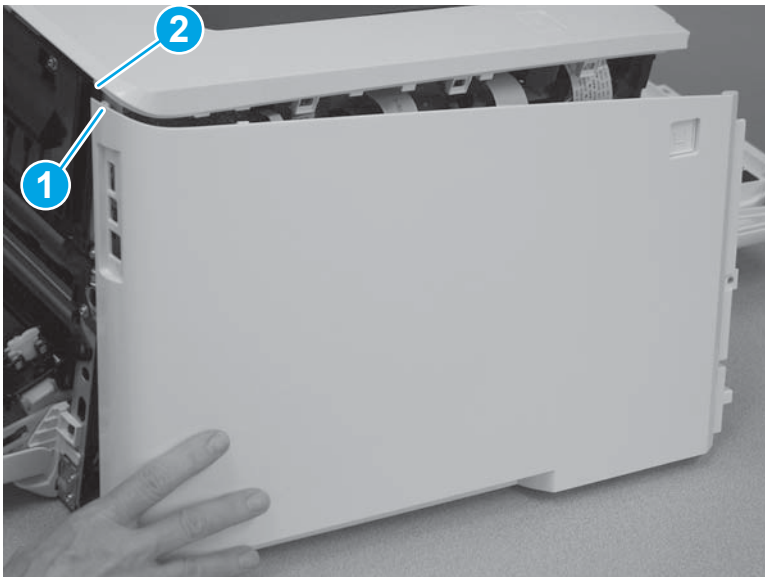
1. Position the hook (callout 1) on the cover in the slot (callout 2) on the printer. Position three tabs (callout 3) on the back of the cover in the slots (callout 4) in the printer.

Figure 1-704 Position three tabs



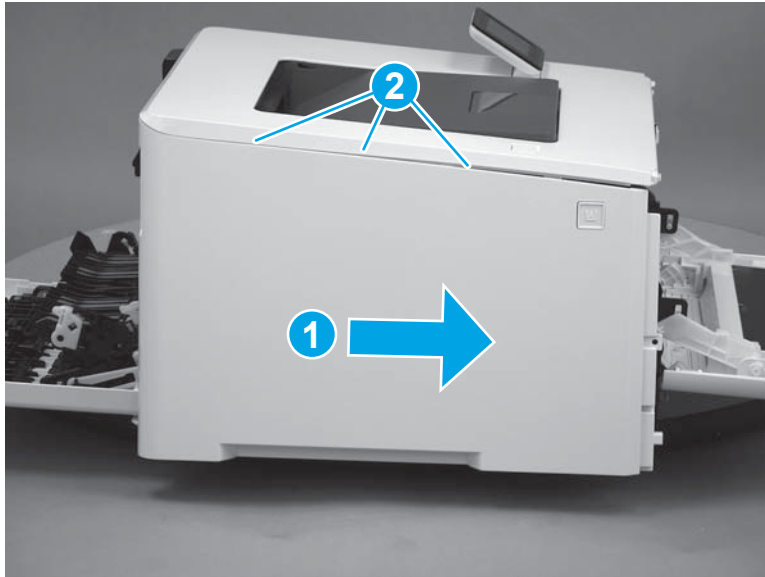
2. At the back of the printer, install the tab (callout 1) under the edge of the top cover (callout 2).

Figure 1-705 Install one tab



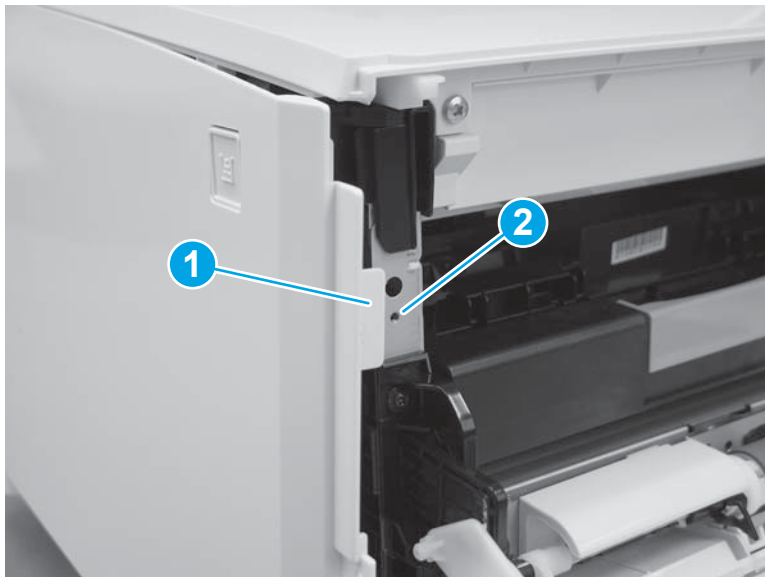
3. Slide the cover toward the front of the printer (callout 1), and then engage three tabs (callout 2) on the top of the cover.

Figure 1-706 Install the left cover



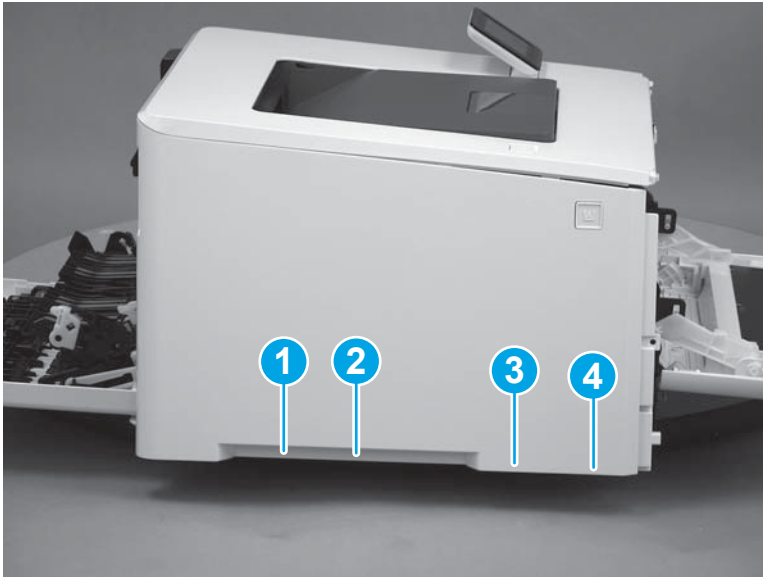
CAUTION: Make sure that the tab (callout 1) does not get caught behind the printer frame (callout 2).

Figure 1-707 Make sure the tab does not get caught



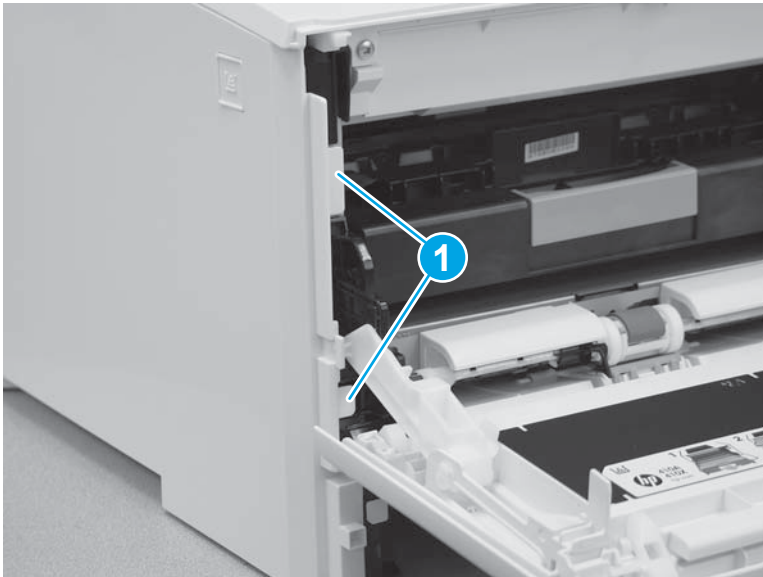
4. Slide the printer to the edge of a work surface in order to access the tabs on the bottom of the cover. Beginning from the back of the cover, install four tabs (callouts 1-4) on the lower edge of the cover.

Figure 1-708 Install four tabs



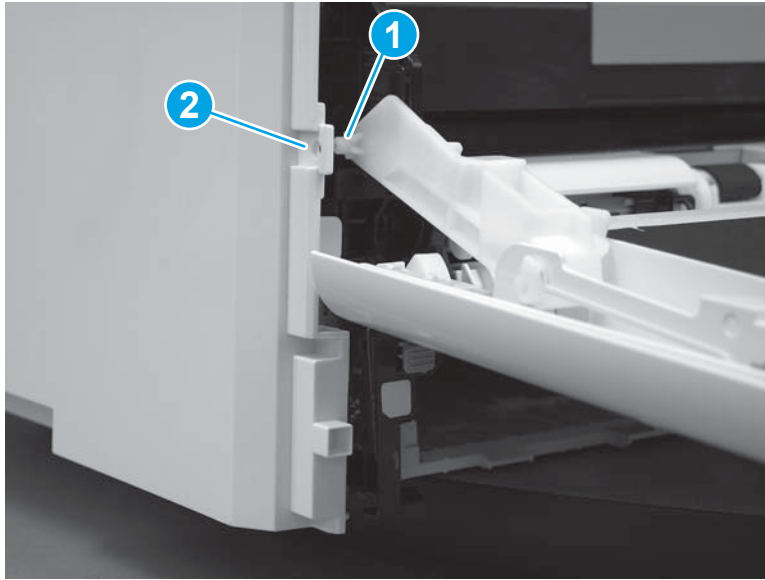
5. Install two tabs (callout 1) at the front of the cover.

Figure 1-709 Engage two tabs



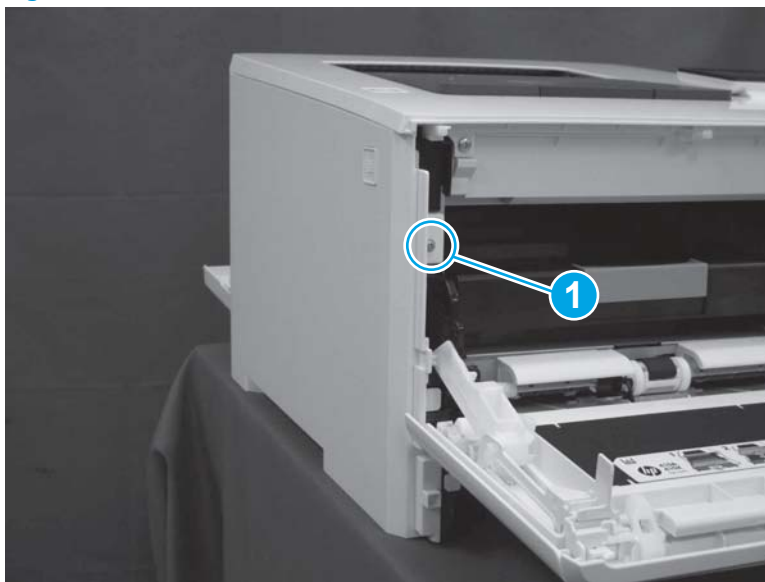
6. Make sure that the hinge pin (callout 1) on the front door fits into the slot (callout 2) on the left cover.

Figure 1-710 Install hinge pin



7. Install one screw (callout 1).

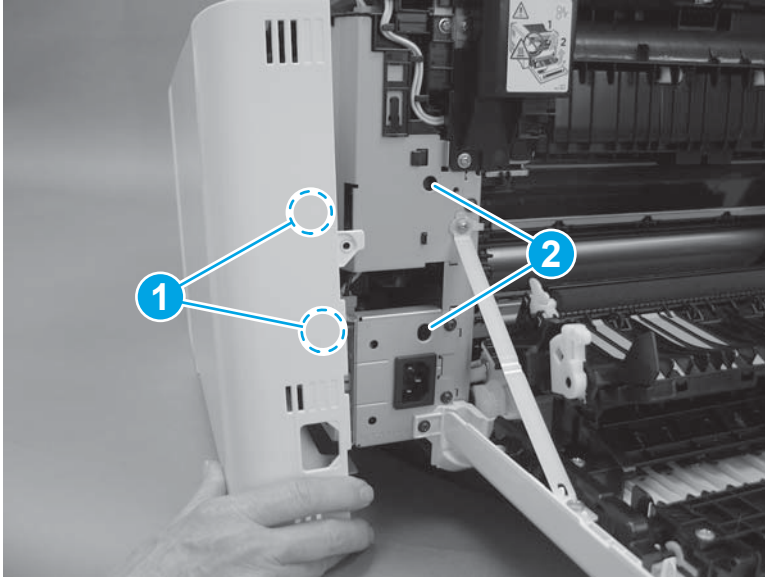
Figure 1-711 Install one screw



Step 14: Install the right cover (M452 models)

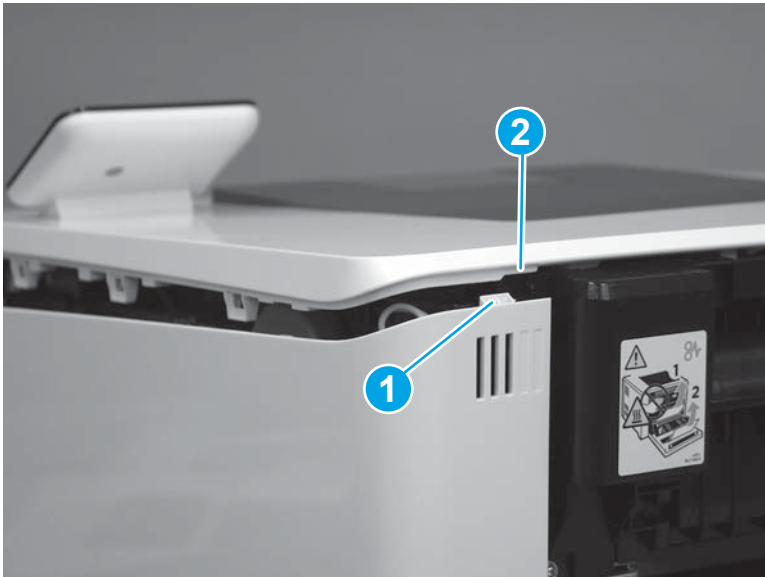
1. Position two tabs (callout 1) on the back of the cover in the slots (callout 2) in the printer.

Figure 1-712 Position two tabs



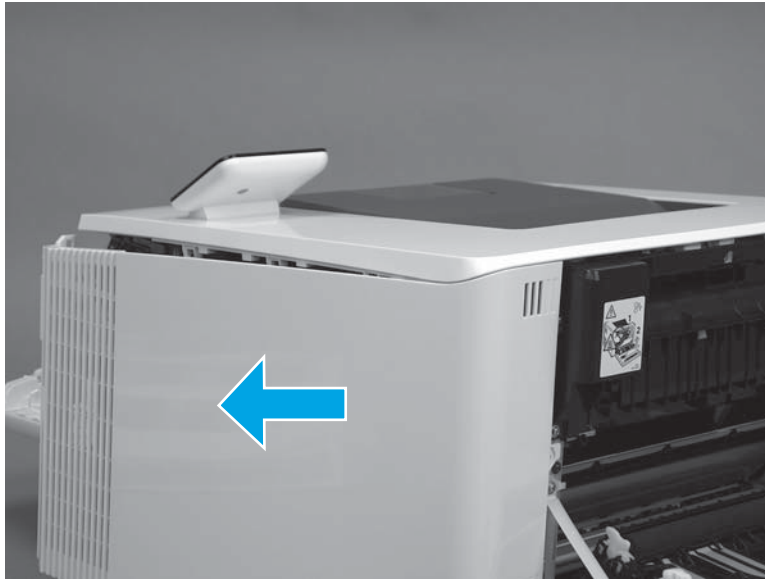
2. At the back of the printer, install the tab (callout 1) under the edge of the top cover (callout 2).

Figure 1-713 Install rear tab



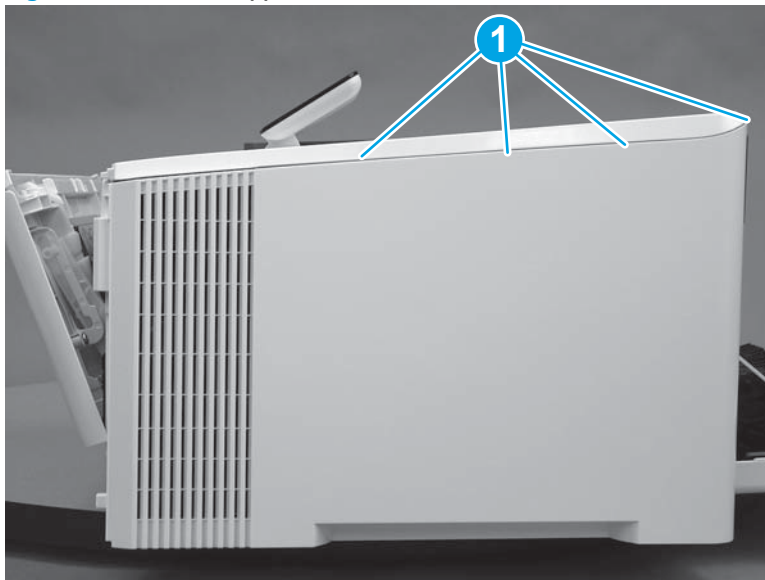
3. Slide the cover toward the front of the printer to install it.

Figure 1-714 Install the right cover



4. Engage three tabs (callout 2) on the top of the cover.

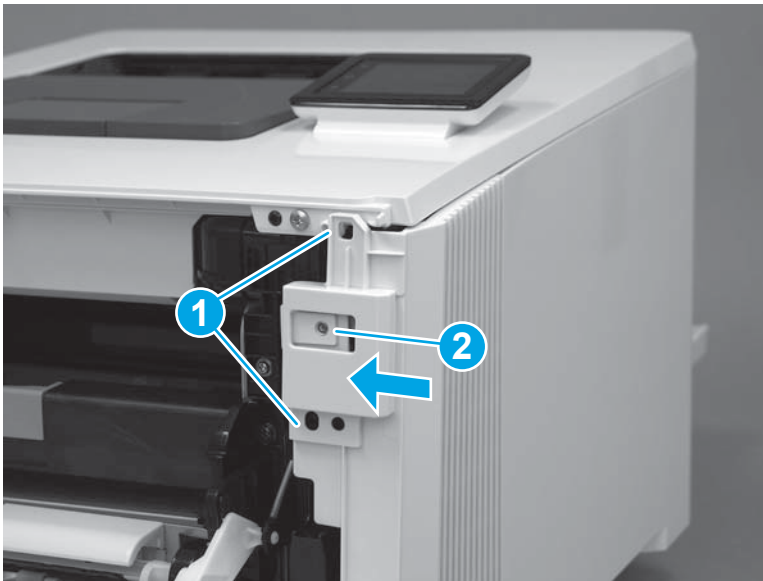
Figure 1-715 Install upper tabs



5. At the front of the printer, position the front of the cover over two tabs (callout 1).

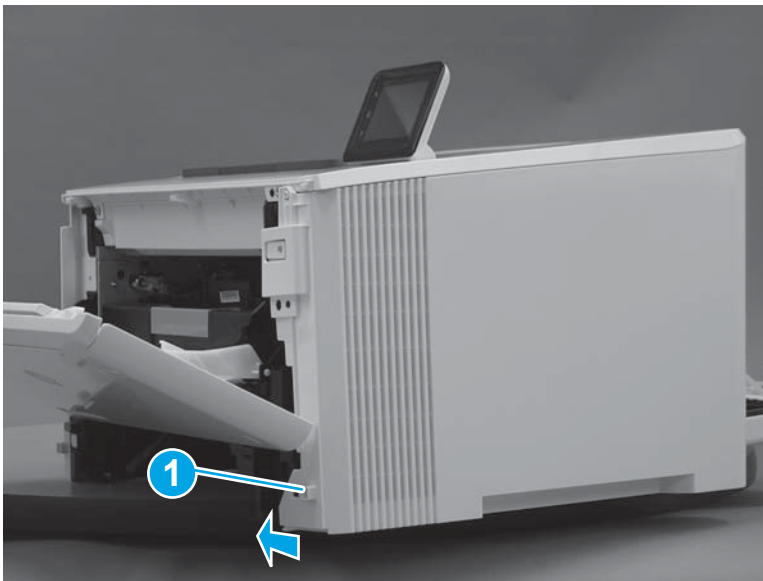
⚠ CAUTION: Be careful not to dislodge the power switch (callout 2).

Figure 1-716 Install the front tabs



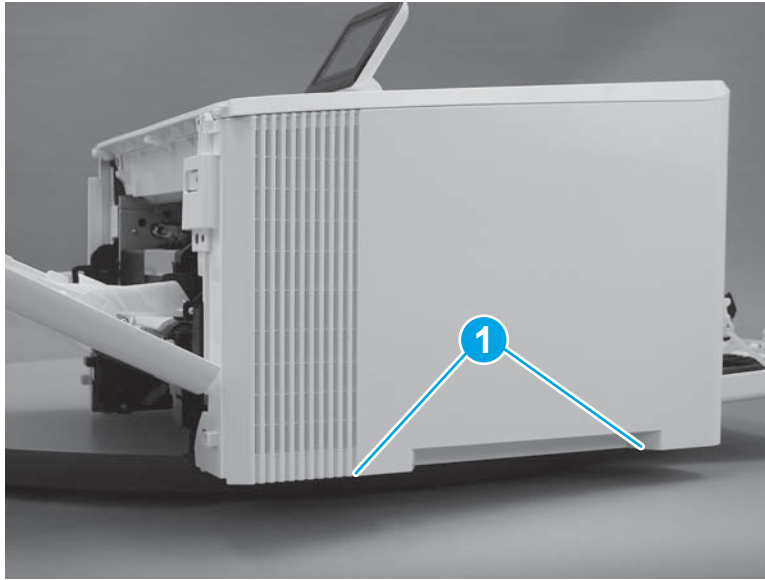
6. Press the right cover toward the printer to engage one tab (callout 1) on the front of the cover.

Figure 1-717 Install the front lower tab



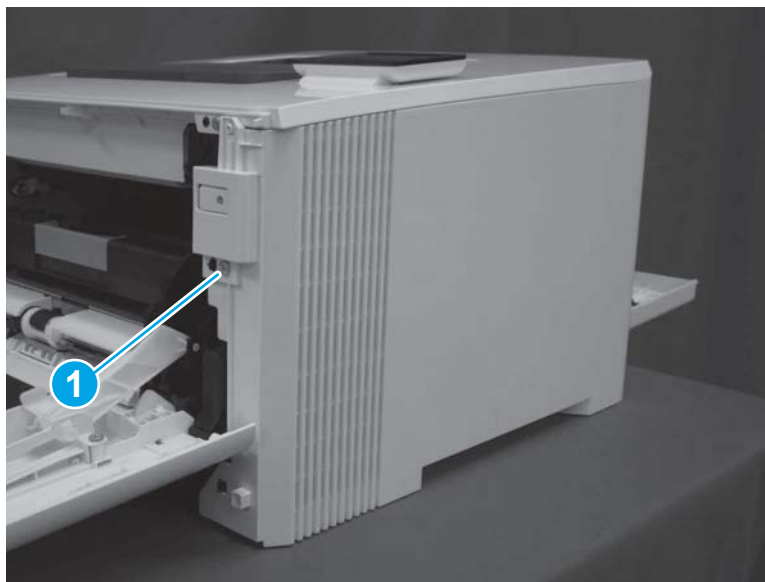
7. Install two tabs on the bottom of the cover (callout 1).

Figure 1-718 Install two tabs



8. At the front of the printer, install one screw (callout 1).

Figure 1-719 Install one screw



9. At the back of the printer, install one screw (callout 1).

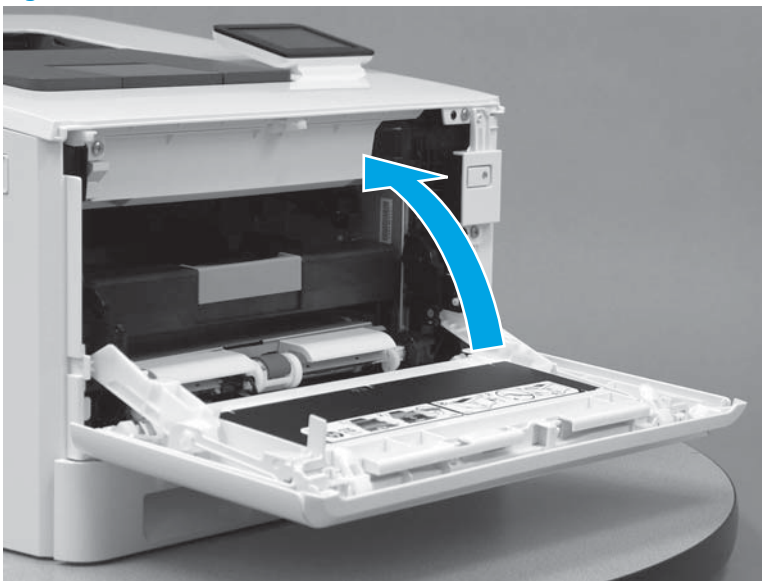
Figure 1-720 Install one screw



Step 15: Close the front door and rear door or duplexer door

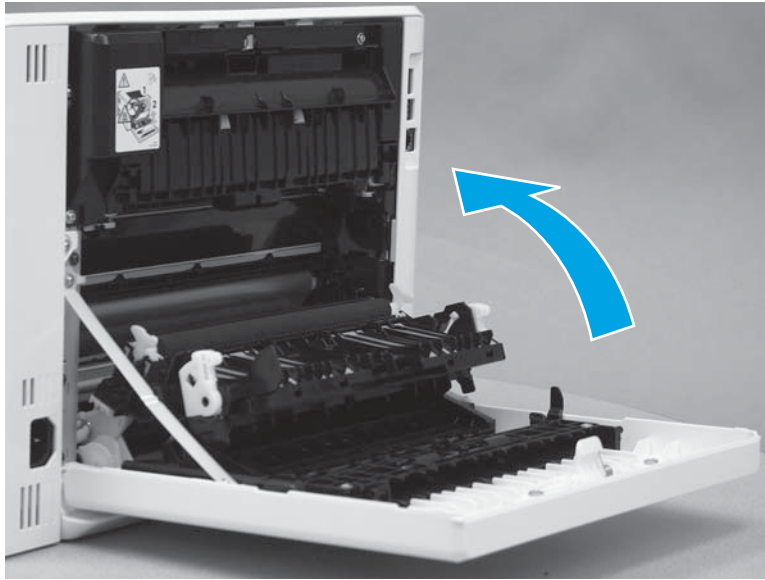
1. Close the front door.

Figure 1-721 Close the front door



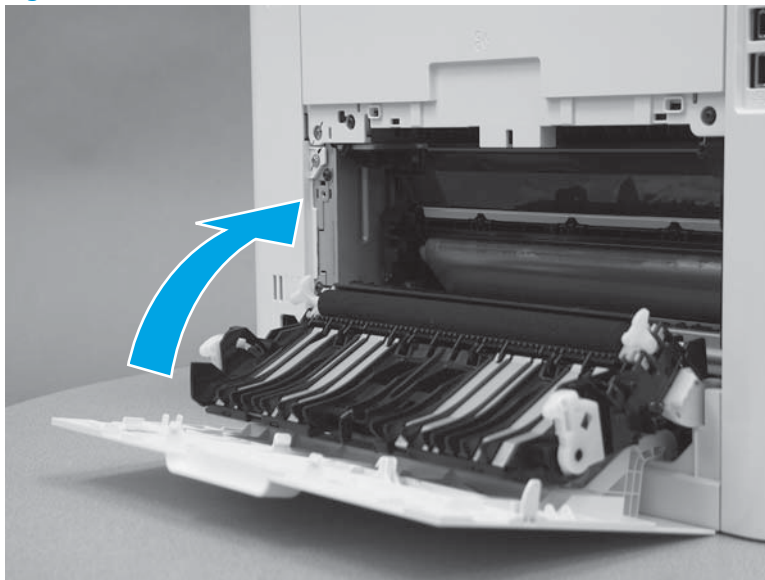
2. **Duplex models:** Close the duplexer door.

Figure 1-722 Close the duplexer door



3. **Simplex models:** Close the rear door.

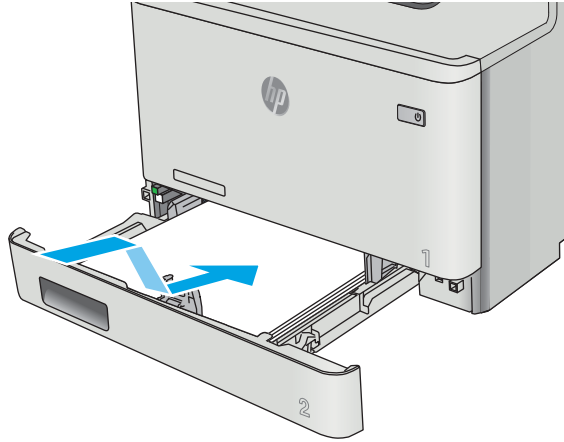
Figure 1-723 Close the rear door



Step 16: Install Tray 2

- ▲ With the front of the tray slightly lifted, align the sides of the tray with the rails in the printer, and then carefully slide the tray into the printer. As the tray slides into the printer, lower the front of the tray, and then close it.

Figure 1-724 Install the tray



Removal and replacement: Top cover (M377, M477 models)


- [Introduction](#)
- [Step 1: Remove Tray 2](#)
- [Step 2: Open the front door and rear door or duplexer door](#)
- [Step 3: Remove the right cover \(M377, M477 models\)](#)
- [Step 4: Remove the left cover \(M377, M477 models\)](#)
- [Step 5: Remove the rear top cover \(simplex model\)](#)
- [Step 6: Remove the image scanner \(M377, M477 models\)](#)
- [Step 7: Remove the fax PCA \(M477 models\)](#)
- [Step 8: Remove the top cover \(M377, M477 models\)](#)
- [Step 9: Remove the control panel \(M377, M477 models\)](#)
- [Step 10: Remove the walk-up USB port \(M377, M477 models\)](#)
- [Step 11: Unpack the replacement part](#)
- [Step 12: Install the walk-up USB port \(M377, M477 models\)](#)
- [Step 13: Install the control panel \(M377, M477 models\)](#)
- [Step 14: Install the top cover \(M377, M477 models\)](#)
- [Step 15: Install the fax PCA \(M477 models\)](#)
- [Step 16: Install the image scanner](#)
- [Step 17: Install the rear top cover \(simplex model\)](#)
- [Step 18: Install the left cover \(M377, M477 models\)](#)
- [Step 19: Install the right cover \(M377, M477 models\)](#)
- [Step 20: Close the front door and rear door or duplexer door](#)
- [Step 21: Install Tray 2](#)

Introduction

This document provides the procedures to remove and replace the top cover for the M377, M477.

Before you begin

- Turn off the printer.
- Disconnect the power cable.

 **WARNING!** To avoid damage to the printer, turn the printer off, wait 30 seconds, and then remove the power cord before attempting to service the printer.

- Use the table below to identify the correct part number for your printer. To order the part, go to www.hp.com/buy/parts.

| Top cover part numbers | |
|------------------------|---------------------------|
| RM2-6466-000CN | Top cover (M477fnw/fdn) |
| RM2-6468-000CN | Top cover (M377, M477fdw) |

Required tools

- #2 Phillips screwdriver with a magnetic tip
- Small flat-blade screwdriver

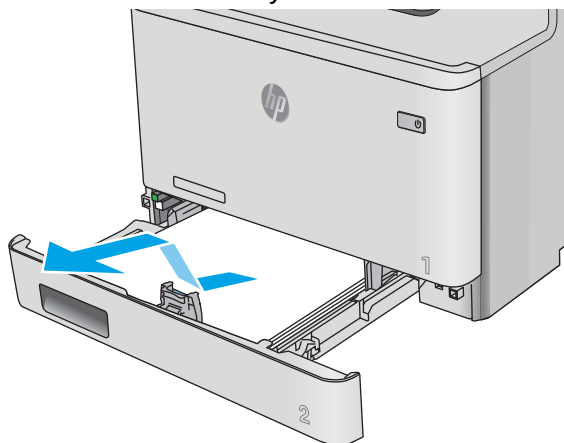
After performing service

- Connect the power cable.
- Use the power switch to turn the power on.

Step 1: Remove Tray 2

- ▲ Pull the tray out until it stops. Lift the front of the tray, and then pull it out of the printer to remove it.

Figure 1-725 Remove the tray



Step 2: Open the front door and rear door or duplexer door

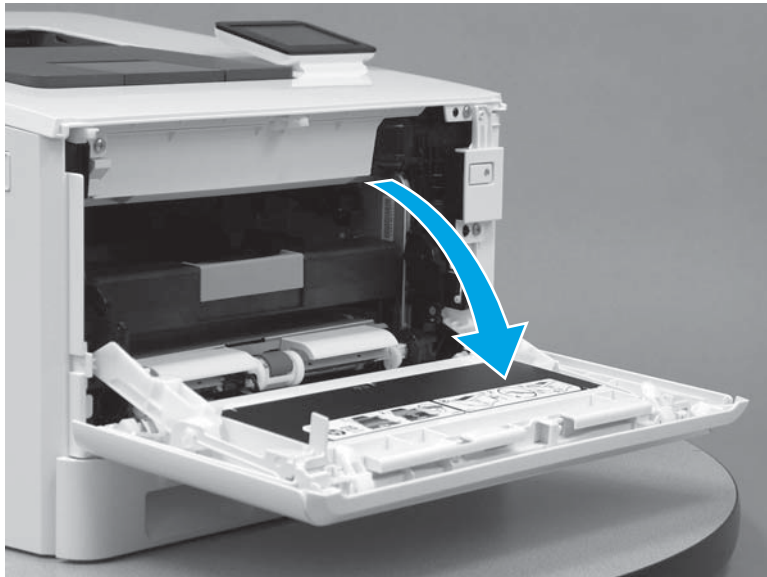
1. Press the button (callout 1) on the left side of the printer to release the front door.

Figure 1-726 Release the front door



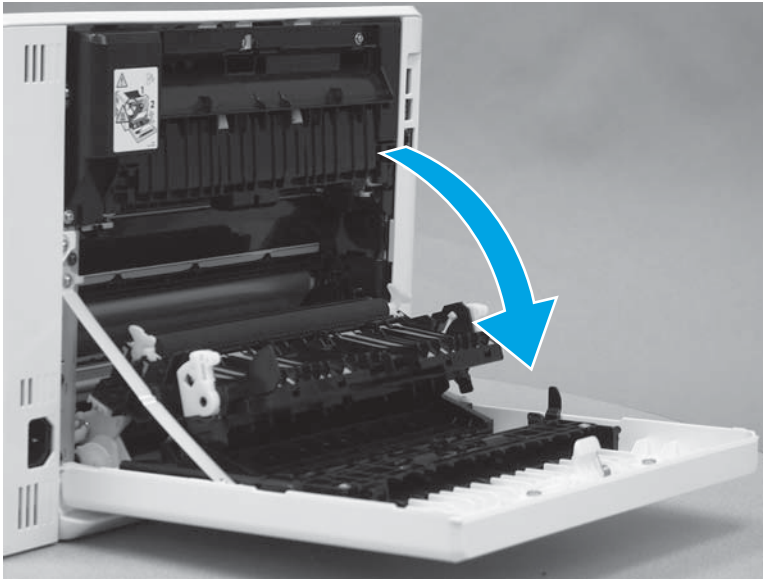
2. Open the front door.

Figure 1-727 Open the front door



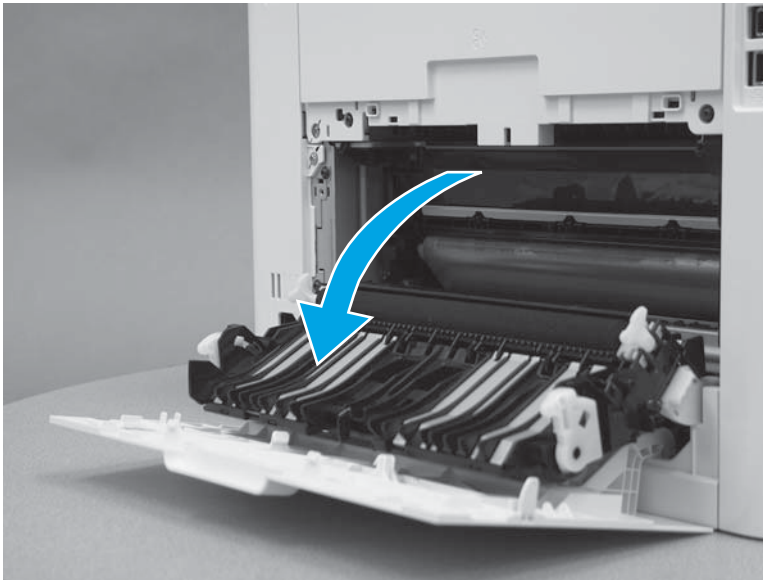
3. **Duplex models:** Open the duplexer door.

Figure 1-728 Open the duplexer door



4. **Simplex models:** Open the rear door.

Figure 1-729 Open the rear door



Step 3: Remove the right cover (M377, M477 models)

1. Raise the scanner.

Figure 1-730 Raise the scanner



2. At the back of the printer, remove one screw (callout 1).

Figure 1-731 Remove one screw



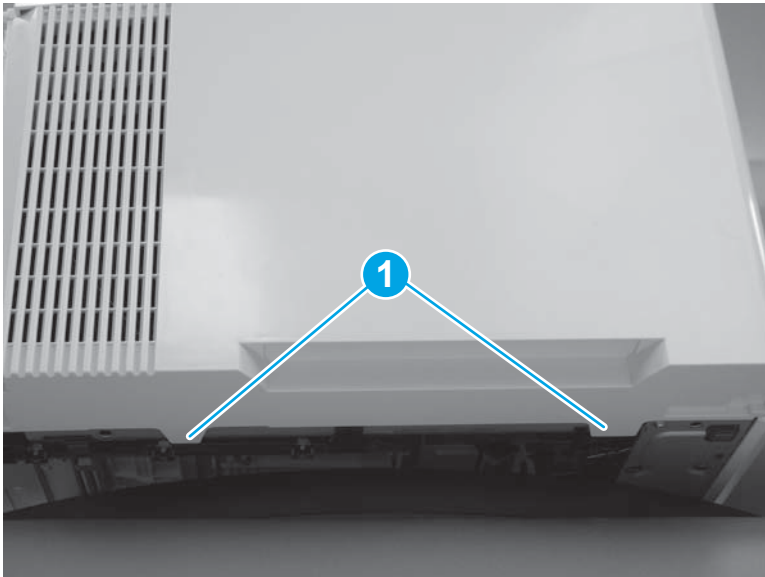
3. At the front of the printer, remove one screw (callout 1).

Figure 1-732 Remove one screw



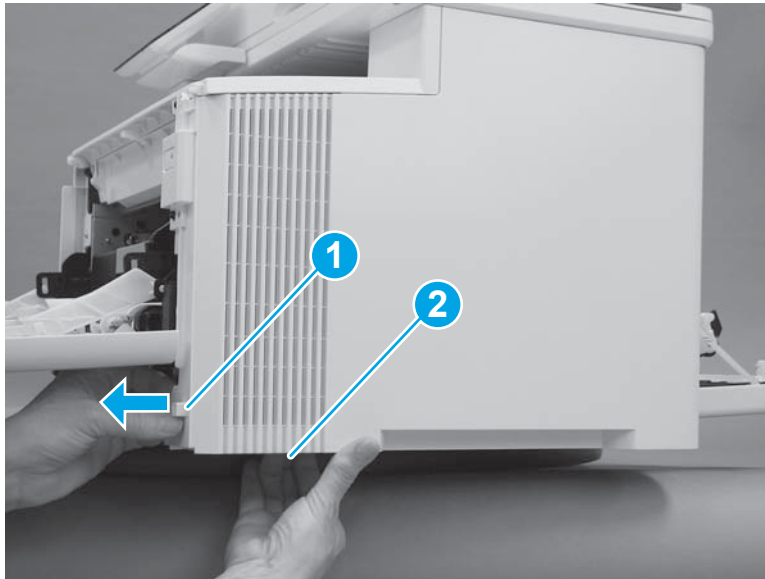
4. Slide the printer to the edge of a work surface. Note the location of the tabs on the lower edge of the cover (callout 1).

Figure 1-733 Locate the tabs



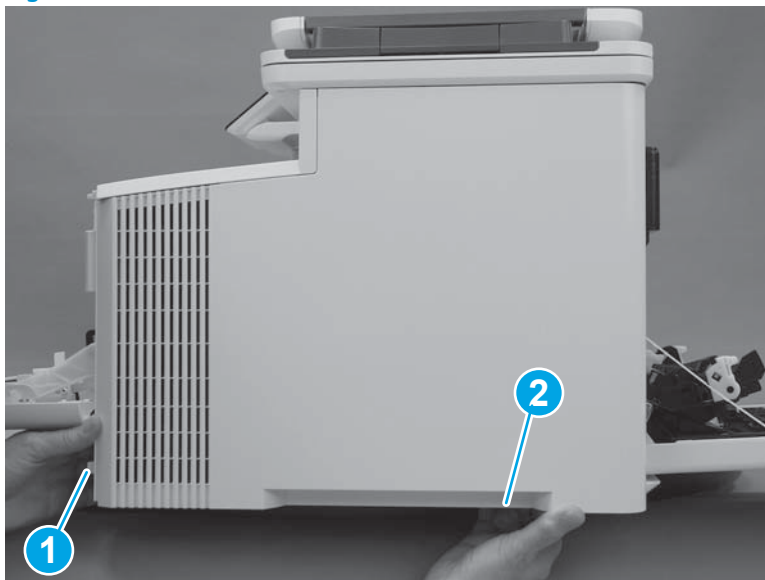
5. Release one tab (callout 1) on the front of the cover by slightly pulling the cover away from the printer. While holding the cover in the released position, release one tab (callout 2) on the lower edge of the cover.

Figure 1-734 Release front lower tabs



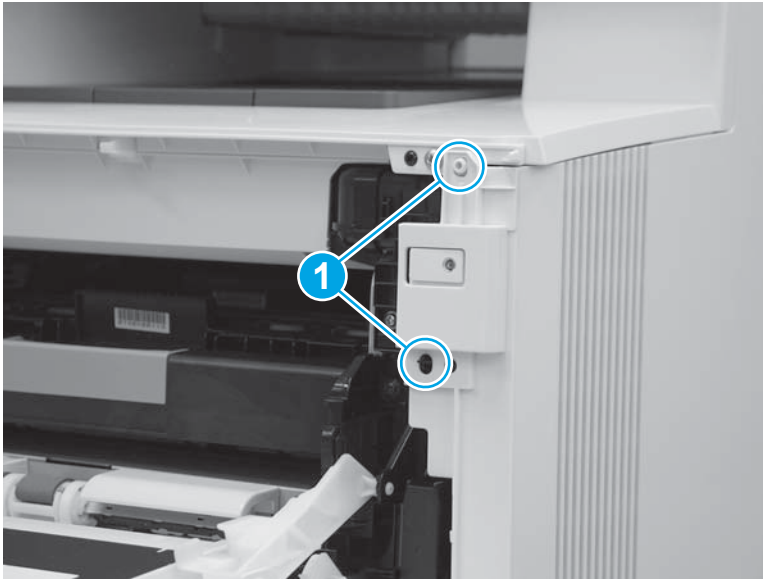
6. Hold the front tabs in the released position (callout 1), and then release one tab (callout 2) on the lower edge of the cover, toward the back of the printer.

Figure 1-735 Release lower rear tab



7. Release two tabs at the front of the printer (callout 1) by slightly pulling the cover away from the printer.

Figure 1-736 Release front upper tabs



8. Rotate the front of the cover away from the printer (callout 1).

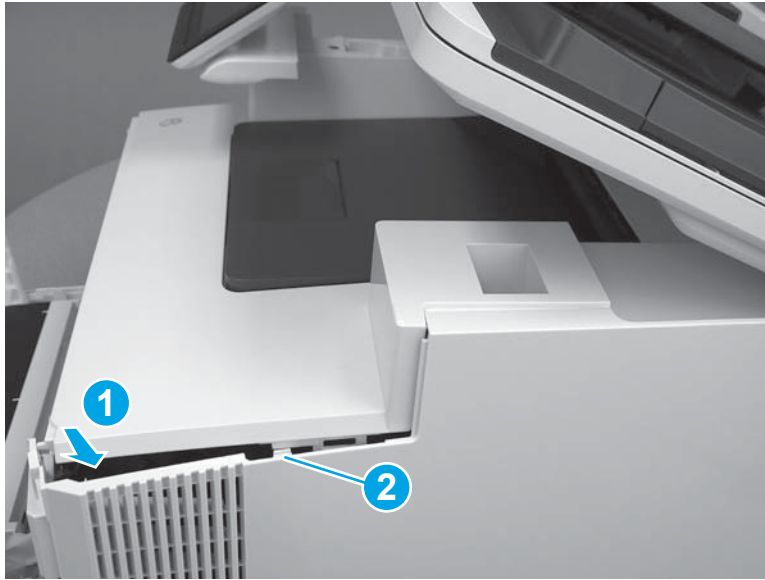
CAUTION: Be careful not to dislodge the power switch (callout 2).

Figure 1-737 Rotate the front of the cover



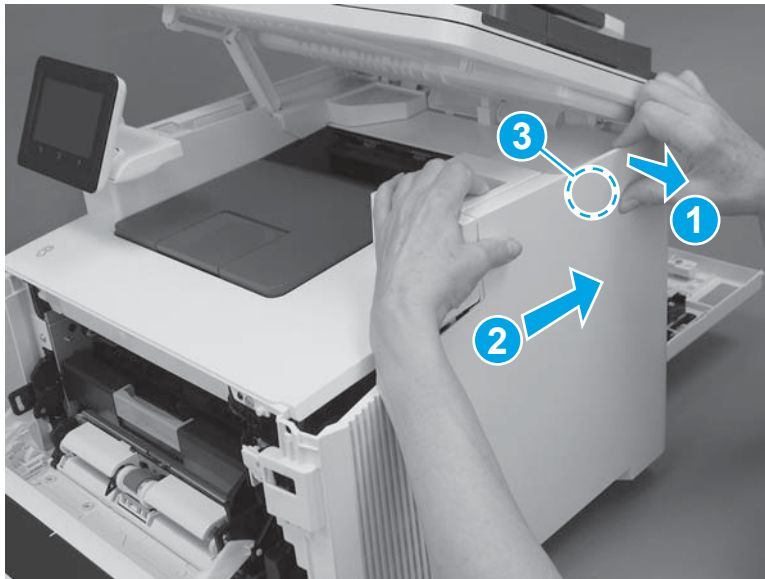
9. Slightly pull the front of the cover away from the printer (callout 1) to release one tab (callout 2).

Figure 1-738 Release top tabs



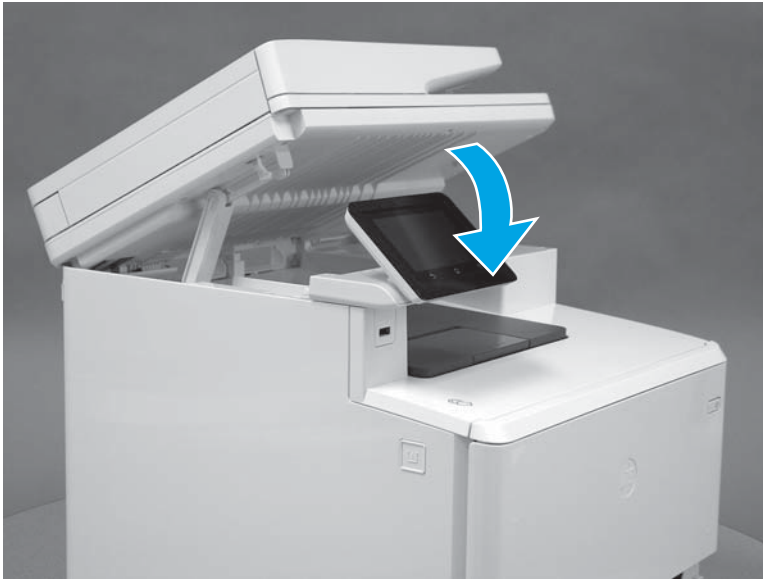
10. At the top of the printer, slightly pull the top of the cover away from the printer to release one retention tab (callout 1) on the inside of the cover. While holding the cover away, slide the cover toward the back of the printer (callout 2) to release one hook (callout 3) on the inside of the cover.

Figure 1-739 Release one tab and one hook



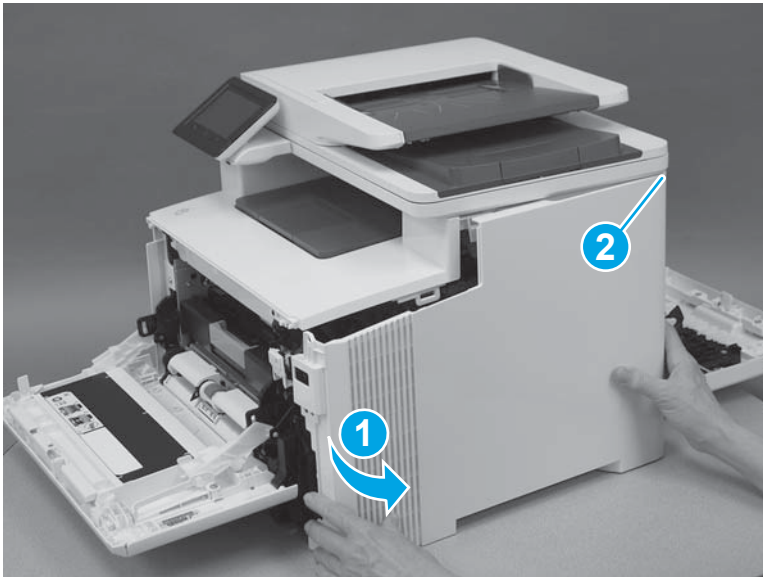
11. Lower the scanner.

Figure 1-740 Lower the scanner



12. Rotate the cover away from the printer (callout 1) to release one tab (callout 2) at the back of the printer, and then remove the cover.

Figure 1-741 Remove the right cover



Step 4: Remove the left cover (M377, M477 models)

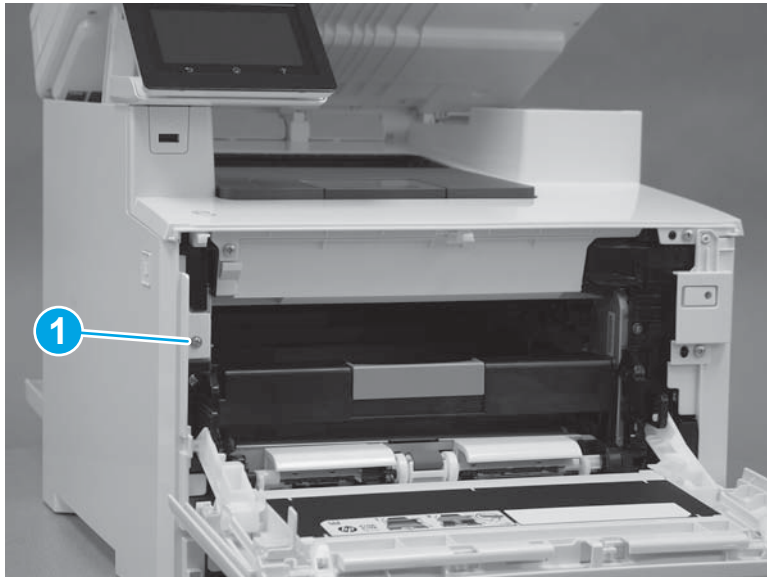
1. Raise the scanner.

Figure 1-742 Raise the scanner



2. At the front of the printer, remove one screw (callout 1).

Figure 1-743 Remove one screw



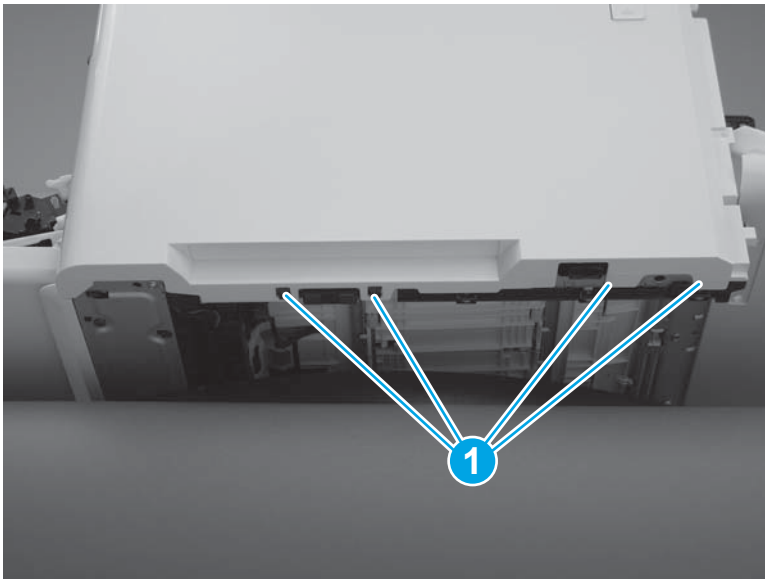
3. Release two tabs (callout 1) at the front of the cover. Hold the cover open to prevent the tabs from re-engaging.

Figure 1-744 Release two tabs



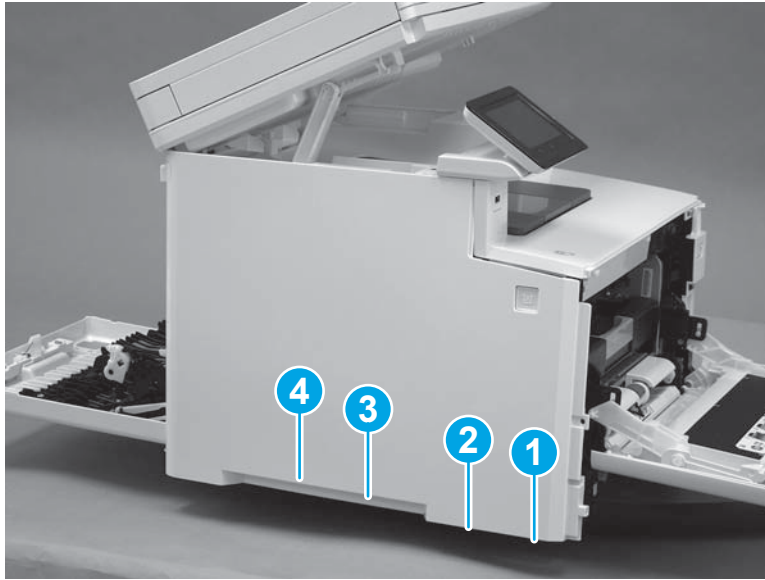
4. Slide the printer to the edge of a work surface. Note the location of the tabs on the lower edge of the cover (callout 1).

Figure 1-745 Locate the tabs



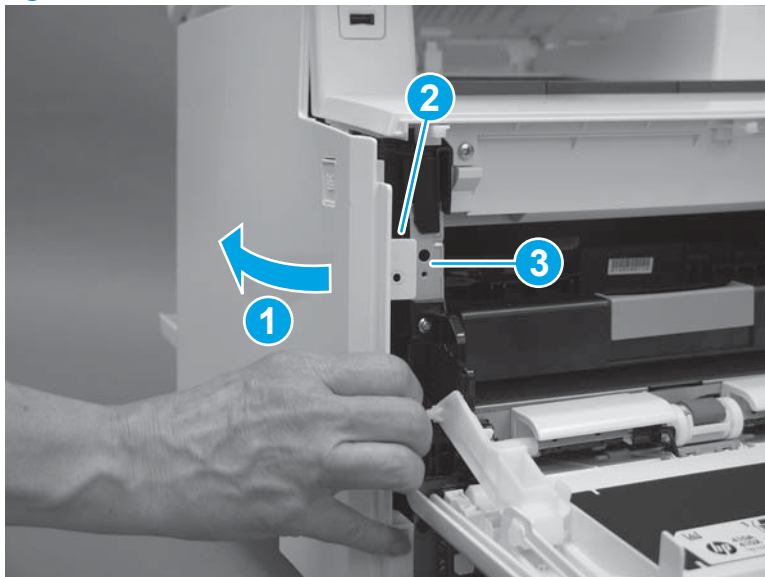
5. Beginning from the front of the cover, release the four tabs (callouts 1-4) on the lower edge of the cover.

Figure 1-746 Release four tabs



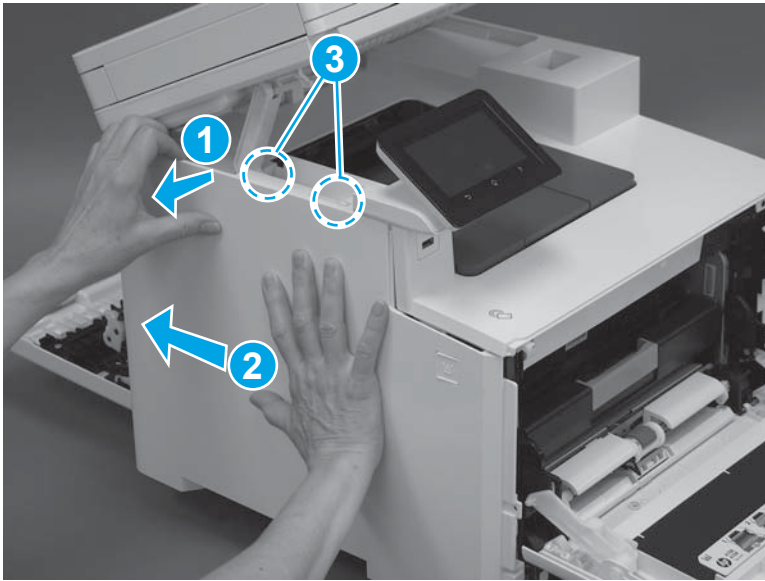
6. Rotate the front of the cover away from the printer (callout 1). Make sure that the tab (callout 2) does not get caught on the printer frame (callout 3).

Figure 1-747 Rotate the cover



7. At the top of the printer, slightly pull the top of the cover away from the printer to release one retention tab (callout 1) on the inside of the cover. While holding the cover away, slide the cover toward the back of the printer (callout 2) to release two hooks (callout 3) inside the cover.

Figure 1-748 Release one tab and two hooks



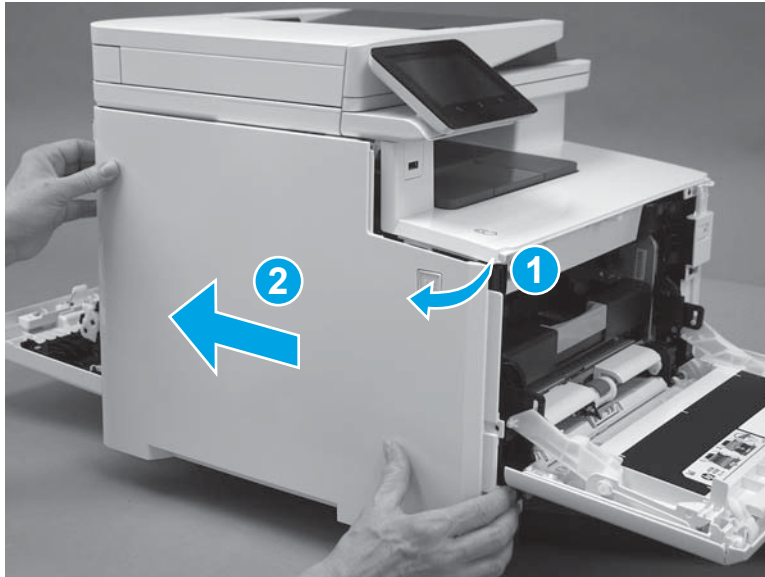
8. Lower the scanner.

Figure 1-749 Lower the scanner



9. Rotate the cover away from the printer (callout 1), and then slide the cover (callout 2) toward the back of the printer to remove it.

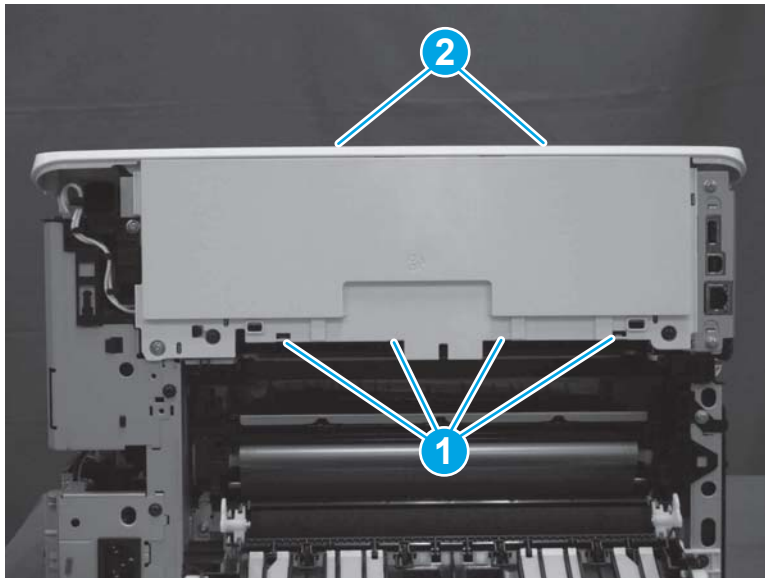
Figure 1-750 Remove the left cover



Step 5: Remove the rear top cover (simplex model)

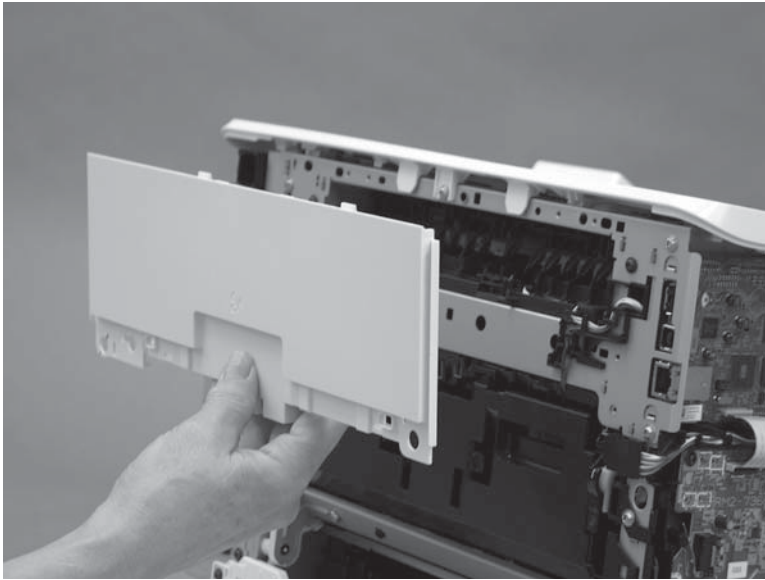
1. At the back of the printer, release four tabs (callout 1) on the bottom of the cover and two tabs (callout 2) on the top of the cover.

Figure 1-751 Release six tabs



2. Remove the rear top cover.

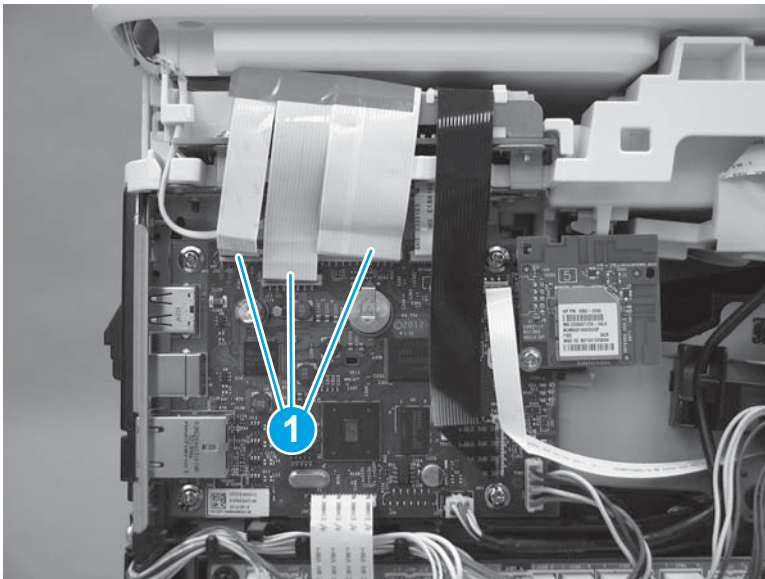
Figure 1-752 Remove the rear top cover



Step 6: Remove the image scanner (M377, M477 models)

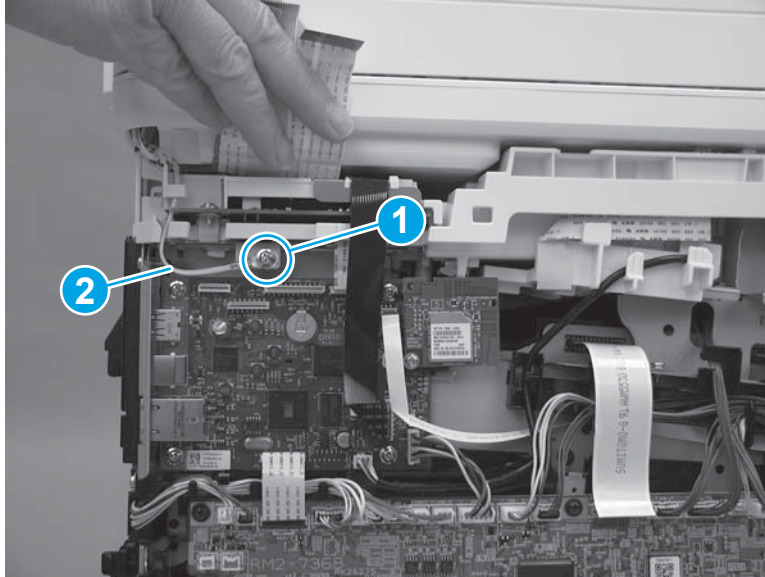
1. On the left side of the printer, disconnect three connectors (callout 1).

Figure 1-753 Disconnect the scanner cables



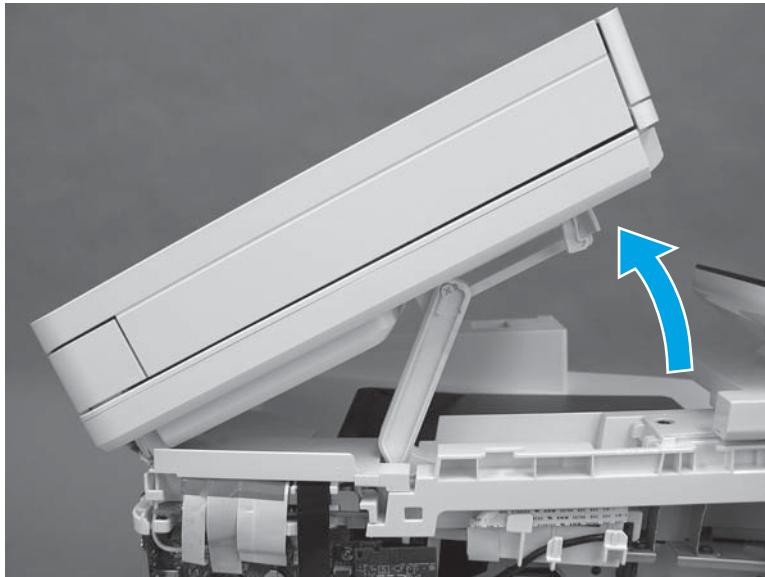
2. Raise the scanner cables up, and then remove one screw (callout 1) to release the ground wire (callout 2).

Figure 1-754 Remove one screw and release the ground wire



3. Raise the scanner.

Figure 1-755 Raise the scanner



4. With the scanner lifted, release the tab (callout 1) on the scanner support arm pin from the slot and rotate the pin in the direction indicated.

Figure 1-756 Release the scanner arm pin



5. Remove the scanner arm pin.

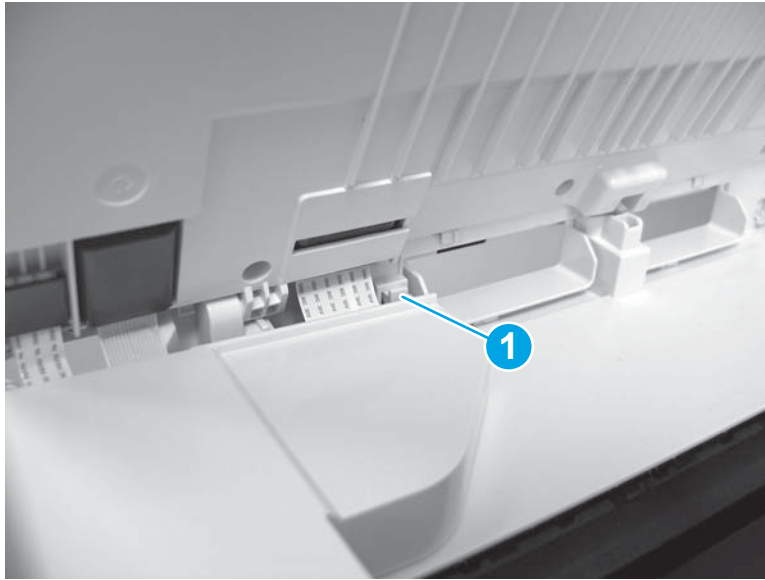
CAUTION: Once the scanner arm pin is removed, support the scanner with one hand at all times so that it does not fall backwards off of the printer.

Figure 1-757 Remove the scanner arm pin.



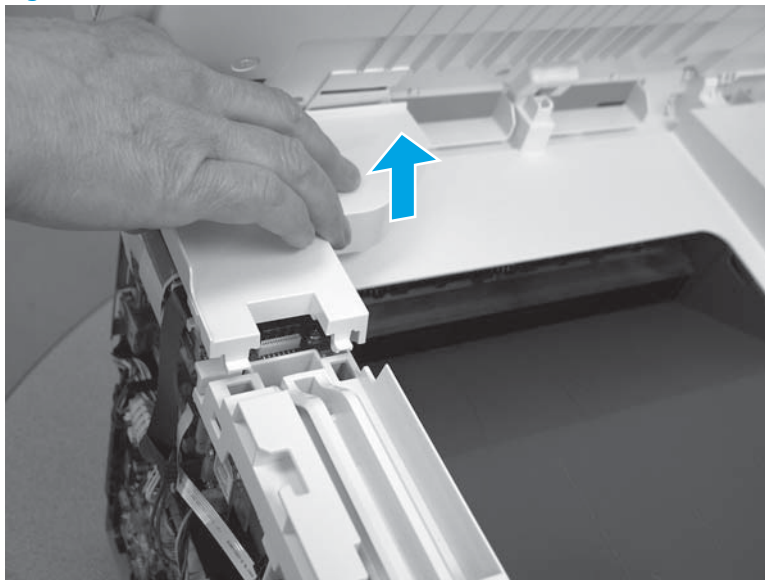
6. On the top of the printer, use a flat-blade screwdriver to release one tab (callout 1).

Figure 1-758 Release one tab



7. Remove the scanner cable cover.

Figure 1-759 Remove the scanner cable cover



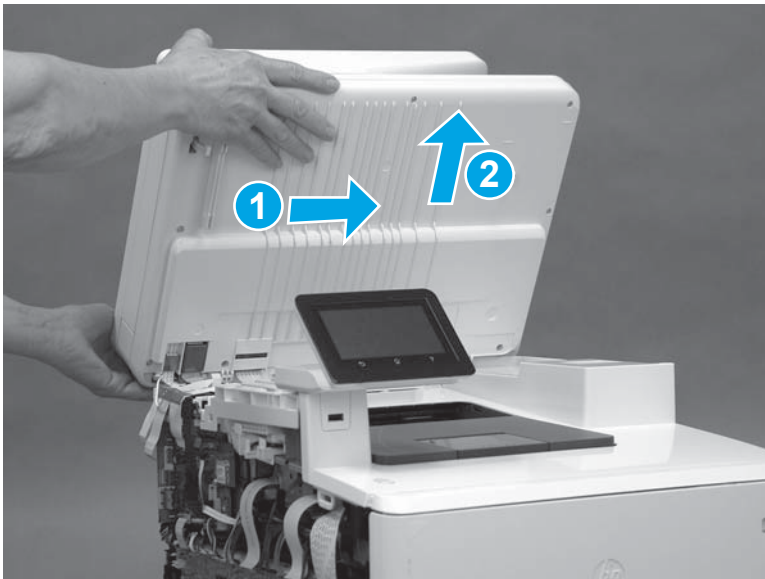
8. The scanner cables (callout 1) are held in place on the top cover with double-sided tape. Carefully release the cables from the top cover.

Figure 1-760 Release the cables



9. Open the scanner assembly fully, slide the assembly toward the right side of the printer, and then lift the assembly off of the printer.

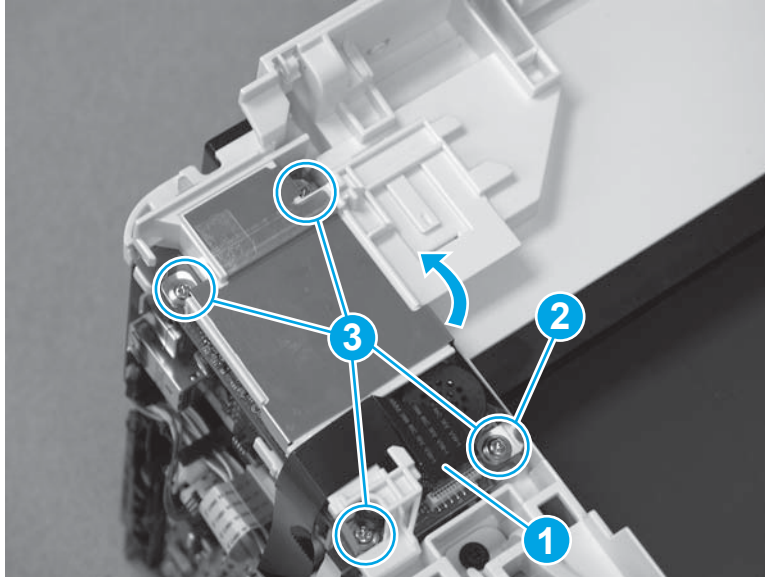
Figure 1-761 Remove the scanner assembly



Step 7: Remove the fax PCA (M477 models)

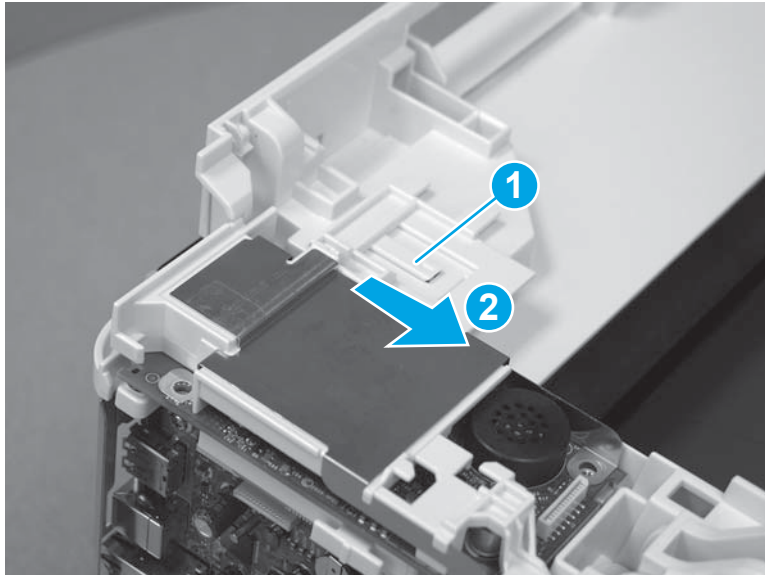
1. Disconnect one connector (callout 1). Beginning with the top right screw (callout 2) remove four screws (callout 3) in a counterclockwise direction.

Figure 1-762 Disconnect one connector and remove four screws



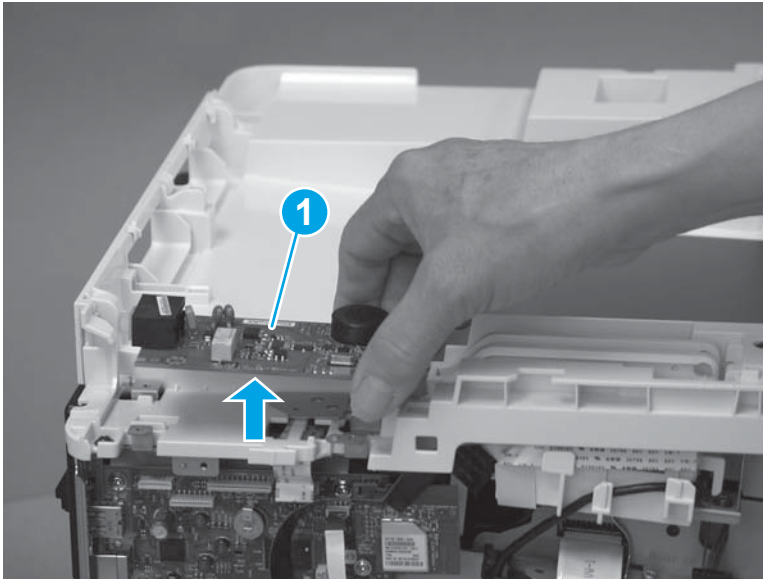
2. Release one tab (callout 1), and then slide the fax cover (callout 2) toward the front of the printer to remove it.

Figure 1-763 Remove the fax cover



3. Lift up to remove the fax PCA (callout 1).

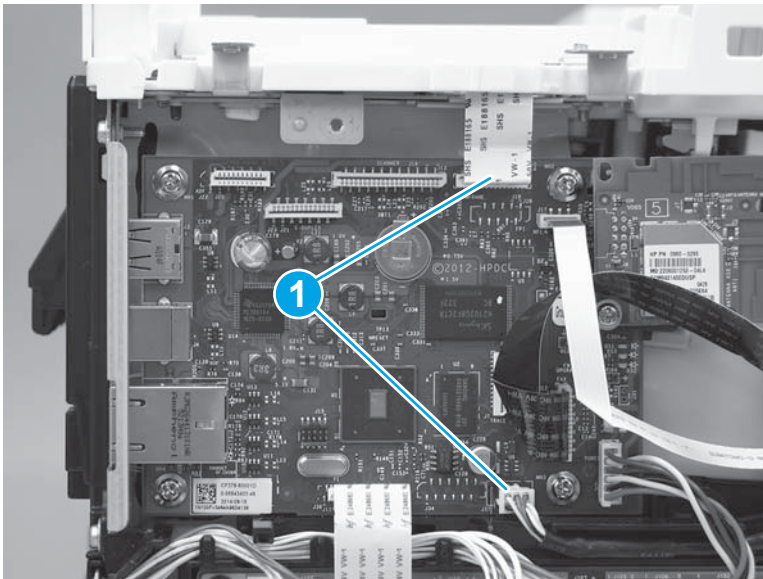
Figure 1-764 Remove the fax PCA



Step 8: Remove the top cover (M377, M477 models)

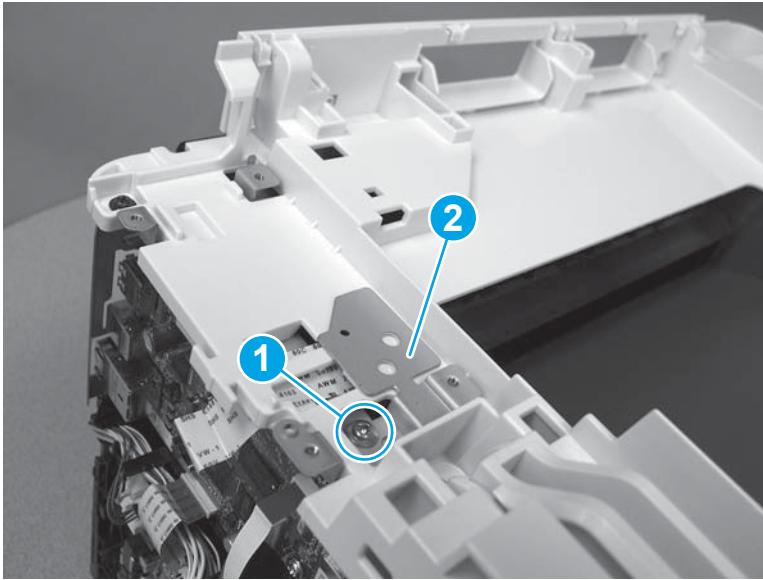
1. On the left side of the printer, on the formatter PCA, disconnect two connectors (callout 1).

Figure 1-765 Disconnect two connectors



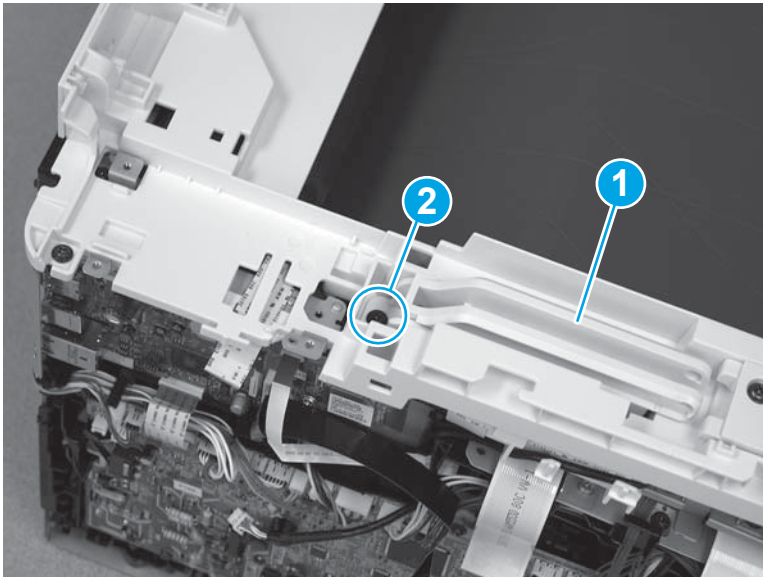
2. On the top cover, remove one screw (callout 1) and the sheet metal plate (callout 2).

Figure 1-766 Remove one screw and the sheet metal plate



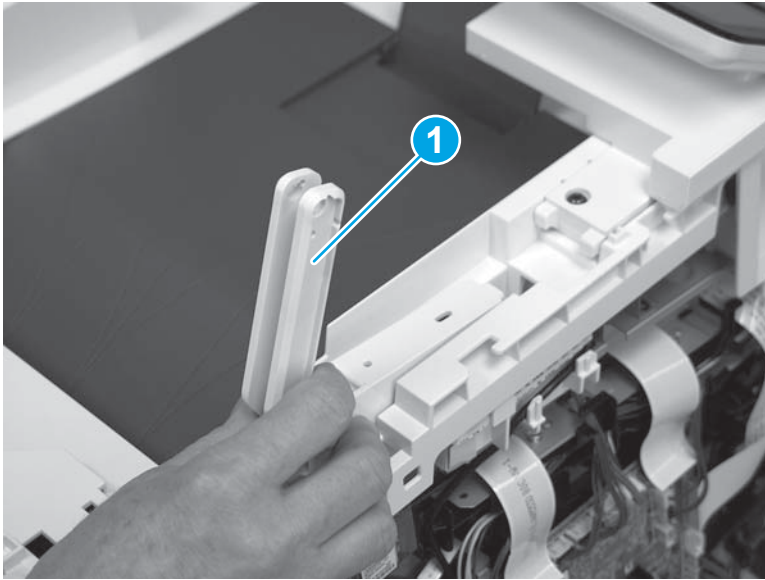
3. At the top of the printer, lower the scanner support arm (callout 1), and then remove one screw (callout 2).

Figure 1-767 Lower the support arm and remove one screw



4. Remove the scanner support arm (callout 1).

Figure 1-768 Remove the scanner support arm



5. At the top of the printer, remove three screws (callout 1).


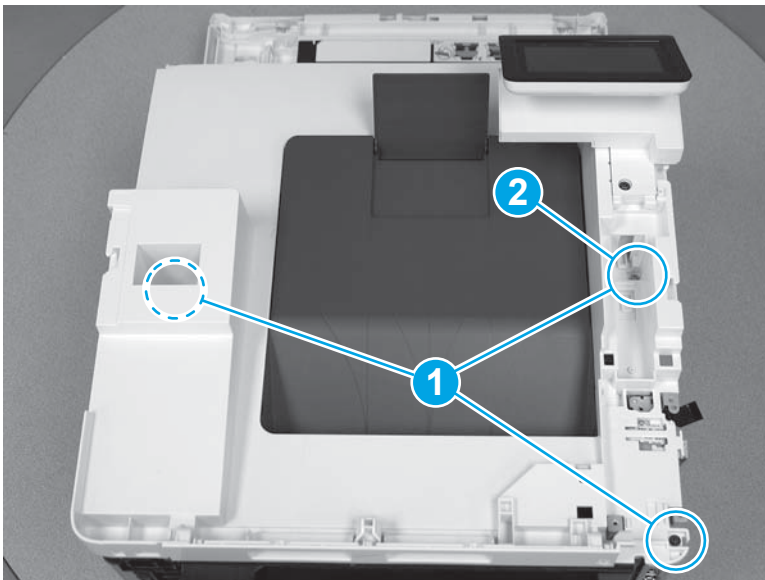
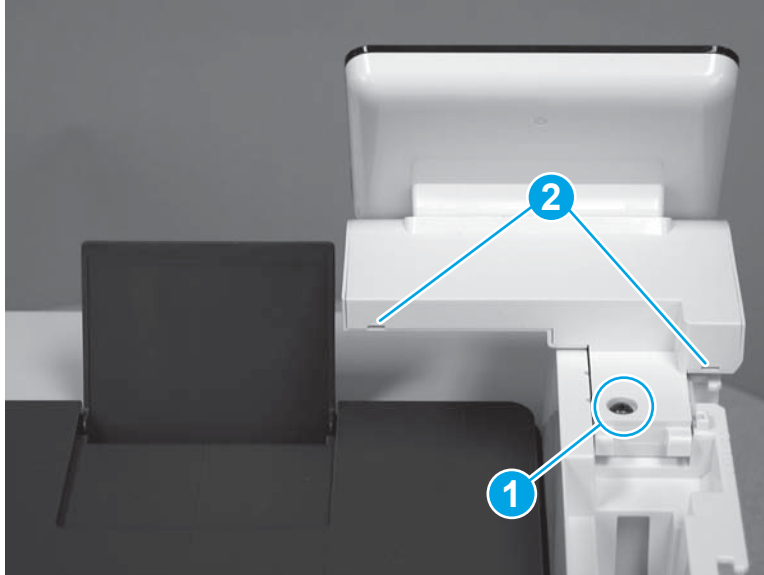
 **Reinstallation tip:** One screw (callout 2) is longer than the other screws. Make sure that this screw is reinstalled in the correct position.

Figure 1-769 Remove three screws



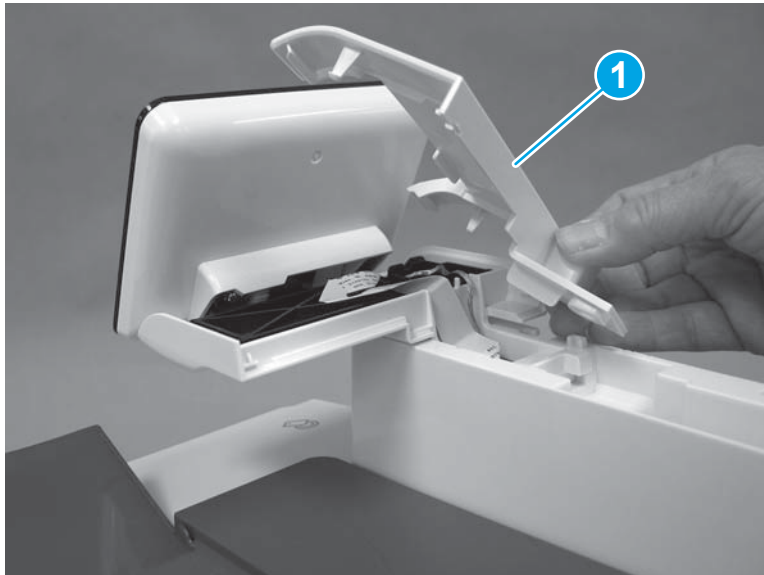
6. Behind the control panel, remove one screw (callout 1), and then use a small flat-blade screwdriver at two pry points (callout 2) to release the control panel cover from the top cover.

Figure 1-770 Release the control panel cover



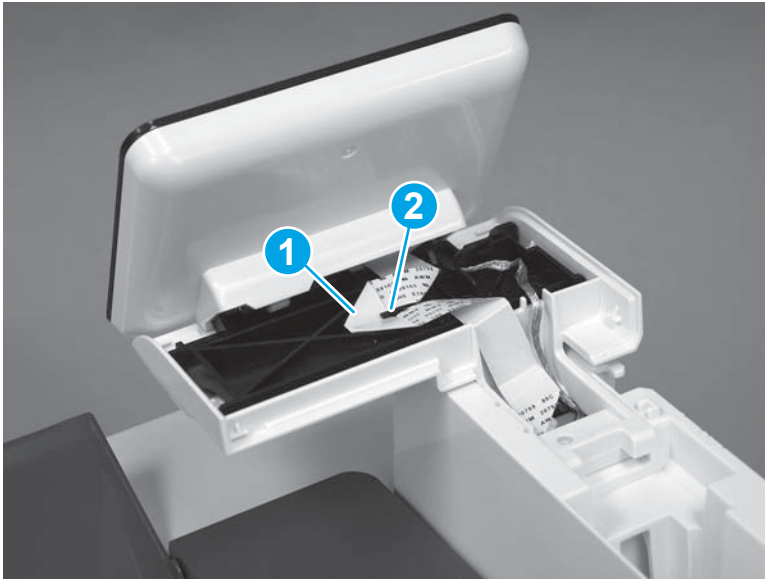
7. Remove the control panel cover (callout 1).

Figure 1-771 Remove the control panel cover



8. Remove the flat cable (callout 1) from the retaining guide (callout 2).

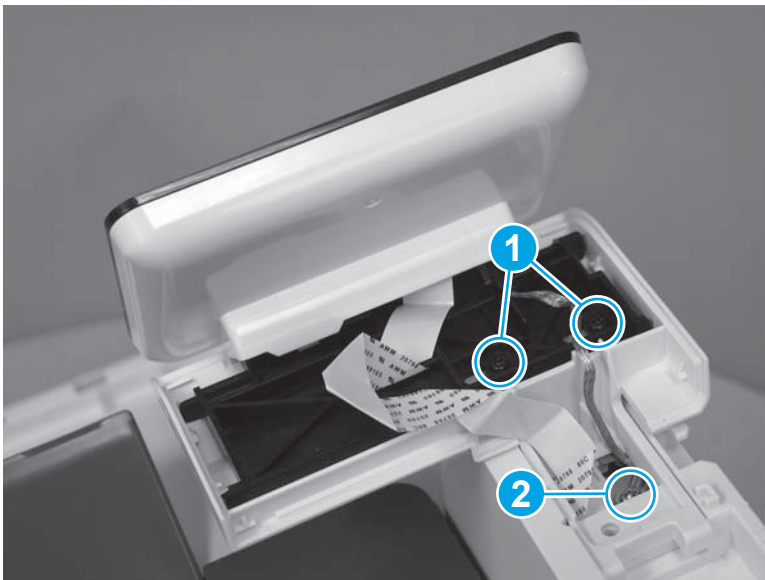
Figure 1-772 Release the flat cable



9. Remove two screws (callout 1), and then remove one screw (callout 2) and release one ground wire.

 **Reinstallation tip:** The two screws toward the front of the control panel (callout 1) are longer than the other screw. Make sure these screws are installed in the correct position when reinstalling the part.

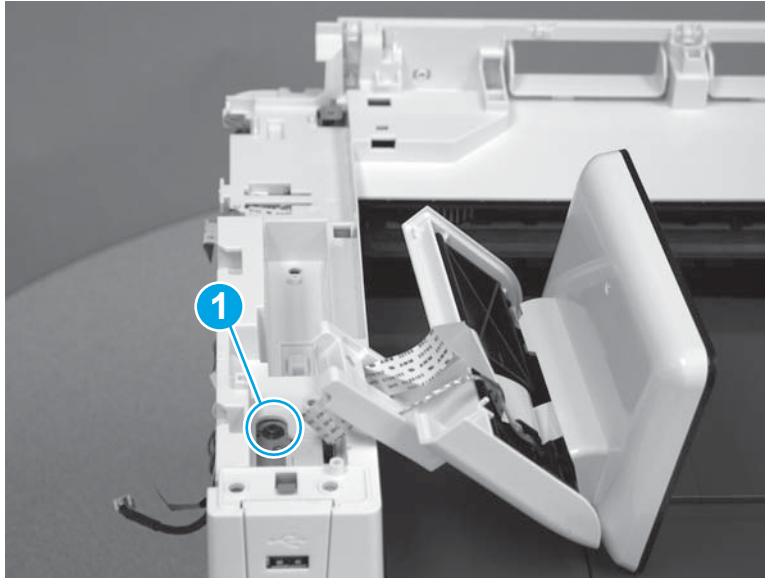
Figure 1-773 Remove three screws



10. Carefully lift the control panel away and rest it on the top cover, and then remove one screw (callout 1).

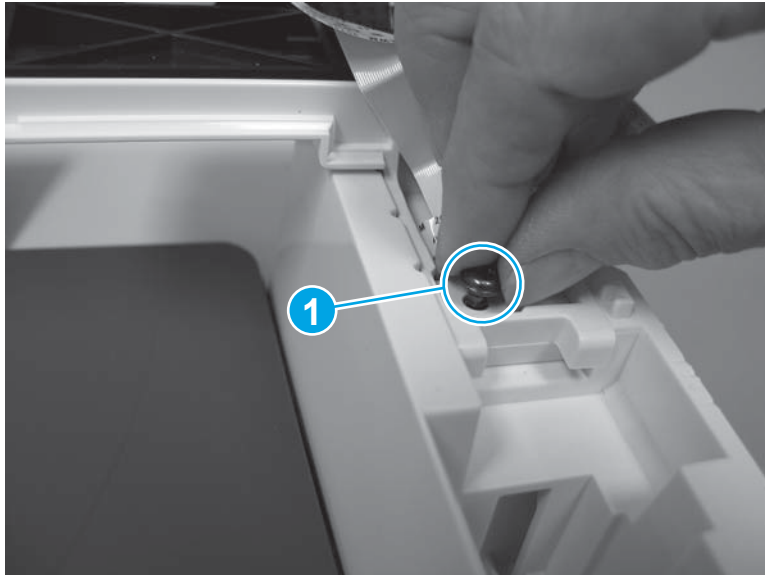
CAUTION: The control panel is still attached to the top cover by the flat cable.

Figure 1-774 Remove one screw



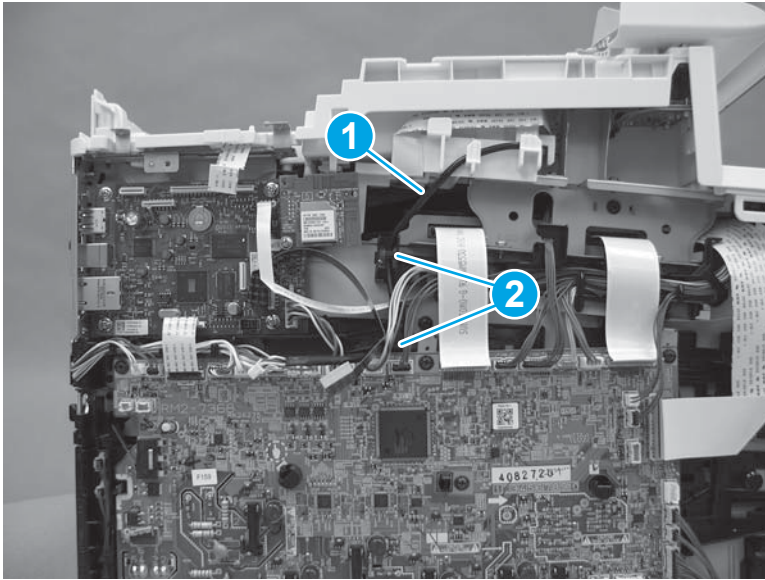
11. Place the control panel back into position. With your hand, refasten the screw (callout 1) that was previously removed from the control panel cover to temporarily reattach the control panel to the top cover. Doing this should protect the flat cable from being damaged.

Figure 1-775 Refasten the control panel to the top cover



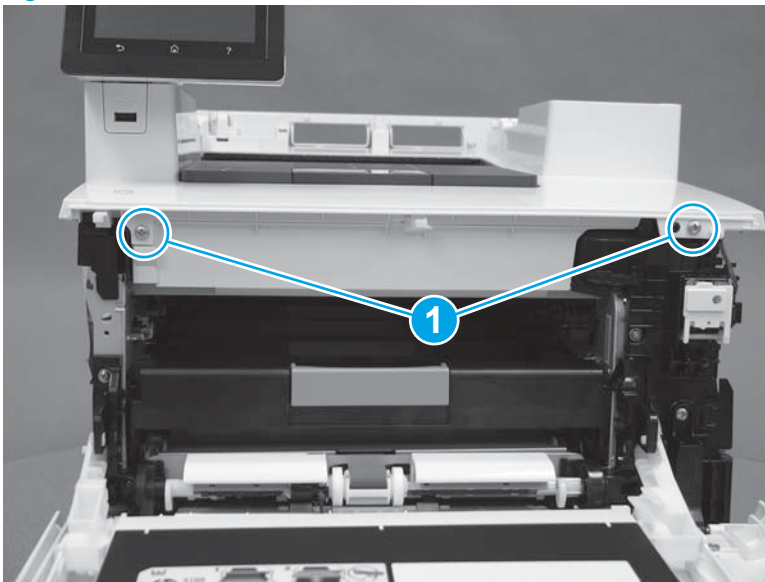
12. Remove the USB cable (callout 1) from the cable guides (callout 2).

Figure 1-776 Release the USB cable



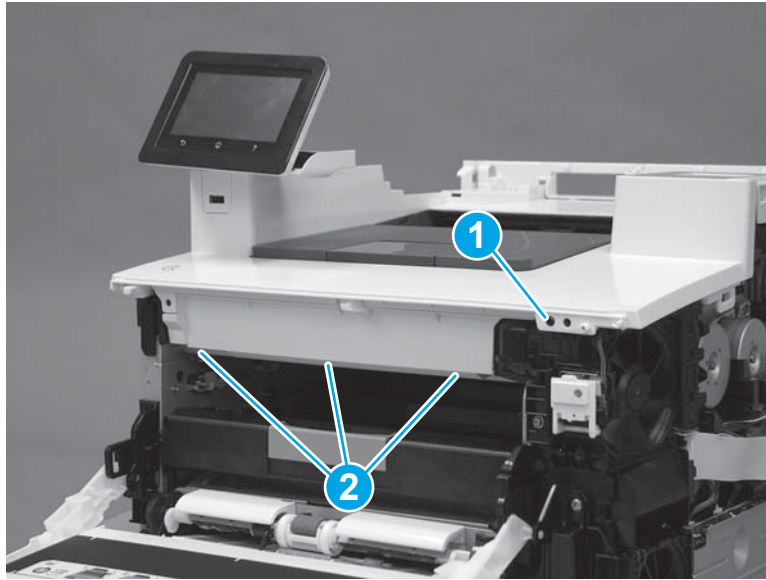
13. At the front of the printer, remove two screws (callout 1).

Figure 1-777 Remove two screws



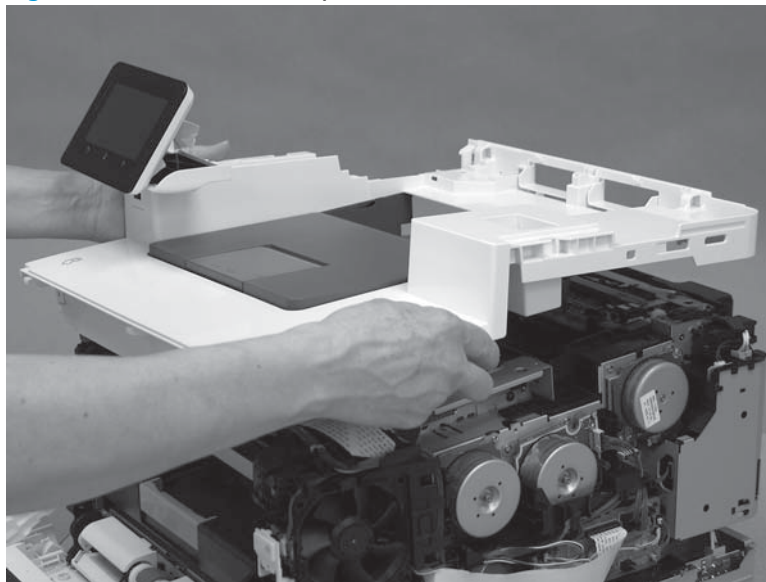
14. Release one retainer (callout 1), and then release three tabs (callout 2).

Figure 1-778 Release one retainer and three tabs



15. Remove the top cover.

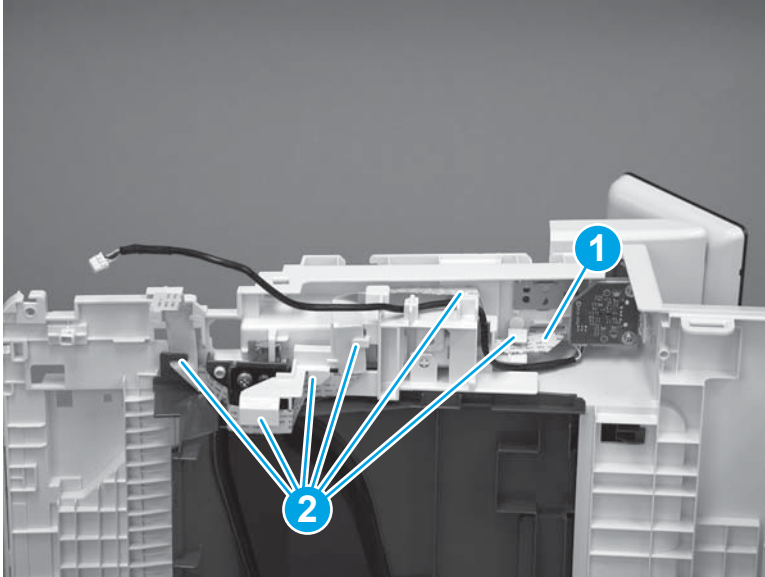
Figure 1-779 Remove the top cover



Step 9: Remove the control panel (M377, M477 models)

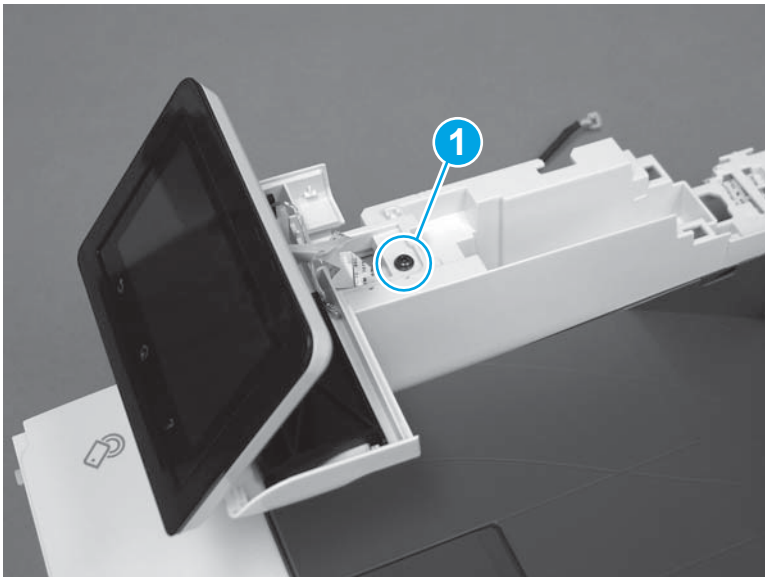
1. Turn the top cover on its side, and then remove the flat cable (callout 1) from the cable guides (callout 2).

Figure 1-780 Remove the flat cable from the guides



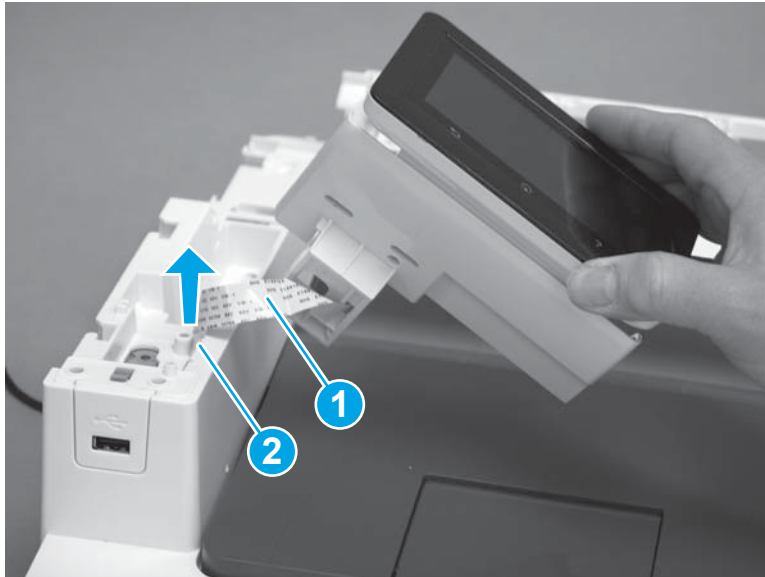
2. On the top of the top cover, use your finger to remove the screw (callout 1) that is temporarily holding the control panel to the top cover.

Figure 1-781 Remove one screw



3. Lift the control panel up and completely remove the flat cable (callout 1) from the slot (callout 2) in the top cover.

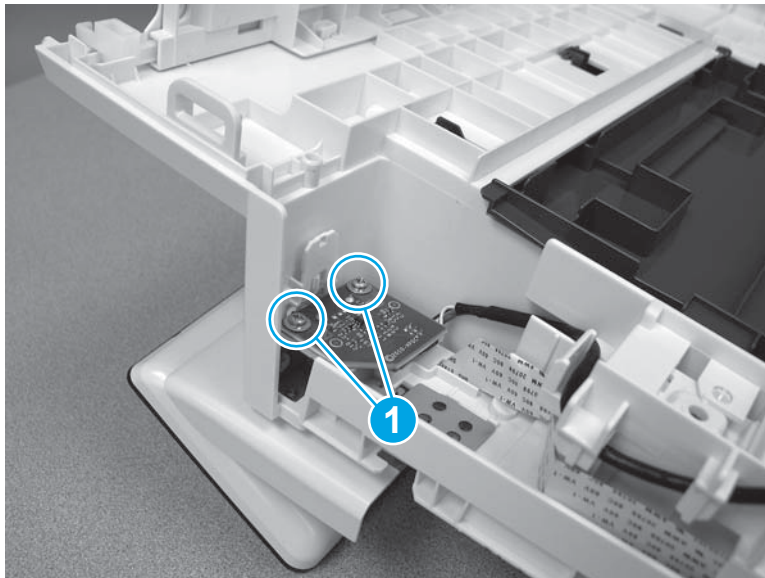
Figure 1-782 Remove the control panel



Step 10: Remove the walk-up USB port (M377, M477 models)

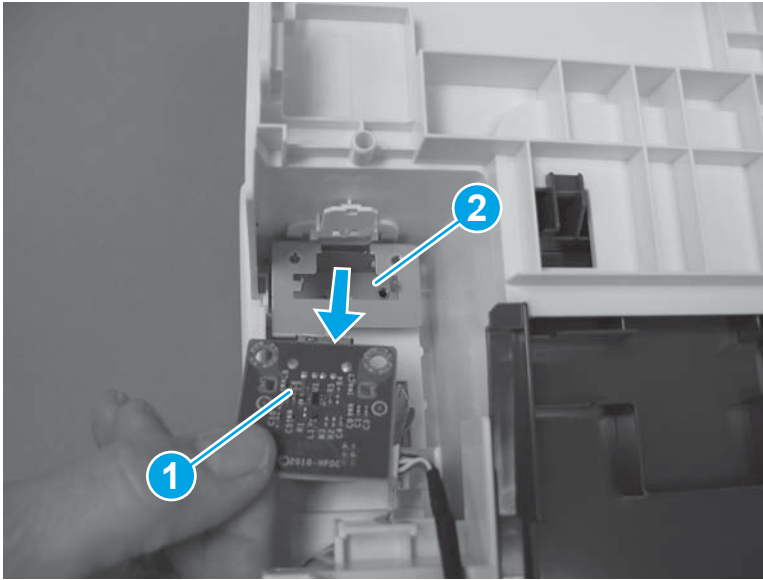
1. Lay the top cover face-down. Behind the control panel, remove two screws (callout 1).

Figure 1-783 Remove two screws



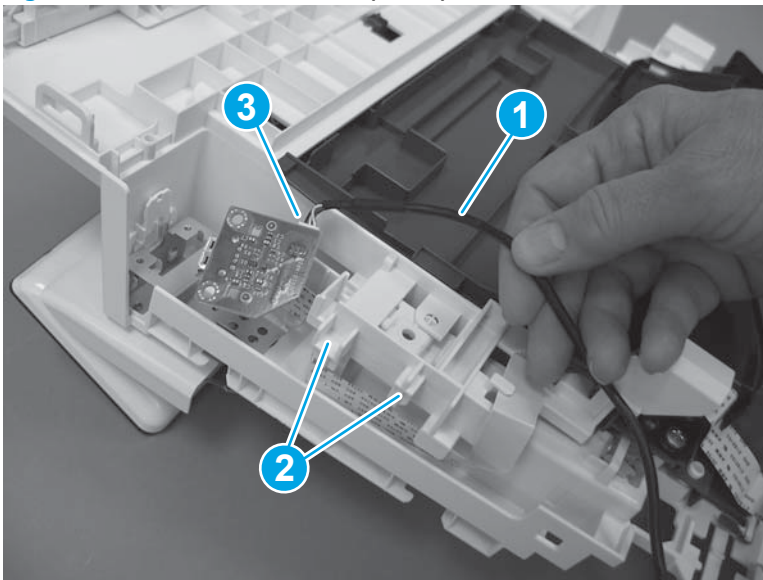
2. Slide the walk-up USB port (callout 1) out of the sheet metal opening (callout 2).

Figure 1-784 Slide the walk-up USB port



3. Release the cable (callout 1) from the guides (callout 2), and then disconnect one connector (callout 3).

Figure 1-785 Remove the walk-up USB port



Step 11: Unpack the replacement part

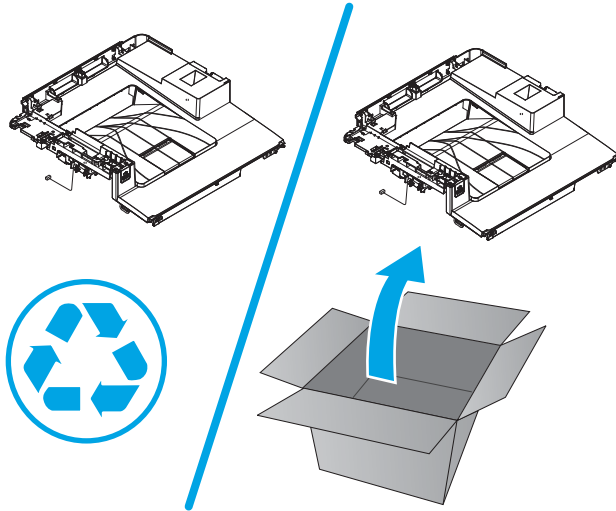
Remove the new part from its package. Save all packaging for recycling the used part.

For complete information on HP's recycling programs, go to [Product return and recycling](#).



NOTE: HP recommends responsible disposal of the defective part.

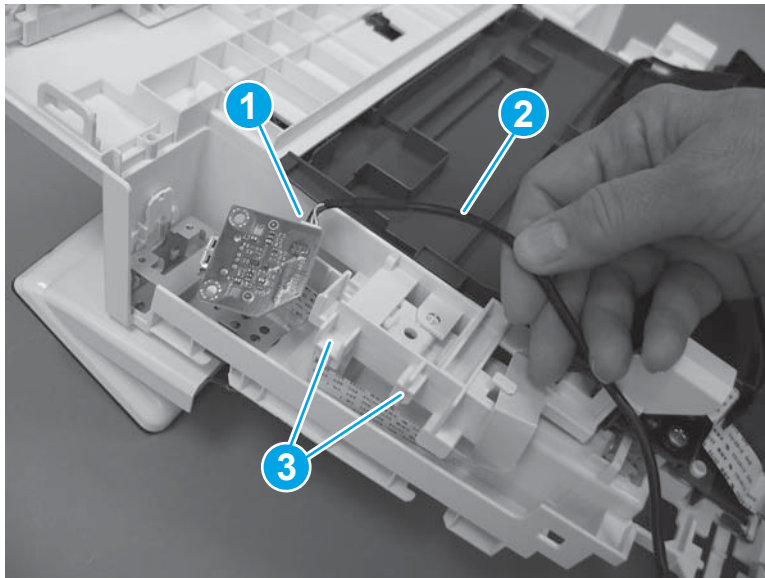
Figure 1-786 Recycle and unpack



Step 12: Install the walk-up USB port (M377, M477 models)

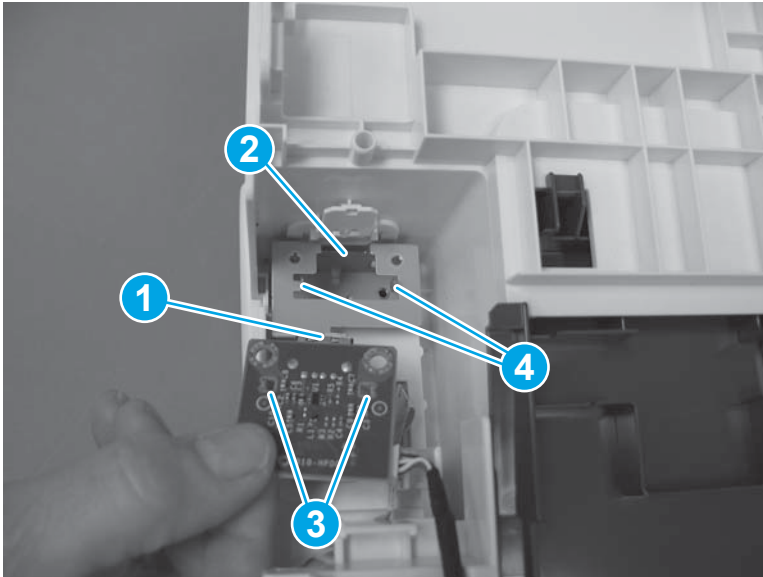
1. Connect one connector (callout 2), and then install the cable (callout 2) in the guides (callout 3).

Figure 1-787 Connect the walk-up USB port



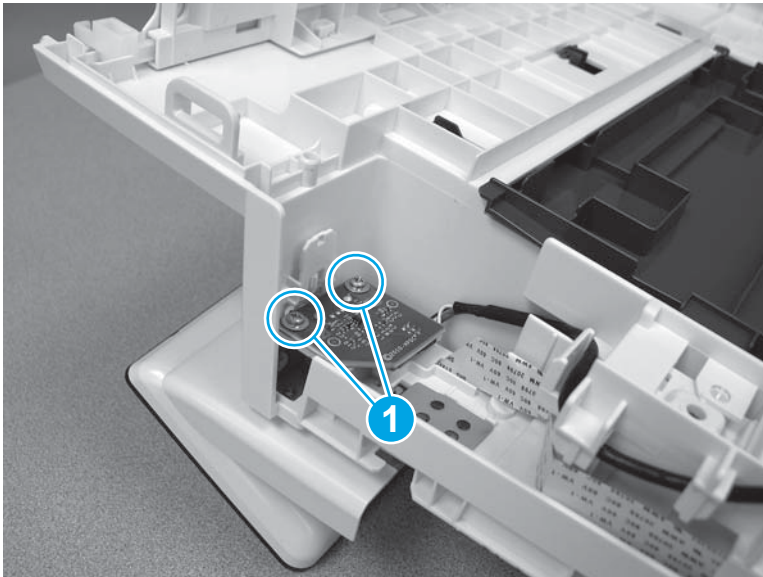
2. Install the USB port (callout 1) into the sheet metal opening (callout 2), and then install the slots (callout 3) on the walk-up USB port over the tabs (callout 4) on the top cover.

Figure 1-788 Install the walk-up USB port



3. Install two screws (callout 1).

Figure 1-789 Install two screws



Step 13: Install the control panel (M377, M477 models)

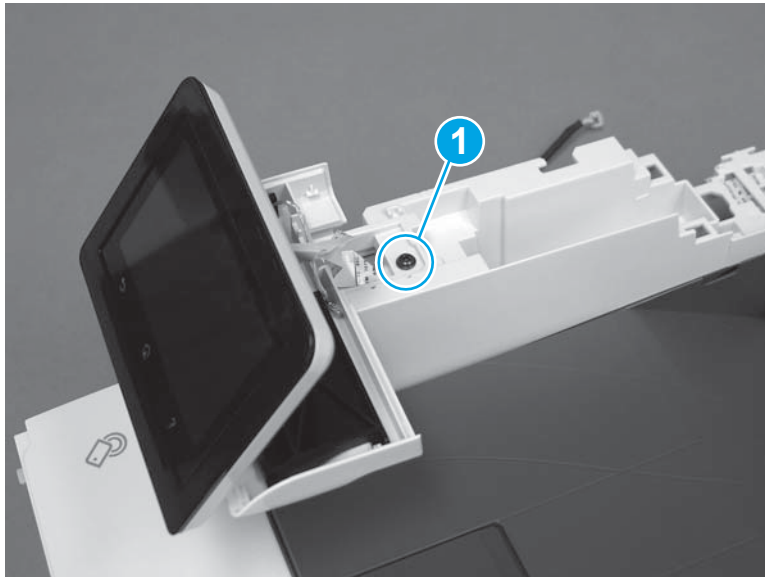
1. Install the flat cable (callout 1) in the slot (callout 2) in the top cover.

Figure 1-790 Install the flat cable



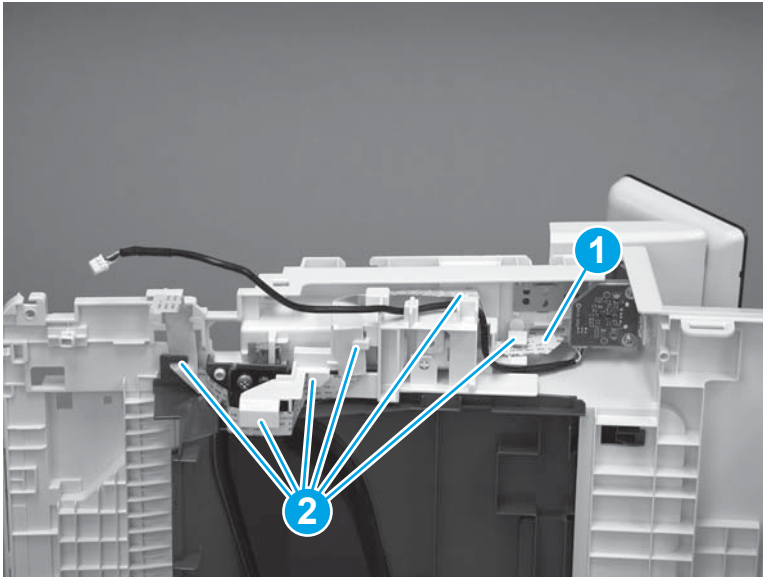
2. On the top of the cover, use your finger to install one screw (callout 1).

Figure 1-791 Install one screw



3. Turn the top cover on its side, and then route the flat cable (callout 1) through the cable guides (callout 2).

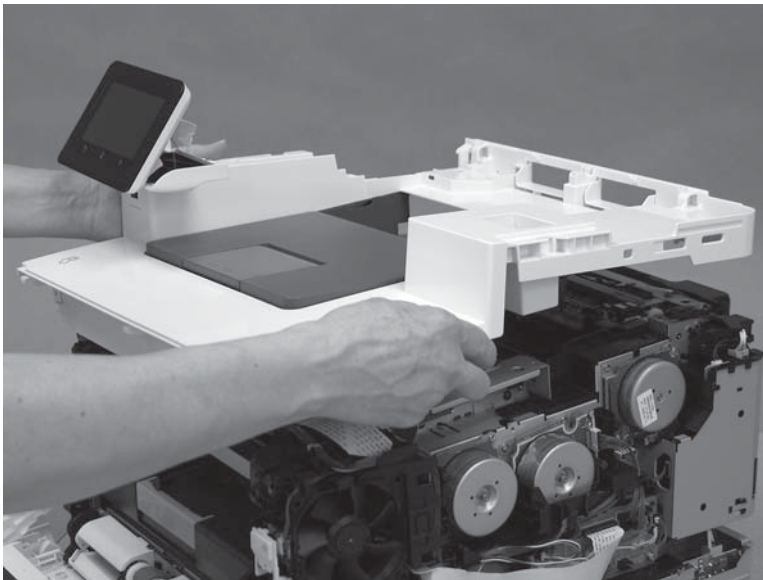
Figure 1-792 Route the flat cable



Step 14: Install the top cover (M377, M477 models)

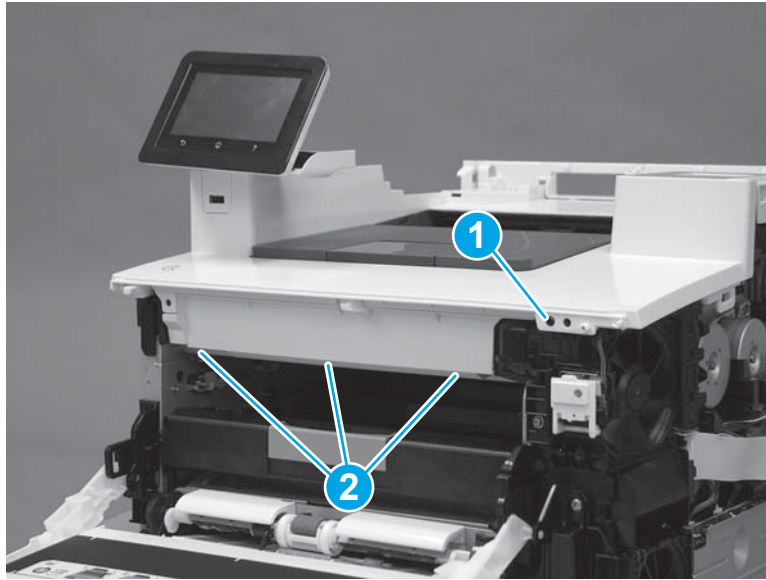
1. Position the top cover on the printer.

Figure 1-793 Position the top cover



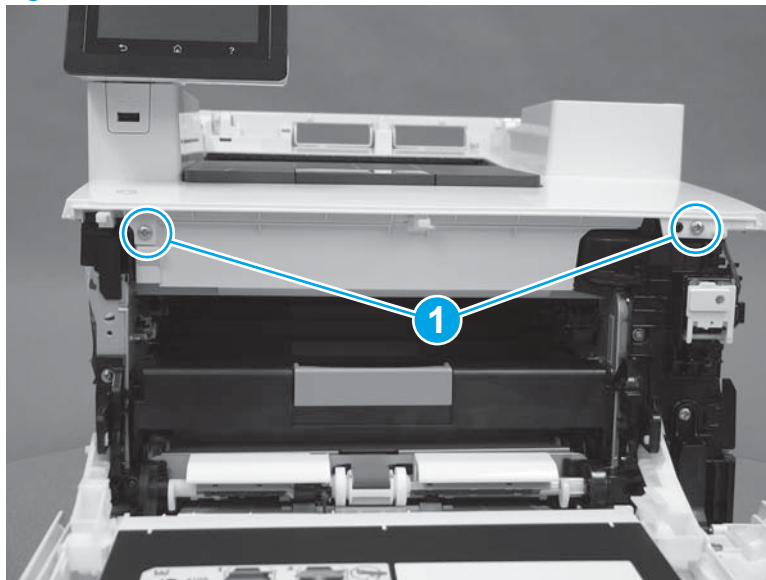
2. At the front of the printer, install one retainer (callout 1), and then install three tabs (callout 2).

Figure 1-794 Install one retainer and three tabs



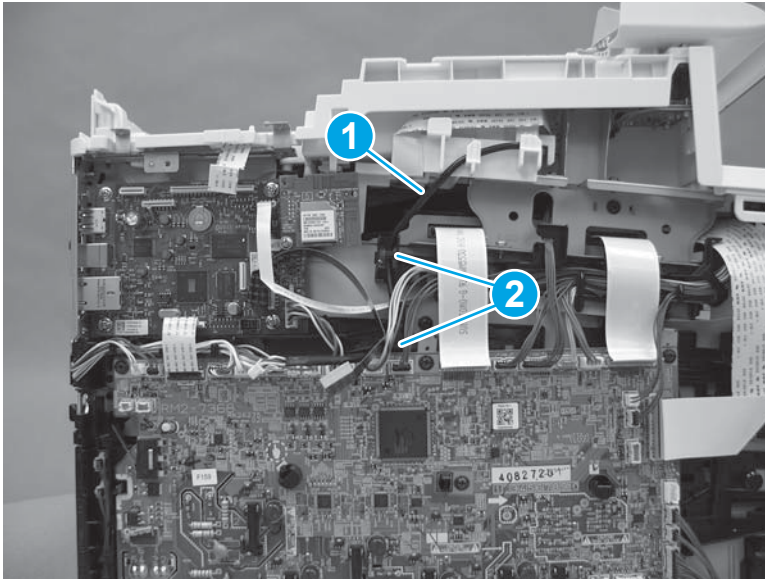
3. Install two screws (callout 1).

Figure 1-795 Install two screws



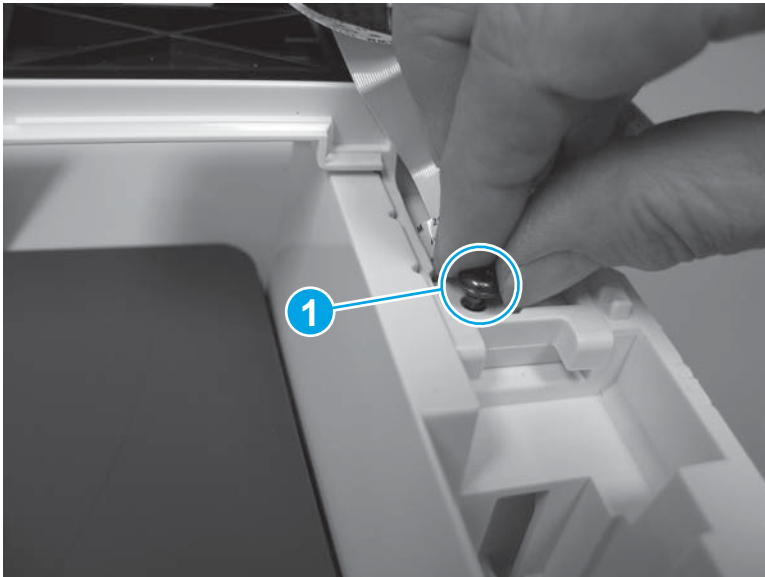
4. Install the USB cable (callout 1) into the cable guides (callout 2).

Figure 1-796 Install the USB cable



5. With your hand, remove the screw (callout 1) that was previously installed to temporarily reattach the control panel to the top cover.

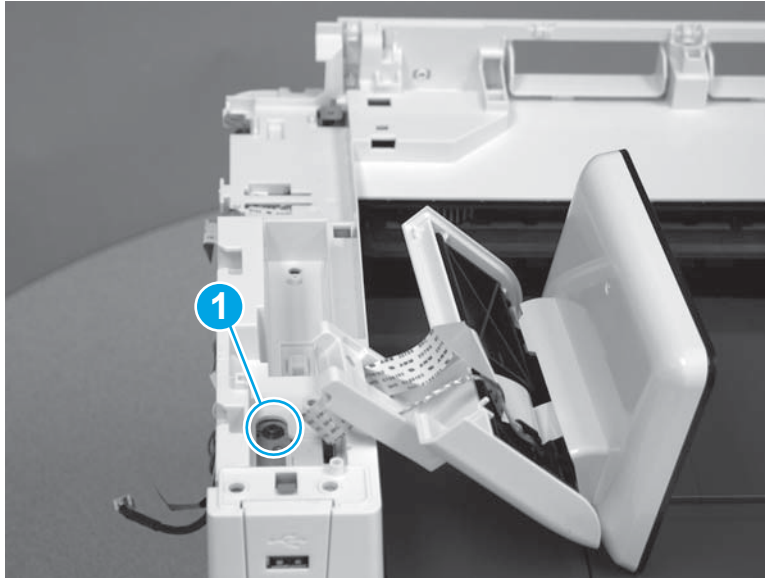
Figure 1-797 Remove one screw



- Carefully lift the control panel away and rest it on the top cover, and then install one screw (callout 1).

CAUTION: The control panel is still attached to the top cover by the flat cable.

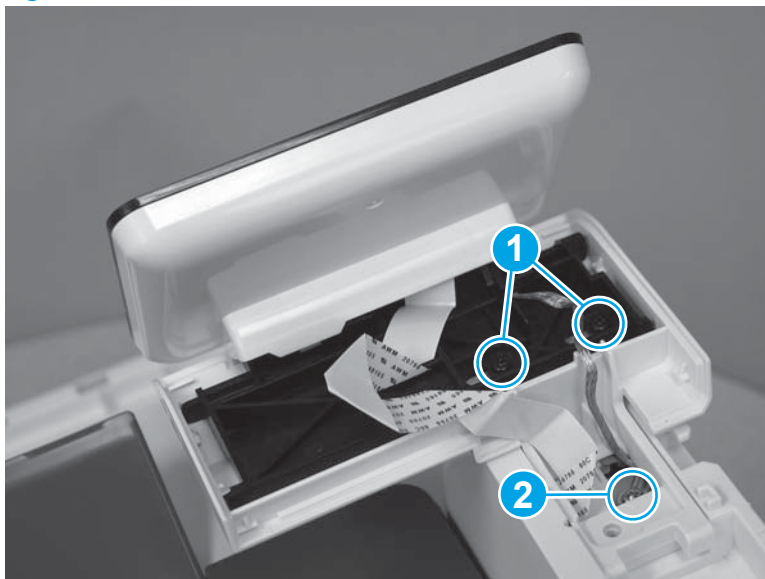
Figure 1-798 Install one screw



- Install two screws (callout 1), and then position the ground wire and install one screw (callout 2).

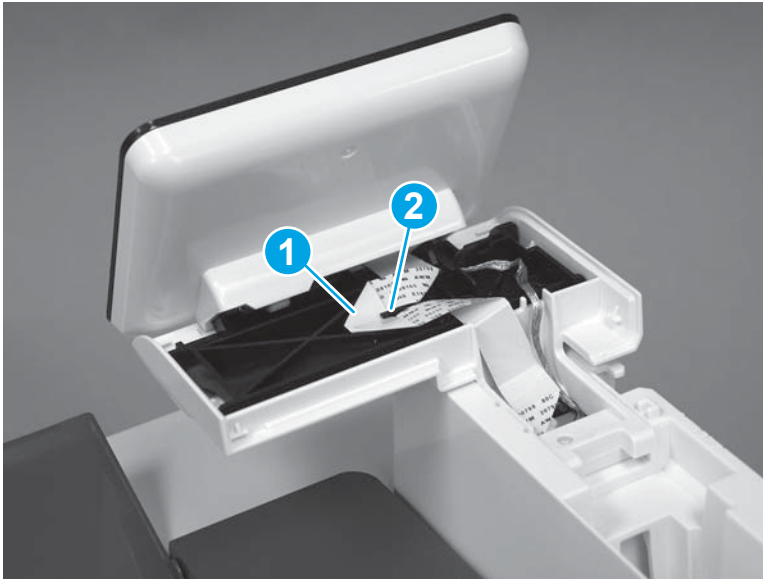
Reinstallation tip: The two screws toward the front of the control panel (callout 1) are longer than the other screw. Make sure these screws are installed in the correct position when reinstalling the part.

Figure 1-799 Install three screws



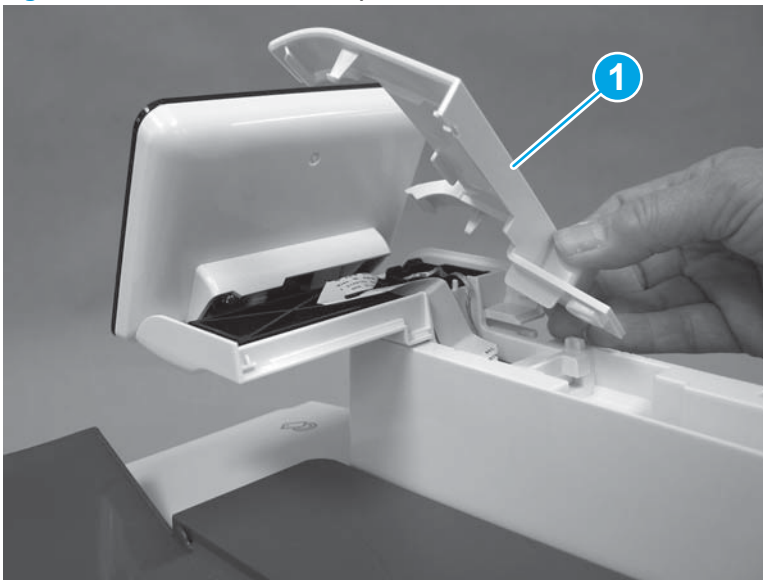
8. Install the flat cable (callout 1) under the retaining guide (callout 2).

Figure 1-800 Install the flat cable



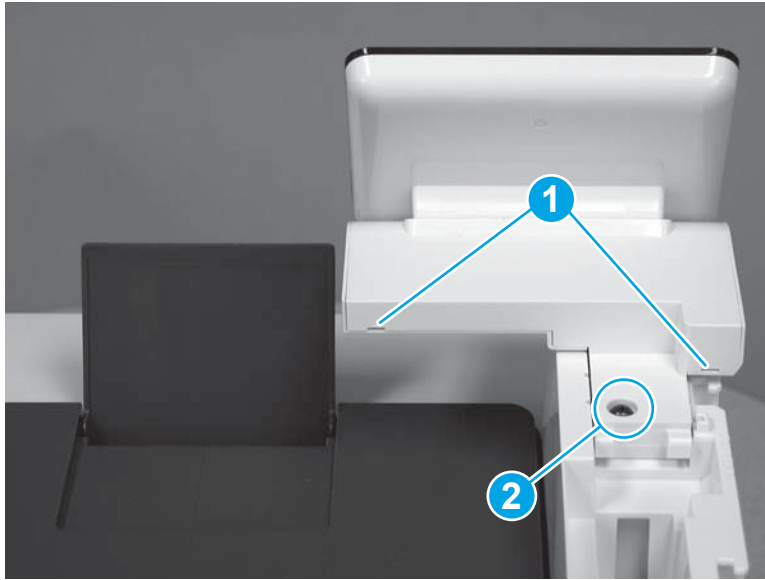
9. Install the control panel cover (callout 1) behind the control panel.

Figure 1-801 Install the control panel cover



10. Make sure that two tabs (callout 1) are snapped into position, and then install one screw (callout 2).

Figure 1-802 Install one screw



11. At the top of the printer, install three screws (callout 1).


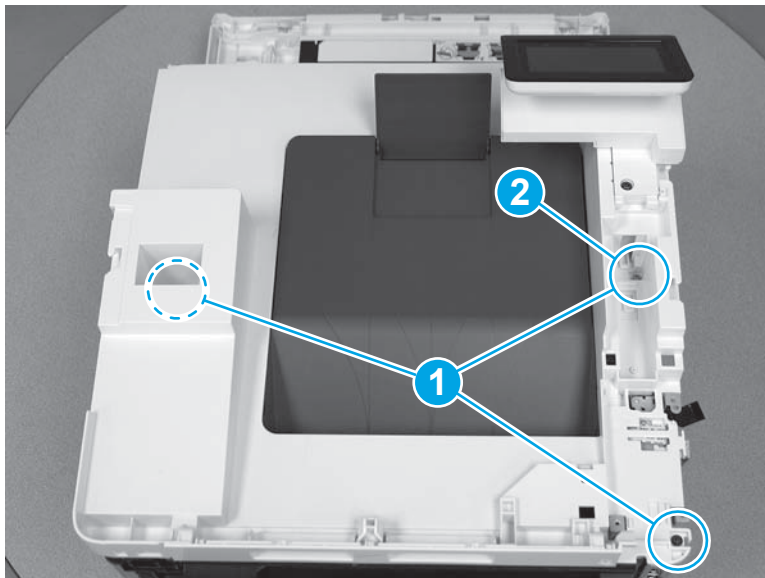
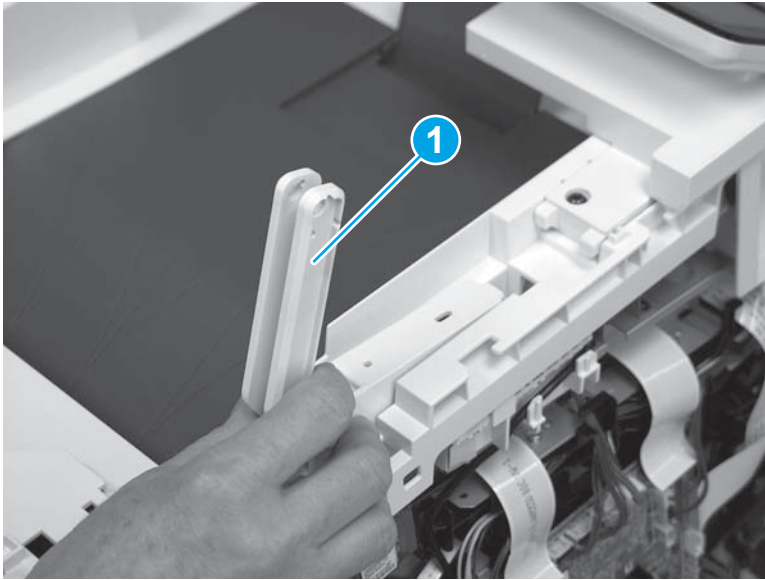
 **TIP:** One screw (callout 2) is longer than the other screws. Make sure that this screw is installed in the correct position.

Figure 1-803 Install three screws



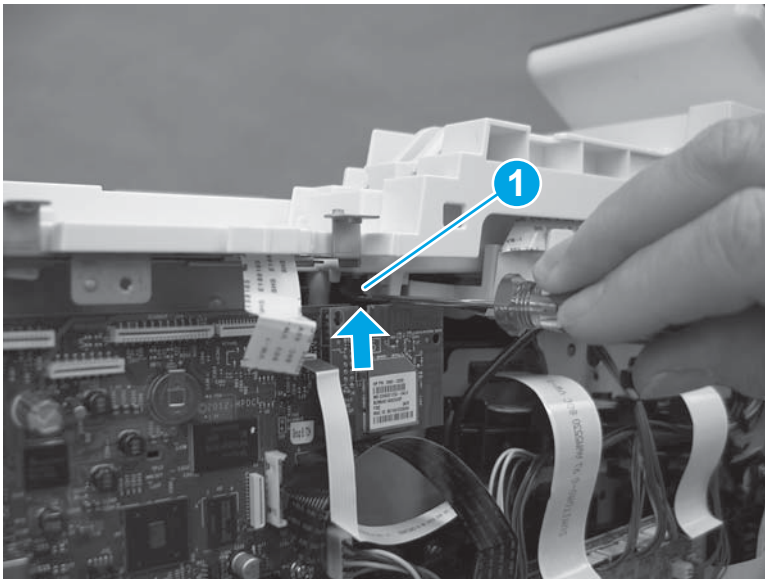
12. Install the scanner support arm (callout 1).

Figure 1-804 Install the scanner support arm



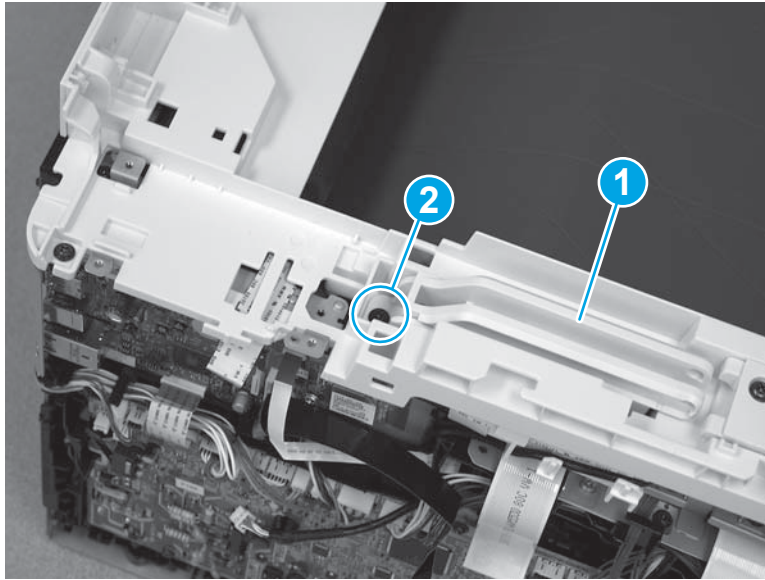
13. Before installing the scanner support arm screw in the next step, use a small flat-blade screwdriver to hold the metal plate (callout 1) up. Continue to hold the plate up while installing the screw so that the screw attaches to the plate.

Figure 1-805 Raise the metal plate



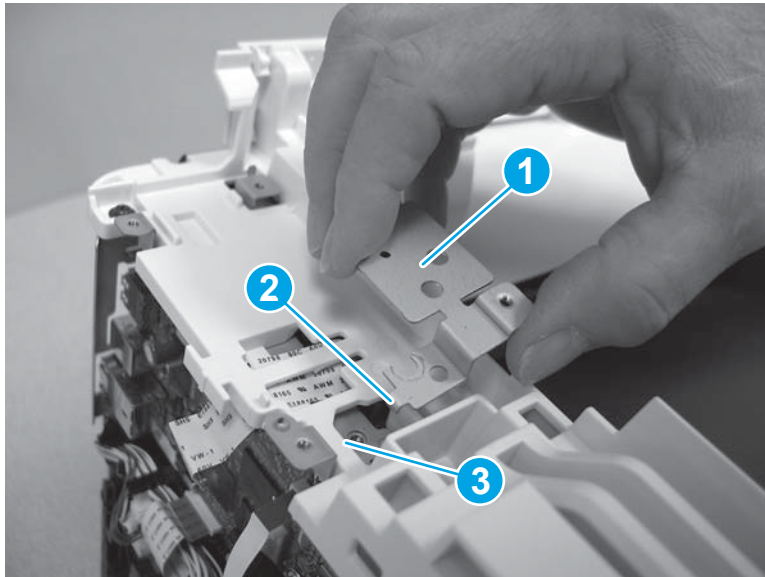
14. Lower the scanner support arm (callout 1), and then install one screw (callout 2).

Figure 1-806 Lower the support arm and install one screw



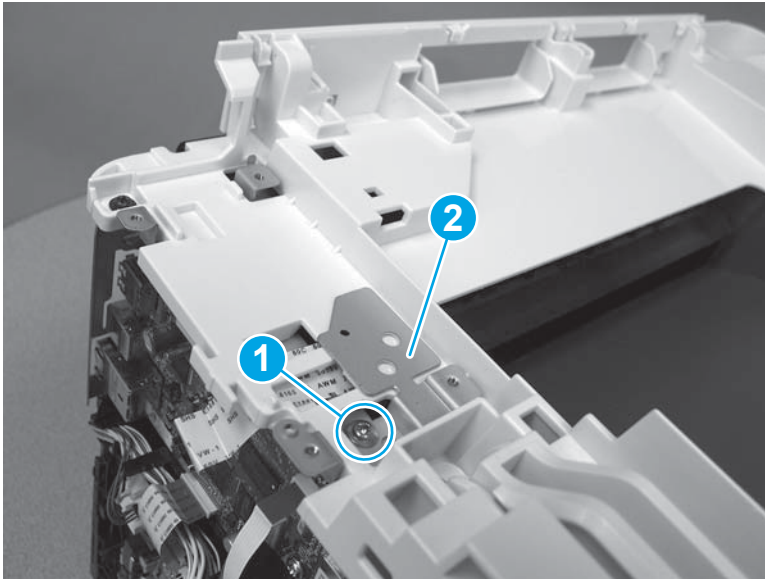
15. Reinstall the metal plate (callout 1). Position the tab (callout 2) under the edge of the top cover (callout 3).

Figure 1-807 Install the metal plate



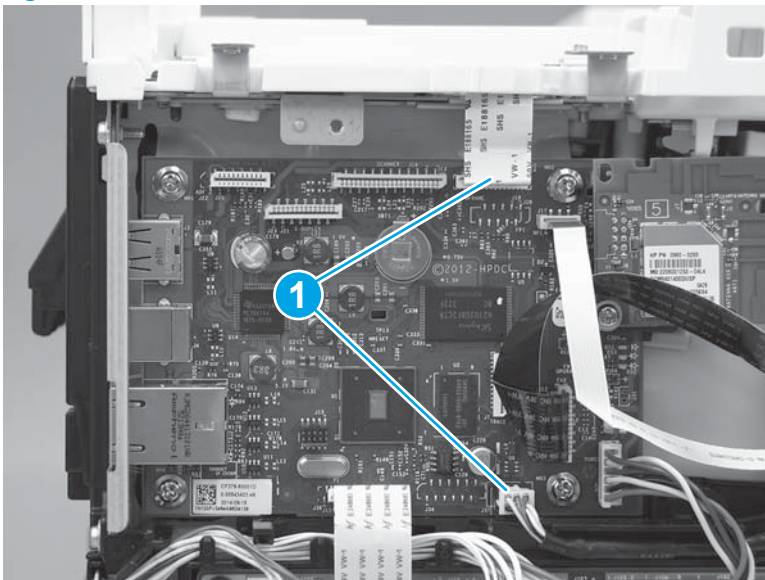
16. Install one screw (callout 1) to secure the sheet metal plate (callout 2).

Figure 1-808 Install one screw



17. On the left side of the printer, on the formatter PCA, Connect two connectors (callout 1).

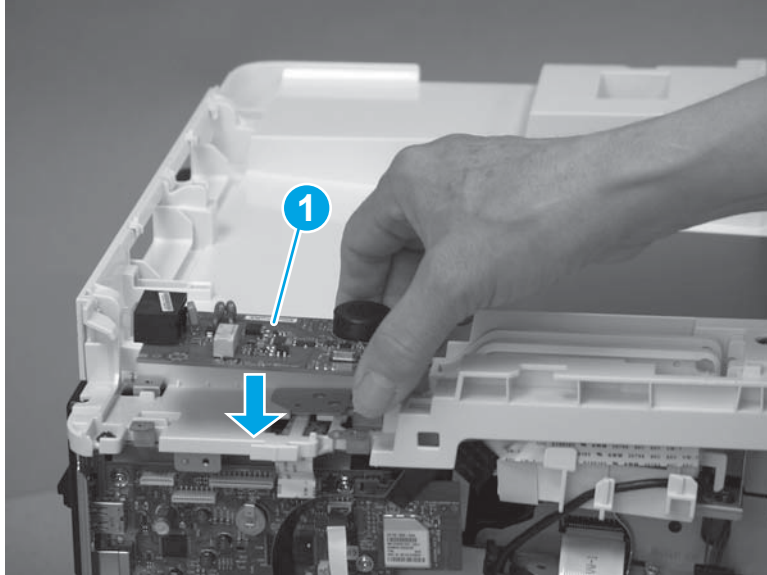
Figure 1-809 Connect two connectors



Step 15: Install the fax PCA (M477 models)

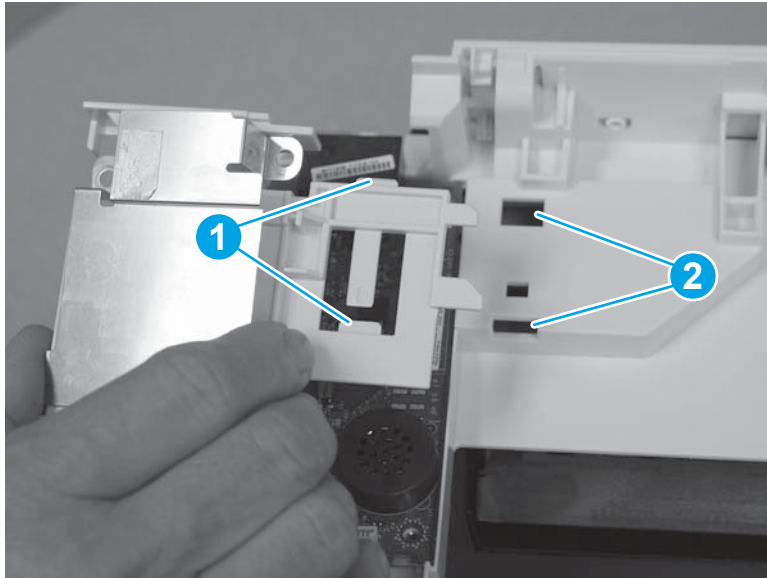
1. Position the fax PCA (callout 1) on the printer.

Figure 1-810 Install the fax PCA



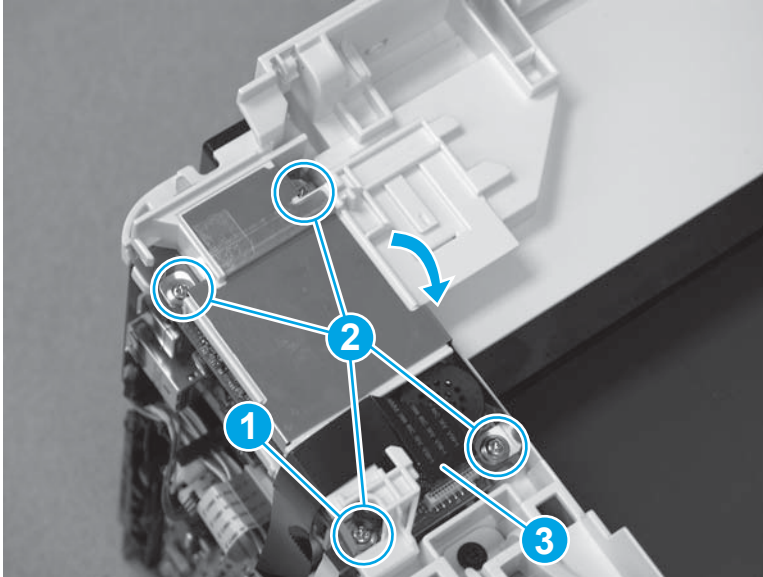
2. Install the tabs (callout 1) on the fax cover in the slots (callout 2) on the top cover. Slide the cover toward the back of the printer to install it.

Figure 1-811 Install the fax cover



3. Beginning with the lower right screw (callout 1) install four screws (callout 2) in a clockwise direction. Connect one connector (callout 3).

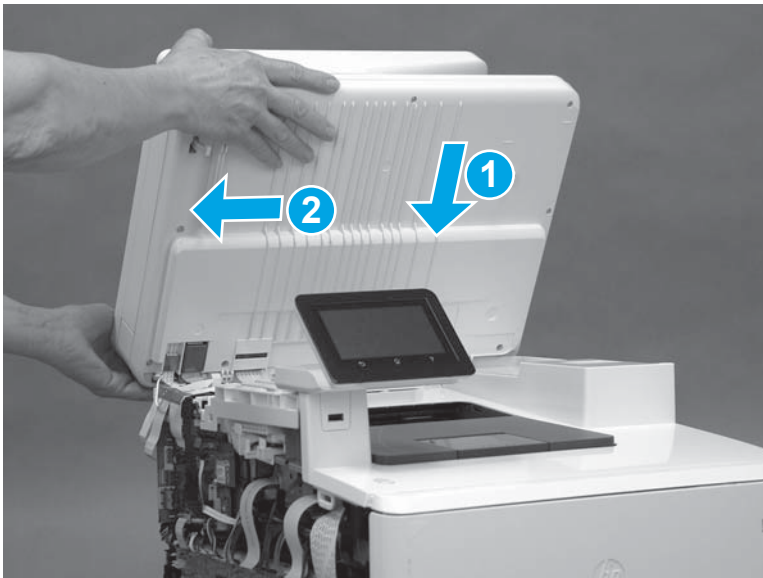
Figure 1-812 Install four screws and connect one connector



Step 16: Install the image scanner

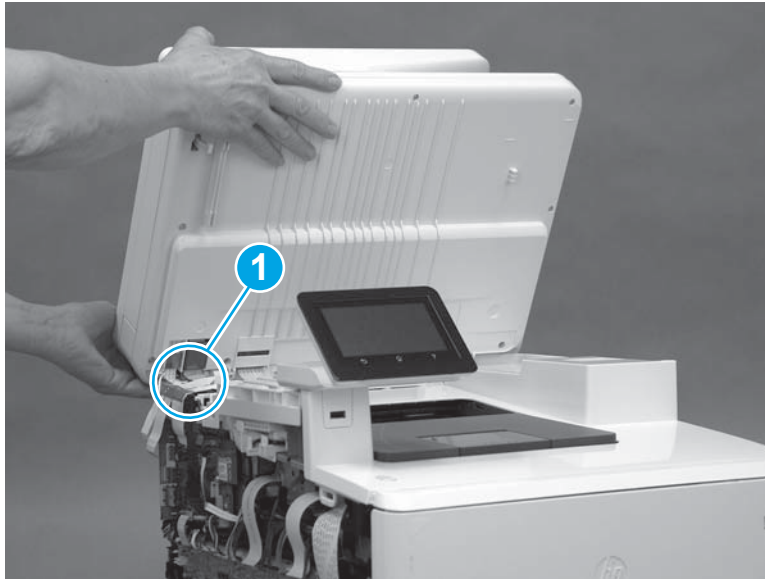
1. Lower the scanner assembly onto the printer, and then slide the assembly toward the left side of the printer to install it.

Figure 1-813 Install the scanner assembly



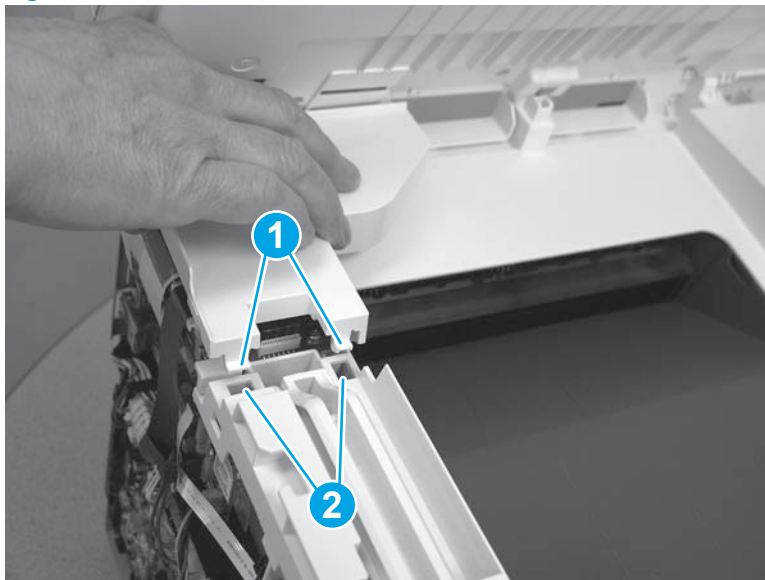
2. Press the scanner cables (callout 1) down onto the double-sided tape on the top cover.

Figure 1-814 Press the cables



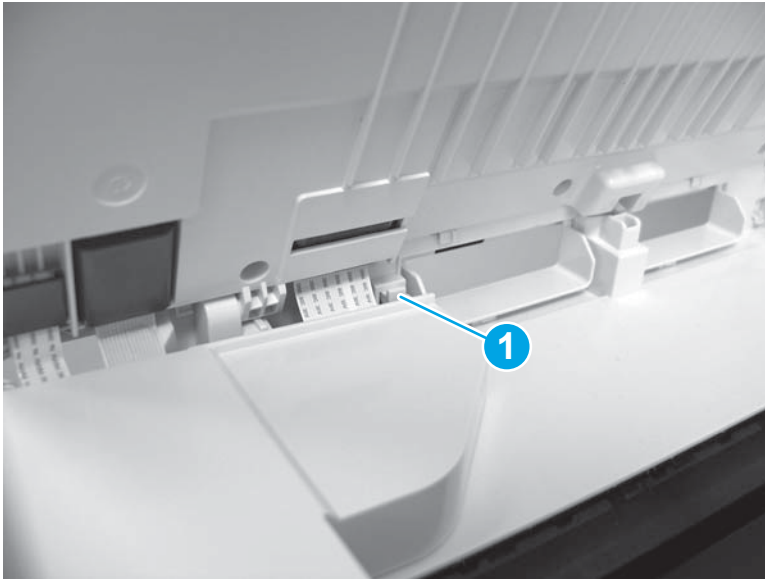
3. Install the tabs (callout 1) on the front of the scanner cable cover in the slots (callout 2) on the top cover.

Figure 1-815 Position the scanner cable cover



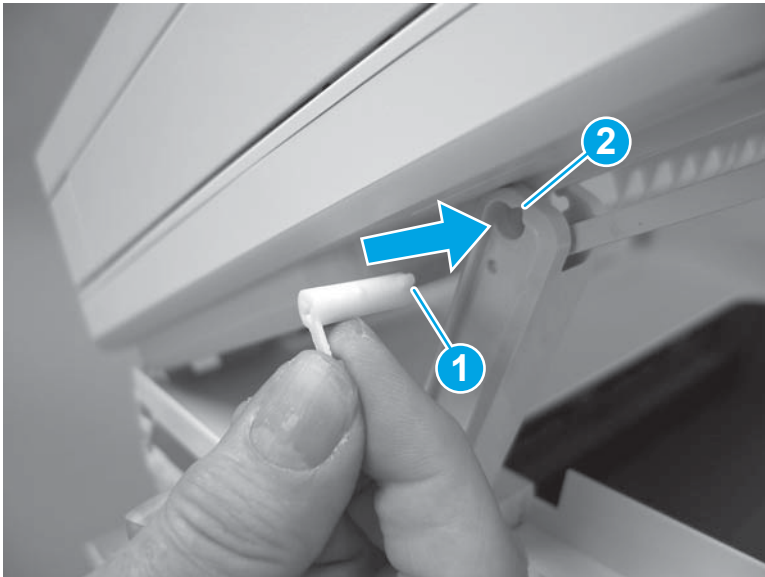
4. Press down on the back of the scanner cable cover to engage one tab (callout 1).

Figure 1-816 Install the scanner cable cover



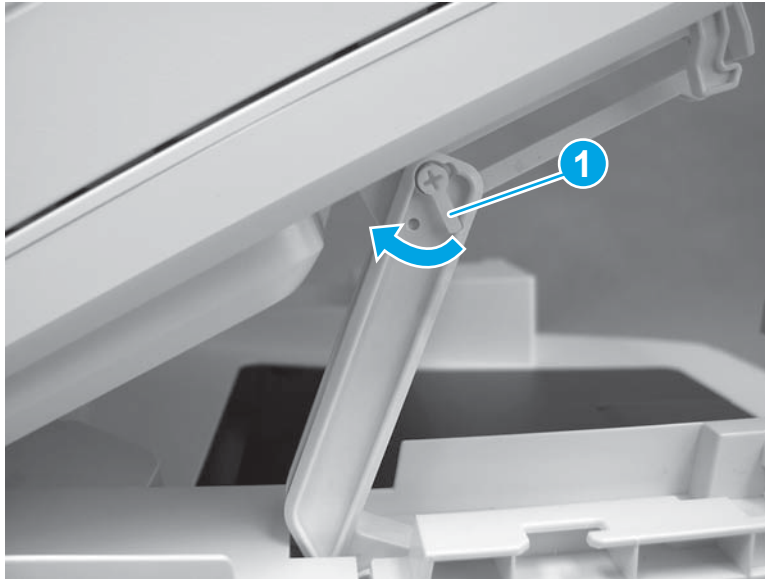
5. With the scanner lid lifted, insert the scanner support arm pin (callout 1) into the slot in the scanner support arm (callout 2).

Figure 1-817 Install the scanner arm pin



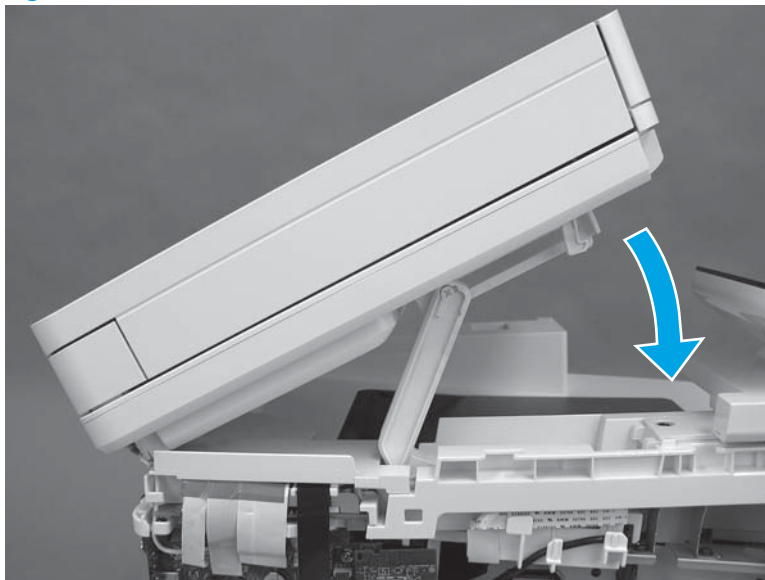
6. Rotate the tab on the scanner arm pin (callout 1) in the direction indicated to snap it into place.

Figure 1-818 Secure the scanner arm pin



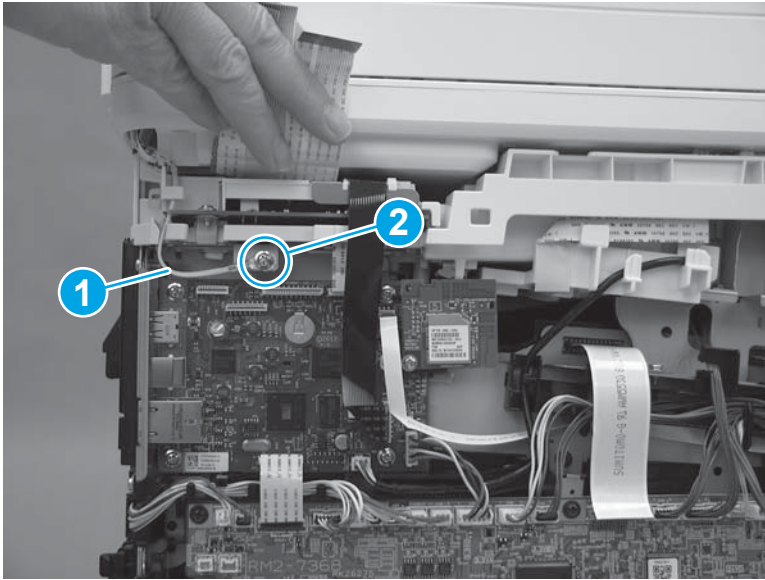
7. Lower the scanner.

Figure 1-819 Lower the scanner



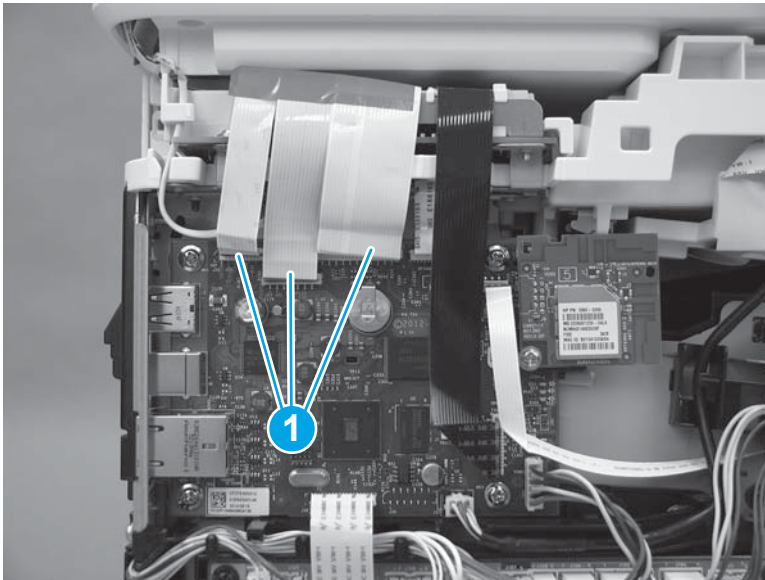
8. Raise the scanner cables up, position the ground wire (callout 1), and then install one screw (callout 2).

Figure 1-820 Install the ground wire



9. Connect three connectors (callout 1).

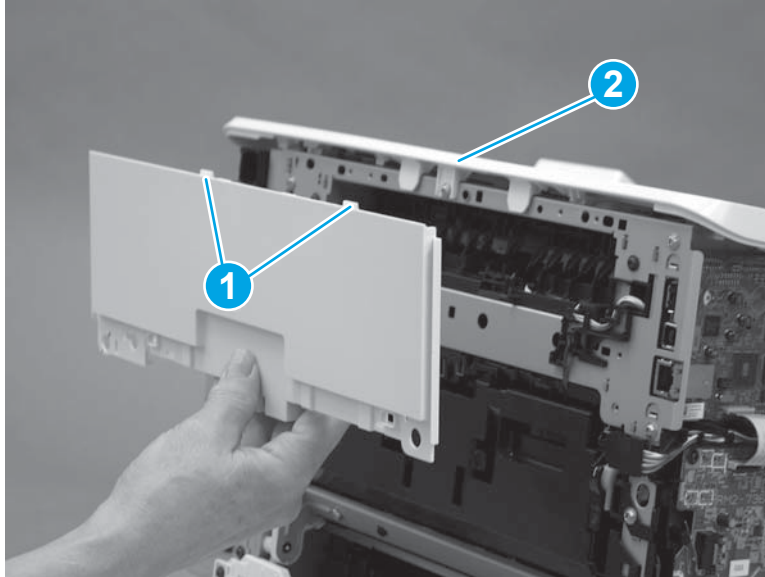
Figure 1-821 Install the M377, M477 scanner



Step 17: Install the rear top cover (simplex model)

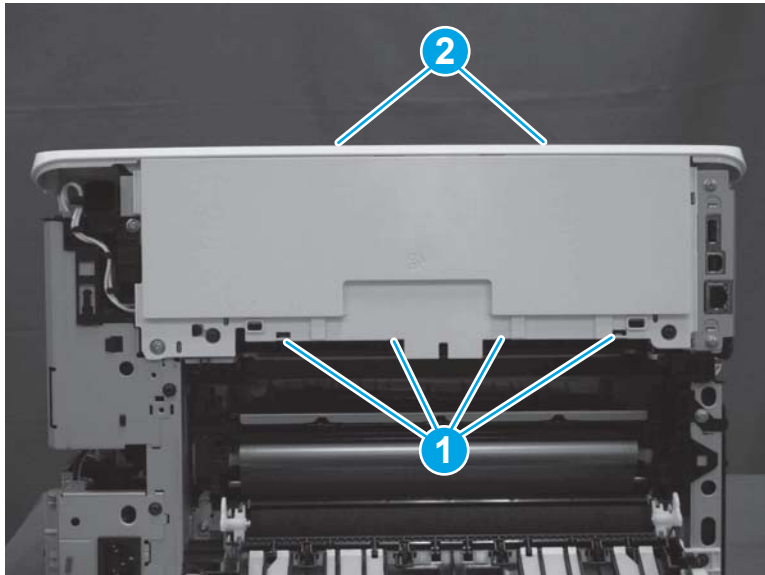
1. Position the tabs on top of the rear top cover (callout 1) under the edge of the top cover (callout 2).

Figure 1-822 Install the rear top cover



2. Make sure that the tabs on the bottom (callout 1) and the tabs on the top (callout 2) snap into place.

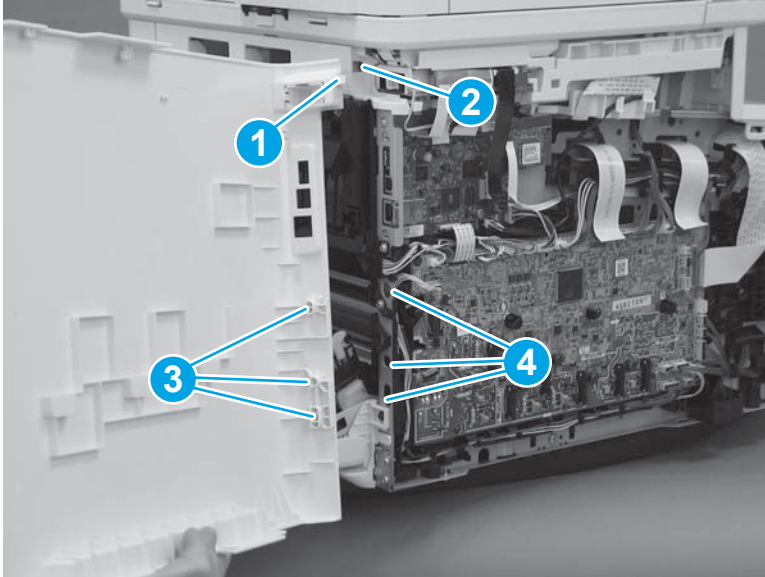
Figure 1-823 Release two tabs



Step 18: Install the left cover (M377, M477 models)

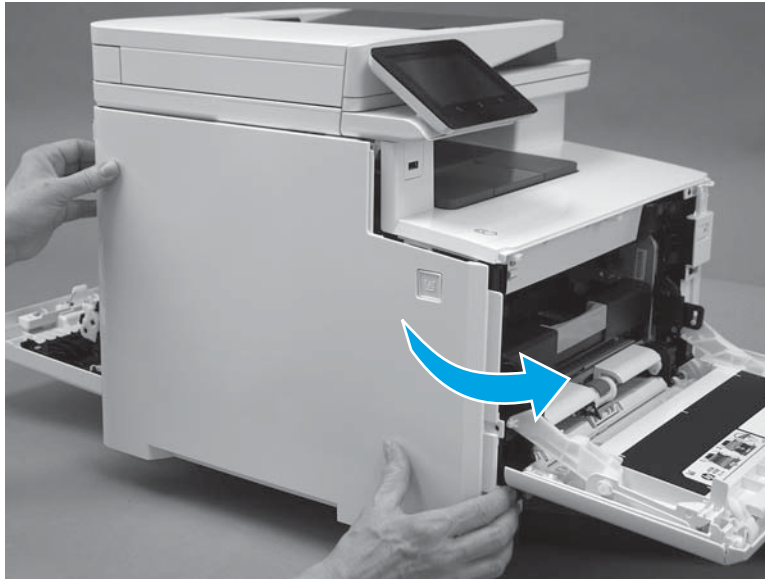
1. At the back of the printer, install the tab (callout 1) on the cover into the slot (callout 2) in the printer. Install the locator pins (callout 3) into the slots (callout 4) in the printer.

Figure 1-824 Install one tab



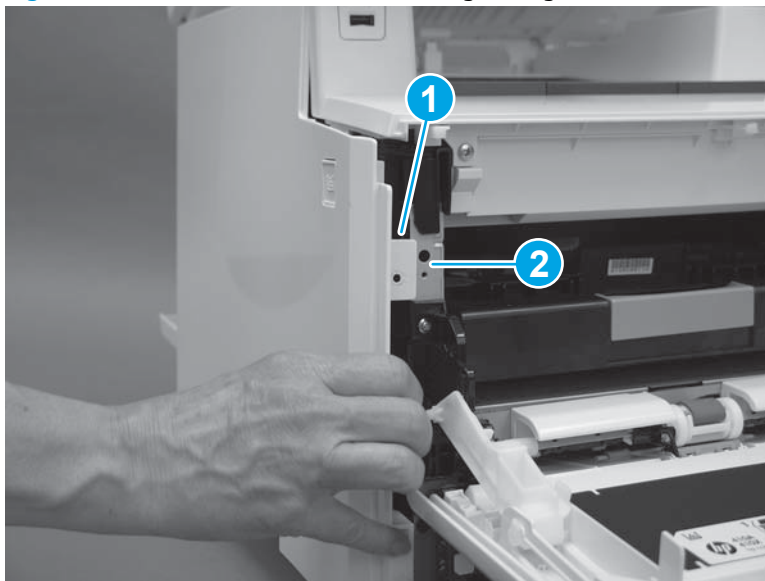
2. Rotate the cover toward the printer.

Figure 1-825 Rotate the left cover



⚠ CAUTION: Make sure that the tab (callout 1) does not get caught behind the printer frame (callout 2).

Figure 1-826 Make sure the tab does not get caught



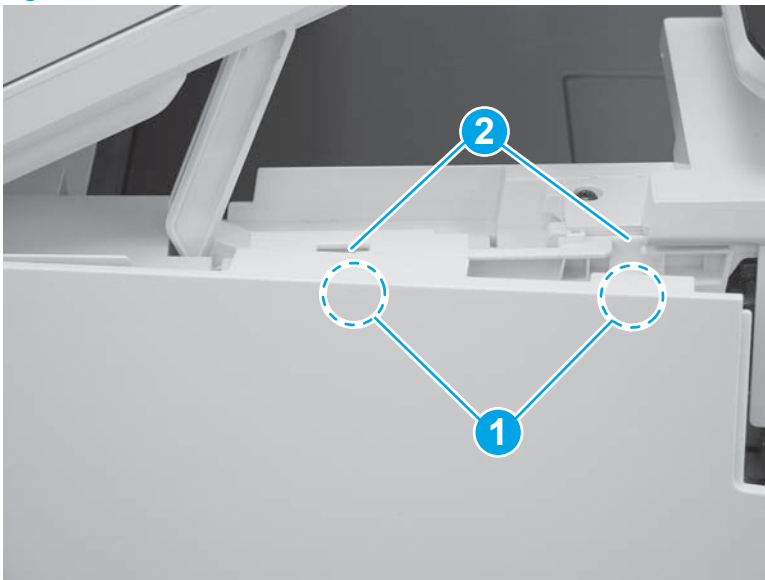
3. Raise the scanner.

Figure 1-827 Raise the scanner



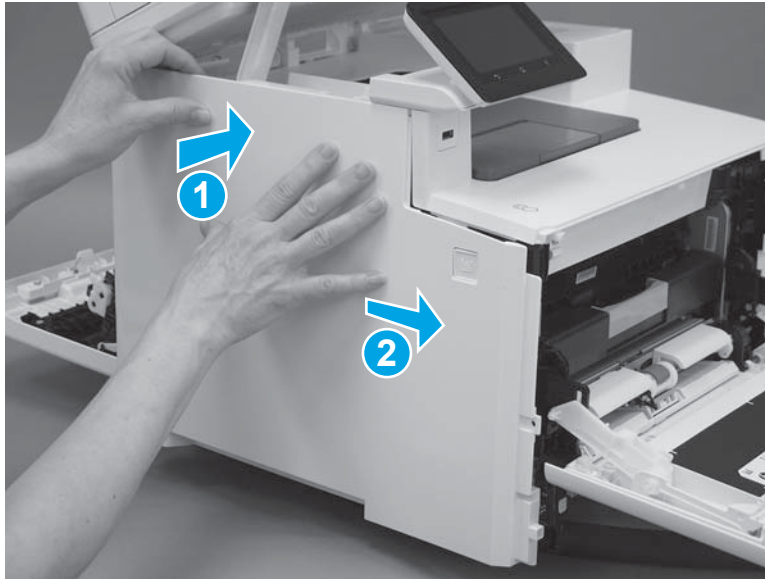
4. Position the hooks (callout 1) on the inside of the cover into the slots (callout 2) on the printer.

Figure 1-828 Position the hooks in the slots



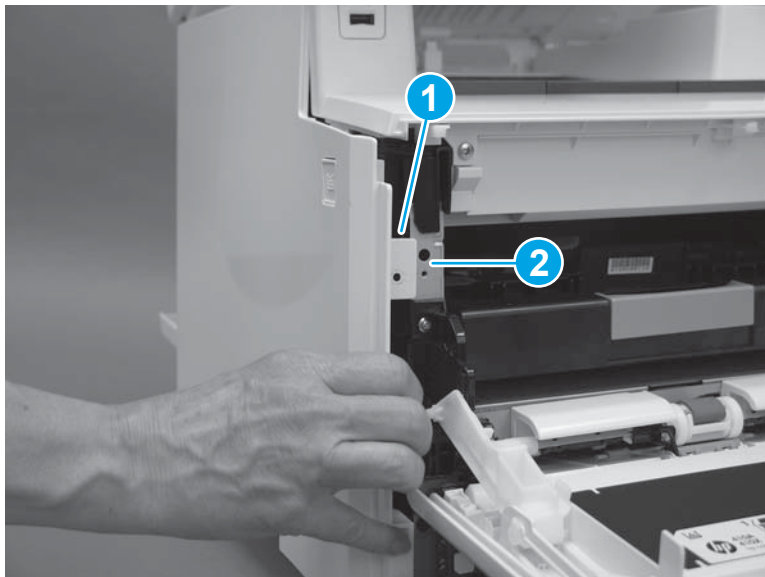
5. Hold the cover against the printer (callout 1), and then slide it (callout 2) toward the front of the printer.

Figure 1-829 Install the top hooks



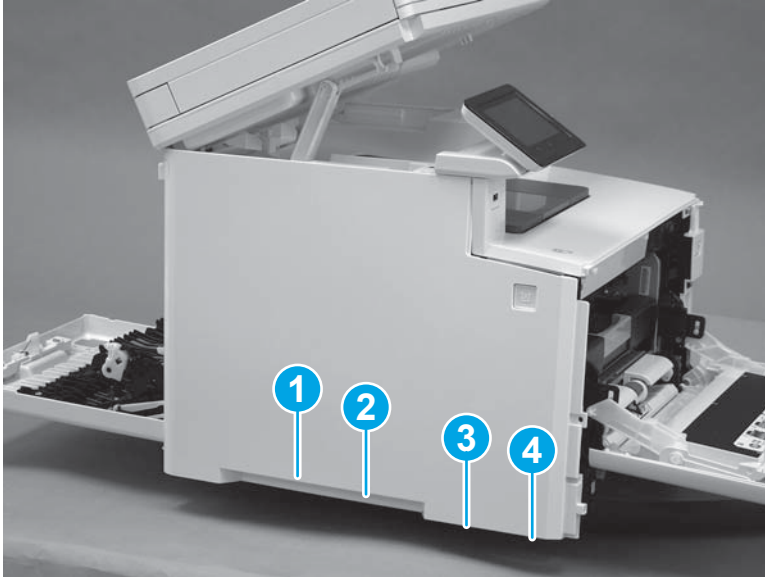
⚠ CAUTION: Make sure that the tab (callout 1) on the front of the cover does not get caught behind the printer frame (callout 2).

Figure 1-830 Make sure the tab does not get caught



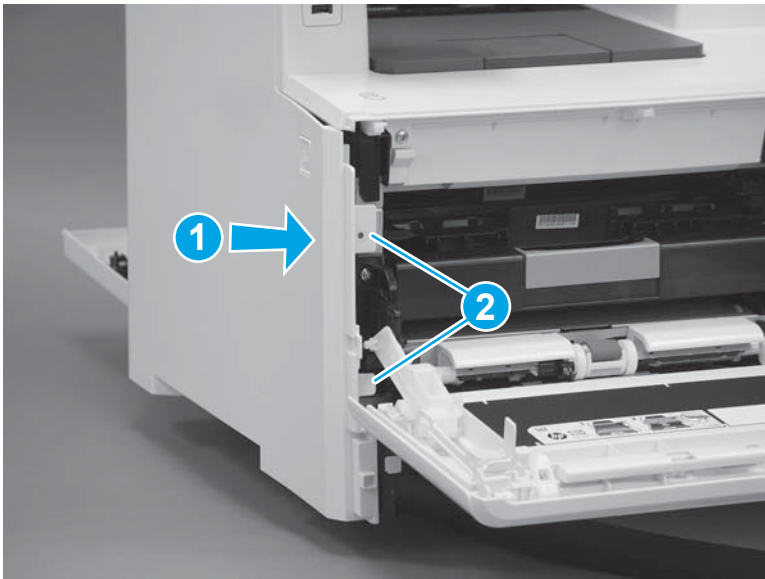
6. Slide the printer to the edge of a work surface in order to access the tabs on the bottom of the cover. Beginning from the back of the cover, install four tabs (callouts 1-4) on the lower edge of the cover.

Figure 1-831 Install four tabs



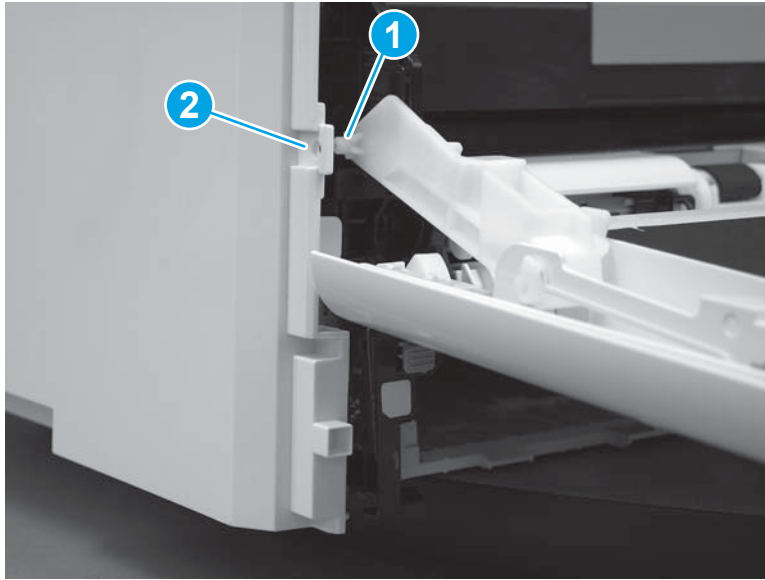
7. Press the cover toward the printer (callout 1), and then install two tabs (callout 2) at the front of the cover.

Figure 1-832 Install two tabs



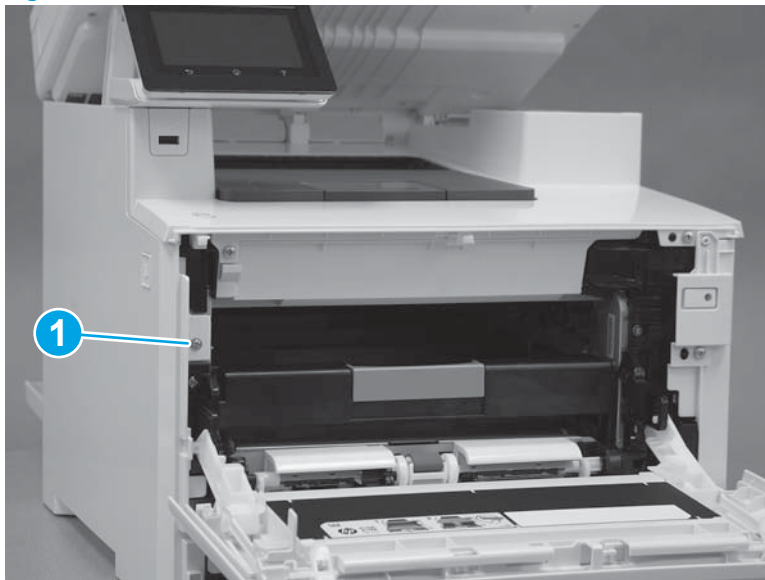
8. Make sure that the hinge pin (callout 1) on the front door fits into the slot (callout 2) on the left cover.

Figure 1-833 Install hinge pin



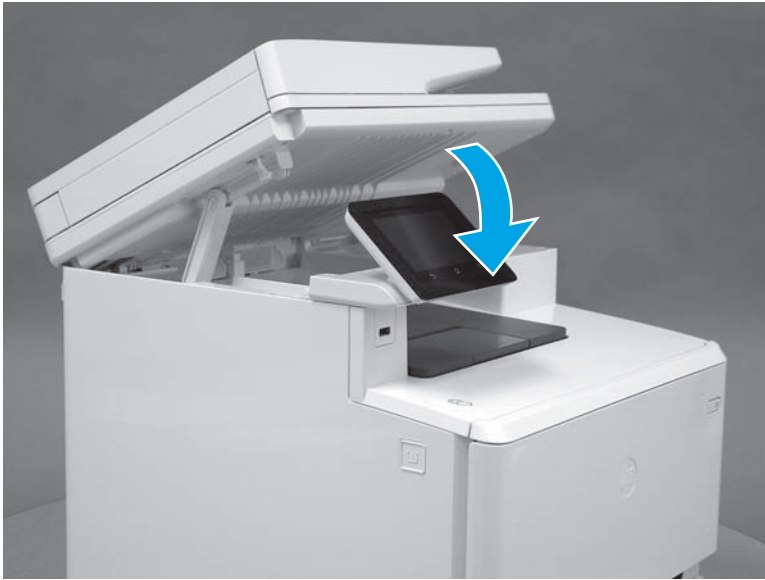
9. Install one screw (callout 1).

Figure 1-834 Install one screw



10. Lower the scanner.

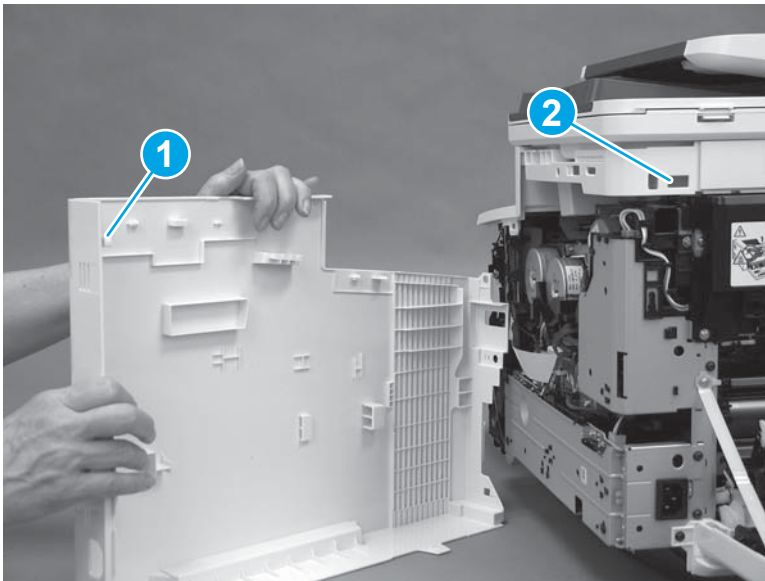
Figure 1-835 Lower the scanner



Step 19: Install the right cover (M377, M477 models)

1. At the back of the printer, install the tab (callout 1) on the cover into the slot (callout 2) on the printer.

Figure 1-836 Install rear tab



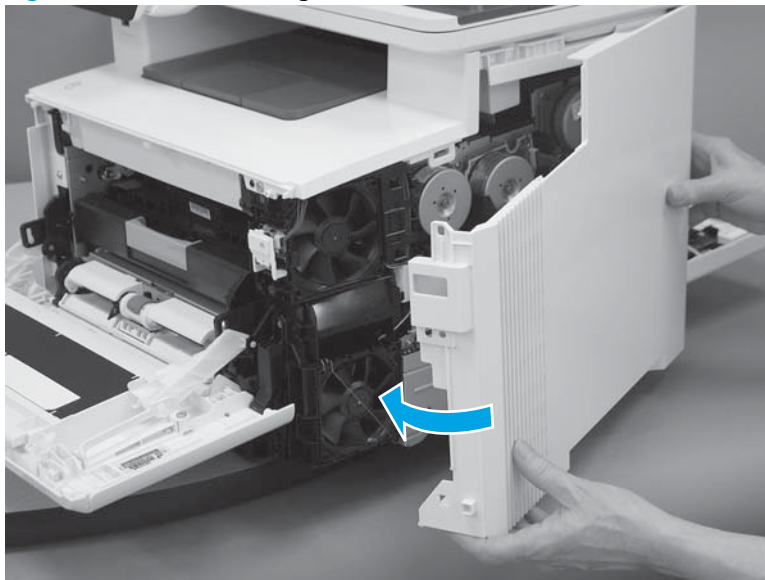
2. Raise the scanner.

Figure 1-837 Raise the scanner



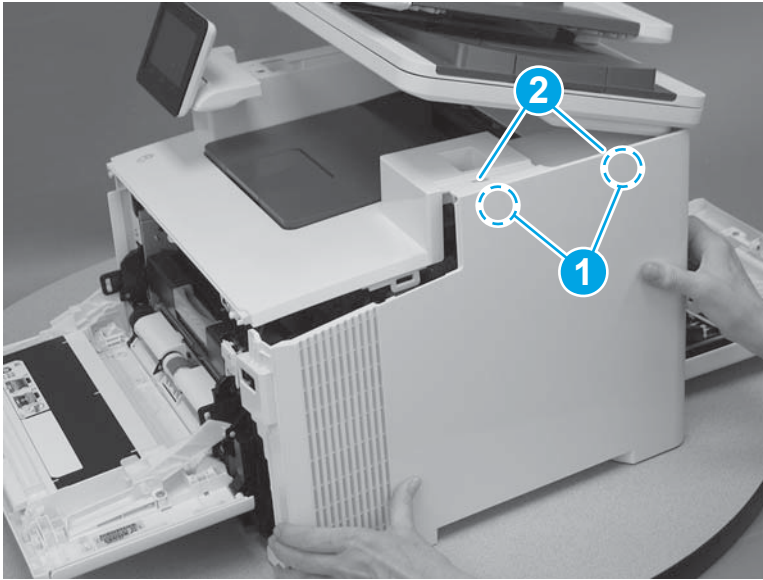
3. Rotate the right cover toward the printer.

Figure 1-838 Rotate the right cover



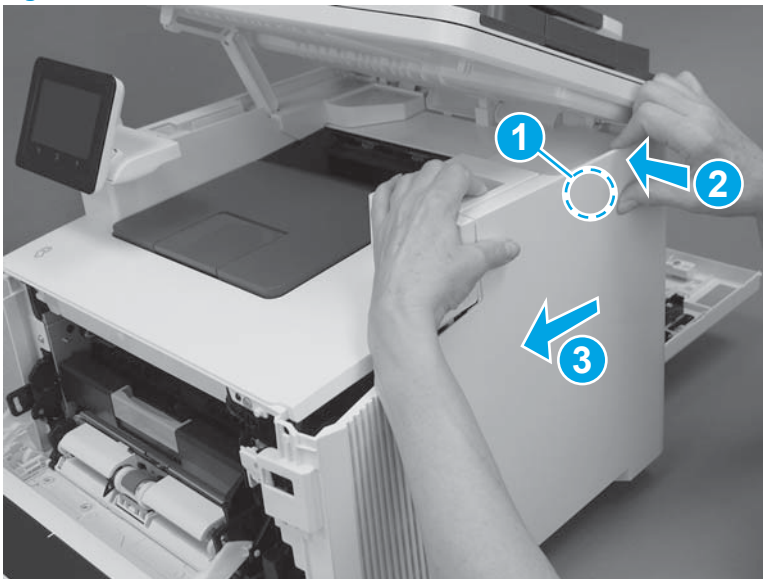
4. Position the hooks (callout 1) on the inside of the cover into the slots (callout 2) in the printer.

Figure 1-839 Position the hooks in the slots



5. Engage one hook (callout 1) on the inside of the cover. Hold the top of the cover closed (callout 2) while sliding the cover toward the front of the printer (callout 3).

Figure 1-840 Slide the cover



6. Rotate the front of the cover toward the printer (callout 1).

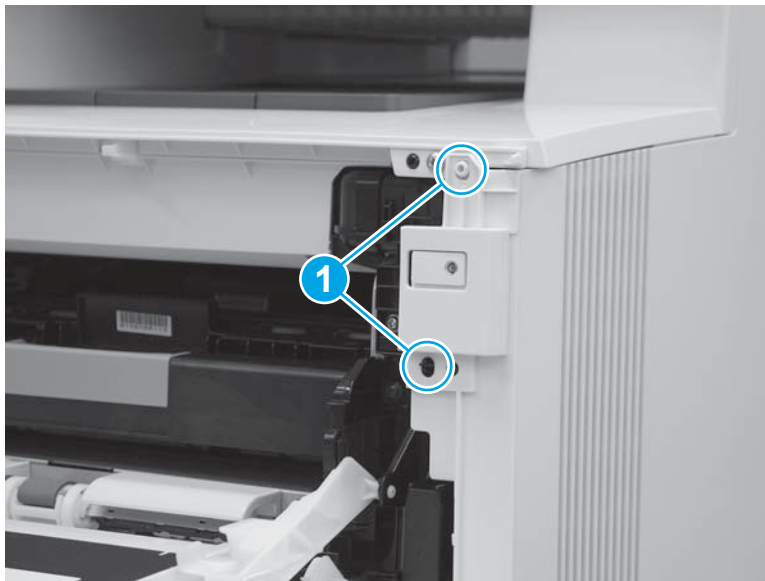
⚠ CAUTION: Be careful not to dislodge the power switch (callout 2).

Figure 1-841 Rotate the front of the cover



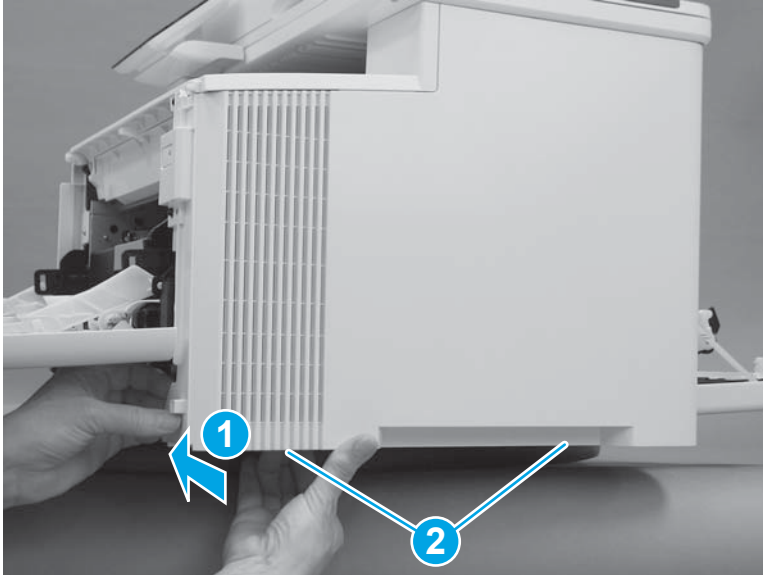
7. Install two tabs at the front of the printer (callout 1).

Figure 1-842 Install two tabs



8. Press the right cover toward the printer (callout 1) to engage one tab on the front of the cover, and two tabs (callout 2) on the lower edge of the cover.

Figure 1-843 Install the front and lower tabs



9. At the front of the printer, install one screw (callout 1).

Figure 1-844 Install one screw



10. At the back of the printer, install one screw (callout 1).

Figure 1-845 Install one screw



11. Lower the scanner.

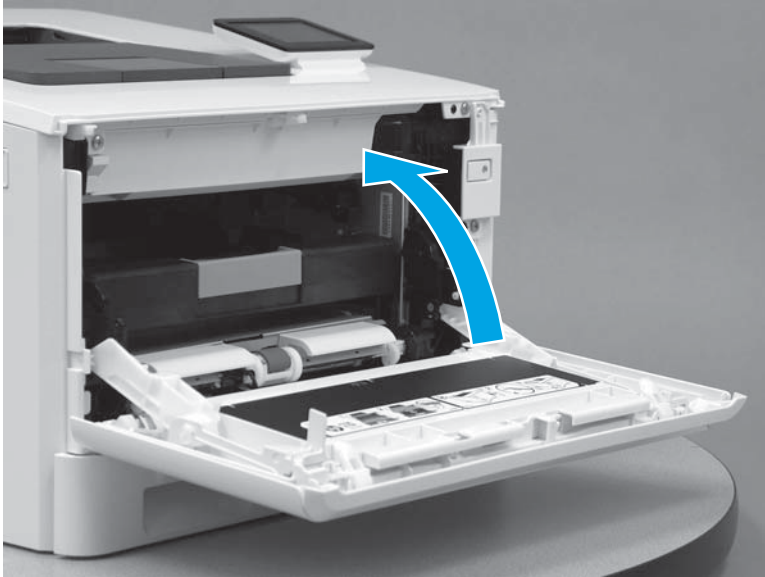
Figure 1-846 Lower the scanner



Step 20: Close the front door and rear door or duplexer door

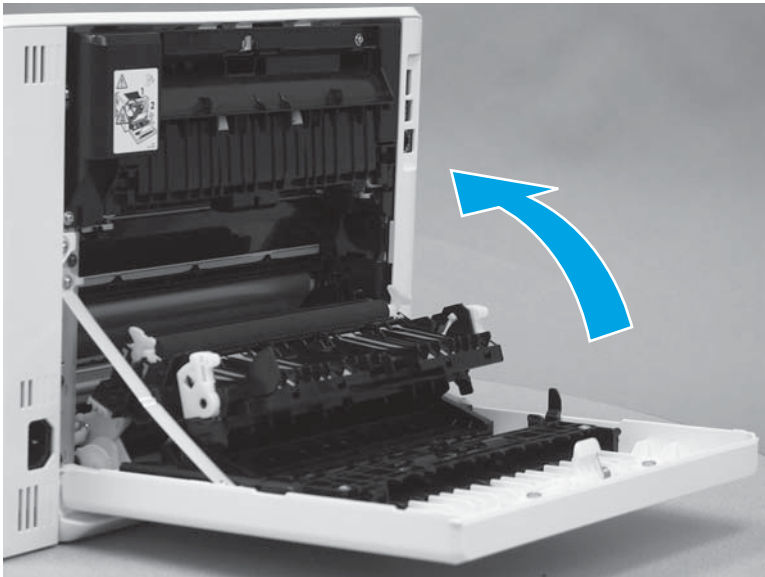
1. Close the front door.

Figure 1-847 Close the front door



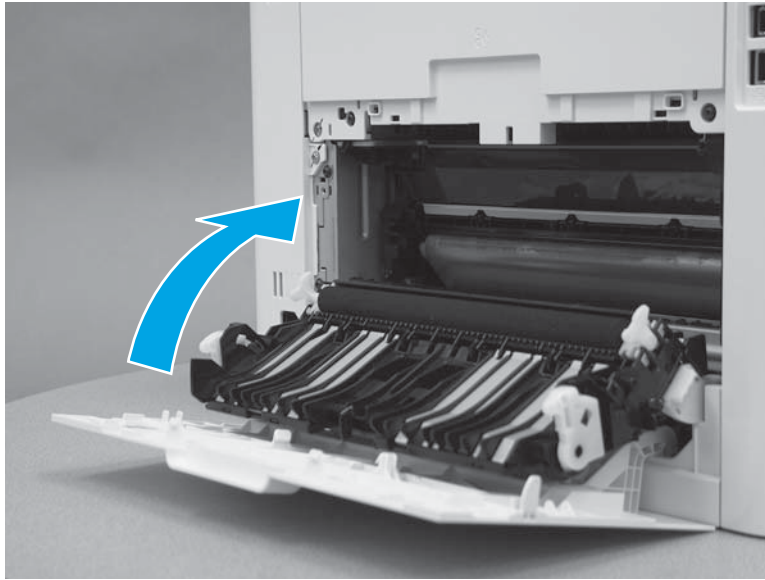
2. **Duplex models:** Close the duplexer door.

Figure 1-848 Close the duplexer door



3. **Simplex models:** Close the rear door.

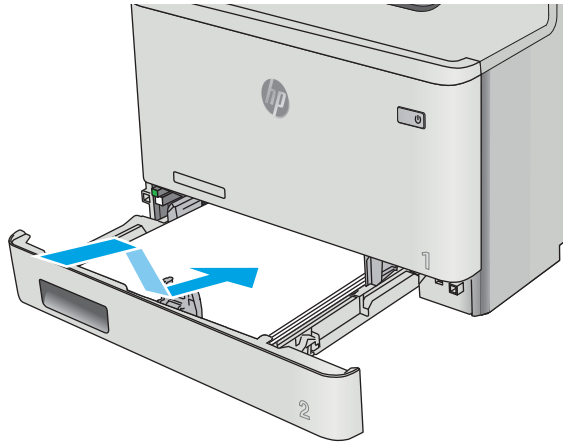
Figure 1-849 Close the rear door



Step 21: Install Tray 2

- ▲ With the front of the tray slightly lifted, align the sides of the tray with the rails in the printer, and then carefully slide the tray into the printer. As the tray slides into the printer, lower the front of the tray, and then close it.

Figure 1-850 Install the tray



Removal and replacement: Touchscreen control panel (M452dw model)


- [Introduction](#)
- [Step 1: Remove Tray 2](#)
- [Step 2: Open the front door and rear door or duplexer door](#)
- [Step 3: Remove the right cover \(M452 models\)](#)
- [Step 4: Remove the left cover \(M452 models\)](#)
- [Step 5: Remove the rear top cover \(simplex model\)](#)
- [Step 6: Remove the top cover \(M452 models\)](#)
- [Step 7: Remove the control panel \(M452dw model\)](#)
- [Step 8: Unpack the replacement part](#)
- [Step 9: Install the control panel \(M452dw model\)](#)
- [Step 10: Install the top cover \(M452 models\)](#)
- [Step 11: Install the rear top cover \(simplex model\)](#)
- [Step 12: Install the left cover \(M452 models\)](#)
- [Step 13: Install the right cover \(M452 models\)](#)
- [Step 14: Close the front door and rear door or duplexer door](#)
- [Step 15: Install Tray 2](#)

Introduction

This document provides the procedures to remove and replace the touchscreen control panel for the M452dw.

Before you begin

- Turn off the printer.
- Disconnect the power cable.

 **WARNING!** To avoid damage to the printer, turn the printer off, wait 30 seconds, and then remove the power cord before attempting to service the printer.

- Use the table below to identify the correct part number for your printer. To order the part, go to www.hp.com/buy/parts.

| Control panel part number | |
|---------------------------|------------------------------|
| CF388-60113 | Control panel (M452dw model) |

Required tools

- #2 Phillips screwdriver with a magnetic tip
- Small flat-blade screwdriver

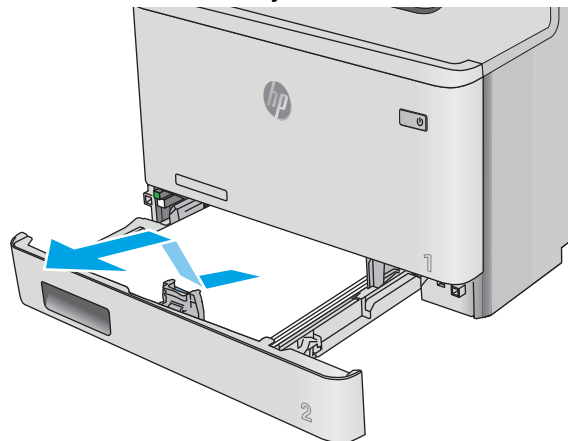
After performing service

- Connect the power cable.
- Use the power switch to turn the power on.

Step 1: Remove Tray 2

- ▲ Pull the tray out until it stops. Lift the front of the tray, and then pull it out of the printer to remove it.

Figure 1-851 Remove the tray



Step 2: Open the front door and rear door or duplexer door

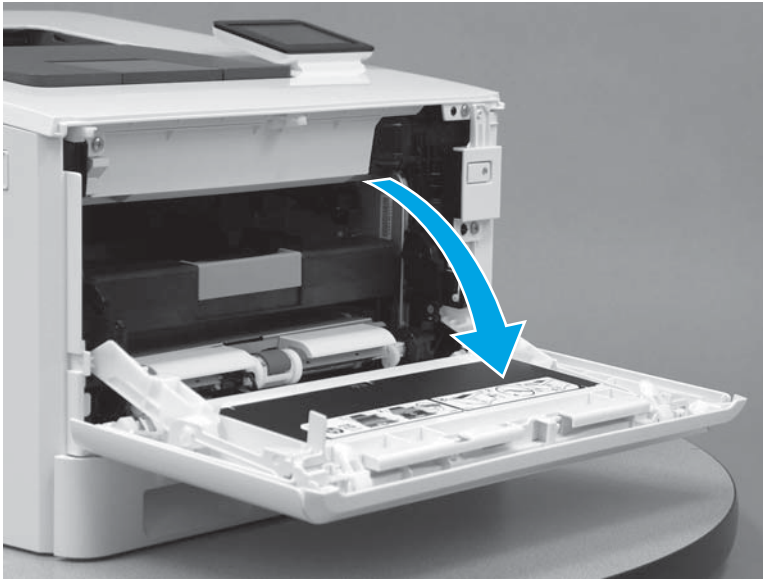
1. Press the button (callout 1) on the left side of the printer to release the front door.

Figure 1-852 Release the front door



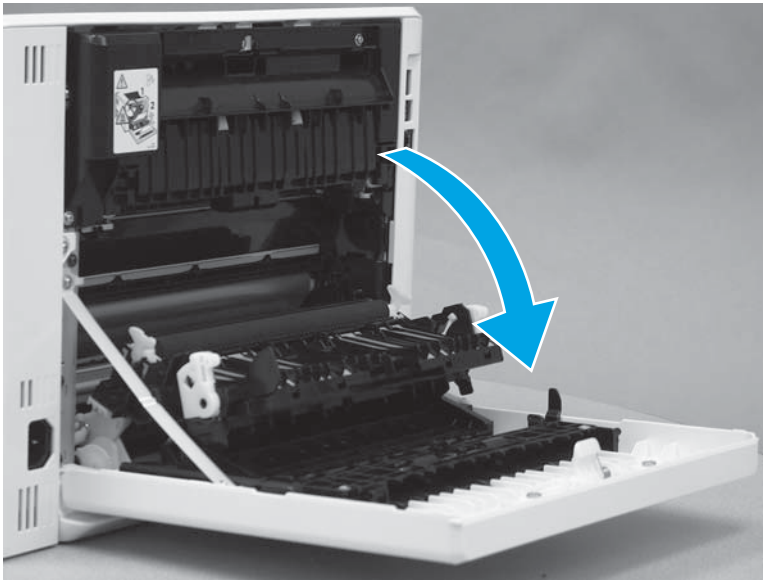
2. Open the front door.

Figure 1-853 Open the front door



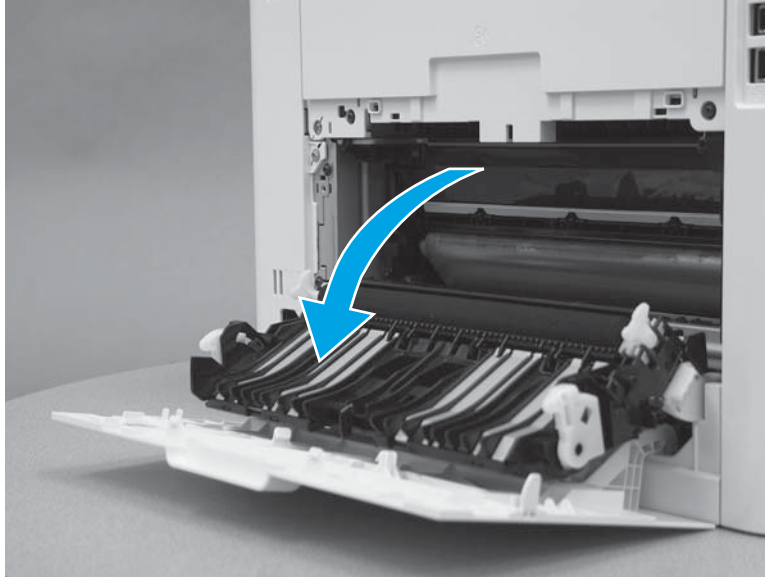
3. **Duplex models:** Open the duplexer door.

Figure 1-854 Open the duplexer door



4. **Simplex models:** Open the rear door.

Figure 1-855 Open the rear door



Step 3: Remove the right cover (M452 models)

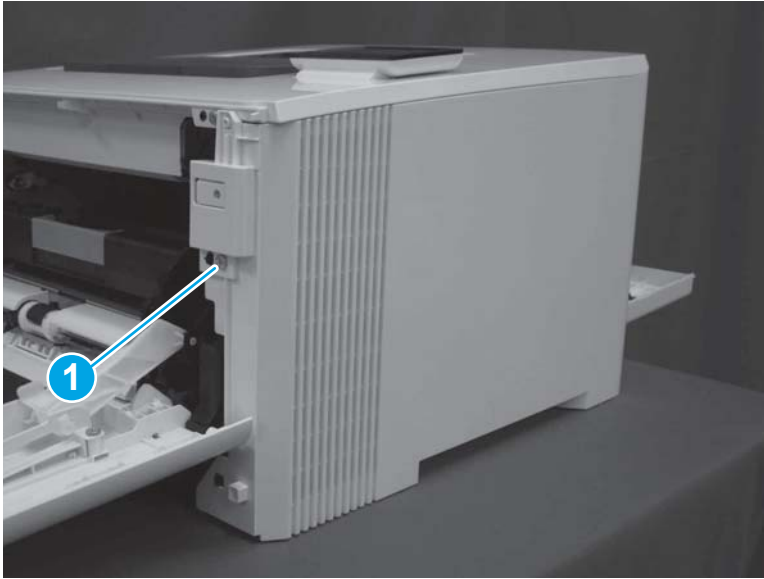
1. At the back of the printer, remove one screw (callout 1).

Figure 1-856 Remove one screw



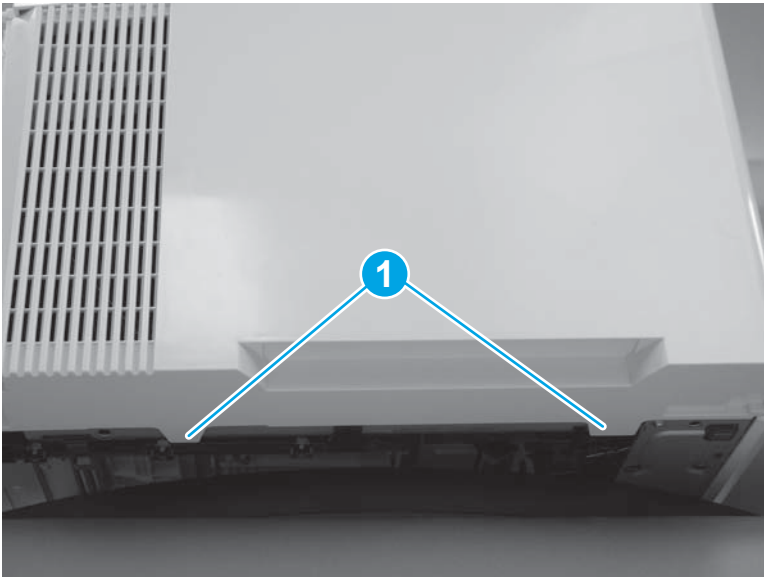
2. At the front of the printer, remove one screw (callout 1).

Figure 1-857 Remove one screw



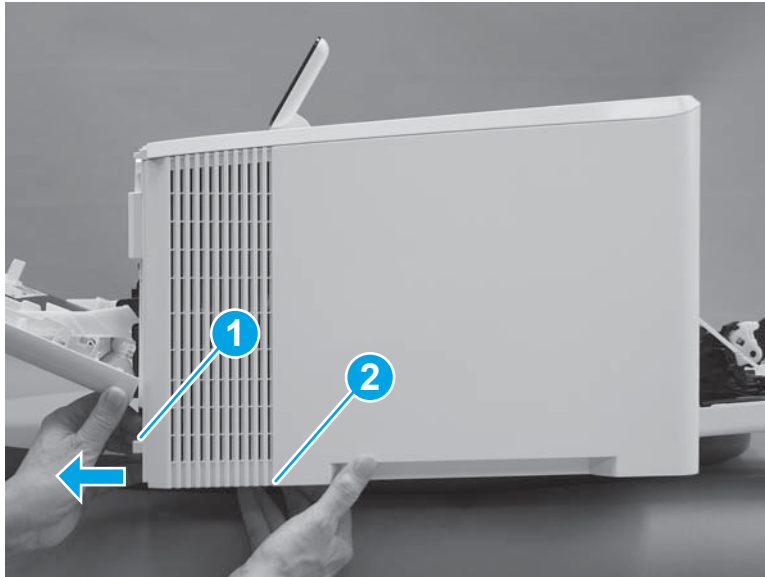
3. Slide the printer to the edge of a work surface. Note the location of the tabs on the lower edge of the cover (callout 1).

Figure 1-858 Locate the tabs



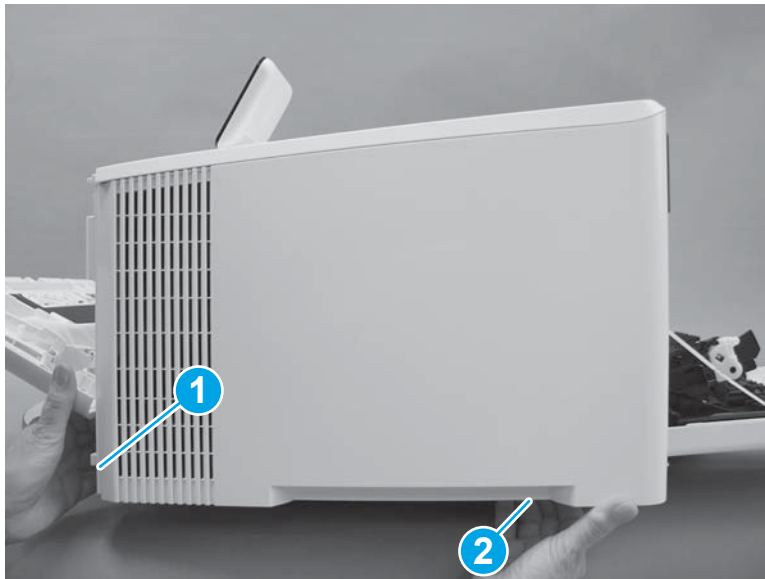
4. Release one tab (callout 1) on the front of the cover by slightly pulling the cover away from the printer. While holding the cover in the released position, release one tab (callout 2) on the bottom of the cover.

Figure 1-859 Release front lower tabs



5. Hold the front tabs in the released position (callout 1), and then release one tab (callout 2) on the bottom of the cover, toward the back of the printer.

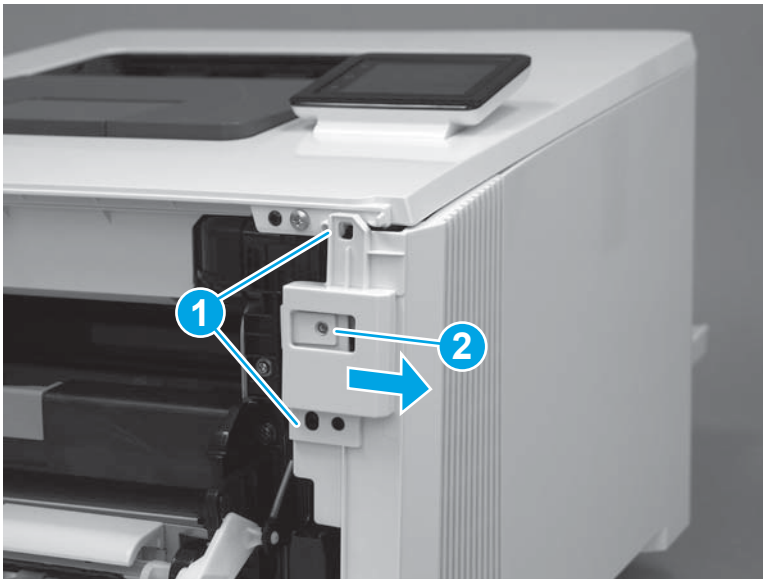
Figure 1-860 Release lower rear tab



6. Release two tabs at the front of the printer (callout 1) by slightly pulling the cover away from the printer.

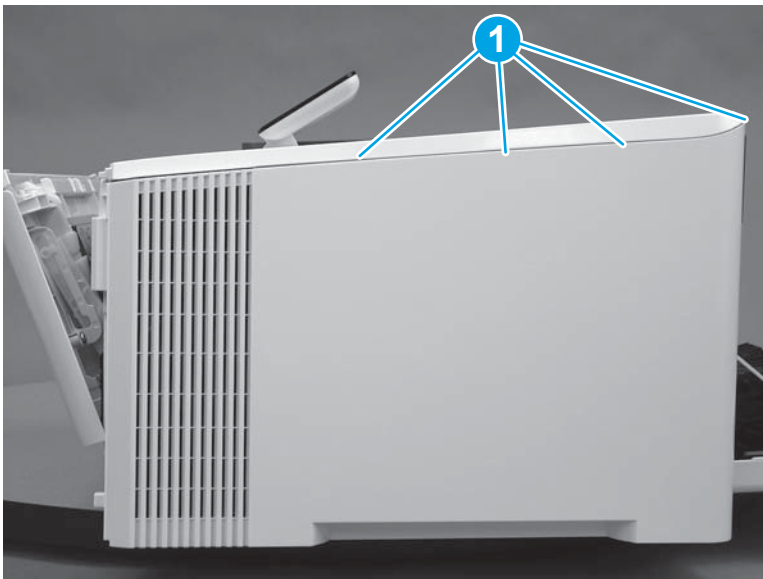
⚠ CAUTION: Be careful not to dislodge the power switch (callout 2).

Figure 1-861 Release two front tabs



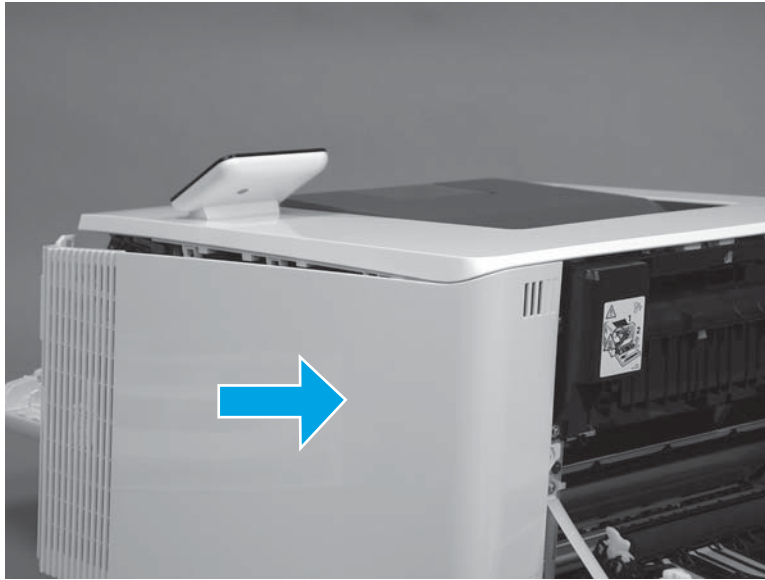
7. Release four tabs on the top of the printer (callout 1).

Figure 1-862 Release upper tabs



8. Slide the cover toward the back of the printer to remove it.

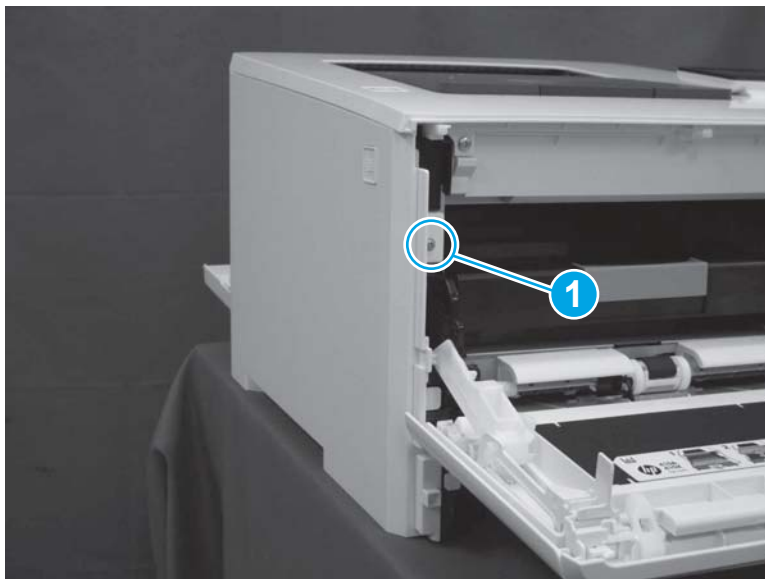
Figure 1-863 Remove the right cover



Step 4: Remove the left cover (M452 models)

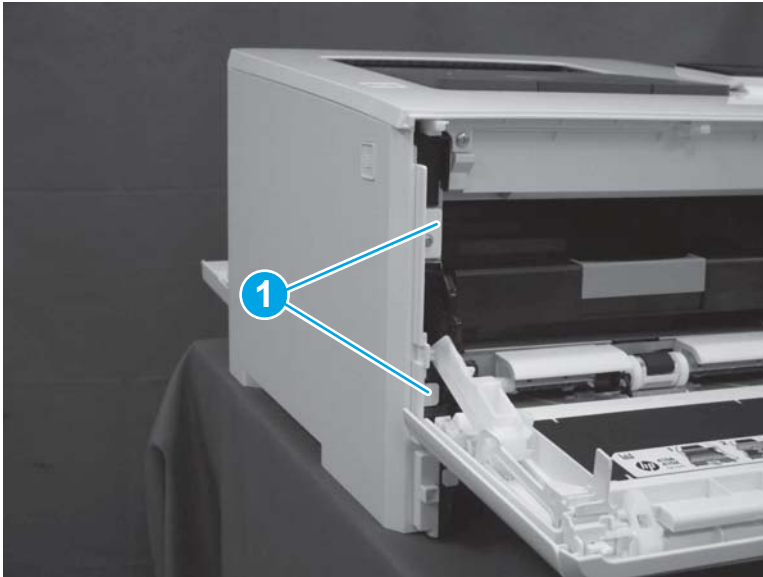
1. At the front of the printer, remove one screw (callout 1).

Figure 1-864 Remove one screw



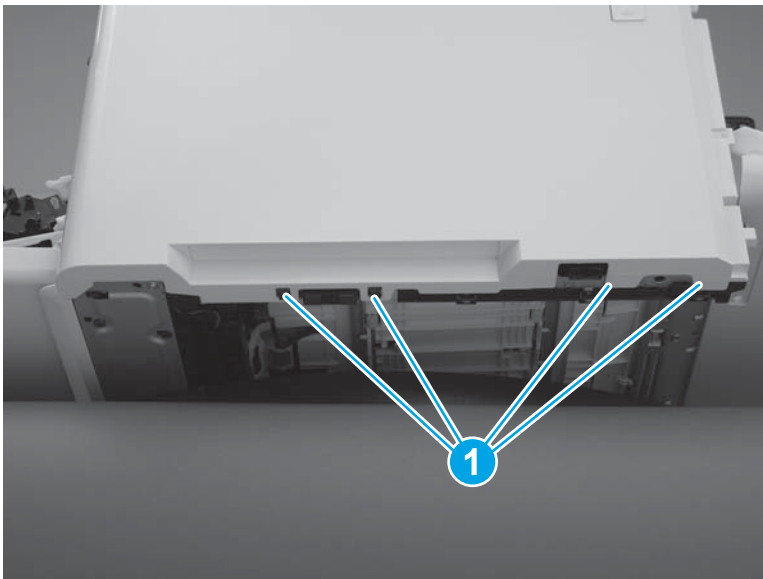
2. Release two tabs (callout 1) at the front of the cover. Hold the cover open to prevent the tabs from reengaging.

Figure 1-865 Release two tabs



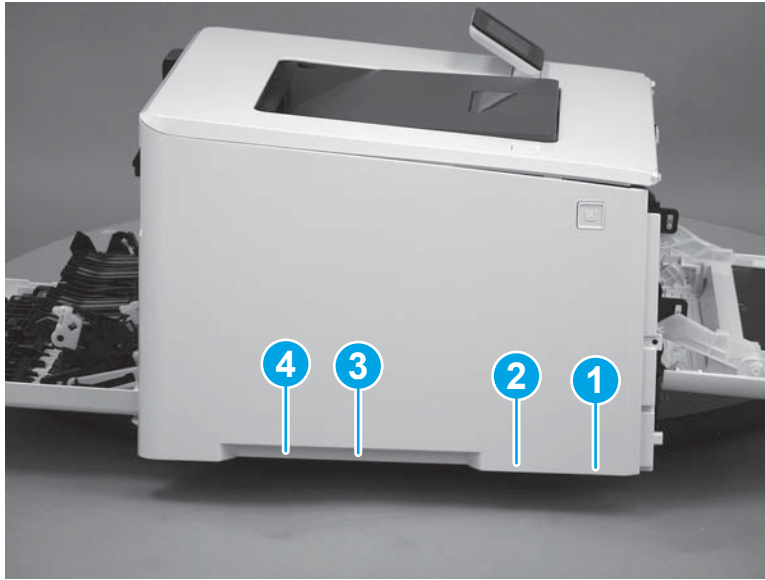
3. Slide the printer to the edge of a work surface. Note the location of the tabs on the lower edge of the cover (callout 1).

Figure 1-866 Locate the tabs



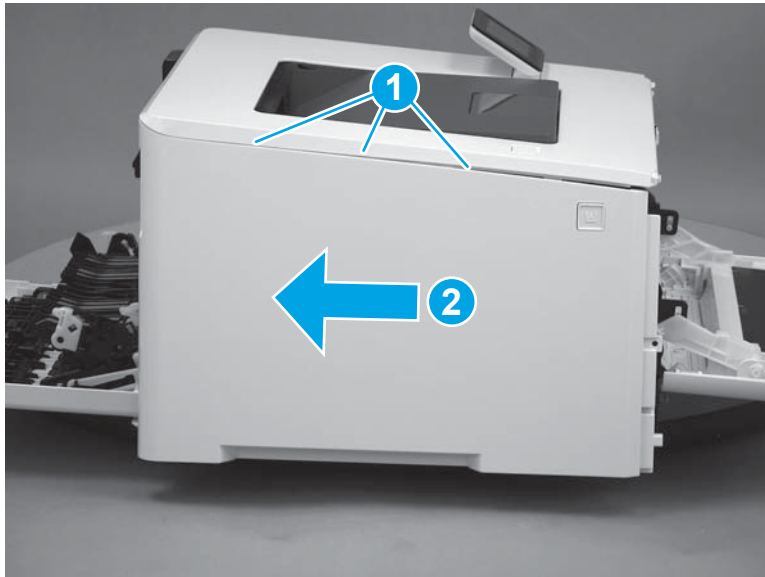
4. Beginning from the front of the cover, release four tabs (callouts 1-4) on the lower edge of the cover.

Figure 1-867 Release bottom tabs



5. Release three tabs at the top of the cover (callout 1), and then slide the cover toward the rear of the printer to remove it.

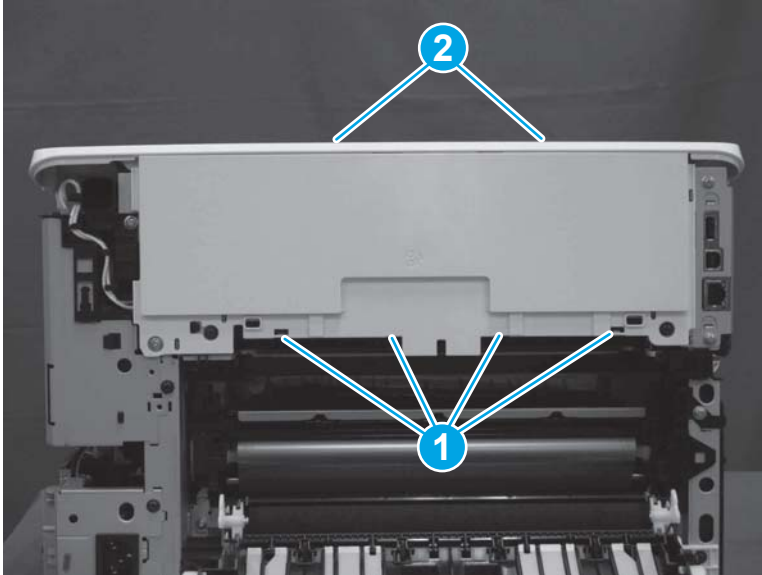
Figure 1-868 Release three tabs



Step 5: Remove the rear top cover (simplex model)

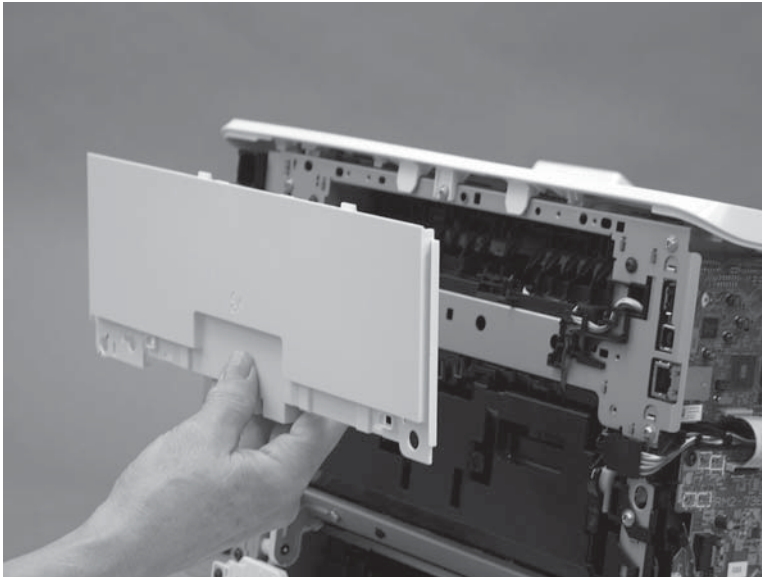
1. At the back of the printer, release four tabs (callout 1) on the bottom of the cover and two tabs (callout 2) on the top of the cover.

Figure 1-869 Release six tabs



2. Remove the rear top cover.

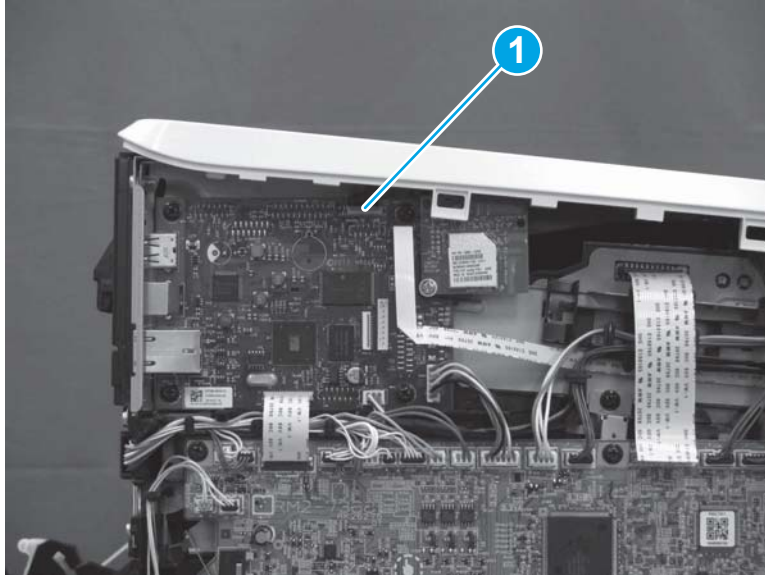
Figure 1-870 Remove the rear top cover



Step 6: Remove the top cover (M452 models)

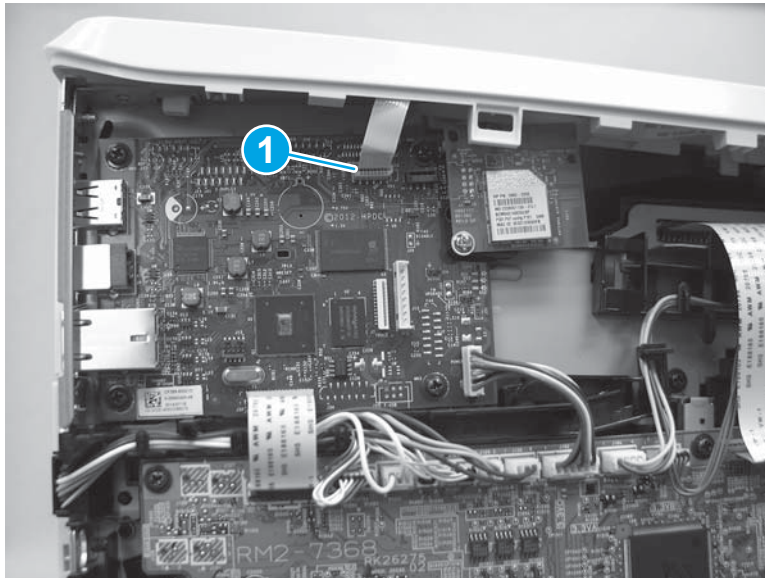
1. **M452dw model only:** On the left side of the printer, on the formatter, disconnect one connector (callout 1).

Figure 1-871 Disconnect one connector



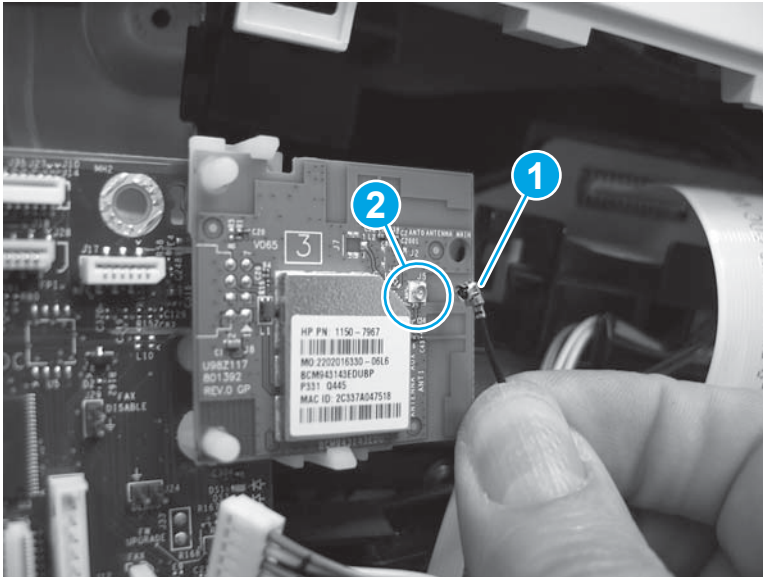
- 2. M452nw/dn models only:** On the left side of the printer, on the formatter, disconnect one connector (callout 1).

Figure 1-872 Disconnect one connector



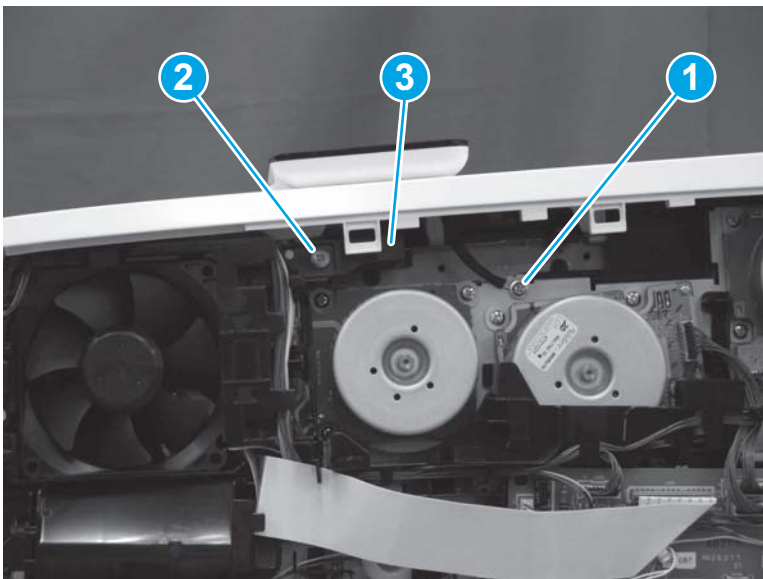
3. **M452nw/dw models only:** Disconnect the antenna (callout 1) from the connector (callout 2) on the wireless PCA.

Figure 1-873 Disconnect the antenna



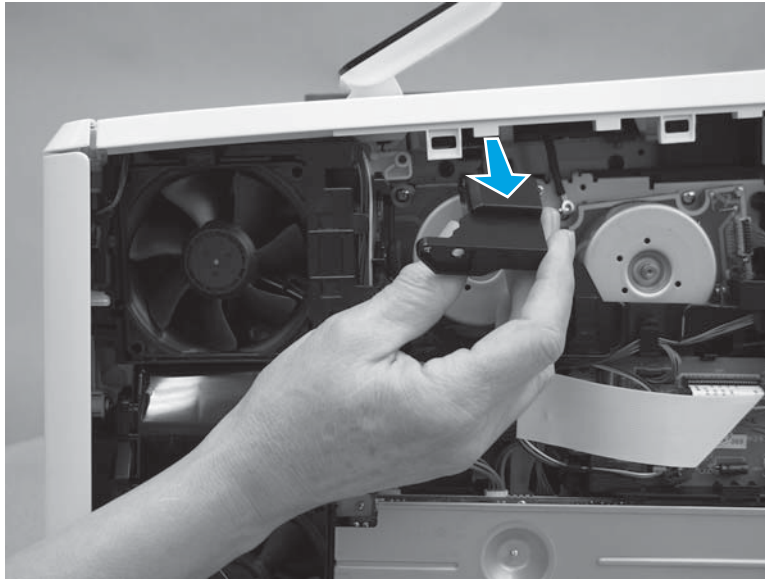
4. **M452dw model only:** Remove one screw (callout 1) and release one ground wire. Remove one screw (callout 2). Note the location (callout 3) of the guide.

Figure 1-874 Remove two screws



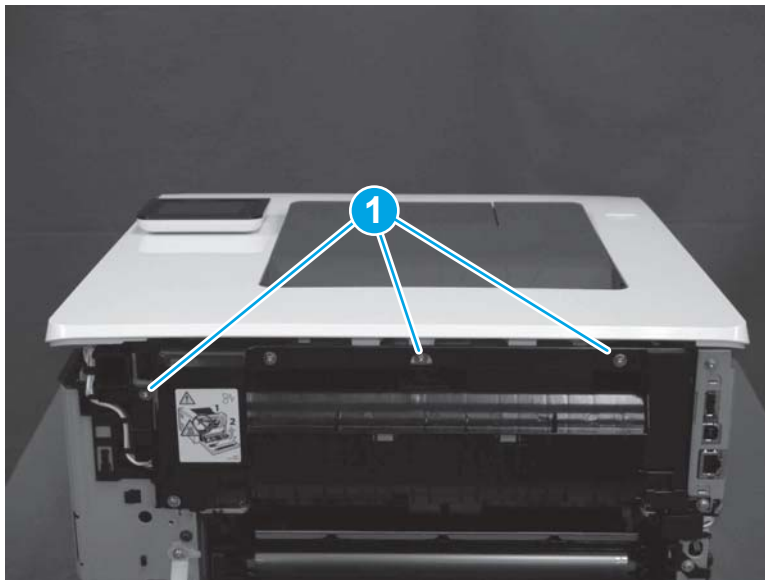
5. **M452dw model only:** Remove the guide.

Figure 1-875 Remove the guide



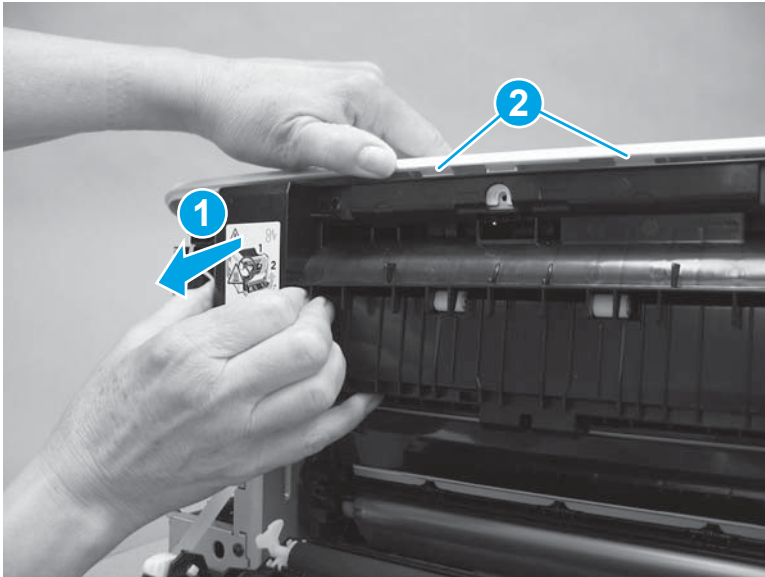
6. **M452dn/dw models only:** At the back of the printer, remove three screws (callout 1).

Figure 1-876 Remove three screws



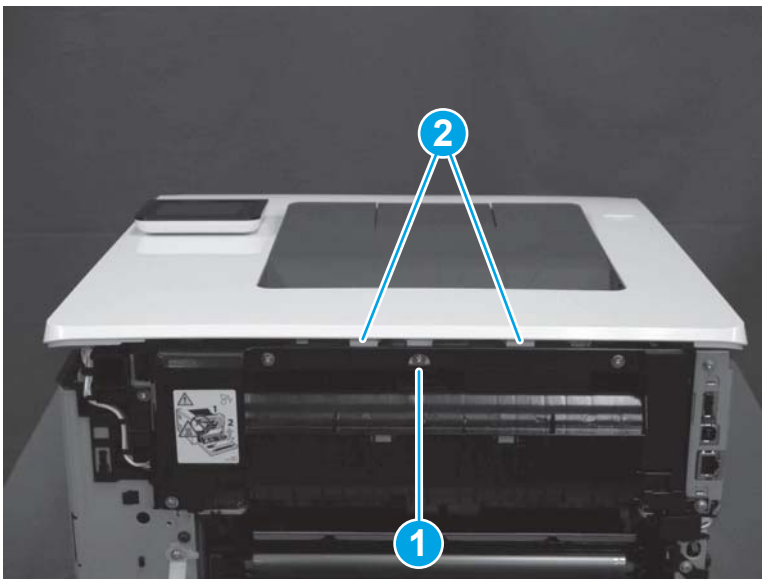
7. **M452dn/dw models only:** Gently pull the top of the fuser away (callout 1), and then release two tabs (callout 2).

Figure 1-877 Release two tabs



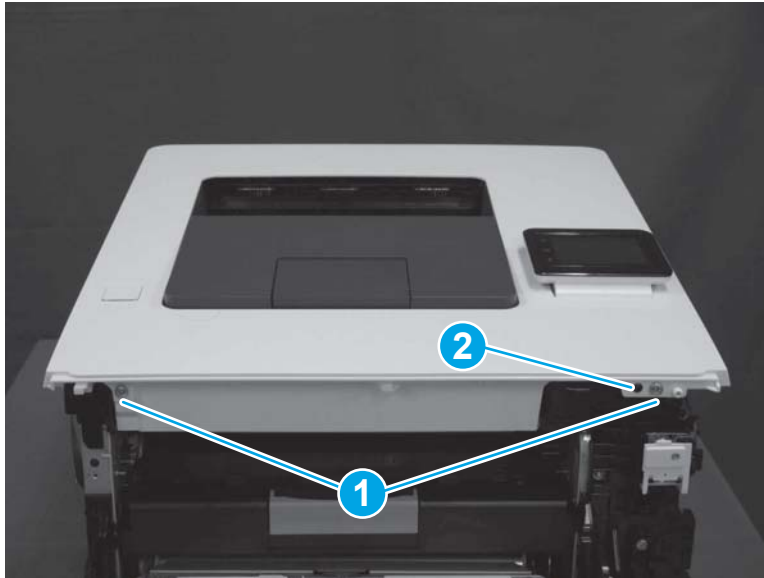
8. **M452nw model only:** At the back of the printer, remove one screw (callout 1), and then release two tabs (callout 2).

Figure 1-878 Remove screw and release two tabs



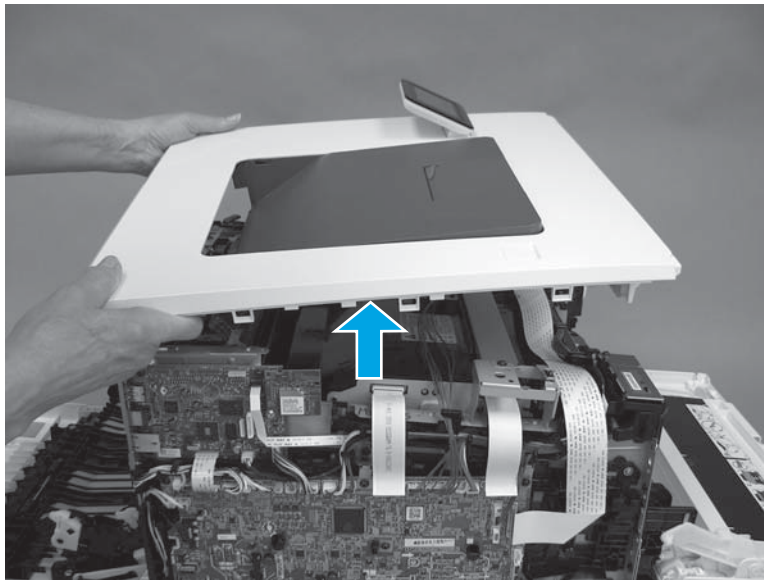
9. At the front of the printer, remove two screws (callout 1), and then release one tab (callout 2).

Figure 1-879 Remove two screws and release one tab



10. Remove the top cover.

Figure 1-880 Remove the top cover

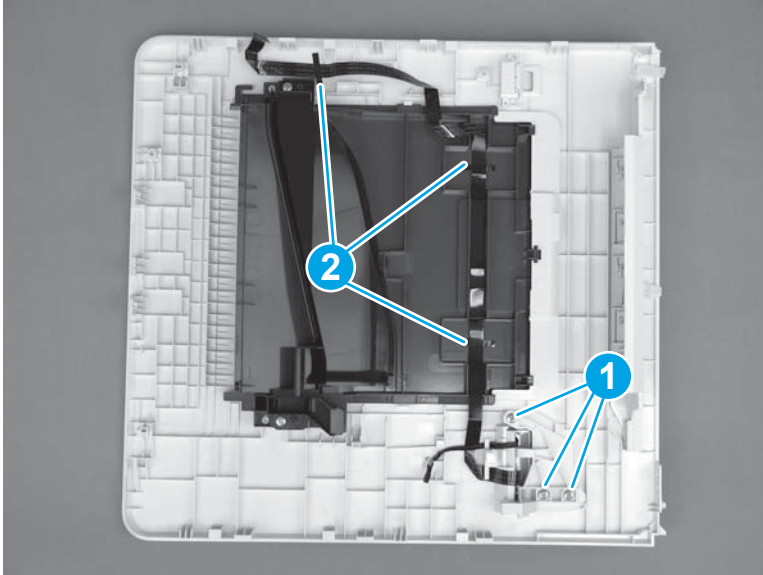


Step 7: Remove the control panel (M452dw model)

1. On the underside of the top cover, remove three screws (callout 1), and then carefully unfasten the tape strips (callout 2) to unroute the control-panel flat cable.

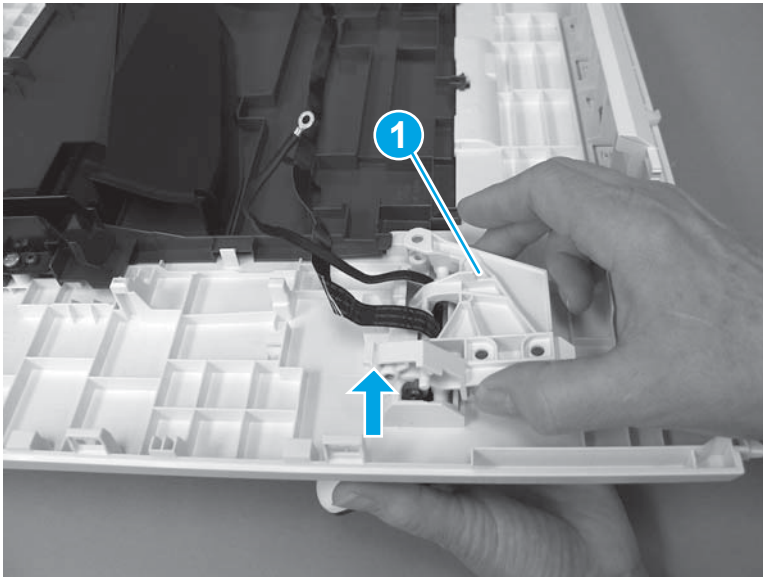
 **TIP:** HP recommends keeping the tape strips for reuse when the control panel is reinstalled.

Figure 1-881 Remove three screws and unroute cable



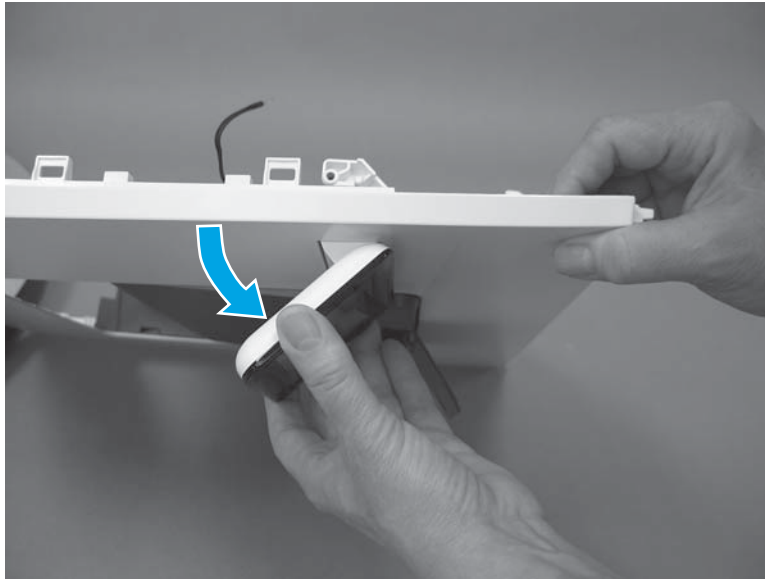
2. Lift up on the bracket (callout 1) to remove it.

Figure 1-882 Remove the bracket



3. Rotate the control panel away from the top cover.

Figure 1-883 Rotate the control panel



4. Pull the control panel away from the top side of the top cover to remove it.

Figure 1-884 Remove the control panel



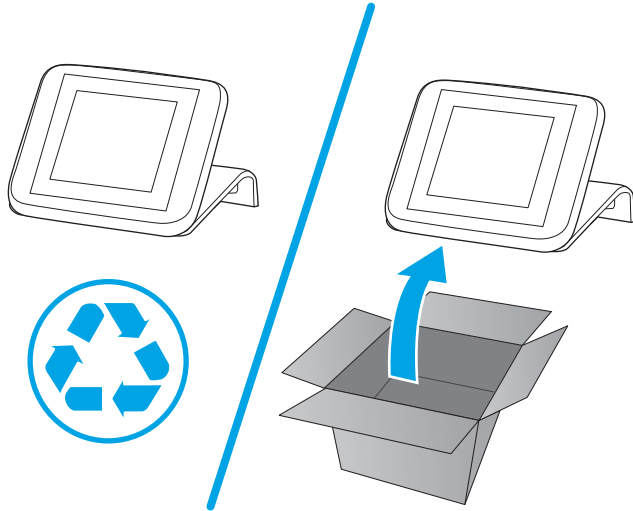
Step 8: Unpack the replacement part

Remove the new part from its package. Save all packaging for recycling the used part.

For complete information on HP's recycling programs, go to [Product return and recycling](#).

 **NOTE:** HP recommends responsible disposal of the defective part.

Figure 1-885 Recycle and unpack



Step 9: Install the control panel (M452dw model)

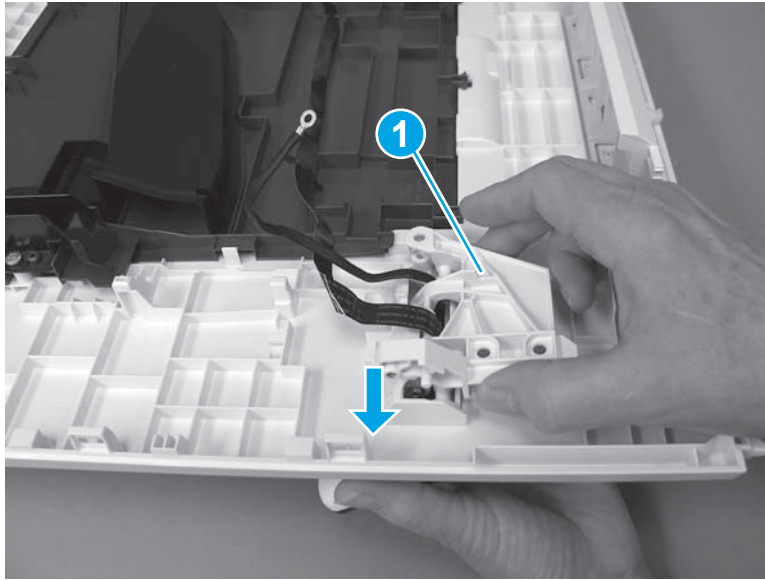
1. On the top side of the top cover, set the control panel in place.

Figure 1-886 Set the control panel in place



2. On the underside of the top cover, install the bracket (callout 1).

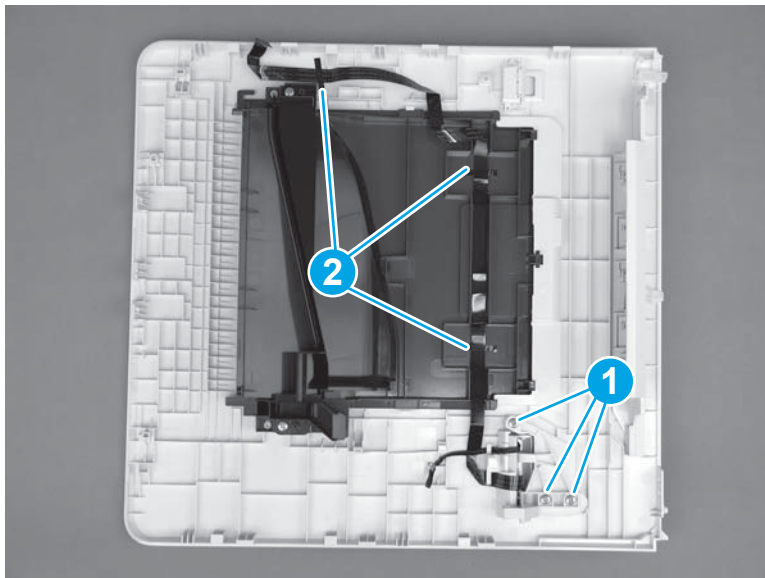
Figure 1-887 Install the bracket



3. On the underside of the top cover, install three screws (callout 1), and then carefully fasten the tape strips (callout 2) to affix the control-panel flat cable to the cover.

⚠ CAUTION: Ensure that the control-panel cable is securely fastened to the control panel and the top cover. Pinching the cable between the cover and the chassis can damage the cable.

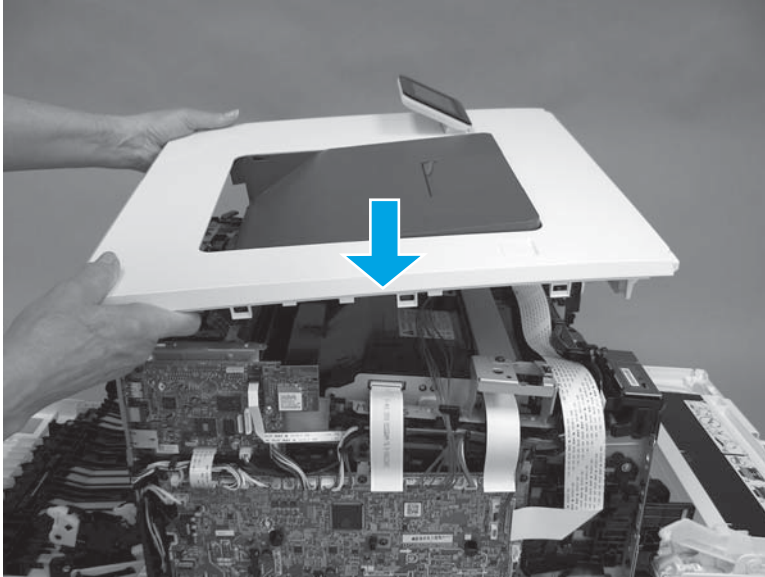
Figure 1-888 Install three screws and fasten the cable



Step 10: Install the top cover (M452 models)

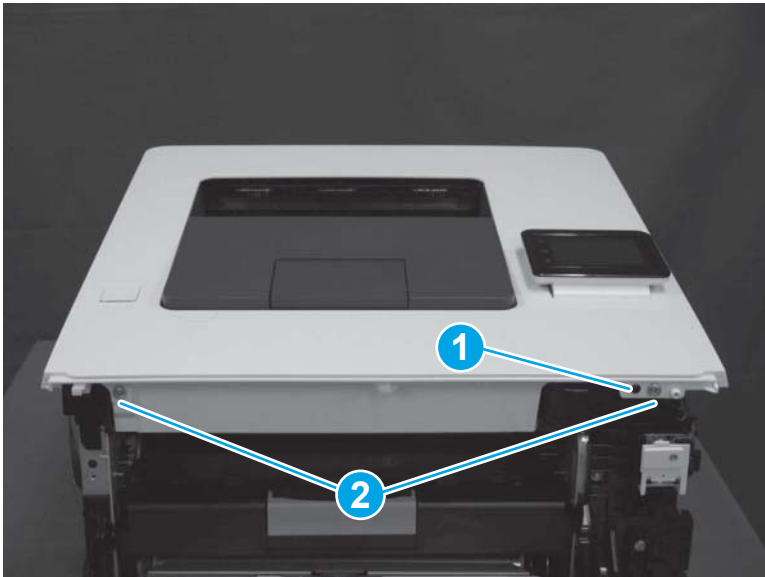
1. Position the top cover on top of the printer.

Figure 1-889 Position the top cover



2. At the front of the printer, engage one tab (callout 1), and then install two screws (callout 2).

Figure 1-890 Engage tab and install screws

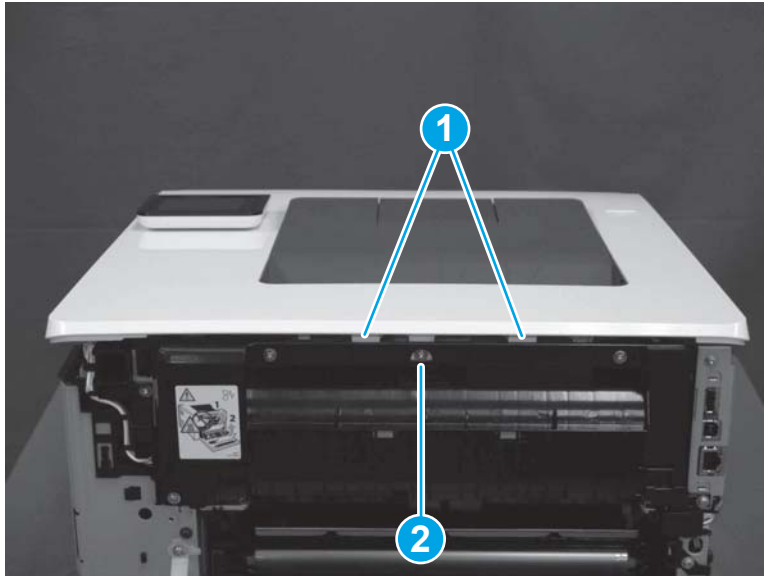


- M452nw model only:** At the back of the printer, install two tabs (callout 1), and then install one screw (callout 2).



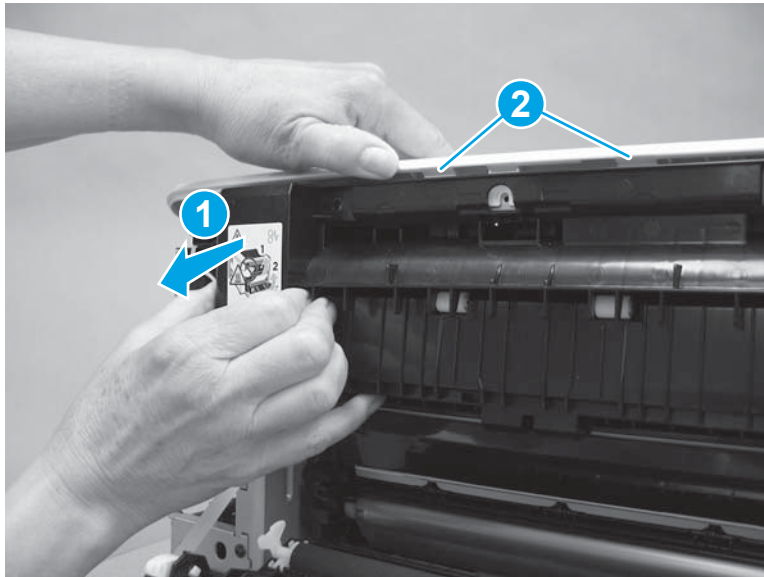
NOTE: The M452dw model is shown. The procedure is correct for the M452nw model.

Figure 1-891 Install two tabs and one screw



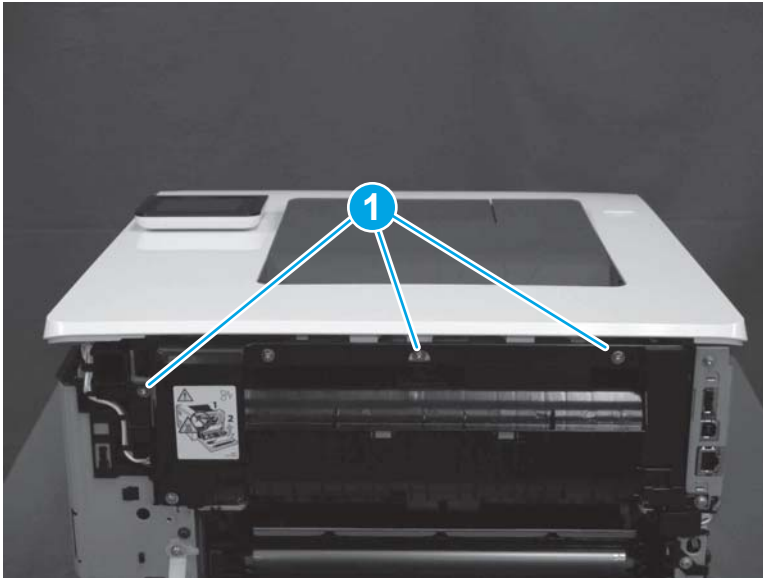
- M452dn/dw models only:** Gently pull the top of the fuser away (callout 1), and then install two tabs (callout 2).

Figure 1-892 Install two tabs



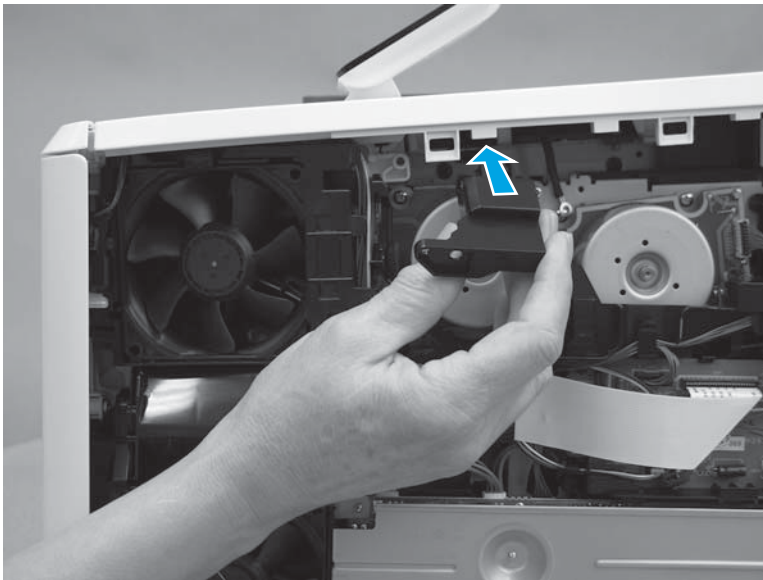
5. **M452dn/dw models only:** At the back of the printer, install three screws (callout 1).

Figure 1-893 Install three screws



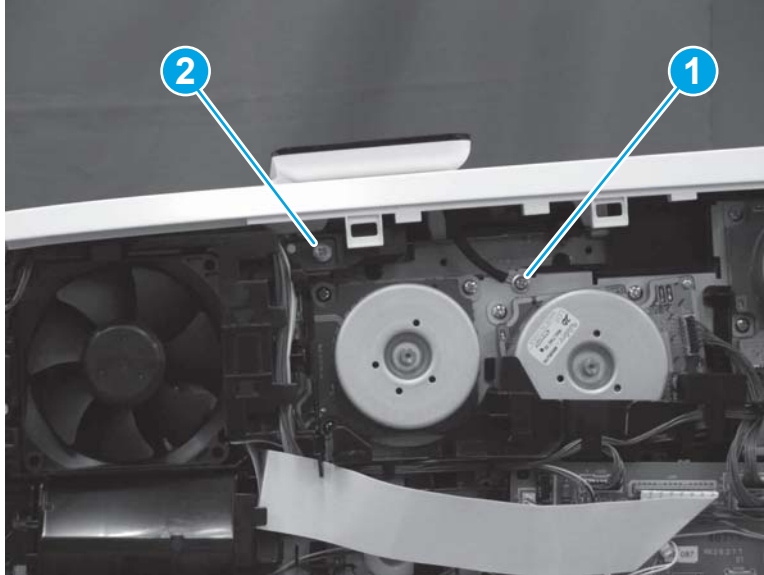
6. **M452dw model only:** Position the guide in the printer.

Figure 1-894 Install the guide



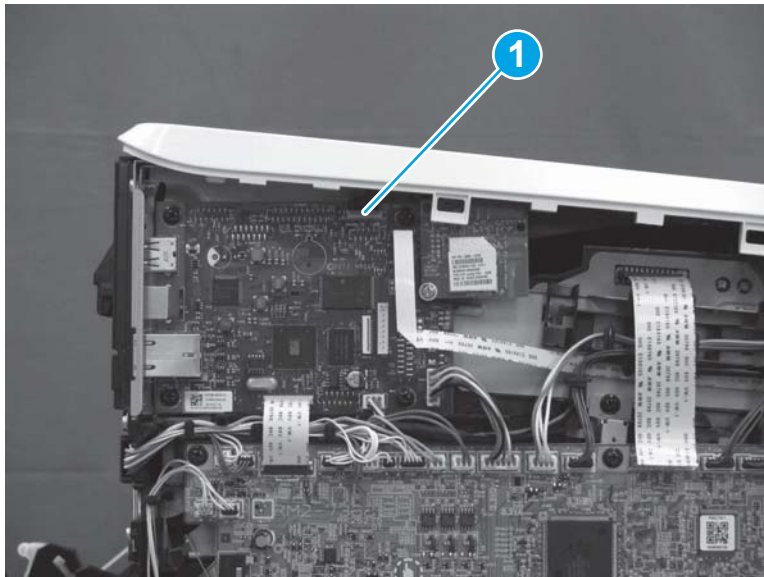
- 7. M452dw model only:** Position the ground wire and install one screw (callout 1). Install one screw (callout 2).

Figure 1-895 Install two screws



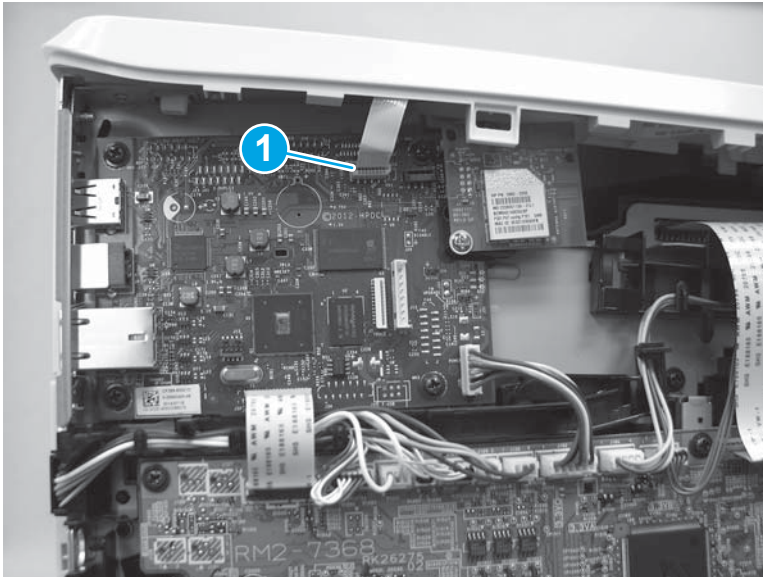
- 8. M452dw model only:** On the left side of the printer, on the formatter, connect one connector (callout 1).

Figure 1-896 Connect one connector



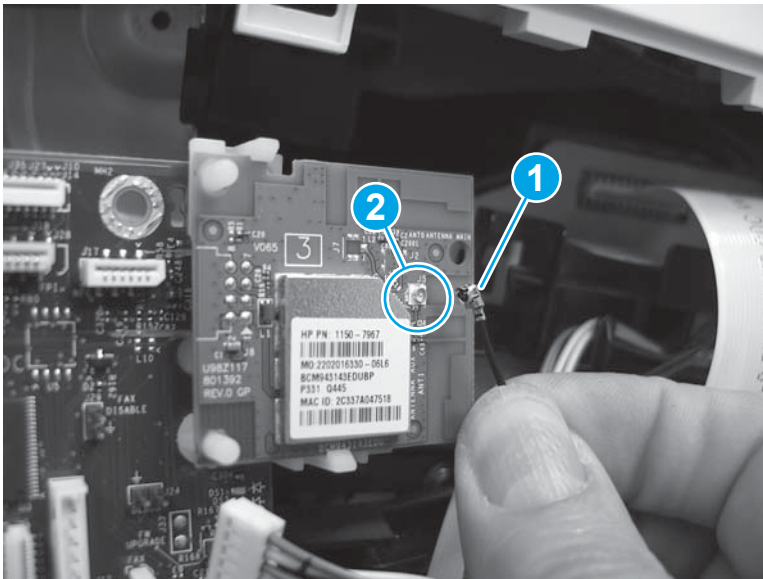
9. **M452nw/dn models only:** On the left side of the printer, on the formatter, connect one connector (callout 1).

Figure 1-897 Connect one connector



10. **M452nw/dw models only:** Connect the antenna (callout 1) to the connector (callout 2) on the wireless PCA.

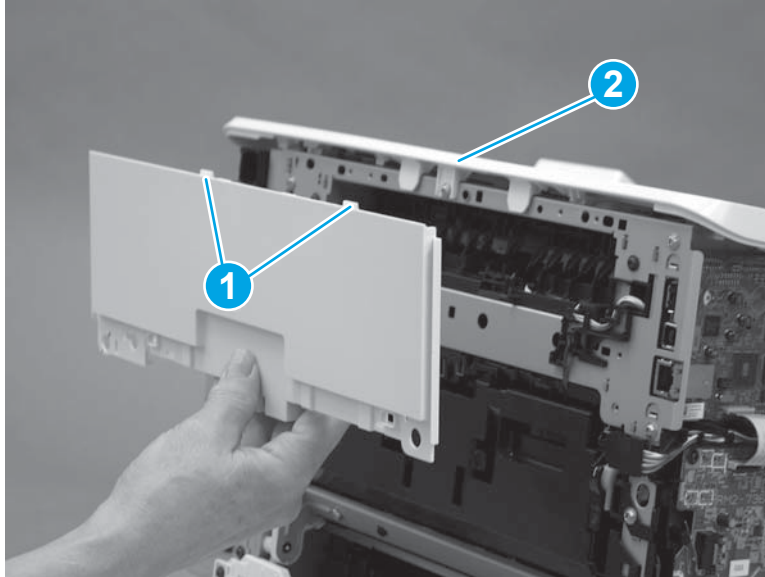
Figure 1-898 Connect the antenna



Step 11: Install the rear top cover (simplex model)

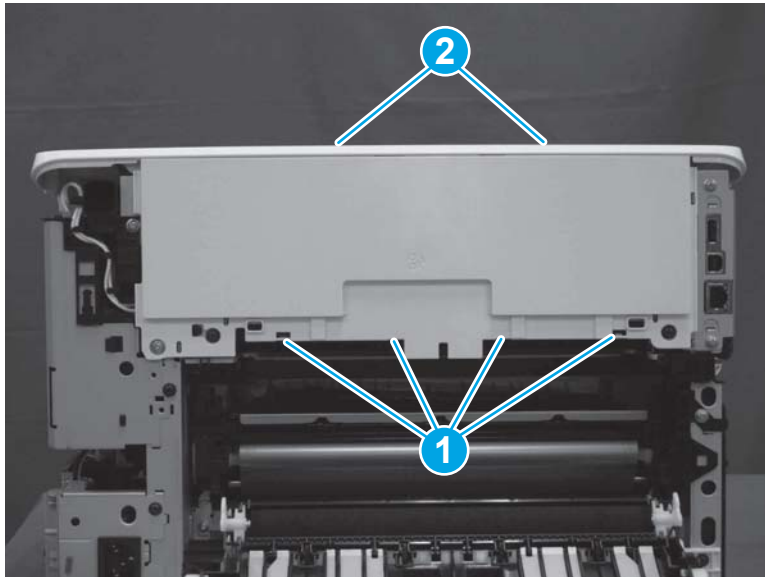
1. Position the tabs on top of the rear top cover (callout 1) under the edge of the top cover (callout 2).

Figure 1-899 Install the rear top cover



2. Make sure that the tabs on the bottom (callout 1) and the tabs on the top (callout 2) snap into place.

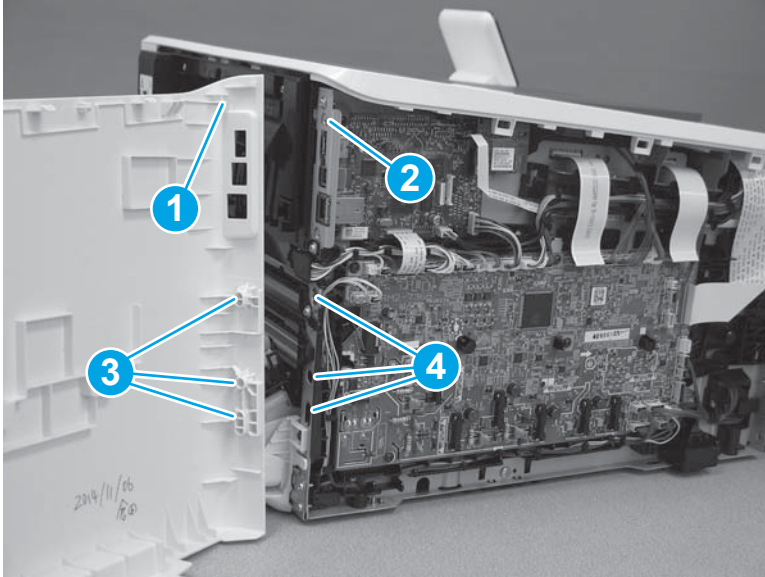
Figure 1-900 Release two tabs



Step 12: Install the left cover (M452 models)

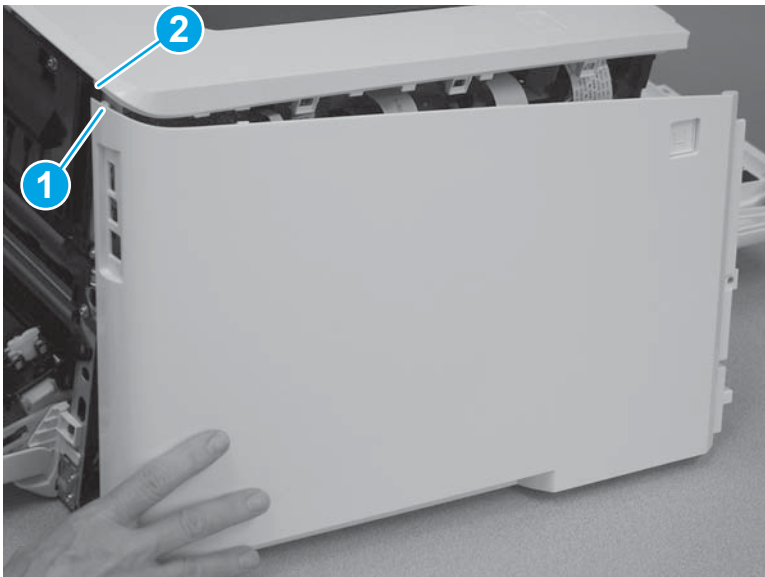
1. Position the hook (callout 1) on the cover in the slot (callout 2) on the printer. Position three tabs (callout 3) on the back of the cover in the slots (callout 4) in the printer.

Figure 1-901 Position three tabs



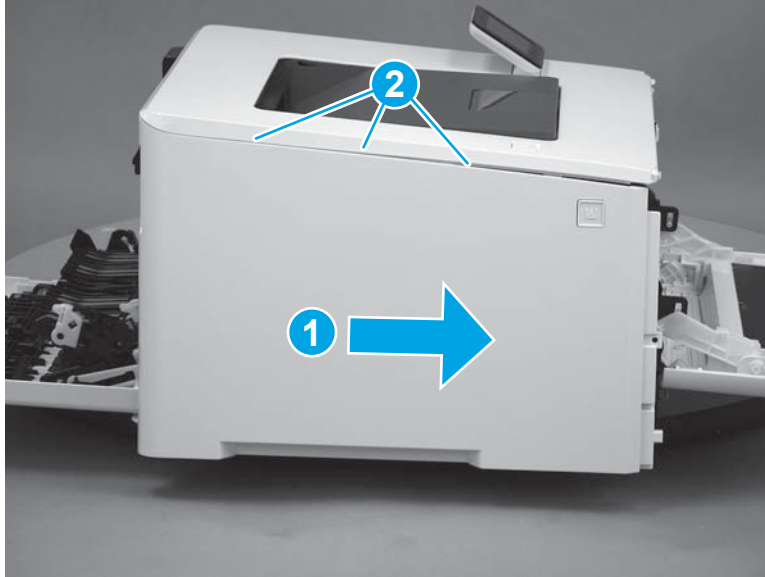
2. At the back of the printer, install the tab (callout 1) under the edge of the top cover (callout 2).

Figure 1-902 Install one tab



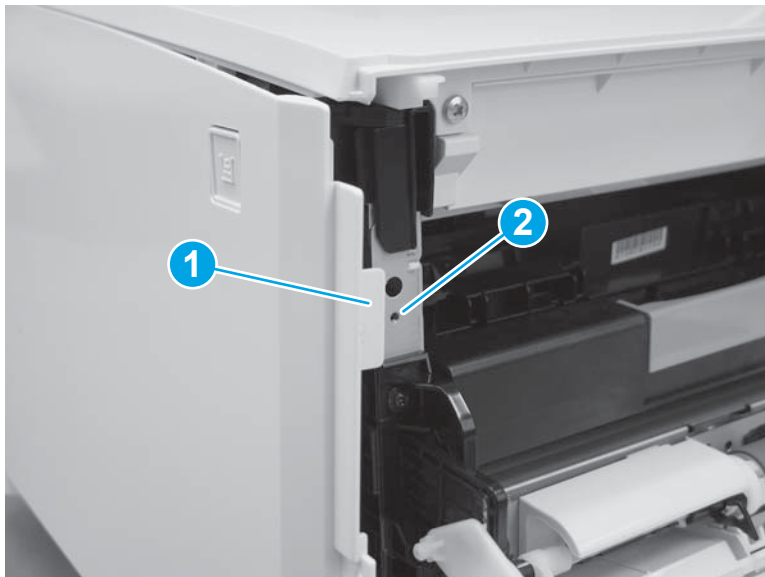
3. Slide the cover toward the front of the printer (callout 1), and then engage three tabs (callout 2) on the top of the cover.

Figure 1-903 Install the left cover



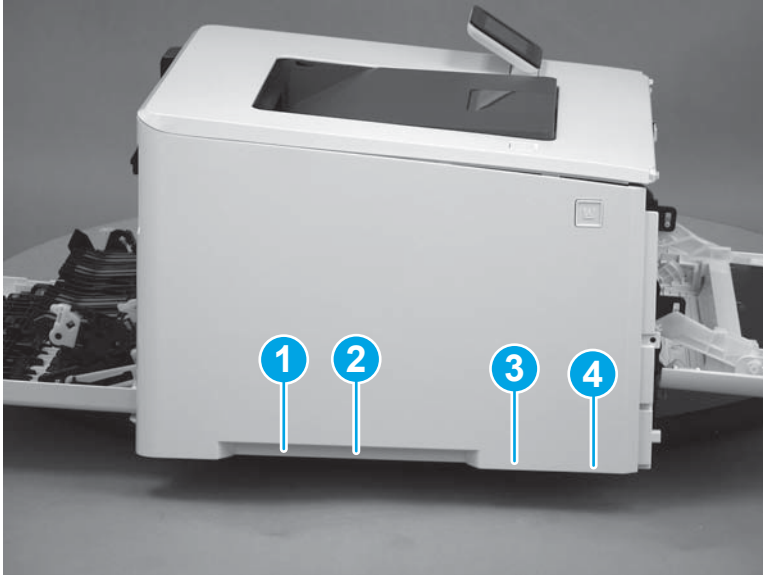
⚠ CAUTION: Make sure that the tab (callout 1) does not get caught behind the printer frame (callout 2).

Figure 1-904 Make sure the tab does not get caught



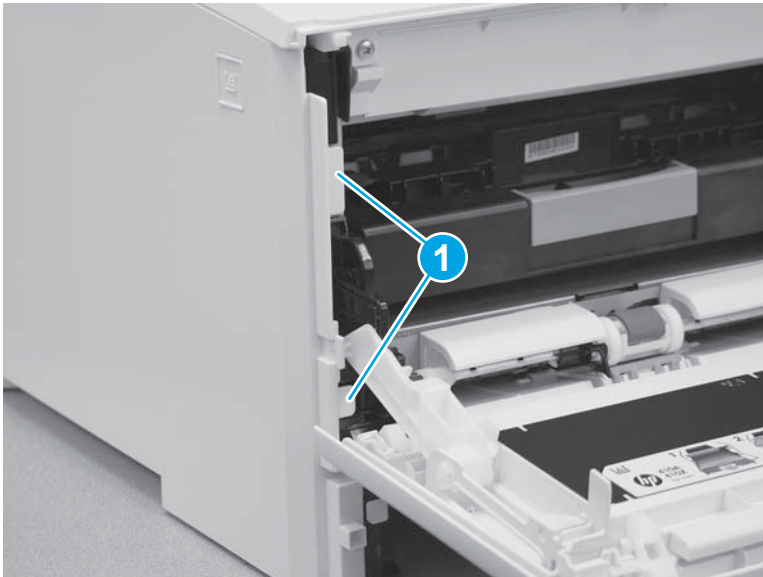
4. Slide the printer to the edge of a work surface in order to access the tabs on the bottom of the cover. Beginning from the back of the cover, install four tabs (callouts 1-4) on the lower edge of the cover.

Figure 1-905 Install four tabs



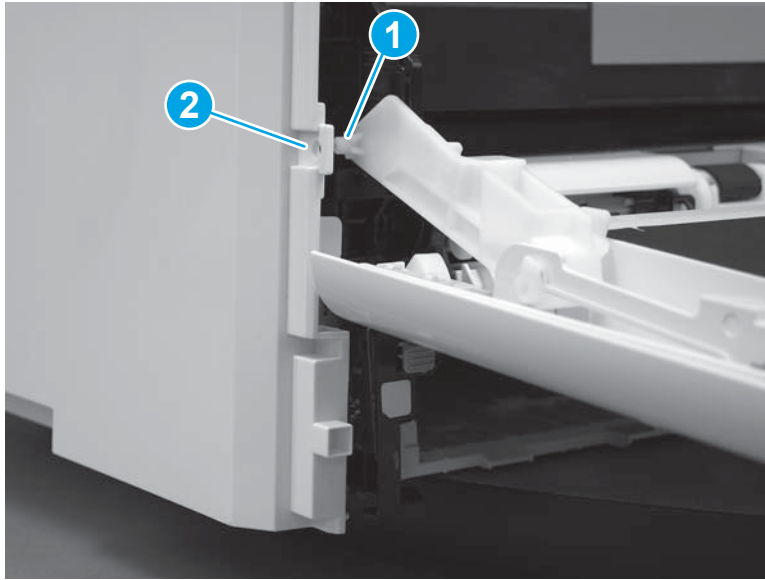
5. Install two tabs (callout 1) at the front of the cover.

Figure 1-906 Engage two tabs



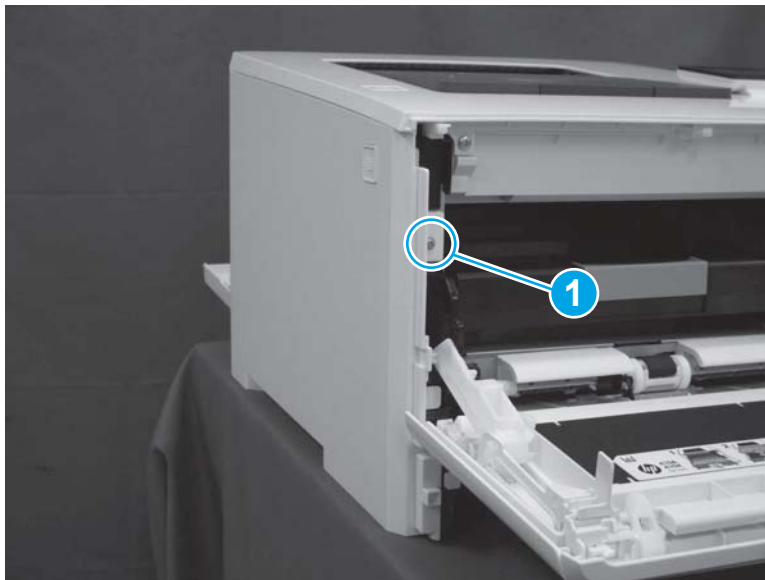
6. Make sure that the hinge pin (callout 1) on the front door fits into the slot (callout 2) on the left cover.

Figure 1-907 Install hinge pin



7. Install one screw (callout 1).

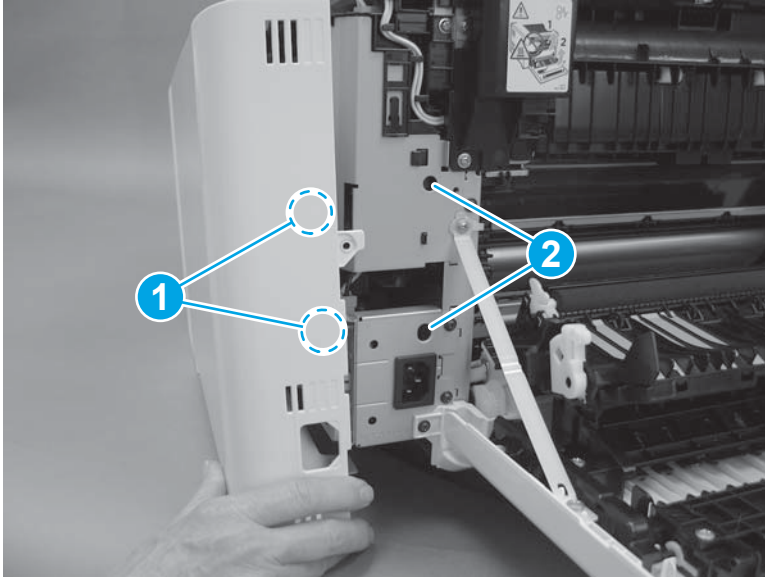
Figure 1-908 Install one screw



Step 13: Install the right cover (M452 models)

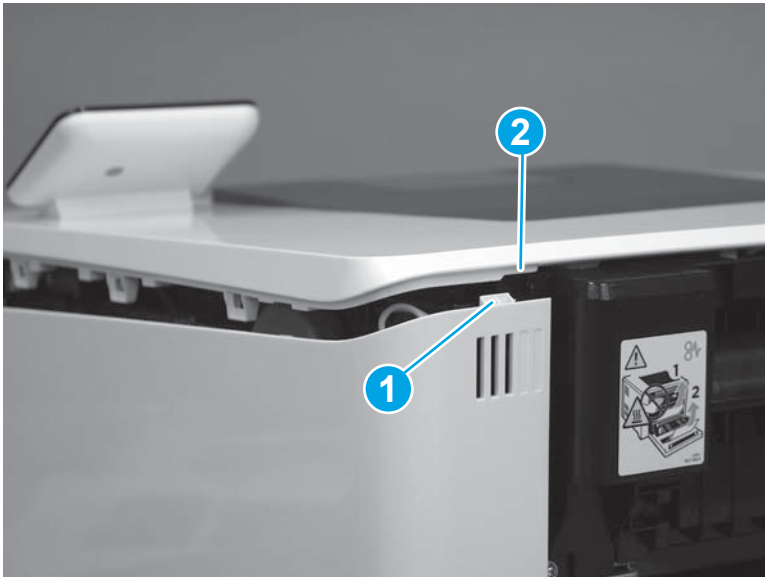
1. Position two tabs (callout 1) on the back of the cover in the slots (callout 2) in the printer.

Figure 1-909 Position two tabs



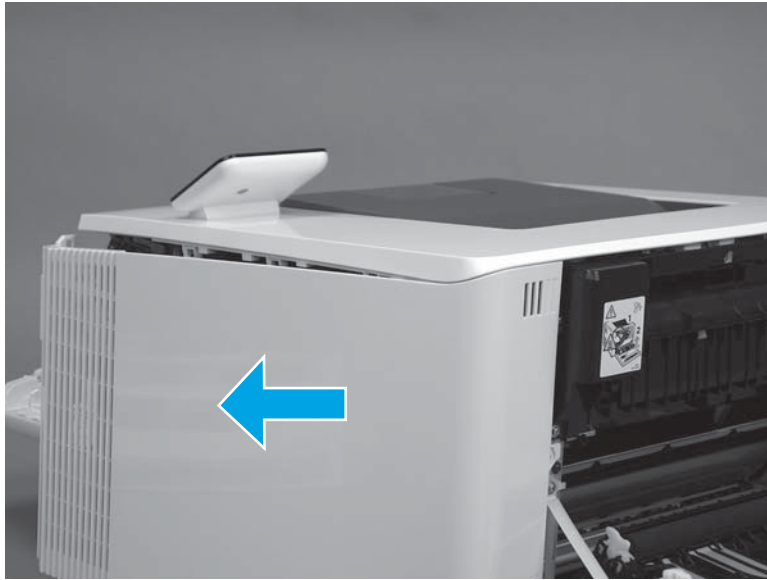
2. At the back of the printer, install the tab (callout 1) under the edge of the top cover (callout 2).

Figure 1-910 Install rear tab



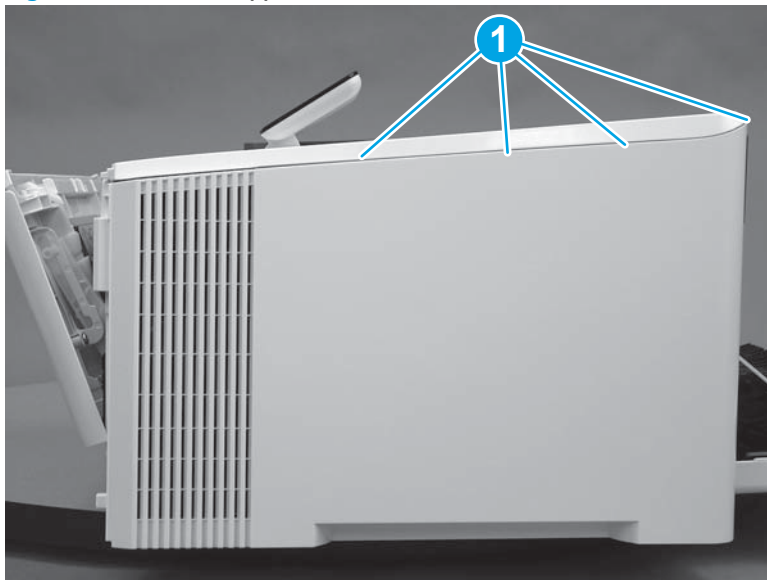
3. Slide the cover toward the front of the printer to install it.

Figure 1-911 Install the right cover



4. Engage three tabs (callout 2) on the top of the cover.

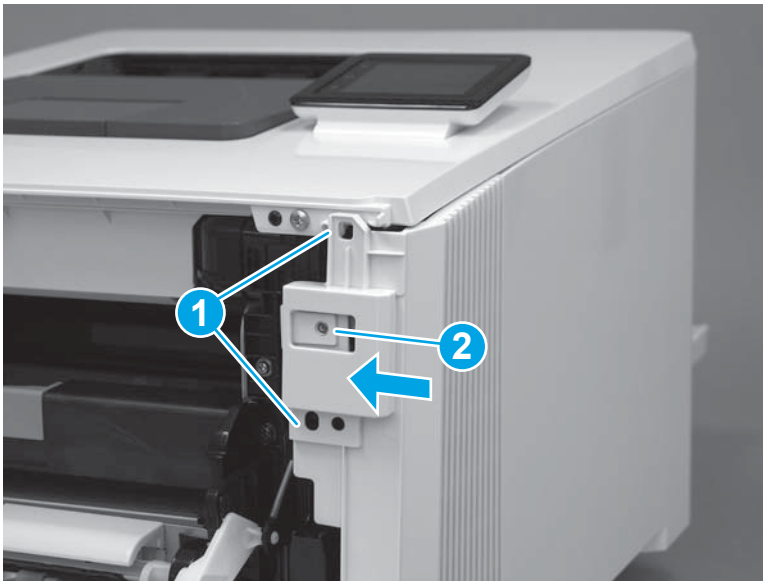
Figure 1-912 Install upper tabs



5. At the front of the printer, position the front of the cover over two tabs (callout 1).

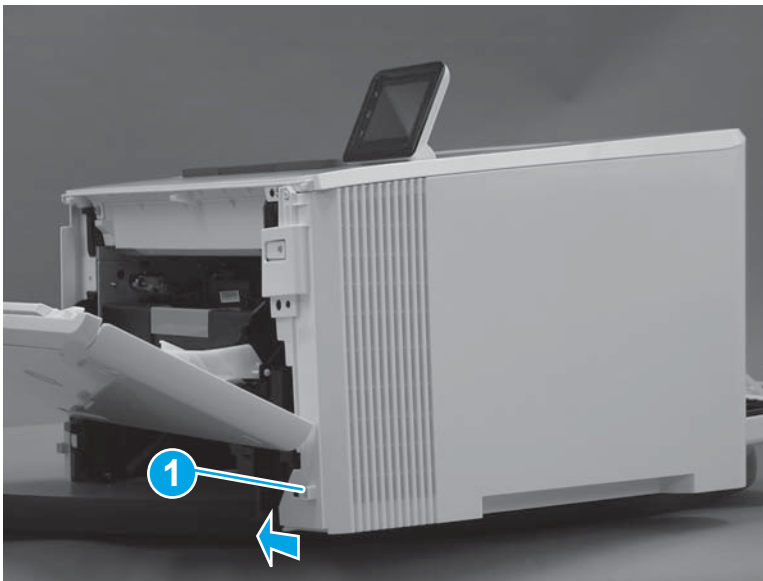
⚠ CAUTION: Be careful not to dislodge the power switch (callout 2).

Figure 1-913 Install the front tabs



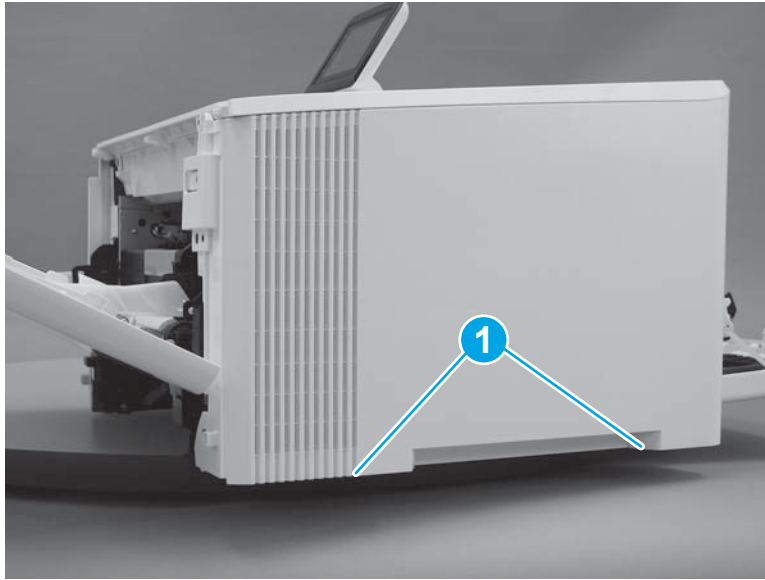
6. Press the right cover toward the printer to engage one tab (callout 1) on the front of the cover.

Figure 1-914 Install the front lower tab



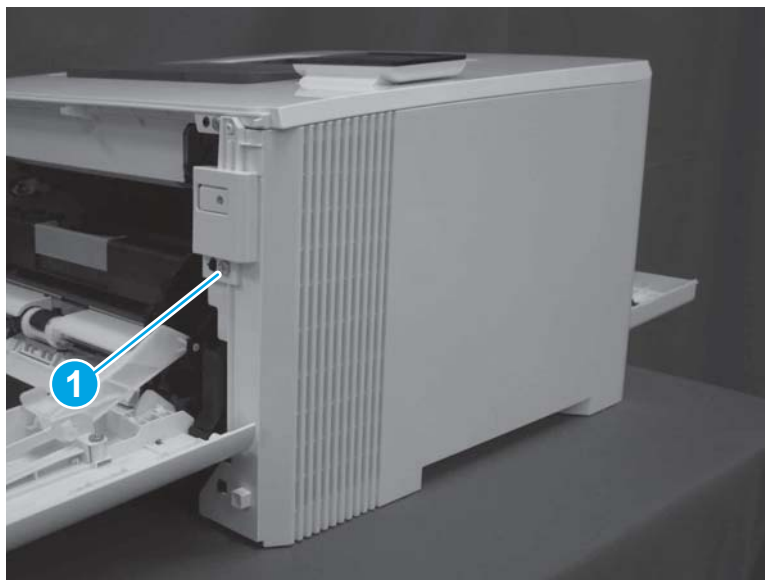
7. Install two tabs on the bottom of the cover (callout 1).

Figure 1-915 Install two tabs



8. At the front of the printer, install one screw (callout 1).

Figure 1-916 Install one screw



9. At the back of the printer, install one screw (callout 1).

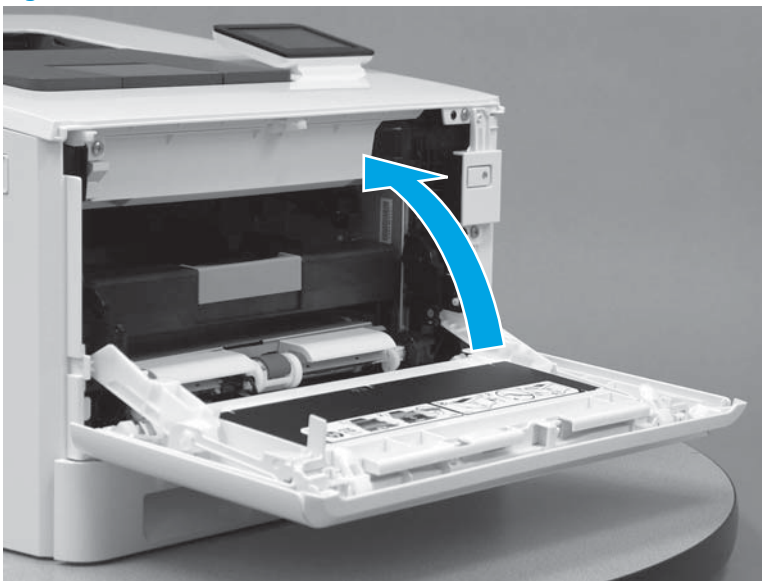
Figure 1-917 Install one screw



Step 14: Close the front door and rear door or duplexer door

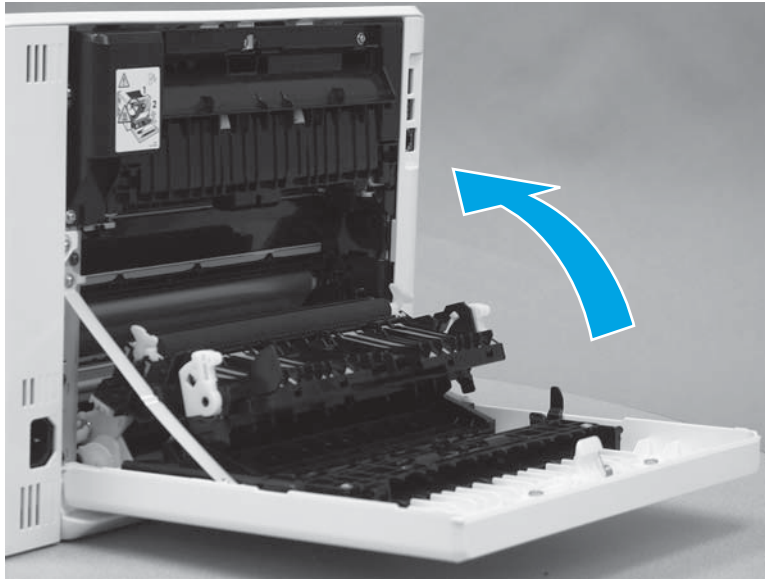
1. Close the front door.

Figure 1-918 Close the front door



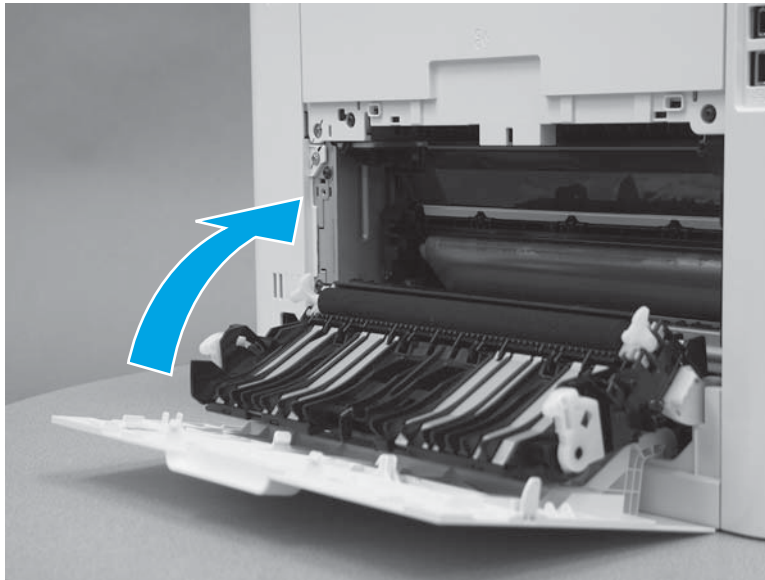
2. **Duplex models:** Close the duplexer door.

Figure 1-919 Close the duplexer door



3. **Simplex models:** Close the rear door.

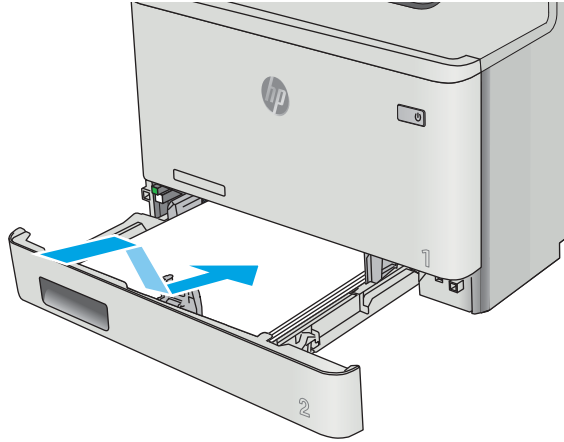
Figure 1-920 Close the rear door



Step 15: Install Tray 2

- ▲ With the front of the tray slightly lifted, align the sides of the tray with the rails in the printer, and then carefully slide the tray into the printer. As the tray slides into the printer, lower the front of the tray, and then close it.

Figure 1-921 Install the tray



Removal and replacement: Touchscreen control panel (M377, M477 models)


- [Introduction](#)
- [Step 1: Remove Tray 2](#)
- [Step 2: Open the front door and rear door or duplexer door](#)
- [Step 3: Remove the right cover \(M377, M477 models\)](#)
- [Step 4: Remove the left cover \(M377, M477 models\)](#)
- [Step 5: Remove the rear top cover \(simplex model\)](#)
- [Step 6: Remove the image scanner \(M377, M477 models\)](#)
- [Step 7: Remove the fax PCA \(M477 models\)](#)
- [Step 8: Remove the top cover \(M377, M477 models\)](#)
- [Step 9: Remove the control panel \(M377, M477 models\)](#)
- [Step 10: Unpack the replacement part](#)
- [Step 11: Install the control panel \(M377, M477 models\)](#)
- [Step 12: Install the top cover \(M377, M477 models\)](#)
- [Step 13: Install the fax PCA \(M477 models\)](#)
- [Step 14: Install the image scanner \(M377, M477 models\)](#)
- [Step 15: Install the rear top cover \(simplex model\)](#)
- [Step 16: Install the left cover \(M377, M477 models\)](#)
- [Step 17: Install the right cover \(M377, M477 models\)](#)
- [Step 18: Close the front door and rear door or duplexer door](#)
- [Step 19: Install Tray 2](#)

Introduction

This document provides the procedures to remove and replace the control panel for the M377, M477.

Before you begin

- Turn off the printer.
- Disconnect the power cable.

 **WARNING!** To avoid damage to the printer, turn the printer off, wait 30 seconds, and then remove the power cord before attempting to service the printer.

- Use the table below to identify the correct part number for your printer. To order the part, go to www.hp.com/buy/parts.

Control panel part number

B5L25-60101Control panel (M377, M477 models)

Required tools

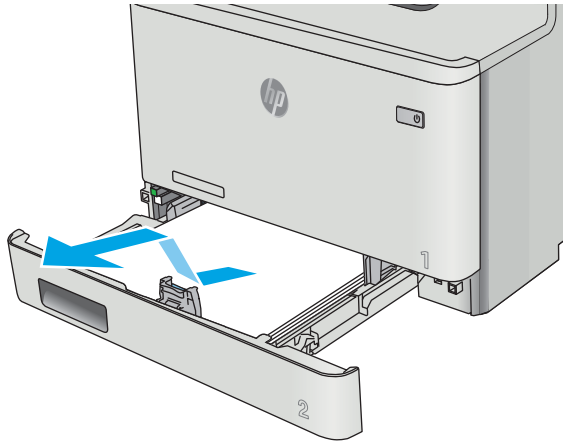
- #2 Phillips screwdriver with a magnetic tip

After performing service

- Connect the power cable.
- Use the power switch to turn the power on.

Step 1: Remove Tray 2

- ▲ Pull the tray out until it stops. Lift the front of the tray, and then pull it out of the printer to remove it.

Figure 1-922 Remove the tray**Step 2: Open the front door and rear door or duplexer door**

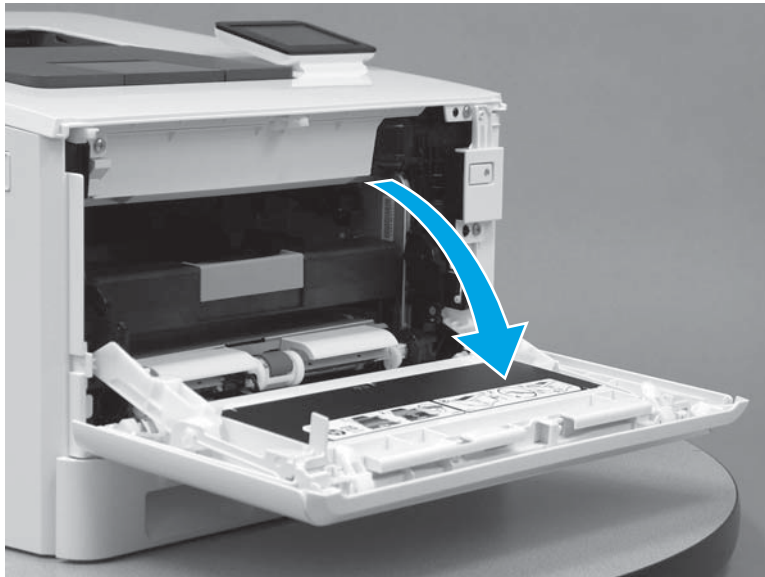
1. Press the button (callout 1) on the left side of the printer to release the front door.

Figure 1-923 Release the front door



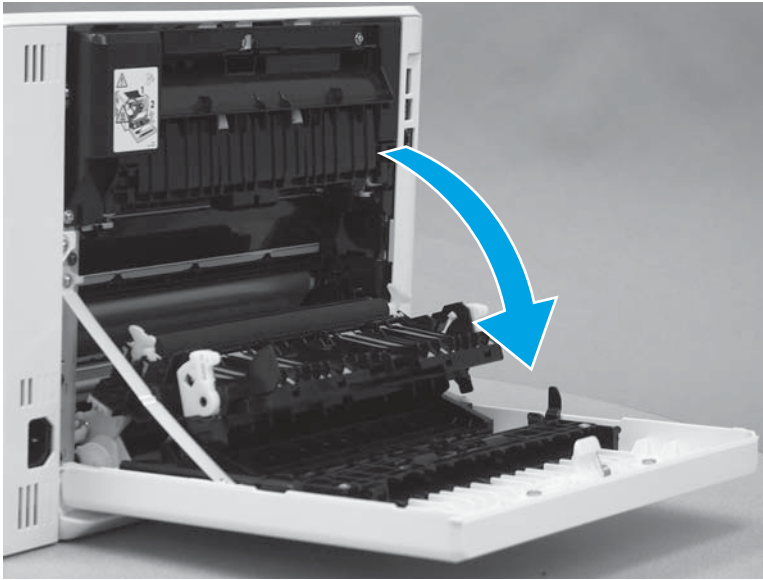
2. Open the front door.

Figure 1-924 Open the front door



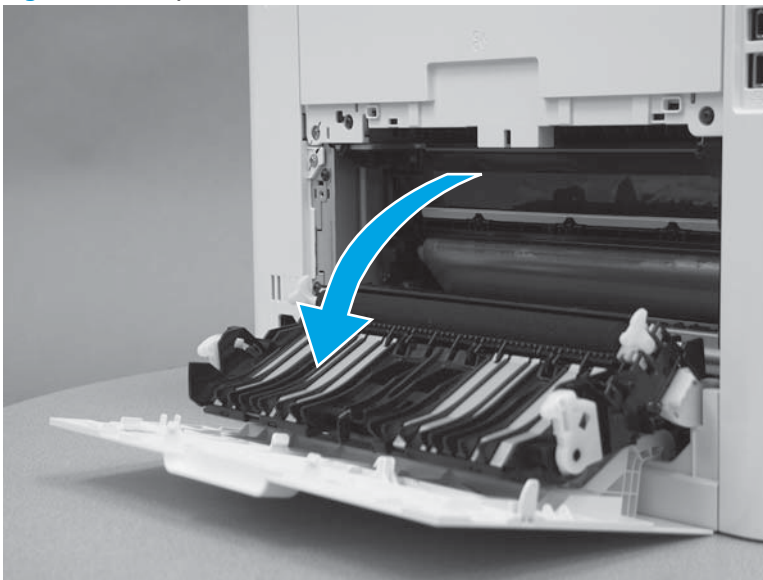
3. **Duplex models:** Open the duplexer door.

Figure 1-925 Open the duplexer door



4. **Simplex models:** Open the rear door.

Figure 1-926 Open the rear door



Step 3: Remove the right cover (M377, M477 models)

1. Raise the scanner.

Figure 1-927 Raise the scanner



2. At the back of the printer, remove one screw (callout 1).

Figure 1-928 Remove one screw



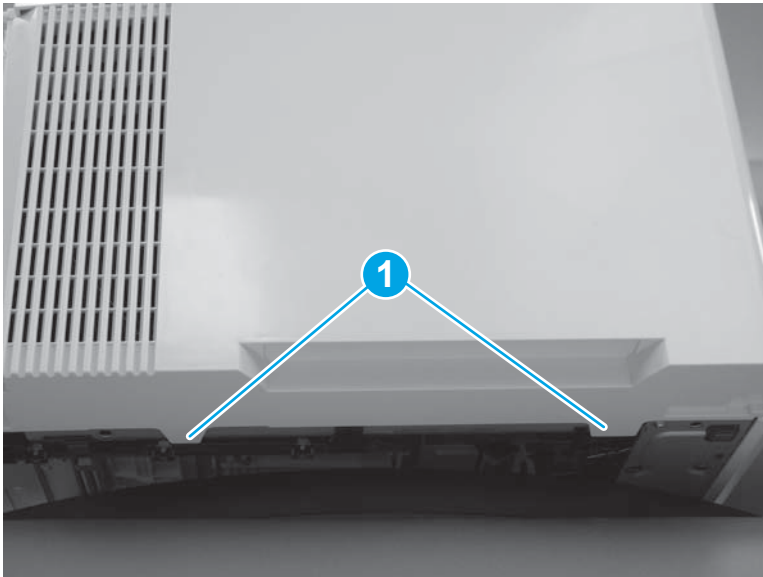
3. At the front of the printer, remove one screw (callout 1).

Figure 1-929 Remove one screw



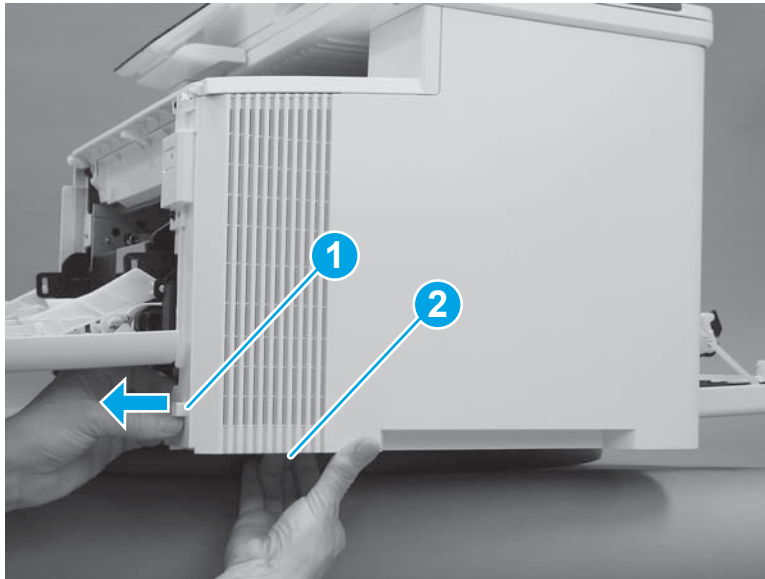
4. Slide the printer to the edge of a work surface. Note the location of the tabs on the lower edge of the cover (callout 1).

Figure 1-930 Locate the tabs



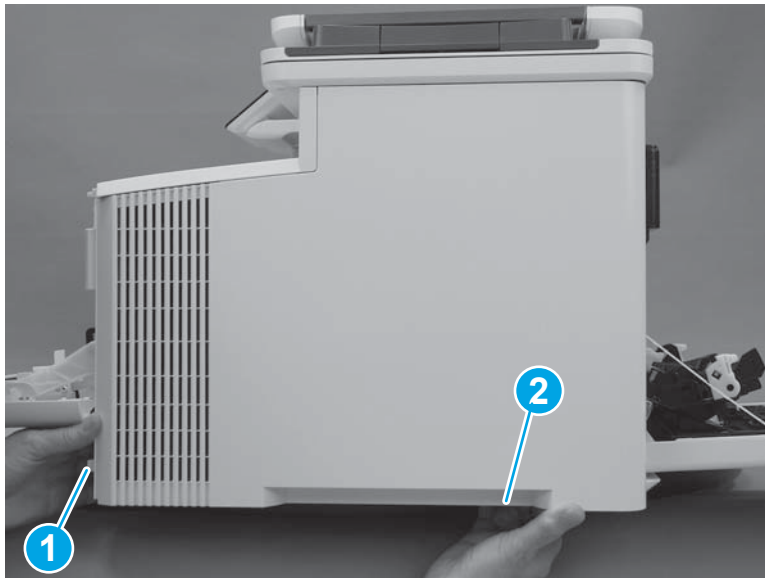
5. Release one tab (callout 1) on the front of the cover by slightly pulling the cover away from the printer. While holding the cover in the released position, release one tab (callout 2) on the lower edge of the cover.

Figure 1-931 Release front lower tabs



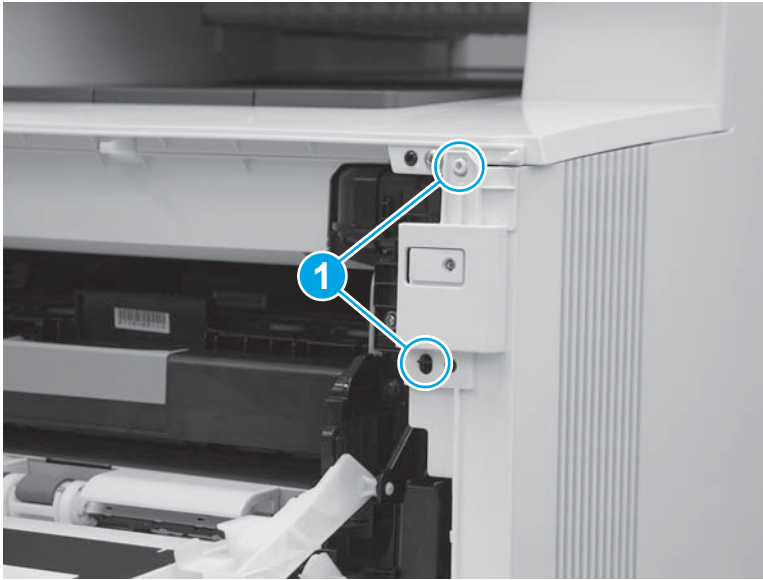
6. Hold the front tabs in the released position (callout 1), and then release one tab (callout 2) on the lower edge of the cover, toward the back of the printer.

Figure 1-932 Release lower rear tab



7. Release two tabs at the front of the printer (callout 1) by slightly pulling the cover away from the printer.

Figure 1-933 Release front upper tabs



8. Rotate the front of the cover away from the printer (callout 1).

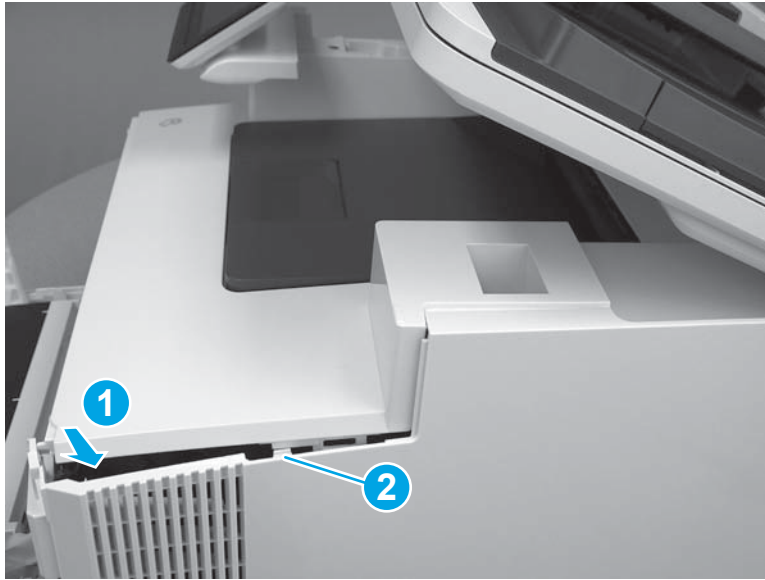
CAUTION: Be careful not to dislodge the power switch (callout 2).

Figure 1-934 Rotate the front of the cover



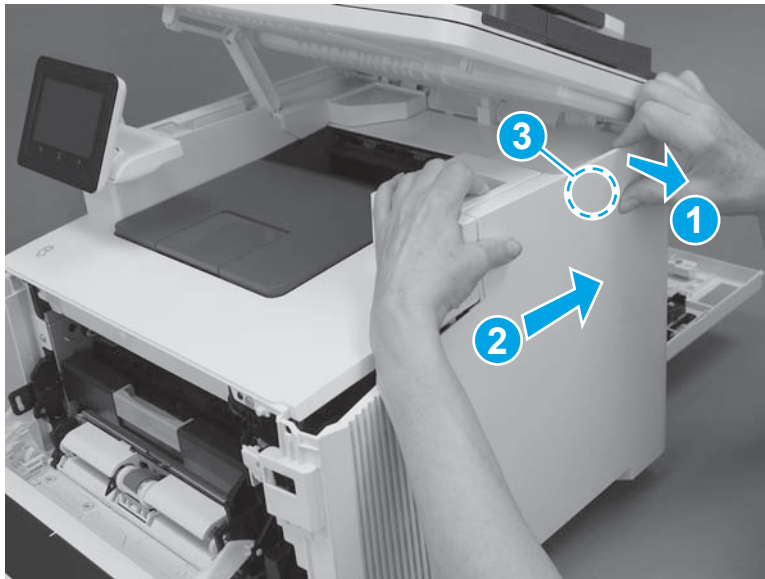
9. Slightly pull the front of the cover away from the printer (callout 1) to release one tab (callout 2).

Figure 1-935 Release top tabs



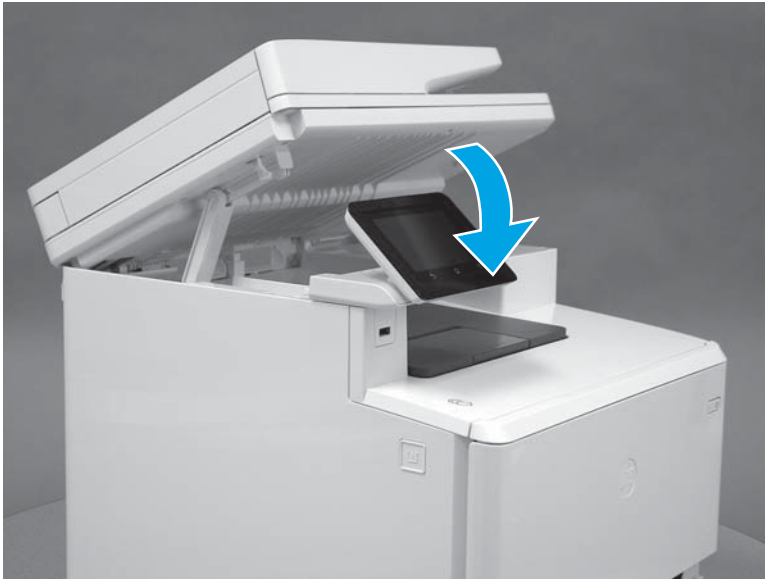
10. At the top of the printer, slightly pull the top of the cover away from the printer to release one retention tab (callout 1) on the inside of the cover. While holding the cover away, slide the cover toward the back of the printer (callout 2) to release one hook (callout 3) on the inside of the cover.

Figure 1-936 Release one tab and one hook



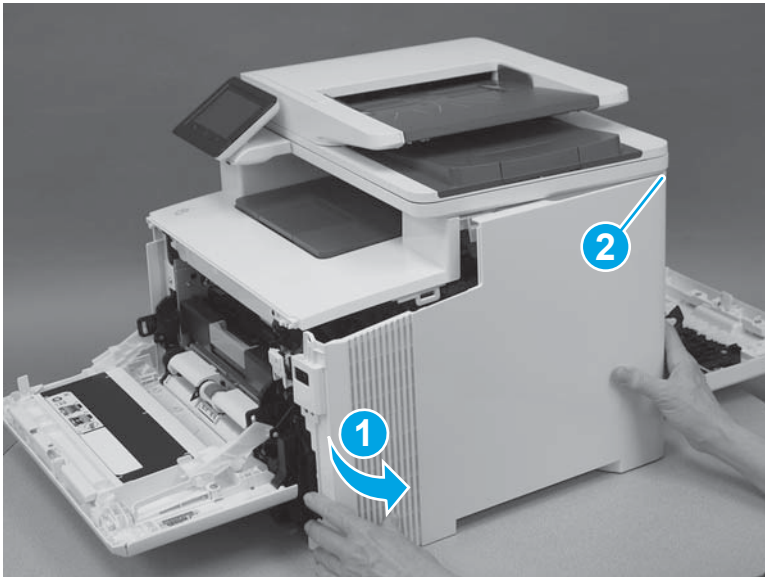
11. Lower the scanner.

Figure 1-937 Lower the scanner



12. Rotate the cover away from the printer (callout 1) to release one tab (callout 2) at the back of the printer, and then remove the cover.

Figure 1-938 Remove the right cover



Step 4: Remove the left cover (M377, M477 models)

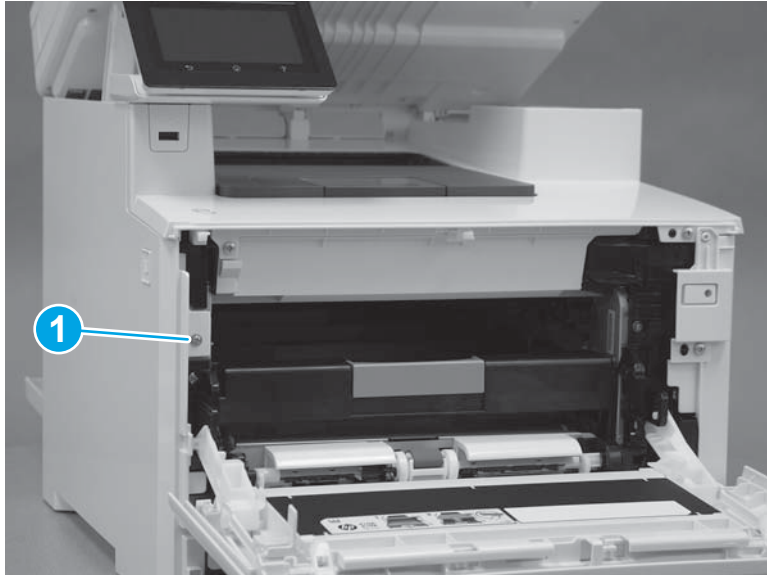
1. Raise the scanner.

Figure 1-939 Raise the scanner



2. At the front of the printer, remove one screw (callout 1).

Figure 1-940 Remove one screw



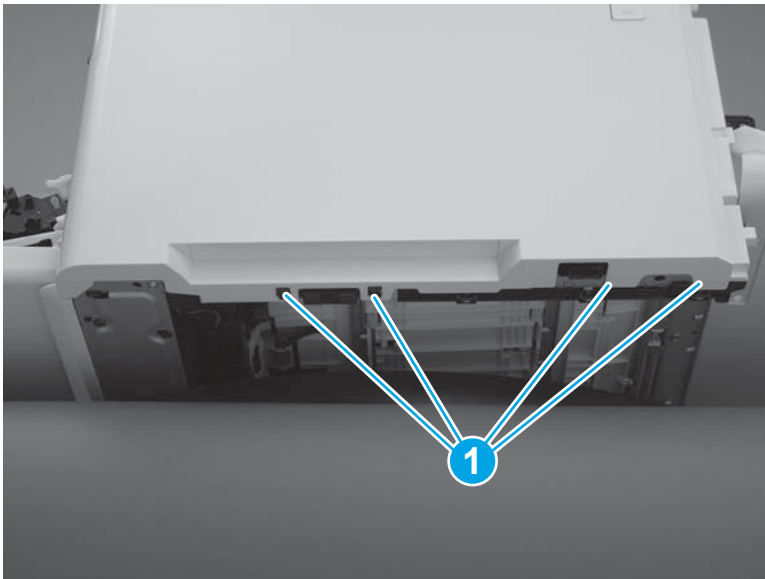
3. Release two tabs (callout 1) at the front of the cover. Hold the cover open to prevent the tabs from re-engaging.

Figure 1-941 Release two tabs



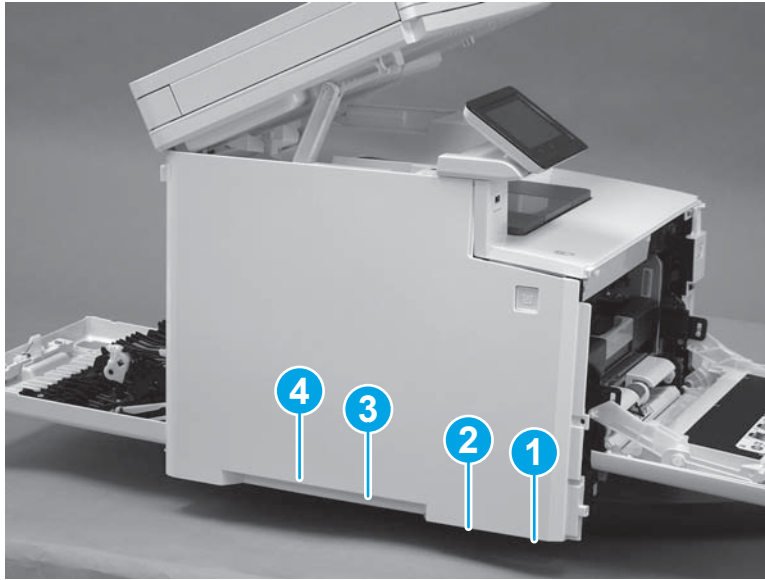
4. Slide the printer to the edge of a work surface. Note the location of the tabs on the lower edge of the cover (callout 1).

Figure 1-942 Locate the tabs



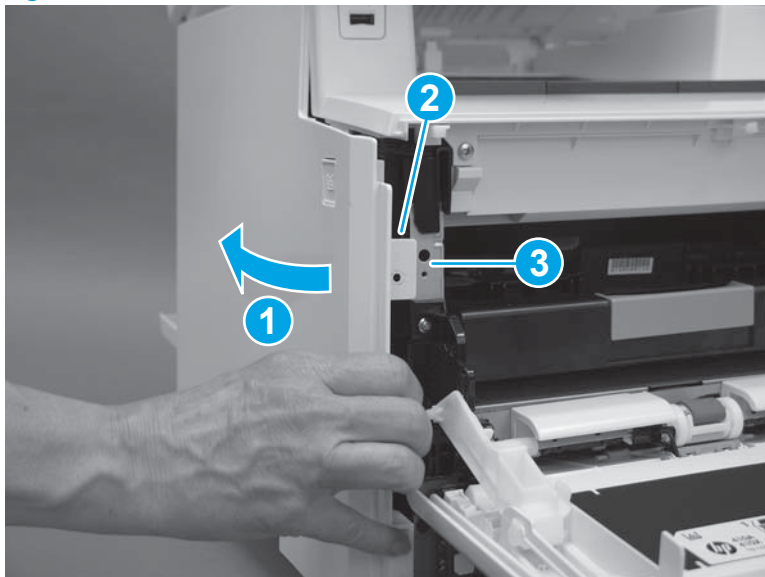
5. Beginning from the front of the cover, release the four tabs (callouts 1-4) on the lower edge of the cover.

Figure 1-943 Release four tabs



6. Rotate the front of the cover away from the printer (callout 1). Make sure that the tab (callout 2) does not get caught on the printer frame (callout 3).

Figure 1-944 Rotate the cover



7. At the top of the printer, slightly pull the top of the cover away from the printer to release one retention tab (callout 1) on the inside of the cover. While holding the cover away, slide the cover toward the back of the printer (callout 2) to release two hooks (callout 3) inside the cover.

Figure 1-945 Release one tab and two hooks



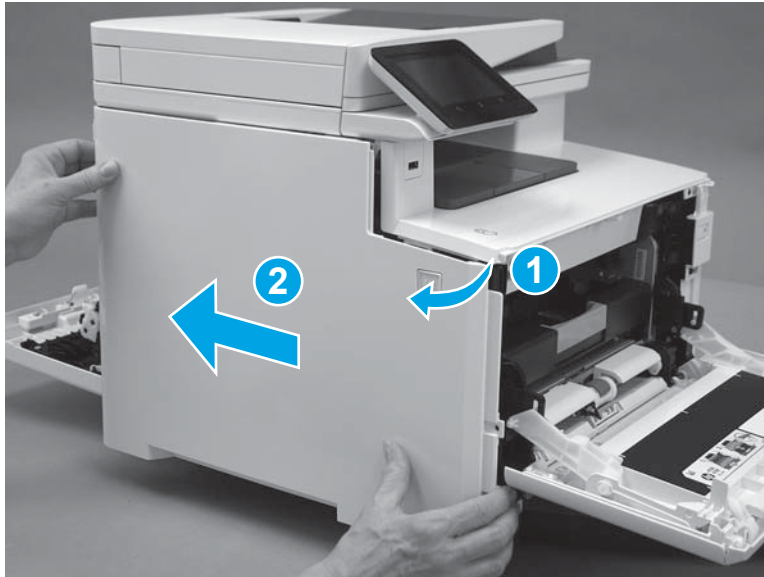
8. Lower the scanner.

Figure 1-946 Lower the scanner



9. Rotate the cover away from the printer (callout 1), and then slide the cover (callout 2) toward the back of the printer to remove it.

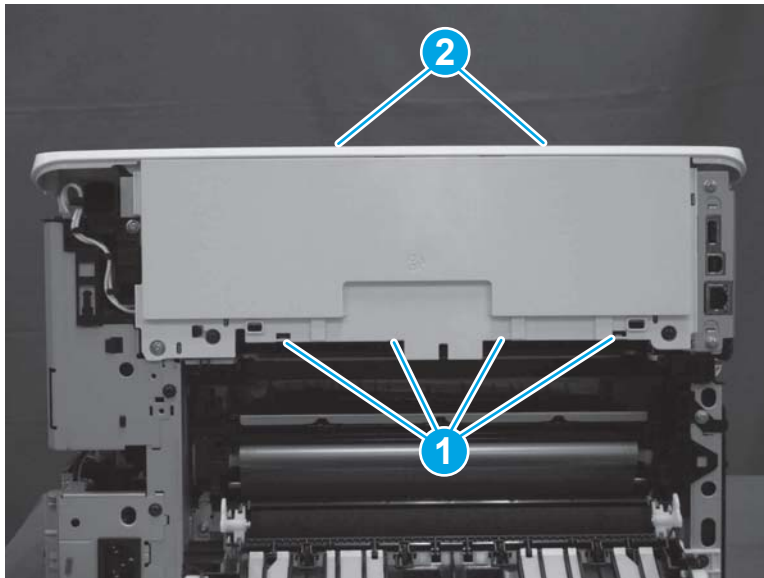
Figure 1-947 Remove the left cover



Step 5: Remove the rear top cover (simplex model)

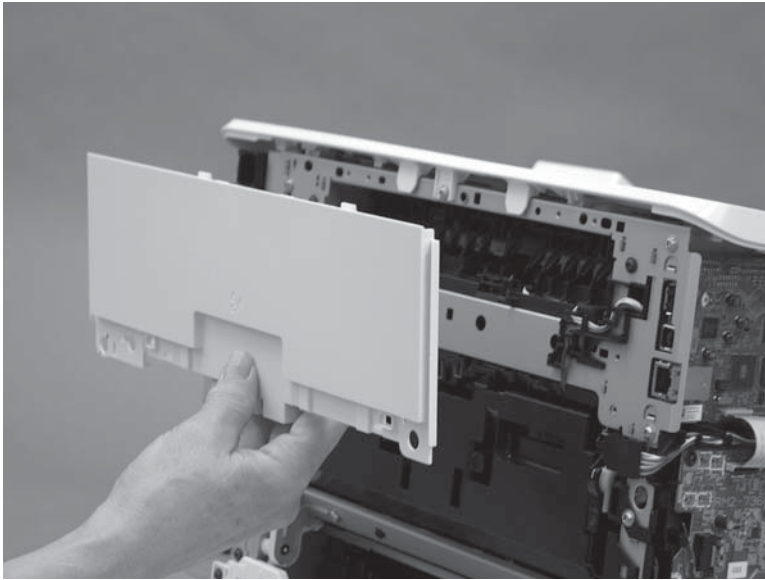
1. At the back of the printer, release four tabs (callout 1) on the bottom of the cover and two tabs (callout 2) on the top of the cover.

Figure 1-948 Release six tabs



2. Remove the rear top cover.

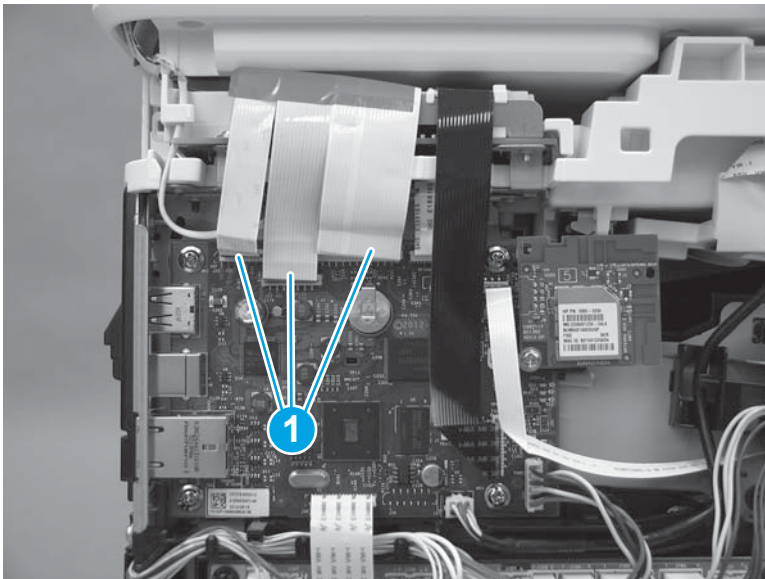
Figure 1-949 Remove the rear top cover



Step 6: Remove the image scanner (M377, M477 models)

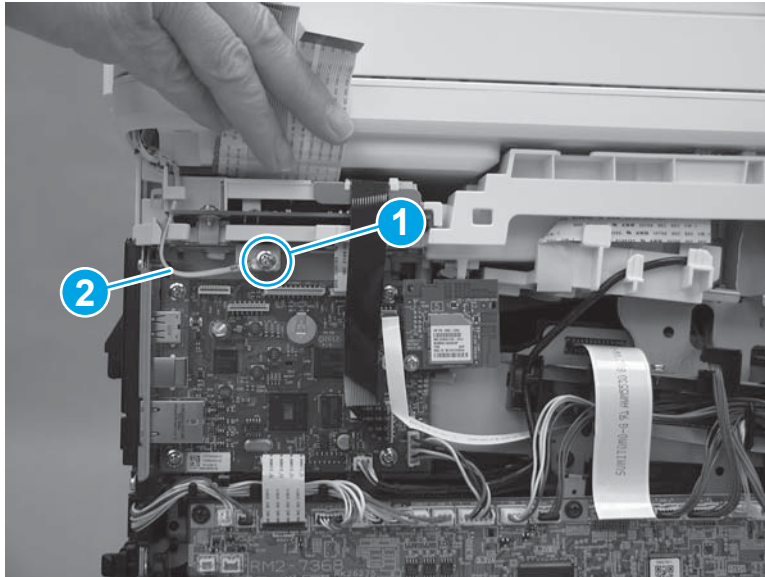
1. On the left side of the printer, disconnect three connectors (callout 1).

Figure 1-950 Disconnect the scanner cables



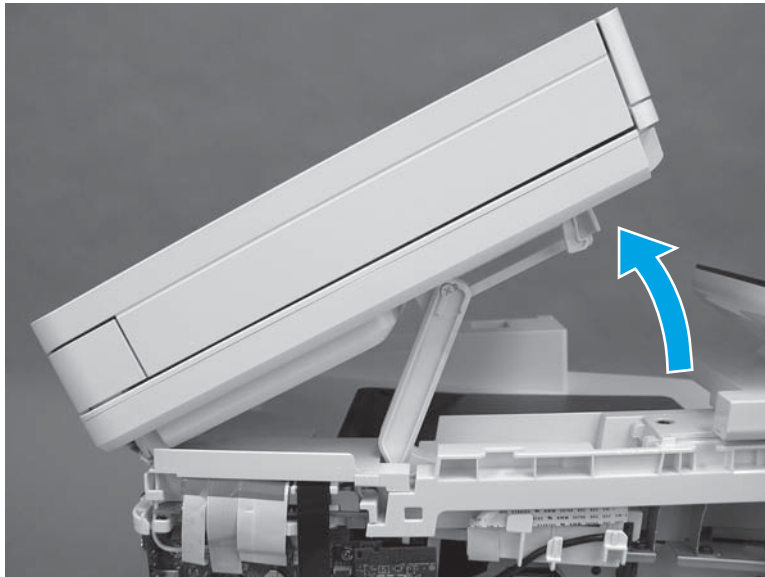
2. Raise the scanner cables up, and then remove one screw (callout 1) to release the ground wire (callout 2).

Figure 1-951 Remove one screw and release the ground wire



3. Raise the scanner.

Figure 1-952 Raise the scanner



4. With the scanner lifted, release the tab (callout 1) on the scanner support arm pin from the slot and rotate the pin in the direction indicated.

Figure 1-953 Release the scanner arm pin



5. Remove the scanner arm pin.

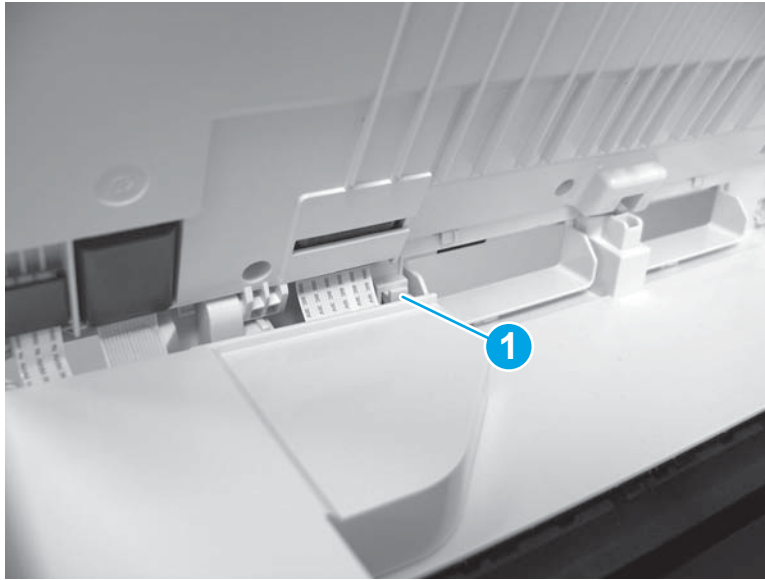
CAUTION: Once the scanner arm pin is removed, support the scanner with one hand at all times so that it does not fall backwards off of the printer.

Figure 1-954 Remove the scanner arm pin.



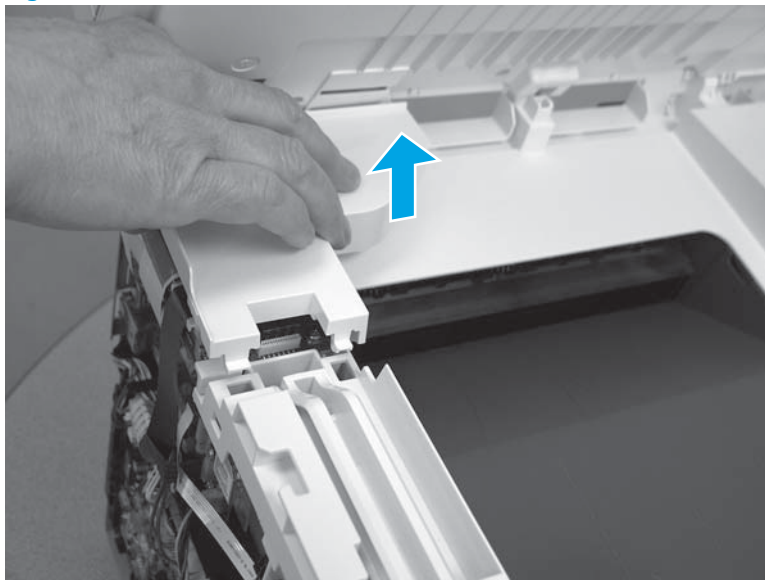
6. On the top of the printer, use a flat-blade screwdriver to release one tab (callout 1).

Figure 1-955 Release one tab



7. Remove the scanner cable cover.

Figure 1-956 Remove the scanner cable cover



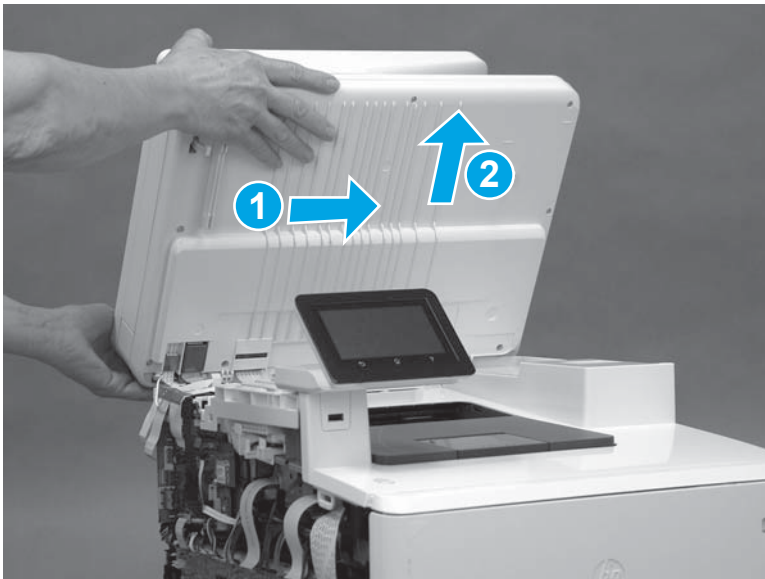
8. The scanner cables (callout 1) are held in place on the top cover with double-sided tape. Carefully release the cables from the top cover.

Figure 1-957 Release the cables



9. Open the scanner assembly fully, slide the assembly toward the right side of the printer, and then lift the assembly off of the printer.

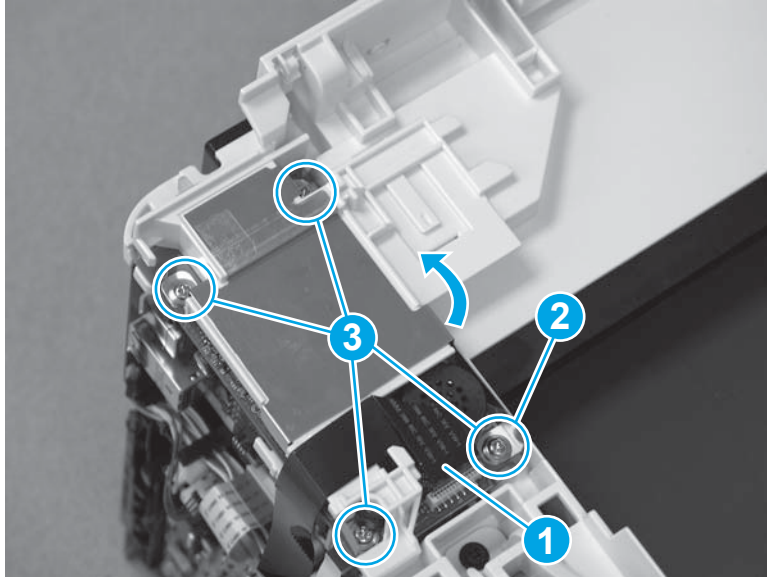
Figure 1-958 Remove the scanner assembly



Step 7: Remove the fax PCA (M477 models)

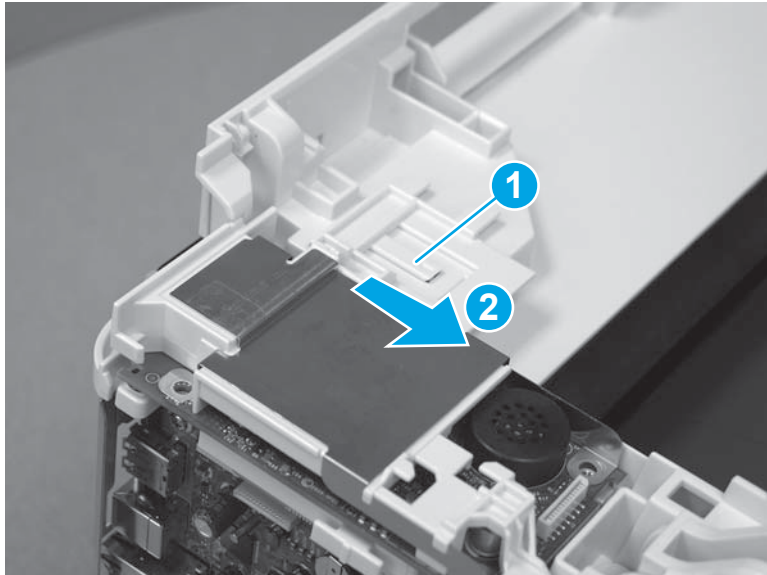
1. Disconnect one connector (callout 1). Beginning with the top right screw (callout 2) remove four screws (callout 3) in a counterclockwise direction.

Figure 1-959 Disconnect one connector and remove four screws



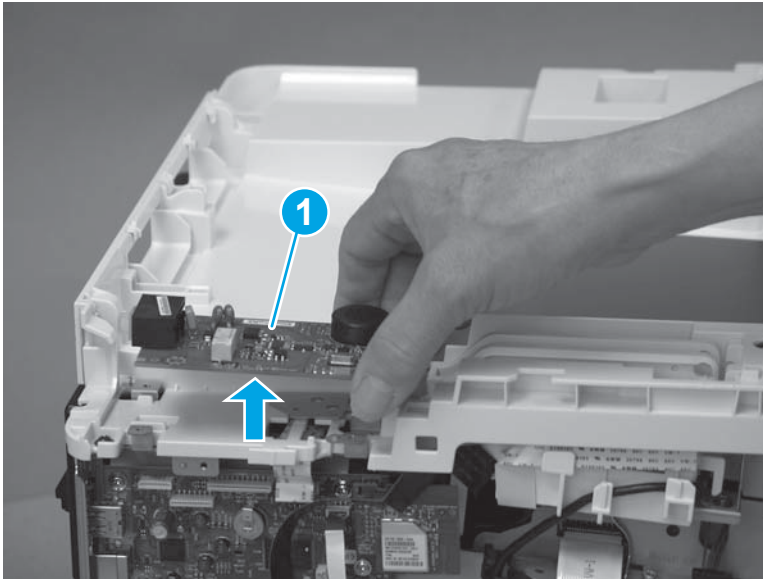
2. Release one tab (callout 1), and then slide the fax cover (callout 2) toward the front of the printer to remove it.

Figure 1-960 Remove the fax cover



3. Lift up to remove the fax PCA (callout 1).

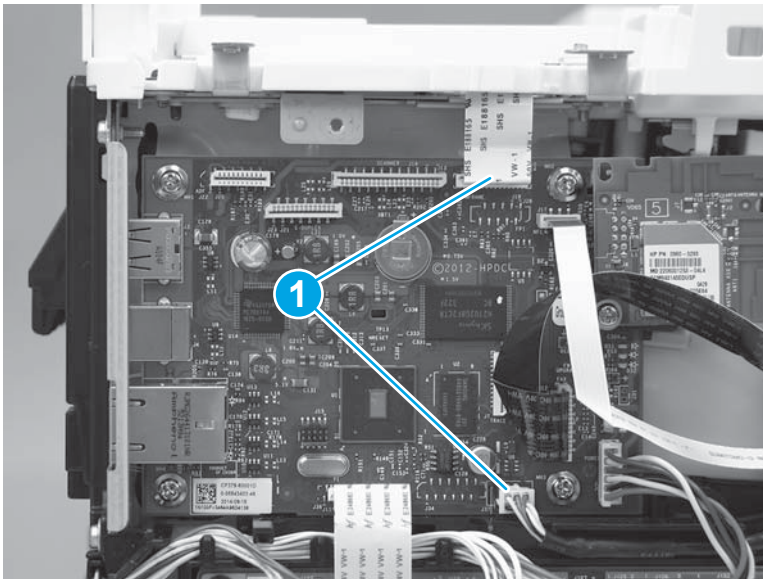
Figure 1-961 Remove the fax PCA



Step 8: Remove the top cover (M377, M477 models)

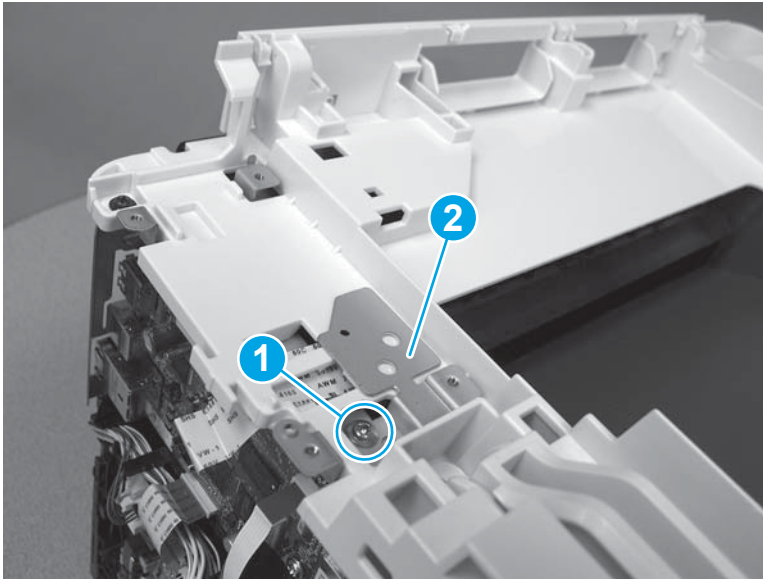
1. On the left side of the printer, on the formatter PCA, disconnect two connectors (callout 1).

Figure 1-962 Disconnect two connectors



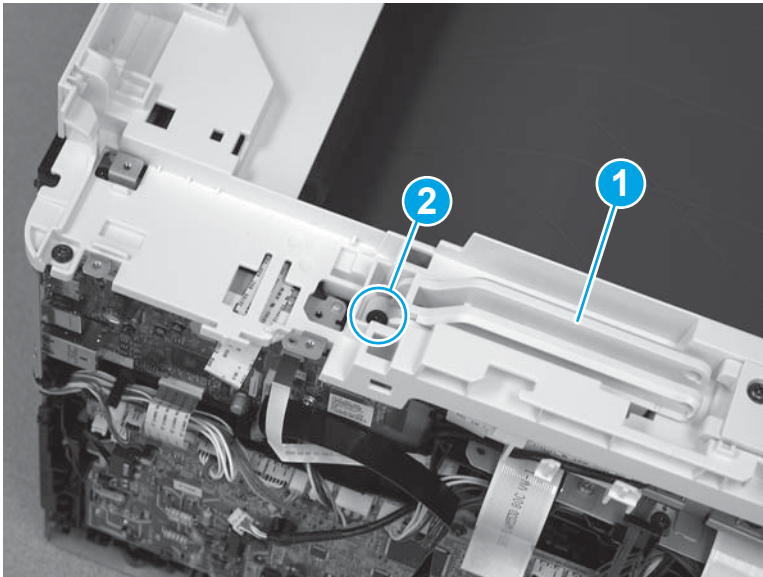
2. On the top cover, remove one screw (callout 1) and the sheet metal plate (callout 2).

Figure 1-963 Remove one screw and the sheet metal plate



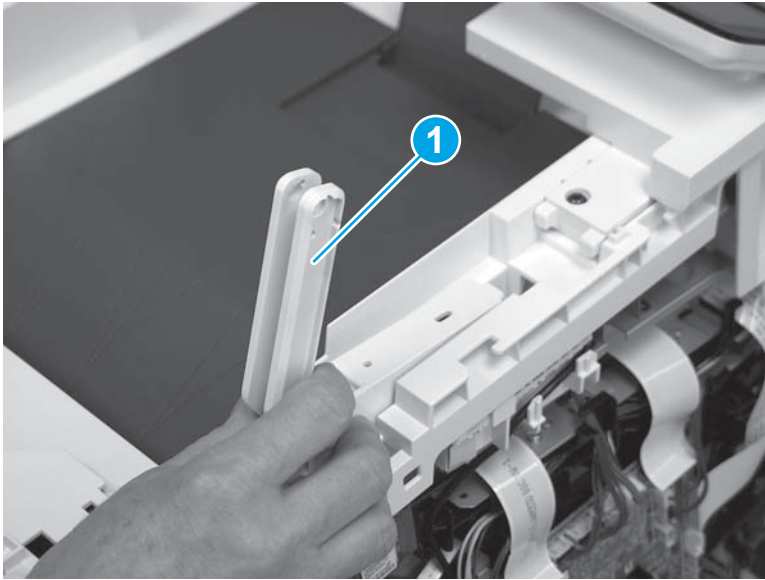
3. At the top of the printer, lower the scanner support arm (callout 1), and then remove one screw (callout 2).

Figure 1-964 Lower the support arm and remove one screw



4. Remove the scanner support arm (callout 1).

Figure 1-965 Remove the scanner support arm



5. At the top of the printer, remove three screws (callout 1).


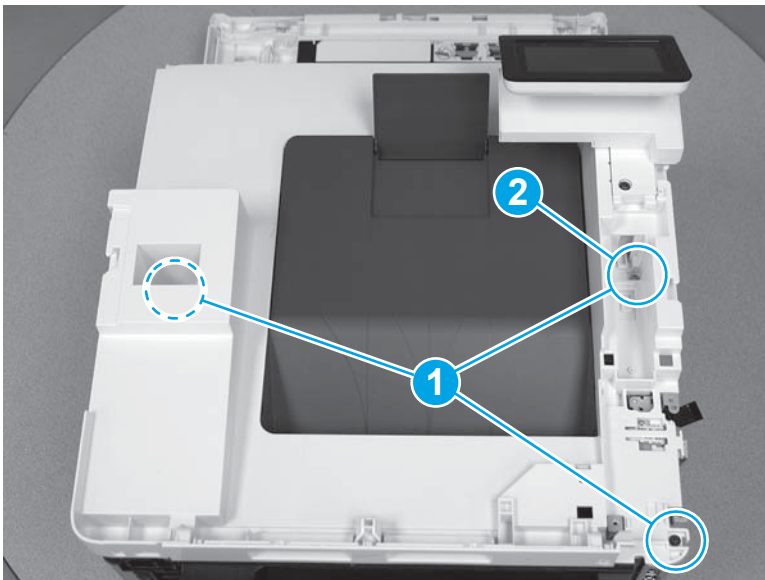
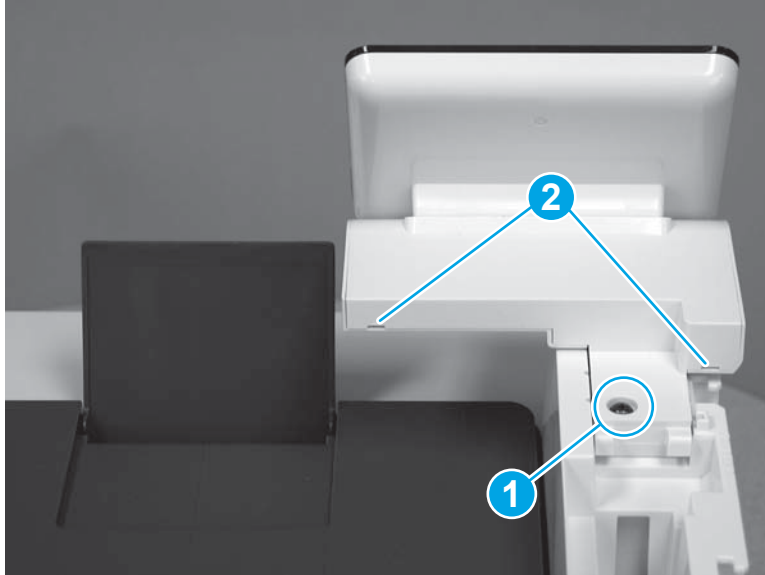
 **Reinstallation tip:** One screw (callout 2) is longer than the other screws. Make sure that this screw is reinstalled in the correct position.

Figure 1-966 Remove three screws



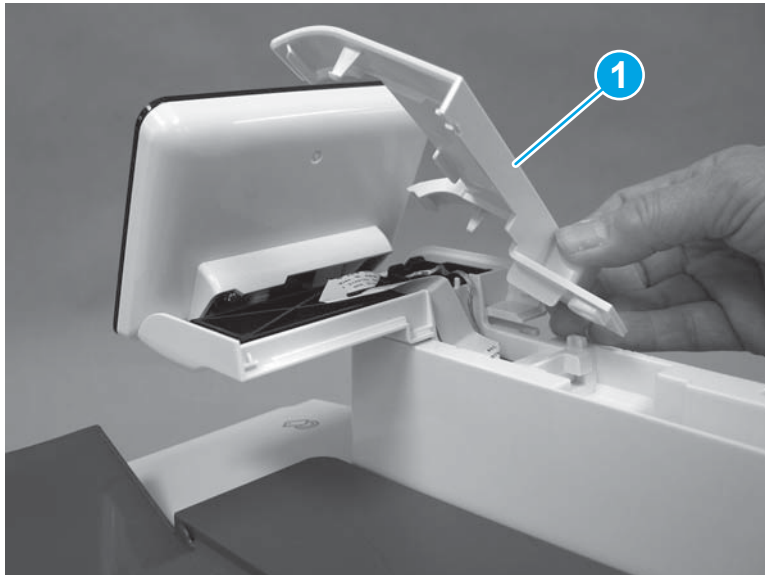
6. Behind the control panel, remove one screw (callout 1), and then use a small flat-blade screwdriver at two pry points (callout 2) to release the control panel cover from the top cover.

Figure 1-967 Release the control panel cover



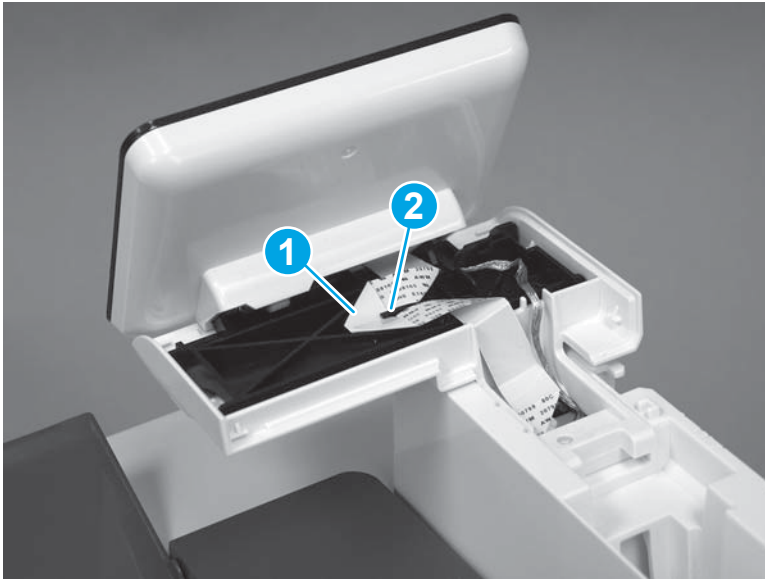
7. Remove the control panel cover (callout 1).

Figure 1-968 Remove the control panel cover



8. Remove the flat cable (callout 1) from the retaining guide (callout 2).

Figure 1-969 Release the flat cable



9. Remove two screws (callout 1), and then remove one screw (callout 2) and release one ground wire.

 **Reinstallation tip:** The two screws toward the front of the control panel (callout 1) are longer than the other screw. Make sure these screws are installed in the correct position when reinstalling the part.

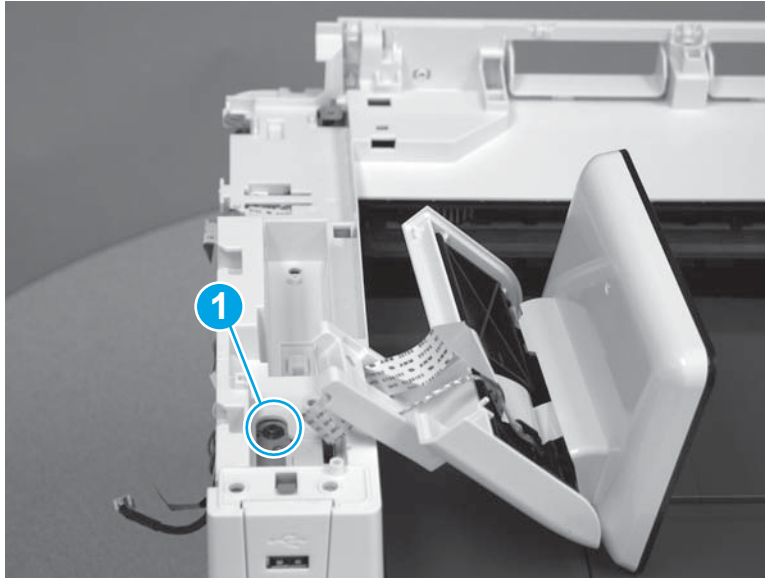
Figure 1-970 Remove three screws



10. Carefully lift the control panel away and rest it on the top cover, and then remove one screw (callout 1).

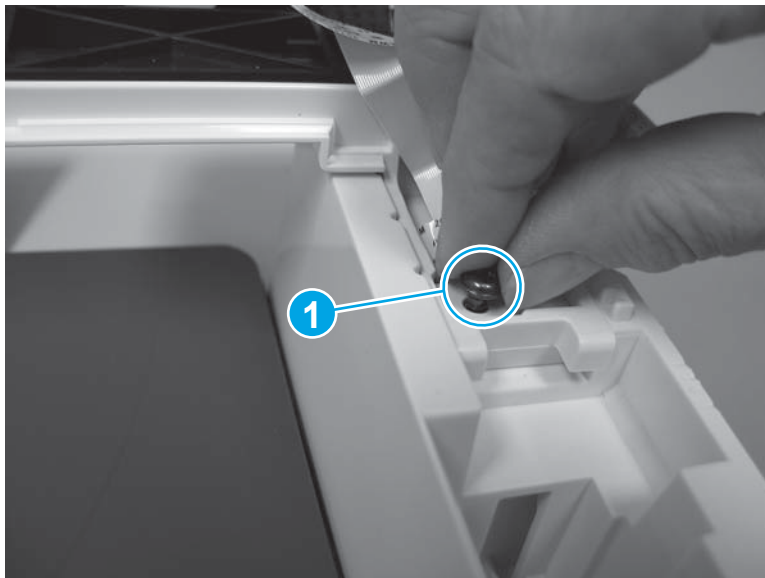
CAUTION: The control panel is still attached to the top cover by the flat cable.

Figure 1-971 Remove one screw



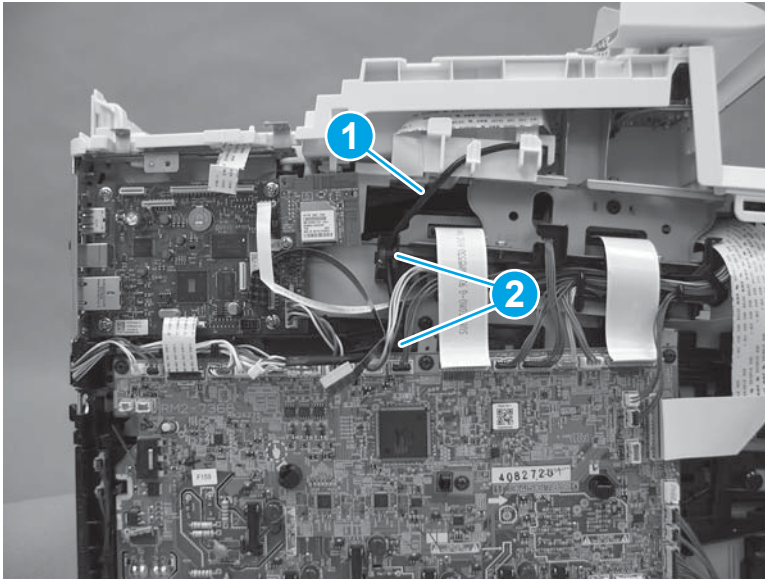
11. Place the control panel back into position. With your hand, refasten the screw (callout 1) that was previously removed from the control panel cover to temporarily reattach the control panel to the top cover. Doing this should protect the flat cable from being damaged.

Figure 1-972 Refasten the control panel to the top cover



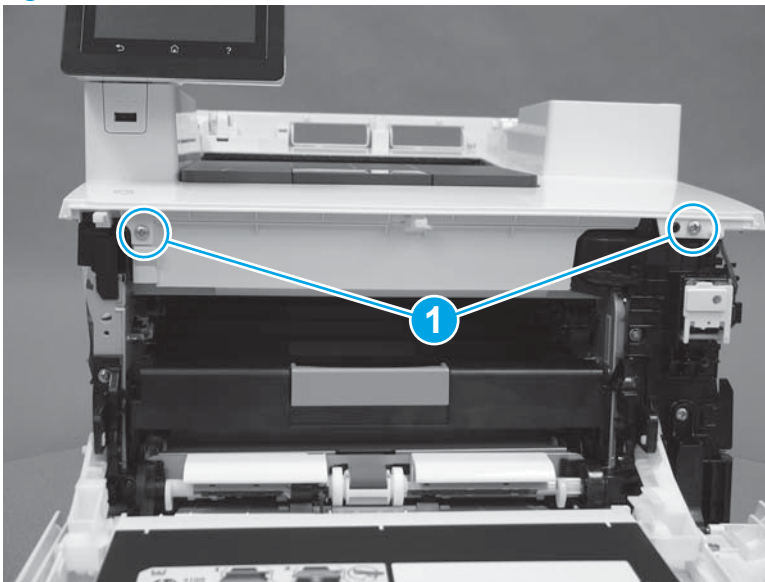
12. Remove the USB cable (callout 1) from the cable guides (callout 2).

Figure 1-973 Release the USB cable



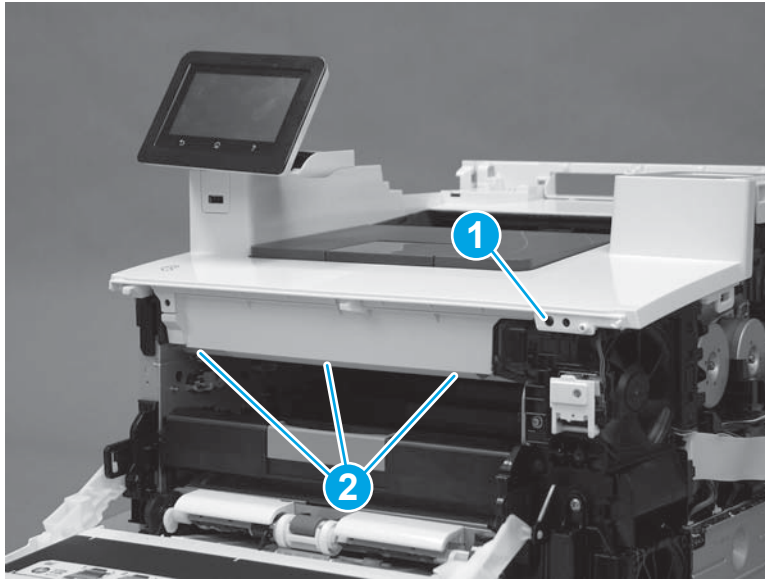
13. At the front of the printer, remove two screws (callout 1).

Figure 1-974 Remove two screws



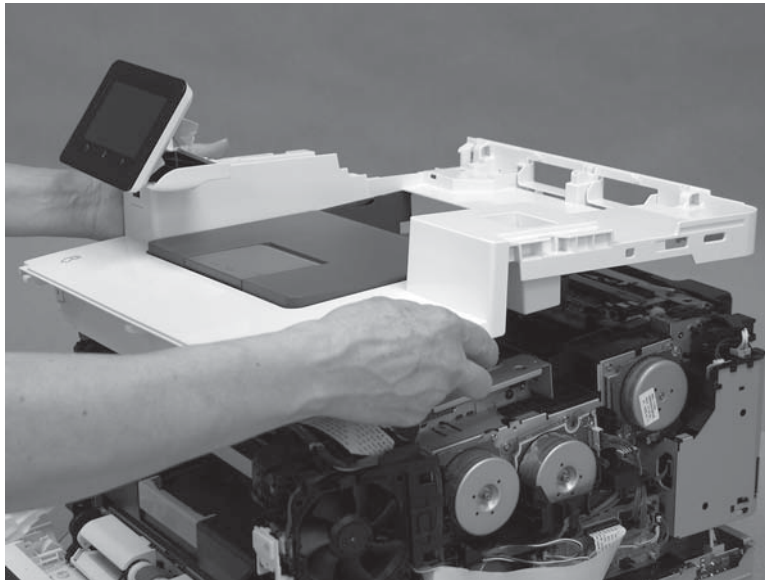
14. Release one retainer (callout 1), and then release three tabs (callout 2).

Figure 1-975 Release one retainer and three tabs



15. Remove the top cover.

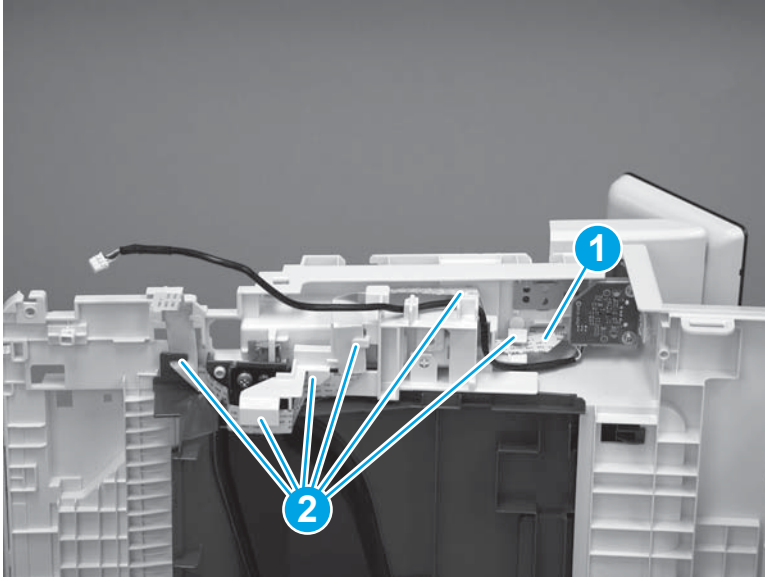
Figure 1-976 Remove the top cover



Step 9: Remove the control panel (M377, M477 models)

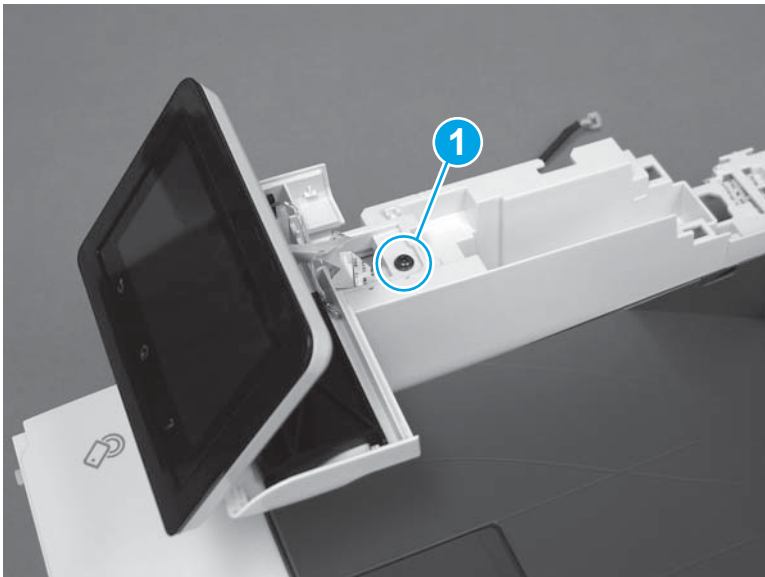
1. Turn the top cover on its side, and then remove the flat cable (callout 1) from the cable guides (callout 2).

Figure 1-977 Remove the flat cable from the guides



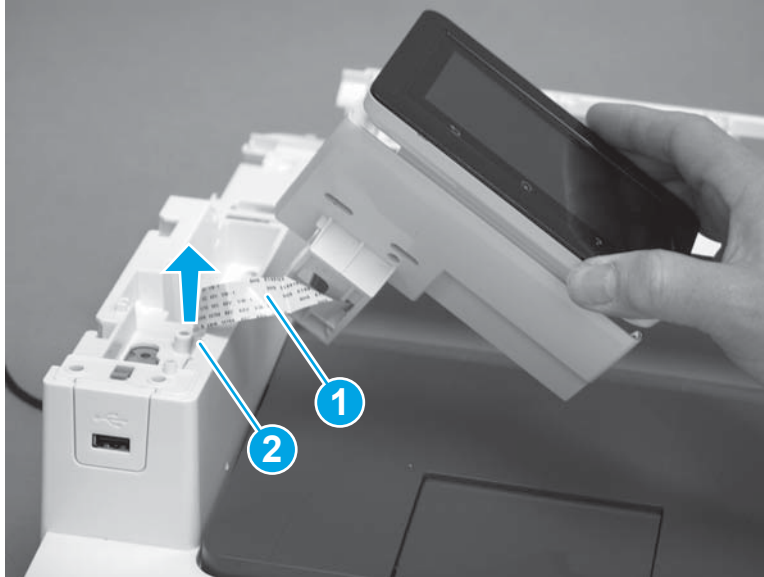
2. On the top of the top cover, use your finger to remove the screw (callout 1) that is temporarily holding the control panel to the top cover.

Figure 1-978 Remove one screw



3. Lift the control panel up and completely remove the flat cable (callout 1) from the slot (callout 2) in the top cover.

Figure 1-979 Remove the control panel



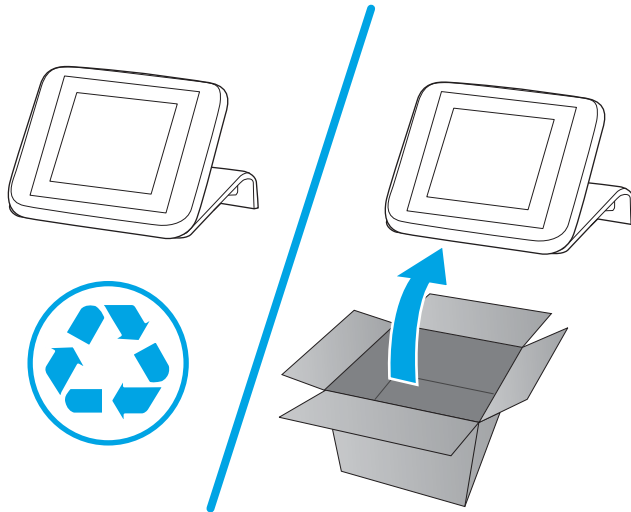
Step 10: Unpack the replacement part

Remove the new part from its package. Save all packaging for recycling the used part.

For complete information on HP's recycling programs, go to [Product return and recycling](#).

 **NOTE:** HP recommends responsible disposal of the defective part.

Figure 1-980 Recycle and unpack



Step 11: Install the control panel (M377, M477 models)

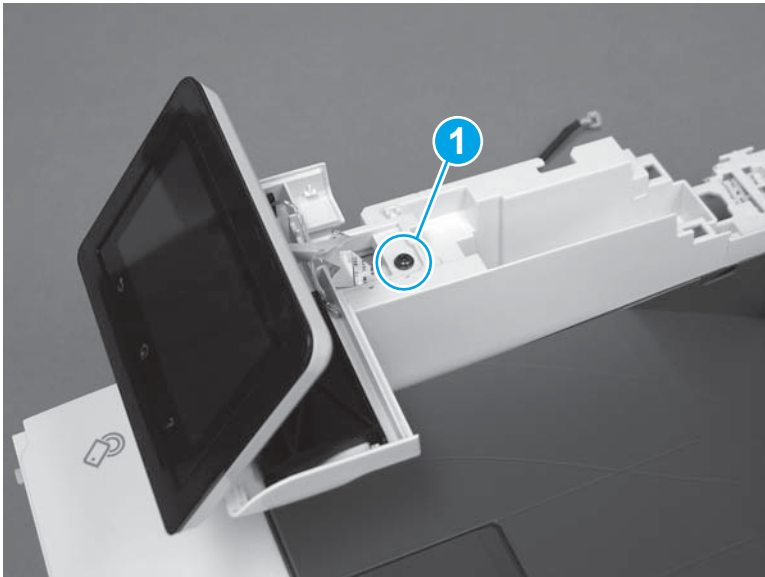
1. Install the flat cable (callout 1) in the slot (callout 2) in the top cover.

Figure 1-981 Install the flat cable



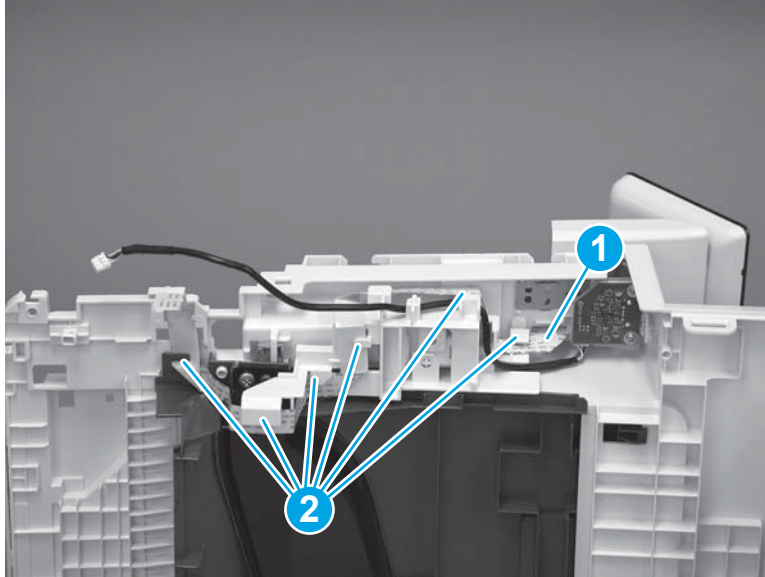
2. On the top of the cover, use your finger to install one screw (callout 1).

Figure 1-982 Install one screw



3. Turn the top cover on its side, and then route the flat cable (callout 1) through the cable guides (callout 2).

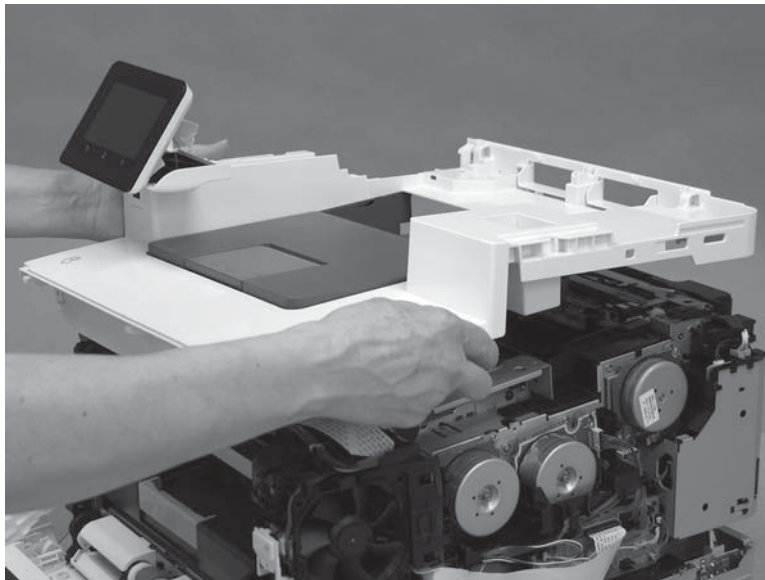
Figure 1-983 Route the flat cable



Step 12: Install the top cover (M377, M477 models)

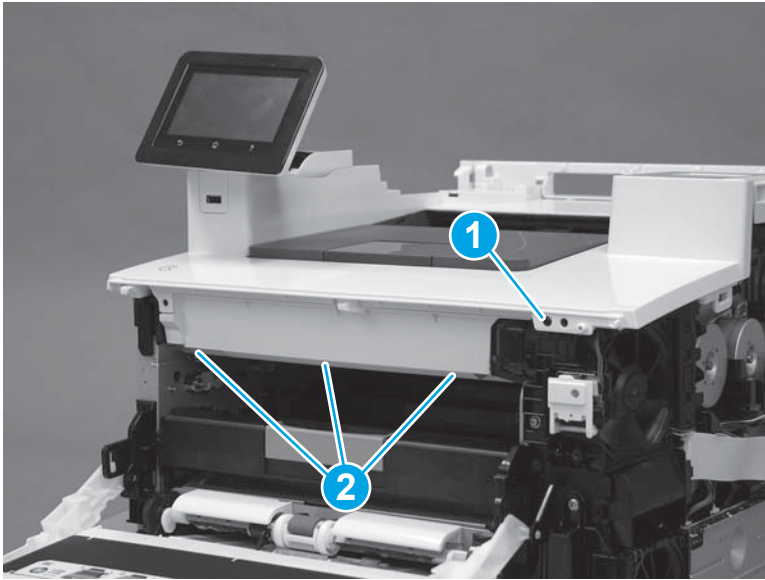
1. Position the top cover on the printer.

Figure 1-984 Position the top cover



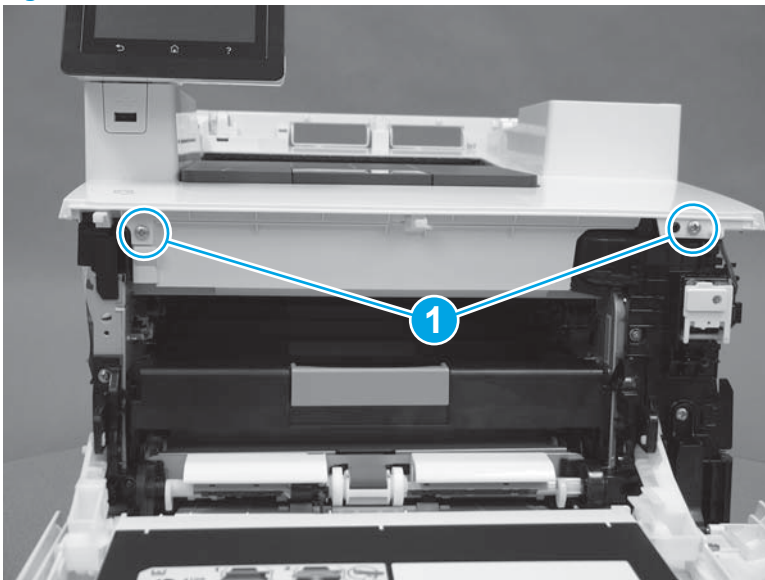
2. At the front of the printer, install one retainer (callout 1), and then install three tabs (callout 2).

Figure 1-985 Install one retainer and three tabs



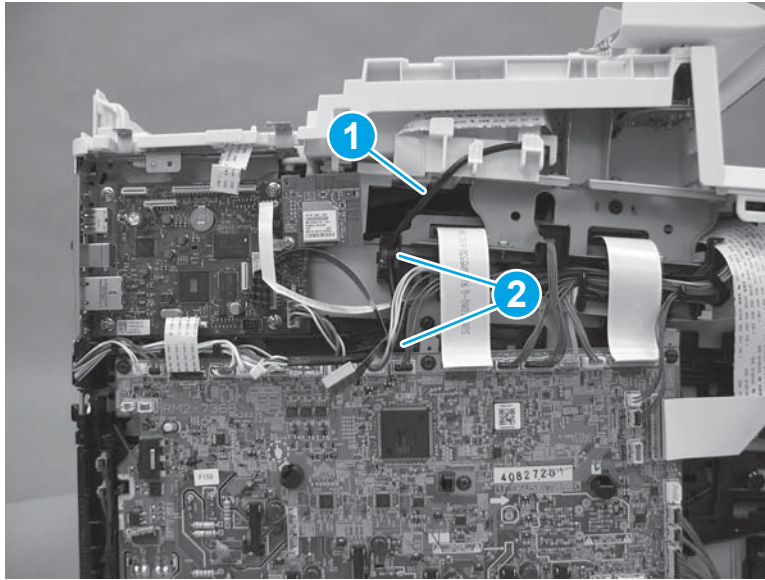
3. Install two screws (callout 1).

Figure 1-986 Install two screws



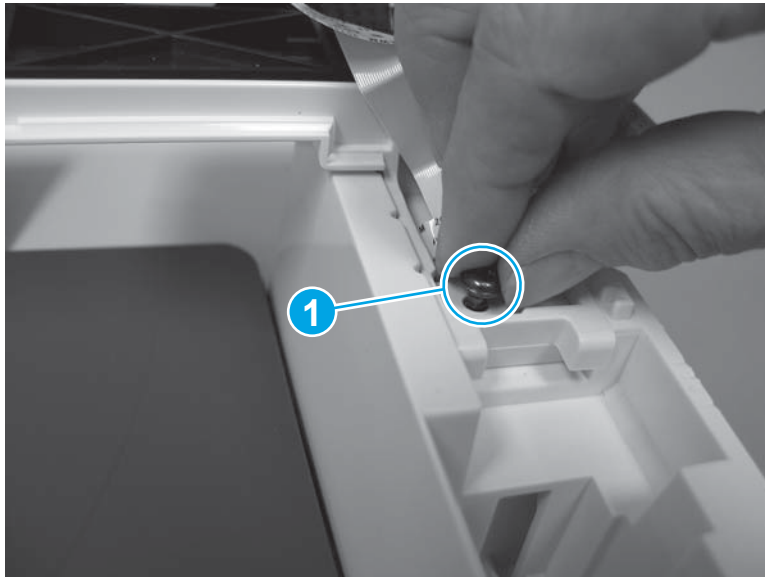
4. Install the USB cable (callout 1) into the cable guides (callout 2).

Figure 1-987 Install the USB cable



5. With your hand, remove the screw (callout 1) that was previously installed to temporarily reattach the control panel to the top cover.

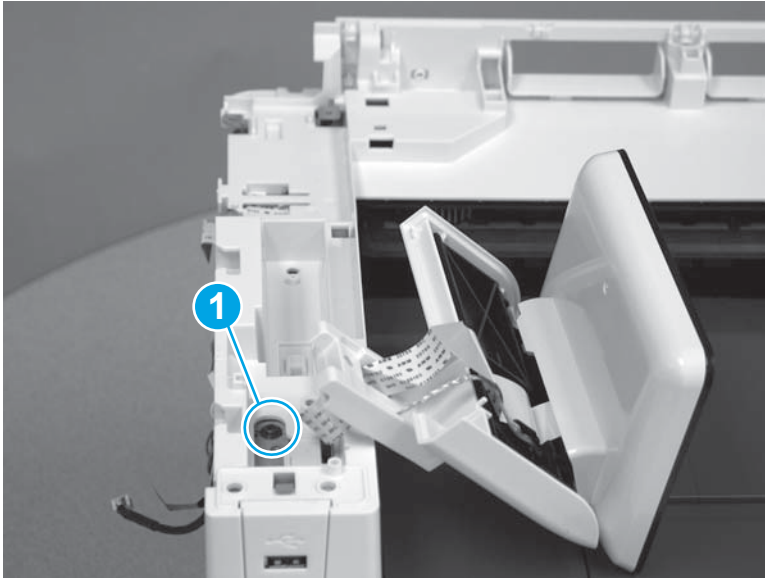
Figure 1-988 Remove one screw



- Carefully lift the control panel away and rest it on the top cover, and then install one screw (callout 1).

⚠ CAUTION: The control panel is still attached to the top cover by the flat cable.

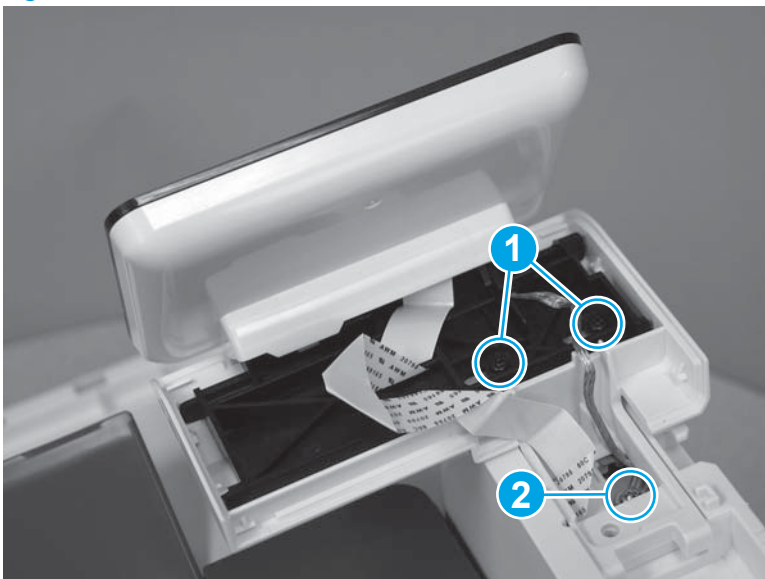
Figure 1-989 Install one screw



- Install two screws (callout 1), and then position the ground wire and install one screw (callout 2).

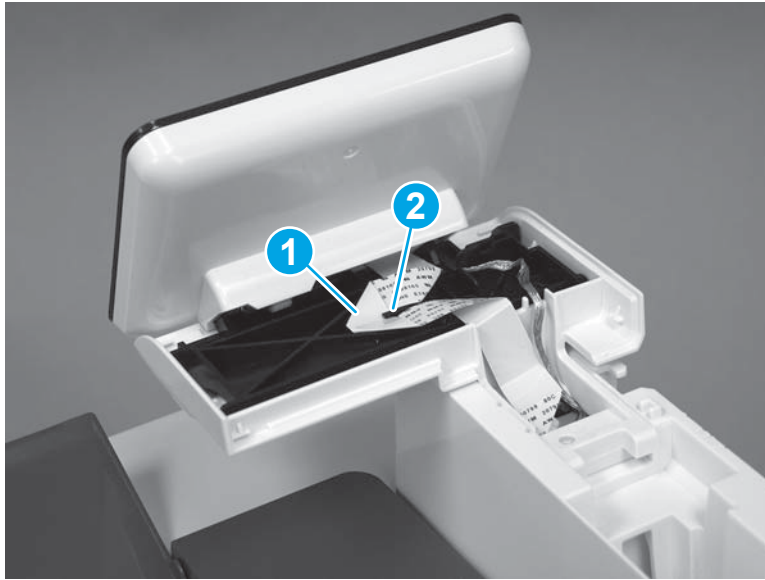
💡 Reinstallation tip: The two screws toward the front of the control panel (callout 1) are longer than the other screw. Make sure these screws are installed in the correct position when reinstalling the part.

Figure 1-990 Install three screws



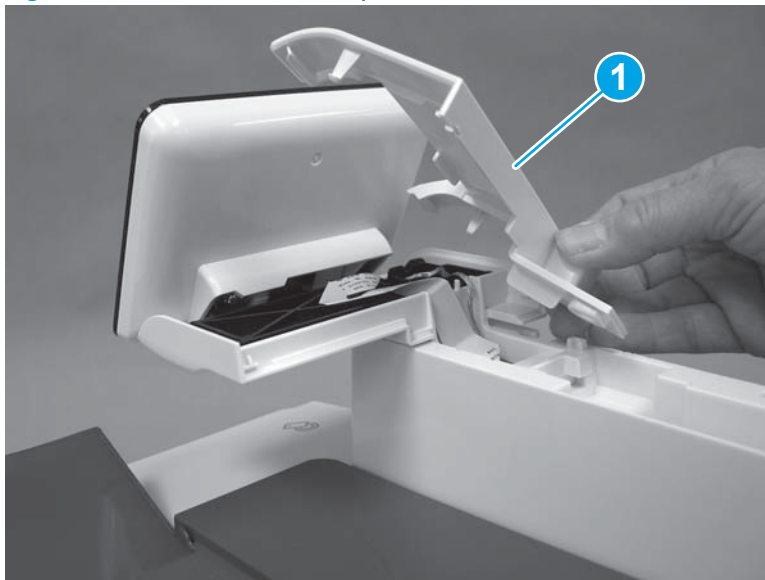
8. Install the flat cable (callout 1) under the retaining guide (callout 2).

Figure 1-991 Install the flat cable



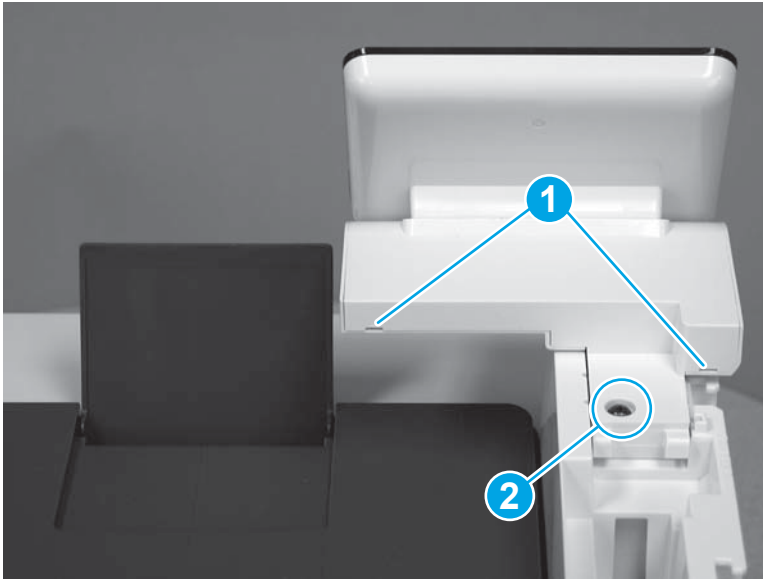
9. Install the control panel cover (callout 1) behind the control panel.

Figure 1-992 Install the control panel cover



10. Make sure that two tabs (callout 1) are snapped into position, and then install one screw (callout 2).

Figure 1-993 Install one screw



11. At the top of the printer, install three screws (callout 1).


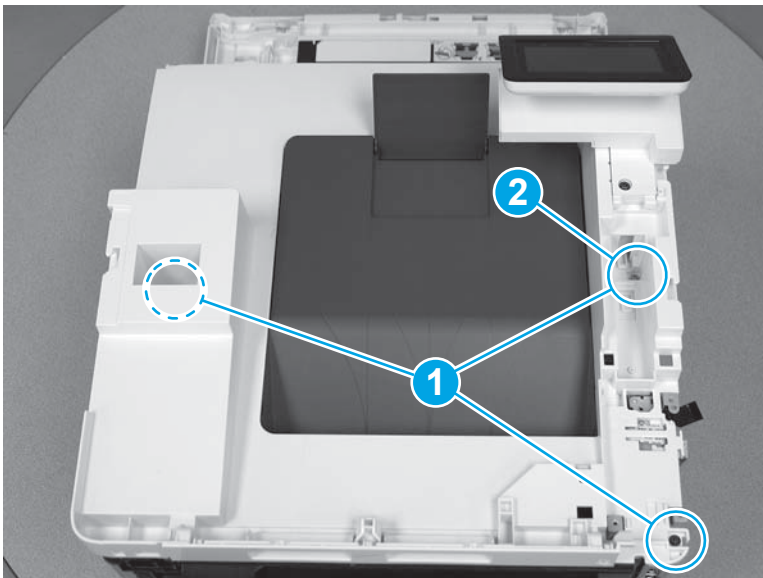
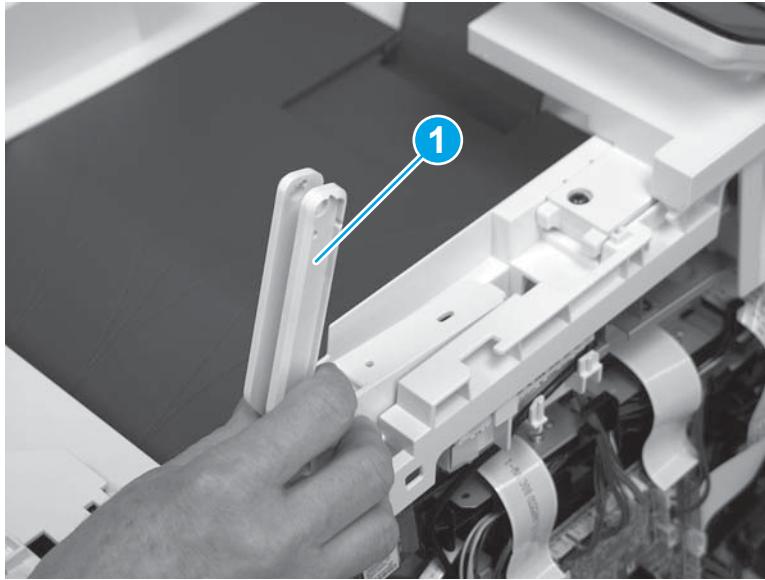
 **TIP:** One screw (callout 2) is longer than the other screws. Make sure that this screw is installed in the correct position.

Figure 1-994 Install three screws



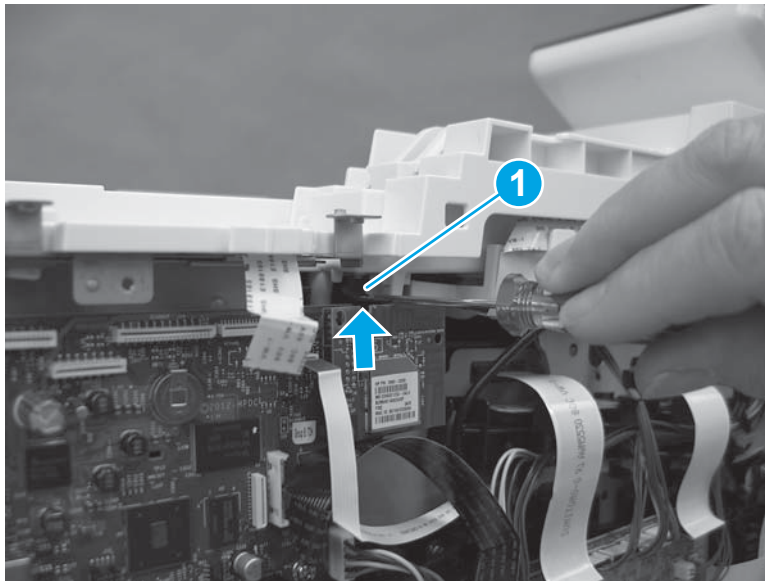
12. Install the scanner support arm (callout 1).

Figure 1-995 Install the scanner support arm



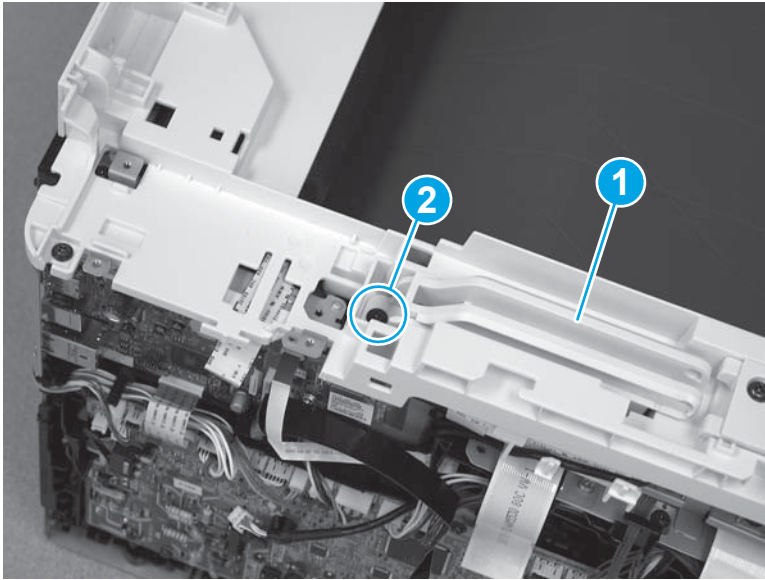
13. Before installing the scanner support arm screw in the next step, use a small flat-blade screwdriver to hold the metal plate (callout 1) up. Continue to hold the plate up while installing the screw so that the screw attaches to the plate.

Figure 1-996 Raise the metal plate



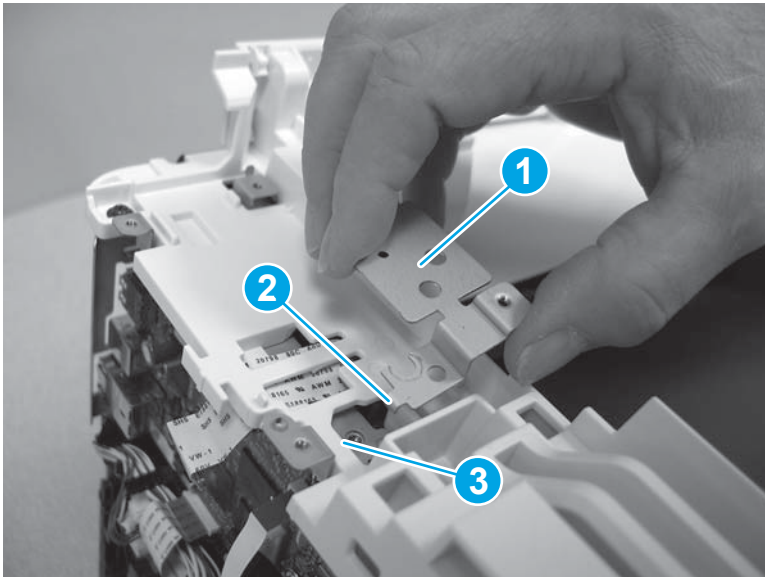
14. Lower the scanner support arm (callout 1), and then install one screw (callout 2).

Figure 1-997 Lower the support arm and install one screw



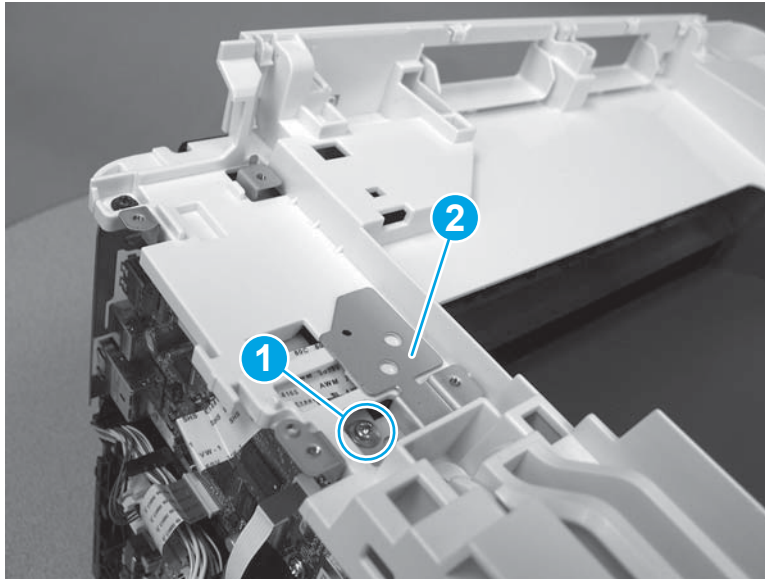
15. Reinstall the metal plate (callout 1). Position the tab (callout 2) under the edge of the top cover (callout 3).

Figure 1-998 Install the metal plate



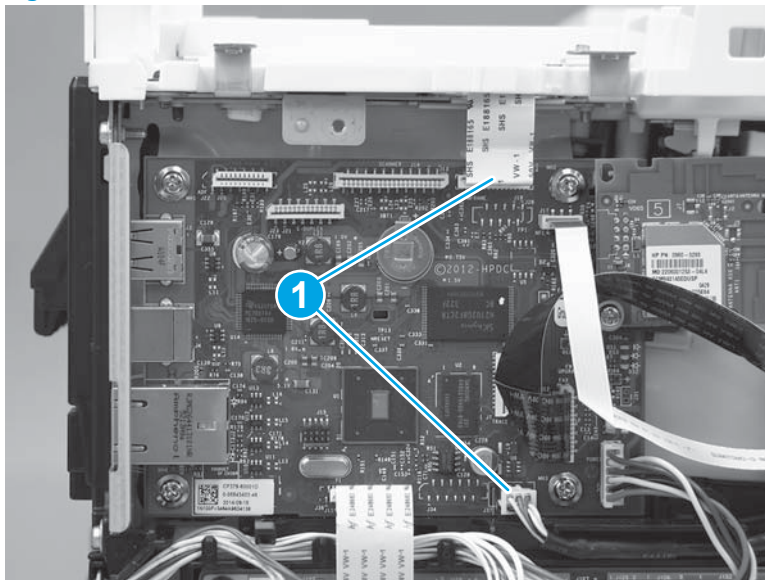
16. Install one screw (callout 1) to secure the sheet metal plate (callout 2).

Figure 1-999 Install one screw



17. On the left side of the printer, on the formatter PCA, Connect two connectors (callout 1).

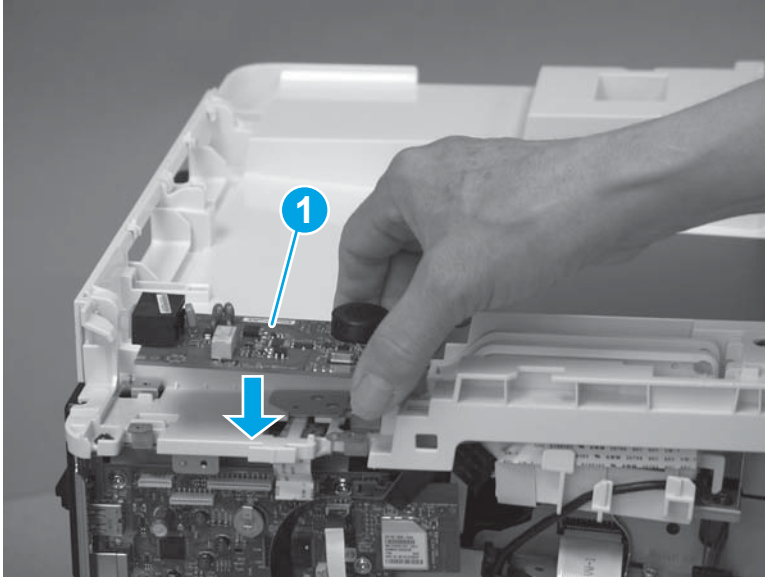
Figure 1-1000 Connect two connectors



Step 13: Install the fax PCA (M477 models)

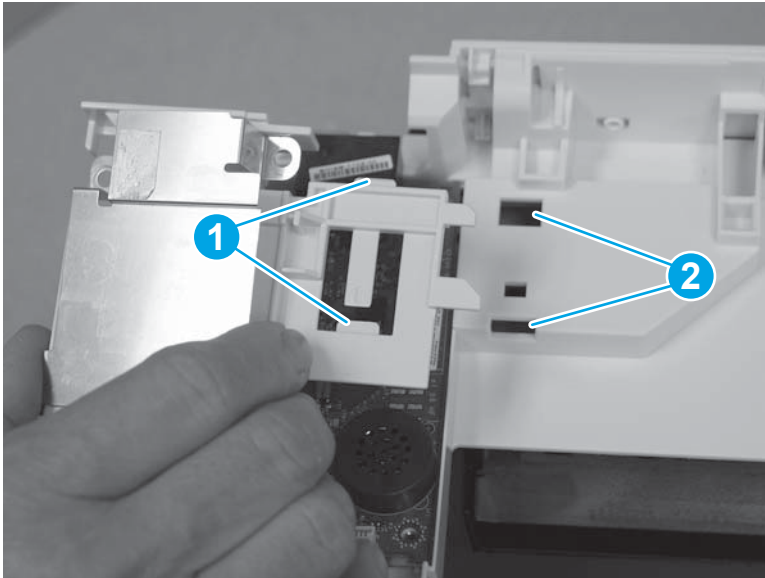
1. Position the fax PCA (callout 1) on the printer.

Figure 1-1001 Install the fax PCA



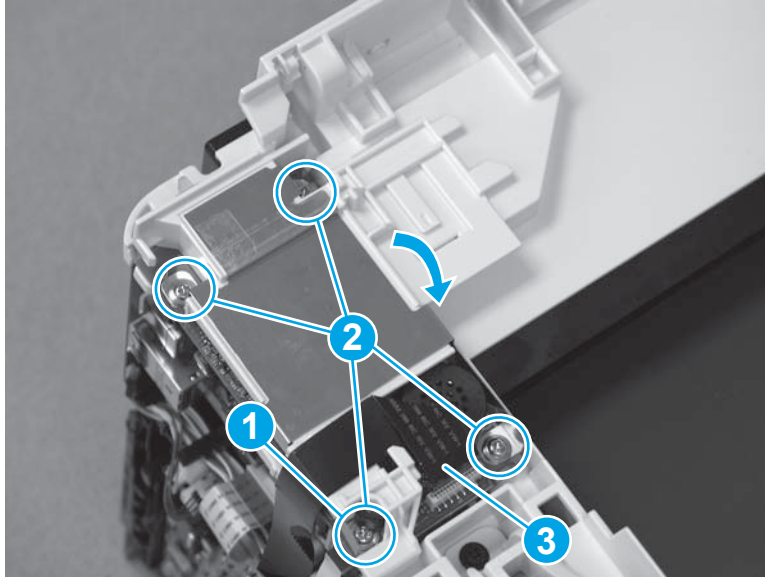
2. Install the tabs (callout 1) on the fax cover in the slots (callout 2) on the top cover. Slide the cover toward the back of the printer to install it.

Figure 1-1002 Install the fax cover



3. Beginning with the lower right screw (callout 1) install four screws (callout 2) in a clockwise direction. Connect one connector (callout 3).

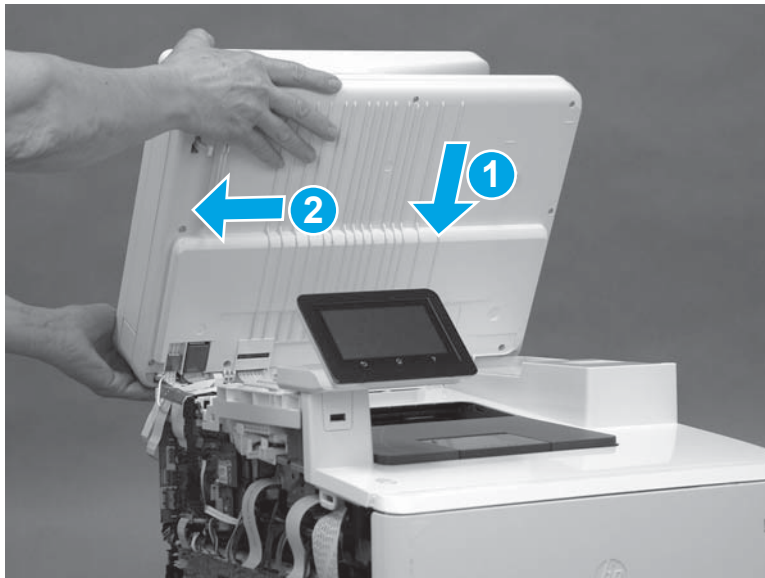
Figure 1-1003 Install four screws and connect one connector



Step 14: Install the image scanner (M377, M477 models)

1. Lower the scanner assembly onto the printer, and then slide the assembly toward the left side of the printer to install it.

Figure 1-1004 Install the scanner assembly



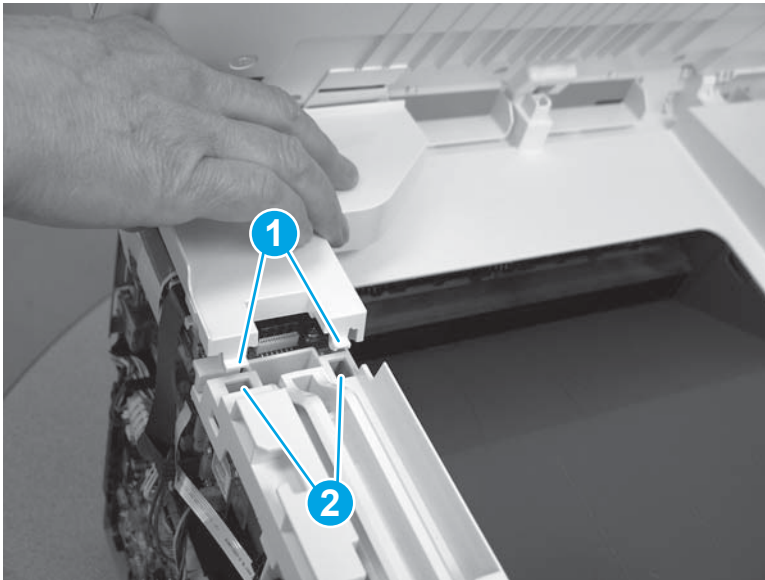
2. Press the scanner cables (callout 1) down onto the double-sided tape on the top cover.

Figure 1-1005 Press the cables



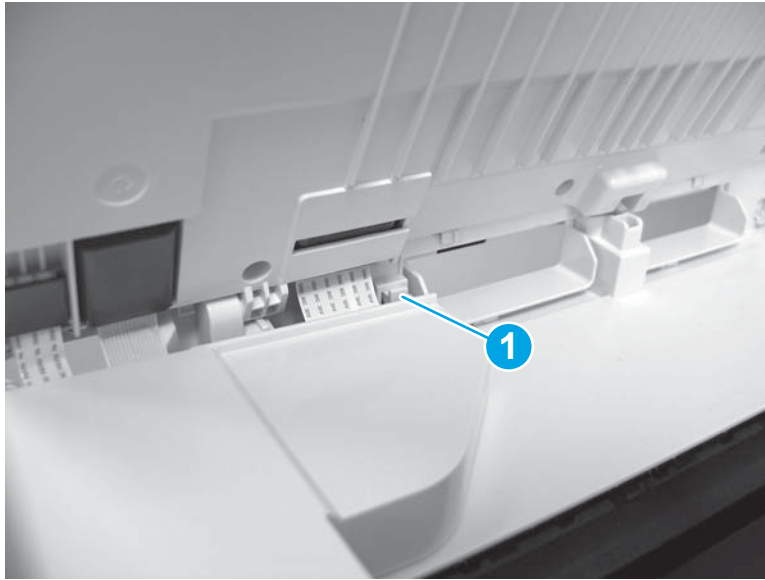
3. Install the tabs (callout 1) on the front of the scanner cable cover in the slots (callout 2) on the top cover.

Figure 1-1006 Position the scanner cable cover



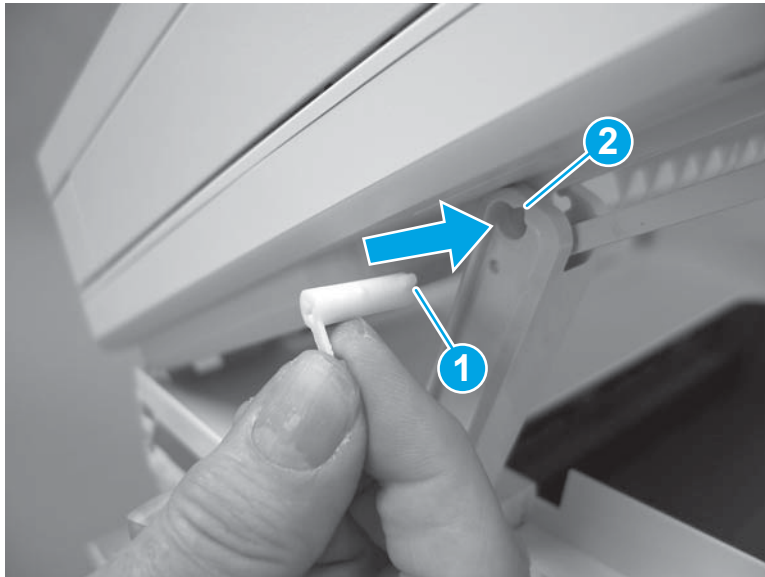
4. Press down on the back of the scanner cable cover to engage one tab (callout 1).

Figure 1-1007 Install the scanner cable cover



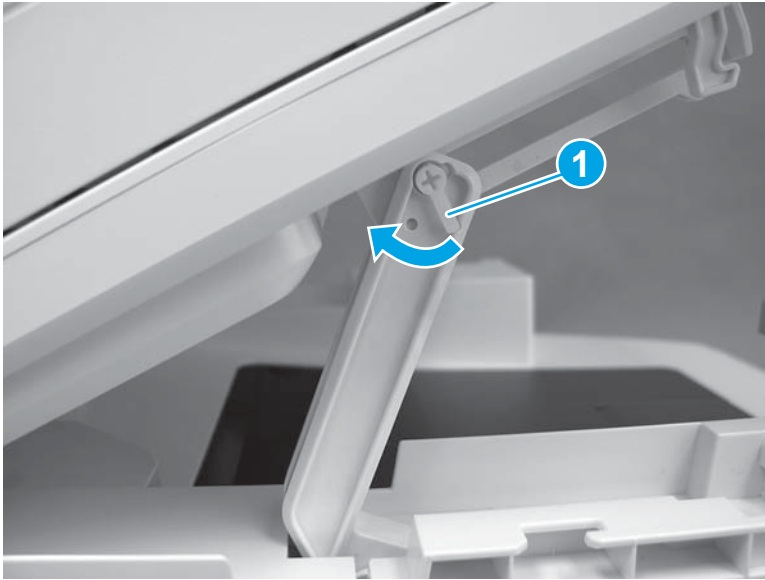
5. With the scanner lid lifted, insert the scanner support arm pin (callout 1) into the slot in the scanner support arm (callout 2).

Figure 1-1008 Install the scanner arm pin



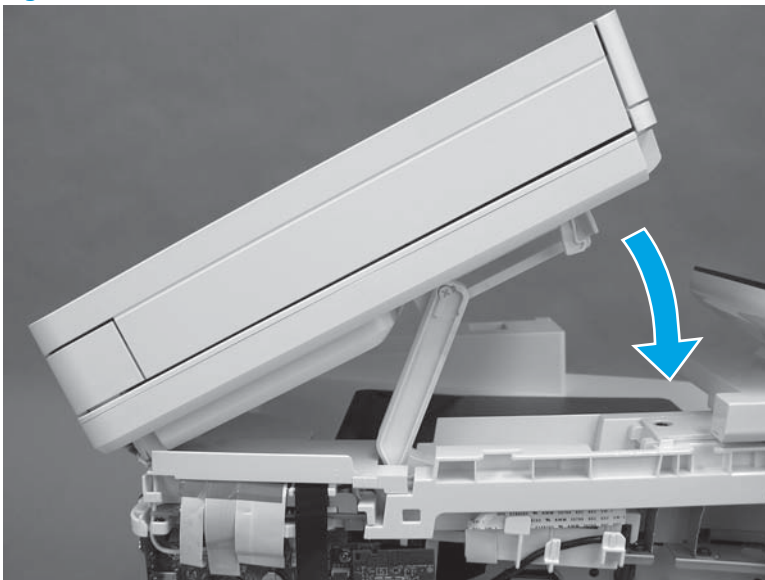
6. Rotate the tab on the scanner arm pin (callout 1) in the direction indicated to snap it into place.

Figure 1-1009 Secure the scanner arm pin



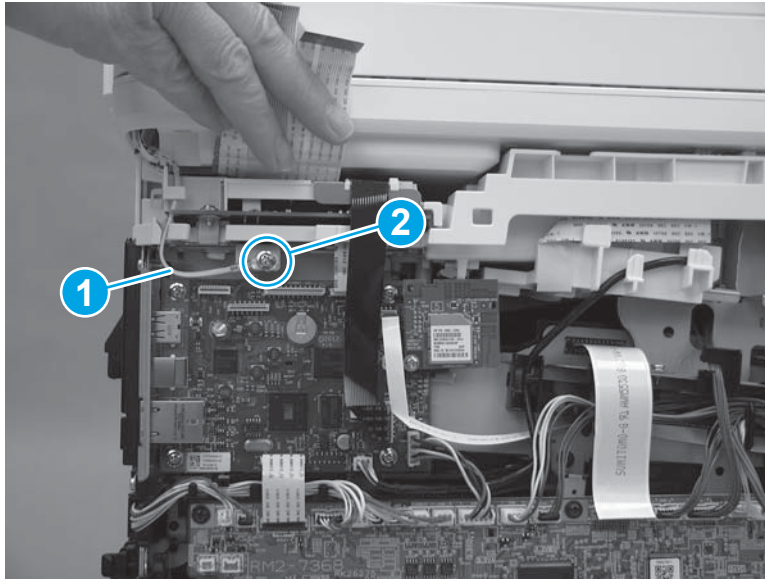
7. Lower the scanner.

Figure 1-1010 Lower the scanner



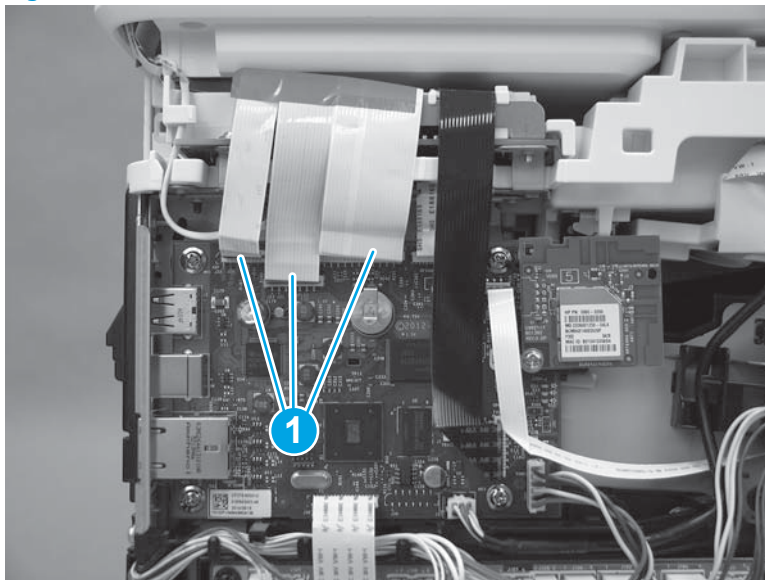
8. Raise the scanner cables up, position the ground wire (callout 1), and then install one screw (callout 2).

Figure 1-1011 Install the ground wire



9. Connect three connectors (callout 1).

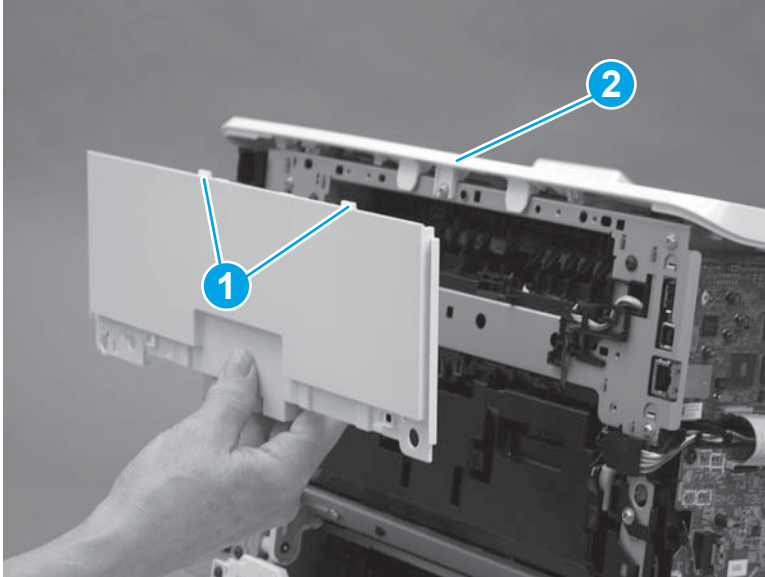
Figure 1-1012 Install the M377, M477 scanner



Step 15: Install the rear top cover (simplex model)

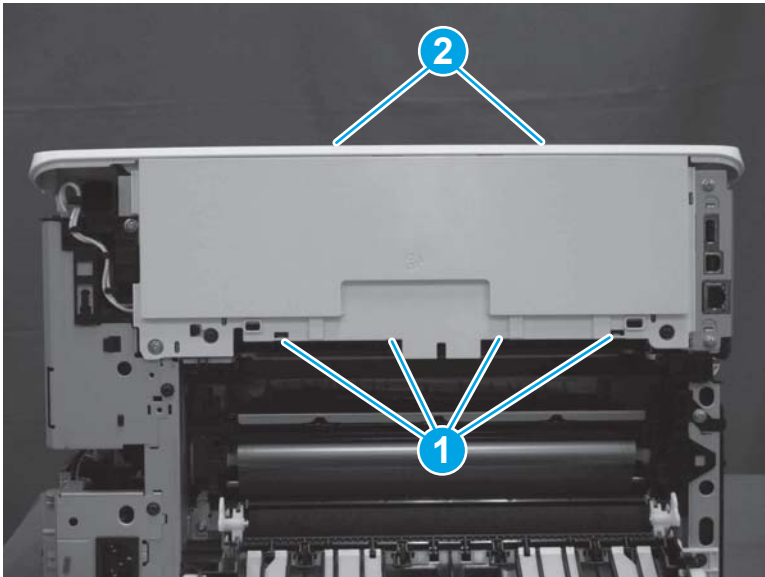
1. Position the tabs on top of the rear top cover (callout 1) under the edge of the top cover (callout 2).

Figure 1-1013 Install the rear top cover



2. Make sure that the tabs on the bottom (callout 1) and the tabs on the top (callout 2) snap into place.

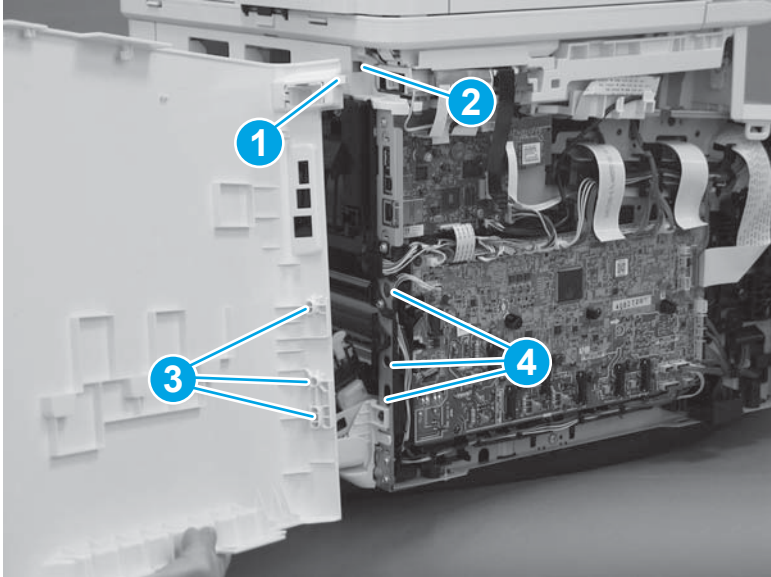
Figure 1-1014 Release two tabs



Step 16: Install the left cover (M377, M477 models)

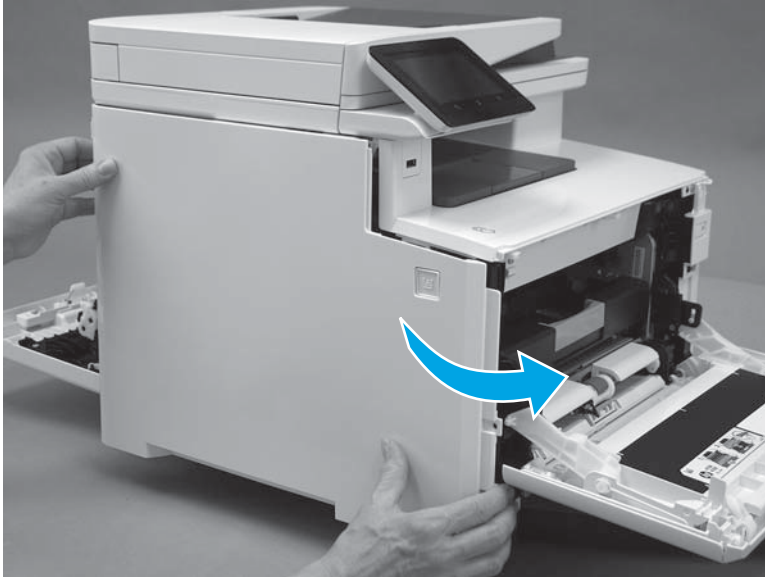
1. At the back of the printer, install the tab (callout 1) on the cover into the slot (callout 2) in the printer. Install the locator pins (callout 3) into the slots (callout 4) in the printer.

Figure 1-1015 Install one tab



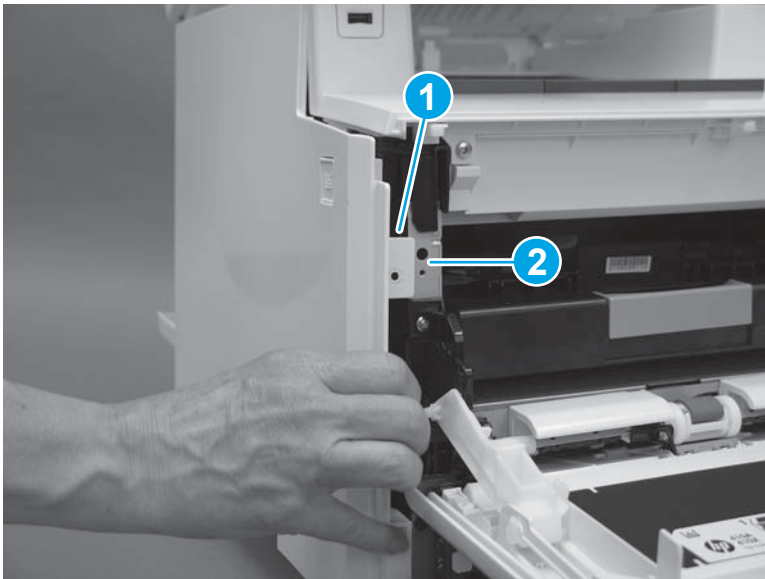
2. Rotate the cover toward the printer.

Figure 1-1016 Rotate the left cover



CAUTION: Make sure that the tab (callout 1) does not get caught behind the printer frame (callout 2).

Figure 1-1017 Make sure the tab does not get caught



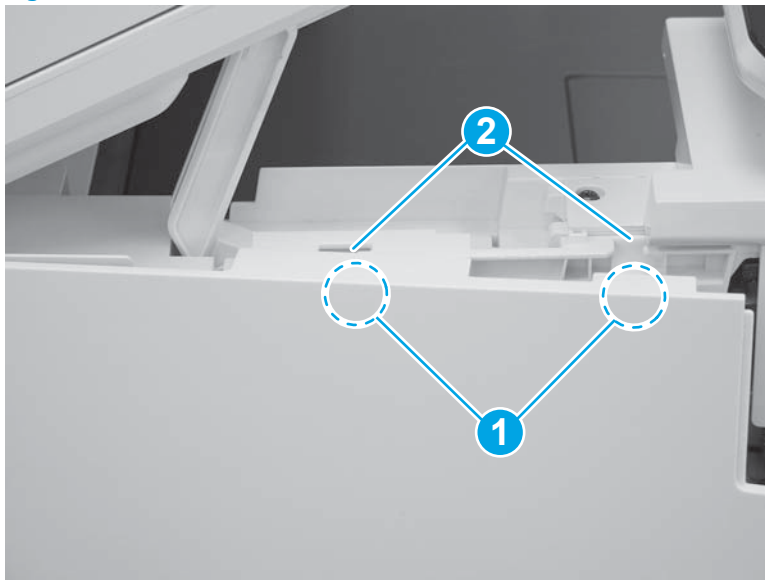
3. Raise the scanner.

Figure 1-1018 Raise the scanner



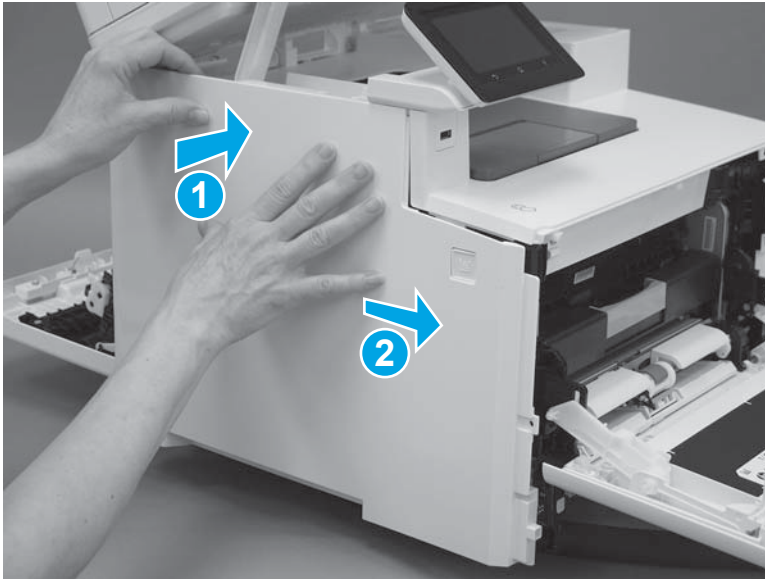
4. Position the hooks (callout 1) on the inside of the cover into the slots (callout 2) on the printer.

Figure 1-1019 Position the hooks in the slots



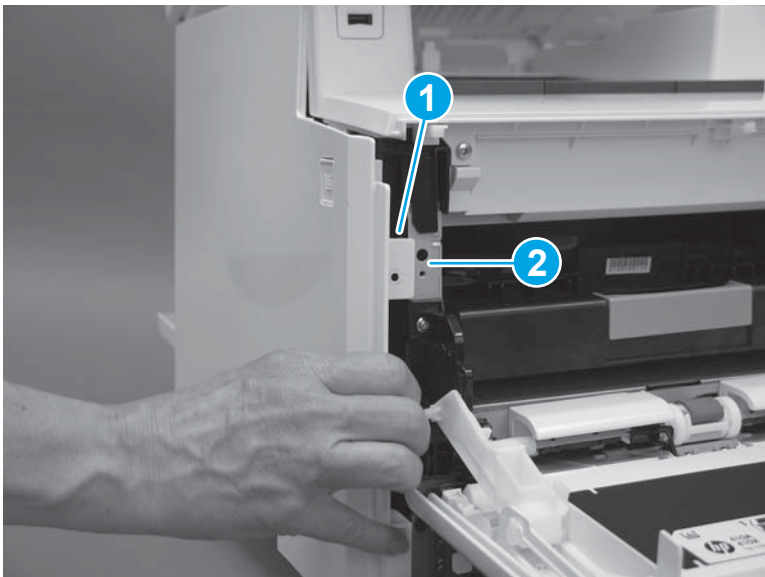
5. Hold the cover against the printer (callout 1), and then slide it (callout 2) toward the front of the printer.

Figure 1-1020 Install the top hooks



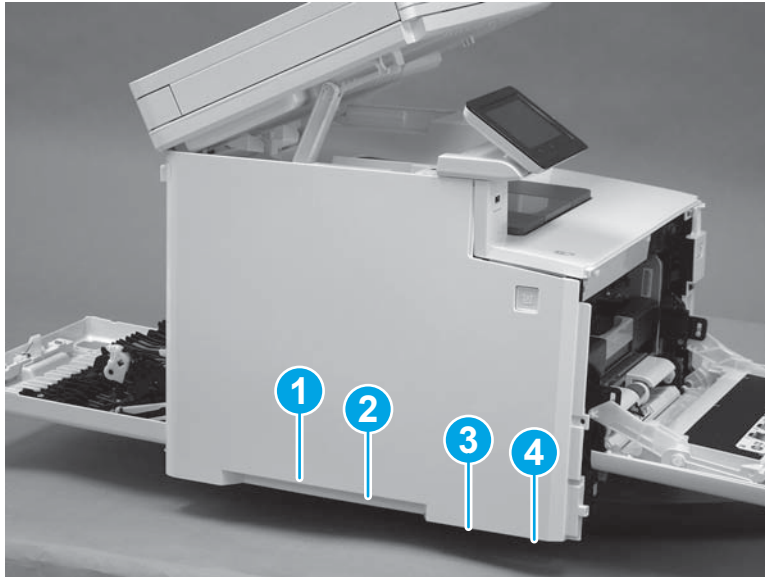
CAUTION: Make sure that the tab (callout 1) on the front of the cover does not get caught behind the printer frame (callout 2).

Figure 1-1021 Make sure the tab does not get caught



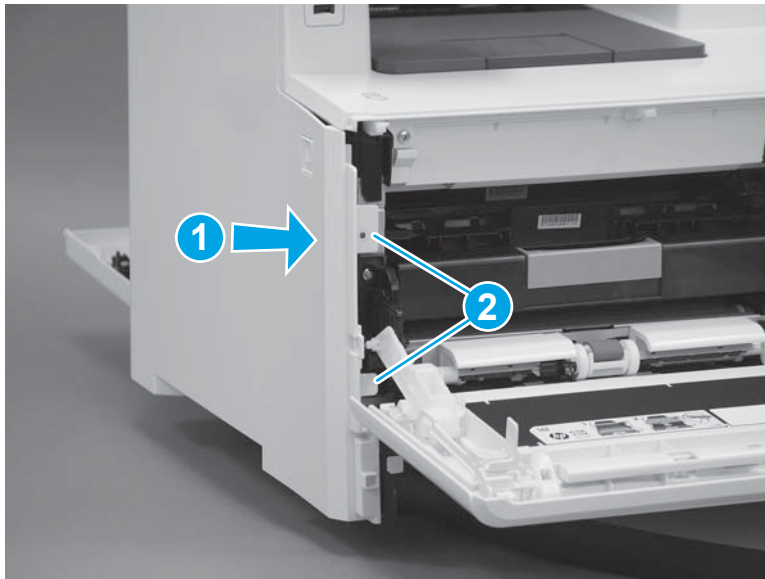
6. Slide the printer to the edge of a work surface in order to access the tabs on the bottom of the cover. Beginning from the back of the cover, install four tabs (callouts 1-4) on the lower edge of the cover.

Figure 1-1022 Install four tabs



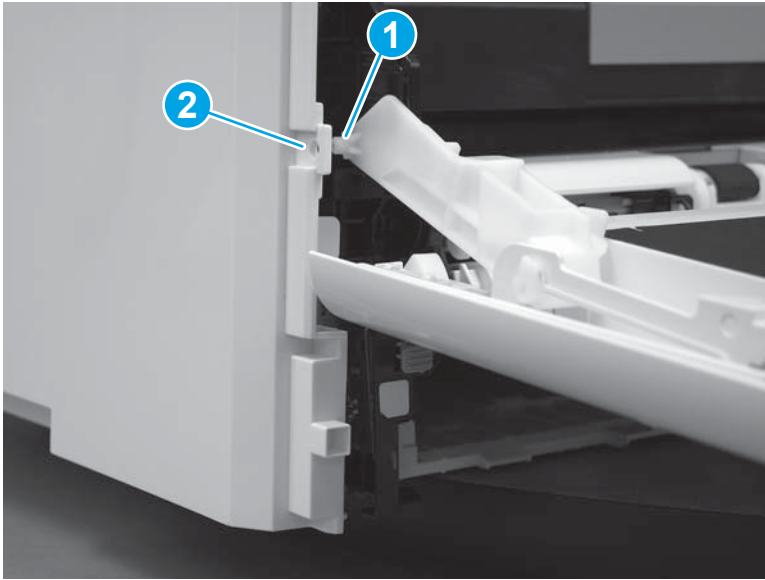
7. Press the cover toward the printer (callout 1), and then install two tabs (callout 2) at the front of the cover.

Figure 1-1023 Install two tabs



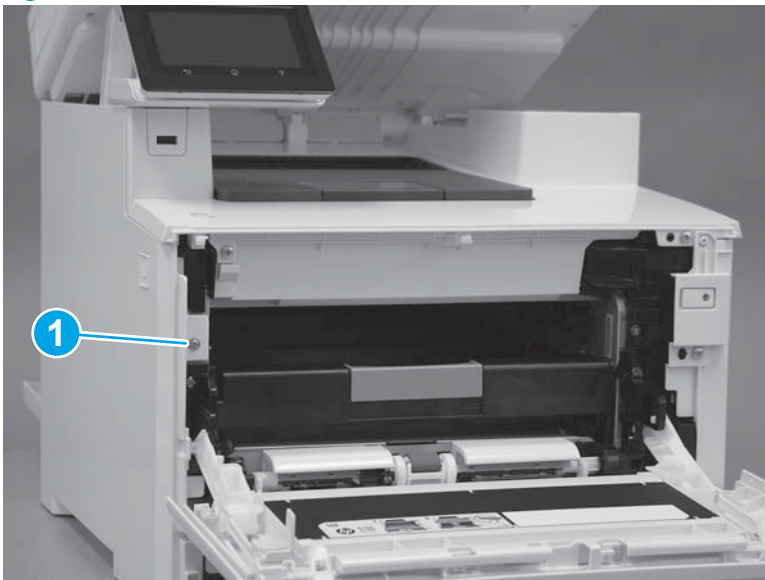
8. Make sure that the hinge pin (callout 1) on the front door fits into the slot (callout 2) on the left cover.

Figure 1-1024 Install hinge pin



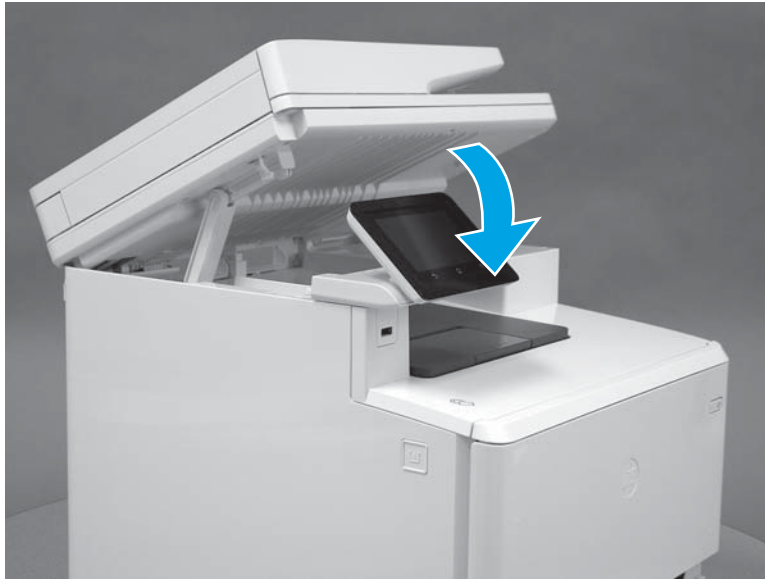
9. Install one screw (callout 1).

Figure 1-1025 Install one screw



10. Lower the scanner.

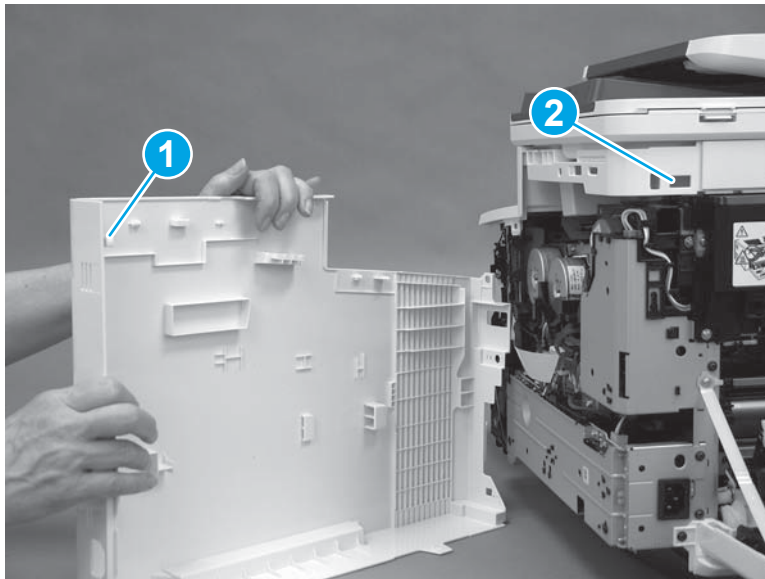
Figure 1-1026 Lower the scanner



Step 17: Install the right cover (M377, M477 models)

1. At the back of the printer, install the tab (callout 1) on the cover into the slot (callout 2) on the printer.

Figure 1-1027 Install rear tab



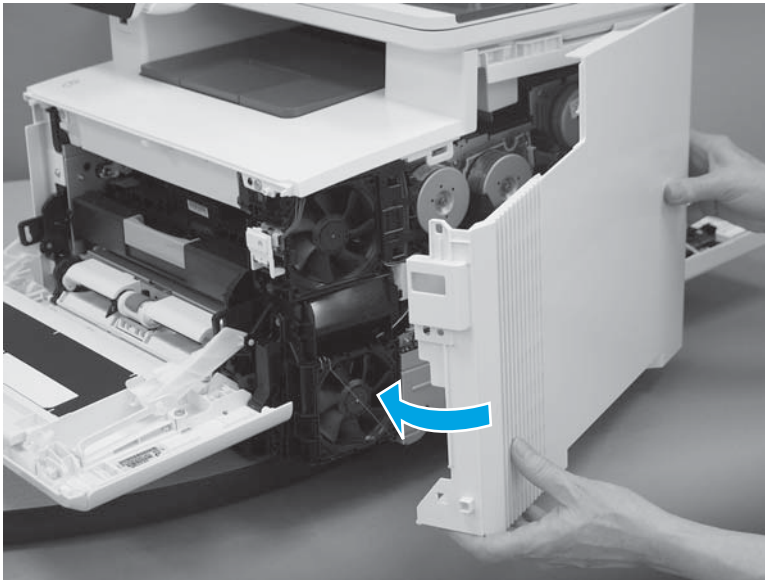
2. Raise the scanner.

Figure 1-1028 Raise the scanner



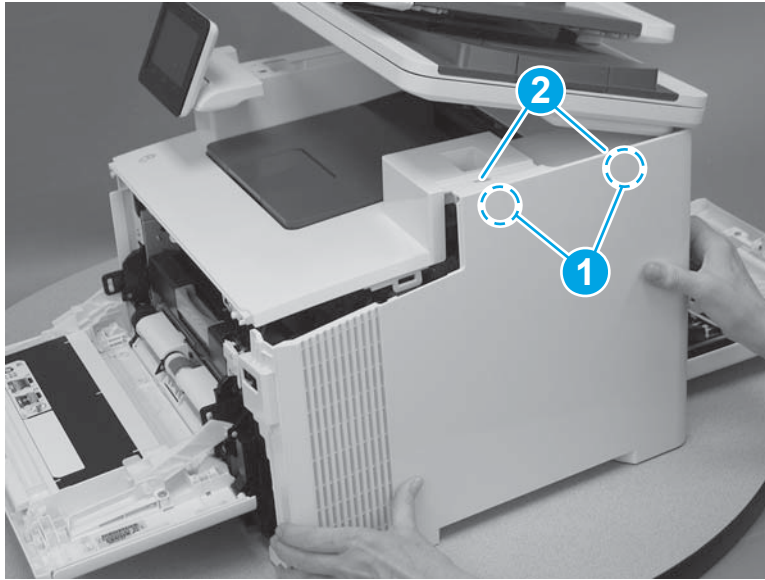
3. Rotate the right cover toward the printer.

Figure 1-1029 Rotate the right cover



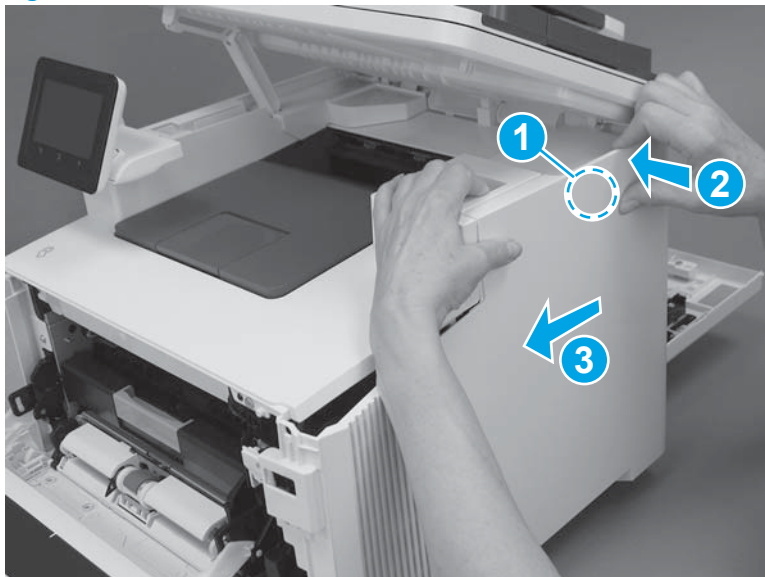
4. Position the hooks (callout 1) on the inside of the cover into the slots (callout 2) in the printer.

Figure 1-1030 Position the hooks in the slots



5. Engage one hook (callout 1) on the inside of the cover. Hold the top of the cover closed (callout 2) while sliding the cover toward the front of the printer (callout 3).

Figure 1-1031 Slide the cover



6. Rotate the front of the cover toward the printer (callout 1).

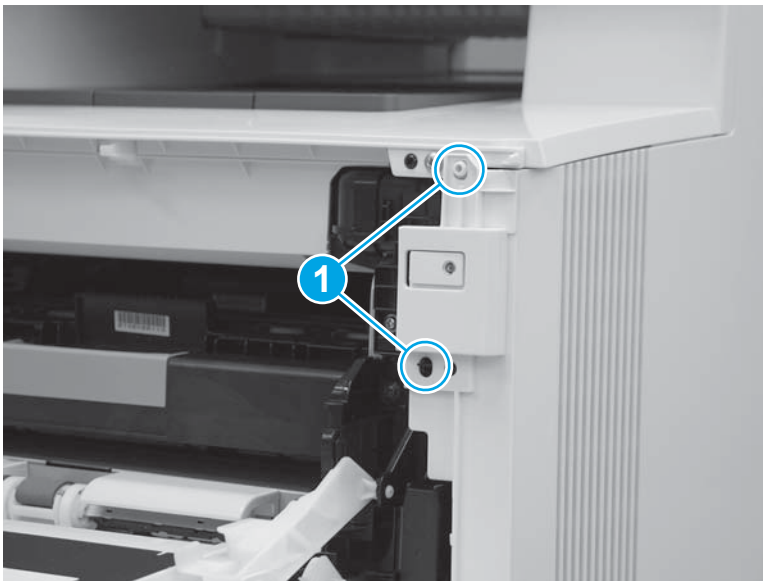
⚠ CAUTION: Be careful not to dislodge the power switch (callout 2).

Figure 1-1032 Rotate the front of the cover



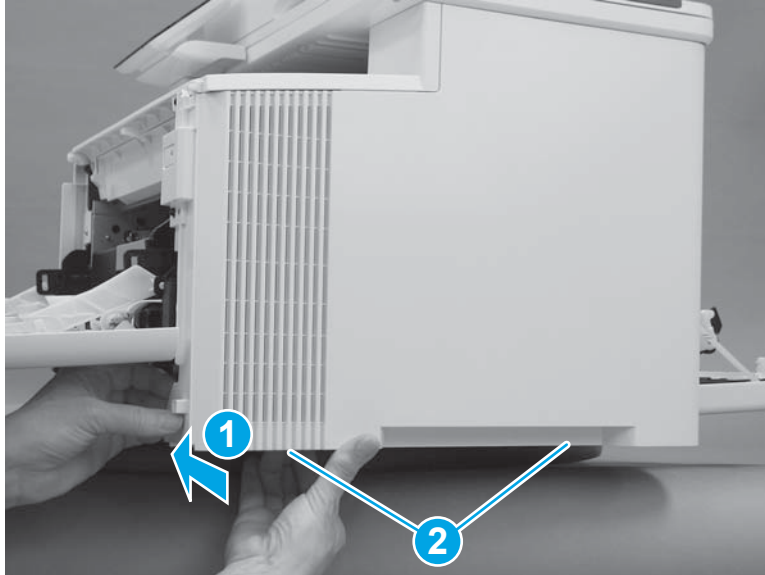
7. Install two tabs at the front of the printer (callout 1).

Figure 1-1033 Install two tabs



8. Press the right cover toward the printer (callout 1) to engage one tab on the front of the cover, and two tabs (callout 2) on the lower edge of the cover.

Figure 1-1034 Install the front and lower tabs



9. At the front of the printer, install one screw (callout 1).

Figure 1-1035 Install one screw



10. At the back of the printer, install one screw (callout 1).

Figure 1-1036 Install one screw



11. Lower the scanner.

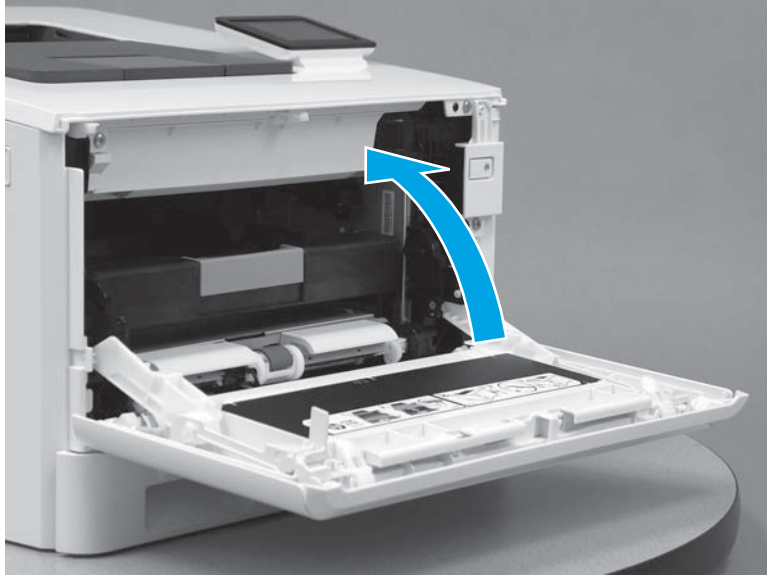
Figure 1-1037 Lower the scanner



Step 18: Close the front door and rear door or duplexer door

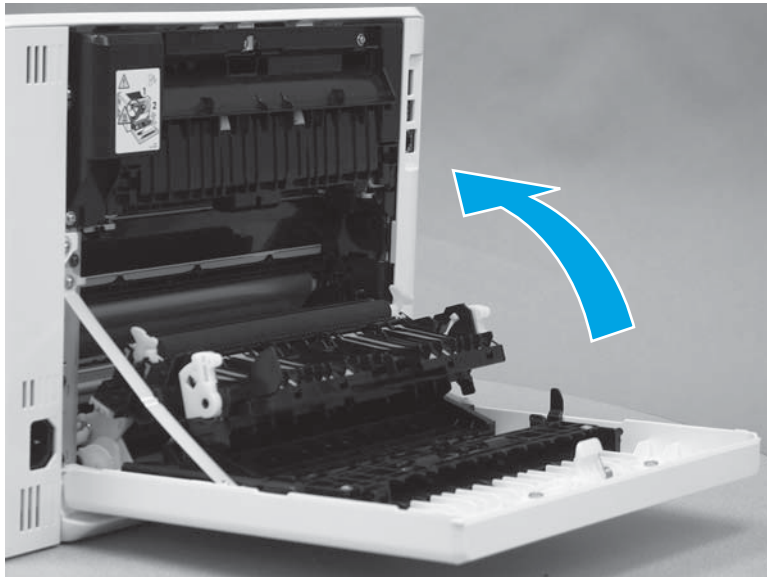
1. Close the front door.

Figure 1-1038 Close the front door



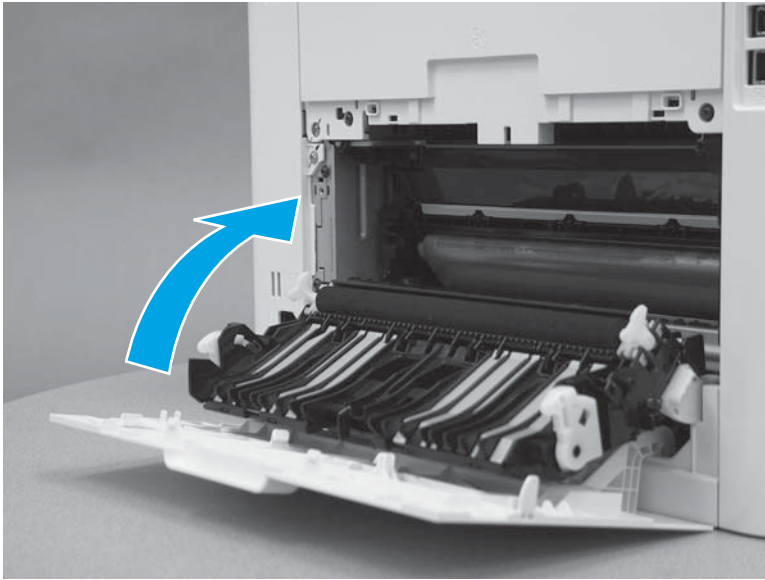
- 2. Duplex models:** Close the duplexer door.

Figure 1-1039 Close the duplexer door



3. **Simplex models:** Close the rear door.

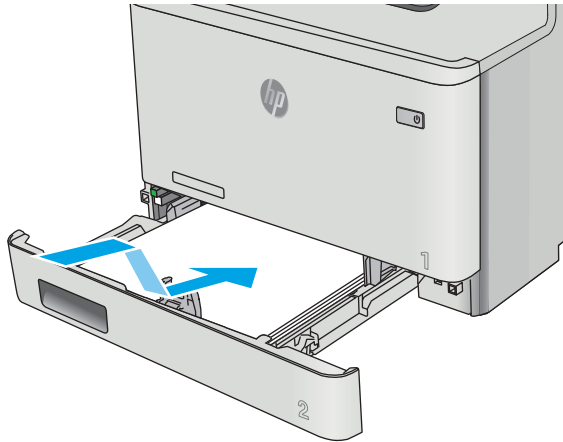
Figure 1-1040 Close the rear door



Step 19: Install Tray 2

- ▲ With the front of the tray slightly lifted, align the sides of the tray with the rails in the printer, and then carefully slide the tray into the printer. As the tray slides into the printer, lower the front of the tray, and then close it.

Figure 1-1041 Install the tray



Removal and replacement: Integrated scanner assembly (M377, M477 models)


- [Introduction](#)
- [Step 1: Remove Tray 2](#)
- [Step 2: Open the front door and rear door or duplexer door](#)
- [Step 3: Remove the left cover \(M377, M477 models\)](#)
- [Step 4: Remove the integrated scanner assembly](#)
- [Step 5: Unpack the replacement part](#)
- [Step 6: Install the integrated scanner assembly](#)
- [Step 7: Install the left cover \(M377, M477 models\)](#)
- [Step 8: Close the front door and rear door or duplexer door](#)
- [Step 9: Install Tray 2](#)

Introduction

This document provides the procedures to remove and replace the integrated scanner assembly for the M377, M477.

Before you begin

- Turn off the printer.
- Disconnect the power cable.

 **WARNING!** To avoid damage to the printer, turn the printer off, wait 30 seconds, and then remove the power cord before attempting to service the printer.

- Use the table below to identify the correct part number for your printer. To order the part, go to www.hp.com/buy/parts.

| Integrated scanner assembly part number | |
|---|--|
|---|--|

| |
|--------------------|
| CF377-60104 |
|--------------------|

| |
|-----------------------------|
| Integrated scanner assembly |
|-----------------------------|

Required tools

- #2 Phillips screwdriver with a magnetic tip
- Small flat-blade screwdriver

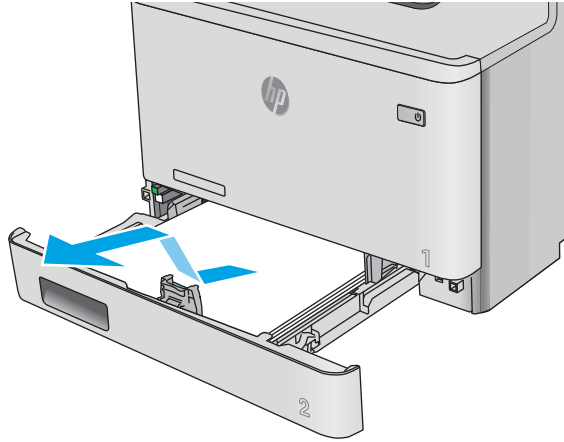
After performing service

- Connect the power cable.
- Use the power switch to turn the power on.

Step 1: Remove Tray 2

- ▲ Pull the tray out until it stops. Lift the front of the tray, and then pull it out of the printer to remove it.

Figure 1-1042 Remove the tray



Step 2: Open the front door and rear door or duplexer door

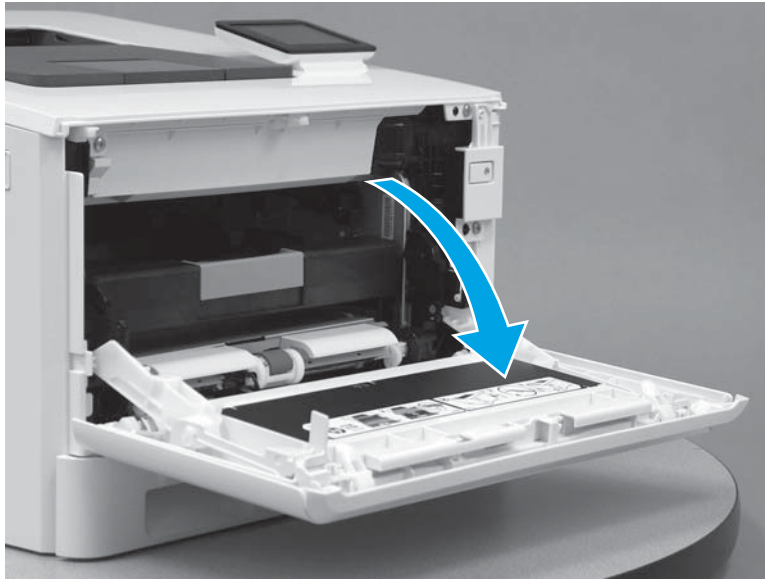
1. Press the button (callout 1) on the left side of the printer to release the front door.

Figure 1-1043 Release the front door



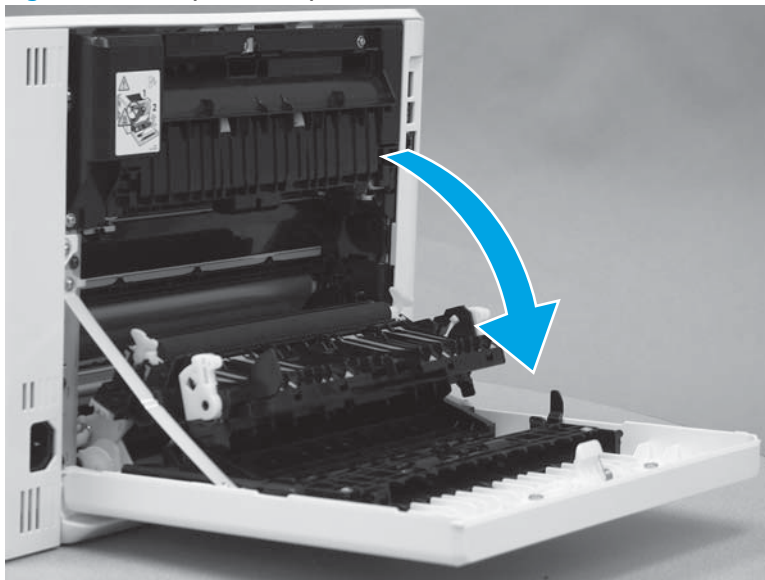
2. Open the front door.

Figure 1-1044 Open the front door



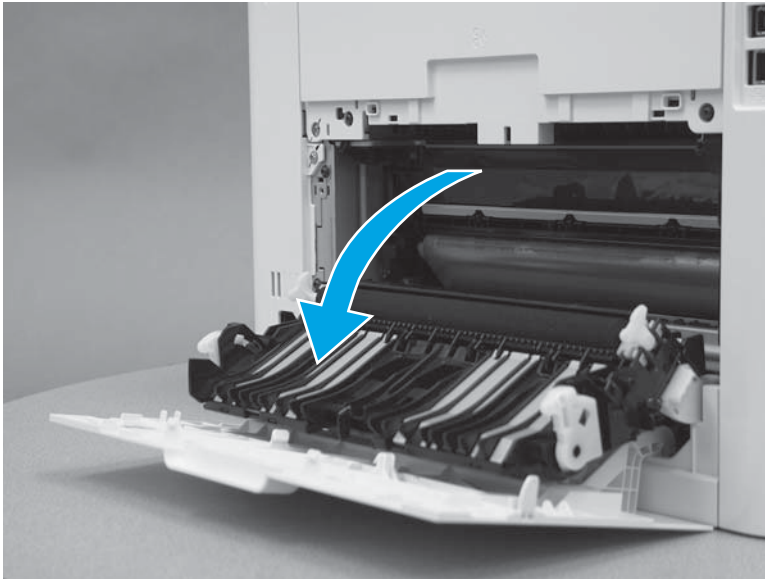
3. **Duplex models:** Open the duplexer door.

Figure 1-1045 Open the duplexer door



4. **Simplex models:** Open the rear door.

Figure 1-1046 Open the rear door



Step 3: Remove the left cover (M377, M477 models)

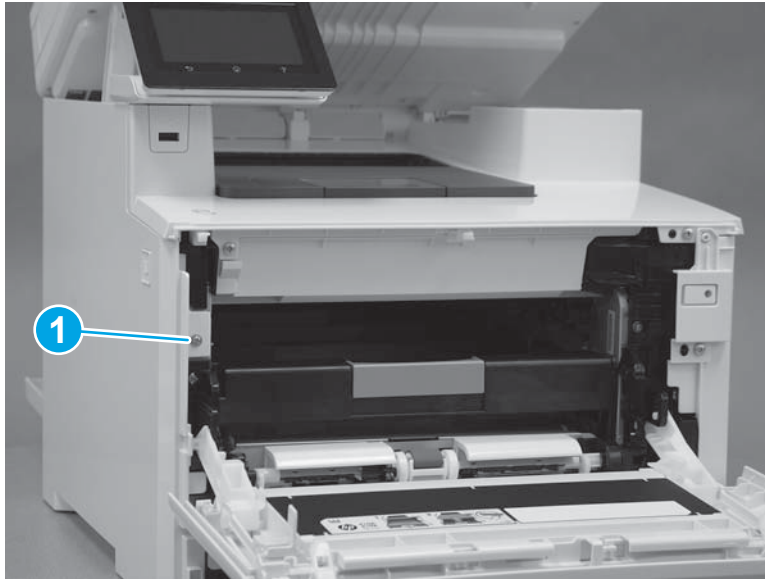
1. Raise the scanner.

Figure 1-1047 Raise the scanner



2. At the front of the printer, remove one screw (callout 1).

Figure 1-1048 Remove one screw



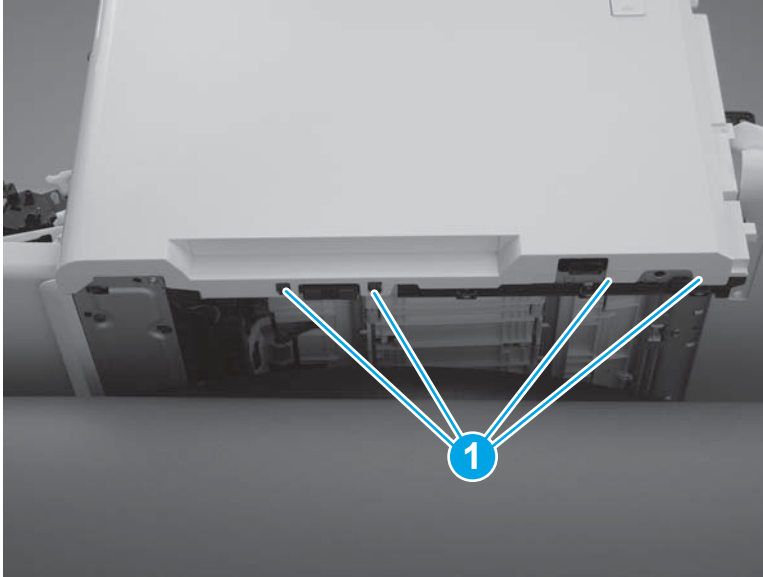
3. Release two tabs (callout 1) at the front of the cover. Hold the cover open to prevent the tabs from re-engaging.

Figure 1-1049 Release two tabs



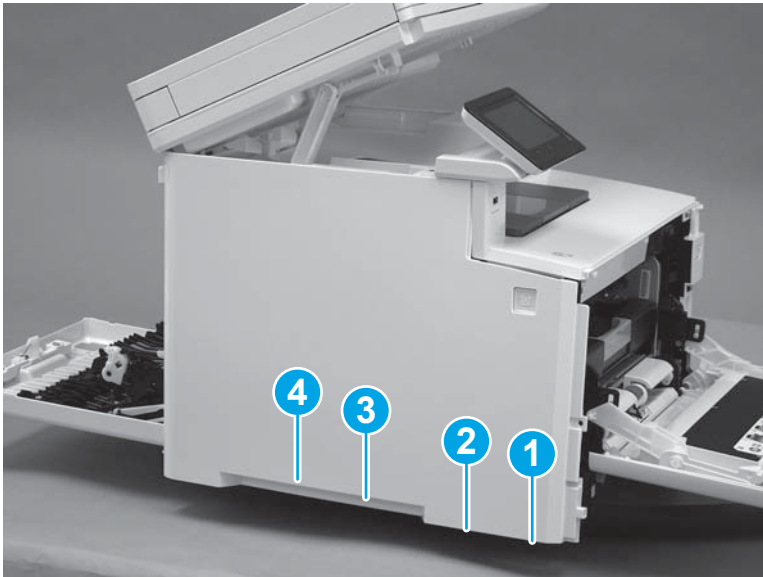
4. Slide the printer to the edge of a work surface. Note the location of the tabs on the lower edge of the cover (callout 1).

Figure 1-1050 Locate the tabs



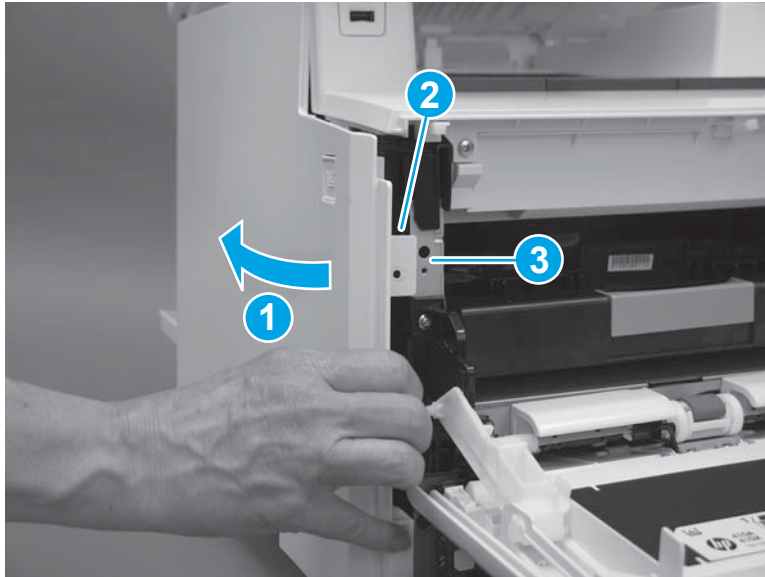
5. Beginning from the front of the cover, release the four tabs (callouts 1-4) on the lower edge of the cover.

Figure 1-1051 Release four tabs



6. Rotate the front of the cover away from the printer (callout 1). Make sure that the tab (callout 2) does not get caught on the printer frame (callout 3).

Figure 1-1052 Rotate the cover



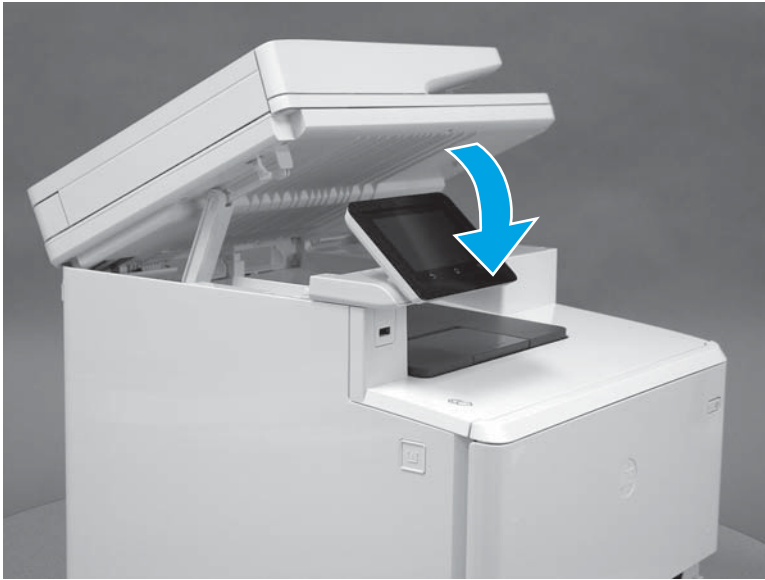
7. At the top of the printer, slightly pull the top of the cover away from the printer to release one retention tab (callout 1) on the inside of the cover. While holding the cover away, slide the cover toward the back of the printer (callout 2) to release two hooks (callout 3) inside the cover.

Figure 1-1053 Release one tab and two hooks



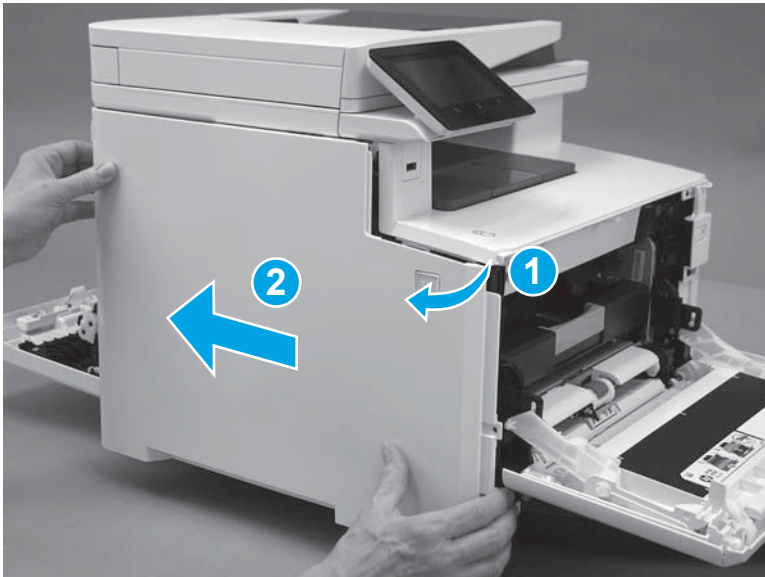
8. Lower the scanner.

Figure 1-1054 Lower the scanner



9. Rotate the cover away from the printer (callout 1), and then slide the cover (callout 2) toward the back of the printer to remove it.

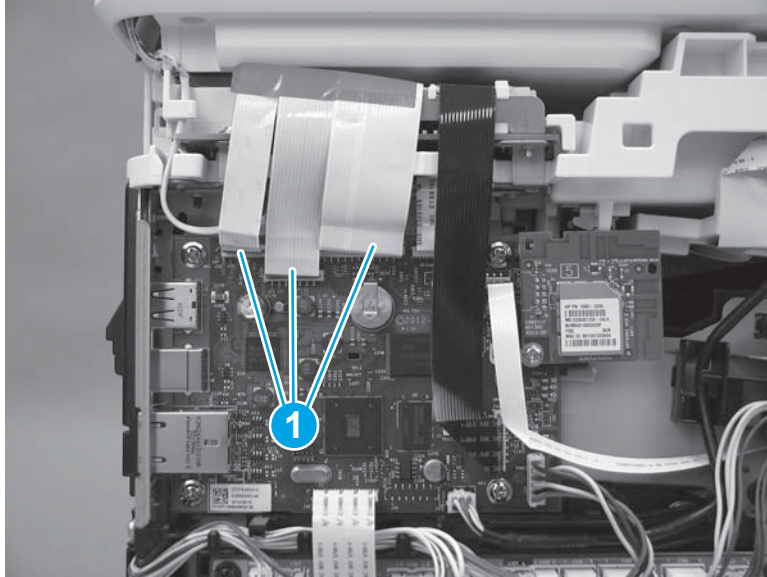
Figure 1-1055 Remove the left cover



Step 4: Remove the integrated scanner assembly

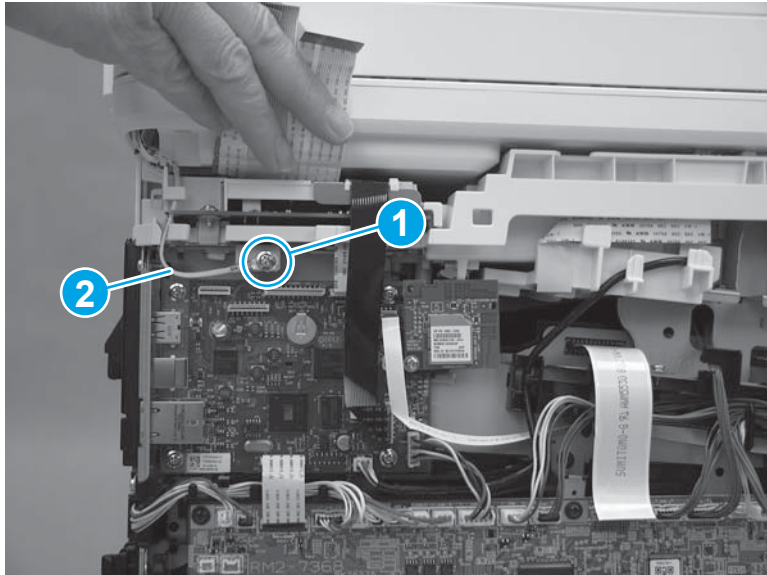
1. On the left side of the printer, disconnect three connectors (callout 1).

Figure 1-1056 Disconnect the scanner cables



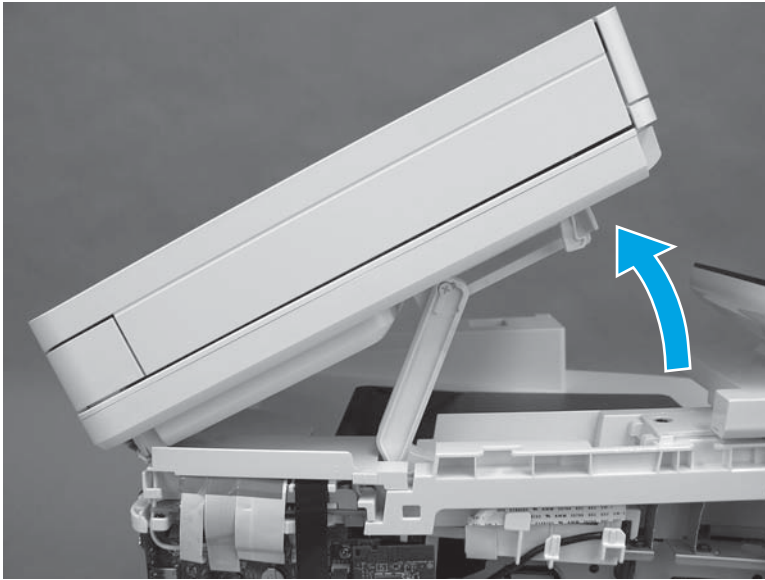
2. Raise the scanner cables up, and then remove one screw (callout 1) to release the ground wire (callout 2).

Figure 1-1057 Remove one screw and release the ground wire



3. Raise the scanner.

Figure 1-1058 Raise the scanner



4. With the scanner lifted, release the tab (callout 1) on the scanner support arm pin from the slot and rotate the pin in the direction indicated.

Figure 1-1059 Release the scanner arm pin



5. Remove the scanner arm pin.

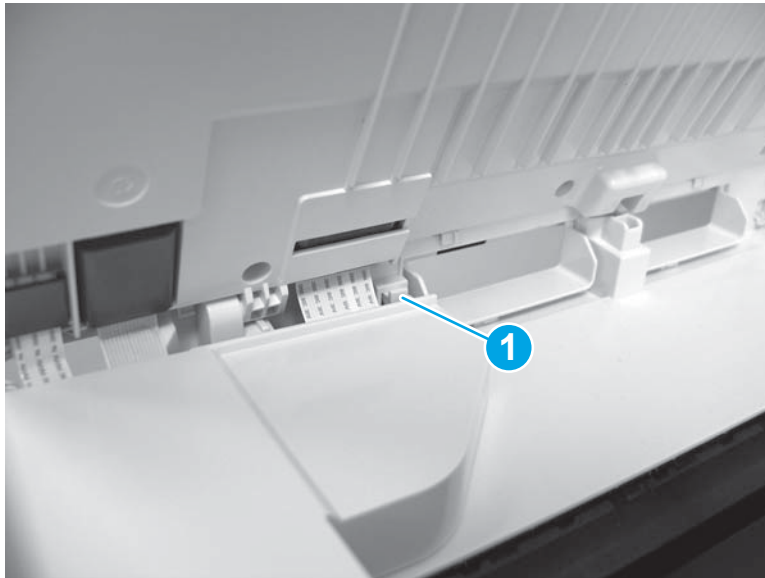
CAUTION: Once the scanner arm pin is removed, support the scanner with one hand at all times so that it does not fall backwards off of the printer.

Figure 1-1060 Remove the scanner arm pin.



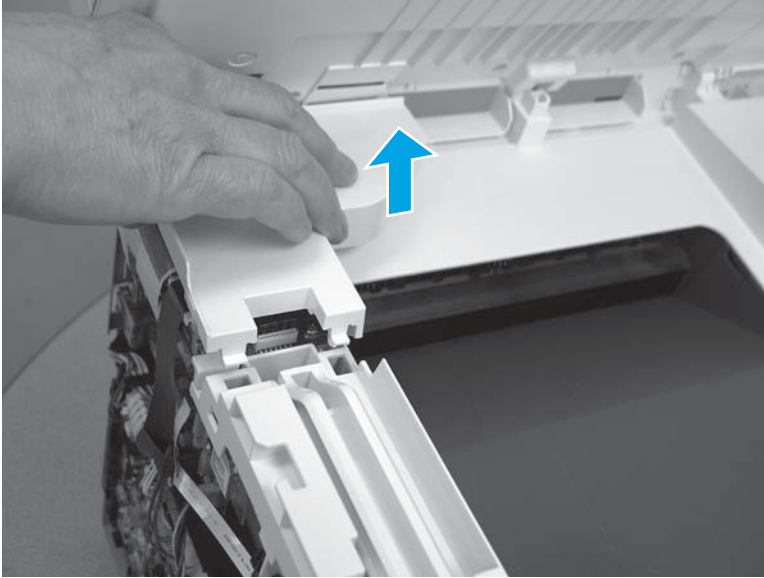
6. On the top of the printer, use a flat-blade screwdriver to release one tab (callout 1).

Figure 1-1061 Release one tab



7. Remove the scanner cable cover.

Figure 1-1062 Remove the scanner cable cover



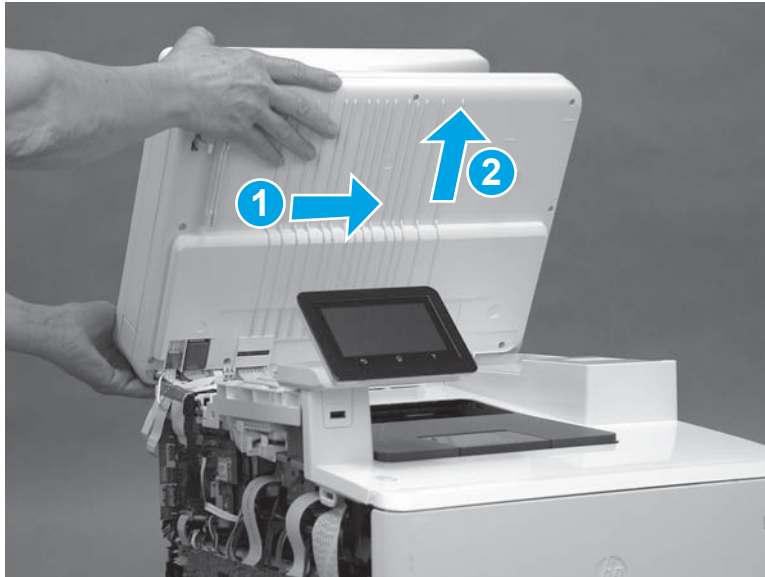
8. The scanner cables (callout 1) are held in place on the top cover with double-sided tape. Carefully release the cables from the top cover.

Figure 1-1063 Release the cables



9. Open the scanner assembly fully, slide the assembly toward the right side of the printer, and then lift the assembly off of the printer.

Figure 1-1064 Remove the scanner assembly



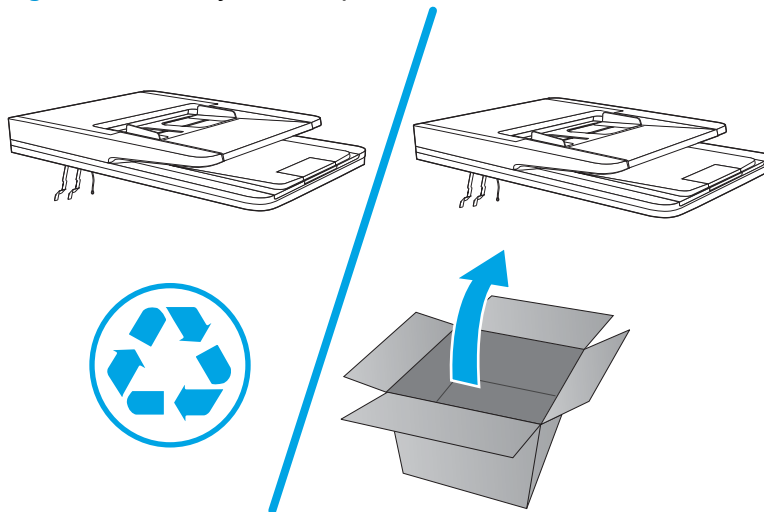
Step 5: Unpack the replacement part

Remove the new part from its package. Save all packaging for recycling the used part.

For complete information on HP's recycling programs, go to [Product return and recycling](#).

 **NOTE:** HP recommends responsible disposal of the defective part.

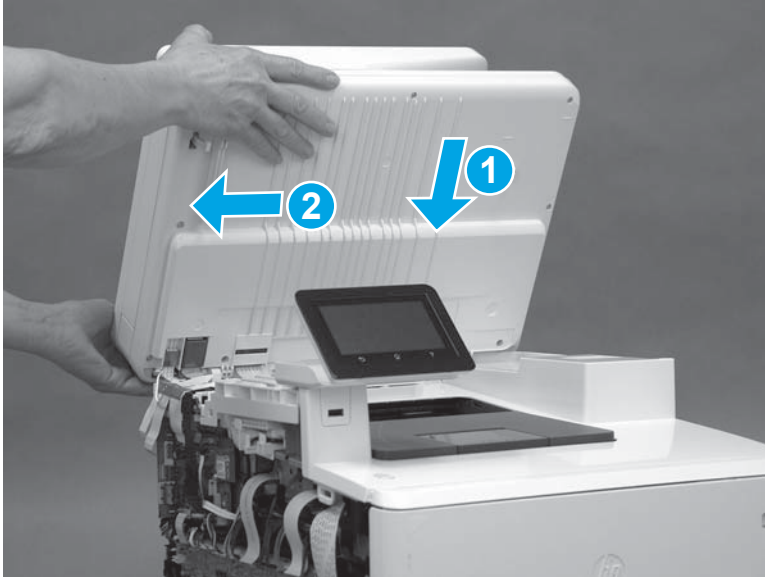
Figure 1-1065 Recycle and unpack



Step 6: Install the integrated scanner assembly

1. Lower the scanner assembly onto the printer, and then slide the assembly toward the left side of the printer to install it.

Figure 1-1066 Install the scanner assembly



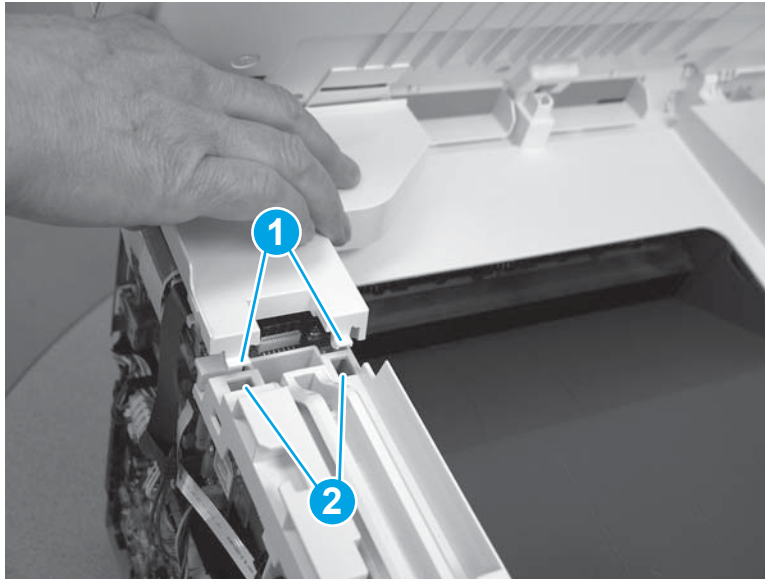
2. Press the scanner cables (callout 1) down onto the double-sided tape on the top cover.

Figure 1-1067 Press the cables



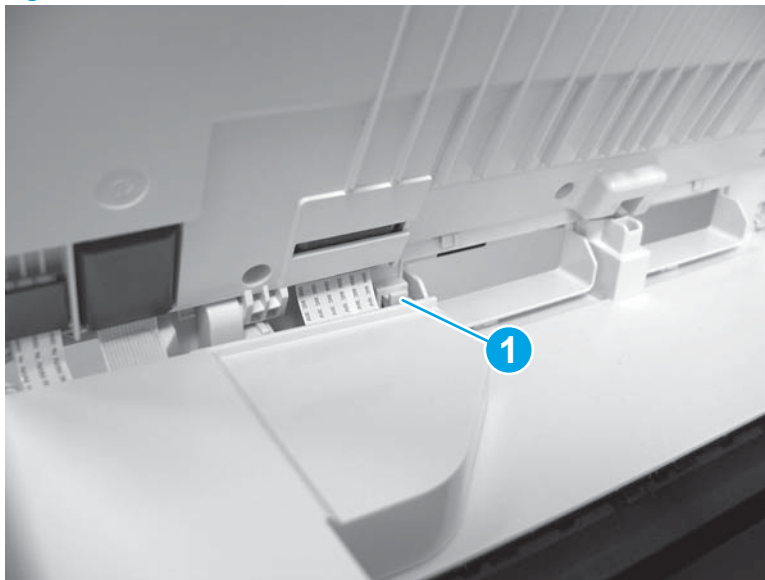
3. Install the tabs (callout 1) on the front of the scanner cable cover in the slots (callout 2) on the top cover.

Figure 1-1068 Position the scanner cable cover



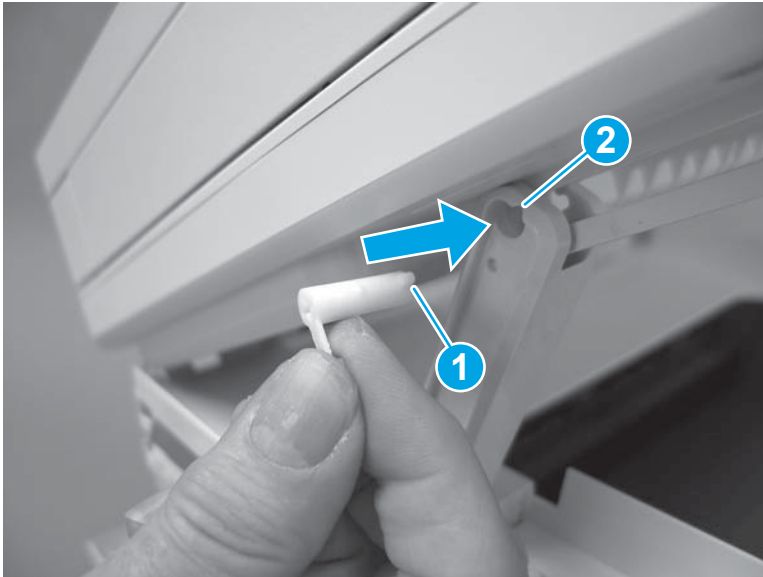
4. Press down on the back of the scanner cable cover to engage one tab (callout 1).

Figure 1-1069 Install the scanner cable cover



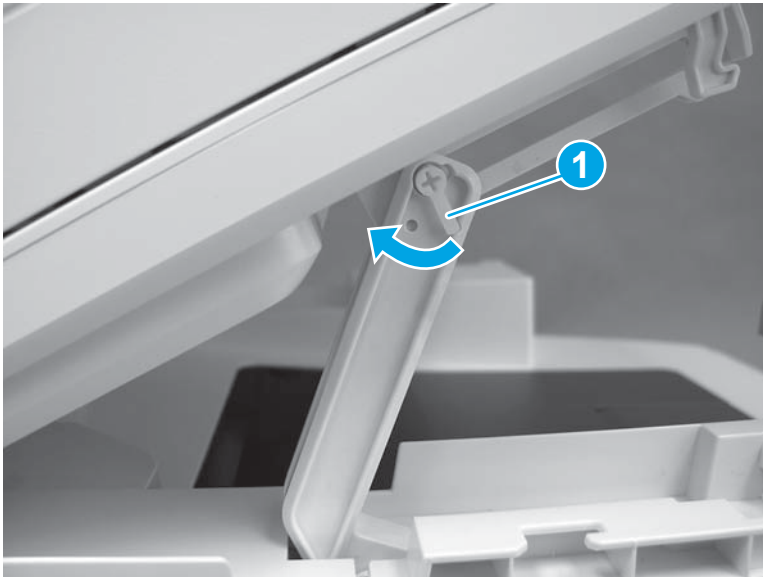
5. With the scanner lid lifted, insert the scanner support arm pin (callout 1) into the slot in the scanner support arm (callout 2).

Figure 1-1070 Install the scanner arm pin



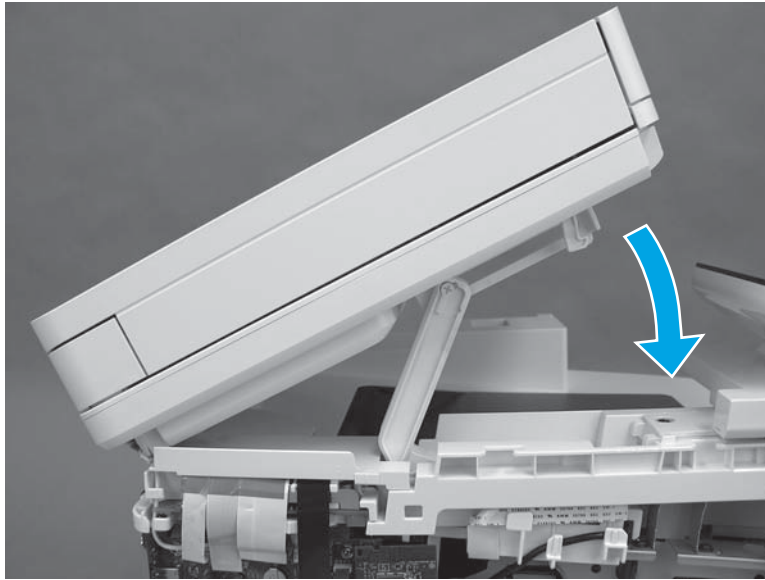
6. Rotate the tab on the scanner arm pin (callout 1) in the direction indicated to snap it into place.

Figure 1-1071 Secure the scanner arm pin



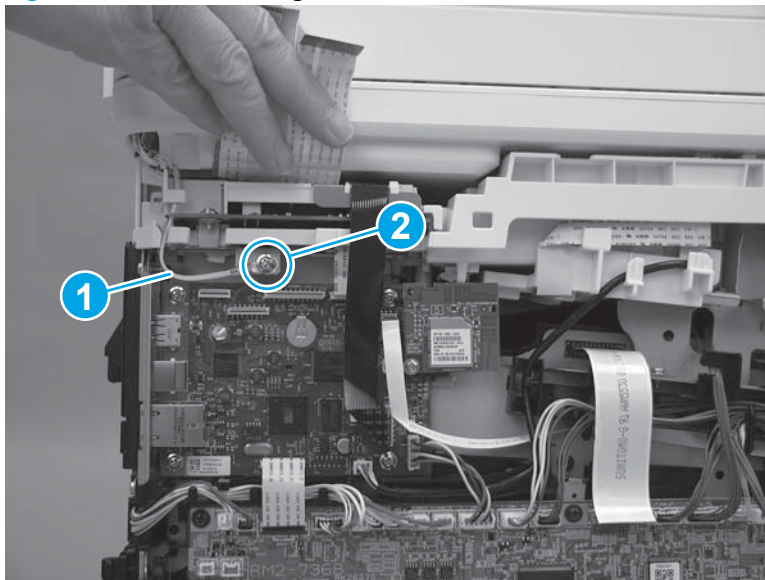
7. Lower the scanner.

Figure 1-1072 Lower the scanner



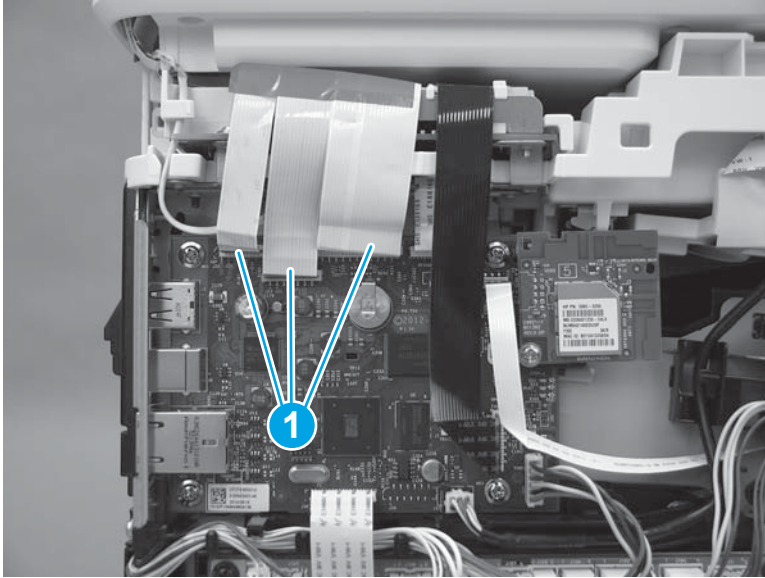
8. Raise the scanner cables up, position the ground wire (callout 1), and then install one screw (callout 2).

Figure 1-1073 Install the ground wire



9. Connect three connectors (callout 1).

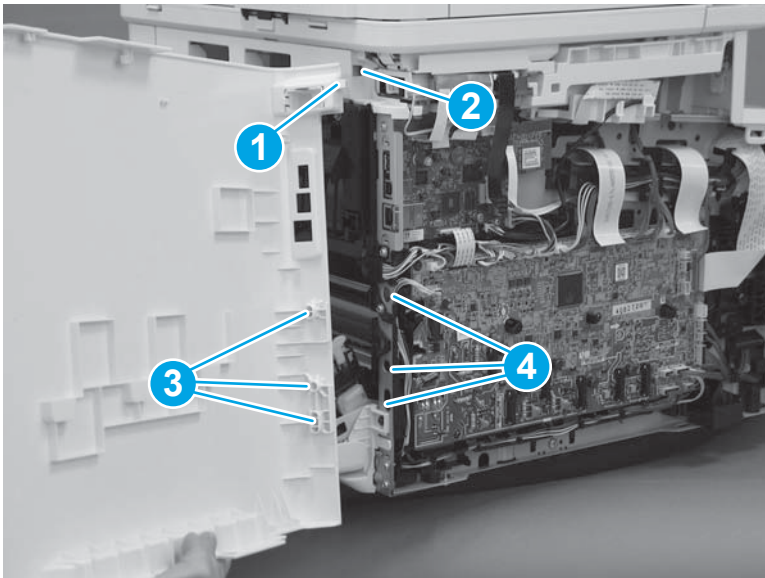
Figure 1-1074 Install the M377, M477 scanner



Step 7: Install the left cover (M377, M477 models)

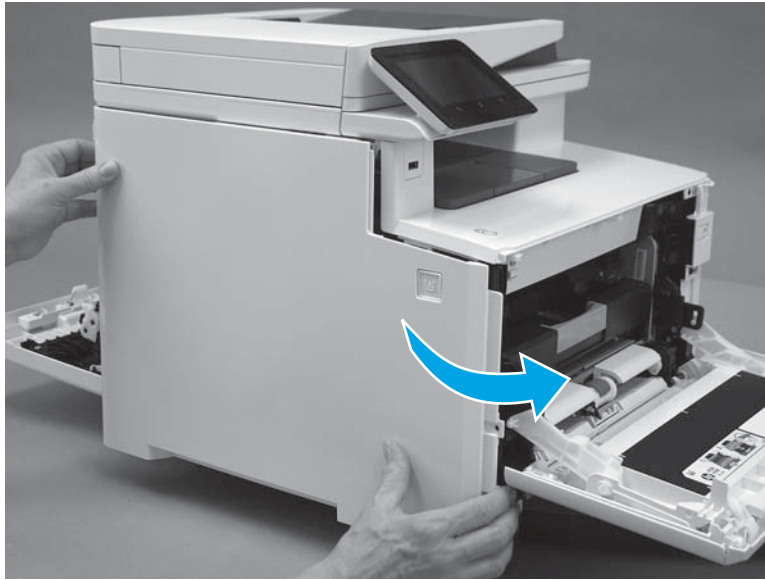
1. At the back of the printer, install the tab (callout 1) on the cover into the slot (callout 2) in the printer. Install the locator pins (callout 3) into the slots (callout 4) in the printer.

Figure 1-1075 Install one tab



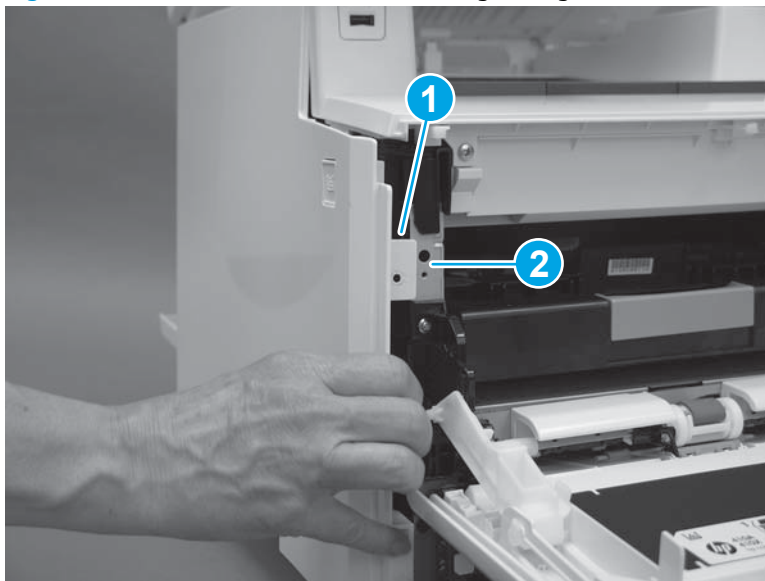
2. Rotate the cover toward the printer.

Figure 1-1076 Rotate the left cover



⚠ CAUTION: Make sure that the tab (callout 1) does not get caught behind the printer frame (callout 2).

Figure 1-1077 Make sure the tab does not get caught



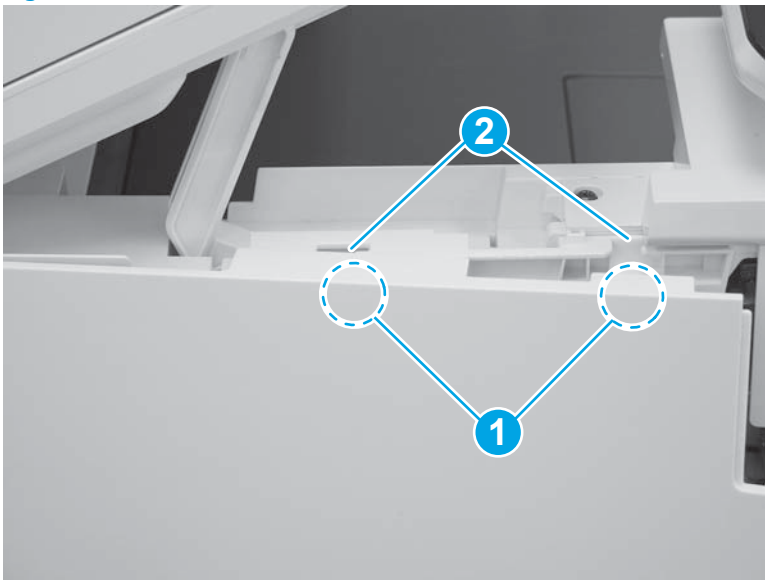
3. Raise the scanner.

Figure 1-1078 Raise the scanner



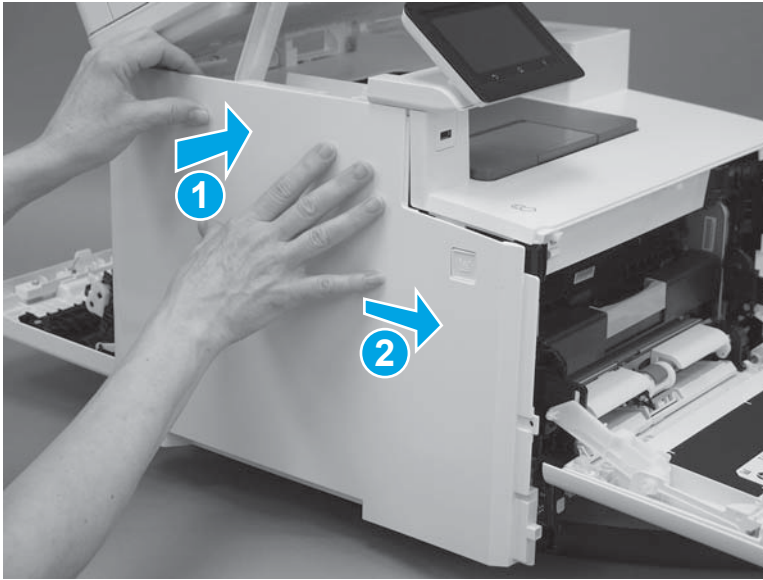
4. Position the hooks (callout 1) on the inside of the cover into the slots (callout 2) on the printer.

Figure 1-1079 Position the hooks in the slots



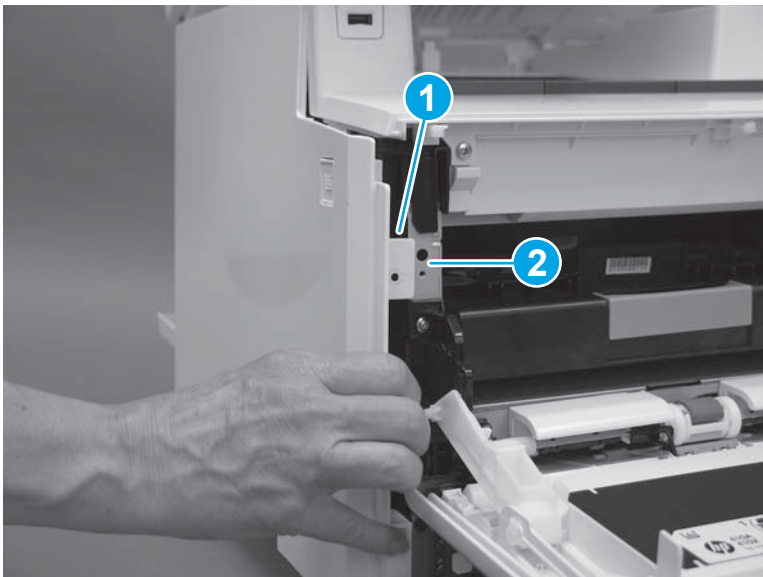
5. Hold the cover against the printer (callout 1), and then slide it (callout 2) toward the front of the printer.

Figure 1-1080 Install the top hooks



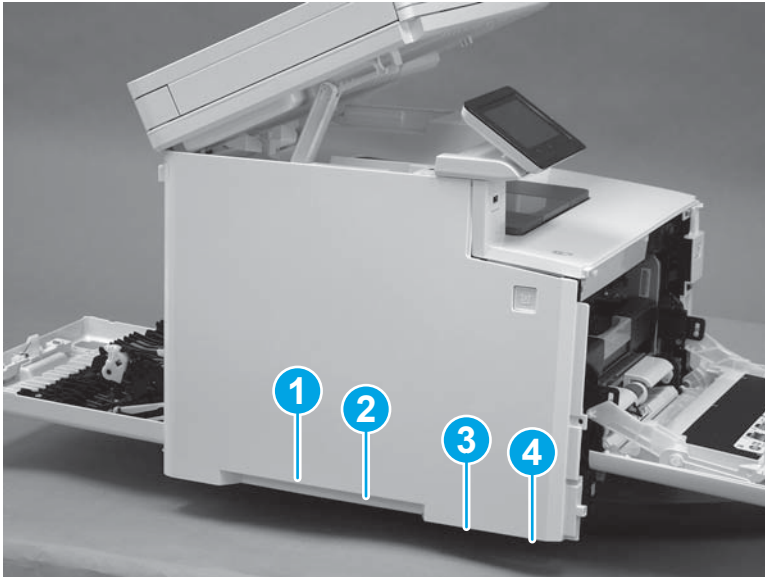
⚠ CAUTION: Make sure that the tab (callout 1) on the front of the cover does not get caught behind the printer frame (callout 2).

Figure 1-1081 Make sure the tab does not get caught



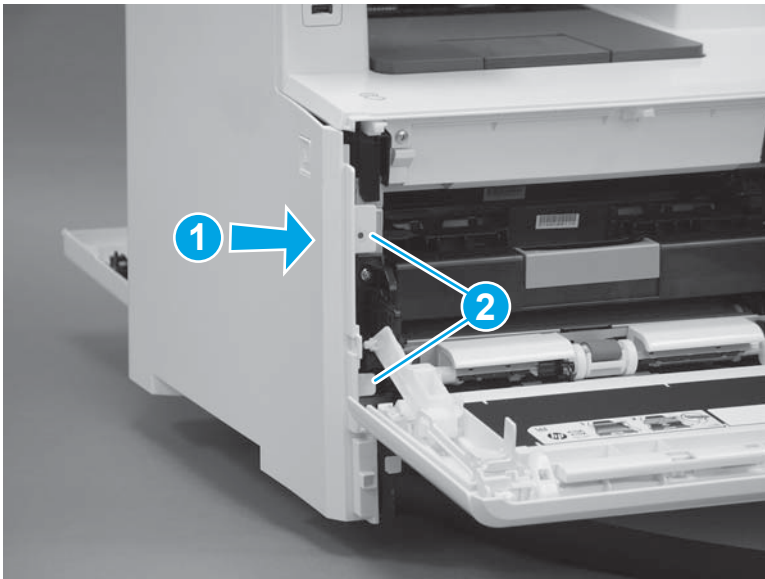
6. Slide the printer to the edge of a work surface in order to access the tabs on the bottom of the cover. Beginning from the back of the cover, install four tabs (callouts 1-4) on the lower edge of the cover.

Figure 1-1082 Install four tabs



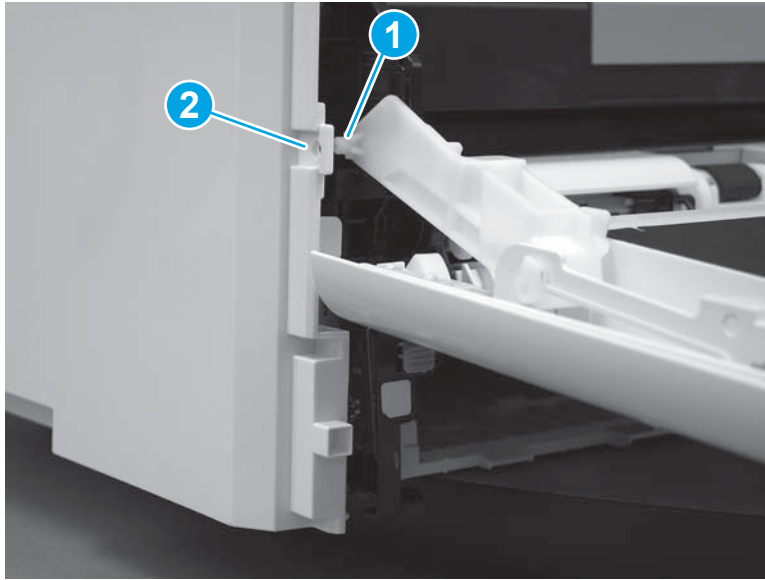
7. Press the cover toward the printer (callout 1), and then install two tabs (callout 2) at the front of the cover.

Figure 1-1083 Install two tabs



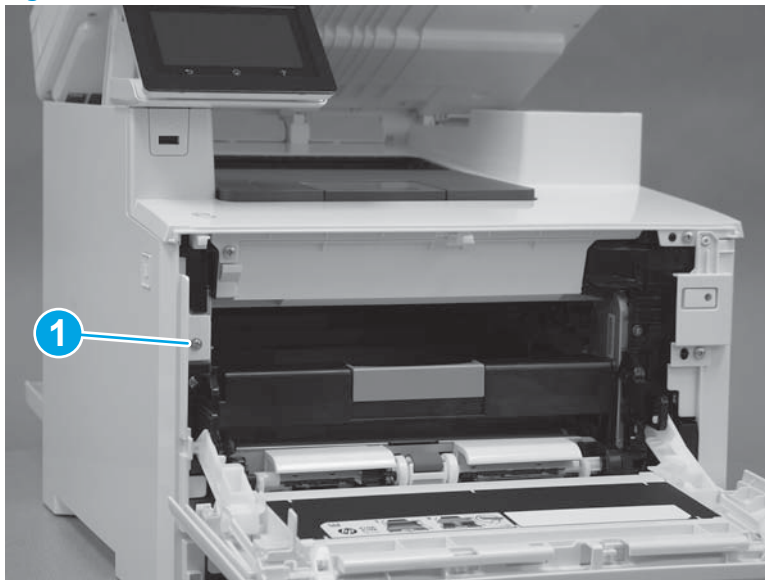
8. Make sure that the hinge pin (callout 1) on the front door fits into the slot (callout 2) on the left cover.

Figure 1-1084 Install hinge pin



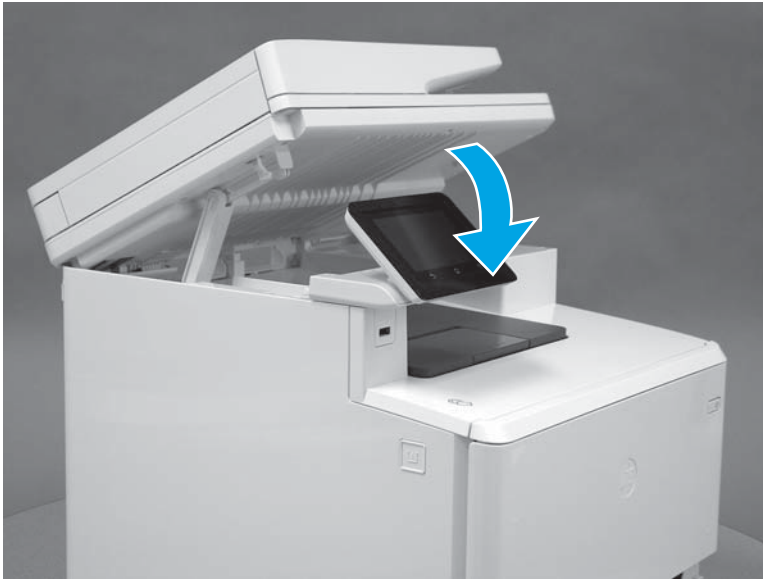
9. Install one screw (callout 1).

Figure 1-1085 Install one screw



10. Lower the scanner.

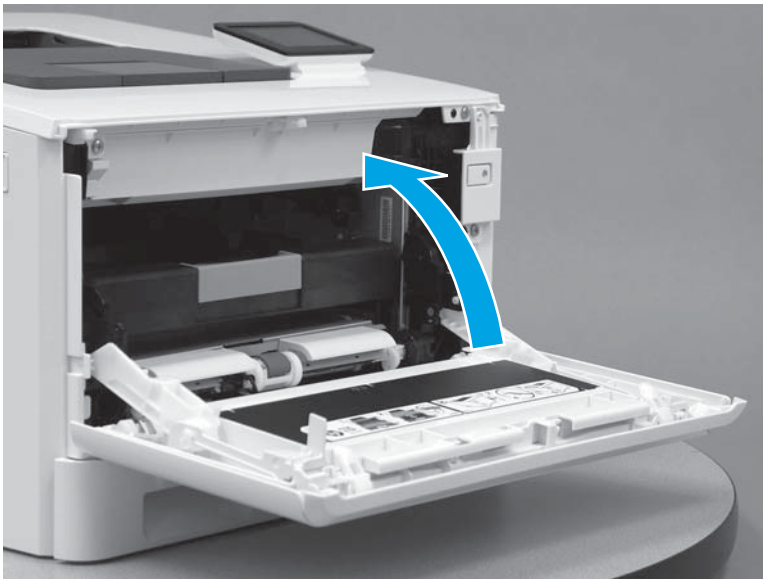
Figure 1-1086 Lower the scanner



Step 8: Close the front door and rear door or duplexer door

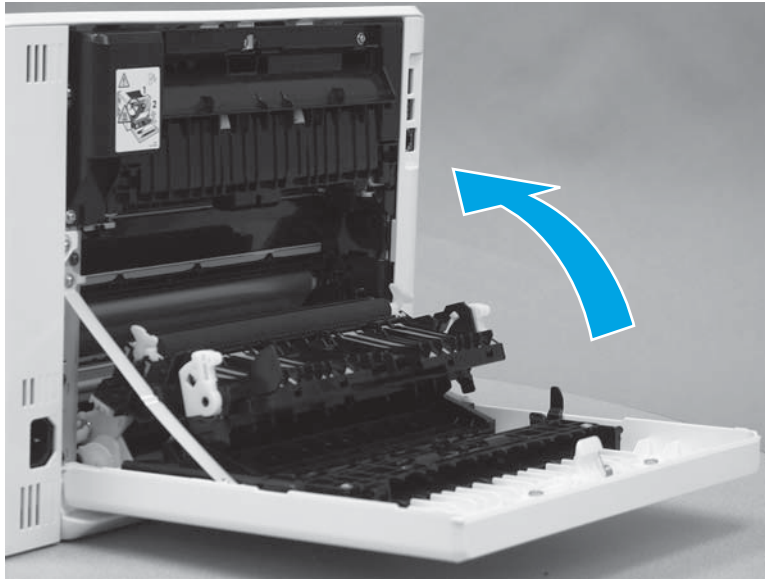
1. Close the front door.

Figure 1-1087 Close the front door



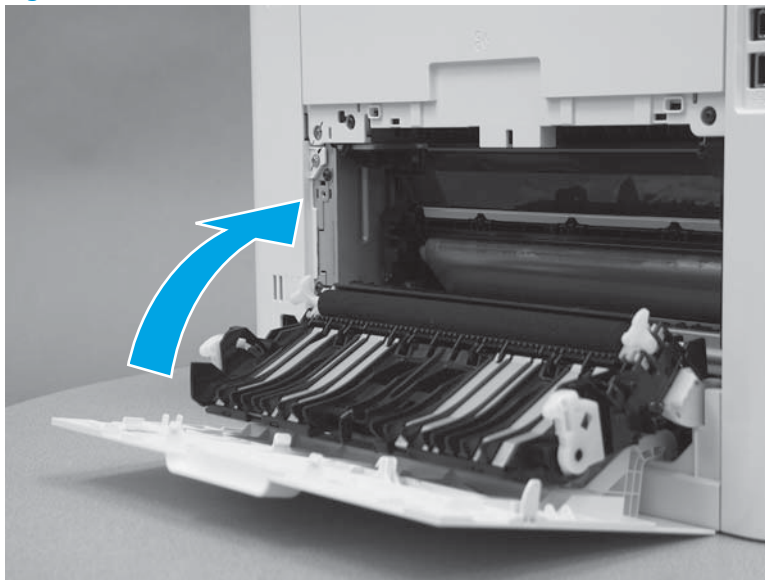
2. **Duplex models:** Close the duplexer door.

Figure 1-1088 Close the duplexer door



3. **Simplex models:** Close the rear door.

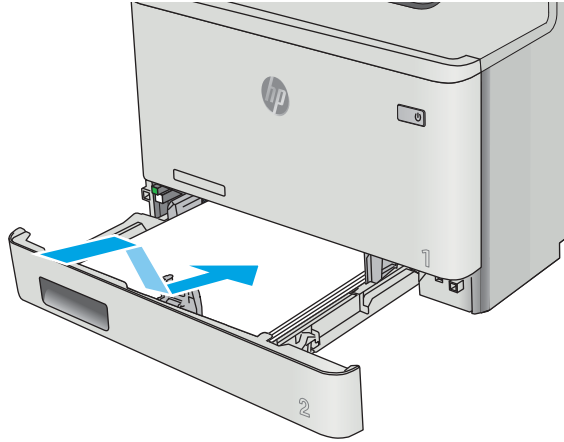
Figure 1-1089 Close the rear door



Step 9: Install Tray 2

- ▲ With the front of the tray slightly lifted, align the sides of the tray with the rails in the printer, and then carefully slide the tray into the printer. As the tray slides into the printer, lower the front of the tray, and then close it.

Figure 1-1090 Install the tray



Removal and replacement: Internal parts and assemblies

- [Removal and replacement: Power switch assembly](#)
- [Removal and replacement: Toner cartridge tray](#)
- [Removal and replacement: Cartridge fan](#)
- [Removal and replacement: Power supply fan](#)
- [Removal and replacement: Low-voltage power supply \(LVPS\)](#)
- [Removal and replacement: Pickup motor](#)
- [Removal and replacement: Driver PCA](#)
- [Removal and replacement: Drum motor](#)
- [Removal and replacement: Developer motor](#)
- [Removal and replacement: Secondary transfer assembly \(simplex models\)](#)
- [Removal and replacement: Secondary transfer assembly \(duplex models\)](#)
- [Removal and replacement: Intermediate transfer belt \(ITB\)](#)
- [Removal and replacement: Registration density sensor](#)
- [Removal and replacement: Re-pickup assembly \(duplex models\)](#)
- [Removal and replacement: Engine controller PCA](#)
- [Removal and replacement: Lifter drive assembly](#)
- [Removal and replacement: Pickup assembly](#)
- [Removal and replacement: Front feed guide assembly](#)
- [Removal and replacement: Rear feed guide assembly](#)
- [Removal and replacement: Registration assembly](#)
- [Removal and replacement: Memory PCA](#)
- [Removal and replacement: Laser scanner \(M452 models\)](#)
- [Removal and replacement: Laser scanner \(M377, M477 models\)](#)
- [Removal and replacement: Fuser \(simplex models\)](#)
- [Removal and replacement: Fuser \(duplex models\)](#)
- [Removal and replacement: Fuser power supply](#)
- [Removal and replacement: Fuser motor](#)
- [Removal and replacement: Duplex drive assembly \(duplex models\)](#)
- [Removal and replacement: Wireless antenna \(M452nw/dw models\)](#)
- [Removal and replacement: Wireless PCA \(M452nw/dw models\)](#)

- [Removal and replacement: Wireless PCA \(M377, M477fnw/fdw models\)](#)
- [Removal and replacement: Formatter PCA](#)
- [Removal and replacement: Environmental sensor](#)
- [Removal and replacement: Fax PCA \(M477 models\)](#)
- [Removal and replacement: NFC PCA \(M452dw and M477dw models\)](#)
- [Removal and replacement: Walk-up USB port \(M452dw model\)](#)
- [Removal and replacement: Walk-up USB port \(M377, M477 models\)](#)
- [Removal and replacement: Drawer connector](#)

Removal and replacement: Power switch assembly


- [Introduction](#)
- [Step 1: Remove Tray 2](#)
- [Step 2: Open the front door and rear door or duplexer door](#)
- [Step 3: Remove the right cover \(M452 models\)](#)
- [Step 4: Remove the right cover \(M377, M477 models\)](#)
- [Step 5: Remove the power switch assembly](#)
- [Step 6: Unpack the replacement part](#)
- [Step 7: Install the power switch assembly](#)
- [Step 8: Install the right cover \(M452 models\)](#)
- [Step 9: Install the right cover \(M377, M477 models\)](#)
- [Step 10: Close the front door and rear door or duplexer door](#)
- [Step 11: Install Tray 2](#)

Introduction

This document provides the procedures to remove and replace the power switch assembly.

Before you begin

- Turn off the printer.
- Disconnect the power cable.

 **WARNING!** To avoid damage to the printer, turn the printer off, wait 30 seconds, and then remove the power cord before attempting to service the printer.

- Use the table below to identify the correct part number for your printer. To order the part, go to www.hp.com/buy/parts.

| Power switch assembly part number | |
|-----------------------------------|--|
|-----------------------------------|--|

| |
|----------------|
| RM2-6373-000CN |
|----------------|

| |
|-----------------------|
| Power switch assembly |
|-----------------------|

Required tools

- #2 Phillips screwdriver with a magnetic tip

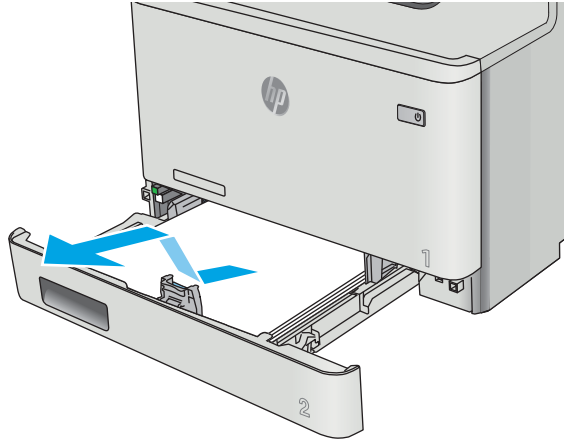
After performing service

- Connect the power cable.
- Use the power switch to turn the power on.

Step 1: Remove Tray 2

- ▲ Pull the tray out until it stops. Lift the front of the tray, and then pull it out of the printer to remove it.

Figure 1-1091 Remove the tray



Step 2: Open the front door and rear door or duplexer door

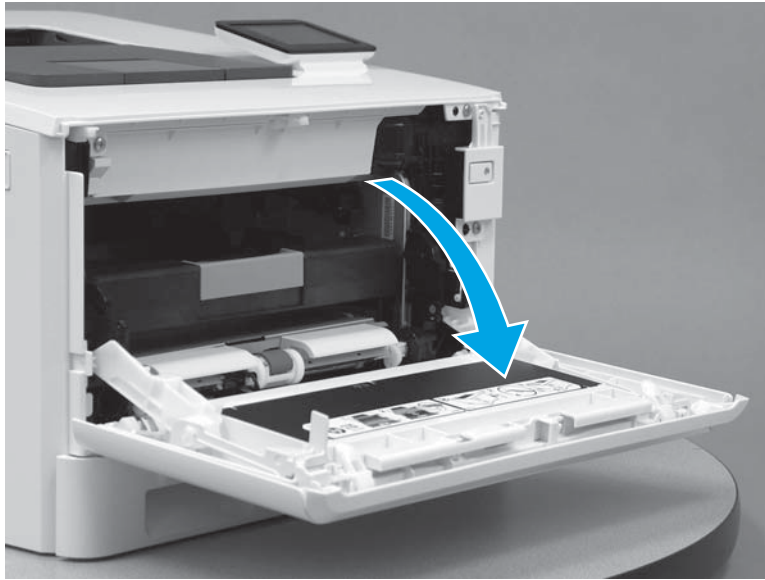
1. Press the button (callout 1) on the left side of the printer to release the front door.

Figure 1-1092 Release the front door



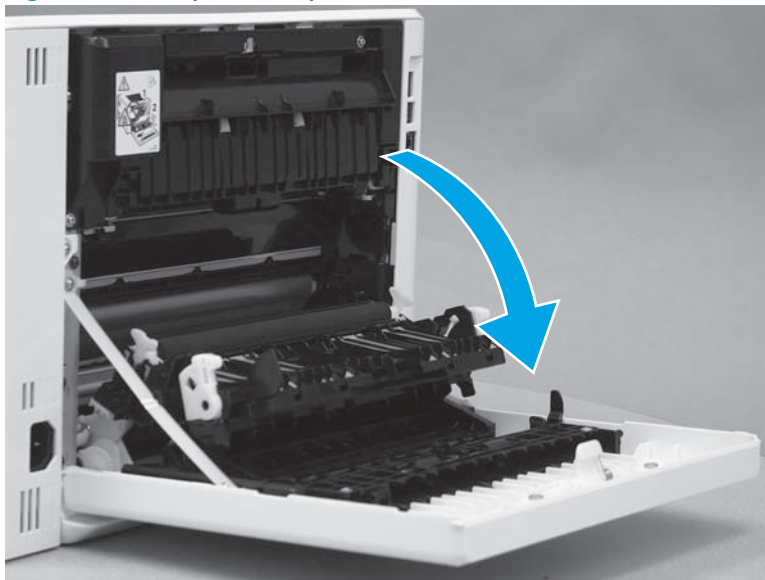
2. Open the front door.

Figure 1-1093 Open the front door



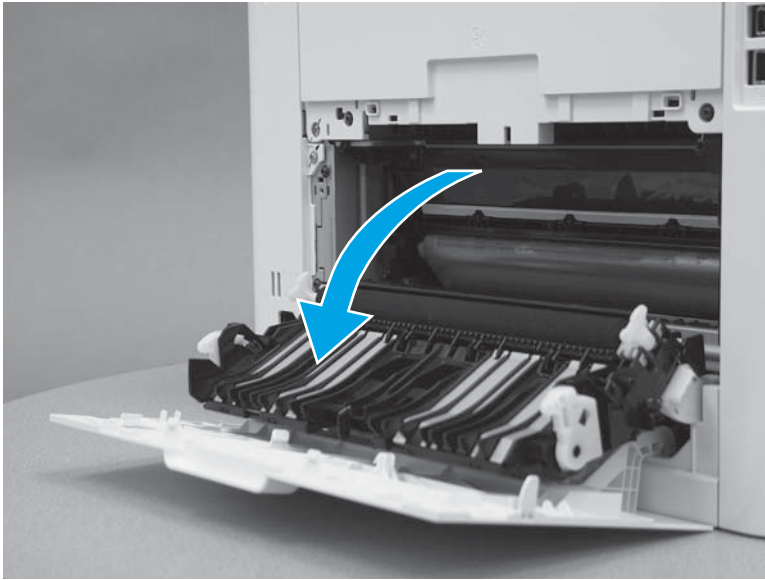
3. **Duplex models:** Open the duplexer door.

Figure 1-1094 Open the duplexer door



4. **Simplex models:** Open the rear door.

Figure 1-1095 Open the rear door



Step 3: Remove the right cover (M452 models)



NOTE: This step is for the M452 models. For the M377, M477 models, skip this step and go to [Step 4: Remove the right cover \(M377, M477 models\) on page 604](#).

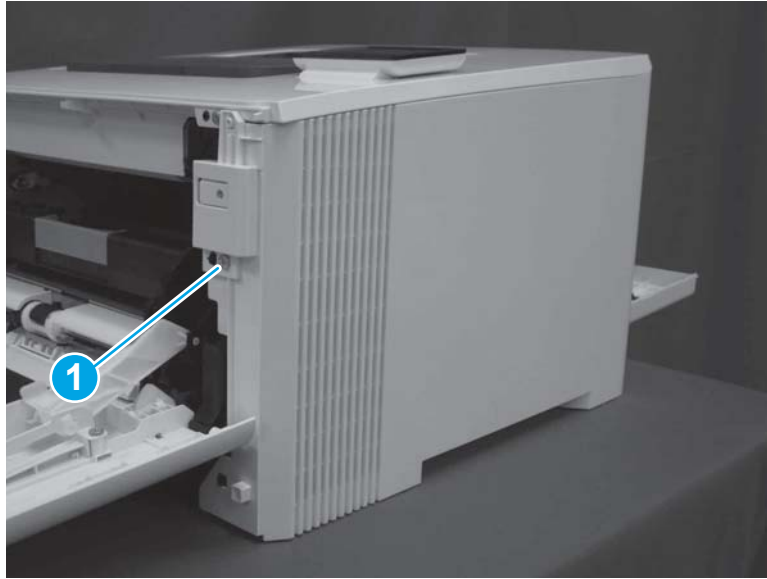
1. At the back of the printer, remove one screw (callout 1).

Figure 1-1096 Remove one screw



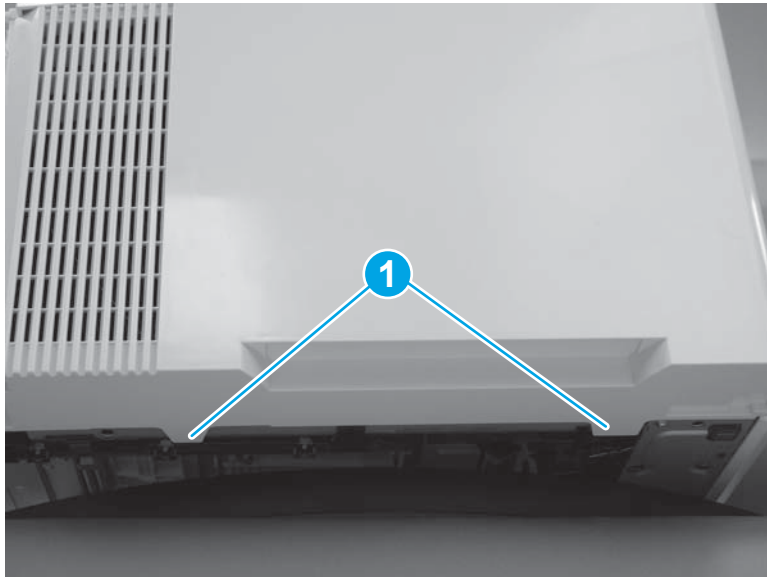
2. At the front of the printer, remove one screw (callout 1).

Figure 1-1097 Remove one screw



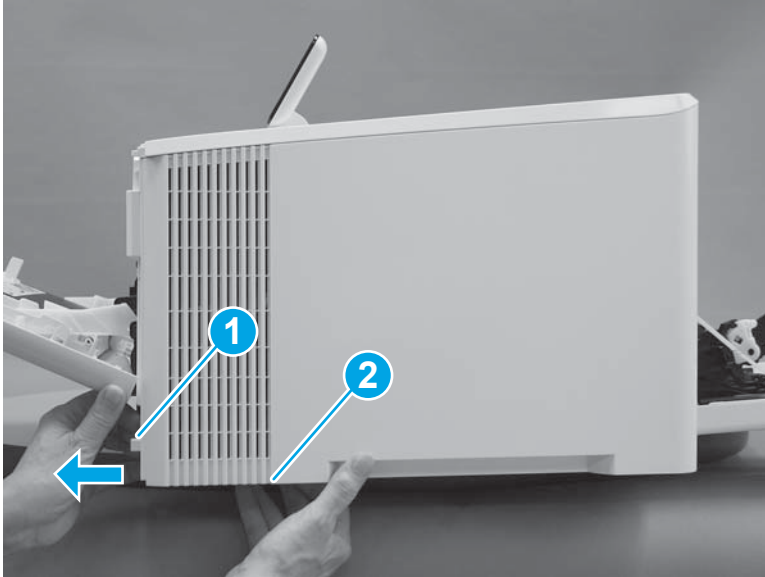
3. Slide the printer to the edge of a work surface. Note the location of the tabs on the lower edge of the cover (callout 1).

Figure 1-1098 Locate the tabs



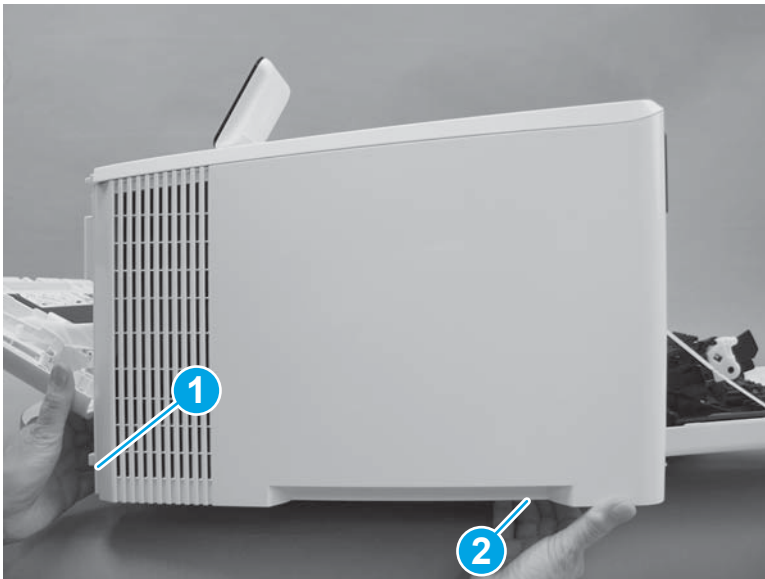
4. Release one tab (callout 1) on the front of the cover by slightly pulling the cover away from the printer. While holding the cover in the released position, release one tab (callout 2) on the bottom of the cover.

Figure 1-1099 Release front lower tabs



5. Hold the front tabs in the released position (callout 1), and then release one tab (callout 2) on the bottom of the cover, toward the back of the printer.

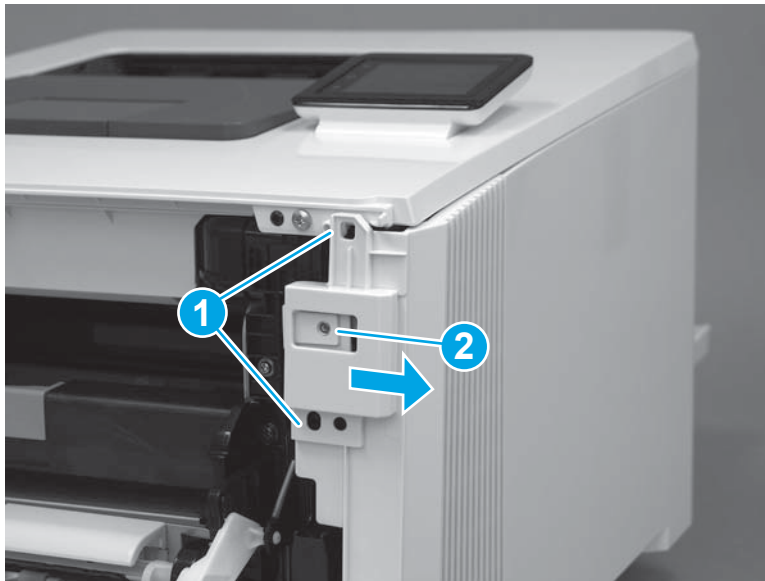
Figure 1-1100 Release lower rear tab



6. Release two tabs at the front of the printer (callout 1) by slightly pulling the cover away from the printer.

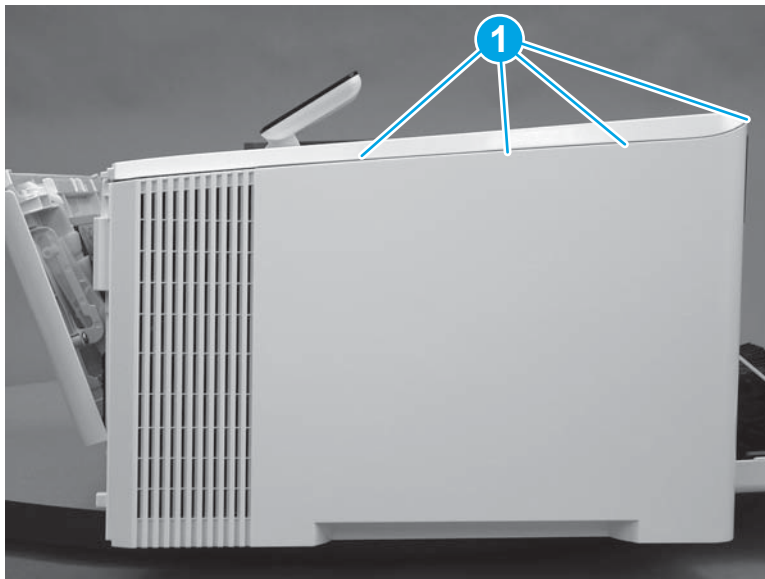
CAUTION: Be careful not to dislodge the power switch (callout 2).

Figure 1-1101 Release two front tabs



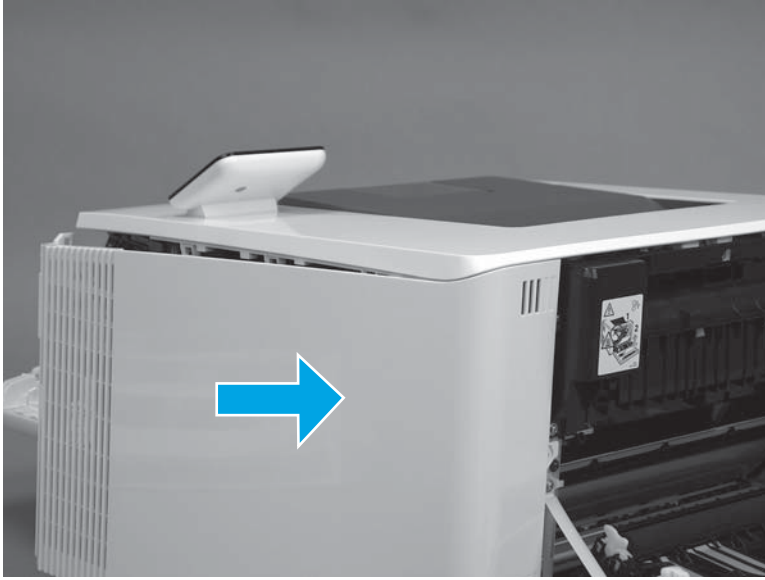
7. Release four tabs on the top of the printer (callout 1).

Figure 1-1102 Release upper tabs



8. Slide the cover toward the back of the printer to remove it.

Figure 1-1103 Remove the right cover



Step 4: Remove the right cover (M377, M477 models)



NOTE: This step is for the M377, M477 models. For the M452 models, skip this step and go to [Step 5: Remove the power switch assembly on page 610.](#)

1. Raise the scanner.

Figure 1-1104 Raise the scanner



2. At the back of the printer, remove one screw (callout 1).

Figure 1-1105 Remove one screw



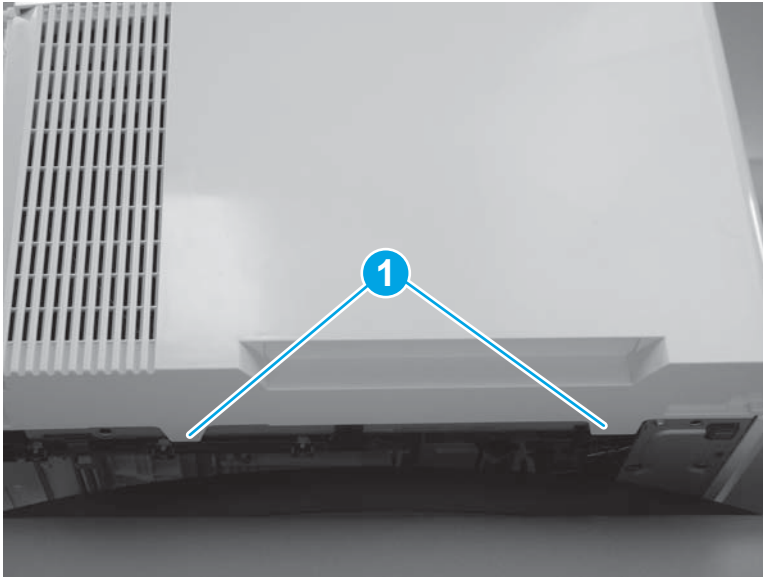
3. At the front of the printer, remove one screw (callout 1).

Figure 1-1106 Remove one screw



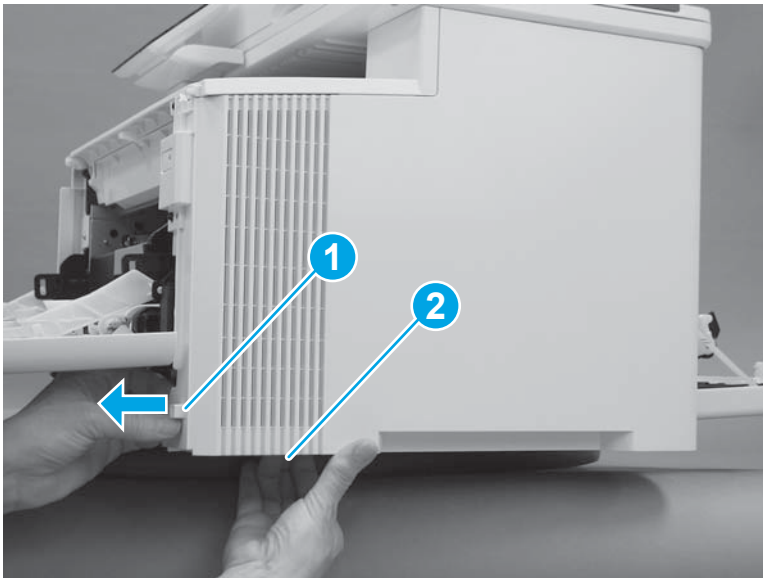
4. Slide the printer to the edge of a work surface. Note the location of the tabs on the lower edge of the cover (callout 1).

Figure 1-1107 Locate the tabs



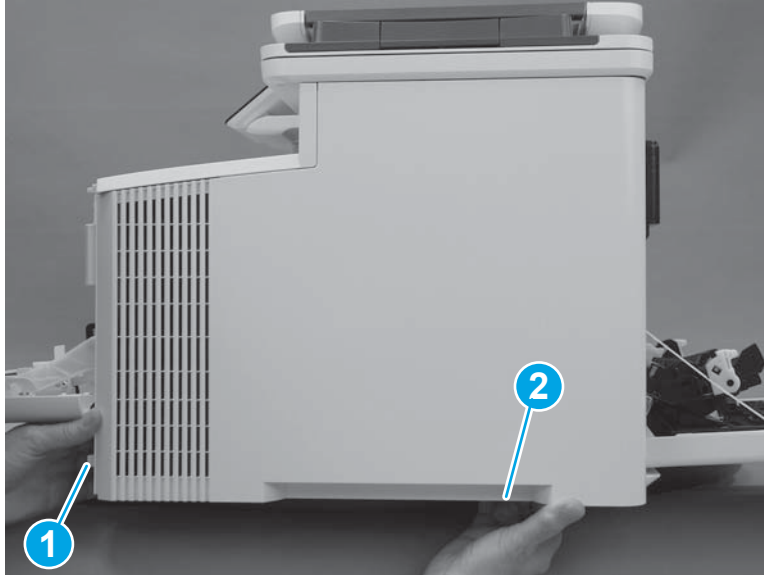
5. Release one tab (callout 1) on the front of the cover by slightly pulling the cover away from the printer. While holding the cover in the released position, release one tab (callout 2) on the lower edge of the cover.

Figure 1-1108 Release front lower tabs



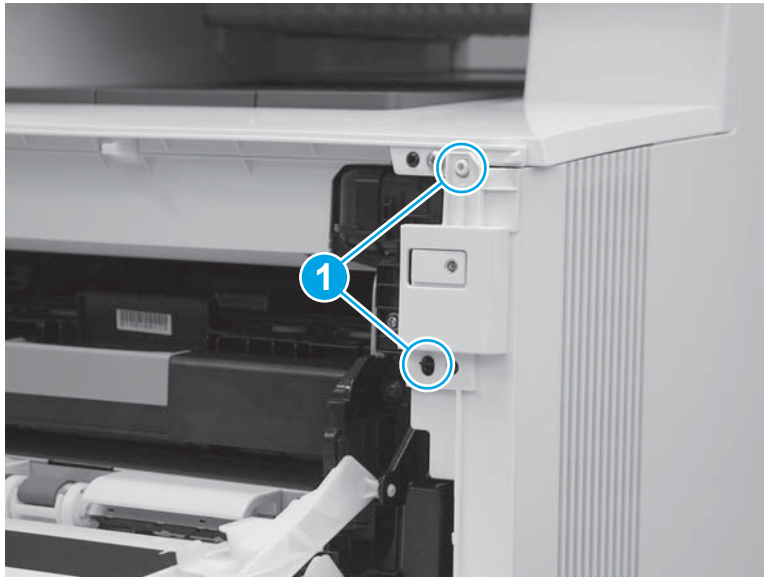
6. Hold the front tabs in the released position (callout 1), and then release one tab (callout 2) on the lower edge of the cover, toward the back of the printer.

Figure 1-1109 Release lower rear tab



7. Release two tabs at the front of the printer (callout 1) by slightly pulling the cover away from the printer.

Figure 1-1110 Release front upper tabs



8. Rotate the front of the cover away from the printer (callout 1).

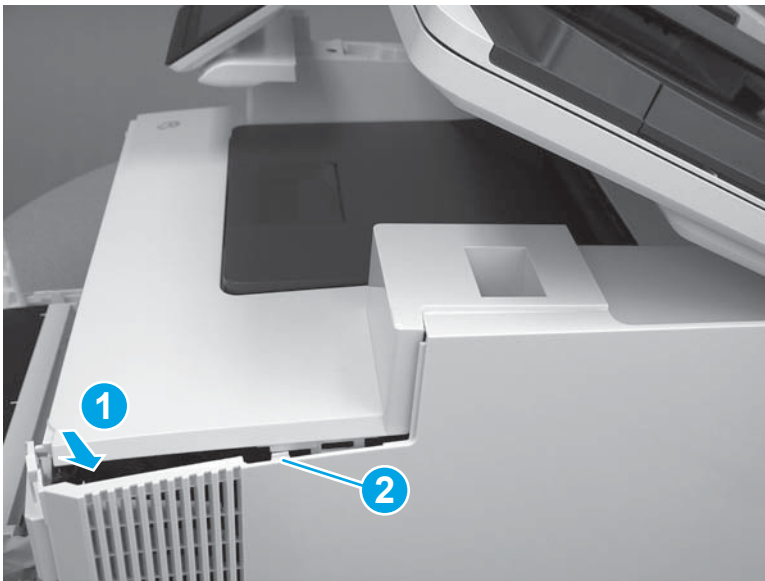
⚠ CAUTION: Be careful not to dislodge the power switch (callout 2).

Figure 1-1111 Rotate the front of the cover



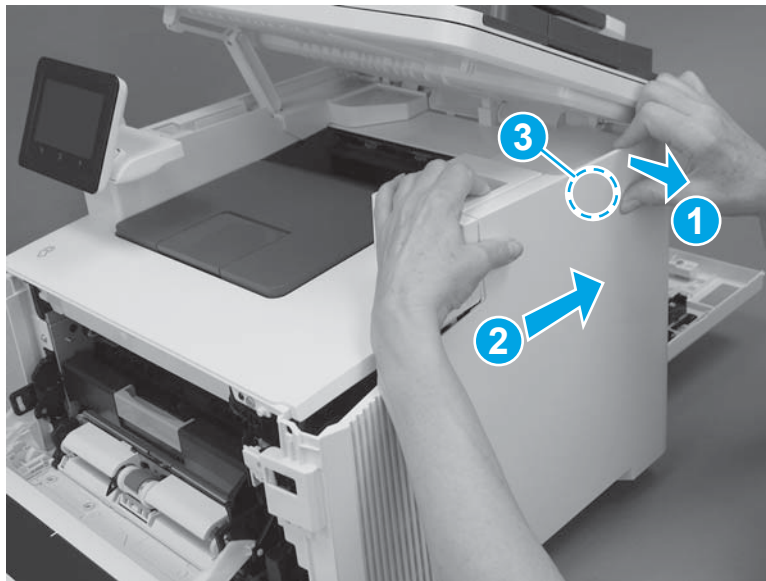
9. Slightly pull the front of the cover away from the printer (callout 1) to release one tab (callout 2).

Figure 1-1112 Release top tabs



10. At the top of the printer, slightly pull the top of the cover away from the printer to release one retention tab (callout 1) on the inside of the cover. While holding the cover away, slide the cover toward the back of the printer (callout 2) to release one hook (callout 3) on the inside of the cover.

Figure 1-1113 Release one tab and one hook



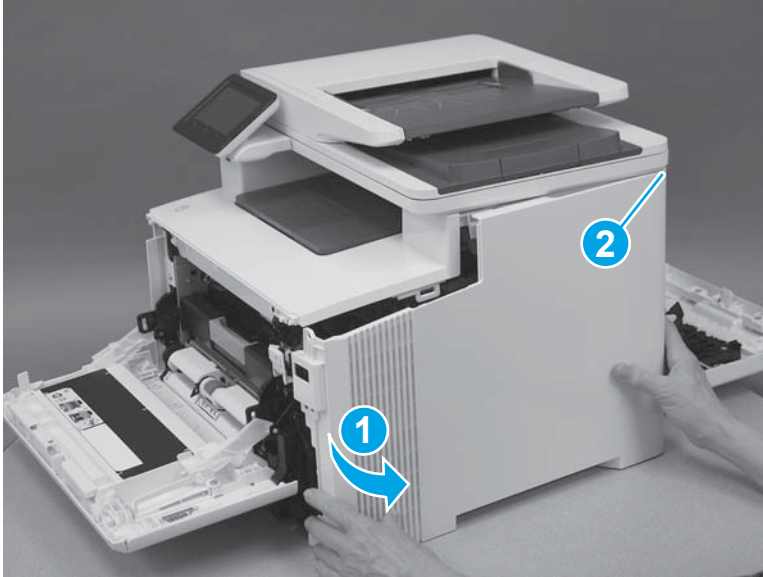
11. Lower the scanner.

Figure 1-1114 Lower the scanner



12. Rotate the cover away from the printer (callout 1) to release one tab (callout 2) at the back of the printer, and then remove the cover.

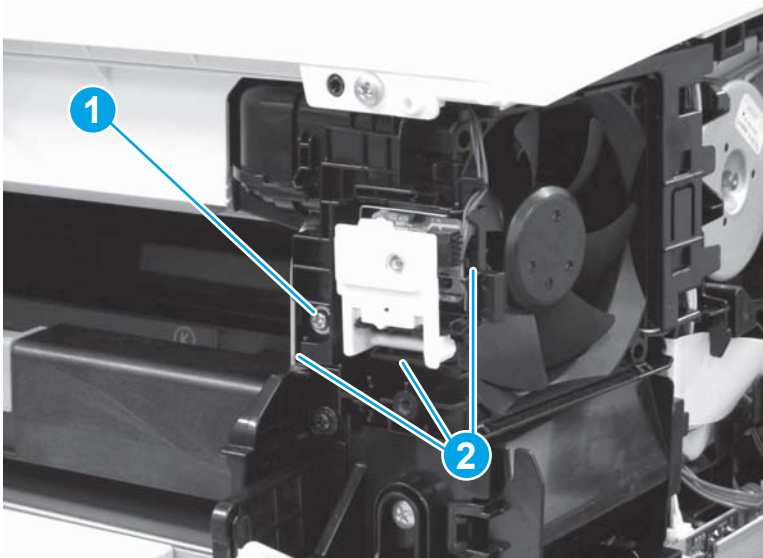
Figure 1-1115 Remove the right cover



Step 5: Remove the power switch assembly

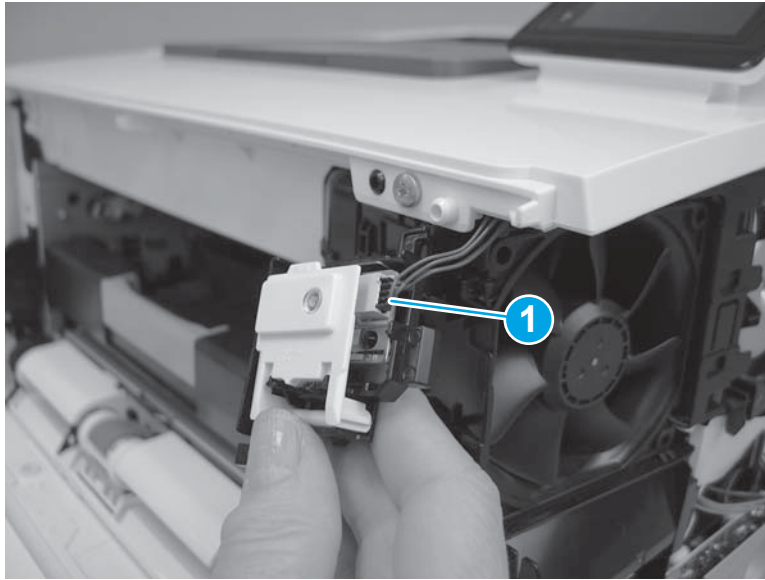
1. On the front of the printer, remove one screw (callout 1), and then release three tabs (callout 2).

Figure 1-1116 Remove one screw and release three tabs



2. Disconnect one connector (callout 1).

Figure 1-1117 Disconnect one connector



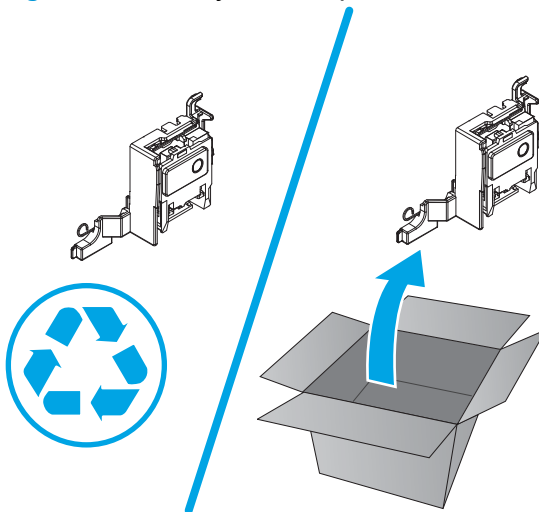
Step 6: Unpack the replacement part

Remove the new part from its package. Save all packaging for recycling the used part.

For complete information on HP's recycling programs, go to [Product return and recycling](#).

 **NOTE:** HP recommends responsible disposal of the defective part.

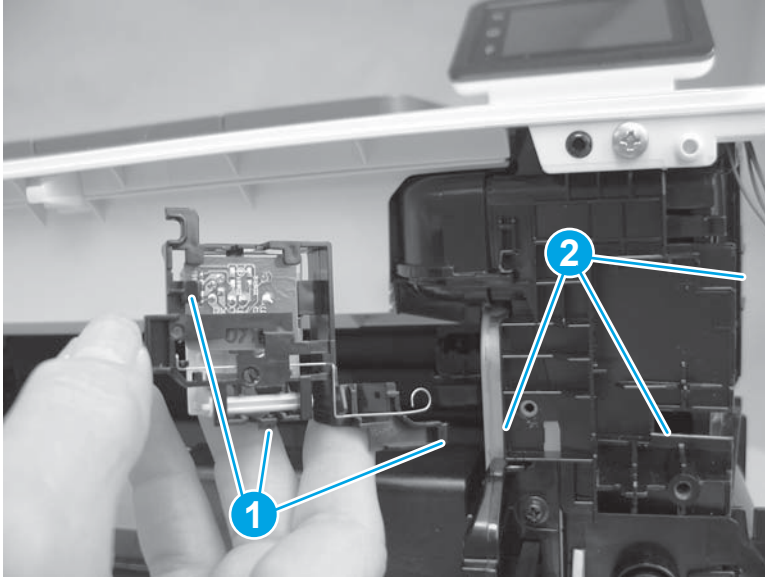
Figure 1-1118 Recycle and unpack



Step 7: Install the power switch assembly

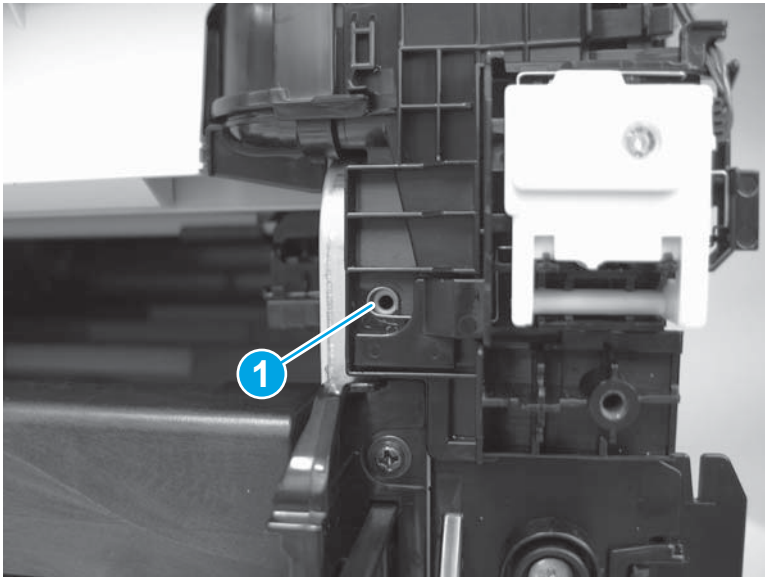
1. Install the tabs (callout 1) on the power switch into the corresponding slots (callout 2) on the printer.

Figure 1-1119 Install the power switch



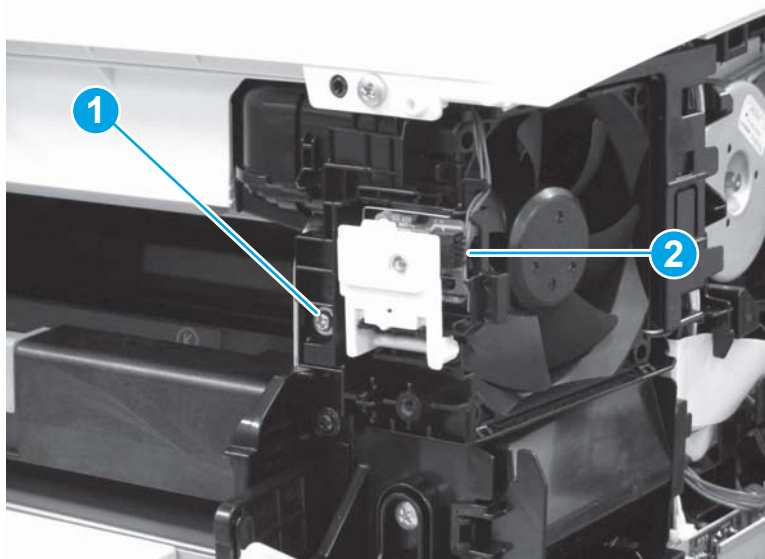
2. Make sure that the spring (callout 1) is positioned around the screw hole.

Figure 1-1120 Check the spring position




3. Install one screw (callout 1), and then connect one connector (callout 2).

Figure 1-1121 Install one screw and connect one connector

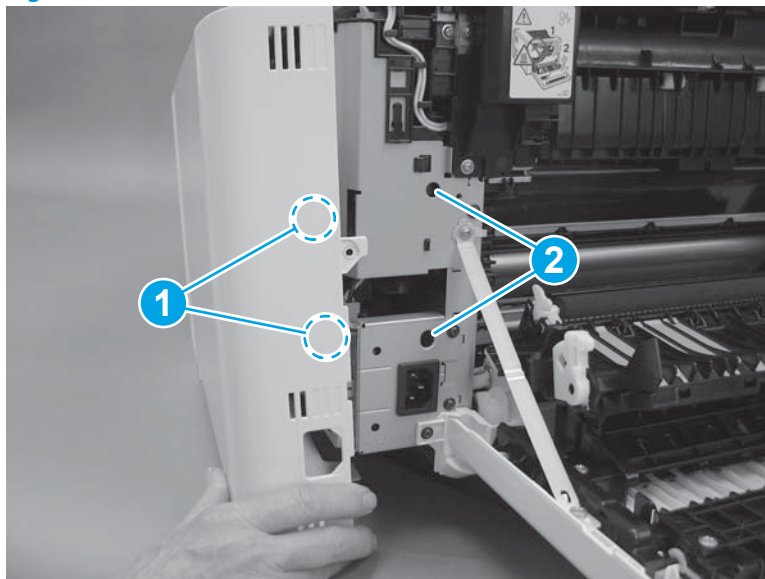


Step 8: Install the right cover (M452 models)

 **NOTE:** This step is for the M452 models. For the M377, M477 models, skip this step and go to [Step 9: Install the right cover \(M377, M477 models\) on page 617](#).

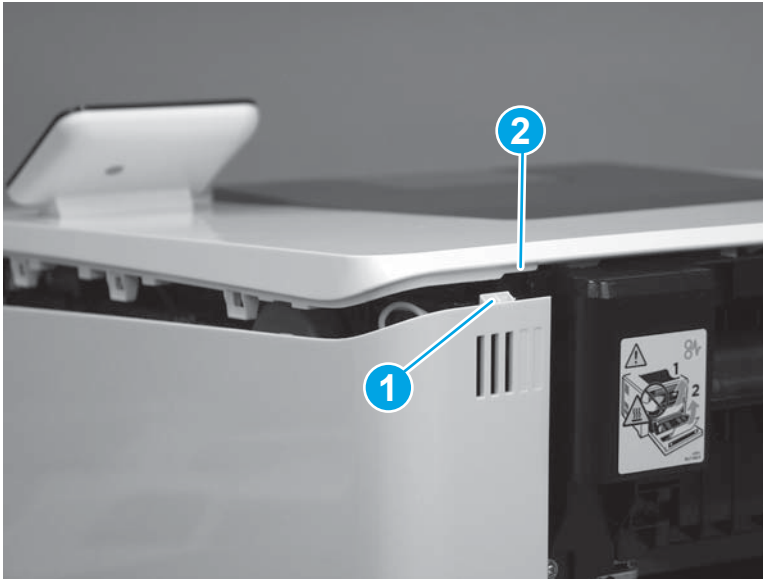
1. Position two tabs (callout 1) on the back of the cover in the slots (callout 2) in the printer.

Figure 1-1122 Position two tabs



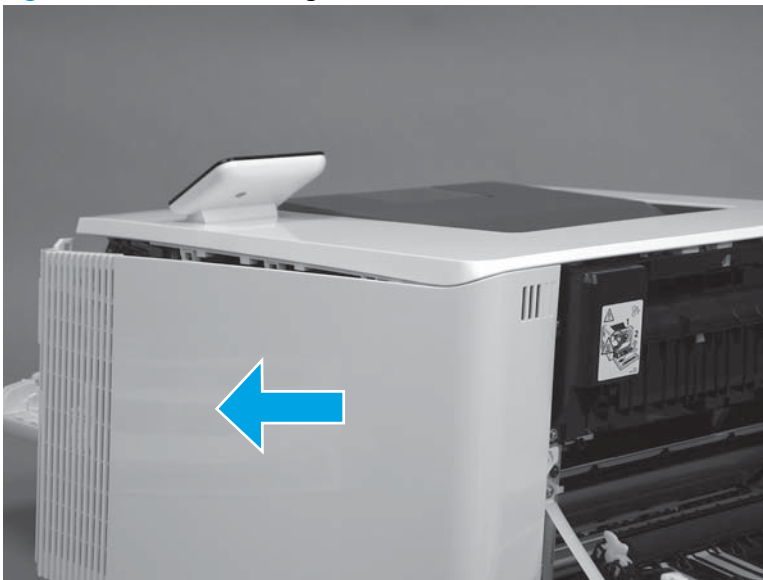
2. At the back of the printer, install the tab (callout 1) under the edge of the top cover (callout 2).

Figure 1-1123 Install rear tab



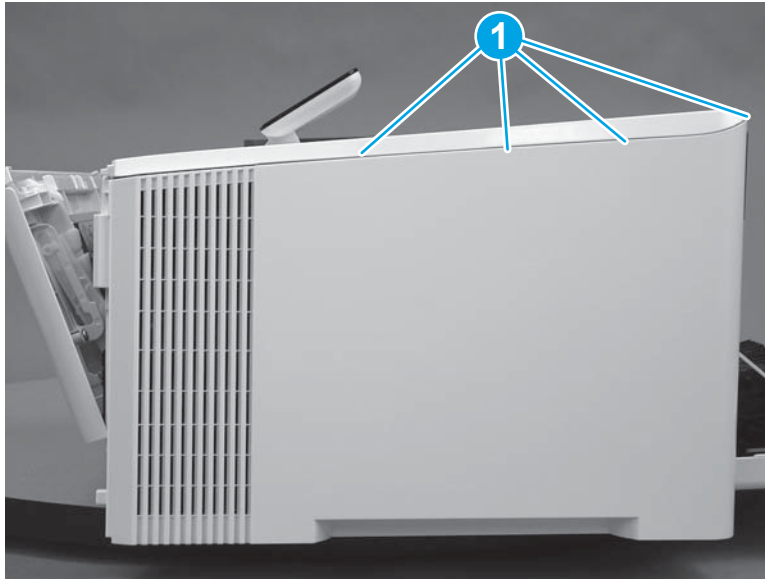
3. Slide the cover toward the front of the printer to install it.

Figure 1-1124 Install the right cover



4. Engage three tabs (callout 2) on the top of the cover.

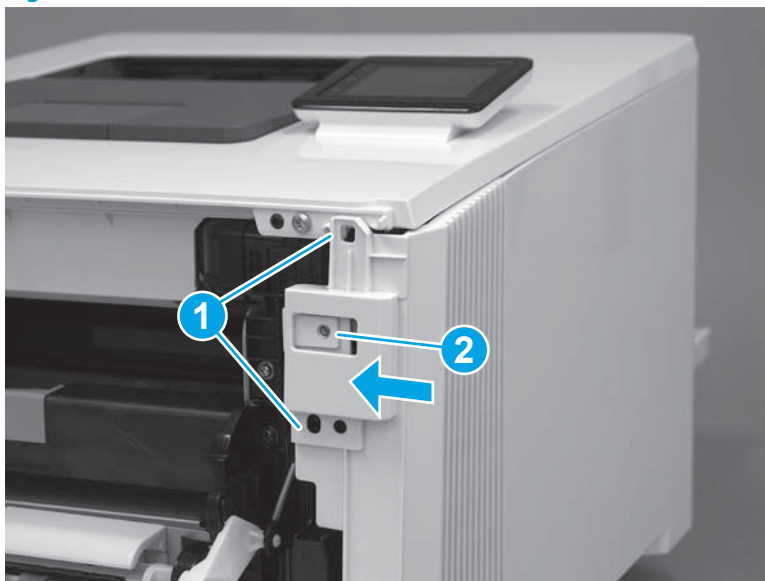
Figure 1-1125 Install upper tabs



5. At the front of the printer, position the front of the cover over two tabs (callout 1).

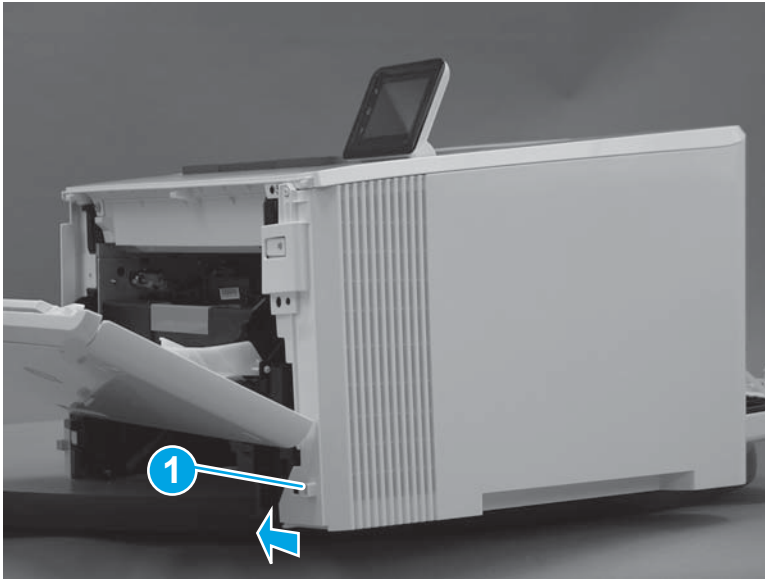
⚠ CAUTION: Be careful not to dislodge the power switch (callout 2).

Figure 1-1126 Install the front tabs



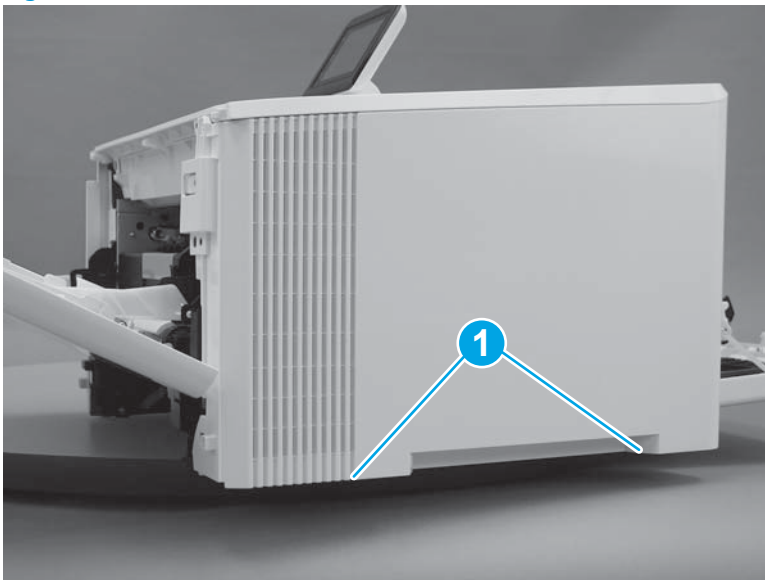
6. Press the right cover toward the printer to engage one tab (callout 1) on the front of the cover.

Figure 1-1127 Install the front lower tab



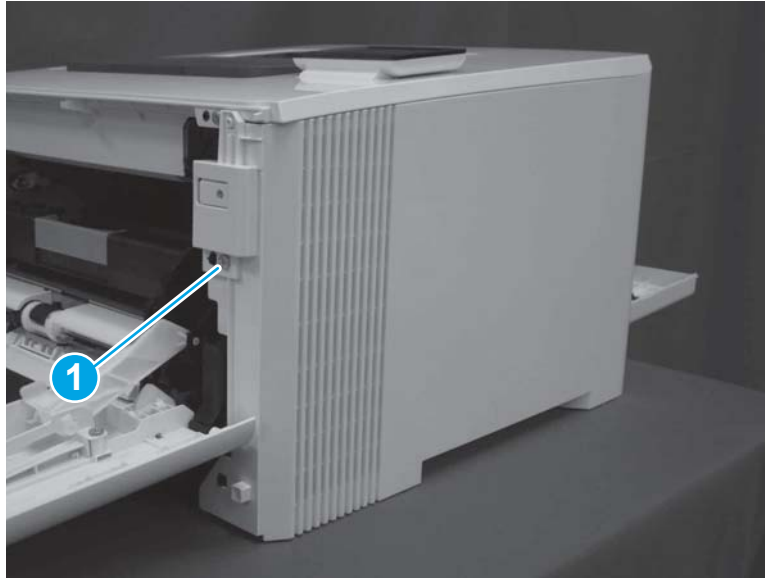
7. Install two tabs on the bottom of the cover (callout 1).

Figure 1-1128 Install two tabs



8. At the front of the printer, install one screw (callout 1).

Figure 1-1129 Install one screw



9. At the back of the printer, install one screw (callout 1).

Figure 1-1130 Install one screw

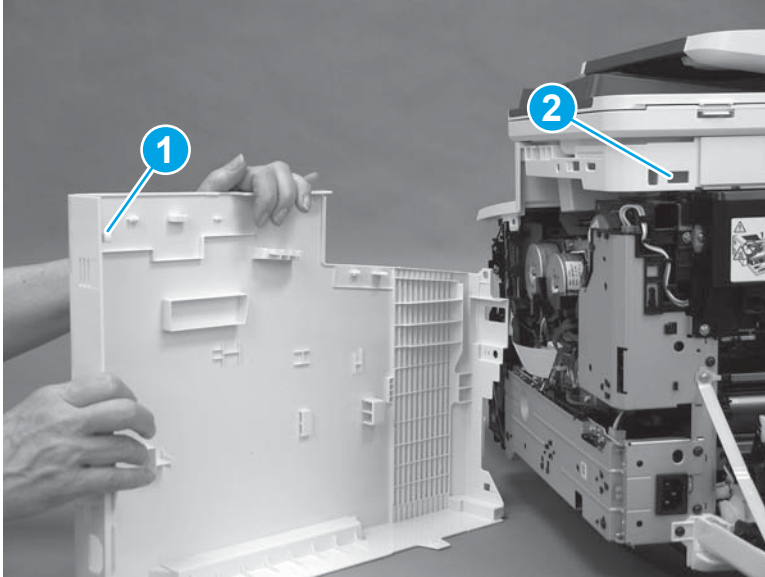


Step 9: Install the right cover (M377, M477 models)

 **NOTE:** This step is for the M377, M477 models. For the M452 models, skip this step and go to [Step 10: Close the front door and rear door or duplexer door on page 623.](#)

1. At the back of the printer, install the tab (callout 1) on the cover into the slot (callout 2) on the printer.

Figure 1-1131 Install rear tab



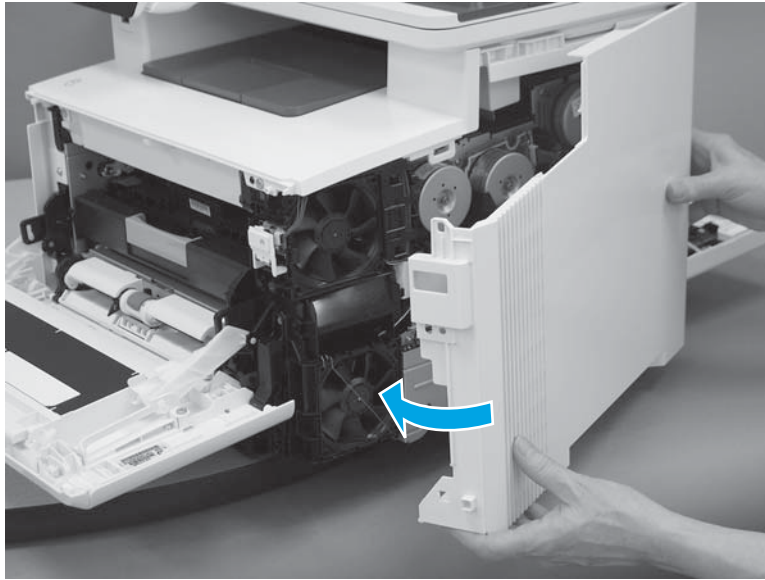
2. Raise the scanner.

Figure 1-1132 Raise the scanner



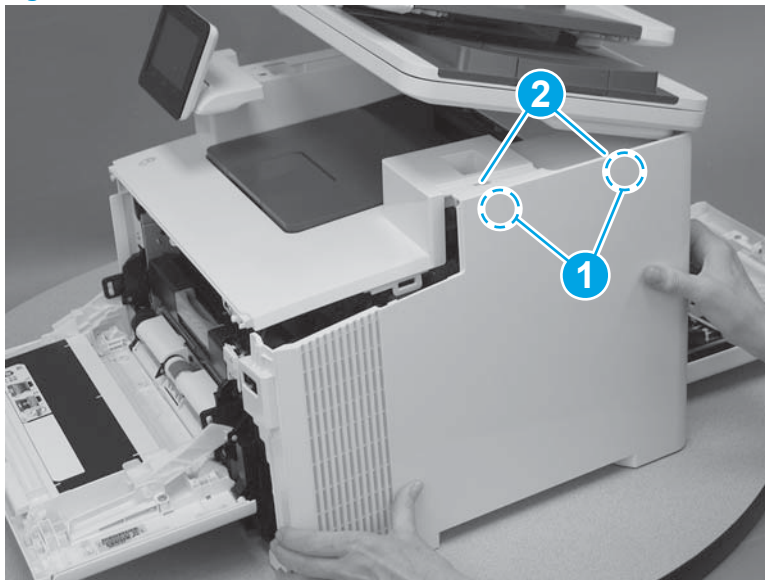
3. Rotate the right cover toward the printer.

Figure 1-1133 Rotate the right cover



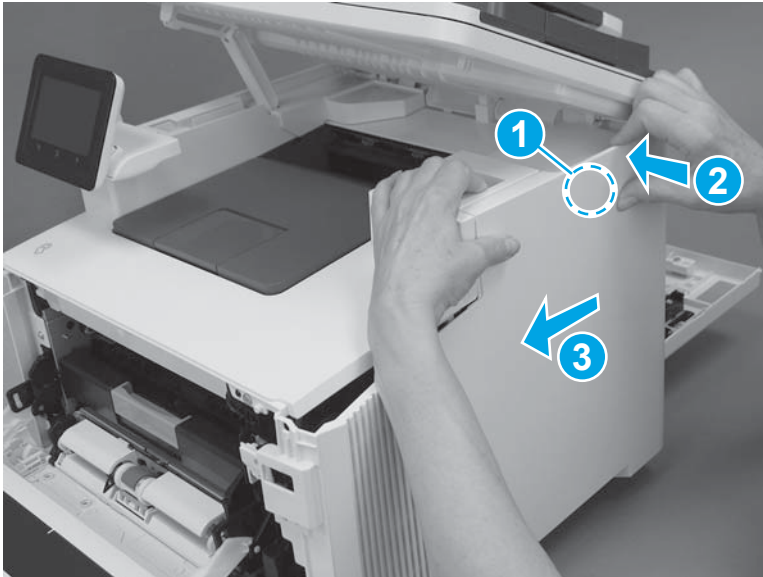
4. Position the hooks (callout 1) on the inside of the cover into the slots (callout 2) in the printer.

Figure 1-1134 Position the hooks in the slots



- Engage one hook (callout 1) on the inside of the cover. Hold the top of the cover closed (callout 2) while sliding the cover toward the front of the printer (callout 3).

Figure 1-1135 Slide the cover



- Rotate the front of the cover toward the printer (callout 1).

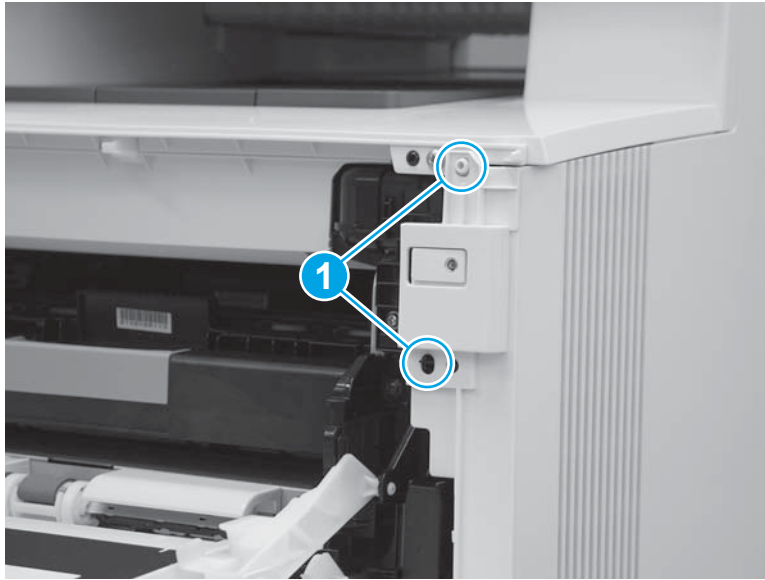
CAUTION: Be careful not to dislodge the power switch (callout 2).

Figure 1-1136 Rotate the front of the cover



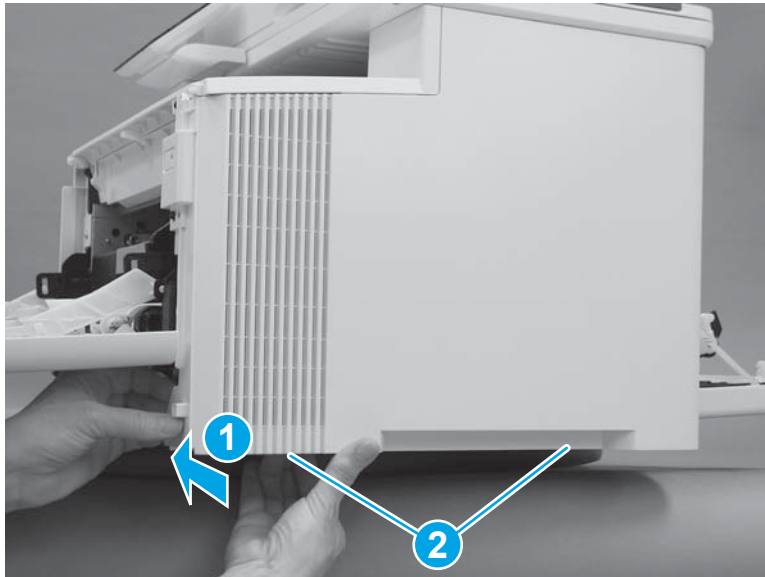
7. Install two tabs at the front of the printer (callout 1).

Figure 1-1137 Install two tabs



8. Press the right cover toward the printer (callout 1) to engage one tab on the front of the cover, and two tabs (callout 2) on the lower edge of the cover.

Figure 1-1138 Install the front and lower tabs



9. At the front of the printer, install one screw (callout 1).

Figure 1-1139 Install one screw



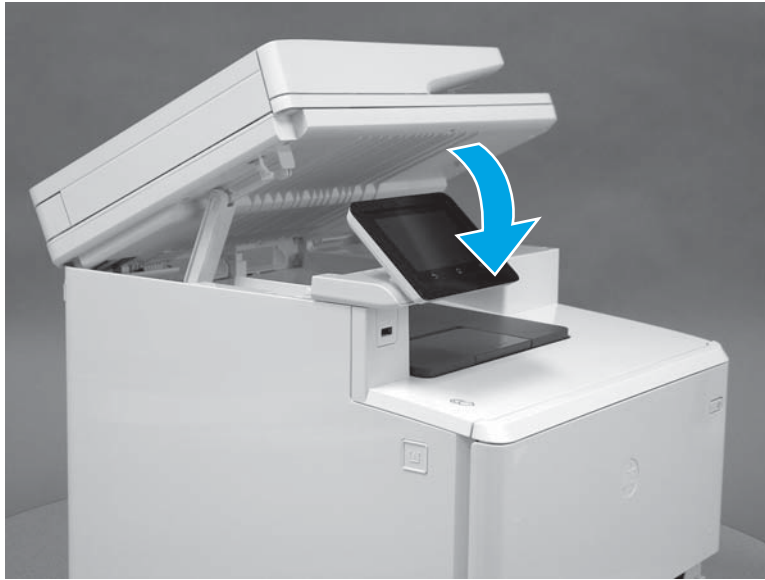
10. At the back of the printer, install one screw (callout 1).

Figure 1-1140 Install one screw



11. Lower the scanner.

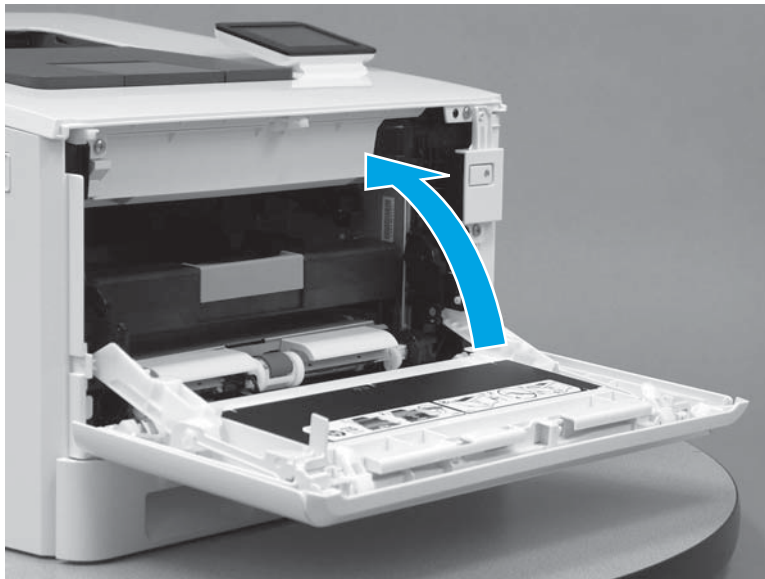
Figure 1-1141 Lower the scanner



Step 10: Close the front door and rear door or duplexer door

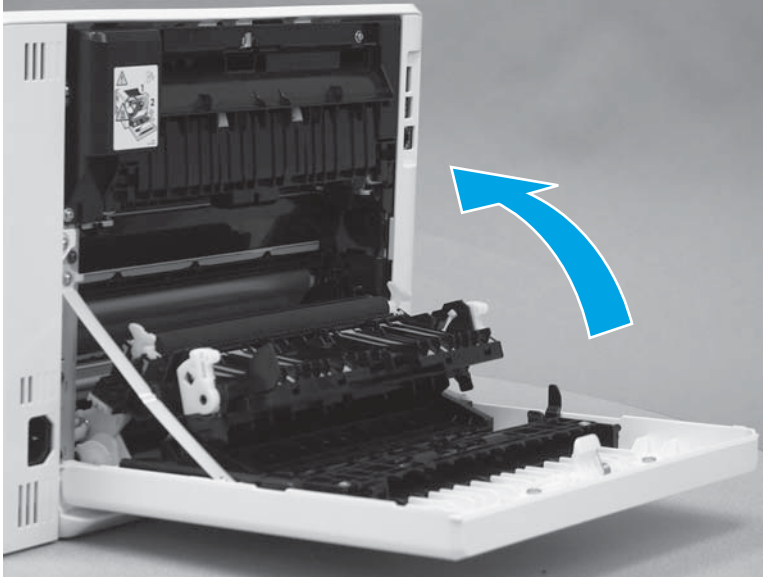
1. Close the front door.

Figure 1-1142 Close the front door



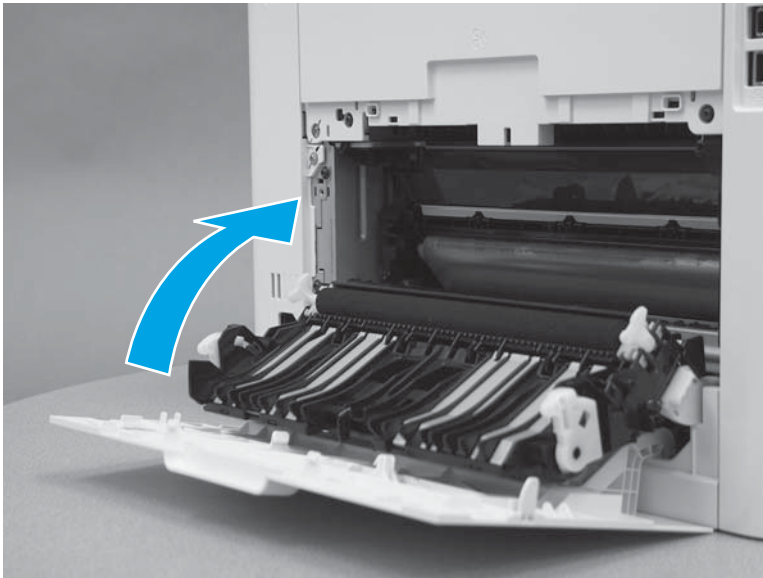
2. **Duplex models:** Close the duplexer door.

Figure 1-1143 Close the duplexer door



3. **Simplex models:** Close the rear door.

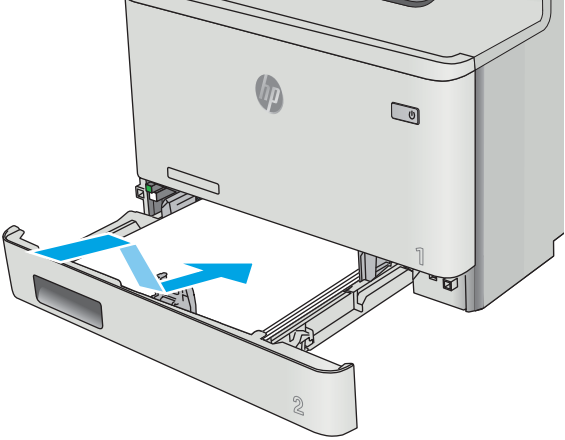
Figure 1-1144 Close the rear door



Step 11: Install Tray 2

- ▲ With the front of the tray slightly lifted, align the sides of the tray with the rails in the printer, and then carefully slide the tray into the printer. As the tray slides into the printer, lower the front of the tray, and then close it.

Figure 1-1145 Install the tray



Removal and replacement: Toner cartridge tray


- [Introduction](#)
- [Step 1: Remove Tray 2](#)
- [Step 2: Remove the toner cartridges](#)
- [Step 3: Open the rear door or duplexer door](#)
- [Step 4: Remove the left cover \(M452 models\)](#)
- [Step 5: Remove the left cover \(M377, M477 models\)](#)
- [Step 6: Remove the toner cartridge tray](#)
- [Step 7: Unpack the replacement part](#)
- [Step 8: Install the toner cartridge tray](#)
- [Step 9: Install the left cover \(M452 models\)](#)
- [Step 10: Install the left cover \(M377, M477 models\)](#)
- [Step 11: Close the rear door or duplexer door](#)
- [Step 12: Install the toner cartridges](#)
- [Step 13: Install Tray 2](#)

Introduction

This document provides the procedures to remove and replace the toner cartridge tray.

Before you begin

- Turn off the printer.
- Disconnect the power cable.

 **WARNING!** To avoid damage to the printer, turn the printer off, wait 30 seconds, and then remove the power cord before attempting to service the printer.

- Use the table below to identify the correct part number for your printer. To order the part, go to www.hp.com/buy/parts.

| Toner cartridge tray part number | |
|----------------------------------|--|
|----------------------------------|--|

| | |
|----------------|----------------------|
| RM2-6401-000CN | Toner cartridge tray |
|----------------|----------------------|

Required tools

- #2 Phillips screwdriver with a magnetic tip

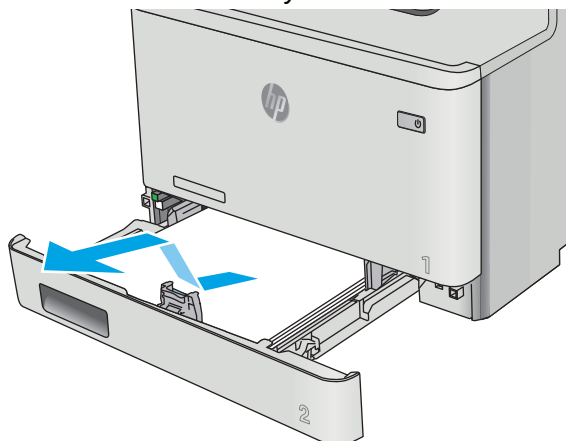
After performing service

- Connect the power cable.
- Use the power switch to turn the power on.


Step 1: Remove Tray 2

- ▲ Pull the tray out until it stops. Lift the front of the tray, and then pull it out of the printer to remove it.

Figure 1-1146 Remove the tray

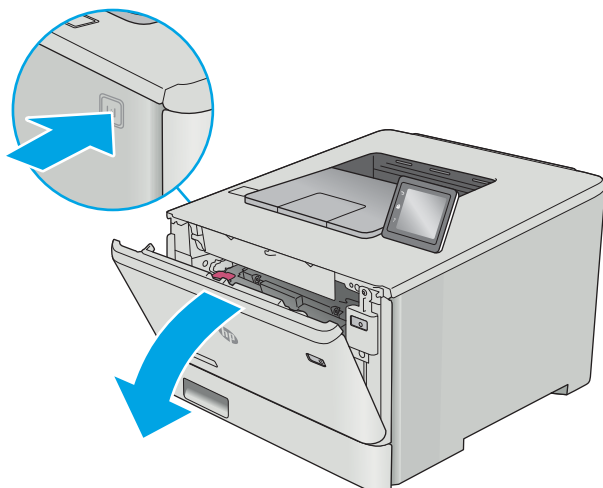


Step 2: Remove the toner cartridges

 **NOTE:** The M452 model is pictured in the figures in this section. The procedure is the same for the M377, M477 models.

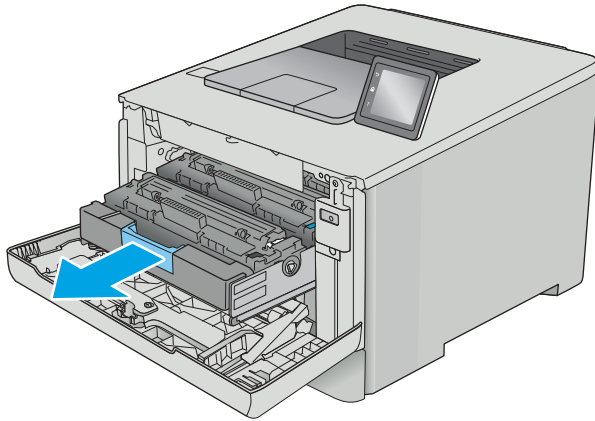
1. Open the front door by pressing the button on the left cover.

Figure 1-1147 Open the front door



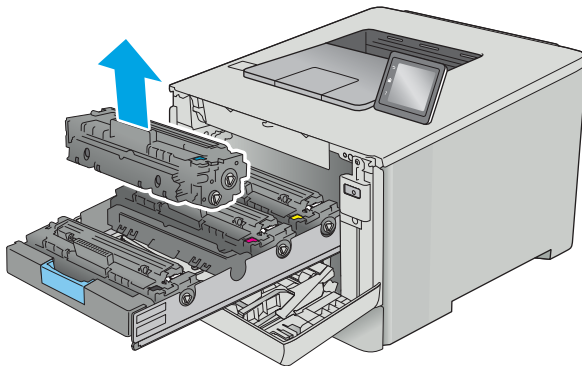
2. Grasp the blue handle on the toner cartridge tray, and then pull out the tray.

Figure 1-1148 Open the cartridge drawer



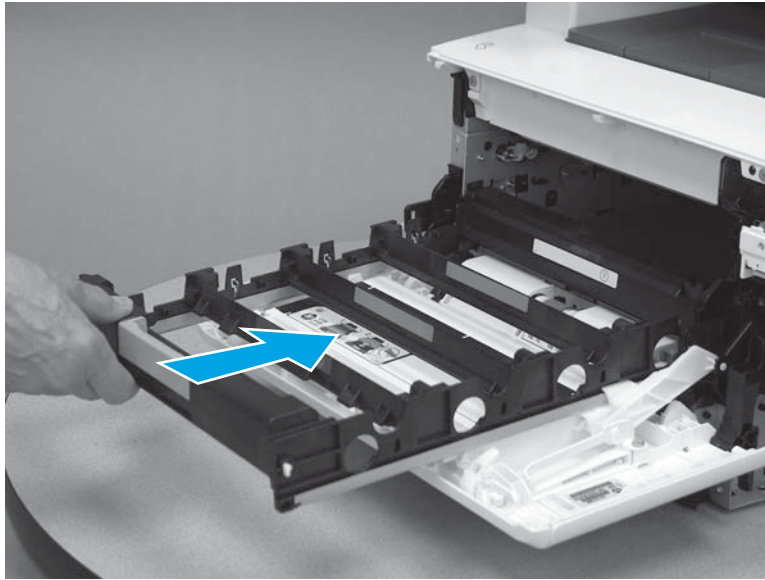
3. Grasp the handle on the toner cartridge, and then pull the toner cartridge straight up to remove it. Repeat this step for each toner cartridge.

Figure 1-1149 Remove the toner cartridge



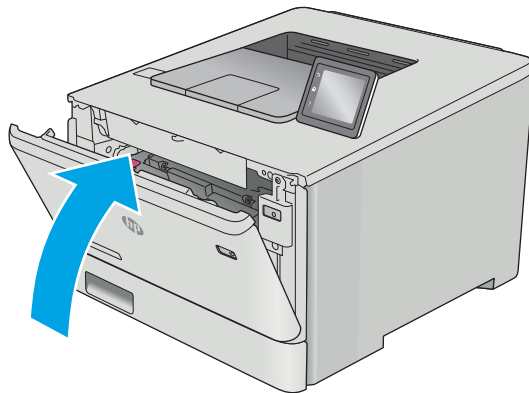
4. Slide the cartridge tray into the printer.

Figure 1-1150 Slide the cartridge tray in



5. Close the front door.

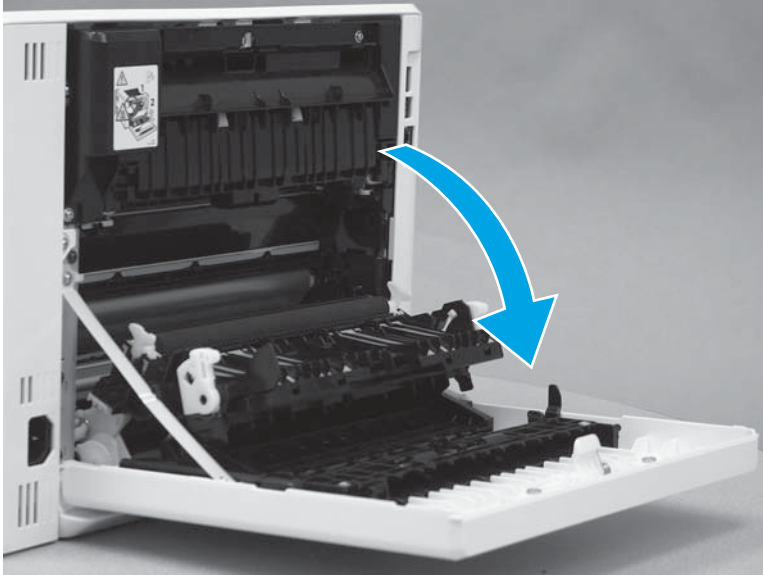
Figure 1-1151 Close the front door



Step 3: Open the rear door or duplexer door

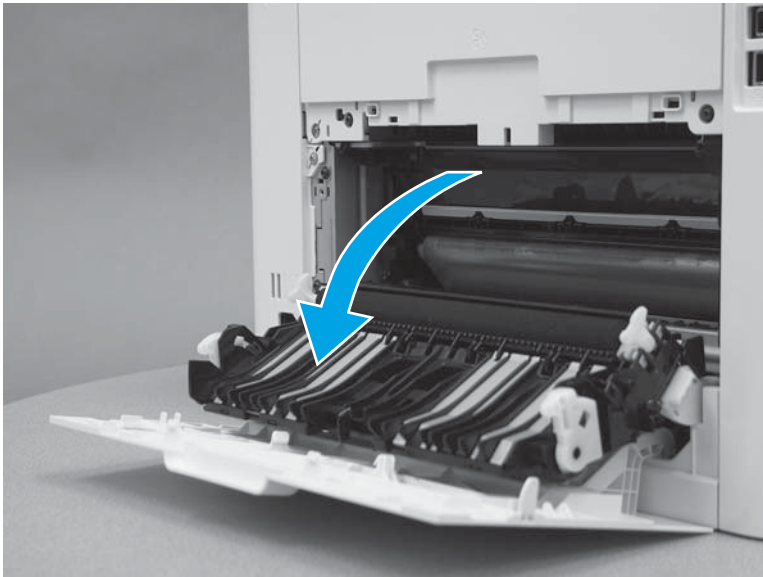
1. **Duplex models:** Open the duplexer door.

Figure 1-1152 Open the duplexer door




2. **Simplex models:** Open the rear door.

Figure 1-1153 Open the rear door

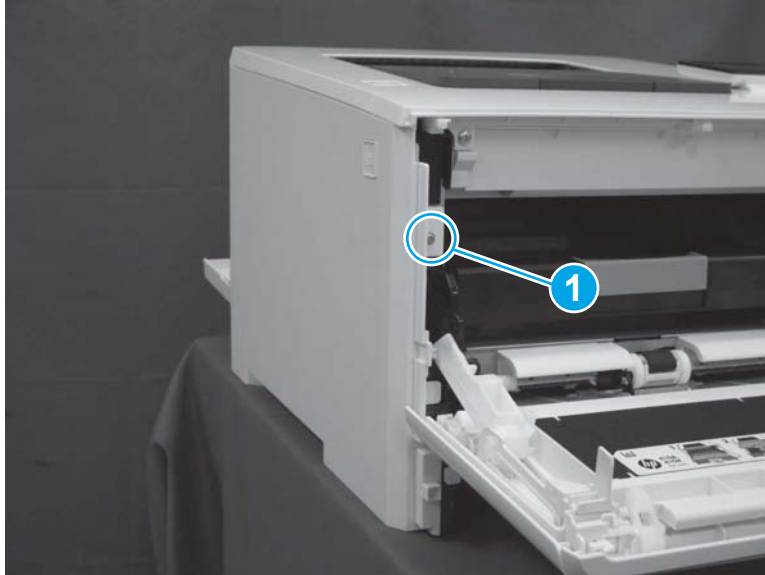


Step 4: Remove the left cover (M452 models)

 **NOTE:** This step is for the M452 models. For the M377, M477 models, skip this step and go to [Step 5: Remove the left cover \(M377, M477 models\) on page 633.](#)

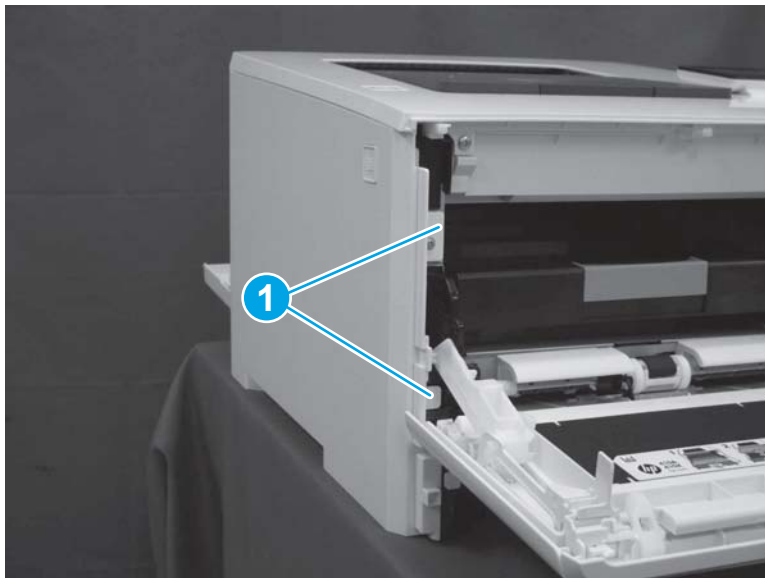
1. At the front of the printer, remove one screw (callout 1).

Figure 1-1154 Remove one screw



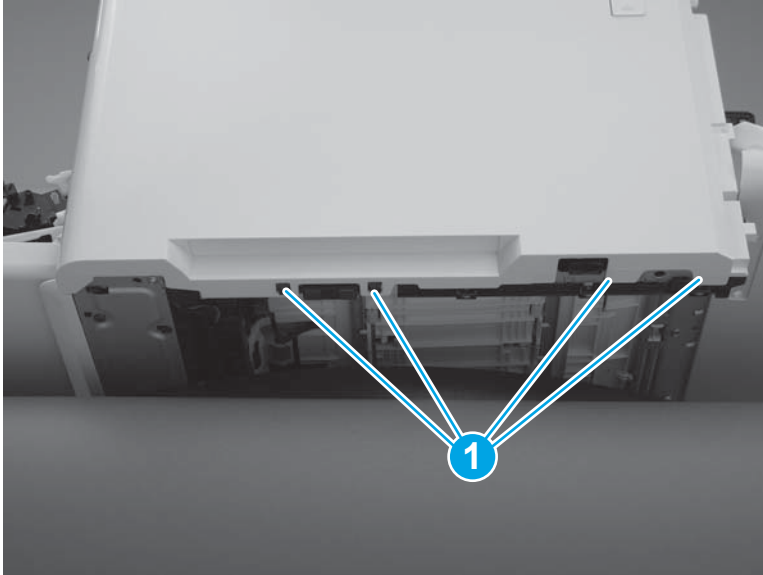
2. Release two tabs (callout 1) at the front of the cover. Hold the cover open to prevent the tabs from reengaging.

Figure 1-1155 Release two tabs



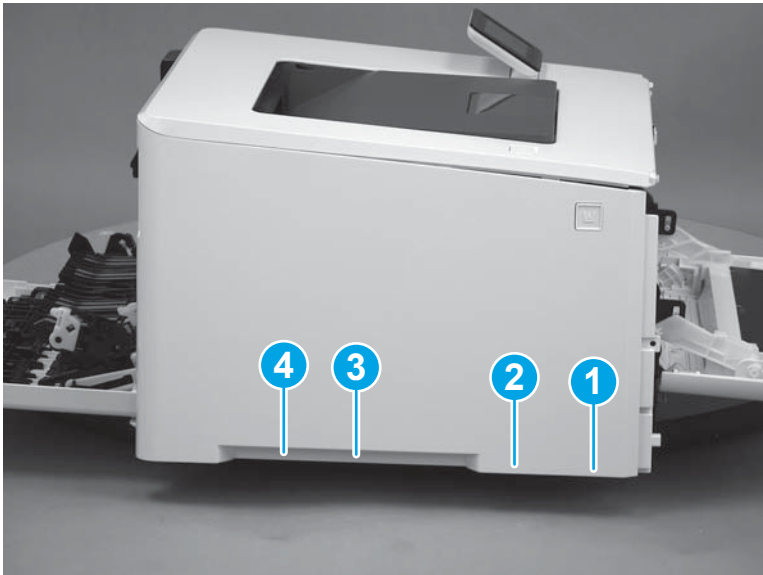
3. Slide the printer to the edge of a work surface. Note the location of the tabs on the lower edge of the cover (callout 1).

Figure 1-1156 Locate the tabs



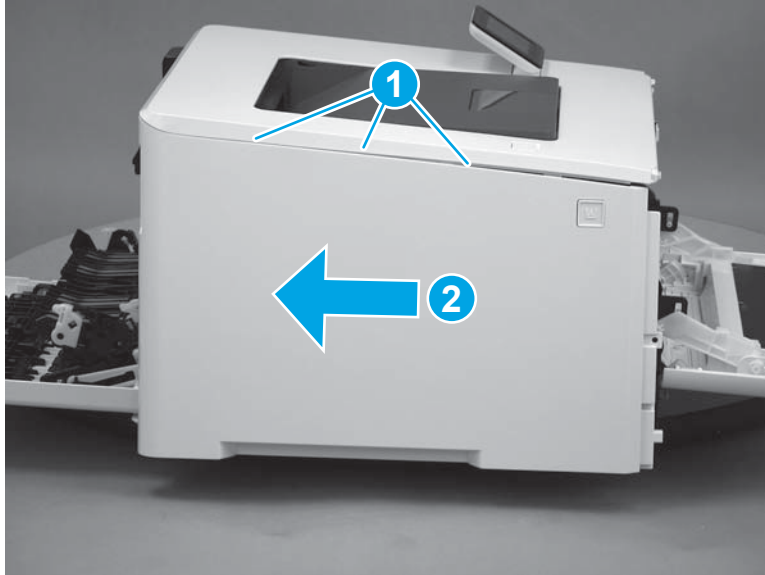
4. Beginning from the front of the cover, release four tabs (callouts 1-4) on the lower edge of the cover.

Figure 1-1157 Release bottom tabs



5. Release three tabs at the top of the cover (callout 1), and then slide the cover toward the rear of the printer to remove it.

Figure 1-1158 Release three tabs



Step 5: Remove the left cover (M377, M477 models)

 **NOTE:** This step is for the M377, M477 models. For the M452 models, skip this step and go to [Step 6: Remove the toner cartridge tray on page 637](#).

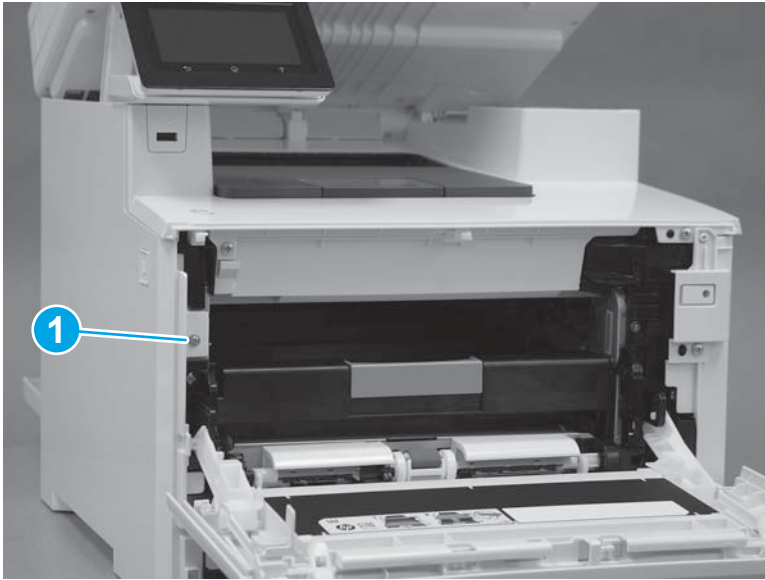
1. Raise the scanner.

Figure 1-1159 Raise the scanner



2. At the front of the printer, remove one screw (callout 1).

Figure 1-1160 Remove one screw



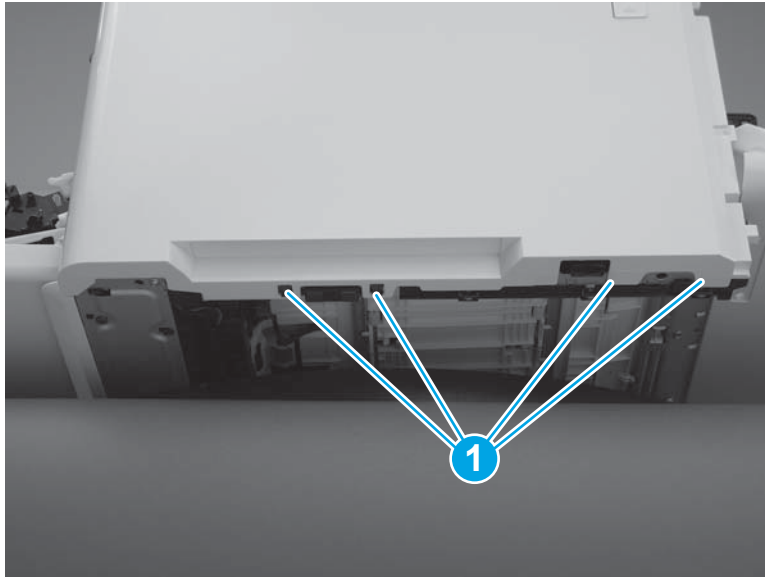
3. Release two tabs (callout 1) at the front of the cover. Hold the cover open to prevent the tabs from re-engaging.

Figure 1-1161 Release two tabs



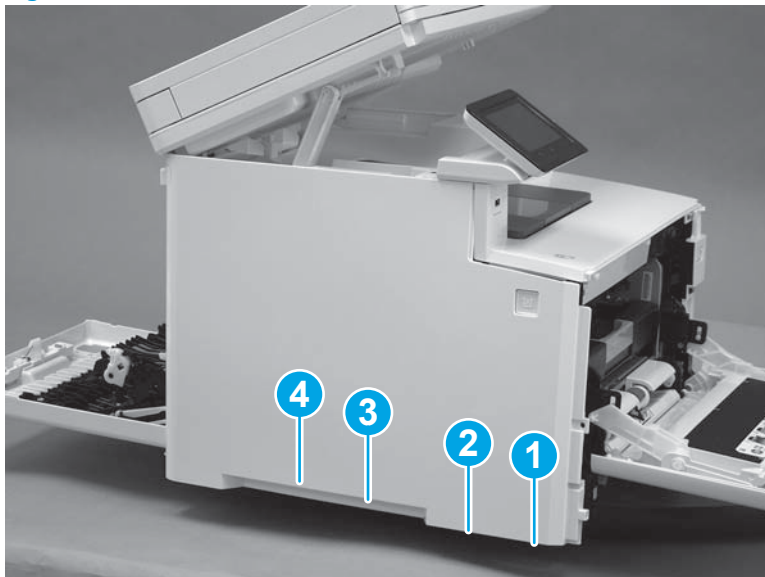
4. Slide the printer to the edge of a work surface. Note the location of the tabs on the lower edge of the cover (callout 1).

Figure 1-1162 Locate the tabs



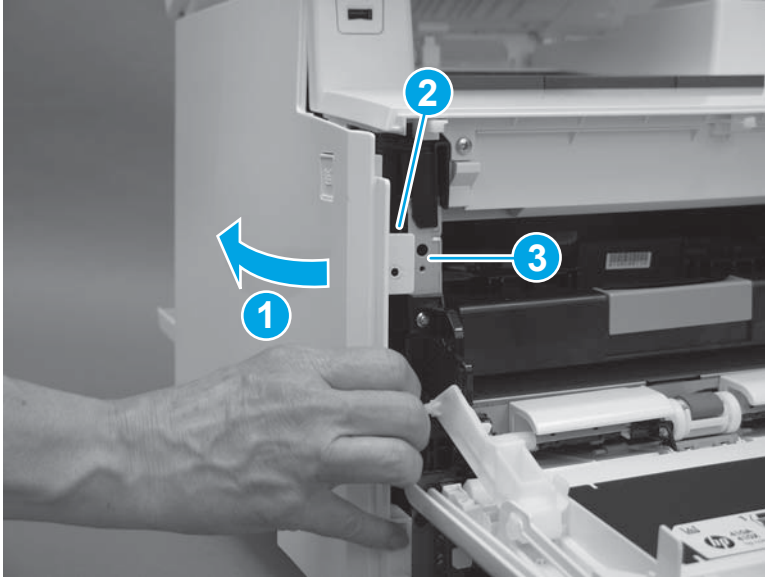
5. Beginning from the front of the cover, release the four tabs (callouts 1-4) on the lower edge of the cover.

Figure 1-1163 Release four tabs



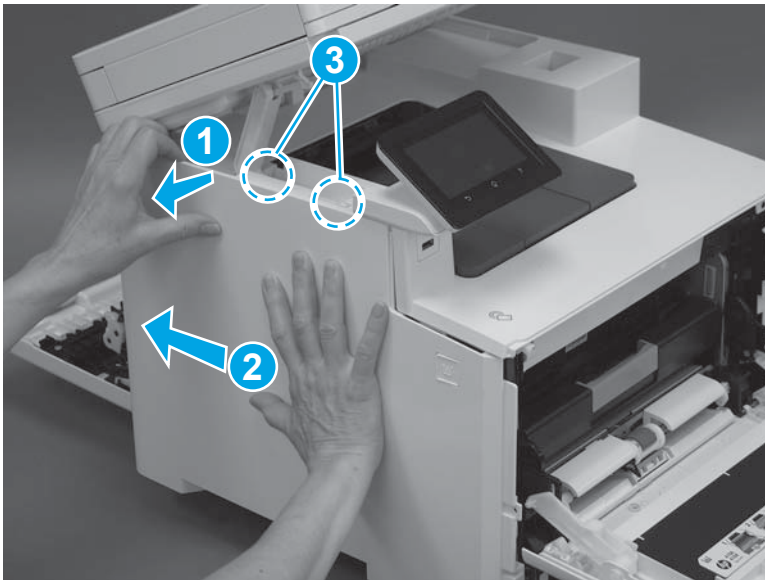
6. Rotate the front of the cover away from the printer (callout 1). Make sure that the tab (callout 2) does not get caught on the printer frame (callout 3).

Figure 1-1164 Rotate the cover



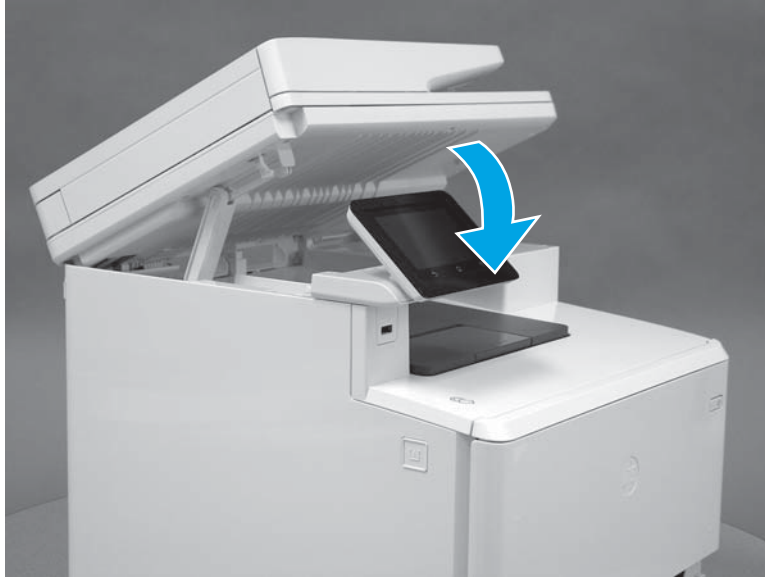
7. At the top of the printer, slightly pull the top of the cover away from the printer to release one retention tab (callout 1) on the inside of the cover. While holding the cover away, slide the cover toward the back of the printer (callout 2) to release two hooks (callout 3) inside the cover.

Figure 1-1165 Release one tab and two hooks



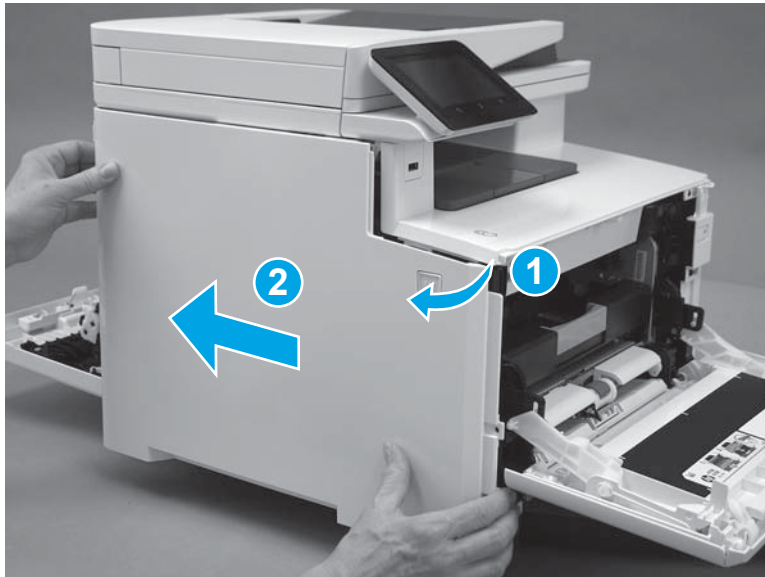
8. Lower the scanner.

Figure 1-1166 Lower the scanner



9. Rotate the cover away from the printer (callout 1), and then slide the cover (callout 2) toward the back of the printer to remove it.

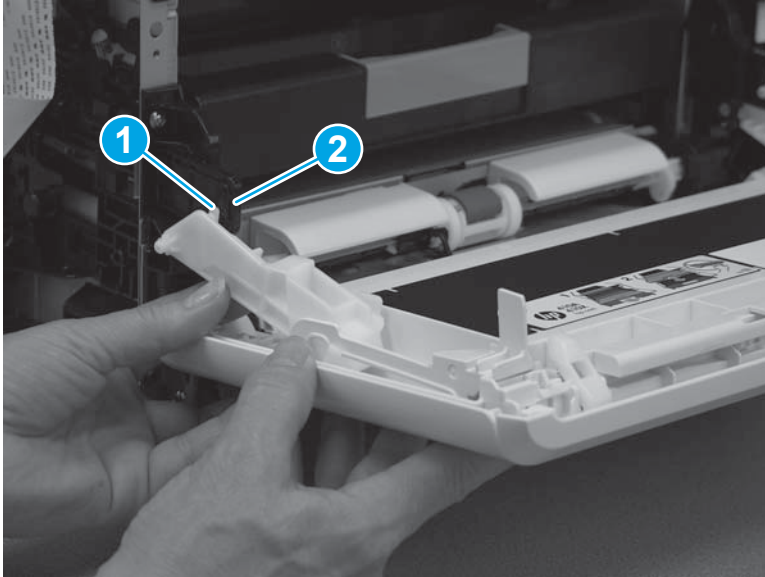
Figure 1-1167 Remove the left cover



Step 6: Remove the toner cartridge tray

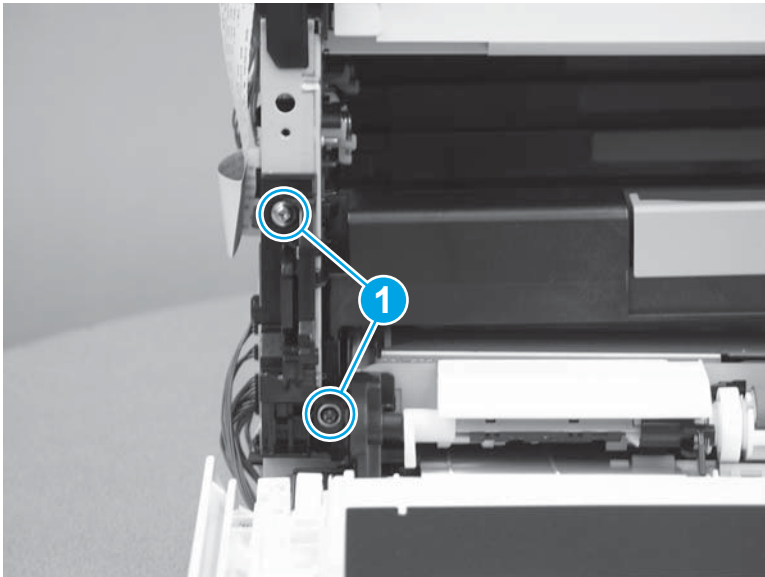
1. Release the tab (callout 1) on the front door hinge arm from the slot (callout 2) on the tray slide mechanism.

Figure 1-1168 Release the hinge arm



2. Remove two screws (callout 1).

Figure 1-1169 Remove two screws



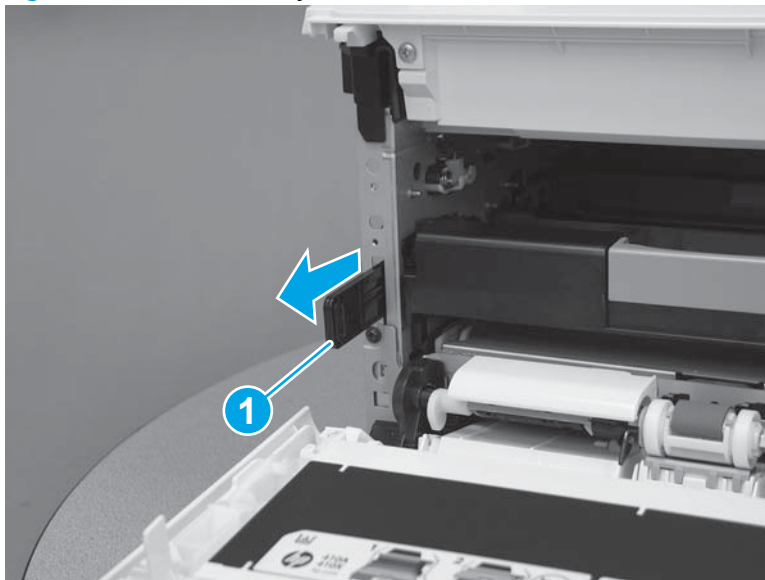
3. Remove the cover (callout 1).

Figure 1-1170 Remove the cover



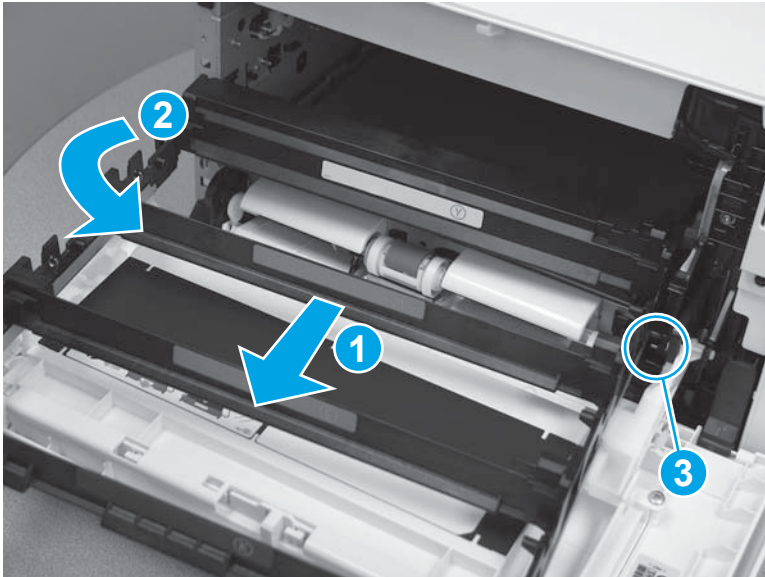
4. Pull the tray slide mechanism (callout 1) out.

Figure 1-1171 Pull the tray slide mechanism out



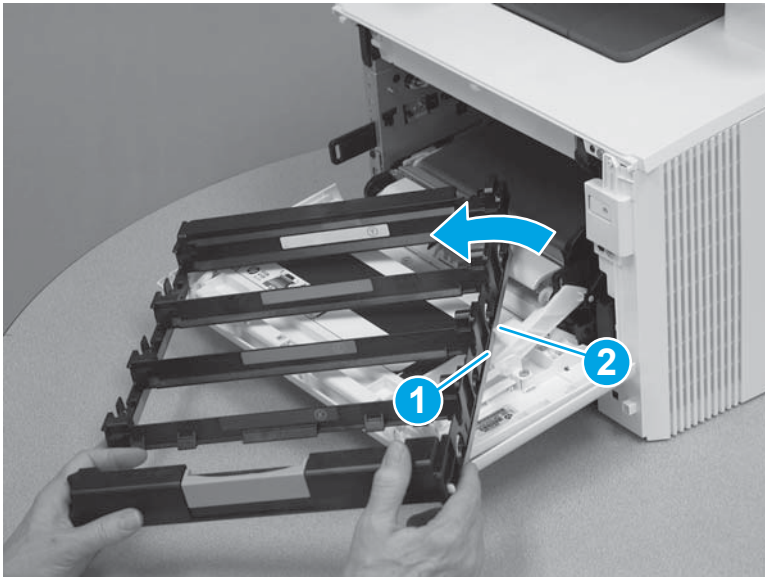
5. Slide the cartridge tray out of the printer (callout 1). Rotate the tray counterclockwise (callout 2) to release one silver shaft (callout 3).

Figure 1-1172 Rotate the cartridge tray to release one shaft



6. Continue to rotate the tray to release the edge of the tray (callout 1) from the white clip (callout 2).

Figure 1-1173 Remove the cartridge tray



Step 7: Unpack the replacement part

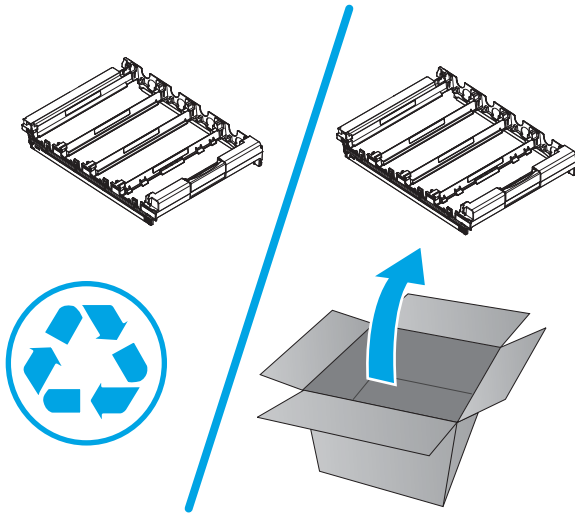
Remove the new part from its package. Save all packaging for recycling the used part.

For complete information on HP's recycling programs, go to [Product return and recycling](#).



NOTE: HP recommends responsible disposal of the defective part.

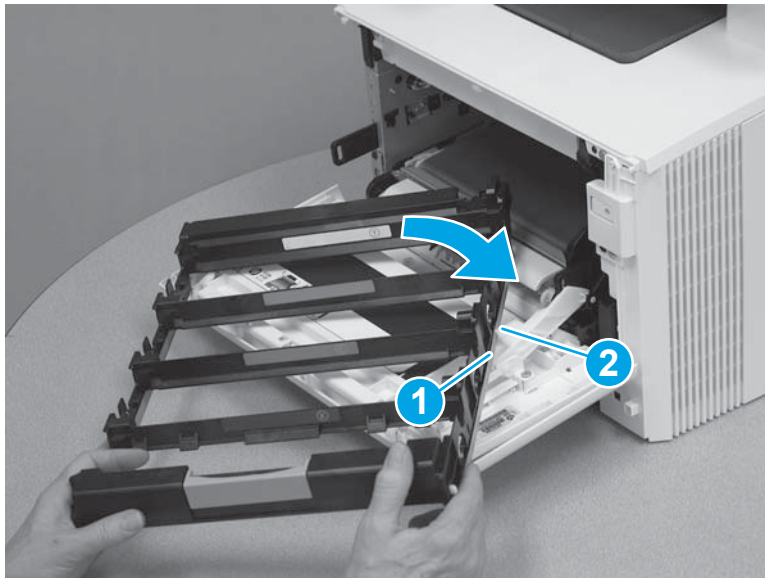
Figure 1-1174 Recycle and unpack



Step 8: Install the toner cartridge tray

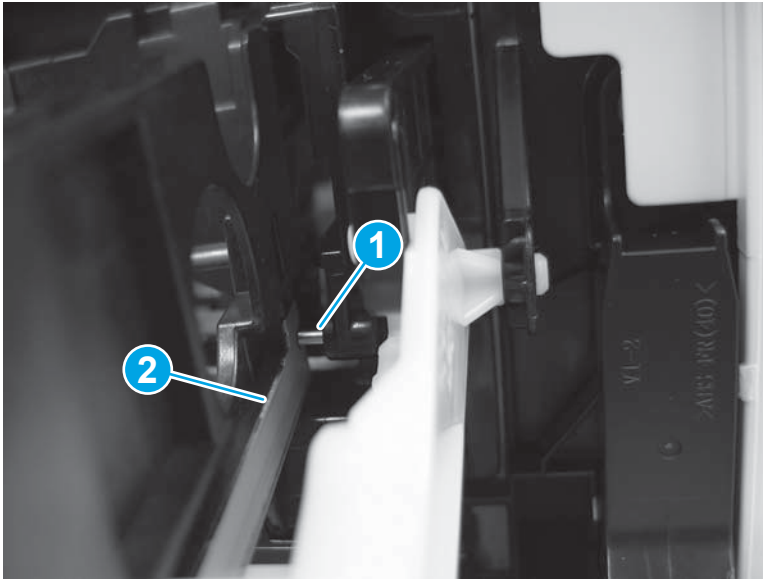
1. Install the edge of the tray (callout 1) into the white clip (callout 2), and then rotate the tray clockwise.

Figure 1-1175 Install the white clip



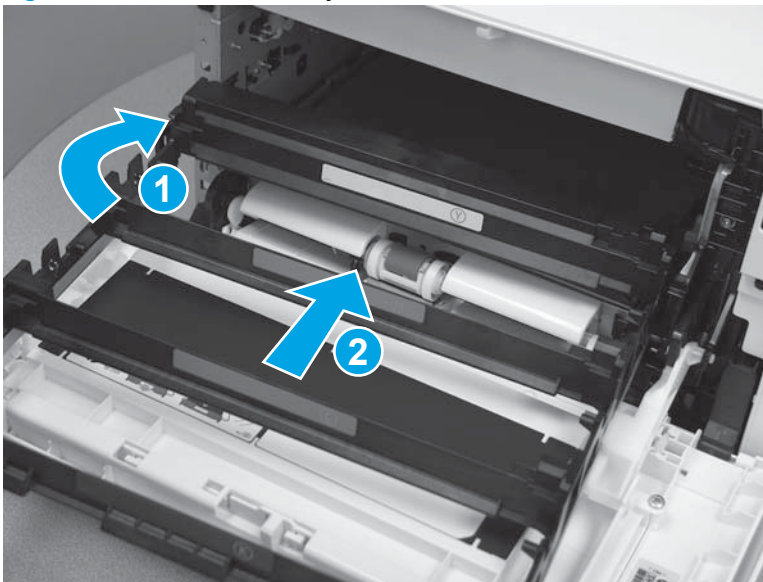
2. Install the silver shaft (callout 1) over the edge of the sheet metal (callout 2) on the cartridge tray.

Figure 1-1176 Install the silver shaft



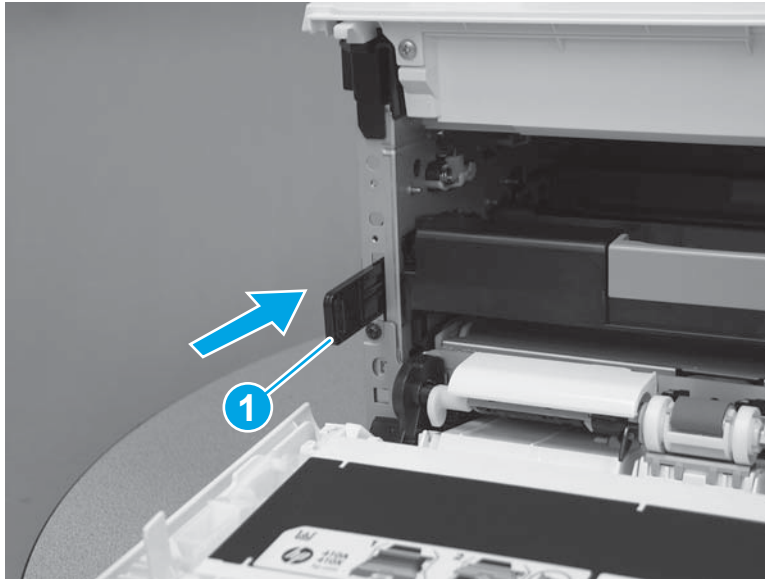
3. Rotate the tray clockwise (callout 1), and then slide the tray into the printer (callout 2).

Figure 1-1177 Rotate the tray



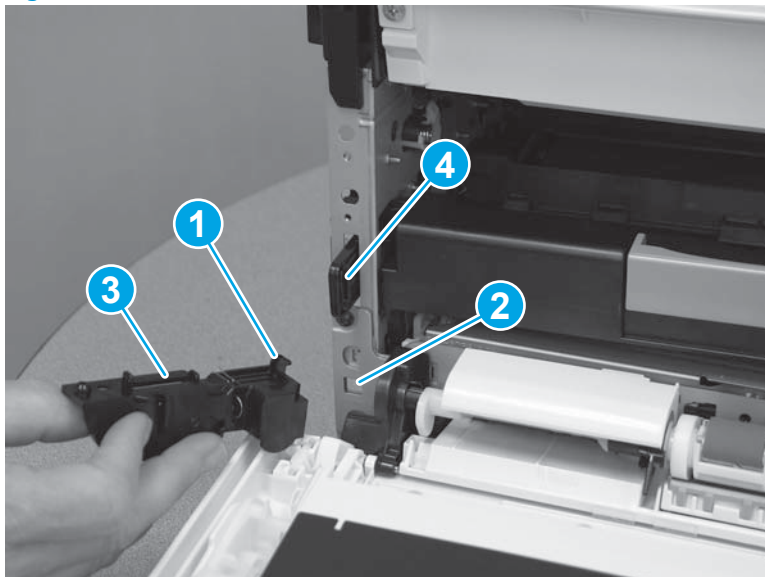
4. Slide the tray slide mechanism (callout 1) into the printer.

Figure 1-1178 Slide the tray slide mechanism in



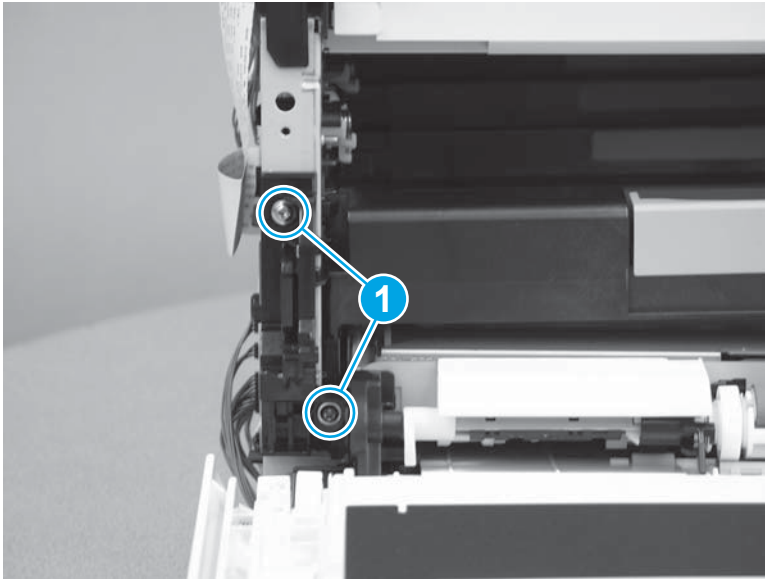
5. Install the tab on the cover (callout 1) into the slot (callout 2) on the printer. Then, install the slot (callout 3) on the cover over the tray slide mechanism (callout 4) on the printer.

Figure 1-1179 Install the cover



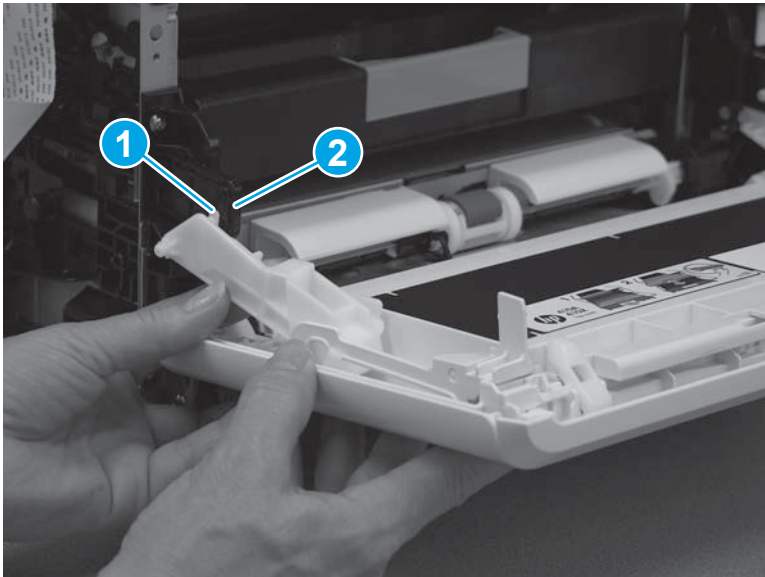
6. Install two screws (callout 1).

Figure 1-1180 Install two screws



7. Install the tab (callout 1) on the front door hinge arm into the slot (callout 2) on the tray slide mechanism.

Figure 1-1181 Install the hinge arm



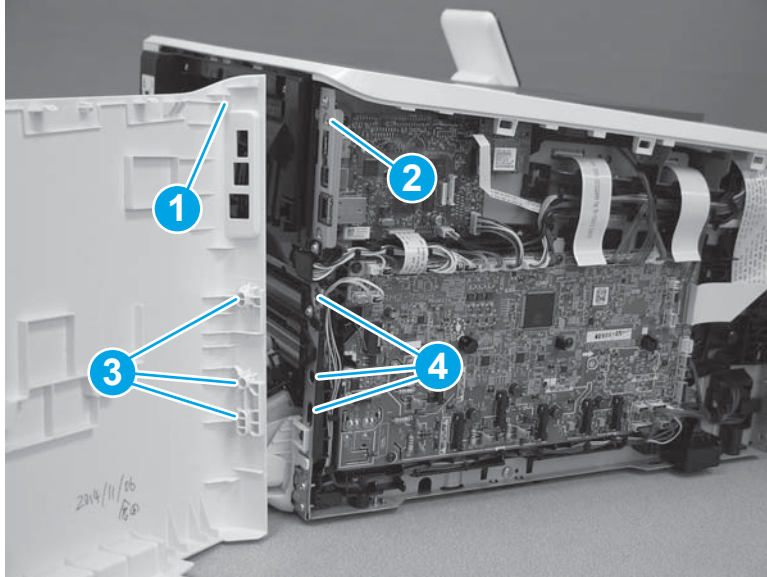
Step 9: Install the left cover (M452 models)



NOTE: This step is for the M452 models. For the M377, M477 models, skip this step and go to [Step 10: Install the left cover \(M377, M477 models\) on page 648](#).

1. Position the hook (callout 1) on the cover in the slot (callout 2) on the printer. Position three tabs (callout 3) on the back of the cover in the slots (callout 4) in the printer.

Figure 1-1182 Position three tabs



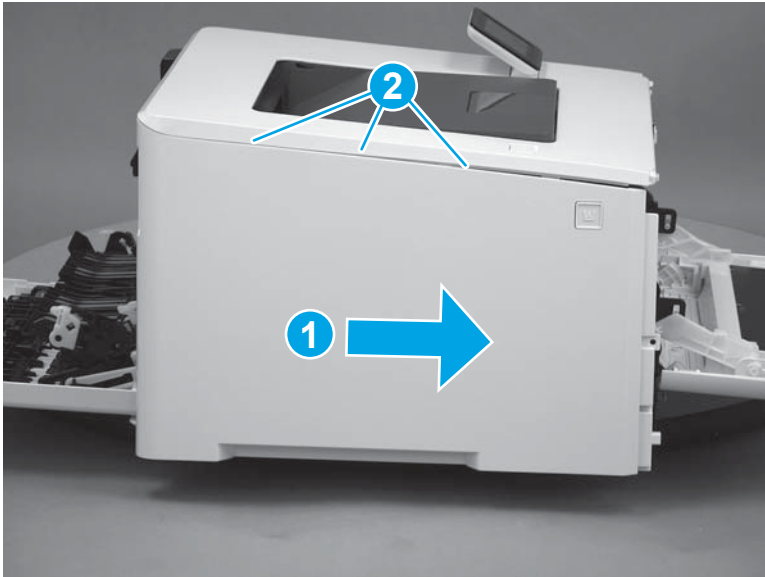
2. At the back of the printer, install the tab (callout 1) under the edge of the top cover (callout 2).

Figure 1-1183 Install one tab



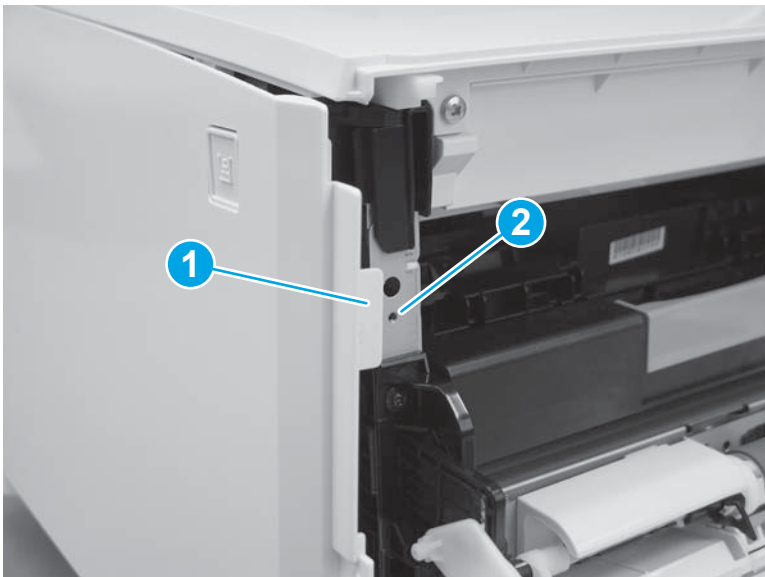
3. Slide the cover toward the front of the printer (callout 1), and then engage three tabs (callout 2) on the top of the cover.

Figure 1-1184 Install the left cover



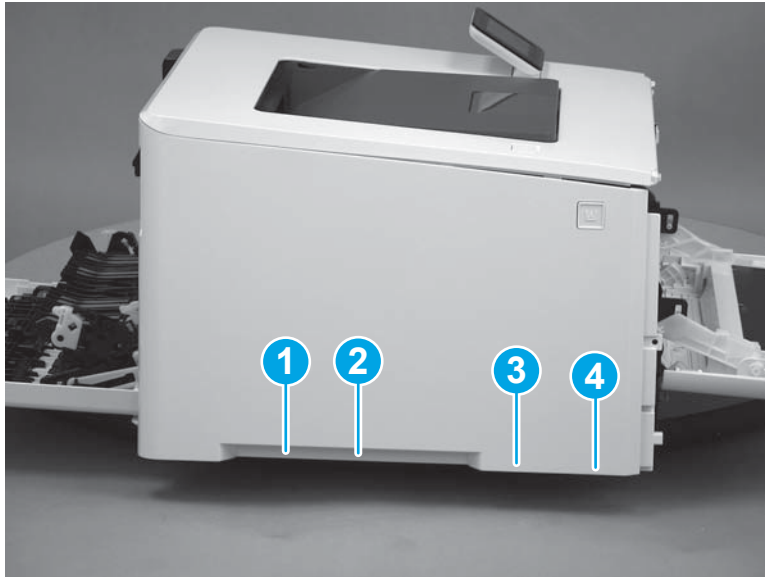
CAUTION: Make sure that the tab (callout 1) does not get caught behind the printer frame (callout 2).

Figure 1-1185 Make sure the tab does not get caught



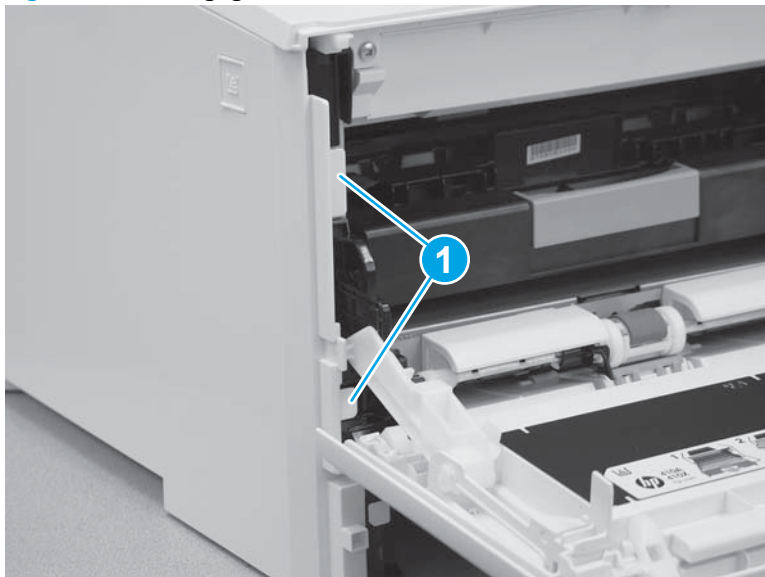
4. Slide the printer to the edge of a work surface in order to access the tabs on the bottom of the cover. Beginning from the back of the cover, install four tabs (callouts 1-4) on the lower edge of the cover.

Figure 1-1186 Install four tabs



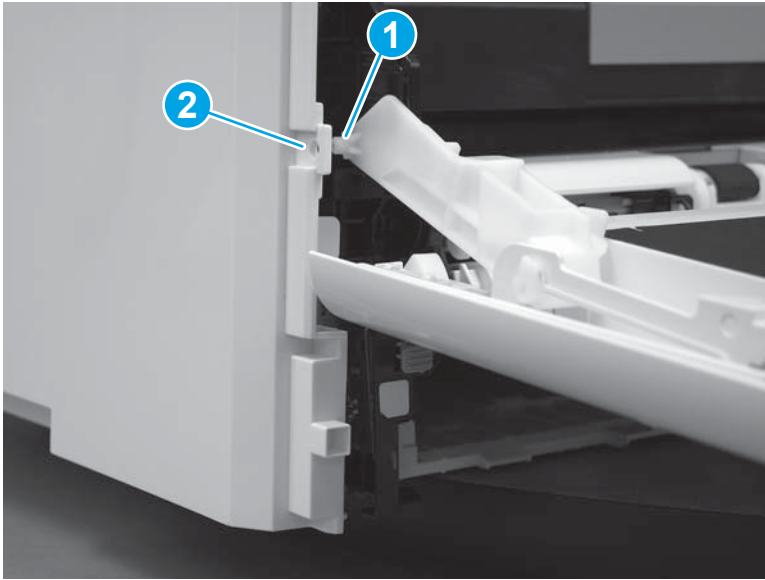
5. Install two tabs (callout 1) at the front of the cover.

Figure 1-1187 Engage two tabs



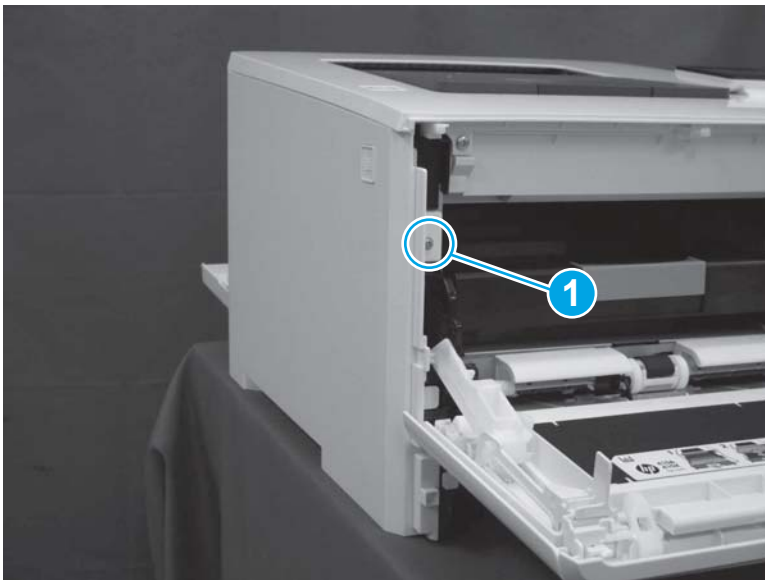
6. Make sure that the hinge pin (callout 1) on the front door fits into the slot (callout 2) on the left cover.

Figure 1-1188 Install hinge pin




7. Install one screw (callout 1).

Figure 1-1189 Install one screw

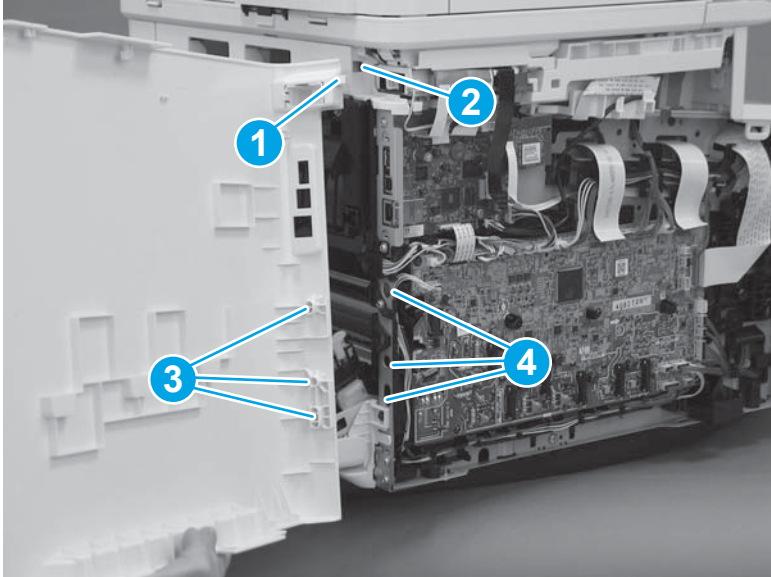


Step 10: Install the left cover (M377, M477 models)

 **NOTE:** This step is for the M377, M477 models. For the M452 models, skip this step and go to [Step 11: Close the rear door or duplexer door on page 655](#).

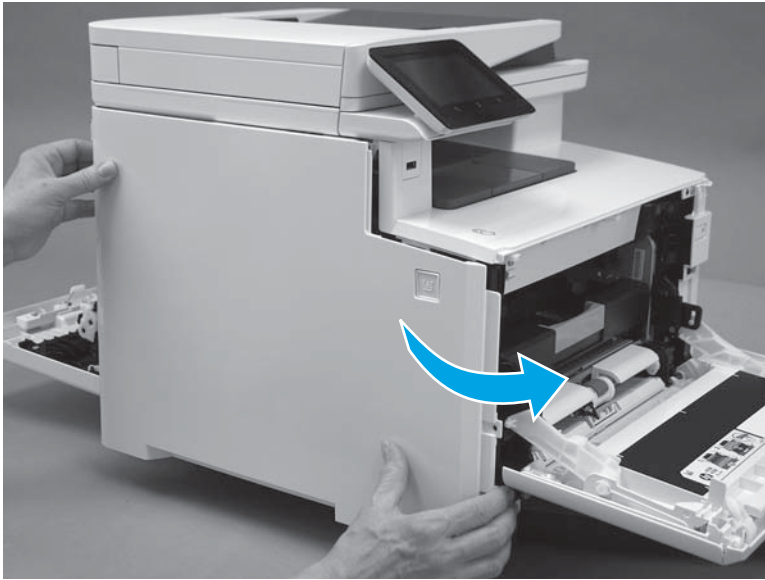
1. At the back of the printer, install the tab (callout 1) on the cover into the slot (callout 2) in the printer. Install the locator pins (callout 3) into the slots (callout 4) in the printer.

Figure 1-1190 Install one tab



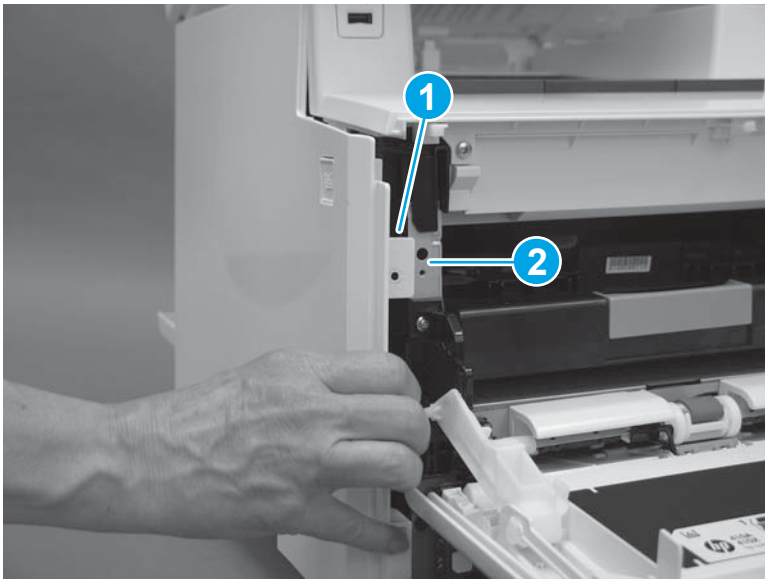
2. Rotate the cover toward the printer.

Figure 1-1191 Rotate the left cover



CAUTION: Make sure that the tab (callout 1) does not get caught behind the printer frame (callout 2).

Figure 1-1192 Make sure the tab does not get caught



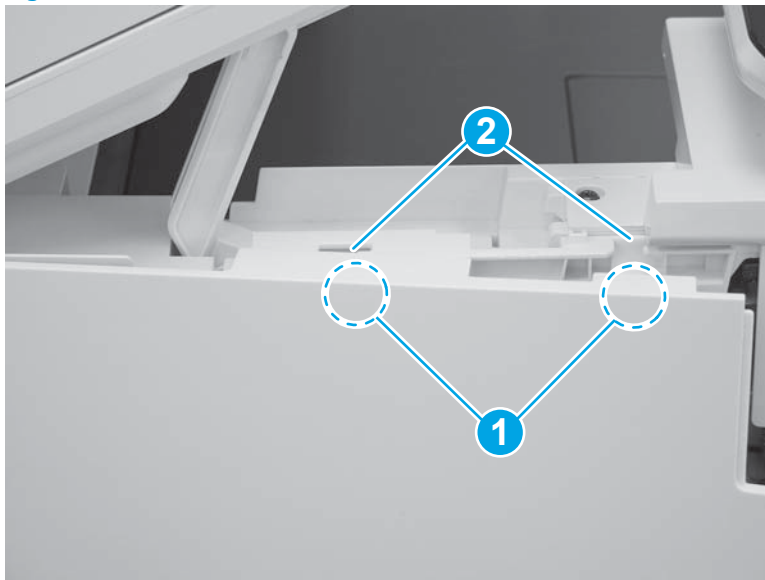
3. Raise the scanner.

Figure 1-1193 Raise the scanner



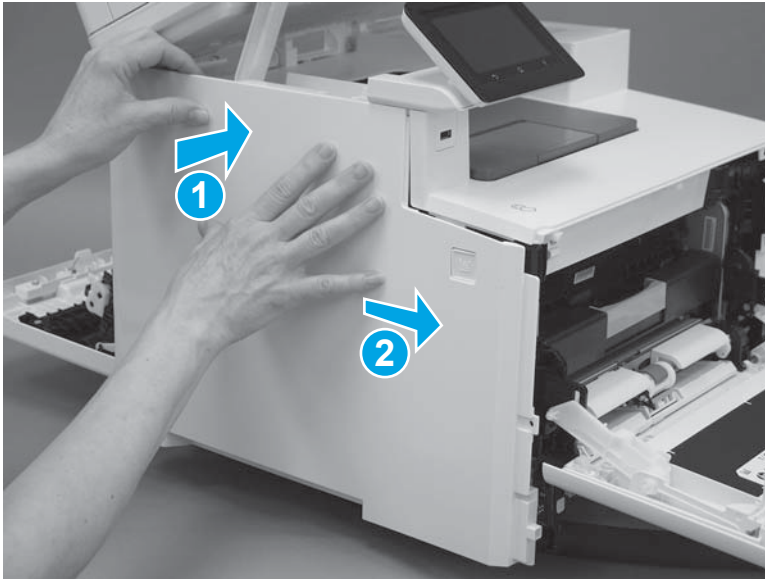
4. Position the hooks (callout 1) on the inside of the cover into the slots (callout 2) on the printer.

Figure 1-1194 Position the hooks in the slots



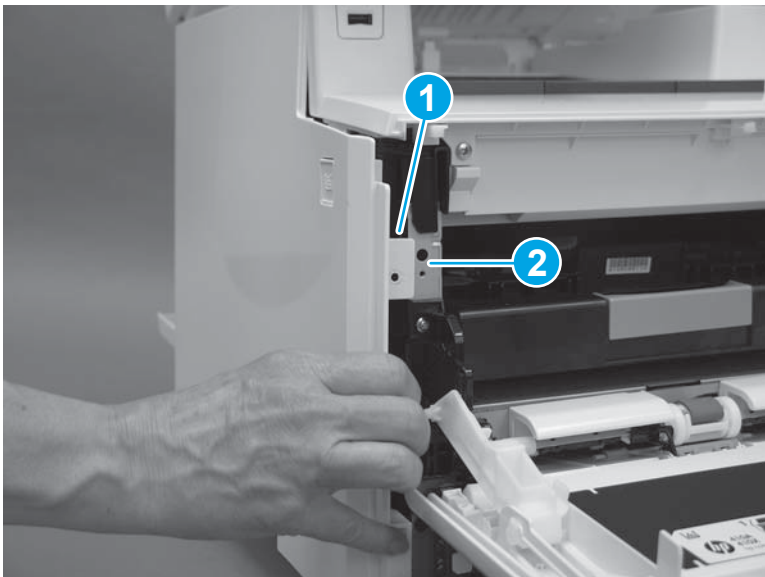
5. Hold the cover against the printer (callout 1), and then slide it (callout 2) toward the front of the printer.

Figure 1-1195 Install the top hooks



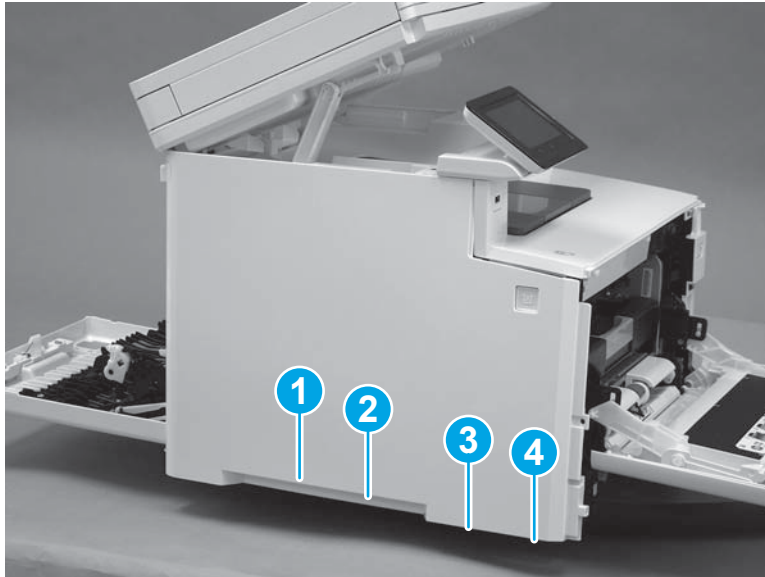
CAUTION: Make sure that the tab (callout 1) on the front of the cover does not get caught behind the printer frame (callout 2).

Figure 1-1196 Make sure the tab does not get caught



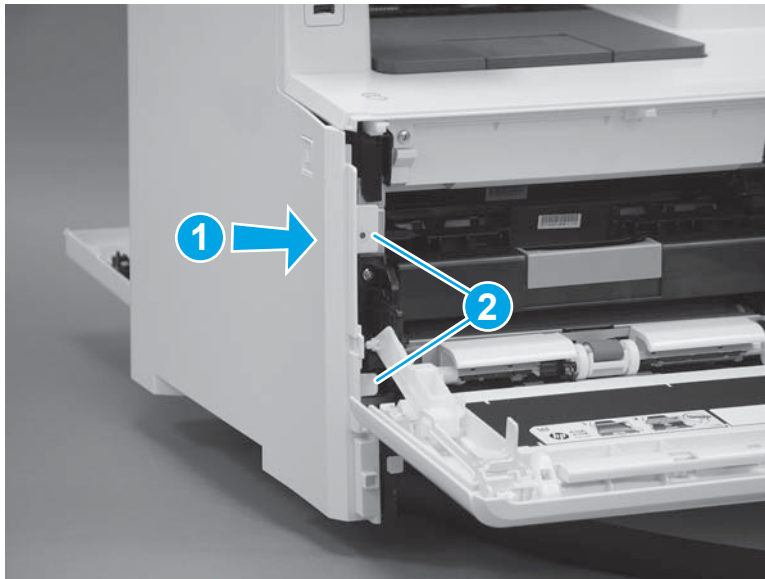
6. Slide the printer to the edge of a work surface in order to access the tabs on the bottom of the cover. Beginning from the back of the cover, install four tabs (callouts 1-4) on the lower edge of the cover.

Figure 1-1197 Install four tabs



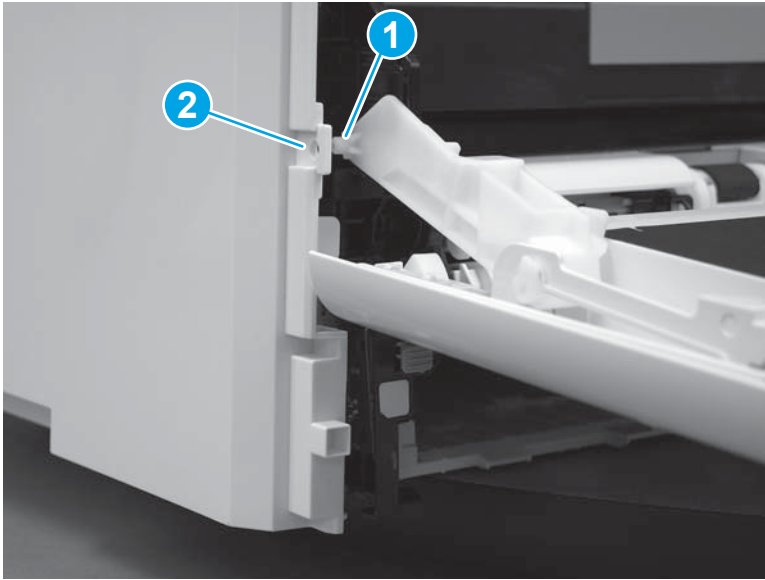
7. Press the cover toward the printer (callout 1), and then install two tabs (callout 2) at the front of the cover.

Figure 1-1198 Install two tabs



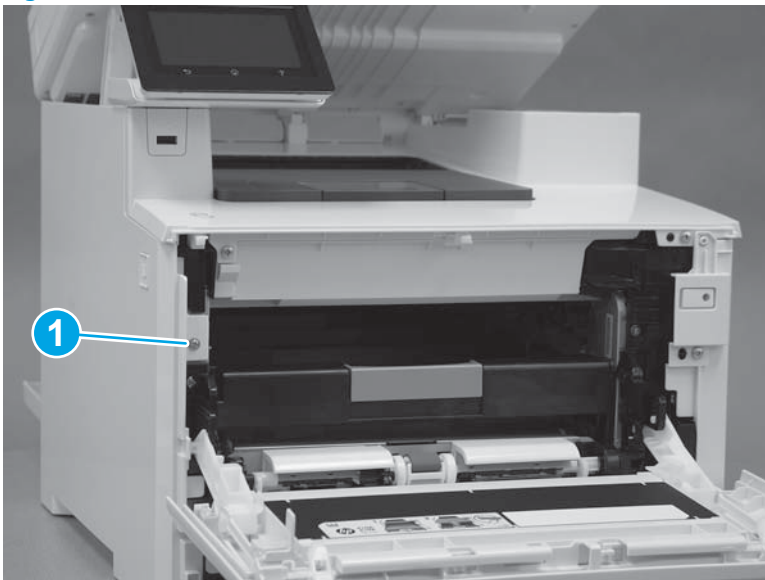
8. Make sure that the hinge pin (callout 1) on the front door fits into the slot (callout 2) on the left cover.

Figure 1-1199 Install hinge pin



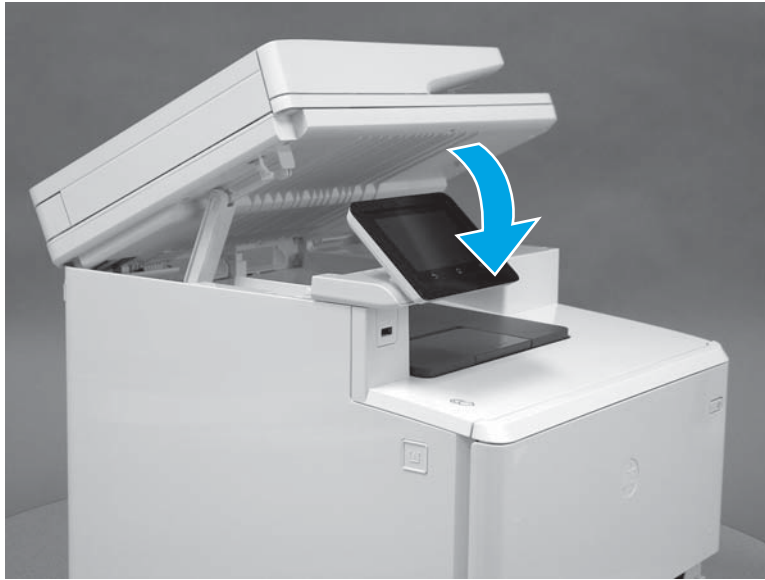
9. Install one screw (callout 1).

Figure 1-1200 Install one screw



10. Lower the scanner.

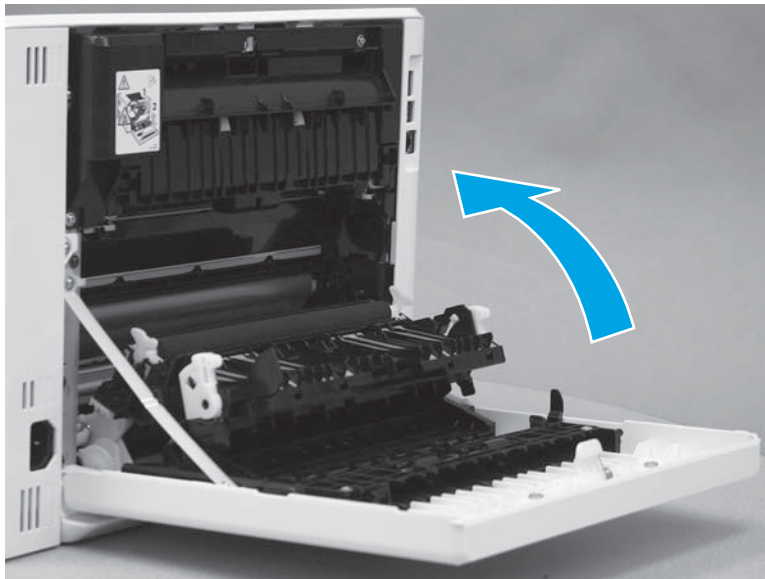
Figure 1-1201 Lower the scanner



Step 11: Close the rear door or duplexer door

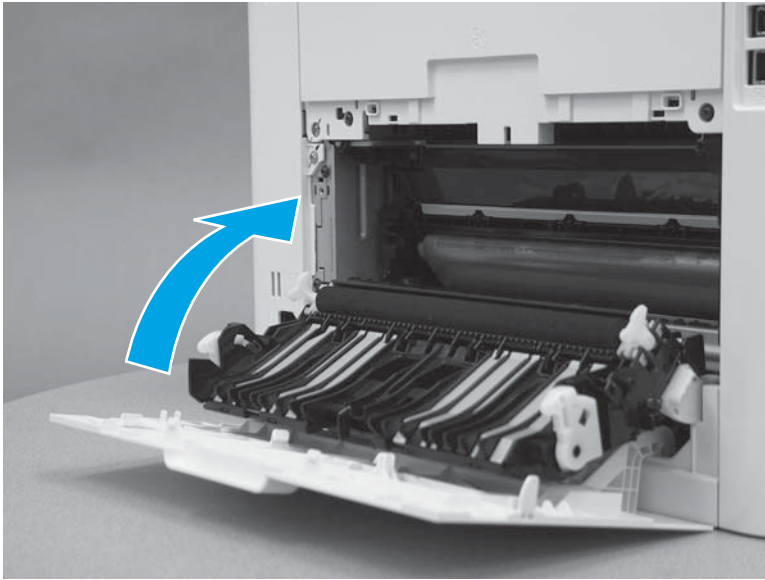
1. **Duplex models:** Close the duplexer door.

Figure 1-1202 Close the duplexer door



2. **Simplex models:** Close the rear door.

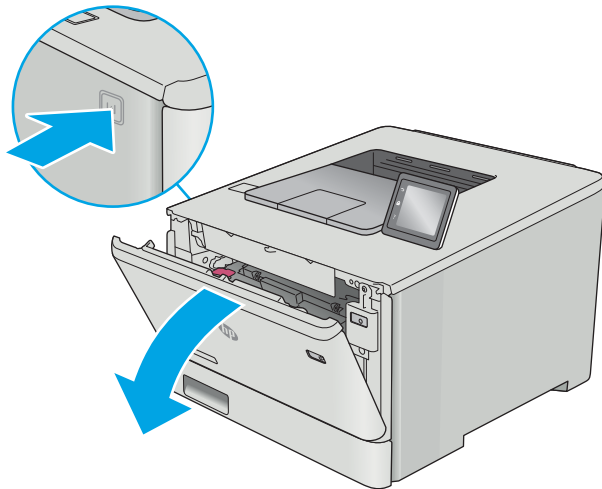
Figure 1-1203 Close the rear door



Step 12: Install the toner cartridges

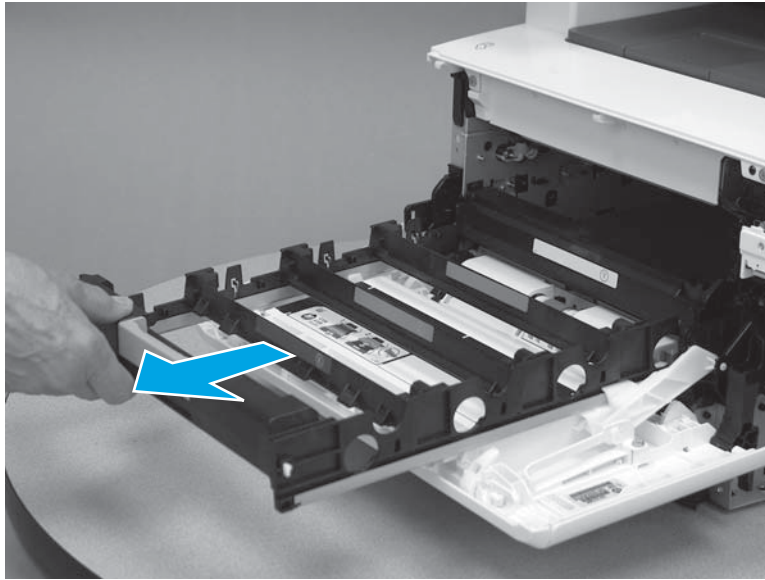
1. Open the front door by pressing the button on the left cover.

Figure 1-1204 Open the front door



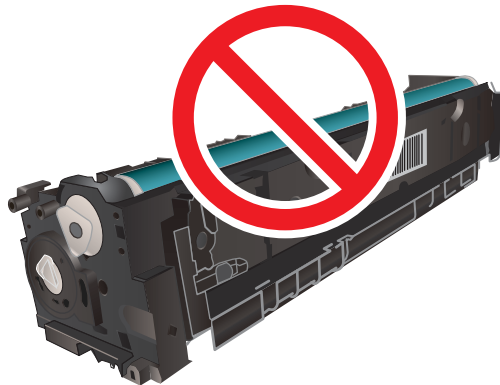
2. Slide the cartridge tray out of the printer.

Figure 1-1205 Slide the cartridge tray out



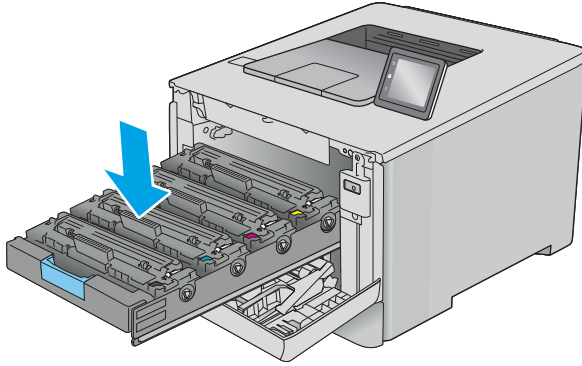
3. Do not touch the imaging drum on the bottom of the toner cartridge. Fingerprints on the imaging drum can cause print-quality problems.

Figure 1-1206 Do not touch imaging drum



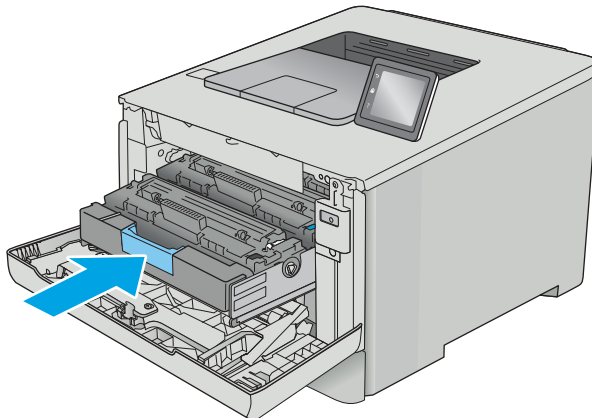
4. Insert the toner cartridge into the tray. Make sure that the color chip on the cartridge matches the color chip on the tray. Repeat this step for each toner cartridge.

Figure 1-1207 Install a toner cartridge



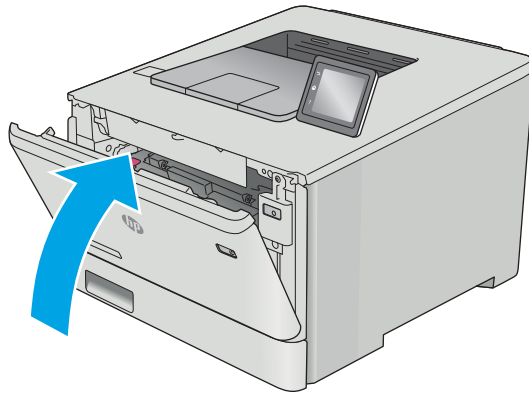
5. Close the toner cartridge drawer.

Figure 1-1208 Close the toner cartridge drawer



6. Close the front door.

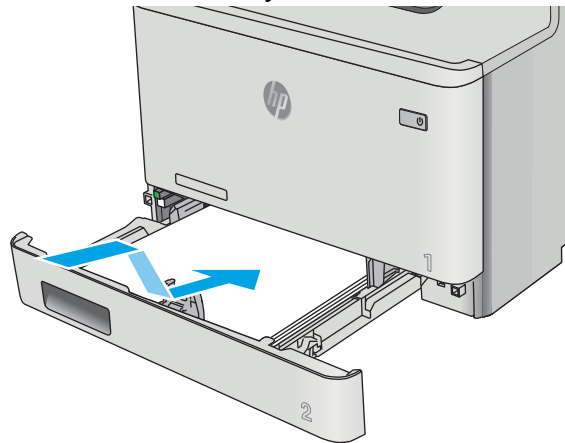
Figure 1-1209 Close the front door



Step 13: Install Tray 2

- ▲ With the front of the tray slightly lifted, align the sides of the tray with the rails in the printer, and then carefully slide the tray into the printer. As the tray slides into the printer, lower the front of the tray, and then close it.

Figure 1-1210 Install the tray



Removal and replacement: Cartridge fan


- [Introduction](#)
- [Step 1: Remove Tray 2](#)
- [Step 2: Open the front door and rear door or duplexer door](#)
- [Step 3: Remove the right cover \(M452 models\)](#)
- [Step 4: Remove the right cover \(M377, M477 models\)](#)
- [Step 5: Remove the cartridge fan](#)
- [Step 6: Unpack the replacement part](#)
- [Step 7: Install the cartridge fan](#)
- [Step 8: Install the right cover \(M452 models\)](#)
- [Step 9: Install the right cover \(M377, M477 models\)](#)
- [Step 10: Close the front door and rear door or duplexer door](#)
- [Step 11: Install Tray 2](#)

Introduction

This document provides the procedures to remove and replace the cartridge fan.

Before you begin

- Turn off the printer.
- Disconnect the power cable.

 **WARNING!** To avoid damage to the printer, turn the printer off, wait 30 seconds, and then remove the power cord before attempting to service the printer.

- Use the table below to identify the correct part number for your printer. To order the part, go to www.hp.com/buy/parts.

| Cartridge fan part number | |
|---------------------------|---------------|
| RK2-6270-000CN | Cartridge fan |

Required tools

- #2 Phillips screwdriver with a magnetic tip

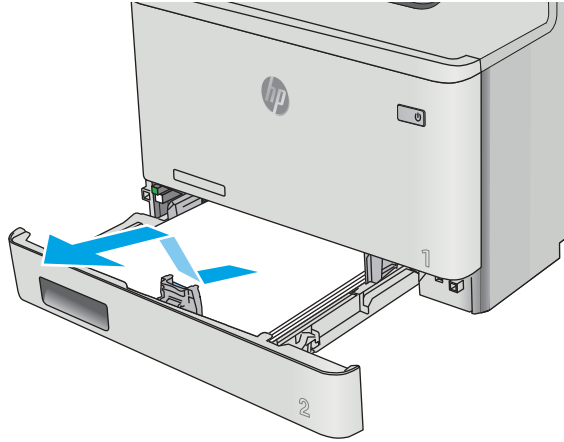
After performing service

- Connect the power cable.
- Use the power switch to turn the power on.

Step 1: Remove Tray 2

- ▲ Pull the tray out until it stops. Lift the front of the tray, and then pull it out of the printer to remove it.

Figure 1-1211 Remove the tray



Step 2: Open the front door and rear door or duplexer door

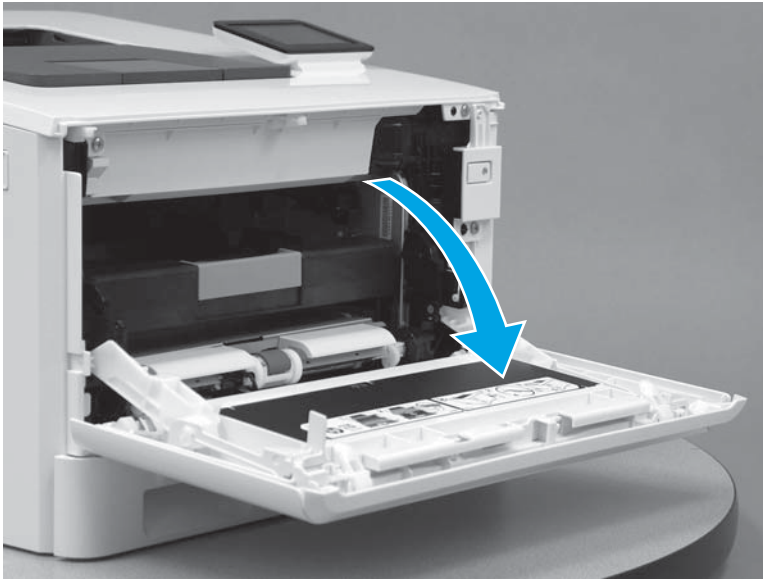
1. Press the button (callout 1) on the left side of the printer to release the front door.

Figure 1-1212 Release the front door



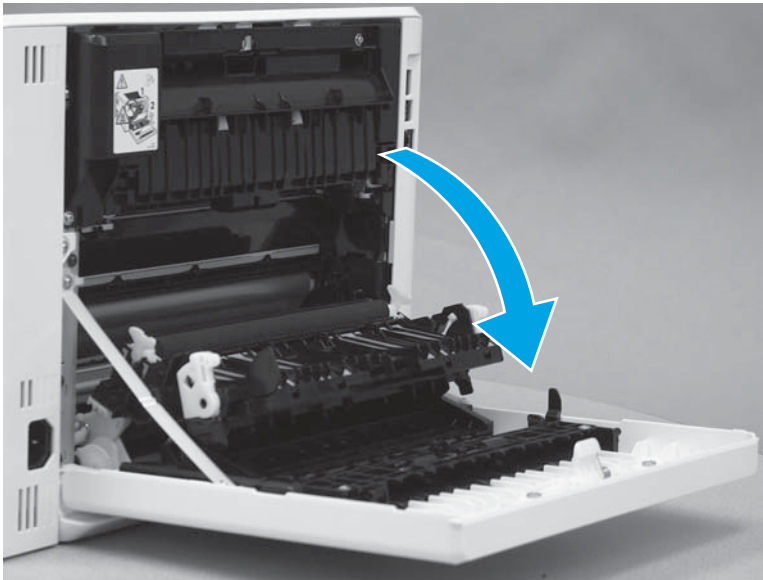
2. Open the front door.

Figure 1-1213 Open the front door



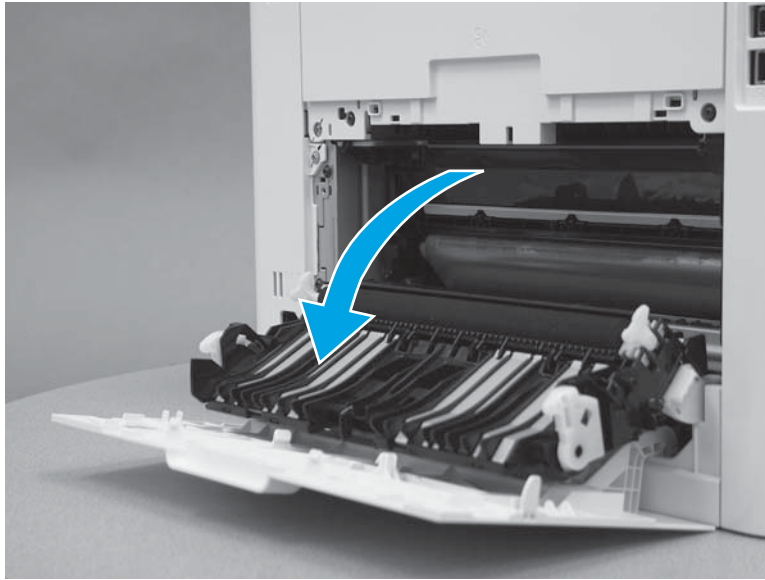
3. **Duplex models:** Open the duplexer door.

Figure 1-1214 Open the duplexer door



4. **Simplex models:** Open the rear door.

Figure 1-1215 Open the rear door



Step 3: Remove the right cover (M452 models)

 **NOTE:** This step is for the M452 models. For the M377, M477 models, skip this step and go to [Step 4: Remove the right cover \(M377, M477 models\) on page 667](#).

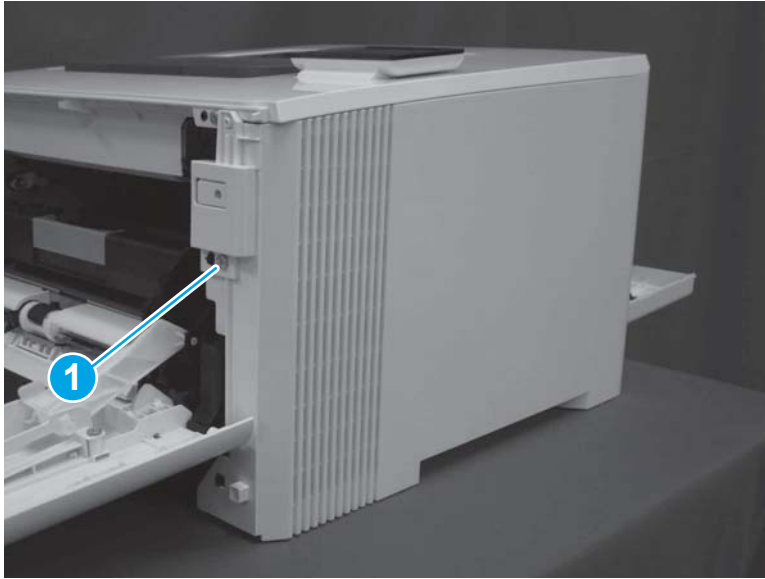
1. At the back of the printer, remove one screw (callout 1).

Figure 1-1216 Remove one screw



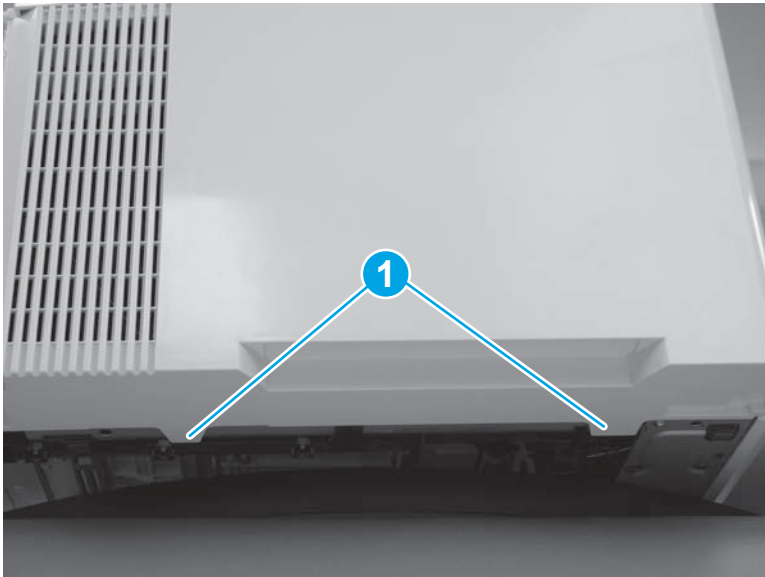
2. At the front of the printer, remove one screw (callout 1).

Figure 1-1217 Remove one screw



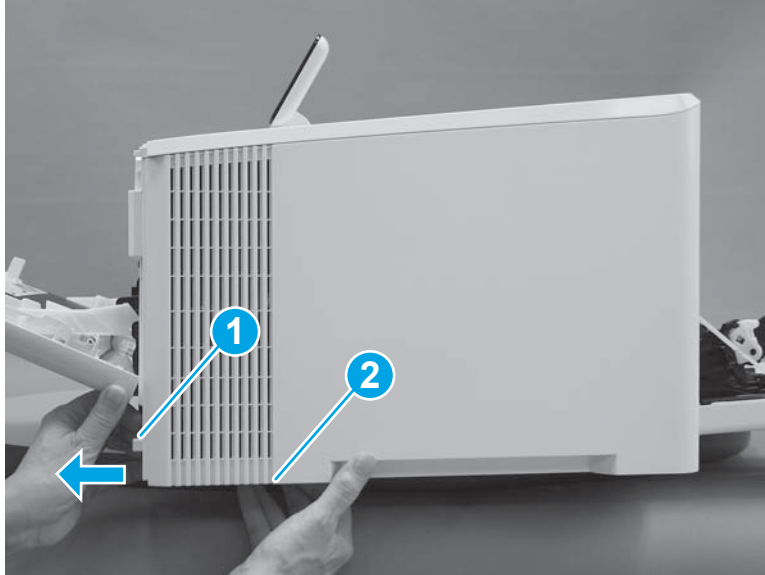
3. Slide the printer to the edge of a work surface. Note the location of the tabs on the lower edge of the cover (callout 1).

Figure 1-1218 Locate the tabs



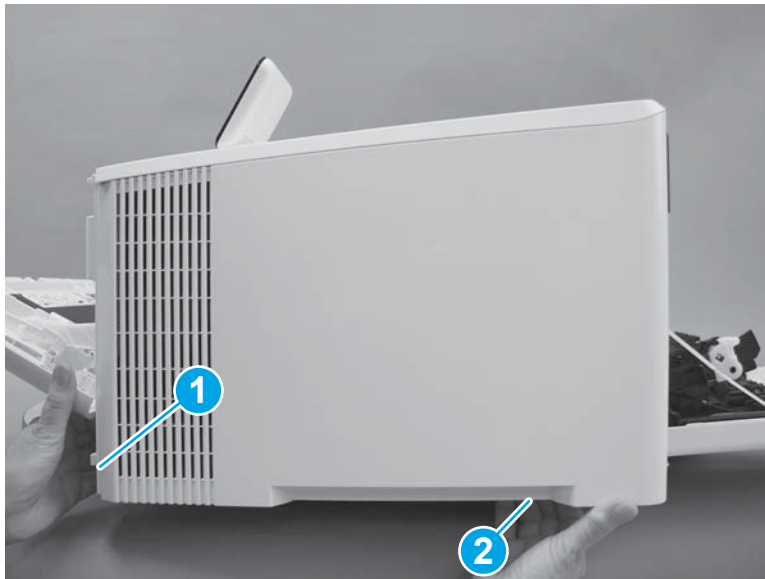
4. Release one tab (callout 1) on the front of the cover by slightly pulling the cover away from the printer. While holding the cover in the released position, release one tab (callout 2) on the bottom of the cover.

Figure 1-1219 Release front lower tabs



5. Hold the front tabs in the released position (callout 1), and then release one tab (callout 2) on the bottom of the cover, toward the back of the printer.

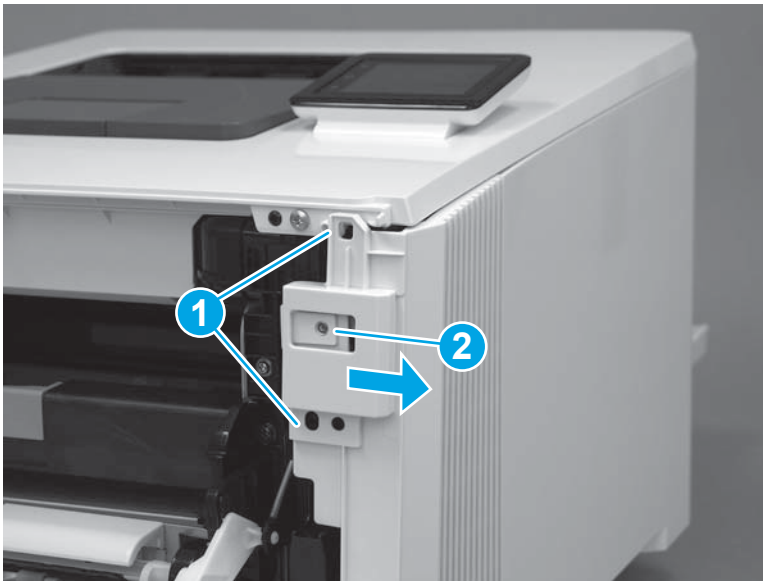
Figure 1-1220 Release lower rear tab



6. Release two tabs at the front of the printer (callout 1) by slightly pulling the cover away from the printer.

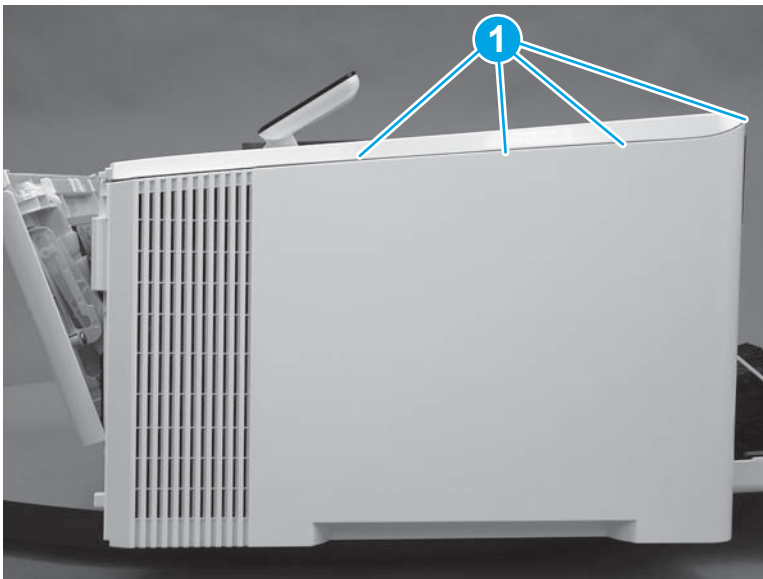
⚠ CAUTION: Be careful not to dislodge the power switch (callout 2).

Figure 1-1221 Release two front tabs



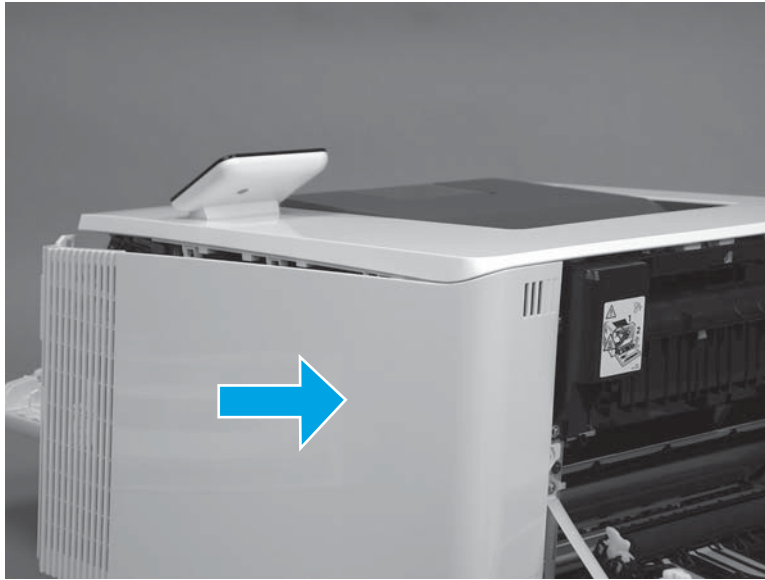
7. Release four tabs on the top of the printer (callout 1).

Figure 1-1222 Release upper tabs



8. Slide the cover toward the back of the printer to remove it.

Figure 1-1223 Remove the right cover



Step 4: Remove the right cover (M377, M477 models)

 **NOTE:** This step is for the M377, M477 models. For the M452 models, skip this step and go to [Step 5: Remove the cartridge fan on page 673](#).

1. Raise the scanner.

Figure 1-1224 Raise the scanner



2. At the back of the printer, remove one screw (callout 1).

Figure 1-1225 Remove one screw



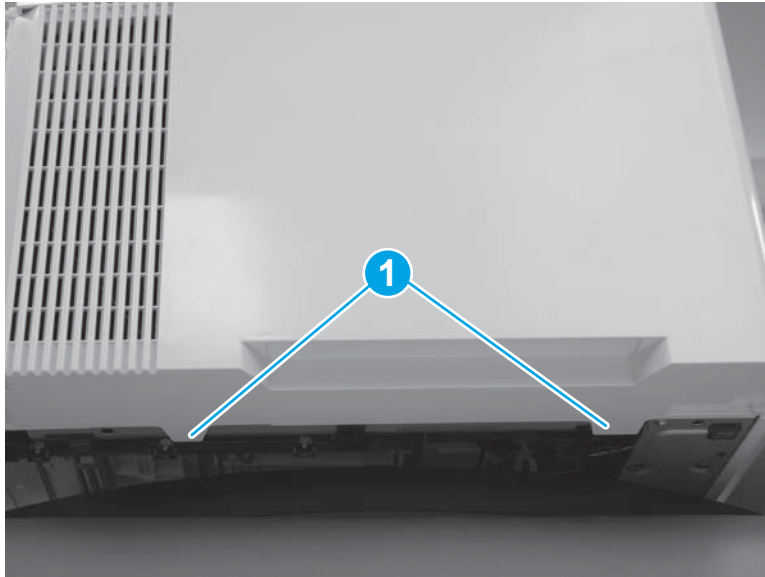
3. At the front of the printer, remove one screw (callout 1).

Figure 1-1226 Remove one screw



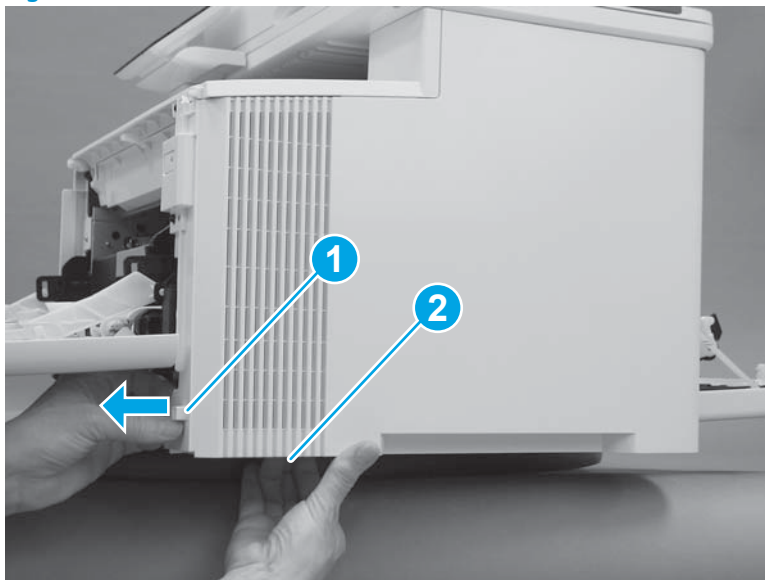
4. Slide the printer to the edge of a work surface. Note the location of the tabs on the lower edge of the cover (callout 1).

Figure 1-1227 Locate the tabs



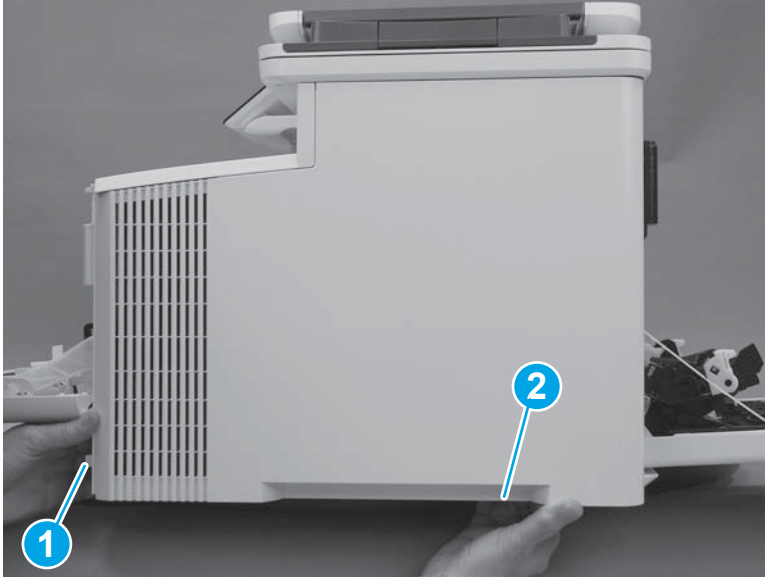
5. Release one tab (callout 1) on the front of the cover by slightly pulling the cover away from the printer. While holding the cover in the released position, release one tab (callout 2) on the lower edge of the cover.

Figure 1-1228 Release front lower tabs



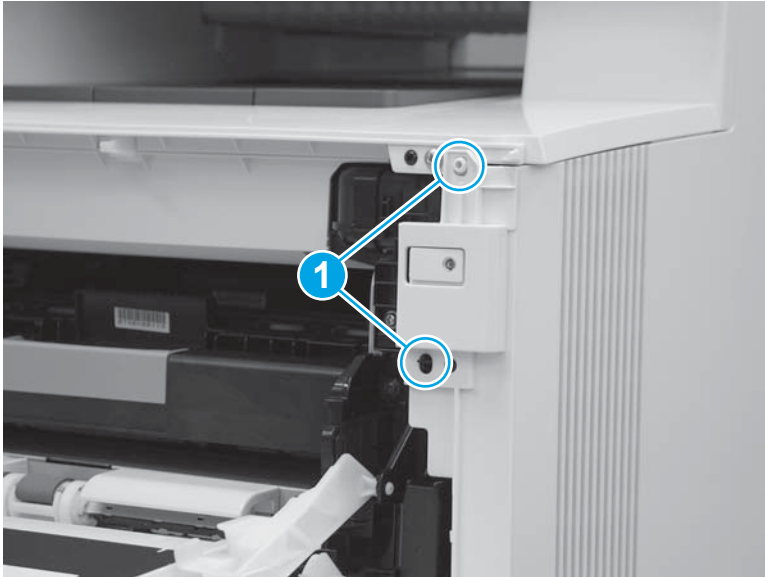
6. Hold the front tabs in the released position (callout 1), and then release one tab (callout 2) on the lower edge of the cover, toward the back of the printer.

Figure 1-1229 Release lower rear tab



7. Release two tabs at the front of the printer (callout 1) by slightly pulling the cover away from the printer.

Figure 1-1230 Release front upper tabs



8. Rotate the front of the cover away from the printer (callout 1).

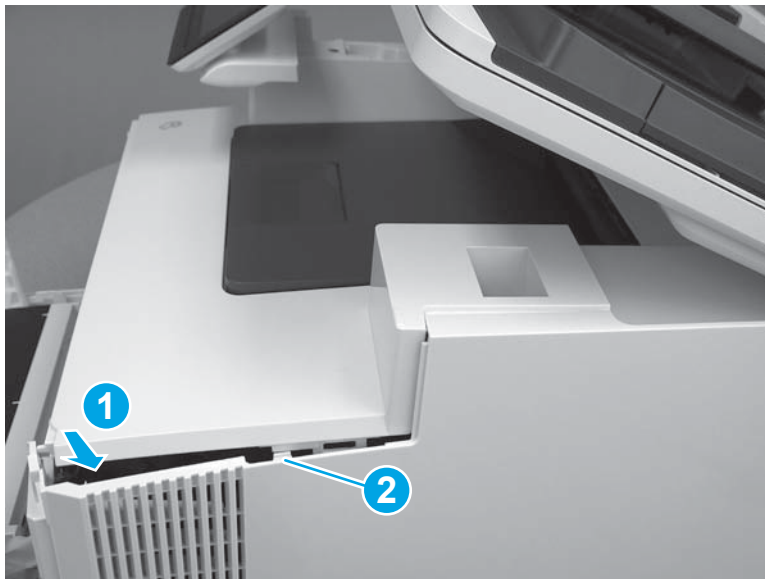
CAUTION: Be careful not to dislodge the power switch (callout 2).

Figure 1-1231 Rotate the front of the cover



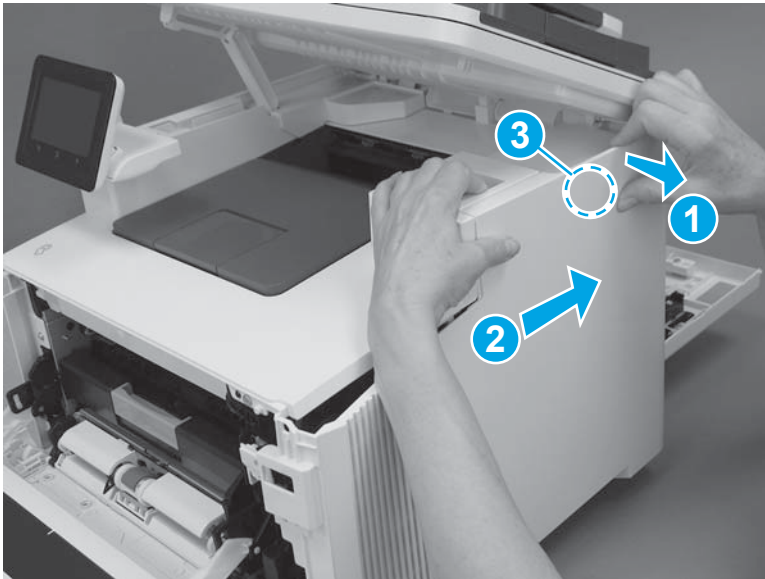
9. Slightly pull the front of the cover away from the printer (callout 1) to release one tab (callout 2).

Figure 1-1232 Release top tabs



10. At the top of the printer, slightly pull the top of the cover away from the printer to release one retention tab (callout 1) on the inside of the cover. While holding the cover away, slide the cover toward the back of the printer (callout 2) to release one hook (callout 3) on the inside of the cover.

Figure 1-1233 Release one tab and one hook



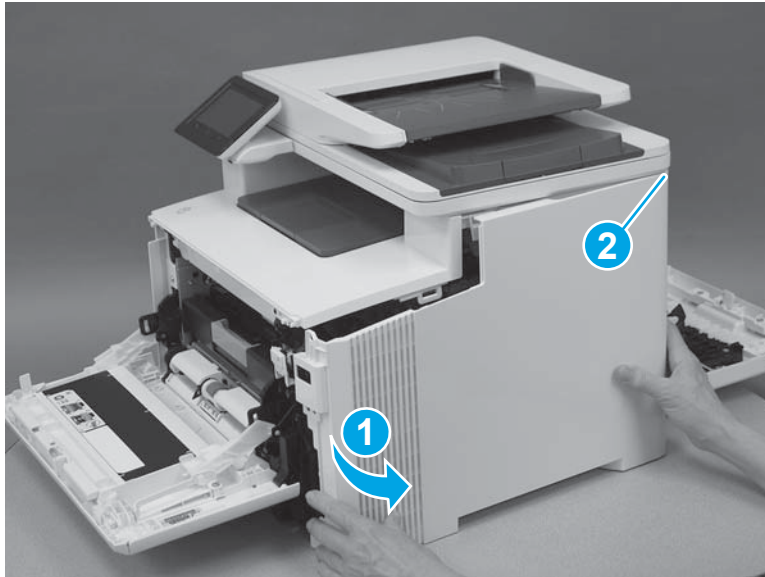
11. Lower the scanner.

Figure 1-1234 Lower the scanner



12. Rotate the cover away from the printer (callout 1) to release one tab (callout 2) at the back of the printer, and then remove the cover.

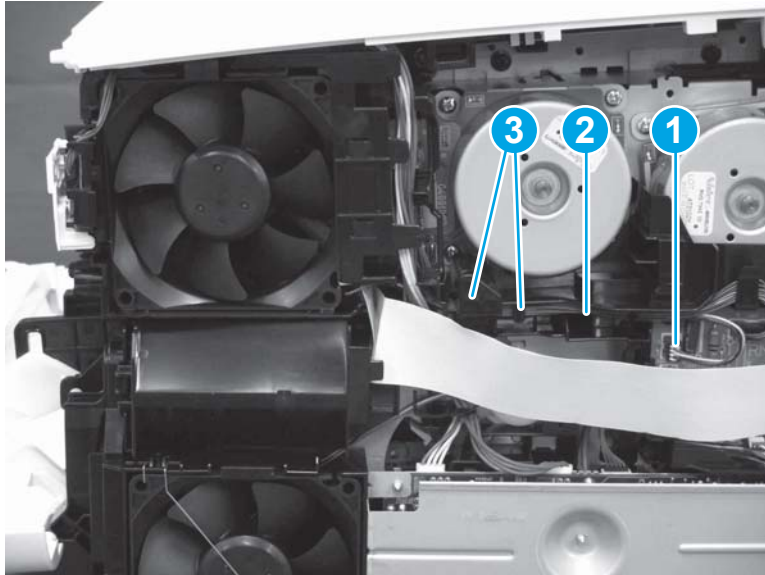
Figure 1-1235 Remove the right cover



Step 5: Remove the cartridge fan

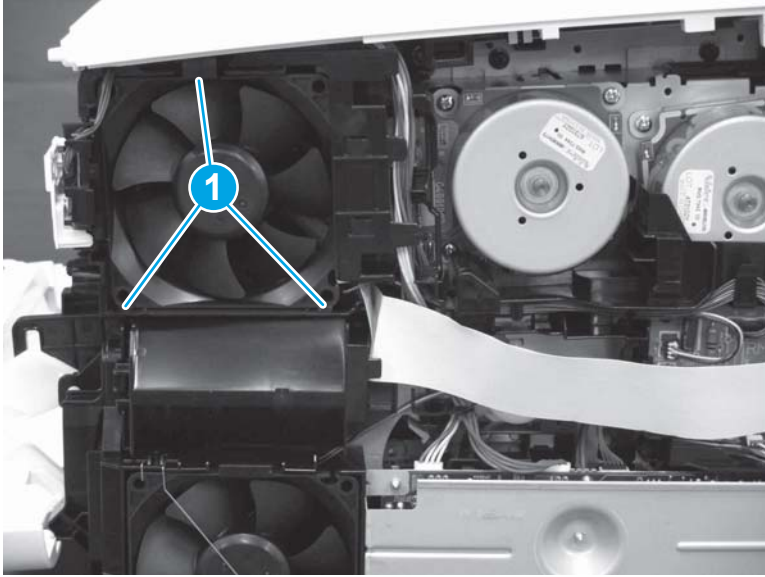
1. Disconnect one connector (callout 1), and then remove the cables (callout 2) from the wire guides (callout 3).

Figure 1-1236 Disconnect one connector and release cables from guides



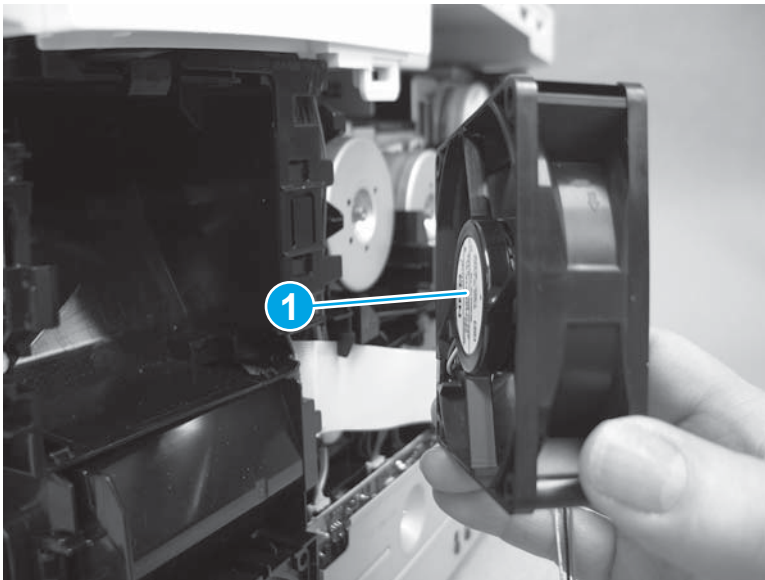
2. Release three tabs (callout 1).

Figure 1-1237 Release three tabs



3. Remove the cartridge fan (callout 1).

Figure 1-1238 Remove the cartridge fan



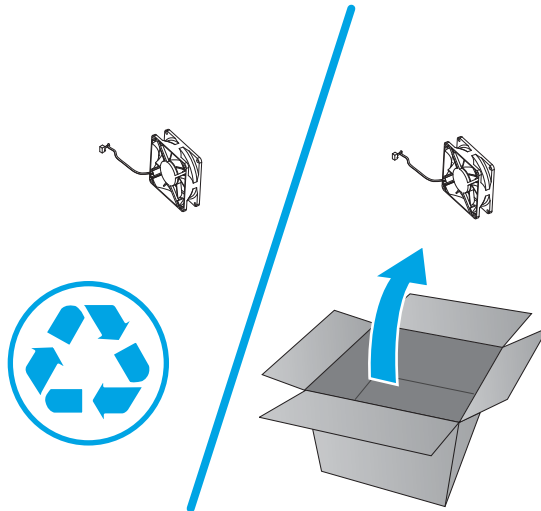
Step 6: Unpack the replacement part

Remove the new part from its package. Save all packaging for recycling the used part.

For complete information on HP's recycling programs, go to [Product return and recycling](#).

 **NOTE:** HP recommends responsible disposal of the defective part.

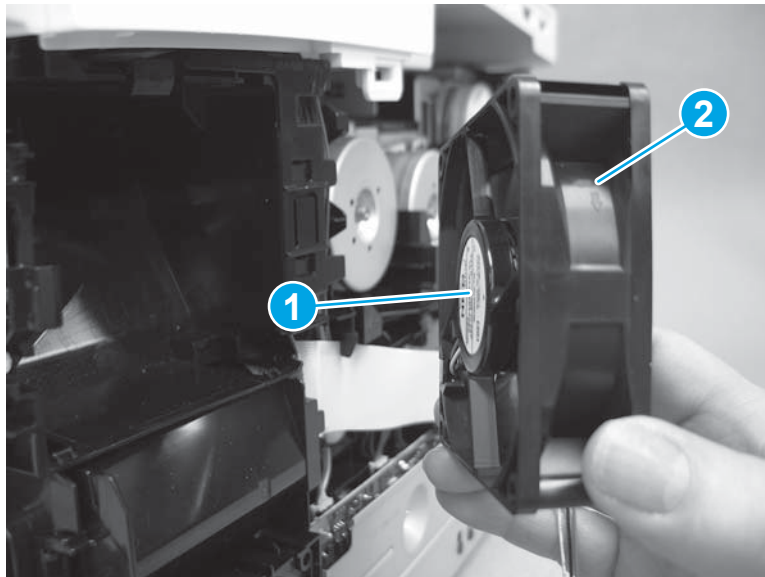
Figure 1-1239 Recycle and unpack



Step 7: Install the cartridge fan

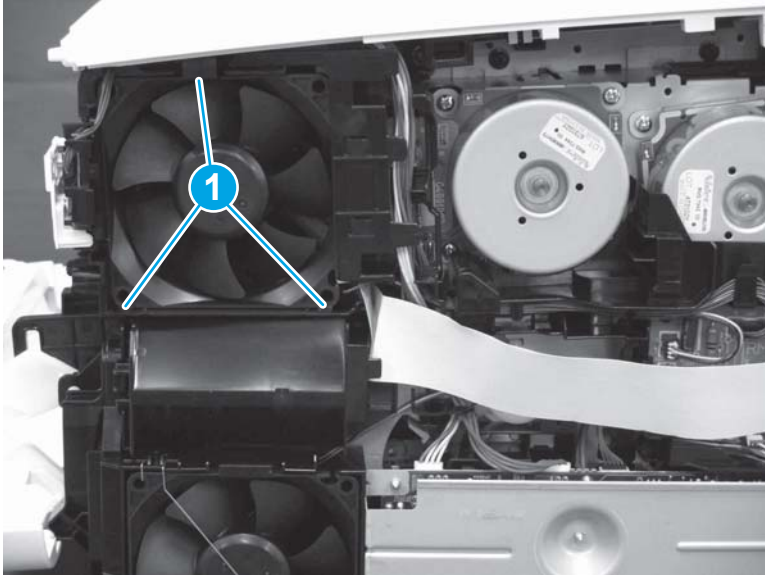
1. Position the cartridge fan so that the white label (callout 1) is facing the printer and the top embossed arrow (callout 2) is pointing into the printer.

Figure 1-1240 Install the cartridge fan



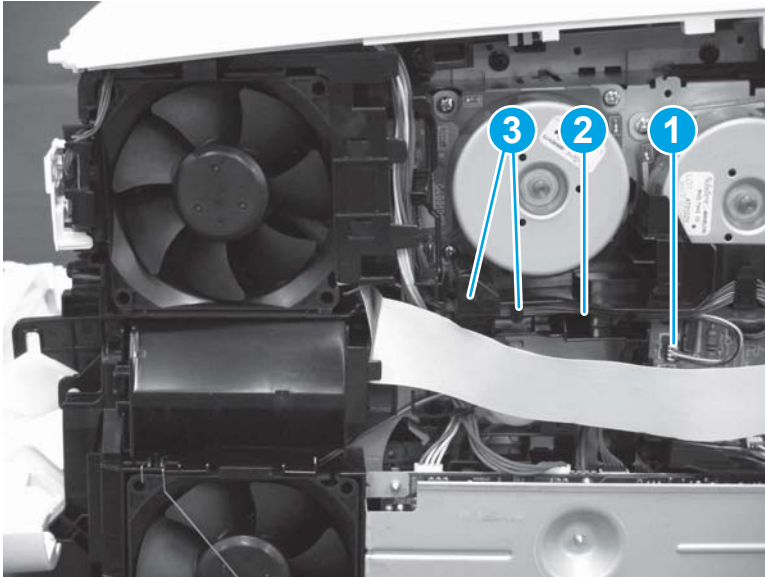
2. Make sure that the fan is snaps into position under three tabs (callout 1).

Figure 1-1241 Install three tabs




3. Connect one connector (callout 1), and then install the cables (callout 2) into the wire guides (callout 3).

Figure 1-1242 Connect one connector and install cables into guides

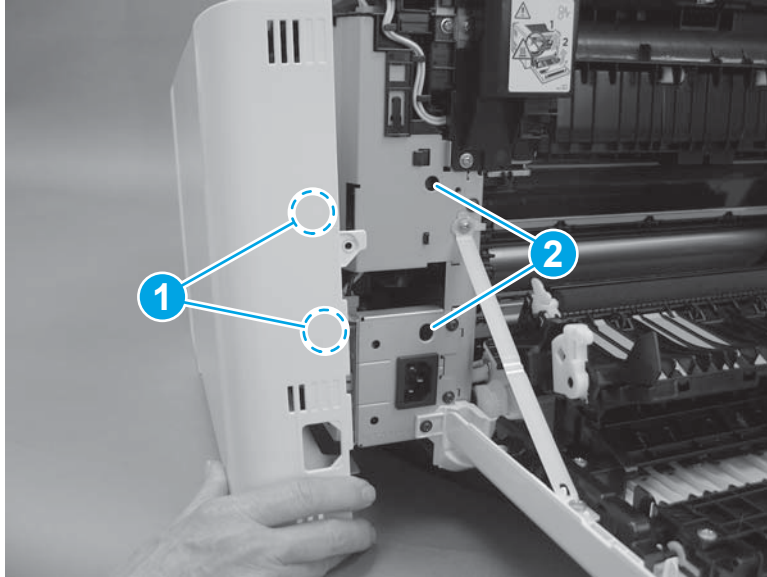


Step 8: Install the right cover (M452 models)

 **NOTE:** This step is for the M452 models. For the M377, M477 models, skip this step and go to [Step 9: Install the right cover \(M377, M477 models\) on page 681](#).

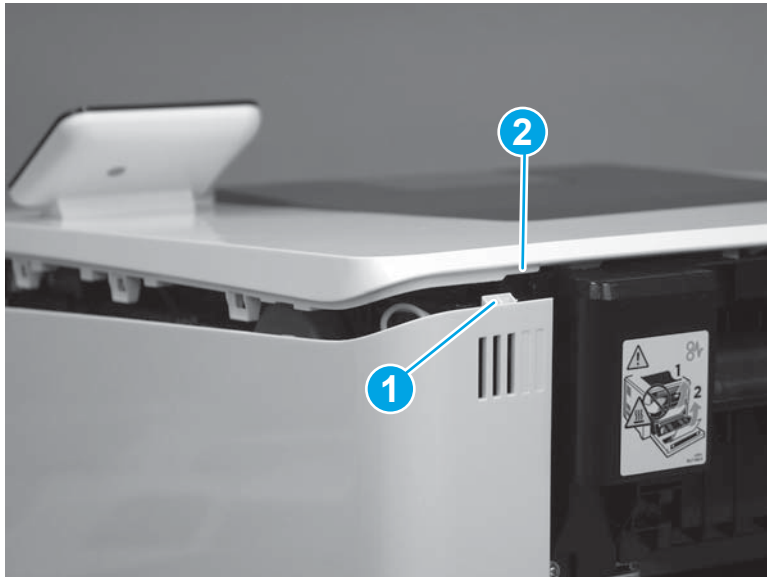
1. Position two tabs (callout 1) on the back of the cover in the slots (callout 2) in the printer.

Figure 1-1243 Position two tabs



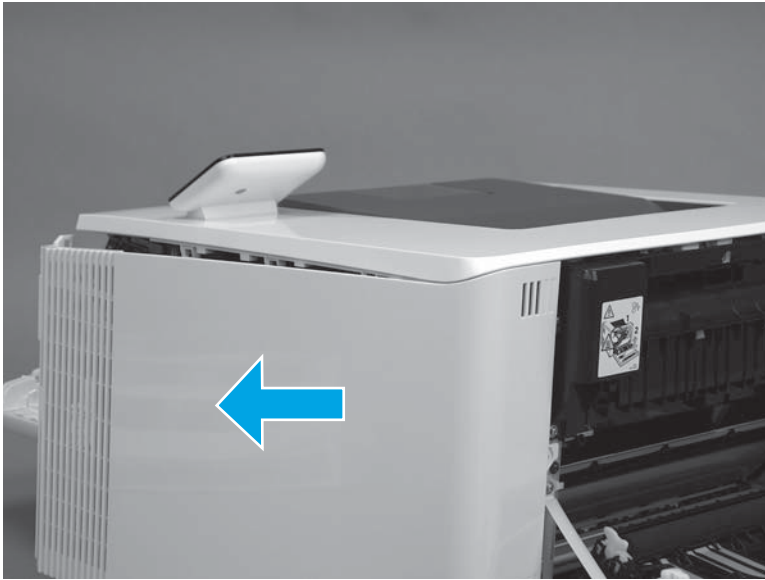
2. At the back of the printer, install the tab (callout 1) under the edge of the top cover (callout 2).

Figure 1-1244 Install rear tab



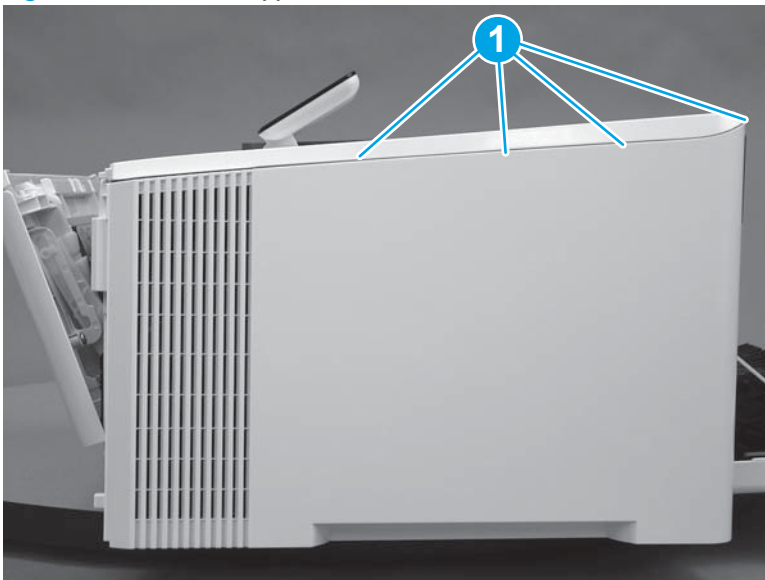
3. Slide the cover toward the front of the printer to install it.

Figure 1-1245 Install the right cover



4. Engage three tabs (callout 2) on the top of the cover.

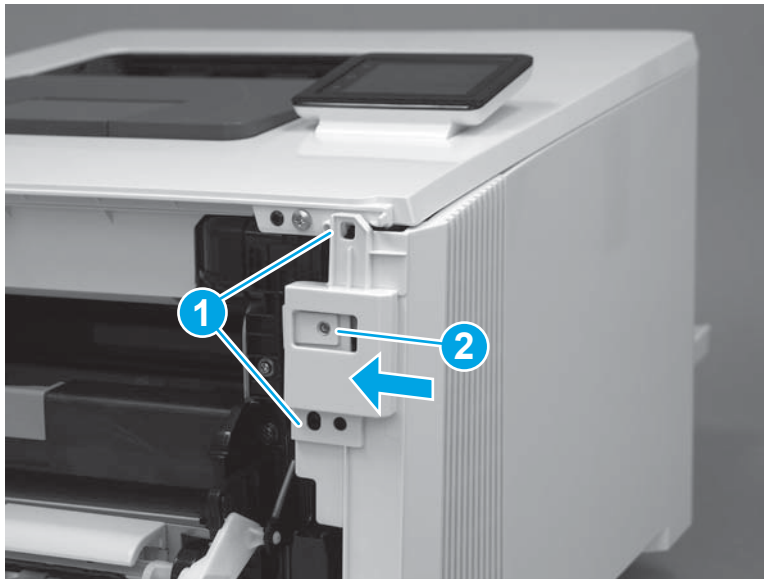
Figure 1-1246 Install upper tabs



5. At the front of the printer, position the front of the cover over two tabs (callout 1).

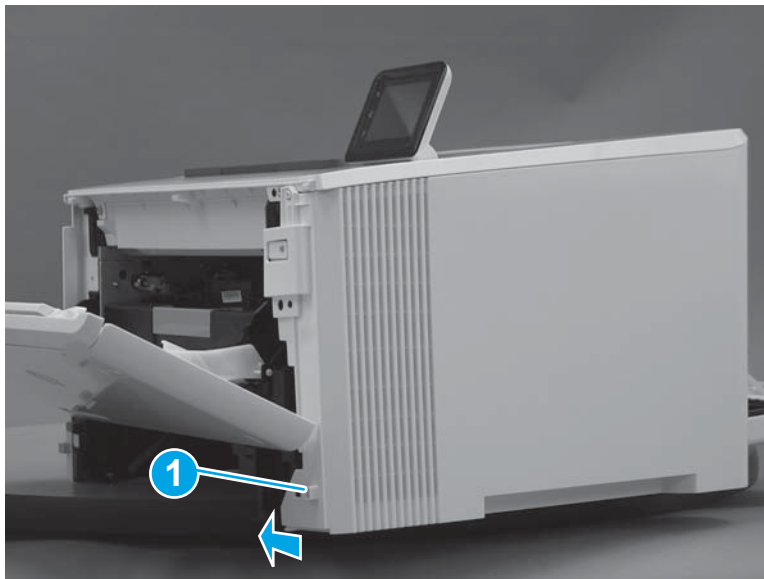
CAUTION: Be careful not to dislodge the power switch (callout 2).

Figure 1-1247 Install the front tabs



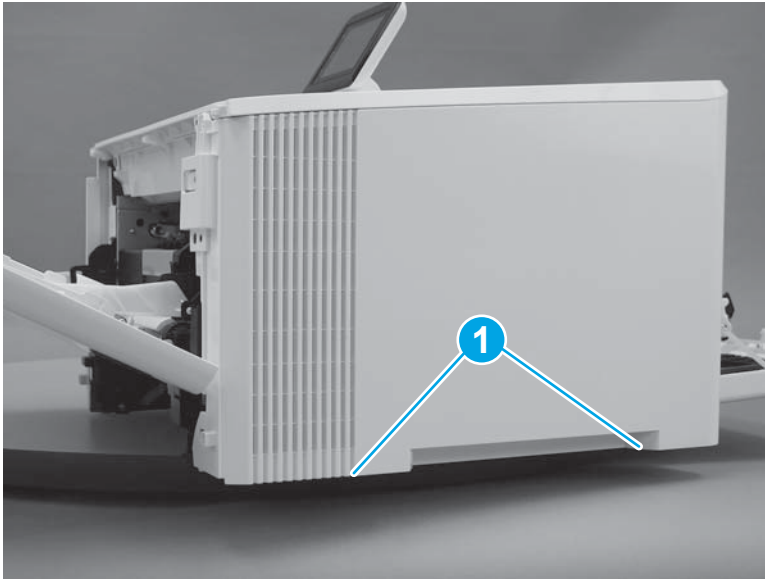
6. Press the right cover toward the printer to engage one tab (callout 1) on the front of the cover.

Figure 1-1248 Install the front lower tab



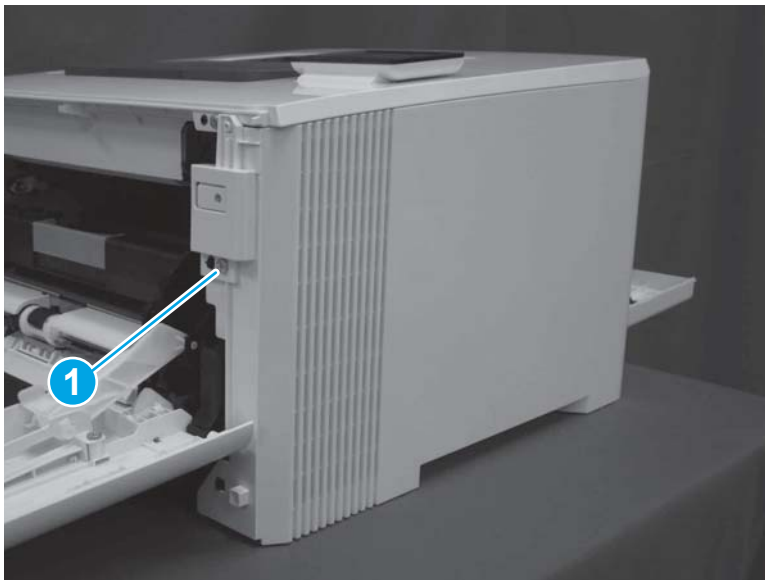
7. Install two tabs on the bottom of the cover (callout 1).

Figure 1-1249 Install two tabs



8. At the front of the printer, install one screw (callout 1).

Figure 1-1250 Install one screw



9. At the back of the printer, install one screw (callout 1).

Figure 1-1251 Install one screw

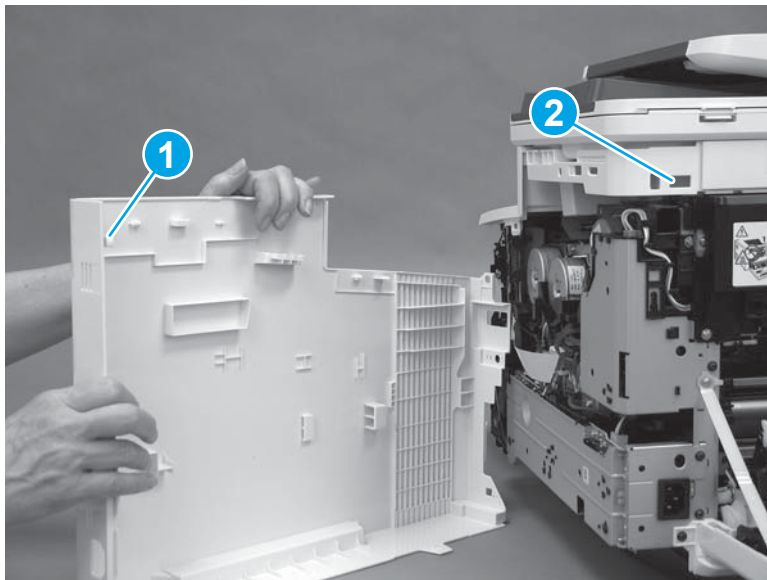


Step 9: Install the right cover (M377, M477 models)

 **NOTE:** This step is for the M377, M477 models. For the M452 models, skip this step and go to [Step 10: Close the front door and rear door or duplexer door on page 686.](#)

1. At the back of the printer, install the tab (callout 1) on the cover into the slot (callout 2) on the printer.

Figure 1-1252 Install rear tab



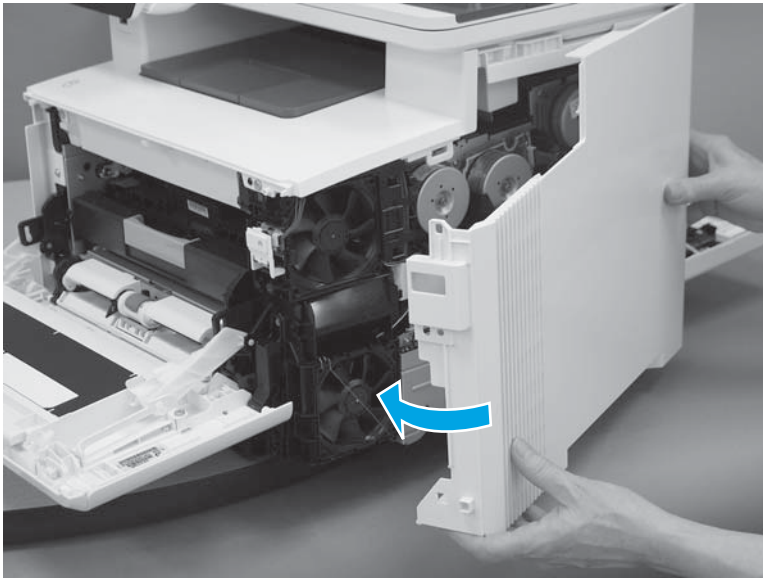
2. Raise the scanner.

Figure 1-1253 Raise the scanner



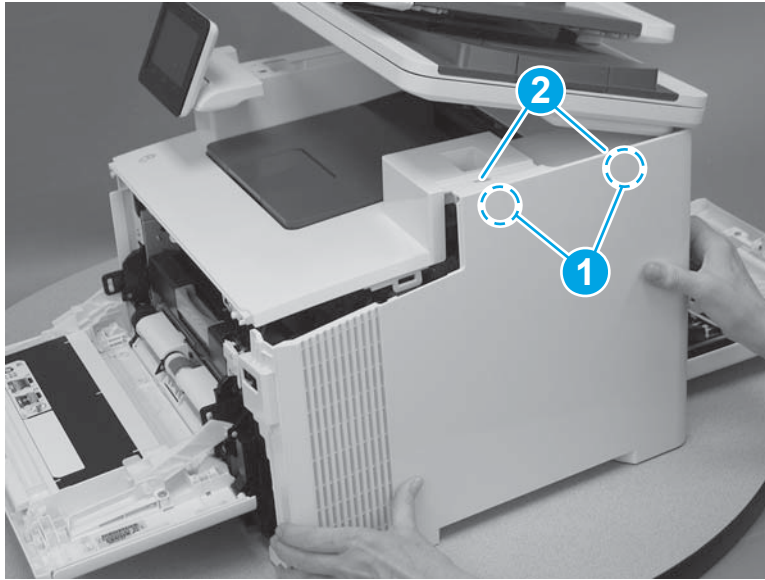
3. Rotate the right cover toward the printer.

Figure 1-1254 Rotate the right cover



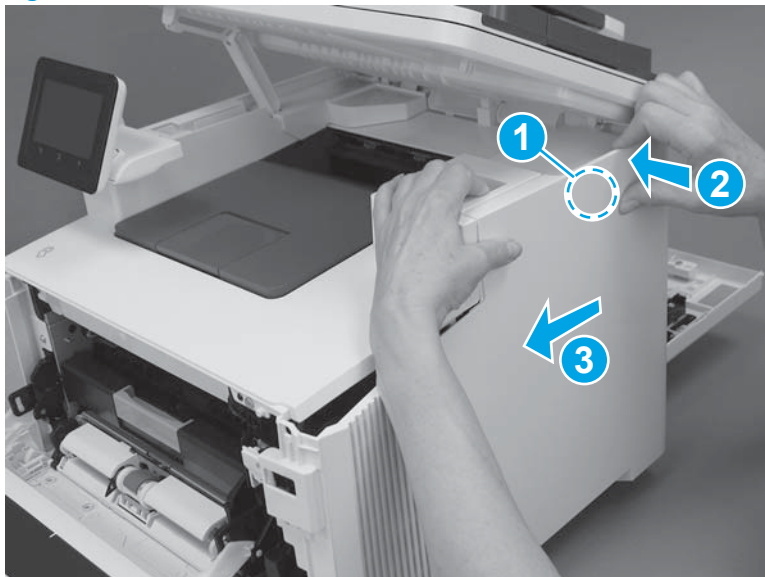
4. Position the hooks (callout 1) on the inside of the cover into the slots (callout 2) in the printer.

Figure 1-1255 Position the hooks in the slots



5. Engage one hook (callout 1) on the inside of the cover. Hold the top of the cover closed (callout 2) while sliding the cover toward the front of the printer (callout 3).

Figure 1-1256 Slide the cover



6. Rotate the front of the cover toward the printer (callout 1).

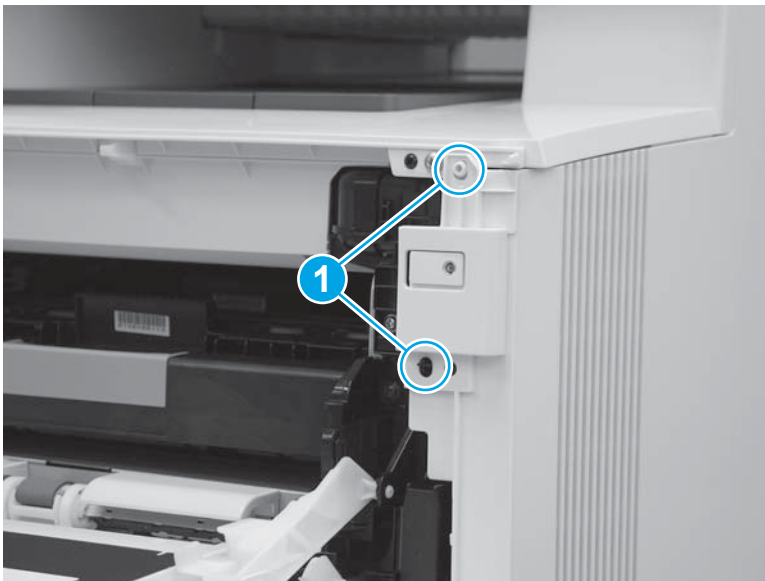
⚠ CAUTION: Be careful not to dislodge the power switch (callout 2).

Figure 1-1257 Rotate the front of the cover



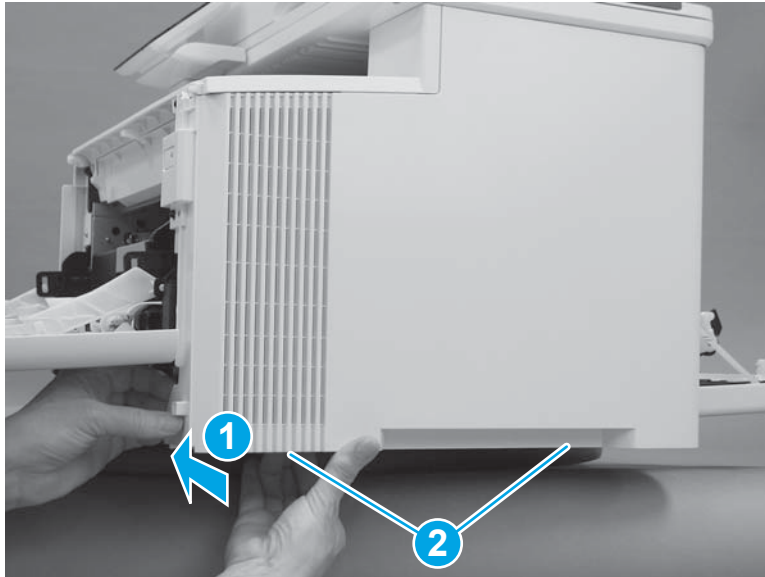
7. Install two tabs at the front of the printer (callout 1).

Figure 1-1258 Install two tabs



8. Press the right cover toward the printer (callout 1) to engage one tab on the front of the cover, and two tabs (callout 2) on the lower edge of the cover.

Figure 1-1259 Install the front and lower tabs



9. At the front of the printer, install one screw (callout 1).

Figure 1-1260 Install one screw



10. At the back of the printer, install one screw (callout 1).

Figure 1-1261 Install one screw



11. Lower the scanner.

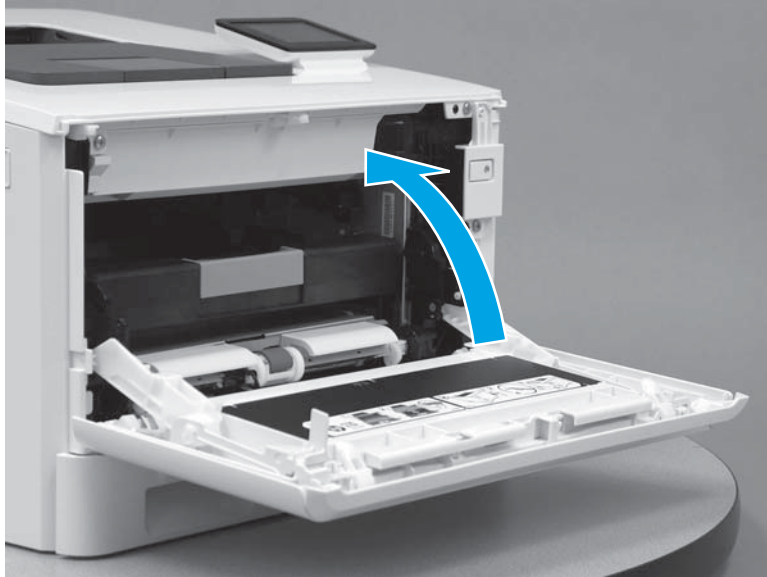
Figure 1-1262 Lower the scanner



Step 10: Close the front door and rear door or duplexer door

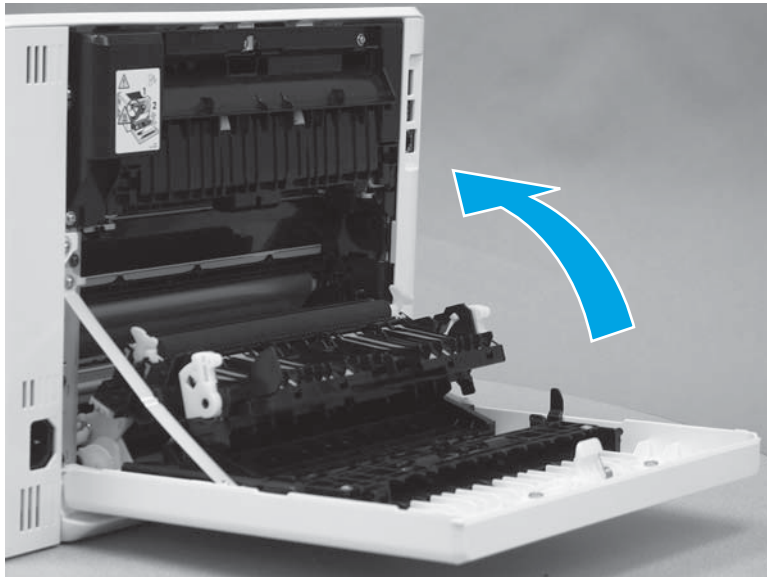
1. Close the front door.

Figure 1-1263 Close the front door



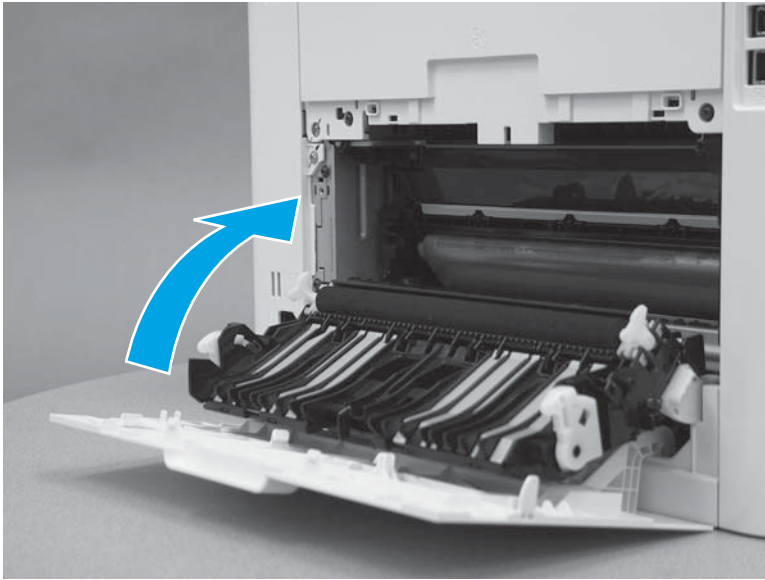
- 2. Duplex models:** Close the duplexer door.

Figure 1-1264 Close the duplexer door



3. **Simplex models:** Close the rear door.

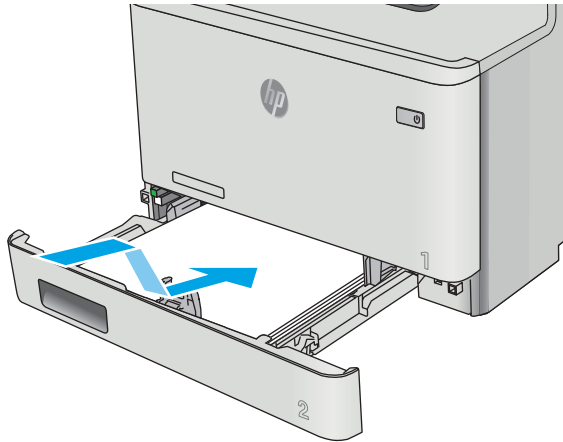
Figure 1-1265 Close the rear door



Step 11: Install Tray 2

- ▲ With the front of the tray slightly lifted, align the sides of the tray with the rails in the printer, and then carefully slide the tray into the printer. As the tray slides into the printer, lower the front of the tray, and then close it.

Figure 1-1266 Install the tray



Removal and replacement: Power supply fan


- [Introduction](#)
- [Step 1: Remove Tray 2](#)
- [Step 2: Open the front door and rear door or duplexer door](#)
- [Step 3: Remove the right cover \(M452 models\)](#)
- [Step 4: Remove the right cover \(M377, M477 models\)](#)
- [Step 5: Remove the power supply fan](#)
- [Step 6: Unpack the replacement part](#)
- [Step 7: Install the power supply fan](#)
- [Step 8: Install the right cover \(M452 models\)](#)
- [Step 9: Install the right cover \(M377, M477 models\)](#)
- [Step 10: Close the front door and rear door or duplexer door](#)
- [Step 11: Install Tray 2](#)

Introduction

This document provides the procedures to remove and replace the power supply fan.

Before you begin

- Turn off the printer.
- Disconnect the power cable.

 **WARNING!** To avoid damage to the printer, turn the printer off, wait 30 seconds, and then remove the power cord before attempting to service the printer.

- Use the table below to identify the correct part number for your printer. To order the part, go to www.hp.com/buy/parts.

| Power supply fan part number | |
|------------------------------|--|
|------------------------------|--|

| | |
|-----------------------|------------------|
| RK2-6270-000CN | Power supply fan |
|-----------------------|------------------|

Required tools

- #2 Phillips screwdriver with a magnetic tip
- Small flat-blade screwdriver

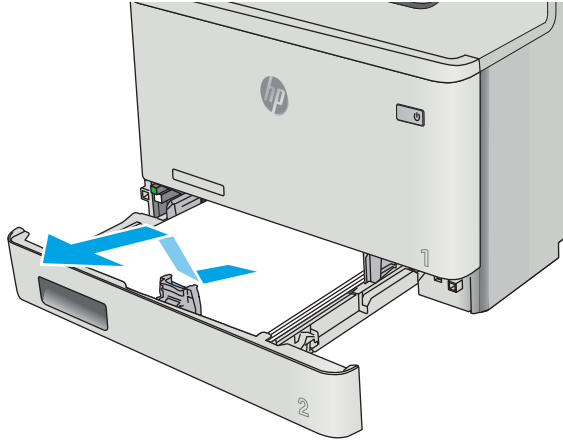
After performing service

- Connect the power cable.
- Use the power switch to turn the power on.

Step 1: Remove Tray 2

- ▲ Pull the tray out until it stops. Lift the front of the tray, and then pull it out of the printer to remove it.

Figure 1-1267 Remove the tray



Step 2: Open the front door and rear door or duplexer door

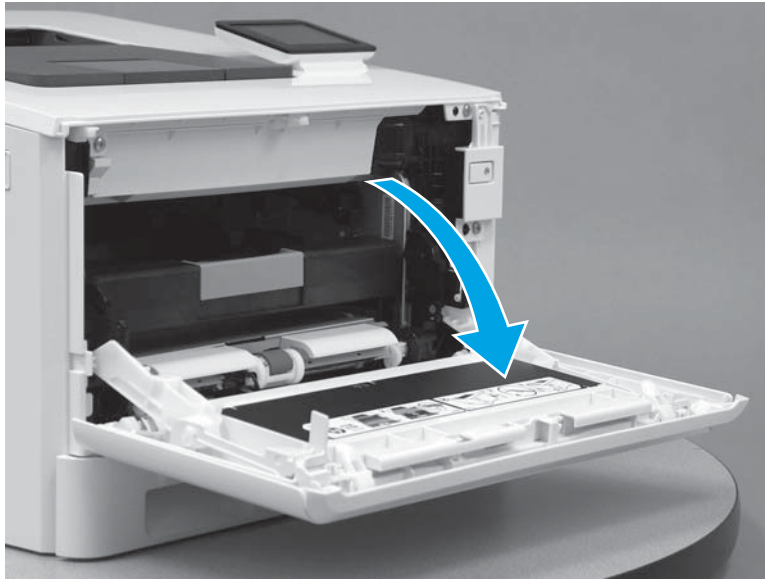
1. Press the button (callout 1) on the left side of the printer to release the front door.

Figure 1-1268 Release the front door



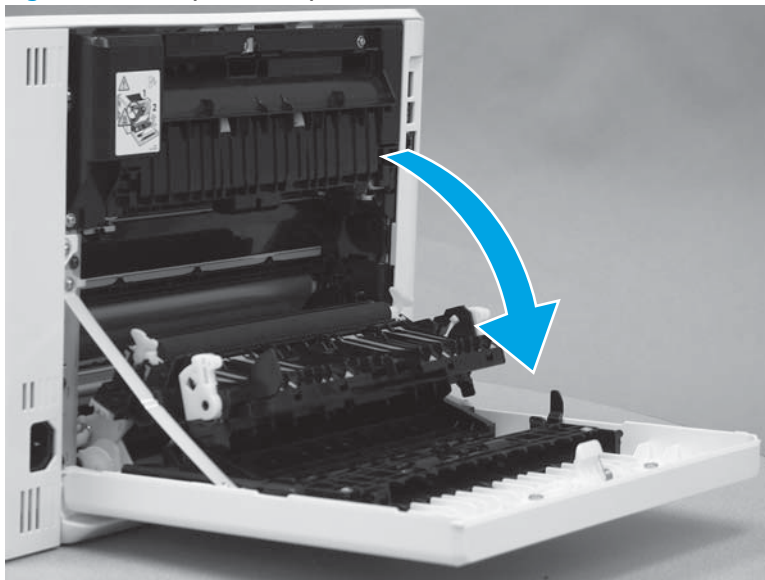
2. Open the front door.

Figure 1-1269 Open the front door



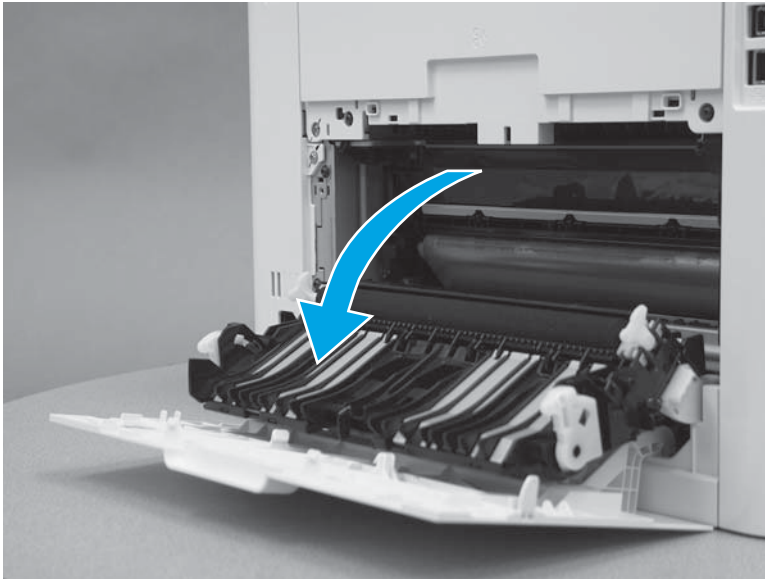
3. **Duplex models:** Open the duplexer door.

Figure 1-1270 Open the duplexer door



4. **Simplex models:** Open the rear door.

Figure 1-1271 Open the rear door



Step 3: Remove the right cover (M452 models)



NOTE: This step is for the M452 models. For the M377, M477 models, skip this step and go to [Step 4: Remove the right cover \(M377, M477 models\) on page 696](#).

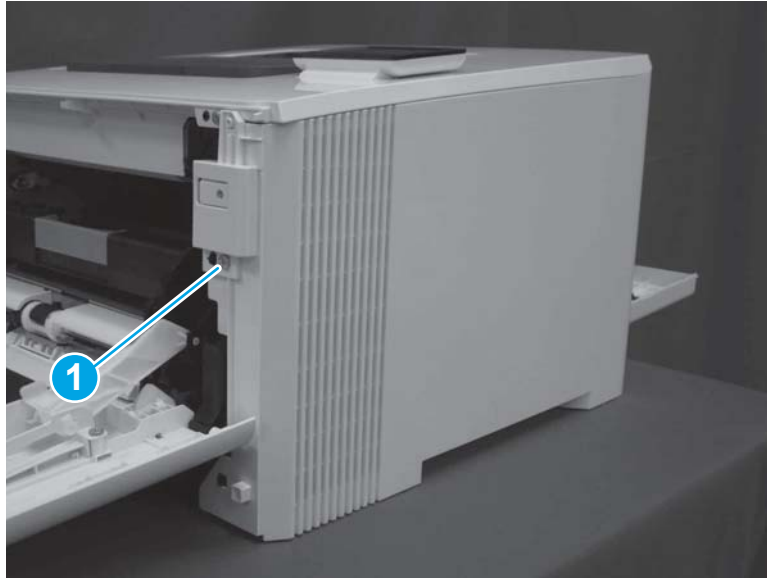
1. At the back of the printer, remove one screw (callout 1).

Figure 1-1272 Remove one screw



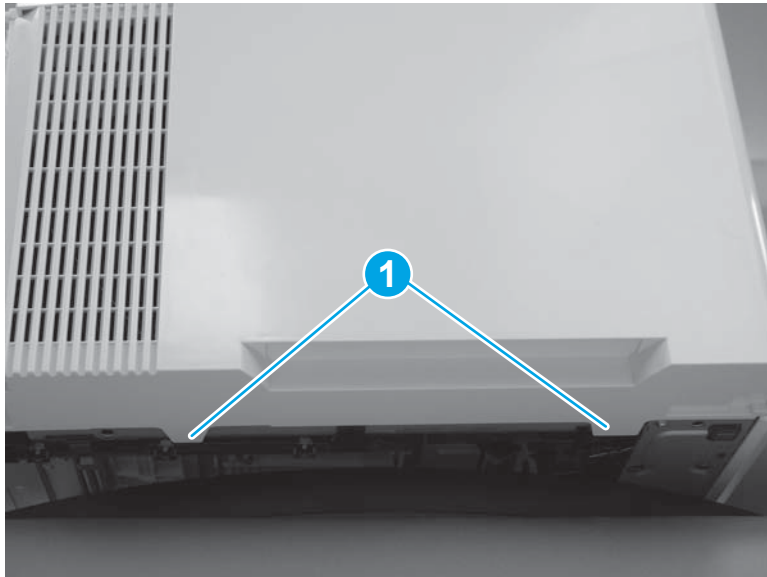
2. At the front of the printer, remove one screw (callout 1).

Figure 1-1273 Remove one screw



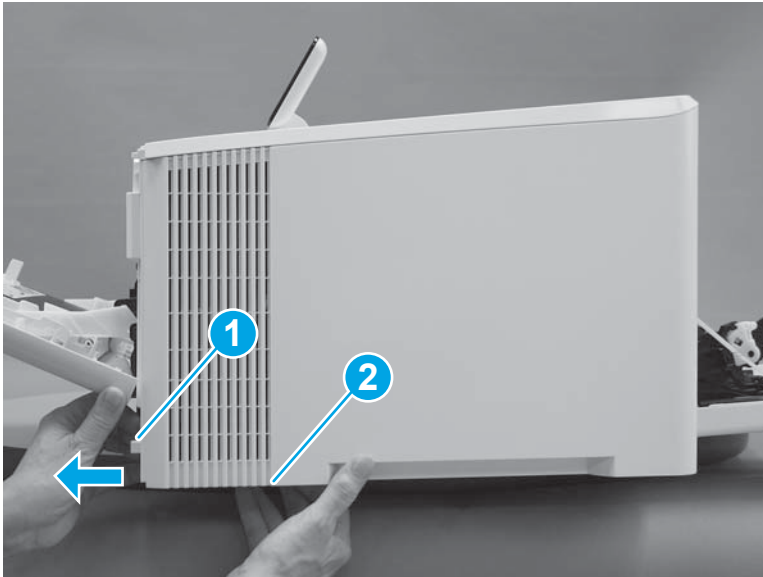
3. Slide the printer to the edge of a work surface. Note the location of the tabs on the lower edge of the cover (callout 1).

Figure 1-1274 Locate the tabs



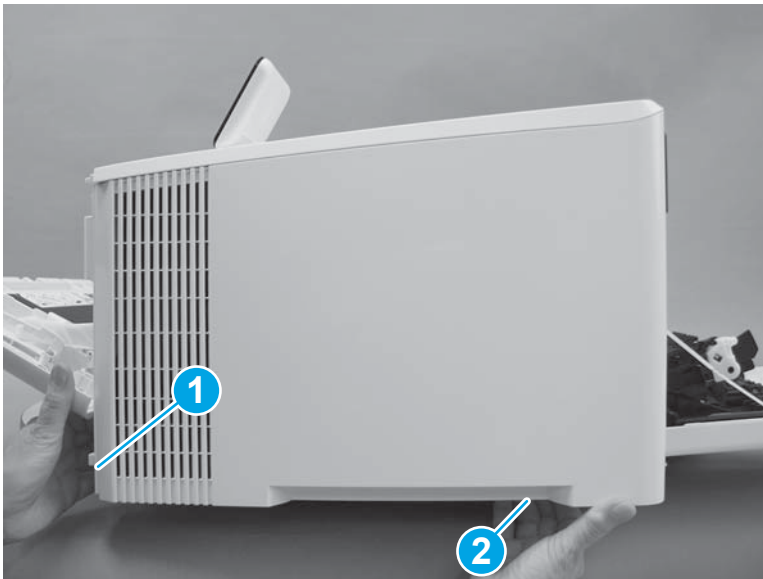
4. Release one tab (callout 1) on the front of the cover by slightly pulling the cover away from the printer. While holding the cover in the released position, release one tab (callout 2) on the bottom of the cover.

Figure 1-1275 Release front lower tabs



5. Hold the front tabs in the released position (callout 1), and then release one tab (callout 2) on the bottom of the cover, toward the back of the printer.

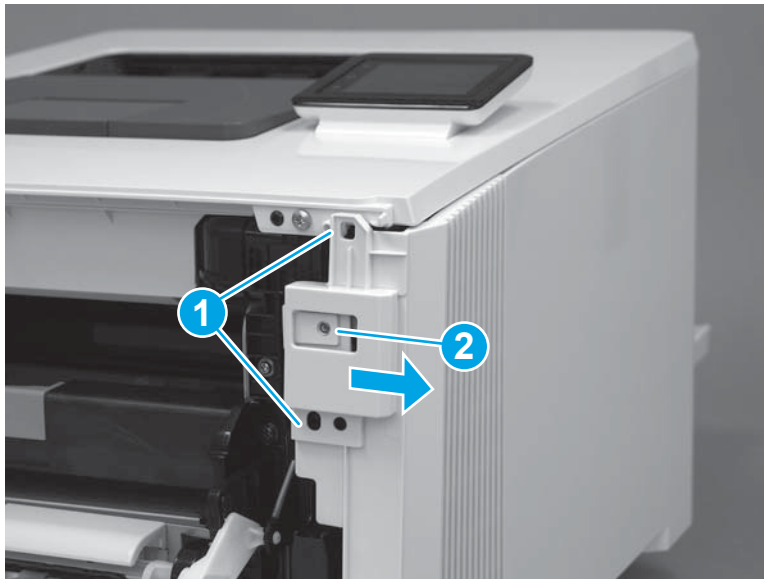
Figure 1-1276 Release lower rear tab



6. Release two tabs at the front of the printer (callout 1) by slightly pulling the cover away from the printer.

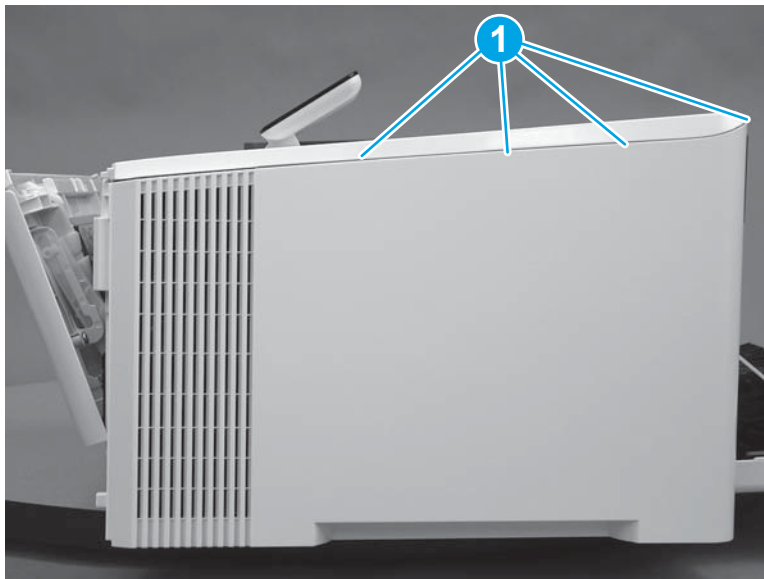
CAUTION: Be careful not to dislodge the power switch (callout 2).

Figure 1-1277 Release two front tabs



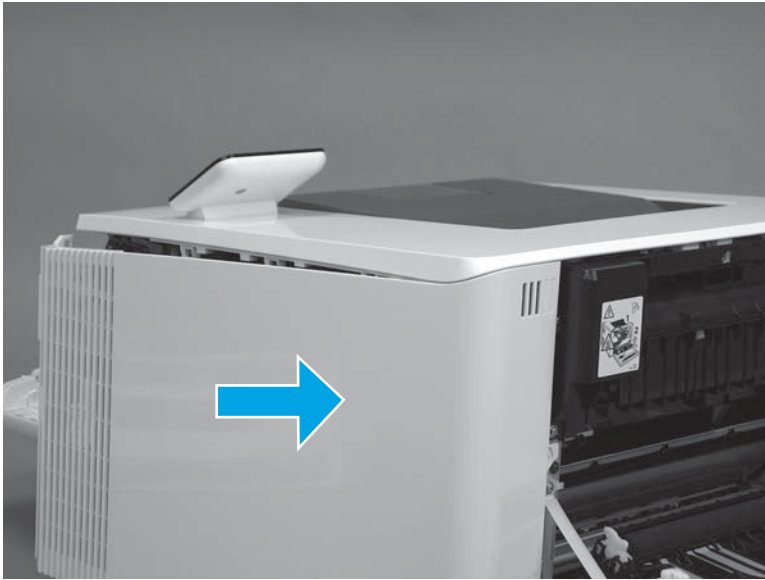
7. Release four tabs on the top of the printer (callout 1).

Figure 1-1278 Release upper tabs



8. Slide the cover toward the back of the printer to remove it.

Figure 1-1279 Remove the right cover



Step 4: Remove the right cover (M377, M477 models)



NOTE: This step is for the M377, M477 models. For the M452 models, skip this step and go to [Step 5: Remove the power supply fan on page 702.](#)

1. Raise the scanner.

Figure 1-1280 Raise the scanner



2. At the back of the printer, remove one screw (callout 1).

Figure 1-1281 Remove one screw



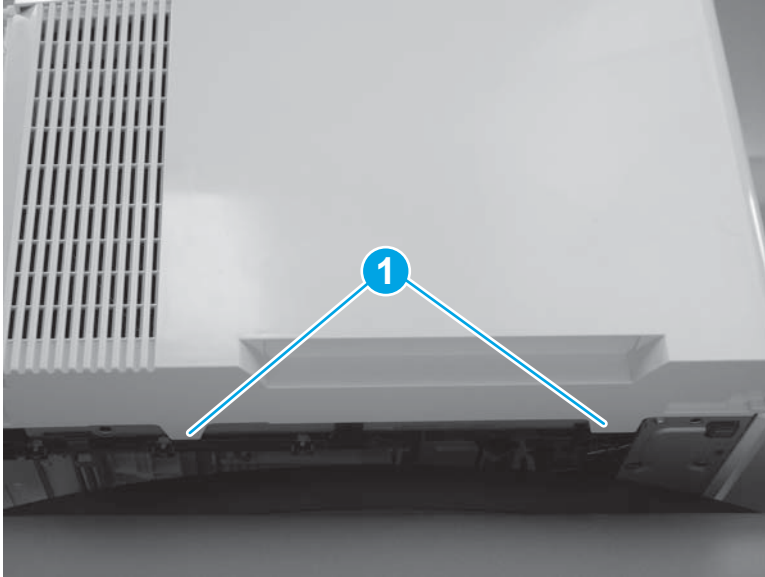
3. At the front of the printer, remove one screw (callout 1).

Figure 1-1282 Remove one screw



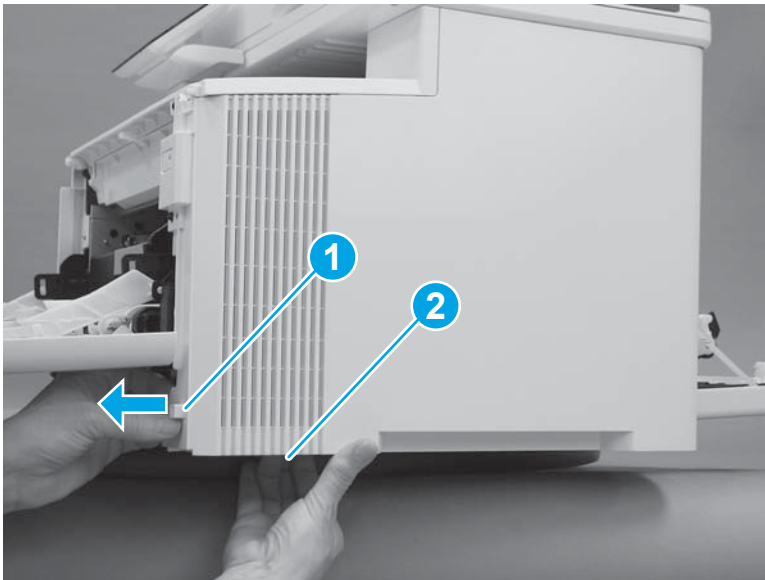
4. Slide the printer to the edge of a work surface. Note the location of the tabs on the lower edge of the cover (callout 1).

Figure 1-1283 Locate the tabs



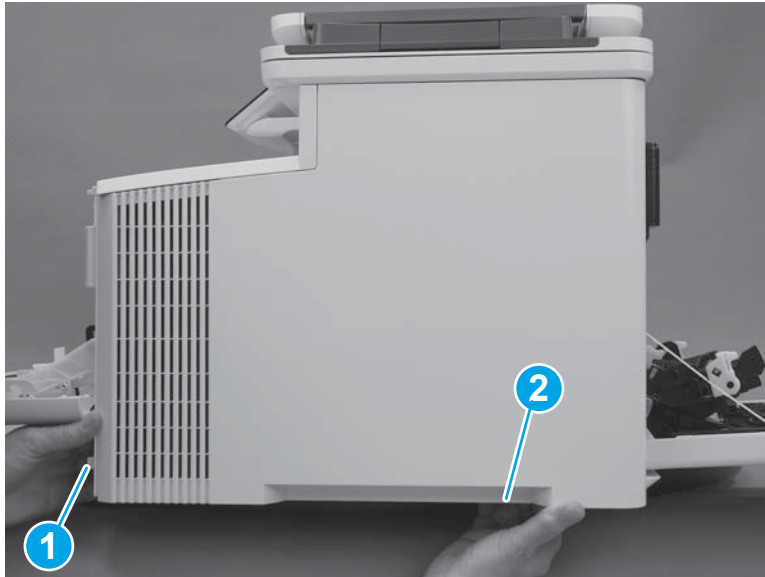
5. Release one tab (callout 1) on the front of the cover by slightly pulling the cover away from the printer. While holding the cover in the released position, release one tab (callout 2) on the lower edge of the cover.

Figure 1-1284 Release front lower tabs



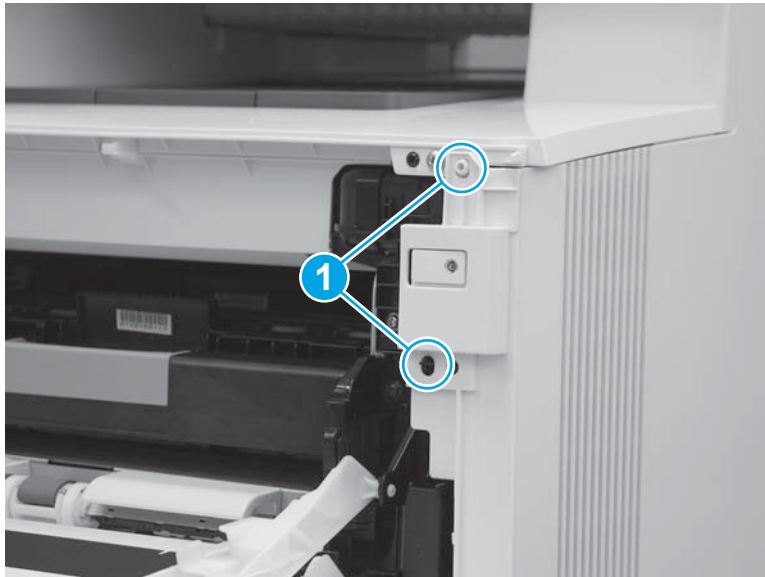
6. Hold the front tabs in the released position (callout 1), and then release one tab (callout 2) on the lower edge of the cover, toward the back of the printer.

Figure 1-1285 Release lower rear tab



7. Release two tabs at the front of the printer (callout 1) by slightly pulling the cover away from the printer.

Figure 1-1286 Release front upper tabs



8. Rotate the front of the cover away from the printer (callout 1).

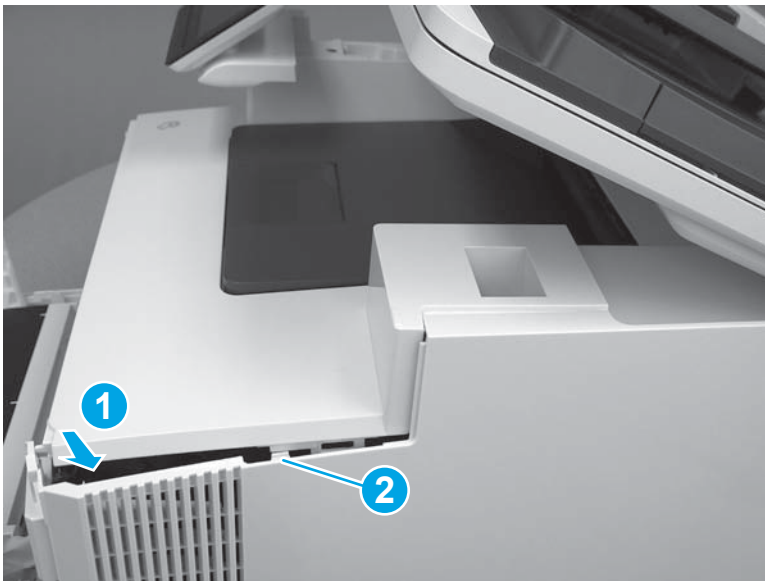
⚠ CAUTION: Be careful not to dislodge the power switch (callout 2).

Figure 1-1287 Rotate the front of the cover



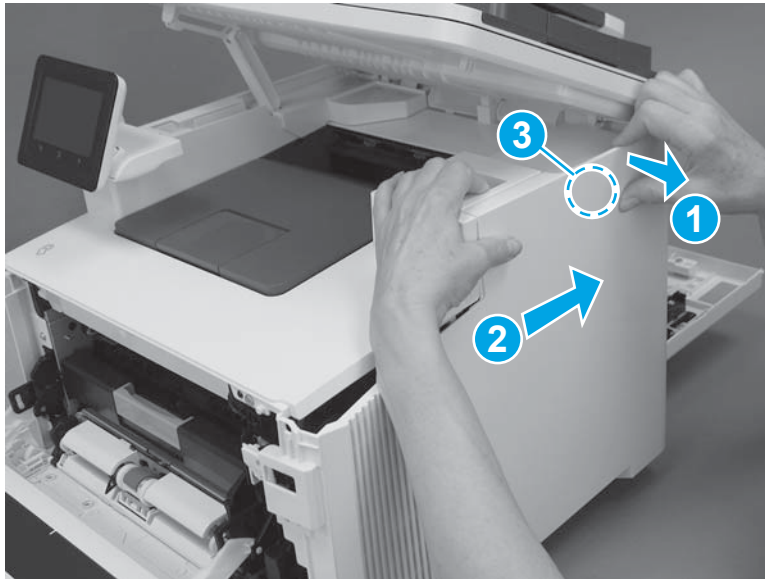
9. Slightly pull the front of the cover away from the printer (callout 1) to release one tab (callout 2).

Figure 1-1288 Release top tabs



10. At the top of the printer, slightly pull the top of the cover away from the printer to release one retention tab (callout 1) on the inside of the cover. While holding the cover away, slide the cover toward the back of the printer (callout 2) to release one hook (callout 3) on the inside of the cover.

Figure 1-1289 Release one tab and one hook



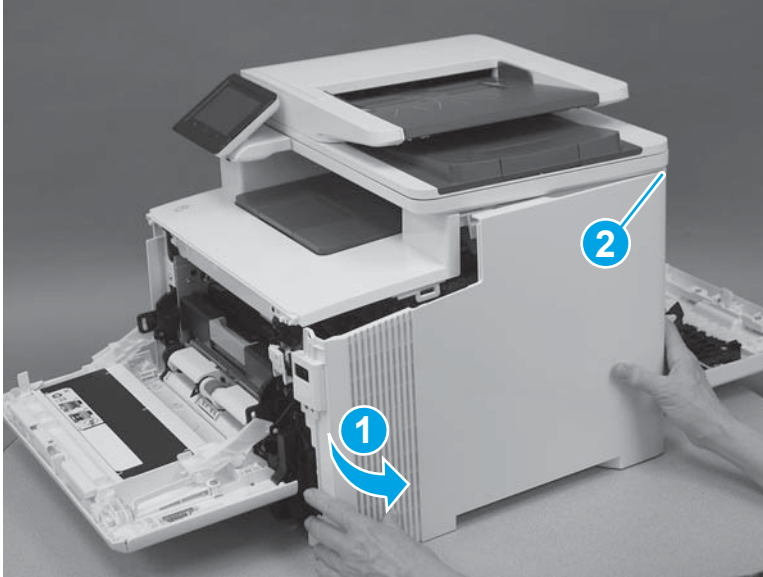
11. Lower the scanner.

Figure 1-1290 Lower the scanner



12. Rotate the cover away from the printer (callout 1) to release one tab (callout 2) at the back of the printer, and then remove the cover.

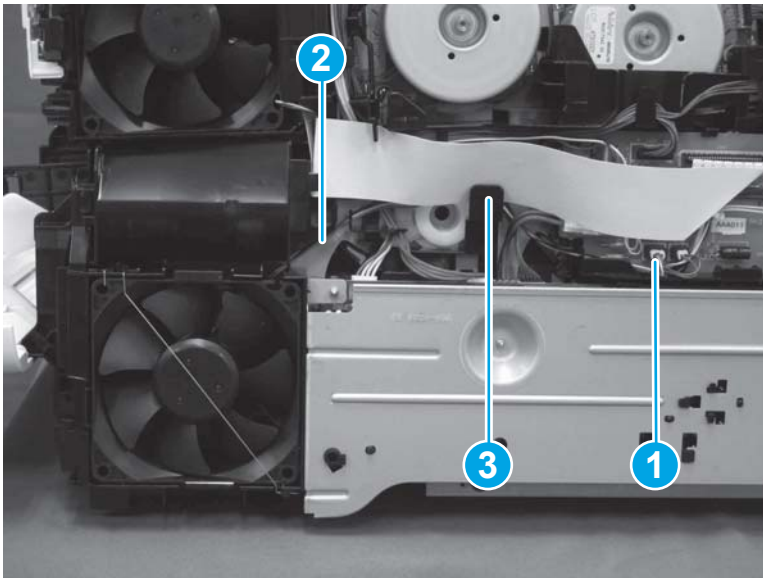
Figure 1-1291 Remove the right cover



Step 5: Remove the power supply fan

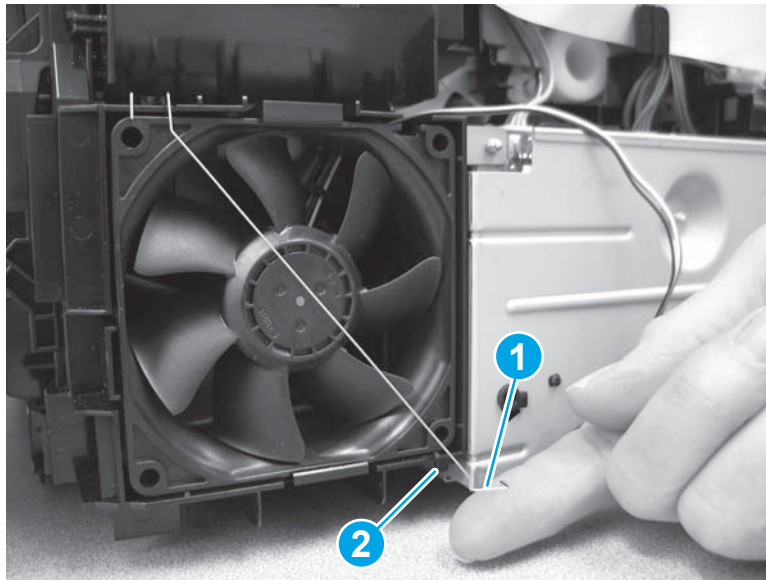
1. Disconnect one connector (callout 1), and then remove the cable (callout 2) from the wire guide (callout 3).

Figure 1-1292 Disconnect one connector and release cables from guides



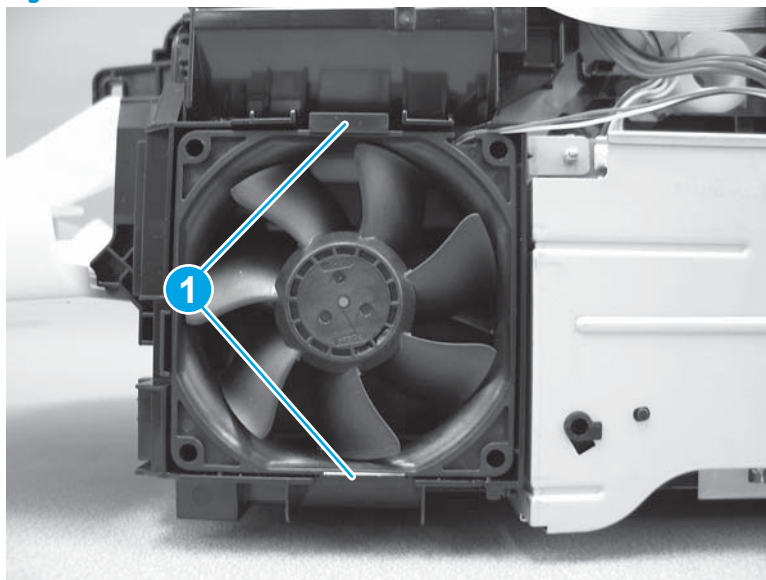
2. Release the spring (callout 1) from the tab (callout 2).

Figure 1-1293 Release the spring



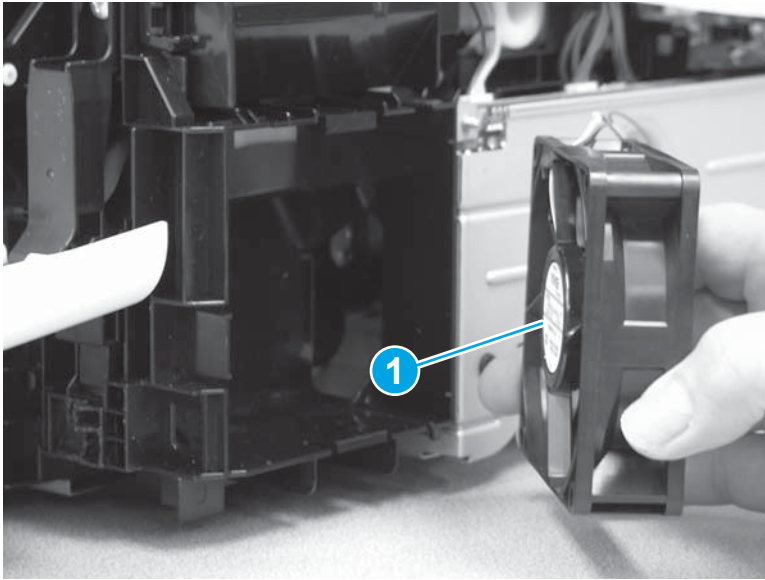
3. Release two tabs (callout 1).

Figure 1-1294 Release two tabs



4. Remove the power supply fan (callout 1).

Figure 1-1295 Remove the power supply fan



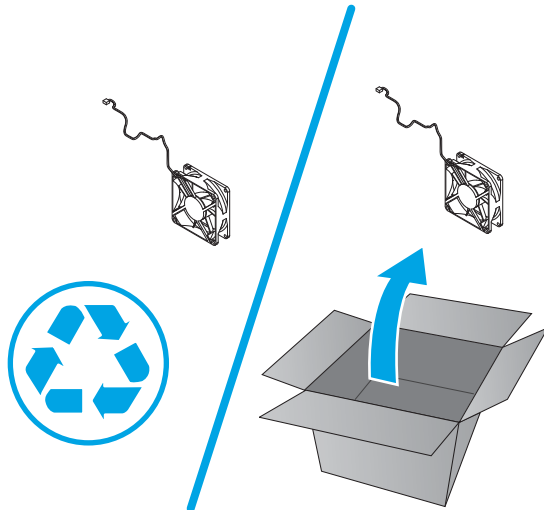
Step 6: Unpack the replacement part

Remove the new part from its package. Save all packaging for recycling the used part.

For complete information on HP's recycling programs, go to [Product return and recycling](#).

 **NOTE:** HP recommends responsible disposal of the defective part.

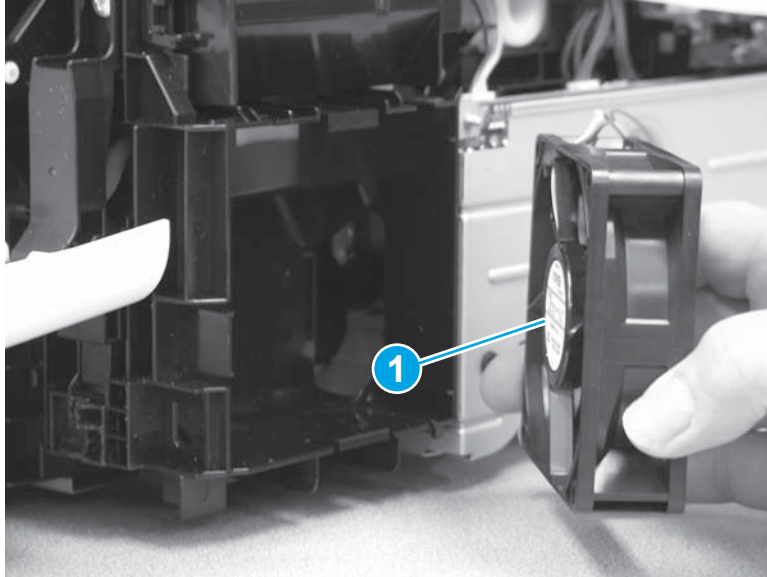
Figure 1-1296 Recycle and unpack



Step 7: Install the power supply fan

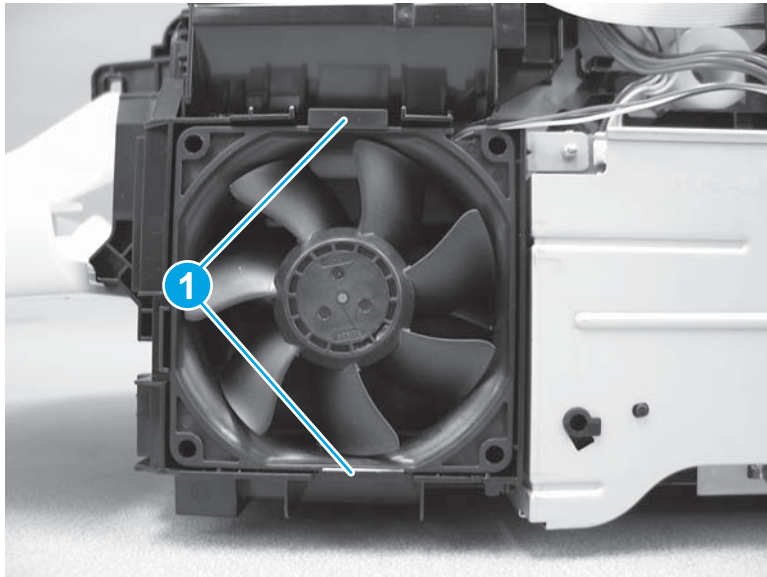
1. Position the power supply fan so that the white label (callout 1) is facing the printer.

Figure 1-1297 Install the power supply fan



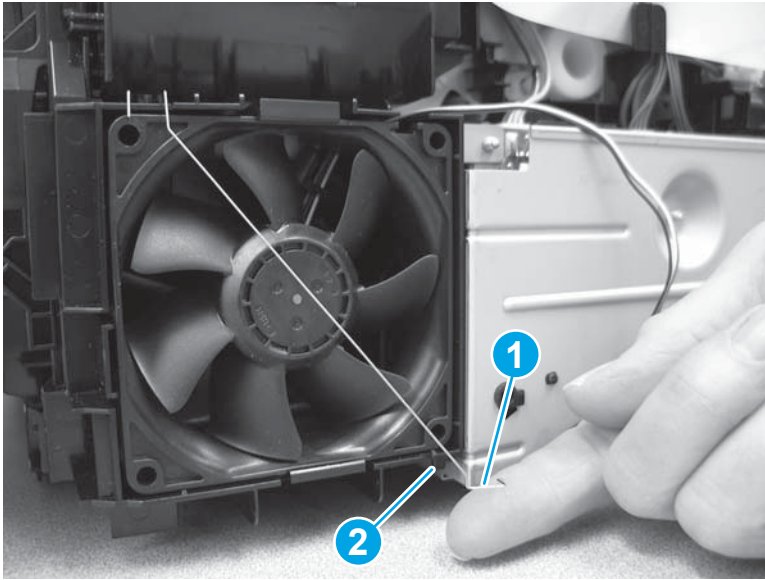
2. Make sure that the fan is snaps into position under two tabs (callout 1).

Figure 1-1298 Install two tabs



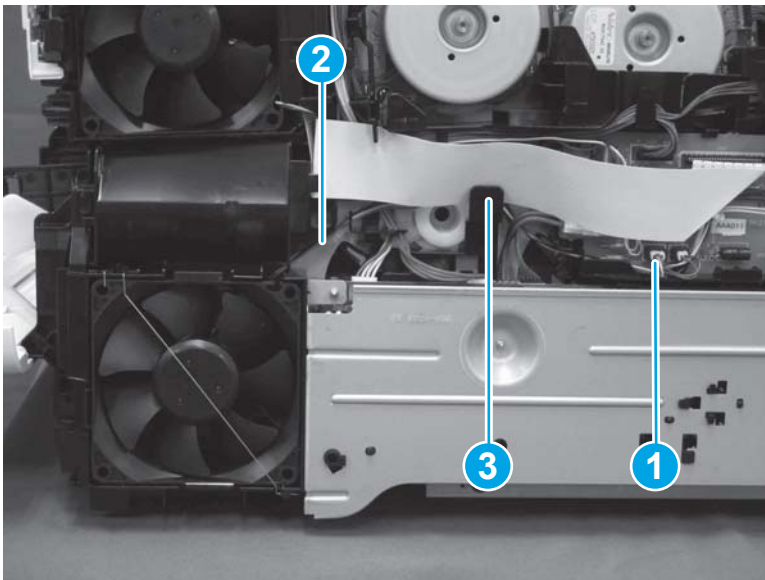
3. Install the spring (callout 1) behind the tab (callout 2).

Figure 1-1299 Install the spring




4. Connect one connector (callout 1), and then install the cable (callout 2) into the wire guide (callout 3).

Figure 1-1300 Connect one connector and install cables into guides

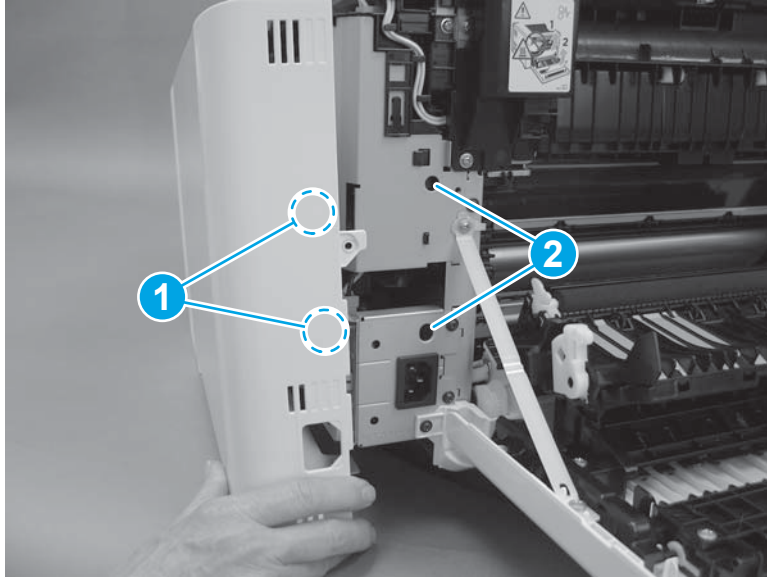


Step 8: Install the right cover (M452 models)

 **NOTE:** This step is for the M452 models. For the M377, M477 models, skip this step and go to [Step 9: Install the right cover \(M377, M477 models\) on page 711](#).

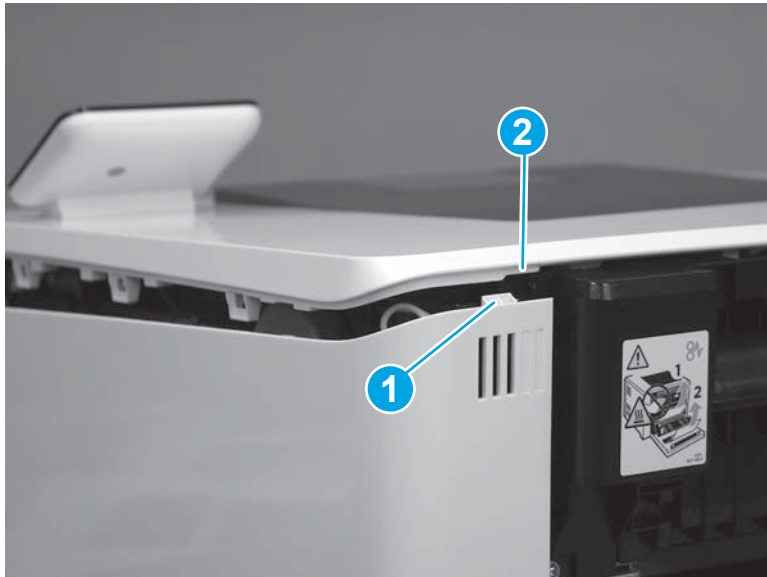
1. Position two tabs (callout 1) on the back of the cover in the slots (callout 2) in the printer.

Figure 1-1301 Position two tabs



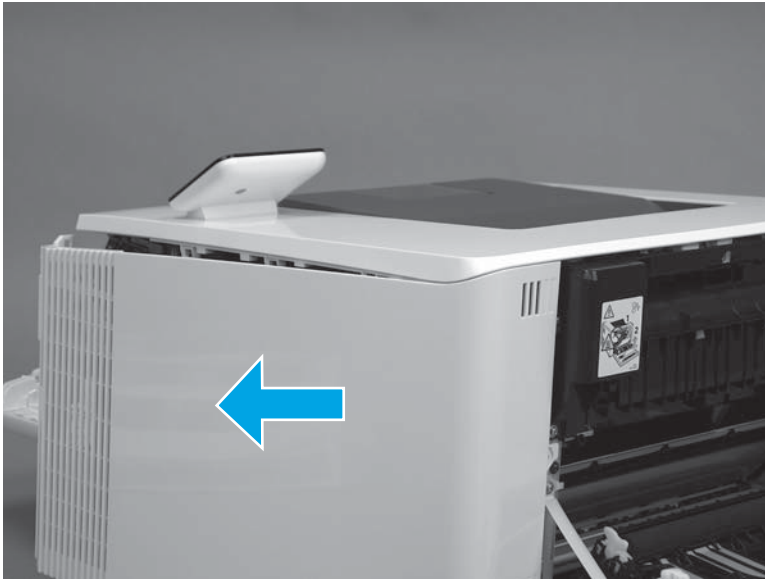
2. At the back of the printer, install the tab (callout 1) under the edge of the top cover (callout 2).

Figure 1-1302 Install rear tab



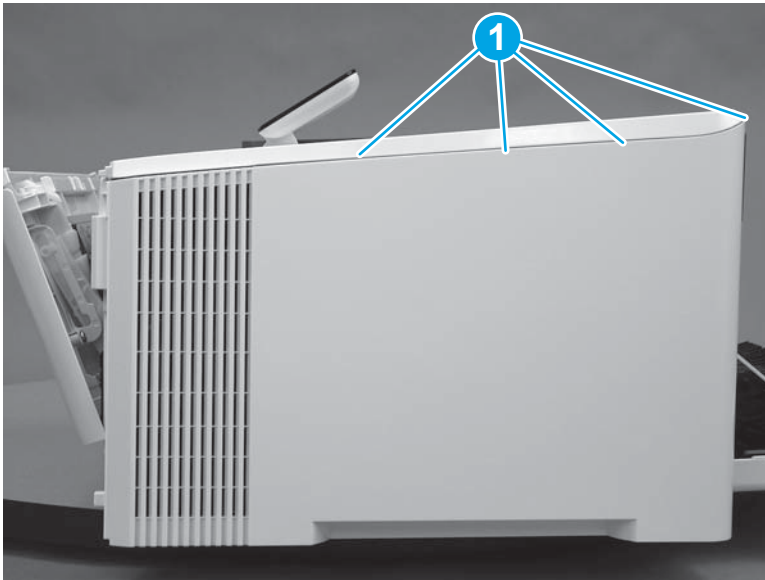
3. Slide the cover toward the front of the printer to install it.

Figure 1-1303 Install the right cover



4. Engage three tabs (callout 2) on the top of the cover.

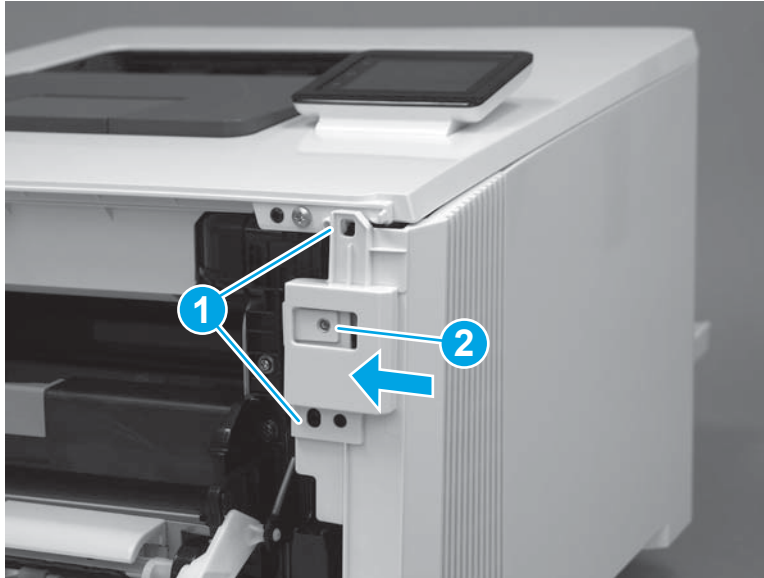
Figure 1-1304 Install upper tabs



5. At the front of the printer, position the front of the cover over two tabs (callout 1).

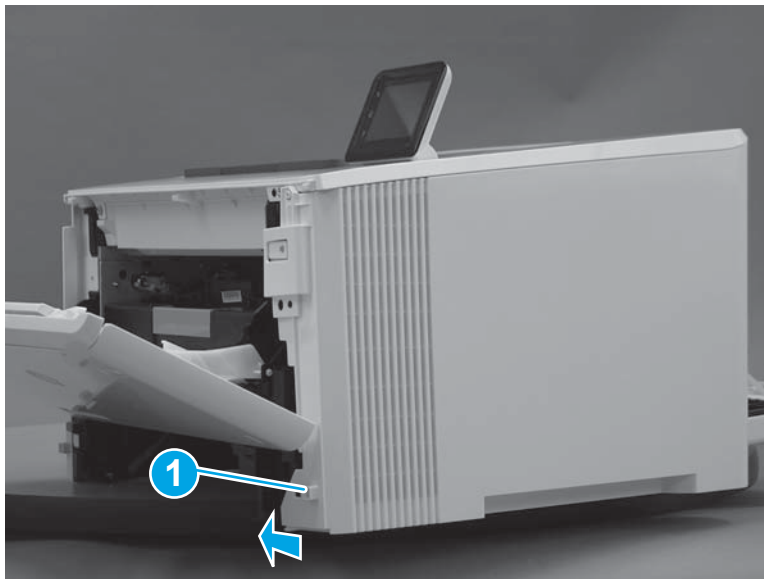
CAUTION: Be careful not to dislodge the power switch (callout 2).

Figure 1-1305 Install the front tabs



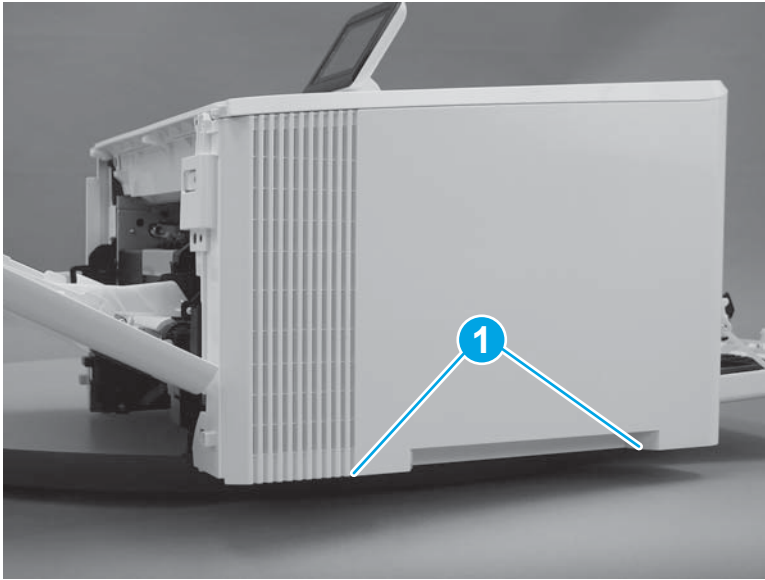
6. Press the right cover toward the printer to engage one tab (callout 1) on the front of the cover.

Figure 1-1306 Install the front lower tab



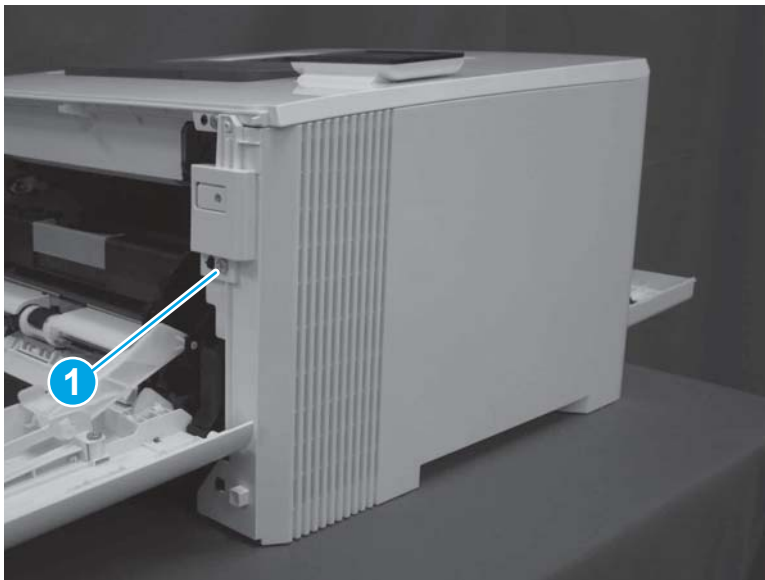
7. Install two tabs on the bottom of the cover (callout 1).

Figure 1-1307 Install two tabs



8. At the front of the printer, install one screw (callout 1).

Figure 1-1308 Install one screw



9. At the back of the printer, install one screw (callout 1).

Figure 1-1309 Install one screw

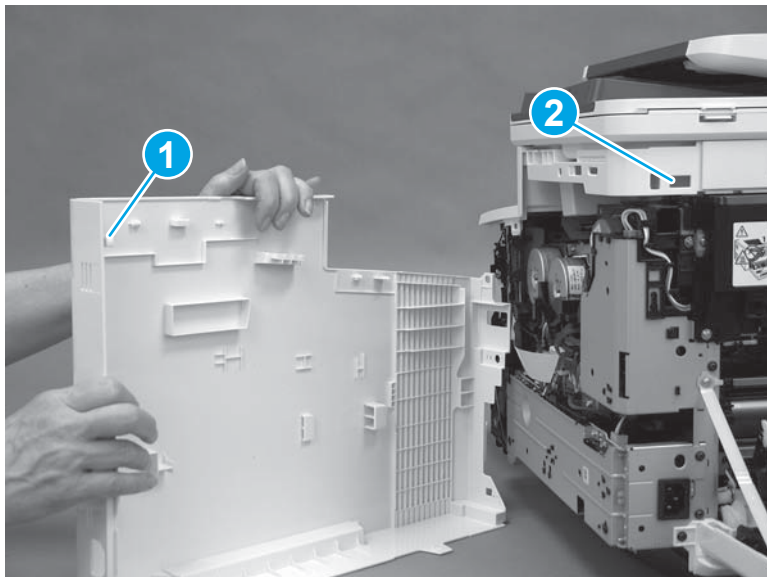


Step 9: Install the right cover (M377, M477 models)

 **NOTE:** This step is for the M377, M477 models. For the M452 models, skip this step and go to [Step 10: Close the front door and rear door or duplexer door on page 716.](#)

1. At the back of the printer, install the tab (callout 1) on the cover into the slot (callout 2) on the printer.

Figure 1-1310 Install rear tab



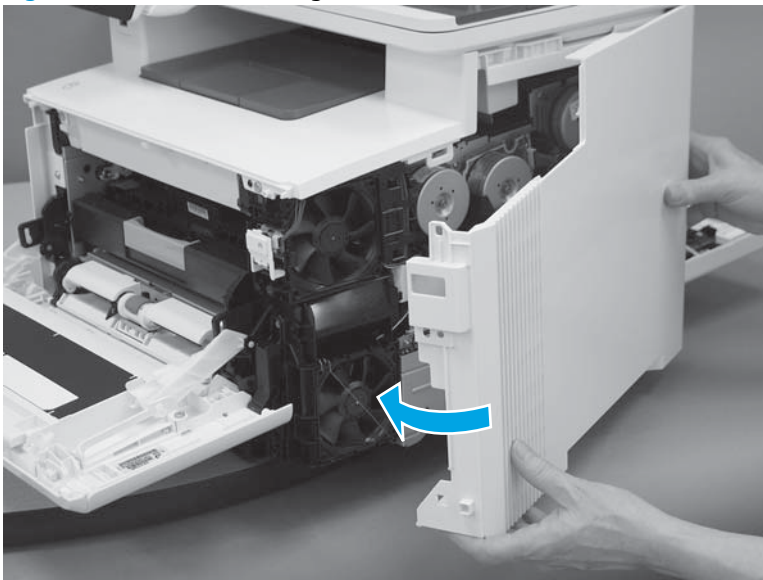
2. Raise the scanner.

Figure 1-1311 Raise the scanner



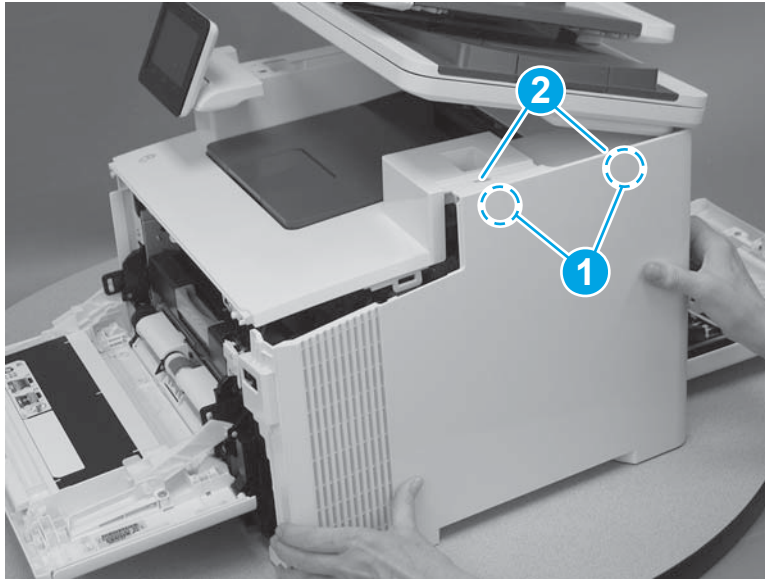
3. Rotate the right cover toward the printer.

Figure 1-1312 Rotate the right cover



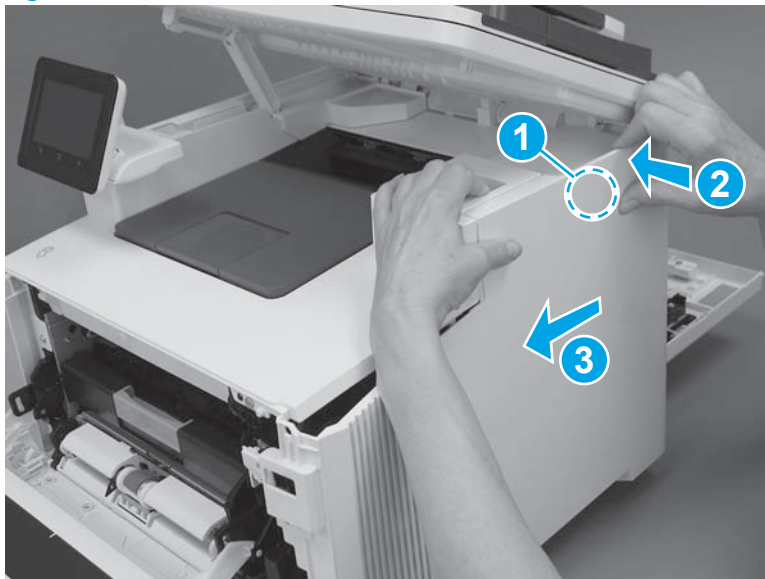
4. Position the hooks (callout 1) on the inside of the cover into the slots (callout 2) in the printer.

Figure 1-1313 Position the hooks in the slots



5. Engage one hook (callout 1) on the inside of the cover. Hold the top of the cover closed (callout 2) while sliding the cover toward the front of the printer (callout 3).

Figure 1-1314 Slide the cover



6. Rotate the front of the cover toward the printer (callout 1).

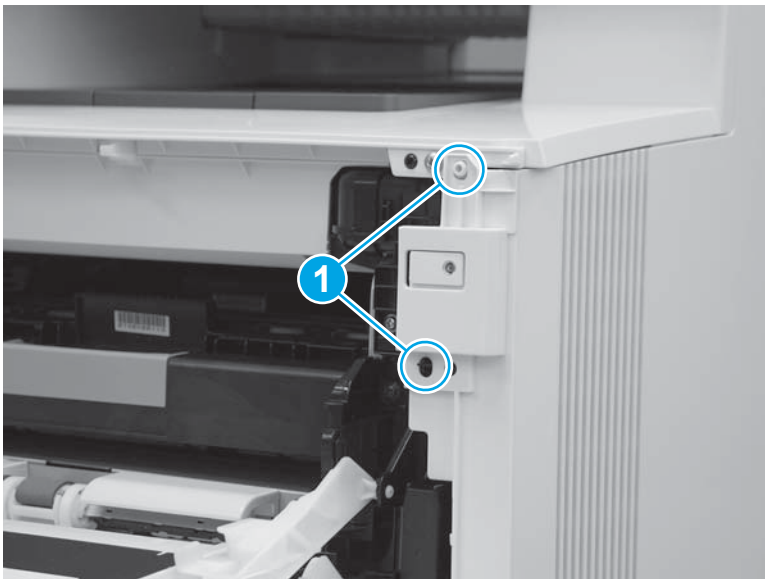
⚠ CAUTION: Be careful not to dislodge the power switch (callout 2).

Figure 1-1315 Rotate the front of the cover



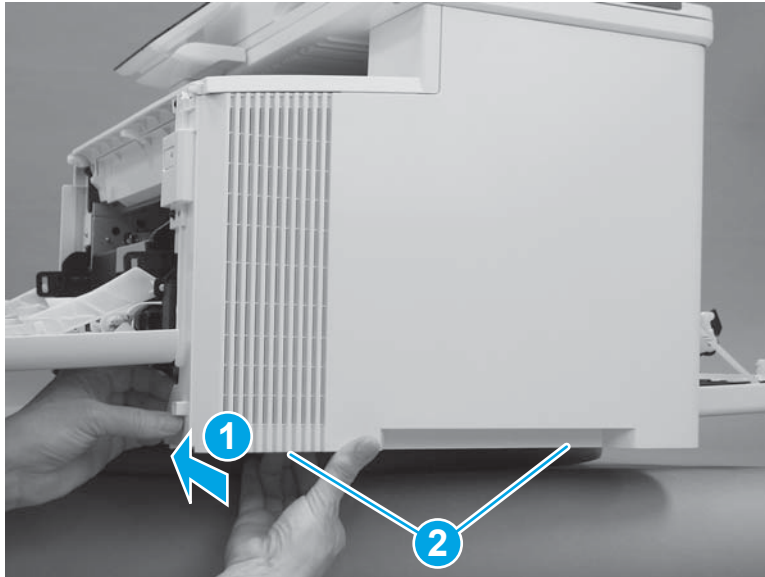
7. Install two tabs at the front of the printer (callout 1).

Figure 1-1316 Install two tabs



8. Press the right cover toward the printer (callout 1) to engage one tab on the front of the cover, and two tabs (callout 2) on the lower edge of the cover.

Figure 1-1317 Install the front and lower tabs



9. At the front of the printer, install one screw (callout 1).

Figure 1-1318 Install one screw



10. At the back of the printer, install one screw (callout 1).

Figure 1-1319 Install one screw



11. Lower the scanner.

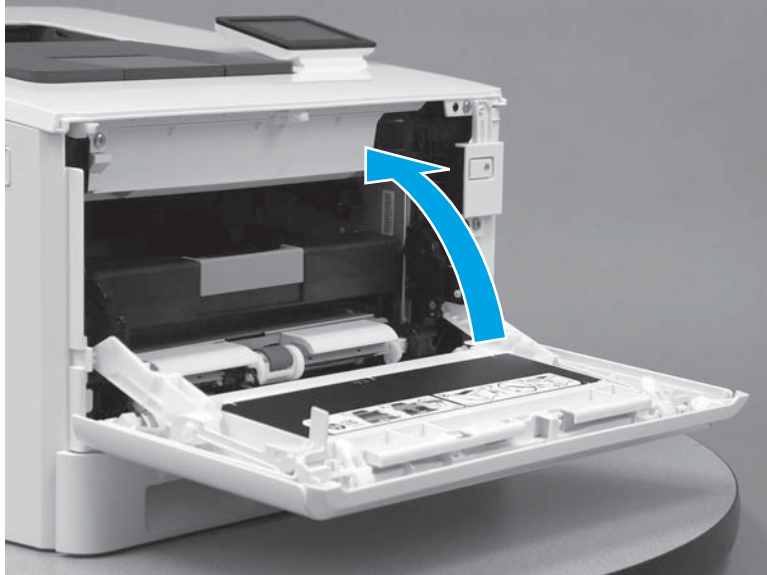
Figure 1-1320 Lower the scanner



Step 10: Close the front door and rear door or duplexer door

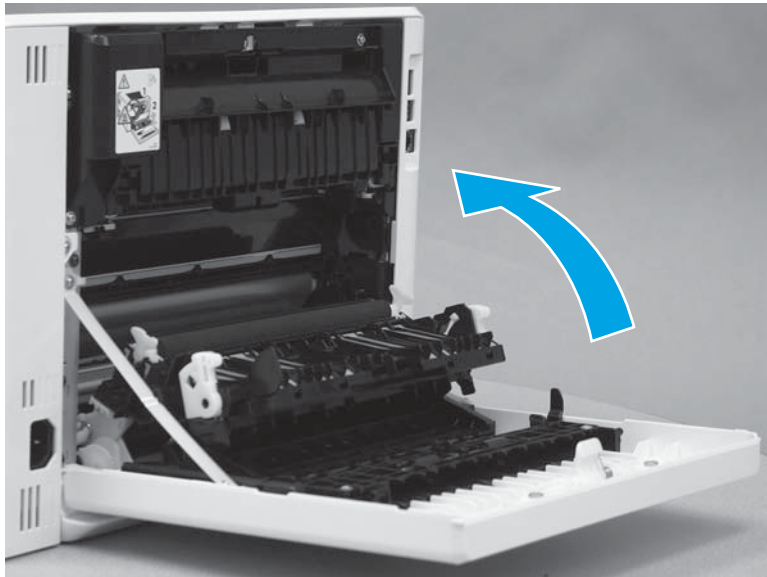
1. Close the front door.

Figure 1-1321 Close the front door



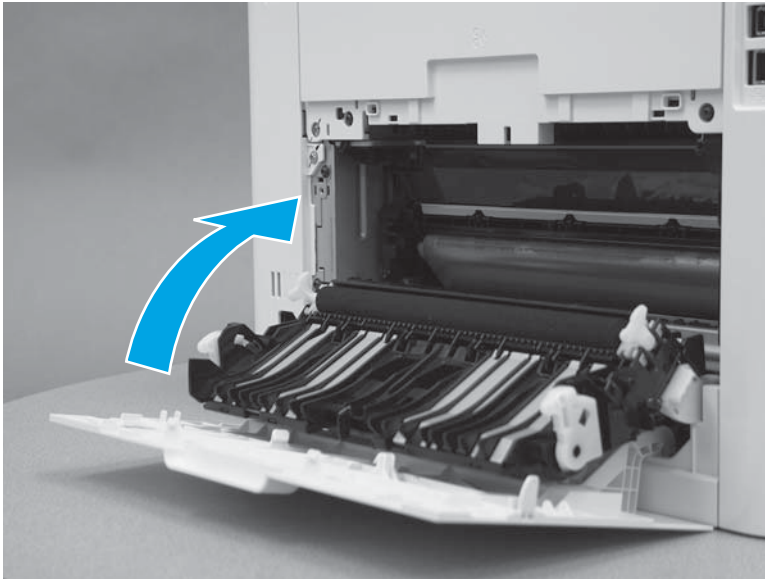
- 2. Duplex models:** Close the duplexer door.

Figure 1-1322 Close the duplexer door



3. **Simplex models:** Close the rear door.

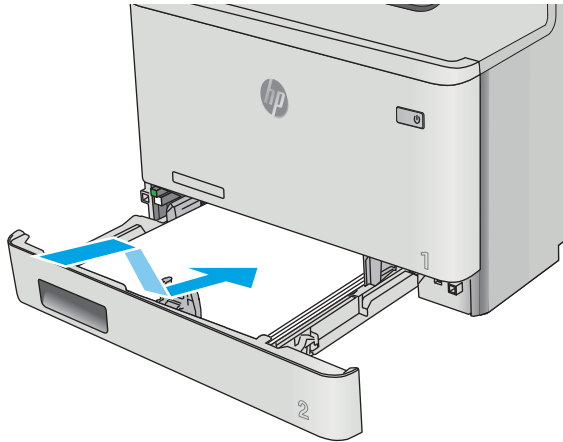
Figure 1-1323 Close the rear door



Step 11: Install Tray 2

- ▲ With the front of the tray slightly lifted, align the sides of the tray with the rails in the printer, and then carefully slide the tray into the printer. As the tray slides into the printer, lower the front of the tray, and then close it.

Figure 1-1324 Install the tray



Removal and replacement: Low-voltage power supply (LVPS)


- [Introduction](#)
- [Step 1: Remove Tray 2](#)
- [Step 2: Open the front door and rear door or duplexer door](#)
- [Step 3: Remove the right cover \(M452 models\)](#)
- [Step 4: Remove the right cover \(M377, M477 models\)](#)
- [Step 5: Remove the left cover \(M452 models\)](#)
- [Step 6: Remove the left cover \(M377, M477 models\)](#)
- [Step 7: Remove the duplexer door assembly \(duplex models\)](#)
- [Step 8: Remove the rear door \(simplex models\)](#)
- [Step 9: Remove the LVPS](#)
- [Step 10: Unpack the replacement part](#)
- [Step 11: Install the LVPS](#)
- [Step 12: Install the rear door \(simplex models\)](#)
- [Step 13: Install the duplexer door assembly \(duplex models\)](#)
- [Step 14: Install the left cover \(M452 models\)](#)
- [Step 15: Install the left cover \(M377, M477 models\)](#)
- [Step 16: Install the right cover \(M452 models\)](#)
- [Step 17: Install the right cover \(M377, M477 models\)](#)
- [Step 18: Close the front door and rear door or duplexer door](#)
- [Step 19: Install Tray 2](#)

Introduction

This document provides the procedures to remove and replace the low-voltage power supply.

Before you begin

- Turn off the printer.
- Disconnect the power cable.

 **WARNING!** To avoid damage to the printer, turn the printer off, wait 30 seconds, and then remove the power cord before attempting to service the printer.

- Use the table below to identify the correct part number for your printer. To order the part, go to www.hp.com/buy/parts.

| Low-voltage power supply part number | |
|--------------------------------------|---------------------------------|
| RM2-7913-000CN | Low-voltage power supply (110V) |
| RM2-7914-000CN | Low-voltage power supply (220V) |

Required tools

- #2 Phillips screwdriver with a magnetic tip
- Small flat-blade screwdriver

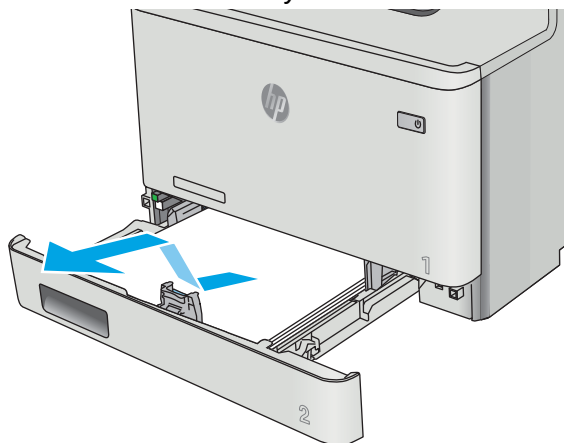
After performing service

- Connect the power cable.
- Use the power switch to turn the power on.

Step 1: Remove Tray 2

- ▲ Pull the tray out until it stops. Lift the front of the tray, and then pull it out of the printer to remove it.

Figure 1-1325 Remove the tray



Step 2: Open the front door and rear door or duplexer door

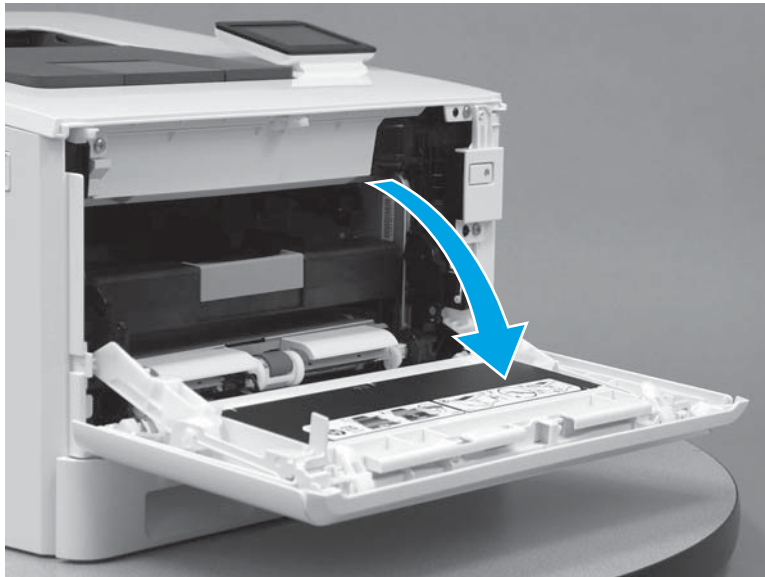
1. Press the button (callout 1) on the left side of the printer to release the front door.

Figure 1-1326 Release the front door



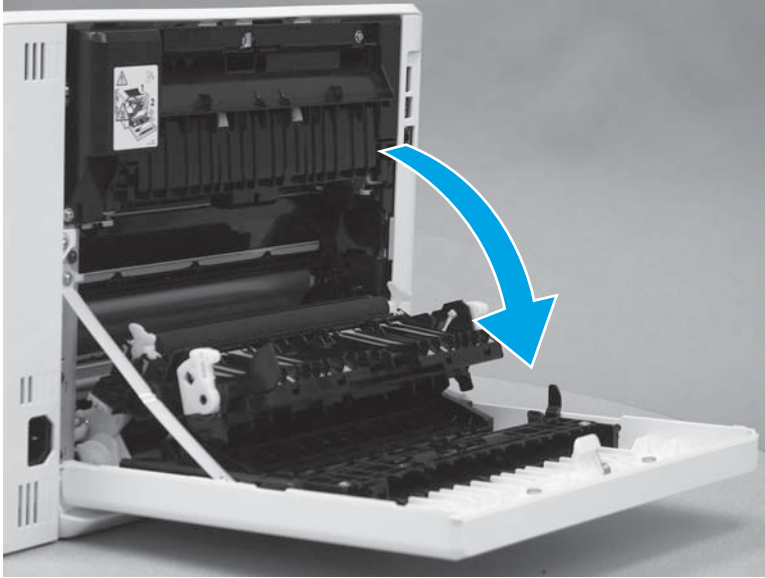
2. Open the front door.

Figure 1-1327 Open the front door



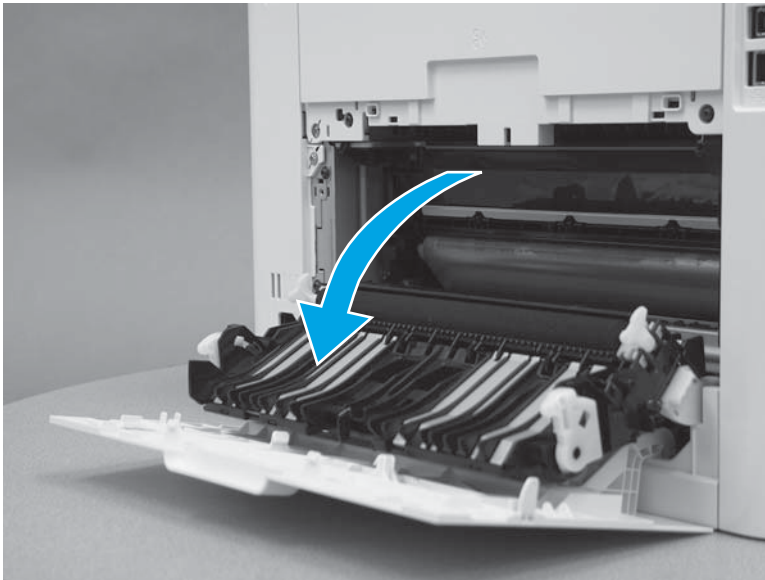
3. **Duplex models:** Open the duplexer door.

Figure 1-1328 Open the duplexer door



4. **Simplex models:** Open the rear door.

Figure 1-1329 Open the rear door



Step 3: Remove the right cover (M452 models)



NOTE: This step is for the M452 models. For the M377, M477 models, skip this step and go to [Step 4: Remove the right cover \(M377, M477 models\) on page 726.](#)

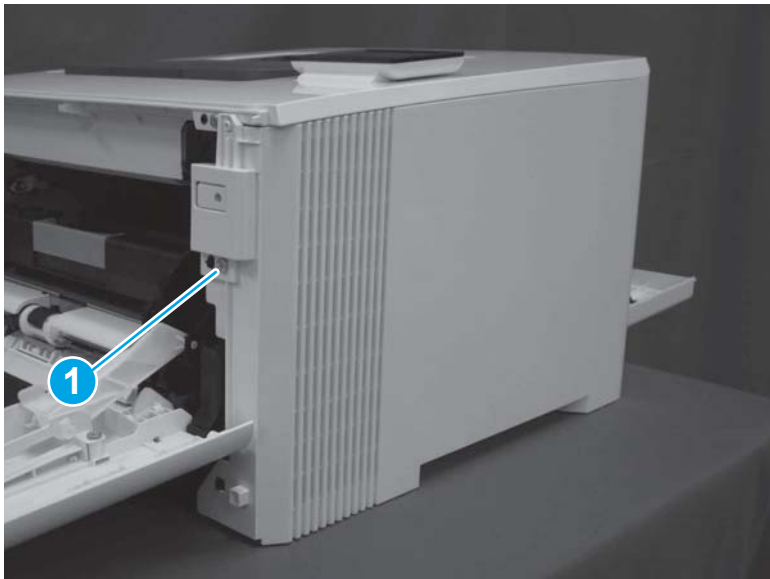
1. At the back of the printer, remove one screw (callout 1).

Figure 1-1330 Remove one screw



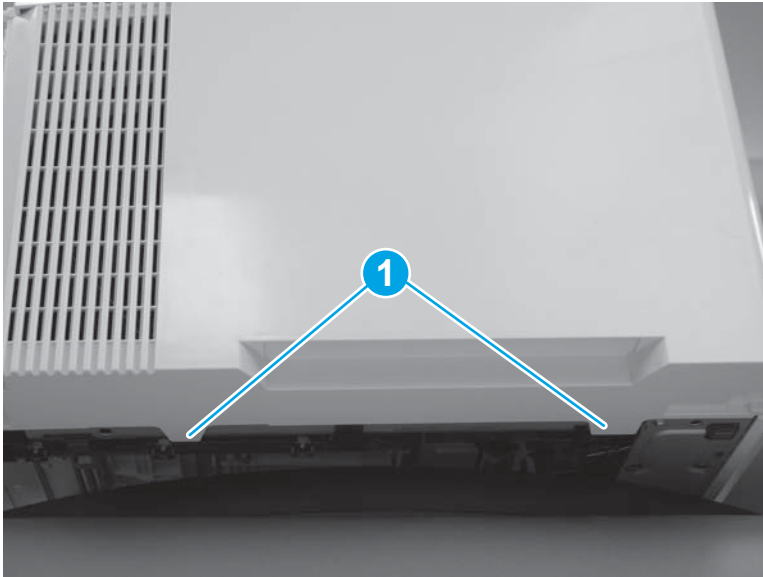
2. At the front of the printer, remove one screw (callout 1).

Figure 1-1331 Remove one screw



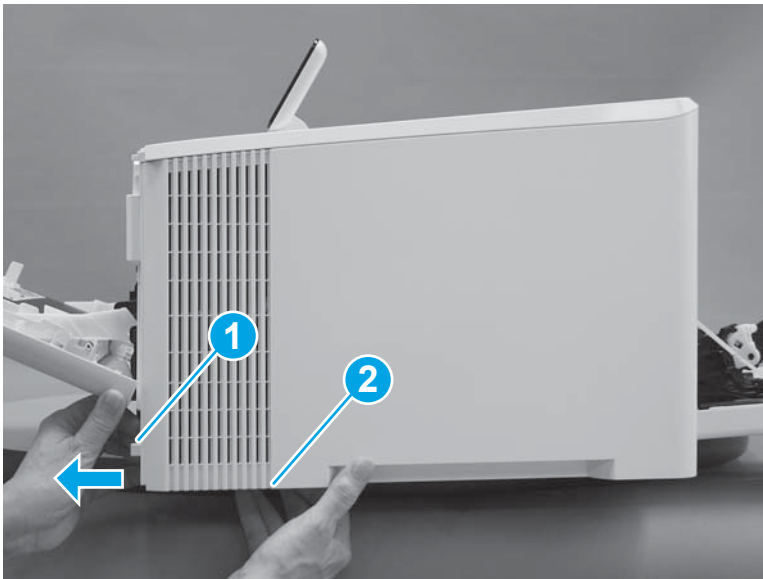
3. Slide the printer to the edge of a work surface. Note the location of the tabs on the lower edge of the cover (callout 1).

Figure 1-1332 Locate the tabs



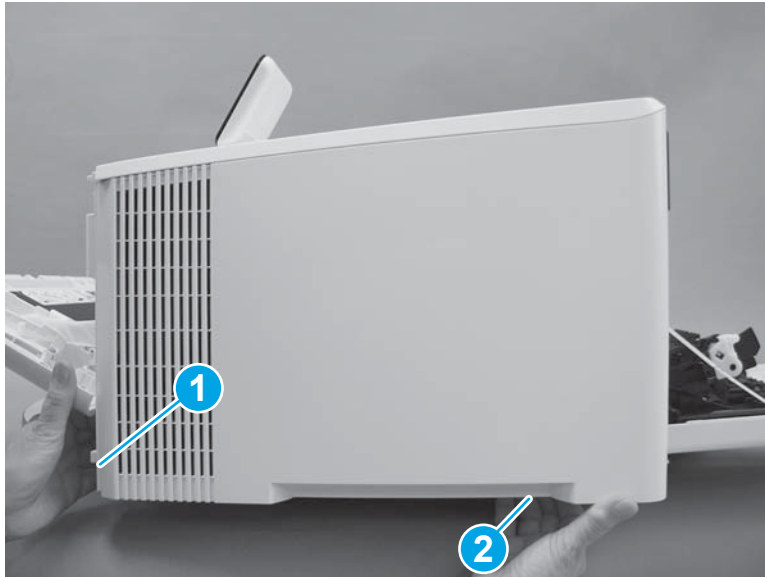
4. Release one tab (callout 1) on the front of the cover by slightly pulling the cover away from the printer. While holding the cover in the released position, release one tab (callout 2) on the bottom of the cover.

Figure 1-1333 Release front lower tabs



5. Hold the front tabs in the released position (callout 1), and then release one tab (callout 2) on the bottom of the cover, toward the back of the printer.

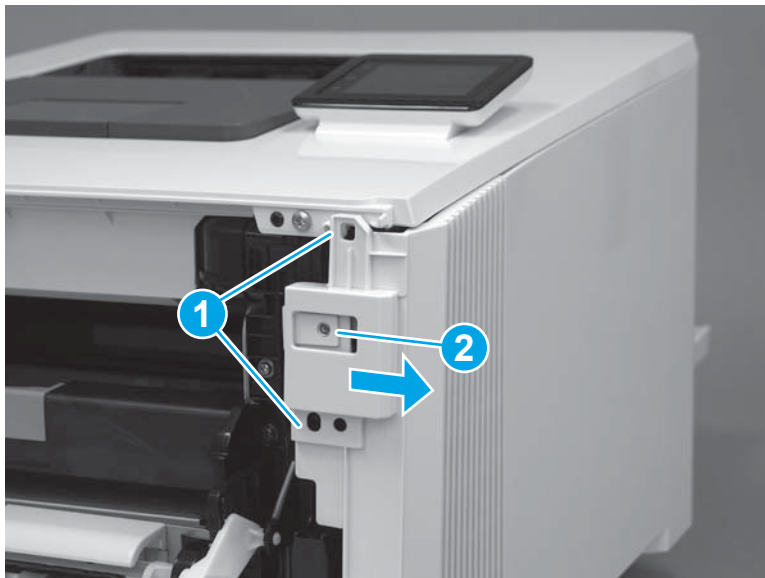
Figure 1-1334 Release lower rear tab



6. Release two tabs at the front of the printer (callout 1) by slightly pulling the cover away from the printer.

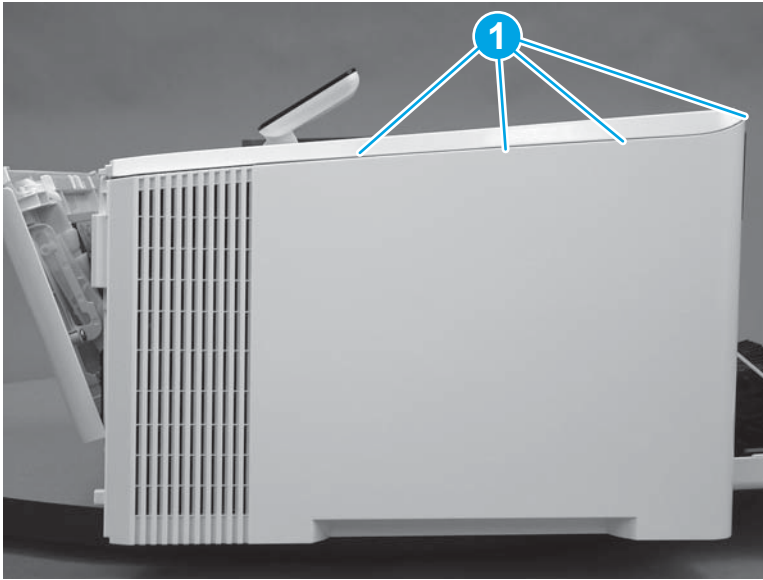
⚠ CAUTION: Be careful not to dislodge the power switch (callout 2).

Figure 1-1335 Release two front tabs



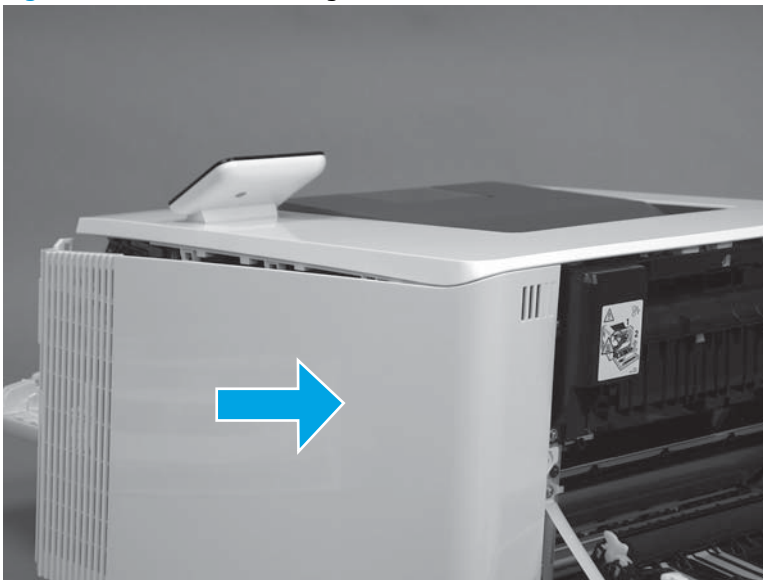
7. Release four tabs on the top of the printer (callout 1).

Figure 1-1336 Release upper tabs



8. Slide the cover toward the back of the printer to remove it.

Figure 1-1337 Remove the right cover



Step 4: Remove the right cover (M377, M477 models)

 **NOTE:** This step is for the M377, M477 models. For the M452 models, skip this step and go to [Step 5: Remove the left cover \(M452 models\) on page 732.](#)

1. Raise the scanner.

Figure 1-1338 Raise the scanner



2. At the back of the printer, remove one screw (callout 1).

Figure 1-1339 Remove one screw



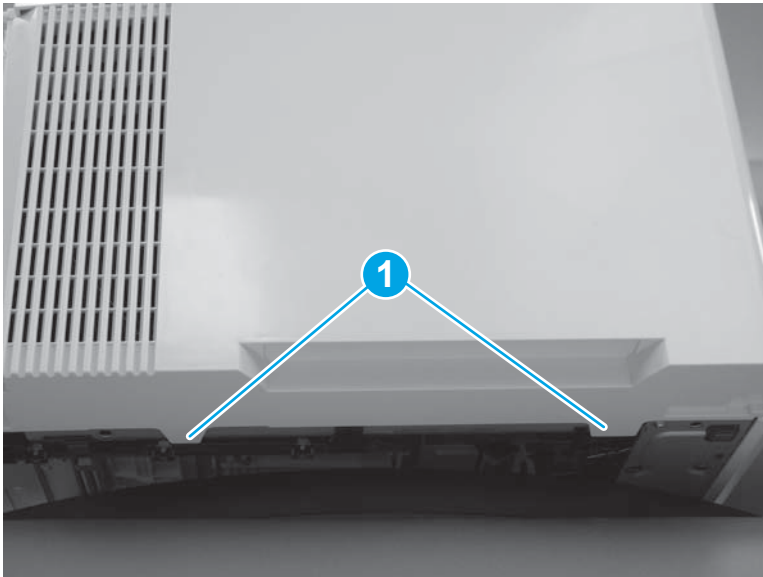
3. At the front of the printer, remove one screw (callout 1).

Figure 1-1340 Remove one screw



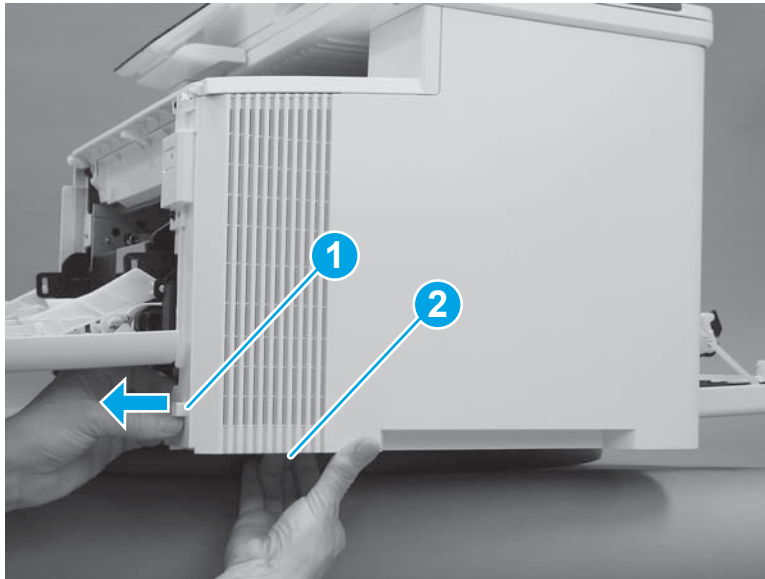
4. Slide the printer to the edge of a work surface. Note the location of the tabs on the lower edge of the cover (callout 1).

Figure 1-1341 Locate the tabs



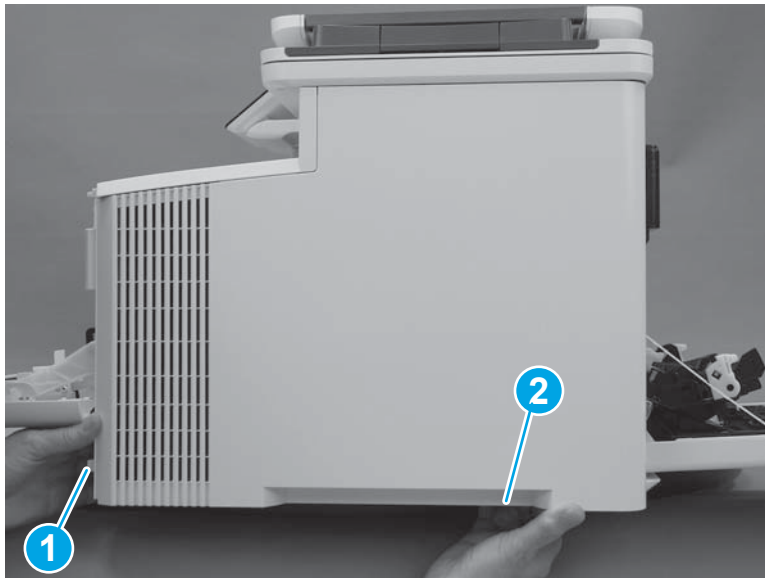
5. Release one tab (callout 1) on the front of the cover by slightly pulling the cover away from the printer. While holding the cover in the released position, release one tab (callout 2) on the lower edge of the cover.

Figure 1-1342 Release front lower tabs



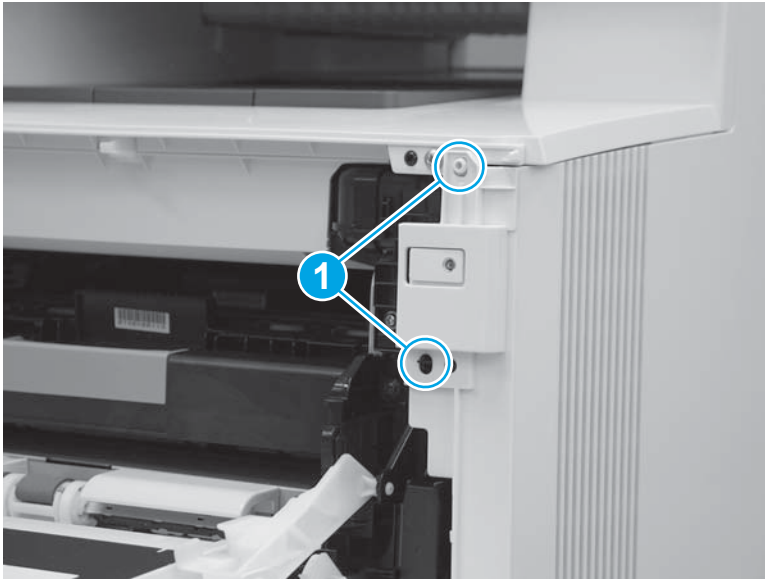
6. Hold the front tabs in the released position (callout 1), and then release one tab (callout 2) on the lower edge of the cover, toward the back of the printer.

Figure 1-1343 Release lower rear tab



7. Release two tabs at the front of the printer (callout 1) by slightly pulling the cover away from the printer.

Figure 1-1344 Release front upper tabs



8. Rotate the front of the cover away from the printer (callout 1).

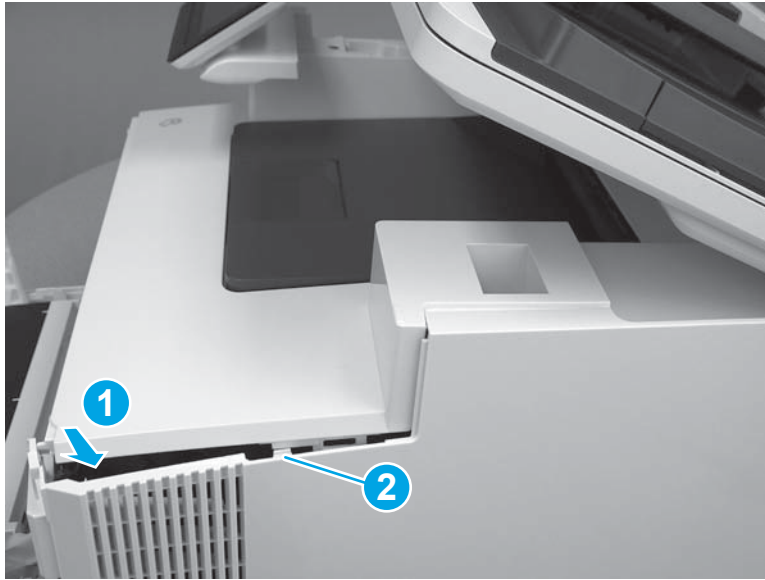
CAUTION: Be careful not to dislodge the power switch (callout 2).

Figure 1-1345 Rotate the front of the cover



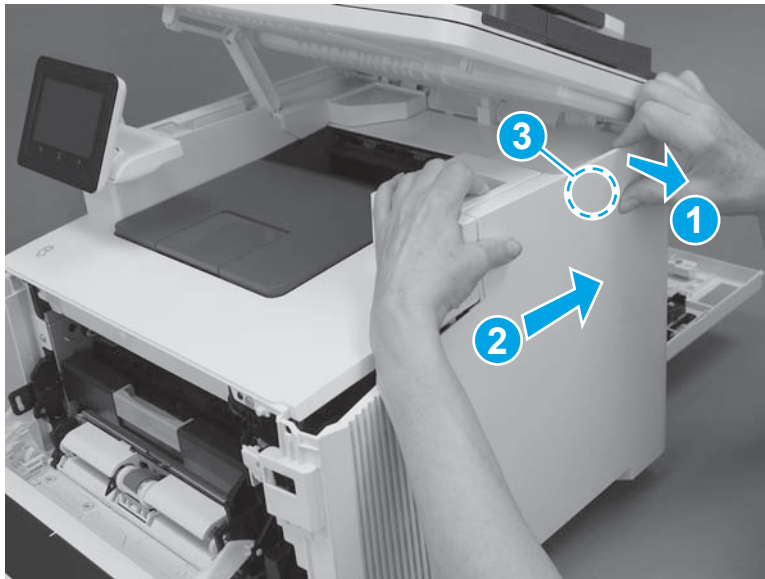
9. Slightly pull the front of the cover away from the printer (callout 1) to release one tab (callout 2).

Figure 1-1346 Release top tabs



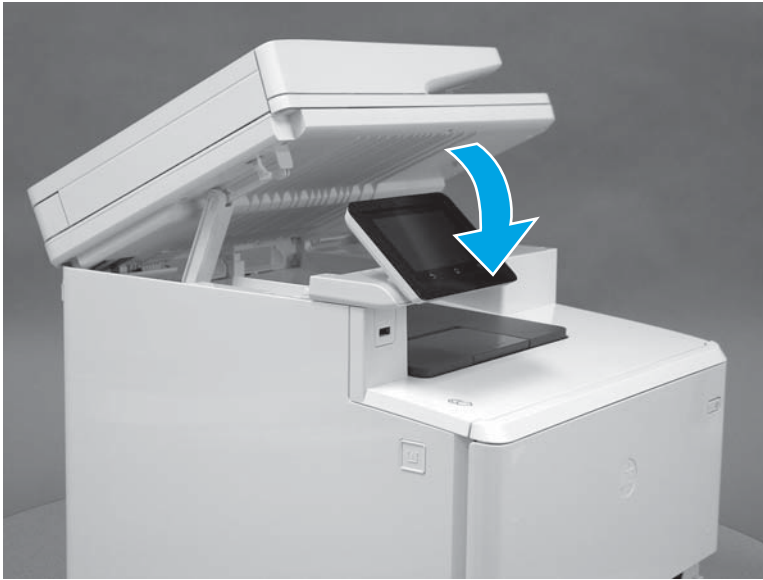
10. At the top of the printer, slightly pull the top of the cover away from the printer to release one retention tab (callout 1) on the inside of the cover. While holding the cover away, slide the cover toward the back of the printer (callout 2) to release one hook (callout 3) on the inside of the cover.

Figure 1-1347 Release one tab and one hook



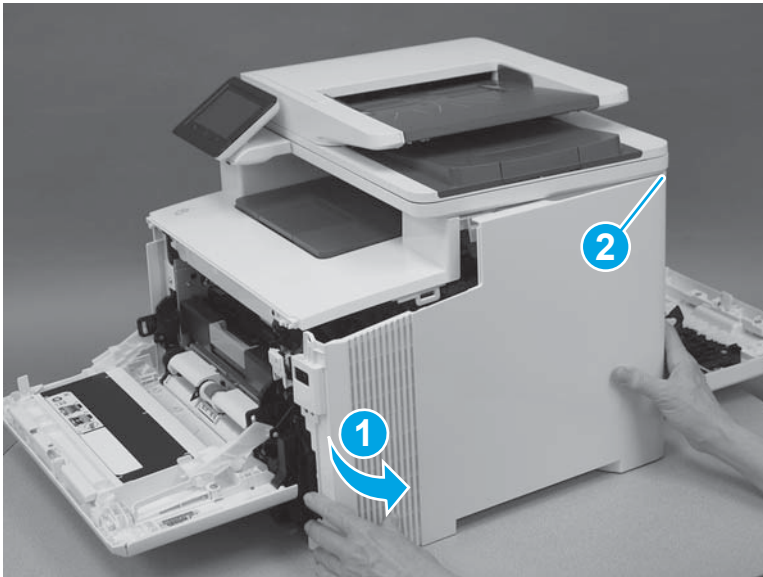
11. Lower the scanner.

Figure 1-1348 Lower the scanner




12. Rotate the cover away from the printer (callout 1) to release one tab (callout 2) at the back of the printer, and then remove the cover.

Figure 1-1349 Remove the right cover

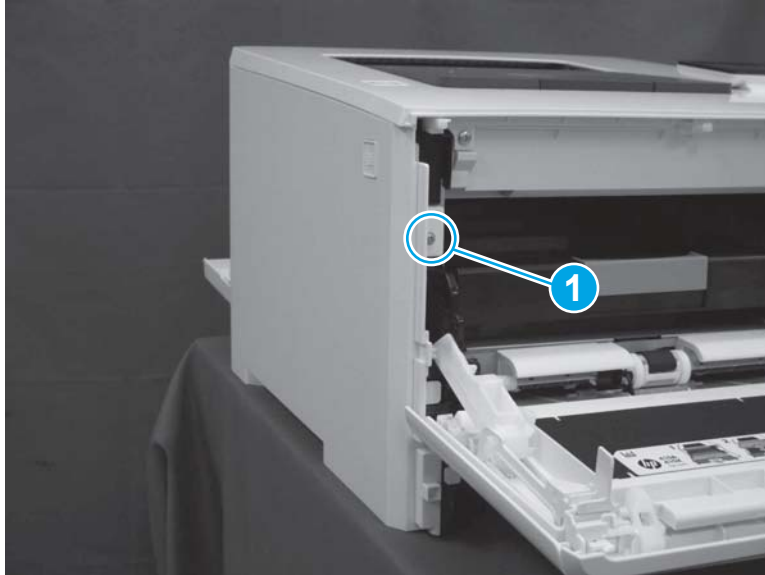


Step 5: Remove the left cover (M452 models)

 **NOTE:** This step is for the M452 models. For the M377, M477 models, skip this step and go to [Step 6: Remove the left cover \(M377, M477 models\) on page 735.](#)

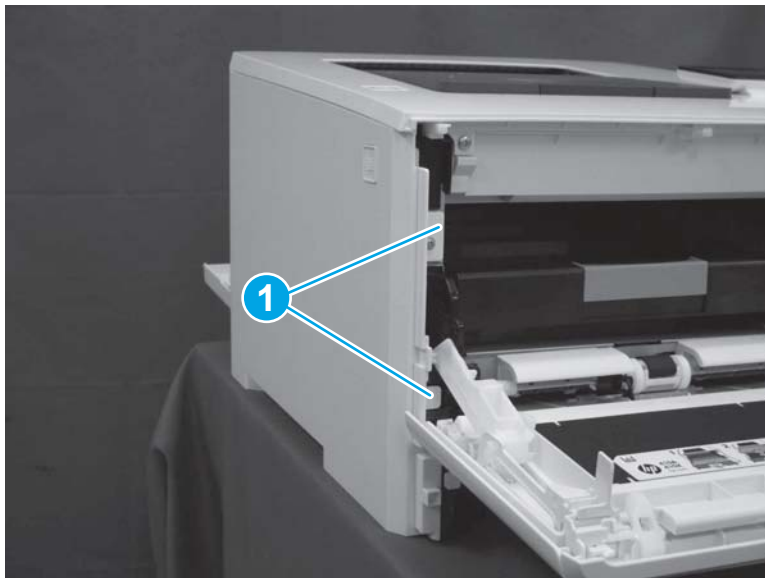
1. At the front of the printer, remove one screw (callout 1).

Figure 1-1350 Remove one screw



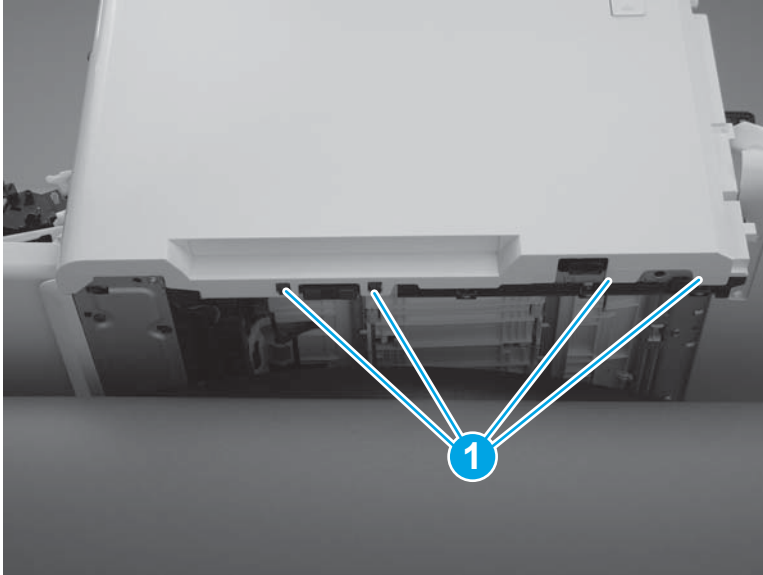
2. Release two tabs (callout 1) at the front of the cover. Hold the cover open to prevent the tabs from reengaging.

Figure 1-1351 Release two tabs



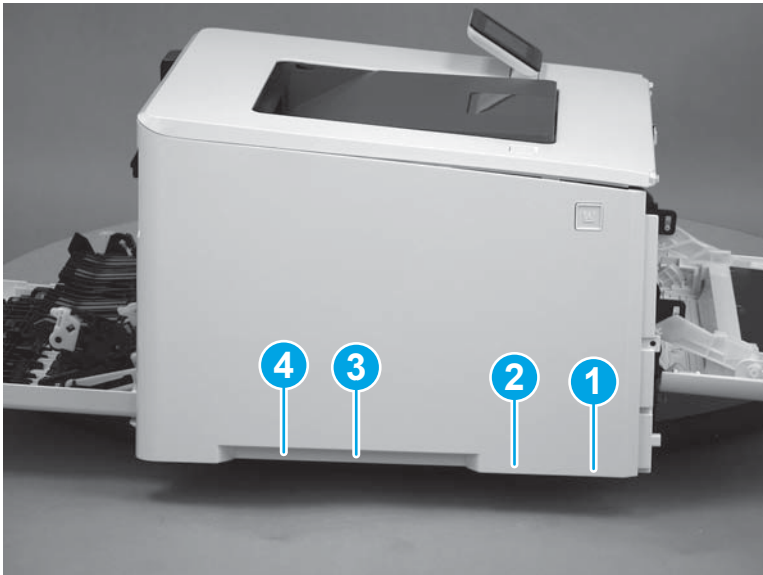
3. Slide the printer to the edge of a work surface. Note the location of the tabs on the lower edge of the cover (callout 1).

Figure 1-1352 Locate the tabs



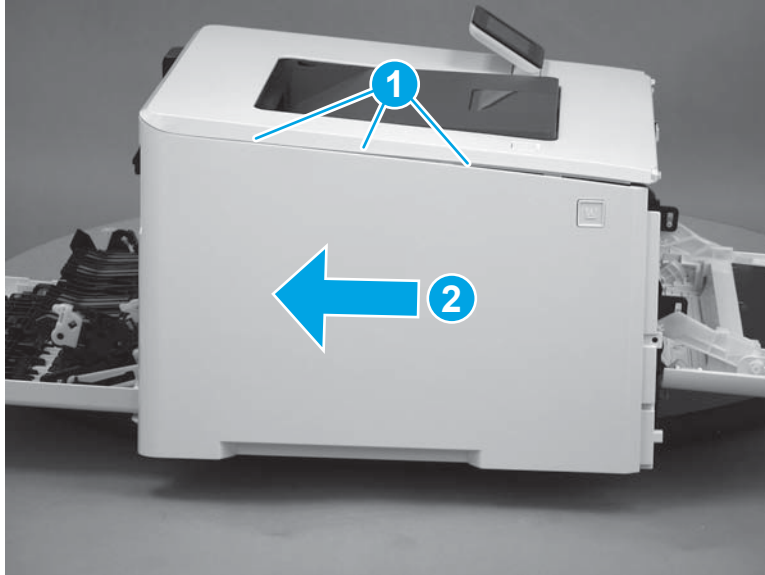
4. Beginning from the front of the cover, release four tabs (callouts 1-4) on the lower edge of the cover.

Figure 1-1353 Release bottom tabs



5. Release three tabs at the top of the cover (callout 1), and then slide the cover toward the rear of the printer to remove it.

Figure 1-1354 Release three tabs



Step 6: Remove the left cover (M377, M477 models)

 **NOTE:** This step is for the M377, M477 models. For the M452 models, skip this step and go to [Step 7: Remove the duplexer door assembly \(duplex models\) on page 739.](#)

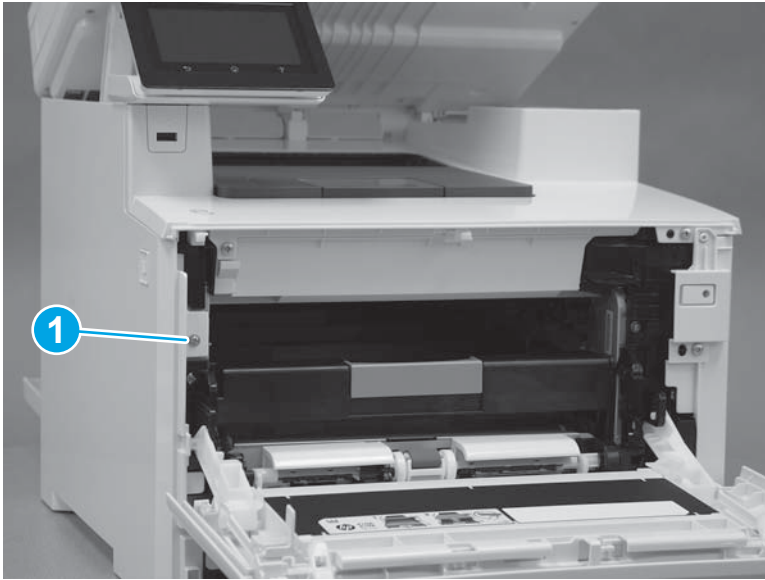
1. Raise the scanner.

Figure 1-1355 Raise the scanner



2. At the front of the printer, remove one screw (callout 1).

Figure 1-1356 Remove one screw



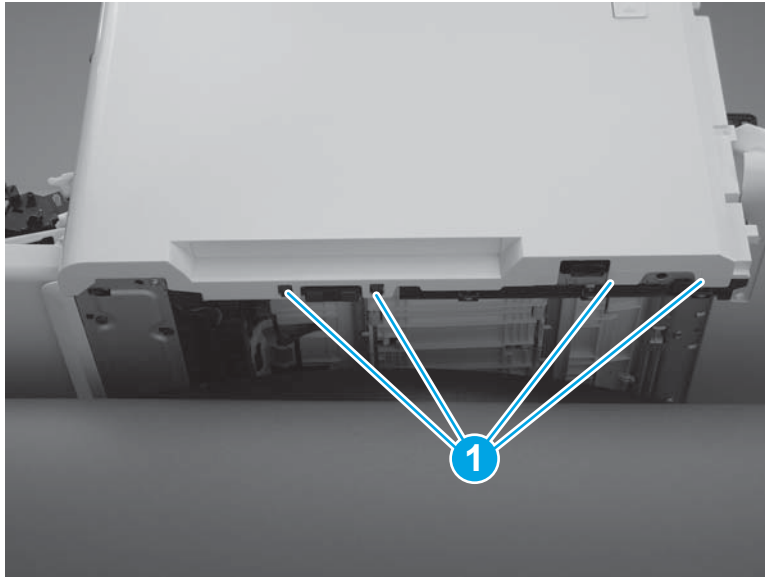
3. Release two tabs (callout 1) at the front of the cover. Hold the cover open to prevent the tabs from re-engaging.

Figure 1-1357 Release two tabs



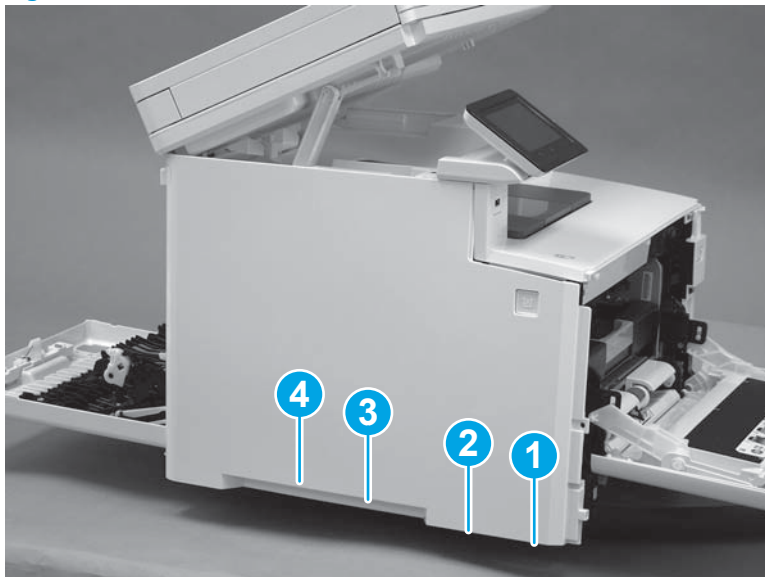
4. Slide the printer to the edge of a work surface. Note the location of the tabs on the lower edge of the cover (callout 1).

Figure 1-1358 Locate the tabs



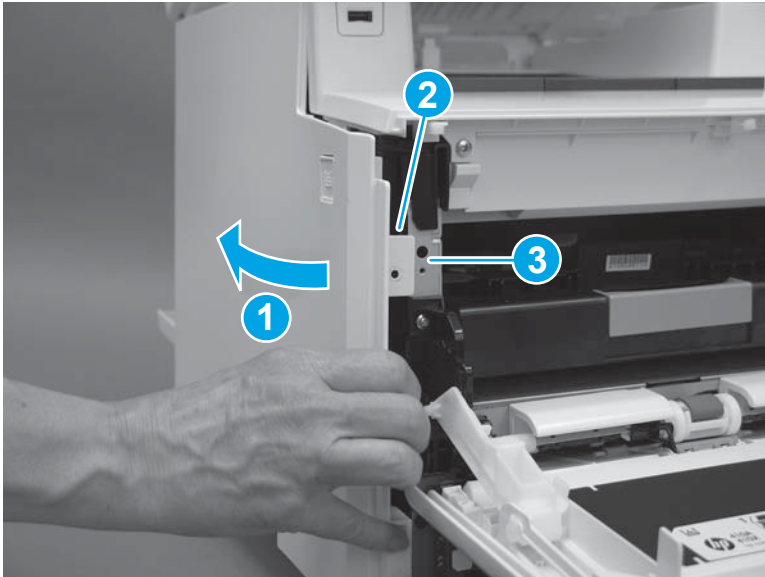
5. Beginning from the front of the cover, release the four tabs (callouts 1-4) on the lower edge of the cover.

Figure 1-1359 Release four tabs



6. Rotate the front of the cover away from the printer (callout 1). Make sure that the tab (callout 2) does not get caught on the printer frame (callout 3).

Figure 1-1360 Rotate the cover



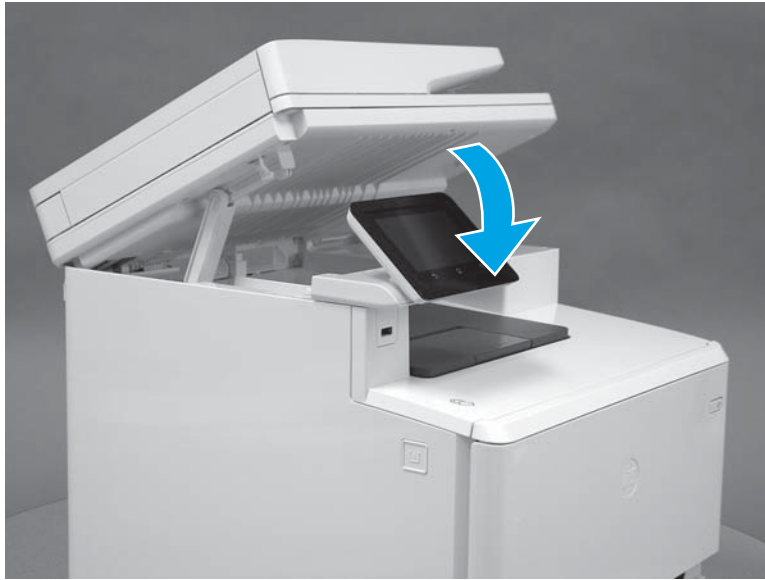
7. At the top of the printer, slightly pull the top of the cover away from the printer to release one retention tab (callout 1) on the inside of the cover. While holding the cover away, slide the cover toward the back of the printer (callout 2) to release two hooks (callout 3) inside the cover.

Figure 1-1361 Release one tab and two hooks



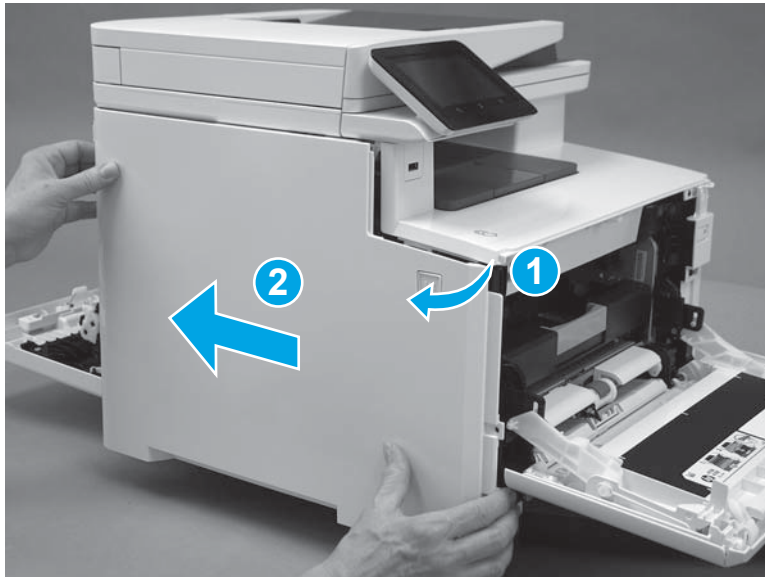
8. Lower the scanner.

Figure 1-1362 Lower the scanner




9. Rotate the cover away from the printer (callout 1), and then slide the cover (callout 2) toward the back of the printer to remove it.

Figure 1-1363 Remove the left cover

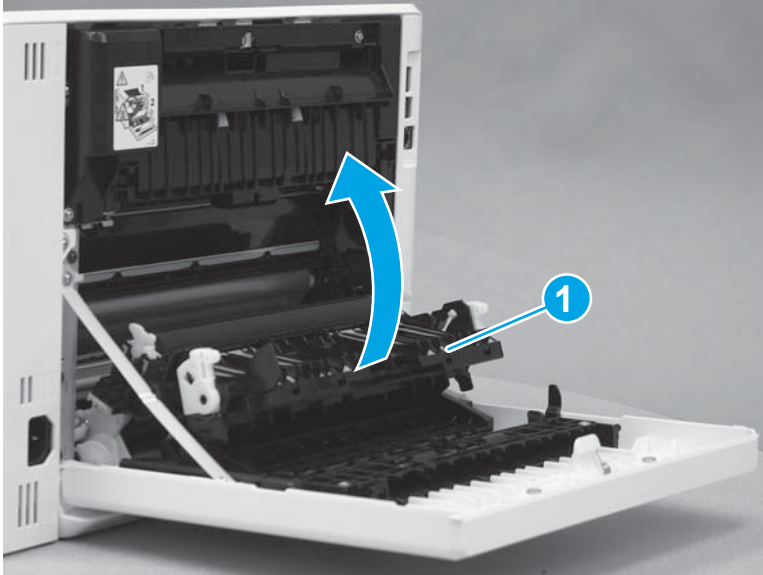


Step 7: Remove the duplexer door assembly (duplex models)

 **NOTE:** This step is for duplex models. For simplex models, skip this step and go to [Step 8: Remove the rear door \(simplex models\) on page 741](#).

1. Rotate the secondary transfer assembly (callout 1) toward the printer to close it.

Figure 1-1364 Close the secondary transfer assembly



2. At the back of the printer, remove two screws (callout 1), and then remove one screw (callout 2) that holds the retention arm.


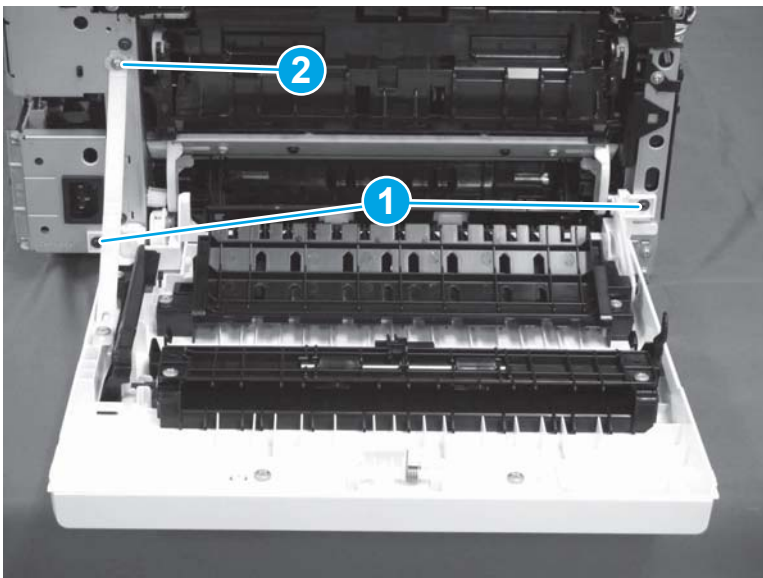
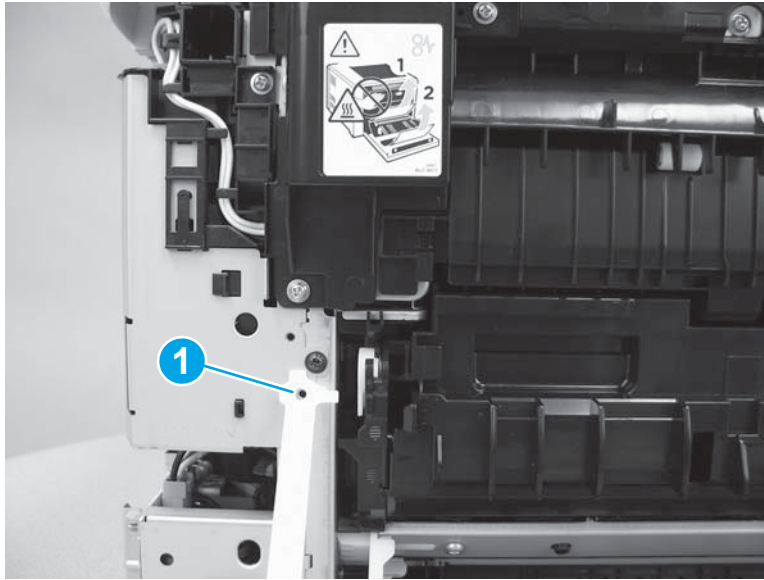
 **Reinstallation tip:** Note that the screw (callout 2) that holds the retention arm is longer than the other two. Make sure this screw is installed in the correct position.

Figure 1-1365 Remove three screws



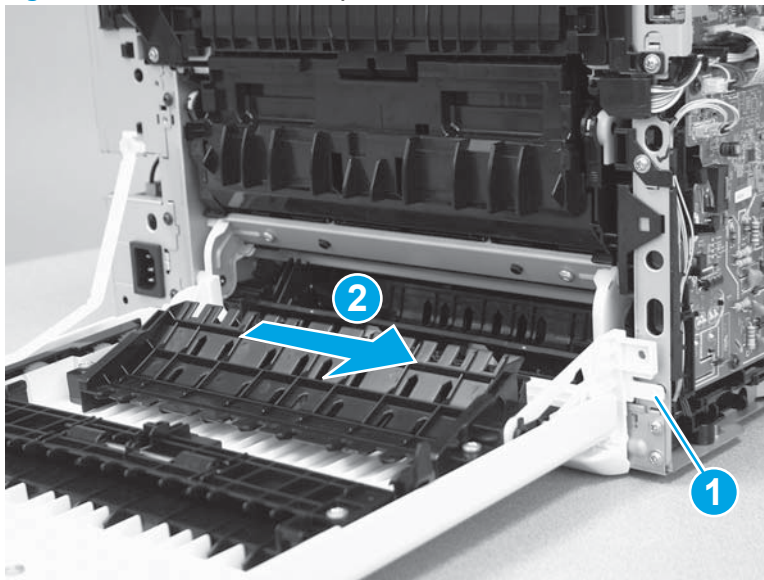
3. Release the retention arm (callout 1).

Figure 1-1366 Release the retention arm




4. Release one tab (callout 1), and then slide the duplexer door (callout 2) to the right to remove it.

Figure 1-1367 Remove the duplexer door

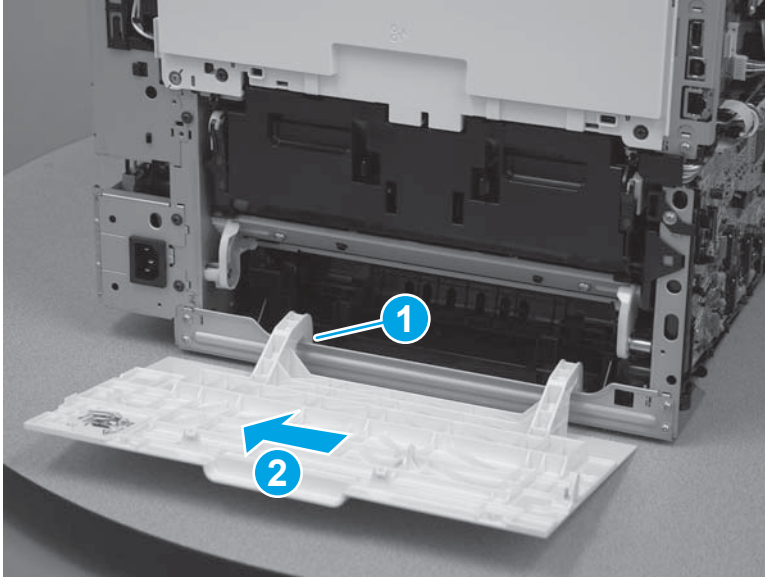


Step 8: Remove the rear door (simplex models)

 **NOTE:** This step is for simplex models. For duplex models, skip this step and go to [Step 9: Remove the LVPS on page 742](#).

- ▲ Slightly flex one hinge arm (callout 1) to release a hinge pin, and then slide the rear door to the left (callout 2) to remove it.

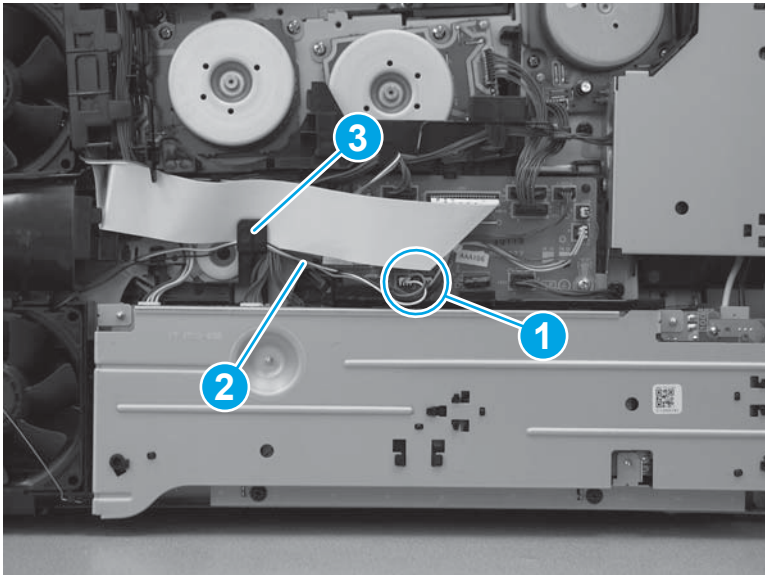
Figure 1-1368 Remove the rear door



Step 9: Remove the LVPS

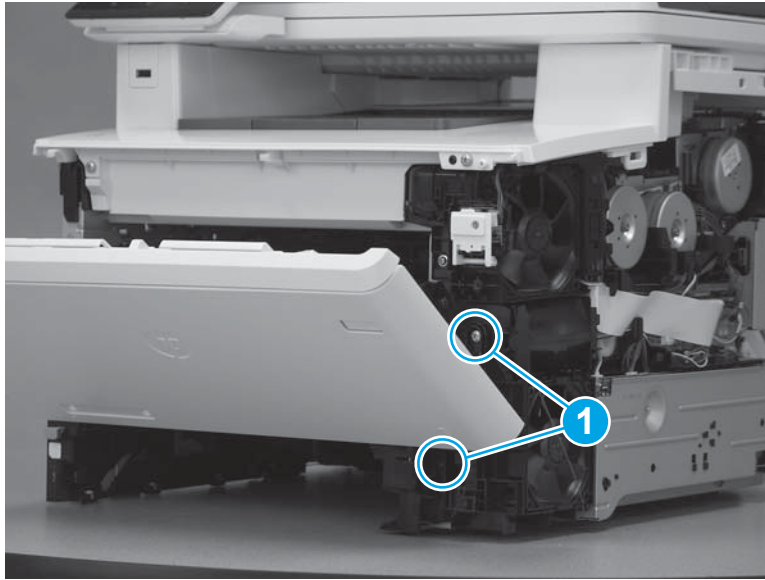
1. Disconnect one connector (callout 1), and then remove the cable (callout 2) from the wire guide (callout 3).

Figure 1-1369 Disconnect one connector and release cables from guides



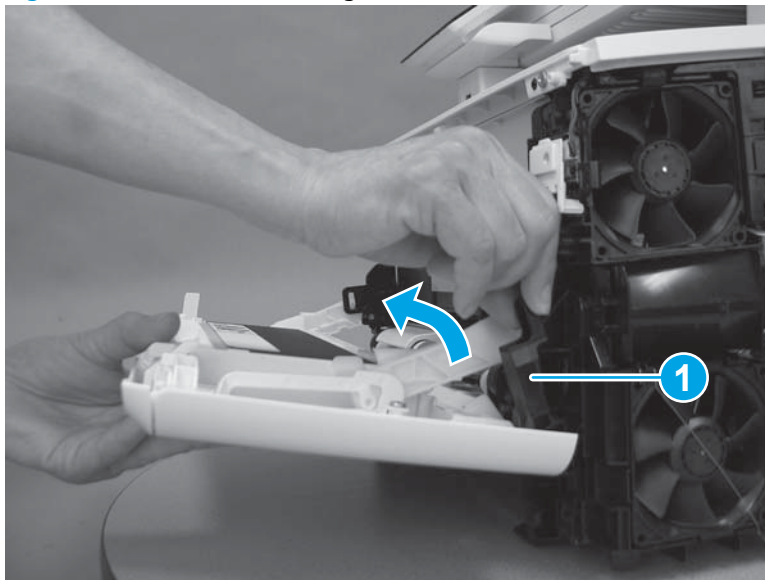
2. Remove two screws (callout 1).

Figure 1-1370 Remove two screws



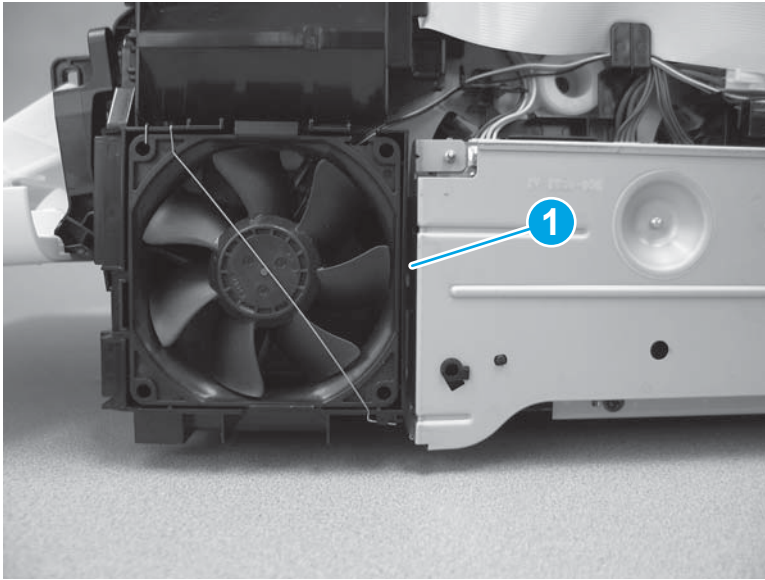
3. Release the hinge arm (callout 1).

Figure 1-1371 Release the hinge arm



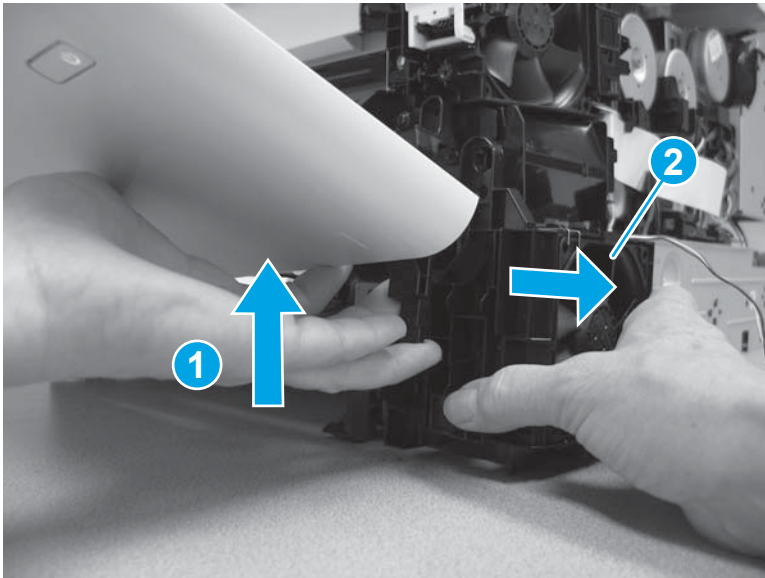
4. Release one tab (callout 1) on the right side of the power supply fan.

Figure 1-1372 Release one tab



5. Lift the front door up slightly (callout 1), and then remove the power supply fan and holder (callout 2).

Figure 1-1373 Remove the power supply fan and holder



6. Before disconnecting the cables in the next step, make note of the position of two cables (callout 1).


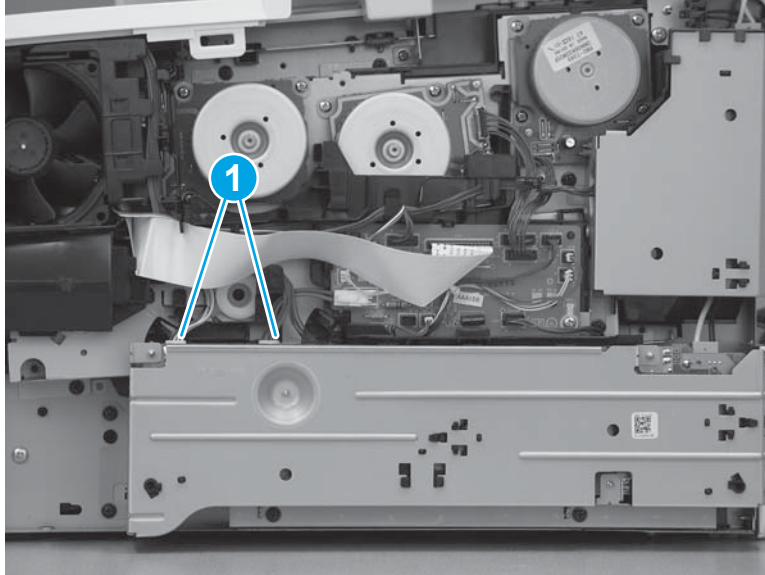
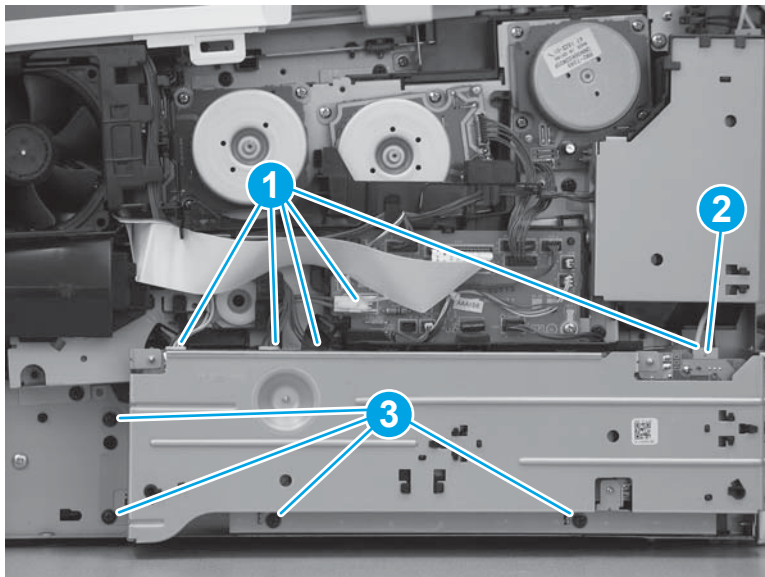
 **IMPORTANT:** These cables can be inadvertently switched when reinstalling. The connectors on the cables will fit in either connector on the LVPS. Make sure that these cables are installed in the correct connectors. If the cables are switched, the printer will not power on when reassembled.

Figure 1-1374 Check the connectors



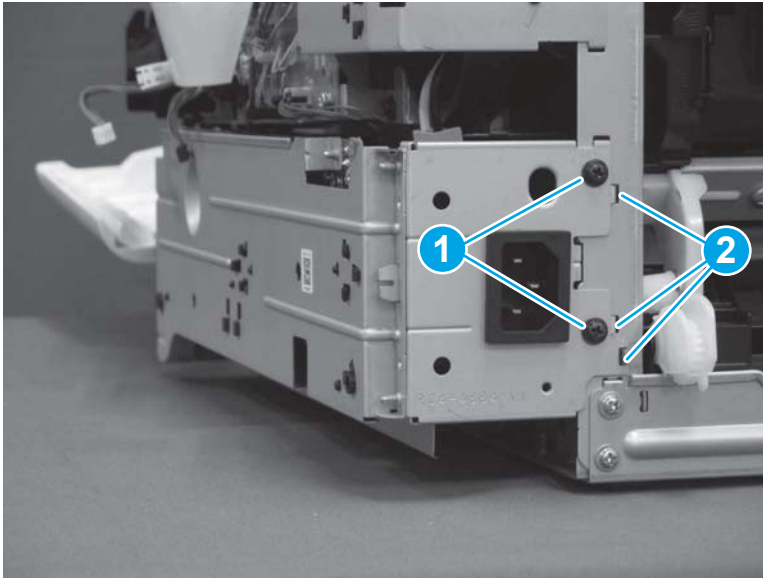
7. Disconnect five connectors (callout 1). Note that one connector (callout 2) has a latch that must be released before disconnecting it. Remove four screws (callout 3).

Figure 1-1375 Disconnect five connectors and remove four screws



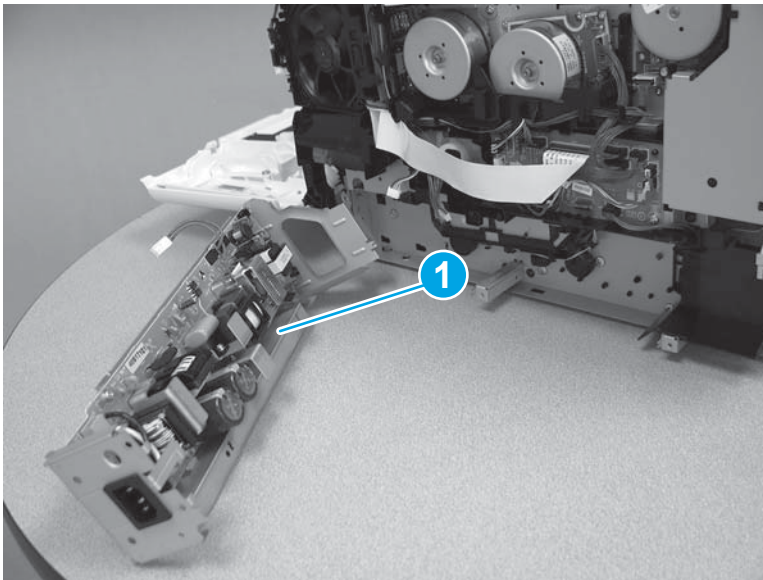
8. Remove two screws (callout 1), and then release three tabs (callout 2).

Figure 1-1376 Remove two screws and release three tabs



9. Remove the LVPS (callout 1).

Figure 1-1377 Remove the LVPS



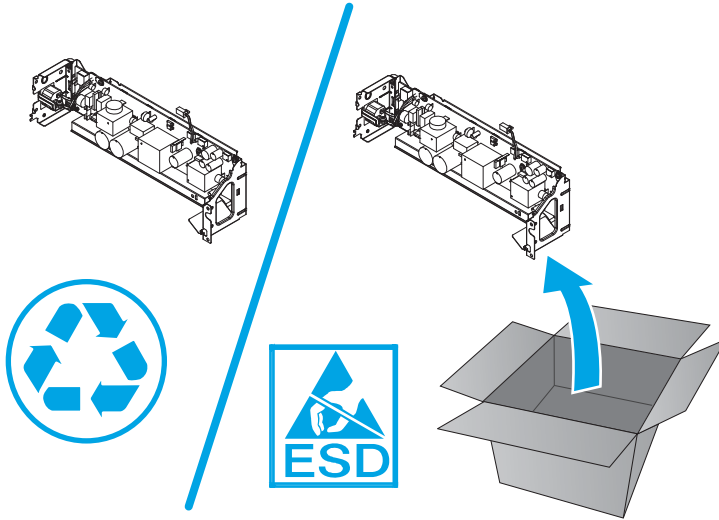
Step 10: Unpack the replacement part

Remove the new part from its package. Save all packaging for recycling the used part.

For complete information on HP's recycling programs, go to [Product return and recycling](#).

 **NOTE:** HP recommends responsible disposal of the defective part.

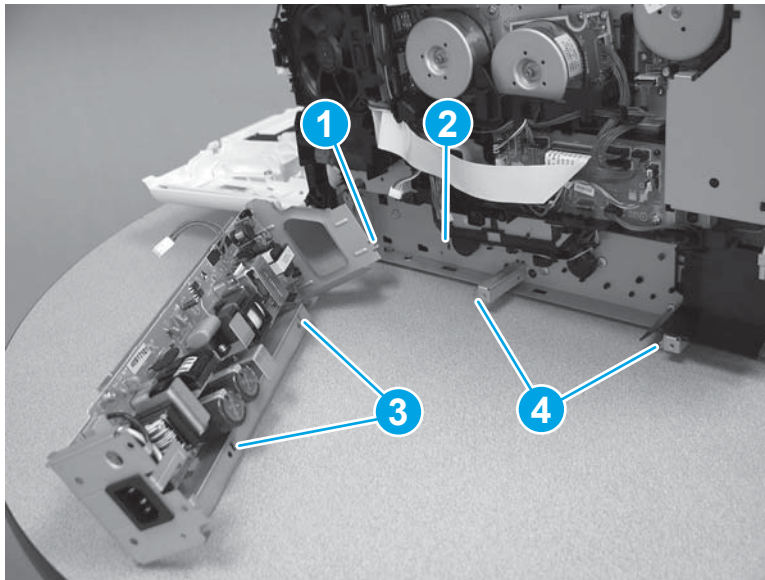
Figure 1-1378 Recycle and unpack



Step 11: Install the LVPS

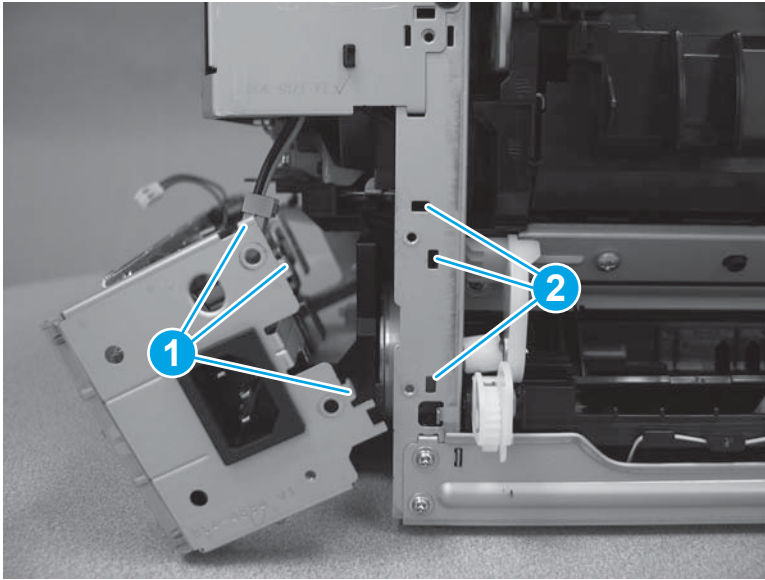
1. Install the tab (callout 1) on the LVPS into the slot (callout 2) in the printer. Install the slots (callout 3) in the LVPS over the tabs (callout 4) on the printer.

Figure 1-1379 Install the side tabs of the LVPS



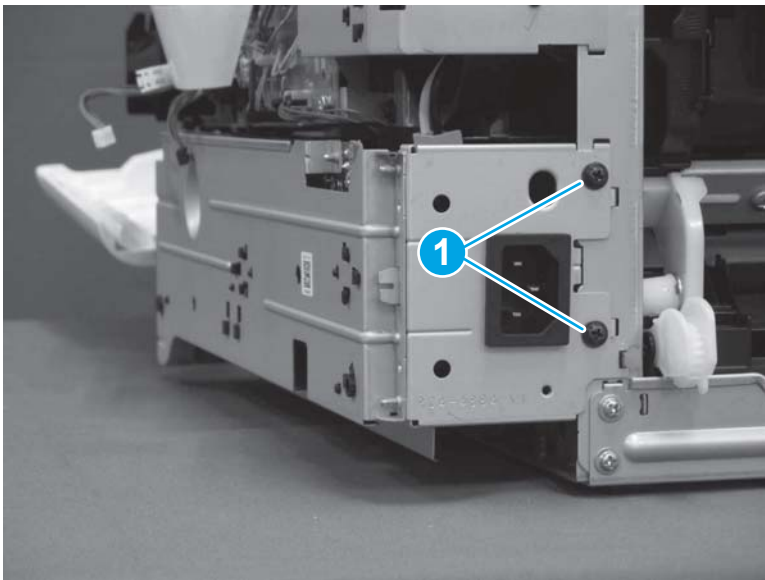
2. At the back of the printer, install the tabs on the LVPS (callout 1) into the slots (callout 2) in the printer.

Figure 1-1380 Install the back tabs of the LVPS



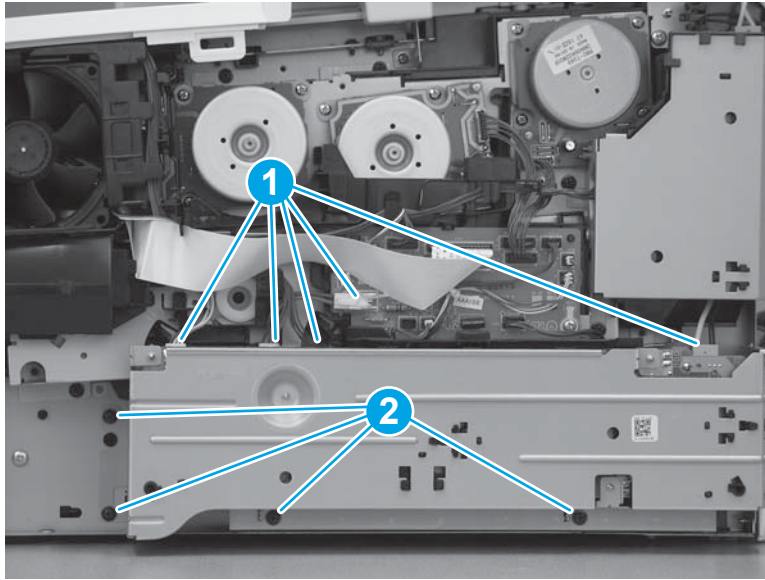
3. Install two screws (callout 1).

Figure 1-1381 Install two screws



4. Connect five connectors (callout 1), and then install four screws (callout 2).

Figure 1-1382 Connect five connectors and install four screws




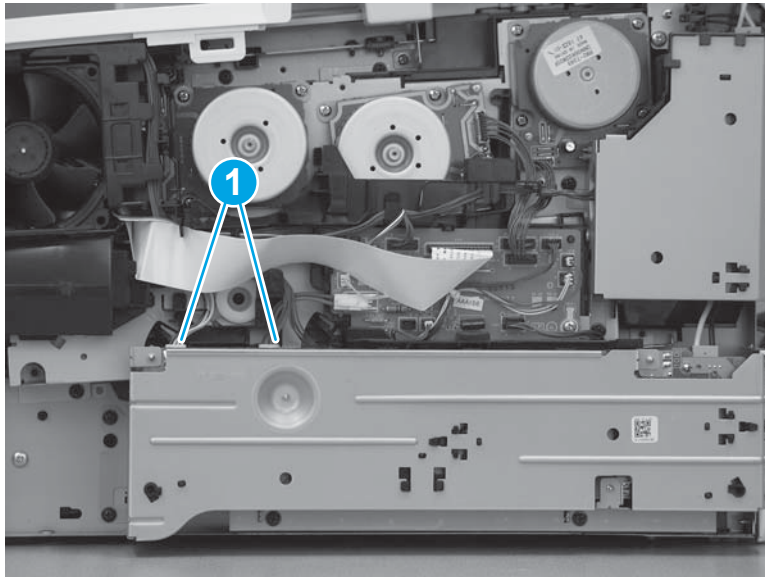
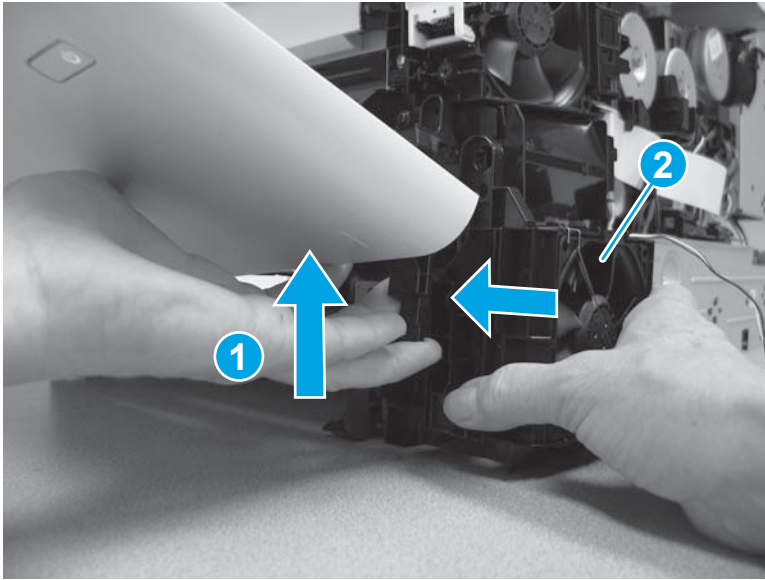
 **IMPORTANT:** Two of the cables (callout 1) can be inadvertently switched. The connectors on the cables will fit in either connector on the LVPS. Make sure these cables are installed in the correct connectors. If these cables are switched, the printer will not power on when reassembled.

Figure 1-1383 Check the connectors



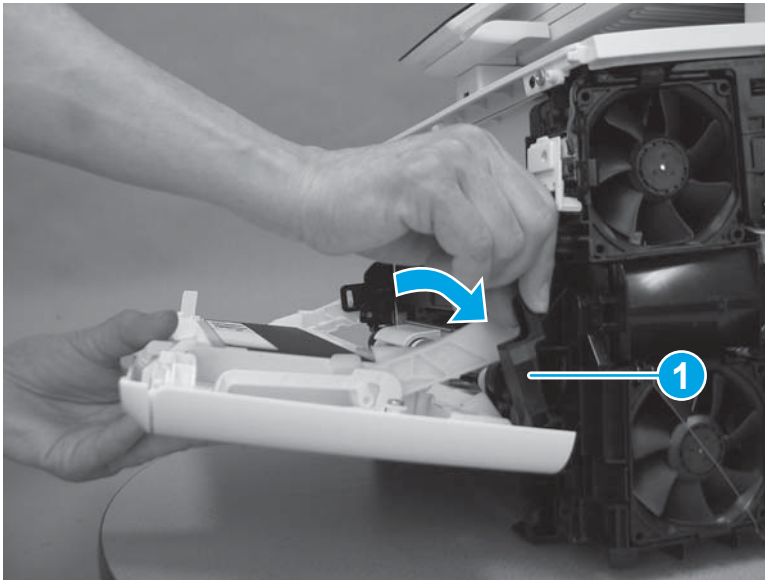
5. Lift the front door up slightly (callout 1), and then install the power supply fan and holder (callout 2).

Figure 1-1384 Remove the power supply fan and holder



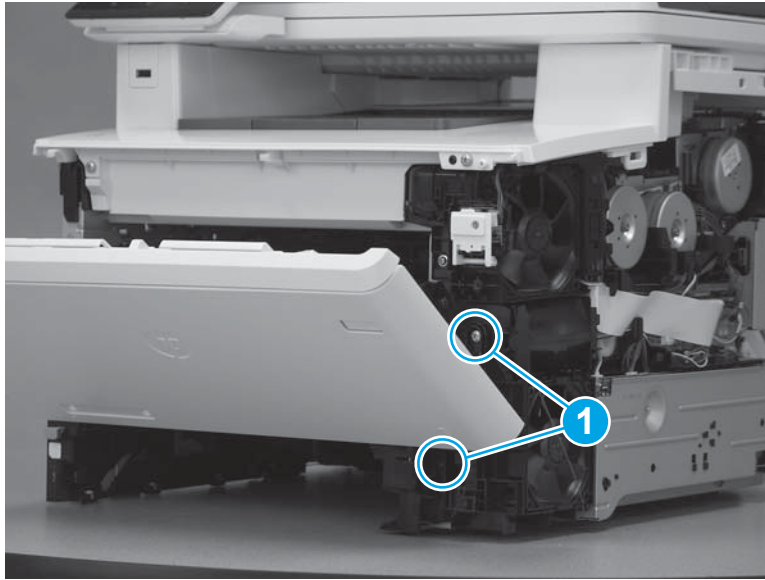
6. Install the hinge arm (callout 1).

Figure 1-1385 Install the hinge arm



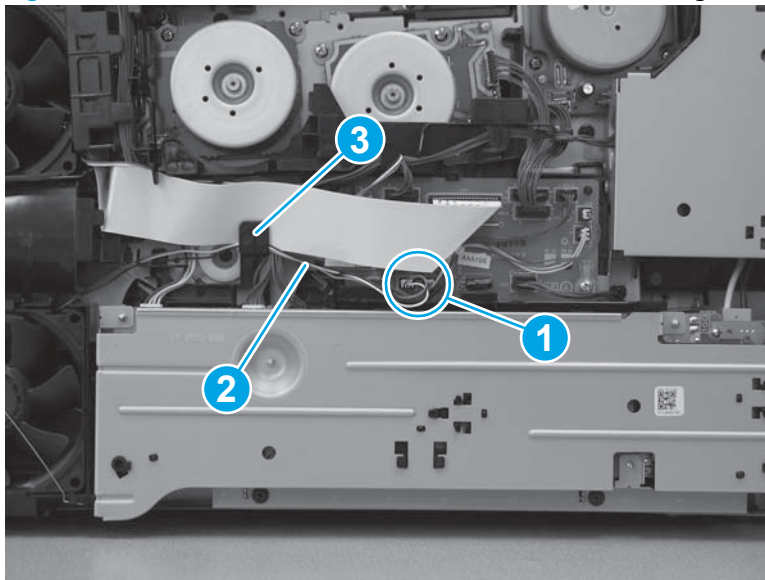
7. Install two screws (callout 1).

Figure 1-1386 Install two screws




8. Connect one connector (callout 1), and then install the cable (callout 2) into the wire guide (callout 3).

Figure 1-1387 Connect one connector and install cables in the guides

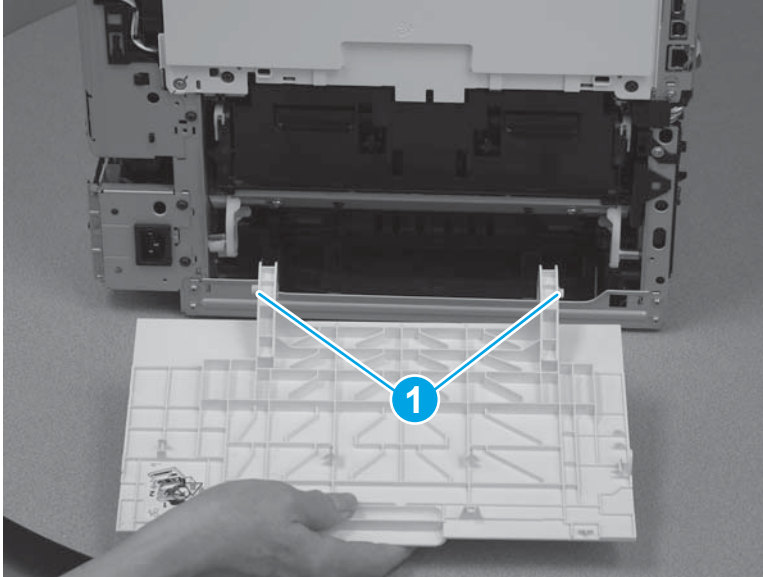


Step 12: Install the rear door (simplex models)

 **NOTE:** This step is for simplex models. For duplex models, skip this step and go to [Step 13: Install the duplexer door assembly \(duplex models\) on page 752](#).

- ▲ Slightly flex the door hinge arms to install two hinge pins (callout 1).

Figure 1-1388 Install the rear door

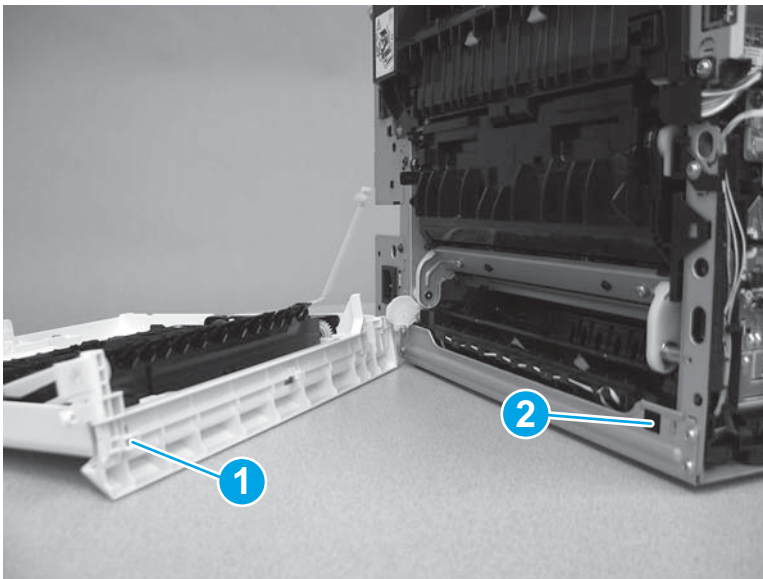


Step 13: Install the duplexer door assembly (duplex models)

 **NOTE:** This step is for duplex models. For simplex models, skip this step and go to [Step 14: Install the left cover \(M452 models\) on page 754](#).

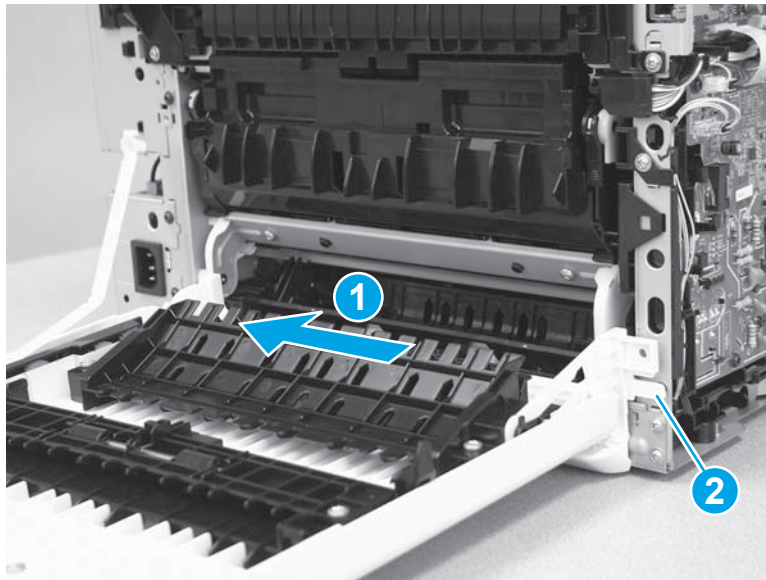
1. Position the tab (callout 1) on the door into the slot (callout 2) on the printer.

Figure 1-1389 Position the tab in the slot



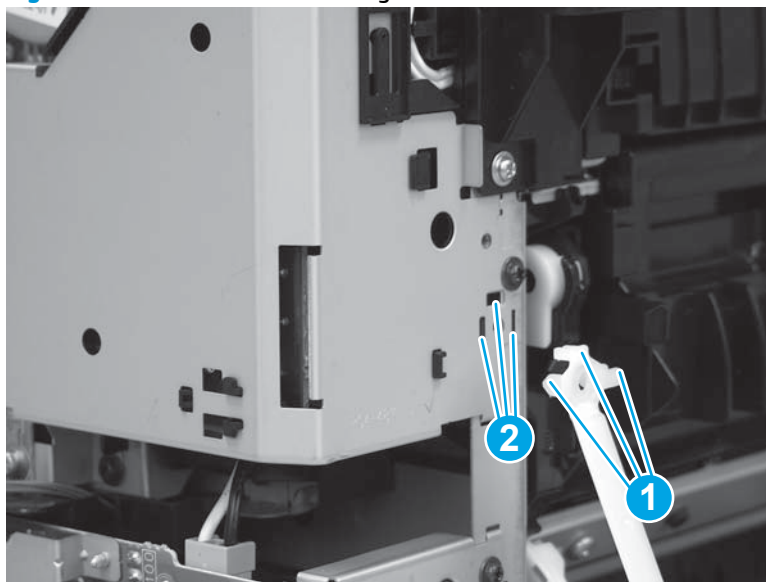
2. Slide the door to the left (callout 1) until the tab (callout 2) snaps into place.

Figure 1-1390 Install the duplexer door



3. Install the tabs (callout 1) on the retaining arm into the slots (callout 2) in the printer.

Figure 1-1391 Install the retaining arm



4. At the back of the printer, install two screws (callout 1), and then install one screw (callout 2) that holds the retention arm.


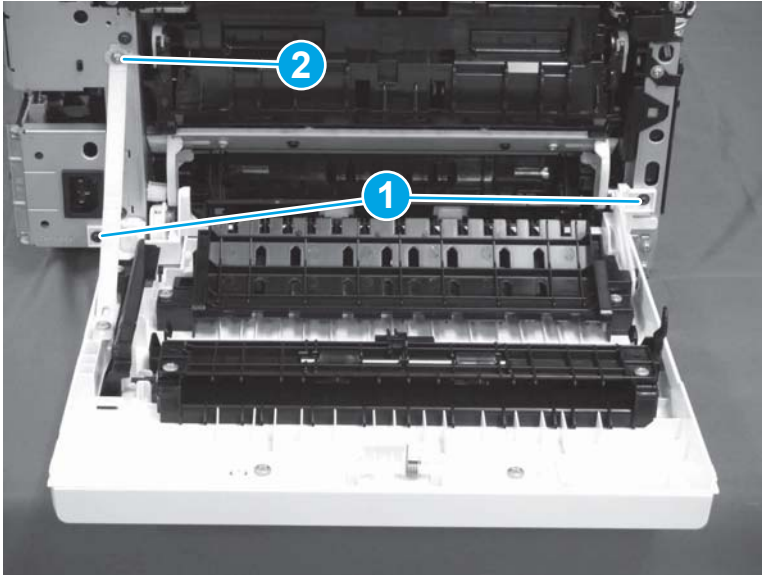
 **Reinstallation tip:** Note that the screw (callout 2) that holds the retention arm is longer than the other two. Make sure this screw is installed in the correct position.

Figure 1-1392 Install three screws

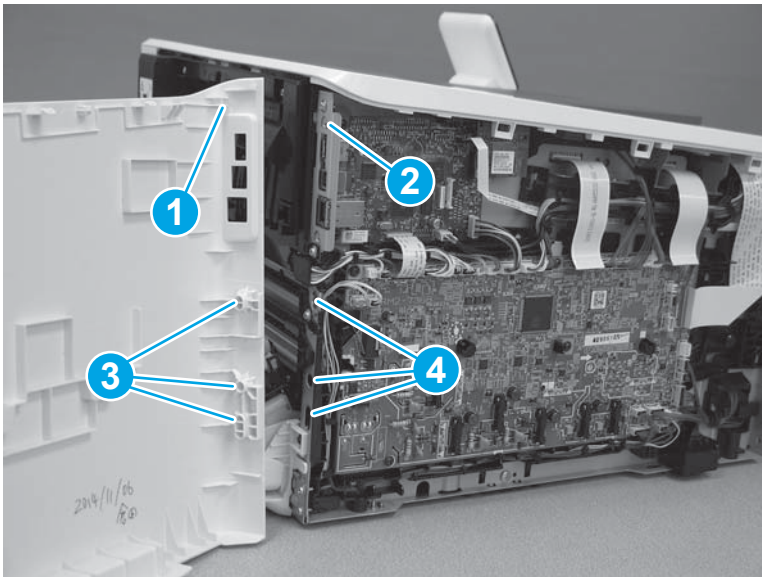


Step 14: Install the left cover (M452 models)

 **NOTE:** This step is for the M452 models. For the M377, M477 models, skip this step and go to [Step 15: Install the left cover \(M377, M477 models\) on page 758](#).

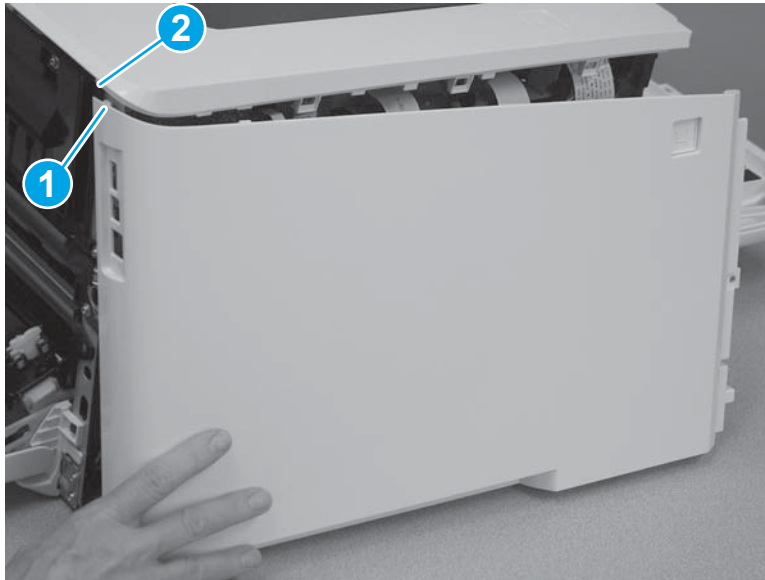
1. Position the hook (callout 1) on the cover in the slot (callout 2) on the printer. Position three tabs (callout 3) on the back of the cover in the slots (callout 4) in the printer.

Figure 1-1393 Position three tabs



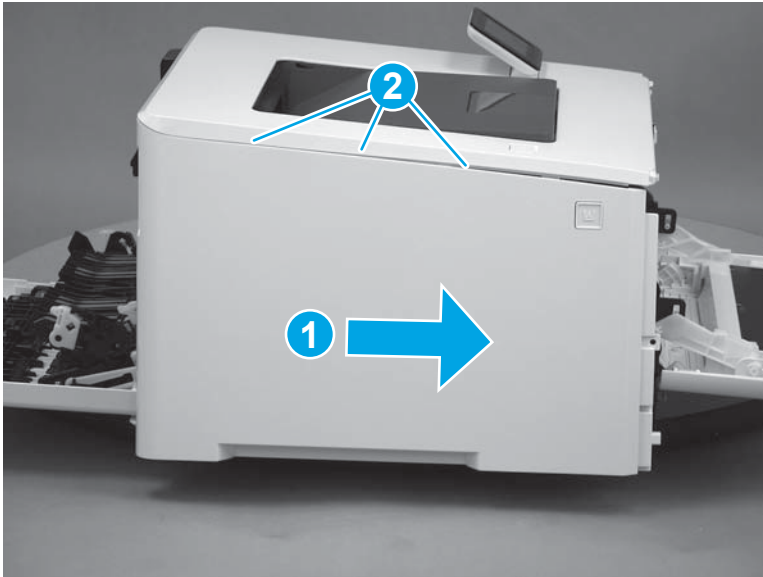
2. At the back of the printer, install the tab (callout 1) under the edge of the top cover (callout 2).

Figure 1-1394 Install one tab



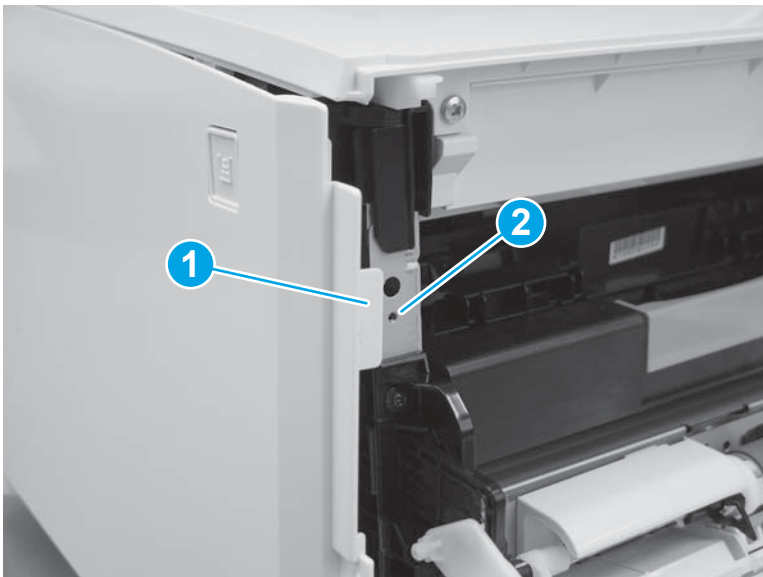
3. Slide the cover toward the front of the printer (callout 1), and then engage three tabs (callout 2) on the top of the cover.

Figure 1-1395 Install the left cover



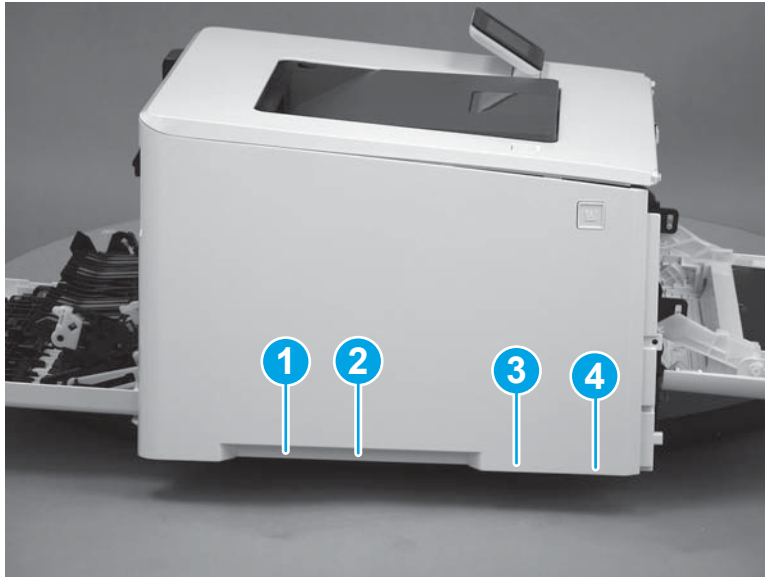
CAUTION: Make sure that the tab (callout 1) does not get caught behind the printer frame (callout 2).

Figure 1-1396 Make sure the tab does not get caught



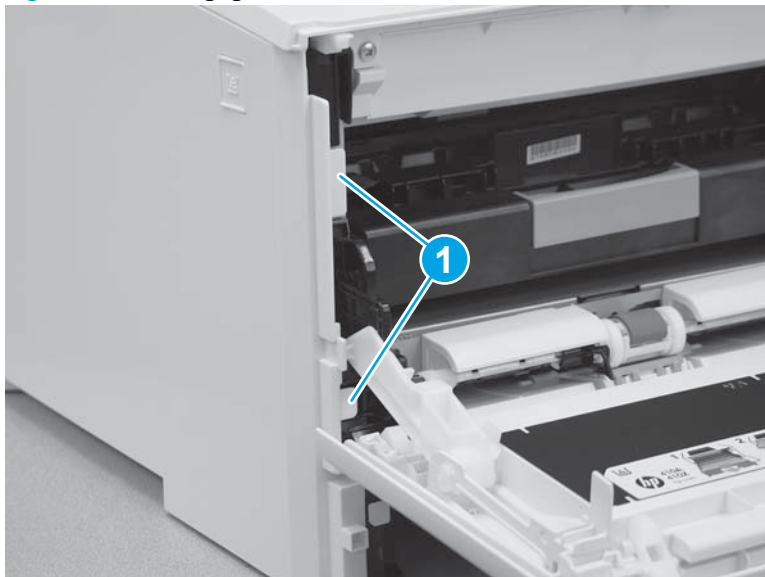
4. Slide the printer to the edge of a work surface in order to access the tabs on the bottom of the cover. Beginning from the back of the cover, install four tabs (callouts 1-4) on the lower edge of the cover.

Figure 1-1397 Install four tabs



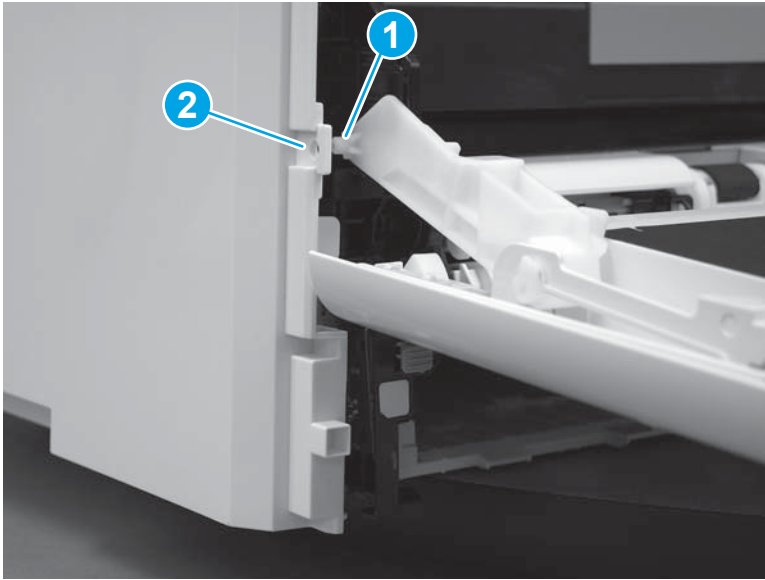
5. Install two tabs (callout 1) at the front of the cover.

Figure 1-1398 Engage two tabs



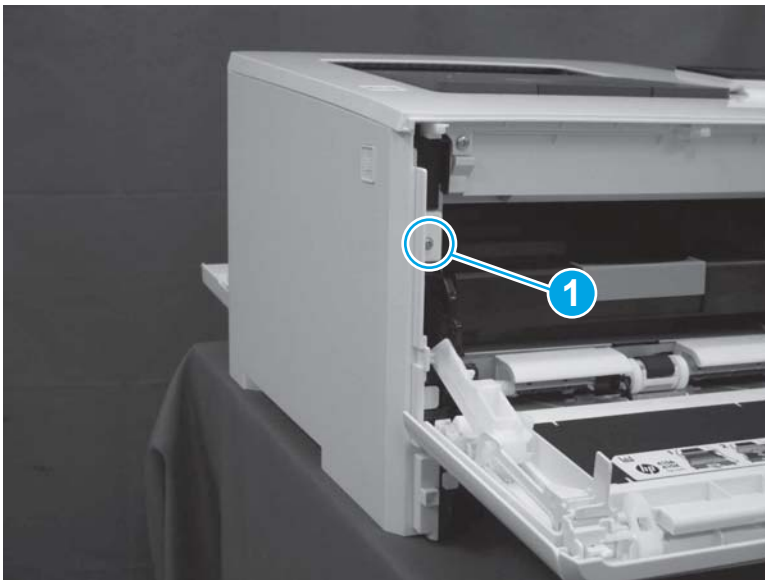
6. Make sure that the hinge pin (callout 1) on the front door fits into the slot (callout 2) on the left cover.

Figure 1-1399 Install hinge pin




7. Install one screw (callout 1).

Figure 1-1400 Install one screw

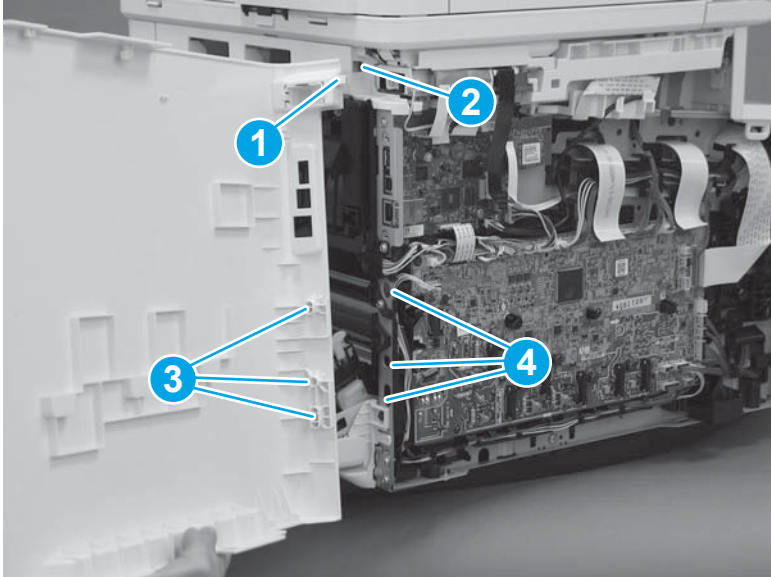


Step 15: Install the left cover (M377, M477 models)

 **NOTE:** This step is for the M377, M477 models. For the M452 models, skip this step and go to [Step 16: Install the right cover \(M452 models\) on page 765.](#)

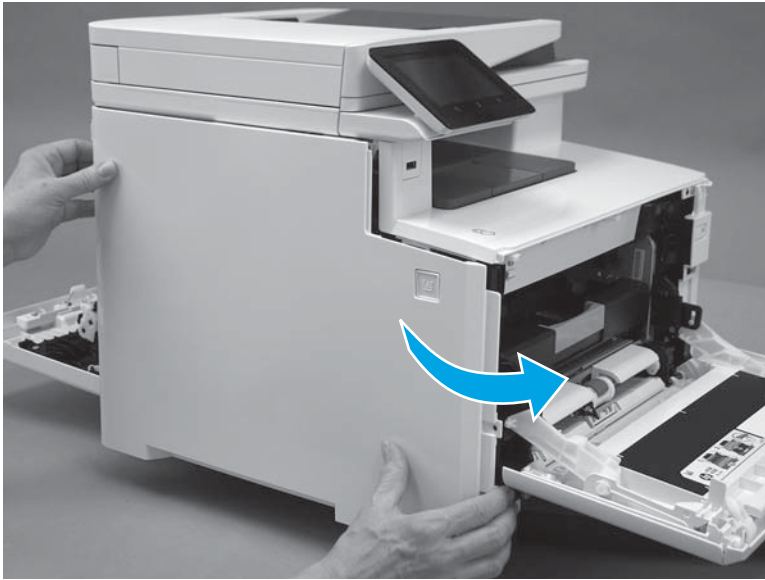
1. At the back of the printer, install the tab (callout 1) on the cover into the slot (callout 2) in the printer. Install the locator pins (callout 3) into the slots (callout 4) in the printer.

Figure 1-1401 Install one tab



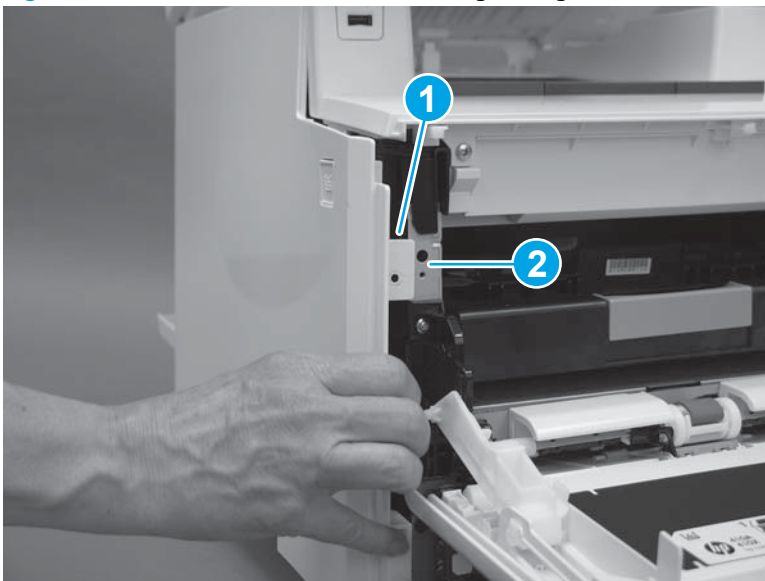
2. Rotate the cover toward the printer.

Figure 1-1402 Rotate the left cover



CAUTION: Make sure that the tab (callout 1) does not get caught behind the printer frame (callout 2).

Figure 1-1403 Make sure the tab does not get caught



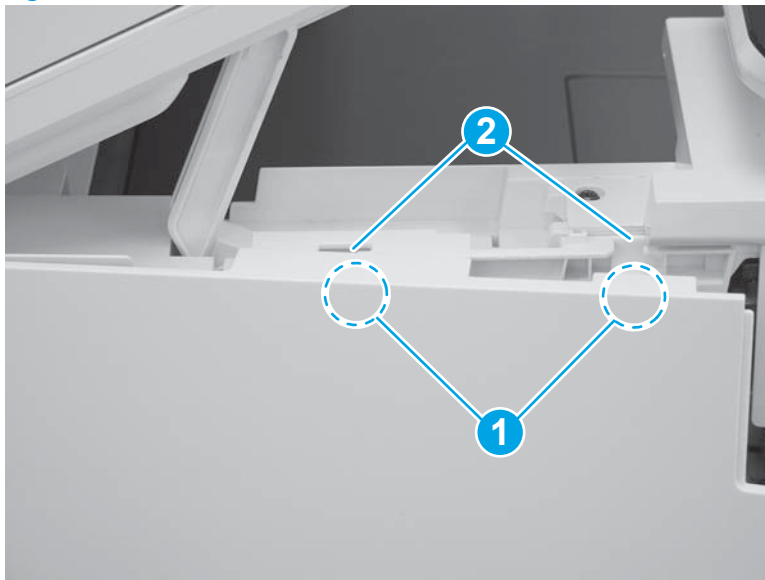
3. Raise the scanner.

Figure 1-1404 Raise the scanner



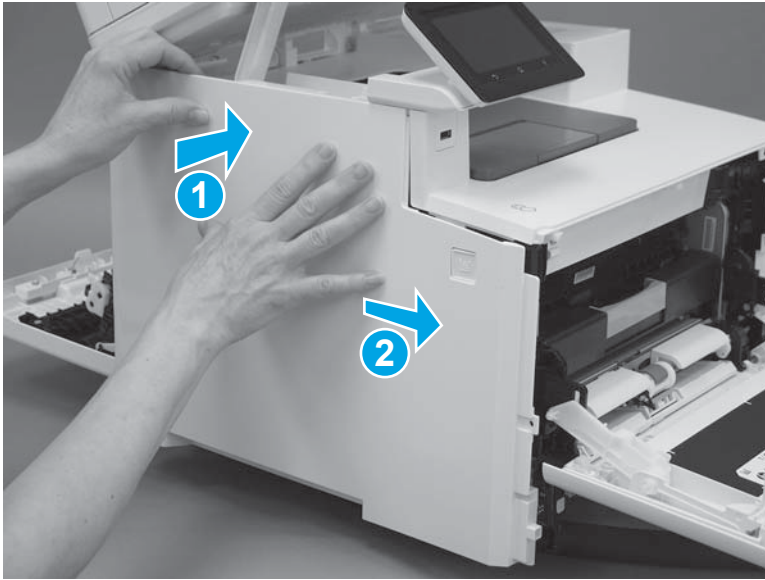
4. Position the hooks (callout 1) on the inside of the cover into the slots (callout 2) on the printer.

Figure 1-1405 Position the hooks in the slots



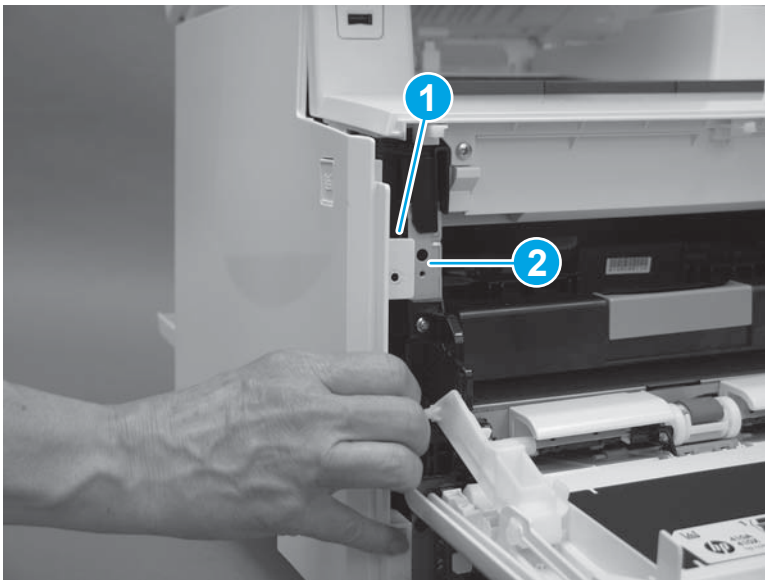
5. Hold the cover against the printer (callout 1), and then slide it (callout 2) toward the front of the printer.

Figure 1-1406 Install the top hooks



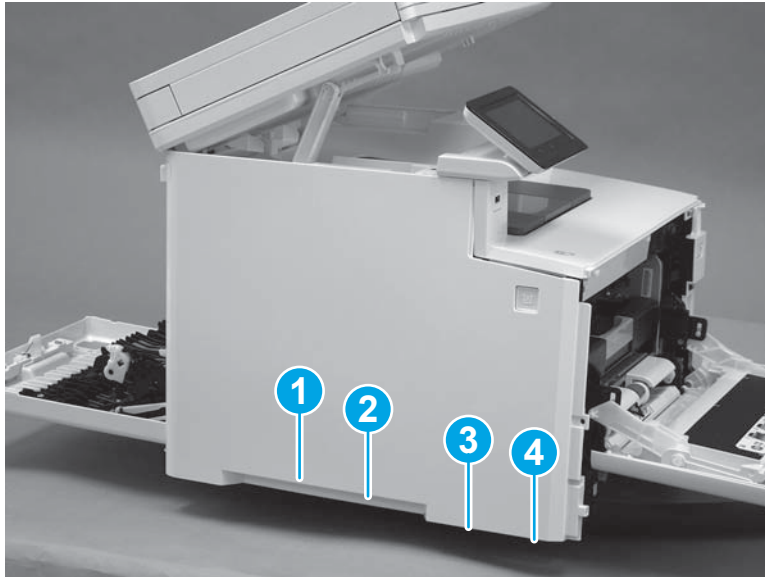
CAUTION: Make sure that the tab (callout 1) on the front of the cover does not get caught behind the printer frame (callout 2).

Figure 1-1407 Make sure the tab does not get caught



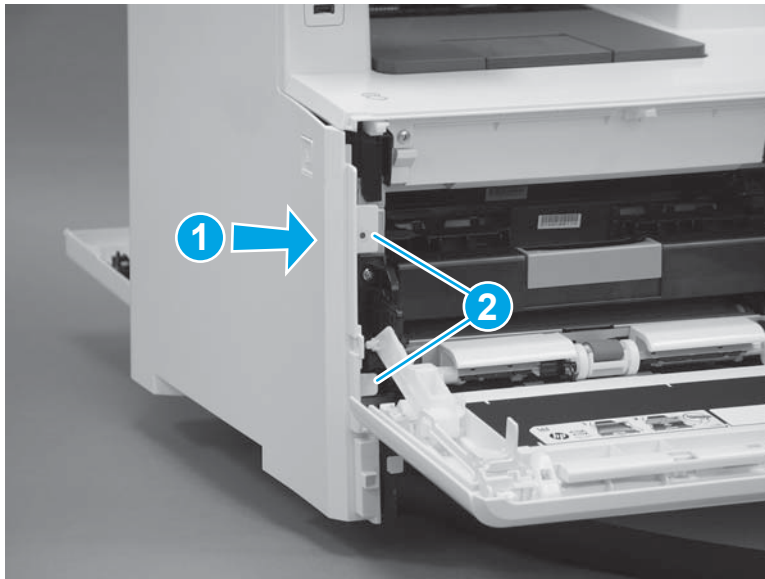
6. Slide the printer to the edge of a work surface in order to access the tabs on the bottom of the cover. Beginning from the back of the cover, install four tabs (callouts 1-4) on the lower edge of the cover.

Figure 1-1408 Install four tabs



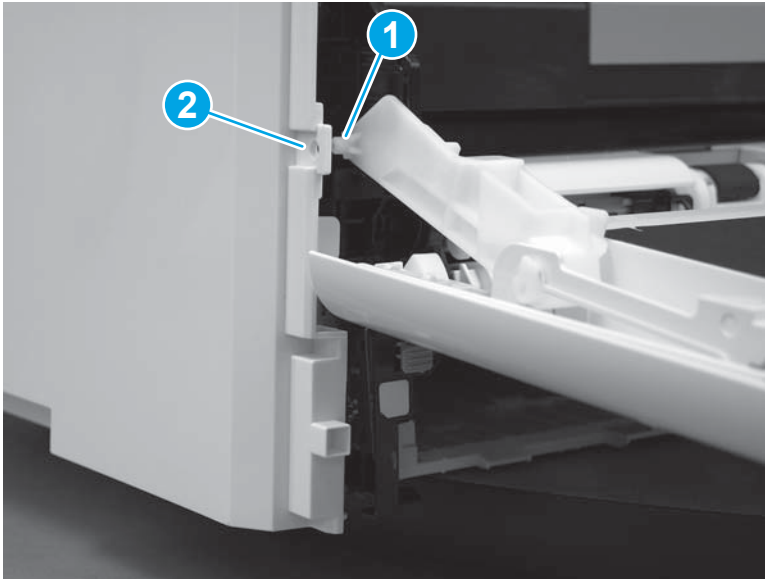
7. Press the cover toward the printer (callout 1), and then install two tabs (callout 2) at the front of the cover.

Figure 1-1409 Install two tabs



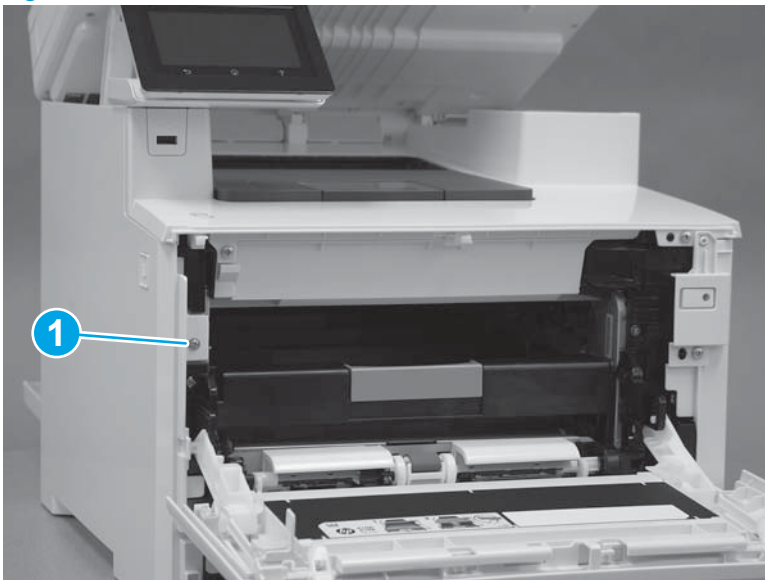
8. Make sure that the hinge pin (callout 1) on the front door fits into the slot (callout 2) on the left cover.

Figure 1-1410 Install hinge pin



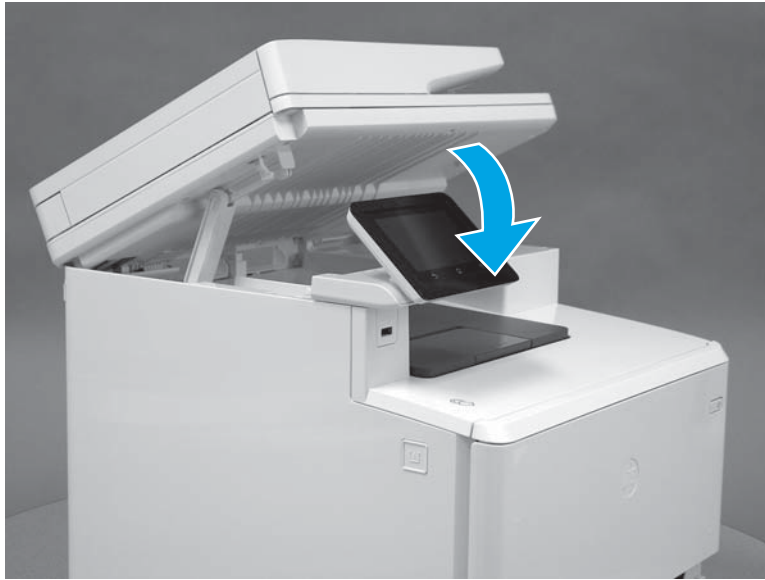
9. Install one screw (callout 1).

Figure 1-1411 Install one screw




10. Lower the scanner.

Figure 1-1412 Lower the scanner

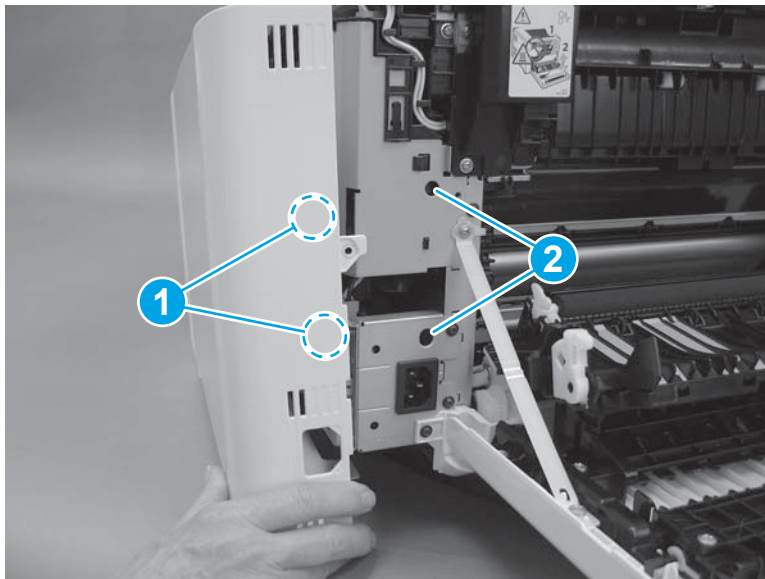


Step 16: Install the right cover (M452 models)

 **NOTE:** This step is for the M452 models. For the M377, M477 models, skip this step and go to [Step 17: Install the right cover \(M377, M477 models\) on page 769](#).

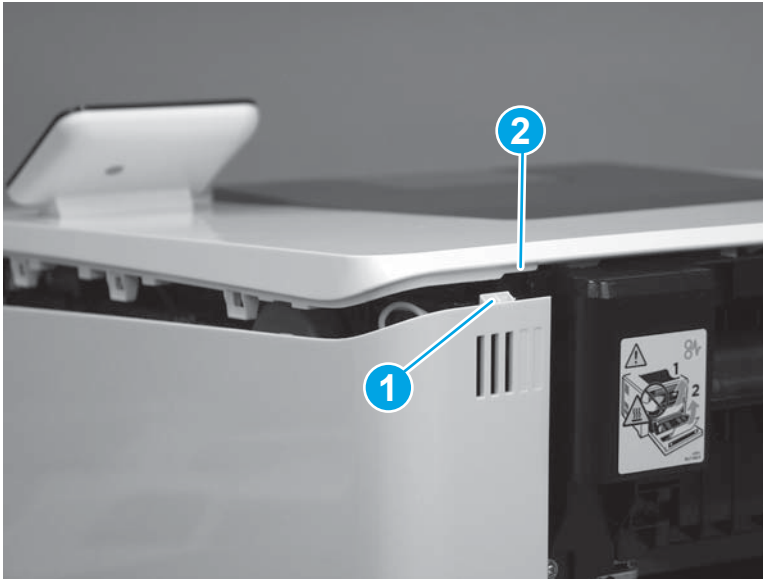
1. Position two tabs (callout 1) on the back of the cover in the slots (callout 2) in the printer.

Figure 1-1413 Position two tabs



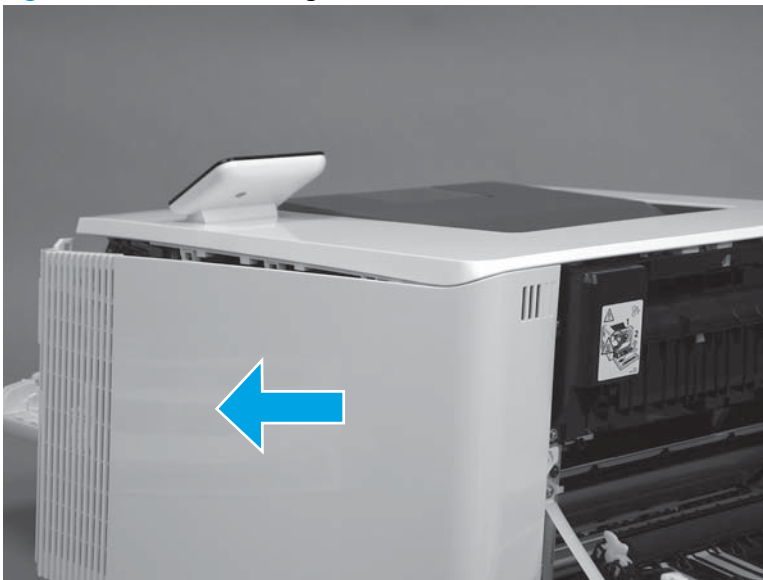
2. At the back of the printer, install the tab (callout 1) under the edge of the top cover (callout 2).

Figure 1-1414 Install rear tab



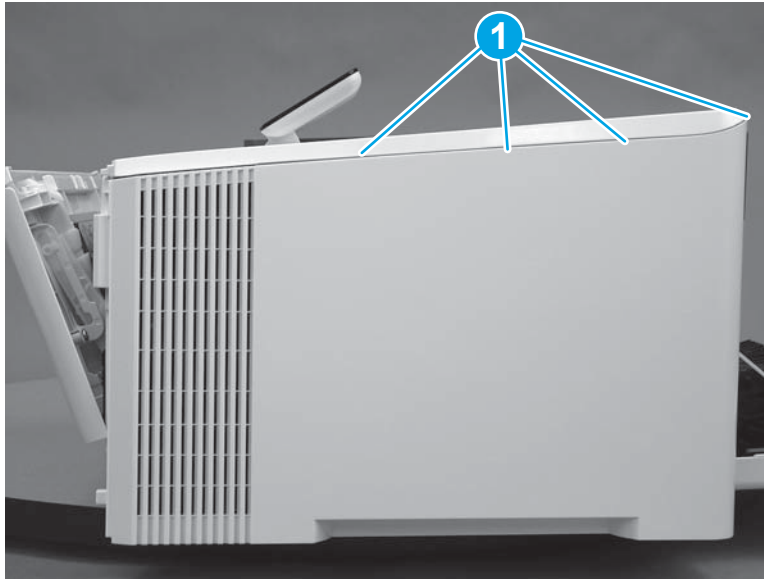
3. Slide the cover toward the front of the printer to install it.

Figure 1-1415 Install the right cover



- Engage three tabs (callout 2) on the top of the cover.

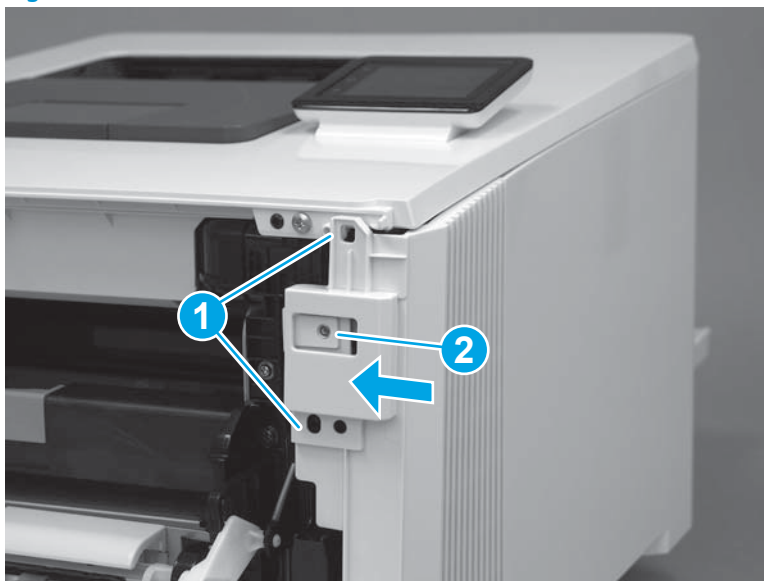
Figure 1-1416 Install upper tabs



- At the front of the printer, position the front of the cover over two tabs (callout 1).

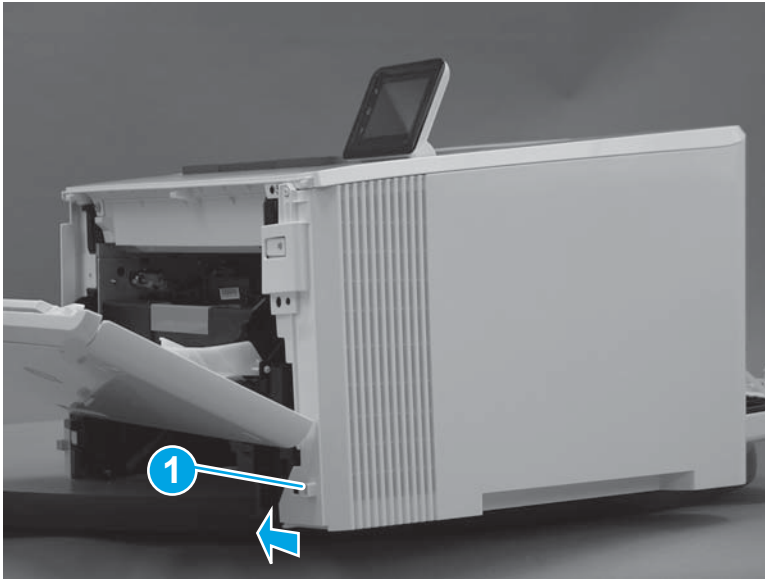
⚠ CAUTION: Be careful not to dislodge the power switch (callout 2).

Figure 1-1417 Install the front tabs



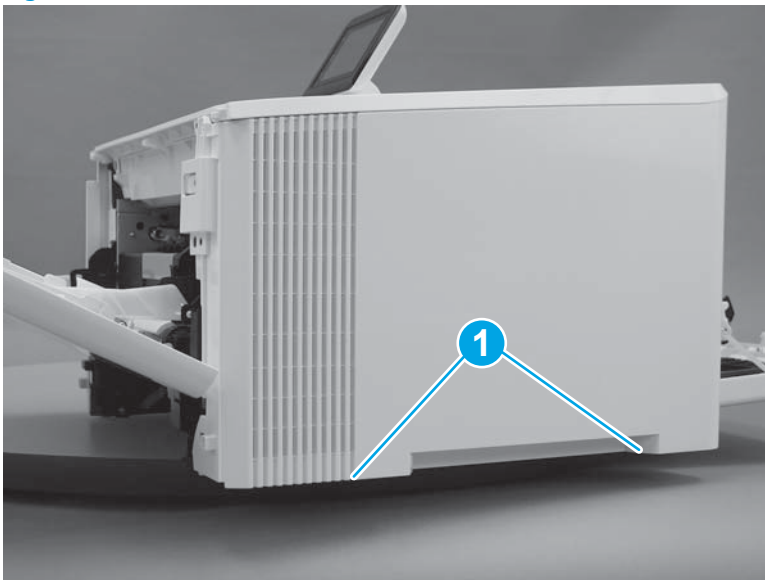
6. Press the right cover toward the printer to engage one tab (callout 1) on the front of the cover.

Figure 1-1418 Install the front lower tab



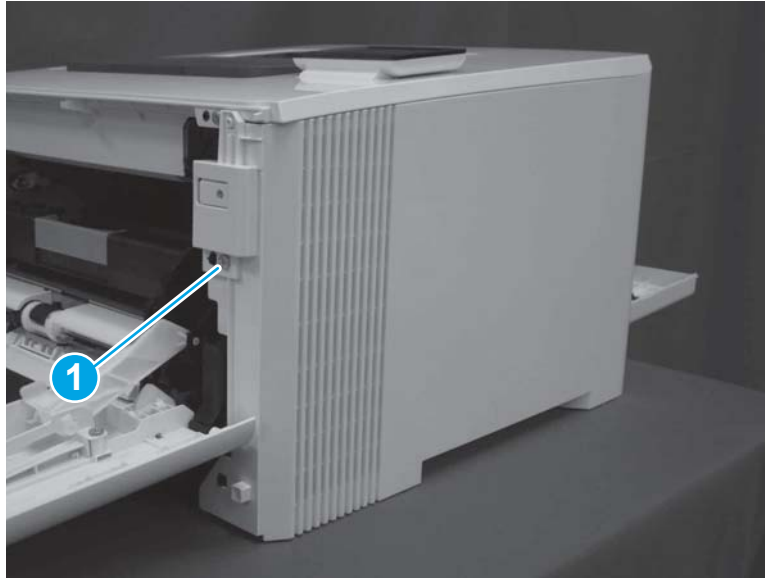
7. Install two tabs on the bottom of the cover (callout 1).

Figure 1-1419 Install two tabs



8. At the front of the printer, install one screw (callout 1).

Figure 1-1420 Install one screw



9. At the back of the printer, install one screw (callout 1).

Figure 1-1421 Install one screw

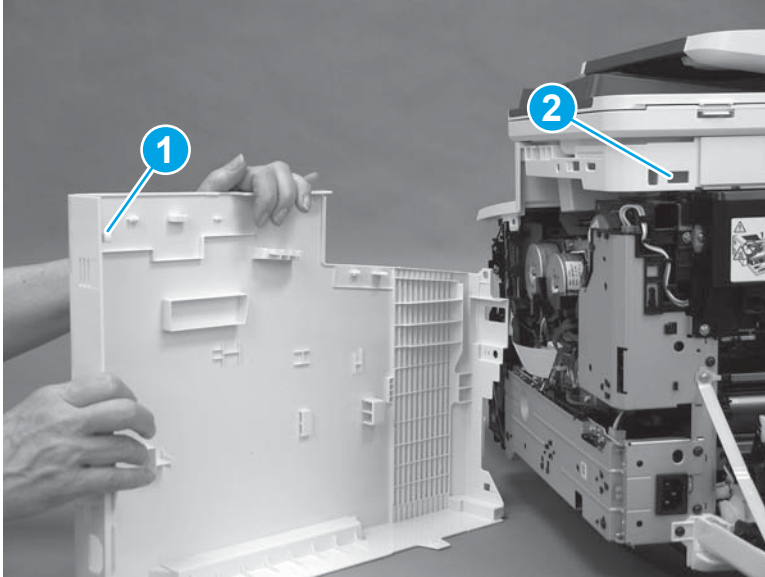


Step 17: Install the right cover (M377, M477 models)

 **NOTE:** This step is for the M377, M477 models. For the M452 models, skip this step and go to [Step 18: Close the front door and rear door or duplexer door on page 775.](#)

1. At the back of the printer, install the tab (callout 1) on the cover into the slot (callout 2) on the printer.

Figure 1-1422 Install rear tab



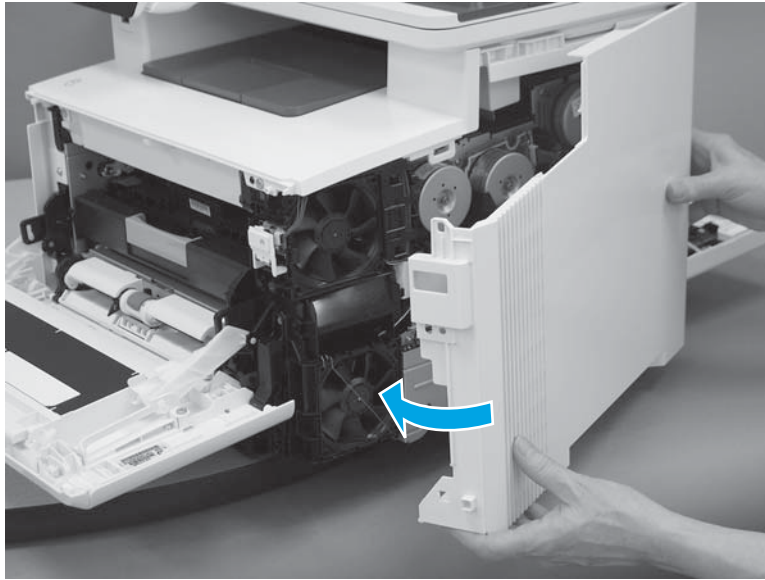
2. Raise the scanner.

Figure 1-1423 Raise the scanner



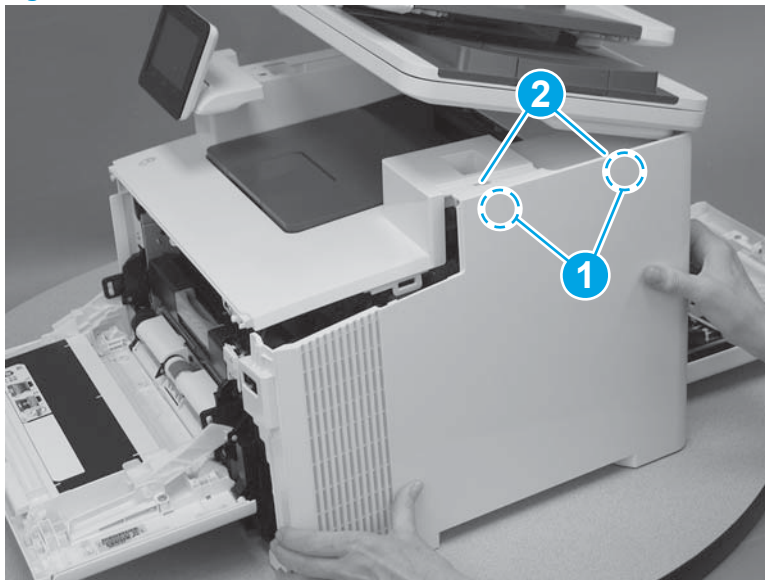
3. Rotate the right cover toward the printer.

Figure 1-1424 Rotate the right cover



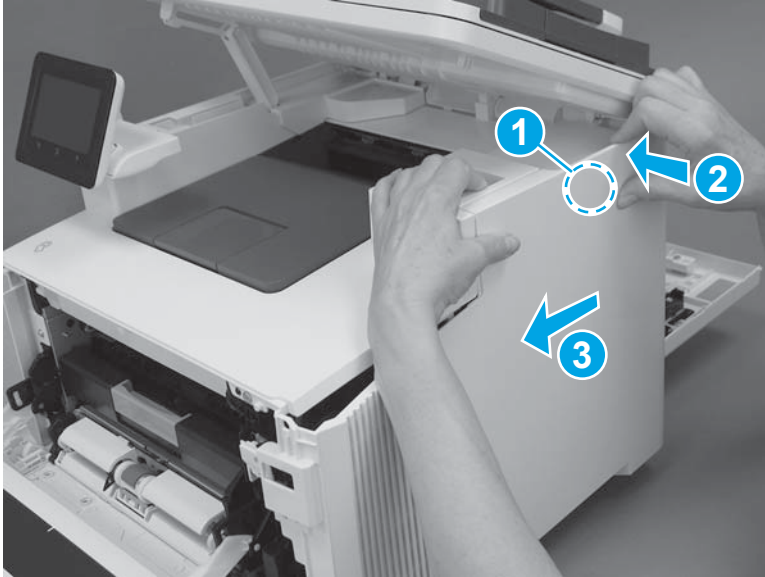
4. Position the hooks (callout 1) on the inside of the cover into the slots (callout 2) in the printer.

Figure 1-1425 Position the hooks in the slots



- Engage one hook (callout 1) on the inside of the cover. Hold the top of the cover closed (callout 2) while sliding the cover toward the front of the printer (callout 3).

Figure 1-1426 Slide the cover



- Rotate the front of the cover toward the printer (callout 1).

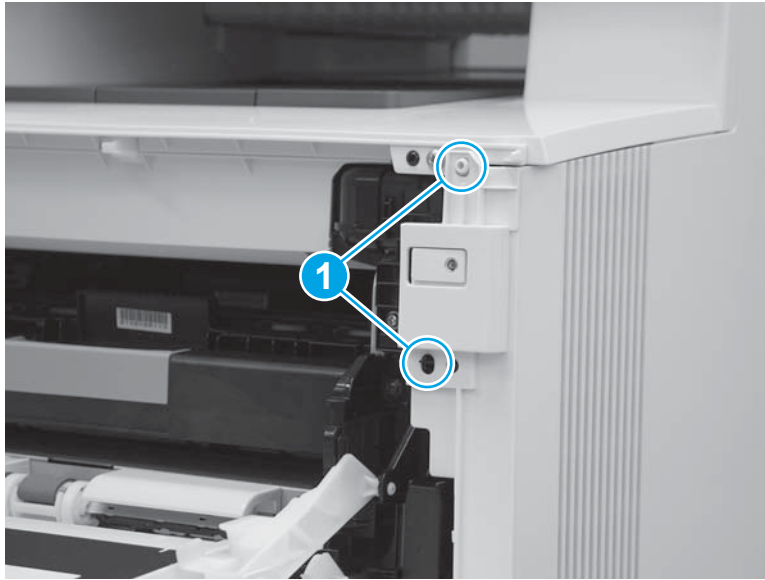
CAUTION: Be careful not to dislodge the power switch (callout 2).

Figure 1-1427 Rotate the front of the cover



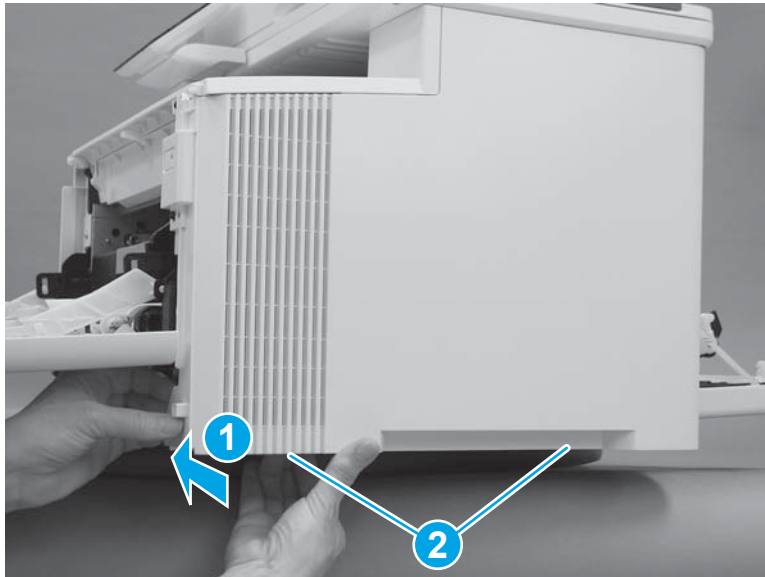
7. Install two tabs at the front of the printer (callout 1).

Figure 1-1428 Install two tabs



8. Press the right cover toward the printer (callout 1) to engage one tab on the front of the cover, and two tabs (callout 2) on the lower edge of the cover.

Figure 1-1429 Install the front and lower tabs



9. At the front of the printer, install one screw (callout 1).

Figure 1-1430 Install one screw



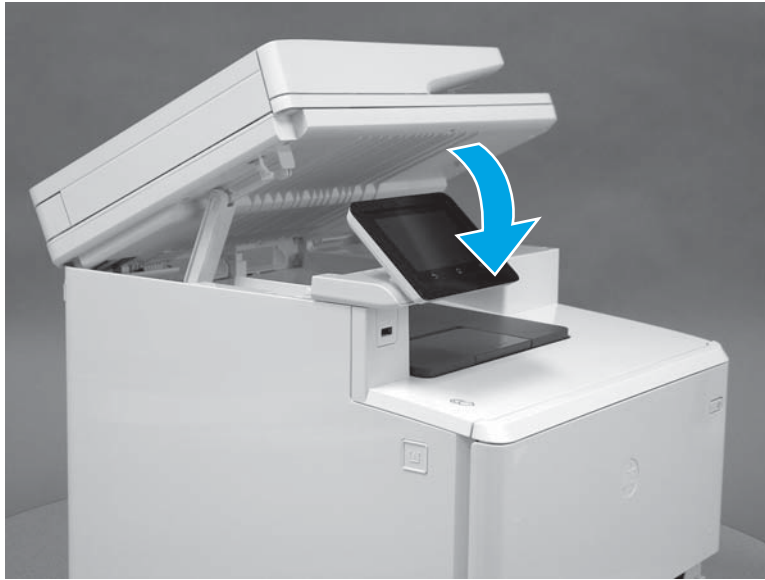
10. At the back of the printer, install one screw (callout 1).

Figure 1-1431 Install one screw



11. Lower the scanner.

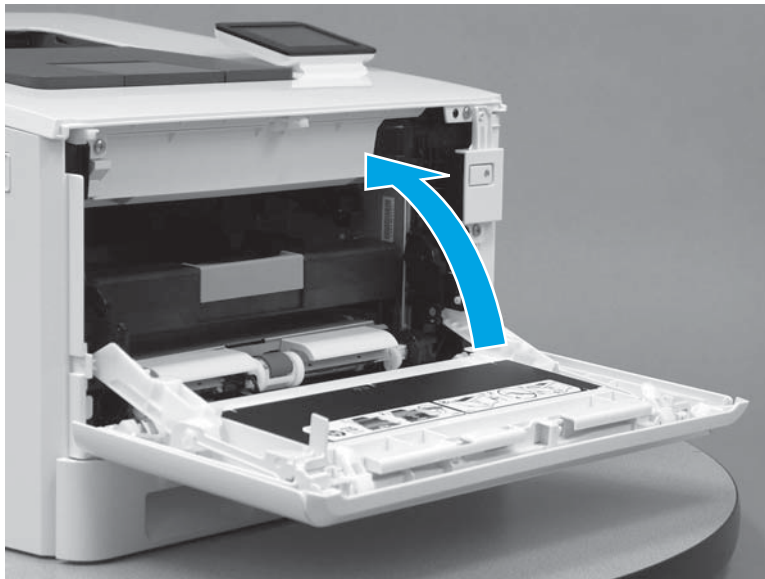
Figure 1-1432 Lower the scanner



Step 18: Close the front door and rear door or duplexer door

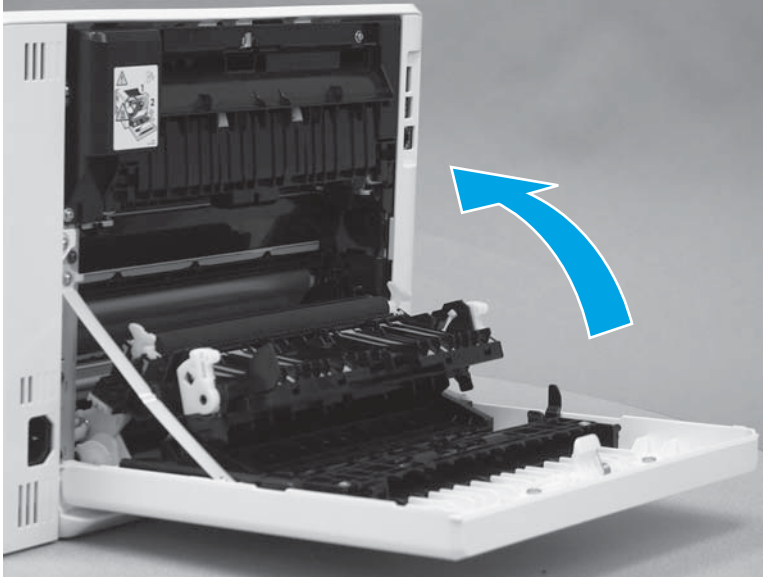
1. Close the front door.

Figure 1-1433 Close the front door



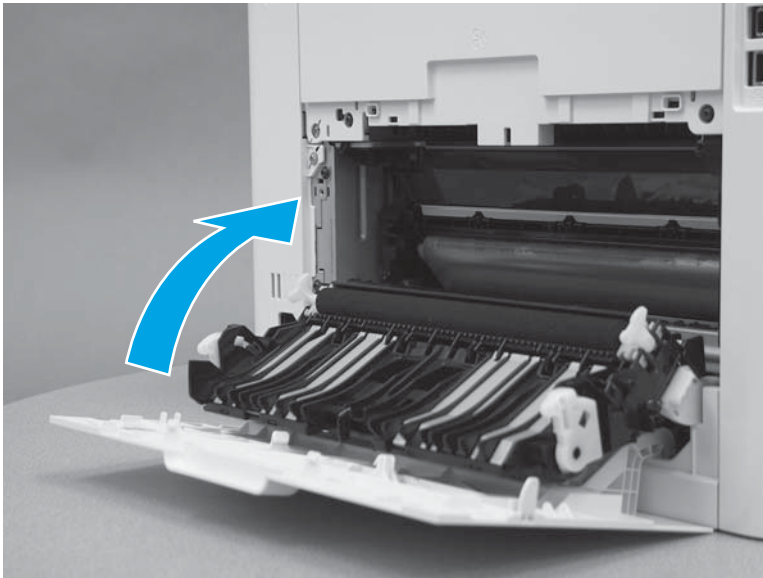
2. **Duplex models:** Close the duplexer door.

Figure 1-1434 Close the duplexer door



3. **Simplex models:** Close the rear door.

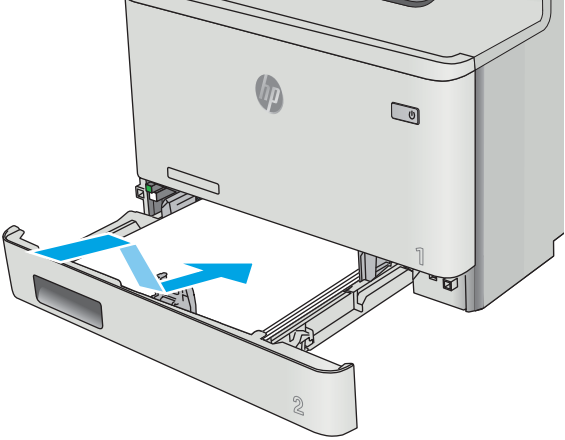
Figure 1-1435 Close the rear door



Step 19: Install Tray 2

- ▲ With the front of the tray slightly lifted, align the sides of the tray with the rails in the printer, and then carefully slide the tray into the printer. As the tray slides into the printer, lower the front of the tray, and then close it.

Figure 1-1436 Install the tray



Removal and replacement: Pickup motor


- [Introduction](#)
- [Step 1: Remove Tray 2](#)
- [Step 2: Open the front door and rear door or duplexer door](#)
- [Step 3: Remove the right cover \(M452 models\)](#)
- [Step 4: Remove the right cover \(M377, M477 models\)](#)
- [Step 5: Remove the left cover \(M452 models\)](#)
- [Step 6: Remove the left cover \(M377, M477 models\)](#)
- [Step 7: Remove the duplexer door assembly \(duplex models\)](#)
- [Step 8: Remove the rear door \(simplex models\)](#)
- [Step 9: Remove the low-voltage power supply \(LVPS\)](#)
- [Step 10: Remove the pickup motor](#)
- [Step 11: Unpack the replacement part](#)
- [Step 12: Install the pickup motor](#)
- [Step 13: Install the LVPS](#)
- [Step 14: Install the rear door \(simplex models\)](#)
- [Step 15: Install the duplexer door assembly](#)
- [Step 16: Install the left cover \(M452 models\)](#)
- [Step 17: Install the left cover \(M377, M477 models\)](#)
- [Step 18: Install the right cover \(M452 models\)](#)
- [Step 19: Install the right cover \(M377, M477 models\)](#)
- [Step 20: Close the front door and rear door or duplexer door](#)
- [Step 21: Install Tray 2](#)

Introduction

This document provides the procedures to remove and replace the pickup motor.

Before you begin

- Turn off the printer.
- Disconnect the power cable.

 **WARNING!** To avoid damage to the printer, turn the printer off, wait 30 seconds, and then remove the power cord before attempting to service the printer.

- Use the table below to identify the correct part number for your printer. To order the part, go to www.hp.com/buy/parts.

Pickup motor part number

RM2-7350-000CNPickup motor

Required tools

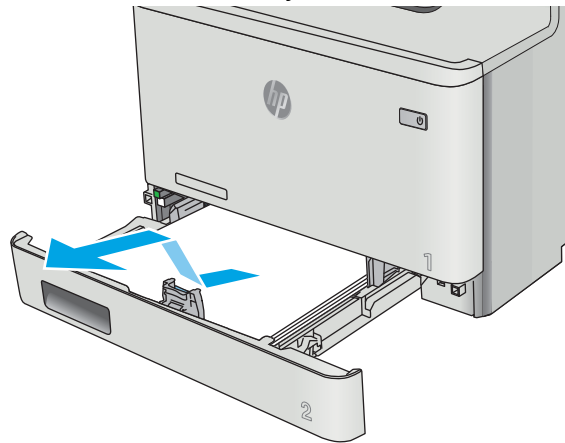
- #2 Phillips screwdriver with a magnetic tip
- Small flat-blade screwdriver

After performing service

- Connect the power cable.
- Use the power switch to turn the power on.

Step 1: Remove Tray 2

- ▲ Pull the tray out until it stops. Lift the front of the tray, and then pull it out of the printer to remove it.

Figure 1-1437 Remove the tray**Step 2: Open the front door and rear door or duplexer door**

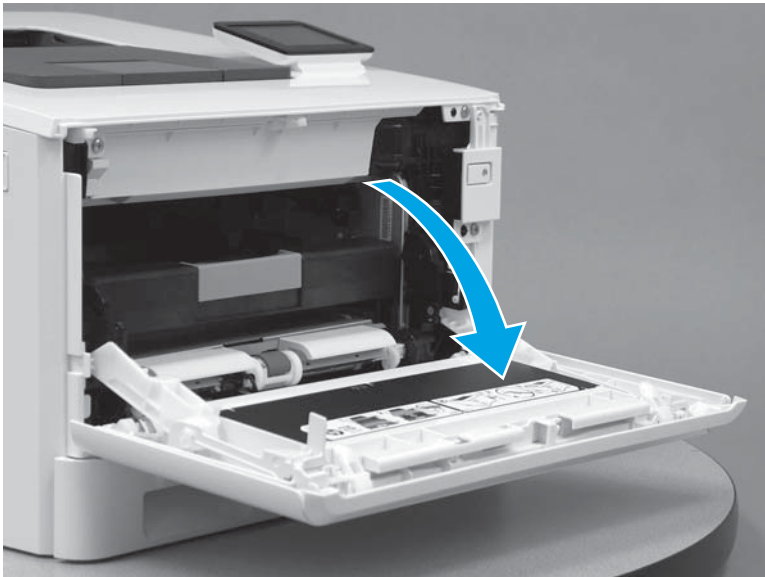
1. Press the button (callout 1) on the left side of the printer to release the front door.

Figure 1-1438 Release the front door



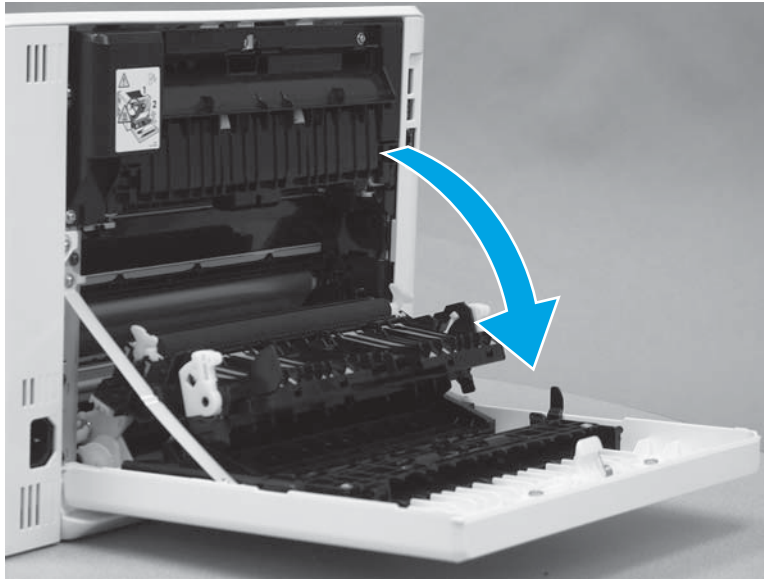
2. Open the front door.

Figure 1-1439 Open the front door



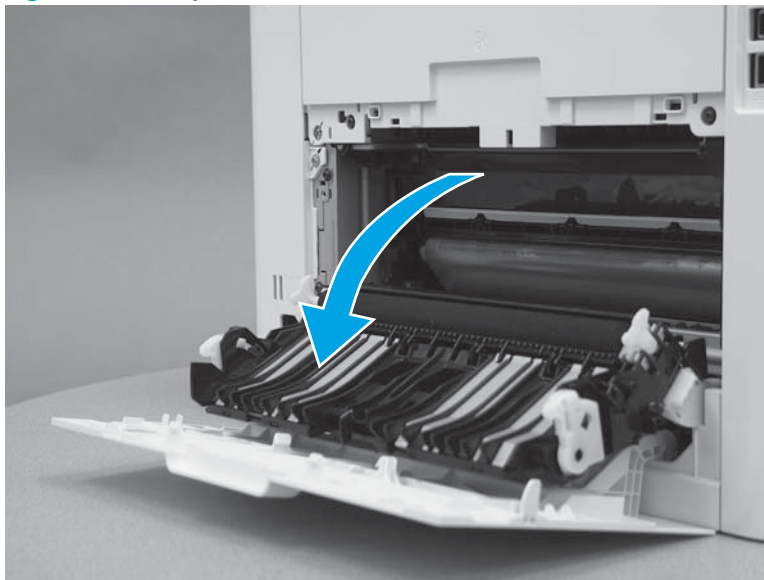
3. **Duplex models:** Open the duplexer door.

Figure 1-1440 Open the duplexer door




4. **Simplex models:** Open the rear door.

Figure 1-1441 Open the rear door



Step 3: Remove the right cover (M452 models)

 **NOTE:** This step is for the M452 models. For the M377, M477 models, skip this step and go to [Step 4: Remove the right cover \(M377, M477 models\) on page 785.](#)

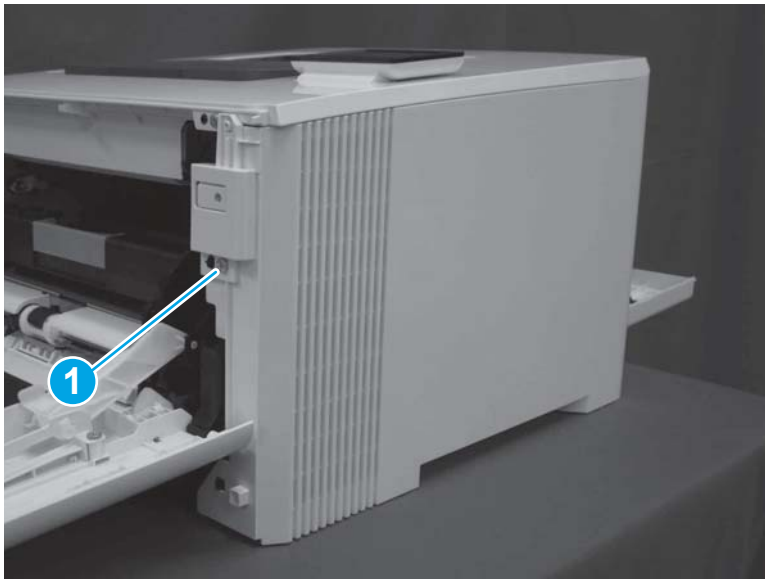
1. At the back of the printer, remove one screw (callout 1).

Figure 1-1442 Remove one screw



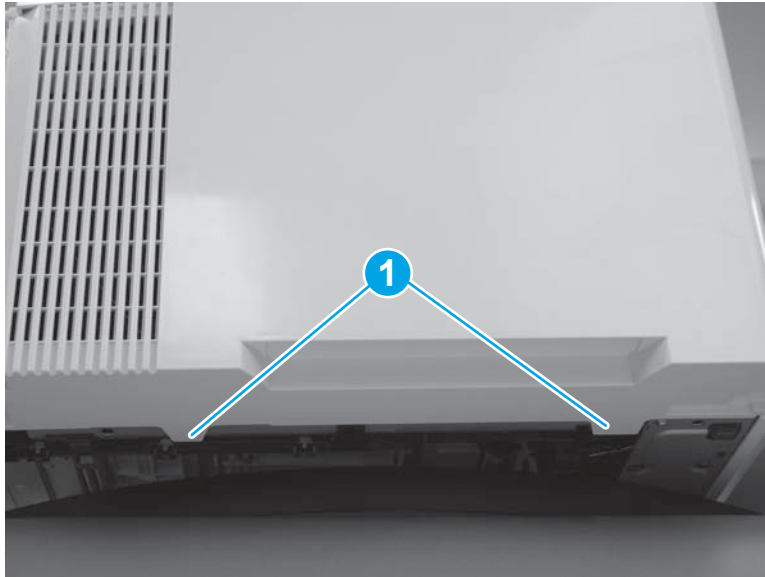
2. At the front of the printer, remove one screw (callout 1).

Figure 1-1443 Remove one screw



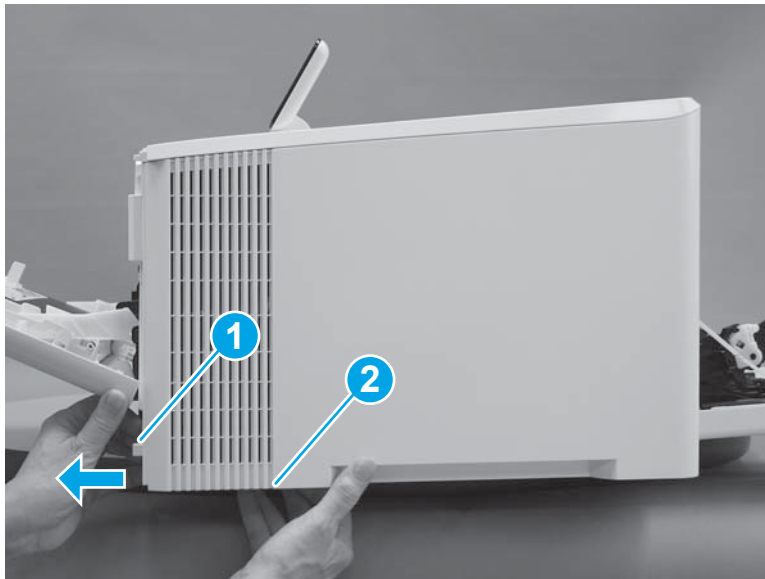
3. Slide the printer to the edge of a work surface. Note the location of the tabs on the lower edge of the cover (callout 1).

Figure 1-1444 Locate the tabs



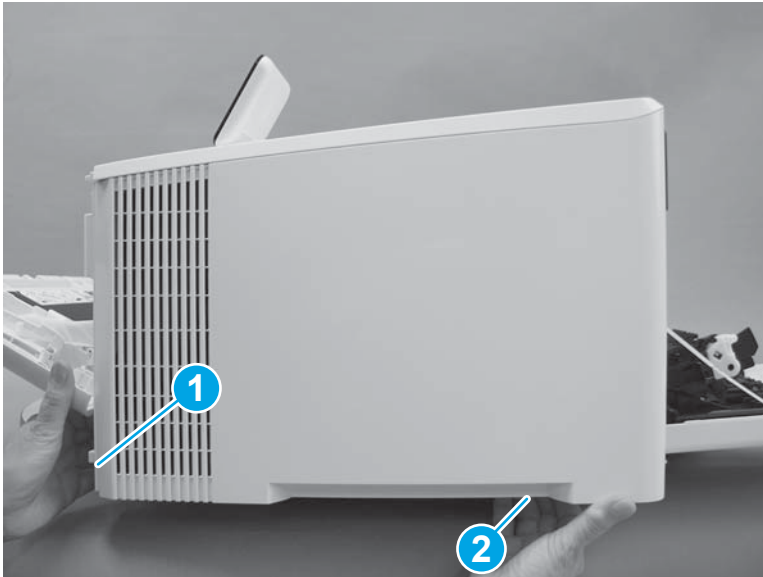
4. Release one tab (callout 1) on the front of the cover by slightly pulling the cover away from the printer. While holding the cover in the released position, release one tab (callout 2) on the bottom of the cover.

Figure 1-1445 Release front lower tabs



5. Hold the front tabs in the released position (callout 1), and then release one tab (callout 2) on the bottom of the cover, toward the back of the printer.

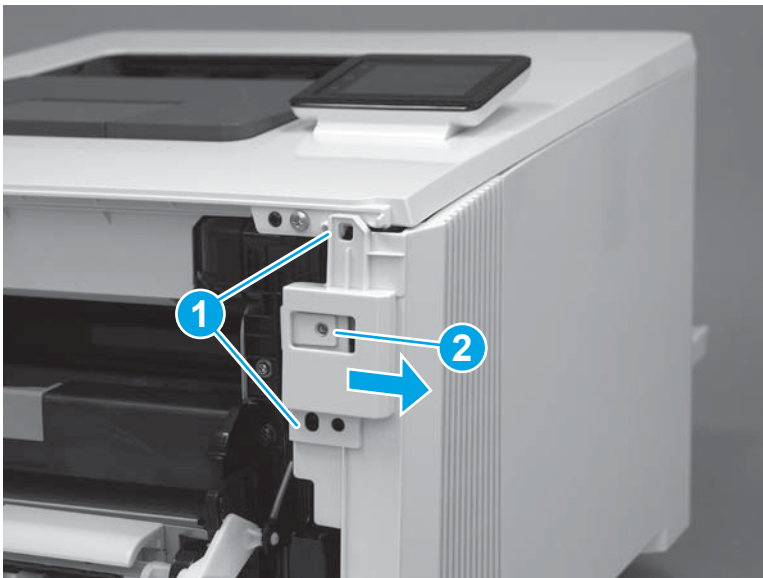
Figure 1-1446 Release lower rear tab



6. Release two tabs at the front of the printer (callout 1) by slightly pulling the cover away from the printer.

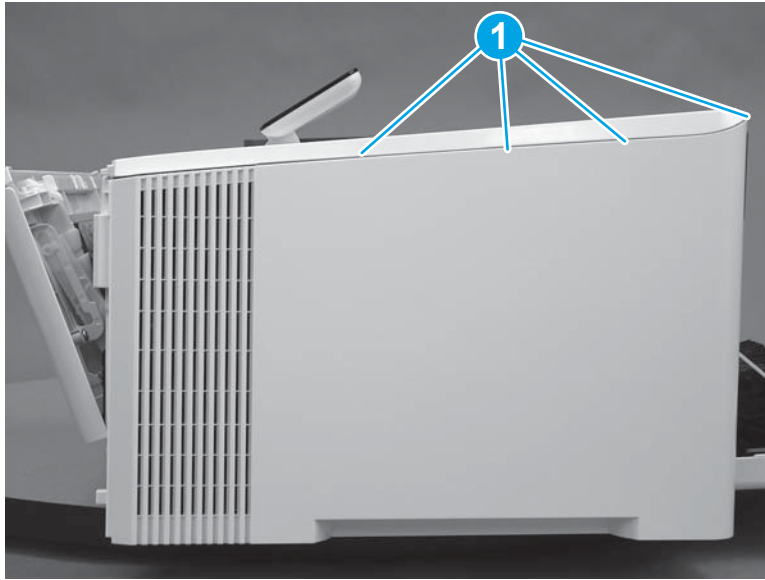
CAUTION: Be careful not to dislodge the power switch (callout 2).

Figure 1-1447 Release two front tabs



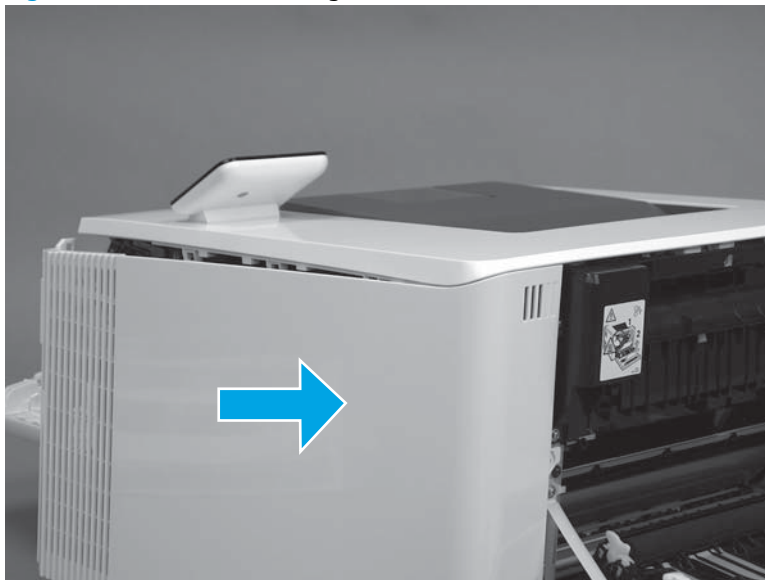
7. Release four tabs on the top of the printer (callout 1).

Figure 1-1448 Release upper tabs




8. Slide the cover toward the back of the printer to remove it.

Figure 1-1449 Remove the right cover



Step 4: Remove the right cover (M377, M477 models)

 **NOTE:** This step is for the M377, M477 models. For the M452 models, skip this step and go to [Step 5: Remove the left cover \(M452 models\) on page 791.](#)

1. Raise the scanner.

Figure 1-1450 Raise the scanner



2. At the back of the printer, remove one screw (callout 1).

Figure 1-1451 Remove one screw



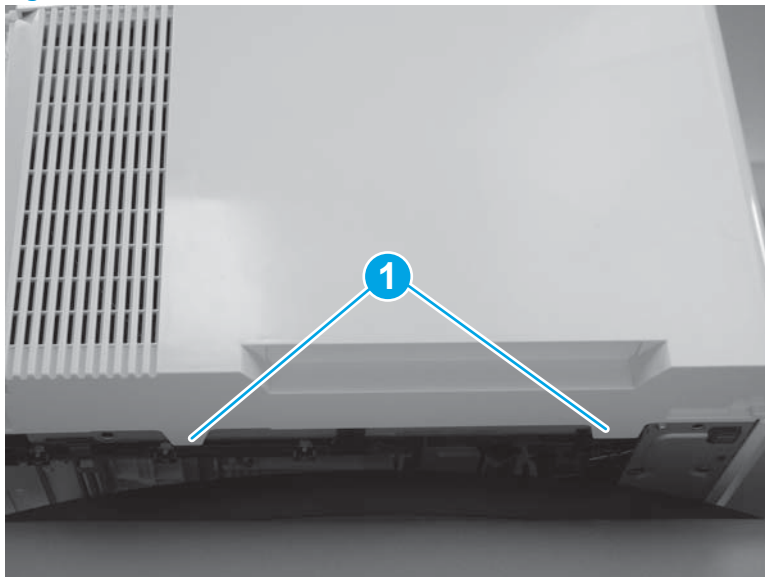
3. At the front of the printer, remove one screw (callout 1).

Figure 1-1452 Remove one screw



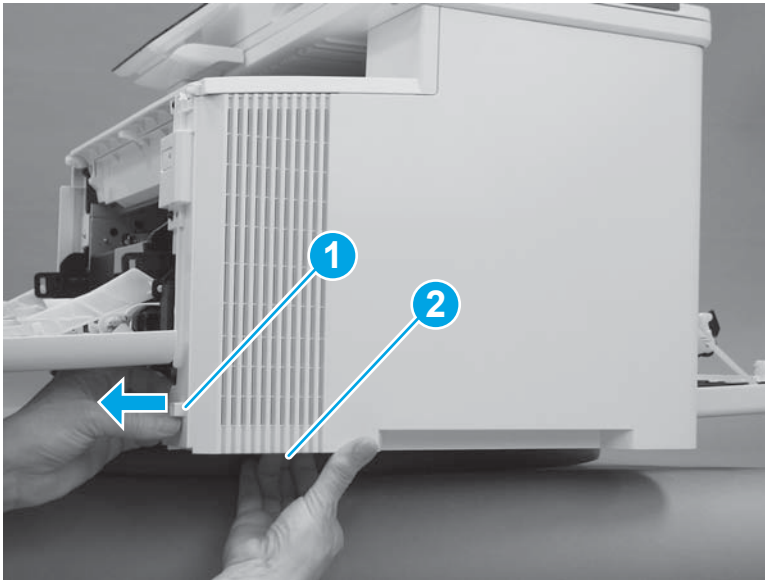
4. Slide the printer to the edge of a work surface. Note the location of the tabs on the lower edge of the cover (callout 1).

Figure 1-1453 Locate the tabs



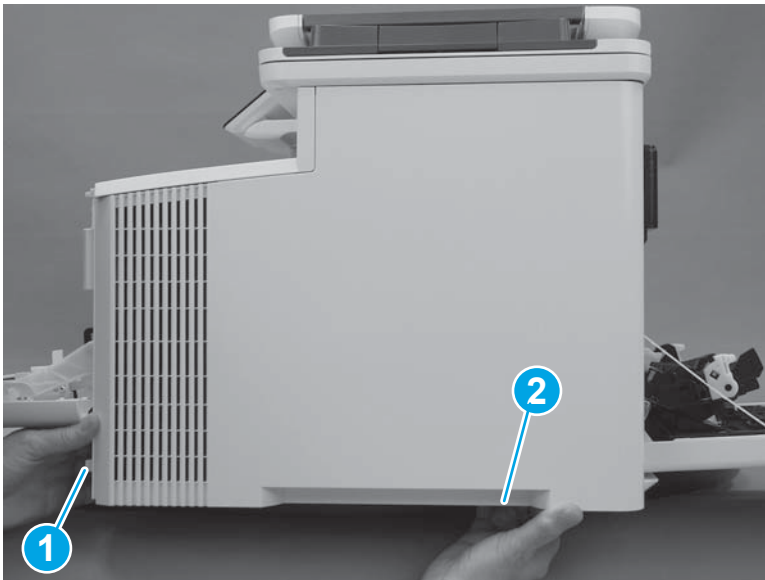
5. Release one tab (callout 1) on the front of the cover by slightly pulling the cover away from the printer. While holding the cover in the released position, release one tab (callout 2) on the lower edge of the cover.

Figure 1-1454 Release front lower tabs



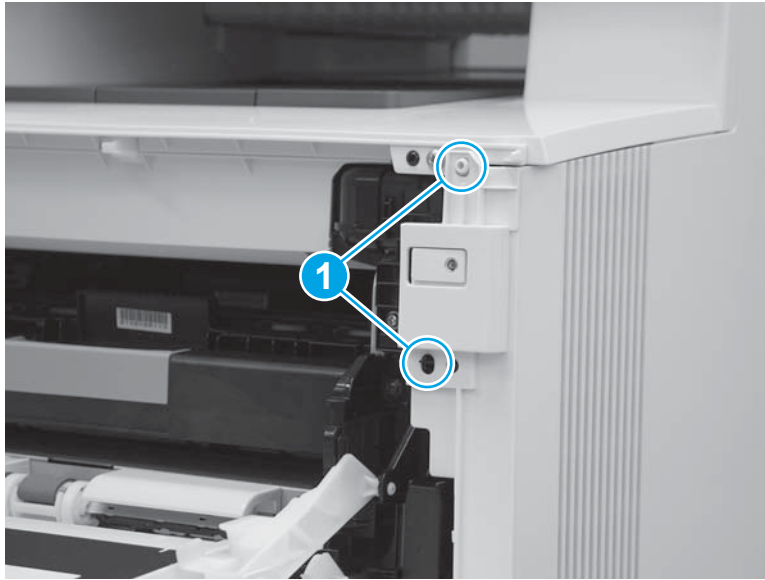
6. Hold the front tabs in the released position (callout 1), and then release one tab (callout 2) on the lower edge of the cover, toward the back of the printer.

Figure 1-1455 Release lower rear tab



7. Release two tabs at the front of the printer (callout 1) by slightly pulling the cover away from the printer.

Figure 1-1456 Release front upper tabs



8. Rotate the front of the cover away from the printer (callout 1).

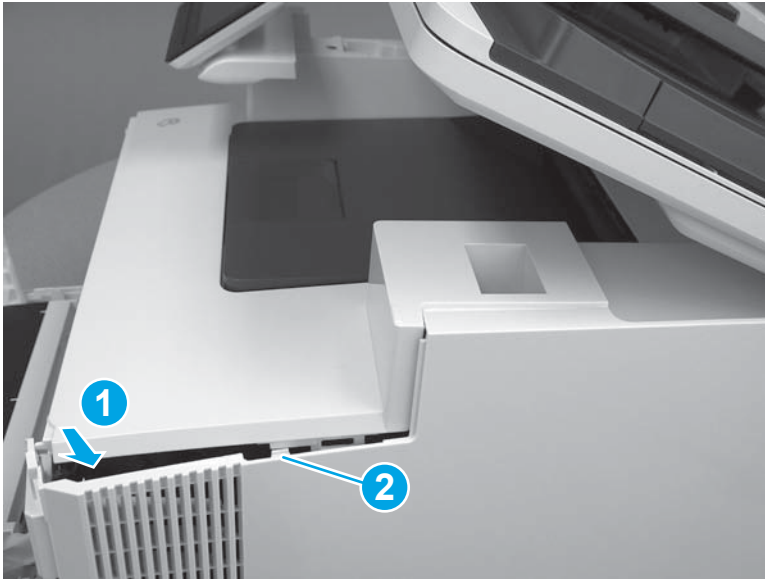
⚠ CAUTION: Be careful not to dislodge the power switch (callout 2).

Figure 1-1457 Rotate the front of the cover



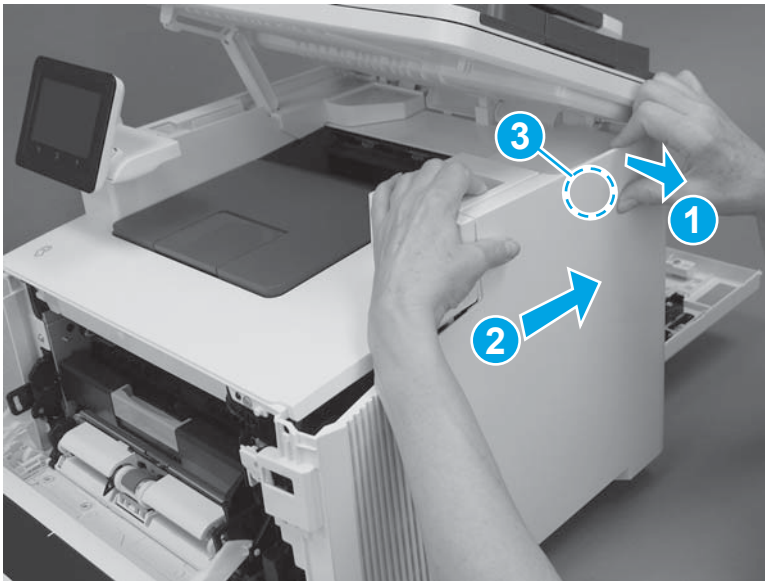
9. Slightly pull the front of the cover away from the printer (callout 1) to release one tab (callout 2).

Figure 1-1458 Release top tabs



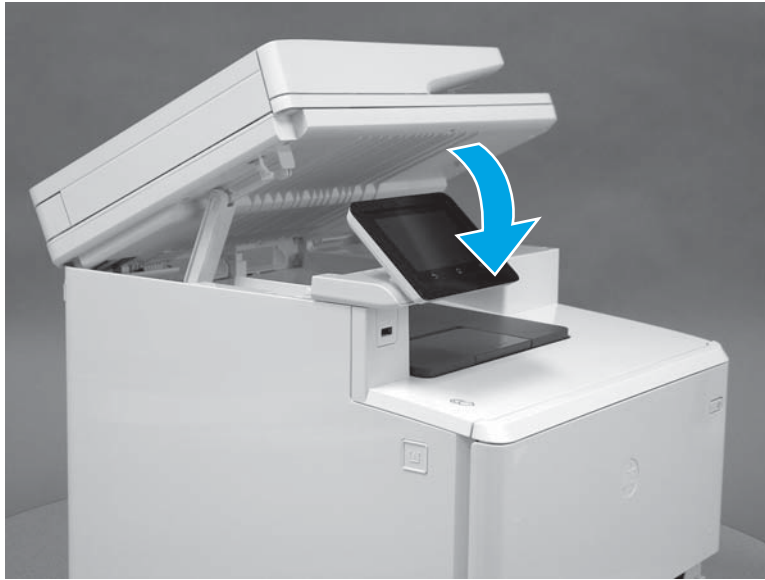
10. At the top of the printer, slightly pull the top of the cover away from the printer to release one retention tab (callout 1) on the inside of the cover. While holding the cover away, slide the cover toward the back of the printer (callout 2) to release one hook (callout 3) on the inside of the cover.

Figure 1-1459 Release one tab and one hook



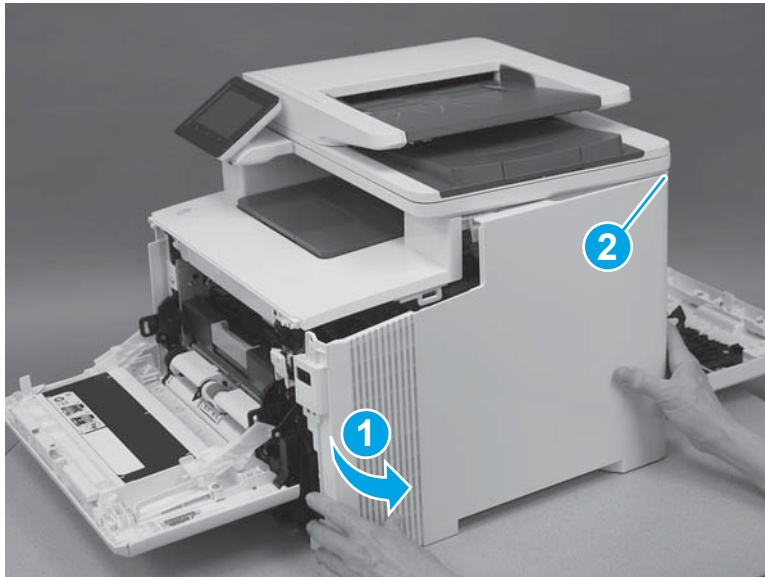
11. Lower the scanner.

Figure 1-1460 Lower the scanner



12. Rotate the cover away from the printer (callout 1) to release one tab (callout 2) at the back of the printer, and then remove the cover.

Figure 1-1461 Remove the right cover

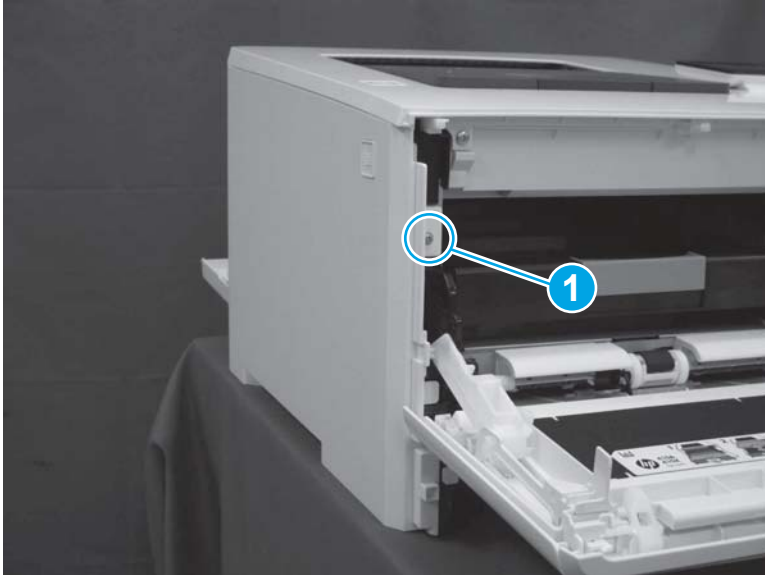


Step 5: Remove the left cover (M452 models)

 **NOTE:** This step is for the M452 models. For the M377, M477 models, skip this step and go to [Step 6: Remove the left cover \(M377, M477 models\) on page 794.](#)

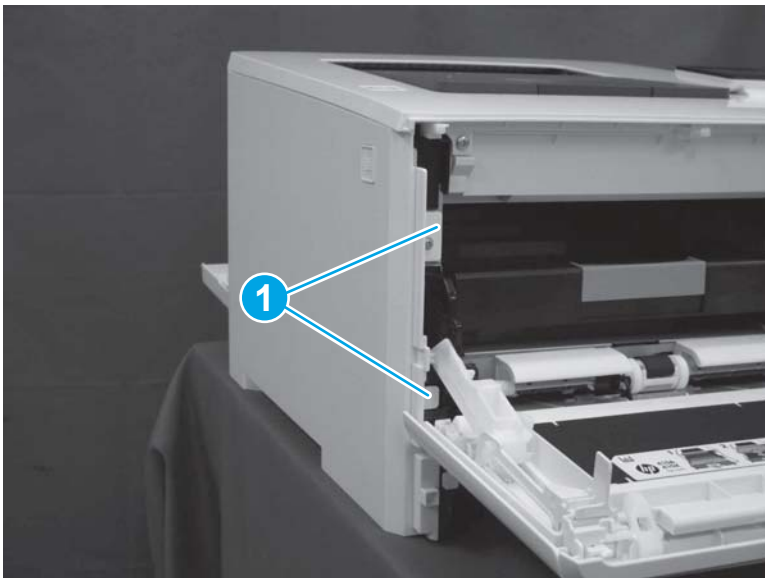
1. At the front of the printer, remove one screw (callout 1).

Figure 1-1462 Remove one screw



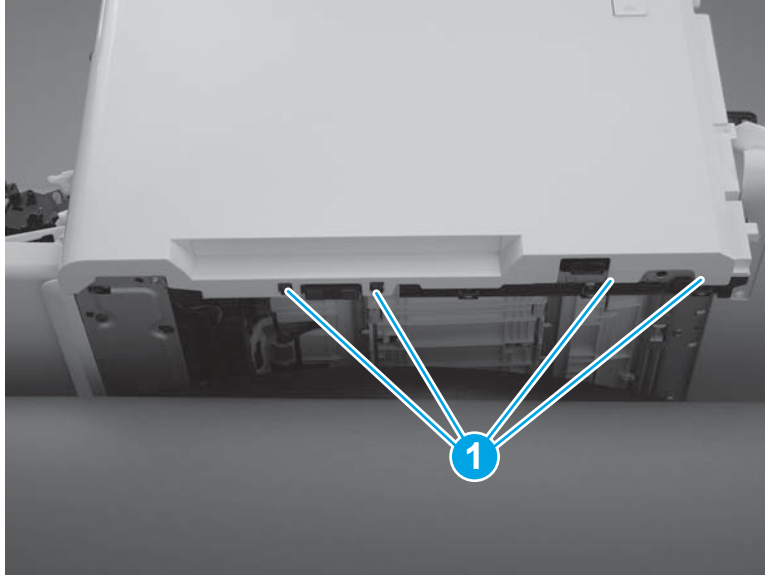
2. Release two tabs (callout 1) at the front of the cover. Hold the cover open to prevent the tabs from reengaging.

Figure 1-1463 Release two tabs



3. Slide the printer to the edge of a work surface. Note the location of the tabs on the lower edge of the cover (callout 1).

Figure 1-1464 Locate the tabs



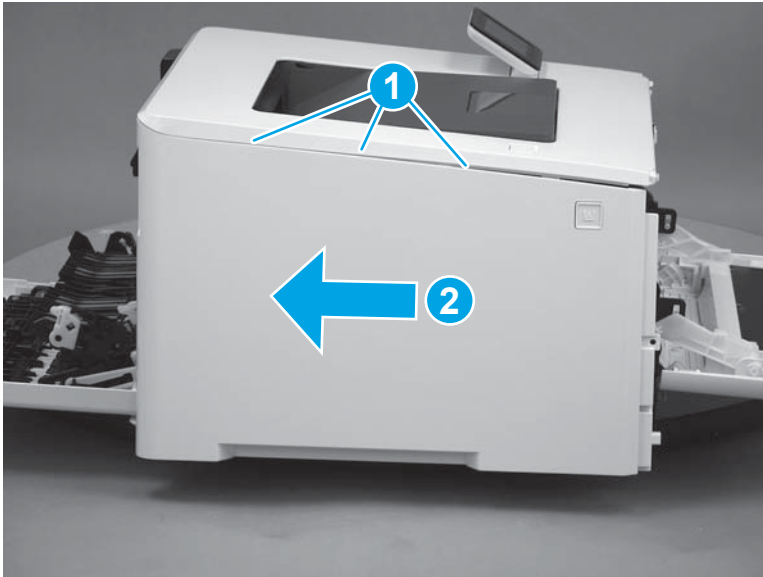
4. Beginning from the front of the cover, release four tabs (callouts 1-4) on the lower edge of the cover.

Figure 1-1465 Release bottom tabs



5. Release three tabs at the top of the cover (callout 1), and then slide the cover toward the rear of the printer to remove it.

Figure 1-1466 Release three tabs



Step 6: Remove the left cover (M377, M477 models)

 **NOTE:** This step is for the M377, M477 models. For the M452 models, skip this step and go to [Step 7: Remove the duplexer door assembly \(duplex models\) on page 798.](#)

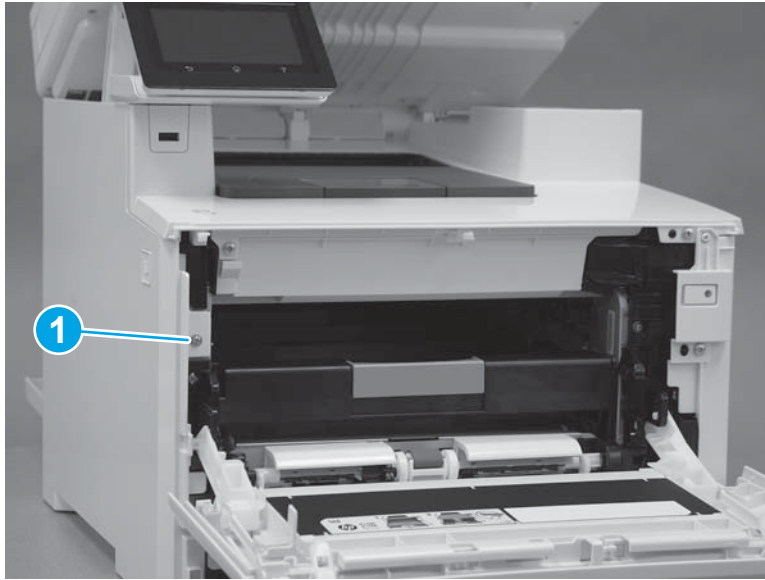
1. Raise the scanner.

Figure 1-1467 Raise the scanner



2. At the front of the printer, remove one screw (callout 1).

Figure 1-1468 Remove one screw



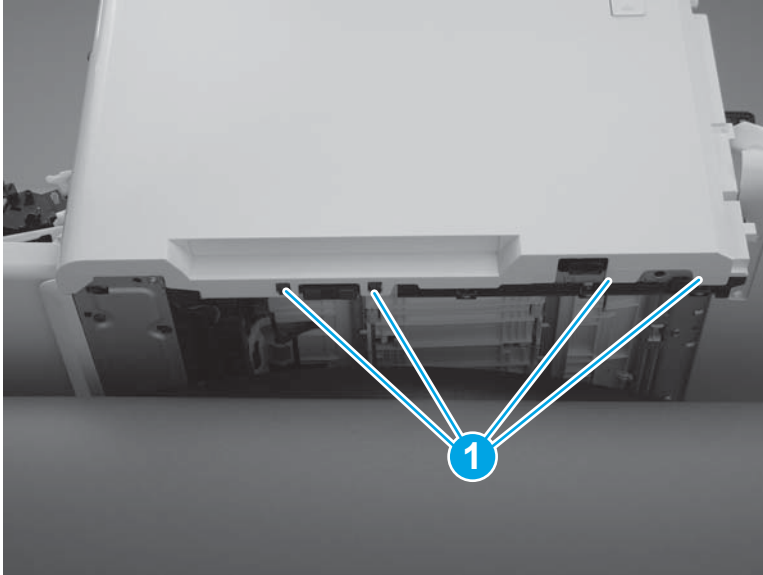
3. Release two tabs (callout 1) at the front of the cover. Hold the cover open to prevent the tabs from re-engaging.

Figure 1-1469 Release two tabs



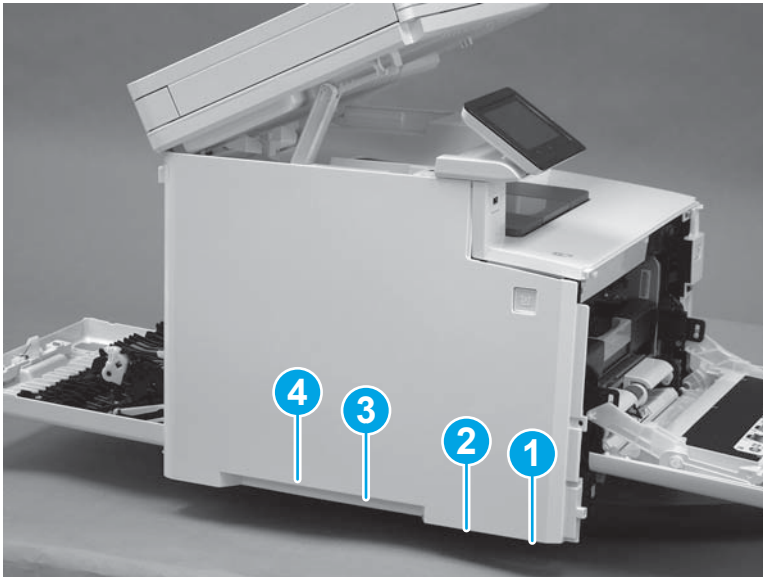
4. Slide the printer to the edge of a work surface. Note the location of the tabs on the lower edge of the cover (callout 1).

Figure 1-1470 Locate the tabs



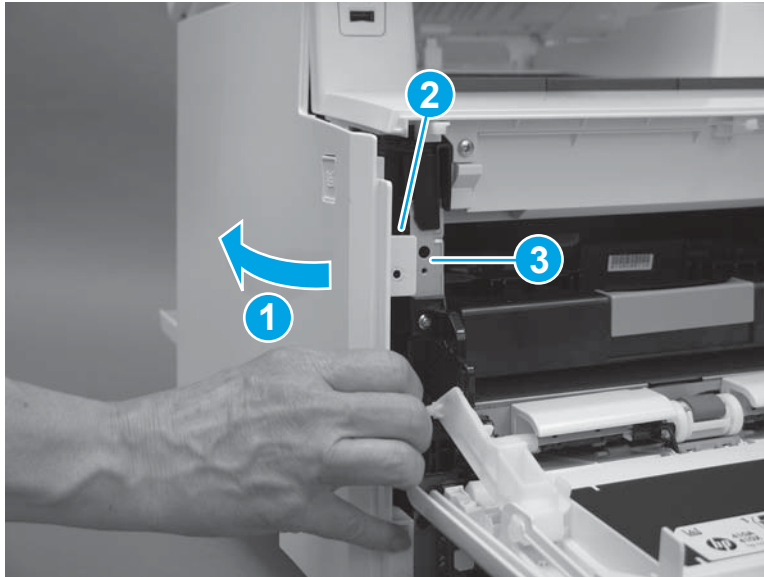
5. Beginning from the front of the cover, release the four tabs (callouts 1-4) on the lower edge of the cover.

Figure 1-1471 Release four tabs



6. Rotate the front of the cover away from the printer (callout 1). Make sure that the tab (callout 2) does not get caught on the printer frame (callout 3).

Figure 1-1472 Rotate the cover



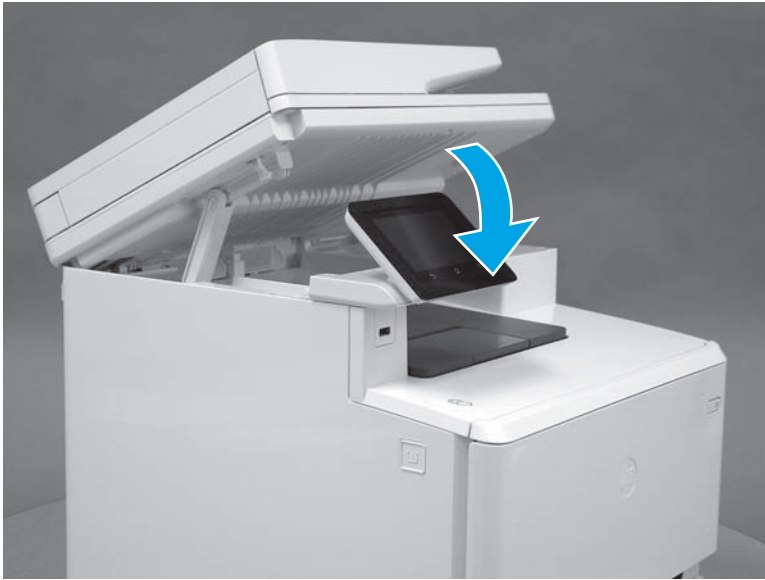
7. At the top of the printer, slightly pull the top of the cover away from the printer to release one retention tab (callout 1) on the inside of the cover. While holding the cover away, slide the cover toward the back of the printer (callout 2) to release two hooks (callout 3) inside the cover.

Figure 1-1473 Release one tab and two hooks



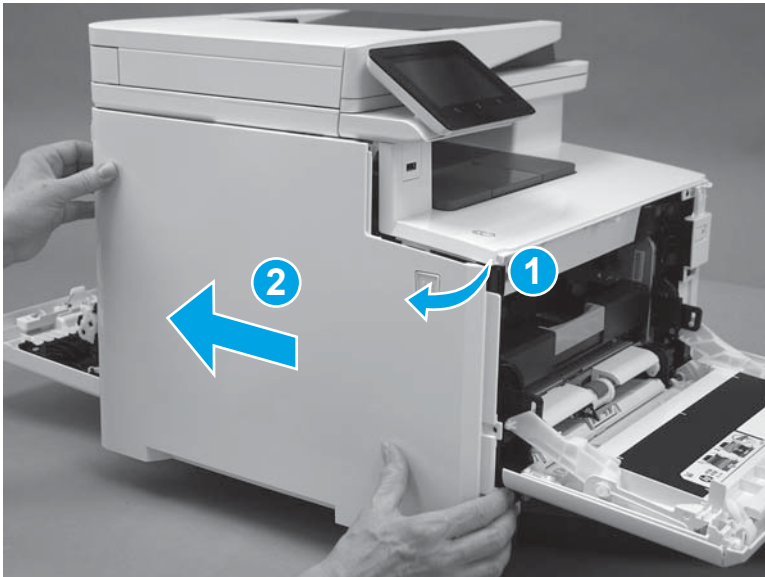
8. Lower the scanner.

Figure 1-1474 Lower the scanner



9. Rotate the cover away from the printer (callout 1), and then slide the cover (callout 2) toward the back of the printer to remove it.

Figure 1-1475 Remove the left cover



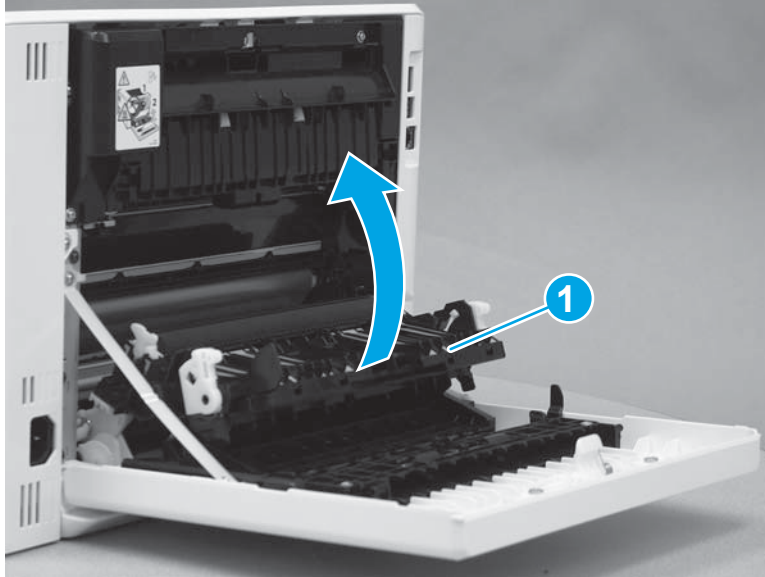
Step 7: Remove the duplexer door assembly (duplex models)



NOTE: This step is for duplex models. For simplex models, skip this step and go to [Step 8: Remove the rear door \(simplex models\) on page 800](#).

1. Rotate the secondary transfer assembly (callout 1) toward the printer to close it.

Figure 1-1476 Close the secondary transfer assembly



2. At the back of the printer, remove two screws (callout 1), and then remove one screw (callout 2) that holds the retention arm.


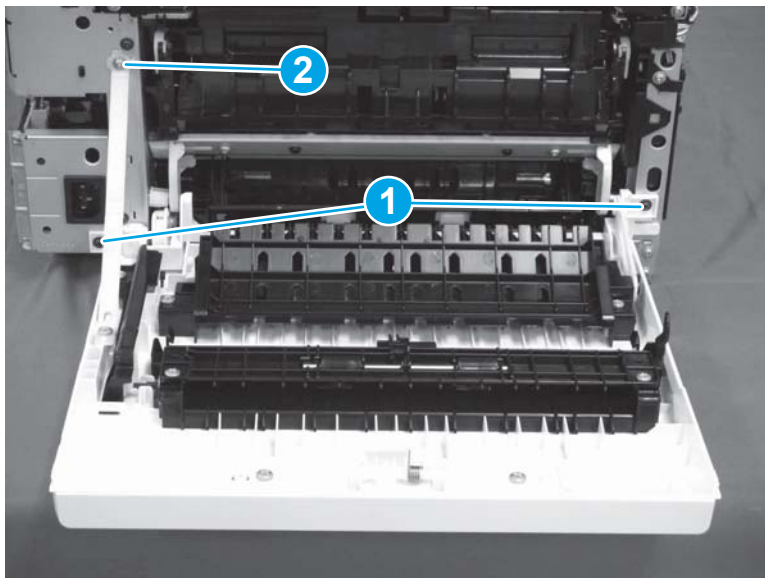
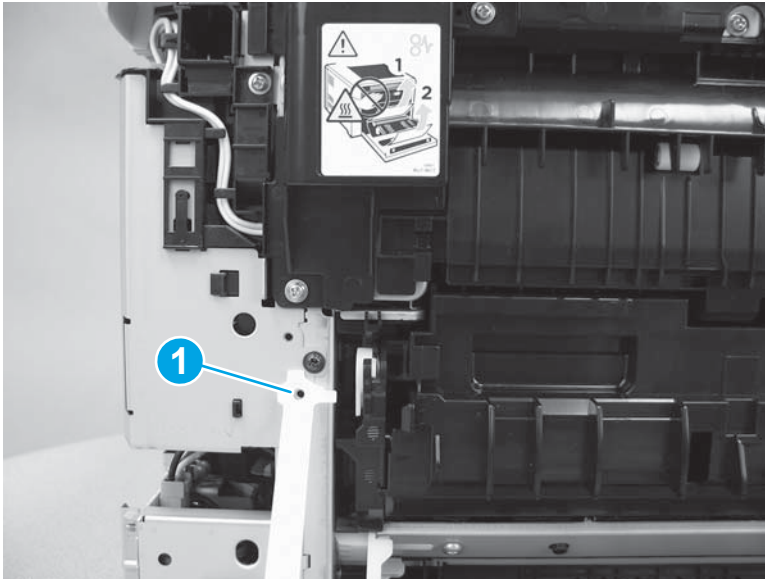
 **Reinstallation tip:** Note that the screw (callout 2) that holds the retention arm is longer than the other two. Make sure this screw is installed in the correct position.

Figure 1-1477 Remove three screws



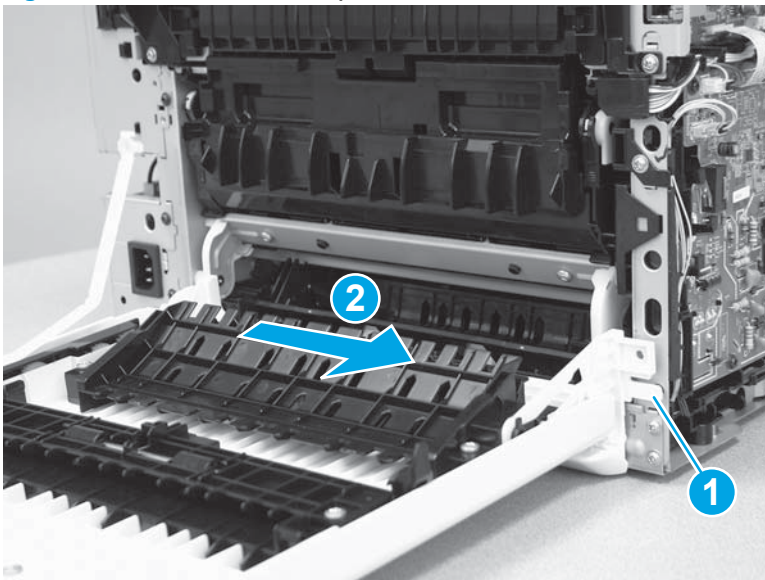
3. Release the retention arm (callout 1).

Figure 1-1478 Release the retention arm



4. Release one tab (callout 1), and then slide the duplexer door (callout 2) to the right to remove it.

Figure 1-1479 Remove the duplexer door



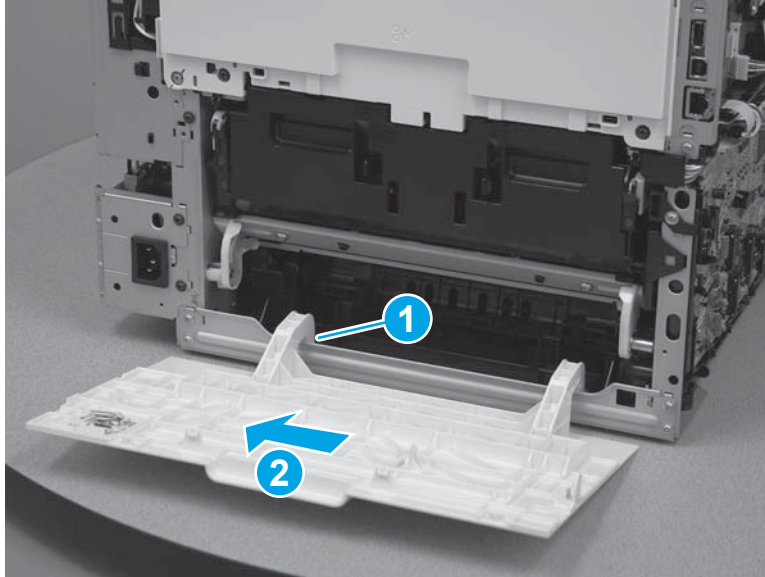
Step 8: Remove the rear door (simplex models)



NOTE: This step is for simplex models. For duplex models, skip this step and go to [Step 9: Remove the low-voltage power supply \(LVPS\) on page 801](#).

- ▲ Slightly flex one hinge arm (callout 1) to release a hinge pin, and then slide the rear door to the left (callout 2) to remove it.

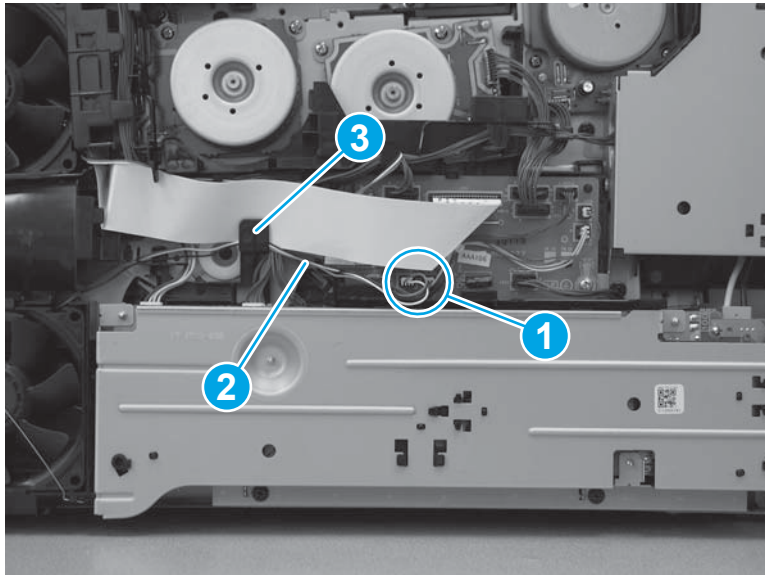
Figure 1-1480 Remove the rear door



Step 9: Remove the low-voltage power supply (LVPS)

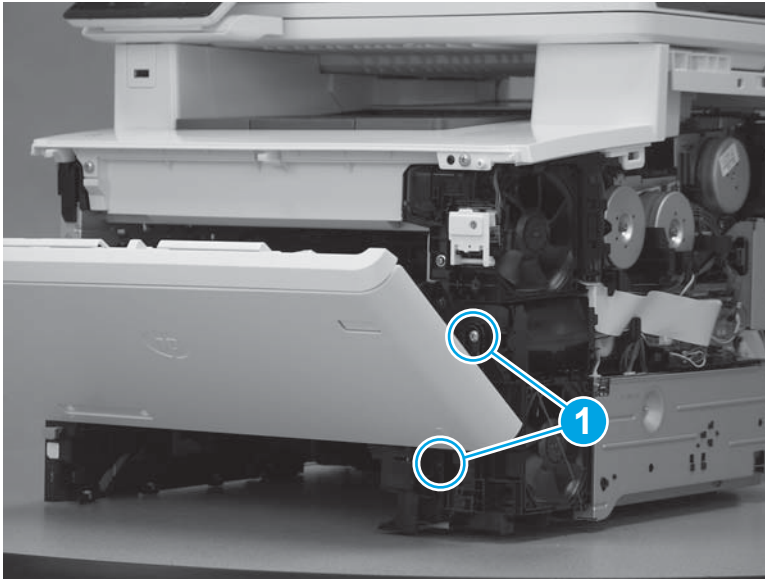
1. Disconnect one connector (callout 1), and then remove the cable (callout 2) from the wire guide (callout 3).

Figure 1-1481 Disconnect one connector and release cables from guides



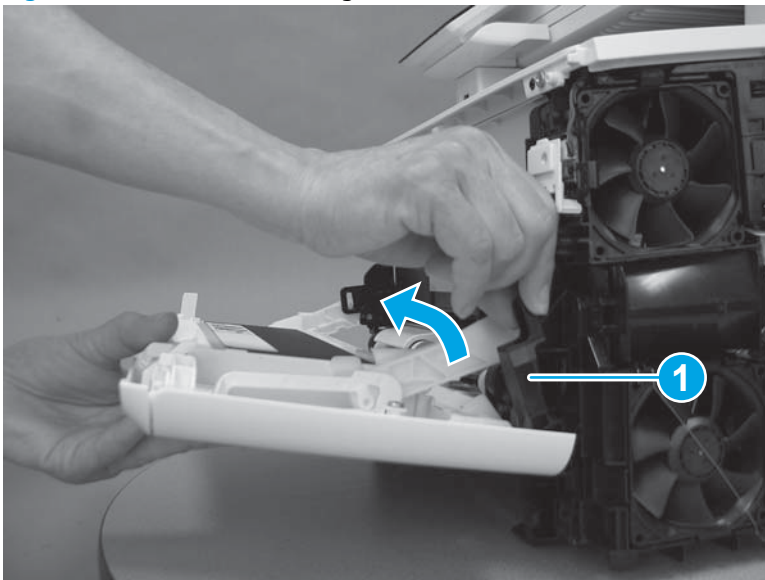
2. Remove two screws (callout 1).

Figure 1-1482 Remove two screws



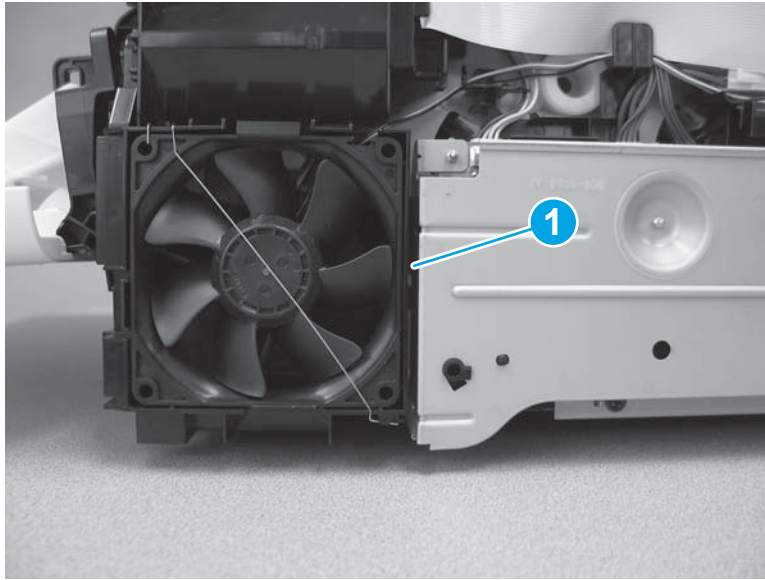
3. Release the hinge arm (callout 1).

Figure 1-1483 Release the hinge arm



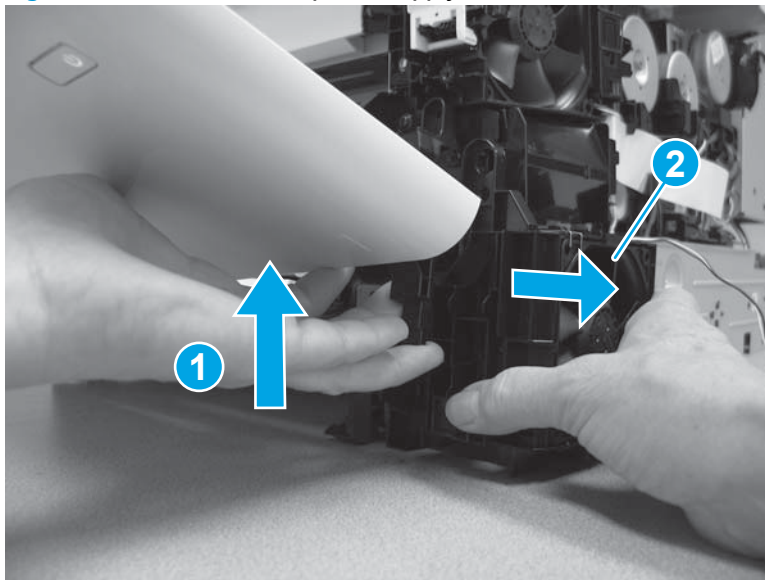
4. Release one tab (callout 1) on the right side of the power supply fan.

Figure 1-1484 Release one tab



5. Lift the front door up slightly (callout 1), and then remove the power supply fan and holder (callout 2).

Figure 1-1485 Remove the power supply fan and holder



6. Before disconnecting the cables in the next step, make note of the position of two cables (callout 1).


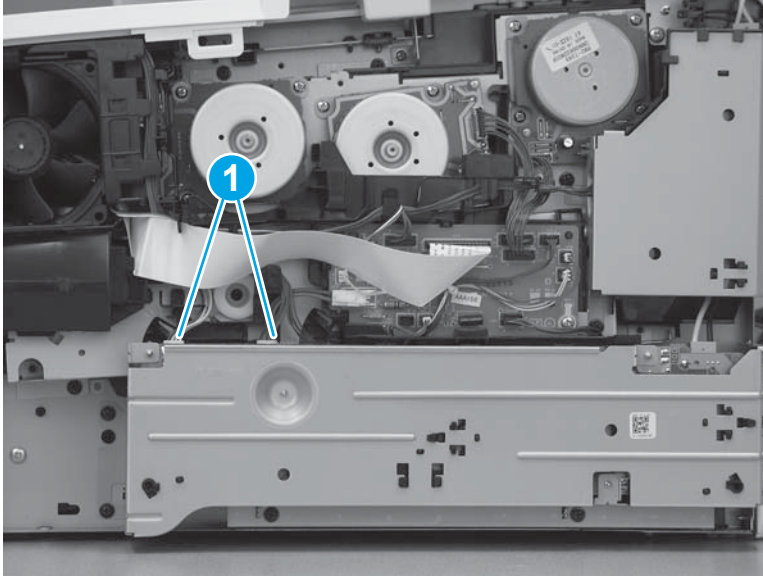
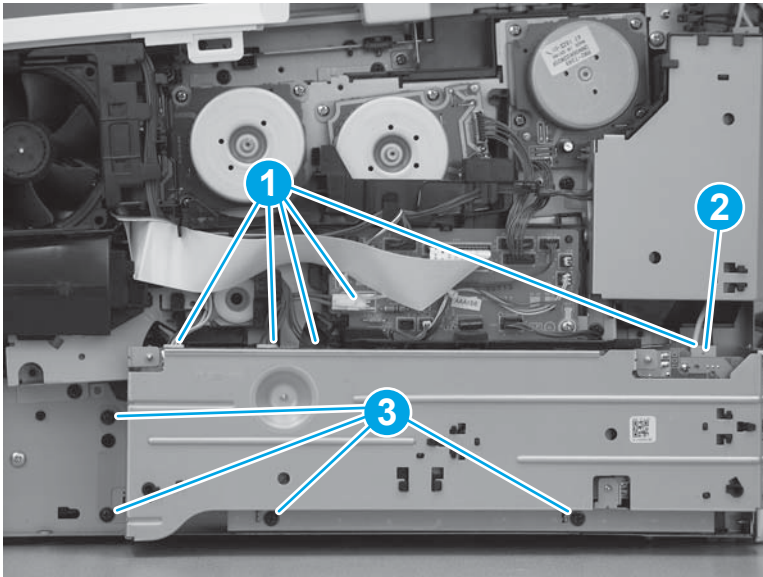
 **IMPORTANT:** These cables can be inadvertently switched when reinstalling. The connectors on the cables will fit in either connector on the LVPS. Make sure that these cables are installed in the correct connectors. If the cables are switched, the printer will not power on when reassembled.

Figure 1-1486 Check the connectors



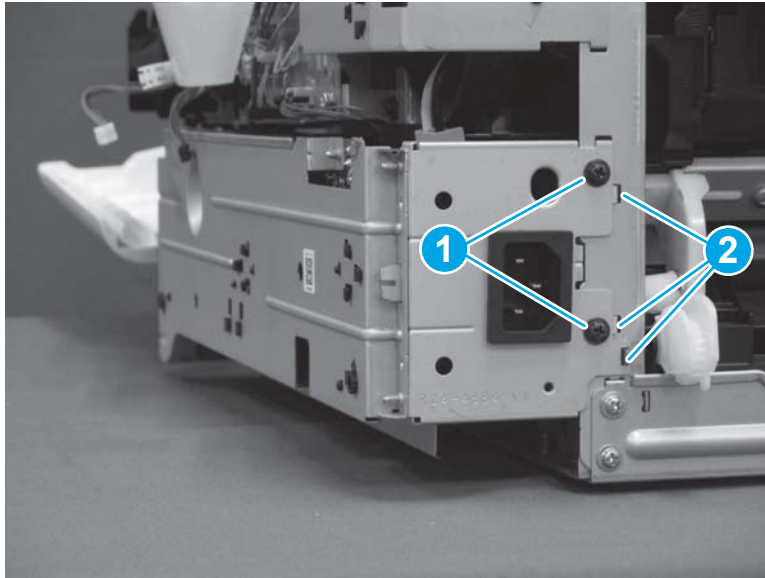
7. Disconnect five connectors (callout 1). Note that one connector (callout 2) has a latch that must be released before disconnecting it. Remove four screws (callout 3).

Figure 1-1487 Disconnect five connectors and remove four screws



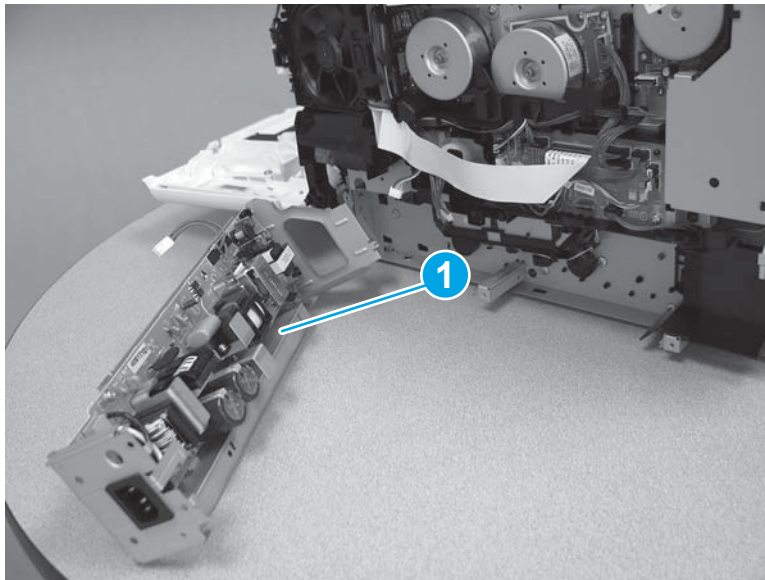
8. Remove two screws (callout 1), and then release three tabs (callout 2).

Figure 1-1488 Remove two screws and release three tabs



9. Remove the LVPS (callout 1).

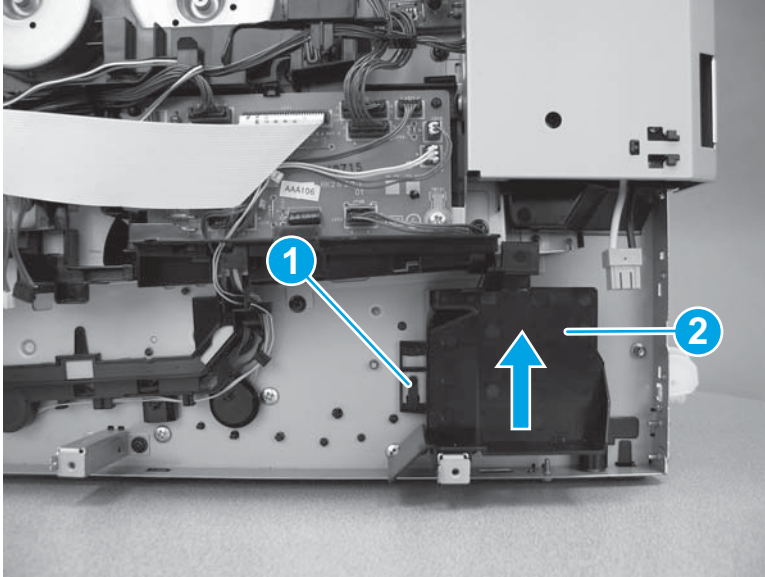
Figure 1-1489 Remove the LVPS



Step 10: Remove the pickup motor

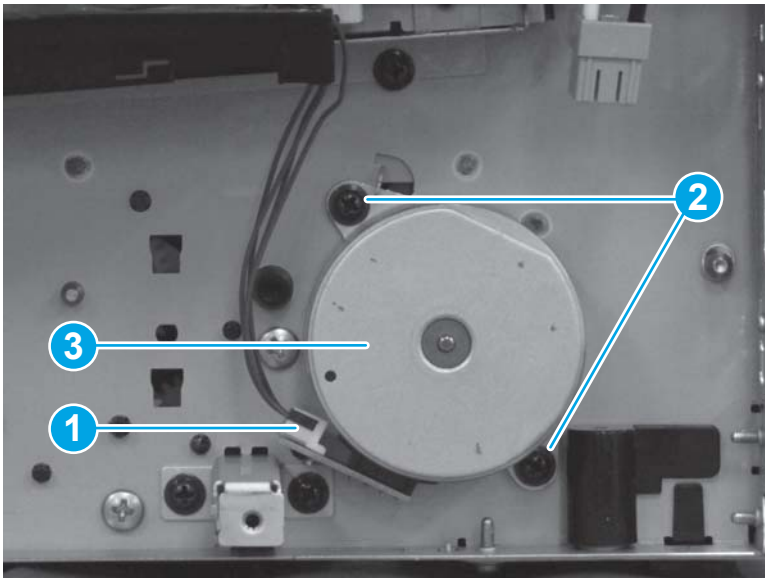
1. Release one tab (callout 1), and then slide the fan duct (callout 2) up to remove it.

Figure 1-1490 Remove the fan duct



2. Disconnect one connector (callout 1), remove two screws (callout 2), and then remove the pickup motor (callout 3).

Figure 1-1491 Remove the pickup motor



Step 11: Unpack the replacement part

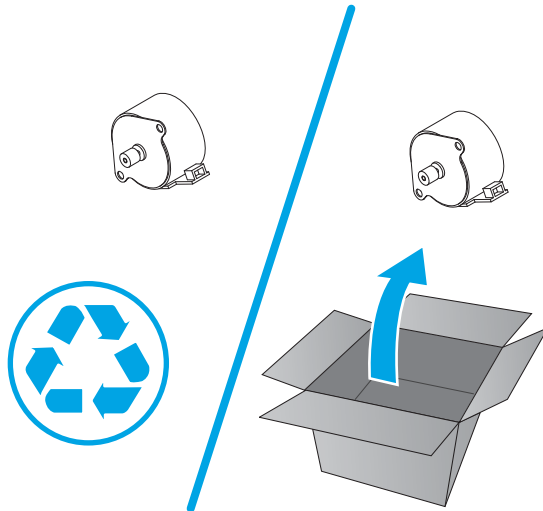
Remove the new part from its package. Save all packaging for recycling the used part.

For complete information on HP's recycling programs, go to [Product return and recycling](#).



NOTE: HP recommends responsible disposal of the defective part.

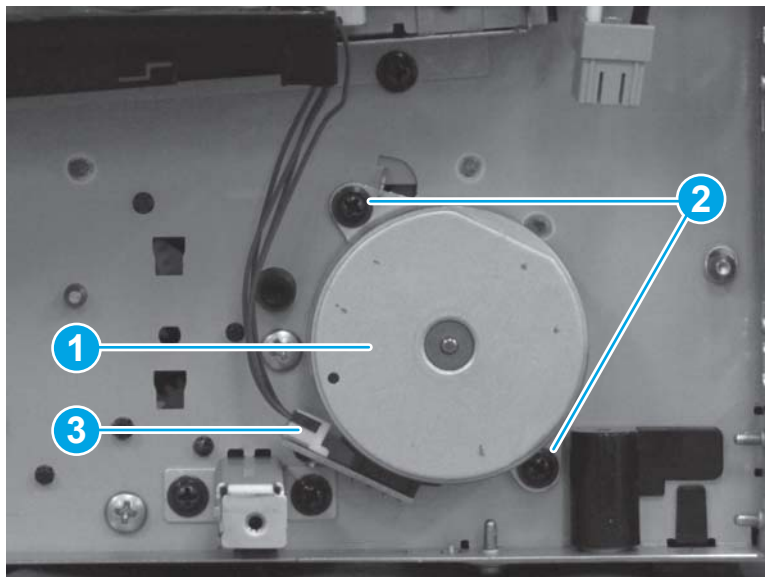
Figure 1-1492 Recycle and unpack



Step 12: Install the pickup motor

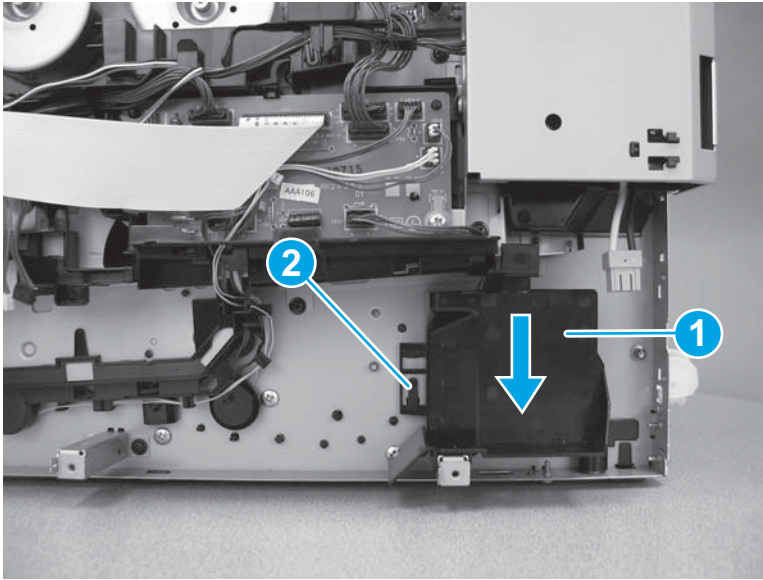
1. Position the pickup motor (callout 1) on the printer. Install two screws (callout 2), and then connect one connector (callout 3).

Figure 1-1493 Install the pickup motor



2. Position the fan duct (callout 1) on the printer. Slide the fan duct down to engage one tab (callout 2).

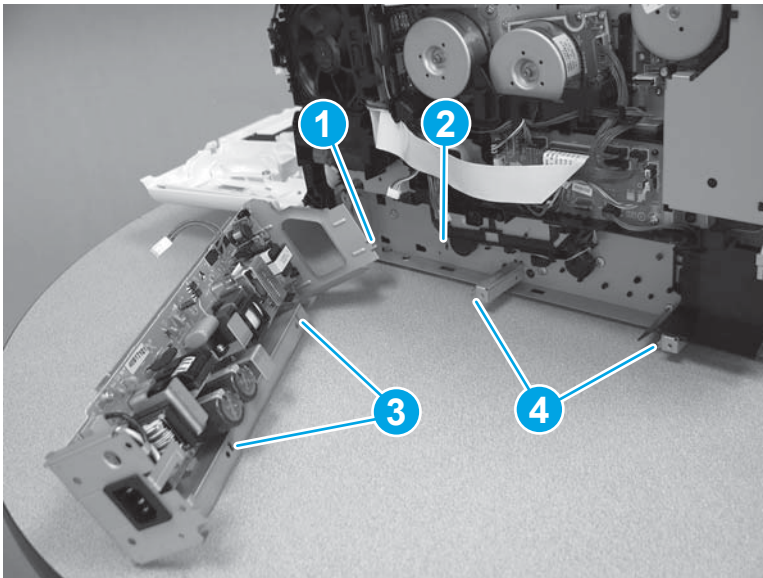
Figure 1-1494 Install the fan duct



Step 13: Install the LVPS

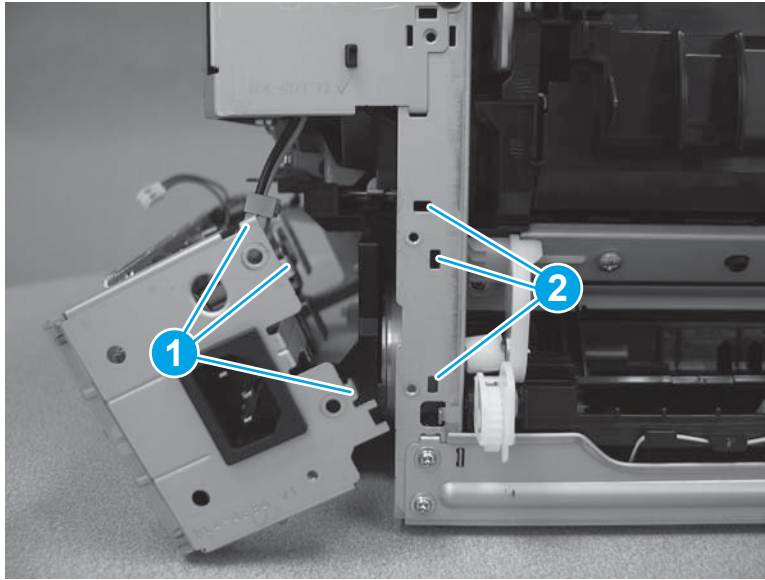
1. Install the tab (callout 1) on the LVPS into the slot (callout 2) in the printer. Install the slots (callout 3) in the LVPS over the tabs (callout 4) on the printer.

Figure 1-1495 Install the side tabs of the LVPS



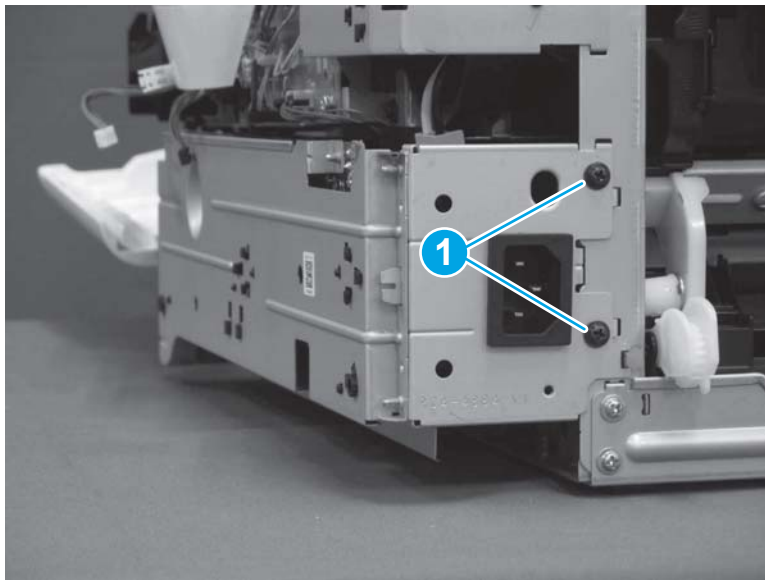
2. At the back of the printer, install the tabs on the LVPS (callout 1) into the slots (callout 2) in the printer.

Figure 1-1496 Install the back tabs of the LVPS



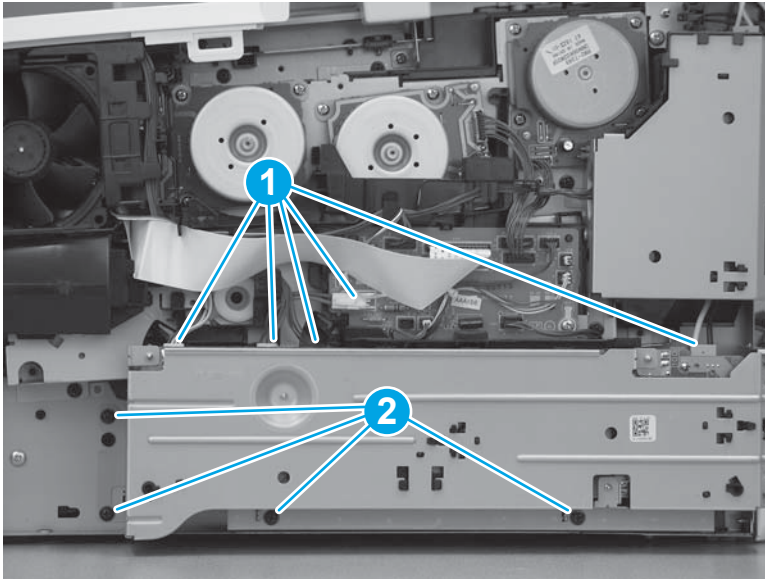
3. Install two screws (callout 1).

Figure 1-1497 Install two screws



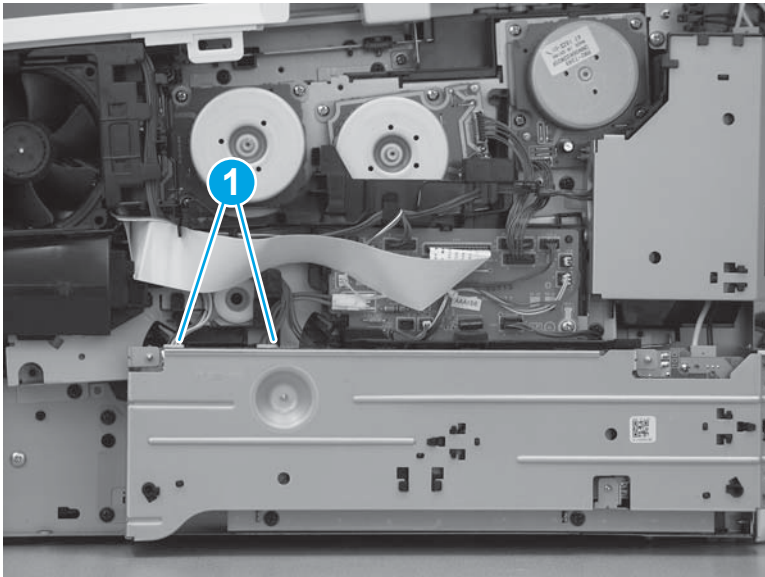
4. Connect five connectors (callout 1), and then install four screws (callout 2).

Figure 1-1498 Connect five connectors and install four screws



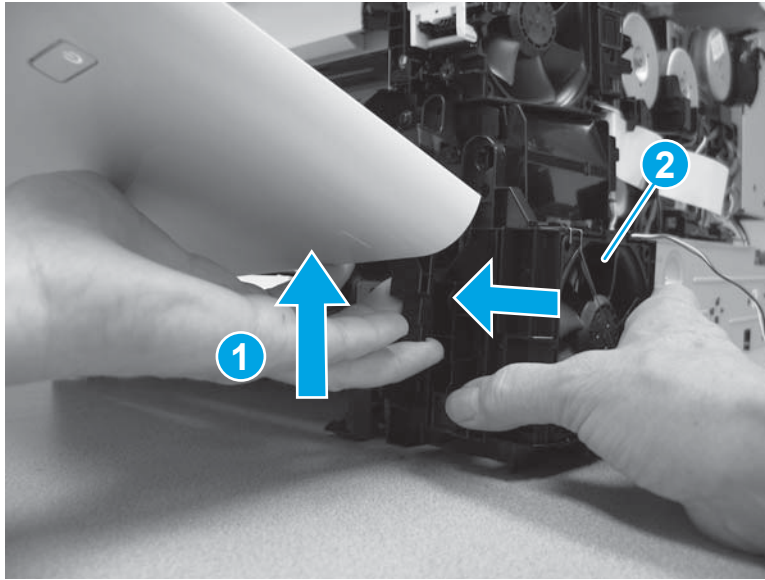
IMPORTANT: Two of the cables (callout 1) can be inadvertently switched. The connectors on the cables will fit in either connector on the LVPS. Make sure these cables are installed in the correct connectors. If these cables are switched, the printer will not power on when reassembled.

Figure 1-1499 Check the connectors



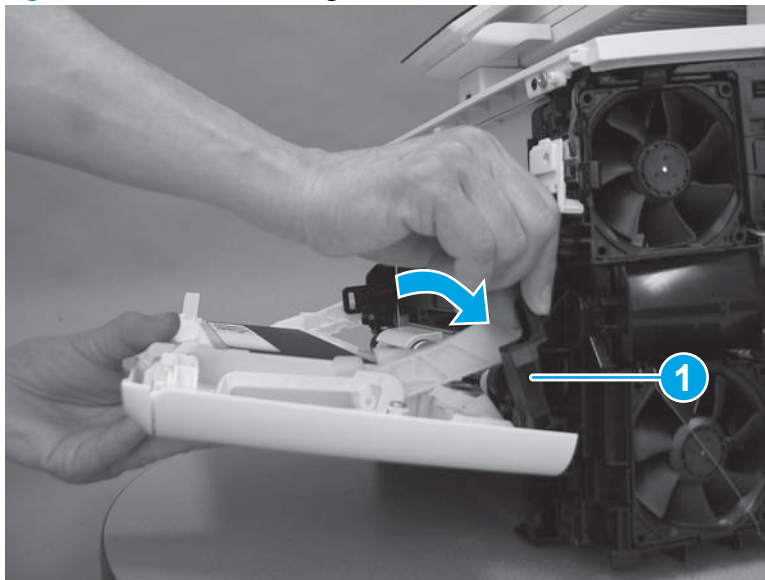
5. Lift the front door up slightly (callout 1), and then install the power supply fan and holder (callout 2).

Figure 1-1500 Remove the power supply fan and holder



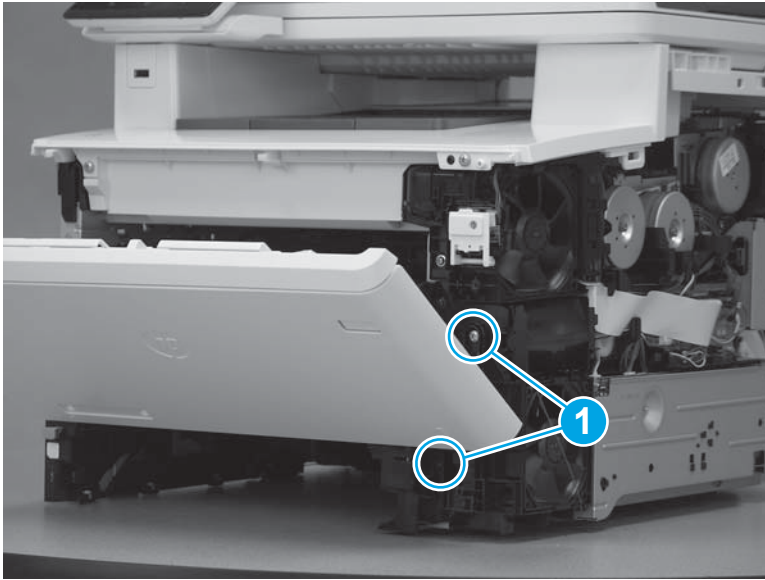
6. Install the hinge arm (callout 1).

Figure 1-1501 Install the hinge arm



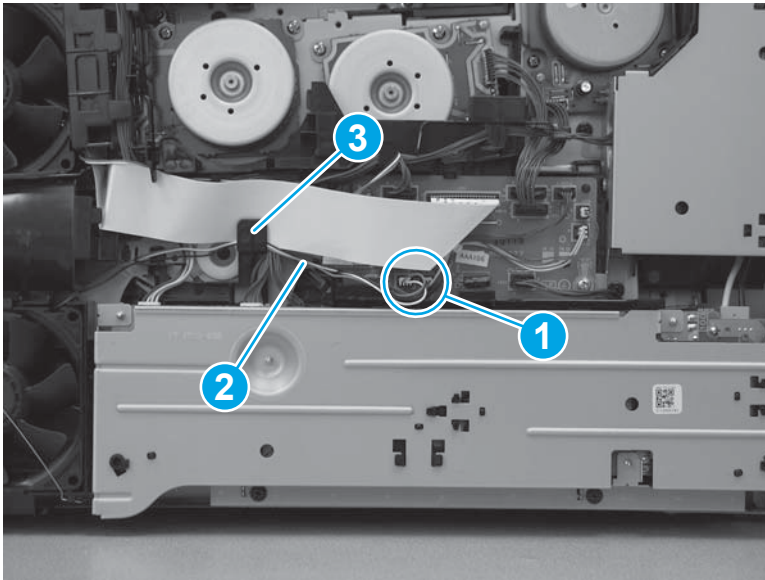
7. Install two screws (callout 1).

Figure 1-1502 Install two screws



8. Connect one connector (callout 1), and then install the cable (callout 2) into the wire guide (callout 3).

Figure 1-1503 Connect one connector and install cables in the guides

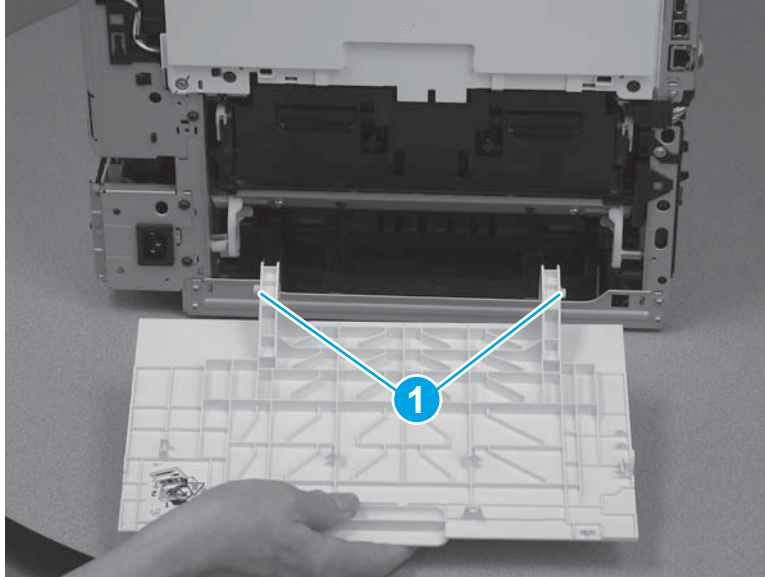


Step 14: Install the rear door (simplex models)

 **NOTE:** This step is for simplex models. For duplex models, skip this step and go to [Step 15: Install the duplex door assembly on page 813](#).

- ▲ Slightly flex the door hinge arms to install two hinge pins (callout 1).

Figure 1-1504 Install the rear door

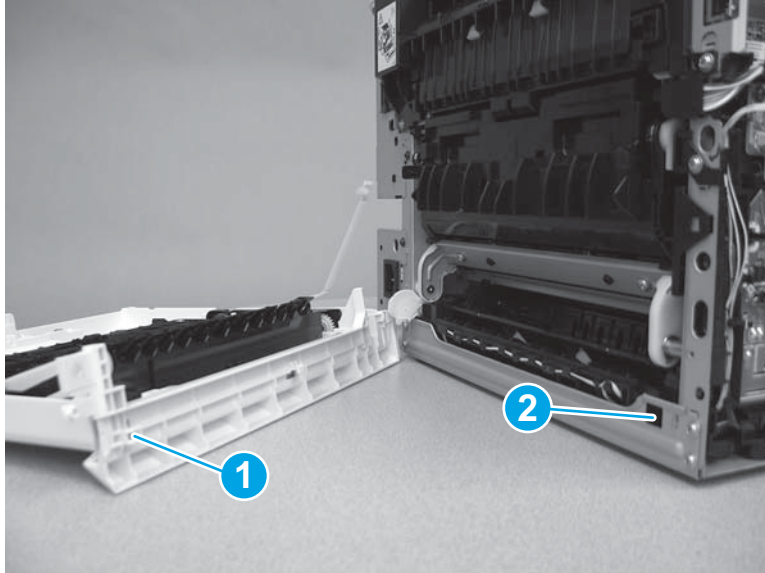


Step 15: Install the duplexer door assembly

 **NOTE:** This step is for duplex models. For simplex models, skip this step and go to [Step 16: Install the left cover \(M452 models\) on page 815](#).

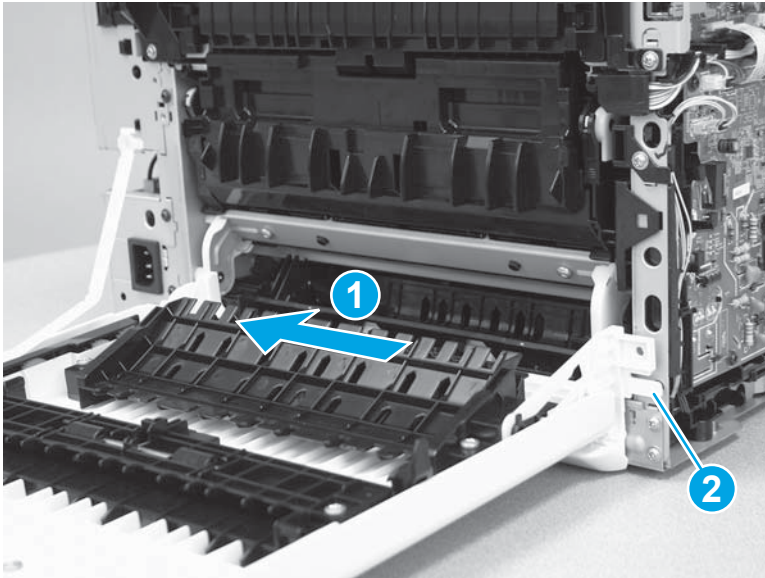
1. Position the tab (callout 1) on the door into the slot (callout 2) on the printer.

Figure 1-1505 Position the tab in the slot



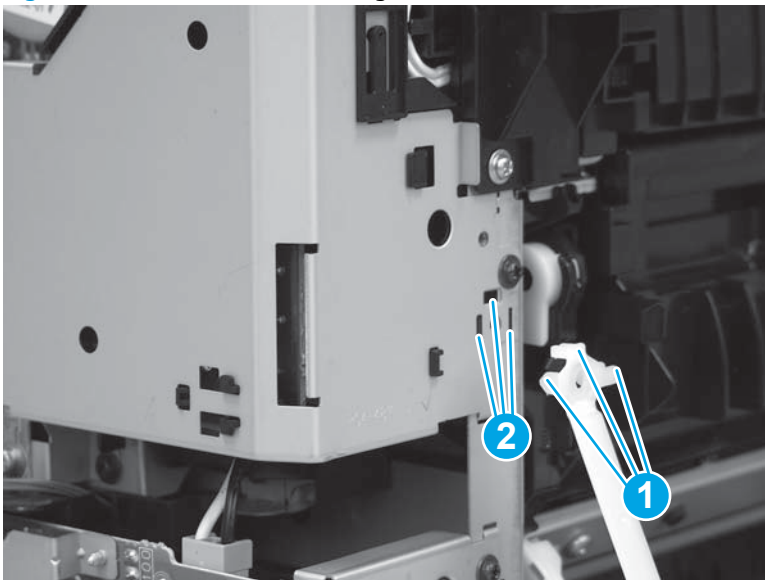
2. Slide the door to the left (callout 1) until the tab (callout 2) snaps into place.

Figure 1-1506 Install the duplexer door



3. Install the tabs (callout 1) on the retaining arm into the slots (callout 2) in the printer.

Figure 1-1507 Install the retaining arm



4. At the back of the printer, install two screws (callout 1), and then install one screw (callout 2) that holds the retention arm.


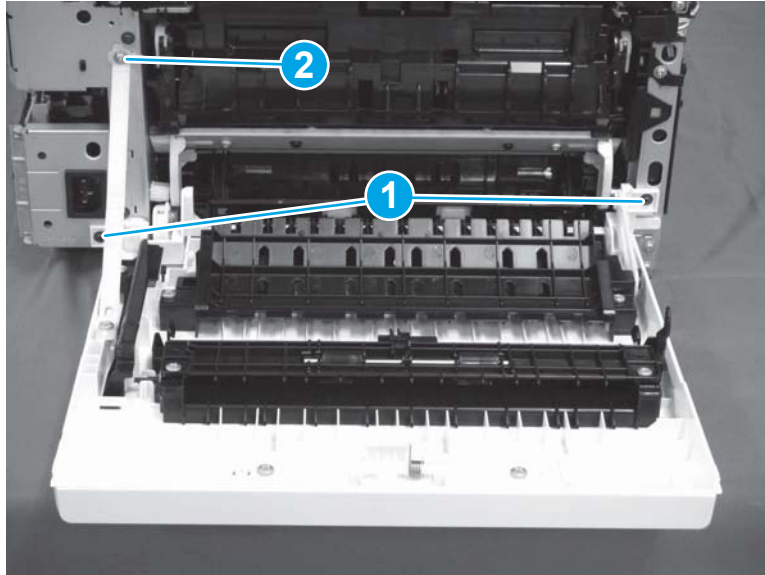

 **Reinstallation tip:** Note that the screw (callout 2) that holds the retention arm is longer than the other two. Make sure this screw is installed in the correct position.

Figure 1-1508 Install three screws

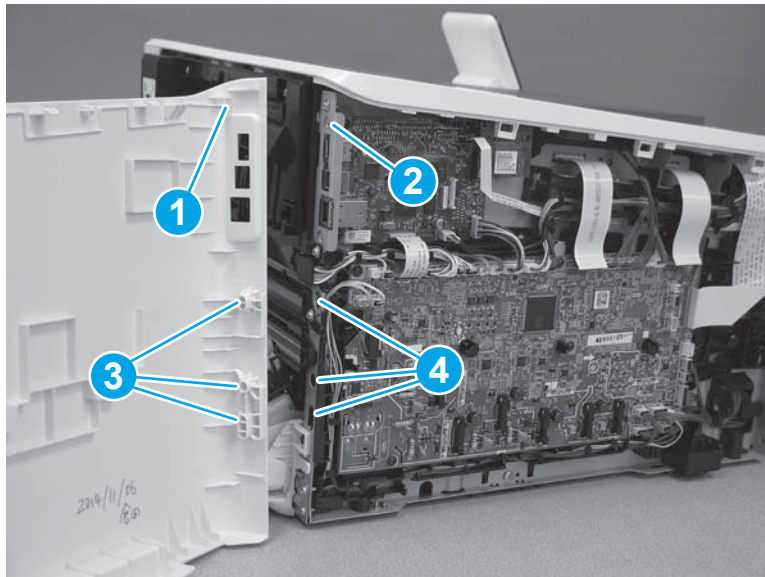


Step 16: Install the left cover (M452 models)

 **NOTE:** This step is for the M452 models. For the M377, M477 models, skip this step and go to [Step 17: Install the left cover \(M377, M477 models\) on page 819](#).

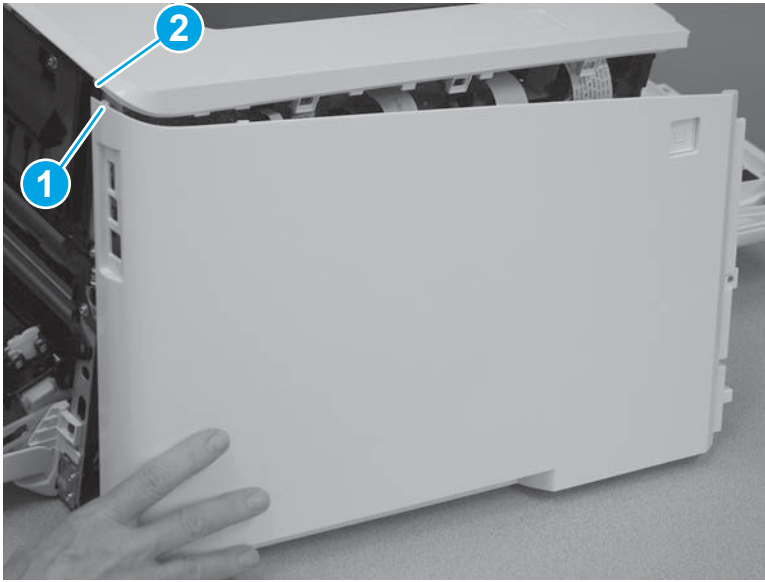
1. Position the hook (callout 1) on the cover in the slot (callout 2) on the printer. Position three tabs (callout 3) on the back of the cover in the slots (callout 4) in the printer.

Figure 1-1509 Position three tabs



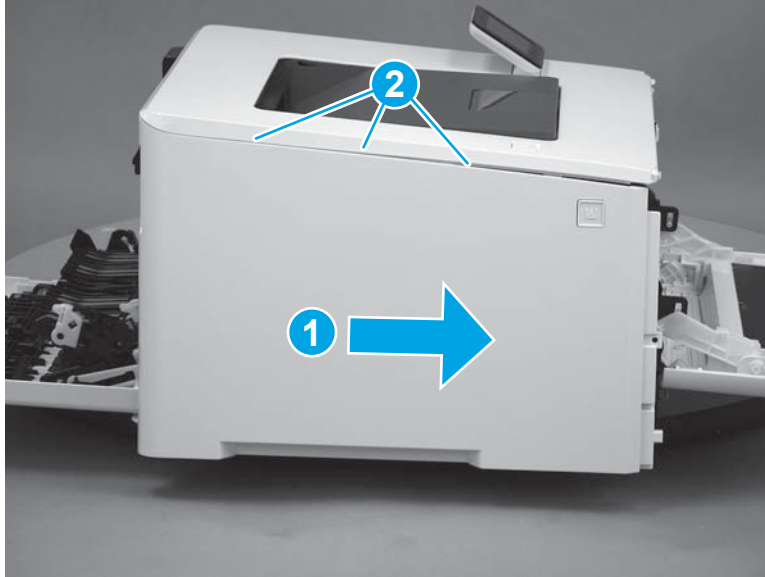
2. At the back of the printer, install the tab (callout 1) under the edge of the top cover (callout 2).

Figure 1-1510 Install one tab



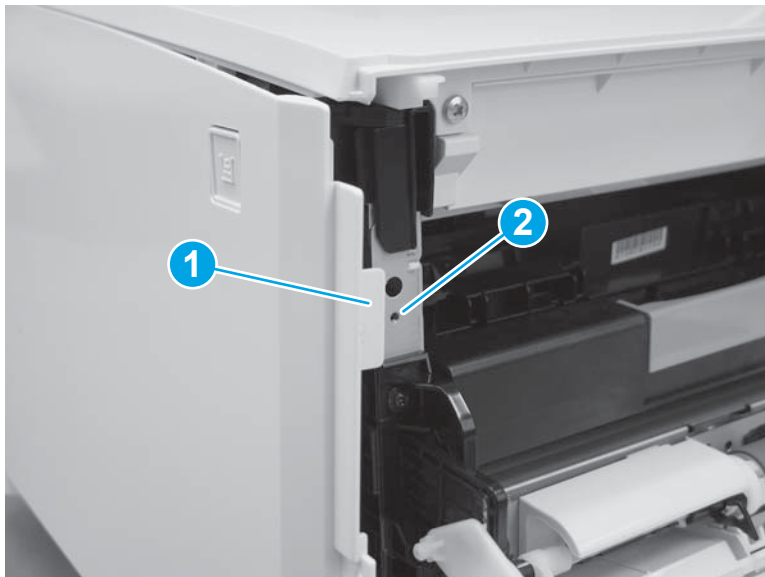
3. Slide the cover toward the front of the printer (callout 1), and then engage three tabs (callout 2) on the top of the cover.

Figure 1-1511 Install the left cover



⚠ CAUTION: Make sure that the tab (callout 1) does not get caught behind the printer frame (callout 2).

Figure 1-1512 Make sure the tab does not get caught



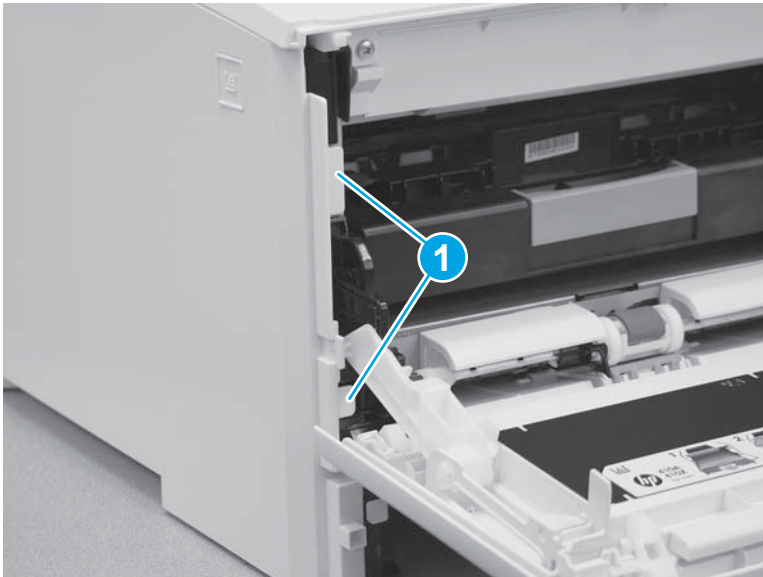
4. Slide the printer to the edge of a work surface in order to access the tabs on the bottom of the cover. Beginning from the back of the cover, install four tabs (callouts 1-4) on the lower edge of the cover.

Figure 1-1513 Install four tabs



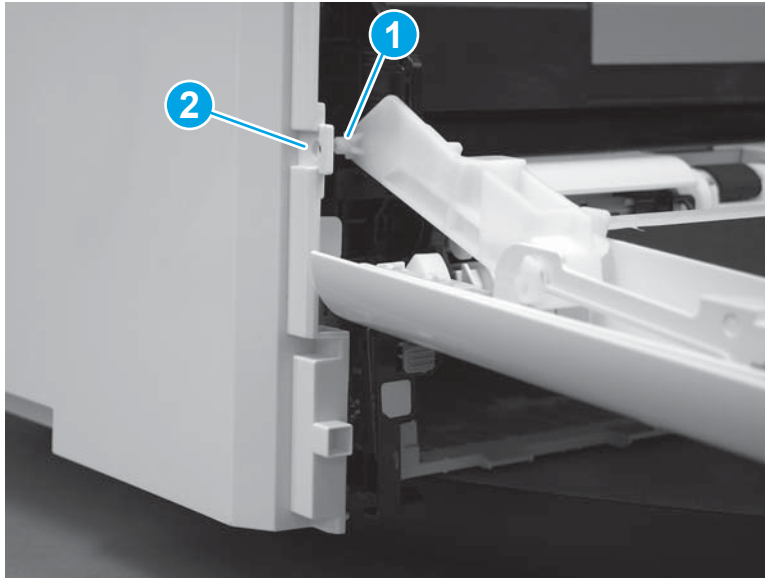
5. Install two tabs (callout 1) at the front of the cover.

Figure 1-1514 Engage two tabs



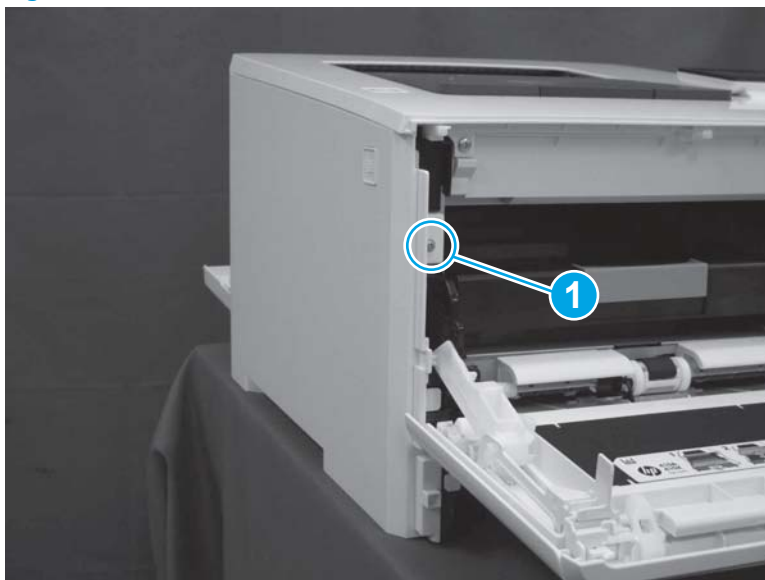
6. Make sure that the hinge pin (callout 1) on the front door fits into the slot (callout 2) on the left cover.

Figure 1-1515 Install hinge pin




7. Install one screw (callout 1).

Figure 1-1516 Install one screw

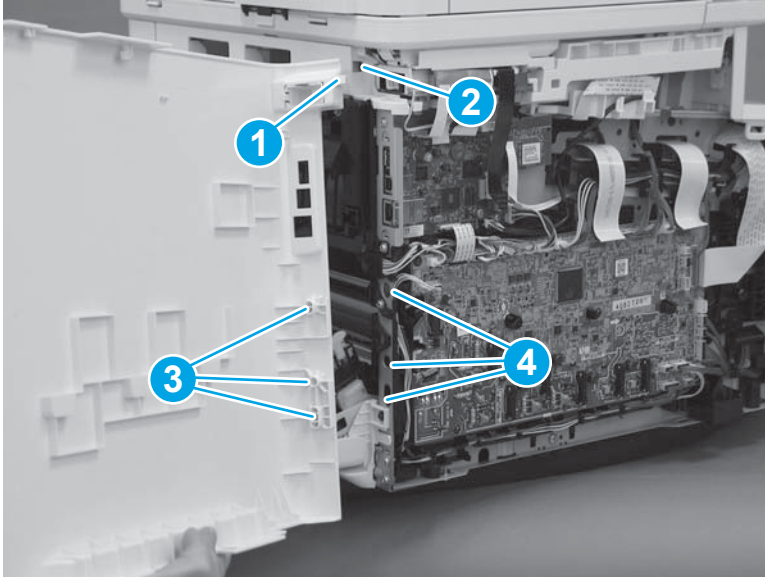


Step 17: Install the left cover (M377, M477 models)

 **NOTE:** This step is for the M377, M477 models. For the M452 models, skip this step and go to [Step 18: Install the right cover \(M452 models\) on page 826](#).

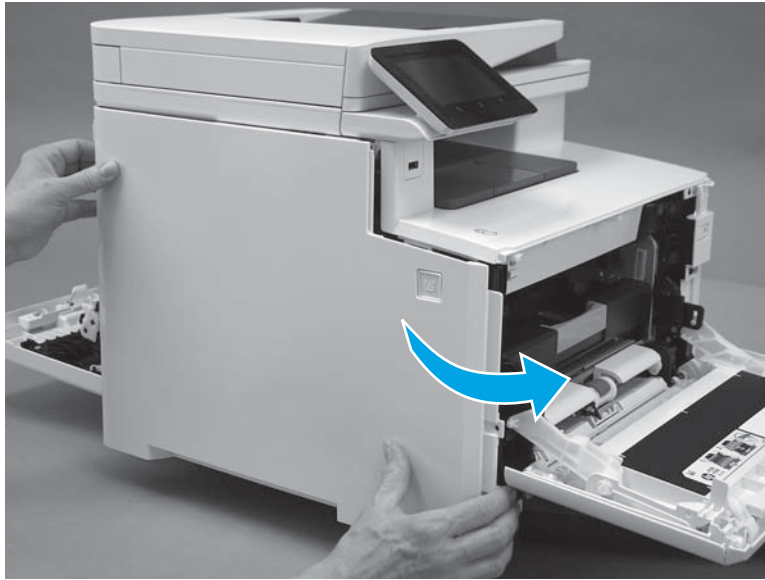
1. At the back of the printer, install the tab (callout 1) on the cover into the slot (callout 2) in the printer. Install the locator pins (callout 3) into the slots (callout 4) in the printer.

Figure 1-1517 Install one tab



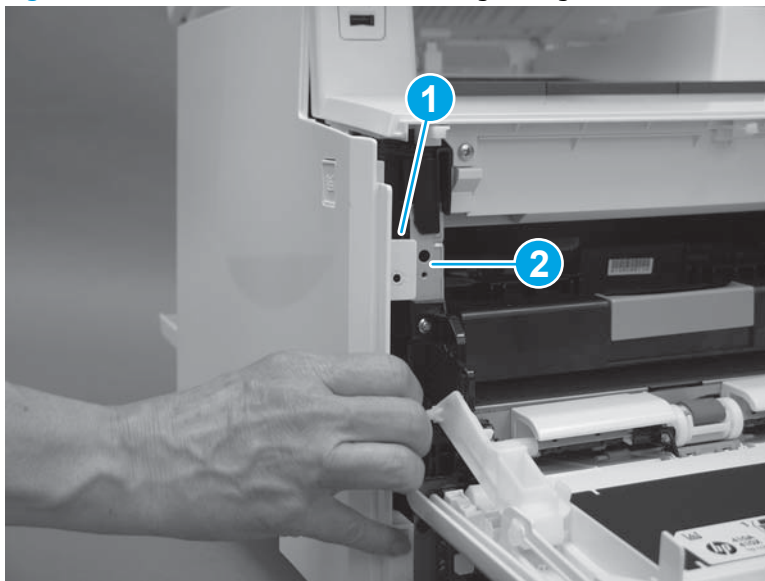
2. Rotate the cover toward the printer.

Figure 1-1518 Rotate the left cover



⚠ CAUTION: Make sure that the tab (callout 1) does not get caught behind the printer frame (callout 2).

Figure 1-1519 Make sure the tab does not get caught



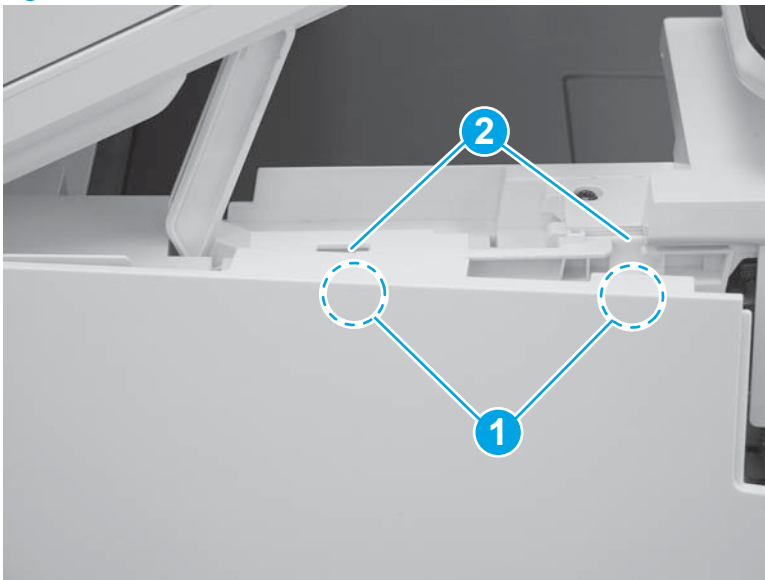
3. Raise the scanner.

Figure 1-1520 Raise the scanner



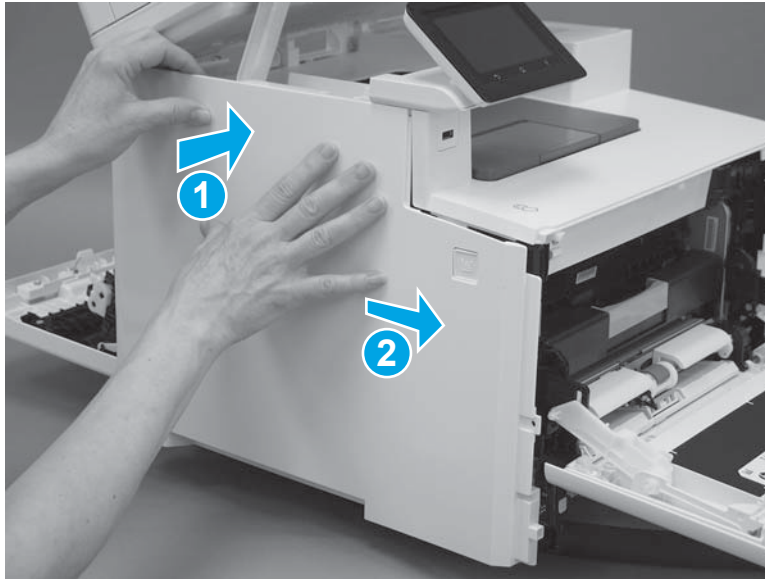
4. Position the hooks (callout 1) on the inside of the cover into the slots (callout 2) on the printer.

Figure 1-1521 Position the hooks in the slots



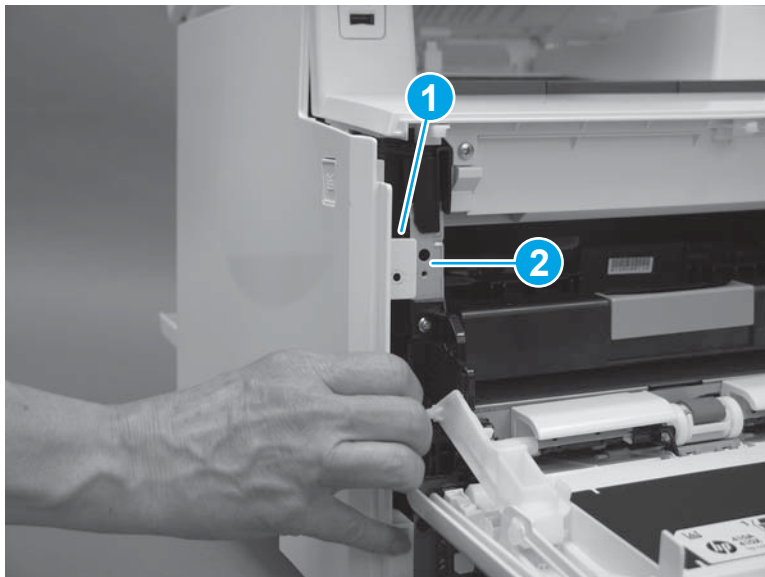
5. Hold the cover against the printer (callout 1), and then slide it (callout 2) toward the front of the printer.

Figure 1-1522 Install the top hooks



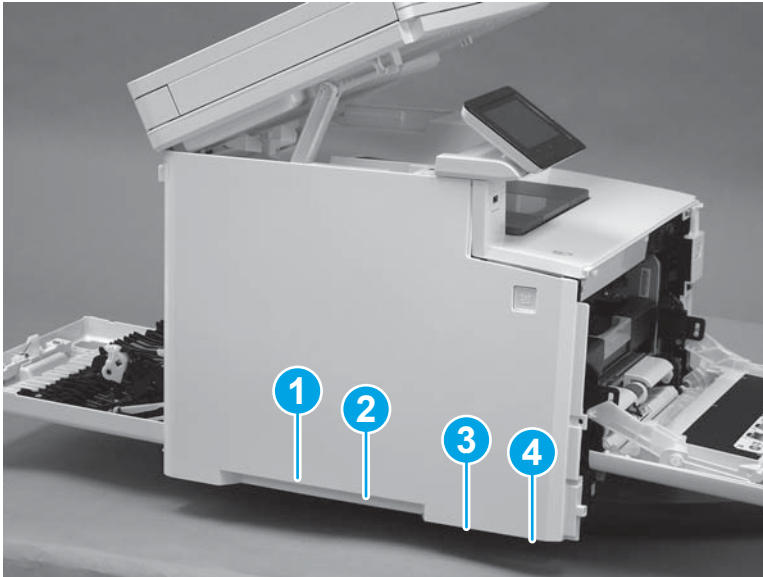
⚠ CAUTION: Make sure that the tab (callout 1) on the front of the cover does not get caught behind the printer frame (callout 2).

Figure 1-1523 Make sure the tab does not get caught



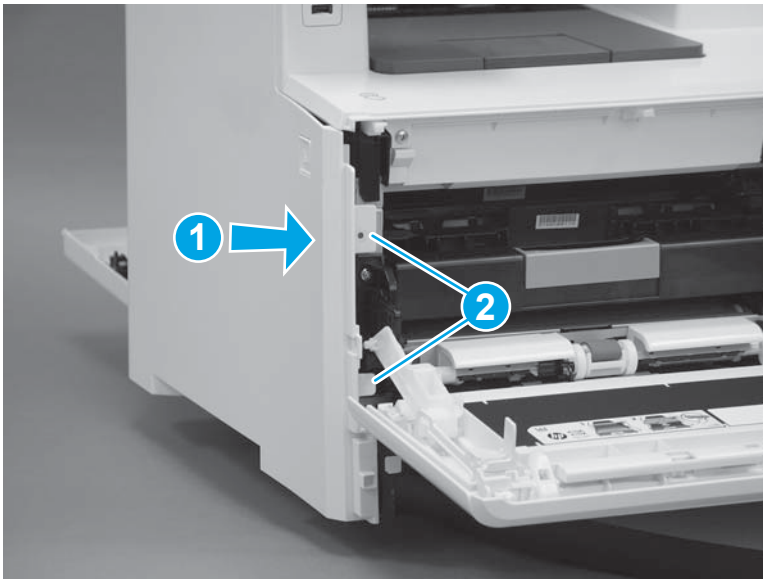
6. Slide the printer to the edge of a work surface in order to access the tabs on the bottom of the cover. Beginning from the back of the cover, install four tabs (callouts 1-4) on the lower edge of the cover.

Figure 1-1524 Install four tabs



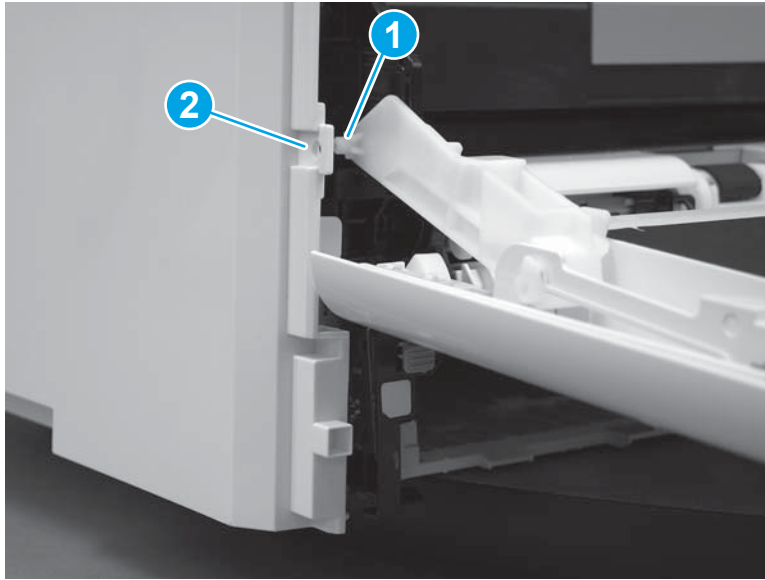
7. Press the cover toward the printer (callout 1), and then install two tabs (callout 2) at the front of the cover.

Figure 1-1525 Install two tabs



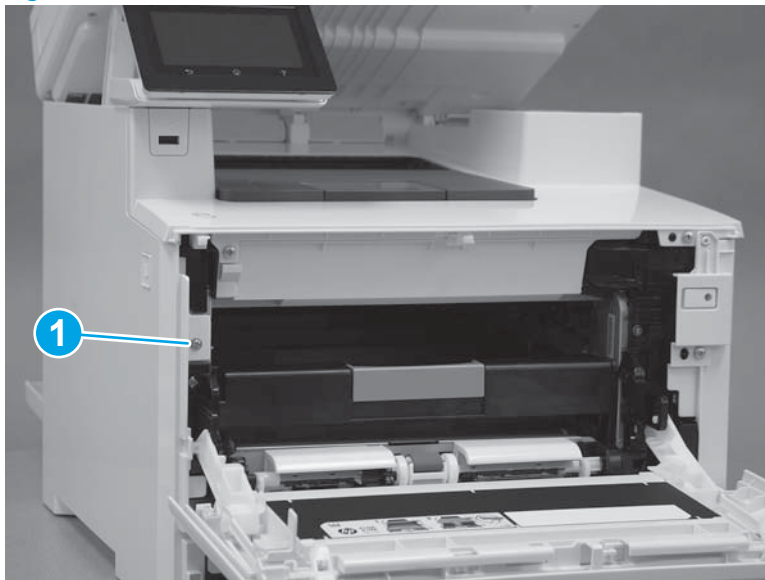
8. Make sure that the hinge pin (callout 1) on the front door fits into the slot (callout 2) on the left cover.

Figure 1-1526 Install hinge pin



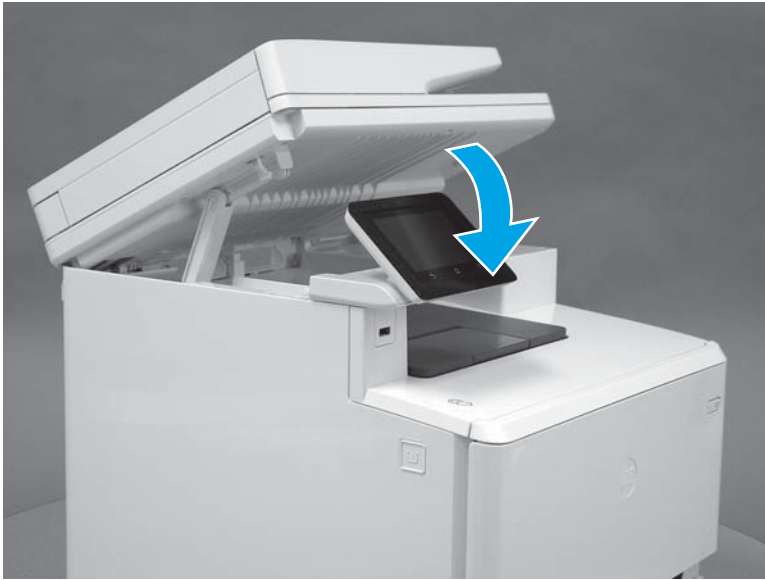
9. Install one screw (callout 1).

Figure 1-1527 Install one screw



10. Lower the scanner.

Figure 1-1528 Lower the scanner

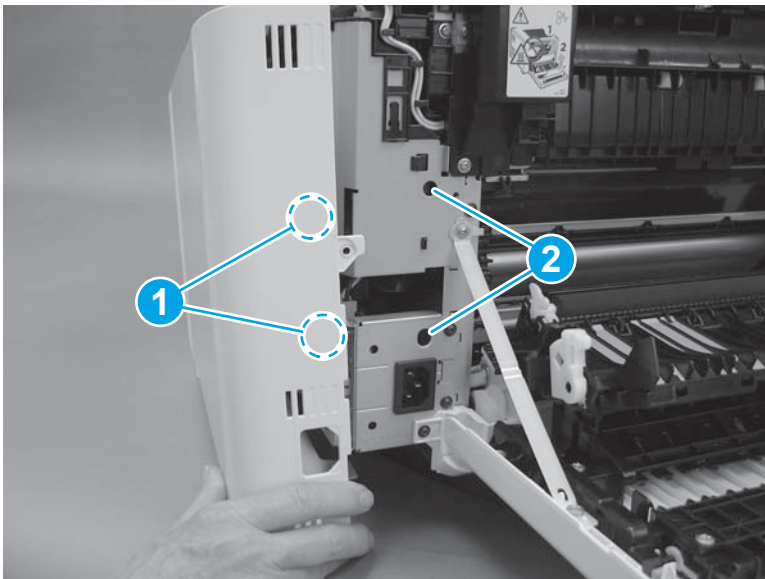


Step 18: Install the right cover (M452 models)

 **NOTE:** This step is for the M452 models. For the M377, M477 models, skip this step and go to [Step 19: Install the right cover \(M377, M477 models\) on page 830.](#)

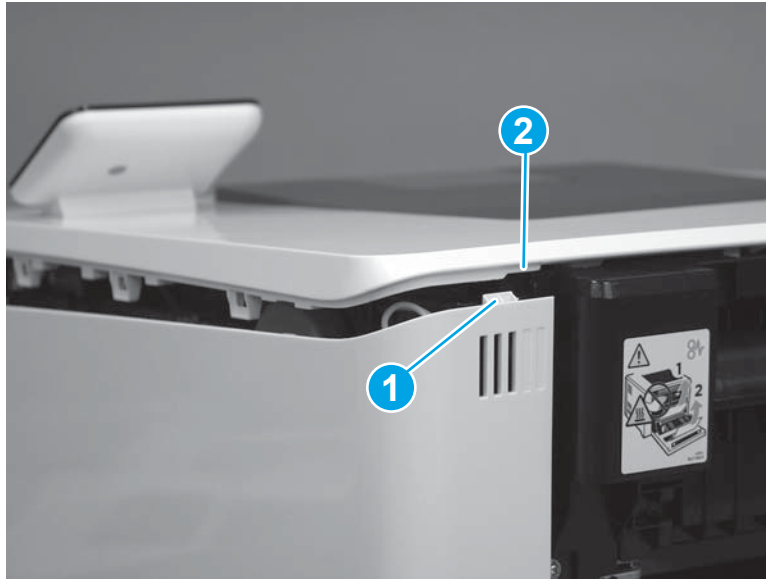
1. Position two tabs (callout 1) on the back of the cover in the slots (callout 2) in the printer.

Figure 1-1529 Position two tabs



2. At the back of the printer, install the tab (callout 1) under the edge of the top cover (callout 2).

Figure 1-1530 Install rear tab



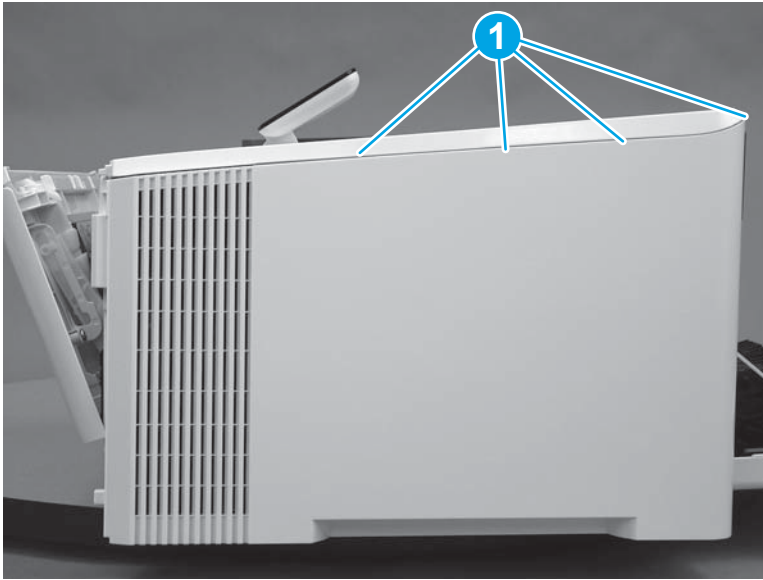
3. Slide the cover toward the front of the printer to install it.

Figure 1-1531 Install the right cover



- Engage three tabs (callout 2) on the top of the cover.

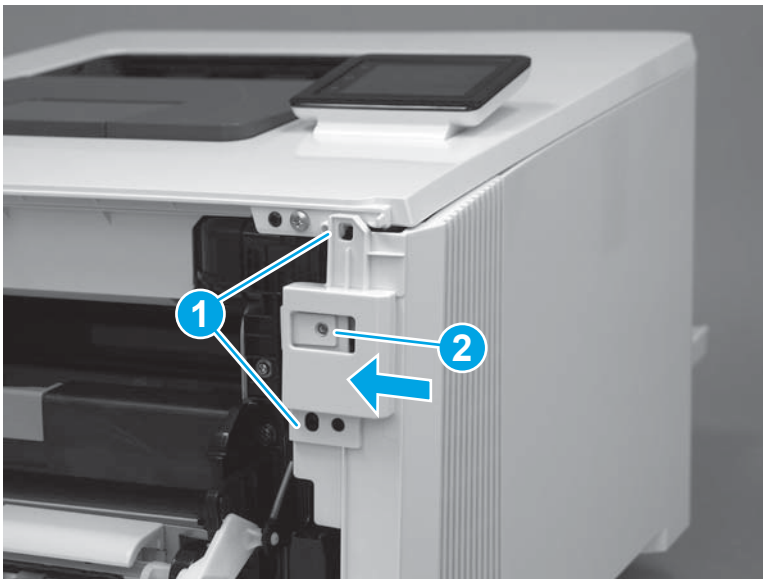
Figure 1-1532 Install upper tabs



- At the front of the printer, position the front of the cover over two tabs (callout 1).

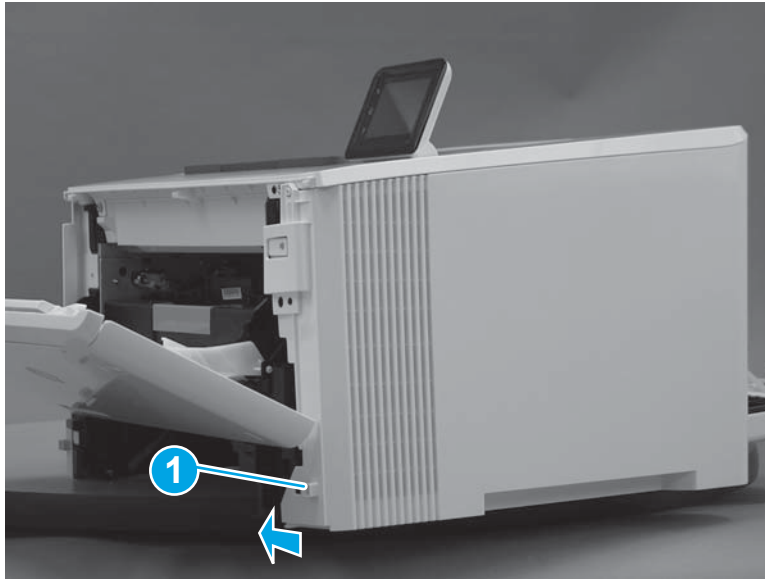
CAUTION: Be careful not to dislodge the power switch (callout 2).

Figure 1-1533 Install the front tabs



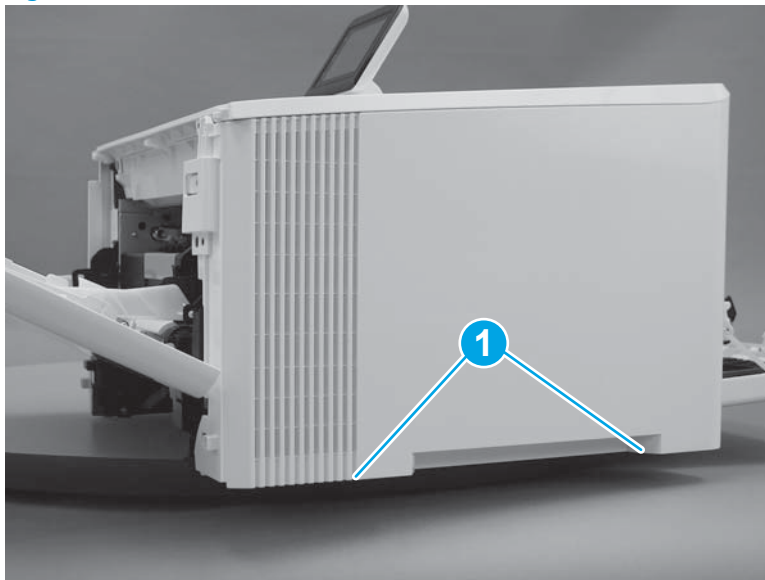
6. Press the right cover toward the printer to engage one tab (callout 1) on the front of the cover.

Figure 1-1534 Install the front lower tab



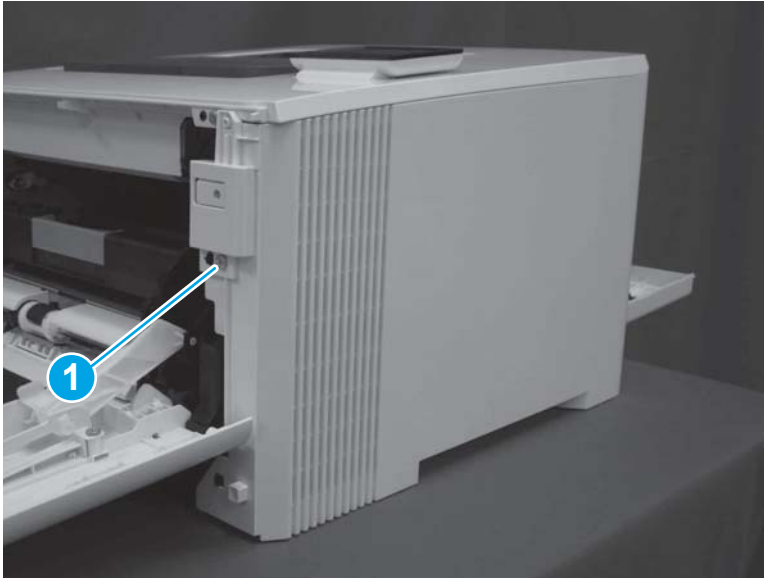
7. Install two tabs on the bottom of the cover (callout 1).

Figure 1-1535 Install two tabs



8. At the front of the printer, install one screw (callout 1).

Figure 1-1536 Install one screw



9. At the back of the printer, install one screw (callout 1).

Figure 1-1537 Install one screw

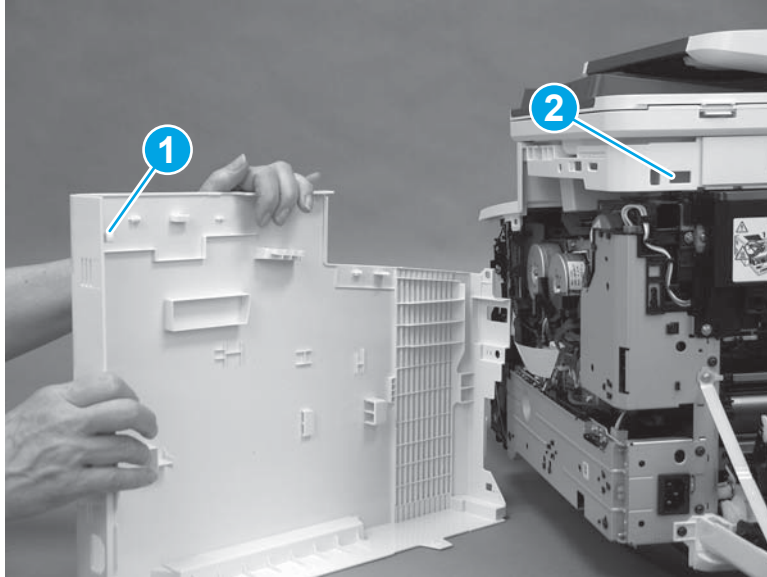


Step 19: Install the right cover (M377, M477 models)

 **NOTE:** This step is for the M377, M477 models. For the M452 models, skip this step and go to [Step 20: Close the front door and rear door or duplexer door on page 836.](#)

1. At the back of the printer, install the tab (callout 1) on the cover into the slot (callout 2) on the printer.

Figure 1-1538 Install rear tab



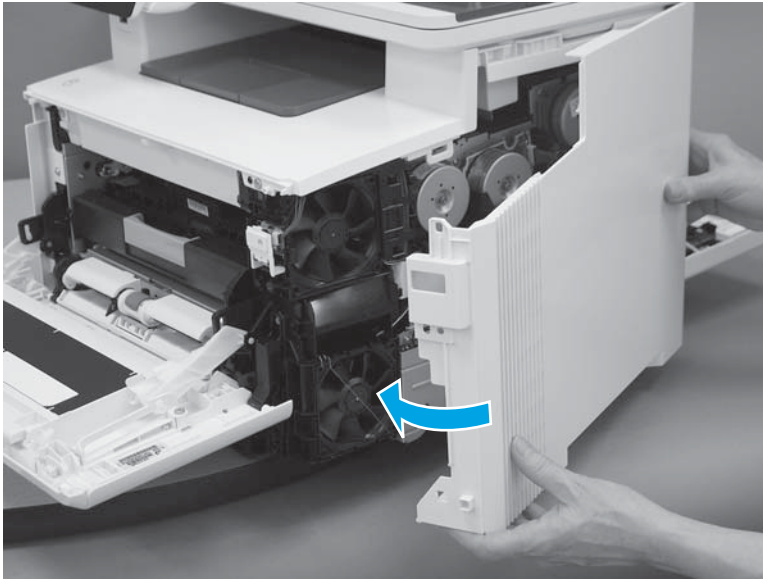
2. Raise the scanner.

Figure 1-1539 Raise the scanner



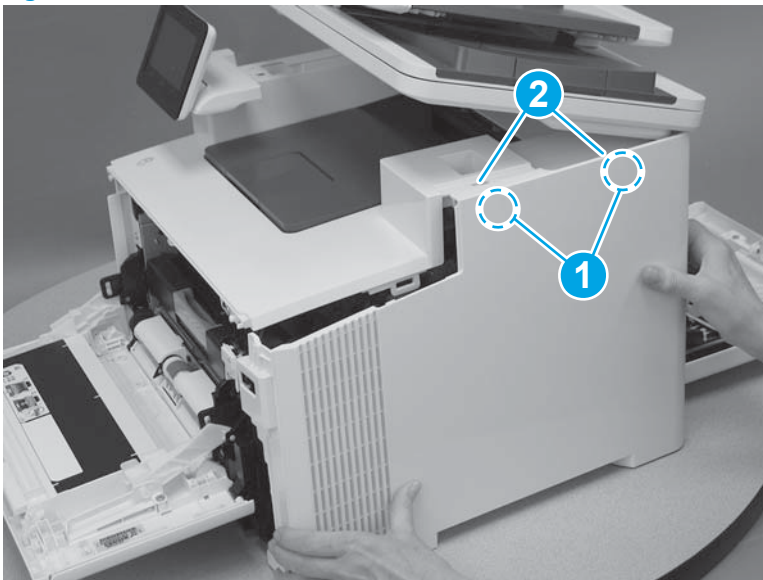
3. Rotate the right cover toward the printer.

Figure 1-1540 Rotate the right cover



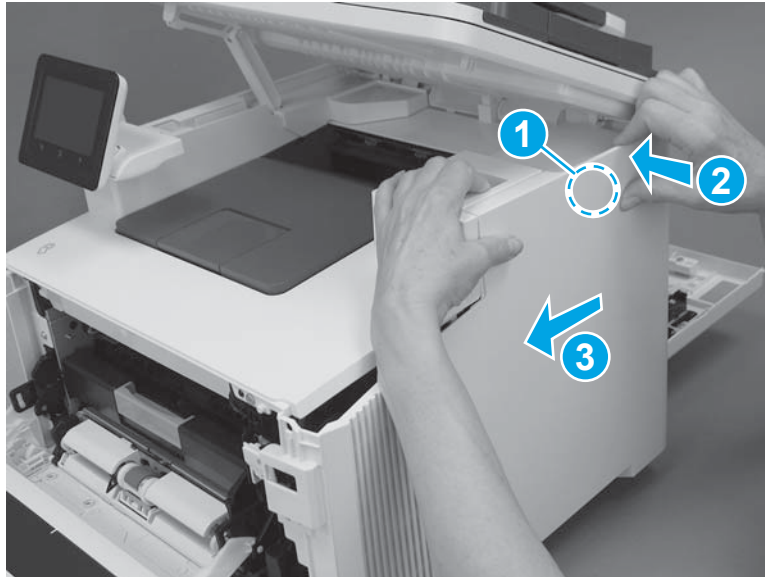
4. Position the hooks (callout 1) on the inside of the cover into the slots (callout 2) in the printer.

Figure 1-1541 Position the hooks in the slots



- Engage one hook (callout 1) on the inside of the cover. Hold the top of the cover closed (callout 2) while sliding the cover toward the front of the printer (callout 3).

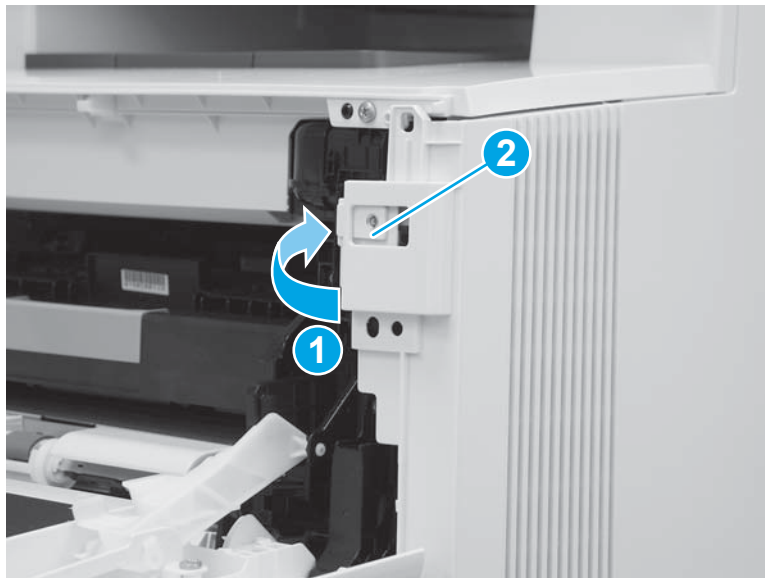
Figure 1-1542 Slide the cover



- Rotate the front of the cover toward the printer (callout 1).

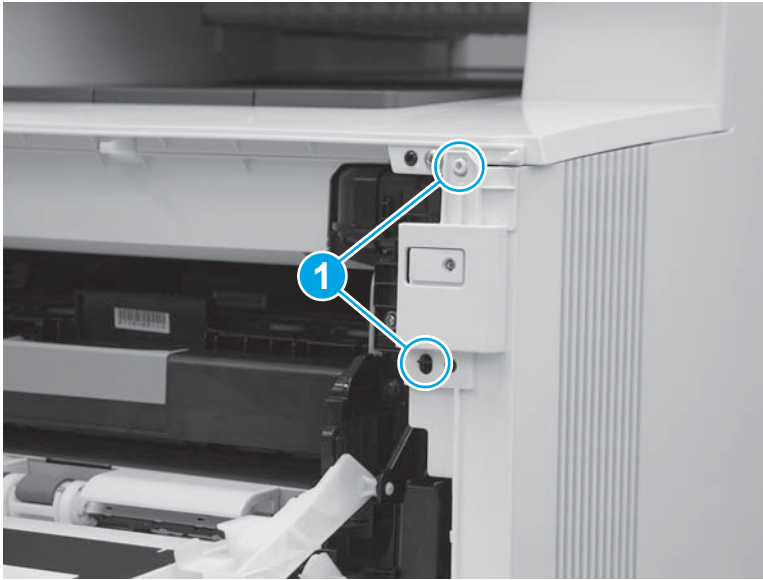
CAUTION: Be careful not to dislodge the power switch (callout 2).

Figure 1-1543 Rotate the front of the cover



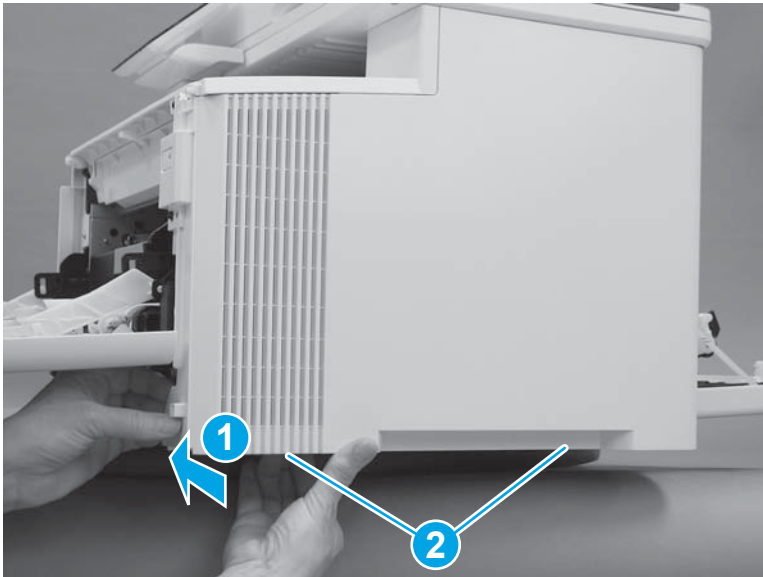
7. Install two tabs at the front of the printer (callout 1).

Figure 1-1544 Install two tabs



8. Press the right cover toward the printer (callout 1) to engage one tab on the front of the cover, and two tabs (callout 2) on the lower edge of the cover.

Figure 1-1545 Install the front and lower tabs



9. At the front of the printer, install one screw (callout 1).

Figure 1-1546 Install one screw



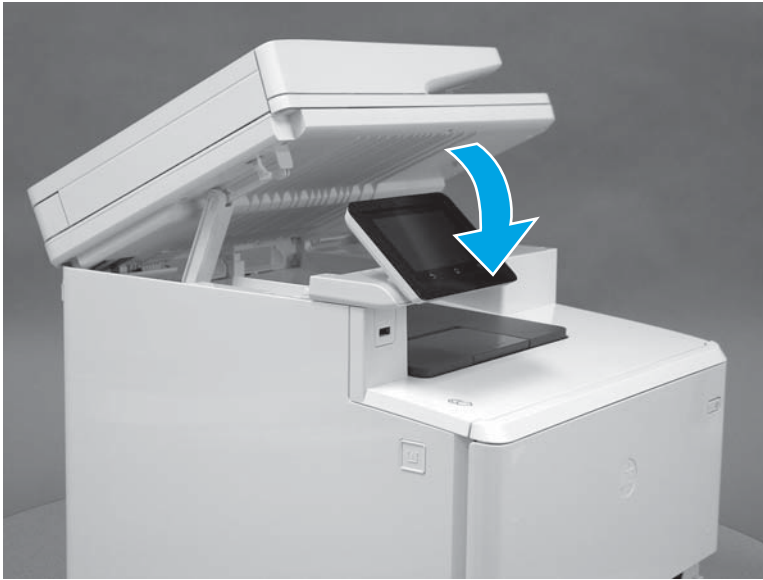
10. At the back of the printer, install one screw (callout 1).

Figure 1-1547 Install one screw



11. Lower the scanner.

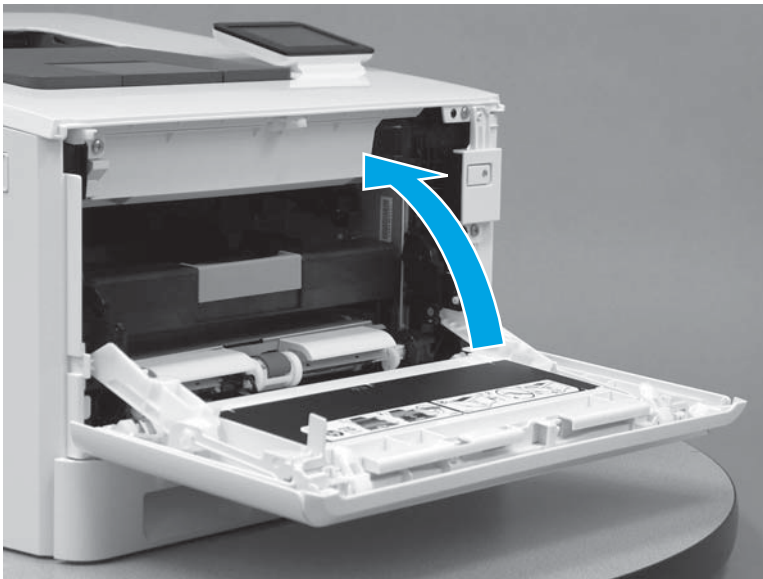
Figure 1-1548 Lower the scanner



Step 20: Close the front door and rear door or duplexer door

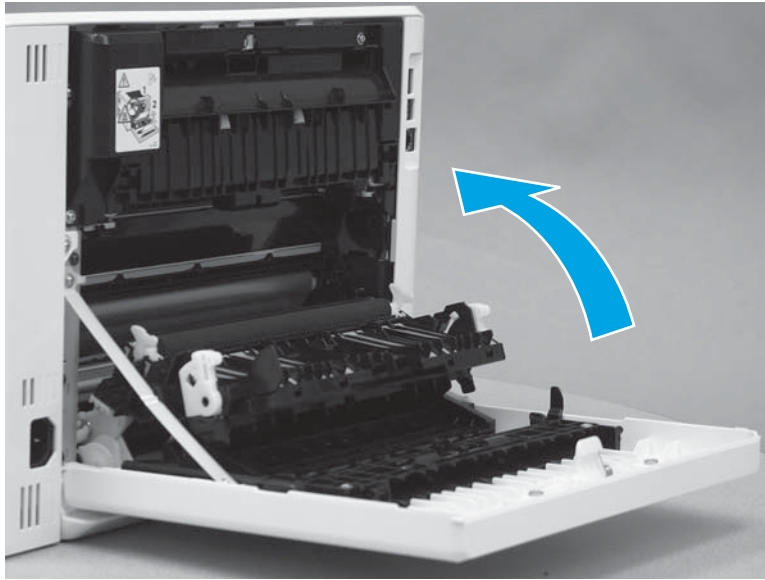
1. Close the front door.

Figure 1-1549 Close the front door



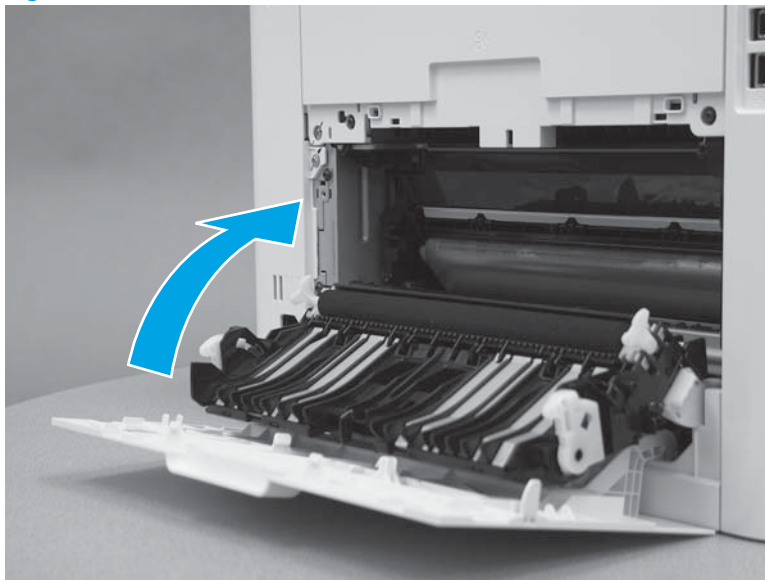
2. **Duplex models:** Close the duplexer door.

Figure 1-1550 Close the duplexer door



3. **Simplex models:** Close the rear door.

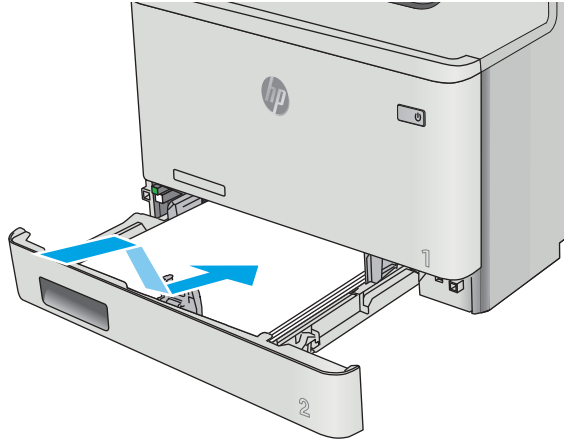
Figure 1-1551 Close the rear door



Step 21: Install Tray 2

- ▲ With the front of the tray slightly lifted, align the sides of the tray with the rails in the printer, and then carefully slide the tray into the printer. As the tray slides into the printer, lower the front of the tray, and then close it.

Figure 1-1552 Install the tray



Removal and replacement: Driver PCA


- [Introduction](#)
- [Step 1: Remove Tray 2](#)
- [Step 2: Open the front door and rear door or duplexer door](#)
- [Step 3: Remove the right cover \(M452 models\)](#)
- [Step 4: Remove the right cover \(M377, M477 models\)](#)
- [Step 5: Remove the driver PCA](#)
- [Step 6: Unpack the replacement part](#)
- [Step 7: Install the driver PCA](#)
- [Step 8: Install the right cover \(M452 models\)](#)
- [Step 9: Install the right cover \(M377, M477 models\)](#)
- [Step 10: Close the front door and rear door or duplexer door](#)
- [Step 11: Install Tray 2](#)

Introduction

This document provides the procedures to remove and replace the driver PCA.

Before you begin

- Turn off the printer.
- Disconnect the power cable.

 **WARNING!** To avoid damage to the printer, turn the printer off, wait 30 seconds, and then remove the power cord before attempting to service the printer.

- Use the table below to identify the correct part number for your printer. To order the part, go to www.hp.com/buy/parts.

Driver PCA part number

RM2-7369-000CNDriver PCA

Required tools

- #2 Phillips screwdriver with a magnetic tip

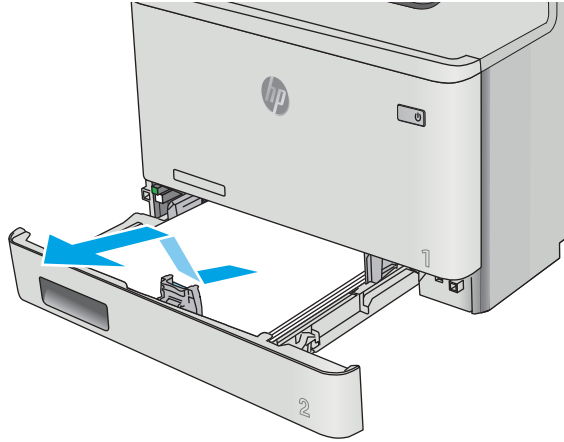
After performing service

- Connect the power cable.
- Use the power switch to turn the power on.

Step 1: Remove Tray 2

- ▲ Pull the tray out until it stops. Lift the front of the tray, and then pull it out of the printer to remove it.

Figure 1-1553 Remove the tray



Step 2: Open the front door and rear door or duplexer door

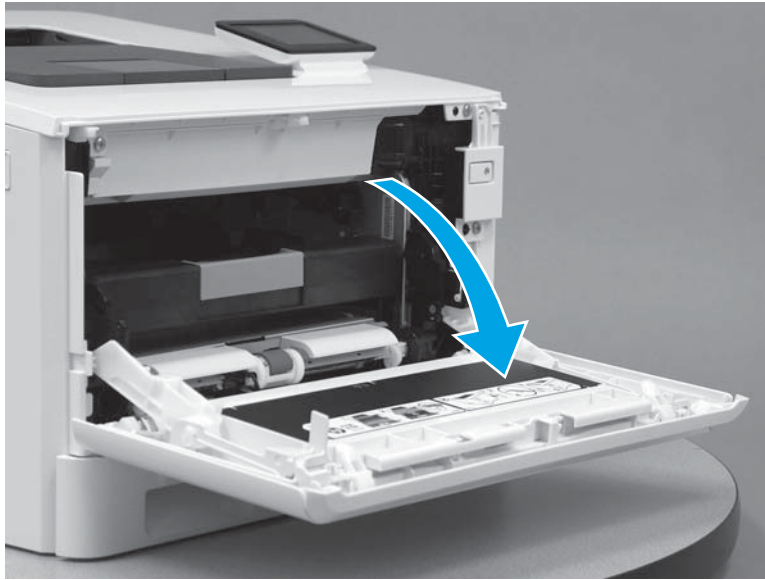
1. Press the button (callout 1) on the left side of the printer to release the front door.

Figure 1-1554 Release the front door



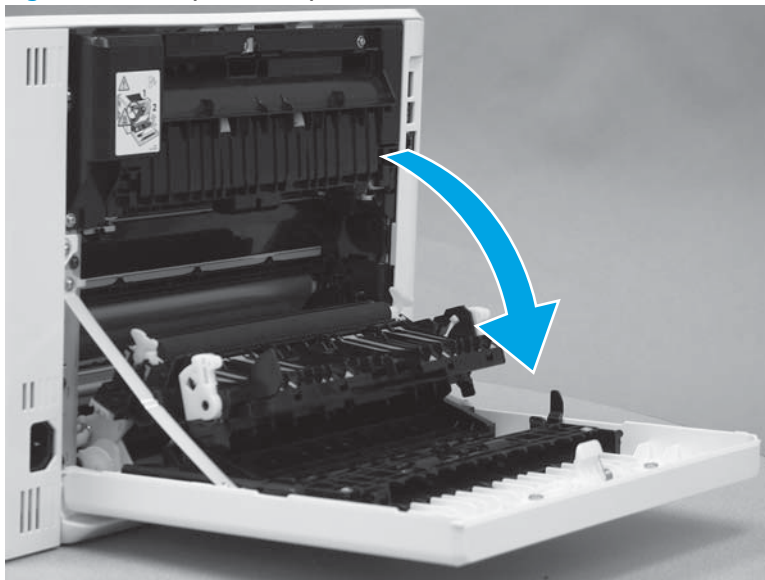
2. Open the front door.

Figure 1-1555 Open the front door



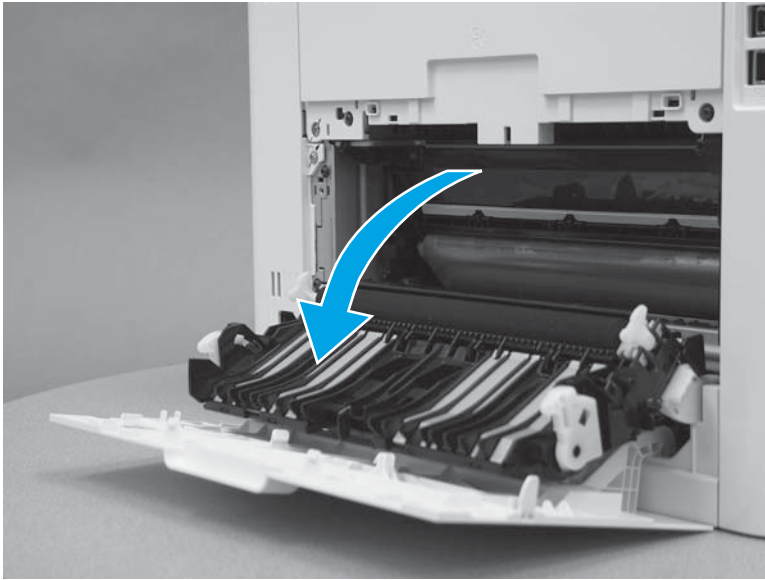
3. **Duplex models:** Open the duplexer door.

Figure 1-1556 Open the duplexer door



4. **Simplex models:** Open the rear door.

Figure 1-1557 Open the rear door



Step 3: Remove the right cover (M452 models)



NOTE: This step is for the M452 models. For the M377, M477 models, skip this step and go to [Step 4: Remove the right cover \(M377, M477 models\) on page 846](#).

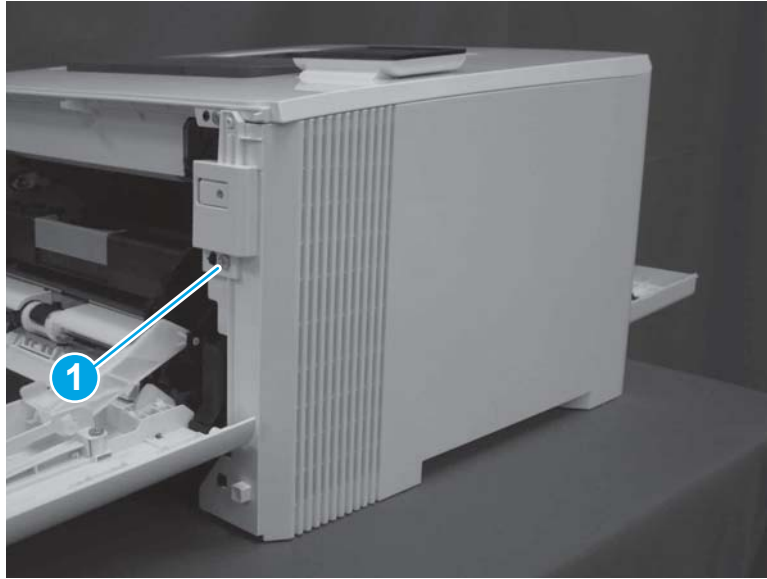
1. At the back of the printer, remove one screw (callout 1).

Figure 1-1558 Remove one screw



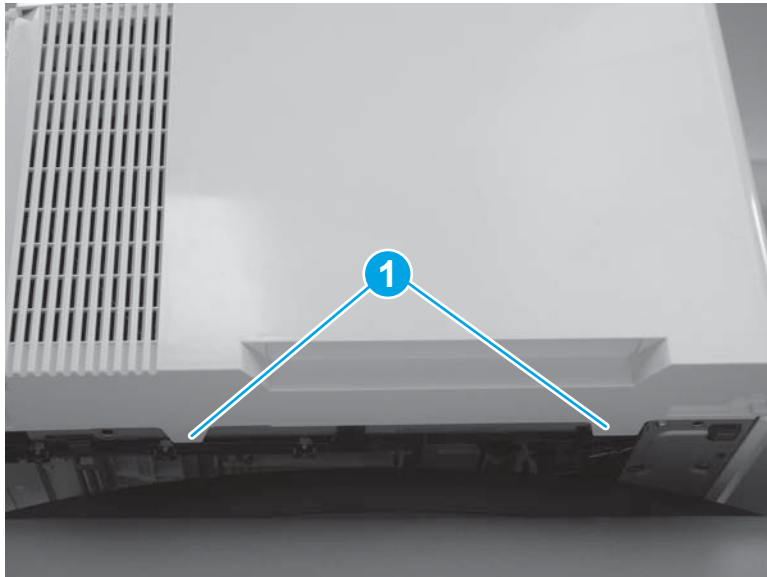
2. At the front of the printer, remove one screw (callout 1).

Figure 1-1559 Remove one screw



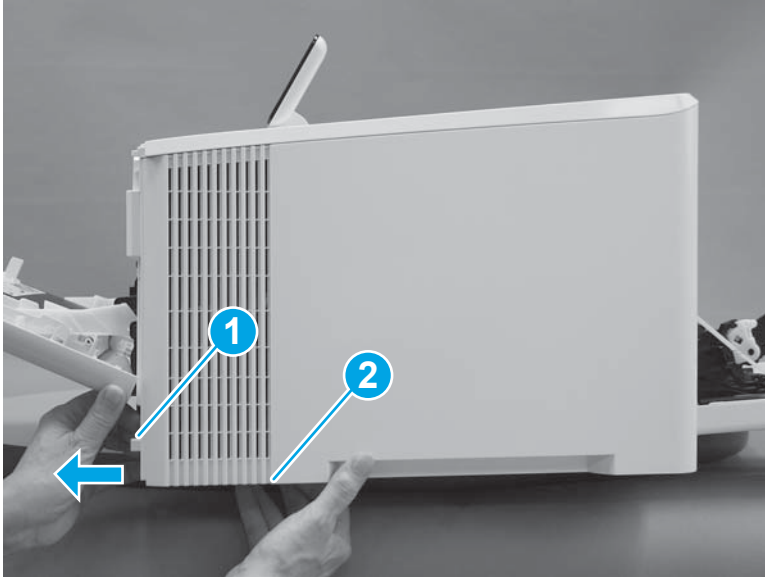
3. Slide the printer to the edge of a work surface. Note the location of the tabs on the lower edge of the cover (callout 1).

Figure 1-1560 Locate the tabs



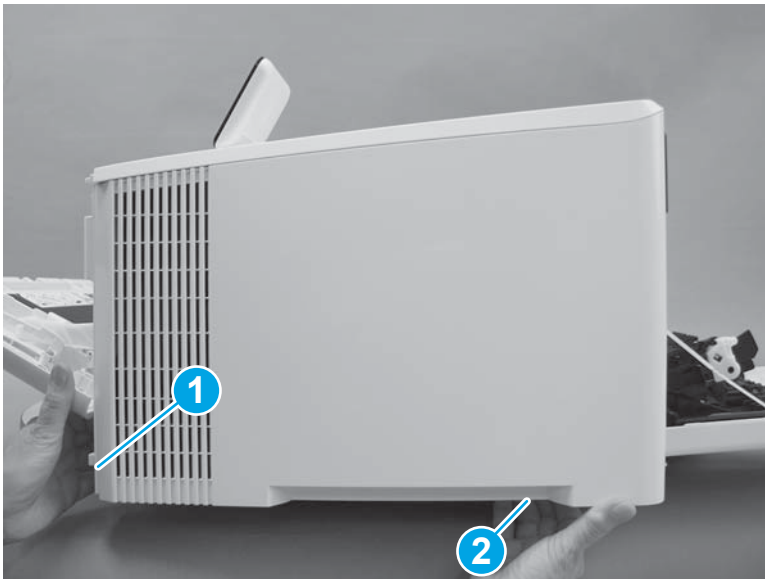
4. Release one tab (callout 1) on the front of the cover by slightly pulling the cover away from the printer. While holding the cover in the released position, release one tab (callout 2) on the bottom of the cover.

Figure 1-1561 Release front lower tabs



5. Hold the front tabs in the released position (callout 1), and then release one tab (callout 2) on the bottom of the cover, toward the back of the printer.

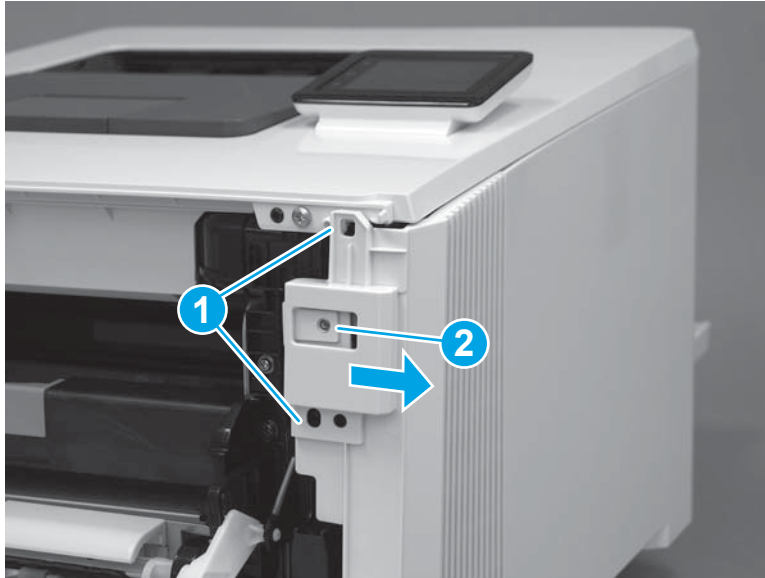
Figure 1-1562 Release lower rear tab



6. Release two tabs at the front of the printer (callout 1) by slightly pulling the cover away from the printer.

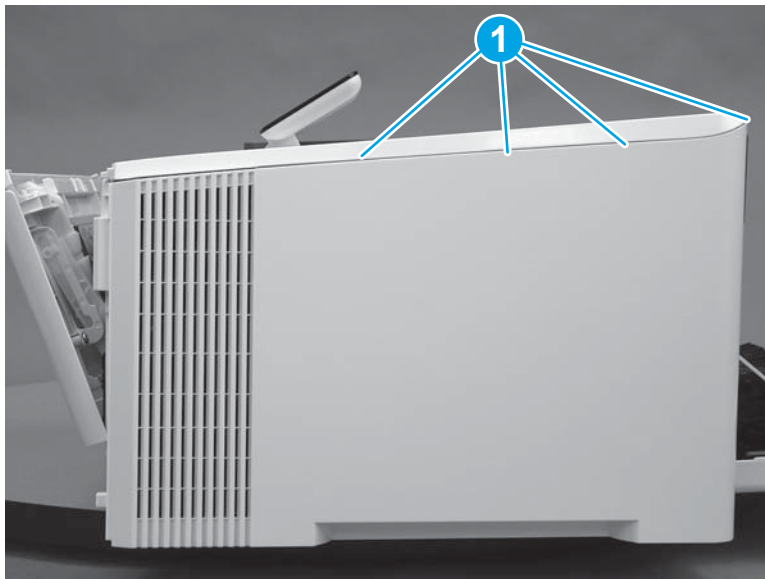
CAUTION: Be careful not to dislodge the power switch (callout 2).

Figure 1-1563 Release two front tabs



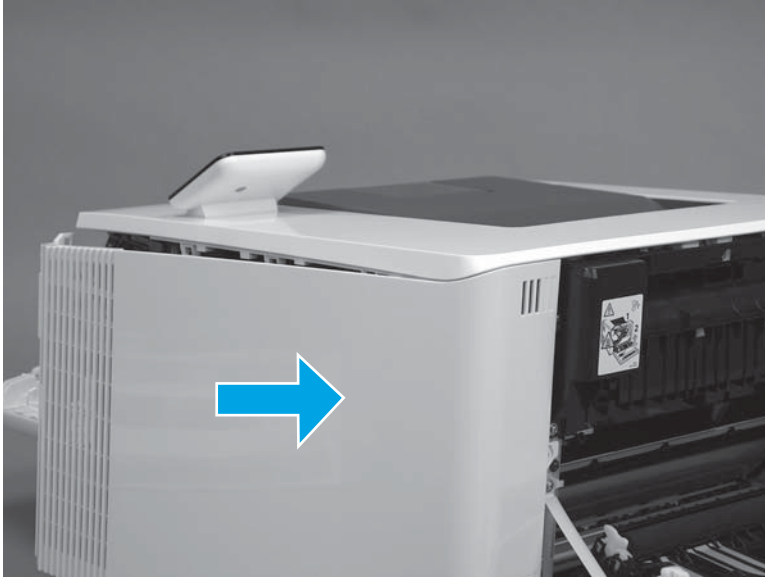
7. Release four tabs on the top of the printer (callout 1).

Figure 1-1564 Release upper tabs



8. Slide the cover toward the back of the printer to remove it.

Figure 1-1565 Remove the right cover



Step 4: Remove the right cover (M377, M477 models)



NOTE: This step is for the M377, M477 models. For the M452 models, skip this step and go to [Step 5: Remove the driver PCA on page 852.](#)

1. Raise the scanner.

Figure 1-1566 Raise the scanner



2. At the back of the printer, remove one screw (callout 1).

Figure 1-1567 Remove one screw



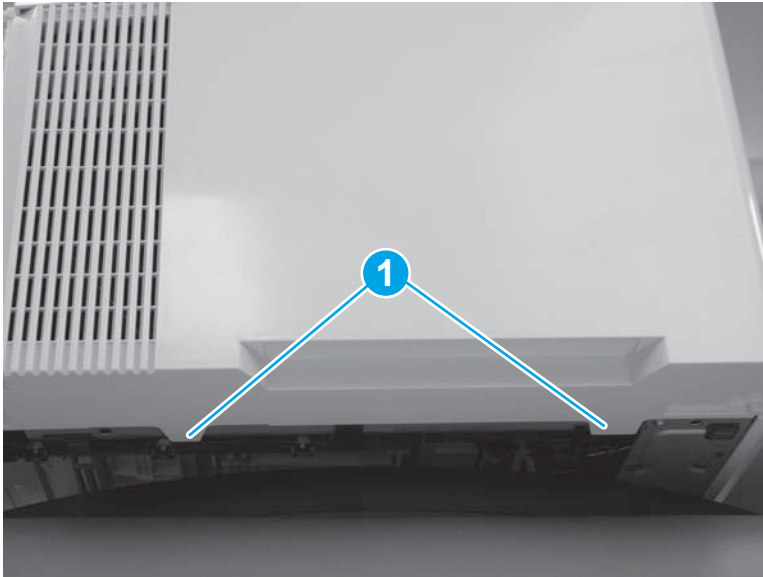
3. At the front of the printer, remove one screw (callout 1).

Figure 1-1568 Remove one screw



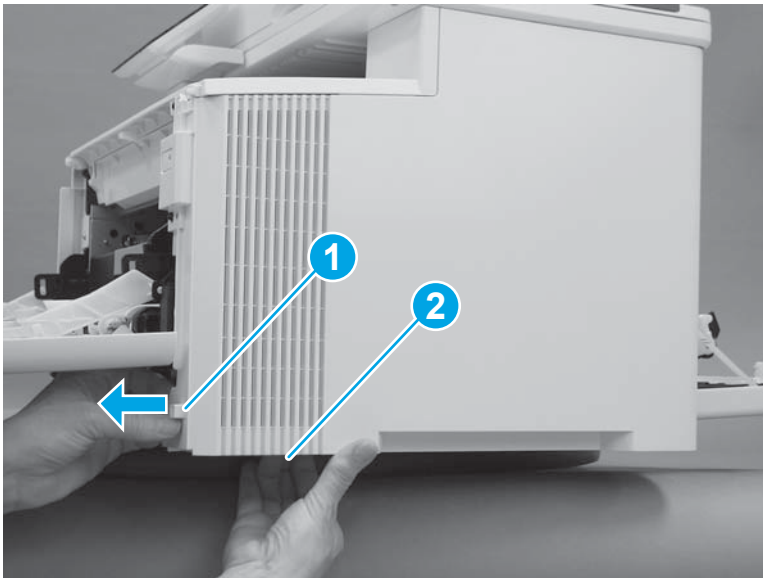
4. Slide the printer to the edge of a work surface. Note the location of the tabs on the lower edge of the cover (callout 1).

Figure 1-1569 Locate the tabs



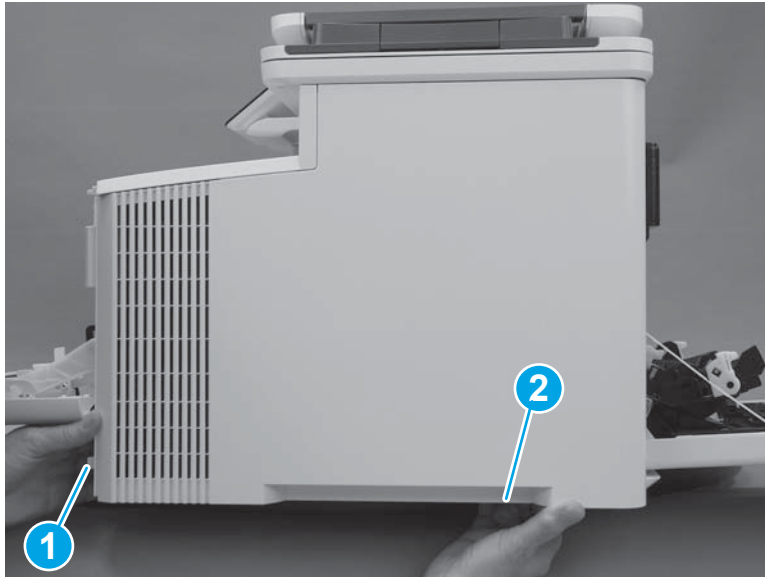
5. Release one tab (callout 1) on the front of the cover by slightly pulling the cover away from the printer. While holding the cover in the released position, release one tab (callout 2) on the lower edge of the cover.

Figure 1-1570 Release front lower tabs



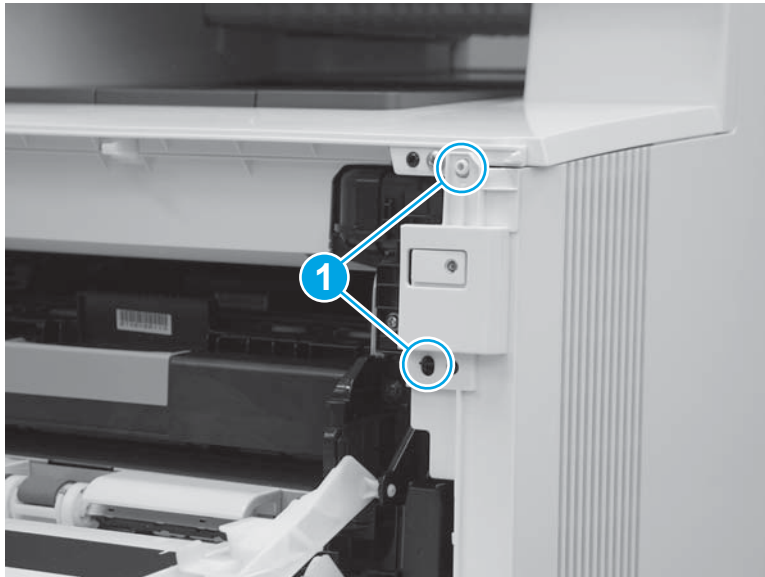
6. Hold the front tabs in the released position (callout 1), and then release one tab (callout 2) on the lower edge of the cover, toward the back of the printer.

Figure 1-1571 Release lower rear tab



7. Release two tabs at the front of the printer (callout 1) by slightly pulling the cover away from the printer.

Figure 1-1572 Release front upper tabs



8. Rotate the front of the cover away from the printer (callout 1).

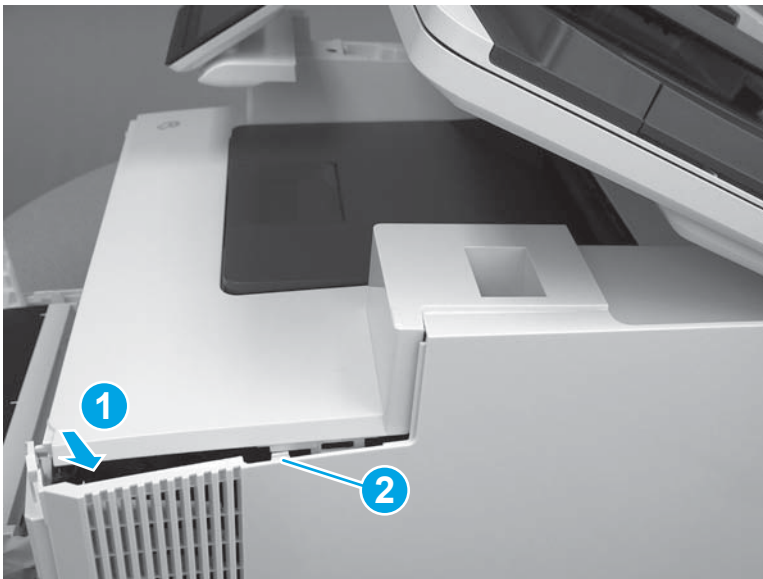
⚠ CAUTION: Be careful not to dislodge the power switch (callout 2).

Figure 1-1573 Rotate the front of the cover



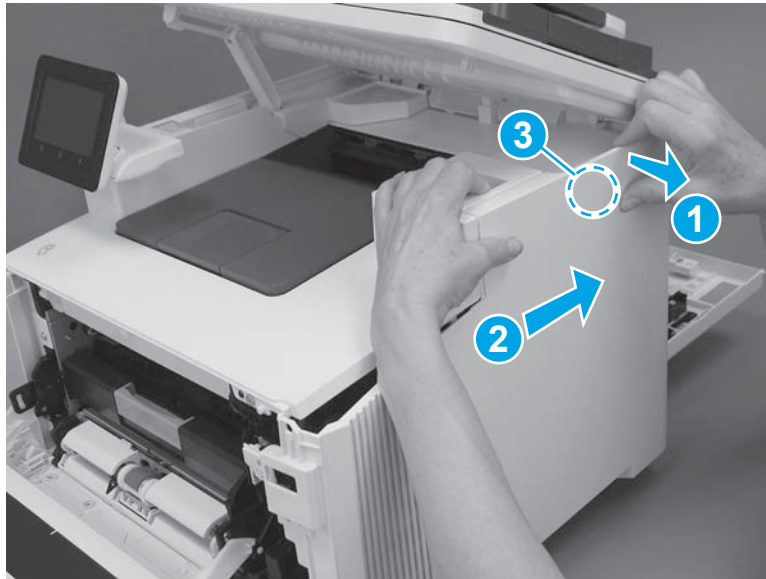
9. Slightly pull the front of the cover away from the printer (callout 1) to release one tab (callout 2).

Figure 1-1574 Release top tabs



10. At the top of the printer, slightly pull the top of the cover away from the printer to release one retention tab (callout 1) on the inside of the cover. While holding the cover away, slide the cover toward the back of the printer (callout 2) to release one hook (callout 3) on the inside of the cover.

Figure 1-1575 Release one tab and one hook



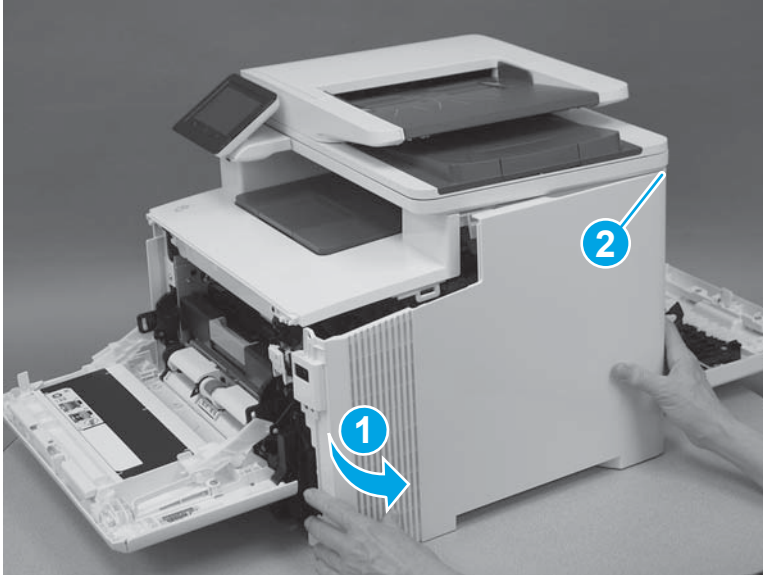
11. Lower the scanner.

Figure 1-1576 Lower the scanner



12. Rotate the cover away from the printer (callout 1) to release one tab (callout 2) at the back of the printer, and then remove the cover.

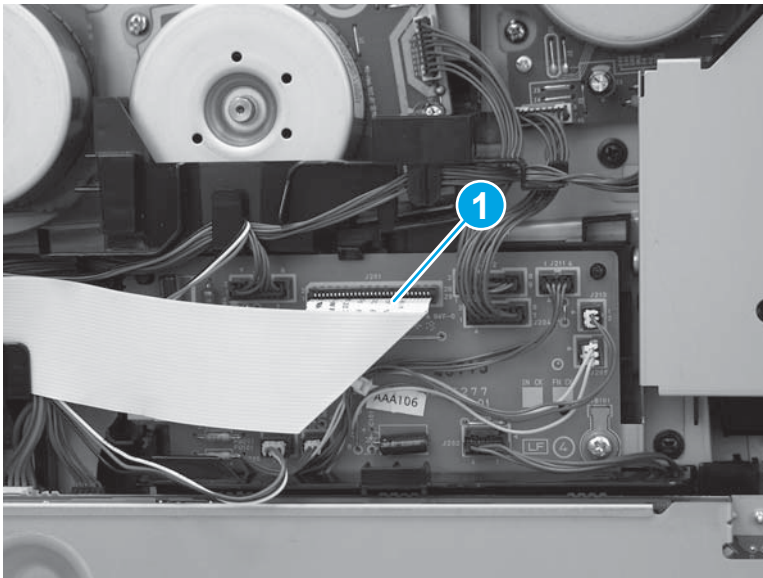
Figure 1-1577 Remove the right cover



Step 5: Remove the driver PCA

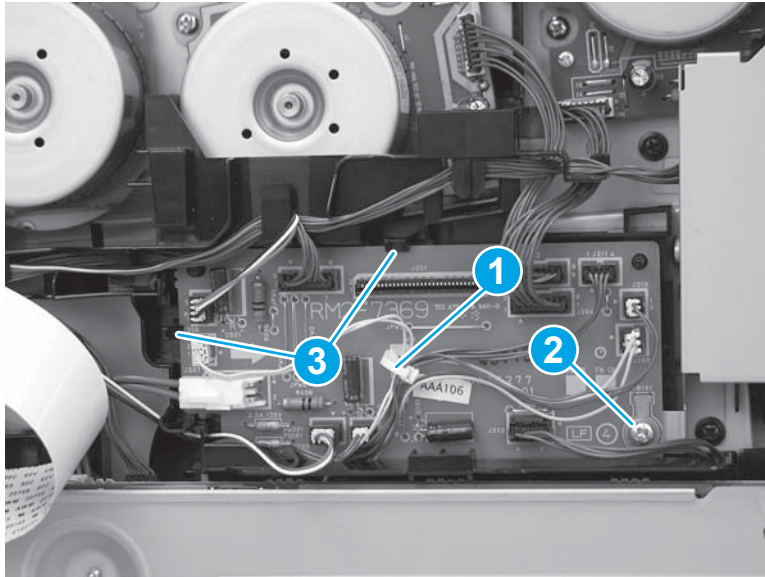
1. Disconnect one connector (callout 1).

Figure 1-1578 Disconnect one connector



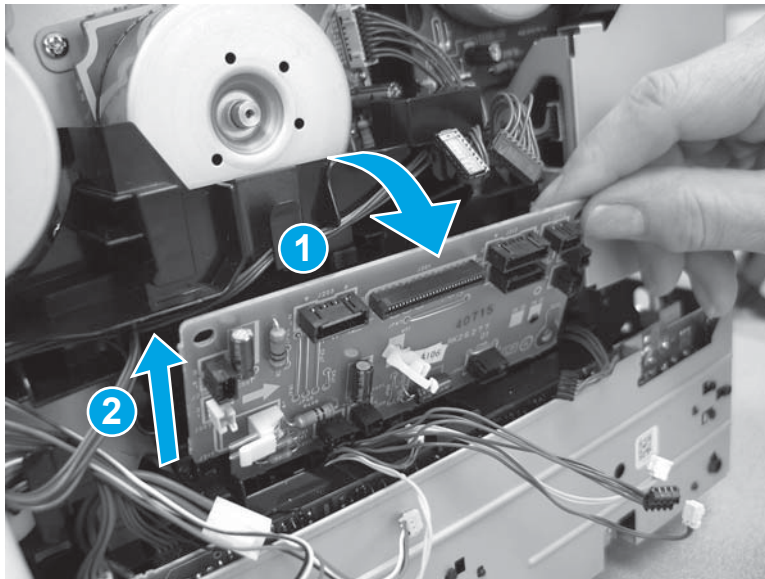
2. Release one retainer (callout 1), disconnect all of the connectors on the driver PCA, remove one screw (callout 2), and then release two tabs (callout 3).

Figure 1-1579 Disconnect all connectors and remove one screw



3. Rotate the top of the driver PCA away from the printer (callout 1), and then lift up (callout 2) to remove it.

Figure 1-1580 Remove the driver PCA



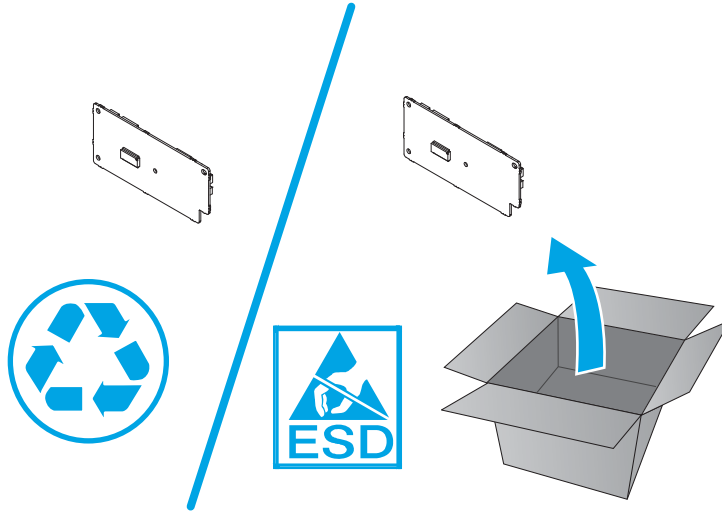
Step 6: Unpack the replacement part

Remove the new part from its package. Save all packaging for recycling the used part.

For complete information on HP's recycling programs, go to [Product return and recycling](#).

 **NOTE:** HP recommends responsible disposal of the defective part.

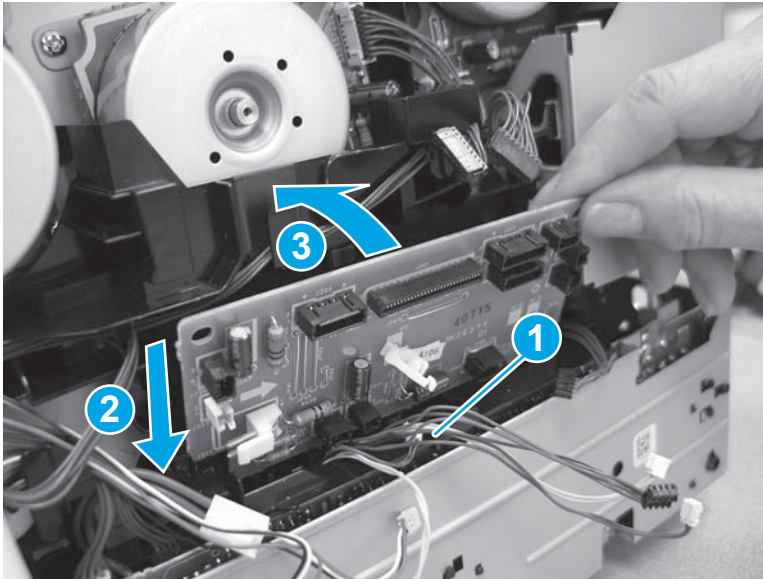
Figure 1-1581 Recycle and unpack



Step 7: Install the driver PCA

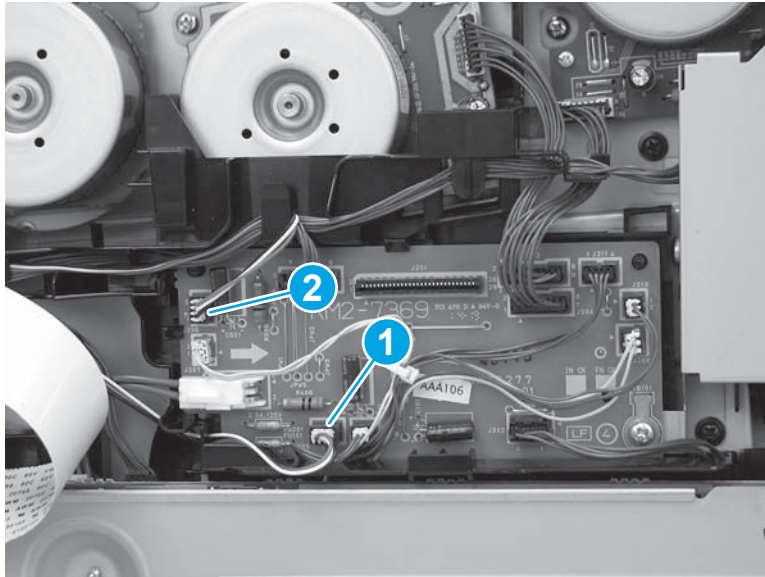
1. Make sure that all of the cables (callout 1) are positioned in front of the driver PCA. Position the bottom of the driver PCA (callout 2) against the PCA holder, and then rotate the top of the PCA (callout 3) toward the printer until it snaps into place.

Figure 1-1582 Install the driver PCA



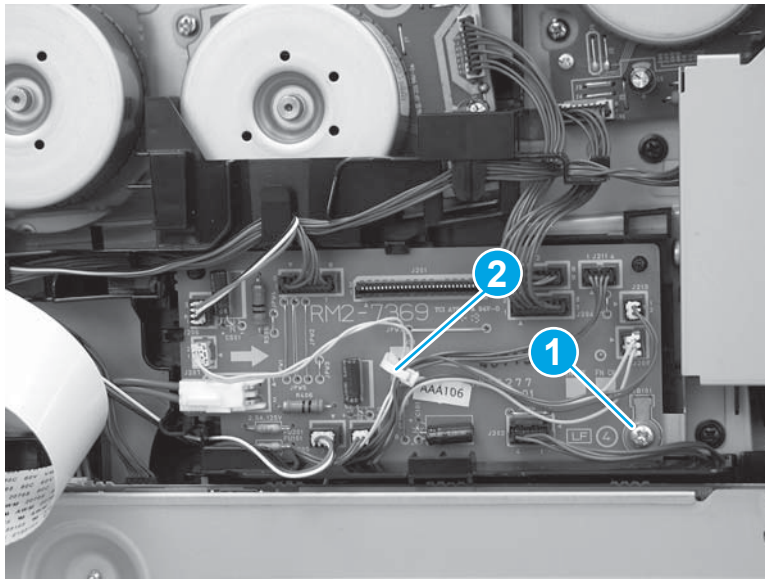
2. When connecting the connectors in the next step, make sure that the power supply fan connector (callout 1) and the cartridge fan connector (callout 2) are installed in the correct positions.

Figure 1-1583 Fan connector locations



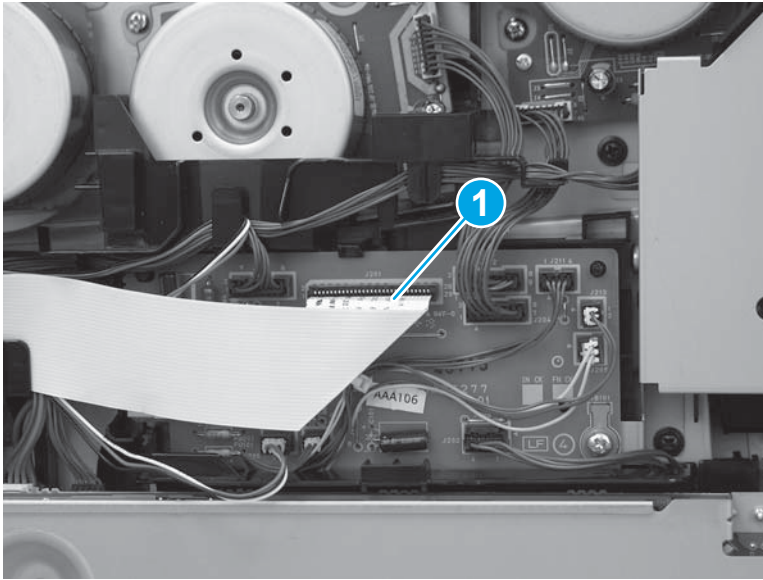
3. Install one screw (callout 1), connect all of the connectors on the driver PCA, and then close one retainer (callout 2).

Figure 1-1584 Install one screw and connect all connectors



4. Connect one connector (callout 1).

Figure 1-1585 Connect one connector



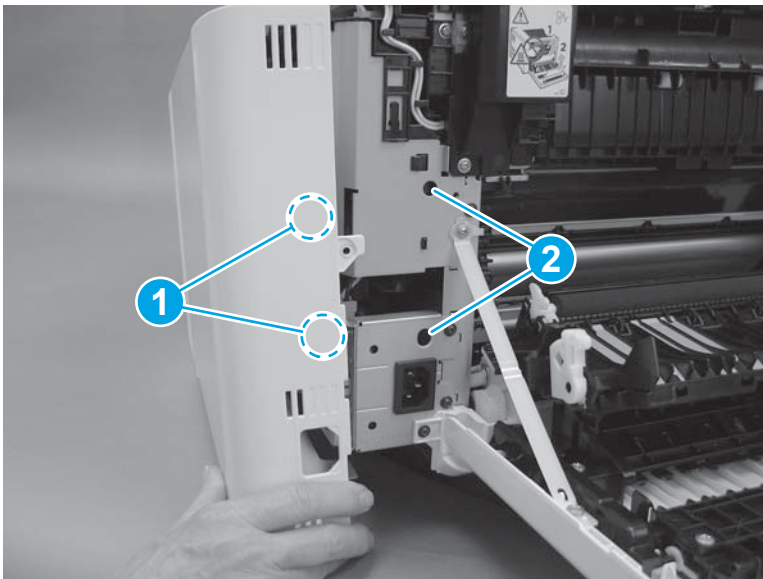
Step 8: Install the right cover (M452 models)



NOTE: This step is for the M452 models. For the M377, M477 models, skip this step and go to [Step 9: Install the right cover \(M377, M477 models\) on page 860](#).

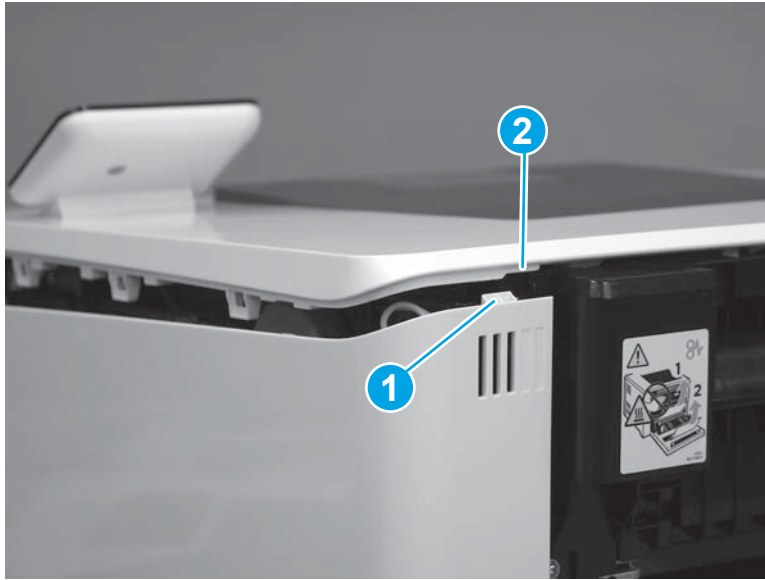
1. Position two tabs (callout 1) on the back of the cover in the slots (callout 2) in the printer.

Figure 1-1586 Position two tabs



2. At the back of the printer, install the tab (callout 1) under the edge of the top cover (callout 2).

Figure 1-1587 Install rear tab



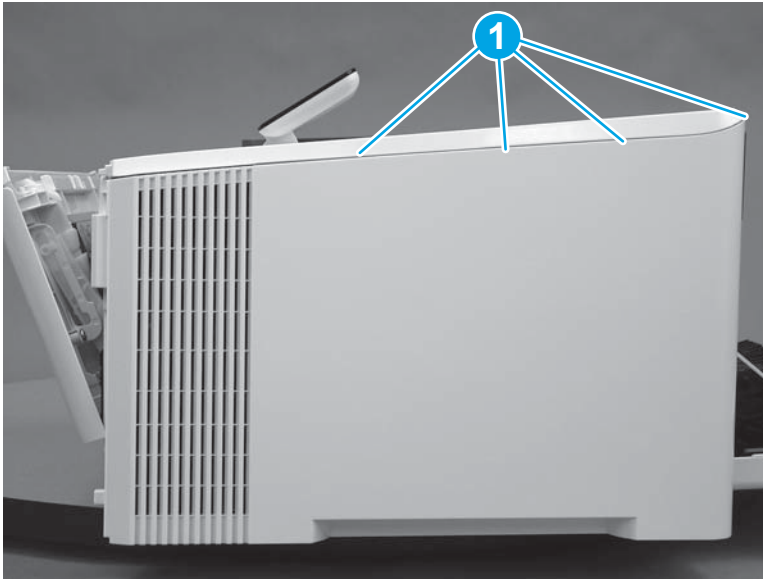
3. Slide the cover toward the front of the printer to install it.

Figure 1-1588 Install the right cover



- Engage three tabs (callout 2) on the top of the cover.

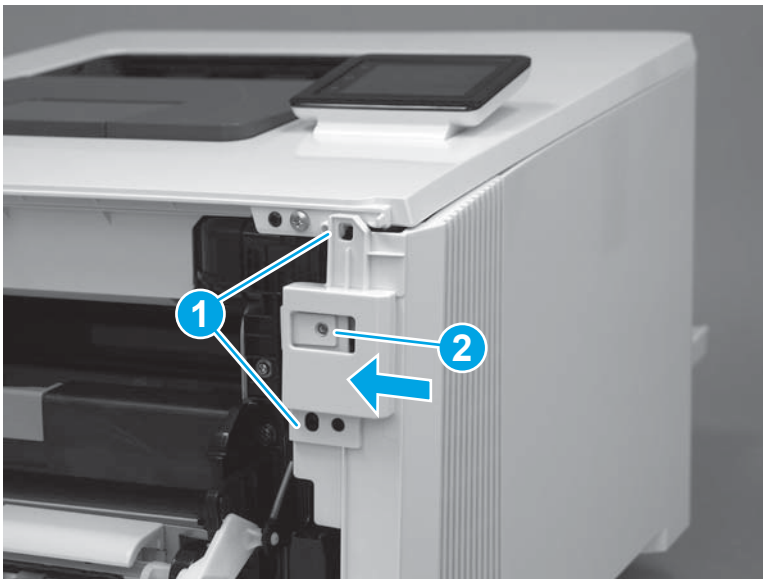
Figure 1-1589 Install upper tabs



- At the front of the printer, position the front of the cover over two tabs (callout 1).

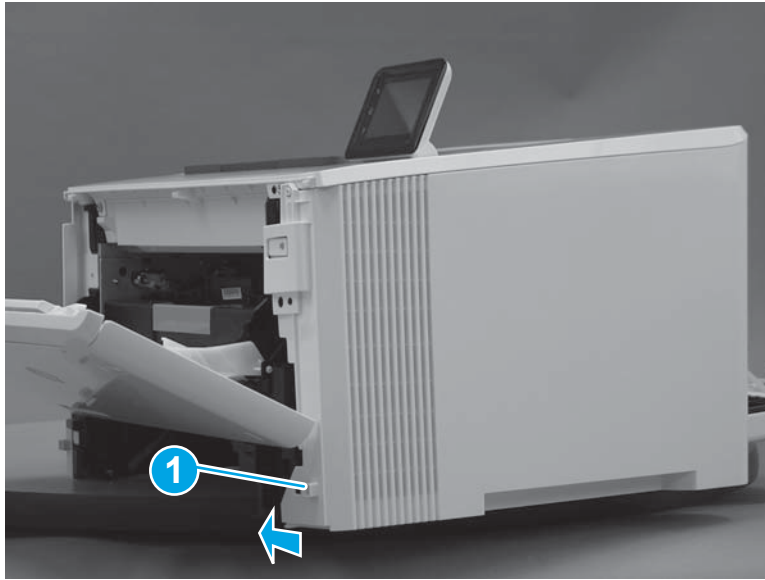
CAUTION: Be careful not to dislodge the power switch (callout 2).

Figure 1-1590 Install the front tabs



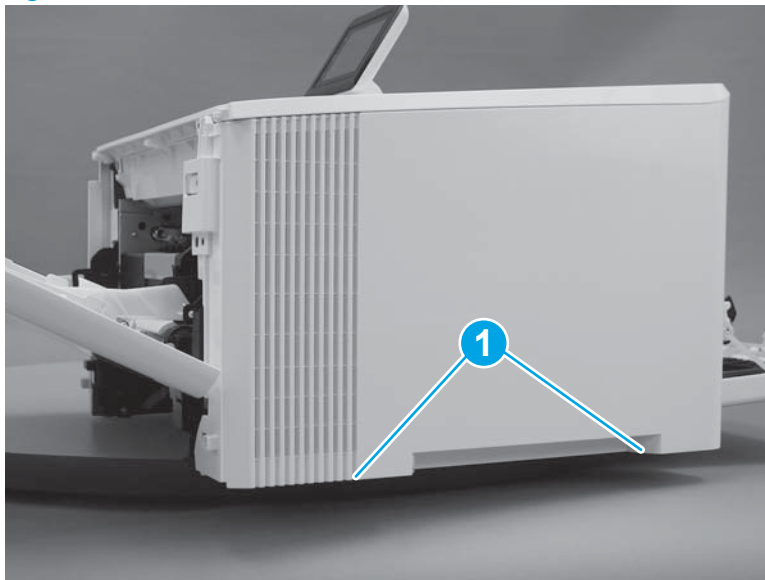
6. Press the right cover toward the printer to engage one tab (callout 1) on the front of the cover.

Figure 1-1591 Install the front lower tab



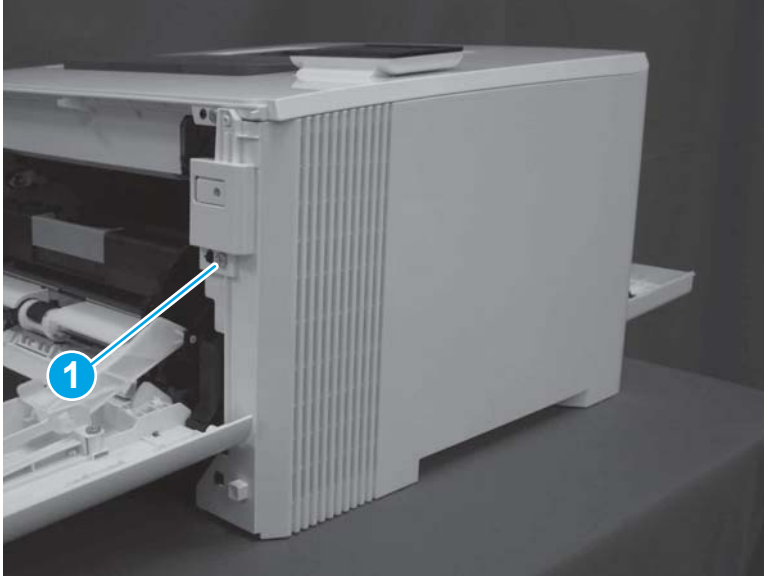
7. Install two tabs on the bottom of the cover (callout 1).

Figure 1-1592 Install two tabs



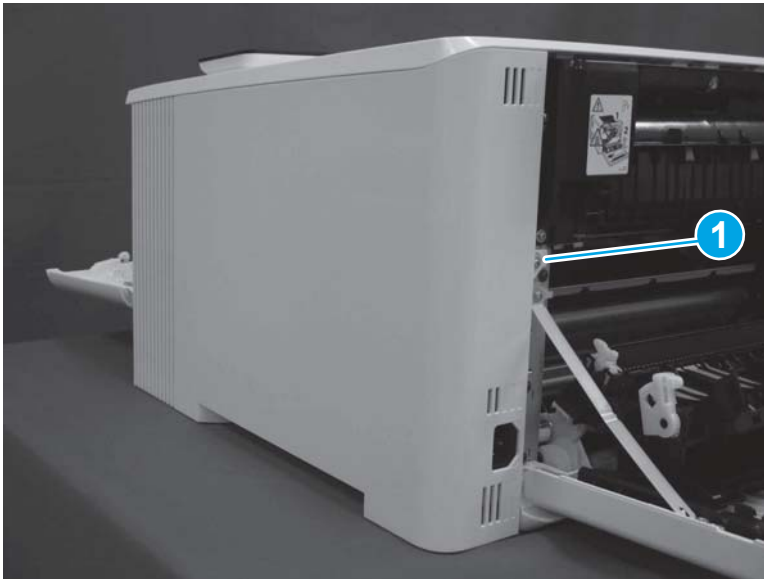
8. At the front of the printer, install one screw (callout 1).

Figure 1-1593 Install one screw



9. At the back of the printer, install one screw (callout 1).

Figure 1-1594 Install one screw

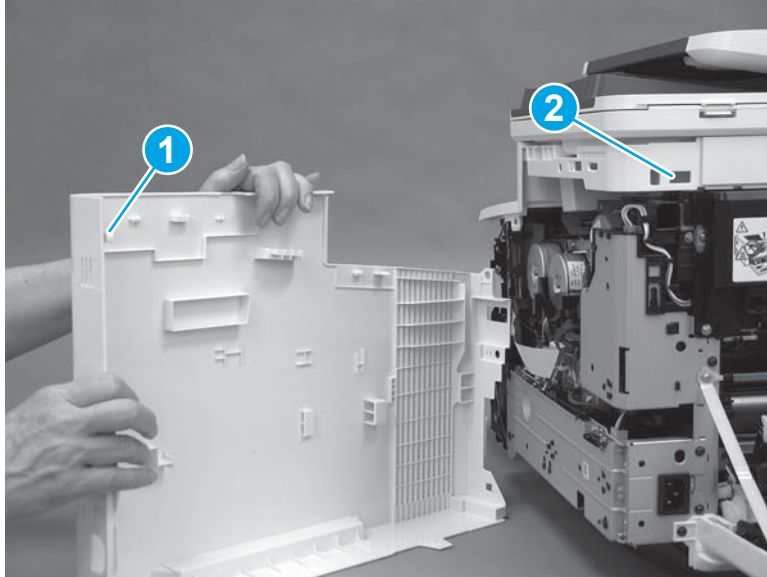


Step 9: Install the right cover (M377, M477 models)

 **NOTE:** This step is for the M377, M477 models. For the M452 models, skip this step and go to [Step 10: Close the front door and rear door or duplexer door on page 866.](#)

1. At the back of the printer, install the tab (callout 1) on the cover into the slot (callout 2) on the printer.

Figure 1-1595 Install rear tab



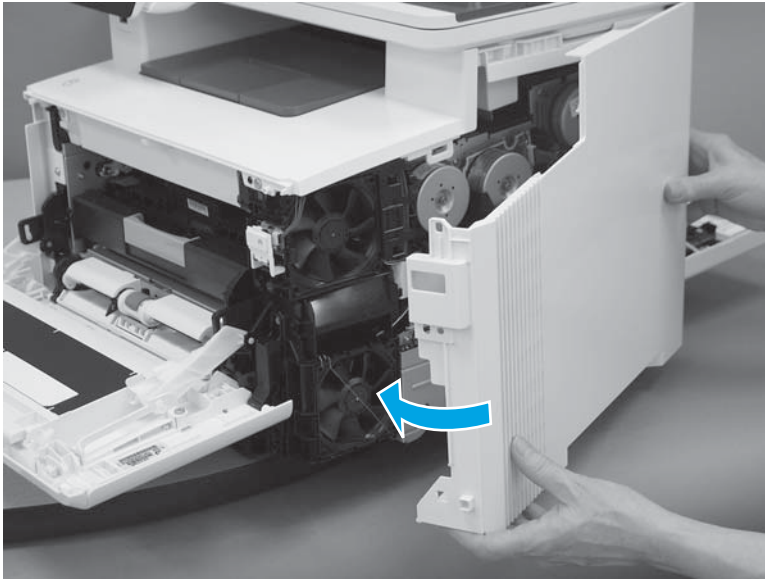
2. Raise the scanner.

Figure 1-1596 Raise the scanner



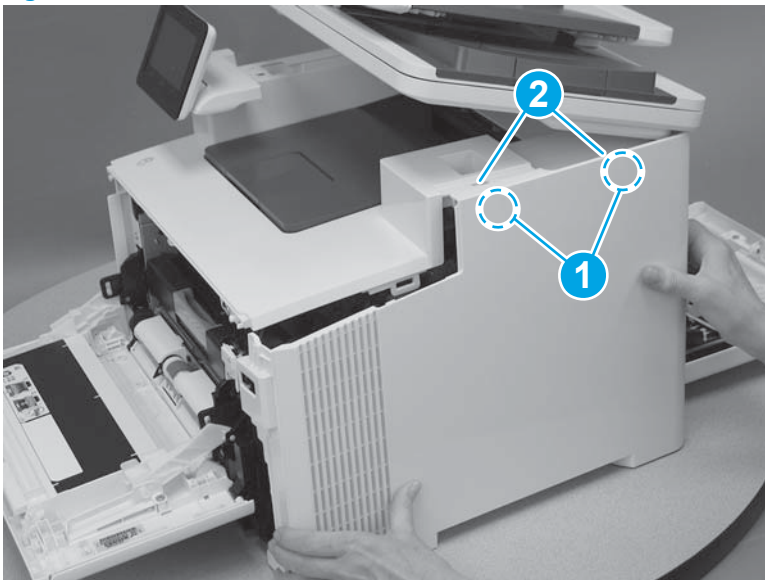
3. Rotate the right cover toward the printer.

Figure 1-1597 Rotate the right cover



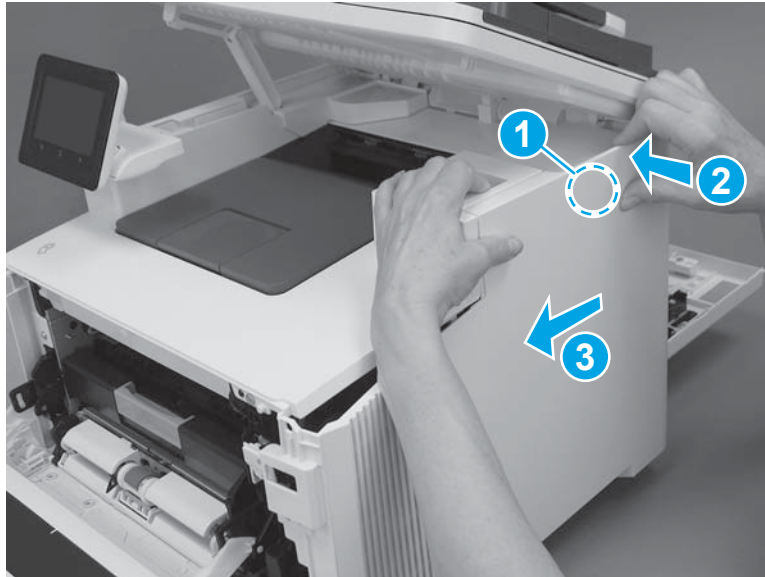
4. Position the hooks (callout 1) on the inside of the cover into the slots (callout 2) in the printer.

Figure 1-1598 Position the hooks in the slots



- Engage one hook (callout 1) on the inside of the cover. Hold the top of the cover closed (callout 2) while sliding the cover toward the front of the printer (callout 3).

Figure 1-1599 Slide the cover



- Rotate the front of the cover toward the printer (callout 1).

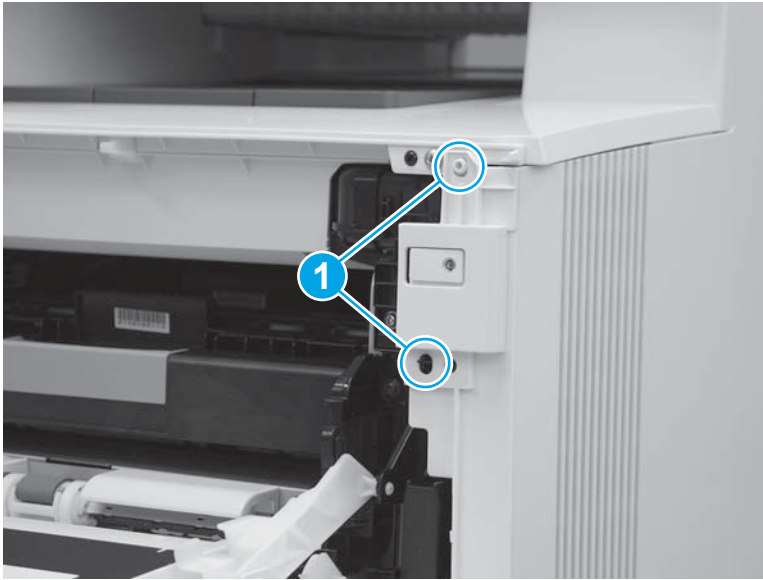
CAUTION: Be careful not to dislodge the power switch (callout 2).

Figure 1-1600 Rotate the front of the cover



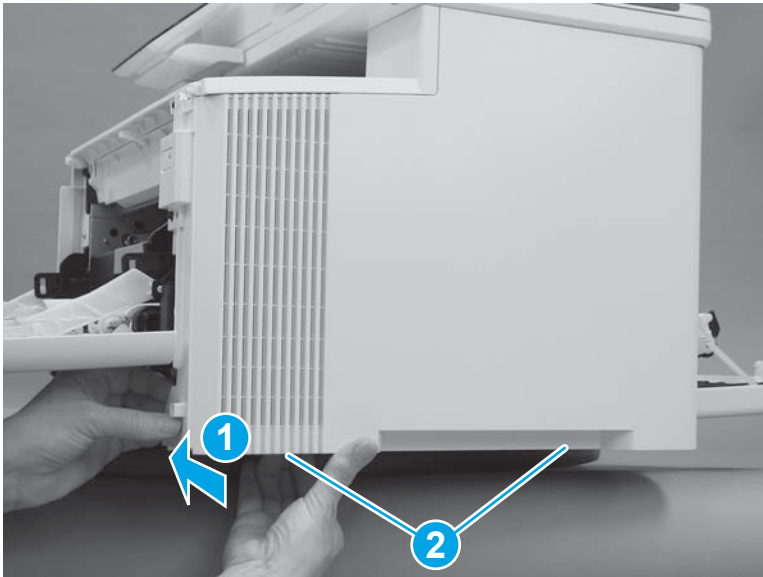
7. Install two tabs at the front of the printer (callout 1).

Figure 1-1601 Install two tabs



8. Press the right cover toward the printer (callout 1) to engage one tab on the front of the cover, and two tabs (callout 2) on the lower edge of the cover.

Figure 1-1602 Install the front and lower tabs



9. At the front of the printer, install one screw (callout 1).

Figure 1-1603 Install one screw



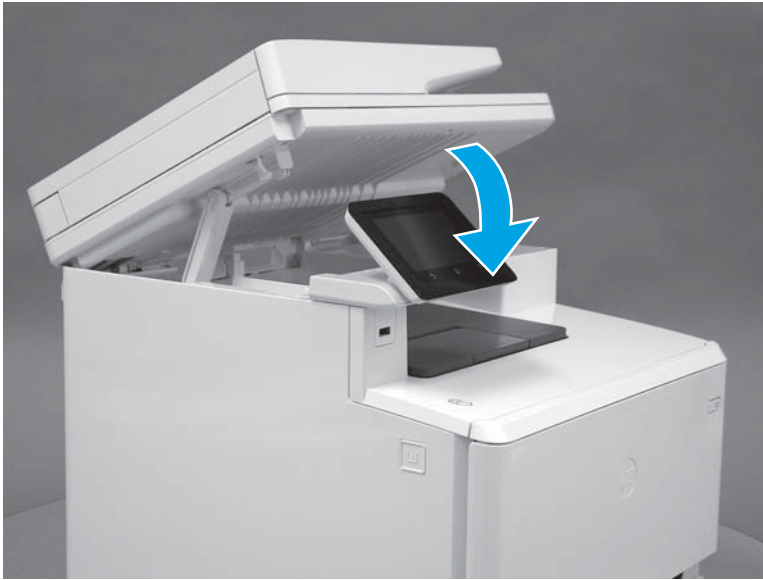
10. At the back of the printer, install one screw (callout 1).

Figure 1-1604 Install one screw



11. Lower the scanner.

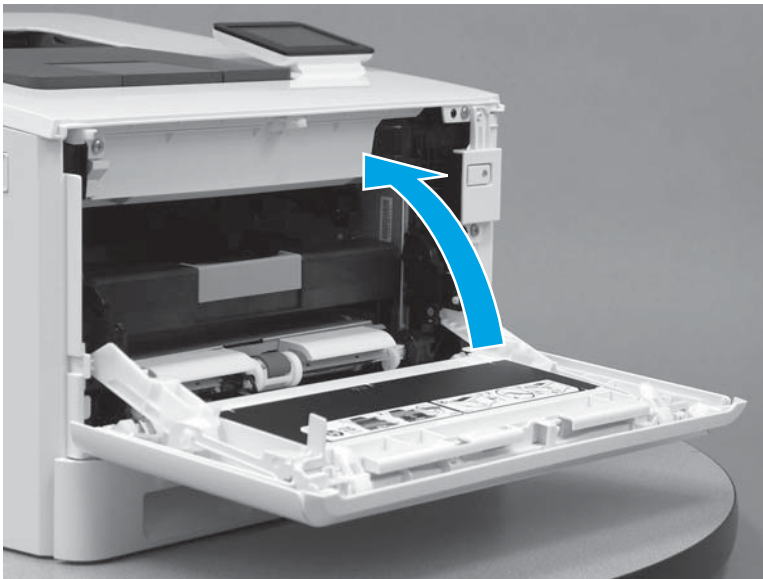
Figure 1-1605 Lower the scanner



Step 10: Close the front door and rear door or duplexer door

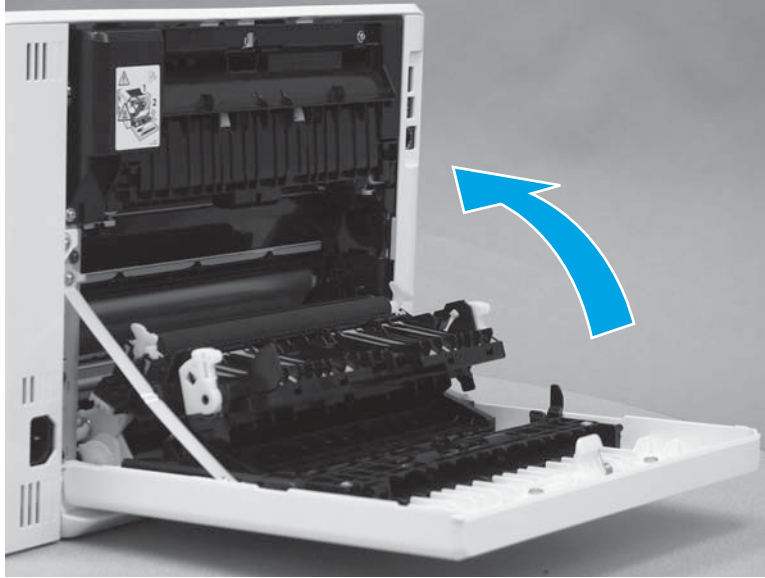
1. Close the front door.

Figure 1-1606 Close the front door



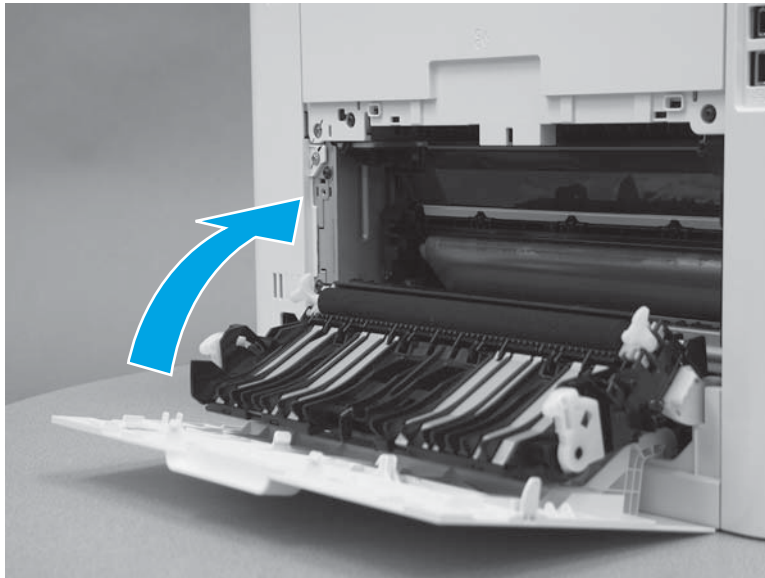
2. **Duplex models:** Close the duplexer door.

Figure 1-1607 Close the duplexer door



3. **Simplex models:** Close the rear door.

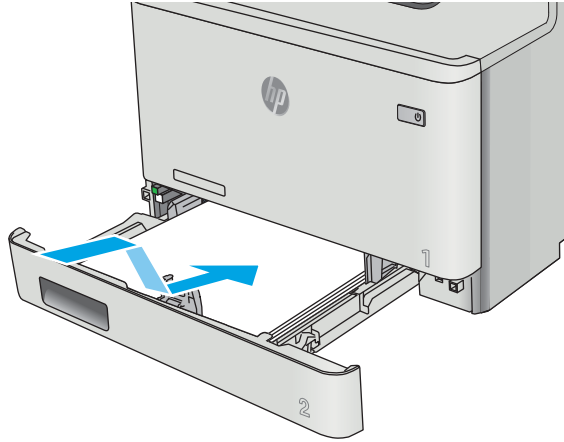
Figure 1-1608 Close the rear door



Step 11: Install Tray 2

- ▲ With the front of the tray slightly lifted, align the sides of the tray with the rails in the printer, and then carefully slide the tray into the printer. As the tray slides into the printer, lower the front of the tray, and then close it.

Figure 1-1609 Install the tray



Removal and replacement: Drum motor

- [Introduction](#)
- [Step 1: Remove Tray 2](#)
- [Step 2: Open the front door and rear door or duplexer door](#)
- [Step 3: Remove the right cover \(M452 models\)](#)
- [Step 4: Remove the right cover \(M377, M477 models\)](#)
- [Step 5: Remove the left cover \(M452 models\)](#)
- [Step 6: Remove the left cover \(M377, M477 models\)](#)
- [Step 7: Remove the duplexer door assembly \(duplex models\)](#)
- [Step 8: Remove the rear door \(simplex models\)](#)
- [Step 9: Remove the low-voltage power supply \(LVPS\)](#)
- [Step 10: Remove the driver PCA](#)
- [Step 11: Remove the driver PCA holder](#)
- [Step 12: Remove the drum motor](#)
- [Step 13: Unpack the replacement part](#)
- [Step 14: Install the drum motor](#)
- [Step 15: Install the driver PCA holder](#)
- [Step 16: Install the driver PCA](#)
- [Step 17: Install the low-voltage power supply \(LVPS\)](#)
- [Step 18: Install the rear door \(simplex models\)](#)
- [Step 19: Install the duplexer door assembly \(duplex models\)](#)
- [Step 20: Install the left cover \(M452 models\)](#)
- [Step 21: Install the left cover \(M377, M477 models\)](#)
- [Step 22: Install the right cover \(M452 models\)](#)
- [Step 23: Install the right cover \(M377, M477 models\)](#)
- [Step 24: Close the front door and rear door or duplexer door](#)
- [Step 25: Install Tray 2](#)

Introduction

This document provides the procedures to remove and replace the drum motor.

Before you begin

- Turn off the printer.
- Disconnect the power cable.

⚠ WARNING! To avoid damage to the printer, turn the printer off, wait 30 seconds, and then remove the power cord before attempting to service the printer.

- Use the table below to identify the correct part number for your printer. To order the part, go to www.hp.com/buy/parts.

| Drum motor part number | |
|------------------------|------------|
| RM2-7342-000CNN | Drum motor |

Required tools

- #2 Phillips screwdriver with a magnetic tip
- Small flat-blade screwdriver

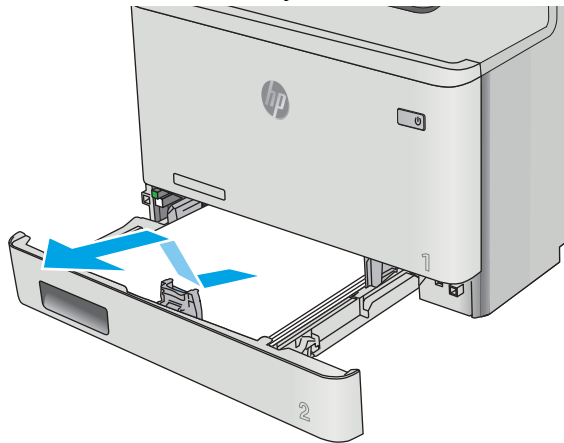
After performing service

- Connect the power cable.
- Use the power switch to turn the power on.

Step 1: Remove Tray 2

- ▲ Pull the tray out until it stops. Lift the front of the tray, and then pull it out of the printer to remove it.

Figure 1-1610 Remove the tray



Step 2: Open the front door and rear door or duplexer door

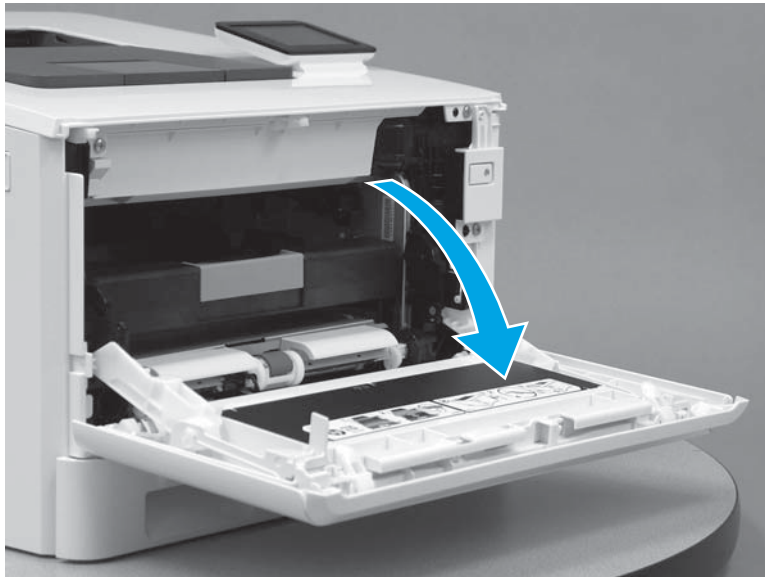
1. Press the button (callout 1) on the left side of the printer to release the front door.

Figure 1-1611 Release the front door



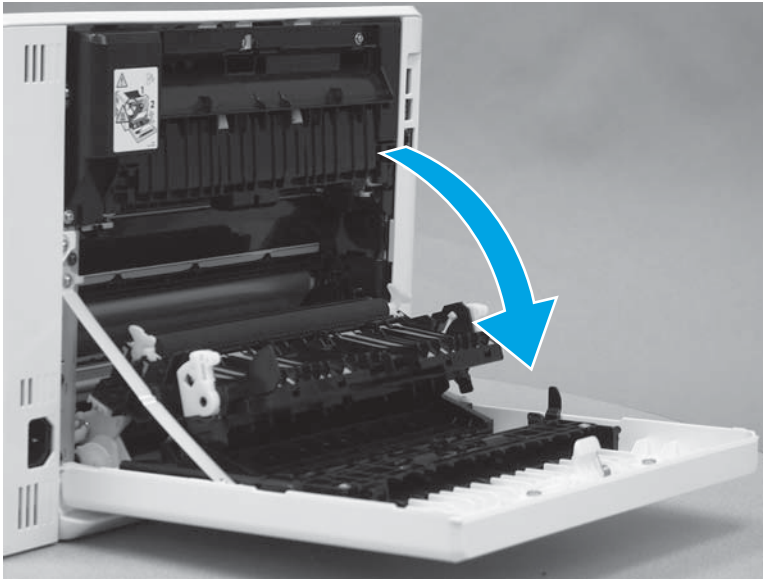
2. Open the front door.

Figure 1-1612 Open the front door



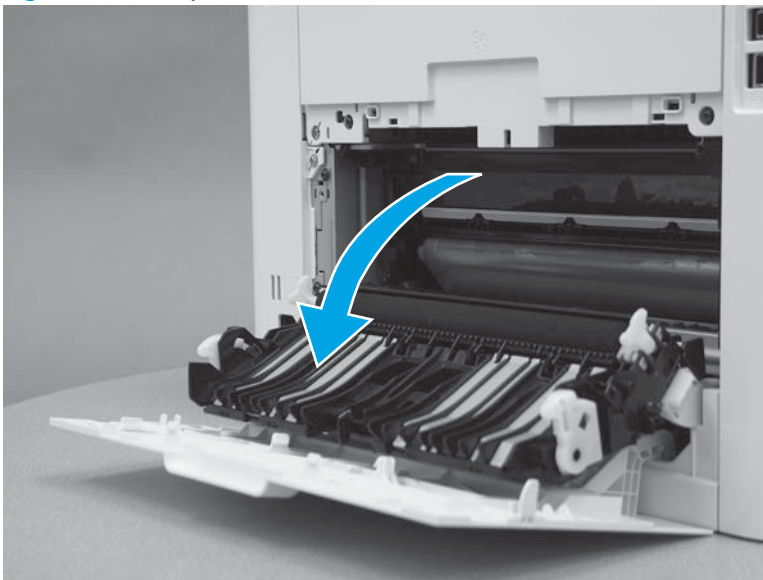
3. **Duplex models:** Open the duplexer door.

Figure 1-1613 Open the duplexer door




4. **Simplex models:** Open the rear door.

Figure 1-1614 Open the rear door



Step 3: Remove the right cover (M452 models)

 **NOTE:** This step is for the M452 models. For the M377, M477 models, skip this step and go to [Step 4: Remove the right cover \(M377, M477 models\) on page 876.](#)

1. At the back of the printer, remove one screw (callout 1).

Figure 1-1615 Remove one screw



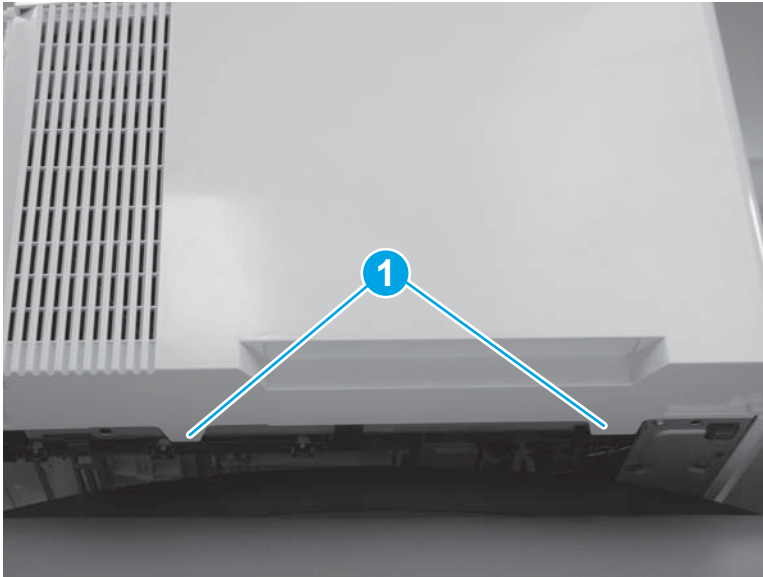
2. At the front of the printer, remove one screw (callout 1).

Figure 1-1616 Remove one screw



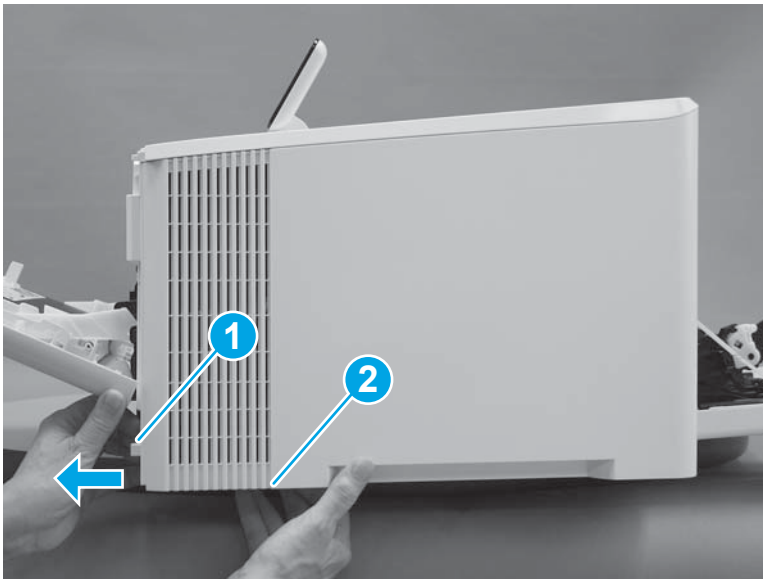
3. Slide the printer to the edge of a work surface. Note the location of the tabs on the lower edge of the cover (callout 1).

Figure 1-1617 Locate the tabs



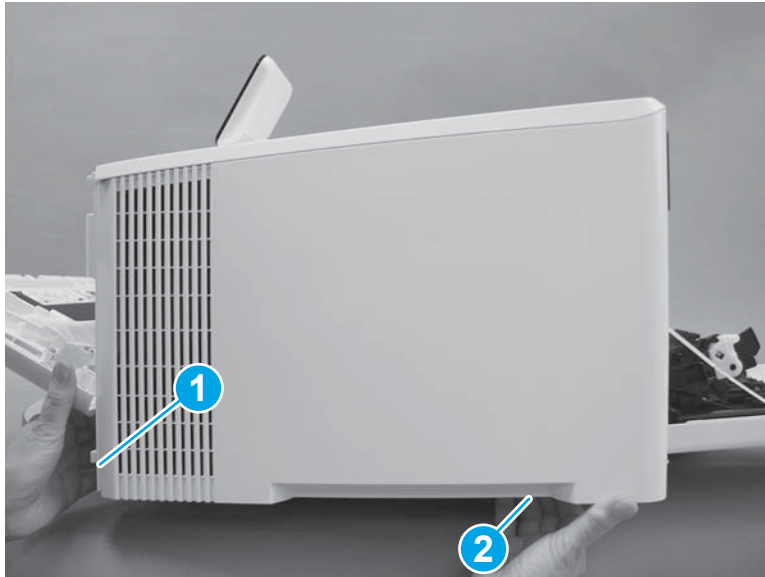
4. Release one tab (callout 1) on the front of the cover by slightly pulling the cover away from the printer. While holding the cover in the released position, release one tab (callout 2) on the bottom of the cover.

Figure 1-1618 Release front lower tabs



5. Hold the front tabs in the released position (callout 1), and then release one tab (callout 2) on the bottom of the cover, toward the back of the printer.

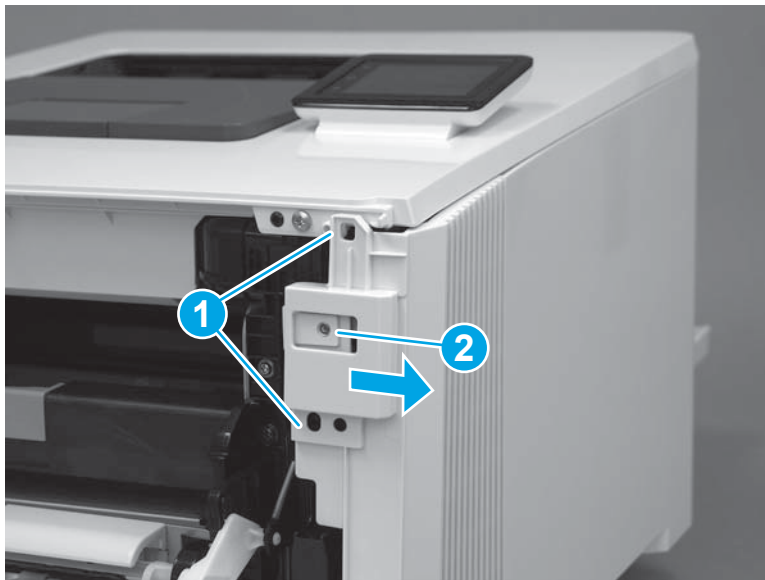
Figure 1-1619 Release lower rear tab



6. Release two tabs at the front of the printer (callout 1) by slightly pulling the cover away from the printer.

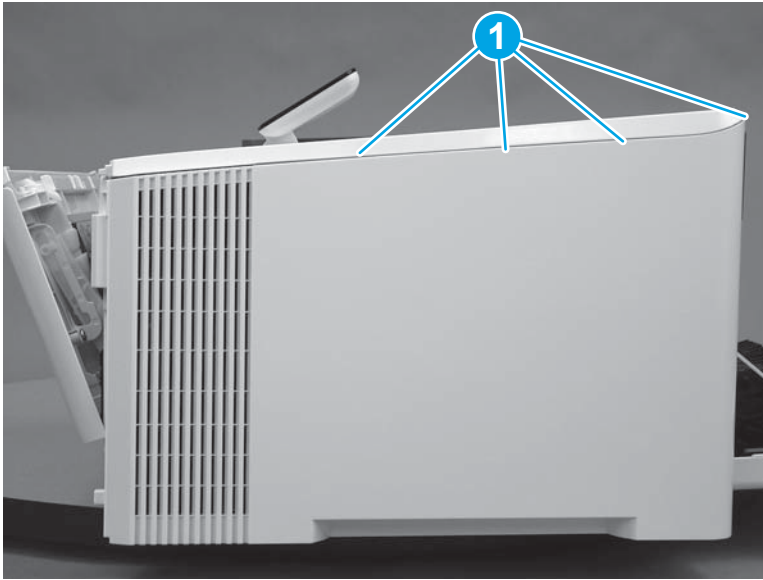
⚠ CAUTION: Be careful not to dislodge the power switch (callout 2).

Figure 1-1620 Release two front tabs



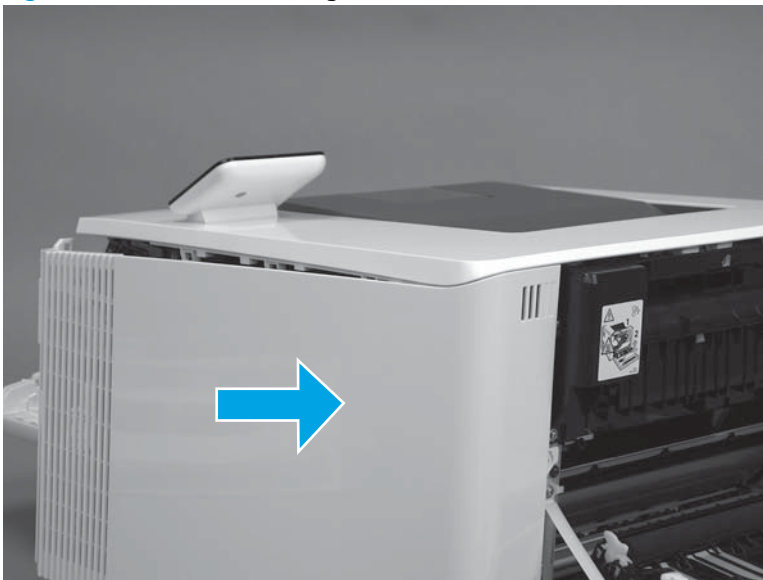
7. Release four tabs on the top of the printer (callout 1).

Figure 1-1621 Release upper tabs



8. Slide the cover toward the back of the printer to remove it.

Figure 1-1622 Remove the right cover



Step 4: Remove the right cover (M377, M477 models)

 **NOTE:** This step is for the M377, M477 models. For the M452 models, skip this step and go to [Step 5: Remove the left cover \(M452 models\) on page 882.](#)

1. Raise the scanner.

Figure 1-1623 Raise the scanner



2. At the back of the printer, remove one screw (callout 1).

Figure 1-1624 Remove one screw



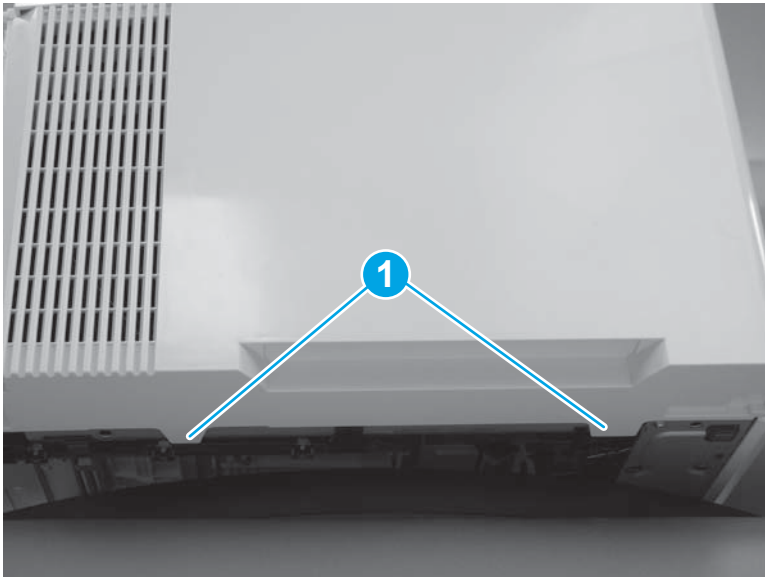
3. At the front of the printer, remove one screw (callout 1).

Figure 1-1625 Remove one screw



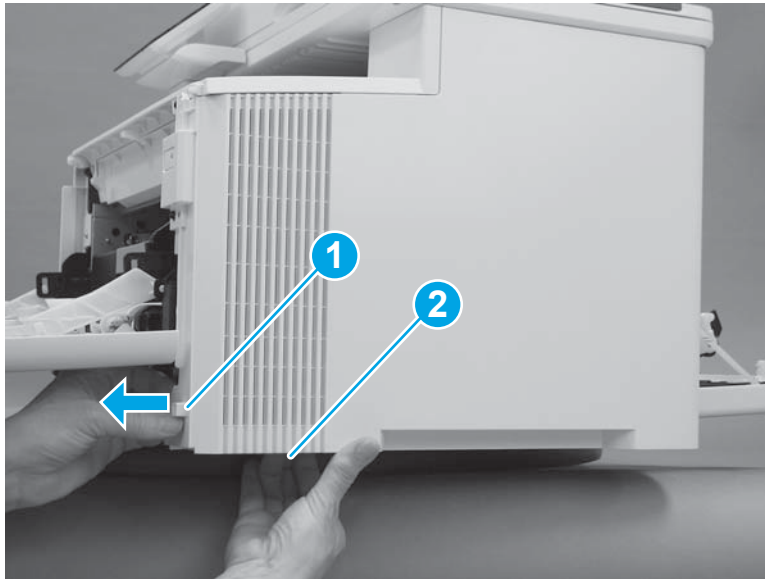
4. Slide the printer to the edge of a work surface. Note the location of the tabs on the lower edge of the cover (callout 1).

Figure 1-1626 Locate the tabs



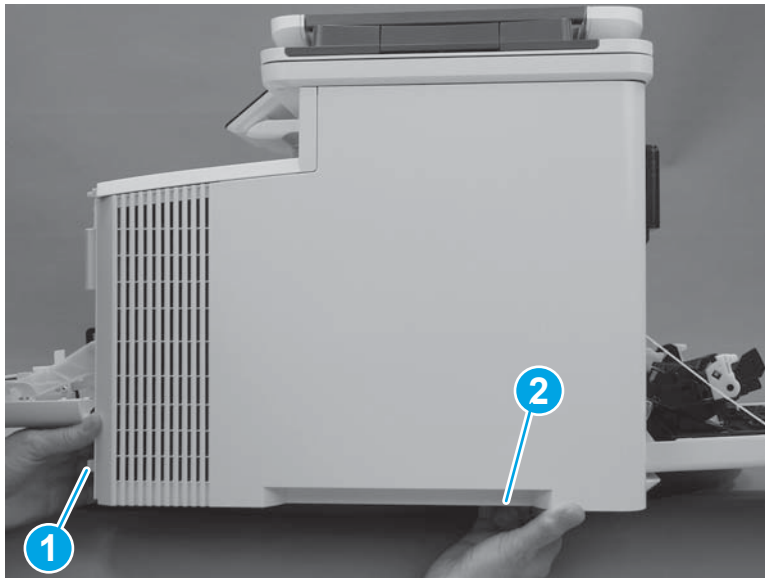
5. Release one tab (callout 1) on the front of the cover by slightly pulling the cover away from the printer. While holding the cover in the released position, release one tab (callout 2) on the lower edge of the cover.

Figure 1-1627 Release front lower tabs



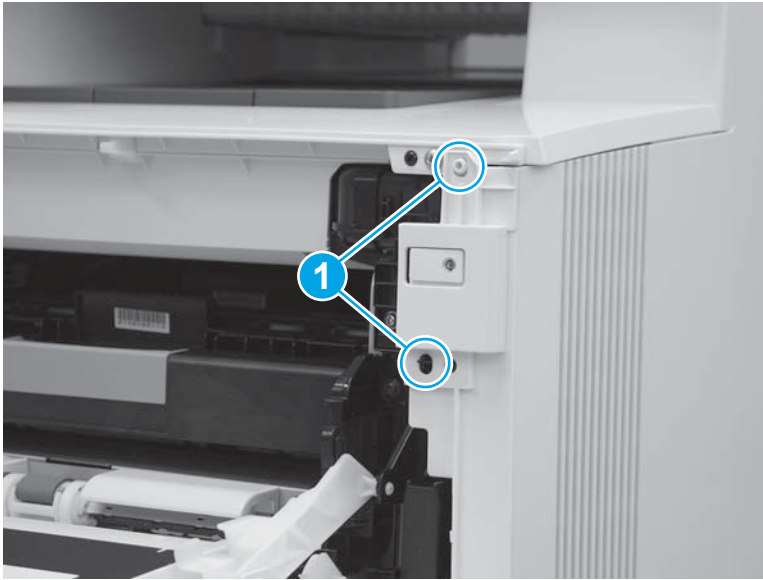
6. Hold the front tabs in the released position (callout 1), and then release one tab (callout 2) on the lower edge of the cover, toward the back of the printer.

Figure 1-1628 Release lower rear tab



7. Release two tabs at the front of the printer (callout 1) by slightly pulling the cover away from the printer.

Figure 1-1629 Release front upper tabs



8. Rotate the front of the cover away from the printer (callout 1).

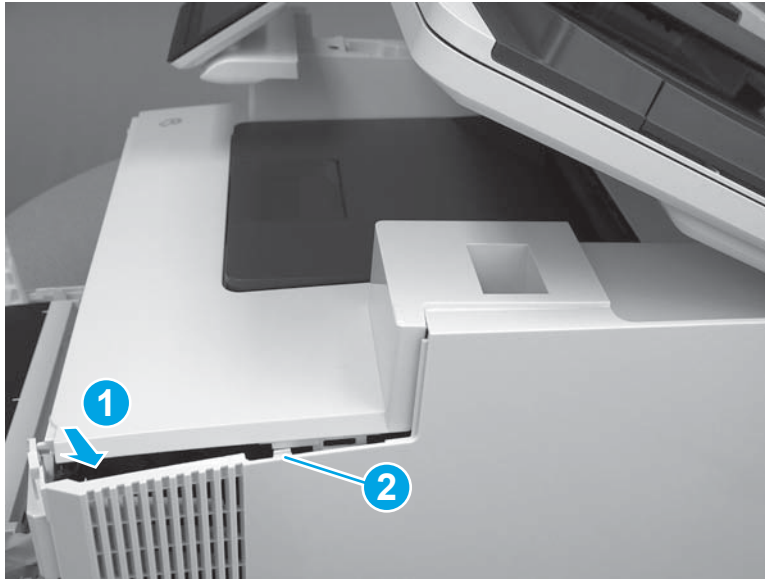
CAUTION: Be careful not to dislodge the power switch (callout 2).

Figure 1-1630 Rotate the front of the cover



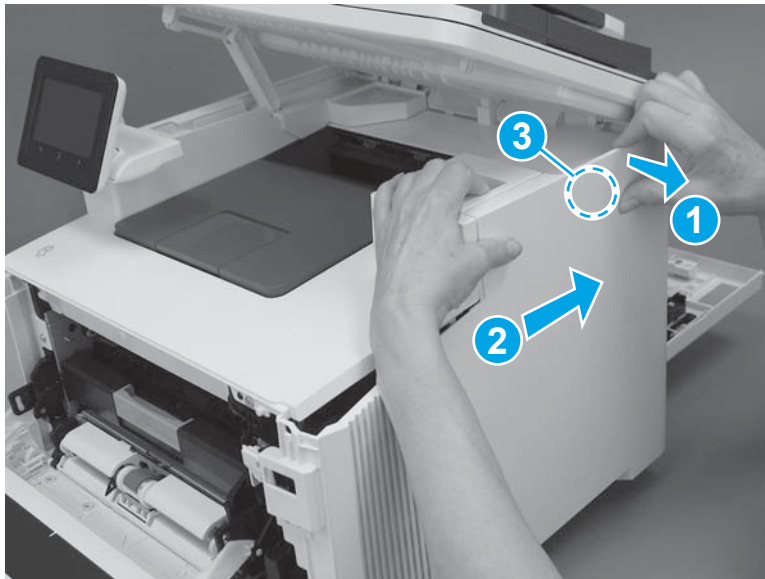
9. Slightly pull the front of the cover away from the printer (callout 1) to release one tab (callout 2).

Figure 1-1631 Release top tabs



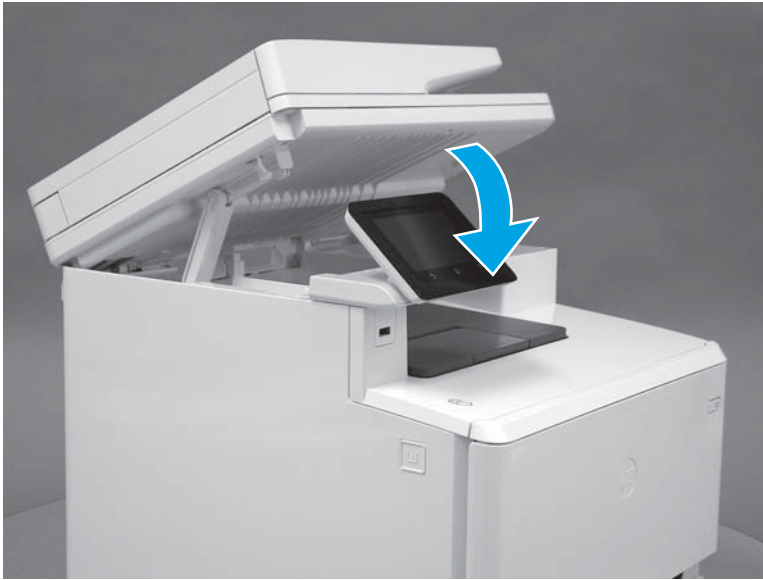
10. At the top of the printer, slightly pull the top of the cover away from the printer to release one retention tab (callout 1) on the inside of the cover. While holding the cover away, slide the cover toward the back of the printer (callout 2) to release one hook (callout 3) on the inside of the cover.

Figure 1-1632 Release one tab and one hook



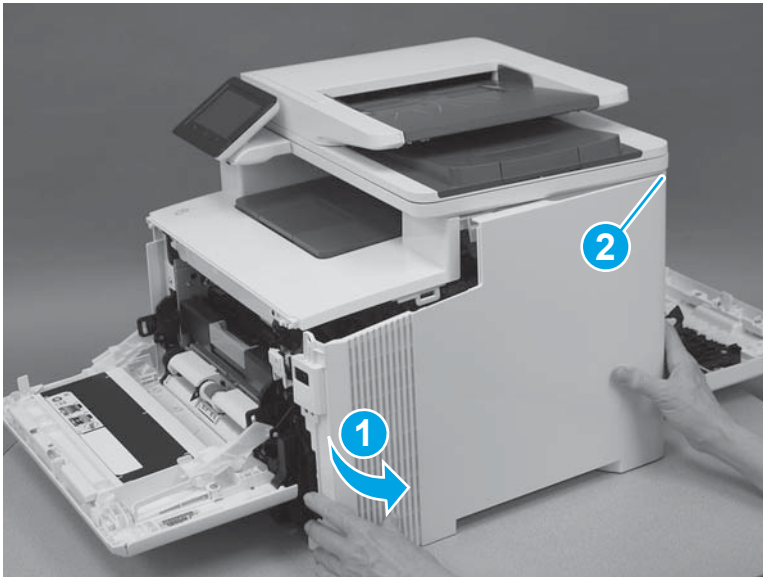
11. Lower the scanner.

Figure 1-1633 Lower the scanner




12. Rotate the cover away from the printer (callout 1) to release one tab (callout 2) at the back of the printer, and then remove the cover.

Figure 1-1634 Remove the right cover

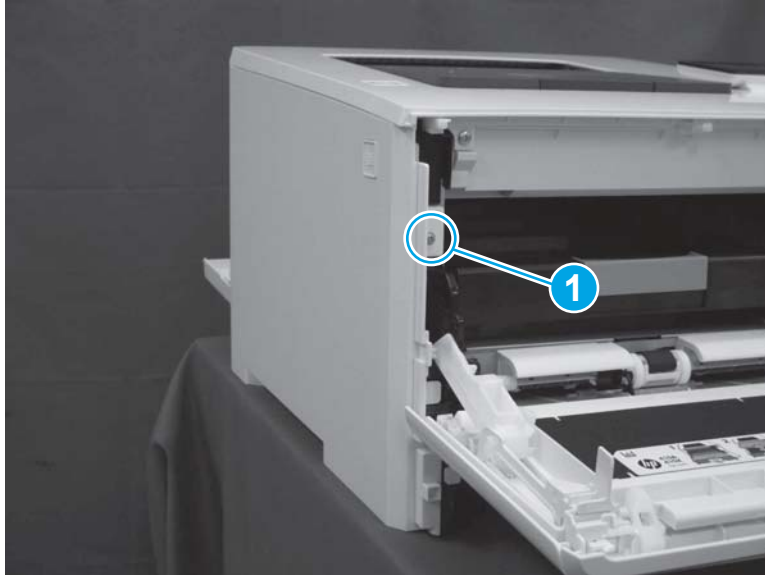


Step 5: Remove the left cover (M452 models)

 **NOTE:** This step is for the M452 models. For the M377, M477 models, skip this step and go to [Step 6: Remove the left cover \(M377, M477 models\) on page 885.](#)

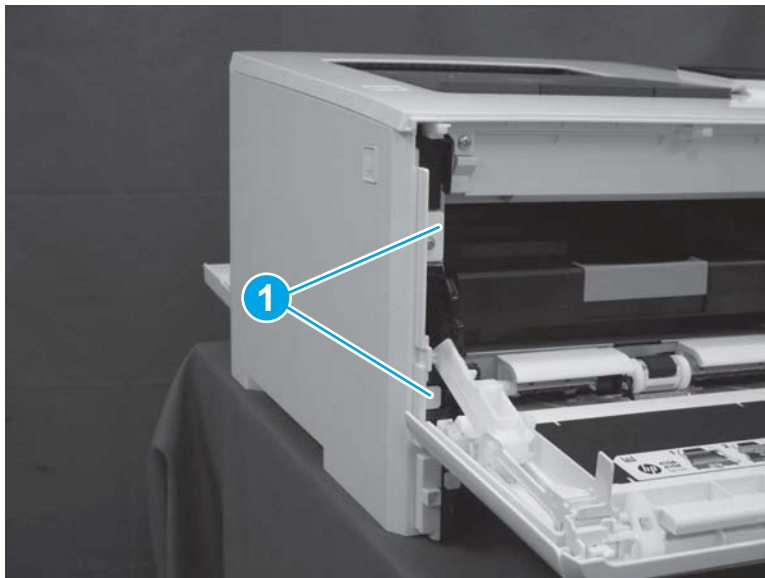
1. At the front of the printer, remove one screw (callout 1).

Figure 1-1635 Remove one screw



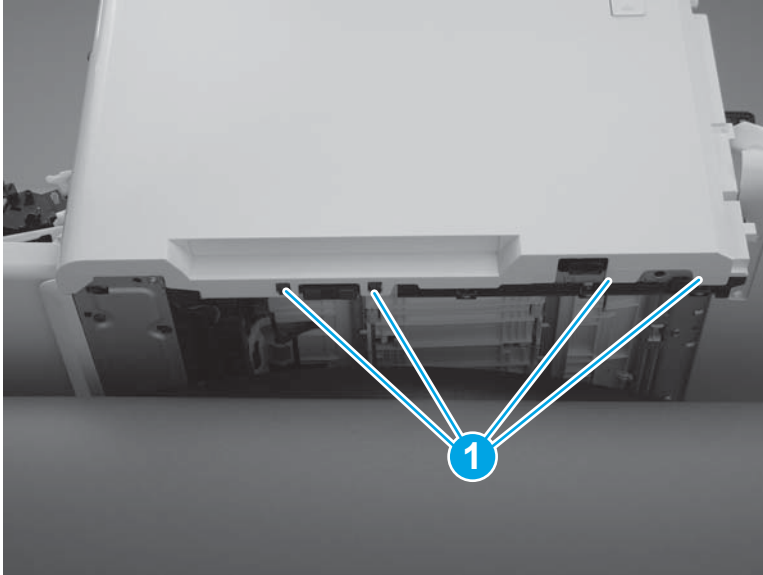
2. Release two tabs (callout 1) at the front of the cover. Hold the cover open to prevent the tabs from reengaging.

Figure 1-1636 Release two tabs



3. Slide the printer to the edge of a work surface. Note the location of the tabs on the lower edge of the cover (callout 1).

Figure 1-1637 Locate the tabs



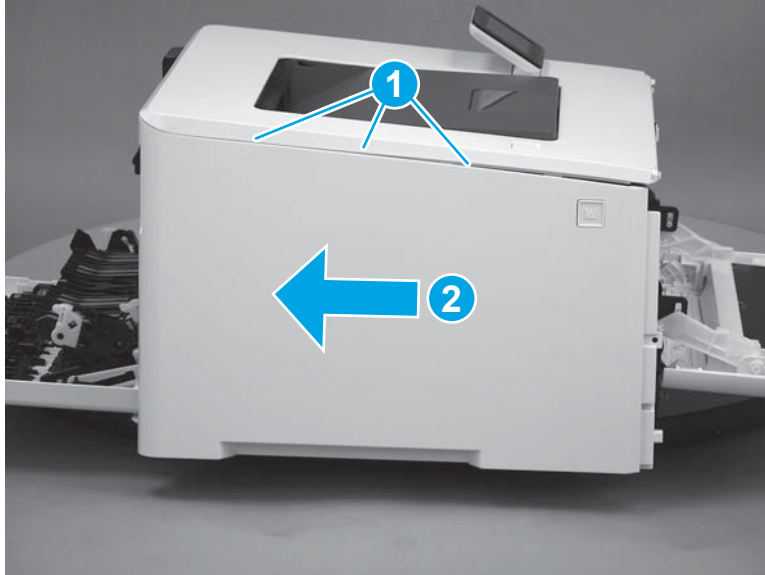
4. Beginning from the front of the cover, release four tabs (callouts 1-4) on the lower edge of the cover.

Figure 1-1638 Release bottom tabs



5. Release three tabs at the top of the cover (callout 1), and then slide the cover toward the rear of the printer to remove it.

Figure 1-1639 Release three tabs



Step 6: Remove the left cover (M377, M477 models)

 **NOTE:** This step is for the M377, M477 models. For the M452 models, skip this step and go to [Step 7: Remove the duplexer door assembly \(duplex models\) on page 889.](#)

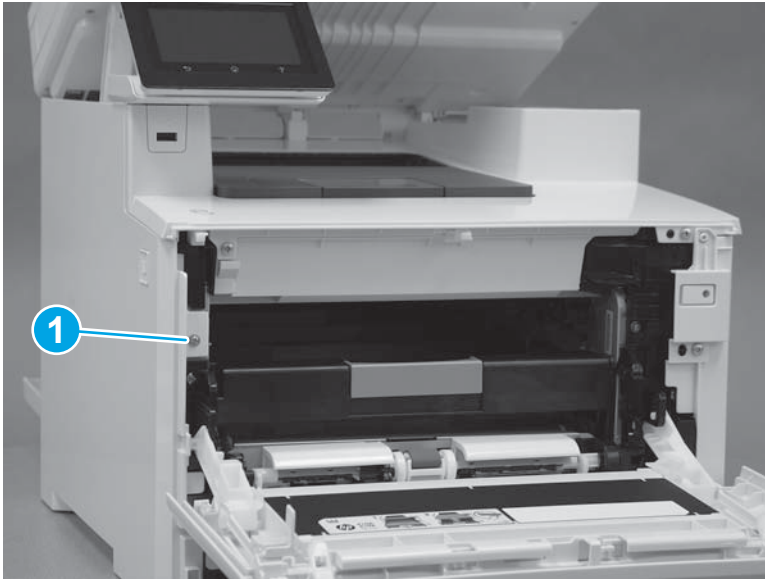
1. Raise the scanner.

Figure 1-1640 Raise the scanner



2. At the front of the printer, remove one screw (callout 1).

Figure 1-1641 Remove one screw



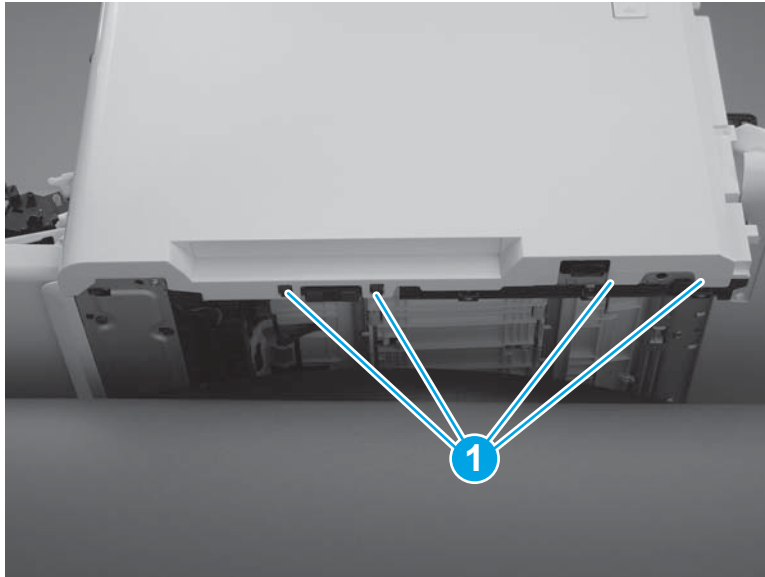
3. Release two tabs (callout 1) at the front of the cover. Hold the cover open to prevent the tabs from re-engaging.

Figure 1-1642 Release two tabs



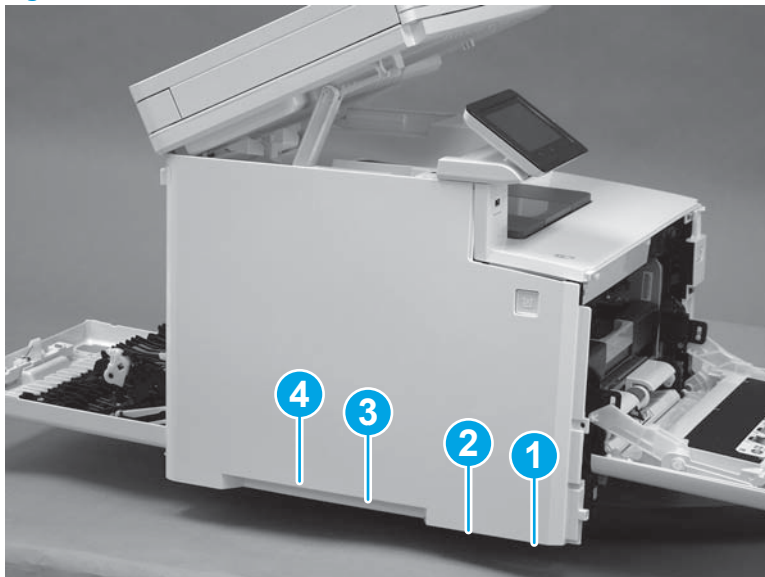
4. Slide the printer to the edge of a work surface. Note the location of the tabs on the lower edge of the cover (callout 1).

Figure 1-1643 Locate the tabs



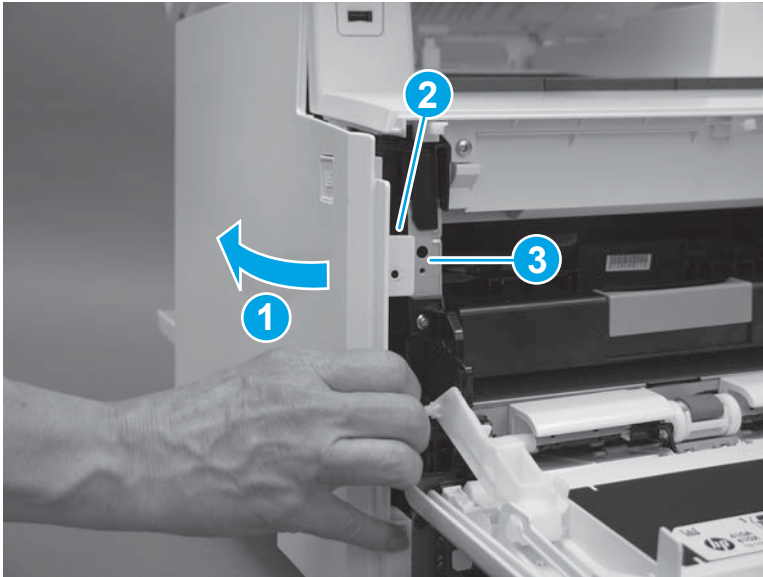
5. Beginning from the front of the cover, release the four tabs (callouts 1-4) on the lower edge of the cover.

Figure 1-1644 Release four tabs



6. Rotate the front of the cover away from the printer (callout 1). Make sure that the tab (callout 2) does not get caught on the printer frame (callout 3).

Figure 1-1645 Rotate the cover



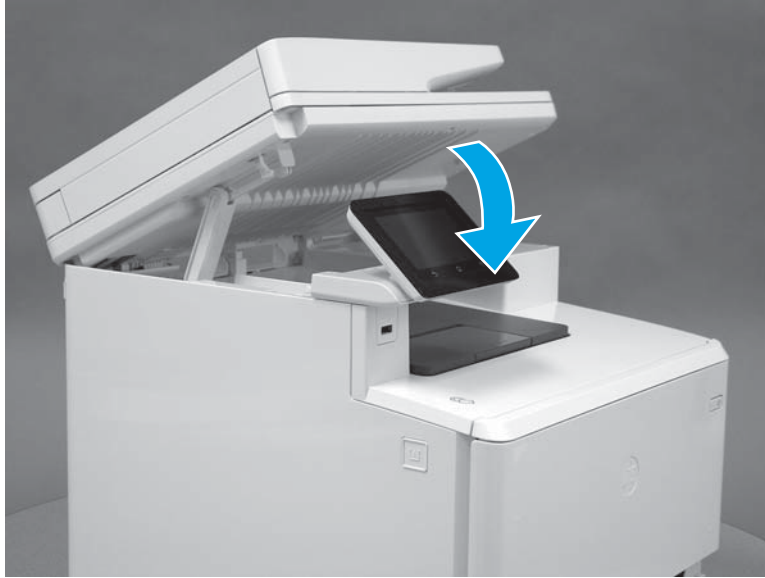
7. At the top of the printer, slightly pull the top of the cover away from the printer to release one retention tab (callout 1) on the inside of the cover. While holding the cover away, slide the cover toward the back of the printer (callout 2) to release two hooks (callout 3) inside the cover.

Figure 1-1646 Release one tab and two hooks



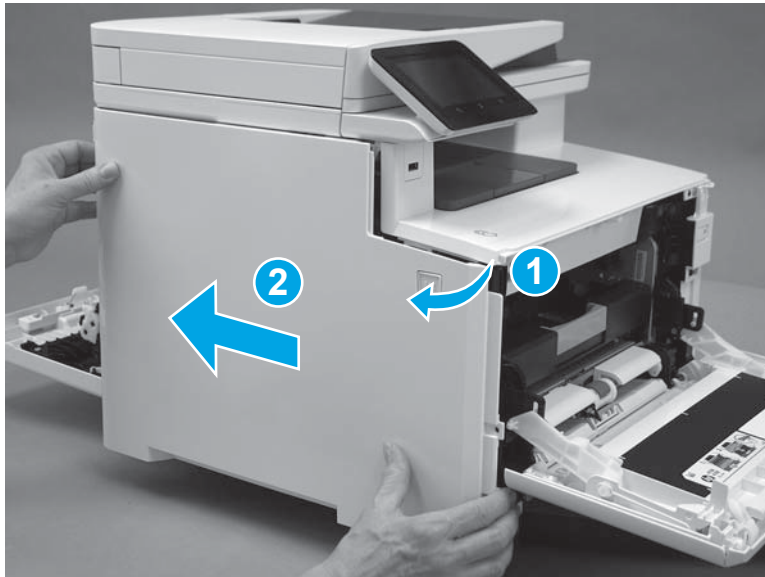
8. Lower the scanner.

Figure 1-1647 Lower the scanner




9. Rotate the cover away from the printer (callout 1), and then slide the cover (callout 2) toward the back of the printer to remove it.

Figure 1-1648 Remove the left cover

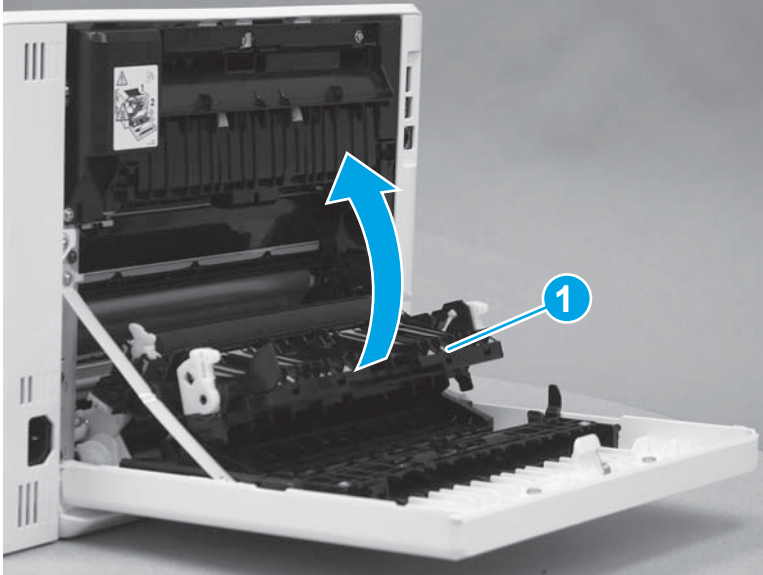


Step 7: Remove the duplexer door assembly (duplex models)

 **NOTE:** This step is for duplex models. For simplex models, skip this step and go to [Step 8: Remove the rear door \(simplex models\) on page 891](#).

1. Rotate the secondary transfer assembly (callout 1) toward the printer to close it.

Figure 1-1649 Close the secondary transfer assembly



2. At the back of the printer, remove two screws (callout 1), and then remove one screw (callout 2) that holds the retention arm.


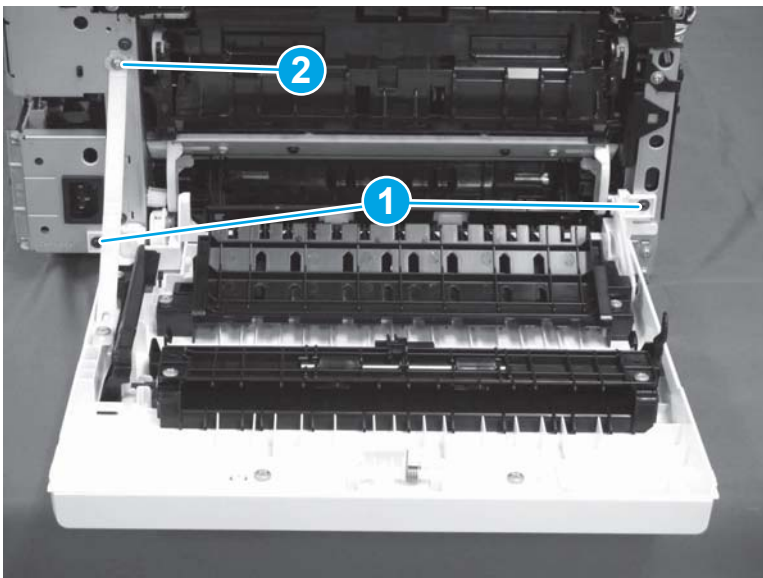
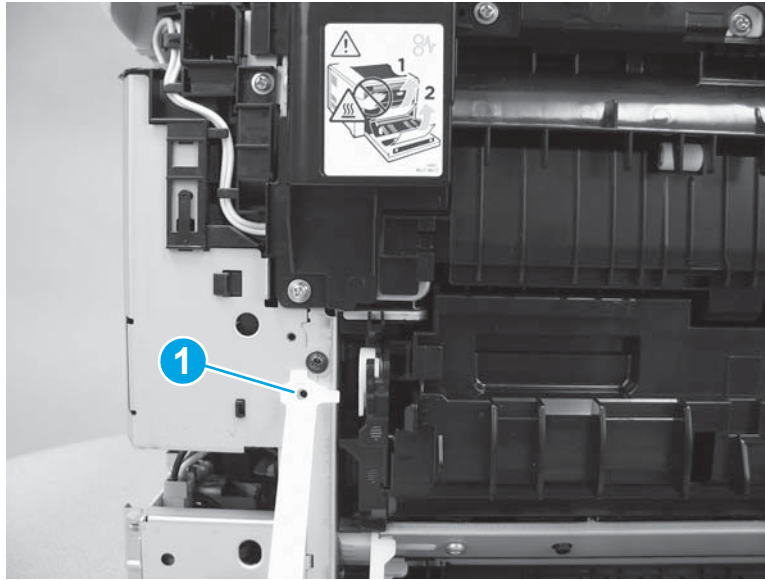
 **Reinstallation tip:** Note that the screw (callout 2) that holds the retention arm is longer than the other two. Make sure this screw is installed in the correct position.

Figure 1-1650 Remove three screws



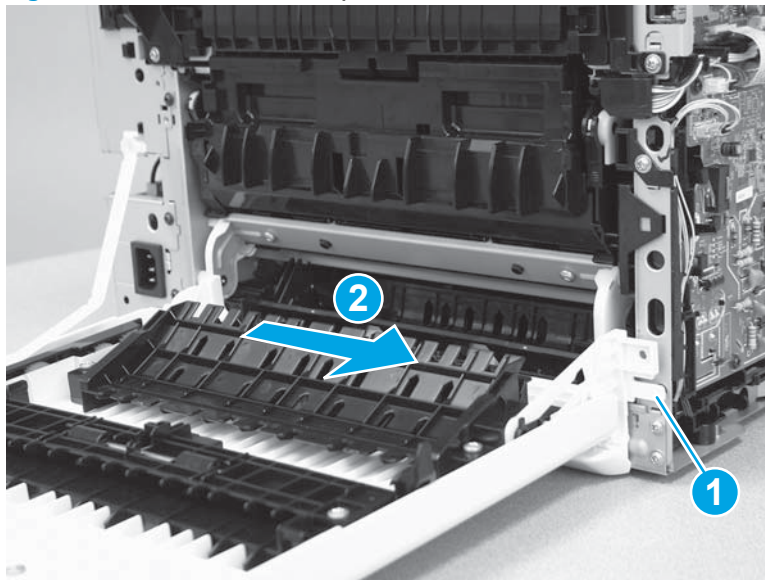
3. Release the retention arm (callout 1).

Figure 1-1651 Release the retention arm




4. Release one tab (callout 1), and then slide the duplexer door (callout 2) to the right to remove it.

Figure 1-1652 Remove the duplexer door

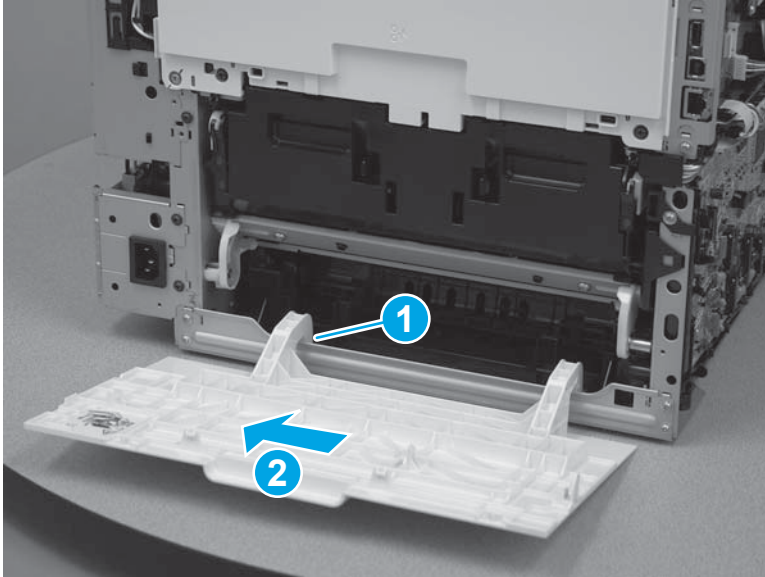


Step 8: Remove the rear door (simplex models)

 **NOTE:** This step is for simplex models. For duplex models, skip this step and go to [Step 9: Remove the low-voltage power supply \(LVPS\) on page 892](#).

- ▲ Slightly flex one hinge arm (callout 1) to release a hinge pin, and then slide the rear door to the left (callout 2) to remove it.

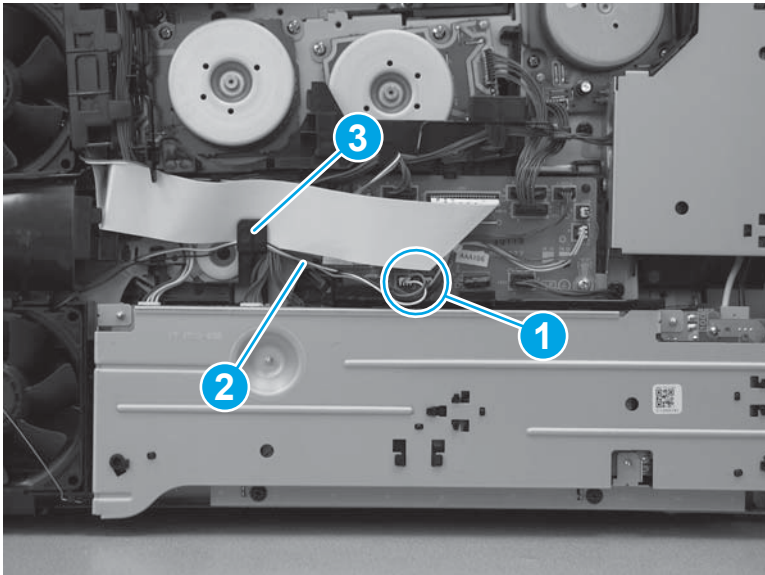
Figure 1-1653 Remove the rear door



Step 9: Remove the low-voltage power supply (LVPS)

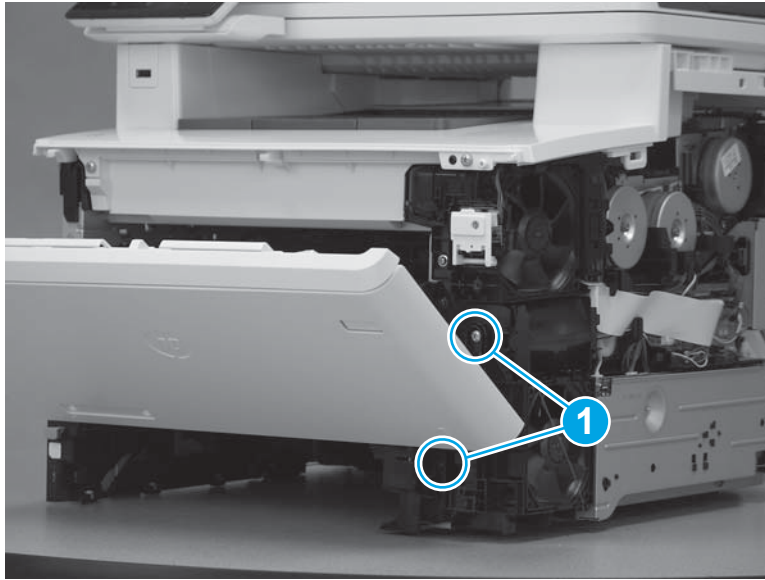
1. Disconnect one connector (callout 1), and then remove the cable (callout 2) from the wire guide (callout 3).

Figure 1-1654 Disconnect one connector and release cables from guides



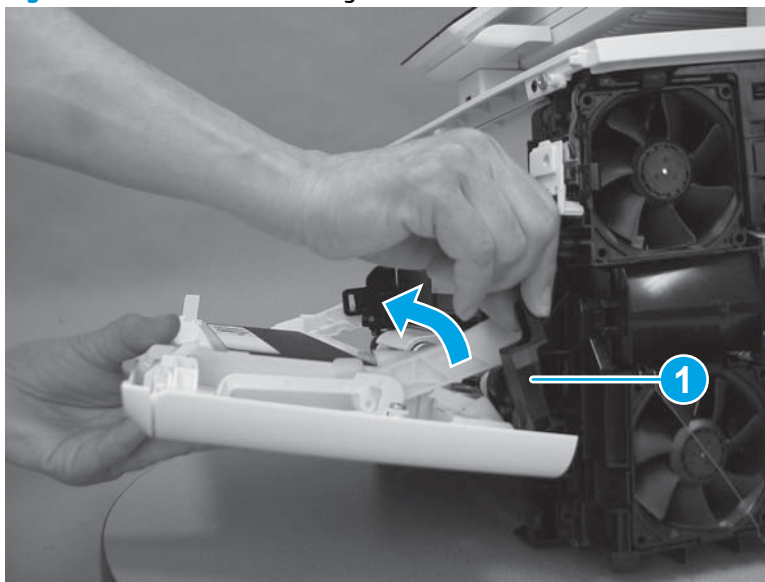
2. Remove two screws (callout 1).

Figure 1-1655 Remove two screws



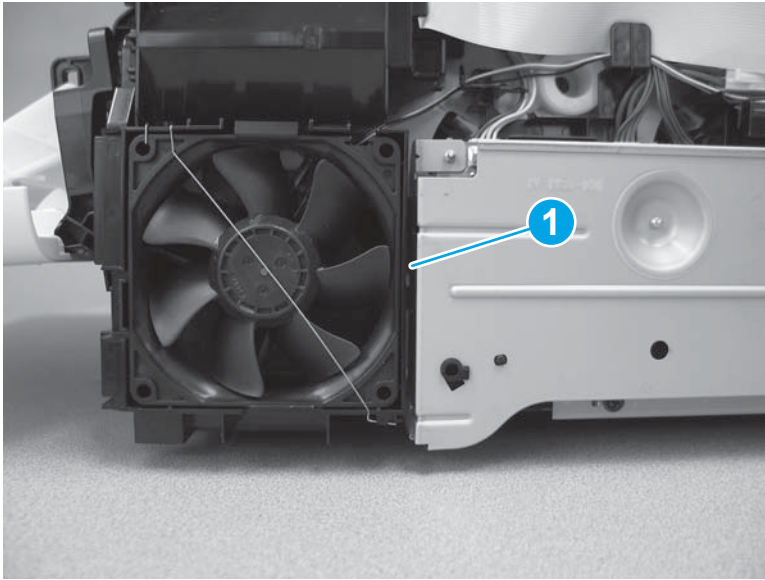
3. Release the hinge arm (callout 1).

Figure 1-1656 Release the hinge arm



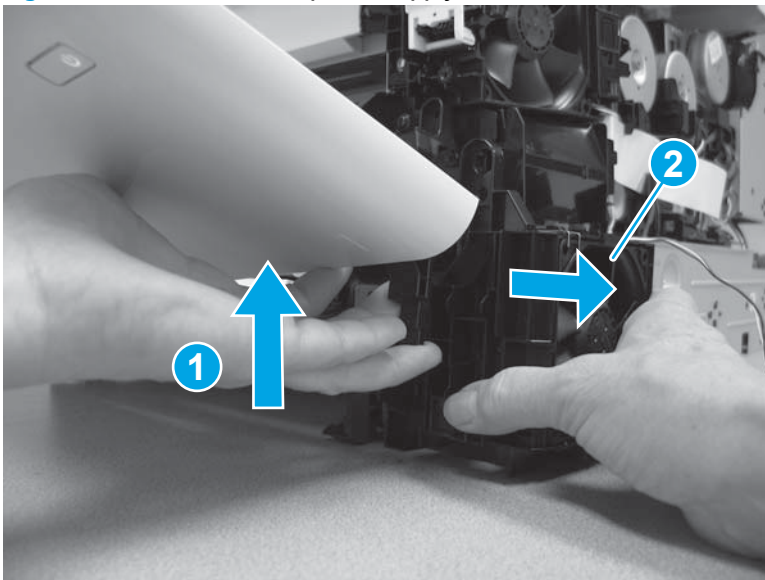
4. Release one tab (callout 1) on the right side of the power supply fan.

Figure 1-1657 Release one tab



5. Lift the front door up slightly (callout 1), and then remove the power supply fan and holder (callout 2).

Figure 1-1658 Remove the power supply fan and holder



6. Before disconnecting the cables in the next step, make note of the position of two cables (callout 1).


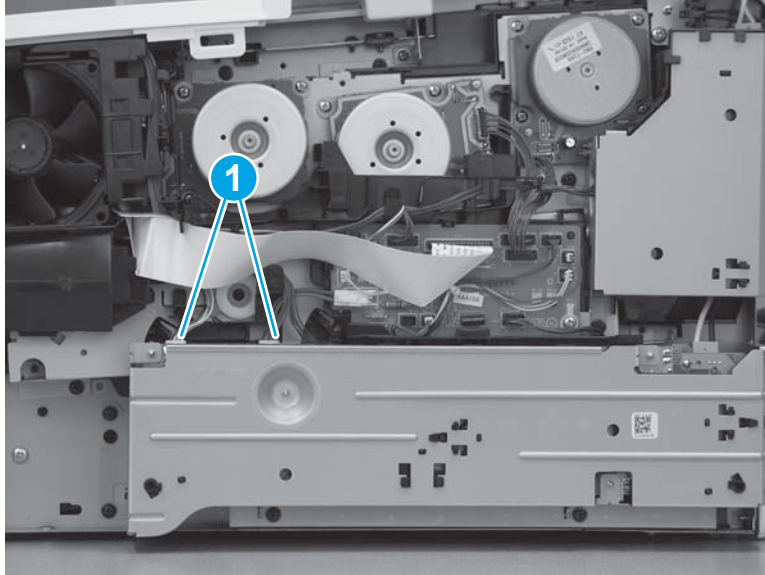
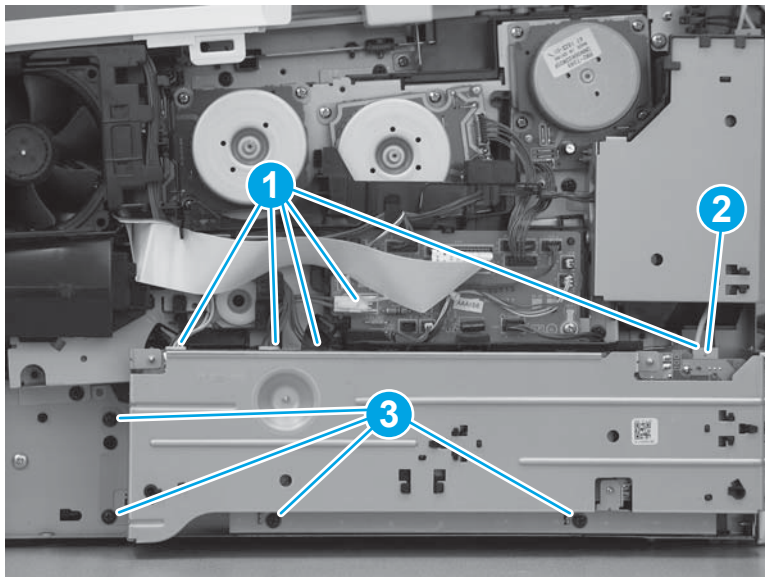
 **IMPORTANT:** These cables can be inadvertently switched when reinstalling. The connectors on the cables will fit in either connector on the LVPS. Make sure that these cables are installed in the correct connectors. If the cables are switched, the printer will not power on when reassembled.

Figure 1-1659 Check the connectors



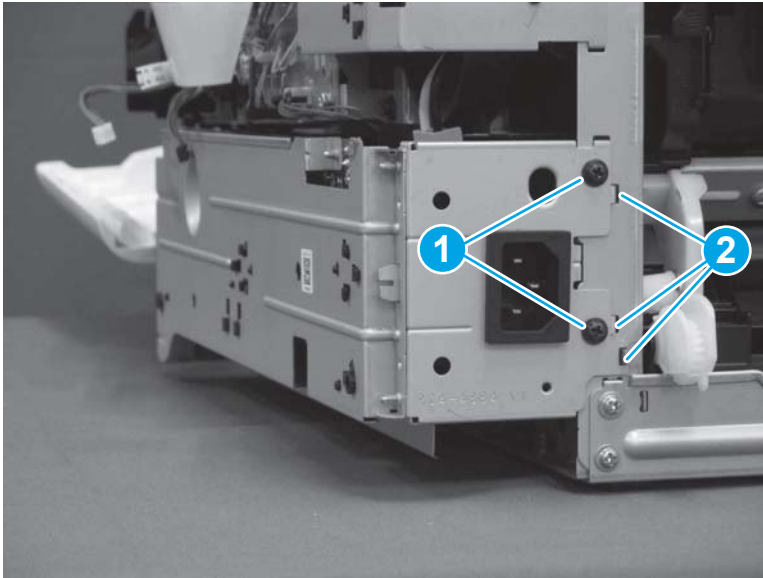
7. Disconnect five connectors (callout 1). Note that one connector (callout 2) has a latch that must be released before disconnecting it. Remove four screws (callout 3).

Figure 1-1660 Disconnect five connectors and remove four screws



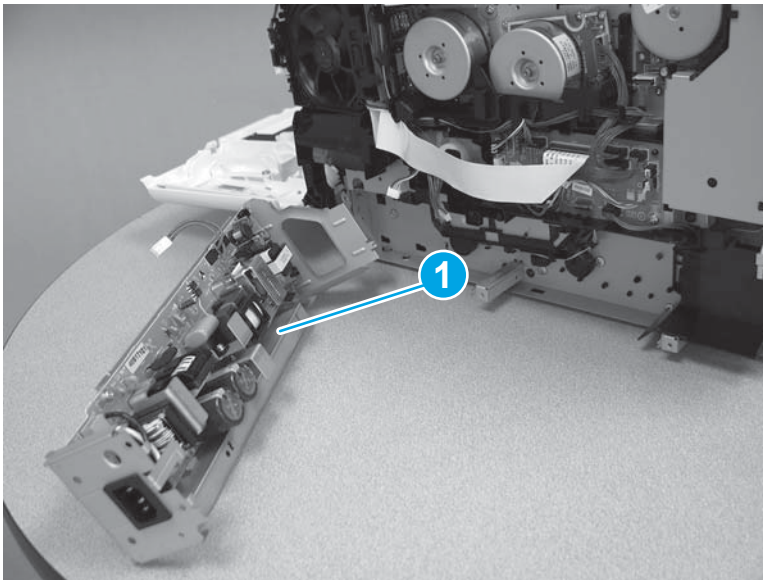
8. Remove two screws (callout 1), and then release three tabs (callout 2).

Figure 1-1661 Remove two screws and release three tabs



9. Remove the LVPS (callout 1).

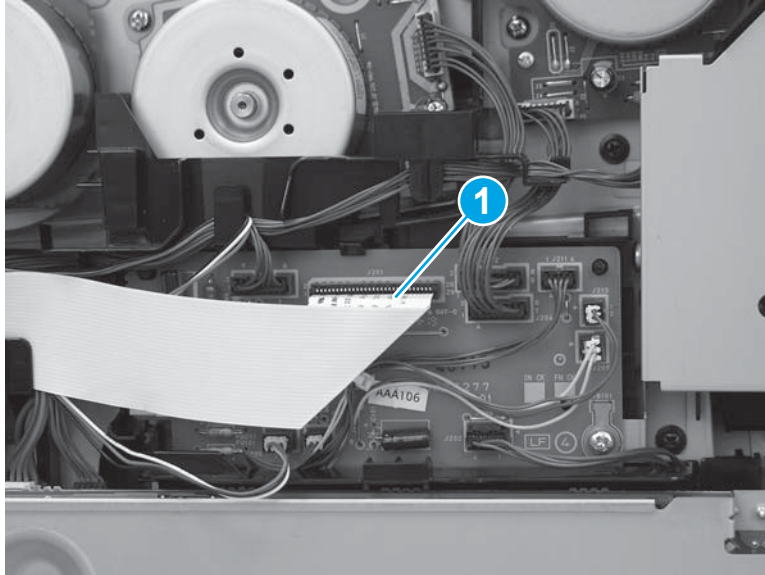
Figure 1-1662 Remove the LVPS



Step 10: Remove the driver PCA

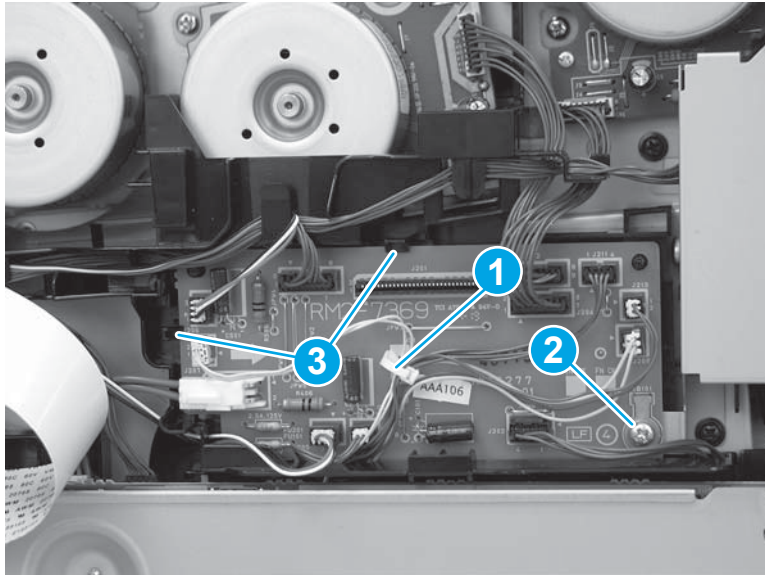
1. Disconnect one connector (callout 1).

Figure 1-1663 Disconnect one connector



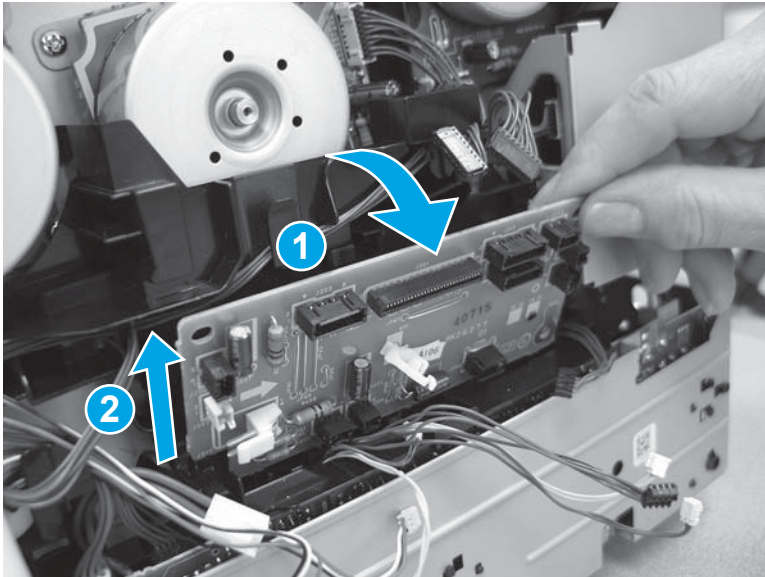
2. Release one retainer (callout 1), disconnect all of the connectors on the driver PCA, remove one screw (callout 2), and then release two tabs (callout 3).

Figure 1-1664 Disconnect all connectors and remove one screw



3. Rotate the top of the driver PCA away from the printer (callout 1), and then lift up (callout 2) to remove it.

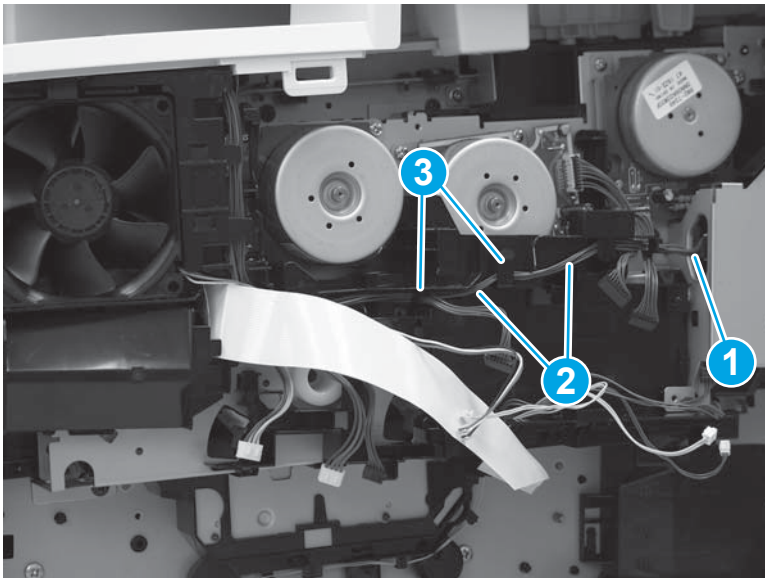
Figure 1-1665 Remove the driver PCA



Step 11: Remove the driver PCA holder

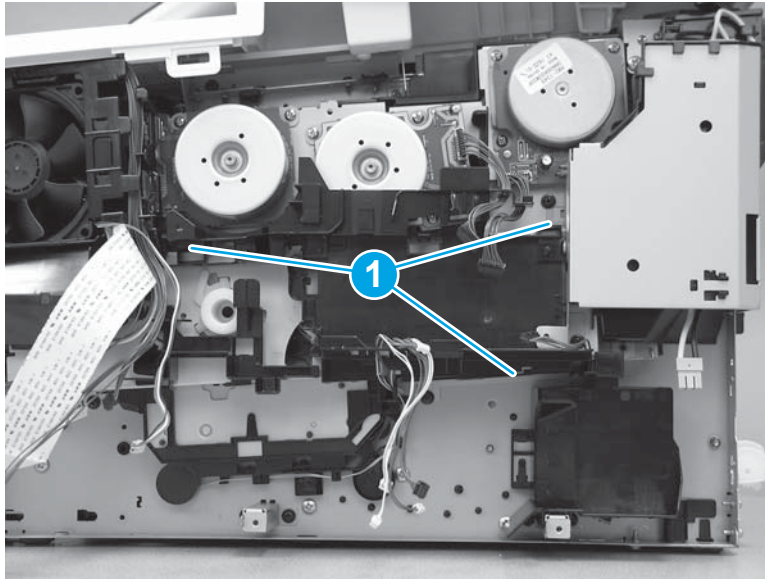
1. Disconnect one connector (callout 1), and then release the cables (callout 2) from the guides (callout 3).

Figure 1-1666 Disconnect one connector and release cables from guides



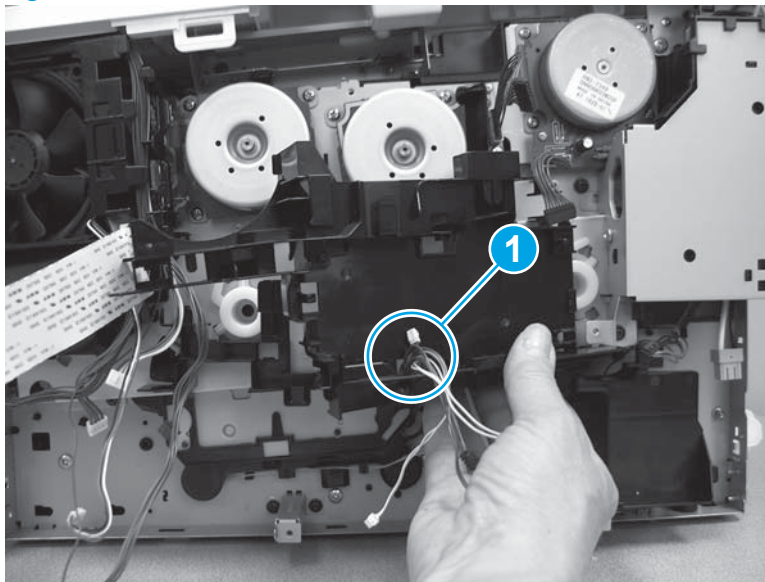
2. Release three tabs (callout 1).

Figure 1-1667 Release three tabs



3. Release the cables from the driver PCA holder (callout 1), and then remove the driver PCA holder.

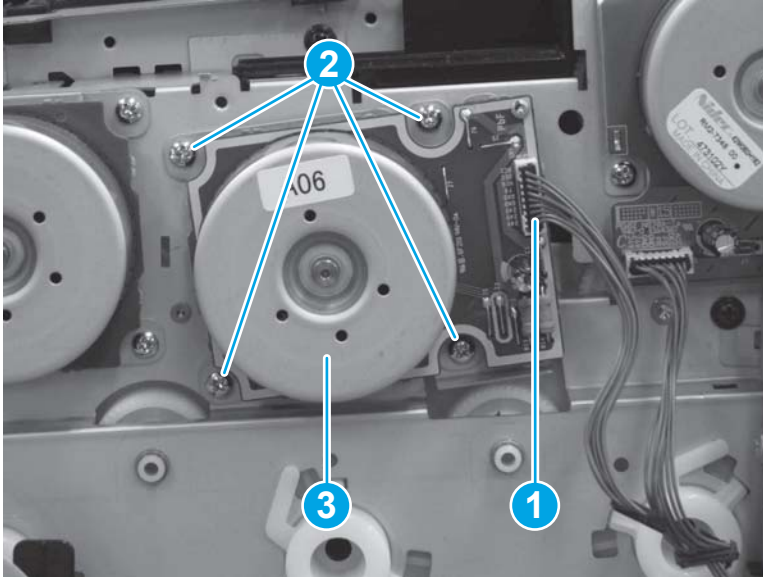
Figure 1-1668 Remove the driver PCA holder



Step 12: Remove the drum motor

- ▲ Disconnect one connector (callout 1), remove four screws (callout 2), and then remove the drum motor (callout 3).

Figure 1-1669 Remove the drum motor



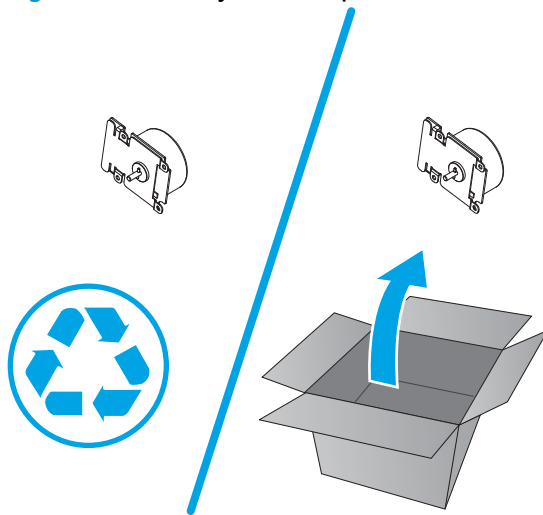
Step 13: Unpack the replacement part

Remove the new part from its package. Save all packaging for recycling the used part.

For complete information on HP's recycling programs, go to [Product return and recycling](#).

 **NOTE:** HP recommends responsible disposal of the defective part.

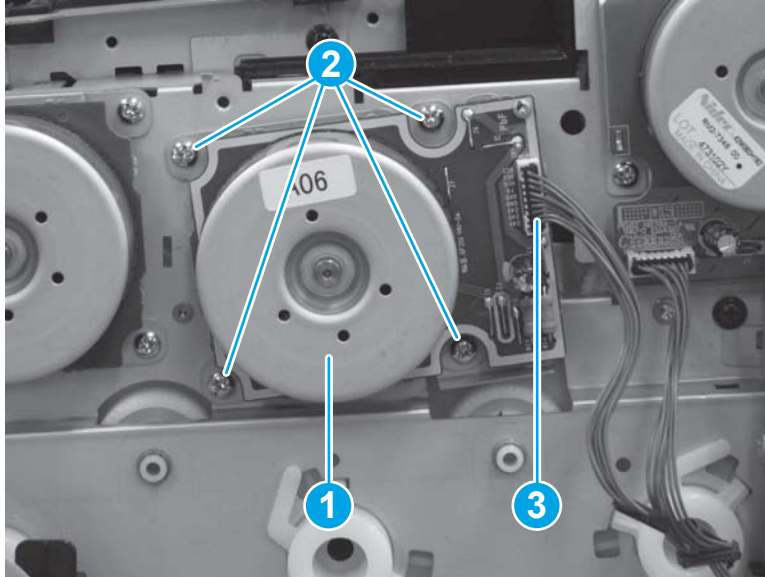
Figure 1-1670 Recycle and unpack



Step 14: Install the drum motor

- ▲ Position the drum motor on the printer (callout 1), install four screws (callout 2), and then connect one connector (callout 3).

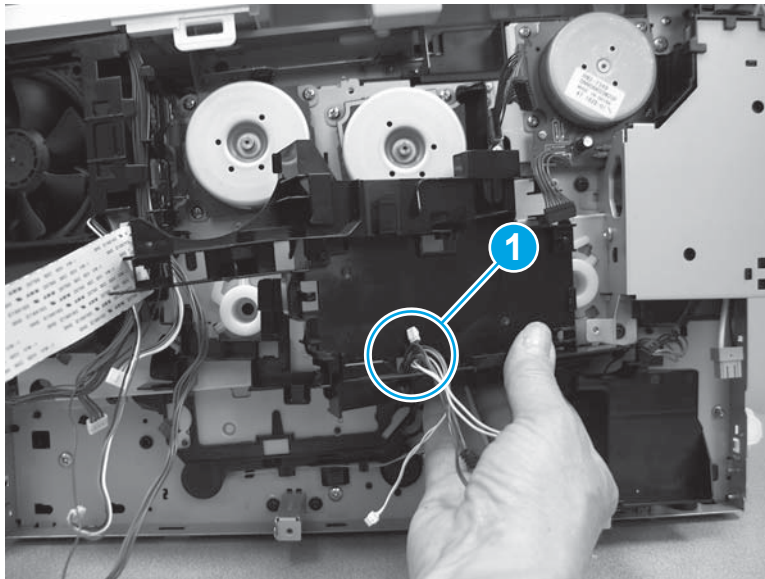
Figure 1-1671 Install the drum motor



Step 15: Install the driver PCA holder

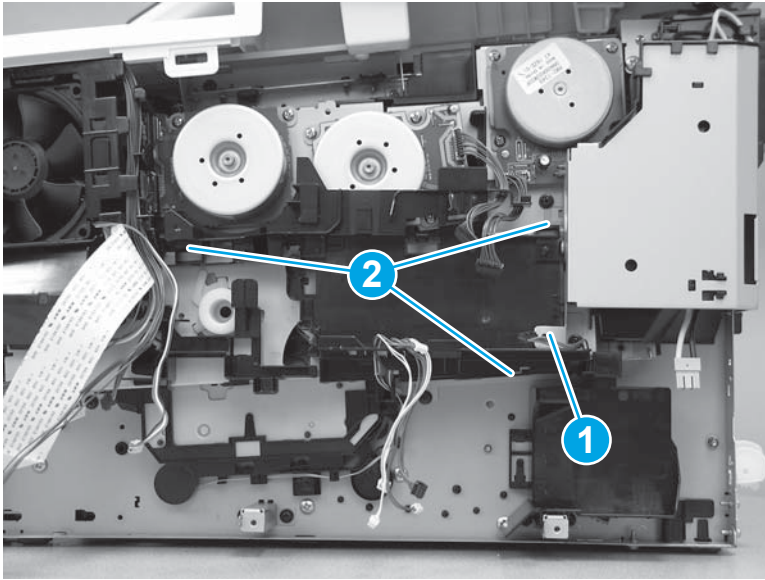
1. Install the cables through the opening in the driver PCA holder (callout 1).

Figure 1-1672 Install the cables in the driver PCA holder



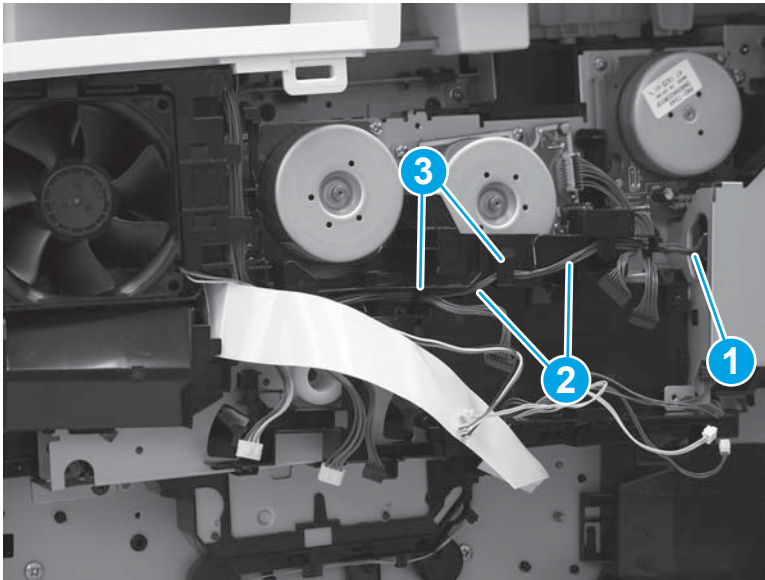
2. Position the driver PCA holder behind one metal tab (callout 1), and then install three tabs (callout 2).

Figure 1-1673 Install the driver PCA holder



3. Connect one connector (callout 1), and then install the cables (callout 2) into the guides (callout 3).

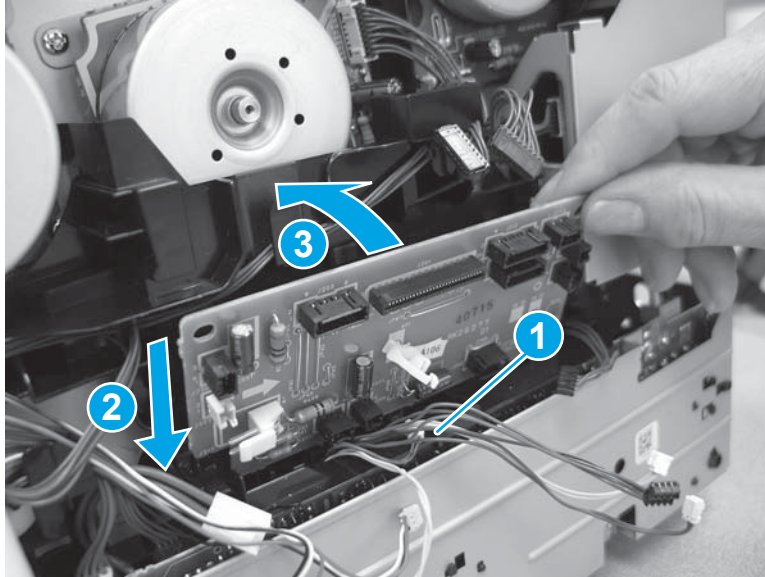
Figure 1-1674 Connect one connector and install cables into the guides



Step 16: Install the driver PCA

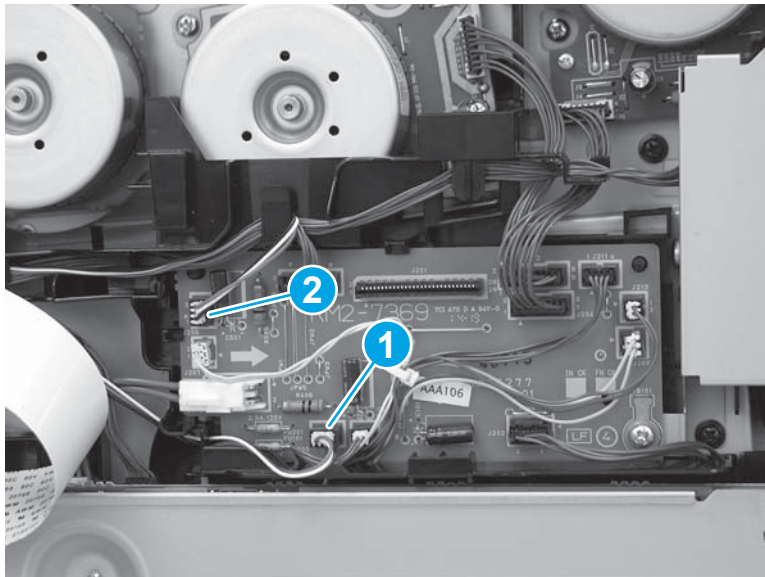
1. Make sure that all of the cables (callout 1) are positioned in front of the driver PCA. Position the bottom of the driver PCA (callout 2) against the PCA holder, and then rotate the top of the PCA (callout 3) toward the printer until it snaps into place.

Figure 1-1675 Install the driver PCA



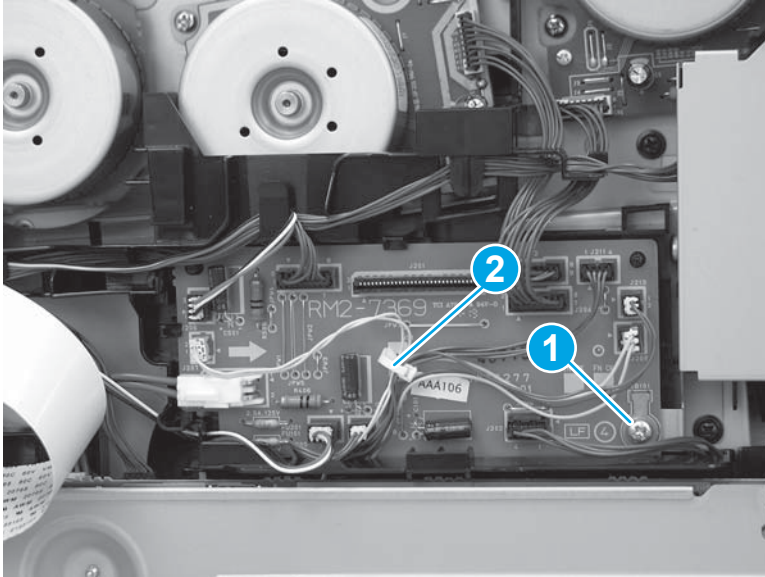
2. When connecting the connectors in the next step, make sure that the power supply fan connector (callout 1) and the cartridge fan connector (callout 2) are installed in the correct positions.

Figure 1-1676 Fan connector locations



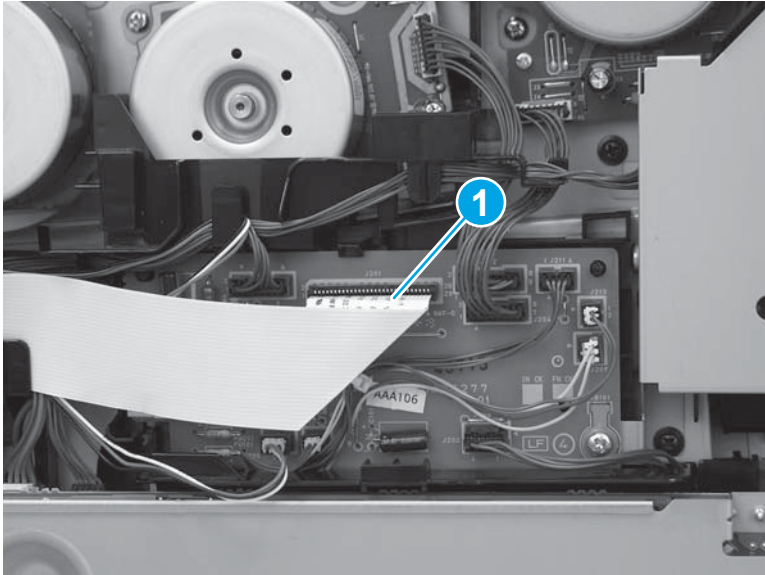
3. Install one screw (callout 1), connect all of the connectors on the driver PCA, and then close one retainer (callout 2).

Figure 1-1677 Install one screw and connect all connectors



4. Connect one connector (callout 1).

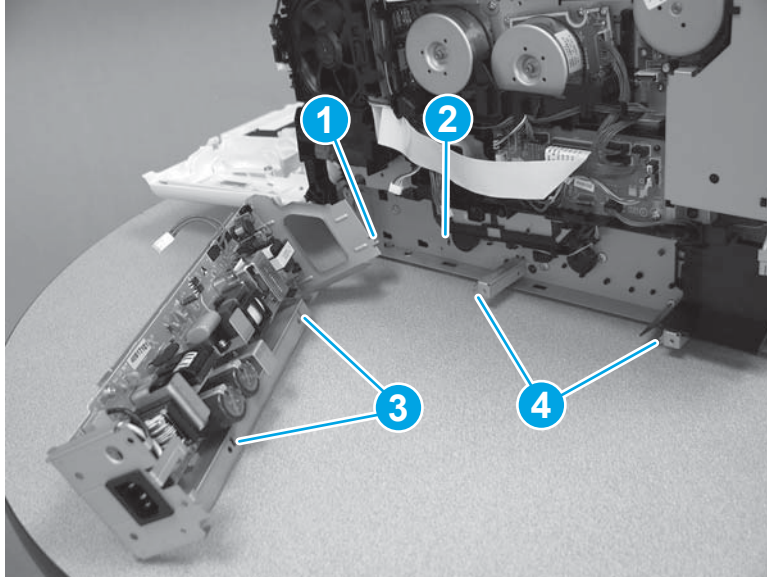
Figure 1-1678 Connect one connector



Step 17: Install the low-voltage power supply (LVPS)

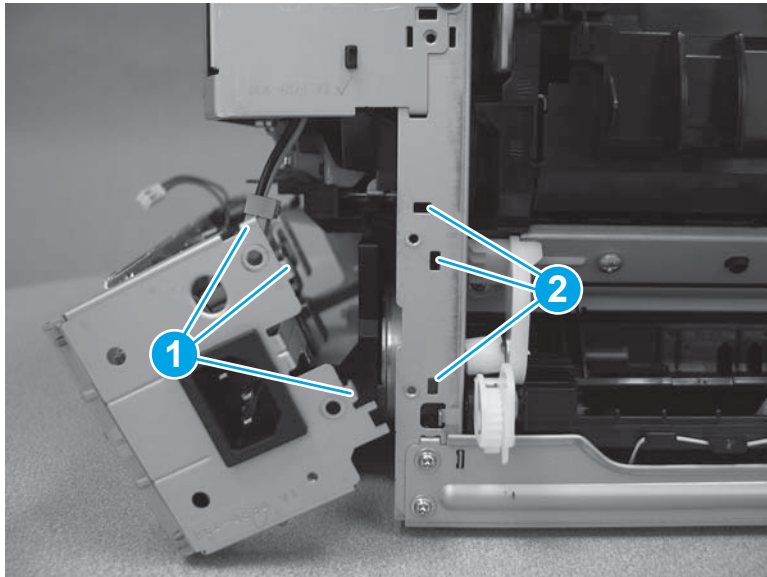
1. Install the tab (callout 1) on the LVPS into the slot (callout 2) in the printer. Install the slots (callout 3) in the LVPS over the tabs (callout 4) on the printer.

Figure 1-1679 Install the side tabs of the LVPS



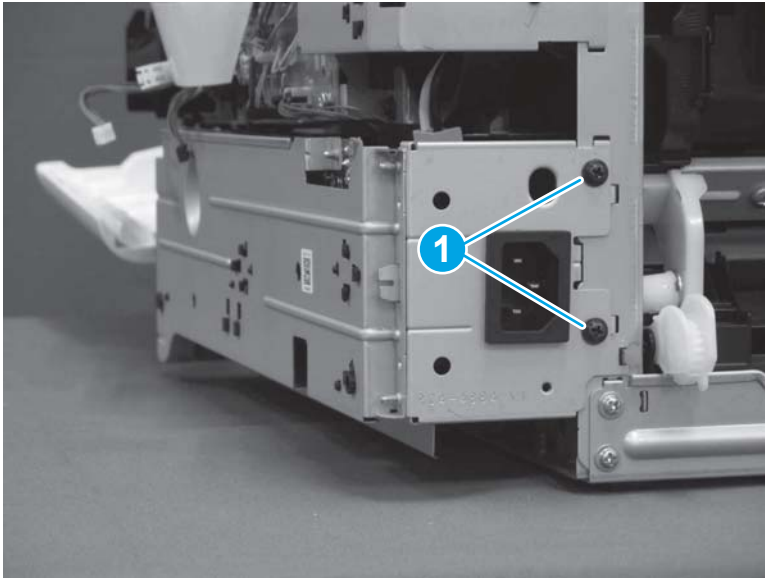
2. At the back of the printer, install the tabs on the LVPS (callout 1) into the slots (callout 2) in the printer.

Figure 1-1680 Install the back tabs of the LVPS



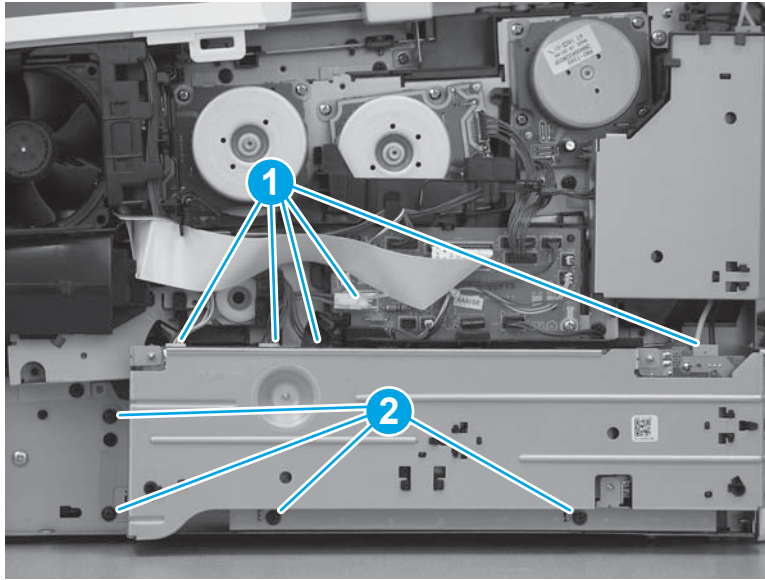
3. Install two screws (callout 1).

Figure 1-1681 Install two screws



4. Connect five connectors (callout 1), and then install four screws (callout 2).

Figure 1-1682 Connect five connectors and install four screws




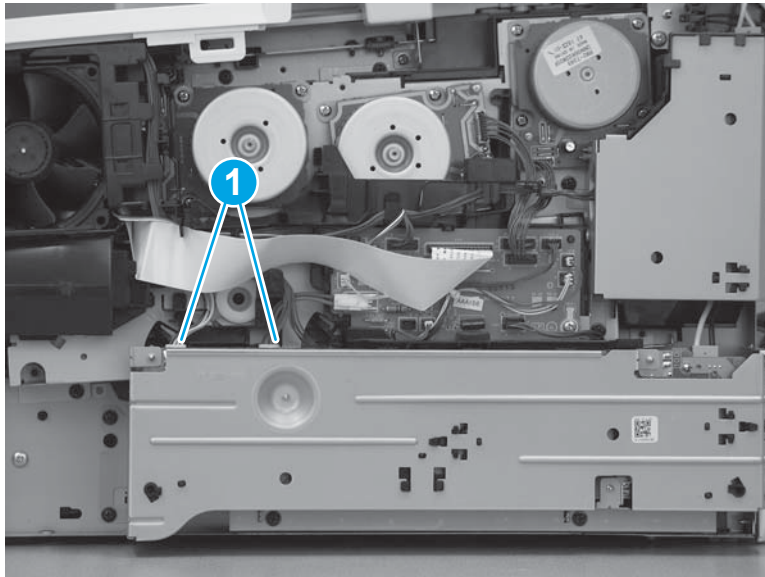
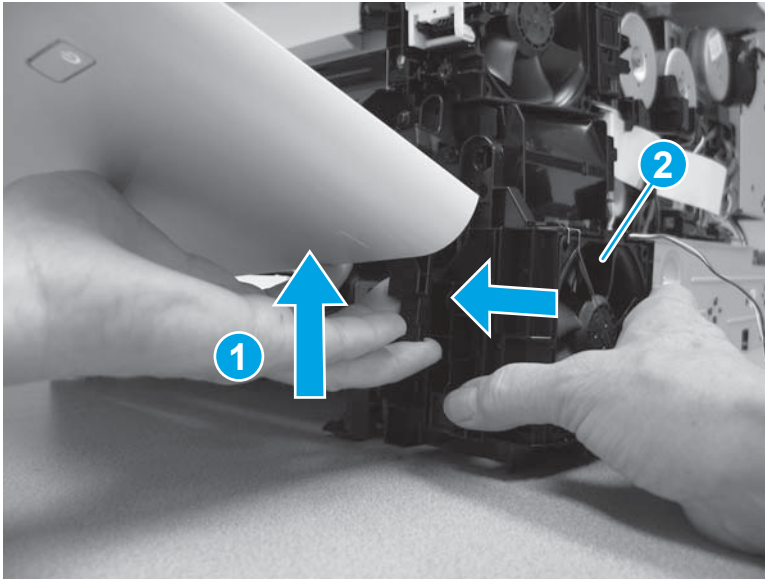
 **IMPORTANT:** Two of the cables (callout 1) can be inadvertently switched. The connectors on the cables will fit in either connector on the LVPS. Make sure these cables are installed in the correct connectors. If these cables are switched, the printer will not power on when reassembled.

Figure 1-1683 Check the connectors



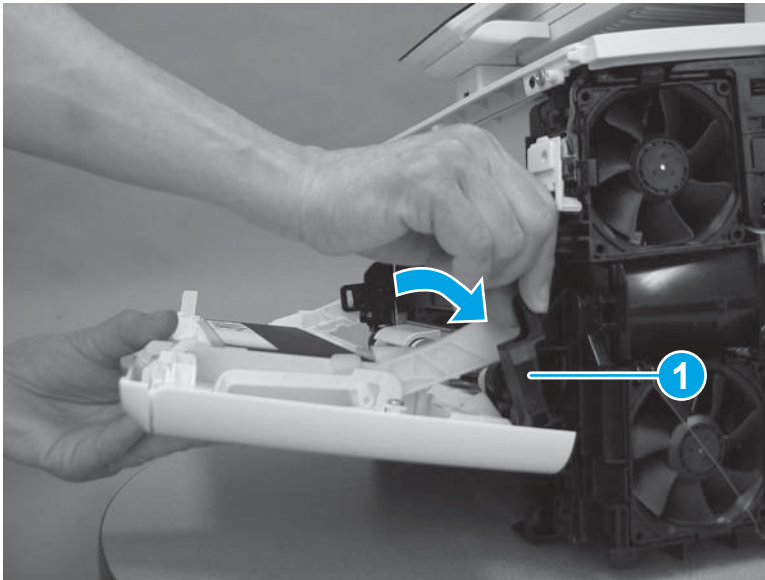
5. Lift the front door up slightly (callout 1), and then install the power supply fan and holder (callout 2).

Figure 1-1684 Remove the power supply fan and holder



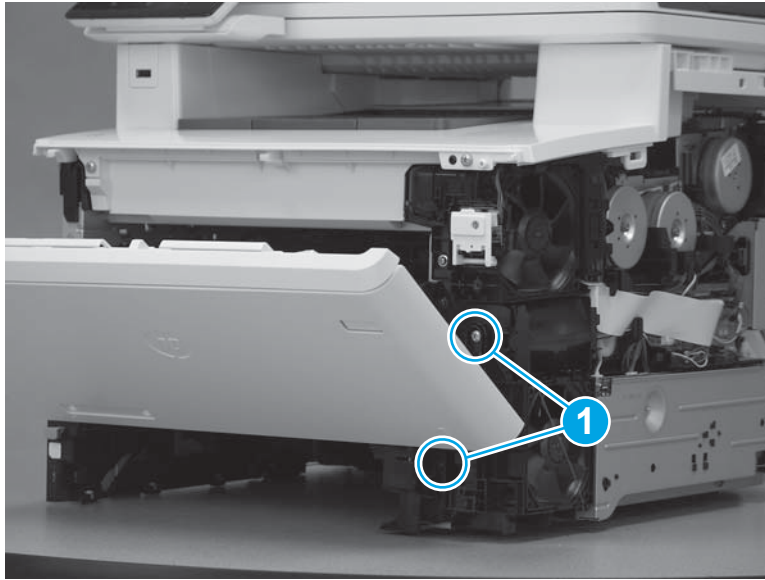
6. Install the hinge arm (callout 1).

Figure 1-1685 Install the hinge arm



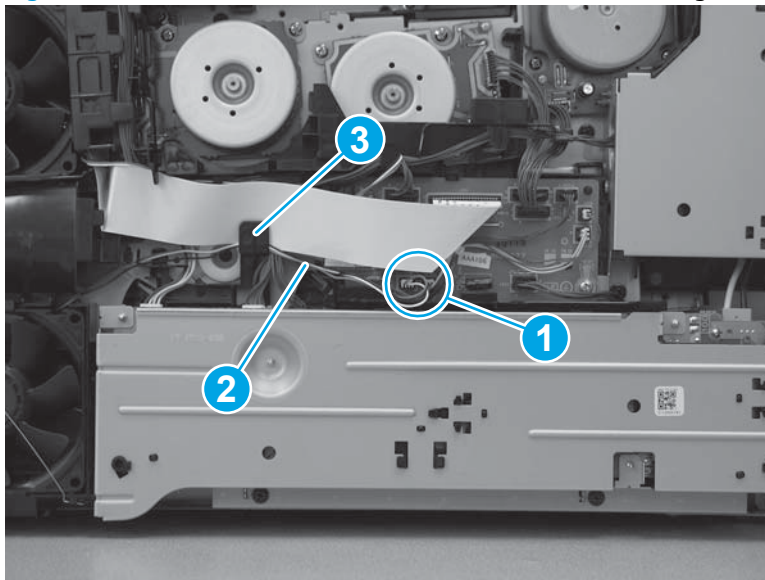
7. Install two screws (callout 1).

Figure 1-1686 Install two screws




8. Connect one connector (callout 1), and then install the cable (callout 2) into the wire guide (callout 3).

Figure 1-1687 Connect one connector and install cables in the guides

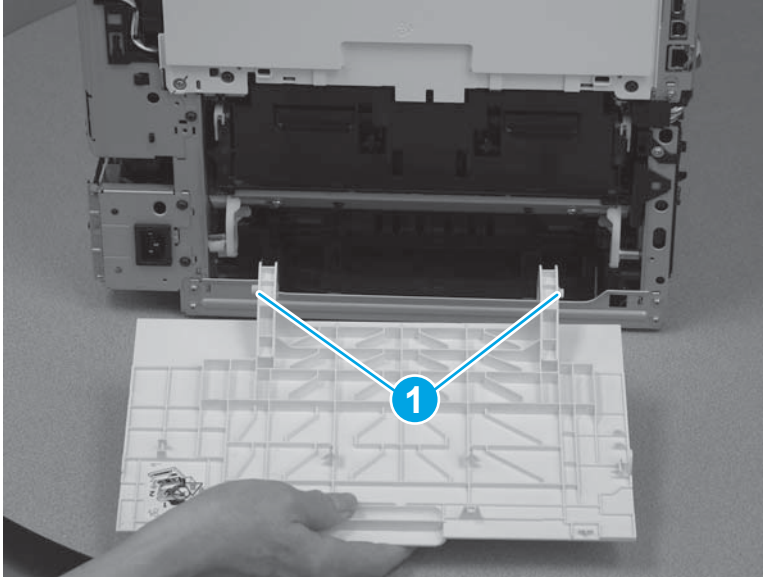


Step 18: Install the rear door (simplex models)

 **NOTE:** This step is for simplex models. For duplex models, skip this step and go to [Step 19: Install the duplexer door assembly \(duplex models\) on page 910.](#)

- ▲ Slightly flex the door hinge arms to install two hinge pins (callout 1).

Figure 1-1688 Install the rear door

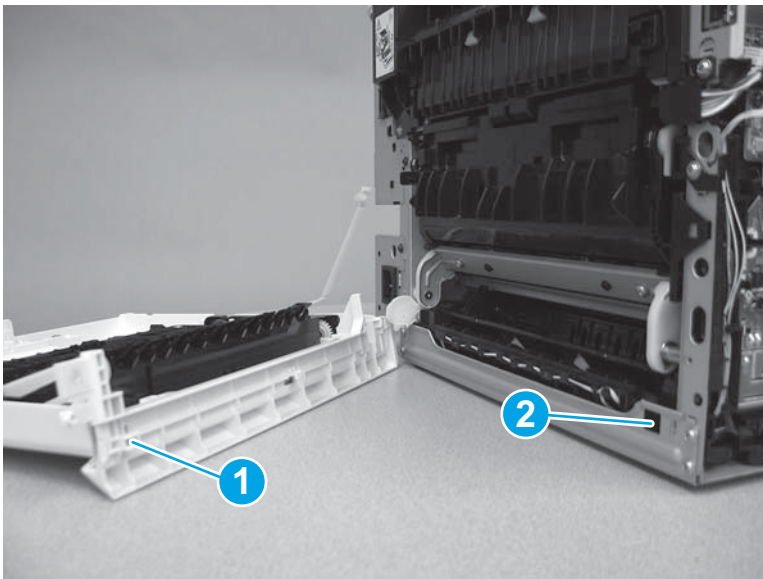


Step 19: Install the duplexer door assembly (duplex models)

 **NOTE:** This step is for duplex models. For simplex models, skip this step and go to [Step 20: Install the left cover \(M452 models\) on page 912](#).

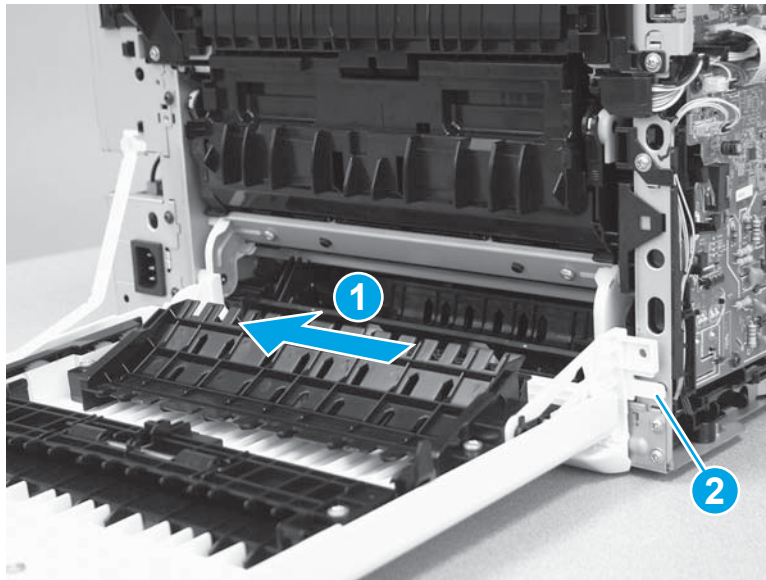
1. Position the tab (callout 1) on the door into the slot (callout 2) on the printer.

Figure 1-1689 Position the tab in the slot



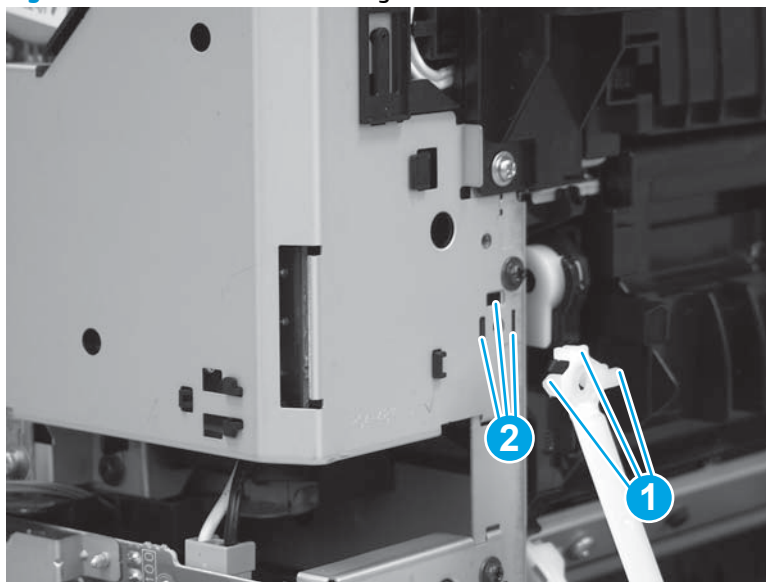
2. Slide the door to the left (callout 1) until the tab (callout 2) snaps into place.

Figure 1-1690 Install the duplexer door



3. Install the tabs (callout 1) on the retaining arm into the slots (callout 2) in the printer.

Figure 1-1691 Install the retaining arm



4. At the back of the printer, install two screws (callout 1), and then install one screw (callout 2) that holds the retention arm.


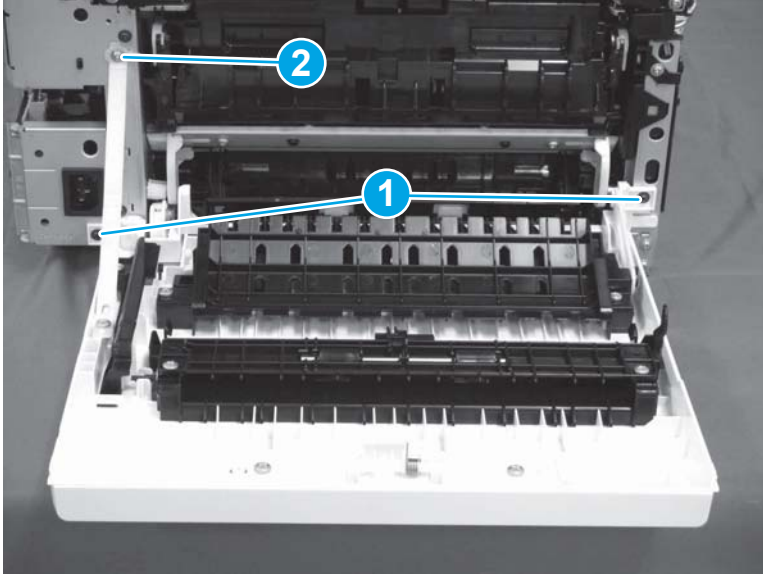

 **Reinstallation tip:** Note that the screw (callout 2) that holds the retention arm is longer than the other two. Make sure this screw is installed in the correct position.

Figure 1-1692 Install three screws

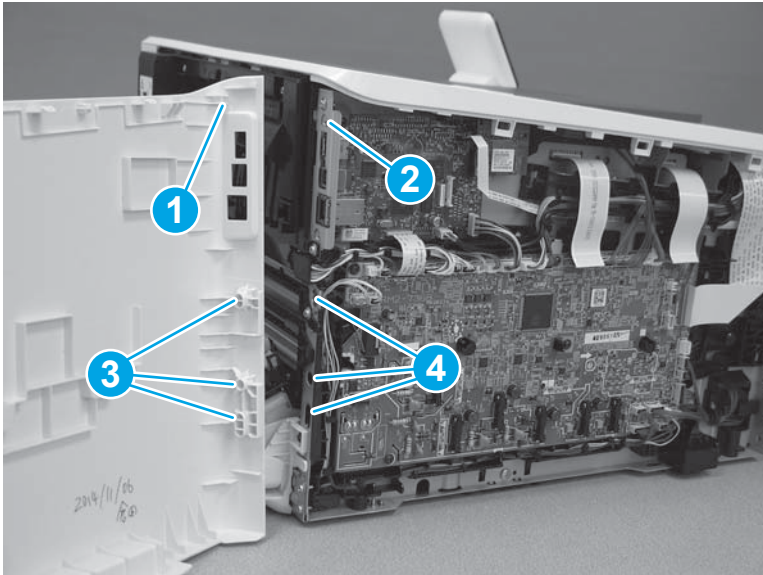


Step 20: Install the left cover (M452 models)

 **NOTE:** This step is for the M452 models. For the M377, M477 models, skip this step and go to [Step 21: Install the left cover \(M377, M477 models\) on page 916.](#)

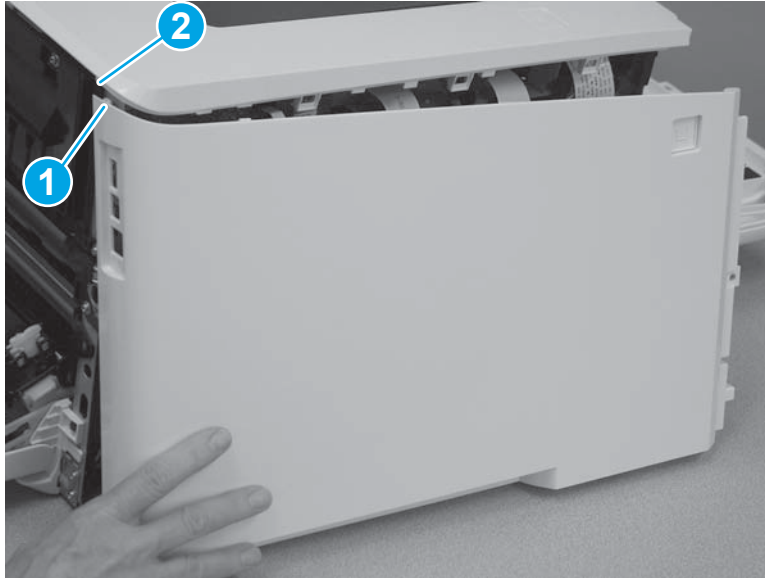
1. Position the hook (callout 1) on the cover in the slot (callout 2) on the printer. Position three tabs (callout 3) on the back of the cover in the slots (callout 4) in the printer.

Figure 1-1693 Position three tabs



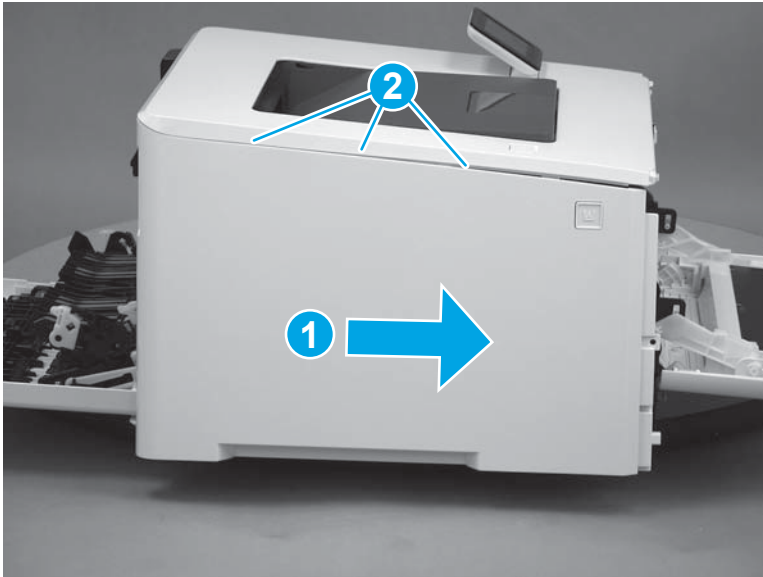
2. At the back of the printer, install the tab (callout 1) under the edge of the top cover (callout 2).

Figure 1-1694 Install one tab



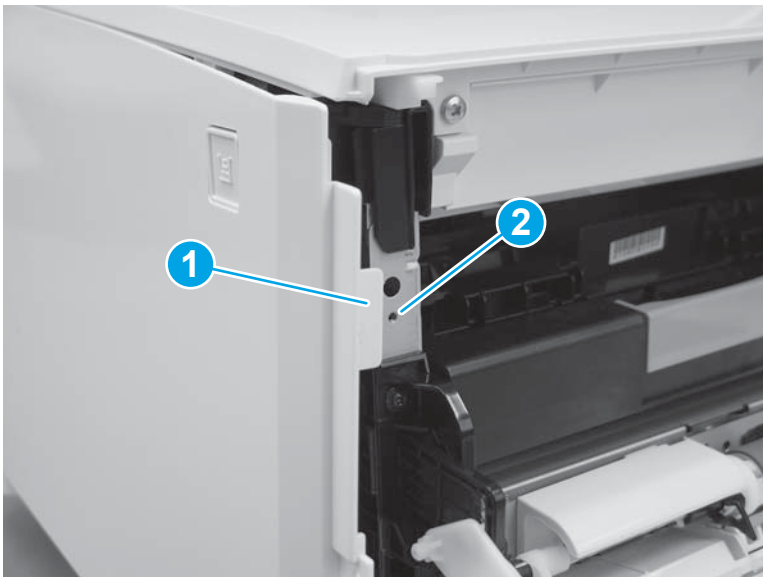
3. Slide the cover toward the front of the printer (callout 1), and then engage three tabs (callout 2) on the top of the cover.

Figure 1-1695 Install the left cover



CAUTION: Make sure that the tab (callout 1) does not get caught behind the printer frame (callout 2).

Figure 1-1696 Make sure the tab does not get caught



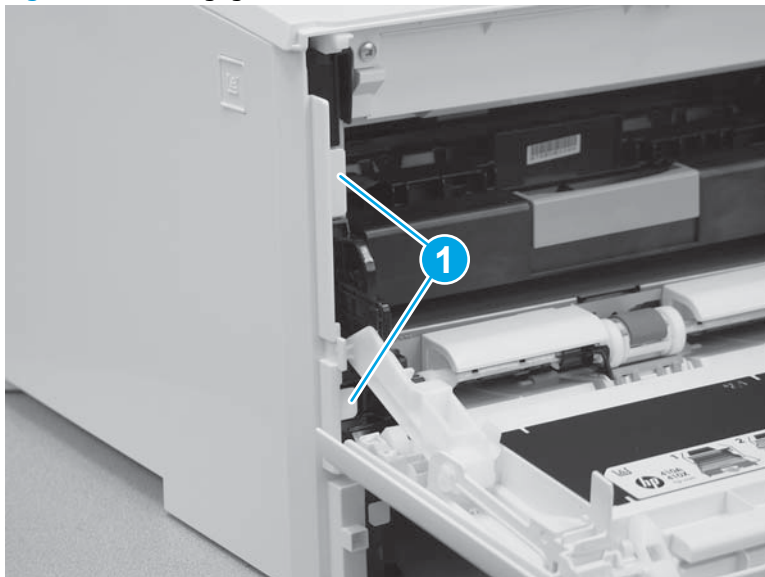
4. Slide the printer to the edge of a work surface in order to access the tabs on the bottom of the cover. Beginning from the back of the cover, install four tabs (callouts 1-4) on the lower edge of the cover.

Figure 1-1697 Install four tabs



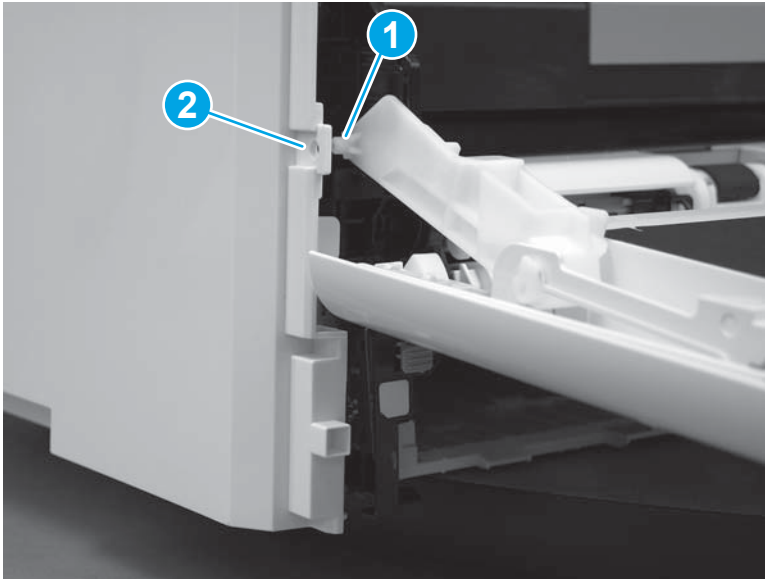
5. Install two tabs (callout 1) at the front of the cover.

Figure 1-1698 Engage two tabs



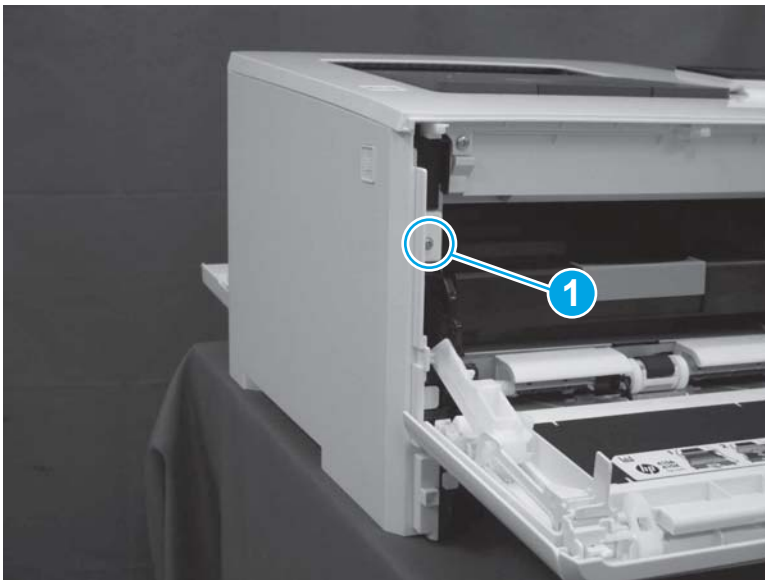
6. Make sure that the hinge pin (callout 1) on the front door fits into the slot (callout 2) on the left cover.

Figure 1-1699 Install hinge pin




7. Install one screw (callout 1).

Figure 1-1700 Install one screw

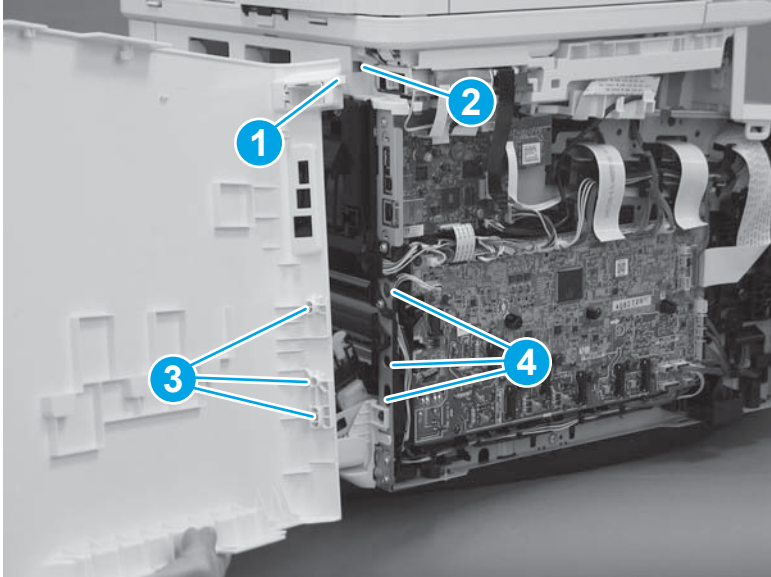


Step 21: Install the left cover (M377, M477 models)

 **NOTE:** This step is for the M377, M477 models. For the M452 models, skip this step and go to [Step 22: Install the right cover \(M452 models\) on page 923](#).

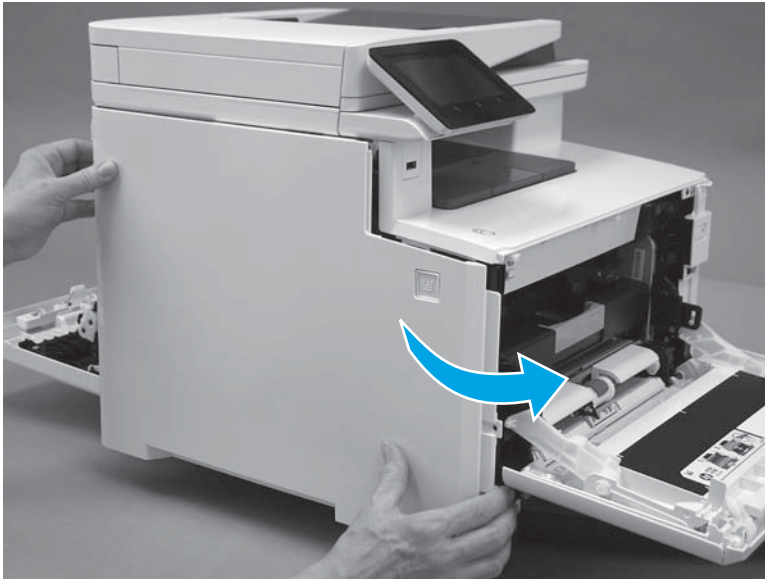
1. At the back of the printer, install the tab (callout 1) on the cover into the slot (callout 2) in the printer. Install the locator pins (callout 3) into the slots (callout 4) in the printer.

Figure 1-1701 Install one tab



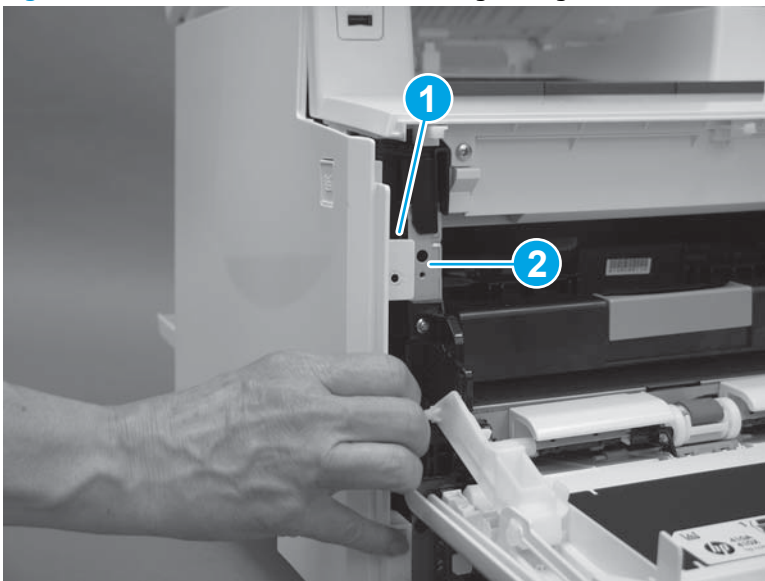
2. Rotate the cover toward the printer.

Figure 1-1702 Rotate the left cover



CAUTION: Make sure that the tab (callout 1) does not get caught behind the printer frame (callout 2).

Figure 1-1703 Make sure the tab does not get caught



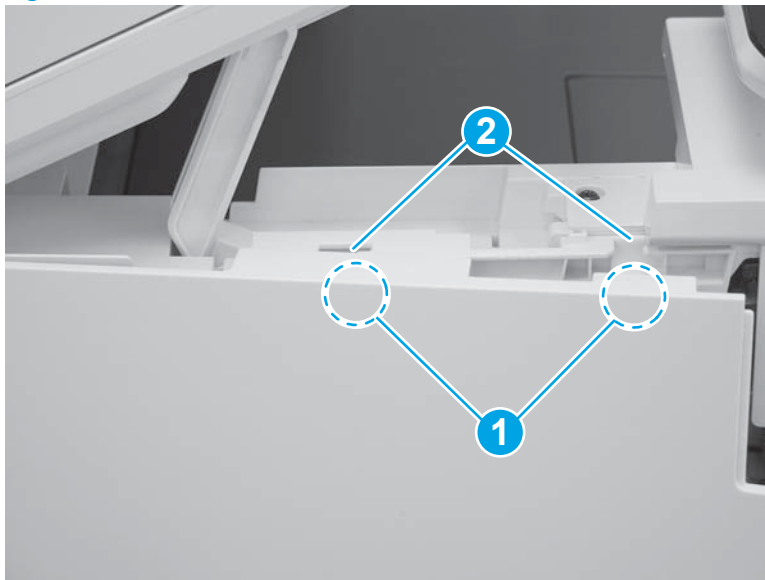
3. Raise the scanner.

Figure 1-1704 Raise the scanner



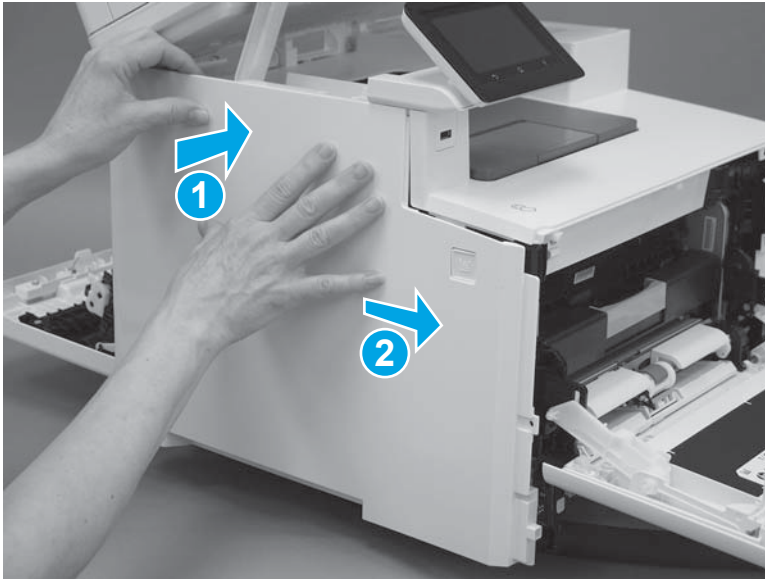
4. Position the hooks (callout 1) on the inside of the cover into the slots (callout 2) on the printer.

Figure 1-1705 Position the hooks in the slots



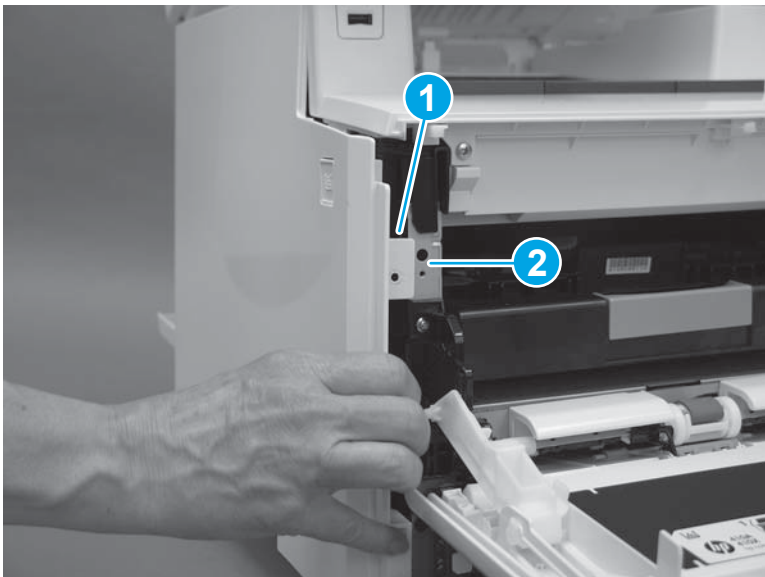
5. Hold the cover against the printer (callout 1), and then slide it (callout 2) toward the front of the printer.

Figure 1-1706 Install the top hooks



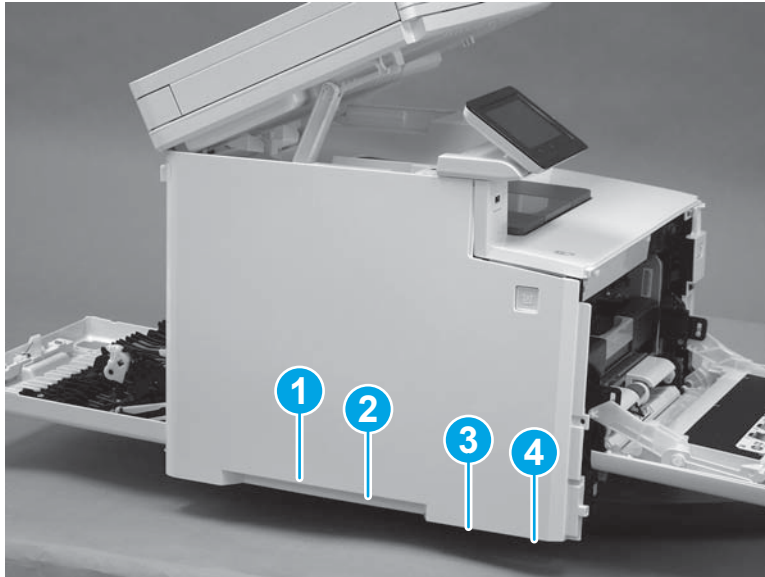
CAUTION: Make sure that the tab (callout 1) on the front of the cover does not get caught behind the printer frame (callout 2).

Figure 1-1707 Make sure the tab does not get caught



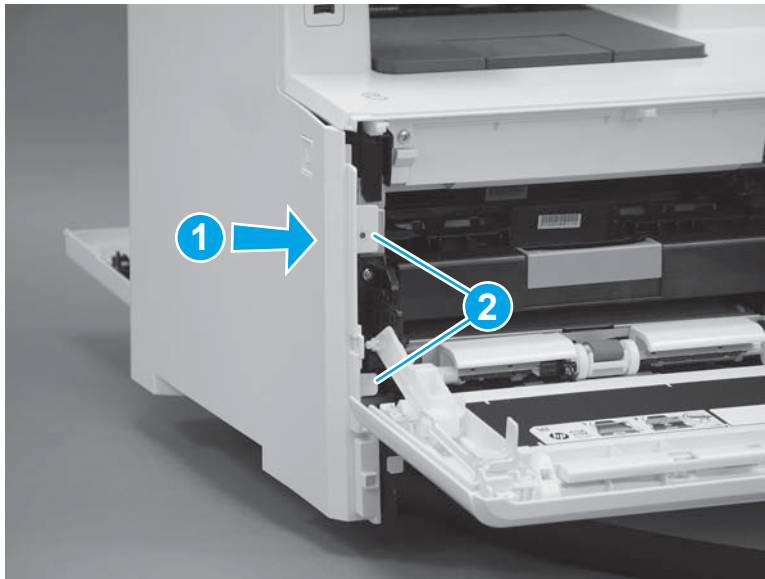
6. Slide the printer to the edge of a work surface in order to access the tabs on the bottom of the cover. Beginning from the back of the cover, install four tabs (callouts 1-4) on the lower edge of the cover.

Figure 1-1708 Install four tabs



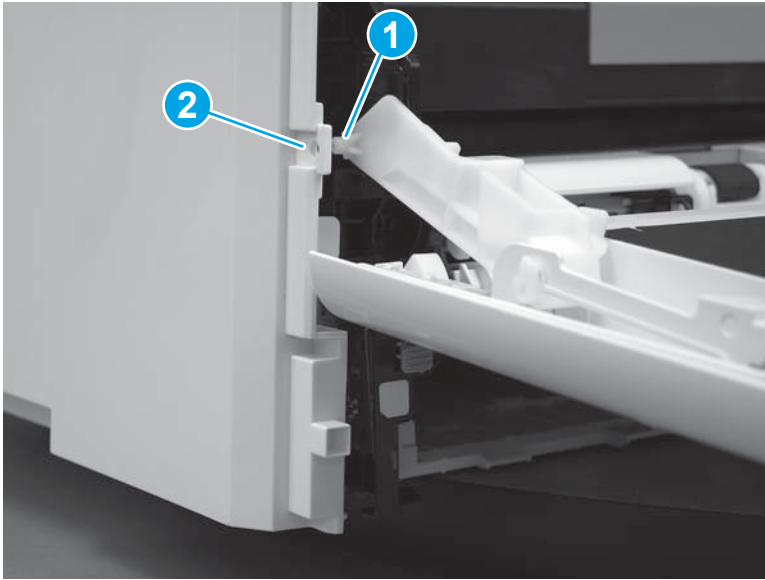
7. Press the cover toward the printer (callout 1), and then install two tabs (callout 2) at the front of the cover.

Figure 1-1709 Install two tabs



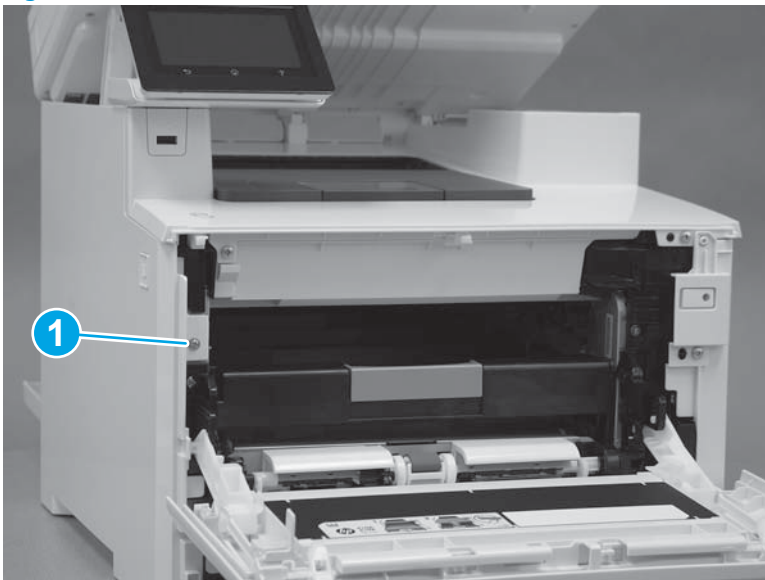
8. Make sure that the hinge pin (callout 1) on the front door fits into the slot (callout 2) on the left cover.

Figure 1-1710 Install hinge pin



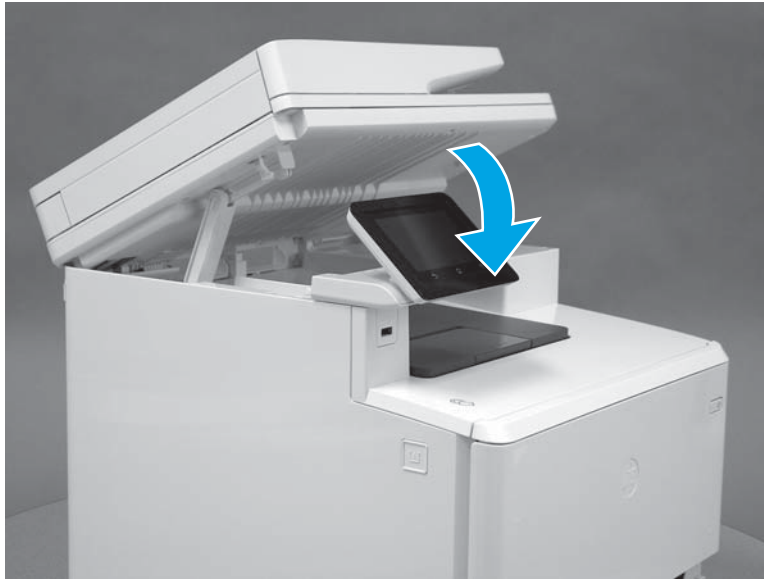
9. Install one screw (callout 1).

Figure 1-1711 Install one screw




10. Lower the scanner.

Figure 1-1712 Lower the scanner

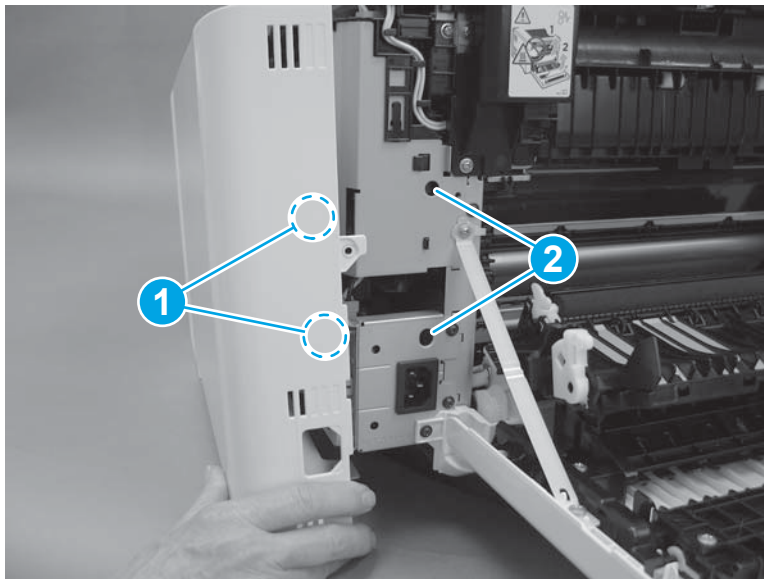


Step 22: Install the right cover (M452 models)

 **NOTE:** This step is for the M452 models. For the M377, M477 models, skip this step and go to [Step 23: Install the right cover \(M377, M477 models\) on page 927](#).

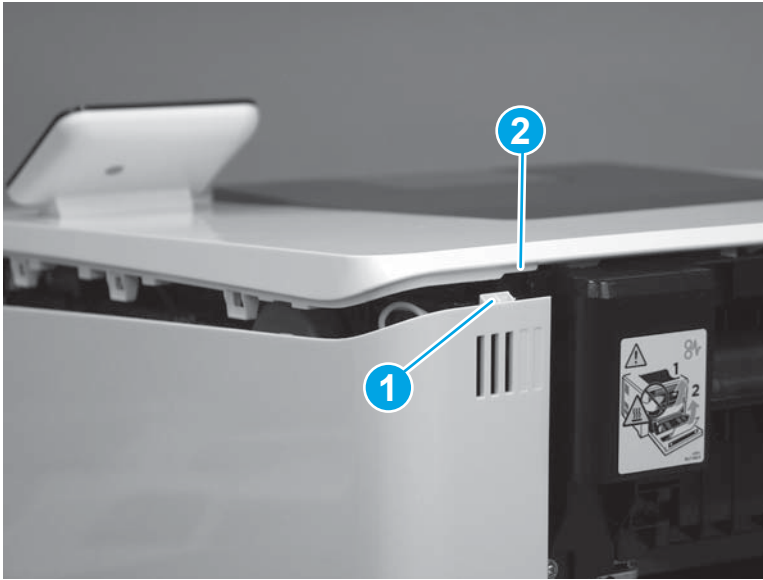
1. Position two tabs (callout 1) on the back of the cover in the slots (callout 2) in the printer.

Figure 1-1713 Position two tabs



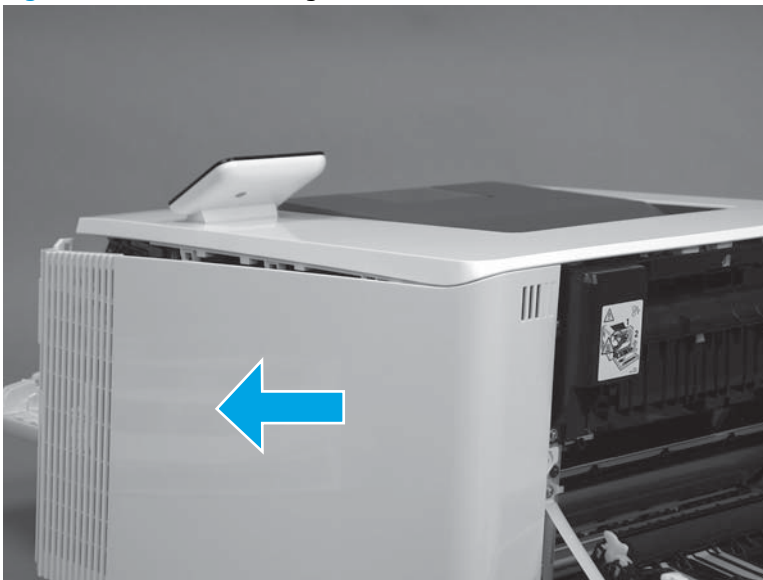
2. At the back of the printer, install the tab (callout 1) under the edge of the top cover (callout 2).

Figure 1-1714 Install rear tab



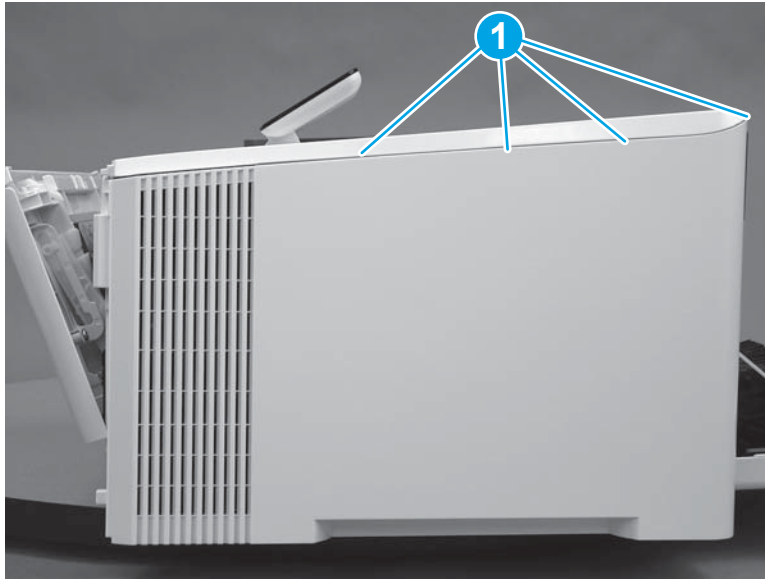
3. Slide the cover toward the front of the printer to install it.

Figure 1-1715 Install the right cover



- Engage three tabs (callout 2) on the top of the cover.

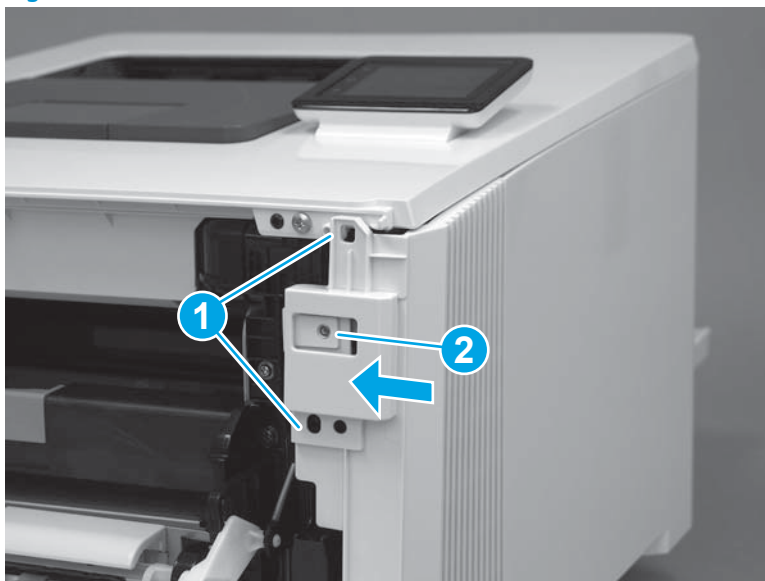
Figure 1-1716 Install upper tabs



- At the front of the printer, position the front of the cover over two tabs (callout 1).

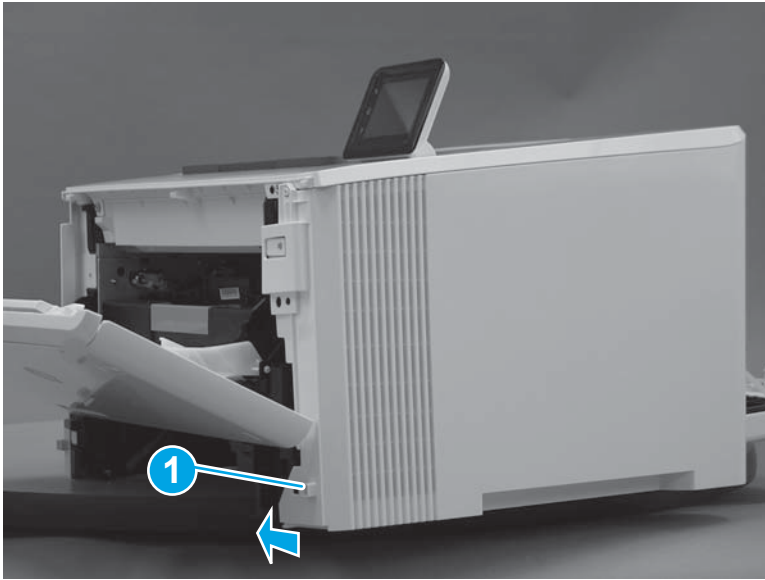
⚠ CAUTION: Be careful not to dislodge the power switch (callout 2).

Figure 1-1717 Install the front tabs



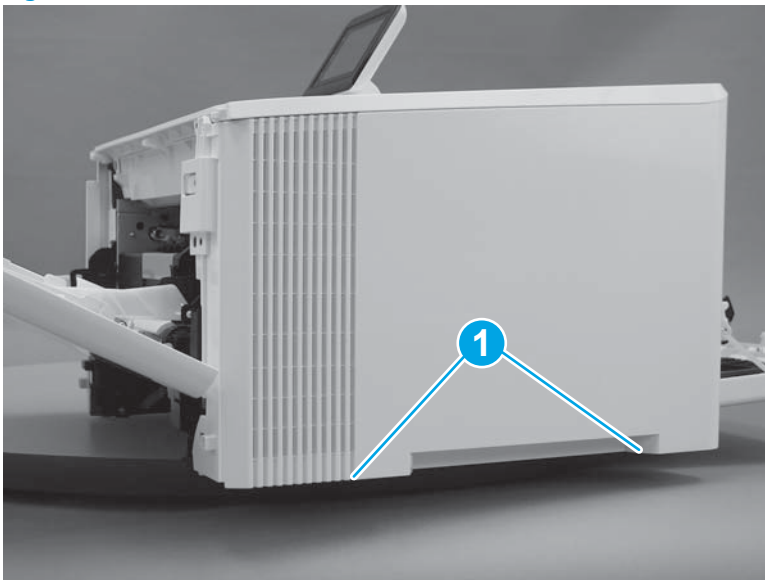
6. Press the right cover toward the printer to engage one tab (callout 1) on the front of the cover.

Figure 1-1718 Install the front lower tab



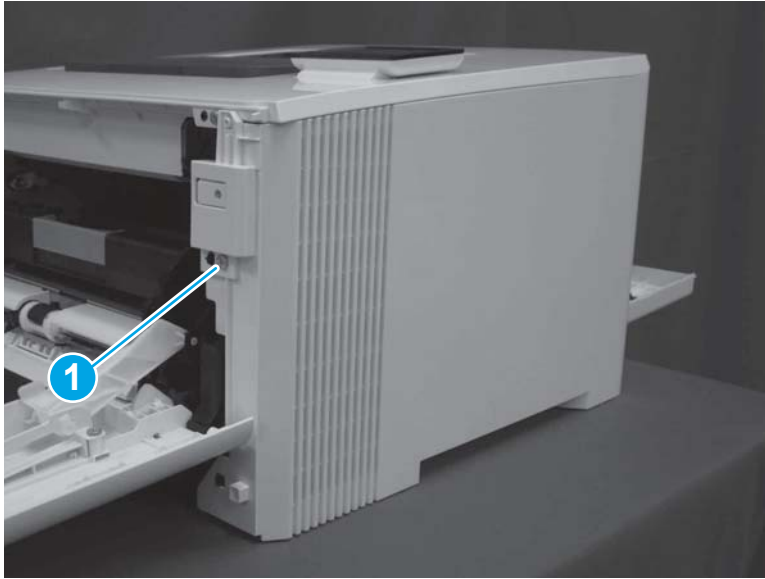
7. Install two tabs on the bottom of the cover (callout 1).

Figure 1-1719 Install two tabs



8. At the front of the printer, install one screw (callout 1).

Figure 1-1720 Install one screw



9. At the back of the printer, install one screw (callout 1).

Figure 1-1721 Install one screw

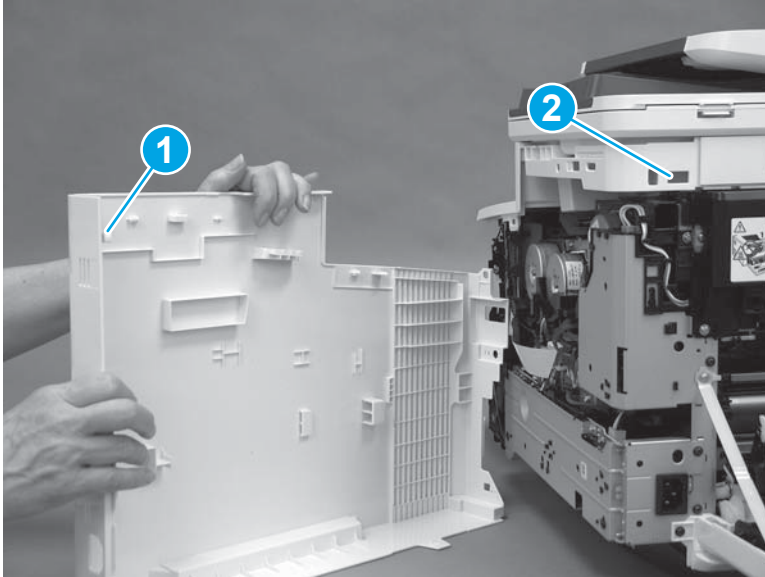


Step 23: Install the right cover (M377, M477 models)

 **NOTE:** This step is for the M377, M477 models. For the M452 models, skip this step and go to [Step 24: Close the front door and rear door or duplexer door on page 933](#).

1. At the back of the printer, install the tab (callout 1) on the cover into the slot (callout 2) on the printer.

Figure 1-1722 Install rear tab



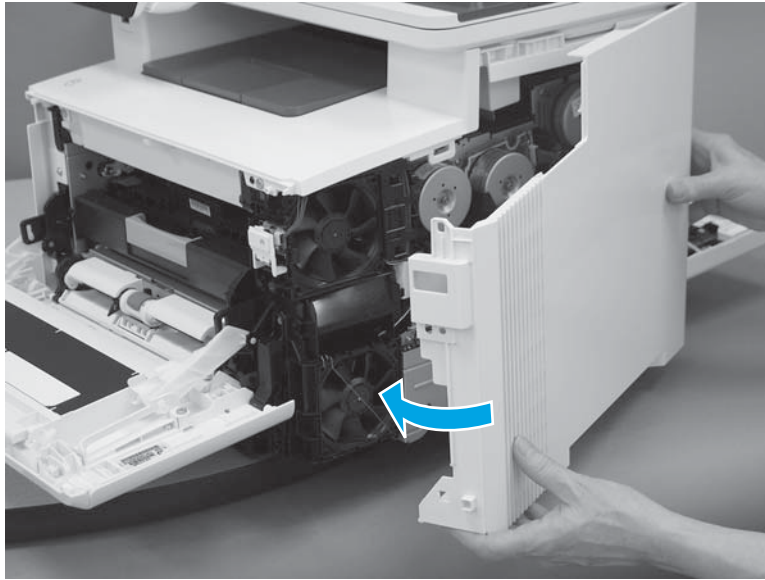
2. Raise the scanner.

Figure 1-1723 Raise the scanner



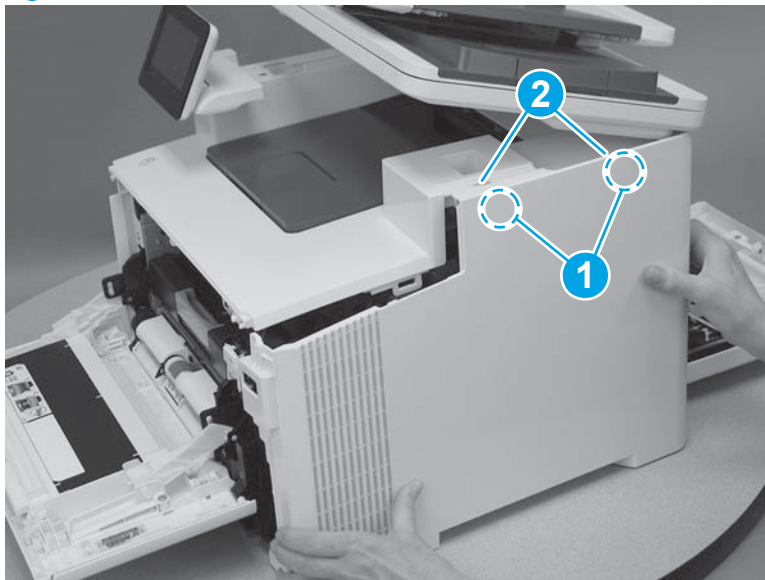
3. Rotate the right cover toward the printer.

Figure 1-1724 Rotate the right cover



4. Position the hooks (callout 1) on the inside of the cover into the slots (callout 2) in the printer.

Figure 1-1725 Position the hooks in the slots



- Engage one hook (callout 1) on the inside of the cover. Hold the top of the cover closed (callout 2) while sliding the cover toward the front of the printer (callout 3).

Figure 1-1726 Slide the cover



- Rotate the front of the cover toward the printer (callout 1).

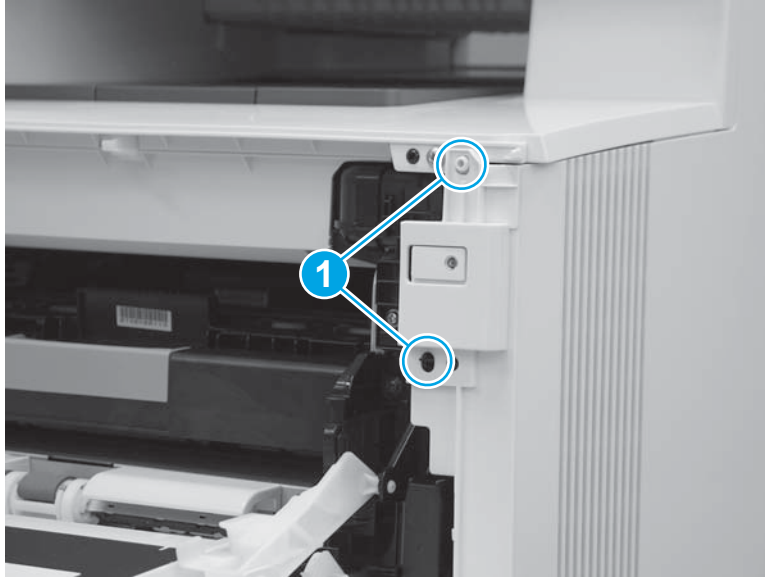
CAUTION: Be careful not to dislodge the power switch (callout 2).

Figure 1-1727 Rotate the front of the cover



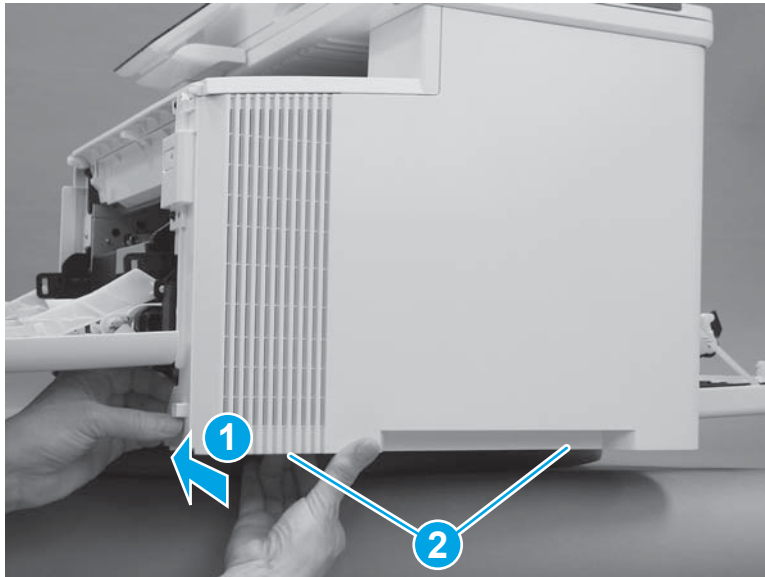
7. Install two tabs at the front of the printer (callout 1).

Figure 1-1728 Install two tabs



8. Press the right cover toward the printer (callout 1) to engage one tab on the front of the cover, and two tabs (callout 2) on the lower edge of the cover.

Figure 1-1729 Install the front and lower tabs



9. At the front of the printer, install one screw (callout 1).

Figure 1-1730 Install one screw



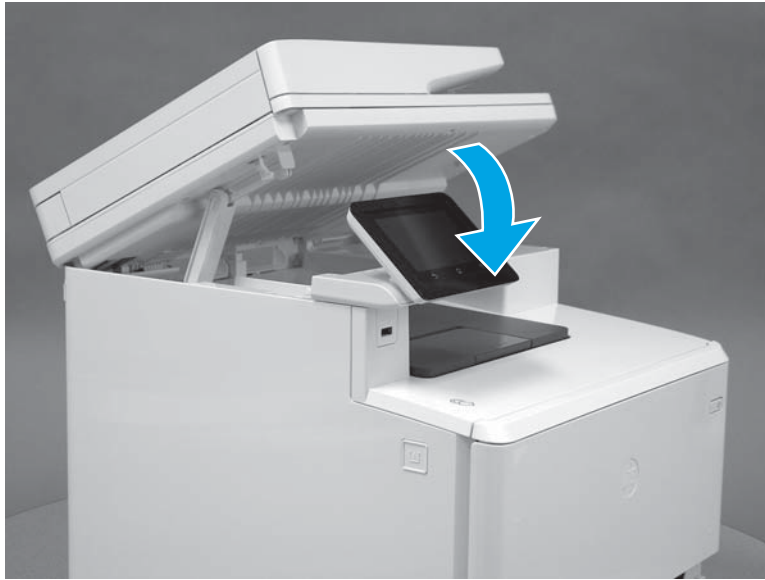
10. At the back of the printer, install one screw (callout 1).

Figure 1-1731 Install one screw



11. Lower the scanner.

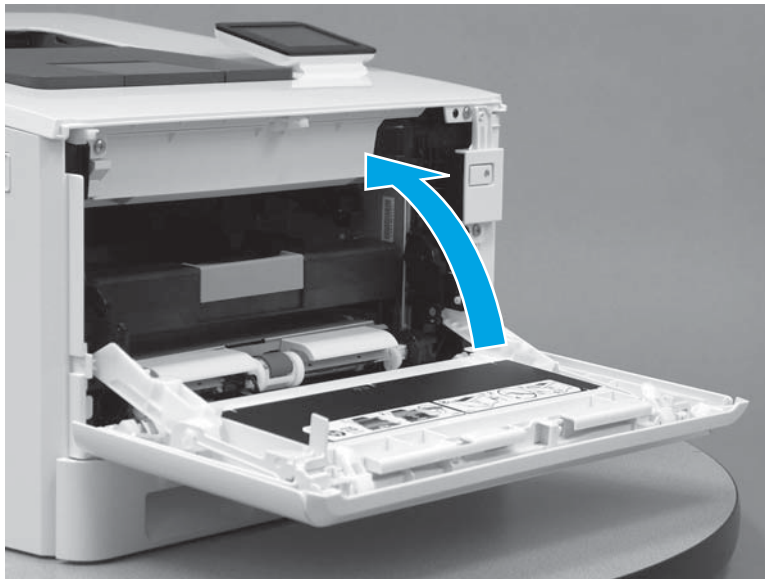
Figure 1-1732 Lower the scanner



Step 24: Close the front door and rear door or duplexer door

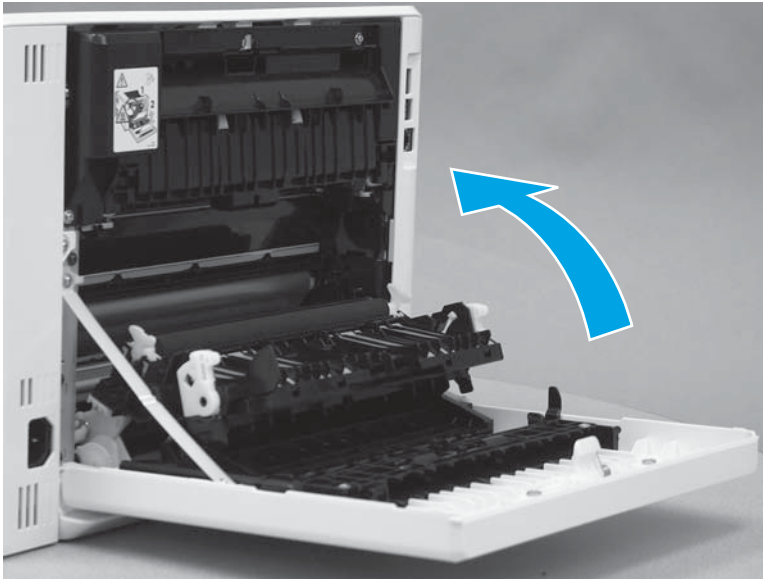
1. Close the front door.

Figure 1-1733 Close the front door



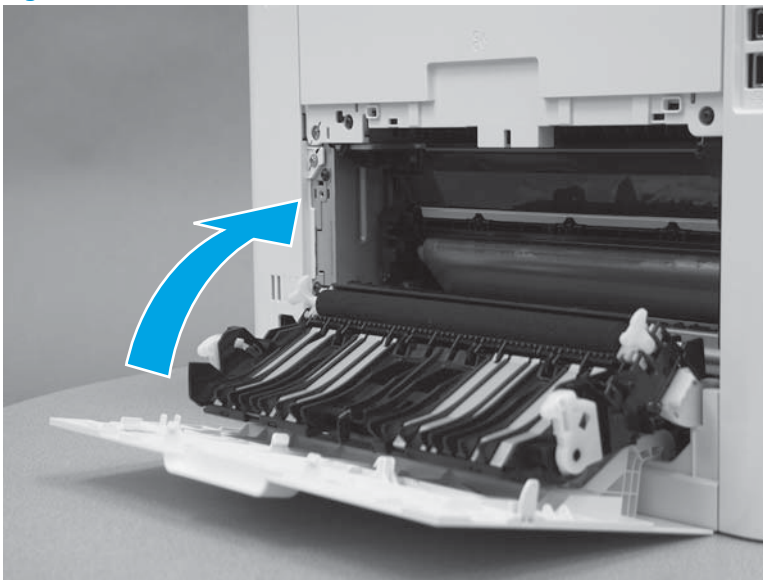
2. **Duplex models:** Close the duplexer door.

Figure 1-1734 Close the duplexer door



3. **Simplex models:** Close the rear door.

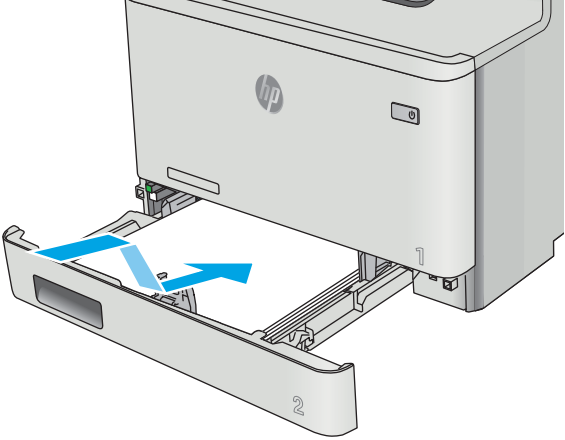
Figure 1-1735 Close the rear door



Step 25: Install Tray 2

- ▲ With the front of the tray slightly lifted, align the sides of the tray with the rails in the printer, and then carefully slide the tray into the printer. As the tray slides into the printer, lower the front of the tray, and then close it.

Figure 1-1736 Install the tray



Removal and replacement: Developer motor

- [Introduction](#)
- [Step 1: Remove Tray 2](#)
- [Step 2: Open the front door and rear door or duplexer door](#)
- [Step 3: Remove the right cover \(M452 models\)](#)
- [Step 4: Remove the right cover \(M377, M477 models\)](#)
- [Step 5: Remove the left cover \(M452 models\)](#)
- [Step 6: Remove the left cover \(M377, M477 models\)](#)
- [Step 7: Remove the duplexer door assembly](#)
- [Step 8: Remove the rear door \(simplex models\)](#)
- [Step 9: Remove the low-voltage power supply \(LVPS\)](#)
- [Step 10: Remove the driver PCA](#)
- [Step 11: Remove the driver PCA holder](#)
- [Step 12: Remove the developer motor](#)
- [Step 13: Unpack the replacement part](#)
- [Step 14: Install the developer motor](#)
- [Step 15: Install the driver PCA holder](#)
- [Step 16: Install the driver PCA](#)
- [Step 17: Install the low-voltage power supply \(LVPS\)](#)
- [Step 18: Install the rear door \(simplex models\)](#)
- [Step 19: Install the duplexer door assembly](#)
- [Step 20: Install the left cover \(M452 models\)](#)
- [Step 21: Install the left cover \(M377, M477 models\)](#)
- [Step 22: Install the right cover \(M452 models\)](#)
- [Step 23: Install the right cover \(M377, M477 models\)](#)
- [Step 24: Close the front door and rear door or duplexer door](#)
- [Step 25: Install Tray 2](#)

Introduction

This document provides the procedures to remove and replace the developer motor.

Before you begin

- Turn off the printer.
- Disconnect the power cable.

⚠ WARNING! To avoid damage to the printer, turn the printer off, wait 30 seconds, and then remove the power cord before attempting to service the printer.

- Use the table below to identify the correct part number for your printer. To order the part, go to www.hp.com/buy/parts.

| Developer motor part number | |
|-----------------------------|-----------------|
| RM2-7344-000CN | Developer motor |

Required tools

- #2 Phillips screwdriver with a magnetic tip
- Small flat-blade screwdriver

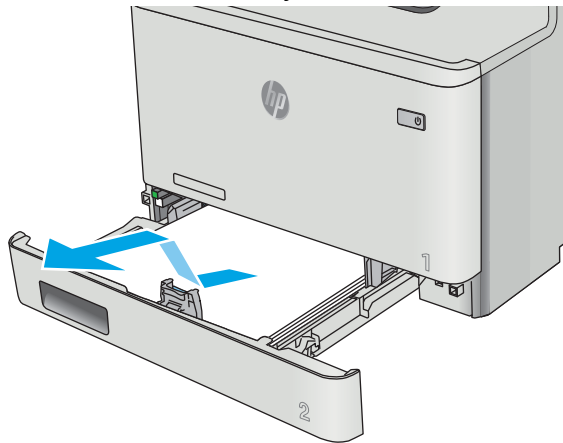
After performing service

- Connect the power cable.
- Use the power switch to turn the power on.

Step 1: Remove Tray 2

- ▲ Pull the tray out until it stops. Lift the front of the tray, and then pull it out of the printer to remove it.

Figure 1-1737 Remove the tray



Step 2: Open the front door and rear door or duplexer door

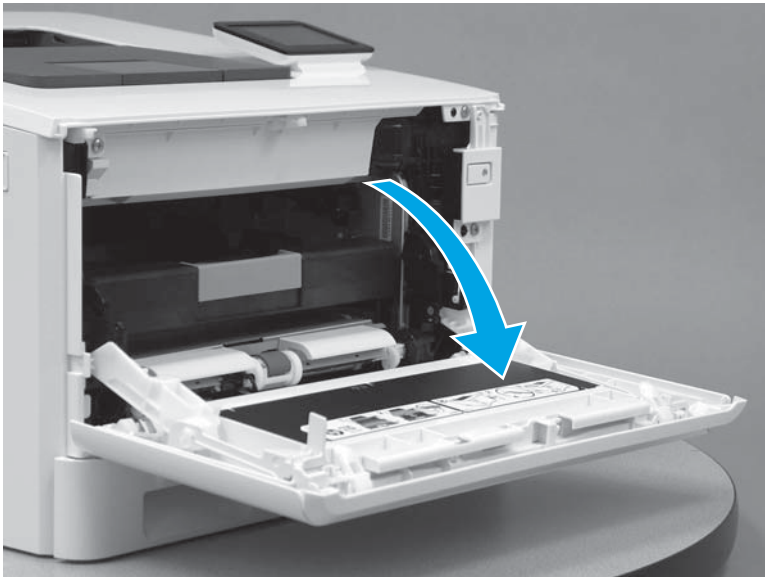
1. Press the button (callout 1) on the left side of the printer to release the front door.

Figure 1-1738 Release the front door



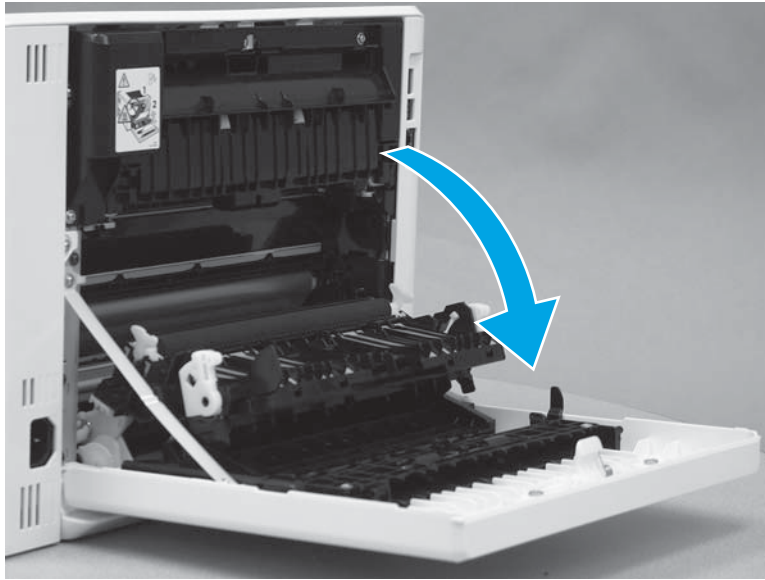
2. Open the front door.

Figure 1-1739 Open the front door



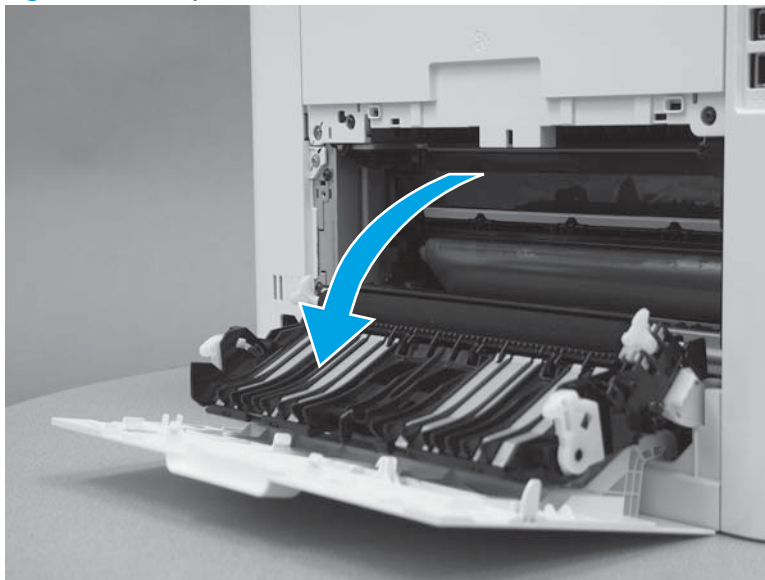
3. **Duplex models:** Open the duplexer door.

Figure 1-1740 Open the duplexer door




4. **Simplex models:** Open the rear door.

Figure 1-1741 Open the rear door



Step 3: Remove the right cover (M452 models)

 **NOTE:** This step is for the M452 models. For the M377, M477 models, skip this step and go to [Step 4: Remove the right cover \(M377, M477 models\) on page 943.](#)

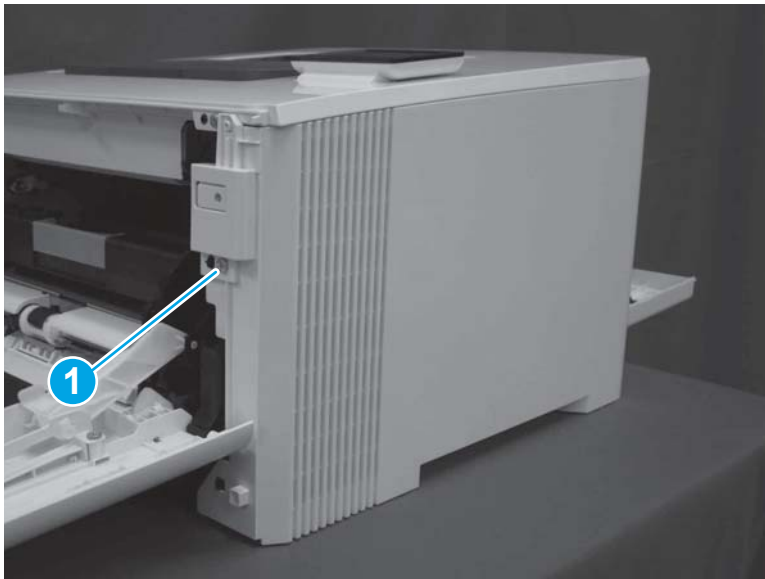
1. At the back of the printer, remove one screw (callout 1).

Figure 1-1742 Remove one screw



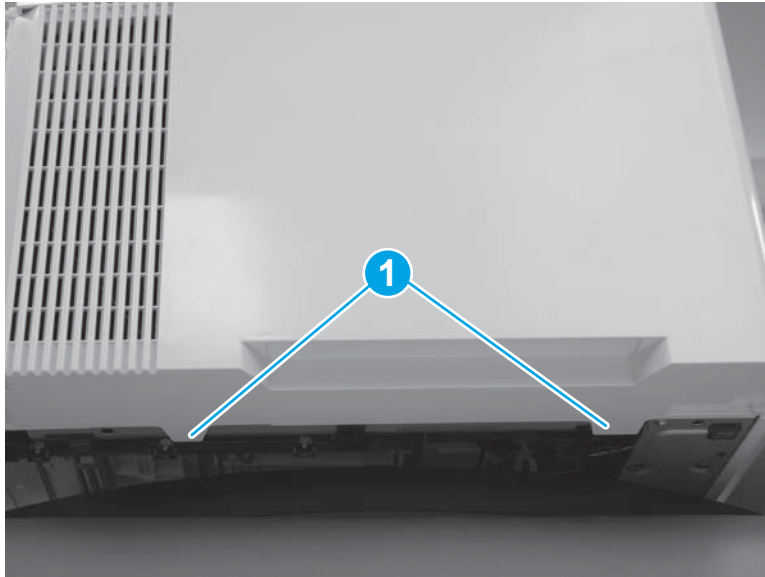
2. At the front of the printer, remove one screw (callout 1).

Figure 1-1743 Remove one screw



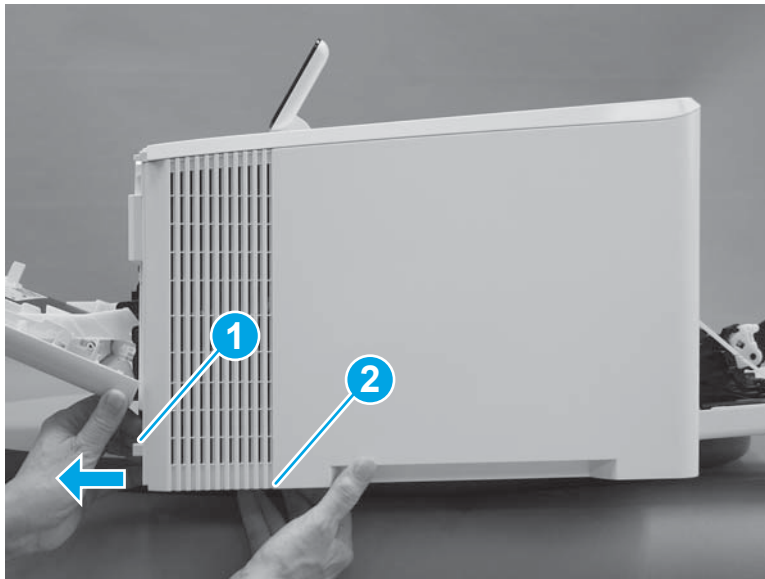
3. Slide the printer to the edge of a work surface. Note the location of the tabs on the lower edge of the cover (callout 1).

Figure 1-1744 Locate the tabs



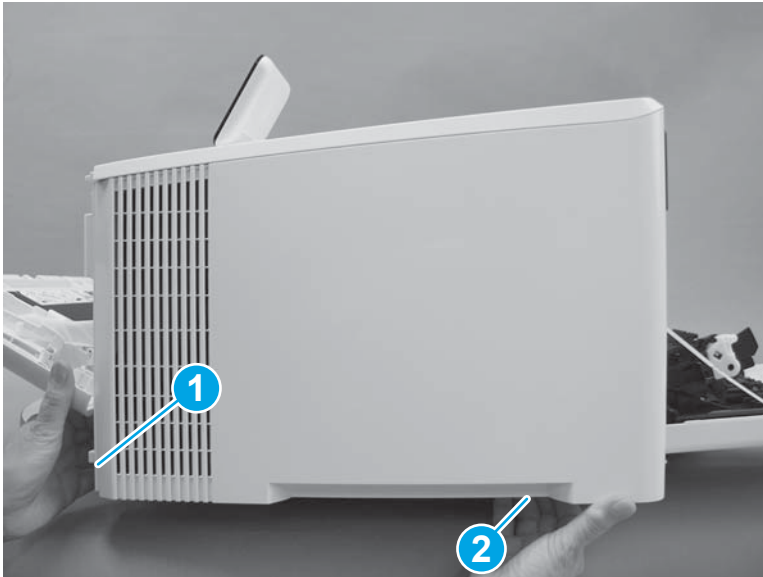
4. Release one tab (callout 1) on the front of the cover by slightly pulling the cover away from the printer. While holding the cover in the released position, release one tab (callout 2) on the bottom of the cover.

Figure 1-1745 Release front lower tabs



5. Hold the front tabs in the released position (callout 1), and then release one tab (callout 2) on the bottom of the cover, toward the back of the printer.

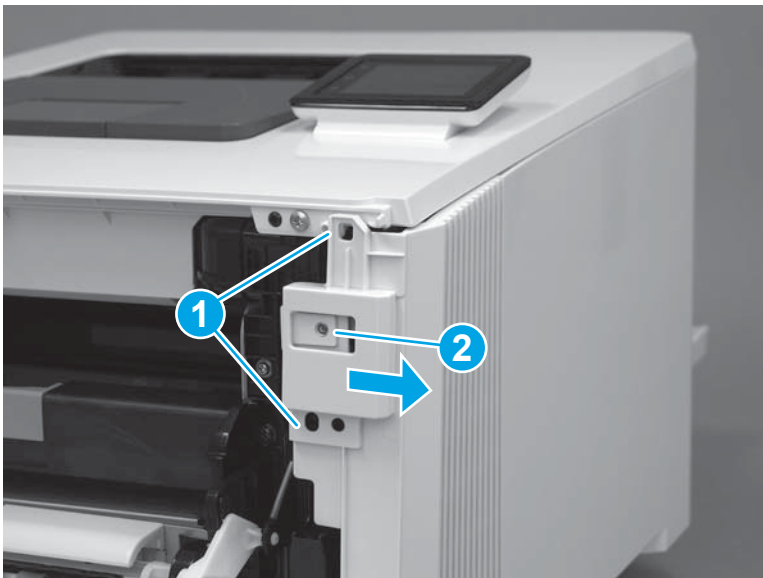
Figure 1-1746 Release lower rear tab



6. Release two tabs at the front of the printer (callout 1) by slightly pulling the cover away from the printer.

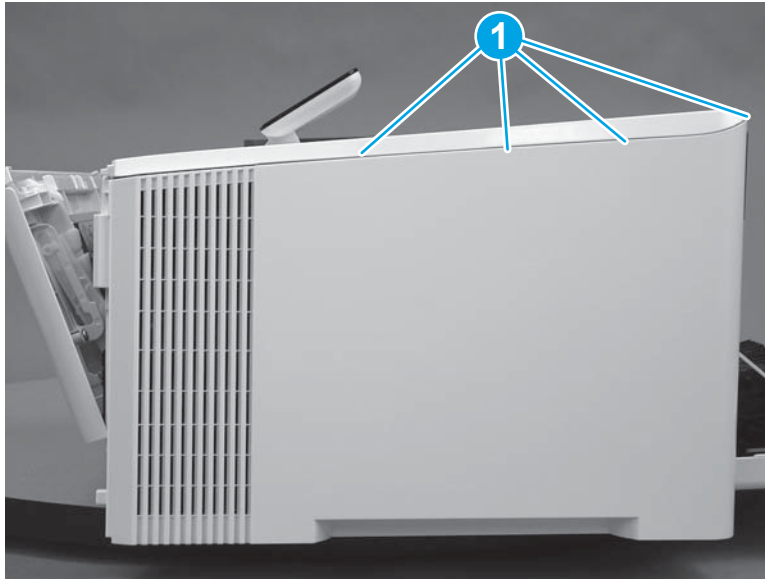
CAUTION: Be careful not to dislodge the power switch (callout 2).

Figure 1-1747 Release two front tabs



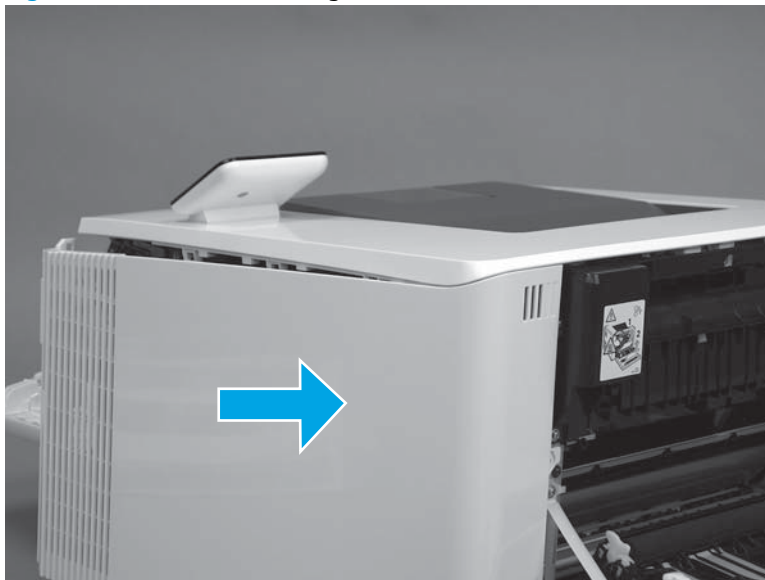
7. Release four tabs on the top of the printer (callout 1).

Figure 1-1748 Release upper tabs



8. Slide the cover toward the back of the printer to remove it.

Figure 1-1749 Remove the right cover



Step 4: Remove the right cover (M377, M477 models)

 **NOTE:** This step is for the M377, M477 models. For the M452 models, skip this step and go to [Step 5: Remove the left cover \(M452 models\) on page 949.](#)

1. Raise the scanner.

Figure 1-1750 Raise the scanner



2. At the back of the printer, remove one screw (callout 1).

Figure 1-1751 Remove one screw



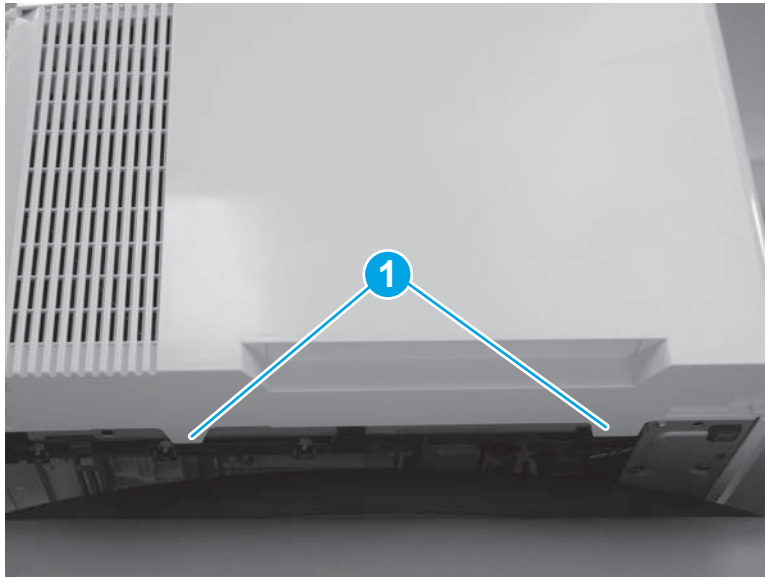
3. At the front of the printer, remove one screw (callout 1).

Figure 1-1752 Remove one screw



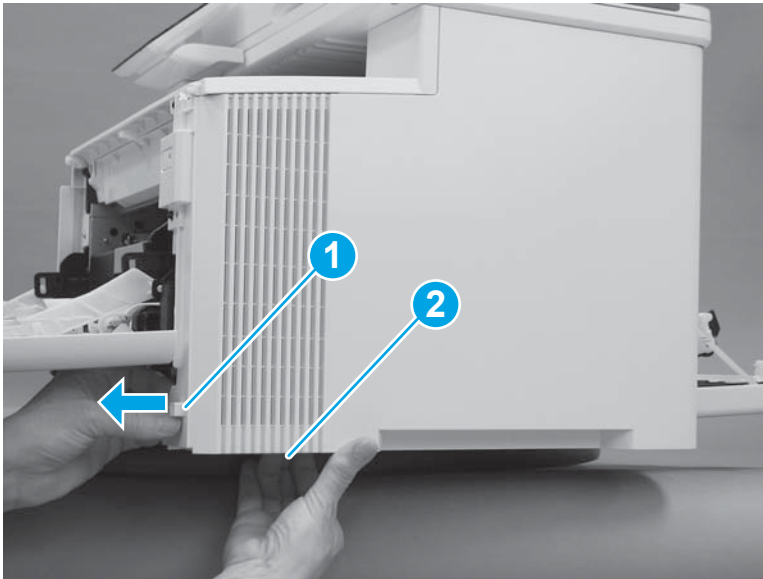
4. Slide the printer to the edge of a work surface. Note the location of the tabs on the lower edge of the cover (callout 1).

Figure 1-1753 Locate the tabs



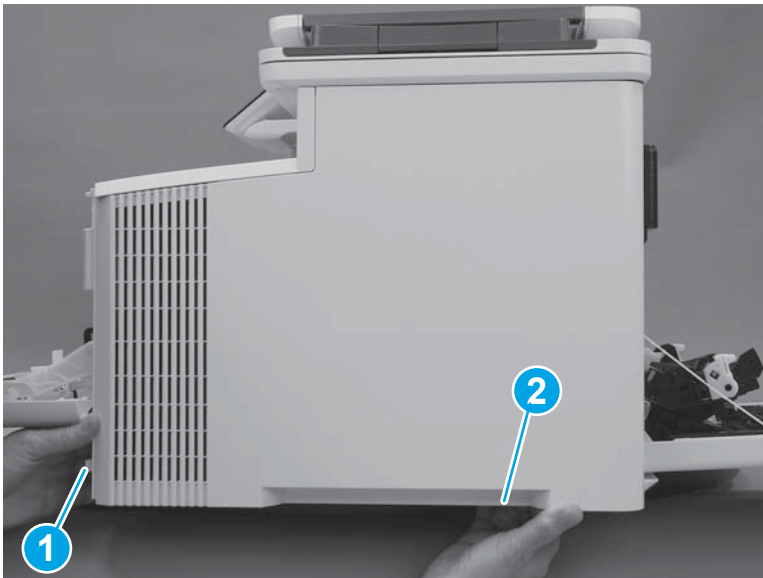
5. Release one tab (callout 1) on the front of the cover by slightly pulling the cover away from the printer. While holding the cover in the released position, release one tab (callout 2) on the lower edge of the cover.

Figure 1-1754 Release front lower tabs



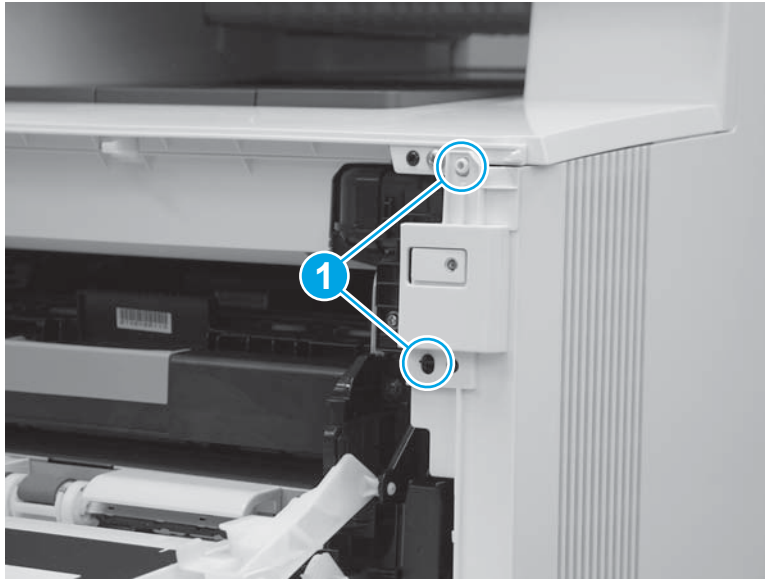
6. Hold the front tabs in the released position (callout 1), and then release one tab (callout 2) on the lower edge of the cover, toward the back of the printer.

Figure 1-1755 Release lower rear tab



7. Release two tabs at the front of the printer (callout 1) by slightly pulling the cover away from the printer.

Figure 1-1756 Release front upper tabs



8. Rotate the front of the cover away from the printer (callout 1).

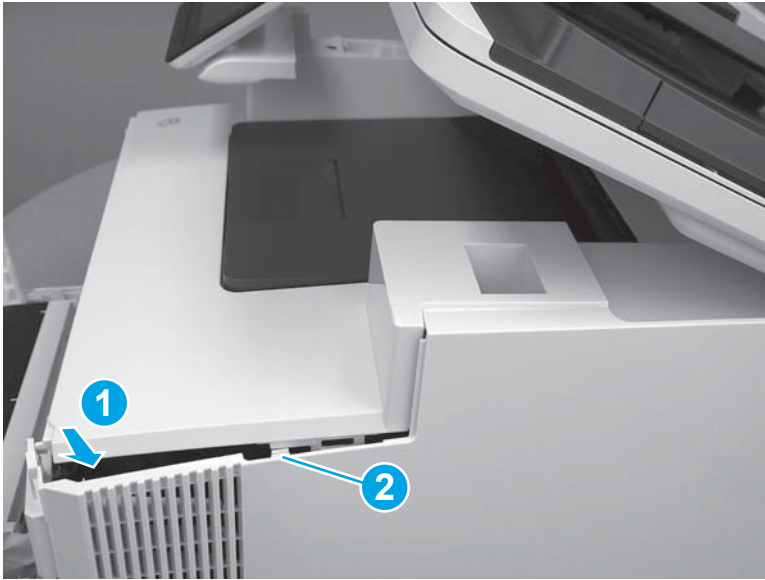
⚠ CAUTION: Be careful not to dislodge the power switch (callout 2).

Figure 1-1757 Rotate the front of the cover



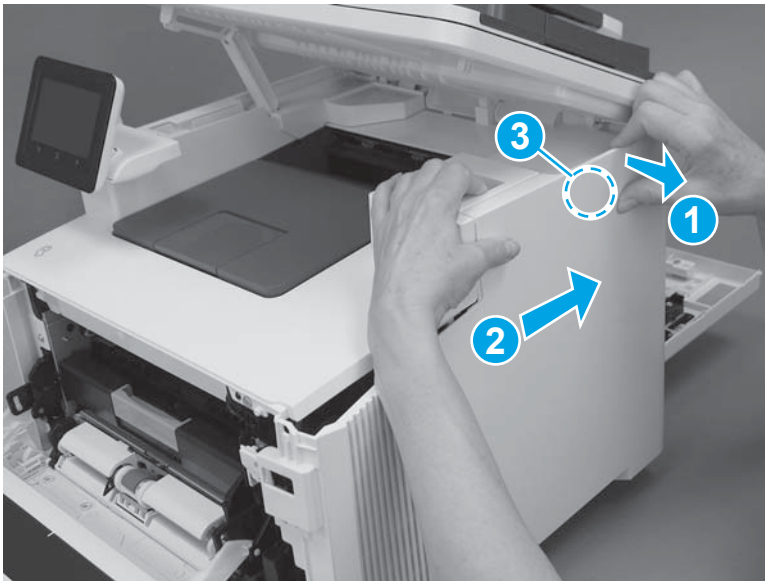
9. Slightly pull the front of the cover away from the printer (callout 1) to release one tab (callout 2).

Figure 1-1758 Release top tabs



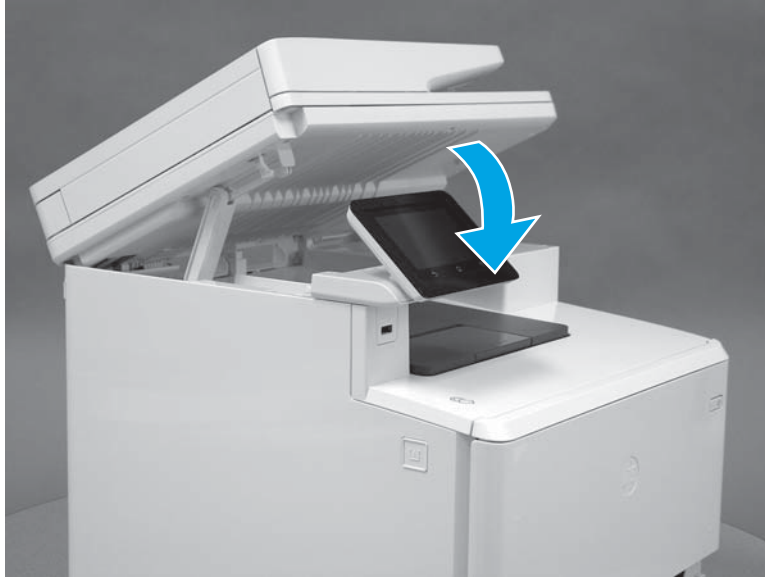
10. At the top of the printer, slightly pull the top of the cover away from the printer to release one retention tab (callout 1) on the inside of the cover. While holding the cover away, slide the cover toward the back of the printer (callout 2) to release one hook (callout 3) on the inside of the cover.

Figure 1-1759 Release one tab and one hook



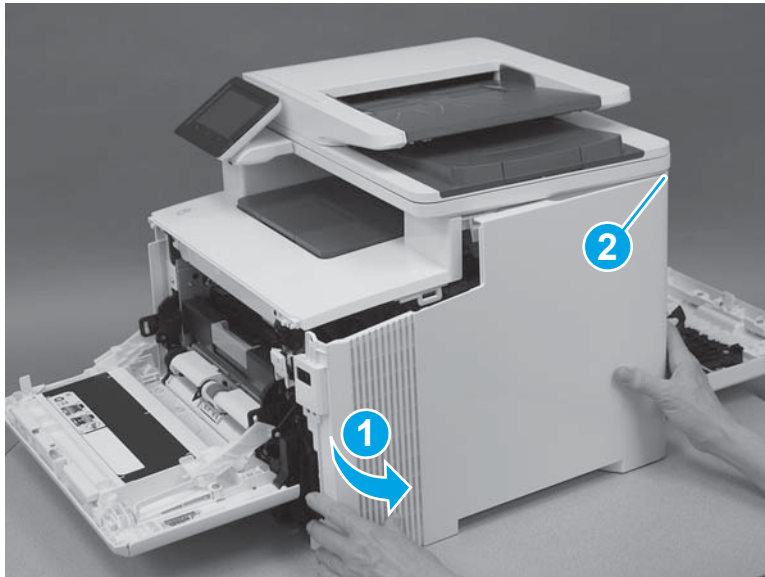
11. Lower the scanner.

Figure 1-1760 Lower the scanner



12. Rotate the cover away from the printer (callout 1) to release one tab (callout 2) at the back of the printer, and then remove the cover.

Figure 1-1761 Remove the right cover

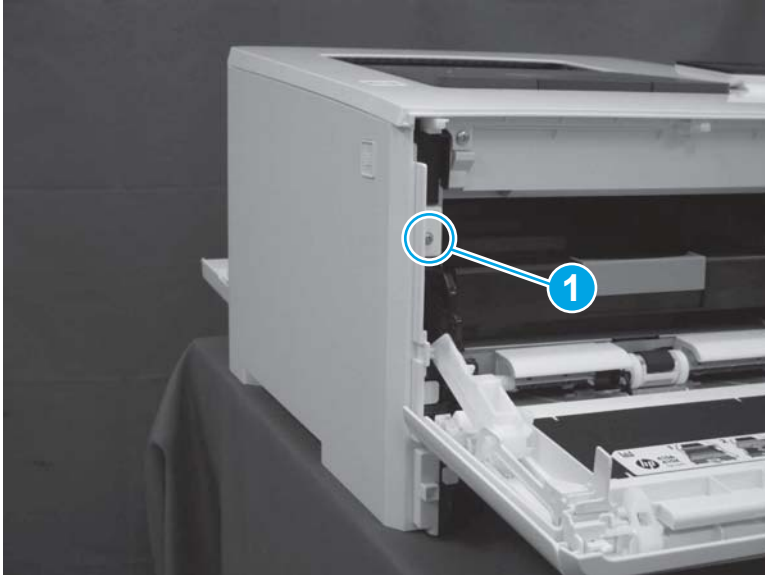


Step 5: Remove the left cover (M452 models)

 **NOTE:** This step is for the M452 models. For the M377, M477 models, skip this step and go to [Step 6: Remove the left cover \(M377, M477 models\) on page 952.](#)

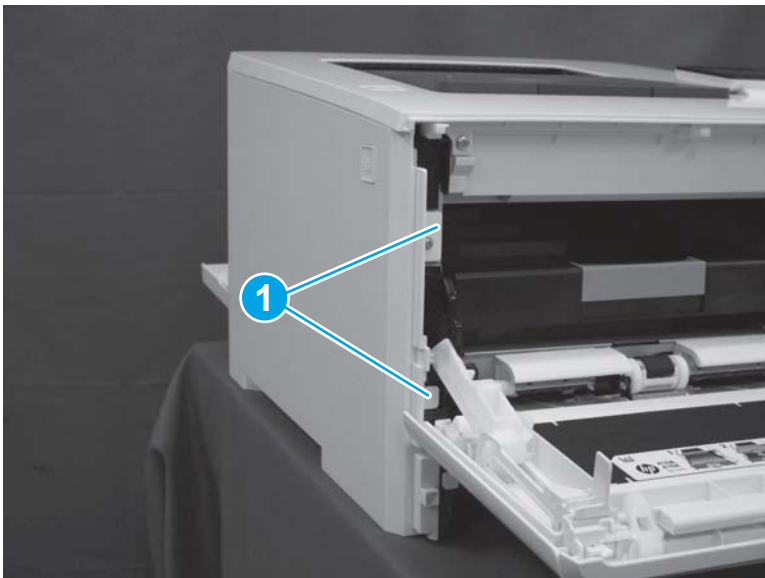
1. At the front of the printer, remove one screw (callout 1).

Figure 1-1762 Remove one screw



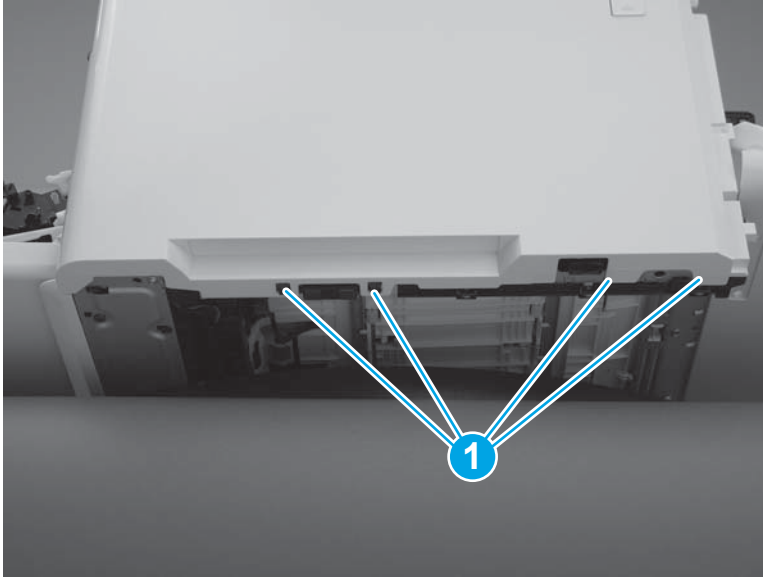
2. Release two tabs (callout 1) at the front of the cover. Hold the cover open to prevent the tabs from reengaging.

Figure 1-1763 Release two tabs



3. Slide the printer to the edge of a work surface. Note the location of the tabs on the lower edge of the cover (callout 1).

Figure 1-1764 Locate the tabs



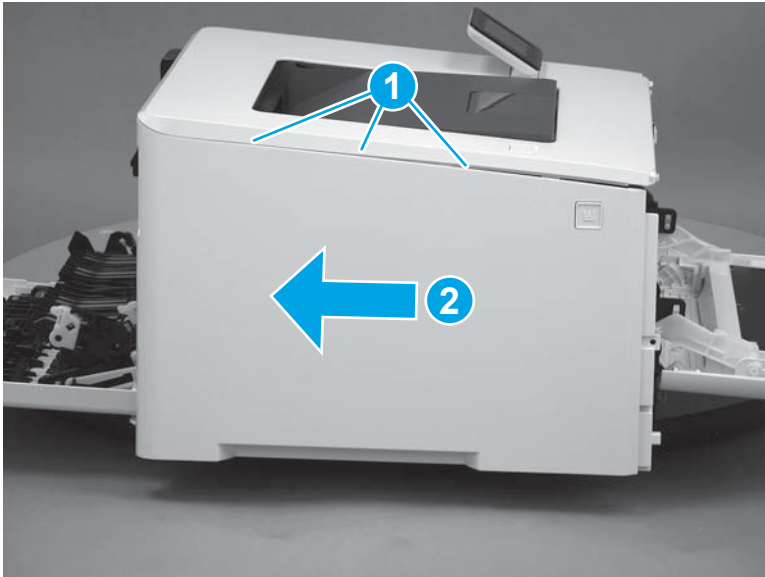
4. Beginning from the front of the cover, release four tabs (callouts 1-4) on the lower edge of the cover.

Figure 1-1765 Release bottom tabs




5. Release three tabs at the top of the cover (callout 1), and then slide the cover toward the rear of the printer to remove it.

Figure 1-1766 Release three tabs



Step 6: Remove the left cover (M377, M477 models)

 **NOTE:** This step is for the M377, M477 models. For the M452 models, skip this step and go to [Step 7: Remove the duplexer door assembly on page 956.](#)

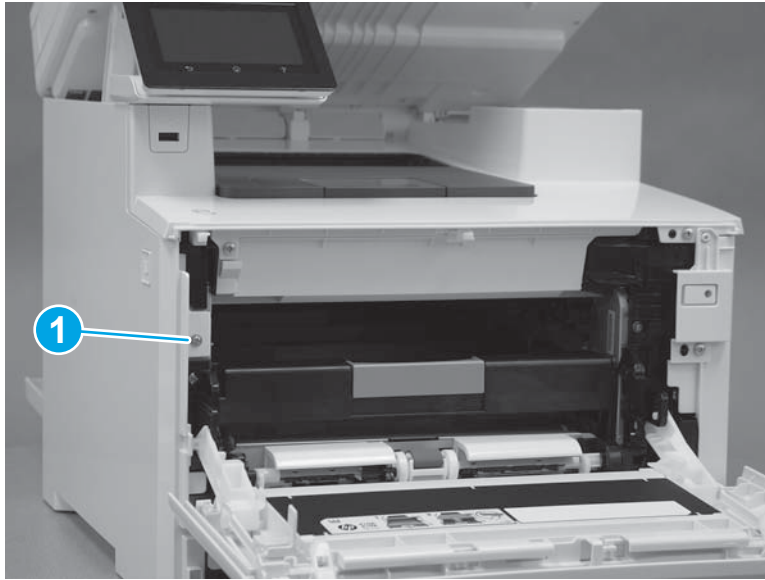
1. Raise the scanner.

Figure 1-1767 Raise the scanner



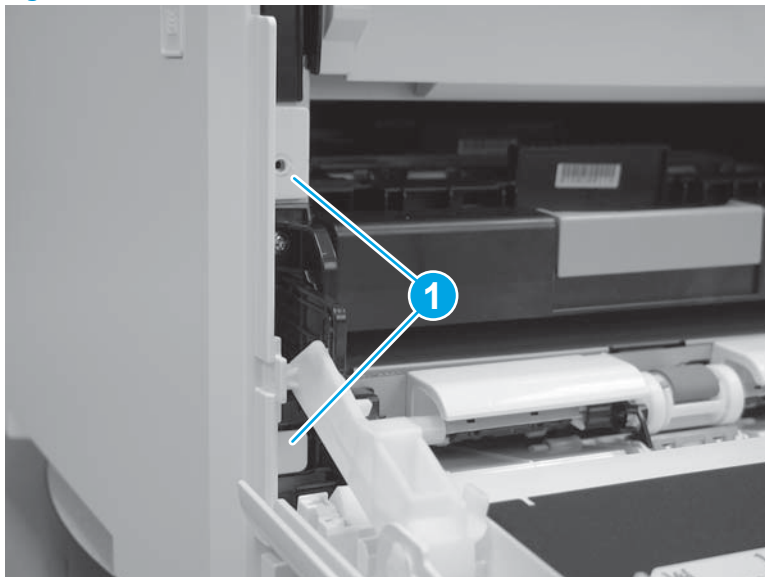
2. At the front of the printer, remove one screw (callout 1).

Figure 1-1768 Remove one screw



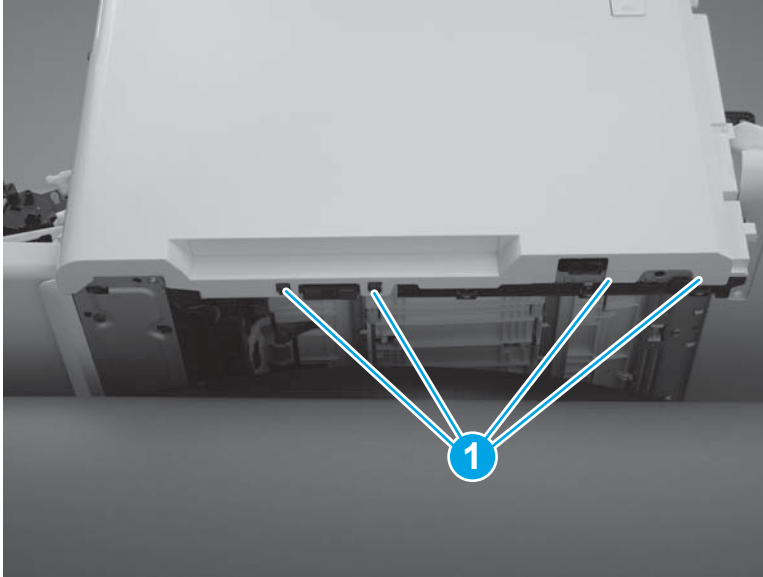
3. Release two tabs (callout 1) at the front of the cover. Hold the cover open to prevent the tabs from re-engaging.

Figure 1-1769 Release two tabs



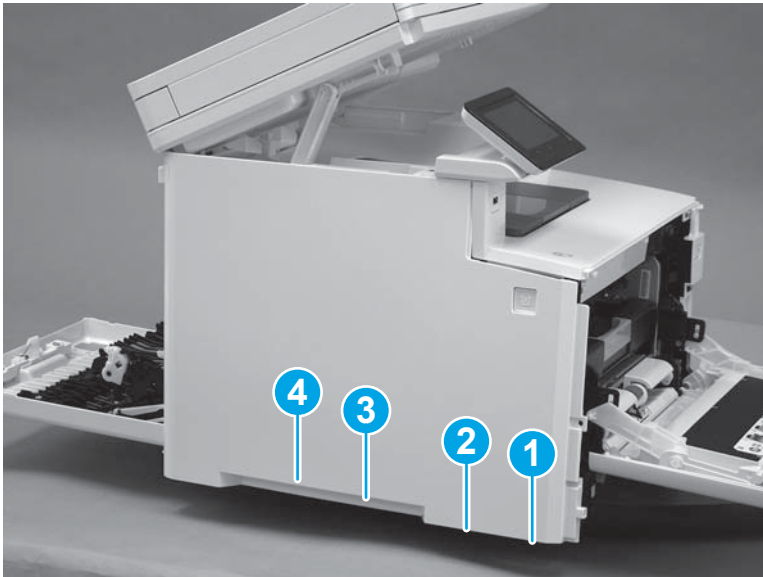
4. Slide the printer to the edge of a work surface. Note the location of the tabs on the lower edge of the cover (callout 1).

Figure 1-1770 Locate the tabs



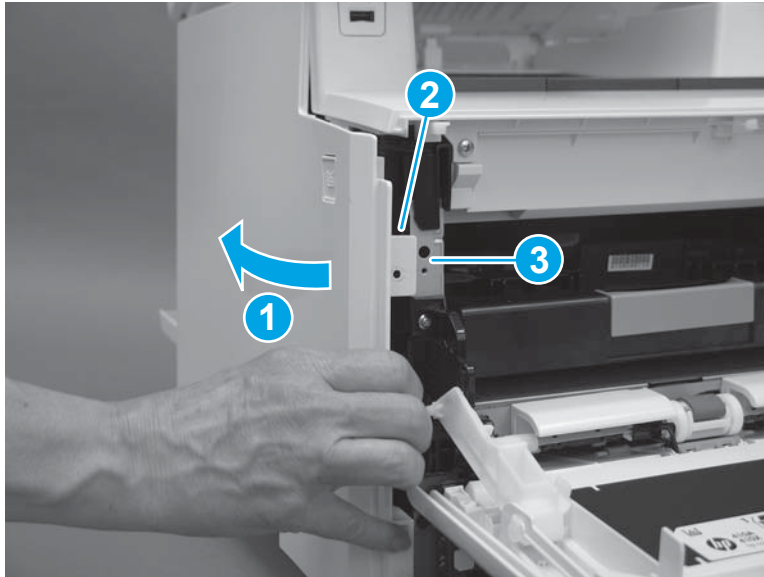
5. Beginning from the front of the cover, release the four tabs (callouts 1-4) on the lower edge of the cover.

Figure 1-1771 Release four tabs



6. Rotate the front of the cover away from the printer (callout 1). Make sure that the tab (callout 2) does not get caught on the printer frame (callout 3).

Figure 1-1772 Rotate the cover



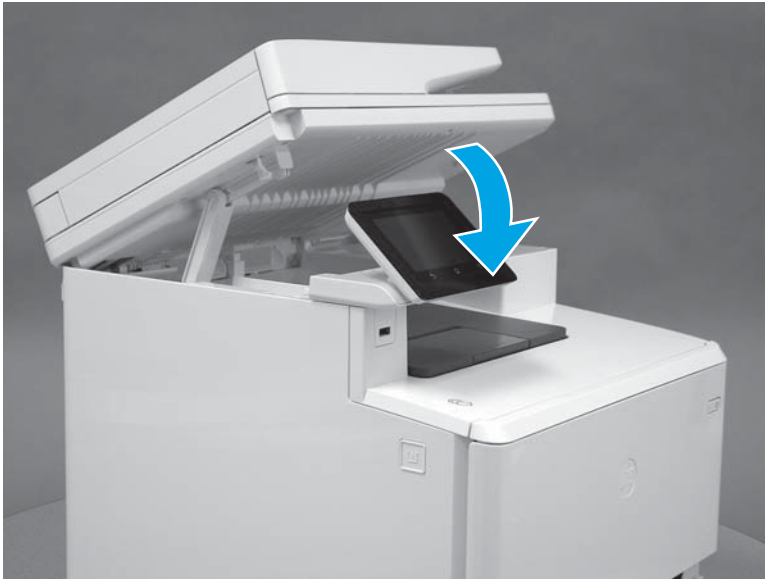
7. At the top of the printer, slightly pull the top of the cover away from the printer to release one retention tab (callout 1) on the inside of the cover. While holding the cover away, slide the cover toward the back of the printer (callout 2) to release two hooks (callout 3) inside the cover.

Figure 1-1773 Release one tab and two hooks



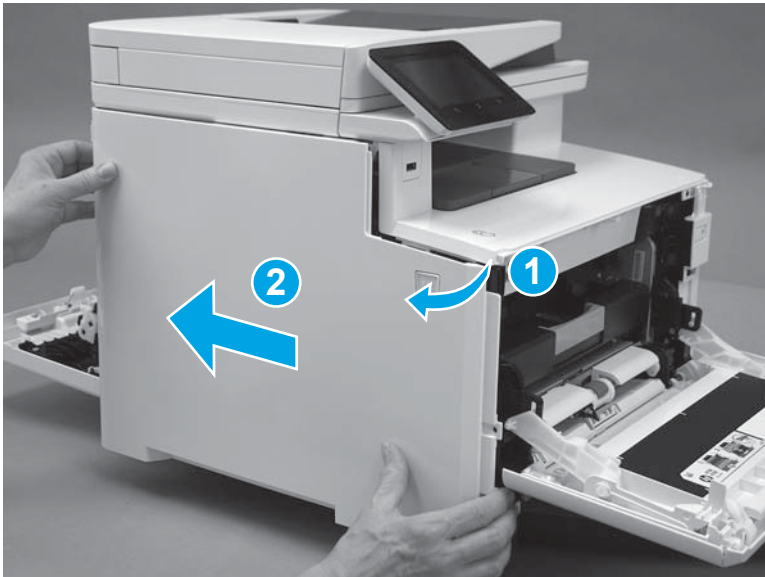
8. Lower the scanner.

Figure 1-1774 Lower the scanner



9. Rotate the cover away from the printer (callout 1), and then slide the cover (callout 2) toward the back of the printer to remove it.

Figure 1-1775 Remove the left cover



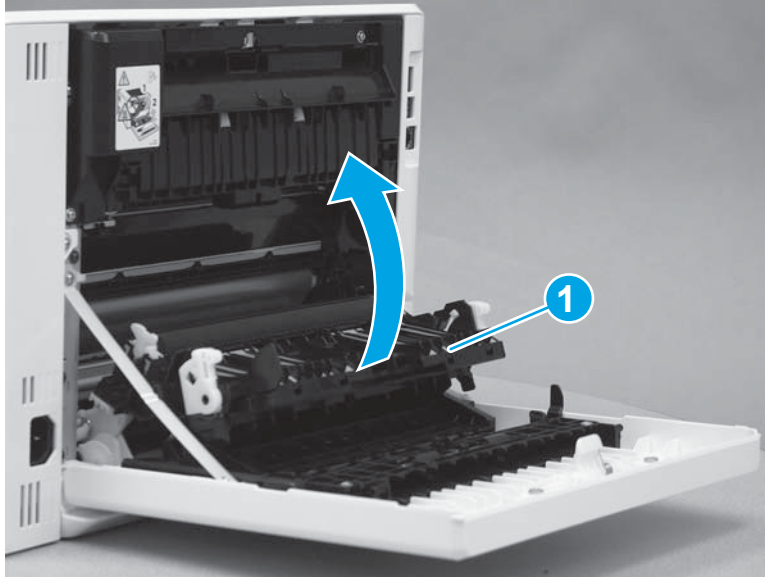
Step 7: Remove the duplexer door assembly



NOTE: This step is for duplex models. For simplex models, skip this step and go to [Step 8: Remove the rear door \(simplex models\) on page 958](#).

1. Rotate the secondary transfer assembly (callout 1) toward the printer to close it.

Figure 1-1776 Close the secondary transfer assembly



2. At the back of the printer, remove two screws (callout 1), and then remove one screw (callout 2) that holds the retention arm.


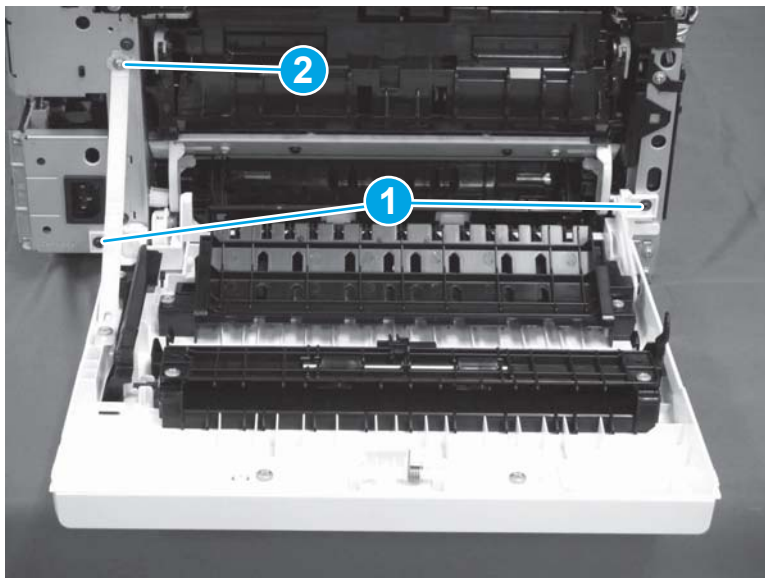
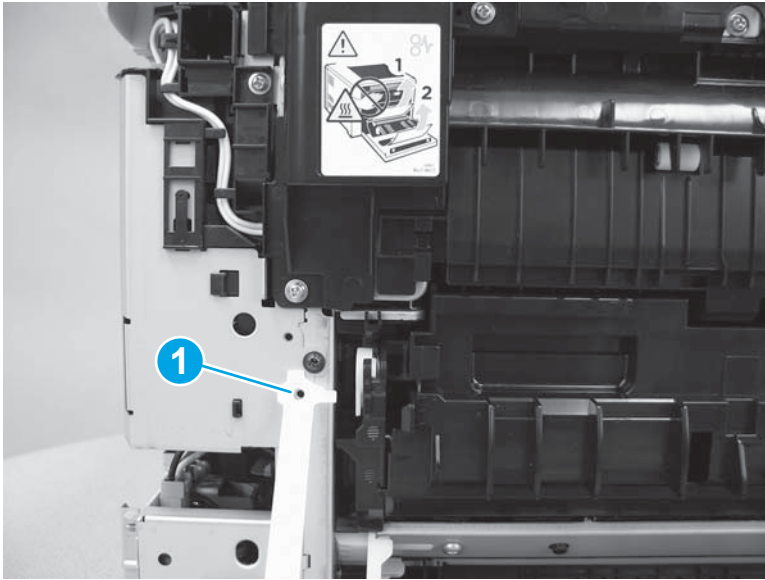
 **Reinstallation tip:** Note that the screw (callout 2) that holds the retention arm is longer than the other two. Make sure this screw is installed in the correct position.

Figure 1-1777 Remove three screws



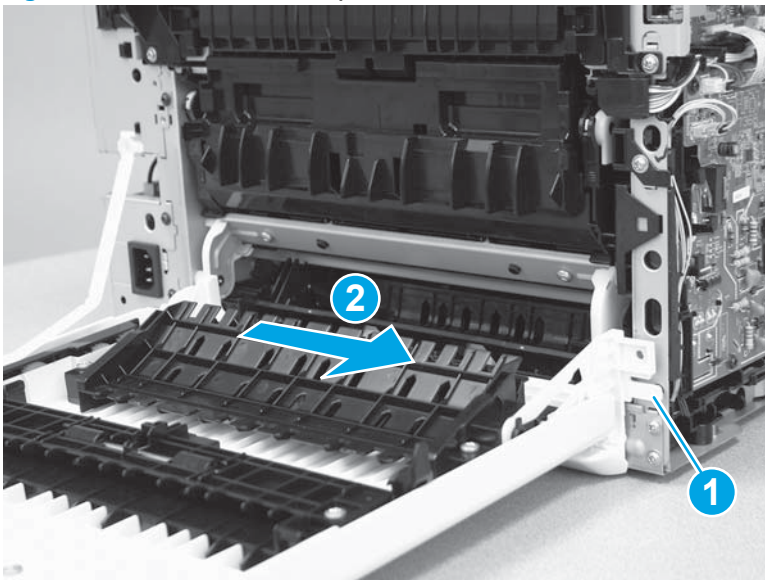
3. Release the retention arm (callout 1).

Figure 1-1778 Release the retention arm



4. Release one tab (callout 1), and then slide the duplexer door (callout 2) to the right to remove it.

Figure 1-1779 Remove the duplexer door



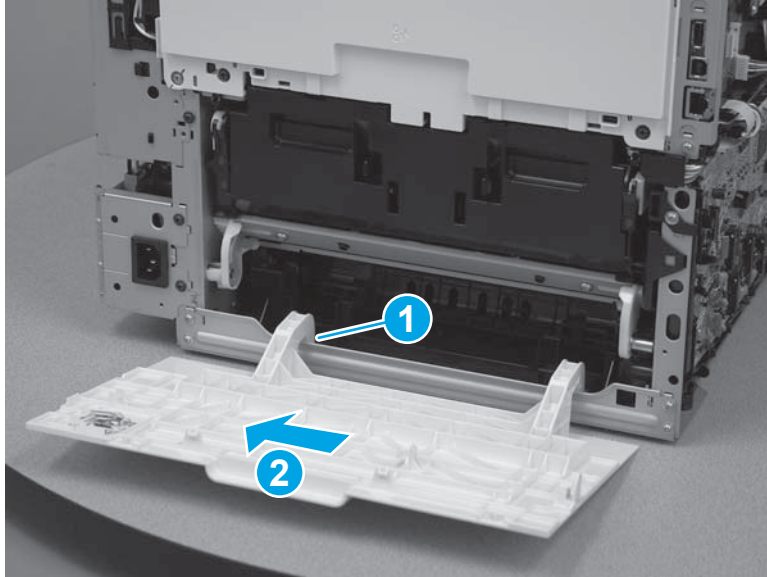
Step 8: Remove the rear door (simplex models)



NOTE: This step is for simplex models. For duplex models, skip this step and go to [Step 9: Remove the low-voltage power supply \(LVPS\) on page 959](#).

- ▲ Slightly flex one hinge arm (callout 1) to release a hinge pin, and then slide the rear door to the left (callout 2) to remove it.

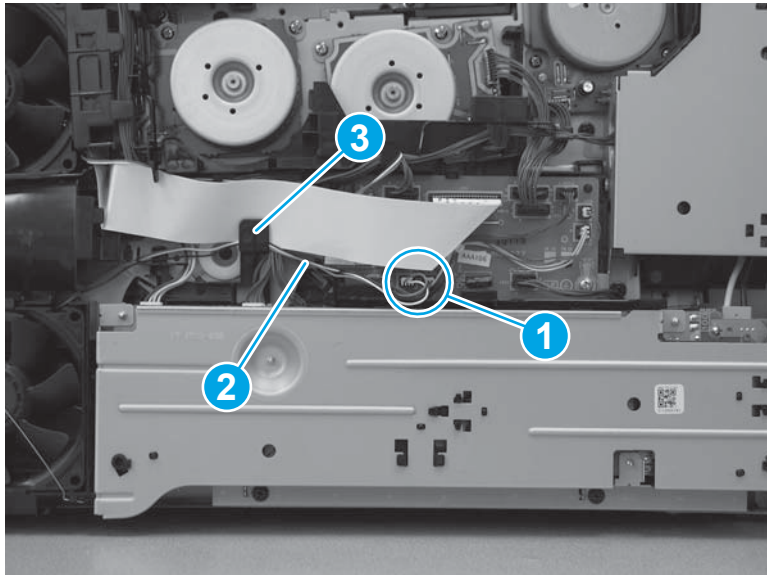
Figure 1-1780 Remove the rear door



Step 9: Remove the low-voltage power supply (LVPS)

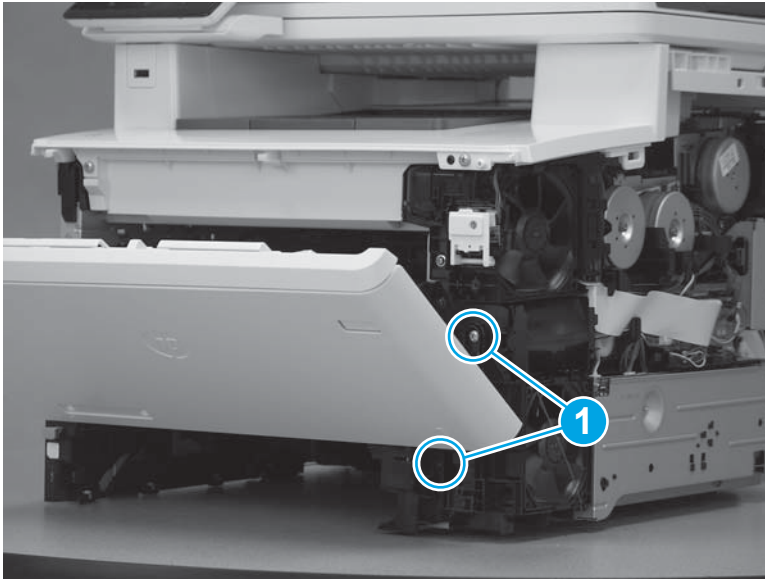
1. Disconnect one connector (callout 1), and then remove the cable (callout 2) from the wire guide (callout 3).

Figure 1-1781 Disconnect one connector and release cables from guides



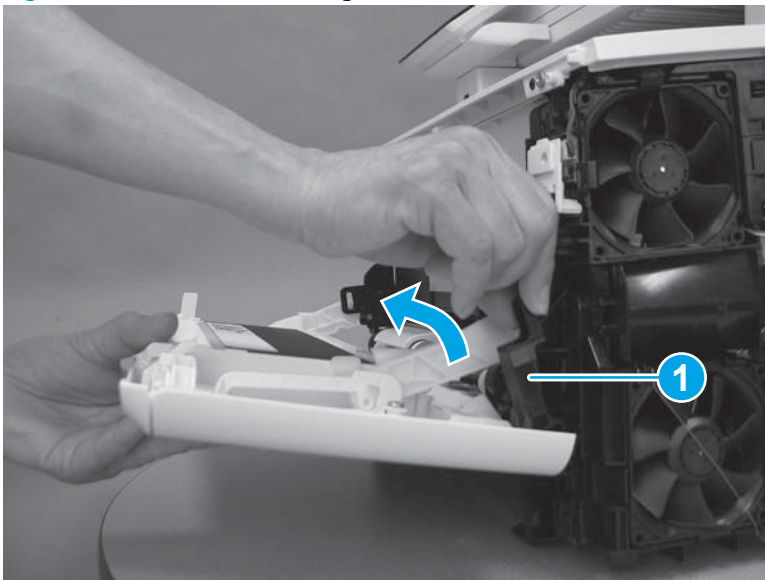
2. Remove two screws (callout 1).

Figure 1-1782 Remove two screws



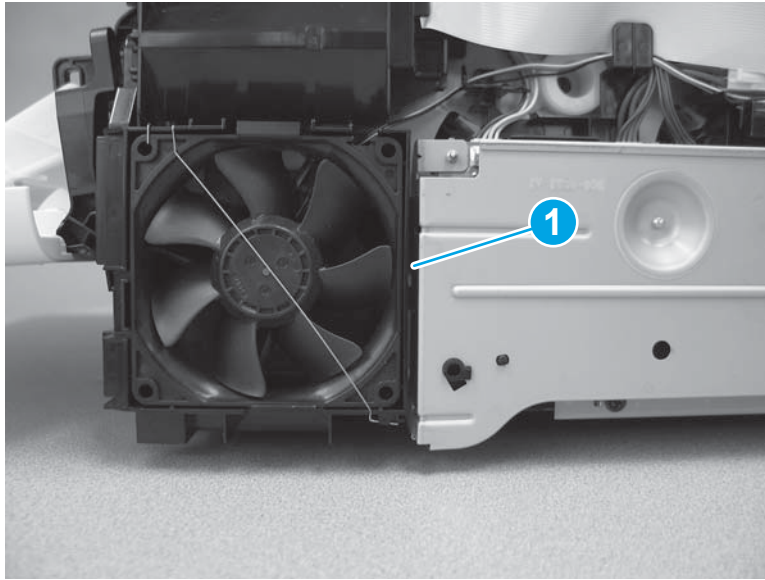
3. Release the hinge arm (callout 1).

Figure 1-1783 Release the hinge arm



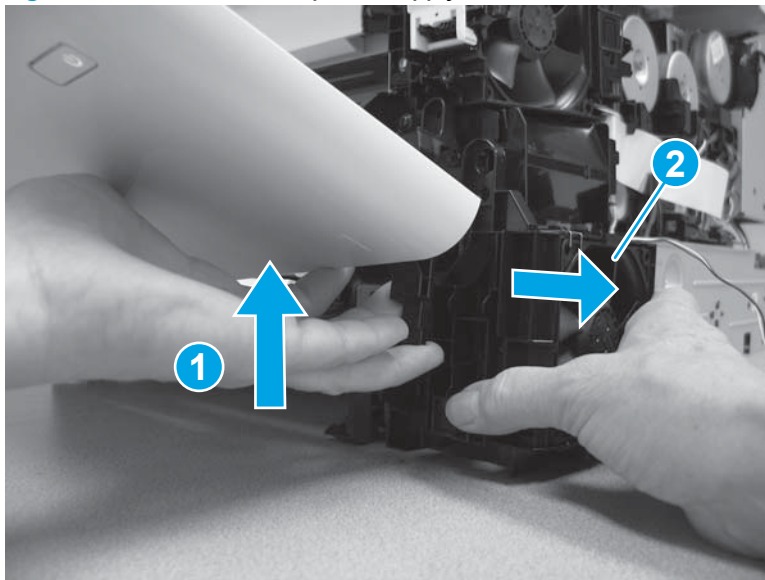
4. Release one tab (callout 1) on the right side of the power supply fan.

Figure 1-1784 Release one tab



5. Lift the front door up slightly (callout 1), and then remove the power supply fan and holder (callout 2).

Figure 1-1785 Remove the power supply fan and holder



6. Before disconnecting the cables in the next step, make note of the position of two cables (callout 1).


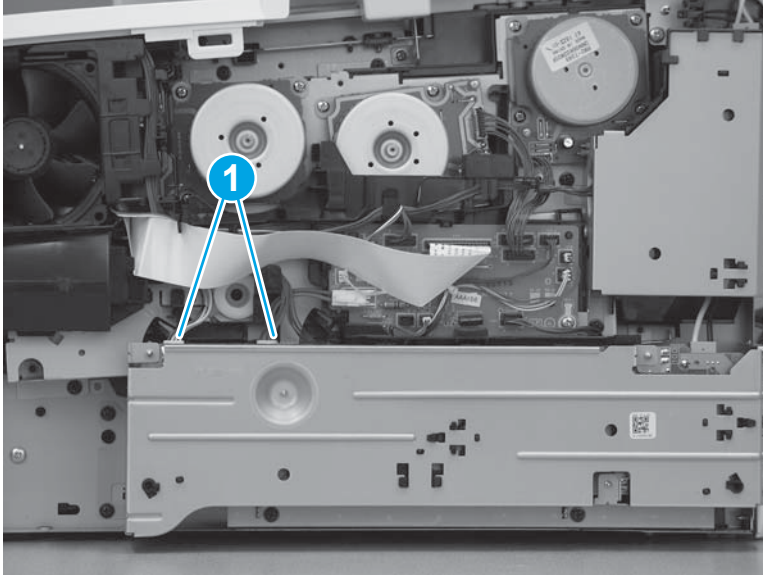
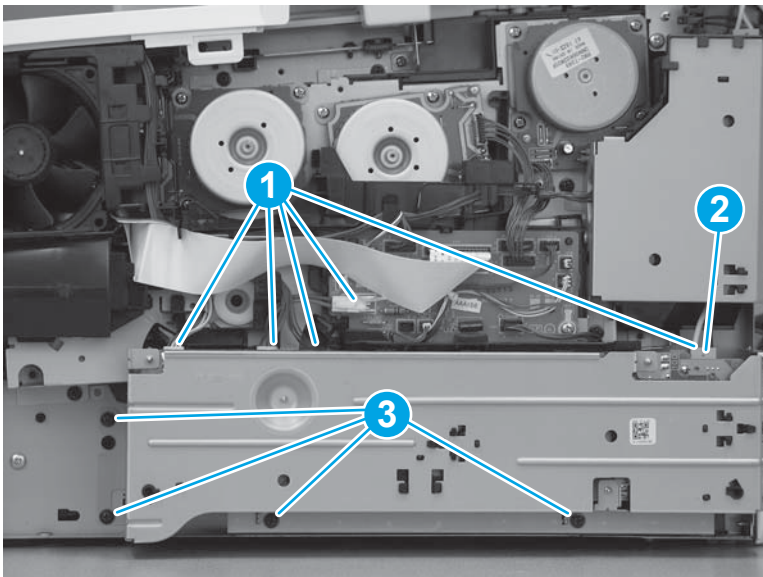
 **IMPORTANT:** These cables can be inadvertently switched when reinstalling. The connectors on the cables will fit in either connector on the LVPS. Make sure that these cables are installed in the correct connectors. If the cables are switched, the printer will not power on when reassembled.

Figure 1-1786 Check the connectors



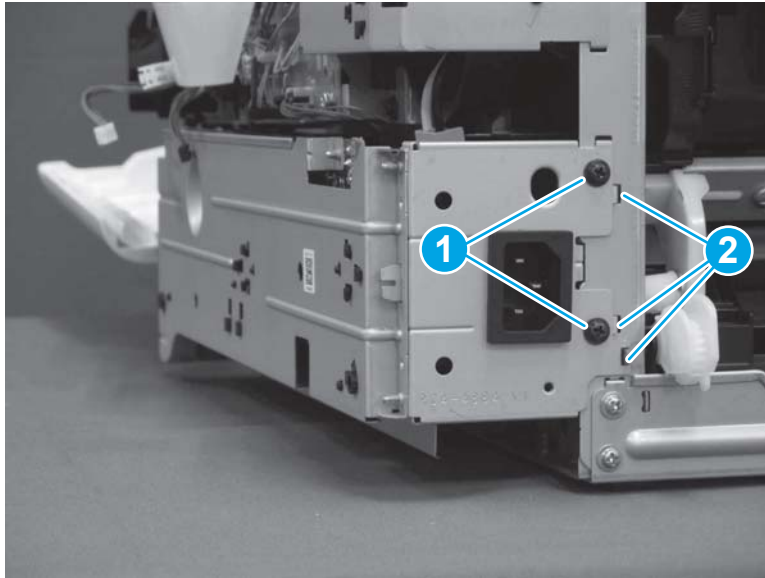
7. Disconnect five connectors (callout 1). Note that one connector (callout 2) has a latch that must be released before disconnecting it. Remove four screws (callout 3).

Figure 1-1787 Disconnect five connectors and remove four screws



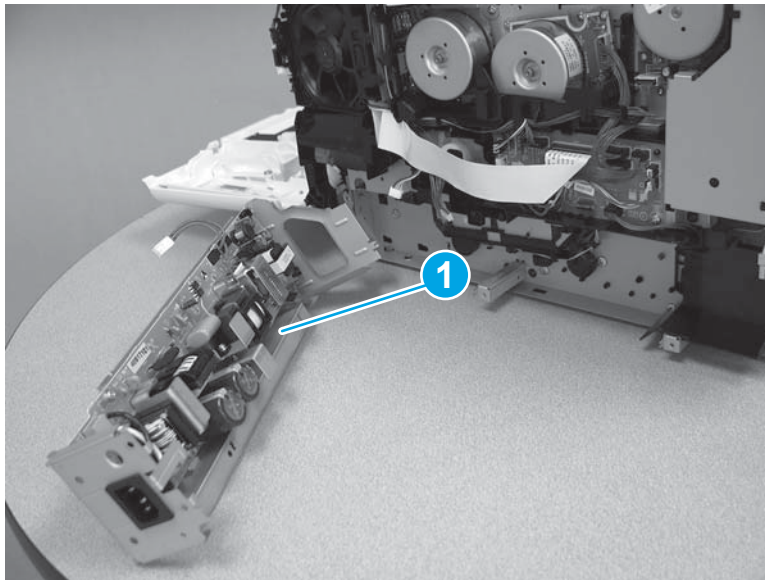
8. Remove two screws (callout 1), and then release three tabs (callout 2).

Figure 1-1788 Remove two screws and release three tabs



9. Remove the LVPS (callout 1).

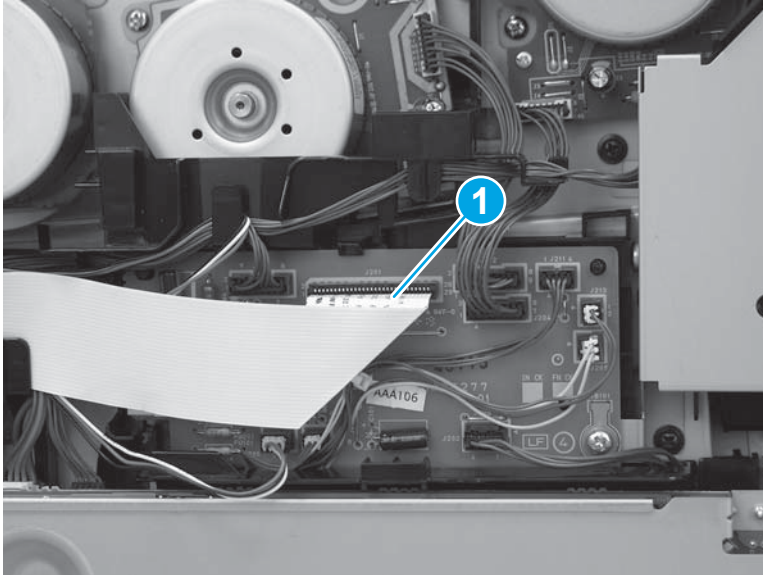
Figure 1-1789 Remove the LVPS



Step 10: Remove the driver PCA

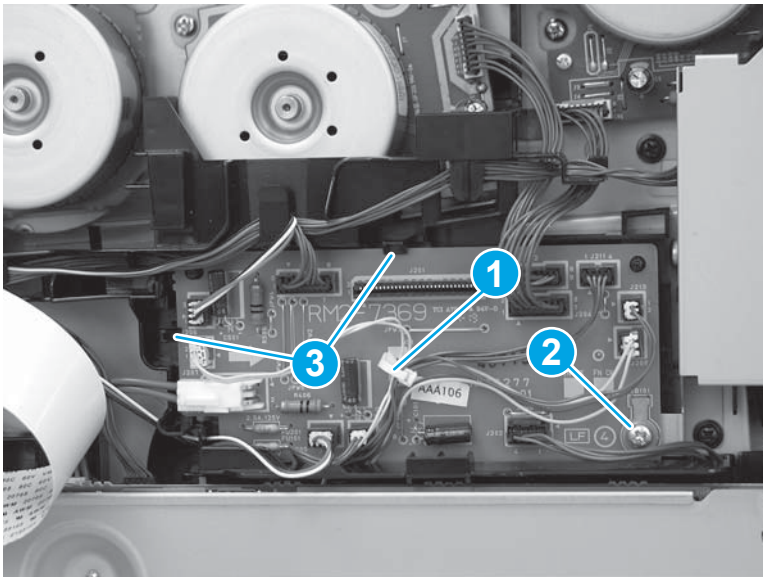
1. Disconnect one connector (callout 1).

Figure 1-1790 Disconnect one connector



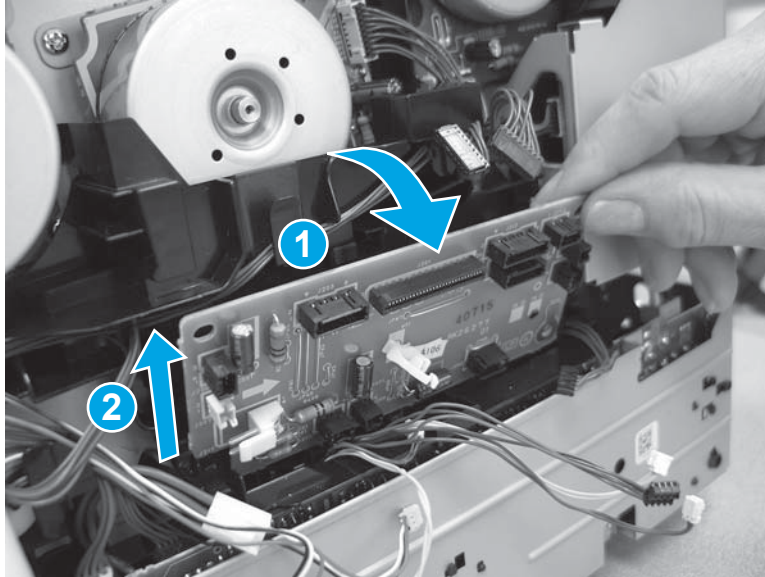
2. Release one retainer (callout 1), disconnect all of the connectors on the driver PCA, remove one screw (callout 2), and then release two tabs (callout 3).

Figure 1-1791 Disconnect all connectors and remove one screw



3. Rotate the top of the driver PCA away from the printer (callout 1), and then lift up (callout 2) to remove it.

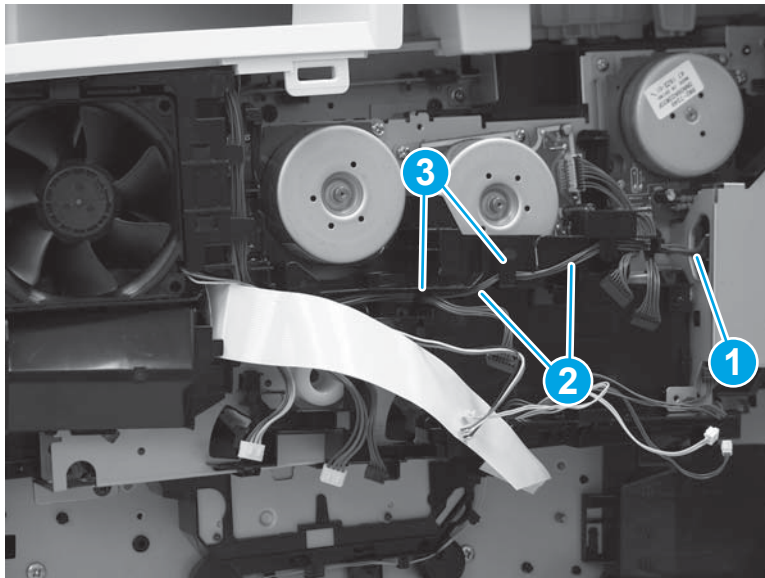
Figure 1-1792 Remove the driver PCA



Step 11: Remove the driver PCA holder

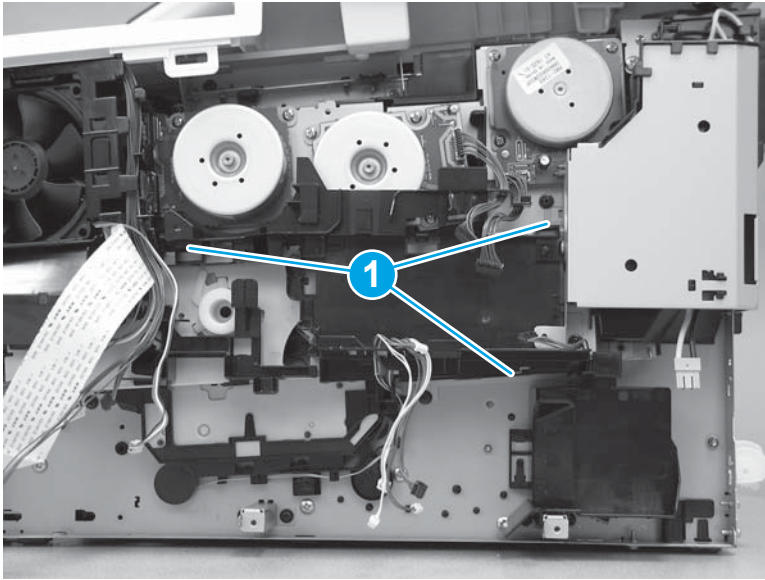
1. Disconnect one connector (callout 1), and then release the cables (callout 2) from the guides (callout 3).

Figure 1-1793 Disconnect one connector and release cables from guides



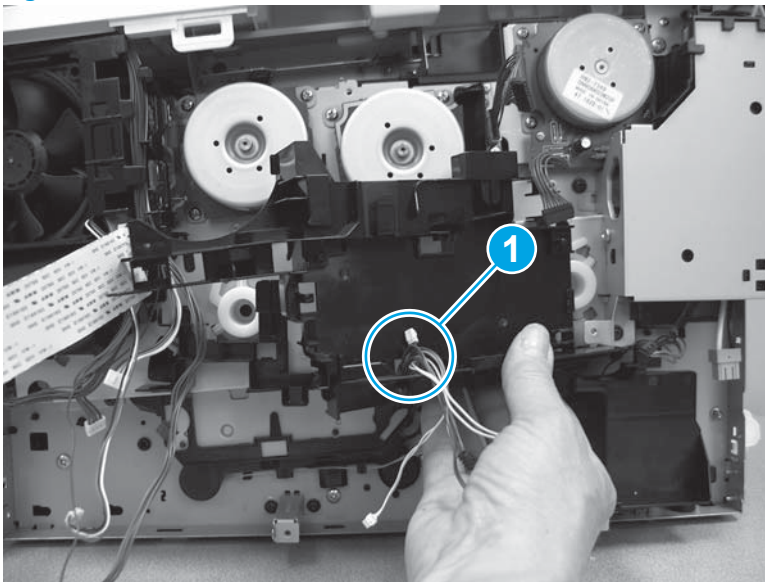
2. Release three tabs (callout 1).

Figure 1-1794 Release three tabs



3. Release the cables from the driver PCA holder (callout 1), and then remove the driver PCA holder.

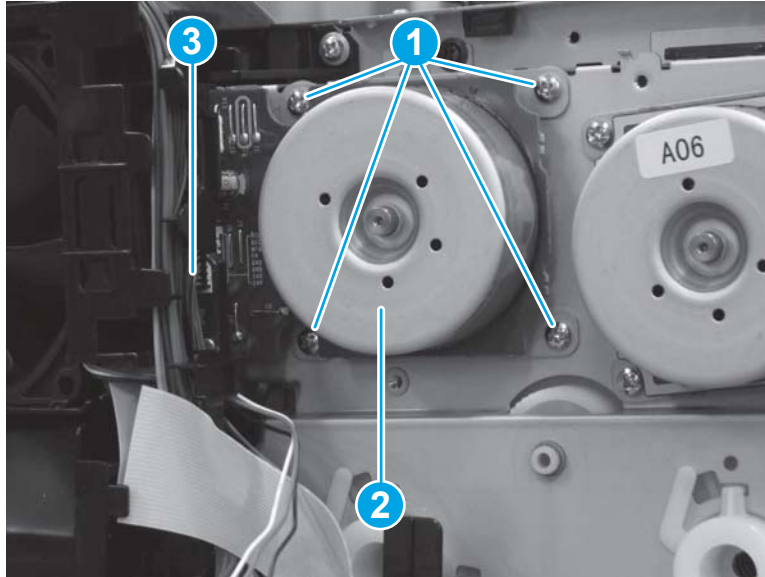
Figure 1-1795 Remove the driver PCA holder



Step 12: Remove the developer motor

- ▲ Remove four screws (callout 1), lift the developer motor away from the printer slightly (callout 2), and then disconnect one connector (callout 3).

Figure 1-1796 Remove the developer motor



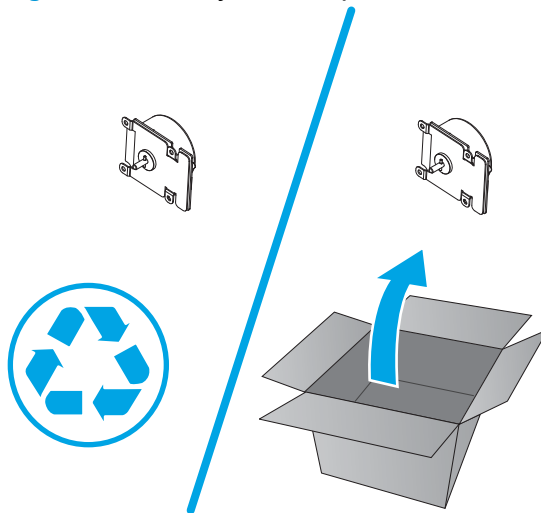
Step 13: Unpack the replacement part

Remove the new part from its package. Save all packaging for recycling the used part.

For complete information on HP's recycling programs, go to [Product return and recycling](#).

 **NOTE:** HP recommends responsible disposal of the defective part.

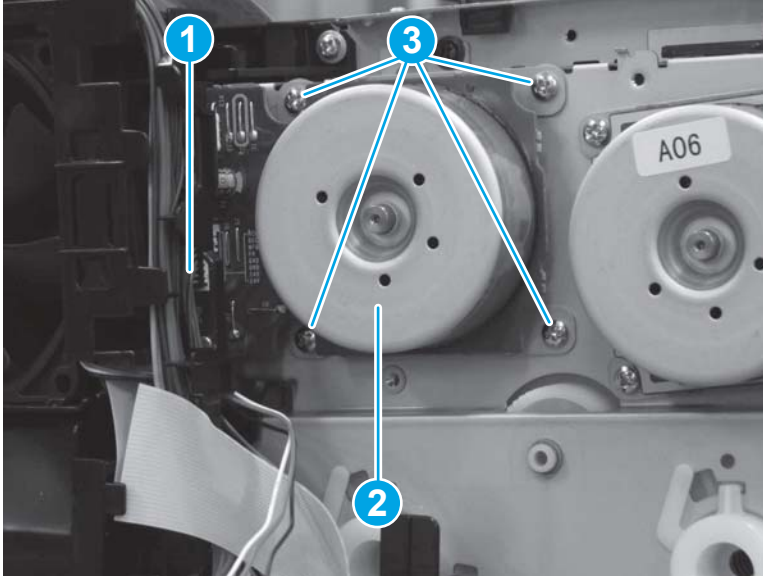
Figure 1-1797 Recycle and unpack



Step 14: Install the developer motor

- ▲ Connect one connector (callout 1), position the developer motor on the printer (callout 2), and then install four screws (callout 3).

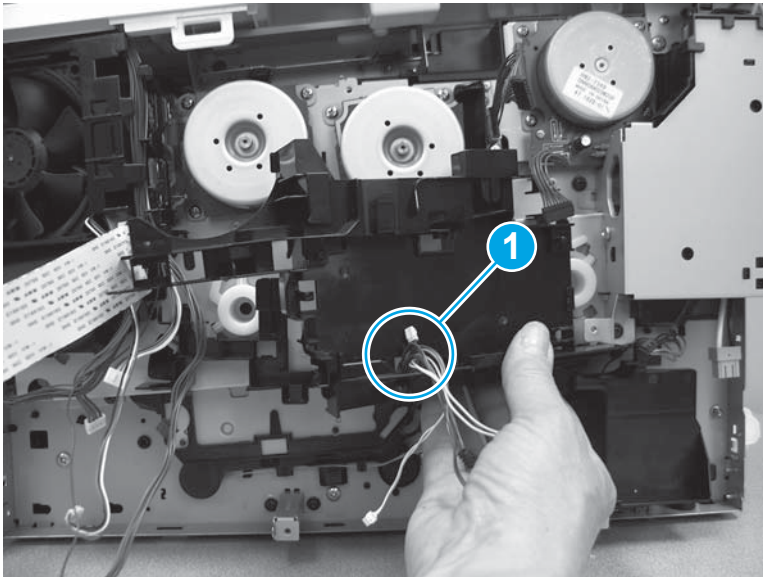
Figure 1-1798 Install the developer motor



Step 15: Install the driver PCA holder

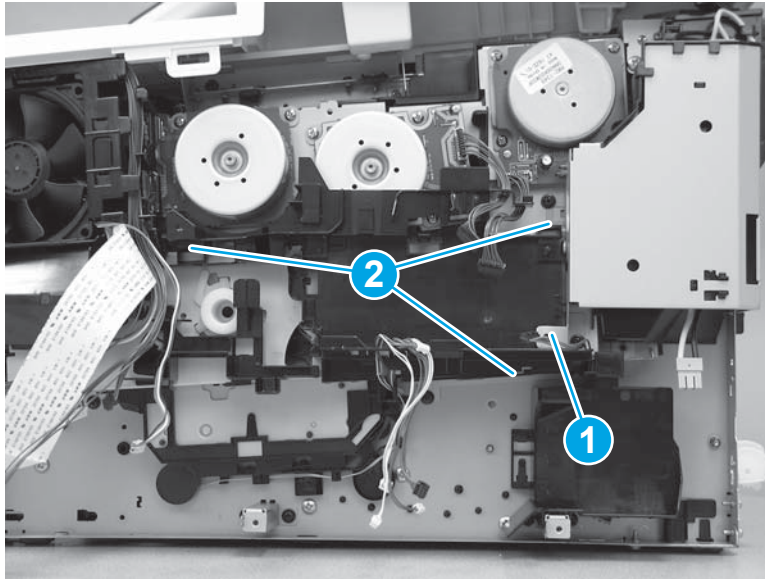
1. Install the cables through the opening in the driver PCA holder (callout 1).

Figure 1-1799 Install the cables in the driver PCA holder



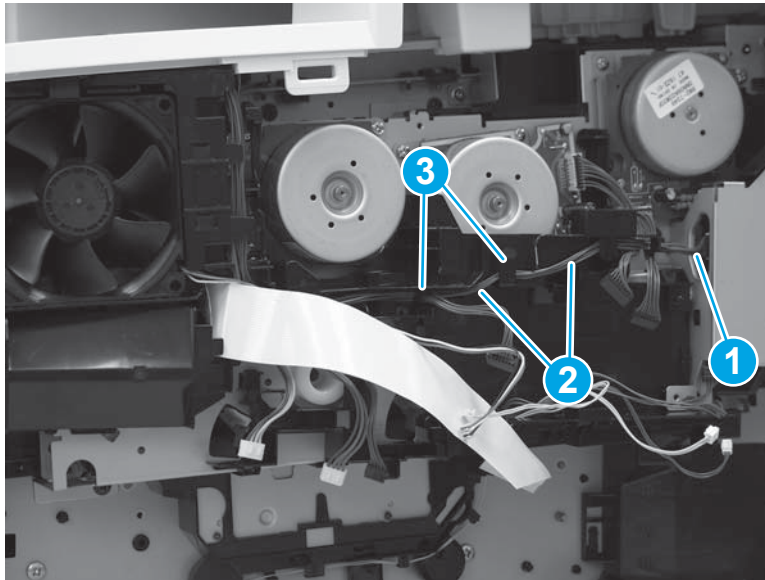
2. Position the driver PCA holder behind one metal tab (callout 1), and then install three tabs (callout 2).

Figure 1-1800 Install the driver PCA holder



3. Connect one connector (callout 1), and then install the cables (callout 2) into the guides (callout 3).

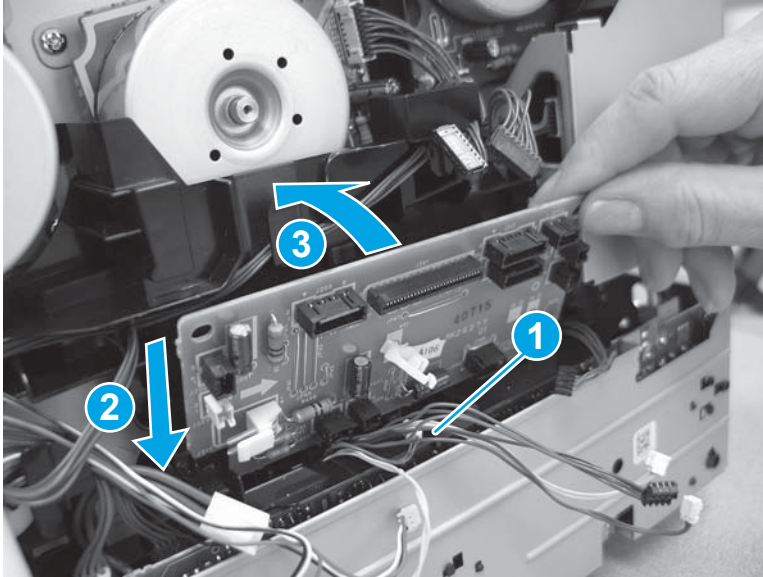
Figure 1-1801 Connect one connector and install cables into the guides



Step 16: Install the driver PCA

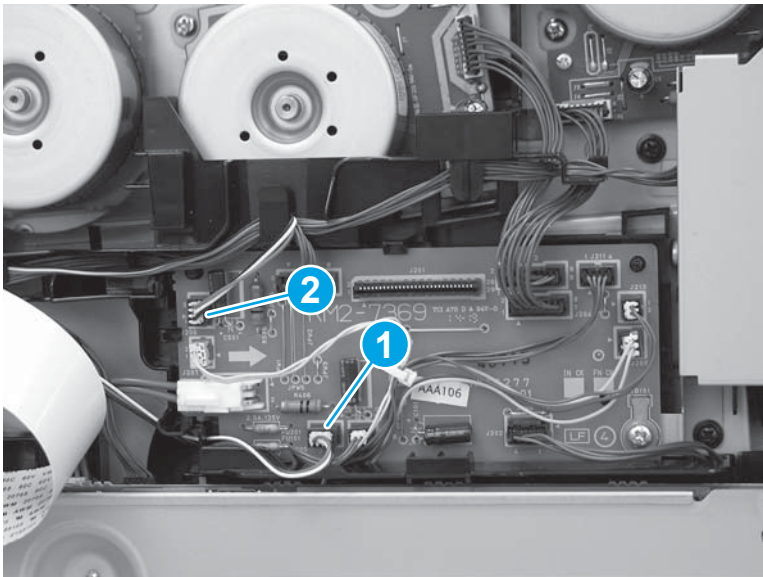
1. Make sure that all of the cables (callout 1) are positioned in front of the driver PCA. Position the bottom of the driver PCA (callout 2) against the PCA holder, and then rotate the top of the PCA (callout 3) toward the printer until it snaps into place.

Figure 1-1802 Install the driver PCA



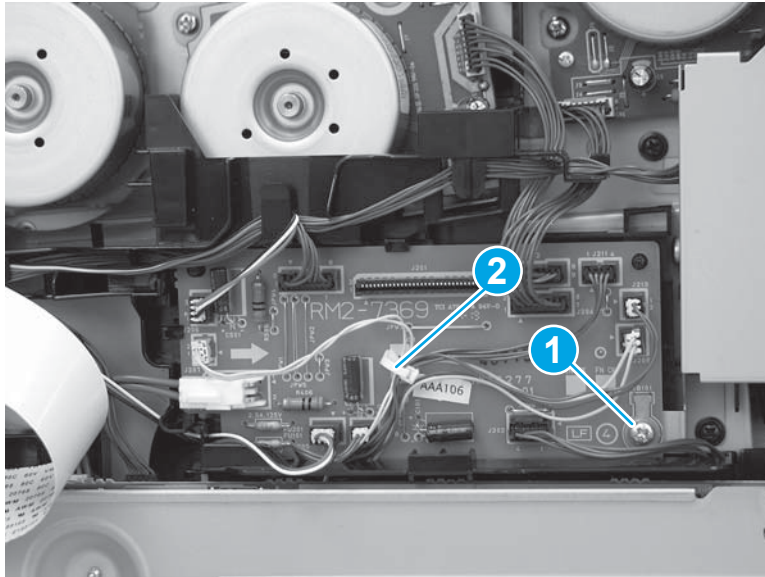
2. When connecting the connectors in the next step, make sure that the power supply fan connector (callout 1) and the cartridge fan connector (callout 2) are installed in the correct positions.

Figure 1-1803 Fan connector locations



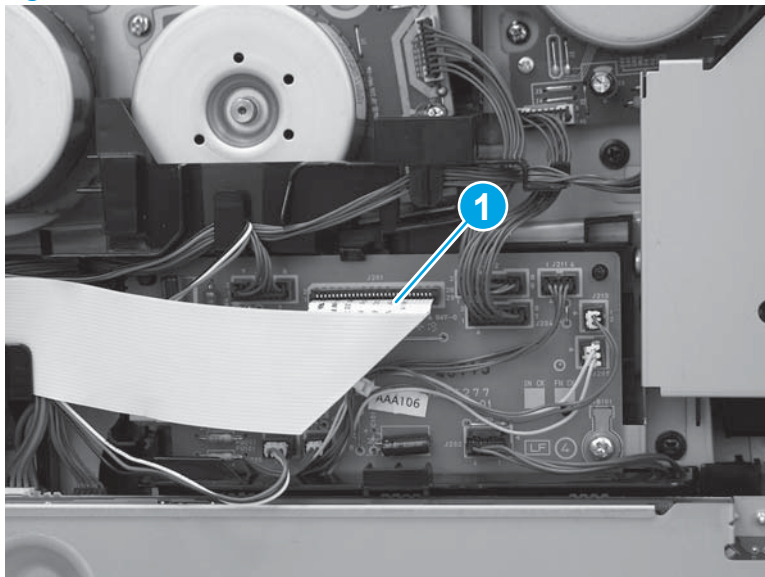
3. Install one screw (callout 1), connect all of the connectors on the driver PCA, and then close one retainer (callout 2).

Figure 1-1804 Install one screw and connect all connectors



4. Connect one connector (callout 1).

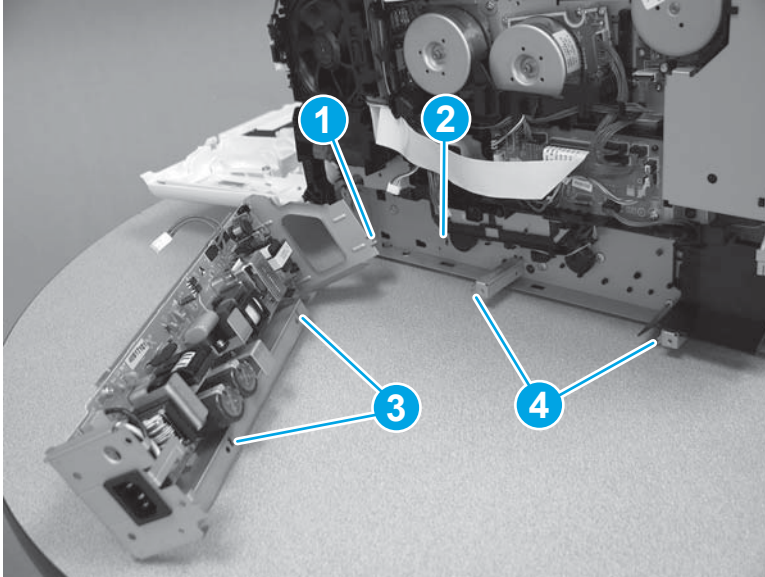
Figure 1-1805 Connect one connector



Step 17: Install the low-voltage power supply (LVPS)

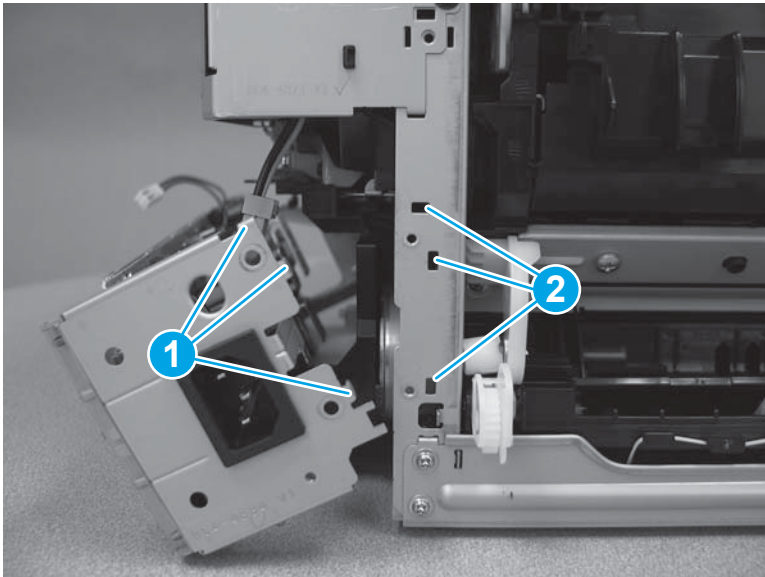
1. Install the tab (callout 1) on the LVPS into the slot (callout 2) in the printer. Install the slots (callout 3) in the LVPS over the tabs (callout 4) on the printer.

Figure 1-1806 Install the side tabs of the LVPS



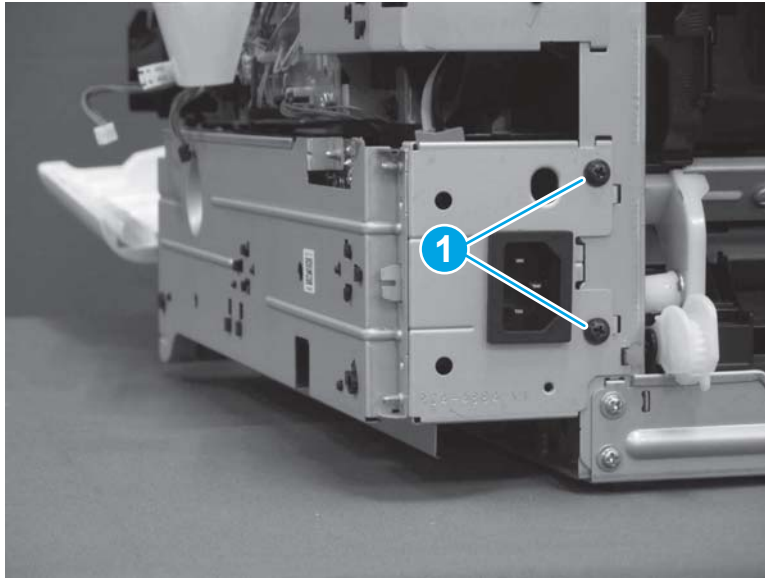
2. At the back of the printer, install the tabs on the LVPS (callout 1) into the slots (callout 2) in the printer.

Figure 1-1807 Install the back tabs of the LVPS



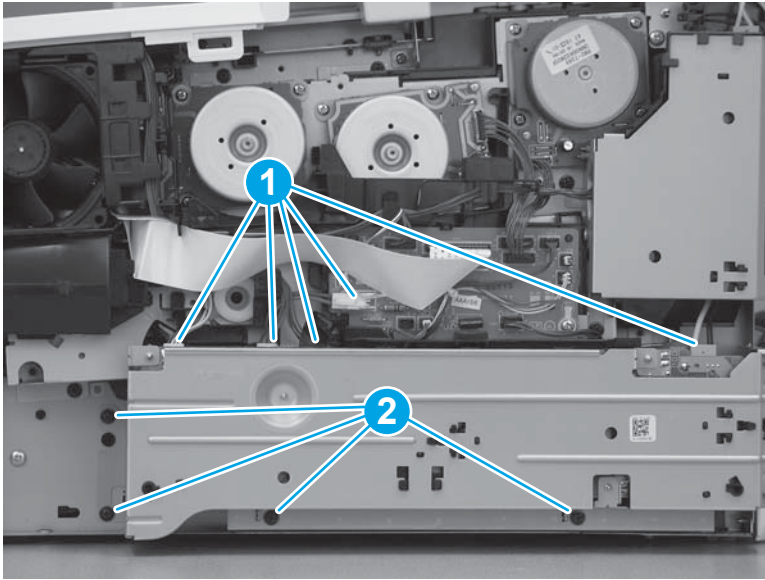
3. Install two screws (callout 1).

Figure 1-1808 Install two screws



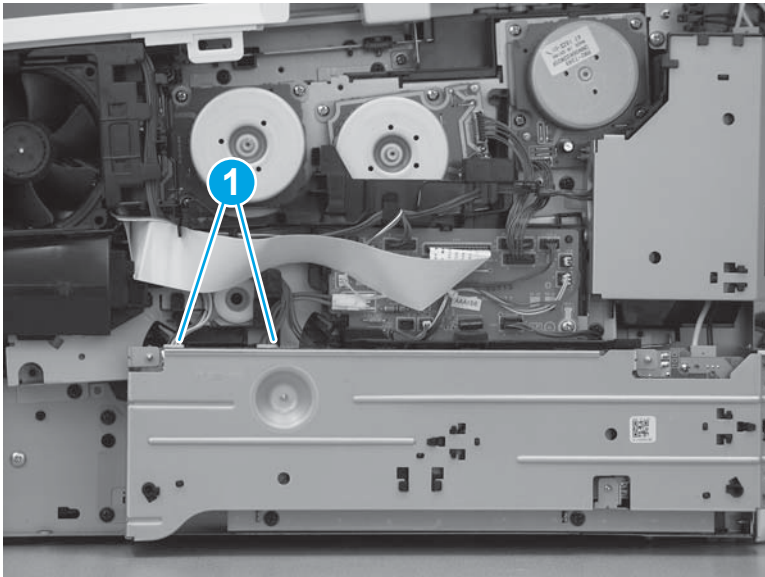
4. Connect five connectors (callout 1), and then install four screws (callout 2).

Figure 1-1809 Connect five connectors and install four screws



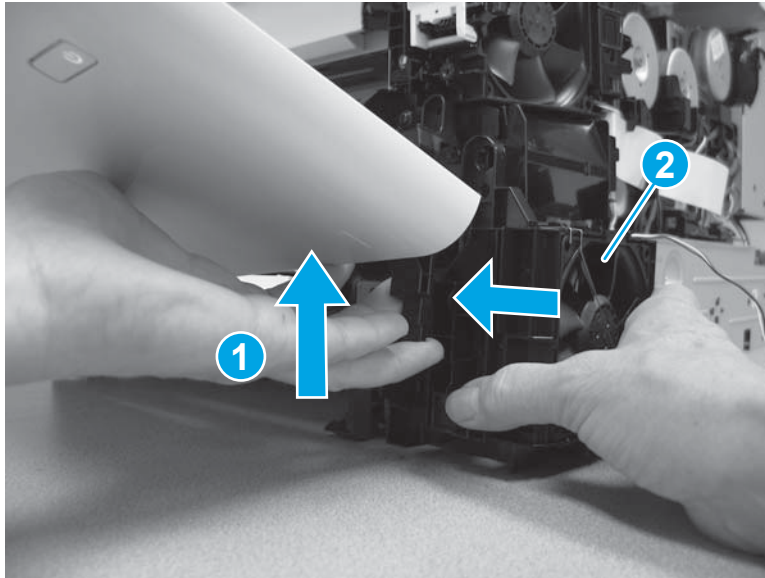
IMPORTANT: Two of the cables (callout 1) can be inadvertently switched. The connectors on the cables will fit in either connector on the LVPS. Make sure these cables are installed in the correct connectors. If these cables are switched, the printer will not power on when reassembled.

Figure 1-1810 Check the connectors



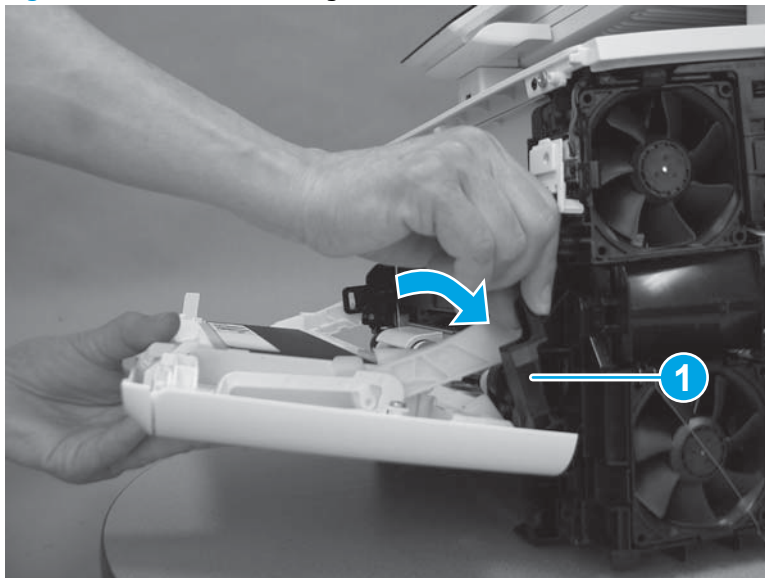
5. Lift the front door up slightly (callout 1), and then install the power supply fan and holder (callout 2).

Figure 1-1811 Remove the power supply fan and holder



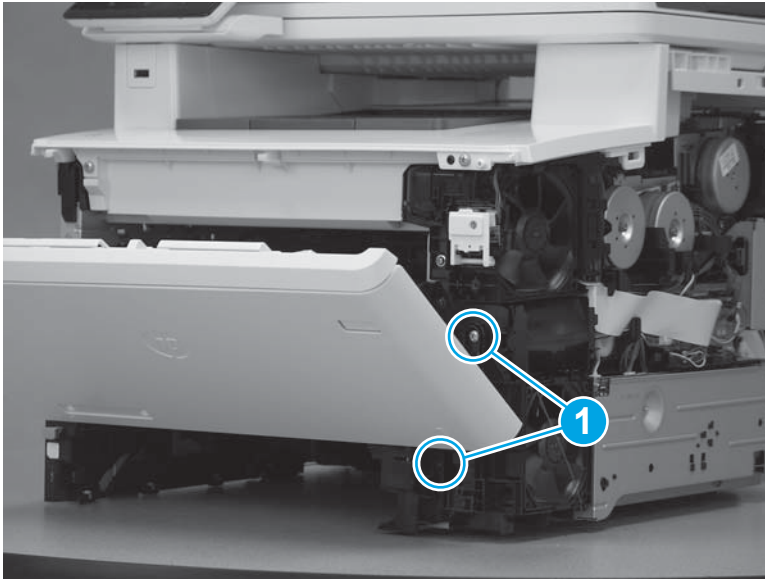
6. Install the hinge arm (callout 1).

Figure 1-1812 Install the hinge arm



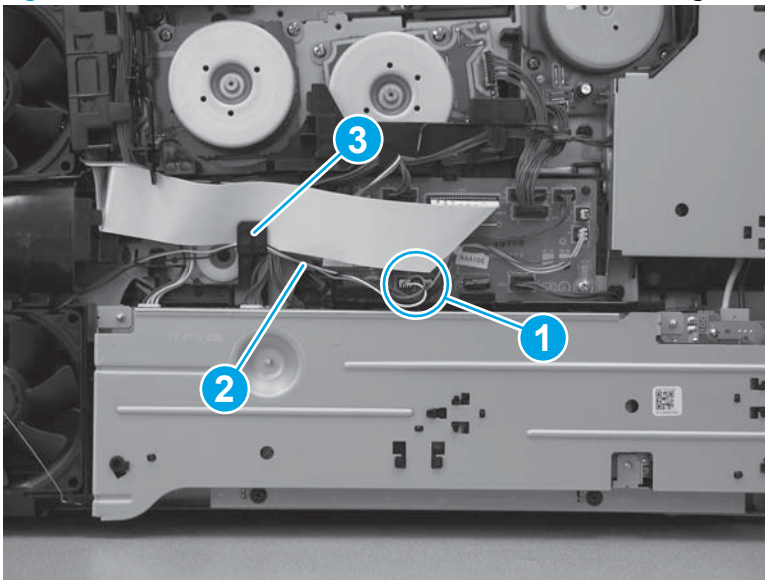
7. Install two screws (callout 1).

Figure 1-1813 Install two screws




8. Connect one connector (callout 1), and then install the cable (callout 2) into the wire guide (callout 3).

Figure 1-1814 Connect one connector and install cables in the guides

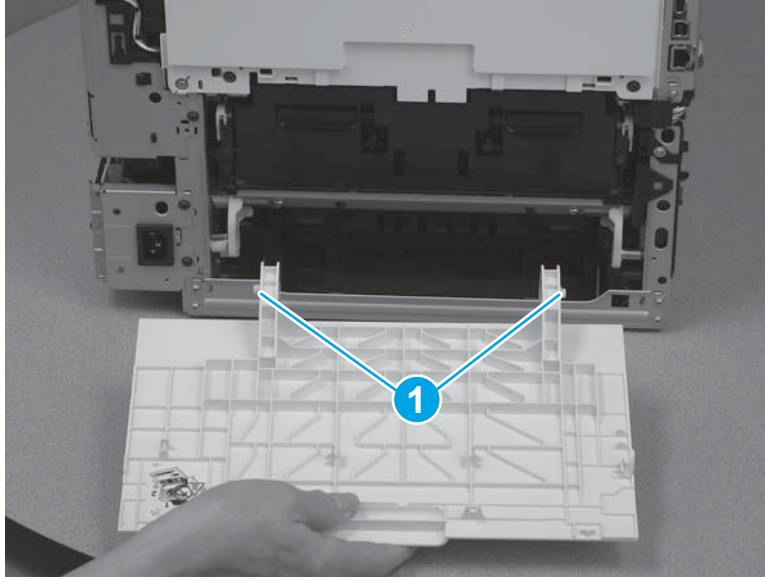


Step 18: Install the rear door (simplex models)

 **NOTE:** This step is for simplex models. For duplex models, skip this step and go to [Step 19: Install the duplexer door assembly on page 977](#).

- ▲ Slightly flex the door hinge arms to install two hinge pins (callout 1).

Figure 1-1815 Install the rear door

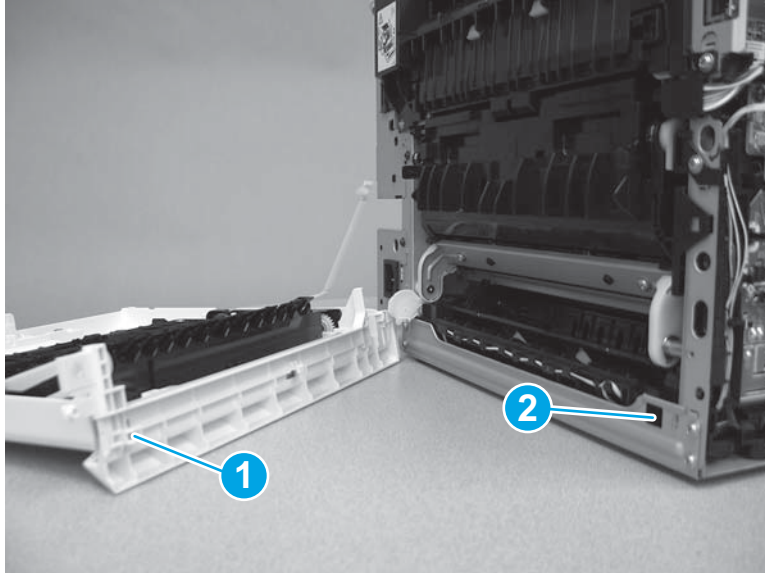


Step 19: Install the duplexer door assembly

 **NOTE:** This step is for duplex models. For simplex models, skip this step and go to [Step 20: Install the left cover \(M452 models\) on page 979](#).

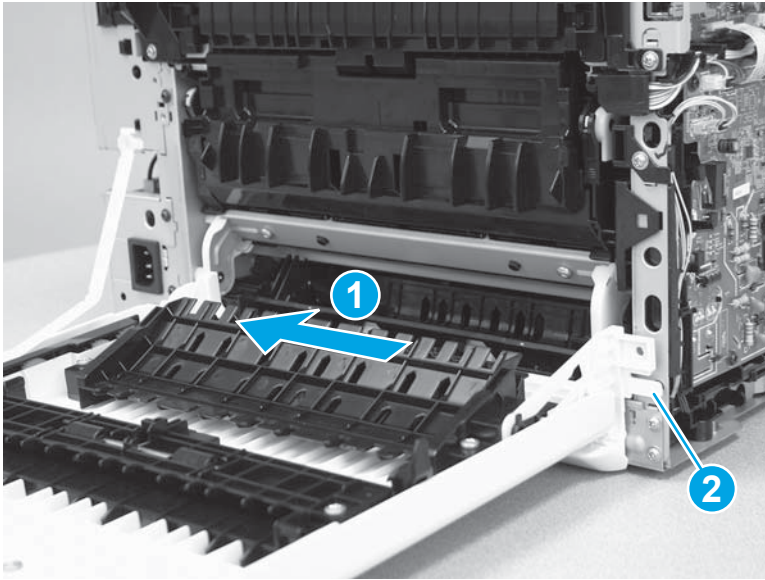
1. Position the tab (callout 1) on the door into the slot (callout 2) on the printer.

Figure 1-1816 Position the tab in the slot



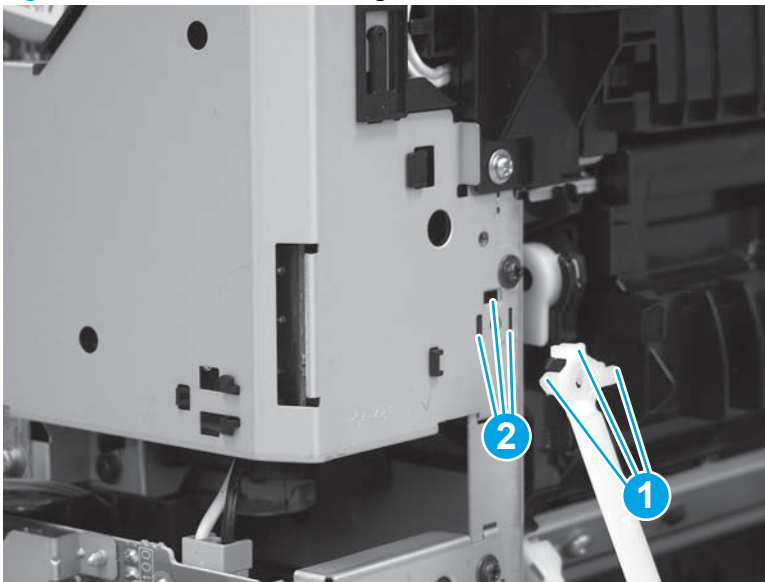
2. Slide the door to the left (callout 1) until the tab (callout 2) snaps into place.

Figure 1-1817 Install the duplexer door



3. Install the tabs (callout 1) on the retaining arm into the slots (callout 2) in the printer.

Figure 1-1818 Install the retaining arm



4. At the back of the printer, install two screws (callout 1), and then install one screw (callout 2) that holds the retention arm.


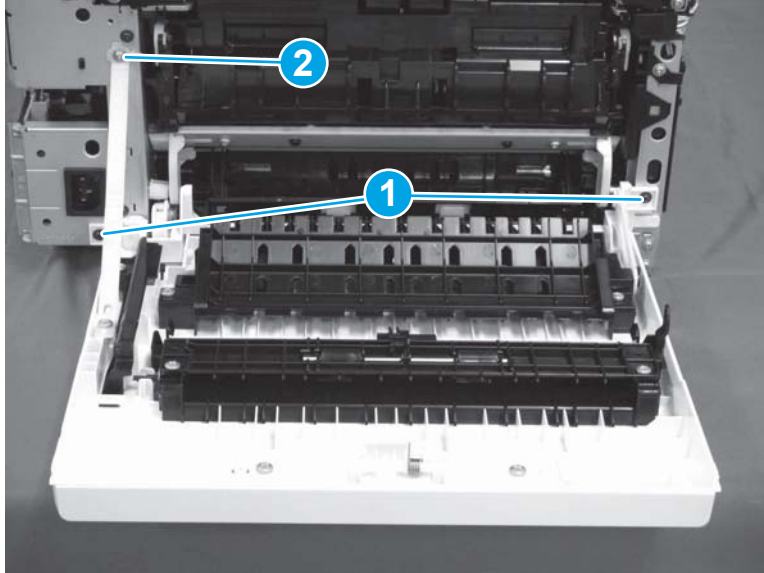
 **Reinstallation tip:** Note that the screw (callout 2) that holds the retention arm is longer than the other two. Make sure this screw is installed in the correct position.

Figure 1-1819 Install three screws

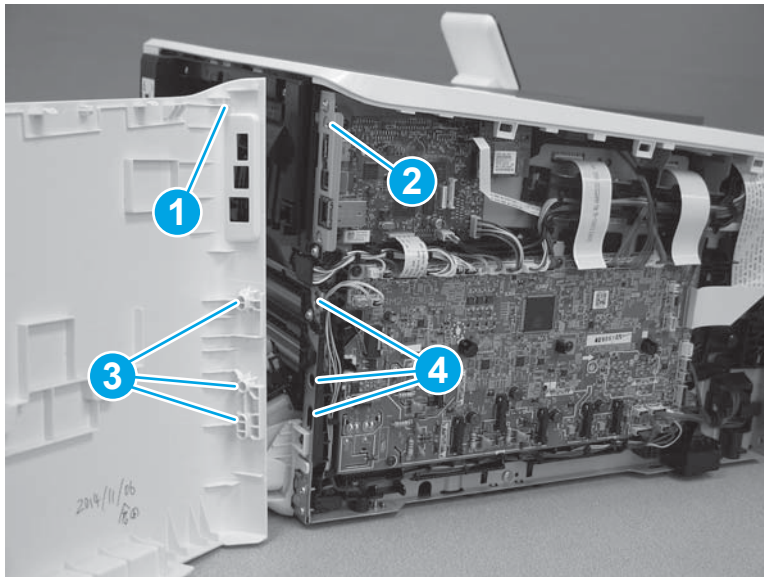


Step 20: Install the left cover (M452 models)

 **NOTE:** This step is for the M452 models. For the M377, M477 models, skip this step and go to [Step 21: Install the left cover \(M377, M477 models\) on page 983](#).

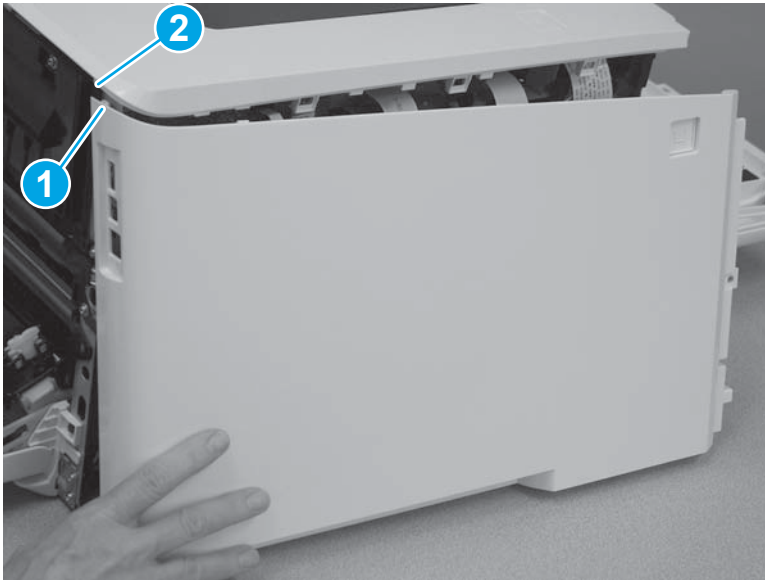
1. Position the hook (callout 1) on the cover in the slot (callout 2) on the printer. Position three tabs (callout 3) on the back of the cover in the slots (callout 4) in the printer.

Figure 1-1820 Position three tabs



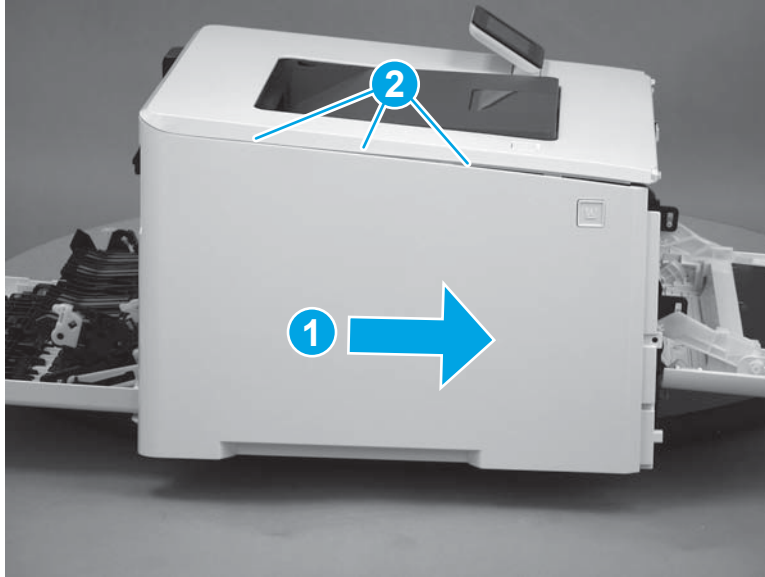
2. At the back of the printer, install the tab (callout 1) under the edge of the top cover (callout 2).

Figure 1-1821 Install one tab



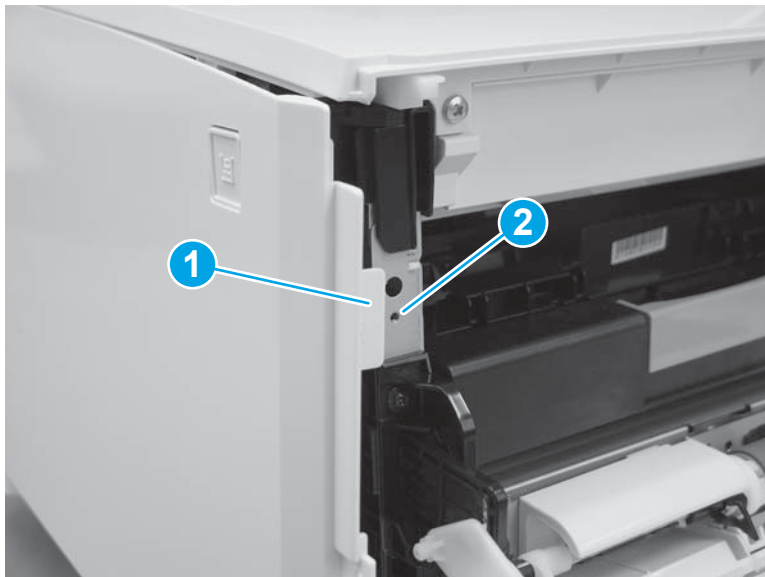
3. Slide the cover toward the front of the printer (callout 1), and then engage three tabs (callout 2) on the top of the cover.

Figure 1-1822 Install the left cover



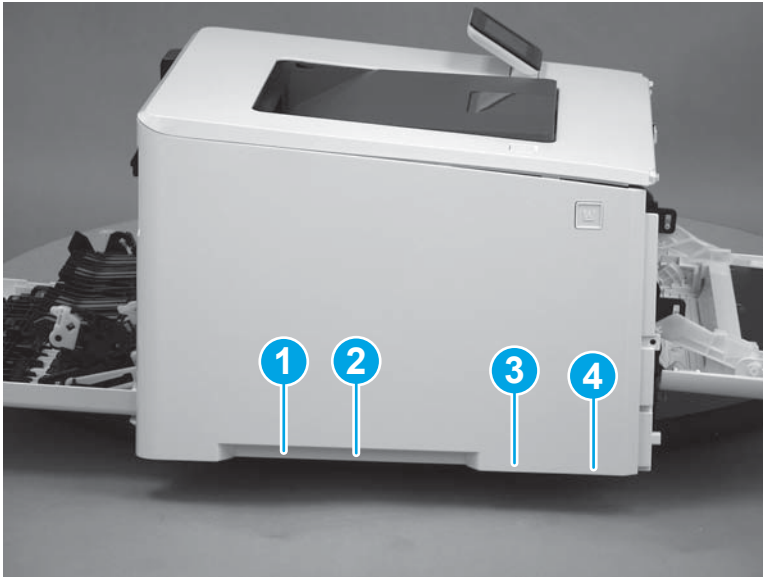
⚠ CAUTION: Make sure that the tab (callout 1) does not get caught behind the printer frame (callout 2).

Figure 1-1823 Make sure the tab does not get caught



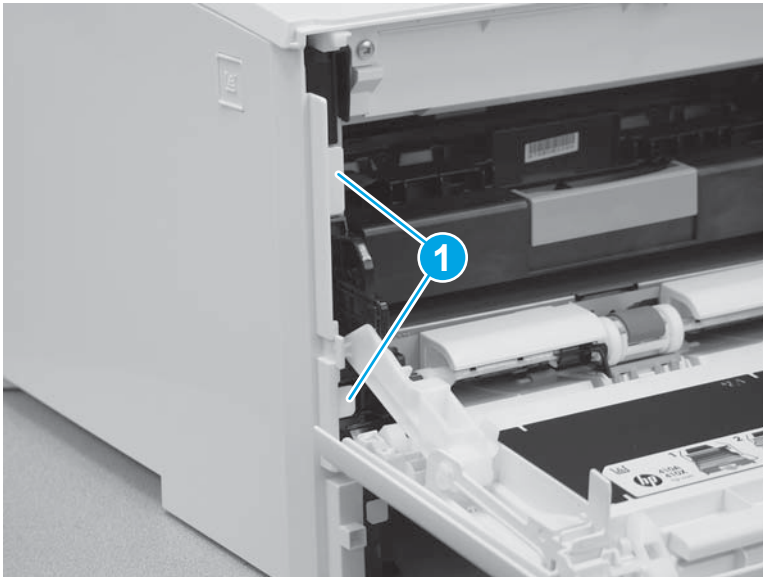
4. Slide the printer to the edge of a work surface in order to access the tabs on the bottom of the cover. Beginning from the back of the cover, install four tabs (callouts 1-4) on the lower edge of the cover.

Figure 1-1824 Install four tabs



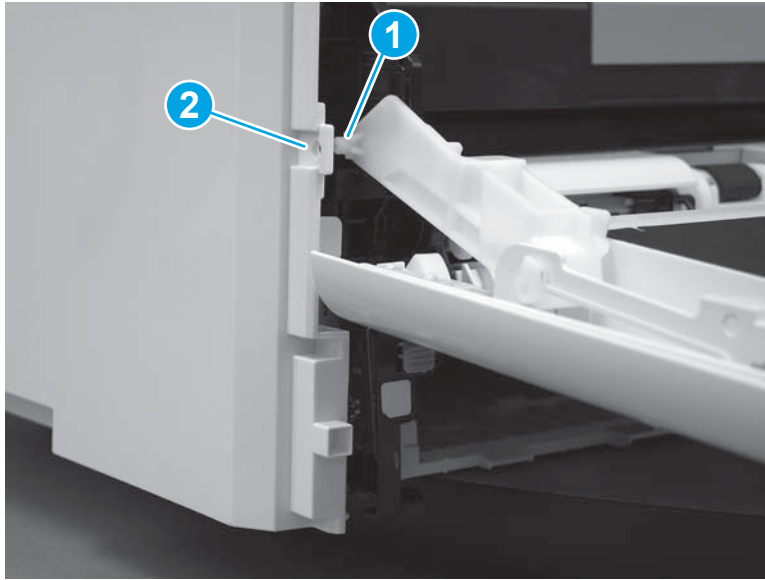
5. Install two tabs (callout 1) at the front of the cover.

Figure 1-1825 Engage two tabs



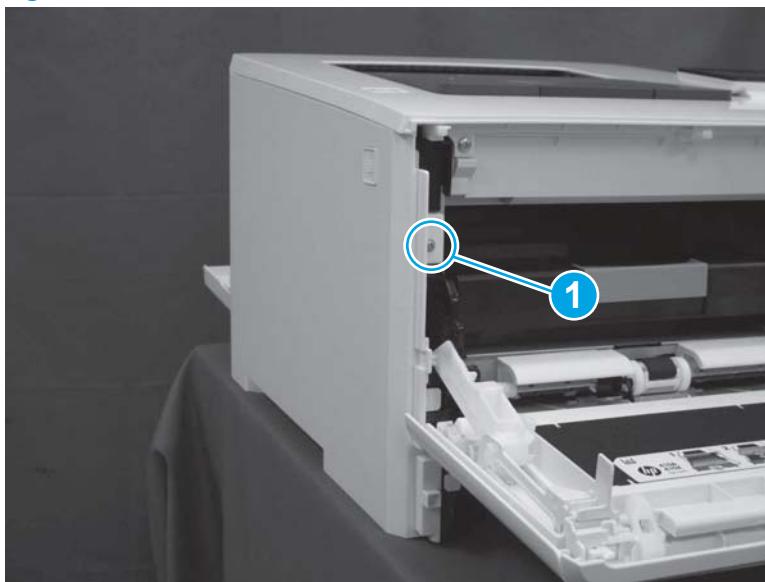
6. Make sure that the hinge pin (callout 1) on the front door fits into the slot (callout 2) on the left cover.

Figure 1-1826 Install hinge pin



7. Install one screw (callout 1).

Figure 1-1827 Install one screw

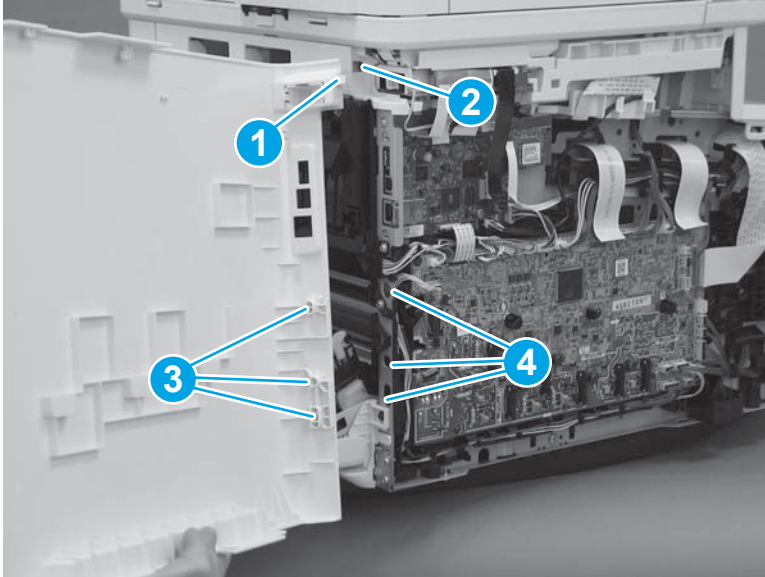


Step 21: Install the left cover (M377, M477 models)

 **NOTE:** This step is for the M377, M477 models. For the M452 models, skip this step and go to [Step 22: Install the right cover \(M452 models\) on page 990](#).

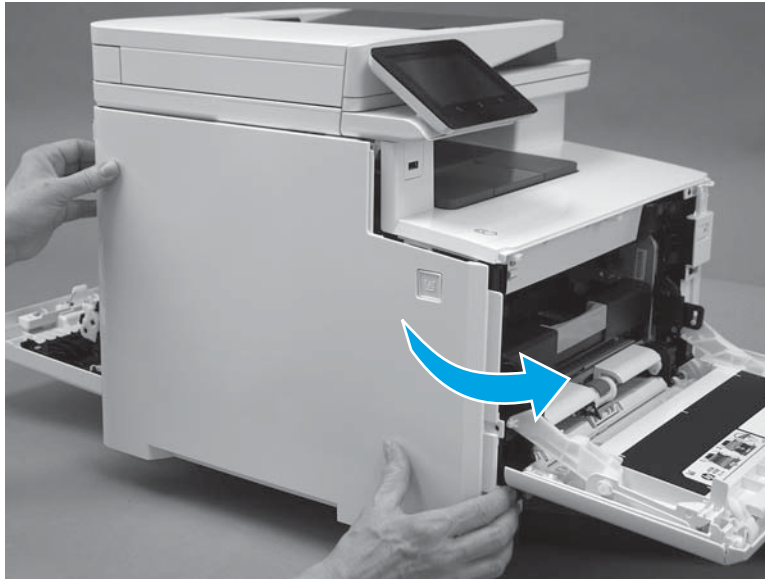
1. At the back of the printer, install the tab (callout 1) on the cover into the slot (callout 2) in the printer. Install the locator pins (callout 3) into the slots (callout 4) in the printer.

Figure 1-1828 Install one tab



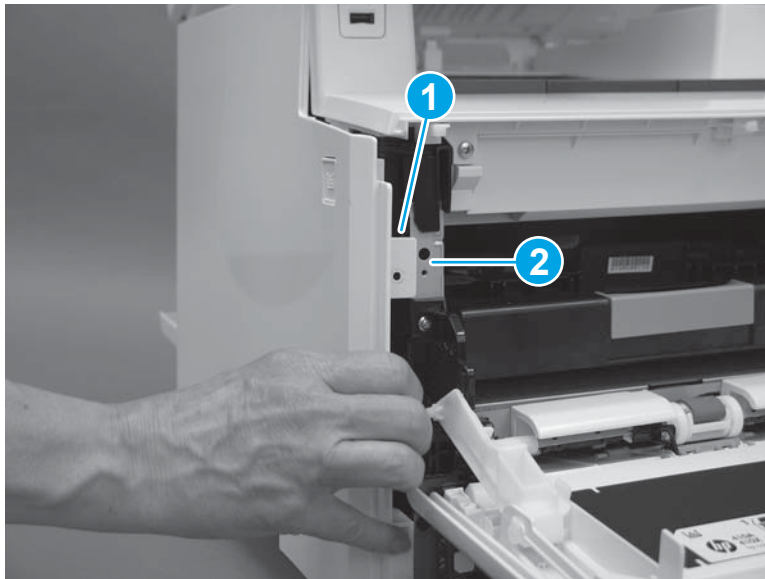
2. Rotate the cover toward the printer.

Figure 1-1829 Rotate the left cover



⚠ CAUTION: Make sure that the tab (callout 1) does not get caught behind the printer frame (callout 2).

Figure 1-1830 Make sure the tab does not get caught



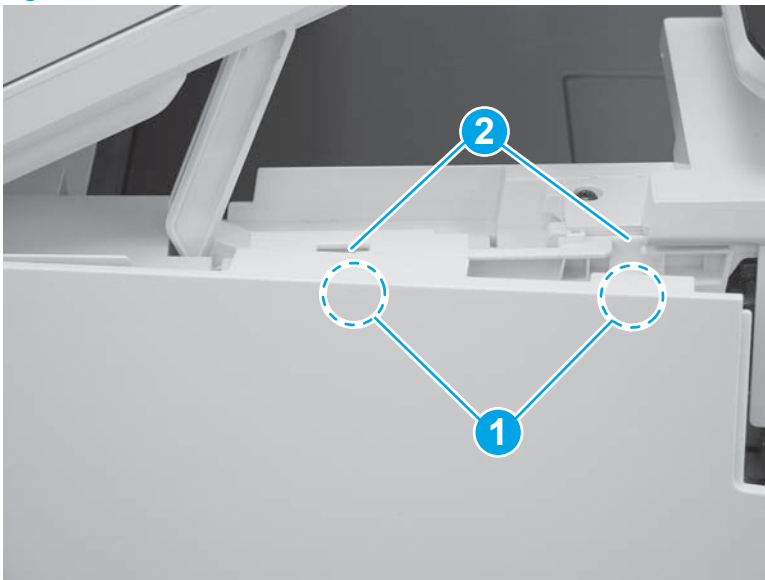
3. Raise the scanner.

Figure 1-1831 Raise the scanner



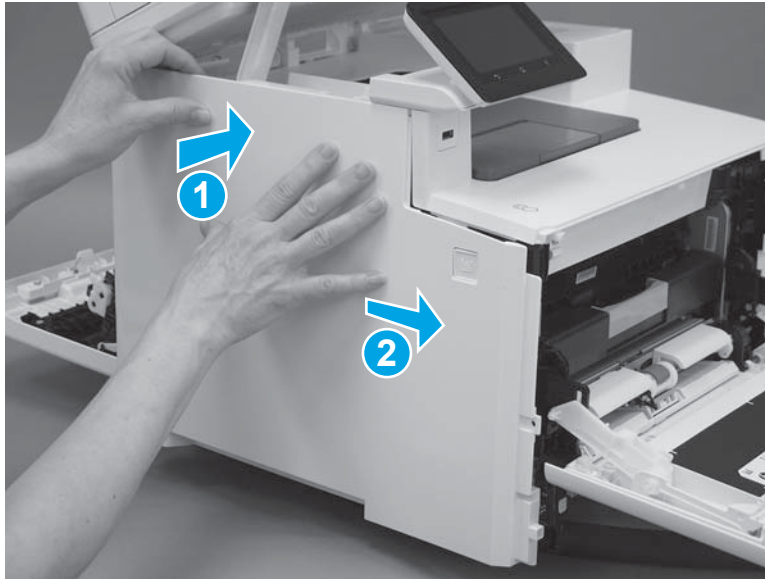
4. Position the hooks (callout 1) on the inside of the cover into the slots (callout 2) on the printer.

Figure 1-1832 Position the hooks in the slots



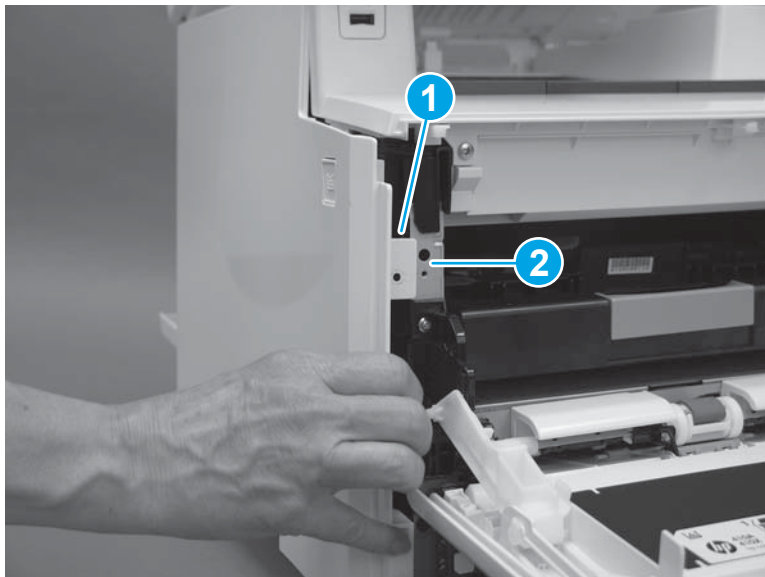
5. Hold the cover against the printer (callout 1), and then slide it (callout 2) toward the front of the printer.

Figure 1-1833 Install the top hooks



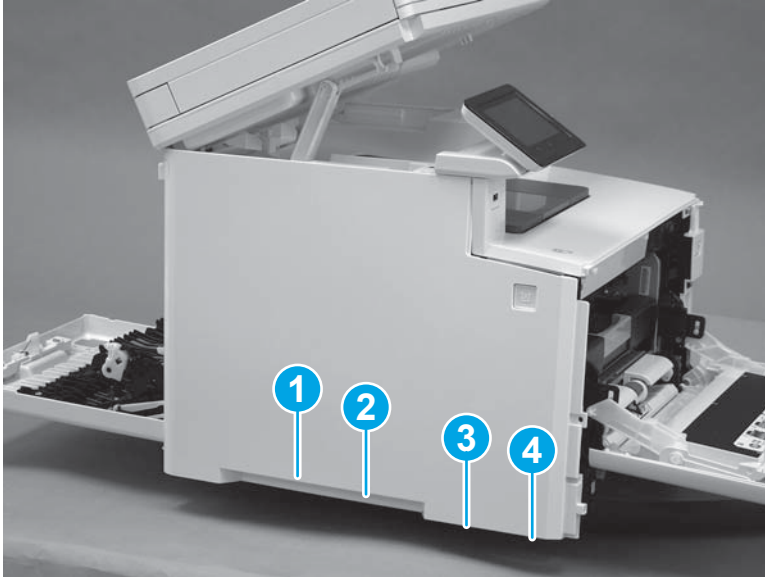
CAUTION: Make sure that the tab (callout 1) on the front of the cover does not get caught behind the printer frame (callout 2).

Figure 1-1834 Make sure the tab does not get caught



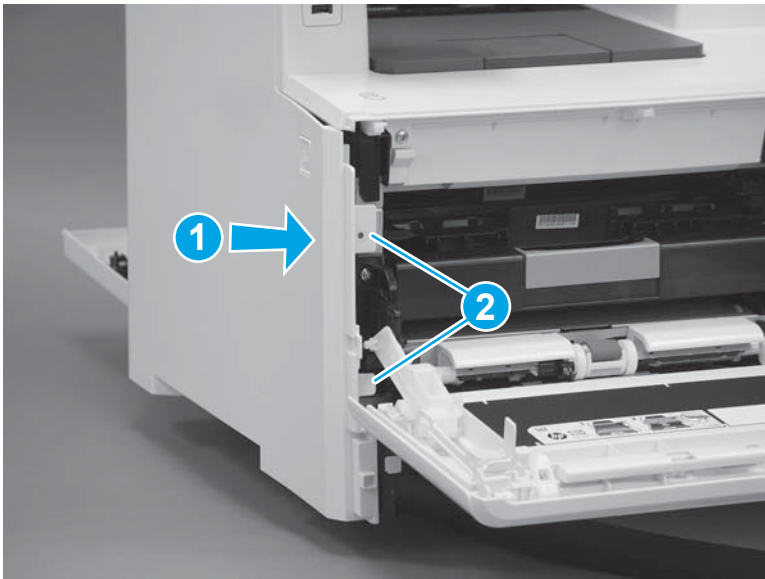
6. Slide the printer to the edge of a work surface in order to access the tabs on the bottom of the cover. Beginning from the back of the cover, install four tabs (callouts 1-4) on the lower edge of the cover.

Figure 1-1835 Install four tabs



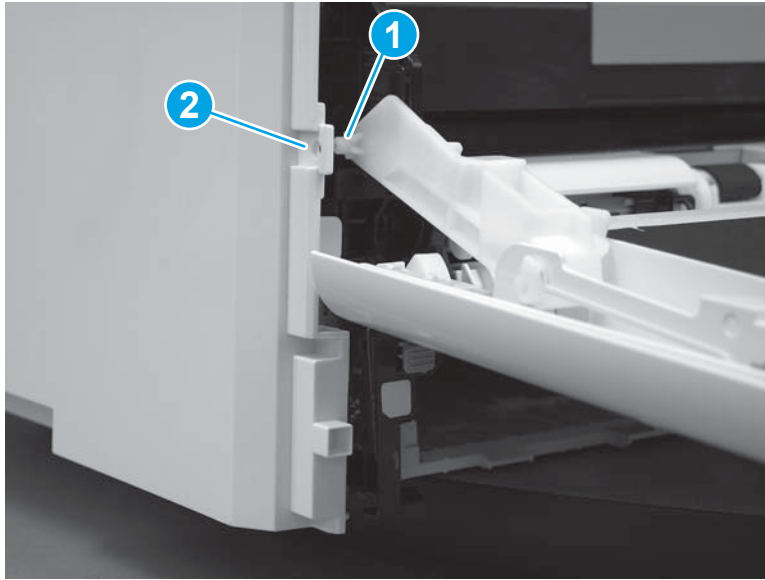
7. Press the cover toward the printer (callout 1), and then install two tabs (callout 2) at the front of the cover.

Figure 1-1836 Install two tabs



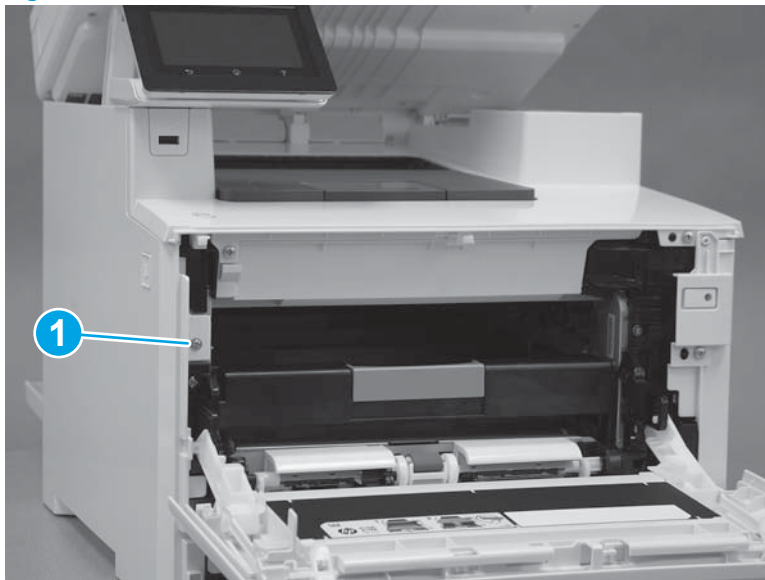
8. Make sure that the hinge pin (callout 1) on the front door fits into the slot (callout 2) on the left cover.

Figure 1-1837 Install hinge pin



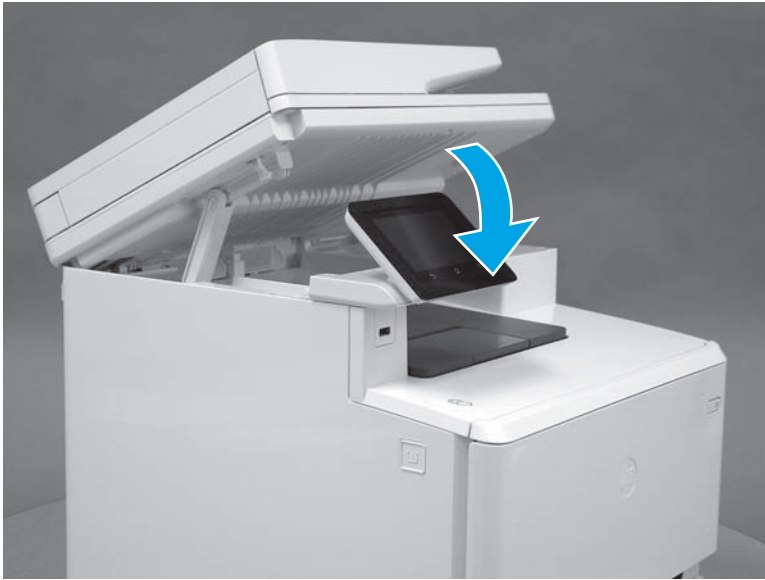
9. Install one screw (callout 1).

Figure 1-1838 Install one screw




10. Lower the scanner.

Figure 1-1839 Lower the scanner

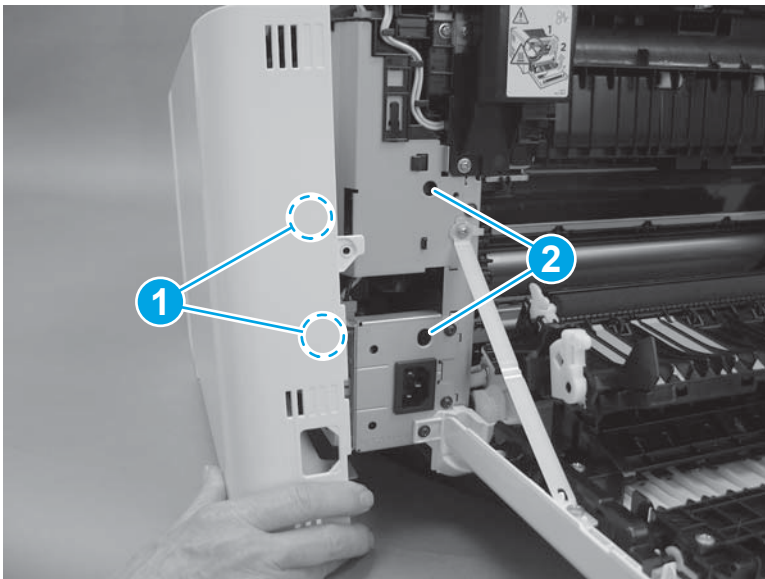


Step 22: Install the right cover (M452 models)

 **NOTE:** This step is for the M452 models. For the M377, M477 models, skip this step and go to [Step 23: Install the right cover \(M377, M477 models\) on page 994](#).

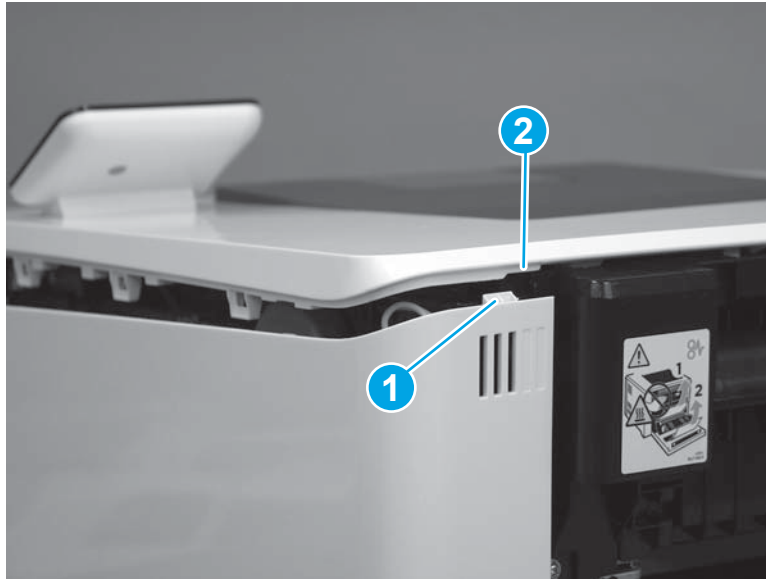
1. Position two tabs (callout 1) on the back of the cover in the slots (callout 2) in the printer.

Figure 1-1840 Position two tabs



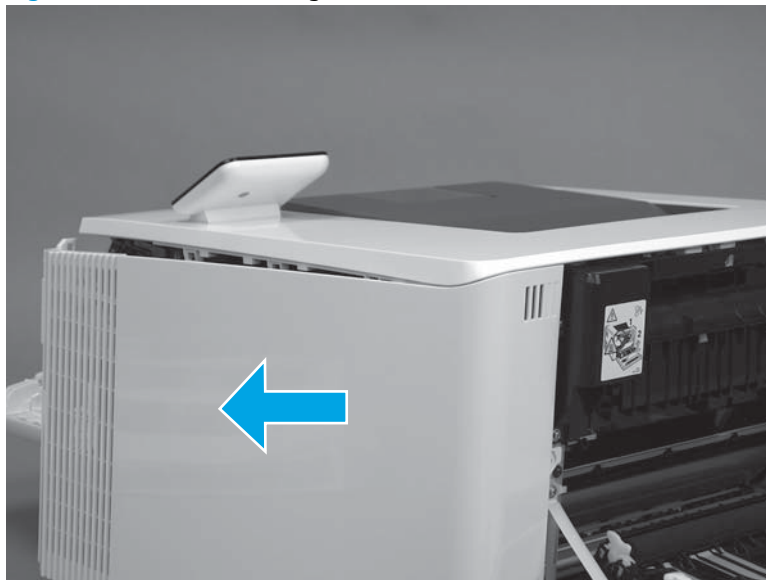
2. At the back of the printer, install the tab (callout 1) under the edge of the top cover (callout 2).

Figure 1-1841 Install rear tab



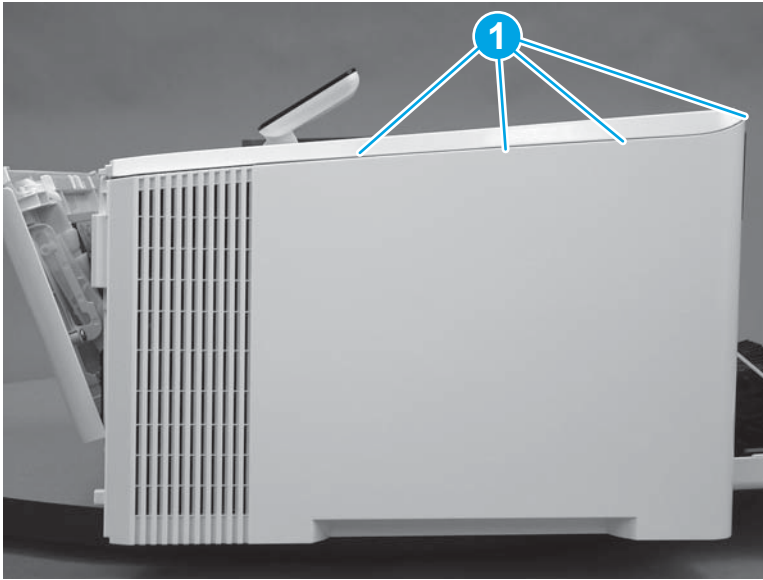
3. Slide the cover toward the front of the printer to install it.

Figure 1-1842 Install the right cover



- Engage three tabs (callout 2) on the top of the cover.

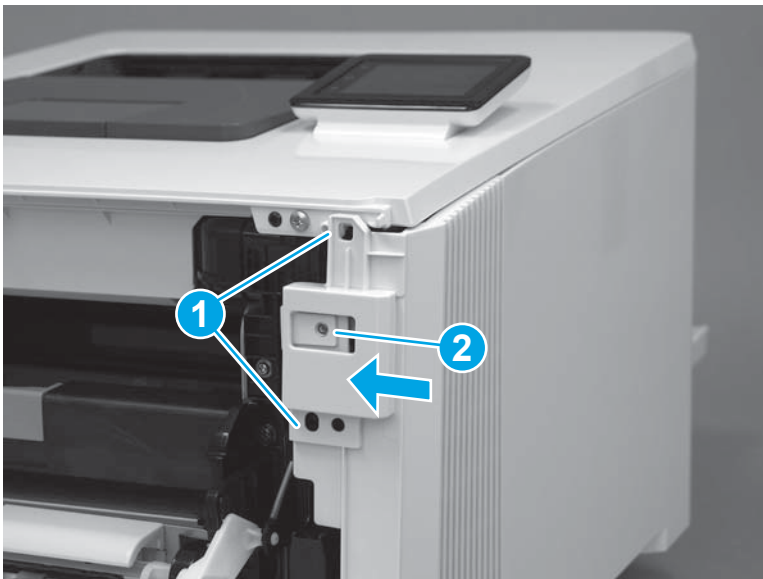
Figure 1-1843 Install upper tabs



- At the front of the printer, position the front of the cover over two tabs (callout 1).

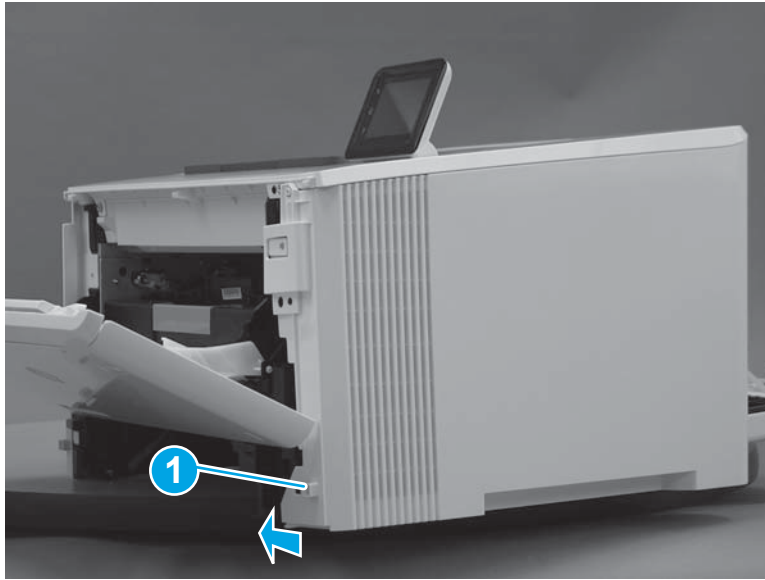
CAUTION: Be careful not to dislodge the power switch (callout 2).

Figure 1-1844 Install the front tabs



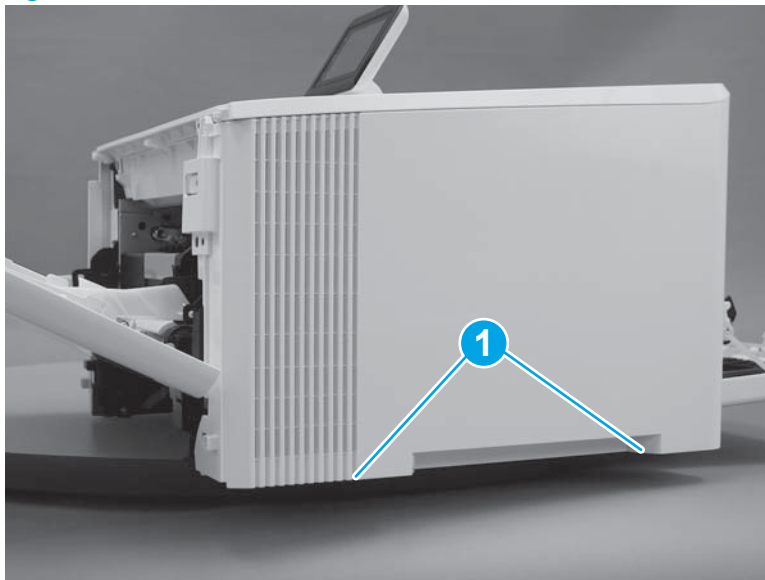
6. Press the right cover toward the printer to engage one tab (callout 1) on the front of the cover.

Figure 1-1845 Install the front lower tab



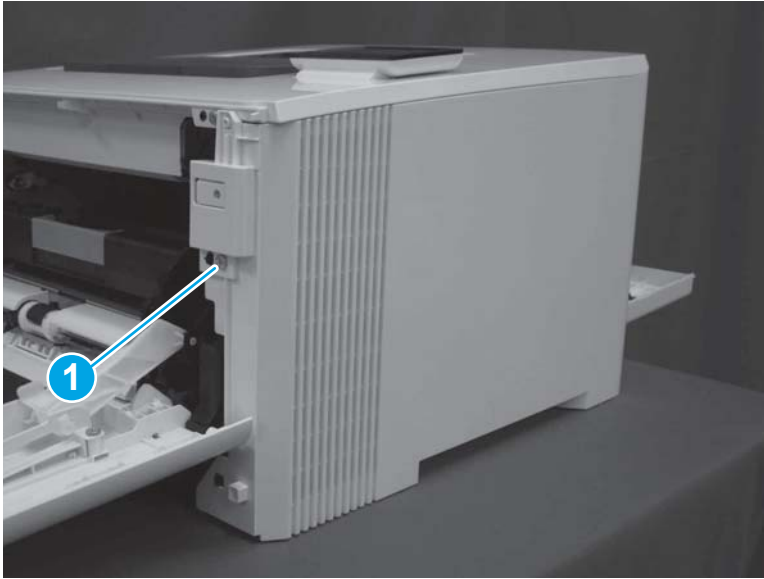
7. Install two tabs on the bottom of the cover (callout 1).

Figure 1-1846 Install two tabs



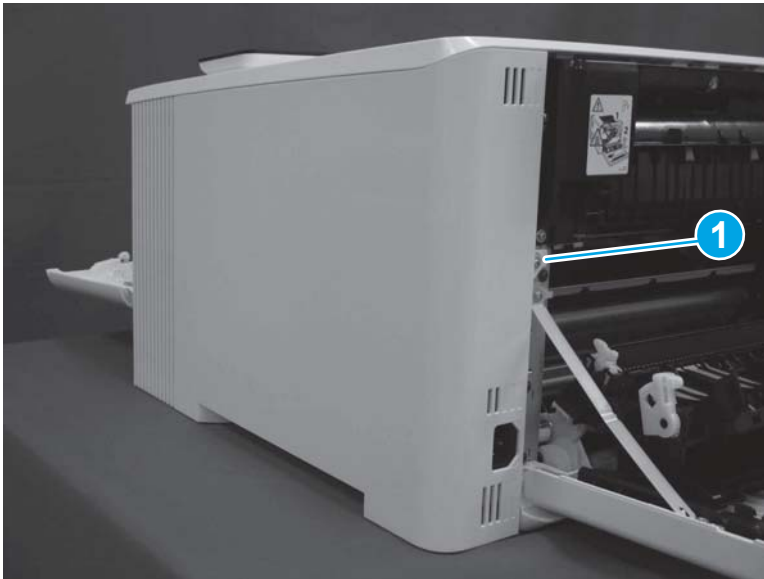
8. At the front of the printer, install one screw (callout 1).

Figure 1-1847 Install one screw



9. At the back of the printer, install one screw (callout 1).

Figure 1-1848 Install one screw

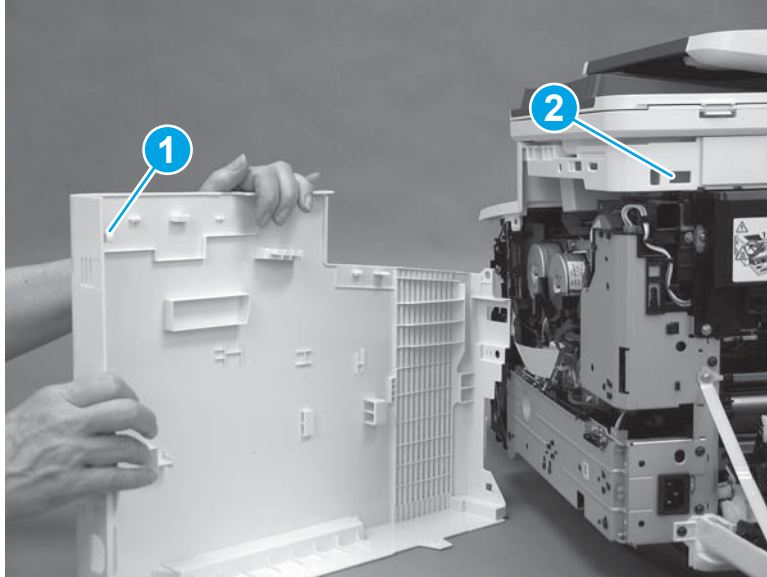


Step 23: Install the right cover (M377, M477 models)

 **NOTE:** This step is for the M377, M477 models. For the M452 models, skip this step and go to [Step 24: Close the front door and rear door or duplexer door on page 1000](#).

1. At the back of the printer, install the tab (callout 1) on the cover into the slot (callout 2) on the printer.

Figure 1-1849 Install rear tab



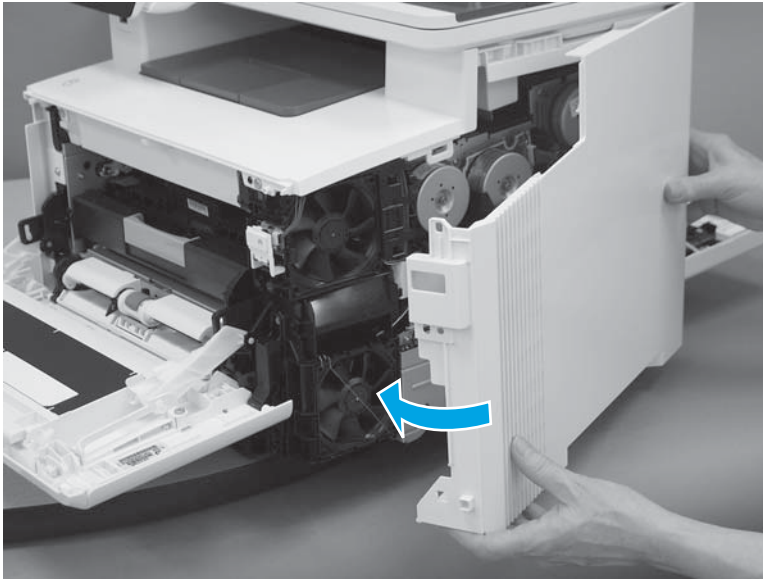
2. Raise the scanner.

Figure 1-1850 Raise the scanner



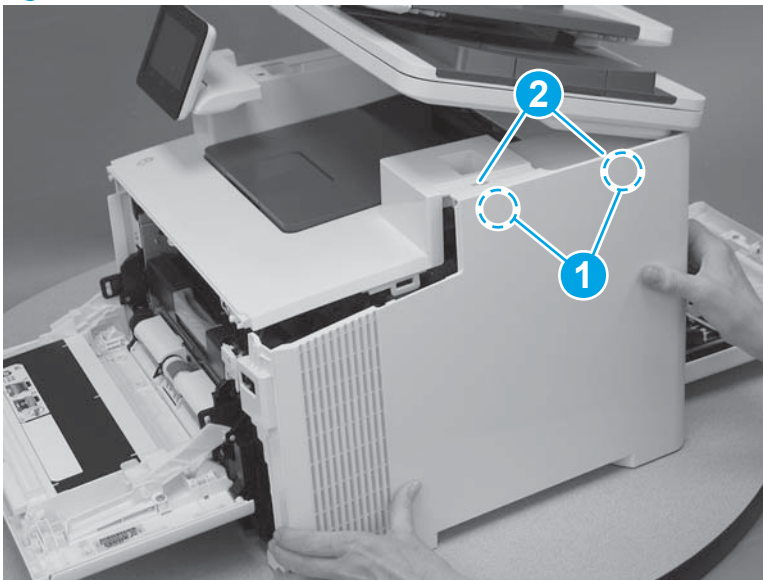
3. Rotate the right cover toward the printer.

Figure 1-1851 Rotate the right cover



4. Position the hooks (callout 1) on the inside of the cover into the slots (callout 2) in the printer.

Figure 1-1852 Position the hooks in the slots



- Engage one hook (callout 1) on the inside of the cover. Hold the top of the cover closed (callout 2) while sliding the cover toward the front of the printer (callout 3).

Figure 1-1853 Slide the cover



- Rotate the front of the cover toward the printer (callout 1).

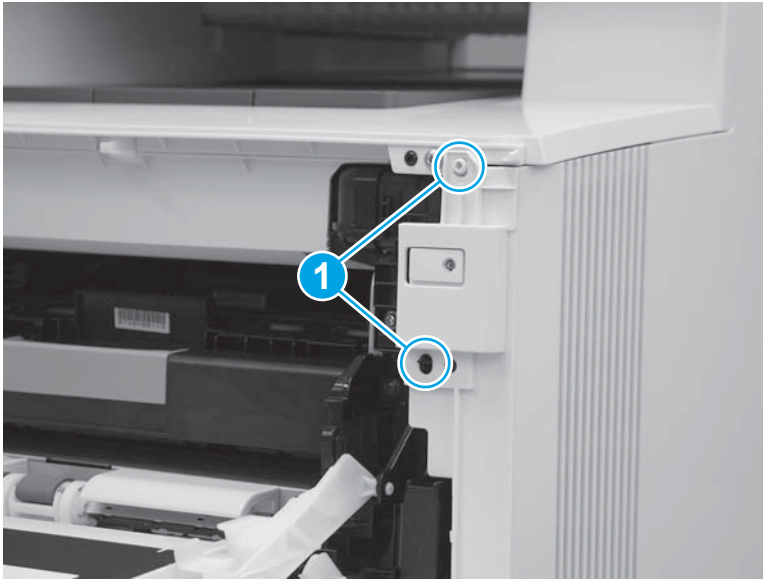
⚠ CAUTION: Be careful not to dislodge the power switch (callout 2).

Figure 1-1854 Rotate the front of the cover



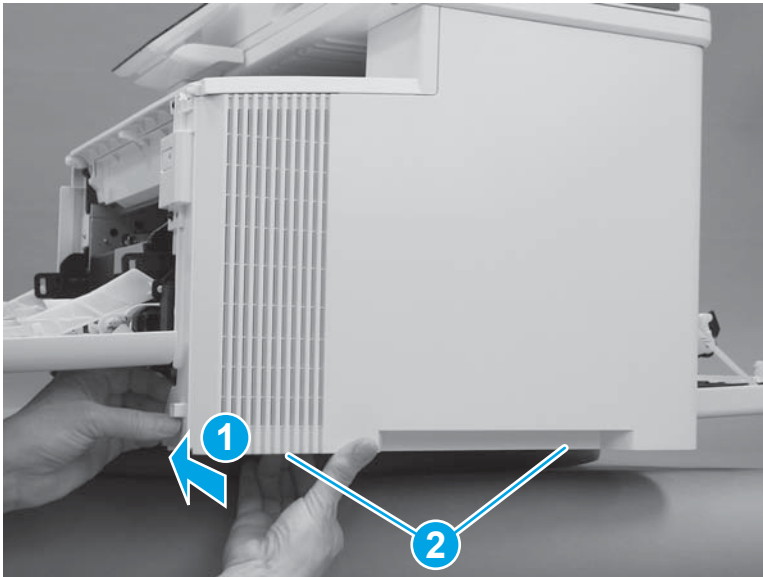
7. Install two tabs at the front of the printer (callout 1).

Figure 1-1855 Install two tabs



8. Press the right cover toward the printer (callout 1) to engage one tab on the front of the cover, and two tabs (callout 2) on the lower edge of the cover.

Figure 1-1856 Install the front and lower tabs



9. At the front of the printer, install one screw (callout 1).

Figure 1-1857 Install one screw



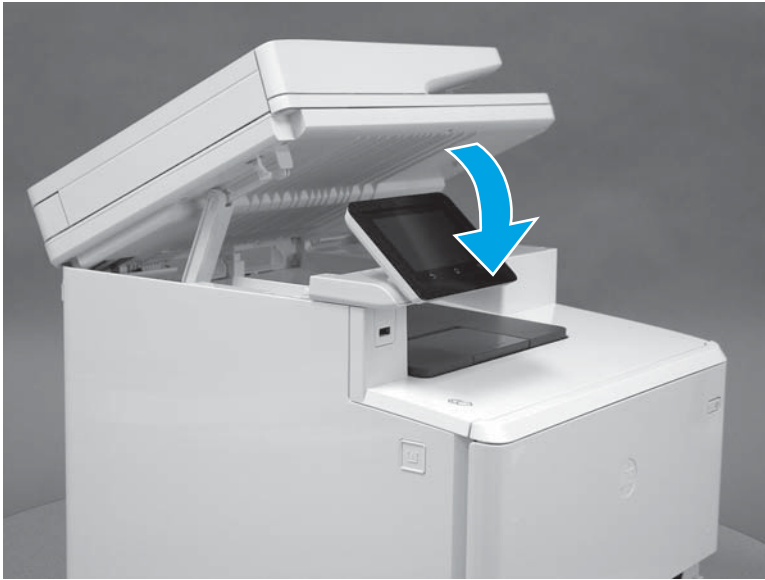
10. At the back of the printer, install one screw (callout 1).

Figure 1-1858 Install one screw



11. Lower the scanner.

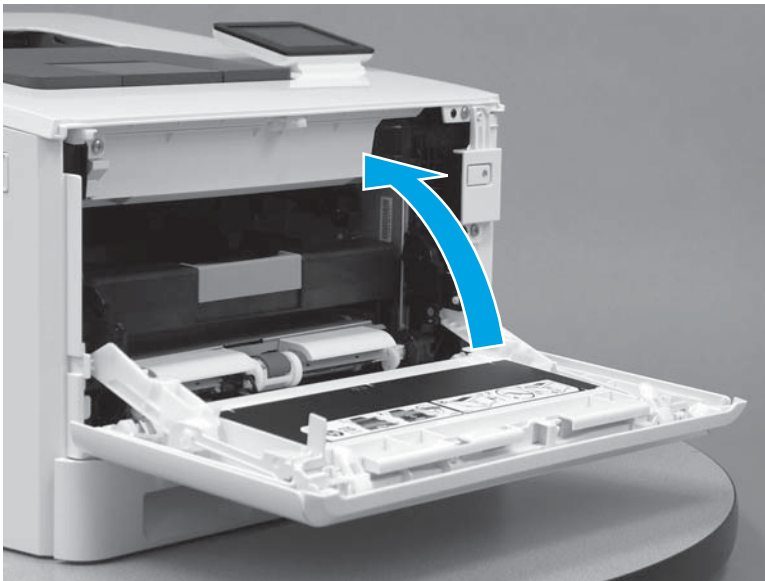
Figure 1-1859 Lower the scanner



Step 24: Close the front door and rear door or duplexer door

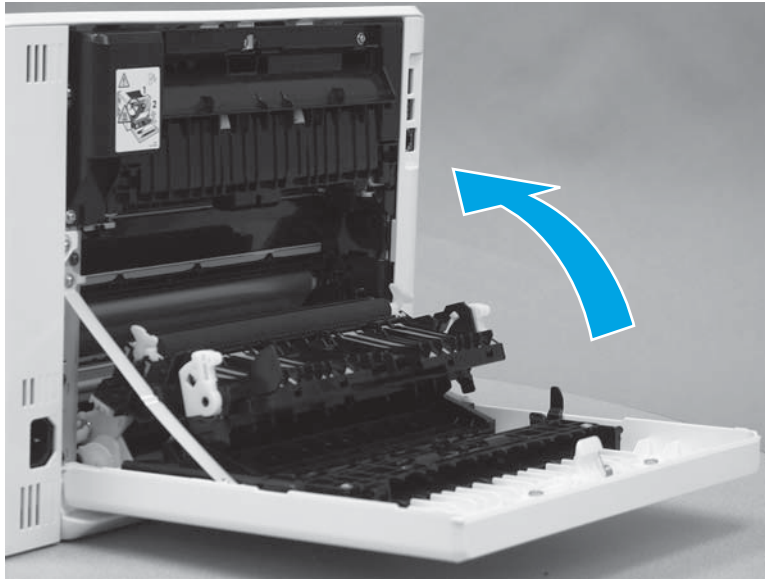
1. Close the front door.

Figure 1-1860 Close the front door



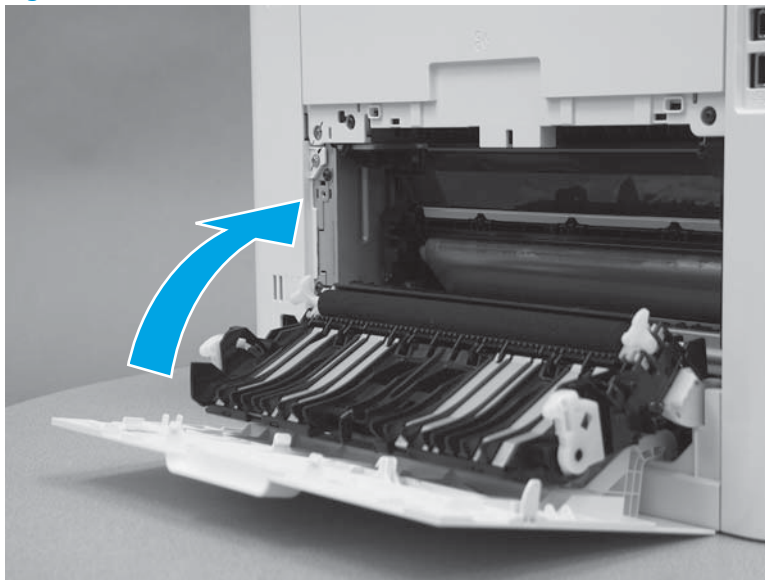
2. **Duplex models:** Close the duplexer door.

Figure 1-1861 Close the duplexer door



3. **Simplex models:** Close the rear door.

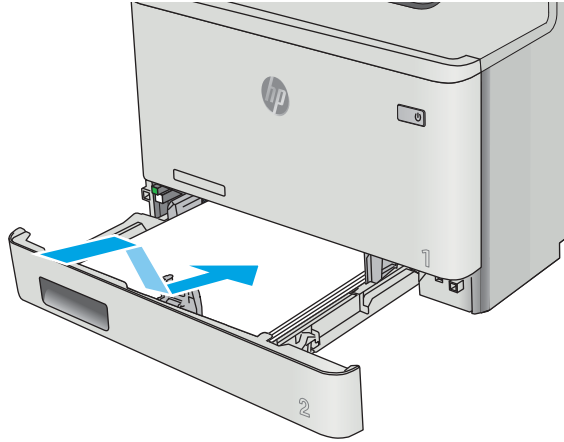
Figure 1-1862 Close the rear door



Step 25: Install Tray 2

- ▲ With the front of the tray slightly lifted, align the sides of the tray with the rails in the printer, and then carefully slide the tray into the printer. As the tray slides into the printer, lower the front of the tray, and then close it.

Figure 1-1863 Install the tray



Removal and replacement: Secondary transfer assembly (simplex models)


- [Introduction](#)
- [Step 1: Remove the secondary transfer assembly](#)
- [Step 2: Unpack the replacement part](#)
- [Step 3: Install the secondary transfer assembly](#)

Introduction

This document provides the procedures to remove and replace the secondary transfer assembly for simplex models.

Before you begin

- Turn off the printer.
- Disconnect the power cable.

 **WARNING!** To avoid damage to the printer, turn the printer off, wait 30 seconds, and then remove the power cord before attempting to service the printer.

- Use the table below to identify the correct part number for your printer. To order the part, go to www.hp.com/buy/parts.

| Secondary transfer assembly part number | |
|---|--|
|---|--|

| | |
|----------------|--|
| RM2-6430-000CN | Secondary transfer assembly (simplex models) |
|----------------|--|

Required tools

- #2 Phillips screwdriver with a magnetic tip
- Small flat-blade screwdriver

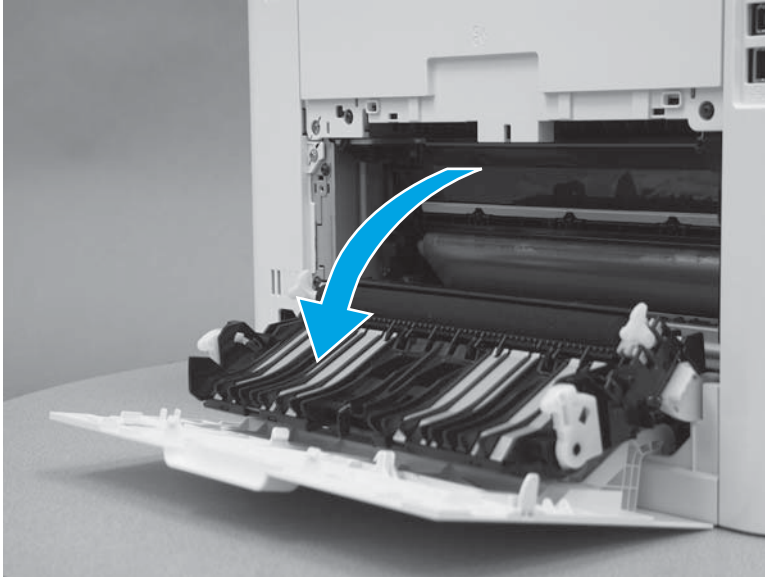
After performing service

- Connect the power cable.
- Use the power switch to turn the power on.

Step 1: Remove the secondary transfer assembly

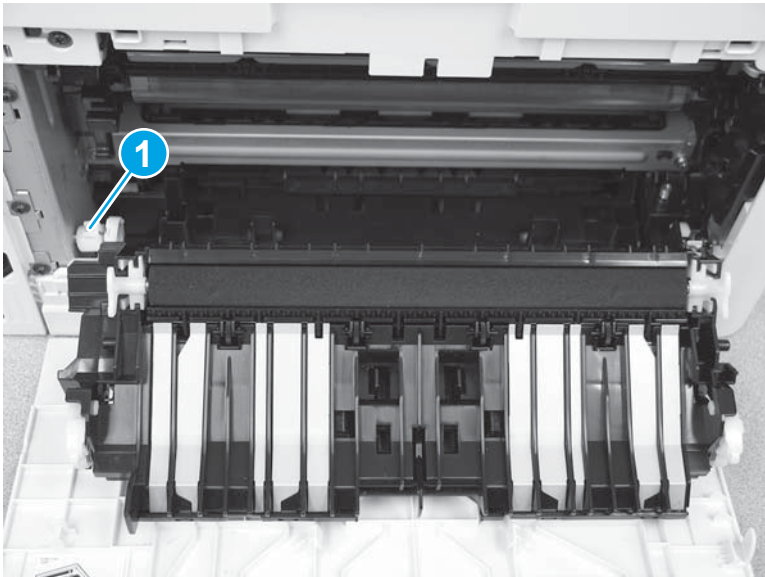
1. Open the rear door.

Figure 1-1864 Open the rear door



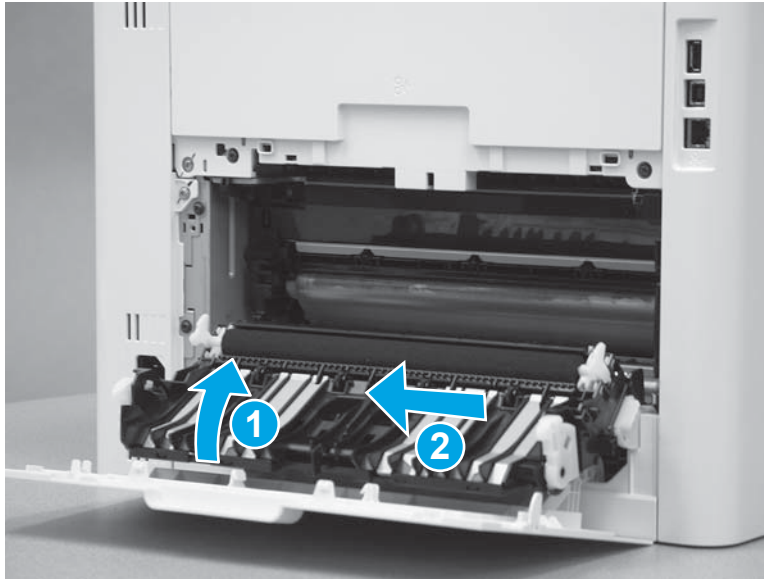
2. Remove one retainer collar (callout 1).

Figure 1-1865 Remove one retainer collar



3. Lift the assembly up slightly (callout 1), and then slide it to the left (callout 2).

Figure 1-1866 Slide the assembly left



4. Rotate the right side of the assembly away from the printer to remove it.

Figure 1-1867 Remove the secondary transfer assembly



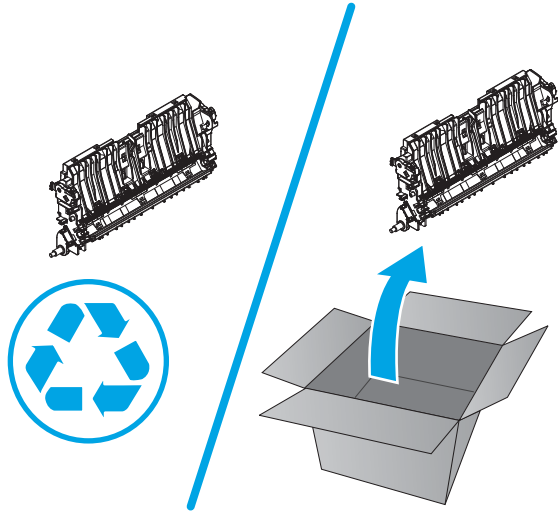
Step 2: Unpack the replacement part

Remove the new part from its package. Save all packaging for recycling the used part.

For complete information on HP's recycling programs, go to [Product return and recycling](#).

 **NOTE:** HP recommends responsible disposal of the defective part.

Figure 1-1868 Recycle and unpack

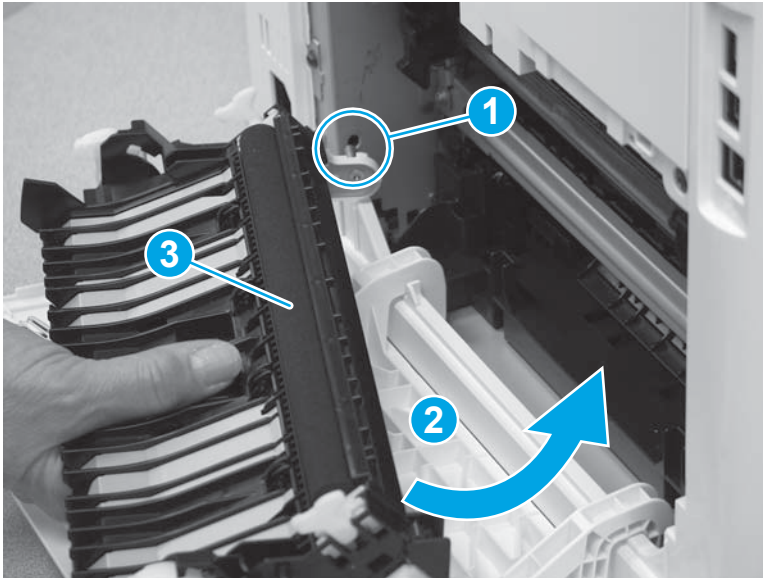


Step 3: Install the secondary transfer assembly

1. Install the shaft on the secondary transfer assembly into the hole in the printer (callout 1), and then rotate the right side of the assembly toward the printer to install it (callout 2).

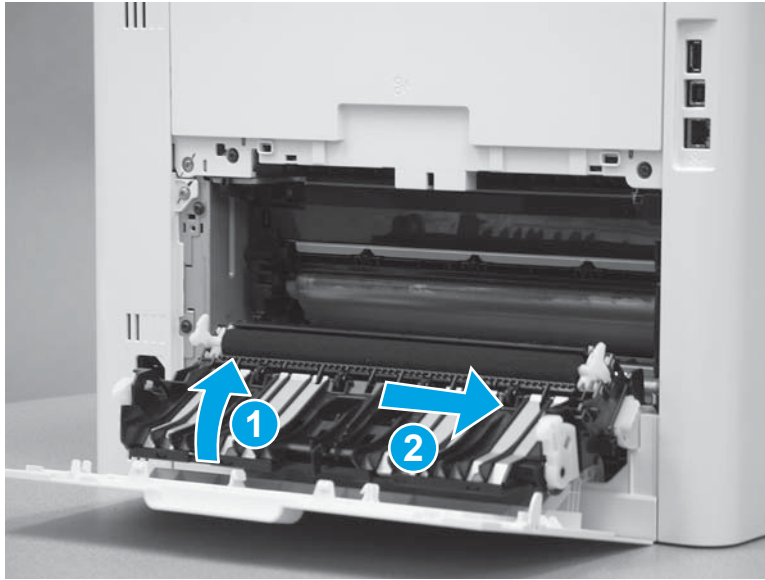
CAUTION: Do not touch or damage the secondary transfer roller (callout 3).

Figure 1-1869 Position the secondary transfer assembly



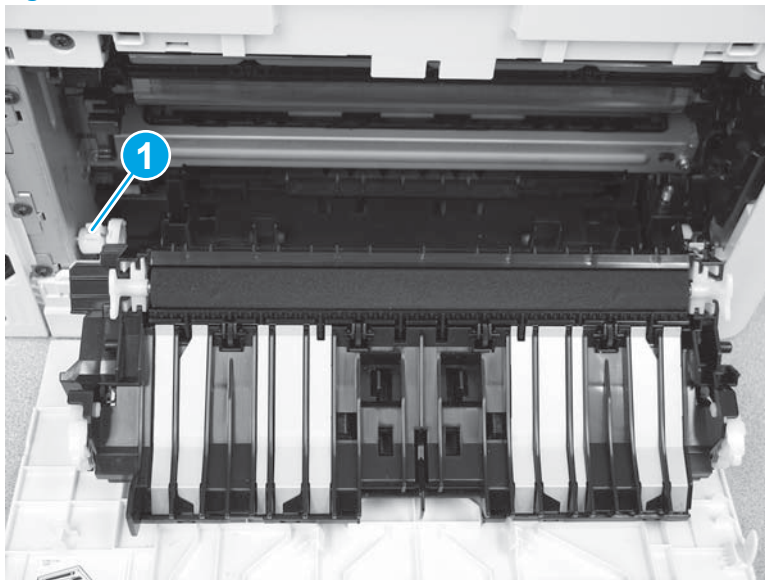
2. Lift the assembly up slightly (callout 1), and then slide it to the right (callout 2).

Figure 1-1870 Slide the assembly right



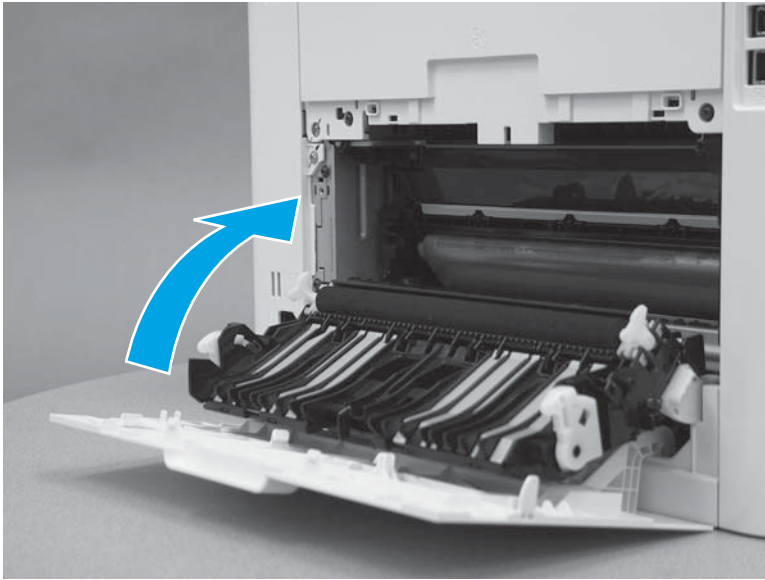
3. Install one retainer collar (callout 1).

Figure 1-1871 Install one retainer collar



4. Close the rear door.

Figure 1-1872 Close the rear door



Removal and replacement: Secondary transfer assembly (duplex models)


- [Introduction](#)
- [Step 1: Remove the secondary transfer assembly](#)
- [Step 2: Unpack the replacement part](#)
- [Step 3: Install the secondary transfer assembly](#)

Introduction

This document provides the procedures to remove and replace the secondary transfer assembly for duplex models.

Before you begin

- Turn off the printer.
- Disconnect the power cable.

 **WARNING!** To avoid damage to the printer, turn the printer off, wait 30 seconds, and then remove the power cord before attempting to service the printer.

- Use the table below to identify the correct part number for your printer. To order the part, go to www.hp.com/buy/parts.

| Secondary transfer assembly part number | |
|---|--|
|---|--|

| | |
|----------------|---|
| RM2-6397-000CN | Secondary transfer assembly (duplex models) |
|----------------|---|

Required tools

- #2 Phillips screwdriver with a magnetic tip
- Small flat-blade screwdriver

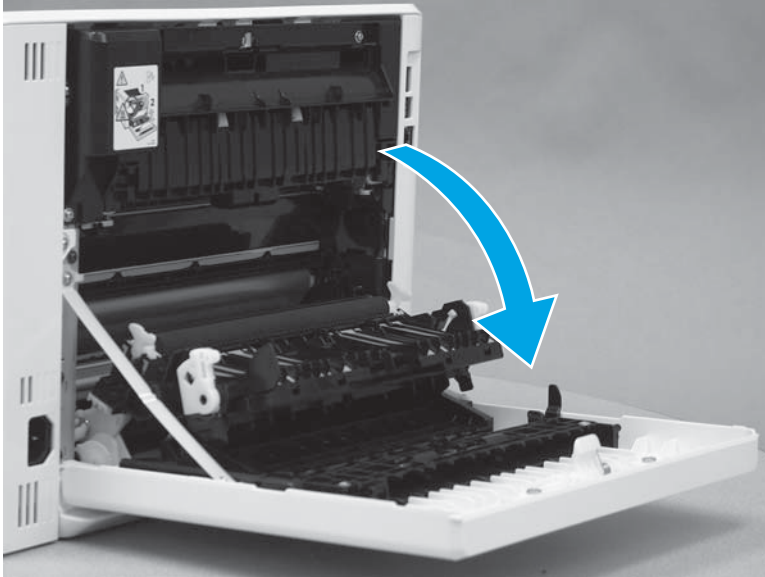
After performing service

- Connect the power cable.
- Use the power switch to turn the power on.

Step 1: Remove the secondary transfer assembly

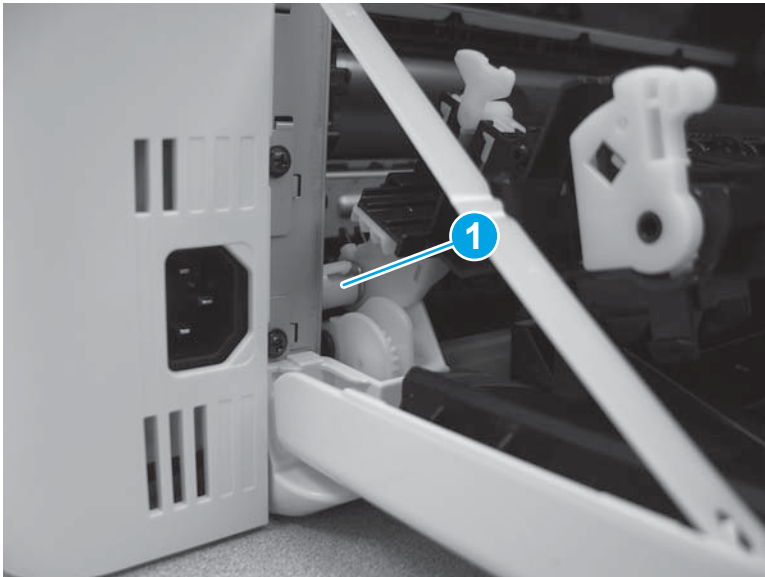
1. Open the duplexer door.

Figure 1-1873 Open the duplexer door



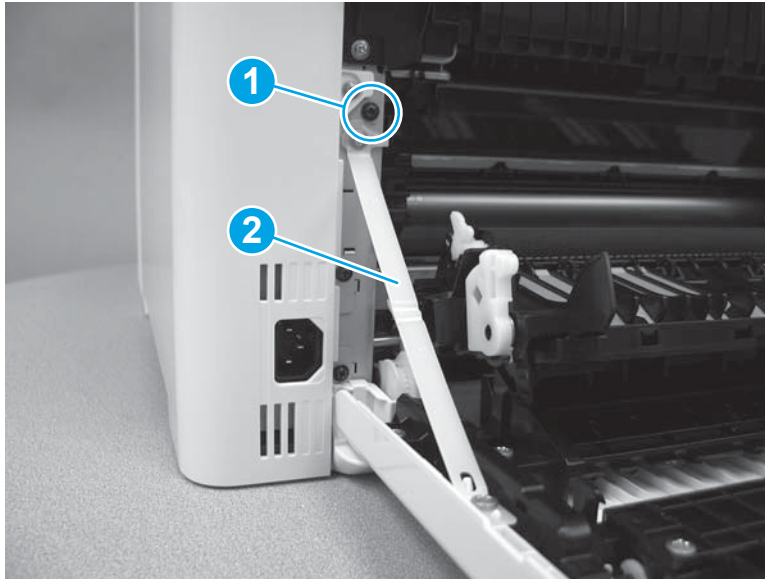
2. Remove one retainer collar (callout 1).

Figure 1-1874 Remove one retainer collar



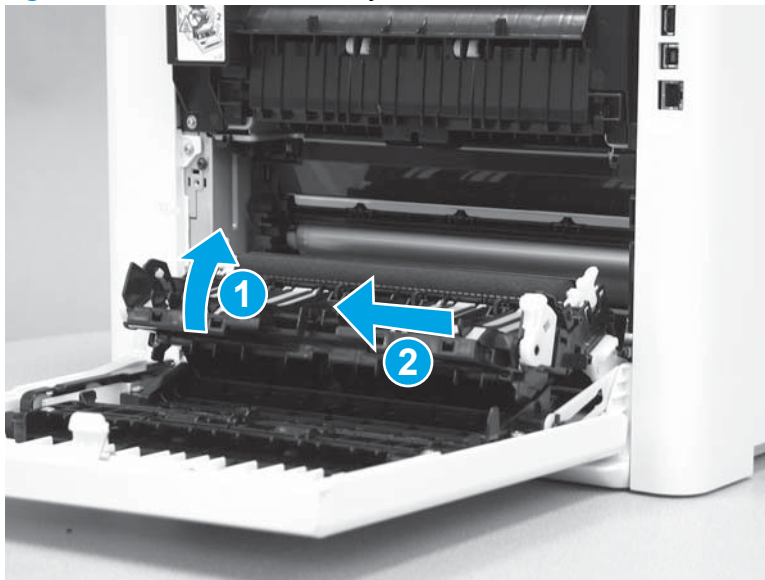
3. Remove one screw (callout 1), and then release the retaining arm (callout 2).

Figure 1-1875 Remove one screw and release the arm



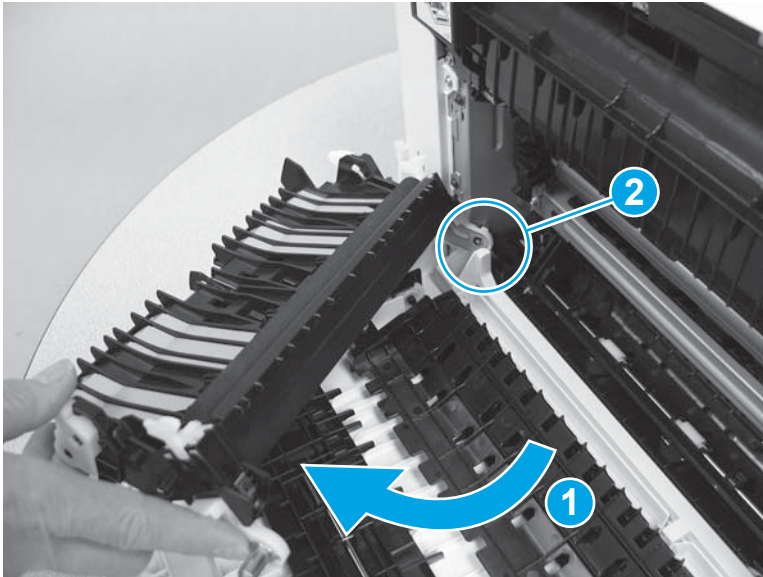
4. Lift the assembly up slightly (callout 1), and then slide it to the left (callout 2).

Figure 1-1876 Slide the assembly left



5. Rotate the right side of the assembly away from the printer (callout 1) so that the left side of the assembly rotates free of the plastic tab (callout 2). Remove the assembly.

Figure 1-1877 Remove the secondary transfer assembly



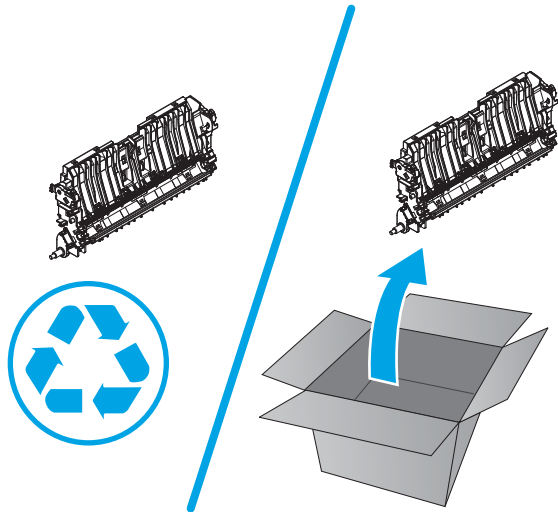
Step 2: Unpack the replacement part

Remove the new part from its package. Save all packaging for recycling the used part.

For complete information on HP's recycling programs, go to [Product return and recycling](#).

 **NOTE:** HP recommends responsible disposal of the defective part.

Figure 1-1878 Recycle and unpack



Step 3: Install the secondary transfer assembly

1. Install the left edge of the secondary transfer assembly behind the plastic tab (callout 1), and then rotate the right side of the assembly toward the printer to install it (callout 2).


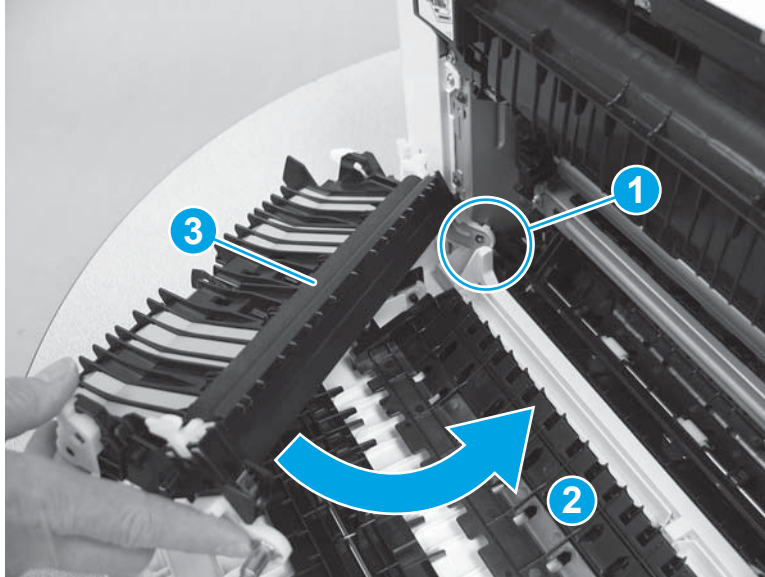
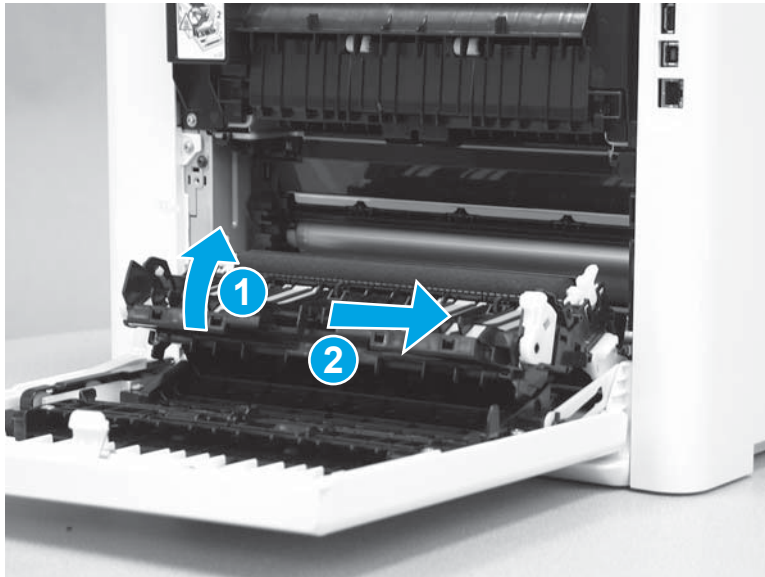
 **CAUTION:** Do not touch or damage the secondary transfer roller (callout 3).

Figure 1-1879 Position the secondary transfer assembly



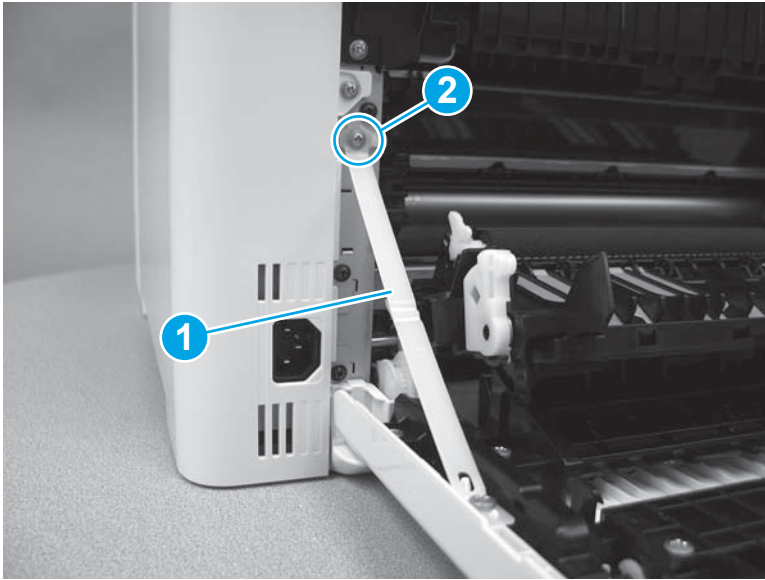
2. Lift the assembly up slightly (callout 1), and then slide it to the right (callout 2).

Figure 1-1880 Slide the assembly right



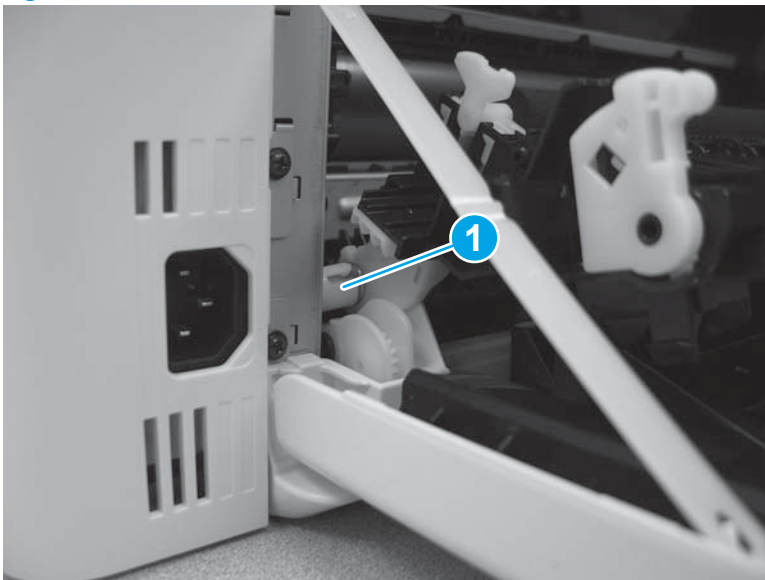
3. Position the retaining arm (callout 1) on the printer, and then install one screw (callout 2).

Figure 1-1881 Install the retaining arm



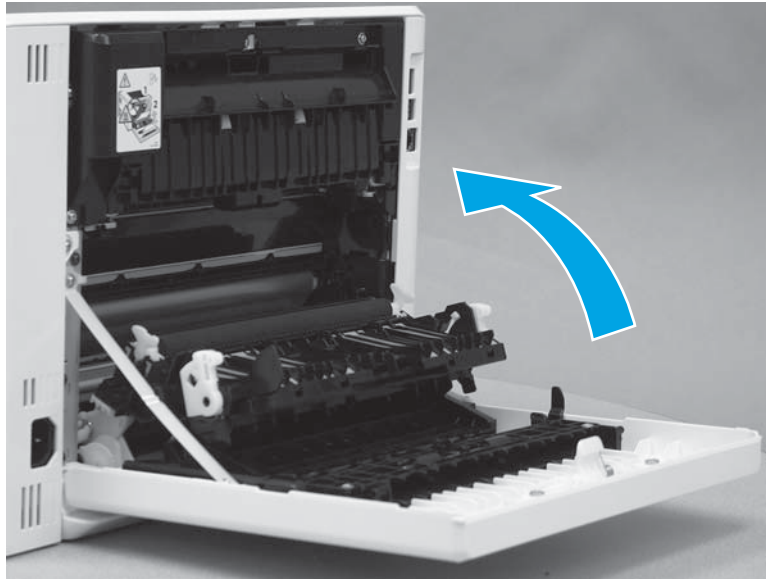
4. Install one retainer collar (callout 1).

Figure 1-1882 Install one retainer collar



5. Close the duplexer door.

Figure 1-1883 Close the duplexer door



Removal and replacement: Intermediate transfer belt (ITB)


- [Introduction](#)
- [Step 1: Remove Tray 2](#)
- [Step 2: Open the front door and rear door or duplexer door](#)
- [Step 3: Remove the right cover \(M452 models\)](#)
- [Step 4: Remove the right cover \(M377, M477 models\)](#)
- [Step 5: Remove the left cover \(M452 models\)](#)
- [Step 6: Remove the left cover \(M377, M477 models\)](#)
- [Step 7: Remove the secondary transfer assembly \(simplex models\)](#)
- [Step 8: Remove the secondary transfer assembly \(duplex models\)](#)
- [Step 9: Remove the ITB](#)
- [Step 10: Unpack the replacement part](#)
- [Step 11: Install the ITB](#)
- [Step 12: Install the secondary transfer assembly \(simplex models\)](#)
- [Step 13: Install the secondary transfer assembly \(duplex models\)](#)
- [Step 14: Install the left cover \(M452 models\)](#)
- [Step 15: Install the left cover \(M377, M477 models\)](#)
- [Step 16: Install the right cover \(M452 models\)](#)
- [Step 17: Install the right cover \(M377, M477 models\)](#)
- [Step 18: Close the front door and rear door or duplexer door](#)
- [Step 19: Install Tray 2](#)

Introduction

This document provides the procedures to remove and replace the intermediate transfer belt.

Before you begin

- Turn off the printer.
- Disconnect the power cable.

 **WARNING!** To avoid damage to the printer, turn the printer off, wait 30 seconds, and then remove the power cord before attempting to service the printer.

- Use the table below to identify the correct part number for your printer. To order the part, go to www.hp.com/buy/parts.

Intermediate transfer belt part number

RM2-6454-000CNIntermediate transfer belt

Required tools

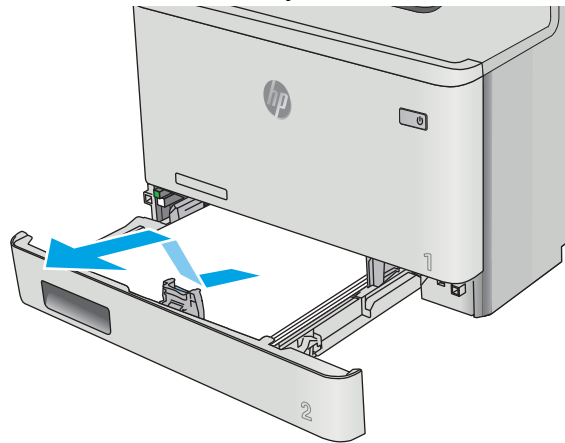
- #2 Phillips screwdriver with a magnetic tip
- Small flat-blade screwdriver

After performing service

- Connect the power cable.
- Use the power switch to turn the power on.

Step 1: Remove Tray 2

- ▲ Pull the tray out until it stops. Lift the front of the tray, and then pull it out of the printer to remove it.

Figure 1-1884 Remove the tray**Step 2: Open the front door and rear door or duplexer door**

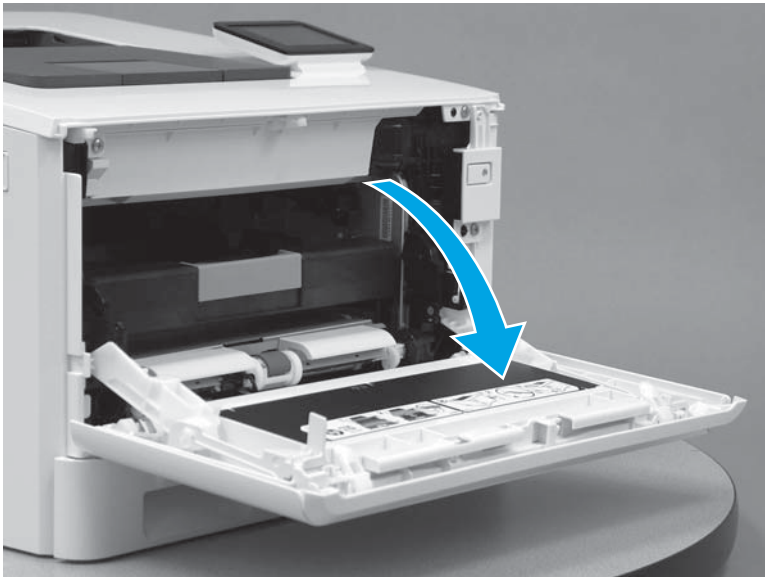
1. Press the button (callout 1) on the left side of the printer to release the front door.

Figure 1-1885 Release the front door



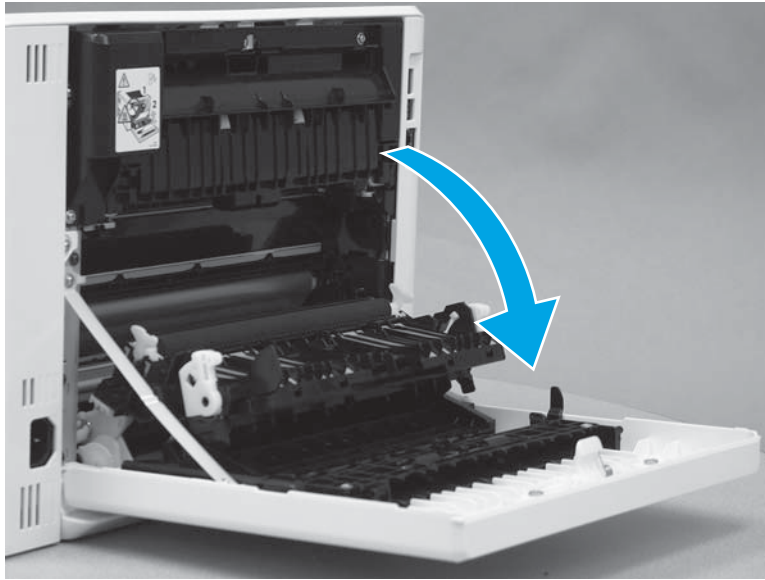
2. Open the front door.

Figure 1-1886 Open the front door



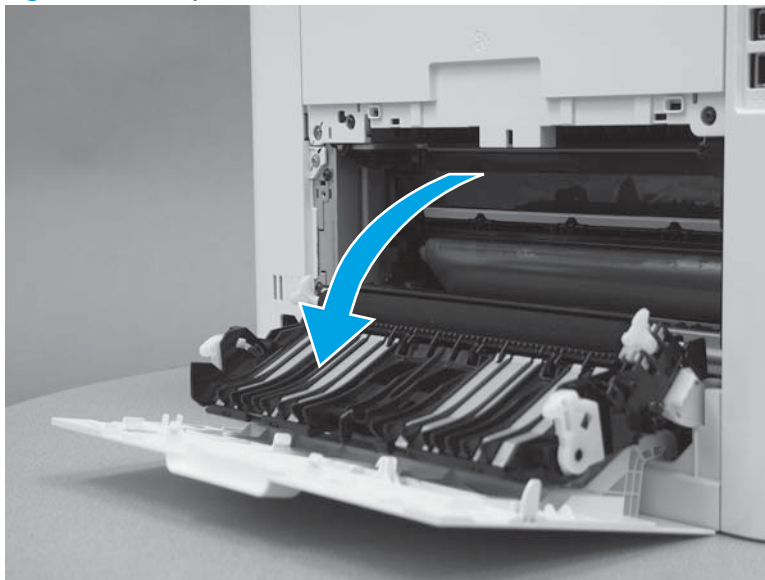
3. **Duplex models:** Open the duplexer door.

Figure 1-1887 Open the duplexer door




4. **Simplex models:** Open the rear door.

Figure 1-1888 Open the rear door



Step 3: Remove the right cover (M452 models)

 **NOTE:** This step is for the M452 models. For the M377, M477 models, skip this step and go to [Step 4: Remove the right cover \(M377, M477 models\) on page 1023.](#)

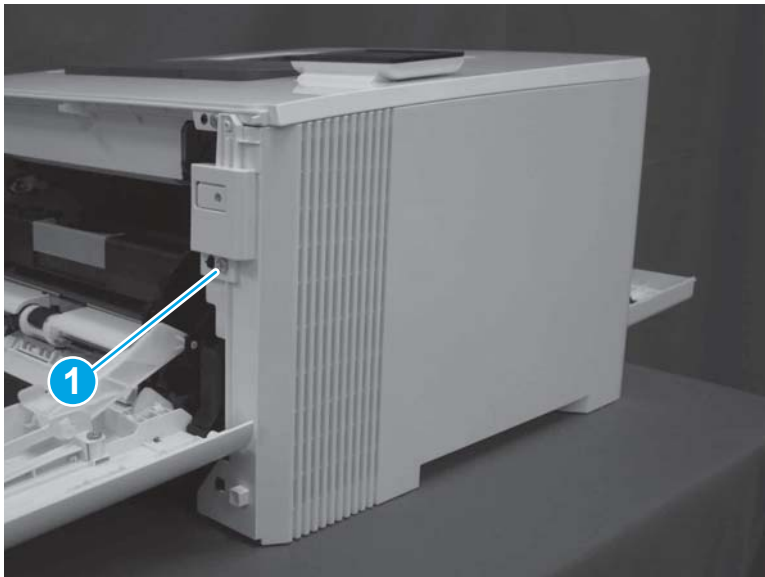
1. At the back of the printer, remove one screw (callout 1).

Figure 1-1889 Remove one screw



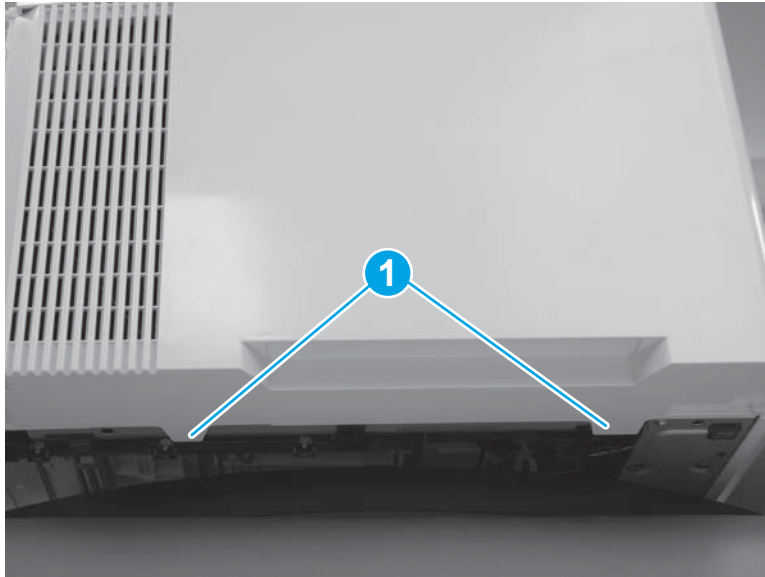
2. At the front of the printer, remove one screw (callout 1).

Figure 1-1890 Remove one screw



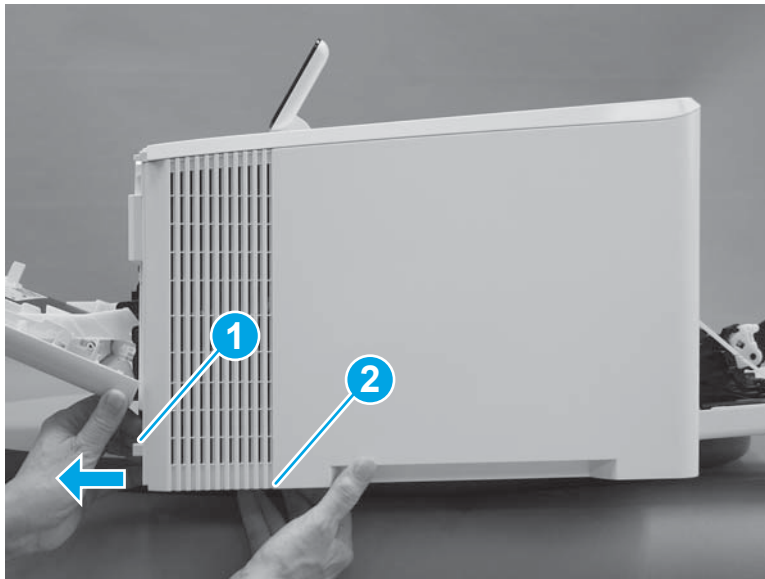
3. Slide the printer to the edge of a work surface. Note the location of the tabs on the lower edge of the cover (callout 1).

Figure 1-1891 Locate the tabs



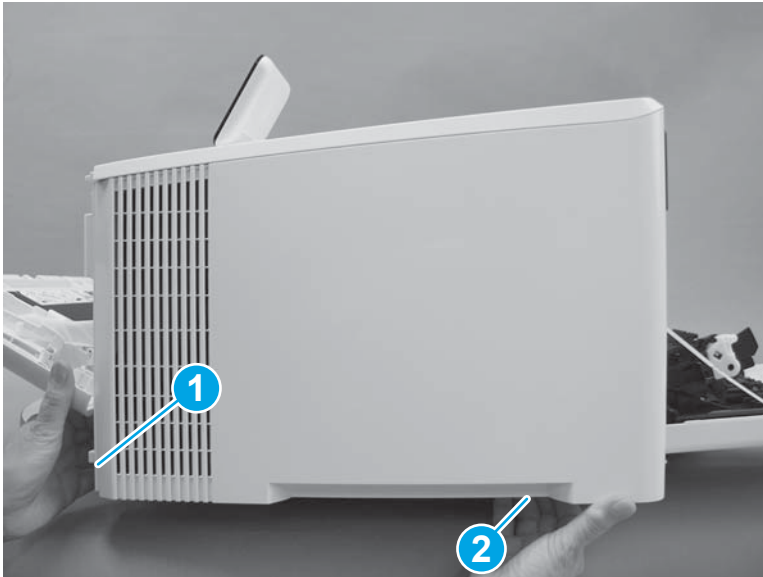
4. Release one tab (callout 1) on the front of the cover by slightly pulling the cover away from the printer. While holding the cover in the released position, release one tab (callout 2) on the bottom of the cover.

Figure 1-1892 Release front lower tabs



5. Hold the front tabs in the released position (callout 1), and then release one tab (callout 2) on the bottom of the cover, toward the back of the printer.

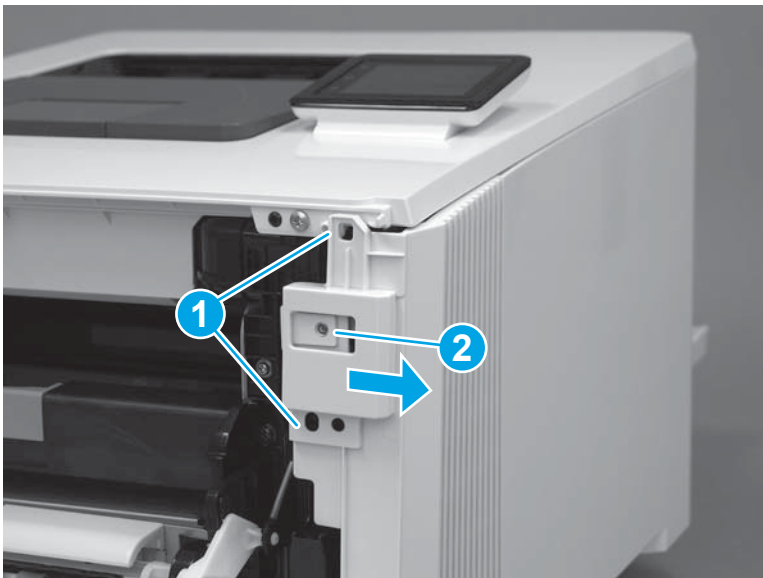
Figure 1-1893 Release lower rear tab



6. Release two tabs at the front of the printer (callout 1) by slightly pulling the cover away from the printer.

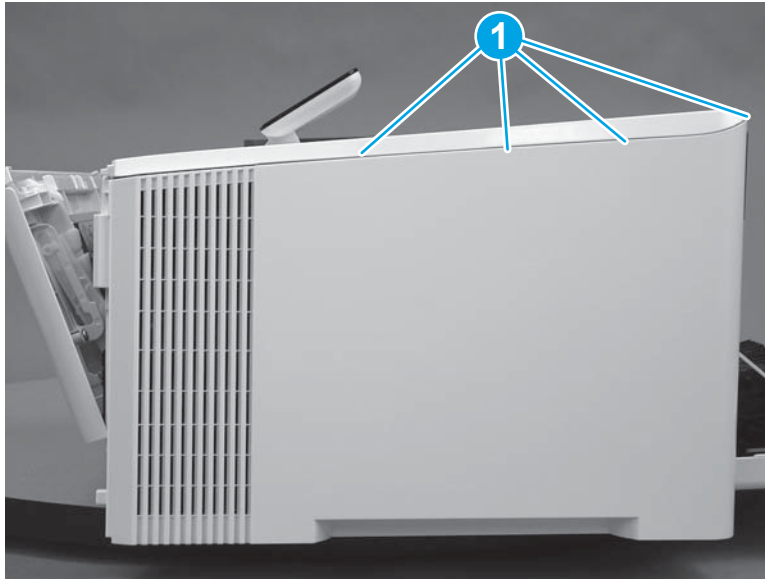
CAUTION: Be careful not to dislodge the power switch (callout 2).

Figure 1-1894 Release two front tabs



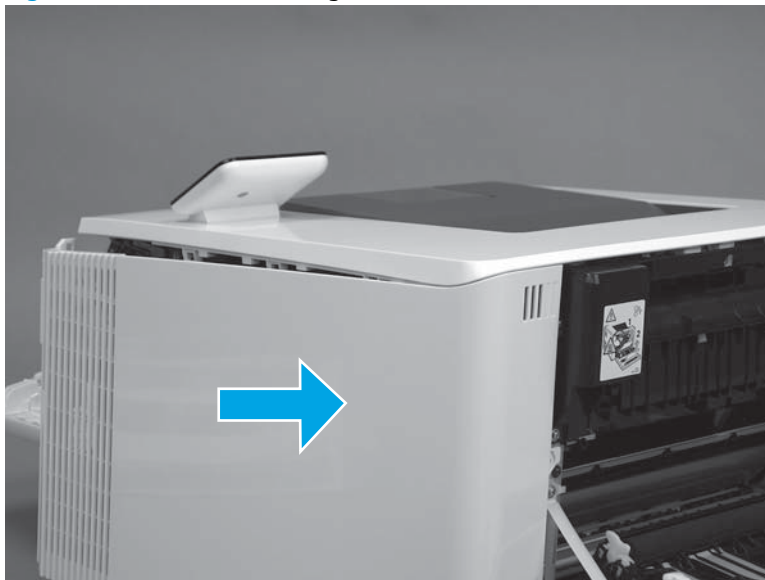
7. Release four tabs on the top of the printer (callout 1).

Figure 1-1895 Release upper tabs



8. Slide the cover toward the back of the printer to remove it.

Figure 1-1896 Remove the right cover



Step 4: Remove the right cover (M377, M477 models)

 **NOTE:** This step is for the M377, M477 models. For the M452 models, skip this step and go to [Step 5: Remove the left cover \(M452 models\) on page 1029.](#)

1. Raise the scanner.

Figure 1-1897 Raise the scanner



2. At the back of the printer, remove one screw (callout 1).

Figure 1-1898 Remove one screw



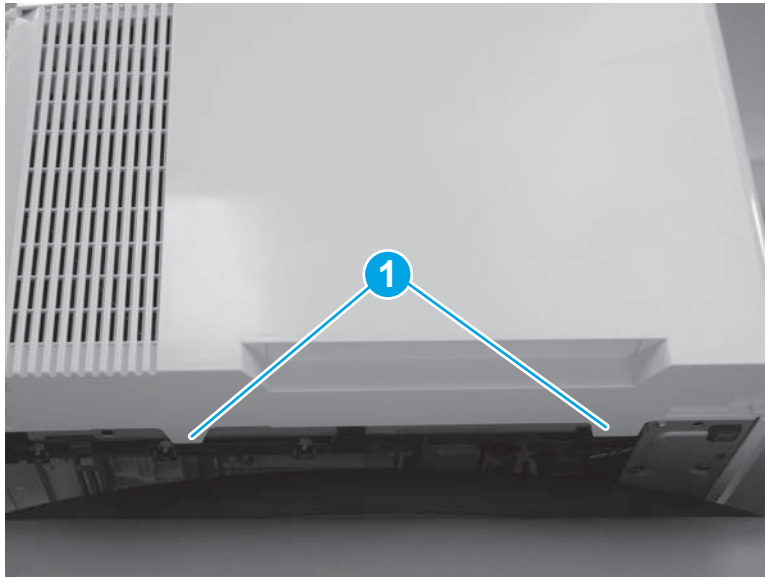
3. At the front of the printer, remove one screw (callout 1).

Figure 1-1899 Remove one screw



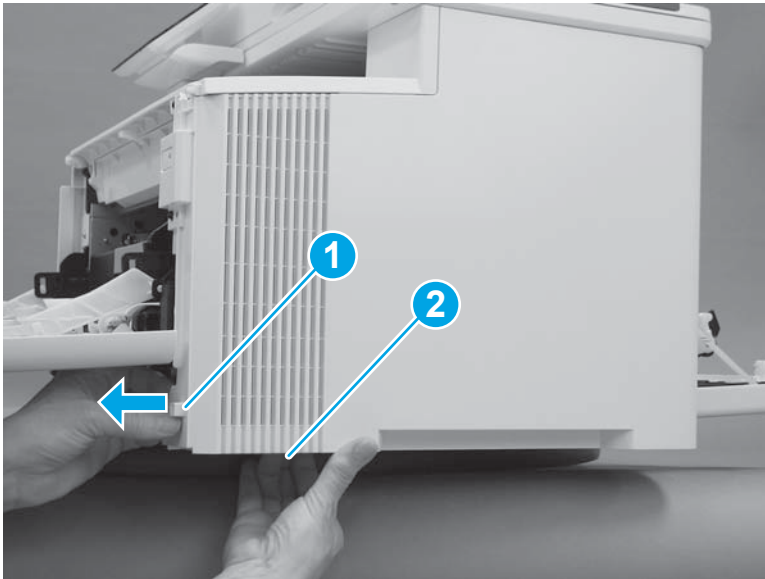
4. Slide the printer to the edge of a work surface. Note the location of the tabs on the lower edge of the cover (callout 1).

Figure 1-1900 Locate the tabs



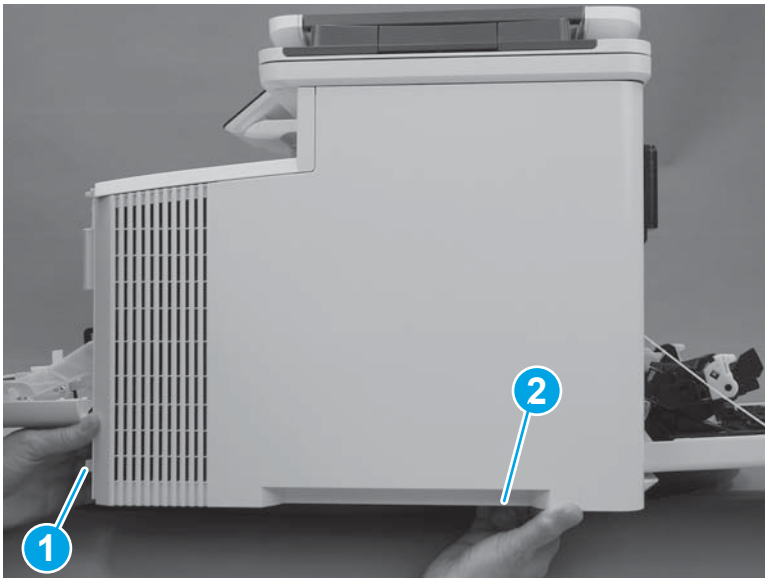
5. Release one tab (callout 1) on the front of the cover by slightly pulling the cover away from the printer. While holding the cover in the released position, release one tab (callout 2) on the lower edge of the cover.

Figure 1-1901 Release front lower tabs



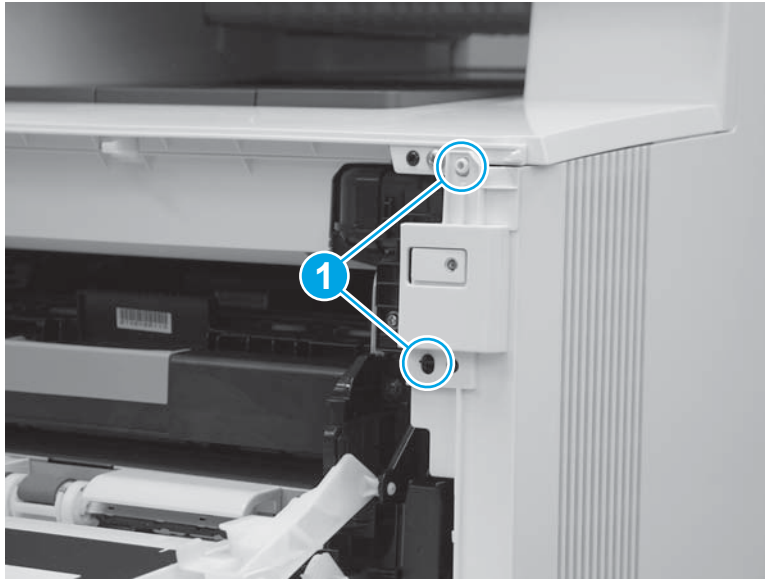
6. Hold the front tabs in the released position (callout 1), and then release one tab (callout 2) on the lower edge of the cover, toward the back of the printer.

Figure 1-1902 Release lower rear tab



7. Release two tabs at the front of the printer (callout 1) by slightly pulling the cover away from the printer.

Figure 1-1903 Release front upper tabs



8. Rotate the front of the cover away from the printer (callout 1).

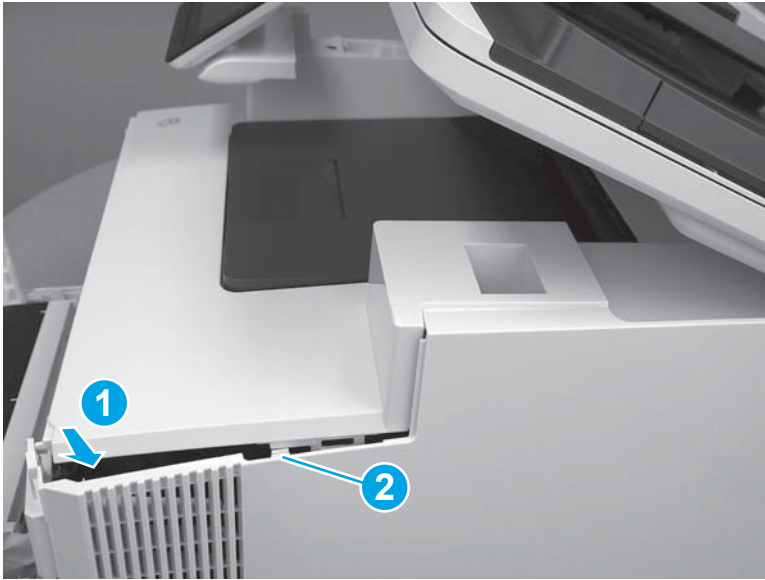
⚠ CAUTION: Be careful not to dislodge the power switch (callout 2).

Figure 1-1904 Rotate the front of the cover



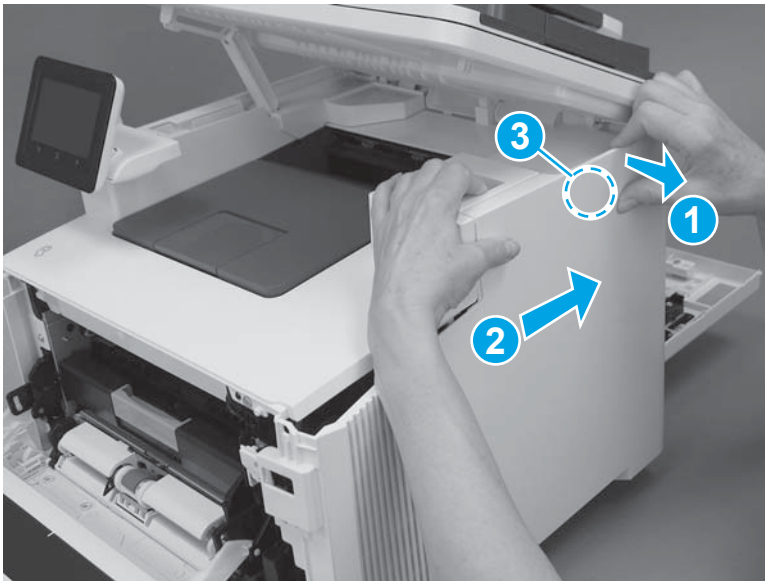
9. Slightly pull the front of the cover away from the printer (callout 1) to release one tab (callout 2).

Figure 1-1905 Release top tabs



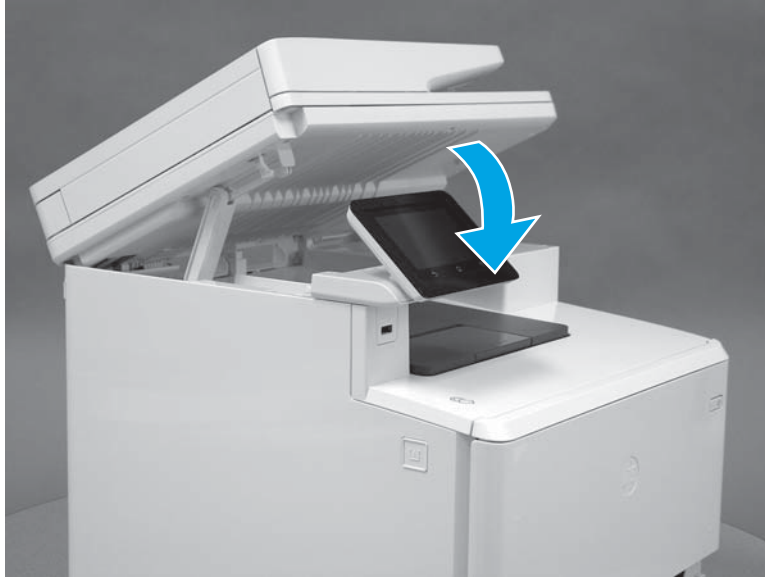
10. At the top of the printer, slightly pull the top of the cover away from the printer to release one retention tab (callout 1) on the inside of the cover. While holding the cover away, slide the cover toward the back of the printer (callout 2) to release one hook (callout 3) on the inside of the cover.

Figure 1-1906 Release one tab and one hook



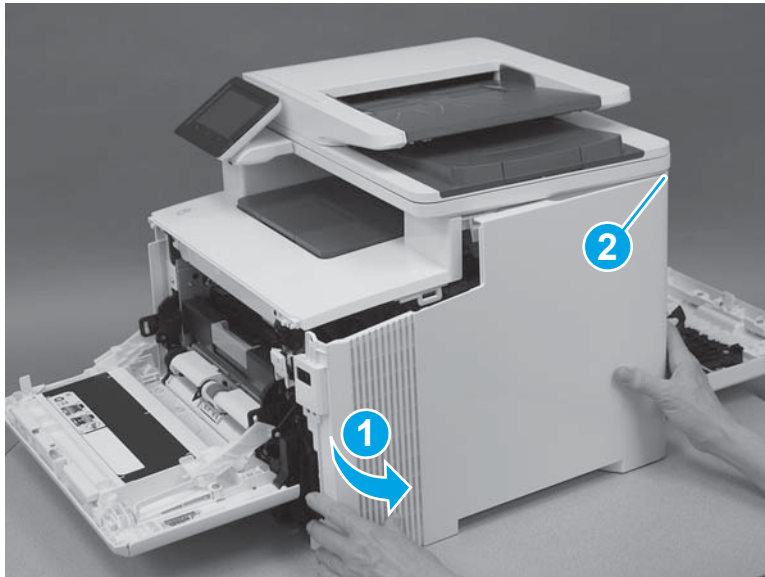
11. Lower the scanner.

Figure 1-1907 Lower the scanner




12. Rotate the cover away from the printer (callout 1) to release one tab (callout 2) at the back of the printer, and then remove the cover.

Figure 1-1908 Remove the right cover

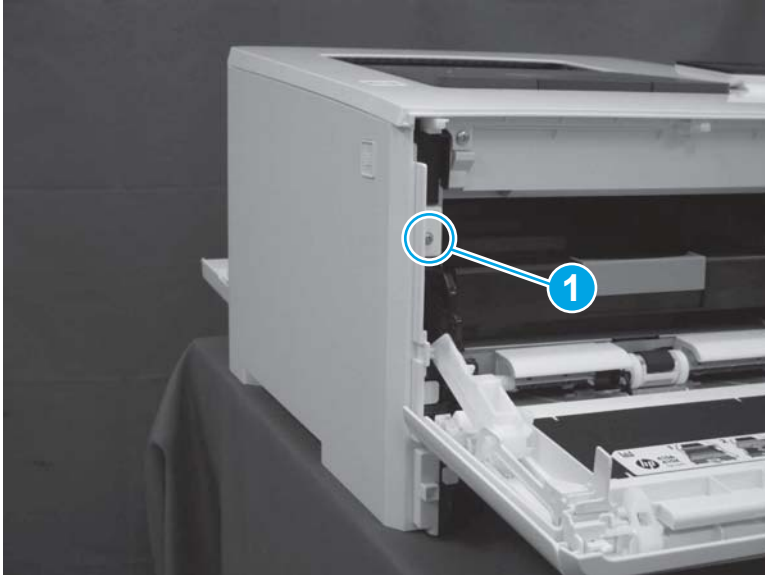


Step 5: Remove the left cover (M452 models)

 **NOTE:** This step is for the M452 models. For the M377, M477 models, skip this step and go to [Step 6: Remove the left cover \(M377, M477 models\) on page 1032.](#)

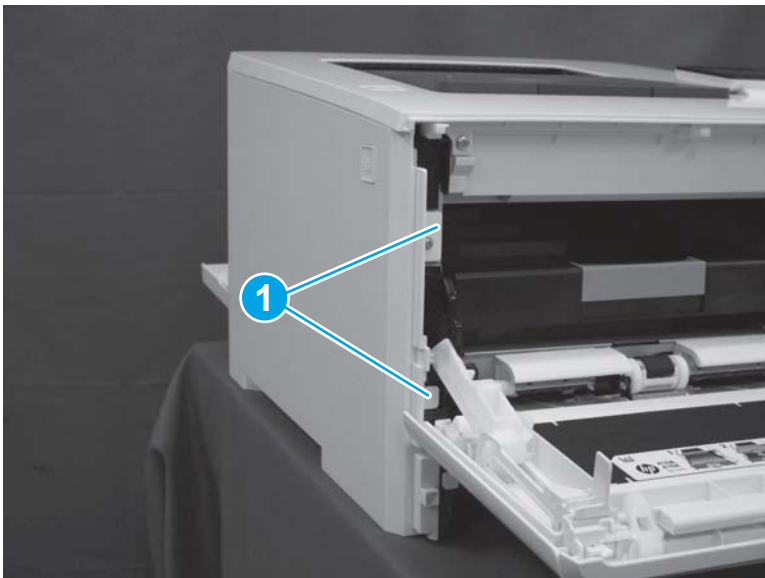
1. At the front of the printer, remove one screw (callout 1).

Figure 1-1909 Remove one screw



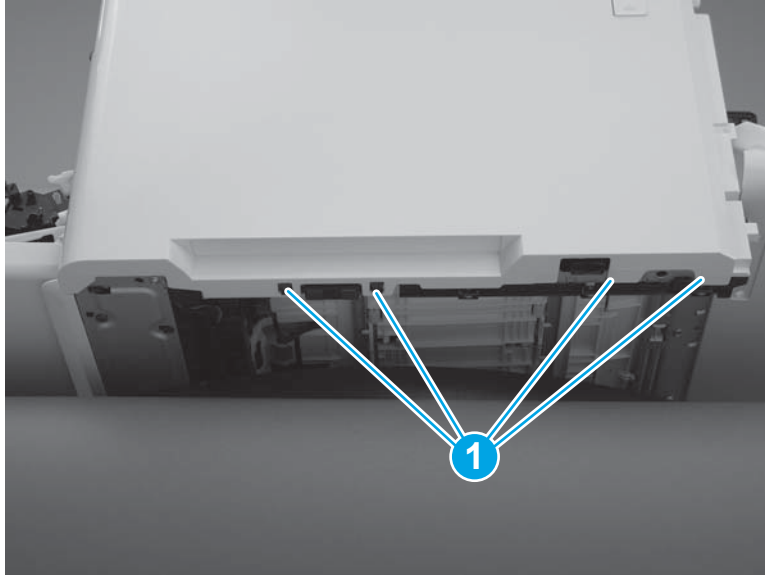
2. Release two tabs (callout 1) at the front of the cover. Hold the cover open to prevent the tabs from reengaging.

Figure 1-1910 Release two tabs



3. Slide the printer to the edge of a work surface. Note the location of the tabs on the lower edge of the cover (callout 1).

Figure 1-1911 Locate the tabs



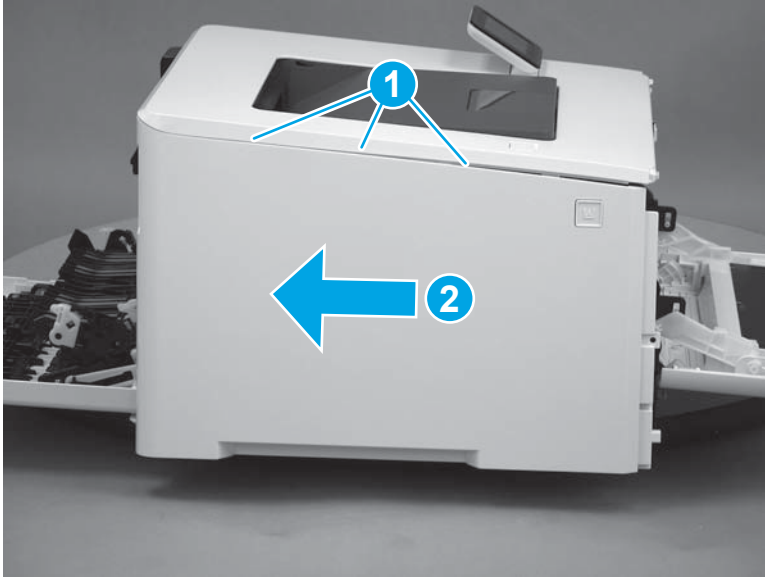
4. Beginning from the front of the cover, release four tabs (callouts 1-4) on the lower edge of the cover.

Figure 1-1912 Release bottom tabs



5. Release three tabs at the top of the cover (callout 1), and then slide the cover toward the rear of the printer to remove it.

Figure 1-1913 Release three tabs



Step 6: Remove the left cover (M377, M477 models)



NOTE: This step is for the M377, M477 models. For the M452 models, skip this step and go to [Step 7: Remove the secondary transfer assembly \(simplex models\) on page 1036.](#)

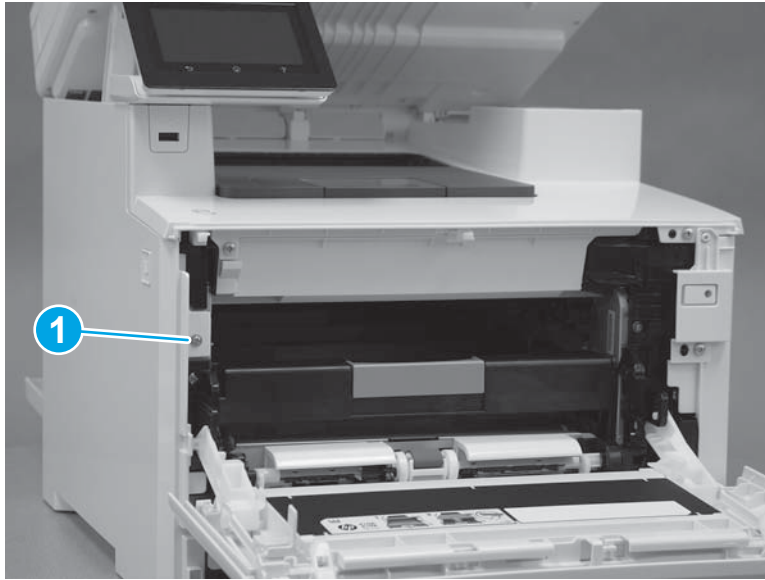
1. Raise the scanner.

Figure 1-1914 Raise the scanner



2. At the front of the printer, remove one screw (callout 1).

Figure 1-1915 Remove one screw



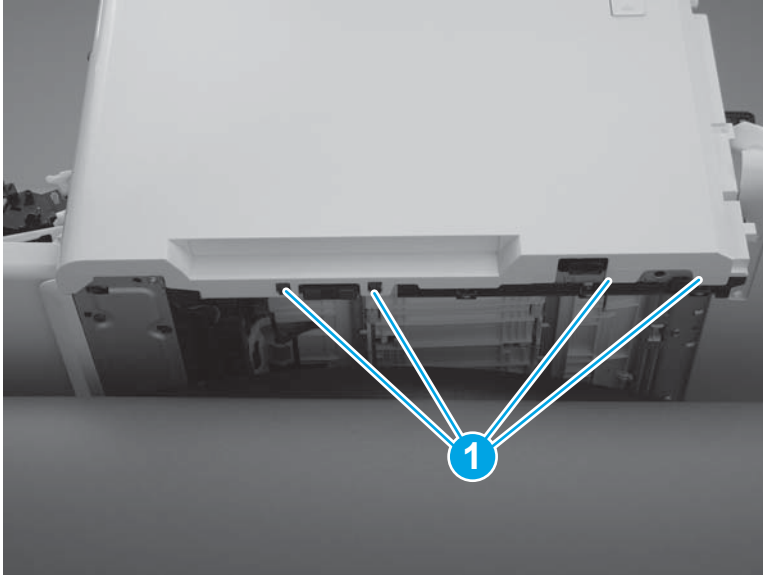
3. Release two tabs (callout 1) at the front of the cover. Hold the cover open to prevent the tabs from re-engaging.

Figure 1-1916 Release two tabs



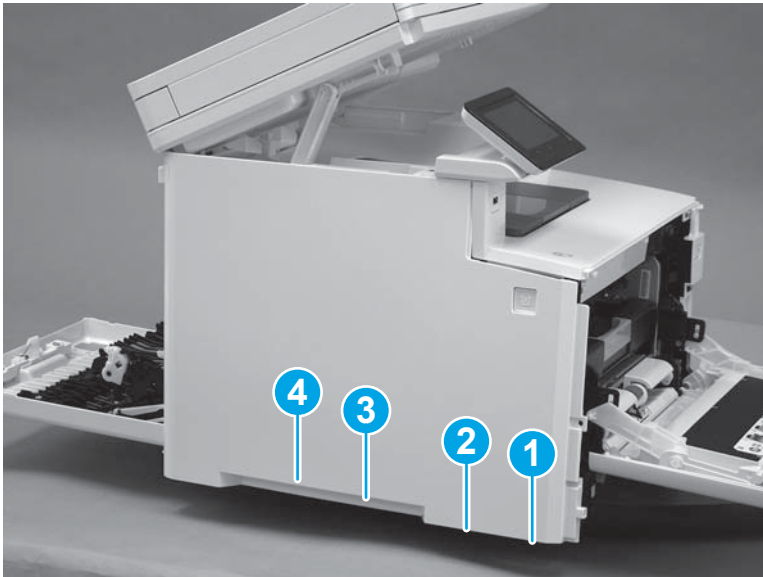
4. Slide the printer to the edge of a work surface. Note the location of the tabs on the lower edge of the cover (callout 1).

Figure 1-1917 Locate the tabs



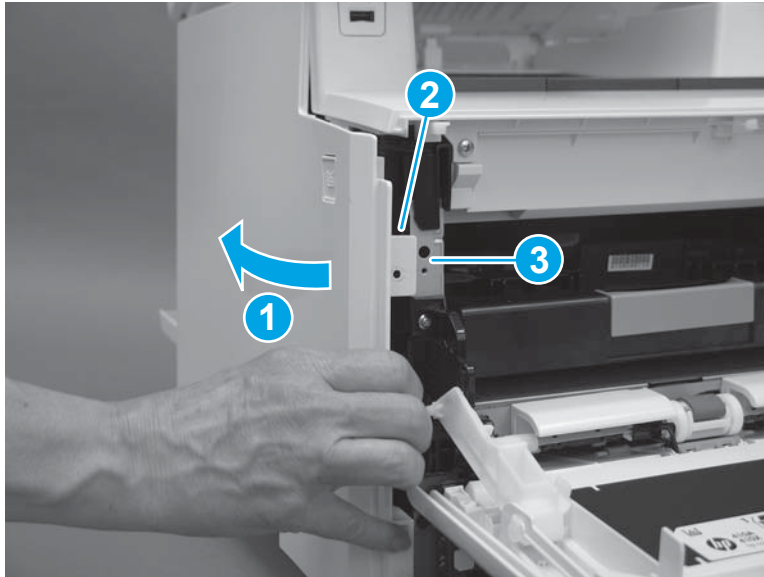
5. Beginning from the front of the cover, release the four tabs (callouts 1-4) on the lower edge of the cover.

Figure 1-1918 Release four tabs



6. Rotate the front of the cover away from the printer (callout 1). Make sure that the tab (callout 2) does not get caught on the printer frame (callout 3).

Figure 1-1919 Rotate the cover



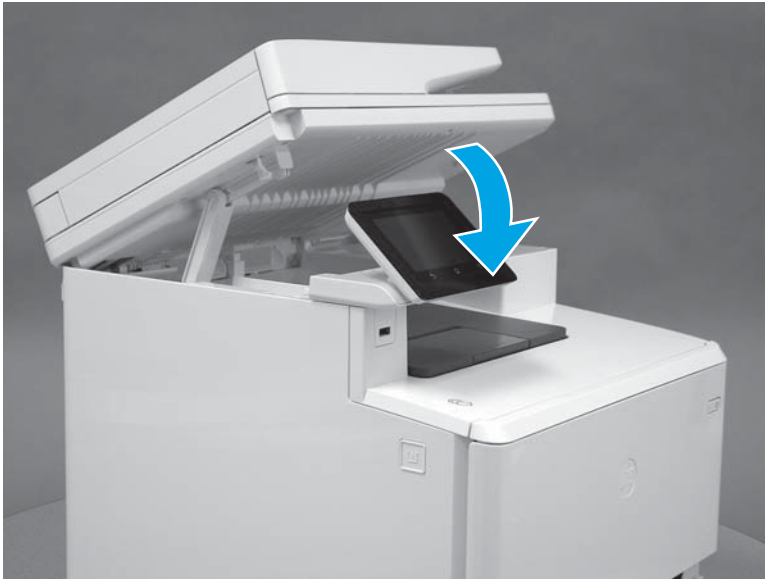
7. At the top of the printer, slightly pull the top of the cover away from the printer to release one retention tab (callout 1) on the inside of the cover. While holding the cover away, slide the cover toward the back of the printer (callout 2) to release two hooks (callout 3) inside the cover.

Figure 1-1920 Release one tab and two hooks



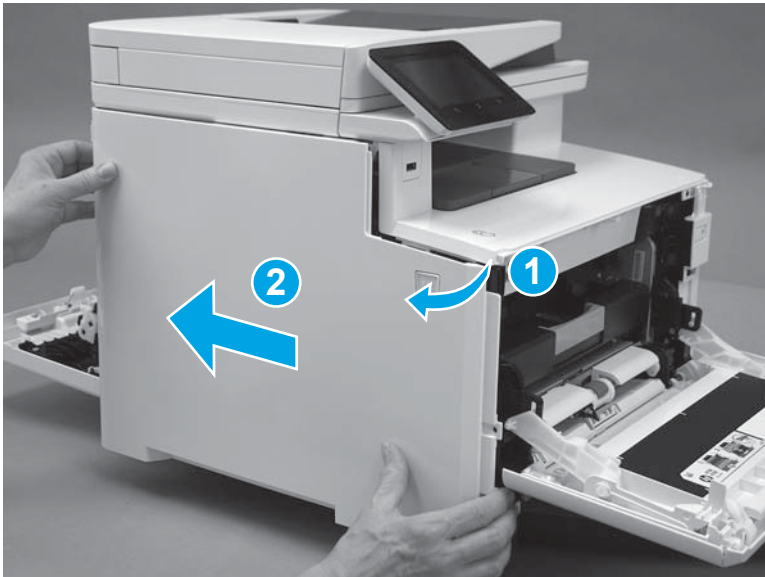
8. Lower the scanner.

Figure 1-1921 Lower the scanner



9. Rotate the cover away from the printer (callout 1), and then slide the cover (callout 2) toward the back of the printer to remove it.

Figure 1-1922 Remove the left cover



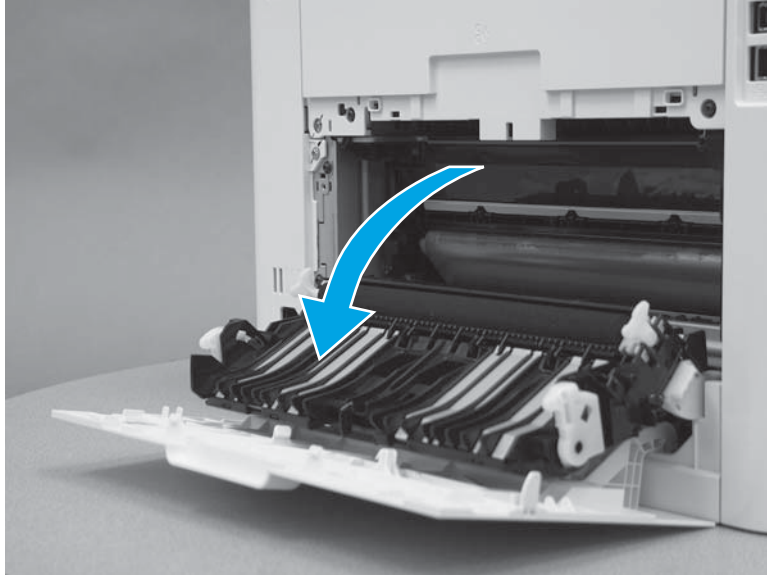
Step 7: Remove the secondary transfer assembly (simplex models)



NOTE: This step is for simplex models. For duplex models, skip this step and go to [Step 8: Remove the secondary transfer assembly \(duplex models\) on page 1038](#).

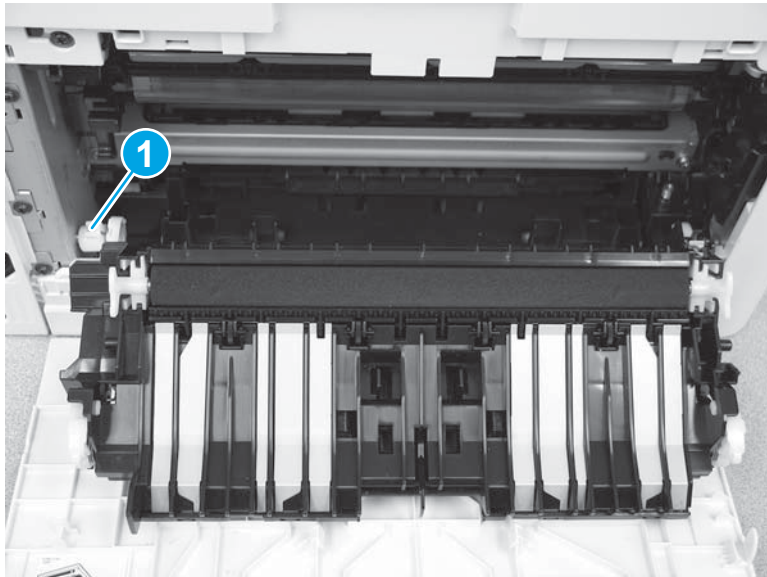
1. Open the rear door.

Figure 1-1923 Open the rear door



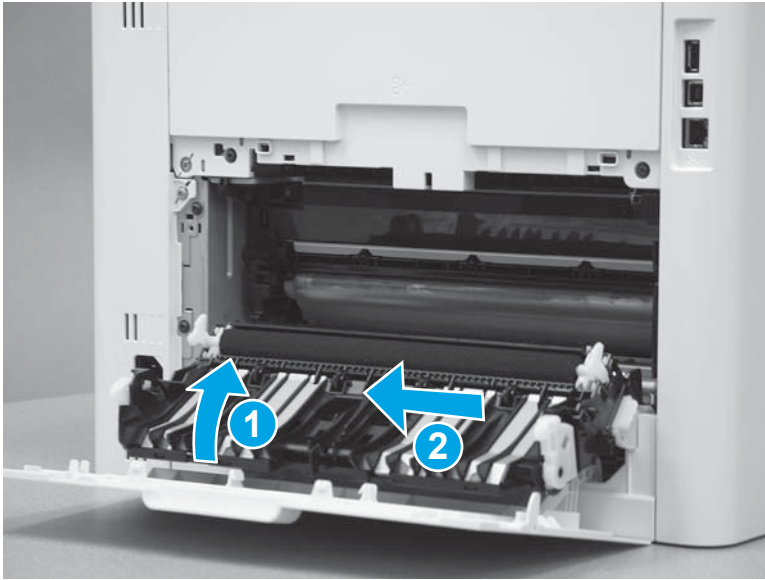
2. Remove one retainer collar (callout 1).

Figure 1-1924 Remove one retainer collar



3. Lift the assembly up slightly (callout 1), and then slide it to the left (callout 2).

Figure 1-1925 Slide the assembly left



4. Rotate the right side of the assembly away from the printer to remove it.

Figure 1-1926 Remove the secondary transfer assembly



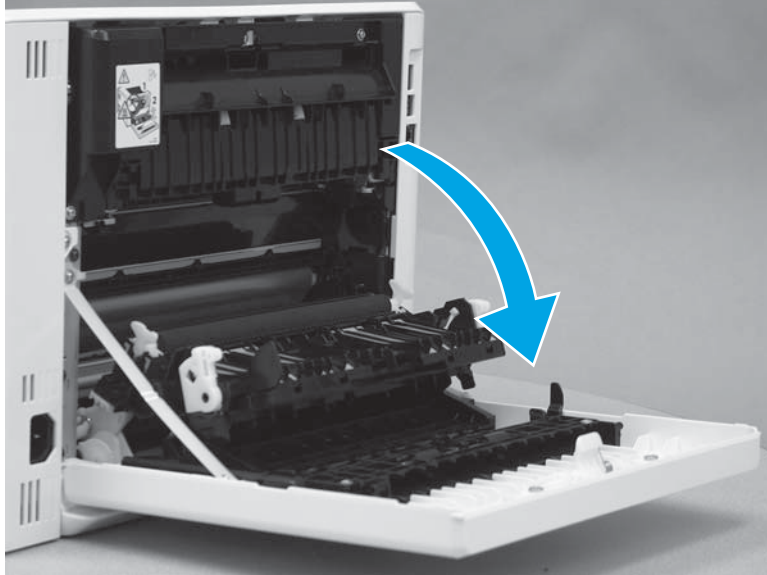
Step 8: Remove the secondary transfer assembly (duplex models)



NOTE: This step is for duplex models. For simplex models, skip this step and go to [Step 9: Remove the ITB on page 1041](#).

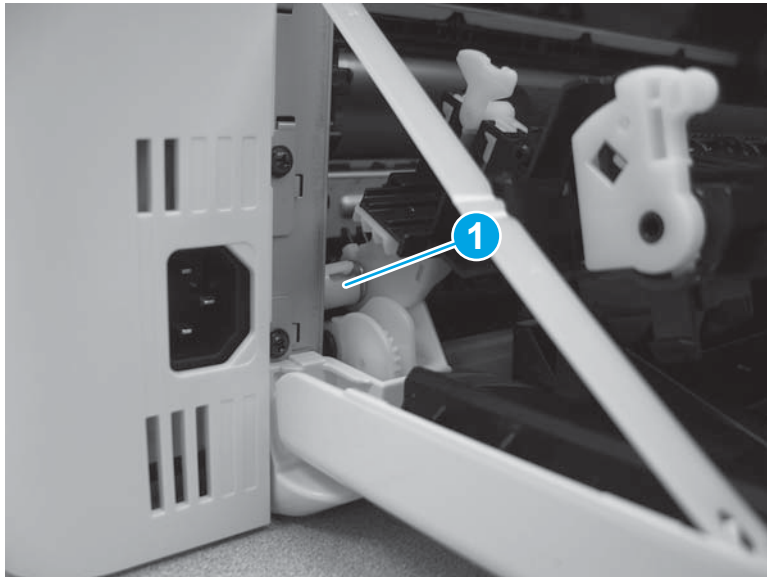
1. Open the duplexer door.

Figure 1-1927 Open the duplexer door



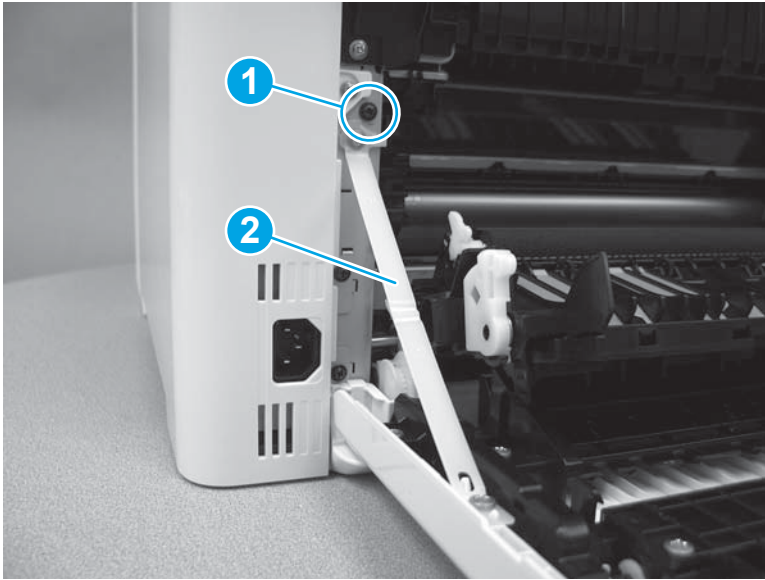
2. Remove one retainer collar (callout 1).

Figure 1-1928 Remove one retainer collar



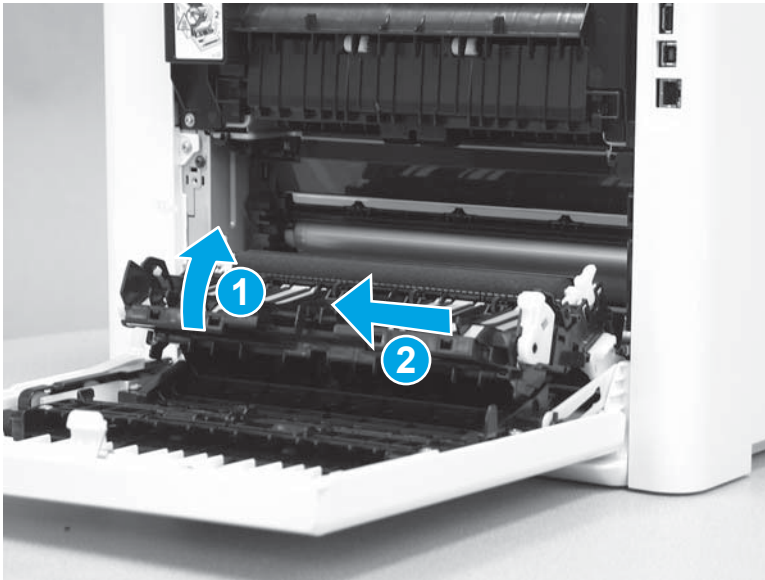
3. Remove one screw (callout 1), and then release the retaining arm (callout 2).

Figure 1-1929 Remove one screw and release the arm



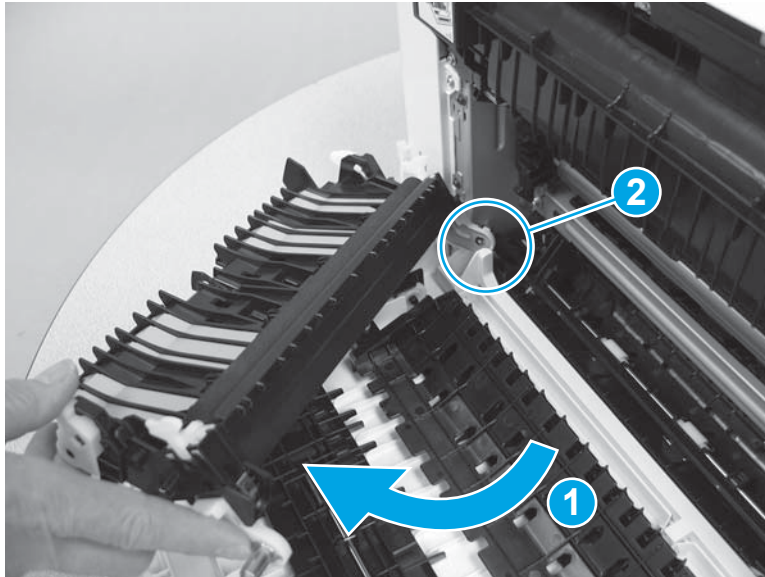
4. Lift the assembly up slightly (callout 1), and then slide it to the left (callout 2).

Figure 1-1930 Slide the assembly left



5. Rotate the right side of the assembly away from the printer (callout 1) so that the left side of the assembly rotates free of the plastic tab (callout 2). Remove the assembly.

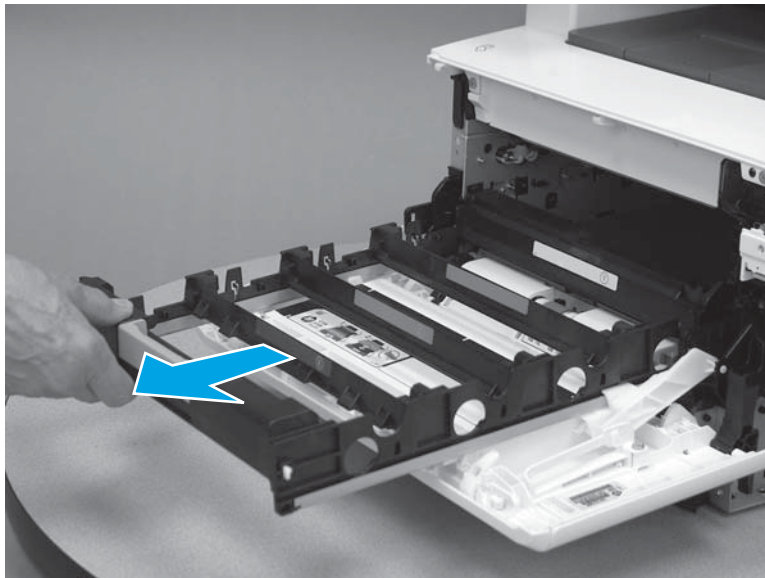
Figure 1-1931 Remove the secondary transfer assembly



Step 9: Remove the ITB

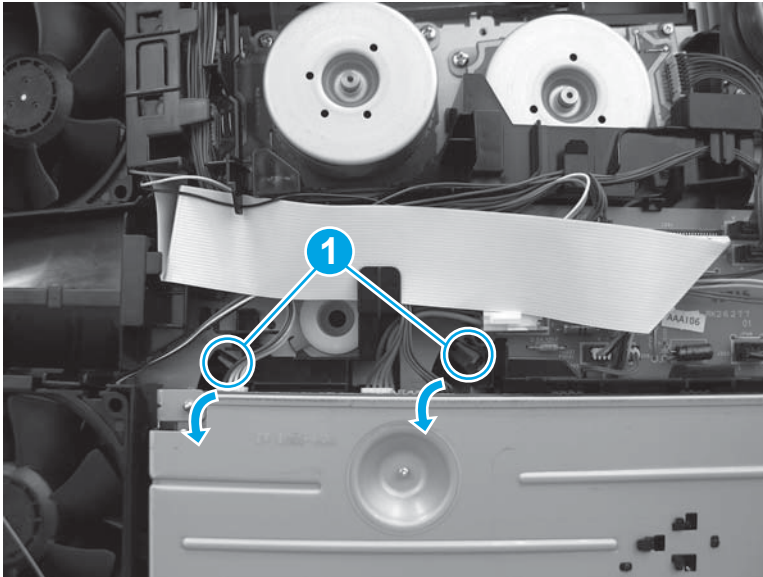
1. Slide the cartridge tray out of the printer.

Figure 1-1932 Slide the cartridge tray out



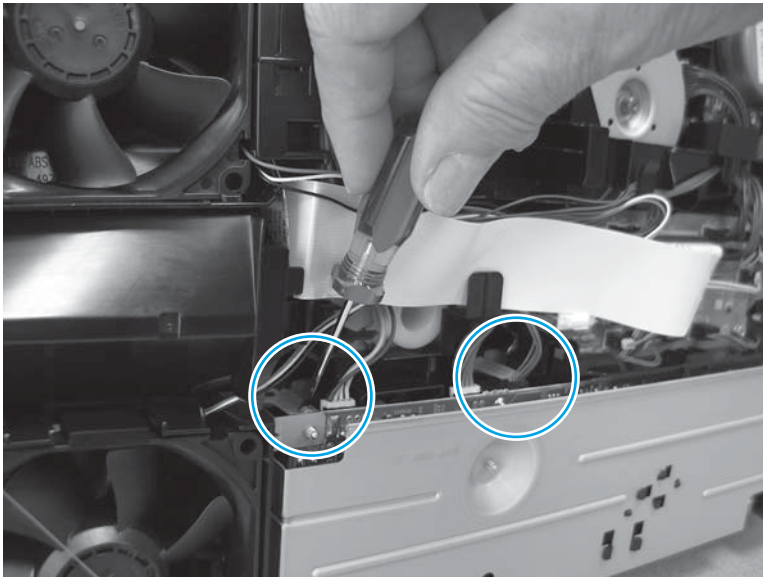
2. Locate two levers (callout 1) above the low-voltage power supply, and then rotate them down to release them.

Figure 1-1933 Release two levers



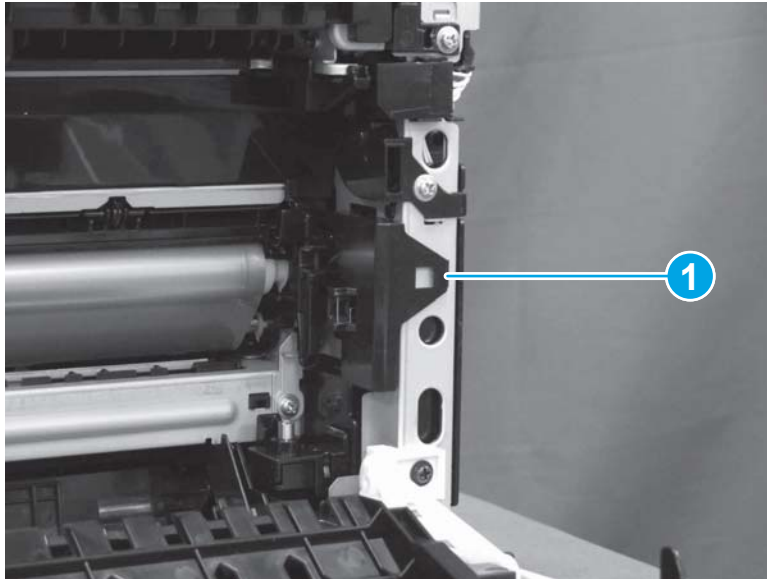
3. Use a small flat-blade screwdriver to pull the levers away from the printer until they stop.

Figure 1-1934 Pull two levers out



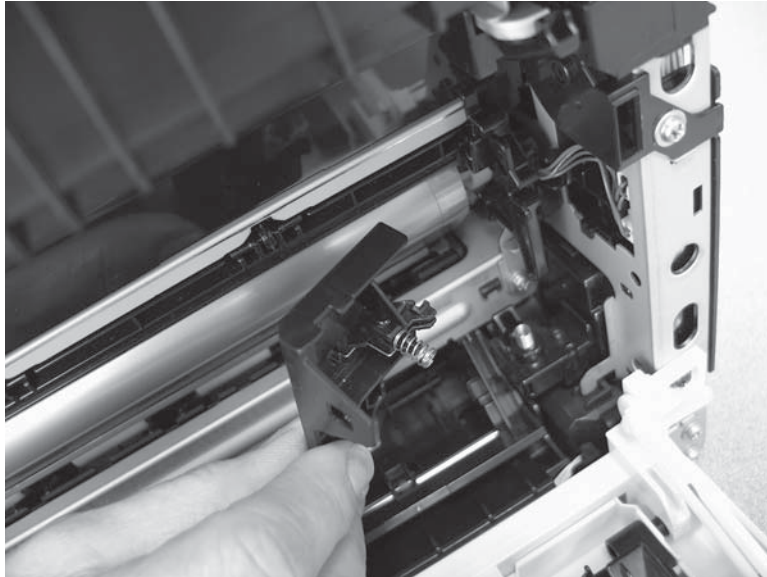
4. Release one tab (callout 1).

Figure 1-1935 Release one tab



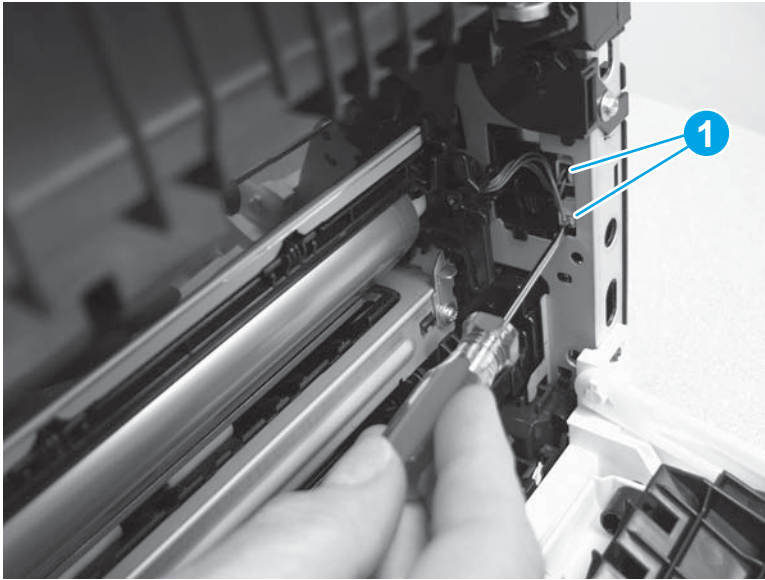
5. Remove the cover.

Figure 1-1936 Remove the cover.



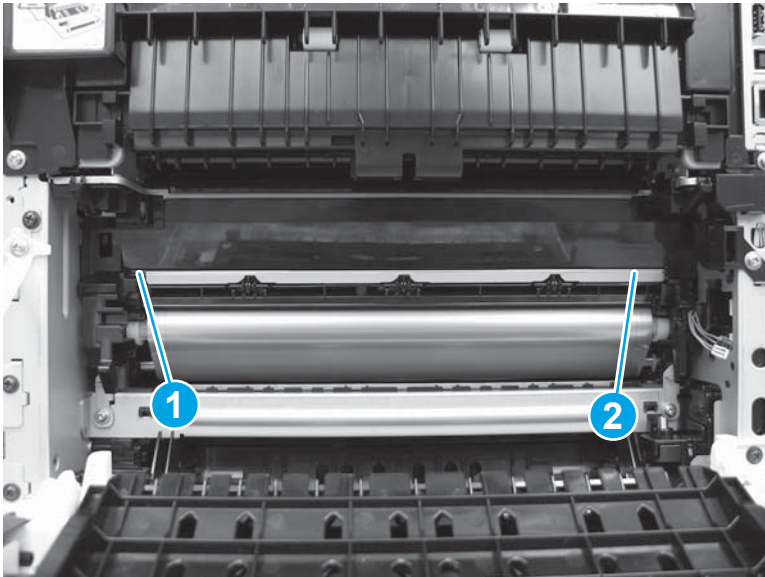
6. Use a small flat-blade screwdriver to release the retainers and remove two connectors (callout 1).

Figure 1-1937 Disconnect two connectors



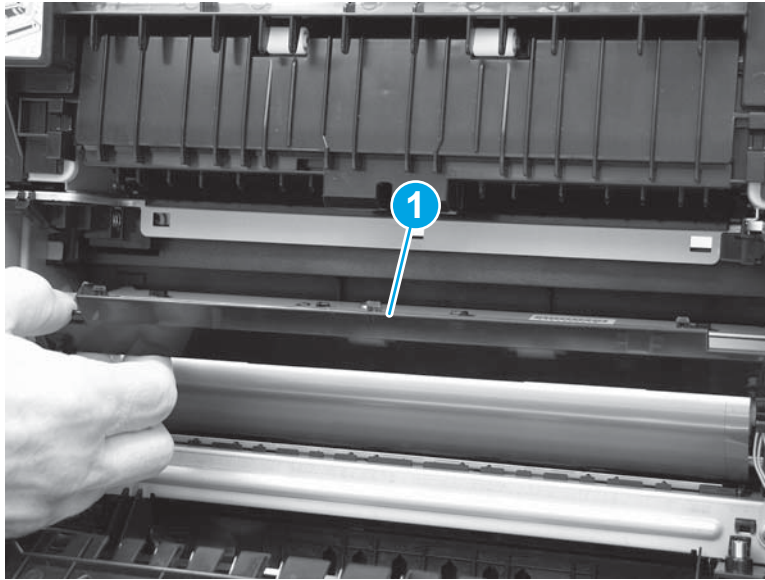
7. Release one tab (callout 1) on the left side of the fuser cover, and then release one tab (callout 2) on the right side.

Figure 1-1938 Release two tabs



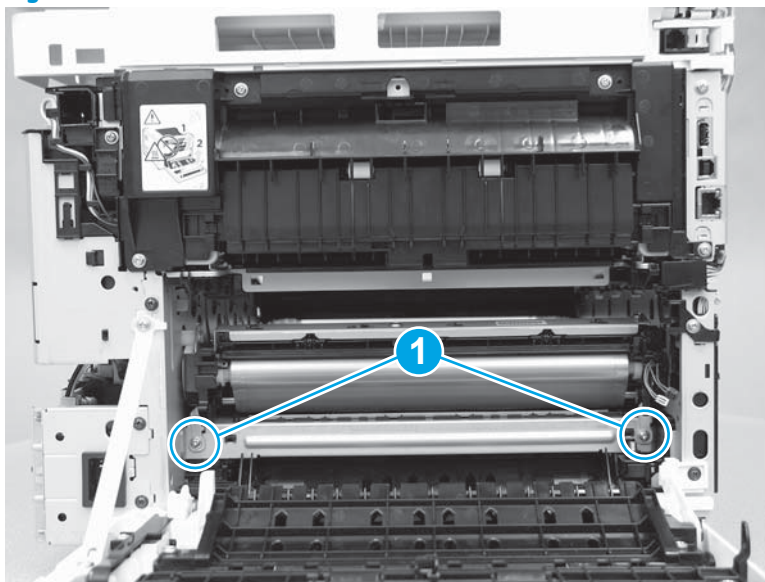
8. Remove the fuser cover (callout 1).

Figure 1-1939 Remove the fuser cover



9. Remove two screws (callout 1).

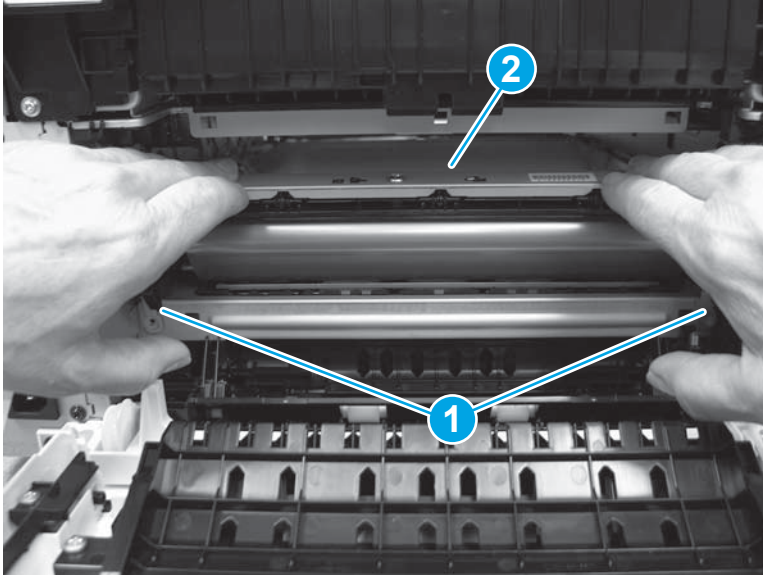
Figure 1-1940 Remove two screws



10. Press up on two tabs with thumbs (callout 1) and position fingers on the sheet metal on the top of the ITB (callout 2).

CAUTION: Do not touch the silver surface of the ITB. Skin oils on the ITB will cause print-quality problems.

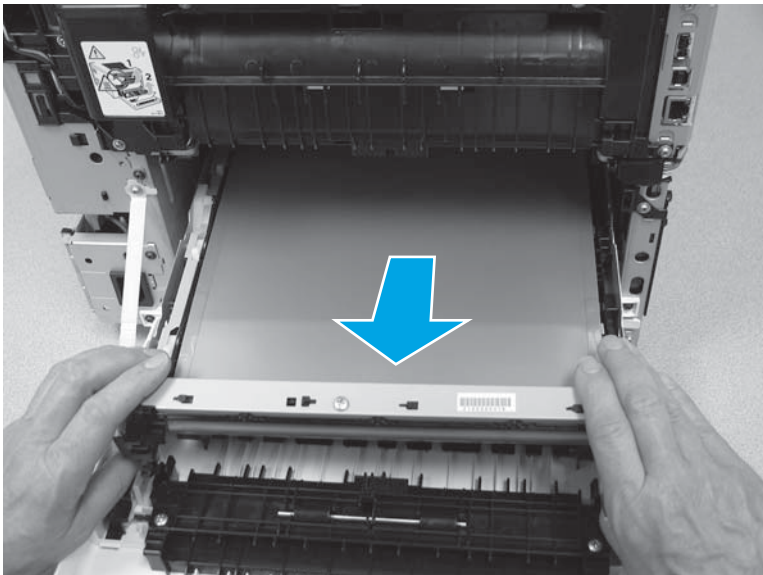
Figure 1-1941 Release two tabs



11. Slide the ITB out of the printer.

CAUTION: Do not tamper with any of the white fittings on the side of the ITB.

Figure 1-1942 Slide the ITB out



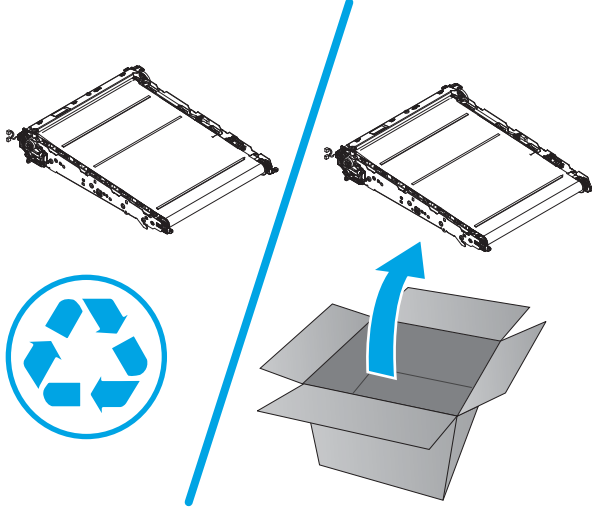
Step 10: Unpack the replacement part

Remove the new part from its package. Save all packaging for recycling the used part.

For complete information on HP's recycling programs, go to [Product return and recycling](#).

 **NOTE:** HP recommends responsible disposal of the defective part.

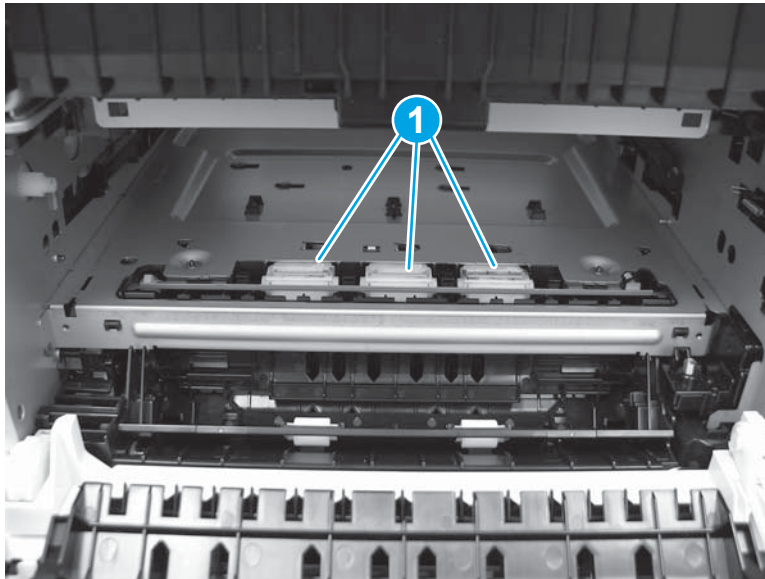
Figure 1-1943 Recycle and unpack



Step 11: Install the ITB

1. Use a soft, lint-free cloth to remove any paper dust from the mylar strips (callout 1) under the ITB.

Figure 1-1944 Clean the mylar strips



2. Verify that the tabs on the end of the ITB are in the position shown.

Figure 1-1945 Check tabs on the end of the ITB

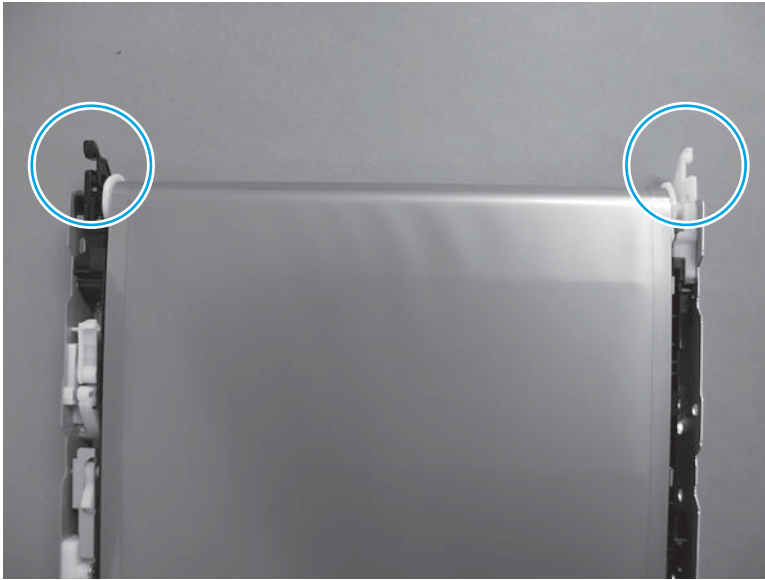
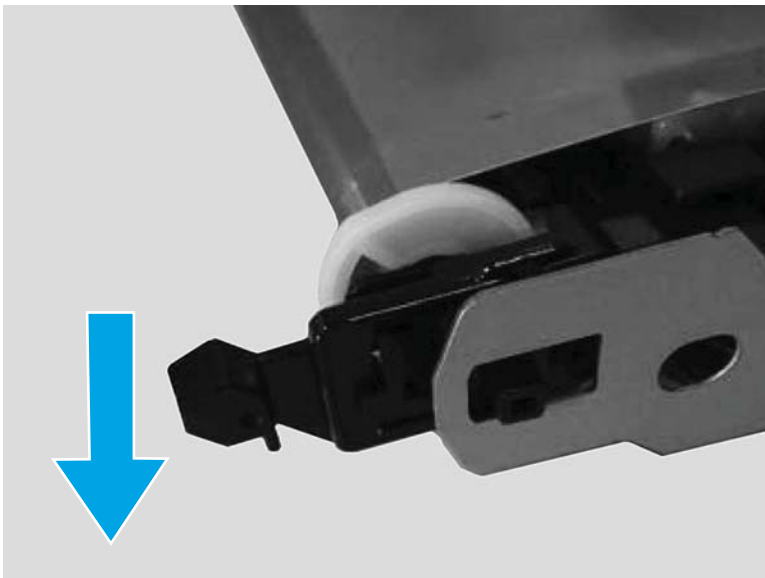


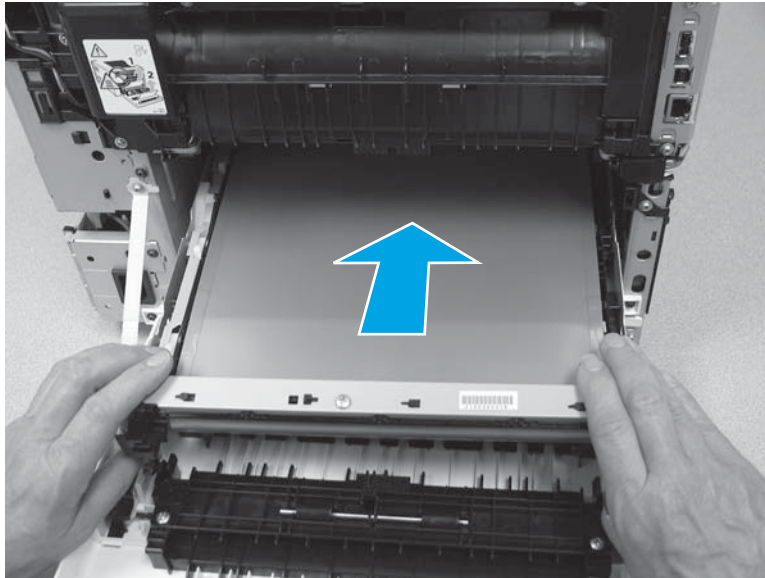
Figure 1-1946 Lower both tabs on each side of the ITB to the position shown



3. Slide the ITB into the printer.

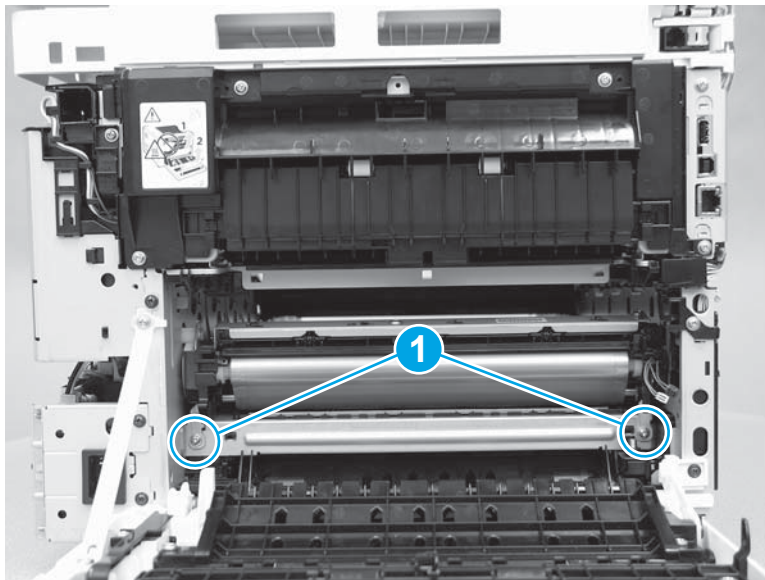
CAUTION: Do not touch the silver surface of the ITB. Skin oils on the ITB will cause print-quality problems.

Figure 1-1947 Slide the ITB in



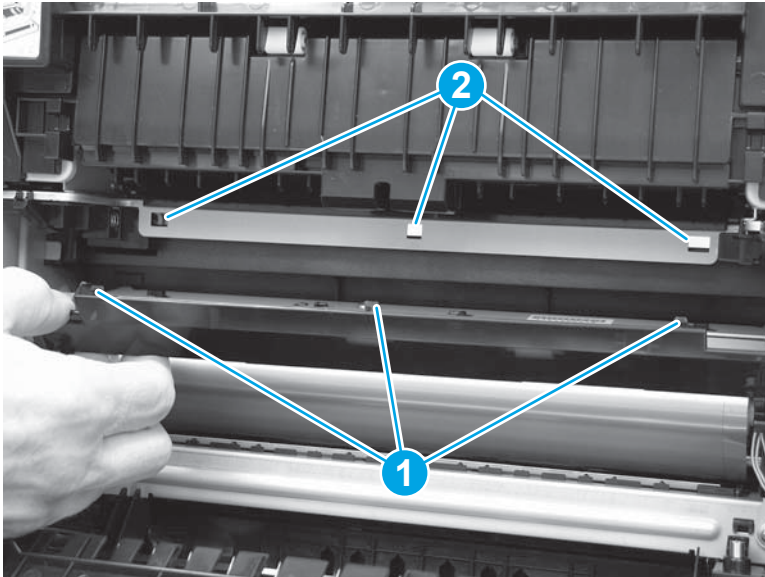
4. Install two screws (callout 1).

Figure 1-1948 Install two screws



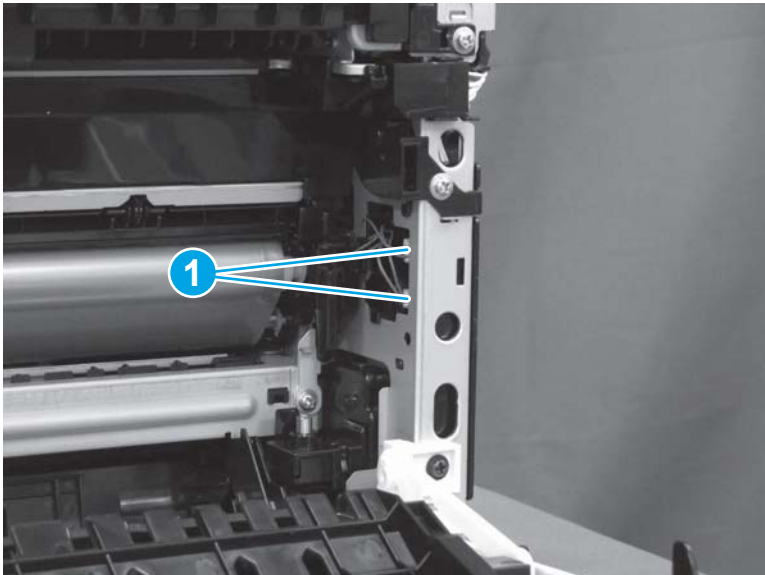
5. Install the tabs on the fuser cover (callout 1) into the slots (callout 2) in the printer, and then snap the cover into place.

Figure 1-1949 Install the fuser cover



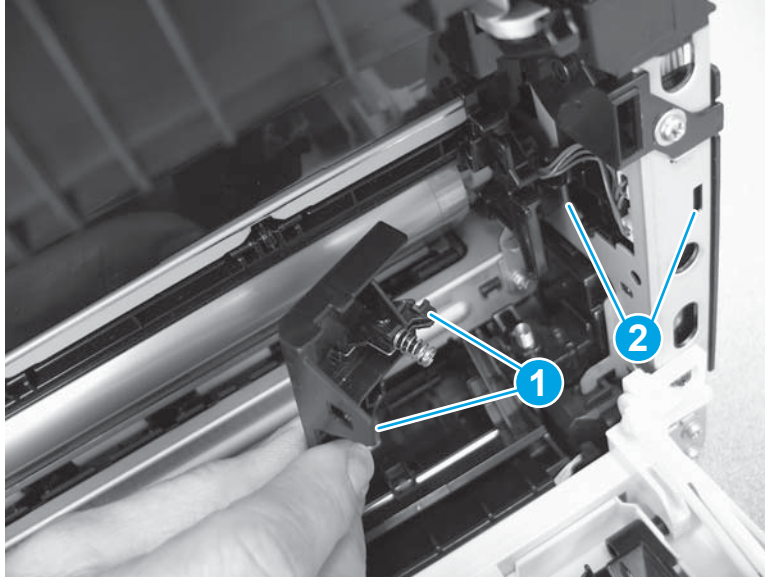
6. Connect two connectors (callout 1).

Figure 1-1950 Connect two connectors



7. Position the tabs (callout 1) on the cover into the slots (callout 2) on the printer, and then snap the cover into place.

Figure 1-1951 Install the cover.



8. Use a small flat-blade screwdriver to push the levers into the printer until they stop.

Figure 1-1952 Push two levers in

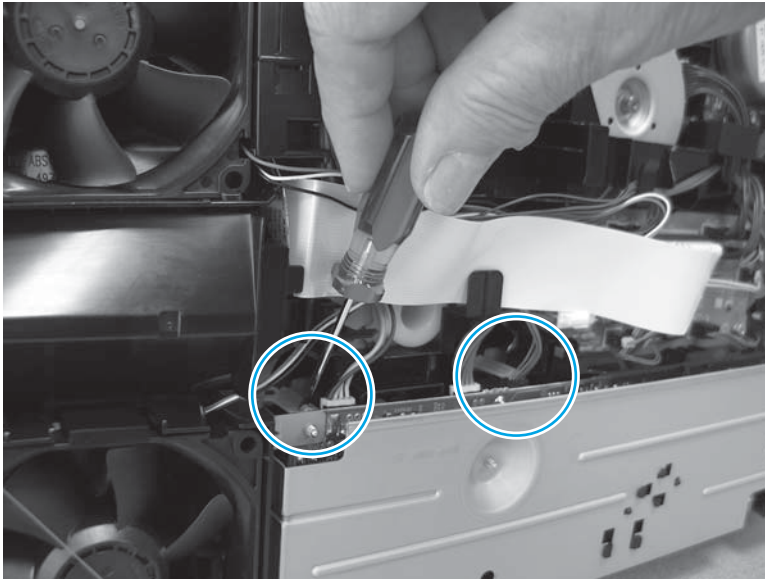
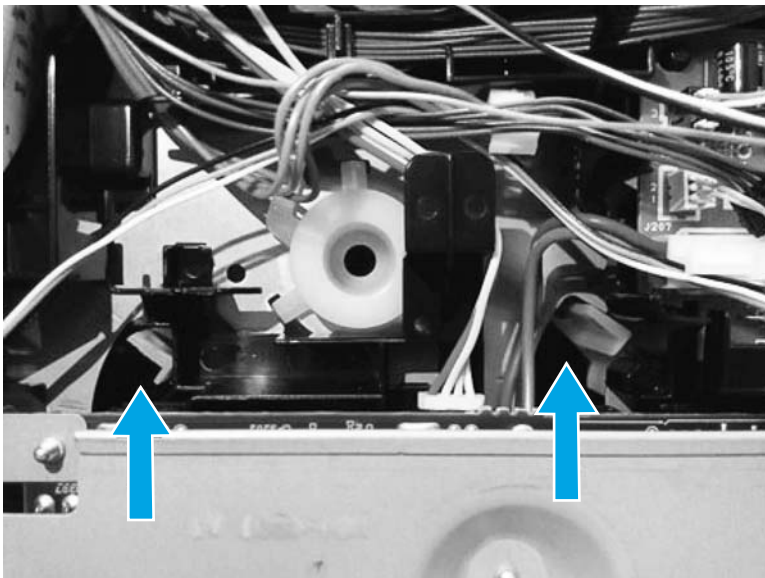
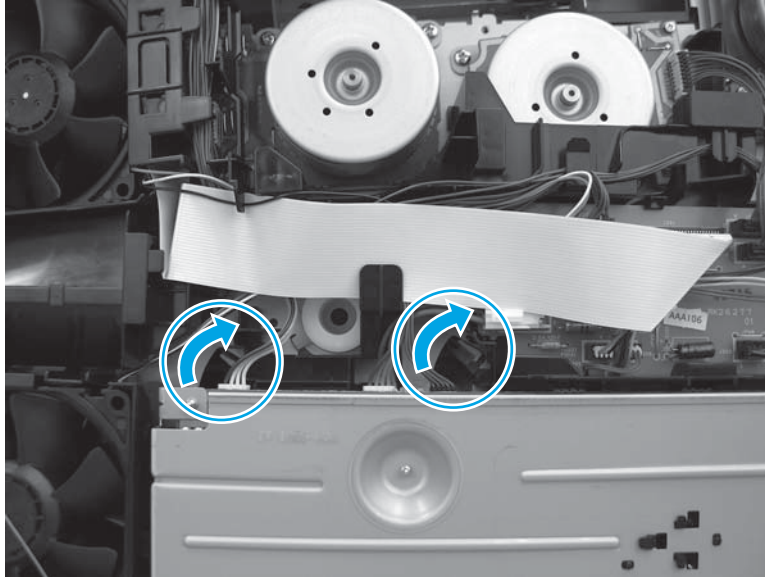


Figure 1-1953 Push two levers in (different view)



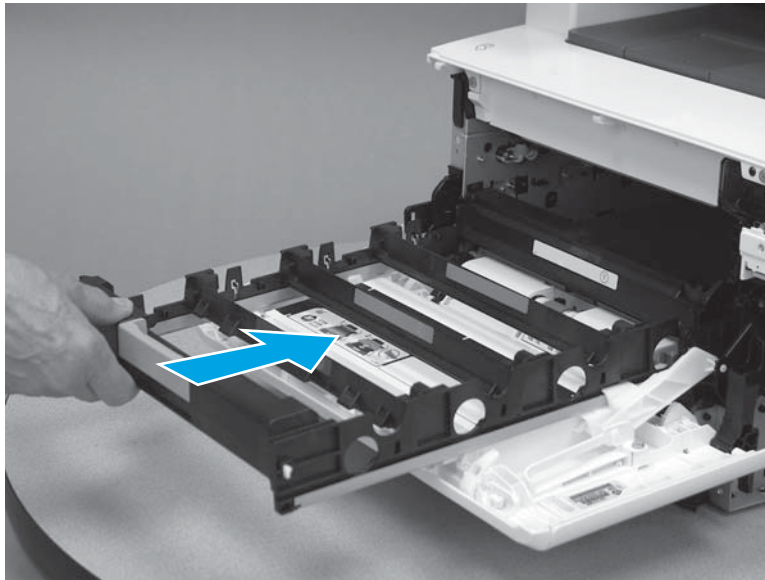
9. Rotate the levers up until they snap into place.

Figure 1-1954 Rotate two levers into place




10. Slide the cartridge tray into the printer.

Figure 1-1955 Slide the cartridge tray in



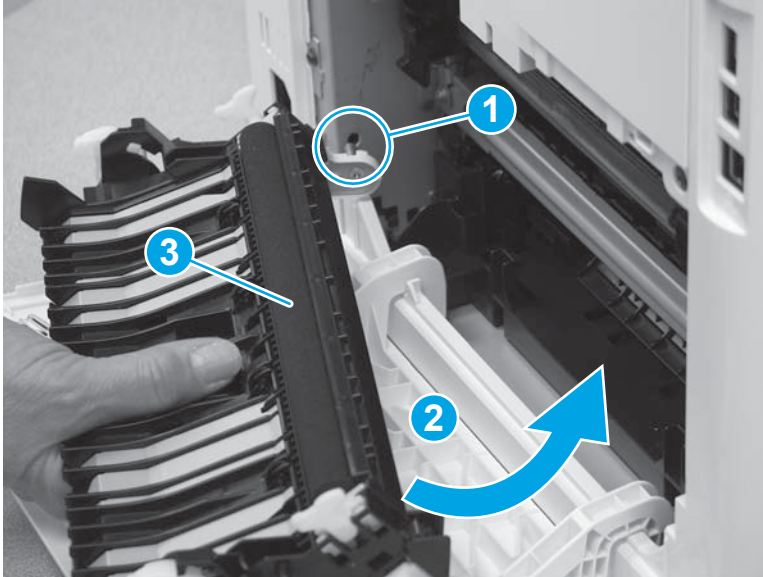
Step 12: Install the secondary transfer assembly (simplex models)

 **NOTE:** This step is for simplex models. For duplex models, skip this step and go to [Step 13: Install the secondary transfer assembly \(duplex models\) on page 1055](#).

1. Install the shaft on the secondary transfer assembly into the hole in the printer (callout 1), and then rotate the right side of the assembly toward the printer to install it (callout 2).

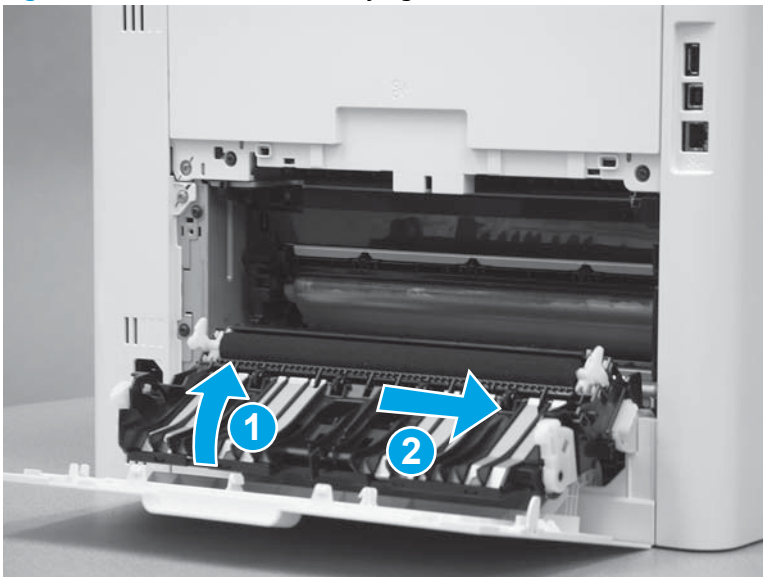
 **CAUTION:** Do not touch or damage the secondary transfer roller (callout 3).

Figure 1-1956 Position the secondary transfer assembly



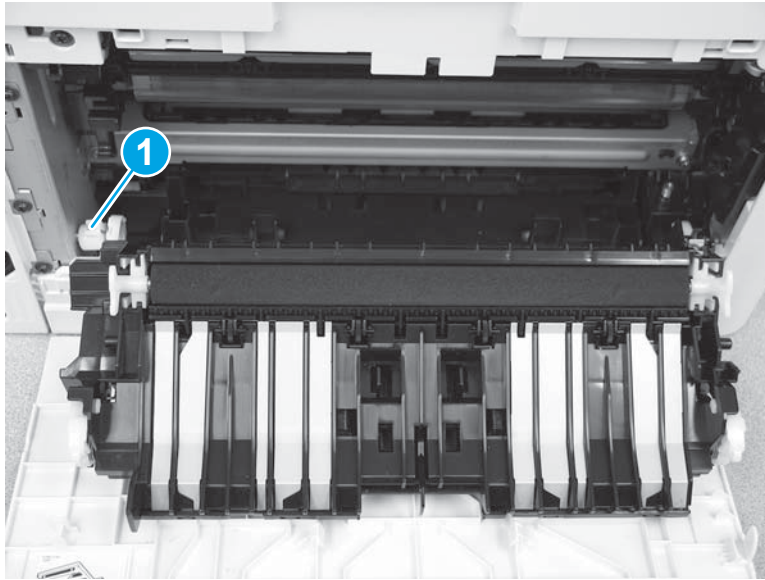
2. Lift the assembly up slightly (callout 1), and then slide it to the right (callout 2).

Figure 1-1957 Slide the assembly right



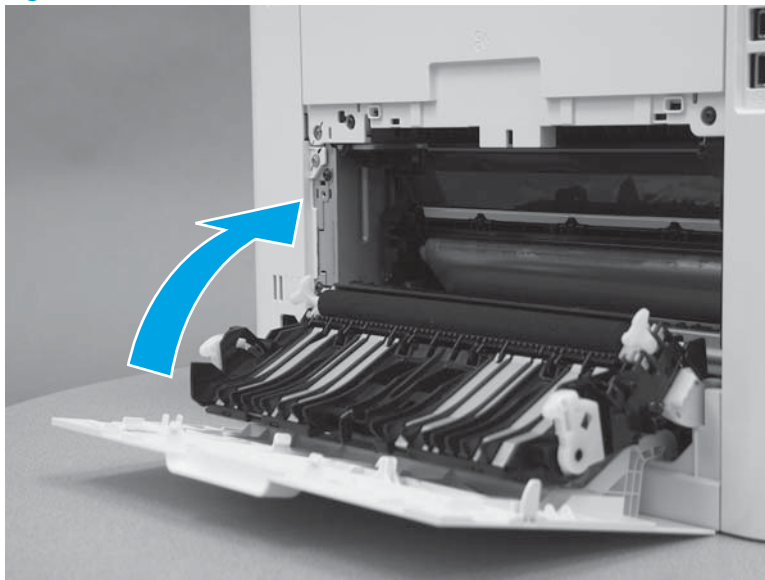
3. Install one retainer collar (callout 1).

Figure 1-1958 Install one retainer collar



4. Close the rear door.

Figure 1-1959 Close the rear door



Step 13: Install the secondary transfer assembly (duplex models)

 **NOTE:** This step is for duplex models. For simplex models, skip this step and go to [Step 14: Install the left cover \(M452 models\) on page 1058](#).

1. Install the left edge of the secondary transfer assembly behind the plastic tab (callout 1), and then rotate the right side of the assembly toward the printer to install it (callout 2).


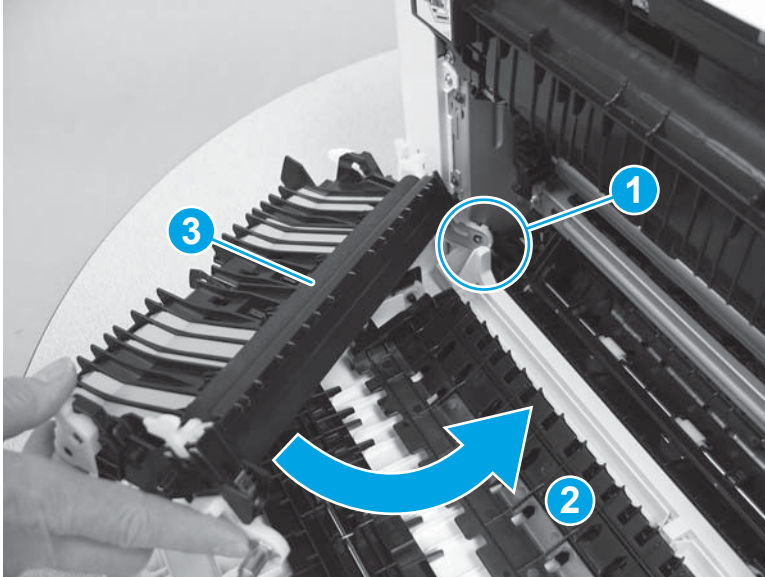
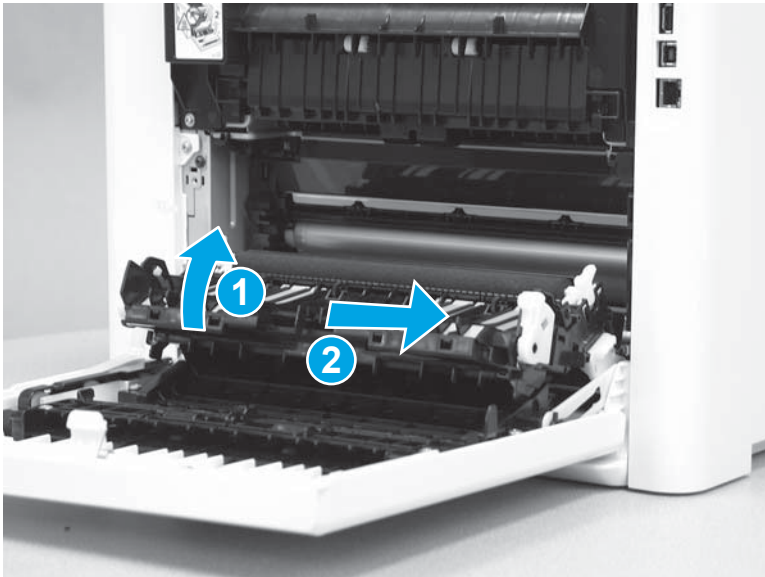
 **CAUTION:** Do not touch or damage the secondary transfer roller (callout 3).

Figure 1-1960 Position the secondary transfer assembly



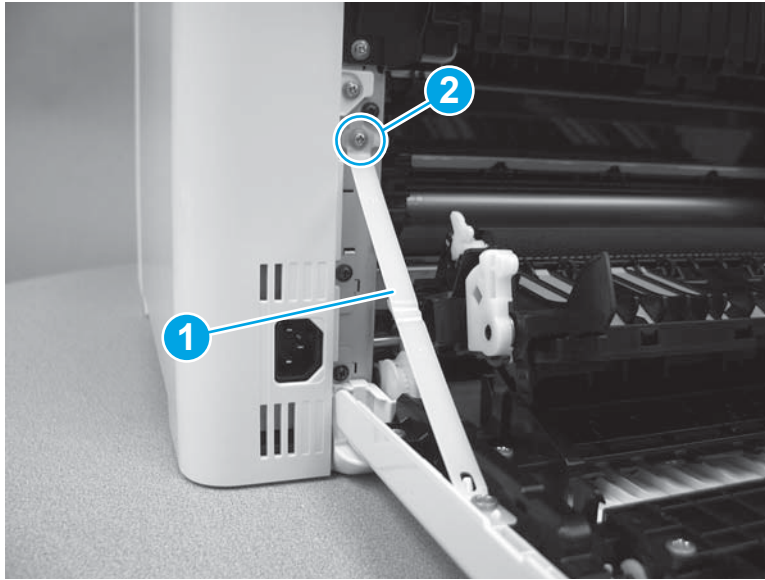
2. Lift the assembly up slightly (callout 1), and then slide it to the right (callout 2).

Figure 1-1961 Slide the assembly right



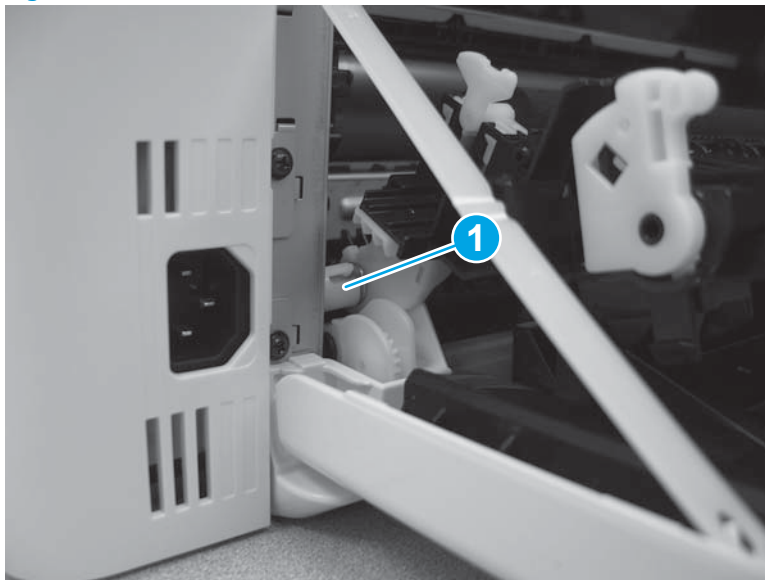
3. Position the retaining arm (callout 1) on the printer, and then install one screw (callout 2).

Figure 1-1962 Install the retaining arm



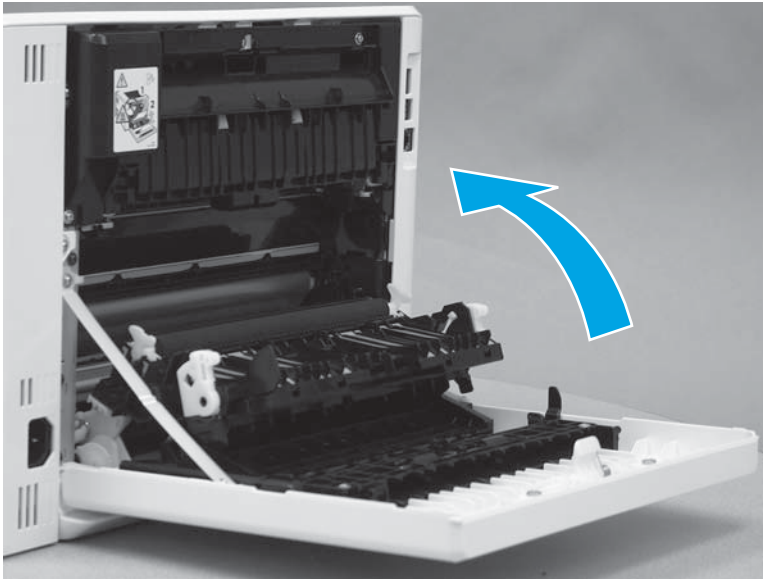
4. Install one retainer collar (callout 1).

Figure 1-1963 Install one retainer collar



5. Close the duplexer door.

Figure 1-1964 Close the duplexer door



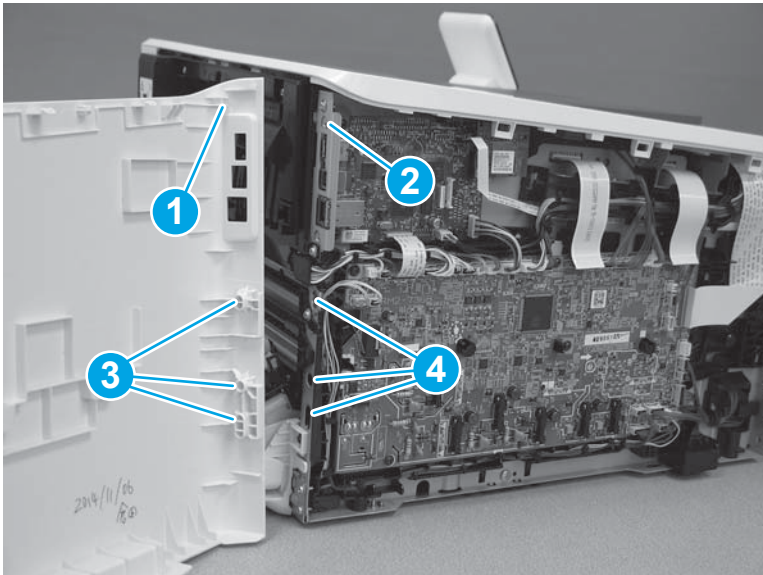
Step 14: Install the left cover (M452 models)



NOTE: This step is for the M452 models. For the M377, M477 models, skip this step and go to [Step 15: Install the left cover \(M377, M477 models\) on page 1062](#).

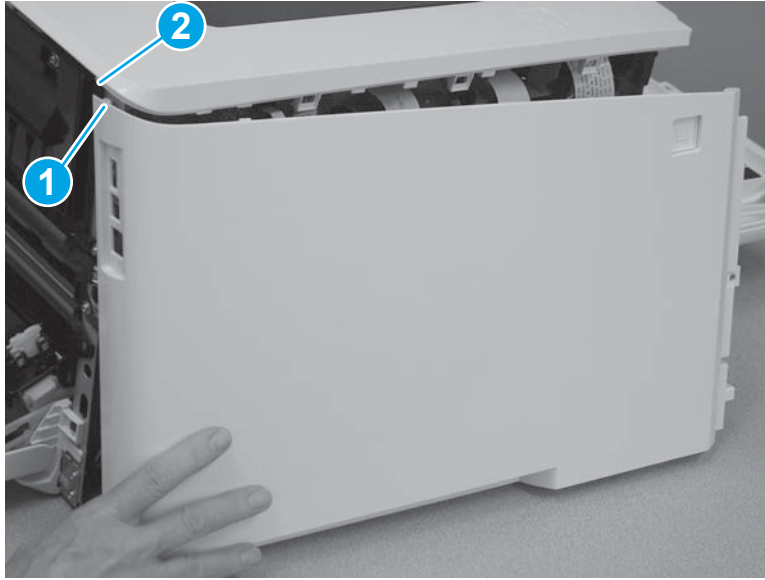
1. Position the hook (callout 1) on the cover in the slot (callout 2) on the printer. Position three tabs (callout 3) on the back of the cover in the slots (callout 4) in the printer.

Figure 1-1965 Position three tabs



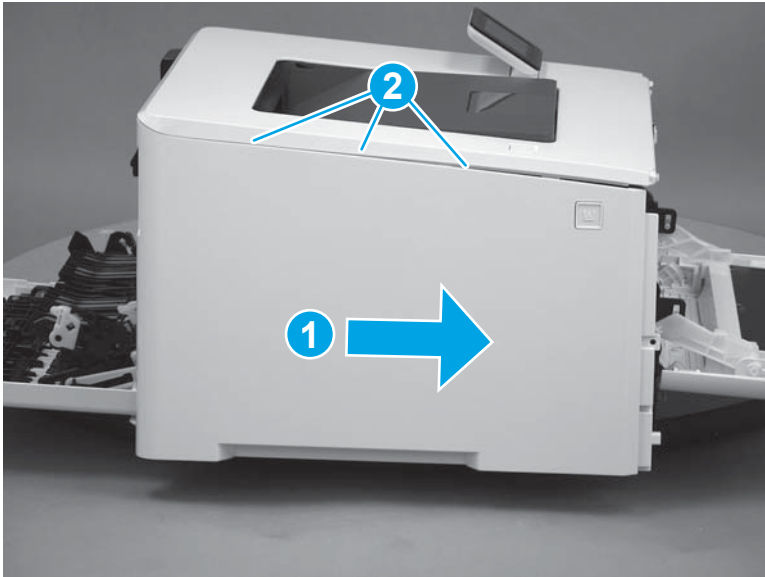
2. At the back of the printer, install the tab (callout 1) under the edge of the top cover (callout 2).

Figure 1-1966 Install one tab



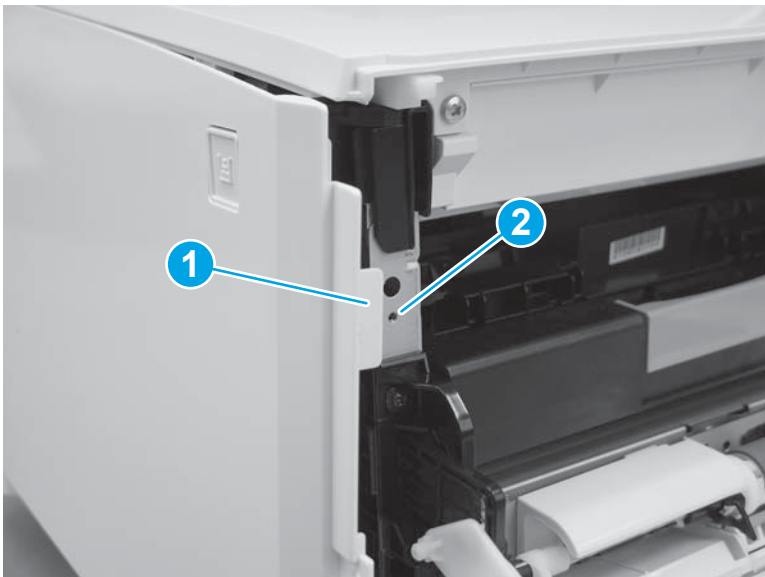
3. Slide the cover toward the front of the printer (callout 1), and then engage three tabs (callout 2) on the top of the cover.

Figure 1-1967 Install the left cover



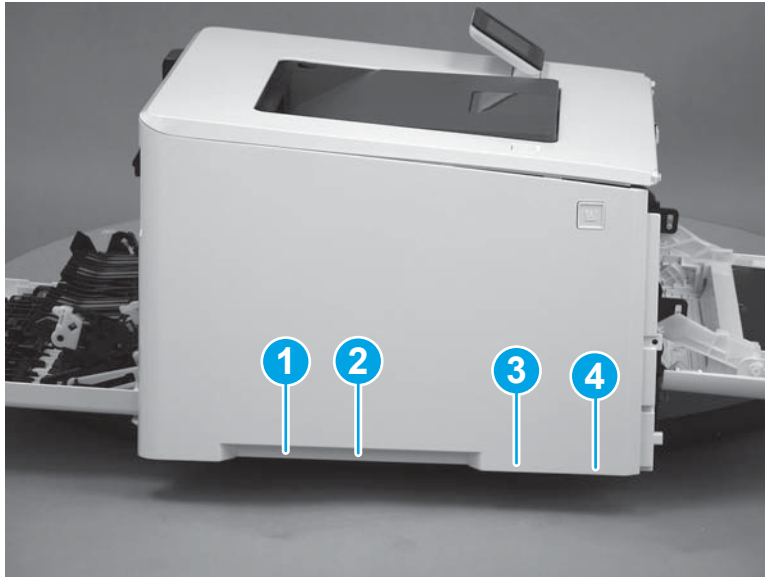
CAUTION: Make sure that the tab (callout 1) does not get caught behind the printer frame (callout 2).

Figure 1-1968 Make sure the tab does not get caught



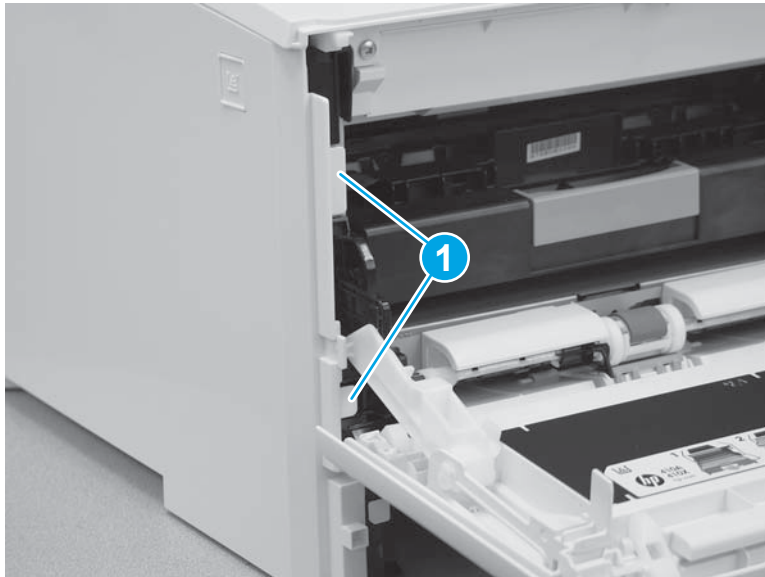
4. Slide the printer to the edge of a work surface in order to access the tabs on the bottom of the cover. Beginning from the back of the cover, install four tabs (callouts 1-4) on the lower edge of the cover.

Figure 1-1969 Install four tabs



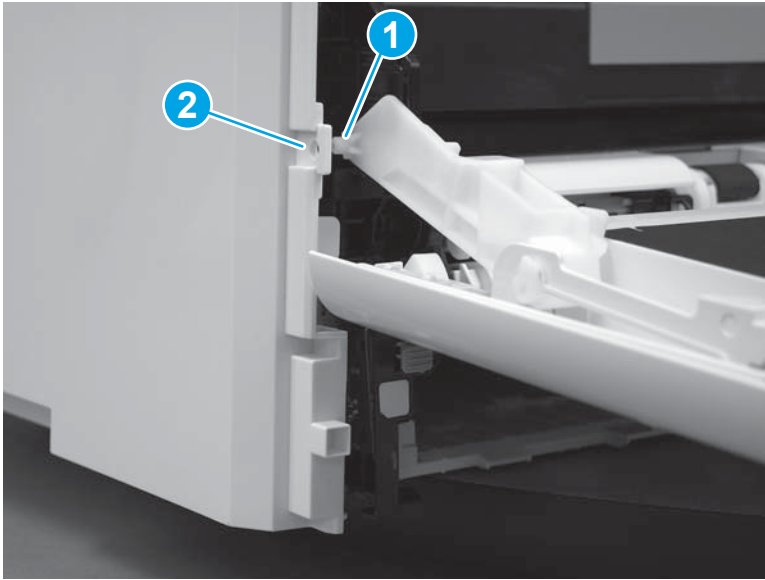
5. Install two tabs (callout 1) at the front of the cover.

Figure 1-1970 Engage two tabs



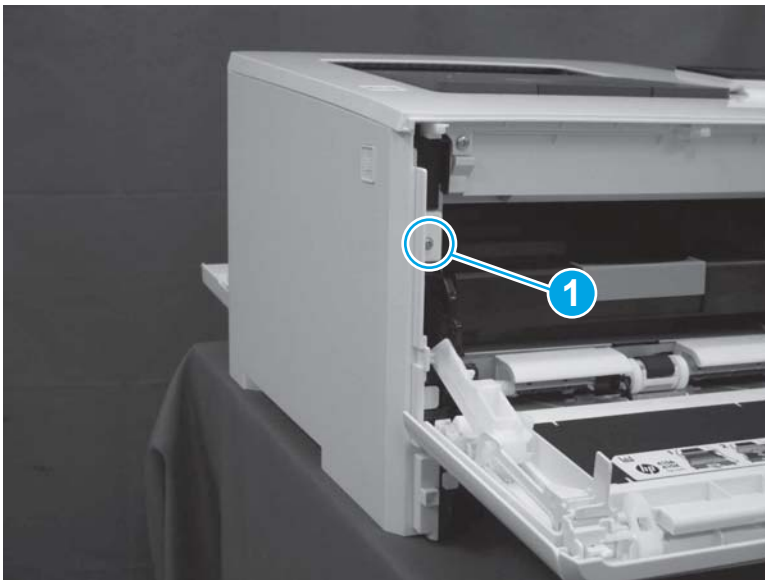
6. Make sure that the hinge pin (callout 1) on the front door fits into the slot (callout 2) on the left cover.

Figure 1-1971 Install hinge pin




7. Install one screw (callout 1).

Figure 1-1972 Install one screw

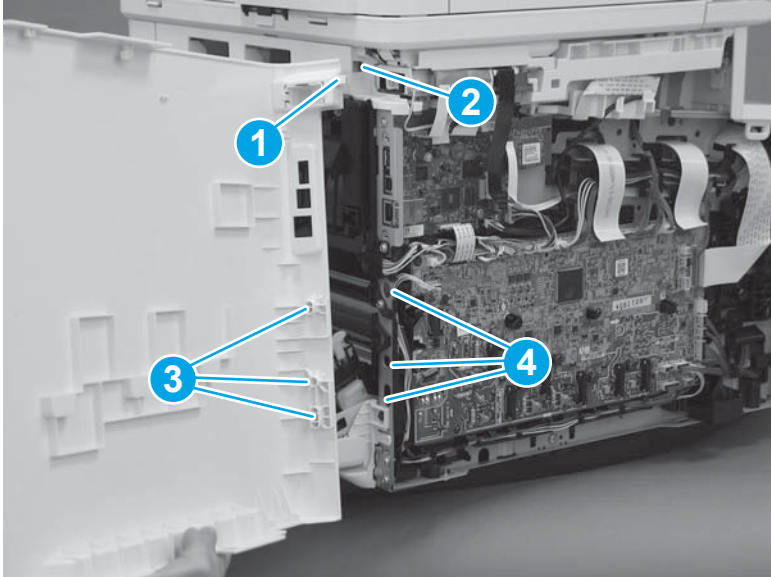


Step 15: Install the left cover (M377, M477 models)

 **NOTE:** This step is for the M377, M477 models. For the M452 models, skip this step and go to [Step 16: Install the right cover \(M452 models\) on page 1069](#).

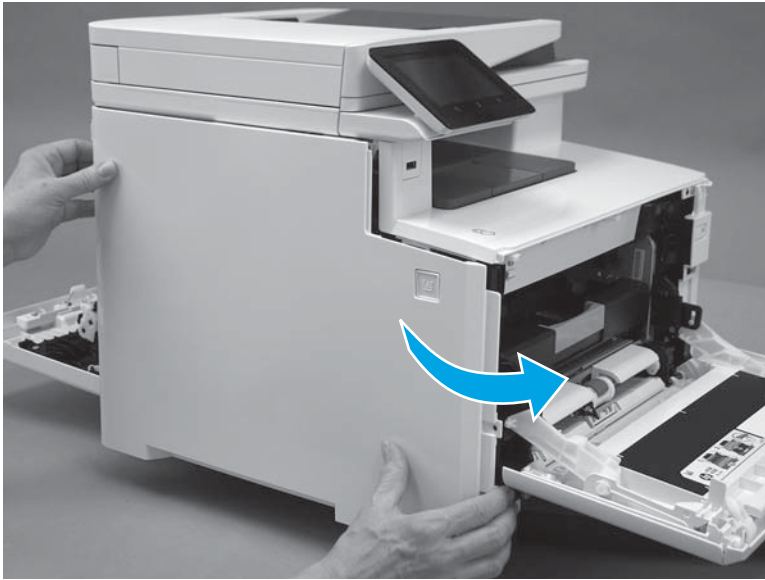
1. At the back of the printer, install the tab (callout 1) on the cover into the slot (callout 2) in the printer. Install the locator pins (callout 3) into the slots (callout 4) in the printer.

Figure 1-1973 Install one tab



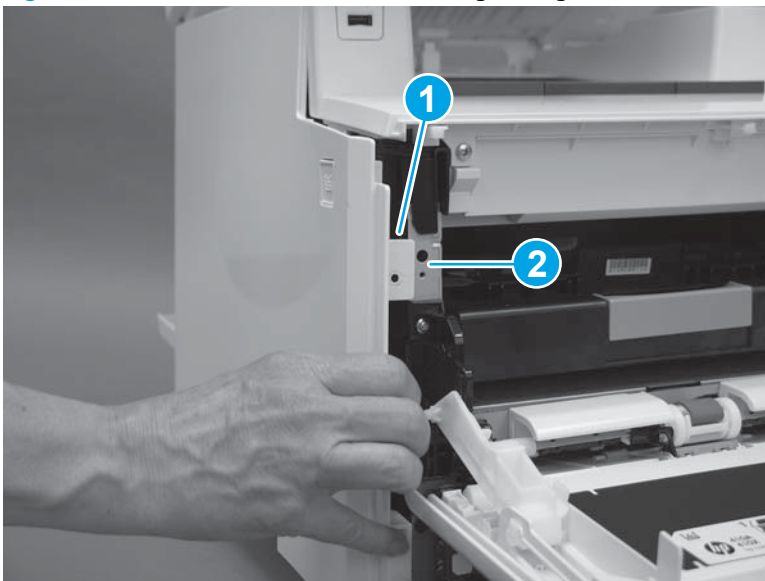
2. Rotate the cover toward the printer.

Figure 1-1974 Rotate the left cover



CAUTION: Make sure that the tab (callout 1) does not get caught behind the printer frame (callout 2).

Figure 1-1975 Make sure the tab does not get caught



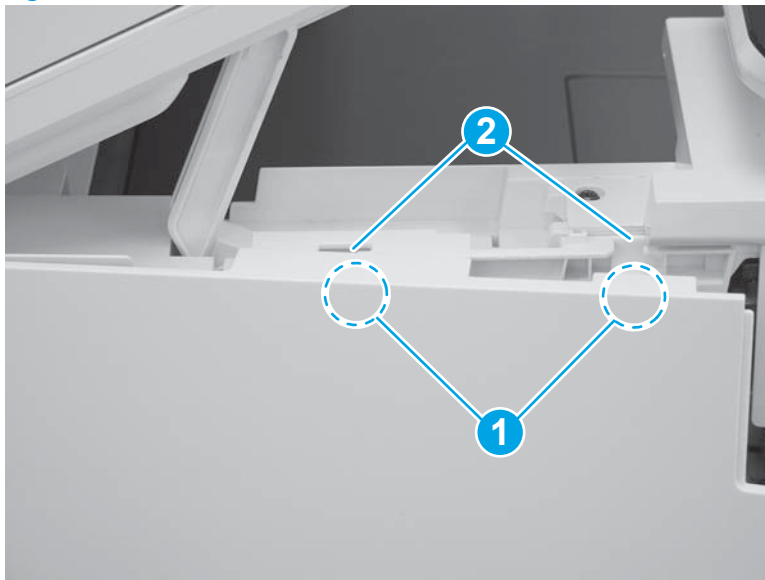
3. Raise the scanner.

Figure 1-1976 Raise the scanner



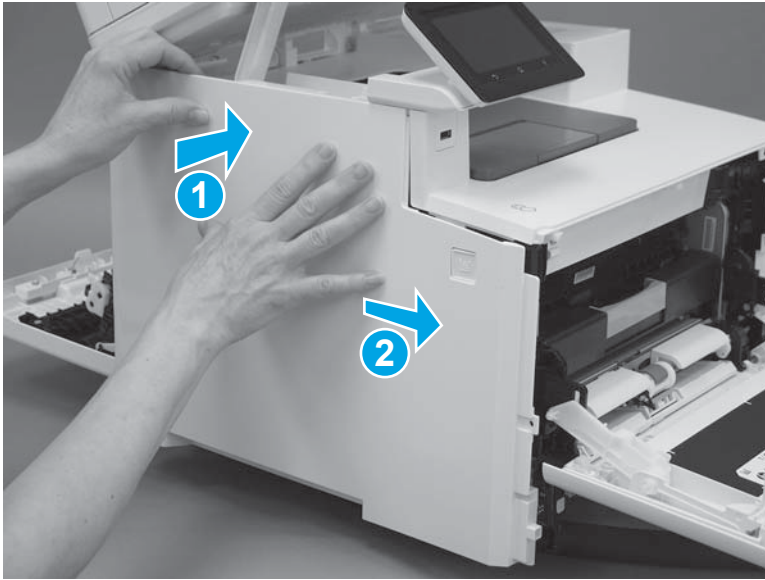
4. Position the hooks (callout 1) on the inside of the cover into the slots (callout 2) on the printer.

Figure 1-1977 Position the hooks in the slots



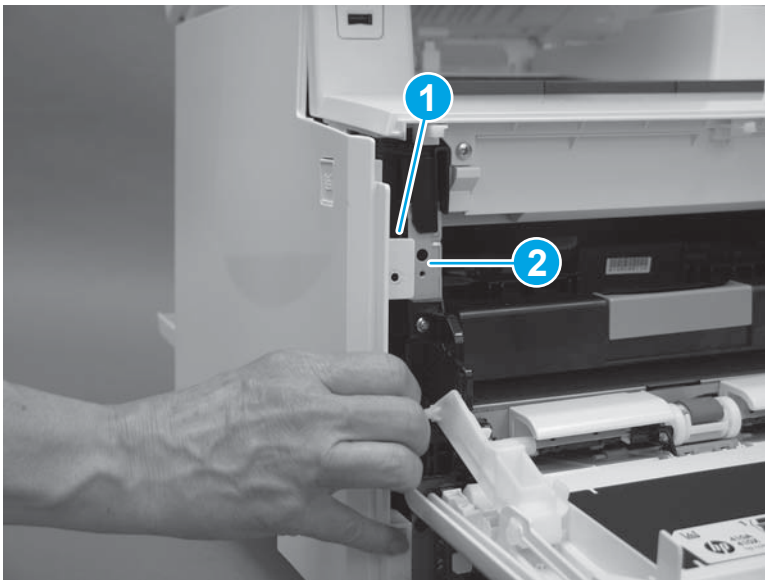
5. Hold the cover against the printer (callout 1), and then slide it (callout 2) toward the front of the printer.

Figure 1-1978 Install the top hooks



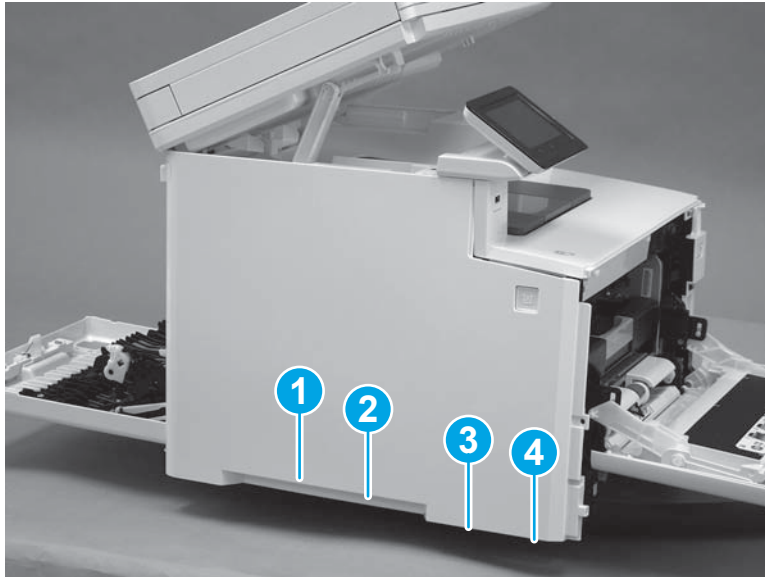
CAUTION: Make sure that the tab (callout 1) on the front of the cover does not get caught behind the printer frame (callout 2).

Figure 1-1979 Make sure the tab does not get caught



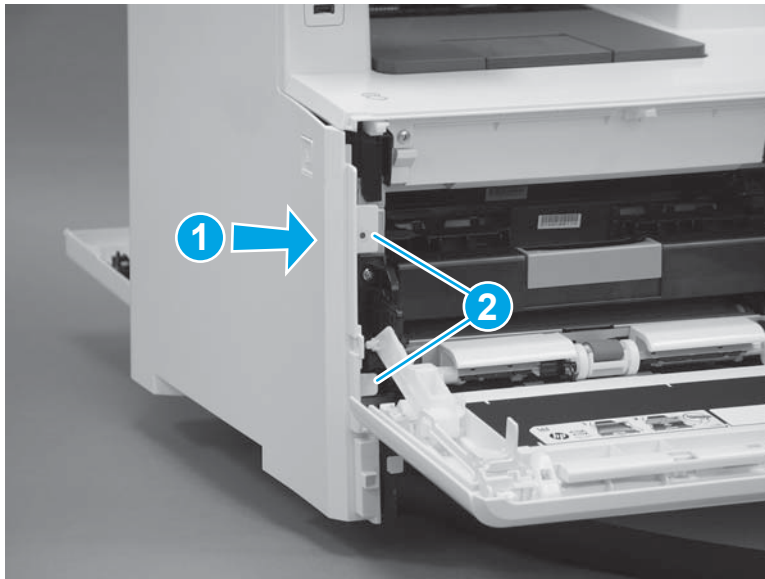
6. Slide the printer to the edge of a work surface in order to access the tabs on the bottom of the cover. Beginning from the back of the cover, install four tabs (callouts 1-4) on the lower edge of the cover.

Figure 1-1980 Install four tabs



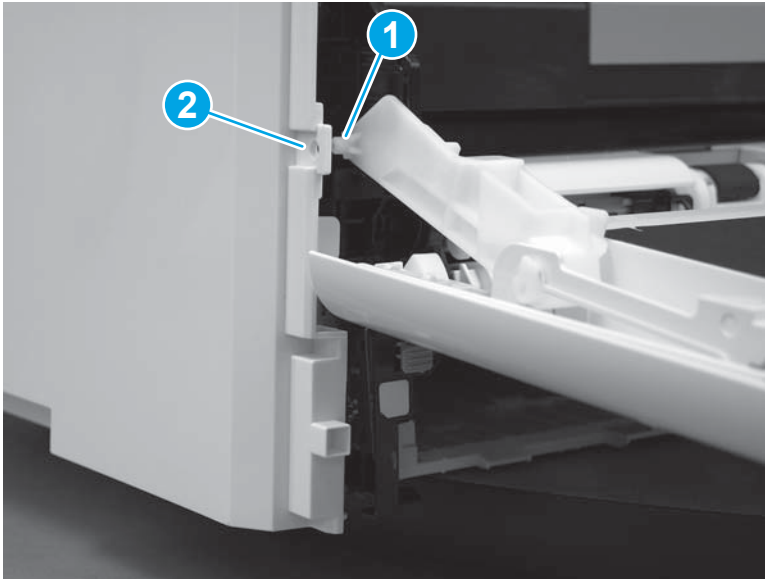
7. Press the cover toward the printer (callout 1), and then install two tabs (callout 2) at the front of the cover.

Figure 1-1981 Install two tabs



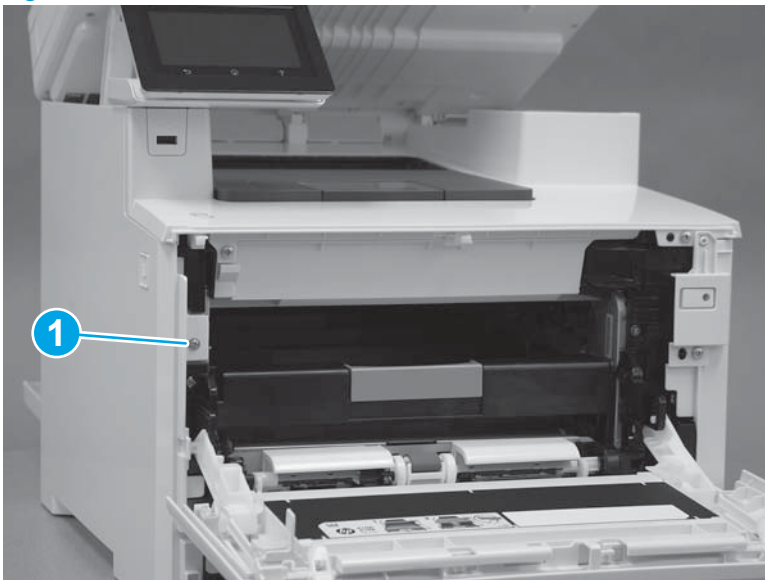
8. Make sure that the hinge pin (callout 1) on the front door fits into the slot (callout 2) on the left cover.

Figure 1-1982 Install hinge pin



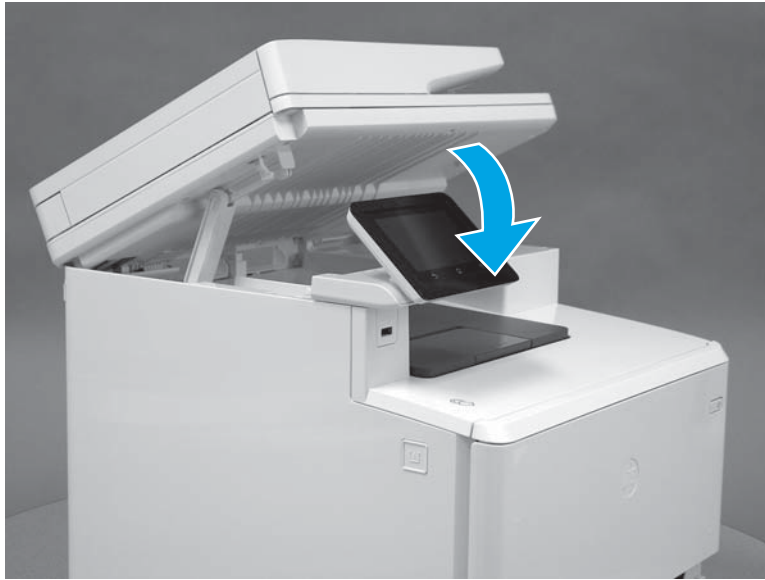
9. Install one screw (callout 1).

Figure 1-1983 Install one screw




10. Lower the scanner.

Figure 1-1984 Lower the scanner

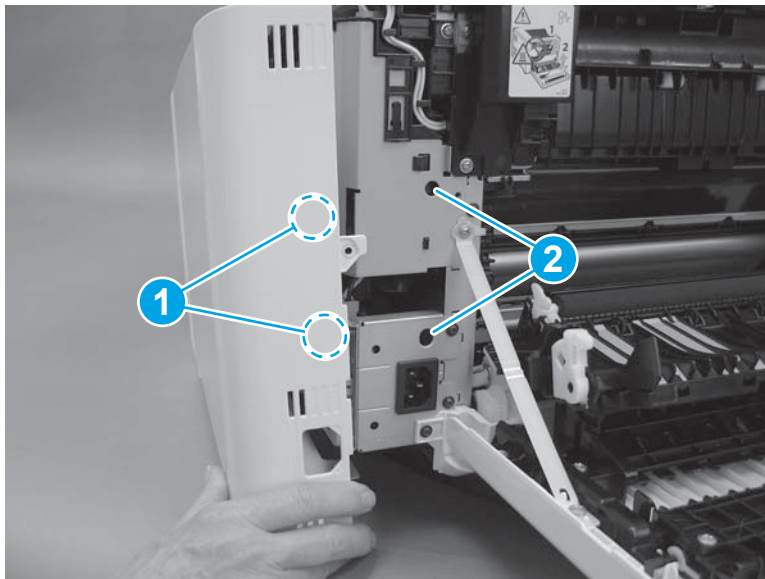


Step 16: Install the right cover (M452 models)

 **NOTE:** This step is for the M452 models. For the M377, M477 models, skip this step and go to [Step 17: Install the right cover \(M377, M477 models\) on page 1073](#).

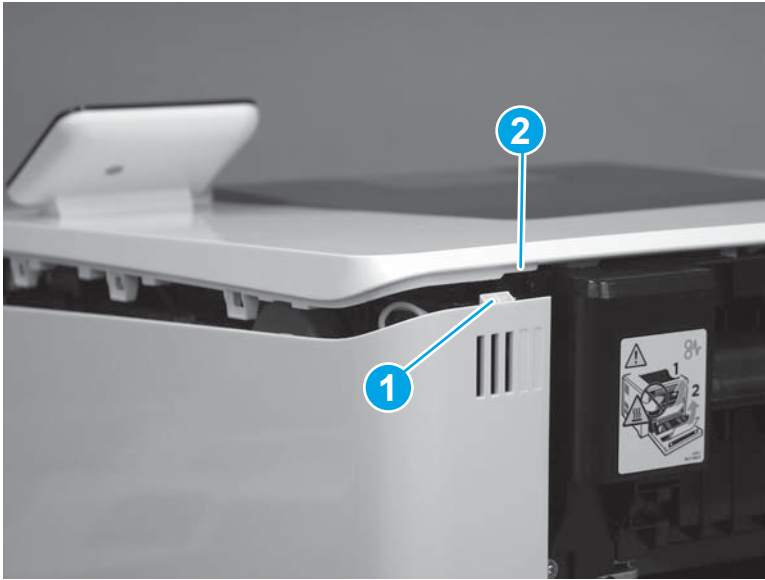
1. Position two tabs (callout 1) on the back of the cover in the slots (callout 2) in the printer.

Figure 1-1985 Position two tabs



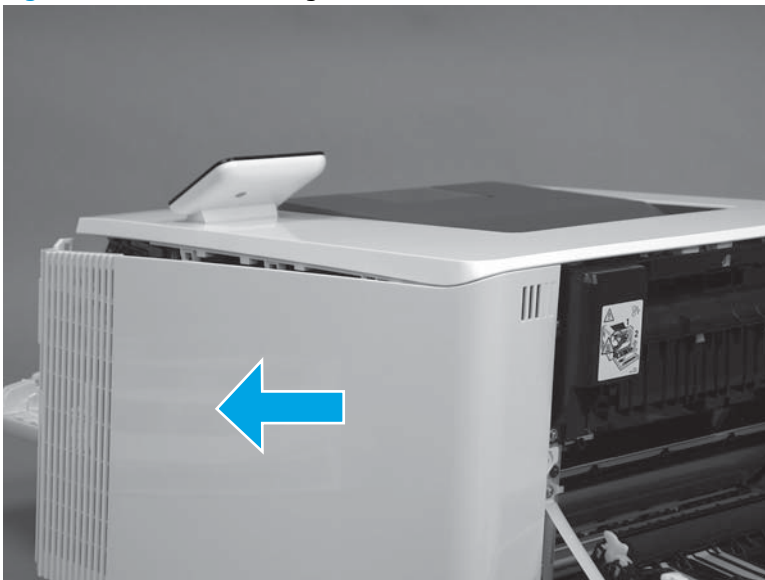
2. At the back of the printer, install the tab (callout 1) under the edge of the top cover (callout 2).

Figure 1-1986 Install rear tab



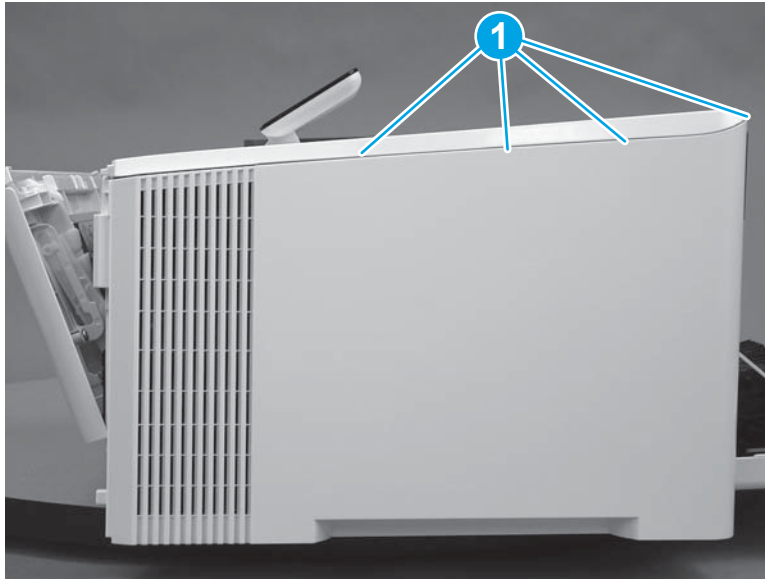
3. Slide the cover toward the front of the printer to install it.

Figure 1-1987 Install the right cover



- Engage three tabs (callout 2) on the top of the cover.

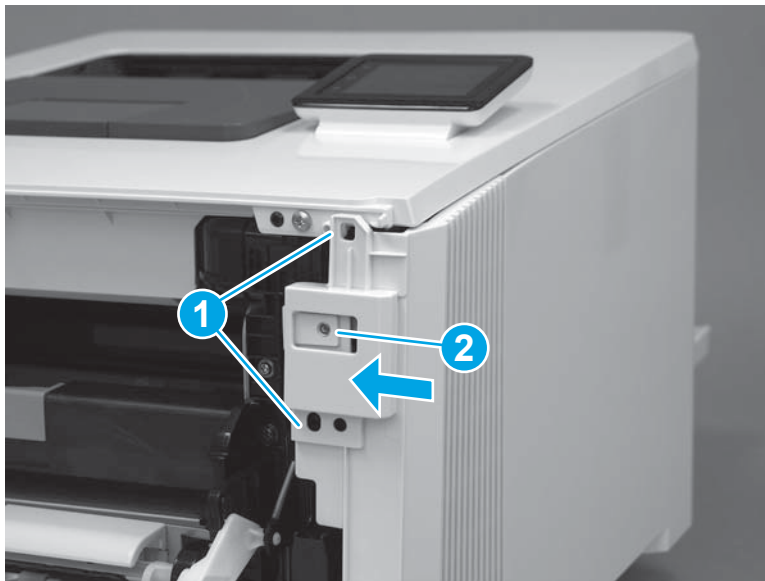
Figure 1-1988 Install upper tabs



- At the front of the printer, position the front of the cover over two tabs (callout 1).

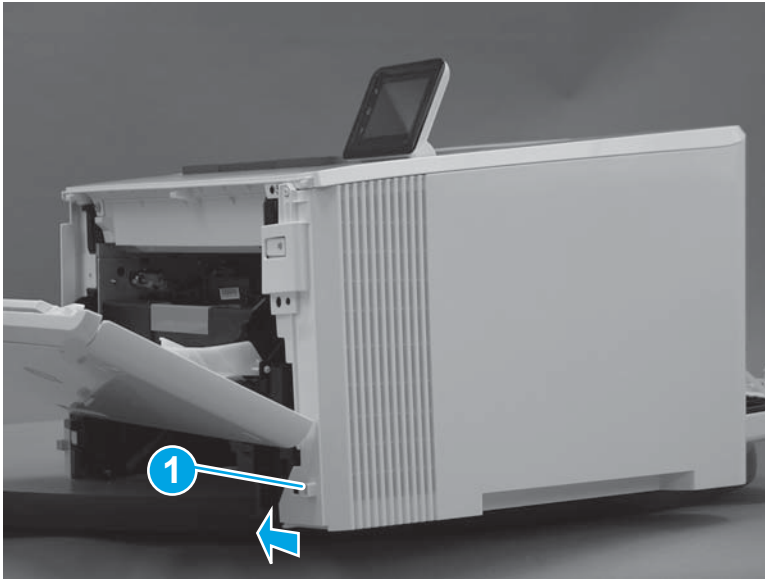
⚠ CAUTION: Be careful not to dislodge the power switch (callout 2).

Figure 1-1989 Install the front tabs



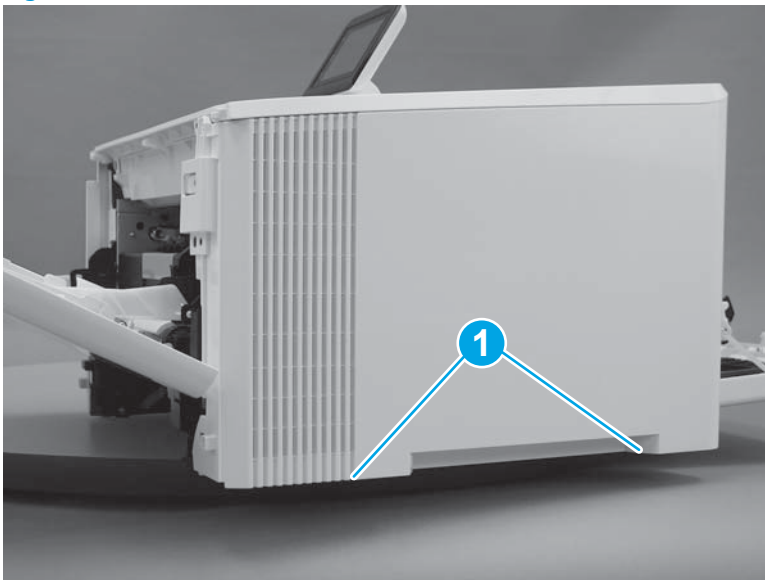
6. Press the right cover toward the printer to engage one tab (callout 1) on the front of the cover.

Figure 1-1990 Install the front lower tab



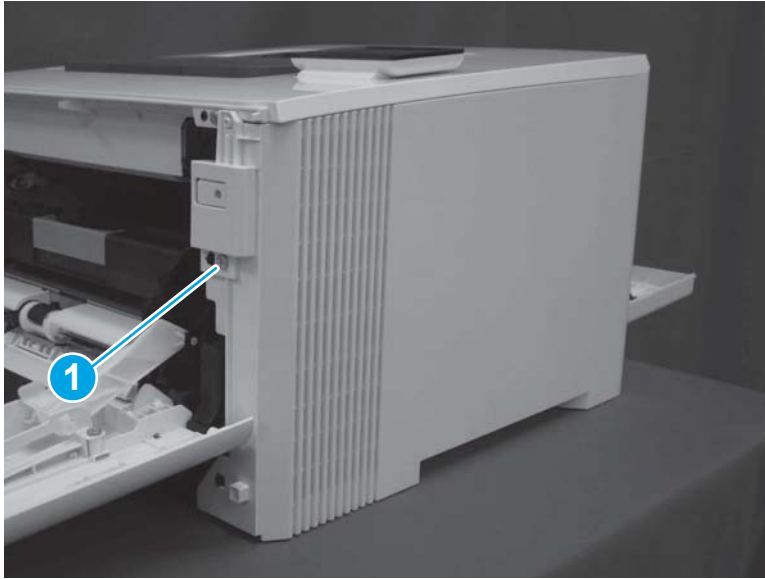
7. Install two tabs on the bottom of the cover (callout 1).

Figure 1-1991 Install two tabs



8. At the front of the printer, install one screw (callout 1).

Figure 1-1992 Install one screw



9. At the back of the printer, install one screw (callout 1).

Figure 1-1993 Install one screw

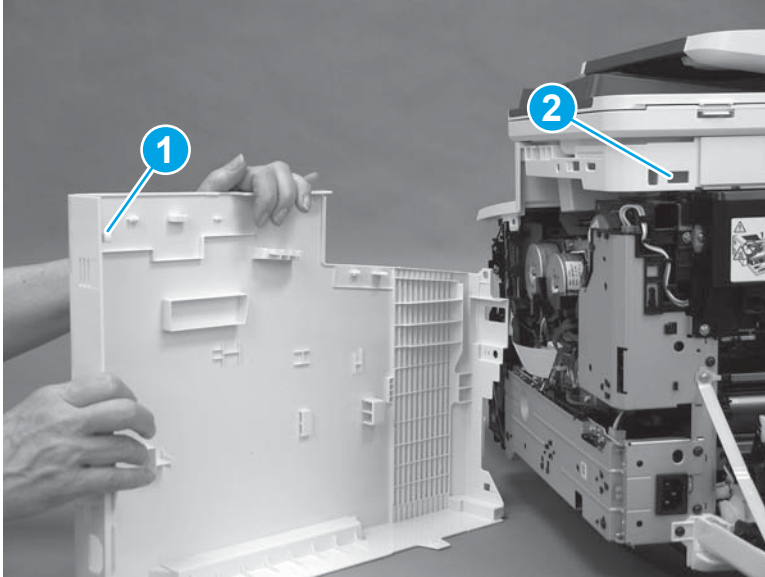


Step 17: Install the right cover (M377, M477 models)

 **NOTE:** This step is for the M377, M477 models. For the M452 models, skip this step and go to [Step 18: Close the front door and rear door or duplexer door on page 1079](#).

1. At the back of the printer, install the tab (callout 1) on the cover into the slot (callout 2) on the printer.

Figure 1-1994 Install rear tab



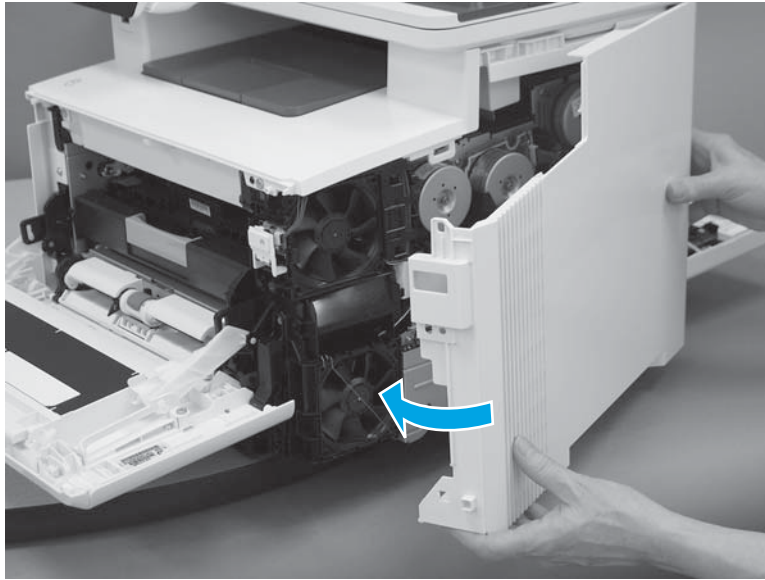
2. Raise the scanner.

Figure 1-1995 Raise the scanner



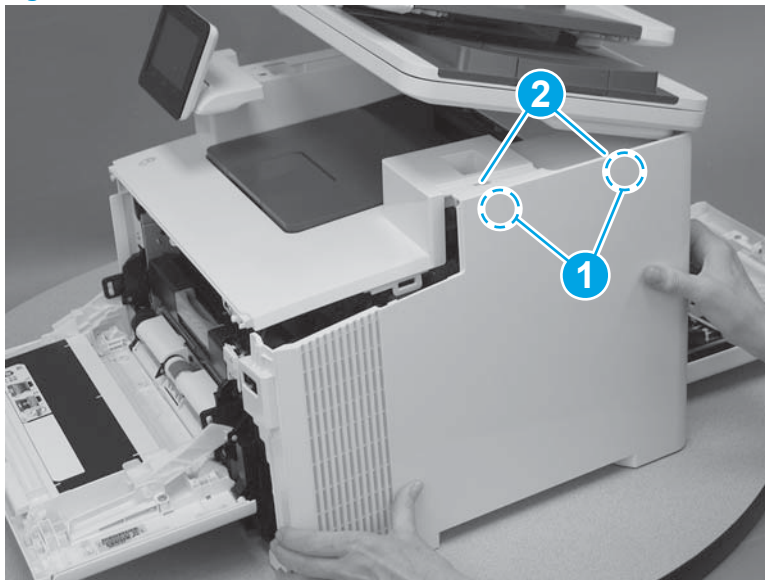
3. Rotate the right cover toward the printer.

Figure 1-1996 Rotate the right cover



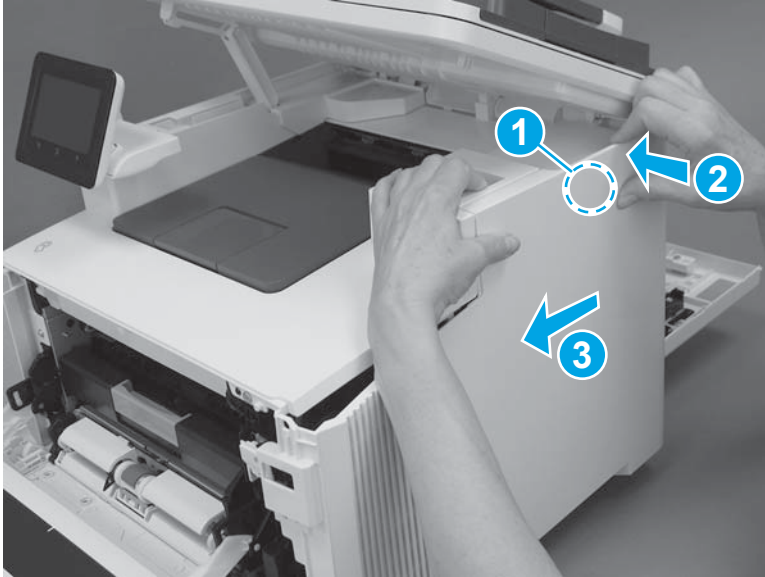
4. Position the hooks (callout 1) on the inside of the cover into the slots (callout 2) in the printer.

Figure 1-1997 Position the hooks in the slots



- Engage one hook (callout 1) on the inside of the cover. Hold the top of the cover closed (callout 2) while sliding the cover toward the front of the printer (callout 3).

Figure 1-1998 Slide the cover



- Rotate the front of the cover toward the printer (callout 1).

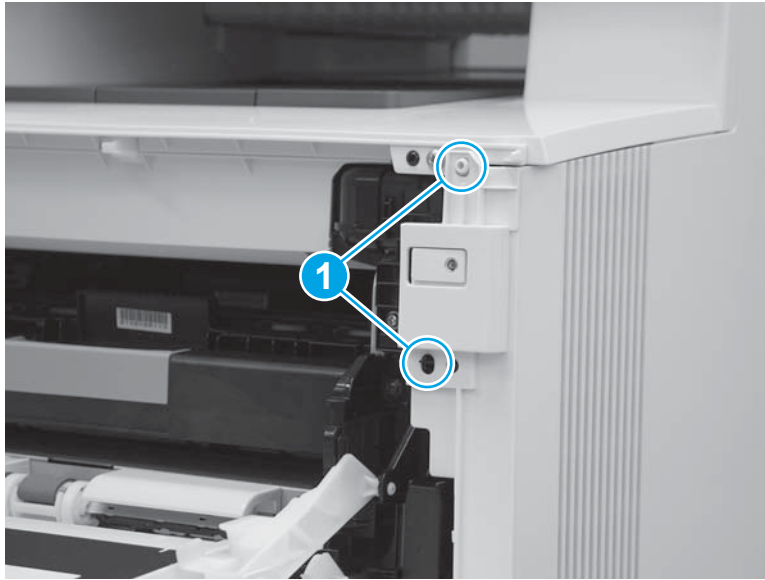
CAUTION: Be careful not to dislodge the power switch (callout 2).

Figure 1-1999 Rotate the front of the cover



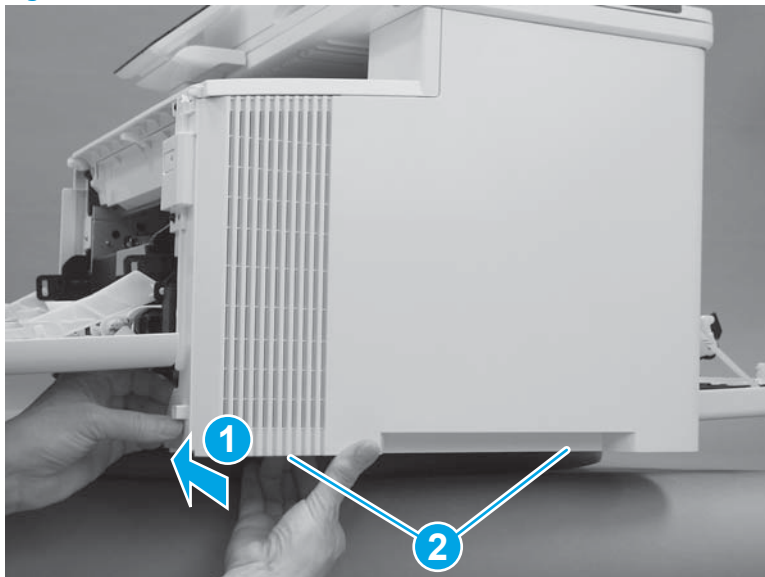
7. Install two tabs at the front of the printer (callout 1).

Figure 1-2000 Install two tabs



8. Press the right cover toward the printer (callout 1) to engage one tab on the front of the cover, and two tabs (callout 2) on the lower edge of the cover.

Figure 1-2001 Install the front and lower tabs



9. At the front of the printer, install one screw (callout 1).

Figure 1-2002 Install one screw



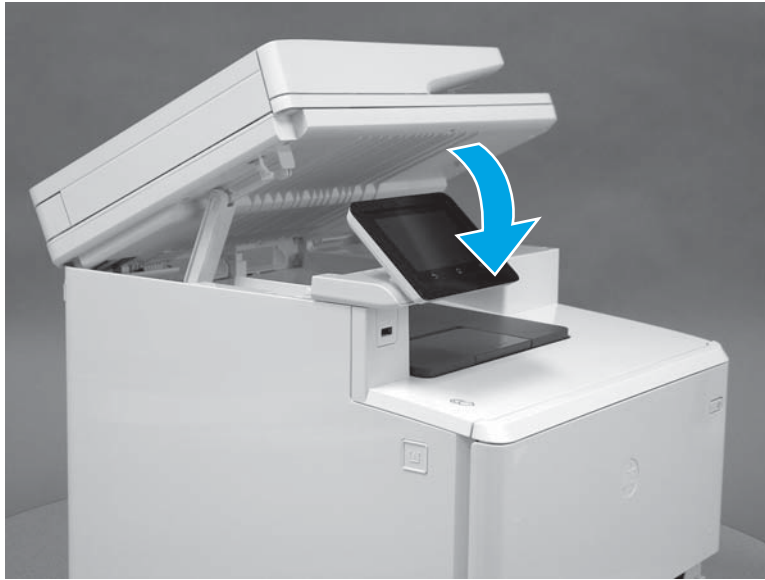
10. At the back of the printer, install one screw (callout 1).

Figure 1-2003 Install one screw



11. Lower the scanner.

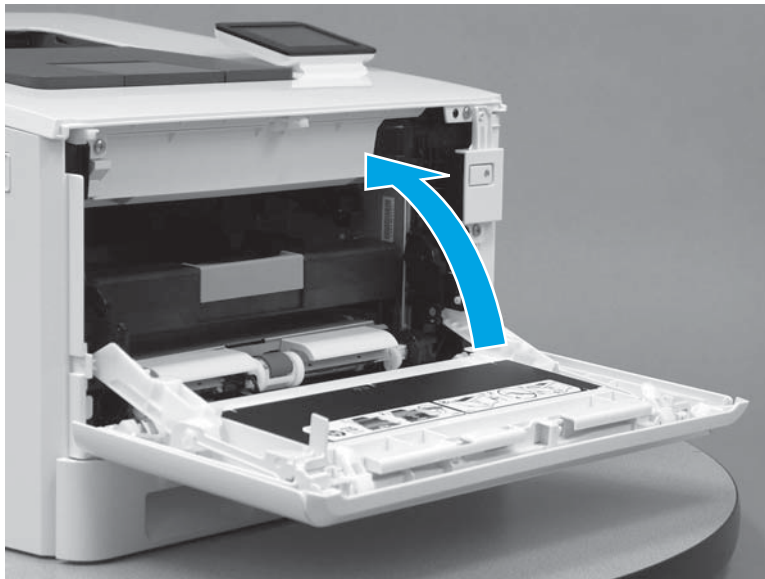
Figure 1-2004 Lower the scanner



Step 18: Close the front door and rear door or duplexer door

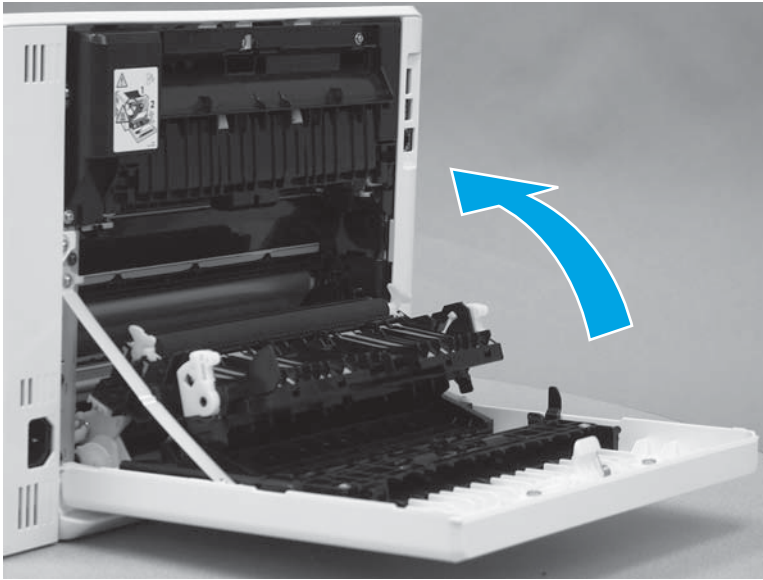
1. Close the front door.

Figure 1-2005 Close the front door



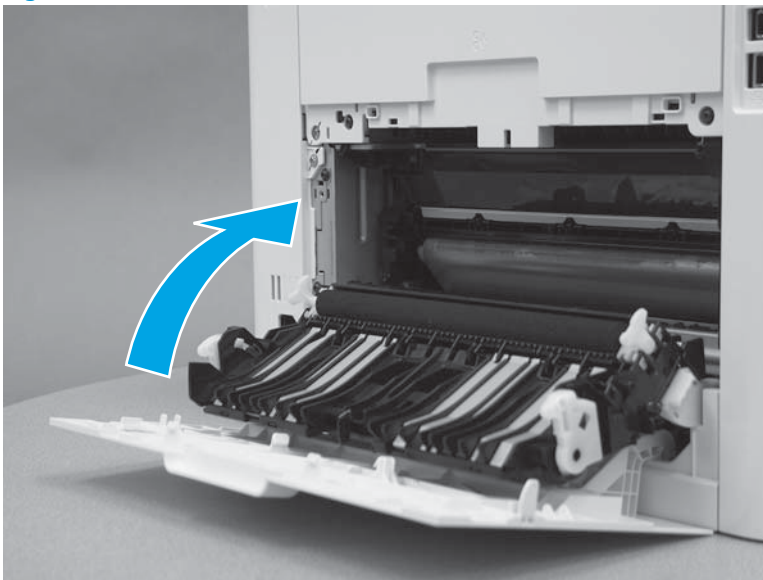
2. **Duplex models:** Close the duplexer door.

Figure 1-2006 Close the duplexer door



3. **Simplex models:** Close the rear door.

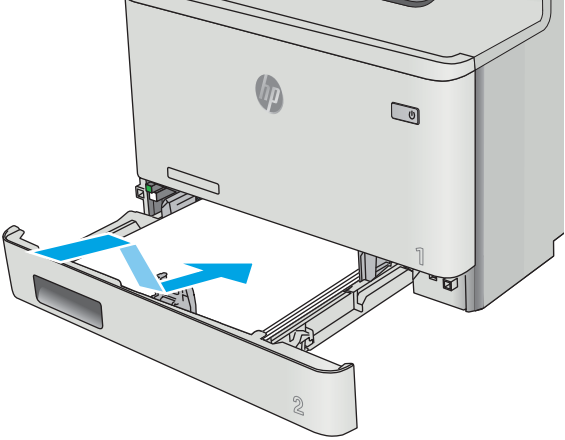
Figure 1-2007 Close the rear door



Step 19: Install Tray 2

- ▲ With the front of the tray slightly lifted, align the sides of the tray with the rails in the printer, and then carefully slide the tray into the printer. As the tray slides into the printer, lower the front of the tray, and then close it.

Figure 1-2008 Install the tray



Removal and replacement: Registration density sensor

- [Introduction](#)
- [Step 1: Remove Tray 2](#)
- [Step 2: Remove the toner cartridges](#)
- [Step 3: Open the rear door or duplexer door](#)
- [Step 4: Remove the right cover \(M452 models\)](#)
- [Step 5: Remove the right cover \(M377, M477 models\)](#)
- [Step 6: Remove the left cover \(M452 models\)](#)
- [Step 7: Remove the left cover \(M377, M477 models\)](#)
- [Step 8: Remove the secondary transfer assembly \(simplex models\)](#)
- [Step 9: Remove the secondary transfer assembly \(duplex models\)](#)
- [Step 10: Remove the intermediate transfer belt \(ITB\)](#)
- [Step 11: Remove the toner cartridge tray](#)
- [Step 12: Remove the registration density sensor](#)
- [Step 13: Unpack the replacement part](#)
- [Step 14: Install the registration density sensor](#)
- [Step 15: Install the toner cartridge tray](#)
- [Step 16: Install the intermediate transfer belt \(ITB\)](#)
- [Step 17: Install the secondary transfer assembly \(simplex models\)](#)
- [Step 18: Install the secondary transfer assembly \(duplex models\)](#)
- [Step 19: Install the left cover \(M452 models\)](#)
- [Step 20: Install the left cover \(M377, M477 models\)](#)
- [Step 21: Install the right cover \(M452 models\)](#)
- [Step 22: Install the right cover \(M377, M477 models\)](#)
- [Step 23: Close the rear door or duplexer door](#)
- [Step 24: Install the toner cartridges](#)
- [Step 25: Install Tray 2](#)

Introduction

This document provides the procedures to remove and replace the registration density sensor.

Before you begin

- Turn off the printer.
- Disconnect the power cable.

⚠ WARNING! To avoid damage to the printer, turn the printer off, wait 30 seconds, and then remove the power cord before attempting to service the printer.

- Use the table below to identify the correct part number for your printer. To order the part, go to www.hp.com/buy/parts.

| Registration density sensor part number | |
|---|--|
|---|--|

| | |
|----------------|-----------------------------|
| RM2-7399-000CN | Registration density sensor |
|----------------|-----------------------------|

Required tools

- #2 Phillips screwdriver with a magnetic tip
- Small flat-blade screwdriver

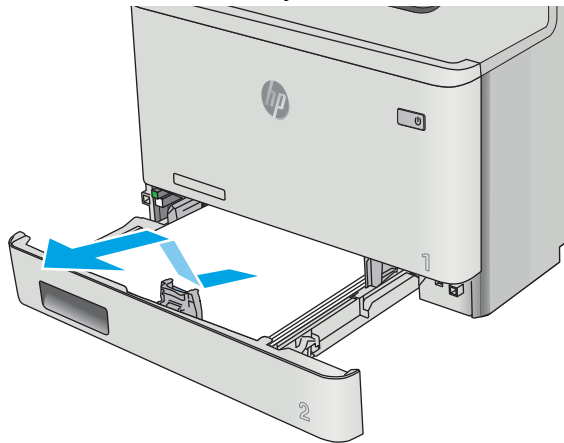
After performing service

- Connect the power cable.
- Use the power switch to turn the power on.

Step 1: Remove Tray 2

- ▲ Pull the tray out until it stops. Lift the front of the tray, and then pull it out of the printer to remove it.

Figure 1-2009 Remove the tray

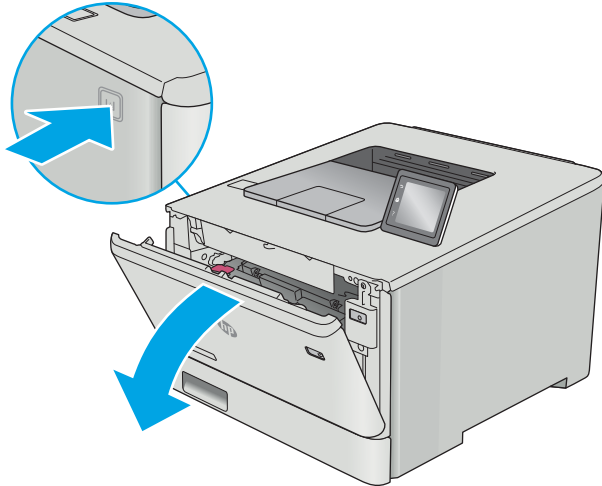


Step 2: Remove the toner cartridges

NOTE: The M452 model is pictured in the figures in this section. The procedure is the same for the M377, M477 models.

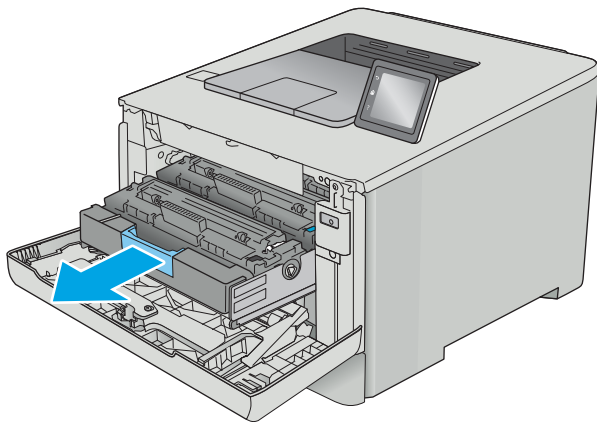
1. Open the front door by pressing the button on the left cover.

Figure 1-2010 Open the front door



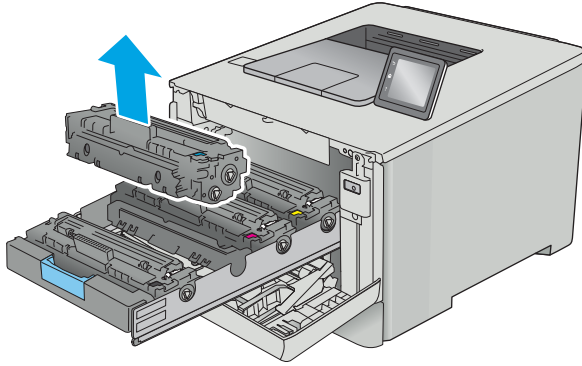
2. Grasp the blue handle on the toner cartridge tray, and then pull out the tray.

Figure 1-2011 Open the cartridge drawer



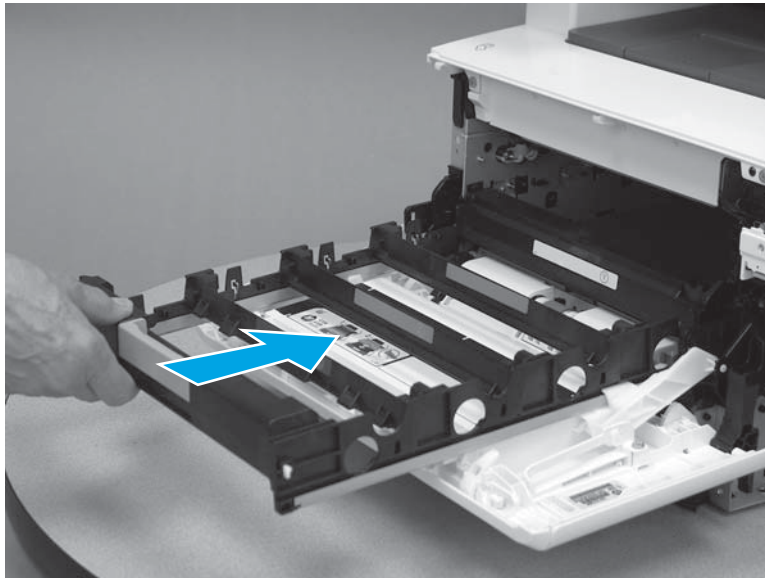
3. Grasp the handle on the toner cartridge, and then pull the toner cartridge straight up to remove it. Repeat this step for each toner cartridge.

Figure 1-2012 Remove the toner cartridge



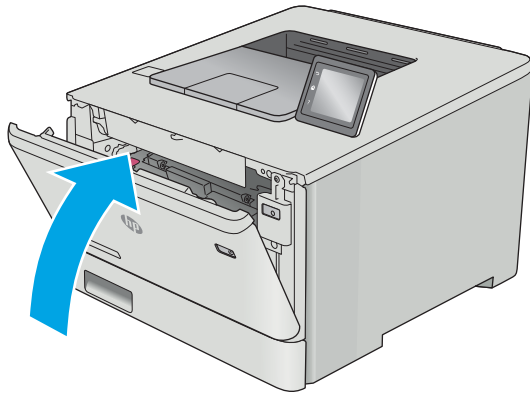
4. Slide the cartridge tray into the printer.

Figure 1-2013 Slide the cartridge tray in



5. Close the front door.

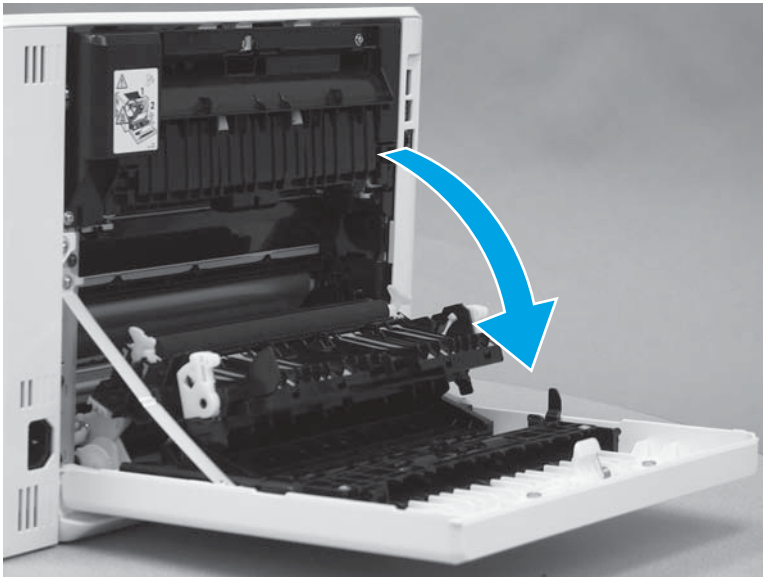
Figure 1-2014 Close the front door



Step 3: Open the rear door or duplexer door

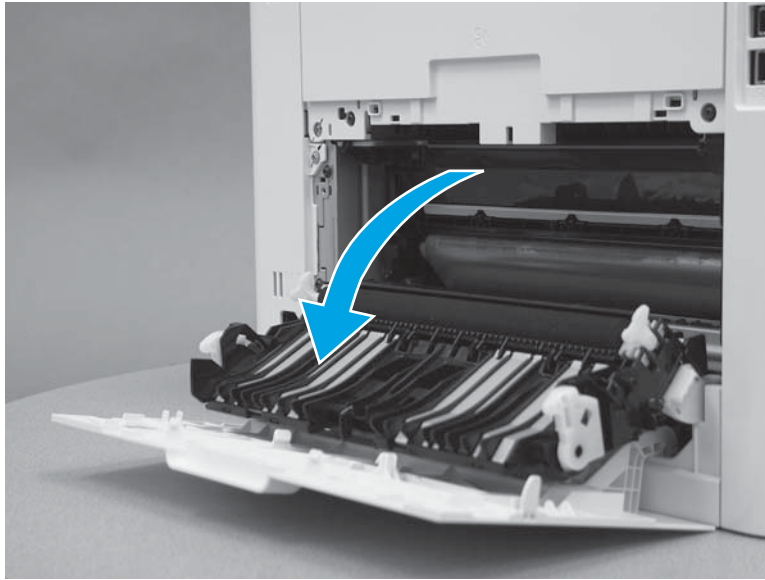
1. **Duplex models:** Open the duplexer door.

Figure 1-2015 Open the duplexer door



2. **Simplex models:** Open the rear door.

Figure 1-2016 Open the rear door



Step 4: Remove the right cover (M452 models)

 **NOTE:** This step is for the M452 models. For the M377, M477 models, skip this step and go to [Step 5: Remove the right cover \(M377, M477 models\) on page 1091](#).

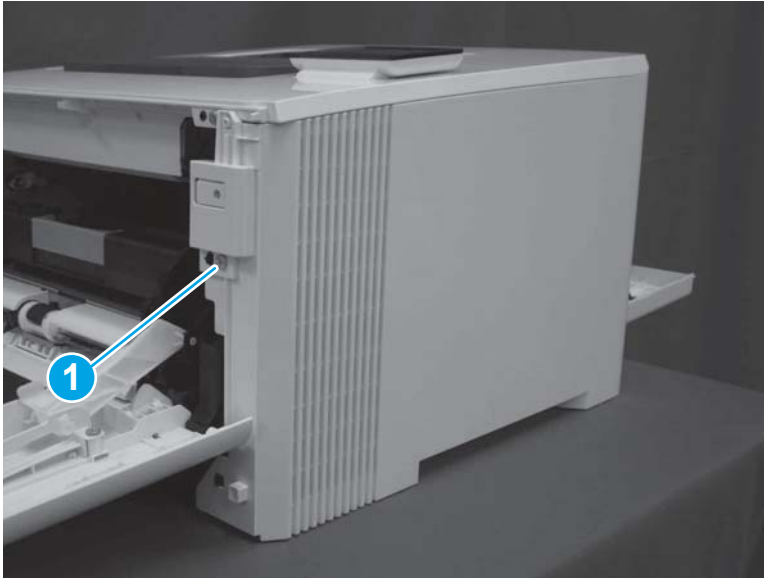
1. At the back of the printer, remove one screw (callout 1).

Figure 1-2017 Remove one screw



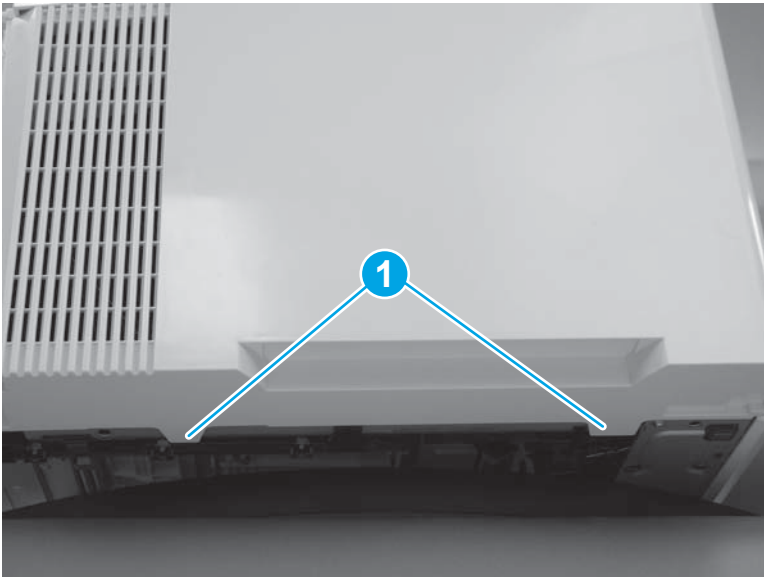
2. At the front of the printer, remove one screw (callout 1).

Figure 1-2018 Remove one screw



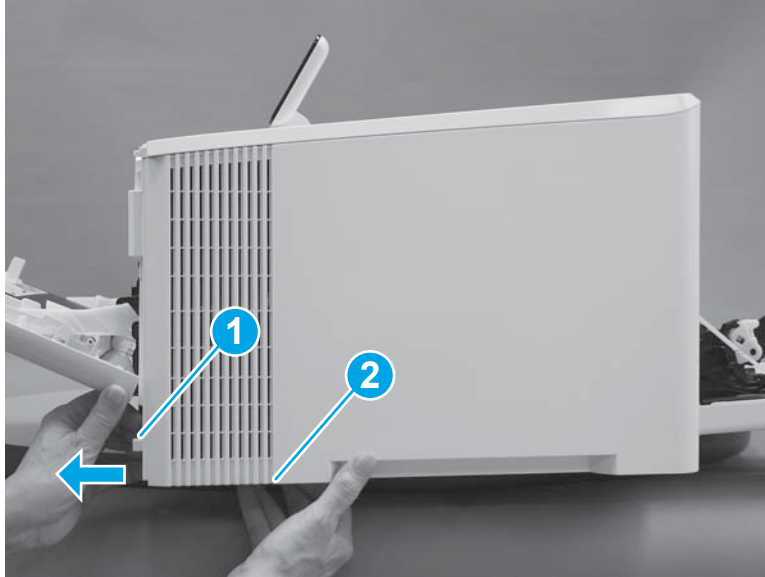
3. Slide the printer to the edge of a work surface. Note the location of the tabs on the lower edge of the cover (callout 1).

Figure 1-2019 Locate the tabs



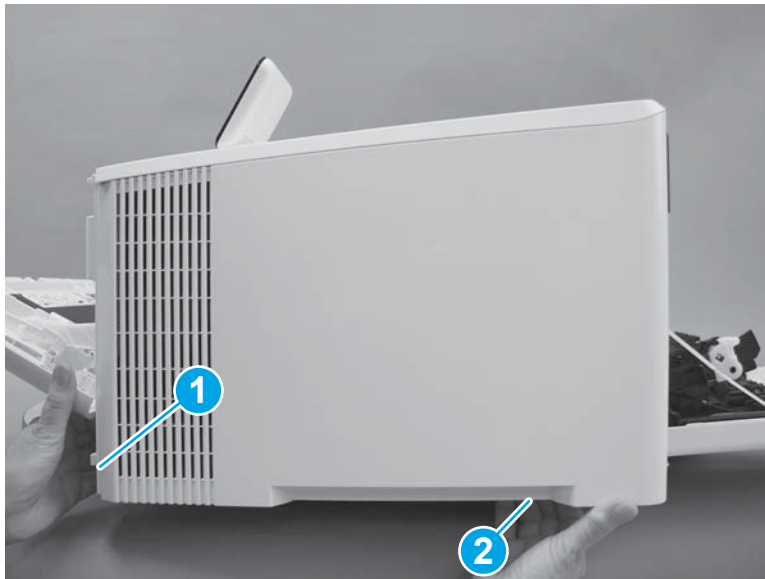
4. Release one tab (callout 1) on the front of the cover by slightly pulling the cover away from the printer. While holding the cover in the released position, release one tab (callout 2) on the bottom of the cover.

Figure 1-2020 Release front lower tabs



5. Hold the front tabs in the released position (callout 1), and then release one tab (callout 2) on the bottom of the cover, toward the back of the printer.

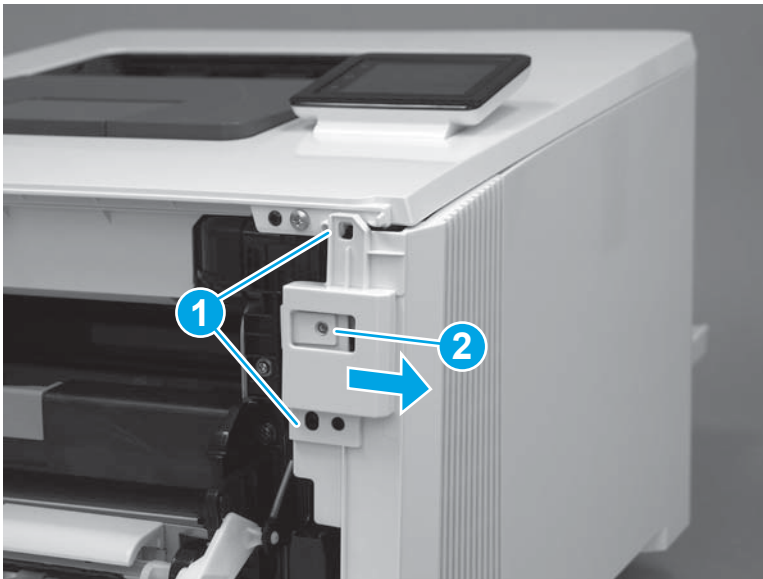
Figure 1-2021 Release lower rear tab



6. Release two tabs at the front of the printer (callout 1) by slightly pulling the cover away from the printer.

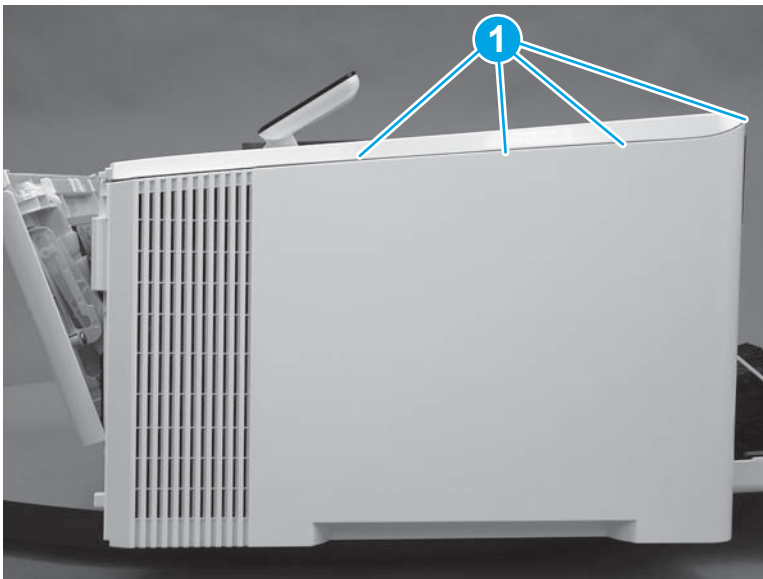
⚠ CAUTION: Be careful not to dislodge the power switch (callout 2).

Figure 1-2022 Release two front tabs



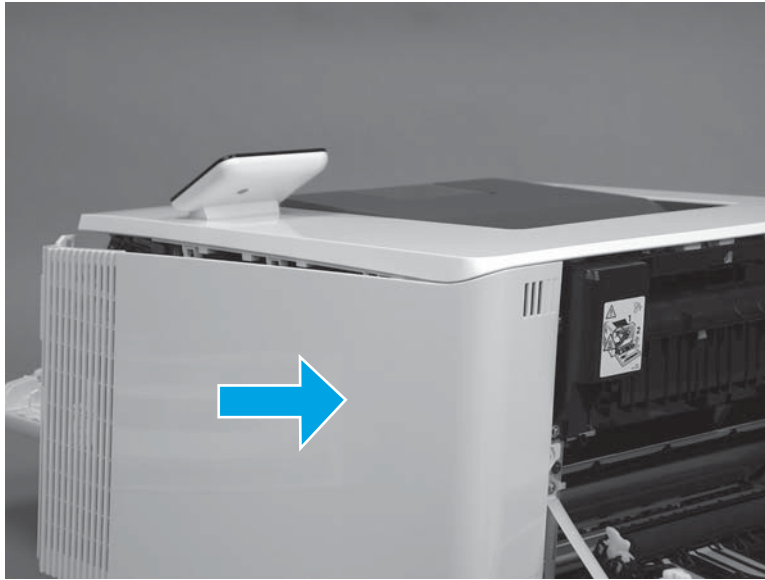
7. Release four tabs on the top of the printer (callout 1).

Figure 1-2023 Release upper tabs



8. Slide the cover toward the back of the printer to remove it.

Figure 1-2024 Remove the right cover



Step 5: Remove the right cover (M377, M477 models)

 **NOTE:** This step is for the M377, M477 models. For the M452 models, skip this step and go to [Step 6: Remove the left cover \(M452 models\) on page 1097](#).

1. Raise the scanner.

Figure 1-2025 Raise the scanner



2. At the back of the printer, remove one screw (callout 1).

Figure 1-2026 Remove one screw



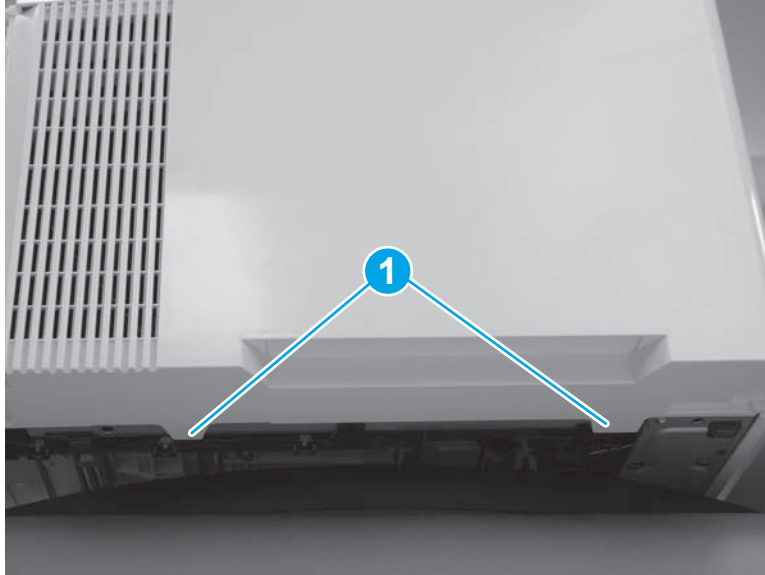
3. At the front of the printer, remove one screw (callout 1).

Figure 1-2027 Remove one screw



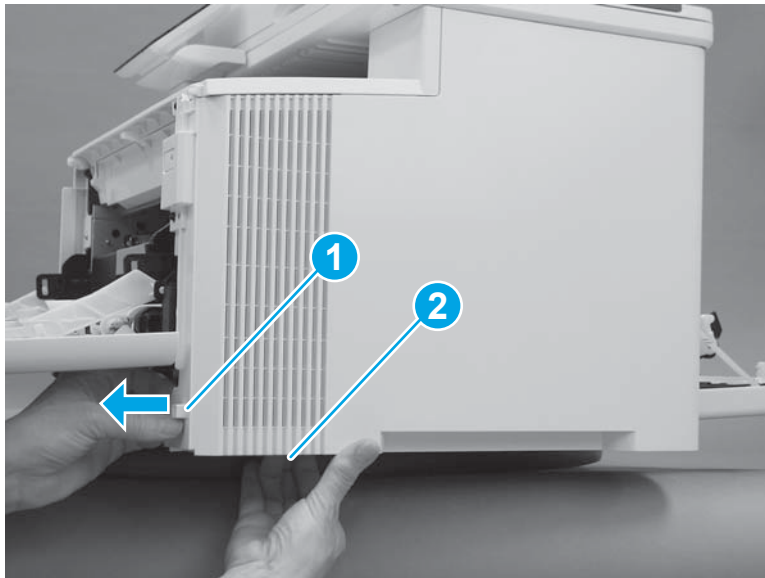
4. Slide the printer to the edge of a work surface. Note the location of the tabs on the lower edge of the cover (callout 1).

Figure 1-2028 Locate the tabs



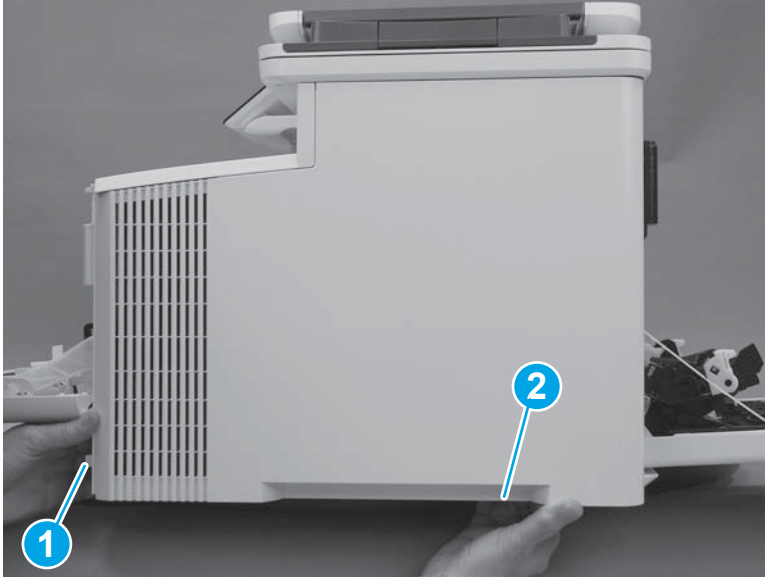
5. Release one tab (callout 1) on the front of the cover by slightly pulling the cover away from the printer. While holding the cover in the released position, release one tab (callout 2) on the lower edge of the cover.

Figure 1-2029 Release front lower tabs



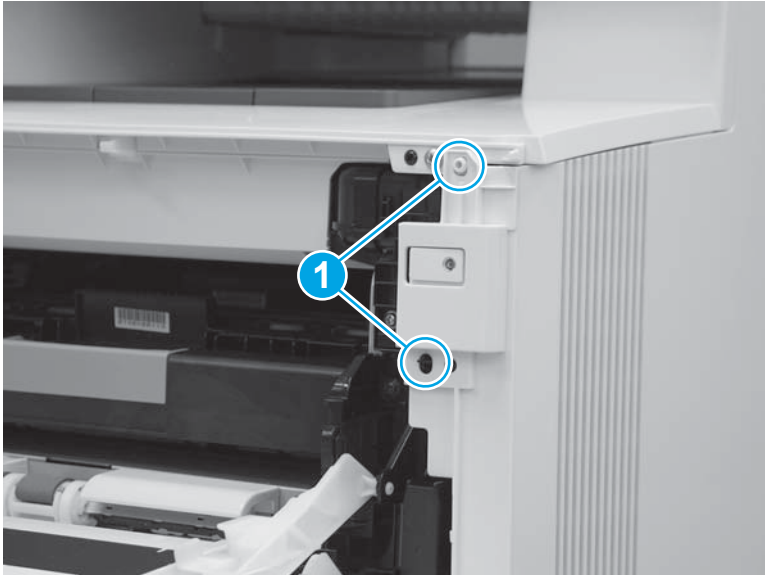
6. Hold the front tabs in the released position (callout 1), and then release one tab (callout 2) on the lower edge of the cover, toward the back of the printer.

Figure 1-2030 Release lower rear tab



7. Release two tabs at the front of the printer (callout 1) by slightly pulling the cover away from the printer.

Figure 1-2031 Release front upper tabs



8. Rotate the front of the cover away from the printer (callout 1).

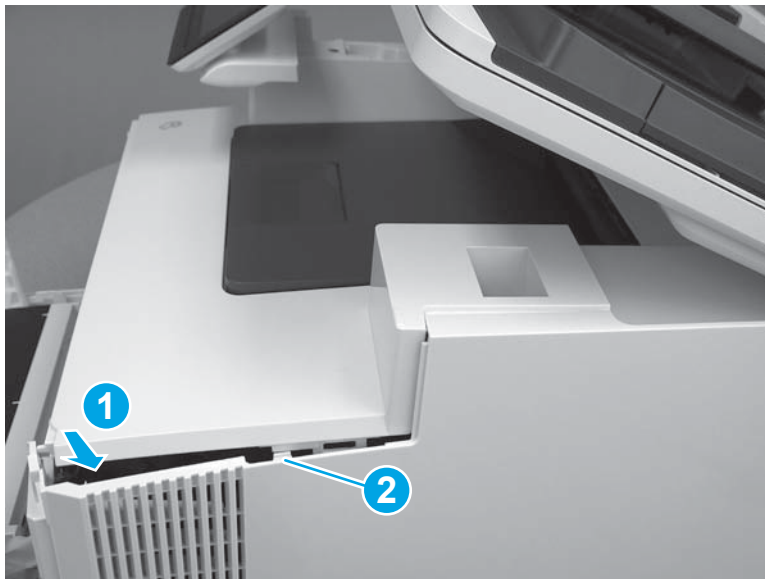
CAUTION: Be careful not to dislodge the power switch (callout 2).

Figure 1-2032 Rotate the front of the cover



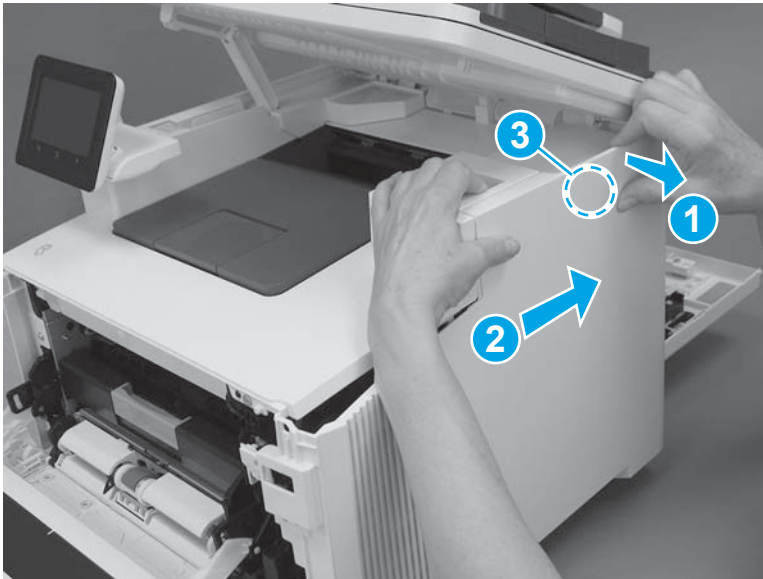
9. Slightly pull the front of the cover away from the printer (callout 1) to release one tab (callout 2).

Figure 1-2033 Release top tabs



10. At the top of the printer, slightly pull the top of the cover away from the printer to release one retention tab (callout 1) on the inside of the cover. While holding the cover away, slide the cover toward the back of the printer (callout 2) to release one hook (callout 3) on the inside of the cover.

Figure 1-2034 Release one tab and one hook



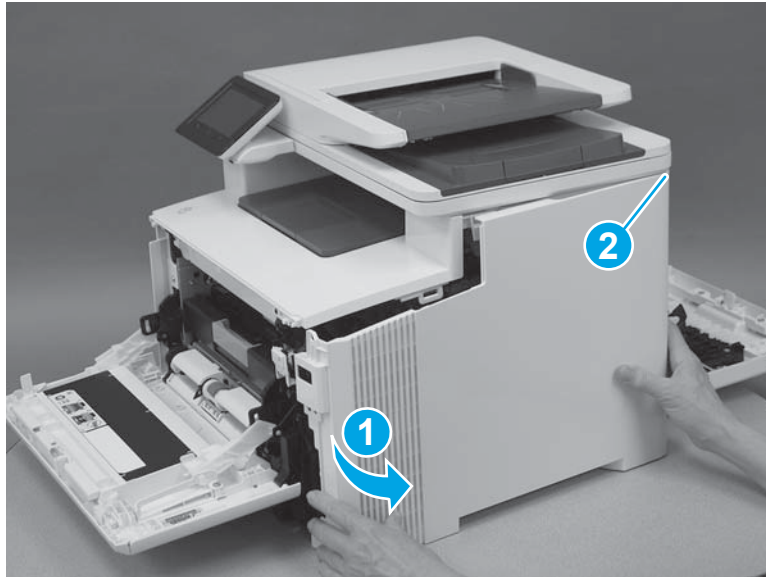
11. Lower the scanner.

Figure 1-2035 Lower the scanner




12. Rotate the cover away from the printer (callout 1) to release one tab (callout 2) at the back of the printer, and then remove the cover.

Figure 1-2036 Remove the right cover

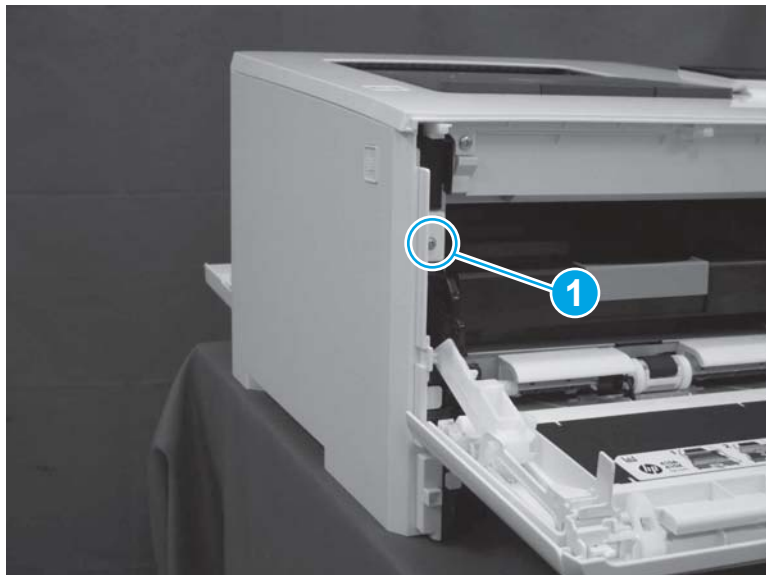


Step 6: Remove the left cover (M452 models)

 **NOTE:** This step is for the M452 models. For the M377, M477 models, skip this step and go to [Step 7: Remove the left cover \(M377, M477 models\) on page 1099](#).

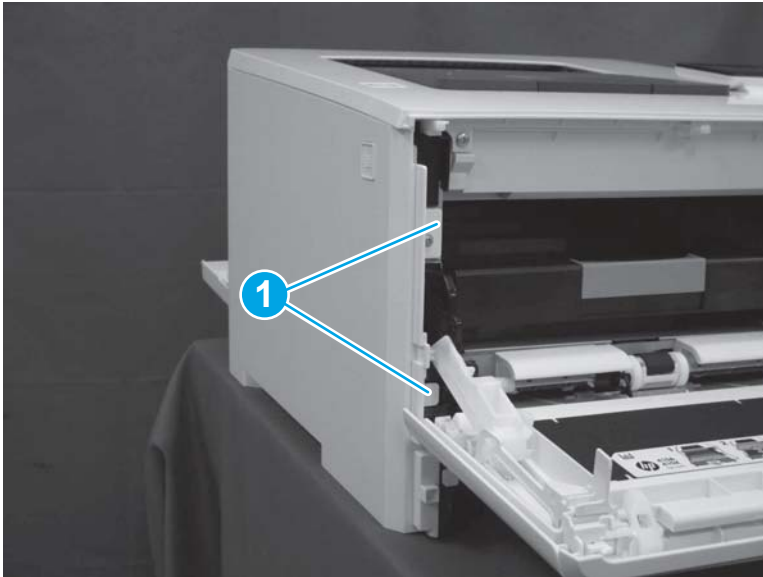
1. At the front of the printer, remove one screw (callout 1).

Figure 1-2037 Remove one screw



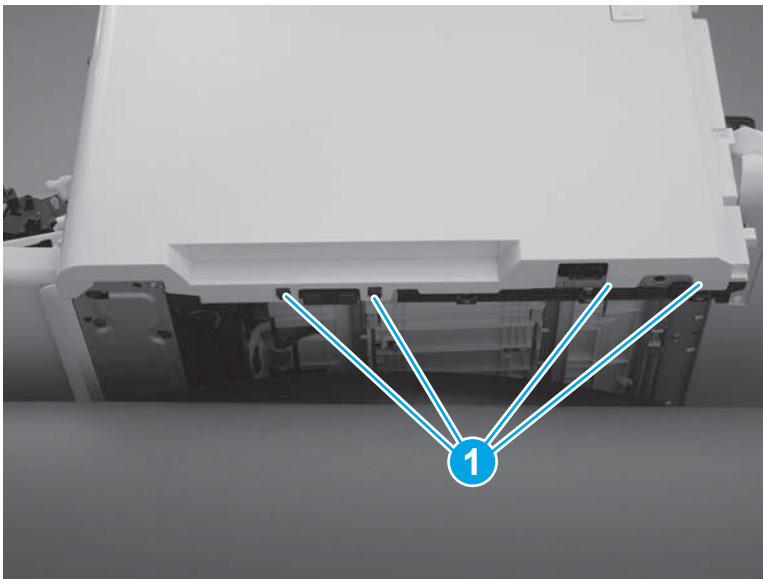
2. Release two tabs (callout 1) at the front of the cover. Hold the cover open to prevent the tabs from reengaging.

Figure 1-2038 Release two tabs



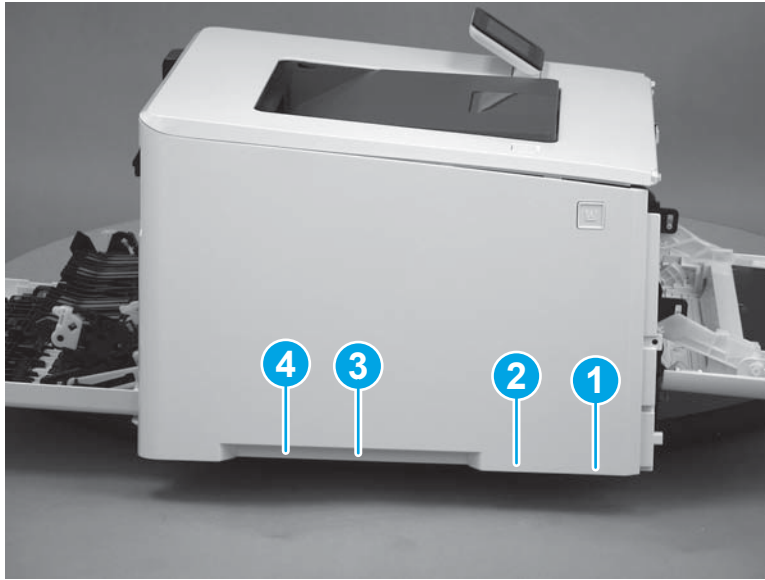
3. Slide the printer to the edge of a work surface. Note the location of the tabs on the lower edge of the cover (callout 1).

Figure 1-2039 Locate the tabs



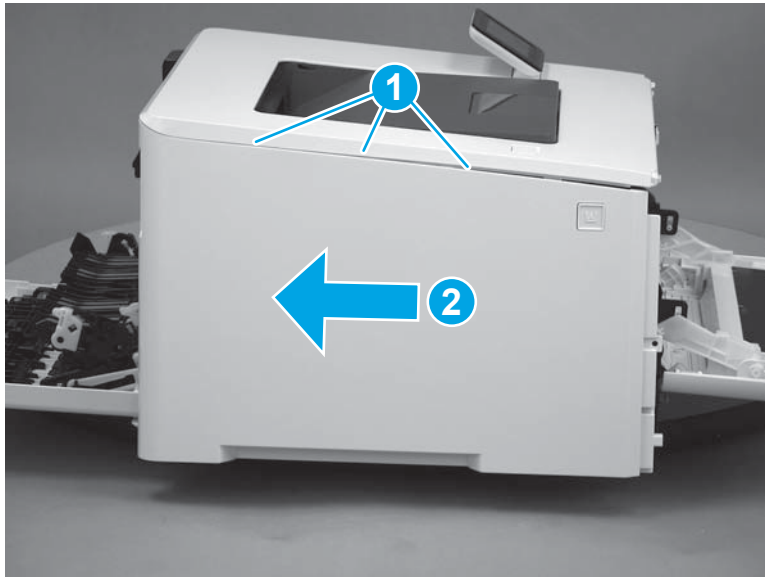
4. Beginning from the front of the cover, release four tabs (callouts 1-4) on the lower edge of the cover.

Figure 1-2040 Release bottom tabs




5. Release three tabs at the top of the cover (callout 1), and then slide the cover toward the rear of the printer to remove it.

Figure 1-2041 Release three tabs

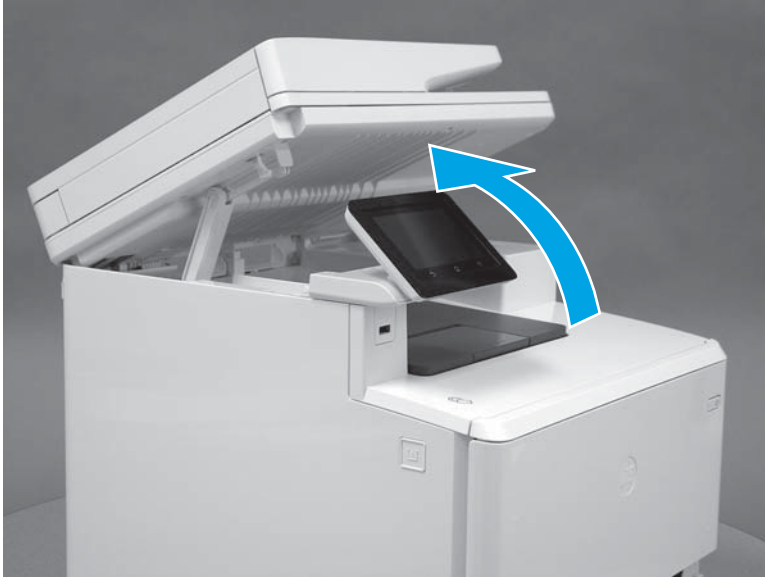


Step 7: Remove the left cover (M377, M477 models)

 **NOTE:** This step is for the M377, M477 models. For the M452 models, skip this step and go to [Step 8: Remove the secondary transfer assembly \(simplex models\) on page 1104.](#)

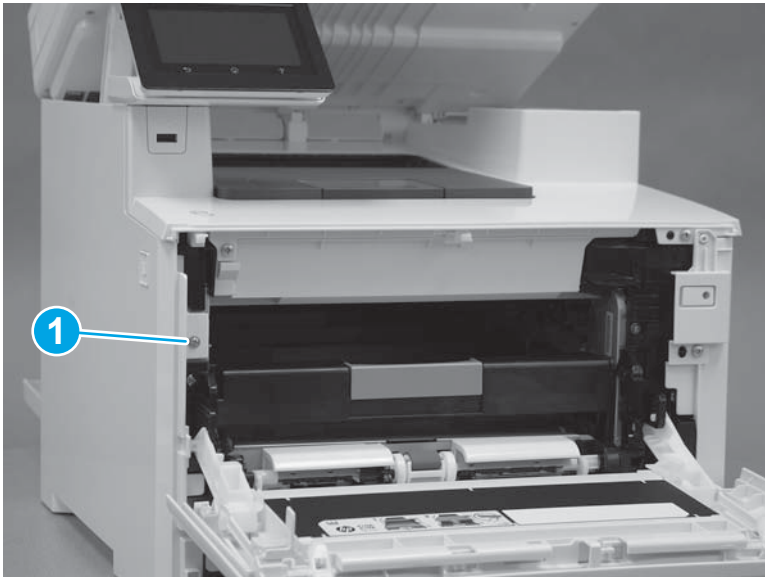
1. Raise the scanner.

Figure 1-2042 Raise the scanner



2. At the front of the printer, remove one screw (callout 1).

Figure 1-2043 Remove one screw



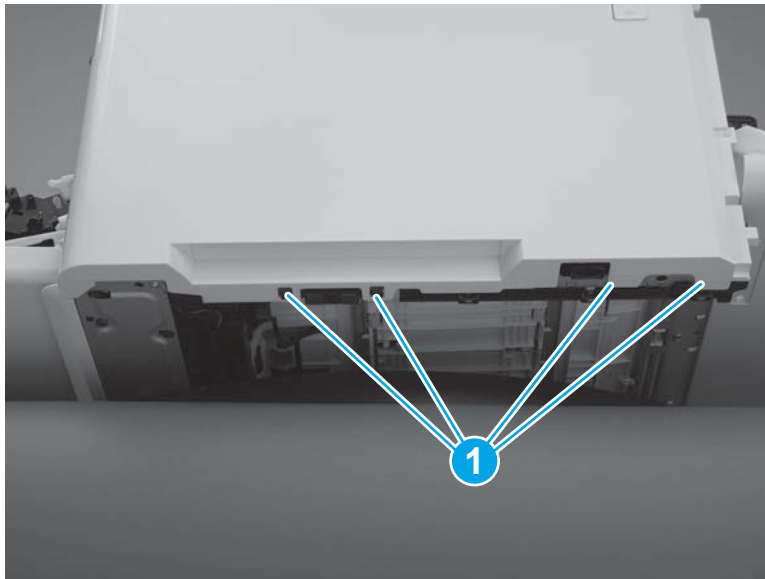
3. Release two tabs (callout 1) at the front of the cover. Hold the cover open to prevent the tabs from re-engaging.

Figure 1-2044 Release two tabs



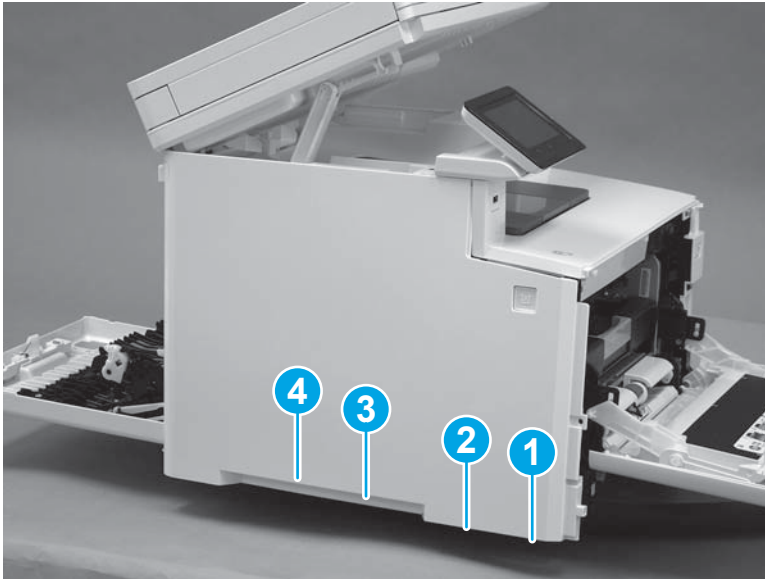
4. Slide the printer to the edge of a work surface. Note the location of the tabs on the lower edge of the cover (callout 1).

Figure 1-2045 Locate the tabs



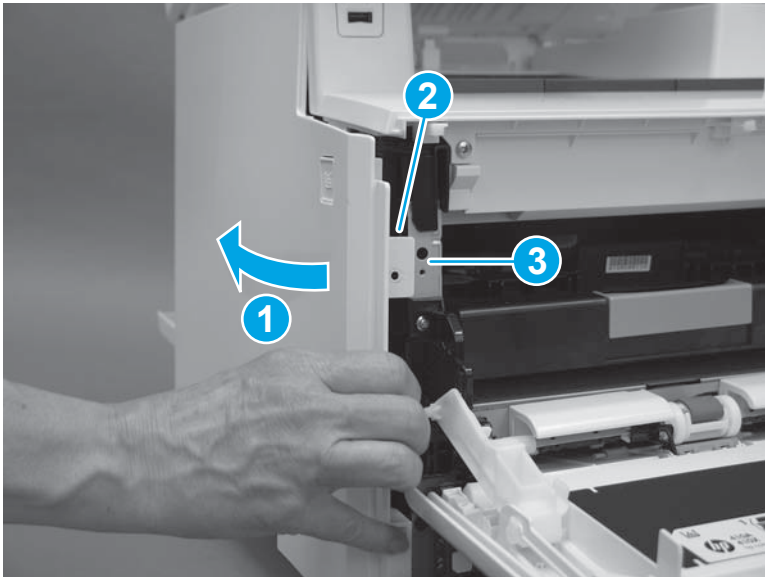
5. Beginning from the front of the cover, release the four tabs (callouts 1-4) on the lower edge of the cover.

Figure 1-2046 Release four tabs



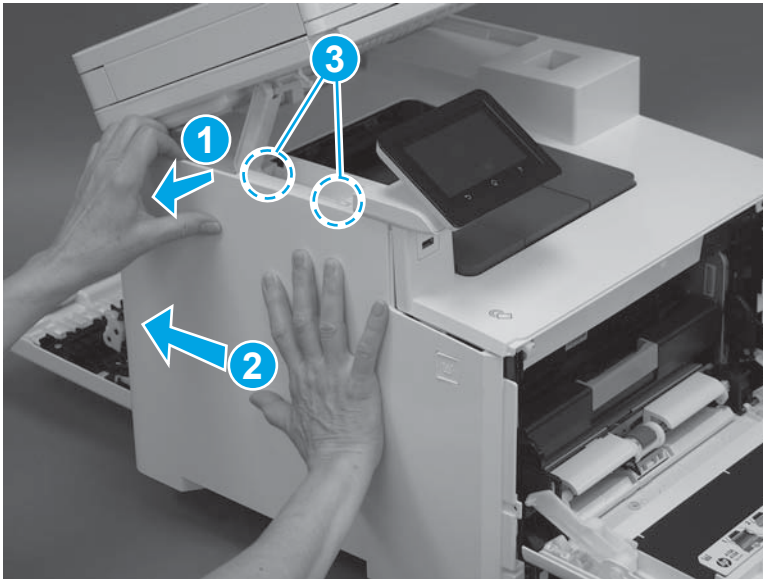
6. Rotate the front of the cover away from the printer (callout 1). Make sure that the tab (callout 2) does not get caught on the printer frame (callout 3).

Figure 1-2047 Rotate the cover



7. At the top of the printer, slightly pull the top of the cover away from the printer to release one retention tab (callout 1) on the inside of the cover. While holding the cover away, slide the cover toward the back of the printer (callout 2) to release two hooks (callout 3) inside the cover.

Figure 1-2048 Release one tab and two hooks



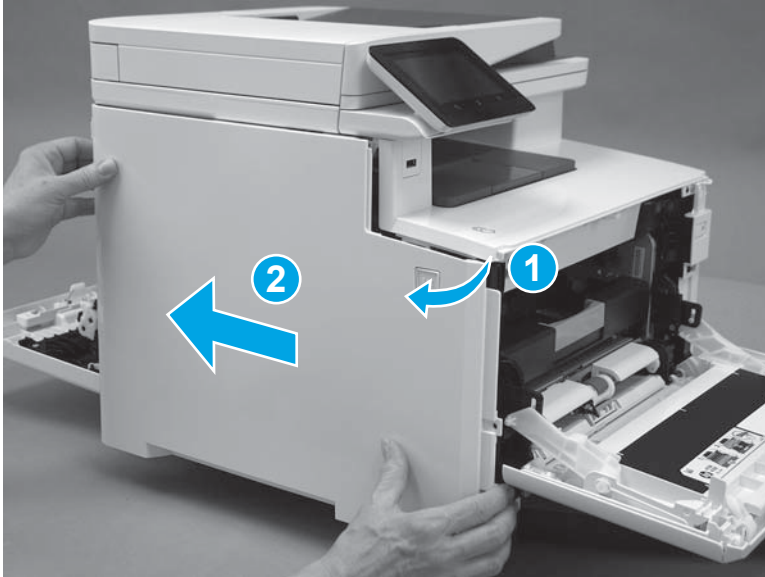
8. Lower the scanner.

Figure 1-2049 Lower the scanner




9. Rotate the cover away from the printer (callout 1), and then slide the cover (callout 2) toward the back of the printer to remove it.

Figure 1-2050 Remove the left cover

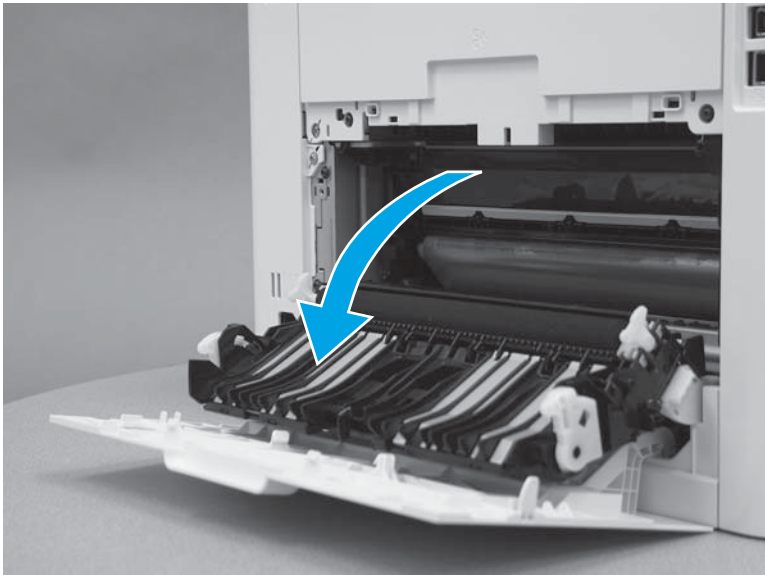


Step 8: Remove the secondary transfer assembly (simplex models)

 **NOTE:** This step is for simplex models. For duplex models, skip this step and go to [Step 9: Remove the secondary transfer assembly \(duplex models\) on page 1106](#).

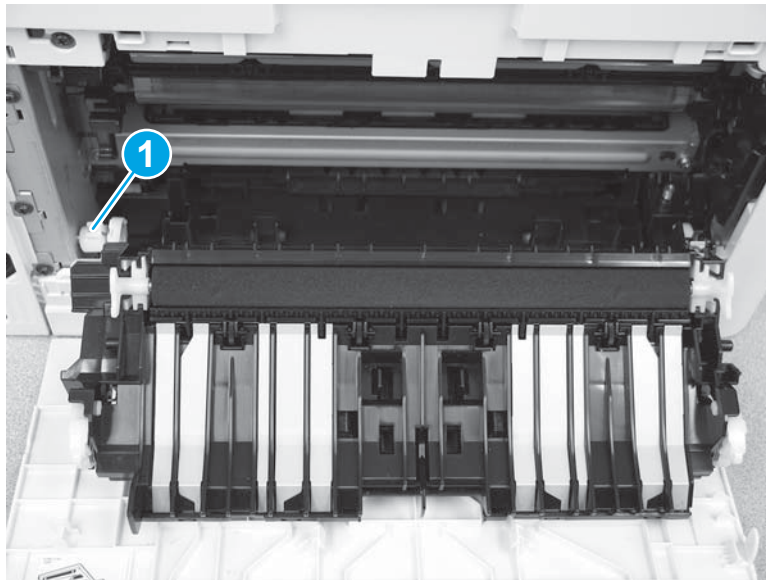
1. Open the rear door.

Figure 1-2051 Open the rear door



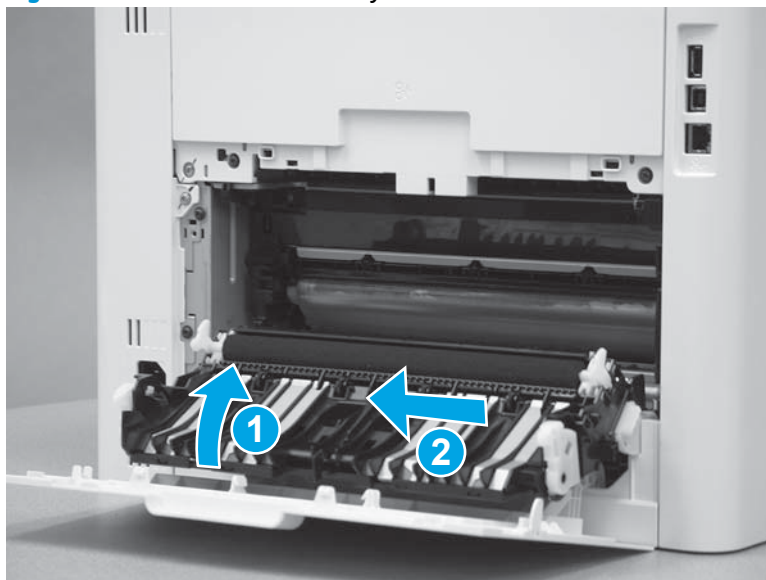
2. Remove one retainer collar (callout 1).

Figure 1-2052 Remove one retainer collar



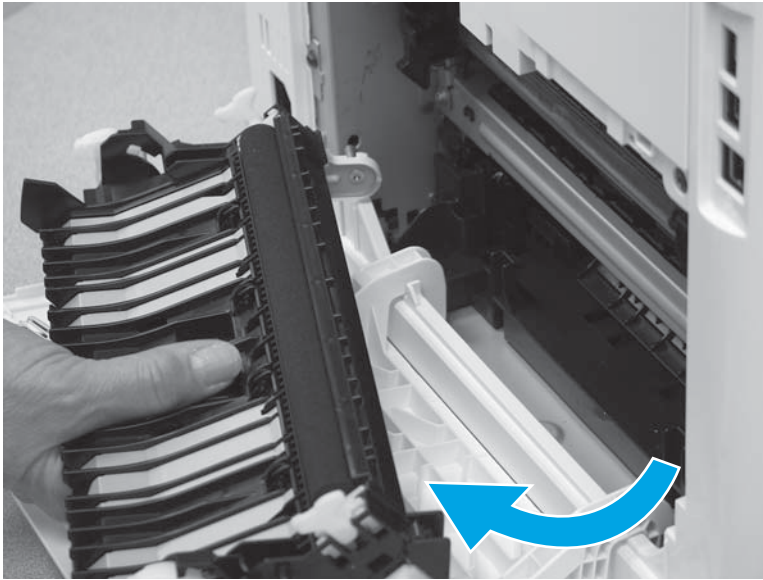
3. Lift the assembly up slightly (callout 1), and then slide it to the left (callout 2).

Figure 1-2053 Slide the assembly left



4. Rotate the right side of the assembly away from the printer to remove it.

Figure 1-2054 Remove the secondary transfer assembly



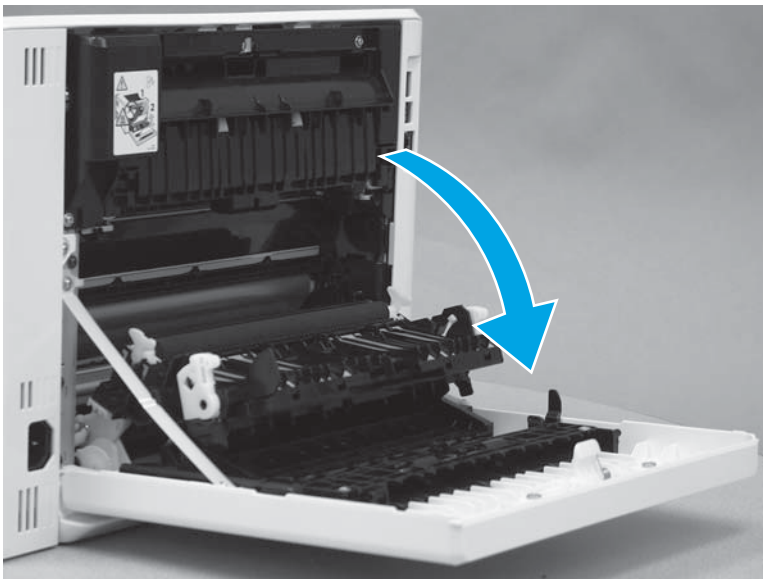
Step 9: Remove the secondary transfer assembly (duplex models)



NOTE: This step is for duplex models. For simplex models, skip this step and go to [Step 10: Remove the intermediate transfer belt \(ITB\) on page 1108](#).

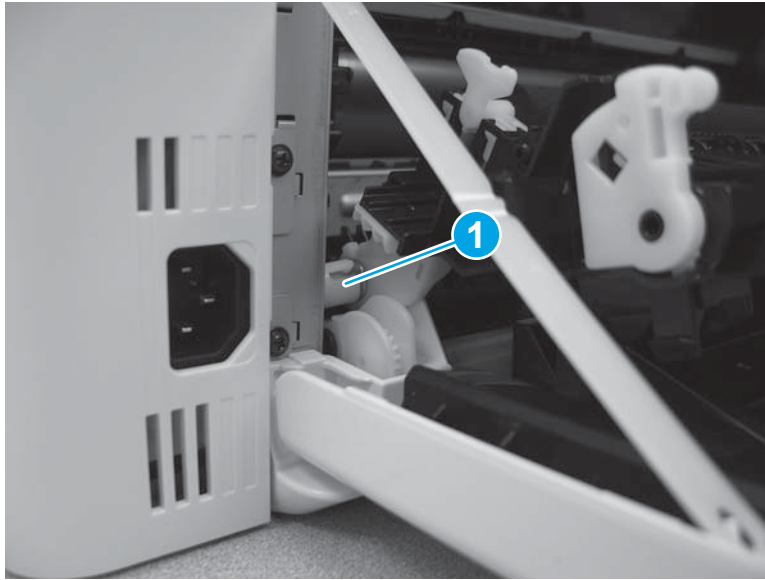
1. Open the duplexer door.

Figure 1-2055 Open the duplexer door



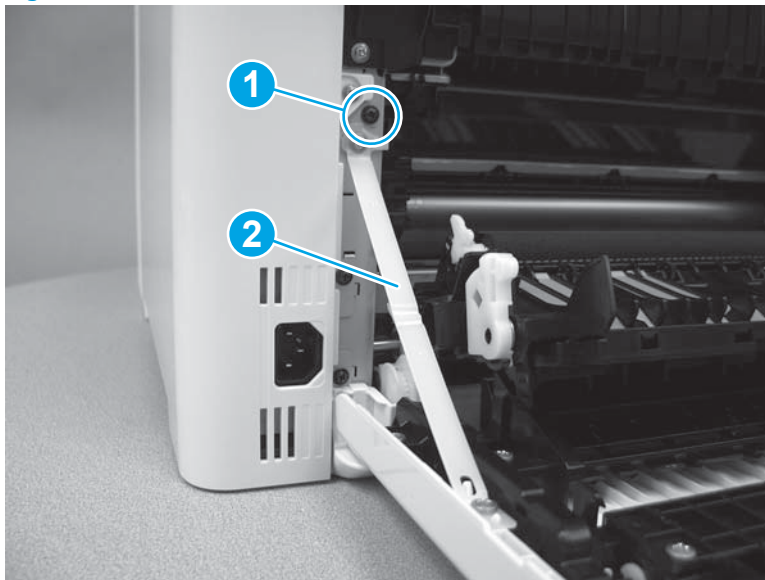
2. Remove one retainer collar (callout 1).

Figure 1-2056 Remove one retainer collar



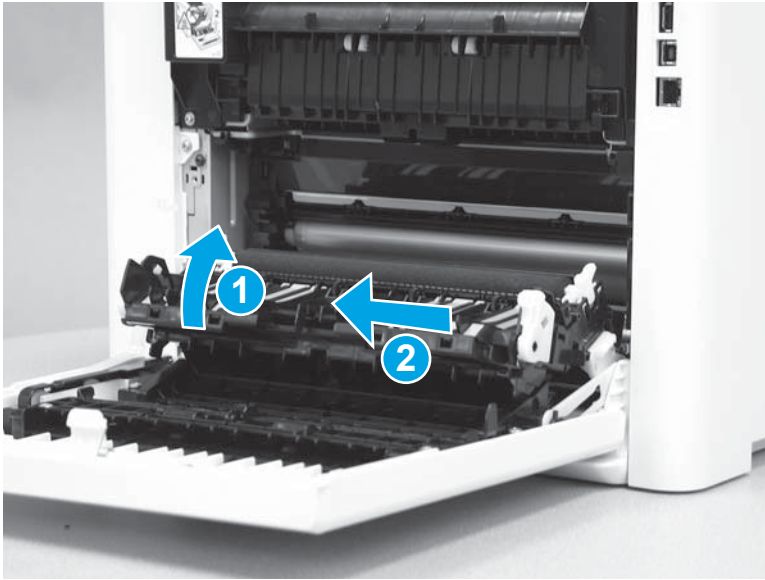
3. Remove one screw (callout 1), and then release the retaining arm (callout 2).

Figure 1-2057 Remove one screw and release the arm



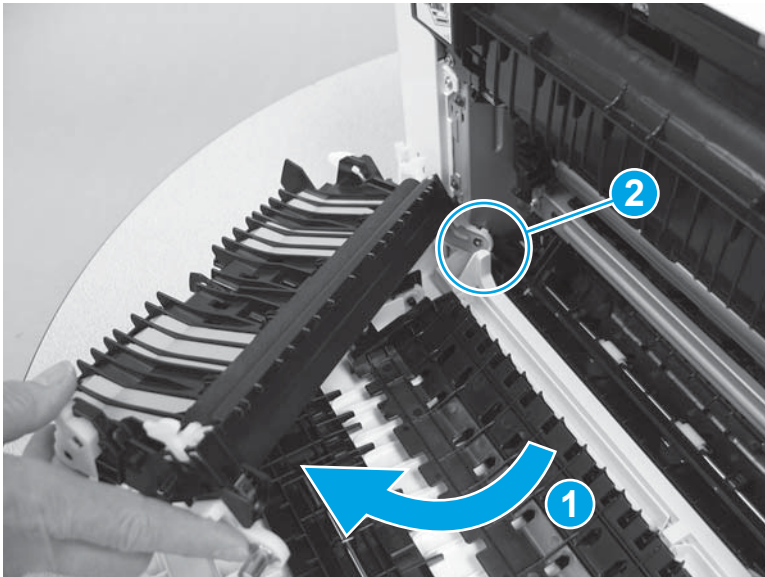
4. Lift the assembly up slightly (callout 1), and then slide it to the left (callout 2).

Figure 1-2058 Slide the assembly left



5. Rotate the right side of the assembly away from the printer (callout 1) so that the left side of the assembly rotates free of the plastic tab (callout 2). Remove the assembly.

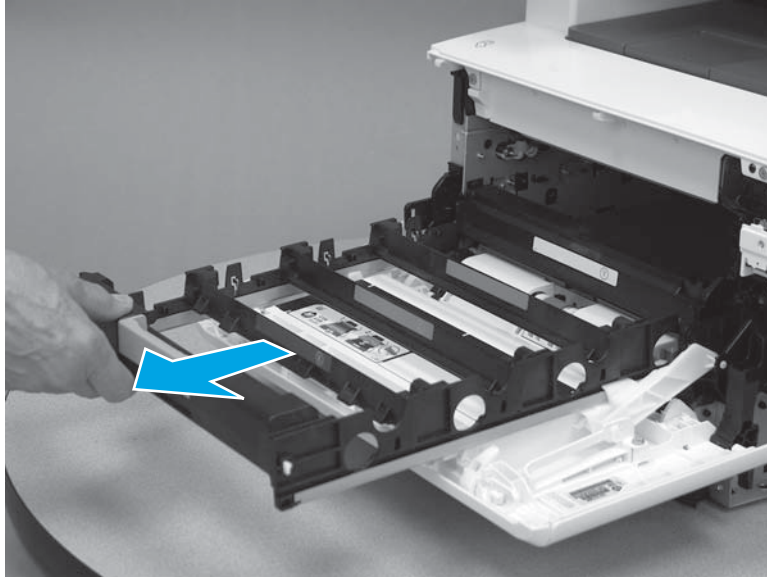
Figure 1-2059 Remove the secondary transfer assembly



Step 10: Remove the intermediate transfer belt (ITB)

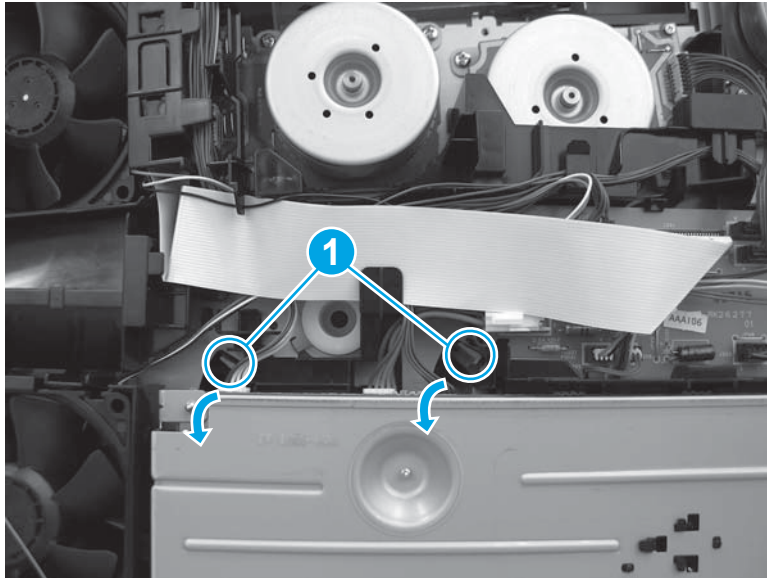
1. Slide the cartridge tray out of the printer.

Figure 1-2060 Slide the cartridge tray out



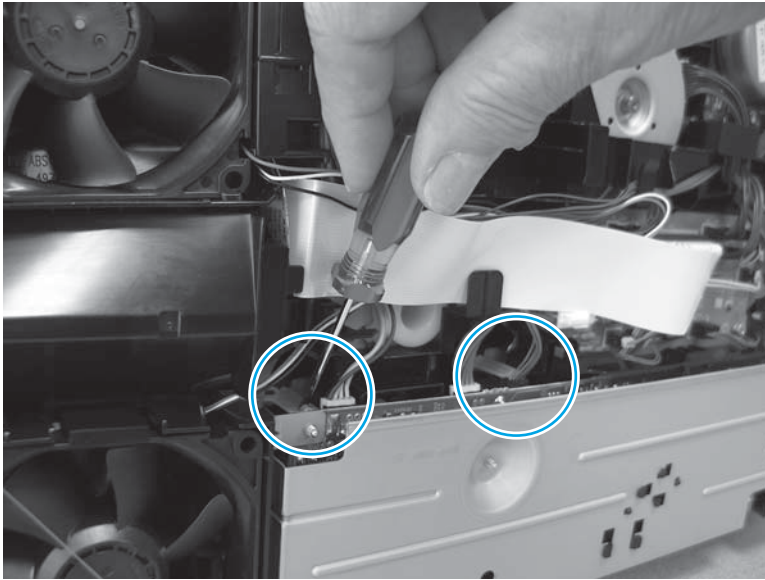
2. Locate two levers (callout 1) above the low-voltage power supply, and then rotate them down to release them.

Figure 1-2061 Release two levers



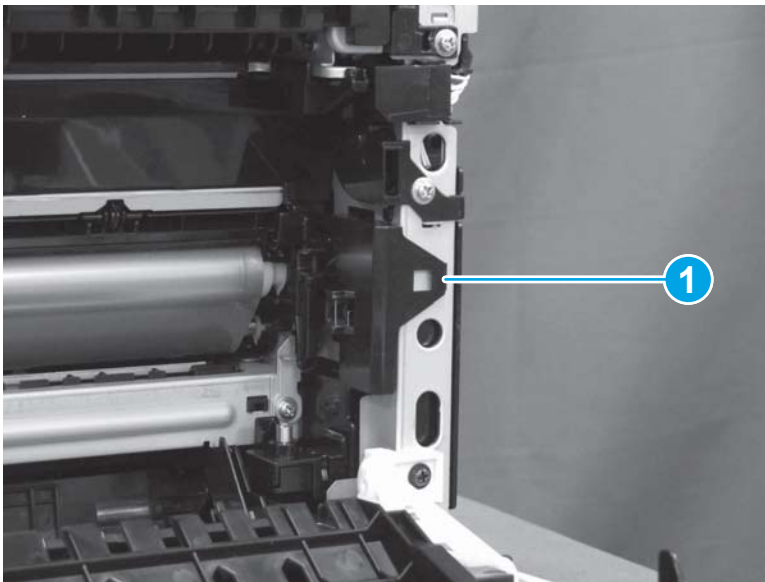
3. Use a small flat-blade screwdriver to pull the levers away from the printer until they stop.

Figure 1-2062 Pull two levers out



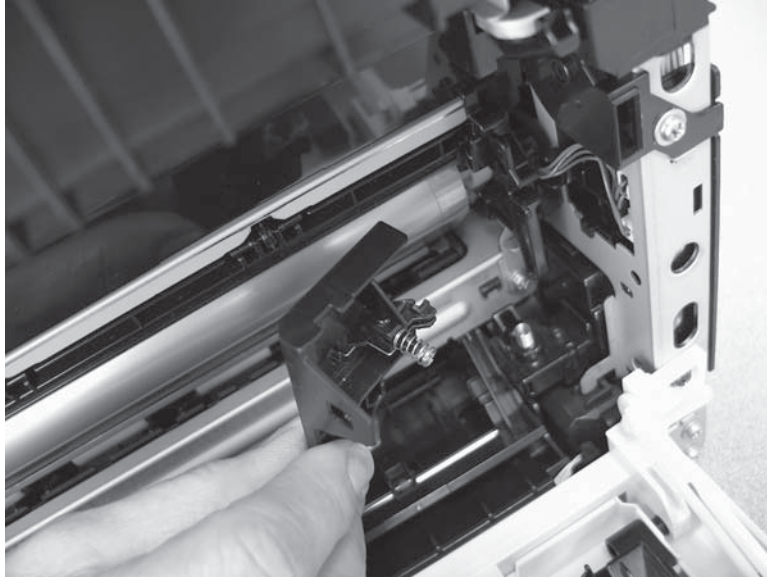
4. Release one tab (callout 1).

Figure 1-2063 Release one tab



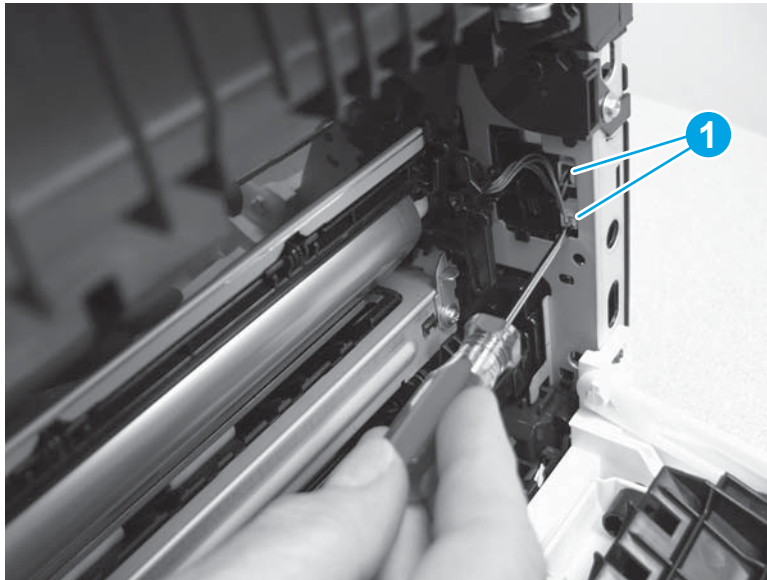
5. Remove the cover.

Figure 1-2064 Remove the cover.



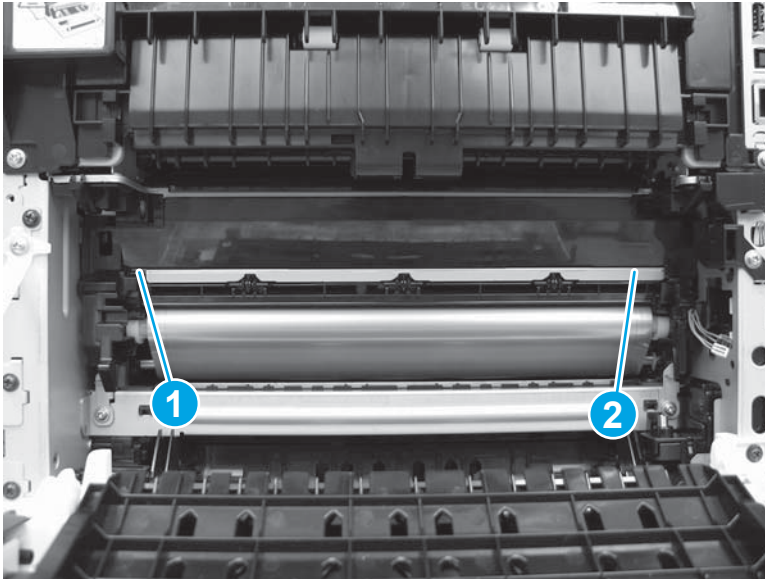
6. Use a small flat-blade screwdriver to release the retainers and remove two connectors (callout 1).

Figure 1-2065 Disconnect two connectors



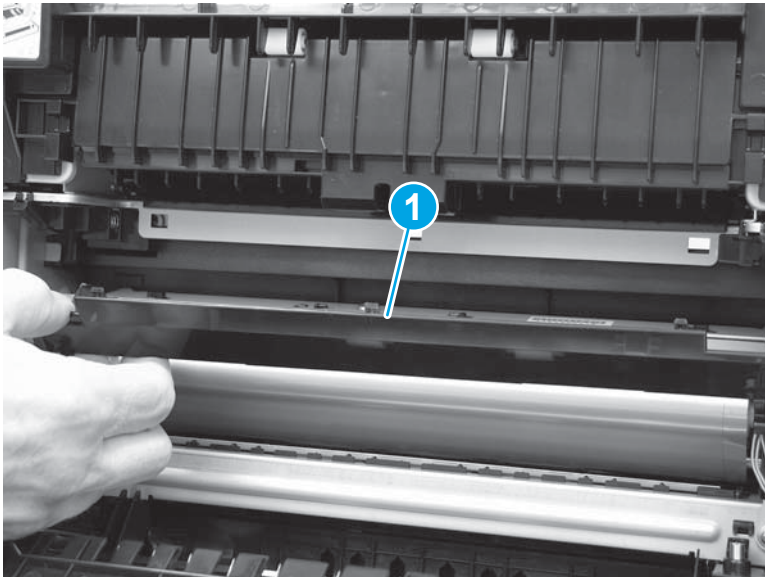
7. Release one tab (callout 1) on the left side of the fuser cover, and then release one tab (callout 2) on the right side.

Figure 1-2066 Release two tabs



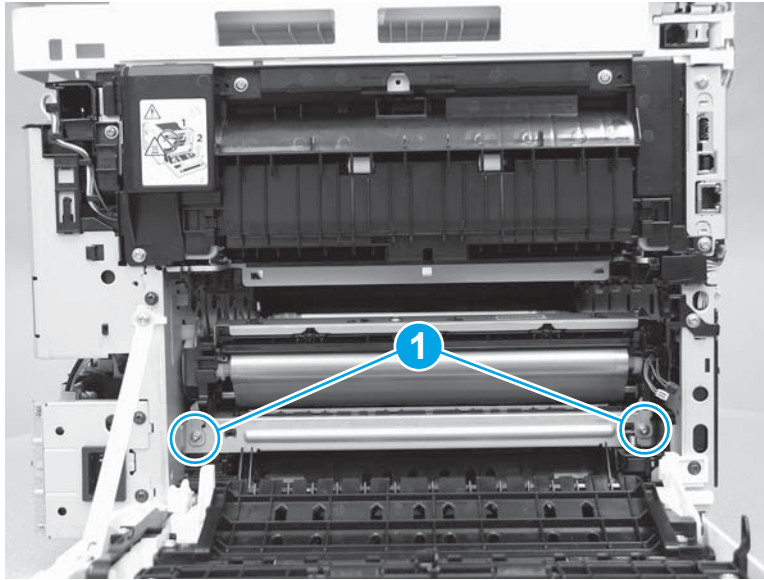
8. Remove the fuser cover (callout 1).

Figure 1-2067 Remove the fuser cover



9. Remove two screws (callout 1).

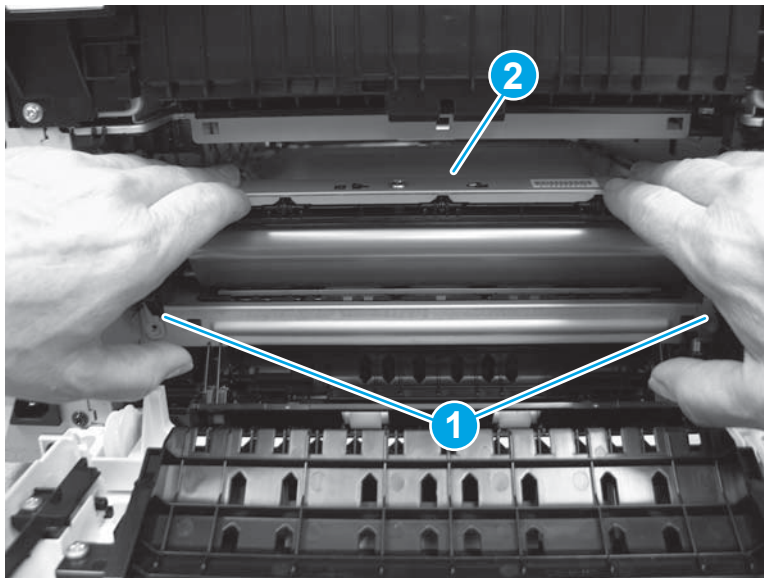
Figure 1-2068 Remove two screws



10. Press up on two tabs with thumbs (callout 1) and position fingers on the sheet metal on the top of the ITB (callout 2).

⚠ CAUTION: Do not touch the silver surface of the ITB. Skin oils on the ITB will cause print-quality problems.

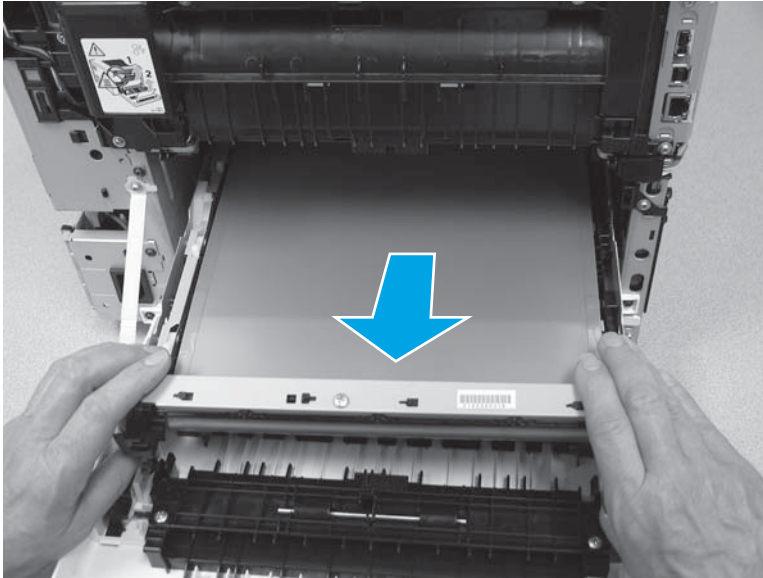
Figure 1-2069 Release two tabs



11. Slide the ITB out of the printer.

⚠ CAUTION: Do not tamper with any of the white fittings on the side of the ITB.

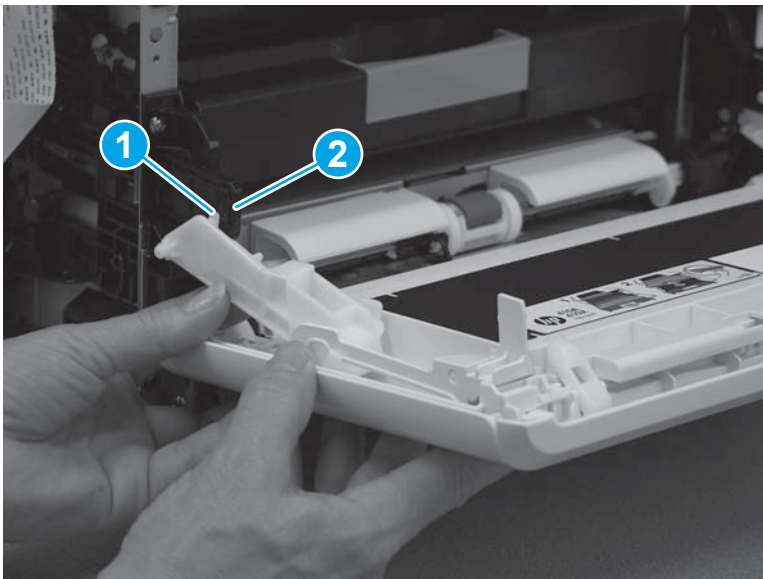
Figure 1-2070 Slide the ITB out



Step 11: Remove the toner cartridge tray

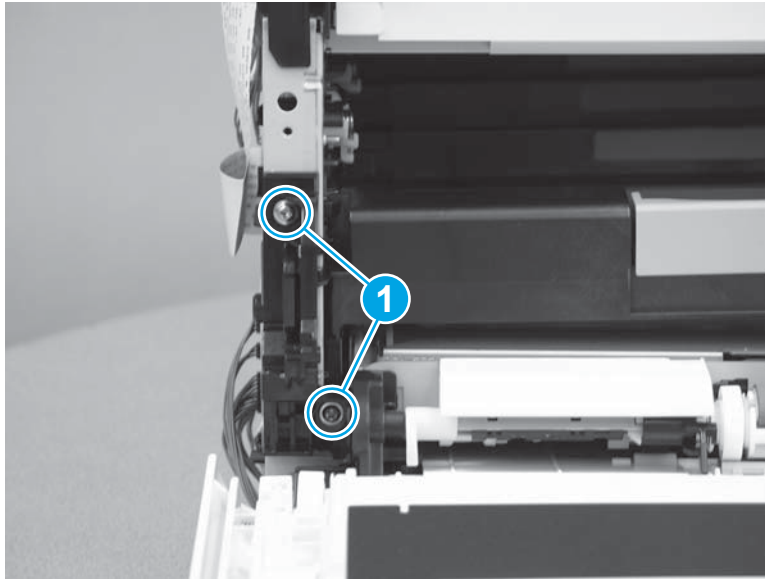
1. Release the tab (callout 1) on the front door hinge arm from the slot (callout 2) on the tray slide mechanism.

Figure 1-2071 Release the hinge arm



2. Remove two screws (callout 1).

Figure 1-2072 Remove two screws



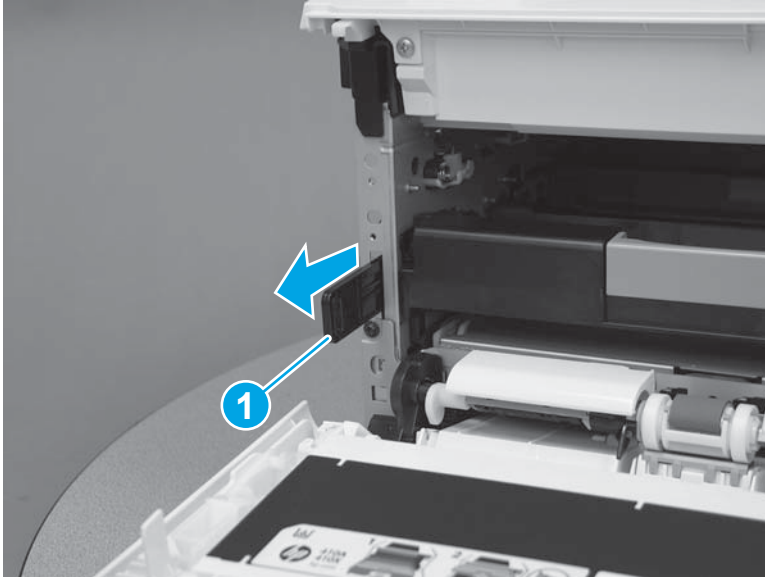
3. Remove the cover (callout 1).

Figure 1-2073 Remove the cover



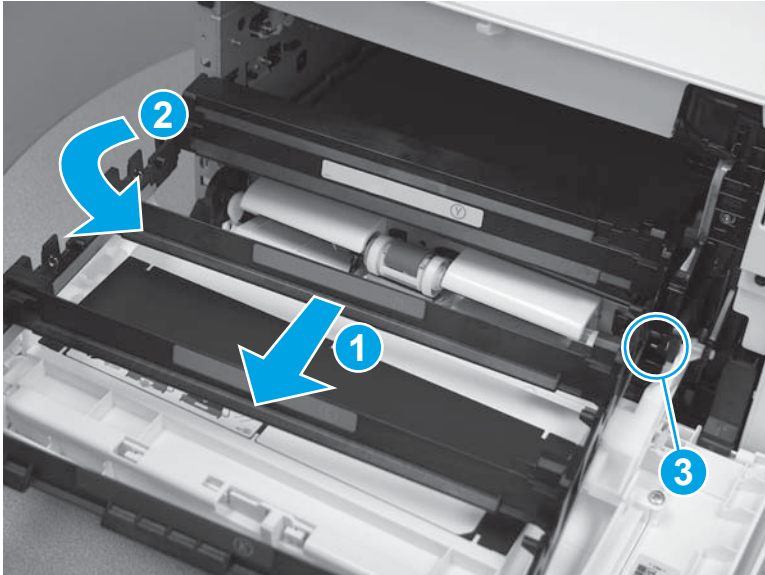
4. Pull the tray slide mechanism (callout 1) out.

Figure 1-2074 Pull the tray slide mechanism out



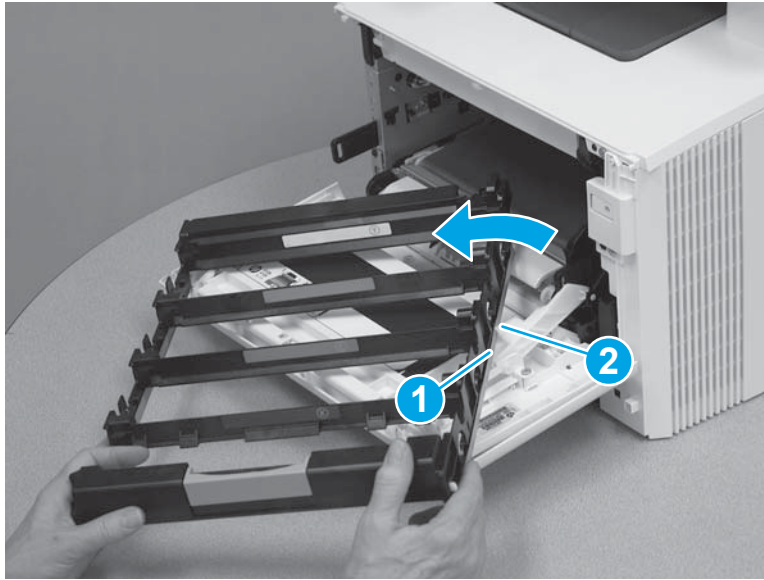
5. Slide the cartridge tray out of the printer (callout 1). Rotate the tray counterclockwise (callout 2) to release one silver shaft (callout 3).

Figure 1-2075 Rotate the cartridge tray to release one shaft



6. Continue to rotate the tray to release the edge of the tray (callout 1) from the white clip (callout 2).

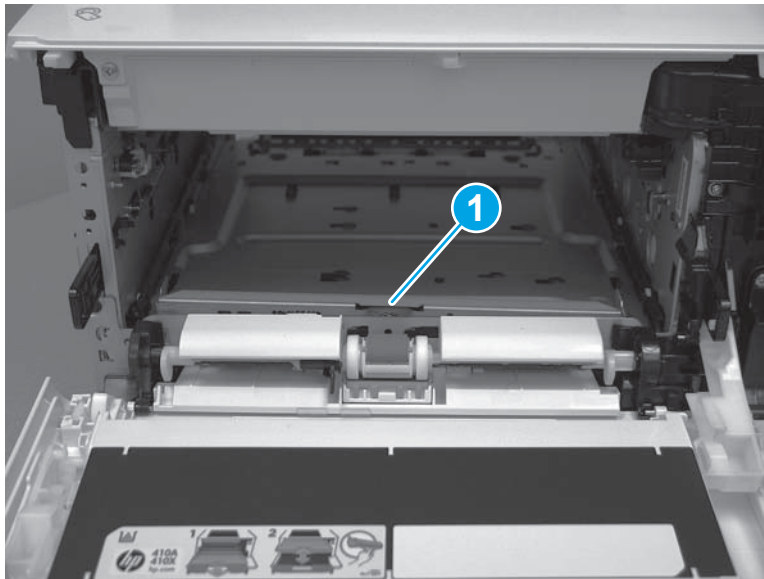
Figure 1-2076 Remove the cartridge tray



Step 12: Remove the registration density sensor

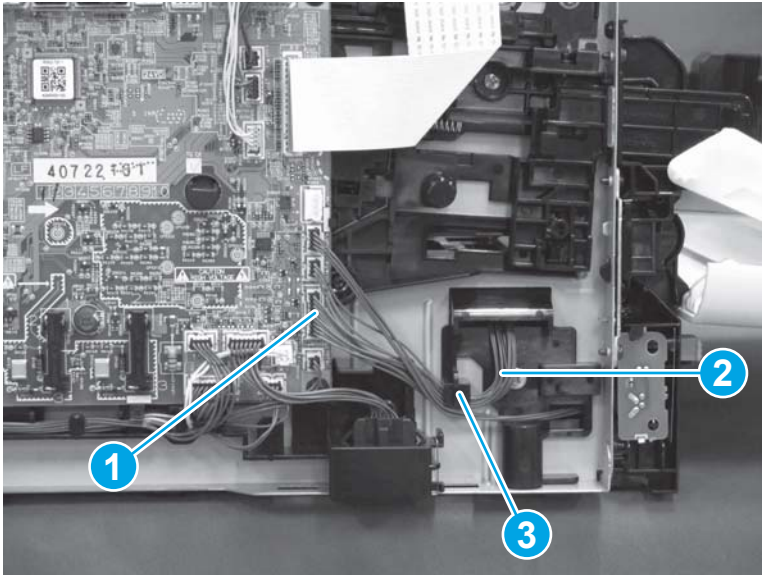
1. The registration density sensor (callout 1) is located behind the Tray 1 pickup and feed rollers.

Figure 1-2077 Location of the registration density sensor



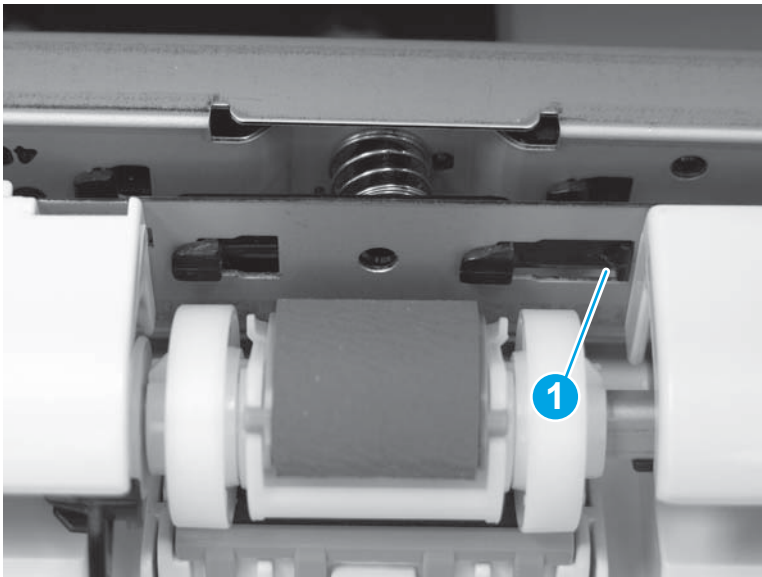
2. On the left side of the printer, disconnect one connector (callout 1), and then release the cables (callout 2) from the guide (callout 3).

Figure 1-2078 Disconnect one connector and release cables



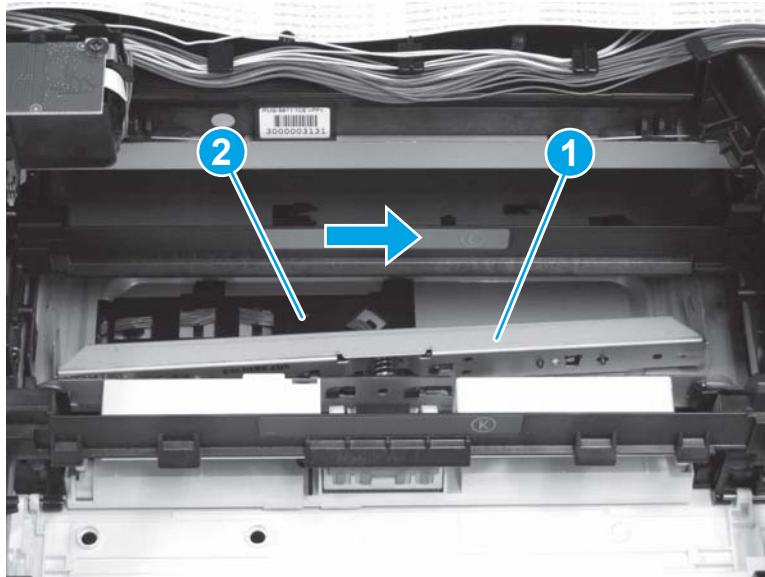
3. Release one tab (callout 1).

Figure 1-2079 Release one tab



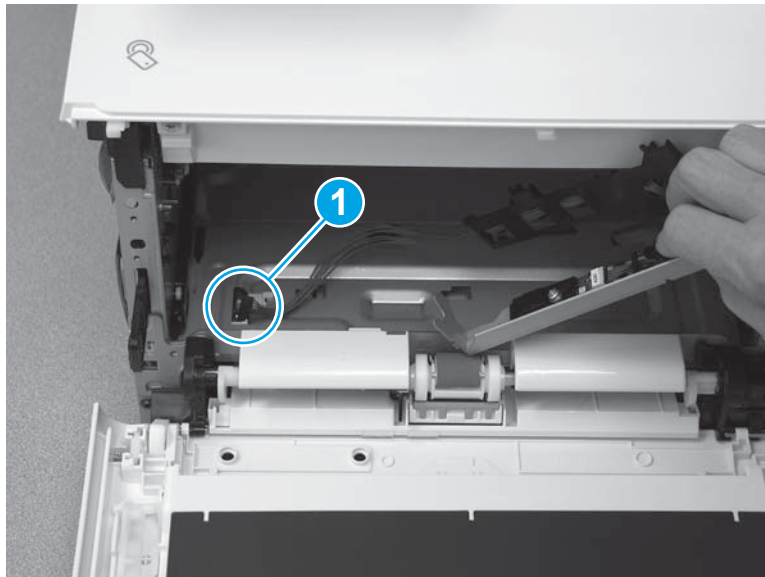
4. Slide the registration density sensor (callout 1) and the cable guide (callout 2) to the right to release them.

Figure 1-2080 Slide the sensor and cable guide right



5. Release the connector through the opening in the sheet metal (callout 1).

Figure 1-2081 Release the connector



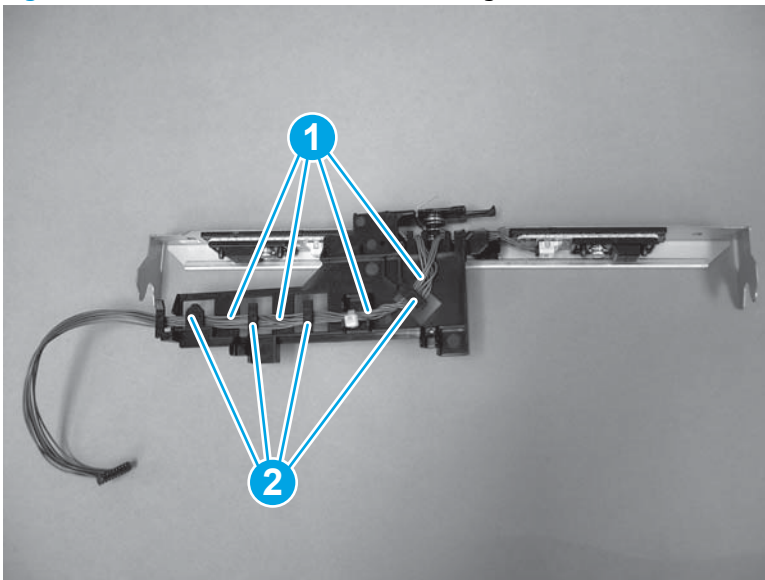
6. Remove the registration density sensor and cable guide.

Figure 1-2082 Remove the registration density sensor and guide



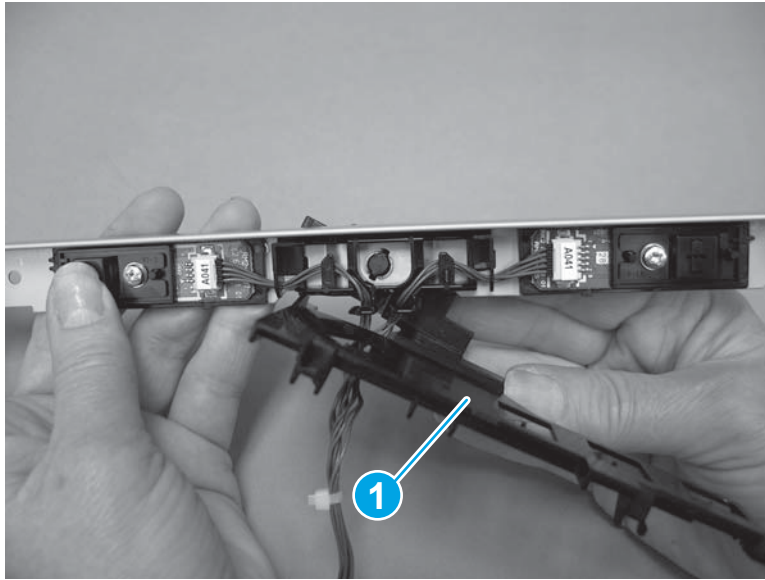
7. Release the cables (callout 1) from the guides (callout 2).

Figure 1-2083 Release the cables from the guides



8. Remove the cable guide (callout 1).

Figure 1-2084 Remove the cable guide



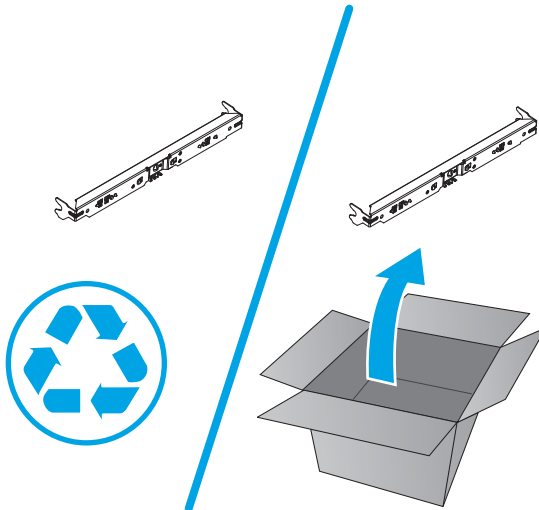
Step 13: Unpack the replacement part

Remove the new part from its package. Save all packaging for recycling the used part.

For complete information on HP's recycling programs, go to [Product return and recycling](#).

 **NOTE:** HP recommends responsible disposal of the defective part.

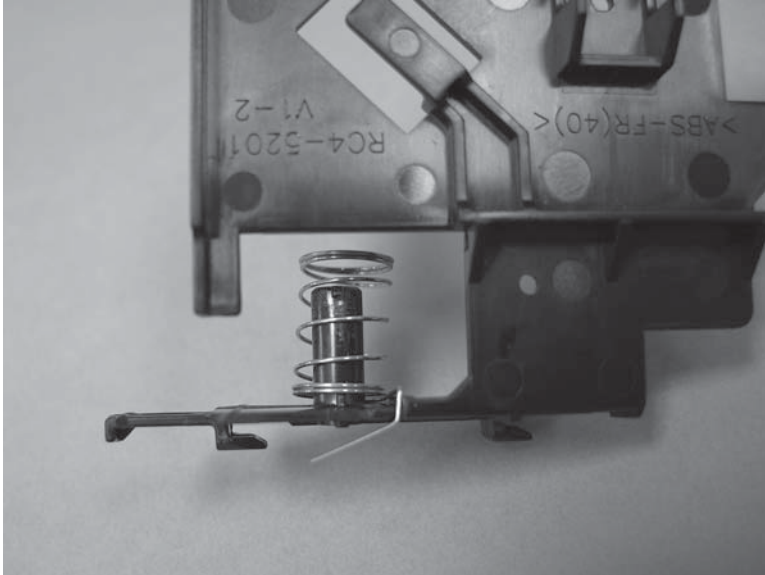
Figure 1-2085 Recycle and unpack



Step 14: Install the registration density sensor

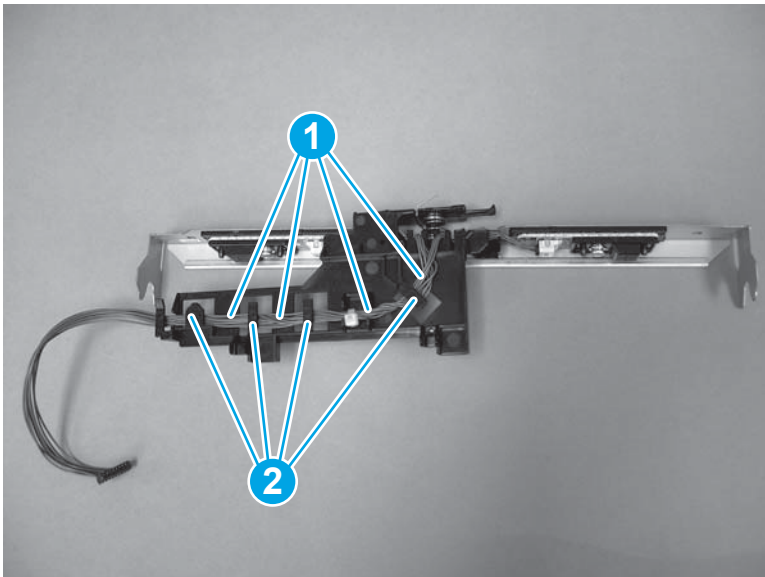
1. If the spring on the registration density sensor becomes dislodged, reinstall it as shown below.

Figure 1-2086 Reinstall spring



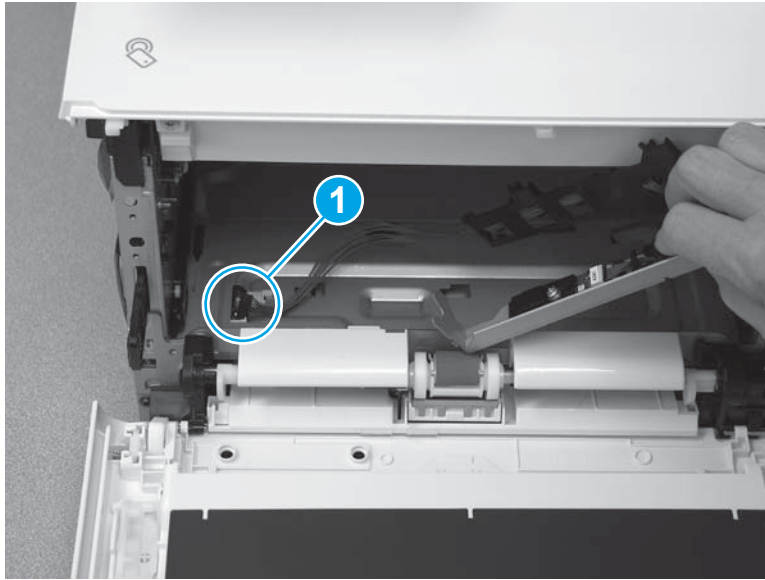
2. Position the cable guide on the replacement registration density sensor, and then install the cables (callout 1) into the guides (callout 2).

Figure 1-2087 Install the cables in the guides



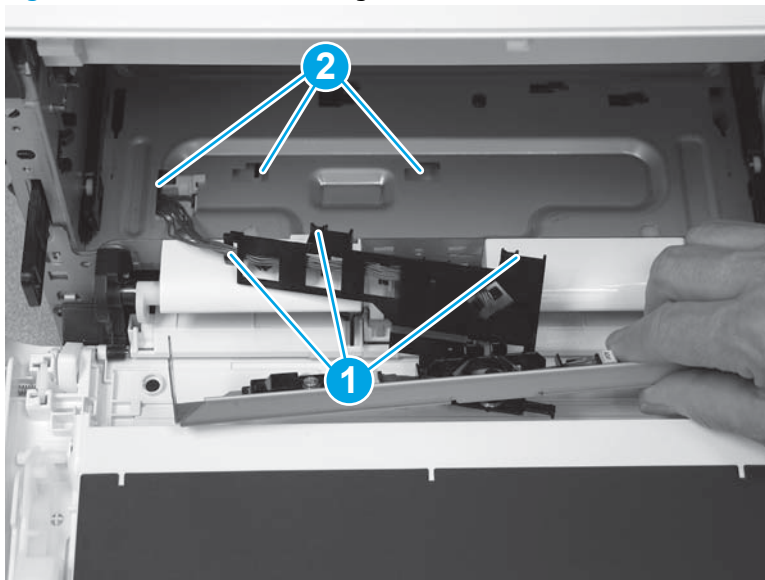
3. Install the connector through the opening in the sheet metal (callout 1).

Figure 1-2088 Install the connector



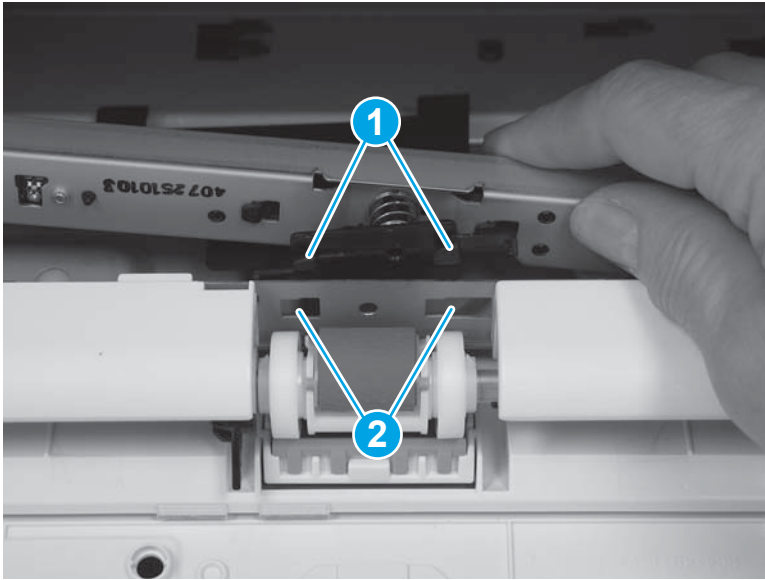
4. Install the tabs (callout 1) on the cable guide into the slots (callout 2) in the printer.

Figure 1-2089 Install the cable guide tabs



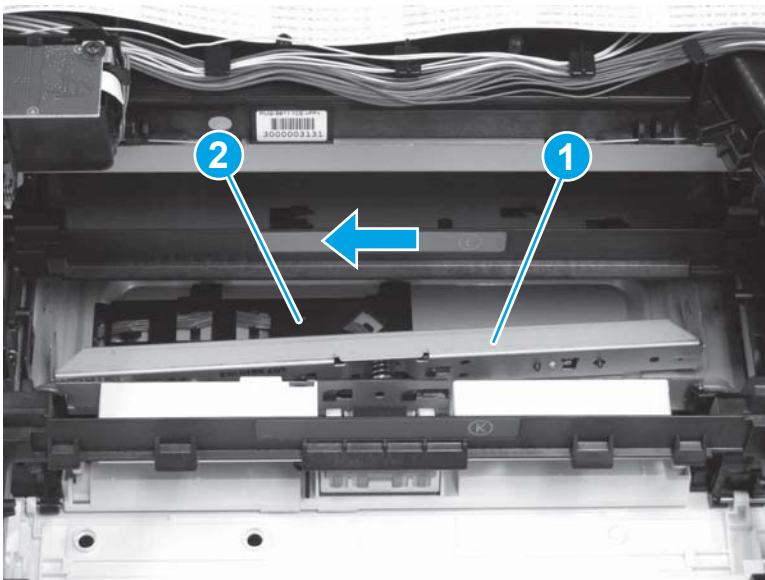
5. Install the tabs (callout 1) on the registration density sensor into the slots (callout 2) in the printer.

Figure 1-2090 Install two tabs



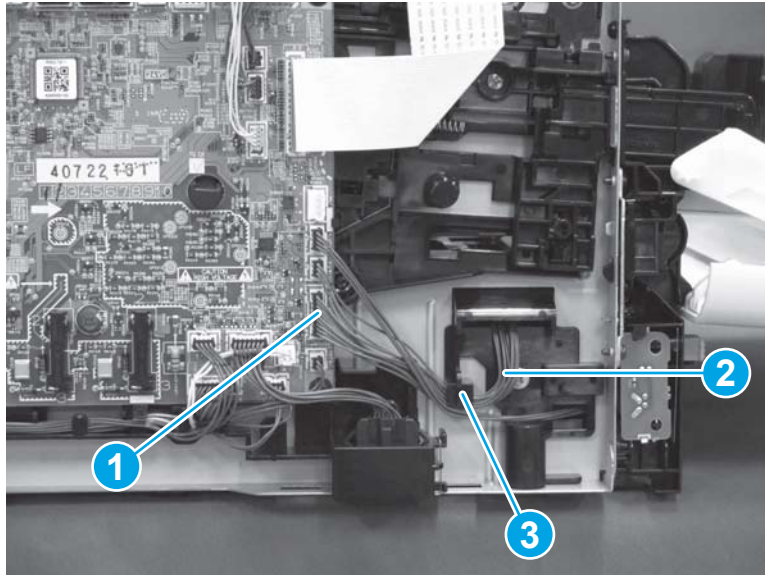
6. Slide the registration density sensor (callout 1) and the cable guide (callout 2) to the left to install them.

Figure 1-2091 Install the registration density sensor



7. On the left side of the printer, connect one connector (callout 1), and then install the cables (callout 2) in the guide (callout 3).

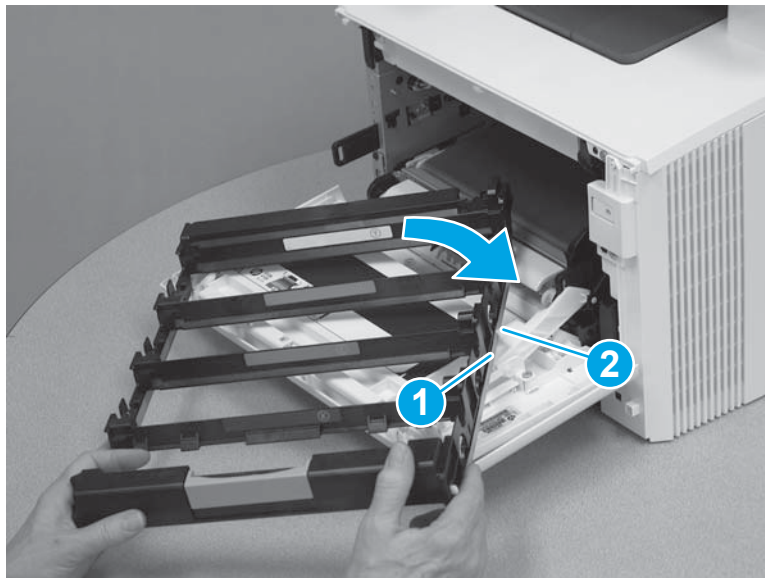
Figure 1-2092 Connect one connector



Step 15: Install the toner cartridge tray

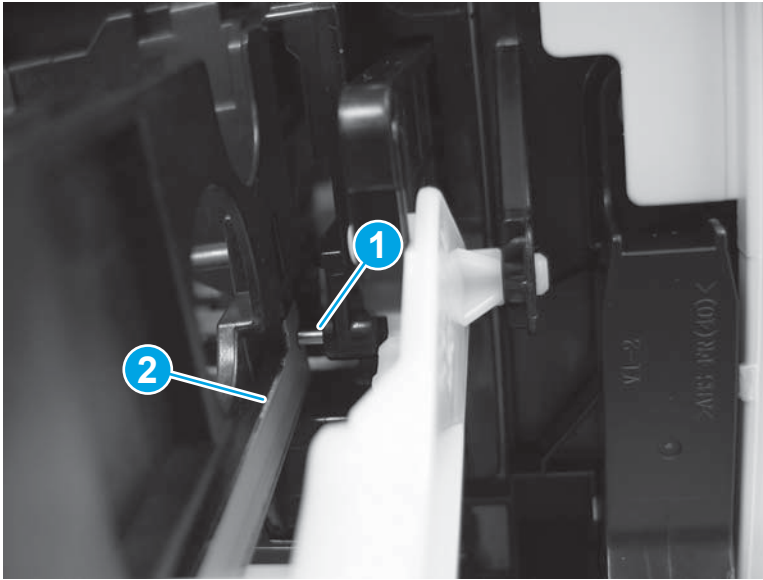
1. Install the edge of the tray (callout 1) into the white clip (callout 2), and then rotate the tray clockwise.

Figure 1-2093 Install the white clip



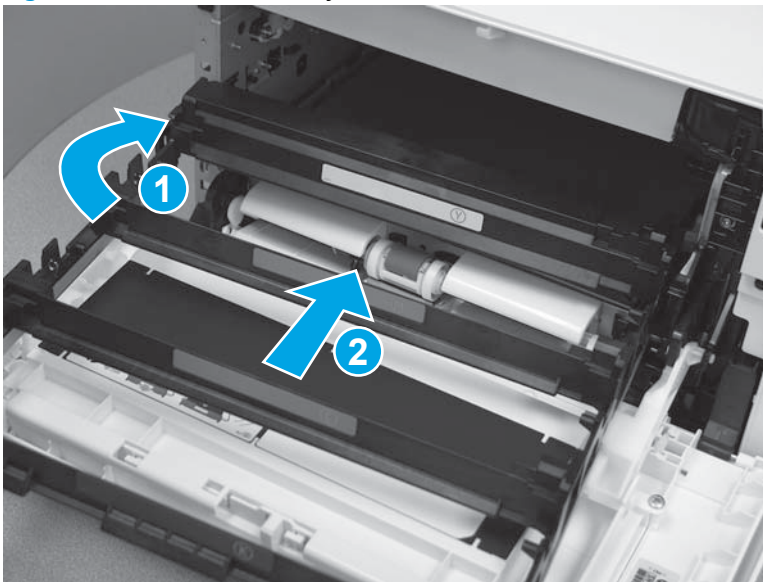
2. Install the silver shaft (callout 1) over the edge of the sheet metal (callout 2) on the cartridge tray.

Figure 1-2094 Install the silver shaft



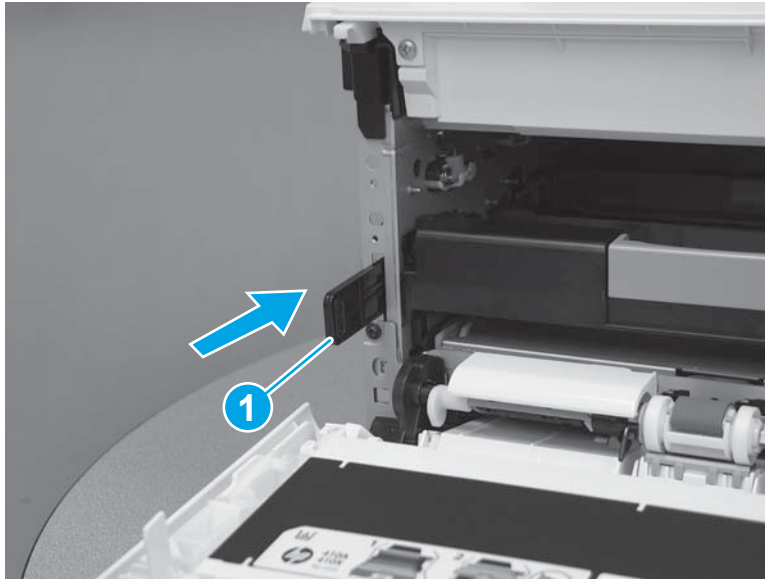
3. Rotate the tray clockwise (callout 1), and then slide the tray into the printer (callout 2).

Figure 1-2095 Rotate the tray



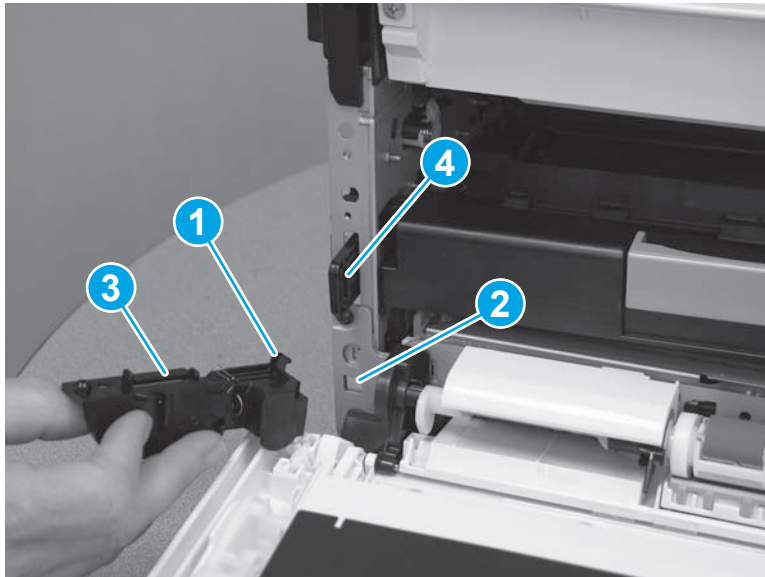
4. Slide the tray slide mechanism (callout 1) into the printer.

Figure 1-2096 Slide the tray slide mechanism in



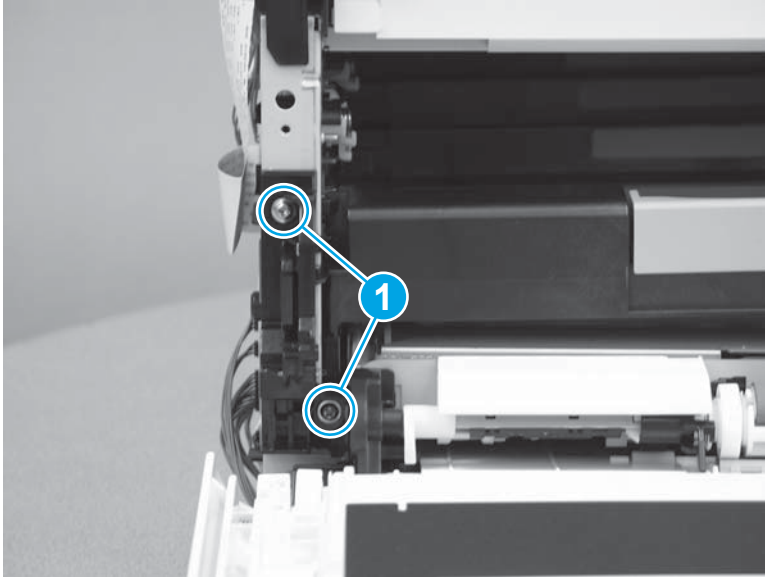
5. Install the tab on the cover (callout 1) into the slot (callout 2) on the printer. Then, install the slot (callout 3) on the cover over the tray slide mechanism (callout 4) on the printer.

Figure 1-2097 Install the cover



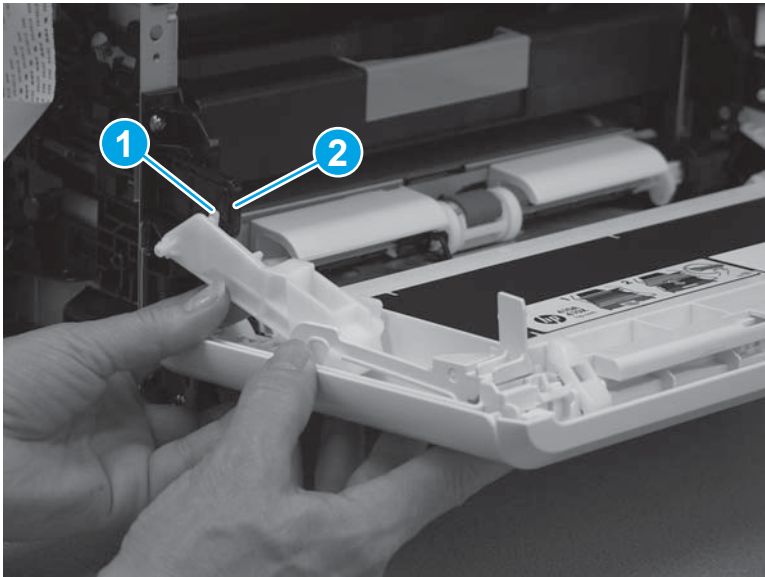
6. Install two screws (callout 1).

Figure 1-2098 Install two screws



7. Install the tab (callout 1) on the front door hinge arm into the slot (callout 2) on the tray slide mechanism.

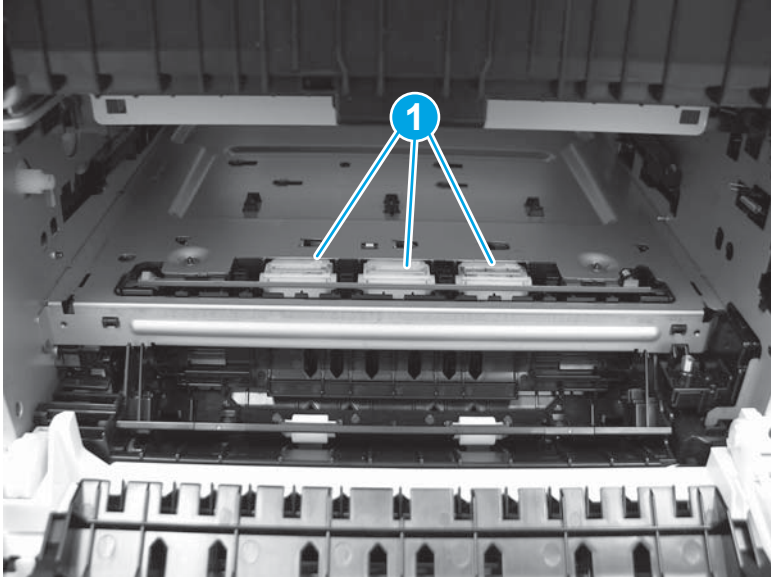
Figure 1-2099 Install the hinge arm



Step 16: Install the intermediate transfer belt (ITB)

1. Use a soft, lint-free cloth to remove any paper dust from the mylar strips (callout 1) under the ITB.

Figure 1-2100 Clean the mylar strips



2. Verify that the tabs on the end of the ITB are in the position shown.

Figure 1-2101 Check tabs on the end of the ITB

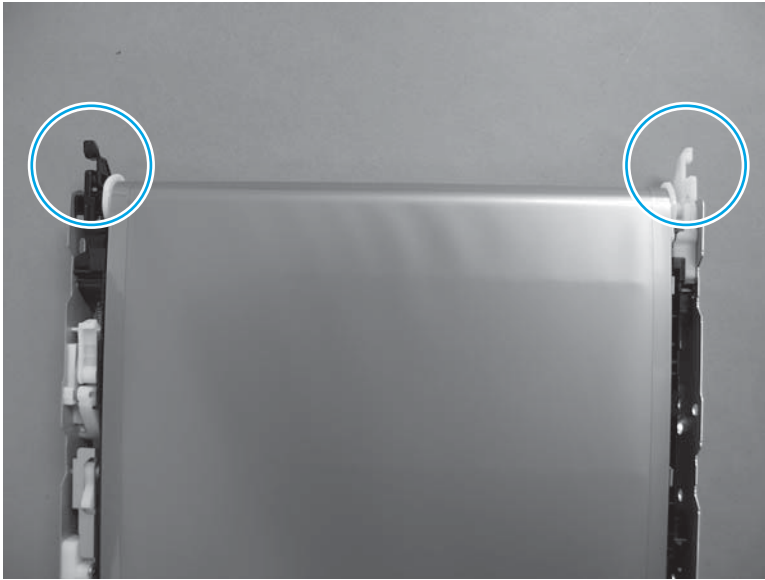
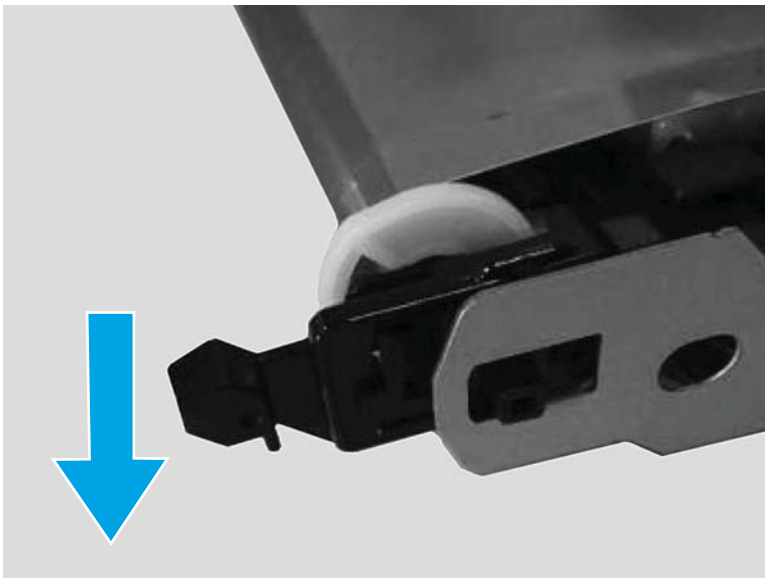


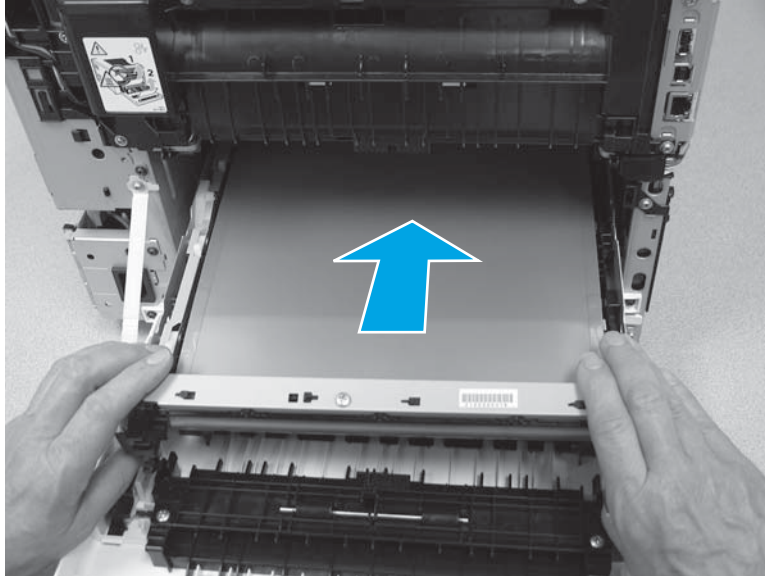
Figure 1-2102 Lower both tabs on each side of the ITB to the position shown



3. Slide the ITB into the printer.

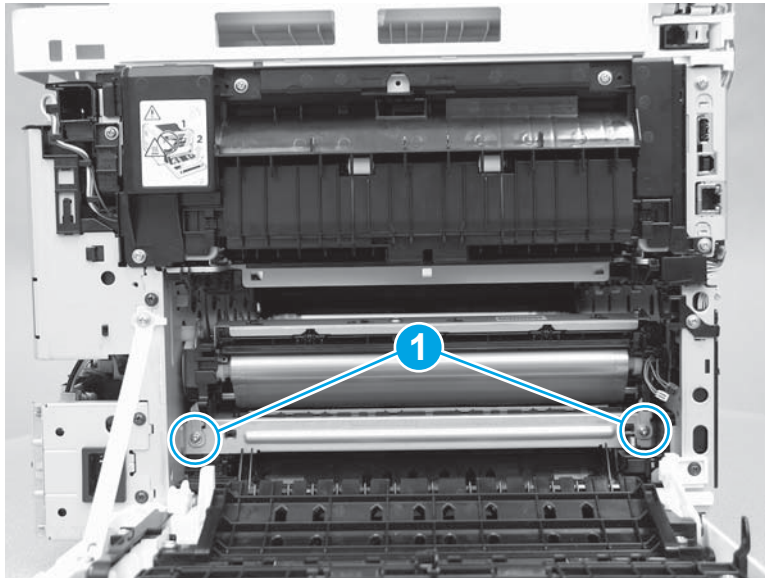
CAUTION: Do not touch the silver surface of the ITB. Skin oils on the ITB will cause print-quality problems.

Figure 1-2103 Slide the ITB in



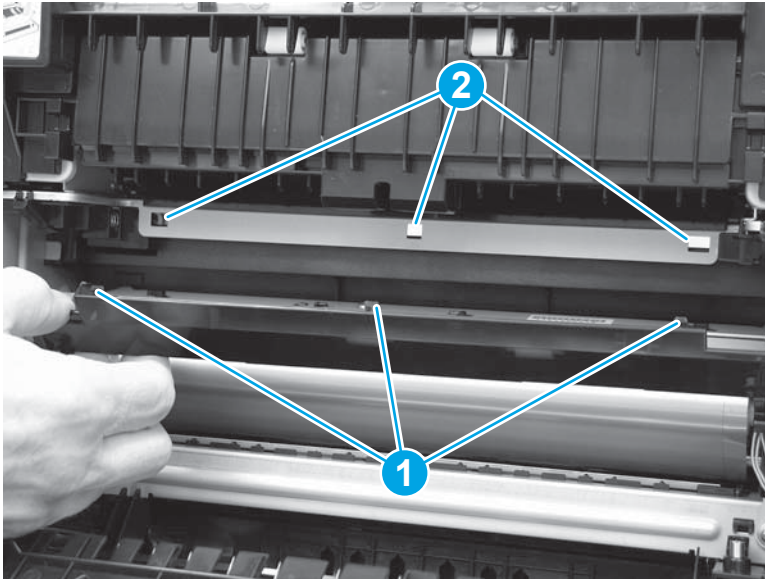
4. Install two screws (callout 1).

Figure 1-2104 Install two screws



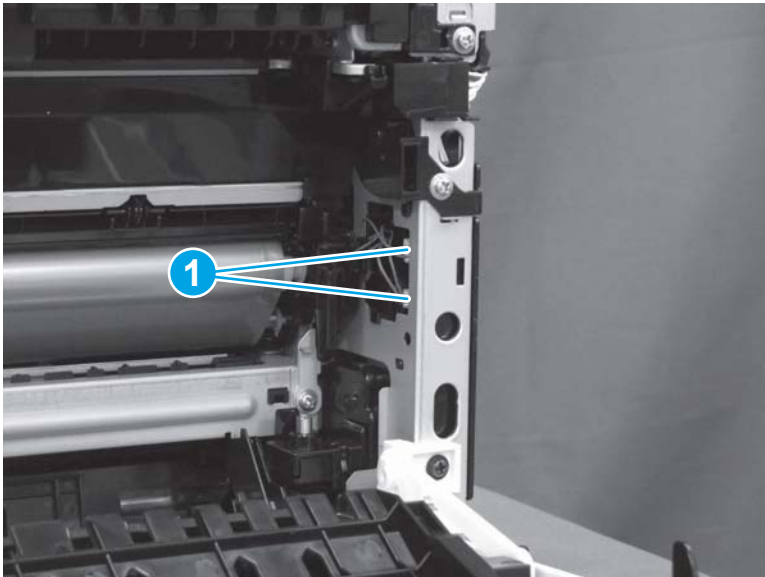
5. Install the tabs on the fuser cover (callout 1) into the slots (callout 2) in the printer, and then snap the cover into place.

Figure 1-2105 Install the fuser cover



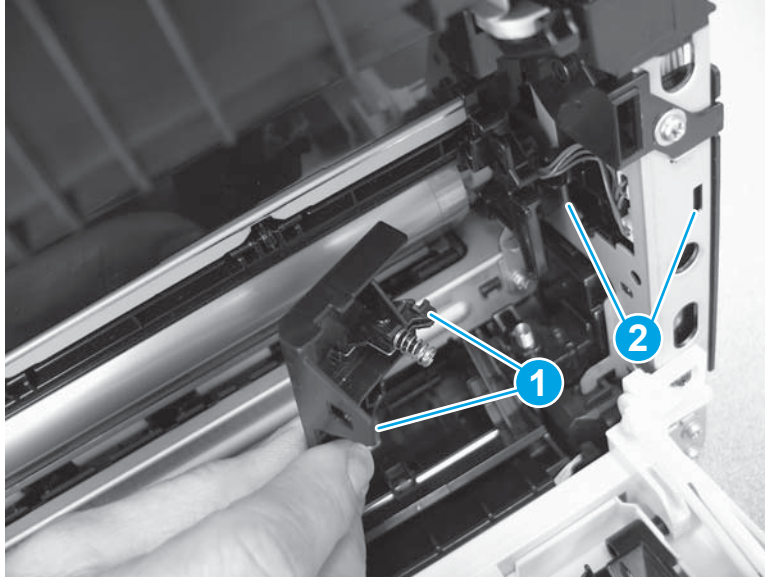
6. Connect two connectors (callout 1).

Figure 1-2106 Connect two connectors



7. Position the tabs (callout 1) on the cover into the slots (callout 2) on the printer, and then snap the cover into place.

Figure 1-2107 Install the cover.



8. Use a small flat-blade screwdriver to push the levers into the printer until they stop.

Figure 1-2108 Push two levers in

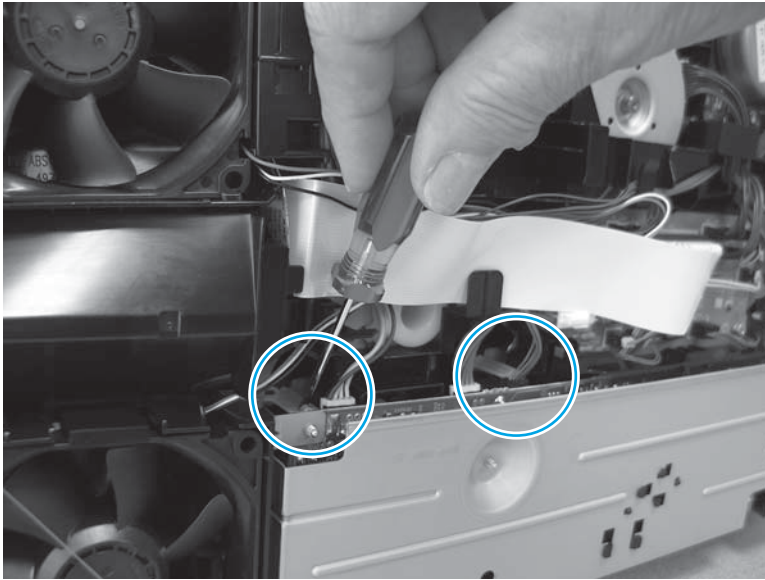
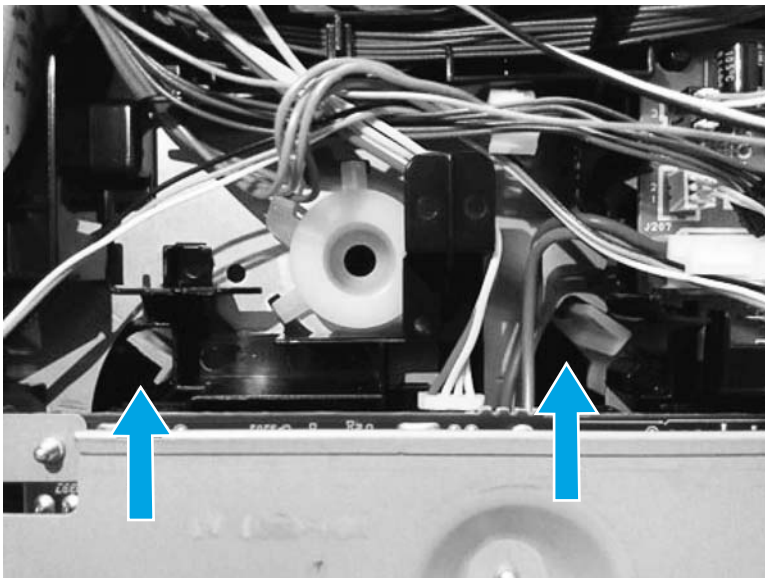
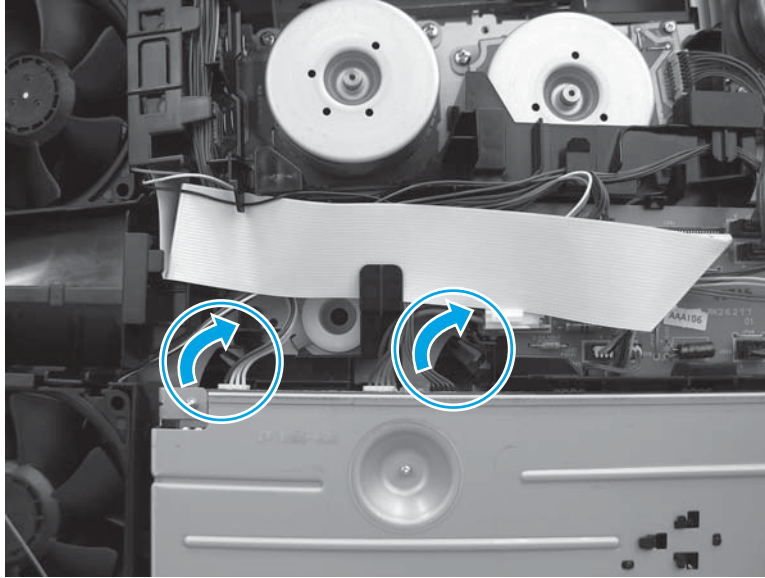


Figure 1-2109 Push two levers in (different view)



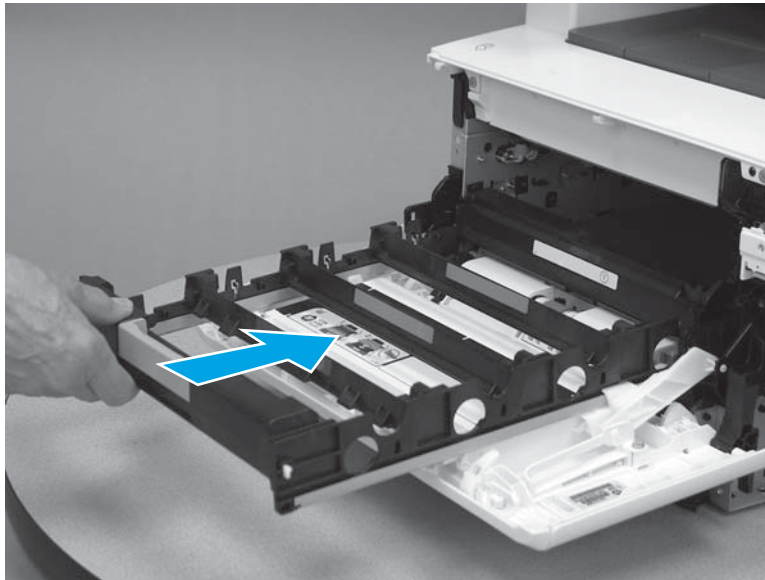
9. Rotate the levers up until they snap into place.

Figure 1-2110 Rotate two levers into place




10. Slide the cartridge tray into the printer.

Figure 1-2111 Slide the cartridge tray in



Step 17: Install the secondary transfer assembly (simplex models)

 **NOTE:** This step is for simplex models. For duplex models, skip this step and go to [Step 18: Install the secondary transfer assembly \(duplex models\) on page 1137](#).

1. Install the shaft on the secondary transfer assembly into the hole in the printer (callout 1), and then rotate the right side of the assembly toward the printer to install it (callout 2).


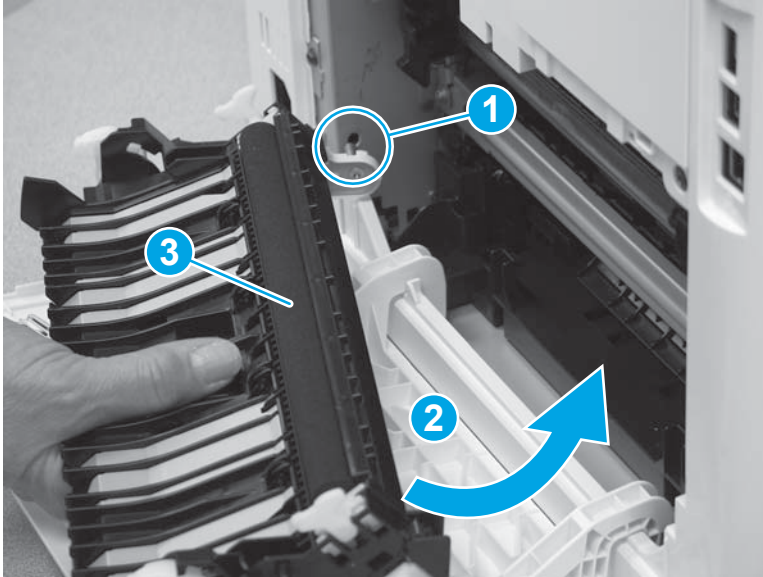
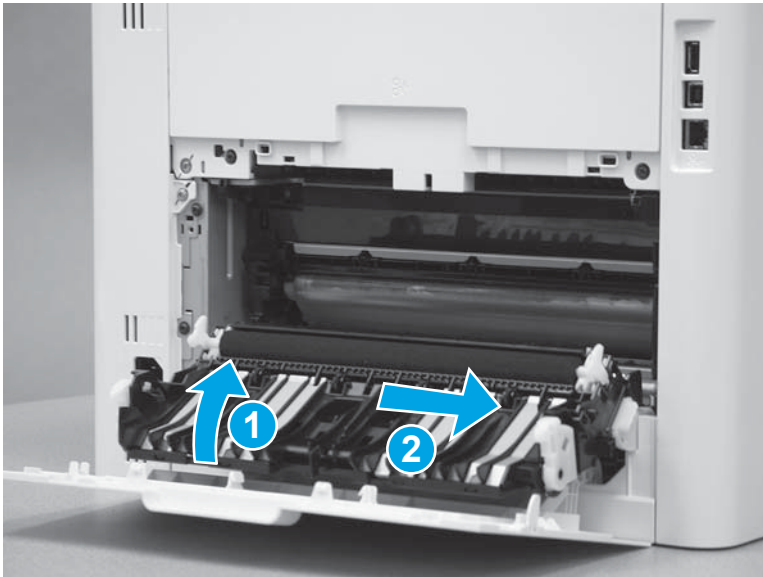
 **CAUTION:** Do not touch or damage the secondary transfer roller (callout 3).

Figure 1-2112 Position the secondary transfer assembly



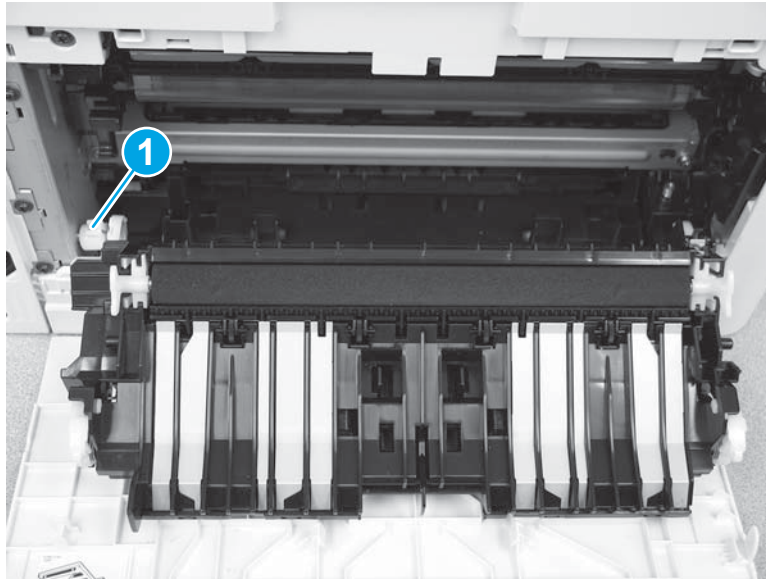
2. Lift the assembly up slightly (callout 1), and then slide it to the right (callout 2).

Figure 1-2113 Slide the assembly right



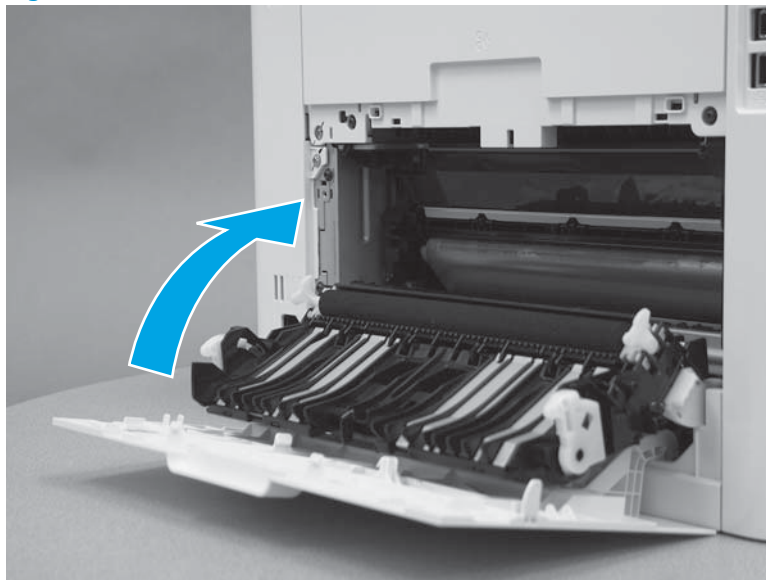
3. Install one retainer collar (callout 1).

Figure 1-2114 Install one retainer collar



4. Close the rear door.

Figure 1-2115 Close the rear door



Step 18: Install the secondary transfer assembly (duplex models)

 **NOTE:** This step is for duplex models. For simplex models, skip this step and go to [Step 19: Install the left cover \(M452 models\) on page 1140](#).

1. Install the left edge of the secondary transfer assembly behind the plastic tab (callout 1), and then rotate the right side of the assembly toward the printer to install it (callout 2).


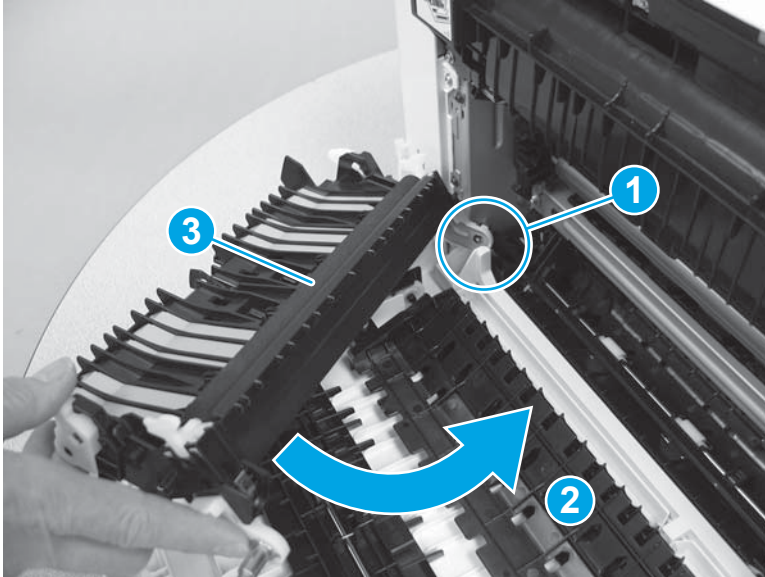
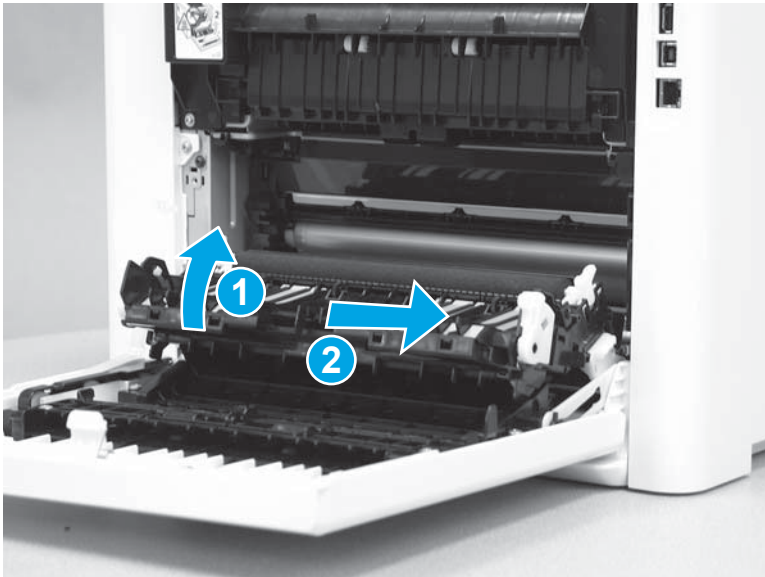
 **CAUTION:** Do not touch or damage the secondary transfer roller (callout 3).

Figure 1-2116 Position the secondary transfer assembly



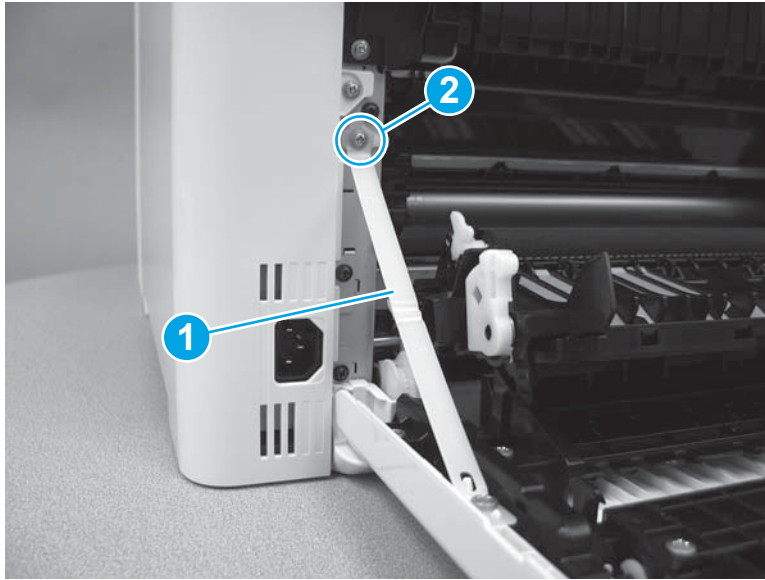
2. Lift the assembly up slightly (callout 1), and then slide it to the right (callout 2).

Figure 1-2117 Slide the assembly right



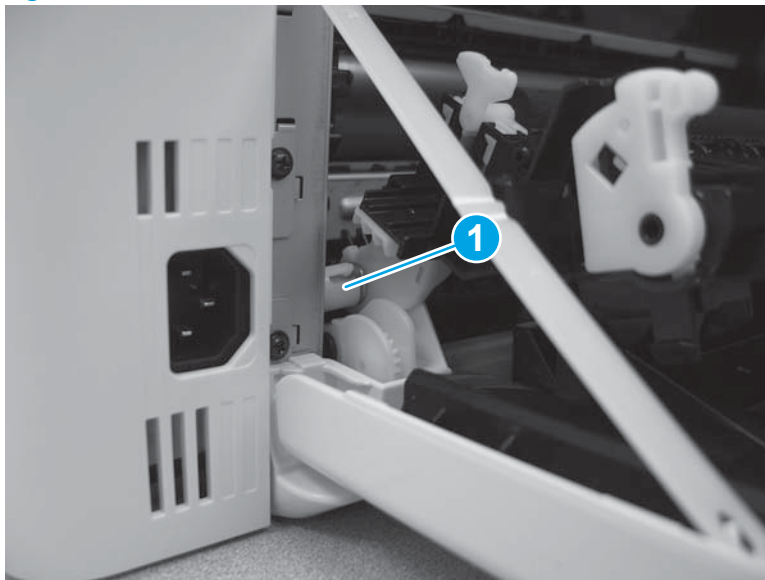
3. Position the retaining arm (callout 1) on the printer, and then install one screw (callout 2).

Figure 1-2118 Install the retaining arm



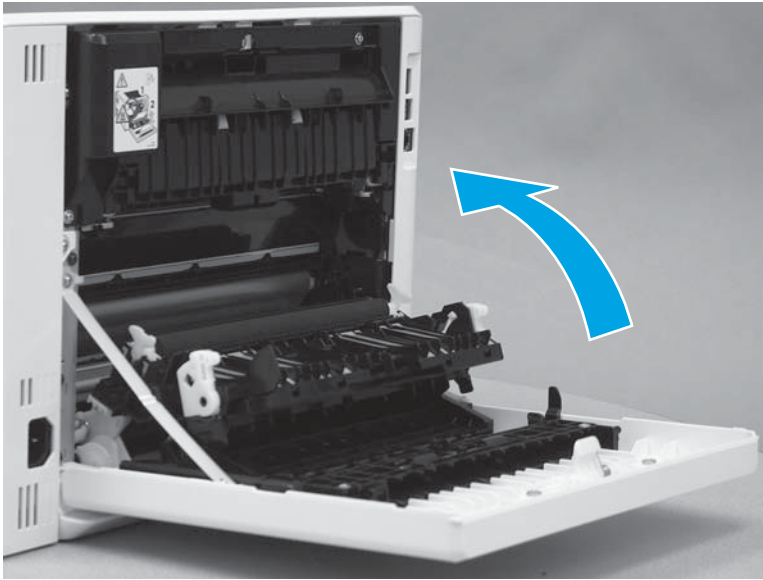
4. Install one retainer collar (callout 1).

Figure 1-2119 Install one retainer collar



5. Close the duplexer door.

Figure 1-2120 Close the duplexer door



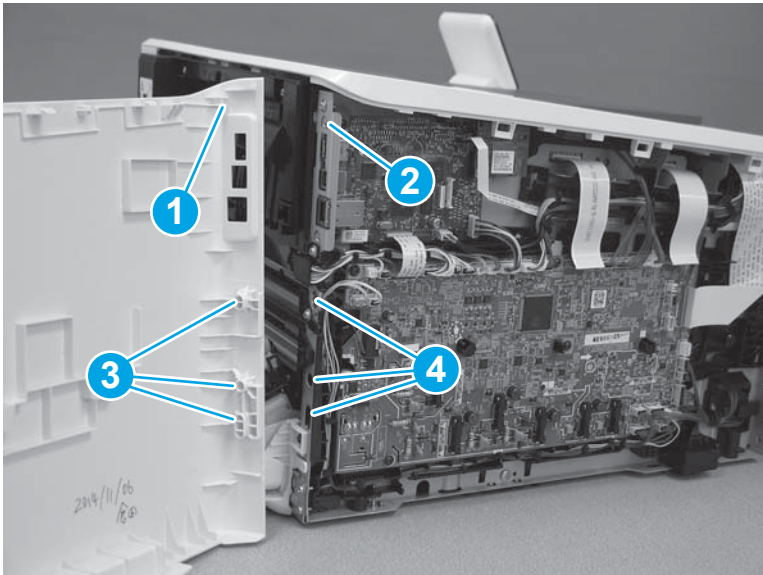
Step 19: Install the left cover (M452 models)



NOTE: This step is for the M452 models. For the M377, M477 models, skip this step and go to [Step 20: Install the left cover \(M377, M477 models\) on page 1144](#).

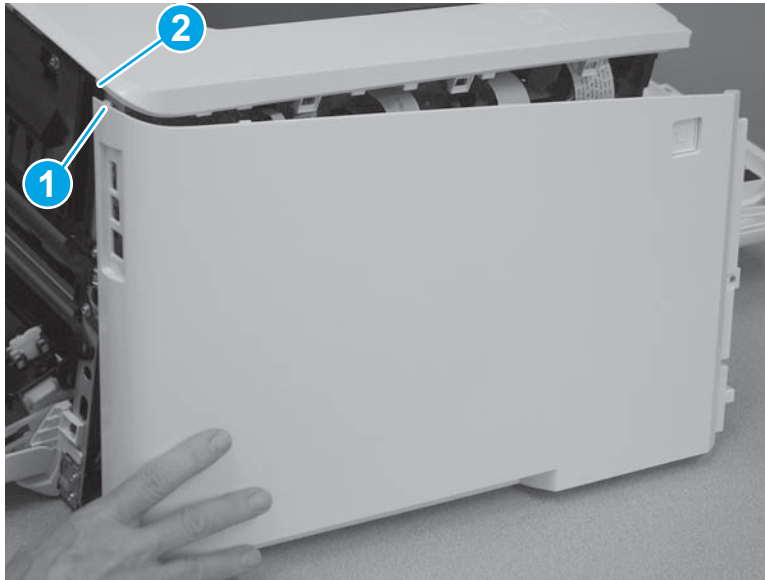
1. Position the hook (callout 1) on the cover in the slot (callout 2) on the printer. Position three tabs (callout 3) on the back of the cover in the slots (callout 4) in the printer.

Figure 1-2121 Position three tabs



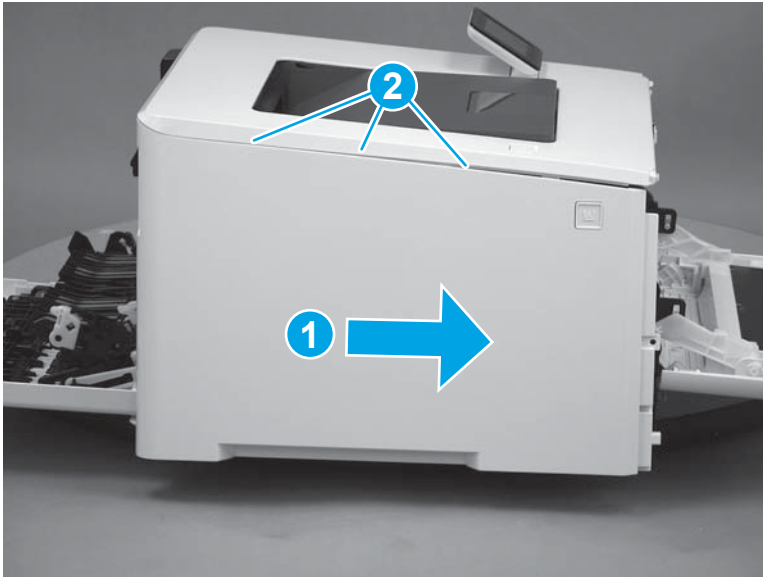
2. At the back of the printer, install the tab (callout 1) under the edge of the top cover (callout 2).

Figure 1-2122 Install one tab



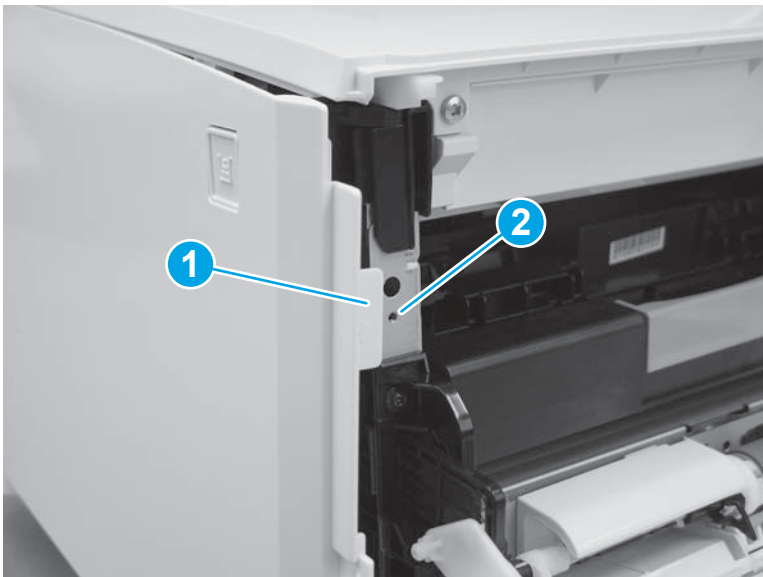
3. Slide the cover toward the front of the printer (callout 1), and then engage three tabs (callout 2) on the top of the cover.

Figure 1-2123 Install the left cover



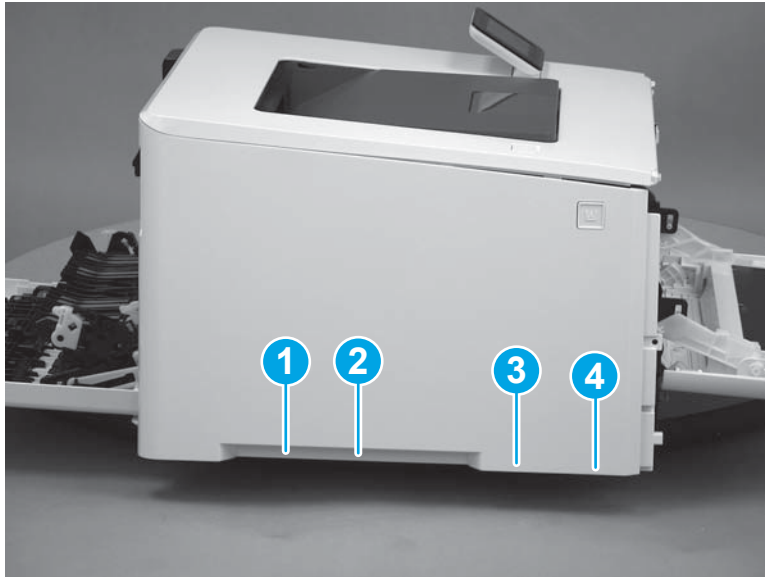
CAUTION: Make sure that the tab (callout 1) does not get caught behind the printer frame (callout 2).

Figure 1-2124 Make sure the tab does not get caught



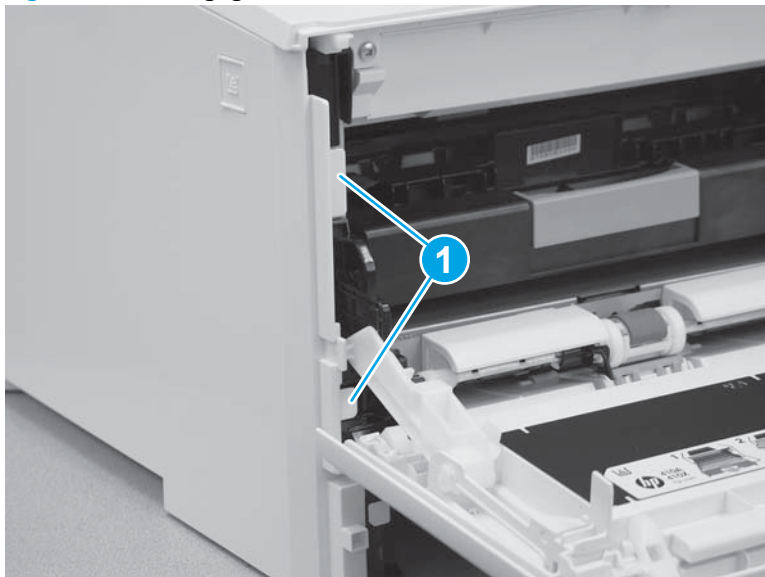
4. Slide the printer to the edge of a work surface in order to access the tabs on the bottom of the cover. Beginning from the back of the cover, install four tabs (callouts 1-4) on the lower edge of the cover.

Figure 1-2125 Install four tabs



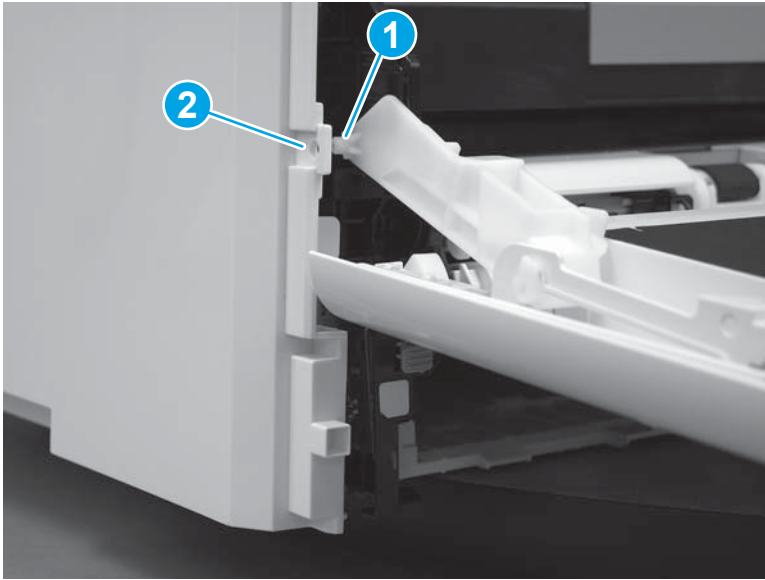
5. Install two tabs (callout 1) at the front of the cover.

Figure 1-2126 Engage two tabs



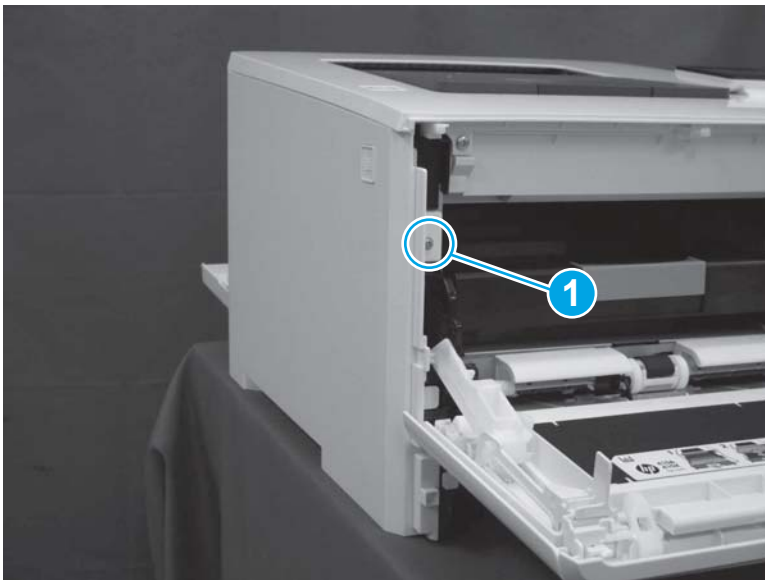
6. Make sure that the hinge pin (callout 1) on the front door fits into the slot (callout 2) on the left cover.

Figure 1-2127 Install hinge pin




7. Install one screw (callout 1).

Figure 1-2128 Install one screw

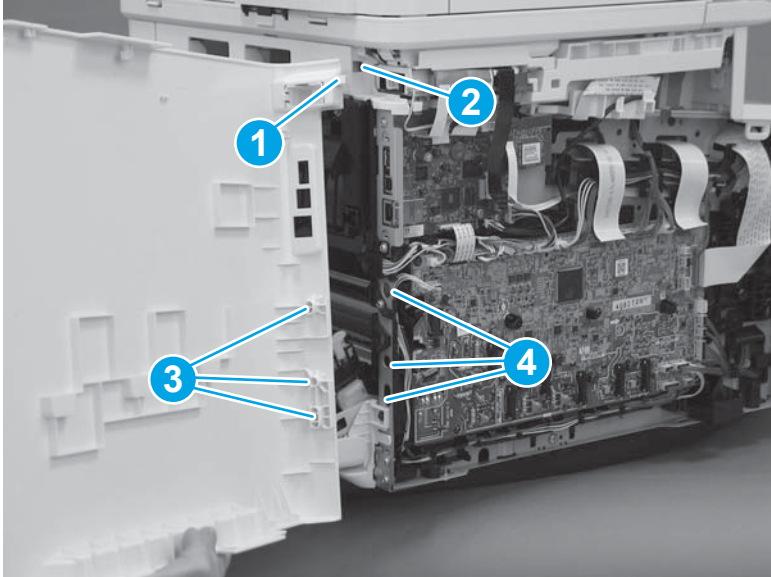


Step 20: Install the left cover (M377, M477 models)

 **NOTE:** This step is for the M377, M477 models. For the M452 models, skip this step and go to [Step 21: Install the right cover \(M452 models\) on page 1151](#).

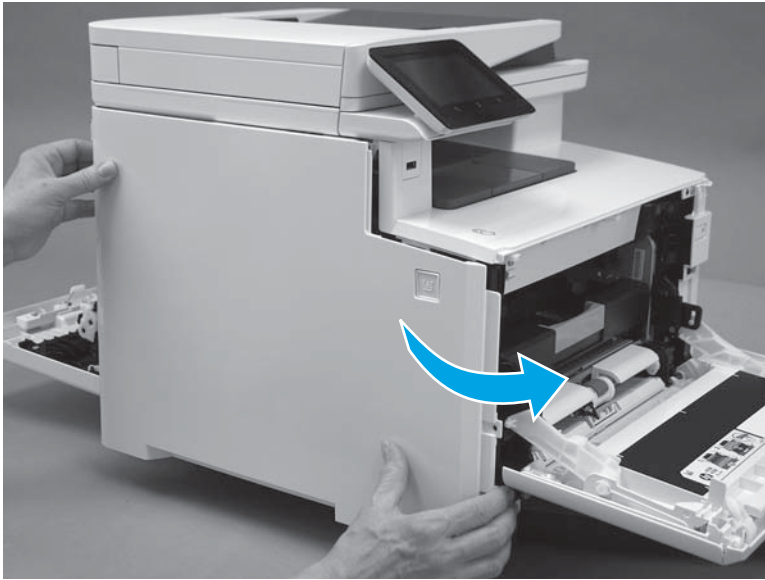
1. At the back of the printer, install the tab (callout 1) on the cover into the slot (callout 2) in the printer. Install the locator pins (callout 3) into the slots (callout 4) in the printer.

Figure 1-2129 Install one tab



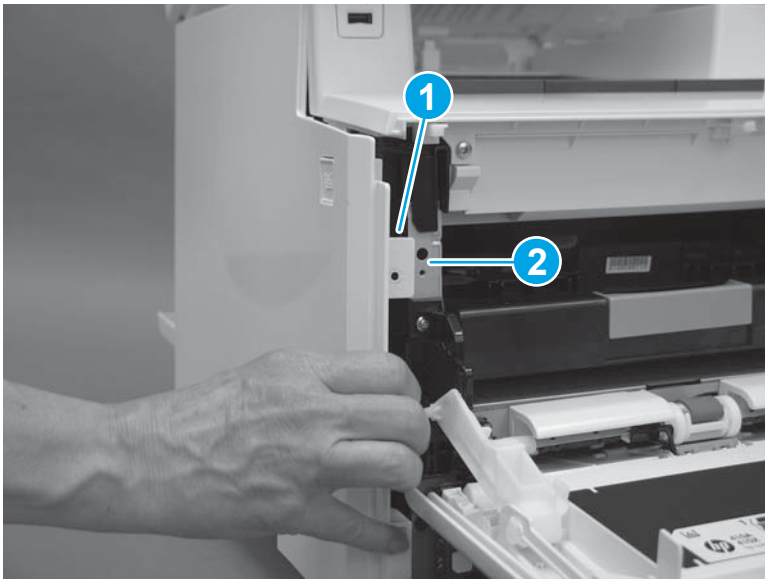
2. Rotate the cover toward the printer.

Figure 1-2130 Rotate the left cover



CAUTION: Make sure that the tab (callout 1) does not get caught behind the printer frame (callout 2).

Figure 1-2131 Make sure the tab does not get caught



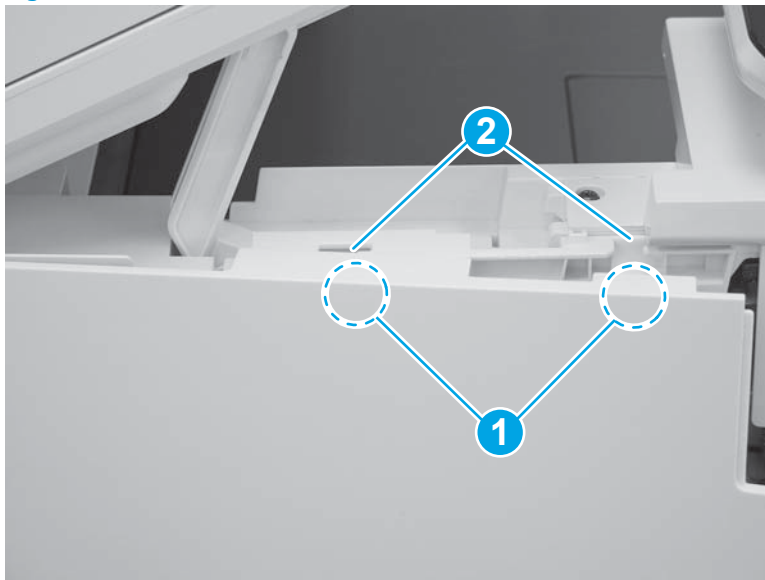
3. Raise the scanner.

Figure 1-2132 Raise the scanner



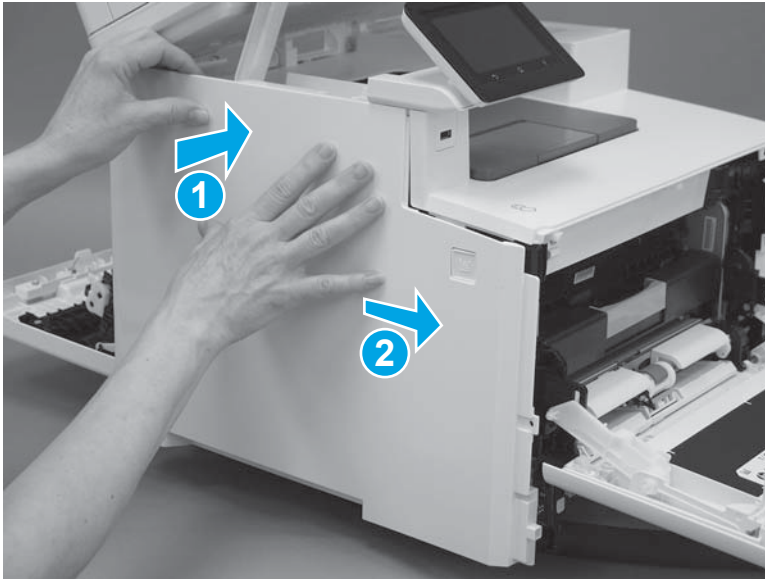
4. Position the hooks (callout 1) on the inside of the cover into the slots (callout 2) on the printer.

Figure 1-2133 Position the hooks in the slots



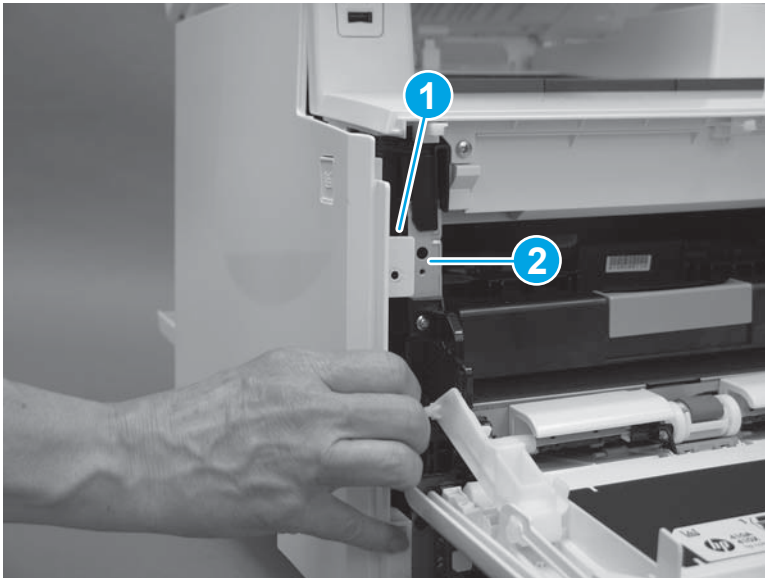
5. Hold the cover against the printer (callout 1), and then slide it (callout 2) toward the front of the printer.

Figure 1-2134 Install the top hooks



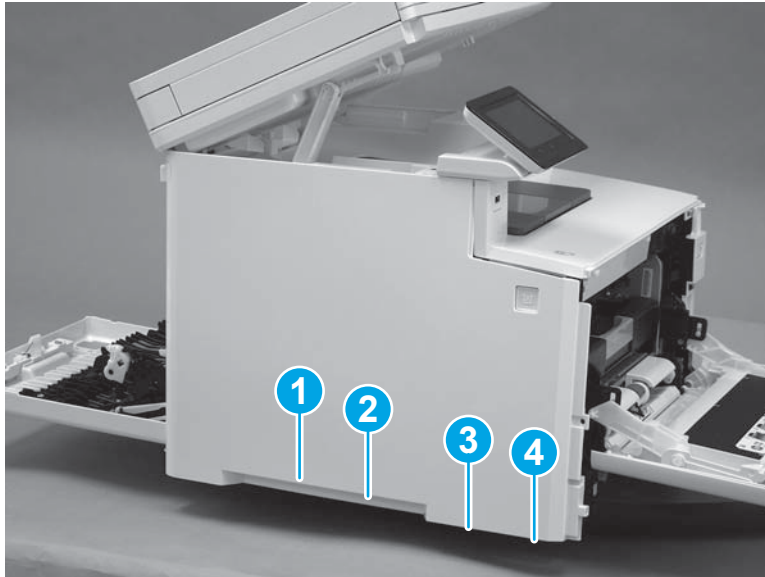
CAUTION: Make sure that the tab (callout 1) on the front of the cover does not get caught behind the printer frame (callout 2).

Figure 1-2135 Make sure the tab does not get caught



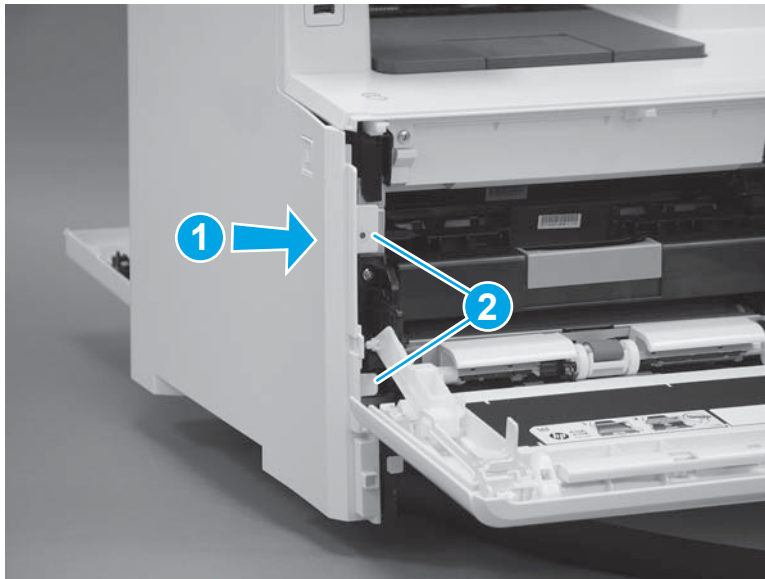
6. Slide the printer to the edge of a work surface in order to access the tabs on the bottom of the cover. Beginning from the back of the cover, install four tabs (callouts 1-4) on the lower edge of the cover.

Figure 1-2136 Install four tabs



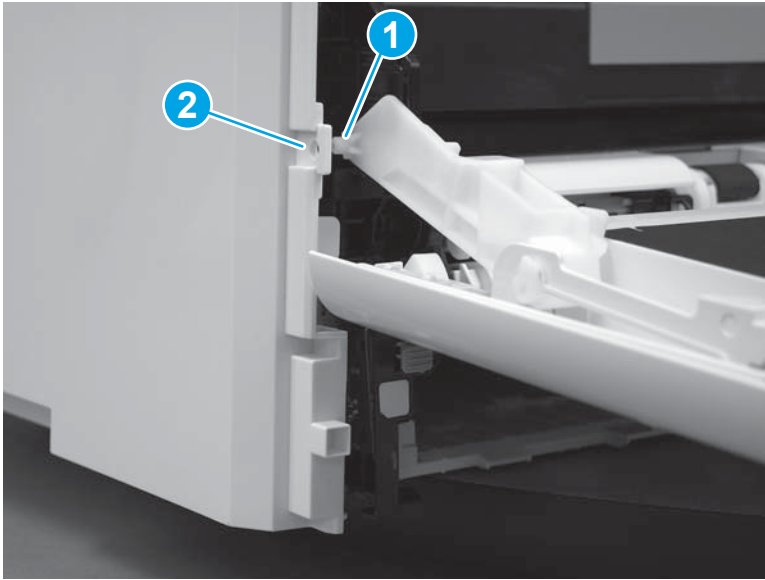
7. Press the cover toward the printer (callout 1), and then install two tabs (callout 2) at the front of the cover.

Figure 1-2137 Install two tabs



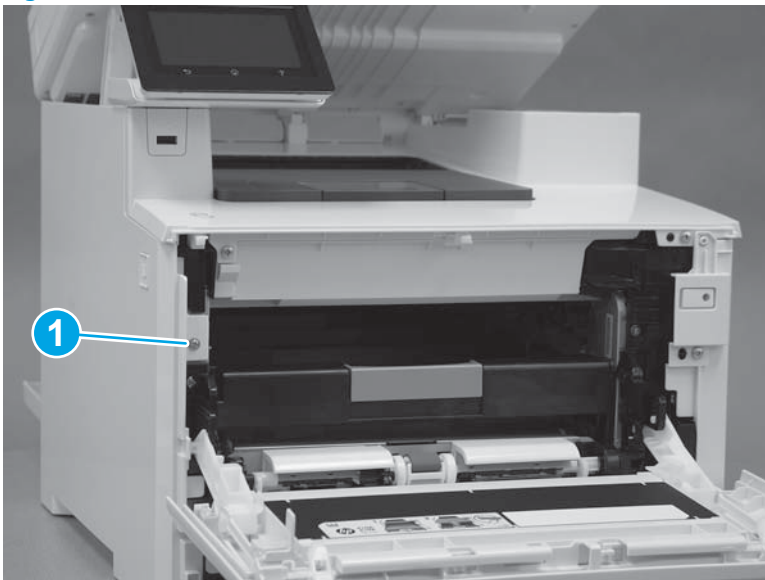
8. Make sure that the hinge pin (callout 1) on the front door fits into the slot (callout 2) on the left cover.

Figure 1-2138 Install hinge pin



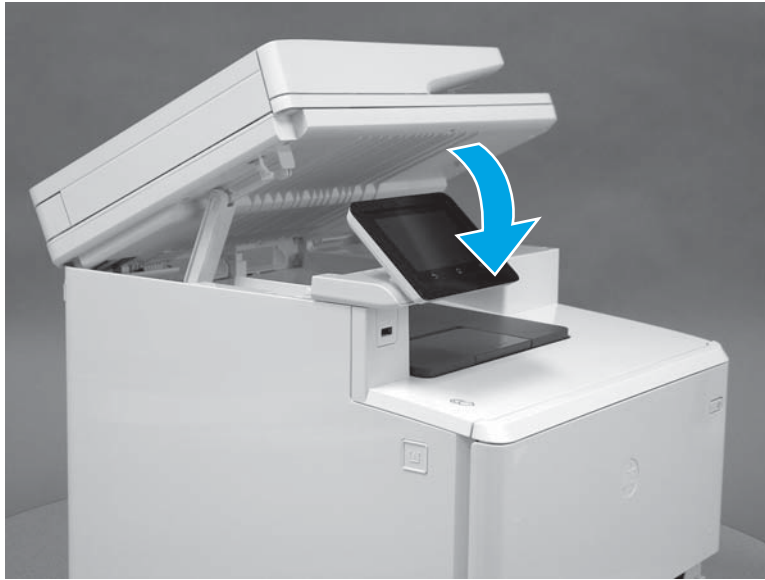
9. Install one screw (callout 1).

Figure 1-2139 Install one screw




10. Lower the scanner.

Figure 1-2140 Lower the scanner

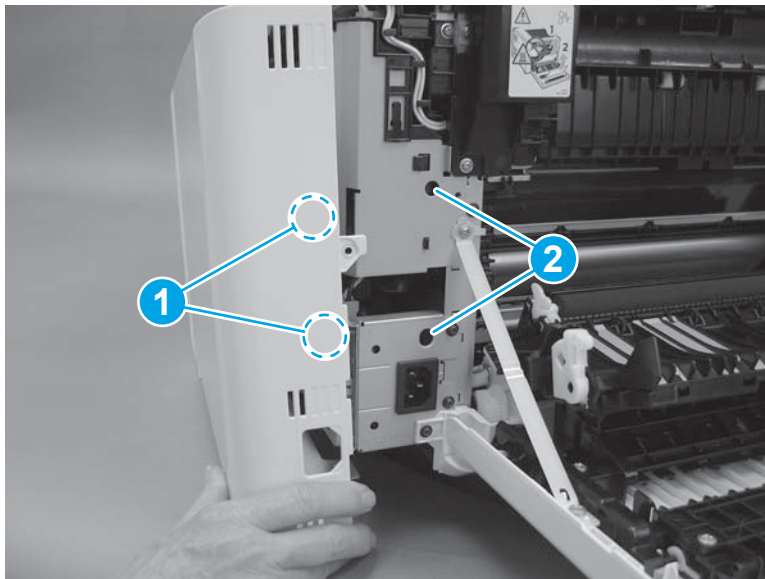


Step 21: Install the right cover (M452 models)

 **NOTE:** This step is for the M452 models. For the M377, M477 models, skip this step and go to [Step 22: Install the right cover \(M377, M477 models\) on page 1155](#).

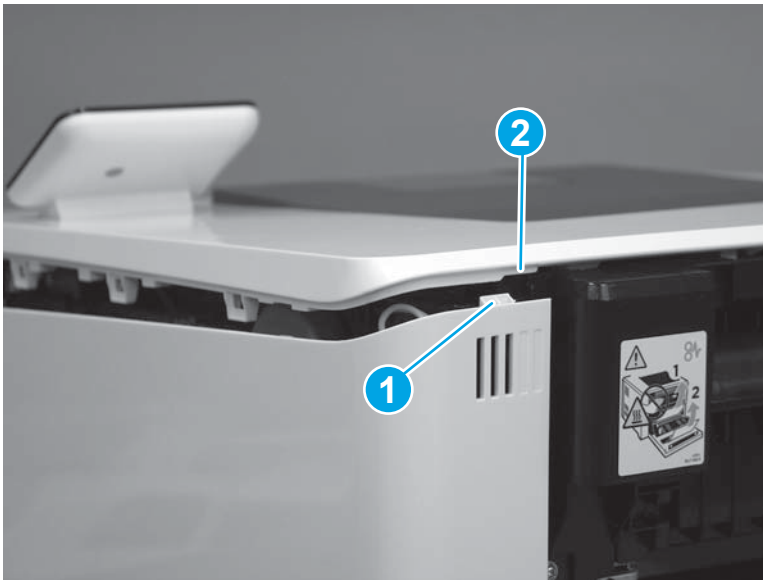
1. Position two tabs (callout 1) on the back of the cover in the slots (callout 2) in the printer.

Figure 1-2141 Position two tabs



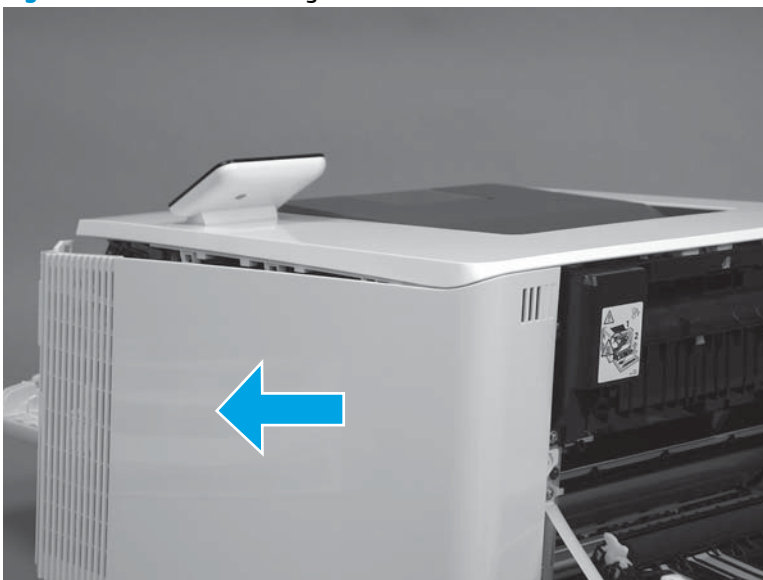
2. At the back of the printer, install the tab (callout 1) under the edge of the top cover (callout 2).

Figure 1-2142 Install rear tab



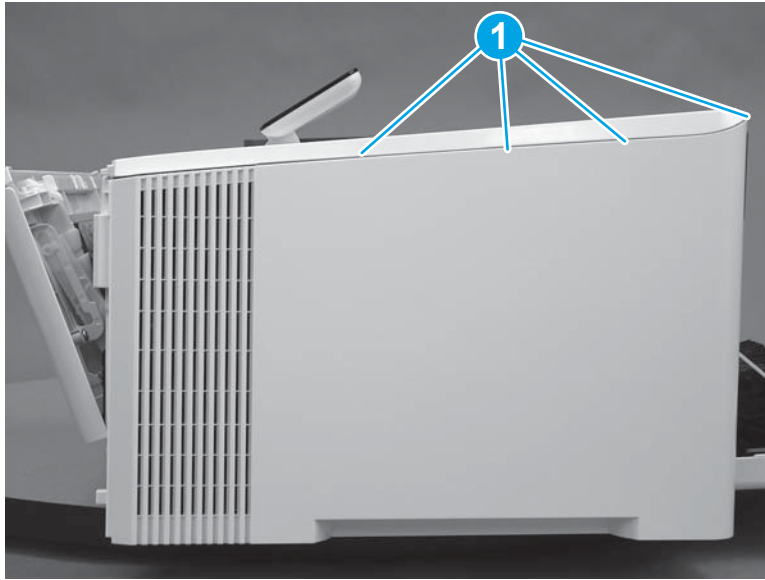
3. Slide the cover toward the front of the printer to install it.

Figure 1-2143 Install the right cover



- Engage three tabs (callout 2) on the top of the cover.

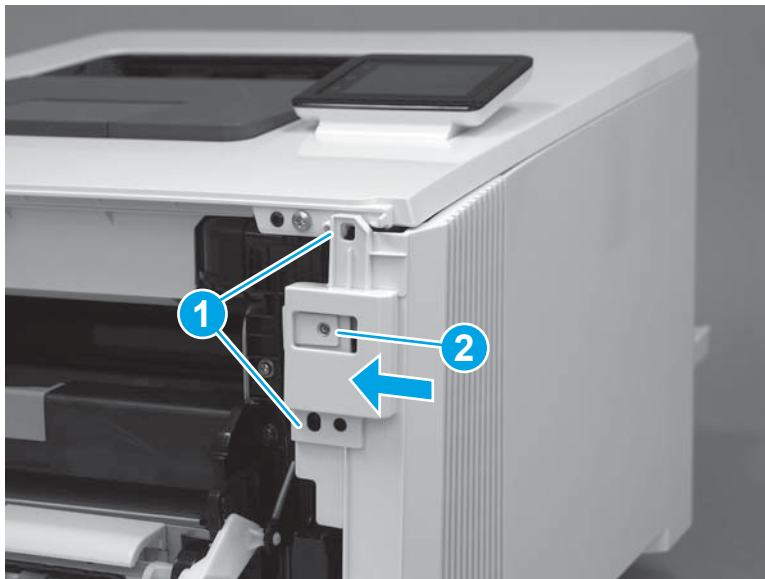
Figure 1-2144 Install upper tabs



- At the front of the printer, position the front of the cover over two tabs (callout 1).

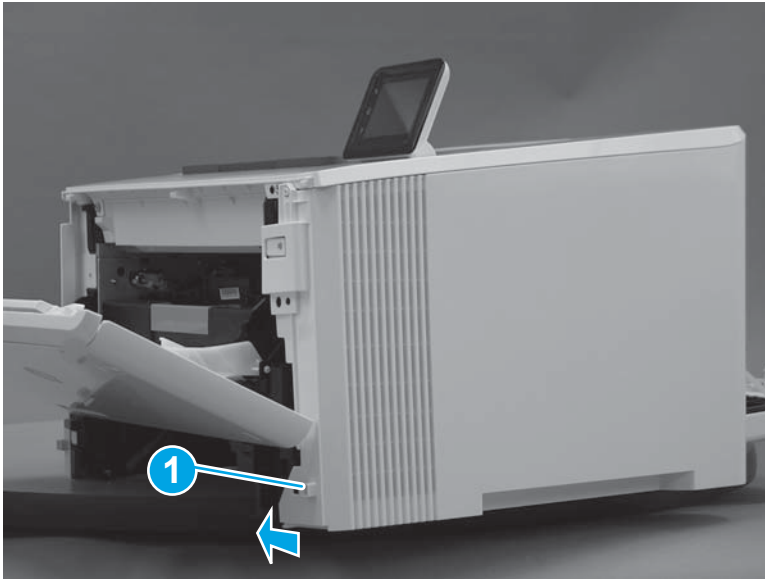
CAUTION: Be careful not to dislodge the power switch (callout 2).

Figure 1-2145 Install the front tabs



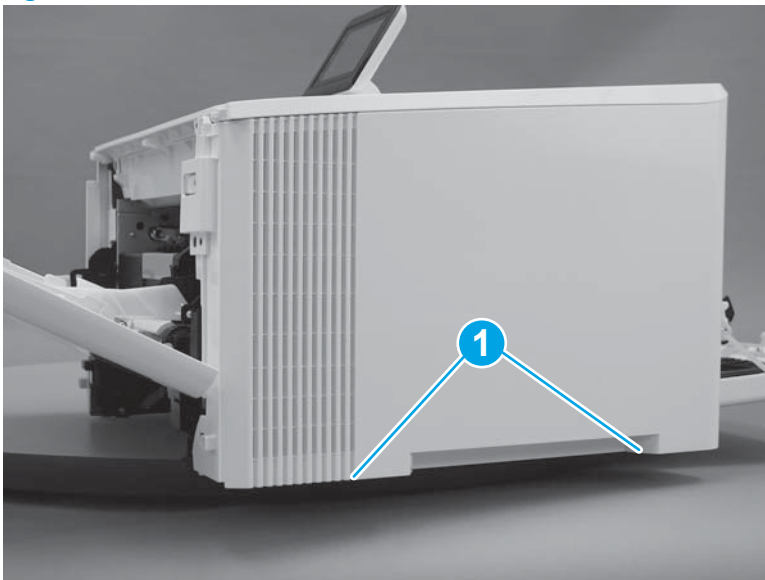
6. Press the right cover toward the printer to engage one tab (callout 1) on the front of the cover.

Figure 1-2146 Install the front lower tab



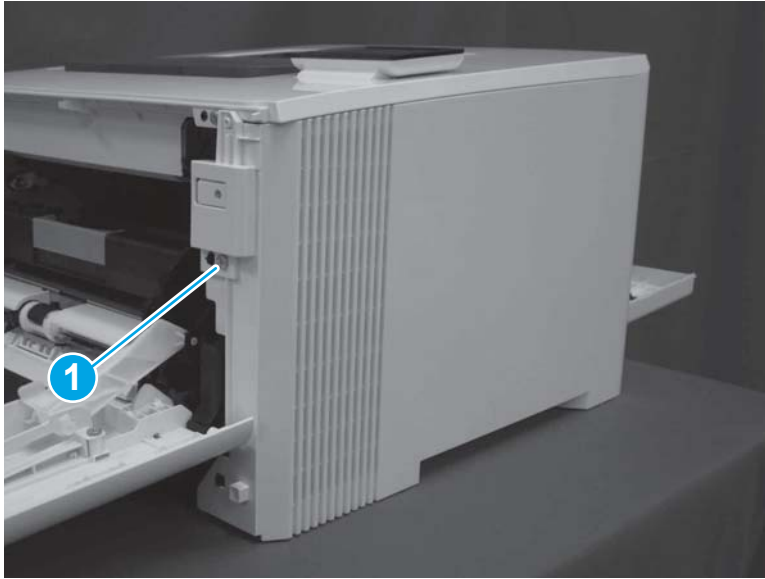
7. Install two tabs on the bottom of the cover (callout 1).

Figure 1-2147 Install two tabs



8. At the front of the printer, install one screw (callout 1).

Figure 1-2148 Install one screw




9. At the back of the printer, install one screw (callout 1).

Figure 1-2149 Install one screw

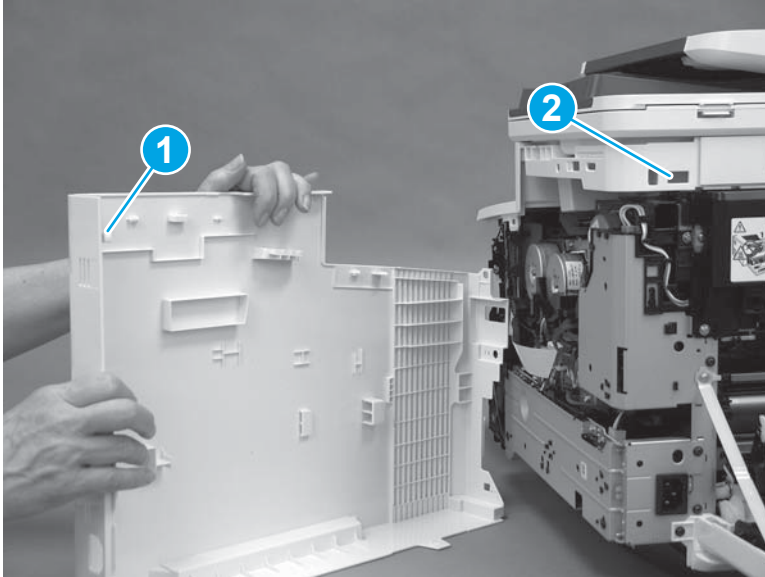


Step 22: Install the right cover (M377, M477 models)

 **NOTE:** This step is for the M377, M477 models. For the M452 models, skip this step and go to [Step 23: Close the rear door or duplexer door on page 1161](#).

1. At the back of the printer, install the tab (callout 1) on the cover into the slot (callout 2) on the printer.

Figure 1-2150 Install rear tab



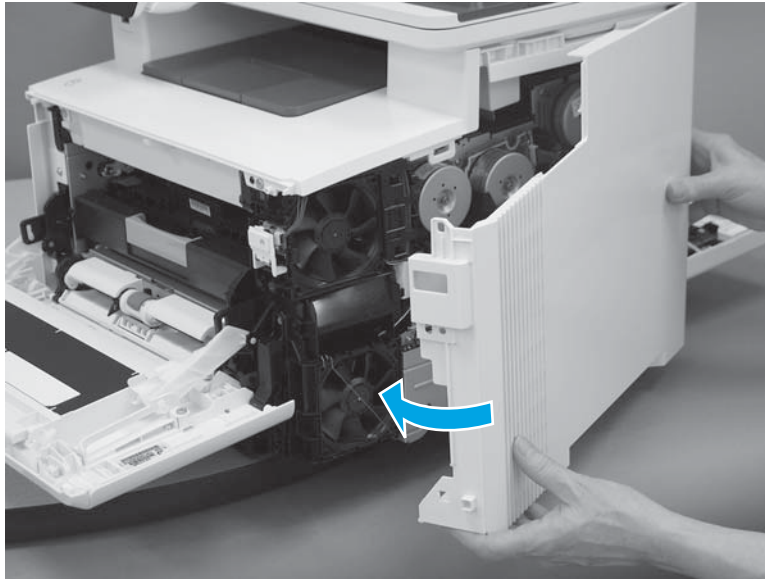
2. Raise the scanner.

Figure 1-2151 Raise the scanner



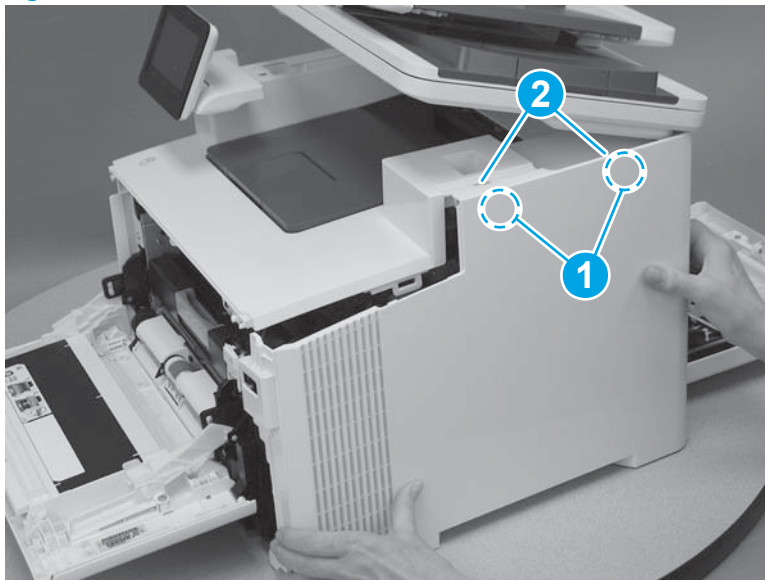
3. Rotate the right cover toward the printer.

Figure 1-2152 Rotate the right cover



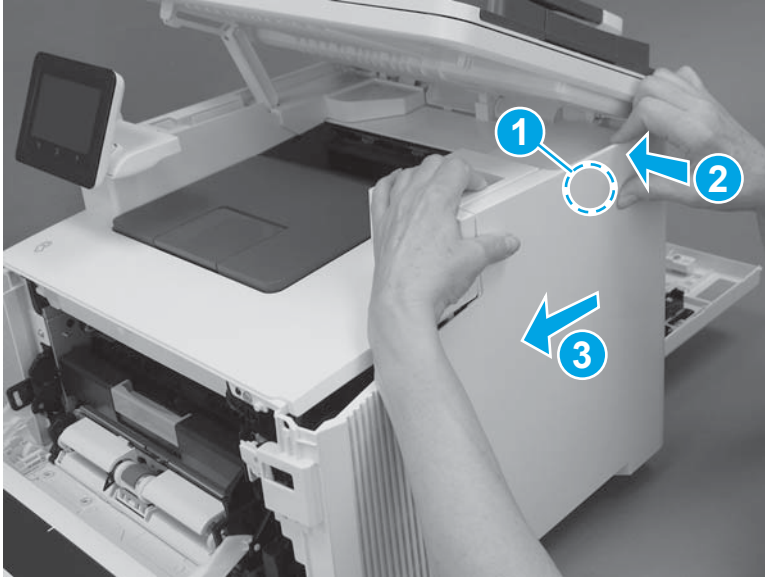
4. Position the hooks (callout 1) on the inside of the cover into the slots (callout 2) in the printer.

Figure 1-2153 Position the hooks in the slots



- Engage one hook (callout 1) on the inside of the cover. Hold the top of the cover closed (callout 2) while sliding the cover toward the front of the printer (callout 3).

Figure 1-2154 Slide the cover



- Rotate the front of the cover toward the printer (callout 1).

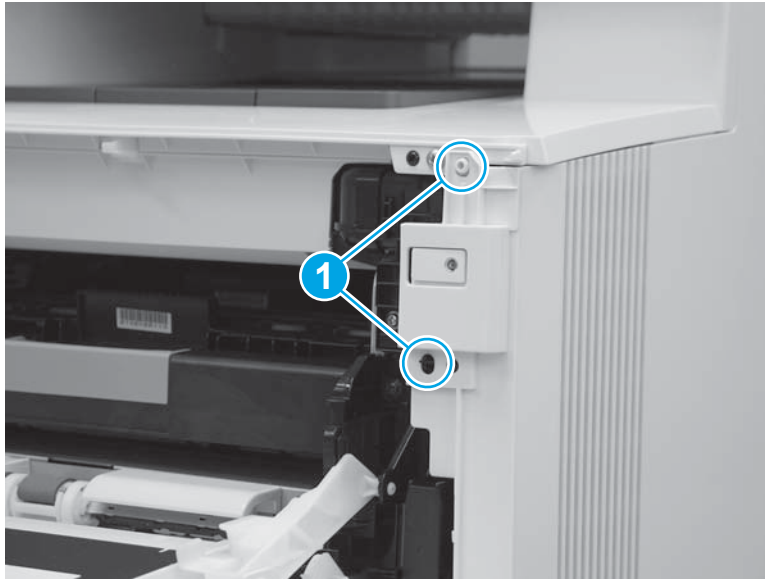
CAUTION: Be careful not to dislodge the power switch (callout 2).

Figure 1-2155 Rotate the front of the cover



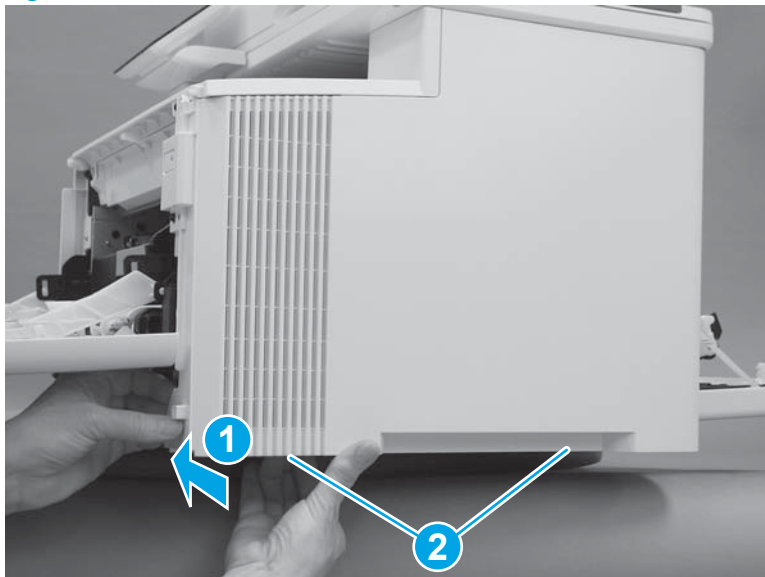
7. Install two tabs at the front of the printer (callout 1).

Figure 1-2156 Install two tabs



8. Press the right cover toward the printer (callout 1) to engage one tab on the front of the cover, and two tabs (callout 2) on the lower edge of the cover.

Figure 1-2157 Install the front and lower tabs



9. At the front of the printer, install one screw (callout 1).

Figure 1-2158 Install one screw



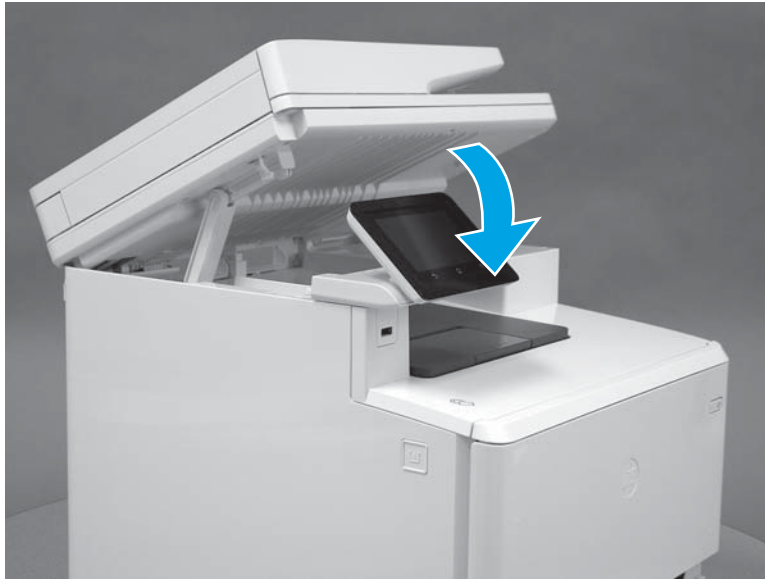
10. At the back of the printer, install one screw (callout 1).

Figure 1-2159 Install one screw



11. Lower the scanner.

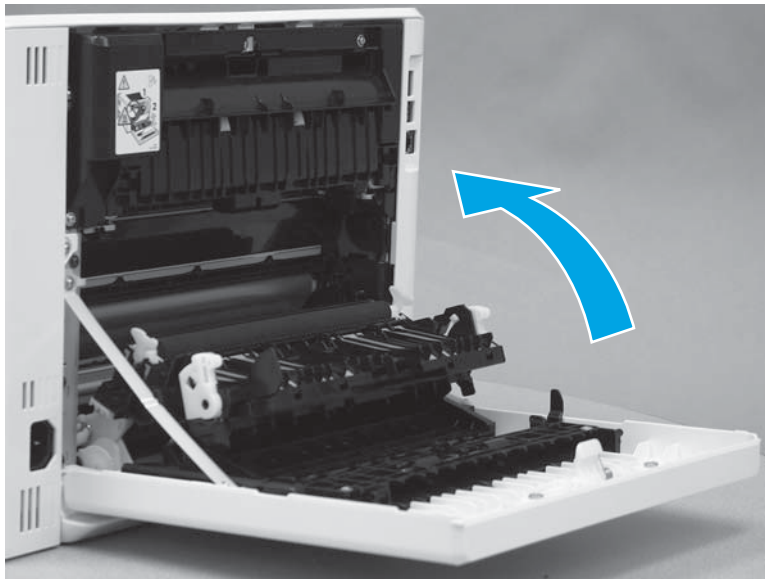
Figure 1-2160 Lower the scanner



Step 23: Close the rear door or duplexer door

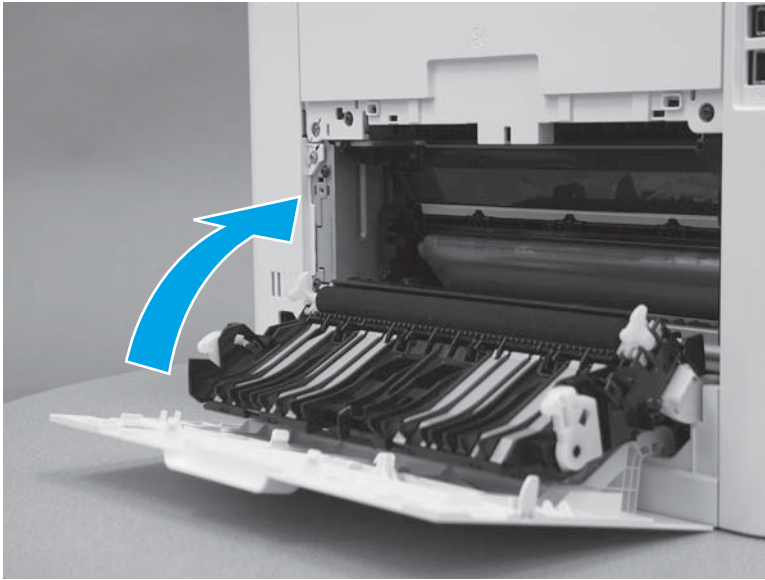
1. **Duplex models:** Close the duplexer door.

Figure 1-2161 Close the duplexer door



2. **Simplex models:** Close the rear door.

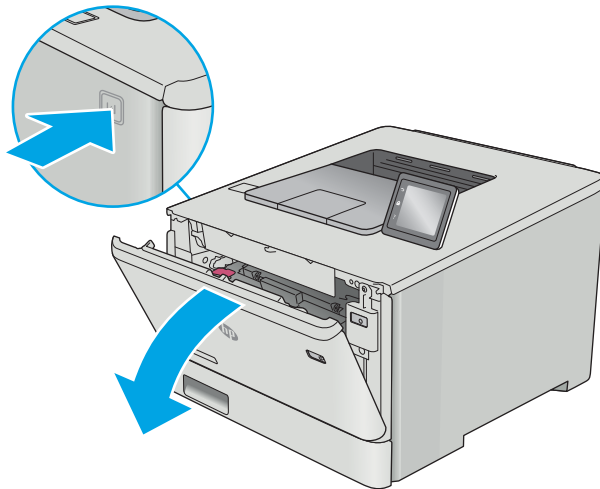
Figure 1-2162 Close the rear door



Step 24: Install the toner cartridges

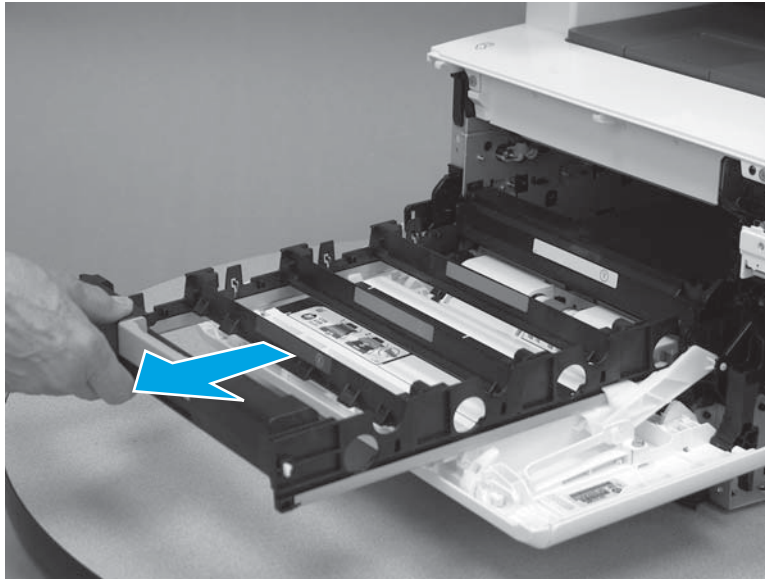
1. Open the front door by pressing the button on the left cover.

Figure 1-2163 Open the front door



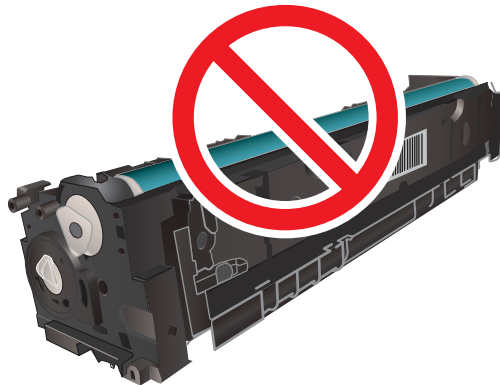
2. Slide the cartridge tray out of the printer.

Figure 1-2164 Slide the cartridge tray out



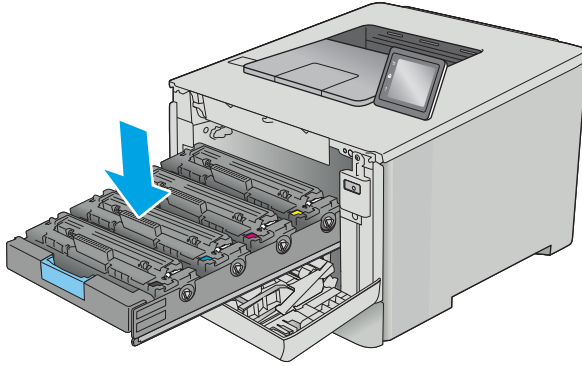
3. Do not touch the imaging drum on the bottom of the toner cartridge. Fingerprints on the imaging drum can cause print-quality problems.

Figure 1-2165 Do not touch imaging drum



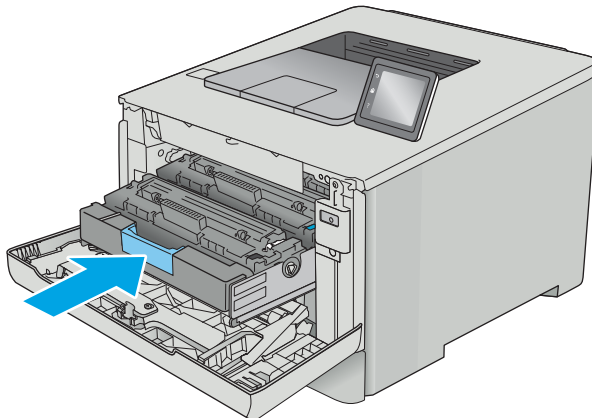
4. Insert the toner cartridge into the tray. Make sure that the color chip on the cartridge matches the color chip on the tray. Repeat this step for each toner cartridge.

Figure 1-2166 Install a toner cartridge



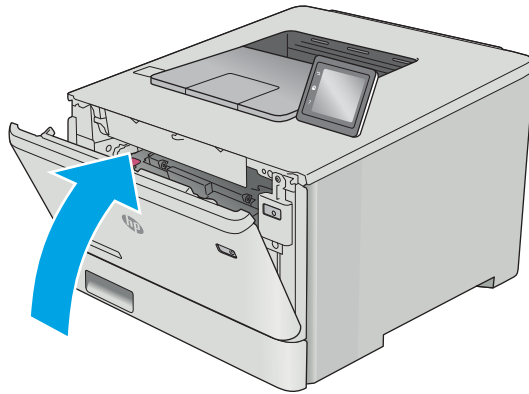
5. Close the toner cartridge drawer.

Figure 1-2167 Close the toner cartridge drawer



6. Close the front door.

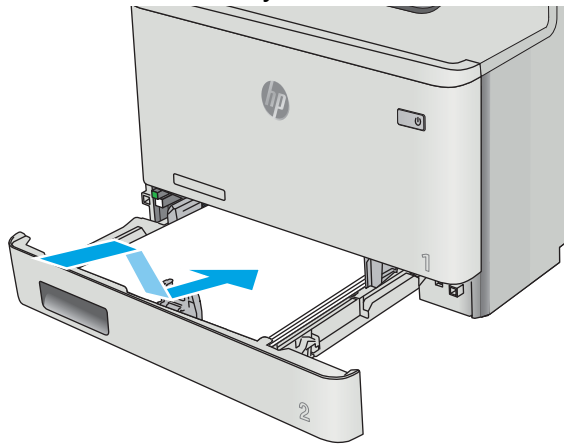
Figure 1-2168 Close the front door



Step 25: Install Tray 2

- ▲ With the front of the tray slightly lifted, align the sides of the tray with the rails in the printer, and then carefully slide the tray into the printer. As the tray slides into the printer, lower the front of the tray, and then close it.

Figure 1-2169 Install the tray



Removal and replacement: Re-pickup assembly (duplex models)


- [Introduction](#)
- [Step 1: Remove Tray 2](#)
- [Step 2: Remove the toner cartridges](#)
- [Step 3: Open the duplexer door](#)
- [Step 4: Remove the right cover \(M452 models\)](#)
- [Step 5: Remove the right cover \(M377, M477 models\)](#)
- [Step 6: Remove the left cover \(M452 models\)](#)
- [Step 7: Remove the left cover \(M377, M477 models\)](#)
- [Step 8: Remove the duplexer door \(duplex models\)](#)
- [Step 9: Remove the re-pickup assembly](#)
- [Step 10: Unpack the replacement part](#)
- [Step 11: Install the re-pickup assembly](#)
- [Step 12: Install the duplexer door \(duplex models\)](#)
- [Step 13: Install the left cover \(M452 models\)](#)
- [Step 14: Install the left cover \(M377, M477 models\)](#)
- [Step 15: Install the right cover \(M452 models\)](#)
- [Step 16: Install the right cover \(M377, M477 models\)](#)
- [Step 17: Close the duplexer door](#)
- [Step 18: Install the toner cartridges](#)
- [Step 19: Install Tray 2](#)

Introduction

This document provides the procedures to remove and replace the re-pickup assembly for duplex models.

Before you begin

- Turn off the printer.
- Disconnect the power cable.

 **WARNING!** To avoid damage to the printer, turn the printer off, wait 30 seconds, and then remove the power cord before attempting to service the printer.

- Use the table below to identify the correct part number for your printer. To order the part, go to www.hp.com/buy/parts.

Re-pickup assembly part number

RM2-6387-000CNRe-pickup assembly

Required tools

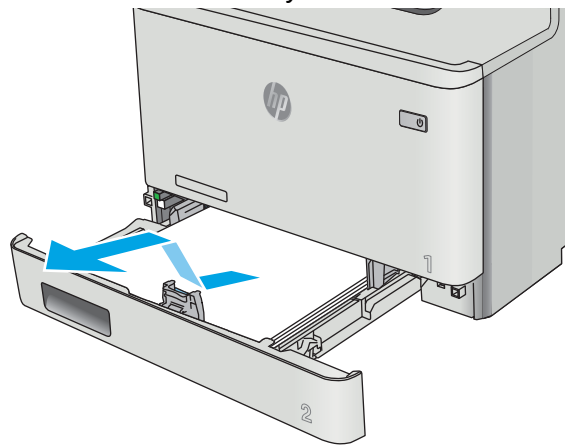
- #2 Phillips screwdriver with a magnetic tip
- Small flat-blade screwdriver

After performing service

- Connect the power cable.
- Use the power switch to turn the power on.

Step 1: Remove Tray 2

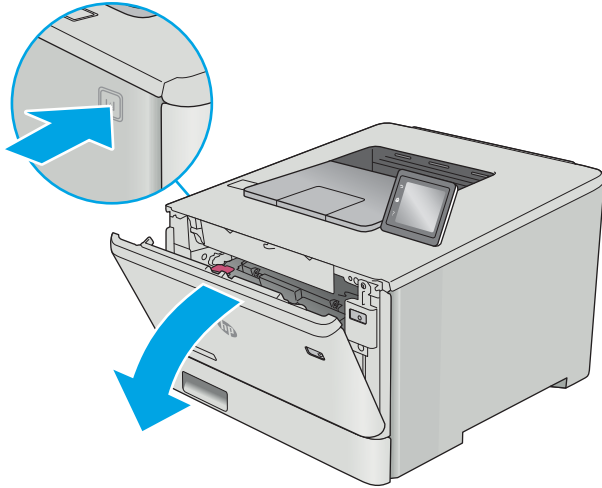
- ▲ Pull the tray out until it stops. Lift the front of the tray, and then pull it out of the printer to remove it.

Figure 1-2170 Remove the tray**Step 2: Remove the toner cartridges**

NOTE: The M452 model is pictured in the figures in this section. The procedure is the same for the M377, M477 models.

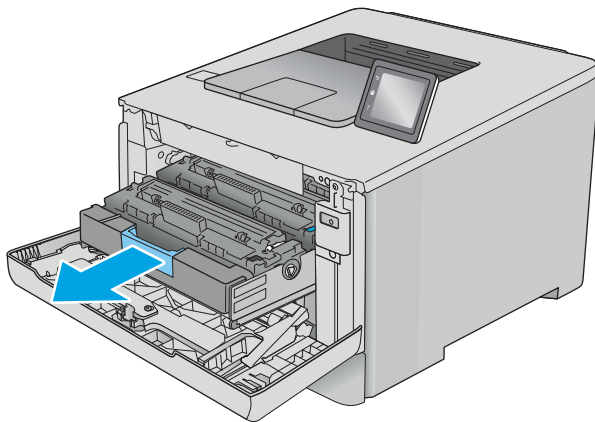
1. Open the front door by pressing the button on the left cover.

Figure 1-2171 Open the front door



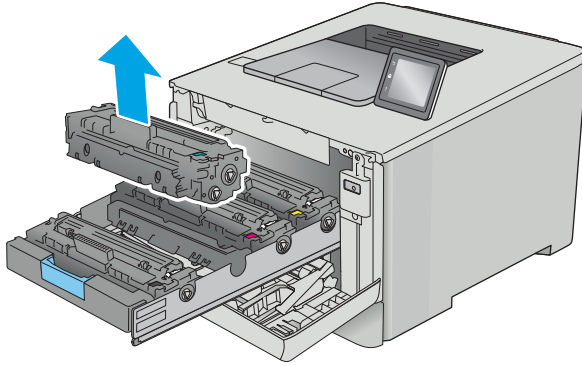
2. Grasp the blue handle on the toner cartridge tray, and then pull out the tray.

Figure 1-2172 Open the cartridge drawer



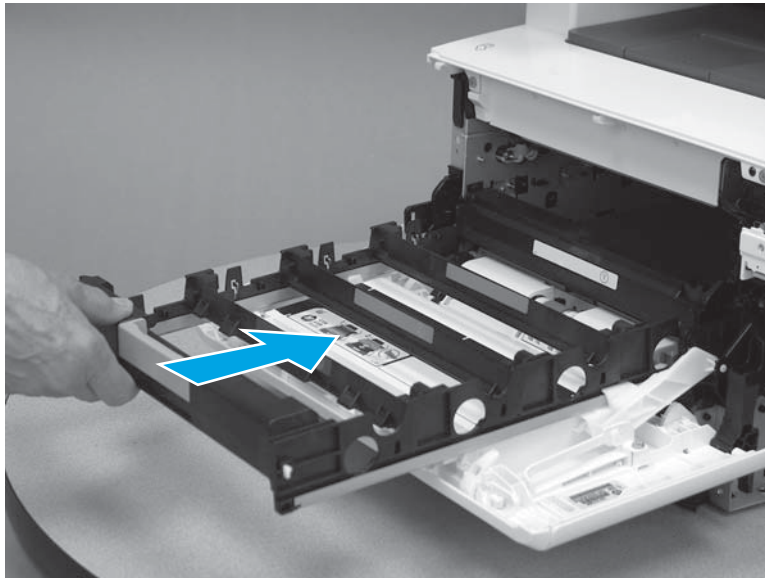
3. Grasp the handle on the toner cartridge, and then pull the toner cartridge straight up to remove it. Repeat this step for each toner cartridge.

Figure 1-2173 Remove the toner cartridge



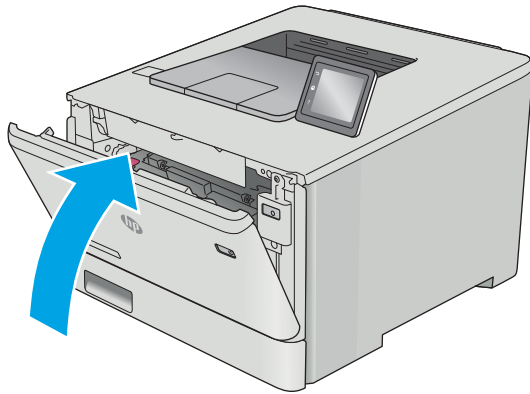
4. Slide the cartridge tray into the printer.

Figure 1-2174 Slide the cartridge tray in



5. Close the front door.

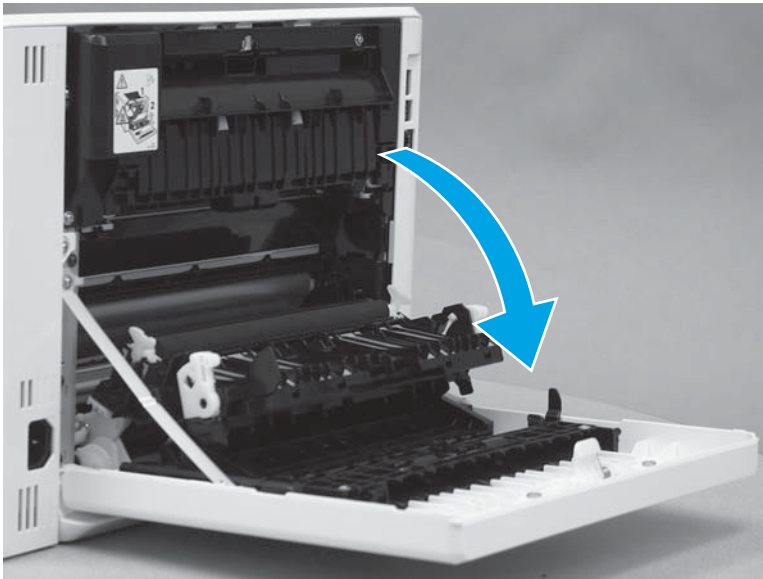
Figure 1-2175 Close the front door




Step 3: Open the duplexer door

- ▲ Open the duplexer door.

Figure 1-2176 Open the duplexer door



Step 4: Remove the right cover (M452 models)

 **NOTE:** This step is for the M452 models. For the M377, M477 models, skip this step and go to [Step 5: Remove the right cover \(M377, M477 models\) on page 1174](#).

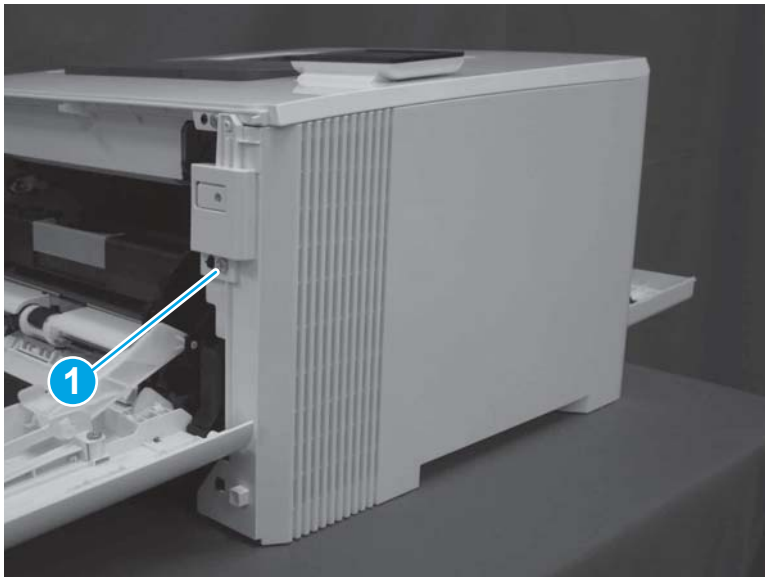
1. At the back of the printer, remove one screw (callout 1).

Figure 1-2177 Remove one screw



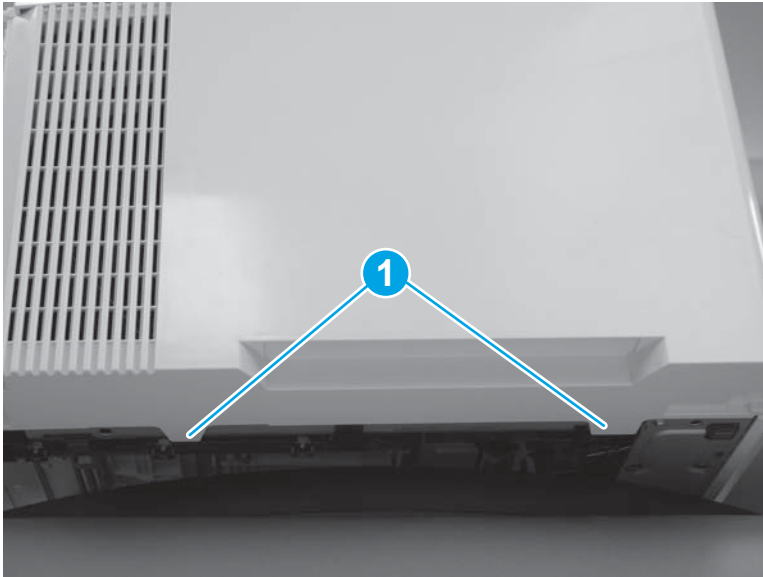
2. At the front of the printer, remove one screw (callout 1).

Figure 1-2178 Remove one screw



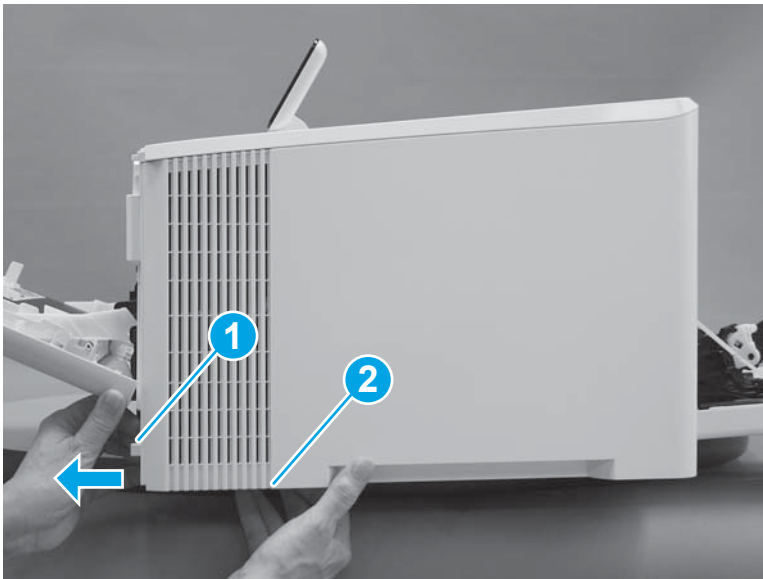
3. Slide the printer to the edge of a work surface. Note the location of the tabs on the lower edge of the cover (callout 1).

Figure 1-2179 Locate the tabs



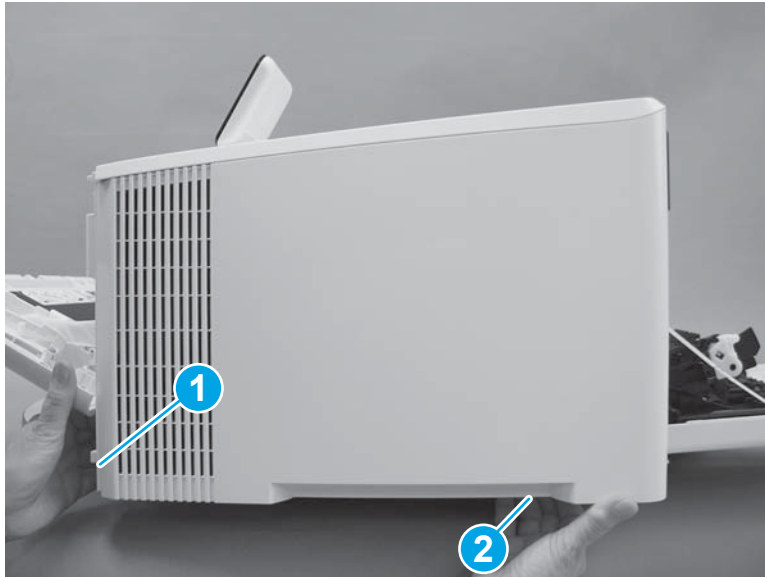
4. Release one tab (callout 1) on the front of the cover by slightly pulling the cover away from the printer. While holding the cover in the released position, release one tab (callout 2) on the bottom of the cover.

Figure 1-2180 Release front lower tabs



5. Hold the front tabs in the released position (callout 1), and then release one tab (callout 2) on the bottom of the cover, toward the back of the printer.

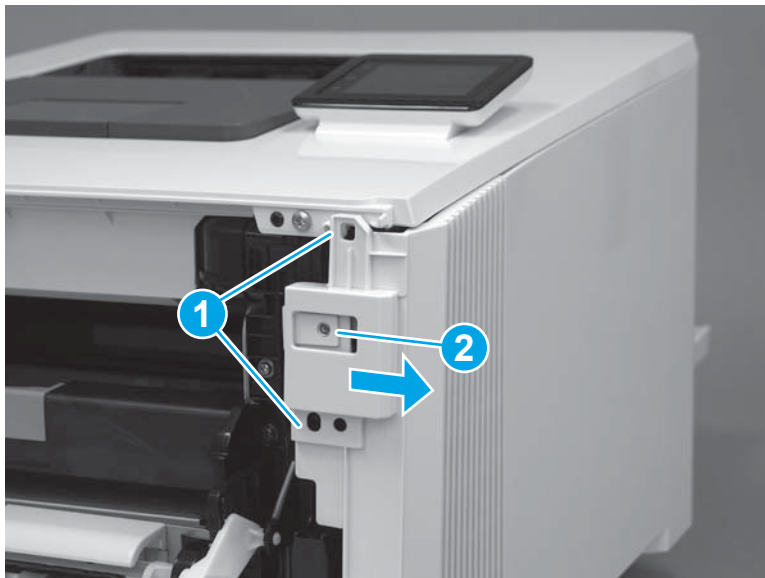
Figure 1-2181 Release lower rear tab



6. Release two tabs at the front of the printer (callout 1) by slightly pulling the cover away from the printer.

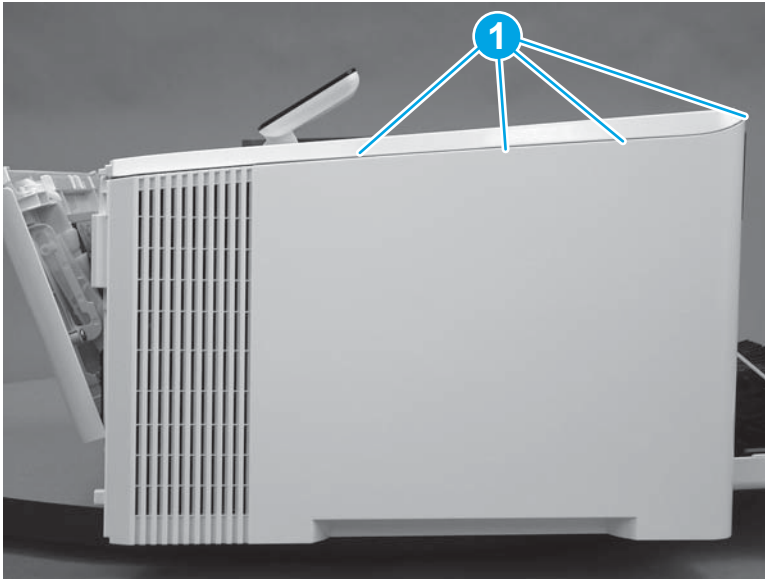
⚠ CAUTION: Be careful not to dislodge the power switch (callout 2).

Figure 1-2182 Release two front tabs



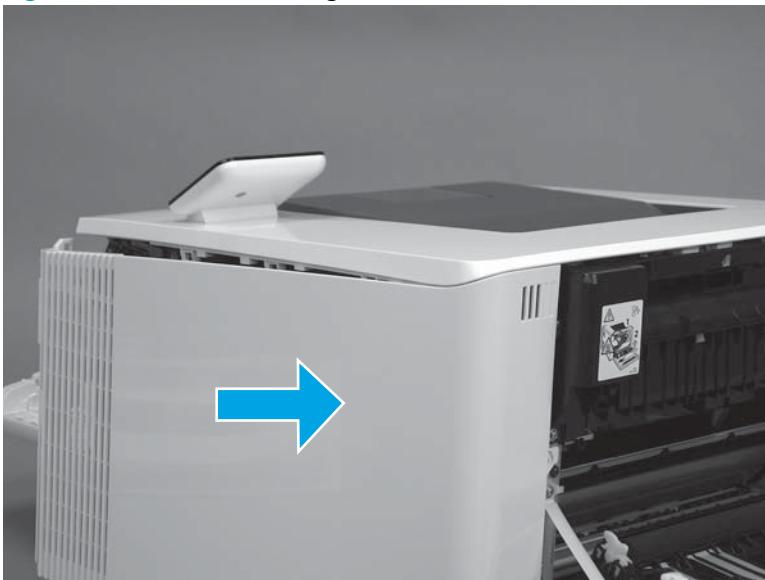
7. Release four tabs on the top of the printer (callout 1).

Figure 1-2183 Release upper tabs




8. Slide the cover toward the back of the printer to remove it.

Figure 1-2184 Remove the right cover



Step 5: Remove the right cover (M377, M477 models)

 **NOTE:** This step is for the M377, M477 models. For the M452 models, skip this step and go to [Step 6: Remove the left cover \(M452 models\) on page 1180.](#)

1. Raise the scanner.

Figure 1-2185 Raise the scanner



2. At the back of the printer, remove one screw (callout 1).

Figure 1-2186 Remove one screw



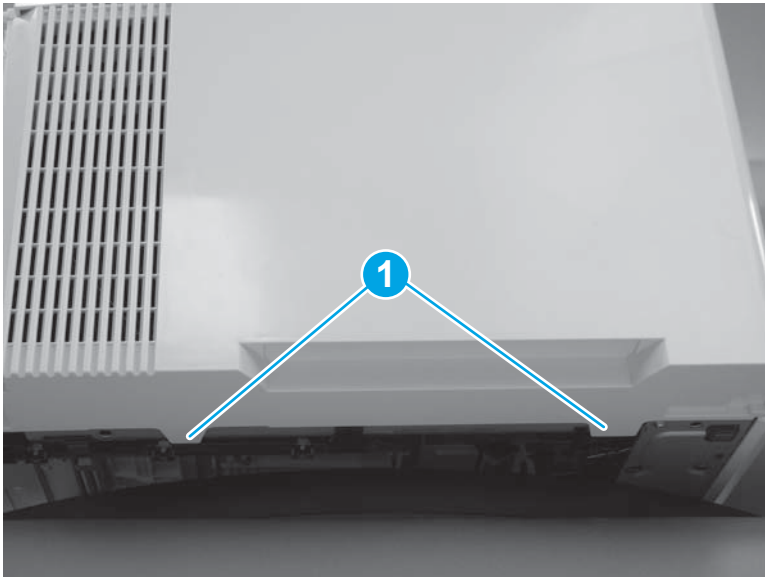
3. At the front of the printer, remove one screw (callout 1).

Figure 1-2187 Remove one screw



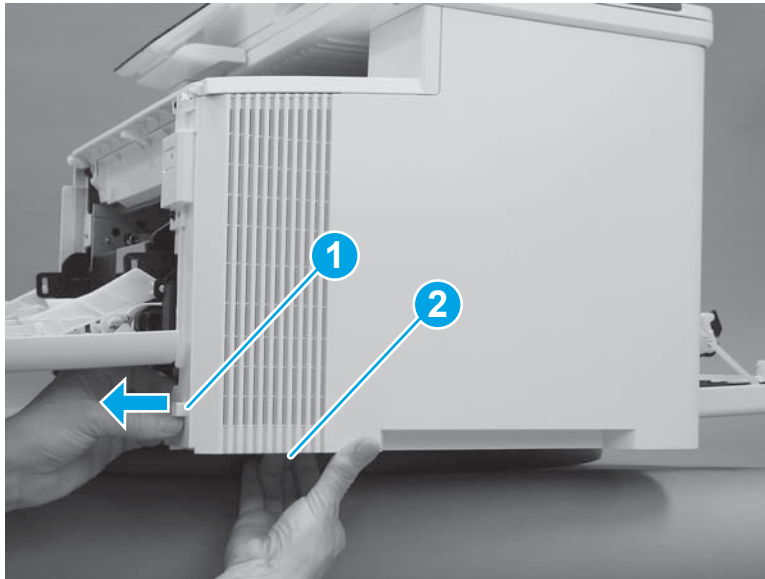
4. Slide the printer to the edge of a work surface. Note the location of the tabs on the lower edge of the cover (callout 1).

Figure 1-2188 Locate the tabs



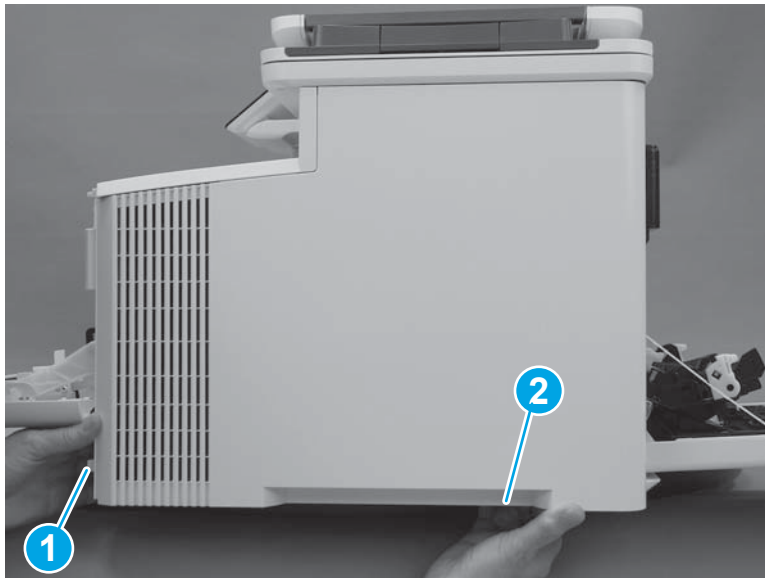
5. Release one tab (callout 1) on the front of the cover by slightly pulling the cover away from the printer. While holding the cover in the released position, release one tab (callout 2) on the lower edge of the cover.

Figure 1-2189 Release front lower tabs



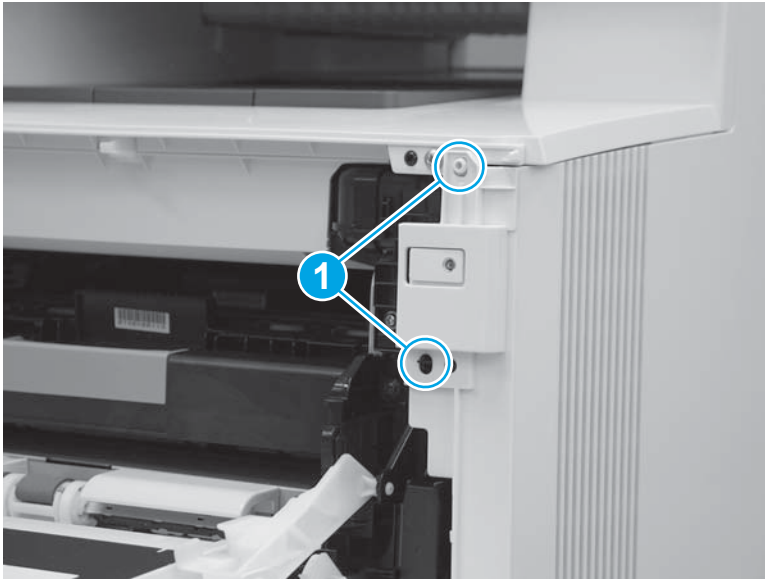
6. Hold the front tabs in the released position (callout 1), and then release one tab (callout 2) on the lower edge of the cover, toward the back of the printer.

Figure 1-2190 Release lower rear tab



7. Release two tabs at the front of the printer (callout 1) by slightly pulling the cover away from the printer.

Figure 1-2191 Release front upper tabs



8. Rotate the front of the cover away from the printer (callout 1).

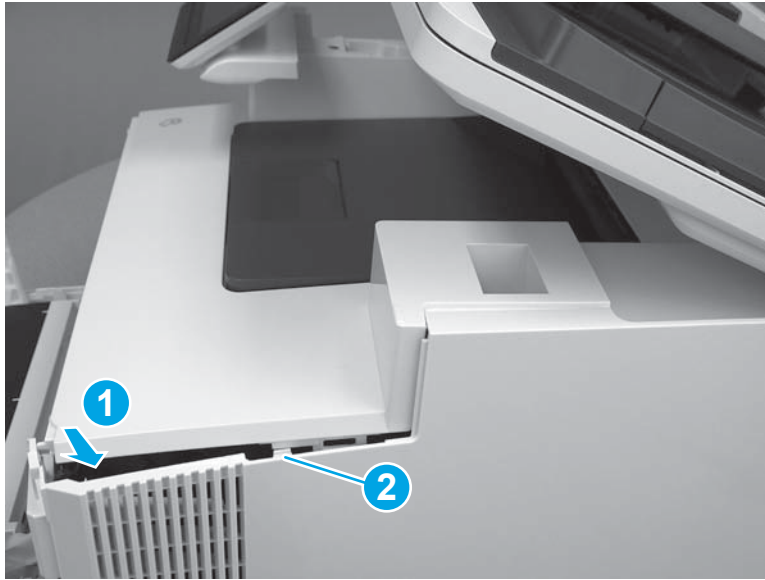
CAUTION: Be careful not to dislodge the power switch (callout 2).

Figure 1-2192 Rotate the front of the cover



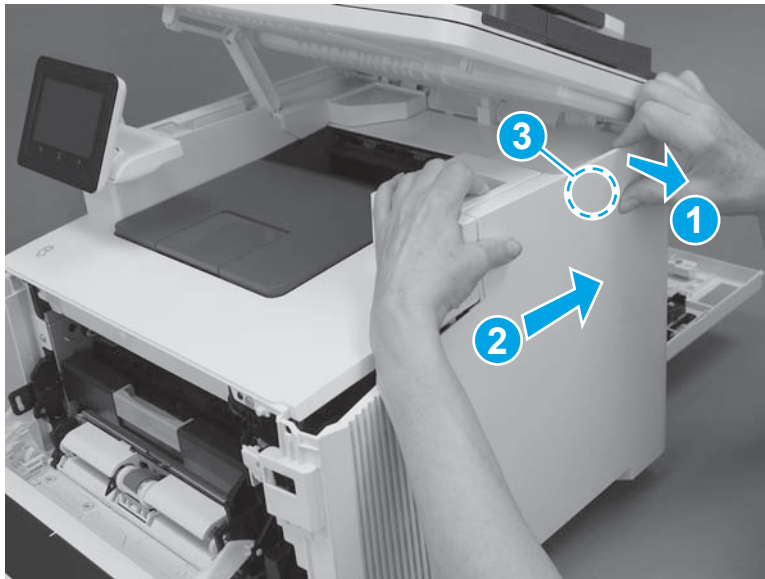
9. Slightly pull the front of the cover away from the printer (callout 1) to release one tab (callout 2).

Figure 1-2193 Release top tabs



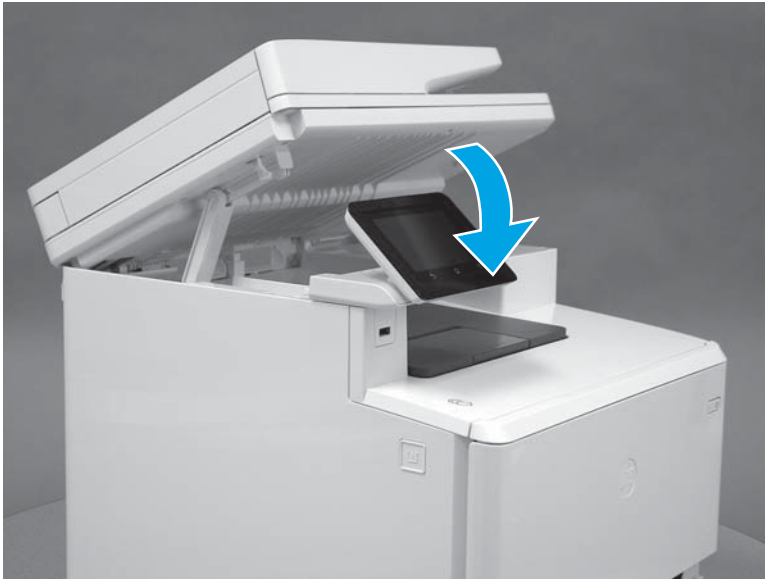
10. At the top of the printer, slightly pull the top of the cover away from the printer to release one retention tab (callout 1) on the inside of the cover. While holding the cover away, slide the cover toward the back of the printer (callout 2) to release one hook (callout 3) on the inside of the cover.

Figure 1-2194 Release one tab and one hook



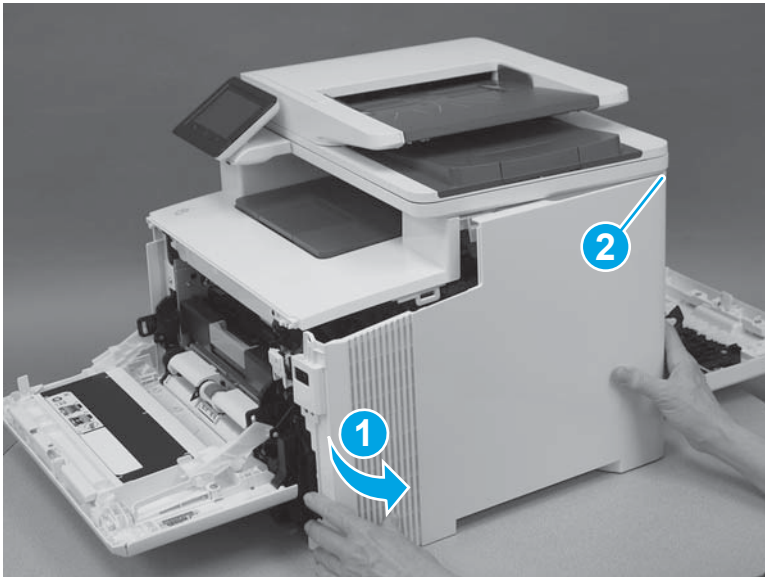
11. Lower the scanner.

Figure 1-2195 Lower the scanner




12. Rotate the cover away from the printer (callout 1) to release one tab (callout 2) at the back of the printer, and then remove the cover.

Figure 1-2196 Remove the right cover

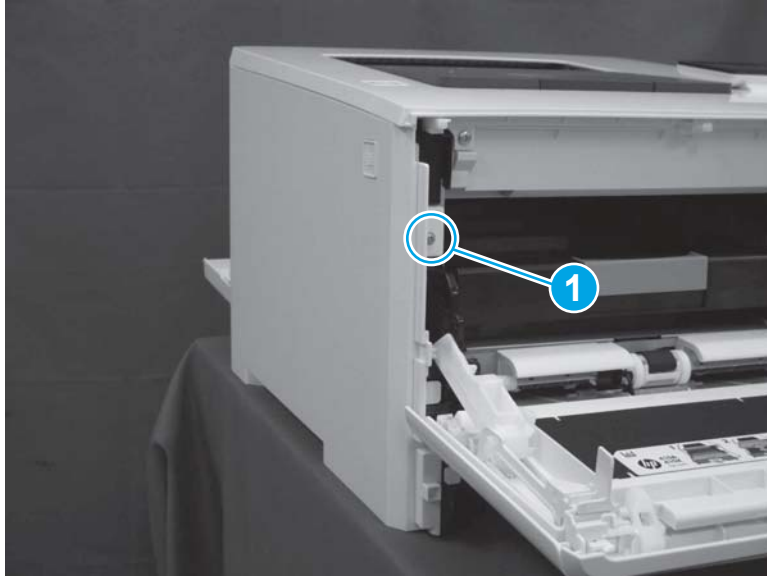


Step 6: Remove the left cover (M452 models)

 **NOTE:** This step is for the M452 models. For the M377, M477 models, skip this step and go to [Step 7: Remove the left cover \(M377, M477 models\) on page 1183.](#)

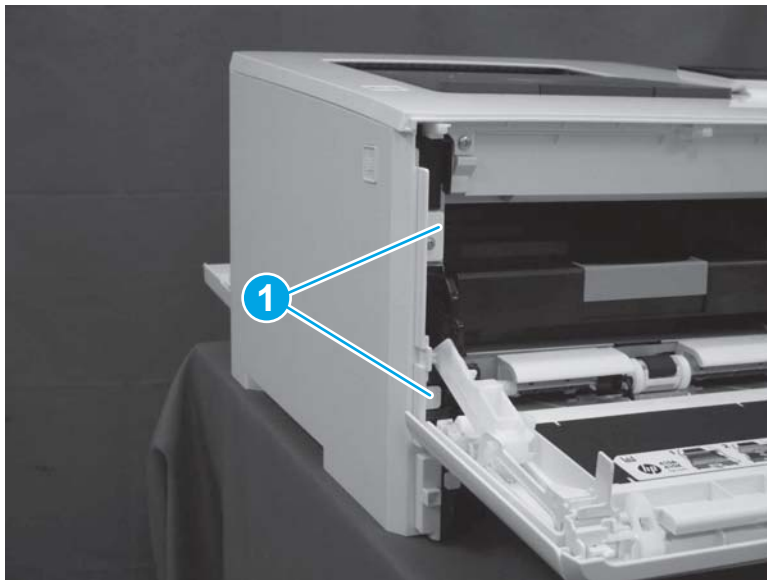
1. At the front of the printer, remove one screw (callout 1).

Figure 1-2197 Remove one screw



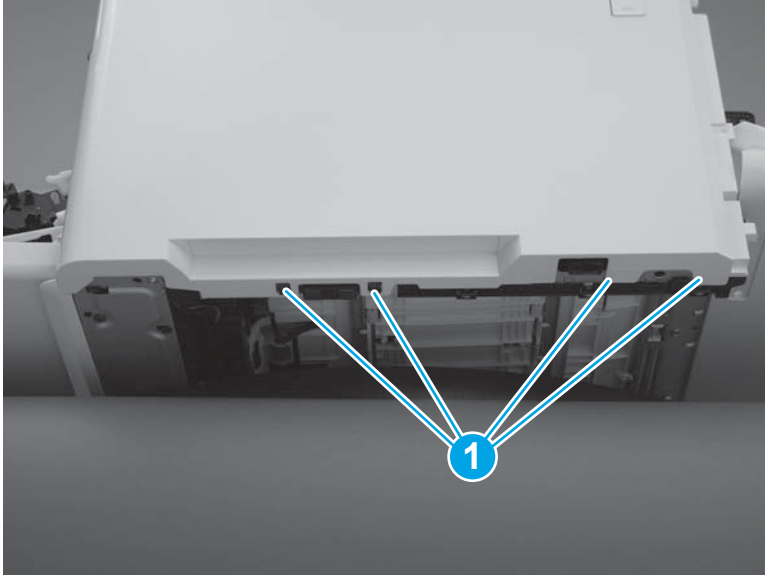
2. Release two tabs (callout 1) at the front of the cover. Hold the cover open to prevent the tabs from reengaging.

Figure 1-2198 Release two tabs



3. Slide the printer to the edge of a work surface. Note the location of the tabs on the lower edge of the cover (callout 1).

Figure 1-2199 Locate the tabs



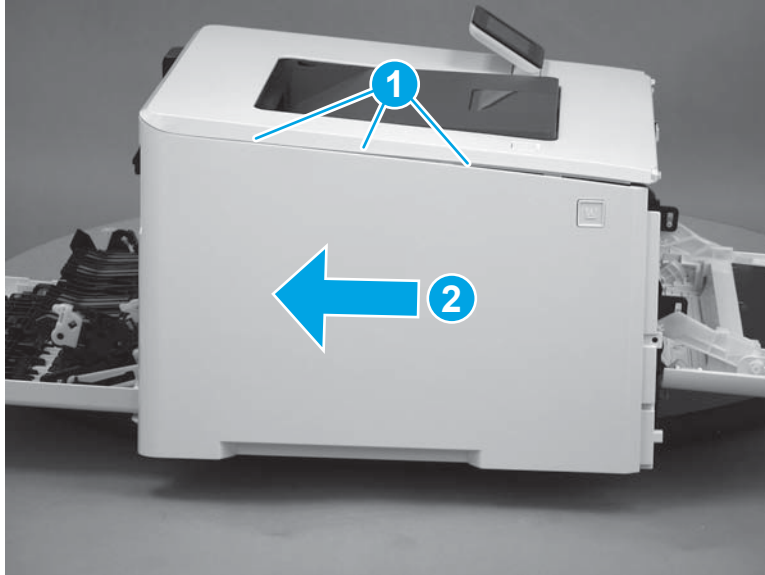
4. Beginning from the front of the cover, release four tabs (callouts 1-4) on the lower edge of the cover.

Figure 1-2200 Release bottom tabs



5. Release three tabs at the top of the cover (callout 1), and then slide the cover toward the rear of the printer to remove it.

Figure 1-2201 Release three tabs



Step 7: Remove the left cover (M377, M477 models)

 **NOTE:** This step is for the M377, M477 models. For the M452 models, skip this step and go to [Step 8: Remove the duplexer door \(duplex models\) on page 1187.](#)

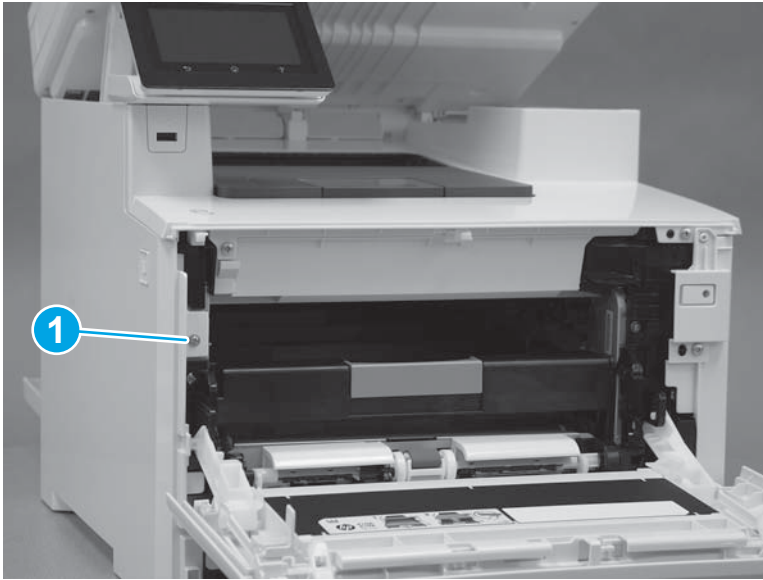
1. Raise the scanner.

Figure 1-2202 Raise the scanner



2. At the front of the printer, remove one screw (callout 1).

Figure 1-2203 Remove one screw



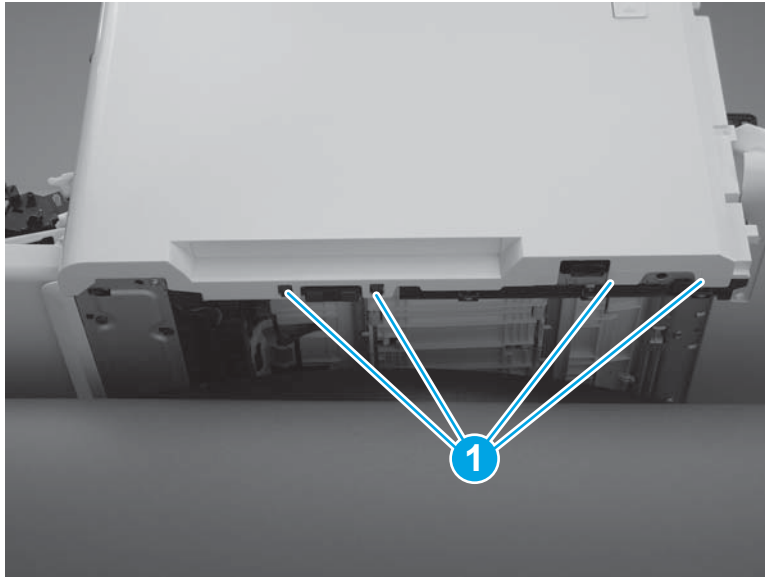
3. Release two tabs (callout 1) at the front of the cover. Hold the cover open to prevent the tabs from re-engaging.

Figure 1-2204 Release two tabs



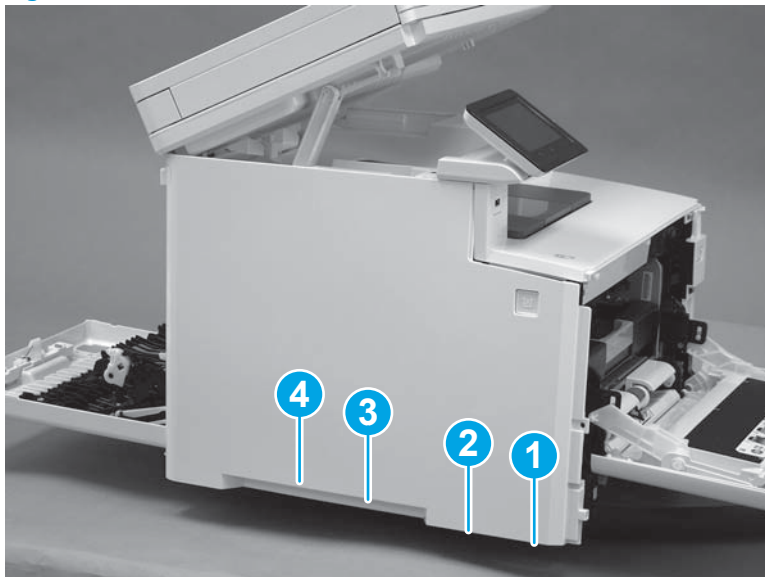
4. Slide the printer to the edge of a work surface. Note the location of the tabs on the lower edge of the cover (callout 1).

Figure 1-2205 Locate the tabs



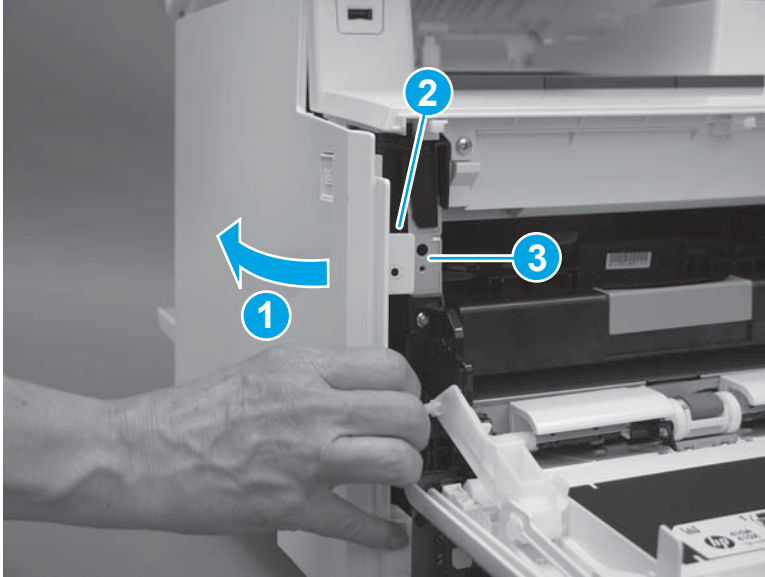
5. Beginning from the front of the cover, release the four tabs (callouts 1-4) on the lower edge of the cover.

Figure 1-2206 Release four tabs



6. Rotate the front of the cover away from the printer (callout 1). Make sure that the tab (callout 2) does not get caught on the printer frame (callout 3).

Figure 1-2207 Rotate the cover



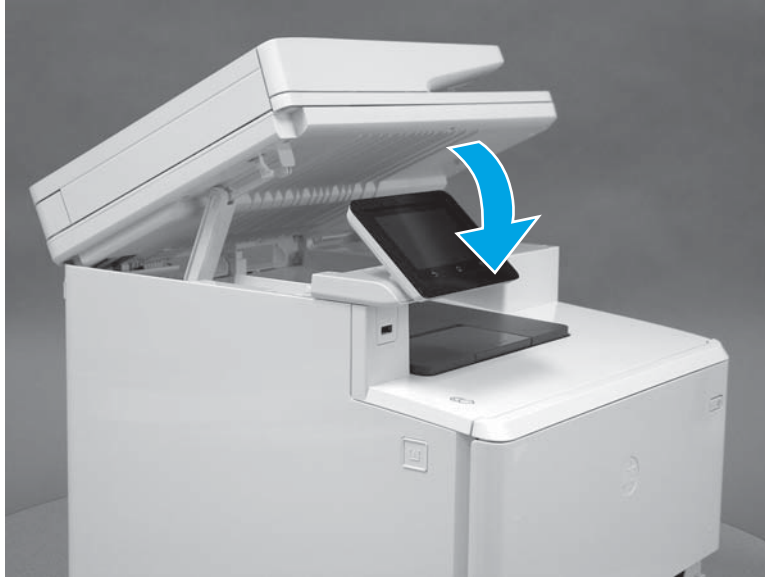
7. At the top of the printer, slightly pull the top of the cover away from the printer to release one retention tab (callout 1) on the inside of the cover. While holding the cover away, slide the cover toward the back of the printer (callout 2) to release two hooks (callout 3) inside the cover.

Figure 1-2208 Release one tab and two hooks



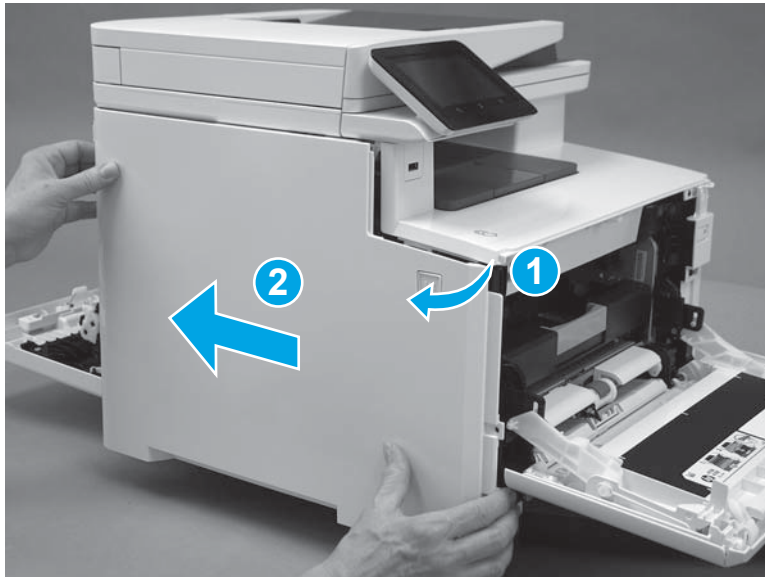
8. Lower the scanner.

Figure 1-2209 Lower the scanner



9. Rotate the cover away from the printer (callout 1), and then slide the cover (callout 2) toward the back of the printer to remove it.

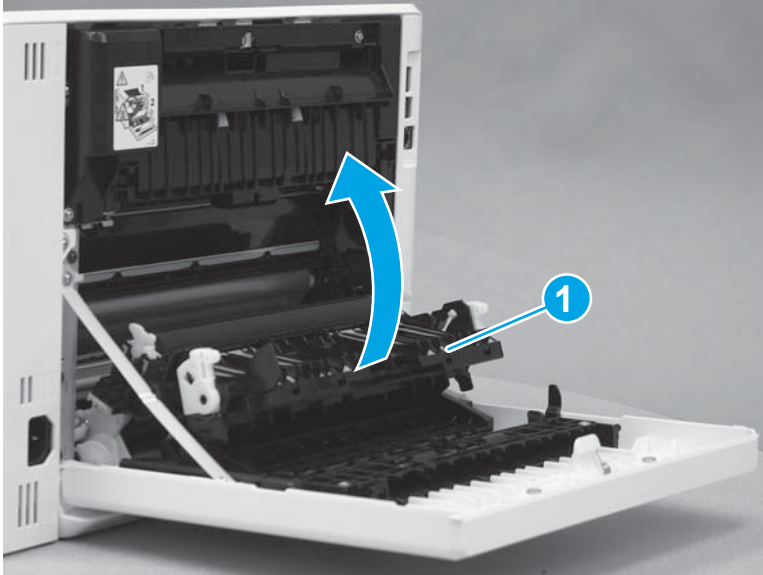
Figure 1-2210 Remove the left cover



Step 8: Remove the duplexer door (duplex models)

1. Rotate the secondary transfer assembly (callout 1) toward the printer to close it.

Figure 1-2211 Close the secondary transfer assembly



2. At the back of the printer, remove two screws (callout 1), and then remove one screw (callout 2) that holds the retention arm.


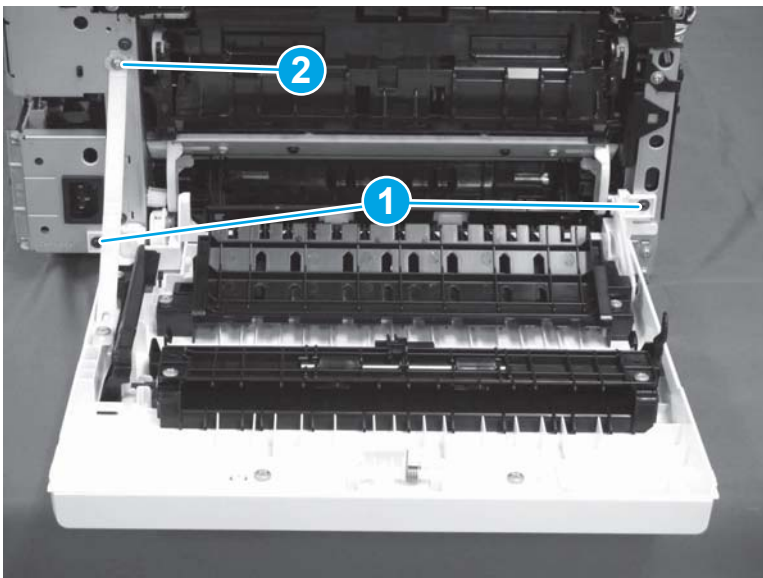
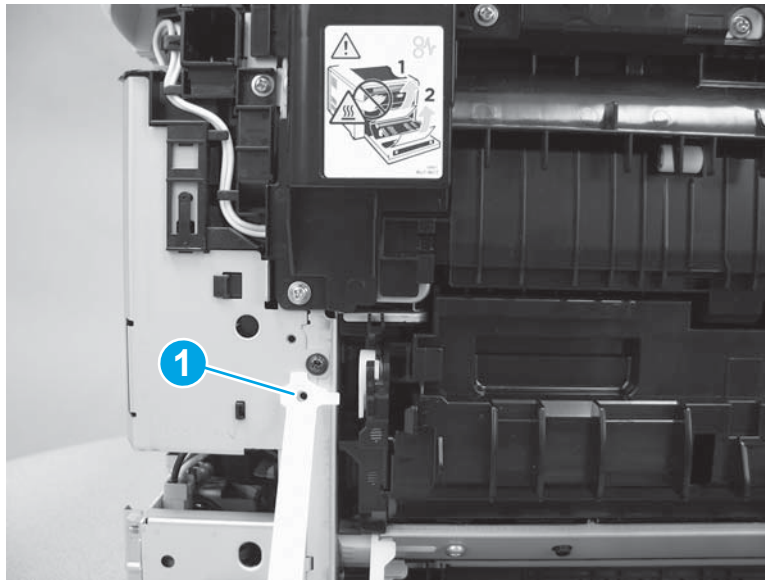
 **Reinstallation tip:** Note that the screw (callout 2) that holds the retention arm is longer than the other two. Make sure this screw is installed in the correct position.

Figure 1-2212 Remove three screws



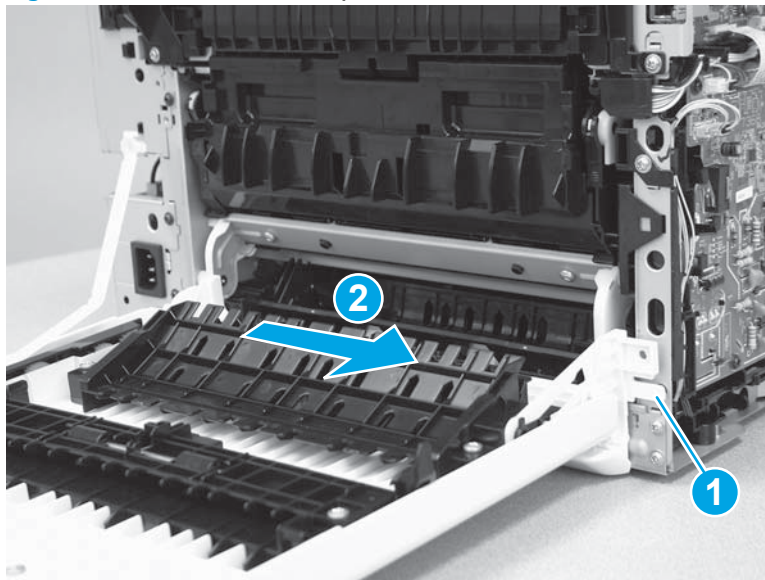
3. Release the retention arm (callout 1).

Figure 1-2213 Release the retention arm



4. Release one tab (callout 1), and then slide the duplexer door (callout 2) to the right to remove it.

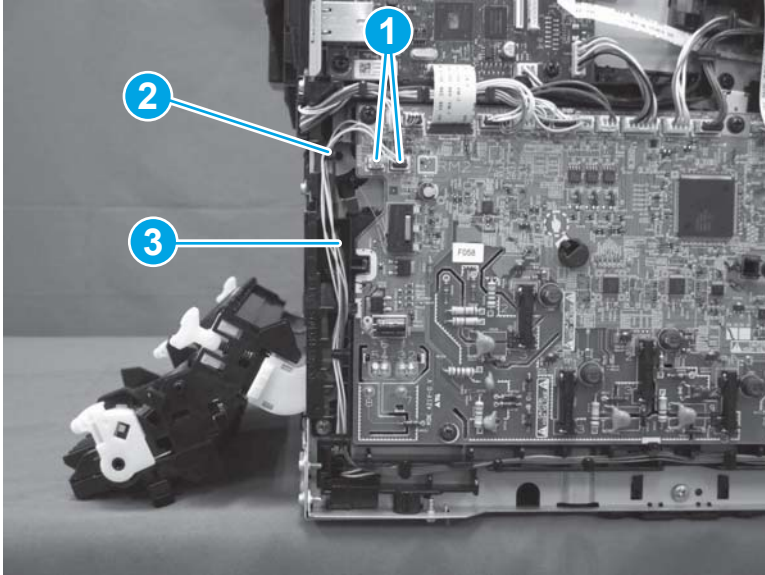
Figure 1-2214 Remove the duplexer door



Step 9: Remove the re-pickup assembly

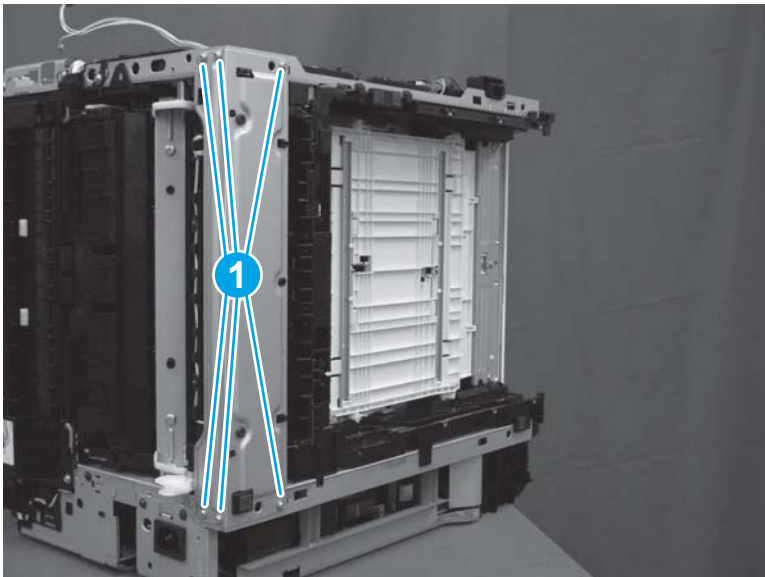
1. On the left side of the printer, disconnect two connectors (callout 1), and then remove the cables (callout 2) from the guides (callout 3).

Figure 1-2215 Disconnect two connectors and remove cables from guides



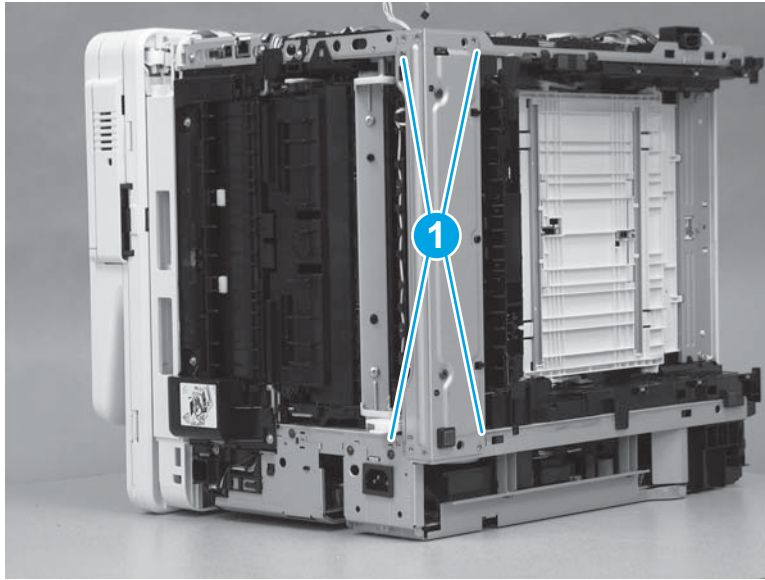
2. Lay the printer on the right side so that the left side is facing up. Remove six screws (callout 1).

Figure 1-2216 Remove six screws



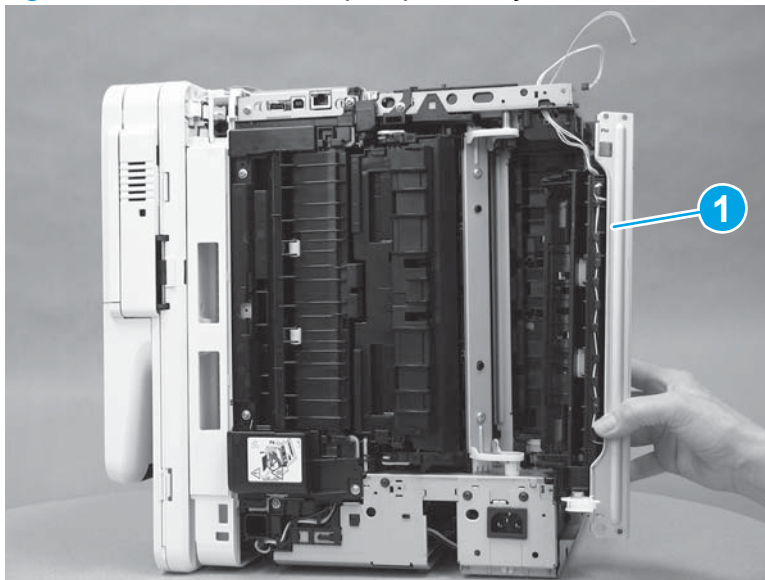
3. Release four tabs (callout 1).

Figure 1-2217 Release four tabs



4. Remove the re-pickup assembly (callout 1).

Figure 1-2218 Remove the re-pickup assembly



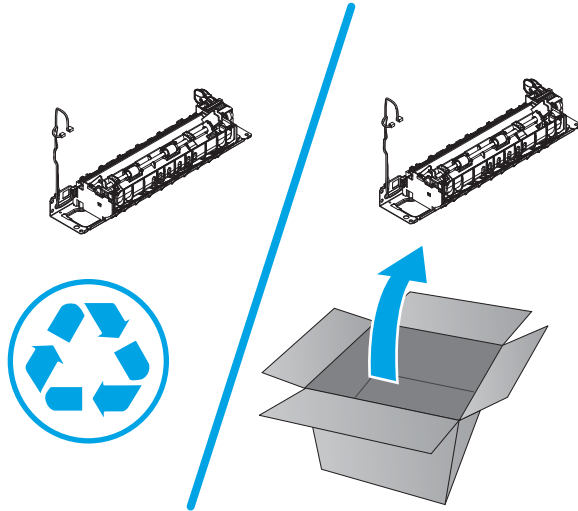
Step 10: Unpack the replacement part

Remove the new part from its package. Save all packaging for recycling the used part.

For complete information on HP's recycling programs, go to [Product return and recycling](#).

 **NOTE:** HP recommends responsible disposal of the defective part.

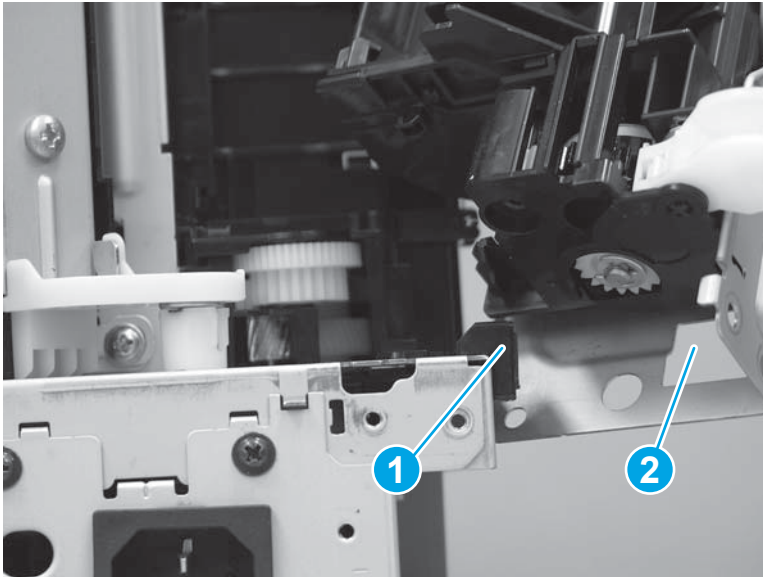
Figure 1-2219 Recycle and unpack



Step 11: Install the re-pickup assembly

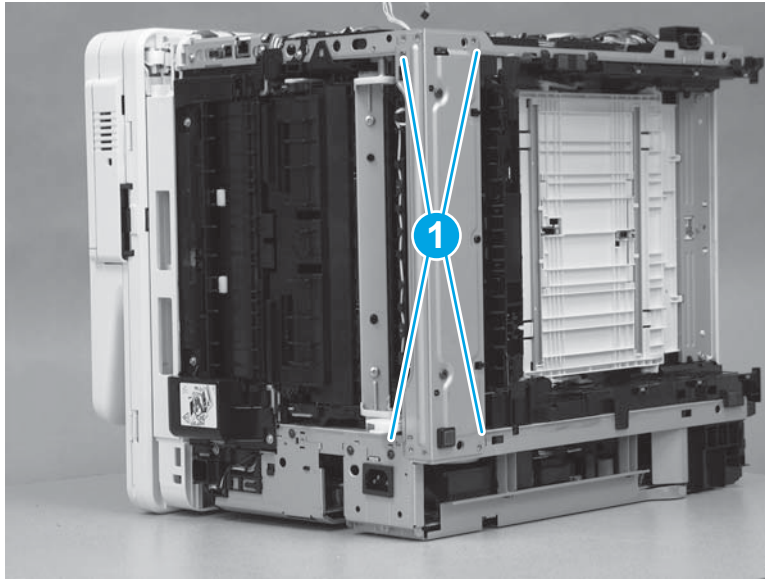
1. Position the foot on the printer (callout 1) through the opening (callout 2) on the re-pickup drive assembly.

Figure 1-2220 Position the foot through the opening



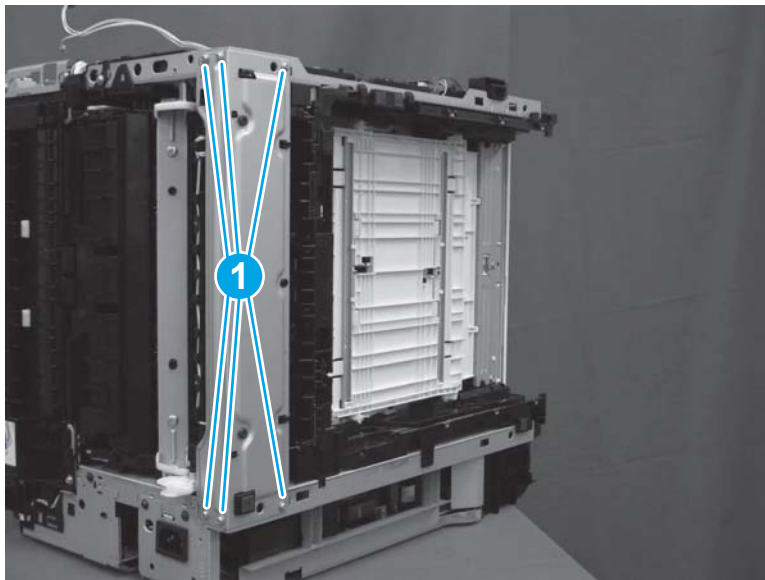
2. Install four tabs (callout 1).

Figure 1-2221 Install four tabs



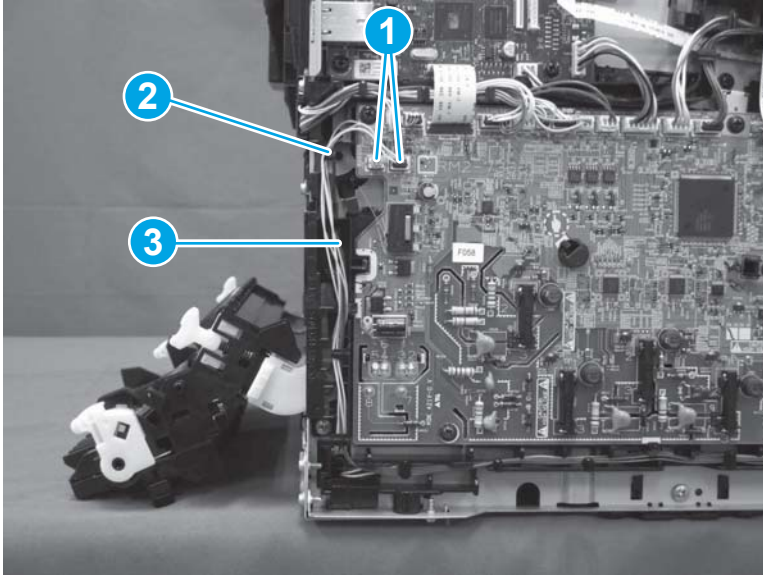
3. Install six screws (callout 1).

Figure 1-2222 Install six screws



4. Return the printer to an upright position so that the top side is facing up. On the left side of the printer, connect two connectors (callout 1), and then install the cables (callout 2) in the guides (callout 3).

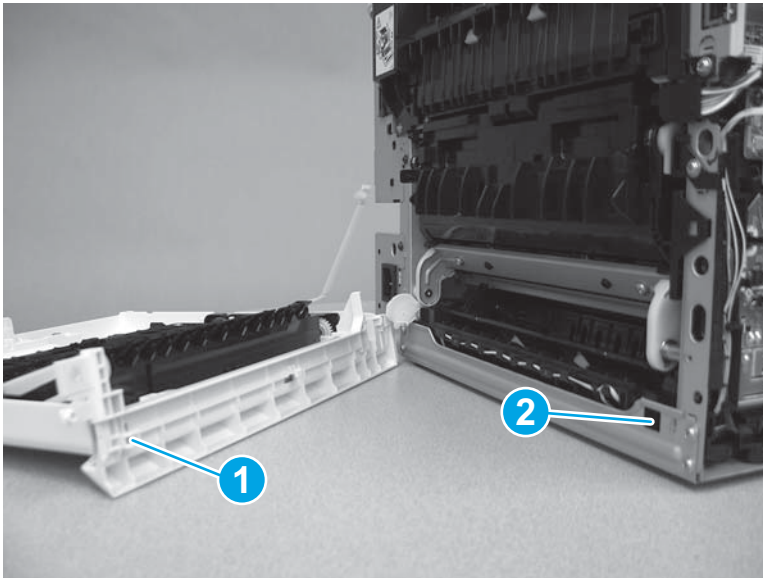
Figure 1-2223 Connect two connectors and install cables in guides



Step 12: Install the duplexer door (duplex models)

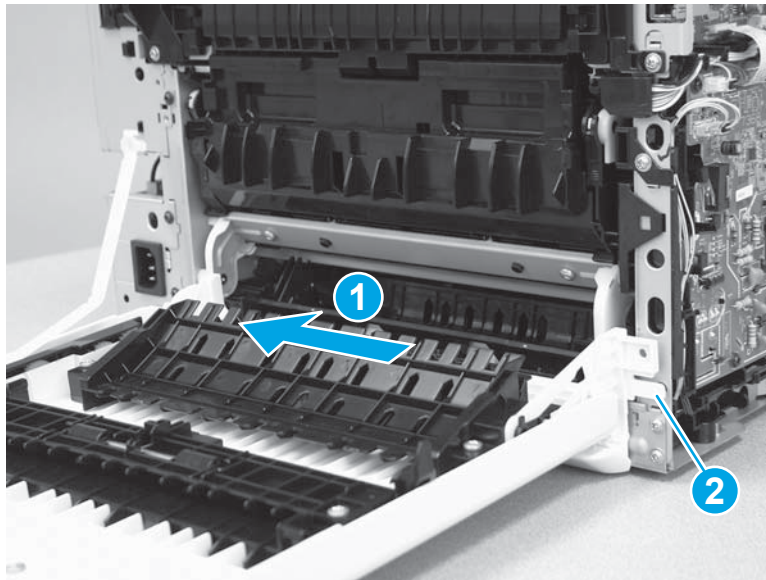
1. Position the tab (callout 1) on the door into the slot (callout 2) on the printer.

Figure 1-2224 Position the tab in the slot



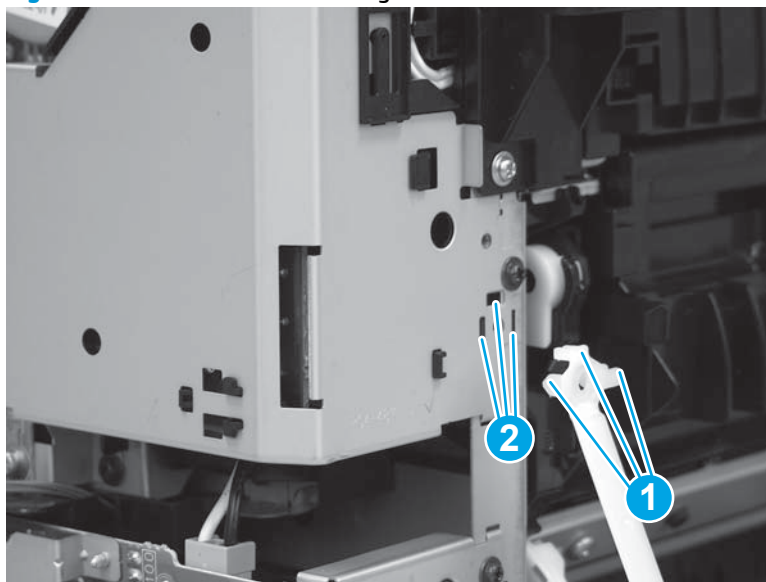
2. Slide the door to the left (callout 1) until the tab (callout 2) snaps into place.

Figure 1-2225 Install the duplexer door



3. Install the tabs (callout 1) on the retaining arm into the slots (callout 2) in the printer.

Figure 1-2226 Install the retaining arm



4. At the back of the printer, install two screws (callout 1), and then install one screw (callout 2) that holds the retention arm.


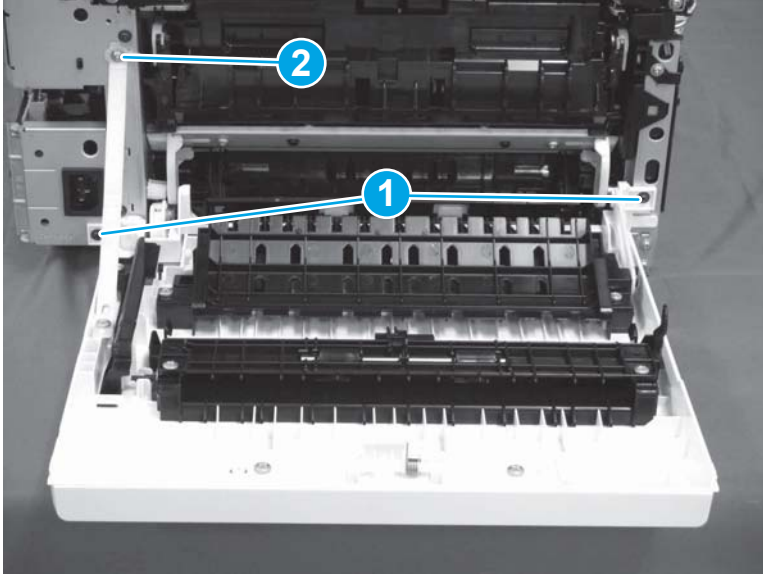
 **Reinstallation tip:** Note that the screw (callout 2) that holds the retention arm is longer than the other two. Make sure this screw is installed in the correct position.

Figure 1-2227 Install three screws

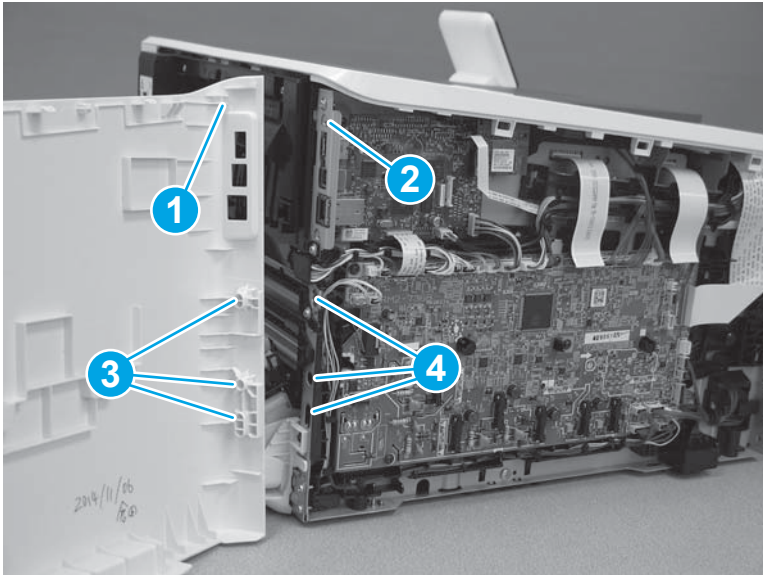


Step 13: Install the left cover (M452 models)

 **NOTE:** This step is for the M452 models. For the M377, M477 models, skip this step and go to [Step 14: Install the left cover \(M377, M477 models\) on page 1200](#).

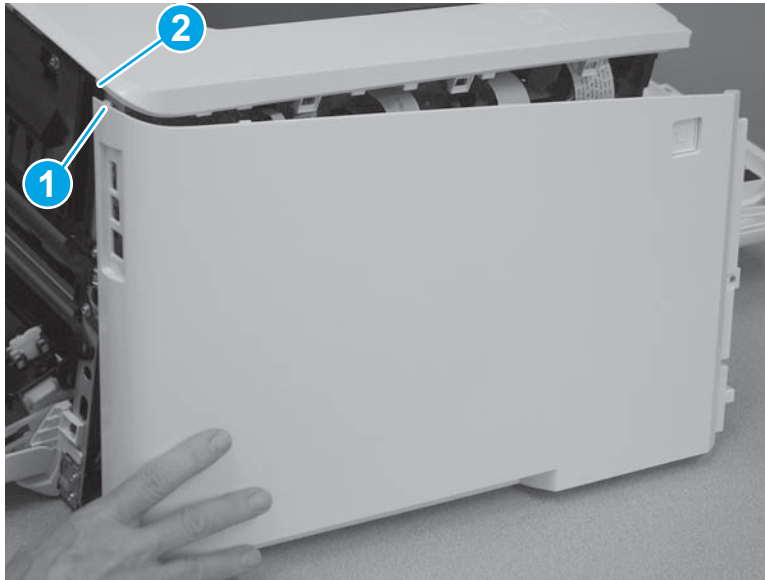
1. Position the hook (callout 1) on the cover in the slot (callout 2) on the printer. Position three tabs (callout 3) on the back of the cover in the slots (callout 4) in the printer.

Figure 1-2228 Position three tabs



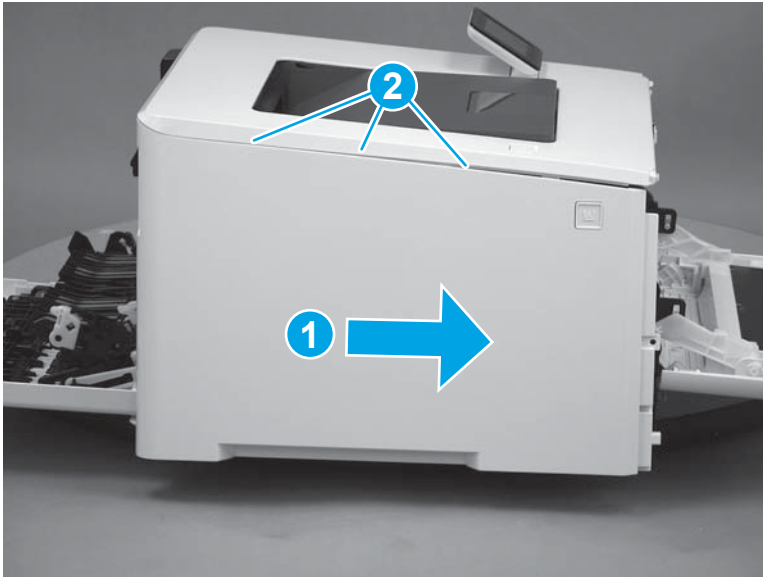
2. At the back of the printer, install the tab (callout 1) under the edge of the top cover (callout 2).

Figure 1-2229 Install one tab



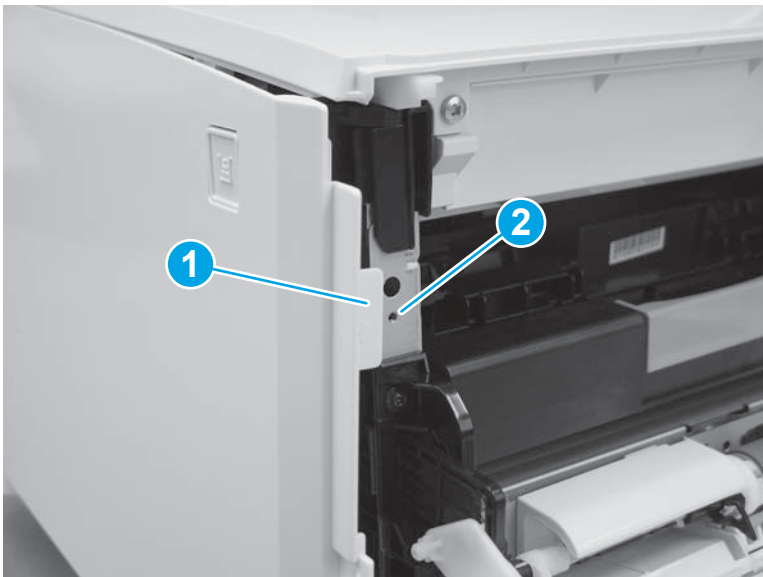
3. Slide the cover toward the front of the printer (callout 1), and then engage three tabs (callout 2) on the top of the cover.

Figure 1-2230 Install the left cover



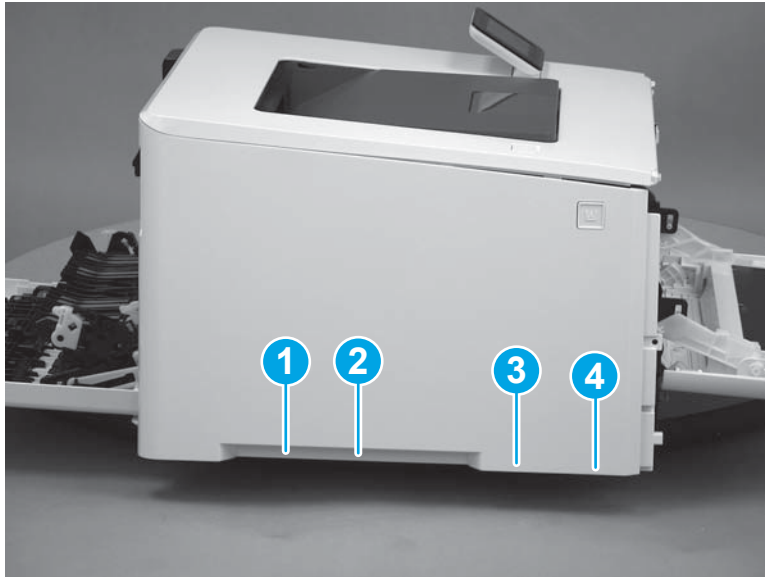
CAUTION: Make sure that the tab (callout 1) does not get caught behind the printer frame (callout 2).

Figure 1-2231 Make sure the tab does not get caught



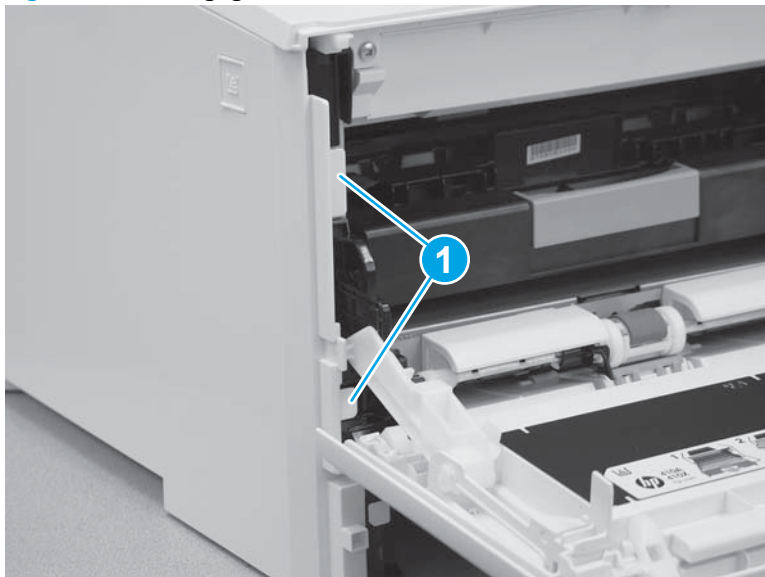
4. Slide the printer to the edge of a work surface in order to access the tabs on the bottom of the cover. Beginning from the back of the cover, install four tabs (callouts 1-4) on the lower edge of the cover.

Figure 1-2232 Install four tabs



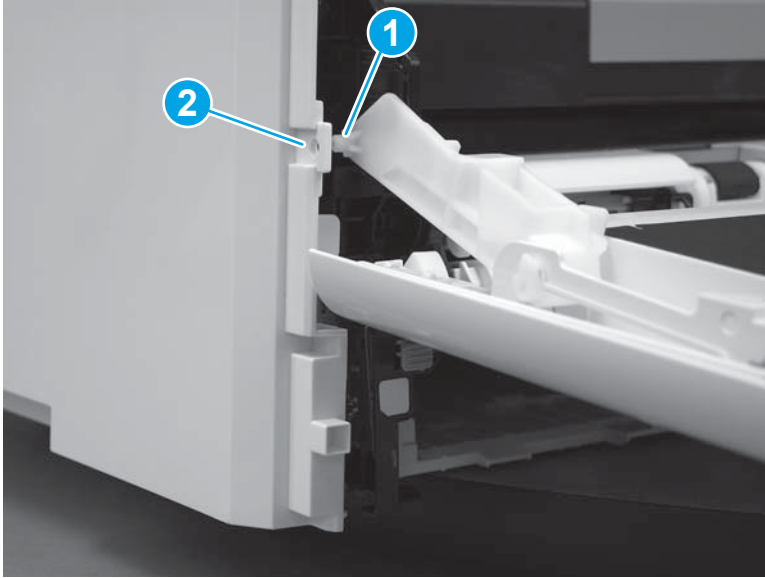
5. Install two tabs (callout 1) at the front of the cover.

Figure 1-2233 Engage two tabs



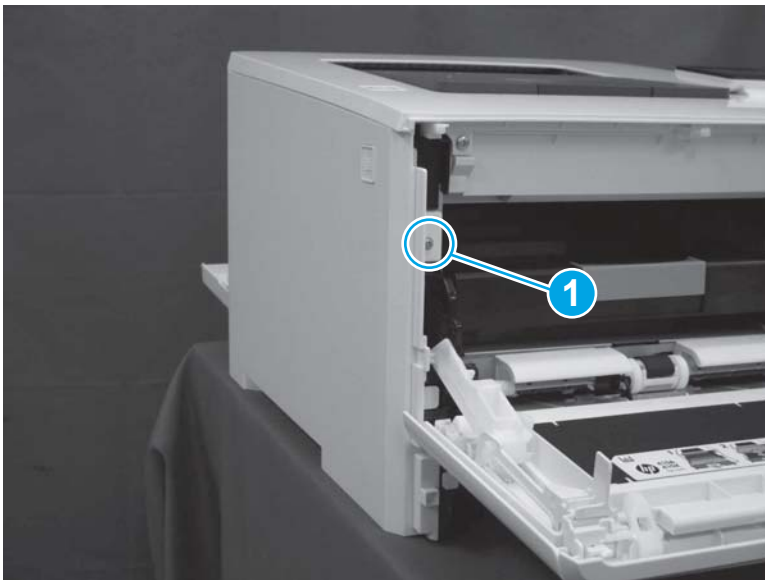
6. Make sure that the hinge pin (callout 1) on the front door fits into the slot (callout 2) on the left cover.

Figure 1-2234 Install hinge pin




7. Install one screw (callout 1).

Figure 1-2235 Install one screw

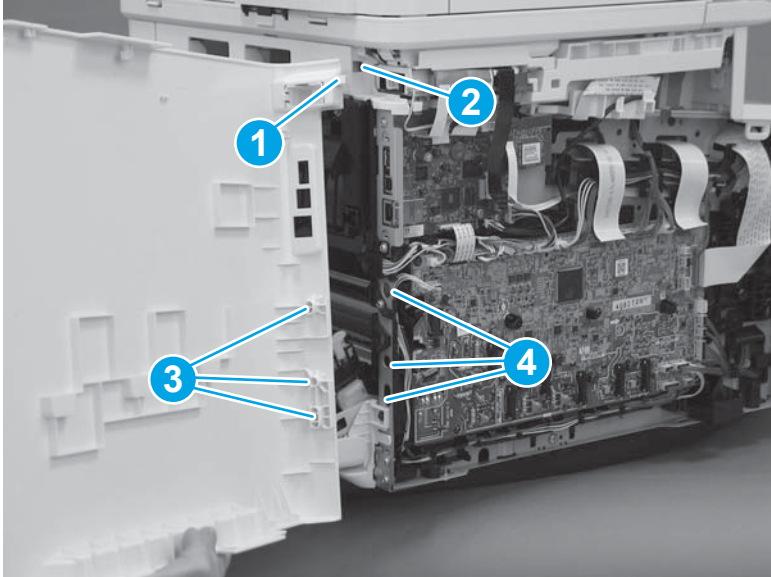


Step 14: Install the left cover (M377, M477 models)

 **NOTE:** This step is for the M377, M477 models. For the M452 models, skip this step and go to [Step 15: Install the right cover \(M452 models\) on page 1207.](#)

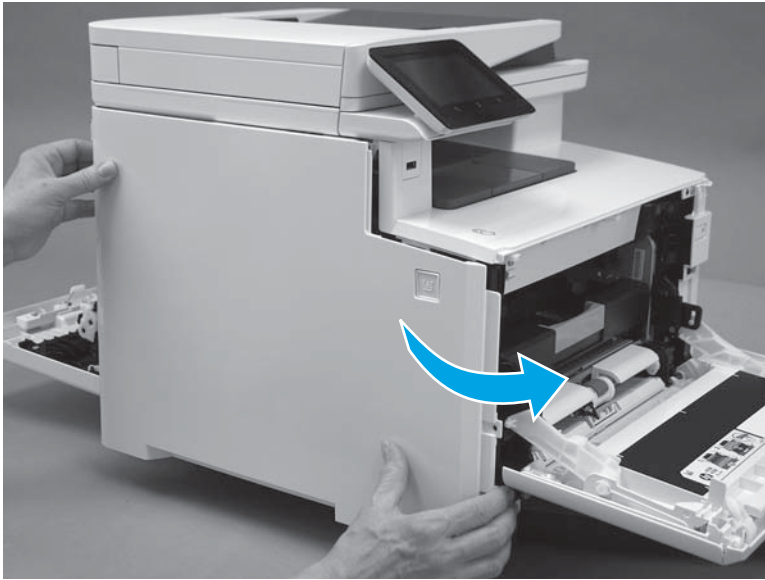
1. At the back of the printer, install the tab (callout 1) on the cover into the slot (callout 2) in the printer. Install the locator pins (callout 3) into the slots (callout 4) in the printer.

Figure 1-2236 Install one tab



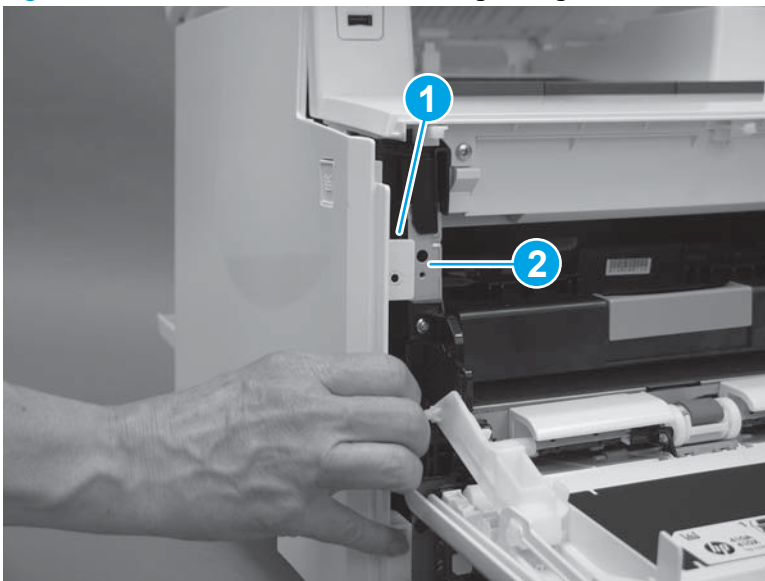
2. Rotate the cover toward the printer.

Figure 1-2237 Rotate the left cover



CAUTION: Make sure that the tab (callout 1) does not get caught behind the printer frame (callout 2).

Figure 1-2238 Make sure the tab does not get caught



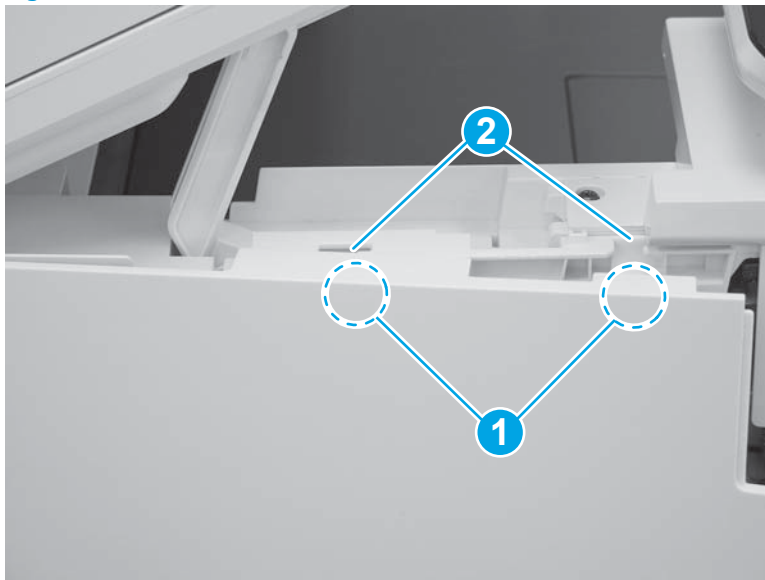
3. Raise the scanner.

Figure 1-2239 Raise the scanner



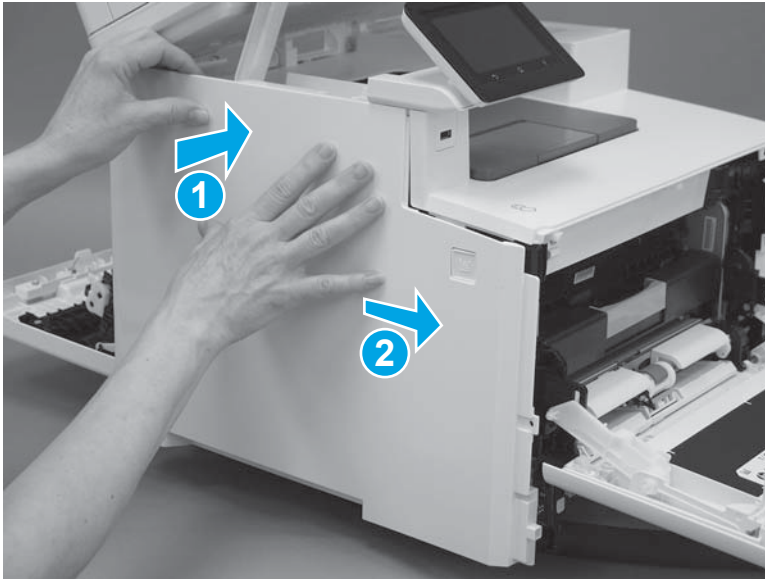
4. Position the hooks (callout 1) on the inside of the cover into the slots (callout 2) on the printer.

Figure 1-2240 Position the hooks in the slots



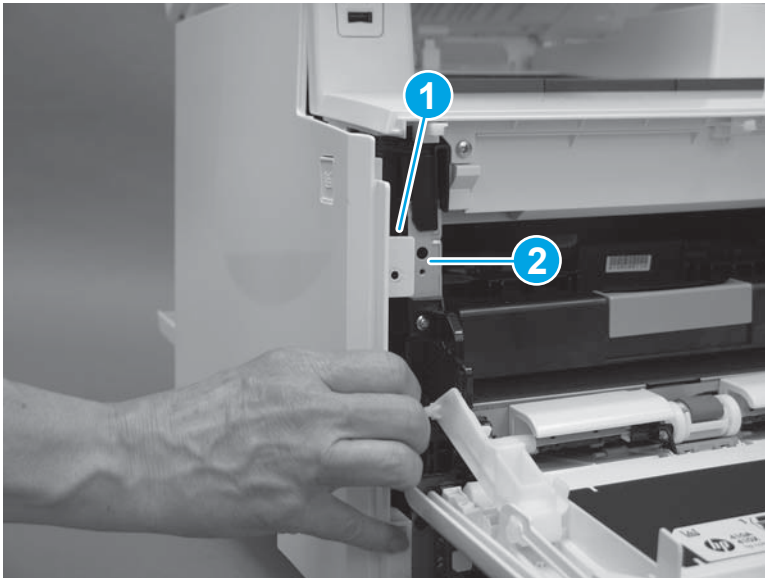
5. Hold the cover against the printer (callout 1), and then slide it (callout 2) toward the front of the printer.

Figure 1-2241 Install the top hooks



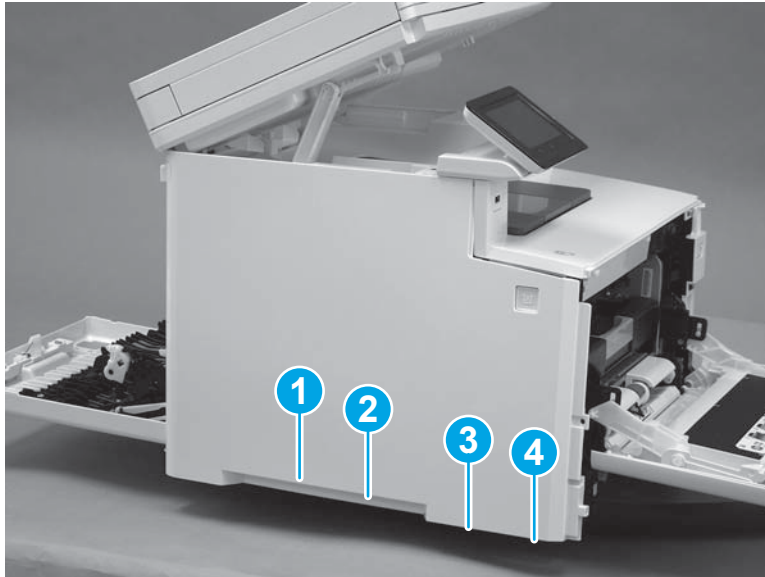
CAUTION: Make sure that the tab (callout 1) on the front of the cover does not get caught behind the printer frame (callout 2).

Figure 1-2242 Make sure the tab does not get caught



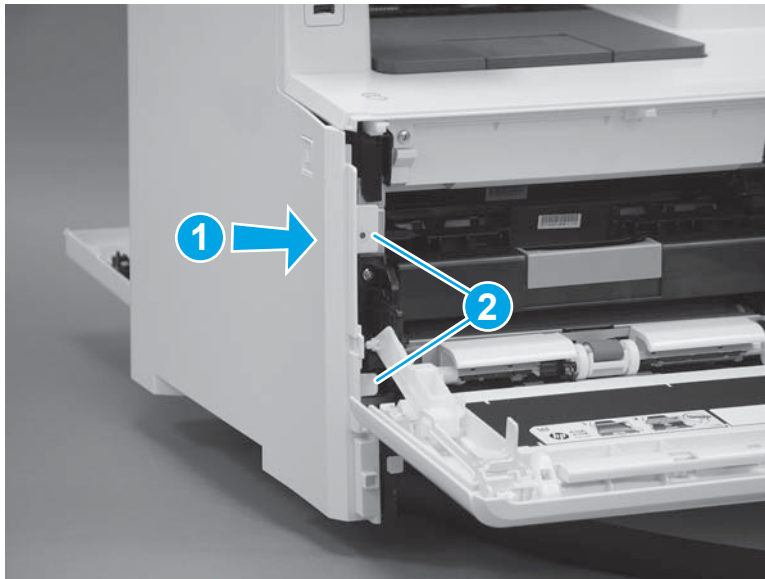
6. Slide the printer to the edge of a work surface in order to access the tabs on the bottom of the cover. Beginning from the back of the cover, install four tabs (callouts 1-4) on the lower edge of the cover.

Figure 1-2243 Install four tabs



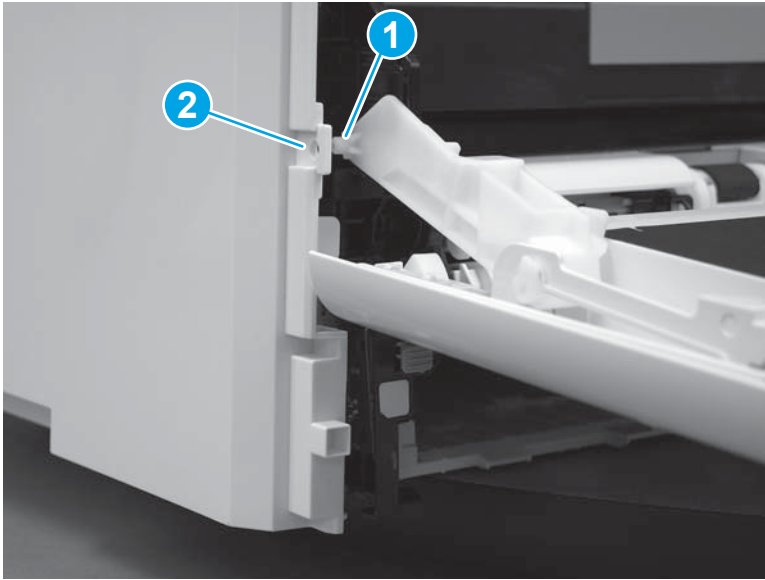
7. Press the cover toward the printer (callout 1), and then install two tabs (callout 2) at the front of the cover.

Figure 1-2244 Install two tabs



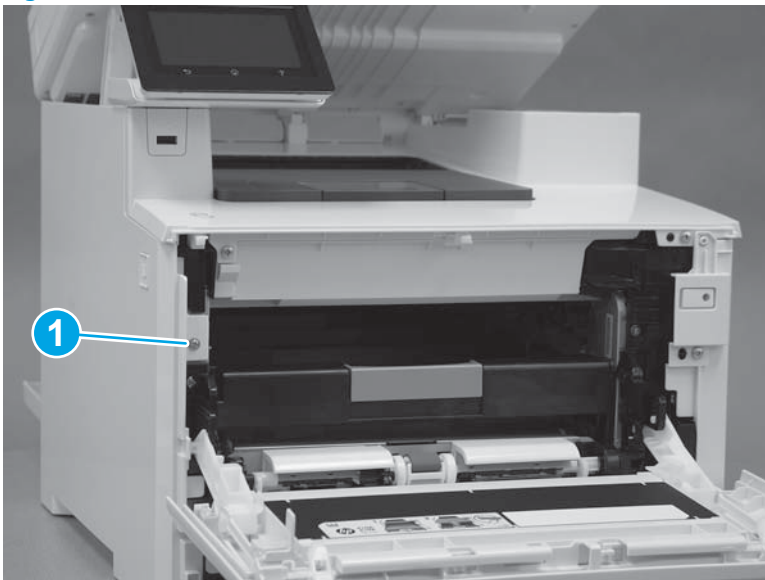
8. Make sure that the hinge pin (callout 1) on the front door fits into the slot (callout 2) on the left cover.

Figure 1-2245 Install hinge pin



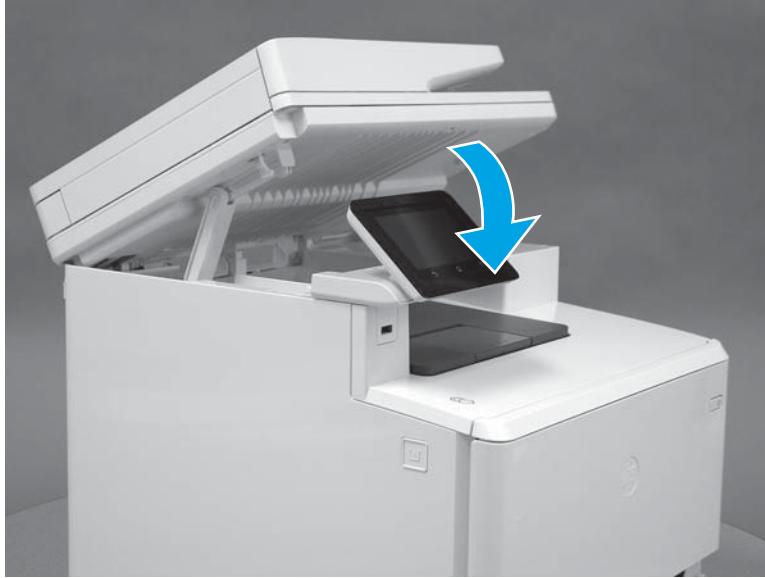
9. Install one screw (callout 1).

Figure 1-2246 Install one screw




10. Lower the scanner.

Figure 1-2247 Lower the scanner

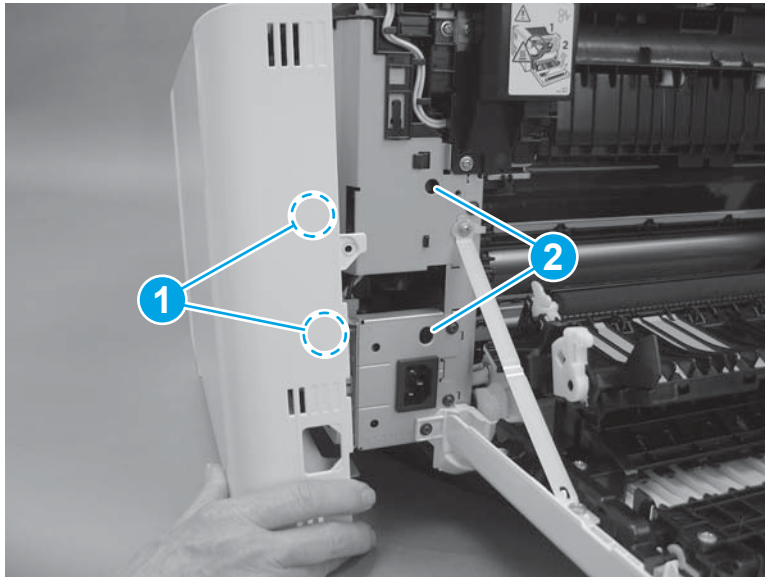


Step 15: Install the right cover (M452 models)

 **NOTE:** This step is for the M452 models. For the M377, M477 models, skip this step and go to [Step 16: Install the right cover \(M377, M477 models\) on page 1211](#).

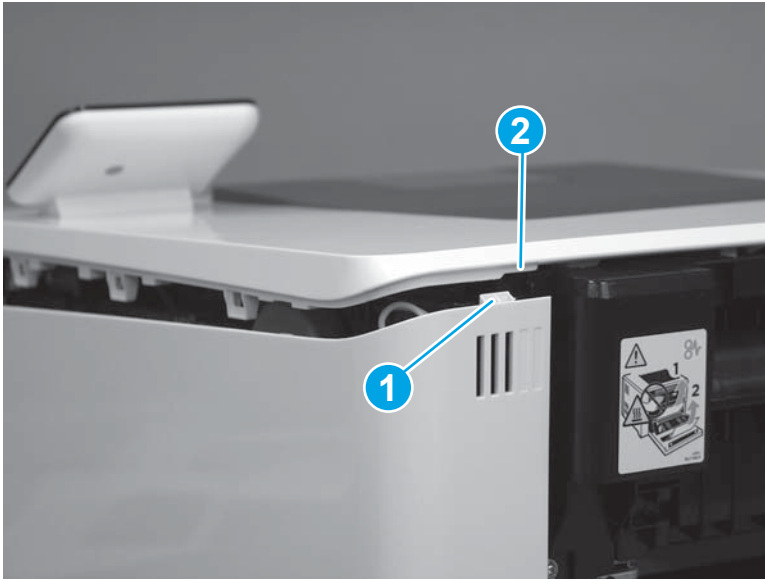
1. Position two tabs (callout 1) on the back of the cover in the slots (callout 2) in the printer.

Figure 1-2248 Position two tabs



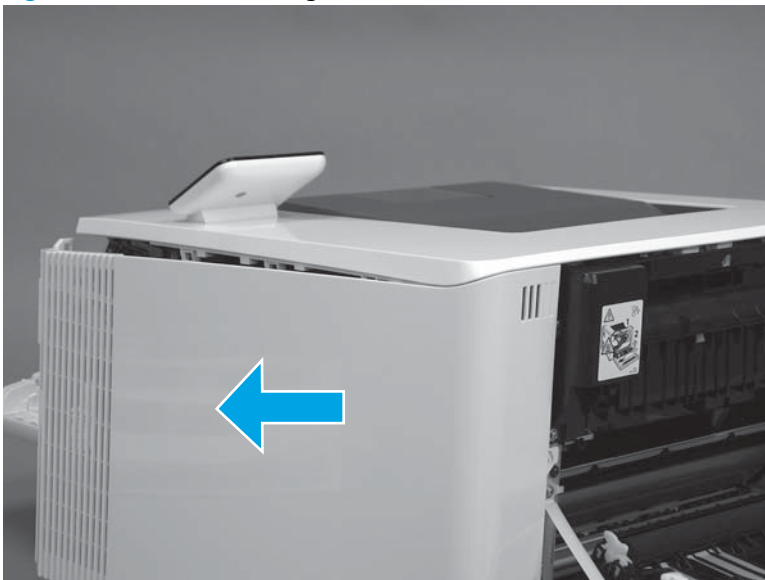
2. At the back of the printer, install the tab (callout 1) under the edge of the top cover (callout 2).

Figure 1-2249 Install rear tab



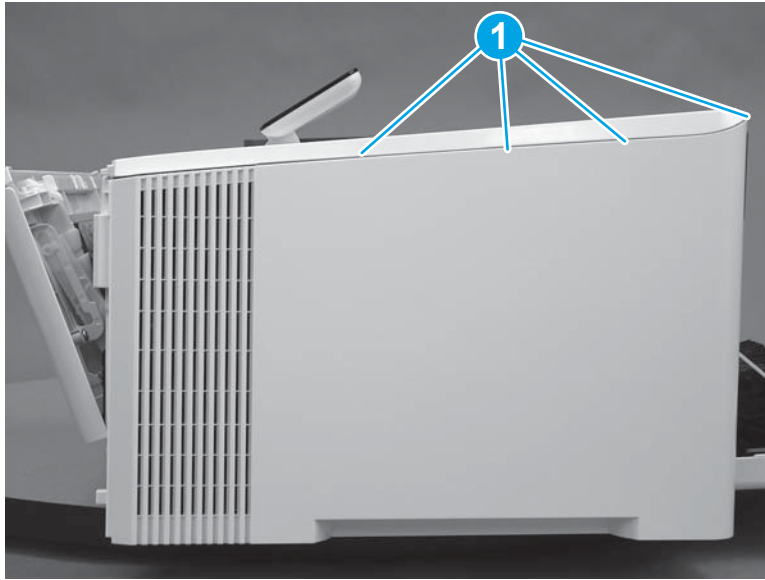
3. Slide the cover toward the front of the printer to install it.

Figure 1-2250 Install the right cover



- Engage three tabs (callout 2) on the top of the cover.

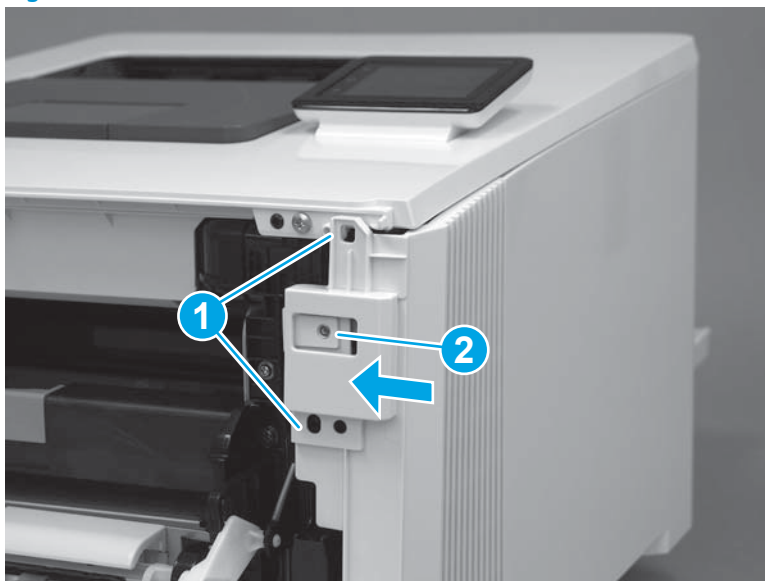
Figure 1-2251 Install upper tabs



- At the front of the printer, position the front of the cover over two tabs (callout 1).

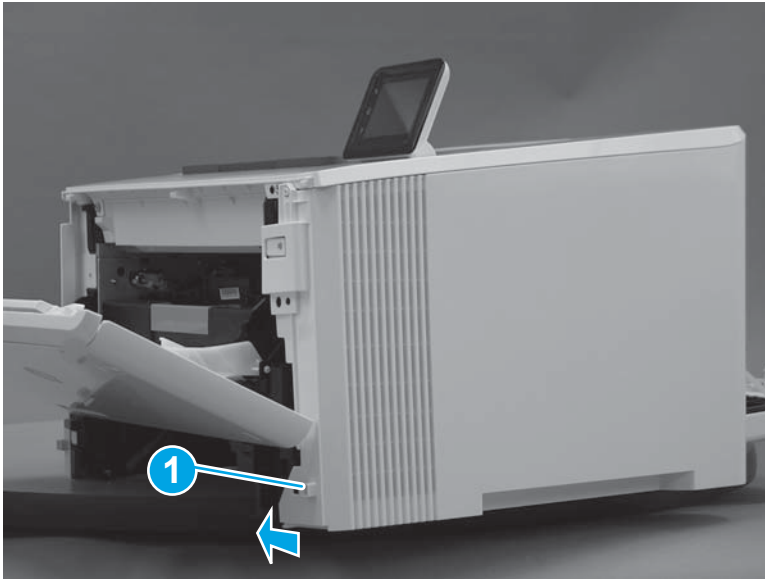
⚠ CAUTION: Be careful not to dislodge the power switch (callout 2).

Figure 1-2252 Install the front tabs



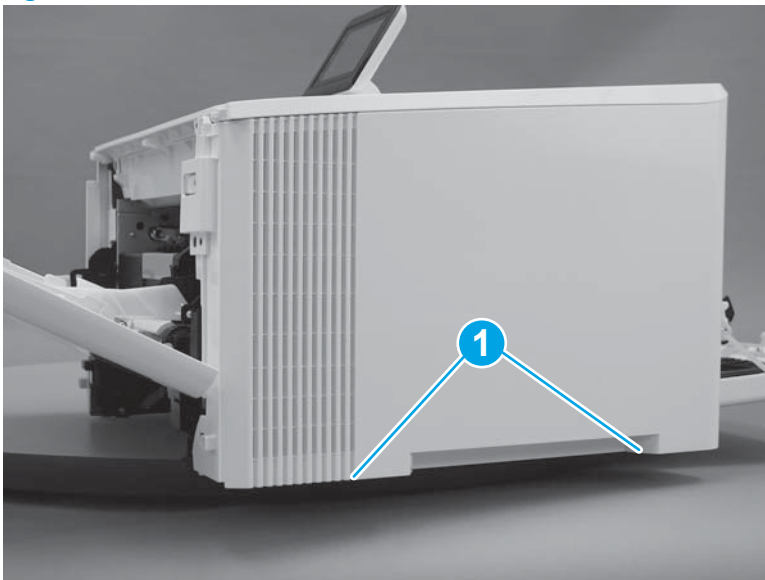
6. Press the right cover toward the printer to engage one tab (callout 1) on the front of the cover.

Figure 1-2253 Install the front lower tab



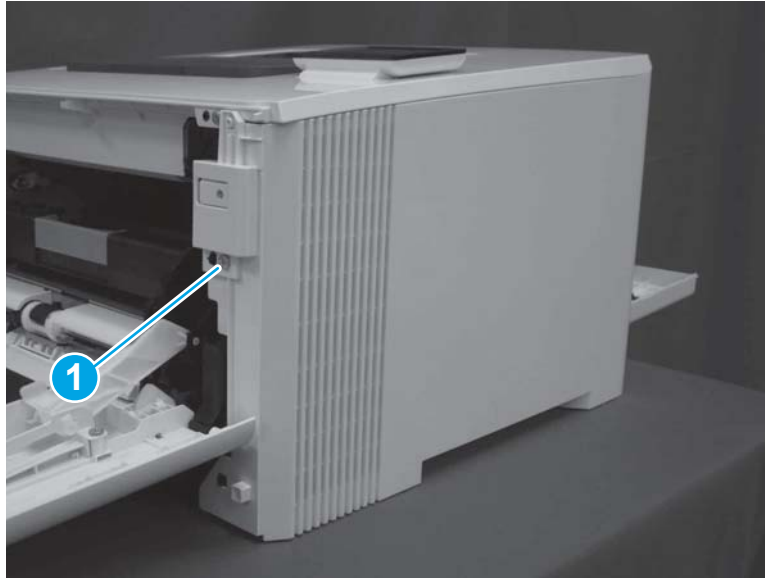
7. Install two tabs on the bottom of the cover (callout 1).

Figure 1-2254 Install two tabs



8. At the front of the printer, install one screw (callout 1).

Figure 1-2255 Install one screw




9. At the back of the printer, install one screw (callout 1).

Figure 1-2256 Install one screw

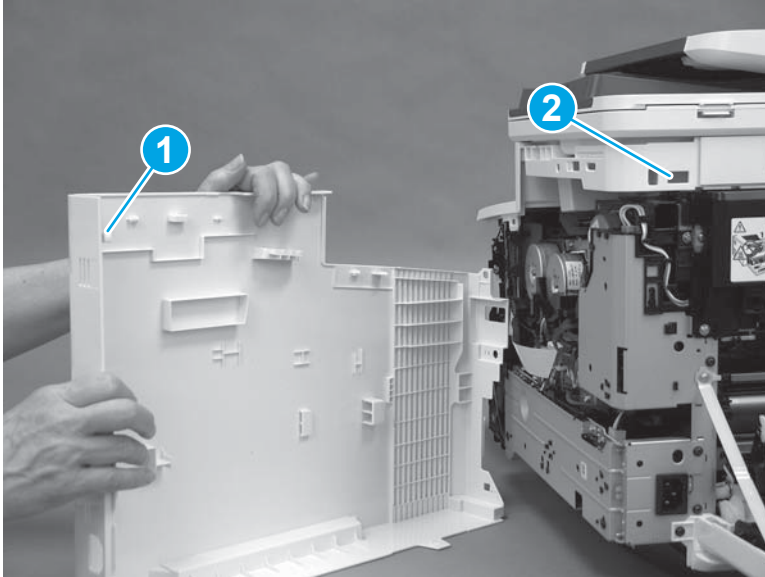


Step 16: Install the right cover (M377, M477 models)

 **NOTE:** This step is for the M377, M477 models. For the M452 models, skip this step and go to [Step 17: Close the duplexer door on page 1217](#).

1. At the back of the printer, install the tab (callout 1) on the cover into the slot (callout 2) on the printer.

Figure 1-2257 Install rear tab



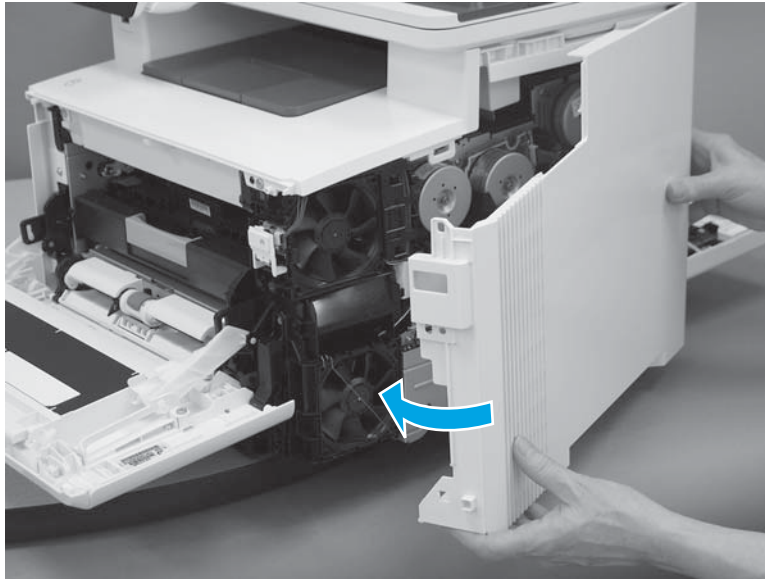
2. Raise the scanner.

Figure 1-2258 Raise the scanner



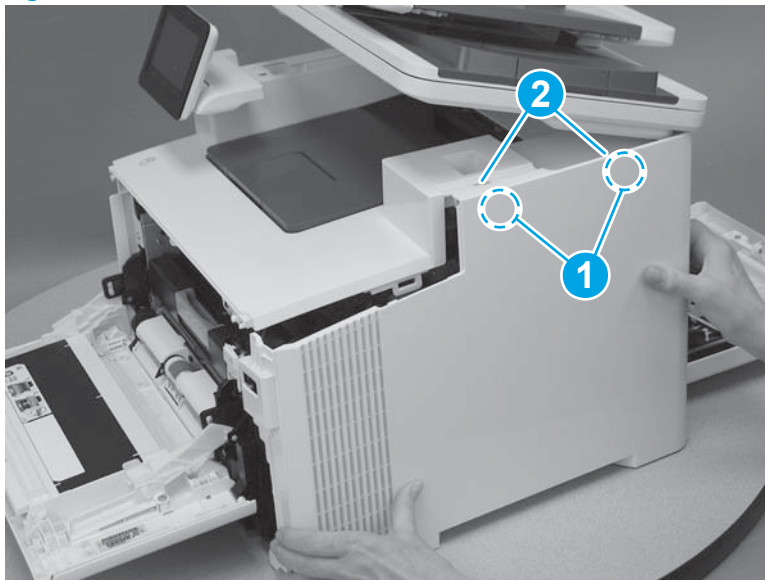
3. Rotate the right cover toward the printer.

Figure 1-2259 Rotate the right cover



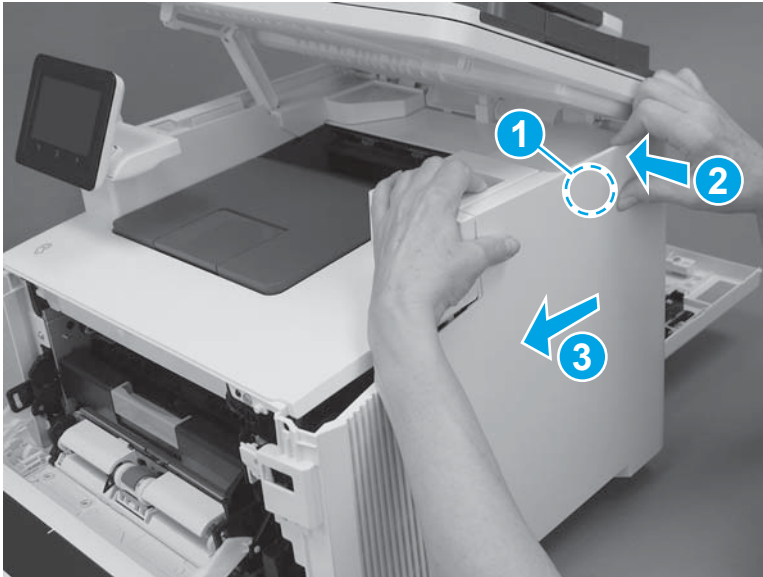
4. Position the hooks (callout 1) on the inside of the cover into the slots (callout 2) in the printer.

Figure 1-2260 Position the hooks in the slots



5. Engage one hook (callout 1) on the inside of the cover. Hold the top of the cover closed (callout 2) while sliding the cover toward the front of the printer (callout 3).

Figure 1-2261 Slide the cover



6. Rotate the front of the cover toward the printer (callout 1).

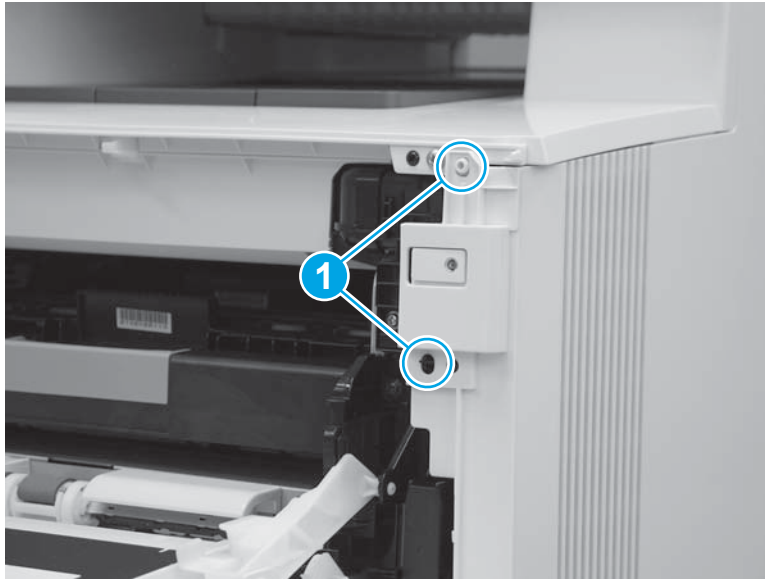
CAUTION: Be careful not to dislodge the power switch (callout 2).

Figure 1-2262 Rotate the front of the cover



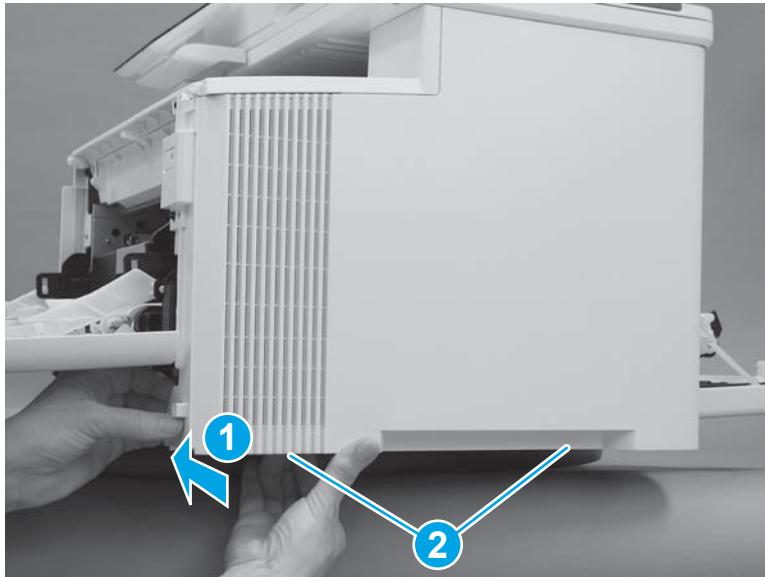
7. Install two tabs at the front of the printer (callout 1).

Figure 1-2263 Install two tabs



8. Press the right cover toward the printer (callout 1) to engage one tab on the front of the cover, and two tabs (callout 2) on the lower edge of the cover.

Figure 1-2264 Install the front and lower tabs



9. At the front of the printer, install one screw (callout 1).

Figure 1-2265 Install one screw



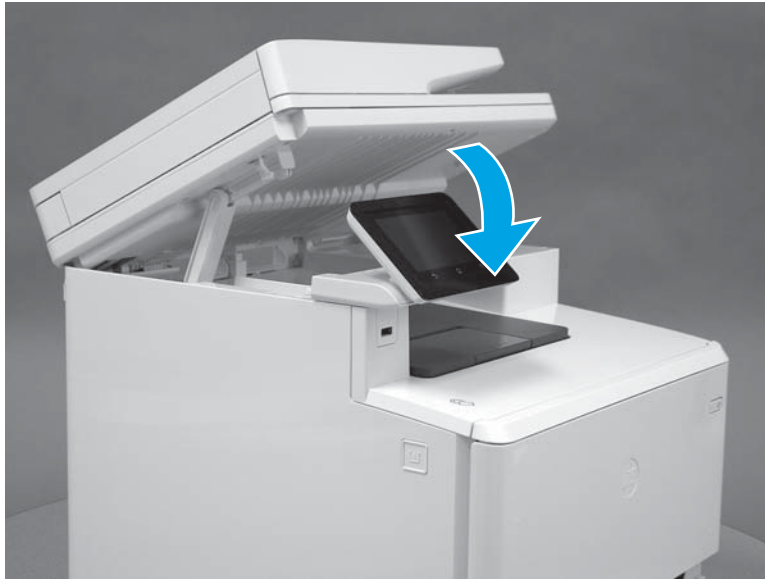
10. At the back of the printer, install one screw (callout 1).

Figure 1-2266 Install one screw



11. Lower the scanner.

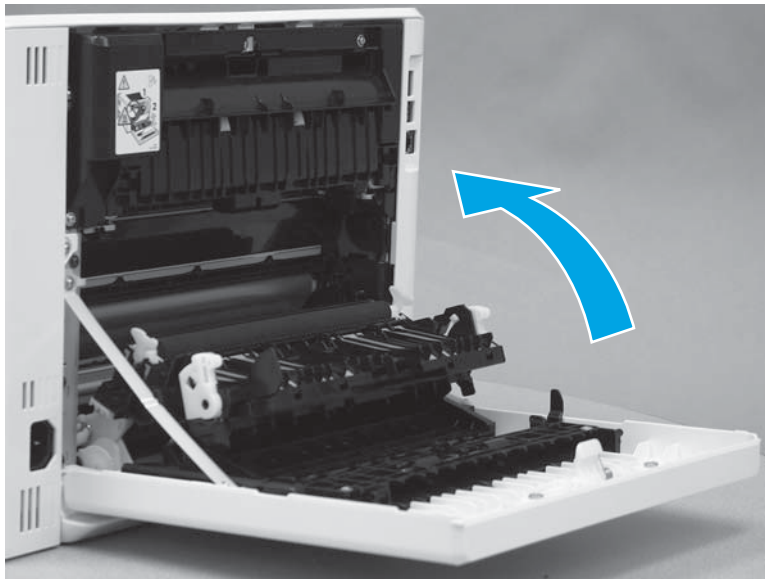
Figure 1-2267 Lower the scanner



Step 17: Close the duplexer door

- ▲ Close the duplexer door.

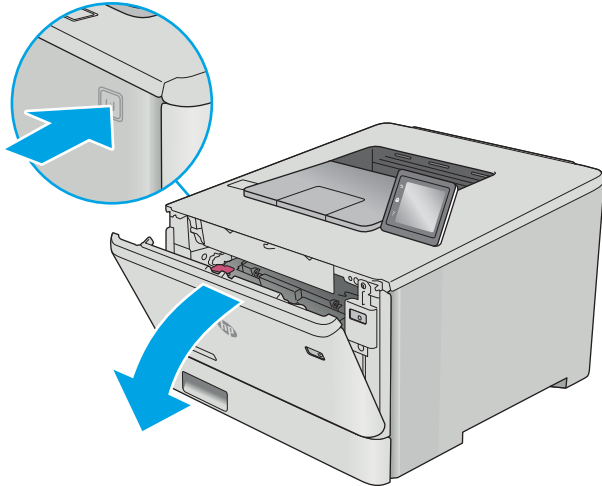
Figure 1-2268 Close the duplexer door



Step 18: Install the toner cartridges

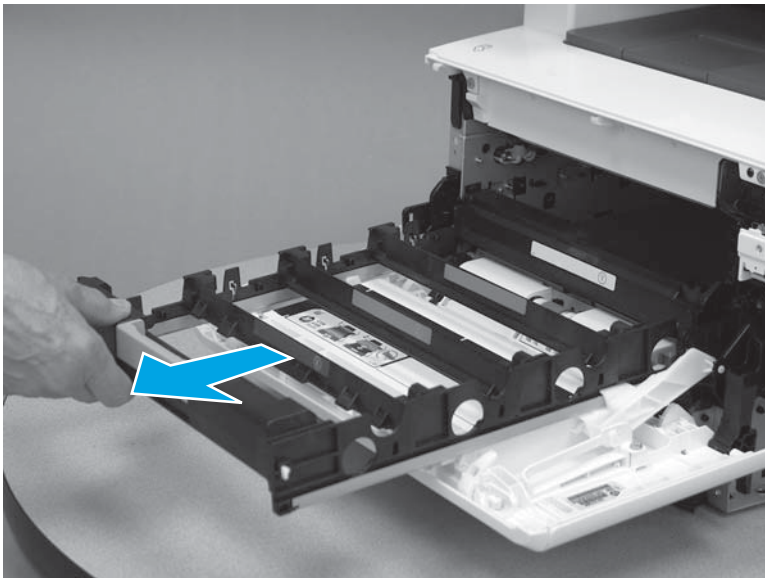
1. Open the front door by pressing the button on the left cover.

Figure 1-2269 Open the front door



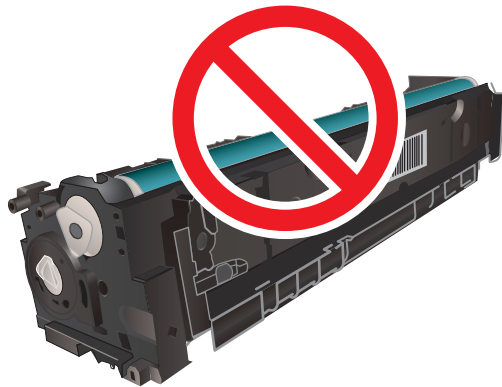
2. Slide the cartridge tray out of the printer.

Figure 1-2270 Slide the cartridge tray out



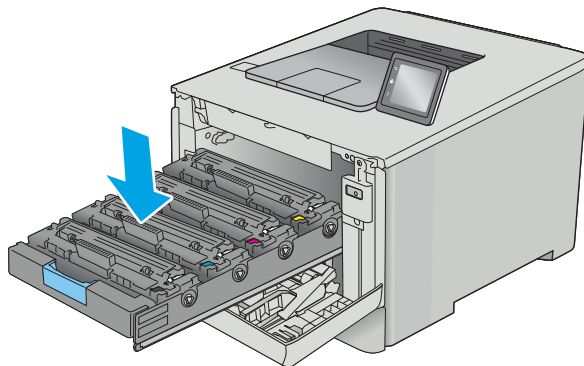
3. Do not touch the imaging drum on the bottom of the toner cartridge. Fingerprints on the imaging drum can cause print-quality problems.

Figure 1-2271 Do not touch imaging drum



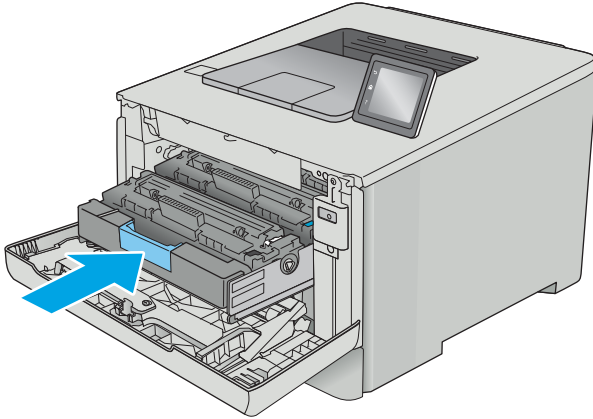
4. Insert the toner cartridge into the tray. Make sure that the color chip on the cartridge matches the color chip on the tray. Repeat this step for each toner cartridge.

Figure 1-2272 Install a toner cartridge



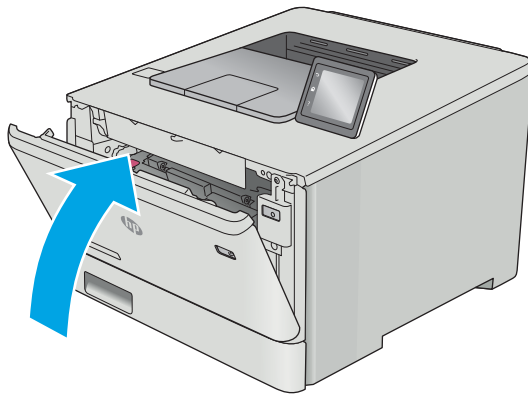
5. Close the toner cartridge drawer.

Figure 1-2273 Close the toner cartridge drawer



6. Close the front door.

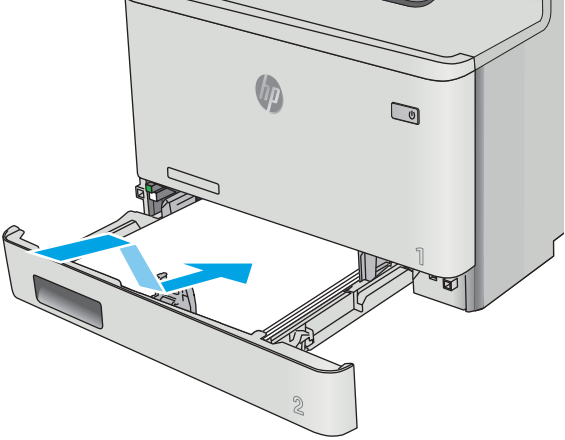
Figure 1-2274 Close the front door



Step 19: Install Tray 2

- ▲ With the front of the tray slightly lifted, align the sides of the tray with the rails in the printer, and then carefully slide the tray into the printer. As the tray slides into the printer, lower the front of the tray, and then close it.

Figure 1-2275 Install the tray



Removal and replacement: Engine controller PCA


- [Introduction](#)
- [Step 1: Remove Tray 2](#)
- [Step 2: Open the front door and rear door or duplexer door](#)
- [Step 3: Remove the left cover \(M452 models\)](#)
- [Step 4: Remove the left cover \(M377, M477 models\)](#)
- [Step 5: Remove the engine controller PCA](#)
- [Step 6: Unpack the replacement part](#)
- [Step 7: Install the engine controller PCA](#)
- [Step 8: Install the left cover \(M452 models\)](#)
- [Step 9: Install the left cover \(M377, M477 models\)](#)
- [Step 10: Close the front door and rear door or duplexer door](#)
- [Step 11: Install Tray 2](#)

Introduction

This document provides the procedures to remove and replace the engine controller PCA.

Before you begin

- Turn off the printer.
- Disconnect the power cable.

 **WARNING!** To avoid damage to the printer, turn the printer off, wait 30 seconds, and then remove the power cord before attempting to service the printer.

- Use the table below to identify the correct part number for your printer. To order the part, go to www.hp.com/buy/parts.

| Engine controller PCA part number | |
|-----------------------------------|--|
| RM2-7910-000CN | Engine controller PCA (simplex models) |
| RM2-7909-000CN | Engine controller PCA (duplex models) |

Required tools

- #2 Phillips screwdriver with a magnetic tip

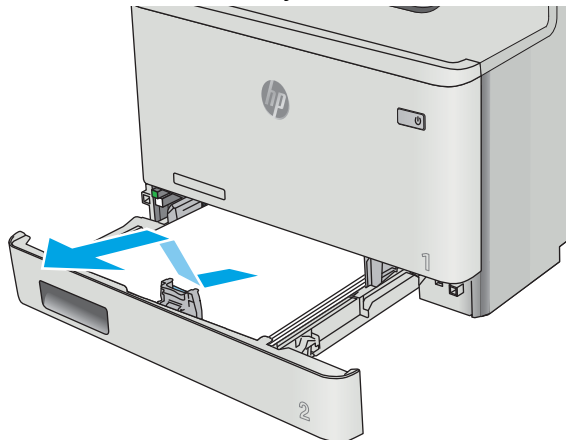
After performing service

- Connect the power cable.
- Use the power switch to turn the power on.

Step 1: Remove Tray 2

- ▲ Pull the tray out until it stops. Lift the front of the tray, and then pull it out of the printer to remove it.

Figure 1-2276 Remove the tray



Step 2: Open the front door and rear door or duplexer door

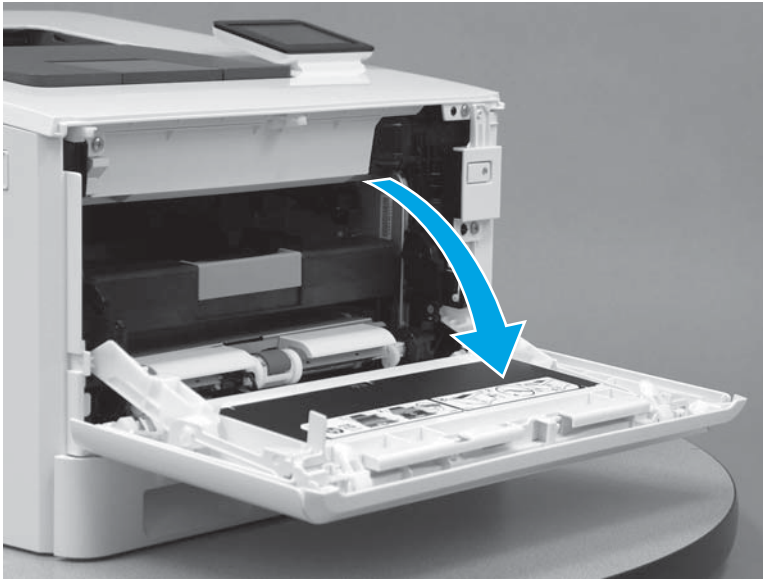
1. Press the button (callout 1) on the left side of the printer to release the front door.

Figure 1-2277 Release the front door



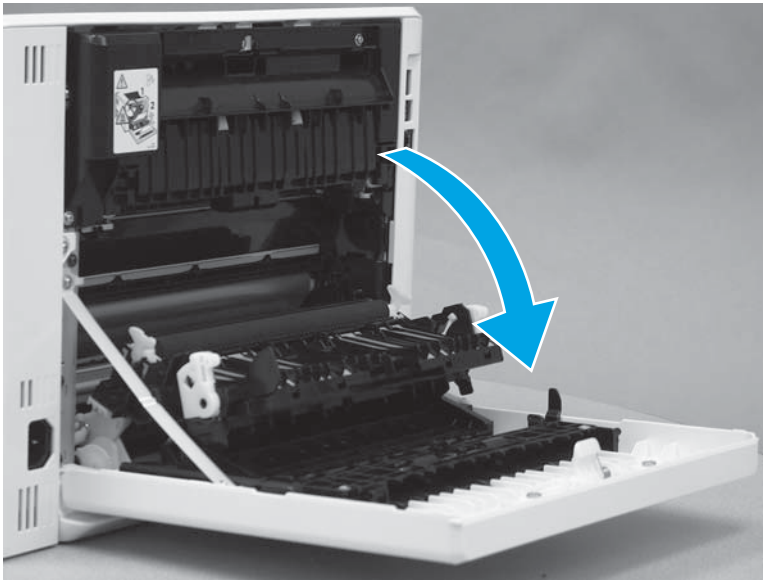
2. Open the front door.

Figure 1-2278 Open the front door



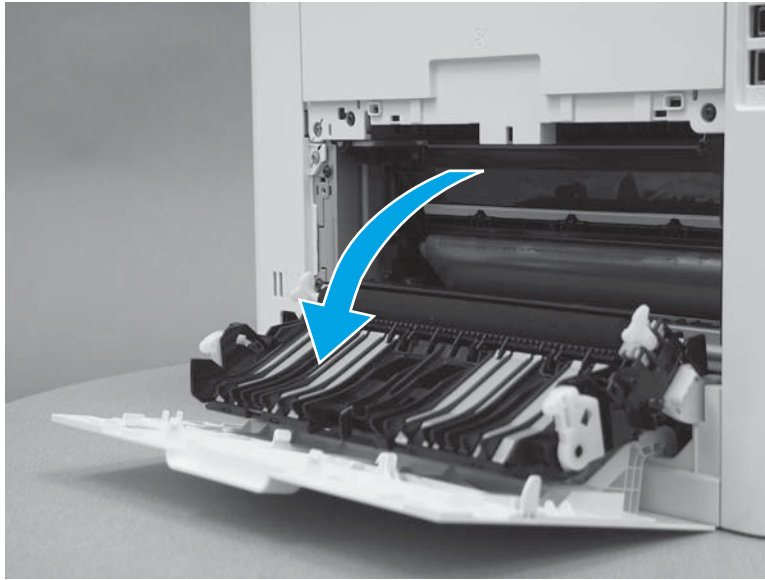
3. **Duplex models:** Open the duplexer door.

Figure 1-2279 Open the duplexer door



4. **Simplex models:** Open the rear door.

Figure 1-2280 Open the rear door

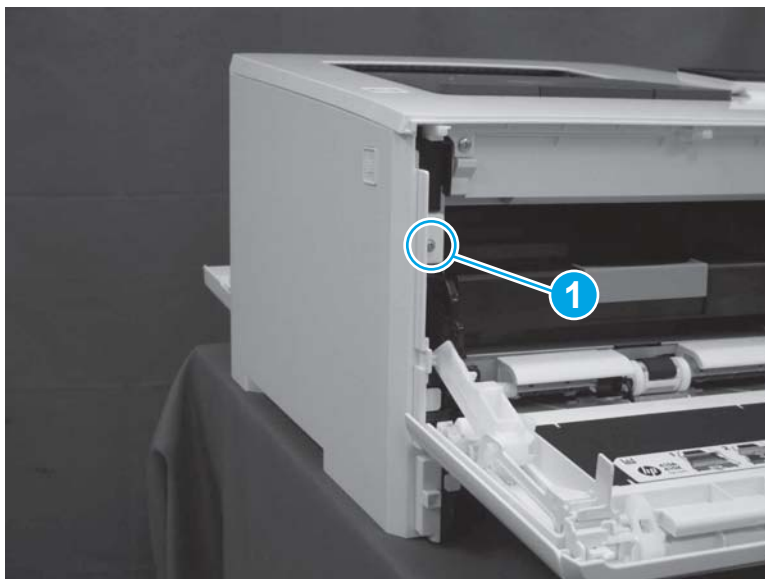


Step 3: Remove the left cover (M452 models)

 **NOTE:** This step is for the M452 models. For the M377, M477 models, skip this step and go to [Step 4: Remove the left cover \(M377, M477 models\) on page 1227](#).

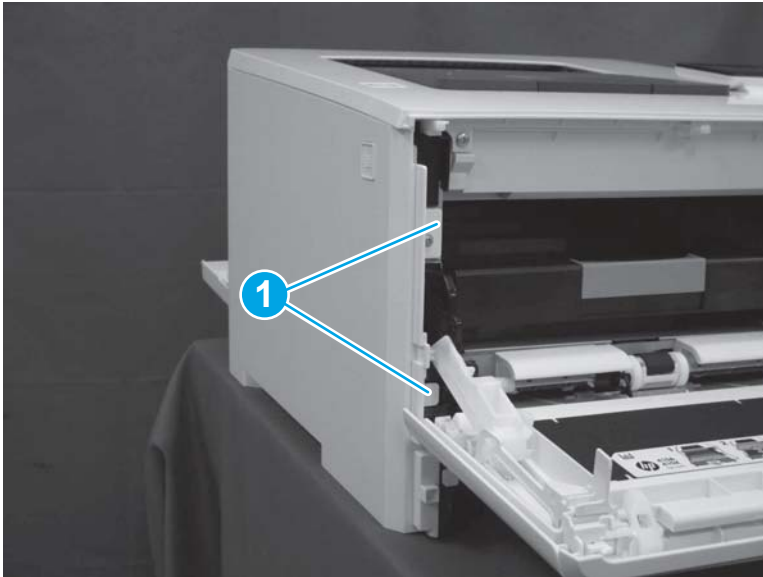
1. At the front of the printer, remove one screw (callout 1).

Figure 1-2281 Remove one screw



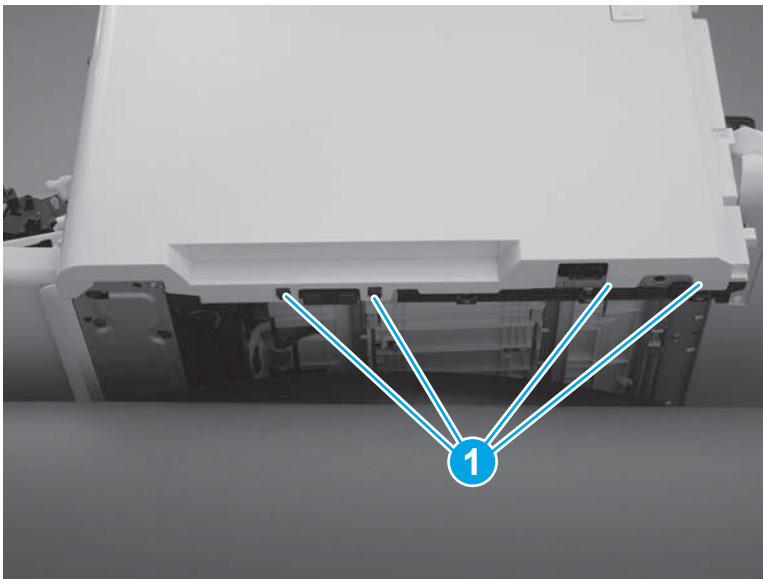
2. Release two tabs (callout 1) at the front of the cover. Hold the cover open to prevent the tabs from reengaging.

Figure 1-2282 Release two tabs



3. Slide the printer to the edge of a work surface. Note the location of the tabs on the lower edge of the cover (callout 1).

Figure 1-2283 Locate the tabs



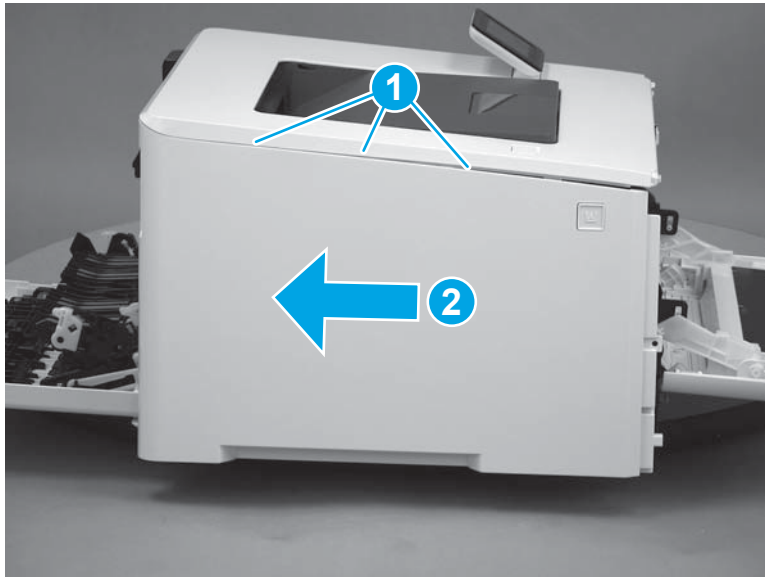
4. Beginning from the front of the cover, release four tabs (callouts 1-4) on the lower edge of the cover.

Figure 1-2284 Release bottom tabs




5. Release three tabs at the top of the cover (callout 1), and then slide the cover toward the rear of the printer to remove it.

Figure 1-2285 Release three tabs

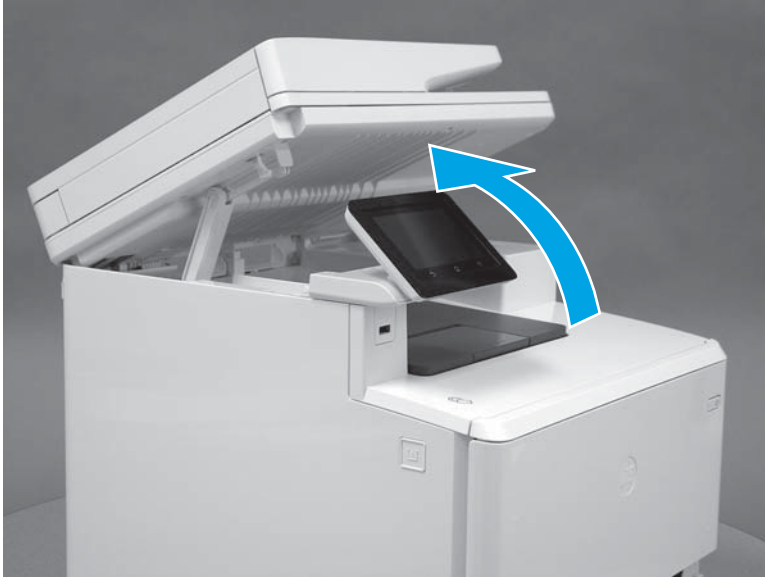


Step 4: Remove the left cover (M377, M477 models)

 **NOTE:** This step is for the M377, M477 models. For the M452 models, skip this step and go to [Step 5: Remove the engine controller PCA on page 1232.](#)

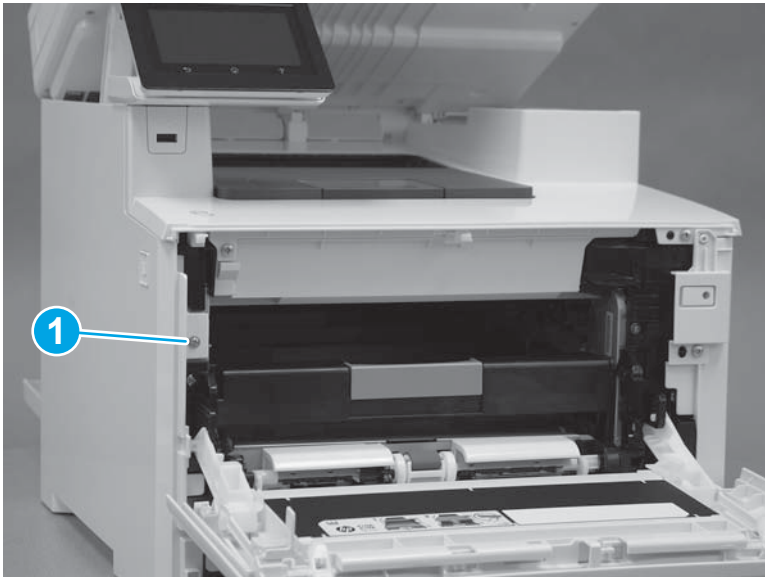
1. Raise the scanner.

Figure 1-2286 Raise the scanner



2. At the front of the printer, remove one screw (callout 1).

Figure 1-2287 Remove one screw



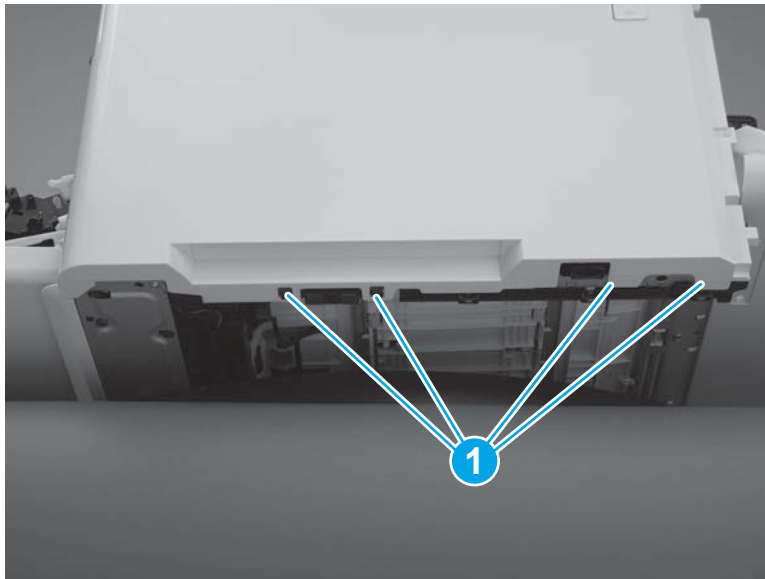
3. Release two tabs (callout 1) at the front of the cover. Hold the cover open to prevent the tabs from re-engaging.

Figure 1-2288 Release two tabs



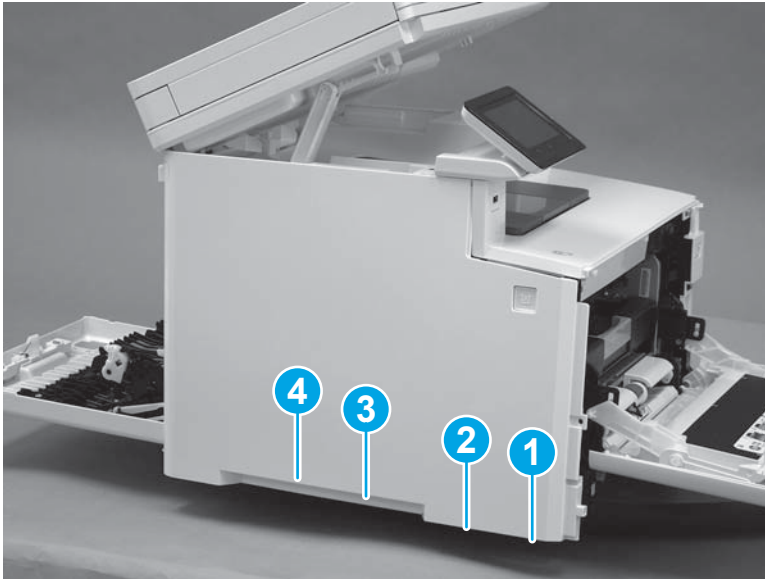
4. Slide the printer to the edge of a work surface. Note the location of the tabs on the lower edge of the cover (callout 1).

Figure 1-2289 Locate the tabs



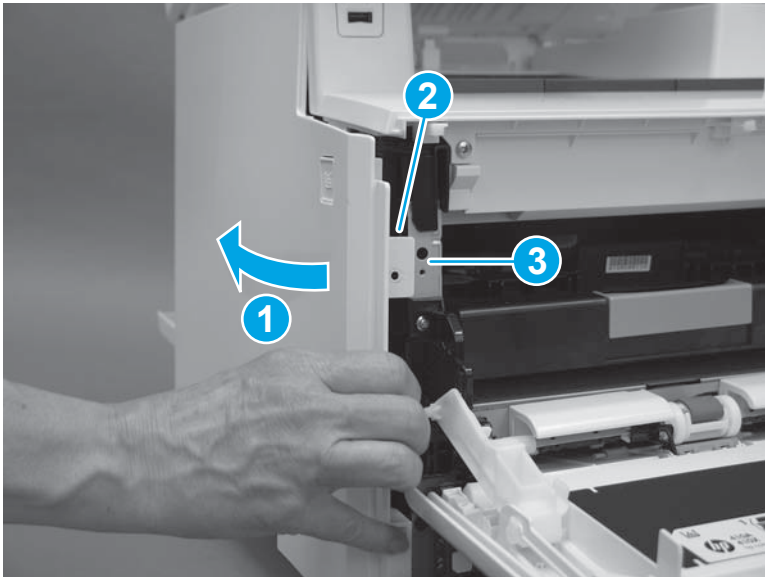
5. Beginning from the front of the cover, release the four tabs (callouts 1-4) on the lower edge of the cover.

Figure 1-2290 Release four tabs



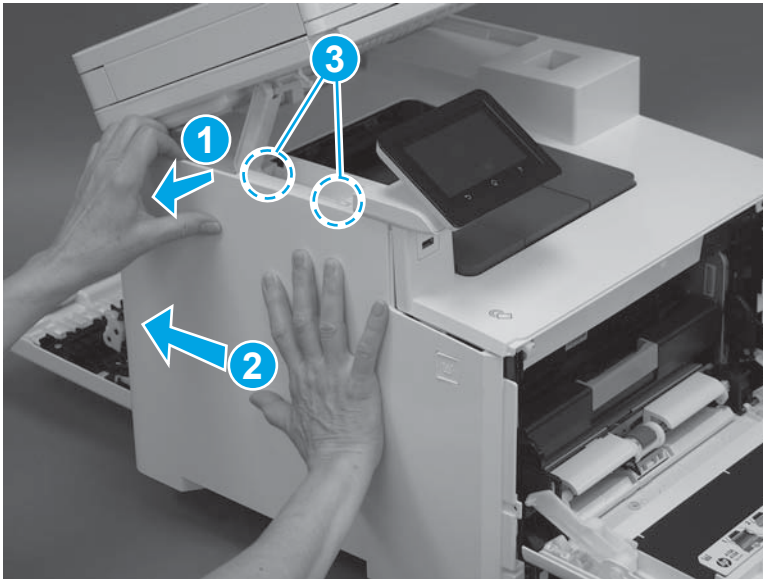
6. Rotate the front of the cover away from the printer (callout 1). Make sure that the tab (callout 2) does not get caught on the printer frame (callout 3).

Figure 1-2291 Rotate the cover



7. At the top of the printer, slightly pull the top of the cover away from the printer to release one retention tab (callout 1) on the inside of the cover. While holding the cover away, slide the cover toward the back of the printer (callout 2) to release two hooks (callout 3) inside the cover.

Figure 1-2292 Release one tab and two hooks



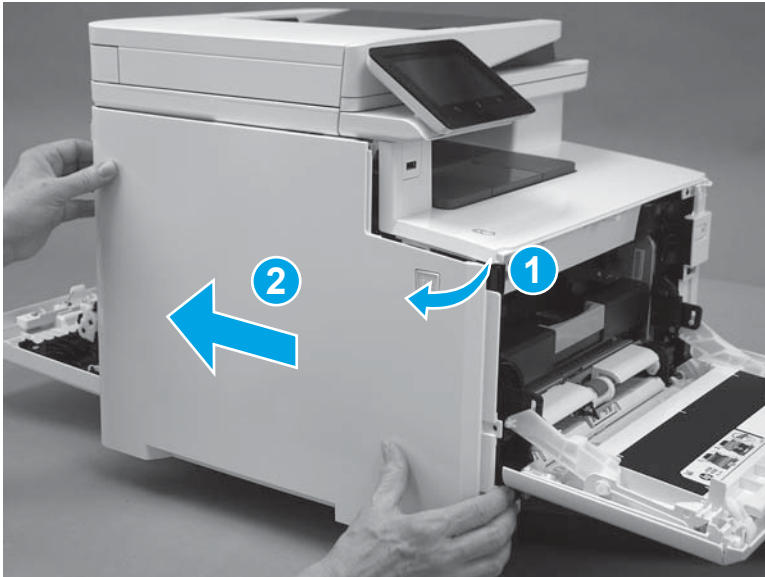
8. Lower the scanner.

Figure 1-2293 Lower the scanner



9. Rotate the cover away from the printer (callout 1), and then slide the cover (callout 2) toward the back of the printer to remove it.

Figure 1-2294 Remove the left cover



Step 5: Remove the engine controller PCA

1. **Duplex printers only:** Before disconnecting the connectors in the next step, make note of the position of two of the cables (callout 1).


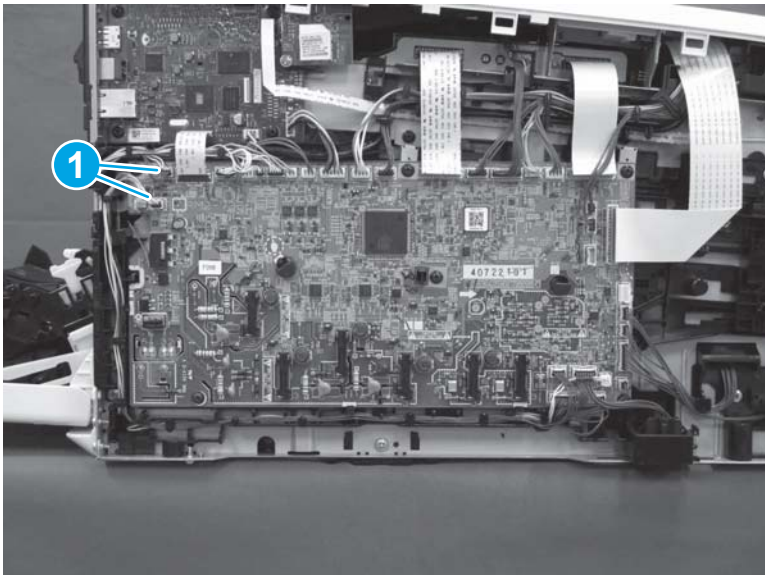
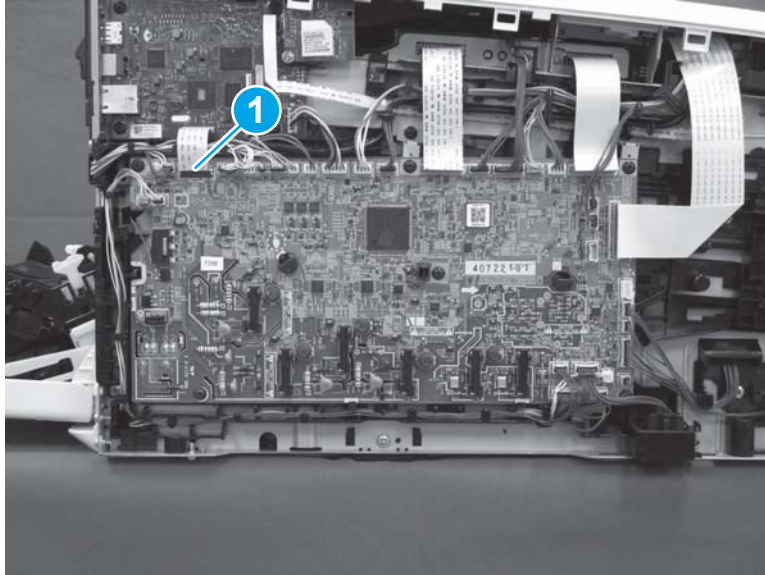
 **IMPORTANT:** These cables can be inadvertently switched when reinstalling. The connectors on the cables will fit in either connector on the engine controller PCA. Make sure that these cables are installed in the correct connectors. If the cables are switched, the printer will experience a repeatable jam when printing duplex jobs.

Figure 1-2295 Check the cables



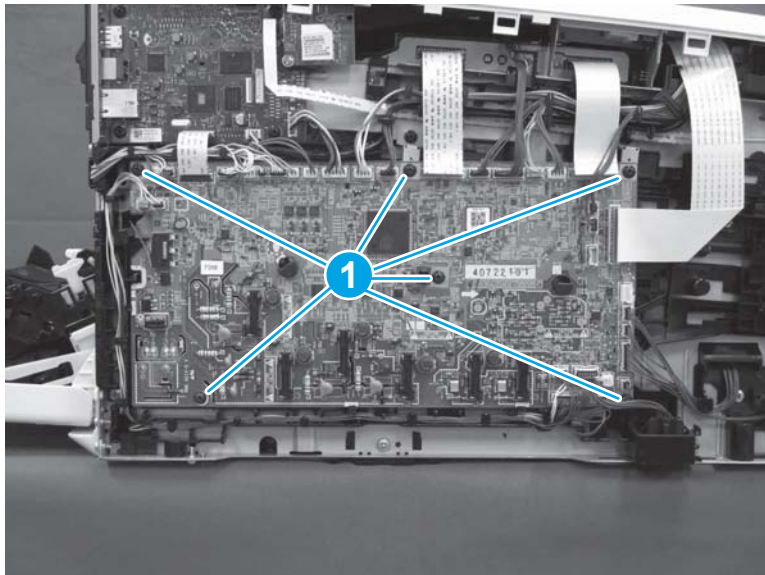
2. Disconnect all of the connectors on the engine controller PCA. Note that one connector (callout 1) is a zero-insertion force (ZIF) connector. Lift the latch on the connector before removing the flat cable.

Figure 1-2296 Disconnect all of the connectors



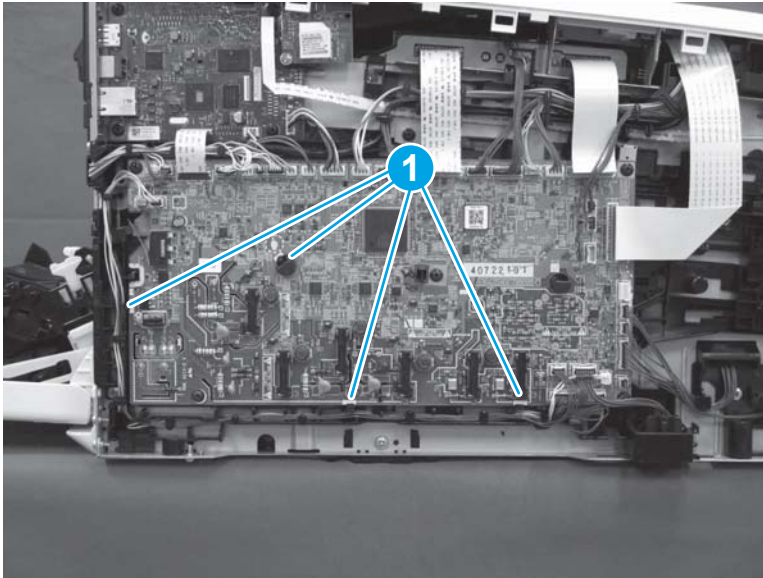
3. Remove six screws (callout 1).

Figure 1-2297 Remove six screws



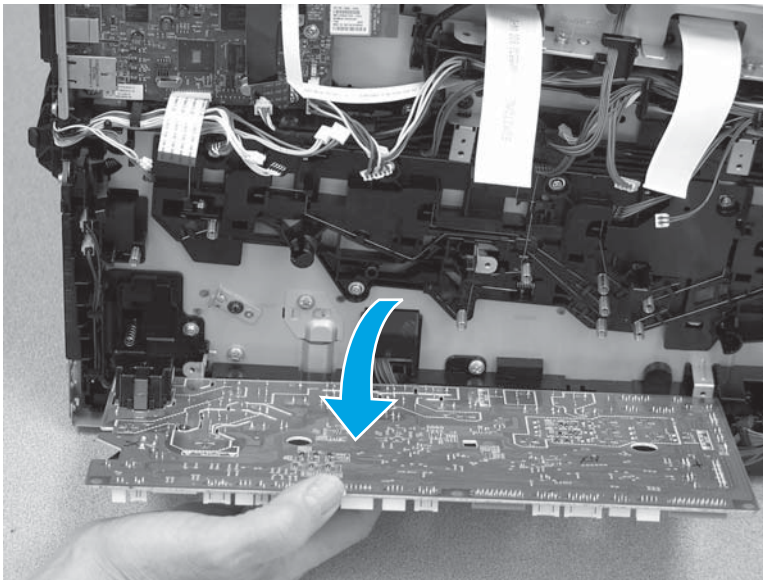
4. Release four tabs (callout 1).

Figure 1-2298 Release four tabs



5. Remove the engine controller PCA.

Figure 1-2299 Remove the engine controller PCA



Step 6: Unpack the replacement part

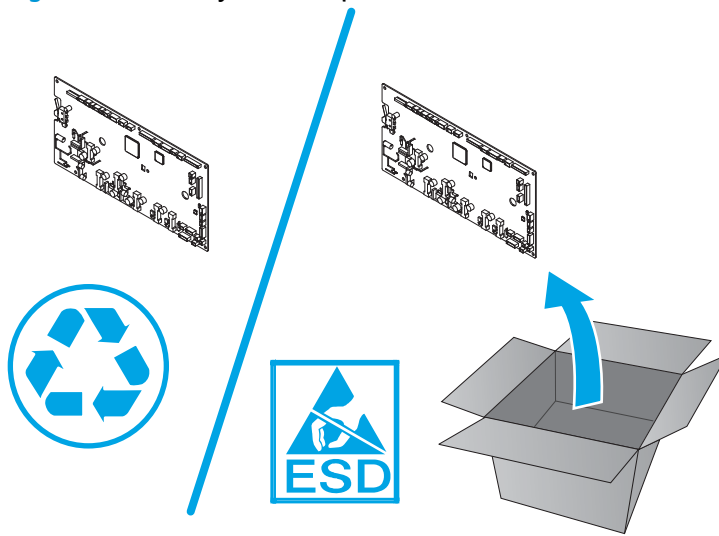
Remove the new part from its package. Save all packaging for recycling the used part.

For complete information on HP's recycling programs, go to [Product return and recycling](#).



NOTE: HP recommends responsible disposal of the defective part.

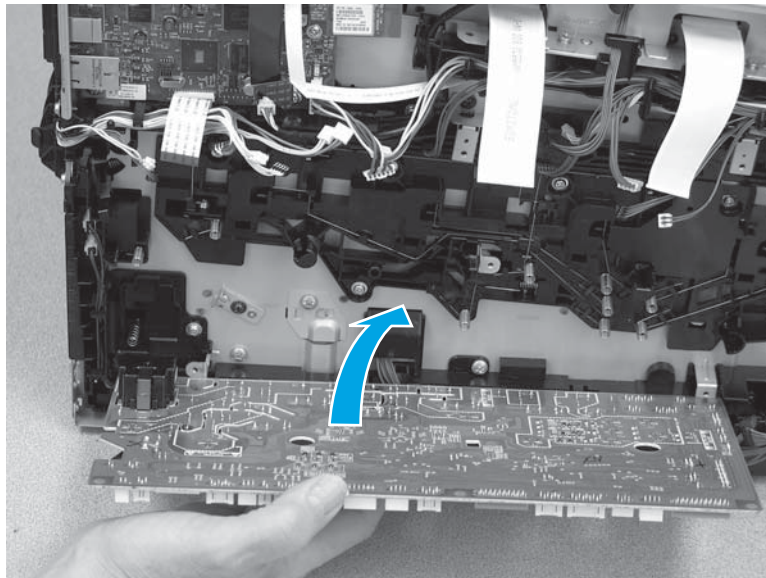
Figure 1-2300 Recycle and unpack



Step 7: Install the engine controller PCA

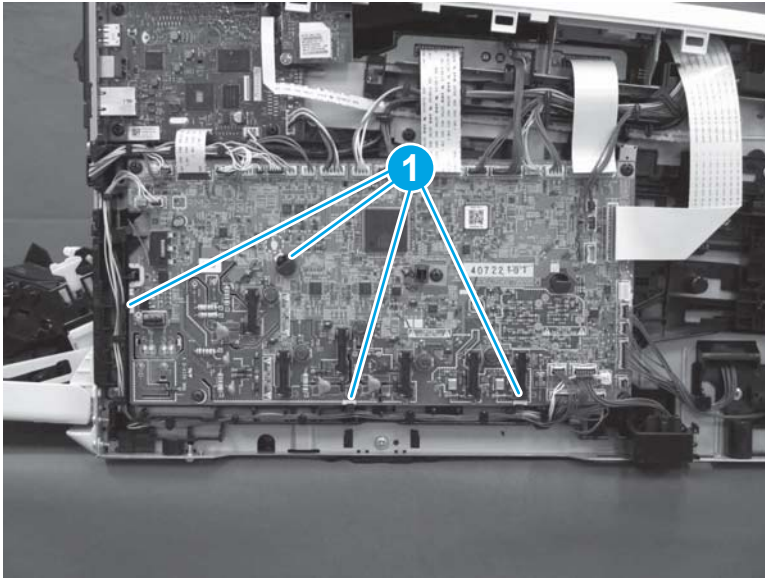
1. Position the engine controller PCA on the printer.

Figure 1-2301 Position the engine controller PCA



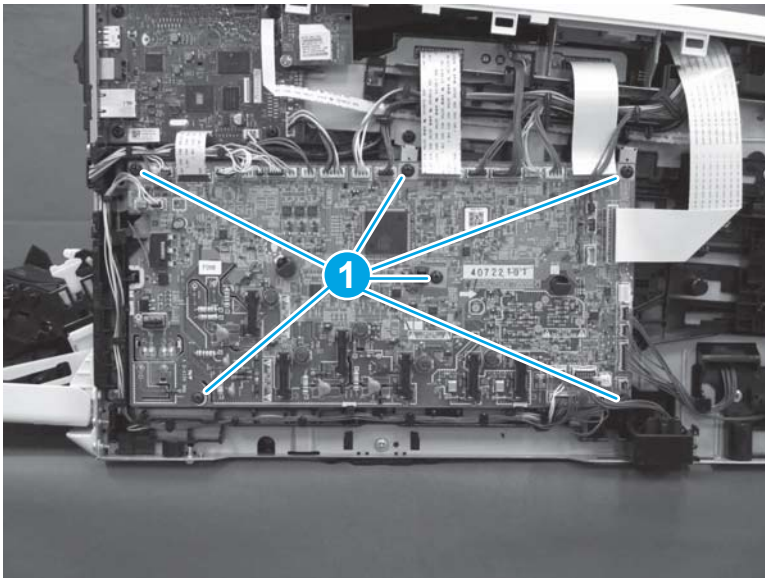
2. Install four tabs (callout 1).

Figure 1-2302 Install four tabs



3. Install six screws (callout 1).

Figure 1-2303 Install six screws



4. Connect all of the connectors on the engine controller PCA. Note that one connector (callout 1) is a zero-insertion force (ZIF) connector. Lift the latch on the connector before installing the flat cable, and then secure the latch once the cable is installed.


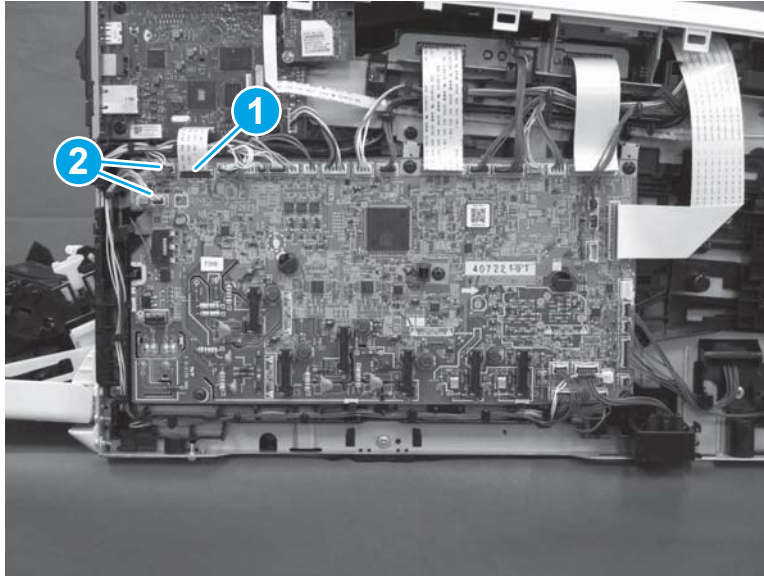

 **IMPORTANT: Duplex printers only:** Two of the cables (callout 2) can be inadvertently switched when reinstalling. The connectors on the cables will fit in either connector on the engine controller PCA. Make sure that these cables are installed in the correct connectors. If these cables are switched, the printer will experience a repeatable jam when printing duplex jobs.

Figure 1-2304 Connect all of the connectors

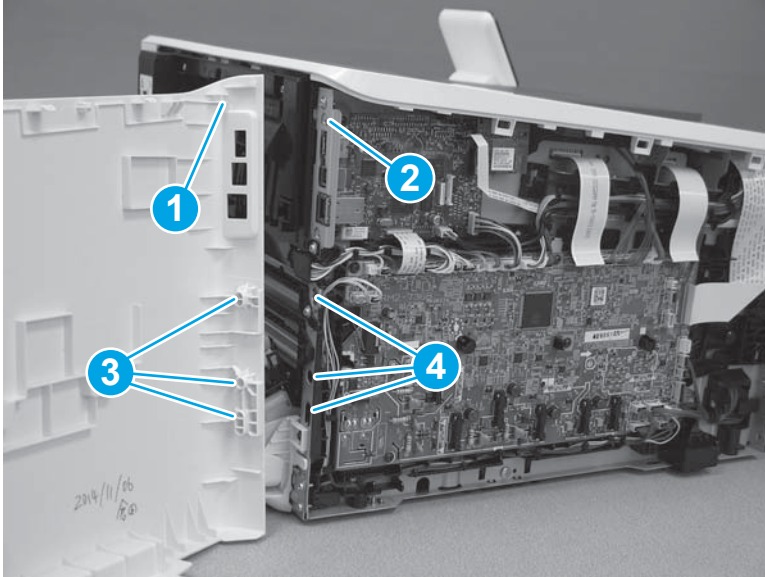


Step 8: Install the left cover (M452 models)

 **NOTE:** This step is for the M452 models. For the M377, M477 models, skip this step and go to [Step 9: Install the left cover \(M377, M477 models\) on page 1241](#).

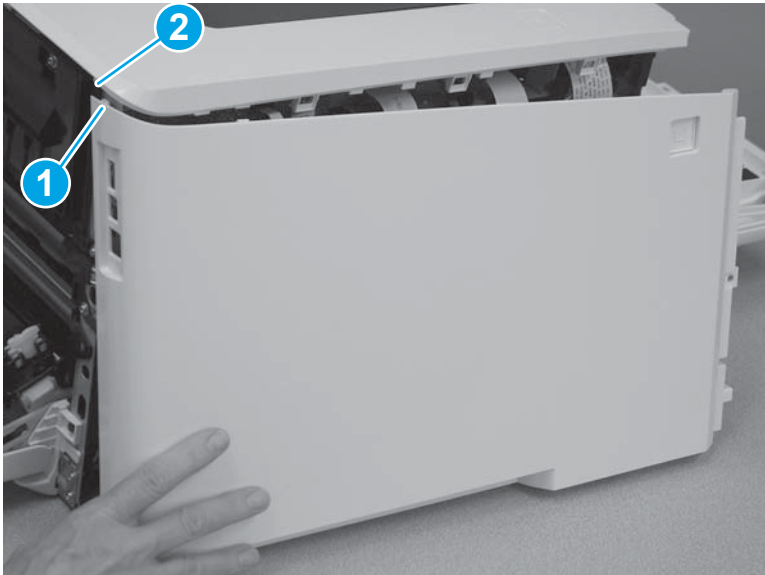
1. Position the hook (callout 1) on the cover in the slot (callout 2) on the printer. Position three tabs (callout 3) on the back of the cover in the slots (callout 4) in the printer.

Figure 1-2305 Position three tabs



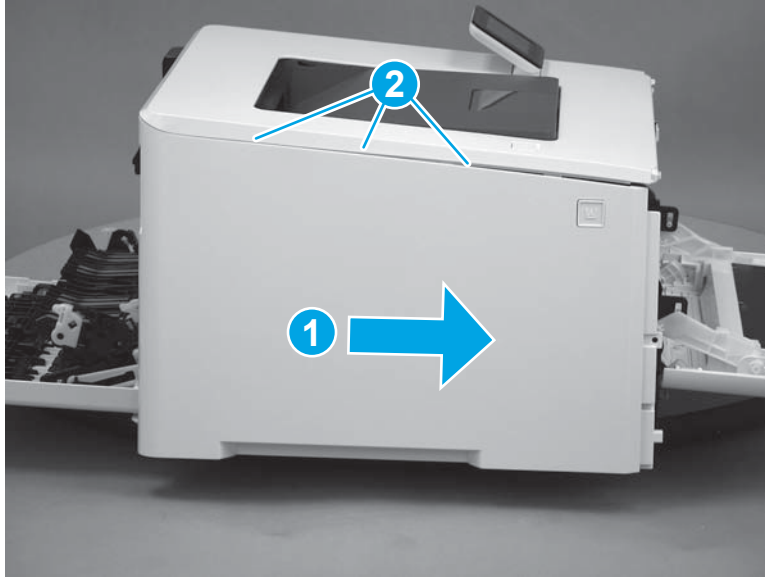
2. At the back of the printer, install the tab (callout 1) under the edge of the top cover (callout 2).

Figure 1-2306 Install one tab



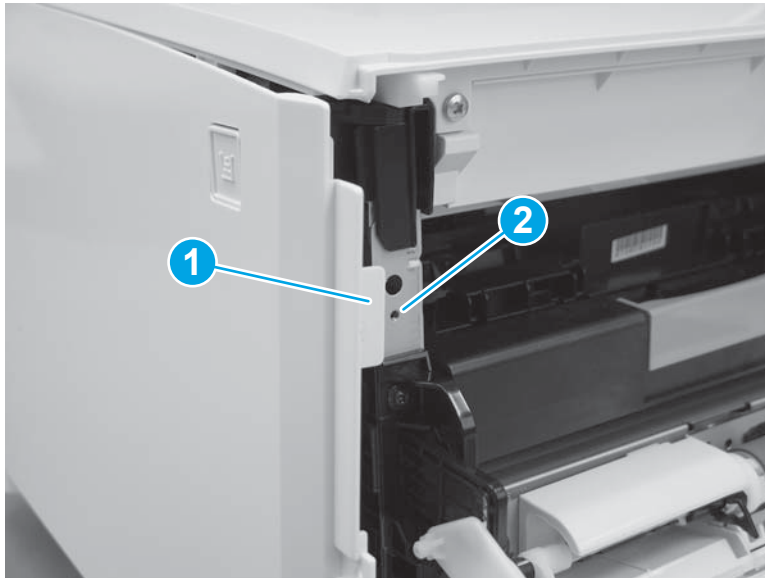
3. Slide the cover toward the front of the printer (callout 1), and then engage three tabs (callout 2) on the top of the cover.

Figure 1-2307 Install the left cover



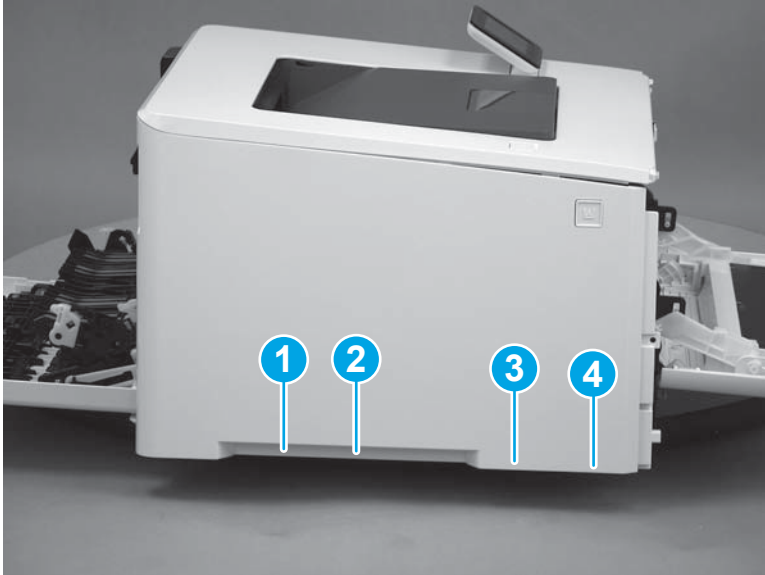
CAUTION: Make sure that the tab (callout 1) does not get caught behind the printer frame (callout 2).

Figure 1-2308 Make sure the tab does not get caught



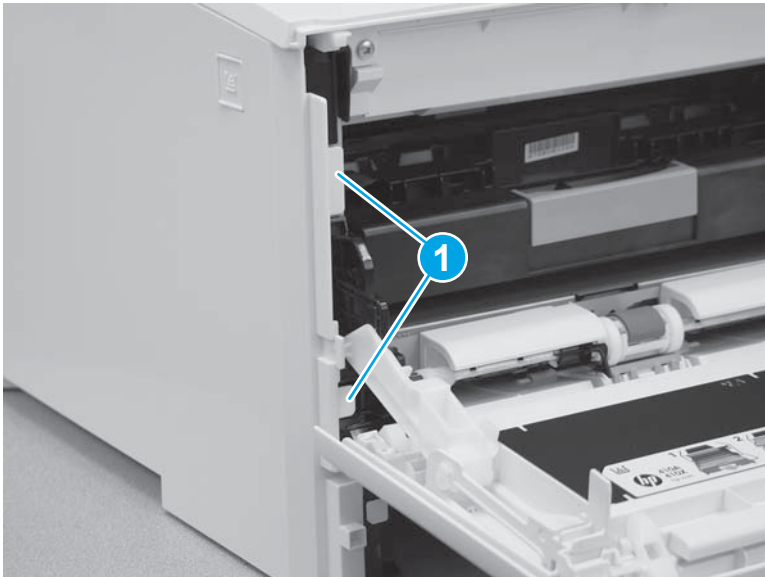
4. Slide the printer to the edge of a work surface in order to access the tabs on the bottom of the cover. Beginning from the back of the cover, install four tabs (callouts 1-4) on the lower edge of the cover.

Figure 1-2309 Install four tabs



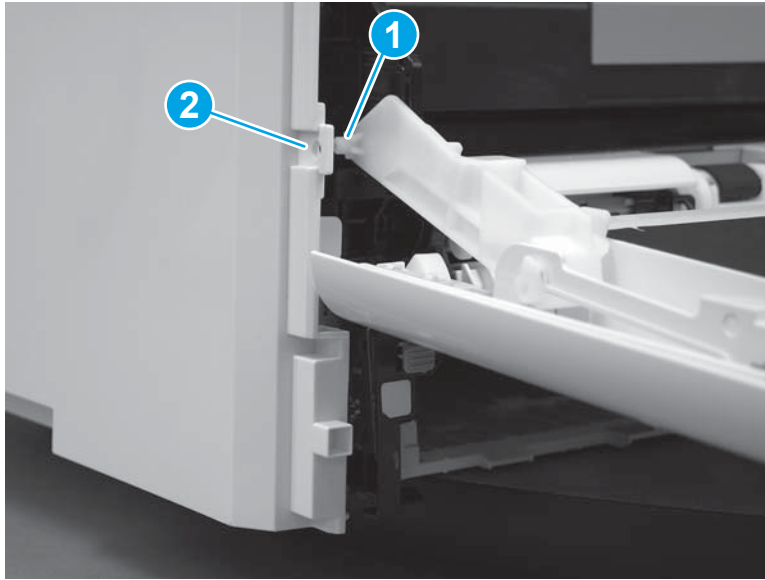
5. Install two tabs (callout 1) at the front of the cover.

Figure 1-2310 Engage two tabs



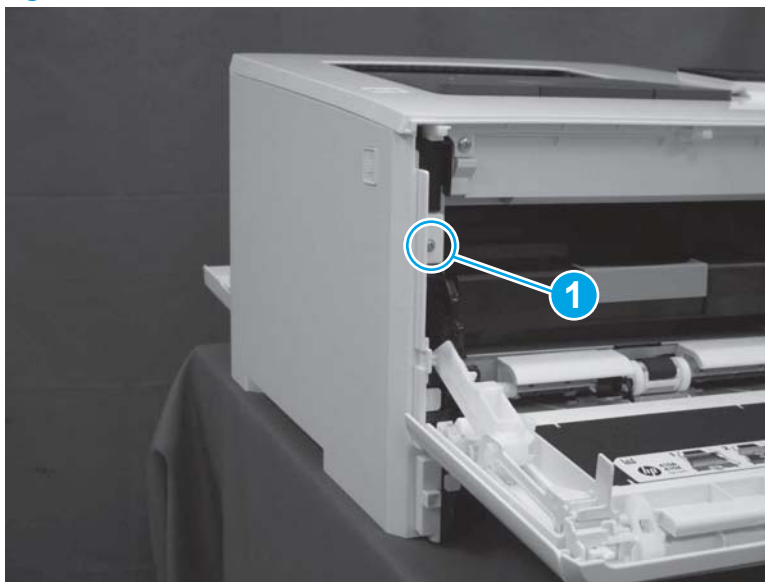
6. Make sure that the hinge pin (callout 1) on the front door fits into the slot (callout 2) on the left cover.

Figure 1-2311 Install hinge pin



7. Install one screw (callout 1).

Figure 1-2312 Install one screw

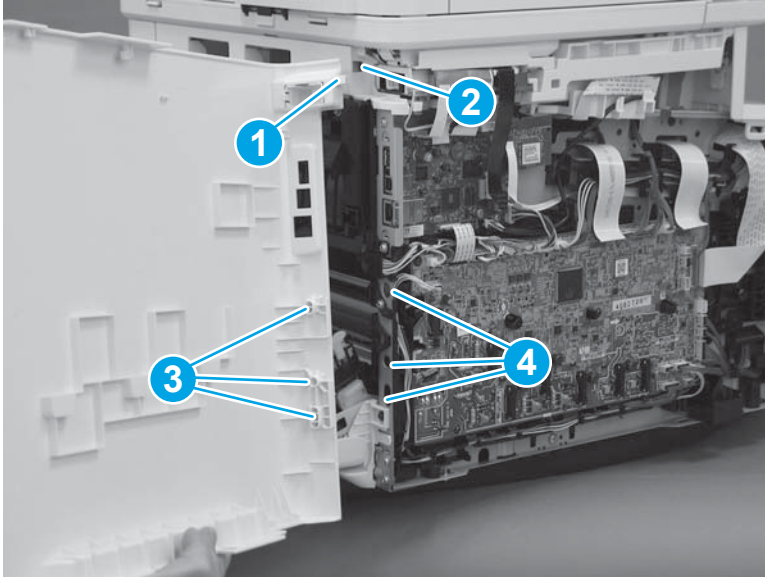


Step 9: Install the left cover (M377, M477 models)

 **NOTE:** This step is for the M377, M477 models. For the M452 models, skip this step and go to [Step 10: Close the front door and rear door or duplexer door on page 1248.](#)

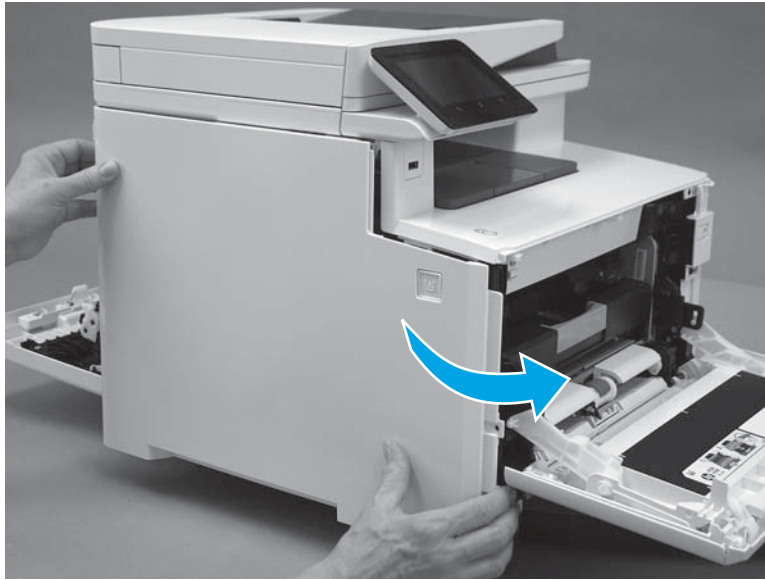
1. At the back of the printer, install the tab (callout 1) on the cover into the slot (callout 2) in the printer. Install the locator pins (callout 3) into the slots (callout 4) in the printer.

Figure 1-2313 Install one tab



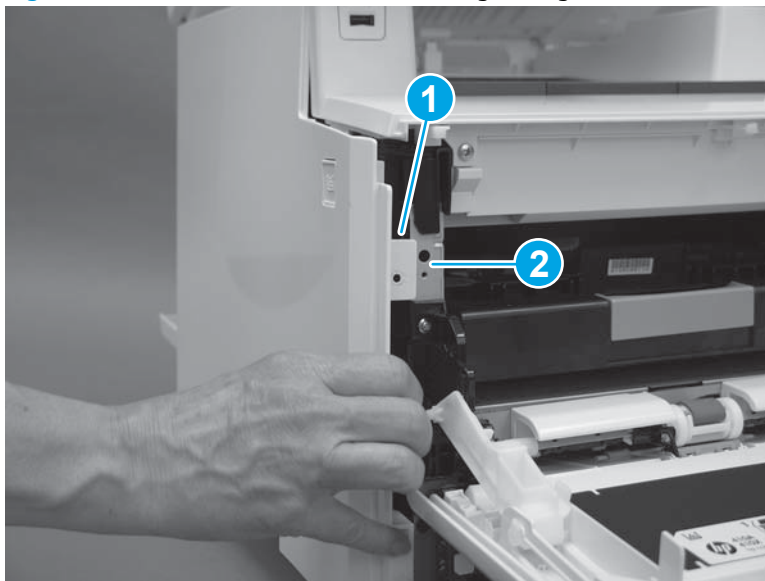
2. Rotate the cover toward the printer.

Figure 1-2314 Rotate the left cover



⚠ CAUTION: Make sure that the tab (callout 1) does not get caught behind the printer frame (callout 2).

Figure 1-2315 Make sure the tab does not get caught



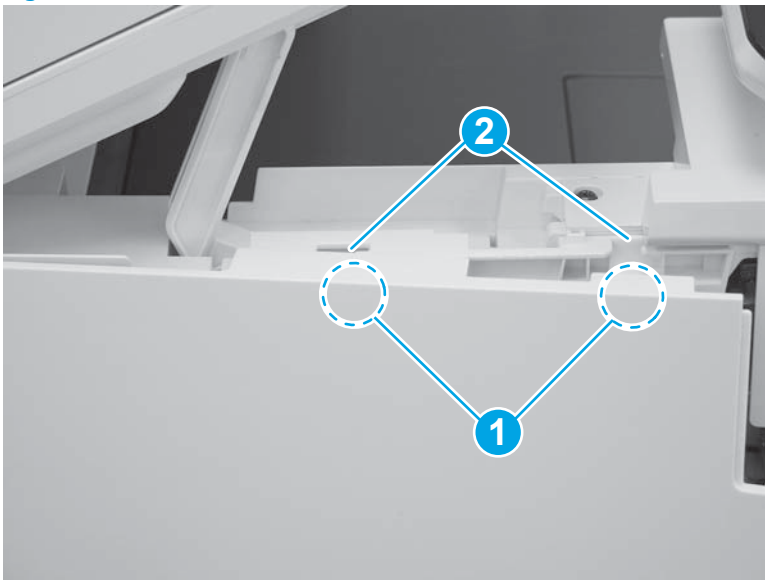
3. Raise the scanner.

Figure 1-2316 Raise the scanner



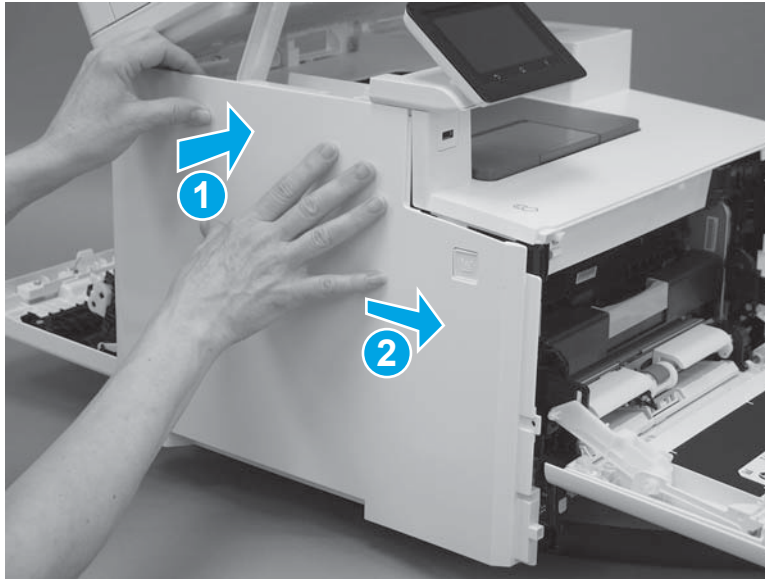
4. Position the hooks (callout 1) on the inside of the cover into the slots (callout 2) on the printer.

Figure 1-2317 Position the hooks in the slots



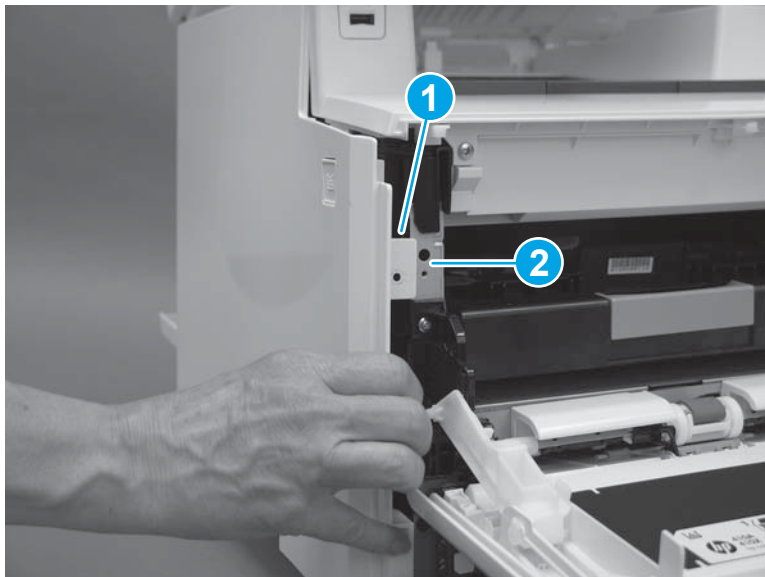
5. Hold the cover against the printer (callout 1), and then slide it (callout 2) toward the front of the printer.

Figure 1-2318 Install the top hooks



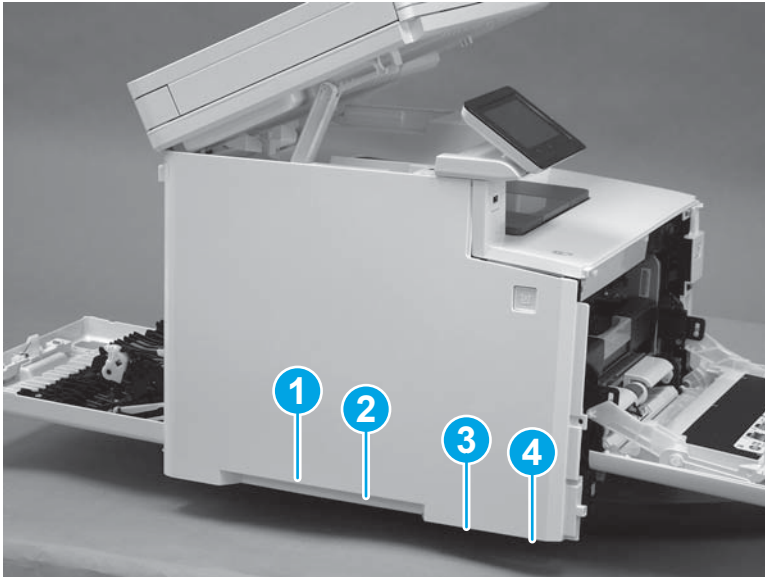
⚠ CAUTION: Make sure that the tab (callout 1) on the front of the cover does not get caught behind the printer frame (callout 2).

Figure 1-2319 Make sure the tab does not get caught



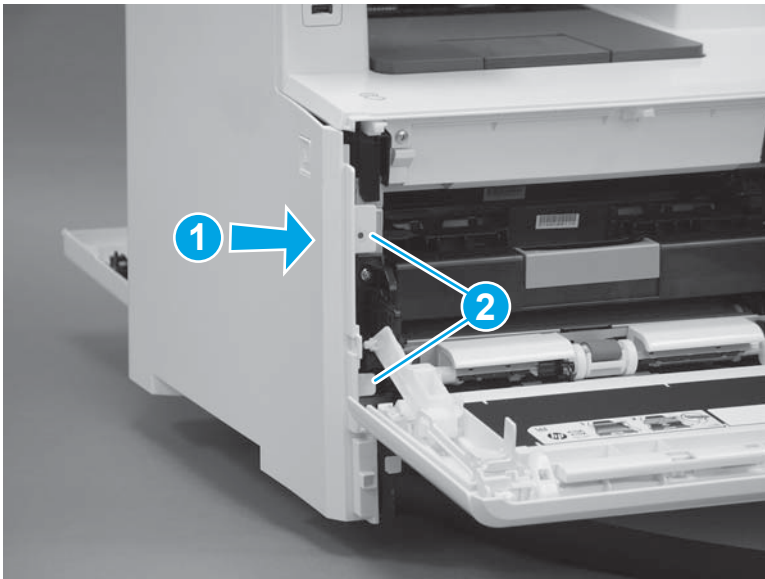
6. Slide the printer to the edge of a work surface in order to access the tabs on the bottom of the cover. Beginning from the back of the cover, install four tabs (callouts 1-4) on the lower edge of the cover.

Figure 1-2320 Install four tabs



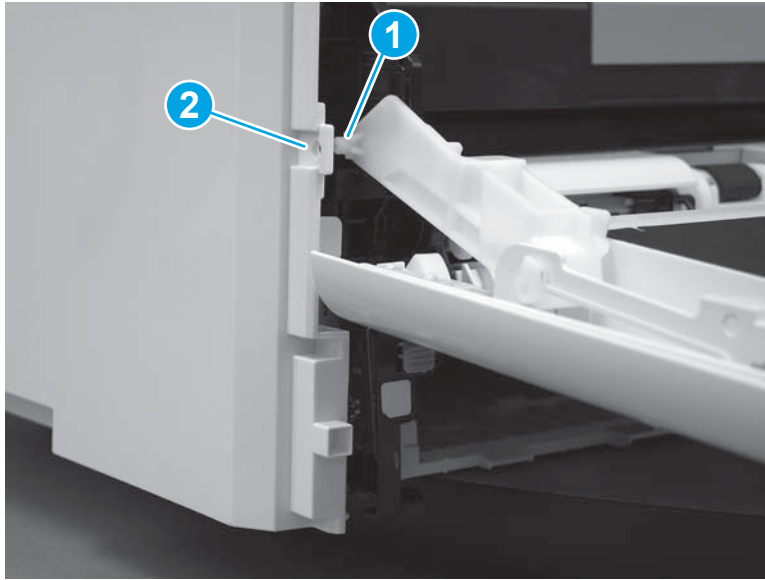
7. Press the cover toward the printer (callout 1), and then install two tabs (callout 2) at the front of the cover.

Figure 1-2321 Install two tabs



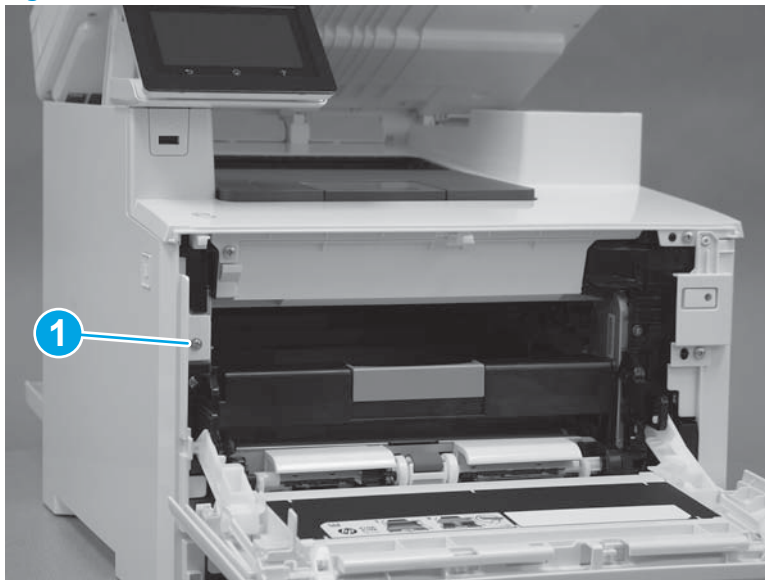
8. Make sure that the hinge pin (callout 1) on the front door fits into the slot (callout 2) on the left cover.

Figure 1-2322 Install hinge pin



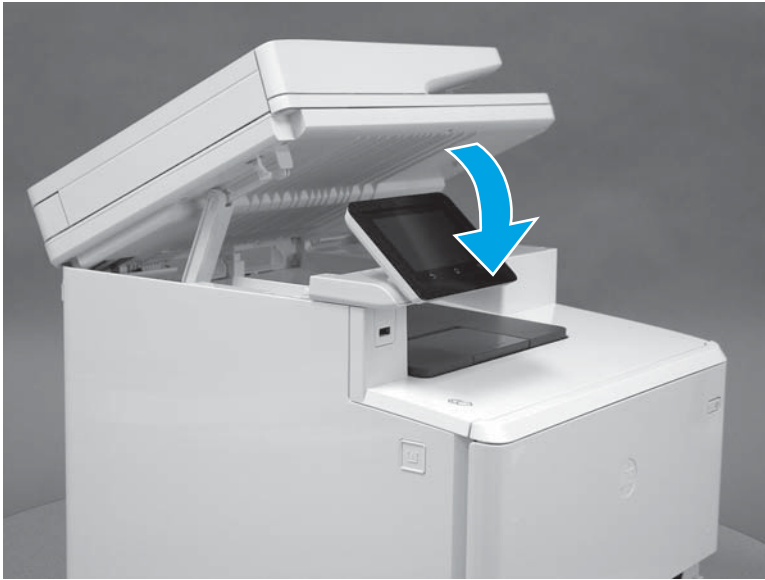
9. Install one screw (callout 1).

Figure 1-2323 Install one screw



10. Lower the scanner.

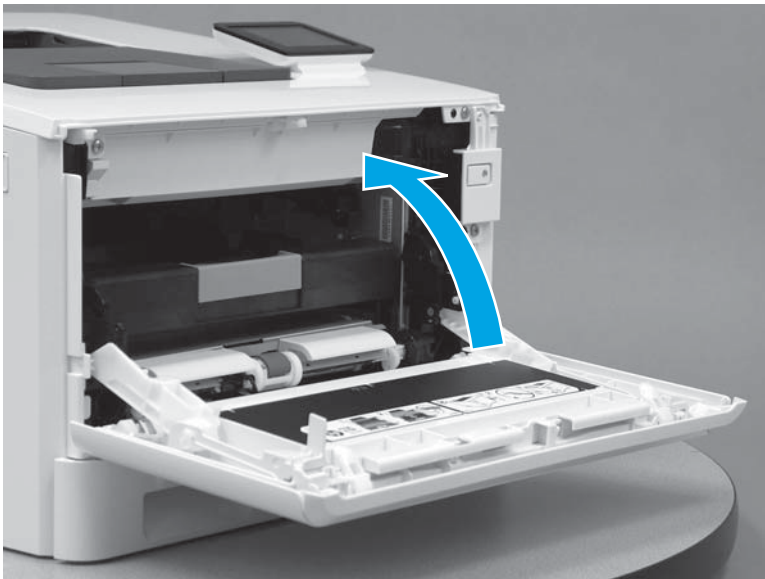
Figure 1-2324 Lower the scanner



Step 10: Close the front door and rear door or duplexer door

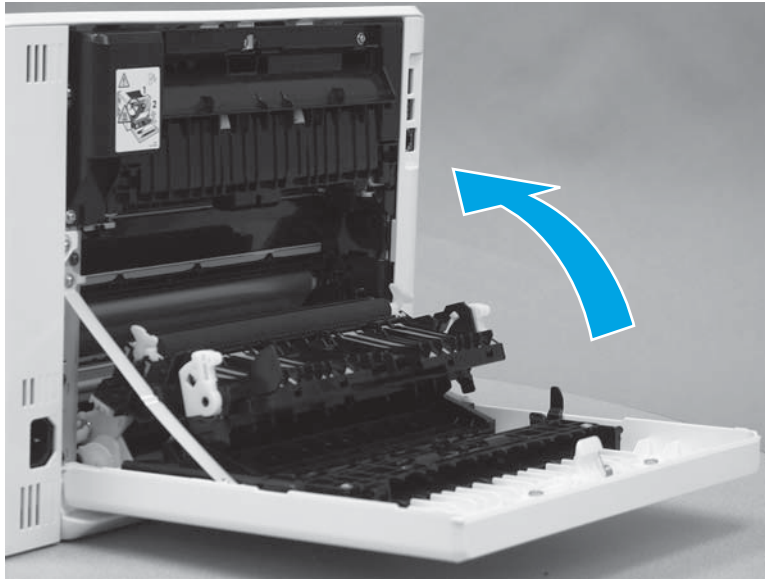
1. Close the front door.

Figure 1-2325 Close the front door



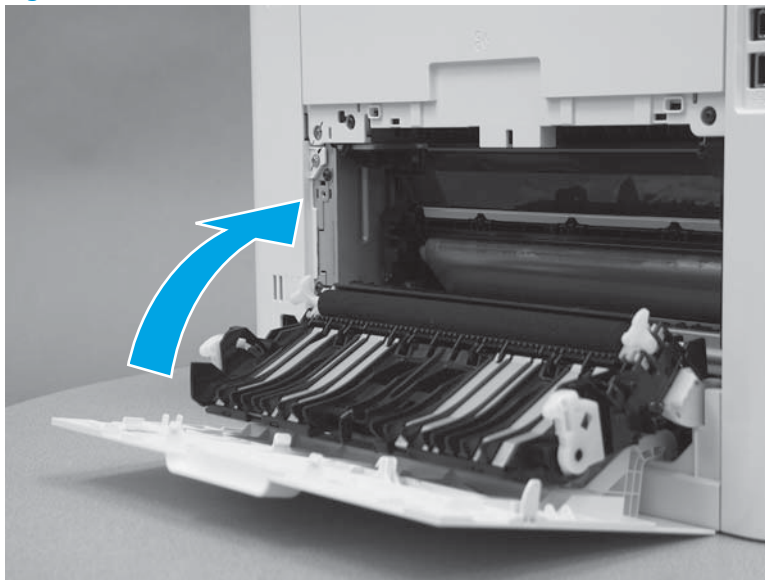
- 2. Duplex models:** Close the duplexer door.

Figure 1-2326 Close the duplexer door



- 3. Simplex models:** Close the rear door.

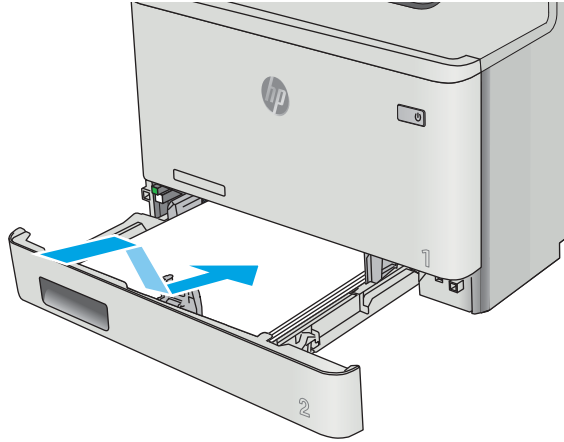
Figure 1-2327 Close the rear door



Step 11: Install Tray 2

- ▲ With the front of the tray slightly lifted, align the sides of the tray with the rails in the printer, and then carefully slide the tray into the printer. As the tray slides into the printer, lower the front of the tray, and then close it.

Figure 1-2328 Install the tray



Removal and replacement: Lifter drive assembly

- [Introduction](#)
- [Step 1: Remove Tray 2](#)
- [Step 2: Remove the toner cartridges](#)
- [Step 3: Open the rear door or duplexer door](#)
- [Step 4: Remove the right cover \(M452 models\)](#)
- [Step 5: Remove the right cover \(M377, M477 models\)](#)
- [Step 6: Remove the left cover \(M452 models\)](#)
- [Step 7: Remove the left cover \(M377, M477 models\)](#)
- [Step 8: Remove the duplexer door assembly \(duplex models\)](#)
- [Step 9: Remove the rear door \(simplex models\)](#)
- [Step 10: Remove the engine controller PCA](#)
- [Step 11: Remove the re-pickup assembly \(duplex models\)](#)
- [Step 12: Remove the lifter drive assembly](#)
- [Step 13: Unpack the replacement part](#)
- [Step 14: Install the lifter drive assembly](#)
- [Step 15: Install the re-pickup assembly \(duplex models\)](#)
- [Step 16: Install the engine controller PCA](#)
- [Step 17: Install the rear door \(simplex models\)](#)
- [Step 18: Install the duplexer door assembly \(duplex models\)](#)
- [Step 19: Install the left cover \(M452 models\)](#)
- [Step 20: Install the left cover \(M377, M477 models\)](#)
- [Step 21: Install the right cover \(M452 models\)](#)
- [Step 22: Install the right cover \(M377, M477 models\)](#)
- [Step 23: Close the rear door or duplexer door](#)
- [Step 24: Install the toner cartridges](#)
- [Step 25: Install Tray 2](#)

Introduction

This document provides the procedures to remove and replace the lifter drive assembly.

Before you begin

- Turn off the printer.
- Disconnect the power cable.

⚠ WARNING! To avoid damage to the printer, turn the printer off, wait 30 seconds, and then remove the power cord before attempting to service the printer.

- Use the table below to identify the correct part number for your printer. To order the part, go to www.hp.com/buy/parts.

| Lifter drive assembly part number | |
|-----------------------------------|-----------------------|
| RM2-6370-000CN | Lifter drive assembly |

Required tools

- #2 Phillips screwdriver with a magnetic tip
- Small flat-blade screwdriver

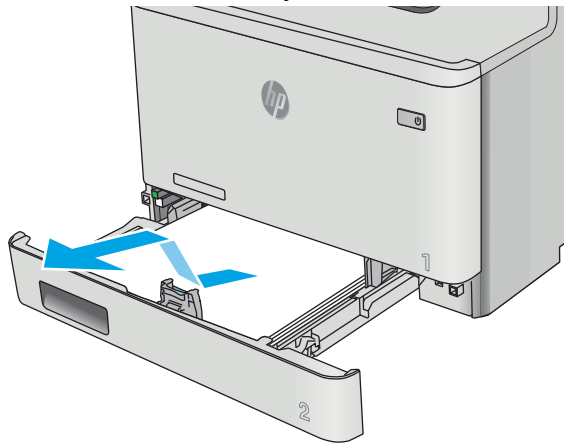
After performing service

- Connect the power cable.
- Use the power switch to turn the power on.

Step 1: Remove Tray 2

- ▲ Pull the tray out until it stops. Lift the front of the tray, and then pull it out of the printer to remove it.

Figure 1-2329 Remove the tray

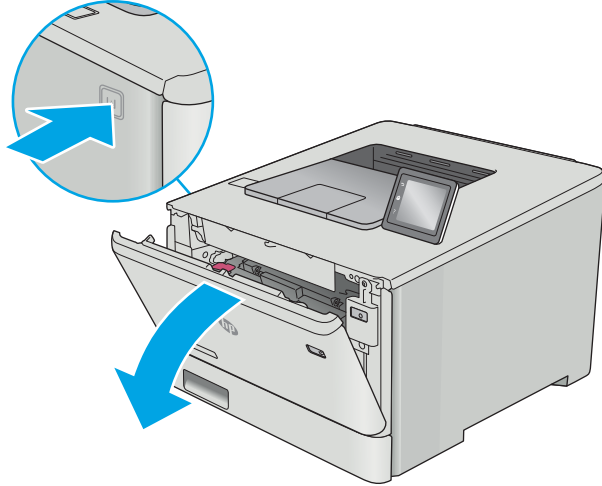


Step 2: Remove the toner cartridges

NOTE: The M452 model is pictured in the figures in this section. The procedure is the same for the M377, M477 models.

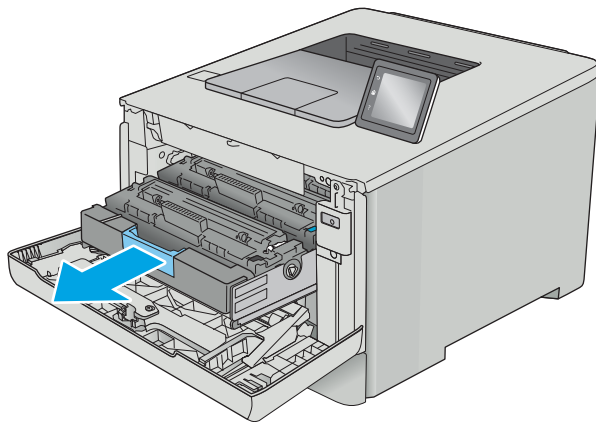
1. Open the front door by pressing the button on the left cover.

Figure 1-2330 Open the front door



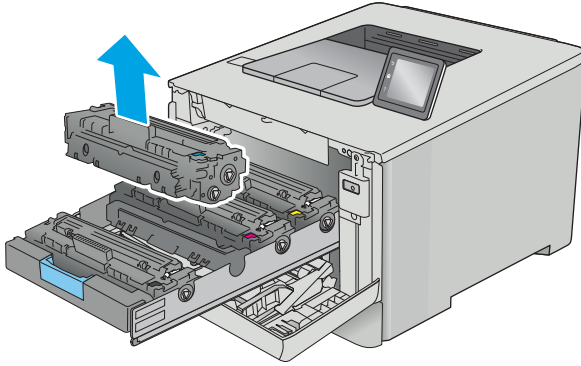
2. Grasp the blue handle on the toner cartridge tray, and then pull out the tray.

Figure 1-2331 Open the cartridge drawer



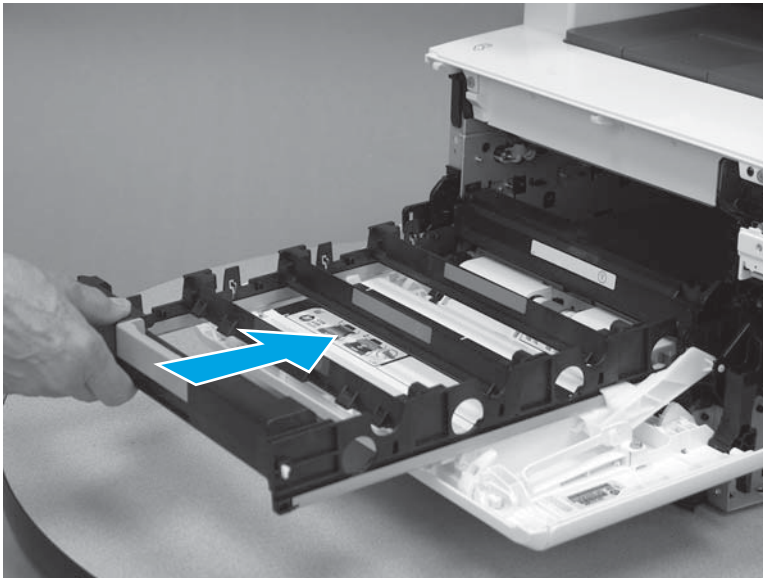
3. Grasp the handle on the toner cartridge, and then pull the toner cartridge straight up to remove it. Repeat this step for each toner cartridge.

Figure 1-2332 Remove the toner cartridge



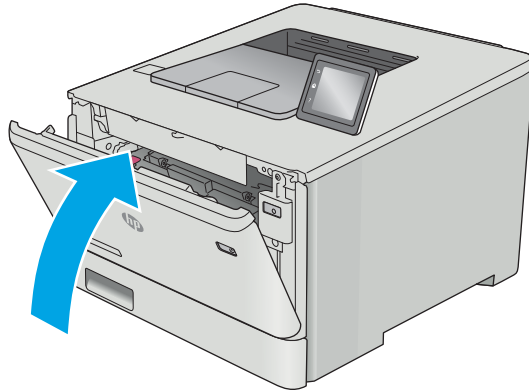
4. Slide the cartridge tray into the printer.

Figure 1-2333 Slide the cartridge tray in



5. Close the front door.

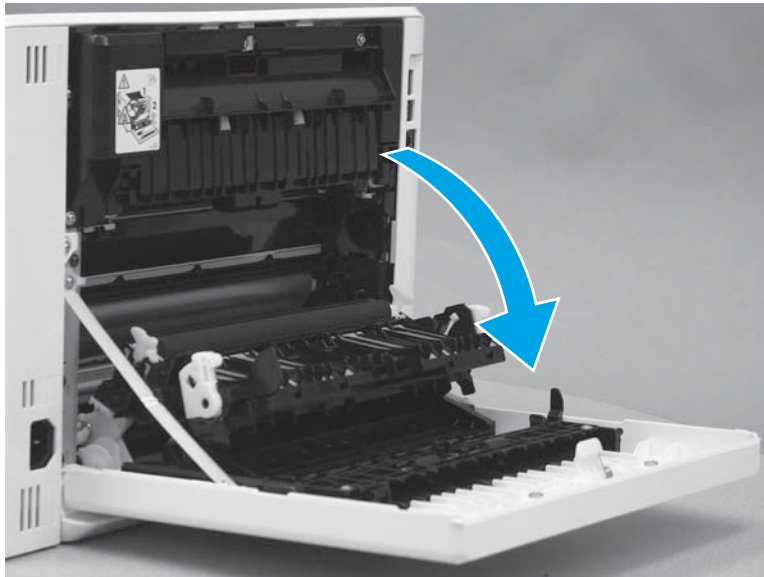
Figure 1-2334 Close the front door



Step 3: Open the rear door or duplexer door

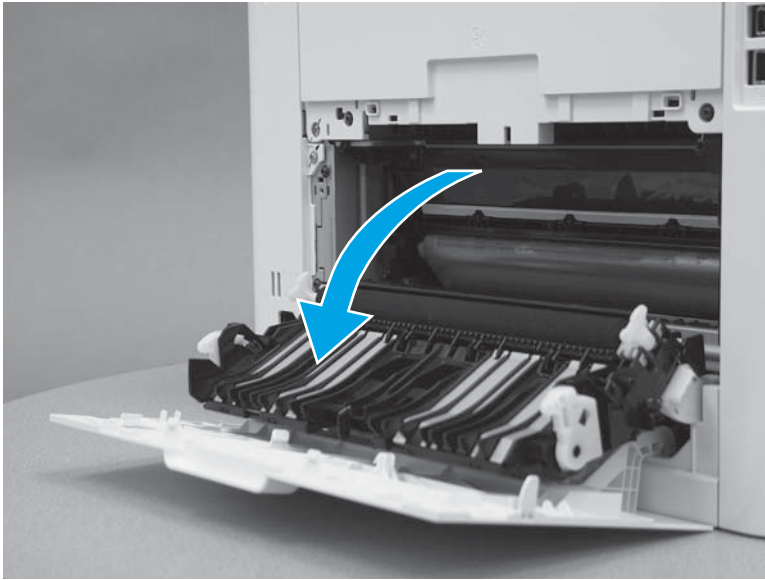
1. **Duplex models:** Open the duplexer door.

Figure 1-2335 Open the duplexer door



2. **Simplex models:** Open the rear door.

Figure 1-2336 Open the rear door



Step 4: Remove the right cover (M452 models)



NOTE: This step is for the M452 models. For the M377, M477 models, skip this step and go to [Step 5: Remove the right cover \(M377, M477 models\) on page 1260.](#)

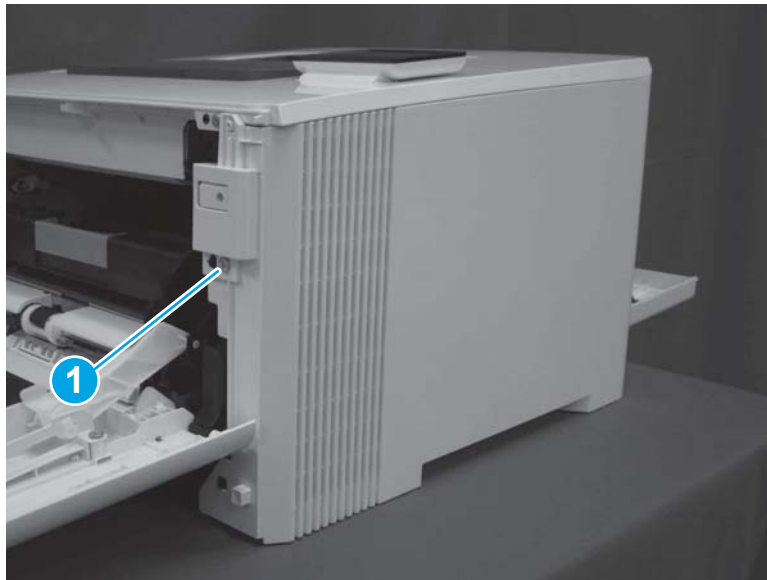
1. At the back of the printer, remove one screw (callout 1).

Figure 1-2337 Remove one screw



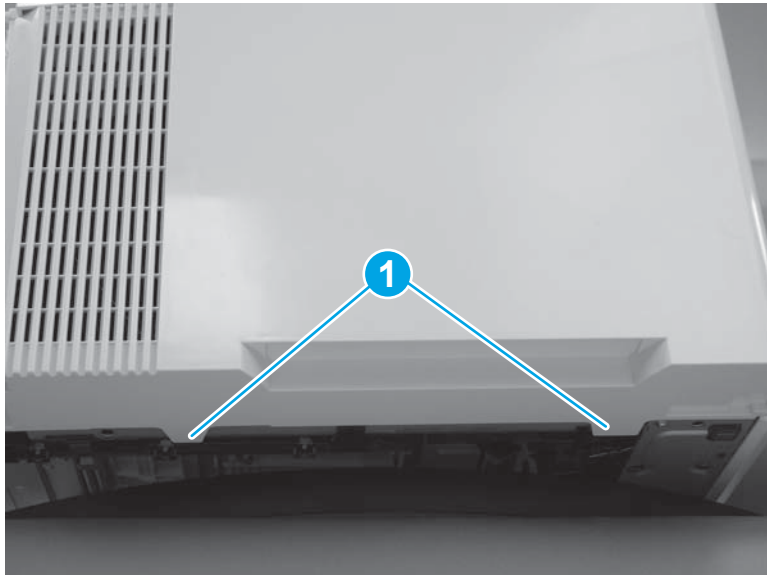
2. At the front of the printer, remove one screw (callout 1).

Figure 1-2338 Remove one screw



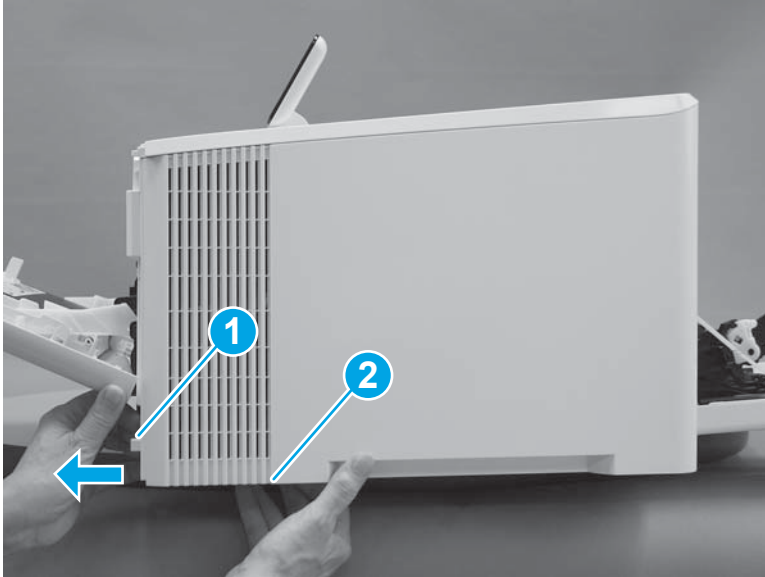
3. Slide the printer to the edge of a work surface. Note the location of the tabs on the lower edge of the cover (callout 1).

Figure 1-2339 Locate the tabs



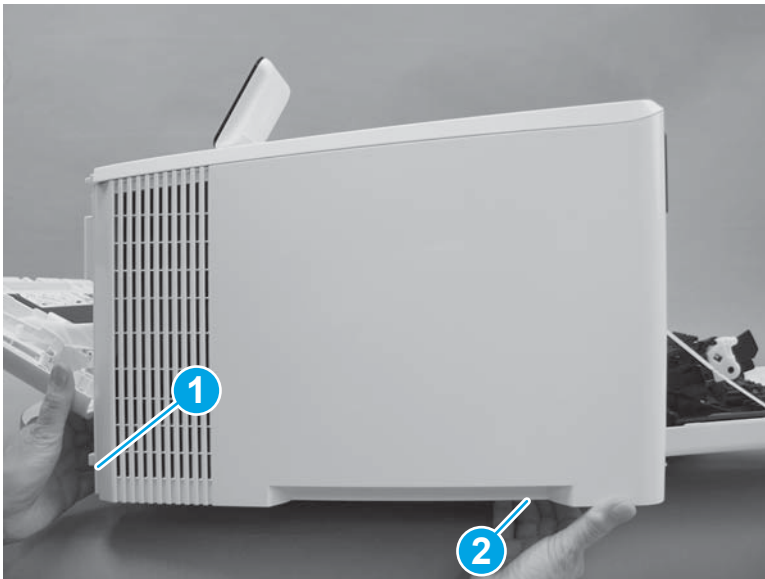
4. Release one tab (callout 1) on the front of the cover by slightly pulling the cover away from the printer. While holding the cover in the released position, release one tab (callout 2) on the bottom of the cover.

Figure 1-2340 Release front lower tabs



5. Hold the front tabs in the released position (callout 1), and then release one tab (callout 2) on the bottom of the cover, toward the back of the printer.

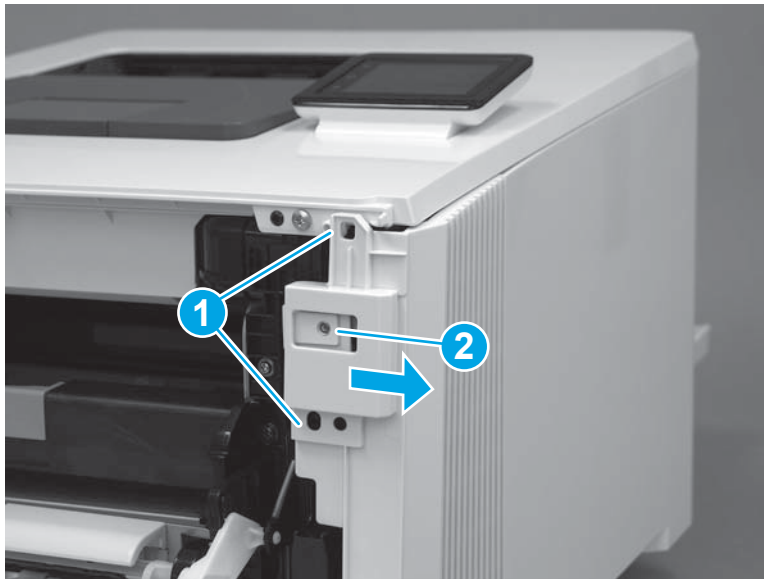
Figure 1-2341 Release lower rear tab



6. Release two tabs at the front of the printer (callout 1) by slightly pulling the cover away from the printer.

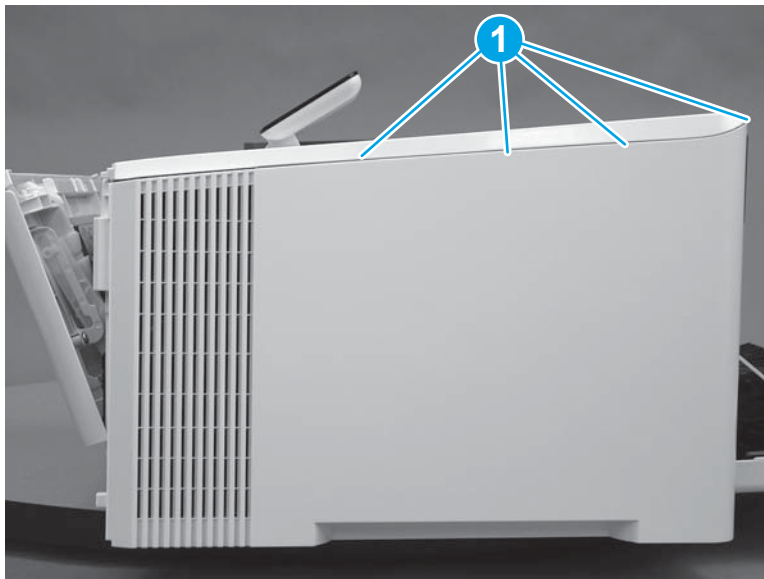
CAUTION: Be careful not to dislodge the power switch (callout 2).

Figure 1-2342 Release two front tabs



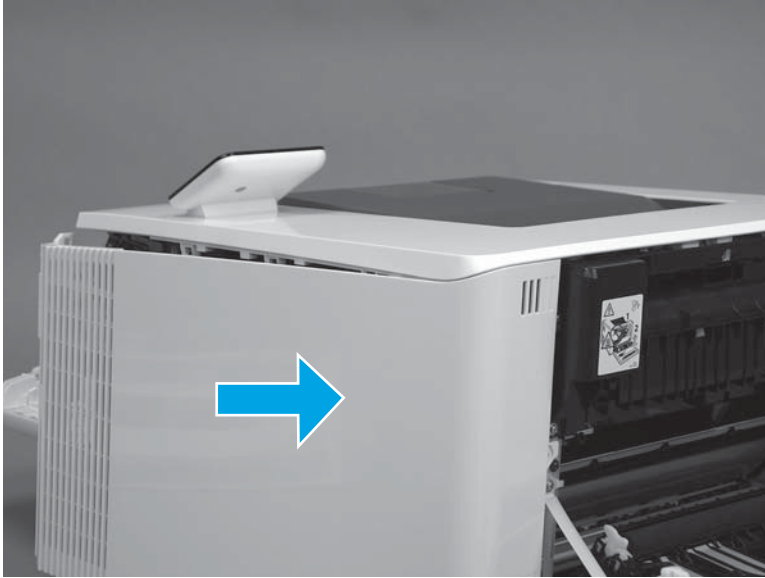
7. Release four tabs on the top of the printer (callout 1).

Figure 1-2343 Release upper tabs



8. Slide the cover toward the back of the printer to remove it.

Figure 1-2344 Remove the right cover



Step 5: Remove the right cover (M377, M477 models)



NOTE: This step is for the M377, M477 models. For the M452 models, skip this step and go to [Step 6: Remove the left cover \(M452 models\) on page 1266](#).

1. Raise the scanner.

Figure 1-2345 Raise the scanner



2. At the back of the printer, remove one screw (callout 1).

Figure 1-2346 Remove one screw



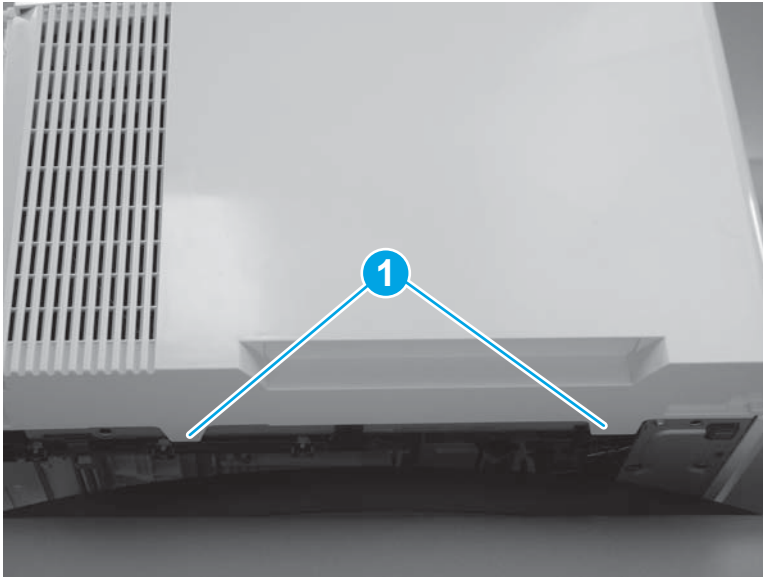
3. At the front of the printer, remove one screw (callout 1).

Figure 1-2347 Remove one screw



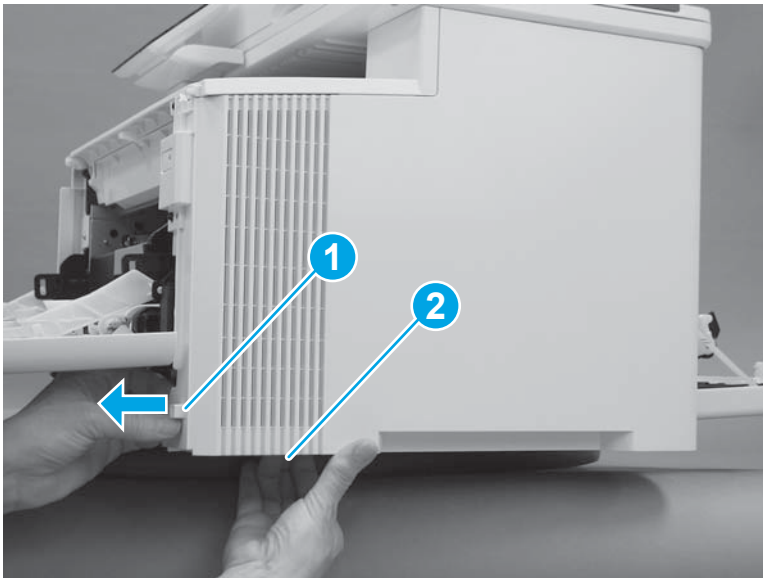
4. Slide the printer to the edge of a work surface. Note the location of the tabs on the lower edge of the cover (callout 1).

Figure 1-2348 Locate the tabs



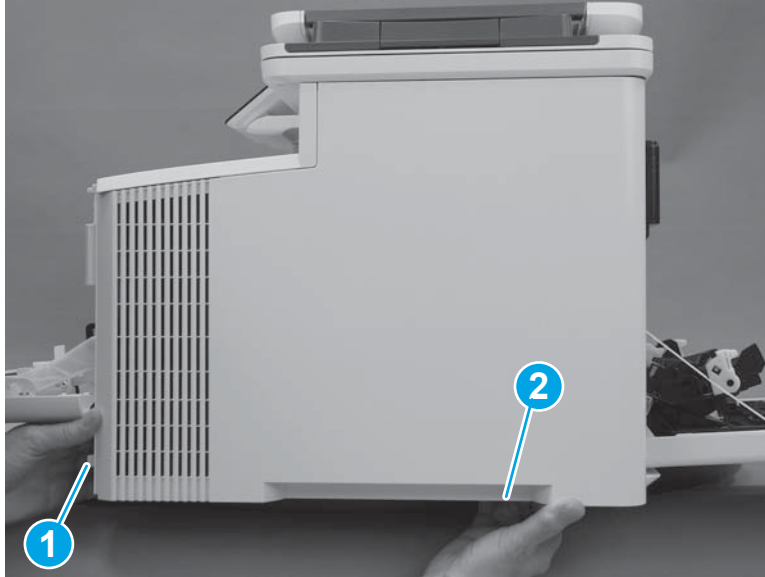
5. Release one tab (callout 1) on the front of the cover by slightly pulling the cover away from the printer. While holding the cover in the released position, release one tab (callout 2) on the lower edge of the cover.

Figure 1-2349 Release front lower tabs



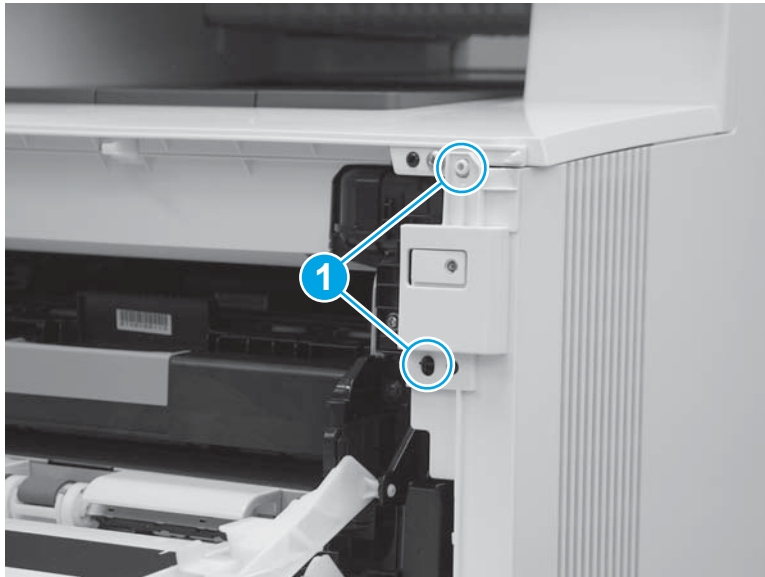
6. Hold the front tabs in the released position (callout 1), and then release one tab (callout 2) on the lower edge of the cover, toward the back of the printer.

Figure 1-2350 Release lower rear tab



7. Release two tabs at the front of the printer (callout 1) by slightly pulling the cover away from the printer.

Figure 1-2351 Release front upper tabs



8. Rotate the front of the cover away from the printer (callout 1).

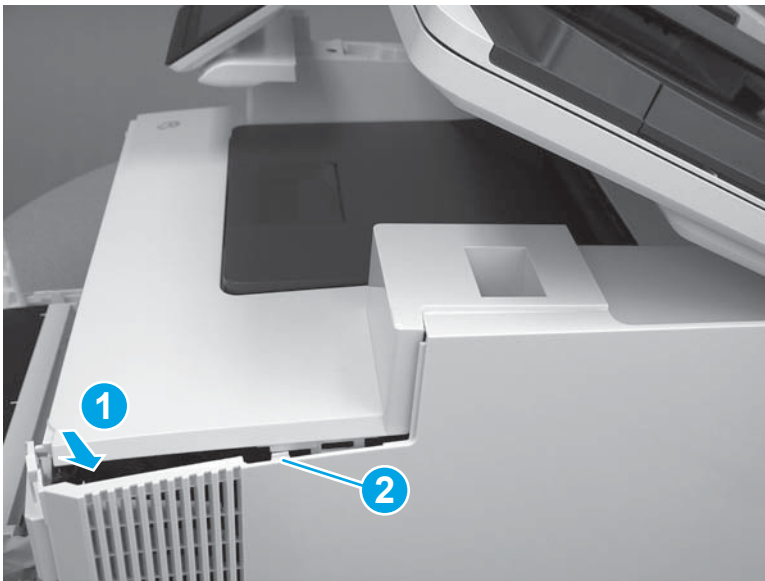
⚠ CAUTION: Be careful not to dislodge the power switch (callout 2).

Figure 1-2352 Rotate the front of the cover



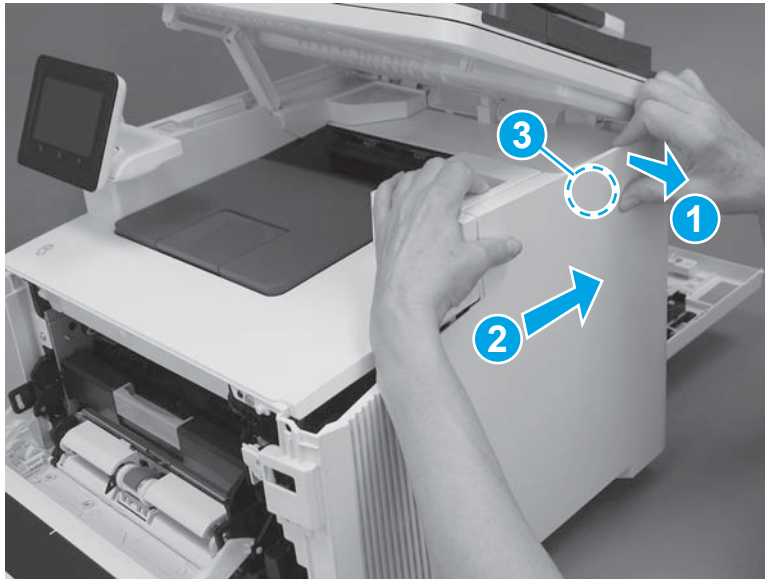
9. Slightly pull the front of the cover away from the printer (callout 1) to release one tab (callout 2).

Figure 1-2353 Release top tabs



10. At the top of the printer, slightly pull the top of the cover away from the printer to release one retention tab (callout 1) on the inside of the cover. While holding the cover away, slide the cover toward the back of the printer (callout 2) to release one hook (callout 3) on the inside of the cover.

Figure 1-2354 Release one tab and one hook



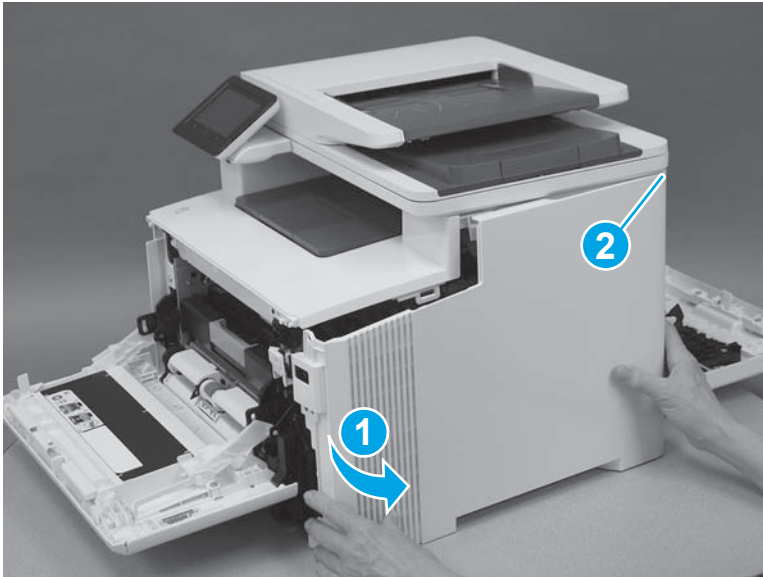
11. Lower the scanner.

Figure 1-2355 Lower the scanner




12. Rotate the cover away from the printer (callout 1) to release one tab (callout 2) at the back of the printer, and then remove the cover.

Figure 1-2356 Remove the right cover

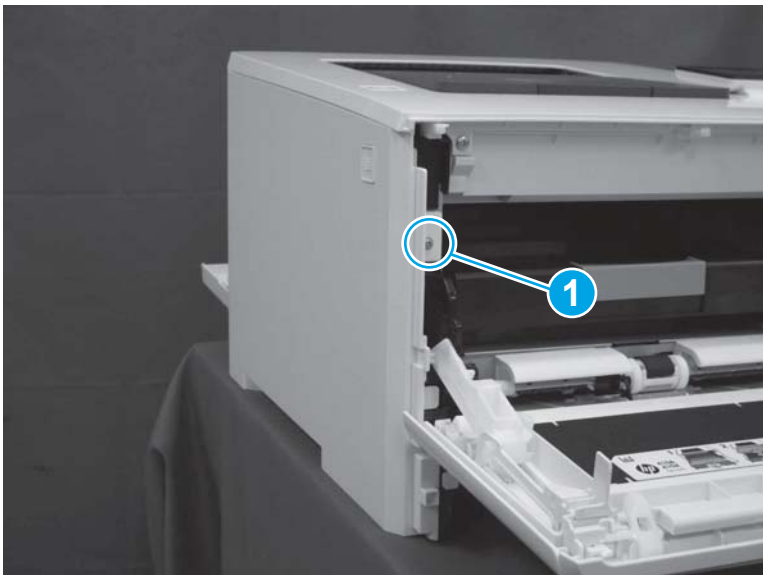


Step 6: Remove the left cover (M452 models)

 **NOTE:** This step is for the M452 models. For the M377, M477 models, skip this step and go to [Step 7: Remove the left cover \(M377, M477 models\) on page 1268](#).

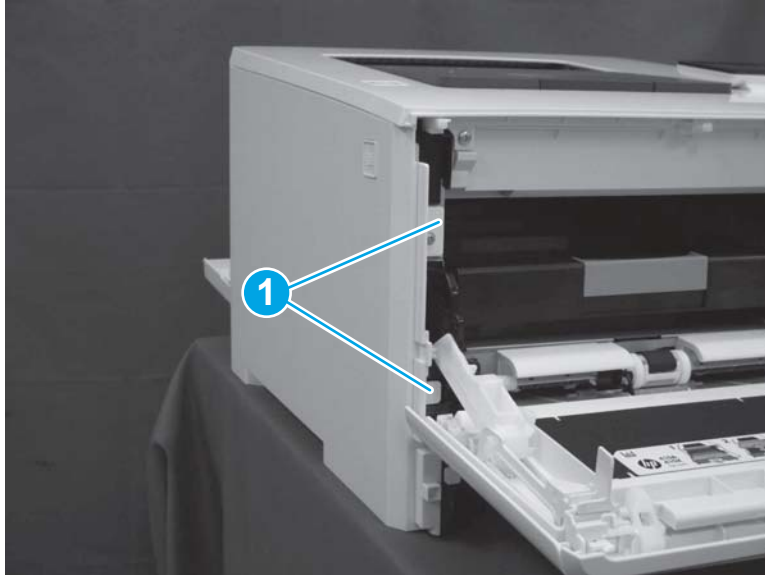
1. At the front of the printer, remove one screw (callout 1).

Figure 1-2357 Remove one screw



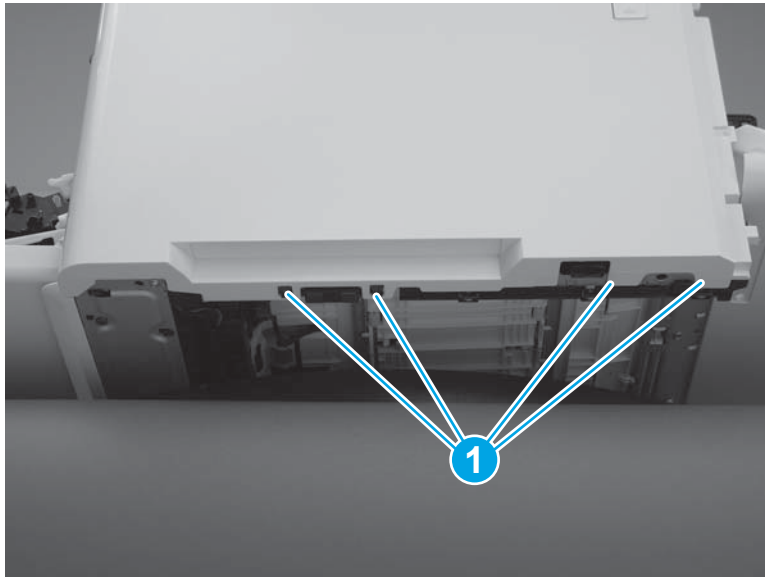
2. Release two tabs (callout 1) at the front of the cover. Hold the cover open to prevent the tabs from reengaging.

Figure 1-2358 Release two tabs



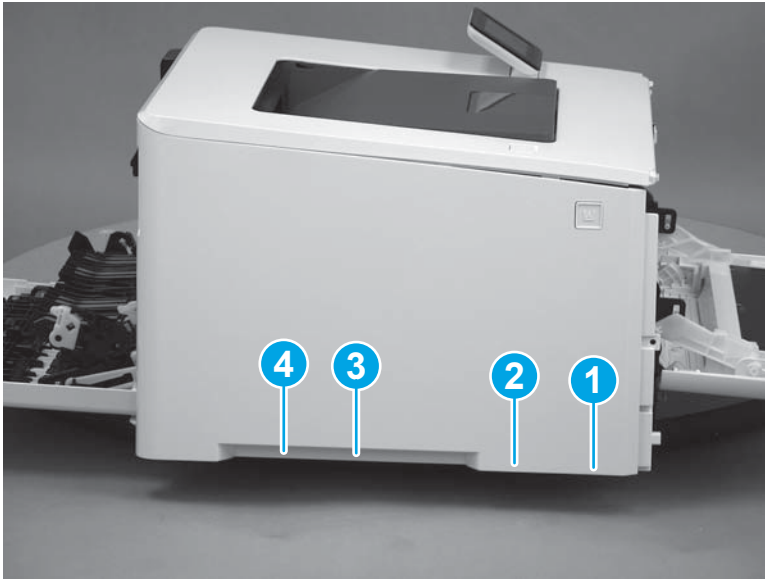
3. Slide the printer to the edge of a work surface. Note the location of the tabs on the lower edge of the cover (callout 1).

Figure 1-2359 Locate the tabs



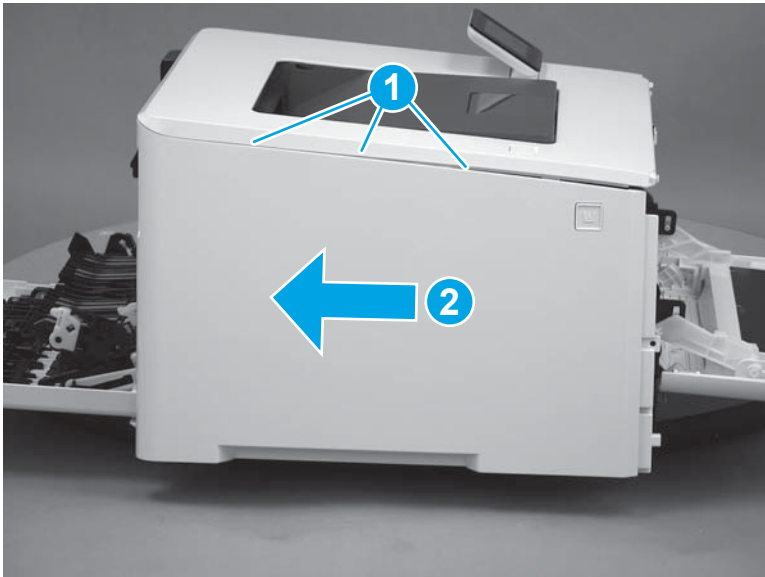
4. Beginning from the front of the cover, release four tabs (callouts 1-4) on the lower edge of the cover.

Figure 1-2360 Release bottom tabs



5. Release three tabs at the top of the cover (callout 1), and then slide the cover toward the rear of the printer to remove it.

Figure 1-2361 Release three tabs



Step 7: Remove the left cover (M377, M477 models)

 **NOTE:** This step is for the M377, M477 models. For the M452 models, skip this step and go to [Step 8: Remove the duplexer door assembly \(duplex models\) on page 1273.](#)

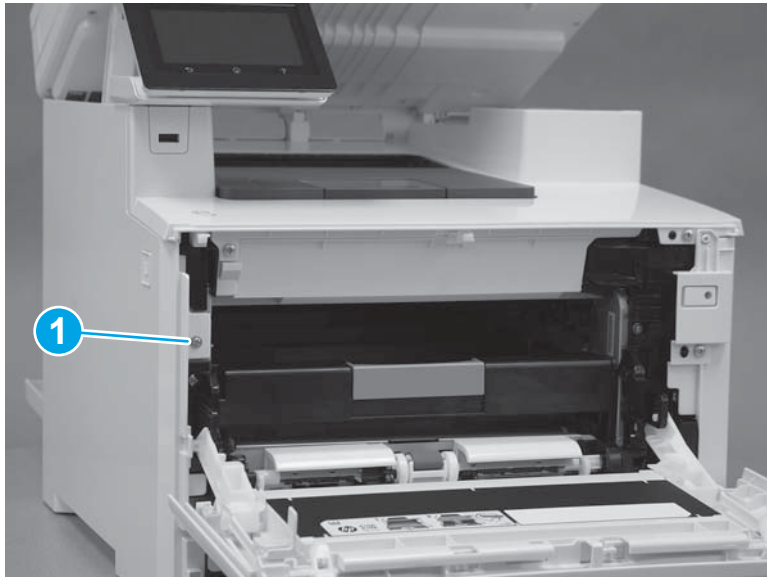
1. Raise the scanner.

Figure 1-2362 Raise the scanner



2. At the front of the printer, remove one screw (callout 1).

Figure 1-2363 Remove one screw



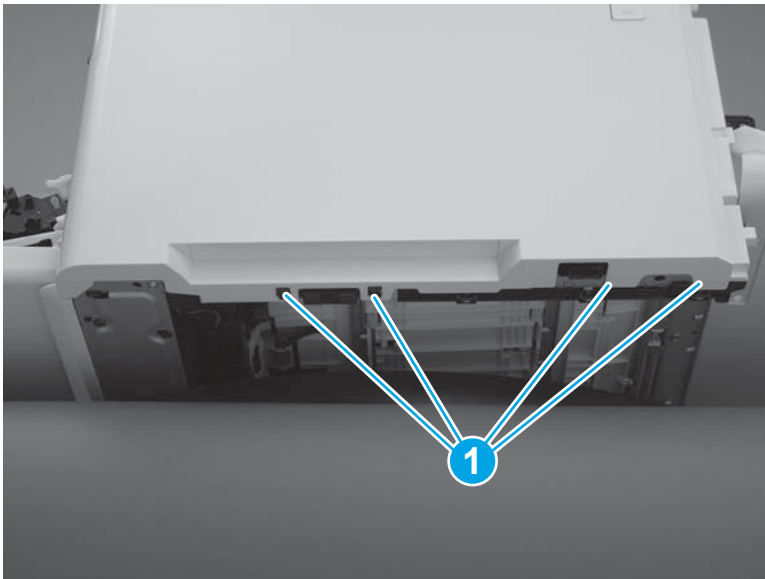
3. Release two tabs (callout 1) at the front of the cover. Hold the cover open to prevent the tabs from re-engaging.

Figure 1-2364 Release two tabs



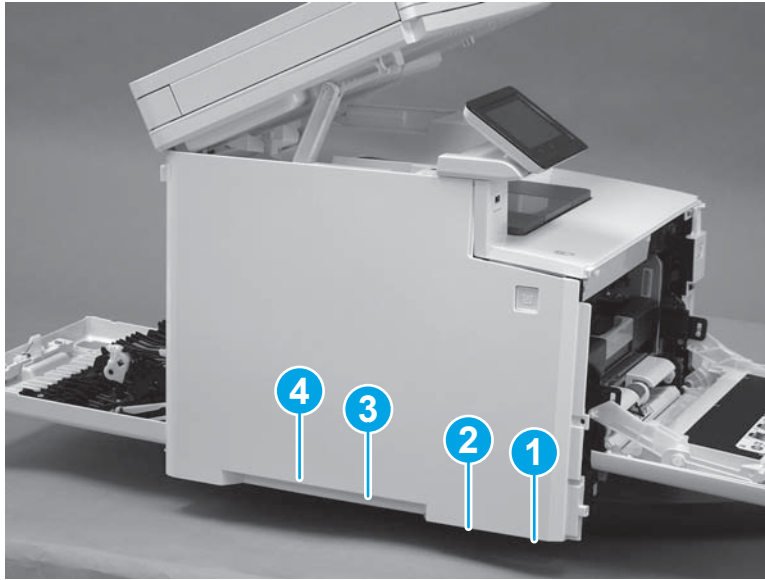
4. Slide the printer to the edge of a work surface. Note the location of the tabs on the lower edge of the cover (callout 1).

Figure 1-2365 Locate the tabs



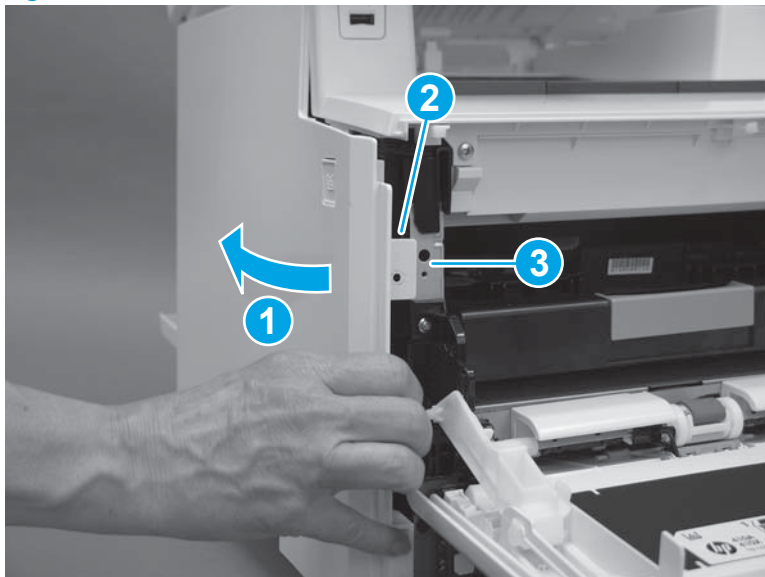
5. Beginning from the front of the cover, release the four tabs (callouts 1-4) on the lower edge of the cover.

Figure 1-2366 Release four tabs



6. Rotate the front of the cover away from the printer (callout 1). Make sure that the tab (callout 2) does not get caught on the printer frame (callout 3).

Figure 1-2367 Rotate the cover



7. At the top of the printer, slightly pull the top of the cover away from the printer to release one retention tab (callout 1) on the inside of the cover. While holding the cover away, slide the cover toward the back of the printer (callout 2) to release two hooks (callout 3) inside the cover.

Figure 1-2368 Release one tab and two hooks



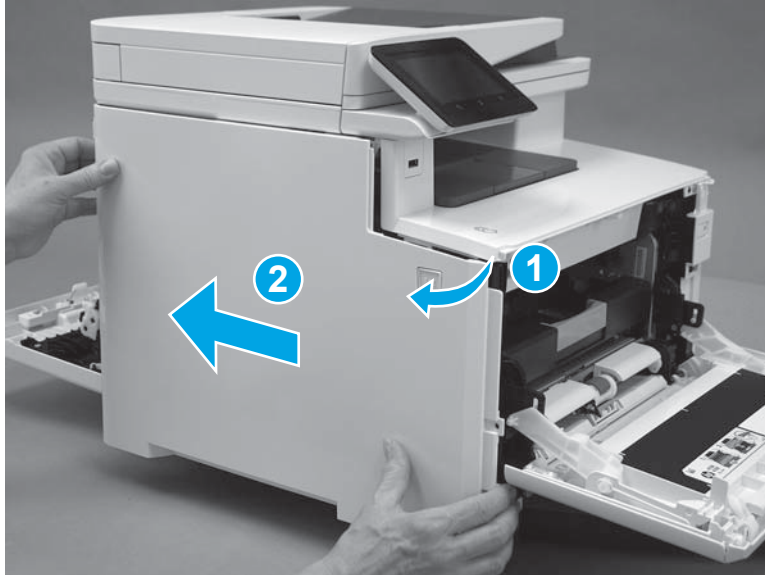
8. Lower the scanner.

Figure 1-2369 Lower the scanner




9. Rotate the cover away from the printer (callout 1), and then slide the cover (callout 2) toward the back of the printer to remove it.

Figure 1-2370 Remove the left cover

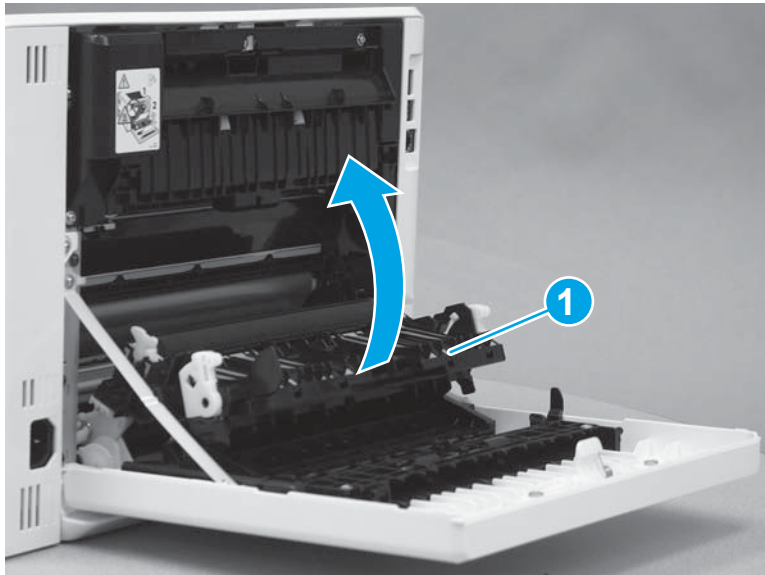


Step 8: Remove the duplexer door assembly (duplex models)

 **NOTE:** This step is for duplex models. For simplex models, skip this step and go to [Step 9: Remove the rear door \(simplex models\) on page 1275](#).

1. Rotate the secondary transfer assembly (callout 1) toward the printer to close it.

Figure 1-2371 Close the secondary transfer assembly



2. At the back of the printer, remove two screws (callout 1), and then remove one screw (callout 2) that holds the retention arm.


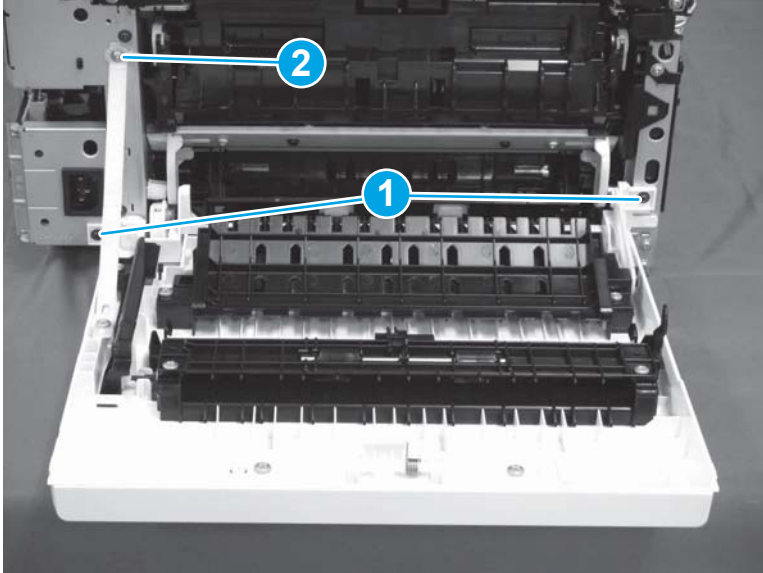
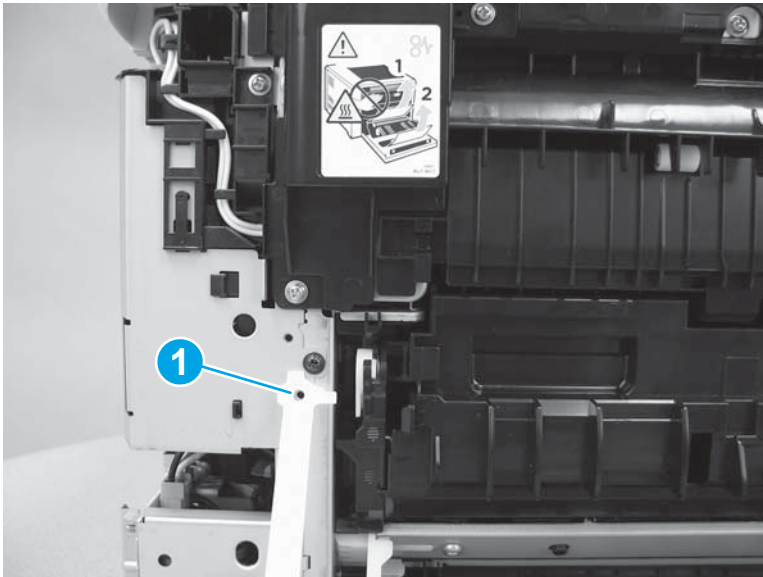
 **Reinstallation tip:** Note that the screw (callout 2) that holds the retention arm is longer than the other two. Make sure this screw is installed in the correct position.

Figure 1-2372 Remove three screws



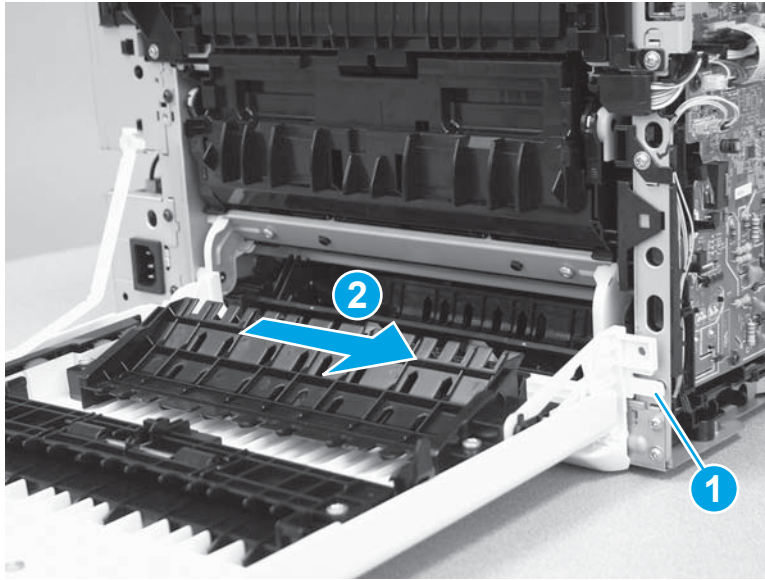
3. Release the retention arm (callout 1).

Figure 1-2373 Release the retention arm



4. Release one tab (callout 1), and then slide the duplexer door (callout 2) to the right to remove it.

Figure 1-2374 Remove the duplexer door

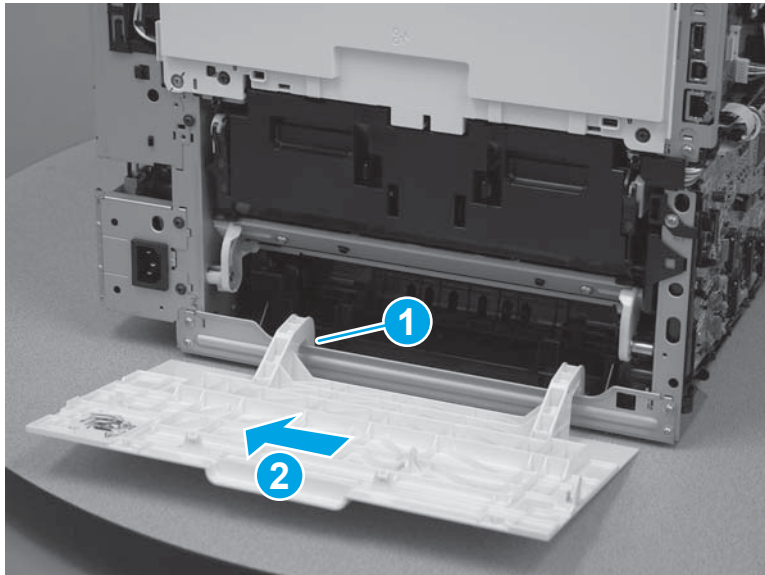


Step 9: Remove the rear door (simplex models)

 **NOTE:** This step is for simplex models. For duplex models, skip this step and go to [Step 10: Remove the engine controller PCA on page 1275](#).

- ▲ Slightly flex one hinge arm (callout 1) to release a hinge pin, and then slide the rear door to the left (callout 2) to remove it.

Figure 1-2375 Remove the rear door

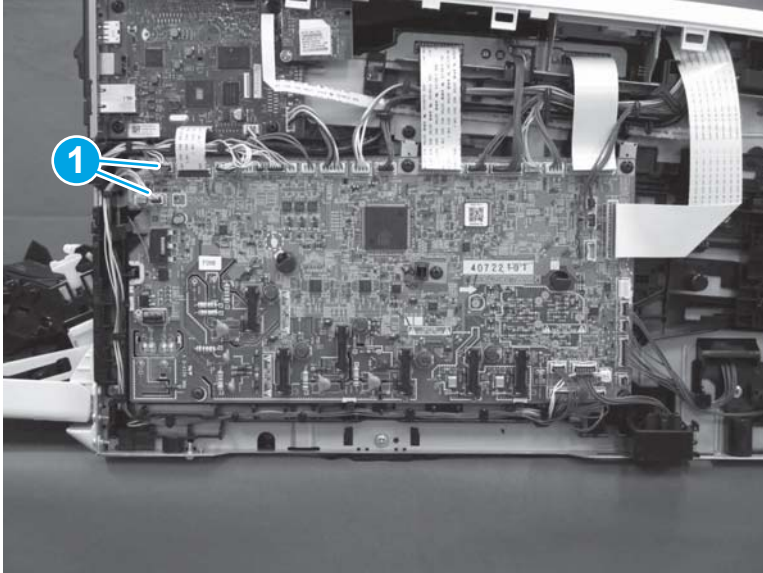


Step 10: Remove the engine controller PCA

1. **Duplex printers only:** Before disconnecting the connectors in the next step, make note of the position of two of the cables (callout 1).

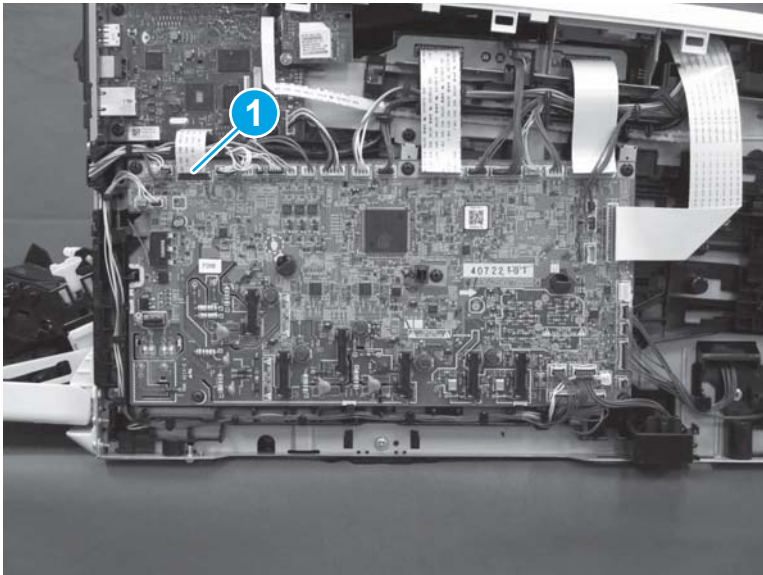
IMPORTANT: These cables can be inadvertently switched when reinstalling. The connectors on the cables will fit in either connector on the engine controller PCA. Make sure that these cables are installed in the correct connectors. If the cables are switched, the printer will experience a repeatable jam when printing duplex jobs.

Figure 1-2376 Check the cables



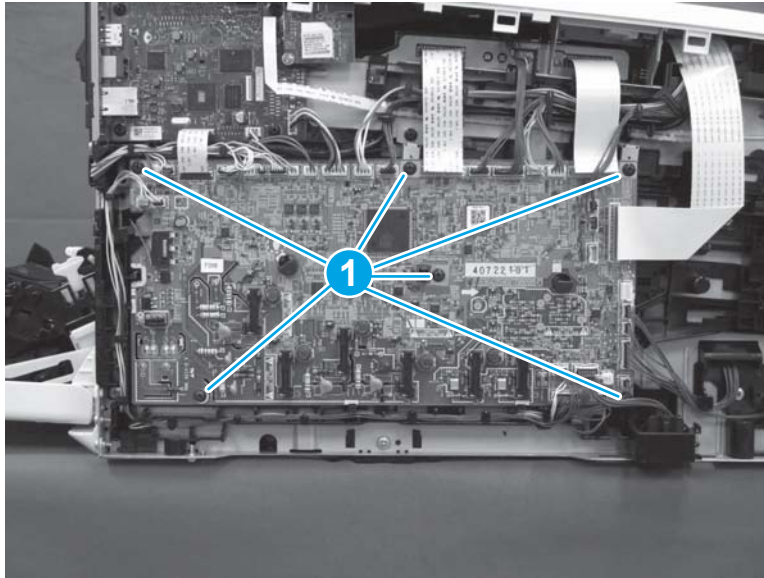
2. Disconnect all of the connectors on the engine controller PCA. Note that one connector (callout 1) is a zero-insertion force (ZIF) connector. Lift the latch on the connector before removing the flat cable.

Figure 1-2377 Disconnect all of the connectors



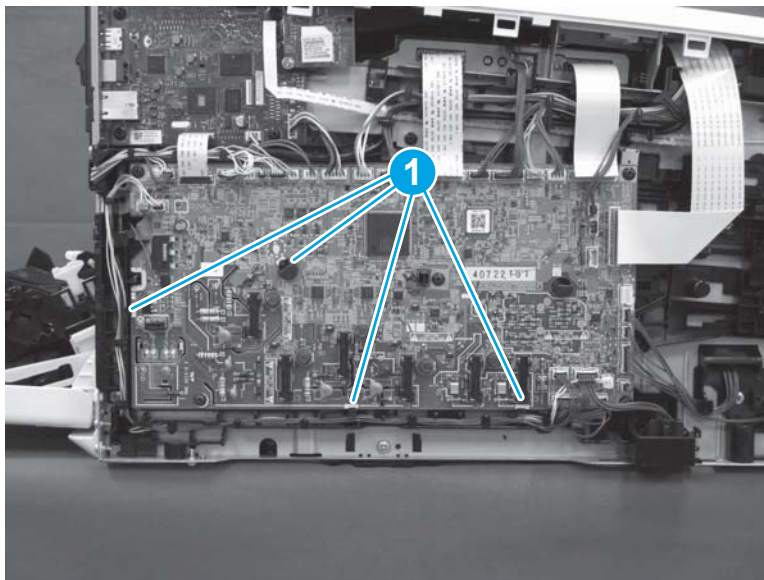
3. Remove six screws (callout 1).

Figure 1-2378 Remove six screws



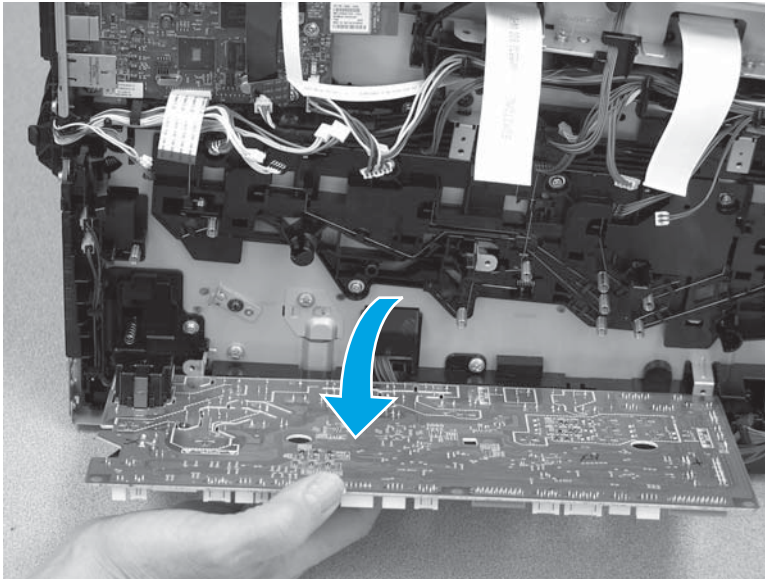
4. Release four tabs (callout 1).

Figure 1-2379 Release four tabs



5. Remove the engine controller PCA.

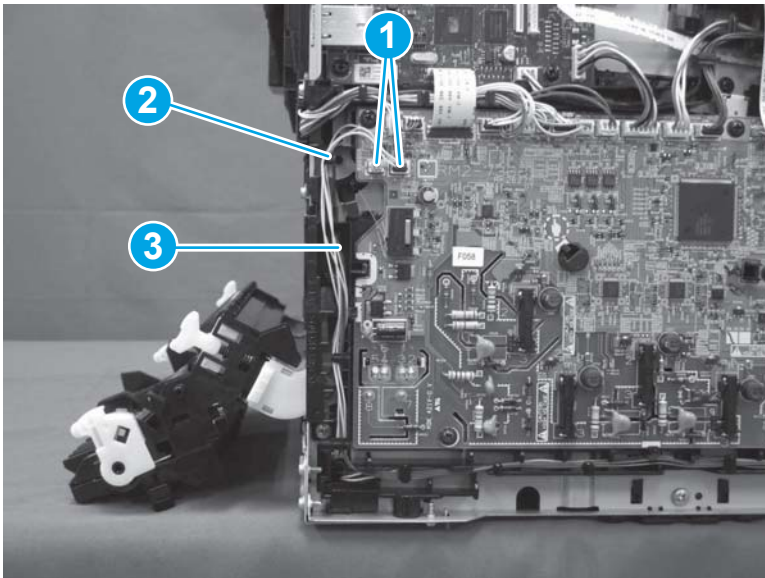
Figure 1-2380 Remove the engine controller PCA



Step 11: Remove the re-pickup assembly (duplex models)

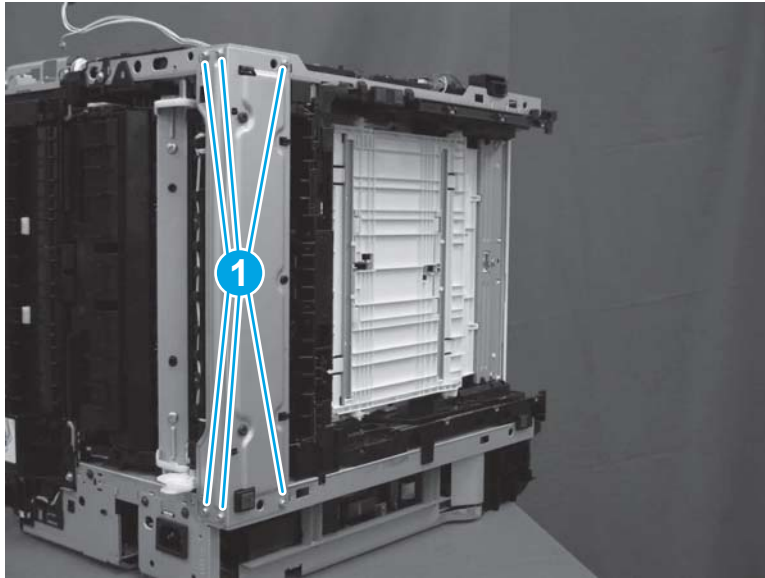
1. On the left side of the printer, disconnect two connectors (callout 1), and then remove the cables (callout 2) from the guides (callout 3).

Figure 1-2381 Disconnect two connectors and remove cables from guides



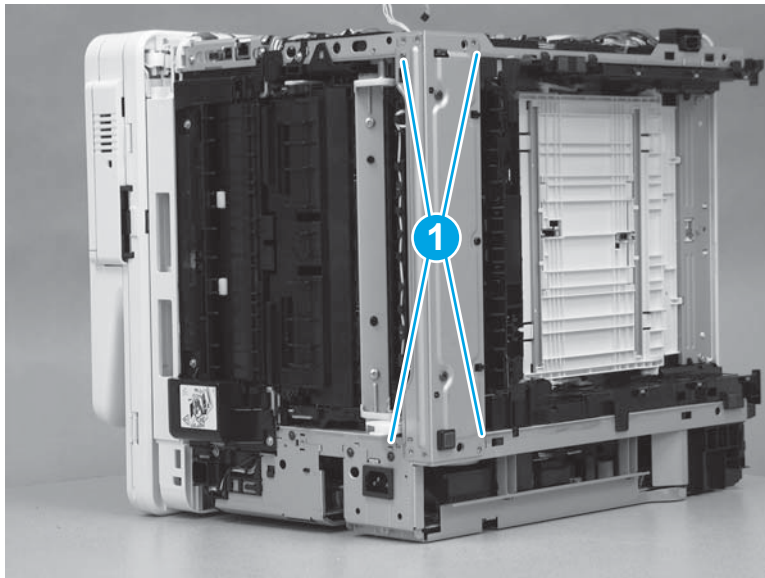
2. Lay the printer on the right side so that the left side is facing up. Remove six screws (callout 1).

Figure 1-2382 Remove six screws



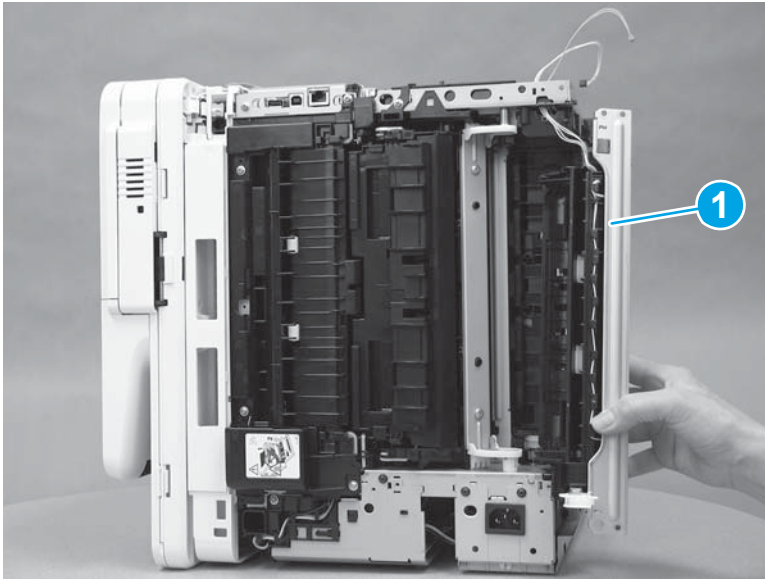
3. Release four tabs (callout 1).

Figure 1-2383 Release four tabs



4. Remove the re-pickup assembly (callout 1).

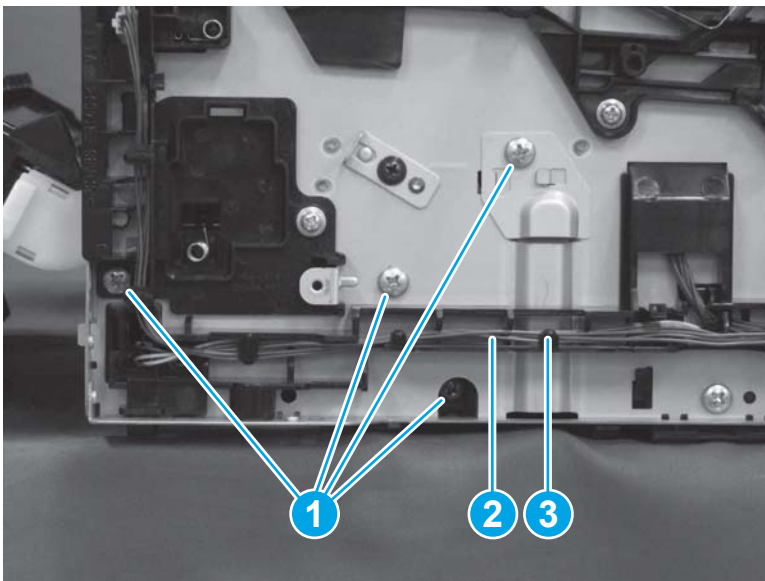
Figure 1-2384 Remove the re-pickup assembly



Step 12: Remove the lifter drive assembly

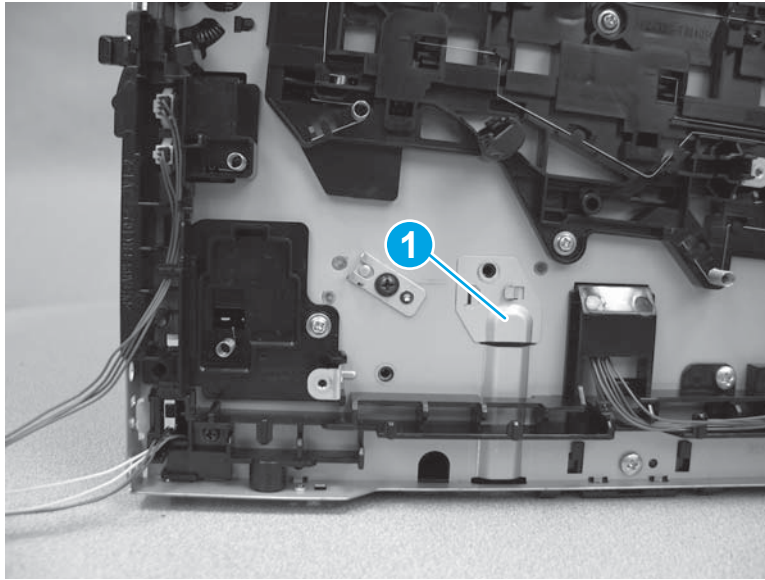
1. Remove four screws (callout 1), and then release the cables (callout 2) from the guides (callout 3).

Figure 1-2385 Remove four screws and release cables



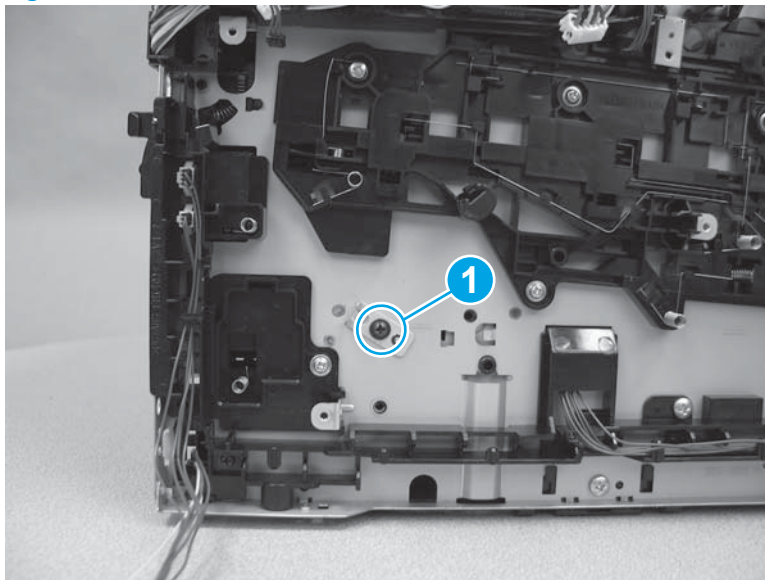
2. Remove one cover (callout 1).

Figure 1-2386 Remove one cover



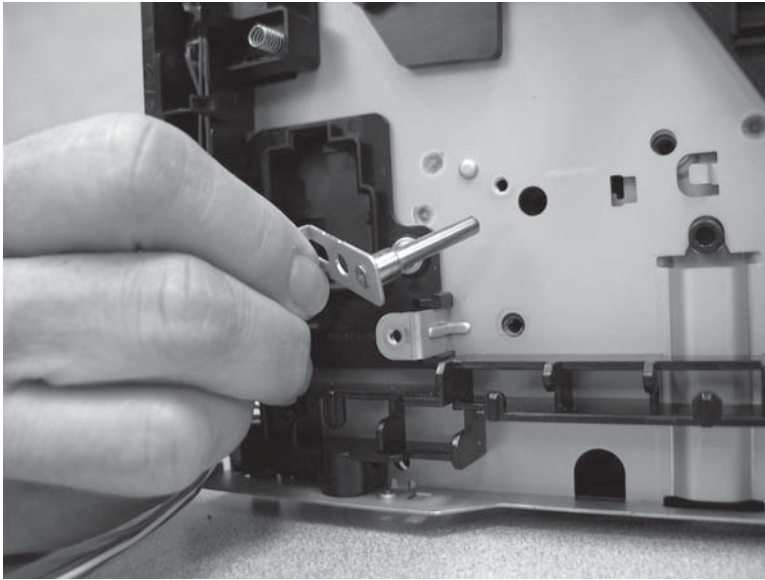
3. Remove one screw (callout 1).

Figure 1-2387 Remove one screw



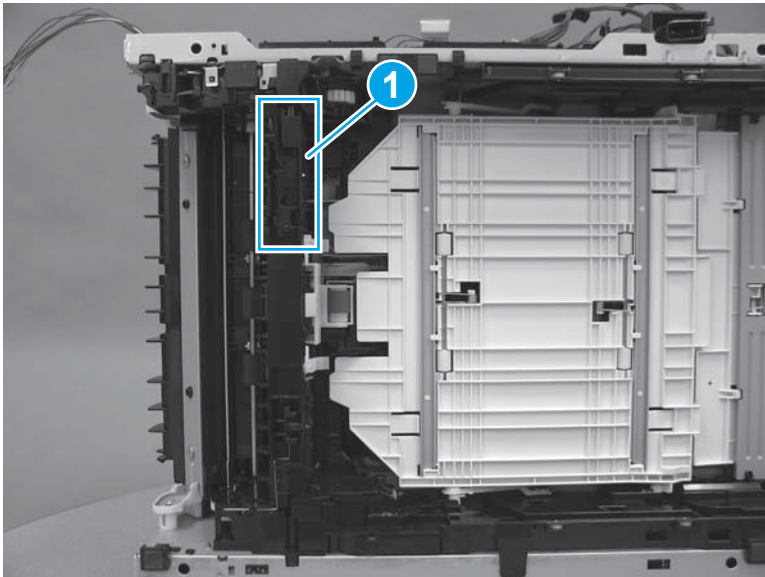
4. Remove the shaft.

Figure 1-2388 Remove the shaft



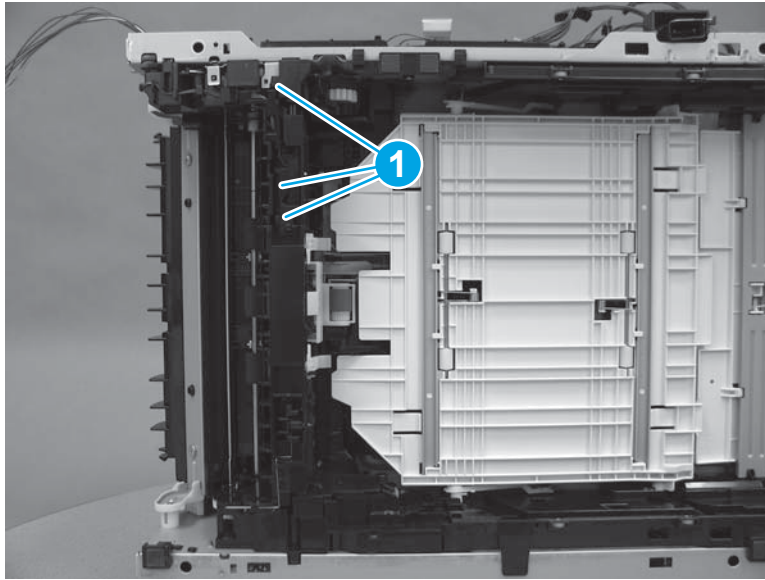
5. Lay the printer on the right side so that the left side is facing up. Locate the tray sensor switch (callout 1).

Figure 1-2389 Locate the tray sensor switch



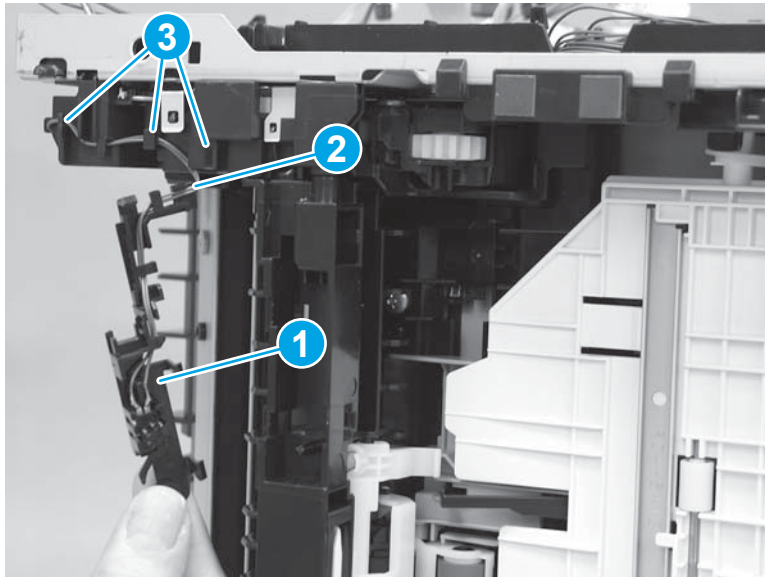
6. Release three tabs (callout 1).

Figure 1-2390 Release three tabs



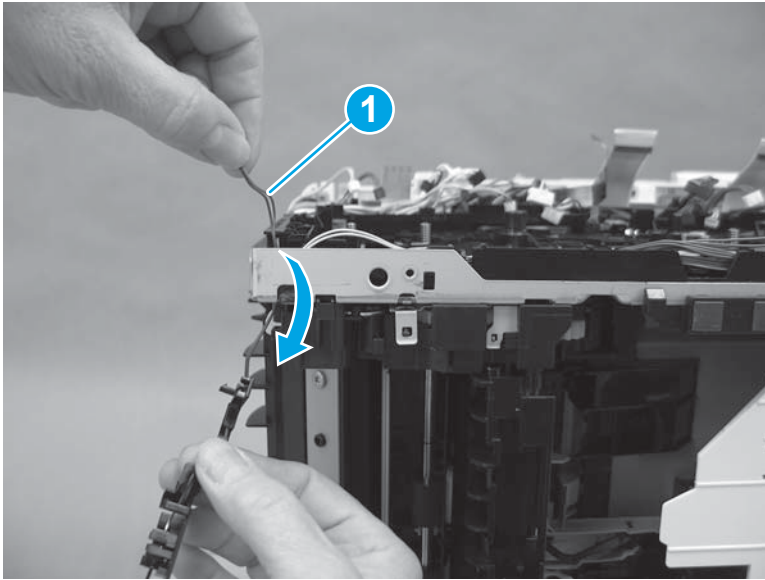
7. Release the tray sensor switch (callout 1), and then remove the cables (callout 2) from the guides (callout 3).

Figure 1-2391 Release the tray sensor switch



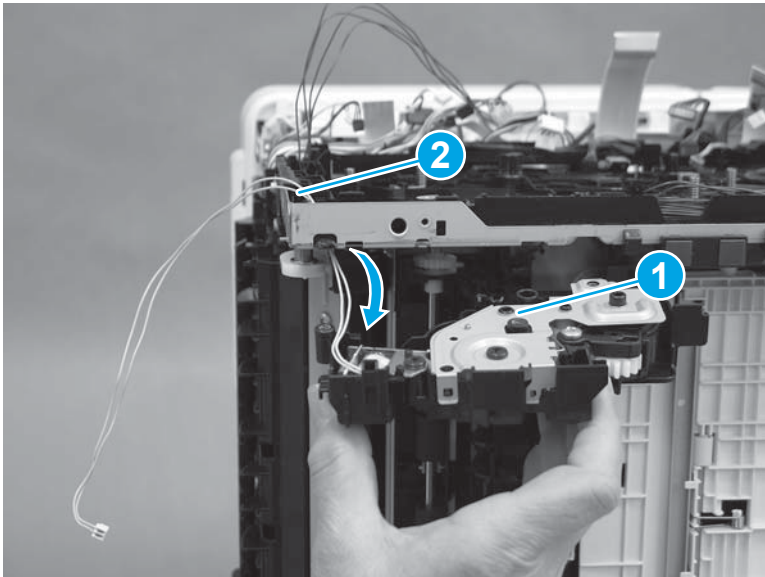
8. Remove the tray sensor switch by releasing the cables (callout 1) through the printer frame.

Figure 1-2392 Remove the tray sensor switch



9. Remove the lifter drive assembly (callout 1), and then release the cables (callout 2) through the printer frame.

Figure 1-2393 Remove the lifter drive assembly



Step 13: Unpack the replacement part

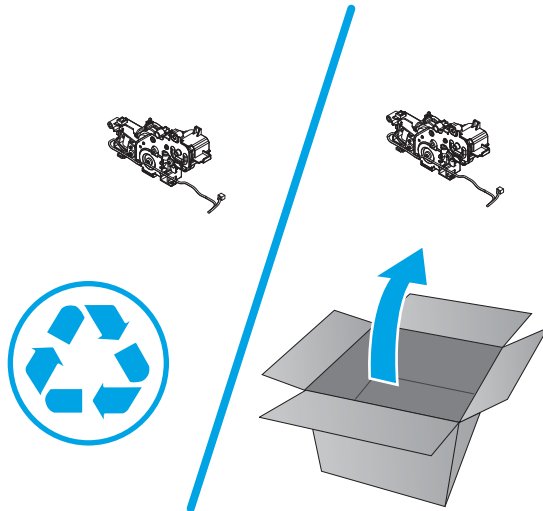
Remove the new part from its package. Save all packaging for recycling the used part.

For complete information on HP's recycling programs, go to [Product return and recycling](#).



NOTE: HP recommends responsible disposal of the defective part.

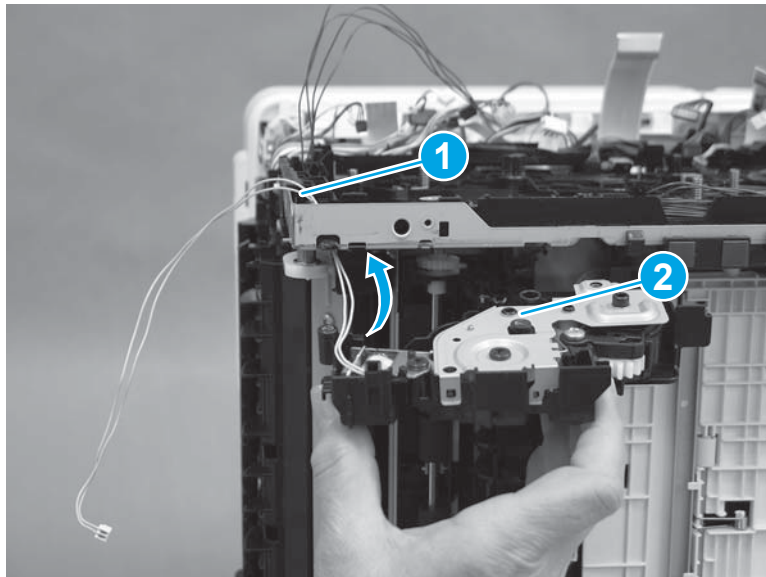
Figure 1-2394 Recycle and unpack



Step 14: Install the lifter drive assembly

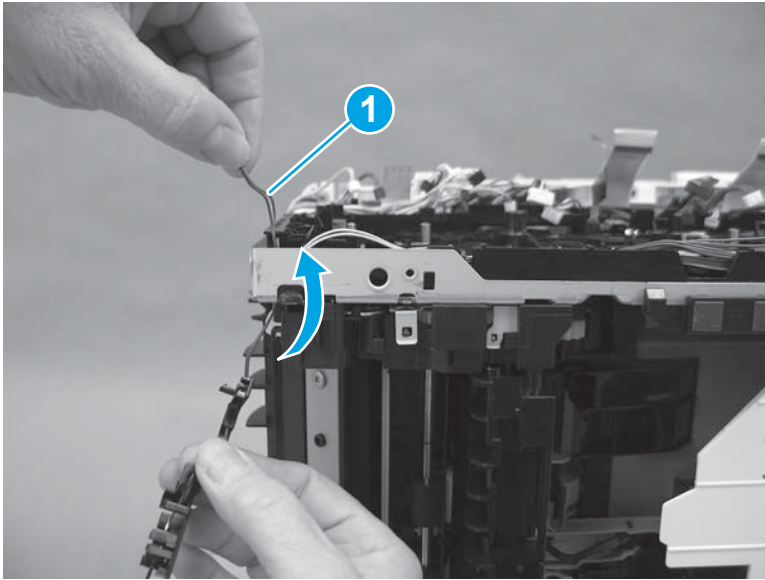
1. Install the cables (callout 1) on the lifter drive assembly up through the printer frame, and then install the lifter drive assembly (callout 2).

Figure 1-2395 Install the lifter drive assembly



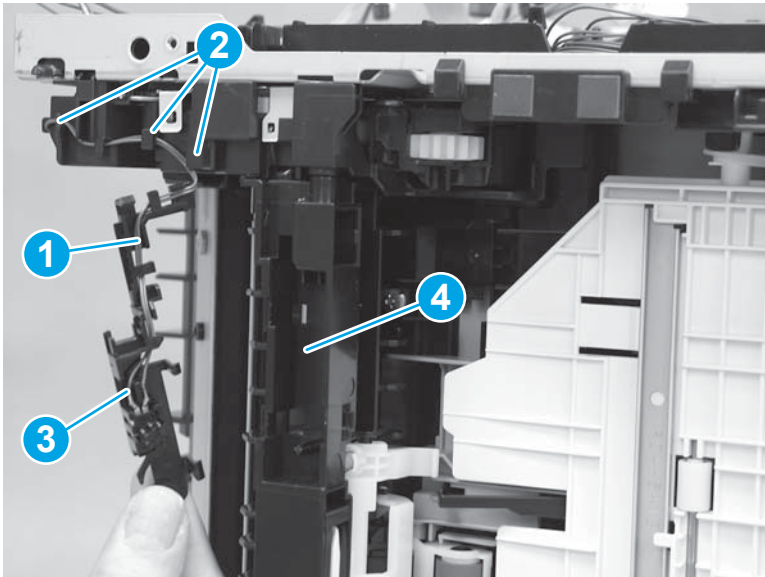
2. Install the cables (callout 1) on the tray sensor switch up through the printer frame.

Figure 1-2396 Install the tray sensor switch cable



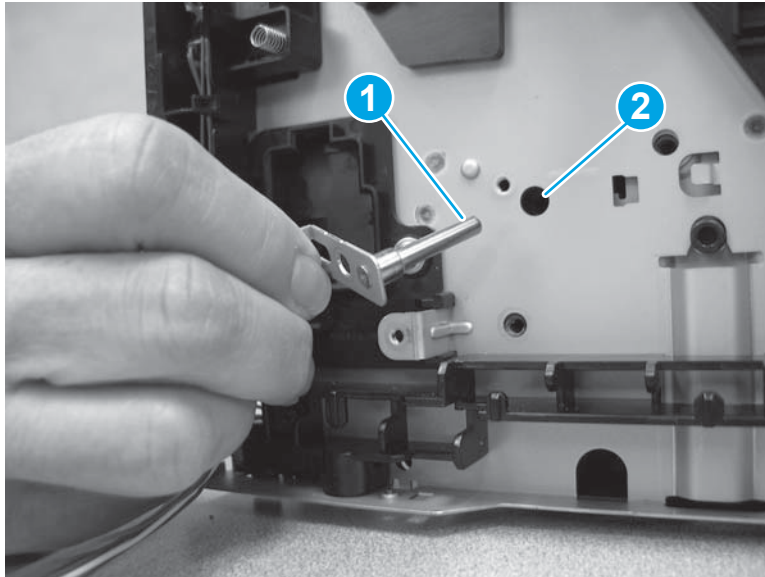
3. Install the cables (callout 1) in the cable guide (callout 2), and then install the tray sensor switch (callout 3) on the lifter drive assembly (callout 4).

Figure 1-2397 Install the tray sensor switch



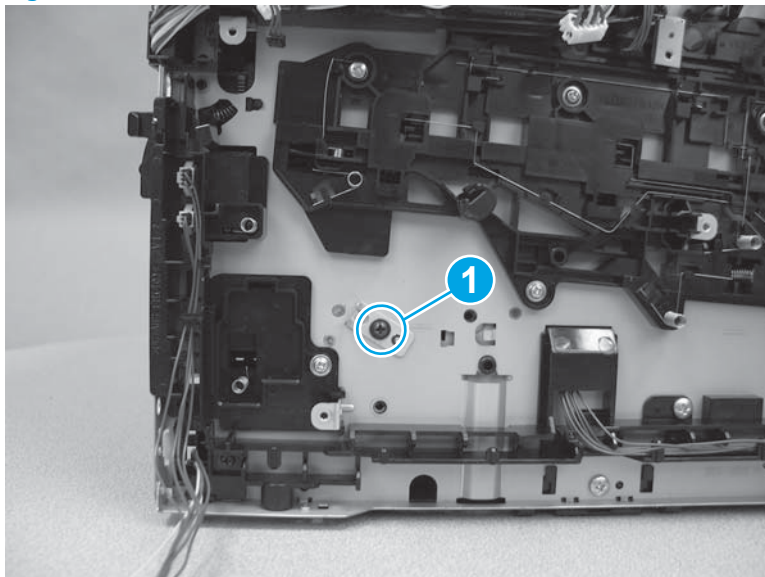
4. Return the printer to an upright position so that the top side is facing up. Install the shaft (callout 1) into the hole (callout 2) in the printer.

Figure 1-2398 Install the shaft



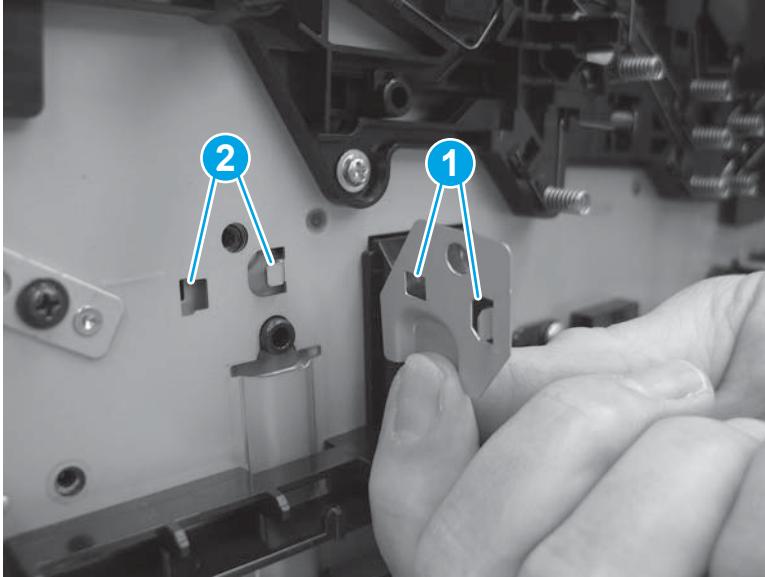
5. Install one screw (callout 1).

Figure 1-2399 Install one screw



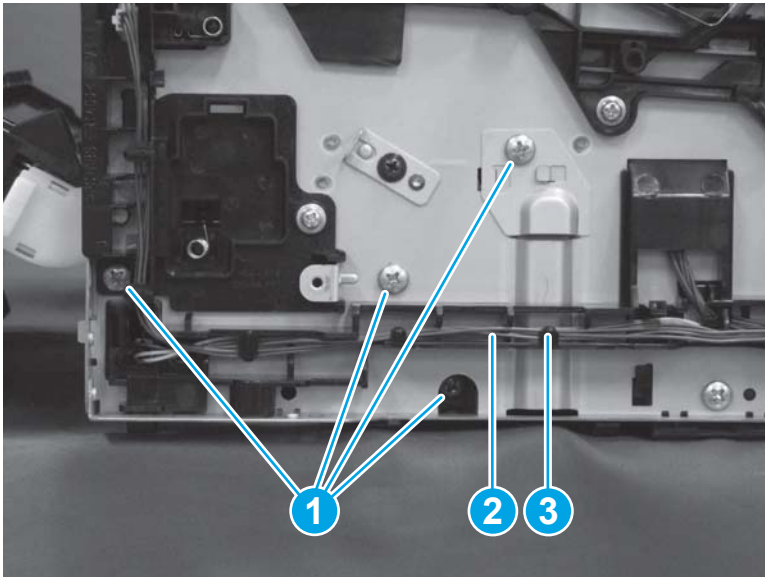
6. Install the tabs and slots on the cover (callout 1) into the corresponding tabs and slots (callout 2) on the printer.

Figure 1-2400 Install one cover



7. Install four screws (callout 1), and then install the cables (callout 2) into the guides (callout 3).

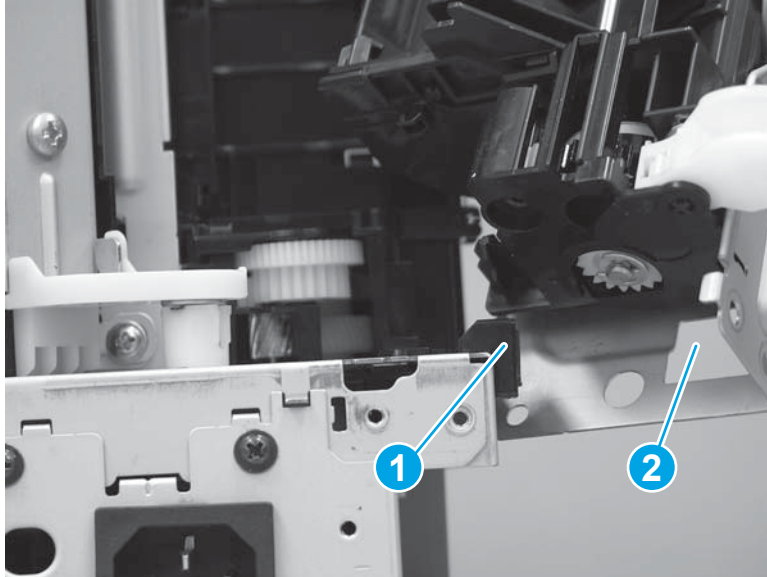
Figure 1-2401 Install four screws and cables



Step 15: Install the re-pickup assembly (duplex models)

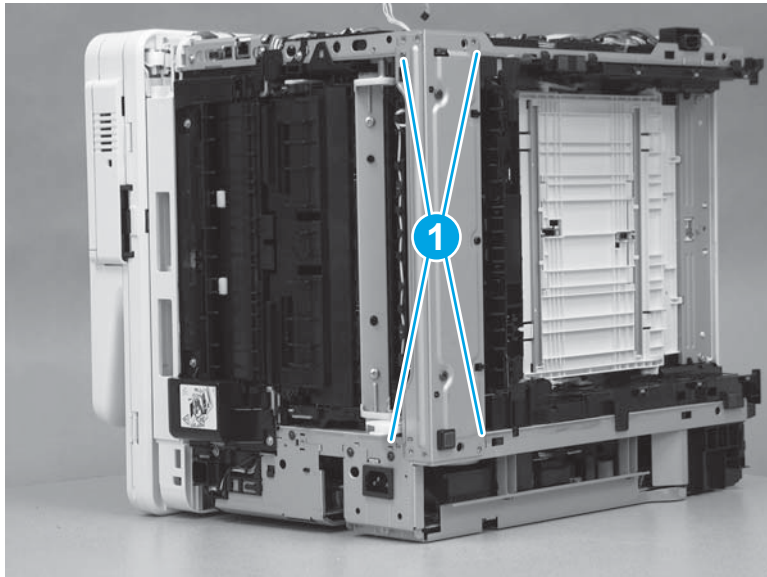
1. Position the foot on the printer (callout 1) through the opening (callout 2) on the re-pickup drive assembly.

Figure 1-2402 Position the foot through the opening



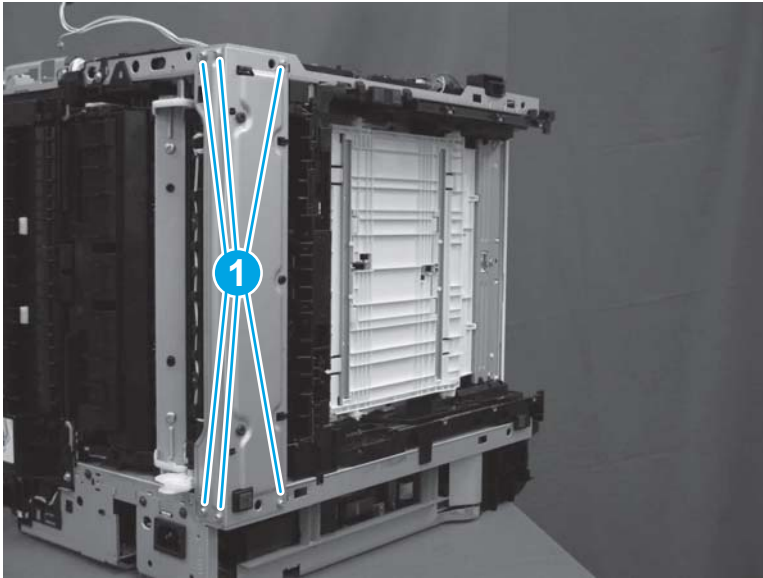
2. Install four tabs (callout 1).

Figure 1-2403 Install four tabs



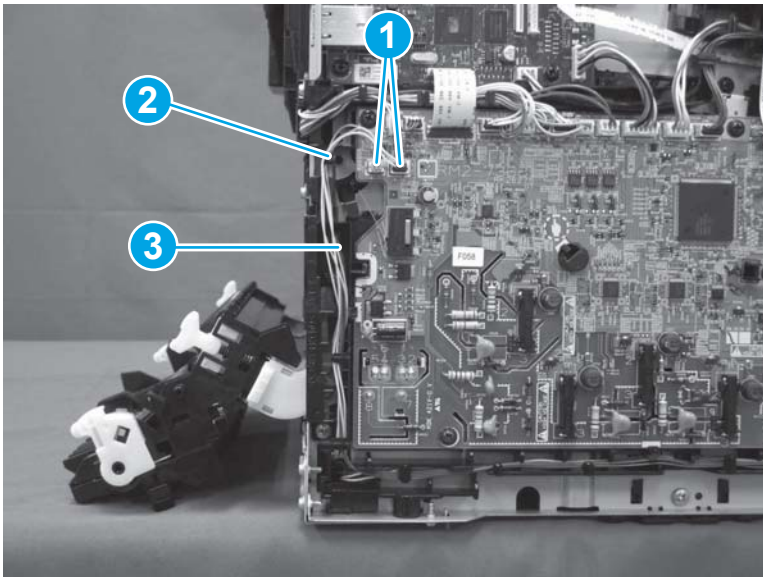
3. Install six screws (callout 1).

Figure 1-2404 Install six screws



4. Return the printer to an upright position so that the top side is facing up. On the left side of the printer, connect two connectors (callout 1), and then install the cables (callout 2) in the guides (callout 3).

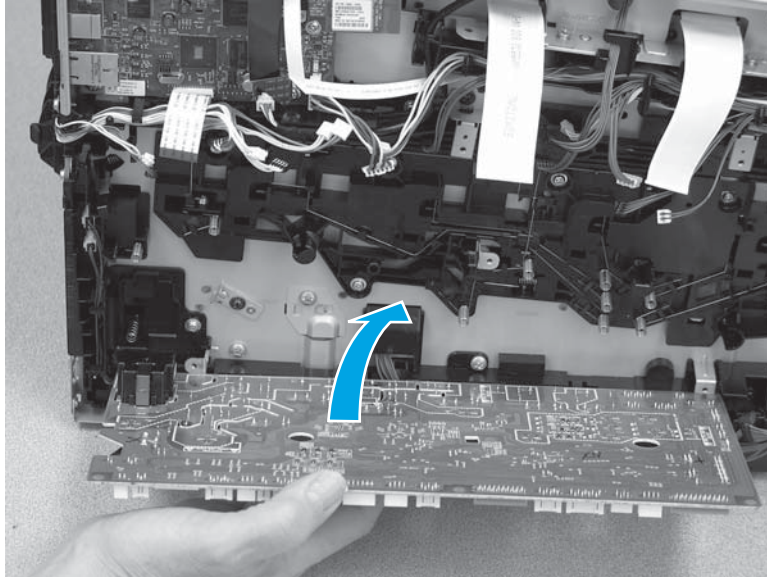
Figure 1-2405 Connect two connectors and install cables in guides



Step 16: Install the engine controller PCA

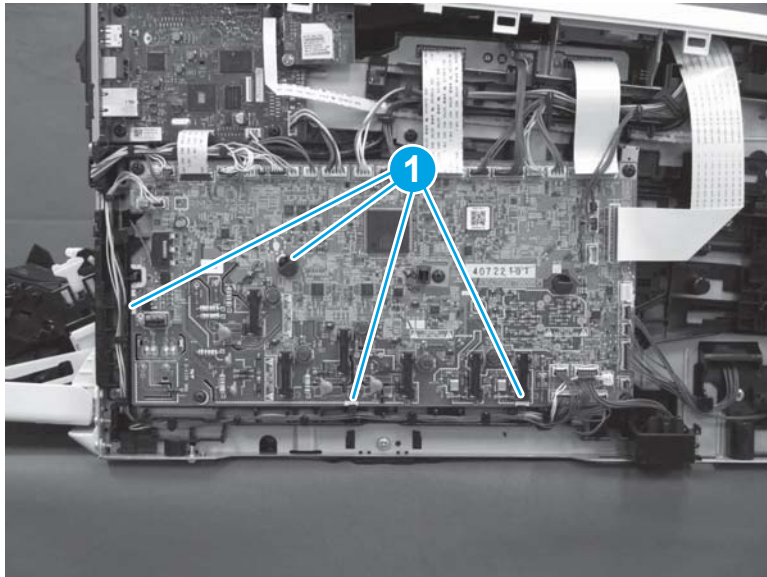
1. Position the engine controller PCA on the printer.

Figure 1-2406 Position the engine controller PCA



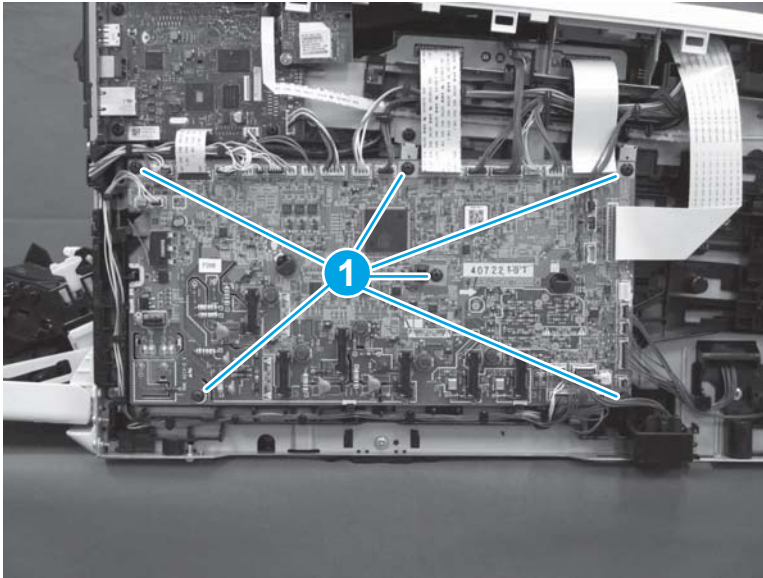
2. Install four tabs (callout 1).

Figure 1-2407 Install four tabs



3. Install six screws (callout 1).

Figure 1-2408 Install six screws



4. Connect all of the connectors on the engine controller PCA. Note that one connector (callout 1) is a zero-insertion force (ZIF) connector. Lift the latch on the connector before installing the flat cable, and then secure the latch once the cable is installed.


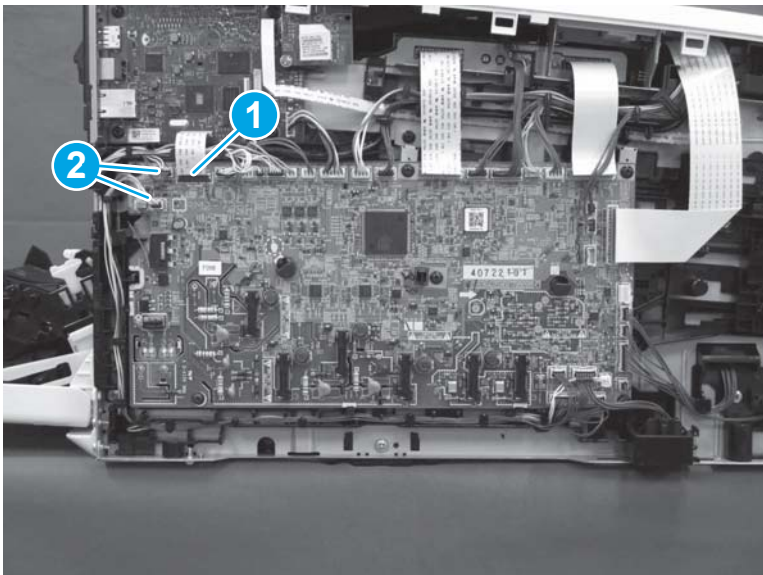

 **IMPORTANT: Duplex printers only:** Two of the cables (callout 2) can be inadvertently switched when reinstalling. The connectors on the cables will fit in either connector on the engine controller PCA. Make sure that these cables are installed in the correct connectors. If these cables are switched, the printer will experience a repeatable jam when printing duplex jobs.

Figure 1-2409 Connect all of the connectors

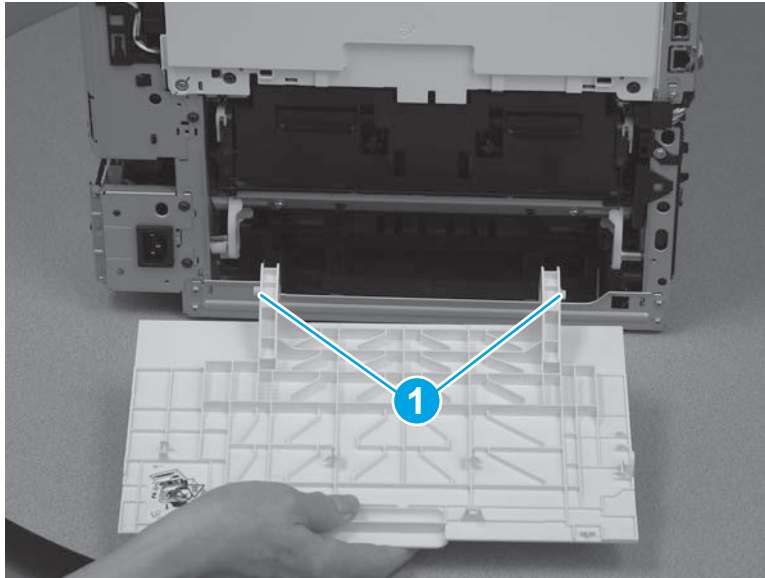


Step 17: Install the rear door (simplex models)

 **NOTE:** This step is for simplex models. For duplex models, skip this step and go to [Step 18: Install the duplexer door assembly \(duplex models\) on page 1293](#).

- ▲ Slightly flex the door hinge arms to install two hinge pins (callout 1).

Figure 1-2410 Install the rear door

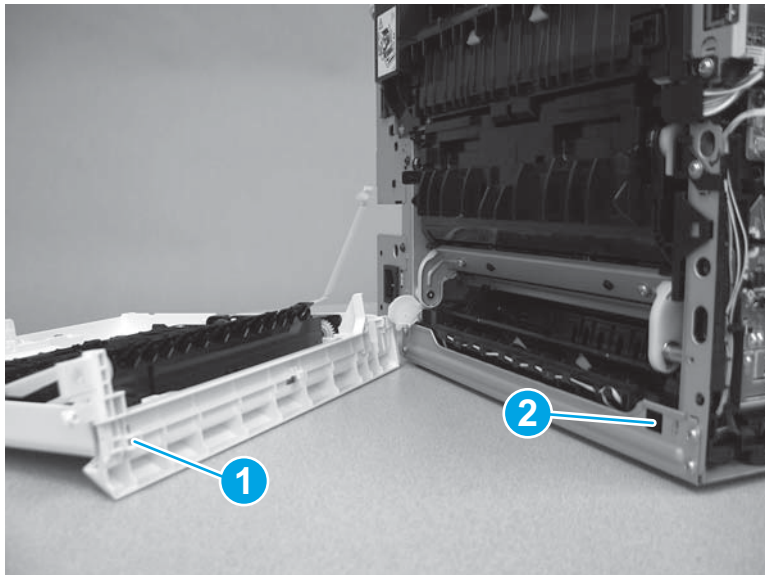


Step 18: Install the duplexer door assembly (duplex models)

 **NOTE:** This step is for duplex models. For simplex models, skip this step and go to [Step 19: Install the left cover \(M452 models\) on page 1295](#).

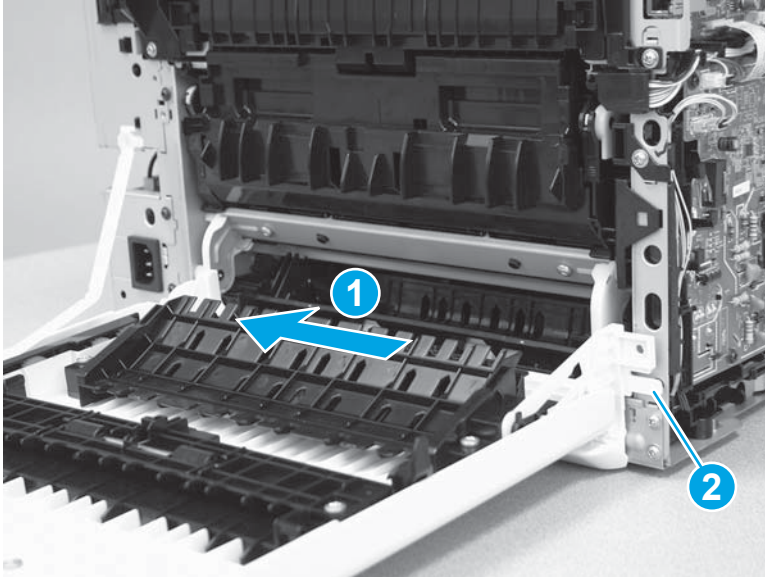
1. Position the tab (callout 1) on the door into the slot (callout 2) on the printer.

Figure 1-2411 Position the tab in the slot



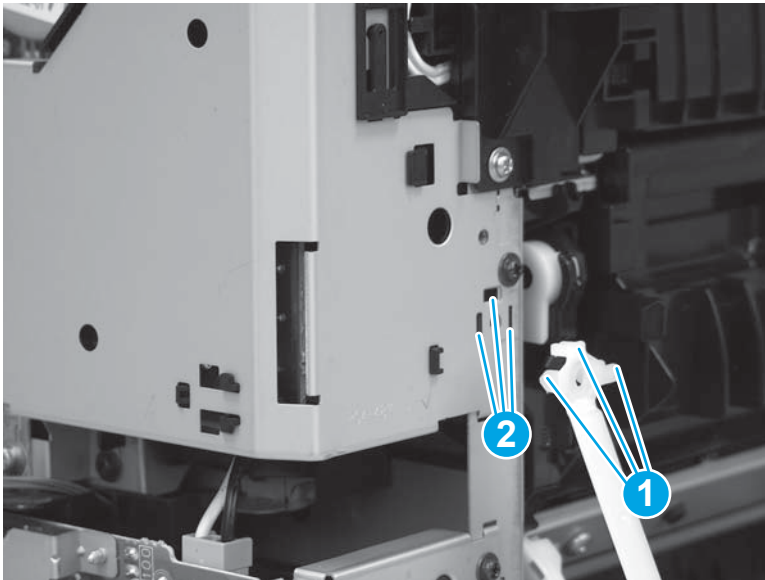
2. Slide the door to the left (callout 1) until the tab (callout 2) snaps into place.

Figure 1-2412 Install the duplexer door



3. Install the tabs (callout 1) on the retaining arm into the slots (callout 2) in the printer.

Figure 1-2413 Install the retaining arm



4. At the back of the printer, install two screws (callout 1), and then install one screw (callout 2) that holds the retention arm.


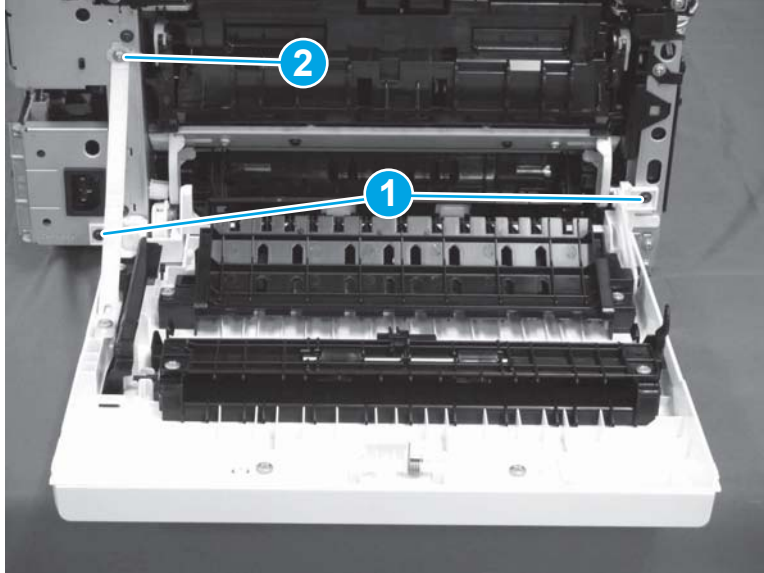

 **Reinstallation tip:** Note that the screw (callout 2) that holds the retention arm is longer than the other two. Make sure this screw is installed in the correct position.

Figure 1-2414 Install three screws

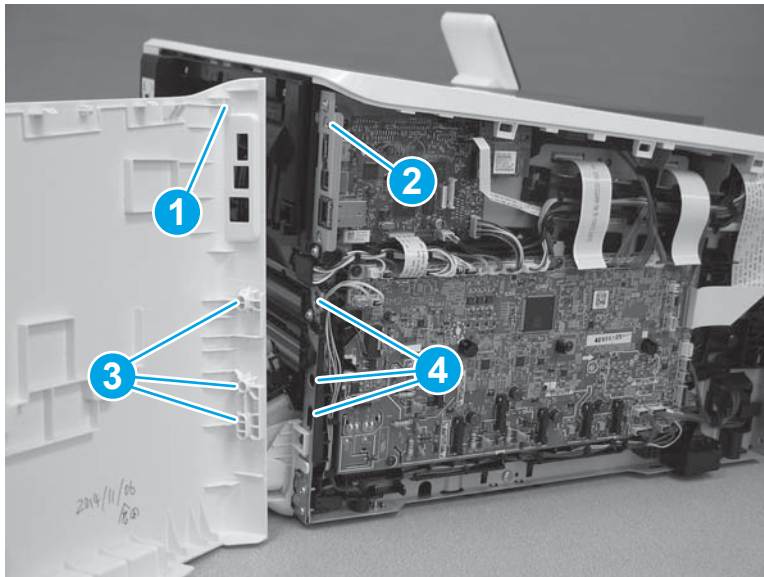


Step 19: Install the left cover (M452 models)

 **NOTE:** This step is for the M452 models. For the M377, M477 models, skip this step and go to [Step 20: Install the left cover \(M377, M477 models\) on page 1299](#).

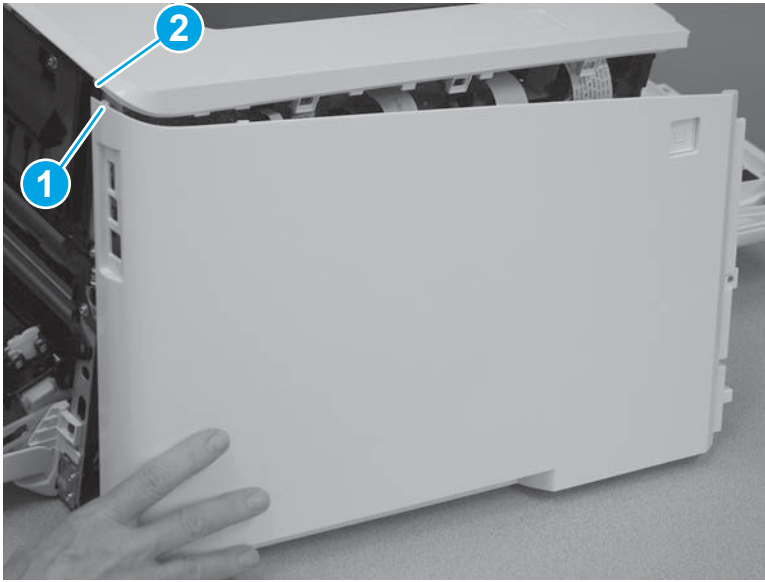
1. Position the hook (callout 1) on the cover in the slot (callout 2) on the printer. Position three tabs (callout 3) on the back of the cover in the slots (callout 4) in the printer.

Figure 1-2415 Position three tabs



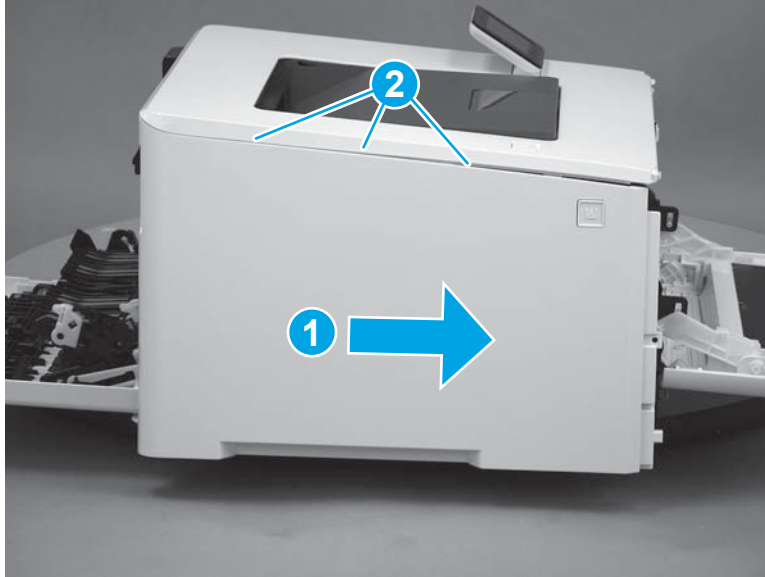
2. At the back of the printer, install the tab (callout 1) under the edge of the top cover (callout 2).

Figure 1-2416 Install one tab



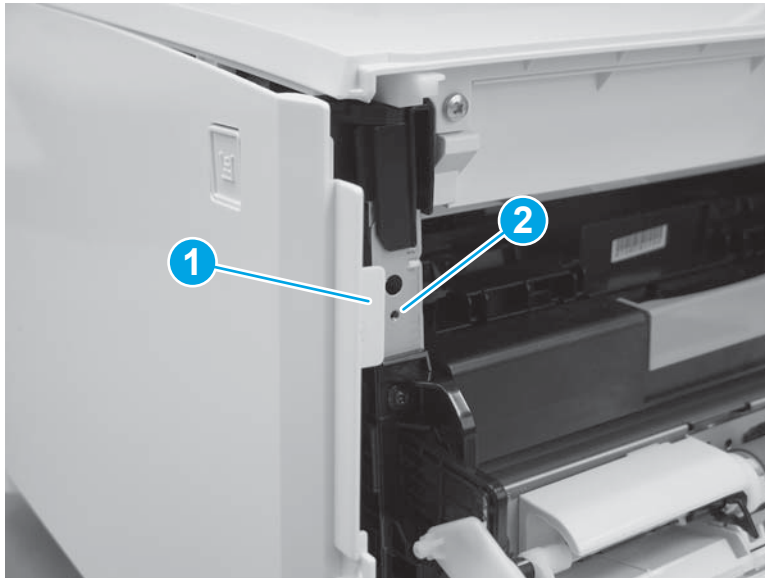
3. Slide the cover toward the front of the printer (callout 1), and then engage three tabs (callout 2) on the top of the cover.

Figure 1-2417 Install the left cover



⚠ CAUTION: Make sure that the tab (callout 1) does not get caught behind the printer frame (callout 2).

Figure 1-2418 Make sure the tab does not get caught



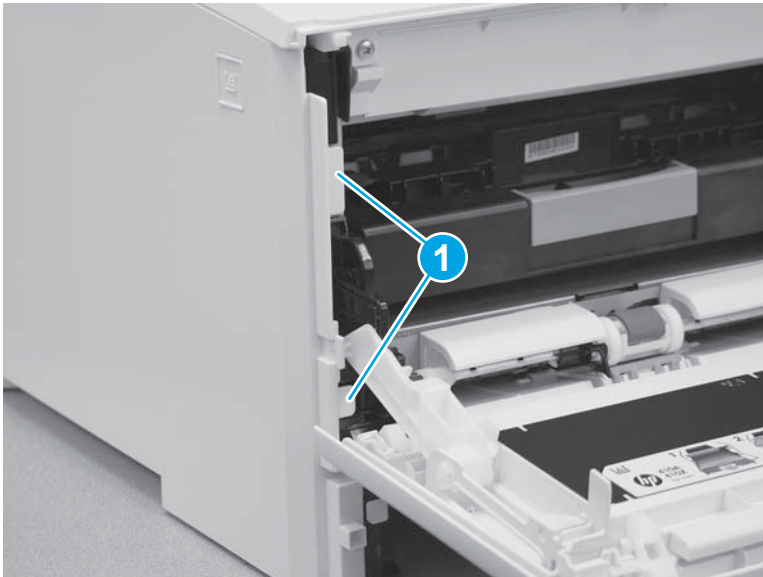
4. Slide the printer to the edge of a work surface in order to access the tabs on the bottom of the cover. Beginning from the back of the cover, install four tabs (callouts 1-4) on the lower edge of the cover.

Figure 1-2419 Install four tabs



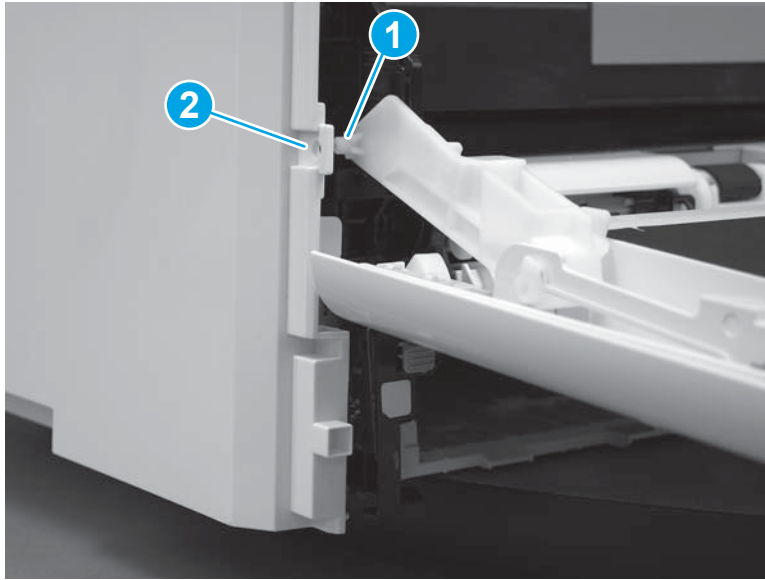
5. Install two tabs (callout 1) at the front of the cover.

Figure 1-2420 Engage two tabs



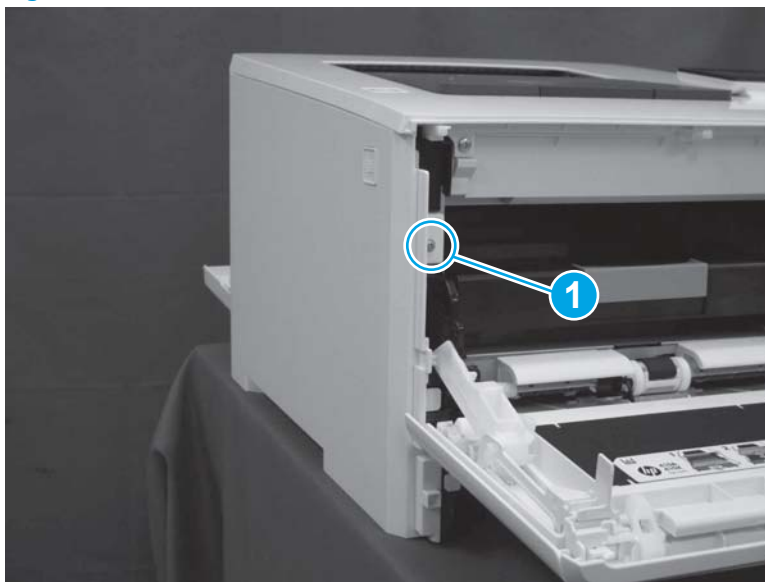
6. Make sure that the hinge pin (callout 1) on the front door fits into the slot (callout 2) on the left cover.

Figure 1-2421 Install hinge pin




7. Install one screw (callout 1).

Figure 1-2422 Install one screw

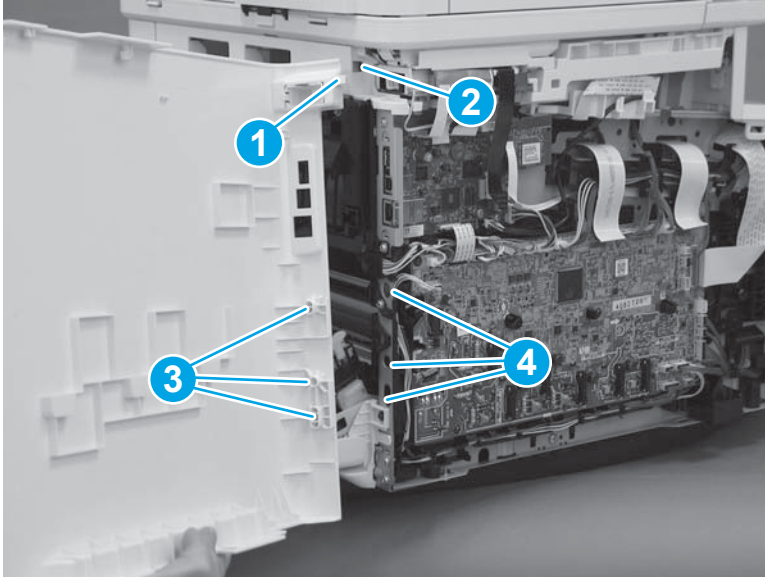


Step 20: Install the left cover (M377, M477 models)

 **NOTE:** This step is for the M377, M477 models. For the M452 models, skip this step and go to [Step 21: Install the right cover \(M452 models\) on page 1306](#).

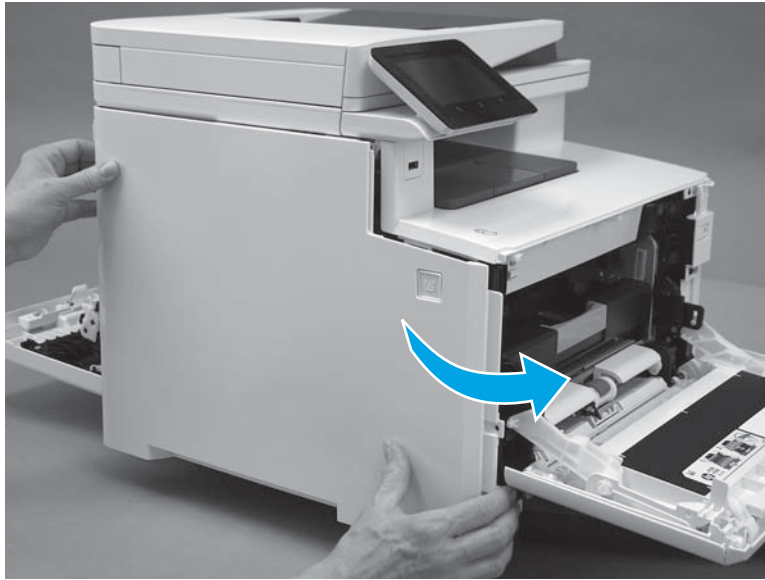
1. At the back of the printer, install the tab (callout 1) on the cover into the slot (callout 2) in the printer. Install the locator pins (callout 3) into the slots (callout 4) in the printer.

Figure 1-2423 Install one tab



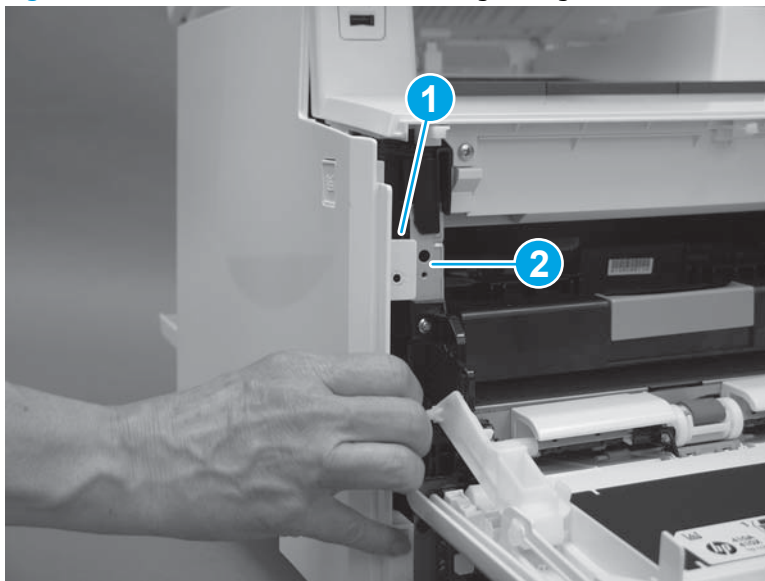
2. Rotate the cover toward the printer.

Figure 1-2424 Rotate the left cover



⚠ CAUTION: Make sure that the tab (callout 1) does not get caught behind the printer frame (callout 2).

Figure 1-2425 Make sure the tab does not get caught



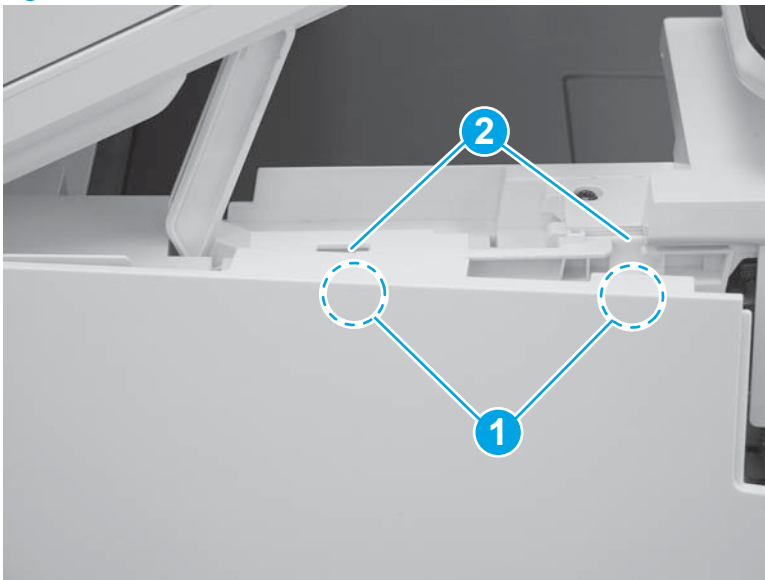
3. Raise the scanner.

Figure 1-2426 Raise the scanner



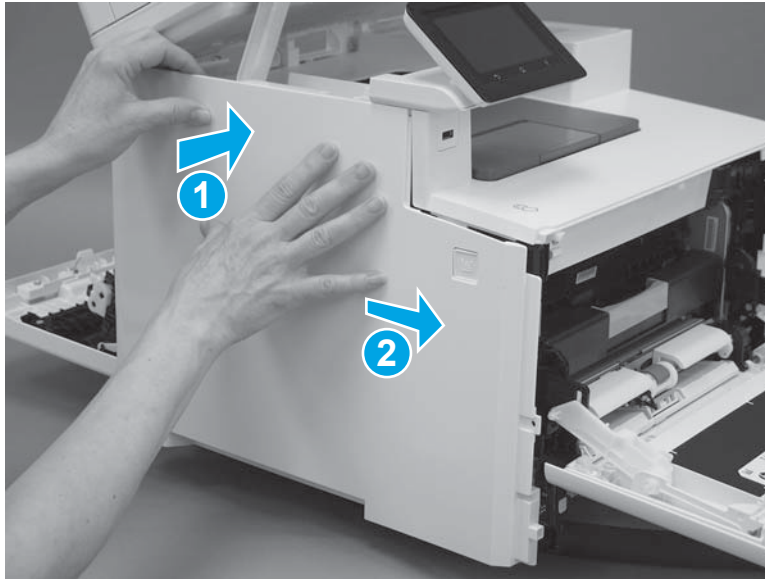
4. Position the hooks (callout 1) on the inside of the cover into the slots (callout 2) on the printer.

Figure 1-2427 Position the hooks in the slots



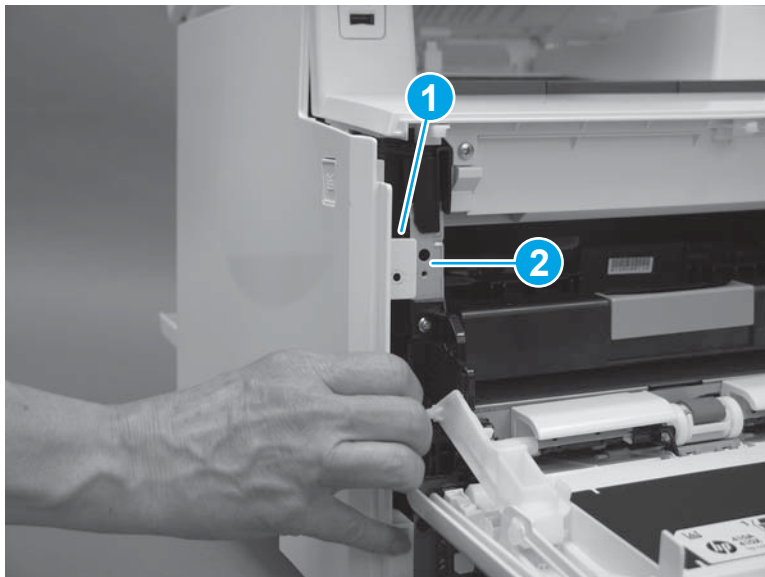
5. Hold the cover against the printer (callout 1), and then slide it (callout 2) toward the front of the printer.

Figure 1-2428 Install the top hooks



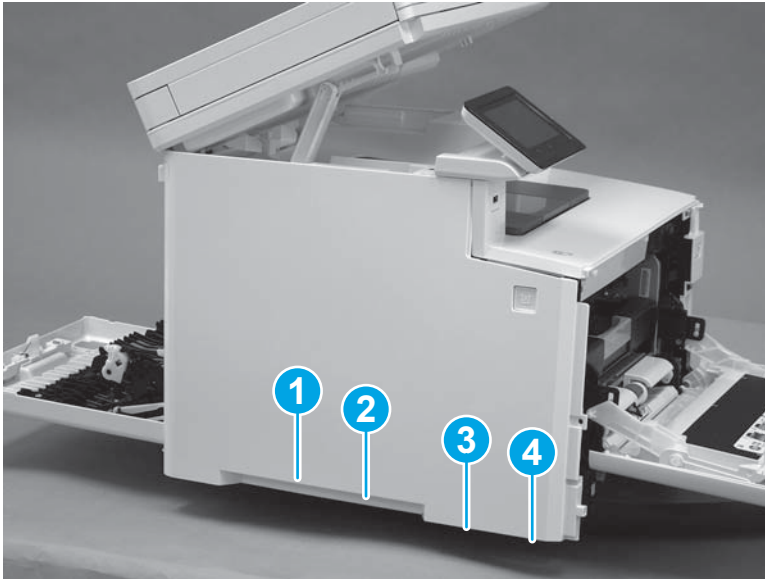
⚠ CAUTION: Make sure that the tab (callout 1) on the front of the cover does not get caught behind the printer frame (callout 2).

Figure 1-2429 Make sure the tab does not get caught



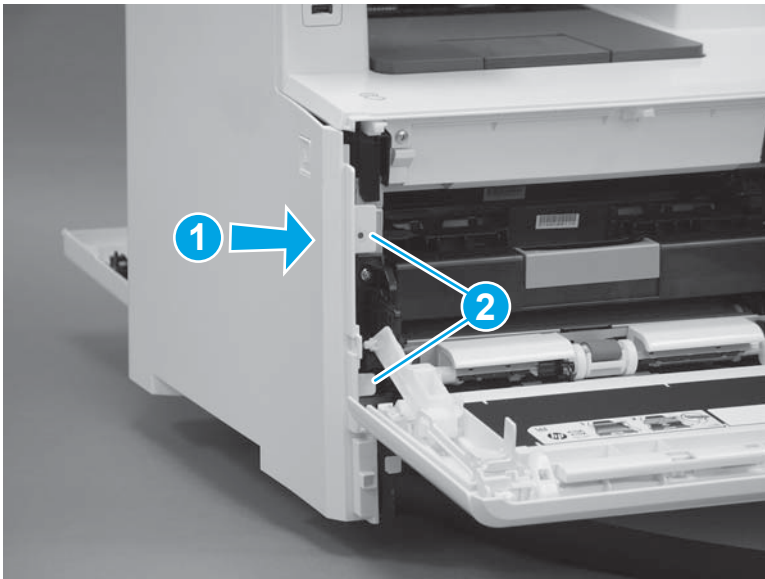
6. Slide the printer to the edge of a work surface in order to access the tabs on the bottom of the cover. Beginning from the back of the cover, install four tabs (callouts 1-4) on the lower edge of the cover.

Figure 1-2430 Install four tabs



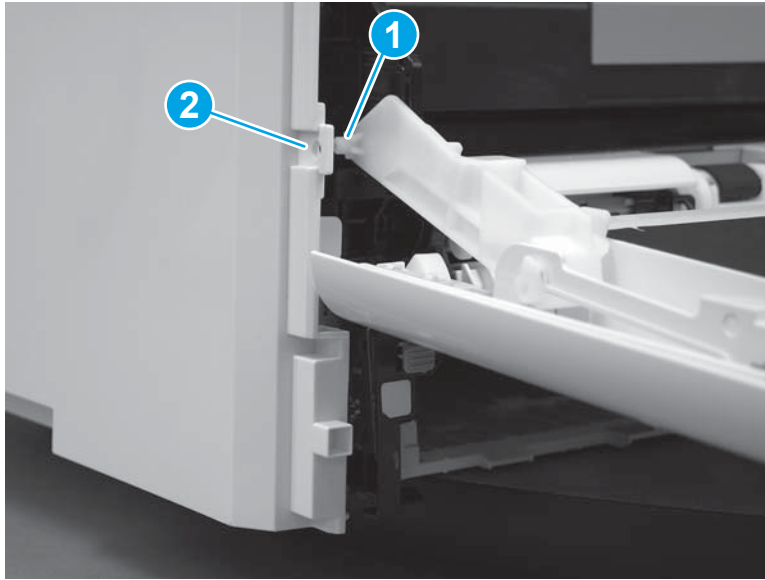
7. Press the cover toward the printer (callout 1), and then install two tabs (callout 2) at the front of the cover.

Figure 1-2431 Install two tabs



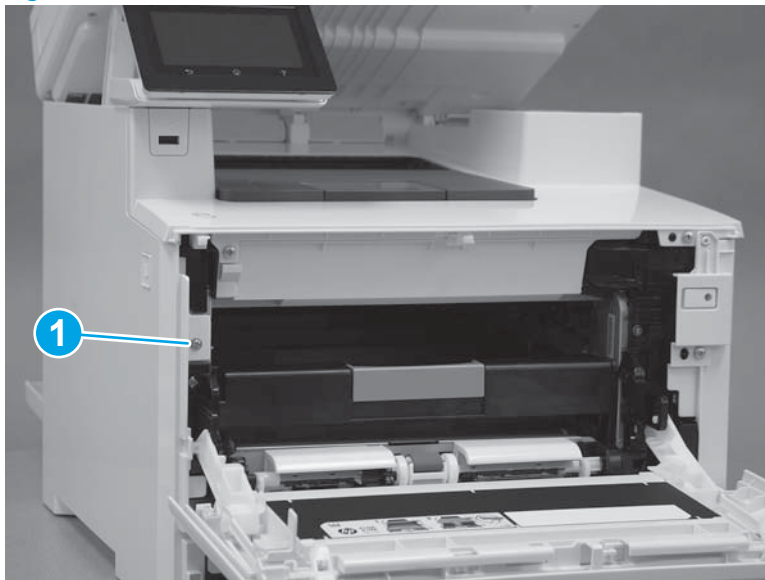
8. Make sure that the hinge pin (callout 1) on the front door fits into the slot (callout 2) on the left cover.

Figure 1-2432 Install hinge pin



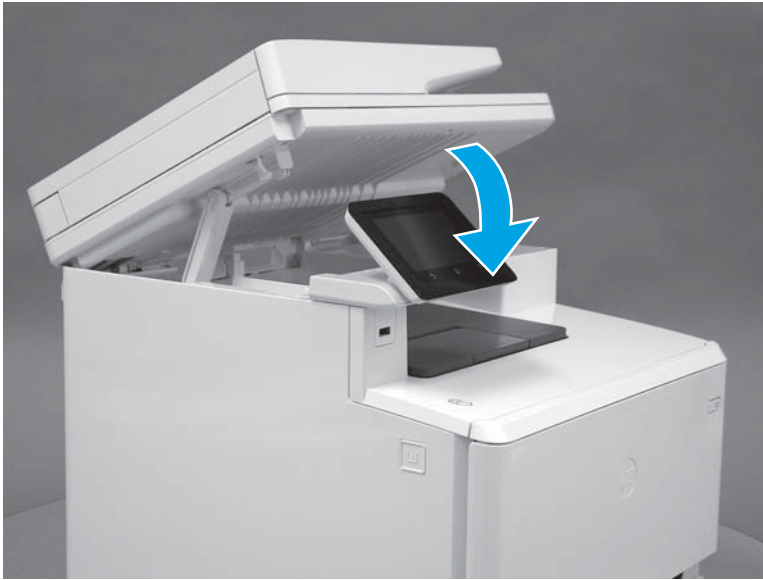
9. Install one screw (callout 1).

Figure 1-2433 Install one screw



10. Lower the scanner.

Figure 1-2434 Lower the scanner

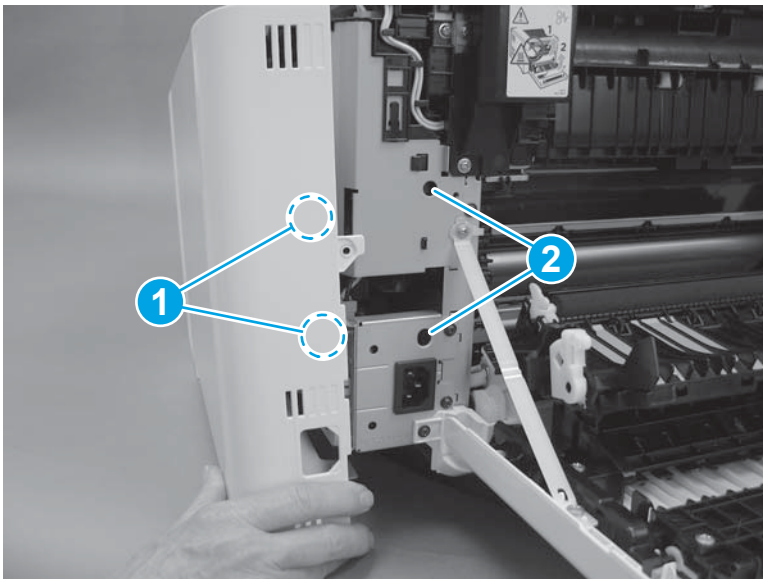


Step 21: Install the right cover (M452 models)

 **NOTE:** This step is for the M452 models. For the M377, M477 models, skip this step and go to [Step 22: Install the right cover \(M377, M477 models\) on page 1310.](#)

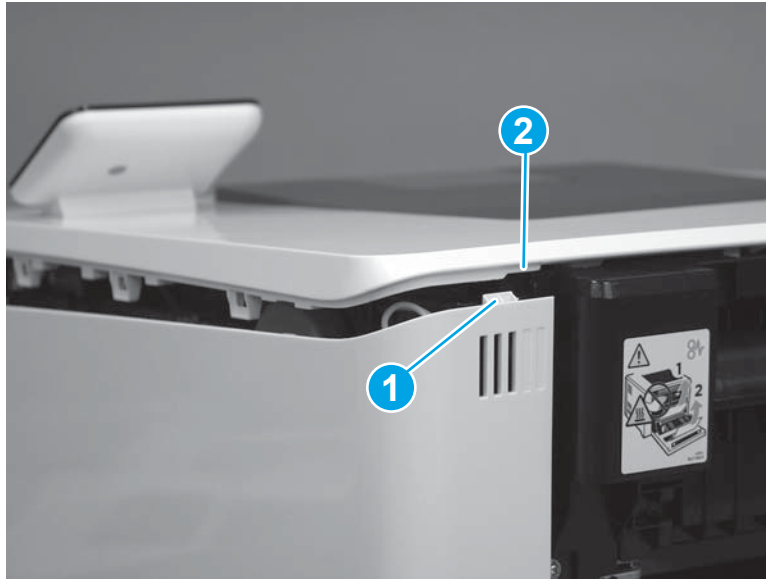
1. Position two tabs (callout 1) on the back of the cover in the slots (callout 2) in the printer.

Figure 1-2435 Position two tabs



2. At the back of the printer, install the tab (callout 1) under the edge of the top cover (callout 2).

Figure 1-2436 Install rear tab



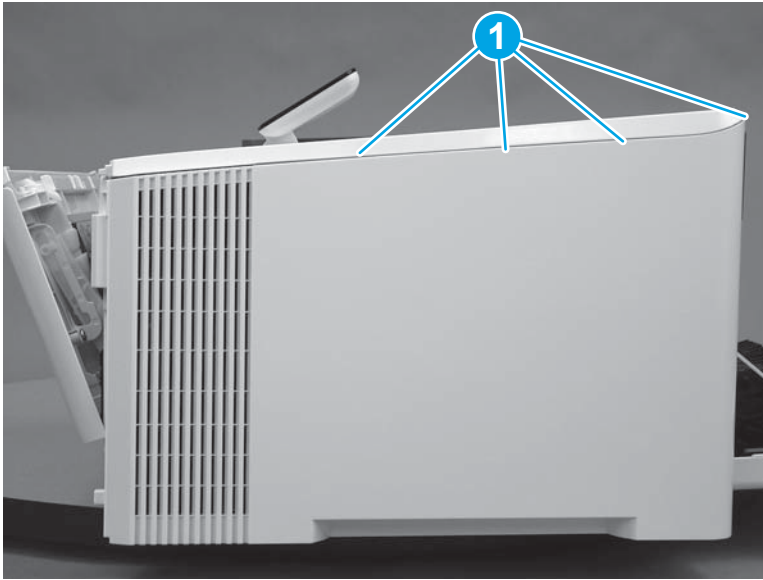
3. Slide the cover toward the front of the printer to install it.

Figure 1-2437 Install the right cover



- Engage three tabs (callout 2) on the top of the cover.

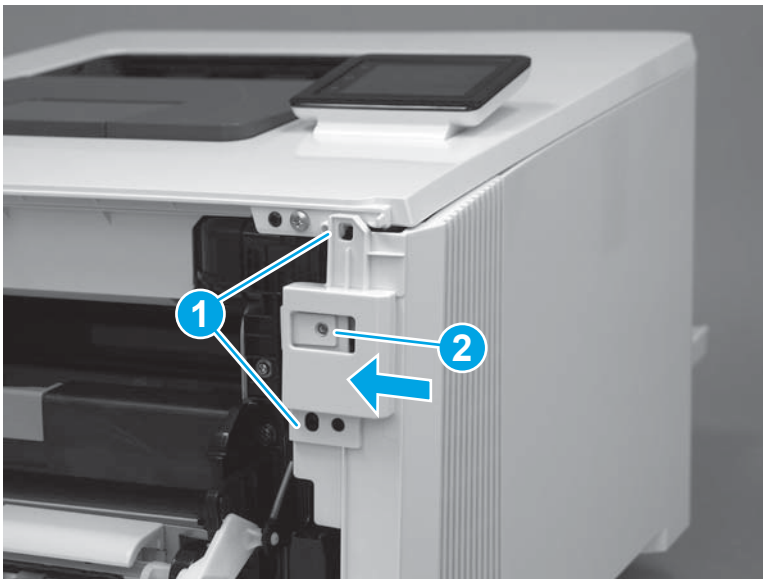
Figure 1-2438 Install upper tabs



- At the front of the printer, position the front of the cover over two tabs (callout 1).

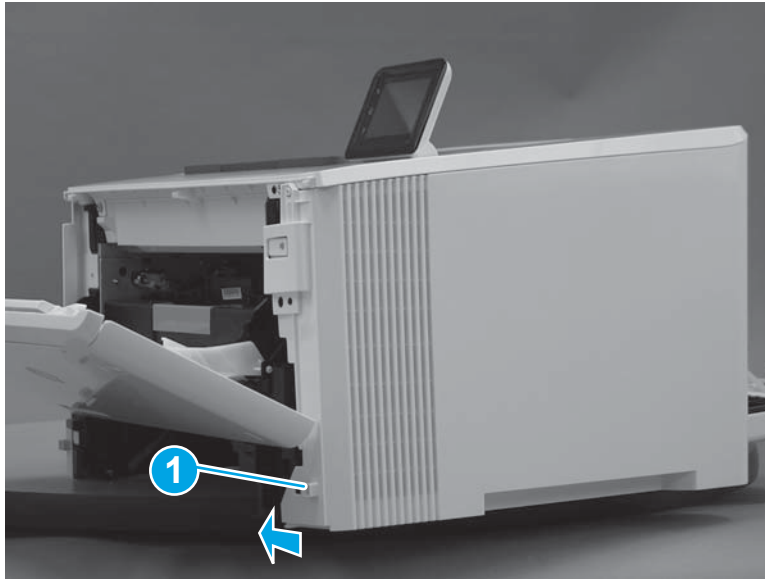
CAUTION: Be careful not to dislodge the power switch (callout 2).

Figure 1-2439 Install the front tabs



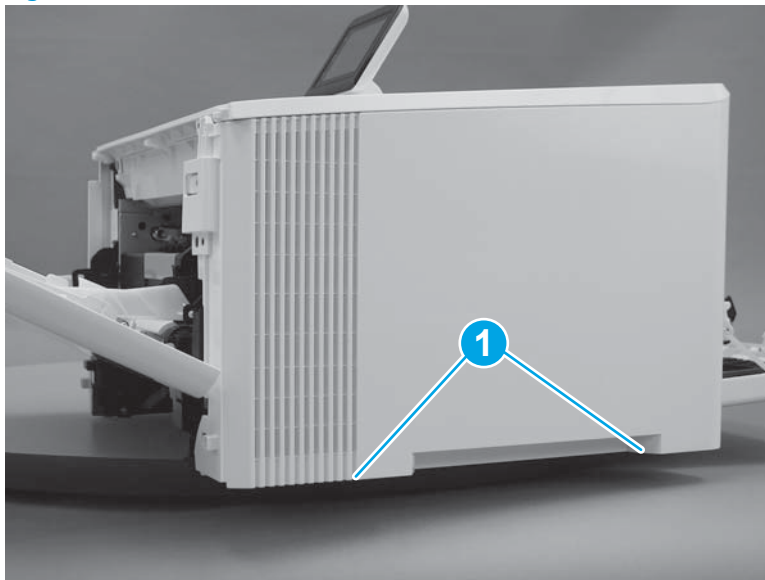
6. Press the right cover toward the printer to engage one tab (callout 1) on the front of the cover.

Figure 1-2440 Install the front lower tab



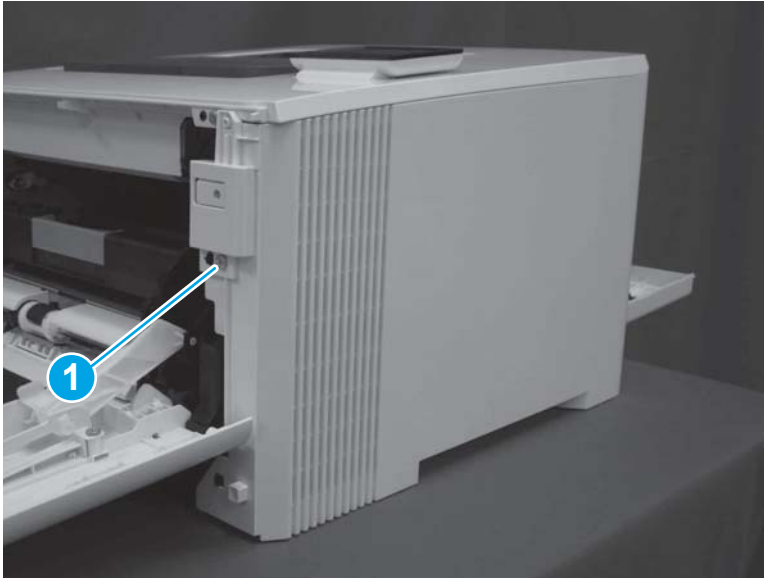
7. Install two tabs on the bottom of the cover (callout 1).

Figure 1-2441 Install two tabs



8. At the front of the printer, install one screw (callout 1).

Figure 1-2442 Install one screw




9. At the back of the printer, install one screw (callout 1).

Figure 1-2443 Install one screw

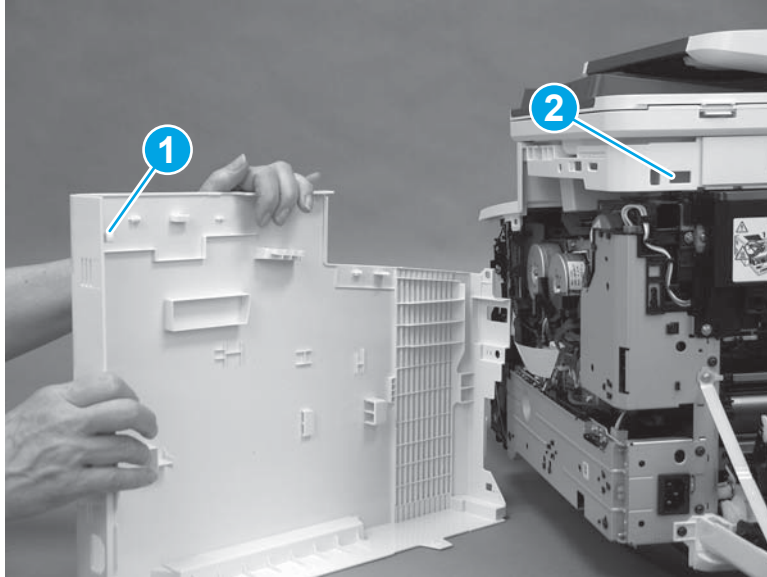


Step 22: Install the right cover (M377, M477 models)

 **NOTE:** This step is for the M377, M477 models. For the M452 models, skip this step and go to [Step 23: Close the rear door or duplexer door on page 1316](#).

1. At the back of the printer, install the tab (callout 1) on the cover into the slot (callout 2) on the printer.

Figure 1-2444 Install rear tab



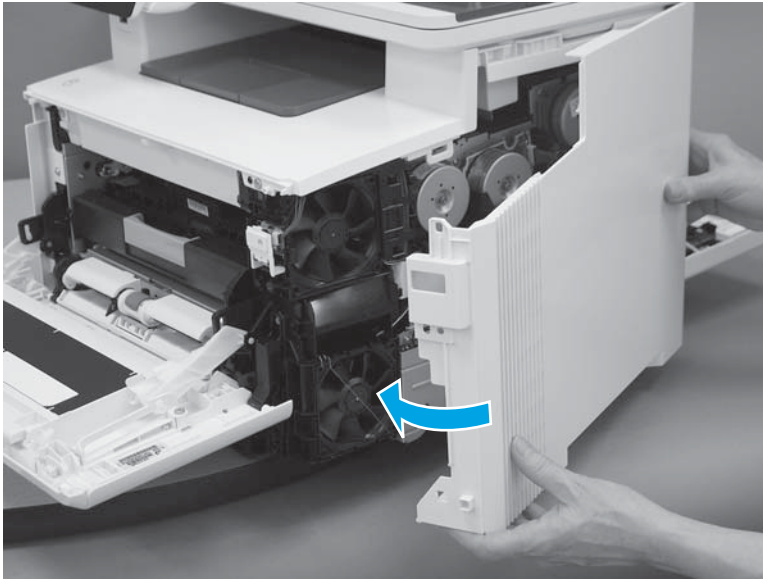
2. Raise the scanner.

Figure 1-2445 Raise the scanner



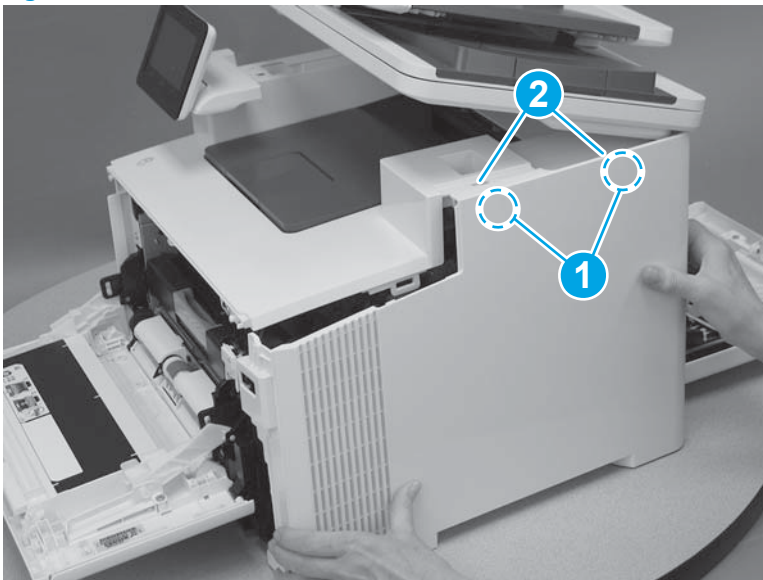
3. Rotate the right cover toward the printer.

Figure 1-2446 Rotate the right cover



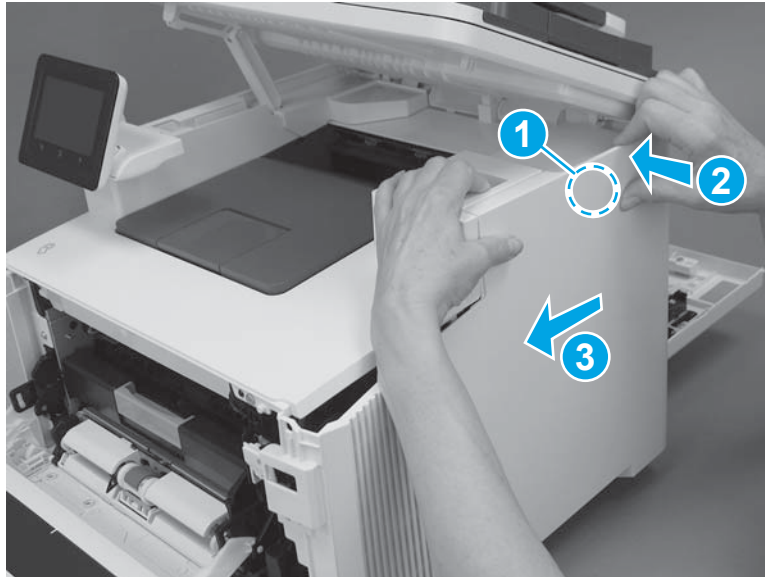
4. Position the hooks (callout 1) on the inside of the cover into the slots (callout 2) in the printer.

Figure 1-2447 Position the hooks in the slots



- Engage one hook (callout 1) on the inside of the cover. Hold the top of the cover closed (callout 2) while sliding the cover toward the front of the printer (callout 3).

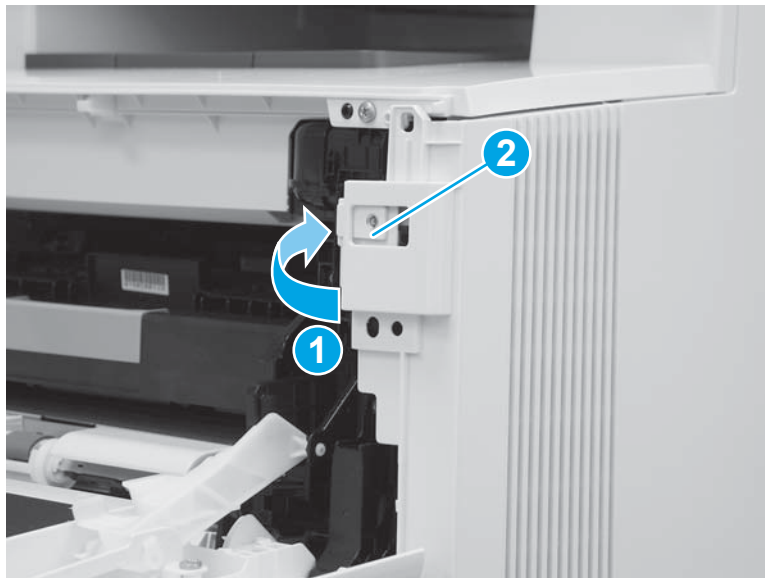
Figure 1-2448 Slide the cover



- Rotate the front of the cover toward the printer (callout 1).

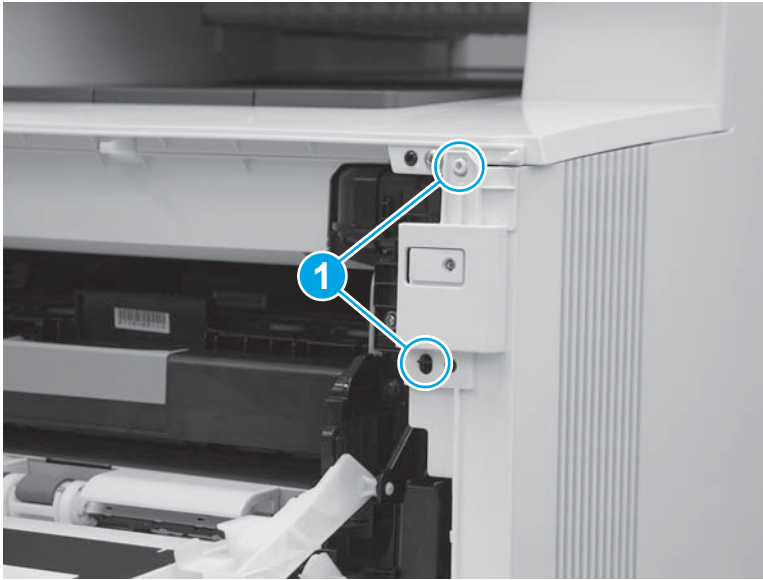
⚠ CAUTION: Be careful not to dislodge the power switch (callout 2).

Figure 1-2449 Rotate the front of the cover



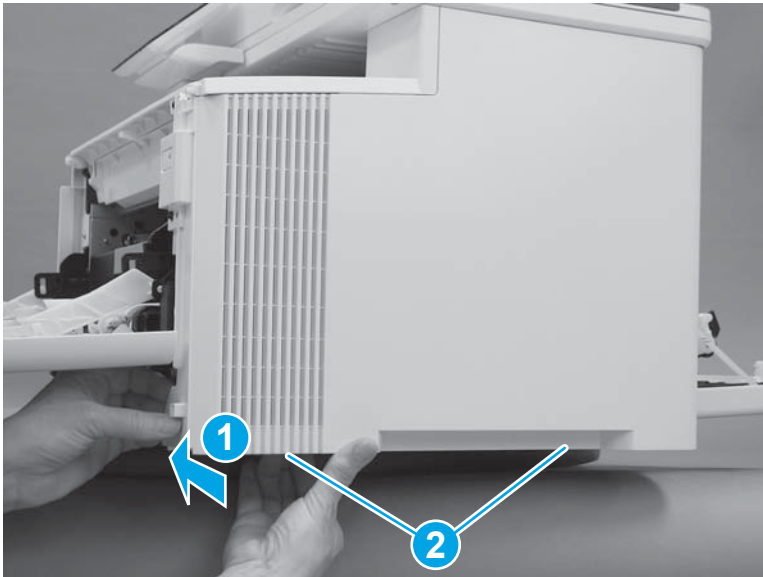
7. Install two tabs at the front of the printer (callout 1).

Figure 1-2450 Install two tabs



8. Press the right cover toward the printer (callout 1) to engage one tab on the front of the cover, and two tabs (callout 2) on the lower edge of the cover.

Figure 1-2451 Install the front and lower tabs



9. At the front of the printer, install one screw (callout 1).

Figure 1-2452 Install one screw



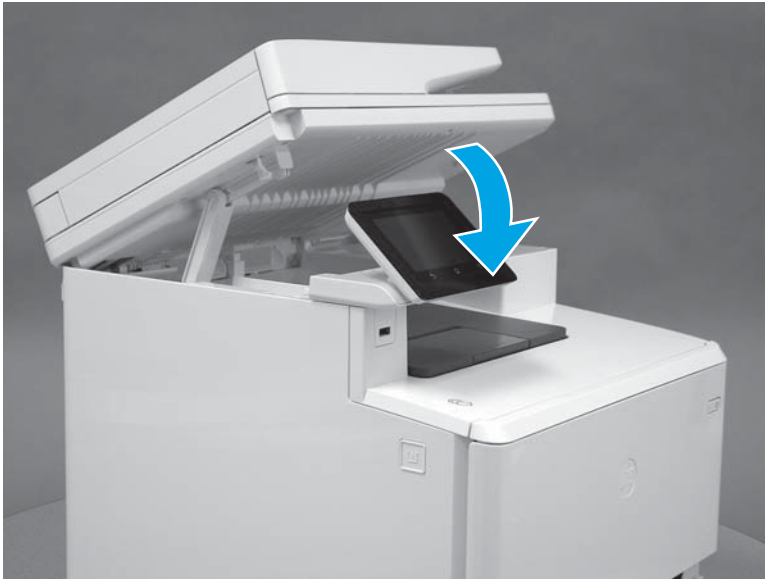
10. At the back of the printer, install one screw (callout 1).

Figure 1-2453 Install one screw



11. Lower the scanner.

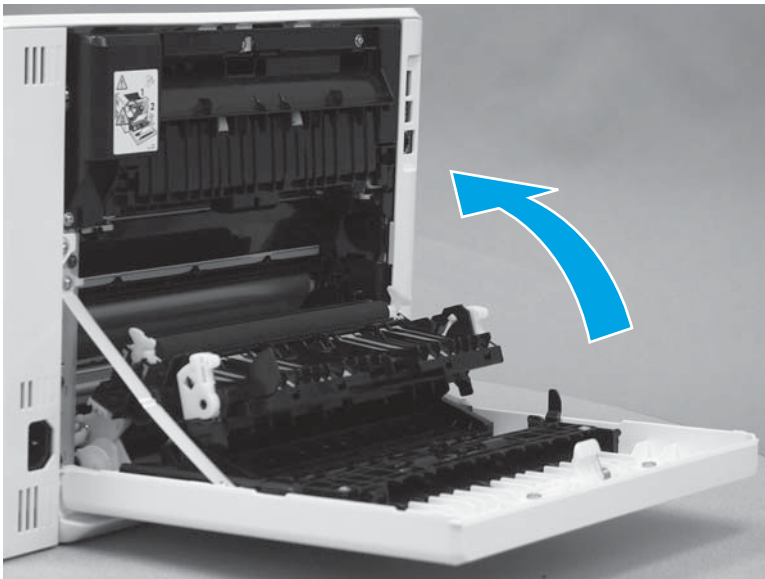
Figure 1-2454 Lower the scanner



Step 23: Close the rear door or duplexer door

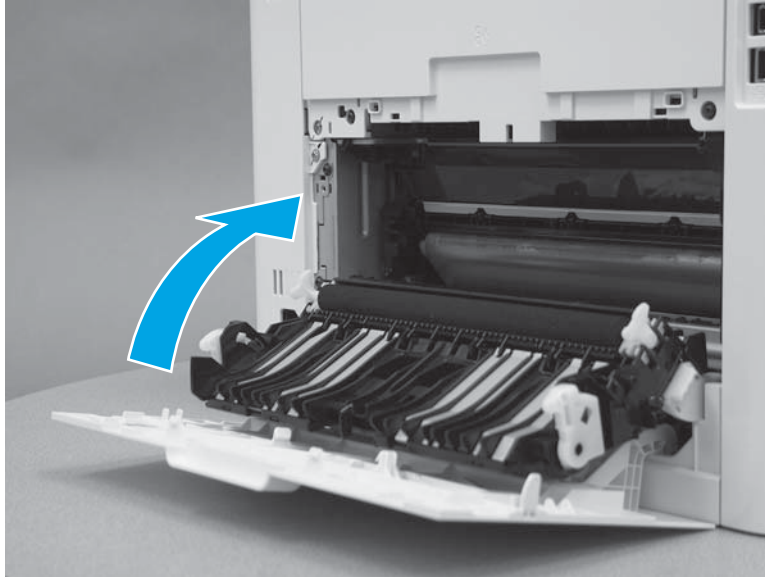
1. **Duplex models:** Close the duplexer door.

Figure 1-2455 Close the duplexer door



2. **Simplex models:** Close the rear door.

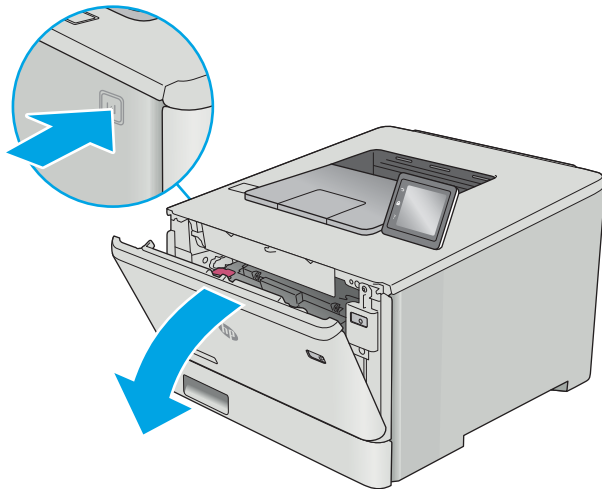
Figure 1-2456 Close the rear door



Step 24: Install the toner cartridges

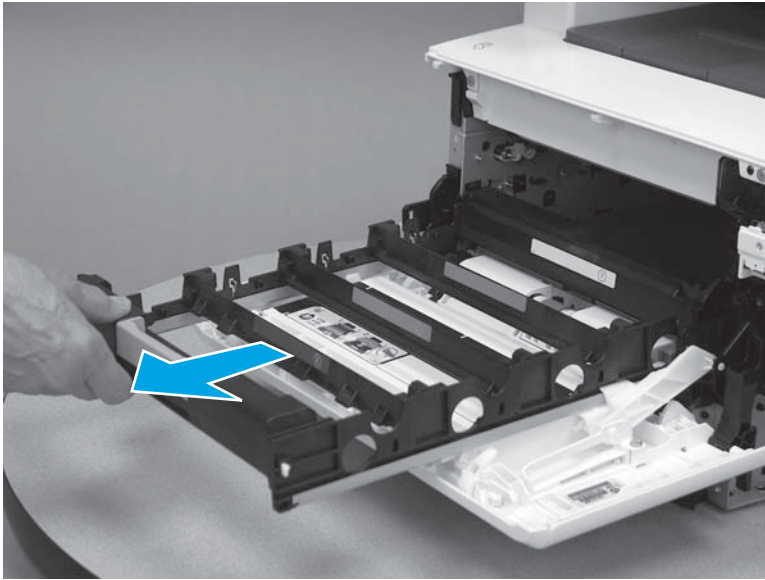
1. Open the front door by pressing the button on the left cover.

Figure 1-2457 Open the front door



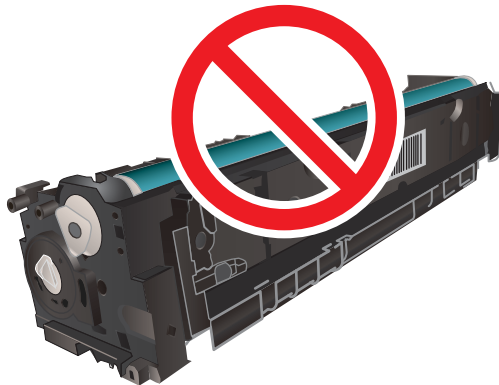
2. Slide the cartridge tray out of the printer.

Figure 1-2458 Slide the cartridge tray out



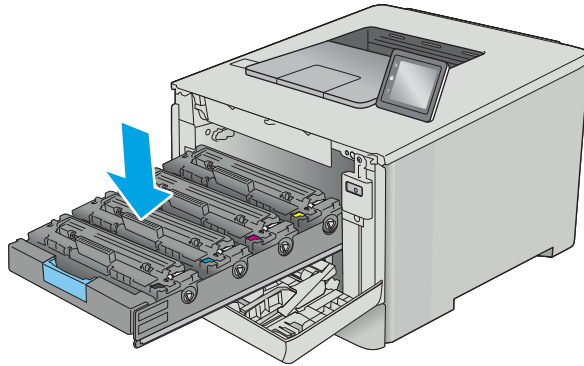
3. Do not touch the imaging drum on the bottom of the toner cartridge. Fingerprints on the imaging drum can cause print-quality problems.

Figure 1-2459 Do not touch imaging drum



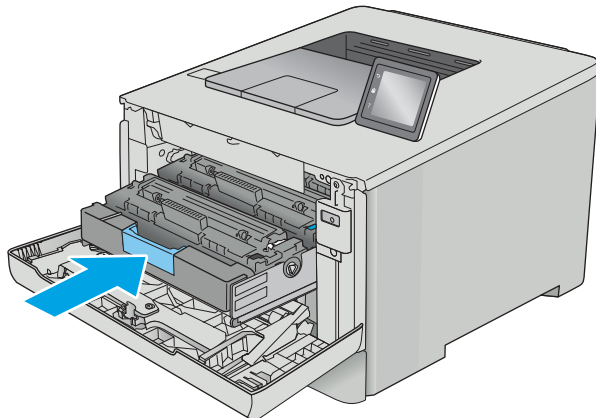
4. Insert the toner cartridge into the tray. Make sure that the color chip on the cartridge matches the color chip on the tray. Repeat this step for each toner cartridge.

Figure 1-2460 Install a toner cartridge



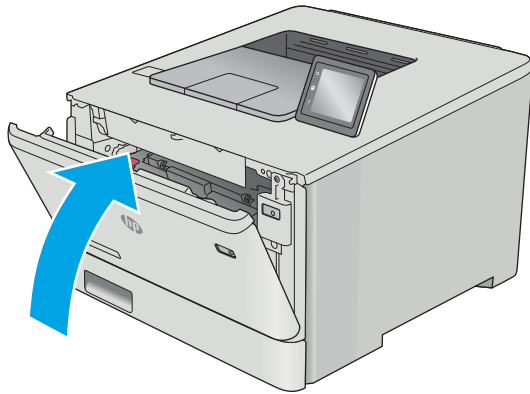
5. Close the toner cartridge drawer.

Figure 1-2461 Close the toner cartridge drawer



6. Close the front door.

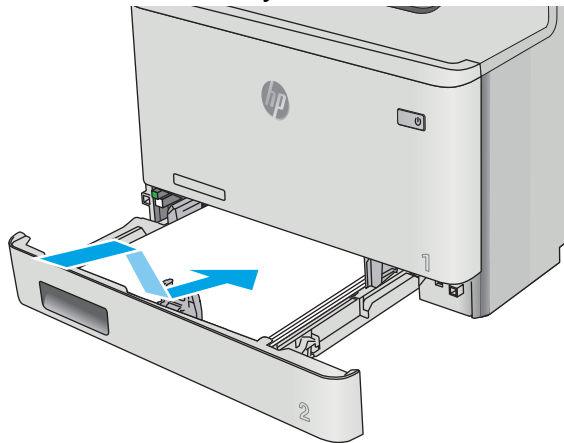
Figure 1-2462 Close the front door



Step 25: Install Tray 2

- ▲ With the front of the tray slightly lifted, align the sides of the tray with the rails in the printer, and then carefully slide the tray into the printer. As the tray slides into the printer, lower the front of the tray, and then close it.

Figure 1-2463 Install the tray



Removal and replacement: Pickup assembly

- [Introduction](#)
- [Step 1: Remove Tray 2](#)
- [Step 2: Remove the toner cartridges](#)
- [Step 3: Open the rear door or duplexer door](#)
- [Step 4: Remove the right cover \(M452 models\)](#)
- [Step 5: Remove the right cover \(M377, M477 models\)](#)
- [Step 6: Remove the left cover \(M452 models\)](#)
- [Step 7: Remove the left cover \(M377, M477 models\)](#)
- [Step 8: Remove the duplexer door assembly \(duplex models\)](#)
- [Step 9: Remove the rear door \(simplex models\)](#)
- [Step 10: Remove the engine controller PCA](#)
- [Step 11: Remove the driver PCA](#)
- [Step 12: Remove the low-voltage power supply](#)
- [Step 13: Remove the pickup motor](#)
- [Step 14: Remove the re-pickup assembly \(duplex models\)](#)
- [Step 15: Remove the lifter drive assembly](#)
- [Step 16: Remove the pickup assembly](#)
- [Step 17: Unpack the replacement part](#)
- [Step 18: Install the pickup assembly](#)
- [Step 19: Install the lifter drive assembly](#)
- [Step 20: Install the re-pickup assembly \(duplex models\)](#)
- [Step 21: Install the pickup motor](#)
- [Step 22: Install the low-voltage power supply](#)
- [Step 23: Install the driver PCA](#)
- [Step 24: Install the engine controller PCA](#)
- [Step 25: Install the rear door \(simplex models\)](#)
- [Step 26: Install the duplexer door assembly \(duplex models\)](#)
- [Step 27: Install the left cover \(M452 models\)](#)
- [Step 28: Install the left cover \(M377, M477 models\)](#)
- [Step 29: Install the right cover \(M452 models\)](#)

- [Step 30: Install the right cover \(M377, M477 models\)](#)
- [Step 31: Close the rear door or duplexer door](#)
- [Step 32: Install the toner cartridges](#)
- [Step 33: Install Tray 2](#)

Introduction

This document provides the procedures to remove and replace the pickup assembly.

Before you begin

- Turn off the printer.
- Disconnect the power cable.

⚠ WARNING! To avoid damage to the printer, turn the printer off, wait 30 seconds, and then remove the power cord before attempting to service the printer.

- Use the table below to identify the correct part number for your printer. To order the part, go to www.hp.com/buy/parts.

| Pickup assembly part number | |
|-----------------------------|-----------------|
| RM2-6372-000CN | Pickup assembly |

Required tools

- #2 Phillips screwdriver with a magnetic tip
- Small flat-blade screwdriver

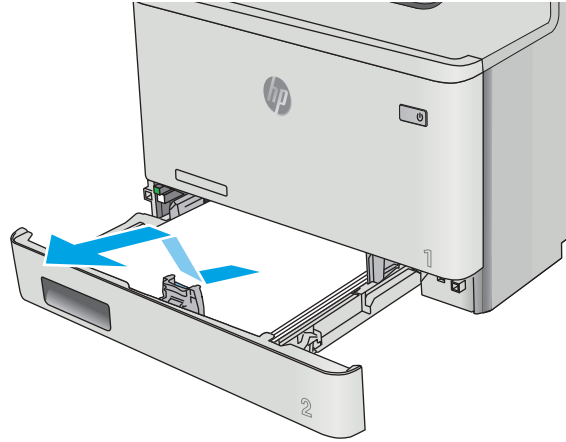
After performing service

- Connect the power cable.
- Use the power switch to turn the power on.


Step 1: Remove Tray 2

- ▲ Pull the tray out until it stops. Lift the front of the tray, and then pull it out of the printer to remove it.

Figure 1-2464 Remove the tray

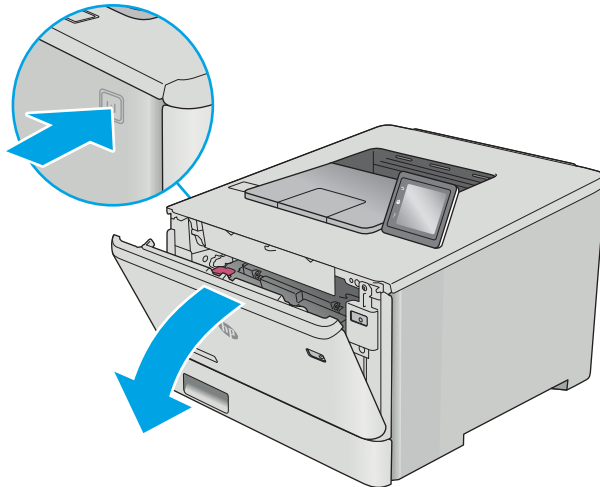


Step 2: Remove the toner cartridges

 **NOTE:** The M452 model is pictured in the figures in this section. The procedure is the same for the M377, M477 models.

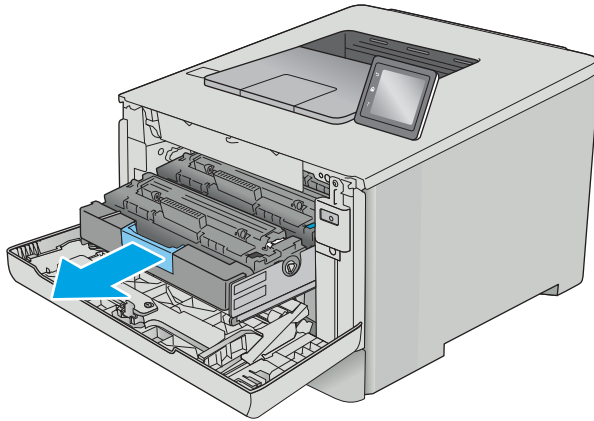
1. Open the front door by pressing the button on the left cover.

Figure 1-2465 Open the front door



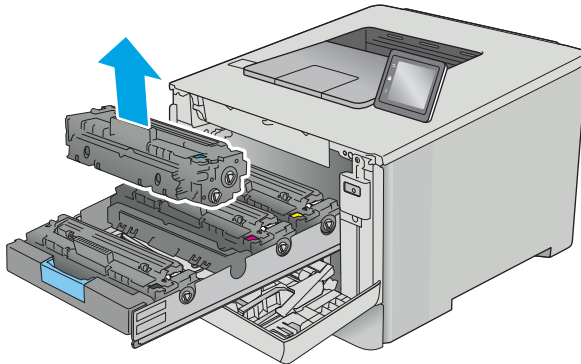
2. Grasp the blue handle on the toner cartridge tray, and then pull out the tray.

Figure 1-2466 Open the cartridge drawer



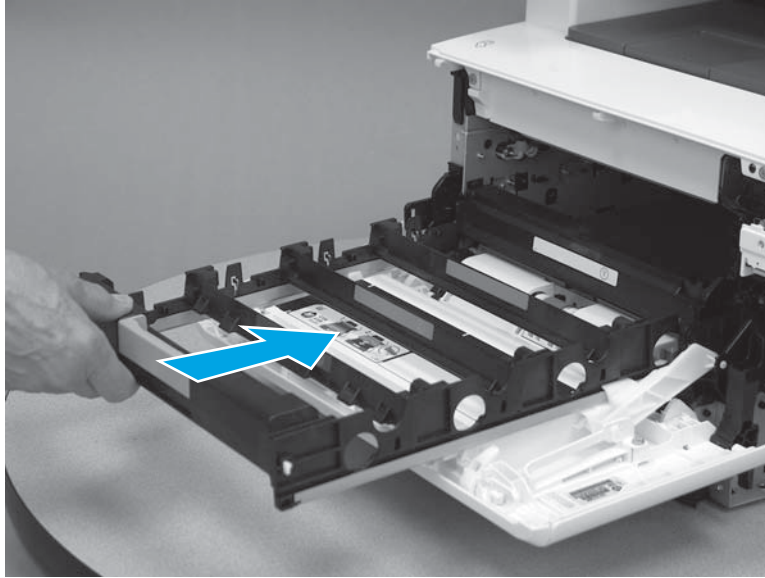
3. Grasp the handle on the toner cartridge, and then pull the toner cartridge straight up to remove it. Repeat this step for each toner cartridge.

Figure 1-2467 Remove the toner cartridge



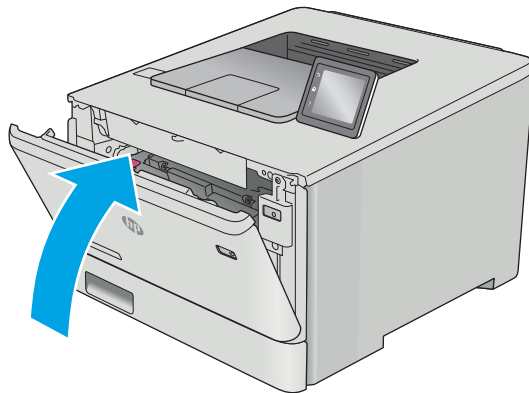
4. Slide the cartridge tray into the printer.

Figure 1-2468 Slide the cartridge tray in



5. Close the front door.

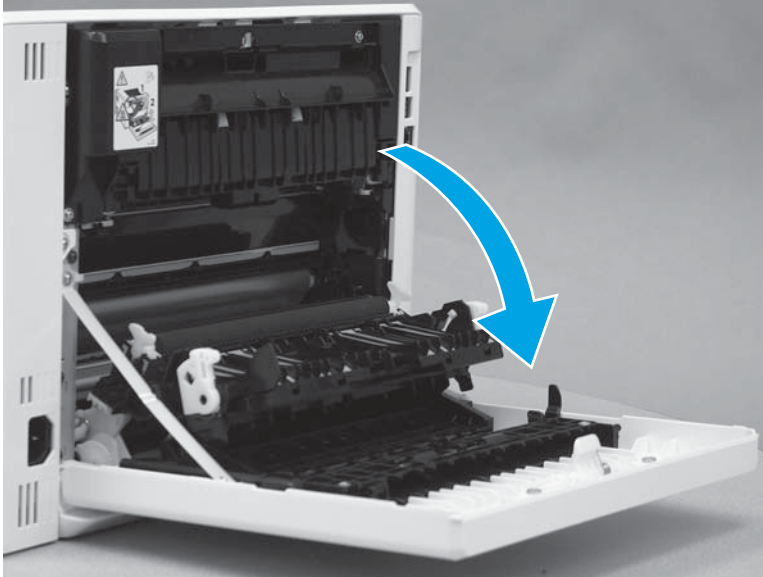
Figure 1-2469 Close the front door



Step 3: Open the rear door or duplexer door

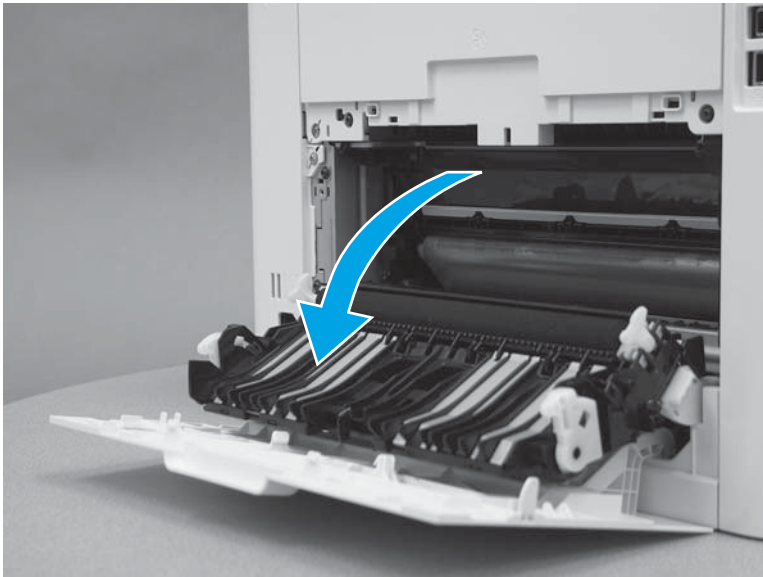
1. **Duplex models:** Open the duplexer door.

Figure 1-2470 Open the duplexer door




2. **Simplex models:** Open the rear door.

Figure 1-2471 Open the rear door



Step 4: Remove the right cover (M452 models)

 **NOTE:** This step is for the M452 models. For the M377, M477 models, skip this step and go to [Step 5: Remove the right cover \(M377, M477 models\) on page 1330.](#)

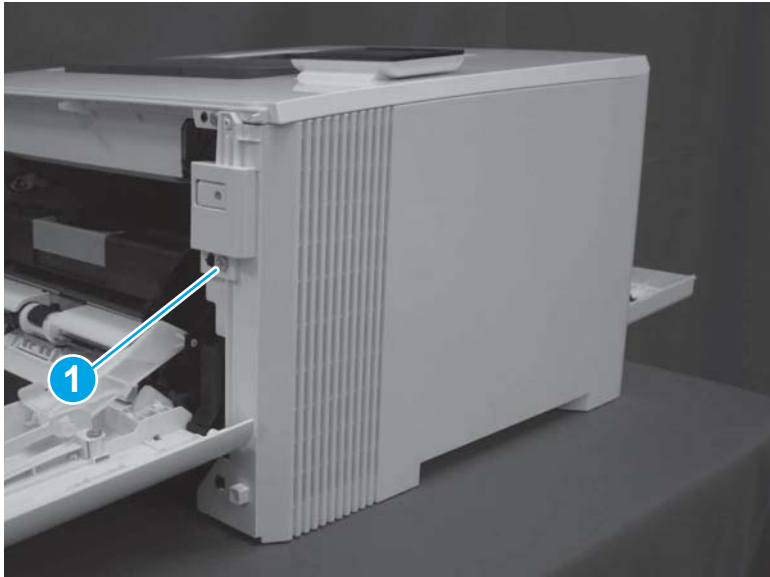
1. At the back of the printer, remove one screw (callout 1).

Figure 1-2472 Remove one screw



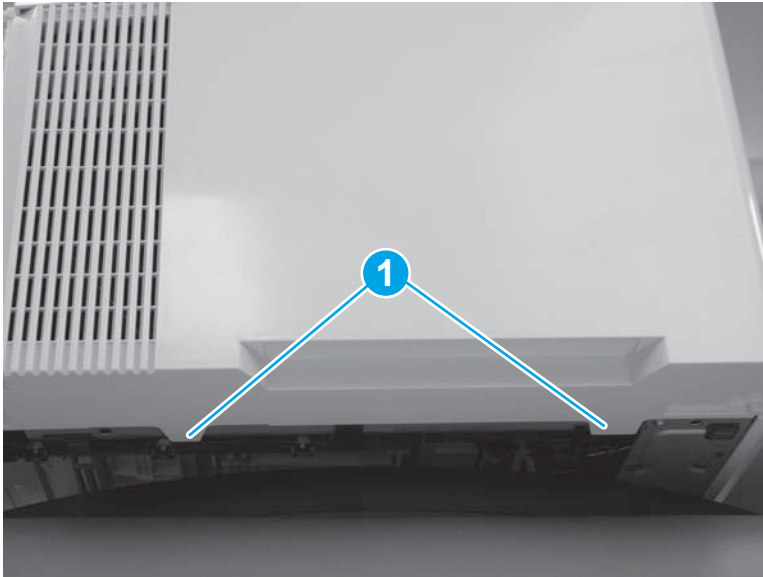
2. At the front of the printer, remove one screw (callout 1).

Figure 1-2473 Remove one screw



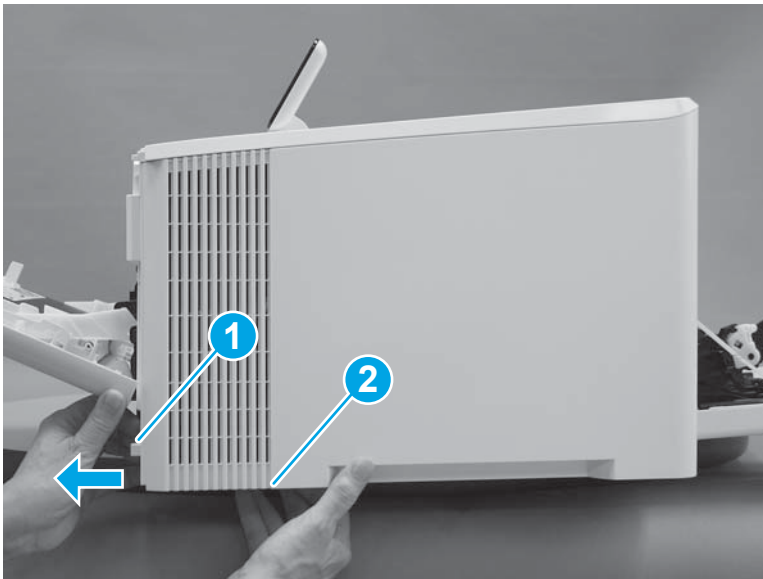
3. Slide the printer to the edge of a work surface. Note the location of the tabs on the lower edge of the cover (callout 1).

Figure 1-2474 Locate the tabs



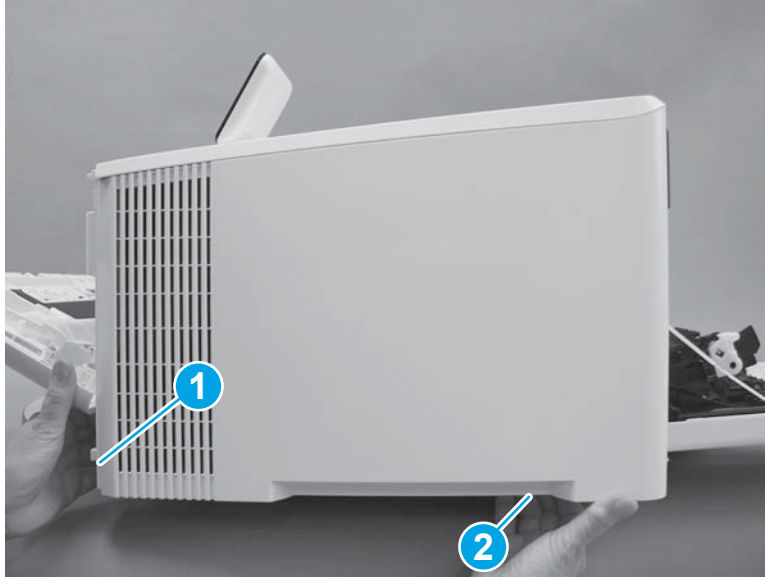
4. Release one tab (callout 1) on the front of the cover by slightly pulling the cover away from the printer. While holding the cover in the released position, release one tab (callout 2) on the bottom of the cover.

Figure 1-2475 Release front lower tabs



5. Hold the front tabs in the released position (callout 1), and then release one tab (callout 2) on the bottom of the cover, toward the back of the printer.

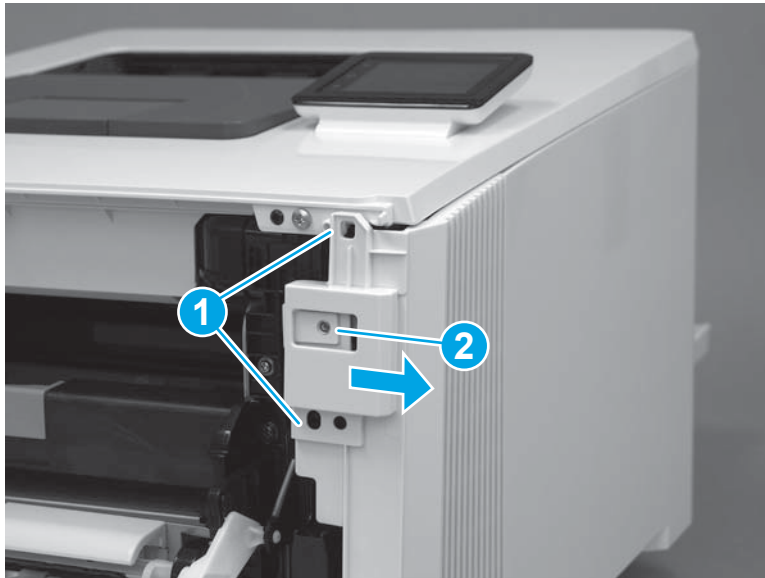
Figure 1-2476 Release lower rear tab



6. Release two tabs at the front of the printer (callout 1) by slightly pulling the cover away from the printer.

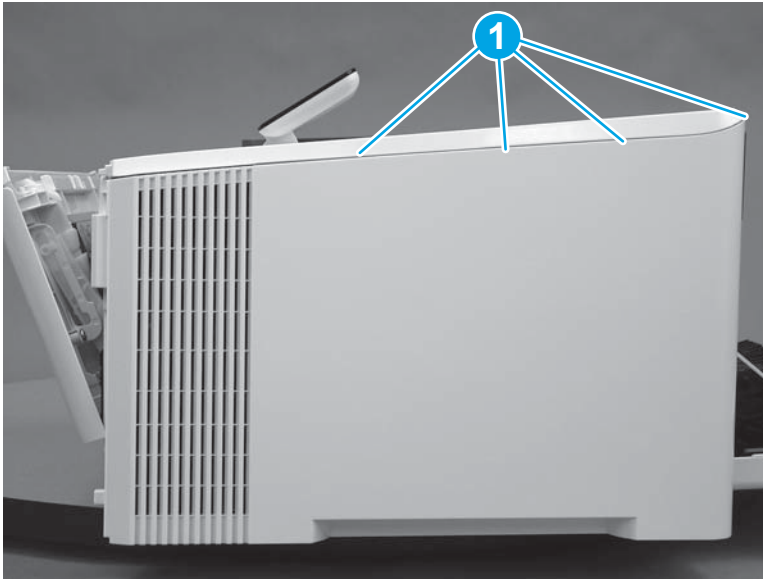
⚠ CAUTION: Be careful not to dislodge the power switch (callout 2).

Figure 1-2477 Release two front tabs



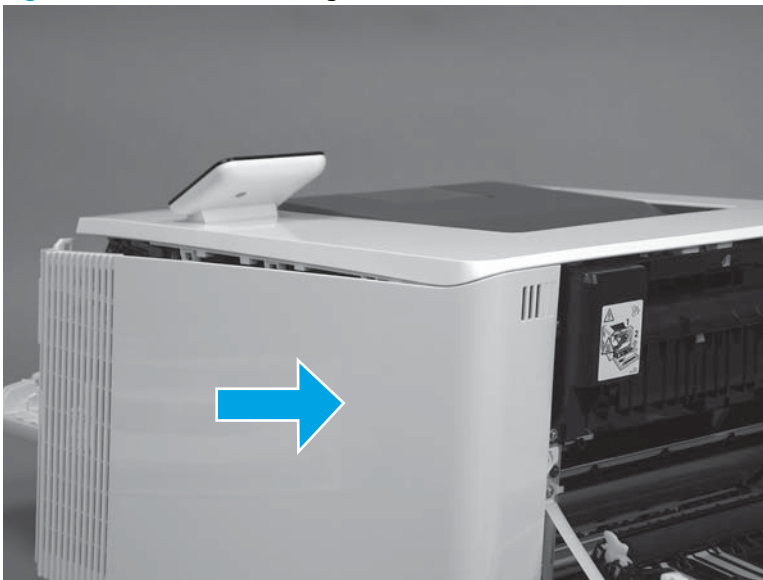
7. Release four tabs on the top of the printer (callout 1).

Figure 1-2478 Release upper tabs




8. Slide the cover toward the back of the printer to remove it.

Figure 1-2479 Remove the right cover



Step 5: Remove the right cover (M377, M477 models)

 **NOTE:** This step is for the M377, M477 models. For the M452 models, skip this step and go to [Step 6: Remove the left cover \(M452 models\) on page 1336.](#)

1. Raise the scanner.

Figure 1-2480 Raise the scanner



2. At the back of the printer, remove one screw (callout 1).

Figure 1-2481 Remove one screw



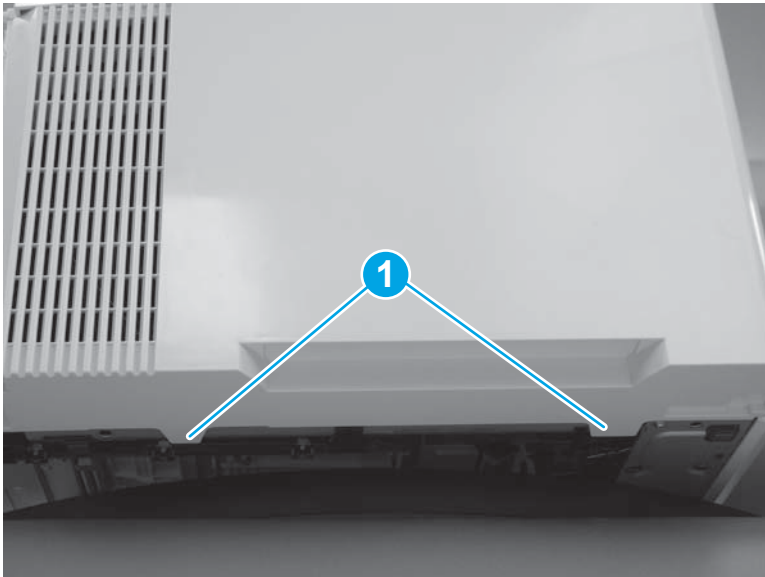
3. At the front of the printer, remove one screw (callout 1).

Figure 1-2482 Remove one screw



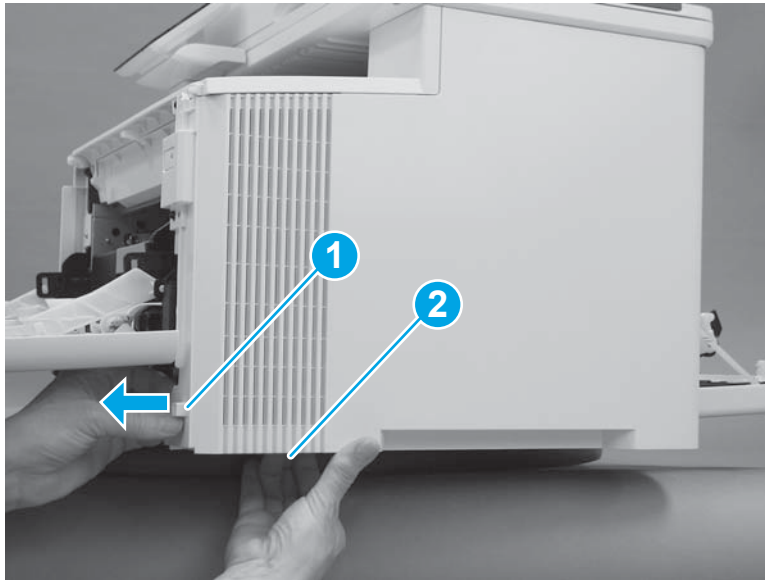
4. Slide the printer to the edge of a work surface. Note the location of the tabs on the lower edge of the cover (callout 1).

Figure 1-2483 Locate the tabs



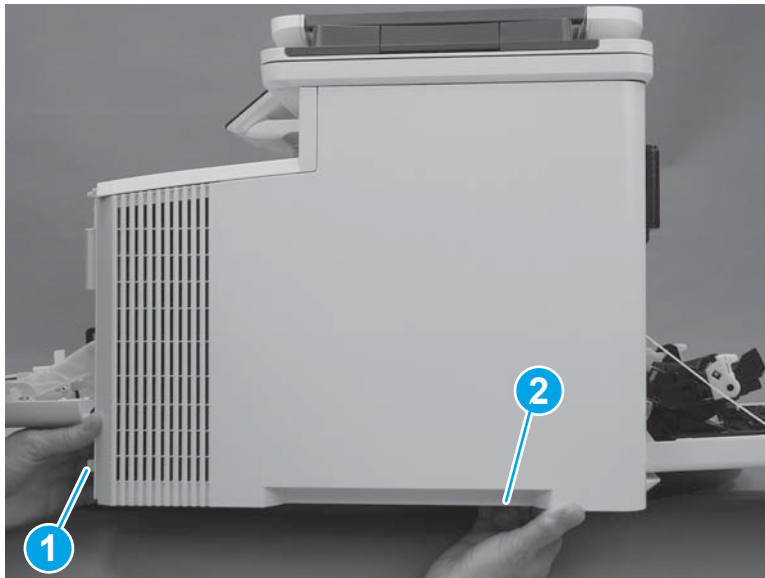
5. Release one tab (callout 1) on the front of the cover by slightly pulling the cover away from the printer. While holding the cover in the released position, release one tab (callout 2) on the lower edge of the cover.

Figure 1-2484 Release front lower tabs



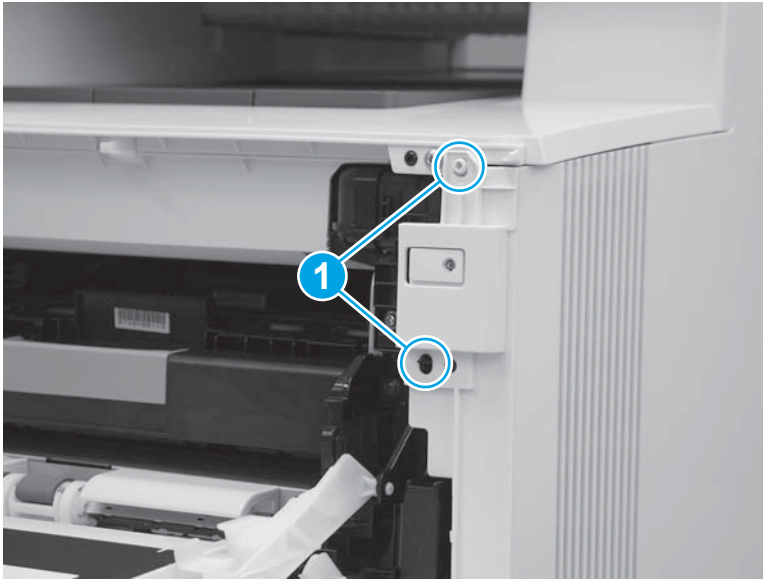
6. Hold the front tabs in the released position (callout 1), and then release one tab (callout 2) on the lower edge of the cover, toward the back of the printer.

Figure 1-2485 Release lower rear tab



7. Release two tabs at the front of the printer (callout 1) by slightly pulling the cover away from the printer.

Figure 1-2486 Release front upper tabs



8. Rotate the front of the cover away from the printer (callout 1).

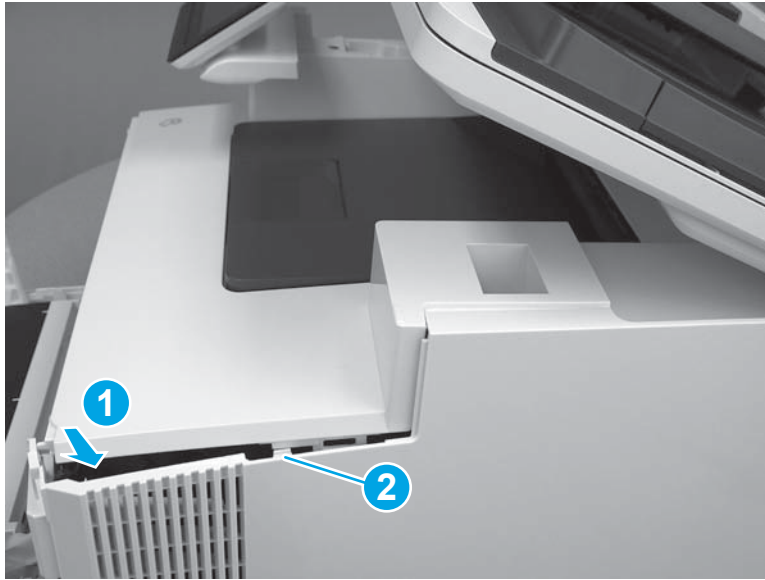
CAUTION: Be careful not to dislodge the power switch (callout 2).

Figure 1-2487 Rotate the front of the cover



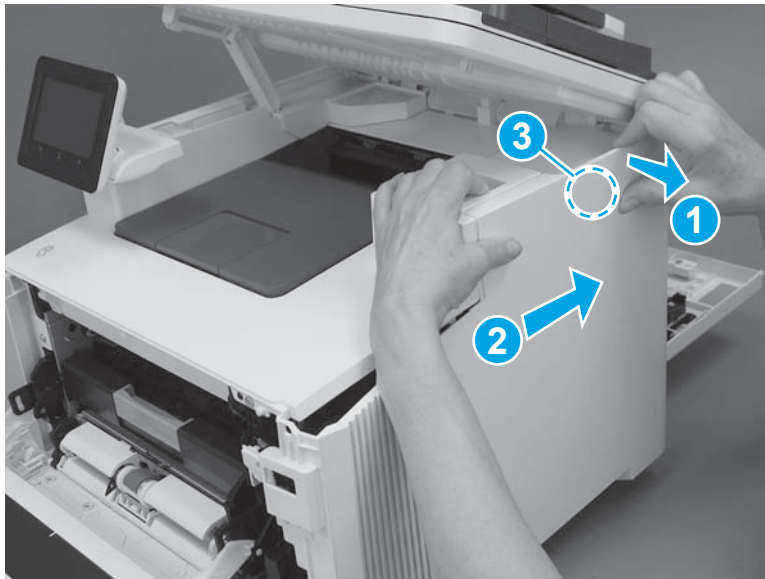
9. Slightly pull the front of the cover away from the printer (callout 1) to release one tab (callout 2).

Figure 1-2488 Release top tabs



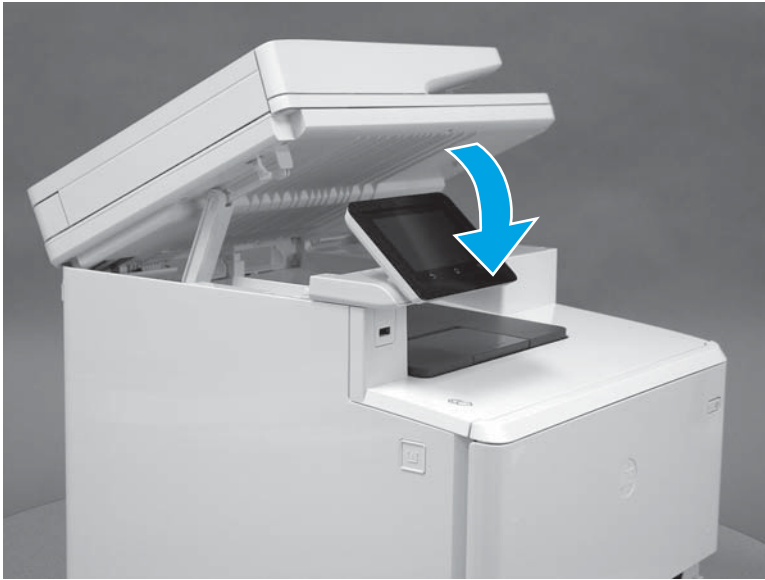
10. At the top of the printer, slightly pull the top of the cover away from the printer to release one retention tab (callout 1) on the inside of the cover. While holding the cover away, slide the cover toward the back of the printer (callout 2) to release one hook (callout 3) on the inside of the cover.

Figure 1-2489 Release one tab and one hook



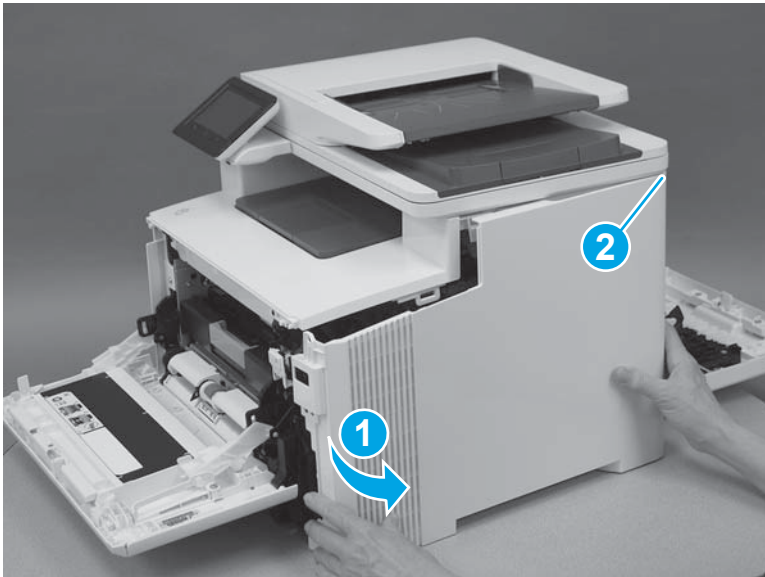
11. Lower the scanner.

Figure 1-2490 Lower the scanner




12. Rotate the cover away from the printer (callout 1) to release one tab (callout 2) at the back of the printer, and then remove the cover.

Figure 1-2491 Remove the right cover

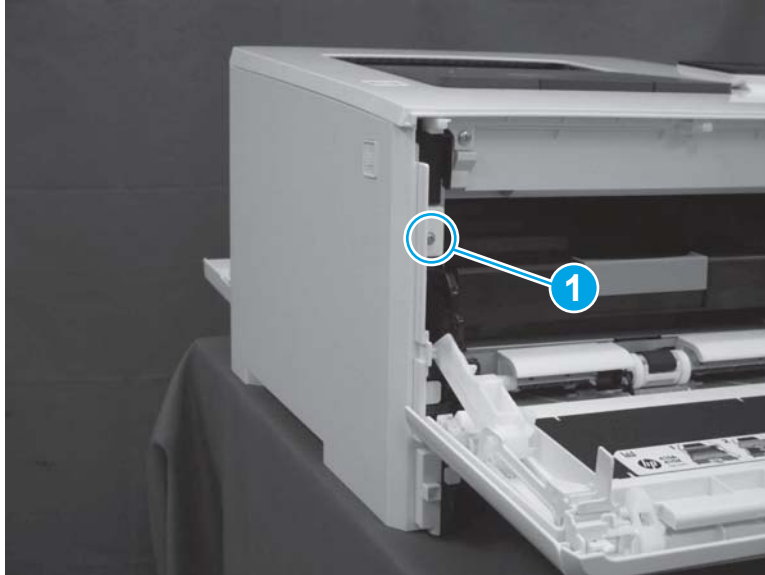


Step 6: Remove the left cover (M452 models)

 **NOTE:** This step is for the M452 models. For the M377, M477 models, skip this step and go to [Step 7: Remove the left cover \(M377, M477 models\) on page 1339.](#)

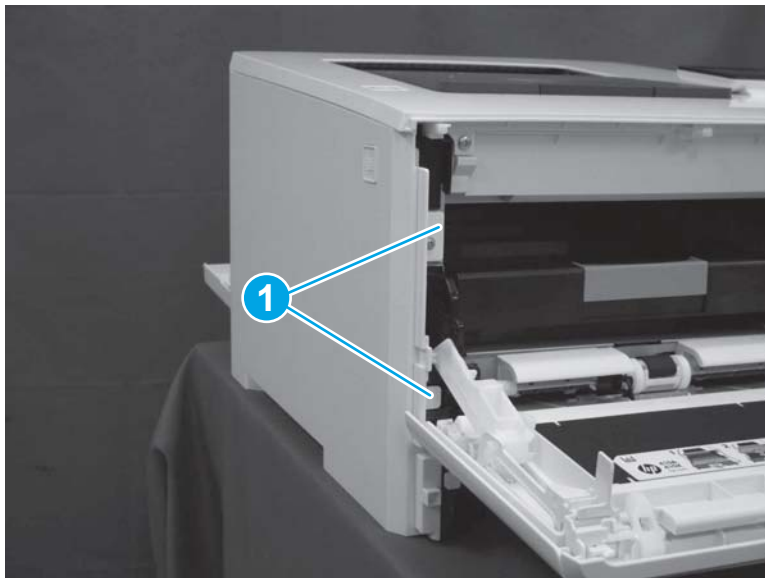
1. At the front of the printer, remove one screw (callout 1).

Figure 1-2492 Remove one screw



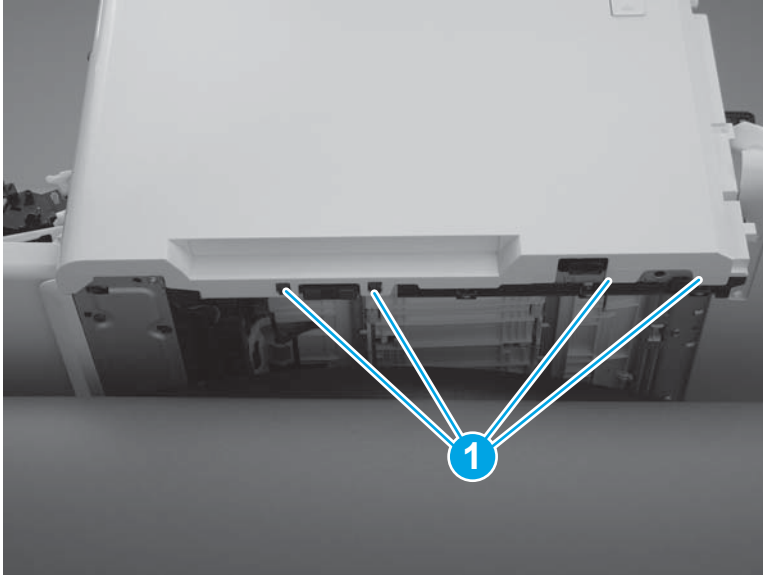
2. Release two tabs (callout 1) at the front of the cover. Hold the cover open to prevent the tabs from reengaging.

Figure 1-2493 Release two tabs



3. Slide the printer to the edge of a work surface. Note the location of the tabs on the lower edge of the cover (callout 1).

Figure 1-2494 Locate the tabs



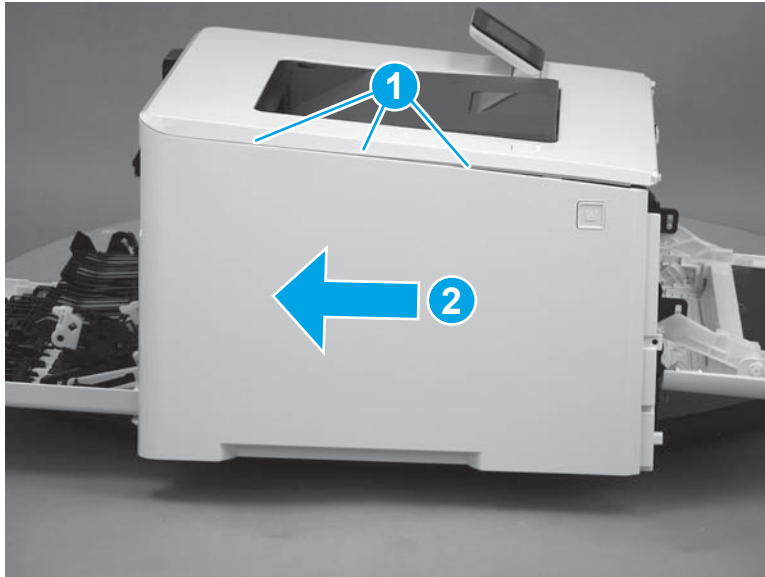
4. Beginning from the front of the cover, release four tabs (callouts 1-4) on the lower edge of the cover.

Figure 1-2495 Release bottom tabs



5. Release three tabs at the top of the cover (callout 1), and then slide the cover toward the rear of the printer to remove it.

Figure 1-2496 Release three tabs



Step 7: Remove the left cover (M377, M477 models)

 **NOTE:** This step is for the M377, M477 models. For the M452 models, skip this step and go to [Step 8: Remove the duplexer door assembly \(duplex models\) on page 1343.](#)

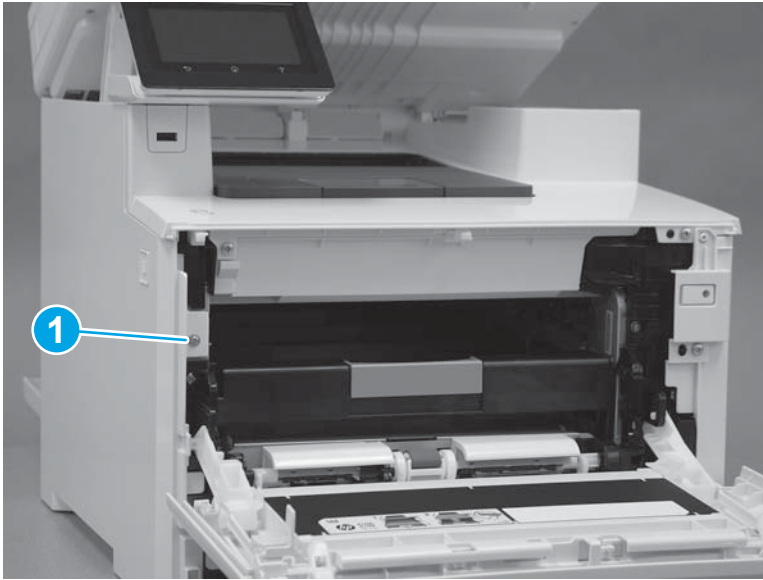
1. Raise the scanner.

Figure 1-2497 Raise the scanner



2. At the front of the printer, remove one screw (callout 1).

Figure 1-2498 Remove one screw



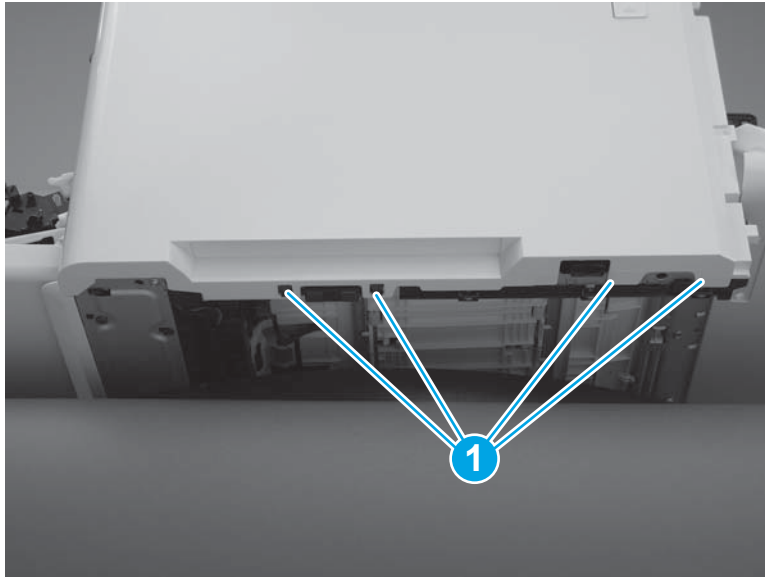
3. Release two tabs (callout 1) at the front of the cover. Hold the cover open to prevent the tabs from re-engaging.

Figure 1-2499 Release two tabs



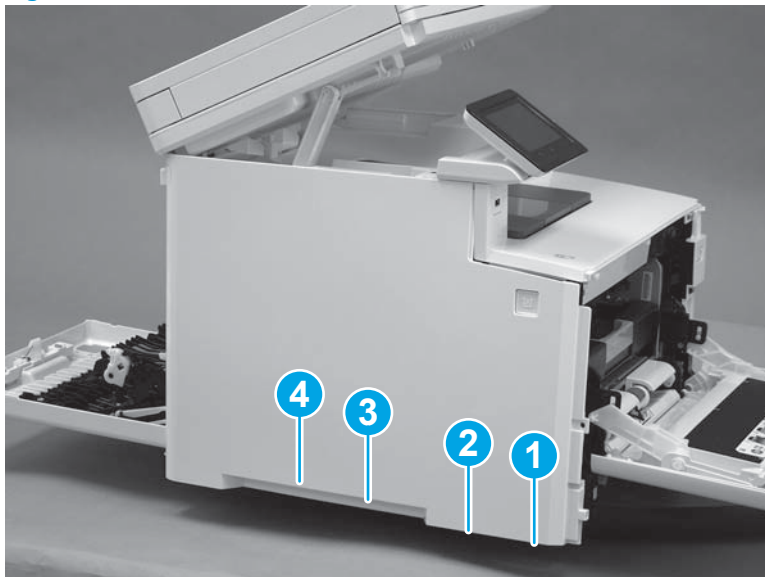
4. Slide the printer to the edge of a work surface. Note the location of the tabs on the lower edge of the cover (callout 1).

Figure 1-2500 Locate the tabs



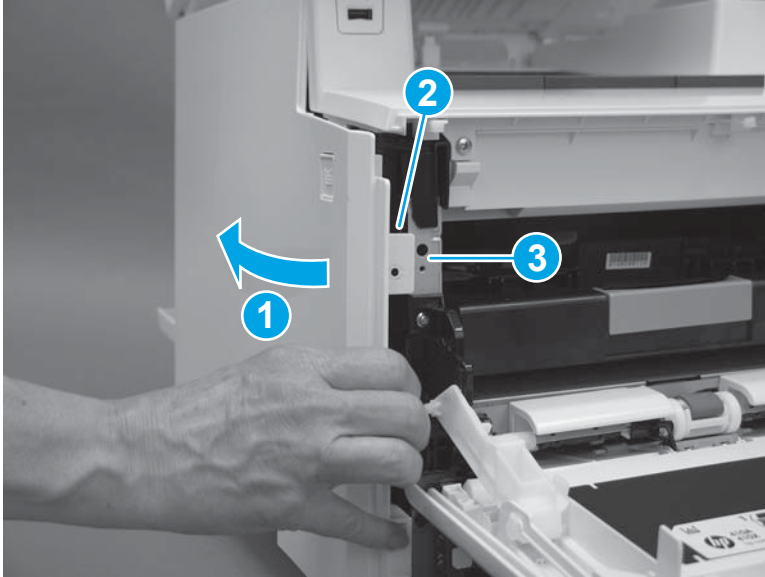
5. Beginning from the front of the cover, release the four tabs (callouts 1-4) on the lower edge of the cover.

Figure 1-2501 Release four tabs



6. Rotate the front of the cover away from the printer (callout 1). Make sure that the tab (callout 2) does not get caught on the printer frame (callout 3).

Figure 1-2502 Rotate the cover



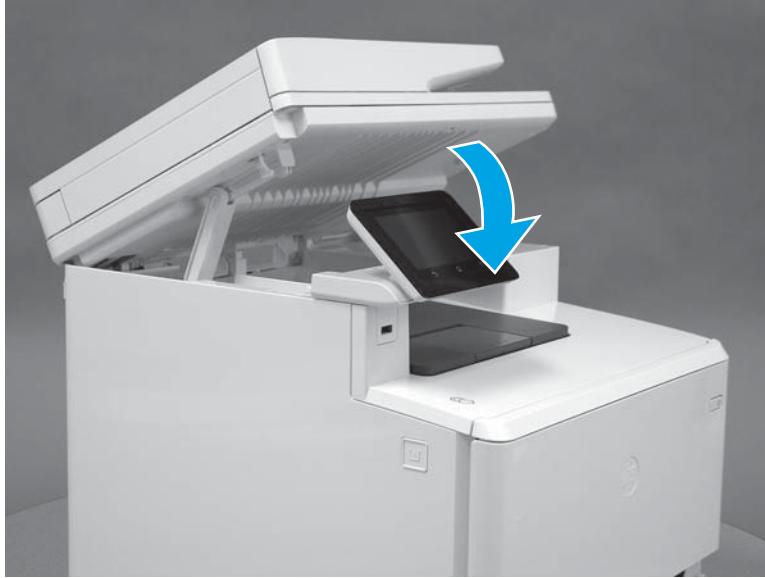
7. At the top of the printer, slightly pull the top of the cover away from the printer to release one retention tab (callout 1) on the inside of the cover. While holding the cover away, slide the cover toward the back of the printer (callout 2) to release two hooks (callout 3) inside the cover.

Figure 1-2503 Release one tab and two hooks



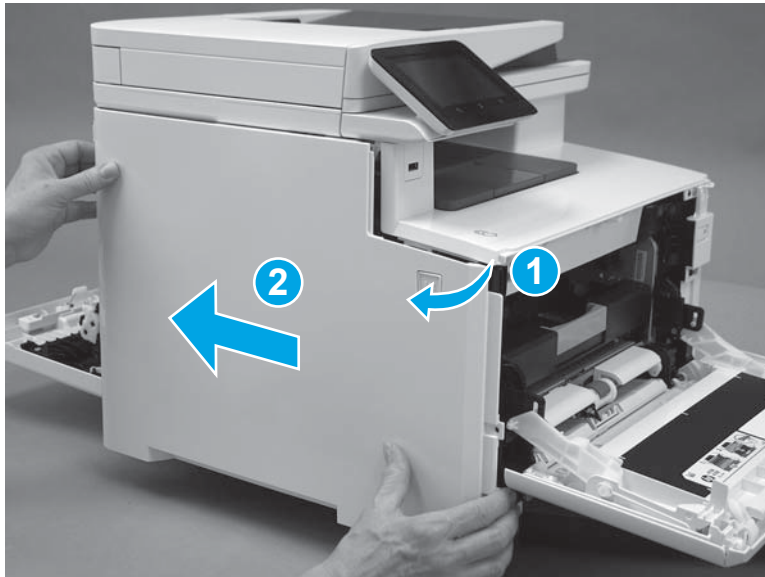
8. Lower the scanner.

Figure 1-2504 Lower the scanner




9. Rotate the cover away from the printer (callout 1), and then slide the cover (callout 2) toward the back of the printer to remove it.

Figure 1-2505 Remove the left cover

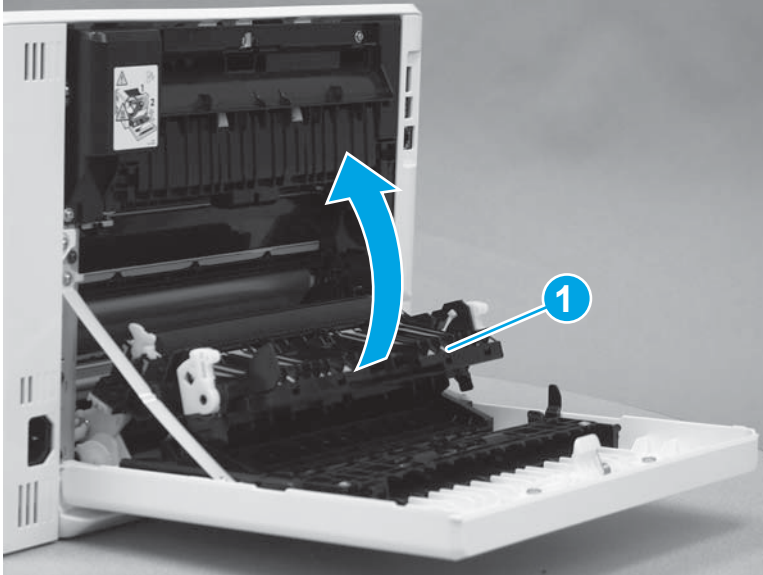


Step 8: Remove the duplexer door assembly (duplex models)

 **NOTE:** This step is for duplex models. For simplex models, skip this step and go to [Step 9: Remove the rear door \(simplex models\) on page 1345](#).

1. Rotate the secondary transfer assembly (callout 1) toward the printer to close it.

Figure 1-2506 Close the secondary transfer assembly



2. At the back of the printer, remove two screws (callout 1), and then remove one screw (callout 2) that holds the retention arm.


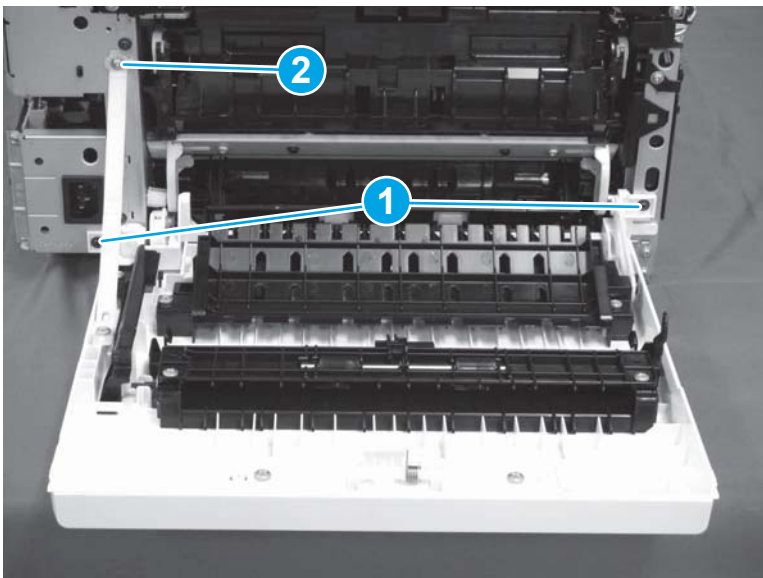
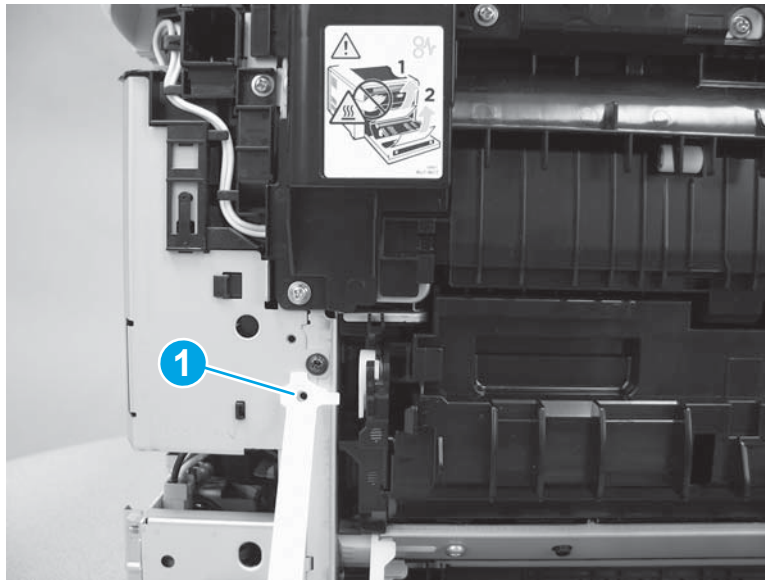
 **Reinstallation tip:** Note that the screw (callout 2) that holds the retention arm is longer than the other two. Make sure this screw is installed in the correct position.

Figure 1-2507 Remove three screws



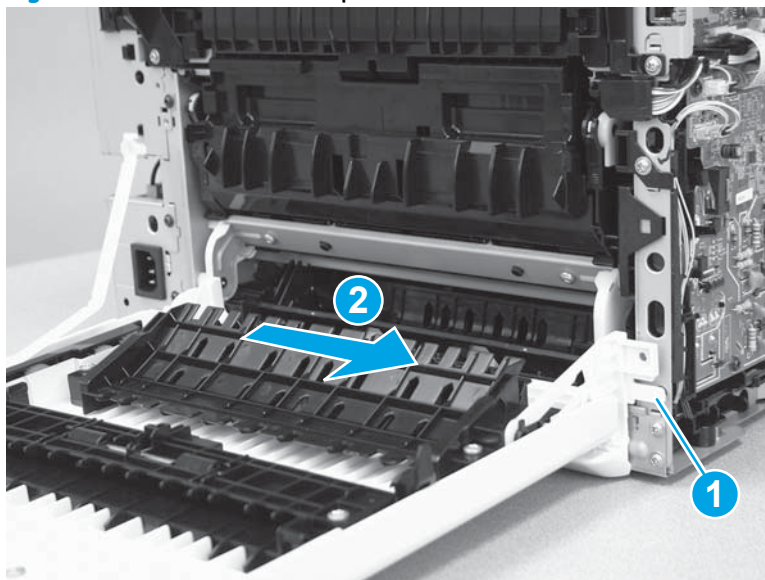
3. Release the retention arm (callout 1).

Figure 1-2508 Release the retention arm




4. Release one tab (callout 1), and then slide the duplexer door (callout 2) to the right to remove it.

Figure 1-2509 Remove the duplexer door

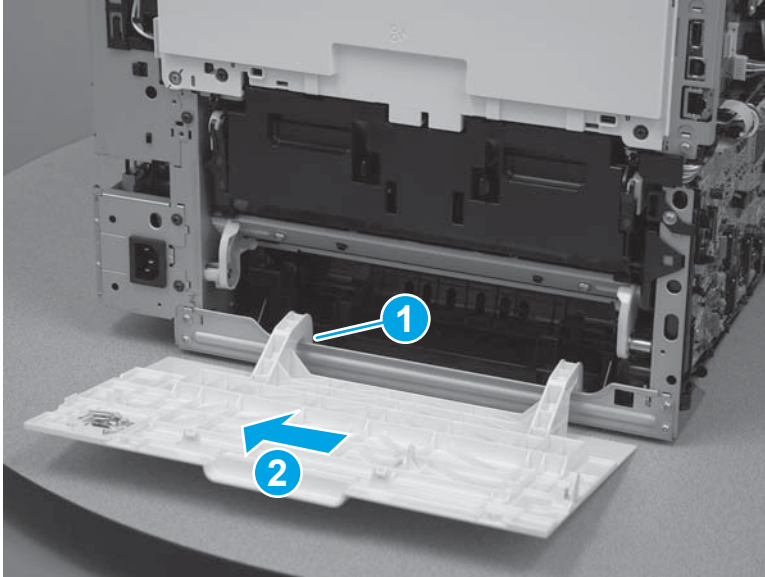


Step 9: Remove the rear door (simplex models)

 **NOTE:** This step is for simplex models. For duplex models, skip this step and go to [Step 10: Remove the engine controller PCA on page 1346](#).

- ▲ Slightly flex one hinge arm (callout 1) to release a hinge pin, and then slide the rear door to the left (callout 2) to remove it.

Figure 1-2510 Remove the rear door



Step 10: Remove the engine controller PCA

1. **Duplex printers only:** Before disconnecting the connectors in the next step, make note of the position of two of the cables (callout 1).


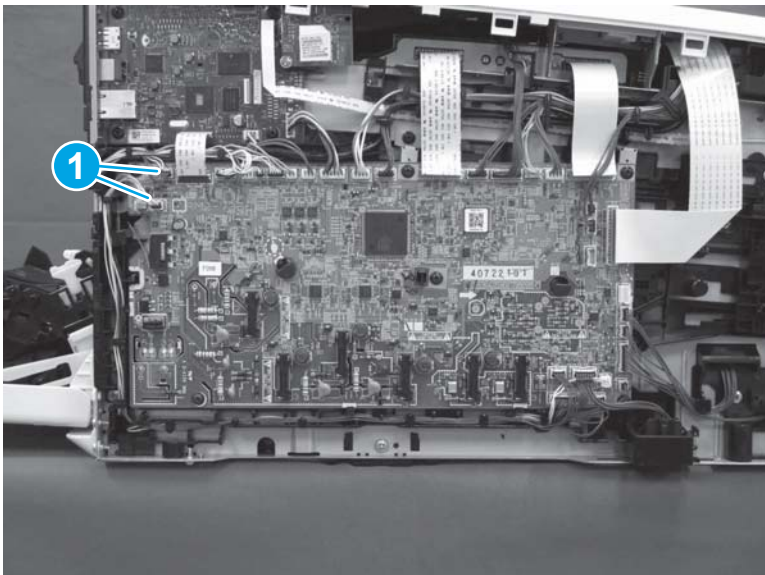
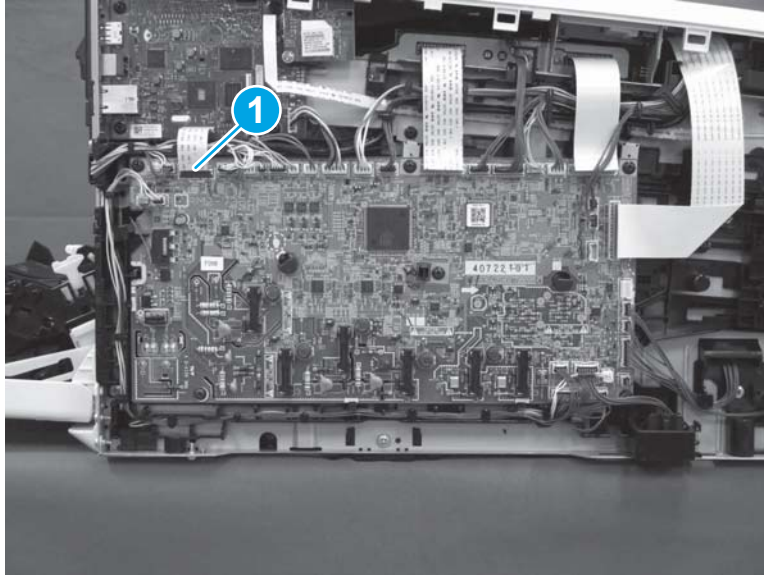
 **IMPORTANT:** These cables can be inadvertently switched when reinstalling. The connectors on the cables will fit in either connector on the engine controller PCA. Make sure that these cables are installed in the correct connectors. If the cables are switched, the printer will experience a repeatable jam when printing duplex jobs.

Figure 1-2511 Check the cables



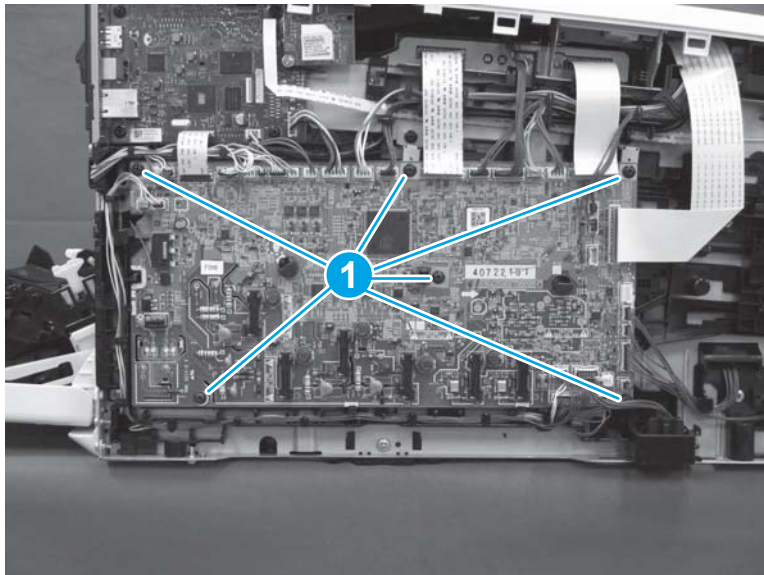
2. Disconnect all of the connectors on the engine controller PCA. Note that one connector (callout 1) is a zero-insertion force (ZIF) connector. Lift the latch on the connector before removing the flat cable.

Figure 1-2512 Disconnect all of the connectors



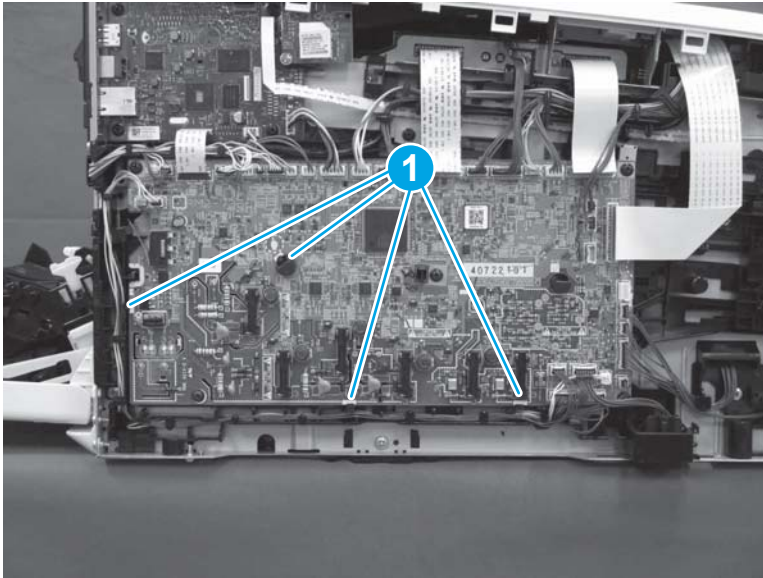
3. Remove six screws (callout 1).

Figure 1-2513 Remove six screws



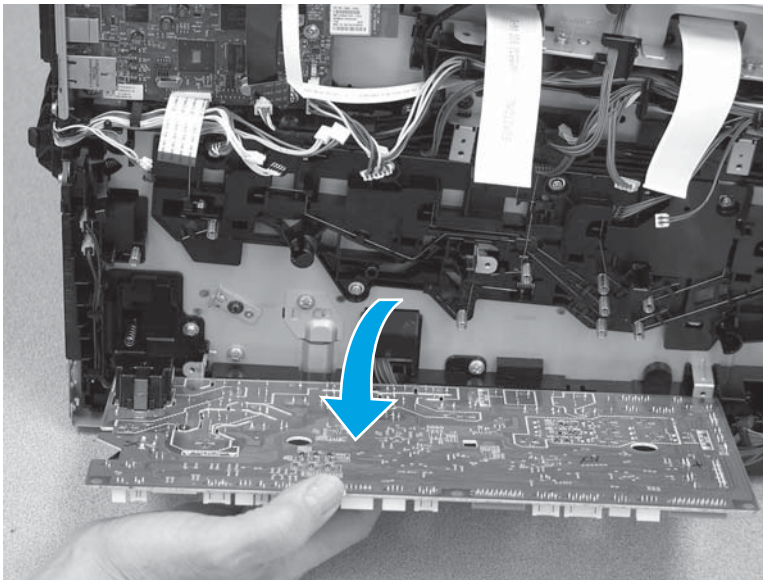
4. Release four tabs (callout 1).

Figure 1-2514 Release four tabs



5. Remove the engine controller PCA.

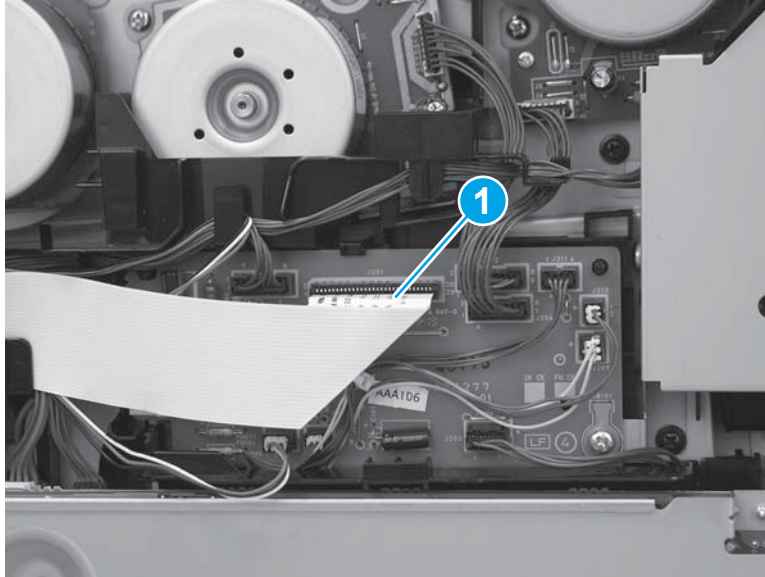
Figure 1-2515 Remove the engine controller PCA



Step 11: Remove the driver PCA

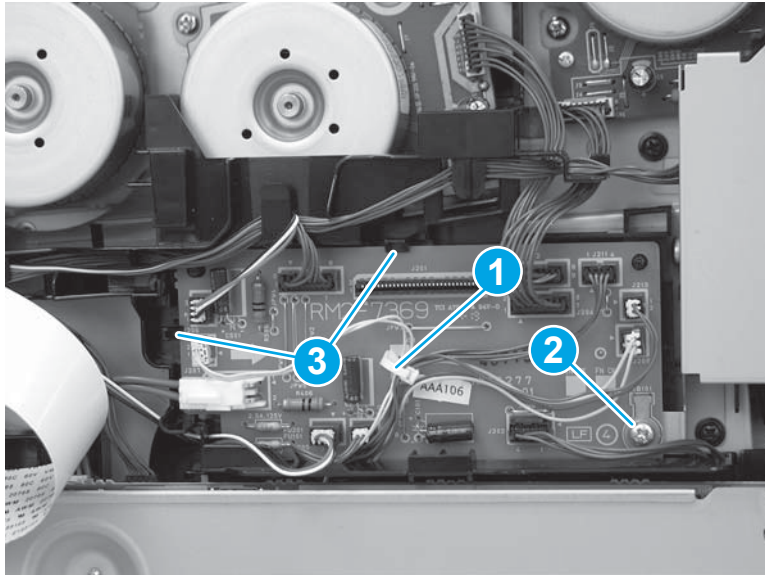
1. Disconnect one connector (callout 1).

Figure 1-2516 Disconnect one connector



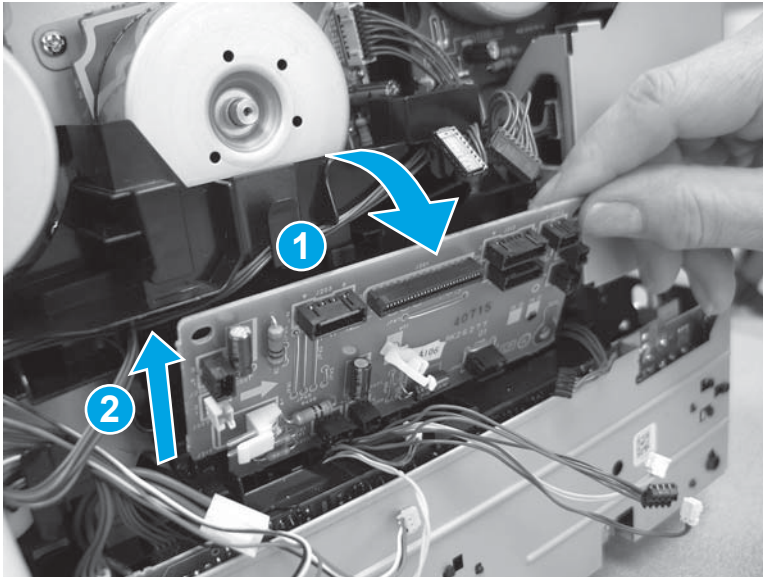
2. Release one retainer (callout 1), disconnect all of the connectors on the driver PCA, remove one screw (callout 2), and then release two tabs (callout 3).

Figure 1-2517 Disconnect all connectors and remove one screw



3. Rotate the top of the driver PCA away from the printer (callout 1), and then lift up (callout 2) to remove it.

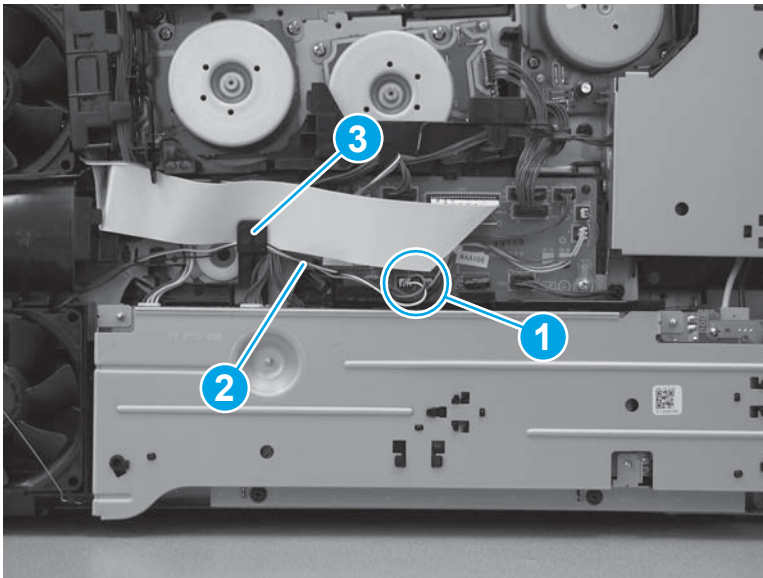
Figure 1-2518 Remove the driver PCA



Step 12: Remove the low-voltage power supply

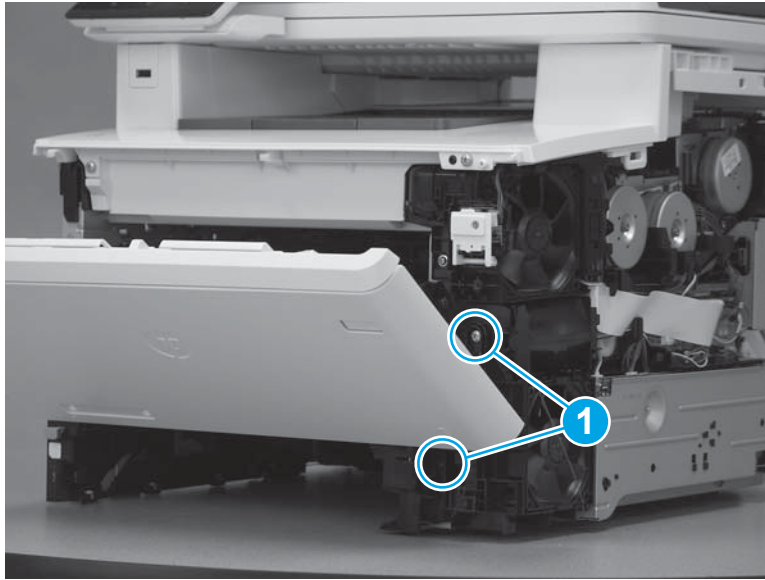
1. Disconnect one connector (callout 1), and then remove the cable (callout 2) from the wire guide (callout 3).

Figure 1-2519 Disconnect one connector and release cables from guides



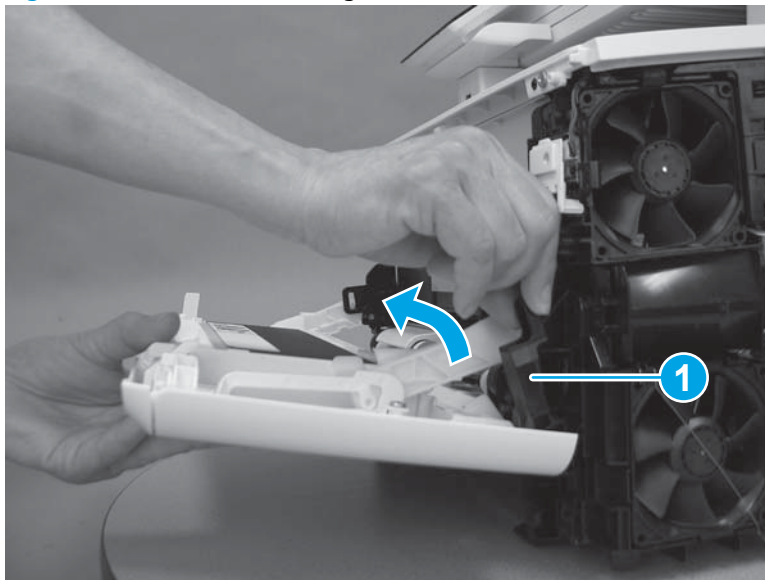
2. Remove two screws (callout 1).

Figure 1-2520 Remove two screws



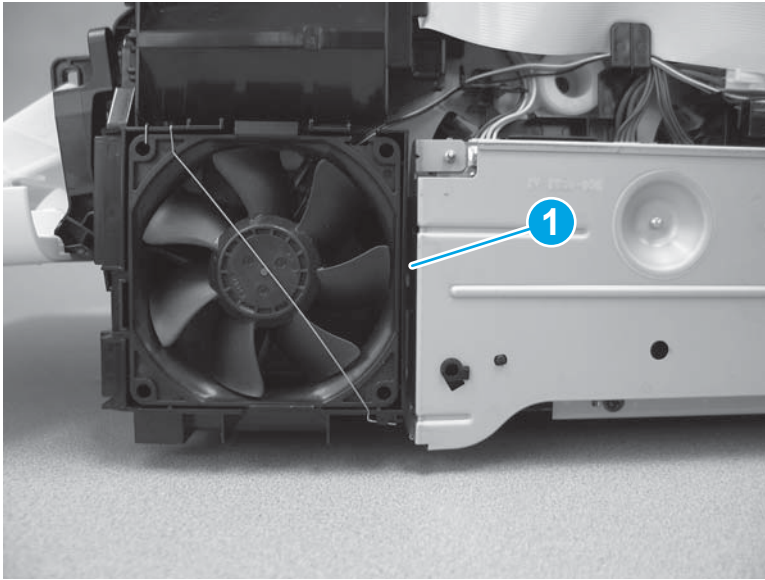
3. Release the hinge arm (callout 1).

Figure 1-2521 Release the hinge arm



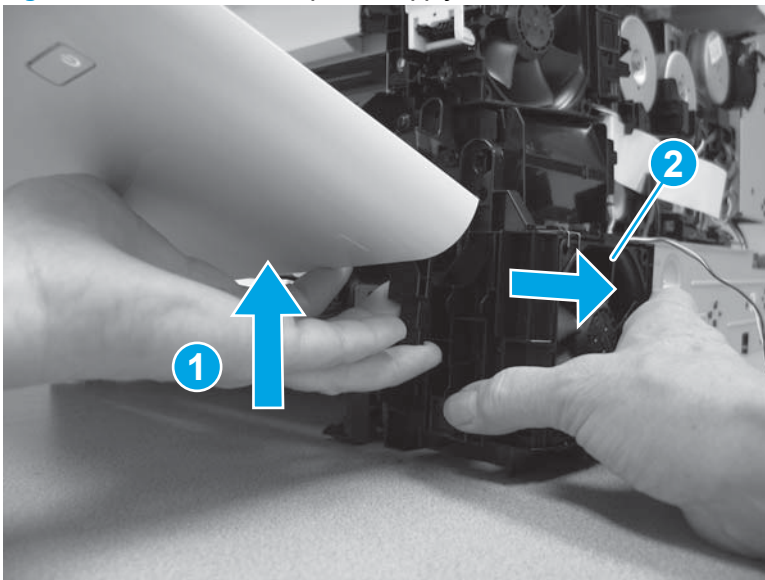
4. Release one tab (callout 1) on the right side of the power supply fan.

Figure 1-2522 Release one tab



5. Lift the front door up slightly (callout 1), and then remove the power supply fan and holder (callout 2).

Figure 1-2523 Remove the power supply fan and holder



6. Before disconnecting the cables in the next step, make note of the position of two cables (callout 1).


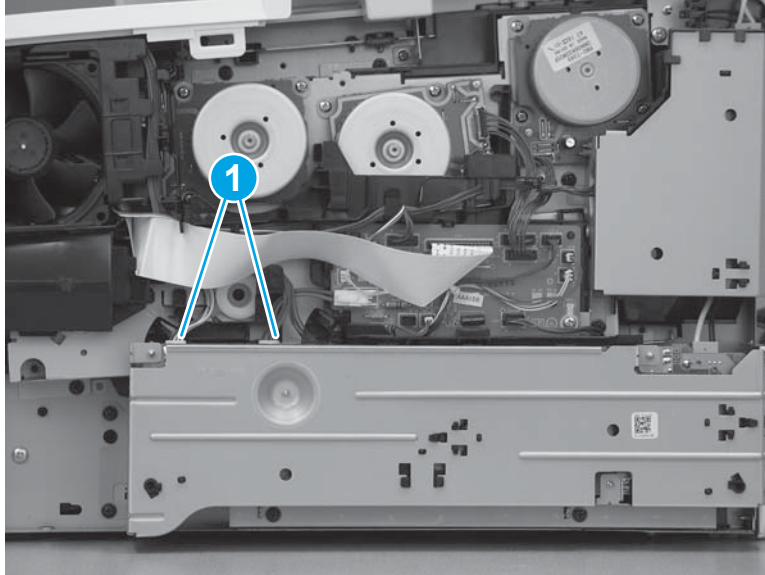
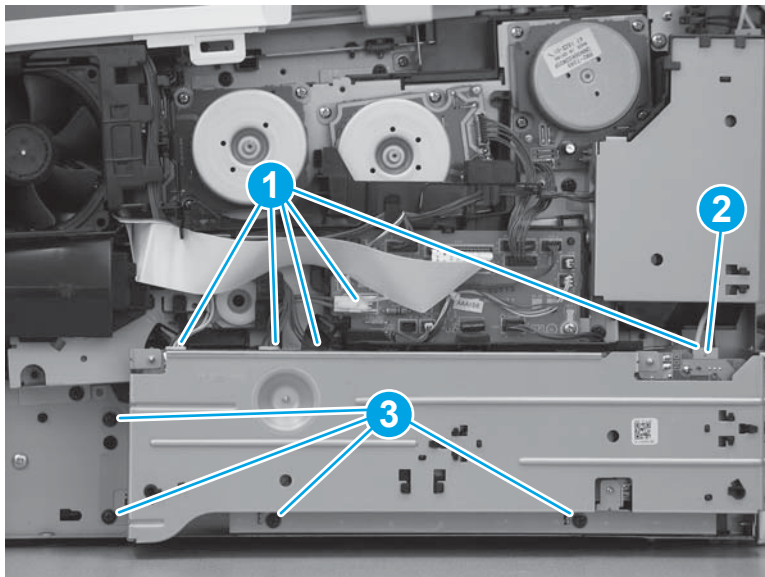
 **IMPORTANT:** These cables can be inadvertently switched when reinstalling. The connectors on the cables will fit in either connector on the LVPS. Make sure that these cables are installed in the correct connectors. If the cables are switched, the printer will not power on when reassembled.

Figure 1-2524 Check the connectors



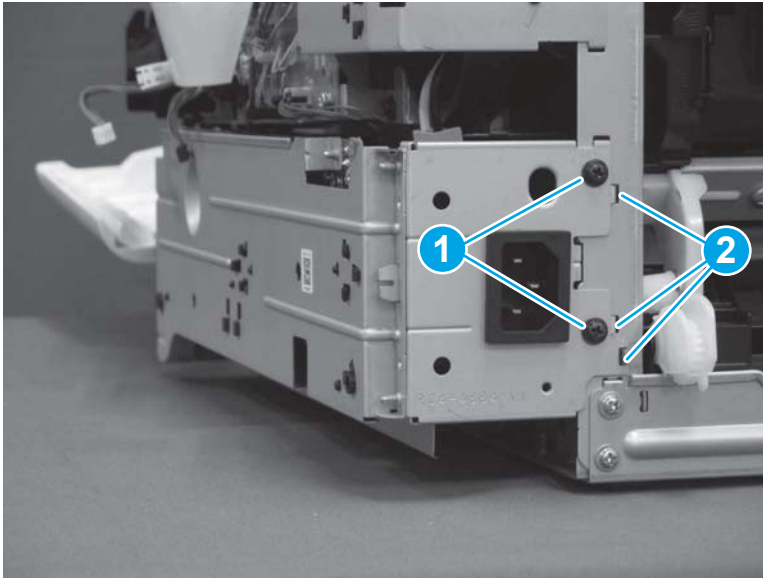
7. Disconnect five connectors (callout 1). Note that one connector (callout 2) has a latch that must be released before disconnecting it. Remove four screws (callout 3).

Figure 1-2525 Disconnect five connectors and remove four screws



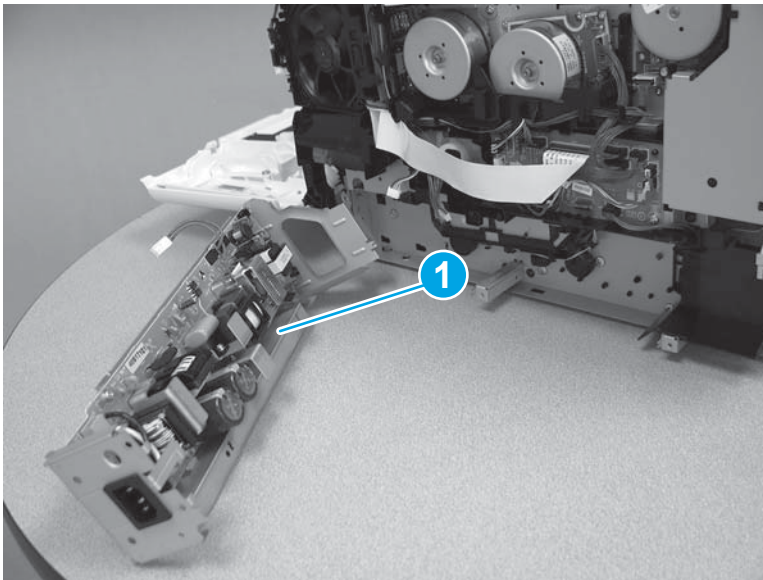
8. Remove two screws (callout 1), and then release three tabs (callout 2).

Figure 1-2526 Remove two screws and release three tabs



9. Remove the LVPS (callout 1).

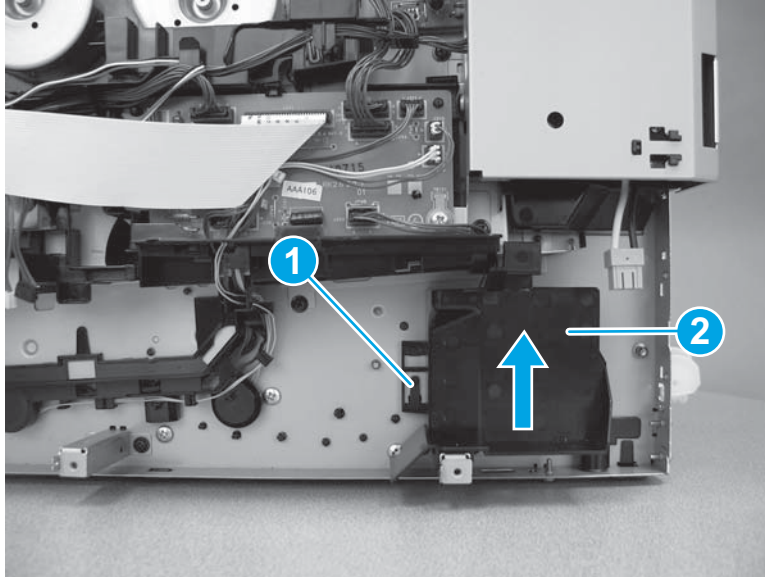
Figure 1-2527 Remove the LVPS



Step 13: Remove the pickup motor

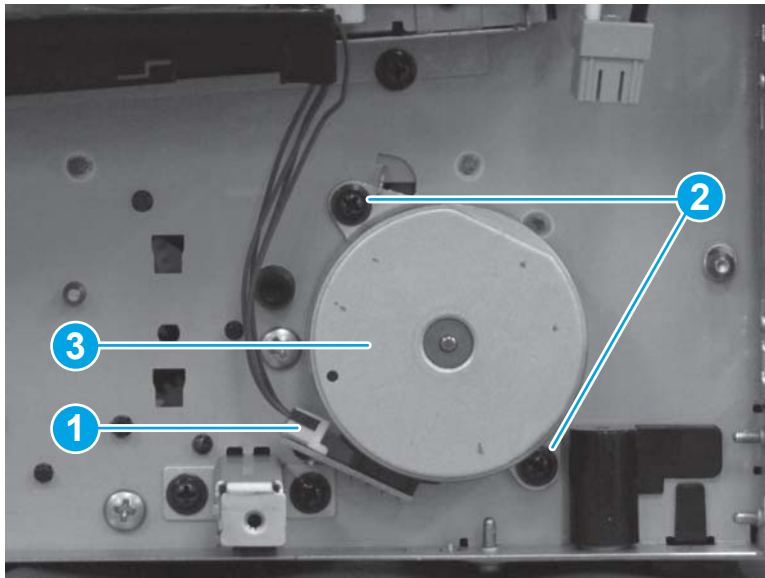
1. Release one tab (callout 1), and then slide the fan duct (callout 2) up to remove it.

Figure 1-2528 Remove the fan duct



2. Disconnect one connector (callout 1), remove two screws (callout 2), and then remove the pickup motor (callout 3).

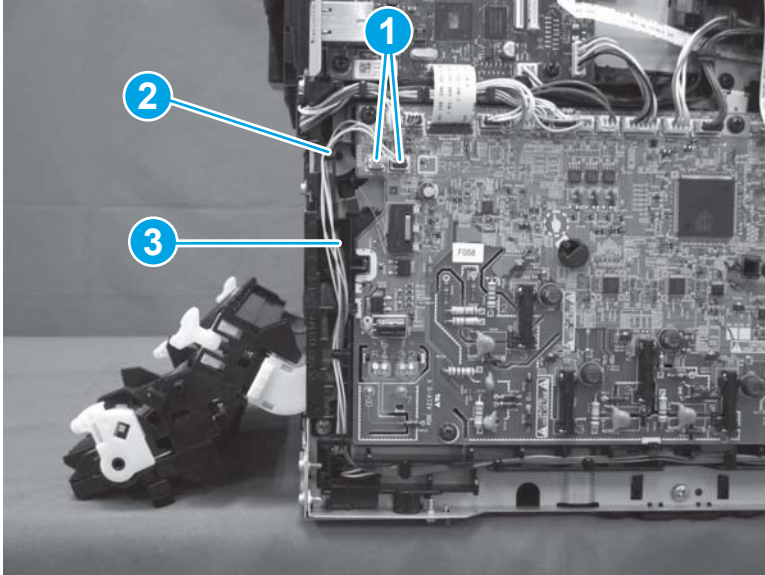
Figure 1-2529 Remove the pickup motor



Step 14: Remove the re-pickup assembly (duplex models)

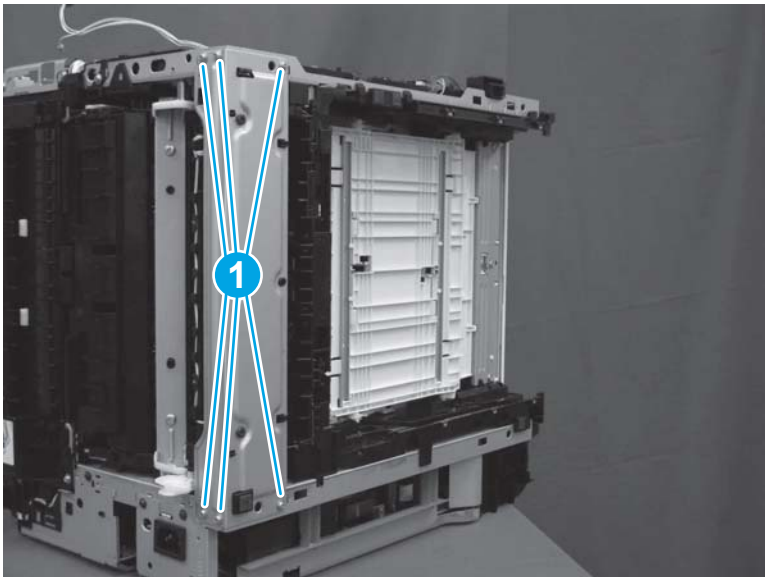
1. On the left side of the printer, disconnect two connectors (callout 1), and then remove the cables (callout 2) from the guides (callout 3).

Figure 1-2530 Disconnect two connectors and remove cables from guides



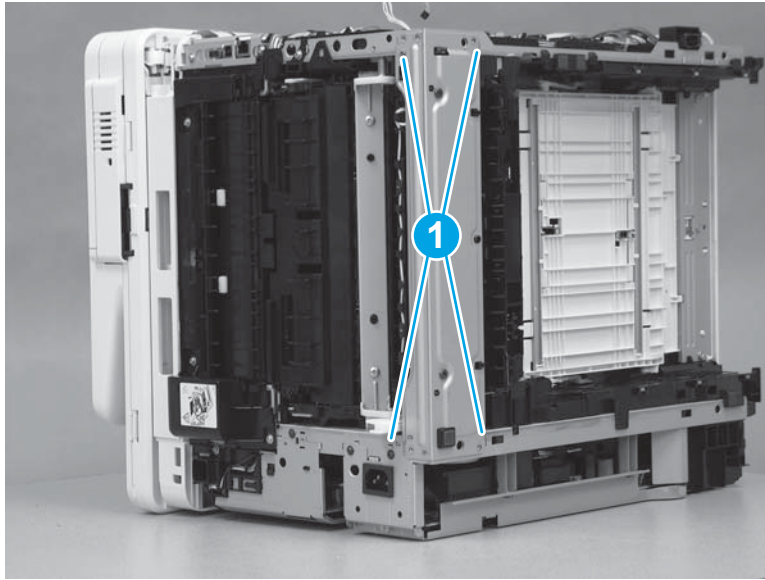
2. Lay the printer on the right side so that the left side is facing up. Remove six screws (callout 1).

Figure 1-2531 Remove six screws



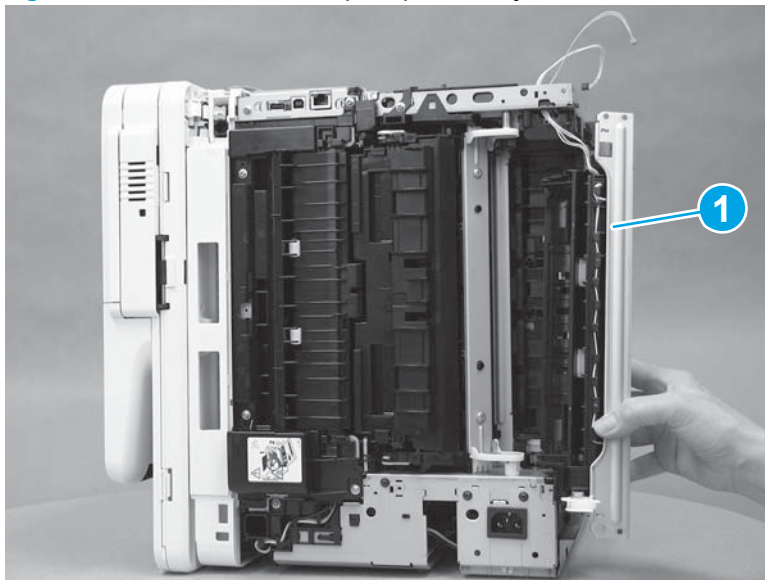
3. Release four tabs (callout 1).

Figure 1-2532 Release four tabs



4. Remove the re-pickup assembly (callout 1).

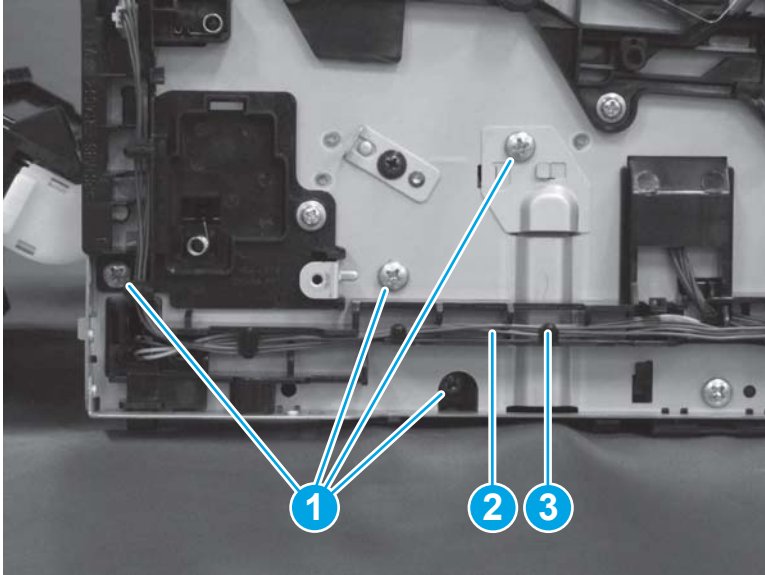
Figure 1-2533 Remove the re-pickup assembly



Step 15: Remove the lifter drive assembly

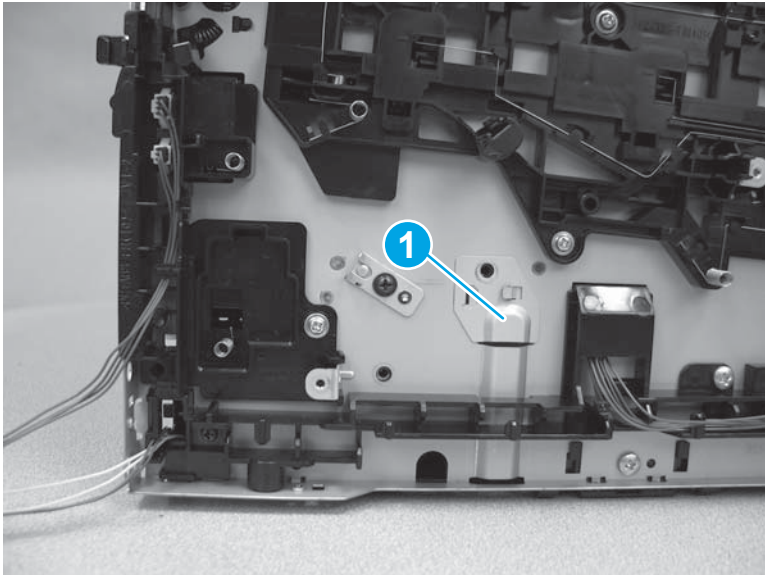
1. Remove four screws (callout 1), and then release the cables (callout 2) from the guides (callout 3).

Figure 1-2534 Remove four screws and release cables



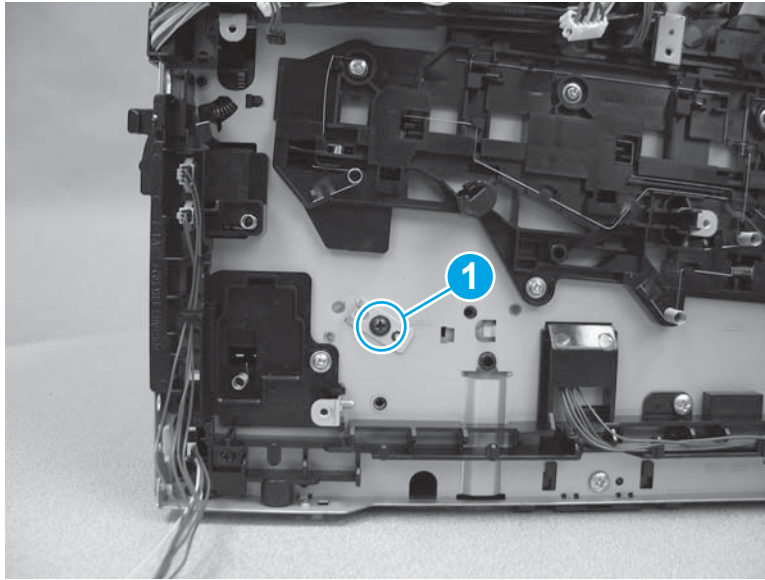
2. Remove one cover (callout 1).

Figure 1-2535 Remove one cover



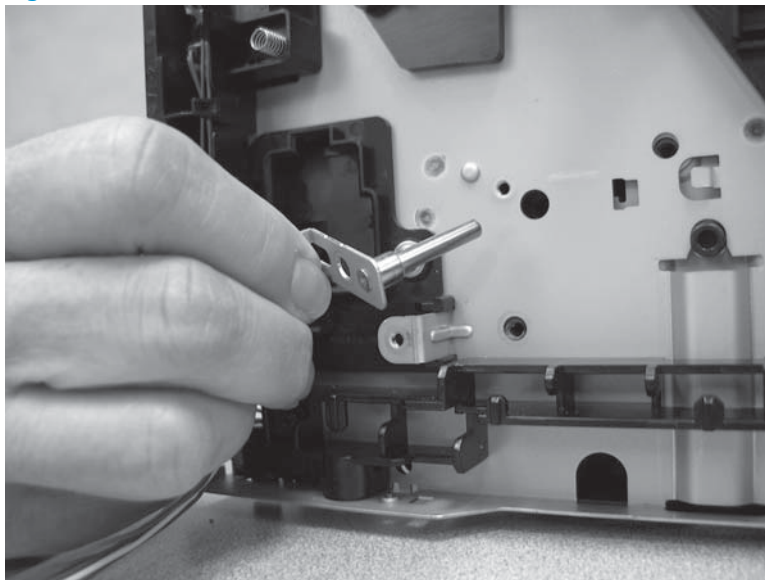
3. Remove one screw (callout 1).

Figure 1-2536 Remove one screw



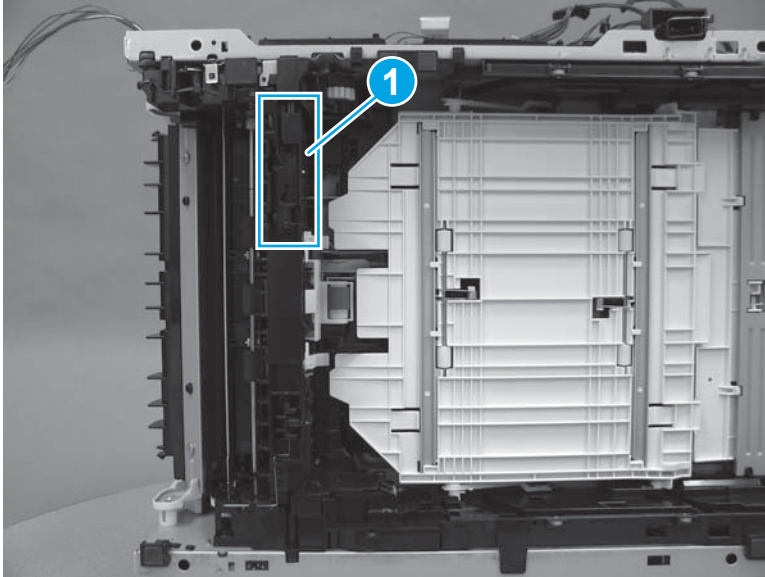
4. Remove the shaft.

Figure 1-2537 Remove the shaft



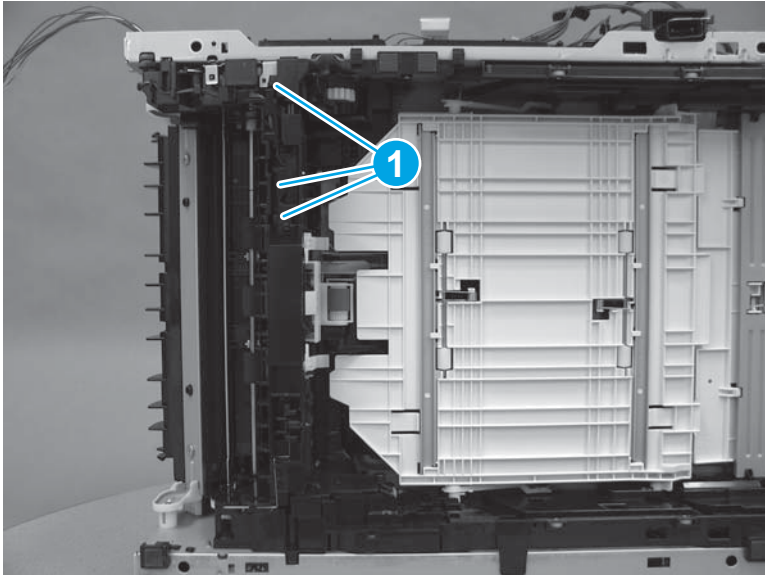
5. Lay the printer on the right side so that the left side is facing up. Locate the tray sensor switch (callout 1).

Figure 1-2538 Locate the tray sensor switch



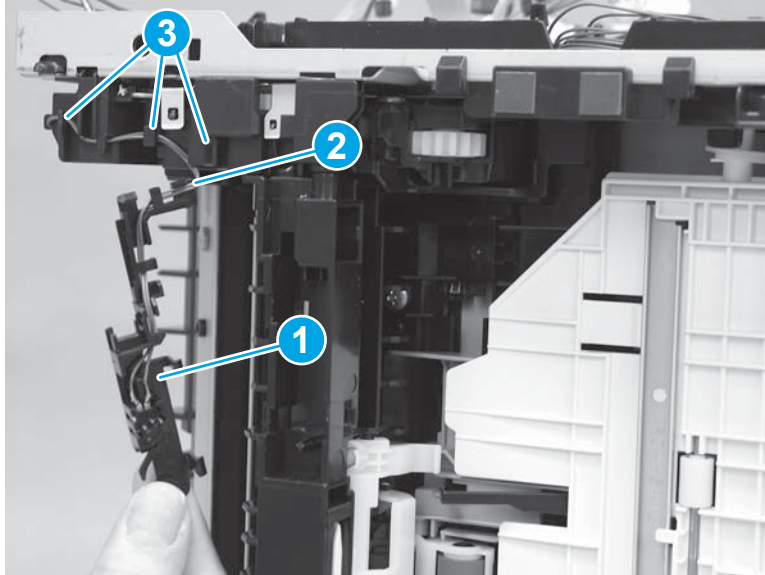
6. Release three tabs (callout 1).

Figure 1-2539 Release three tabs



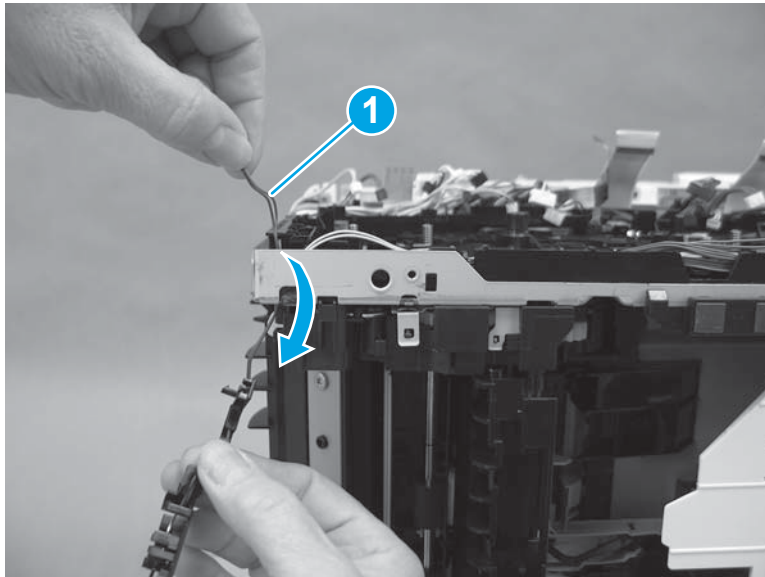
7. Release the tray sensor switch (callout 1), and then remove the cables (callout 2) from the guides (callout 3).

Figure 1-2540 Release the tray sensor switch



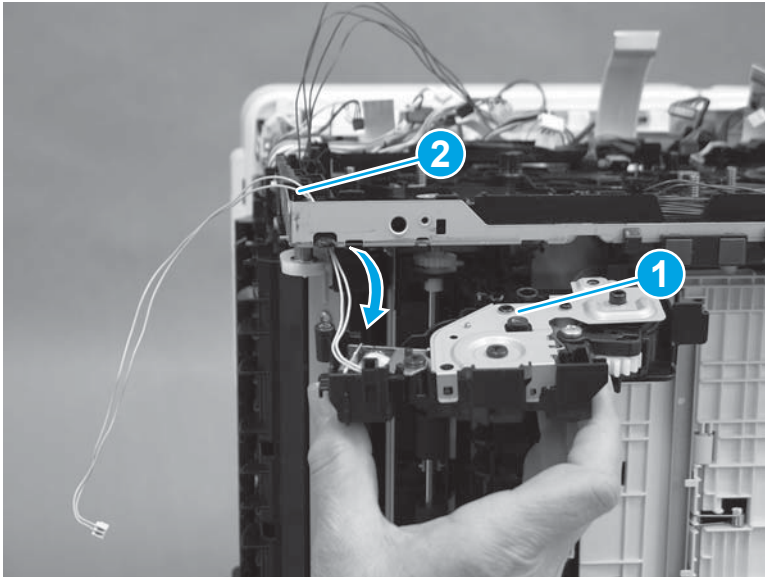
8. Remove the tray sensor switch by releasing the cables (callout 1) through the printer frame.

Figure 1-2541 Remove the tray sensor switch



9. Remove the lifter drive assembly (callout 1), and then release the cables (callout 2) through the printer frame.

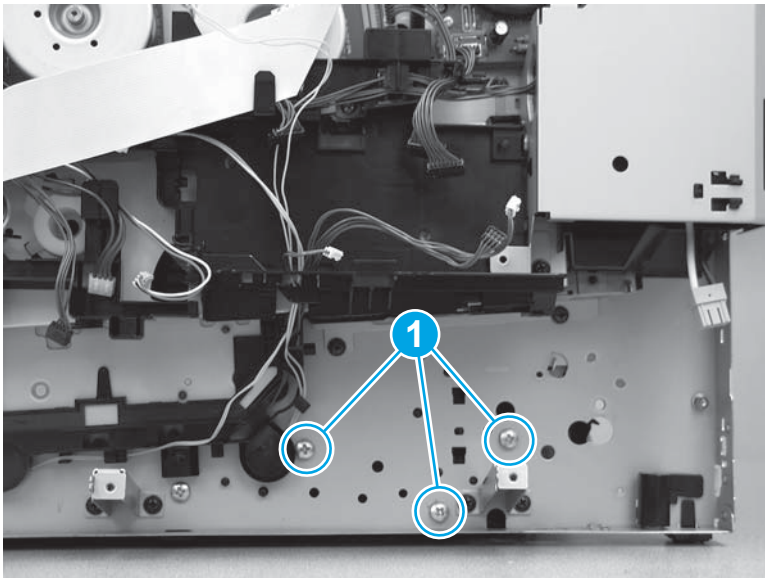
Figure 1-2542 Remove the lifter drive assembly



Step 16: Remove the pickup assembly

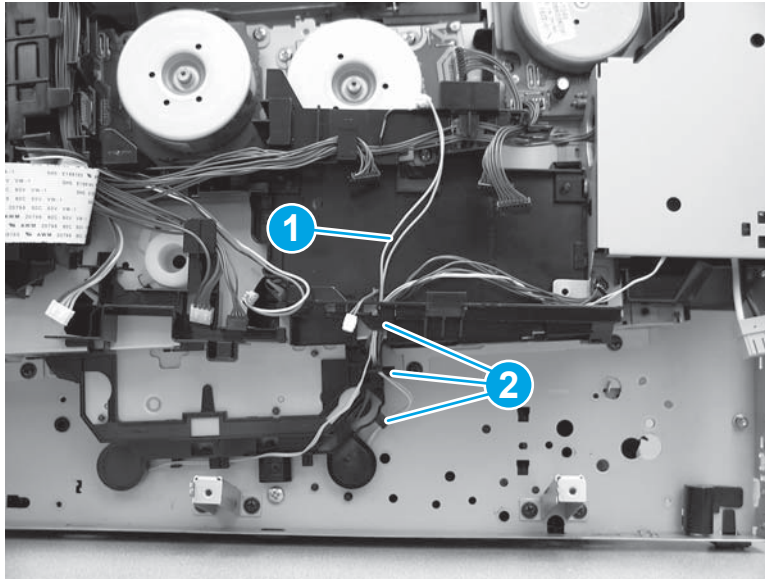
1. Remove three screws (callout 1).

Figure 1-2543 Remove three screws



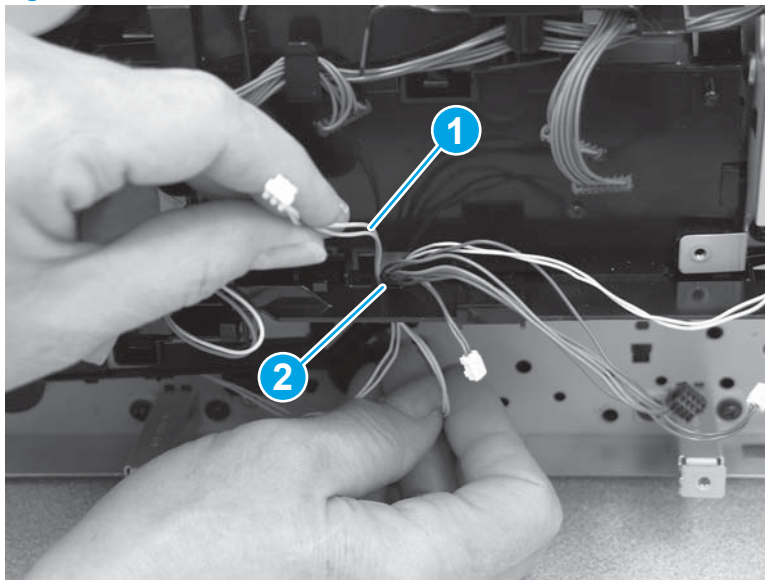
2. Release the cables (callout 1) from the cable guides (callout 2).

Figure 1-2544 Release the cables from the cable guides



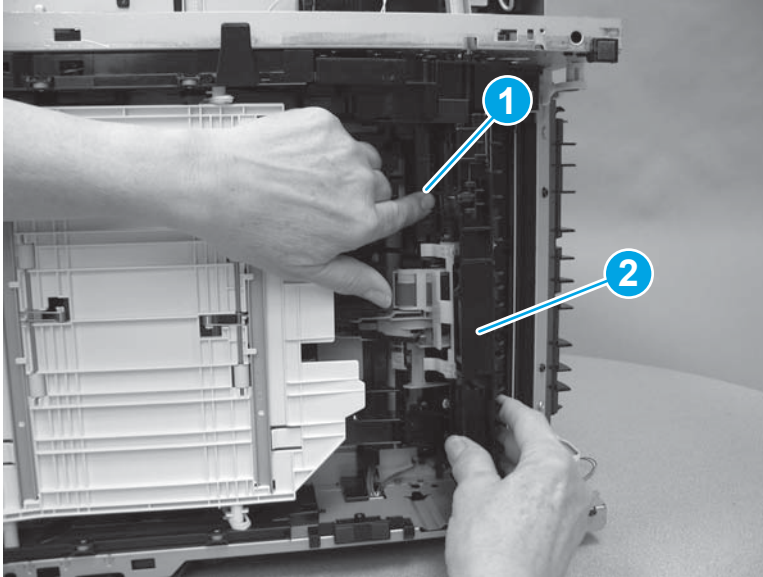
3. Thread the cables (callout 1) through the opening in the driver PCA holder (callout 2).

Figure 1-2545 Release the cables



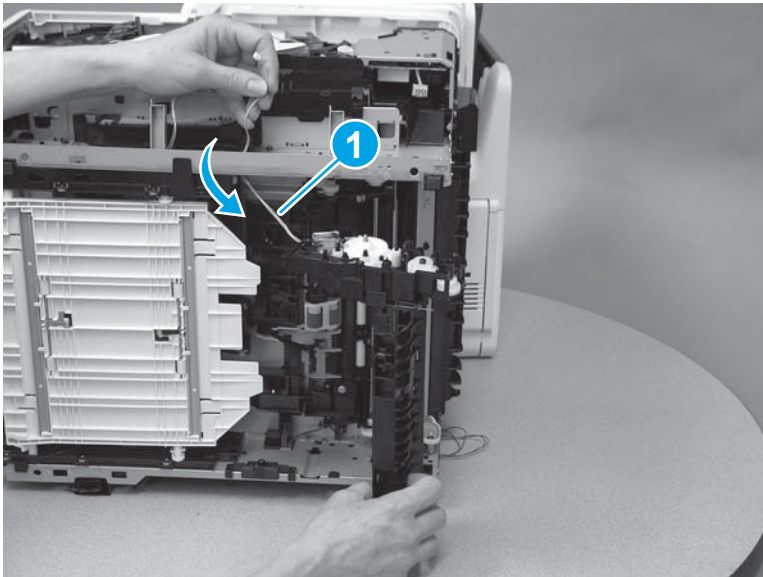
4. Lay the printer on the right side so that the left side is facing up. Press the pickup and feed roller holder (callout 1) toward the printer, and then remove the pickup assembly (callout 2).

Figure 1-2546 Remove the pickup assembly



5. Release the cables (callout 1) through the printer frame.

Figure 1-2547 Release the cables



Step 17: Unpack the replacement part

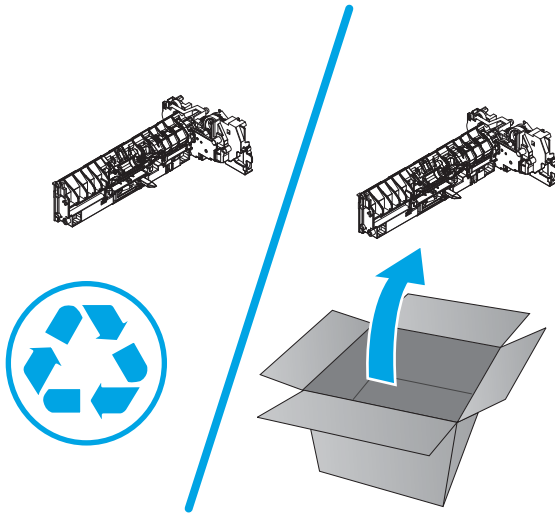
Remove the new part from its package. Save all packaging for recycling the used part.

For complete information on HP's recycling programs, go to [Product return and recycling](#).



NOTE: HP recommends responsible disposal of the defective part.

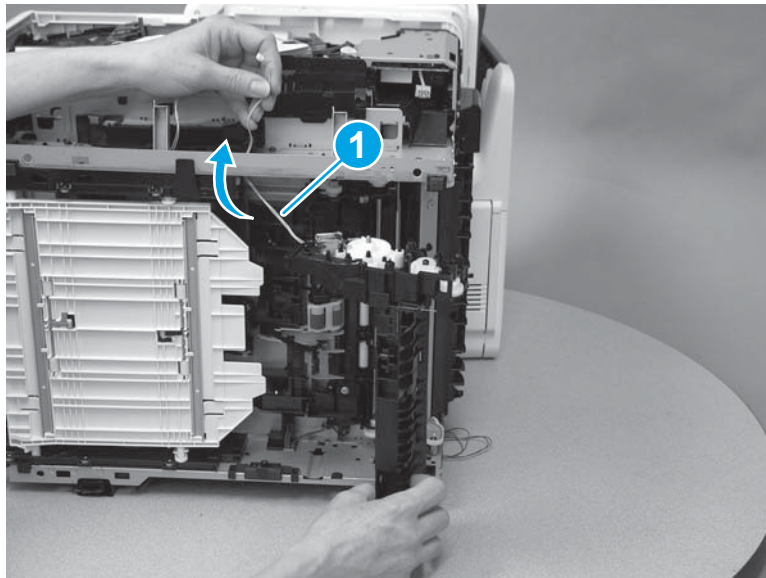
Figure 1-2548 Recycle and unpack



Step 18: Install the pickup assembly

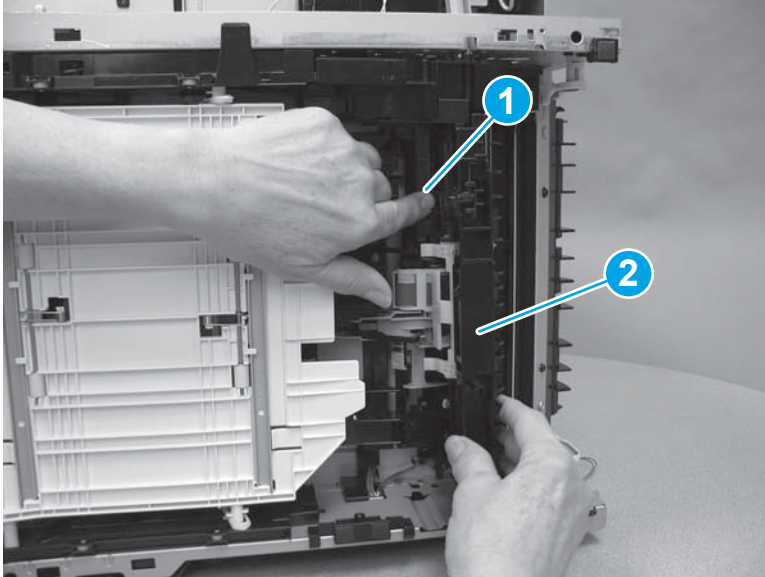
1. Thread the cables (callout 1) through the printer frame.

Figure 1-2549 Thread the cables



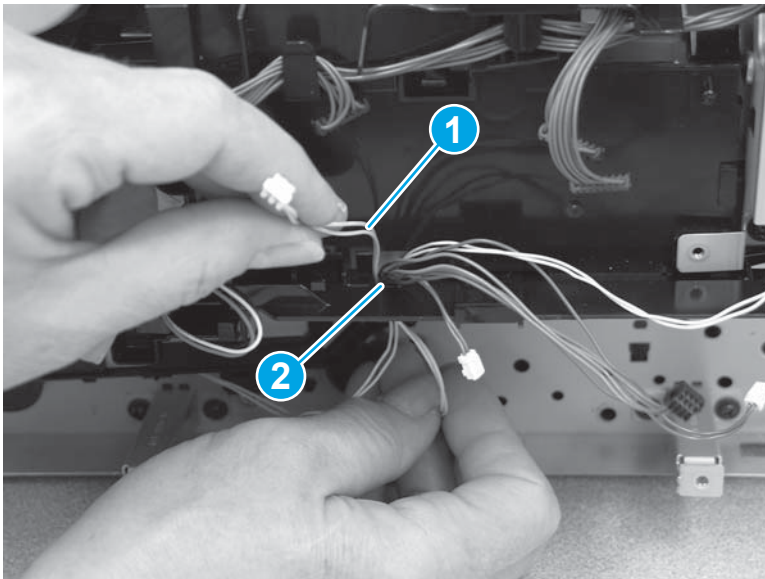
2. Press the pickup and feed roller holder (callout 1) toward the printer, and then install the pickup assembly (callout 2).

Figure 1-2550 Install the pickup assembly



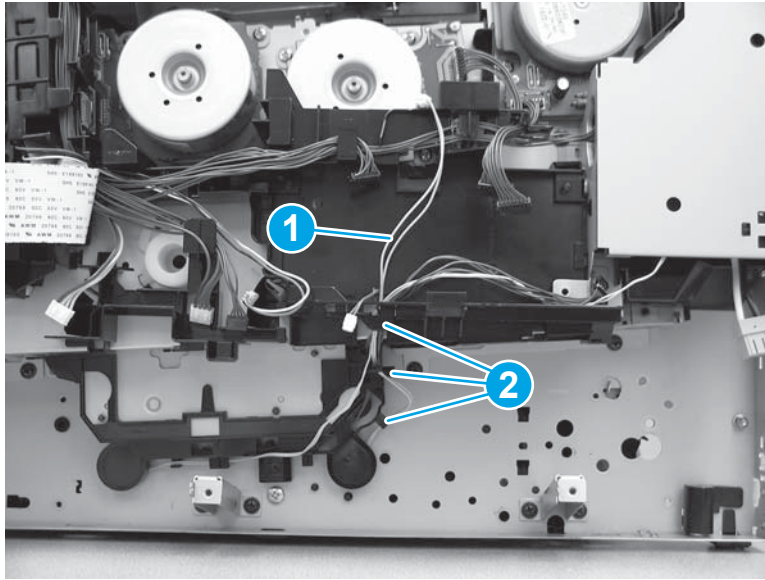
3. Return the printer to an upright position so that the top side is facing up. Thread the cables (callout 1) through the opening in the driver PCA holder (callout 2).

Figure 1-2551 Install the cable



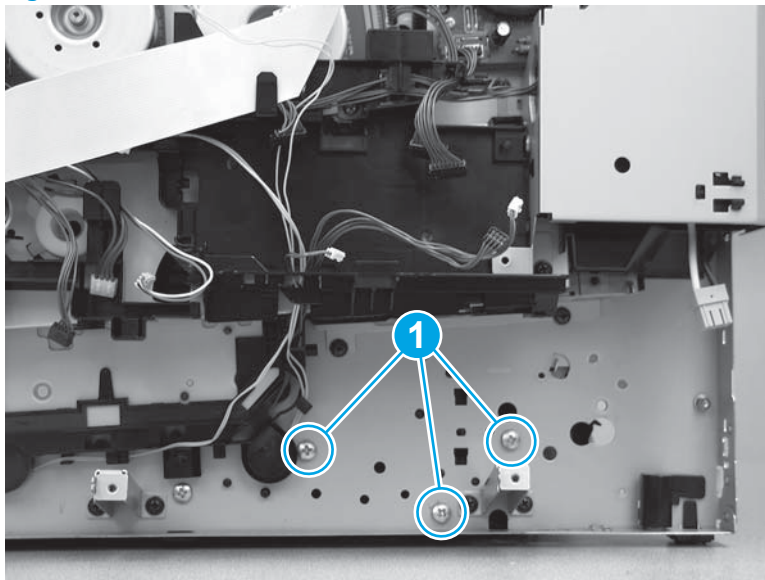
4. Install the cables (callout 1) in the cable guides (callout 2).

Figure 1-2552 Install the cables in the cable guides



5. Install three screws (callout 1).

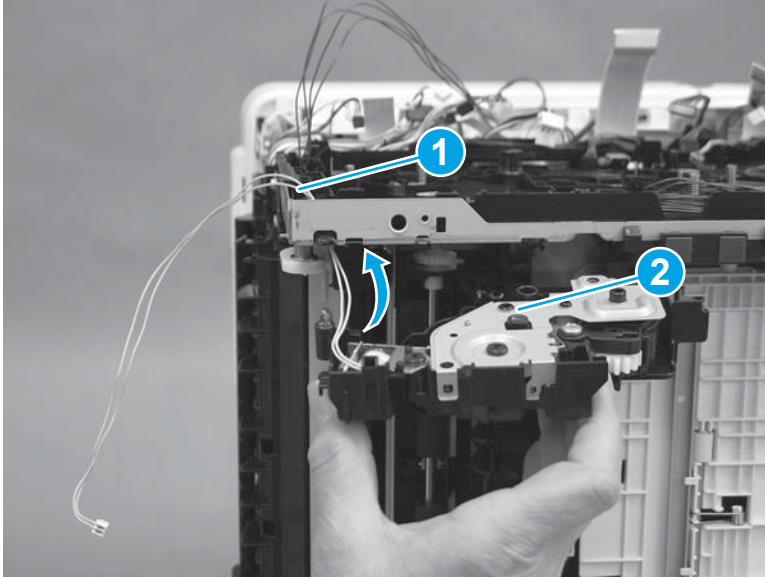
Figure 1-2553 Install three screws



Step 19: Install the lifter drive assembly

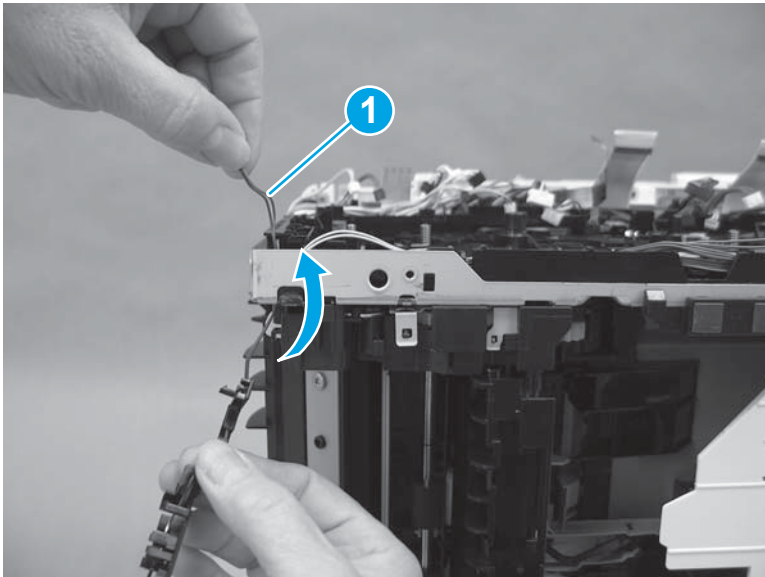
1. Install the cables (callout 1) on the lifter drive assembly up through the printer frame, and then install the lifter drive assembly (callout 2).

Figure 1-2554 Install the lifter drive assembly



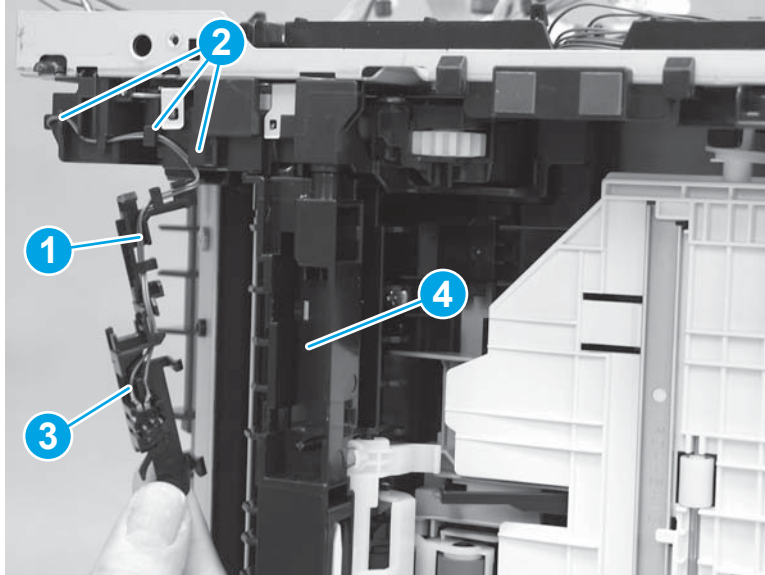
2. Install the cables (callout 1) on the tray sensor switch up through the printer frame.

Figure 1-2555 Install the tray sensor switch cable



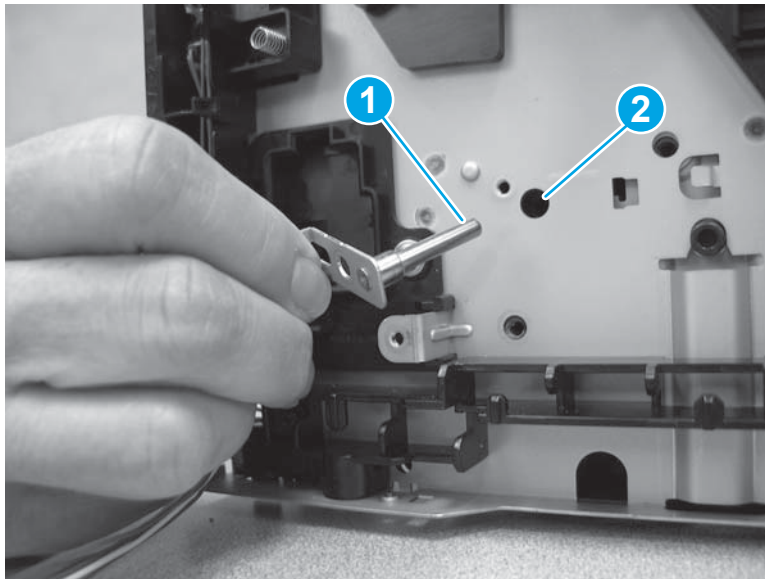
3. Install the cables (callout 1) in the cable guide (callout 2), and then install the tray sensor switch (callout 3) on the lifter drive assembly (callout 4).

Figure 1-2556 Install the tray sensor switch



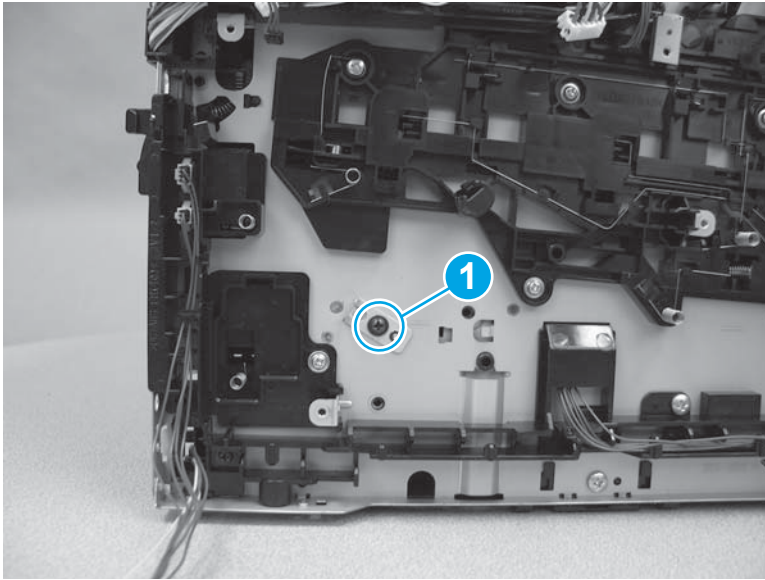
4. Return the printer to an upright position so that the top side is facing up. Install the shaft (callout 1) into the hole (callout 2) in the printer.

Figure 1-2557 Install the shaft



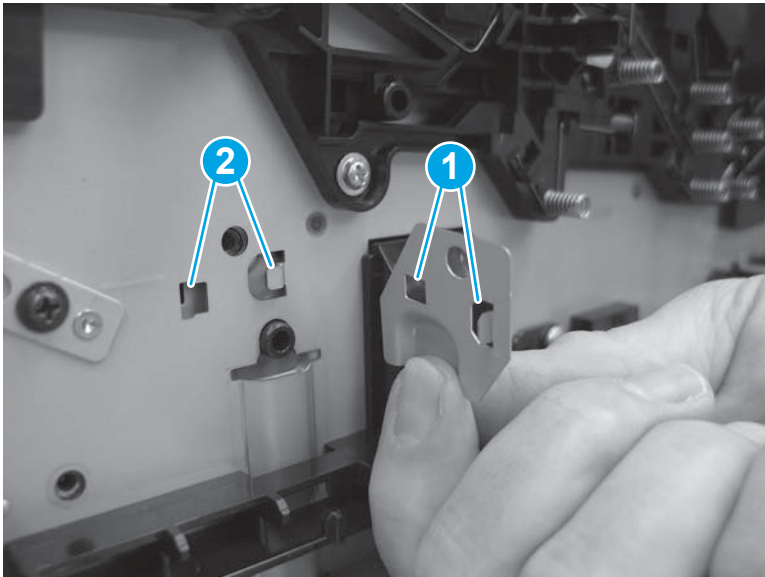
5. Install one screw (callout 1).

Figure 1-2558 Install one screw



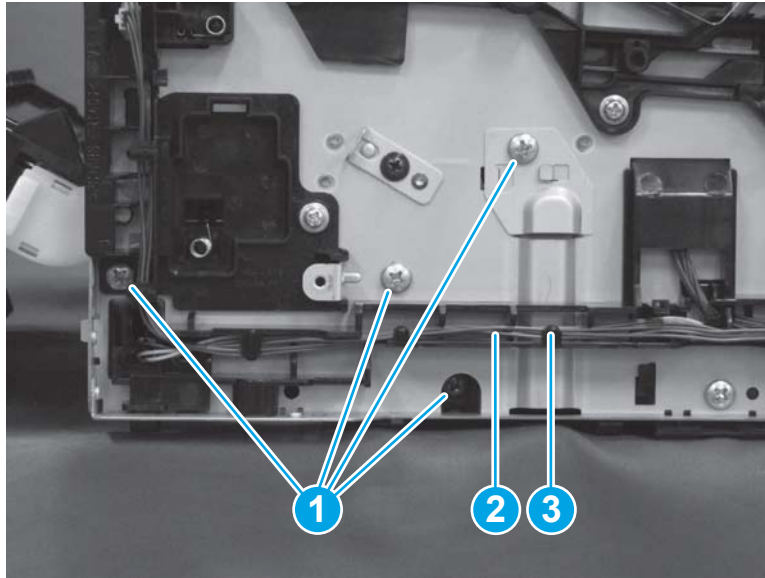
6. Install the tabs and slots on the cover (callout 1) into the corresponding tabs and slots (callout 2) on the printer.

Figure 1-2559 Install one cover



7. Install four screws (callout 1), and then install the cables (callout 2) into the guides (callout 3).

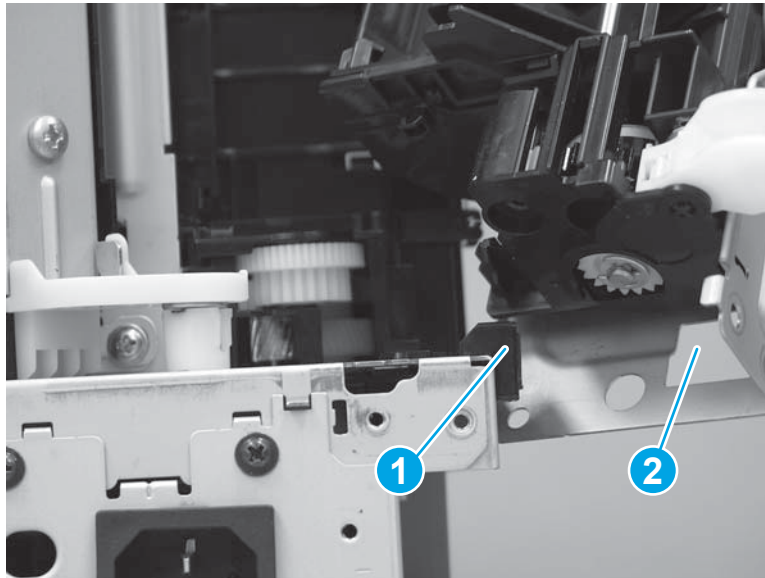
Figure 1-2560 Install four screws and cables



Step 20: Install the re-pickup assembly (duplex models)

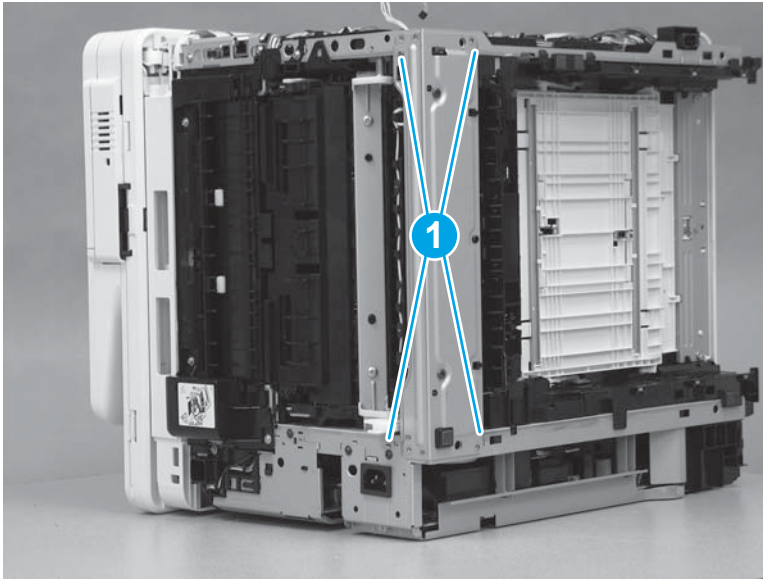
1. Position the foot on the printer (callout 1) through the opening (callout 2) on the re-pickup drive assembly.

Figure 1-2561 Position the foot through the opening



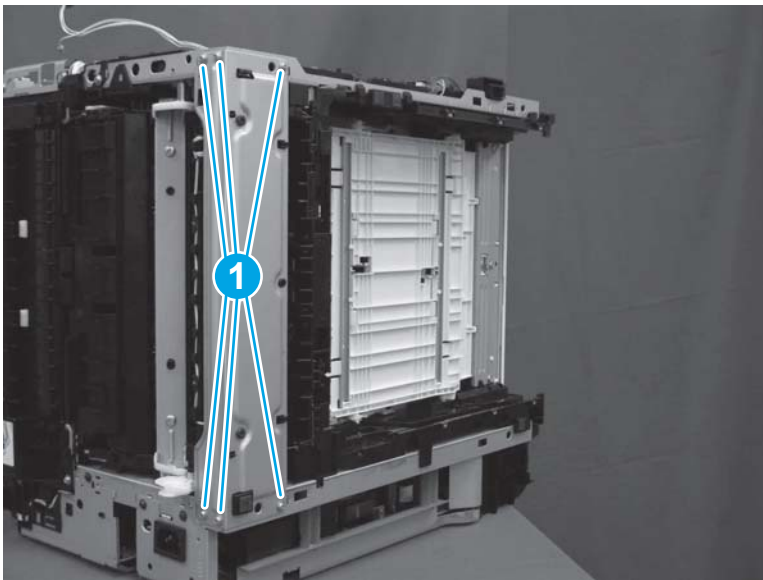
2. Install four tabs (callout 1).

Figure 1-2562 Install four tabs



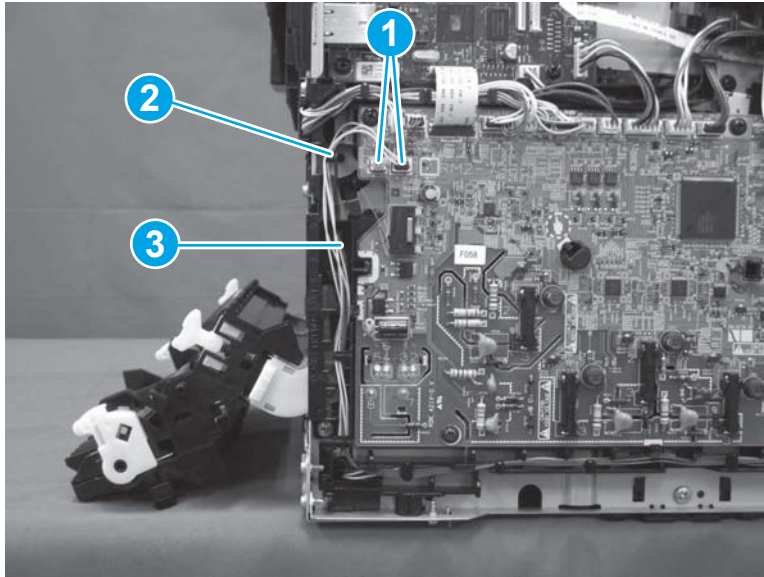
3. Install six screws (callout 1).

Figure 1-2563 Install six screws



4. Return the printer to an upright position so that the top side is facing up. On the left side of the printer, connect two connectors (callout 1), and then install the cables (callout 2) in the guides (callout 3).

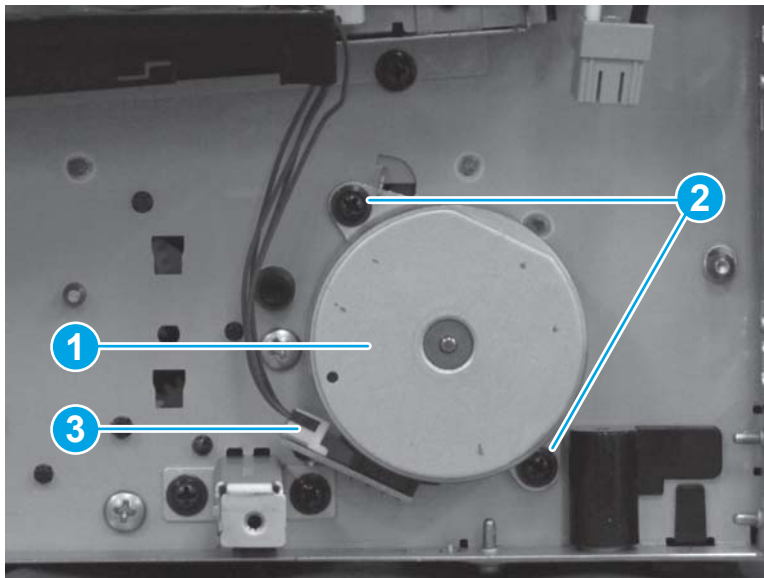
Figure 1-2564 Connect two connectors and install cables in guides



Step 21: Install the pickup motor

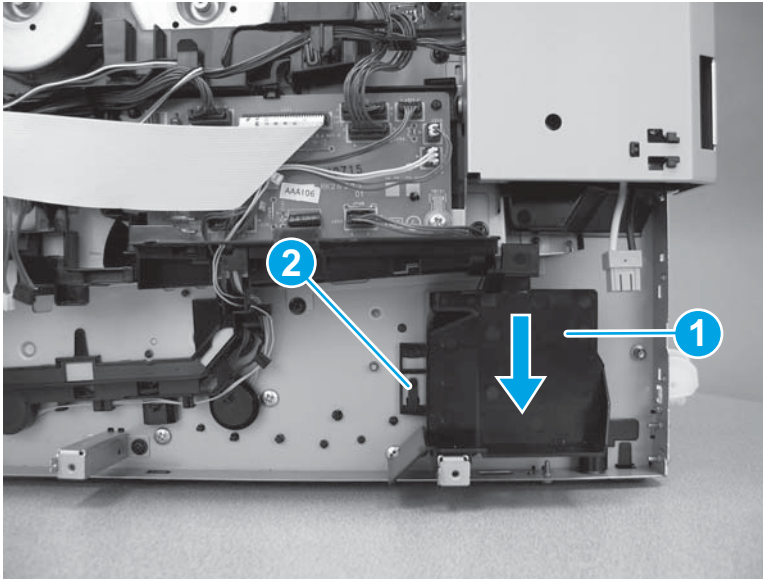
1. Position the pickup motor (callout 1) on the printer. Install two screws (callout 2), and then connect one connector (callout 3).

Figure 1-2565 Install the pickup motor



2. Position the fan duct (callout 1) on the printer. Slide the fan duct down to engage one tab (callout 2).

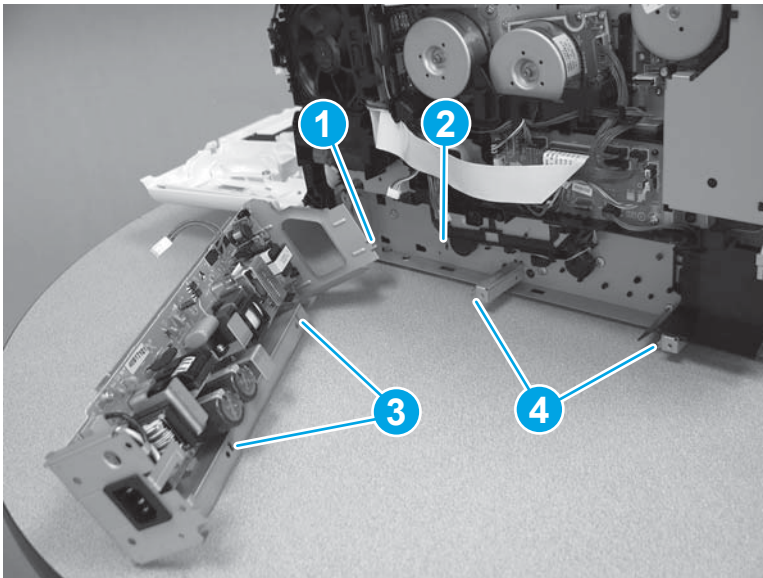
Figure 1-2566 Install the fan duct



Step 22: Install the low-voltage power supply

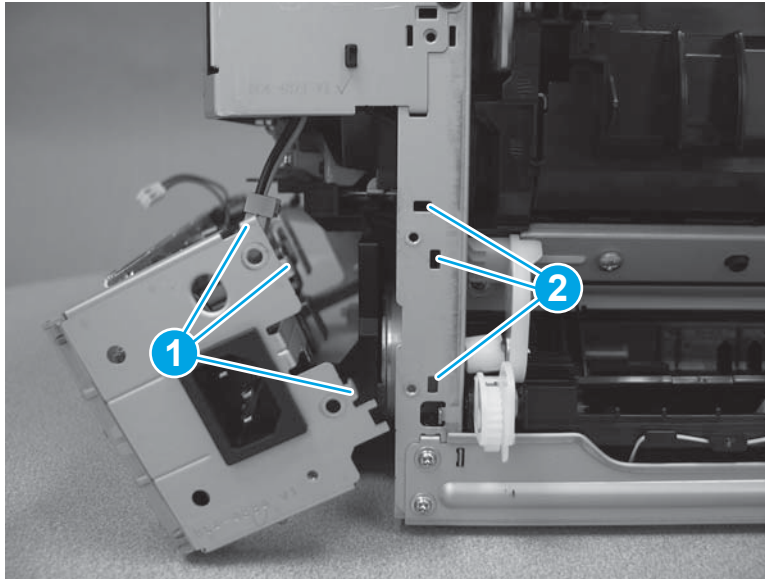
1. Install the tab (callout 1) on the LVPS into the slot (callout 2) in the printer. Install the slots (callout 3) in the LVPS over the tabs (callout 4) on the printer.

Figure 1-2567 Install the side tabs of the LVPS



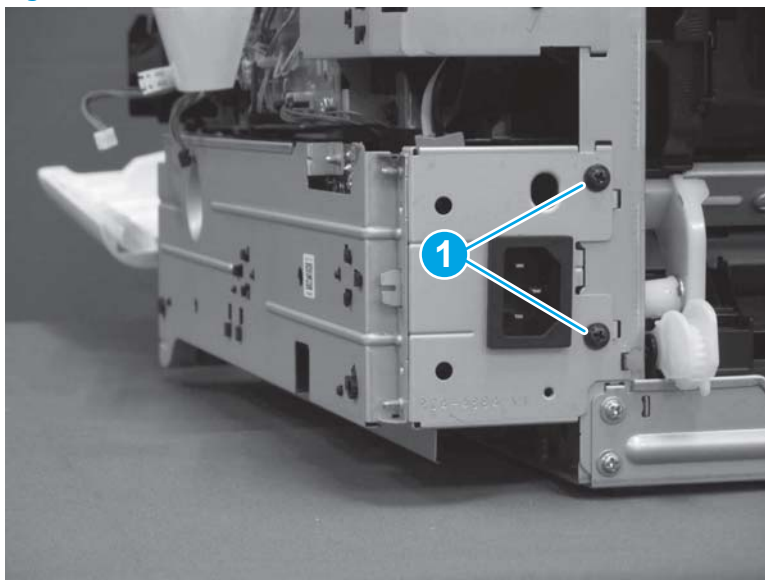
2. At the back of the printer, install the tabs on the LVPS (callout 1) into the slots (callout 2) in the printer.

Figure 1-2568 Install the back tabs of the LVPS



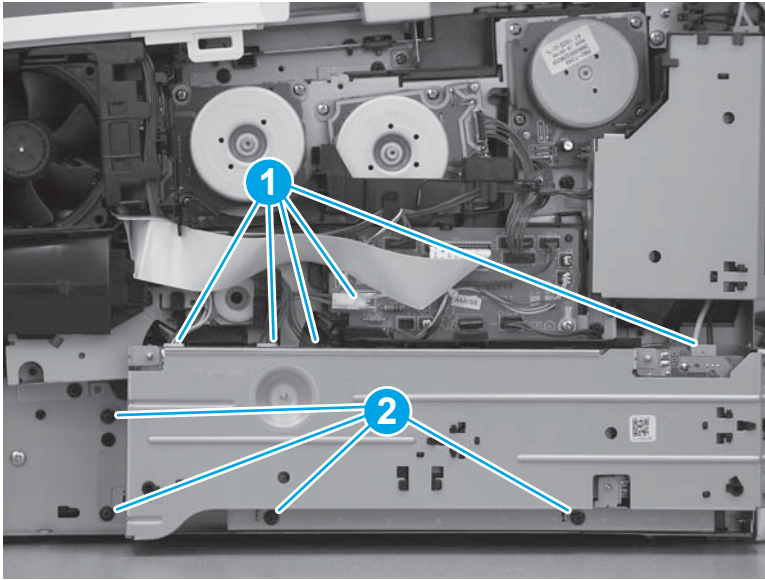
3. Install two screws (callout 1).

Figure 1-2569 Install two screws



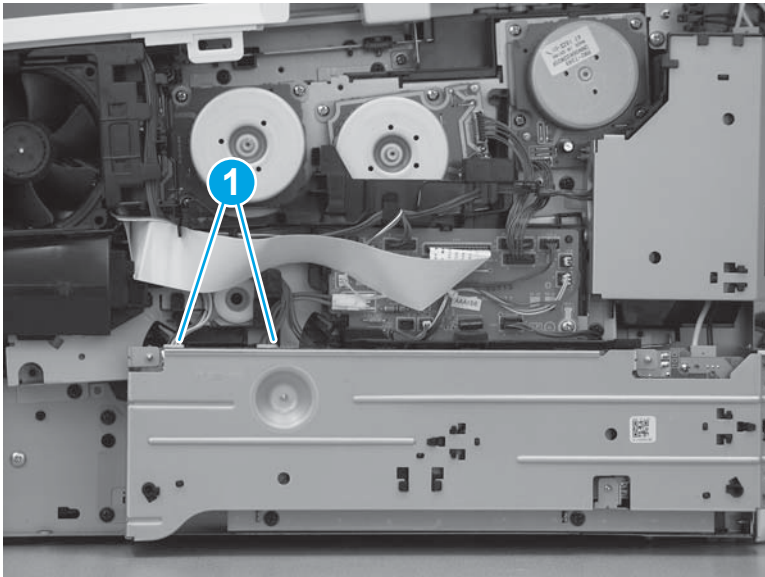
4. Connect five connectors (callout 1), and then install four screws (callout 2).

Figure 1-2570 Connect five connectors and install four screws



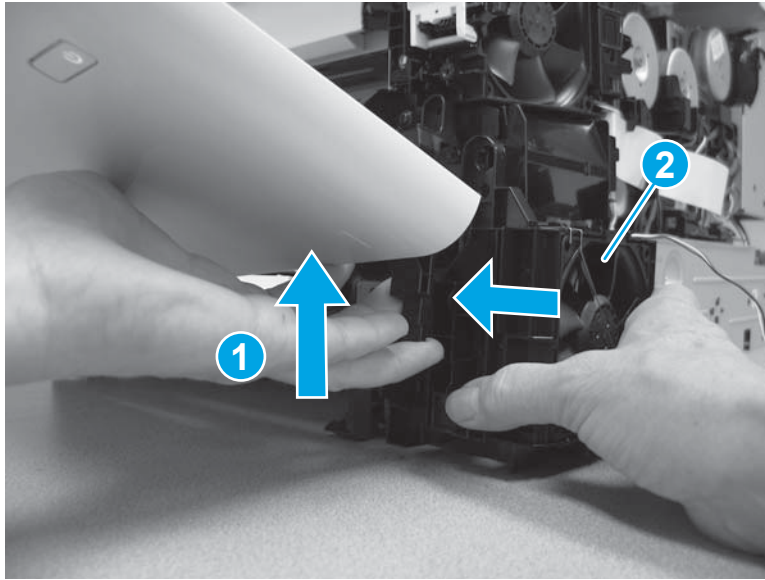
IMPORTANT: Two of the cables (callout 1) can be inadvertently switched. The connectors on the cables will fit in either connector on the LVPS. Make sure these cables are installed in the correct connectors. If these cables are switched, the printer will not power on when reassembled.

Figure 1-2571 Check the connectors



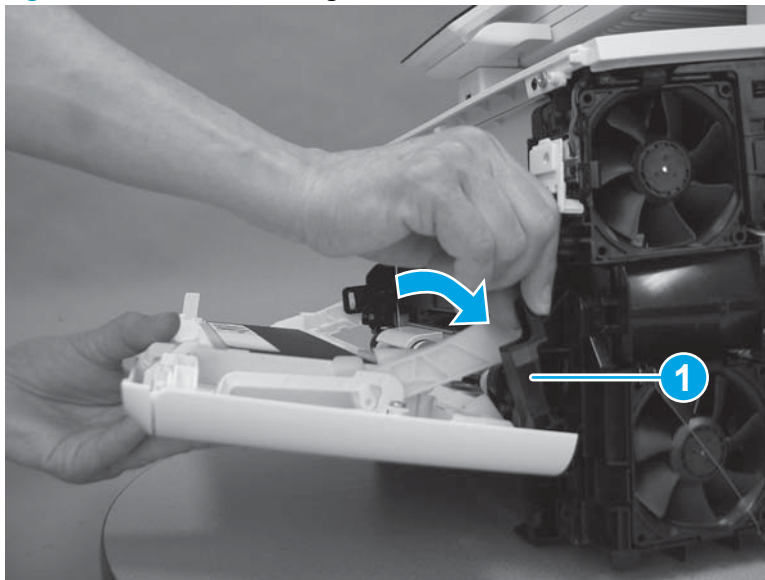
5. Lift the front door up slightly (callout 1), and then install the power supply fan and holder (callout 2).

Figure 1-2572 Remove the power supply fan and holder



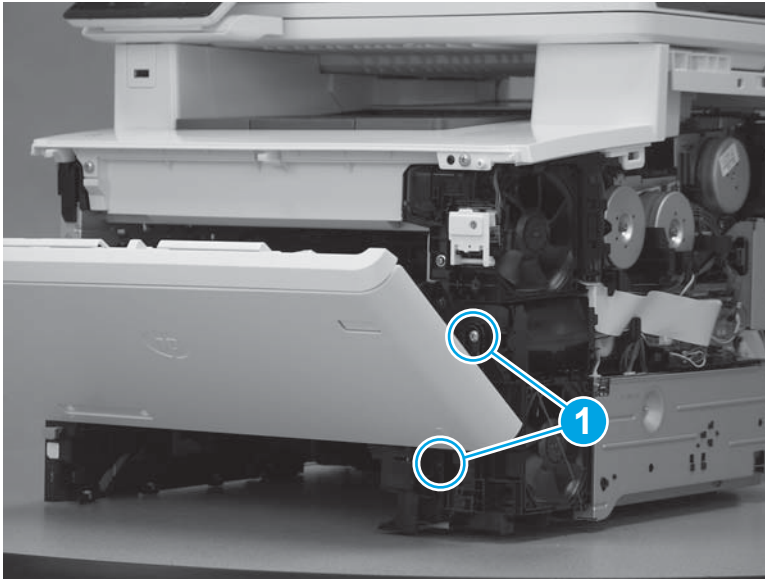
6. Install the hinge arm (callout 1).

Figure 1-2573 Install the hinge arm



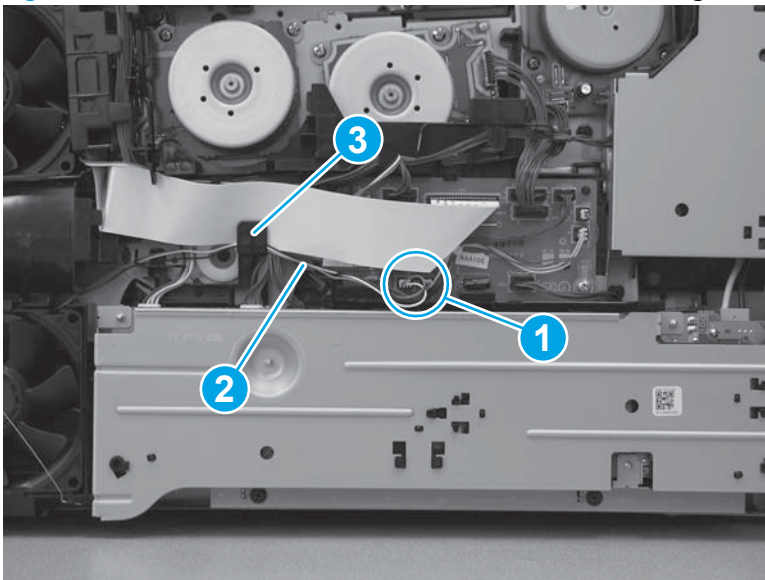
7. Install two screws (callout 1).

Figure 1-2574 Install two screws



8. Connect one connector (callout 1), and then install the cable (callout 2) into the wire guide (callout 3).

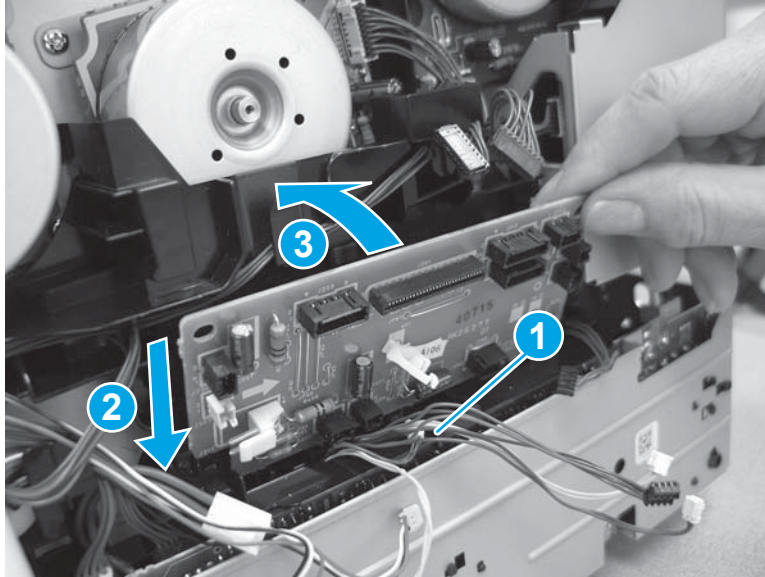
Figure 1-2575 Connect one connector and install cables in the guides



Step 23: Install the driver PCA

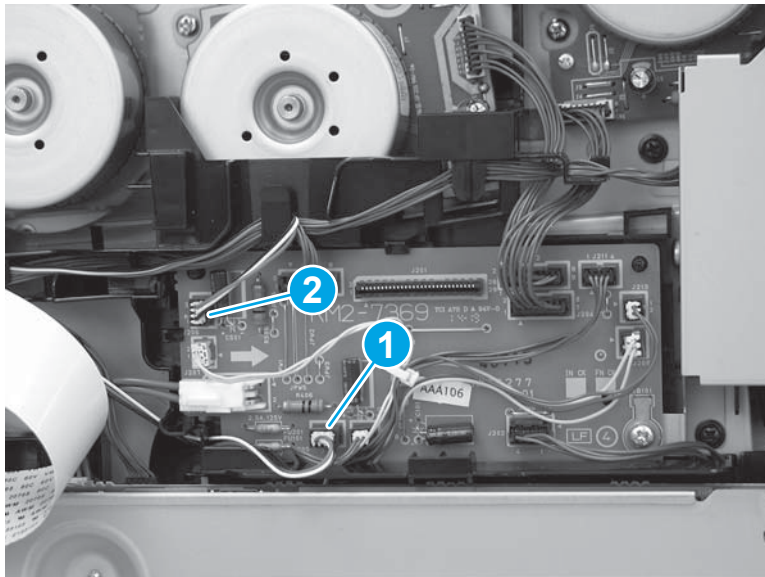
1. Make sure that all of the cables (callout 1) are positioned in front of the driver PCA. Position the bottom of the driver PCA (callout 2) against the PCA holder, and then rotate the top of the PCA (callout 3) toward the printer until it snaps into place.

Figure 1-2576 Install the driver PCA



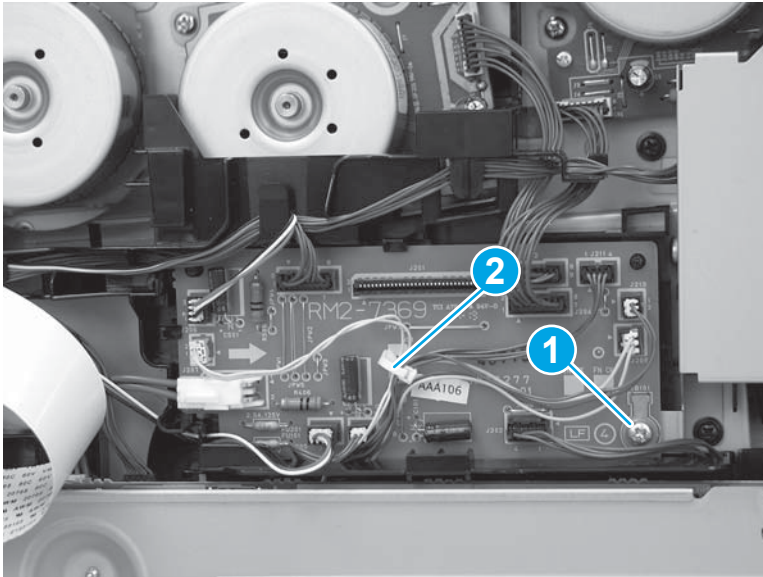
2. When connecting the connectors in the next step, make sure that the power supply fan connector (callout 1) and the cartridge fan connector (callout 2) are installed in the correct positions.

Figure 1-2577 Fan connector locations



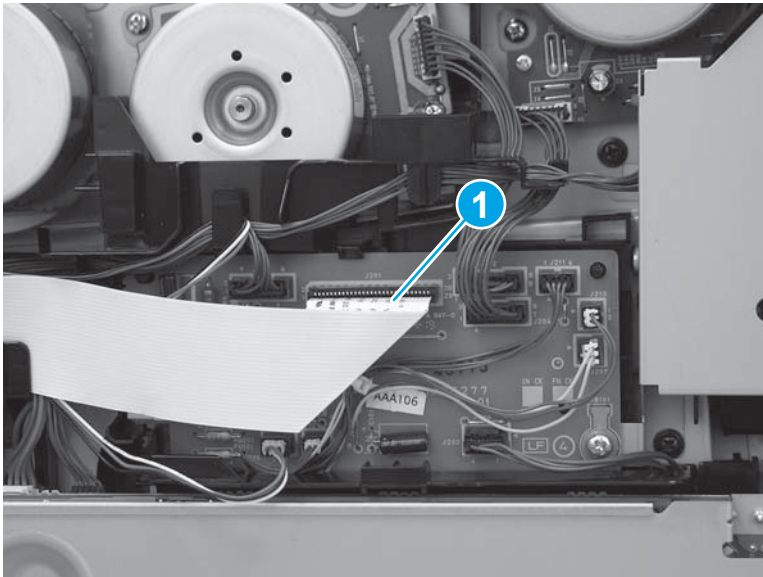
3. Install one screw (callout 1), connect all of the connectors on the driver PCA, and then close one retainer (callout 2).

Figure 1-2578 Install one screw and connect all connectors



4. Connect one connector (callout 1).

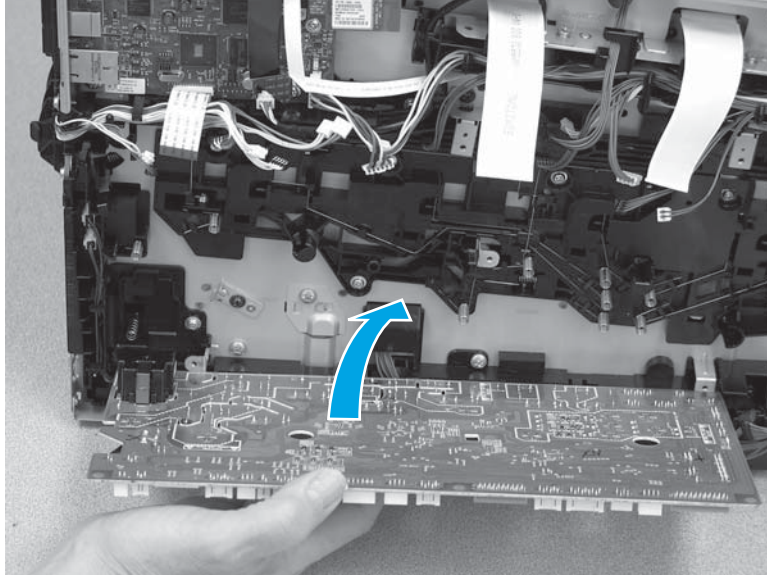
Figure 1-2579 Connect one connector



Step 24: Install the engine controller PCA

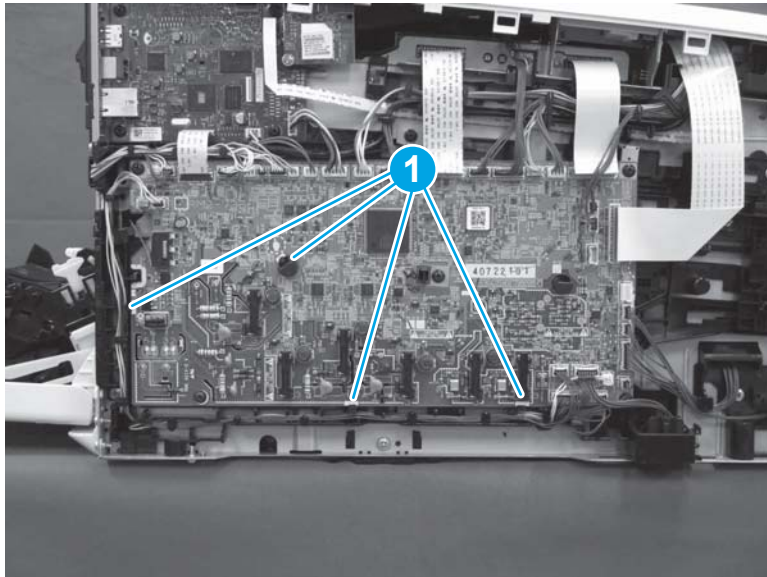
1. Position the engine controller PCA on the printer.

Figure 1-2580 Position the engine controller PCA



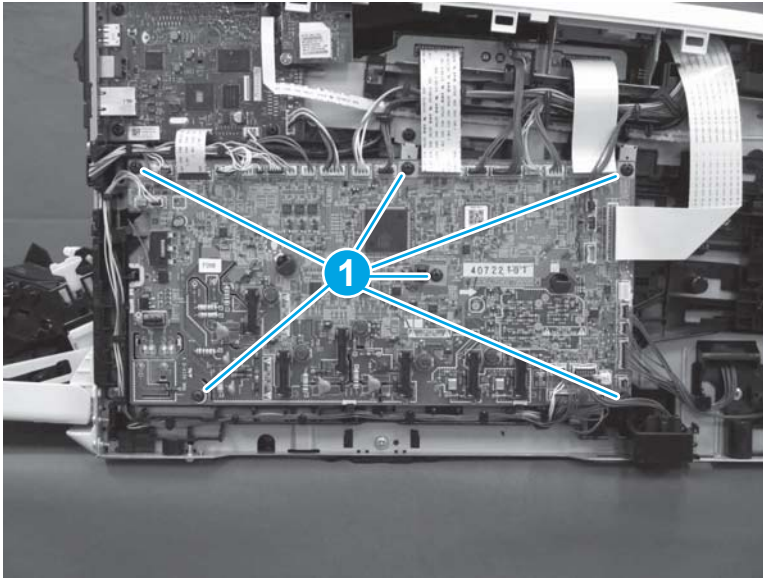
2. Install four tabs (callout 1).

Figure 1-2581 Install four tabs



3. Install six screws (callout 1).

Figure 1-2582 Install six screws



4. Connect all of the connectors on the engine controller PCA. Note that one connector (callout 1) is a zero-insertion force (ZIF) connector. Lift the latch on the connector before installing the flat cable, and then secure the latch once the cable is installed.


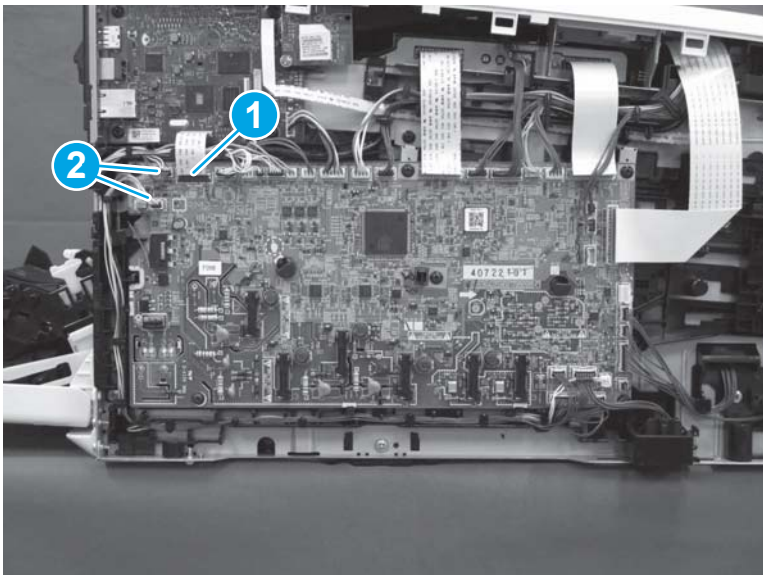
 **IMPORTANT: Duplex printers only:** Two of the cables (callout 2) can be inadvertently switched when reinstalling. The connectors on the cables will fit in either connector on the engine controller PCA. Make sure that these cables are installed in the correct connectors. If these cables are switched, the printer will experience a repeatable jam when printing duplex jobs.

Figure 1-2583 Connect all of the connectors

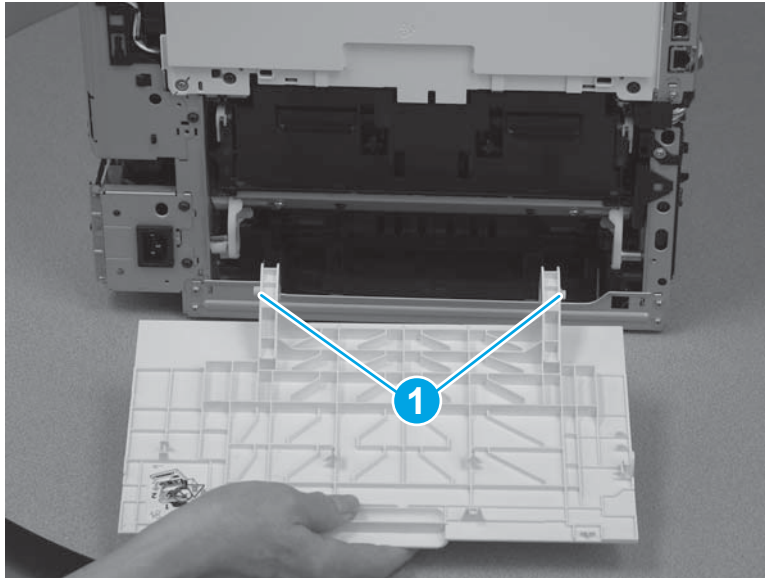


Step 25: Install the rear door (simplex models)

 **NOTE:** This step is for simplex models. For duplex models, skip this step and go to [Step 26: Install the duplexer door assembly \(duplex models\) on page 1383](#).

- ▲ Slightly flex the door hinge arms to install two hinge pins (callout 1).

Figure 1-2584 Install the rear door

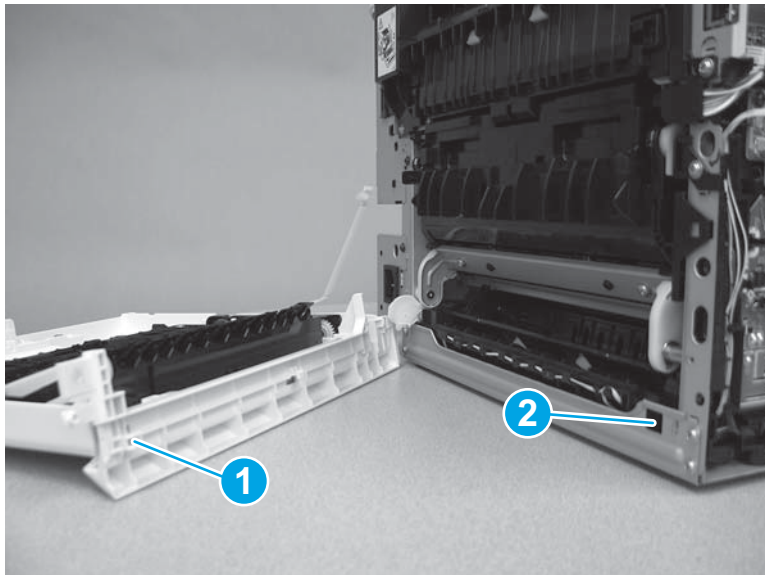


Step 26: Install the duplexer door assembly (duplex models)

 **NOTE:** This step is for duplex models. For simplex models, skip this step and go to [Step 27: Install the left cover \(M452 models\) on page 1385](#).

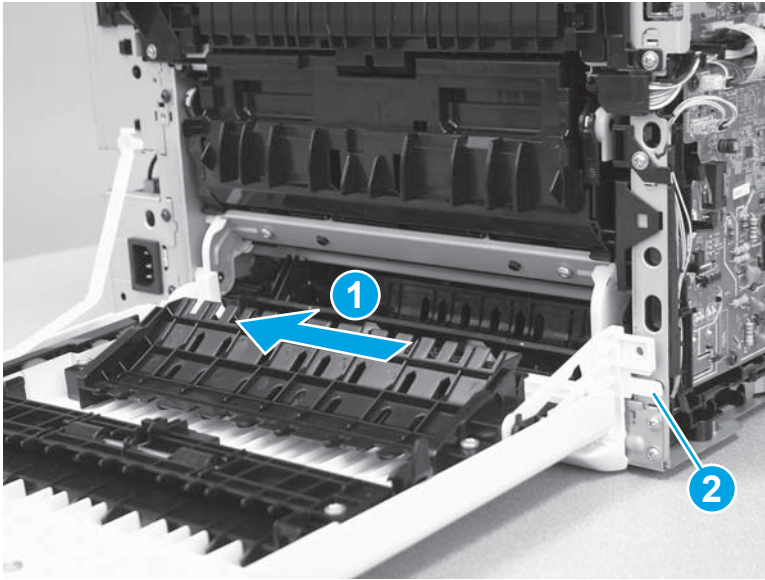
1. Position the tab (callout 1) on the door into the slot (callout 2) on the printer.

Figure 1-2585 Position the tab in the slot



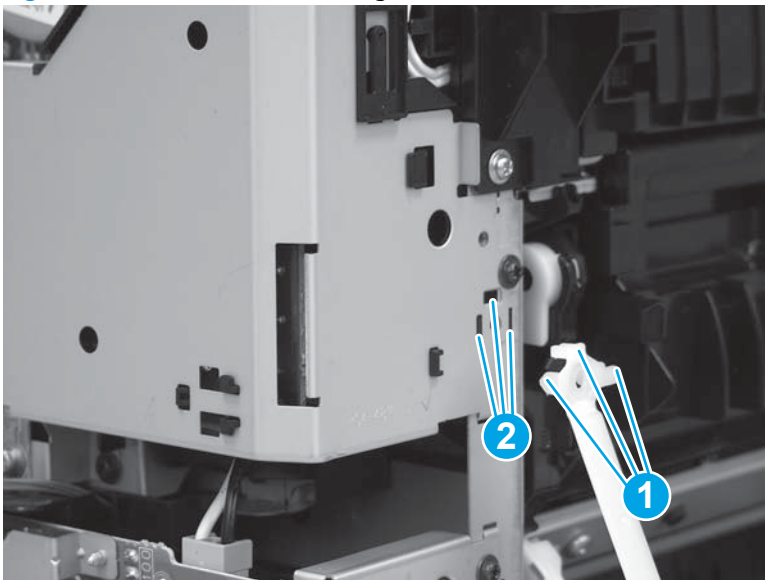
2. Slide the door to the left (callout 1) until the tab (callout 2) snaps into place.

Figure 1-2586 Install the duplexer door



3. Install the tabs (callout 1) on the retaining arm into the slots (callout 2) in the printer.

Figure 1-2587 Install the retaining arm



4. At the back of the printer, install two screws (callout 1), and then install one screw (callout 2) that holds the retention arm.


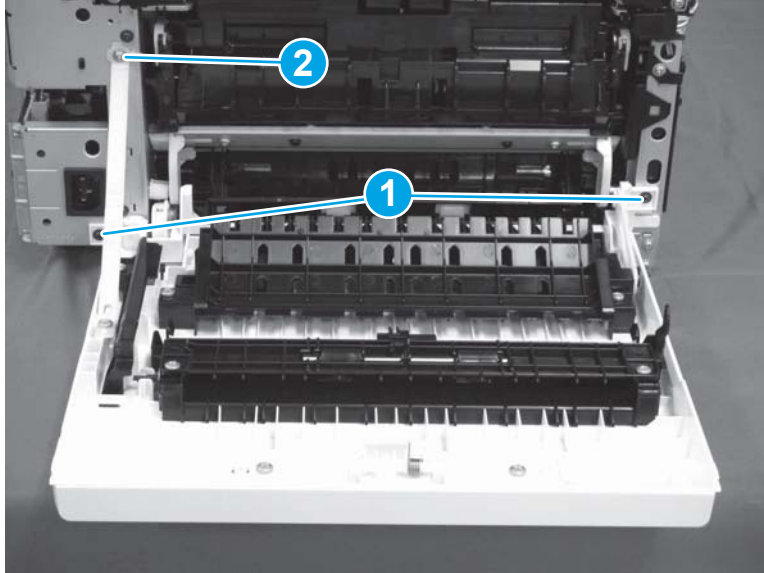

 **Reinstallation tip:** Note that the screw (callout 2) that holds the retention arm is longer than the other two. Make sure this screw is installed in the correct position.

Figure 1-2588 Install three screws

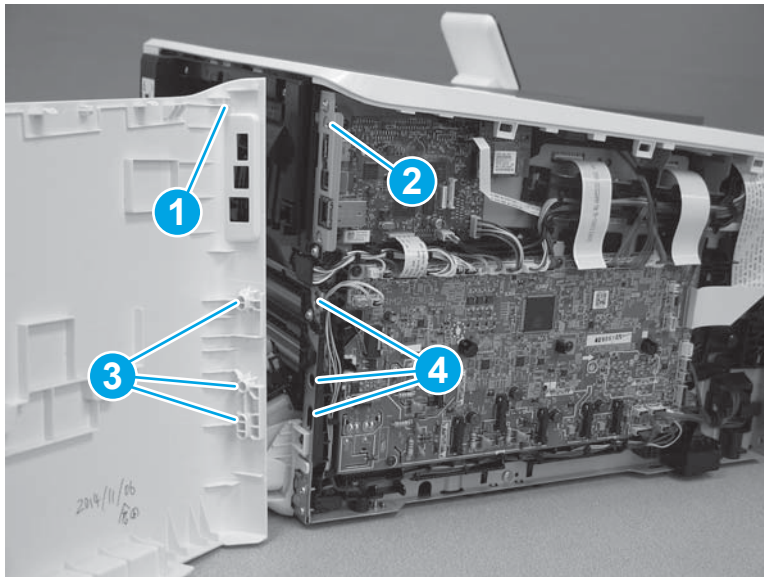


Step 27: Install the left cover (M452 models)

 **NOTE:** This step is for the M452 models. For the M377, M477 models, skip this step and go to [Step 28: Install the left cover \(M377, M477 models\) on page 1389](#).

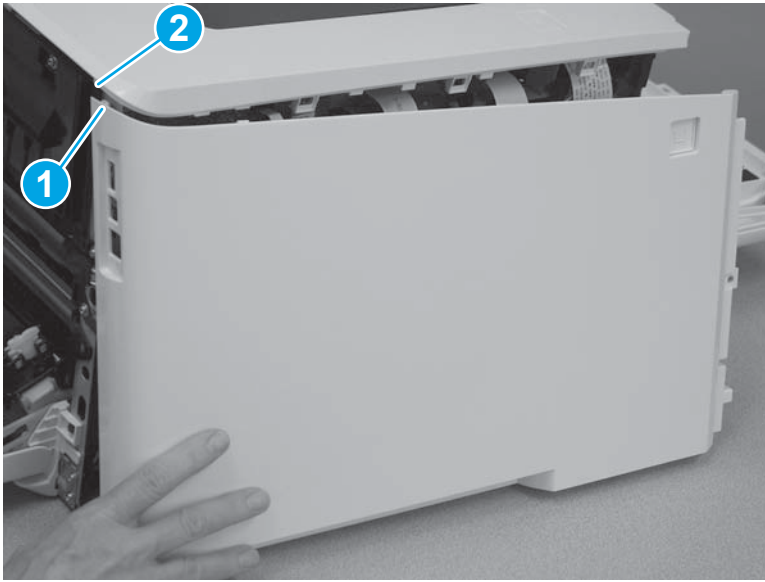
1. Position the hook (callout 1) on the cover in the slot (callout 2) on the printer. Position three tabs (callout 3) on the back of the cover in the slots (callout 4) in the printer.

Figure 1-2589 Position three tabs



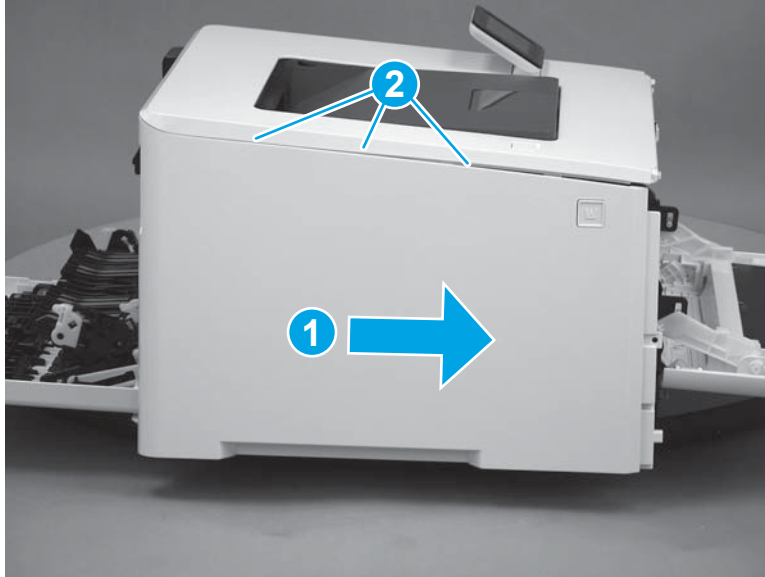
2. At the back of the printer, install the tab (callout 1) under the edge of the top cover (callout 2).

Figure 1-2590 Install one tab



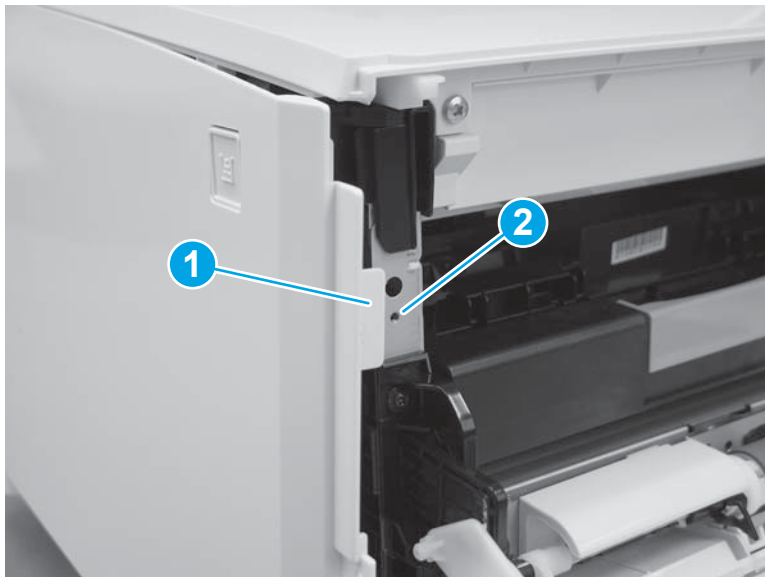
3. Slide the cover toward the front of the printer (callout 1), and then engage three tabs (callout 2) on the top of the cover.

Figure 1-2591 Install the left cover



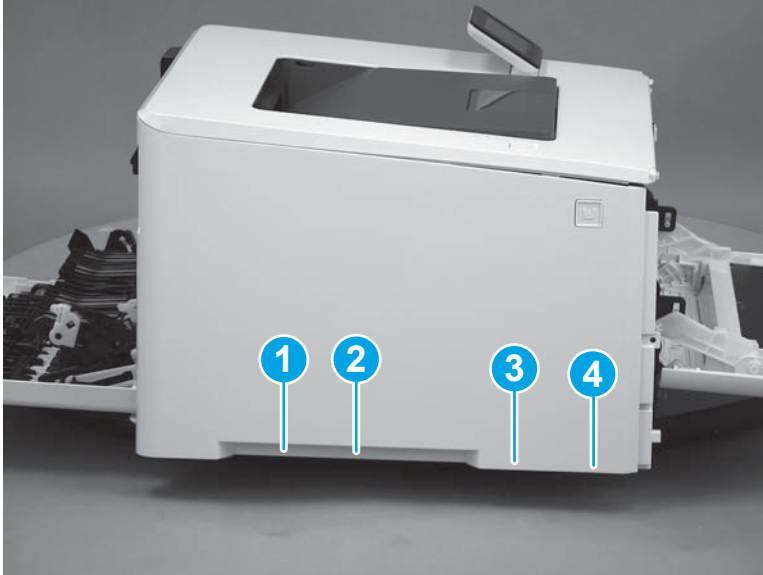
CAUTION: Make sure that the tab (callout 1) does not get caught behind the printer frame (callout 2).

Figure 1-2592 Make sure the tab does not get caught



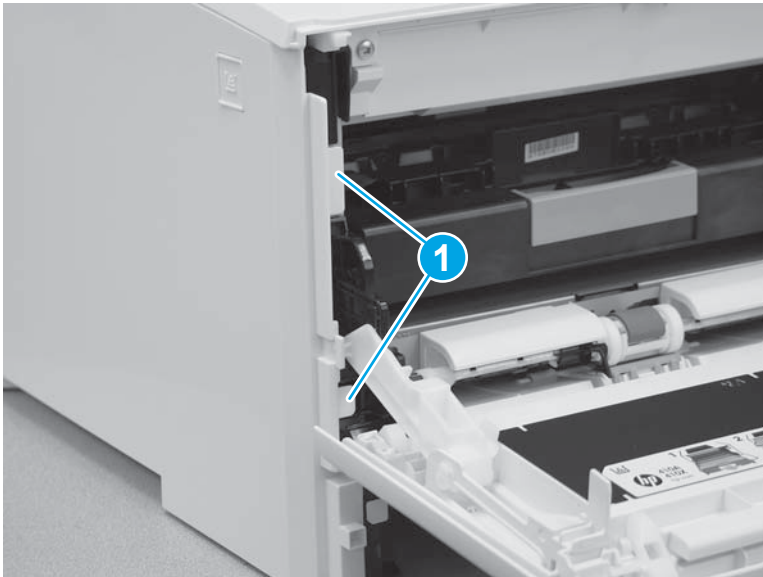
4. Slide the printer to the edge of a work surface in order to access the tabs on the bottom of the cover. Beginning from the back of the cover, install four tabs (callouts 1-4) on the lower edge of the cover.

Figure 1-2593 Install four tabs



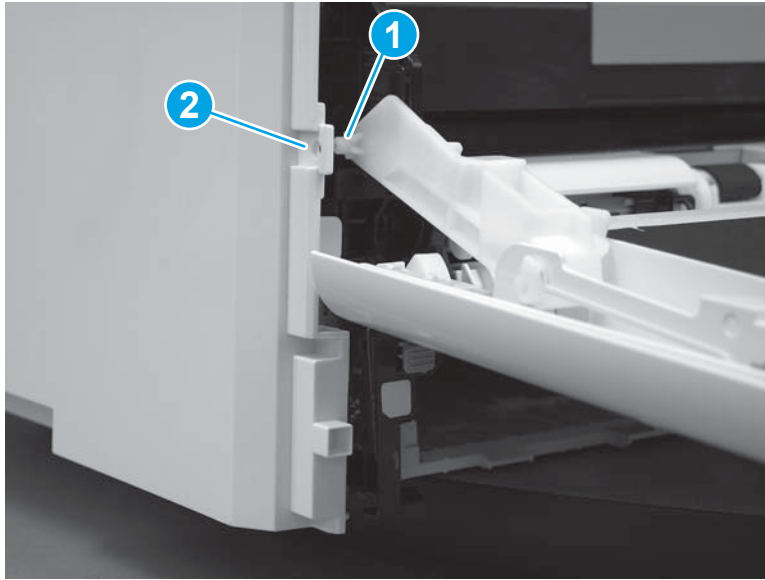
5. Install two tabs (callout 1) at the front of the cover.

Figure 1-2594 Engage two tabs



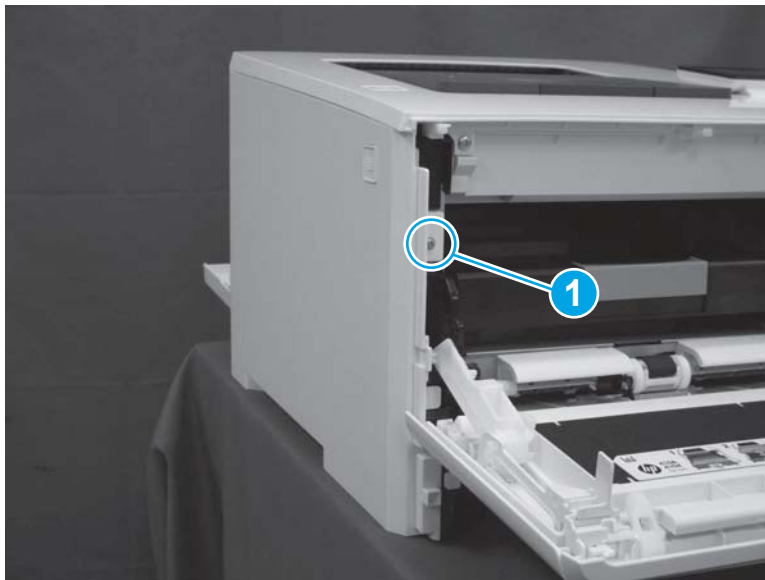
6. Make sure that the hinge pin (callout 1) on the front door fits into the slot (callout 2) on the left cover.

Figure 1-2595 Install hinge pin




7. Install one screw (callout 1).

Figure 1-2596 Install one screw

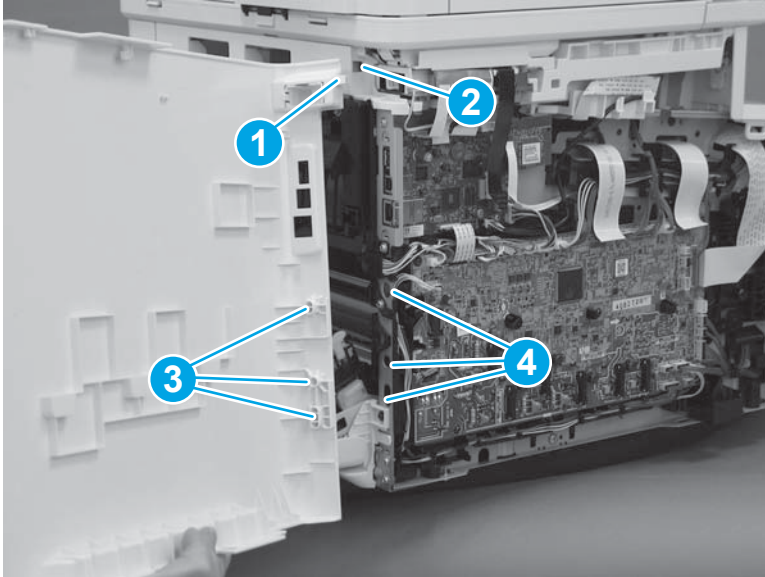


Step 28: Install the left cover (M377, M477 models)

 **NOTE:** This step is for the M377, M477 models. For the M452 models, skip this step and go to [Step 29: Install the right cover \(M452 models\) on page 1396](#).

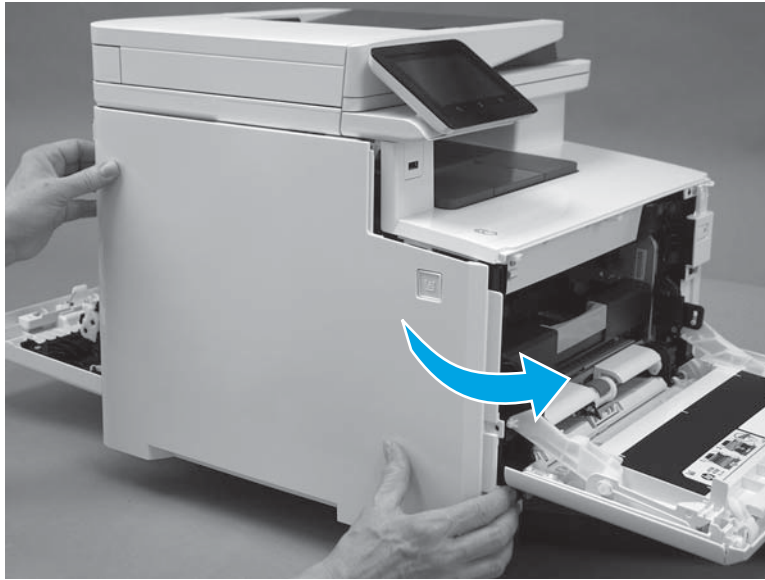
1. At the back of the printer, install the tab (callout 1) on the cover into the slot (callout 2) in the printer. Install the locator pins (callout 3) into the slots (callout 4) in the printer.

Figure 1-2597 Install one tab



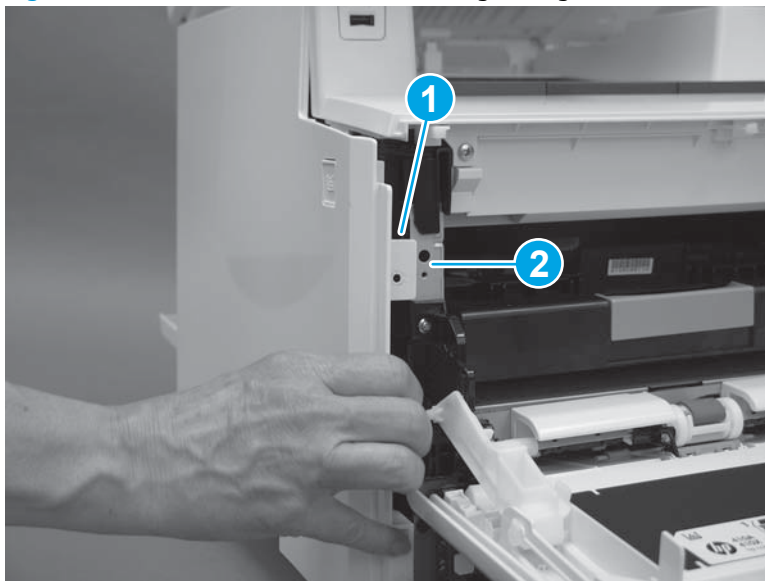
2. Rotate the cover toward the printer.

Figure 1-2598 Rotate the left cover



⚠ CAUTION: Make sure that the tab (callout 1) does not get caught behind the printer frame (callout 2).

Figure 1-2599 Make sure the tab does not get caught



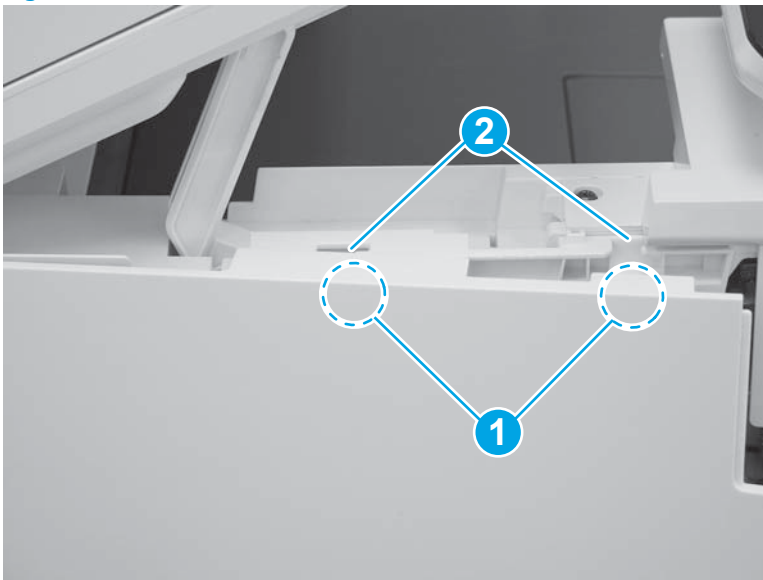
3. Raise the scanner.

Figure 1-2600 Raise the scanner



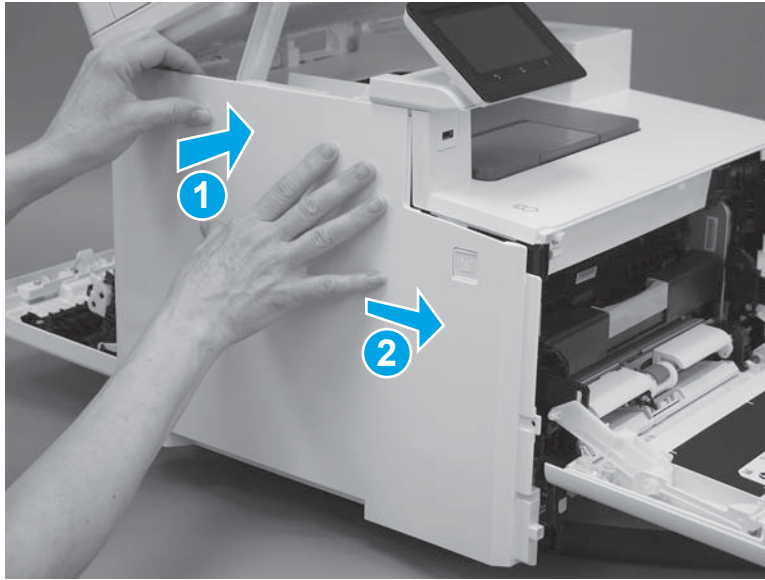
4. Position the hooks (callout 1) on the inside of the cover into the slots (callout 2) on the printer.

Figure 1-2601 Position the hooks in the slots



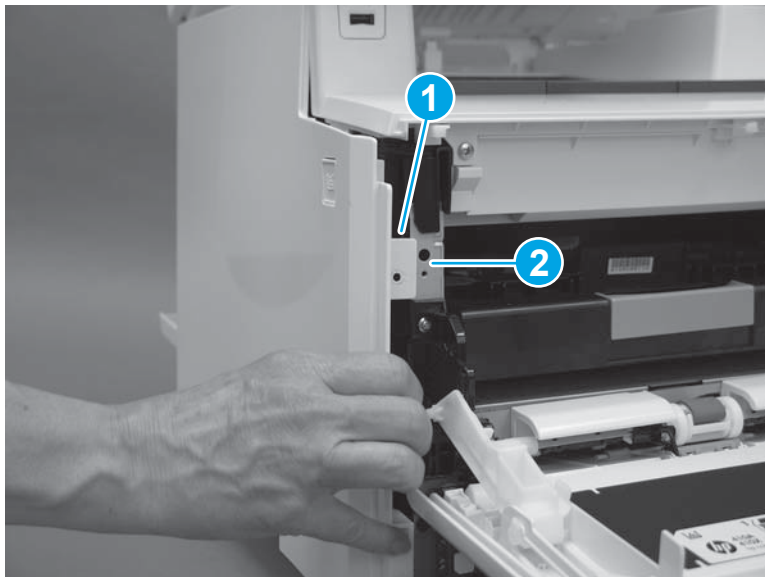
5. Hold the cover against the printer (callout 1), and then slide it (callout 2) toward the front of the printer.

Figure 1-2602 Install the top hooks



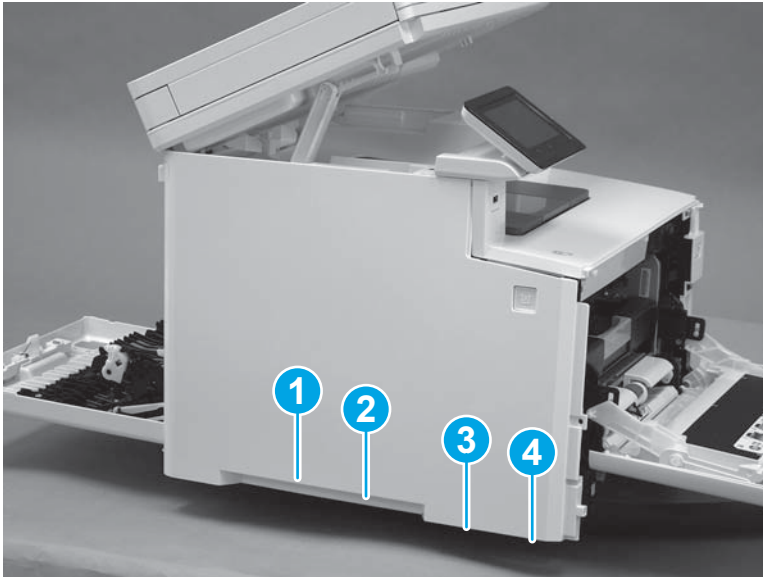
⚠ CAUTION: Make sure that the tab (callout 1) on the front of the cover does not get caught behind the printer frame (callout 2).

Figure 1-2603 Make sure the tab does not get caught



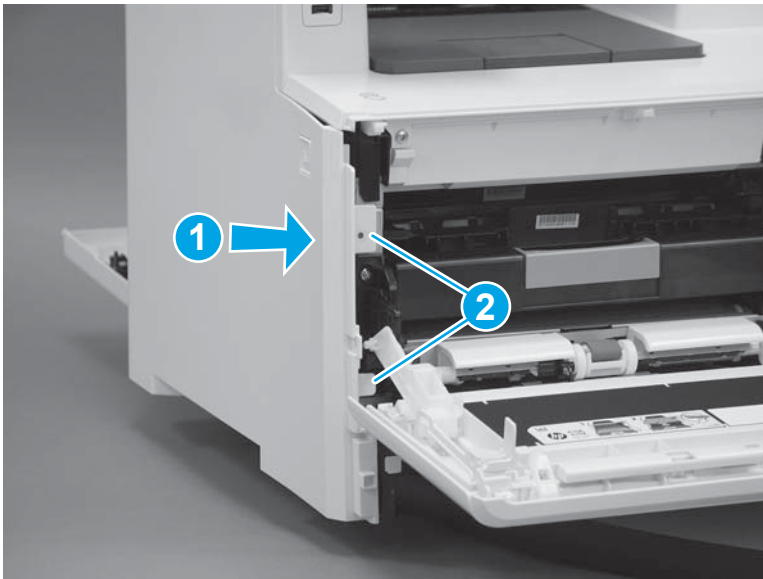
6. Slide the printer to the edge of a work surface in order to access the tabs on the bottom of the cover. Beginning from the back of the cover, install four tabs (callouts 1-4) on the lower edge of the cover.

Figure 1-2604 Install four tabs



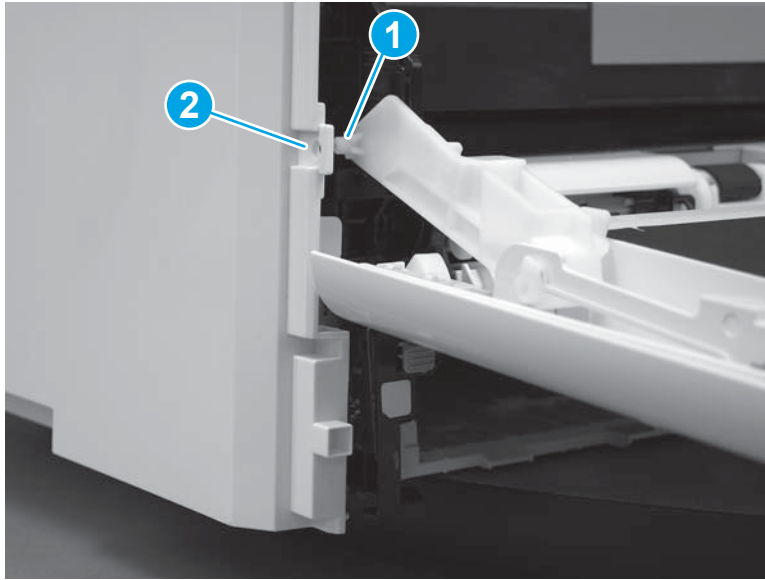
7. Press the cover toward the printer (callout 1), and then install two tabs (callout 2) at the front of the cover.

Figure 1-2605 Install two tabs



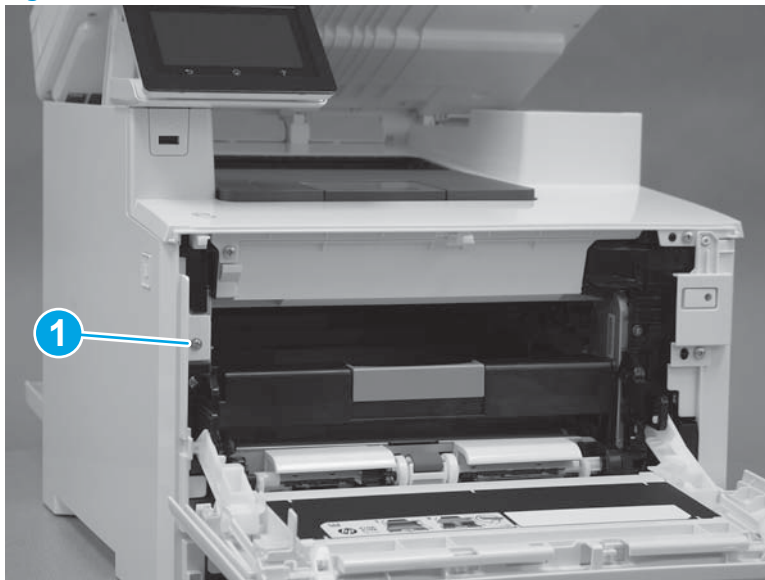
8. Make sure that the hinge pin (callout 1) on the front door fits into the slot (callout 2) on the left cover.

Figure 1-2606 Install hinge pin



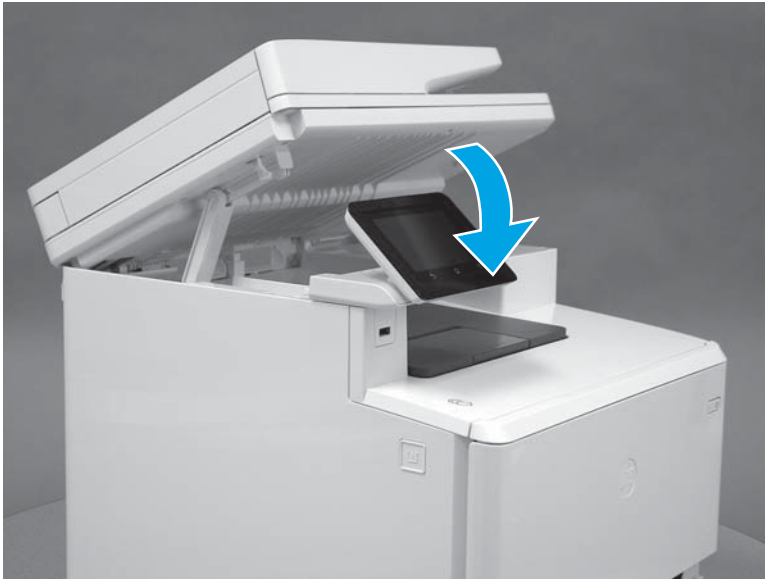
9. Install one screw (callout 1).

Figure 1-2607 Install one screw



10. Lower the scanner.

Figure 1-2608 Lower the scanner

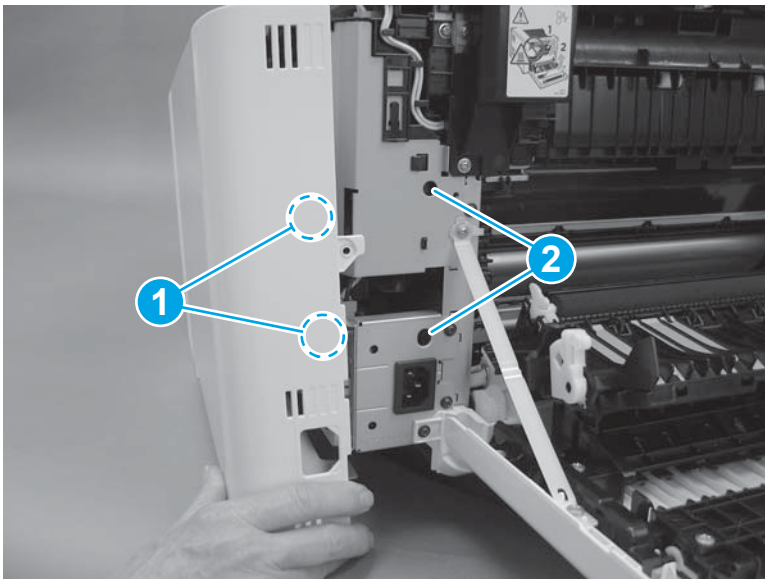


Step 29: Install the right cover (M452 models)

 **NOTE:** This step is for the M452 models. For the M377, M477 models, skip this step and go to [Step 30: Install the right cover \(M377, M477 models\) on page 1400.](#)

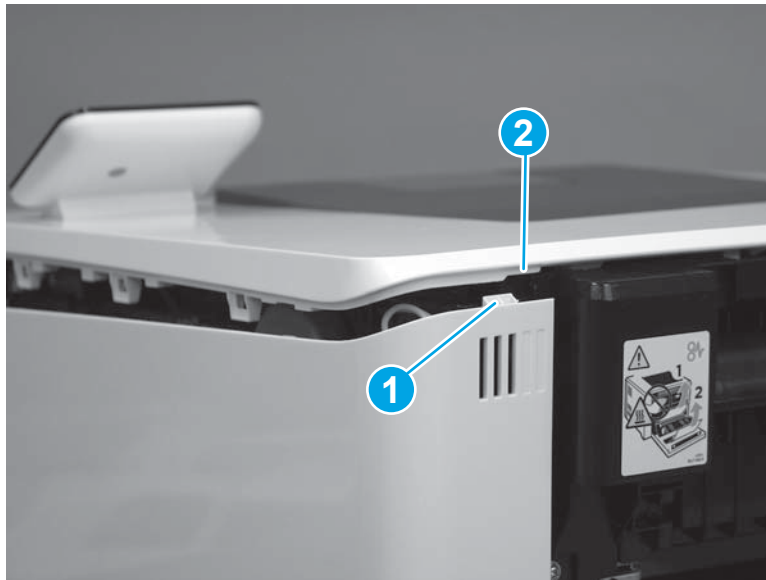
1. Position two tabs (callout 1) on the back of the cover in the slots (callout 2) in the printer.

Figure 1-2609 Position two tabs



2. At the back of the printer, install the tab (callout 1) under the edge of the top cover (callout 2).

Figure 1-2610 Install rear tab



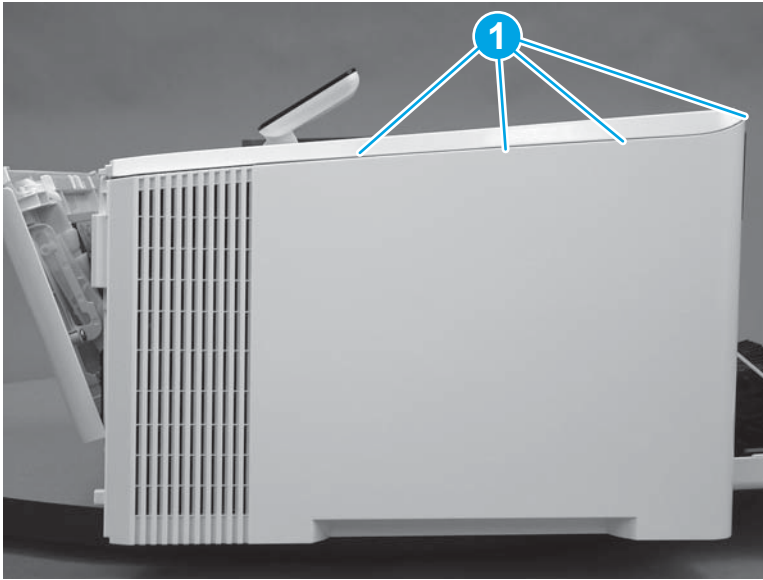
3. Slide the cover toward the front of the printer to install it.

Figure 1-2611 Install the right cover



- Engage three tabs (callout 2) on the top of the cover.

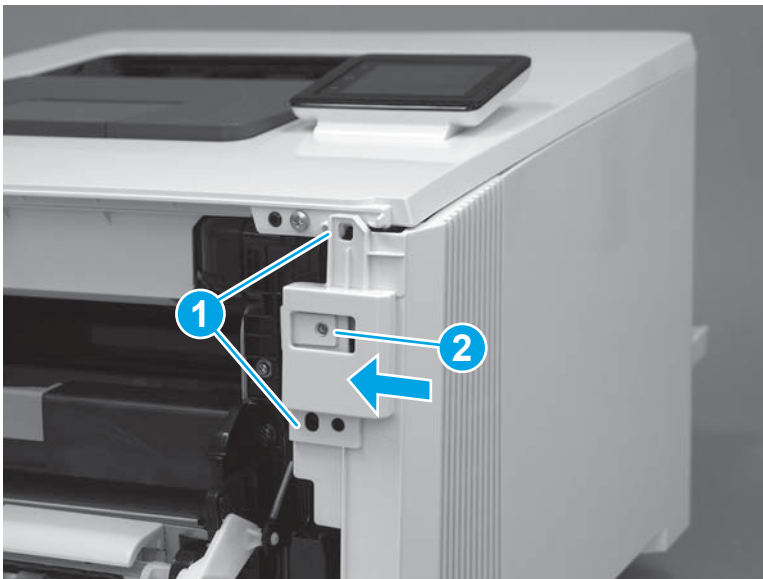
Figure 1-2612 Install upper tabs



- At the front of the printer, position the front of the cover over two tabs (callout 1).

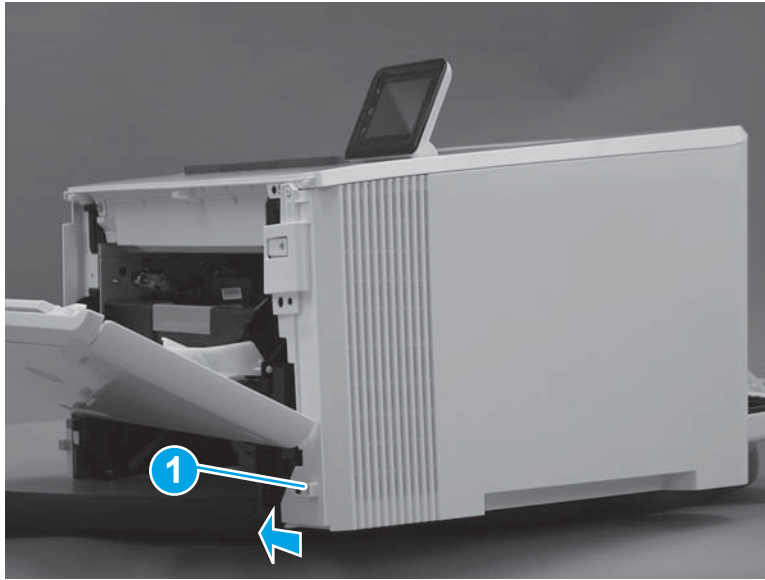
CAUTION: Be careful not to dislodge the power switch (callout 2).

Figure 1-2613 Install the front tabs



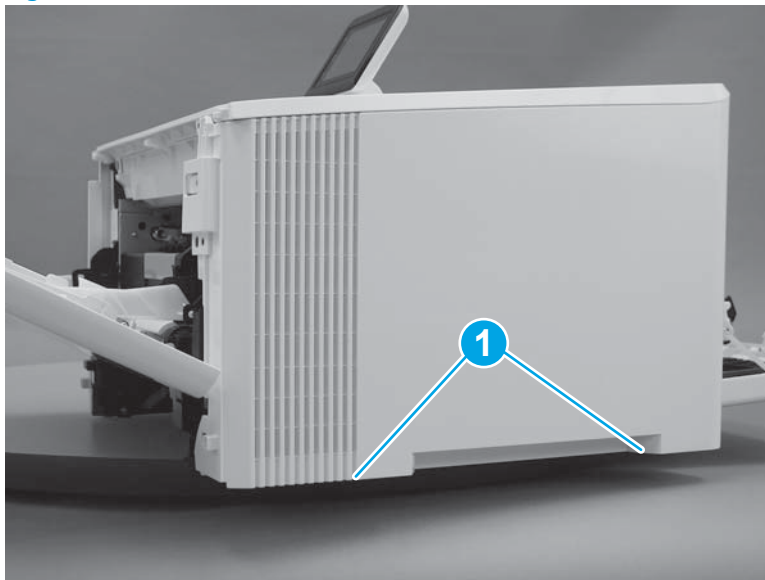
6. Press the right cover toward the printer to engage one tab (callout 1) on the front of the cover.

Figure 1-2614 Install the front lower tab



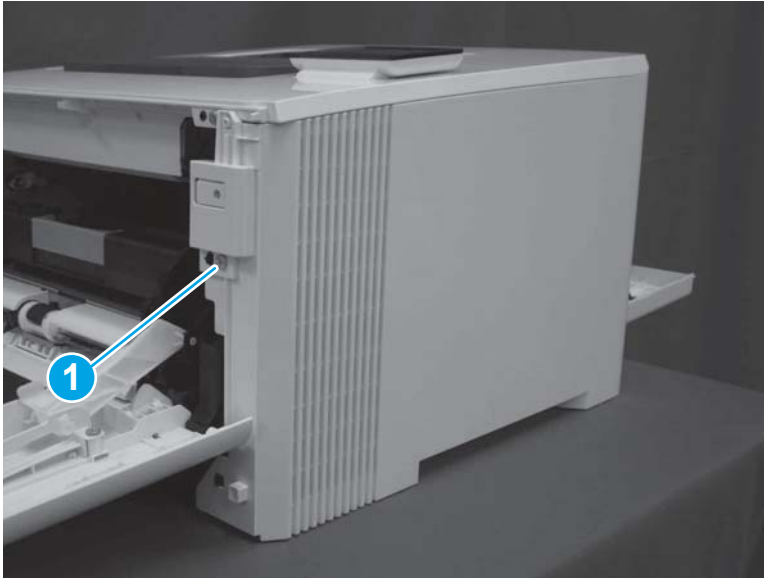
7. Install two tabs on the bottom of the cover (callout 1).

Figure 1-2615 Install two tabs



8. At the front of the printer, install one screw (callout 1).

Figure 1-2616 Install one screw




9. At the back of the printer, install one screw (callout 1).

Figure 1-2617 Install one screw

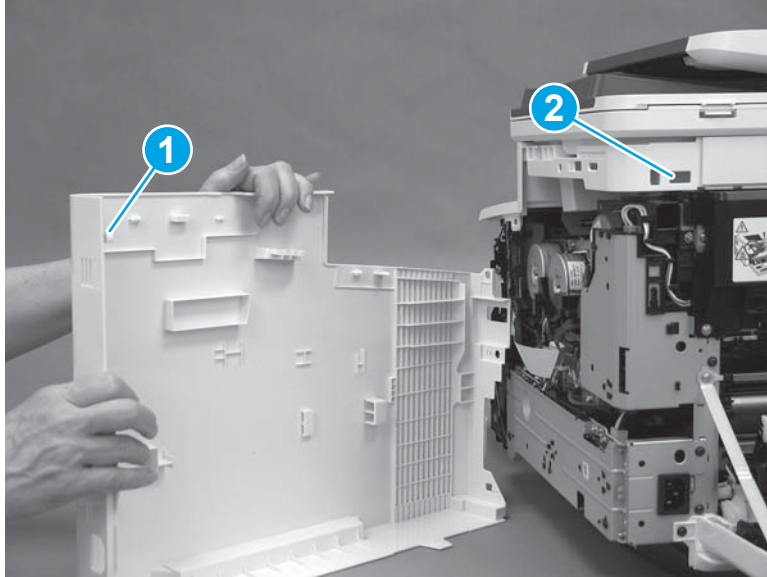


Step 30: Install the right cover (M377, M477 models)

 **NOTE:** This step is for the M377, M477 models. For the M452 models, skip this step and go to [Step 31: Close the rear door or duplexer door on page 1406](#).

1. At the back of the printer, install the tab (callout 1) on the cover into the slot (callout 2) on the printer.

Figure 1-2618 Install rear tab



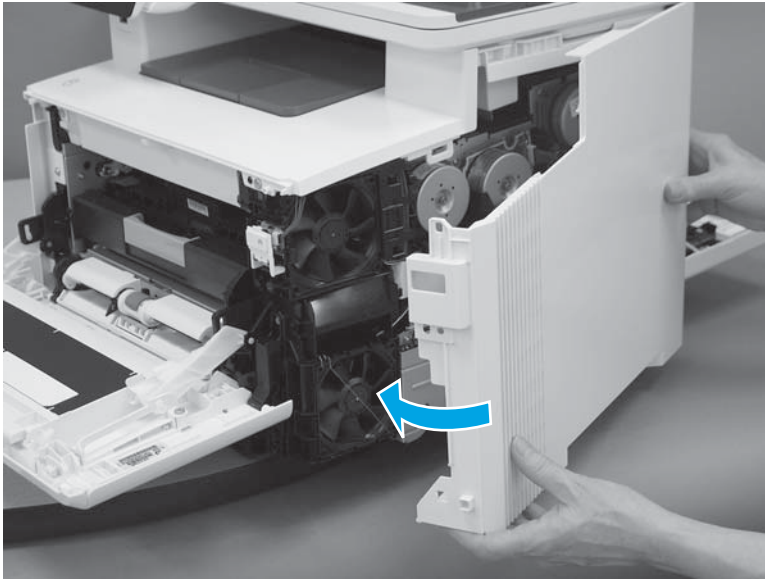
2. Raise the scanner.

Figure 1-2619 Raise the scanner



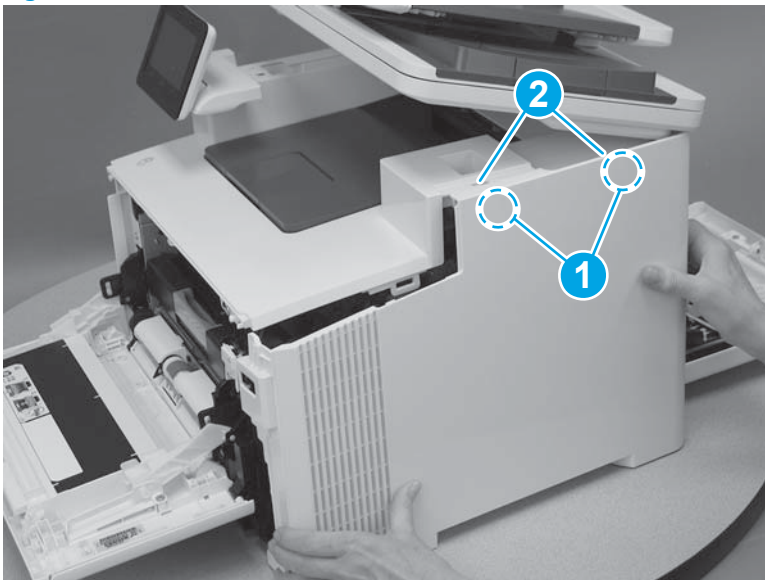
3. Rotate the right cover toward the printer.

Figure 1-2620 Rotate the right cover



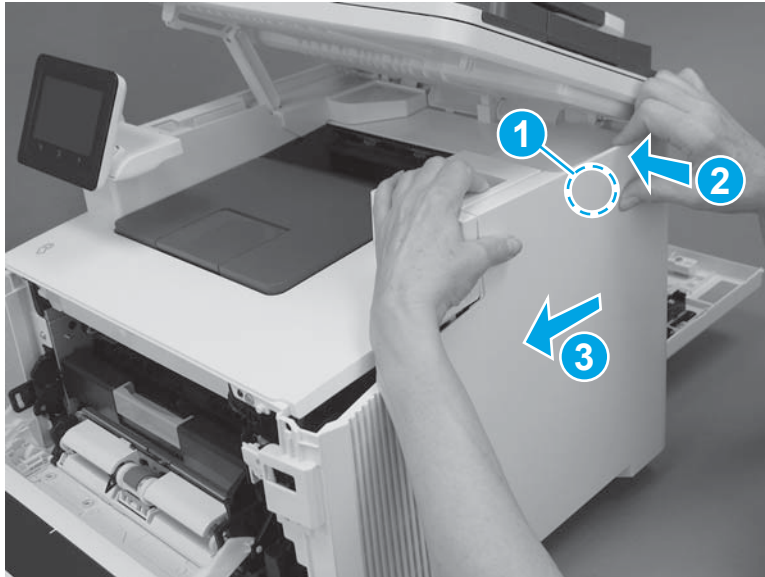
4. Position the hooks (callout 1) on the inside of the cover into the slots (callout 2) in the printer.

Figure 1-2621 Position the hooks in the slots



- Engage one hook (callout 1) on the inside of the cover. Hold the top of the cover closed (callout 2) while sliding the cover toward the front of the printer (callout 3).

Figure 1-2622 Slide the cover



- Rotate the front of the cover toward the printer (callout 1).

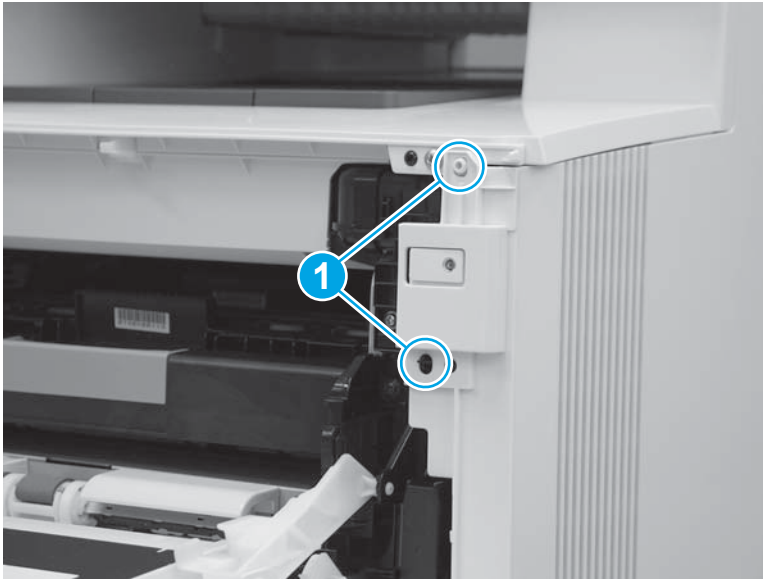
CAUTION: Be careful not to dislodge the power switch (callout 2).

Figure 1-2623 Rotate the front of the cover



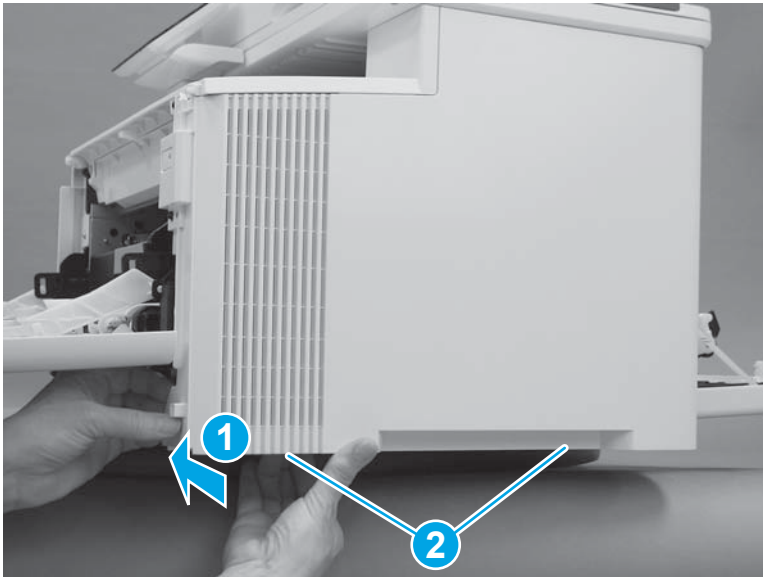
7. Install two tabs at the front of the printer (callout 1).

Figure 1-2624 Install two tabs



8. Press the right cover toward the printer (callout 1) to engage one tab on the front of the cover, and two tabs (callout 2) on the lower edge of the cover.

Figure 1-2625 Install the front and lower tabs



9. At the front of the printer, install one screw (callout 1).

Figure 1-2626 Install one screw



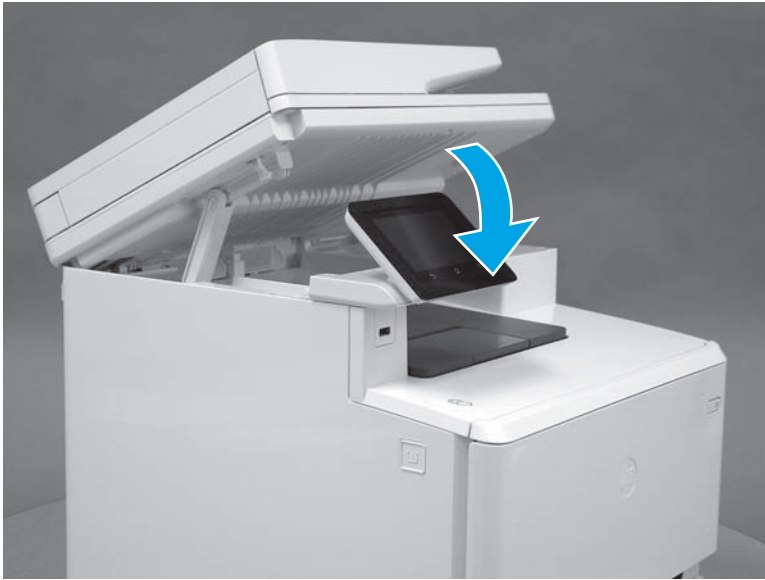
10. At the back of the printer, install one screw (callout 1).

Figure 1-2627 Install one screw



11. Lower the scanner.

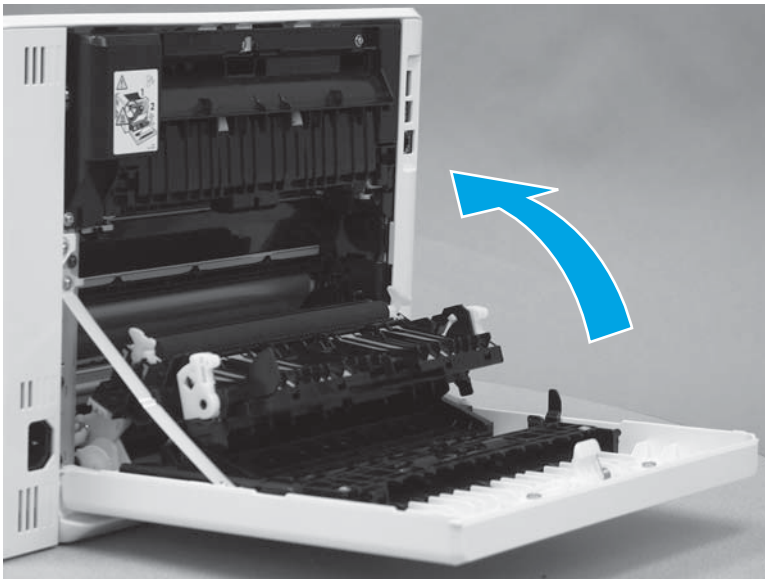
Figure 1-2628 Lower the scanner



Step 31: Close the rear door or duplexer door

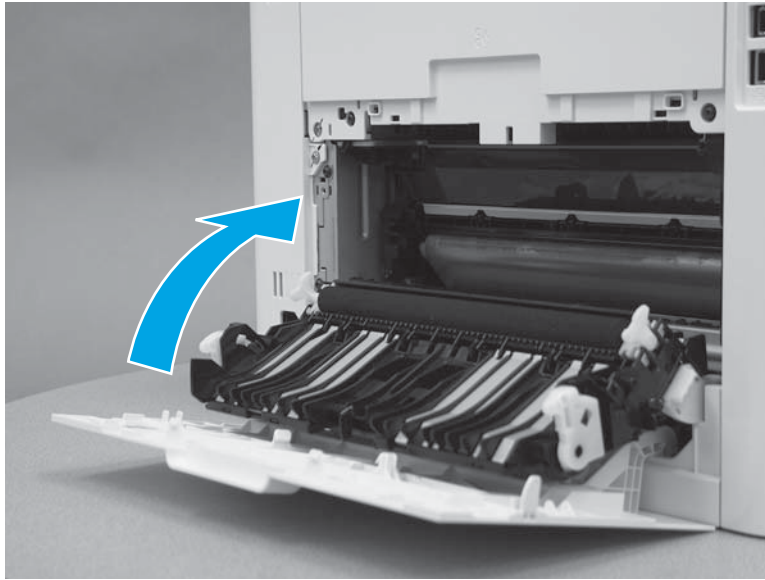
1. **Duplex models:** Close the duplexer door.

Figure 1-2629 Close the duplexer door



2. **Simplex models:** Close the rear door.

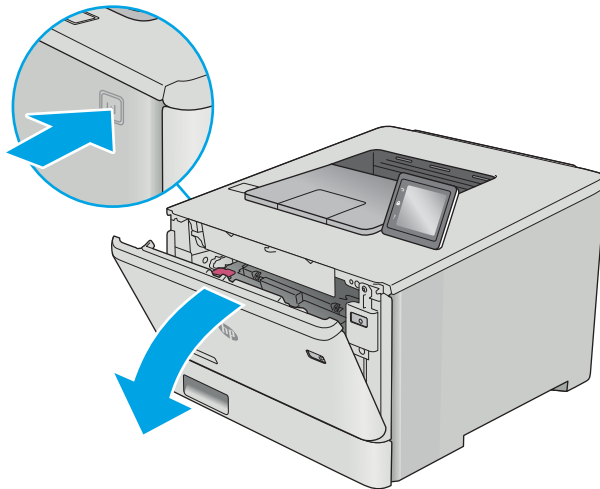
Figure 1-2630 Close the rear door



Step 32: Install the toner cartridges

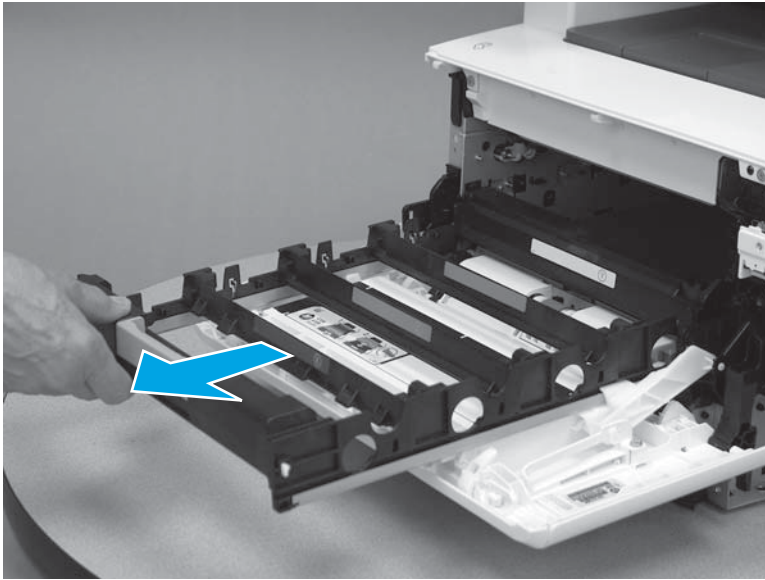
1. Open the front door by pressing the button on the left cover.

Figure 1-2631 Open the front door



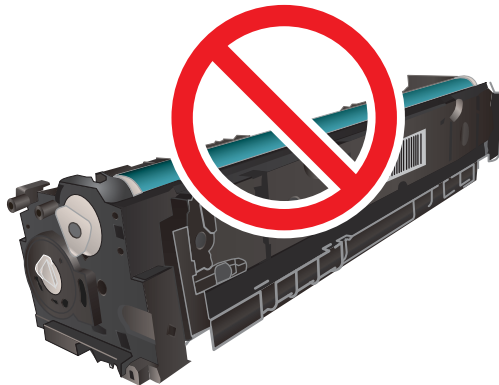
2. Slide the cartridge tray out of the printer.

Figure 1-2632 Slide the cartridge tray out



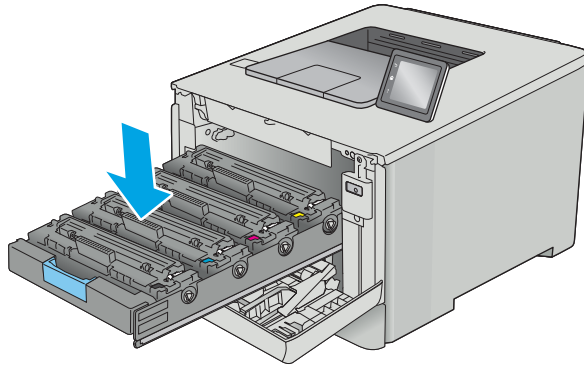
3. Do not touch the imaging drum on the bottom of the toner cartridge. Fingerprints on the imaging drum can cause print-quality problems.

Figure 1-2633 Do not touch imaging drum



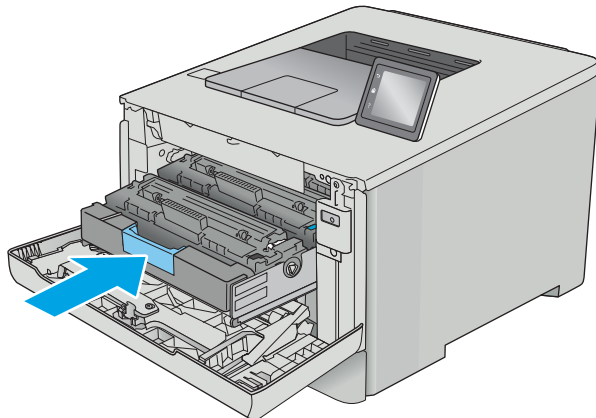
4. Insert the toner cartridge into the tray. Make sure that the color chip on the cartridge matches the color chip on the tray. Repeat this step for each toner cartridge.

Figure 1-2634 Install a toner cartridge



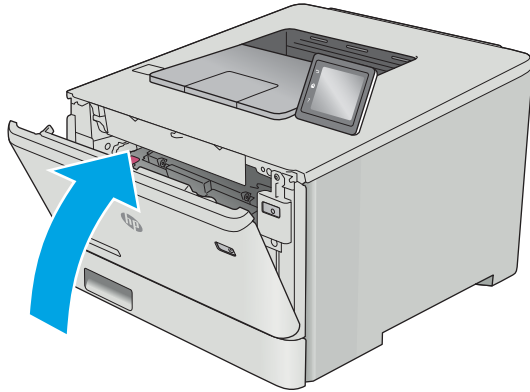
5. Close the toner cartridge drawer.

Figure 1-2635 Close the toner cartridge drawer



6. Close the front door.

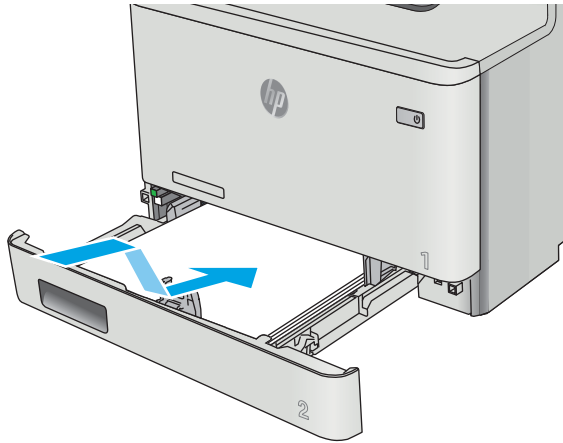
Figure 1-2636 Close the front door



Step 33: Install Tray 2

- ▲ With the front of the tray slightly lifted, align the sides of the tray with the rails in the printer, and then carefully slide the tray into the printer. As the tray slides into the printer, lower the front of the tray, and then close it.

Figure 1-2637 Install the tray



Removal and replacement: Front feed guide assembly

- [Introduction](#)
- [Step 1: Remove Tray 2](#)
- [Step 2: Remove the toner cartridges](#)
- [Step 3: Open the rear door or duplexer door](#)
- [Step 4: Remove the right cover \(M452 models\)](#)
- [Step 5: Remove the right cover \(M377, M477 models\)](#)
- [Step 6: Remove the left cover \(M452 models\)](#)
- [Step 7: Remove the left cover \(M377, M477 models\)](#)
- [Step 8: Remove the duplexer door assembly \(duplex models\)](#)
- [Step 9: Remove the rear door \(simplex models\)](#)
- [Step 10: Remove the engine controller PCA](#)
- [Step 11: Remove the driver PCA](#)
- [Step 12: Remove the low-voltage power supply](#)
- [Step 13: Remove the pickup motor](#)
- [Step 14: Remove the re-pickup assembly \(duplex models\)](#)
- [Step 15: Remove the lifter drive assembly](#)
- [Step 16: Remove the pickup assembly](#)
- [Step 17: Remove the front feed guide assembly](#)
- [Step 18: Unpack the replacement part](#)
- [Step 19: Install the front feed guide assembly](#)
- [Step 20: Install the pickup assembly](#)
- [Step 21: Install the lifter drive assembly](#)
- [Step 22: Install the re-pickup assembly \(duplex models\)](#)
- [Step 23: Install the pickup motor](#)
- [Step 24: Install the low-voltage power supply](#)
- [Step 25: Install the driver PCA](#)
- [Step 26: Install the engine controller PCA](#)
- [Step 27: Install the rear door \(simplex models\)](#)
- [Step 28: Install the duplexer door assembly \(duplex models\)](#)
- [Step 29: Install the left cover \(M452 models\)](#)


- [Step 30: Install the left cover \(M377, M477 models\)](#)
- [Step 31: Install the right cover \(M452 models\)](#)
- [Step 32: Install the right cover \(M377, M477 models\)](#)
- [Step 33: Close the front door and rear door or duplexer door](#)
- [Step 34: Install the toner cartridges](#)
- [Step 35: Install Tray 2](#)

Introduction

This document provides the procedures to remove and replace the front feed guide assembly.

Before you begin

- Turn off the printer.
- Disconnect the power cable.

 **WARNING!** To avoid damage to the printer, turn the printer off, wait 30 seconds, and then remove the power cord before attempting to service the printer.

- Use the table below to identify the correct part number for your printer. To order the part, go to www.hp.com/buy/parts.

| Front feed guide assembly part number | |
|---------------------------------------|---------------------------|
| RM2-6368-000CN | Front feed guide assembly |

Required tools

- #2 Phillips screwdriver with a magnetic tip
- Small flat-blade screwdriver

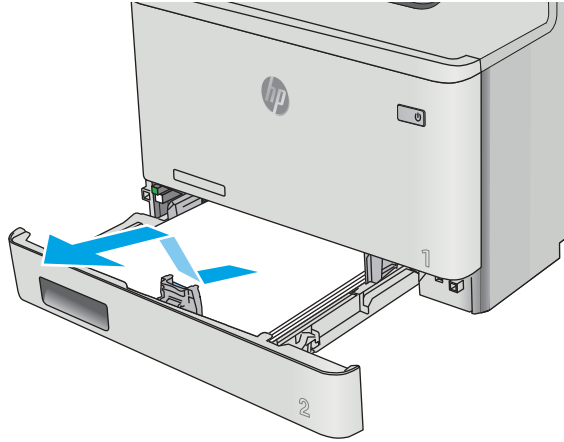
After performing service

- Connect the power cable.
- Use the power switch to turn the power on.


Step 1: Remove Tray 2

- ▲ Pull the tray out until it stops. Lift the front of the tray, and then pull it out of the printer to remove it.

Figure 1-2638 Remove the tray

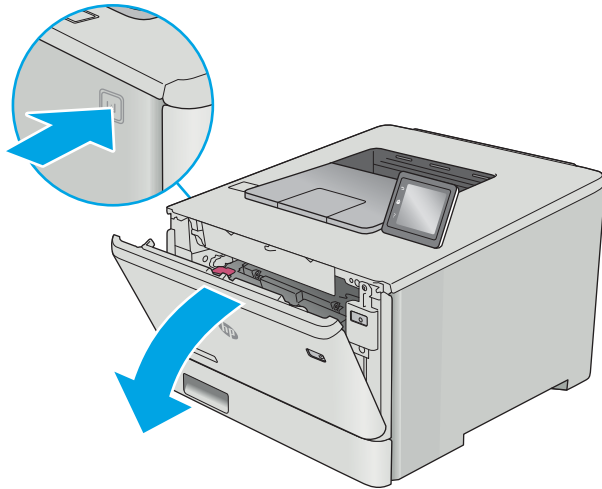


Step 2: Remove the toner cartridges

 **NOTE:** The M452 model is pictured in the figures in this section. The procedure is the same for the M377, M477 models.

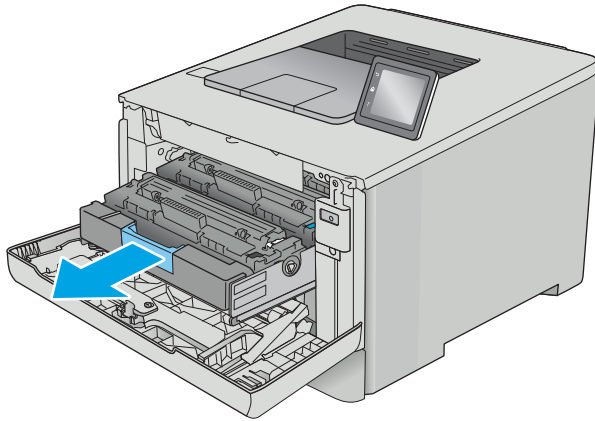
1. Open the front door by pressing the button on the left cover.

Figure 1-2639 Open the front door



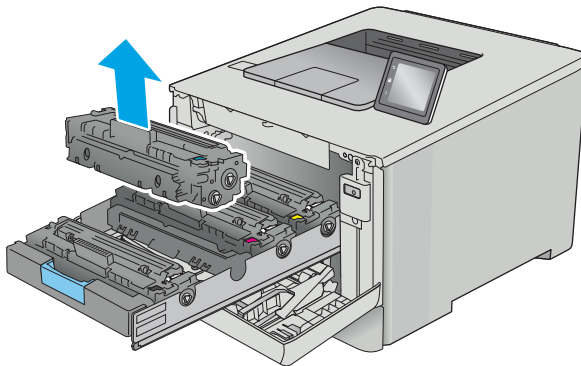
2. Grasp the blue handle on the toner cartridge tray, and then pull out the tray.

Figure 1-2640 Open the cartridge drawer



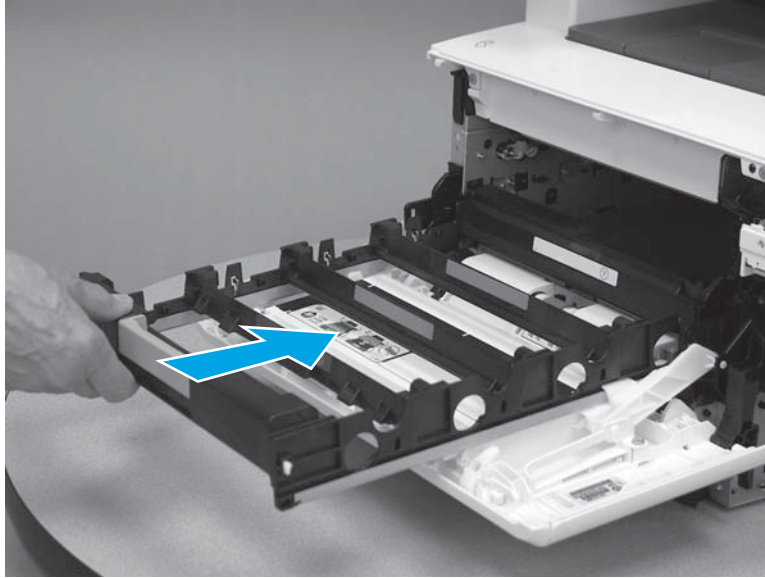
3. Grasp the handle on the toner cartridge, and then pull the toner cartridge straight up to remove it. Repeat this step for each toner cartridge.

Figure 1-2641 Remove the toner cartridge



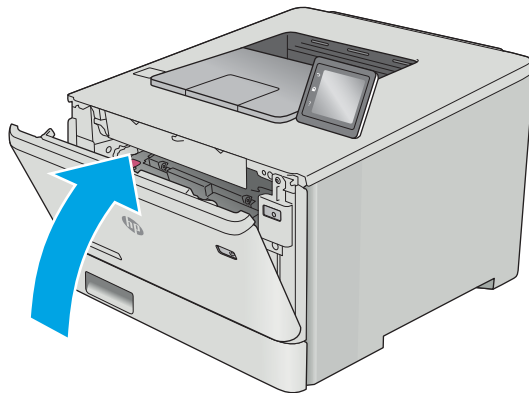
4. Slide the cartridge tray into the printer.

Figure 1-2642 Slide the cartridge tray in



5. Close the front door.

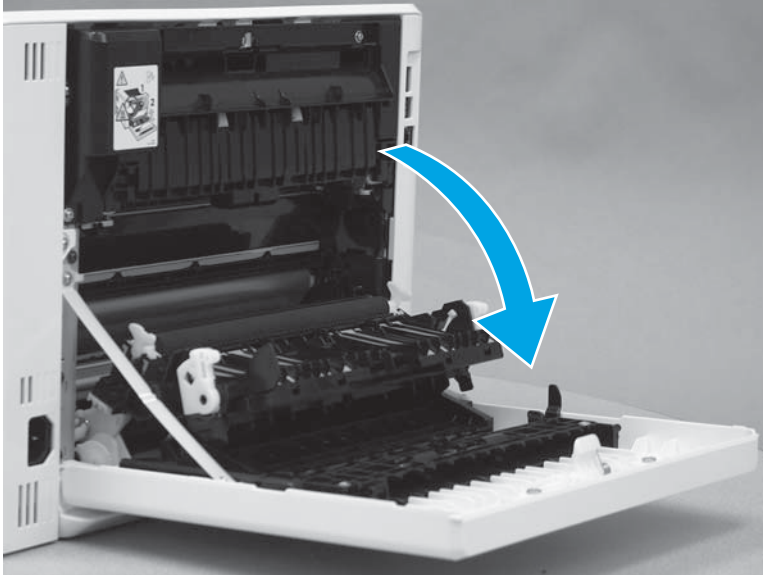
Figure 1-2643 Close the front door



Step 3: Open the rear door or duplexer door

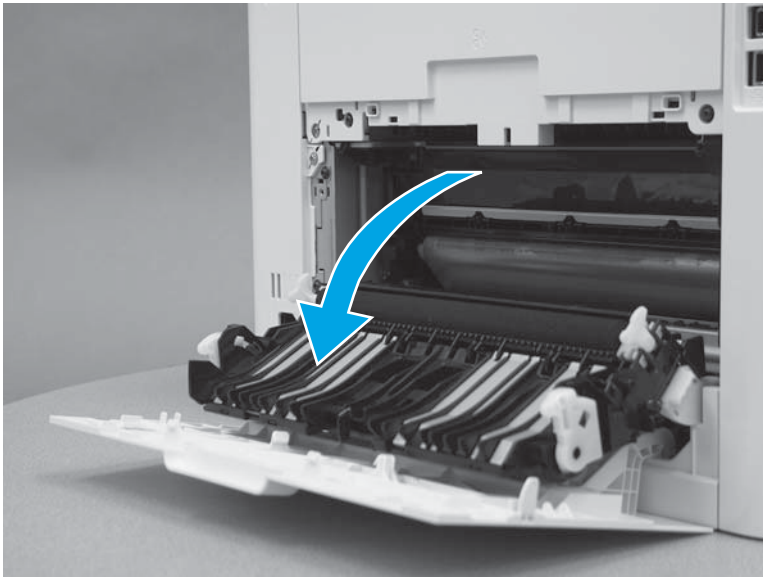
1. **Duplex models:** Open the duplexer door.

Figure 1-2644 Open the duplexer door




2. **Simplex models:** Open the rear door.

Figure 1-2645 Open the rear door



Step 4: Remove the right cover (M452 models)

 **NOTE:** This step is for the M452 models. For the M377, M477 models, skip this step and go to [Step 5: Remove the right cover \(M377, M477 models\) on page 1420.](#)

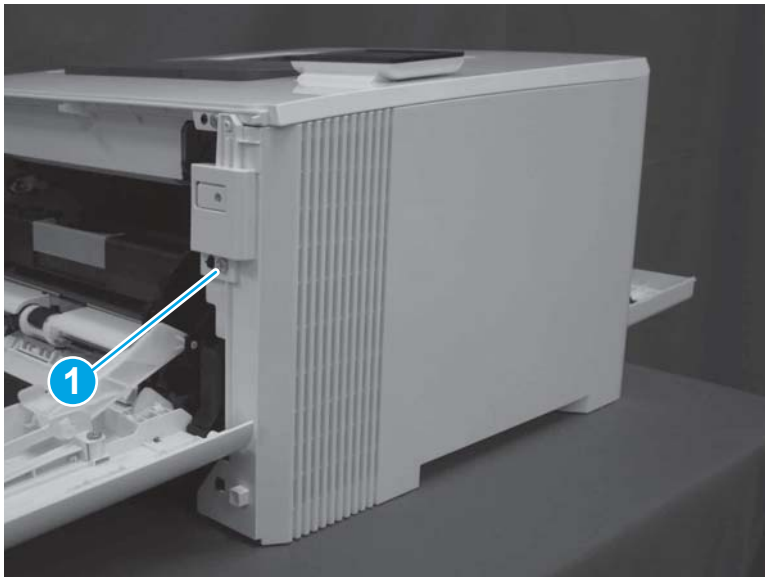
1. At the back of the printer, remove one screw (callout 1).

Figure 1-2646 Remove one screw



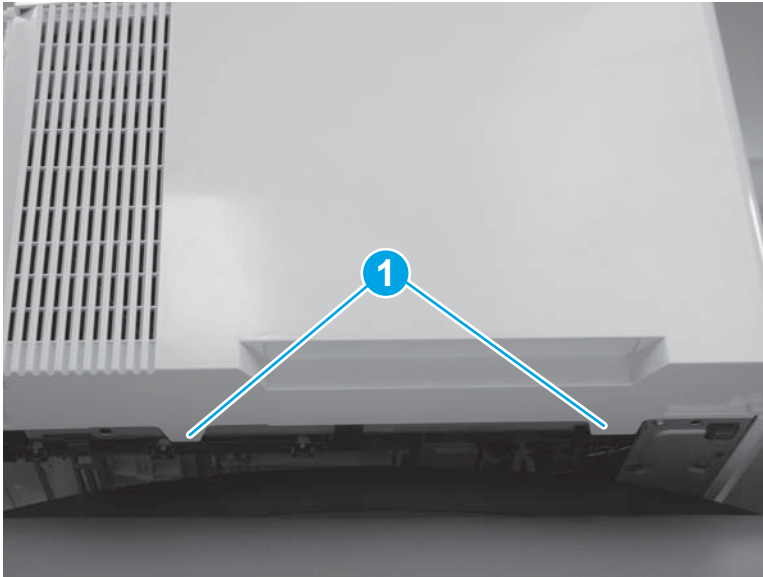
2. At the front of the printer, remove one screw (callout 1).

Figure 1-2647 Remove one screw



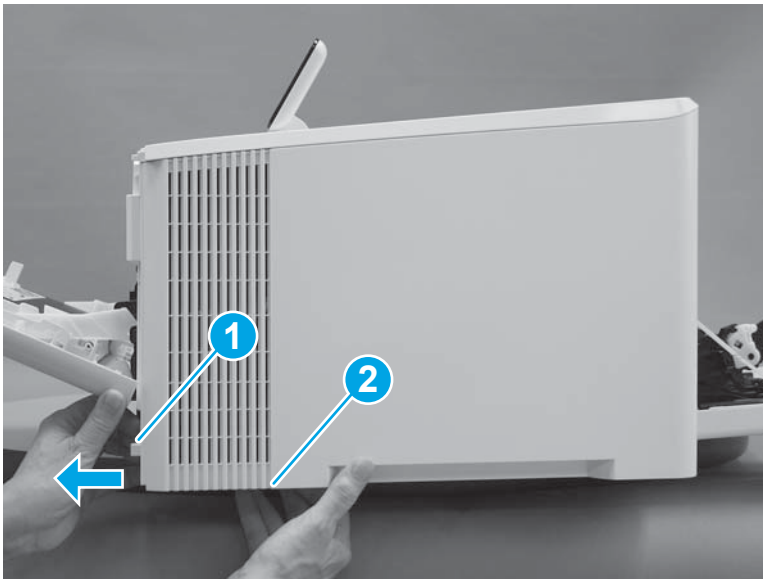
3. Slide the printer to the edge of a work surface. Note the location of the tabs on the lower edge of the cover (callout 1).

Figure 1-2648 Locate the tabs



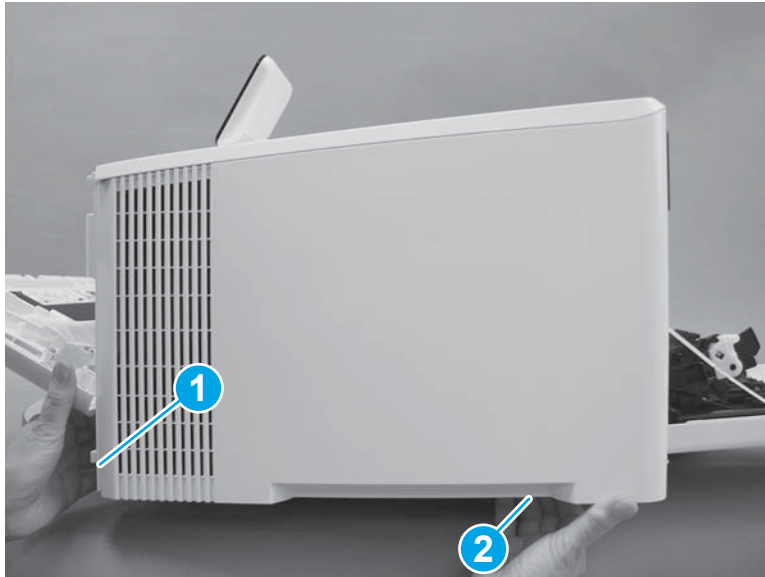
4. Release one tab (callout 1) on the front of the cover by slightly pulling the cover away from the printer. While holding the cover in the released position, release one tab (callout 2) on the bottom of the cover.

Figure 1-2649 Release front lower tabs



5. Hold the front tabs in the released position (callout 1), and then release one tab (callout 2) on the bottom of the cover, toward the back of the printer.

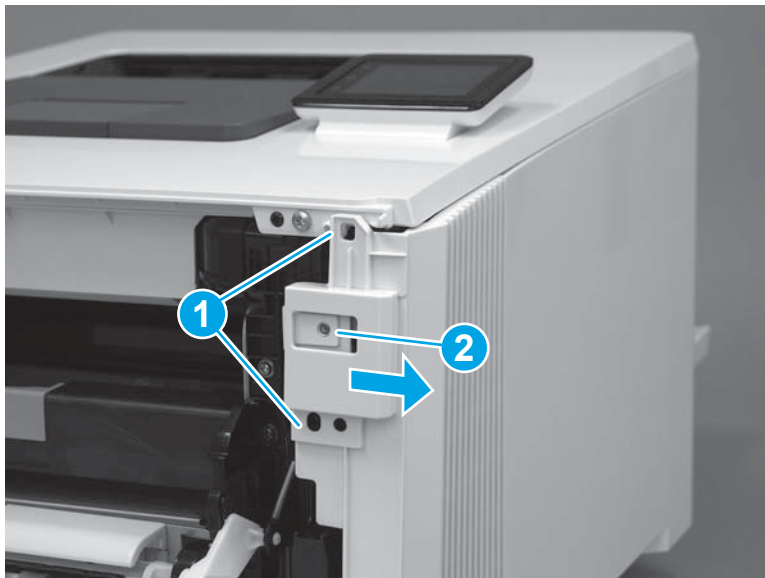
Figure 1-2650 Release lower rear tab



6. Release two tabs at the front of the printer (callout 1) by slightly pulling the cover away from the printer.

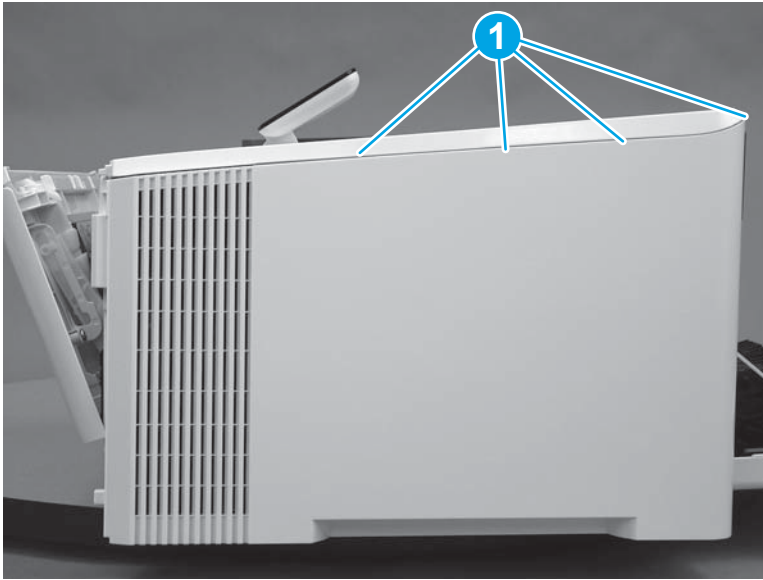
⚠ CAUTION: Be careful not to dislodge the power switch (callout 2).

Figure 1-2651 Release two front tabs



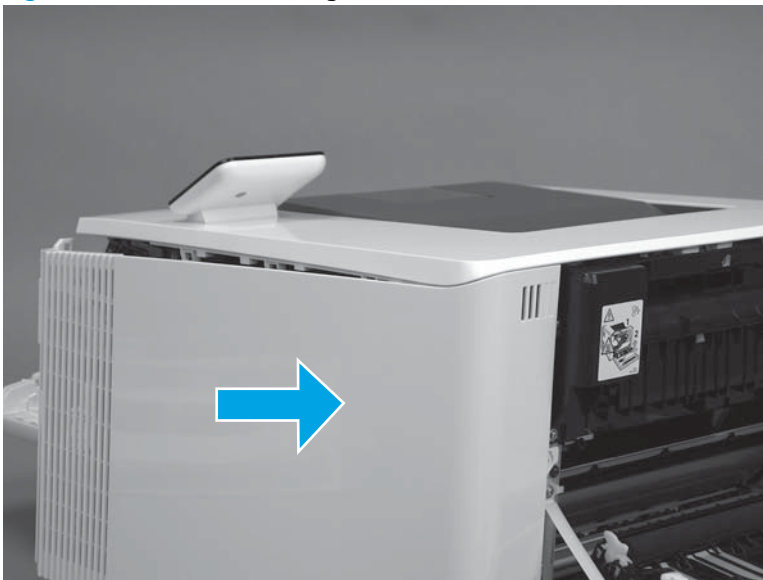
7. Release four tabs on the top of the printer (callout 1).

Figure 1-2652 Release upper tabs




8. Slide the cover toward the back of the printer to remove it.

Figure 1-2653 Remove the right cover



Step 5: Remove the right cover (M377, M477 models)

 **NOTE:** This step is for the M377, M477 models. For the M452 models, skip this step and go to [Step 6: Remove the left cover \(M452 models\) on page 1426.](#)

1. Raise the scanner.

Figure 1-2654 Raise the scanner



2. At the back of the printer, remove one screw (callout 1).

Figure 1-2655 Remove one screw



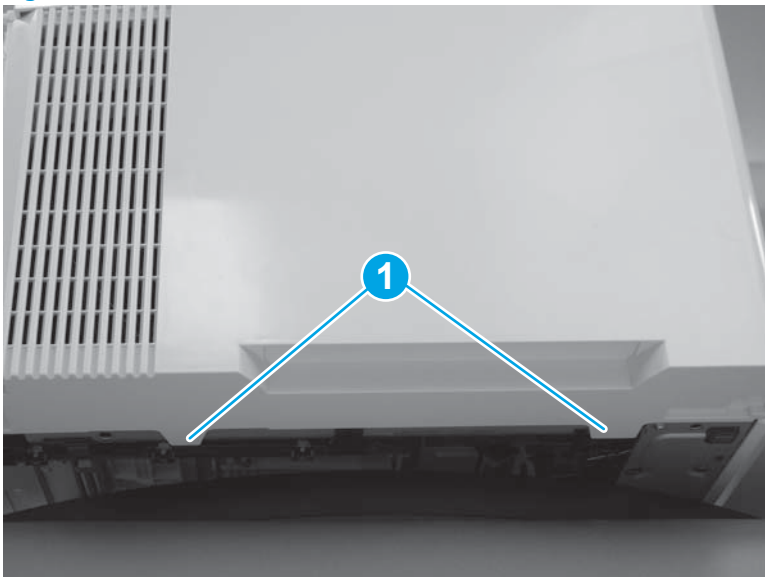
3. At the front of the printer, remove one screw (callout 1).

Figure 1-2656 Remove one screw



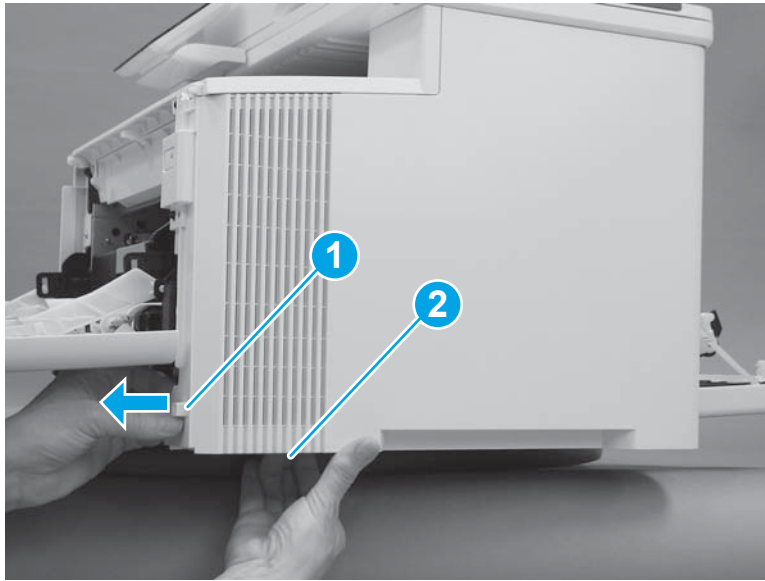
4. Slide the printer to the edge of a work surface. Note the location of the tabs on the lower edge of the cover (callout 1).

Figure 1-2657 Locate the tabs



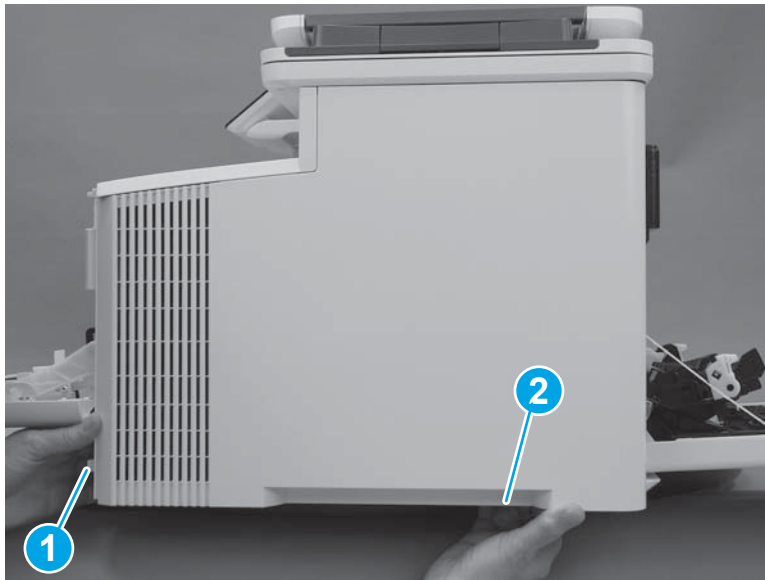
5. Release one tab (callout 1) on the front of the cover by slightly pulling the cover away from the printer. While holding the cover in the released position, release one tab (callout 2) on the lower edge of the cover.

Figure 1-2658 Release front lower tabs



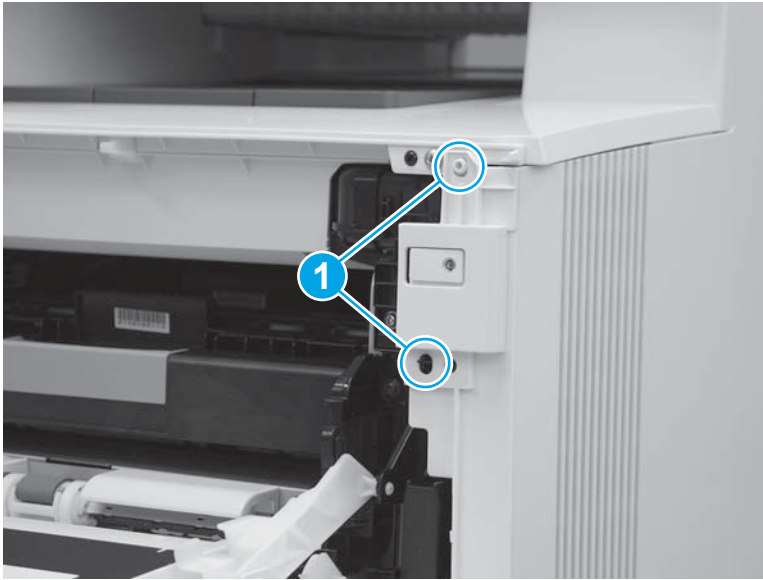
6. Hold the front tabs in the released position (callout 1), and then release one tab (callout 2) on the lower edge of the cover, toward the back of the printer.

Figure 1-2659 Release lower rear tab



7. Release two tabs at the front of the printer (callout 1) by slightly pulling the cover away from the printer.

Figure 1-2660 Release front upper tabs



8. Rotate the front of the cover away from the printer (callout 1).

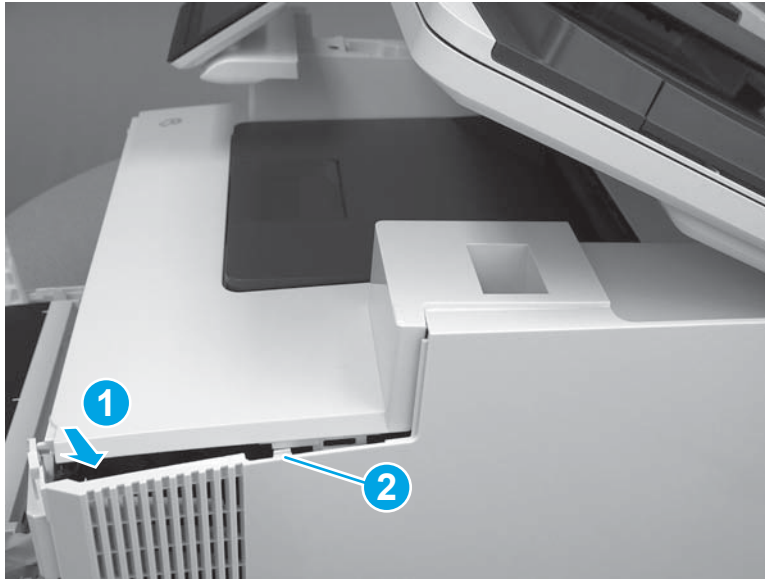
CAUTION: Be careful not to dislodge the power switch (callout 2).

Figure 1-2661 Rotate the front of the cover



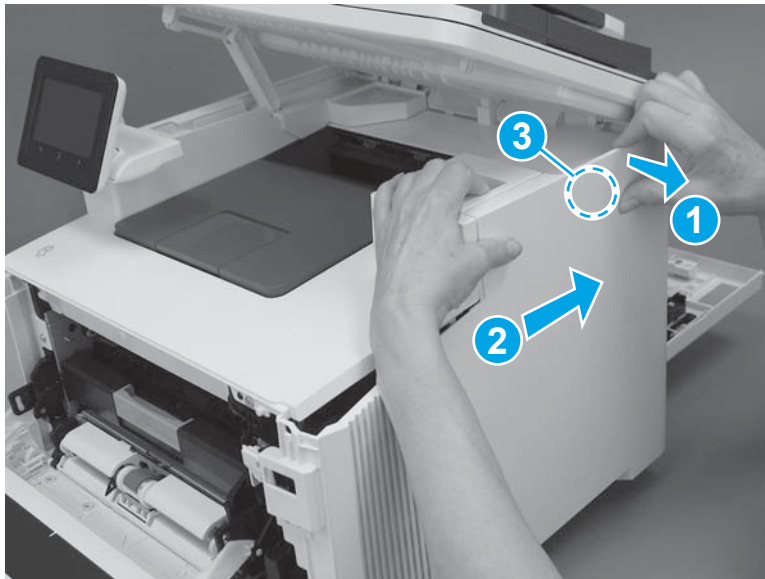
9. Slightly pull the front of the cover away from the printer (callout 1) to release one tab (callout 2).

Figure 1-2662 Release top tabs



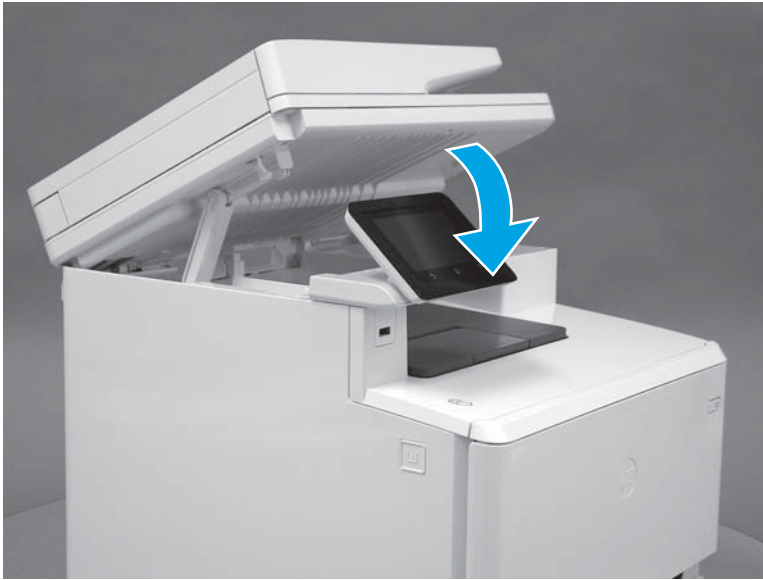
10. At the top of the printer, slightly pull the top of the cover away from the printer to release one retention tab (callout 1) on the inside of the cover. While holding the cover away, slide the cover toward the back of the printer (callout 2) to release one hook (callout 3) on the inside of the cover.

Figure 1-2663 Release one tab and one hook



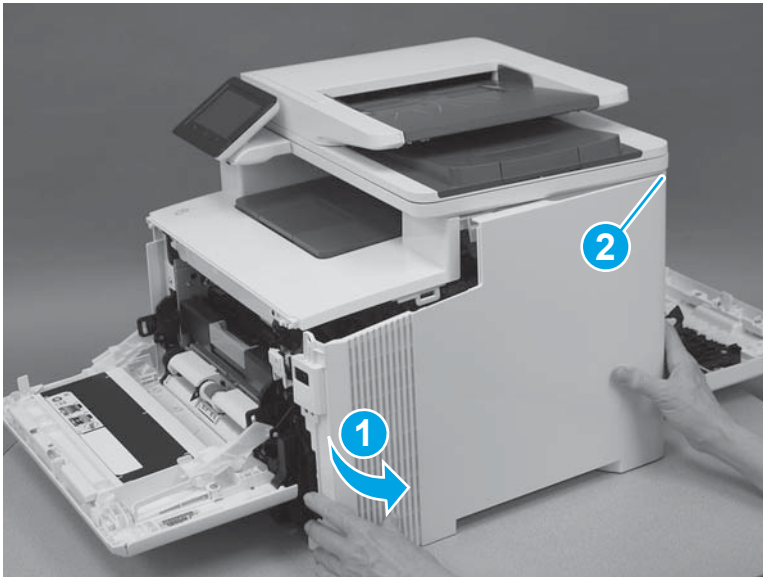
11. Lower the scanner.

Figure 1-2664 Lower the scanner




12. Rotate the cover away from the printer (callout 1) to release one tab (callout 2) at the back of the printer, and then remove the cover.

Figure 1-2665 Remove the right cover

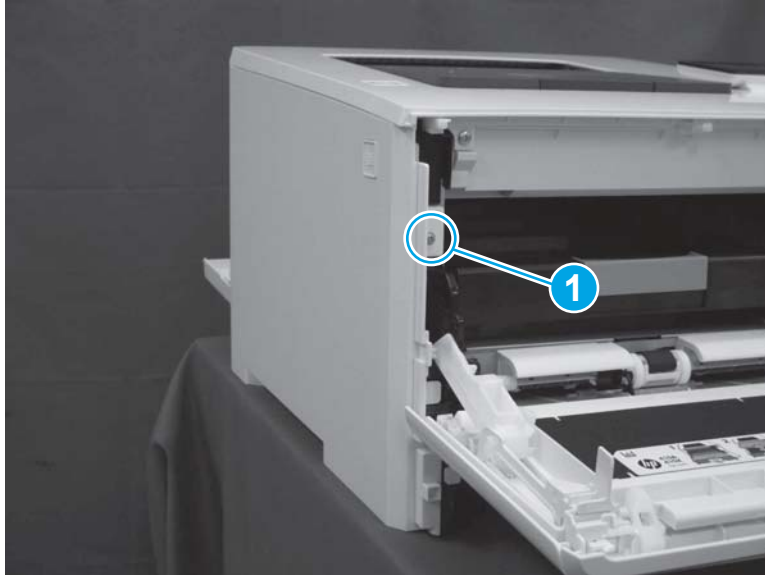


Step 6: Remove the left cover (M452 models)

 **NOTE:** This step is for the M452 models. For the M377, M477 models, skip this step and go to [Step 7: Remove the left cover \(M377, M477 models\) on page 1429.](#)

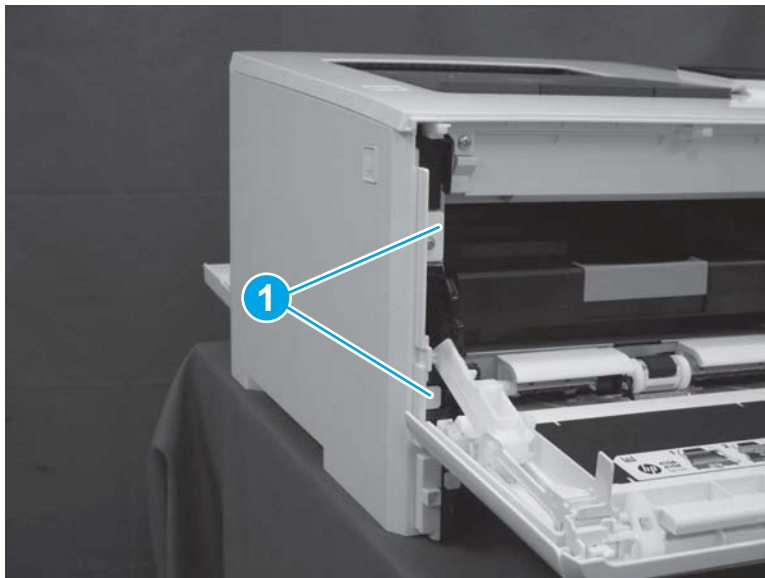
1. At the front of the printer, remove one screw (callout 1).

Figure 1-2666 Remove one screw



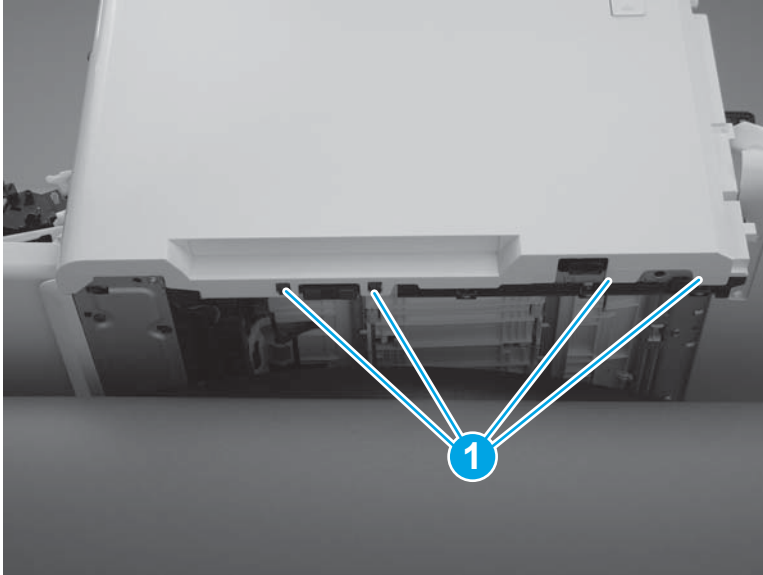
2. Release two tabs (callout 1) at the front of the cover. Hold the cover open to prevent the tabs from reengaging.

Figure 1-2667 Release two tabs



3. Slide the printer to the edge of a work surface. Note the location of the tabs on the lower edge of the cover (callout 1).

Figure 1-2668 Locate the tabs



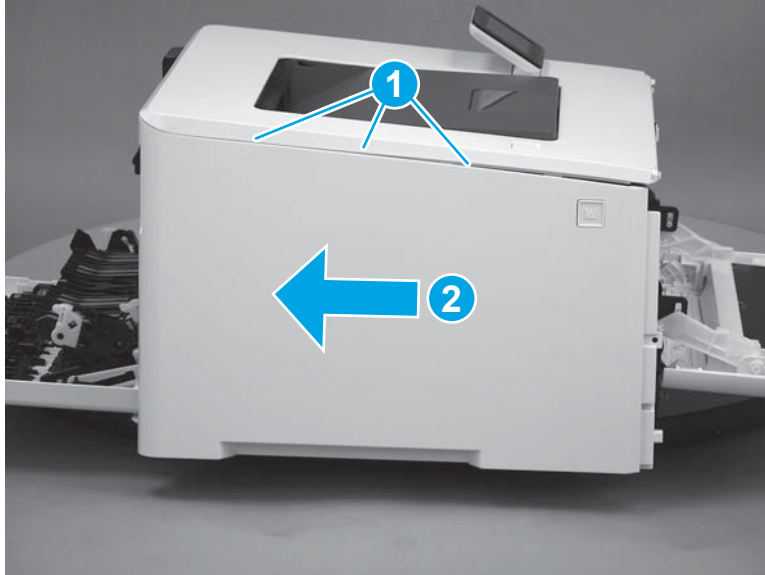
4. Beginning from the front of the cover, release four tabs (callouts 1-4) on the lower edge of the cover.

Figure 1-2669 Release bottom tabs



5. Release three tabs at the top of the cover (callout 1), and then slide the cover toward the rear of the printer to remove it.

Figure 1-2670 Release three tabs



Step 7: Remove the left cover (M377, M477 models)

 **NOTE:** This step is for the M377, M477 models. For the M452 models, skip this step and go to [Step 8: Remove the duplexer door assembly \(duplex models\) on page 1433.](#)

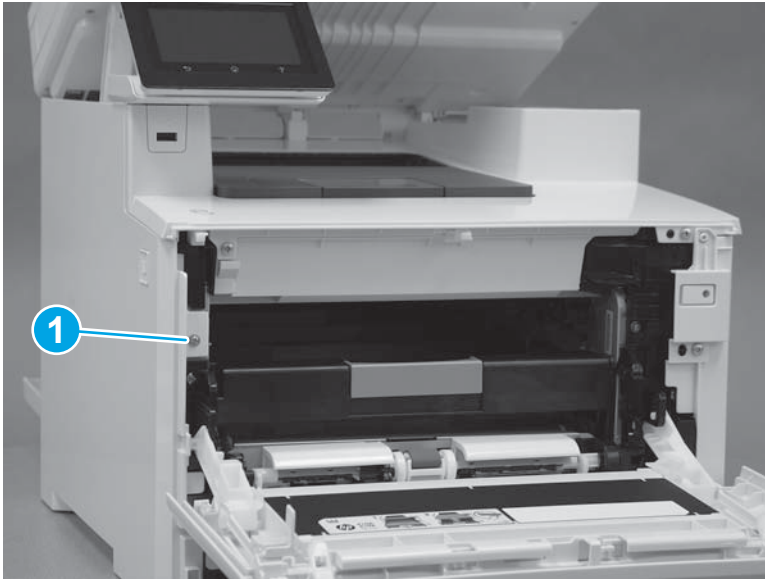
1. Raise the scanner.

Figure 1-2671 Raise the scanner



2. At the front of the printer, remove one screw (callout 1).

Figure 1-2672 Remove one screw



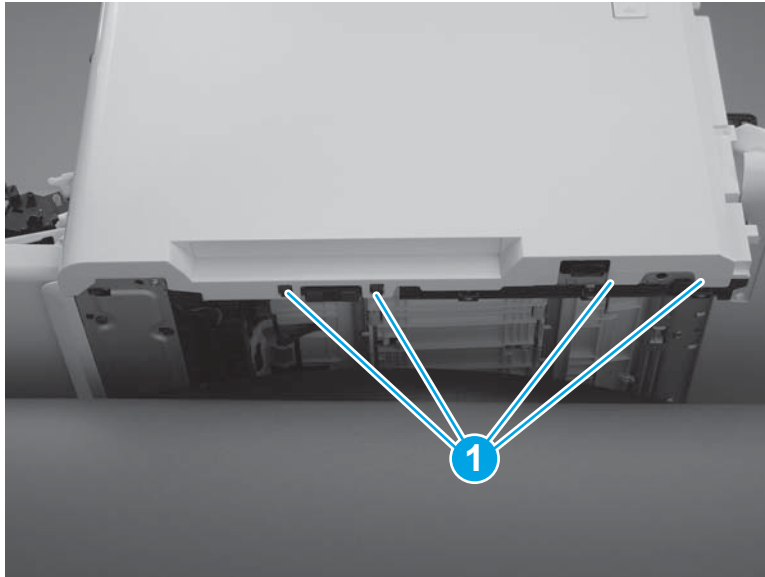
3. Release two tabs (callout 1) at the front of the cover. Hold the cover open to prevent the tabs from re-engaging.

Figure 1-2673 Release two tabs



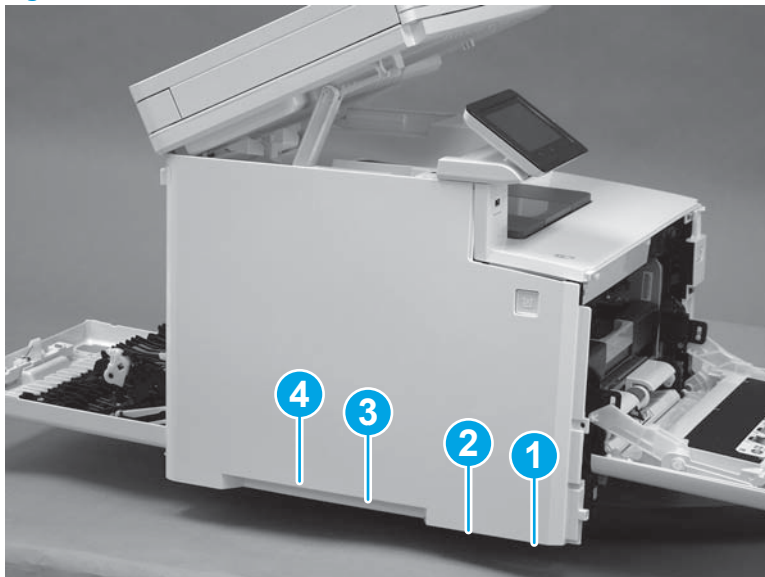
4. Slide the printer to the edge of a work surface. Note the location of the tabs on the lower edge of the cover (callout 1).

Figure 1-2674 Locate the tabs



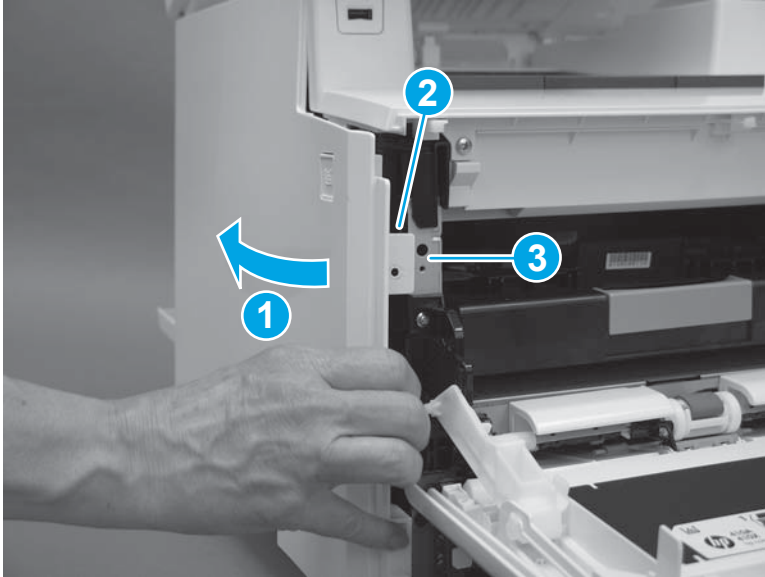
5. Beginning from the front of the cover, release the four tabs (callouts 1-4) on the lower edge of the cover.

Figure 1-2675 Release four tabs



6. Rotate the front of the cover away from the printer (callout 1). Make sure that the tab (callout 2) does not get caught on the printer frame (callout 3).

Figure 1-2676 Rotate the cover



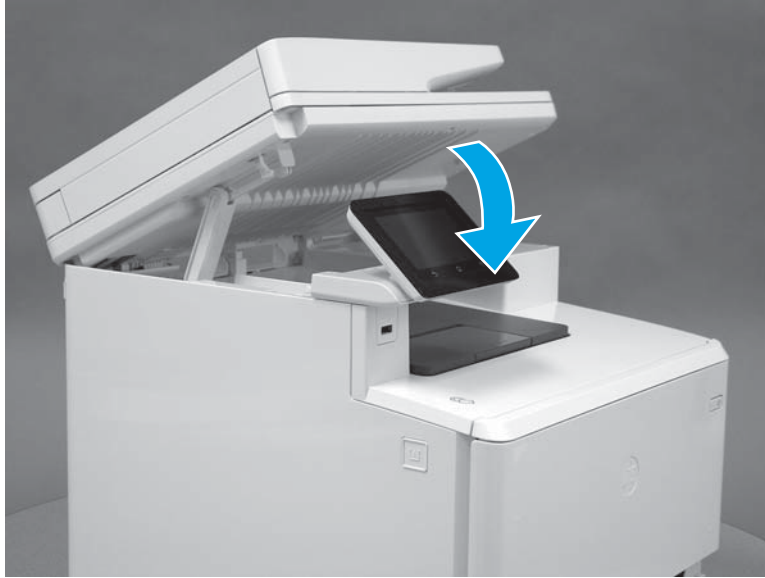
7. At the top of the printer, slightly pull the top of the cover away from the printer to release one retention tab (callout 1) on the inside of the cover. While holding the cover away, slide the cover toward the back of the printer (callout 2) to release two hooks (callout 3) inside the cover.

Figure 1-2677 Release one tab and two hooks



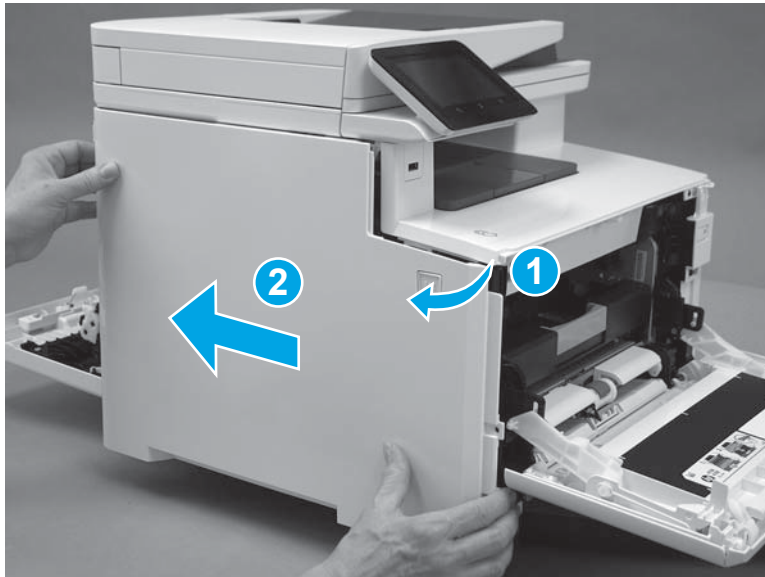
8. Lower the scanner.

Figure 1-2678 Lower the scanner




9. Rotate the cover away from the printer (callout 1), and then slide the cover (callout 2) toward the back of the printer to remove it.

Figure 1-2679 Remove the left cover

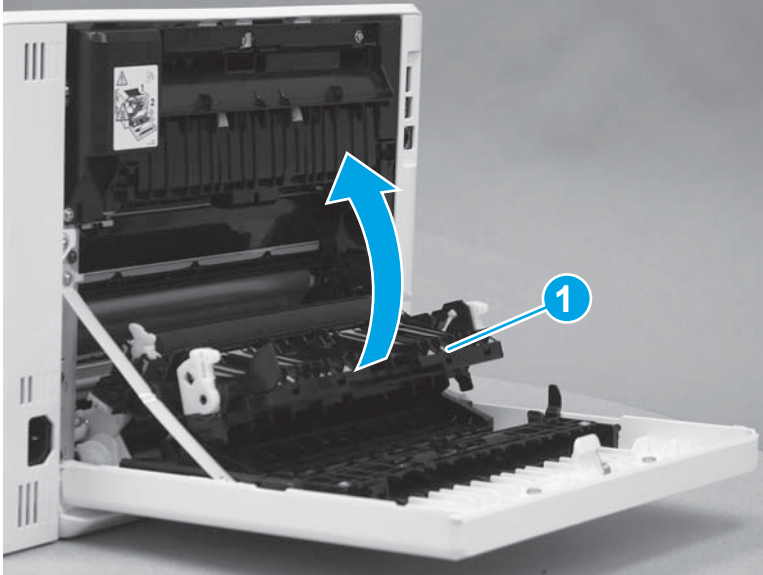


Step 8: Remove the duplexer door assembly (duplex models)

 **NOTE:** This step is for duplex models. For simplex models, skip this step and go to [Step 9: Remove the rear door \(simplex models\) on page 1435](#).

1. Rotate the secondary transfer assembly (callout 1) toward the printer to close it.

Figure 1-2680 Close the secondary transfer assembly



2. At the back of the printer, remove two screws (callout 1), and then remove one screw (callout 2) that holds the retention arm.


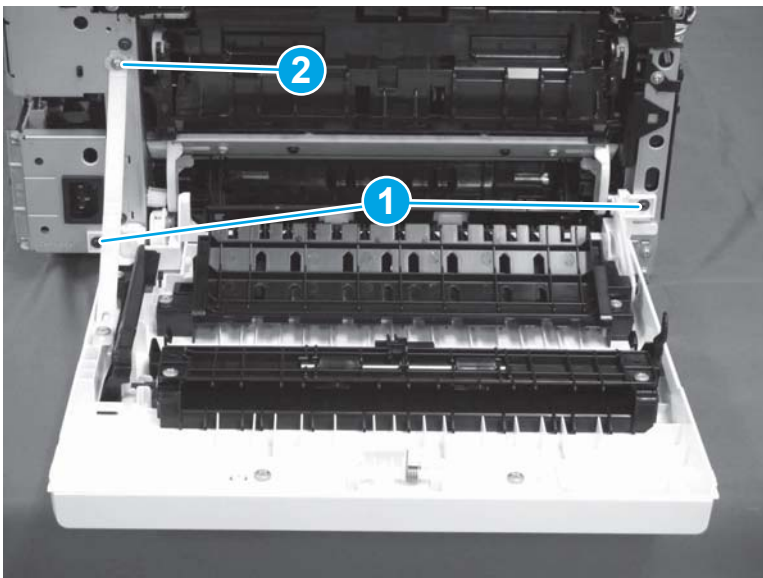
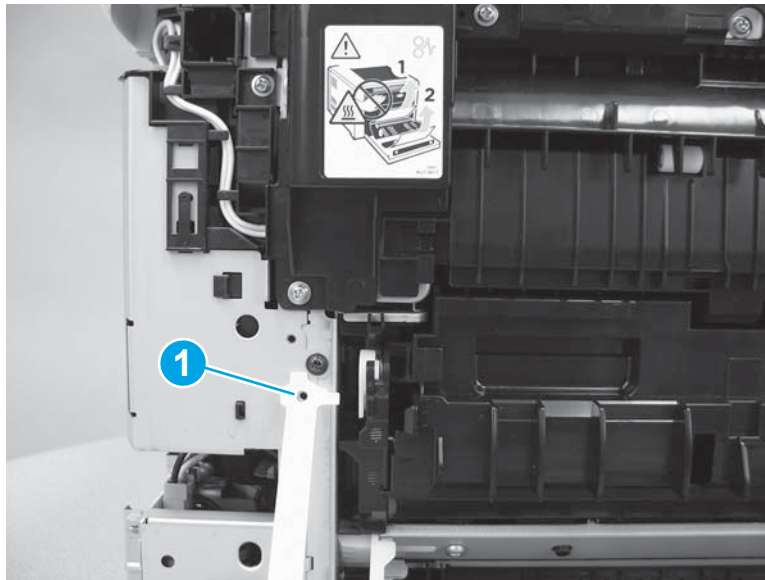
 **Reinstallation tip:** Note that the screw (callout 2) that holds the retention arm is longer than the other two. Make sure this screw is installed in the correct position.

Figure 1-2681 Remove three screws



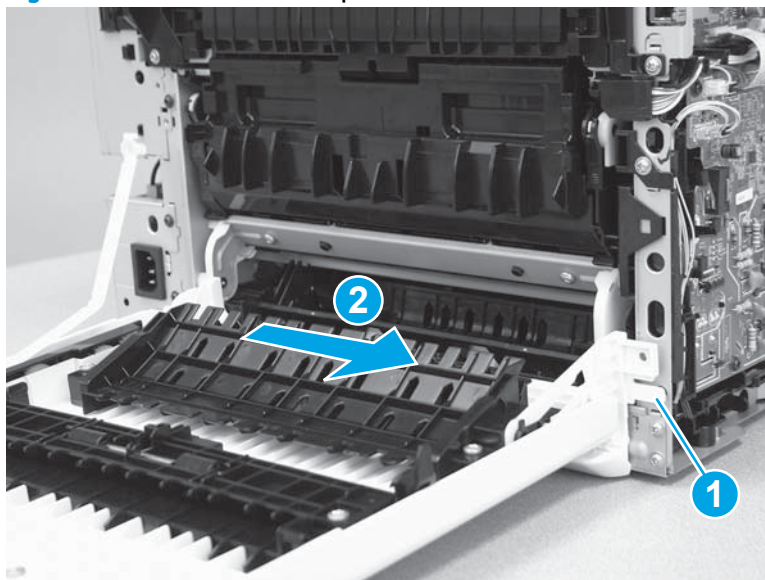
3. Release the retention arm (callout 1).

Figure 1-2682 Release the retention arm




4. Release one tab (callout 1), and then slide the duplexer door (callout 2) to the right to remove it.

Figure 1-2683 Remove the duplexer door

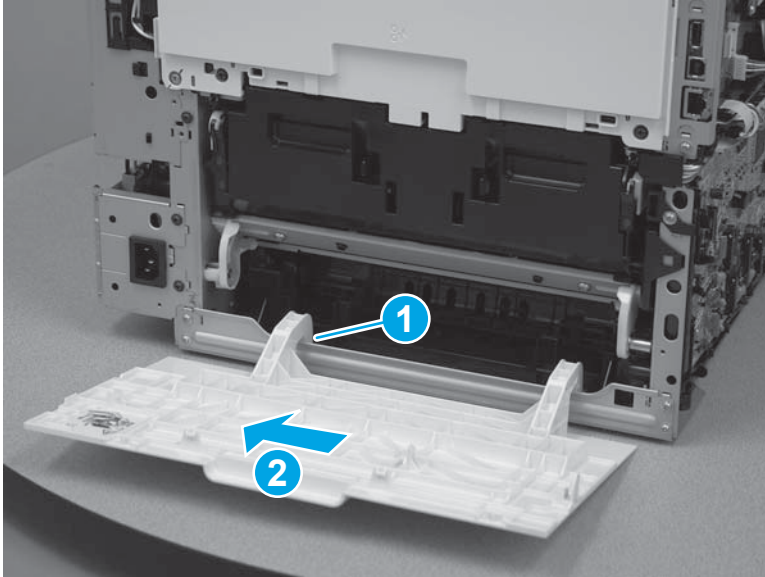


Step 9: Remove the rear door (simplex models)

 **NOTE:** This step is for simplex models. For duplex models, skip this step and go to [Step 10: Remove the engine controller PCA on page 1436](#).

- ▲ Slightly flex one hinge arm (callout 1) to release a hinge pin, and then slide the rear door to the left (callout 2) to remove it.

Figure 1-2684 Remove the rear door



Step 10: Remove the engine controller PCA

1. **Duplex printers only:** Before disconnecting the connectors in the next step, make note of the position of two of the cables (callout 1).


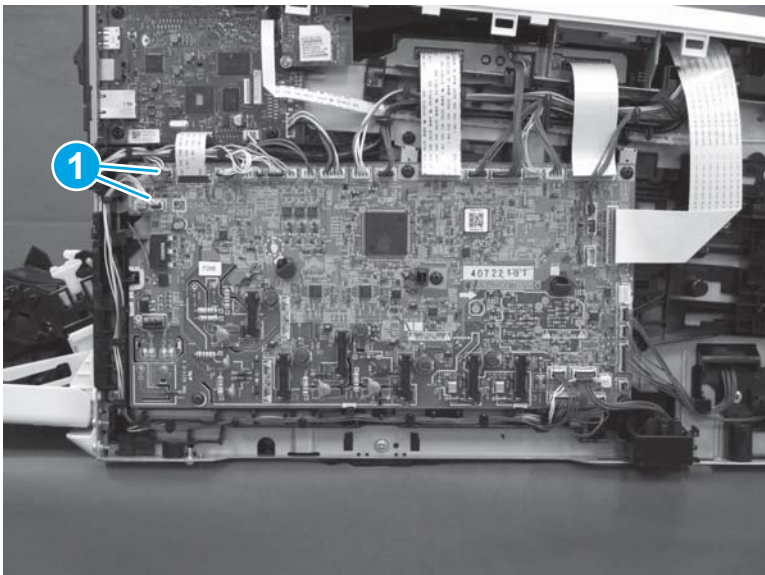
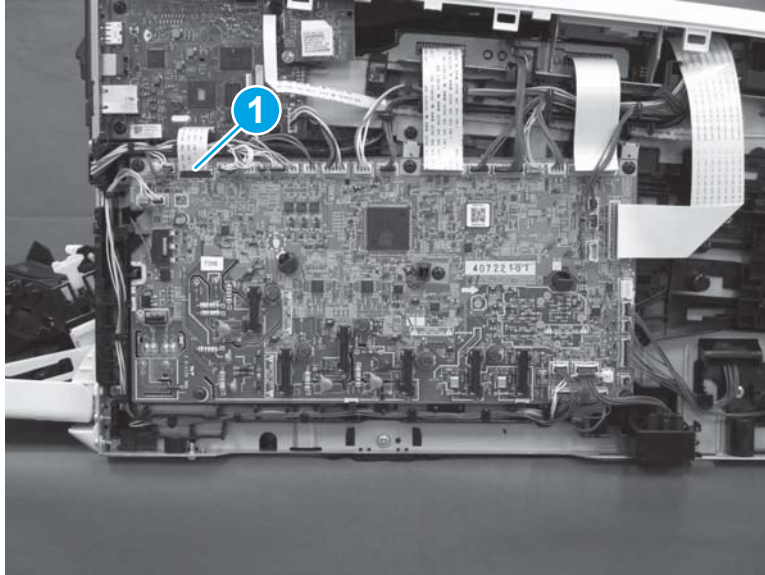
 **IMPORTANT:** These cables can be inadvertently switched when reinstalling. The connectors on the cables will fit in either connector on the engine controller PCA. Make sure that these cables are installed in the correct connectors. If the cables are switched, the printer will experience a repeatable jam when printing duplex jobs.

Figure 1-2685 Check the cables



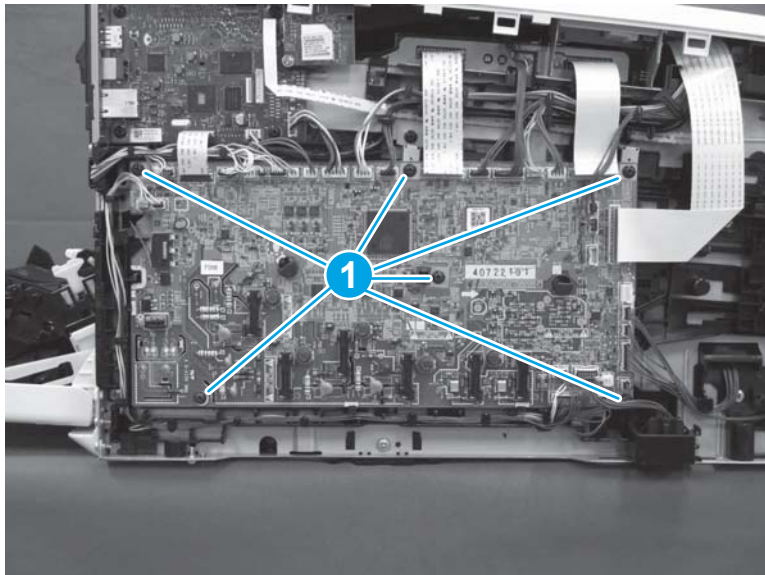
2. Disconnect all of the connectors on the engine controller PCA. Note that one connector (callout 1) is a zero-insertion force (ZIF) connector. Lift the latch on the connector before removing the flat cable.

Figure 1-2686 Disconnect all of the connectors



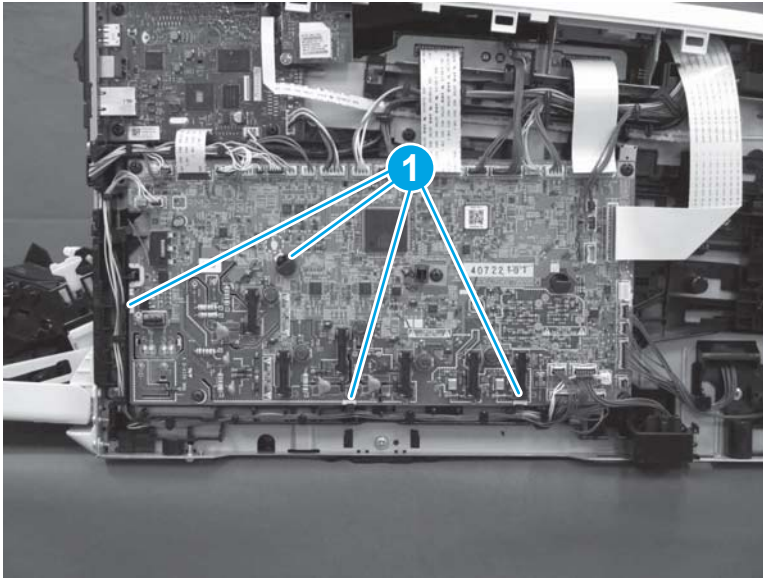
3. Remove six screws (callout 1).

Figure 1-2687 Remove six screws



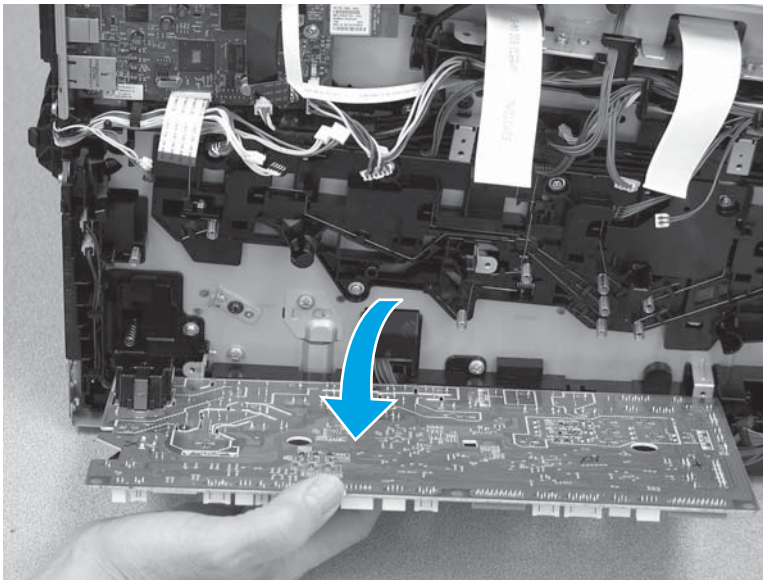
4. Release four tabs (callout 1).

Figure 1-2688 Release four tabs



5. Remove the engine controller PCA.

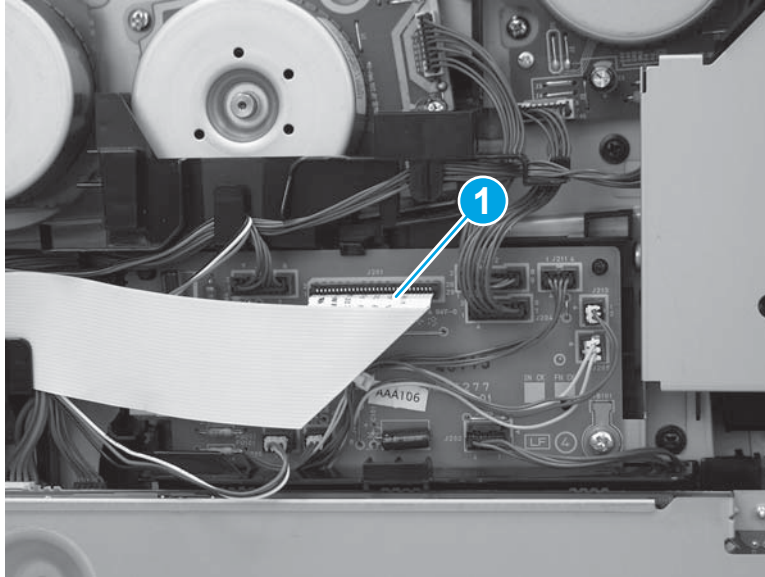
Figure 1-2689 Remove the engine controller PCA



Step 11: Remove the driver PCA

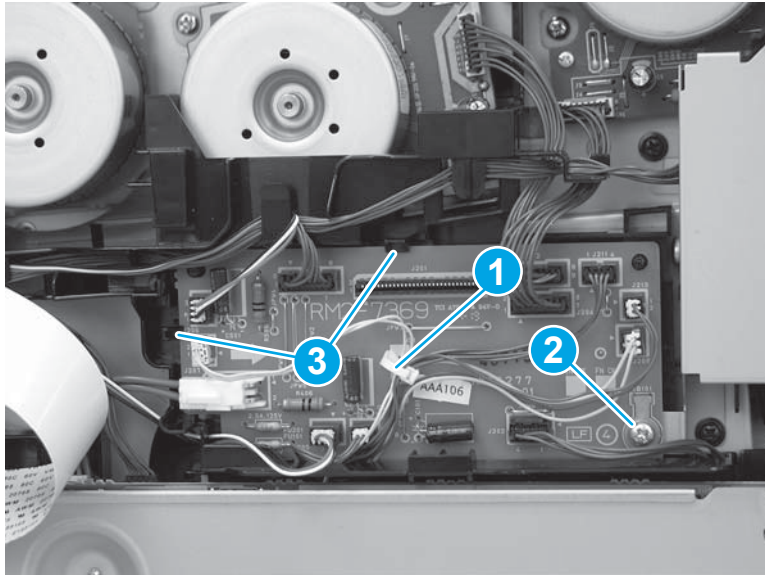
1. Disconnect one connector (callout 1).

Figure 1-2690 Disconnect one connector



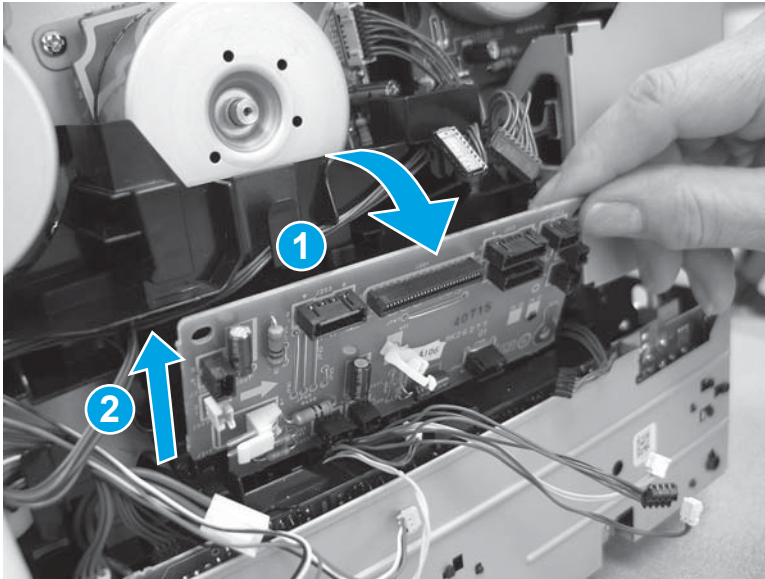
2. Release one retainer (callout 1), disconnect all of the connectors on the driver PCA, remove one screw (callout 2), and then release two tabs (callout 3).

Figure 1-2691 Disconnect all connectors and remove one screw



3. Rotate the top of the driver PCA away from the printer (callout 1), and then lift up (callout 2) to remove it.

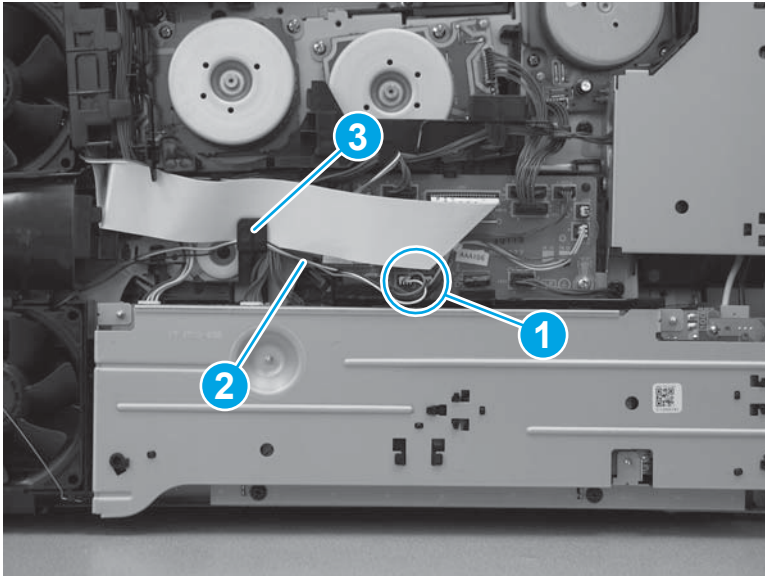
Figure 1-2692 Remove the driver PCA



Step 12: Remove the low-voltage power supply

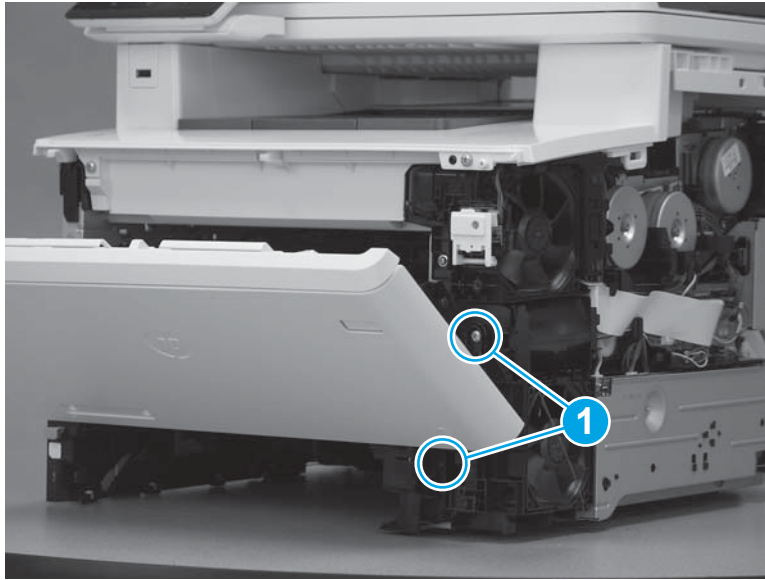
1. Disconnect one connector (callout 1), and then remove the cable (callout 2) from the wire guide (callout 3).

Figure 1-2693 Disconnect one connector and release cables from guides



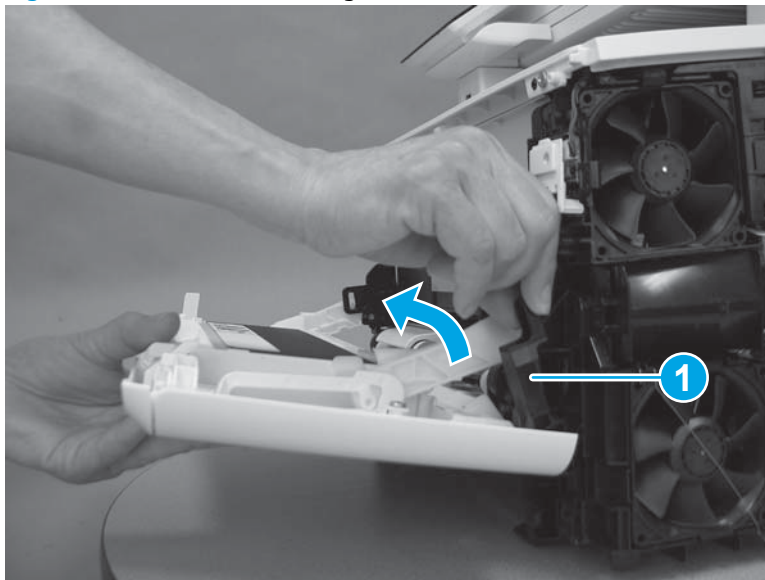
2. Remove two screws (callout 1).

Figure 1-2694 Remove two screws



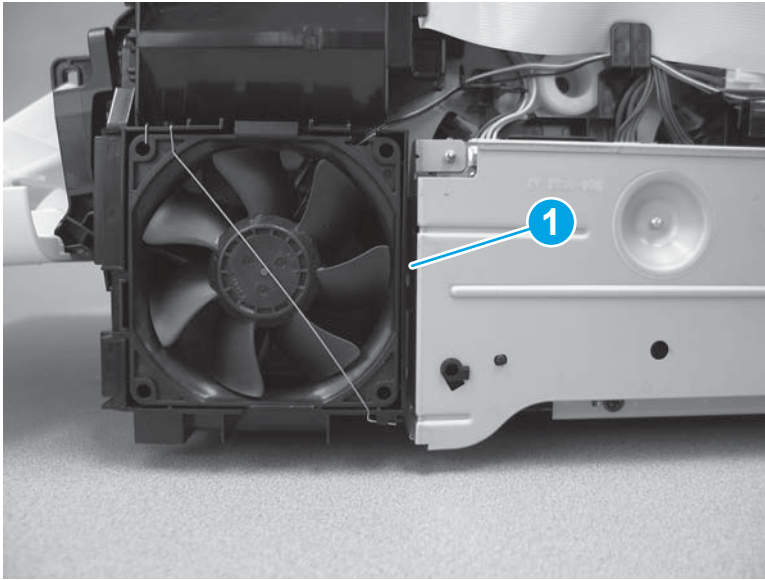
3. Release the hinge arm (callout 1).

Figure 1-2695 Release the hinge arm



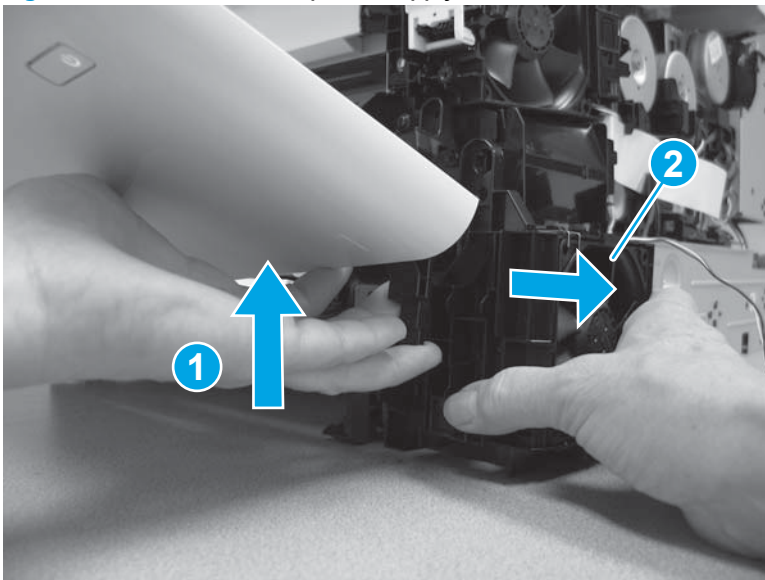
4. Release one tab (callout 1) on the right side of the power supply fan.

Figure 1-2696 Release one tab



5. Lift the front door up slightly (callout 1), and then remove the power supply fan and holder (callout 2).

Figure 1-2697 Remove the power supply fan and holder



6. Before disconnecting the cables in the next step, make note of the position of two cables (callout 1).


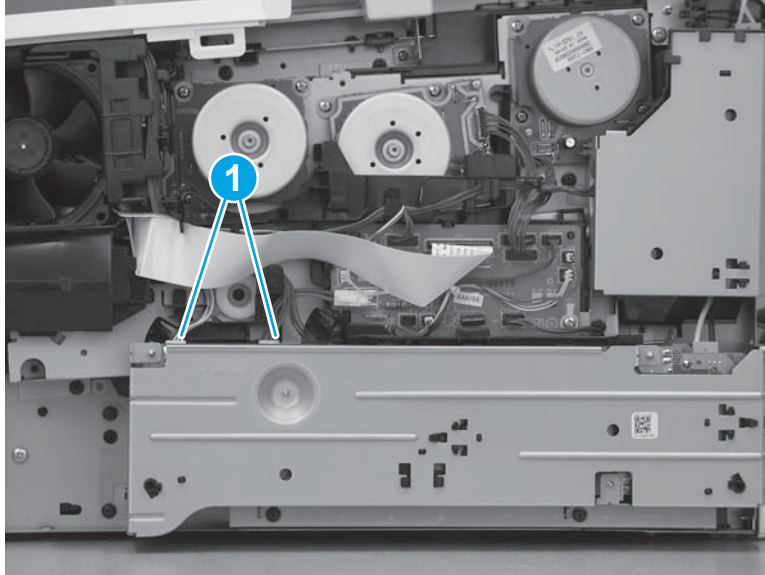
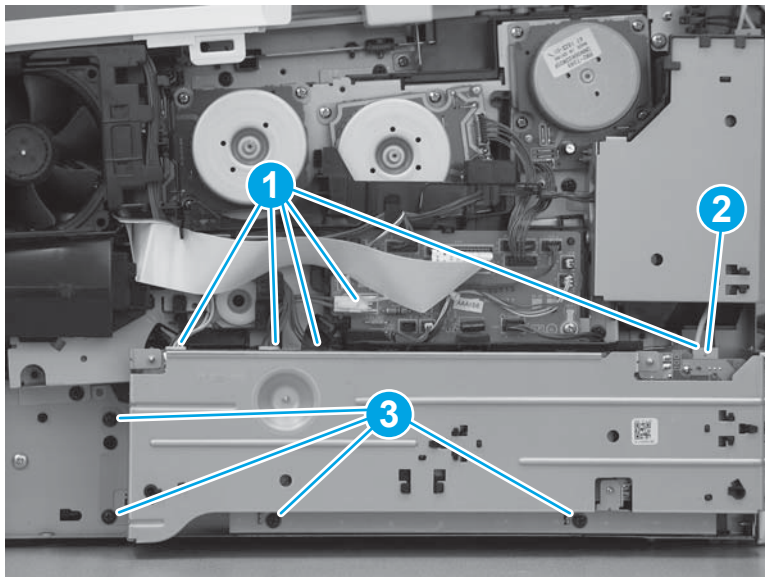
 **IMPORTANT:** These cables can be inadvertently switched when reinstalling. The connectors on the cables will fit in either connector on the LVPS. Make sure that these cables are installed in the correct connectors. If the cables are switched, the printer will not power on when reassembled.

Figure 1-2698 Check the connectors



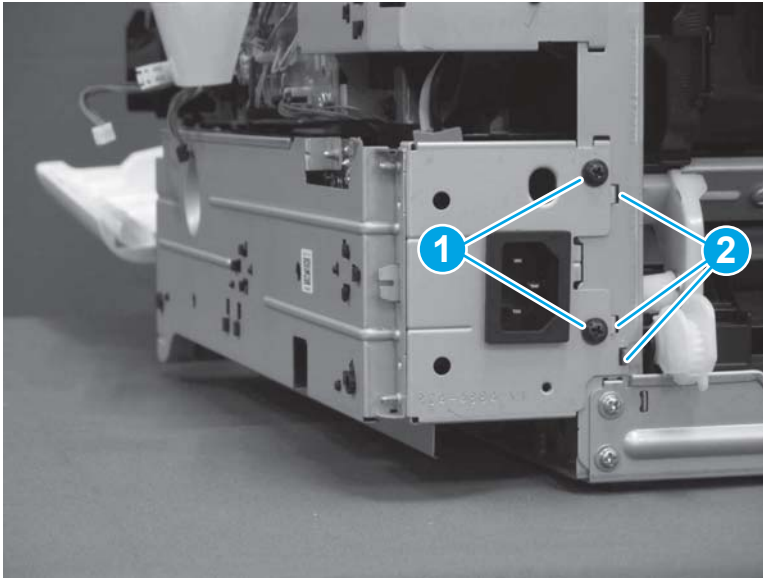
7. Disconnect five connectors (callout 1). Note that one connector (callout 2) has a latch that must be released before disconnecting it. Remove four screws (callout 3).

Figure 1-2699 Disconnect five connectors and remove four screws



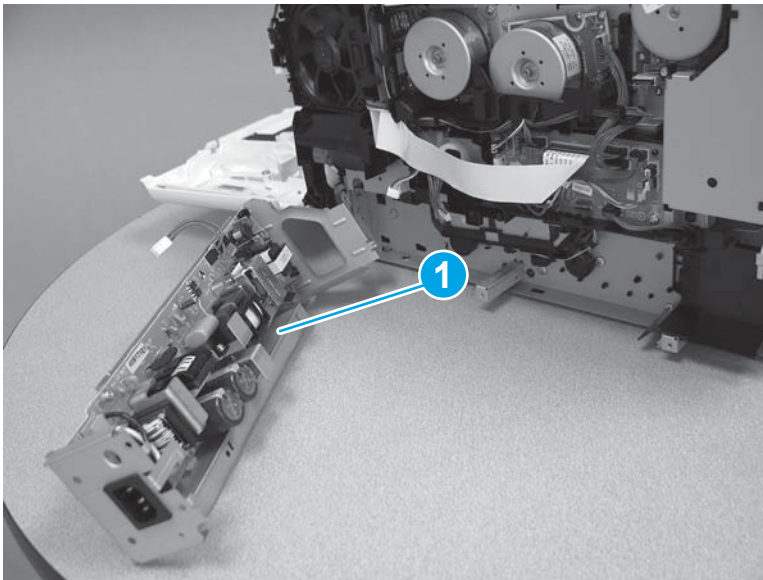
8. Remove two screws (callout 1), and then release three tabs (callout 2).

Figure 1-2700 Remove two screws and release three tabs



9. Remove the LVPS (callout 1).

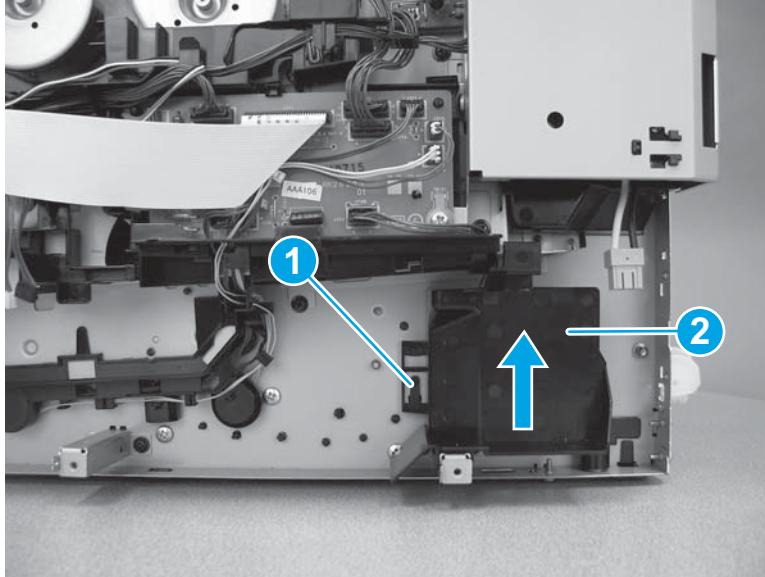
Figure 1-2701 Remove the LVPS



Step 13: Remove the pickup motor

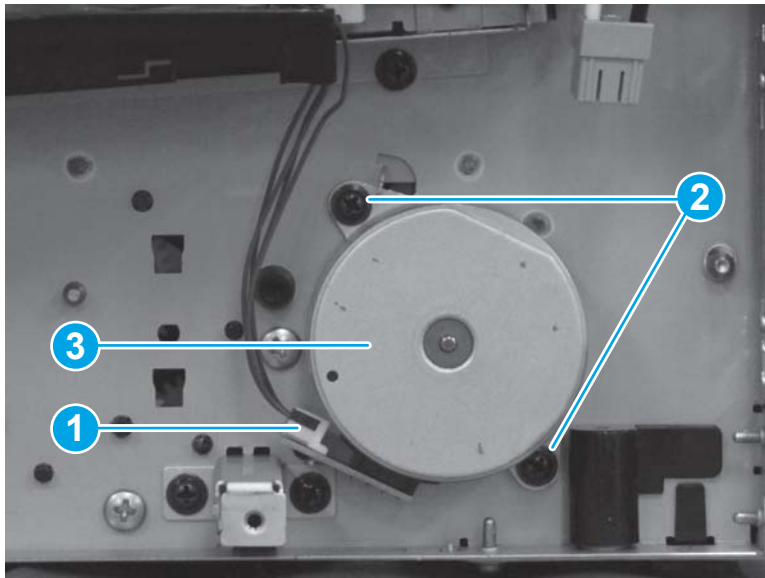
1. Release one tab (callout 1), and then slide the fan duct (callout 2) up to remove it.

Figure 1-2702 Remove the fan duct



2. Disconnect one connector (callout 1), remove two screws (callout 2), and then remove the pickup motor (callout 3).

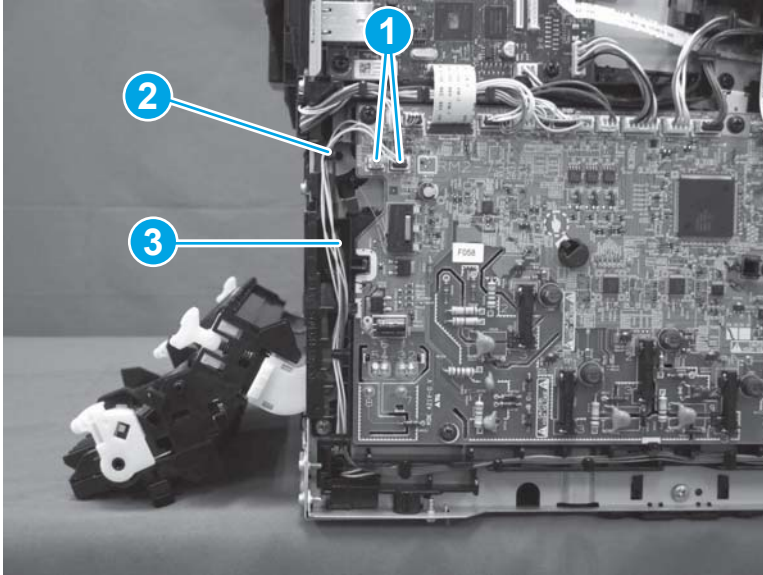
Figure 1-2703 Remove the pickup motor



Step 14: Remove the re-pickup assembly (duplex models)

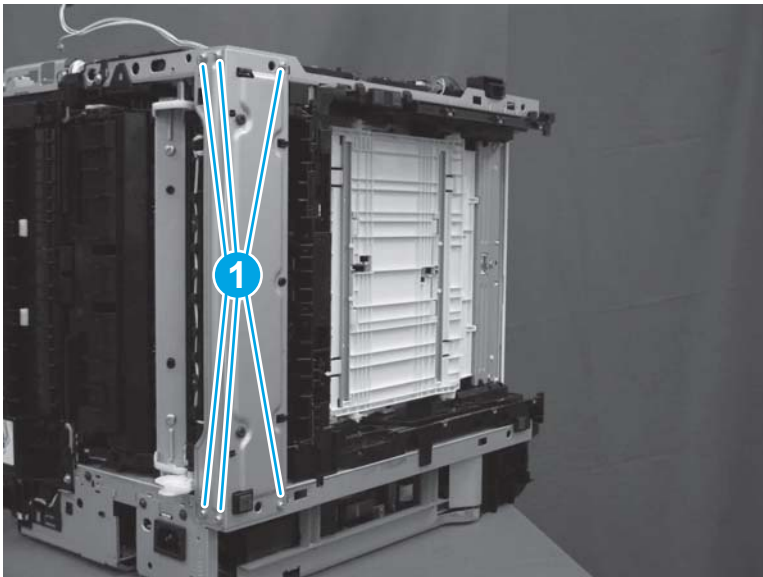
1. On the left side of the printer, disconnect two connectors (callout 1), and then remove the cables (callout 2) from the guides (callout 3).

Figure 1-2704 Disconnect two connectors and remove cables from guides



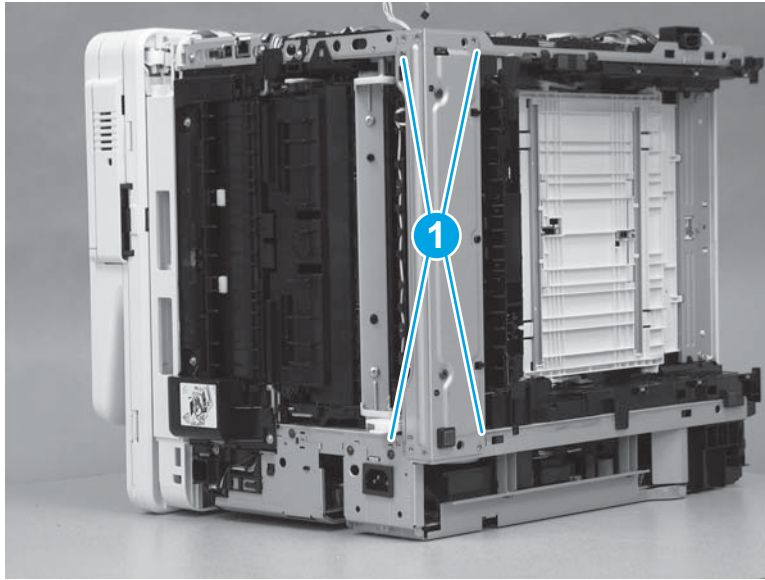
2. Lay the printer on the right side so that the left side is facing up. Remove six screws (callout 1).

Figure 1-2705 Remove six screws



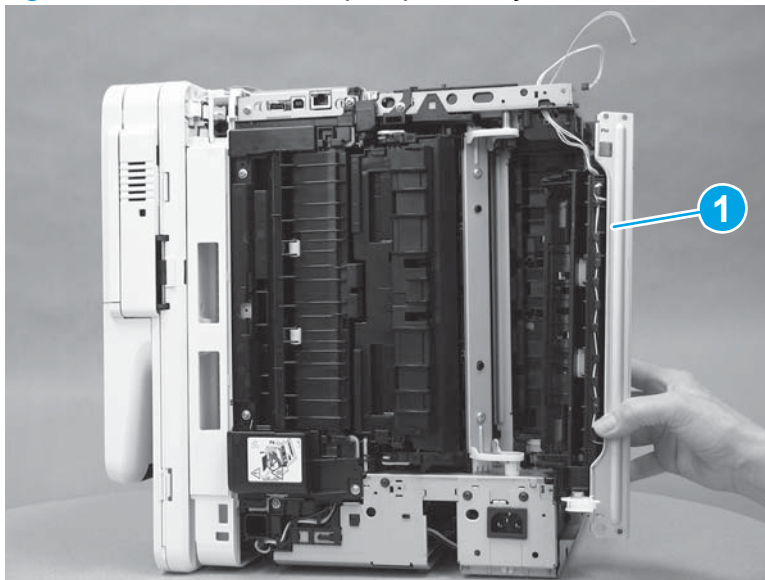
3. Release four tabs (callout 1).

Figure 1-2706 Release four tabs



4. Remove the re-pickup assembly (callout 1).

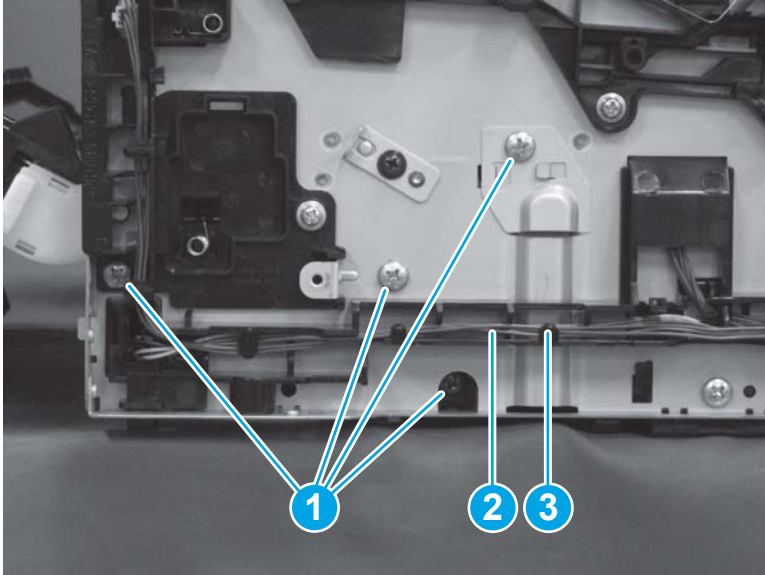
Figure 1-2707 Remove the re-pickup assembly



Step 15: Remove the lifter drive assembly

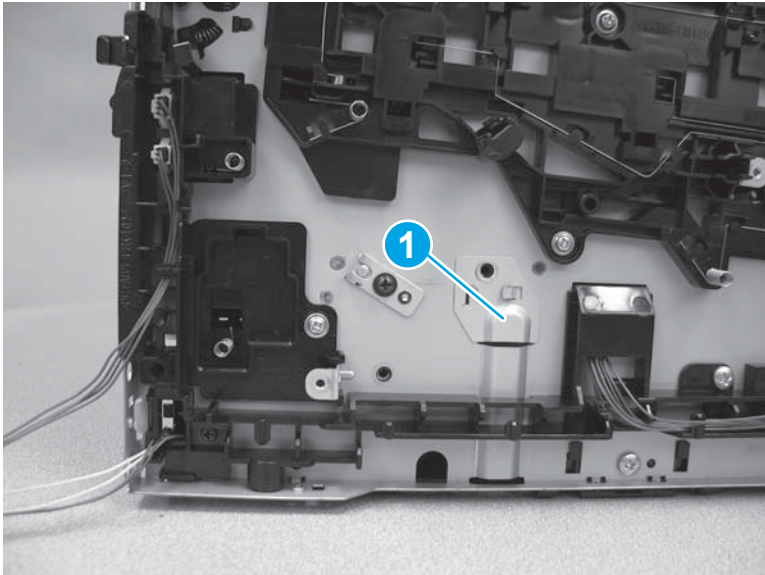
1. Remove four screws (callout 1), and then release the cables (callout 2) from the guides (callout 3).

Figure 1-2708 Remove four screws and release cables



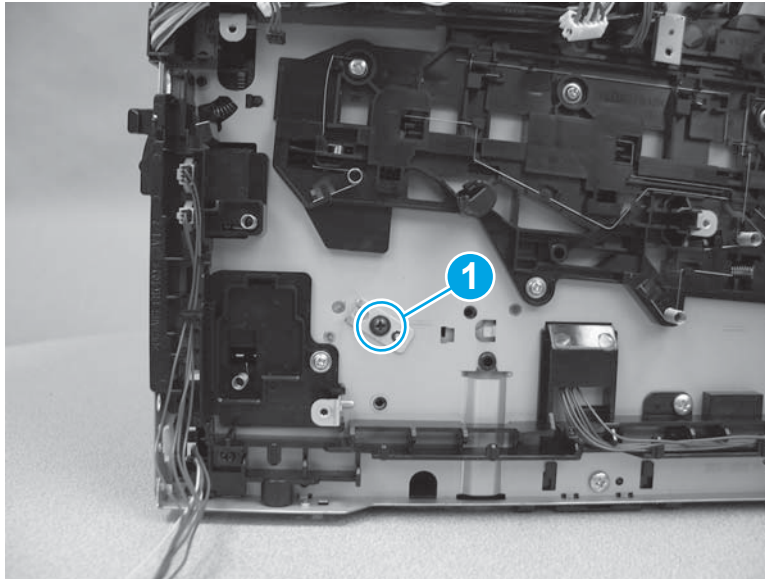
2. Remove one cover (callout 1).

Figure 1-2709 Remove one cover



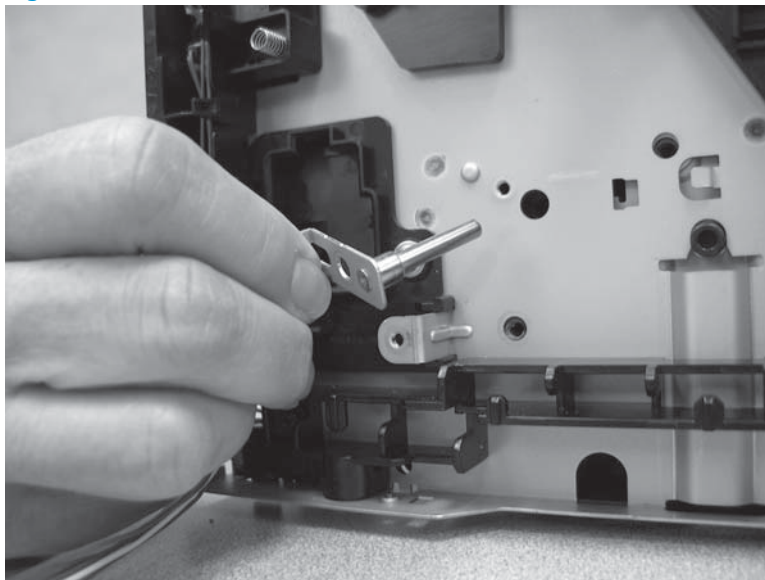
3. Remove one screw (callout 1).

Figure 1-2710 Remove one screw



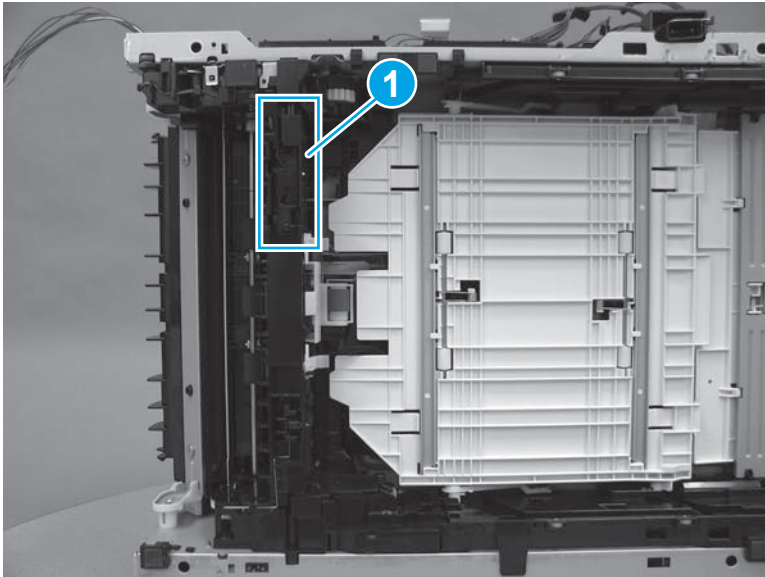
4. Remove the shaft.

Figure 1-2711 Remove the shaft



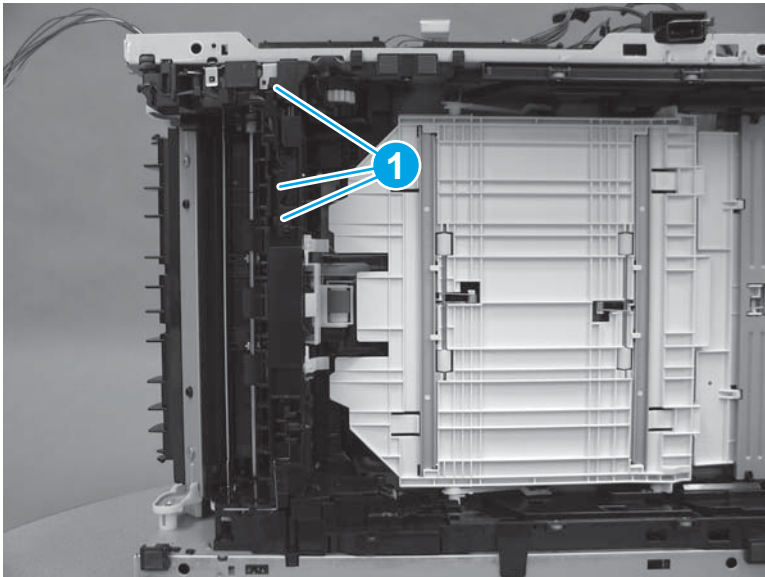
5. Lay the printer on the right side so that the left side is facing up. Locate the tray sensor switch (callout 1).

Figure 1-2712 Locate the tray sensor switch



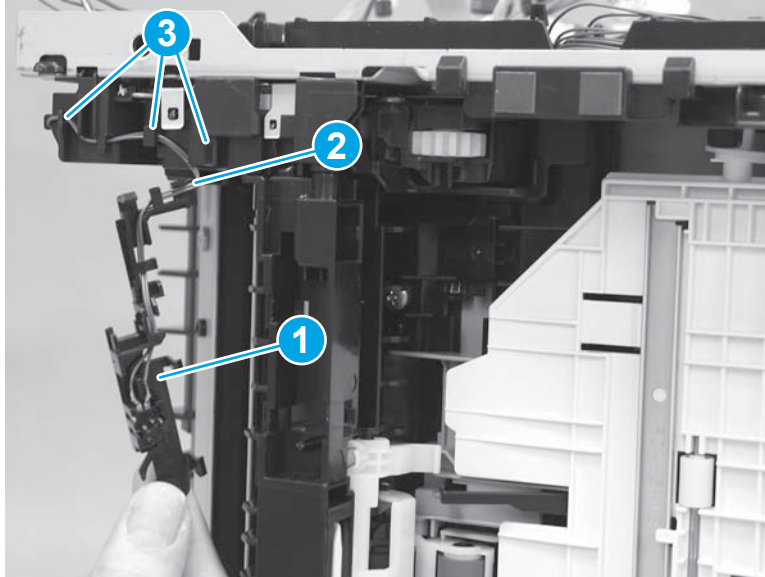
6. Release three tabs (callout 1).

Figure 1-2713 Release three tabs



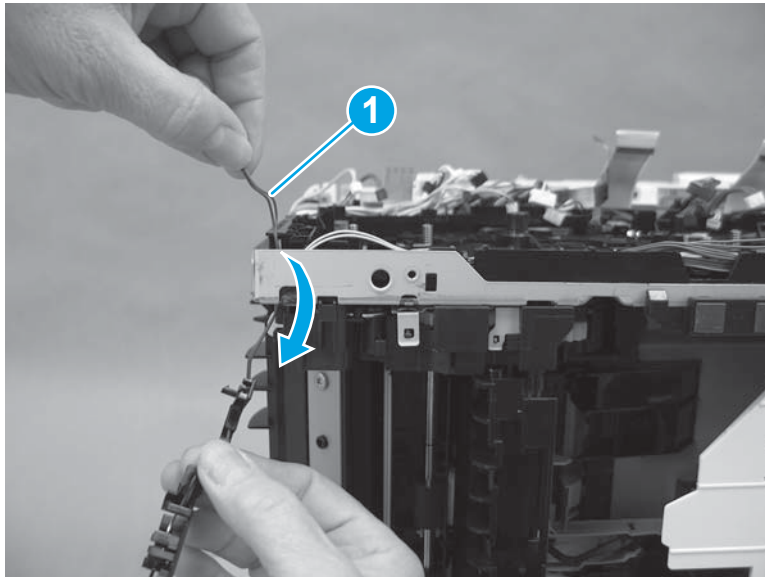
7. Release the tray sensor switch (callout 1), and then remove the cables (callout 2) from the guides (callout 3).

Figure 1-2714 Release the tray sensor switch



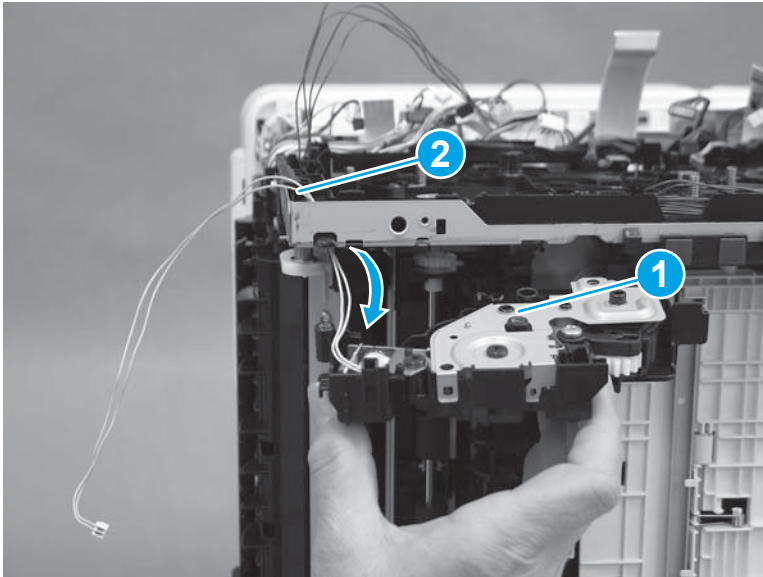
8. Remove the tray sensor switch by releasing the cables (callout 1) through the printer frame.

Figure 1-2715 Remove the tray sensor switch



9. Remove the lifter drive assembly (callout 1), and then release the cables (callout 2) through the printer frame.

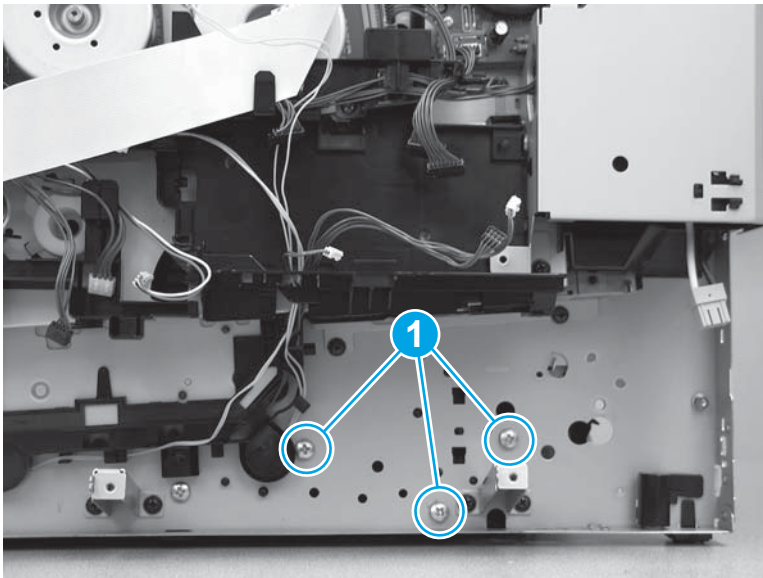
Figure 1-2716 Remove the lifter drive assembly



Step 16: Remove the pickup assembly

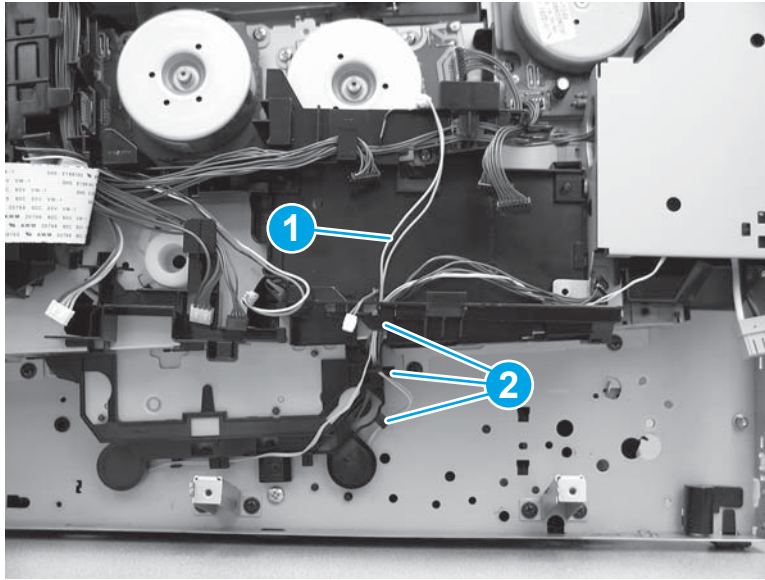
1. Remove three screws (callout 1).

Figure 1-2717 Remove three screws



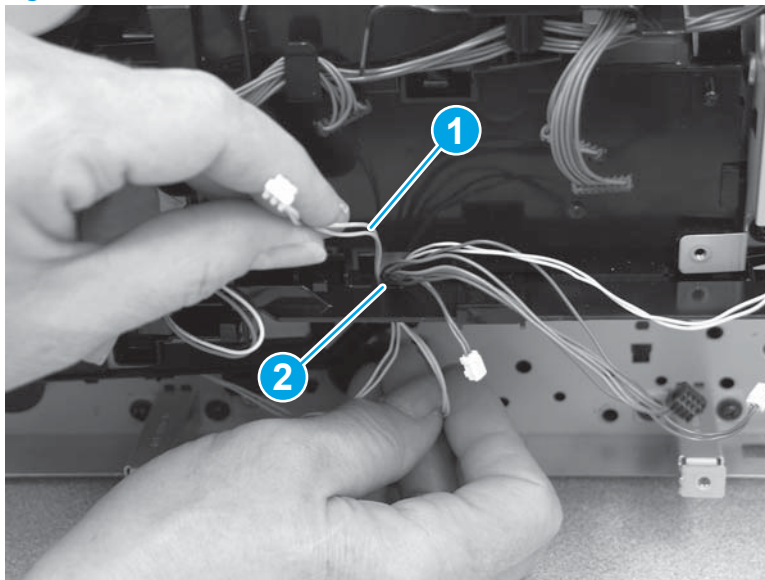
2. Release the cables (callout 1) from the cable guides (callout 2).

Figure 1-2718 Release the cables from the cable guides



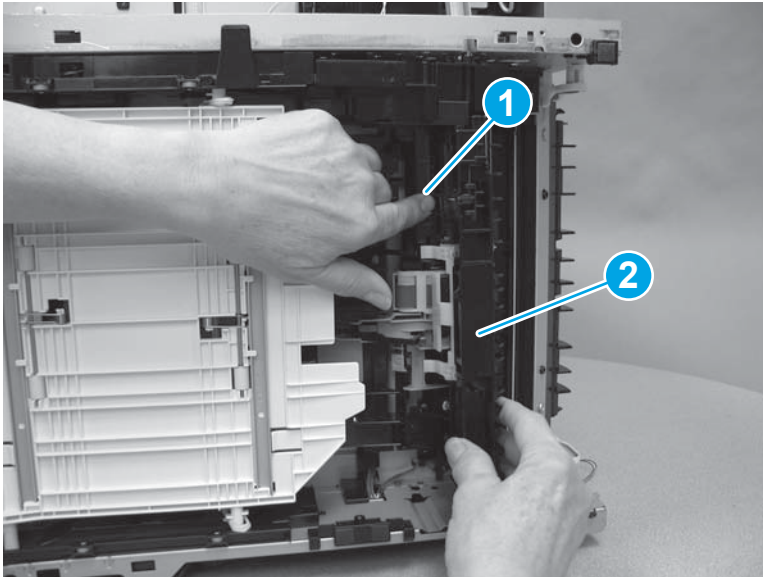
3. Thread the cables (callout 1) through the opening in the driver PCA holder (callout 2).

Figure 1-2719 Release the cables



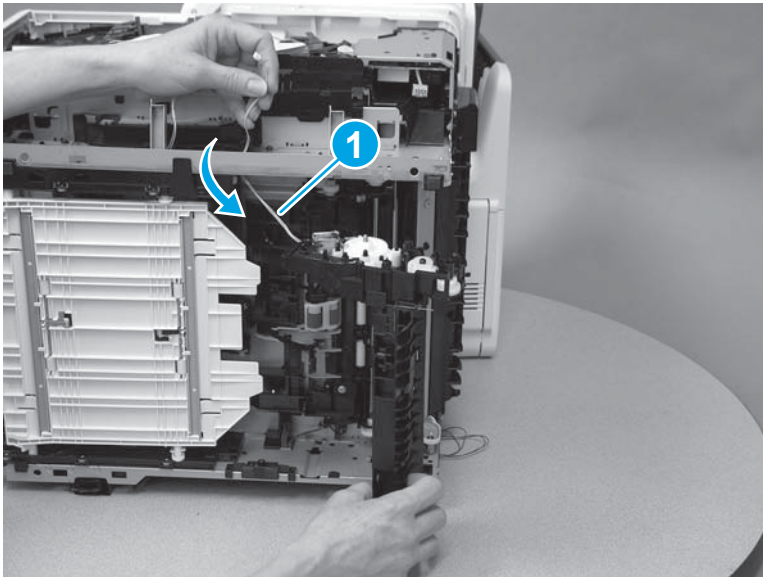
4. Lay the printer on the right side so that the left side is facing up. Press the pickup and feed roller holder (callout 1) toward the printer, and then remove the pickup assembly (callout 2).

Figure 1-2720 Remove the pickup assembly



5. Release the cables (callout 1) through the printer frame.

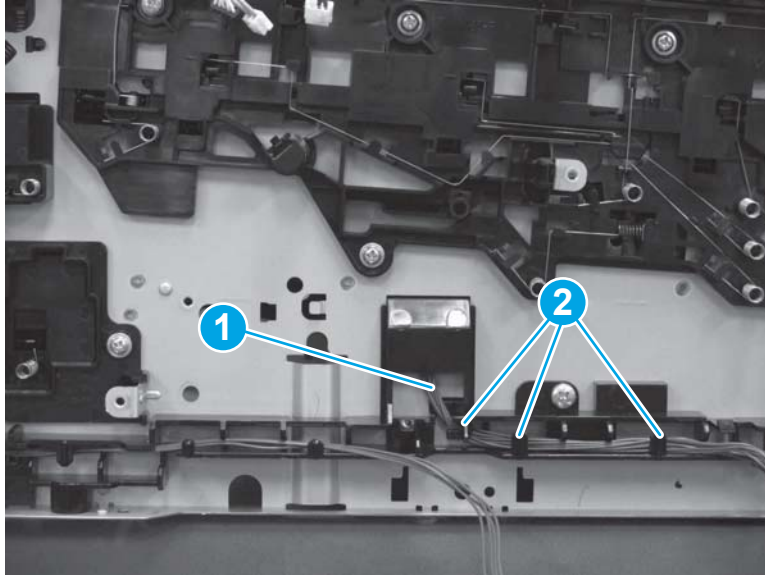
Figure 1-2721 Release the cables



Step 17: Remove the front feed guide assembly

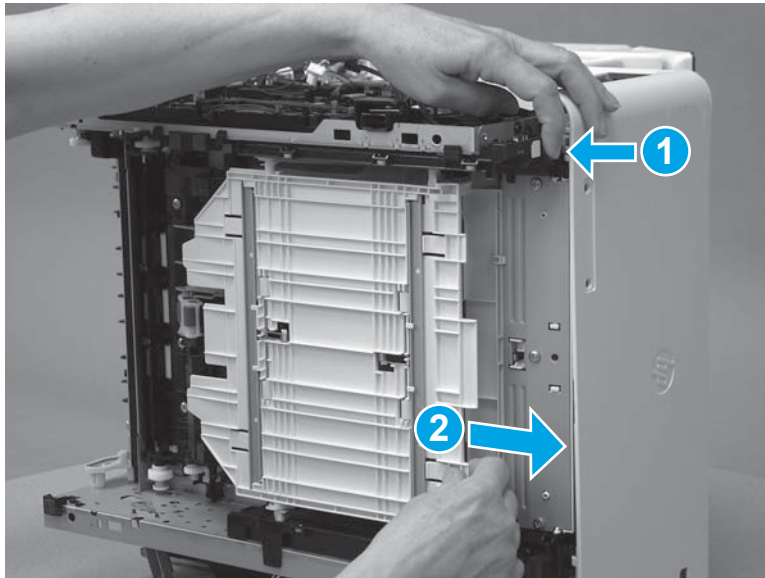
1. Release the cables (callout 1) from the cable guide (callout 2).

Figure 1-2722 Release the cables



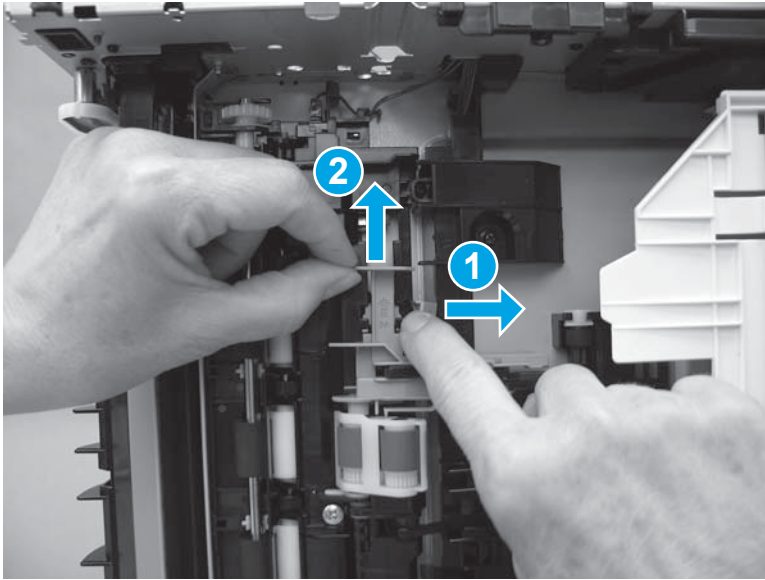
2. Lay the printer on the right side so that the left side is facing up. Press the tray 1 feed guide release button (callout 1), and then release the tray 1 feed guide toward the front of the printer (callout 2).

Figure 1-2723 Release the tray 1 feed guide



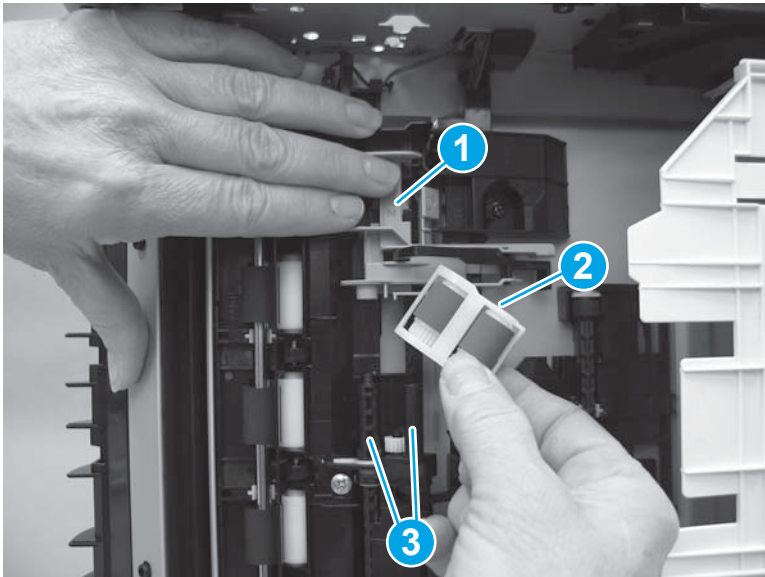
3. Press the lever (callout 1) on the roller holder, and then slide the roller holder up (callout 2).

Figure 1-2724 Slide the roller holder



4. Hold the roller holder up (callout 1), and then lift the pickup and feed roller case (callout 2) up off of the shafts (callout 3).

Figure 1-2725 Remove the pickup and feed rollers



5. Remove three screws (callout 1) on the rear feed guide assembly, and then remove three screws (callout 2) on the front feed guide assembly.


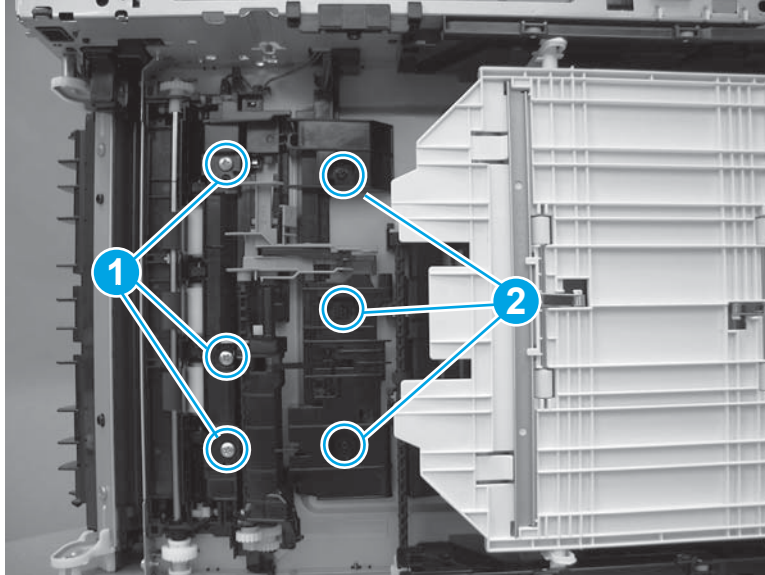
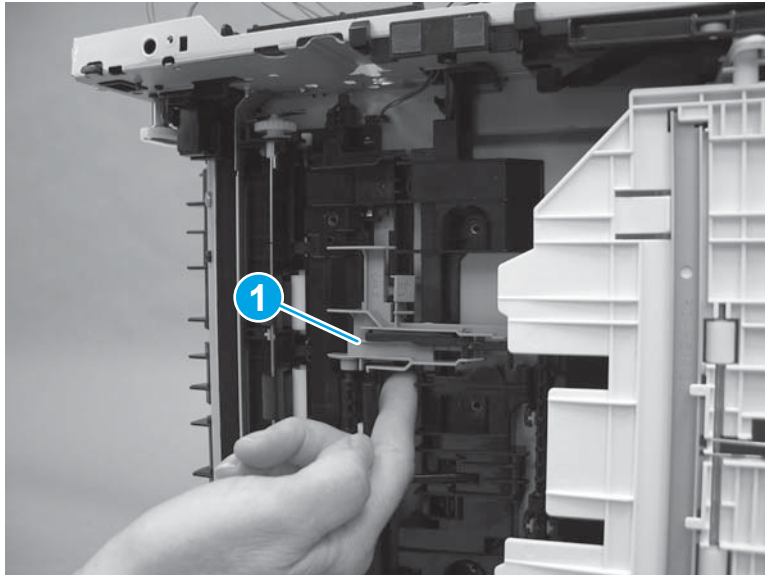
 **Reinstallation tip:** The three screws (callout 1) on the rear feed guide assembly are larger than the screws on the front feed guide assembly.

Figure 1-2726 Remove six screws



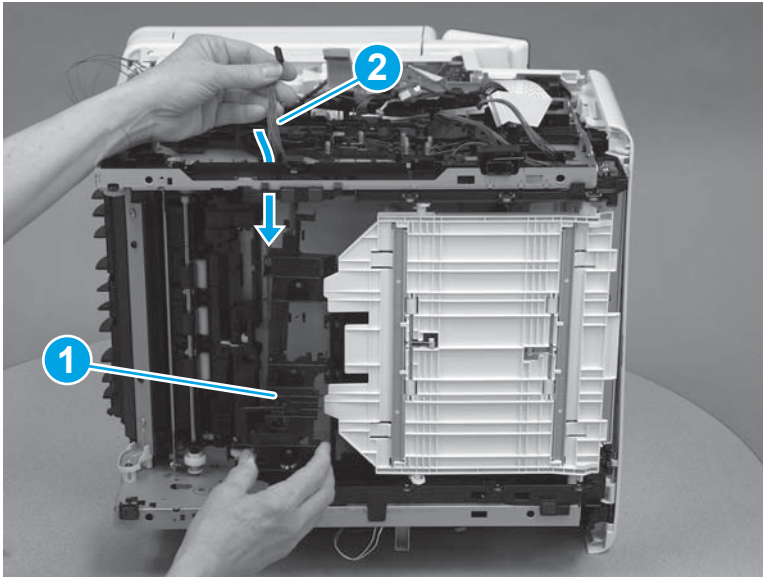
6. Remove the roller holder (callout 1).

Figure 1-2727 Remove the roller holder



7. Remove the front feed guide assembly (callout 1). Release the cables (callout 2) through the printer frame.

Figure 1-2728 Remove the front feed guide assembly



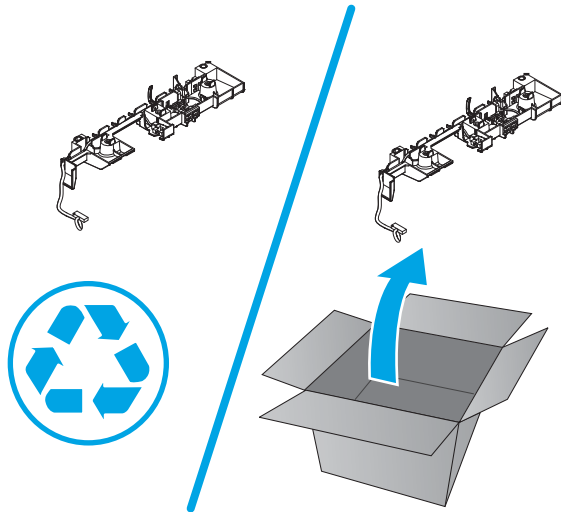
Step 18: Unpack the replacement part

Remove the new part from its package. Save all packaging for recycling the used part.

For complete information on HP's recycling programs, go to [Product return and recycling](#).

 **NOTE:** HP recommends responsible disposal of the defective part.

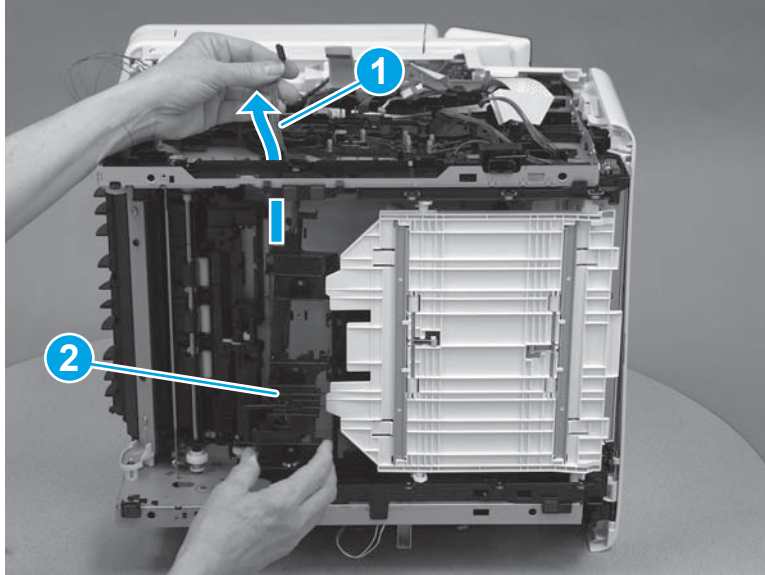
Figure 1-2729 Recycle and unpack



Step 19: Install the front feed guide assembly

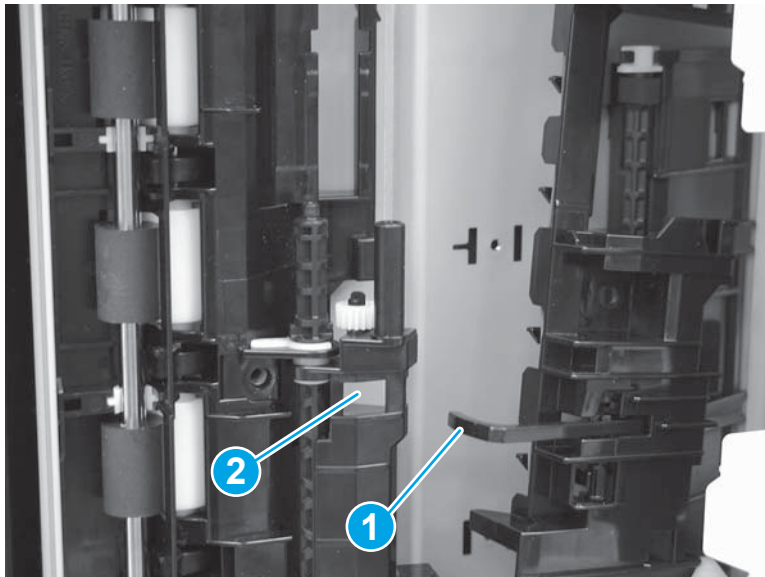
1. Thread the cables (callout 1) on the front feed guide assembly up through the printer frame, and then move the front feed guide assembly (callout 2) into position.

Figure 1-2730 Position the front feed guide assembly



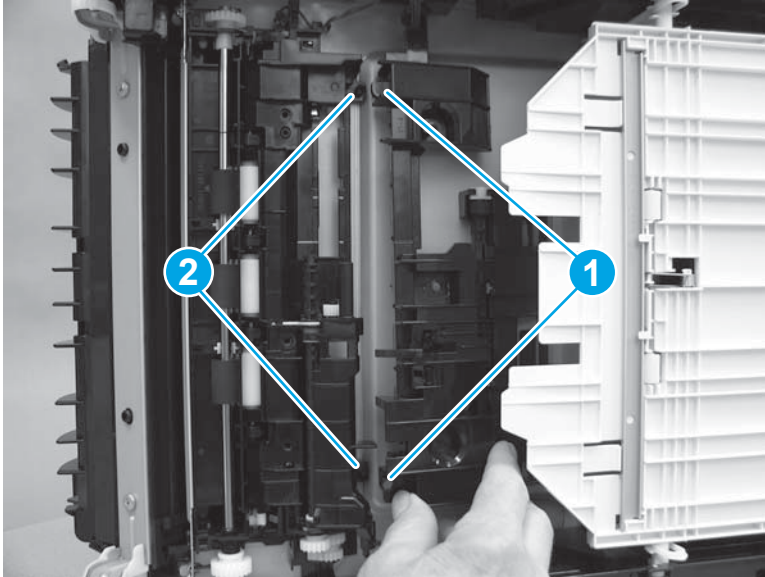
2. Make sure that the flag (callout 1) on the front feed guide assembly fits in the opening (callout 2) in the rear feed guide assembly.

Figure 1-2731 Position the flag



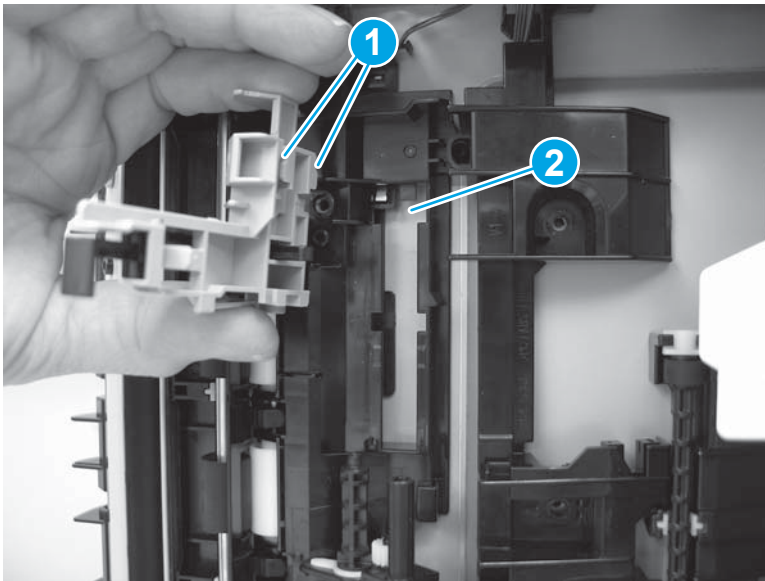
3. Install the holes on the front feed guide assembly (callout 1) over the tabs (callout 2) on the rear feed guide assembly.

Figure 1-2732 Install the front feed guide assembly



4. Position the tabs (callout 1) on the roller holder in the slots (callout 2) in the rear feed guide assembly, and then install the roller holder.

Figure 1-2733 Install the roller holder



5. Install three screws (callout 1) on the rear feed guide assembly, and then install three screws (callout 2) on the front feed guide assembly.


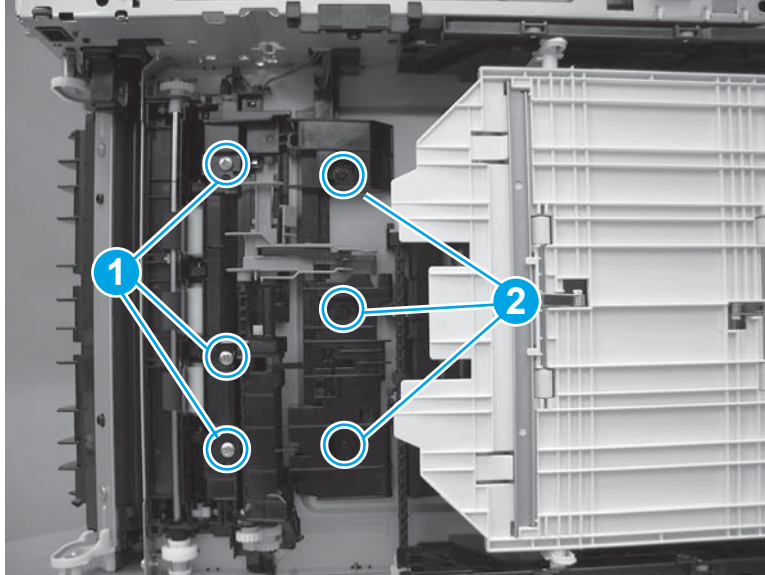
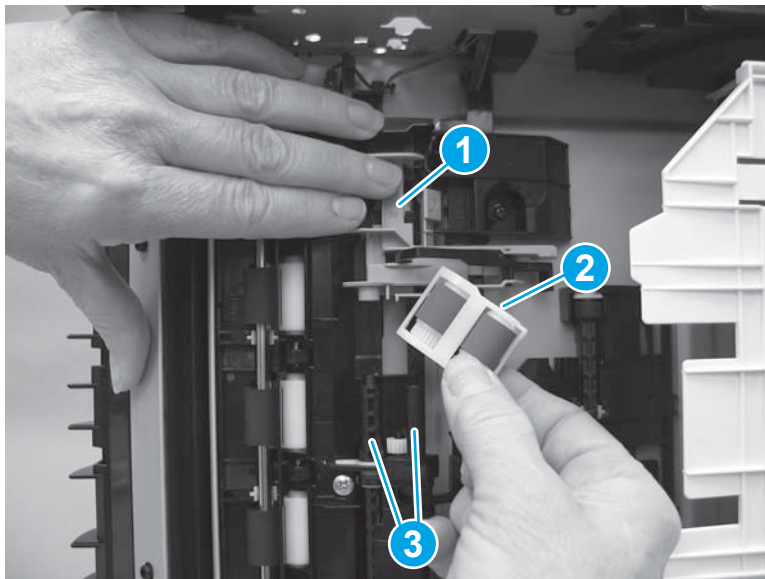
 **Reinstallation tip:** The three screws (callout 1) on the rear feed guide assembly are larger than the screws on the front feed guide assembly.

Figure 1-2734 Install six screws



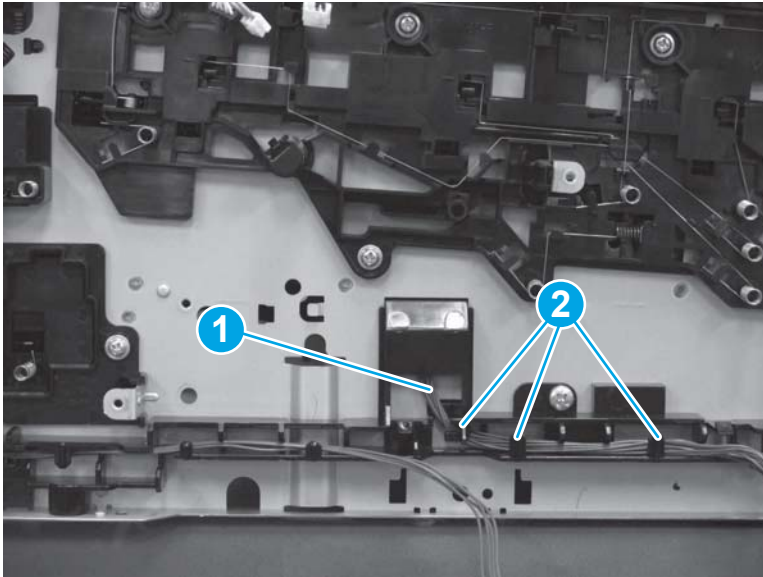
6. Hold the roller holder up (callout 1), and then install the pickup and feed roller case (callout 2) on the shafts (callout 3). Lower the roller holder until it snaps into place.

Figure 1-2735 Remove the pickup and feed rollers



7. Return the printer to an upright position so that the top side is facing up. Install the cables (callout 1) into the cable guide (callout 2).

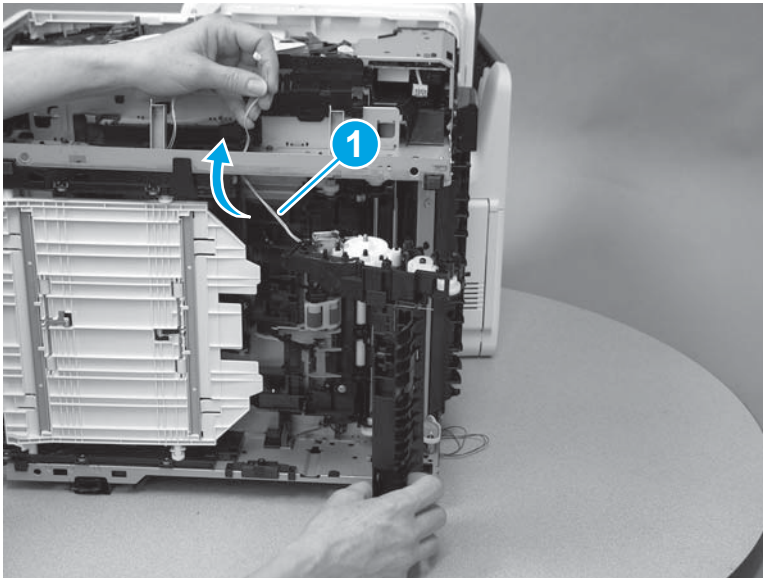
Figure 1-2736 Release the cables



Step 20: Install the pickup assembly

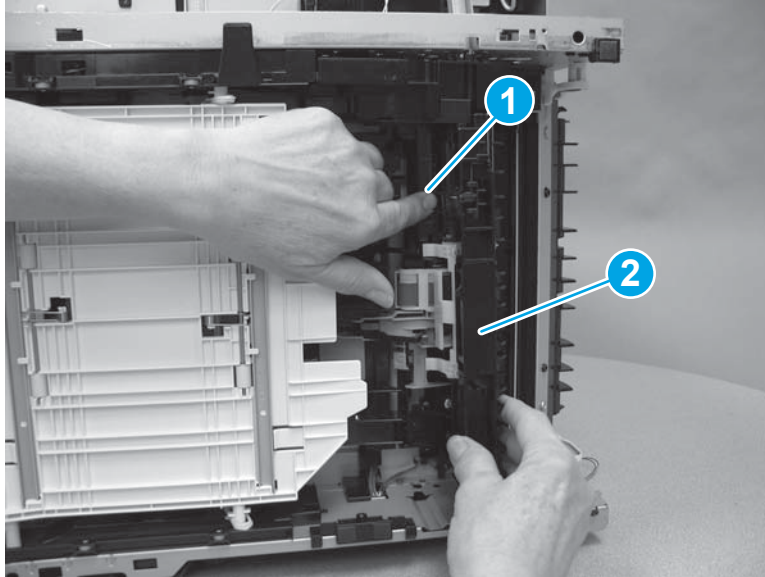
1. Thread the cables (callout 1) through the printer frame.

Figure 1-2737 Thread the cables



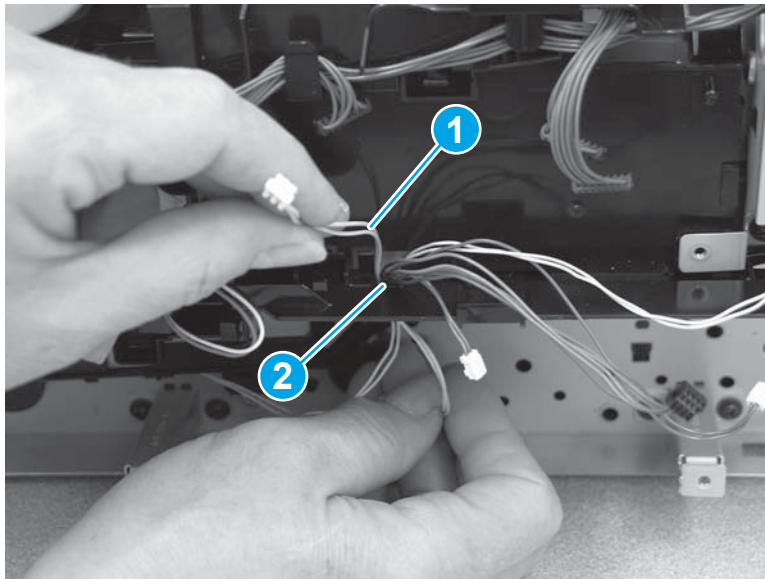
2. Press the pickup and feed roller holder (callout 1) toward the printer, and then install the pickup assembly (callout 2).

Figure 1-2738 Install the pickup assembly



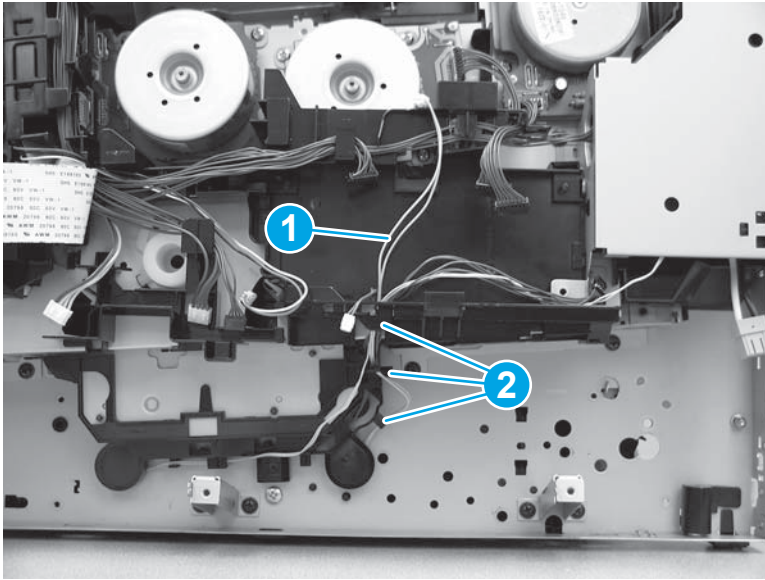
3. Return the printer to an upright position so that the top side is facing up. Thread the cables (callout 1) through the opening in the driver PCA holder (callout 2).

Figure 1-2739 Install the cable



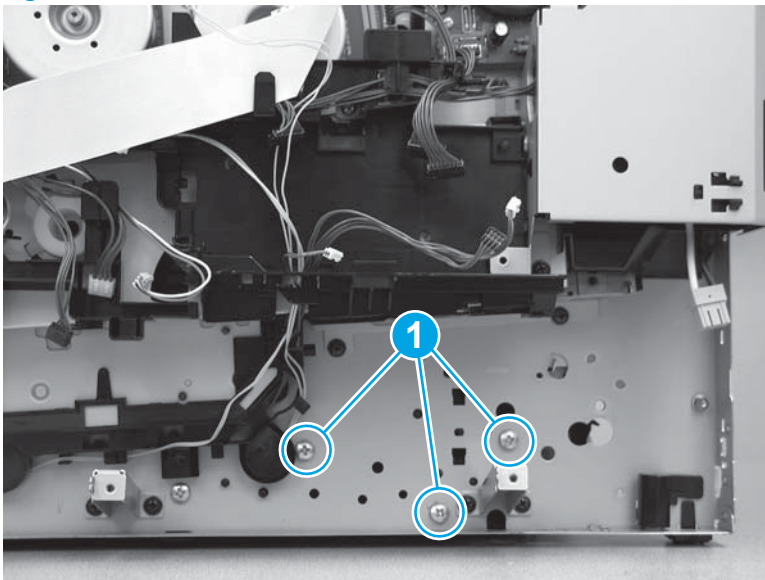
4. Install the cables (callout 1) in the cable guides (callout 2).

Figure 1-2740 Install the cables in the cable guides



5. Install three screws (callout 1).

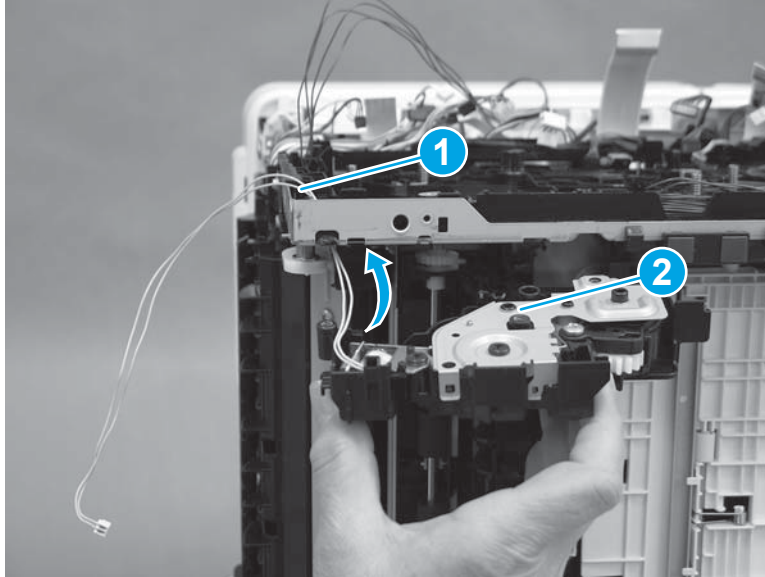
Figure 1-2741 Install three screws



Step 21: Install the lifter drive assembly

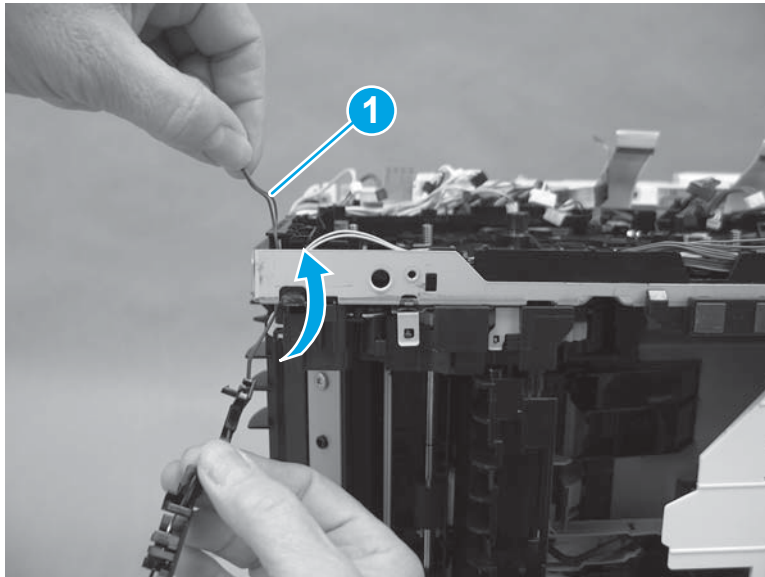
1. Install the cables (callout 1) on the lifter drive assembly up through the printer frame, and then install the lifter drive assembly (callout 2).

Figure 1-2742 Install the lifter drive assembly



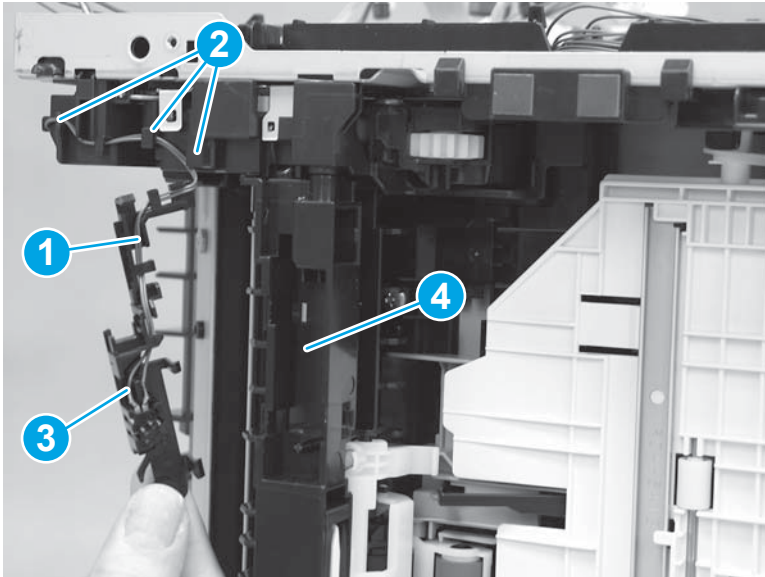
2. Install the cables (callout 1) on the tray sensor switch up through the printer frame.

Figure 1-2743 Install the tray sensor switch cable



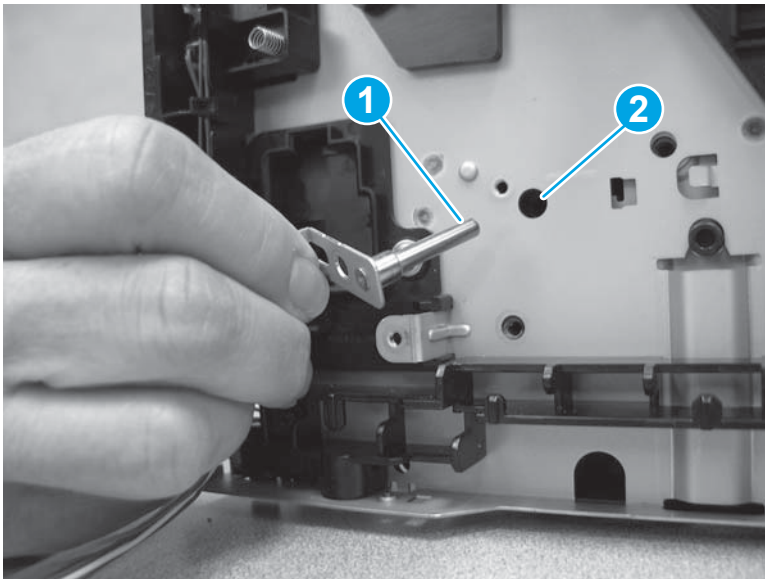
3. Install the cables (callout 1) in the cable guide (callout 2), and then install the tray sensor switch (callout 3) on the lifter drive assembly (callout 4).

Figure 1-2744 Install the tray sensor switch



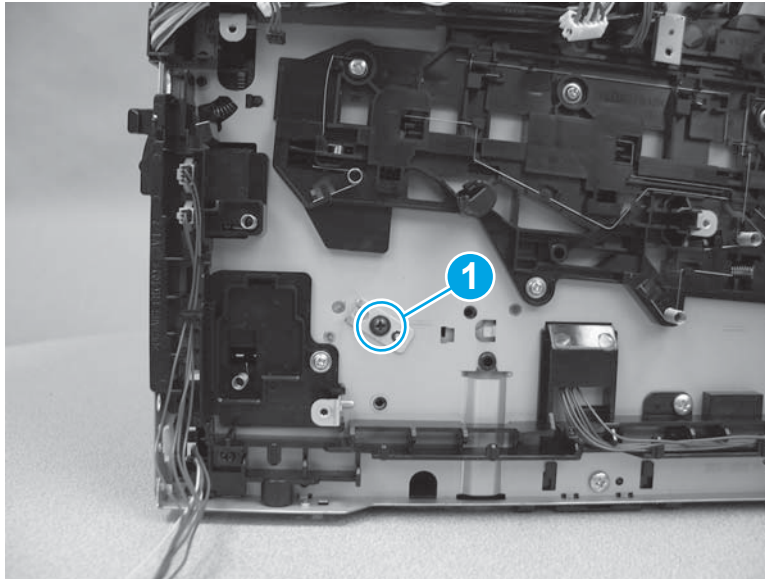
4. Return the printer to an upright position so that the top side is facing up. Install the shaft (callout 1) into the hole (callout 2) in the printer.

Figure 1-2745 Install the shaft



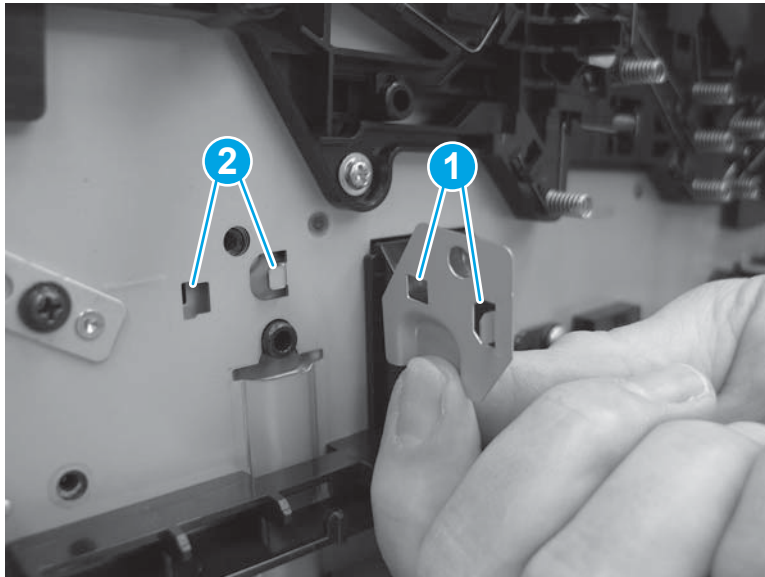
5. Install one screw (callout 1).

Figure 1-2746 Install one screw



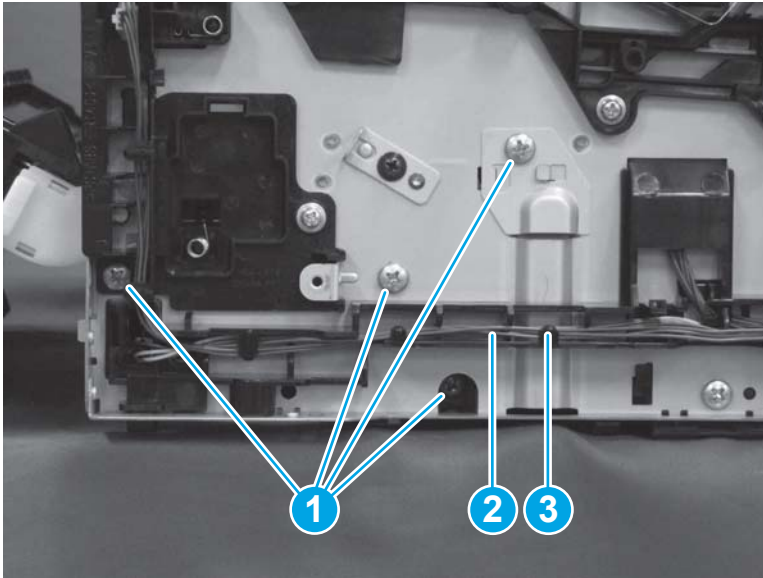
6. Install the tabs and slots on the cover (callout 1) into the corresponding tabs and slots (callout 2) on the printer.

Figure 1-2747 Install one cover



7. Install four screws (callout 1), and then install the cables (callout 2) into the guides (callout 3).

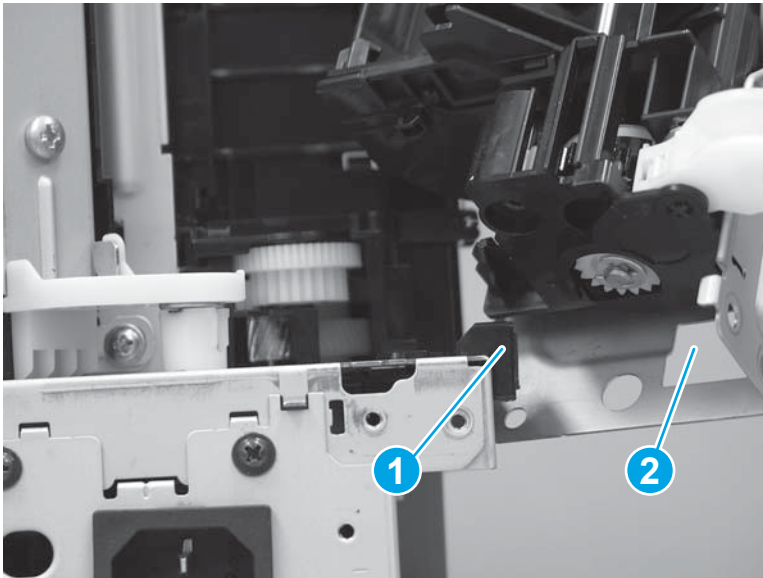
Figure 1-2748 Install four screws and cables



Step 22: Install the re-pickup assembly (duplex models)

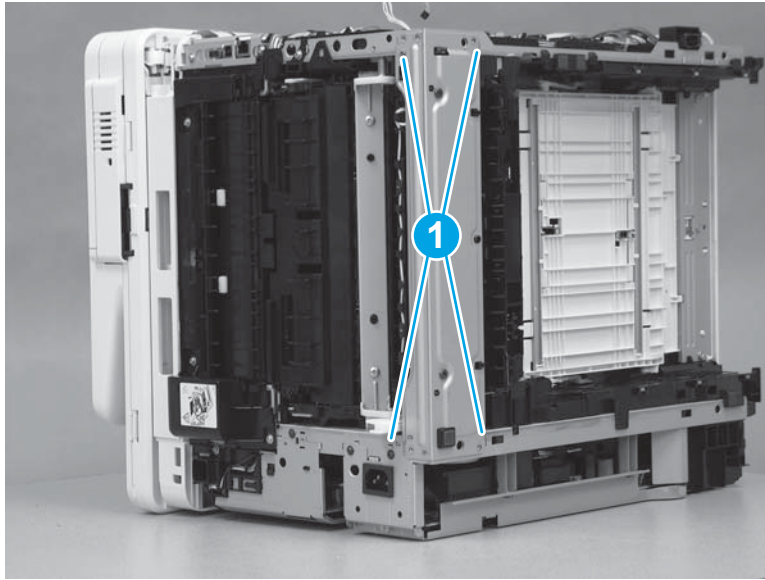
1. Position the foot on the printer (callout 1) through the opening (callout 2) on the re-pickup drive assembly.

Figure 1-2749 Position the foot through the opening



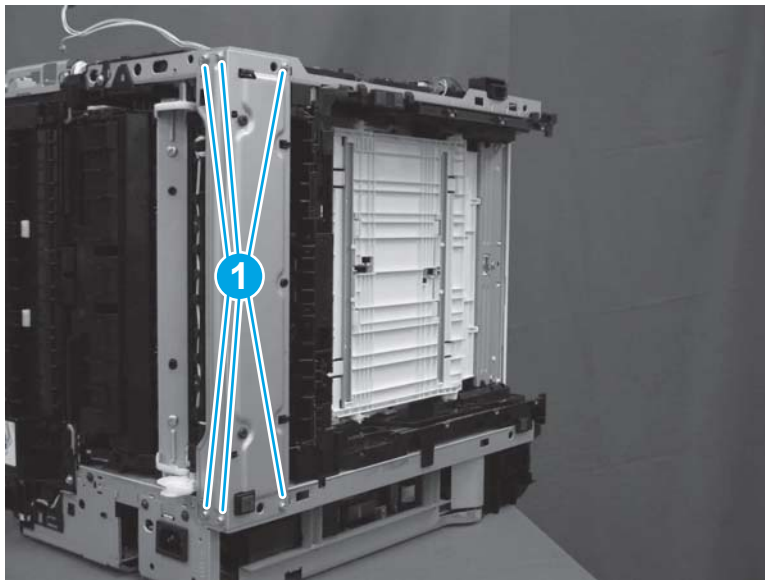
2. Install four tabs (callout 1).

Figure 1-2750 Install four tabs



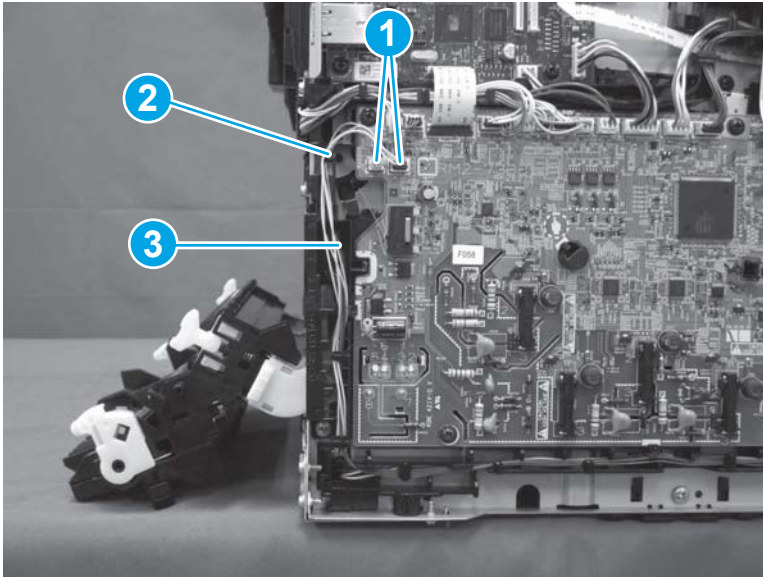
3. Install six screws (callout 1).

Figure 1-2751 Install six screws



4. Return the printer to an upright position so that the top side is facing up. On the left side of the printer, connect two connectors (callout 1), and then install the cables (callout 2) in the guides (callout 3).

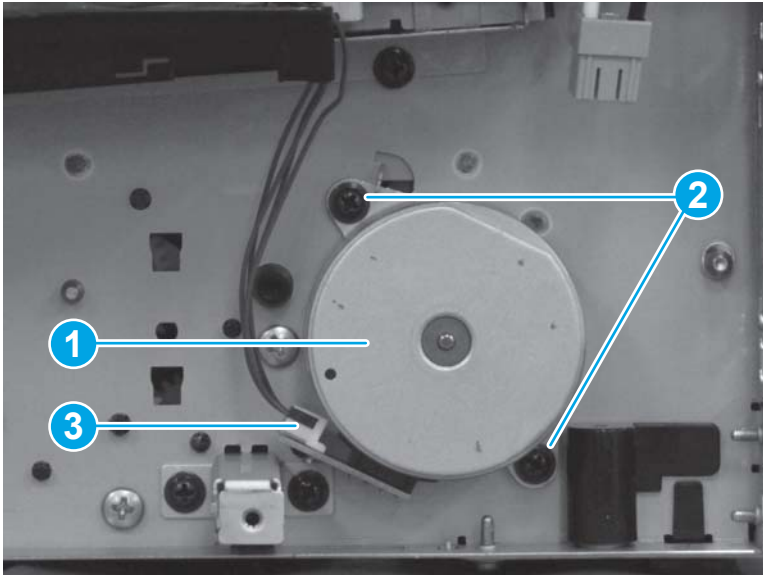
Figure 1-2752 Connect two connectors and install cables in guides



Step 23: Install the pickup motor

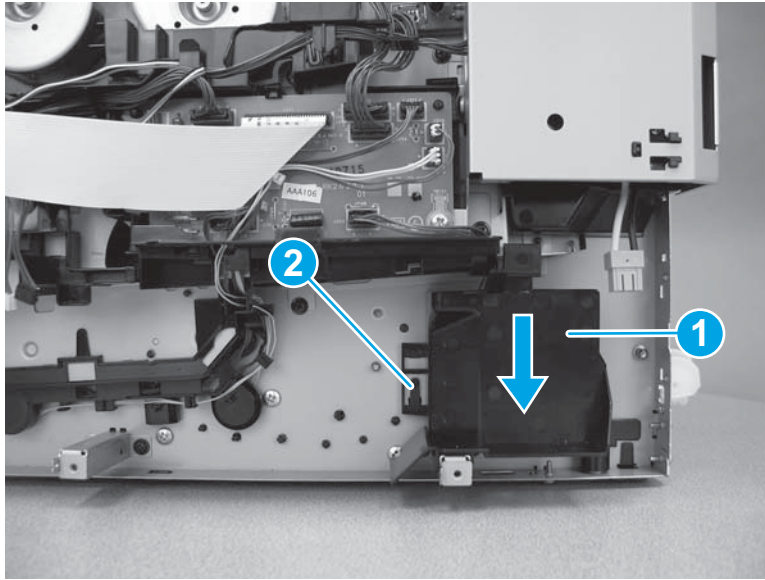
1. Position the pickup motor (callout 1) on the printer. Install two screws (callout 2), and then connect one connector (callout 3).

Figure 1-2753 Install the pickup motor



2. Position the fan duct (callout 1) on the printer. Slide the fan duct down to engage one tab (callout 2).

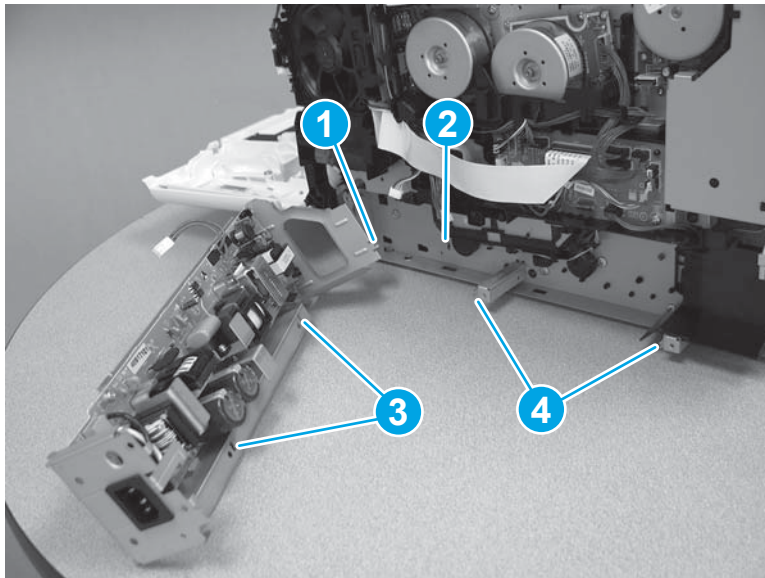
Figure 1-2754 Install the fan duct



Step 24: Install the low-voltage power supply

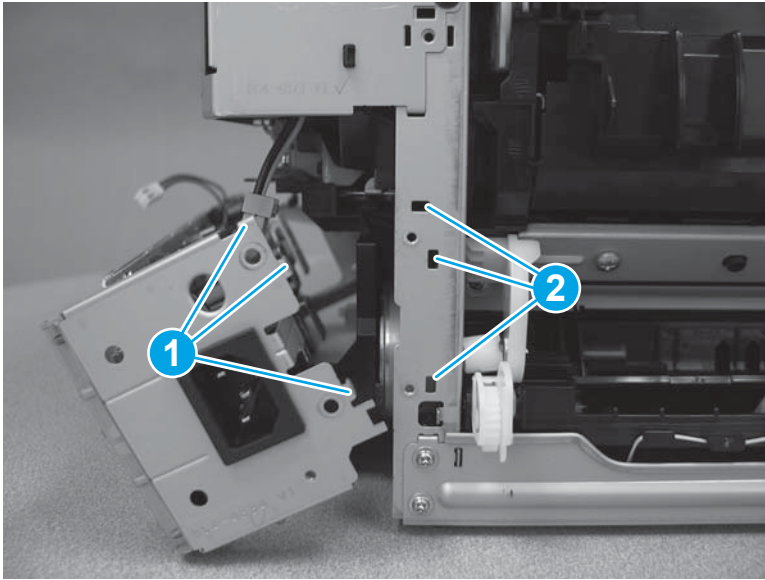
1. Install the tab (callout 1) on the LVPS into the slot (callout 2) in the printer. Install the slots (callout 3) in the LVPS over the tabs (callout 4) on the printer.

Figure 1-2755 Install the side tabs of the LVPS



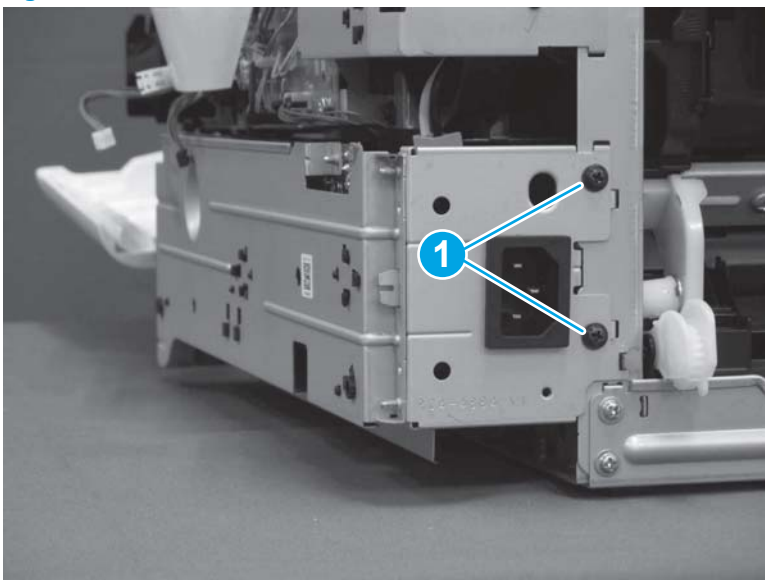
2. At the back of the printer, install the tabs on the LVPS (callout 1) into the slots (callout 2) in the printer.

Figure 1-2756 Install the back tabs of the LVPS



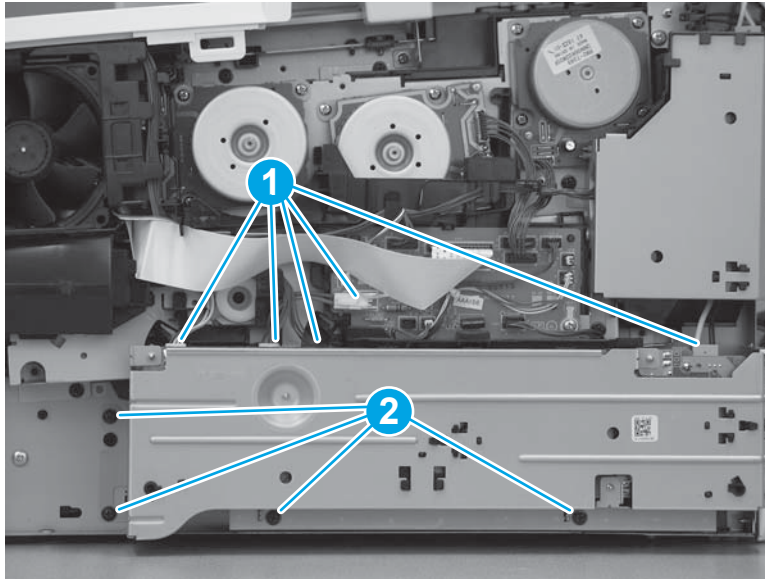
3. Install two screws (callout 1).

Figure 1-2757 Install two screws



4. Connect five connectors (callout 1), and then install four screws (callout 2).

Figure 1-2758 Connect five connectors and install four screws




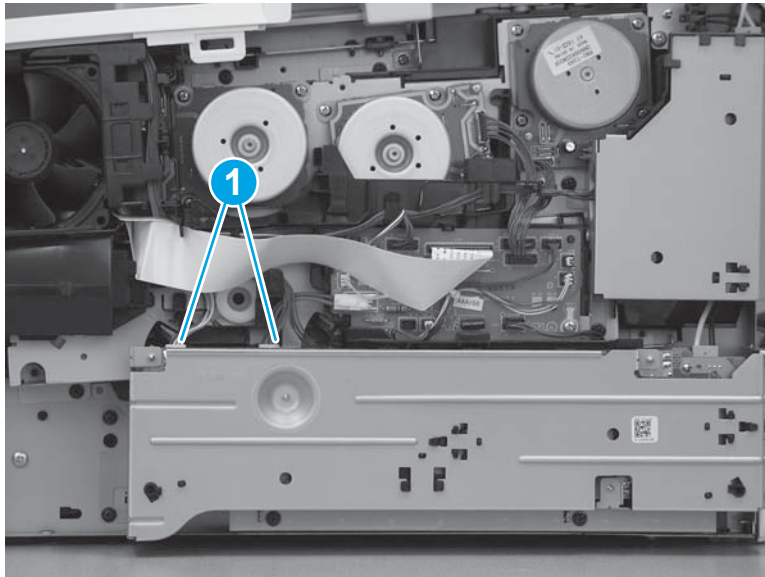
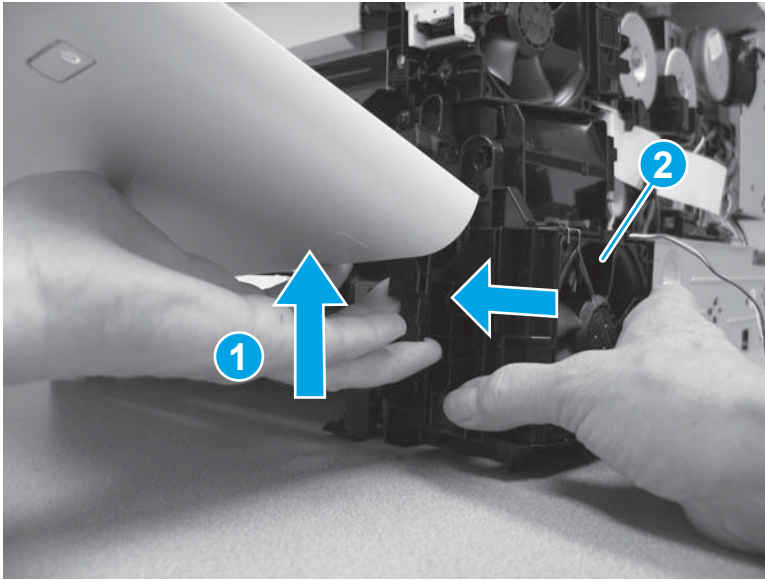
 **IMPORTANT:** Two of the cables (callout 1) can be inadvertently switched. The connectors on the cables will fit in either connector on the LVPS. Make sure these cables are installed in the correct connectors. If these cables are switched, the printer will not power on when reassembled.

Figure 1-2759 Check the connectors



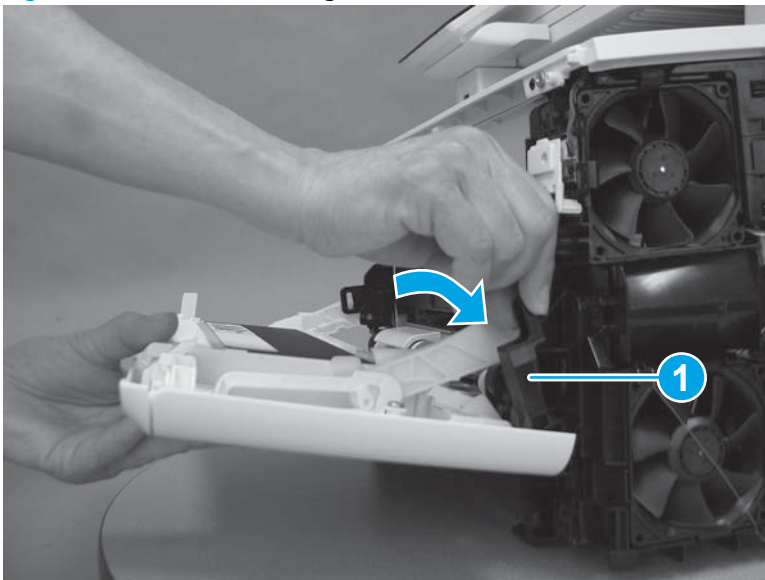
5. Lift the front door up slightly (callout 1), and then install the power supply fan and holder (callout 2).

Figure 1-2760 Remove the power supply fan and holder



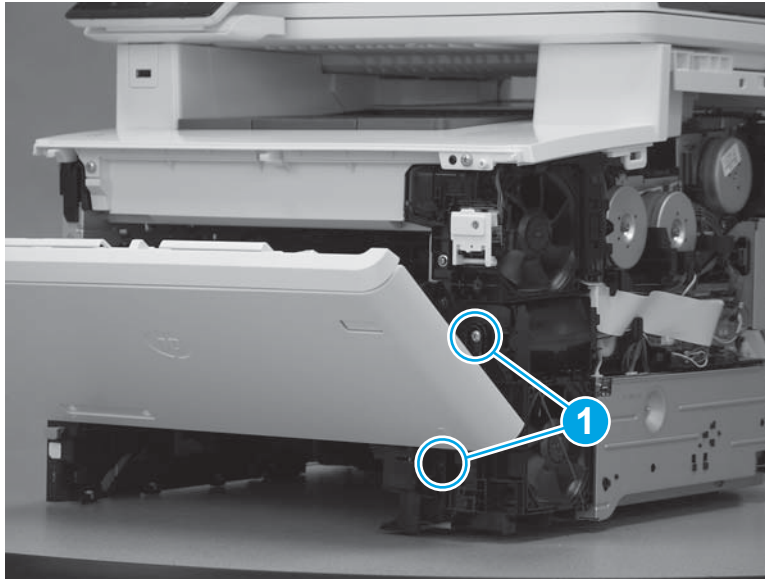
6. Install the hinge arm (callout 1).

Figure 1-2761 Install the hinge arm



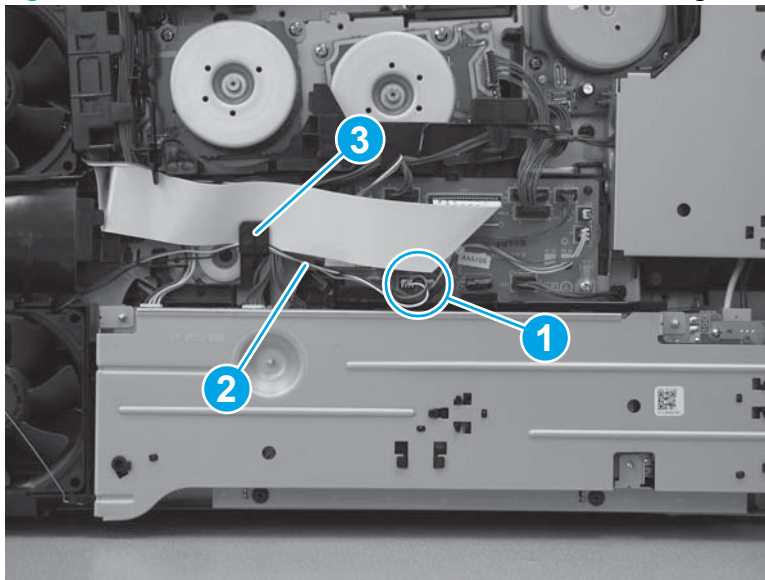
7. Install two screws (callout 1).

Figure 1-2762 Install two screws



8. Connect one connector (callout 1), and then install the cable (callout 2) into the wire guide (callout 3).

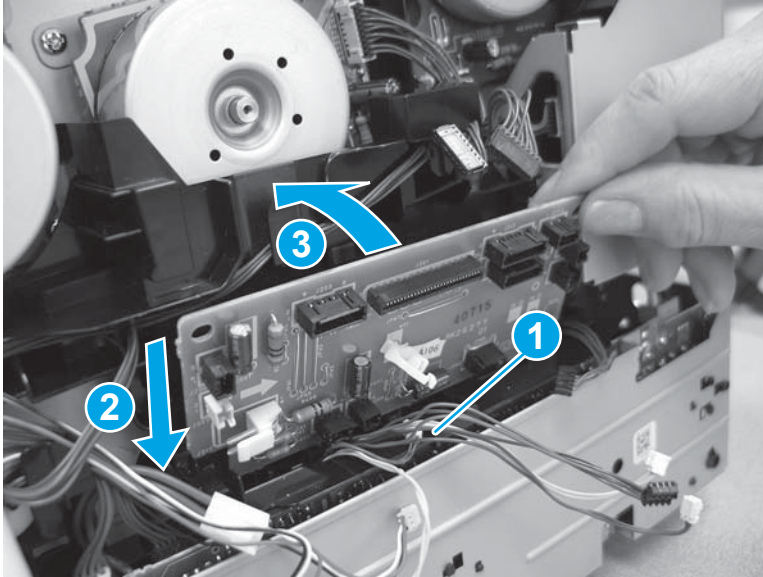
Figure 1-2763 Connect one connector and install cables in the guides



Step 25: Install the driver PCA

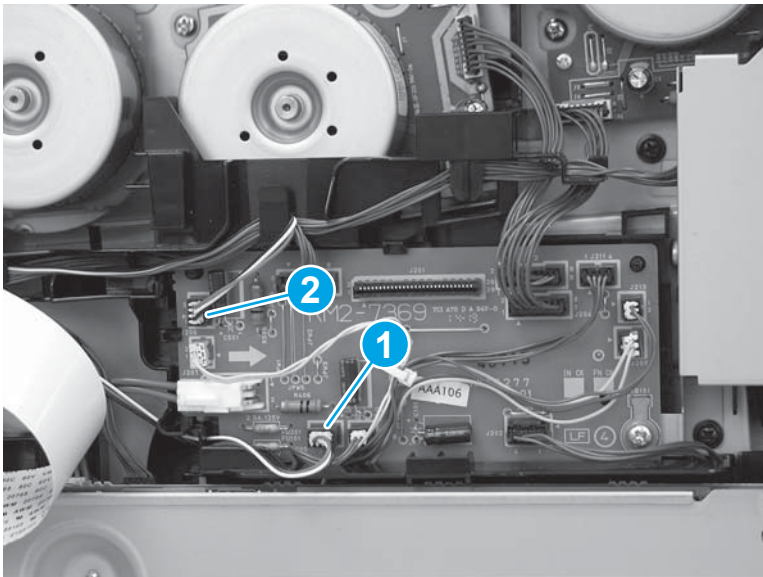
1. Make sure that all of the cables (callout 1) are positioned in front of the driver PCA. Position the bottom of the driver PCA (callout 2) against the PCA holder, and then rotate the top of the PCA (callout 3) toward the printer until it snaps into place.

Figure 1-2764 Install the driver PCA



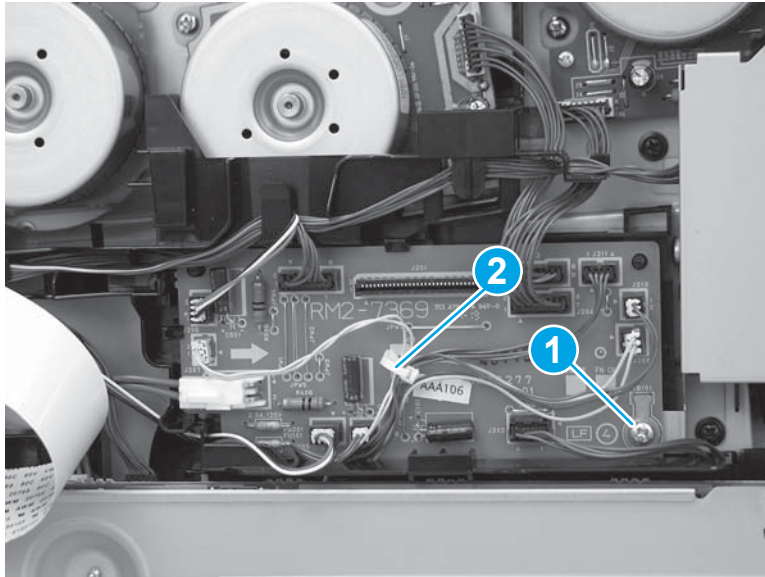
2. When connecting the connectors in the next step, make sure that the power supply fan connector (callout 1) and the cartridge fan connector (callout 2) are installed in the correct positions.

Figure 1-2765 Fan connector locations



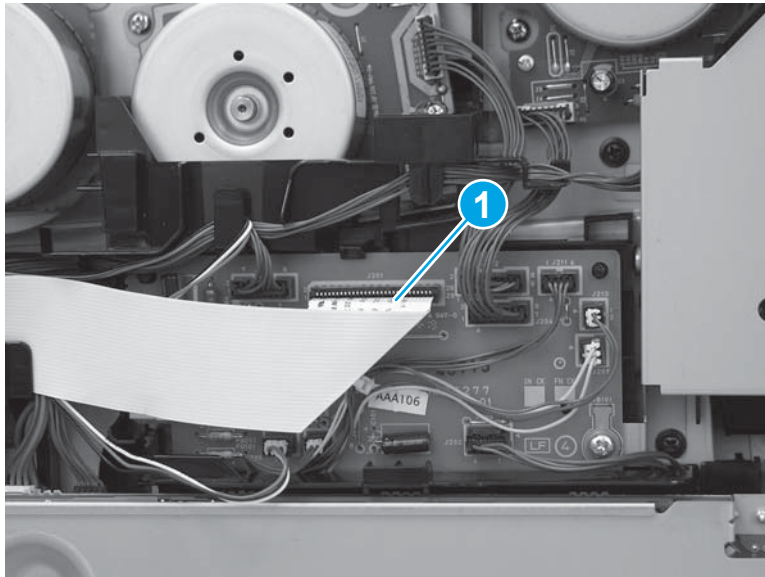
3. Install one screw (callout 1), connect all of the connectors on the driver PCA, and then close one retainer (callout 2).

Figure 1-2766 Install one screw and connect all connectors



4. Connect one connector (callout 1).

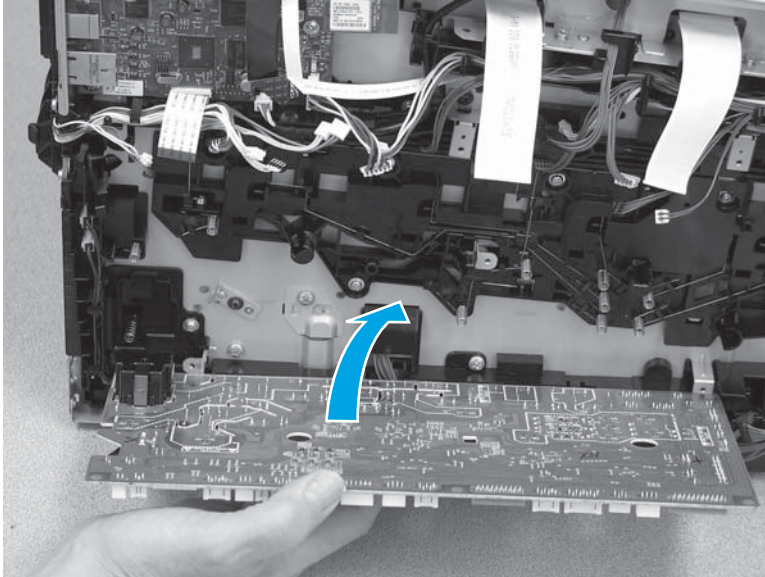
Figure 1-2767 Connect one connector



Step 26: Install the engine controller PCA

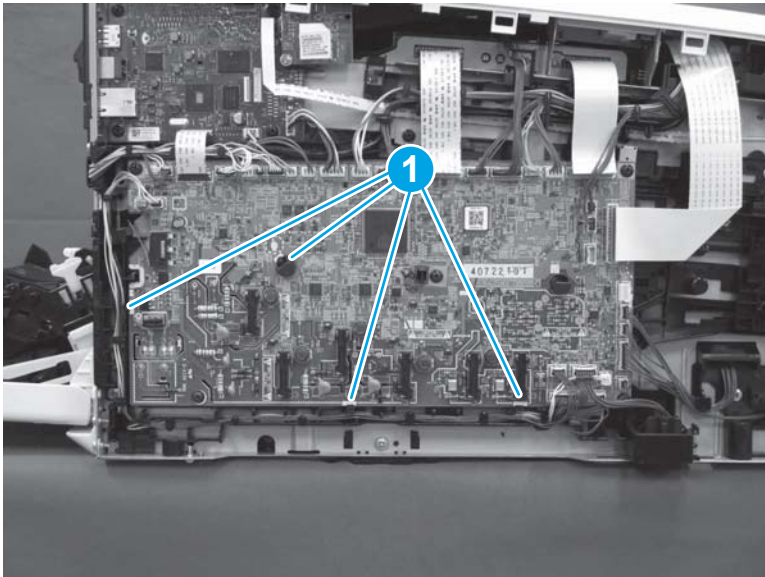
1. Position the engine controller PCA on the printer.

Figure 1-2768 Position the engine controller PCA



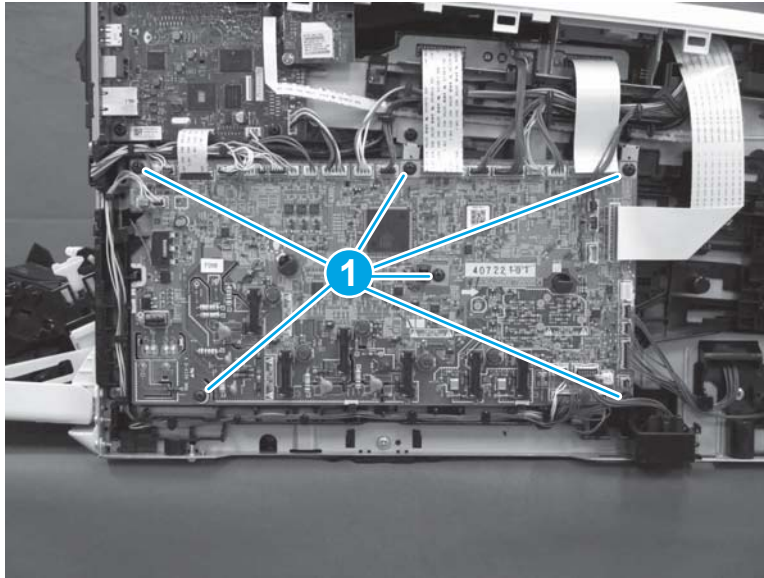
2. Install four tabs (callout 1).

Figure 1-2769 Install four tabs



3. Install six screws (callout 1).

Figure 1-2770 Install six screws



4. Connect all of the connectors on the engine controller PCA. Note that one connector (callout 1) is a zero-insertion force (ZIF) connector. Lift the latch on the connector before installing the flat cable, and then secure the latch once the cable is installed.


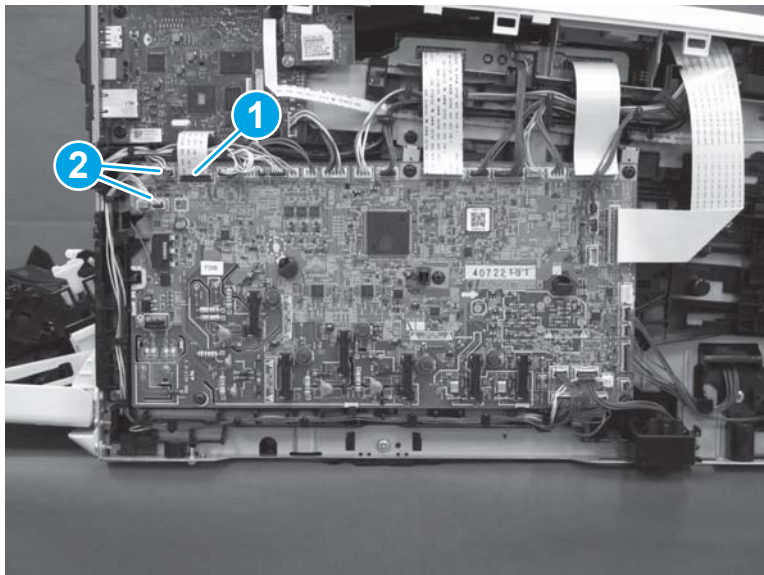
 **IMPORTANT: Duplex printers only:** Two of the cables (callout 2) can be inadvertently switched when reinstalling. The connectors on the cables will fit in either connector on the engine controller PCA. Make sure that these cables are installed in the correct connectors. If these cables are switched, the printer will experience a repeatable jam when printing duplex jobs.

Figure 1-2771 Connect all of the connectors

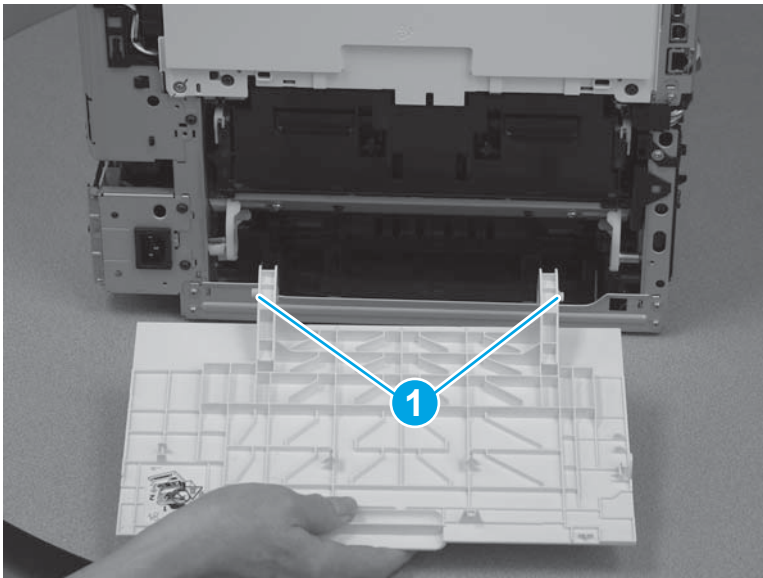


Step 27: Install the rear door (simplex models)

 **NOTE:** This step is for simplex models. For duplex models, skip this step and go to [Step 28: Install the duplexer door assembly \(duplex models\) on page 1480](#).

- ▲ Slightly flex the door hinge arms to install two hinge pins (callout 1).

Figure 1-2772 Install the rear door

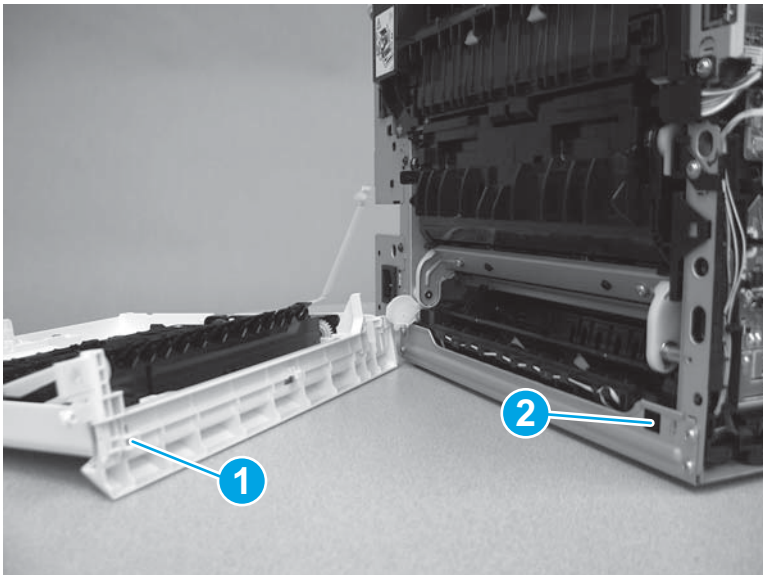


Step 28: Install the duplexer door assembly (duplex models)

 **NOTE:** This step is for duplex models. For simplex models, skip this step and go to [Step 29: Install the left cover \(M452 models\) on page 1482](#).

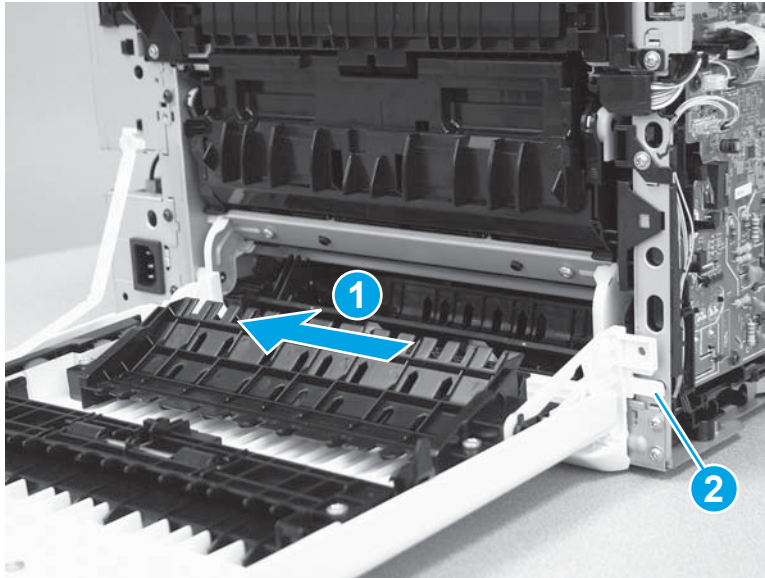
1. Position the tab (callout 1) on the door into the slot (callout 2) on the printer.

Figure 1-2773 Position the tab in the slot



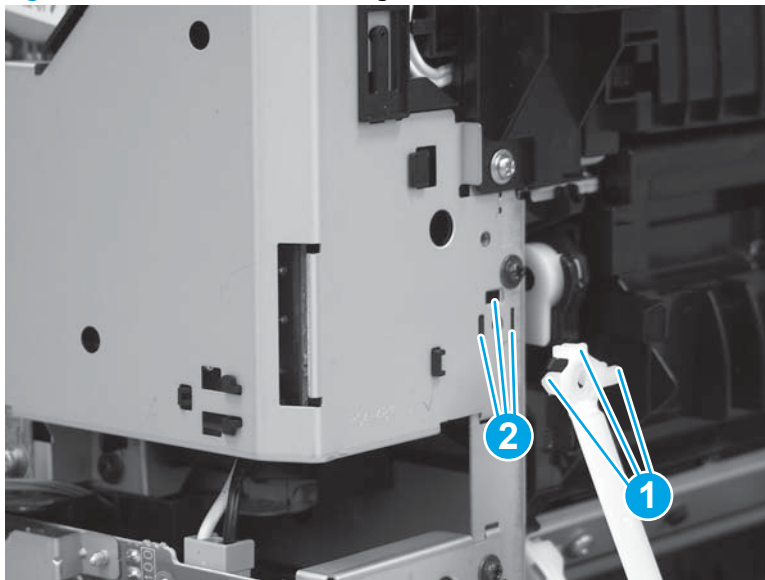
2. Slide the door to the left (callout 1) until the tab (callout 2) snaps into place.

Figure 1-2774 Install the duplexer door



3. Install the tabs (callout 1) on the retaining arm into the slots (callout 2) in the printer.

Figure 1-2775 Install the retaining arm



4. At the back of the printer, install two screws (callout 1), and then install one screw (callout 2) that holds the retention arm.


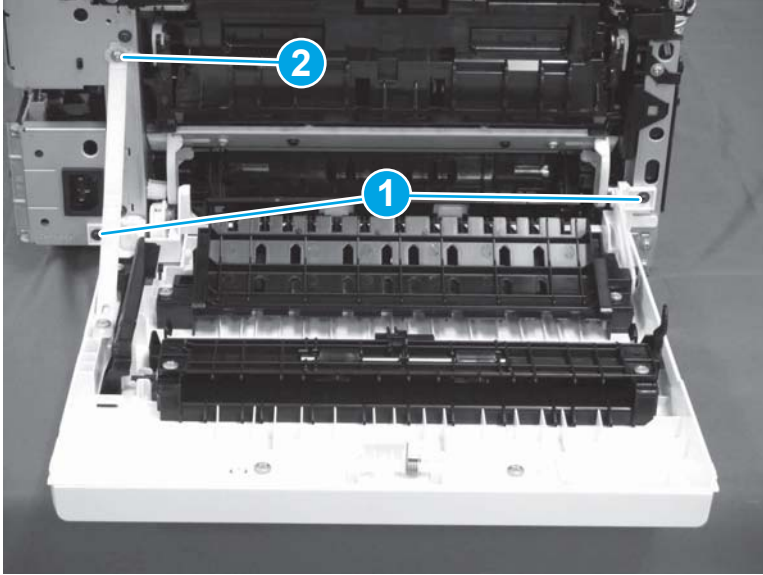

 **Reinstallation tip:** Note that the screw (callout 2) that holds the retention arm is longer than the other two. Make sure this screw is installed in the correct position.

Figure 1-2776 Install three screws

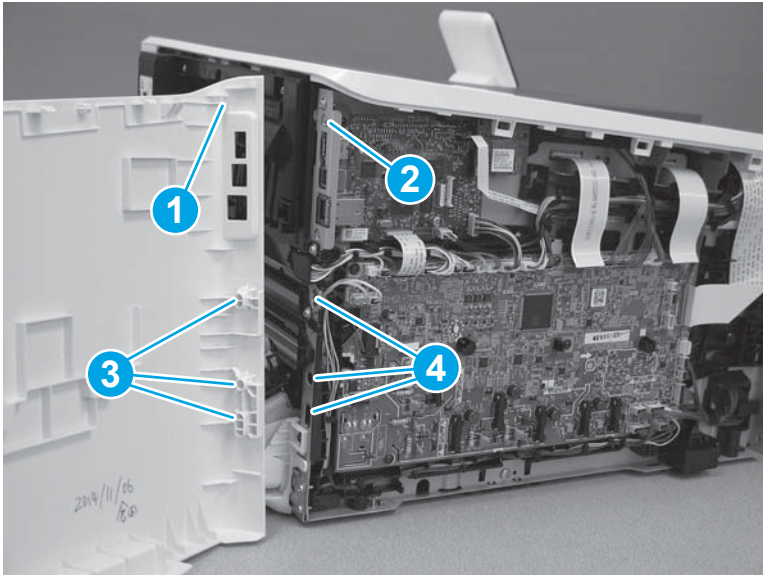


Step 29: Install the left cover (M452 models)

 **NOTE:** This step is for the M452 models. For the M377, M477 models, skip this step and go to [Step 30: Install the left cover \(M377, M477 models\) on page 1486](#).

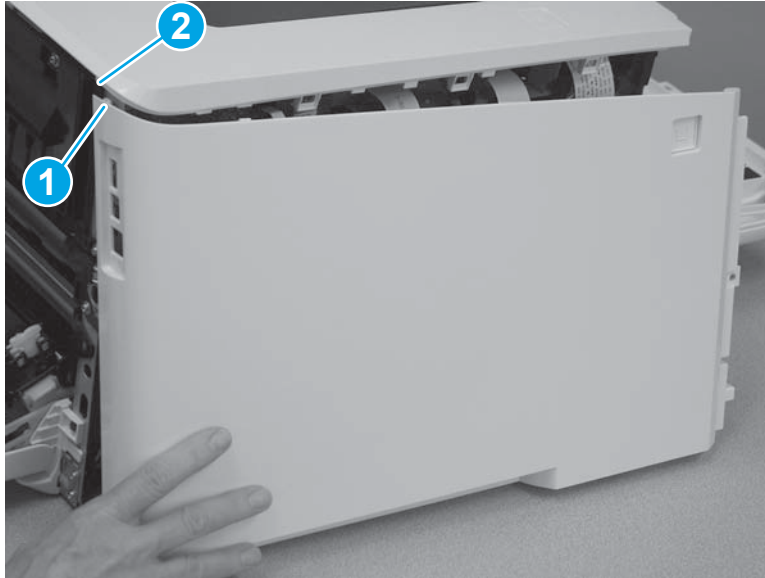
1. Position the hook (callout 1) on the cover in the slot (callout 2) on the printer. Position three tabs (callout 3) on the back of the cover in the slots (callout 4) in the printer.

Figure 1-2777 Position three tabs



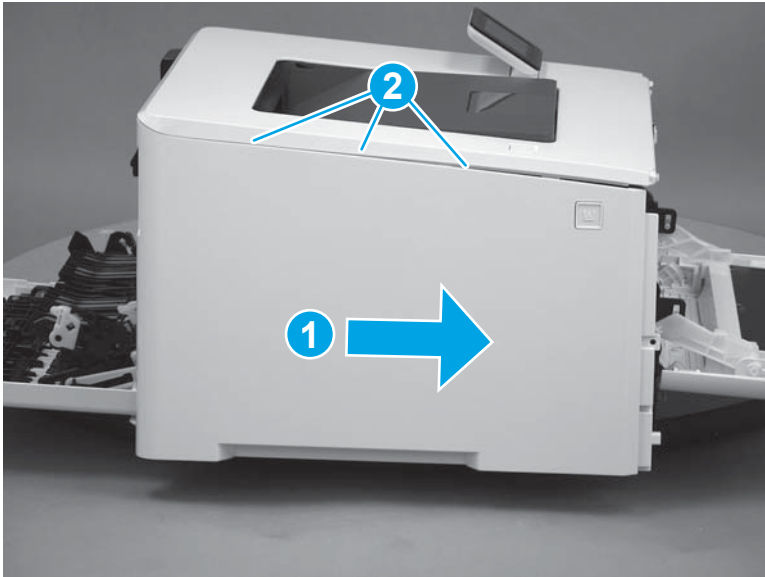
2. At the back of the printer, install the tab (callout 1) under the edge of the top cover (callout 2).

Figure 1-2778 Install one tab



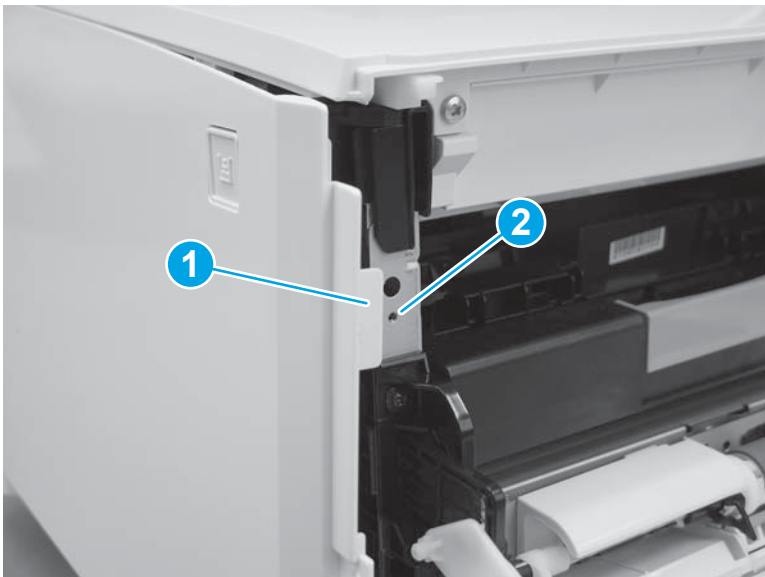
3. Slide the cover toward the front of the printer (callout 1), and then engage three tabs (callout 2) on the top of the cover.

Figure 1-2779 Install the left cover



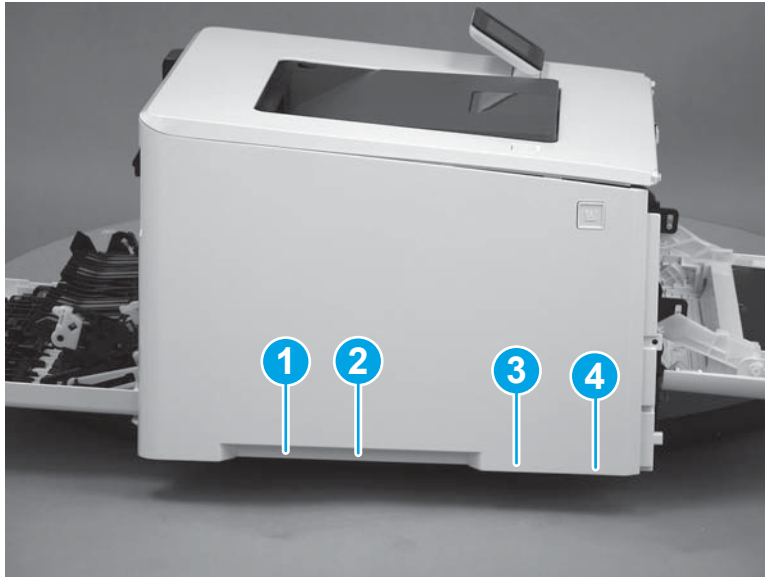
CAUTION: Make sure that the tab (callout 1) does not get caught behind the printer frame (callout 2).

Figure 1-2780 Make sure the tab does not get caught



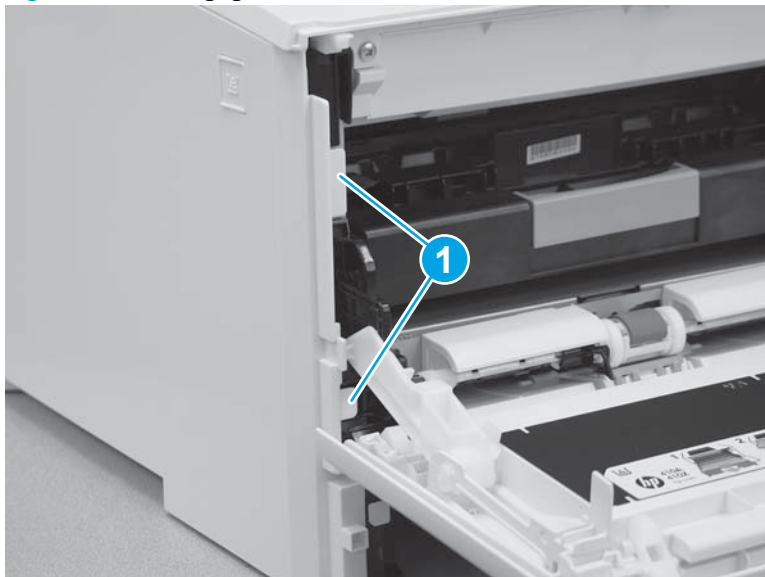
- Slide the printer to the edge of a work surface in order to access the tabs on the bottom of the cover. Beginning from the back of the cover, install four tabs (callouts 1-4) on the lower edge of the cover.

Figure 1-2781 Install four tabs



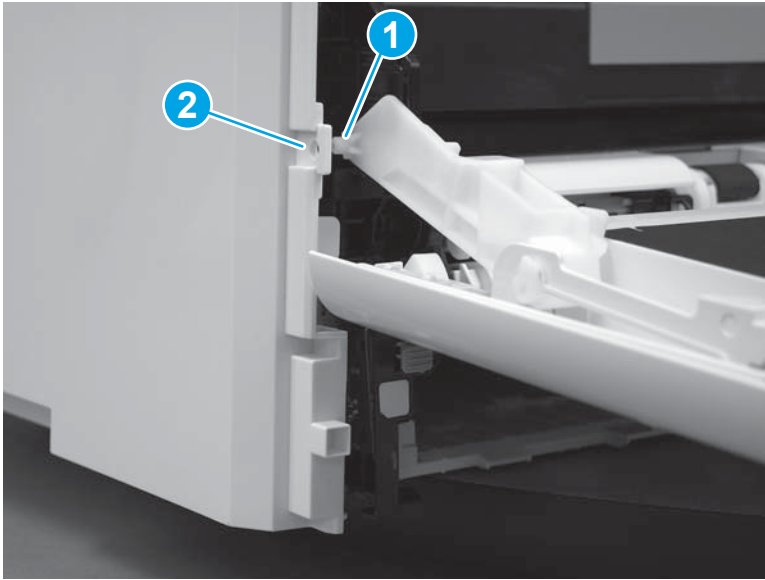
- Install two tabs (callout 1) at the front of the cover.

Figure 1-2782 Engage two tabs



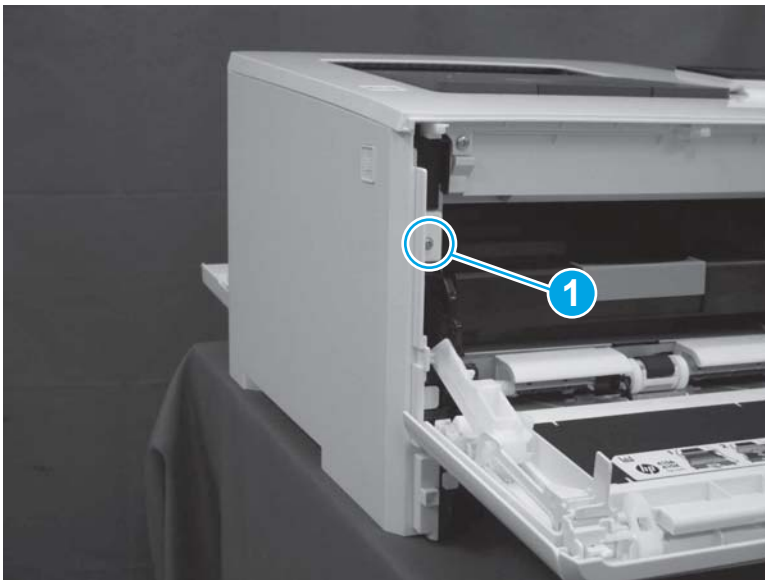
6. Make sure that the hinge pin (callout 1) on the front door fits into the slot (callout 2) on the left cover.

Figure 1-2783 Install hinge pin




7. Install one screw (callout 1).

Figure 1-2784 Install one screw

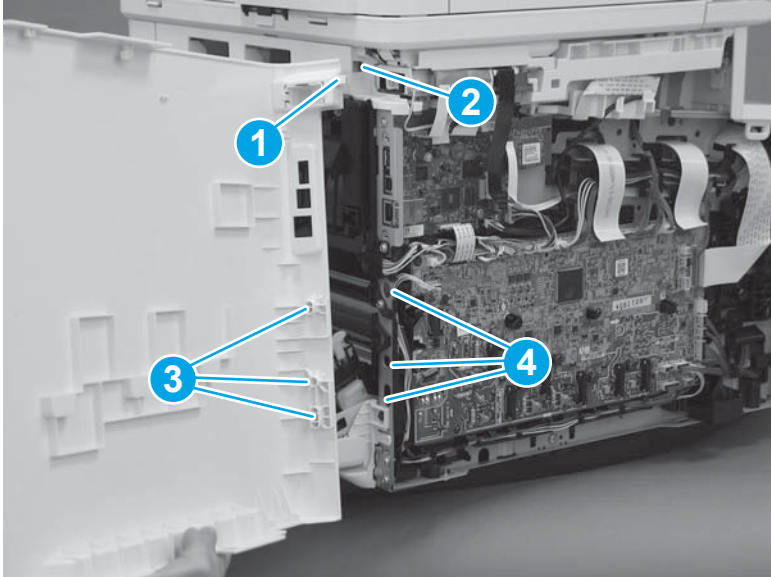


Step 30: Install the left cover (M377, M477 models)

 **NOTE:** This step is for the M377, M477 models. For the M452 models, skip this step and go to [Step 31: Install the right cover \(M452 models\) on page 1493](#).

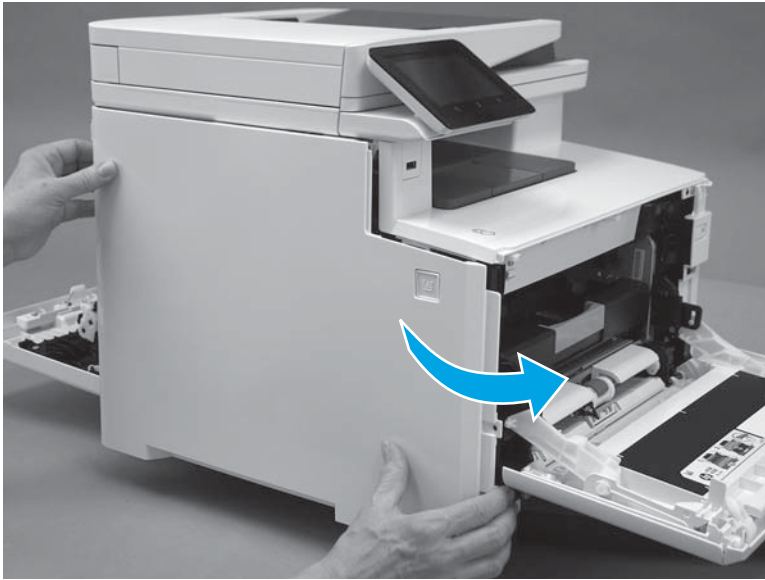
1. At the back of the printer, install the tab (callout 1) on the cover into the slot (callout 2) in the printer. Install the locator pins (callout 3) into the slots (callout 4) in the printer.

Figure 1-2785 Install one tab



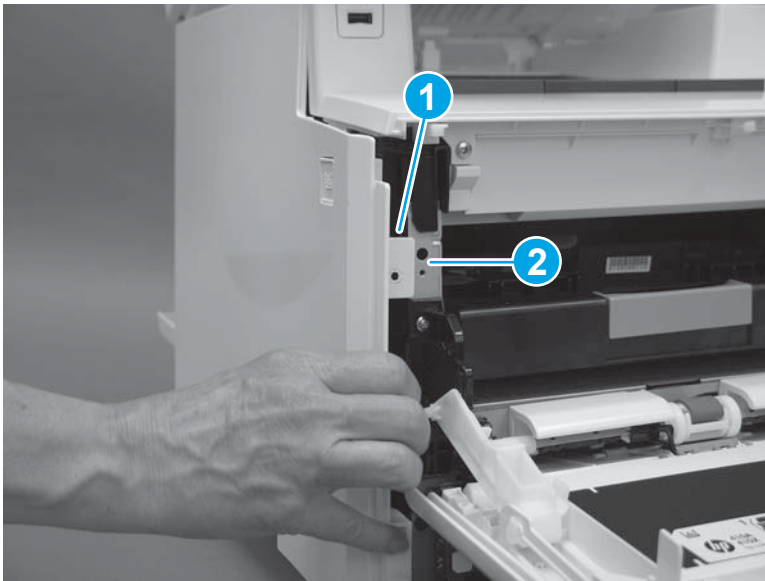
2. Rotate the cover toward the printer.

Figure 1-2786 Rotate the left cover



CAUTION: Make sure that the tab (callout 1) does not get caught behind the printer frame (callout 2).

Figure 1-2787 Make sure the tab does not get caught



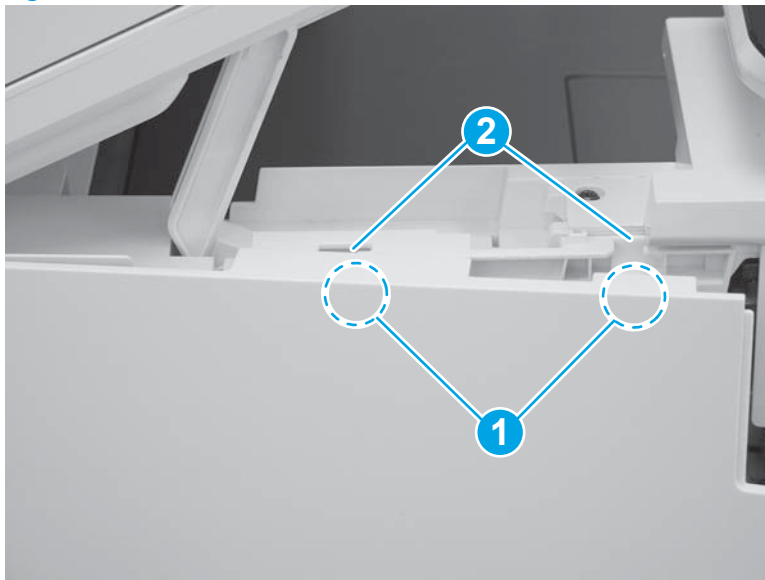
3. Raise the scanner.

Figure 1-2788 Raise the scanner



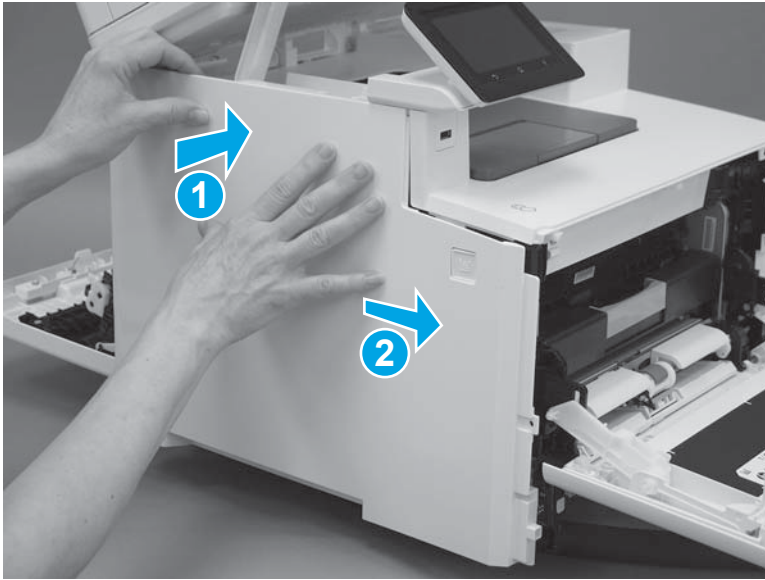
4. Position the hooks (callout 1) on the inside of the cover into the slots (callout 2) on the printer.

Figure 1-2789 Position the hooks in the slots



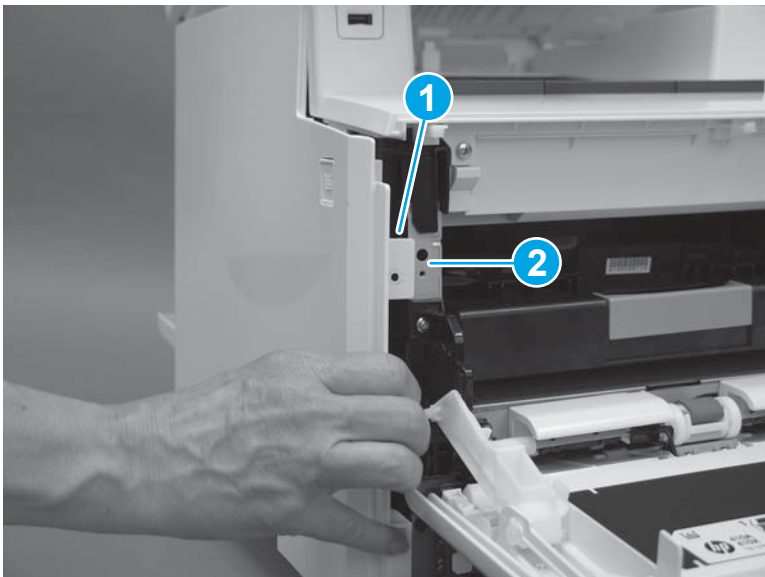
5. Hold the cover against the printer (callout 1), and then slide it (callout 2) toward the front of the printer.

Figure 1-2790 Install the top hooks



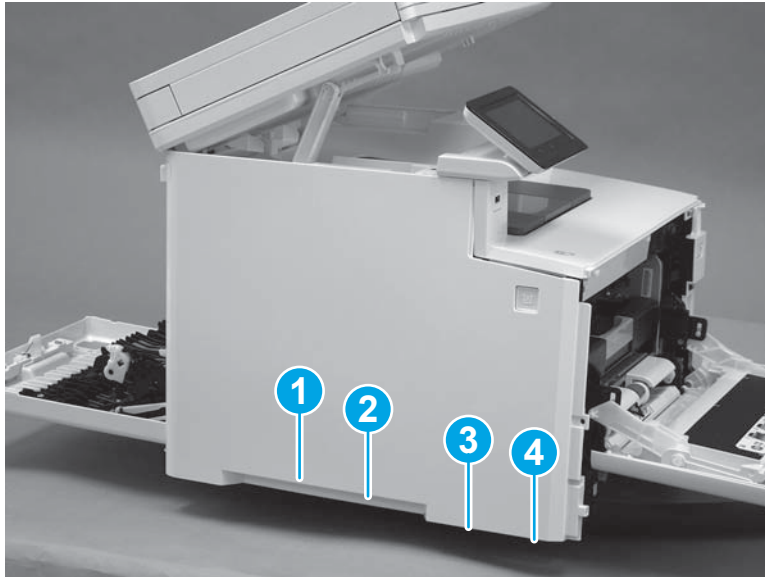
CAUTION: Make sure that the tab (callout 1) on the front of the cover does not get caught behind the printer frame (callout 2).

Figure 1-2791 Make sure the tab does not get caught



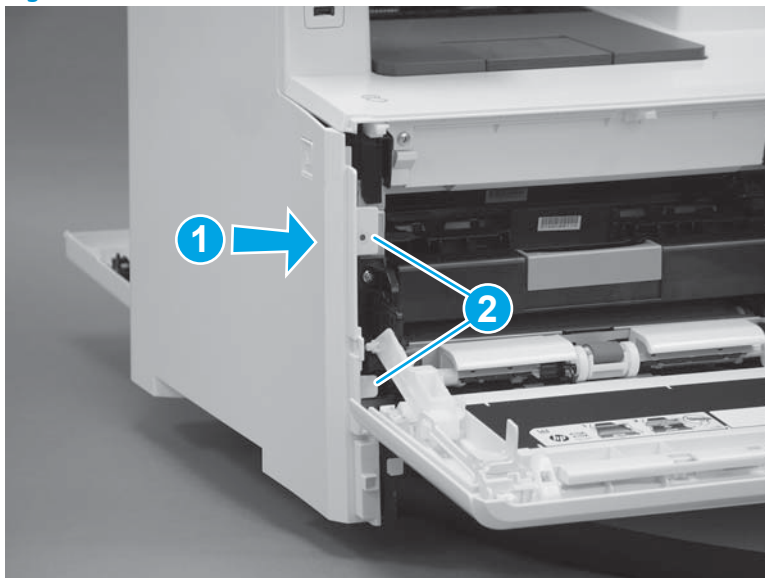
6. Slide the printer to the edge of a work surface in order to access the tabs on the bottom of the cover. Beginning from the back of the cover, install four tabs (callouts 1-4) on the lower edge of the cover.

Figure 1-2792 Install four tabs



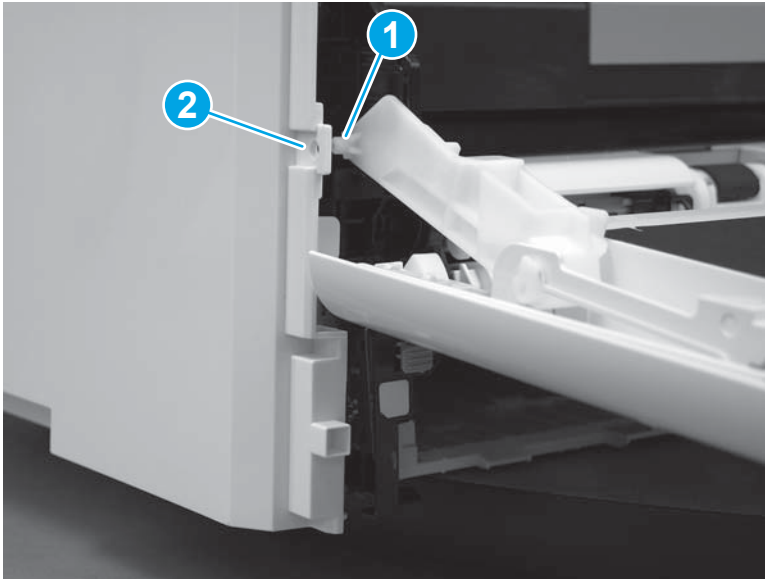
7. Press the cover toward the printer (callout 1), and then install two tabs (callout 2) at the front of the cover.

Figure 1-2793 Install two tabs



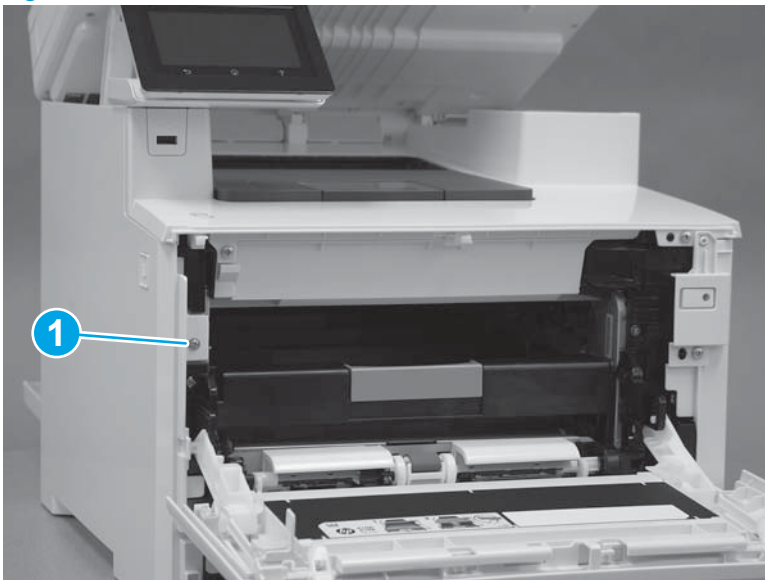
8. Make sure that the hinge pin (callout 1) on the front door fits into the slot (callout 2) on the left cover.

Figure 1-2794 Install hinge pin



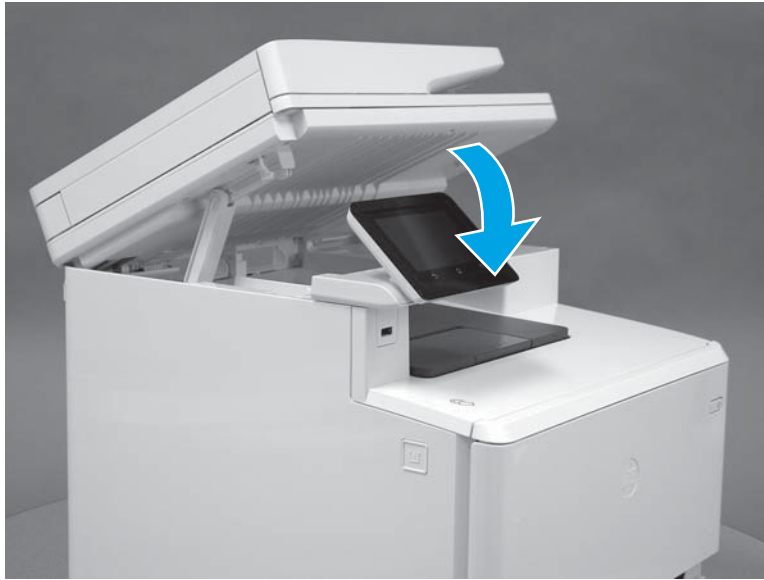
9. Install one screw (callout 1).

Figure 1-2795 Install one screw




10. Lower the scanner.

Figure 1-2796 Lower the scanner

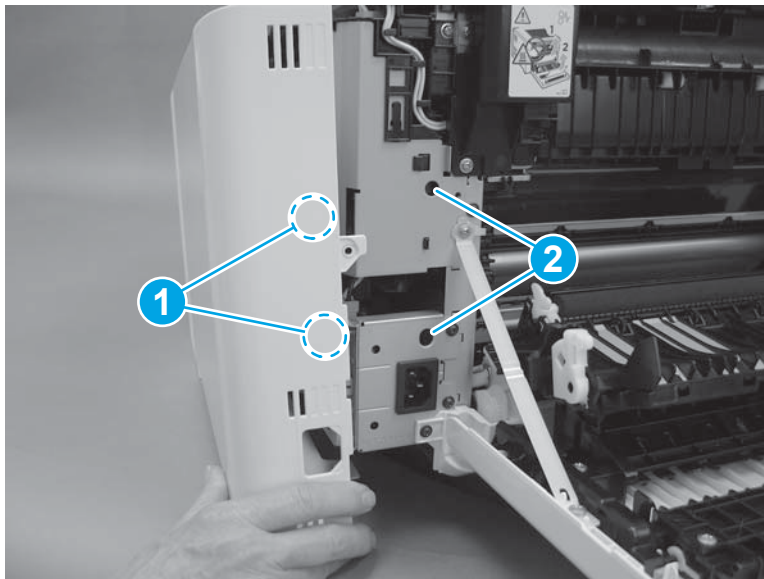


Step 31: Install the right cover (M452 models)

 **NOTE:** This step is for the M452 models. For the M377, M477 models, skip this step and go to [Step 32: Install the right cover \(M377, M477 models\) on page 1497](#).

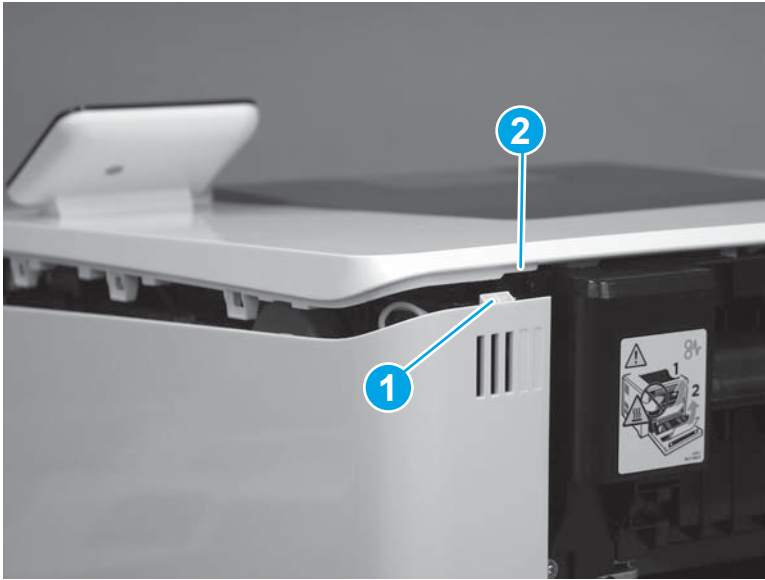
1. Position two tabs (callout 1) on the back of the cover in the slots (callout 2) in the printer.

Figure 1-2797 Position two tabs



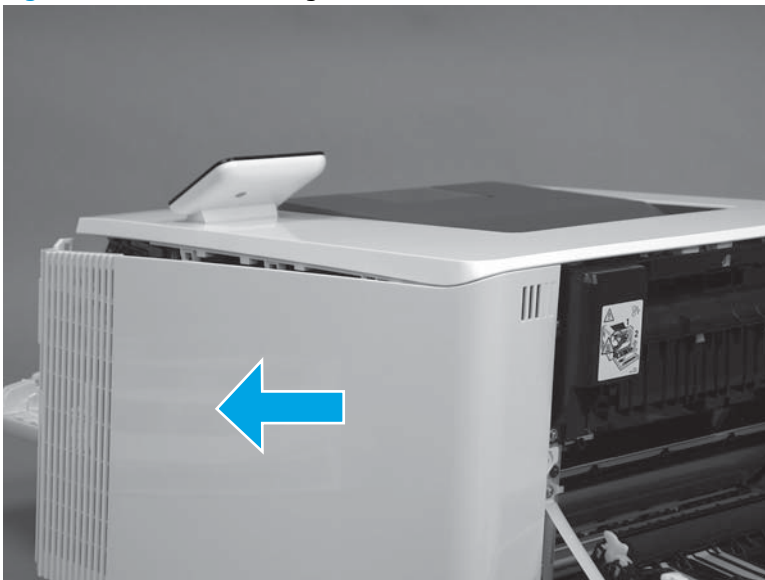
2. At the back of the printer, install the tab (callout 1) under the edge of the top cover (callout 2).

Figure 1-2798 Install rear tab



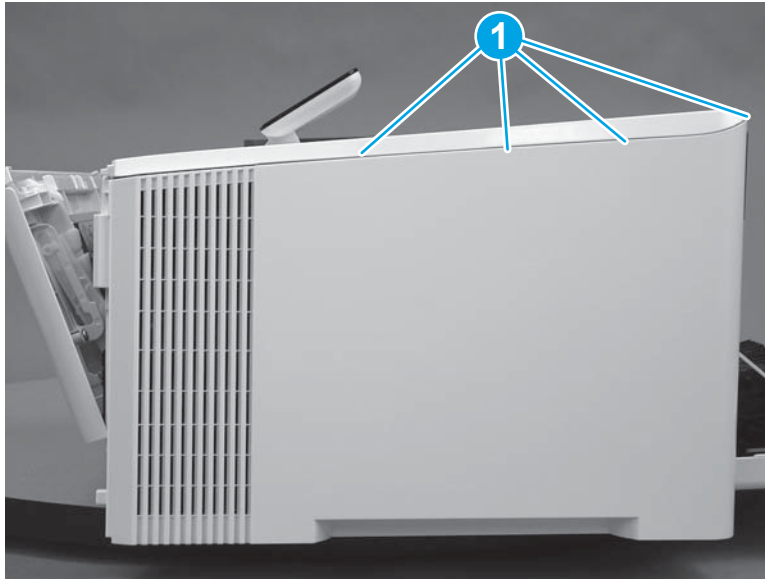
3. Slide the cover toward the front of the printer to install it.

Figure 1-2799 Install the right cover



- Engage three tabs (callout 2) on the top of the cover.

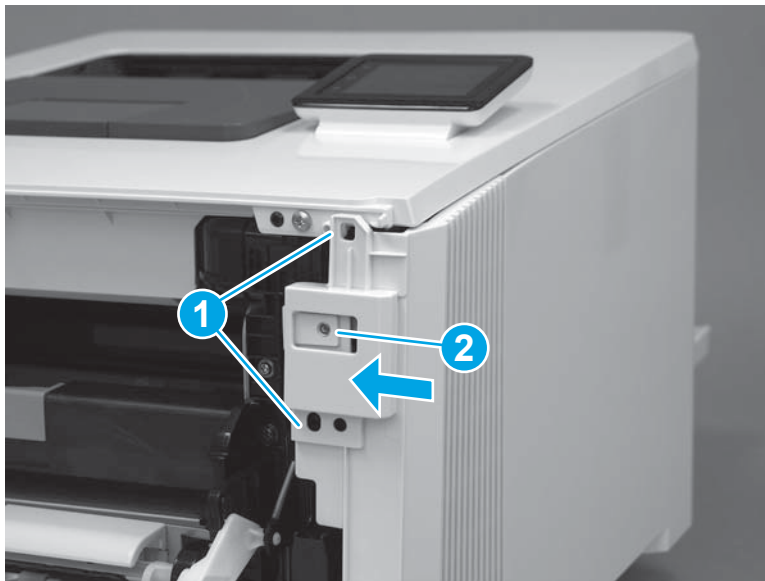
Figure 1-2800 Install upper tabs



- At the front of the printer, position the front of the cover over two tabs (callout 1).

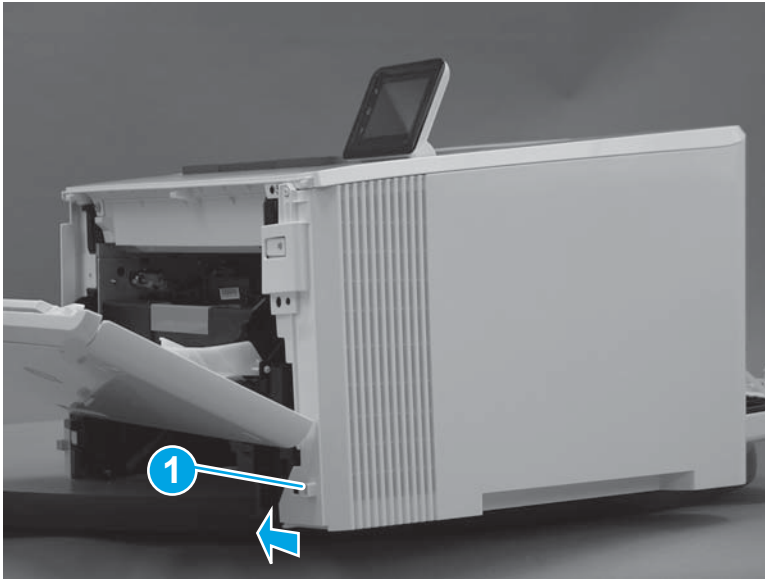
⚠ CAUTION: Be careful not to dislodge the power switch (callout 2).

Figure 1-2801 Install the front tabs



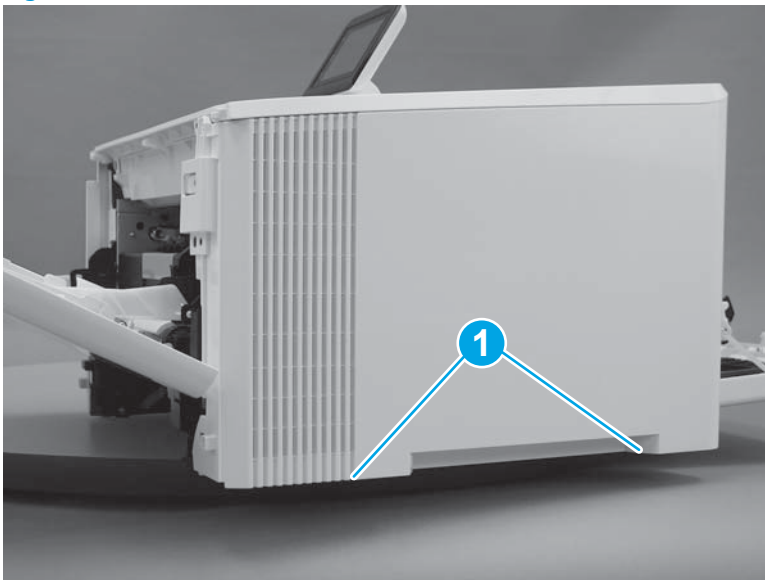
6. Press the right cover toward the printer to engage one tab (callout 1) on the front of the cover.

Figure 1-2802 Install the front lower tab



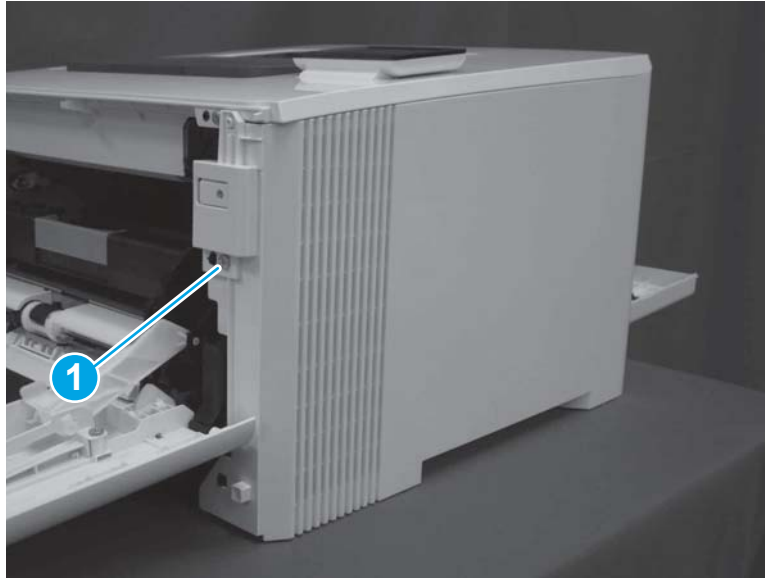
7. Install two tabs on the bottom of the cover (callout 1).

Figure 1-2803 Install two tabs



8. At the front of the printer, install one screw (callout 1).

Figure 1-2804 Install one screw



9. At the back of the printer, install one screw (callout 1).

Figure 1-2805 Install one screw

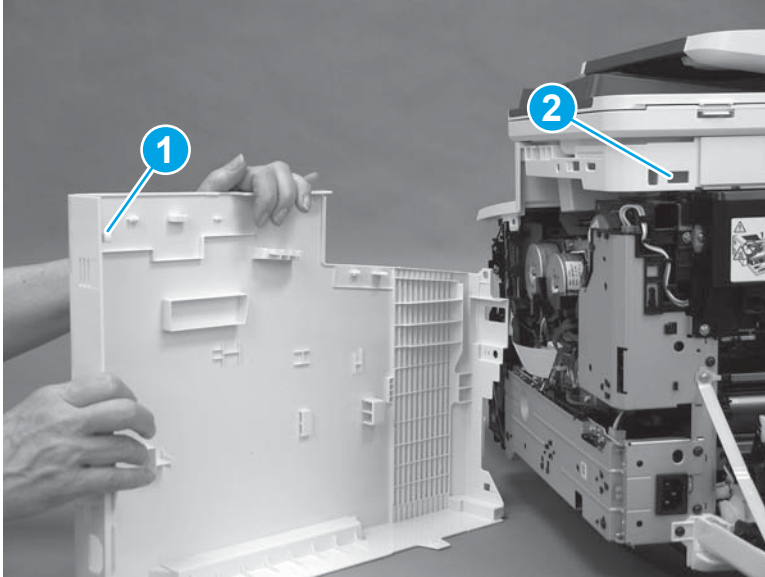


Step 32: Install the right cover (M377, M477 models)

 **NOTE:** This step is for the M377, M477 models. For the M452 models, skip this step and go to [Step 33: Close the front door and rear door or duplexer door on page 1503](#).

1. At the back of the printer, install the tab (callout 1) on the cover into the slot (callout 2) on the printer.

Figure 1-2806 Install rear tab



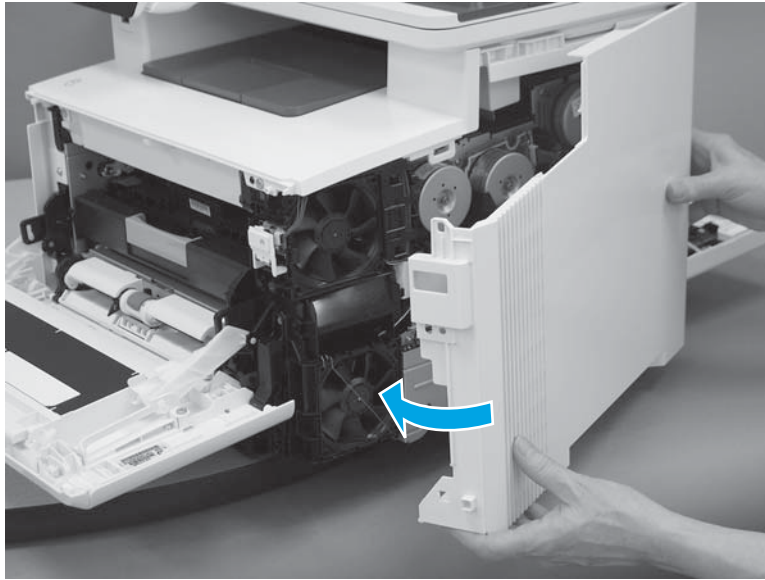
2. Raise the scanner.

Figure 1-2807 Raise the scanner



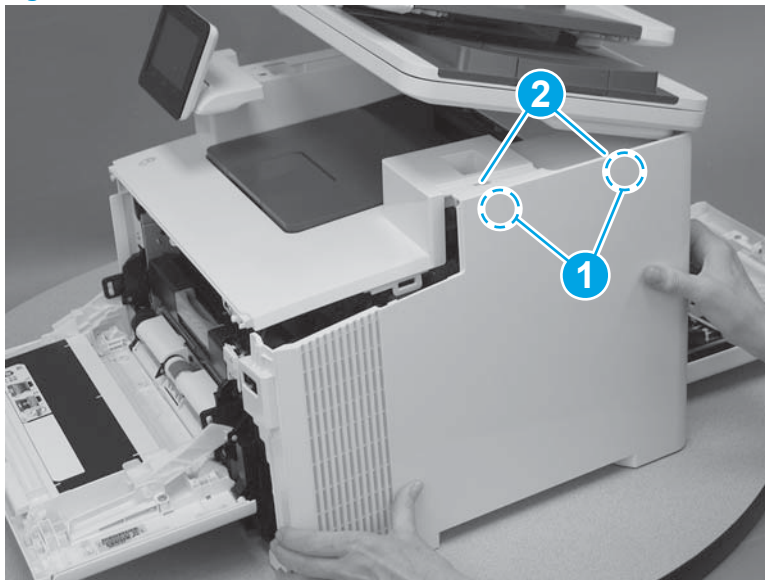
3. Rotate the right cover toward the printer.

Figure 1-2808 Rotate the right cover



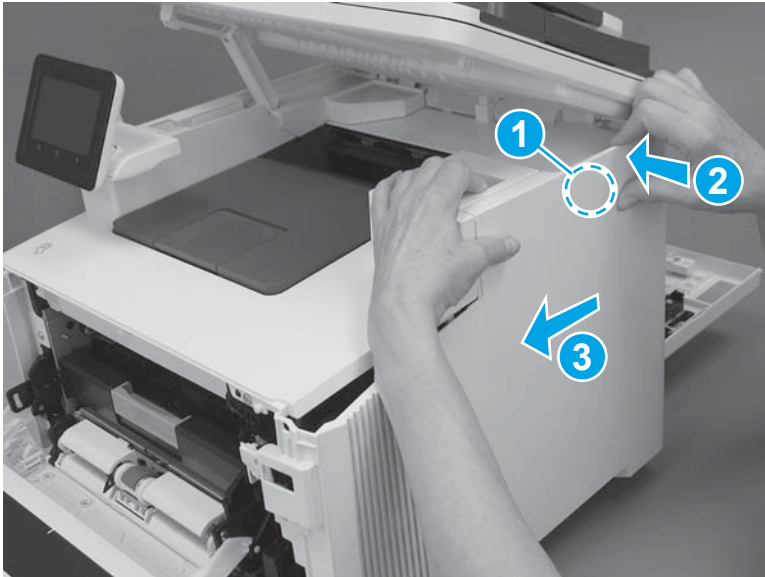
4. Position the hooks (callout 1) on the inside of the cover into the slots (callout 2) in the printer.

Figure 1-2809 Position the hooks in the slots



5. Engage one hook (callout 1) on the inside of the cover. Hold the top of the cover closed (callout 2) while sliding the cover toward the front of the printer (callout 3).

Figure 1-2810 Slide the cover



6. Rotate the front of the cover toward the printer (callout 1).

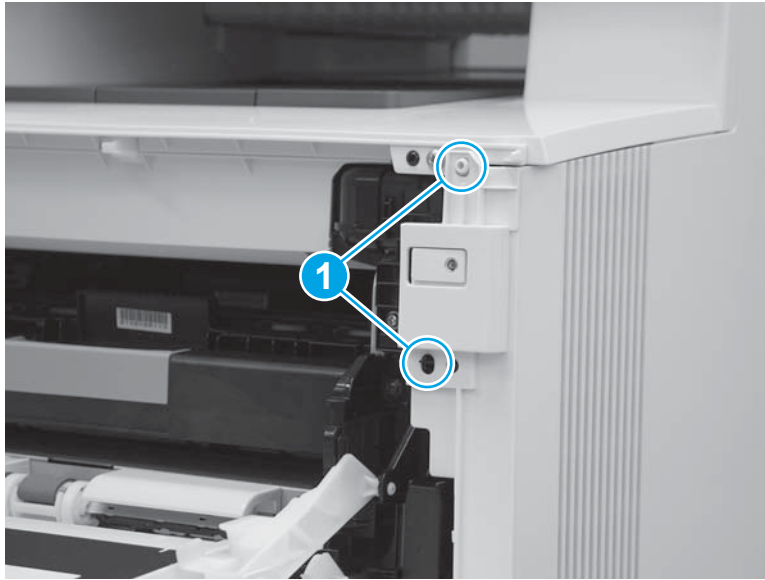
CAUTION: Be careful not to dislodge the power switch (callout 2).

Figure 1-2811 Rotate the front of the cover



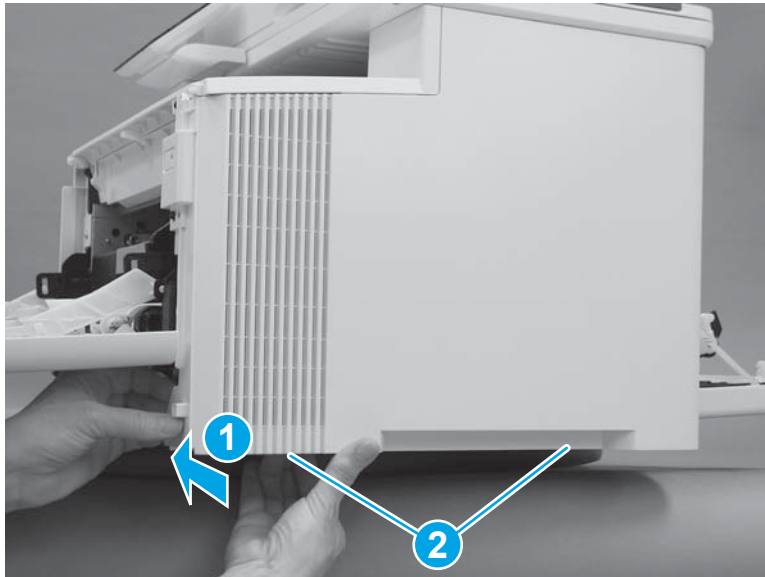
7. Install two tabs at the front of the printer (callout 1).

Figure 1-2812 Install two tabs



8. Press the right cover toward the printer (callout 1) to engage one tab on the front of the cover, and two tabs (callout 2) on the lower edge of the cover.

Figure 1-2813 Install the front and lower tabs



9. At the front of the printer, install one screw (callout 1).

Figure 1-2814 Install one screw



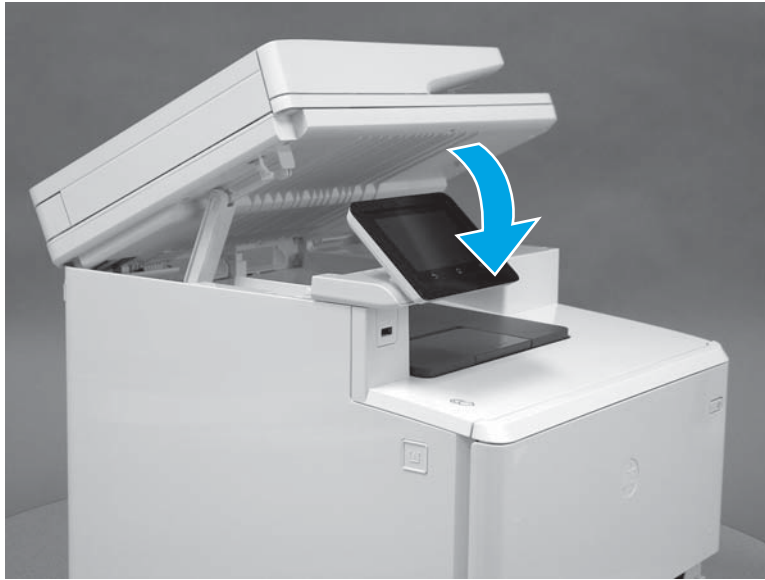
10. At the back of the printer, install one screw (callout 1).

Figure 1-2815 Install one screw



11. Lower the scanner.

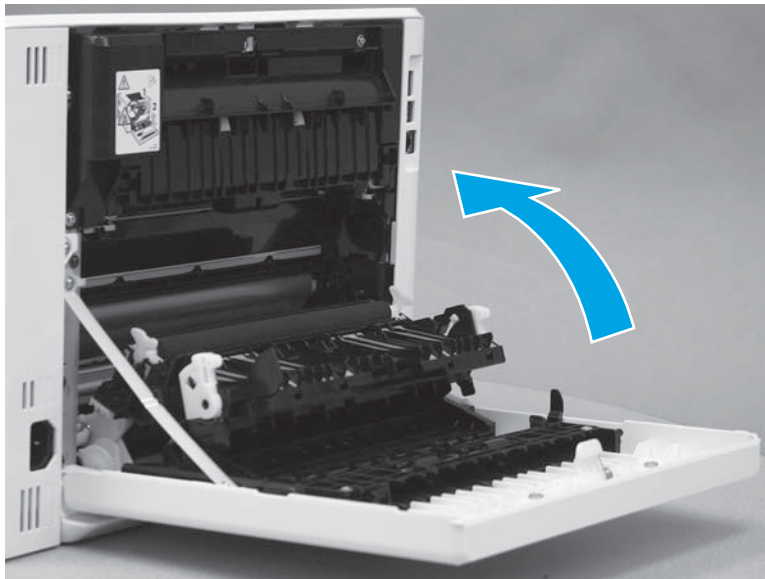
Figure 1-2816 Lower the scanner



Step 33: Close the front door and rear door or duplexer door

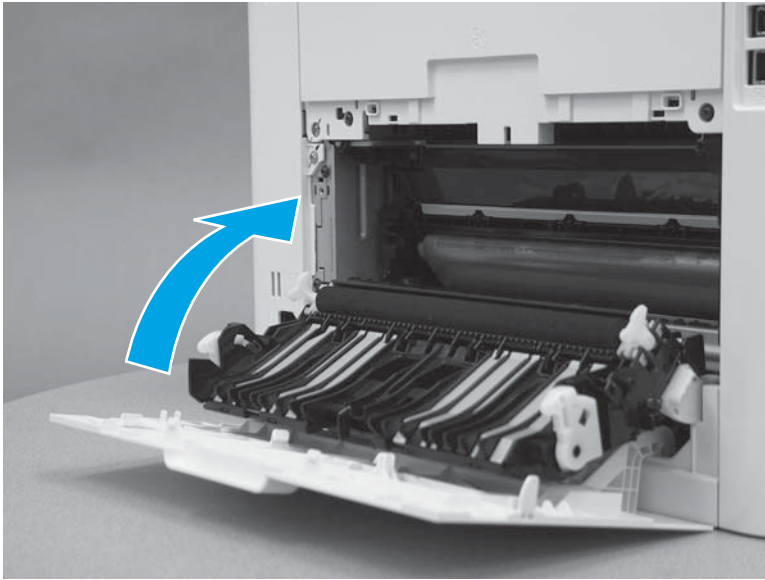
1. **Duplex models:** Close the duplexer door.

Figure 1-2817 Close the duplexer door



2. **Simplex models:** Close the rear door.

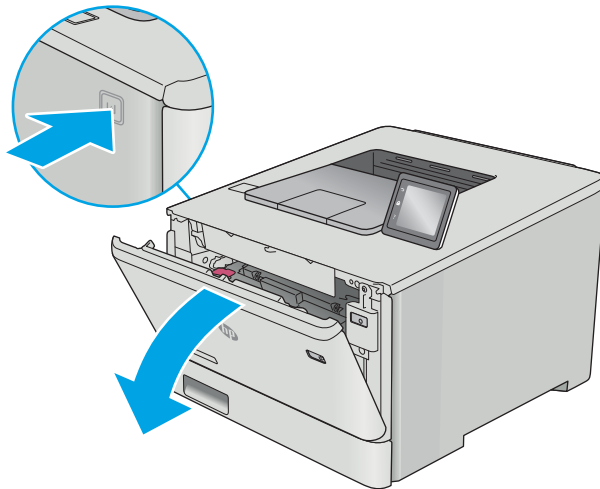
Figure 1-2818 Close the rear door



Step 34: Install the toner cartridges

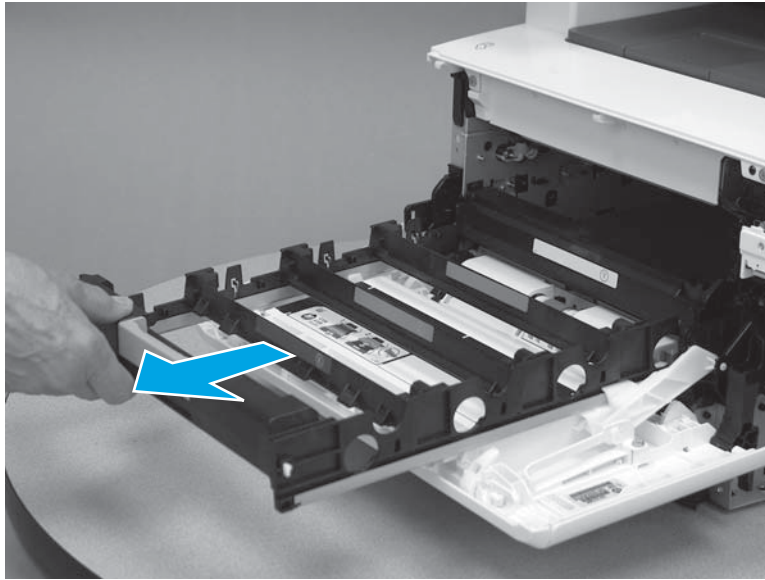
1. Open the front door by pressing the button on the left cover.

Figure 1-2819 Open the front door



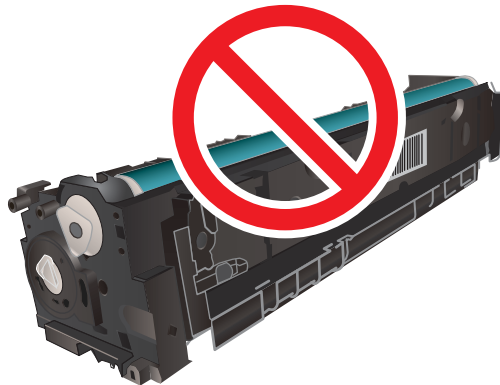
2. Slide the cartridge tray out of the printer.

Figure 1-2820 Slide the cartridge tray out



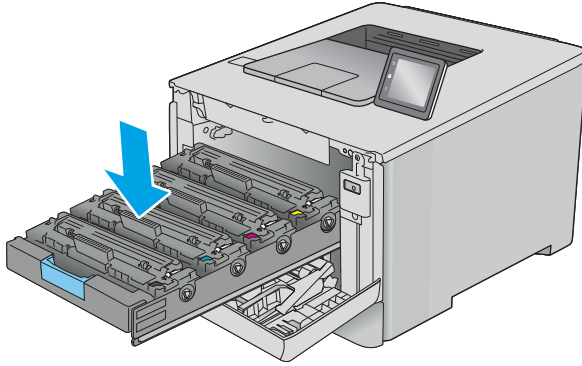
3. Do not touch the imaging drum on the bottom of the toner cartridge. Fingerprints on the imaging drum can cause print-quality problems.

Figure 1-2821 Do not touch imaging drum



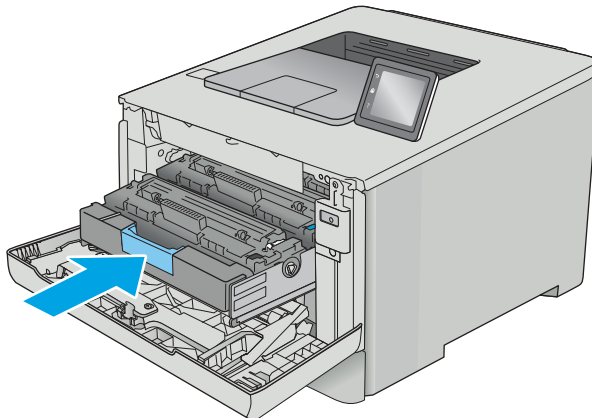
4. Insert the toner cartridge into the tray. Make sure that the color chip on the cartridge matches the color chip on the tray. Repeat this step for each toner cartridge.

Figure 1-2822 Install a toner cartridge



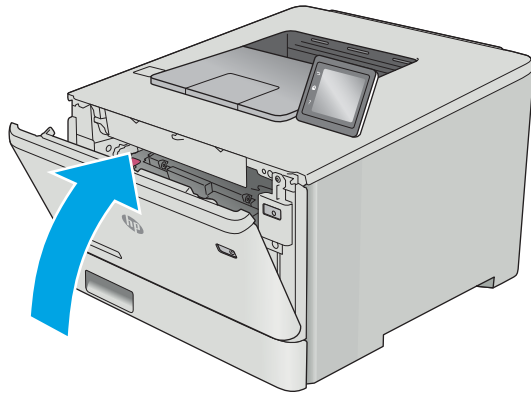
5. Close the toner cartridge drawer.

Figure 1-2823 Close the toner cartridge drawer



6. Close the front door.

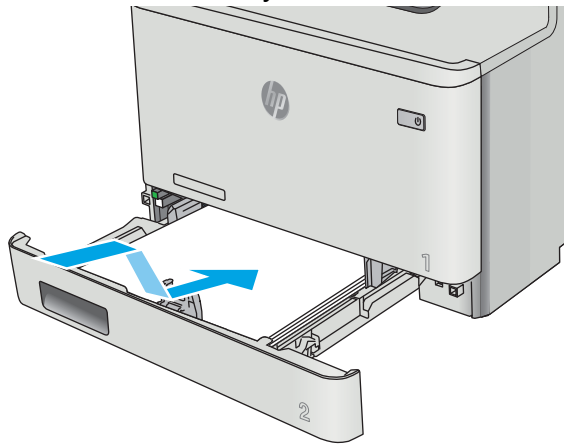
Figure 1-2824 Close the front door



Step 35: Install Tray 2

- ▲ With the front of the tray slightly lifted, align the sides of the tray with the rails in the printer, and then carefully slide the tray into the printer. As the tray slides into the printer, lower the front of the tray, and then close it.

Figure 1-2825 Install the tray



Removal and replacement: Rear feed guide assembly

- [Introduction](#)
- [Step 1: Remove Tray 2](#)
- [Step 2: Remove the toner cartridges](#)
- [Step 3: Open the rear door or duplexer door](#)
- [Step 4: Remove the right cover \(M452 models\)](#)
- [Step 5: Remove the right cover \(M377, M477 models\)](#)
- [Step 6: Remove the left cover \(M452 models\)](#)
- [Step 7: Remove the left cover \(M377, M477 models\)](#)
- [Step 8: Remove the duplexer door assembly \(duplex models\)](#)
- [Step 9: Remove the rear door \(simplex models\)](#)
- [Step 10: Remove the engine controller PCA](#)
- [Step 11: Remove the driver PCA](#)
- [Step 12: Remove the low-voltage power supply](#)
- [Step 13: Remove the pickup motor](#)
- [Step 14: Remove the re-pickup assembly \(duplex models\)](#)
- [Step 15: Remove the lifter drive assembly](#)
- [Step 16: Remove the pickup assembly](#)
- [Step 17: Remove the front feed guide assembly](#)
- [Step 18: Remove the rear feed guide assembly](#)
- [Step 19: Unpack the replacement part](#)
- [Step 20: Install the rear feed guide assembly](#)
- [Step 21: Install the front feed guide assembly](#)
- [Step 22: Install the pickup assembly](#)
- [Step 23: Install the lifter drive assembly](#)
- [Step 24: Install the re-pickup assembly \(duplex models\)](#)
- [Step 25: Install the pickup motor](#)
- [Step 26: Install the low-voltage power supply](#)
- [Step 27: Install the driver PCA](#)
- [Step 28: Install the engine controller PCA](#)
- [Step 29: Install the rear door \(simplex models\)](#)


- [Step 30: Install the duplexer door assembly \(duplex models\)](#)
- [Step 31: Install the left cover \(M452 models\)](#)
- [Step 32: Install the left cover \(M377, M477 models\)](#)
- [Step 33: Install the right cover \(M452 models\)](#)
- [Step 34: Install the right cover \(M377, M477 models\)](#)
- [Step 35: Close the front door and rear door or duplexer door](#)
- [Step 36: Install the toner cartridges](#)
- [Step 37: Install Tray 2](#)

Introduction

This document provides the procedures to remove and replace the rear feed guide assembly.

Before you begin

- Turn off the printer.
- Disconnect the power cable.

 **WARNING!** To avoid damage to the printer, turn the printer off, wait 30 seconds, and then remove the power cord before attempting to service the printer.

- Use the table below to identify the correct part number for your printer. To order the part, go to www.hp.com/buy/parts.

| Rear feed guide assembly part number | |
|--------------------------------------|--------------------------|
| RM2-6366-000CN | Rear feed guide assembly |

Required tools

- #2 Phillips screwdriver with a magnetic tip
- Small flat-blade screwdriver

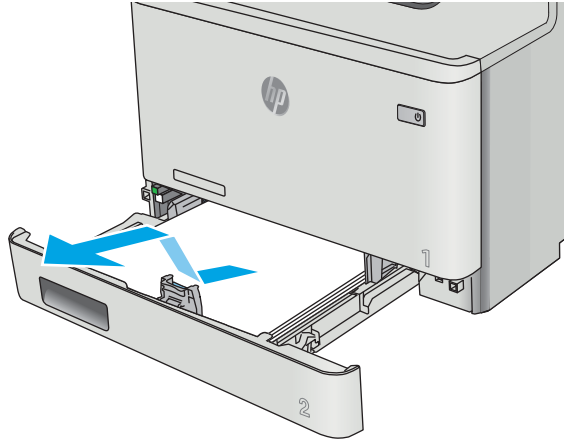
After performing service

- Connect the power cable.
- Use the power switch to turn the power on.

Step 1: Remove Tray 2

- ▲ Pull the tray out until it stops. Lift the front of the tray, and then pull it out of the printer to remove it.

Figure 1-2826 Remove the tray



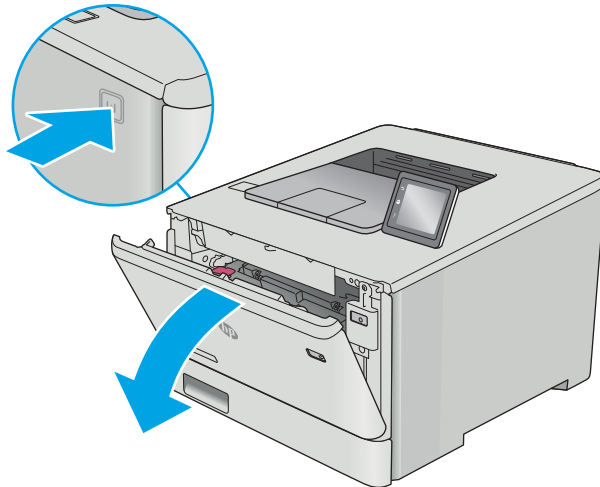
Step 2: Remove the toner cartridges



NOTE: The M452 model is pictured in the figures in this section. The procedure is the same for the M377, M477 models.

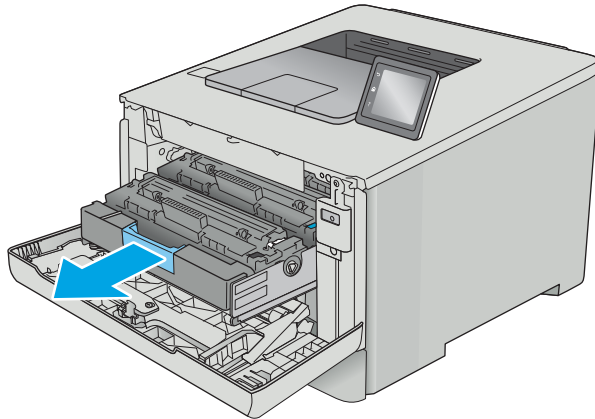
1. Open the front door by pressing the button on the left cover.

Figure 1-2827 Open the front door



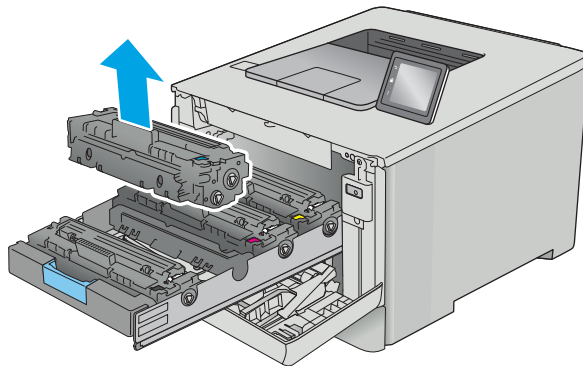
2. Grasp the blue handle on the toner cartridge tray, and then pull out the tray.

Figure 1-2828 Open the cartridge drawer



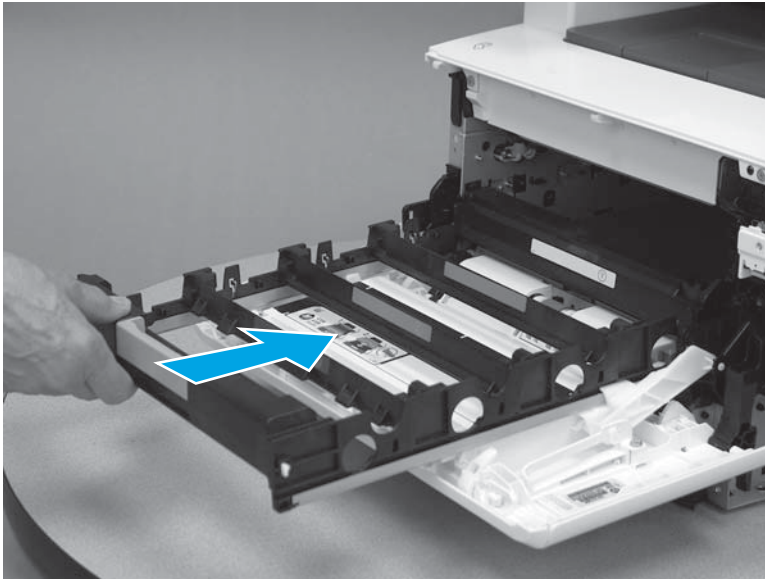
3. Grasp the handle on the toner cartridge, and then pull the toner cartridge straight up to remove it. Repeat this step for each toner cartridge.

Figure 1-2829 Remove the toner cartridge



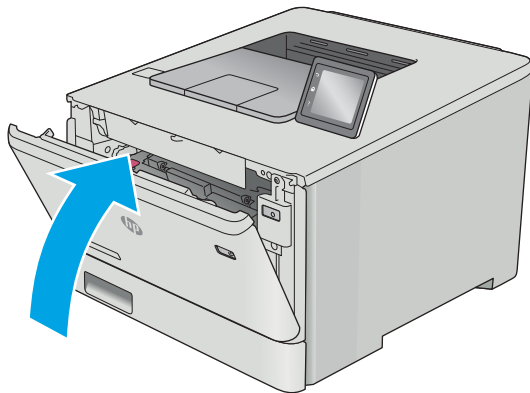
4. Slide the cartridge tray into the printer.

Figure 1-2830 Slide the cartridge tray in



5. Close the front door.

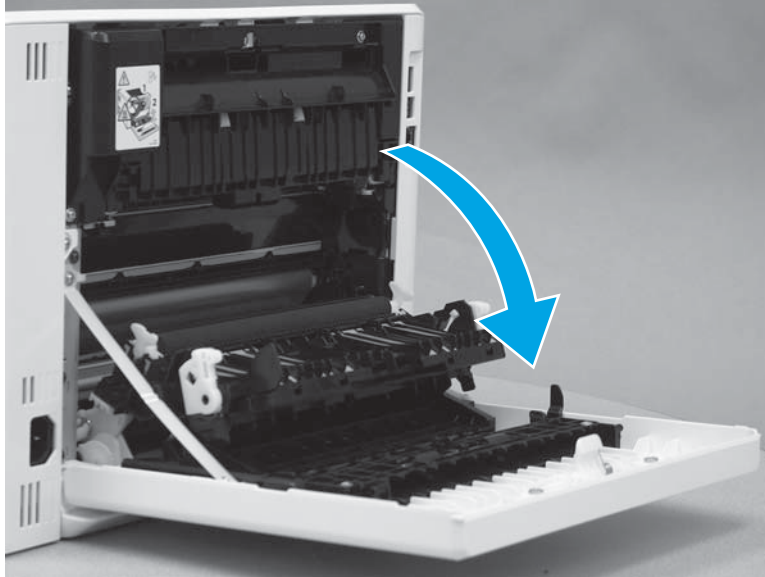
Figure 1-2831 Close the front door



Step 3: Open the rear door or duplexer door

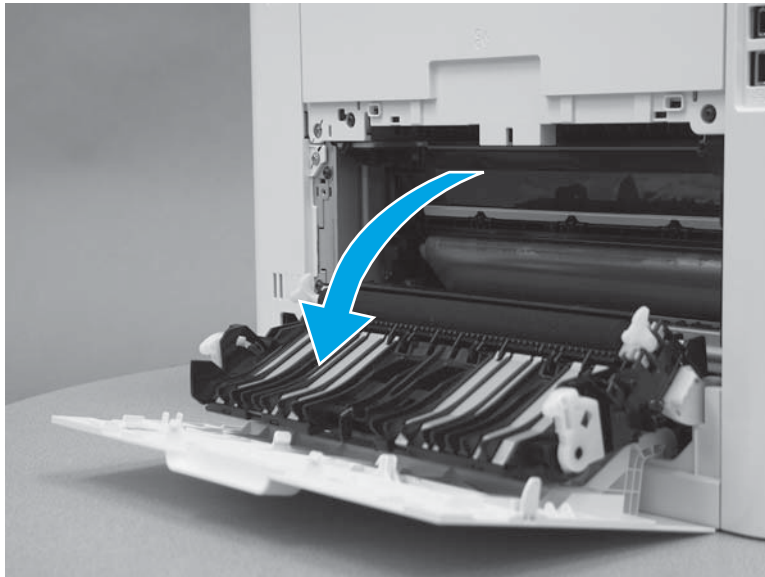
1. **Duplex models:** Open the duplexer door.

Figure 1-2832 Open the duplexer door




2. **Simplex models:** Open the rear door.

Figure 1-2833 Open the rear door



Step 4: Remove the right cover (M452 models)

 **NOTE:** This step is for the M452 models. For the M377, M477 models, skip this step and go to [Step 5: Remove the right cover \(M377, M477 models\) on page 1517.](#)

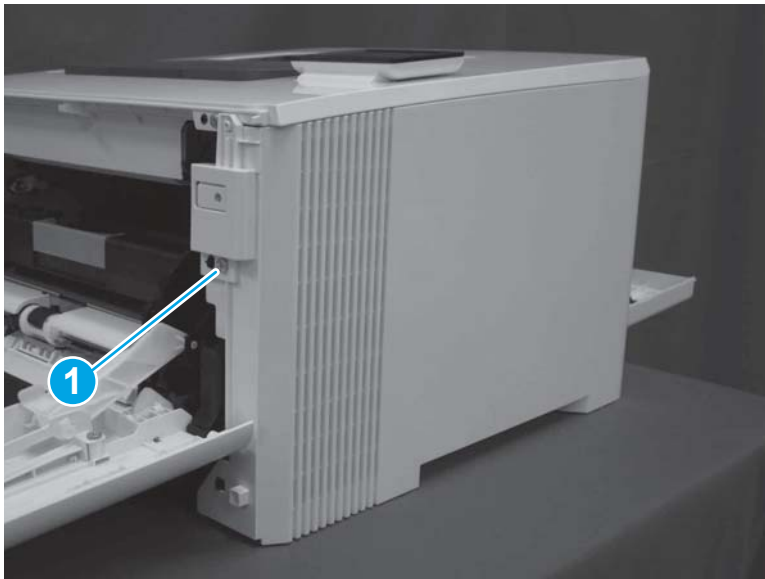
1. At the back of the printer, remove one screw (callout 1).

Figure 1-2834 Remove one screw



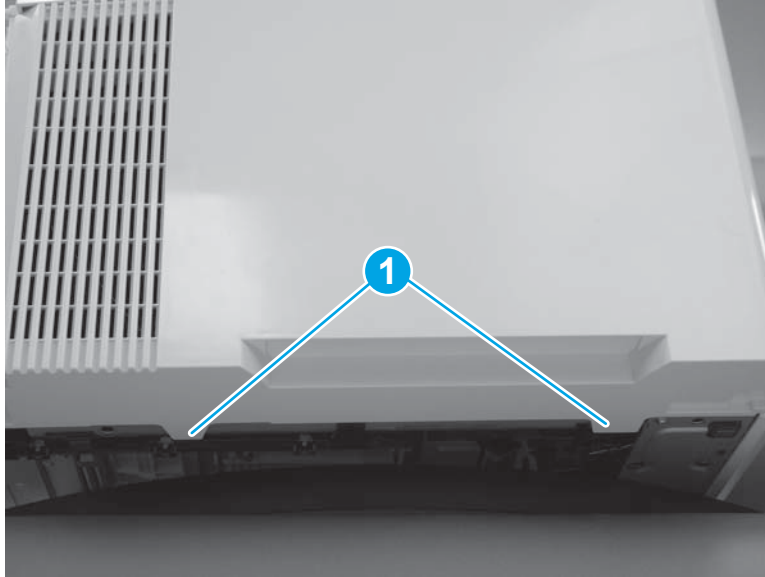
2. At the front of the printer, remove one screw (callout 1).

Figure 1-2835 Remove one screw



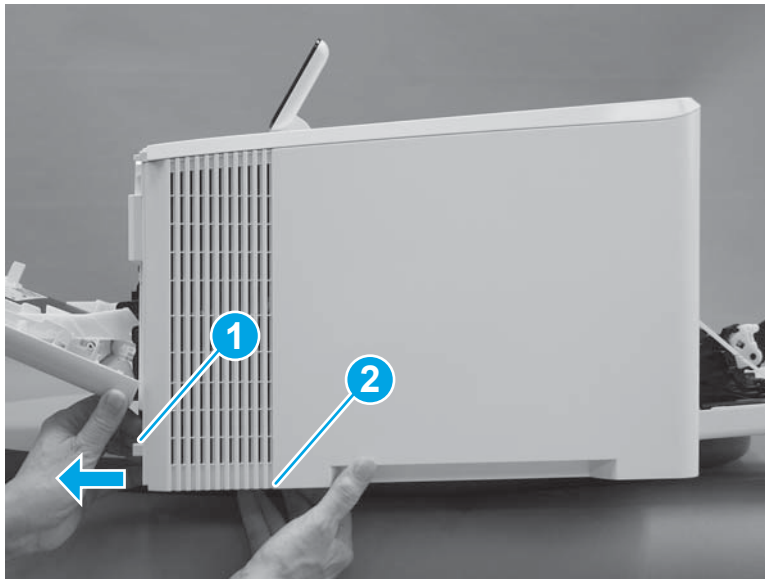
3. Slide the printer to the edge of a work surface. Note the location of the tabs on the lower edge of the cover (callout 1).

Figure 1-2836 Locate the tabs



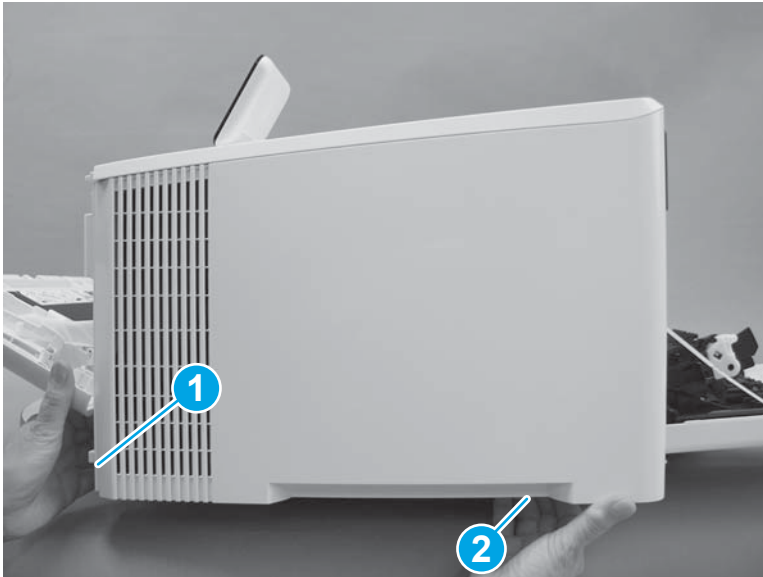
4. Release one tab (callout 1) on the front of the cover by slightly pulling the cover away from the printer. While holding the cover in the released position, release one tab (callout 2) on the bottom of the cover.

Figure 1-2837 Release front lower tabs



5. Hold the front tabs in the released position (callout 1), and then release one tab (callout 2) on the bottom of the cover, toward the back of the printer.

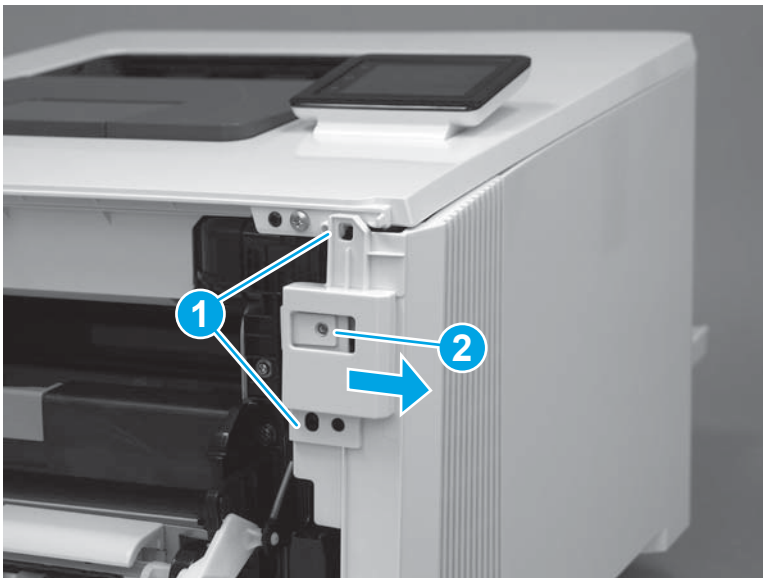
Figure 1-2838 Release lower rear tab



6. Release two tabs at the front of the printer (callout 1) by slightly pulling the cover away from the printer.

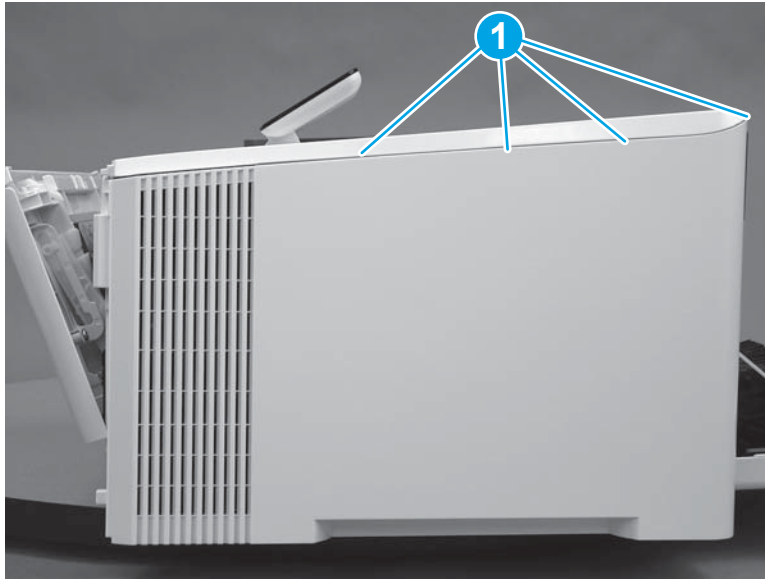
CAUTION: Be careful not to dislodge the power switch (callout 2).

Figure 1-2839 Release two front tabs



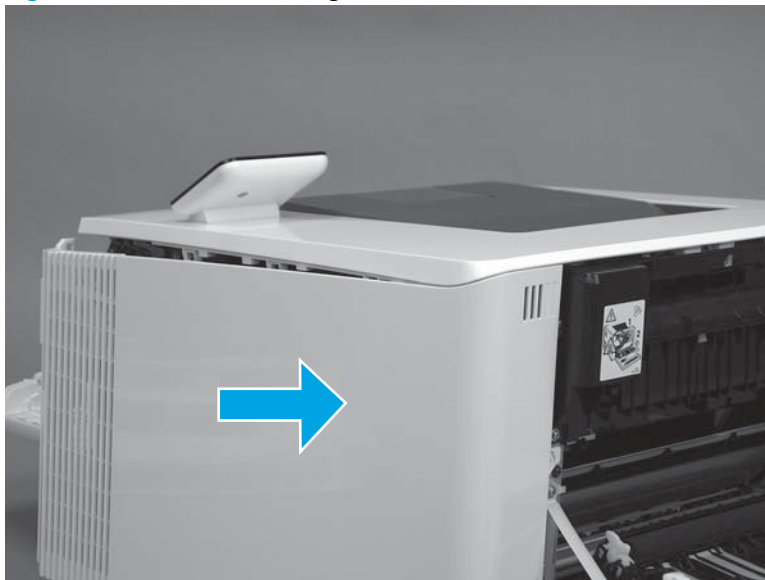
7. Release four tabs on the top of the printer (callout 1).

Figure 1-2840 Release upper tabs



8. Slide the cover toward the back of the printer to remove it.

Figure 1-2841 Remove the right cover

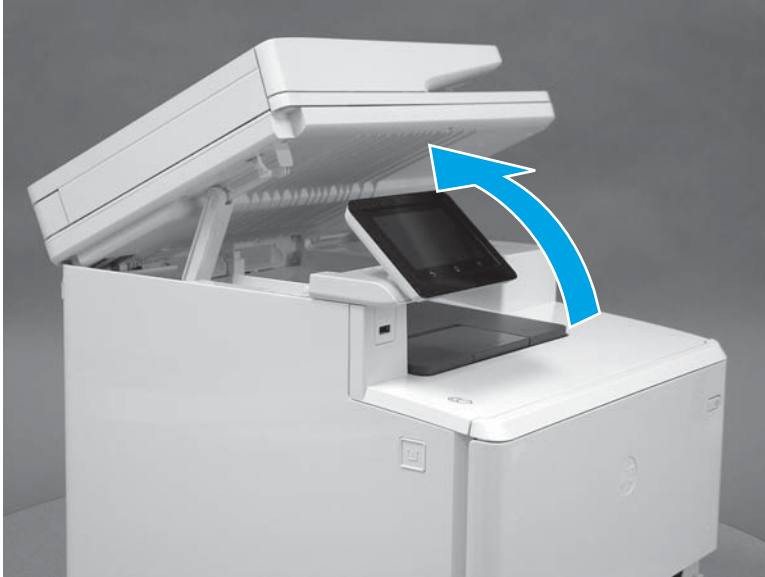


Step 5: Remove the right cover (M377, M477 models)

 **NOTE:** This step is for the M377, M477 models. For the M452 models, skip this step and go to [Step 6: Remove the left cover \(M452 models\) on page 1523](#).

1. Raise the scanner.

Figure 1-2842 Raise the scanner



2. At the back of the printer, remove one screw (callout 1).

Figure 1-2843 Remove one screw



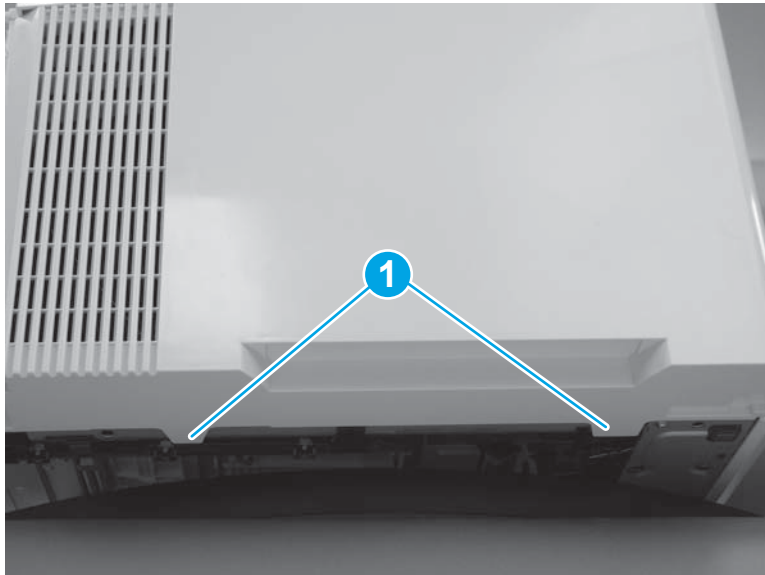
3. At the front of the printer, remove one screw (callout 1).

Figure 1-2844 Remove one screw



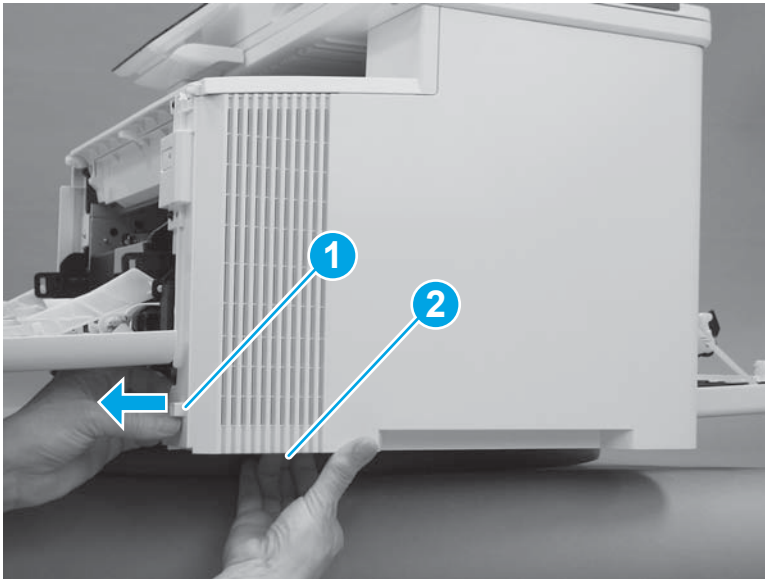
4. Slide the printer to the edge of a work surface. Note the location of the tabs on the lower edge of the cover (callout 1).

Figure 1-2845 Locate the tabs



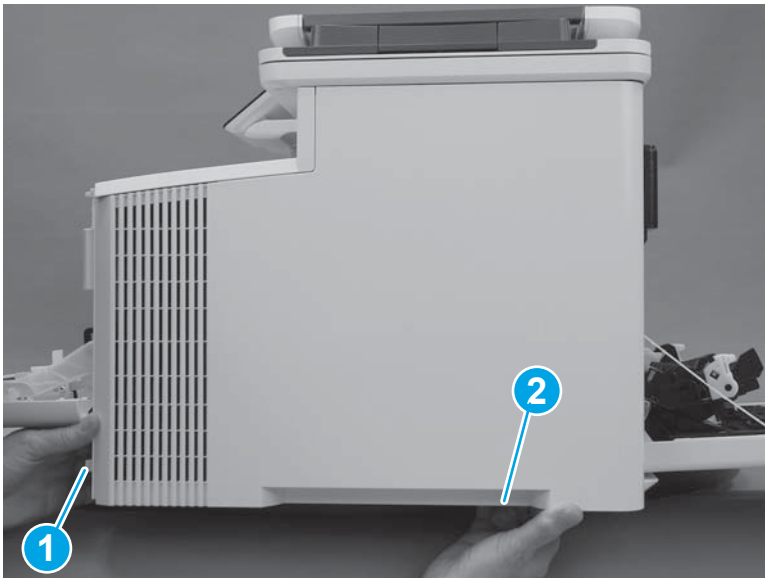
5. Release one tab (callout 1) on the front of the cover by slightly pulling the cover away from the printer. While holding the cover in the released position, release one tab (callout 2) on the lower edge of the cover.

Figure 1-2846 Release front lower tabs



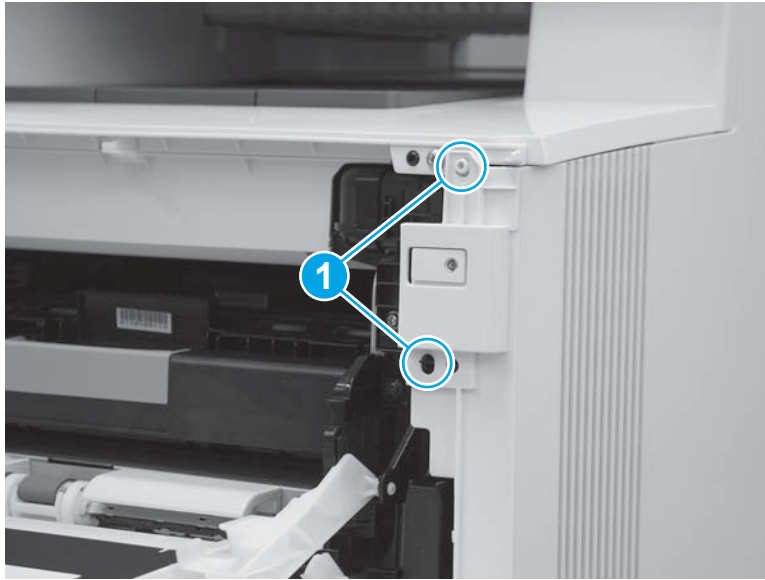
6. Hold the front tabs in the released position (callout 1), and then release one tab (callout 2) on the lower edge of the cover, toward the back of the printer.

Figure 1-2847 Release lower rear tab



7. Release two tabs at the front of the printer (callout 1) by slightly pulling the cover away from the printer.

Figure 1-2848 Release front upper tabs



8. Rotate the front of the cover away from the printer (callout 1).

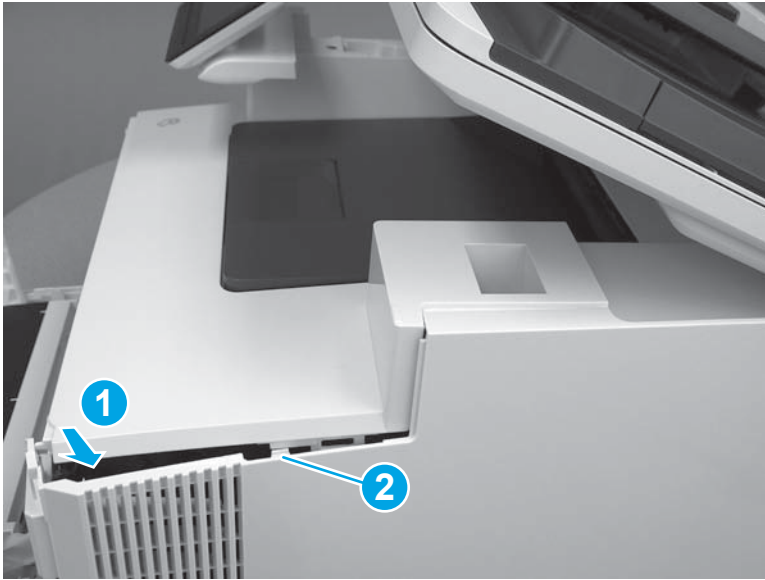
⚠ CAUTION: Be careful not to dislodge the power switch (callout 2).

Figure 1-2849 Rotate the front of the cover



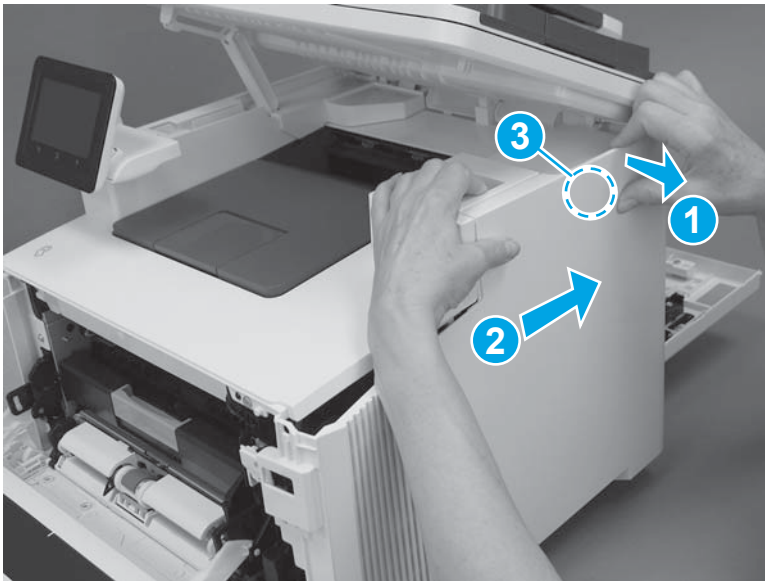
9. Slightly pull the front of the cover away from the printer (callout 1) to release one tab (callout 2).

Figure 1-2850 Release top tabs



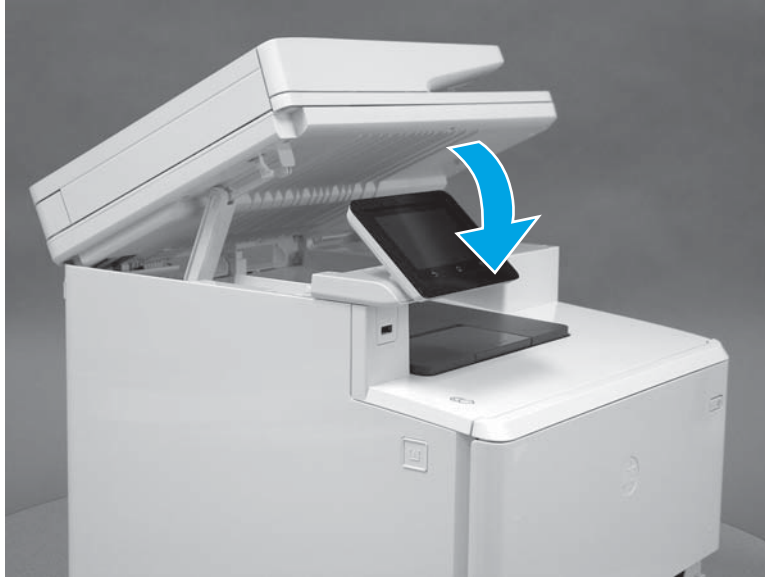
10. At the top of the printer, slightly pull the top of the cover away from the printer to release one retention tab (callout 1) on the inside of the cover. While holding the cover away, slide the cover toward the back of the printer (callout 2) to release one hook (callout 3) on the inside of the cover.

Figure 1-2851 Release one tab and one hook



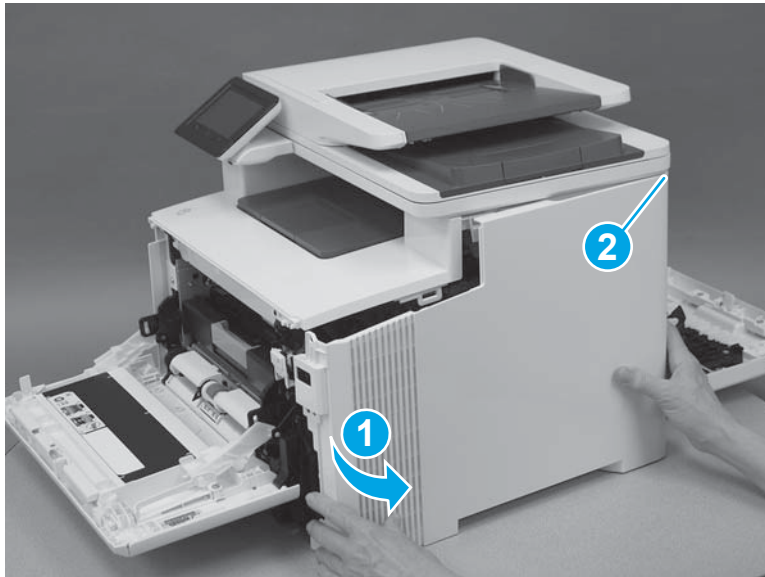
11. Lower the scanner.

Figure 1-2852 Lower the scanner




12. Rotate the cover away from the printer (callout 1) to release one tab (callout 2) at the back of the printer, and then remove the cover.

Figure 1-2853 Remove the right cover

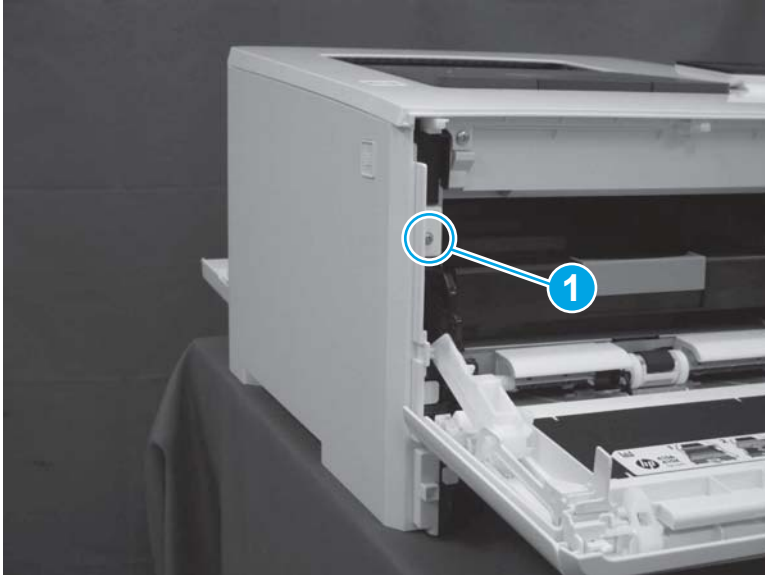


Step 6: Remove the left cover (M452 models)

 **NOTE:** This step is for the M452 models. For the M377, M477 models, skip this step and go to [Step 7: Remove the left cover \(M377, M477 models\) on page 1526.](#)

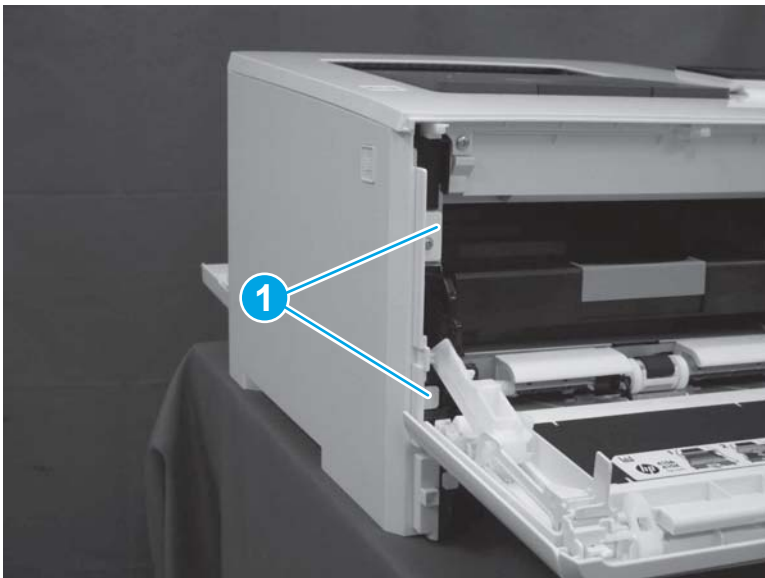
1. At the front of the printer, remove one screw (callout 1).

Figure 1-2854 Remove one screw



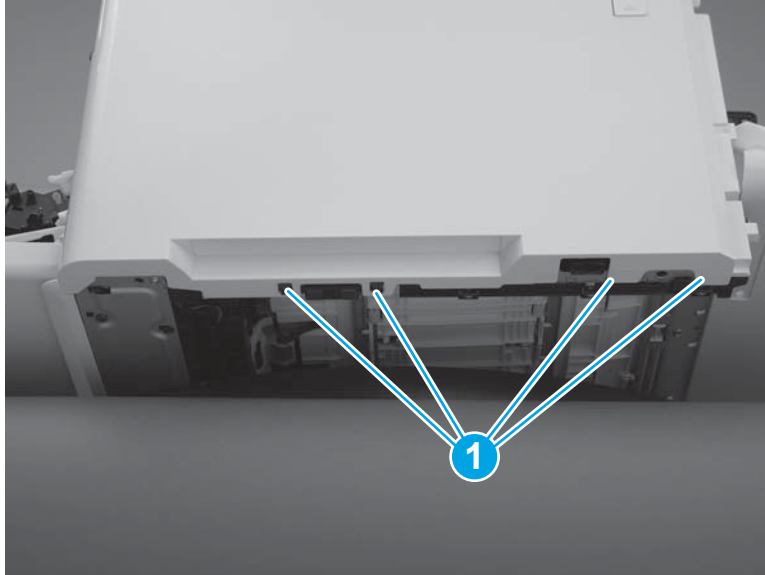
2. Release two tabs (callout 1) at the front of the cover. Hold the cover open to prevent the tabs from reengaging.

Figure 1-2855 Release two tabs



3. Slide the printer to the edge of a work surface. Note the location of the tabs on the lower edge of the cover (callout 1).

Figure 1-2856 Locate the tabs



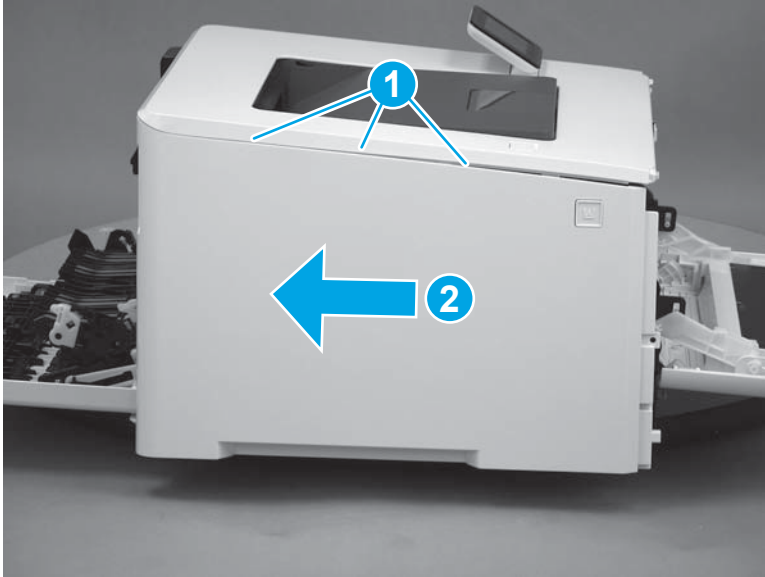
4. Beginning from the front of the cover, release four tabs (callouts 1-4) on the lower edge of the cover.

Figure 1-2857 Release bottom tabs



5. Release three tabs at the top of the cover (callout 1), and then slide the cover toward the rear of the printer to remove it.

Figure 1-2858 Release three tabs



Step 7: Remove the left cover (M377, M477 models)



NOTE: This step is for the M377, M477 models. For the M452 models, skip this step and go to [Step 8: Remove the duplexer door assembly \(duplex models\) on page 1530.](#)

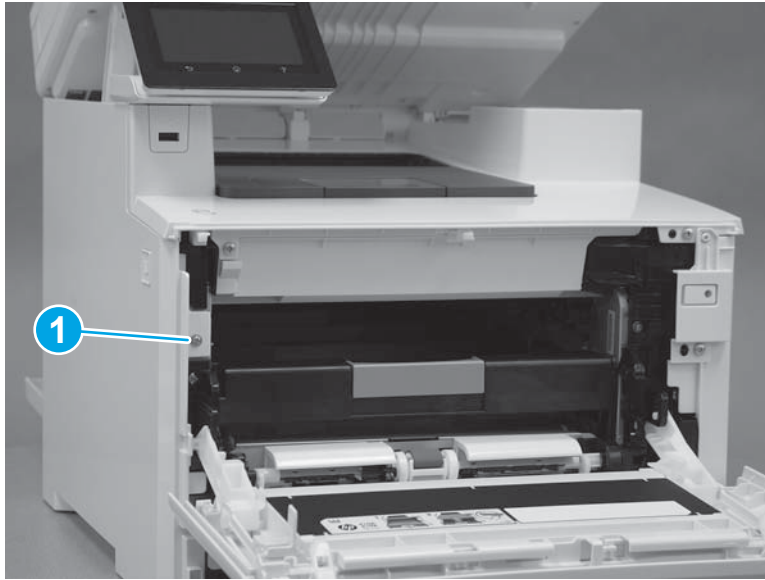
1. Raise the scanner.

Figure 1-2859 Raise the scanner



2. At the front of the printer, remove one screw (callout 1).

Figure 1-2860 Remove one screw



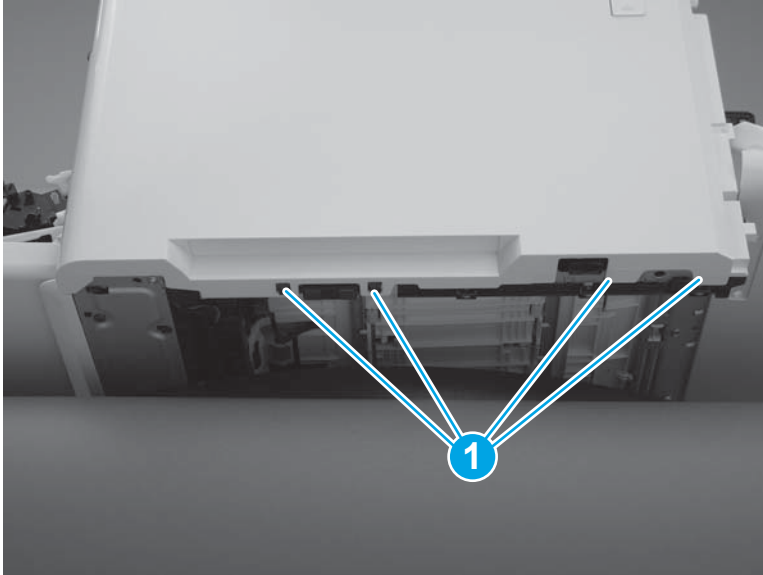
3. Release two tabs (callout 1) at the front of the cover. Hold the cover open to prevent the tabs from re-engaging.

Figure 1-2861 Release two tabs



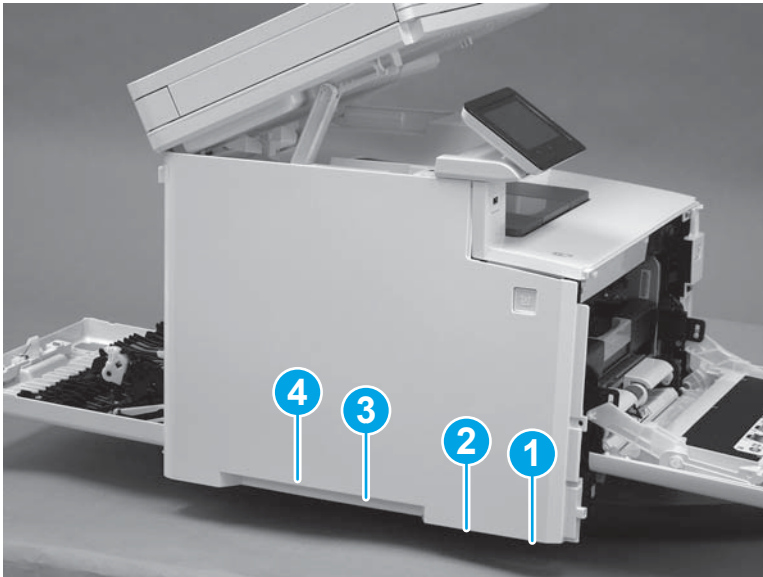
4. Slide the printer to the edge of a work surface. Note the location of the tabs on the lower edge of the cover (callout 1).

Figure 1-2862 Locate the tabs



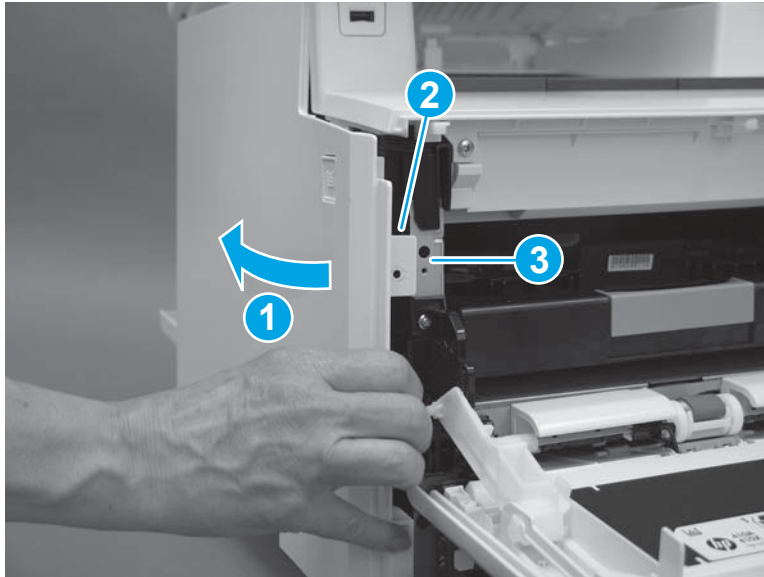
5. Beginning from the front of the cover, release the four tabs (callouts 1-4) on the lower edge of the cover.

Figure 1-2863 Release four tabs



6. Rotate the front of the cover away from the printer (callout 1). Make sure that the tab (callout 2) does not get caught on the printer frame (callout 3).

Figure 1-2864 Rotate the cover



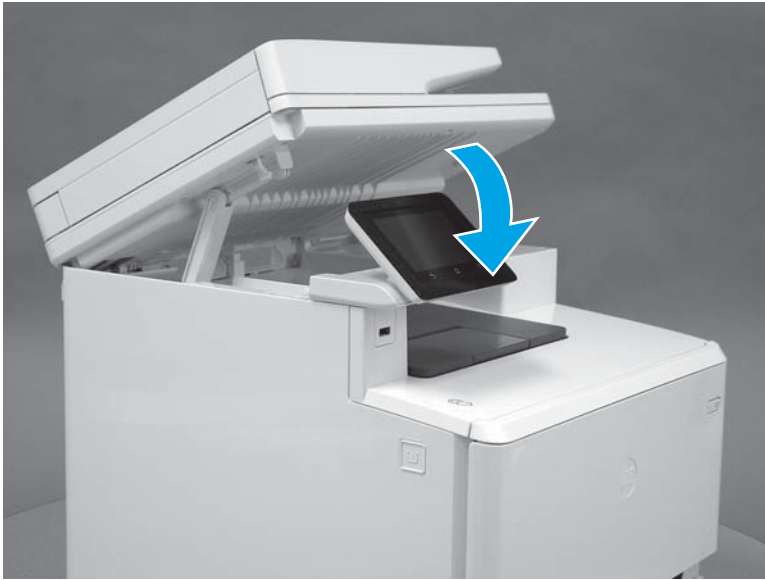
7. At the top of the printer, slightly pull the top of the cover away from the printer to release one retention tab (callout 1) on the inside of the cover. While holding the cover away, slide the cover toward the back of the printer (callout 2) to release two hooks (callout 3) inside the cover.

Figure 1-2865 Release one tab and two hooks



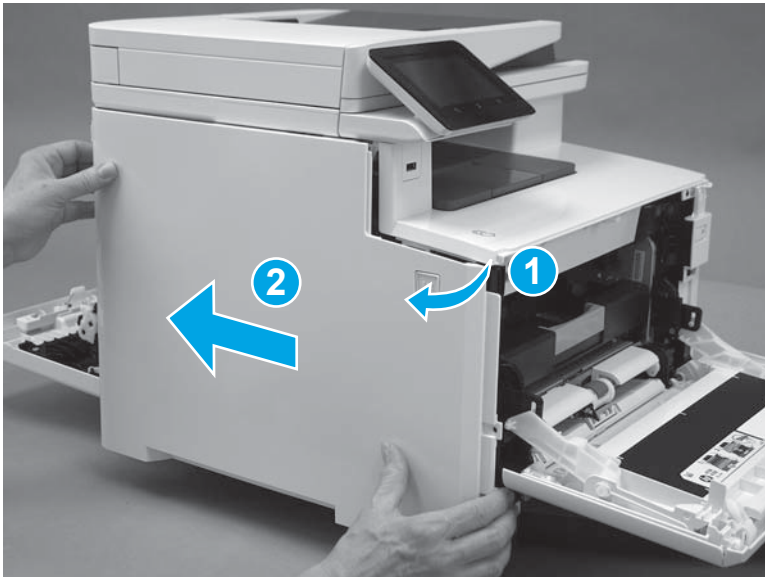
8. Lower the scanner.

Figure 1-2866 Lower the scanner



9. Rotate the cover away from the printer (callout 1), and then slide the cover (callout 2) toward the back of the printer to remove it.

Figure 1-2867 Remove the left cover



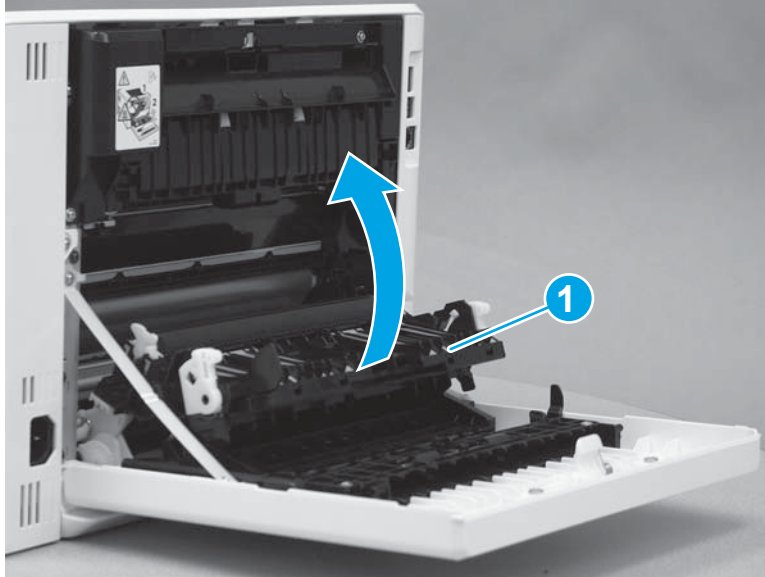
Step 8: Remove the duplexer door assembly (duplex models)



NOTE: This step is for duplex models. For simplex models, skip this step and go to [Step 9: Remove the rear door \(simplex models\) on page 1532](#).

1. Rotate the secondary transfer assembly (callout 1) toward the printer to close it.

Figure 1-2868 Close the secondary transfer assembly



2. At the back of the printer, remove two screws (callout 1), and then remove one screw (callout 2) that holds the retention arm.


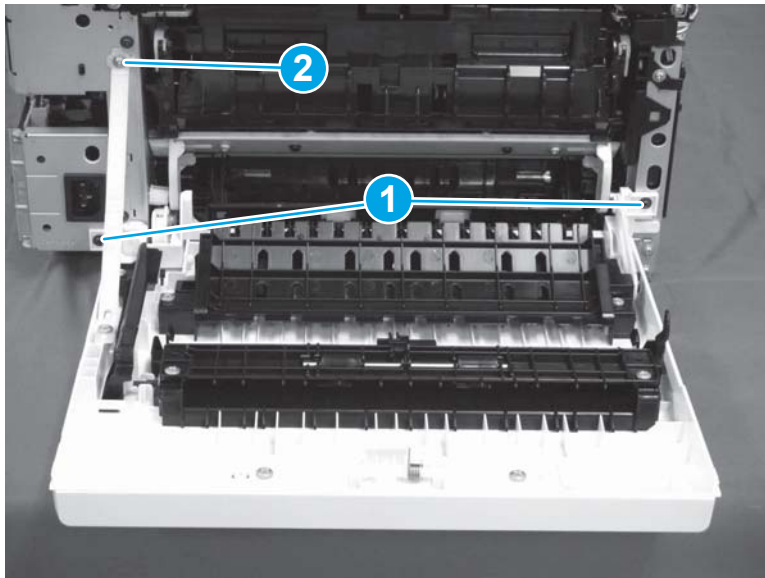
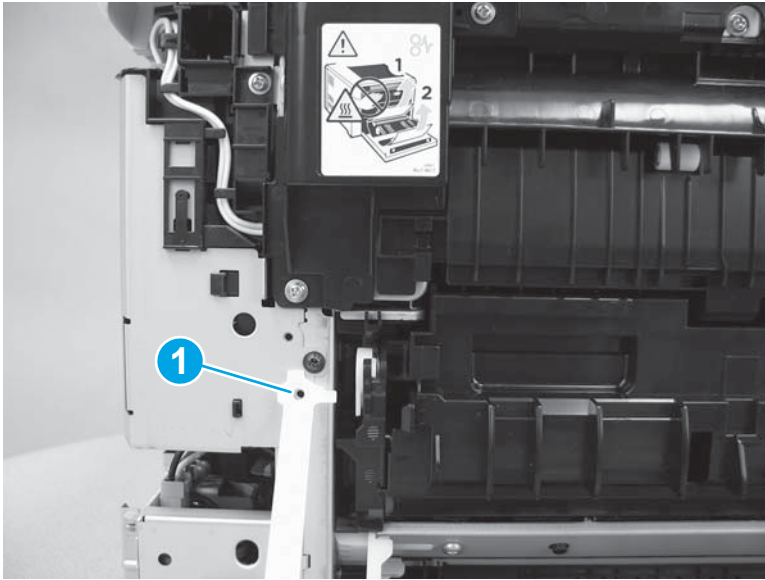
 **Reinstallation tip:** Note that the screw (callout 2) that holds the retention arm is longer than the other two. Make sure this screw is installed in the correct position.

Figure 1-2869 Remove three screws



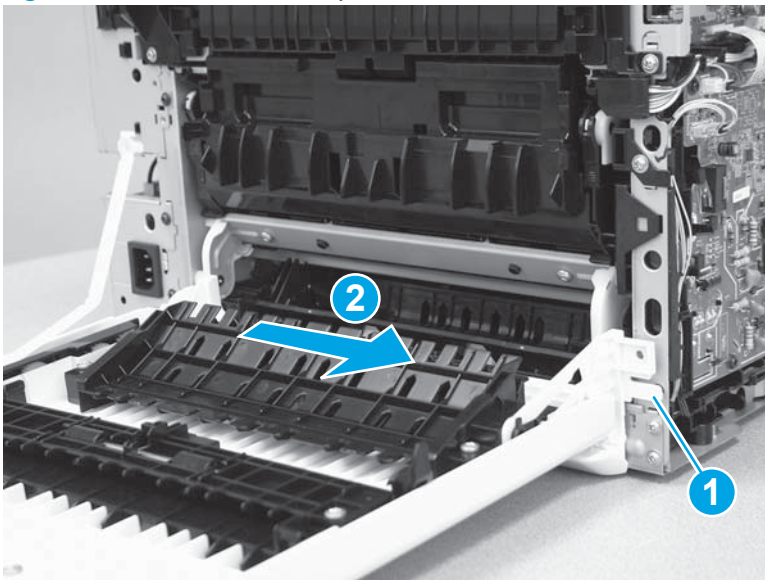
3. Release the retention arm (callout 1).

Figure 1-2870 Release the retention arm



4. Release one tab (callout 1), and then slide the duplexer door (callout 2) to the right to remove it.

Figure 1-2871 Remove the duplexer door

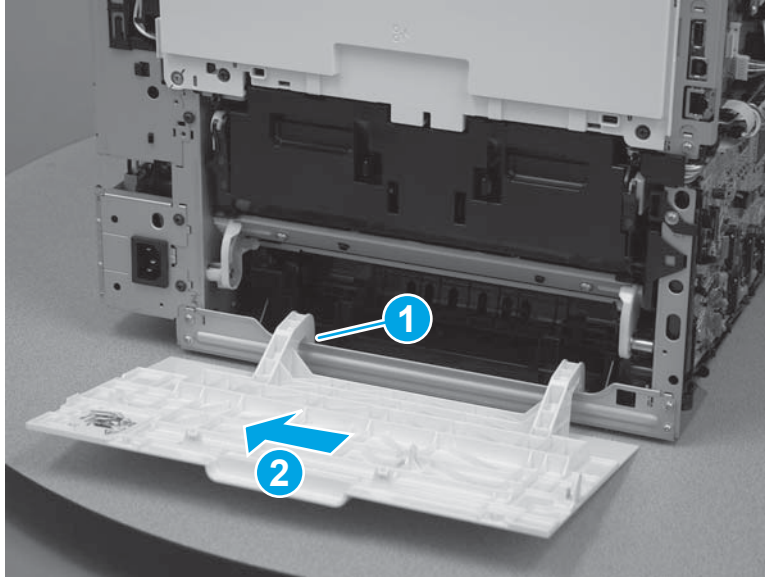


Step 9: Remove the rear door (simplex models)

 **NOTE:** This step is for simplex models. For duplex models, skip this step and go to [Step 10: Remove the engine controller PCA on page 1533](#).

- ▲ Slightly flex one hinge arm (callout 1) to release a hinge pin, and then slide the rear door to the left (callout 2) to remove it.

Figure 1-2872 Remove the rear door



Step 10: Remove the engine controller PCA

1. **Duplex printers only:** Before disconnecting the connectors in the next step, make note of the position of two of the cables (callout 1).


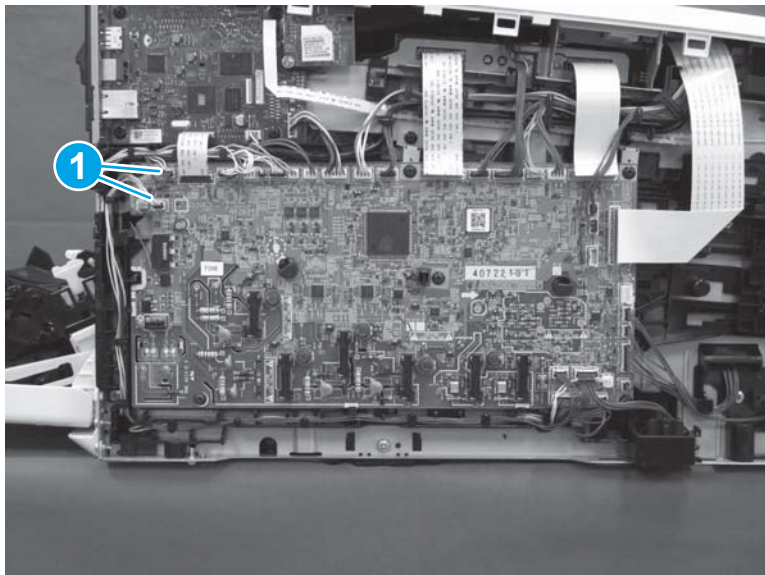
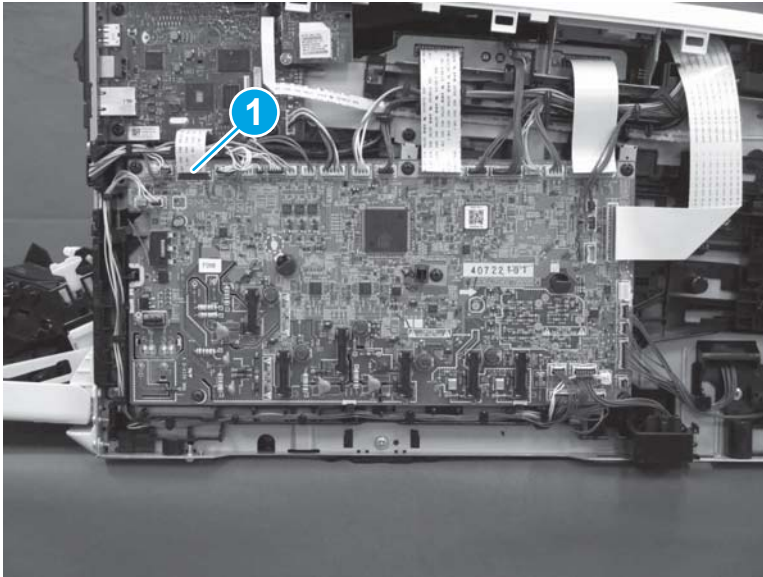
 **IMPORTANT:** These cables can be inadvertently switched when reinstalling. The connectors on the cables will fit in either connector on the engine controller PCA. Make sure that these cables are installed in the correct connectors. If the cables are switched, the printer will experience a repeatable jam when printing duplex jobs.

Figure 1-2873 Check the cables



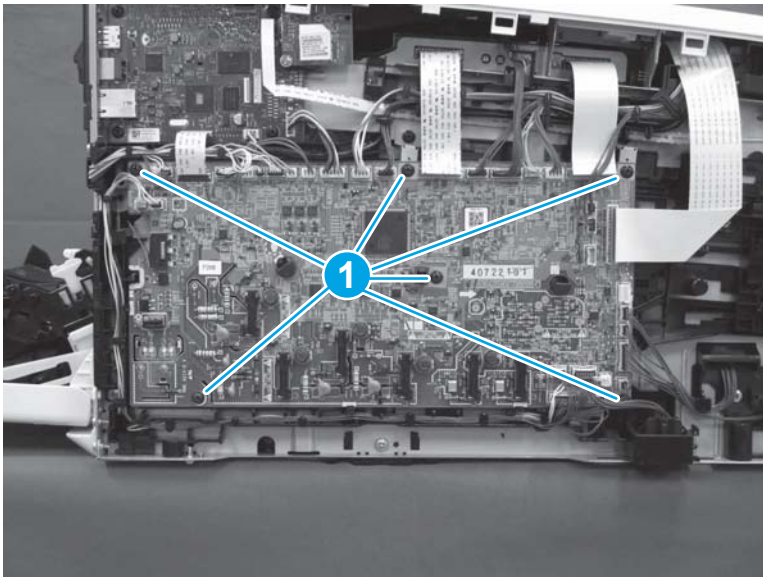
2. Disconnect all of the connectors on the engine controller PCA. Note that one connector (callout 1) is a zero-insertion force (ZIF) connector. Lift the latch on the connector before removing the flat cable.

Figure 1-2874 Disconnect all of the connectors



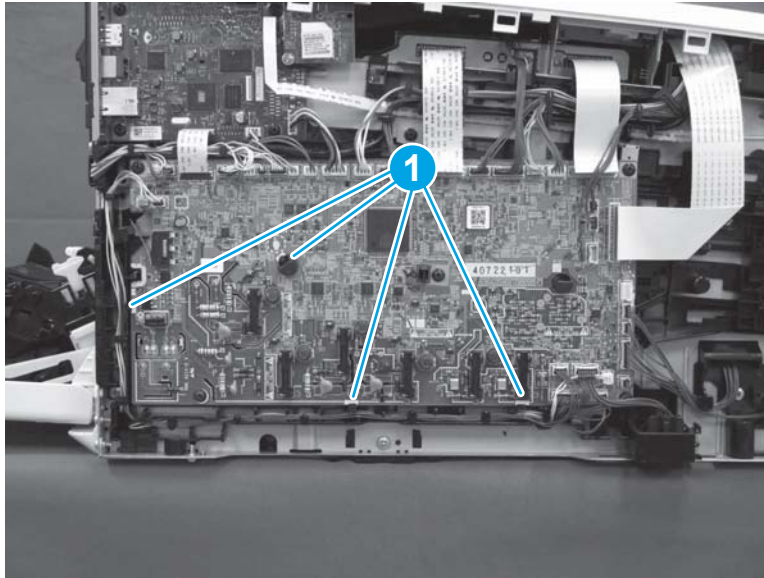
3. Remove six screws (callout 1).

Figure 1-2875 Remove six screws



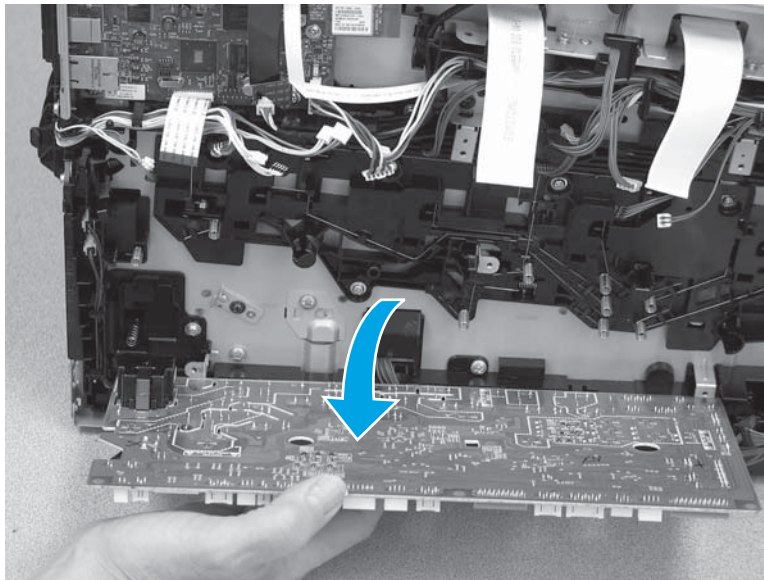
4. Release four tabs (callout 1).

Figure 1-2876 Release four tabs



5. Remove the engine controller PCA.

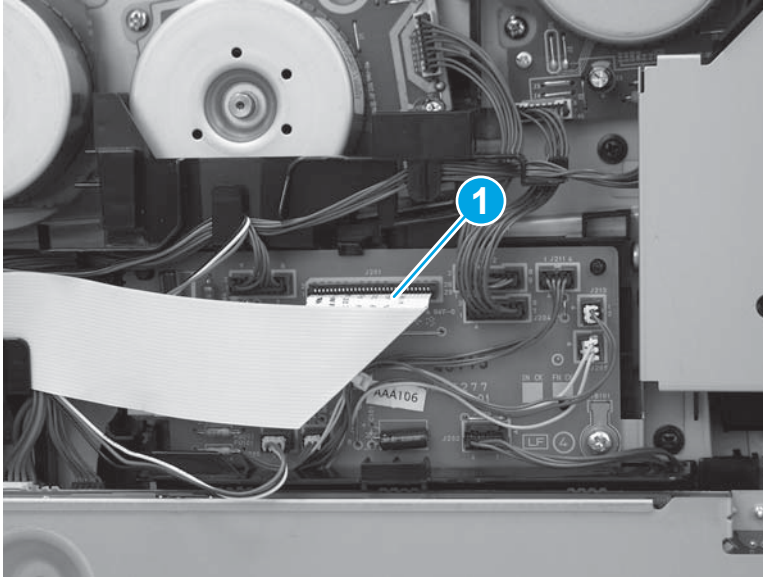
Figure 1-2877 Remove the engine controller PCA



Step 11: Remove the driver PCA

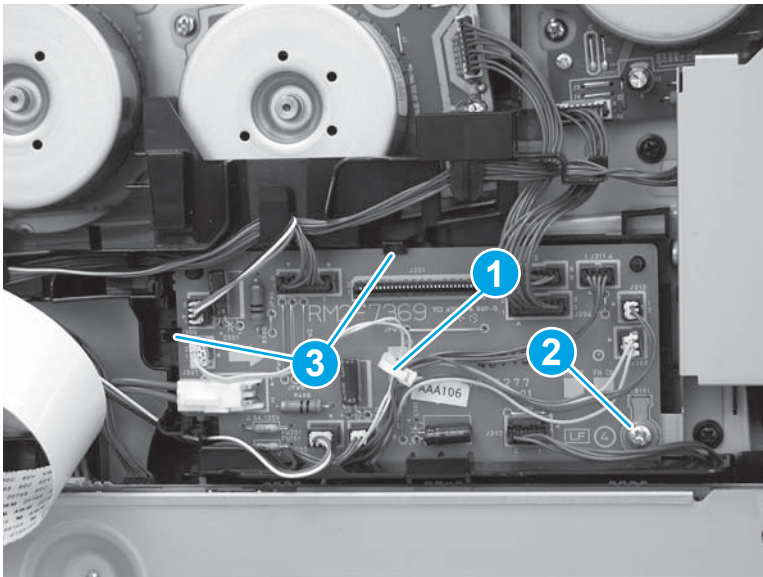
1. Disconnect one connector (callout 1).

Figure 1-2878 Disconnect one connector



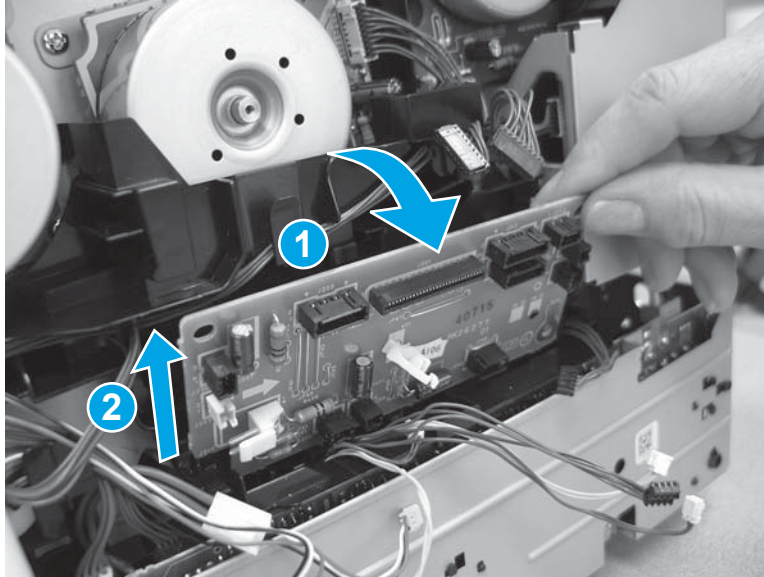
2. Release one retainer (callout 1), disconnect all of the connectors on the driver PCA, remove one screw (callout 2), and then release two tabs (callout 3).

Figure 1-2879 Disconnect all connectors and remove one screw



3. Rotate the top of the driver PCA away from the printer (callout 1), and then lift up (callout 2) to remove it.

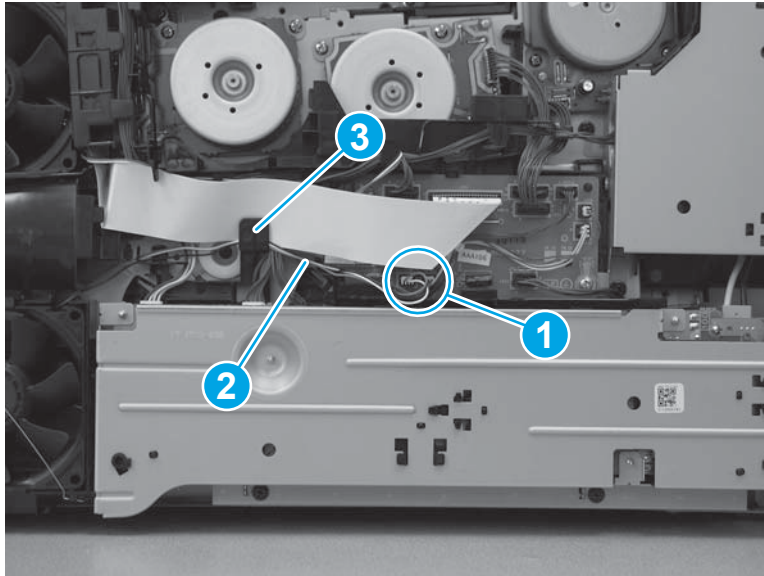
Figure 1-2880 Remove the driver PCA



Step 12: Remove the low-voltage power supply

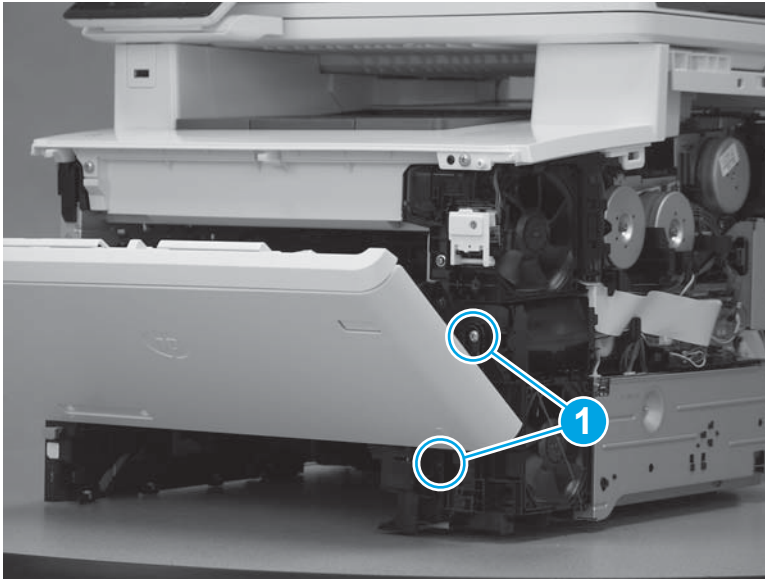
1. Disconnect one connector (callout 1), and then remove the cable (callout 2) from the wire guide (callout 3).

Figure 1-2881 Disconnect one connector and release cables from guides



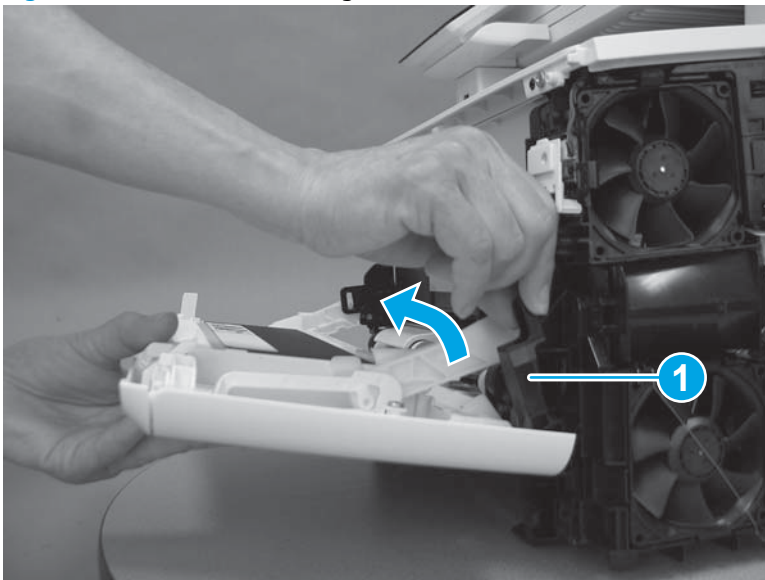
2. Remove two screws (callout 1).

Figure 1-2882 Remove two screws



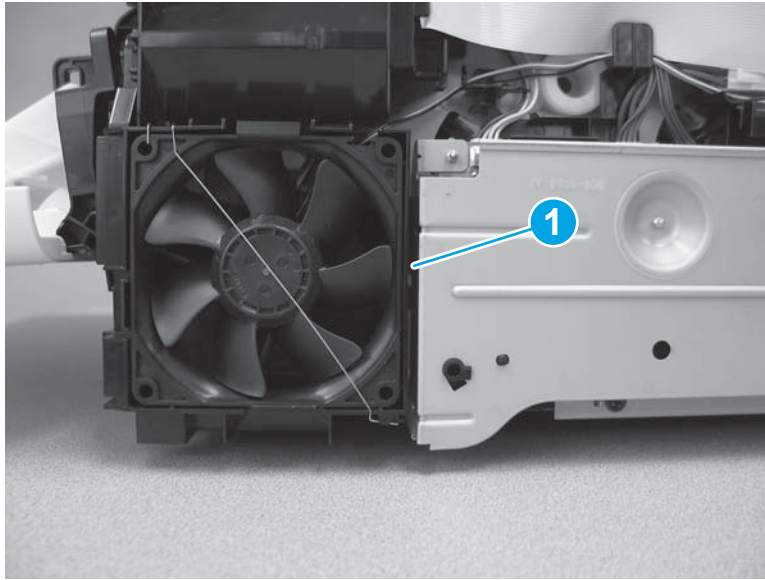
3. Release the hinge arm (callout 1).

Figure 1-2883 Release the hinge arm



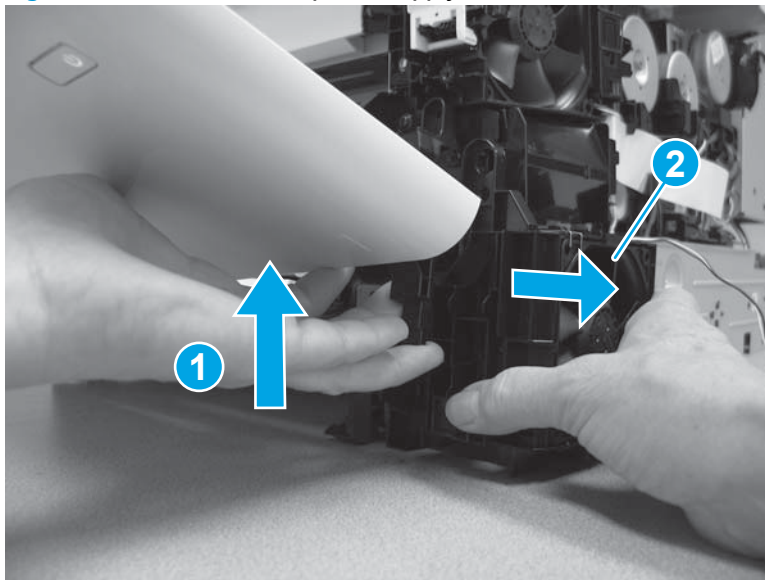
4. Release one tab (callout 1) on the right side of the power supply fan.

Figure 1-2884 Release one tab



5. Lift the front door up slightly (callout 1), and then remove the power supply fan and holder (callout 2).

Figure 1-2885 Remove the power supply fan and holder



6. Before disconnecting the cables in the next step, make note of the position of two cables (callout 1).


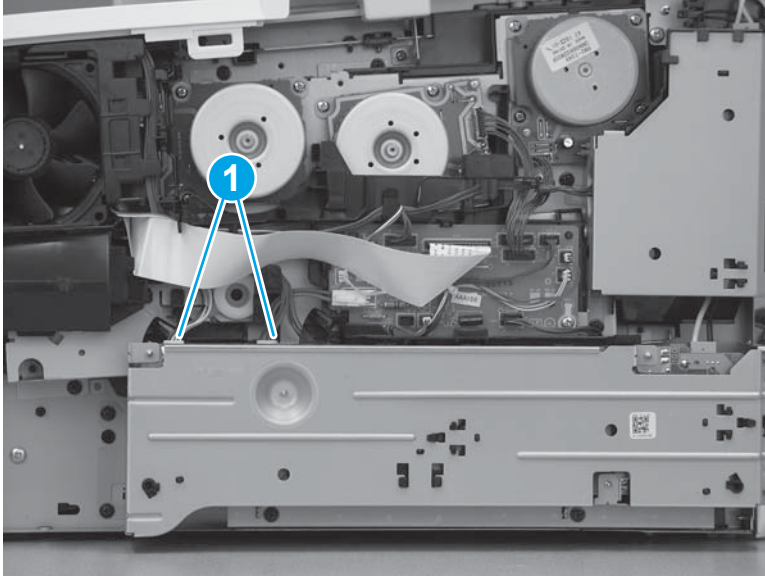
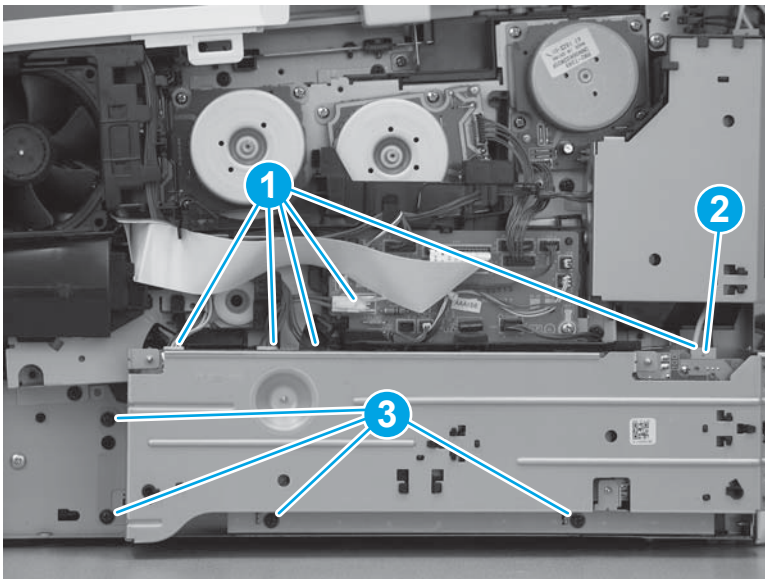
 **IMPORTANT:** These cables can be inadvertently switched when reinstalling. The connectors on the cables will fit in either connector on the LVPS. Make sure that these cables are installed in the correct connectors. If the cables are switched, the printer will not power on when reassembled.

Figure 1-2886 Check the connectors



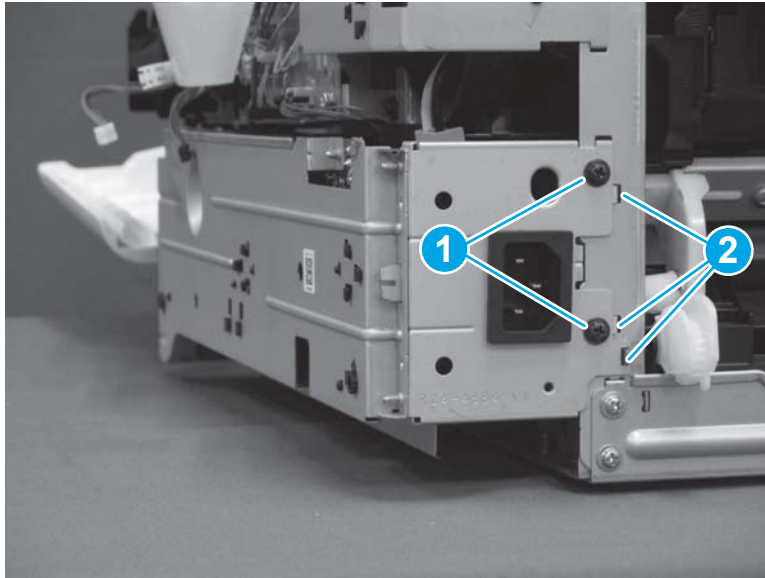
7. Disconnect five connectors (callout 1). Note that one connector (callout 2) has a latch that must be released before disconnecting it. Remove four screws (callout 3).

Figure 1-2887 Disconnect five connectors and remove four screws



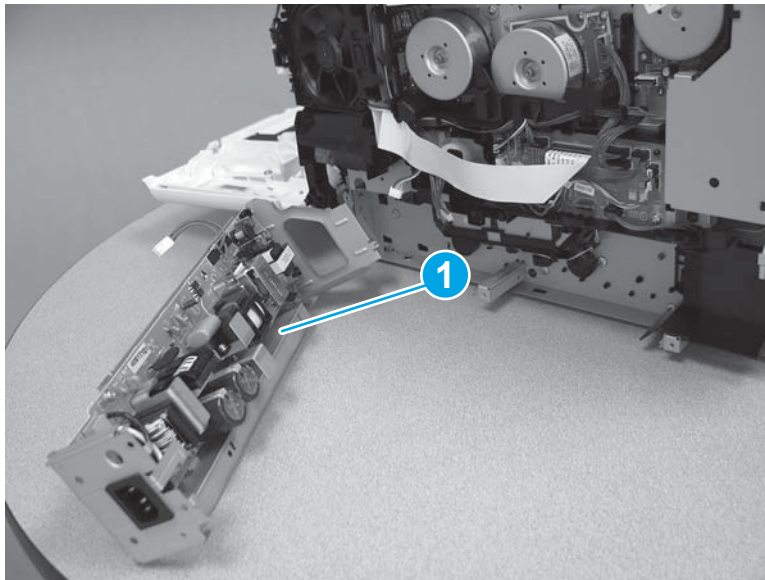
8. Remove two screws (callout 1), and then release three tabs (callout 2).

Figure 1-2888 Remove two screws and release three tabs



9. Remove the LVPS (callout 1).

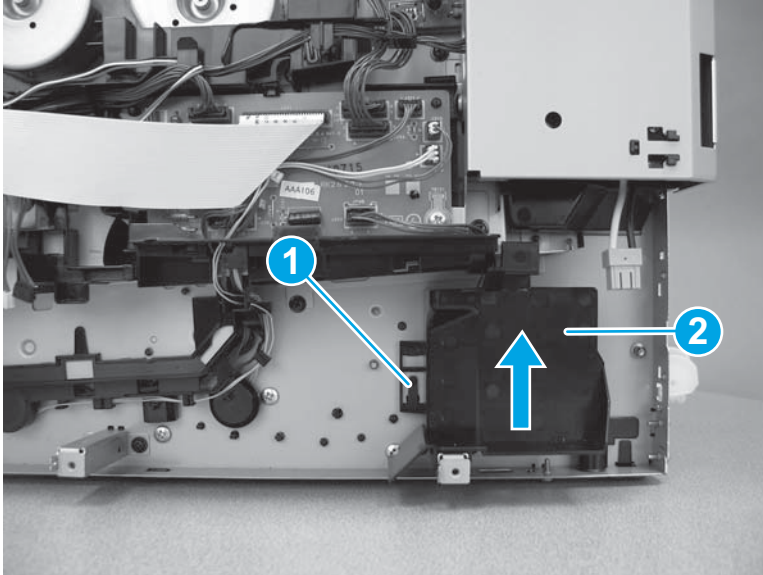
Figure 1-2889 Remove the LVPS



Step 13: Remove the pickup motor

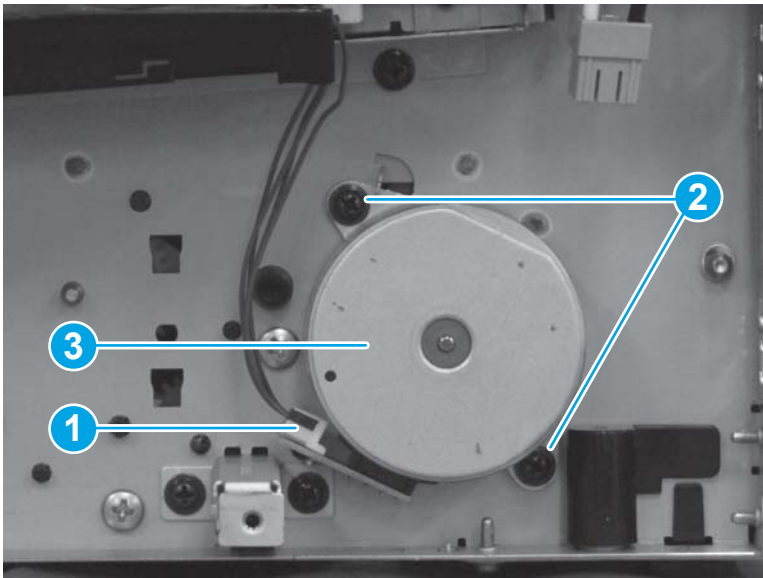
1. Release one tab (callout 1), and then slide the fan duct (callout 2) up to remove it.

Figure 1-2890 Remove the fan duct



2. Disconnect one connector (callout 1), remove two screws (callout 2), and then remove the pickup motor (callout 3).

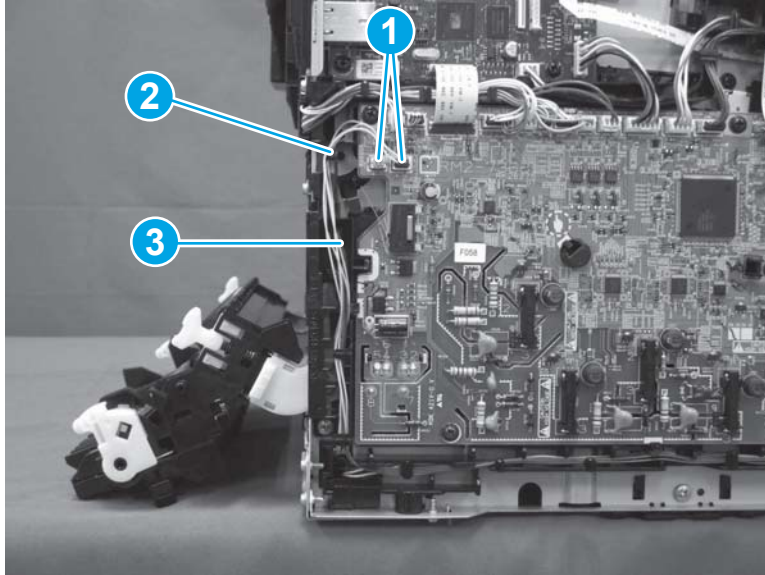
Figure 1-2891 Remove the pickup motor



Step 14: Remove the re-pickup assembly (duplex models)

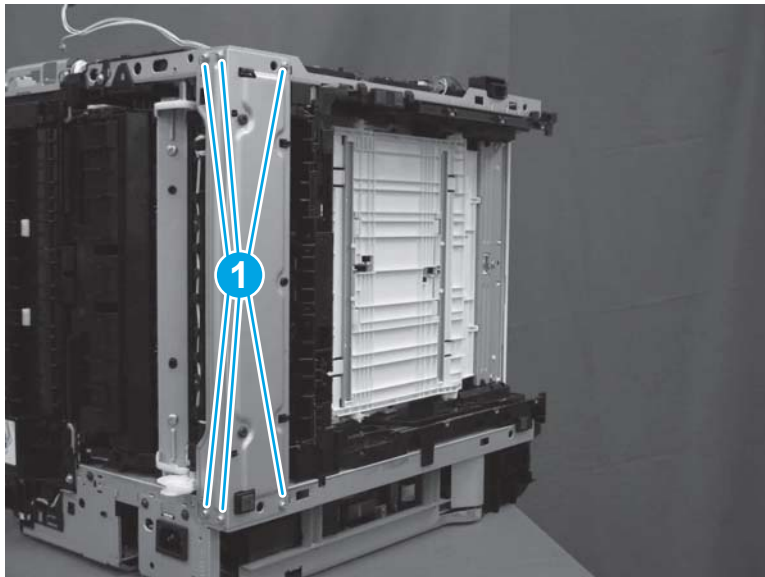
1. On the left side of the printer, disconnect two connectors (callout 1), and then remove the cables (callout 2) from the guides (callout 3).

Figure 1-2892 Disconnect two connectors and remove cables from guides



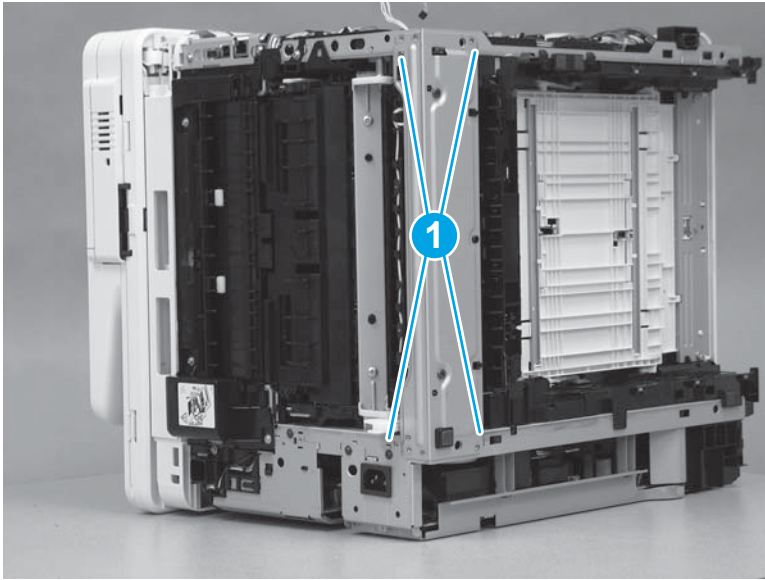
2. Lay the printer on the right side so that the left side is facing up. Remove six screws (callout 1).

Figure 1-2893 Remove six screws



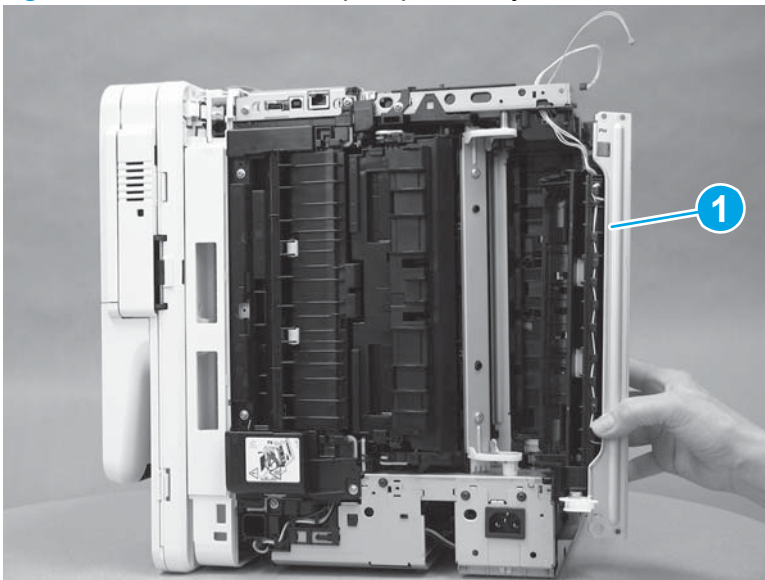
3. Release four tabs (callout 1).

Figure 1-2894 Release four tabs



4. Remove the re-pickup assembly (callout 1).

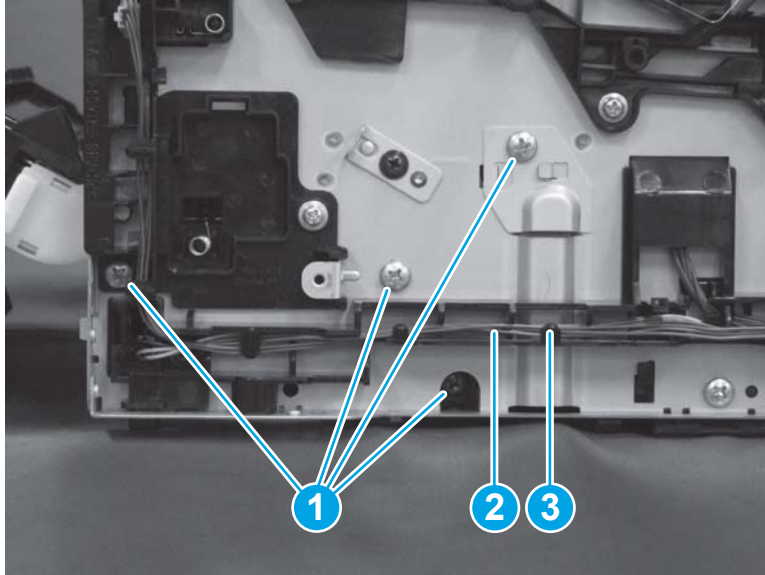
Figure 1-2895 Remove the re-pickup assembly



Step 15: Remove the lifter drive assembly

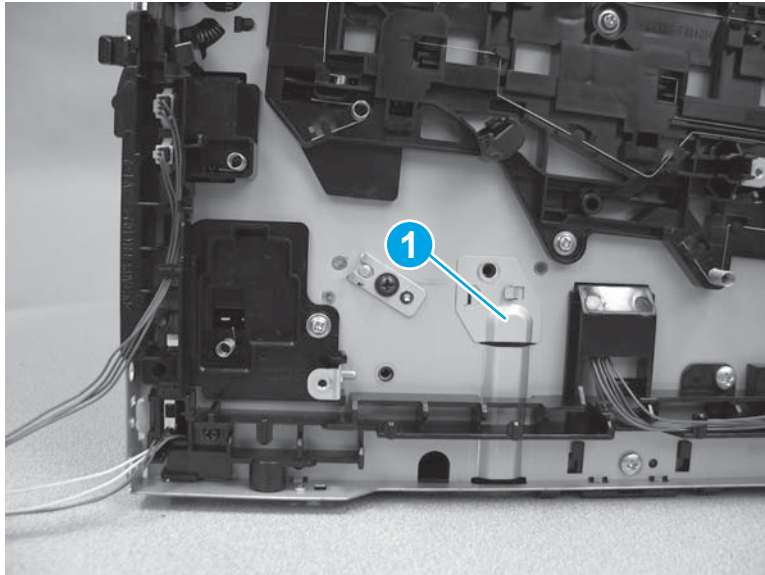
1. Remove four screws (callout 1), and then release the cables (callout 2) from the guides (callout 3).

Figure 1-2896 Remove four screws and release cables



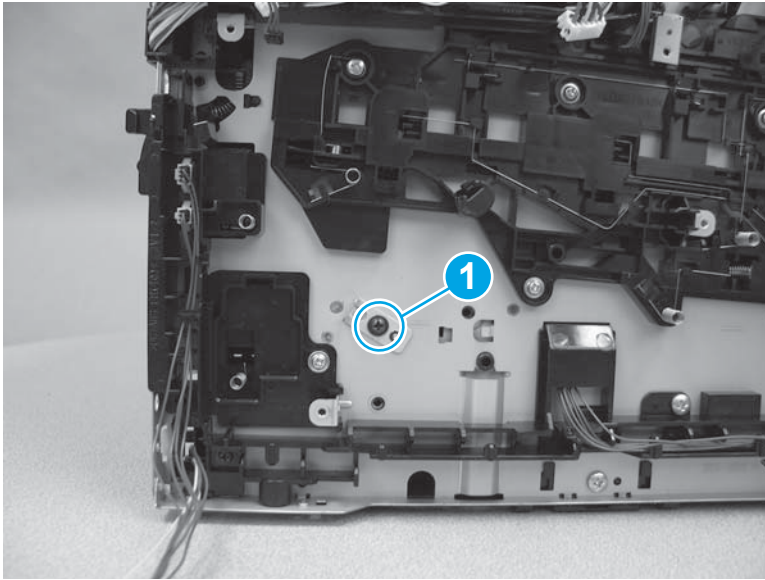
2. Remove one cover (callout 1).

Figure 1-2897 Remove one cover



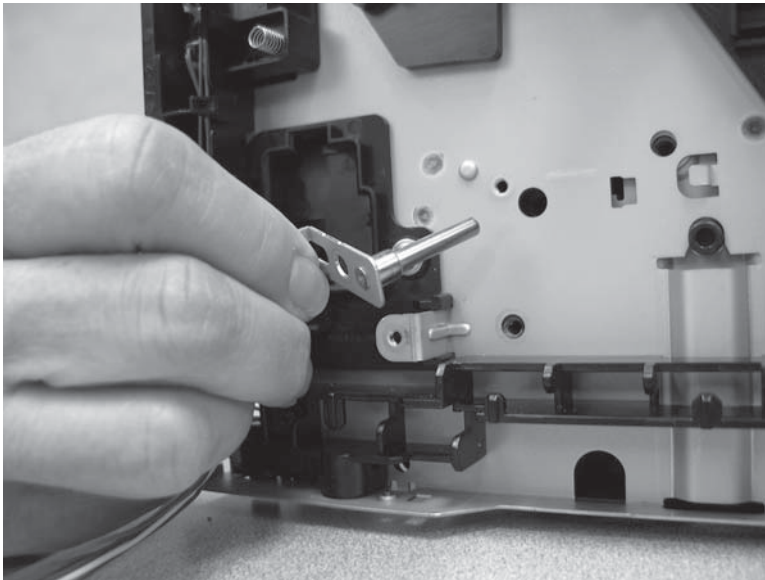
3. Remove one screw (callout 1).

Figure 1-2898 Remove one screw



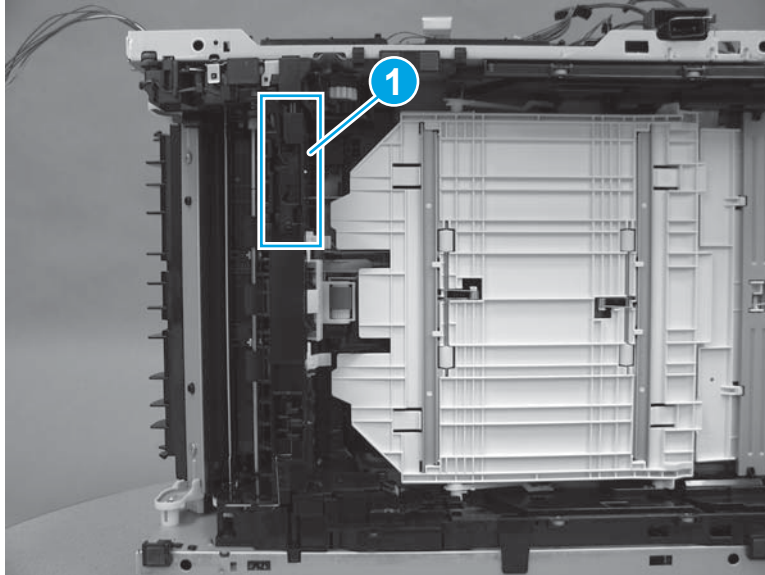
4. Remove the shaft.

Figure 1-2899 Remove the shaft



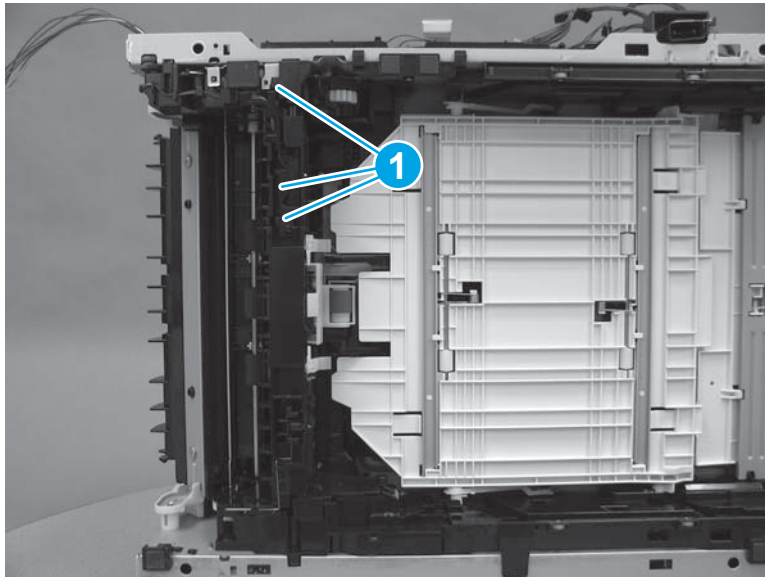
5. Lay the printer on the right side so that the left side is facing up. Locate the tray sensor switch (callout 1).

Figure 1-2900 Locate the tray sensor switch



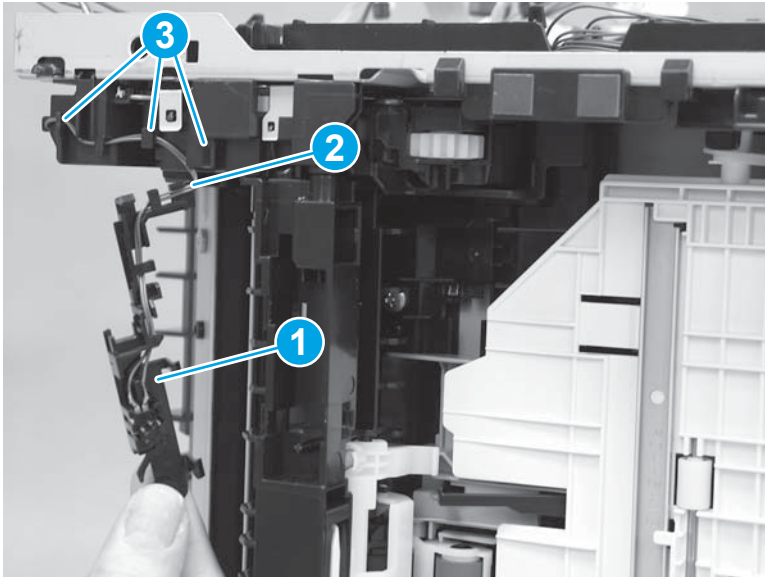
6. Release three tabs (callout 1).

Figure 1-2901 Release three tabs



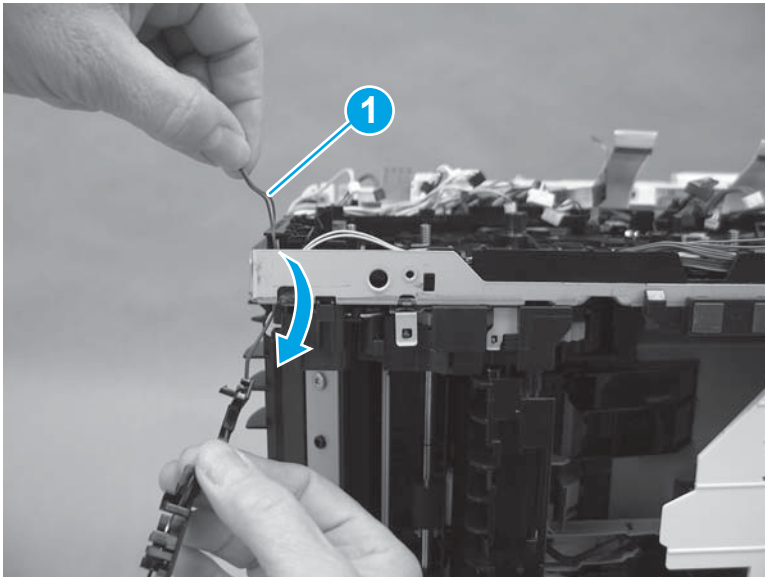
7. Release the tray sensor switch (callout 1), and then remove the cables (callout 2) from the guides (callout 3).

Figure 1-2902 Release the tray sensor switch



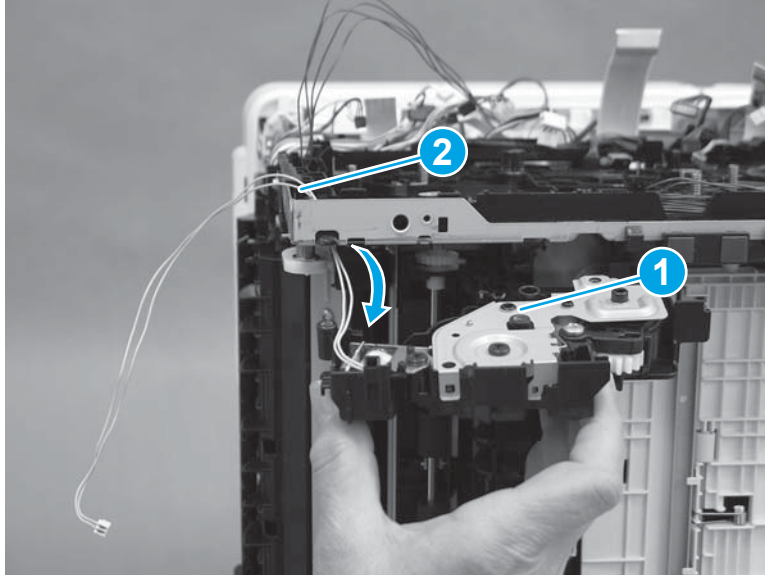
8. Remove the tray sensor switch by releasing the cables (callout 1) through the printer frame.

Figure 1-2903 Remove the tray sensor switch



9. Remove the lifter drive assembly (callout 1), and then release the cables (callout 2) through the printer frame.

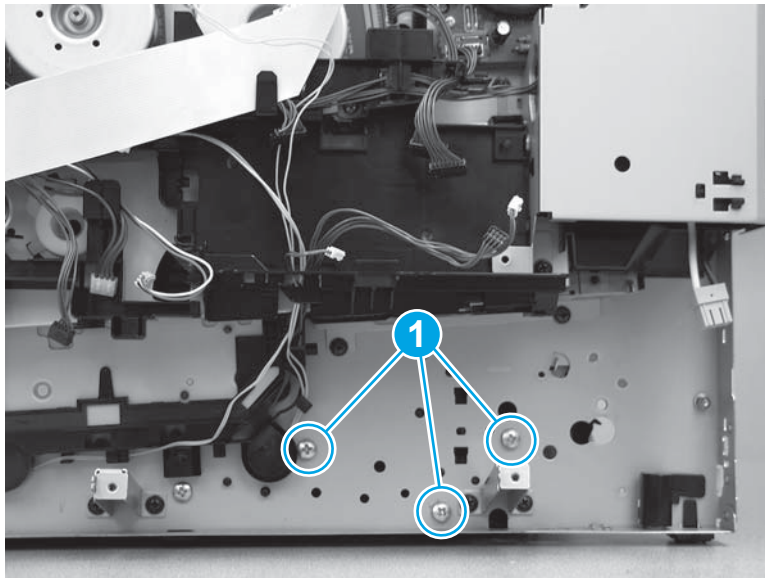
Figure 1-2904 Remove the lifter drive assembly



Step 16: Remove the pickup assembly

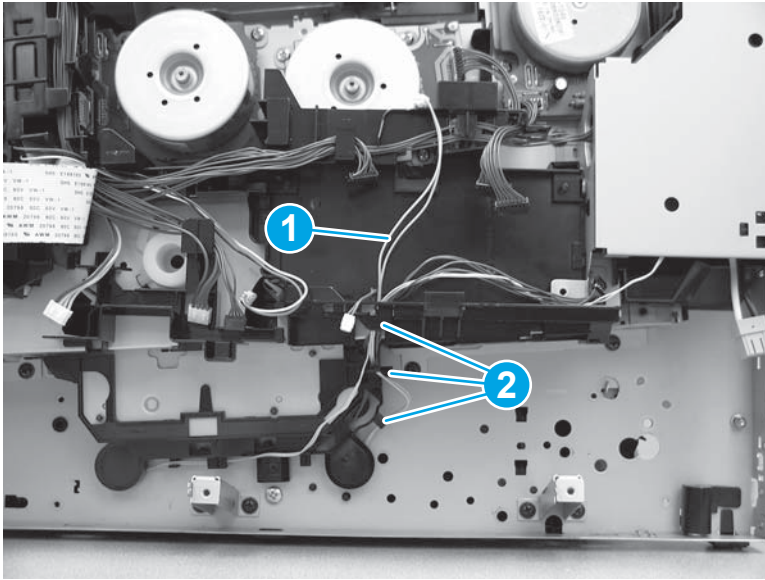
1. Remove three screws (callout 1).

Figure 1-2905 Remove three screws



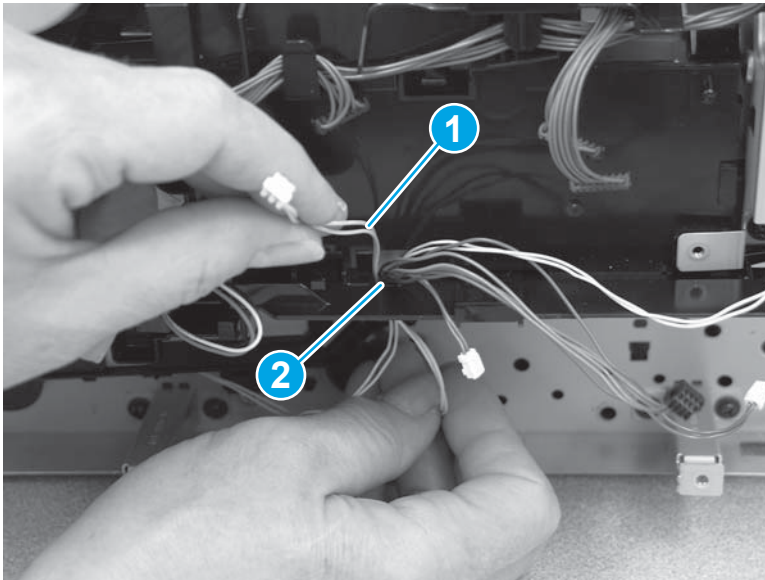
2. Release the cables (callout 1) from the cable guides (callout 2).

Figure 1-2906 Release the cables from the cable guides



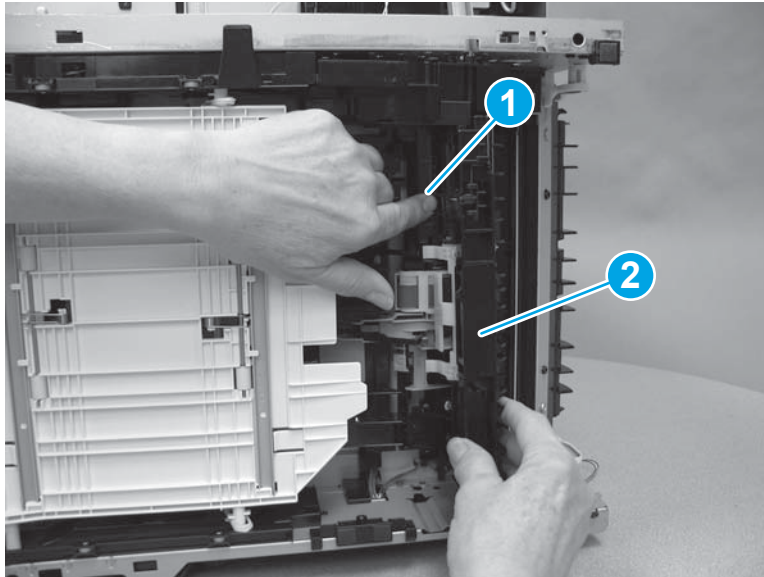
3. Thread the cables (callout 1) through the opening in the driver PCA holder (callout 2).

Figure 1-2907 Release the cables



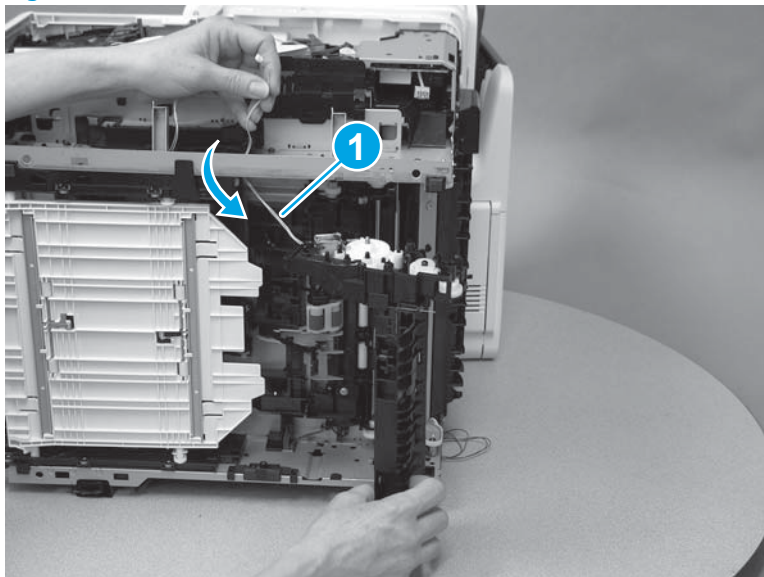
4. Lay the printer on the right side so that the left side is facing up. Press the pickup and feed roller holder (callout 1) toward the printer, and then remove the pickup assembly (callout 2).

Figure 1-2908 Remove the pickup assembly



5. Release the cables (callout 1) through the printer frame.

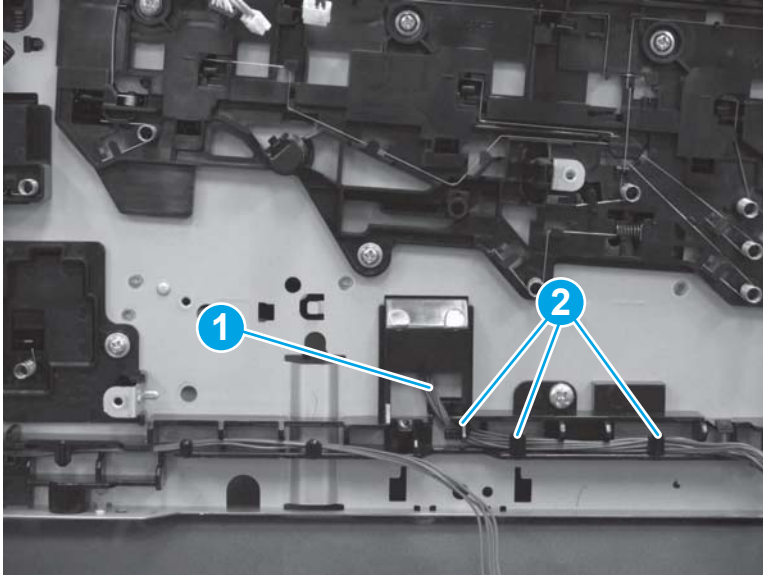
Figure 1-2909 Release the cables



Step 17: Remove the front feed guide assembly

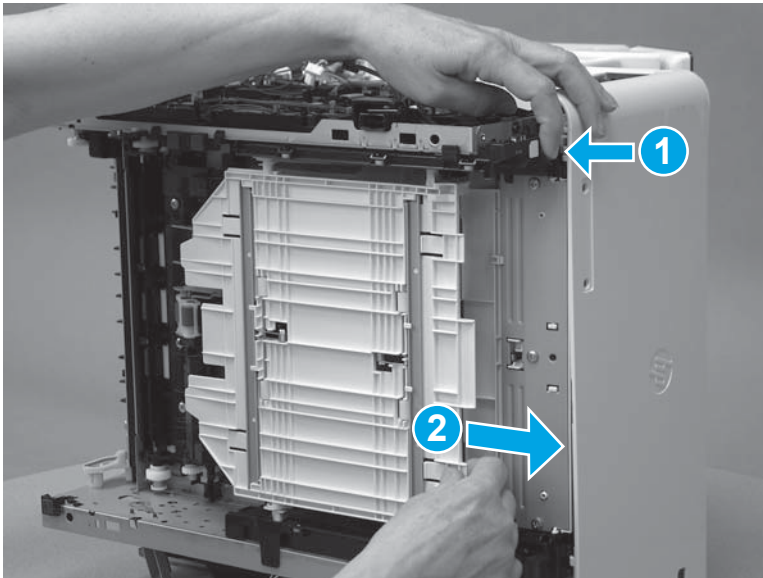
1. Release the cables (callout 1) from the cable guide (callout 2).

Figure 1-2910 Release the cables



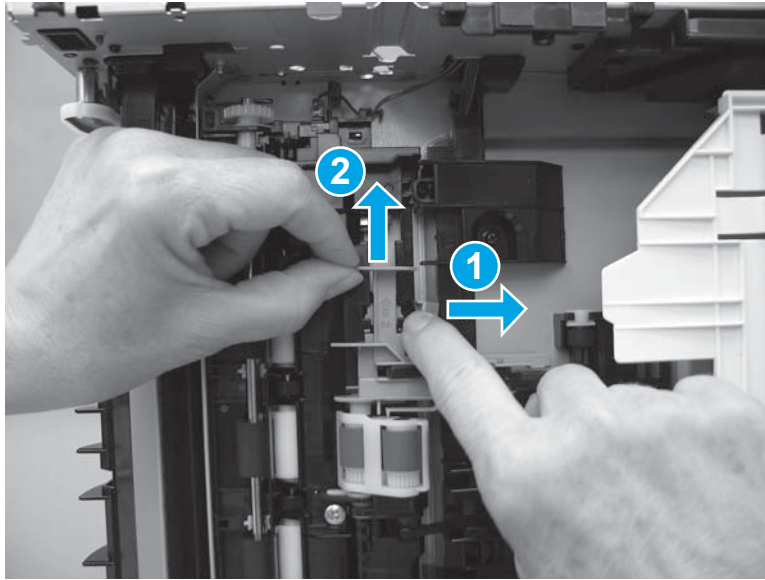
2. Lay the printer on the right side so that the left side is facing up. Press the tray 1 feed guide release button (callout 1), and then release the tray 1 feed guide toward the front of the printer (callout 2).

Figure 1-2911 Release the tray 1 feed guide



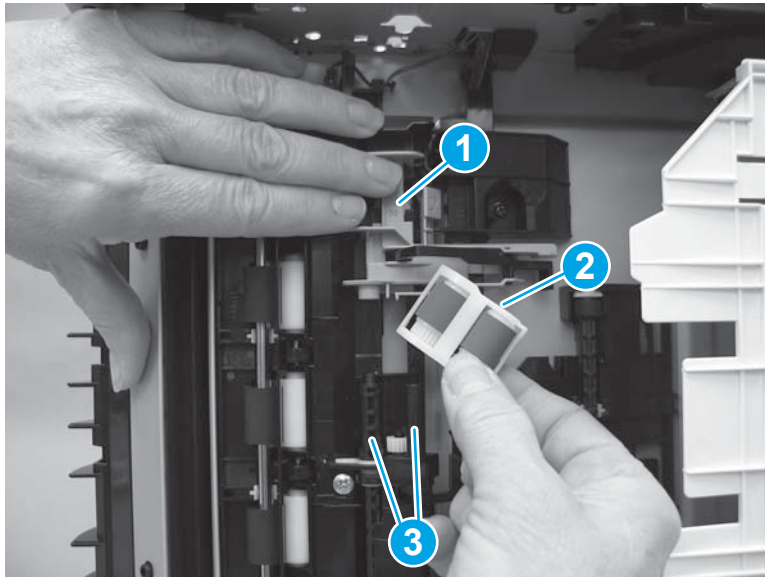
3. Press the lever (callout 1) on the roller holder, and then slide the roller holder up (callout 2).

Figure 1-2912 Slide the roller holder



4. Hold the roller holder up (callout 1), and then lift the pickup and feed roller case (callout 2) up off of the shafts (callout 3).

Figure 1-2913 Remove the pickup and feed rollers



5. Remove three screws (callout 1) on the rear feed guide assembly, and then remove three screws (callout 2) on the front feed guide assembly.


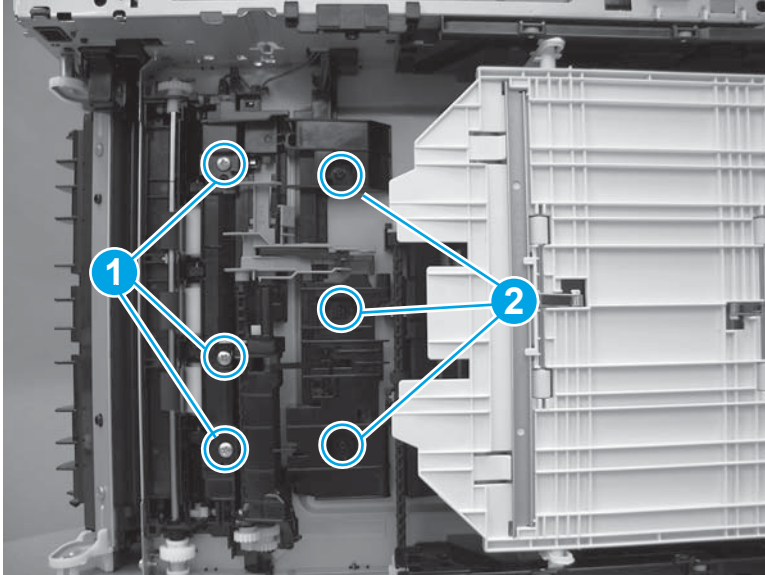
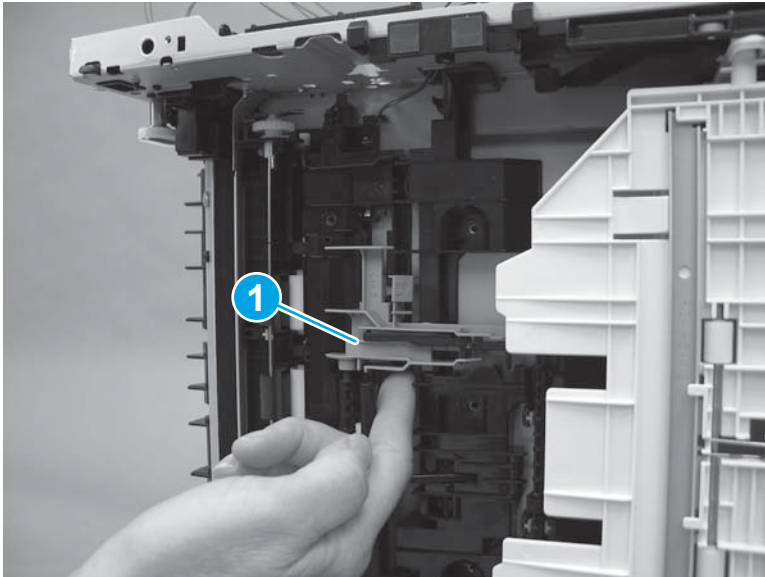
 **Reinstallation tip:** The three screws (callout 1) on the rear feed guide assembly are larger than the screws on the front feed guide assembly.

Figure 1-2914 Remove six screws



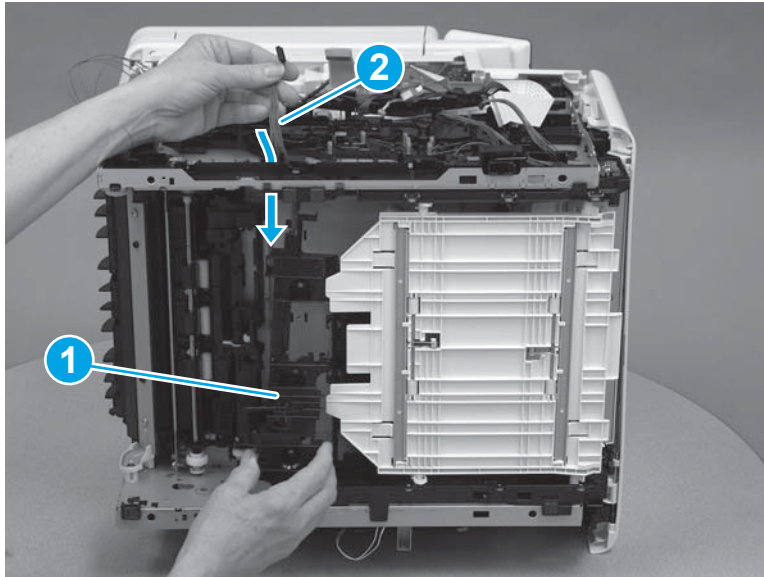
6. Remove the roller holder (callout 1).

Figure 1-2915 Remove the roller holder



7. Remove the front feed guide assembly (callout 1). Release the cables (callout 2) through the printer frame.

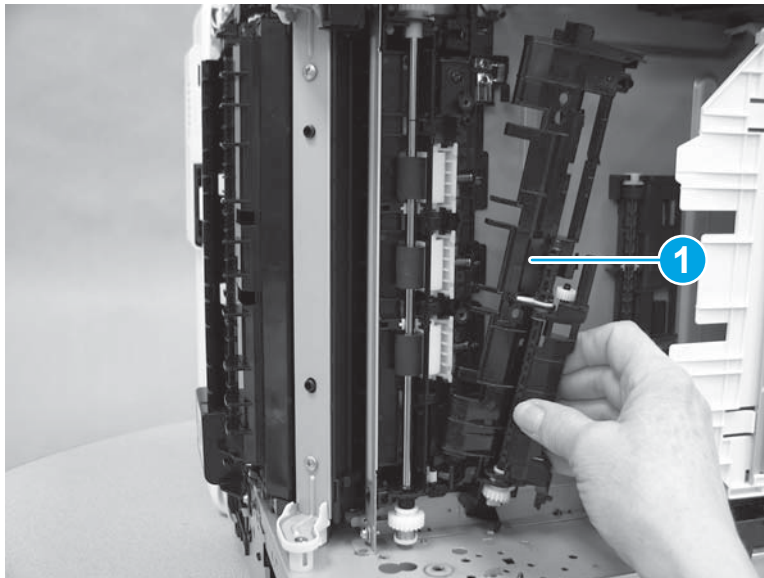
Figure 1-2916 Remove the front feed guide assembly



Step 18: Remove the rear feed guide assembly

- ▲ Remove the rear feed guide assembly (callout 1).

Figure 1-2917 Remove the rear feed guide assembly



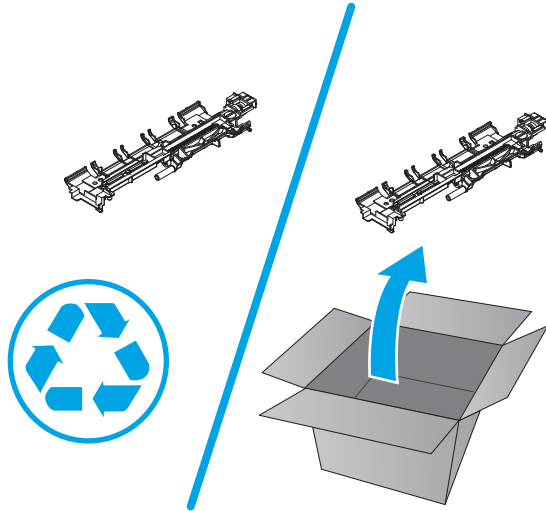
Step 19: Unpack the replacement part

Remove the new part from its package. Save all packaging for recycling the used part.

For complete information on HP's recycling programs, go to [Product return and recycling](#).

 **NOTE:** HP recommends responsible disposal of the defective part.

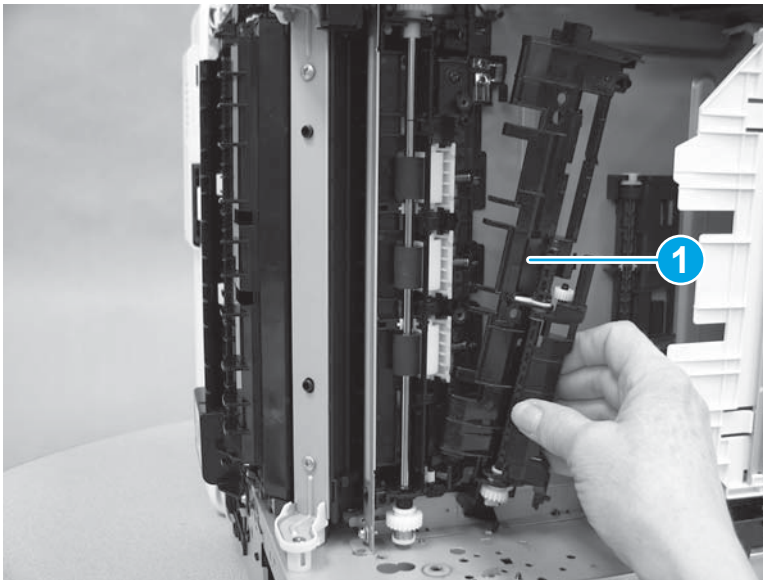
Figure 1-2918 Recycle and unpack



Step 20: Install the rear feed guide assembly

- ▲ Install the rear feed guide assembly (callout 1).

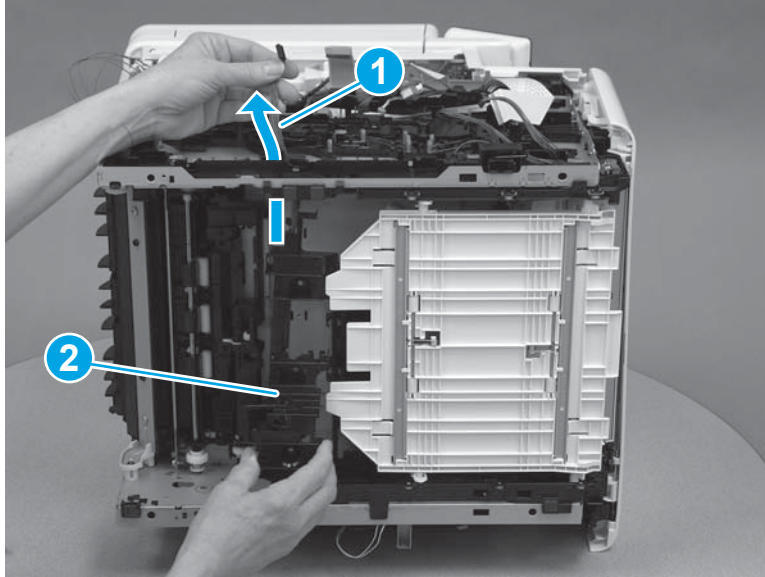
Figure 1-2919 Install the rear feed guide assembly



Step 21: Install the front feed guide assembly

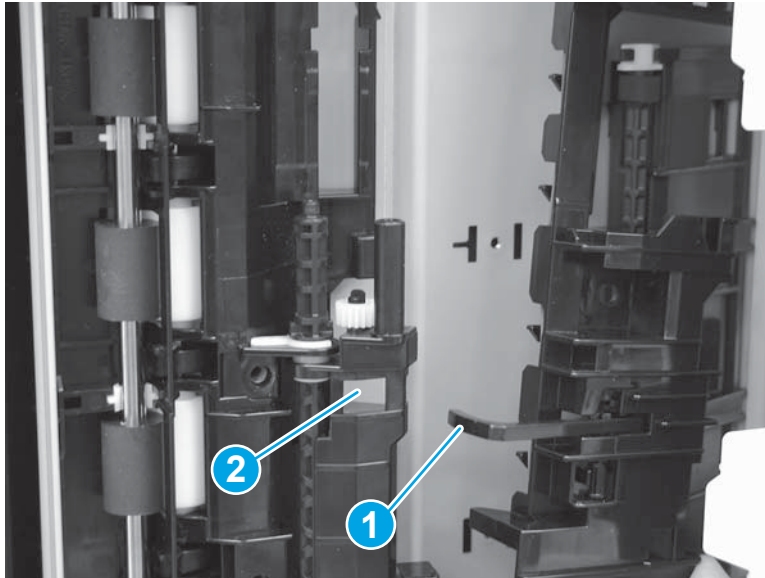
1. Thread the cables (callout 1) on the front feed guide assembly up through the printer frame, and then move the front feed guide assembly (callout 2) into position.

Figure 1-2920 Position the front feed guide assembly



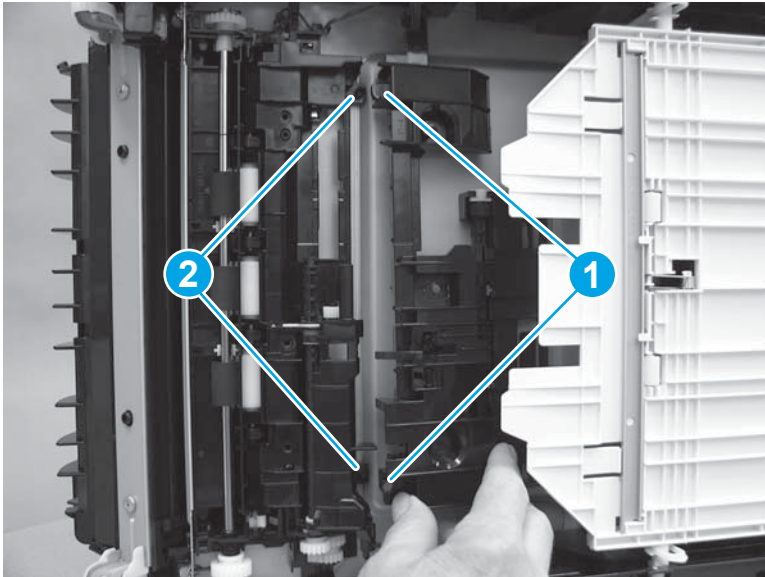
2. Make sure that the flag (callout 1) on the front feed guide assembly fits in the opening (callout 2) in the rear feed guide assembly.

Figure 1-2921 Position the flag



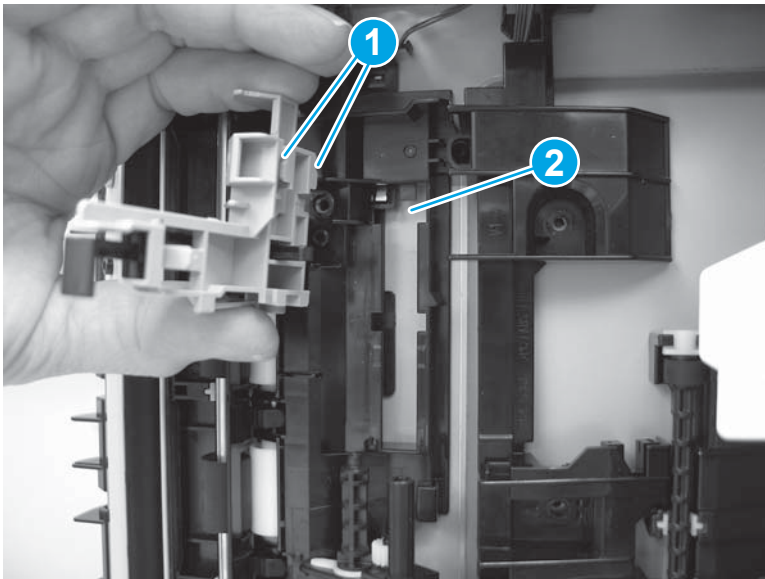
3. Install the holes on the front feed guide assembly (callout 1) over the tabs (callout 2) on the rear feed guide assembly.

Figure 1-2922 Install the front feed guide assembly



4. Position the tabs (callout 1) on the roller holder in the slots (callout 2) in the rear feed guide assembly, and then install the roller holder.

Figure 1-2923 Install the roller holder



5. Install three screws (callout 1) on the rear feed guide assembly, and then install three screws (callout 2) on the front feed guide assembly.


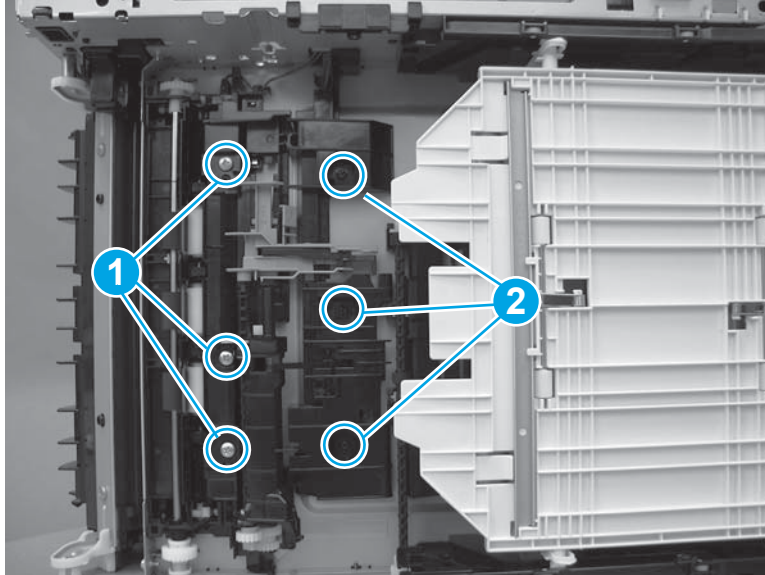
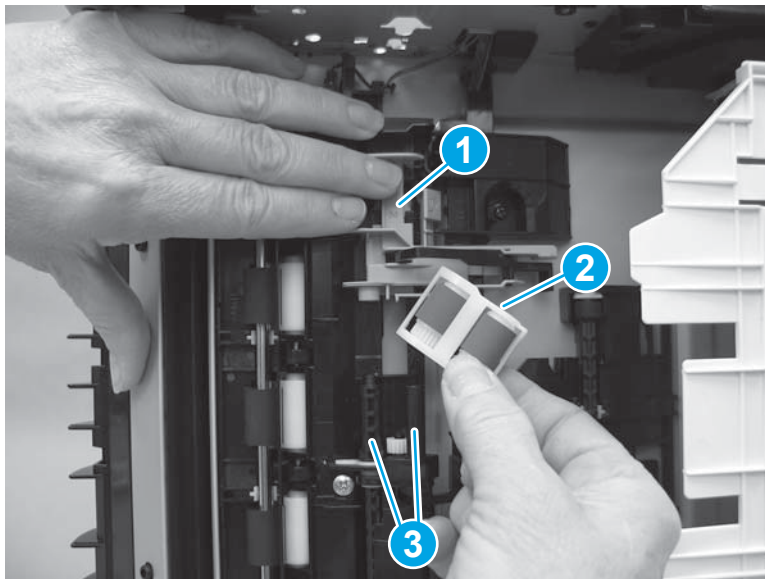
 **Reinstallation tip:** The three screws (callout 1) on the rear feed guide assembly are larger than the screws on the front feed guide assembly.

Figure 1-2924 Install six screws



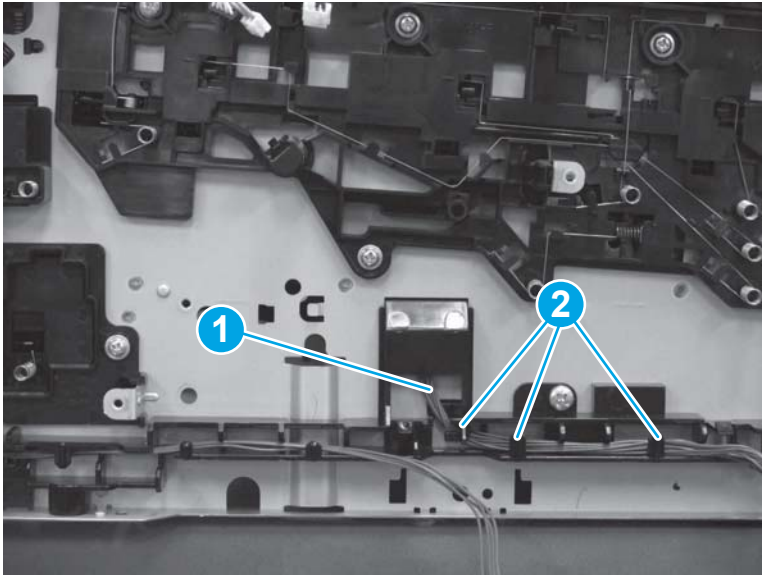
6. Hold the roller holder up (callout 1), and then install the pickup and feed roller case (callout 2) on the shafts (callout 3). Lower the roller holder until it snaps into place.

Figure 1-2925 Remove the pickup and feed rollers



7. Return the printer to an upright position so that the top side is facing up. Install the cables (callout 1) into the cable guide (callout 2).

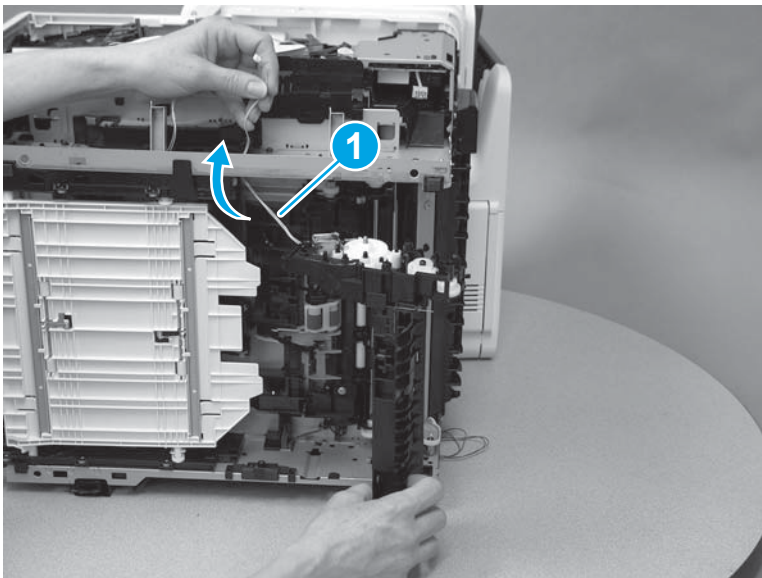
Figure 1-2926 Release the cables



Step 22: Install the pickup assembly

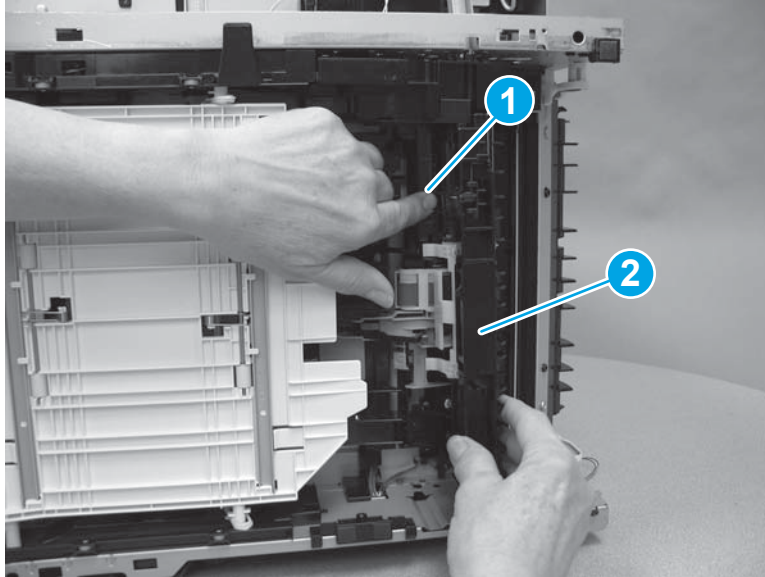
1. Thread the cables (callout 1) through the printer frame.

Figure 1-2927 Thread the cables



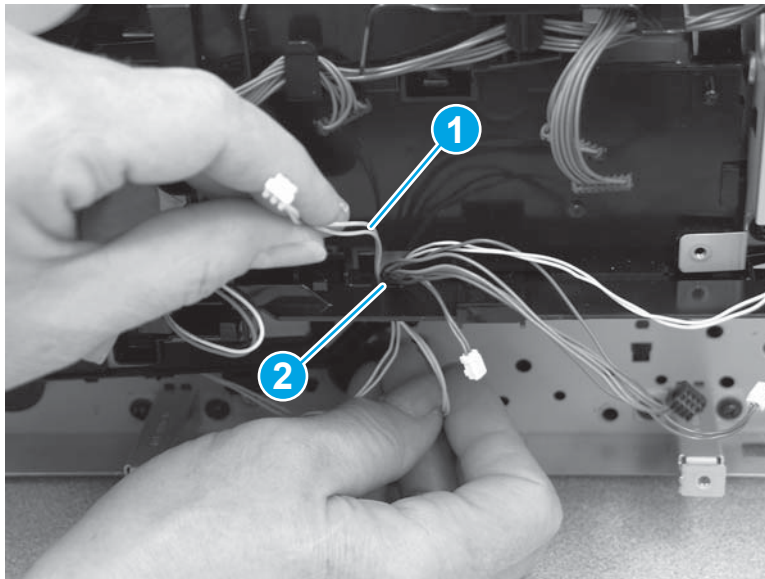
2. Press the pickup and feed roller holder (callout 1) toward the printer, and then install the pickup assembly (callout 2).

Figure 1-2928 Install the pickup assembly



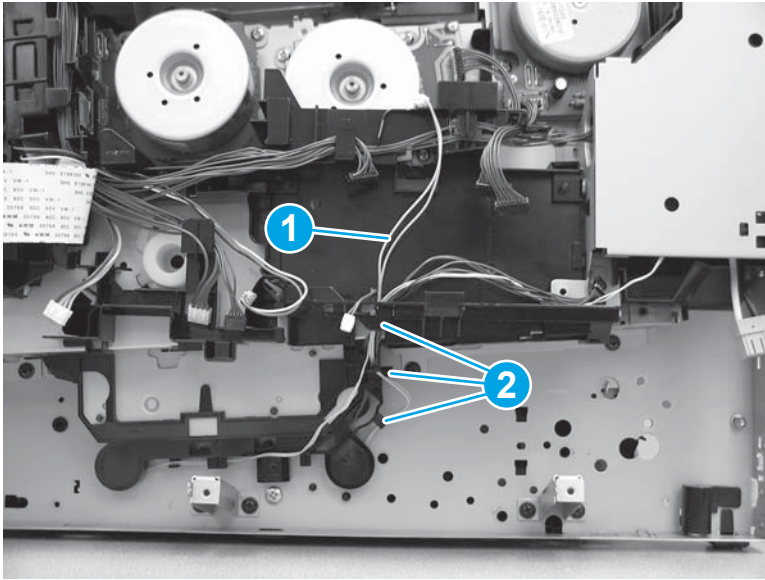
3. Return the printer to an upright position so that the top side is facing up. Thread the cables (callout 1) through the opening in the driver PCA holder (callout 2).

Figure 1-2929 Install the cable



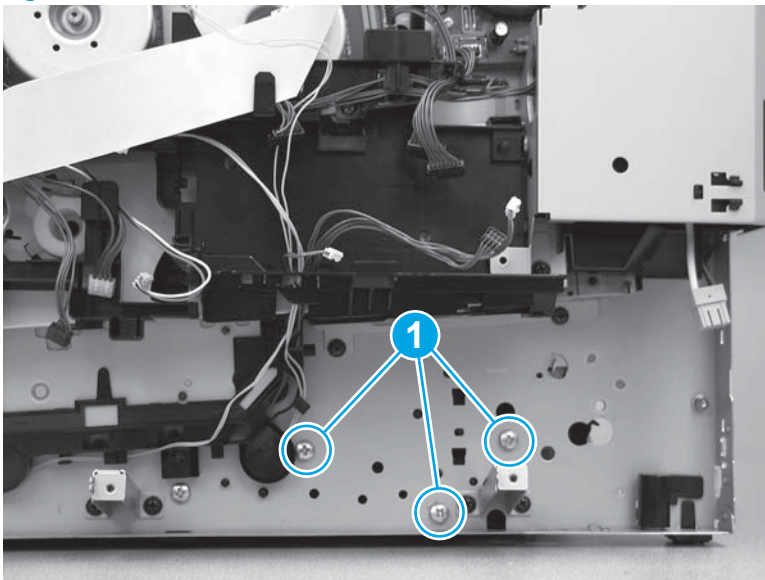
4. Install the cables (callout 1) in the cable guides (callout 2).

Figure 1-2930 Install the cables in the cable guides



5. Install three screws (callout 1).

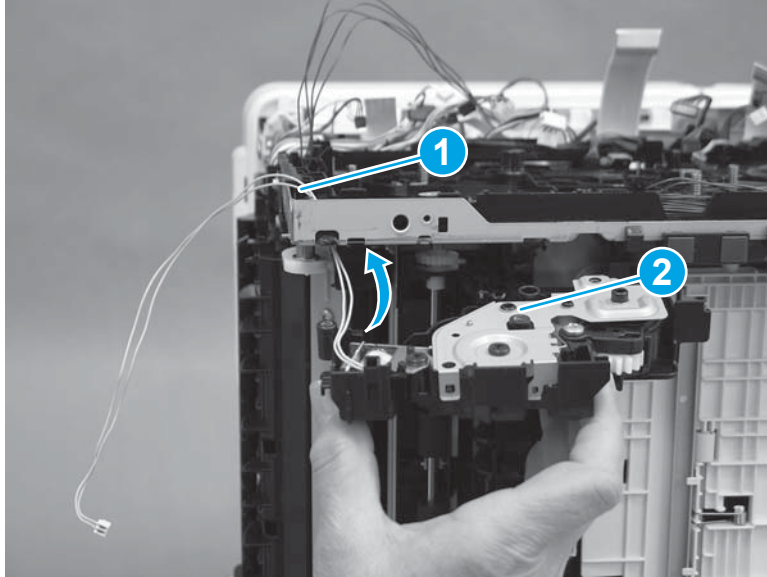
Figure 1-2931 Install three screws



Step 23: Install the lifter drive assembly

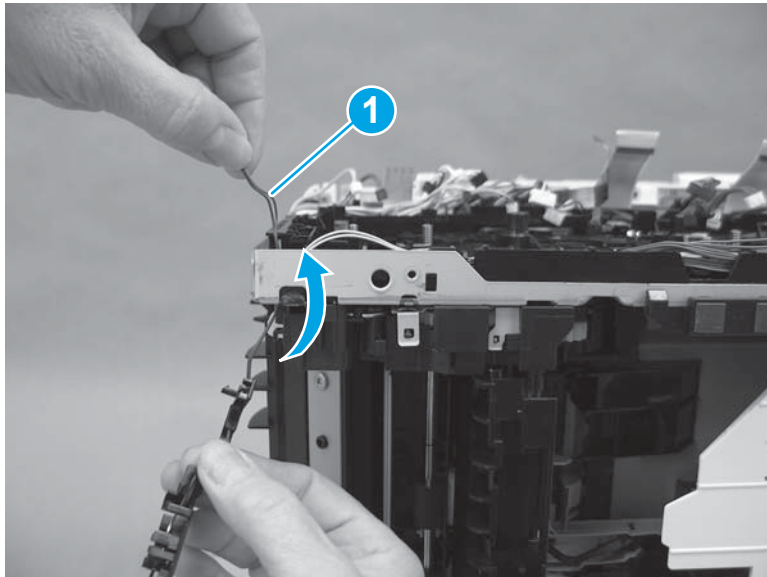
1. Install the cables (callout 1) on the lifter drive assembly up through the printer frame, and then install the lifter drive assembly (callout 2).

Figure 1-2932 Install the lifter drive assembly



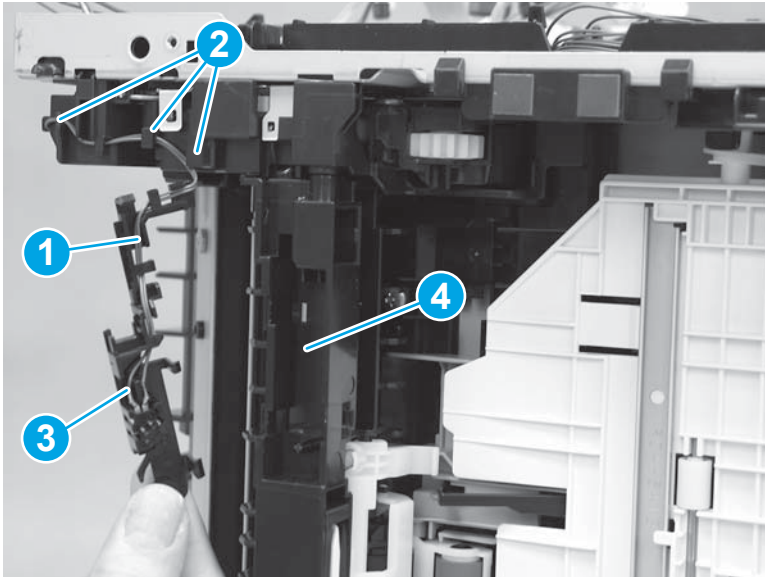
2. Install the cables (callout 1) on the tray sensor switch up through the printer frame.

Figure 1-2933 Install the tray sensor switch cable



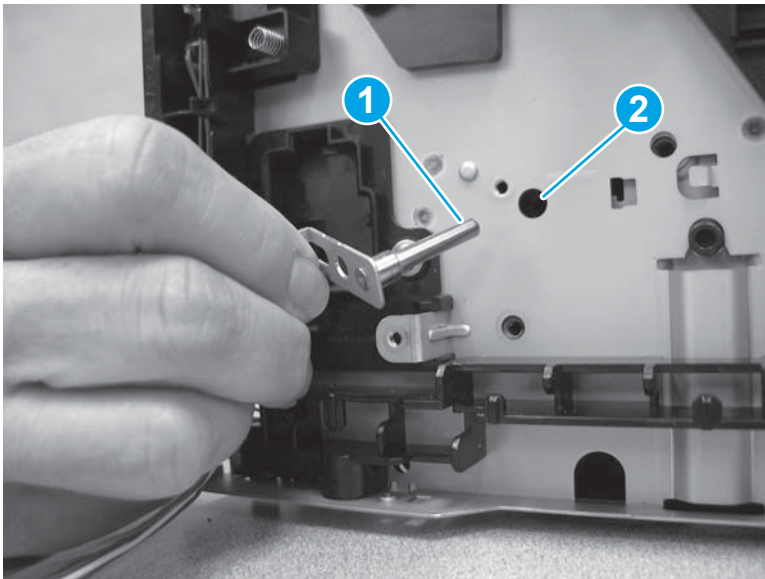
3. Install the cables (callout 1) in the cable guide (callout 2), and then install the tray sensor switch (callout 3) on the lifter drive assembly (callout 4).

Figure 1-2934 Install the tray sensor switch



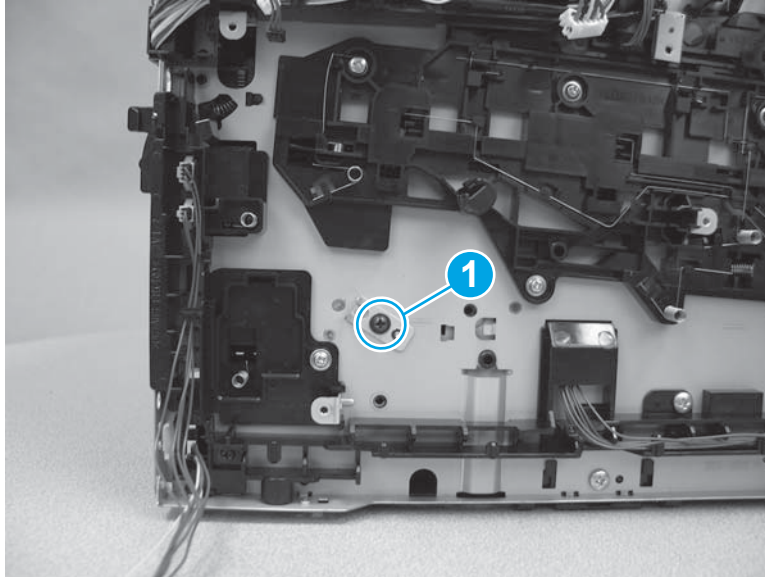
4. Return the printer to an upright position so that the top side is facing up. Install the shaft (callout 1) into the hole (callout 2) in the printer.

Figure 1-2935 Install the shaft



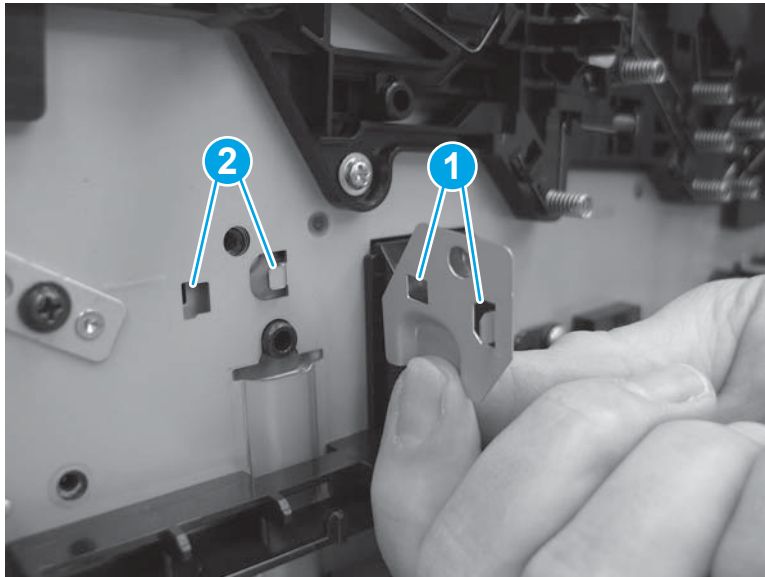
5. Install one screw (callout 1).

Figure 1-2936 Install one screw



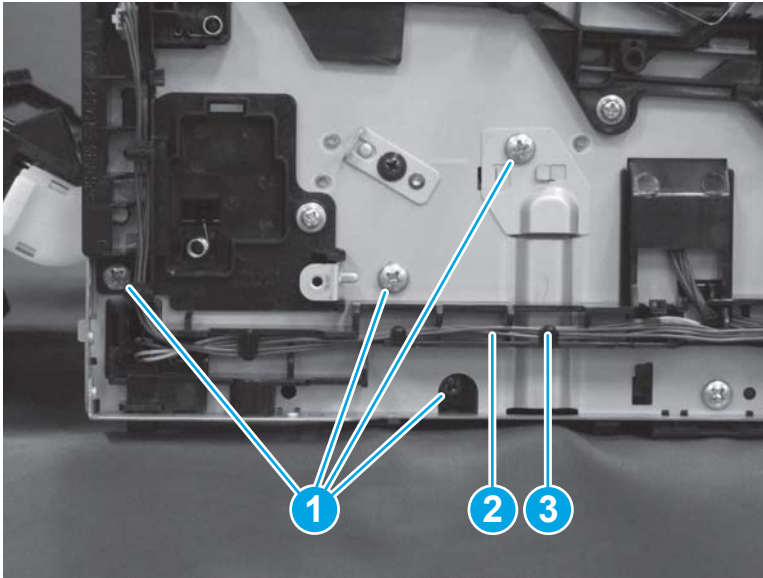
6. Install the tabs and slots on the cover (callout 1) into the corresponding tabs and slots (callout 2) on the printer.

Figure 1-2937 Install one cover



7. Install four screws (callout 1), and then install the cables (callout 2) into the guides (callout 3).

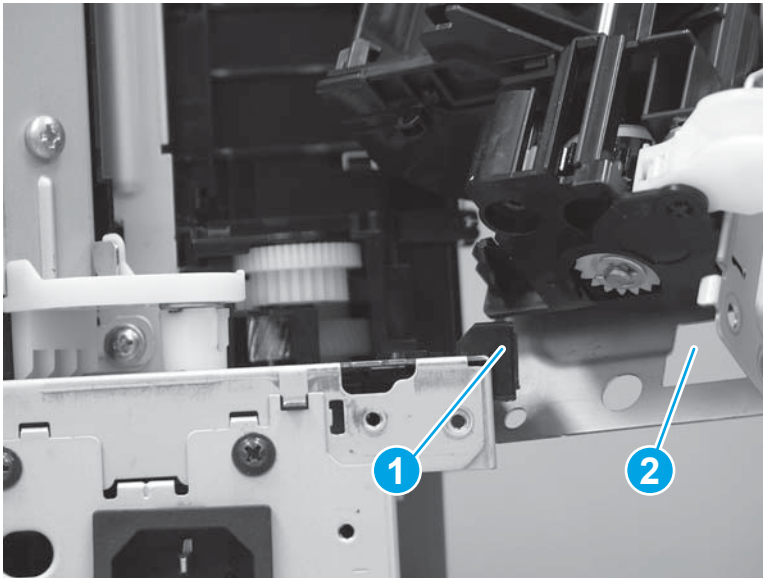
Figure 1-2938 Install four screws and cables



Step 24: Install the re-pickup assembly (duplex models)

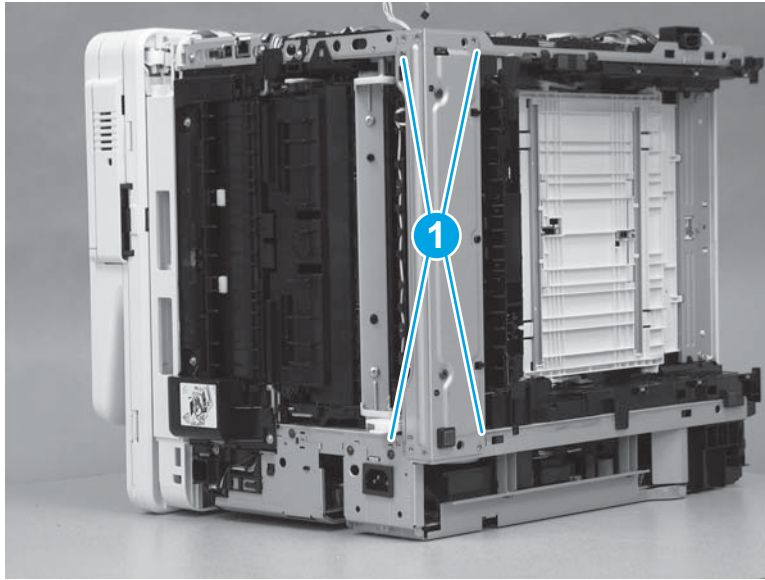
1. Position the foot on the printer (callout 1) through the opening (callout 2) on the re-pickup drive assembly.

Figure 1-2939 Position the foot through the opening



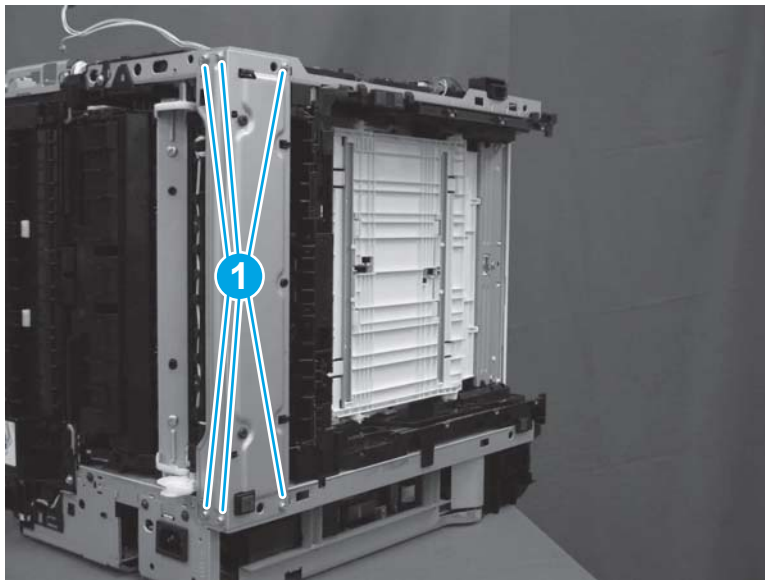
2. Install four tabs (callout 1).

Figure 1-2940 Install four tabs



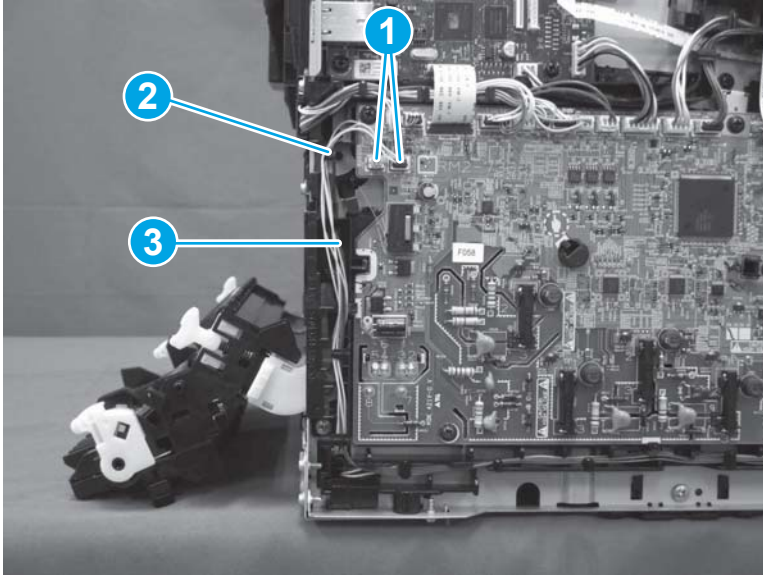
3. Install six screws (callout 1).

Figure 1-2941 Install six screws



4. Return the printer to an upright position so that the top side is facing up. On the left side of the printer, connect two connectors (callout 1), and then install the cables (callout 2) in the guides (callout 3).

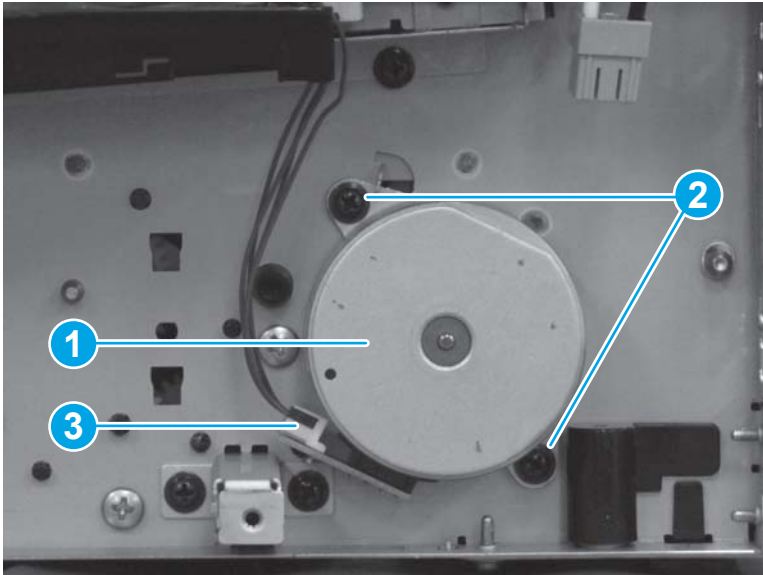
Figure 1-2942 Connect two connectors and install cables in guides



Step 25: Install the pickup motor

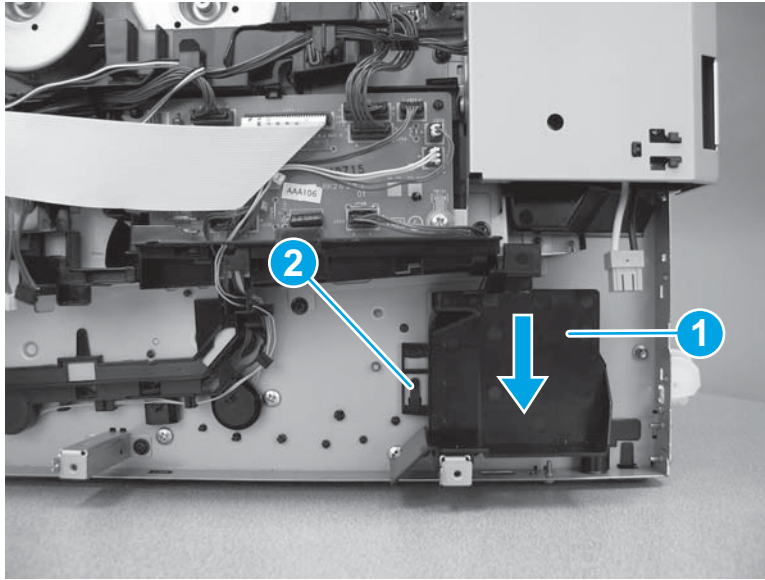
1. Position the pickup motor (callout 1) on the printer. Install two screws (callout 2), and then connect one connector (callout 3).

Figure 1-2943 Install the pickup motor



2. Position the fan duct (callout 1) on the printer. Slide the fan duct down to engage one tab (callout 2).

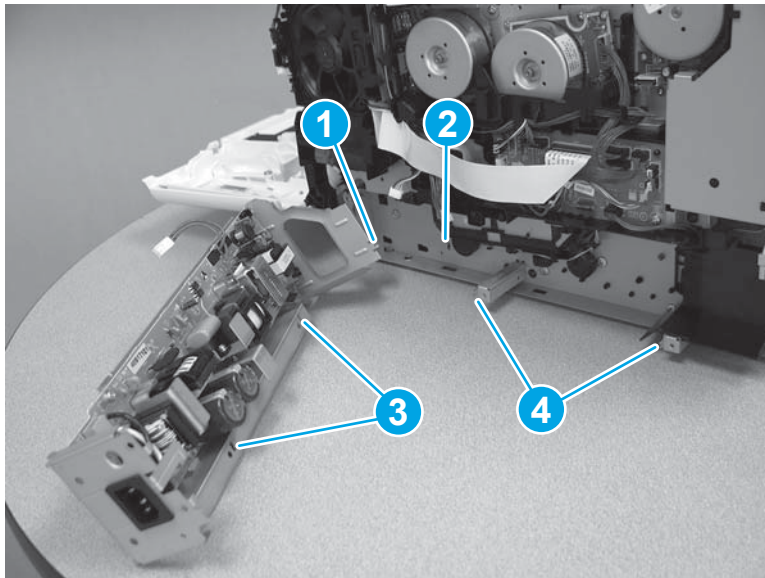
Figure 1-2944 Install the fan duct



Step 26: Install the low-voltage power supply

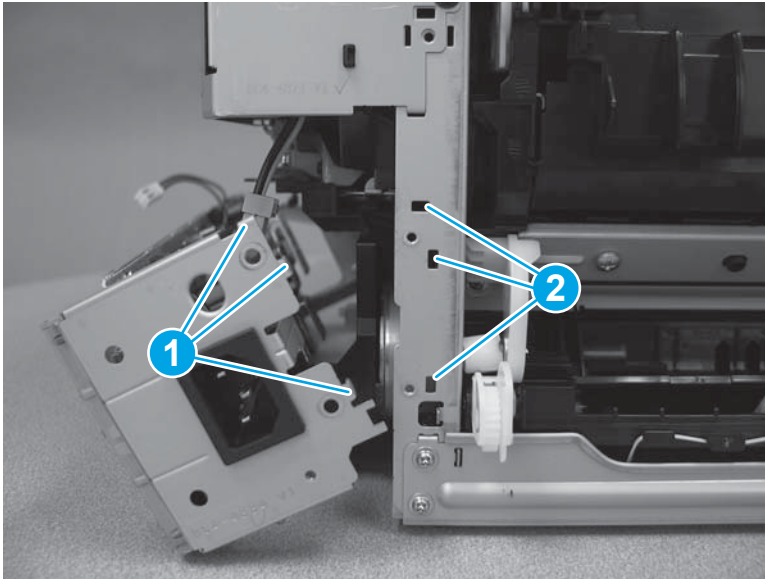
1. Install the tab (callout 1) on the LVPS into the slot (callout 2) in the printer. Install the slots (callout 3) in the LVPS over the tabs (callout 4) on the printer.

Figure 1-2945 Install the side tabs of the LVPS



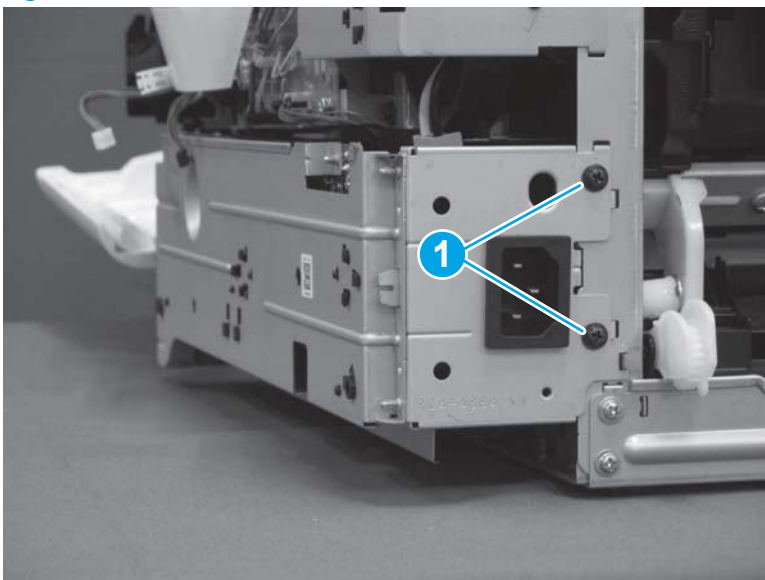
2. At the back of the printer, install the tabs on the LVPS (callout 1) into the slots (callout 2) in the printer.

Figure 1-2946 Install the back tabs of the LVPS



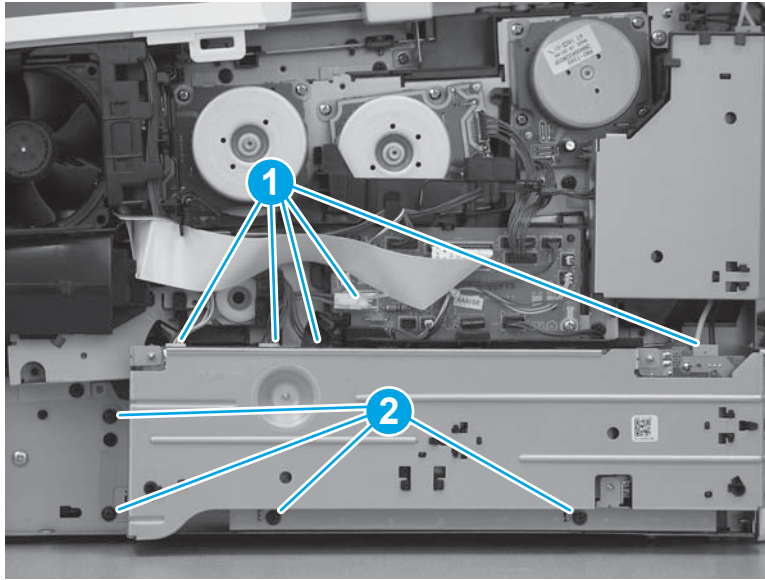
3. Install two screws (callout 1).

Figure 1-2947 Install two screws



4. Connect five connectors (callout 1), and then install four screws (callout 2).

Figure 1-2948 Connect five connectors and install four screws




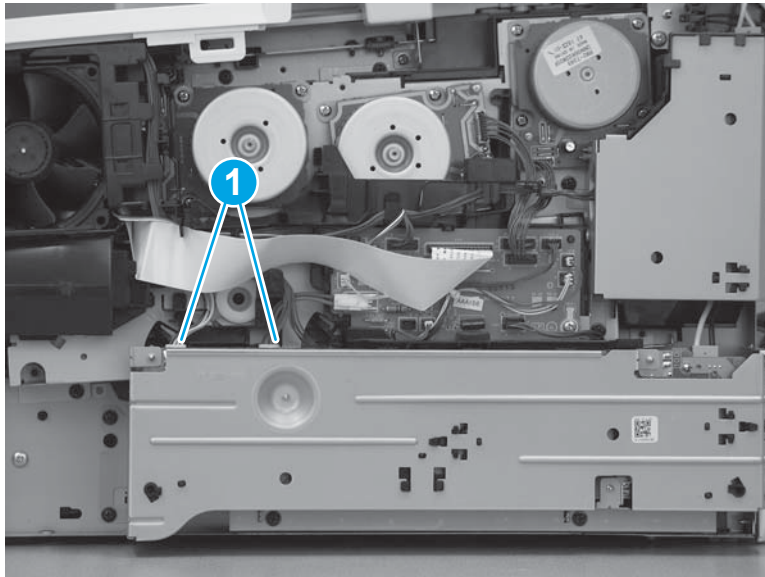
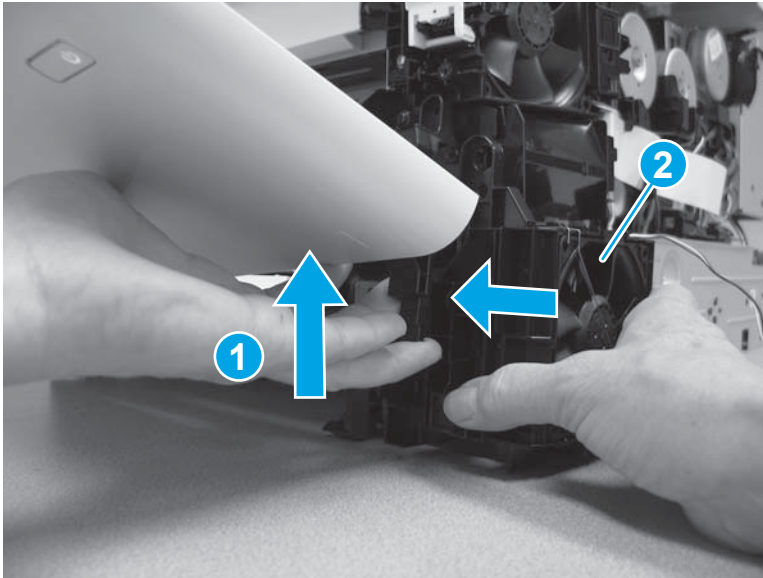
 **IMPORTANT:** Two of the cables (callout 1) can be inadvertently switched. The connectors on the cables will fit in either connector on the LVPS. Make sure these cables are installed in the correct connectors. If these cables are switched, the printer will not power on when reassembled.

Figure 1-2949 Check the connectors



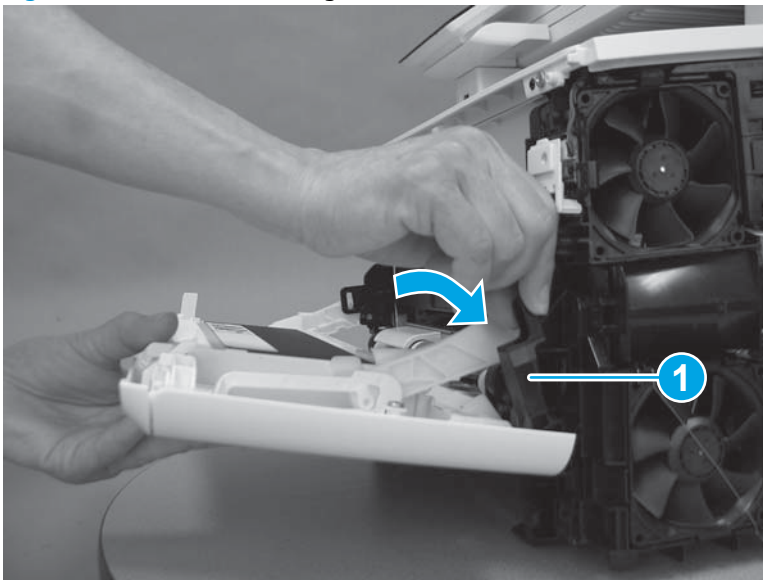
5. Lift the front door up slightly (callout 1), and then install the power supply fan and holder (callout 2).

Figure 1-2950 Remove the power supply fan and holder



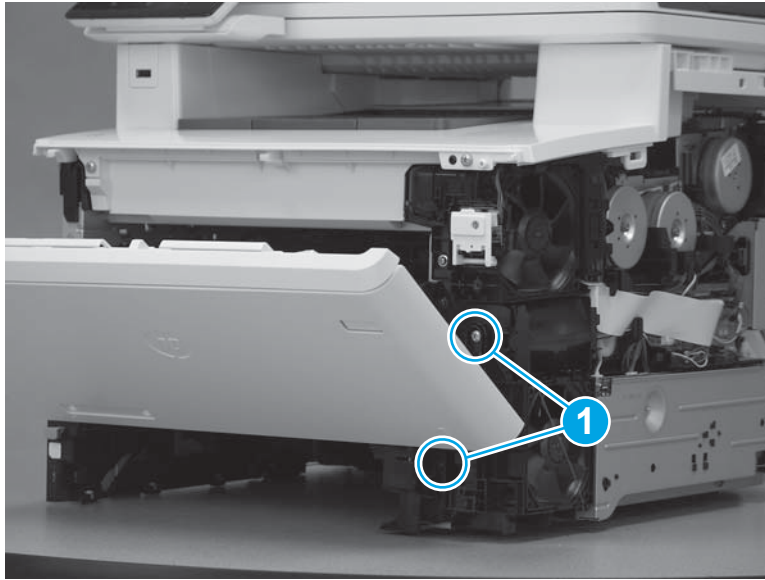
6. Install the hinge arm (callout 1).

Figure 1-2951 Install the hinge arm



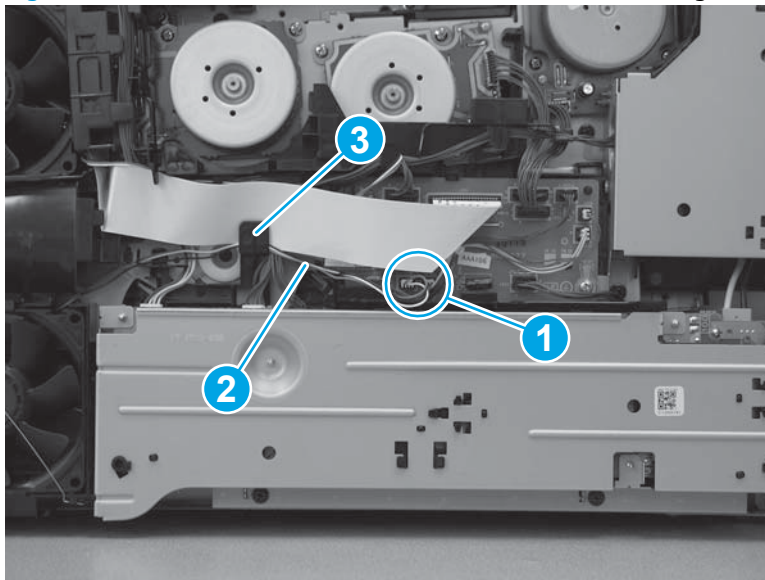
7. Install two screws (callout 1).

Figure 1-2952 Install two screws



8. Connect one connector (callout 1), and then install the cable (callout 2) into the wire guide (callout 3).

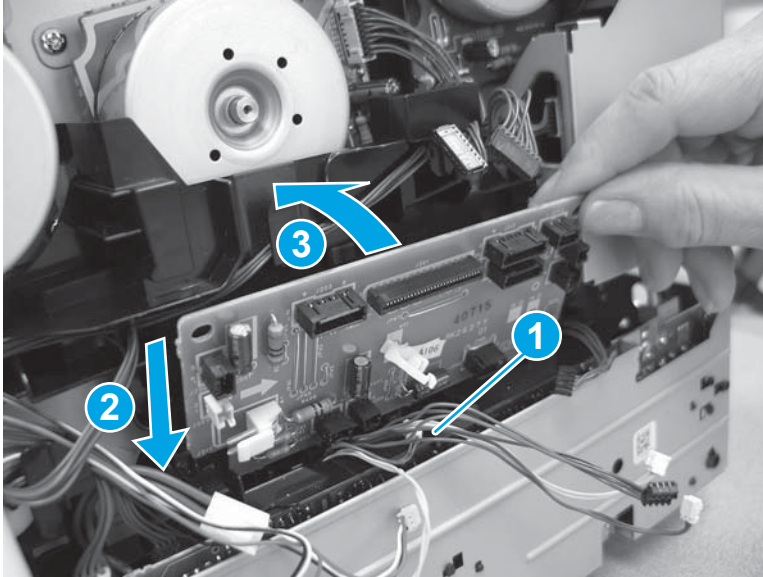
Figure 1-2953 Connect one connector and install cables in the guides



Step 27: Install the driver PCA

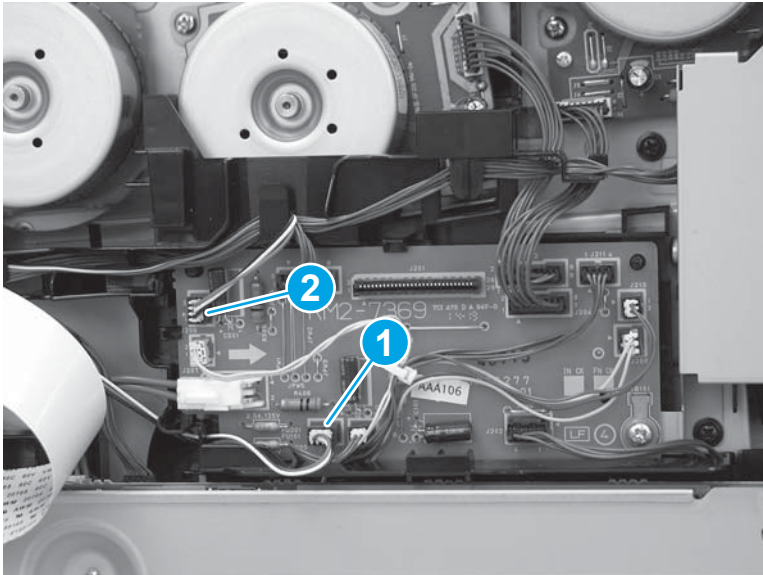
1. Make sure that all of the cables (callout 1) are positioned in front of the driver PCA. Position the bottom of the driver PCA (callout 2) against the PCA holder, and then rotate the top of the PCA (callout 3) toward the printer until it snaps into place.

Figure 1-2954 Install the driver PCA



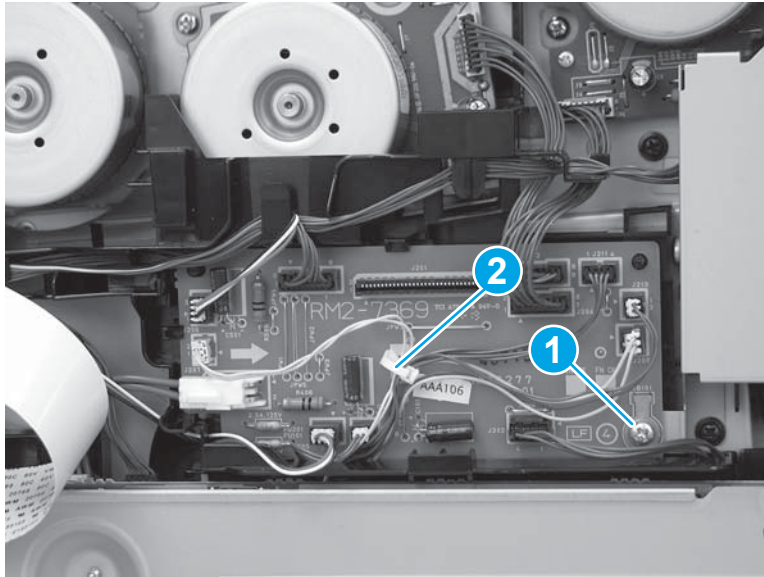
2. When connecting the connectors in the next step, make sure that the power supply fan connector (callout 1) and the cartridge fan connector (callout 2) are installed in the correct positions.

Figure 1-2955 Fan connector locations



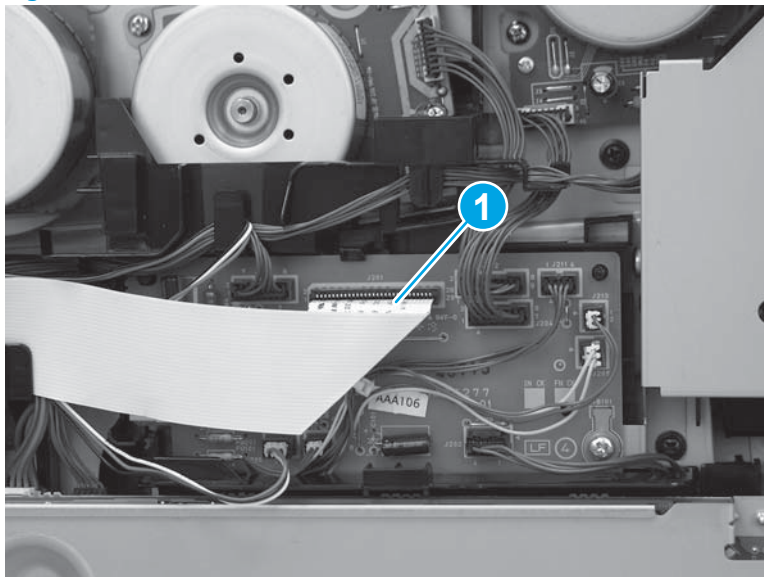
3. Install one screw (callout 1), connect all of the connectors on the driver PCA, and then close one retainer (callout 2).

Figure 1-2956 Install one screw and connect all connectors



4. Connect one connector (callout 1).

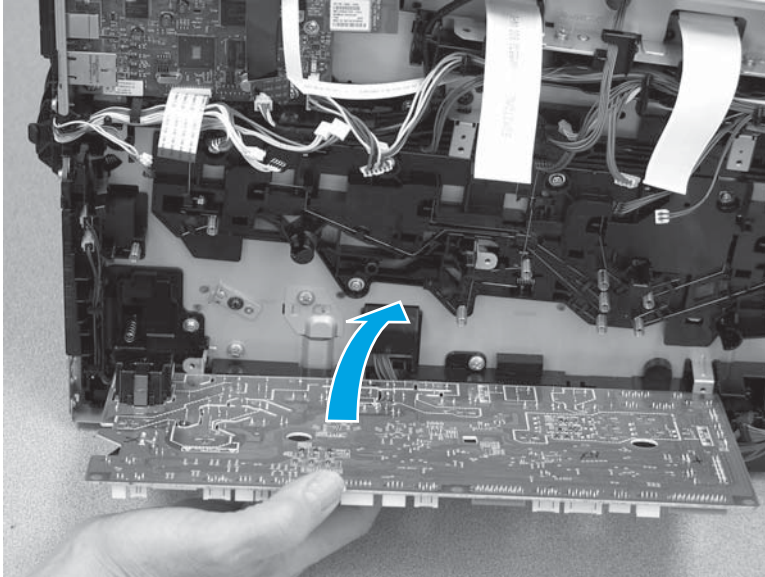
Figure 1-2957 Connect one connector



Step 28: Install the engine controller PCA

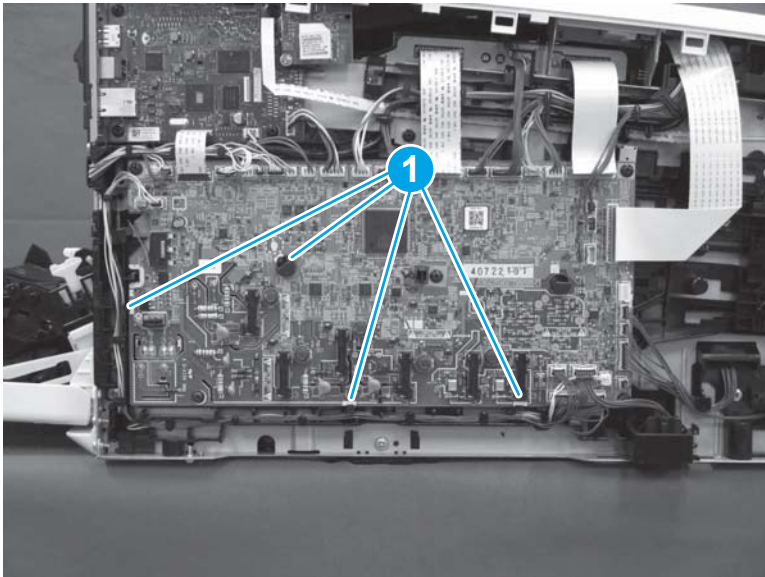
1. Position the engine controller PCA on the printer.

Figure 1-2958 Position the engine controller PCA



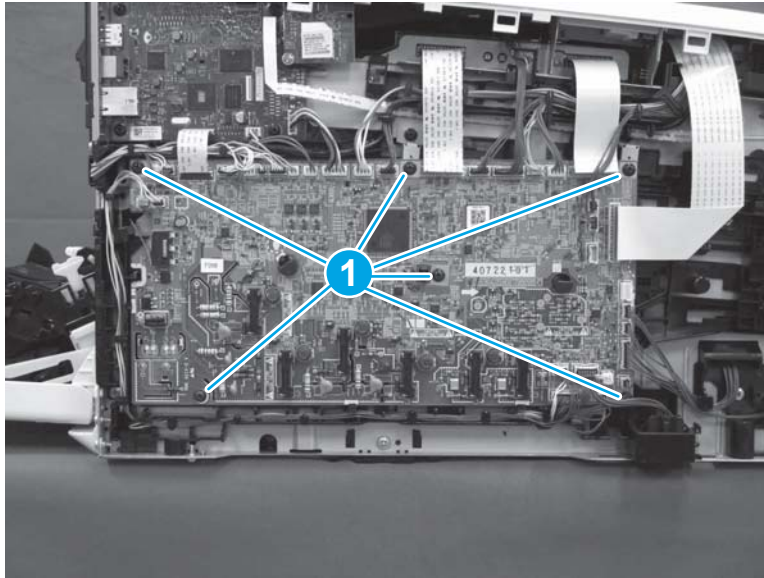
2. Install four tabs (callout 1).

Figure 1-2959 Install four tabs



3. Install six screws (callout 1).

Figure 1-2960 Install six screws



4. Connect all of the connectors on the engine controller PCA. Note that one connector (callout 1) is a zero-insertion force (ZIF) connector. Lift the latch on the connector before installing the flat cable, and then secure the latch once the cable is installed.


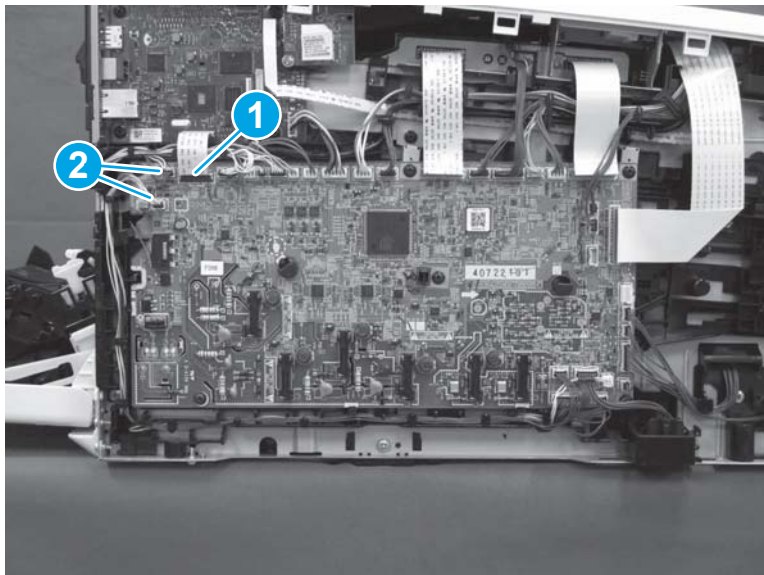
 **IMPORTANT: Duplex printers only:** Two of the cables (callout 2) can be inadvertently switched when reinstalling. The connectors on the cables will fit in either connector on the engine controller PCA. Make sure that these cables are installed in the correct connectors. If these cables are switched, the printer will experience a repeatable jam when printing duplex jobs.

Figure 1-2961 Connect all of the connectors

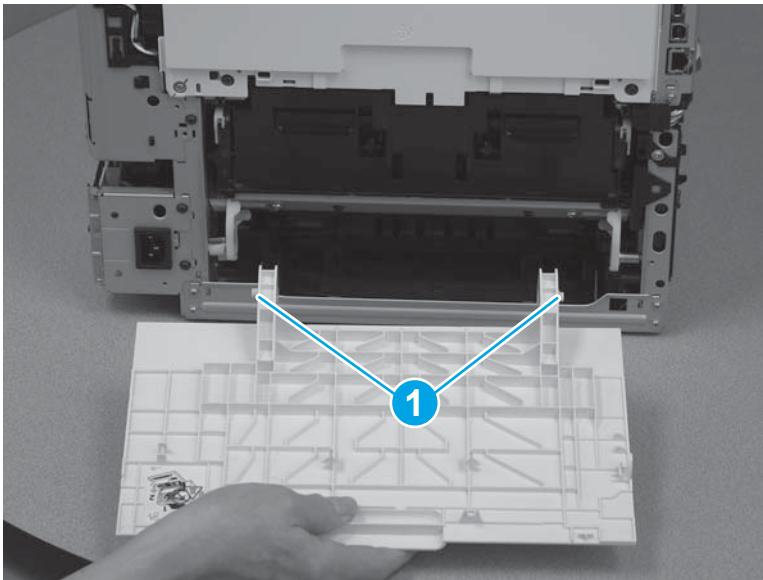


Step 29: Install the rear door (simplex models)

 **NOTE:** This step is for simplex models. For duplex models, skip this step and go to [Step 30: Install the duplexer door assembly \(duplex models\) on page 1578](#).

- ▲ Slightly flex the door hinge arms to install two hinge pins (callout 1).

Figure 1-2962 Install the rear door

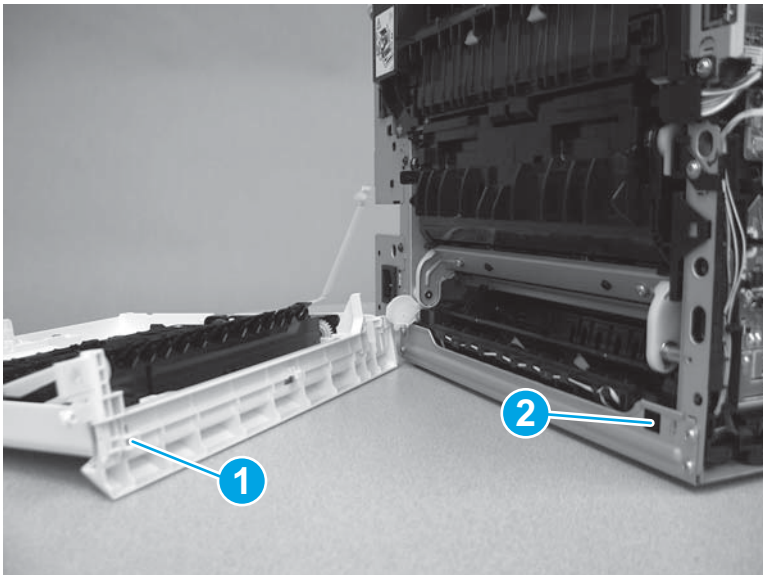


Step 30: Install the duplexer door assembly (duplex models)

 **NOTE:** This step is for duplex models. For simplex models, skip this step and go to [Step 31: Install the left cover \(M452 models\) on page 1580](#).

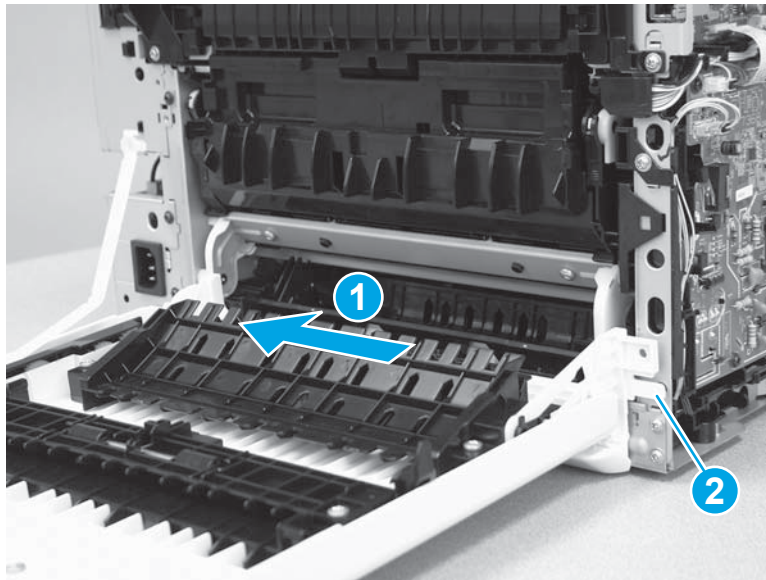
1. Position the tab (callout 1) on the door into the slot (callout 2) on the printer.

Figure 1-2963 Position the tab in the slot



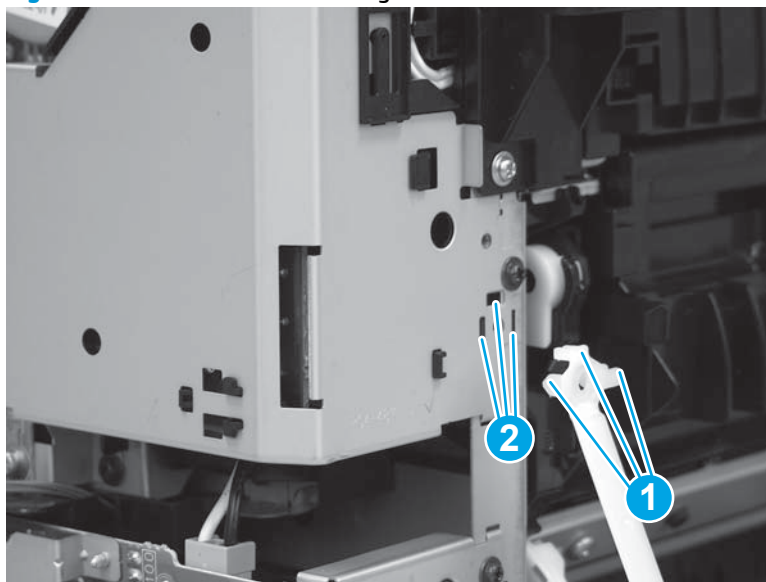
2. Slide the door to the left (callout 1) until the tab (callout 2) snaps into place.

Figure 1-2964 Install the duplexer door



3. Install the tabs (callout 1) on the retaining arm into the slots (callout 2) in the printer.

Figure 1-2965 Install the retaining arm



4. At the back of the printer, install two screws (callout 1), and then install one screw (callout 2) that holds the retention arm.


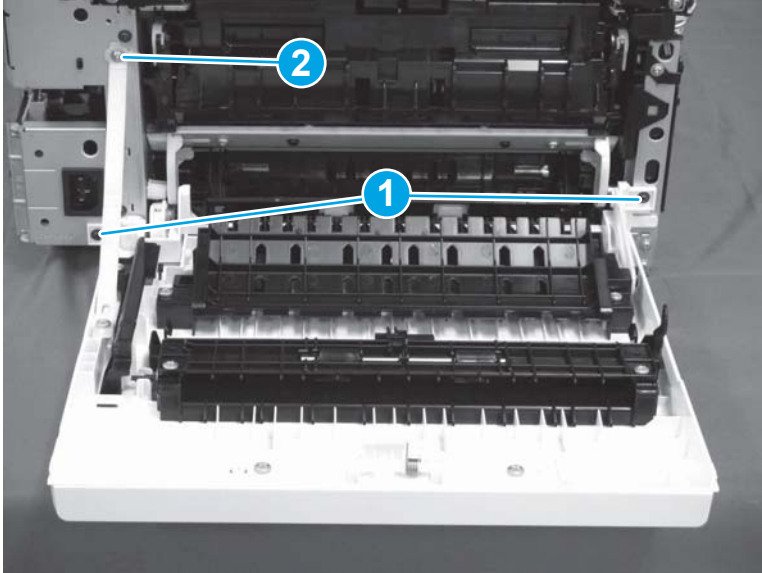
 **Reinstallation tip:** Note that the screw (callout 2) that holds the retention arm is longer than the other two. Make sure this screw is installed in the correct position.

Figure 1-2966 Install three screws

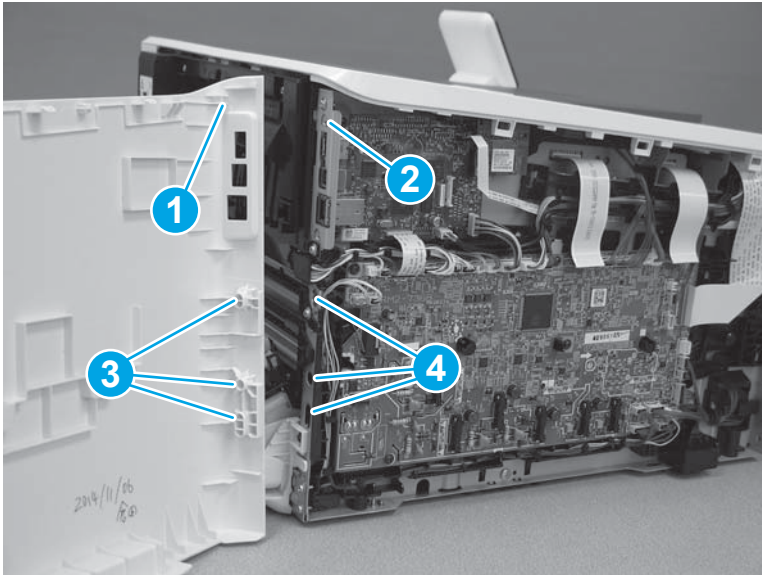


Step 31: Install the left cover (M452 models)

 **NOTE:** This step is for the M452 models. For the M377, M477 models, skip this step and go to [Step 32: Install the left cover \(M377, M477 models\) on page 1584](#).

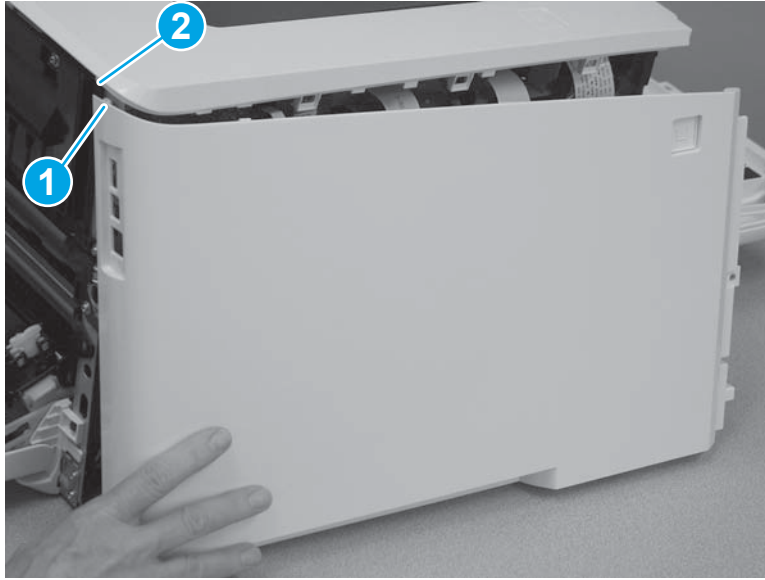
1. Position the hook (callout 1) on the cover in the slot (callout 2) on the printer. Position three tabs (callout 3) on the back of the cover in the slots (callout 4) in the printer.

Figure 1-2967 Position three tabs



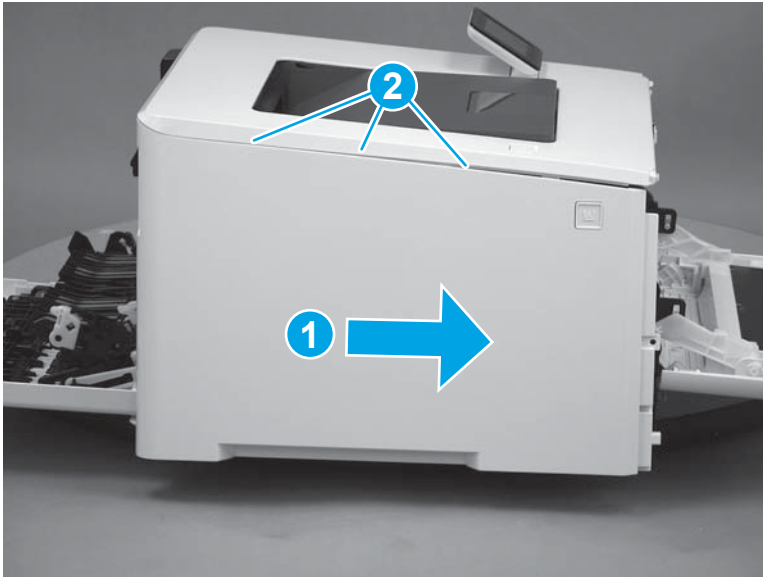
2. At the back of the printer, install the tab (callout 1) under the edge of the top cover (callout 2).

Figure 1-2968 Install one tab



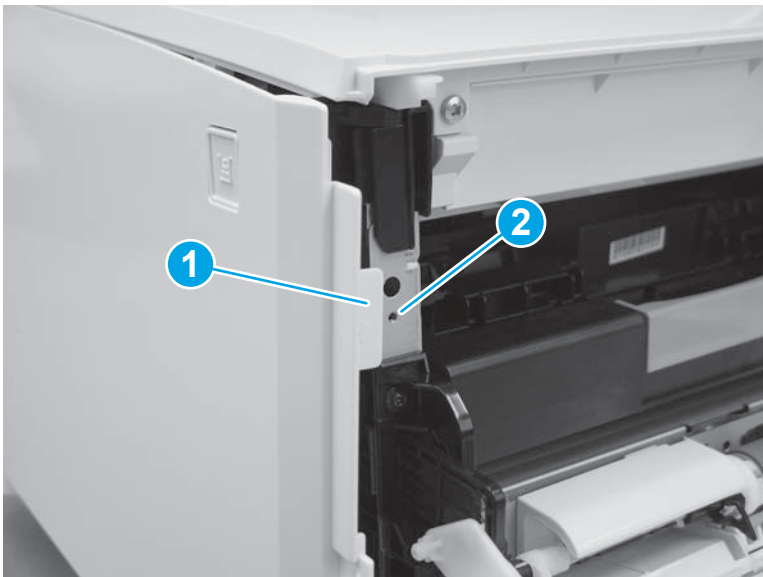
3. Slide the cover toward the front of the printer (callout 1), and then engage three tabs (callout 2) on the top of the cover.

Figure 1-2969 Install the left cover



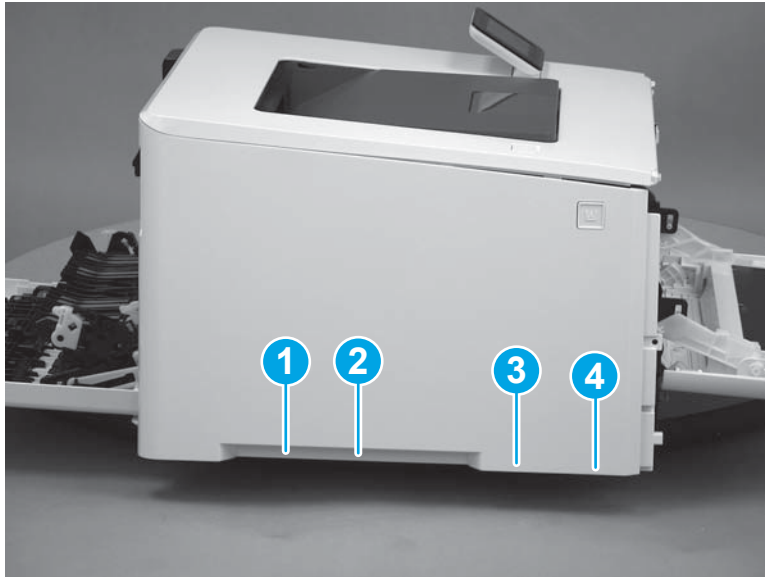
CAUTION: Make sure that the tab (callout 1) does not get caught behind the printer frame (callout 2).

Figure 1-2970 Make sure the tab does not get caught



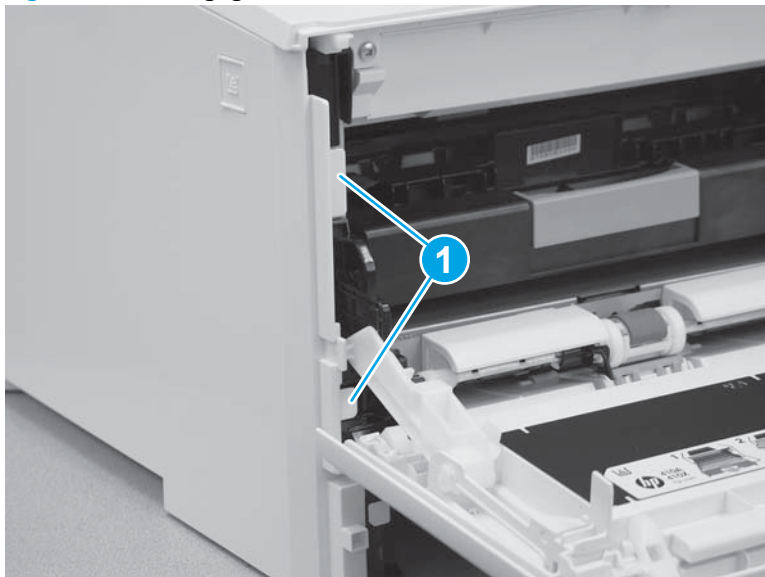
4. Slide the printer to the edge of a work surface in order to access the tabs on the bottom of the cover. Beginning from the back of the cover, install four tabs (callouts 1-4) on the lower edge of the cover.

Figure 1-2971 Install four tabs



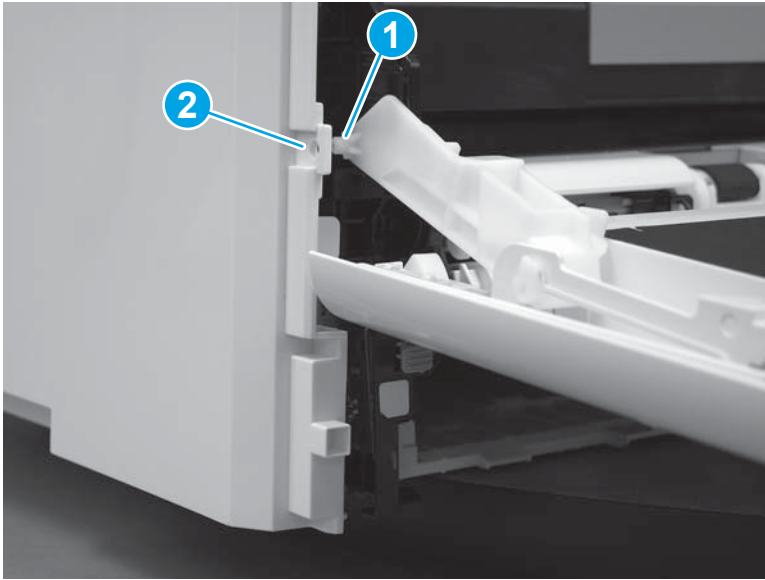
5. Install two tabs (callout 1) at the front of the cover.

Figure 1-2972 Engage two tabs



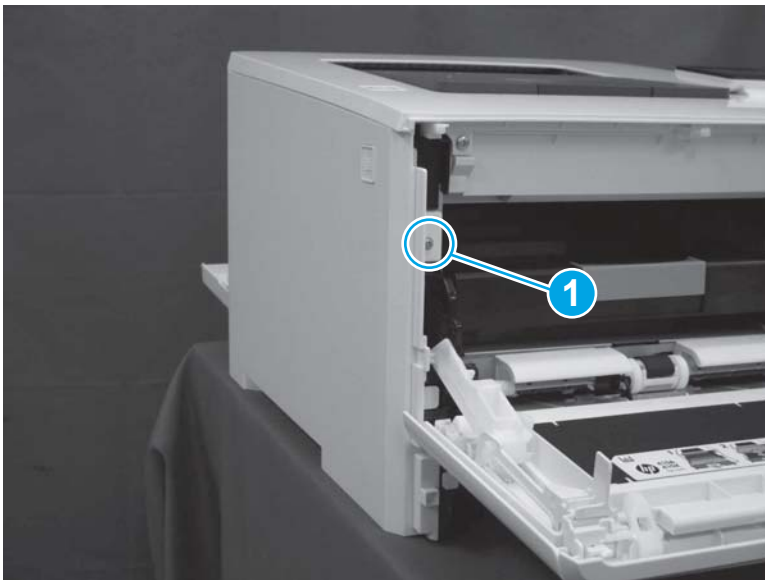
6. Make sure that the hinge pin (callout 1) on the front door fits into the slot (callout 2) on the left cover.

Figure 1-2973 Install hinge pin




7. Install one screw (callout 1).

Figure 1-2974 Install one screw

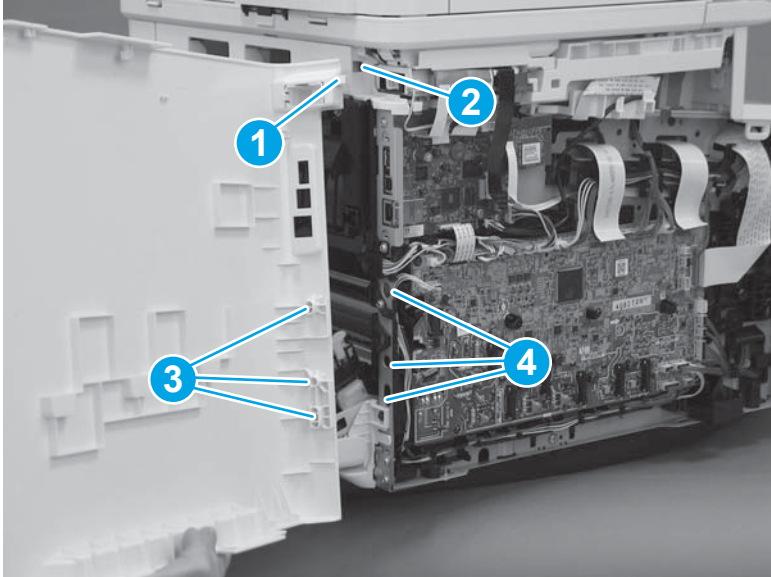


Step 32: Install the left cover (M377, M477 models)

 **NOTE:** This step is for the M377, M477 models. For the M452 models, skip this step and go to [Step 33: Install the right cover \(M452 models\) on page 1591](#).

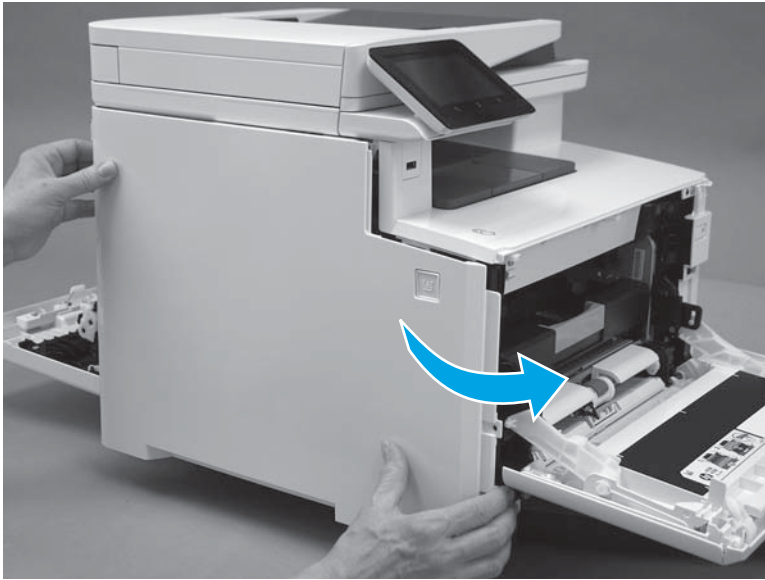
1. At the back of the printer, install the tab (callout 1) on the cover into the slot (callout 2) in the printer. Install the locator pins (callout 3) into the slots (callout 4) in the printer.

Figure 1-2975 Install one tab



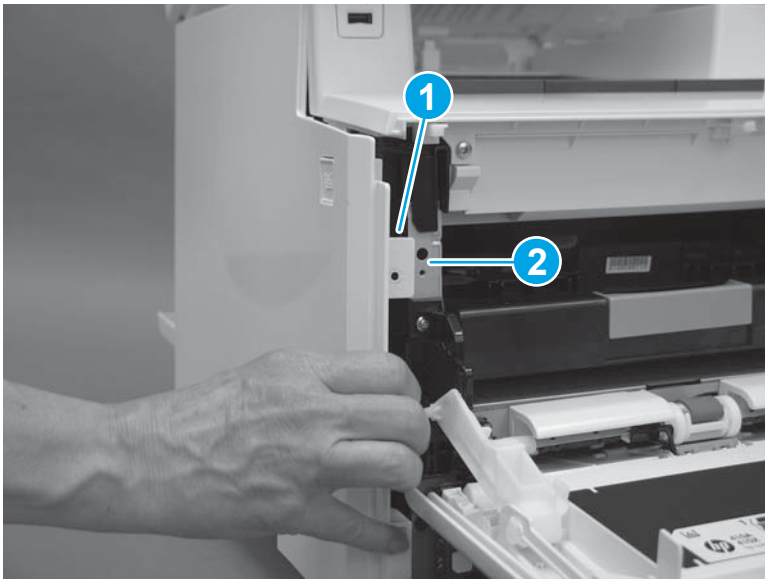
2. Rotate the cover toward the printer.

Figure 1-2976 Rotate the left cover



CAUTION: Make sure that the tab (callout 1) does not get caught behind the printer frame (callout 2).

Figure 1-2977 Make sure the tab does not get caught



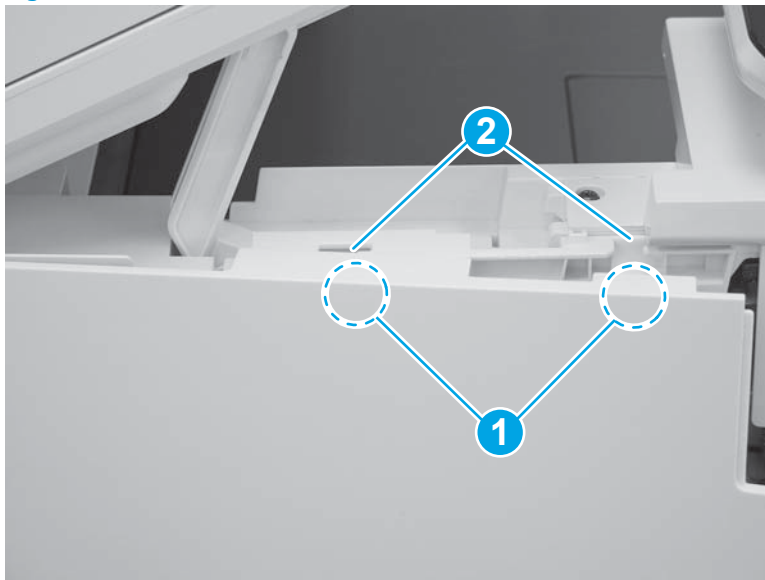
3. Raise the scanner.

Figure 1-2978 Raise the scanner



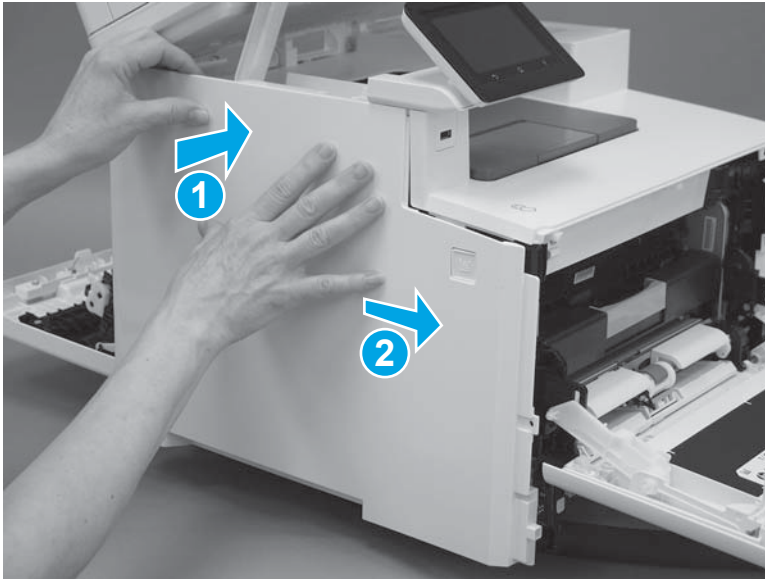
4. Position the hooks (callout 1) on the inside of the cover into the slots (callout 2) on the printer.

Figure 1-2979 Position the hooks in the slots



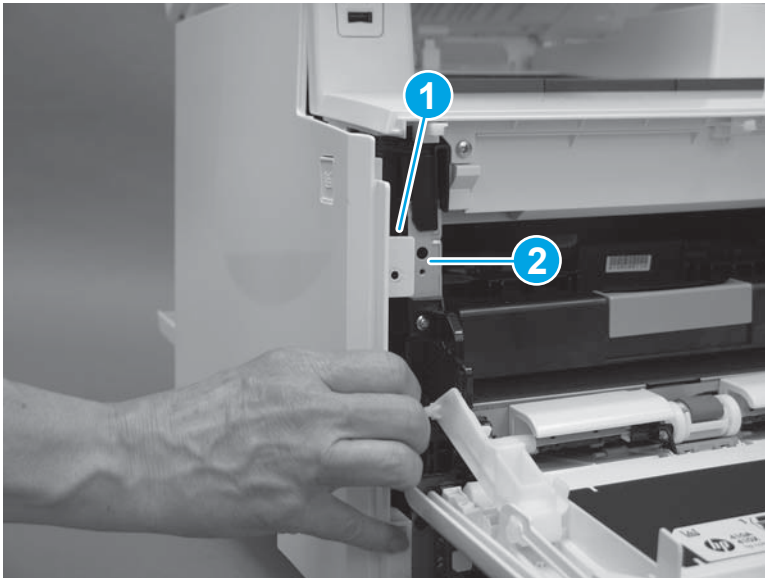
5. Hold the cover against the printer (callout 1), and then slide it (callout 2) toward the front of the printer.

Figure 1-2980 Install the top hooks



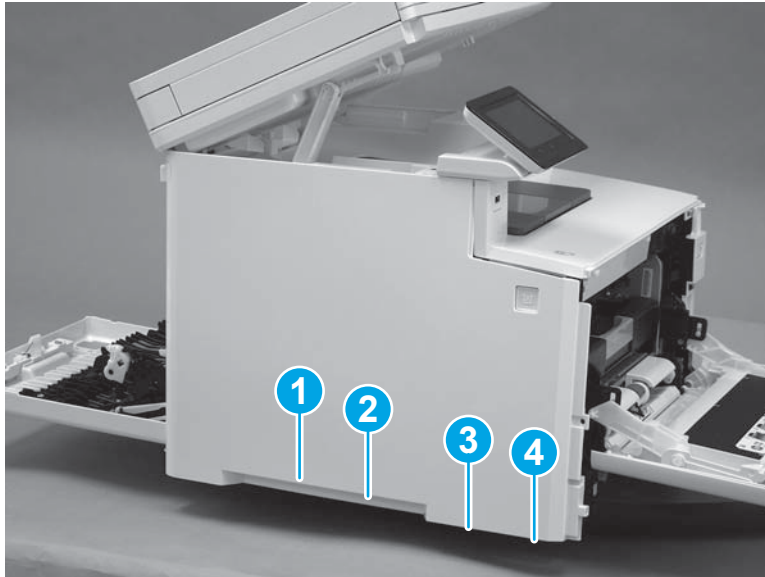
CAUTION: Make sure that the tab (callout 1) on the front of the cover does not get caught behind the printer frame (callout 2).

Figure 1-2981 Make sure the tab does not get caught



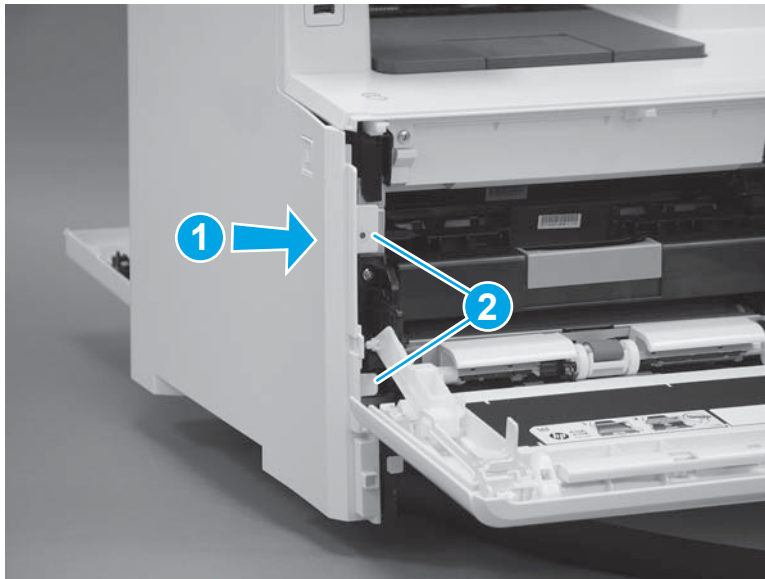
6. Slide the printer to the edge of a work surface in order to access the tabs on the bottom of the cover. Beginning from the back of the cover, install four tabs (callouts 1-4) on the lower edge of the cover.

Figure 1-2982 Install four tabs



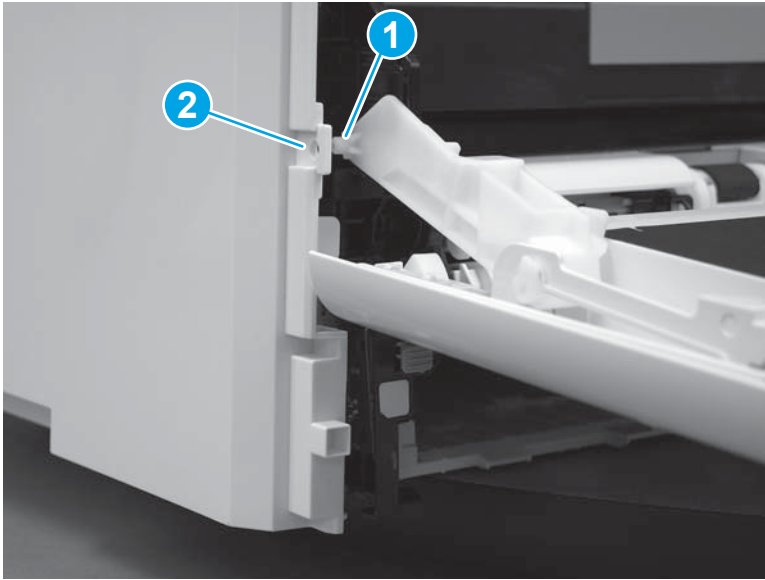
7. Press the cover toward the printer (callout 1), and then install two tabs (callout 2) at the front of the cover.

Figure 1-2983 Install two tabs



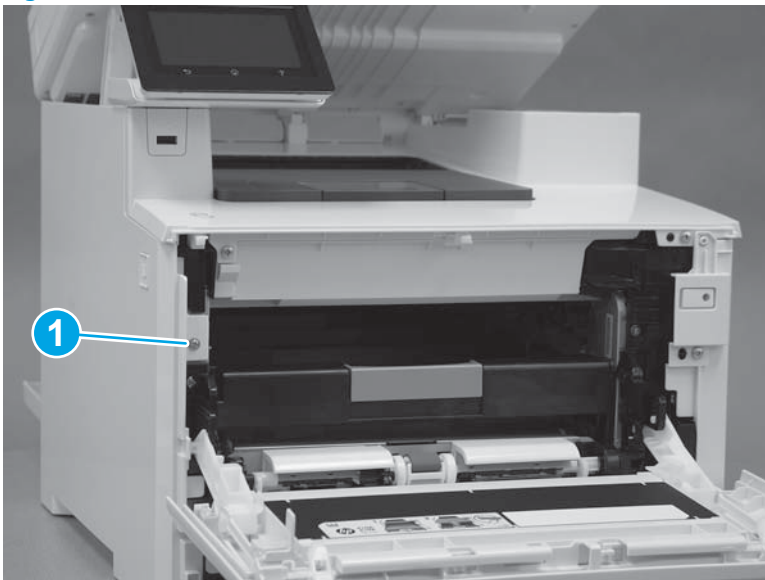
8. Make sure that the hinge pin (callout 1) on the front door fits into the slot (callout 2) on the left cover.

Figure 1-2984 Install hinge pin



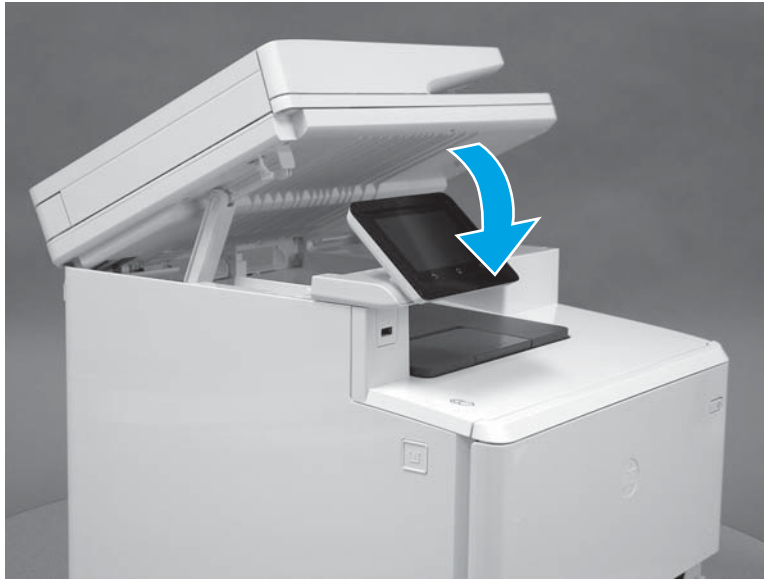
9. Install one screw (callout 1).

Figure 1-2985 Install one screw




10. Lower the scanner.

Figure 1-2986 Lower the scanner

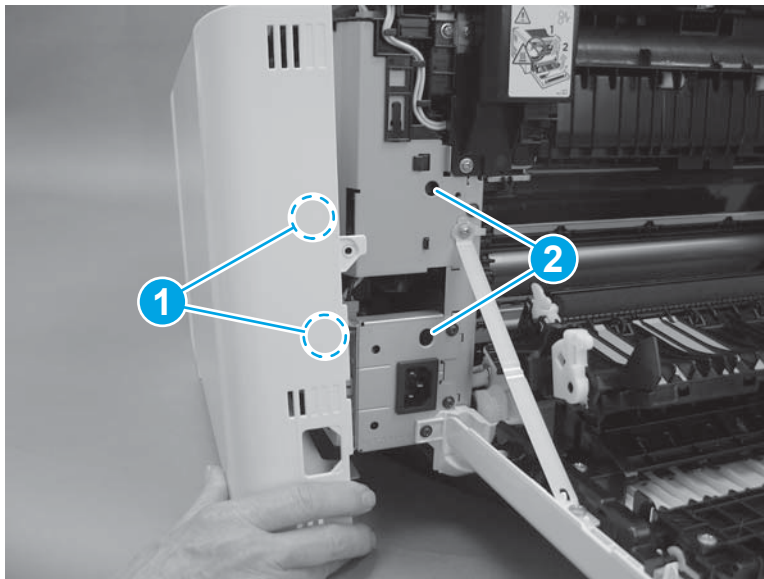


Step 33: Install the right cover (M452 models)

 **NOTE:** This step is for the M452 models. For the M377, M477 models, skip this step and go to [Step 34: Install the right cover \(M377, M477 models\) on page 1595](#).

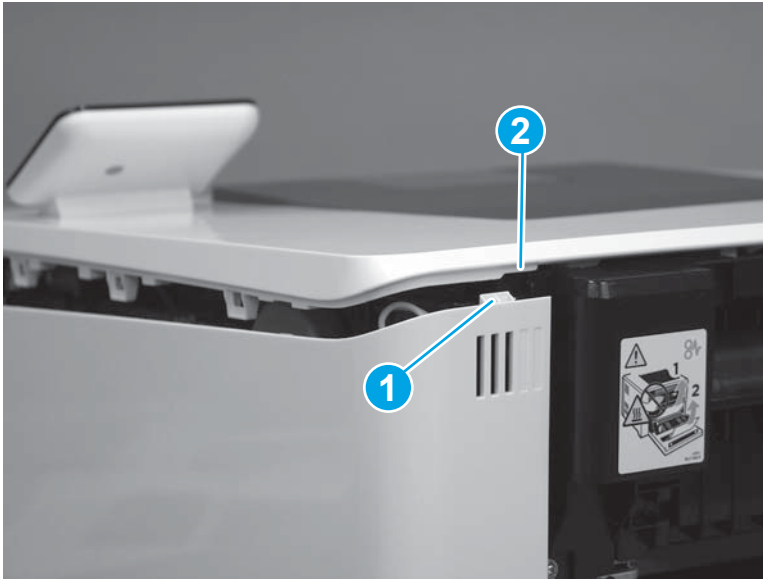
1. Position two tabs (callout 1) on the back of the cover in the slots (callout 2) in the printer.

Figure 1-2987 Position two tabs



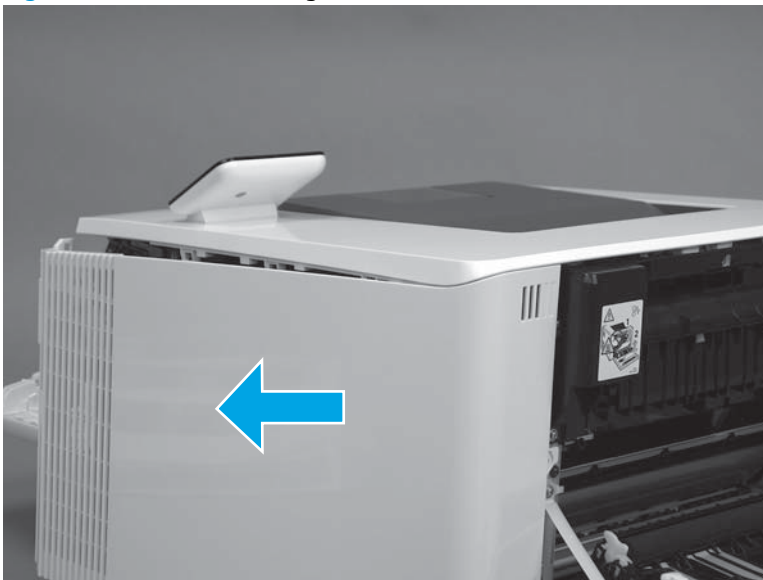
2. At the back of the printer, install the tab (callout 1) under the edge of the top cover (callout 2).

Figure 1-2988 Install rear tab



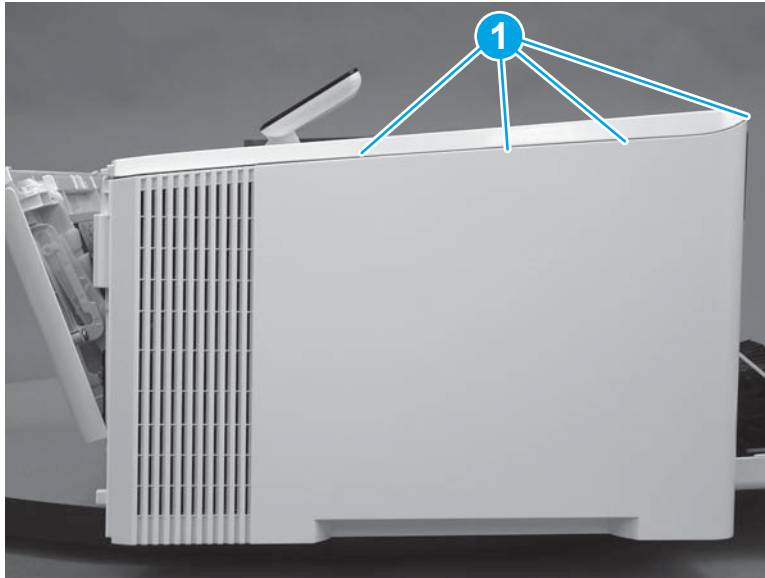
3. Slide the cover toward the front of the printer to install it.

Figure 1-2989 Install the right cover



- Engage three tabs (callout 2) on the top of the cover.

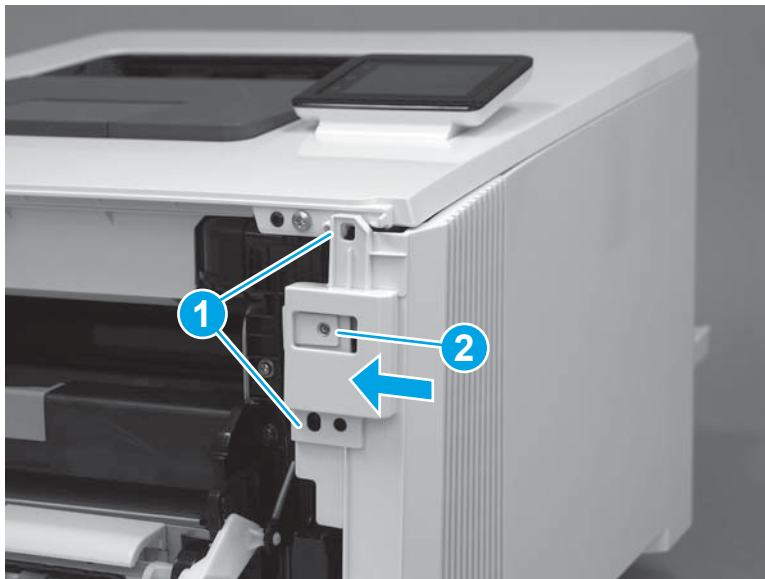
Figure 1-2990 Install upper tabs



- At the front of the printer, position the front of the cover over two tabs (callout 1).

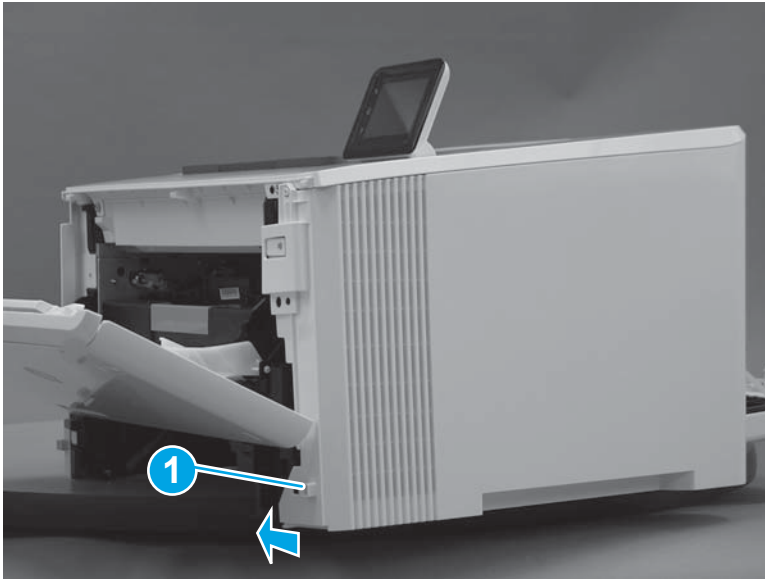
⚠ CAUTION: Be careful not to dislodge the power switch (callout 2).

Figure 1-2991 Install the front tabs



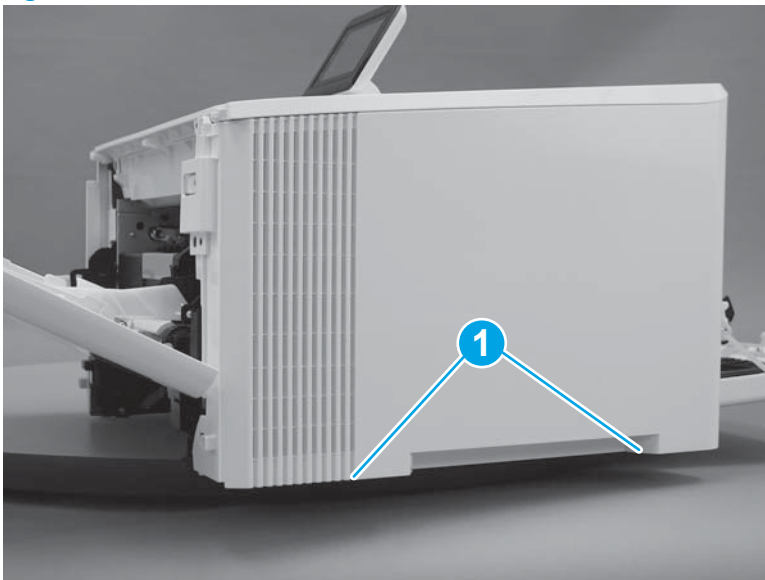
6. Press the right cover toward the printer to engage one tab (callout 1) on the front of the cover.

Figure 1-2992 Install the front lower tab



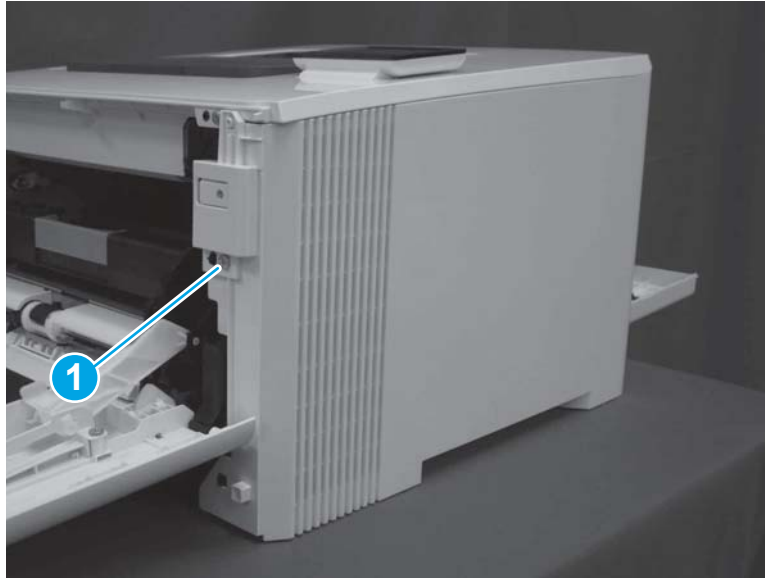
7. Install two tabs on the bottom of the cover (callout 1).

Figure 1-2993 Install two tabs



8. At the front of the printer, install one screw (callout 1).

Figure 1-2994 Install one screw




9. At the back of the printer, install one screw (callout 1).

Figure 1-2995 Install one screw

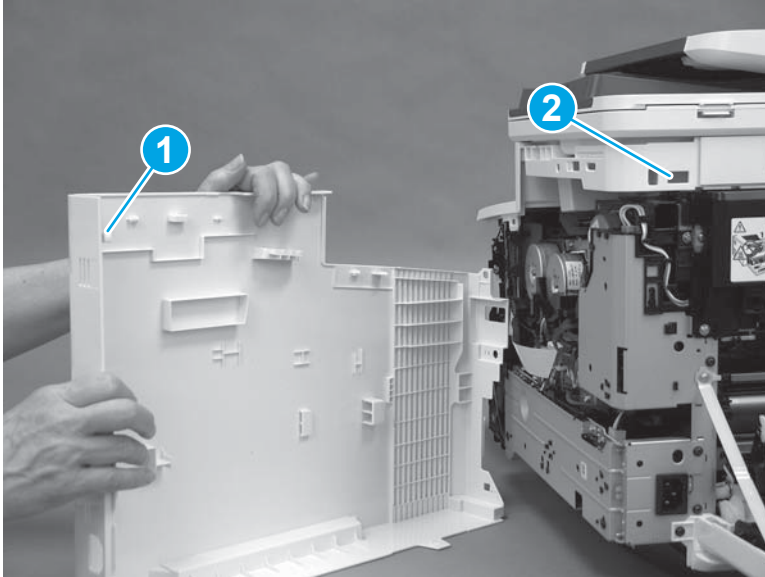


Step 34: Install the right cover (M377, M477 models)

 **NOTE:** This step is for the M377, M477 models. For the M452 models, skip this step and go to [Step 35: Close the front door and rear door or duplexer door on page 1601.](#)

1. At the back of the printer, install the tab (callout 1) on the cover into the slot (callout 2) on the printer.

Figure 1-2996 Install rear tab



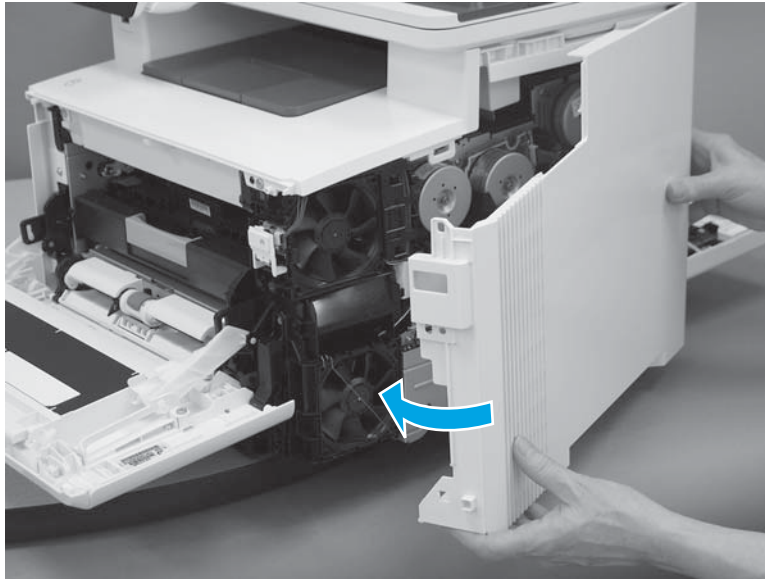
2. Raise the scanner.

Figure 1-2997 Raise the scanner



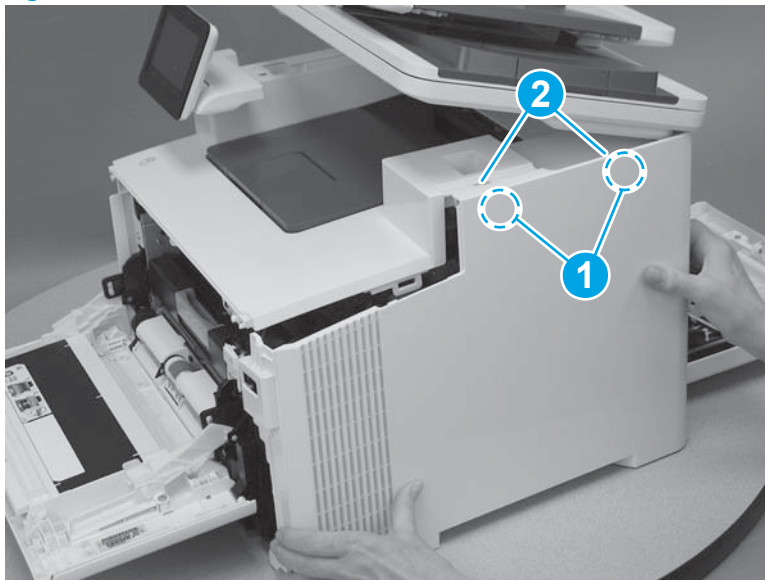
3. Rotate the right cover toward the printer.

Figure 1-2998 Rotate the right cover



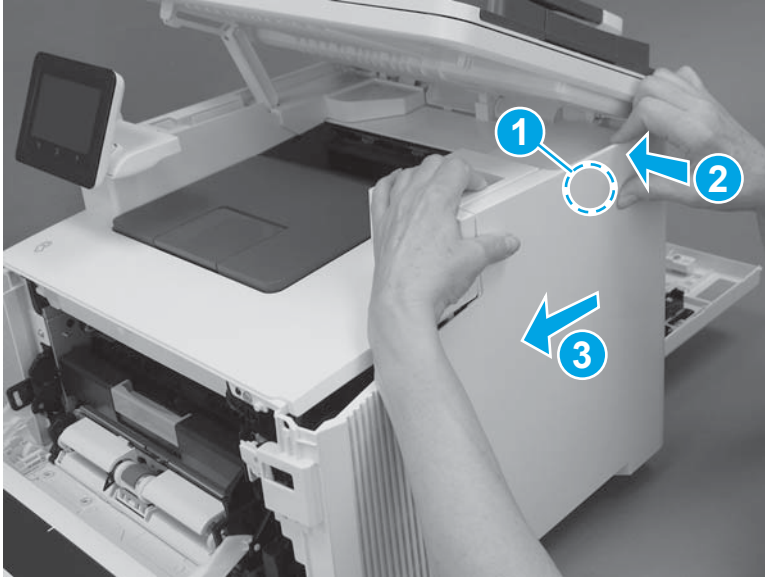
4. Position the hooks (callout 1) on the inside of the cover into the slots (callout 2) in the printer.

Figure 1-2999 Position the hooks in the slots



- Engage one hook (callout 1) on the inside of the cover. Hold the top of the cover closed (callout 2) while sliding the cover toward the front of the printer (callout 3).

Figure 1-3000 Slide the cover



- Rotate the front of the cover toward the printer (callout 1).

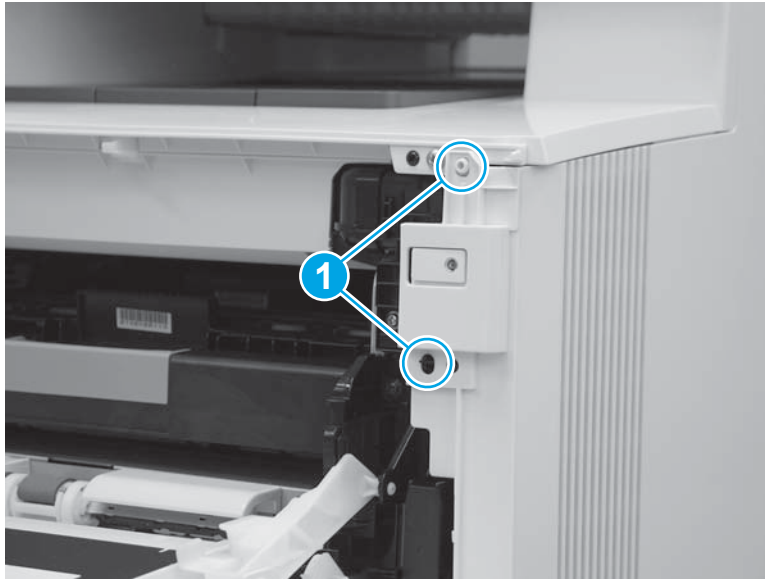
CAUTION: Be careful not to dislodge the power switch (callout 2).

Figure 1-3001 Rotate the front of the cover



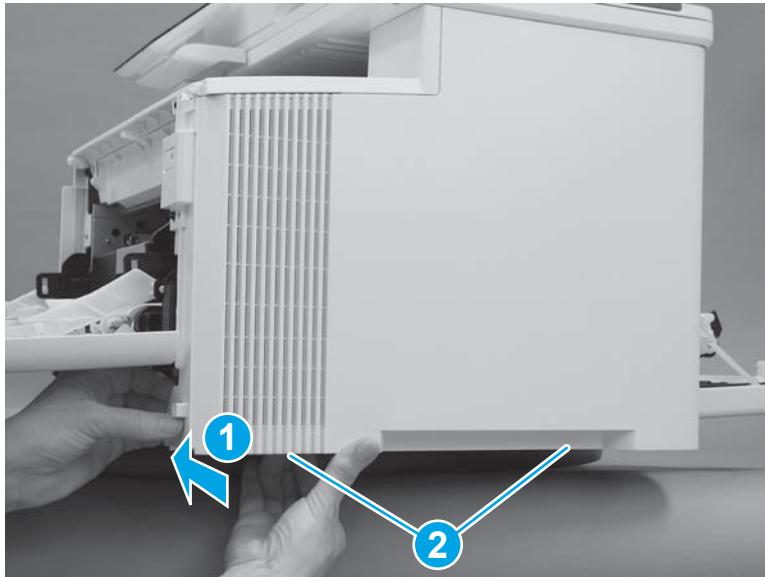
7. Install two tabs at the front of the printer (callout 1).

Figure 1-3002 Install two tabs



8. Press the right cover toward the printer (callout 1) to engage one tab on the front of the cover, and two tabs (callout 2) on the lower edge of the cover.

Figure 1-3003 Install the front and lower tabs



9. At the front of the printer, install one screw (callout 1).

Figure 1-3004 Install one screw



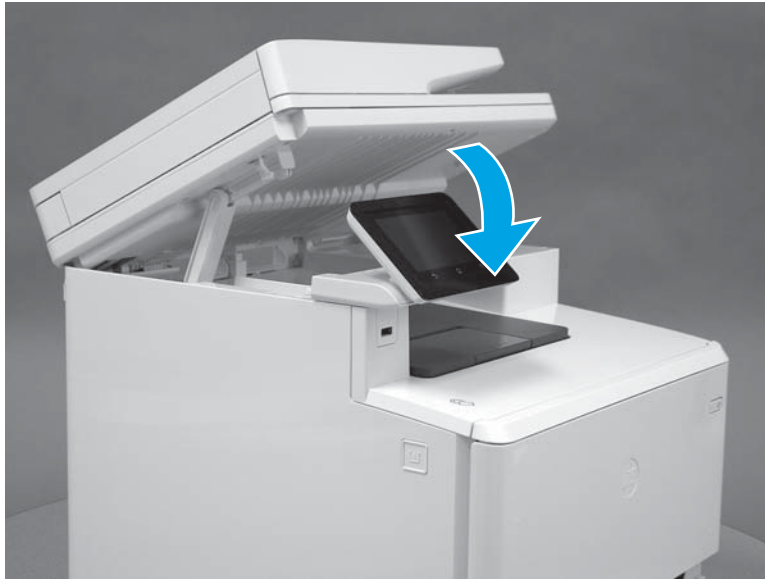
10. At the back of the printer, install one screw (callout 1).

Figure 1-3005 Install one screw



11. Lower the scanner.

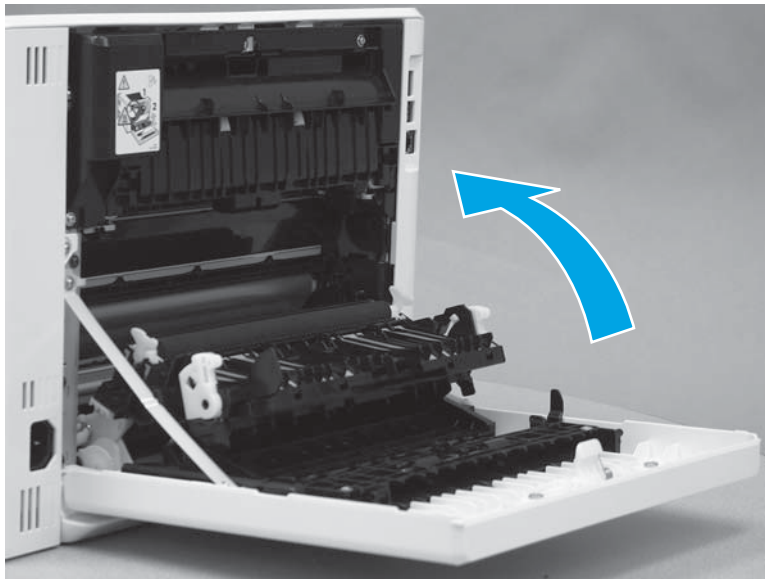
Figure 1-3006 Lower the scanner



Step 35: Close the front door and rear door or duplexer door

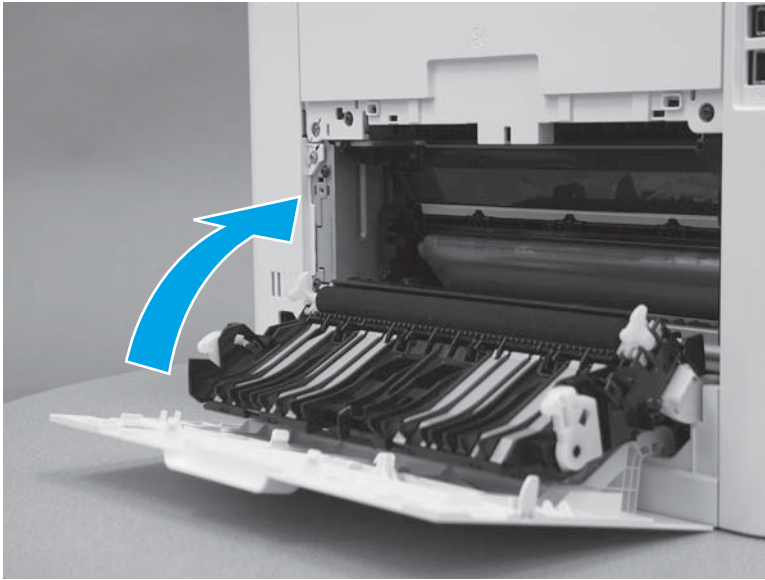
1. **Duplex models:** Close the duplexer door.

Figure 1-3007 Close the duplexer door



2. **Simplex models:** Close the rear door.

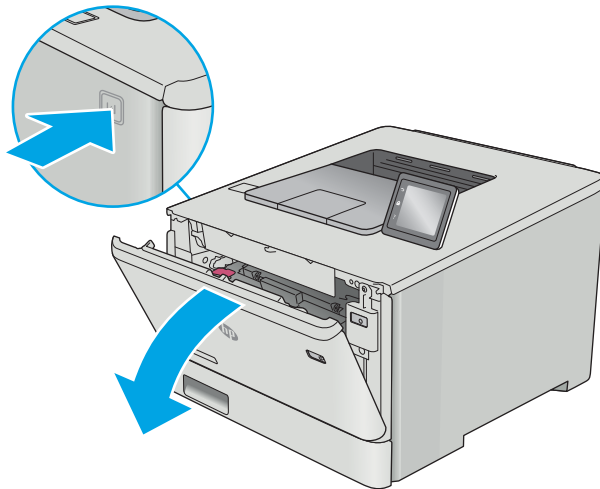
Figure 1-3008 Close the rear door



Step 36: Install the toner cartridges

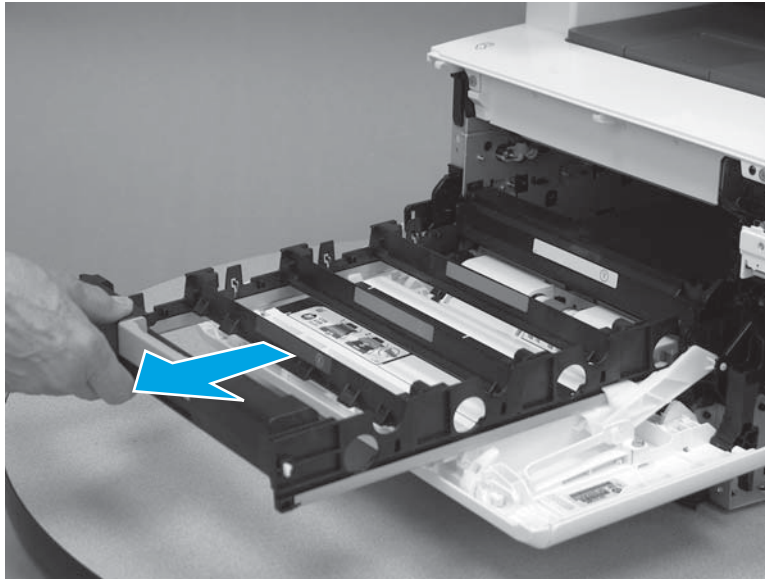
1. Open the front door by pressing the button on the left cover.

Figure 1-3009 Open the front door



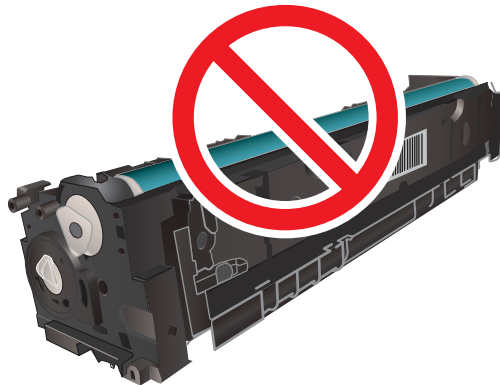
2. Slide the cartridge tray out of the printer.

Figure 1-3010 Slide the cartridge tray out



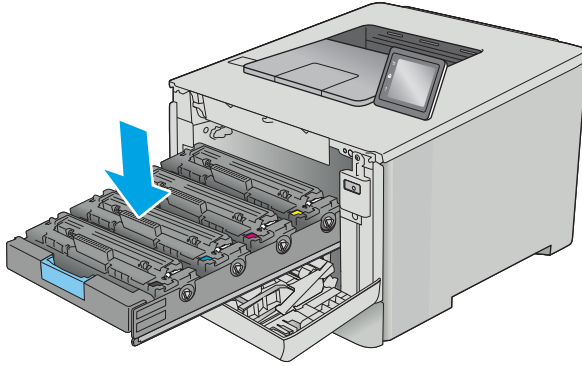
3. Do not touch the imaging drum on the bottom of the toner cartridge. Fingerprints on the imaging drum can cause print-quality problems.

Figure 1-3011 Do not touch imaging drum



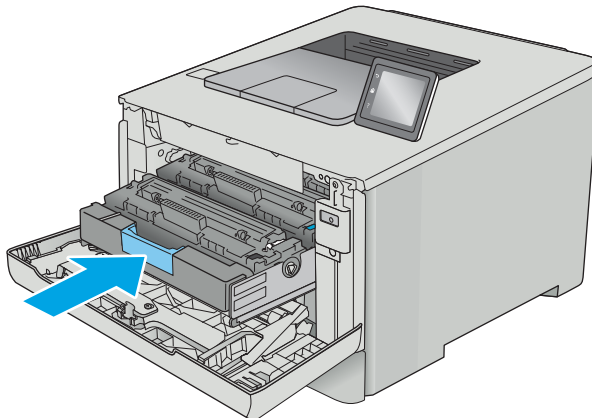
4. Insert the toner cartridge into the tray. Make sure that the color chip on the cartridge matches the color chip on the tray. Repeat this step for each toner cartridge.

Figure 1-3012 Install a toner cartridge



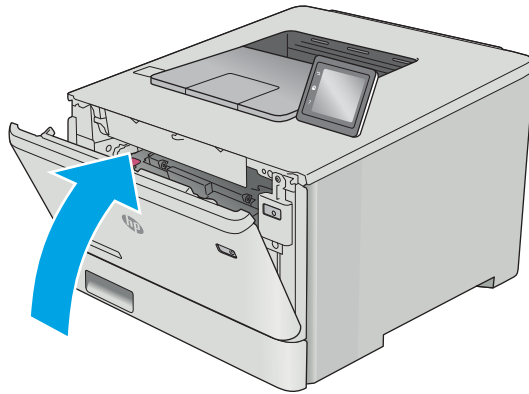
5. Close the toner cartridge drawer.

Figure 1-3013 Close the toner cartridge drawer



6. Close the front door.

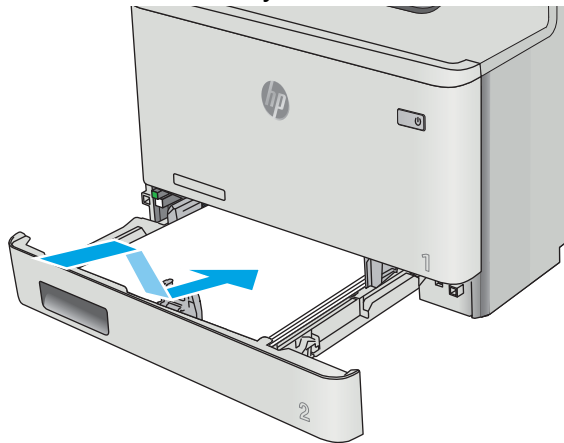
Figure 1-3014 Close the front door



Step 37: Install Tray 2

- ▲ With the front of the tray slightly lifted, align the sides of the tray with the rails in the printer, and then carefully slide the tray into the printer. As the tray slides into the printer, lower the front of the tray, and then close it.

Figure 1-3015 Install the tray



Removal and replacement: Registration assembly

- [Introduction](#)
- [Step 1: Remove Tray 2](#)
- [Step 2: Remove the toner cartridges](#)
- [Step 3: Open the rear door or duplexer door](#)
- [Step 4: Remove the right cover \(M452 models\)](#)
- [Step 5: Remove the right cover \(M377, M477 models\)](#)
- [Step 6: Remove the left cover \(M452 models\)](#)
- [Step 7: Remove the left cover \(M377, M477 models\)](#)
- [Step 8: Remove the duplexer door assembly \(duplex models\)](#)
- [Step 9: Remove the rear door \(simplex models\)](#)
- [Step 10: Remove the engine controller PCA](#)
- [Step 11: Remove the driver PCA](#)
- [Step 12: Remove the low-voltage power supply](#)
- [Step 13: Remove the pickup motor](#)
- [Step 14: Remove the re-pickup assembly \(duplex models\)](#)
- [Step 15: Remove the lifter drive assembly](#)
- [Step 16: Remove the pickup assembly](#)
- [Step 17: Remove the front feed guide assembly](#)
- [Step 18: Remove the rear feed guide assembly](#)
- [Step 19: Remove the registration assembly](#)
- [Step 20: Unpack the replacement part](#)
- [Step 21: Install the registration assembly](#)
- [Step 22: Install the rear feed guide assembly](#)
- [Step 23: Install the front feed guide assembly](#)
- [Step 24: Install the pickup assembly](#)
- [Step 25: Install the lifter drive assembly](#)
- [Step 26: Install the re-pickup assembly \(duplex models\)](#)
- [Step 27: Install the pickup motor](#)
- [Step 28: Install the low-voltage power supply](#)
- [Step 29: Install the driver PCA](#)


- [Step 30: Install the engine controller PCA](#)
- [Step 31: Install the rear door \(simplex models\)](#)
- [Step 32: Install the duplexer door assembly \(duplex models\)](#)
- [Step 33: Install the left cover \(M452 models\)](#)
- [Step 34: Install the left cover \(M377, M477 models\)](#)
- [Step 35: Install the right cover \(M452 models\)](#)
- [Step 36: Install the right cover \(M377, M477 models\)](#)
- [Step 37: Close the front door and rear door or duplexer door](#)
- [Step 38: Install the toner cartridges](#)
- [Step 39: Install Tray 2](#)

Introduction

This document provides the procedures to remove and replace the registration assembly.

Before you begin

- Turn off the printer.
- Disconnect the power cable.

 **WARNING!** To avoid damage to the printer, turn the printer off, wait 30 seconds, and then remove the power cord before attempting to service the printer.

- Use the table below to identify the correct part number for your printer. To order the part, go to www.hp.com/buy/parts.

| Registration assembly part number | |
|-----------------------------------|-----------------------|
| RM2-6374-000CN | Registration assembly |

Required tools

- #2 Phillips screwdriver with a magnetic tip
- Small flat-blade screwdriver

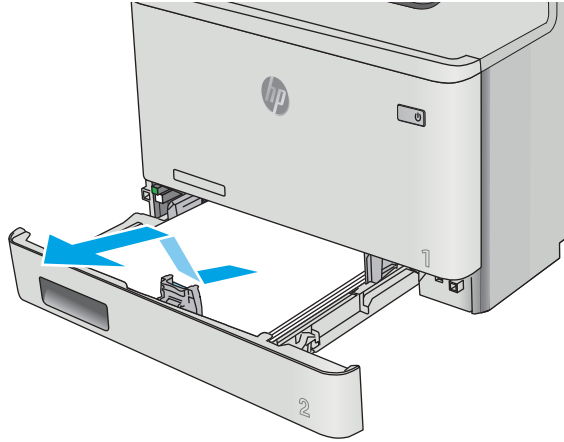
After performing service

- Connect the power cable.
- Use the power switch to turn the power on.

Step 1: Remove Tray 2

- ▲ Pull the tray out until it stops. Lift the front of the tray, and then pull it out of the printer to remove it.

Figure 1-3016 Remove the tray



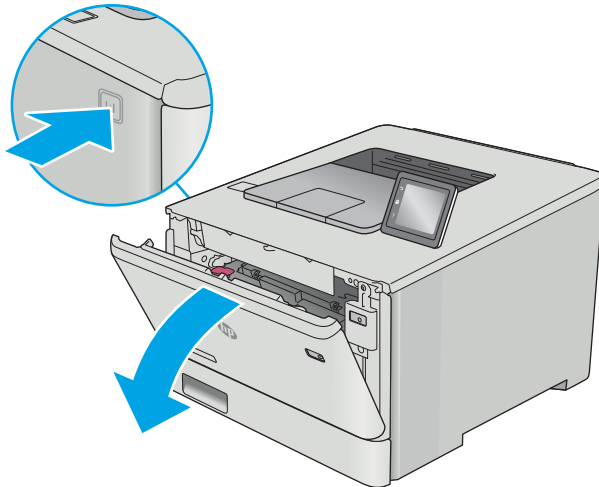
Step 2: Remove the toner cartridges



NOTE: The M452 model is pictured in the figures in this section. The procedure is the same for the M377, M477 models.

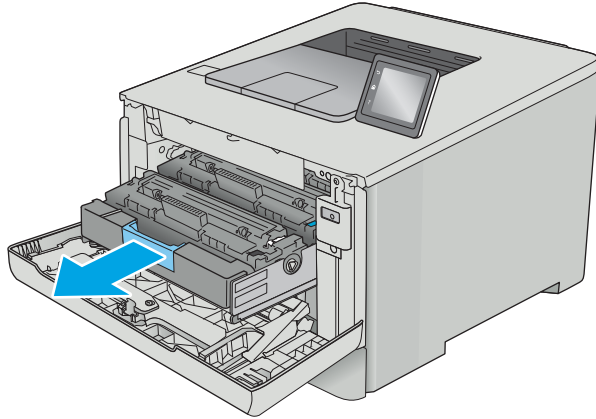
1. Open the front door by pressing the button on the left cover.

Figure 1-3017 Open the front door



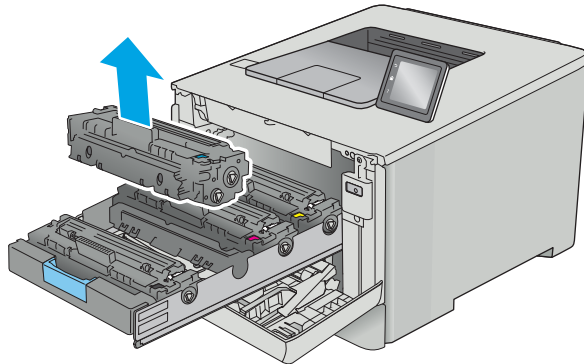
2. Grasp the blue handle on the toner cartridge tray, and then pull out the tray.

Figure 1-3018 Open the cartridge drawer



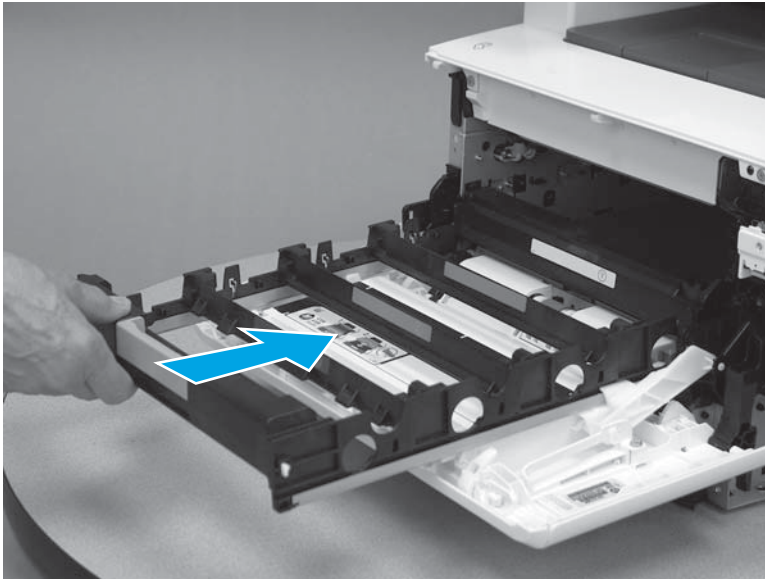
3. Grasp the handle on the toner cartridge, and then pull the toner cartridge straight up to remove it. Repeat this step for each toner cartridge.

Figure 1-3019 Remove the toner cartridge



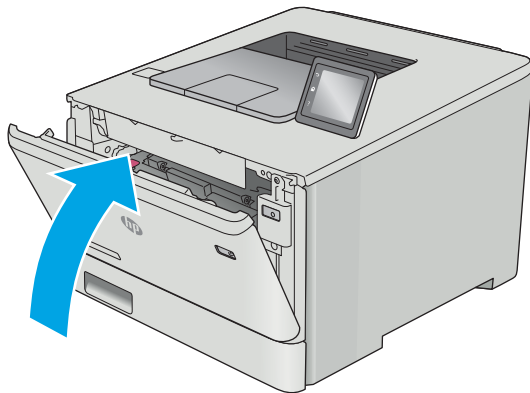
4. Slide the cartridge tray into the printer.

Figure 1-3020 Slide the cartridge tray in



5. Close the front door.

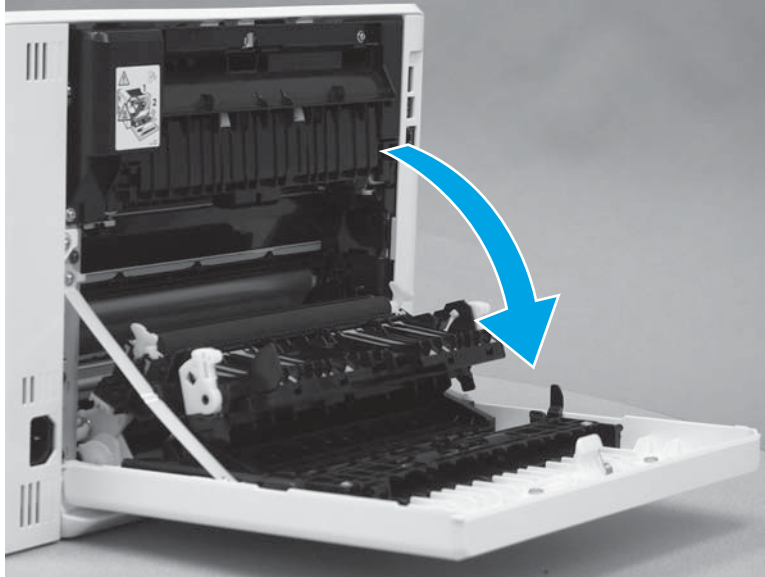
Figure 1-3021 Close the front door



Step 3: Open the rear door or duplexer door

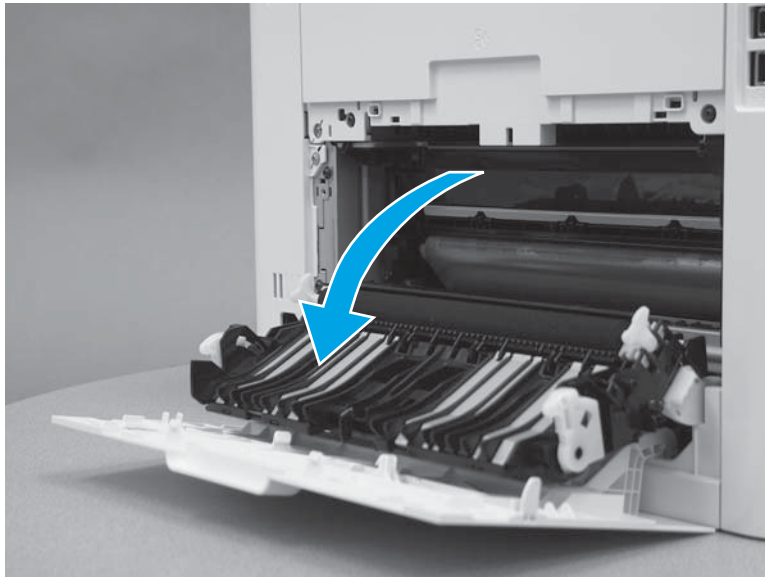
1. **Duplex models:** Open the duplexer door.

Figure 1-3022 Open the duplexer door




2. **Simplex models:** Open the rear door.

Figure 1-3023 Open the rear door



Step 4: Remove the right cover (M452 models)

 **NOTE:** This step is for the M452 models. For the M377, M477 models, skip this step and go to [Step 5: Remove the right cover \(M377, M477 models\) on page 1615.](#)

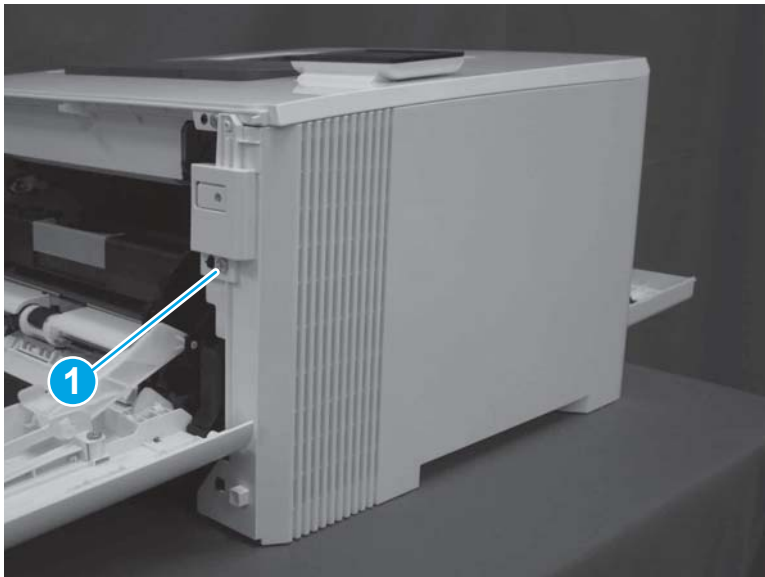
1. At the back of the printer, remove one screw (callout 1).

Figure 1-3024 Remove one screw



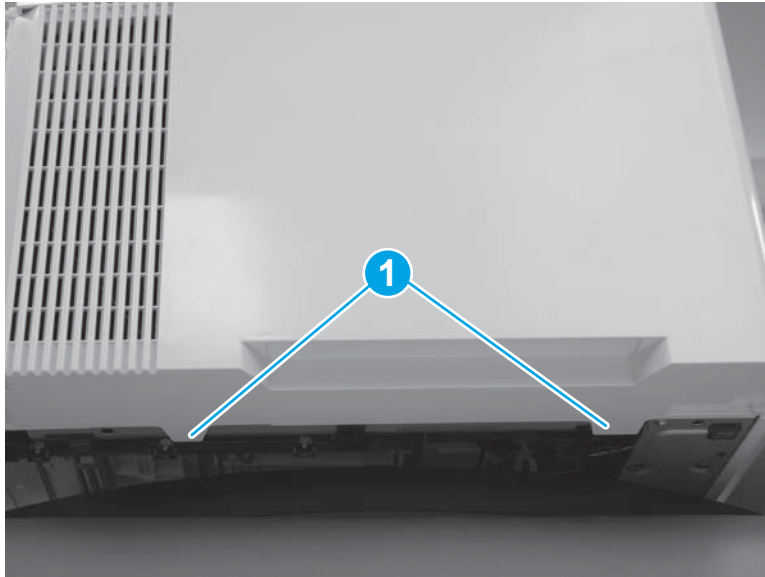
2. At the front of the printer, remove one screw (callout 1).

Figure 1-3025 Remove one screw



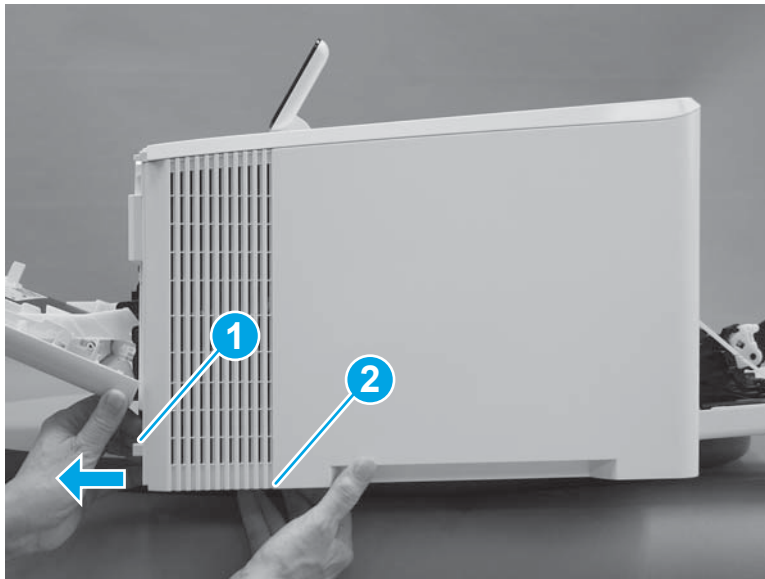
3. Slide the printer to the edge of a work surface. Note the location of the tabs on the lower edge of the cover (callout 1).

Figure 1-3026 Locate the tabs



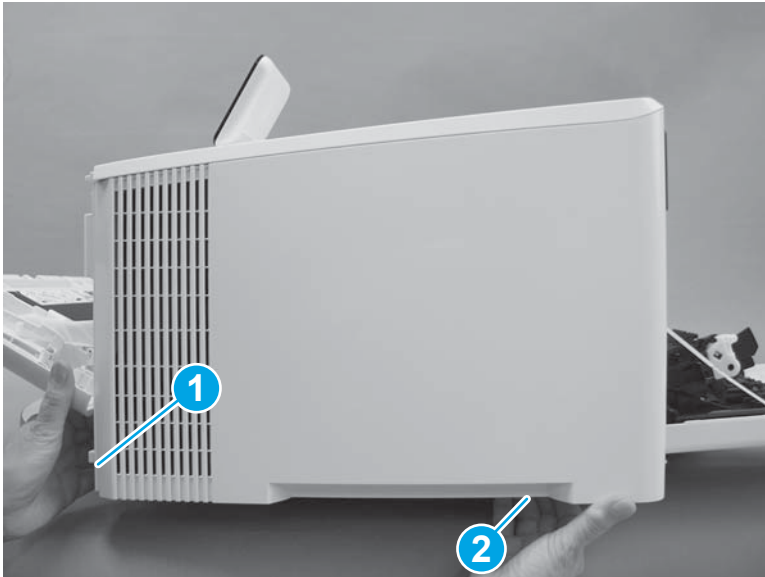
4. Release one tab (callout 1) on the front of the cover by slightly pulling the cover away from the printer. While holding the cover in the released position, release one tab (callout 2) on the bottom of the cover.

Figure 1-3027 Release front lower tabs



5. Hold the front tabs in the released position (callout 1), and then release one tab (callout 2) on the bottom of the cover, toward the back of the printer.

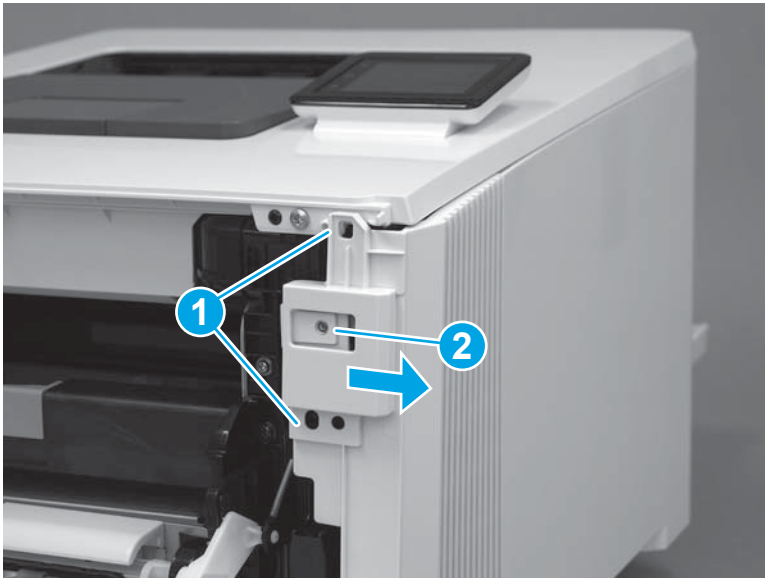
Figure 1-3028 Release lower rear tab



6. Release two tabs at the front of the printer (callout 1) by slightly pulling the cover away from the printer.

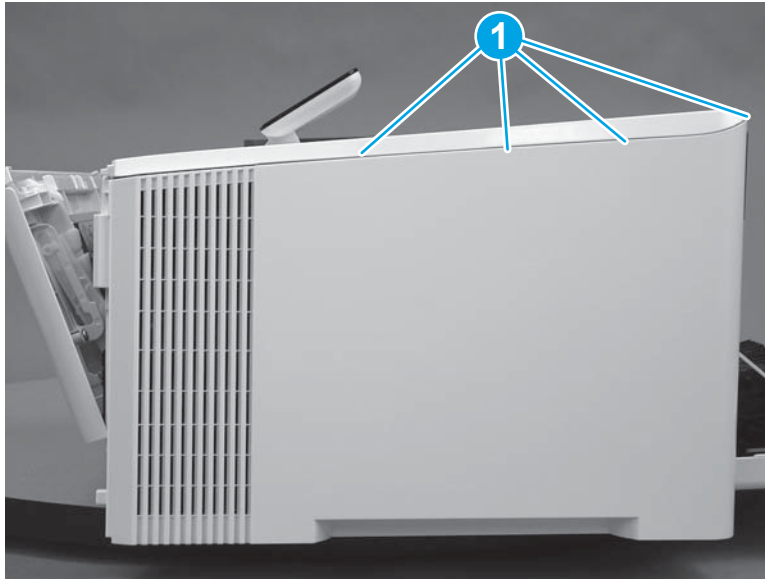
CAUTION: Be careful not to dislodge the power switch (callout 2).

Figure 1-3029 Release two front tabs



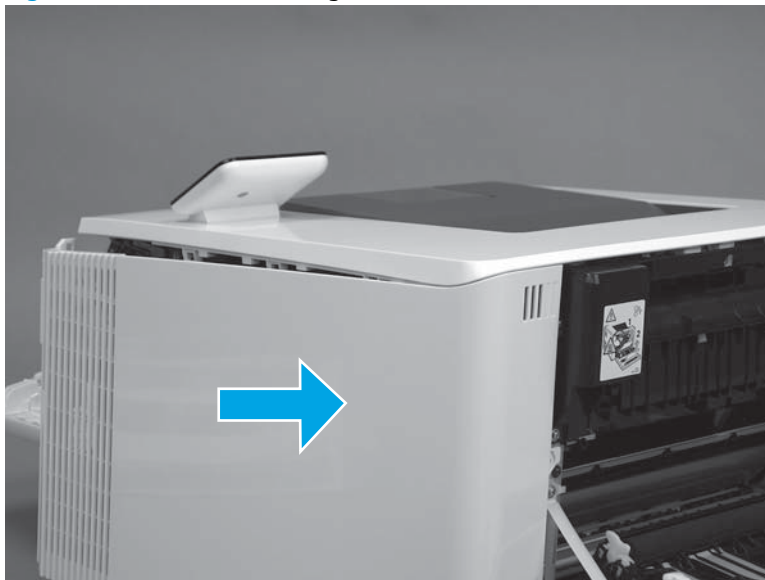
7. Release four tabs on the top of the printer (callout 1).

Figure 1-3030 Release upper tabs



8. Slide the cover toward the back of the printer to remove it.

Figure 1-3031 Remove the right cover



Step 5: Remove the right cover (M377, M477 models)

 **NOTE:** This step is for the M377, M477 models. For the M452 models, skip this step and go to [Step 6: Remove the left cover \(M452 models\) on page 1621.](#)

1. Raise the scanner.

Figure 1-3032 Raise the scanner



2. At the back of the printer, remove one screw (callout 1).

Figure 1-3033 Remove one screw



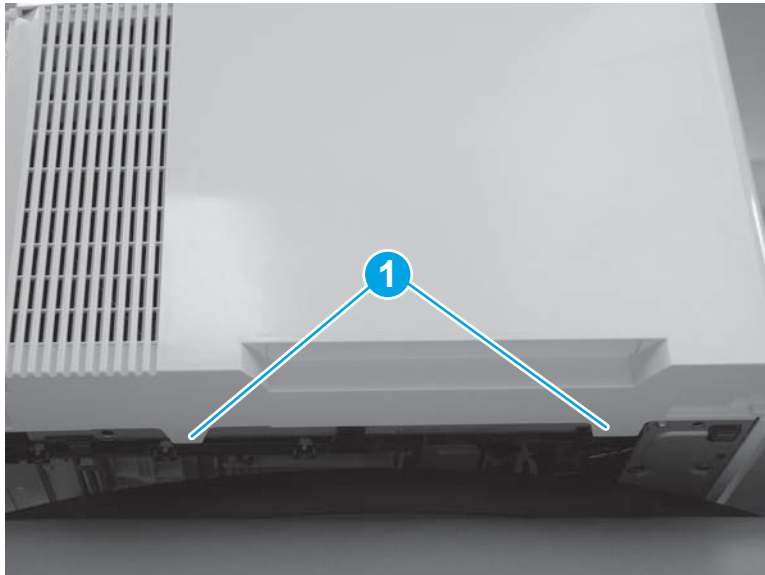
3. At the front of the printer, remove one screw (callout 1).

Figure 1-3034 Remove one screw



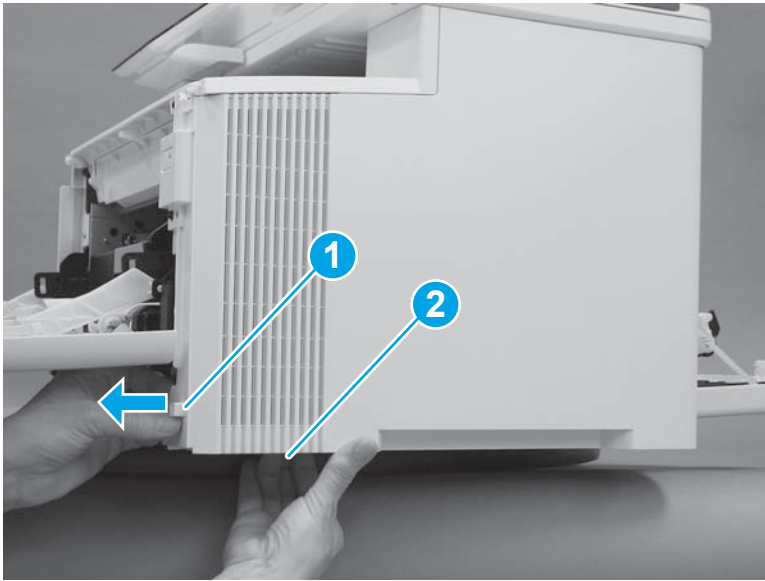
4. Slide the printer to the edge of a work surface. Note the location of the tabs on the lower edge of the cover (callout 1).

Figure 1-3035 Locate the tabs



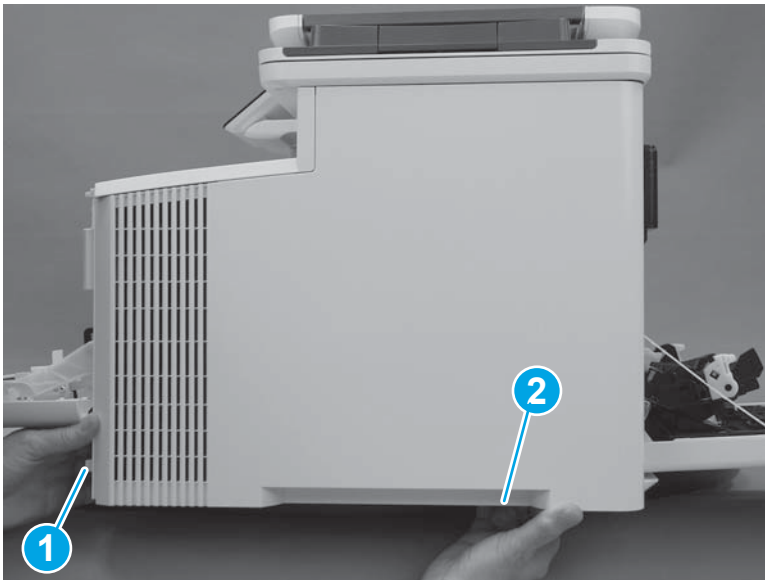
5. Release one tab (callout 1) on the front of the cover by slightly pulling the cover away from the printer. While holding the cover in the released position, release one tab (callout 2) on the lower edge of the cover.

Figure 1-3036 Release front lower tabs



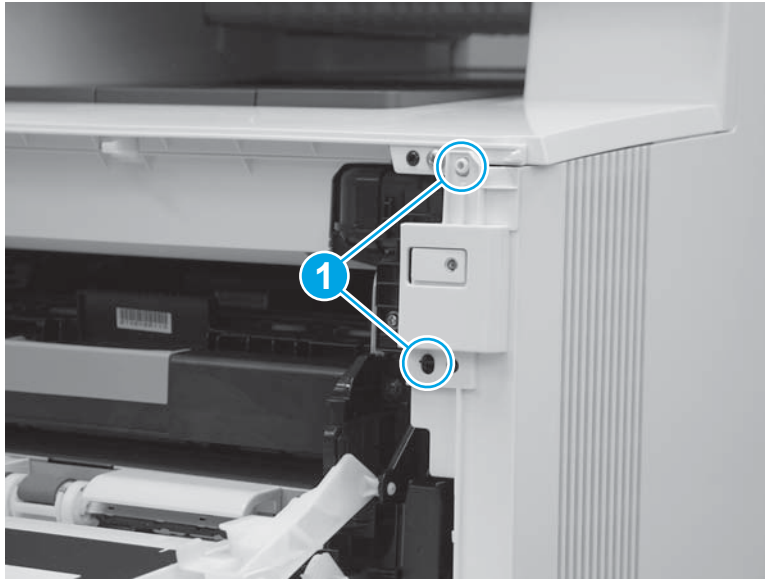
6. Hold the front tabs in the released position (callout 1), and then release one tab (callout 2) on the lower edge of the cover, toward the back of the printer.

Figure 1-3037 Release lower rear tab



7. Release two tabs at the front of the printer (callout 1) by slightly pulling the cover away from the printer.

Figure 1-3038 Release front upper tabs



8. Rotate the front of the cover away from the printer (callout 1).

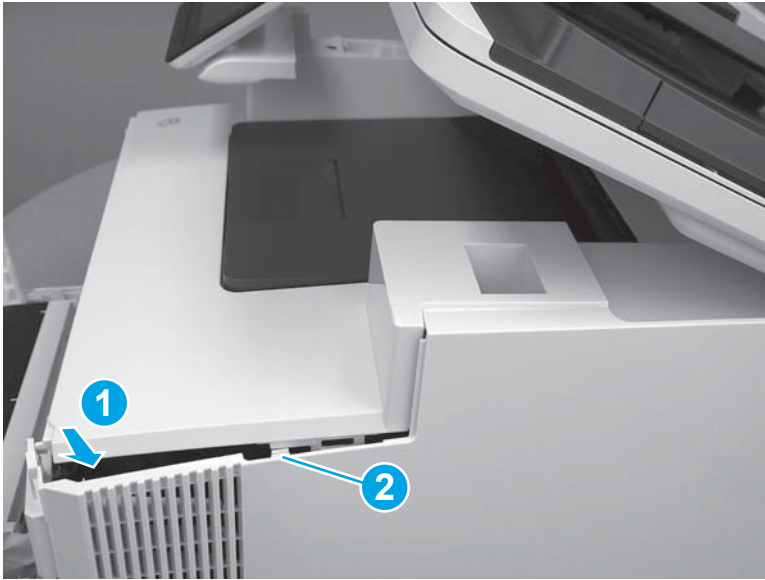
⚠ CAUTION: Be careful not to dislodge the power switch (callout 2).

Figure 1-3039 Rotate the front of the cover



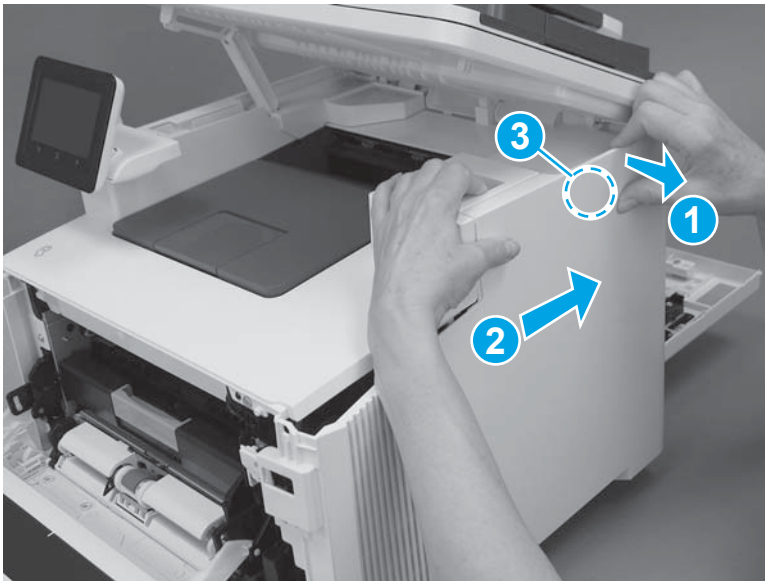
9. Slightly pull the front of the cover away from the printer (callout 1) to release one tab (callout 2).

Figure 1-3040 Release top tabs



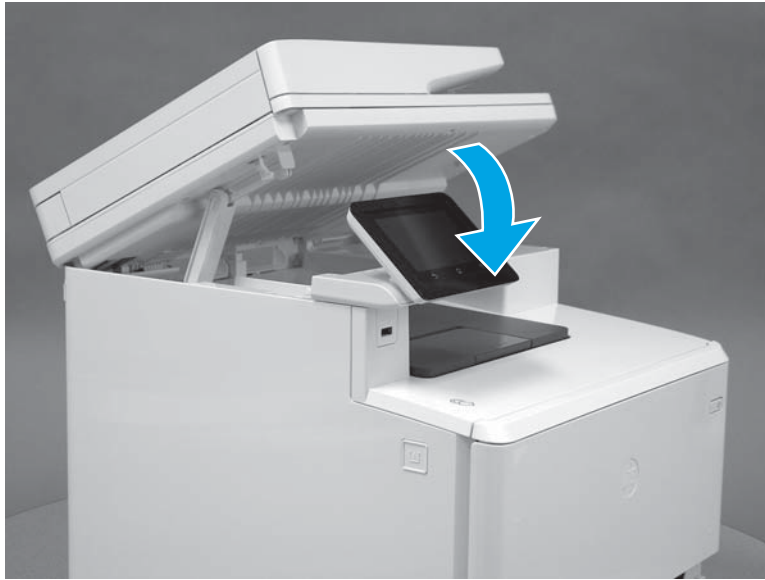
10. At the top of the printer, slightly pull the top of the cover away from the printer to release one retention tab (callout 1) on the inside of the cover. While holding the cover away, slide the cover toward the back of the printer (callout 2) to release one hook (callout 3) on the inside of the cover.

Figure 1-3041 Release one tab and one hook



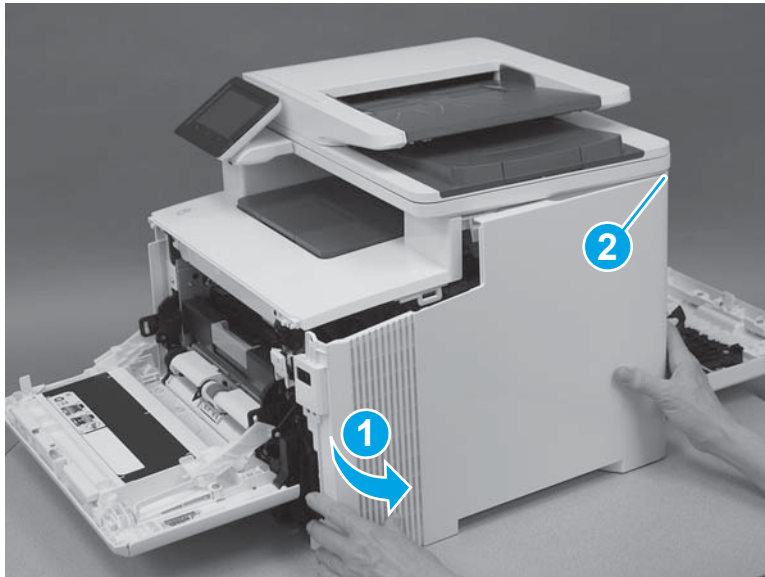
11. Lower the scanner.

Figure 1-3042 Lower the scanner




12. Rotate the cover away from the printer (callout 1) to release one tab (callout 2) at the back of the printer, and then remove the cover.

Figure 1-3043 Remove the right cover

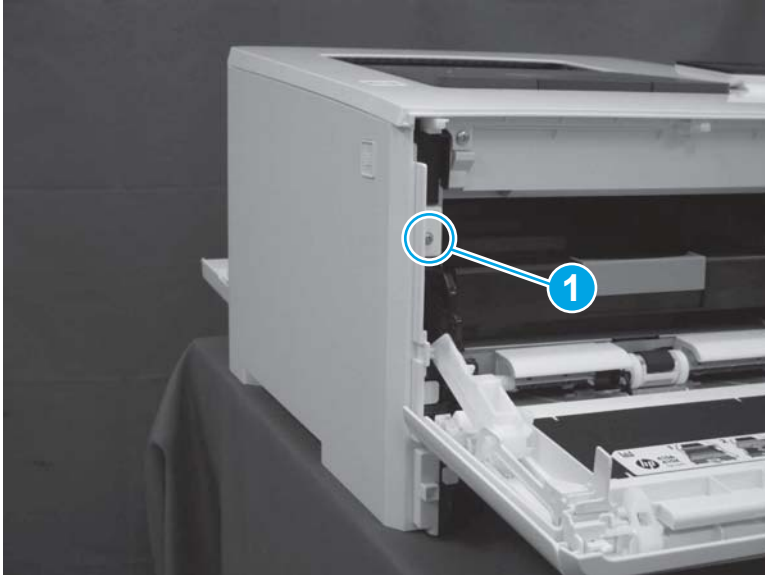


Step 6: Remove the left cover (M452 models)

 **NOTE:** This step is for the M452 models. For the M377, M477 models, skip this step and go to [Step 7: Remove the left cover \(M377, M477 models\) on page 1624.](#)

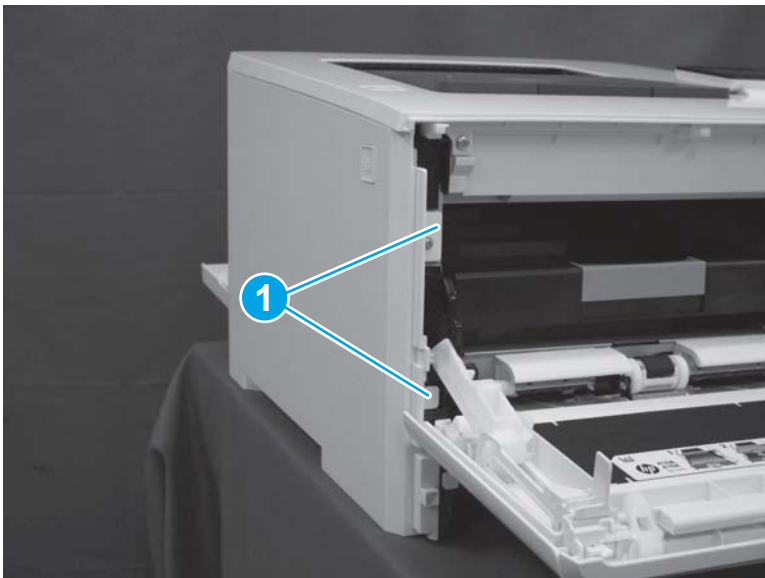
1. At the front of the printer, remove one screw (callout 1).

Figure 1-3044 Remove one screw



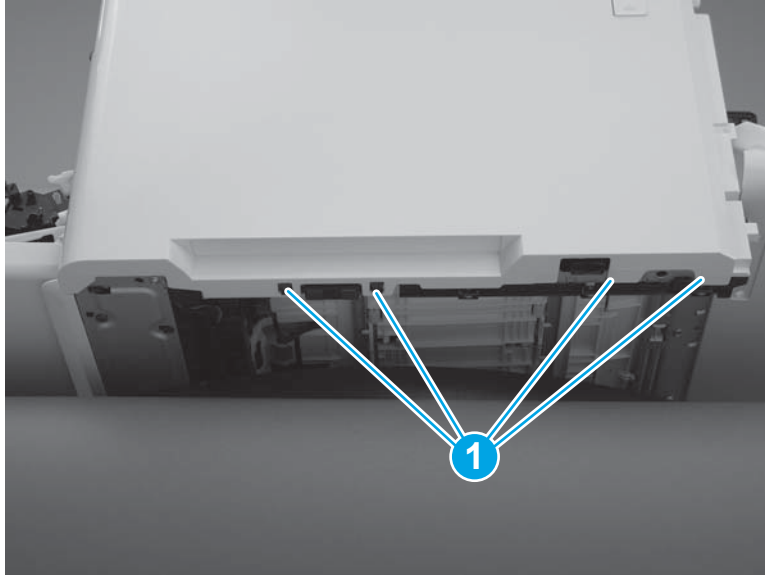
2. Release two tabs (callout 1) at the front of the cover. Hold the cover open to prevent the tabs from reengaging.

Figure 1-3045 Release two tabs



3. Slide the printer to the edge of a work surface. Note the location of the tabs on the lower edge of the cover (callout 1).

Figure 1-3046 Locate the tabs



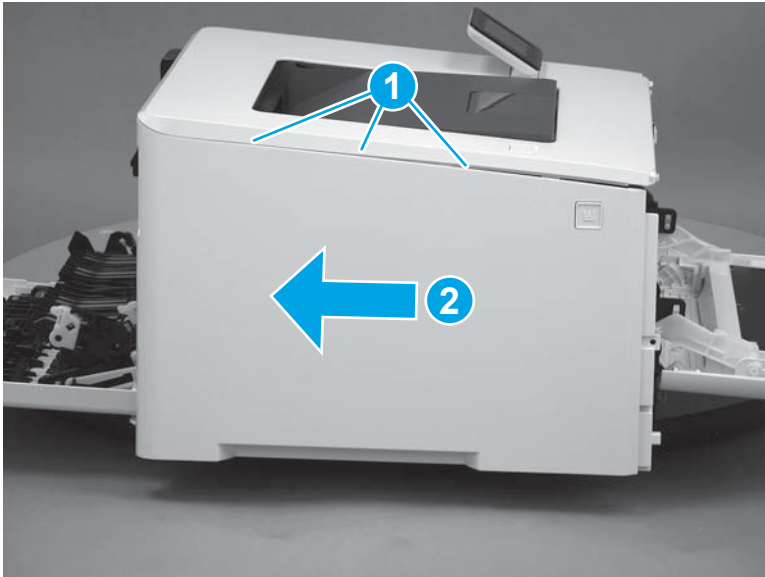
4. Beginning from the front of the cover, release four tabs (callouts 1-4) on the lower edge of the cover.

Figure 1-3047 Release bottom tabs



5. Release three tabs at the top of the cover (callout 1), and then slide the cover toward the rear of the printer to remove it.

Figure 1-3048 Release three tabs



Step 7: Remove the left cover (M377, M477 models)

 **NOTE:** This step is for the M377, M477 models. For the M452 models, skip this step and go to [Step 8: Remove the duplexer door assembly \(duplex models\) on page 1628.](#)

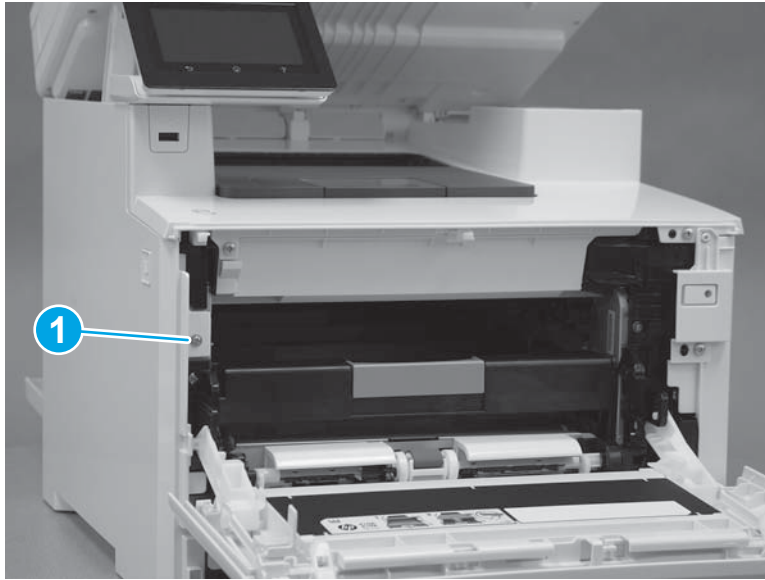
1. Raise the scanner.

Figure 1-3049 Raise the scanner



2. At the front of the printer, remove one screw (callout 1).

Figure 1-3050 Remove one screw



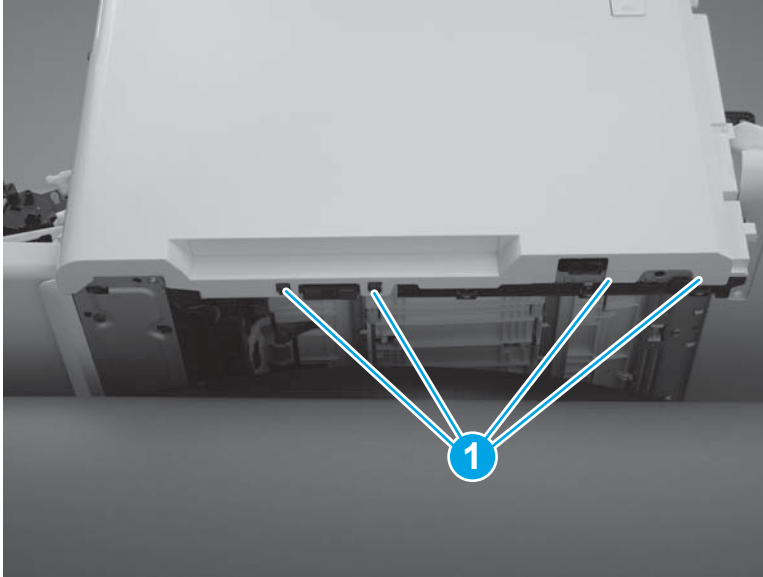
3. Release two tabs (callout 1) at the front of the cover. Hold the cover open to prevent the tabs from re-engaging.

Figure 1-3051 Release two tabs



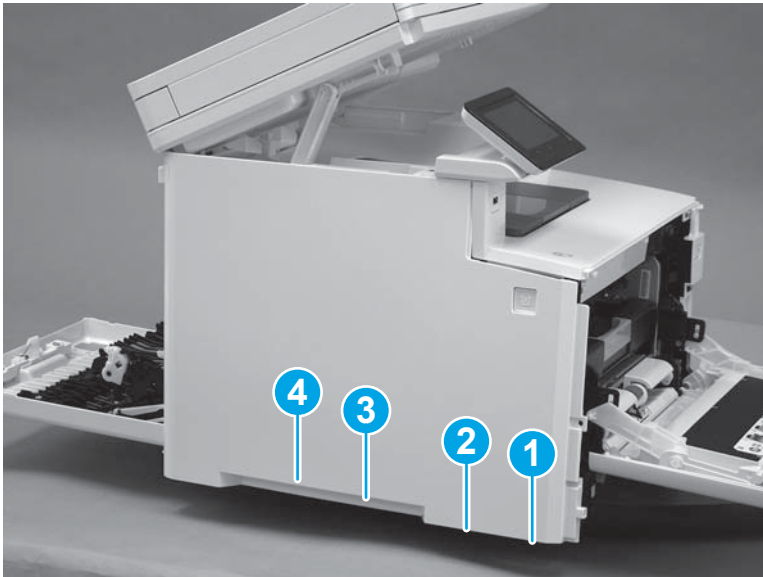
4. Slide the printer to the edge of a work surface. Note the location of the tabs on the lower edge of the cover (callout 1).

Figure 1-3052 Locate the tabs



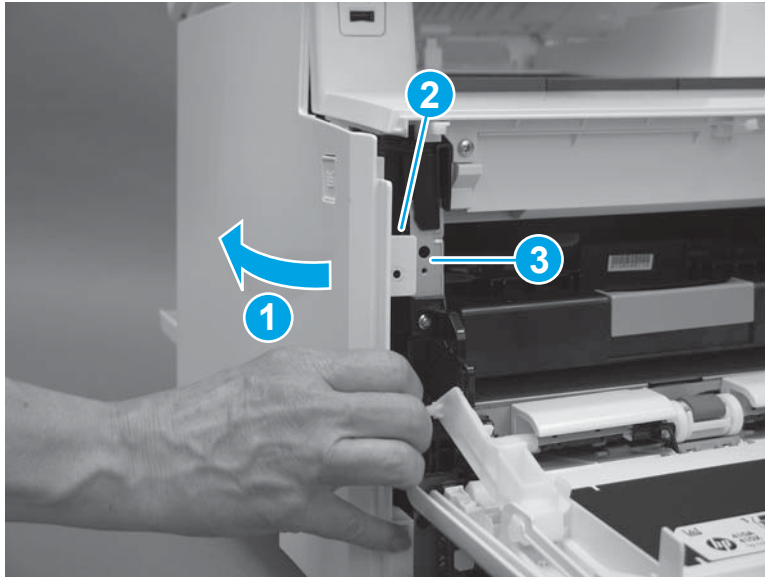
5. Beginning from the front of the cover, release the four tabs (callouts 1-4) on the lower edge of the cover.

Figure 1-3053 Release four tabs



6. Rotate the front of the cover away from the printer (callout 1). Make sure that the tab (callout 2) does not get caught on the printer frame (callout 3).

Figure 1-3054 Rotate the cover



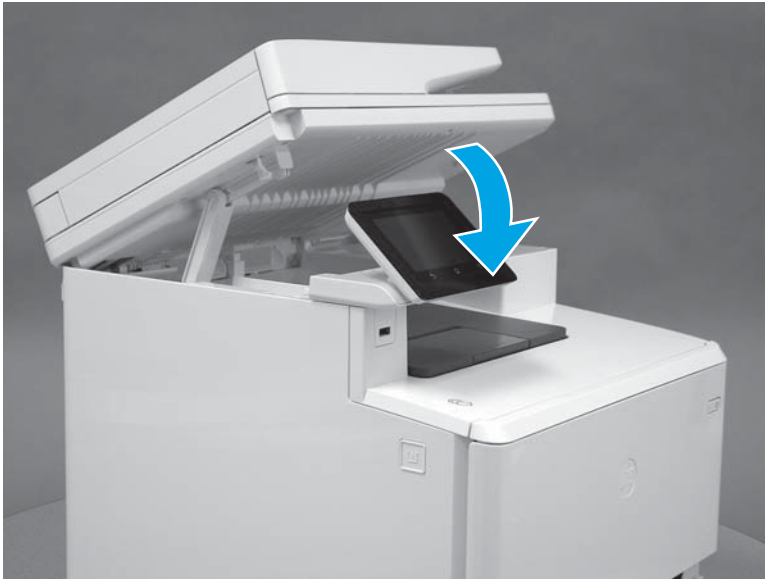
7. At the top of the printer, slightly pull the top of the cover away from the printer to release one retention tab (callout 1) on the inside of the cover. While holding the cover away, slide the cover toward the back of the printer (callout 2) to release two hooks (callout 3) inside the cover.

Figure 1-3055 Release one tab and two hooks



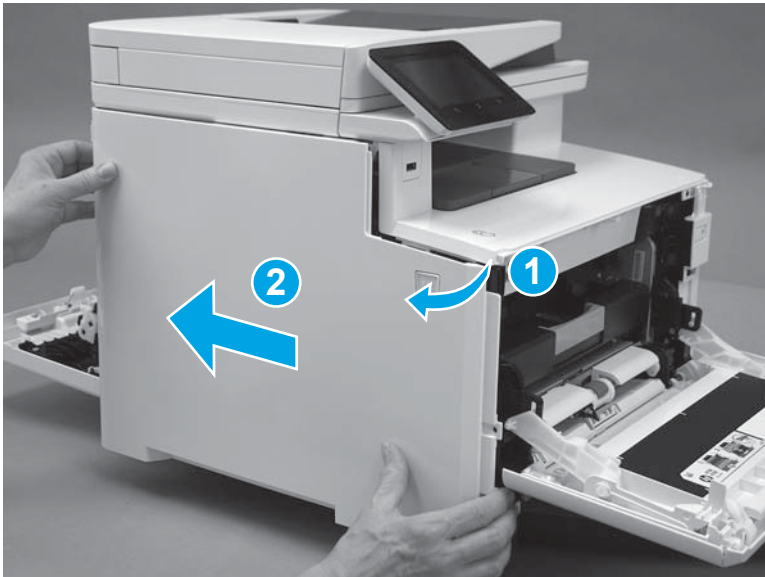
8. Lower the scanner.

Figure 1-3056 Lower the scanner



9. Rotate the cover away from the printer (callout 1), and then slide the cover (callout 2) toward the back of the printer to remove it.

Figure 1-3057 Remove the left cover



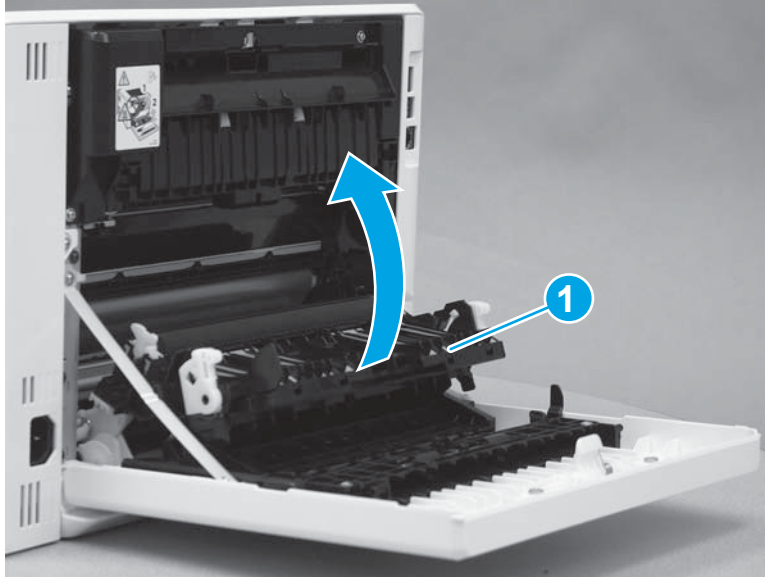
Step 8: Remove the duplexer door assembly (duplex models)



NOTE: This step is for duplex models. For simplex models, skip this step and go to [Step 9: Remove the rear door \(simplex models\) on page 1630](#).

1. Rotate the secondary transfer assembly (callout 1) toward the printer to close it.

Figure 1-3058 Close the secondary transfer assembly



2. At the back of the printer, remove two screws (callout 1), and then remove one screw (callout 2) that holds the retention arm.


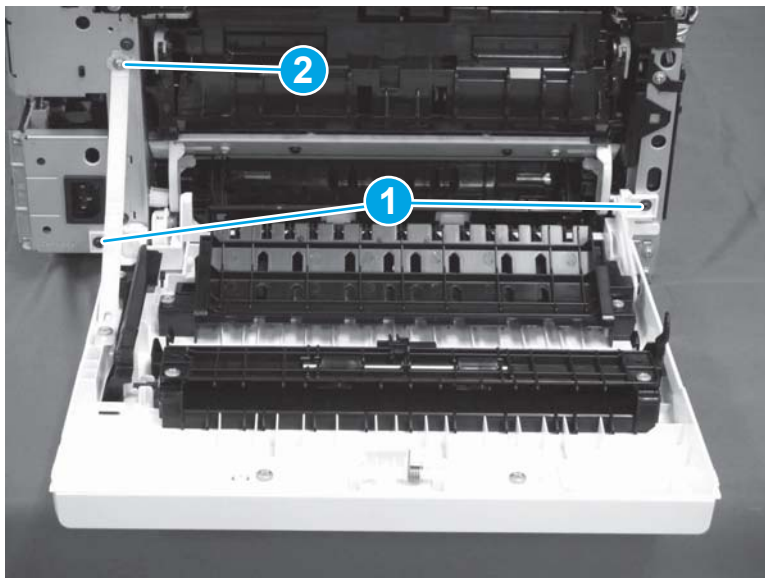
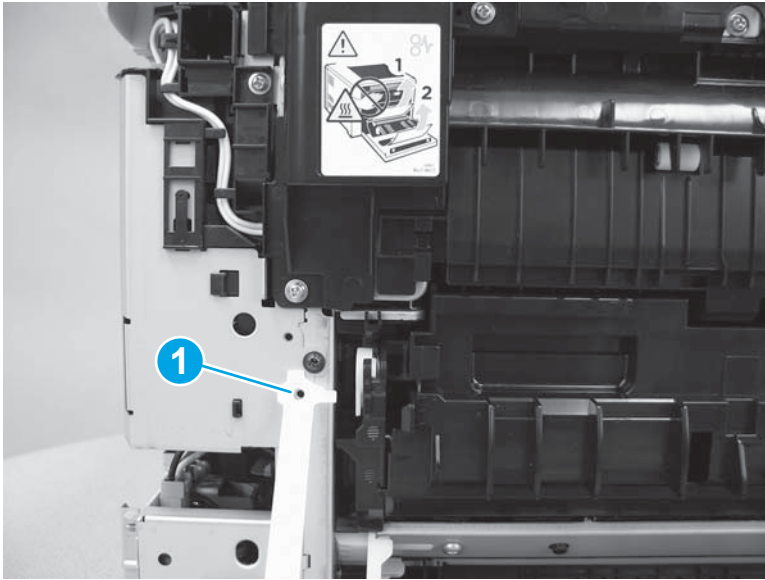
 **Reinstallation tip:** Note that the screw (callout 2) that holds the retention arm is longer than the other two. Make sure this screw is installed in the correct position.

Figure 1-3059 Remove three screws



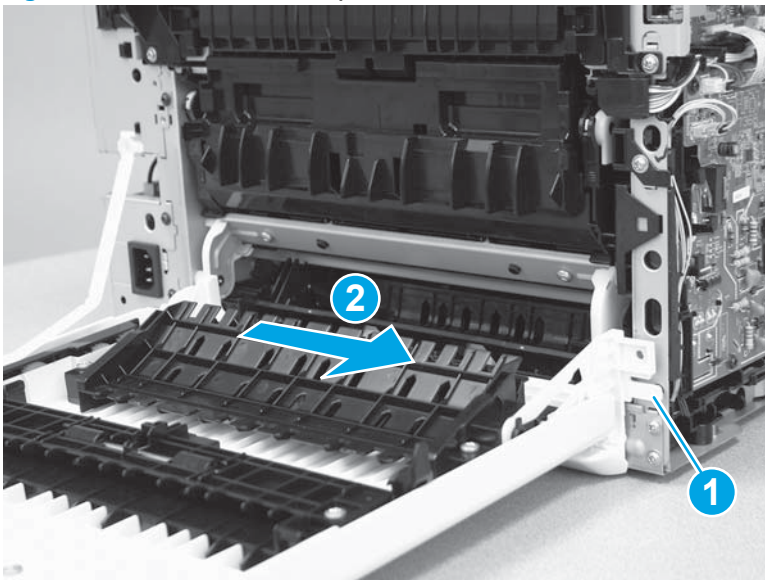
3. Release the retention arm (callout 1).

Figure 1-3060 Release the retention arm




4. Release one tab (callout 1), and then slide the duplexer door (callout 2) to the right to remove it.

Figure 1-3061 Remove the duplexer door

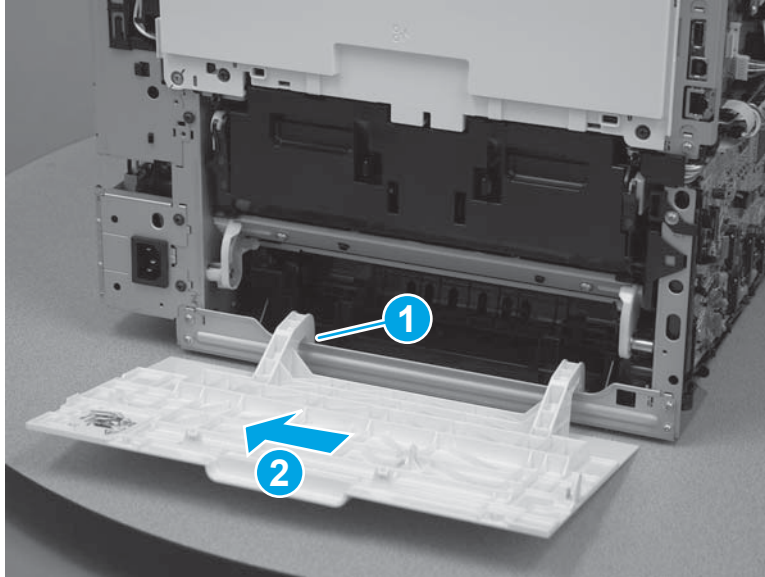


Step 9: Remove the rear door (simplex models)

 **NOTE:** This step is for simplex models. For duplex models, skip this step and go to [Step 10: Remove the engine controller PCA on page 1631](#).

- ▲ Slightly flex one hinge arm (callout 1) to release a hinge pin, and then slide the rear door to the left (callout 2) to remove it.

Figure 1-3062 Remove the rear door



Step 10: Remove the engine controller PCA

1. **Duplex printers only:** Before disconnecting the connectors in the next step, make note of the position of two of the cables (callout 1).


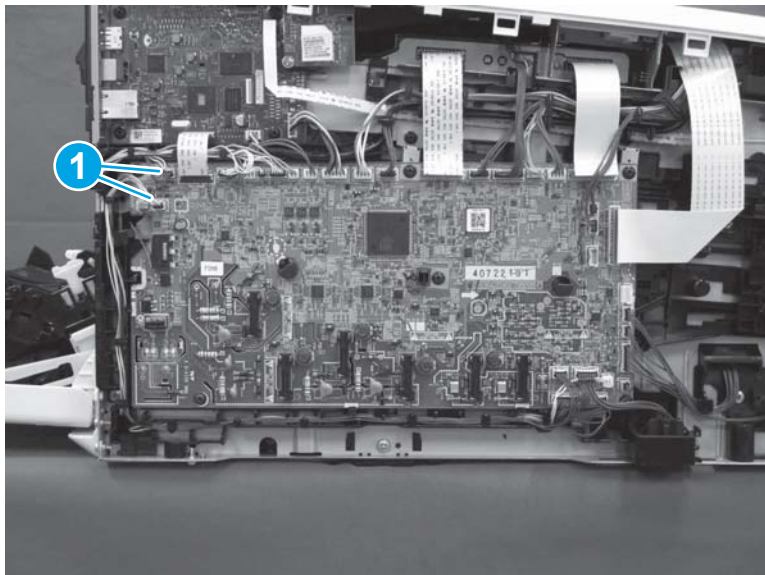
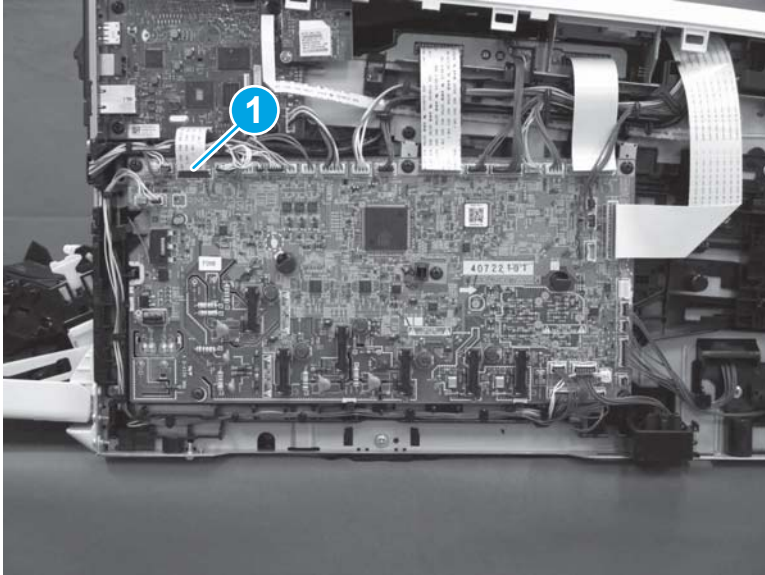
 **IMPORTANT:** These cables can be inadvertently switched when reinstalling. The connectors on the cables will fit in either connector on the engine controller PCA. Make sure that these cables are installed in the correct connectors. If the cables are switched, the printer will experience a repeatable jam when printing duplex jobs.

Figure 1-3063 Check the cables



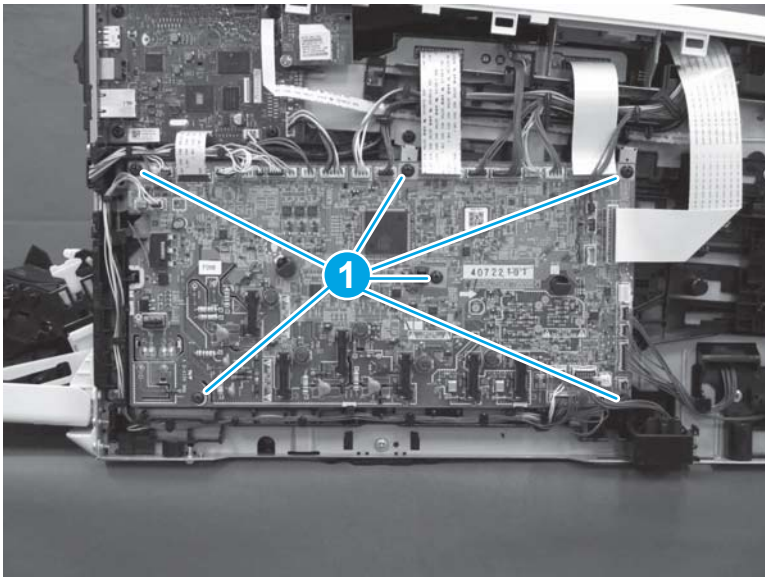
2. Disconnect all of the connectors on the engine controller PCA. Note that one connector (callout 1) is a zero-insertion force (ZIF) connector. Lift the latch on the connector before removing the flat cable.

Figure 1-3064 Disconnect all of the connectors



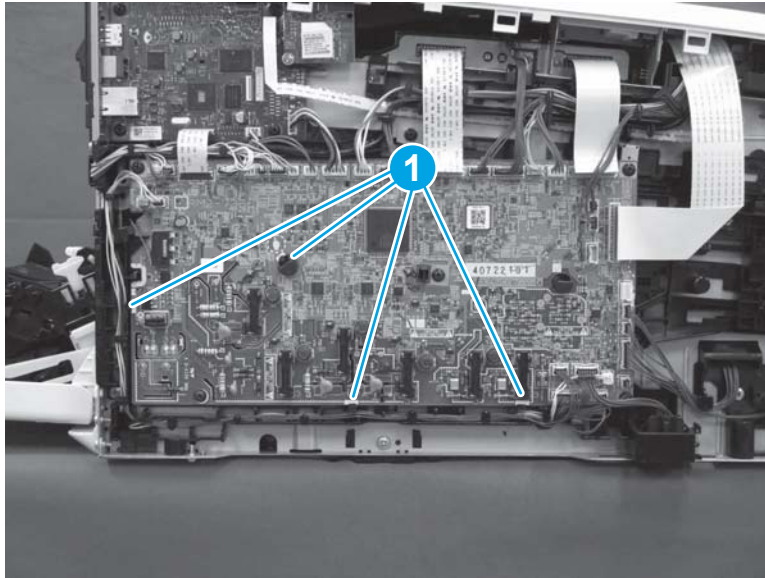
3. Remove six screws (callout 1).

Figure 1-3065 Remove six screws



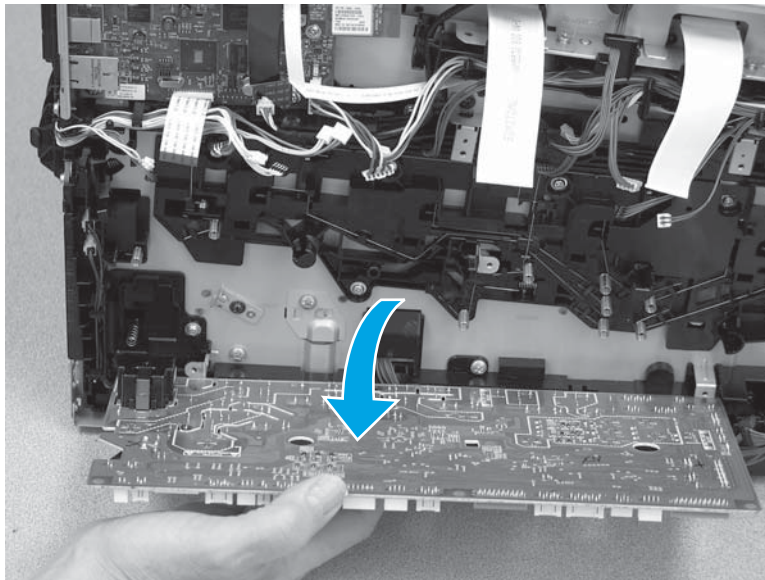
4. Release four tabs (callout 1).

Figure 1-3066 Release four tabs



5. Remove the engine controller PCA.

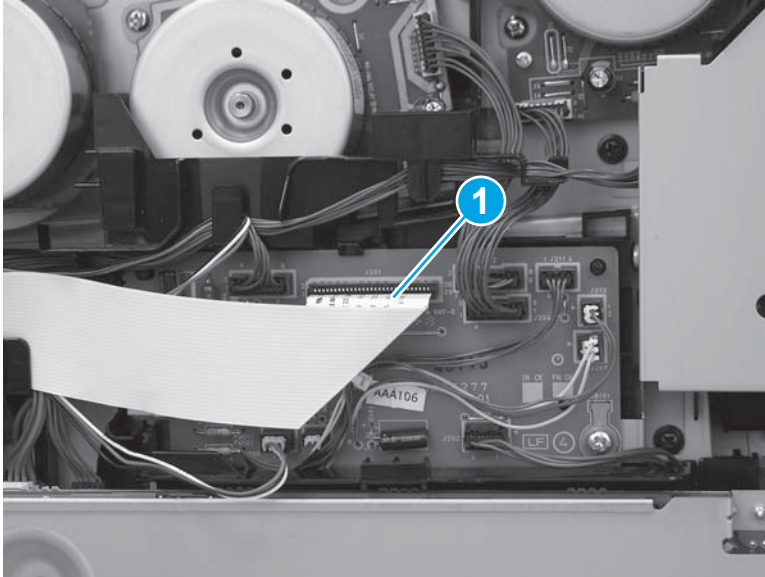
Figure 1-3067 Remove the engine controller PCA



Step 11: Remove the driver PCA

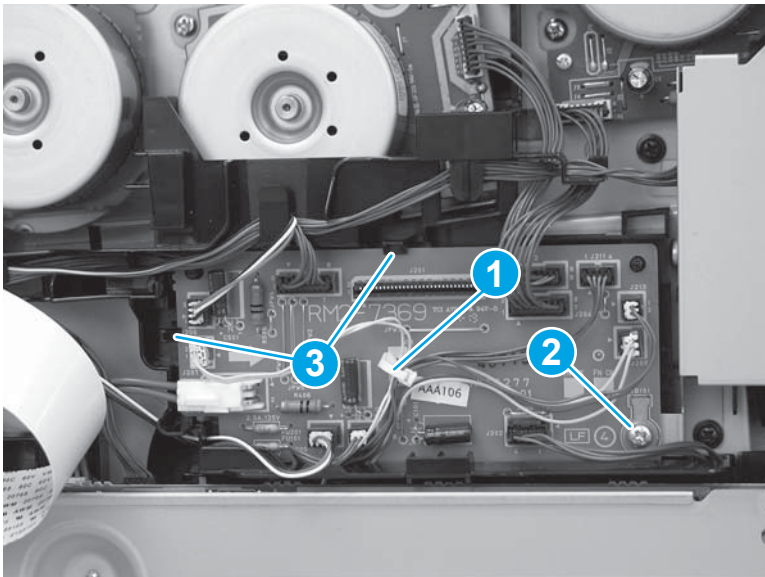
1. Disconnect one connector (callout 1).

Figure 1-3068 Disconnect one connector



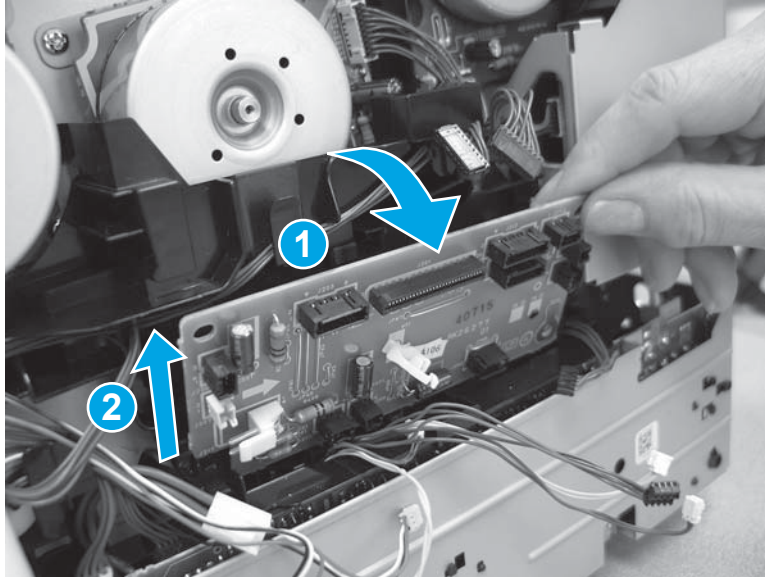
2. Release one retainer (callout 1), disconnect all of the connectors on the driver PCA, remove one screw (callout 2), and then release two tabs (callout 3).

Figure 1-3069 Disconnect all connectors and remove one screw



3. Rotate the top of the driver PCA away from the printer (callout 1), and then lift up (callout 2) to remove it.

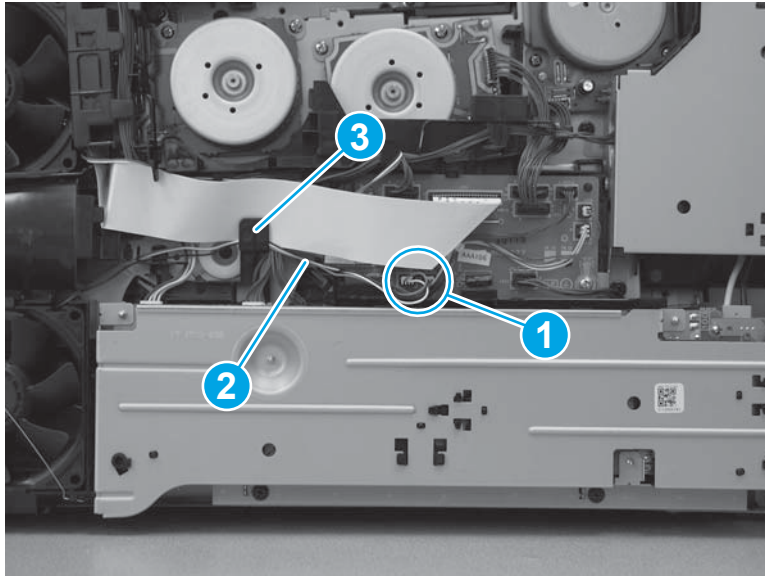
Figure 1-3070 Remove the driver PCA



Step 12: Remove the low-voltage power supply

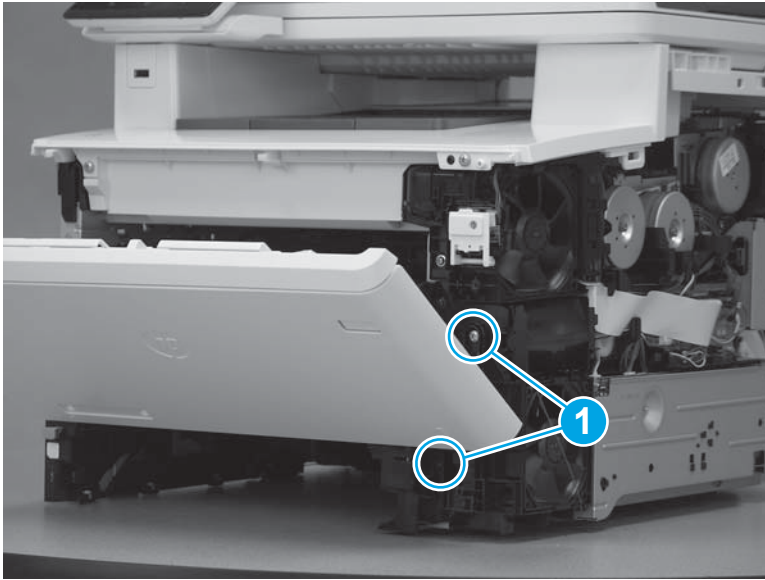
1. Disconnect one connector (callout 1), and then remove the cable (callout 2) from the wire guide (callout 3).

Figure 1-3071 Disconnect one connector and release cables from guides



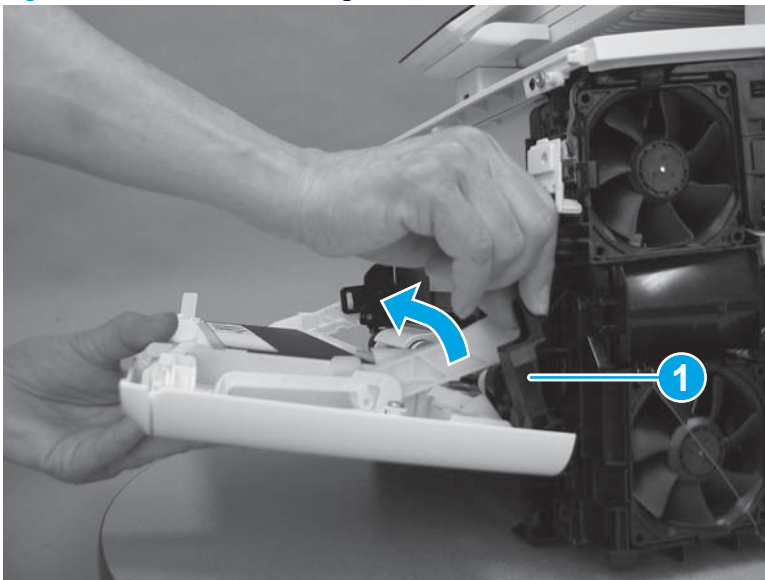
2. Remove two screws (callout 1).

Figure 1-3072 Remove two screws



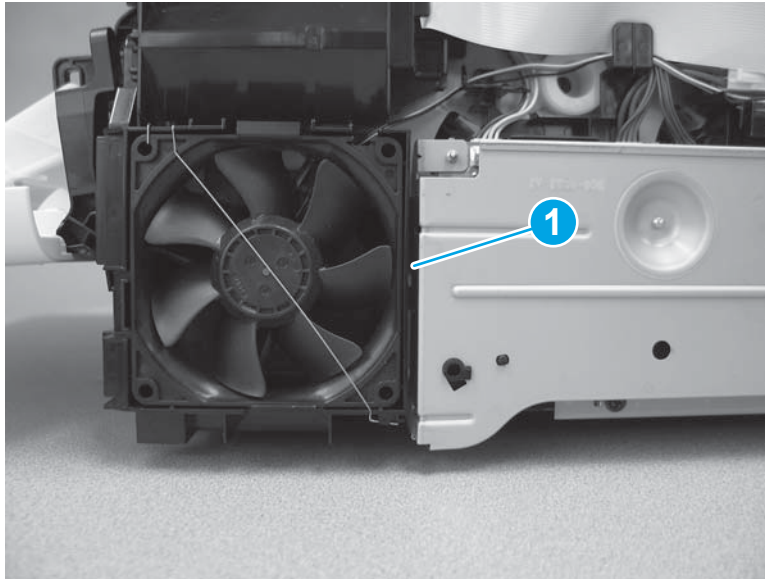
3. Release the hinge arm (callout 1).

Figure 1-3073 Release the hinge arm



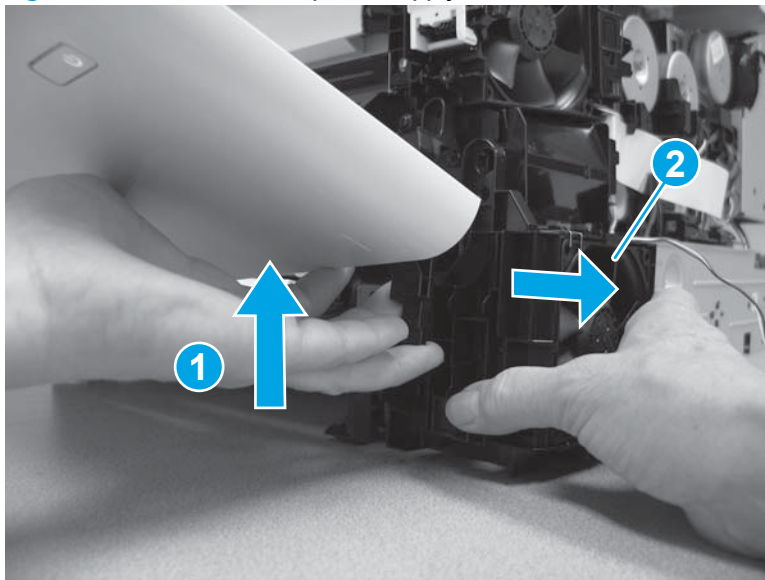
4. Release one tab (callout 1) on the right side of the power supply fan.

Figure 1-3074 Release one tab



5. Lift the front door up slightly (callout 1), and then remove the power supply fan and holder (callout 2).

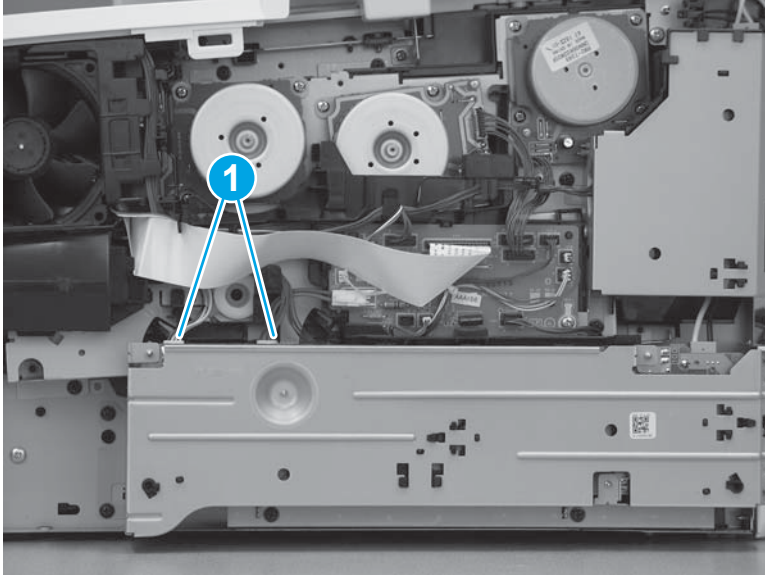
Figure 1-3075 Remove the power supply fan and holder



6. Before disconnecting the cables in the next step, make note of the position of two cables (callout 1).

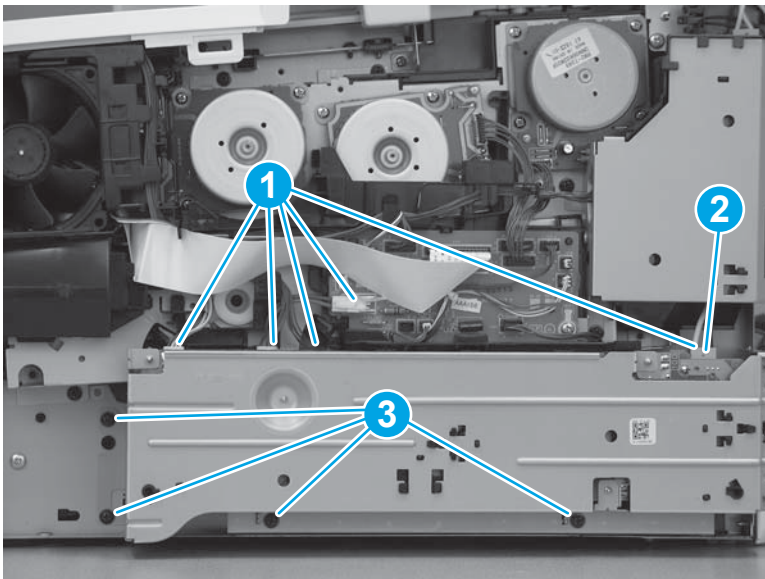
IMPORTANT: These cables can be inadvertently switched when reinstalling. The connectors on the cables will fit in either connector on the LVPS. Make sure that these cables are installed in the correct connectors. If the cables are switched, the printer will not power on when reassembled.

Figure 1-3076 Check the connectors



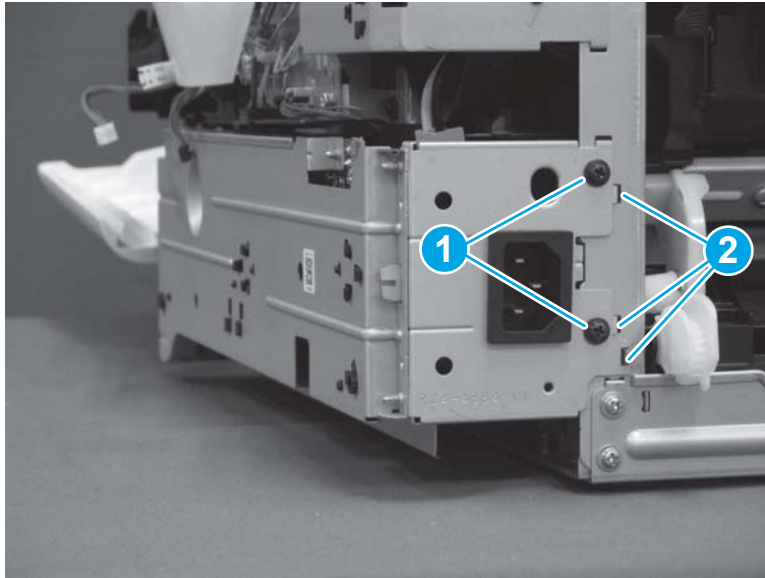
7. Disconnect five connectors (callout 1). Note that one connector (callout 2) has a latch that must be released before disconnecting it. Remove four screws (callout 3).

Figure 1-3077 Disconnect five connectors and remove four screws



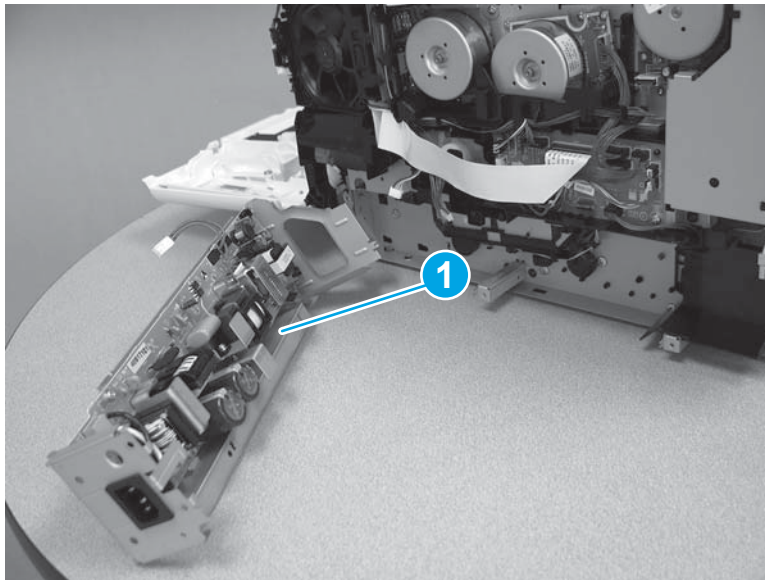
8. Remove two screws (callout 1), and then release three tabs (callout 2).

Figure 1-3078 Remove two screws and release three tabs



9. Remove the LVPS (callout 1).

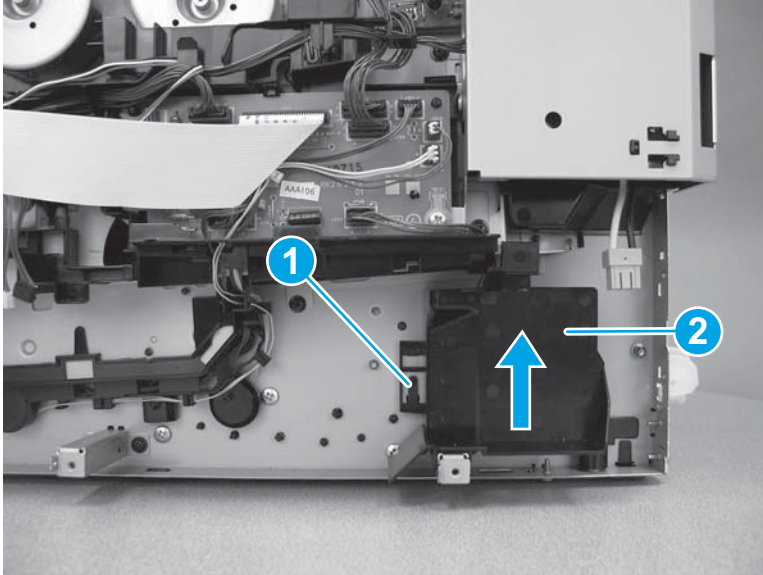
Figure 1-3079 Remove the LVPS



Step 13: Remove the pickup motor

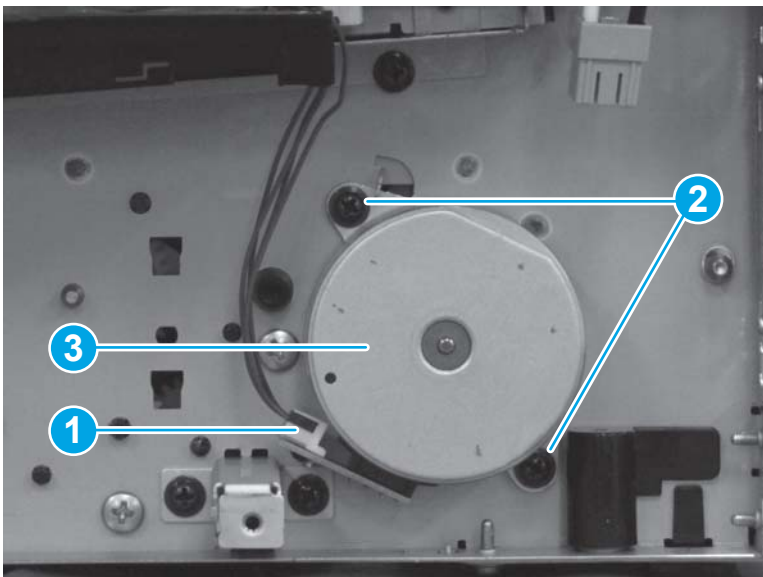
1. Release one tab (callout 1), and then slide the fan duct (callout 2) up to remove it.

Figure 1-3080 Remove the fan duct



2. Disconnect one connector (callout 1), remove two screws (callout 2), and then remove the pickup motor (callout 3).

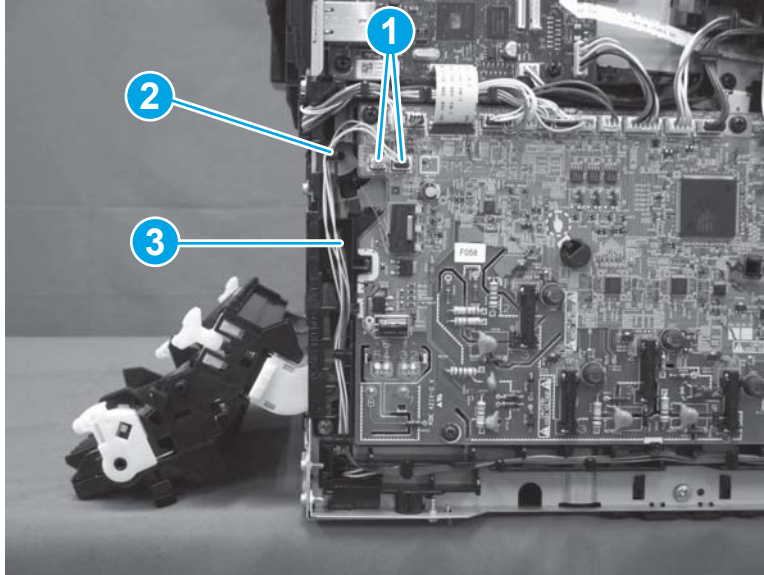
Figure 1-3081 Remove the pickup motor



Step 14: Remove the re-pickup assembly (duplex models)

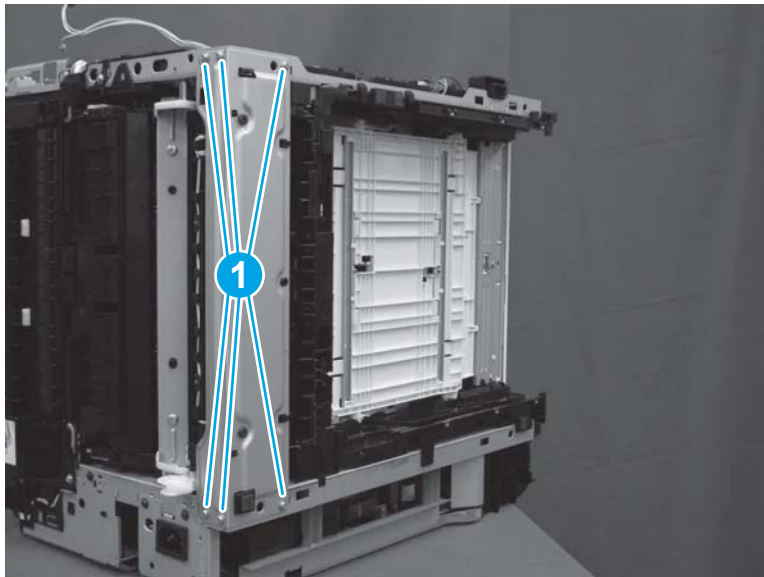
1. On the left side of the printer, disconnect two connectors (callout 1), and then remove the cables (callout 2) from the guides (callout 3).

Figure 1-3082 Disconnect two connectors and remove cables from guides



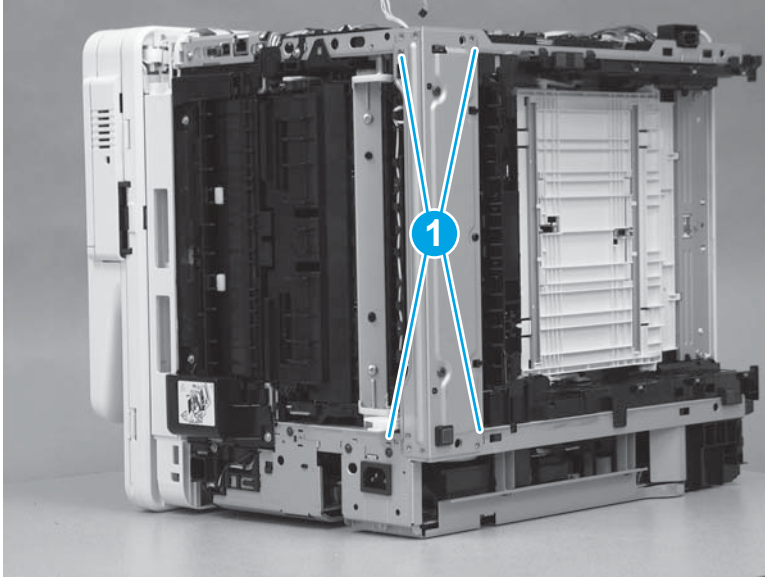
2. Lay the printer on the right side so that the left side is facing up. Remove six screws (callout 1).

Figure 1-3083 Remove six screws



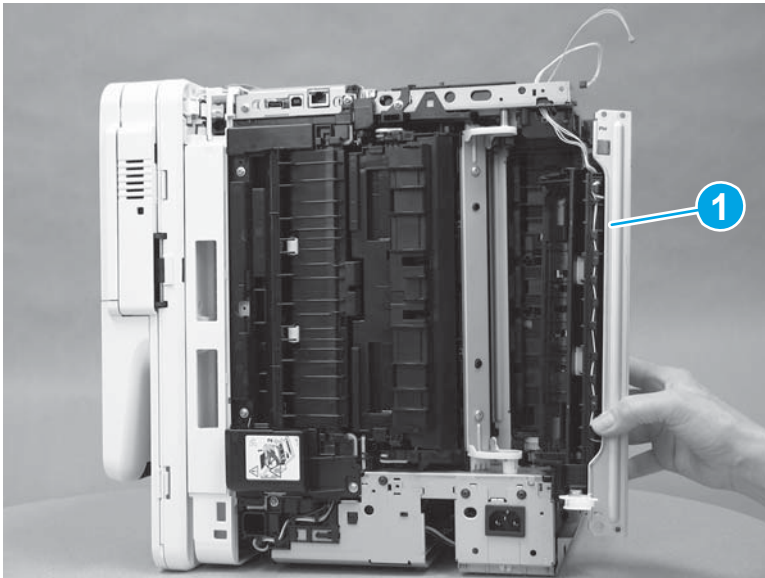
3. Release four tabs (callout 1).

Figure 1-3084 Release four tabs



4. Remove the re-pickup assembly (callout 1).

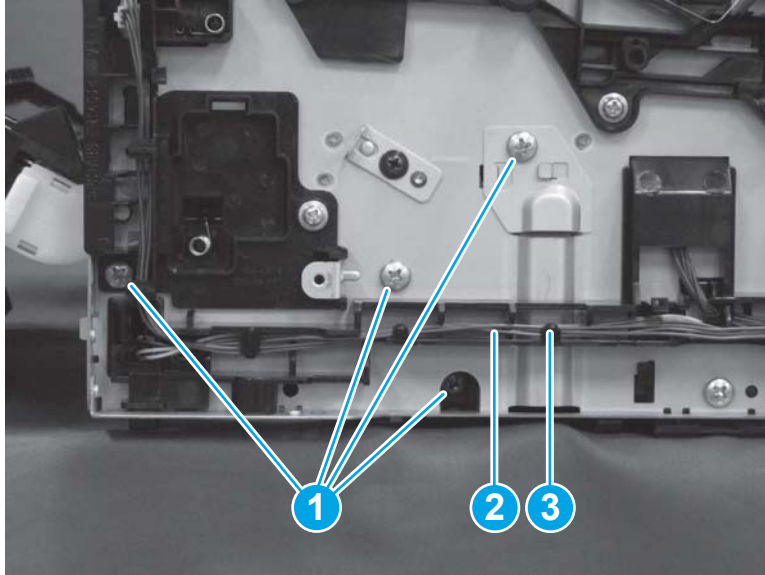
Figure 1-3085 Remove the re-pickup assembly



Step 15: Remove the lifter drive assembly

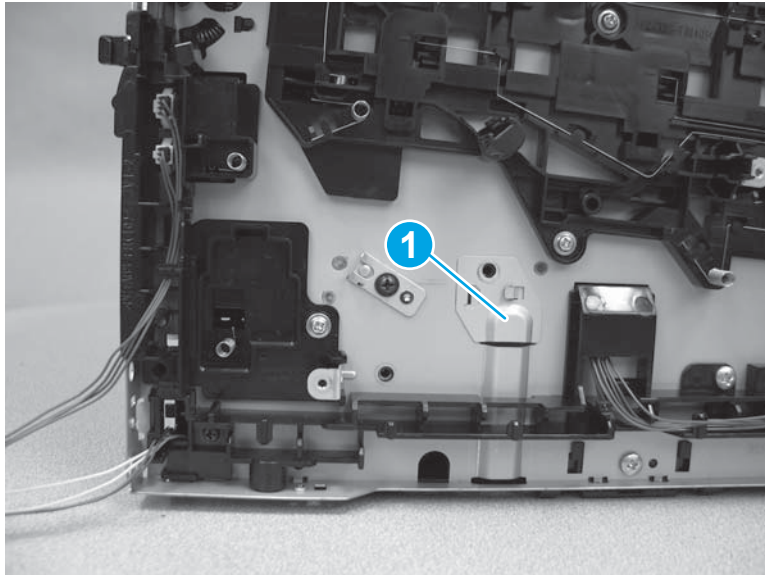
1. Remove four screws (callout 1), and then release the cables (callout 2) from the guides (callout 3).

Figure 1-3086 Remove four screws and release cables



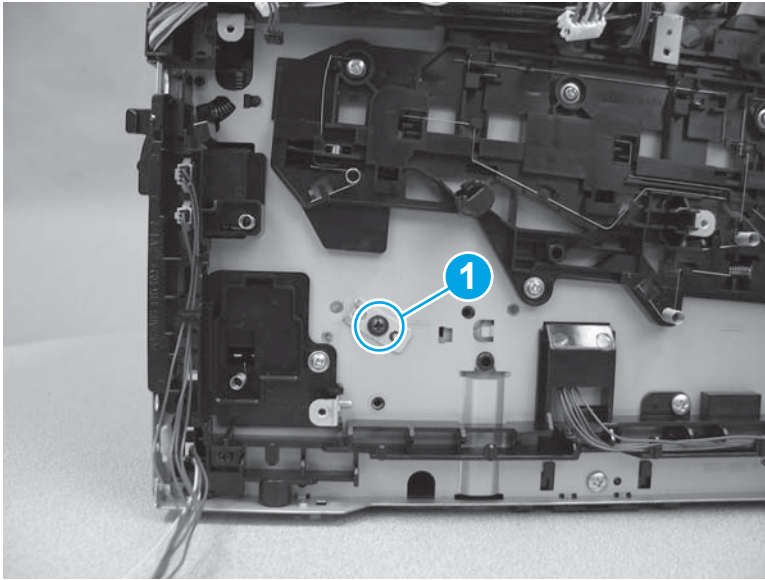
2. Remove one cover (callout 1).

Figure 1-3087 Remove one cover



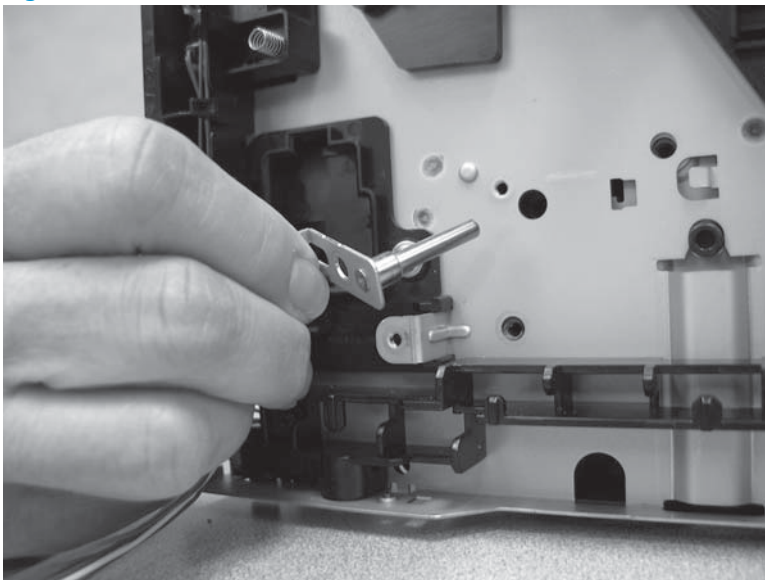
3. Remove one screw (callout 1).

Figure 1-3088 Remove one screw



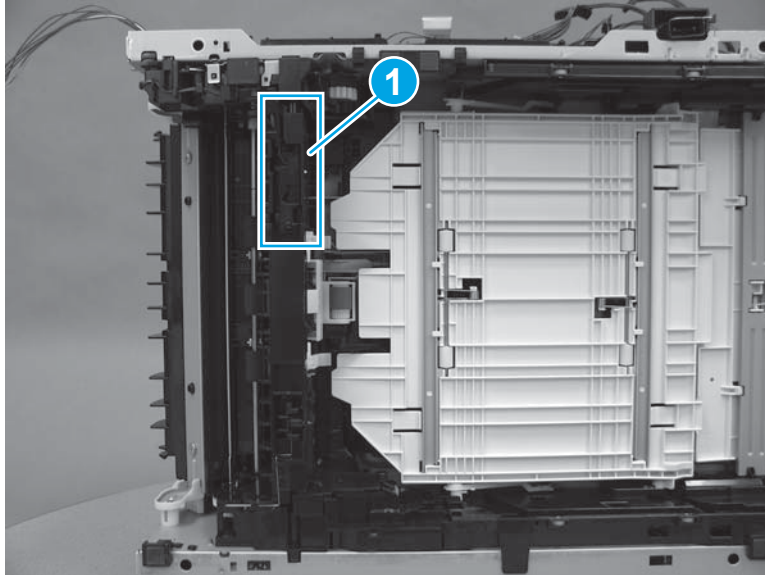
4. Remove the shaft.

Figure 1-3089 Remove the shaft



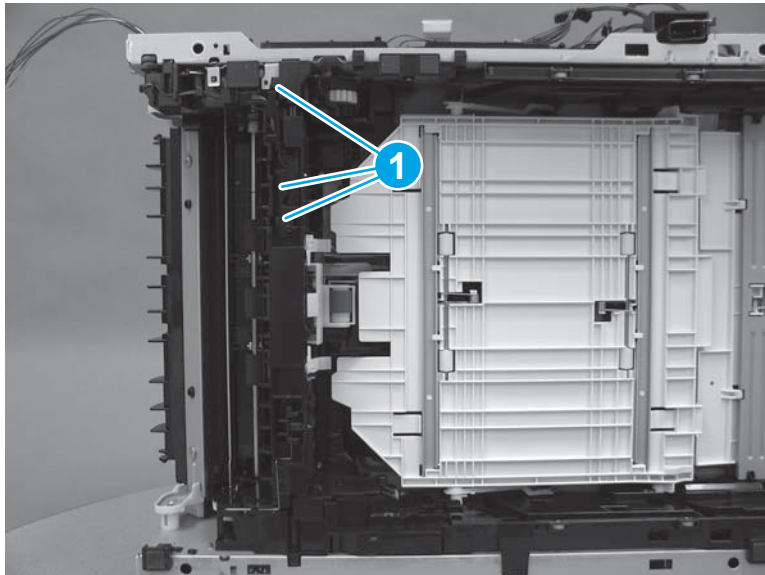
5. Lay the printer on the right side so that the left side is facing up. Locate the tray sensor switch (callout 1).

Figure 1-3090 Locate the tray sensor switch



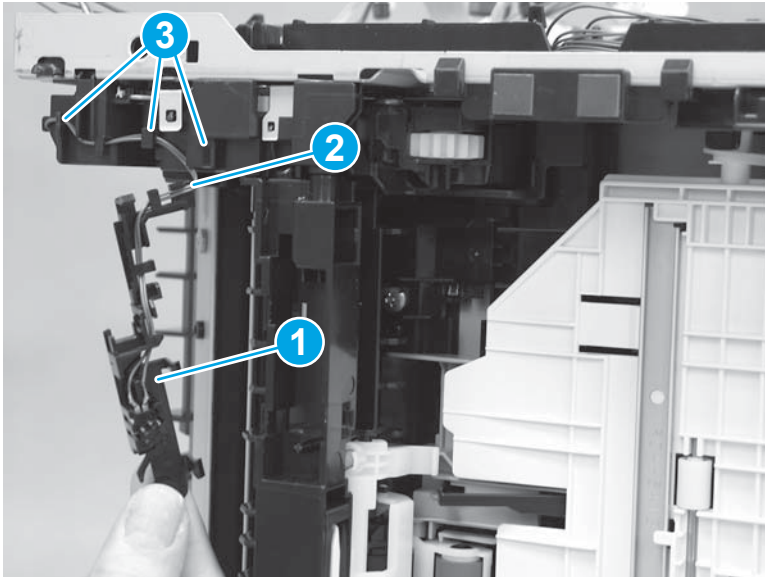
6. Release three tabs (callout 1).

Figure 1-3091 Release three tabs



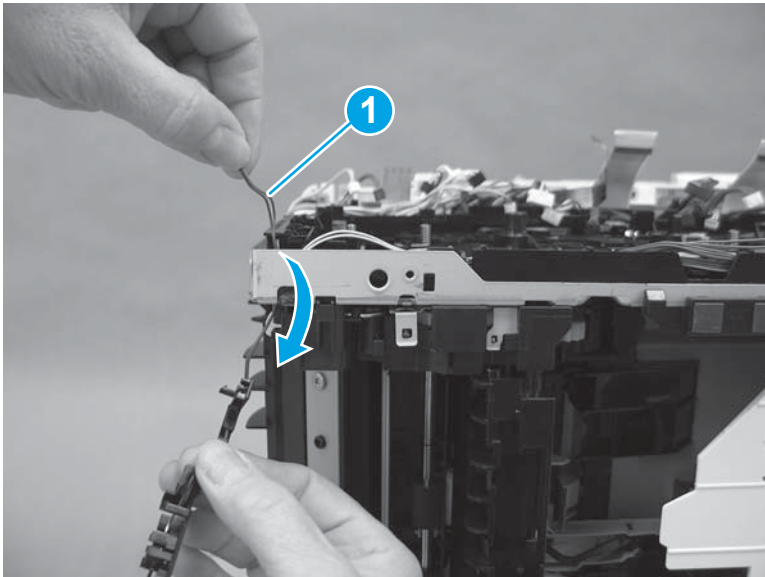
7. Release the tray sensor switch (callout 1), and then remove the cables (callout 2) from the guides (callout 3).

Figure 1-3092 Release the tray sensor switch



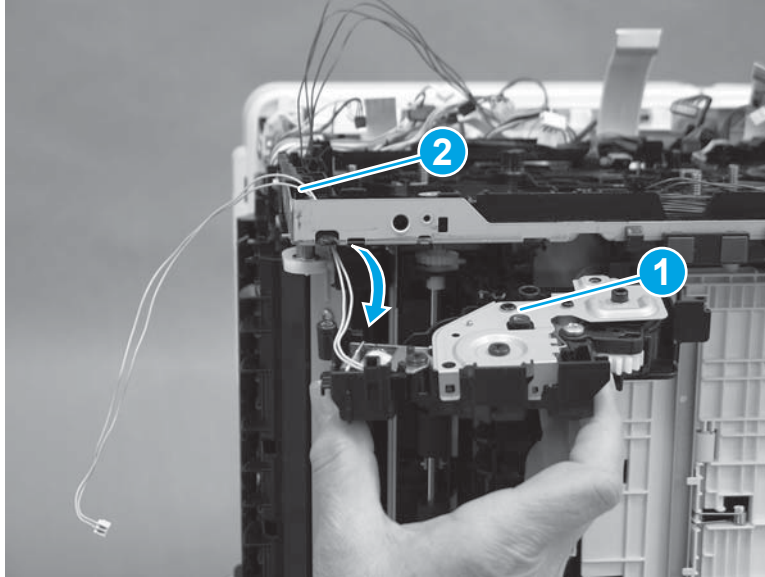
8. Remove the tray sensor switch by releasing the cables (callout 1) through the printer frame.

Figure 1-3093 Remove the tray sensor switch



9. Remove the lifter drive assembly (callout 1), and then release the cables (callout 2) through the printer frame.

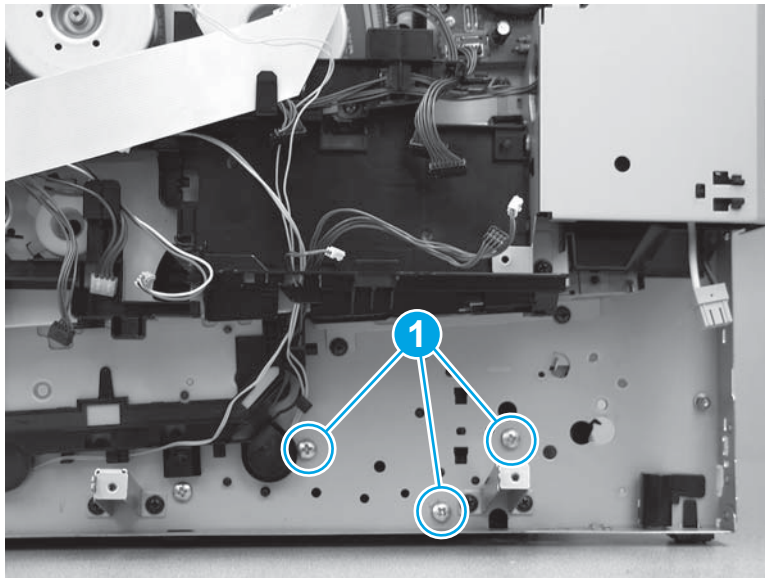
Figure 1-3094 Remove the lifter drive assembly



Step 16: Remove the pickup assembly

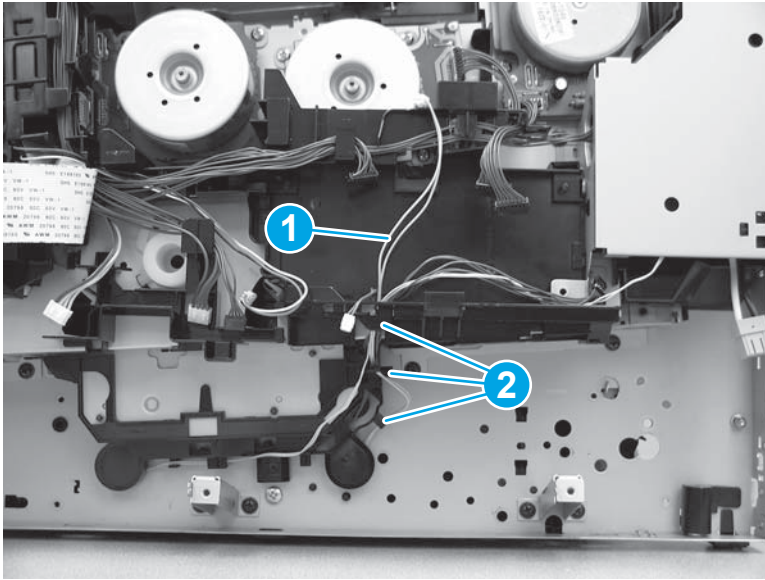
1. Remove three screws (callout 1).

Figure 1-3095 Remove three screws



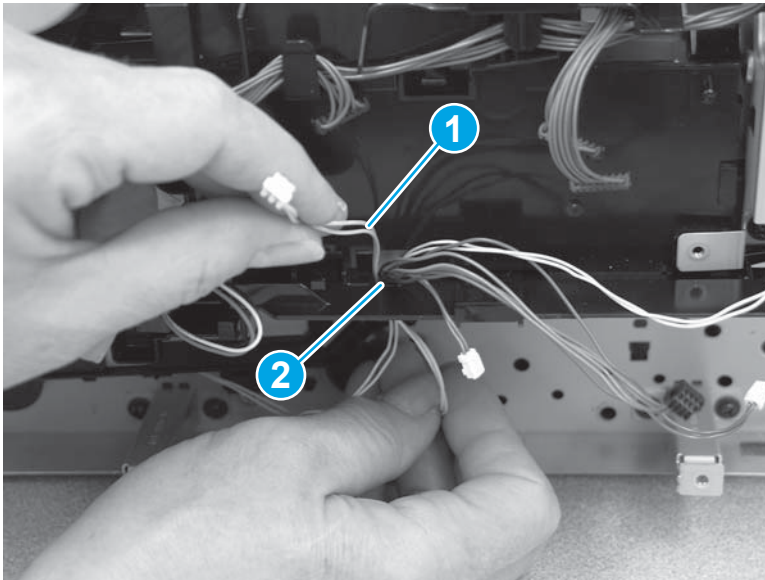
2. Release the cables (callout 1) from the cable guides (callout 2).

Figure 1-3096 Release the cables from the cable guides



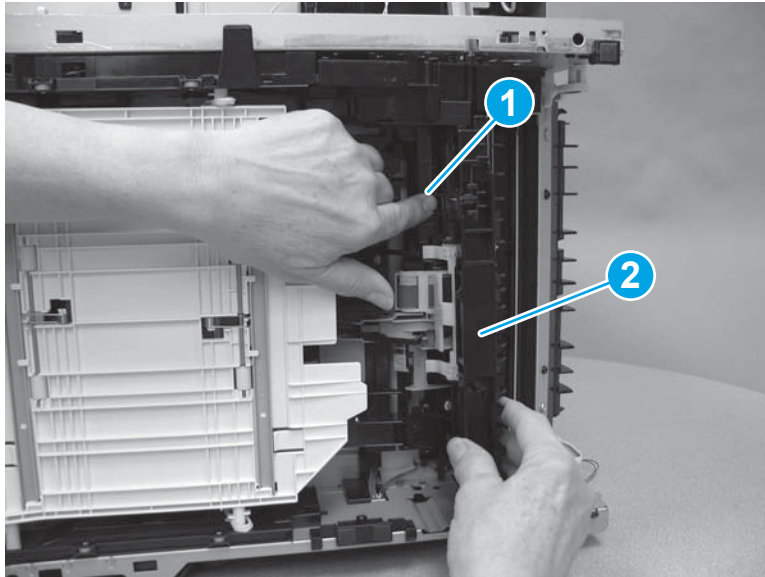
3. Thread the cables (callout 1) through the opening in the driver PCA holder (callout 2).

Figure 1-3097 Release the cables



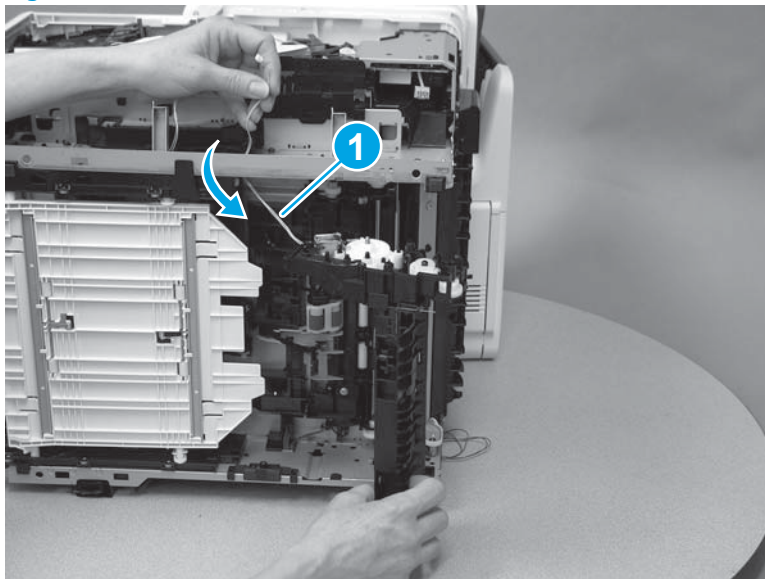
4. Lay the printer on the right side so that the left side is facing up. Press the pickup and feed roller holder (callout 1) toward the printer, and then remove the pickup assembly (callout 2).

Figure 1-3098 Remove the pickup assembly



5. Release the cables (callout 1) through the printer frame.

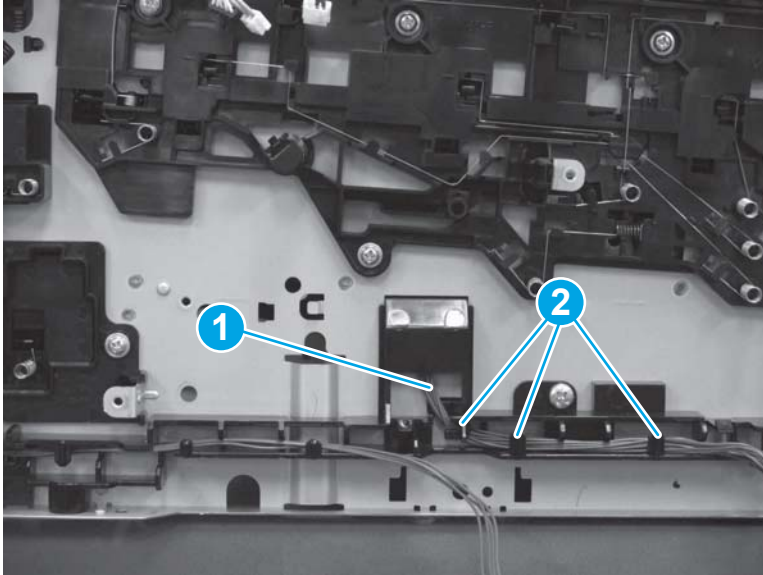
Figure 1-3099 Release the cables



Step 17: Remove the front feed guide assembly

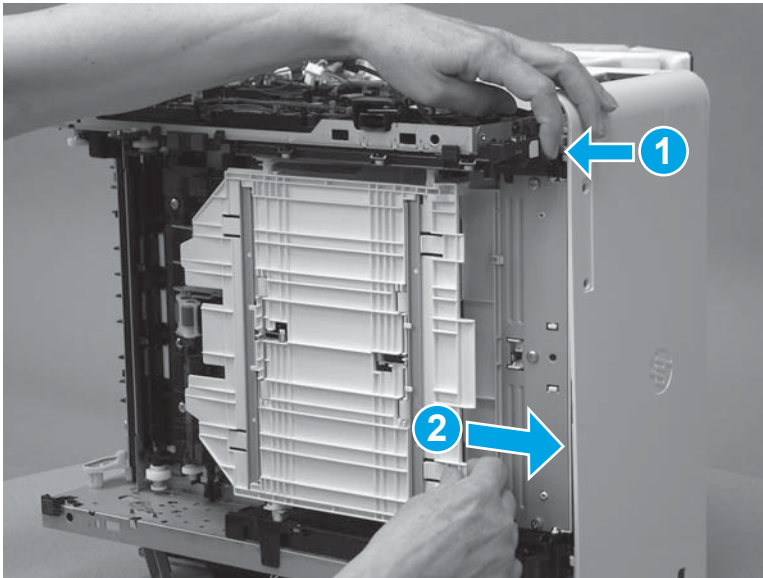
1. Release the cables (callout 1) from the cable guide (callout 2).

Figure 1-3100 Release the cables



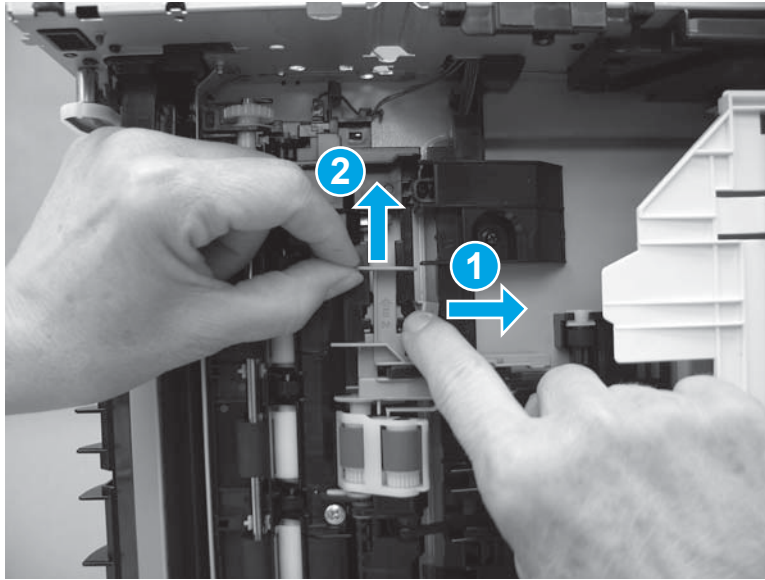
2. Lay the printer on the right side so that the left side is facing up. Press the tray 1 feed guide release button (callout 1), and then release the tray 1 feed guide toward the front of the printer (callout 2).

Figure 1-3101 Release the tray 1 feed guide



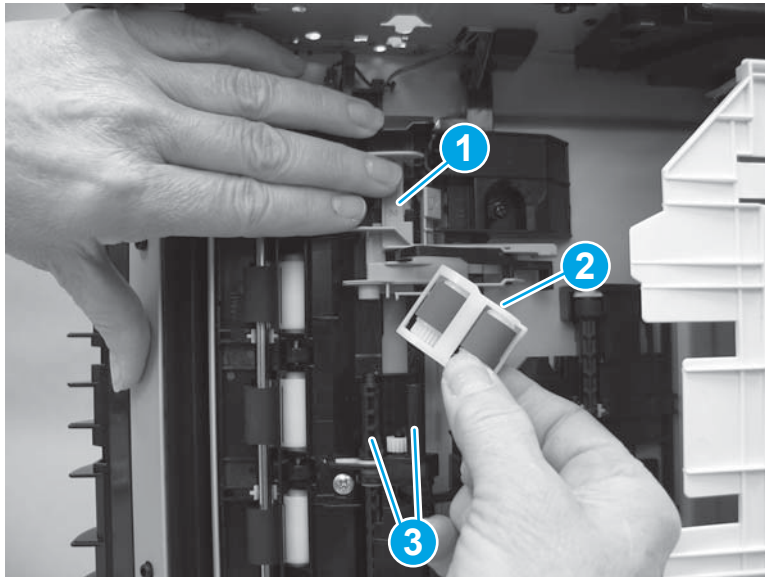
3. Press the lever (callout 1) on the roller holder, and then slide the roller holder up (callout 2).

Figure 1-3102 Slide the roller holder



4. Hold the roller holder up (callout 1), and then lift the pickup and feed roller case (callout 2) up off of the shafts (callout 3).

Figure 1-3103 Remove the pickup and feed rollers



5. Remove three screws (callout 1) on the rear feed guide assembly, and then remove three screws (callout 2) on the front feed guide assembly.


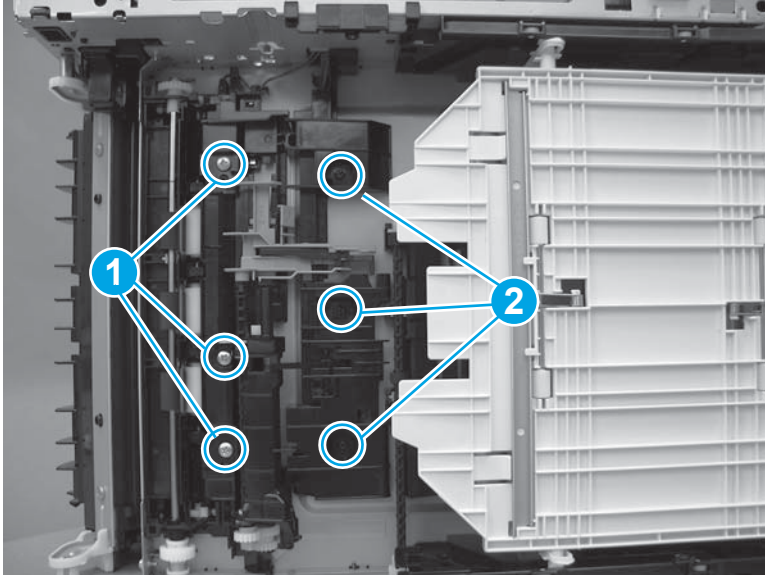
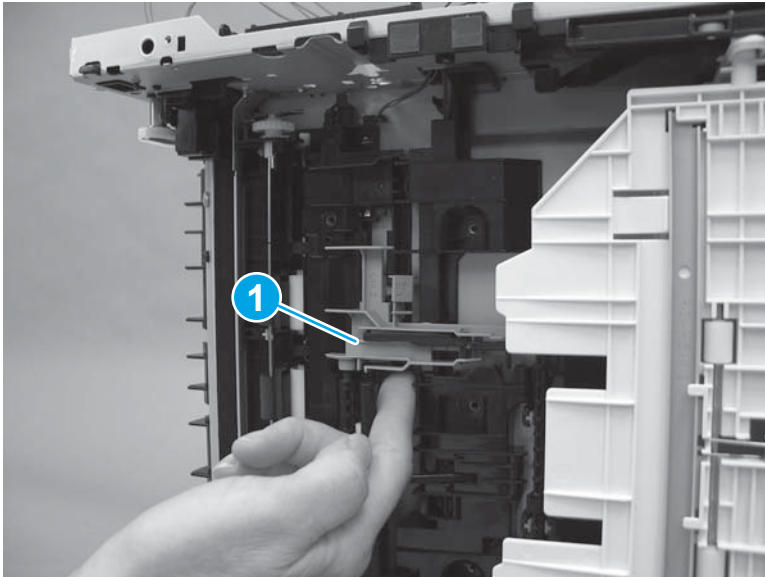
 **Reinstallation tip:** The three screws (callout 1) on the rear feed guide assembly are larger than the screws on the front feed guide assembly.

Figure 1-3104 Remove six screws



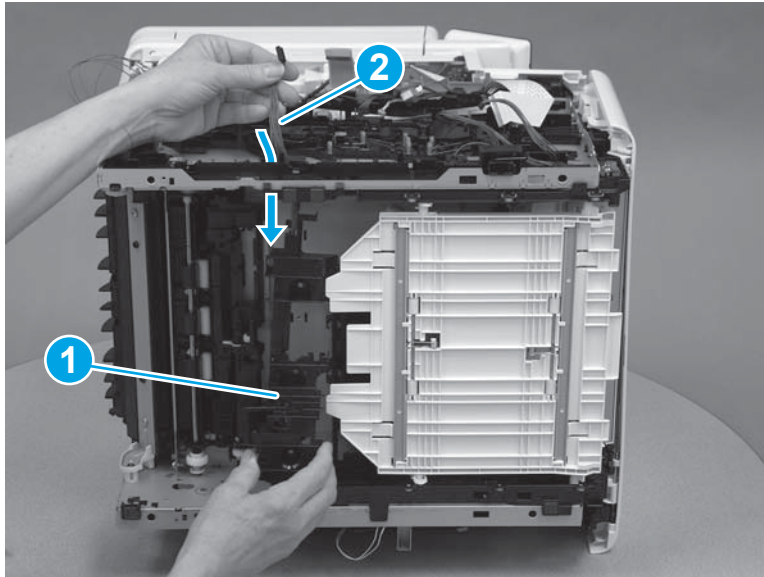
6. Remove the roller holder (callout 1).

Figure 1-3105 Remove the roller holder



7. Remove the front feed guide assembly (callout 1). Release the cables (callout 2) through the printer frame.

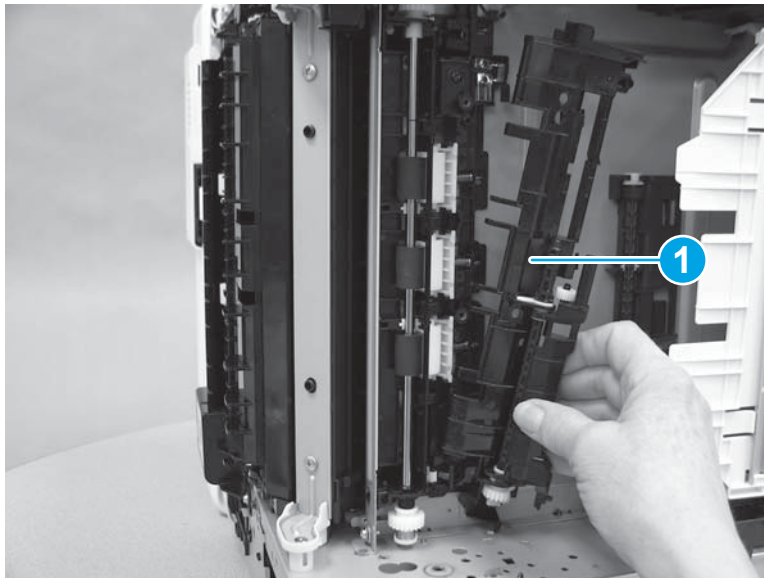
Figure 1-3106 Remove the front feed guide assembly



Step 18: Remove the rear feed guide assembly

- ▲ Remove the rear feed guide assembly (callout 1).

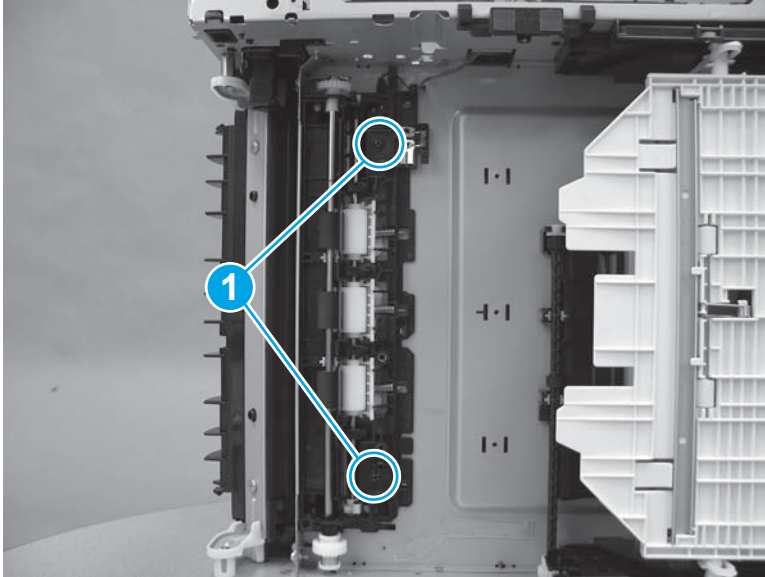
Figure 1-3107 Remove the rear feed guide assembly



Step 19: Remove the registration assembly

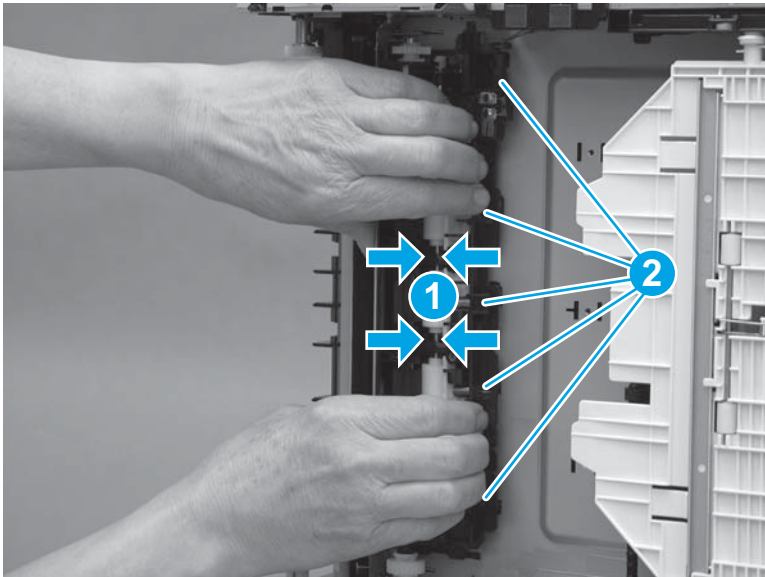
1. Remove two screws (callout 1).

Figure 1-3108 Remove two screws



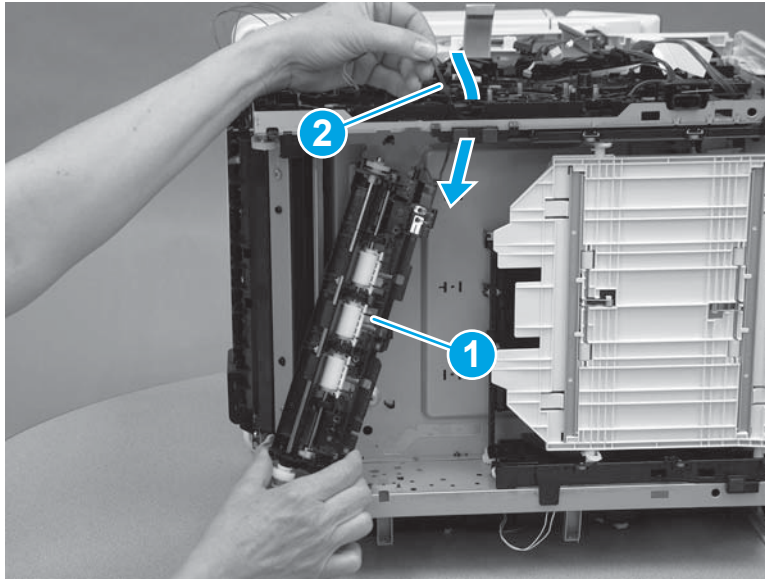
2. Squeeze the registration assembly (callout 1) to release five tabs (callout 2).

Figure 1-3109 Release five tabs



3. Remove the registration assembly (callout 1). Release the cables (callout 2) through the printer frame.

Figure 1-3110 Remove the registration assembly



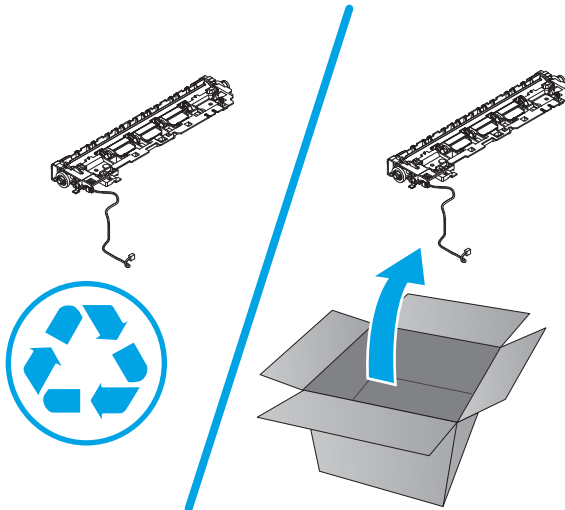
Step 20: Unpack the replacement part

Remove the new part from its package. Save all packaging for recycling the used part.

For complete information on HP's recycling programs, go to [Product return and recycling](#).

 **NOTE:** HP recommends responsible disposal of the defective part.

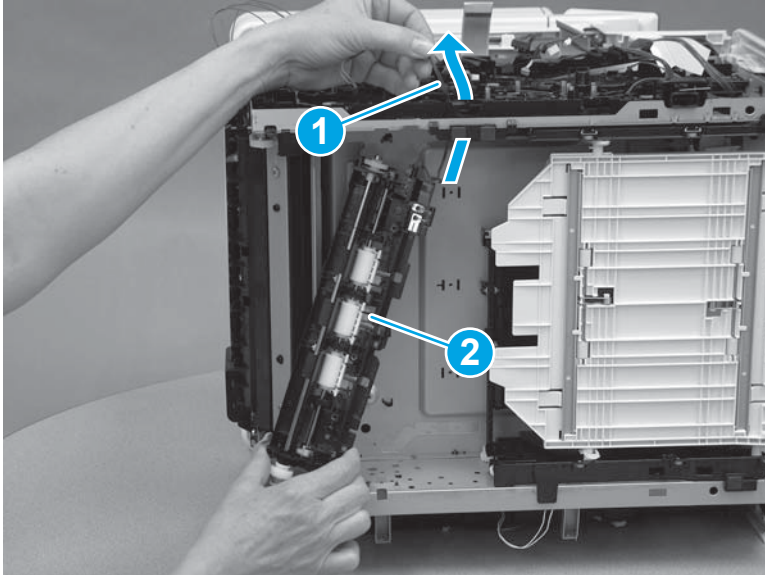
Figure 1-3111 Recycle and unpack



Step 21: Install the registration assembly

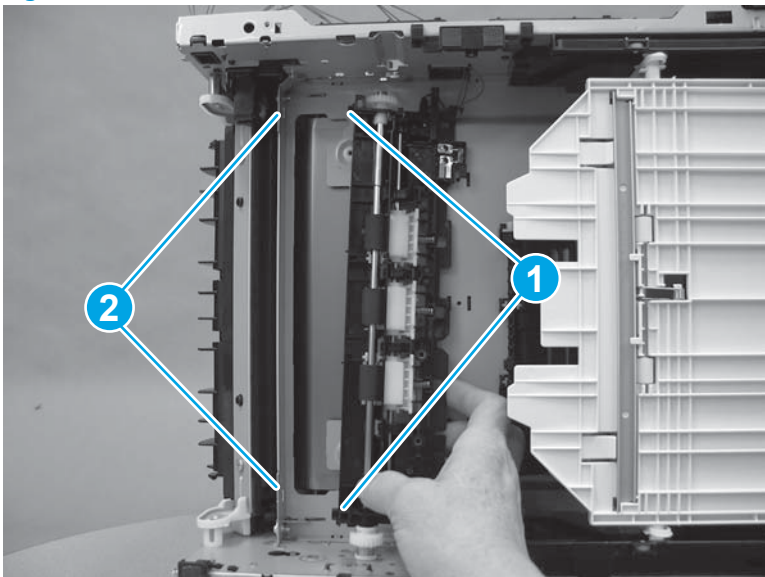
1. Thread the cables (callout 1) on the registration assembly up through the printer frame, and then move the registration assembly (callout 2) into position.

Figure 1-3112 Position the registration assembly



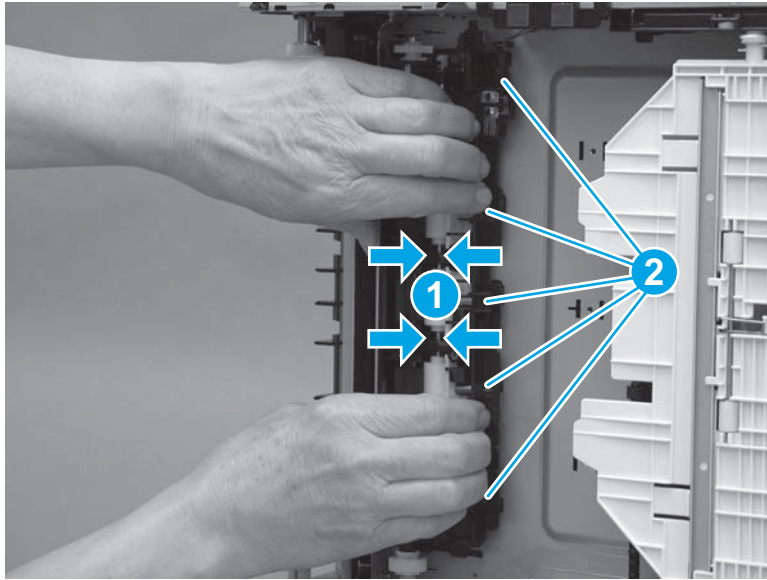
2. Install the tabs (callout 1) on the registration assembly in the slots (callout 2) in the printer frame.

Figure 1-3113 Install two tabs



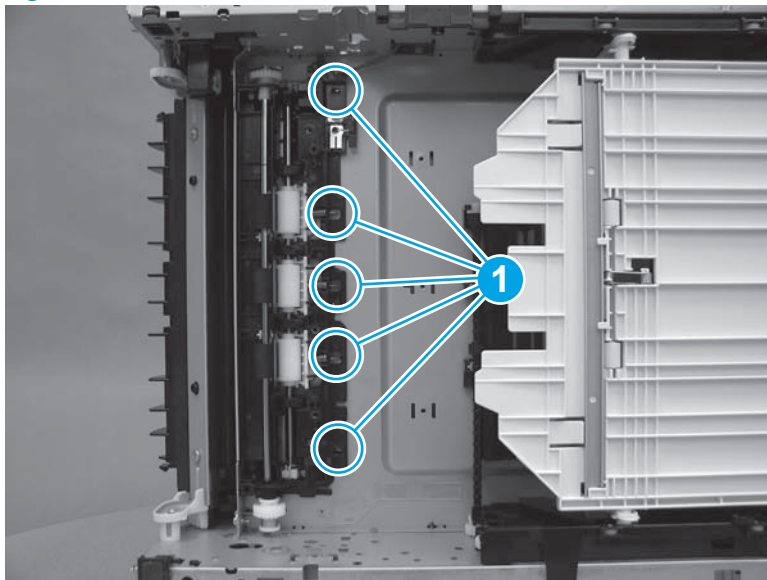
3. Squeeze the registration assembly (callout 1) to install five tabs (callout 2).

Figure 1-3114 Install five tabs



4. Make sure that the tabs (callout 1) are installed correctly.

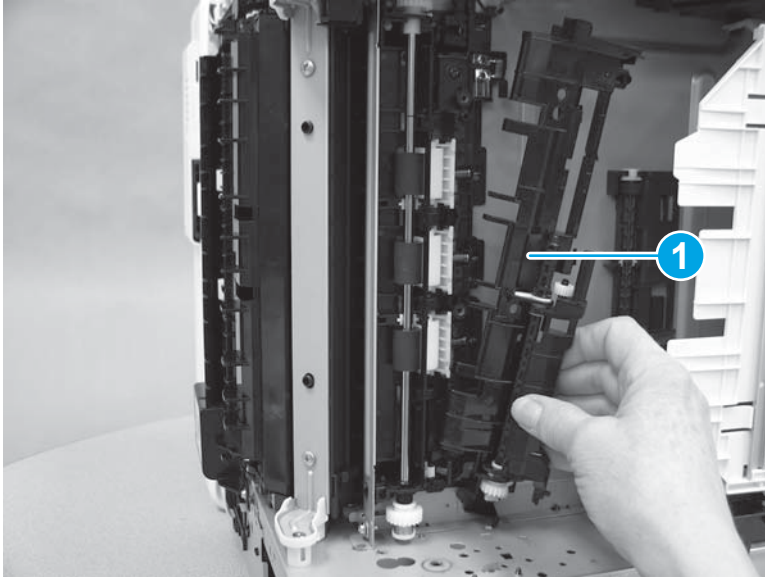
Figure 1-3115 Check the tabs



Step 22: Install the rear feed guide assembly

- ▲ Install the rear feed guide assembly (callout 1).

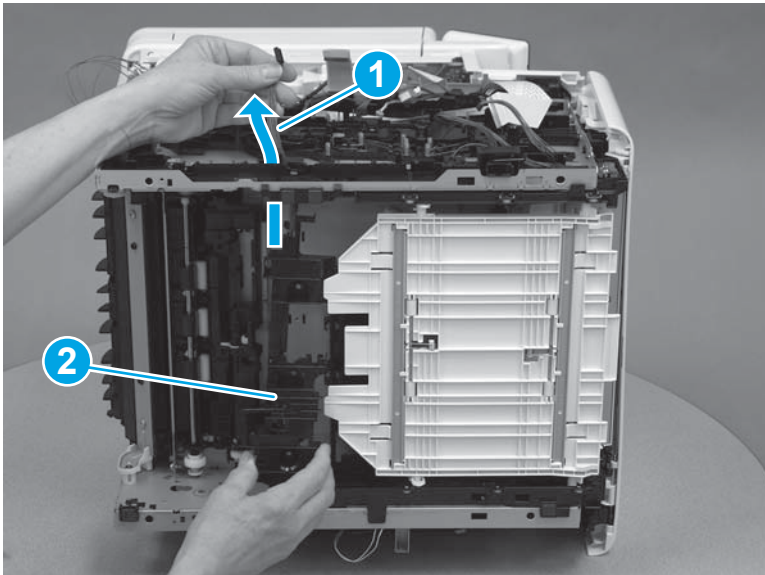
Figure 1-3116 Install the rear feed guide assembly



Step 23: Install the front feed guide assembly

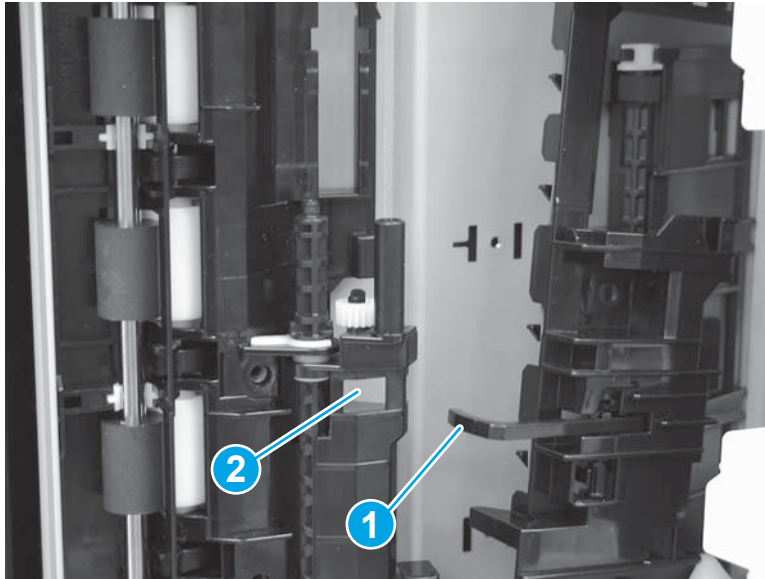
1. Thread the cables (callout 1) on the front feed guide assembly up through the printer frame, and then move the front feed guide assembly (callout 2) into position.

Figure 1-3117 Position the front feed guide assembly



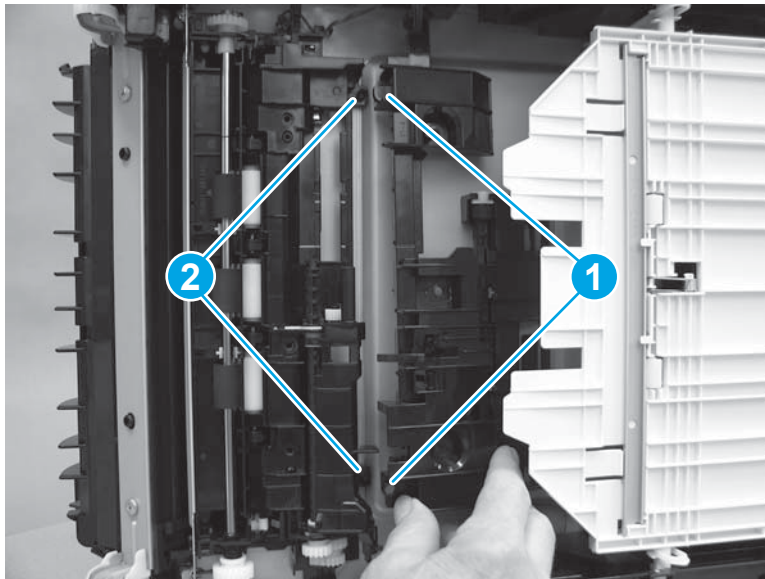
2. Make sure that the flag (callout 1) on the front feed guide assembly fits in the opening (callout 2) in the rear feed guide assembly.

Figure 1-3118 Position the flag



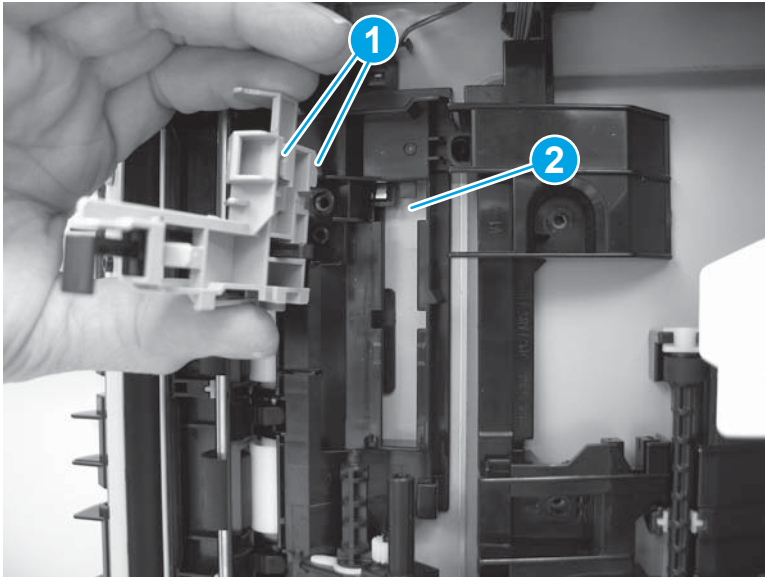
3. Install the holes on the front feed guide assembly (callout 1) over the tabs (callout 2) on the rear feed guide assembly.

Figure 1-3119 Install the front feed guide assembly



4. Position the tabs (callout 1) on the roller holder in the slots (callout 2) in the rear feed guide assembly, and then install the roller holder.

Figure 1-3120 Install the roller holder



5. Install three screws (callout 1) on the rear feed guide assembly, and then install three screws (callout 2) on the front feed guide assembly.


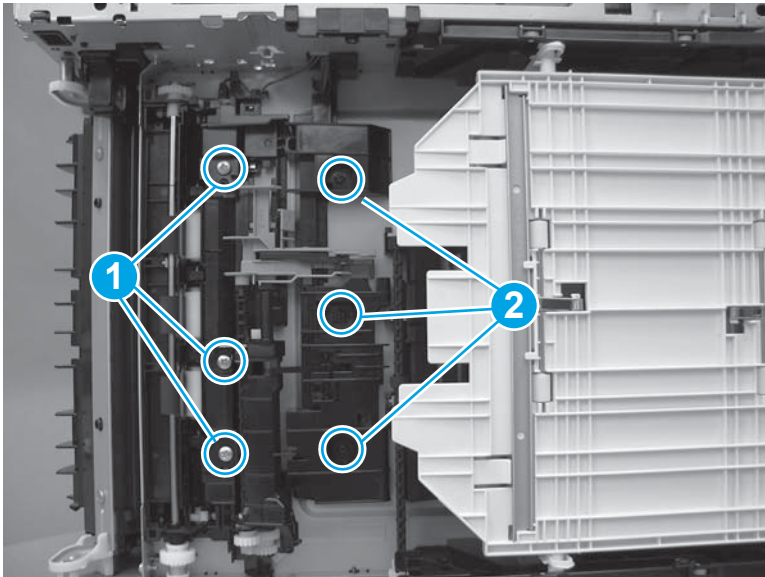
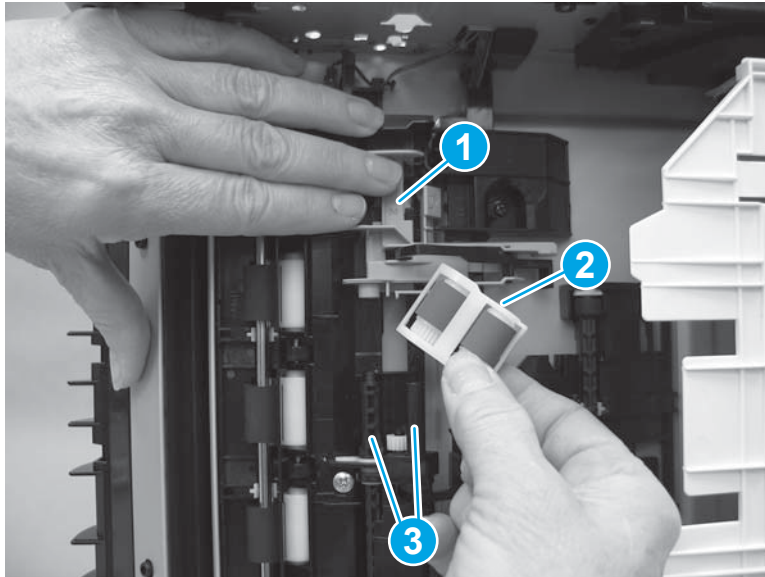
 **Reinstallation tip:** The three screws (callout 1) on the rear feed guide assembly are larger than the screws on the front feed guide assembly.

Figure 1-3121 Install six screws



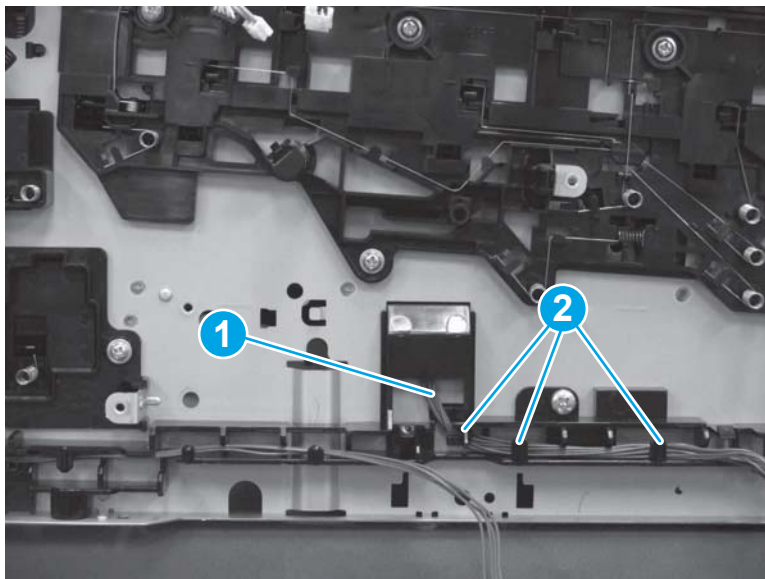
6. Hold the roller holder up (callout 1), and then install the pickup and feed roller case (callout 2) on the shafts (callout 3). Lower the roller holder until it snaps into place.

Figure 1-3122 Remove the pickup and feed rollers



7. Return the printer to an upright position so that the top side is facing up. Install the cables (callout 1) into the cable guide (callout 2).

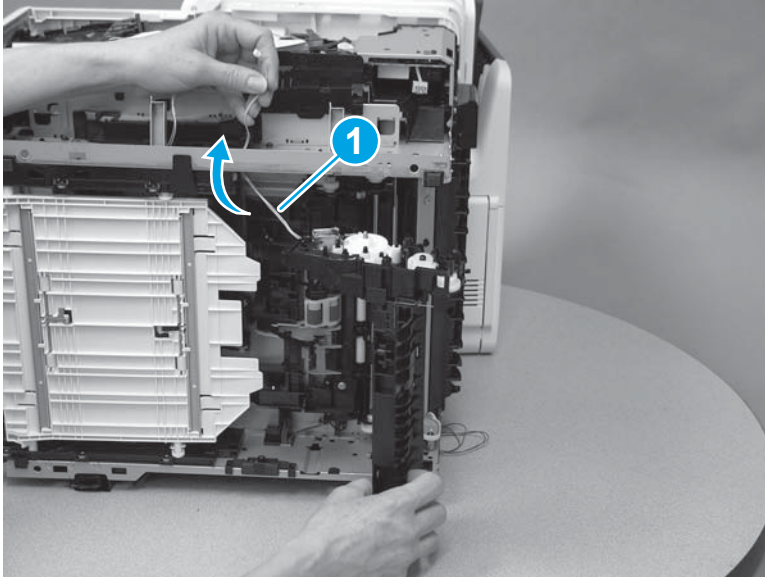
Figure 1-3123 Release the cables



Step 24: Install the pickup assembly

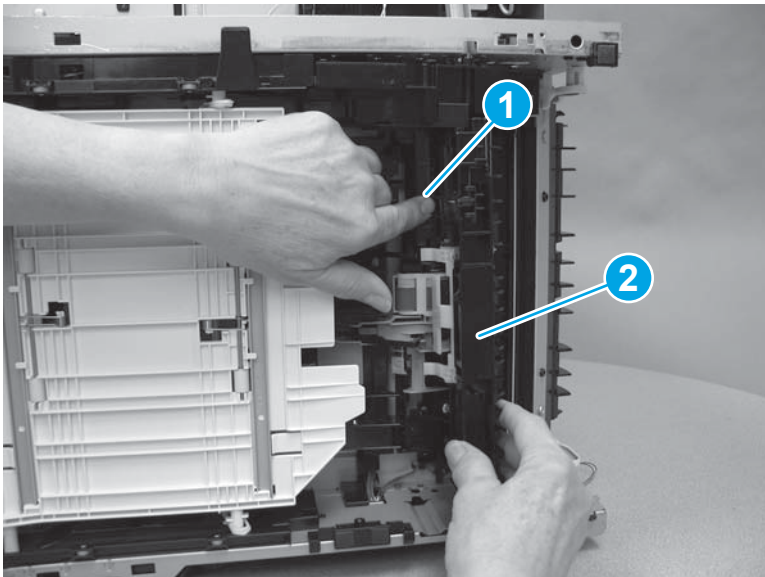
1. Thread the cables (callout 1) through the printer frame.

Figure 1-3124 Thread the cables



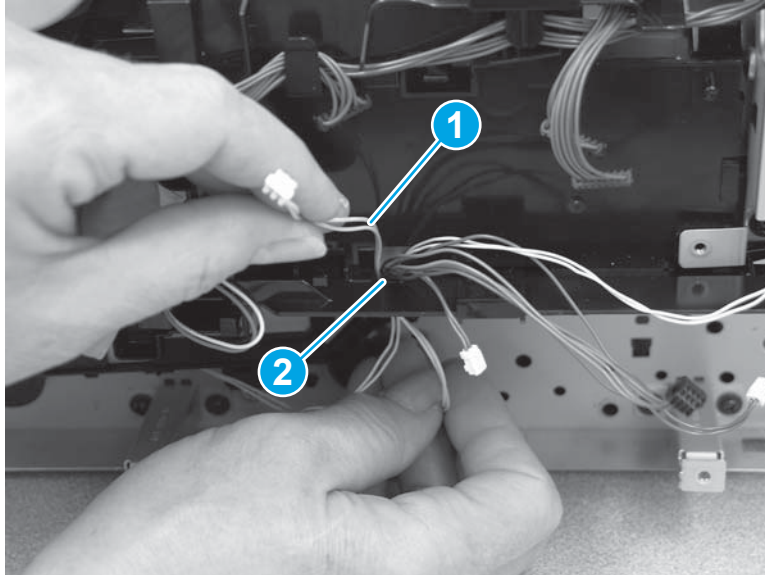
2. Press the pickup and feed roller holder (callout 1) toward the printer, and then install the pickup assembly (callout 2).

Figure 1-3125 Install the pickup assembly



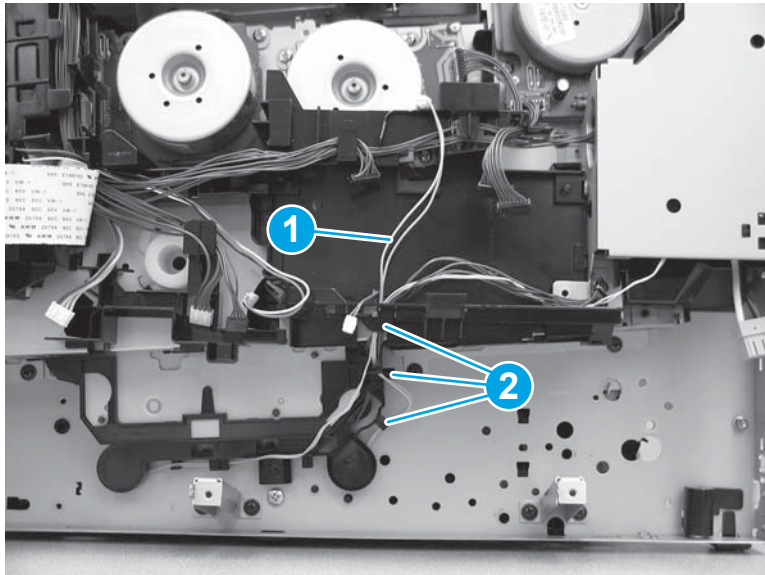
3. Return the printer to an upright position so that the top side is facing up. Thread the cables (callout 1) through the opening in the driver PCA holder (callout 2).

Figure 1-3126 Install the cable



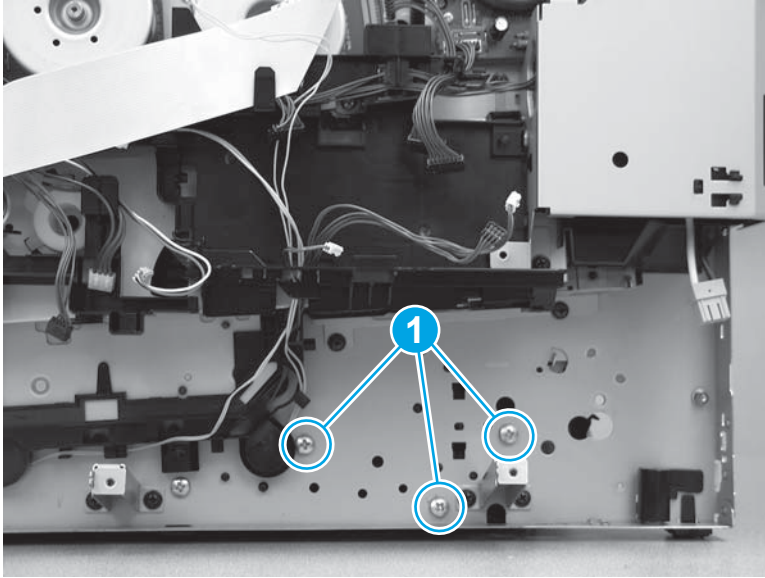
4. Install the cables (callout 1) in the cable guides (callout 2).

Figure 1-3127 Install the cables in the cable guides



5. Install three screws (callout 1).

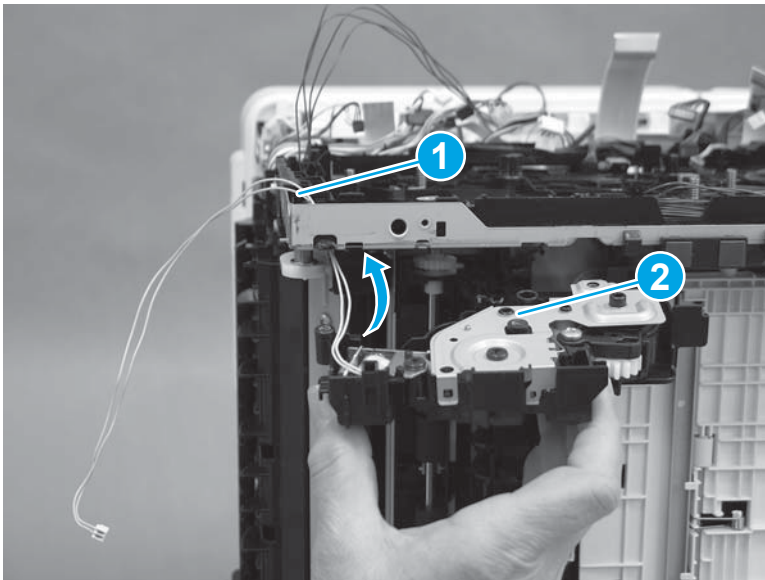
Figure 1-3128 Install three screws



Step 25: Install the lifter drive assembly

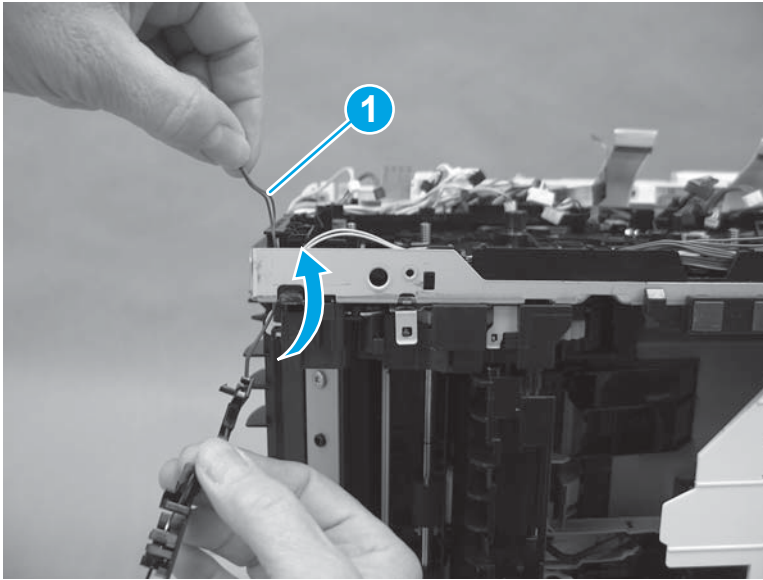
1. Install the cables (callout 1) on the lifter drive assembly up through the printer frame, and then install the lifter drive assembly (callout 2).

Figure 1-3129 Install the lifter drive assembly



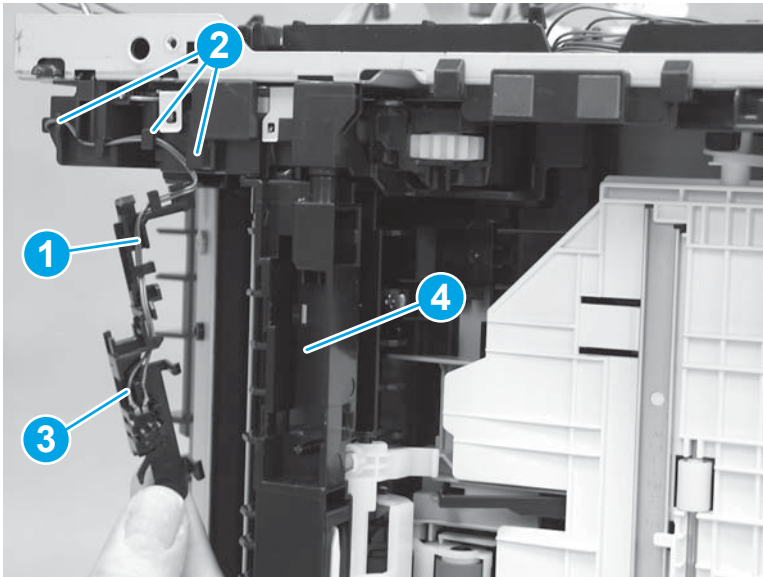
2. Install the cables (callout 1) on the tray sensor switch up through the printer frame.

Figure 1-3130 Install the tray sensor switch cable



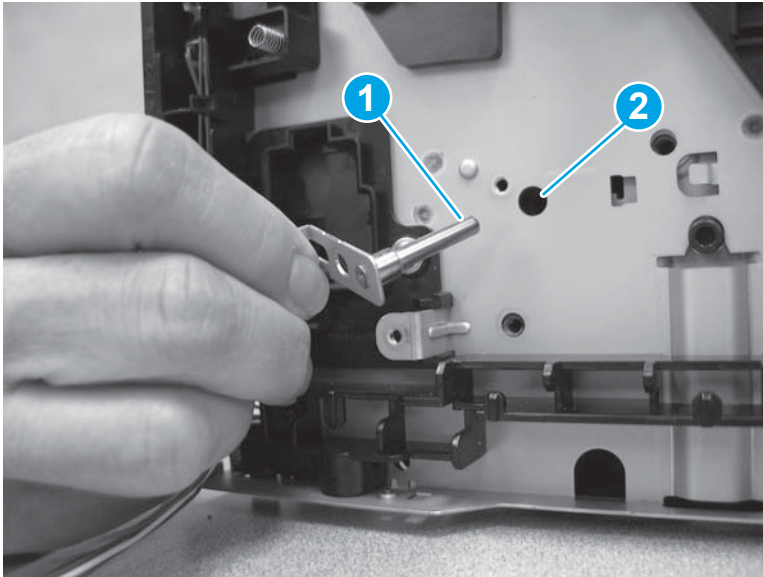
3. Install the cables (callout 1) in the cable guide (callout 2), and then install the tray sensor switch (callout 3) on the lifter drive assembly (callout 4).

Figure 1-3131 Install the tray sensor switch



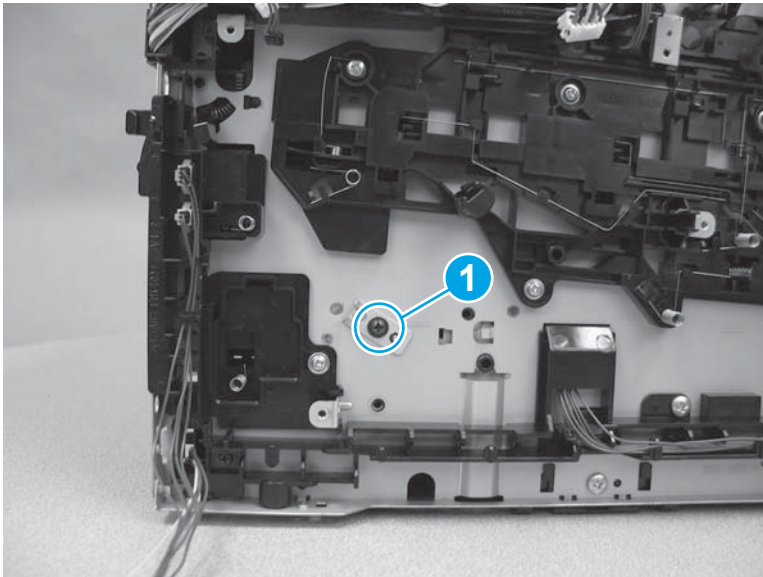
4. Return the printer to an upright position so that the top side is facing up. Install the shaft (callout 1) into the hole (callout 2) in the printer.

Figure 1-3132 Install the shaft



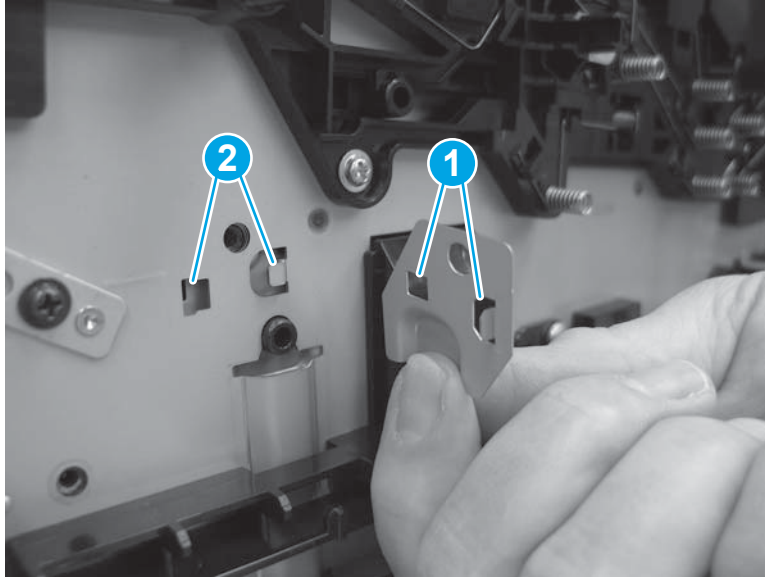
5. Install one screw (callout 1).

Figure 1-3133 Install one screw



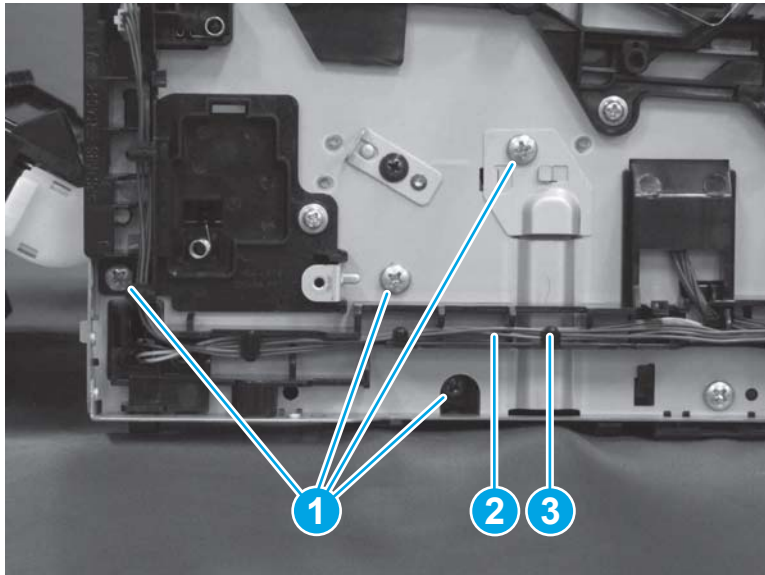
6. Install the tabs and slots on the cover (callout 1) into the corresponding tabs and slots (callout 2) on the printer.

Figure 1-3134 Install one cover



7. Install four screws (callout 1), and then install the cables (callout 2) into the guides (callout 3).

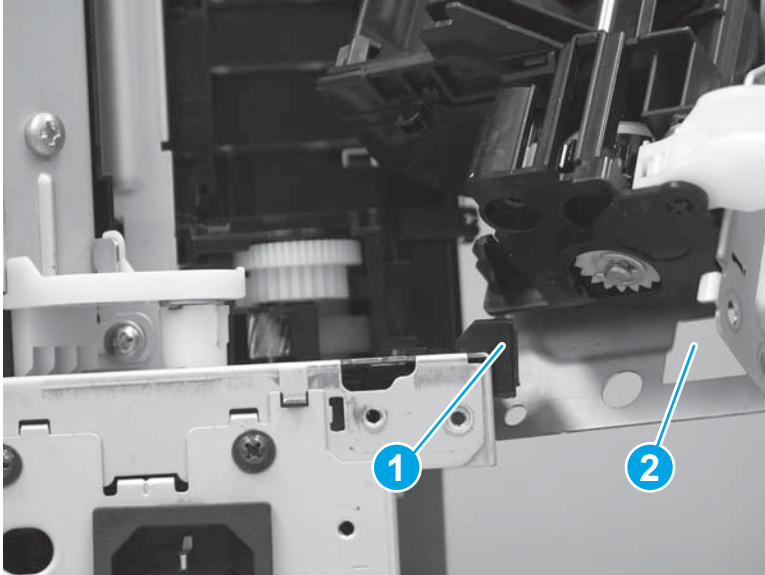
Figure 1-3135 Install four screws and cables



Step 26: Install the re-pickup assembly (duplex models)

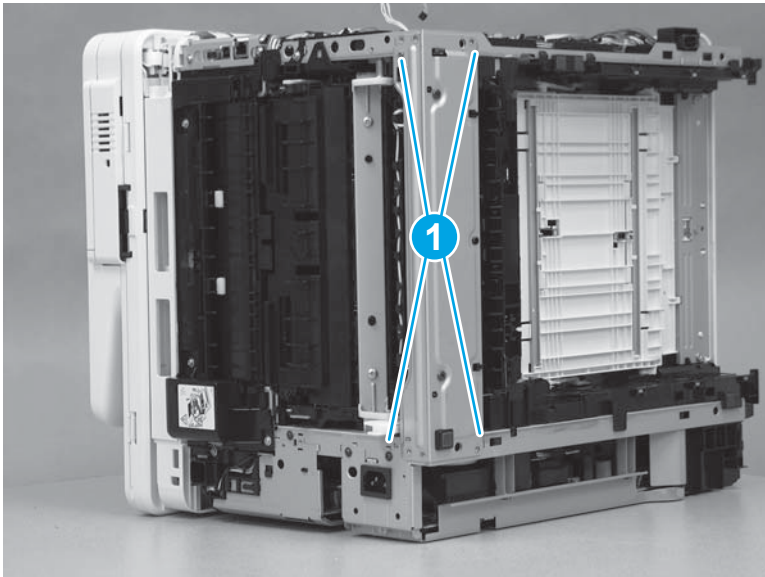
1. Position the foot on the printer (callout 1) through the opening (callout 2) on the re-pickup drive assembly.

Figure 1-3136 Position the foot through the opening



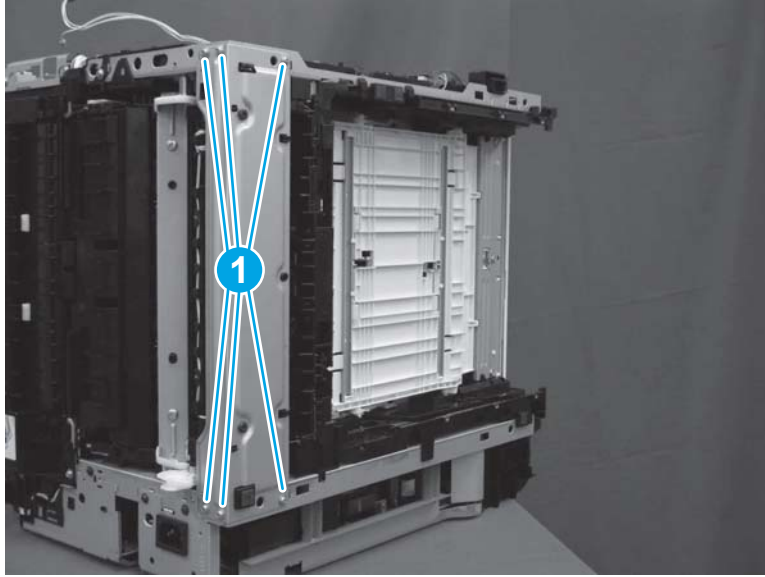
2. Install four tabs (callout 1).

Figure 1-3137 Install four tabs



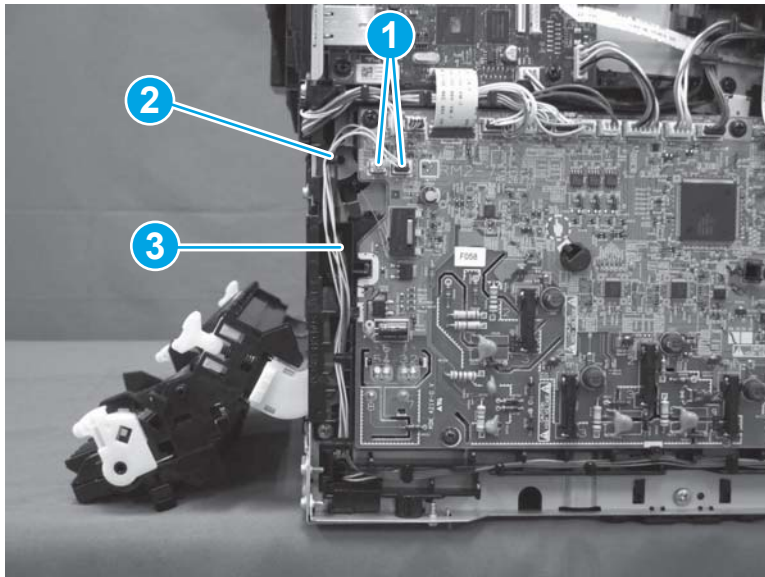
3. Install six screws (callout 1).

Figure 1-3138 Install six screws



4. Return the printer to an upright position so that the top side is facing up. On the left side of the printer, connect two connectors (callout 1), and then install the cables (callout 2) in the guides (callout 3).

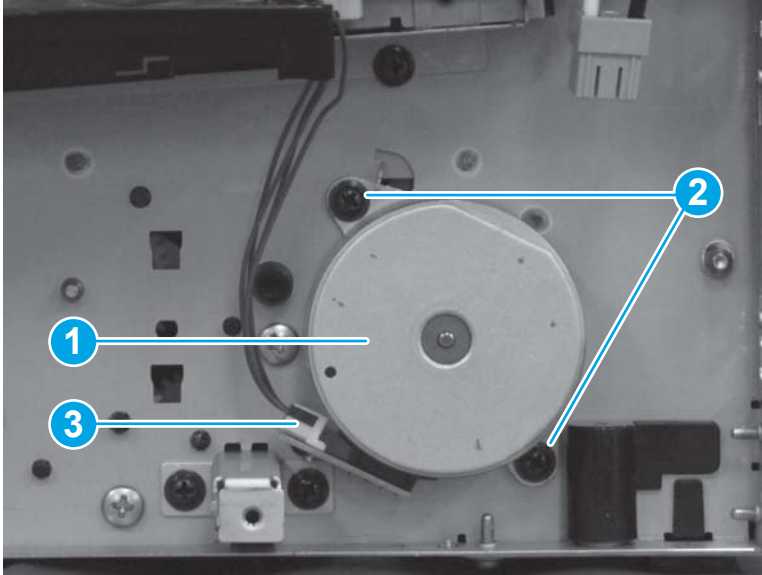
Figure 1-3139 Connect two connectors and install cables in guides



Step 27: Install the pickup motor

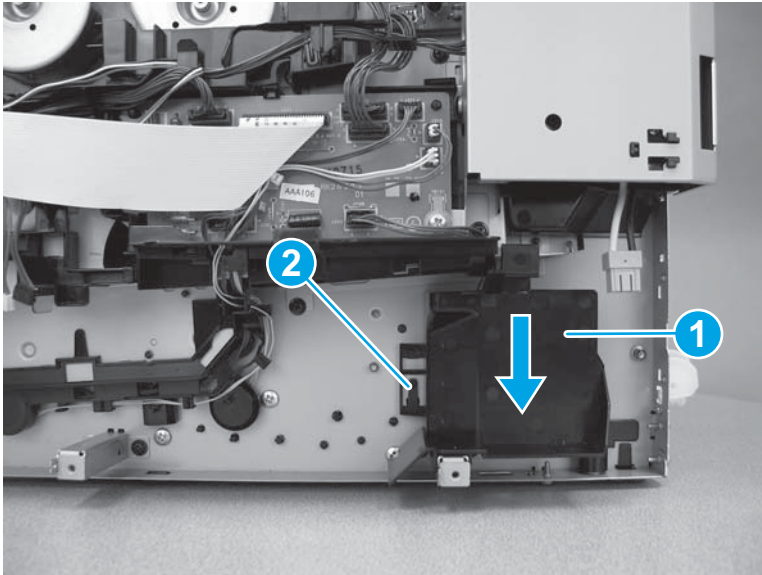
1. Position the pickup motor (callout 1) on the printer. Install two screws (callout 2), and then connect one connector (callout 3).

Figure 1-3140 Install the pickup motor



2. Position the fan duct (callout 1) on the printer. Slide the fan duct down to engage one tab (callout 2).

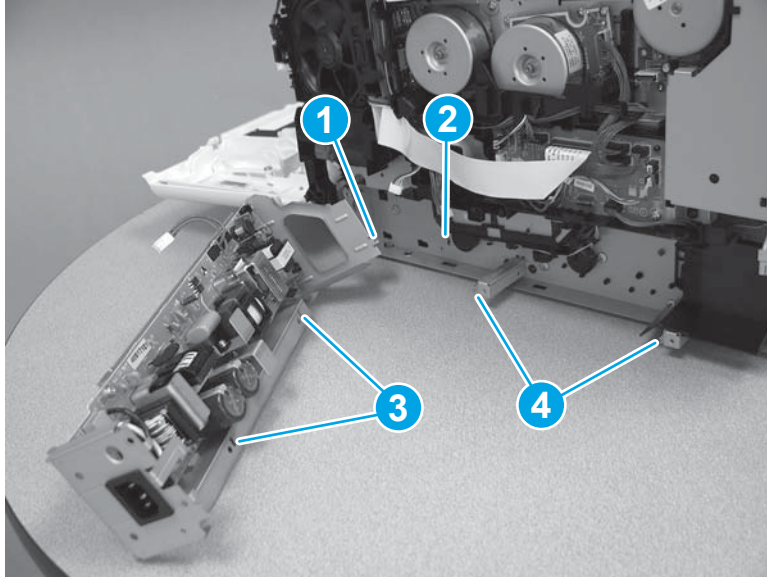
Figure 1-3141 Install the fan duct



Step 28: Install the low-voltage power supply

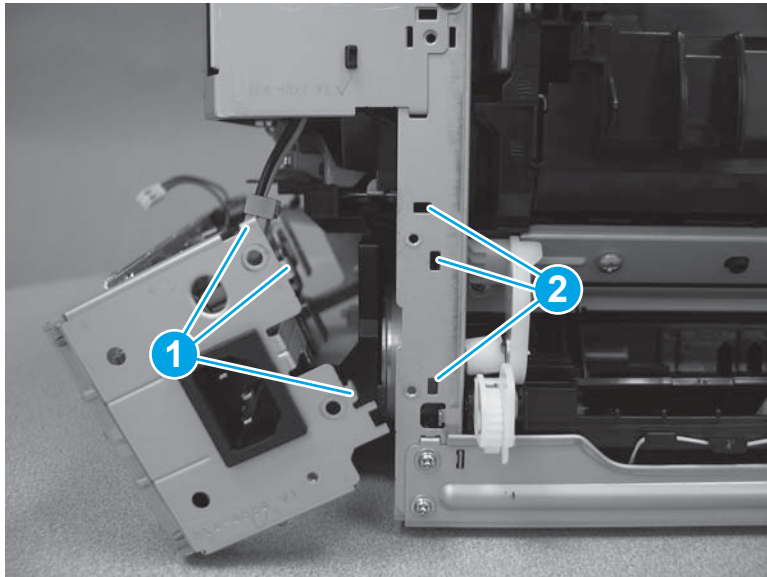
1. Install the tab (callout 1) on the LVPS into the slot (callout 2) in the printer. Install the slots (callout 3) in the LVPS over the tabs (callout 4) on the printer.

Figure 1-3142 Install the side tabs of the LVPS



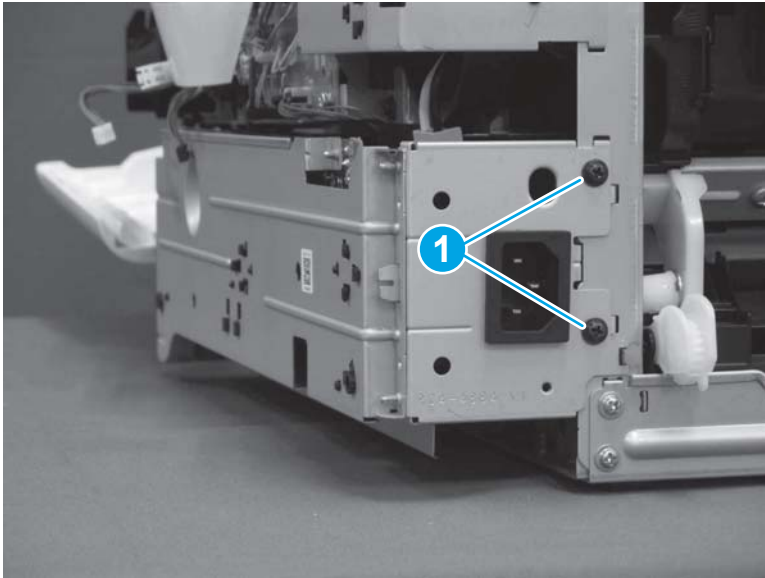
2. At the back of the printer, install the tabs on the LVPS (callout 1) into the slots (callout 2) in the printer.

Figure 1-3143 Install the back tabs of the LVPS



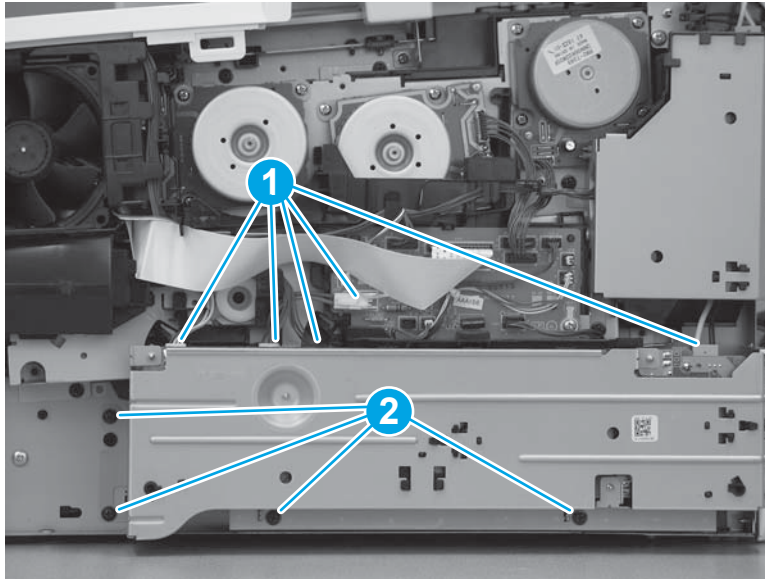
3. Install two screws (callout 1).

Figure 1-3144 Install two screws



4. Connect five connectors (callout 1), and then install four screws (callout 2).

Figure 1-3145 Connect five connectors and install four screws




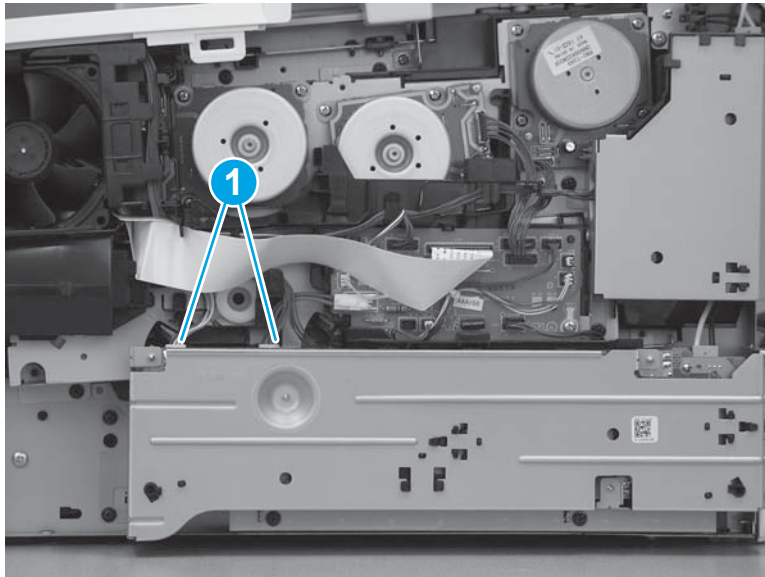
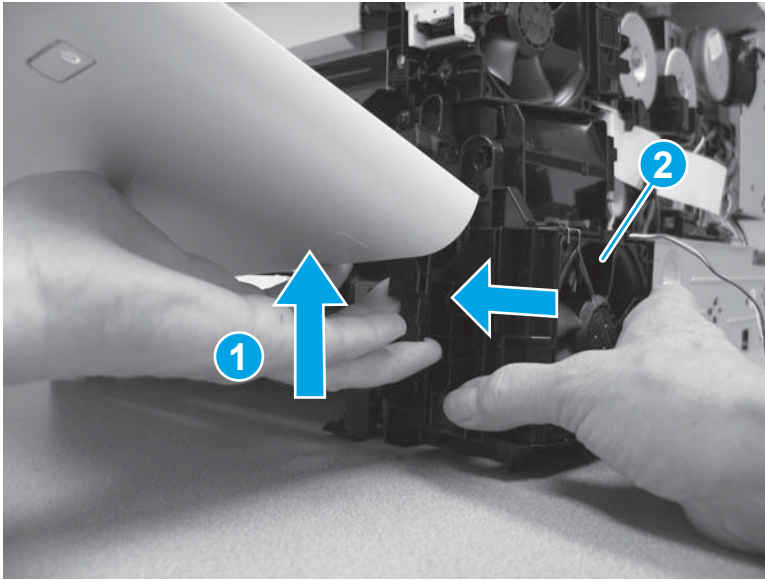
 **IMPORTANT:** Two of the cables (callout 1) can be inadvertently switched. The connectors on the cables will fit in either connector on the LVPS. Make sure these cables are installed in the correct connectors. If these cables are switched, the printer will not power on when reassembled.

Figure 1-3146 Check the connectors



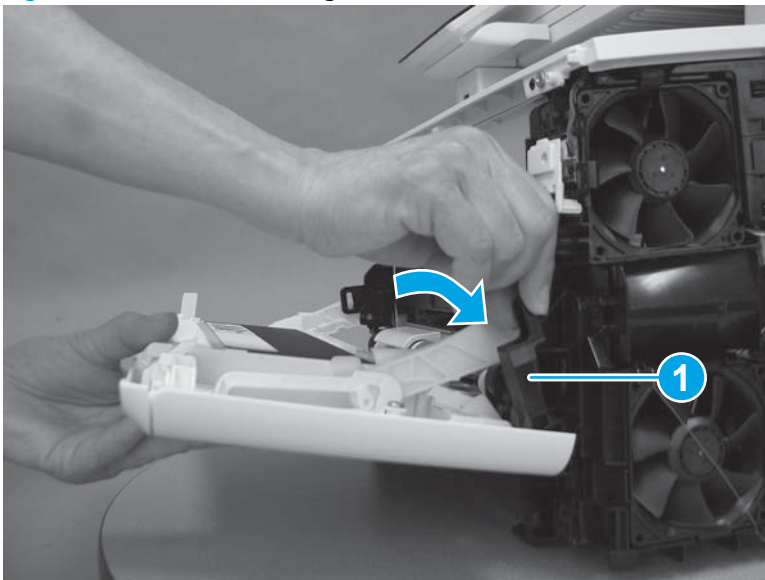
5. Lift the front door up slightly (callout 1), and then install the power supply fan and holder (callout 2).

Figure 1-3147 Remove the power supply fan and holder



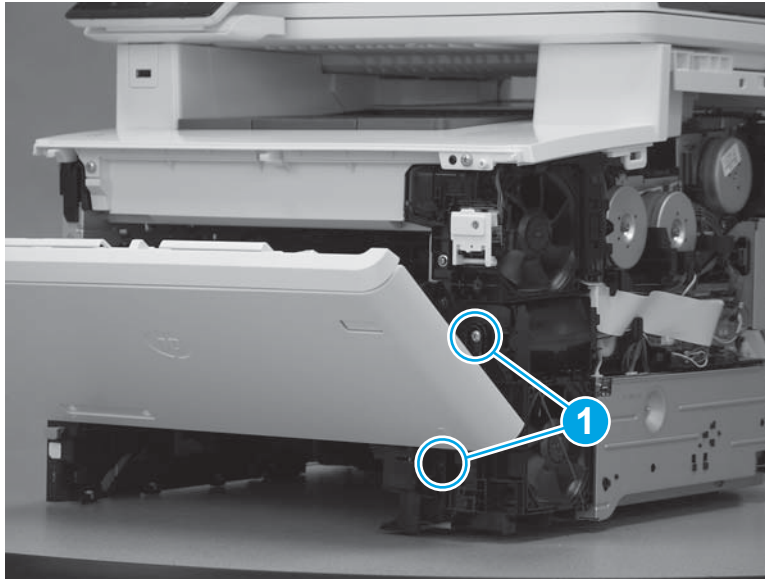
6. Install the hinge arm (callout 1).

Figure 1-3148 Install the hinge arm



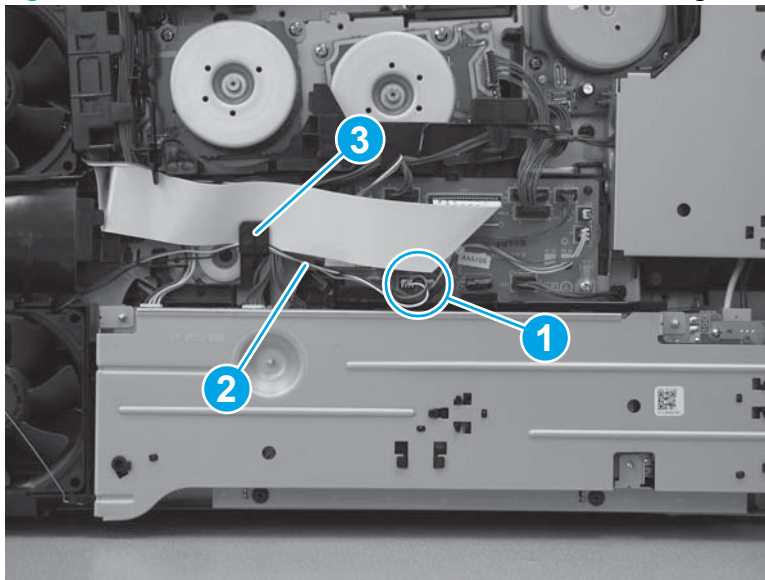
7. Install two screws (callout 1).

Figure 1-3149 Install two screws



8. Connect one connector (callout 1), and then install the cable (callout 2) into the wire guide (callout 3).

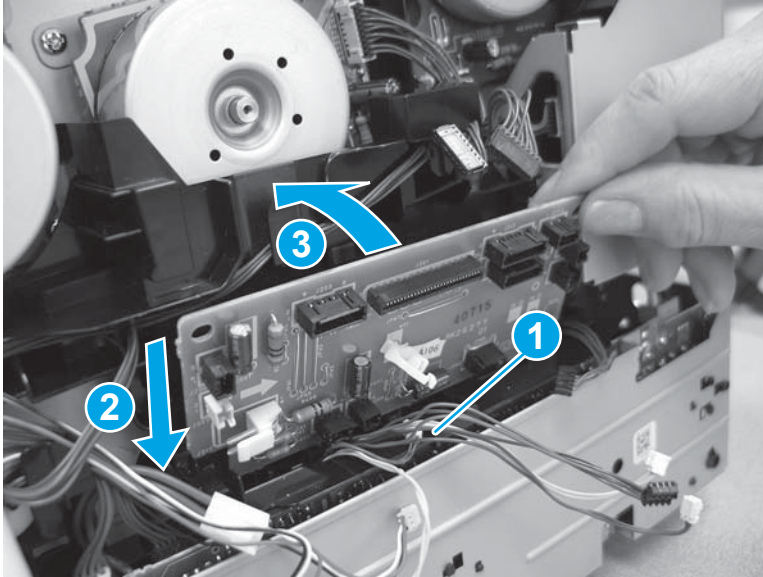
Figure 1-3150 Connect one connector and install cables in the guides



Step 29: Install the driver PCA

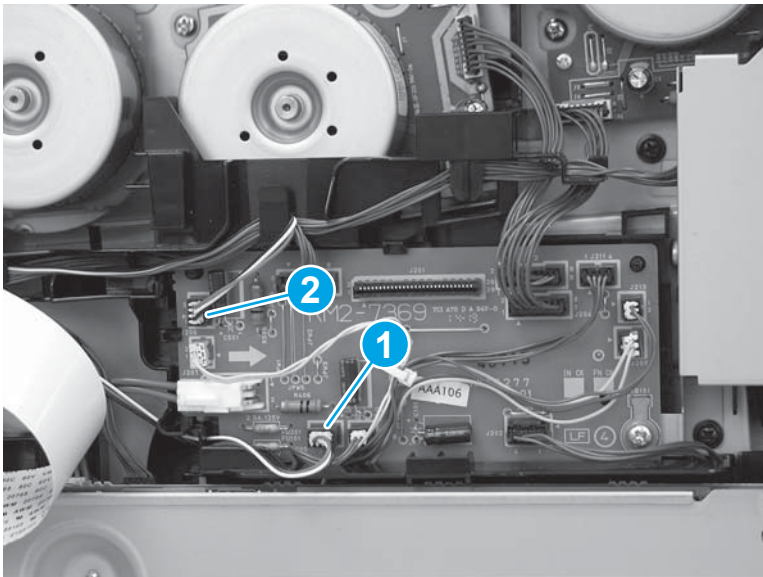
1. Make sure that all of the cables (callout 1) are positioned in front of the driver PCA. Position the bottom of the driver PCA (callout 2) against the PCA holder, and then rotate the top of the PCA (callout 3) toward the printer until it snaps into place.

Figure 1-3151 Install the driver PCA



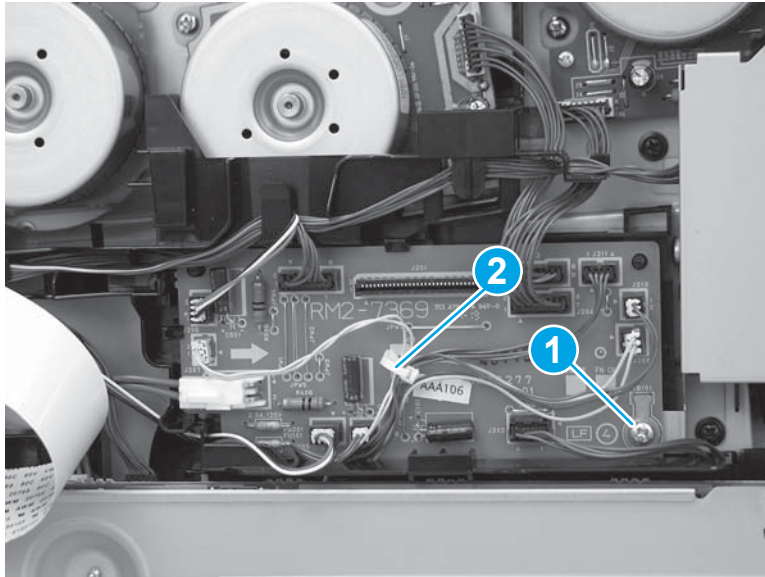
2. When connecting the connectors in the next step, make sure that the power supply fan connector (callout 1) and the cartridge fan connector (callout 2) are installed in the correct positions.

Figure 1-3152 Fan connector locations



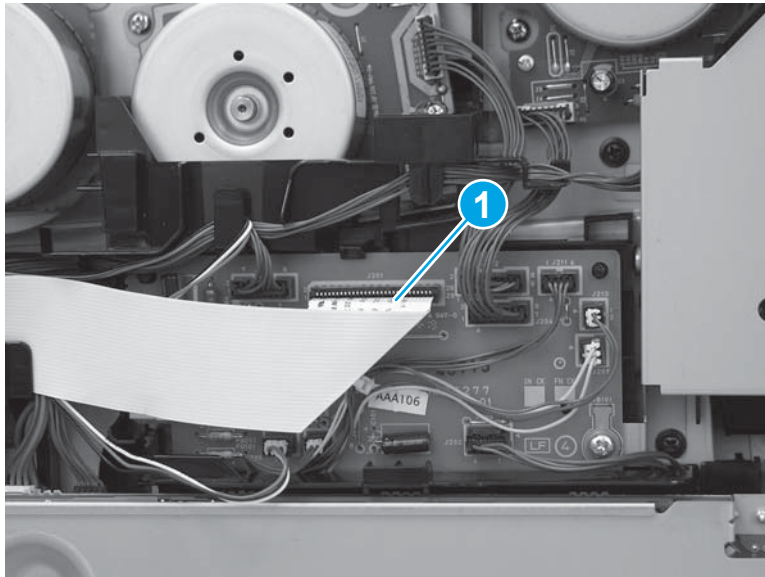
3. Install one screw (callout 1), connect all of the connectors on the driver PCA, and then close one retainer (callout 2).

Figure 1-3153 Install one screw and connect all connectors



4. Connect one connector (callout 1).

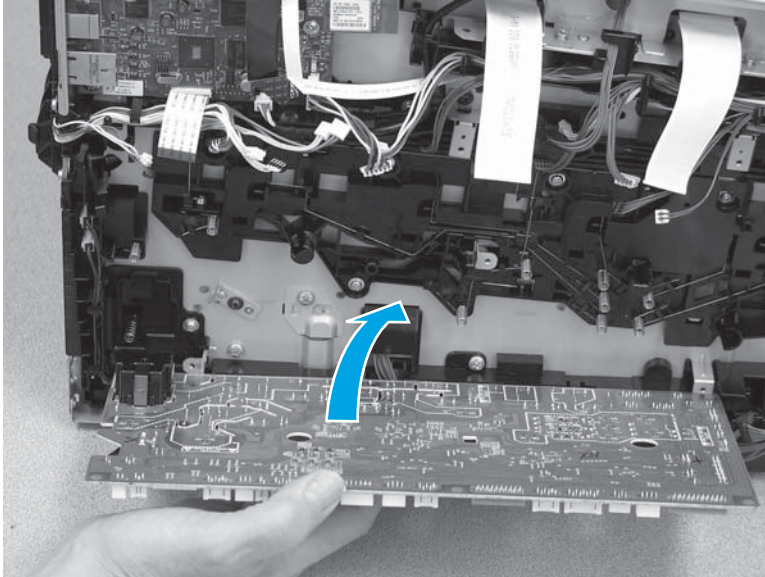
Figure 1-3154 Connect one connector



Step 30: Install the engine controller PCA

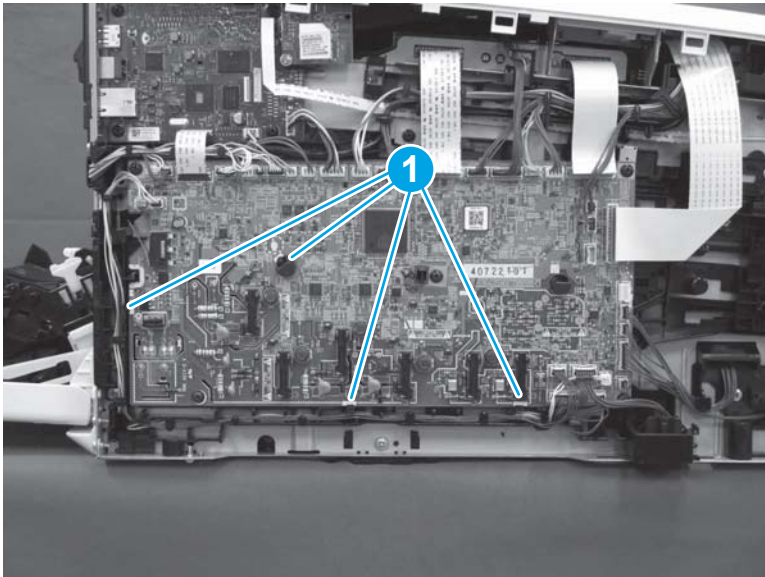
1. Position the engine controller PCA on the printer.

Figure 1-3155 Position the engine controller PCA



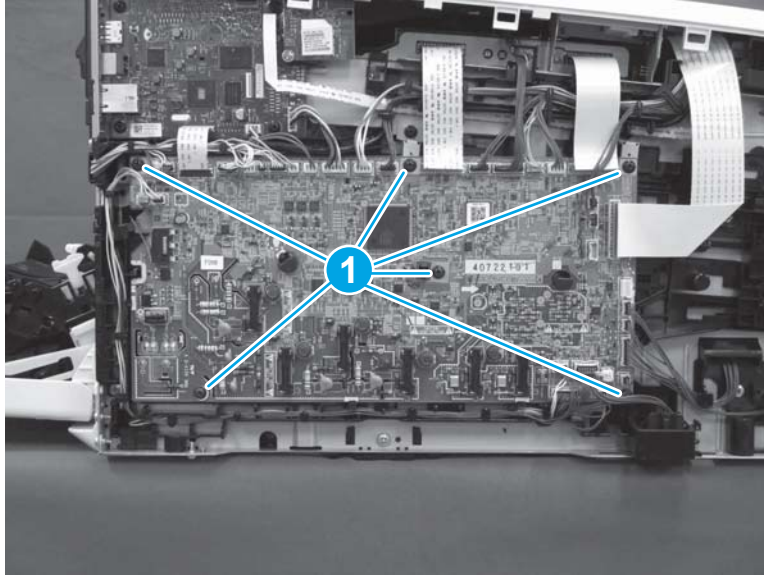
2. Install four tabs (callout 1).

Figure 1-3156 Install four tabs



3. Install six screws (callout 1).

Figure 1-3157 Install six screws



4. Connect all of the connectors on the engine controller PCA. Note that one connector (callout 1) is a zero-insertion force (ZIF) connector. Lift the latch on the connector before installing the flat cable, and then secure the latch once the cable is installed.


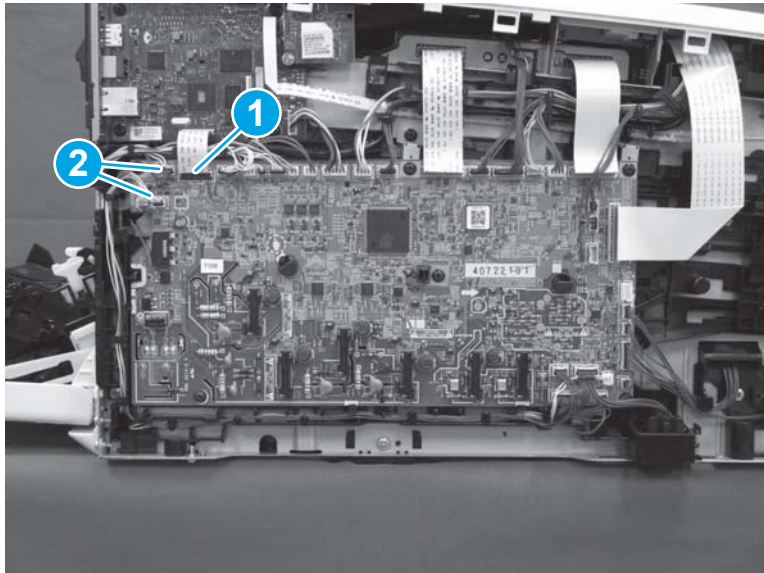

 **IMPORTANT: Duplex printers only:** Two of the cables (callout 2) can be inadvertently switched when reinstalling. The connectors on the cables will fit in either connector on the engine controller PCA. Make sure that these cables are installed in the correct connectors. If these cables are switched, the printer will experience a repeatable jam when printing duplex jobs.

Figure 1-3158 Connect all of the connectors

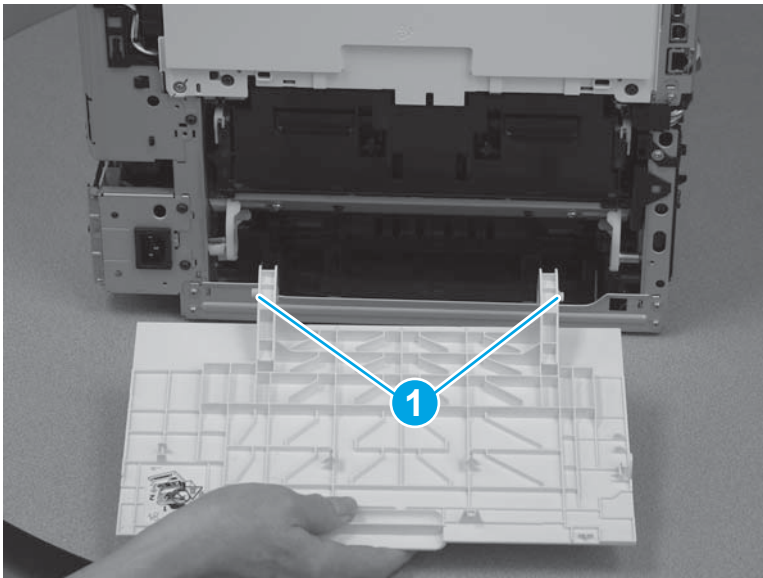


Step 31: Install the rear door (simplex models)

 **NOTE:** This step is for simplex models. For duplex models, skip this step and go to [Step 32: Install the duplexer door assembly \(duplex models\) on page 1680](#).

- ▲ Slightly flex the door hinge arms to install two hinge pins (callout 1).

Figure 1-3159 Install the rear door

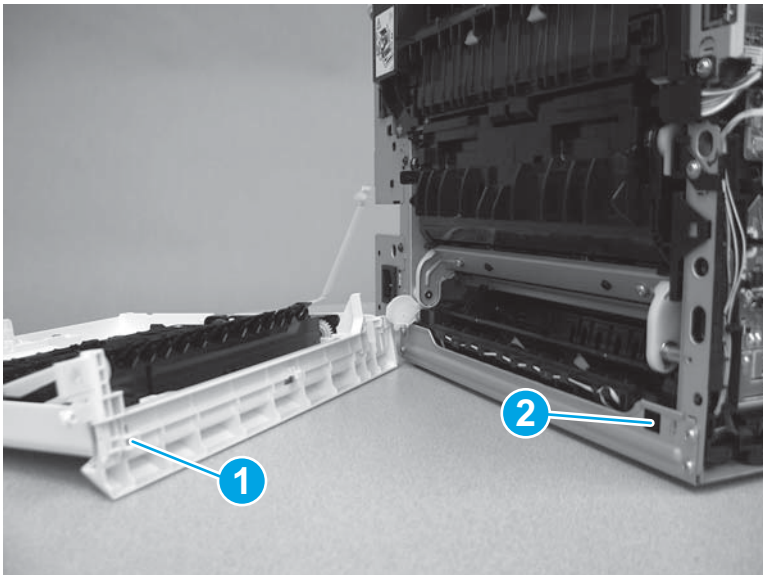


Step 32: Install the duplexer door assembly (duplex models)

 **NOTE:** This step is for duplex models. For simplex models, skip this step and go to [Step 33: Install the left cover \(M452 models\) on page 1682](#).

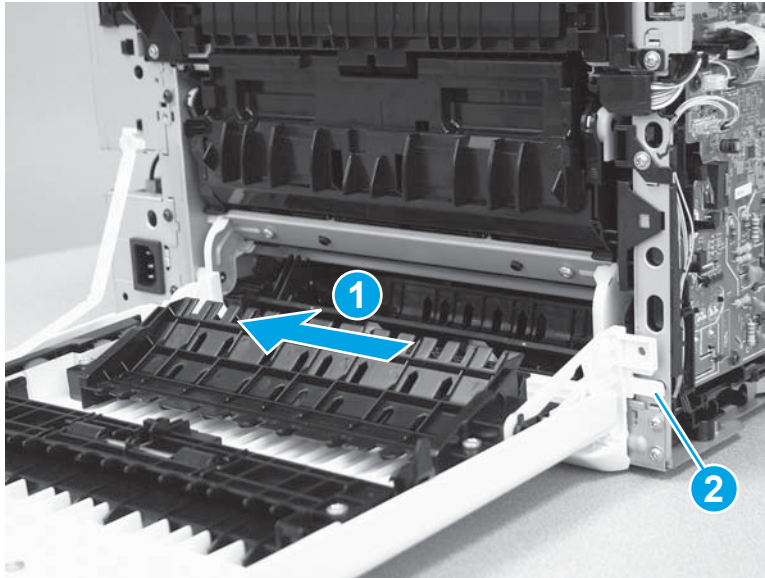
1. Position the tab (callout 1) on the door into the slot (callout 2) on the printer.

Figure 1-3160 Position the tab in the slot



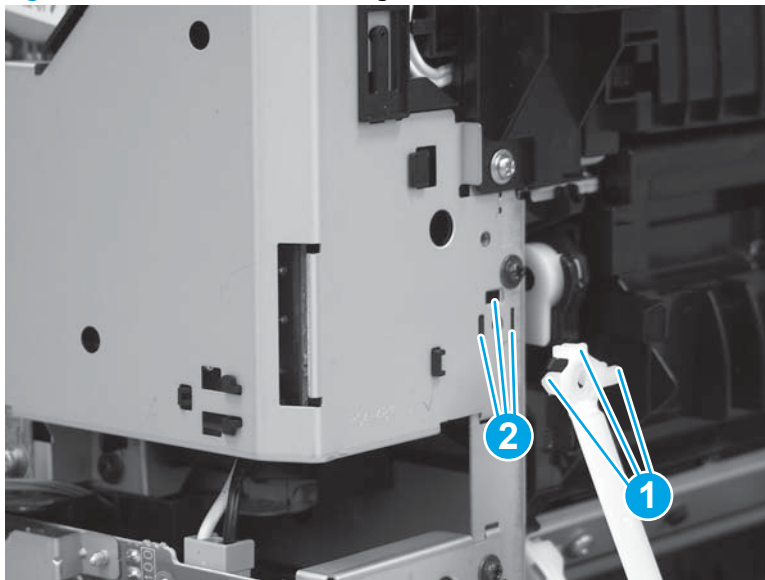
2. Slide the door to the left (callout 1) until the tab (callout 2) snaps into place.

Figure 1-3161 Install the duplexer door



3. Install the tabs (callout 1) on the retaining arm into the slots (callout 2) in the printer.

Figure 1-3162 Install the retaining arm



4. At the back of the printer, install two screws (callout 1), and then install one screw (callout 2) that holds the retention arm.


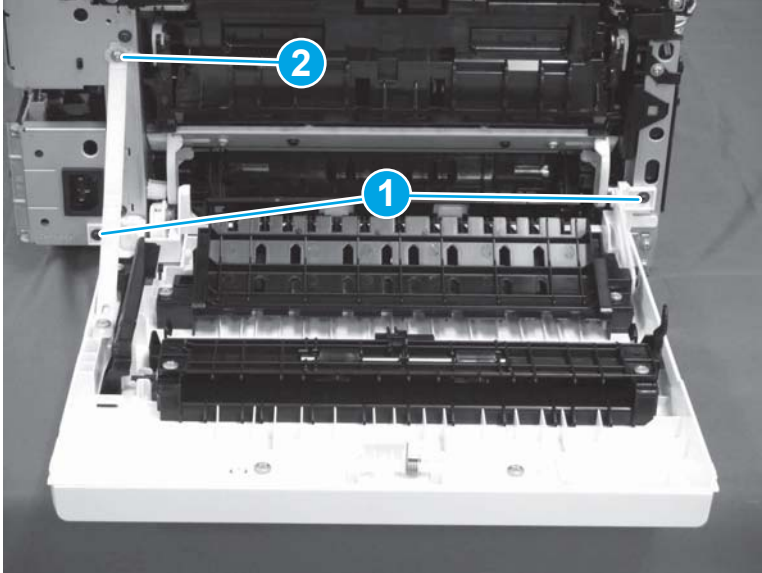
 **Reinstallation tip:** Note that the screw (callout 2) that holds the retention arm is longer than the other two. Make sure this screw is installed in the correct position.

Figure 1-3163 Install three screws

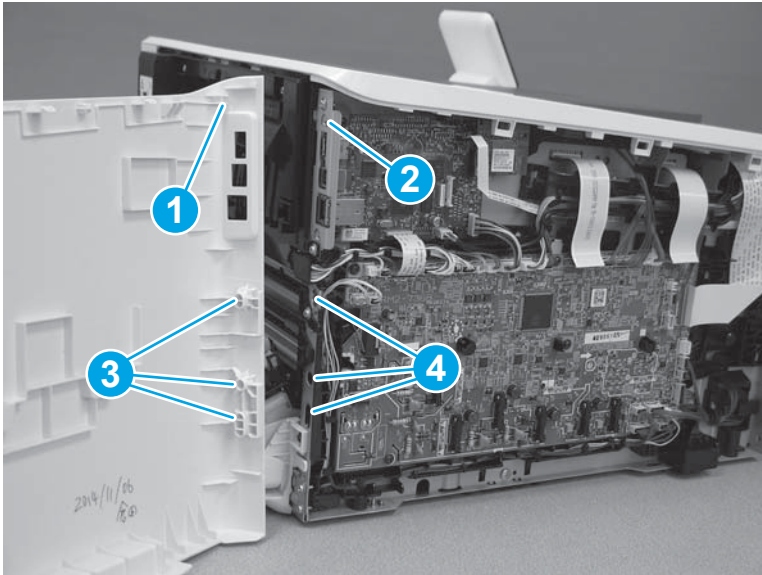


Step 33: Install the left cover (M452 models)

 **NOTE:** This step is for the M452 models. For the M377, M477 models, skip this step and go to [Step 34: Install the left cover \(M377, M477 models\) on page 1686](#).

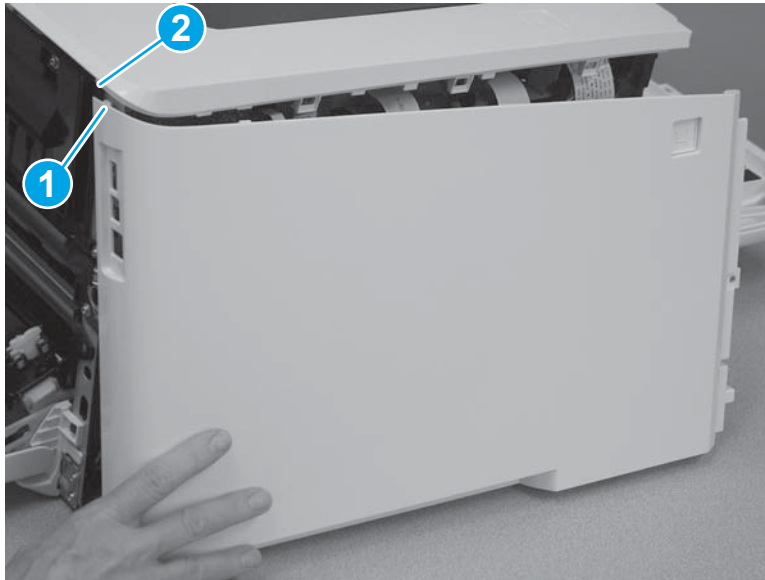
1. Position the hook (callout 1) on the cover in the slot (callout 2) on the printer. Position three tabs (callout 3) on the back of the cover in the slots (callout 4) in the printer.

Figure 1-3164 Position three tabs



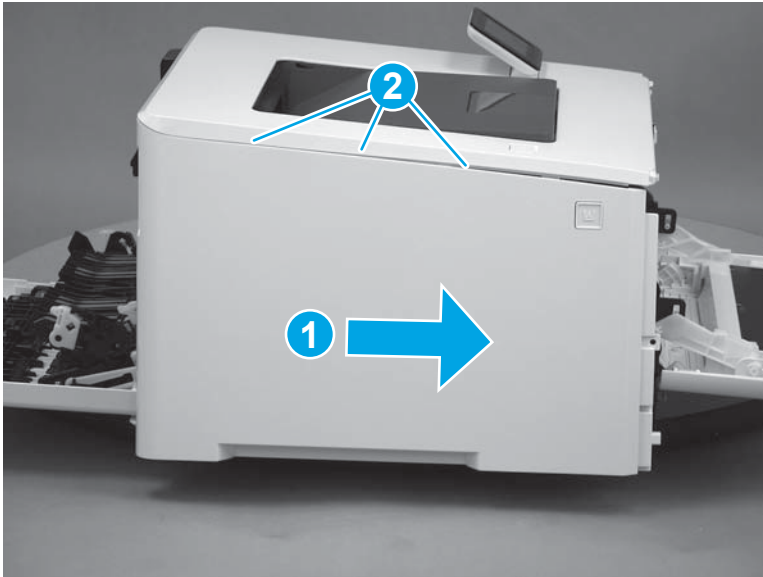
2. At the back of the printer, install the tab (callout 1) under the edge of the top cover (callout 2).

Figure 1-3165 Install one tab



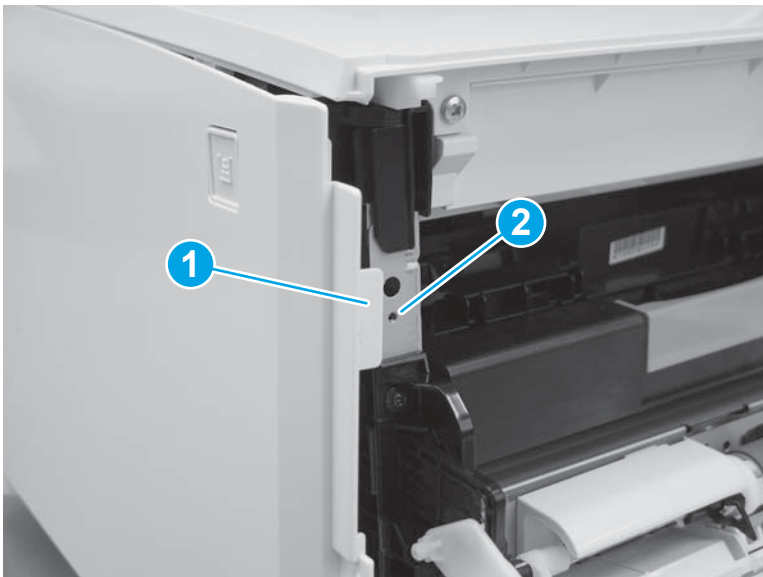
3. Slide the cover toward the front of the printer (callout 1), and then engage three tabs (callout 2) on the top of the cover.

Figure 1-3166 Install the left cover



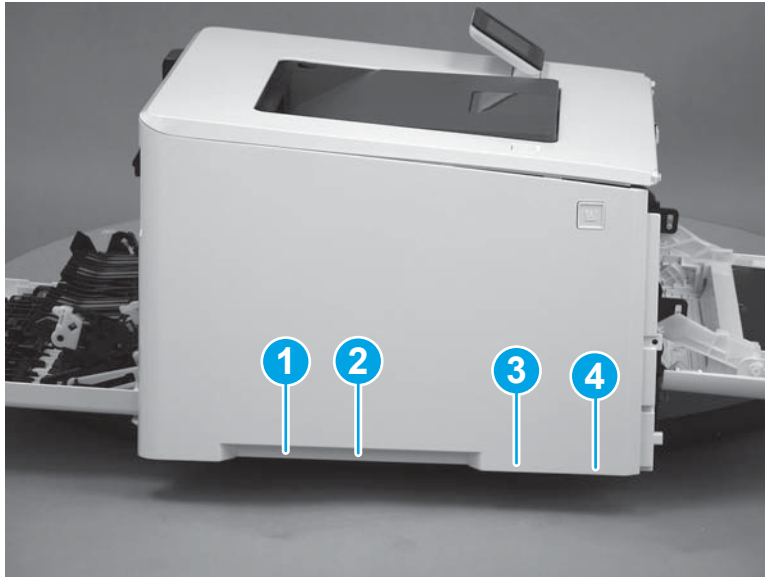
CAUTION: Make sure that the tab (callout 1) does not get caught behind the printer frame (callout 2).

Figure 1-3167 Make sure the tab does not get caught



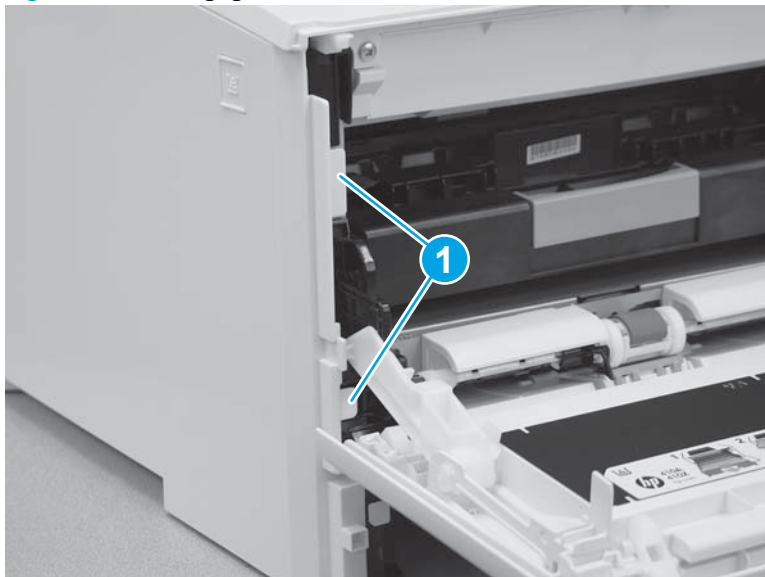
4. Slide the printer to the edge of a work surface in order to access the tabs on the bottom of the cover. Beginning from the back of the cover, install four tabs (callouts 1-4) on the lower edge of the cover.

Figure 1-3168 Install four tabs



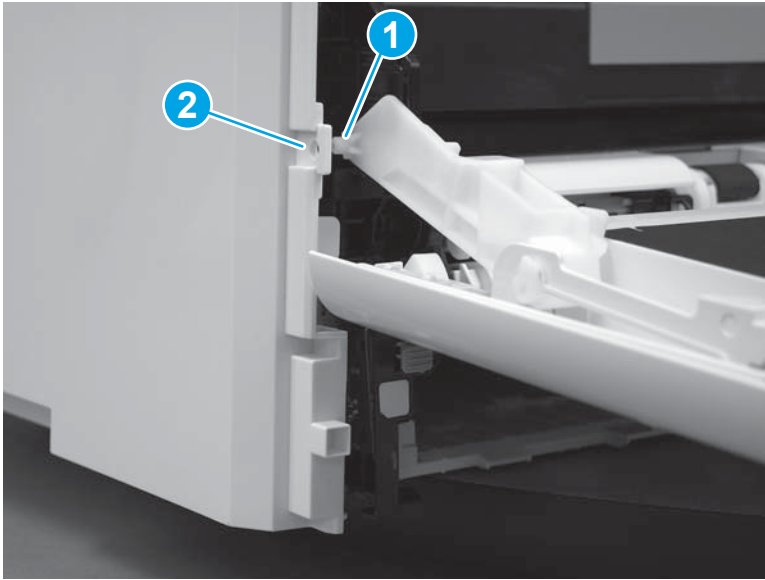
5. Install two tabs (callout 1) at the front of the cover.

Figure 1-3169 Engage two tabs



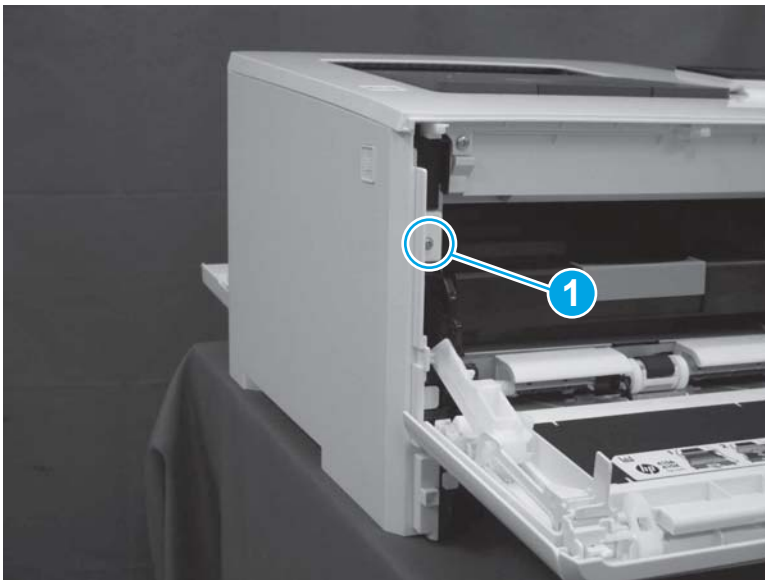
6. Make sure that the hinge pin (callout 1) on the front door fits into the slot (callout 2) on the left cover.

Figure 1-3170 Install hinge pin




7. Install one screw (callout 1).

Figure 1-3171 Install one screw

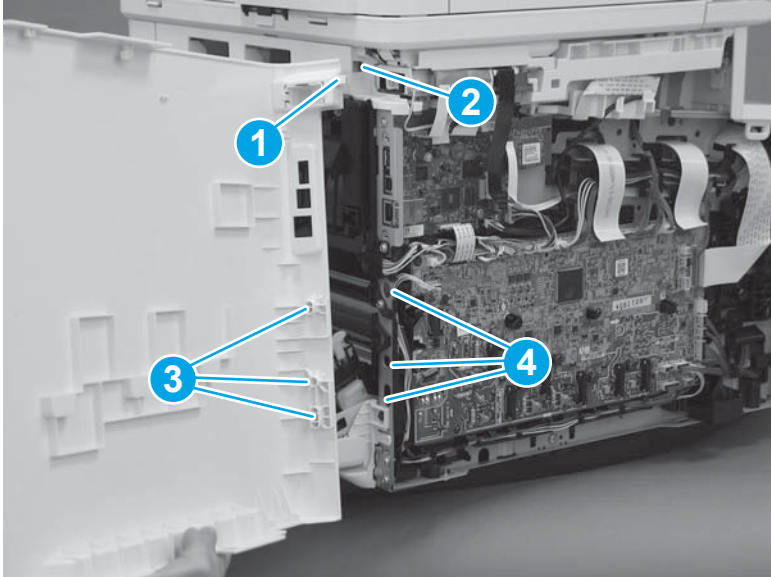


Step 34: Install the left cover (M377, M477 models)

 **NOTE:** This step is for the M377, M477 models. For the M452 models, skip this step and go to [Step 35: Install the right cover \(M452 models\) on page 1693](#).

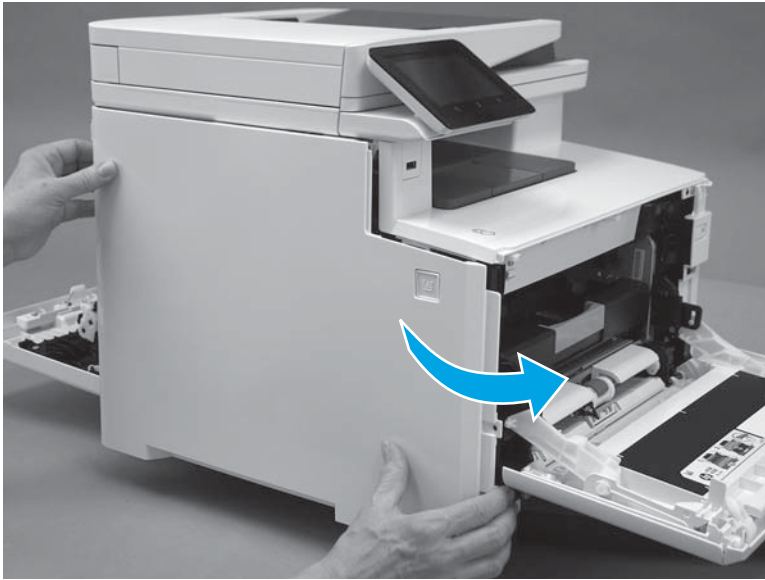
1. At the back of the printer, install the tab (callout 1) on the cover into the slot (callout 2) in the printer. Install the locator pins (callout 3) into the slots (callout 4) in the printer.

Figure 1-3172 Install one tab



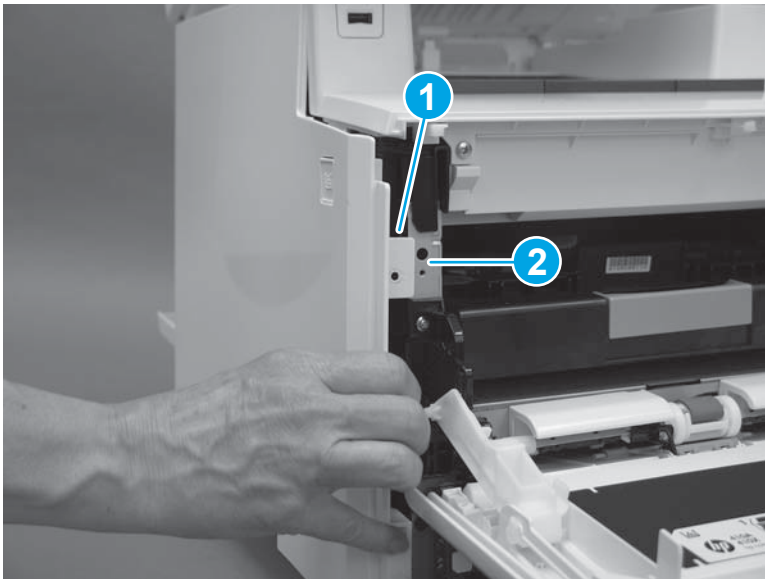
2. Rotate the cover toward the printer.

Figure 1-3173 Rotate the left cover



CAUTION: Make sure that the tab (callout 1) does not get caught behind the printer frame (callout 2).

Figure 1-3174 Make sure the tab does not get caught



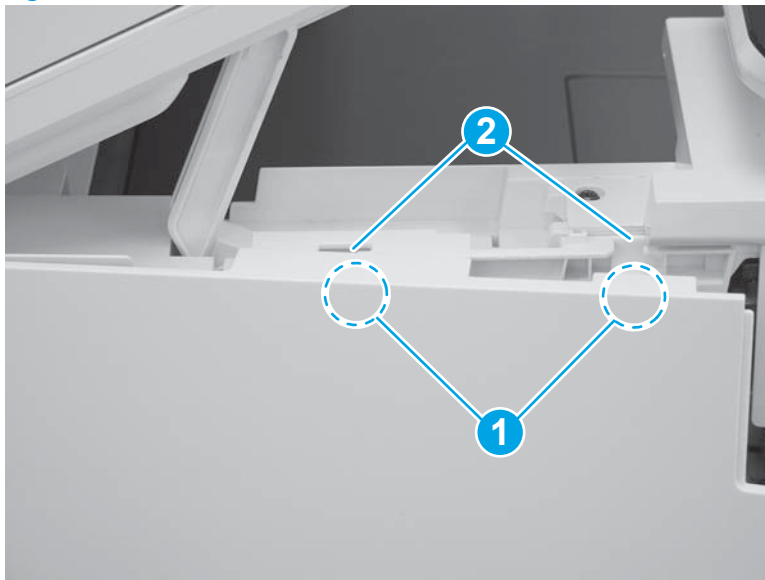
3. Raise the scanner.

Figure 1-3175 Raise the scanner



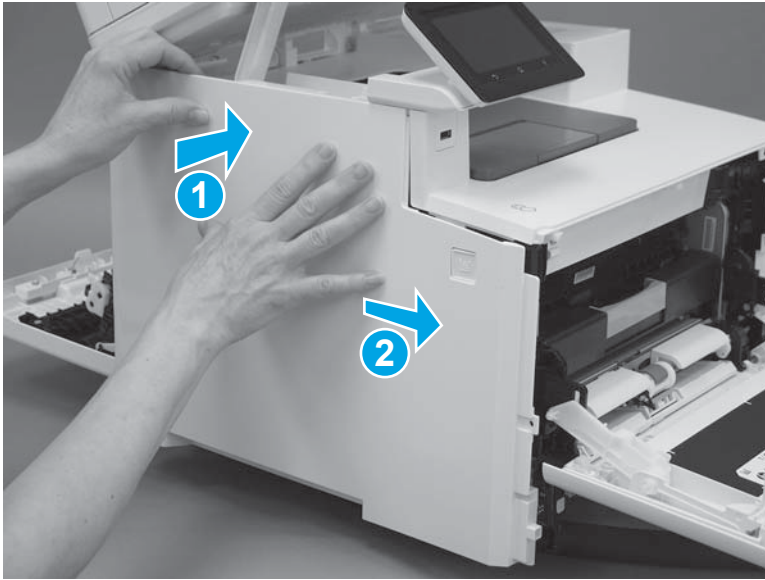
4. Position the hooks (callout 1) on the inside of the cover into the slots (callout 2) on the printer.

Figure 1-3176 Position the hooks in the slots



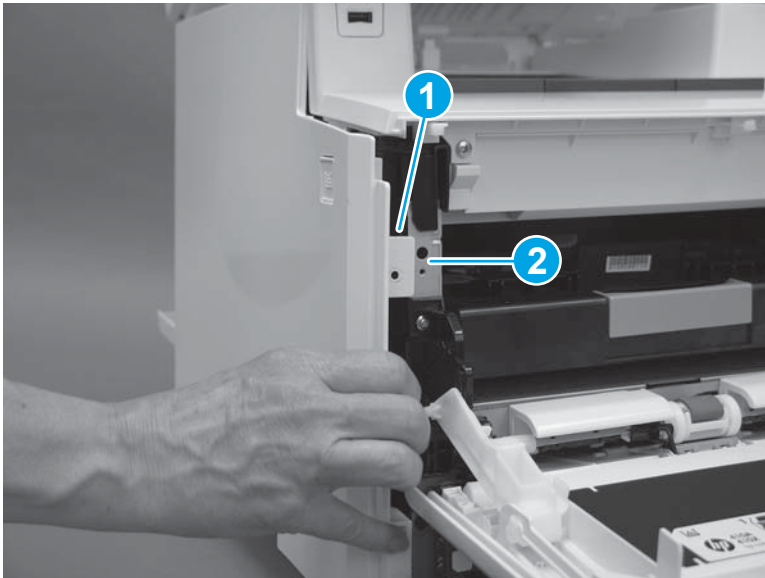
5. Hold the cover against the printer (callout 1), and then slide it (callout 2) toward the front of the printer.

Figure 1-3177 Install the top hooks



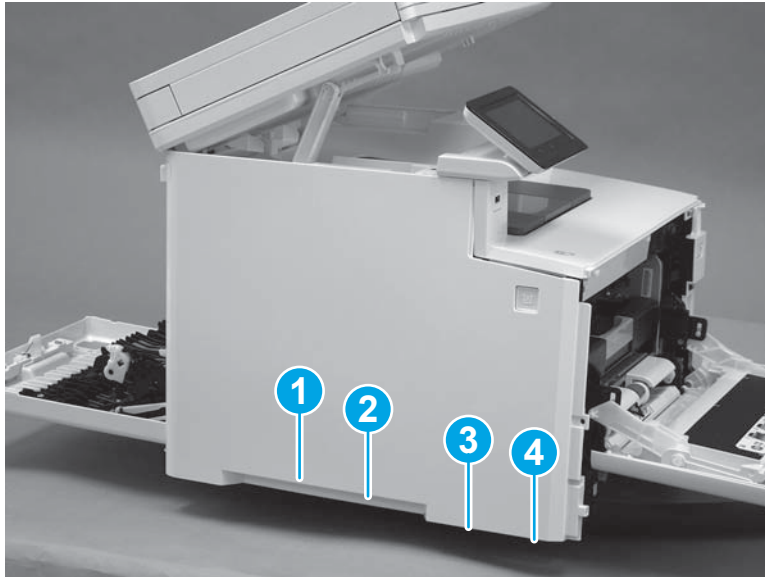
CAUTION: Make sure that the tab (callout 1) on the front of the cover does not get caught behind the printer frame (callout 2).

Figure 1-3178 Make sure the tab does not get caught



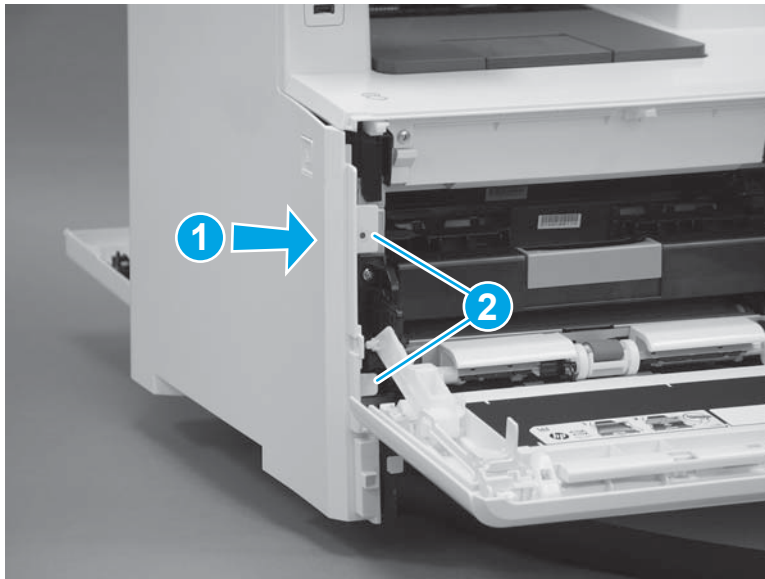
6. Slide the printer to the edge of a work surface in order to access the tabs on the bottom of the cover. Beginning from the back of the cover, install four tabs (callouts 1-4) on the lower edge of the cover.

Figure 1-3179 Install four tabs



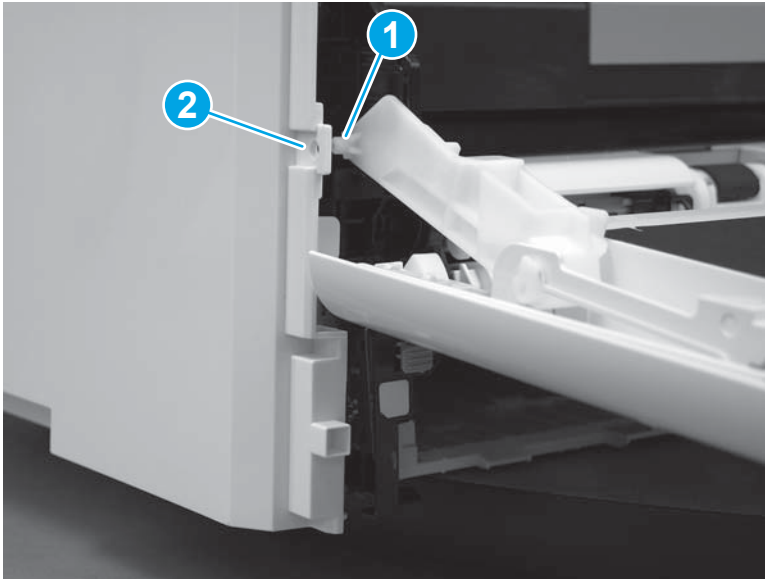
7. Press the cover toward the printer (callout 1), and then install two tabs (callout 2) at the front of the cover.

Figure 1-3180 Install two tabs



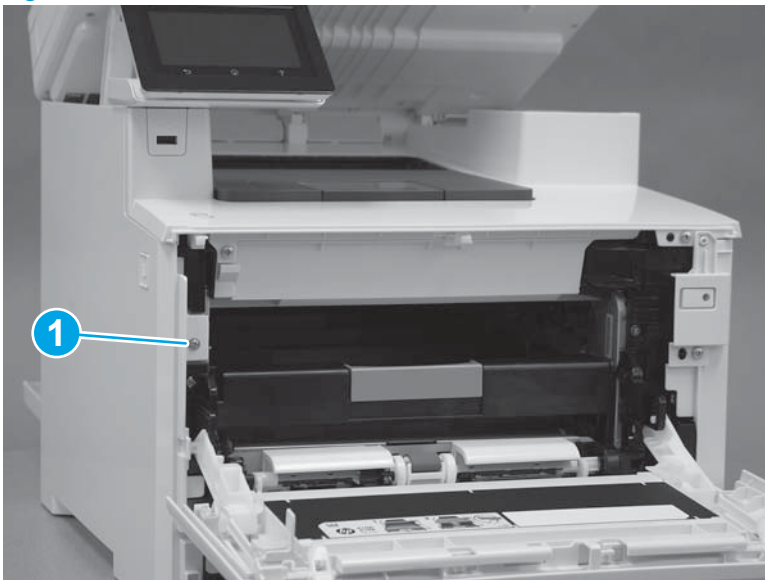
8. Make sure that the hinge pin (callout 1) on the front door fits into the slot (callout 2) on the left cover.

Figure 1-3181 Install hinge pin



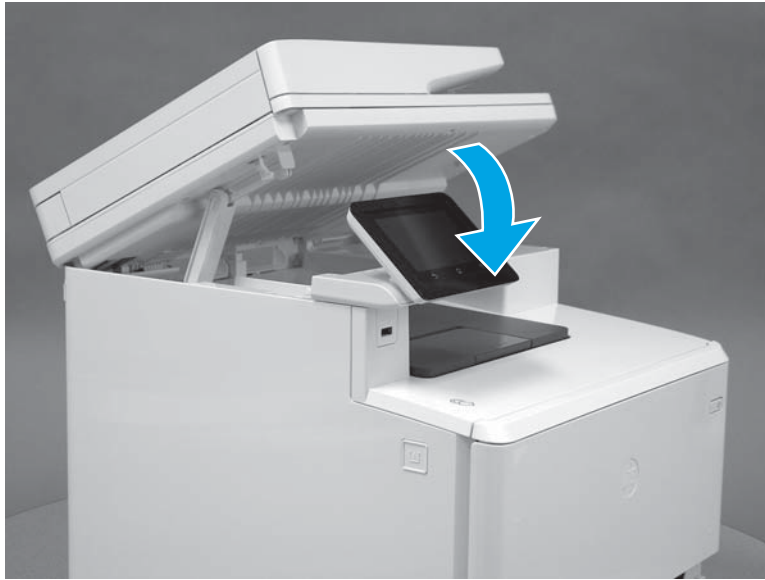
9. Install one screw (callout 1).

Figure 1-3182 Install one screw




10. Lower the scanner.

Figure 1-3183 Lower the scanner

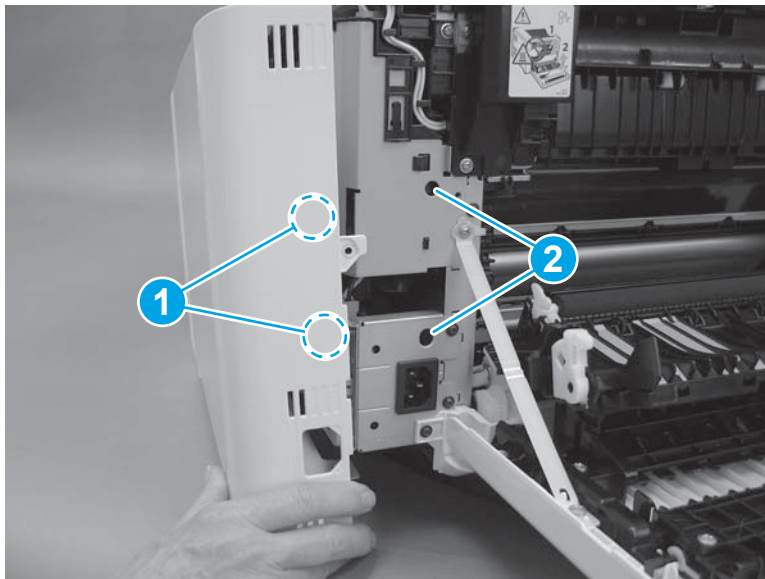


Step 35: Install the right cover (M452 models)

 **NOTE:** This step is for the M452 models. For the M377, M477 models, skip this step and go to [Step 36: Install the right cover \(M377, M477 models\) on page 1697.](#)

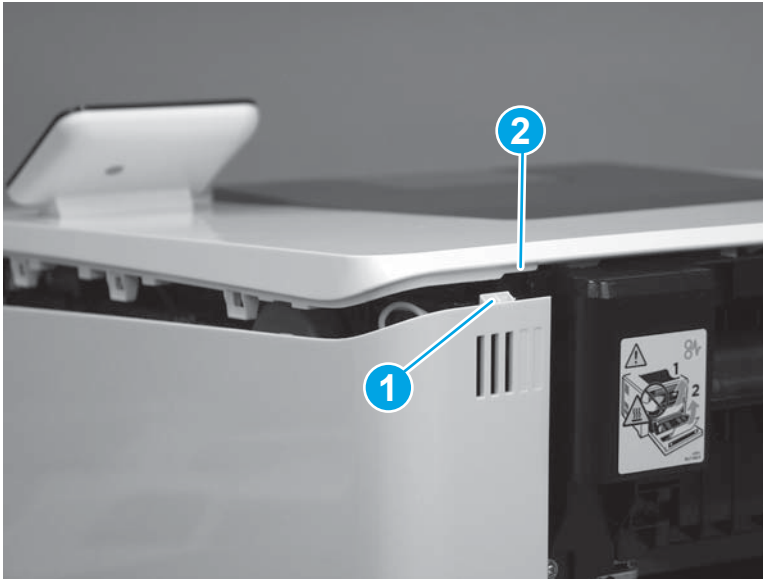
1. Position two tabs (callout 1) on the back of the cover in the slots (callout 2) in the printer.

Figure 1-3184 Position two tabs



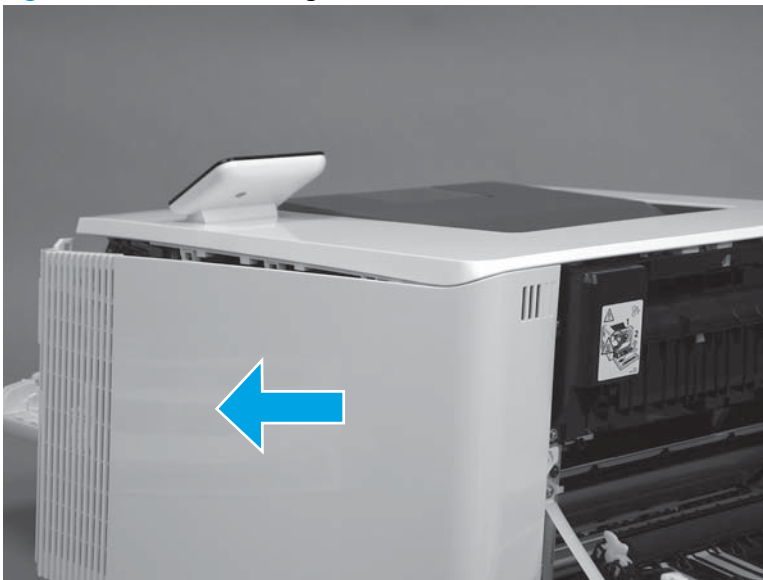
2. At the back of the printer, install the tab (callout 1) under the edge of the top cover (callout 2).

Figure 1-3185 Install rear tab



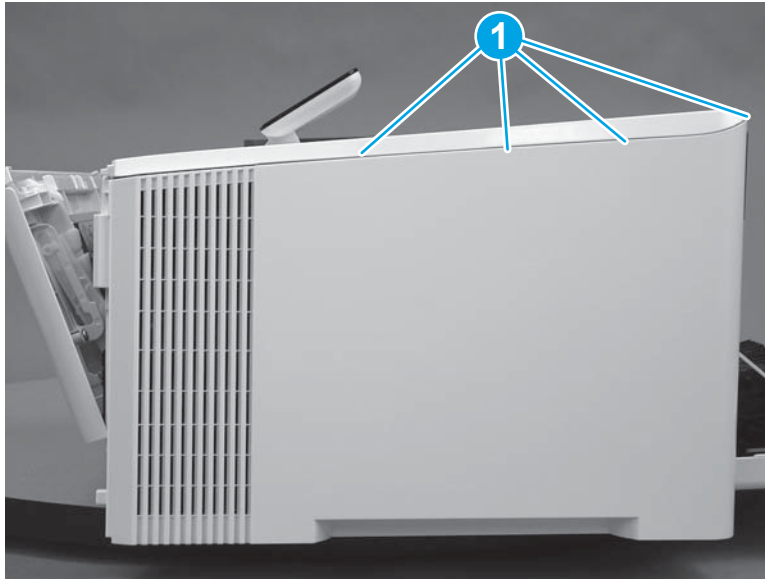
3. Slide the cover toward the front of the printer to install it.

Figure 1-3186 Install the right cover



- Engage three tabs (callout 2) on the top of the cover.

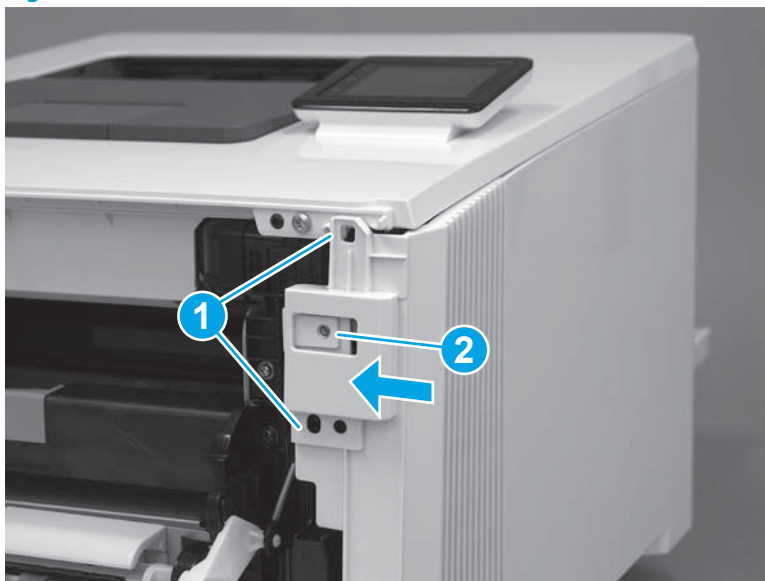
Figure 1-3187 Install upper tabs



- At the front of the printer, position the front of the cover over two tabs (callout 1).

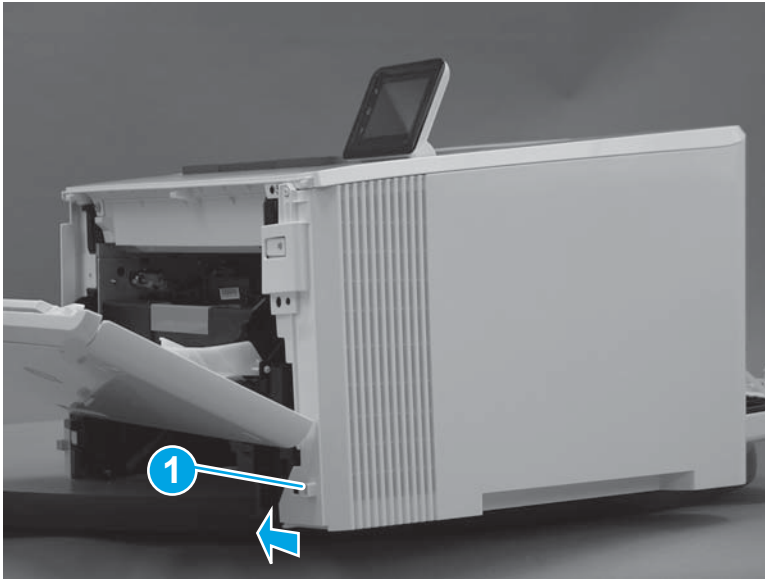
⚠ CAUTION: Be careful not to dislodge the power switch (callout 2).

Figure 1-3188 Install the front tabs



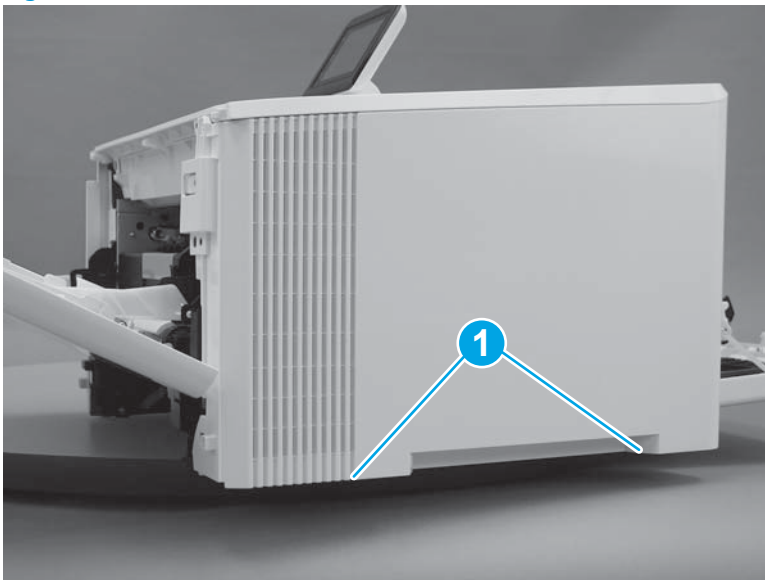
6. Press the right cover toward the printer to engage one tab (callout 1) on the front of the cover.

Figure 1-3189 Install the front lower tab



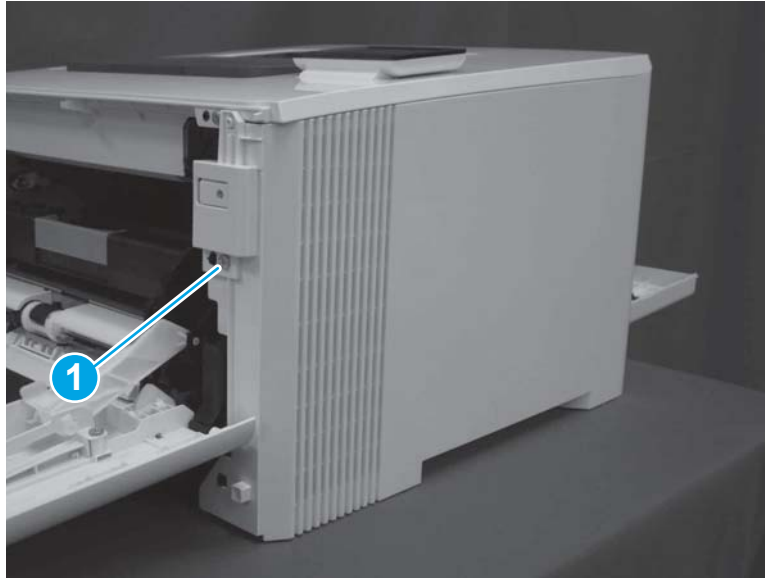
7. Install two tabs on the bottom of the cover (callout 1).

Figure 1-3190 Install two tabs



8. At the front of the printer, install one screw (callout 1).

Figure 1-3191 Install one screw



9. At the back of the printer, install one screw (callout 1).

Figure 1-3192 Install one screw

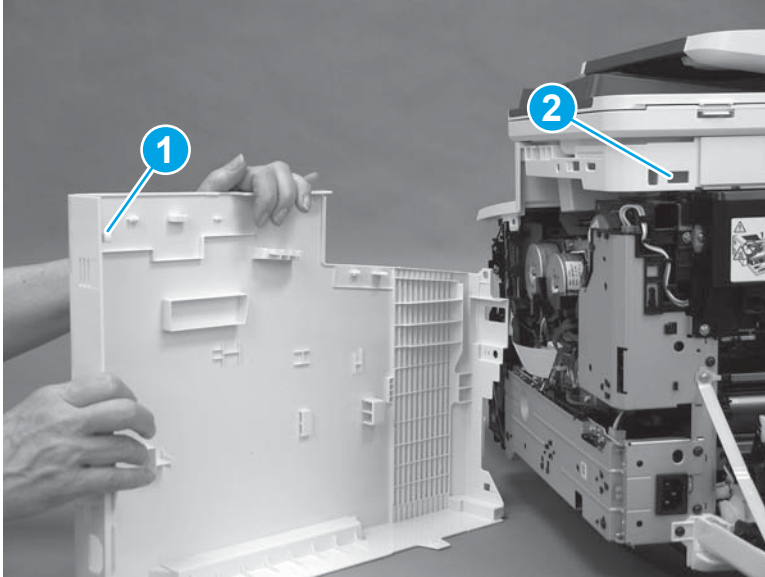


Step 36: Install the right cover (M377, M477 models)

 **NOTE:** This step is for the M377, M477 models. For the M452 models, skip this step and go to [Step 37: Close the front door and rear door or duplexer door on page 1703.](#)

1. At the back of the printer, install the tab (callout 1) on the cover into the slot (callout 2) on the printer.

Figure 1-3193 Install rear tab



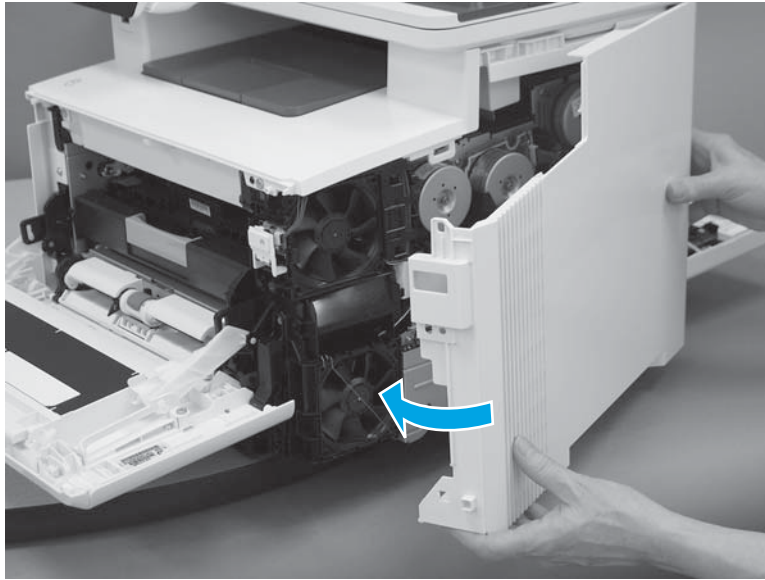
2. Raise the scanner.

Figure 1-3194 Raise the scanner



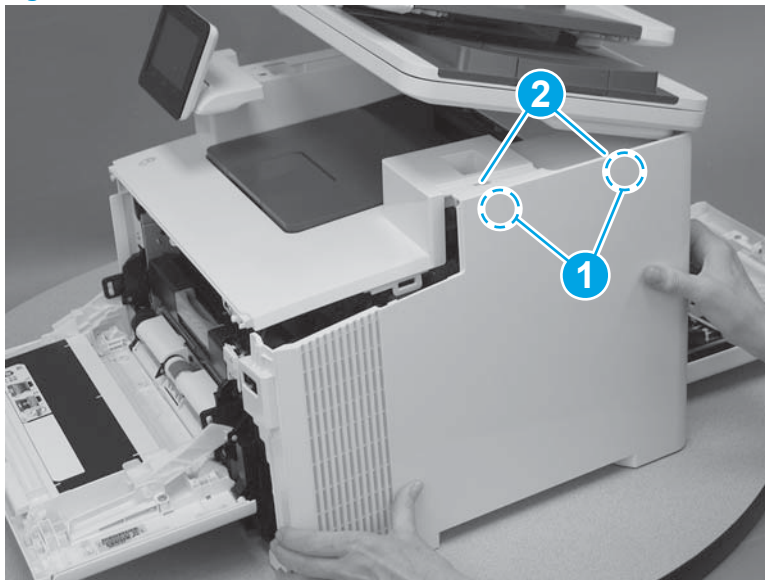
3. Rotate the right cover toward the printer.

Figure 1-3195 Rotate the right cover



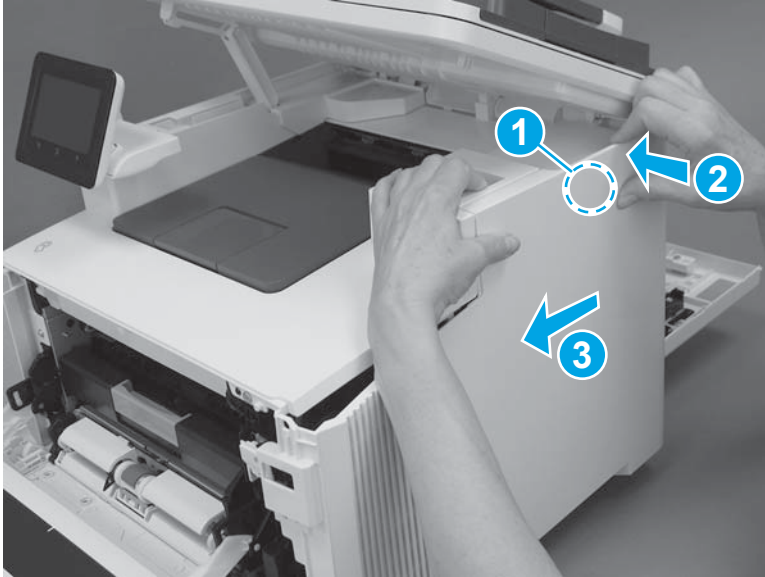
4. Position the hooks (callout 1) on the inside of the cover into the slots (callout 2) in the printer.

Figure 1-3196 Position the hooks in the slots



- Engage one hook (callout 1) on the inside of the cover. Hold the top of the cover closed (callout 2) while sliding the cover toward the front of the printer (callout 3).

Figure 1-3197 Slide the cover



- Rotate the front of the cover toward the printer (callout 1).

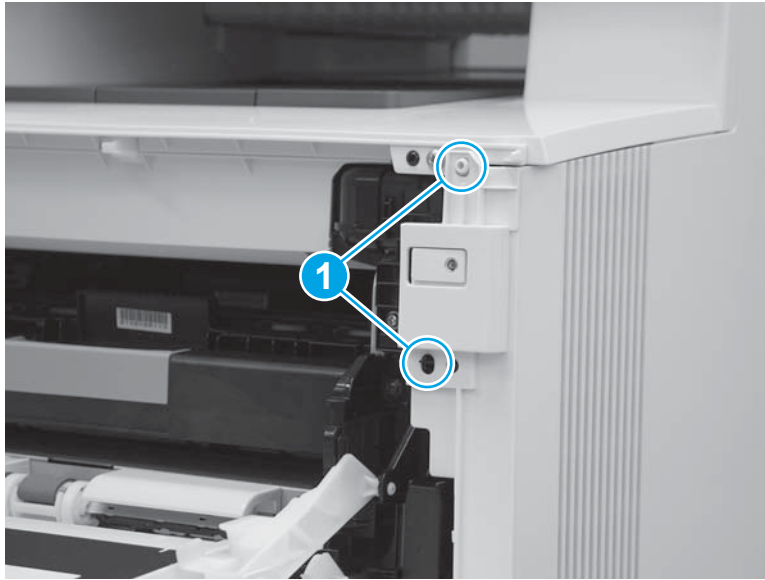
CAUTION: Be careful not to dislodge the power switch (callout 2).

Figure 1-3198 Rotate the front of the cover



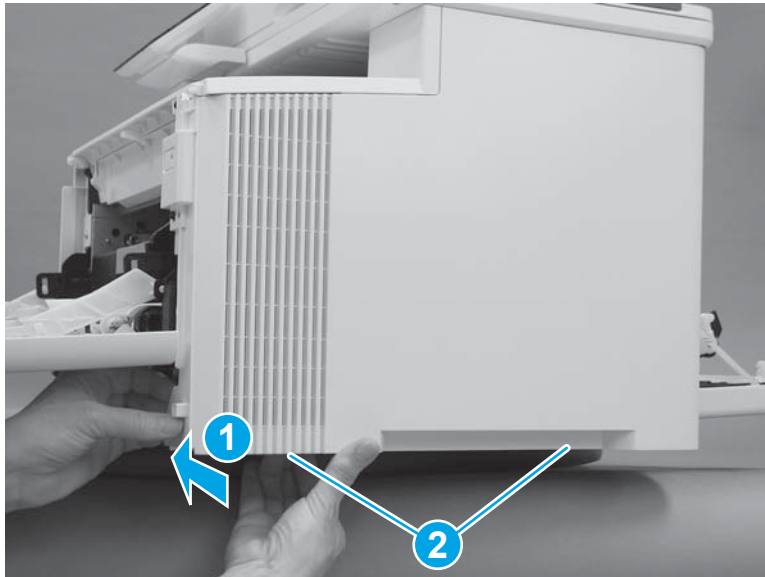
7. Install two tabs at the front of the printer (callout 1).

Figure 1-3199 Install two tabs



8. Press the right cover toward the printer (callout 1) to engage one tab on the front of the cover, and two tabs (callout 2) on the lower edge of the cover.

Figure 1-3200 Install the front and lower tabs



9. At the front of the printer, install one screw (callout 1).

Figure 1-3201 Install one screw



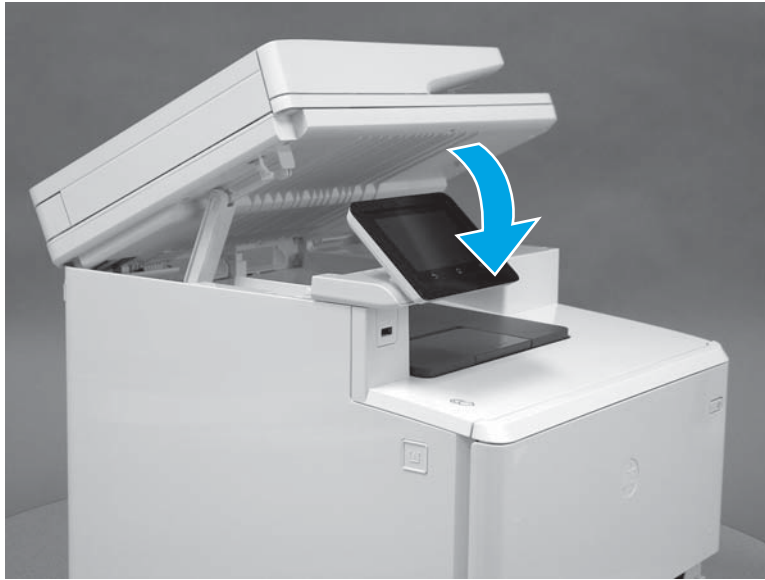
10. At the back of the printer, install one screw (callout 1).

Figure 1-3202 Install one screw



11. Lower the scanner.

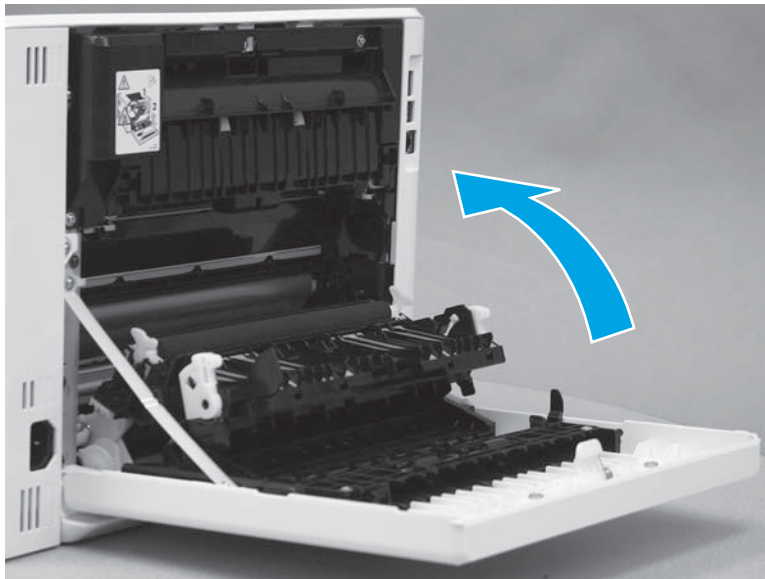
Figure 1-3203 Lower the scanner



Step 37: Close the front door and rear door or duplexer door

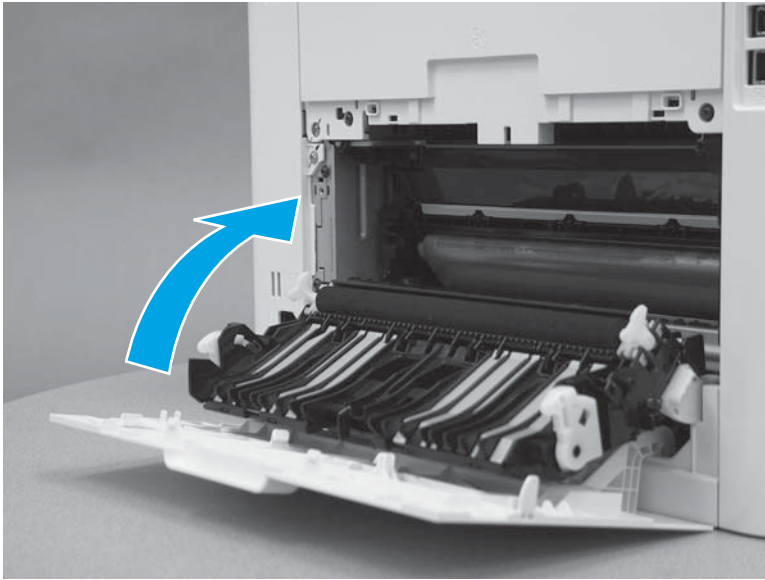
1. **Duplex models:** Close the duplexer door.

Figure 1-3204 Close the duplexer door



2. **Simplex models:** Close the rear door.

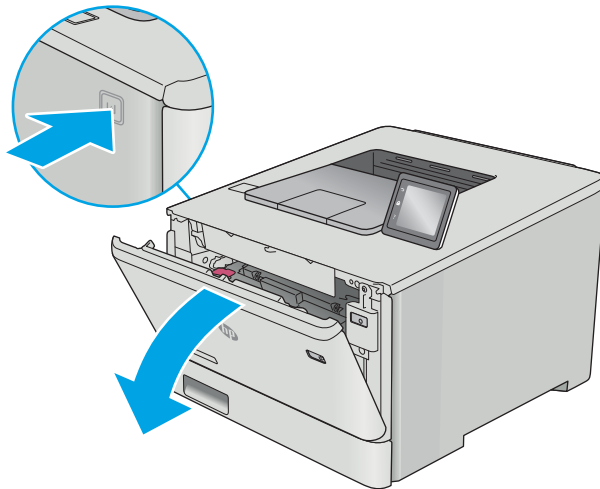
Figure 1-3205 Close the rear door



Step 38: Install the toner cartridges

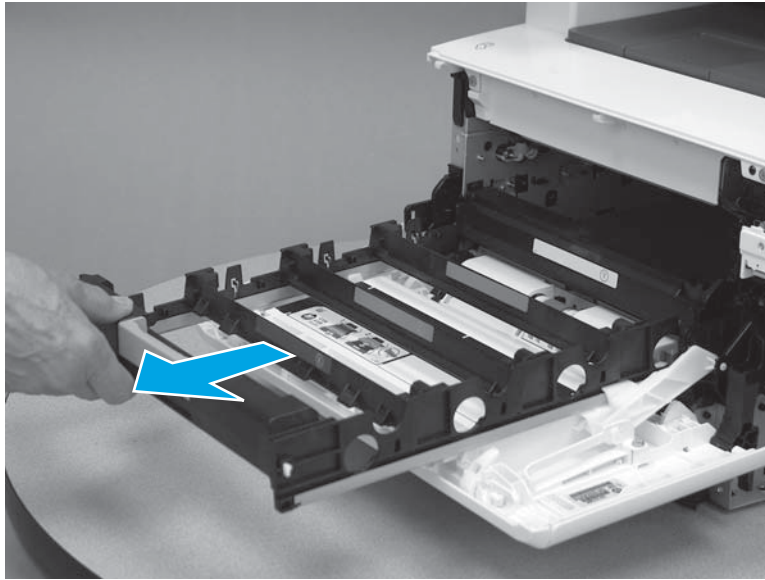
1. Open the front door by pressing the button on the left cover.

Figure 1-3206 Open the front door



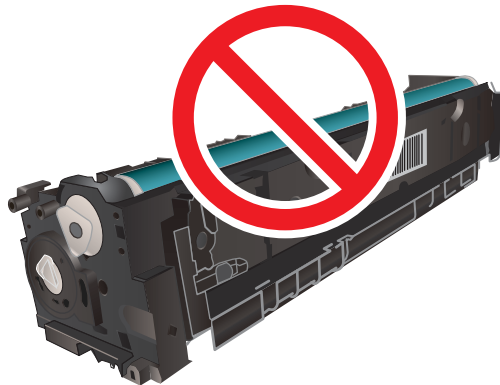
2. Slide the cartridge tray out of the printer.

Figure 1-3207 Slide the cartridge tray out



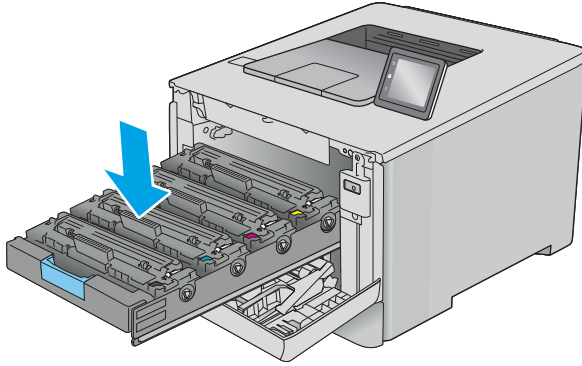
3. Do not touch the imaging drum on the bottom of the toner cartridge. Fingerprints on the imaging drum can cause print-quality problems.

Figure 1-3208 Do not touch imaging drum



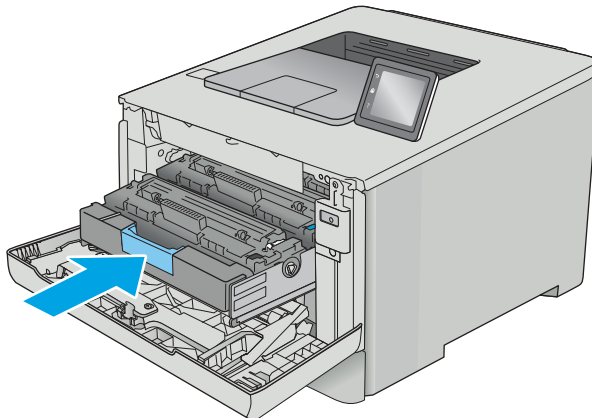
4. Insert the toner cartridge into the tray. Make sure that the color chip on the cartridge matches the color chip on the tray. Repeat this step for each toner cartridge.

Figure 1-3209 Install a toner cartridge



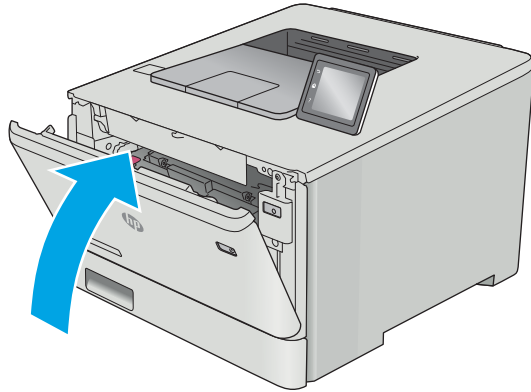
5. Close the toner cartridge drawer.

Figure 1-3210 Close the toner cartridge drawer



6. Close the front door.

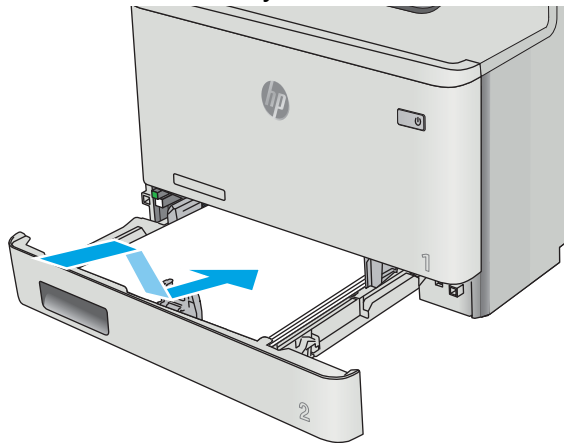
Figure 1-3211 Close the front door



Step 39: Install Tray 2

- ▲ With the front of the tray slightly lifted, align the sides of the tray with the rails in the printer, and then carefully slide the tray into the printer. As the tray slides into the printer, lower the front of the tray, and then close it.

Figure 1-3212 Install the tray



Removal and replacement: Memory PCA

- [Introduction](#)
- [Step 1: Remove Tray 2](#)
- [Step 2: Open the front door and rear door or duplexer door](#)
- [Step 3: Remove the right cover \(M452 models\)](#)
- [Step 4: Remove the right cover \(M377, M477 models\)](#)
- [Step 5: Remove the left cover \(M452 models\)](#)
- [Step 6: Remove the left cover \(M377, M477 models\)](#)
- [Step 7: Remove the rear top cover \(simplex models\)](#)
- [Step 8: Remove the integrated scanner assembly \(M377, M477 models\)](#)
- [Step 9: Remove the fax PCA \(M477 models\)](#)
- [Step 10: Remove the top cover \(M377, M477 models\)](#)
- [Step 11: Remove the top cover \(M452 models\)](#)
- [Step 12: Remove the memory PCA](#)
- [Step 13: Unpack the replacement part](#)
- [Step 14: Install the memory PCA](#)
- [Step 15: Install the top cover \(M452 models\)](#)
- [Step 16: Install the top cover \(M377, M477 models\)](#)
- [Step 17: Install the fax PCA \(M477 models\)](#)
- [Step 18: Install the integrated scanner assembly \(M377, M477 models\)](#)
- [Step 19: Install the rear top cover \(simplex models\)](#)
- [Step 20: Install the left cover \(M452 models\)](#)
- [Step 21: Install the left cover \(M377, M477 models\)](#)
- [Step 22: Install the right cover \(M452 models\)](#)
- [Step 23: Install the right cover \(M377, M477 models\)](#)
- [Step 24: Close the front door and rear door or duplexer door](#)
- [Step 25: Install Tray 2](#)

Introduction

This document provides the procedures to remove and replace the memory PCA.

Before you begin

- Turn off the printer.
- Disconnect the power cable.

⚠ WARNING! To avoid damage to the printer, turn the printer off, wait 30 seconds, and then remove the power cord before attempting to service the printer.

- Use the table below to identify the correct part number for your printer. To order the part, go to www.hp.com/buy/parts.

| Memory PCA part number |
|------------------------|
|------------------------|

| |
|----------------|
| RM2-7374-000CN |
|----------------|

| |
|------------|
| Memory PCA |
|------------|

Required tools

- #2 Phillips screwdriver with a magnetic tip
- Small flat-blade screwdriver

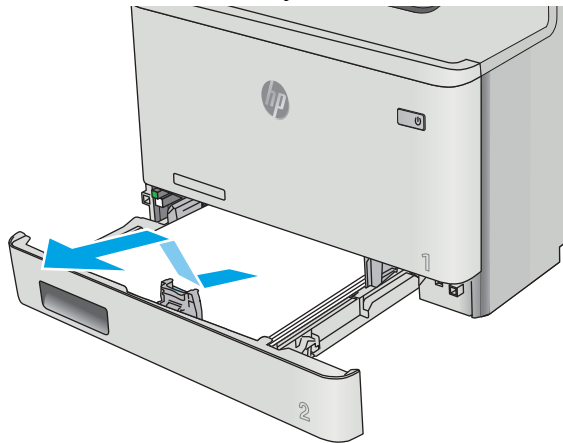
After performing service

- Connect the power cable.
- Use the power switch to turn the power on.

Step 1: Remove Tray 2

- ▲ Pull the tray out until it stops. Lift the front of the tray, and then pull it out of the printer to remove it.

Figure 1-3213 Remove the tray



Step 2: Open the front door and rear door or duplexer door

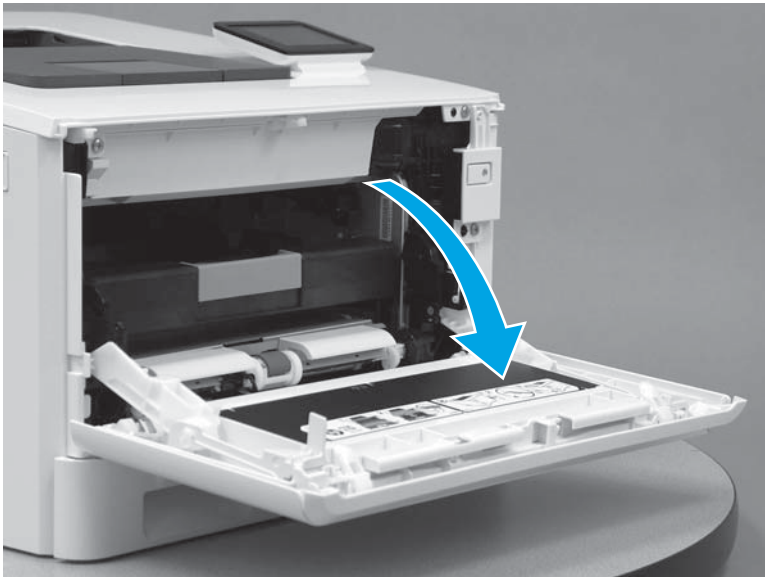
1. Press the button (callout 1) on the left side of the printer to release the front door.

Figure 1-3214 Release the front door



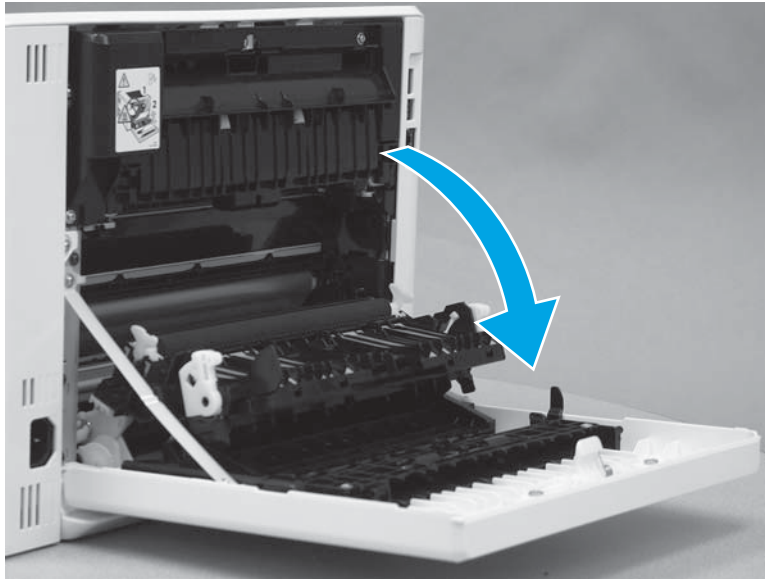
2. Open the front door.

Figure 1-3215 Open the front door



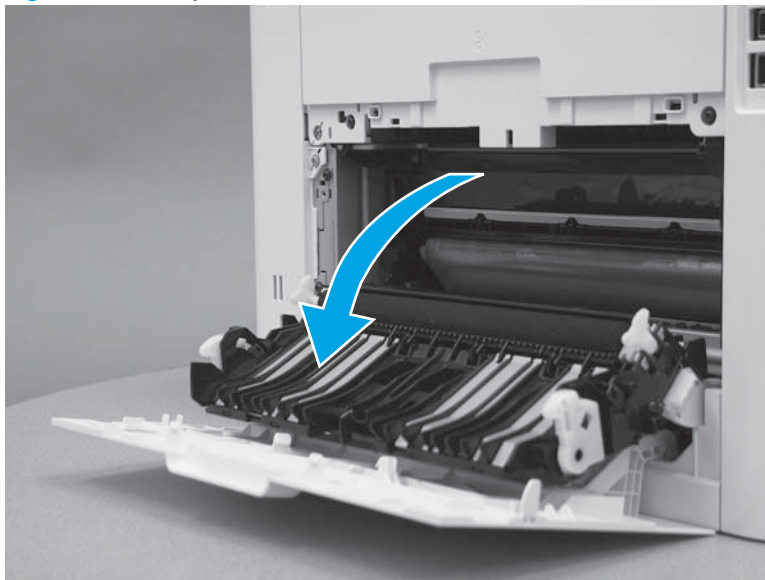
3. **Duplex models:** Open the duplexer door.

Figure 1-3216 Open the duplexer door




4. **Simplex models:** Open the rear door.

Figure 1-3217 Open the rear door



Step 3: Remove the right cover (M452 models)

 **NOTE:** This step is for the M452 models. For the M377, M477 models, skip this step and go to [Step 4: Remove the right cover \(M377, M477 models\) on page 1715.](#)

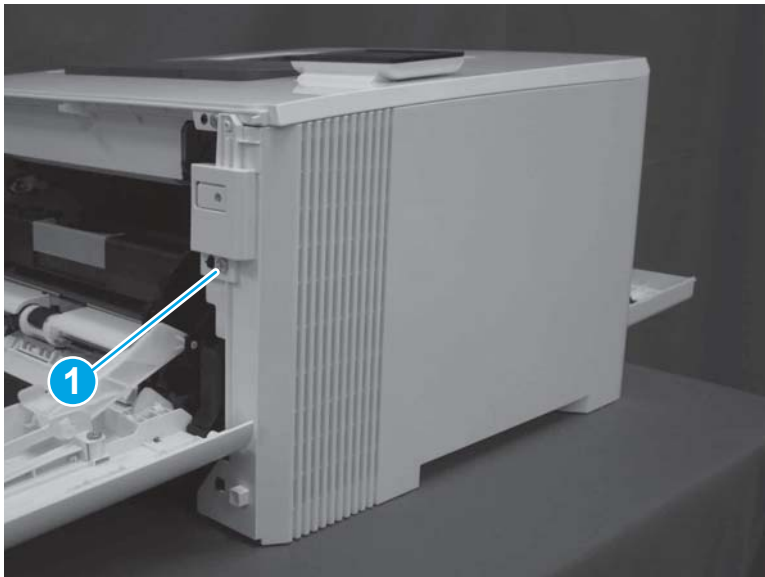
1. At the back of the printer, remove one screw (callout 1).

Figure 1-3218 Remove one screw



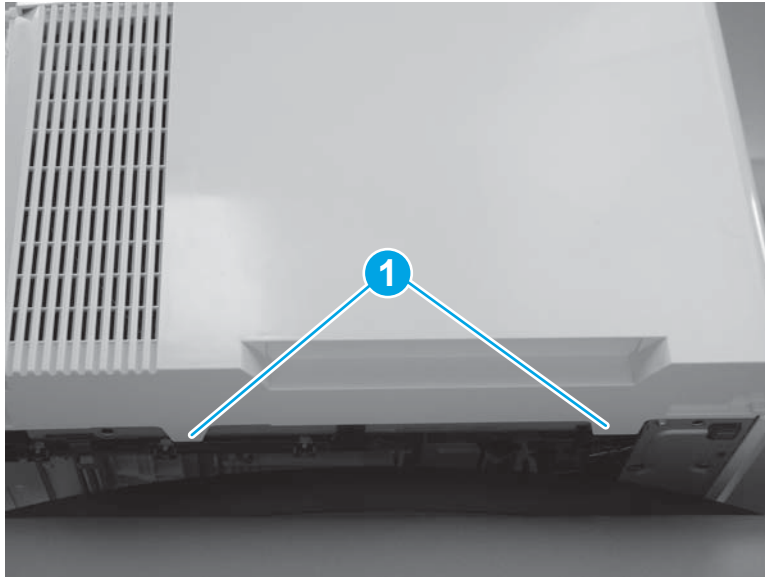
2. At the front of the printer, remove one screw (callout 1).

Figure 1-3219 Remove one screw



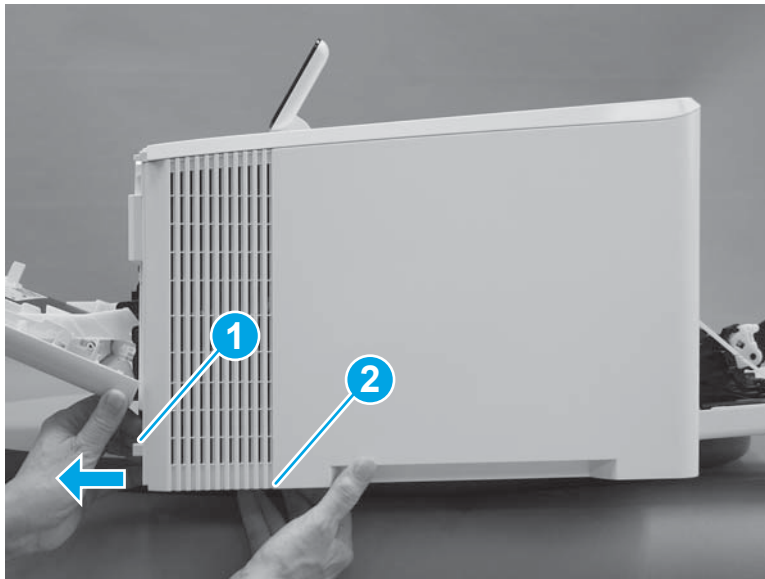
3. Slide the printer to the edge of a work surface. Note the location of the tabs on the lower edge of the cover (callout 1).

Figure 1-3220 Locate the tabs



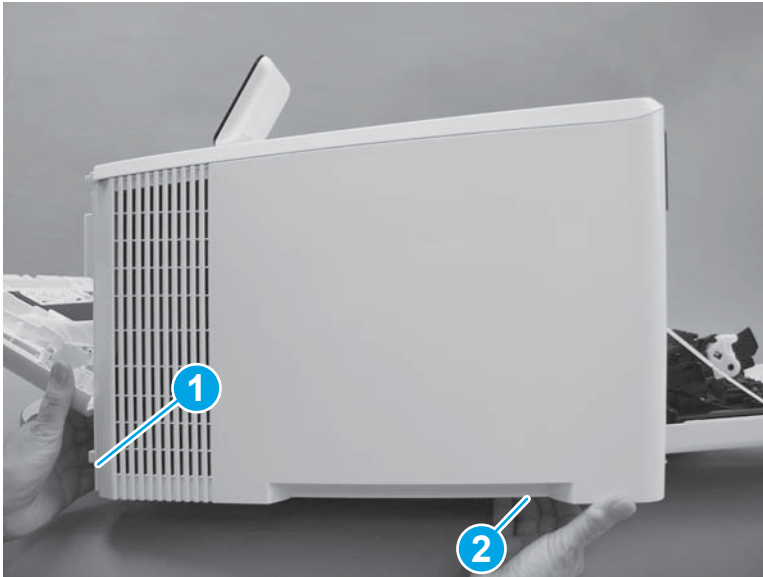
4. Release one tab (callout 1) on the front of the cover by slightly pulling the cover away from the printer. While holding the cover in the released position, release one tab (callout 2) on the bottom of the cover.

Figure 1-3221 Release front lower tabs



5. Hold the front tabs in the released position (callout 1), and then release one tab (callout 2) on the bottom of the cover, toward the back of the printer.

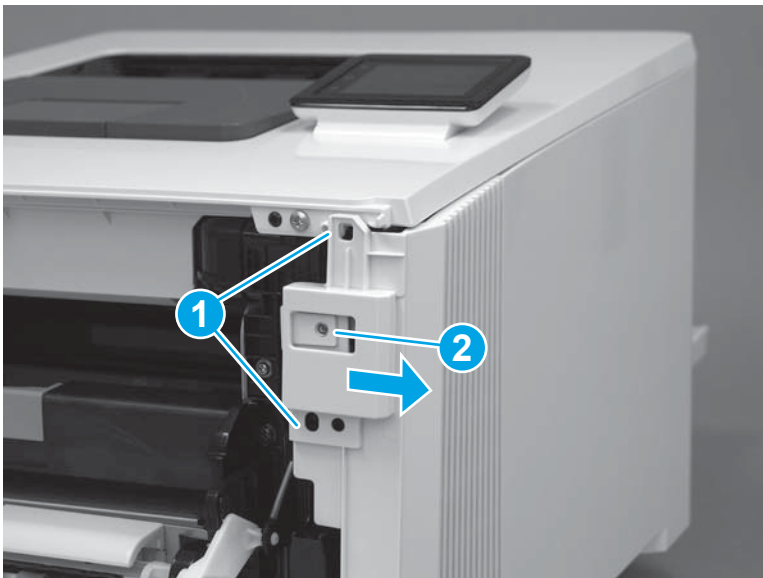
Figure 1-3222 Release lower rear tab



6. Release two tabs at the front of the printer (callout 1) by slightly pulling the cover away from the printer.

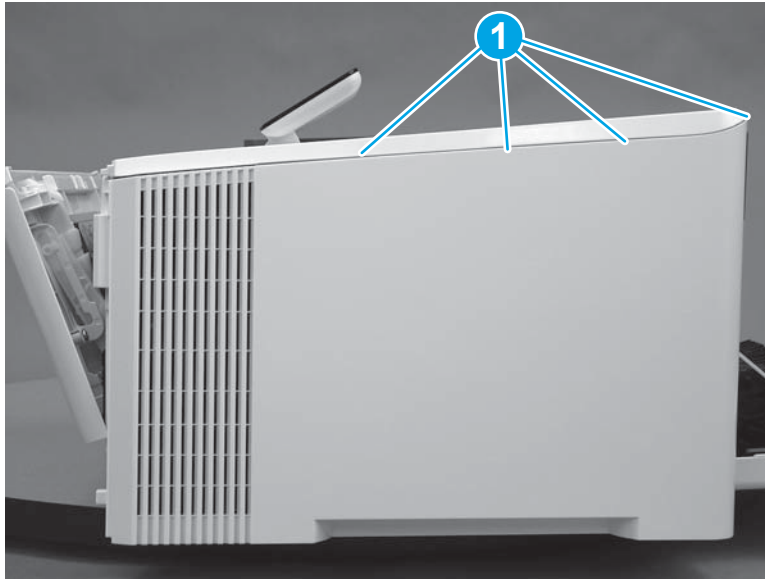
CAUTION: Be careful not to dislodge the power switch (callout 2).

Figure 1-3223 Release two front tabs



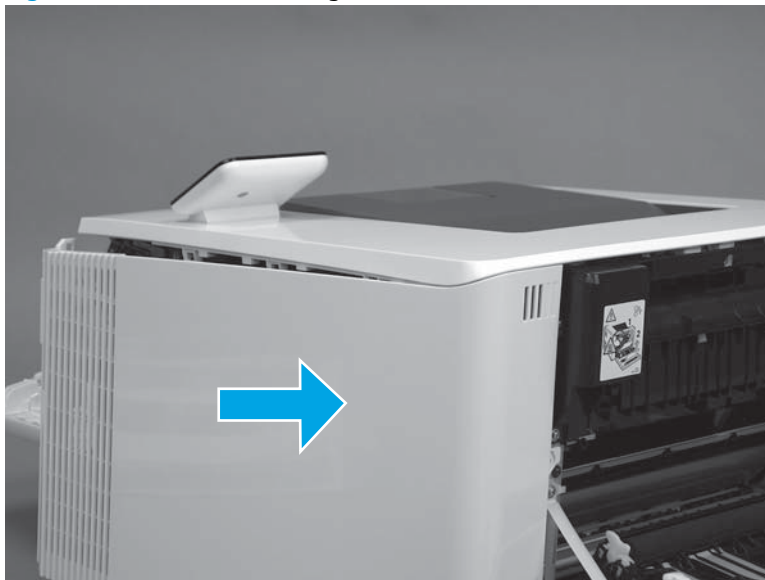
7. Release four tabs on the top of the printer (callout 1).

Figure 1-3224 Release upper tabs



8. Slide the cover toward the back of the printer to remove it.

Figure 1-3225 Remove the right cover

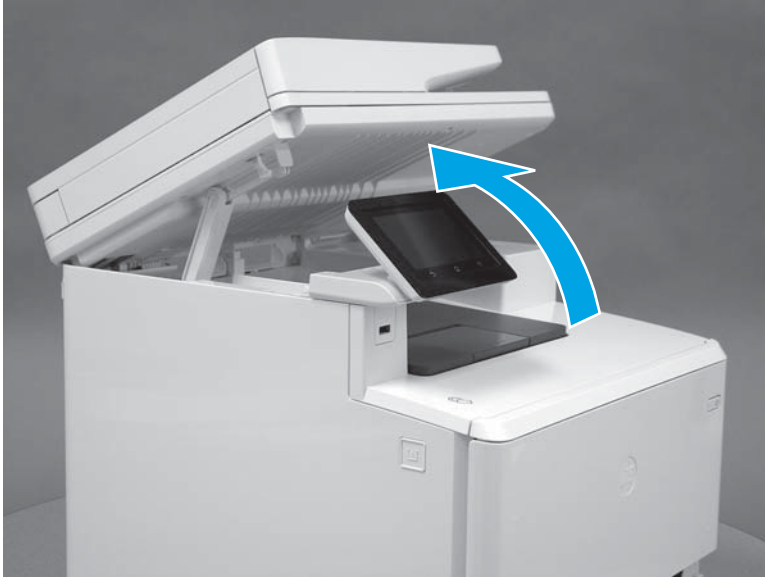


Step 4: Remove the right cover (M377, M477 models)

 **NOTE:** This step is for the M377, M477 models. For the M452 models, skip this step and go to [Step 5: Remove the left cover \(M452 models\) on page 1721.](#)

1. Raise the scanner.

Figure 1-3226 Raise the scanner



2. At the back of the printer, remove one screw (callout 1).

Figure 1-3227 Remove one screw



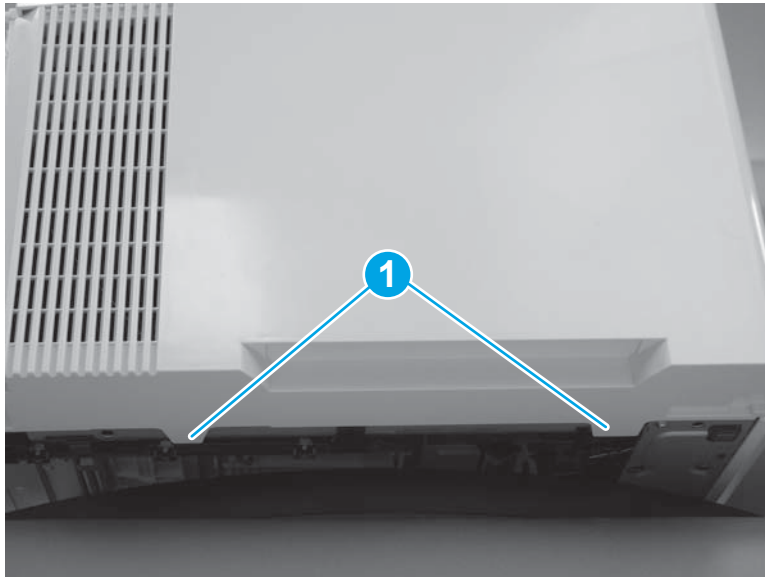
3. At the front of the printer, remove one screw (callout 1).

Figure 1-3228 Remove one screw



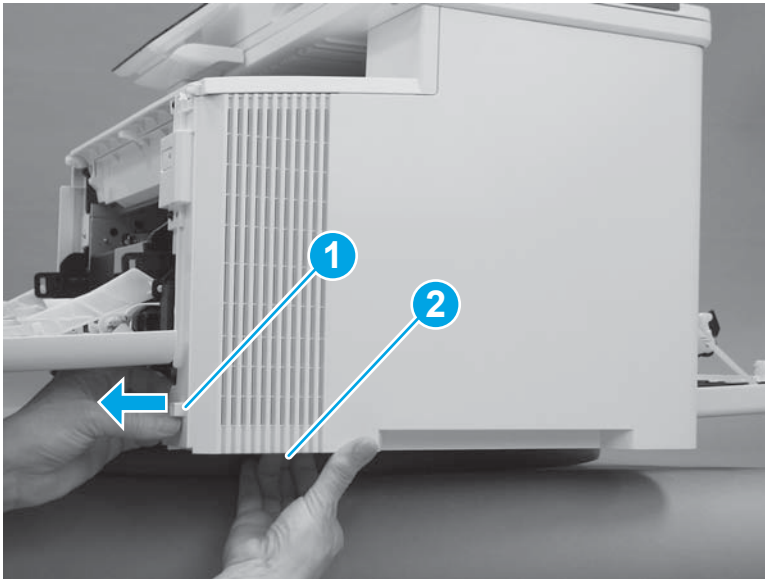
4. Slide the printer to the edge of a work surface. Note the location of the tabs on the lower edge of the cover (callout 1).

Figure 1-3229 Locate the tabs



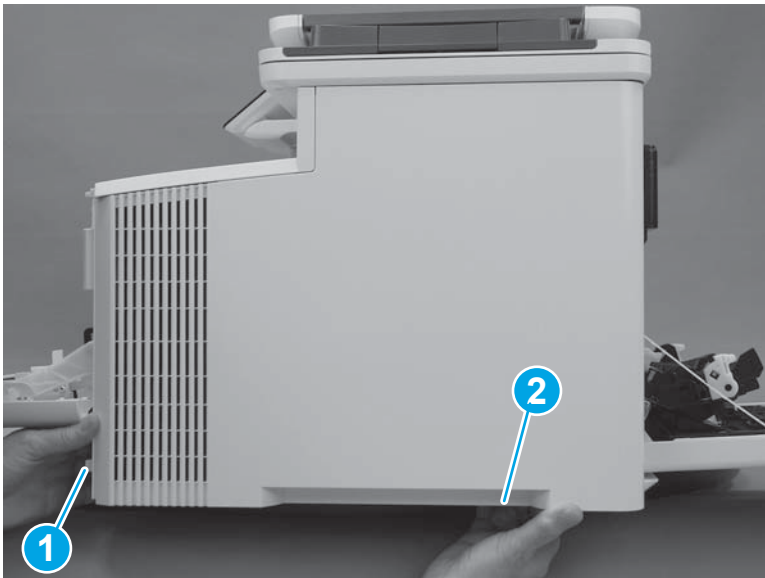
5. Release one tab (callout 1) on the front of the cover by slightly pulling the cover away from the printer. While holding the cover in the released position, release one tab (callout 2) on the lower edge of the cover.

Figure 1-3230 Release front lower tabs



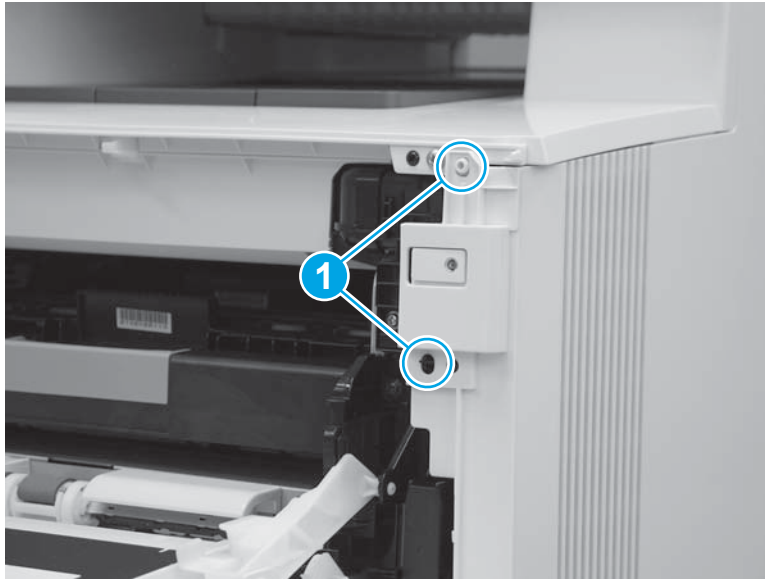
6. Hold the front tabs in the released position (callout 1), and then release one tab (callout 2) on the lower edge of the cover, toward the back of the printer.

Figure 1-3231 Release lower rear tab



7. Release two tabs at the front of the printer (callout 1) by slightly pulling the cover away from the printer.

Figure 1-3232 Release front upper tabs



8. Rotate the front of the cover away from the printer (callout 1).

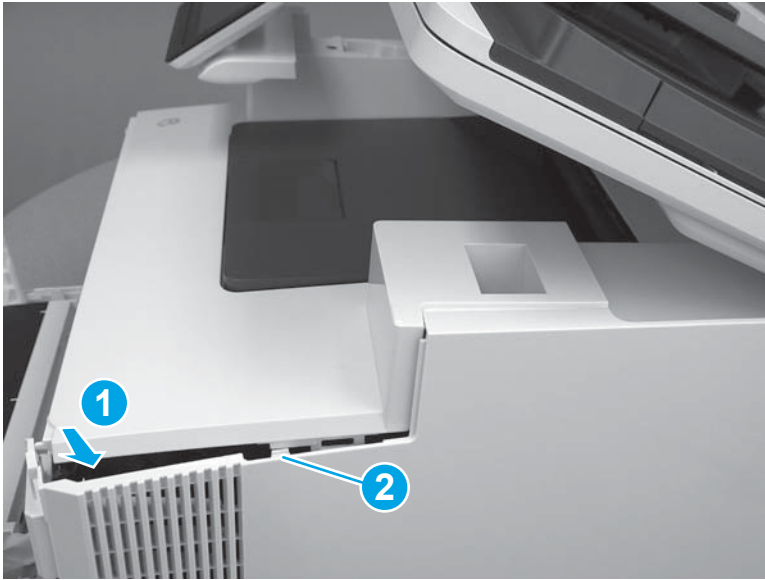
⚠ CAUTION: Be careful not to dislodge the power switch (callout 2).

Figure 1-3233 Rotate the front of the cover



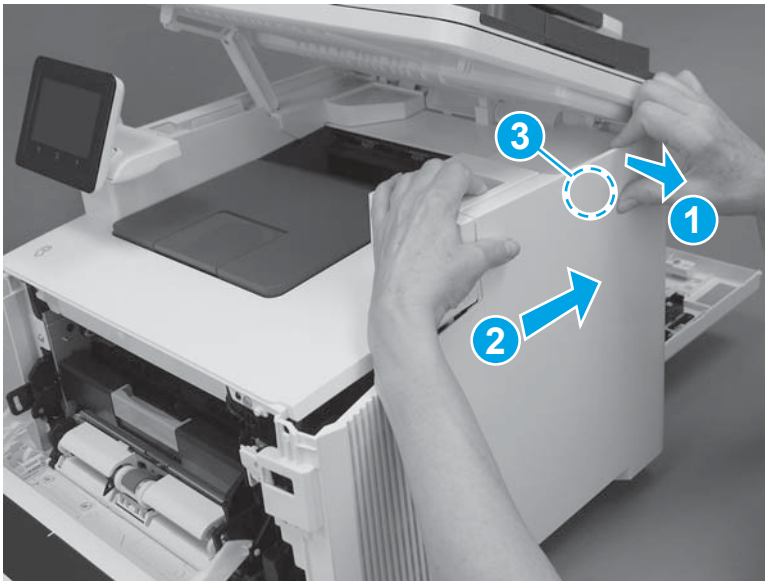
9. Slightly pull the front of the cover away from the printer (callout 1) to release one tab (callout 2).

Figure 1-3234 Release top tabs



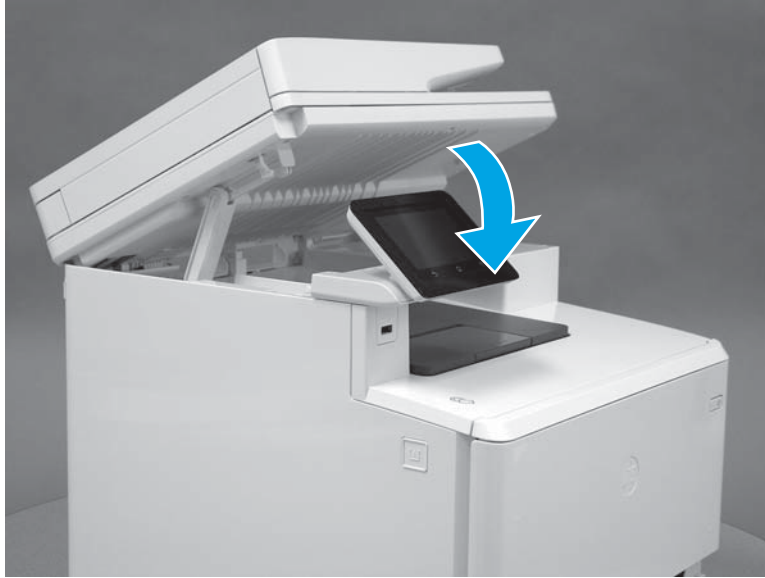
10. At the top of the printer, slightly pull the top of the cover away from the printer to release one retention tab (callout 1) on the inside of the cover. While holding the cover away, slide the cover toward the back of the printer (callout 2) to release one hook (callout 3) on the inside of the cover.

Figure 1-3235 Release one tab and one hook



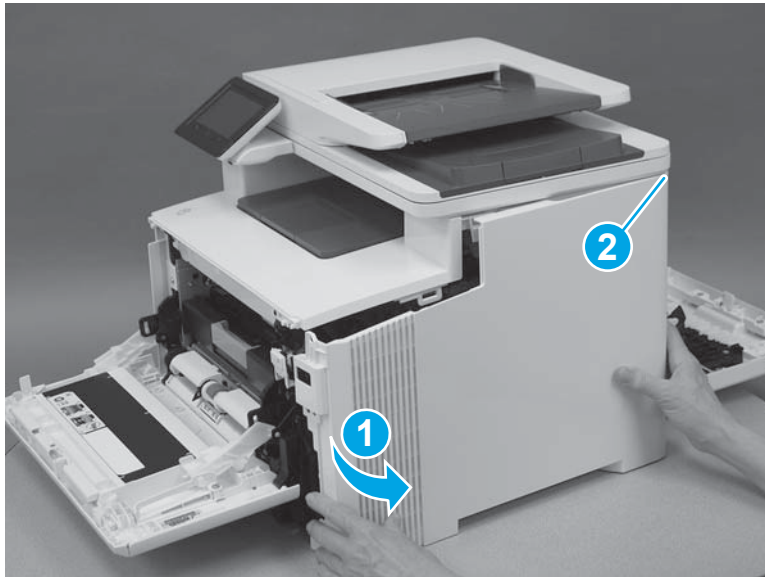
11. Lower the scanner.

Figure 1-3236 Lower the scanner




12. Rotate the cover away from the printer (callout 1) to release one tab (callout 2) at the back of the printer, and then remove the cover.

Figure 1-3237 Remove the right cover

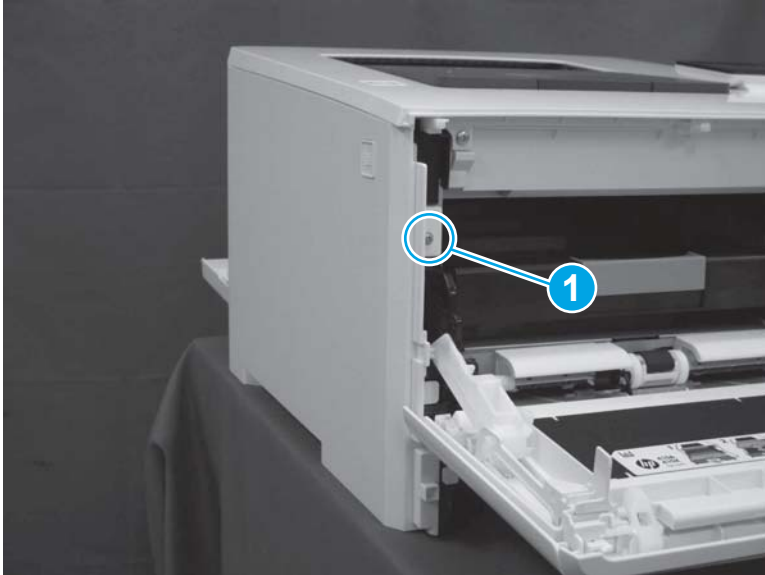


Step 5: Remove the left cover (M452 models)

 **NOTE:** This step is for the M452 models. For the M377, M477 models, skip this step and go to [Step 6: Remove the left cover \(M377, M477 models\) on page 1724.](#)

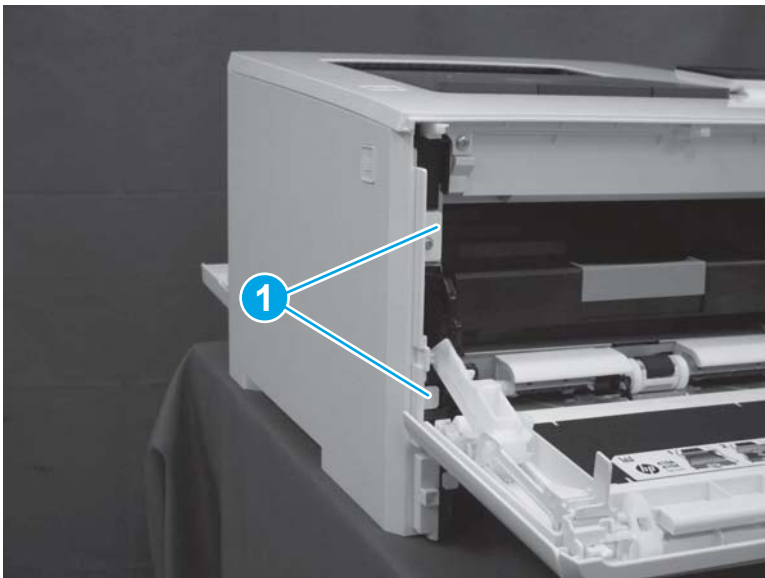
1. At the front of the printer, remove one screw (callout 1).

Figure 1-3238 Remove one screw



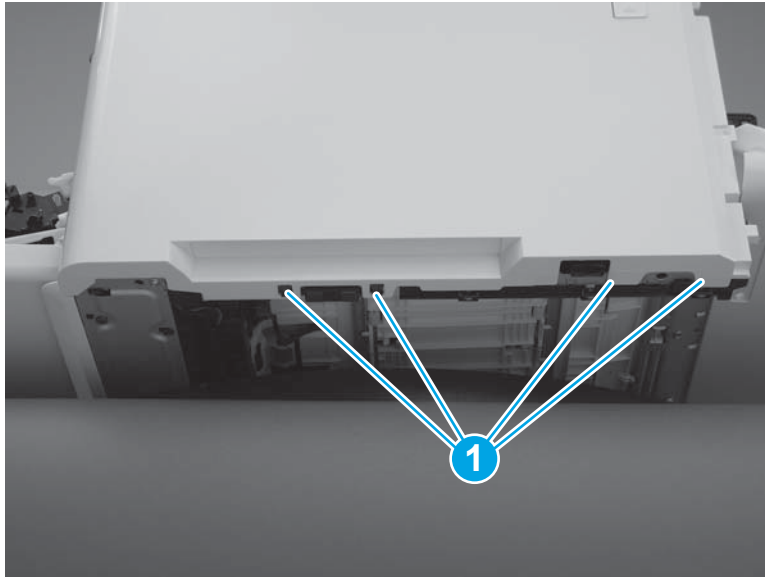
2. Release two tabs (callout 1) at the front of the cover. Hold the cover open to prevent the tabs from reengaging.

Figure 1-3239 Release two tabs



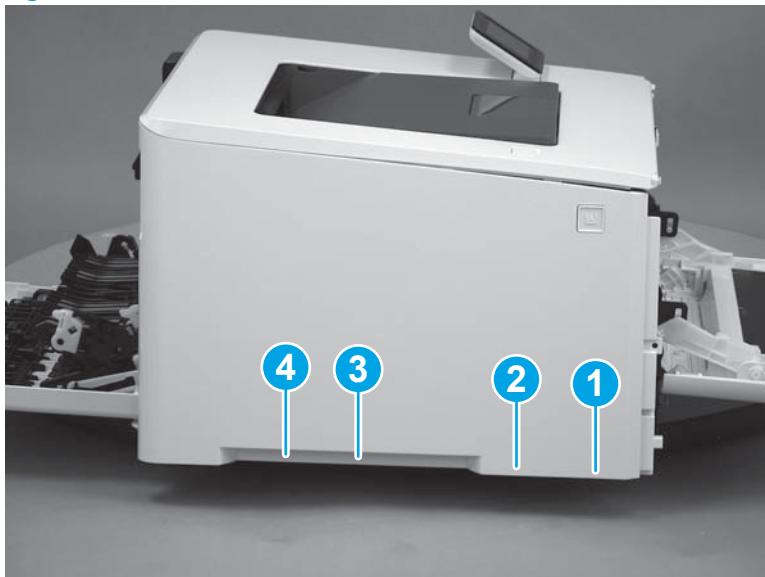
3. Slide the printer to the edge of a work surface. Note the location of the tabs on the lower edge of the cover (callout 1).

Figure 1-3240 Locate the tabs



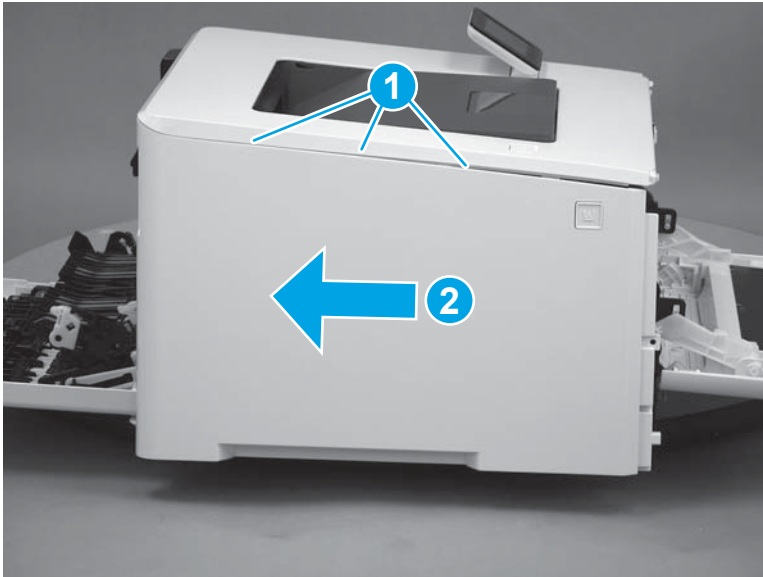
4. Beginning from the front of the cover, release four tabs (callouts 1-4) on the lower edge of the cover.

Figure 1-3241 Release bottom tabs



5. Release three tabs at the top of the cover (callout 1), and then slide the cover toward the rear of the printer to remove it.

Figure 1-3242 Release three tabs



Step 6: Remove the left cover (M377, M477 models)

 **NOTE:** This step is for the M377, M477 models. For the M452 models, skip this step and go to [Step 7: Remove the rear top cover \(simplex models\) on page 1728.](#)

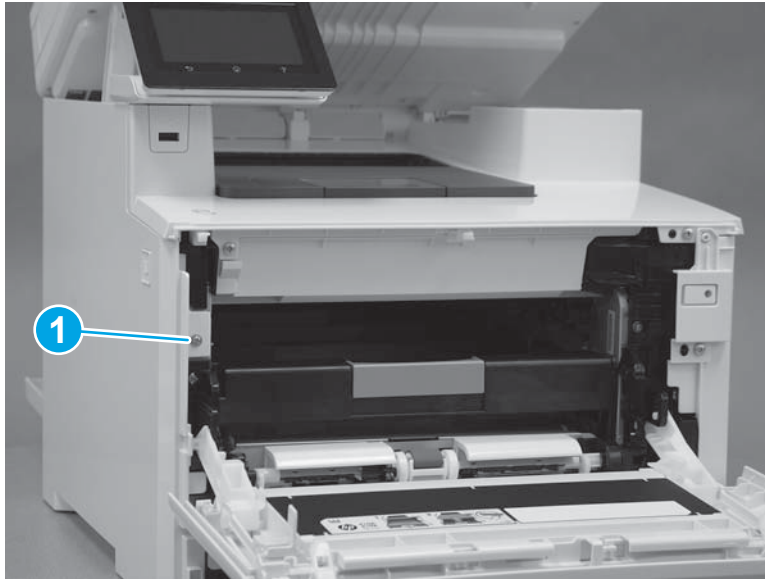
1. Raise the scanner.

Figure 1-3243 Raise the scanner



2. At the front of the printer, remove one screw (callout 1).

Figure 1-3244 Remove one screw



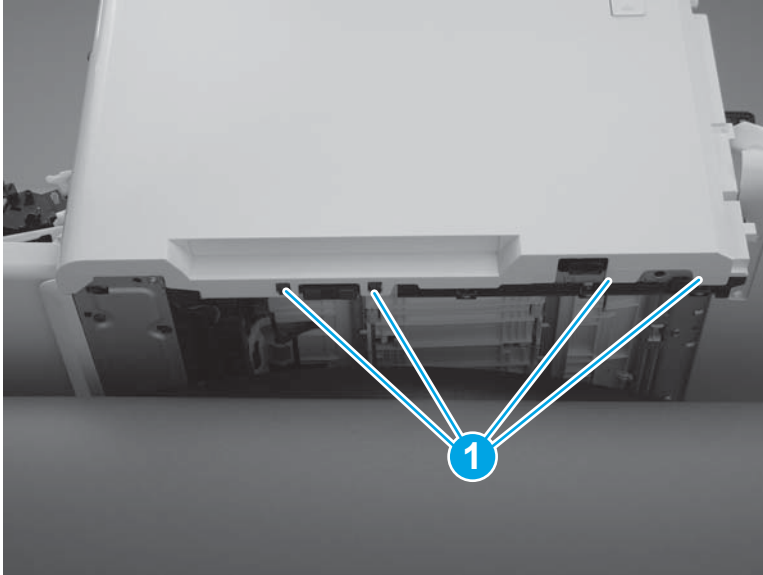
3. Release two tabs (callout 1) at the front of the cover. Hold the cover open to prevent the tabs from re-engaging.

Figure 1-3245 Release two tabs



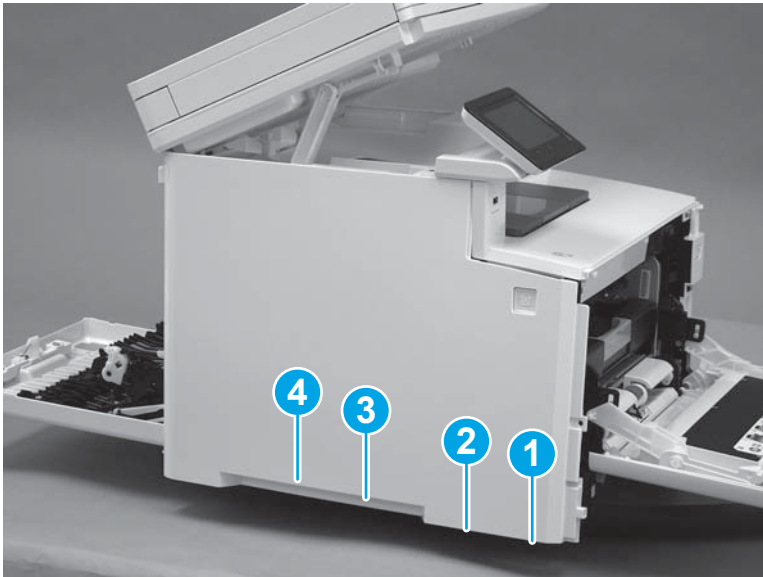
4. Slide the printer to the edge of a work surface. Note the location of the tabs on the lower edge of the cover (callout 1).

Figure 1-3246 Locate the tabs



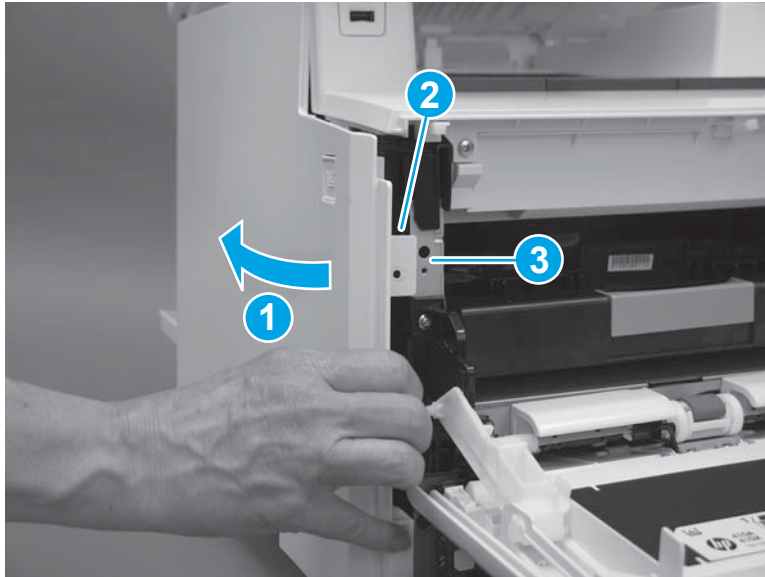
5. Beginning from the front of the cover, release the four tabs (callouts 1-4) on the lower edge of the cover.

Figure 1-3247 Release four tabs



6. Rotate the front of the cover away from the printer (callout 1). Make sure that the tab (callout 2) does not get caught on the printer frame (callout 3).

Figure 1-3248 Rotate the cover



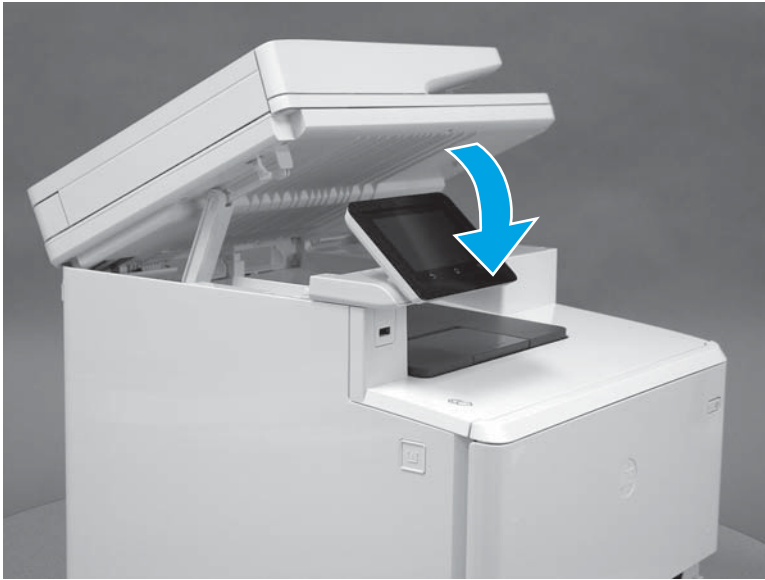
7. At the top of the printer, slightly pull the top of the cover away from the printer to release one retention tab (callout 1) on the inside of the cover. While holding the cover away, slide the cover toward the back of the printer (callout 2) to release two hooks (callout 3) inside the cover.

Figure 1-3249 Release one tab and two hooks



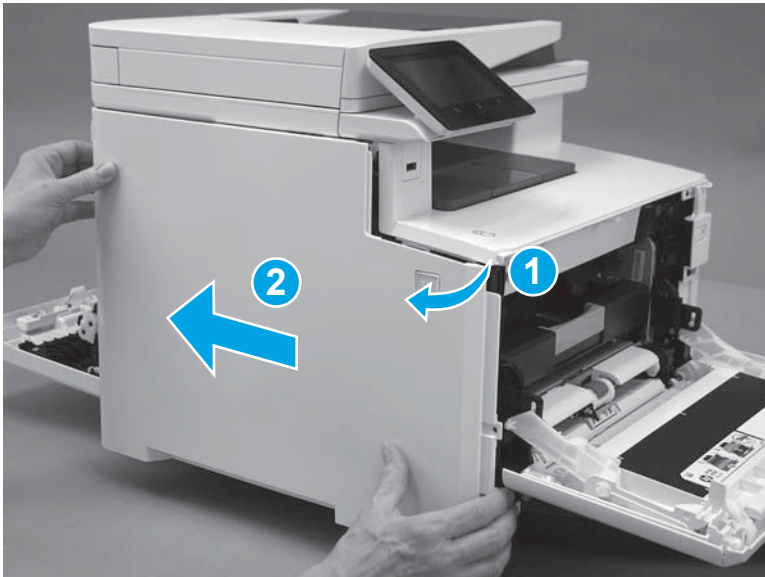
8. Lower the scanner.

Figure 1-3250 Lower the scanner



9. Rotate the cover away from the printer (callout 1), and then slide the cover (callout 2) toward the back of the printer to remove it.

Figure 1-3251 Remove the left cover



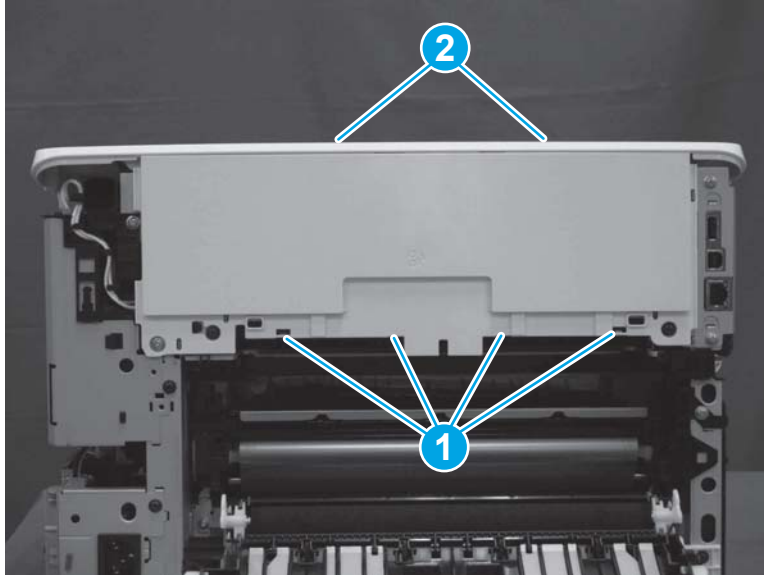
Step 7: Remove the rear top cover (simplex models)



NOTE: This step is for simplex models. For duplex models, skip this step and go to [Step 8: Remove the integrated scanner assembly \(M377, M477 models\) on page 1729](#).

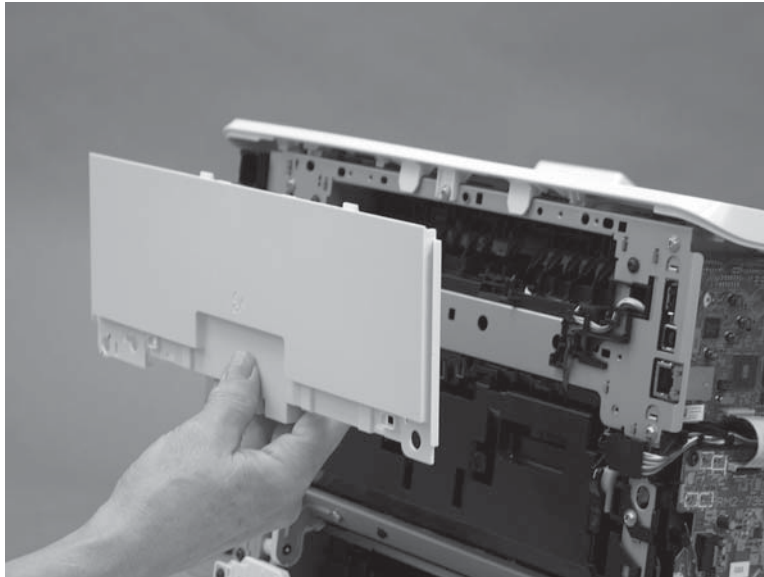
1. At the back of the printer, release four tabs (callout 1) on the bottom of the cover and two tabs (callout 2) on the top of the cover.

Figure 1-3252 Release six tabs



2. Remove the rear top cover.

Figure 1-3253 Remove the rear top cover



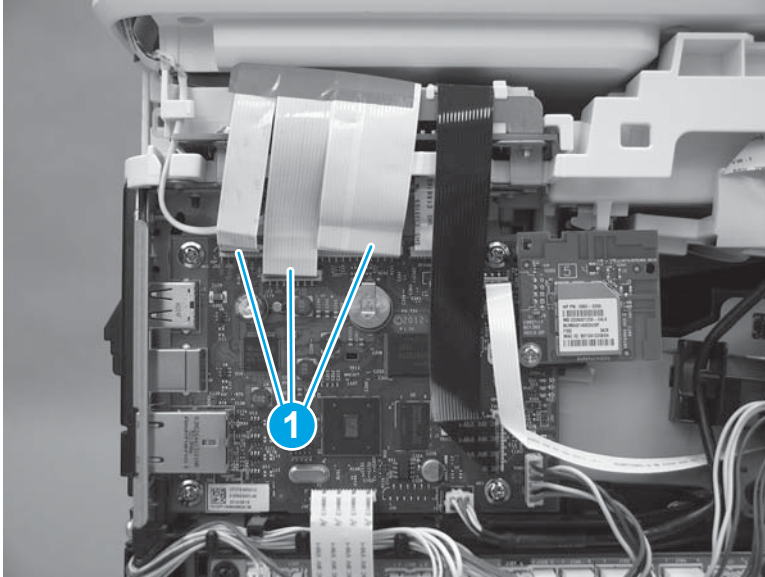
Step 8: Remove the integrated scanner assembly (M377, M477 models)



NOTE: This step is for the M377, M477 models. For the M452 models, skip this step and go to [Step 11: Remove the top cover \(M452 models\) on page 1743](#).

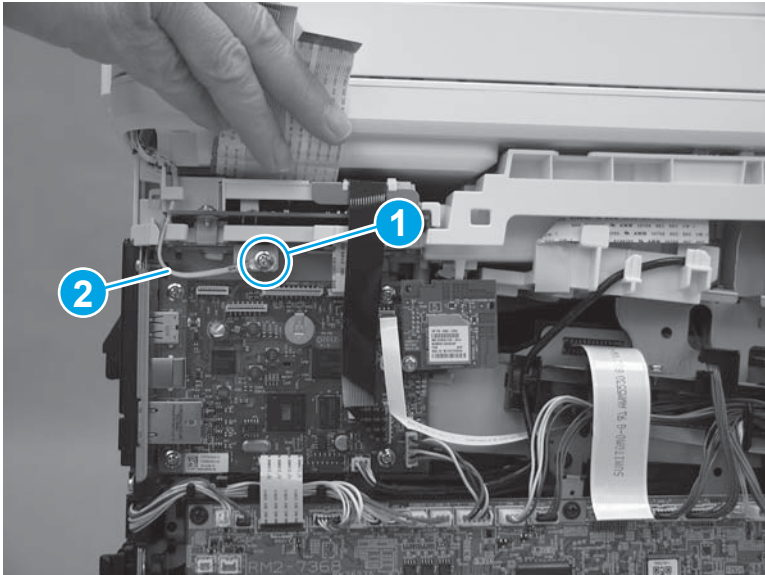
1. On the left side of the printer, disconnect three connectors (callout 1).

Figure 1-3254 Disconnect the scanner cables



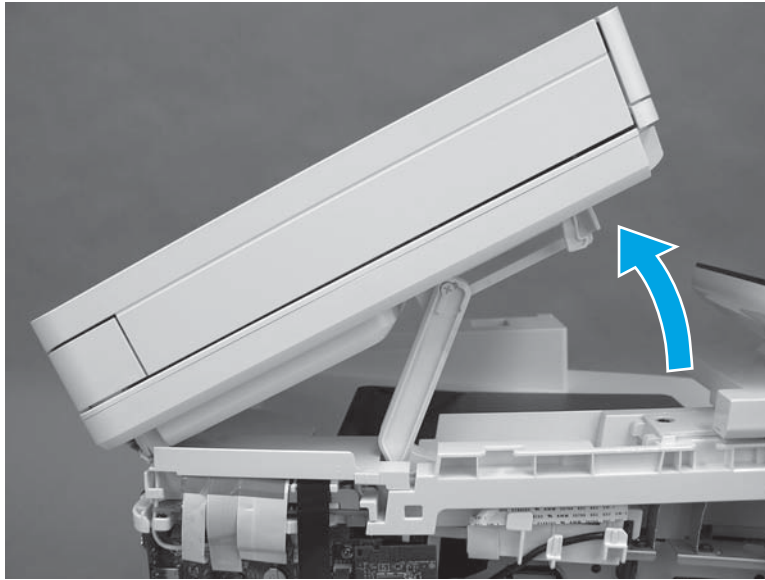
2. Raise the scanner cables up, and then remove one screw (callout 1) to release the ground wire (callout 2).

Figure 1-3255 Remove one screw and release the ground wire



3. Raise the scanner.

Figure 1-3256 Raise the scanner



4. With the scanner lifted, release the tab (callout 1) on the scanner support arm pin from the slot and rotate the pin in the direction indicated.

Figure 1-3257 Release the scanner arm pin



5. Remove the scanner arm pin.

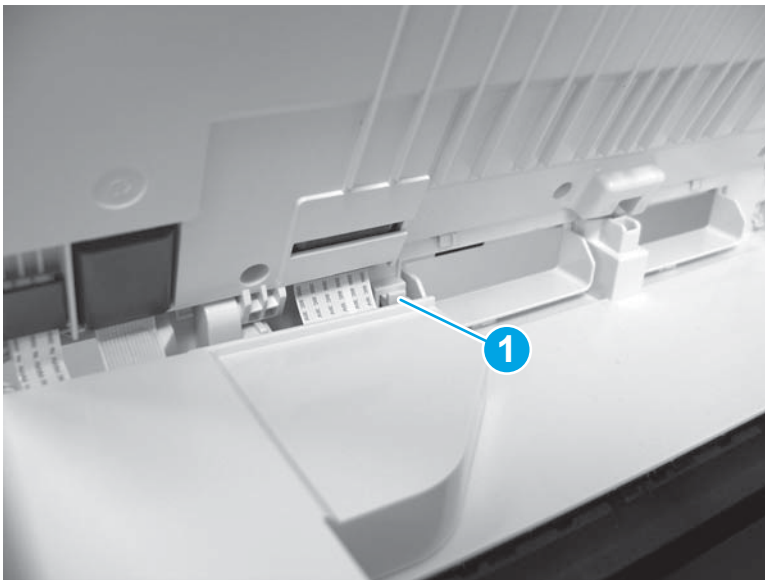
⚠ CAUTION: Once the scanner arm pin is removed, support the scanner with one hand at all times so that it does not fall backwards off of the printer.

Figure 1-3258 Remove the scanner arm pin.



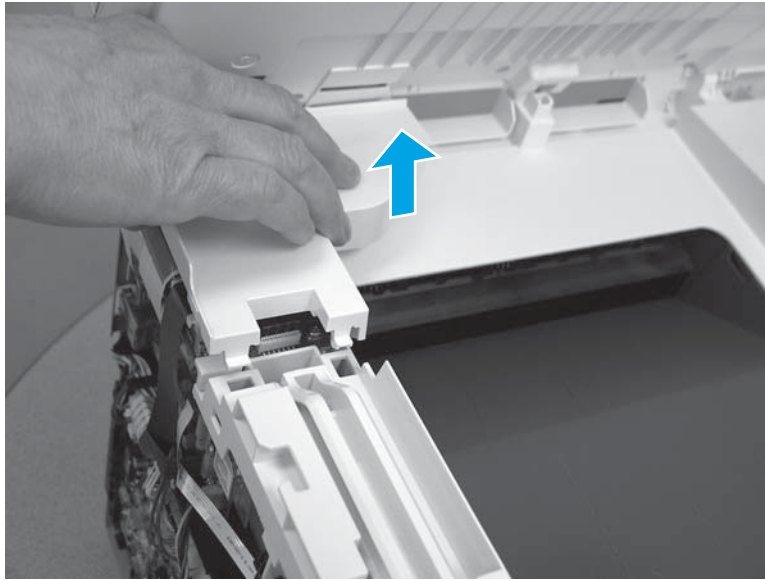
6. On the top of the printer, use a flat-blade screwdriver to release one tab (callout 1).

Figure 1-3259 Release one tab



7. Remove the scanner cable cover.

Figure 1-3260 Remove the scanner cable cover



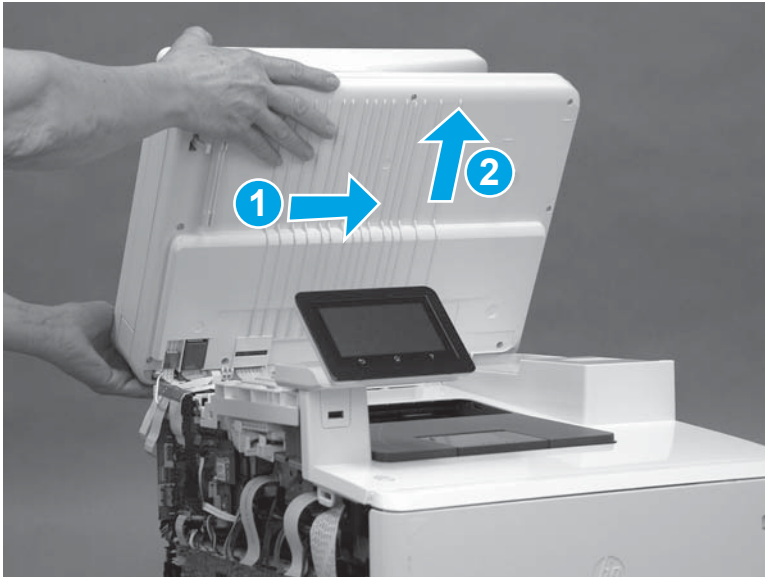
8. The scanner cables (callout 1) are held in place on the top cover with double-sided tape. Carefully release the cables from the top cover.

Figure 1-3261 Release the cables




9. Open the scanner assembly fully, slide the assembly toward the right side of the printer, and then lift the assembly off of the printer.

Figure 1-3262 Remove the scanner assembly

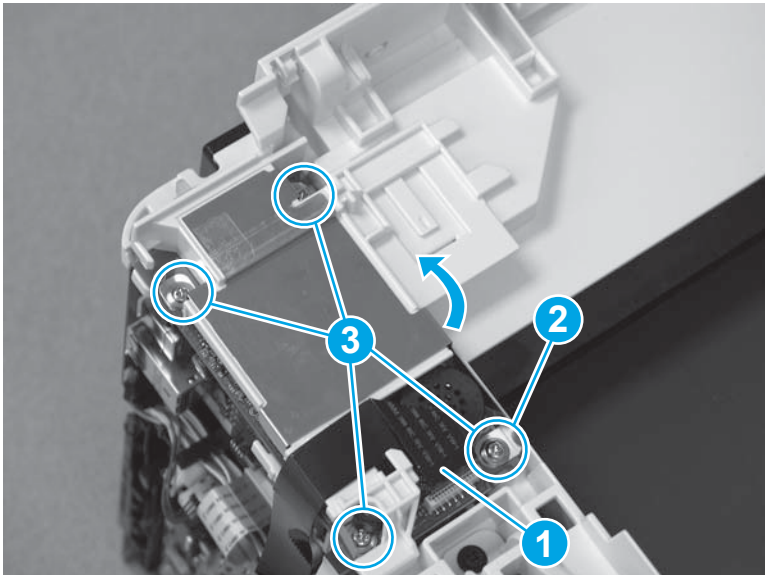


Step 9: Remove the fax PCA (M477 models)

 **NOTE:** This step is for M477 fax models only. Skip this step for non-fax models.

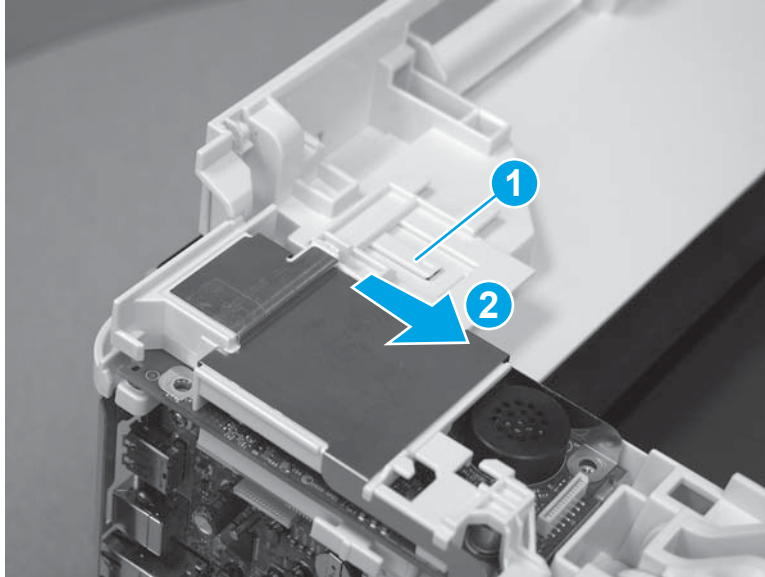
1. Disconnect one connector (callout 1). Beginning with the top right screw (callout 2) remove four screws (callout 3) in a counterclockwise direction.

Figure 1-3263 Disconnect one connector and remove four screws



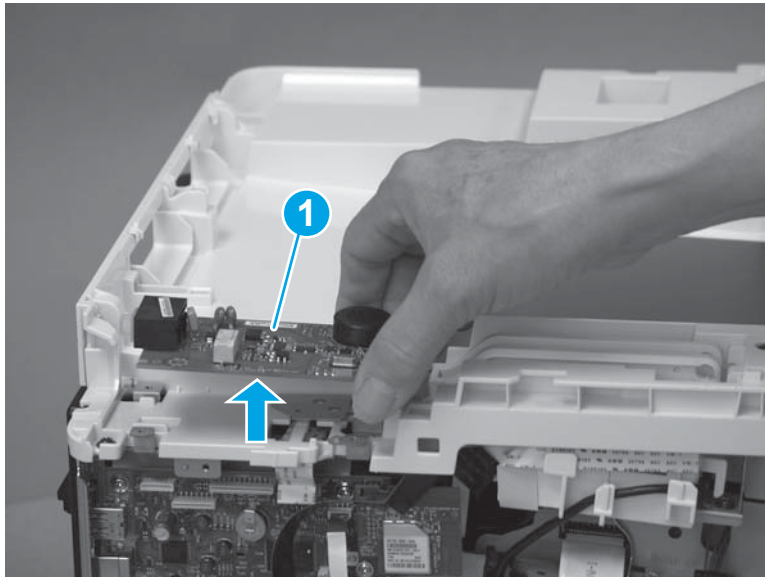
2. Release one tab (callout 1), and then slide the fax cover (callout 2) toward the front of the printer to remove it.

Figure 1-3264 Remove the fax cover




3. Lift up to remove the fax PCA (callout 1).

Figure 1-3265 Remove the fax PCA

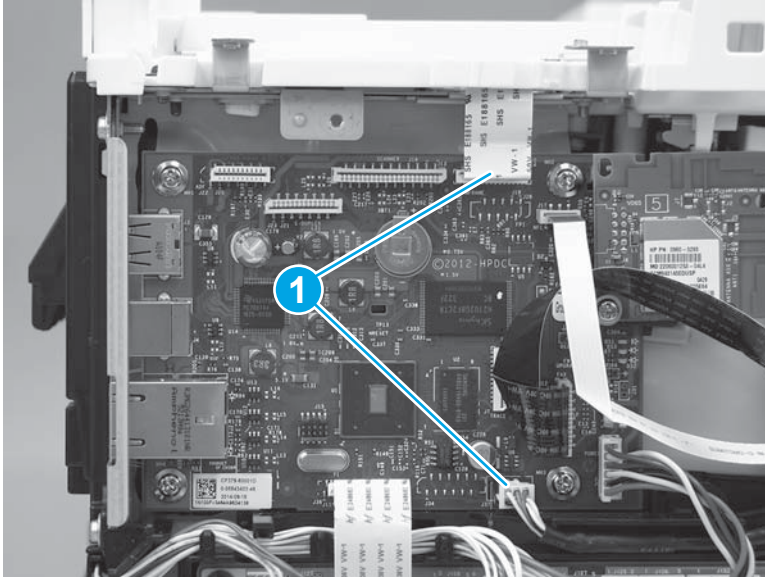


Step 10: Remove the top cover (M377, M477 models)

 **NOTE:** This step is for the M377, M477 models. For the M452 models, skip this step and go to [Step 11: Remove the top cover \(M452 models\) on page 1743.](#)

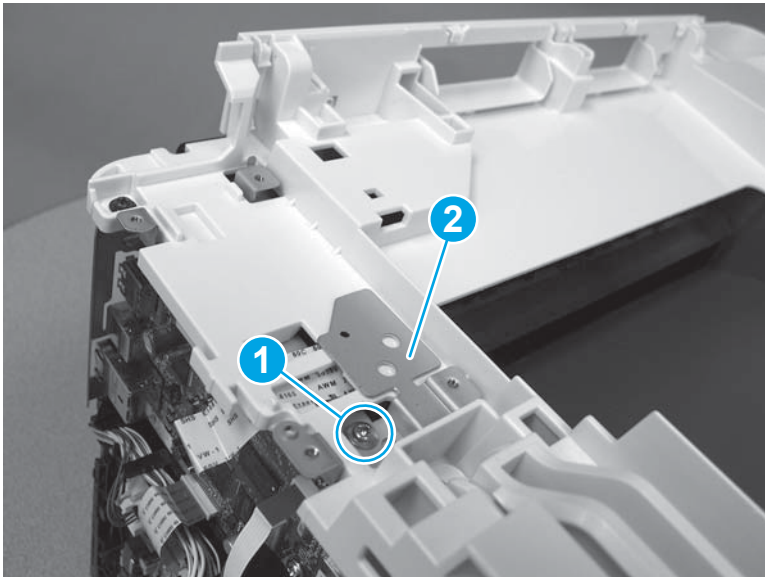
1. On the left side of the printer, on the formatter PCA, disconnect two connectors (callout 1).

Figure 1-3266 Disconnect two connectors



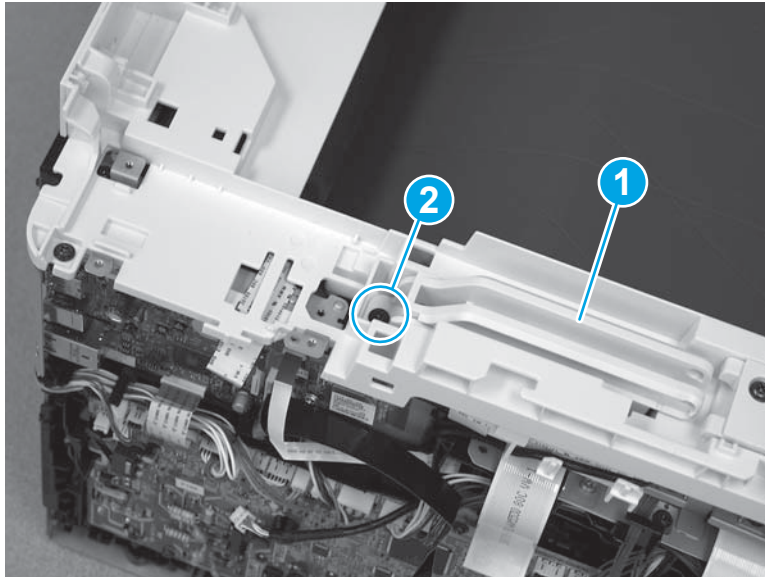
2. On the top cover, remove one screw (callout 1) and the sheet metal plate (callout 2).

Figure 1-3267 Remove one screw and the sheet metal plate



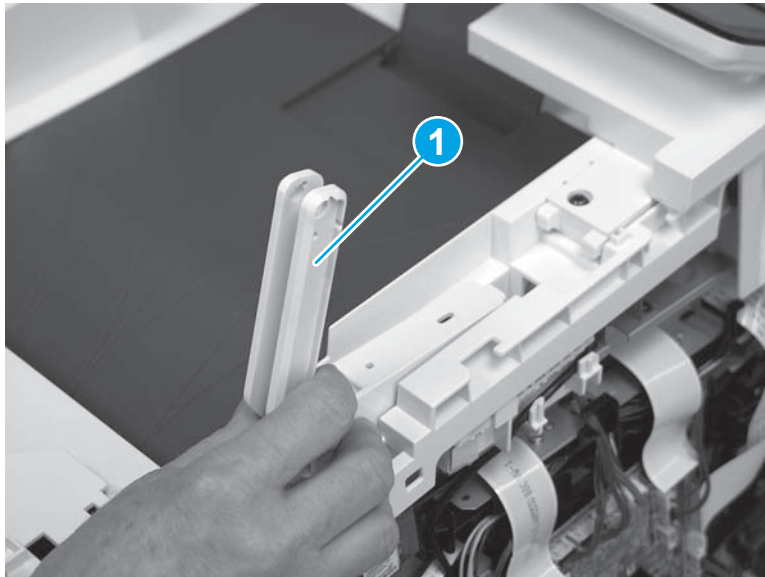
3. At the top of the printer, lower the scanner support arm (callout 1), and then remove one screw (callout 2).

Figure 1-3268 Lower the support arm and remove one screw



4. Remove the scanner support arm (callout 1).

Figure 1-3269 Remove the scanner support arm



5. At the top of the printer, remove three screws (callout 1).


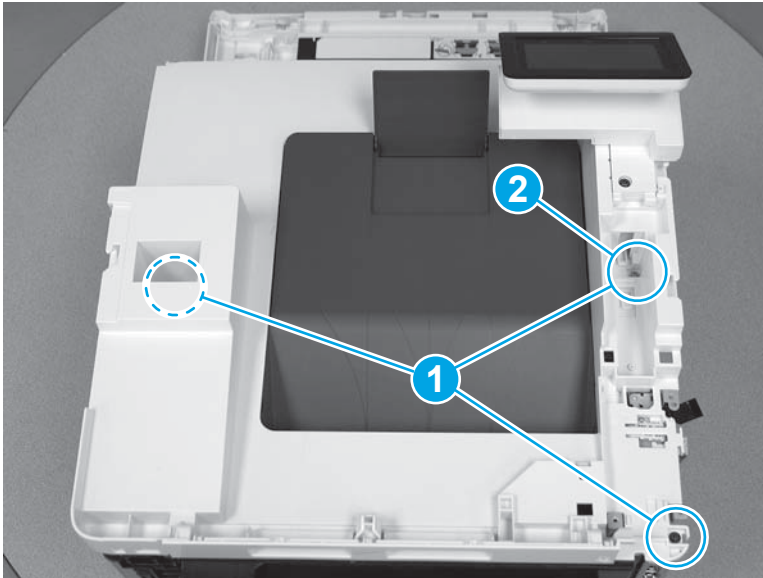
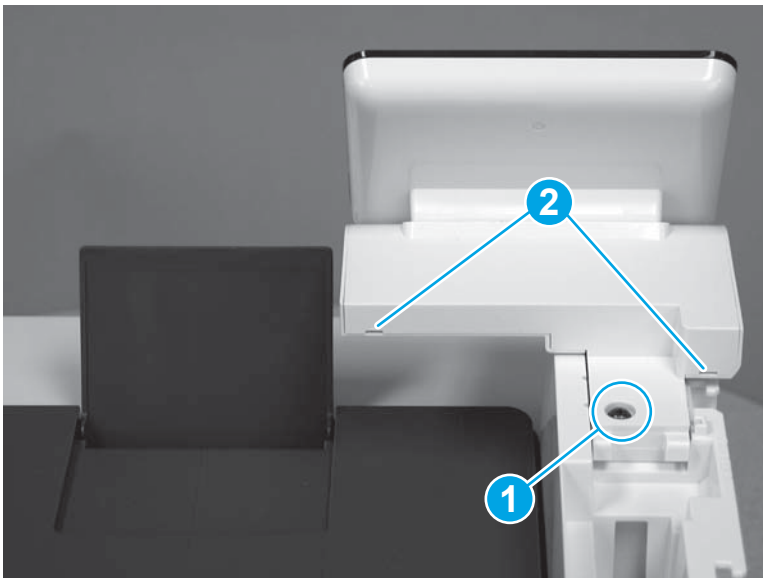
 **Reinstallation tip:** One screw (callout 2) is longer than the other screws. Make sure that this screw is reinstalled in the correct position.

Figure 1-3270 Remove three screws



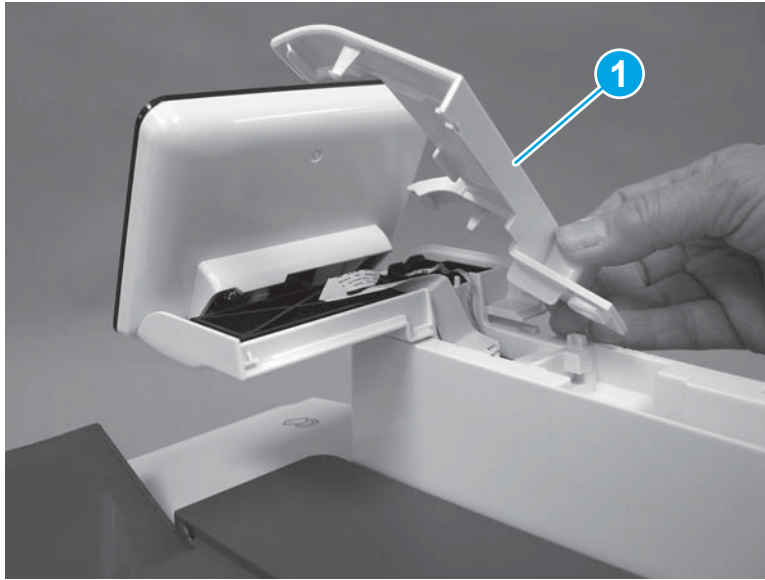
6. Behind the control panel, remove one screw (callout 1), and then use a small flat-blade screwdriver at two pry points (callout 2) to release the control panel cover from the top cover.

Figure 1-3271 Release the control panel cover



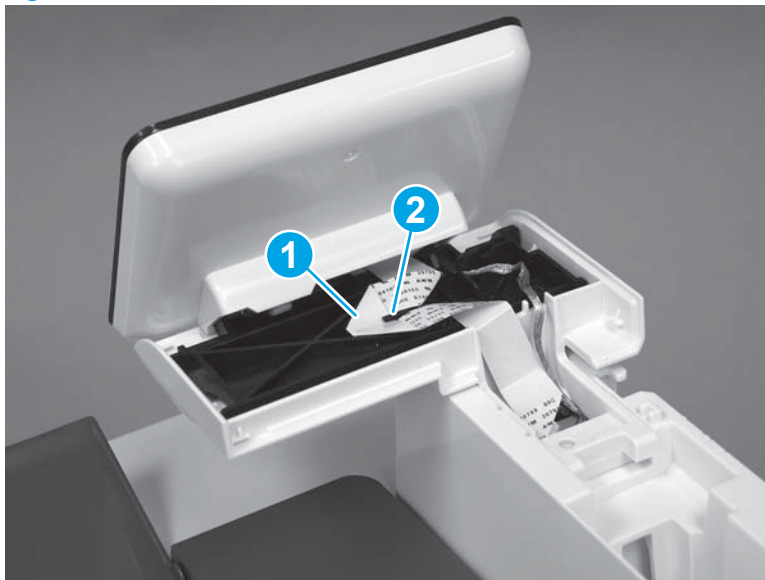
7. Remove the control panel cover (callout 1).

Figure 1-3272 Remove the control panel cover



8. Remove the flat cable (callout 1) from the retaining guide (callout 2).

Figure 1-3273 Release the flat cable



9. Remove two screws (callout 1), and then remove one screw (callout 2) and release one ground wire.


 **Reinstallation tip:** The two screws toward the front of the control panel (callout 1) are longer than the other screw. Make sure these screws are installed in the correct position when reinstalling the part.

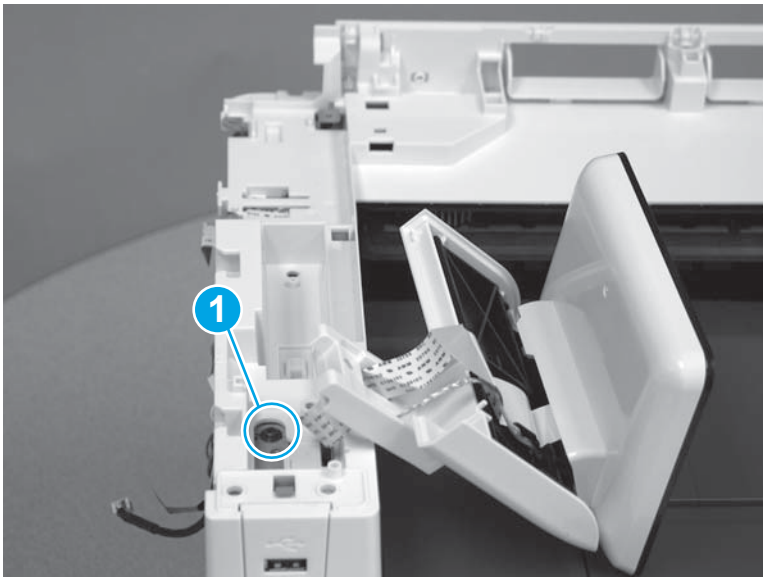
Figure 1-3274 Remove three screws



10. Carefully lift the control panel away and rest it on the top cover, and then remove one screw (callout 1).

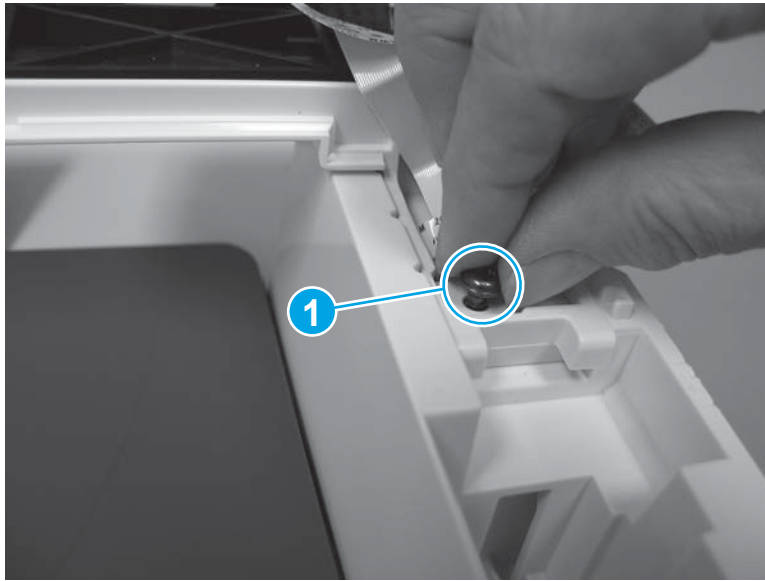
 **CAUTION:** The control panel is still attached to the top cover by the flat cable.

Figure 1-3275 Remove one screw



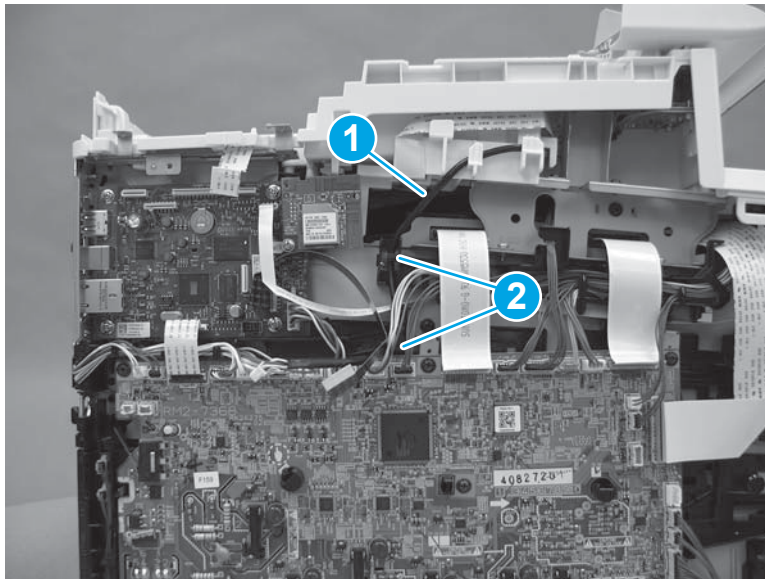
11. Place the control panel back into position. With your hand, refasten the screw (callout 1) that was previously removed from the control panel cover to temporarily reattach the control panel to the top cover. Doing this should protect the flat cable from being damaged.

Figure 1-3276 Refasten the control panel to the top cover



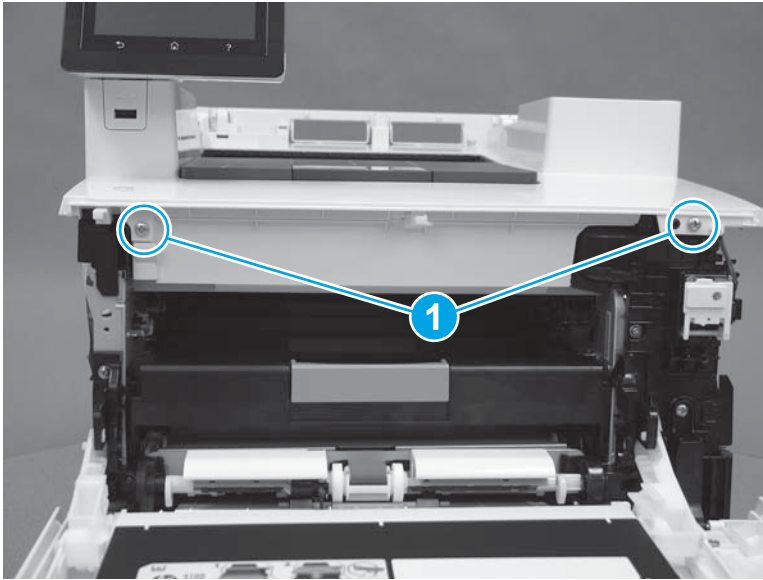
12. Remove the USB cable (callout 1) from the cable guides (callout 2).

Figure 1-3277 Release the USB cable



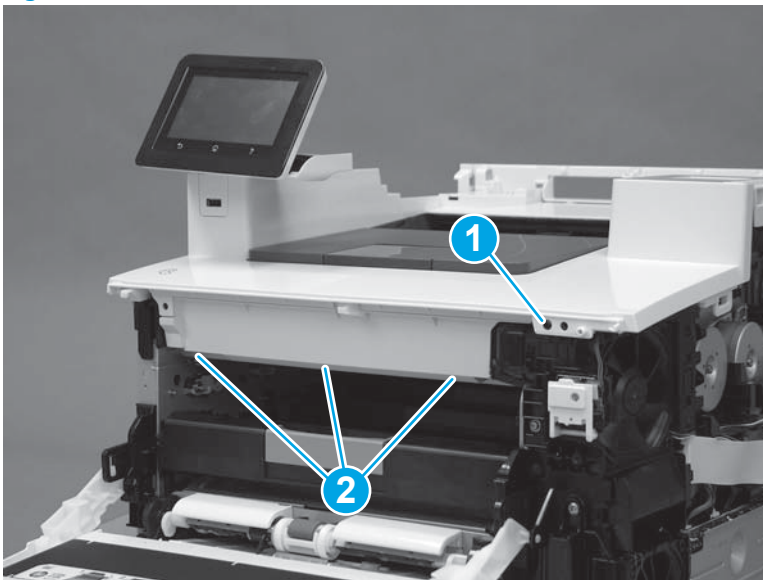
13. At the front of the printer, remove two screws (callout 1).

Figure 1-3278 Remove two screws



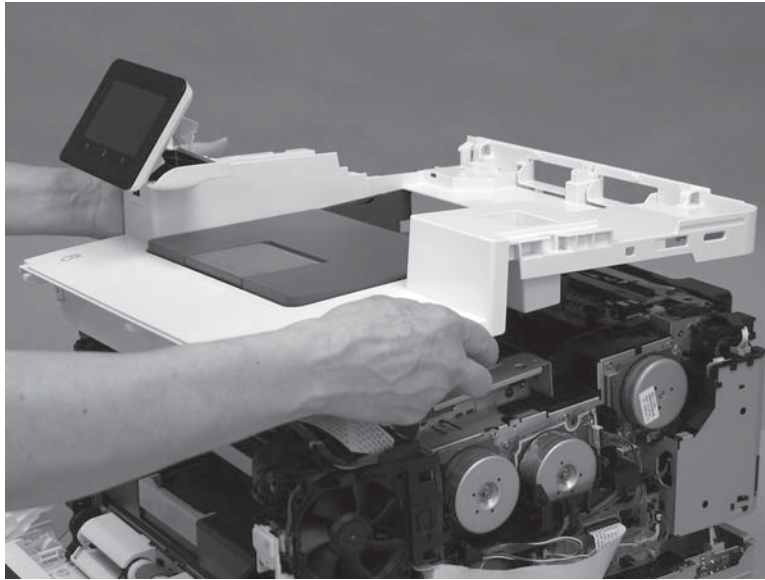
14. Release one retainer (callout 1), and then release three tabs (callout 2).

Figure 1-3279 Release one retainer and three tabs



15. Remove the top cover.

Figure 1-3280 Remove the top cover



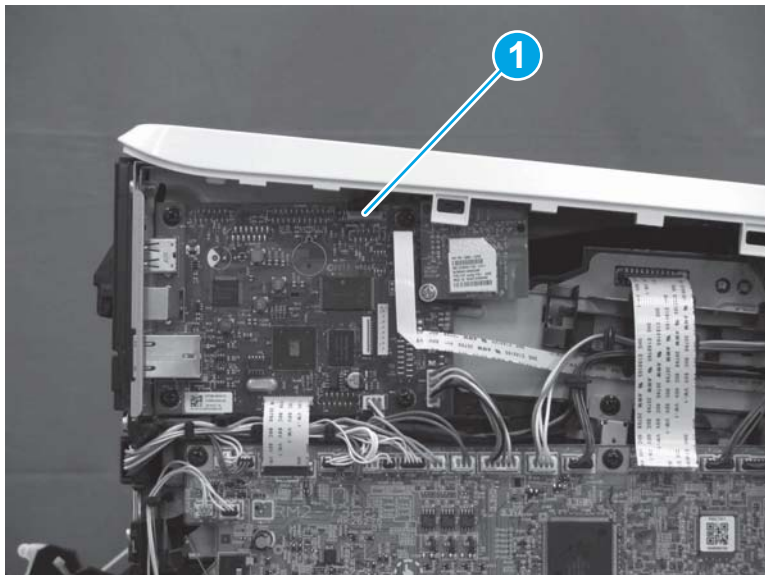
Step 11: Remove the top cover (M452 models)



NOTE: This step is for the M452 models. For the M377, M477 models, skip this step and go to [Step 12: Remove the memory PCA on page 1748](#).

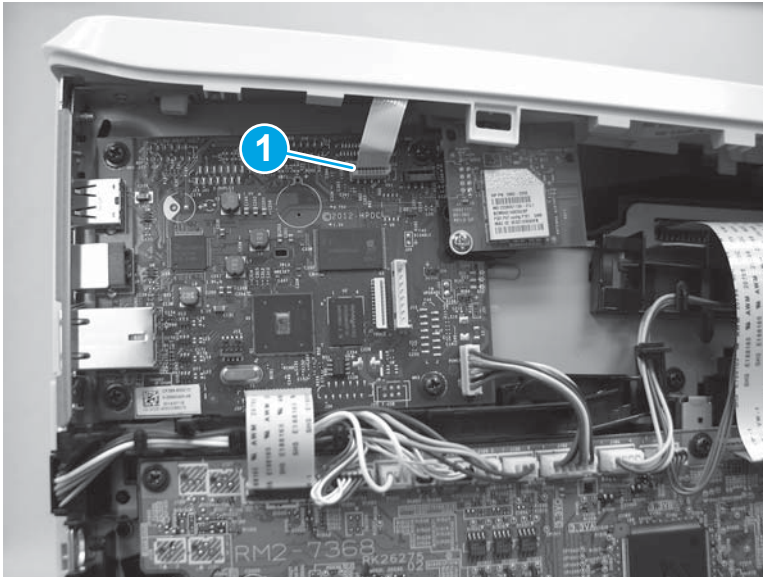
1. **M452dw model only:** On the left side of the printer, on the formatter, disconnect one connector (callout 1).

Figure 1-3281 Disconnect one connector



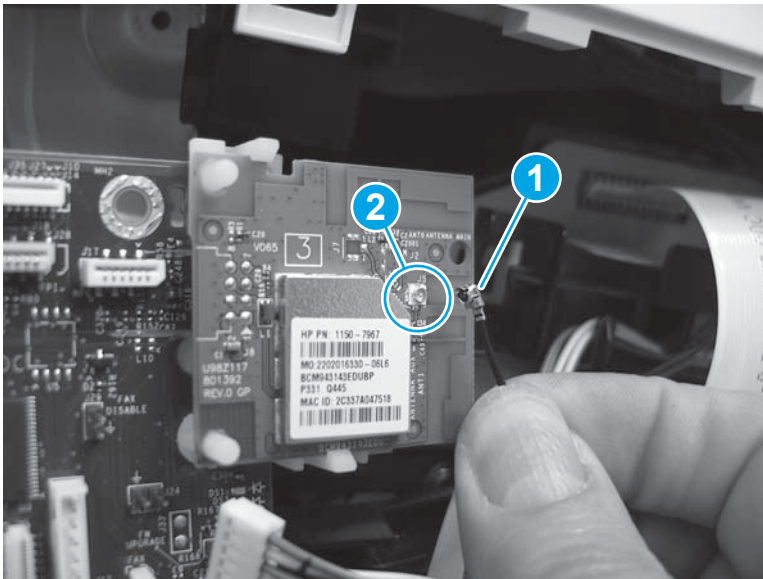
2. **M452nw/dn models only:** On the left side of the printer, on the formatter, disconnect one connector (callout 1).

Figure 1-3282 Disconnect one connector



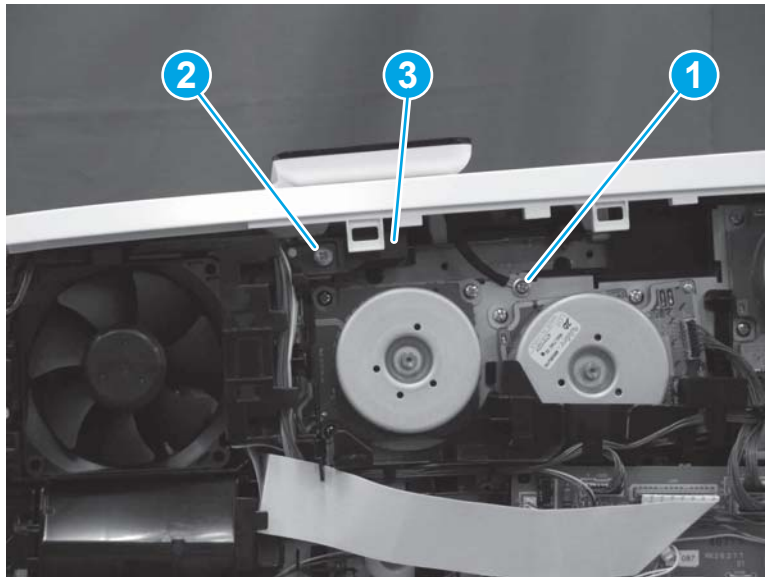
3. **M452nw/dw models only:** Disconnect the antenna (callout 1) from the connector (callout 2) on the wireless PCA.

Figure 1-3283 Disconnect the antenna



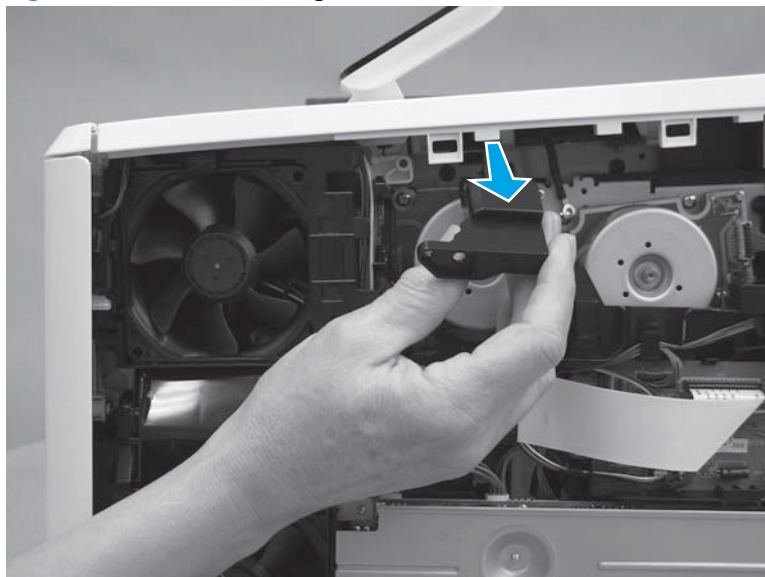
4. **M452dw model only:** Remove one screw (callout 1) and release one ground wire. Remove one screw (callout 2). Note the location (callout 3) of the guide.

Figure 1-3284 Remove two screws



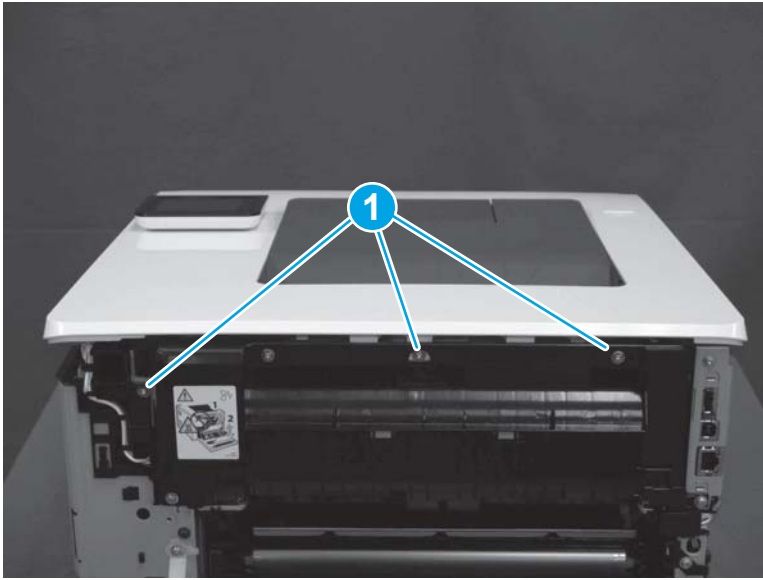
5. **M452dw model only:** Remove the guide.

Figure 1-3285 Remove the guide



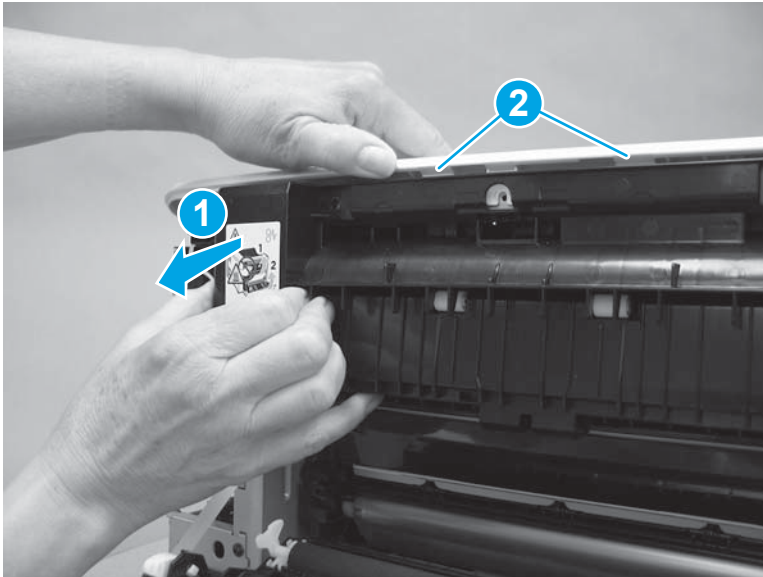
6. **M452dn/dw models only:** At the back of the printer, remove three screws (callout 1).

Figure 1-3286 Remove three screws



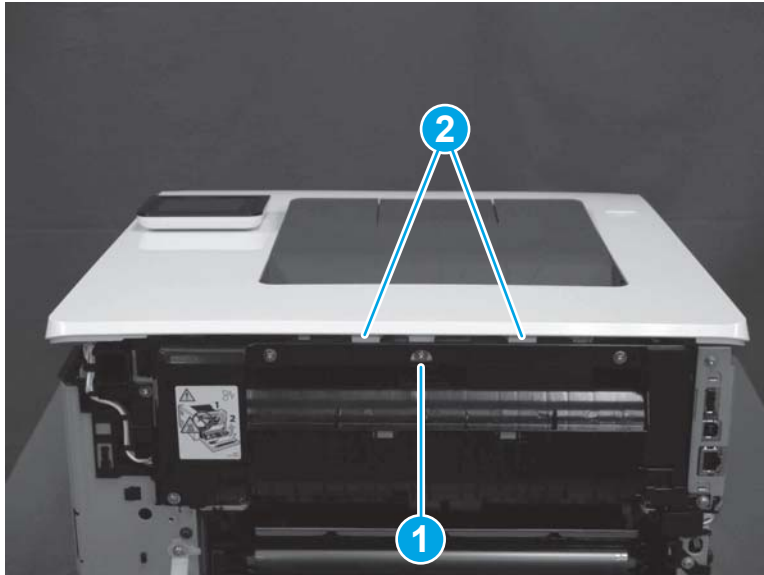
7. **M452dn/dw models only:** Gently pull the top of the fuser away (callout 1), and then release two tabs (callout 2).

Figure 1-3287 Release two tabs



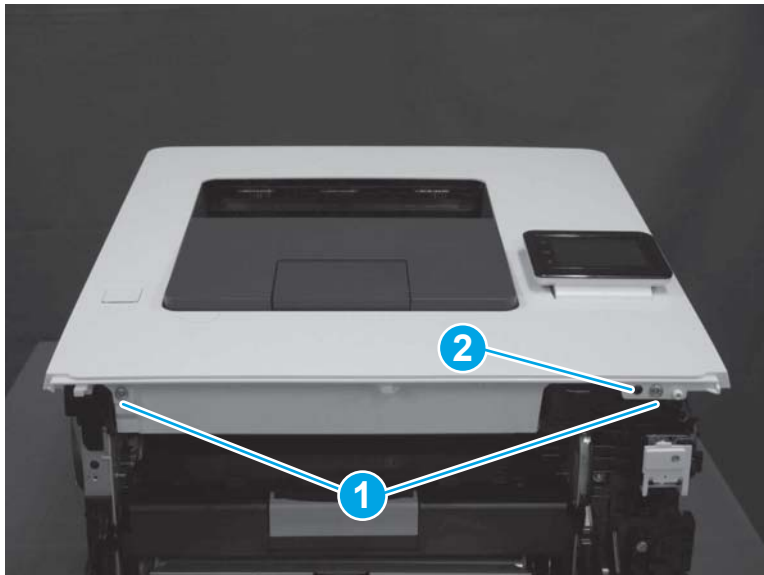
8. **M452nw model only:** At the back of the printer, remove one screw (callout 1), and then release two tabs (callout 2).

Figure 1-3288 Remove screw and release two tabs



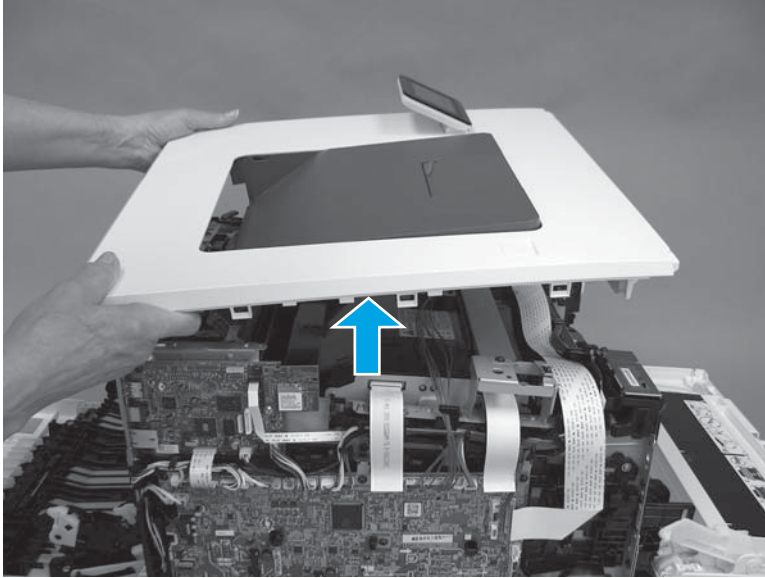
9. At the front of the printer, remove two screws (callout 1), and then release one tab (callout 2).

Figure 1-3289 Remove two screws and release one tab



10. Remove the top cover.

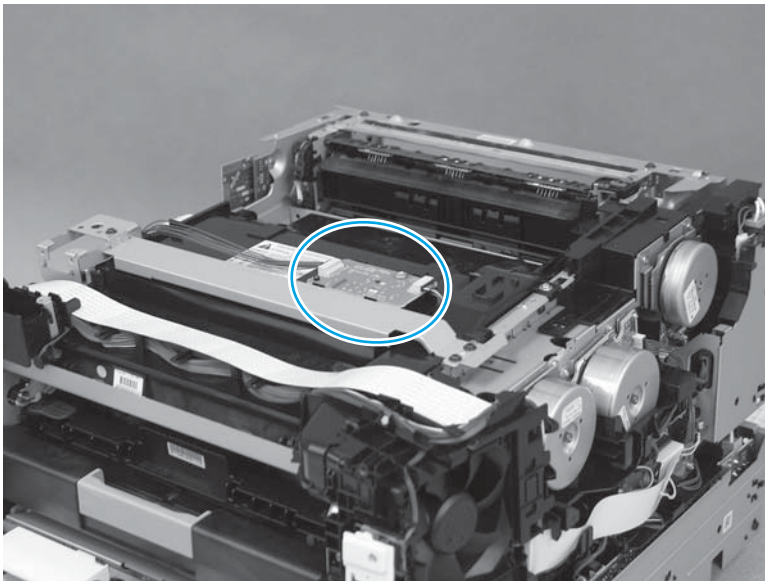
Figure 1-3290 Remove the top cover



Step 12: Remove the memory PCA

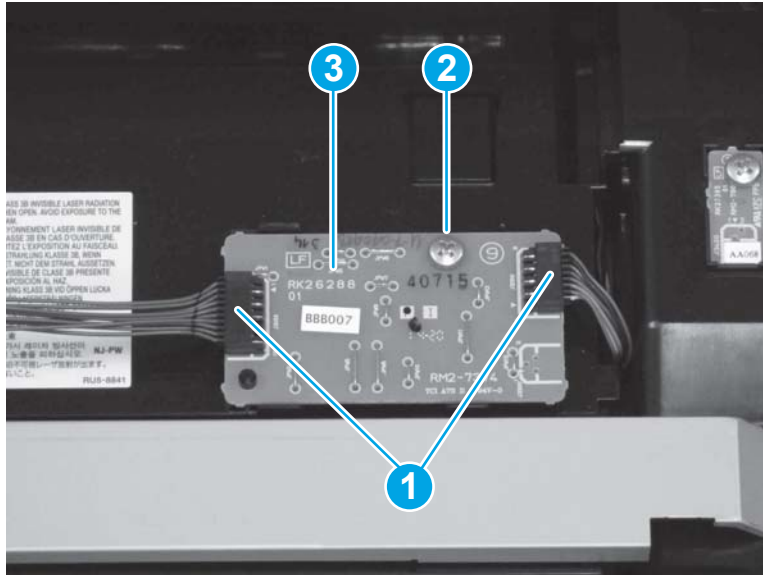
1. Locate the memory PCA on the top of the printer.

Figure 1-3291 Locate the memory PCA



2. Disconnect two connectors (callout 1), remove one screw (callout 2), and then remove the memory PCA (callout 3).

Figure 1-3292 Remove the memory PCA



Step 13: Unpack the replacement part

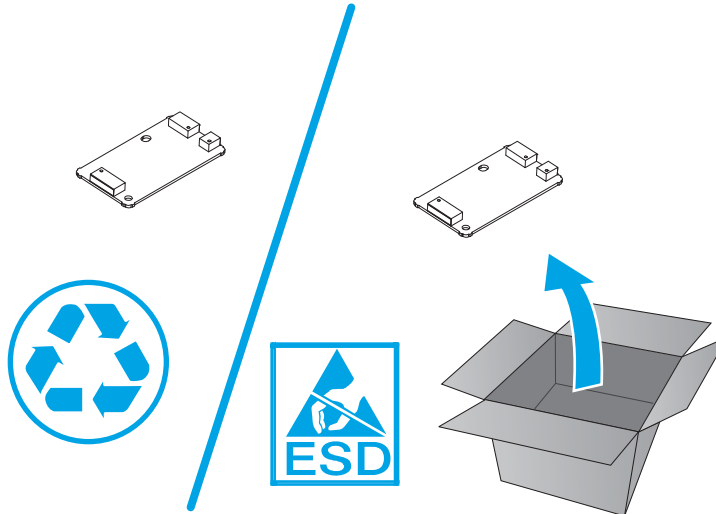
Remove the new part from its package. Save all packaging for recycling the used part.

For complete information on HP's recycling programs, go to [Product return and recycling](#).



NOTE: HP recommends responsible disposal of the defective part.

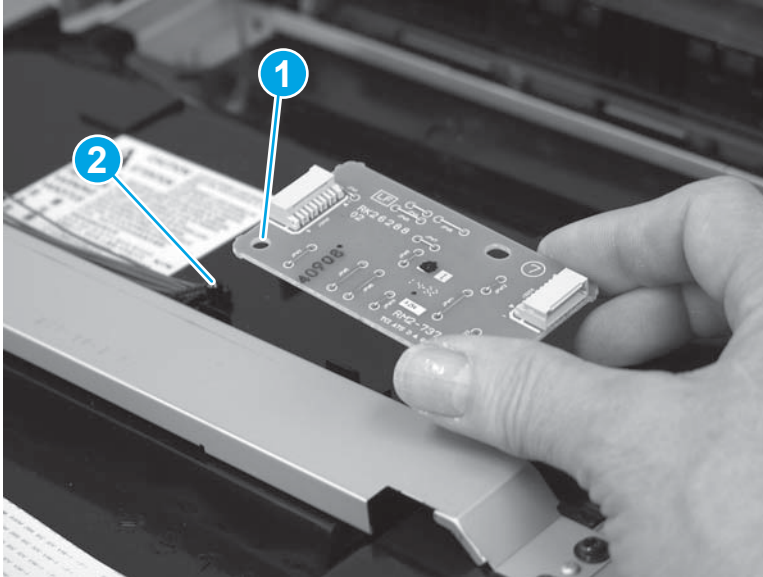
Figure 1-3293 Recycle and unpack



Step 14: Install the memory PCA

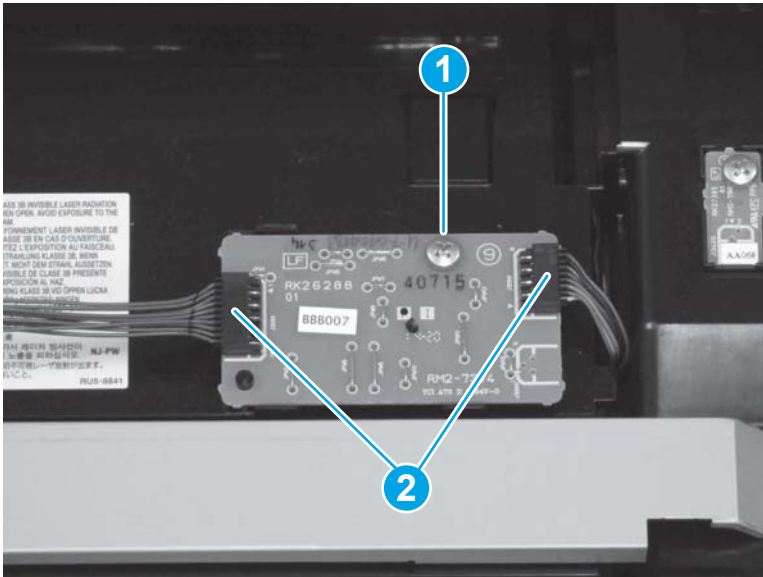
1. Position the hole (callout 1) on the memory PCA over the post (callout 2) on the printer.

Figure 1-3294 Position the memory PCA



2. Install one screw (callout 1), and then connect two connectors (callout 2).

Figure 1-3295 Install the memory PCA

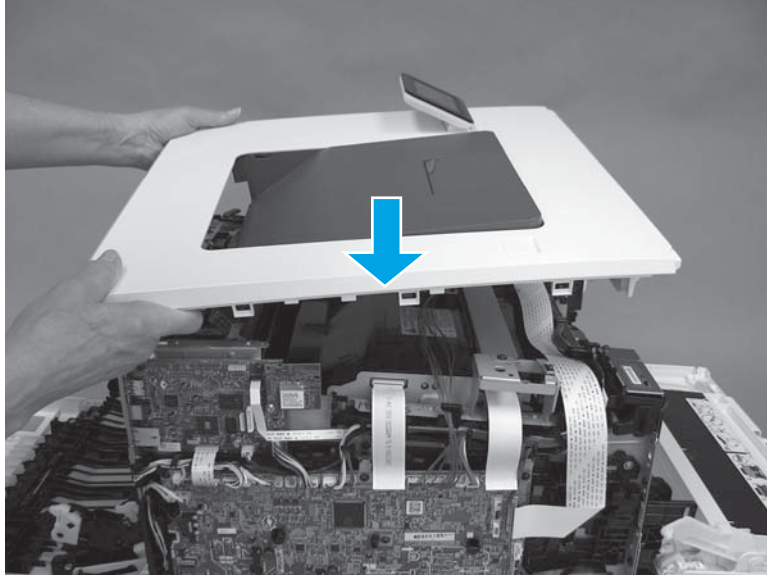


Step 15: Install the top cover (M452 models)

 **NOTE:** This step is for the M452 models. For the M377, M477 models, skip this step and go to [Step 16: Install the top cover \(M377, M477 models\) on page 1755.](#)

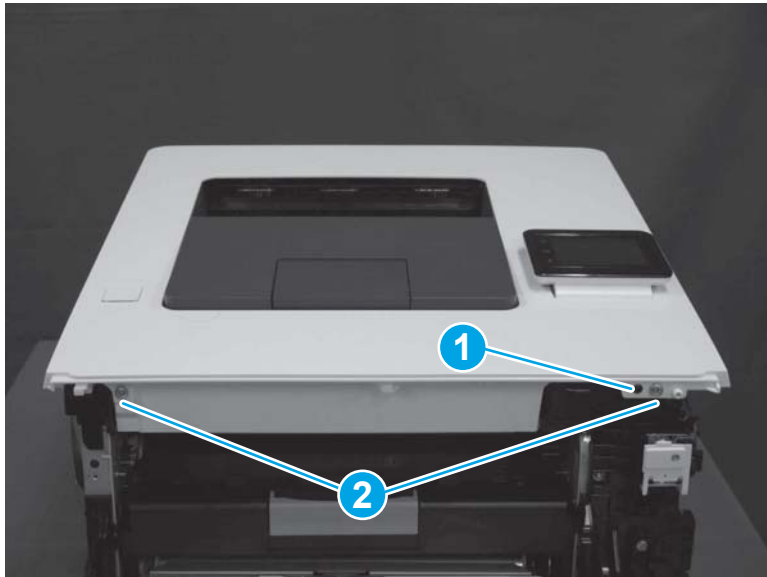
1. Position the top cover on top of the printer.

Figure 1-3296 Position the top cover



2. At the front of the printer, engage one tab (callout 1), and then install two screws (callout 2).

Figure 1-3297 Engage tab and install screws

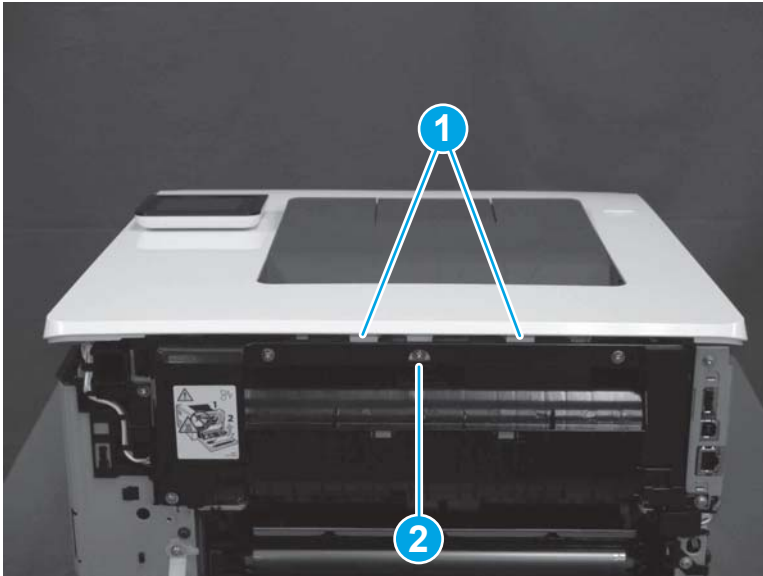


- M452nw model only:** At the back of the printer, install two tabs (callout 1), and then install one screw (callout 2).



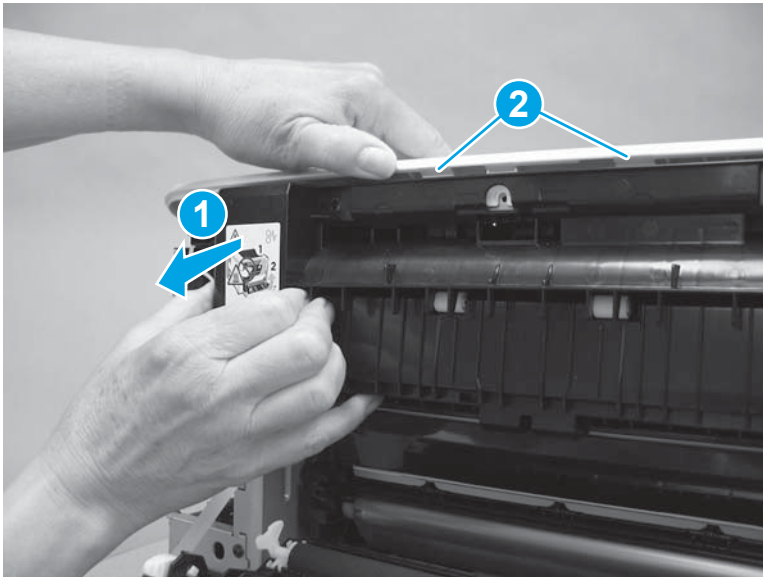
NOTE: The M452dw model is shown. The procedure is correct for the M452nw model.

Figure 1-3298 Install two tabs and one screw



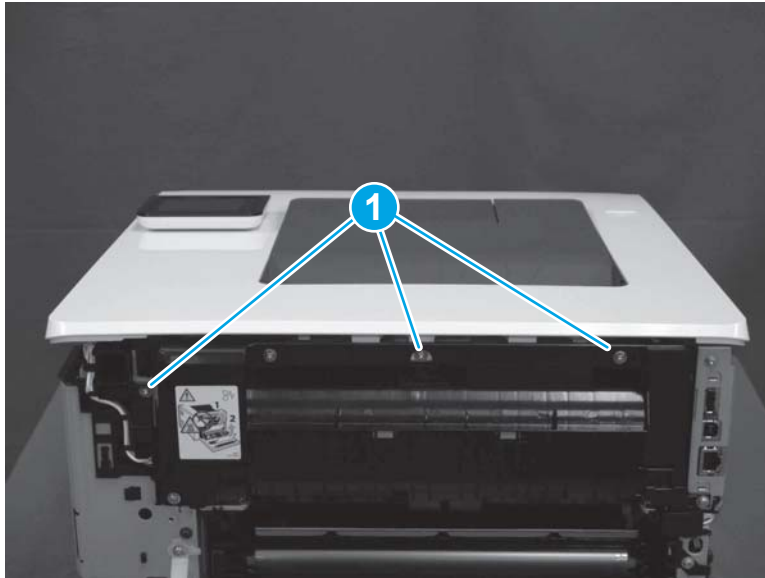
- M452dn/dw models only:** Gently pull the top of the fuser away (callout 1), and then install two tabs (callout 2).

Figure 1-3299 Install two tabs



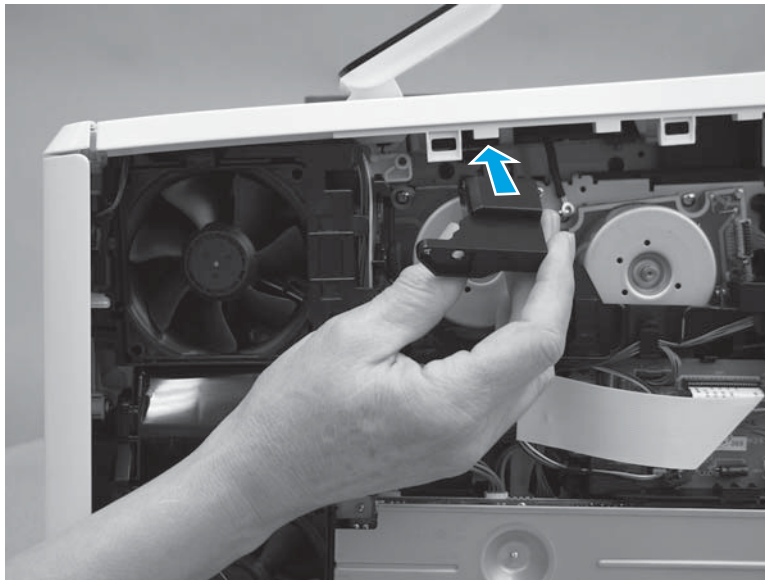
5. **M452dn/dw models only:** At the back of the printer, install three screws (callout 1).

Figure 1-3300 Install three screws



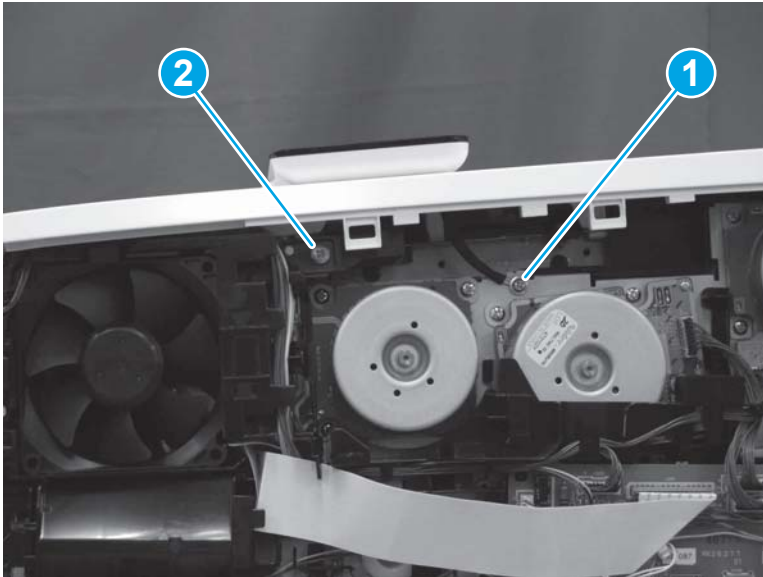
6. **M452dw model only:** Position the guide in the printer.

Figure 1-3301 Install the guide



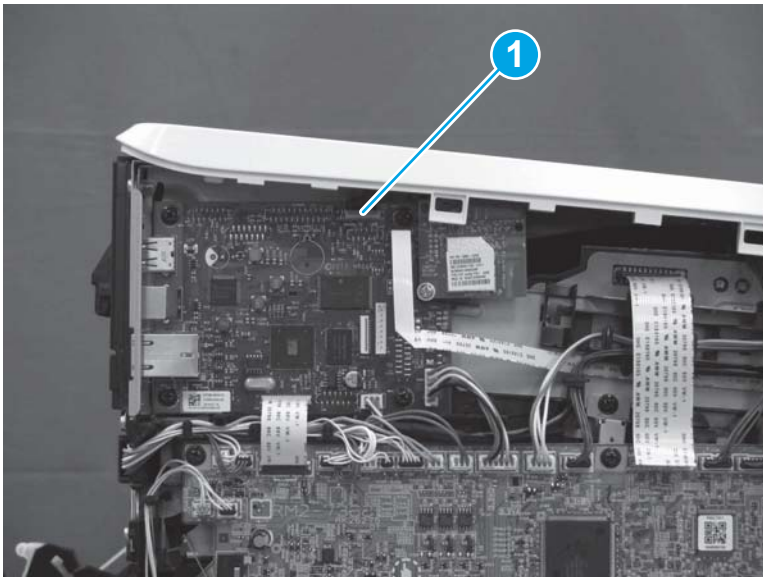
7. **M452dw model only:** Position the ground wire and Install one screw (callout 1). Install one screw (callout 2).

Figure 1-3302 Install two screws



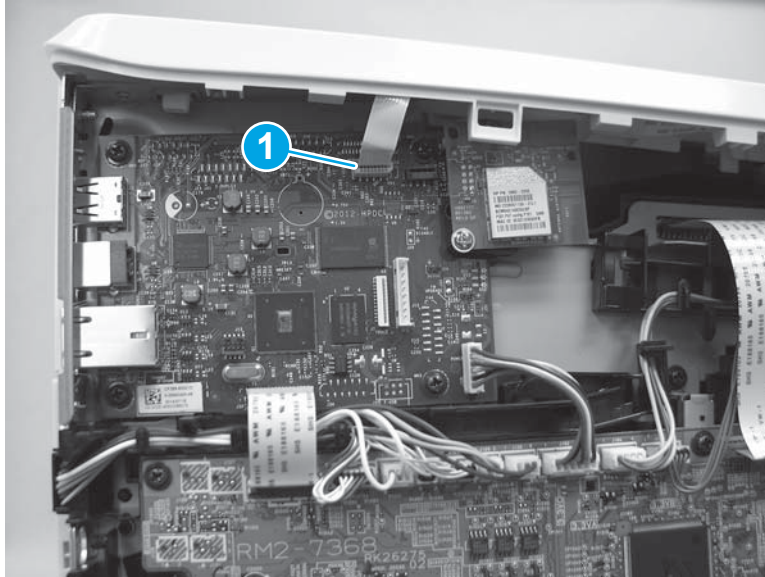
8. **M452dw model only:** On the left side of the printer, on the formatter, connect one connector (callout 1).

Figure 1-3303 Connect one connector



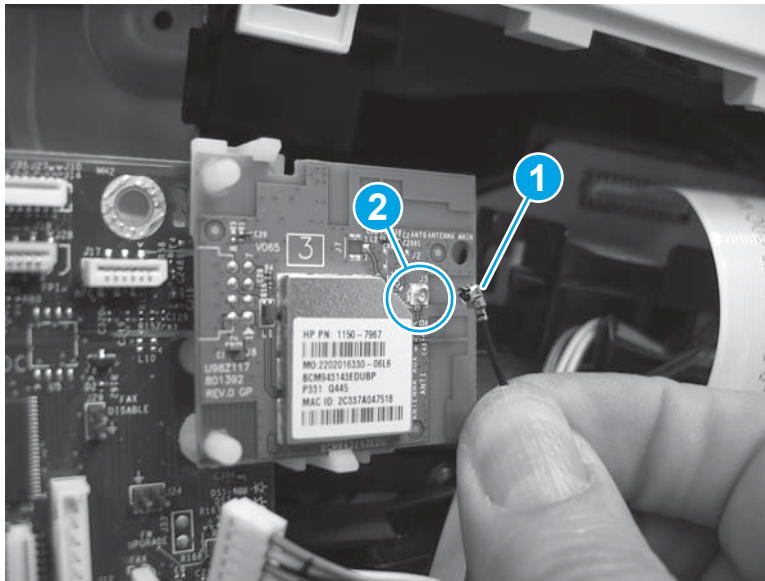
9. **M452nw/dn models only:** On the left side of the printer, on the formatter, connect one connector (callout 1).

Figure 1-3304 Connect one connector



10. **M452nw/dw models only:** Connect the antenna (callout 1) to the connector (callout 2) on the wireless PCA.

Figure 1-3305 Connect the antenna

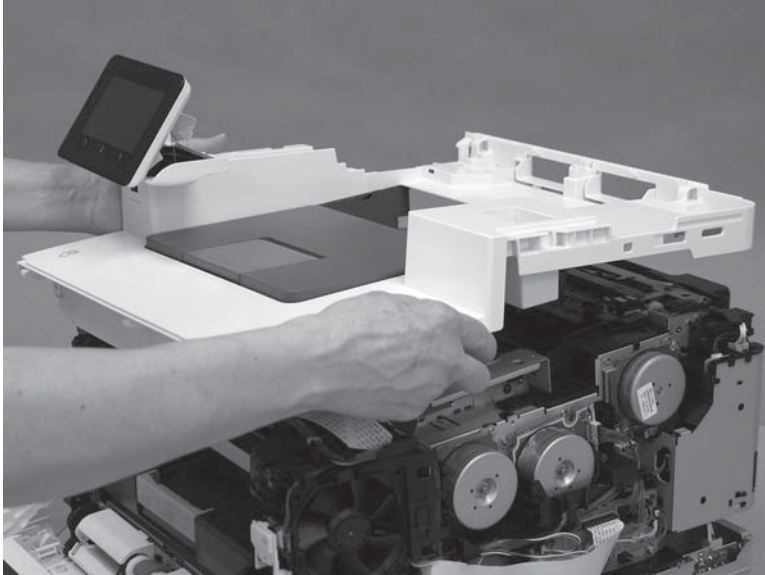


Step 16: Install the top cover (M377, M477 models)

 **NOTE:** This step is for the M377, M477 models. For the M452 models, skip this step and go to [Step 19: Install the rear top cover \(Simplex models\) on page 1770.](#)

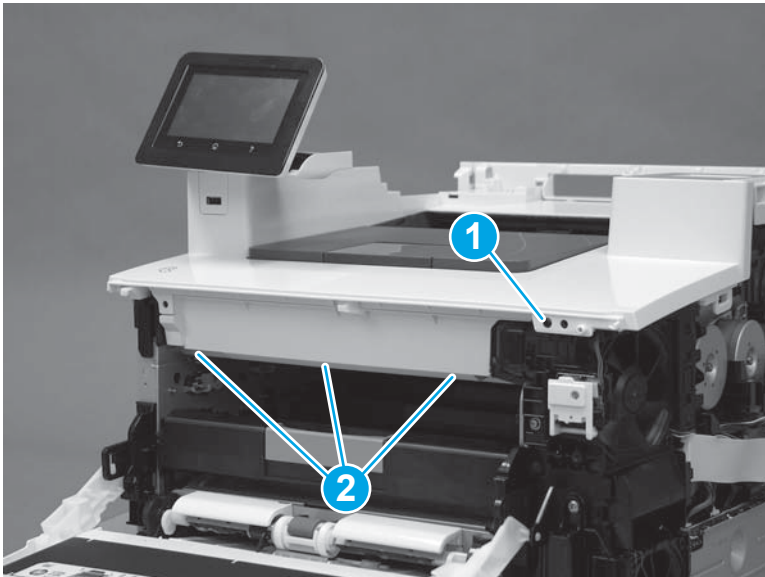
1. Position the top cover on the printer.

Figure 1-3306 Position the top cover



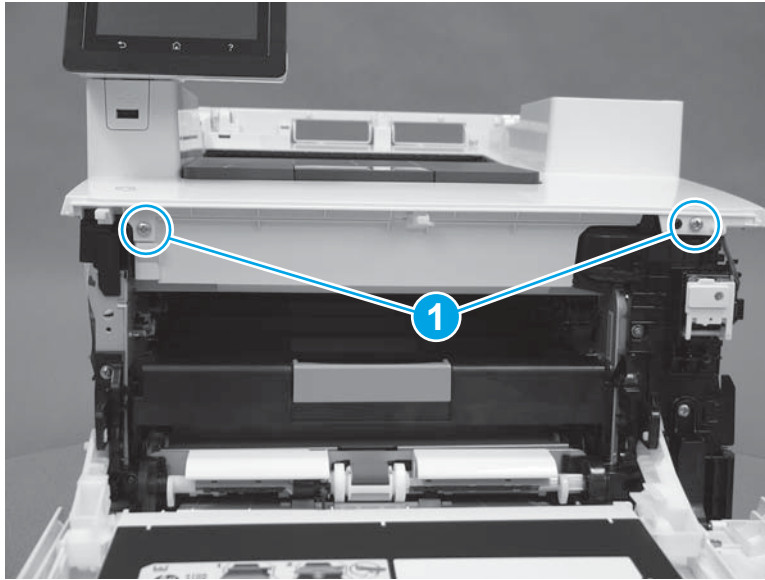
2. At the front of the printer, install one retainer (callout 1), and then install three tabs (callout 2).

Figure 1-3307 Install one retainer and three tabs



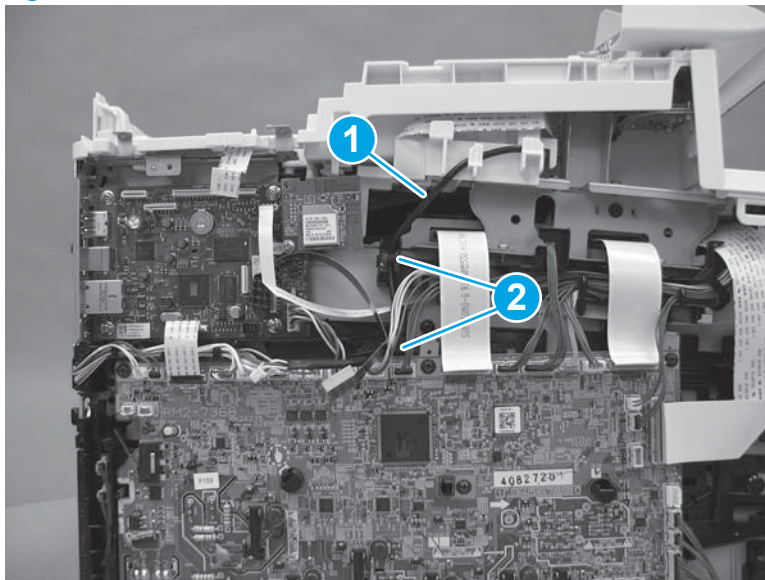
3. Install two screws (callout 1).

Figure 1-3308 Install two screws



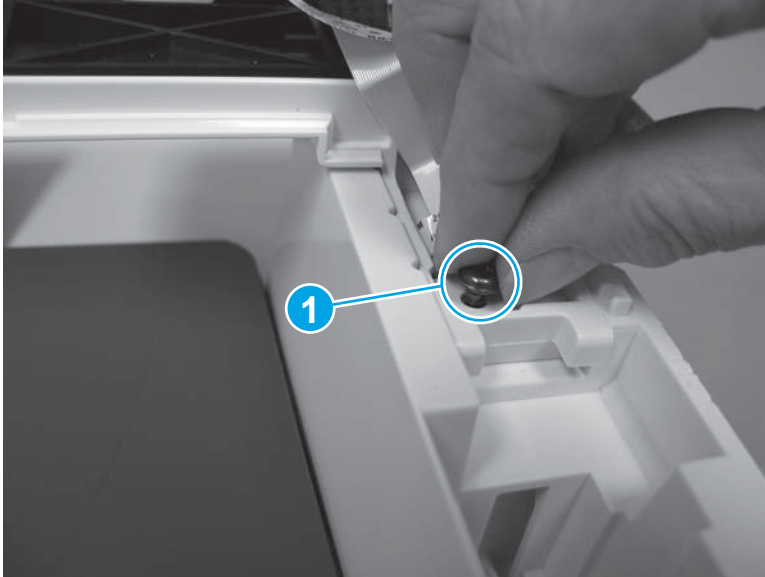
4. Install the USB cable (callout 1) into the cable guides (callout 2).

Figure 1-3309 Install the USB cable



5. With your hand, remove the screw (callout 1) that was previously installed to temporarily reattach the control panel to the top cover.

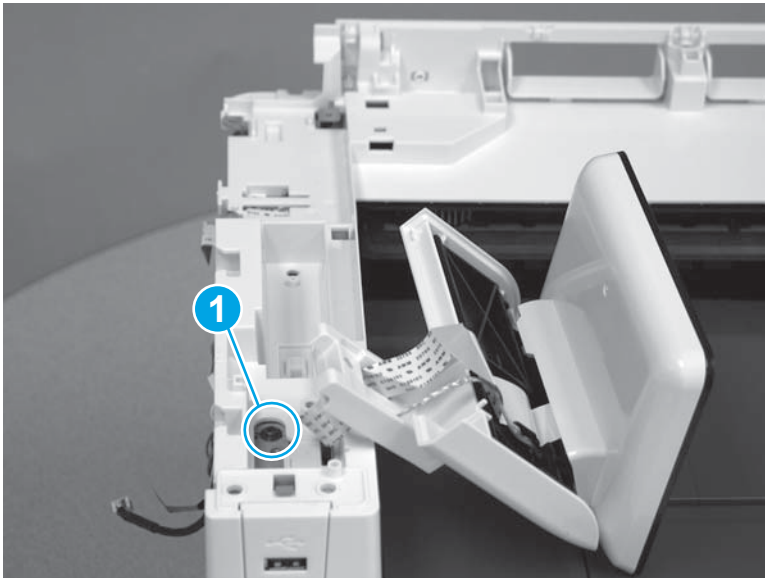
Figure 1-3310 Remove one screw



6. Carefully lift the control panel away and rest it on the top cover, and then install one screw (callout 1).

CAUTION: The control panel is still attached to the top cover by the flat cable.

Figure 1-3311 Install one screw



7. Install two screws (callout 1), and then position the ground wire and install one screw (callout 2).


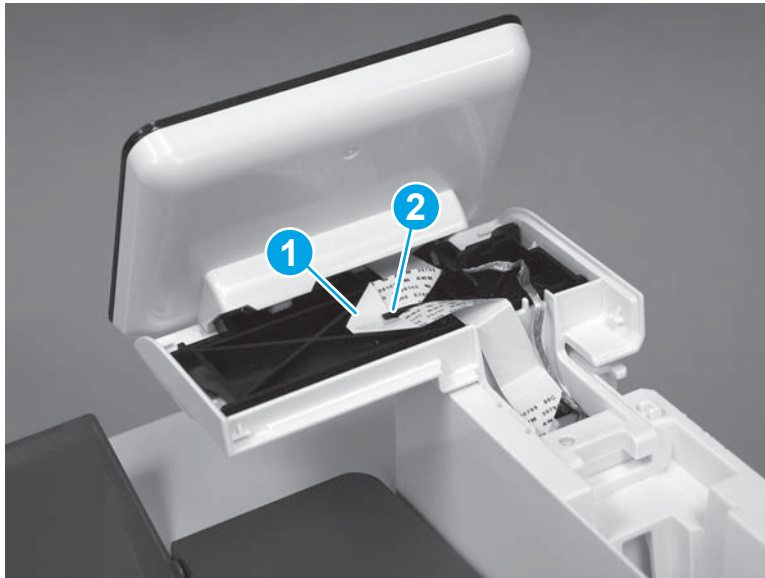
 **Reinstallation tip:** The two screws toward the front of the control panel (callout 1) are longer than the other screw. Make sure these screws are installed in the correct position when reinstalling the part.

Figure 1-3312 Install three screws



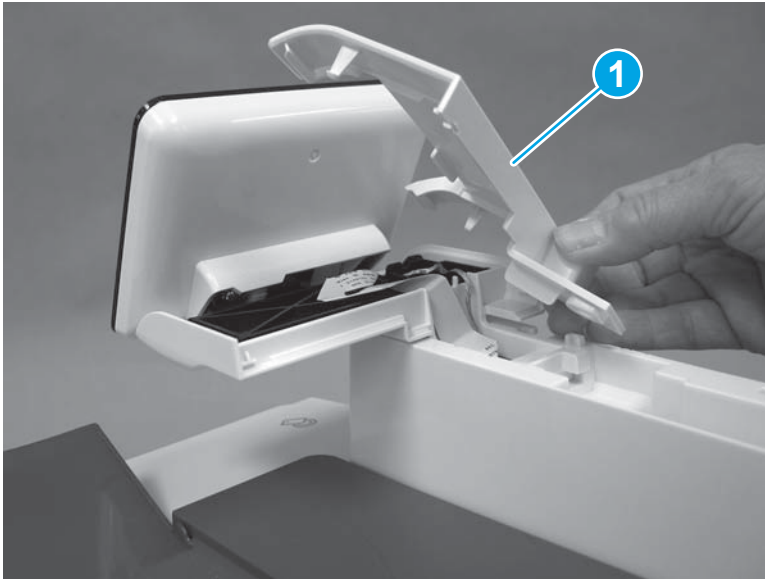
8. Install the flat cable (callout 1) under the retaining guide (callout 2).

Figure 1-3313 Install the flat cable



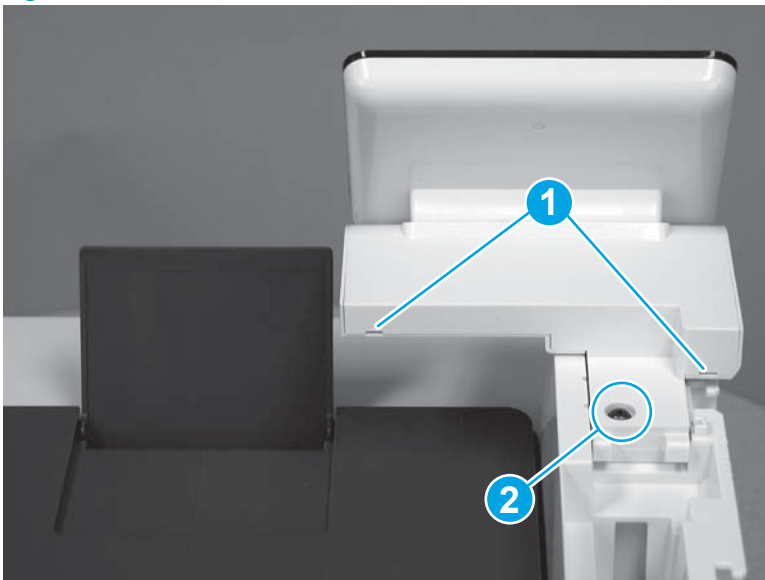
9. Install the control panel cover (callout 1) behind the control panel.

Figure 1-3314 Install the control panel cover



10. Make sure that two tabs (callout 1) are snapped into position, and then install one screw (callout 2).

Figure 1-3315 Install one screw



11. At the top of the printer, install three screws (callout 1).


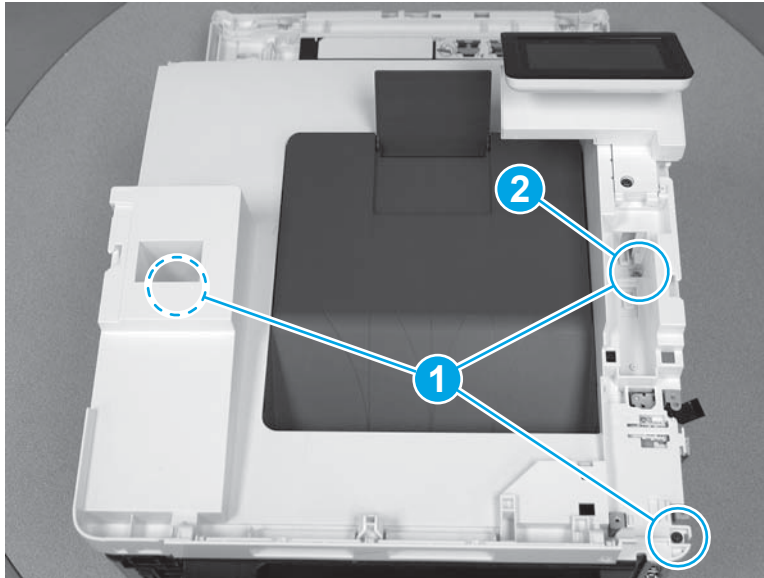
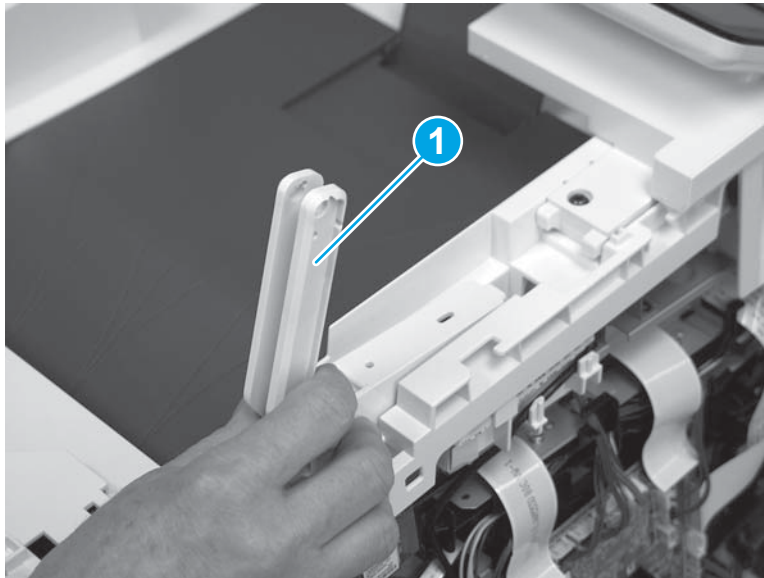
 **TIP:** One screw (callout 2) is longer than the other screws. Make sure that this screw is installed in the correct position.

Figure 1-3316 Install three screws



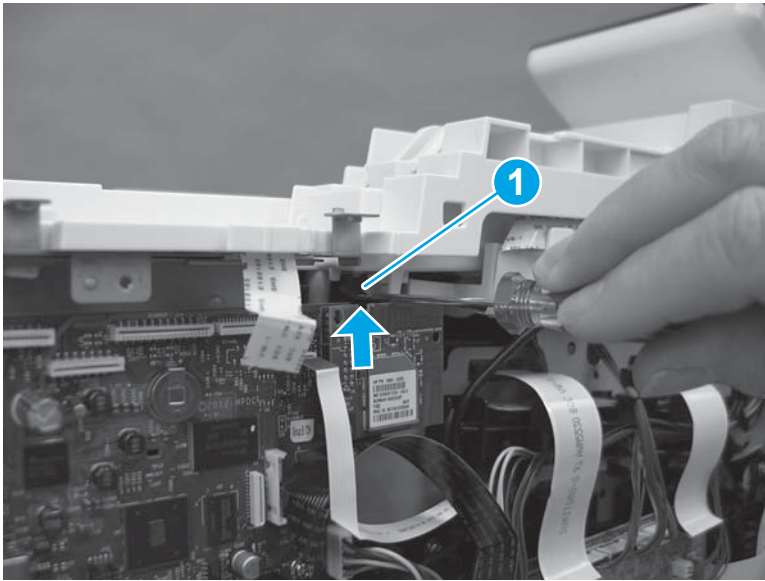
12. Install the scanner support arm (callout 1).

Figure 1-3317 Install the scanner support arm



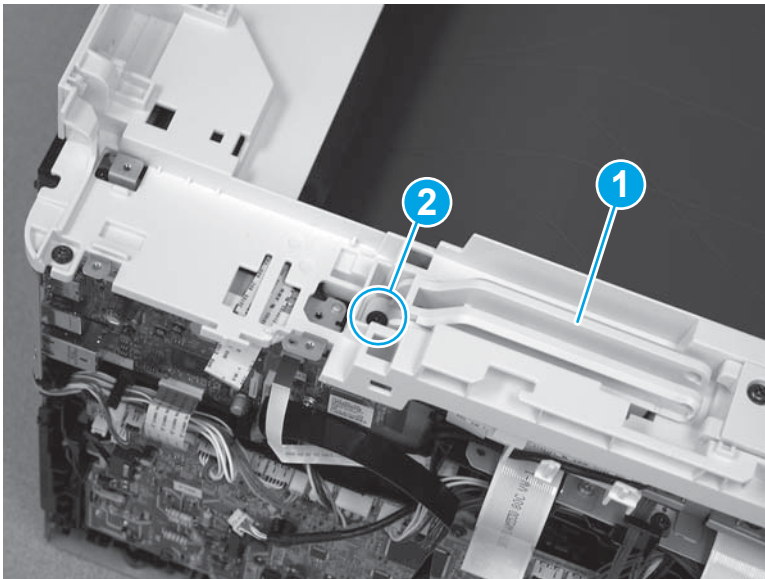
13. Before installing the scanner support arm screw in the next step, use a small flat-blade screwdriver to hold the metal plate (callout 1) up. Continue to hold the plate up while installing the screw so that the screw attaches to the plate.

Figure 1-3318 Raise the metal plate



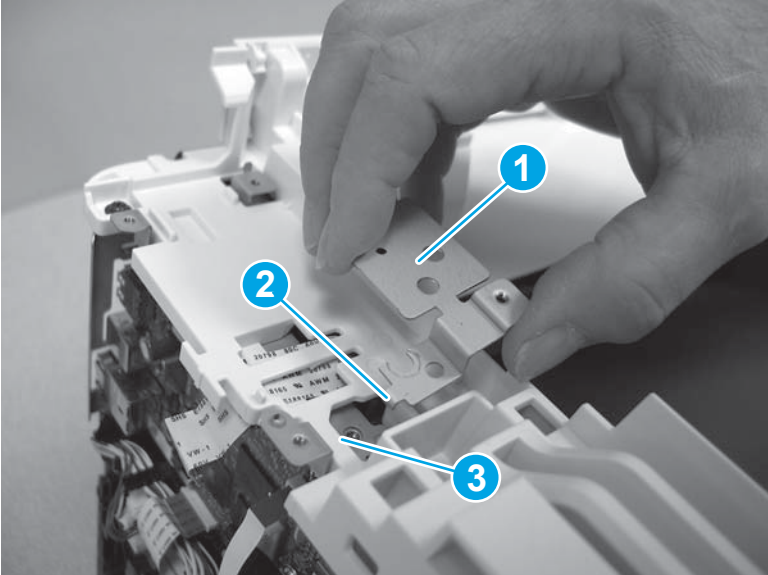
14. Lower the scanner support arm (callout 1), and then install one screw (callout 2).

Figure 1-3319 Lower the support arm and install one screw



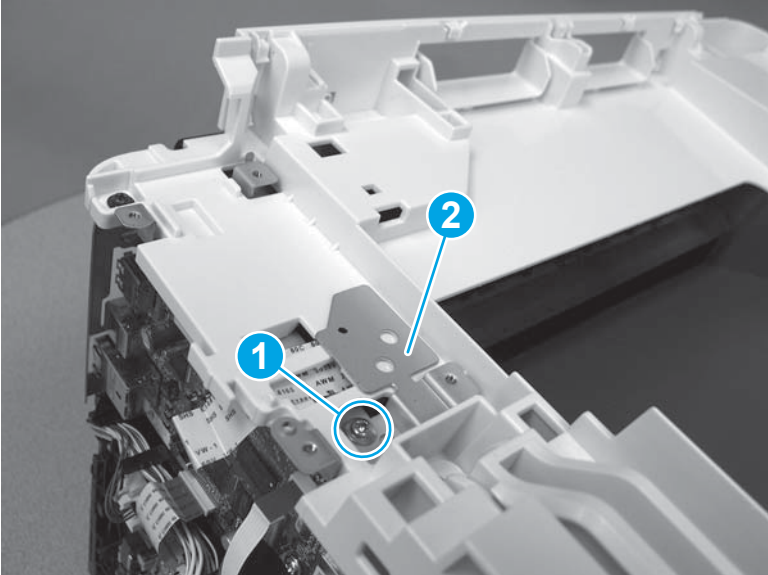
- 15. Reinstall the metal plate (callout 1). Position the tab (callout 2) under the edge of the top cover (callout 3).

Figure 1-3320 Install the metal plate



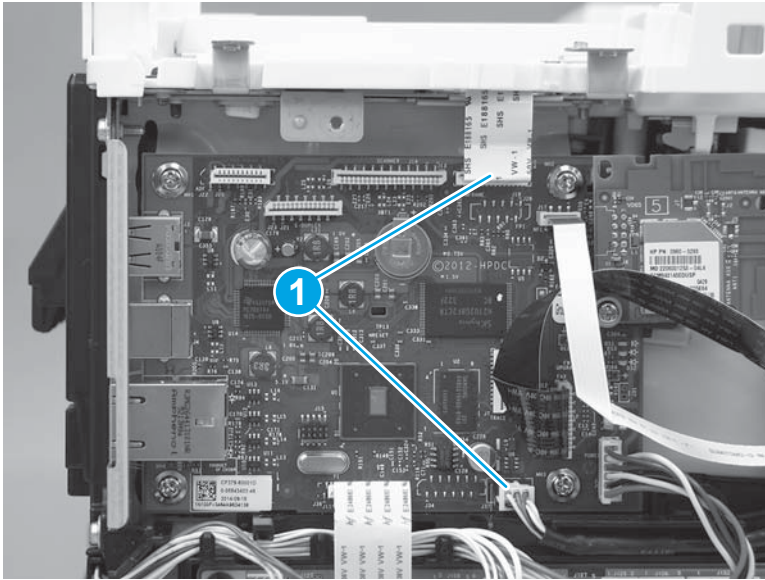
- 16. Install one screw (callout 1) to secure the sheet metal plate (callout 2).

Figure 1-3321 Install one screw



17. On the left side of the printer, on the formatter PCA, Connect two connectors (callout 1).

Figure 1-3322 Connect two connectors

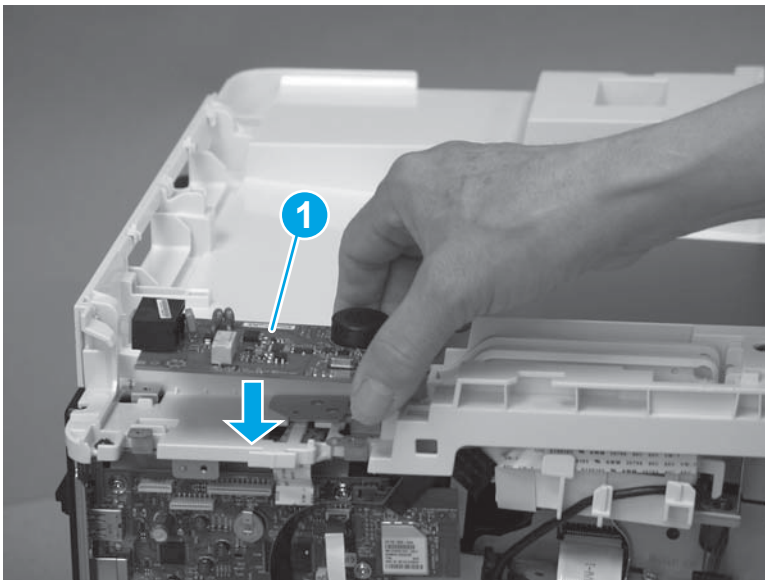


Step 17: Install the fax PCA (M477 models)

 **NOTE:** This step is for M477 fax models only. Skip this step for non-fax models.

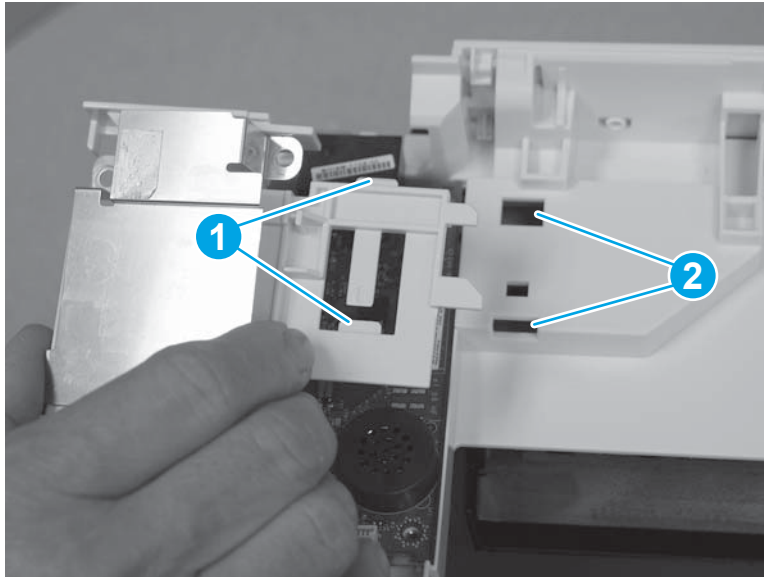
1. Position the fax PCA (callout 1) on the printer.

Figure 1-3323 Install the fax PCA



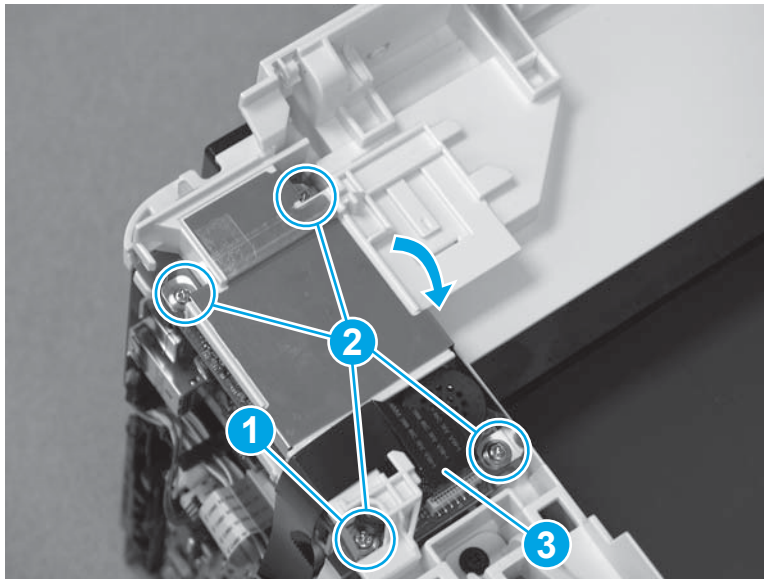
2. Install the tabs (callout 1) on the fax cover in the slots (callout 2) on the top cover. Slide the cover toward the back of the printer to install it.

Figure 1-3324 Install the fax cover



3. Beginning with the lower right screw (callout 1) install four screws (callout 2) in a clockwise direction. Connect one connector (callout 3).

Figure 1-3325 Install four screws and connect one connector

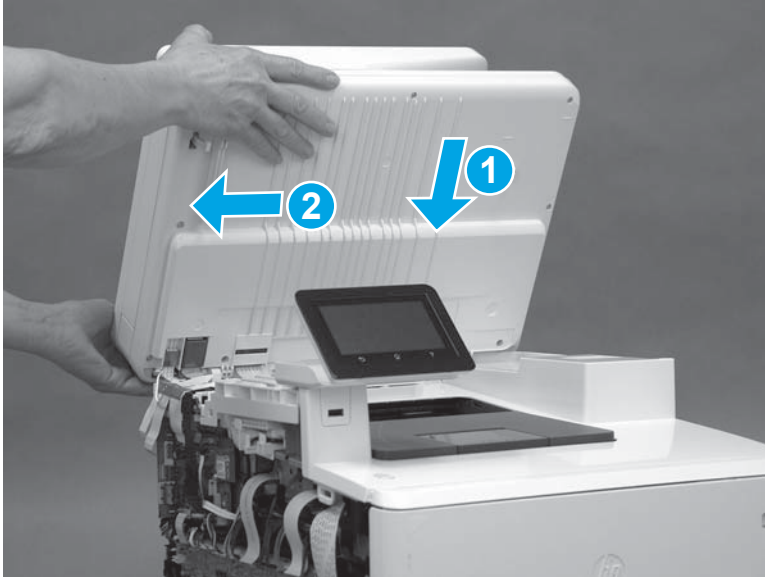


Step 18: Install the integrated scanner assembly (M377, M477 models)

 **NOTE:** This step is for the M377, M477 models. For the M452 models, skip this step and go to [Step 19: Install the rear top cover \(simplex models\) on page 1770.](#)

1. Lower the scanner assembly onto the printer, and then slide the assembly toward the left side of the printer to install it.

Figure 1-3326 Install the scanner assembly



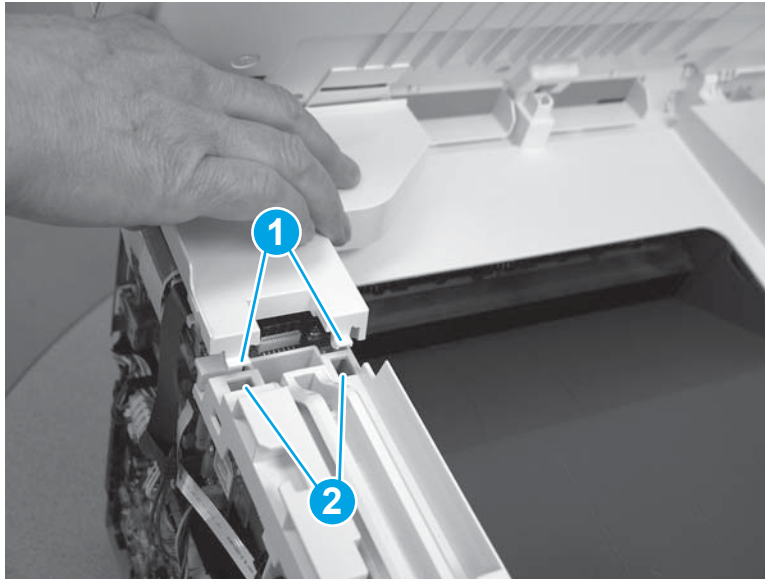
2. Press the scanner cables (callout 1) down onto the double-sided tape on the top cover.

Figure 1-3327 Press the cables



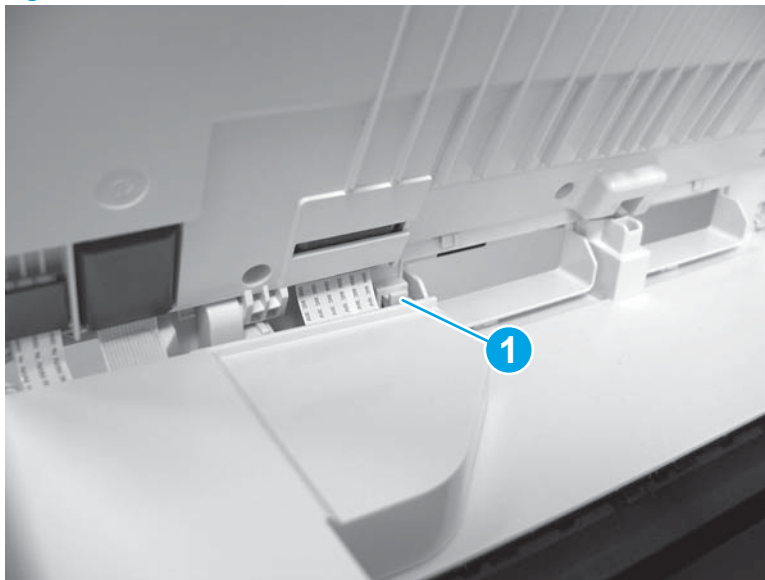
3. Install the tabs (callout 1) on the front of the scanner cable cover in the slots (callout 2) on the top cover.

Figure 1-3328 Position the scanner cable cover



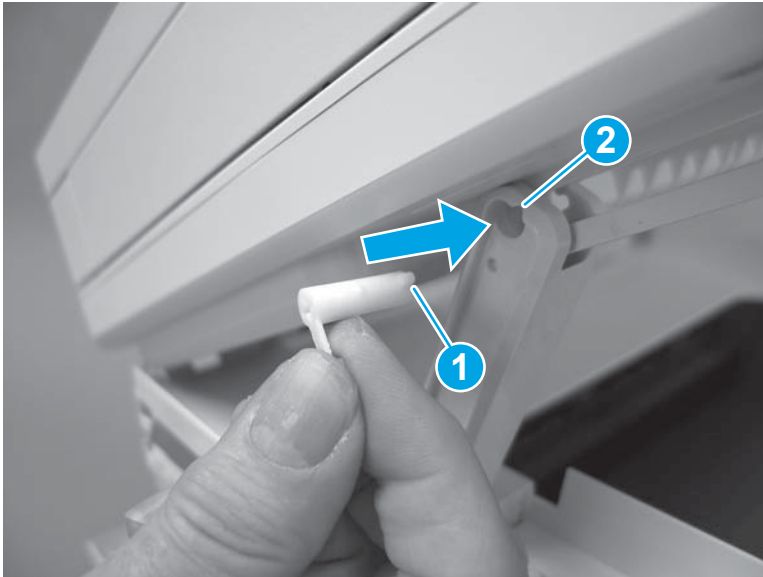
4. Press down on the back of the scanner cable cover to engage one tab (callout 1).

Figure 1-3329 Install the scanner cable cover



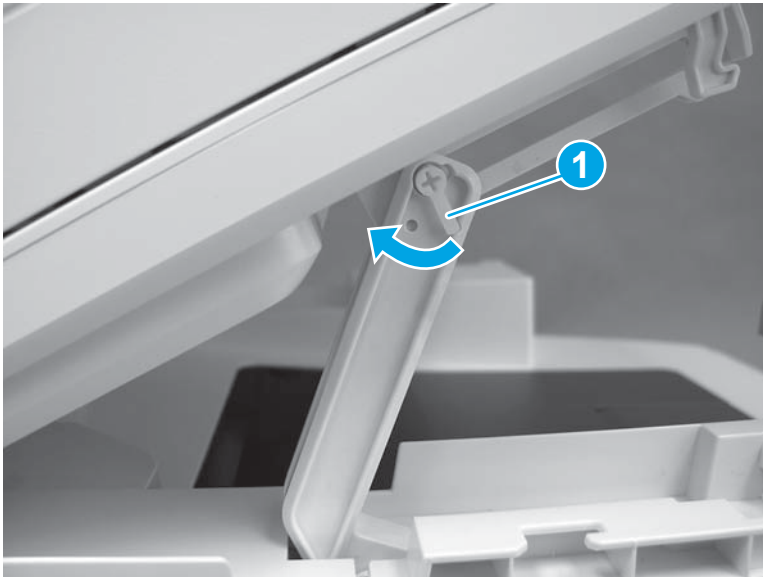
5. With the scanner lid lifted, insert the scanner support arm pin (callout 1) into the slot in the scanner support arm (callout 2).

Figure 1-3330 Install the scanner arm pin



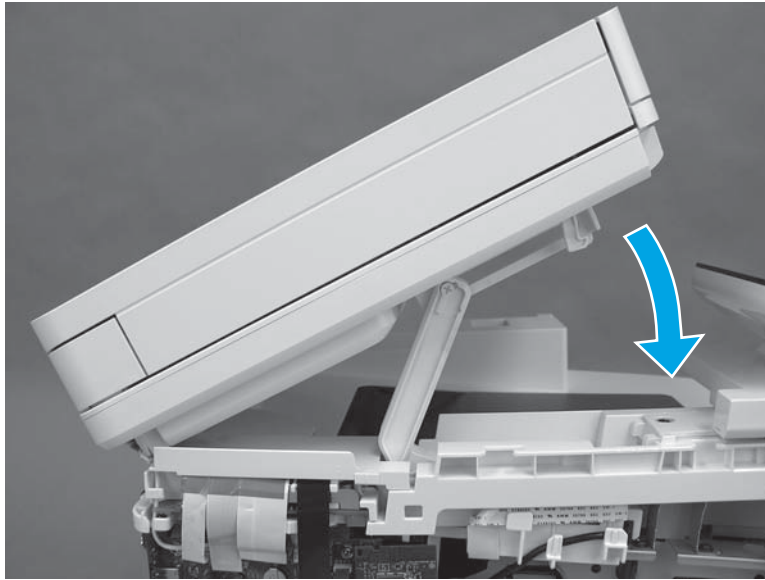
6. Rotate the tab on the scanner arm pin (callout 1) in the direction indicated to snap it into place.

Figure 1-3331 Secure the scanner arm pin



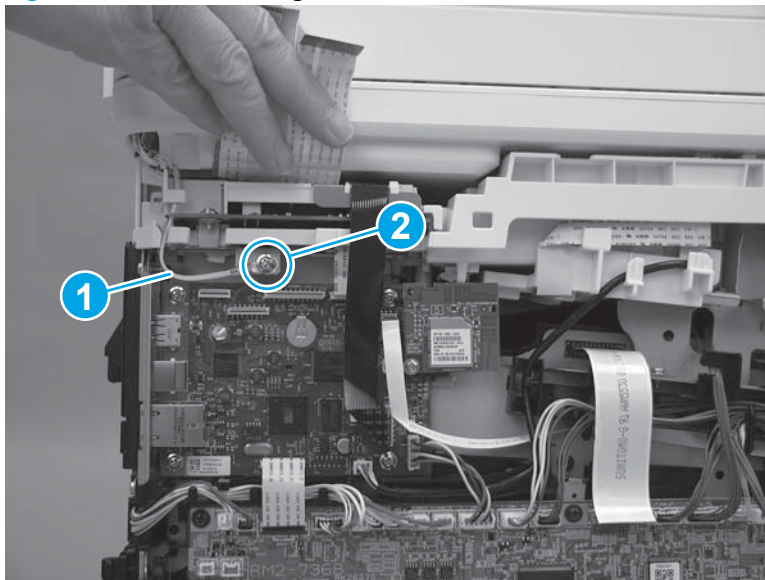
7. Lower the scanner.

Figure 1-3332 Lower the scanner



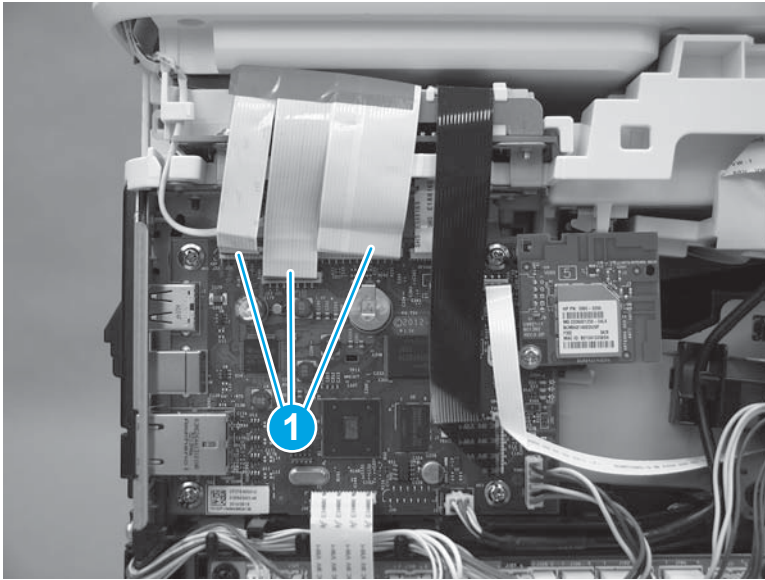
8. Raise the scanner cables up, position the ground wire (callout 1), and then install one screw (callout 2).

Figure 1-3333 Install the ground wire



9. Connect three connectors (callout 1).

Figure 1-3334 Install the M377, M477 scanner



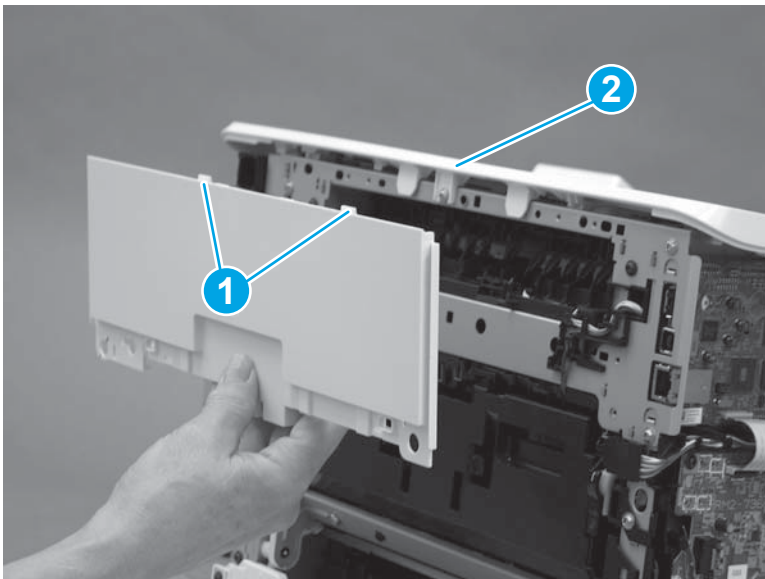
Step 19: Install the rear top cover (simplex models)



NOTE: This step is for simplex models. For duplex models, skip this step and go to [Step 20: Install the left cover \(M452 models\) on page 1771](#).

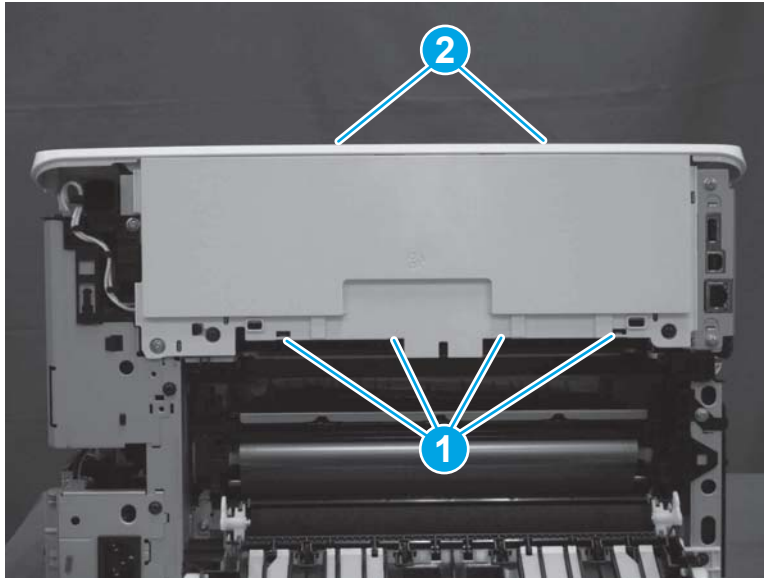
1. Position the tabs on top of the rear top cover (callout 1) under the edge of the top cover (callout 2).

Figure 1-3335 Install the rear top cover



2. Make sure that the tabs on the bottom (callout 1) and the tabs on the top (callout 2) snap into place.

Figure 1-3336 Release two tabs

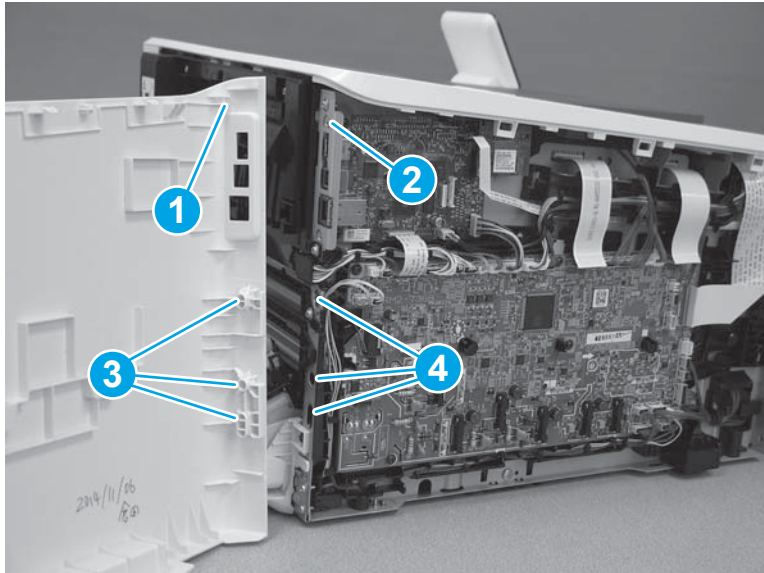


Step 20: Install the left cover (M452 models)

 **NOTE:** This step is for the M452 models. For the M377, M477 models, skip this step and go to [Step 21: Install the left cover \(M377, M477 models\) on page 1775.](#)

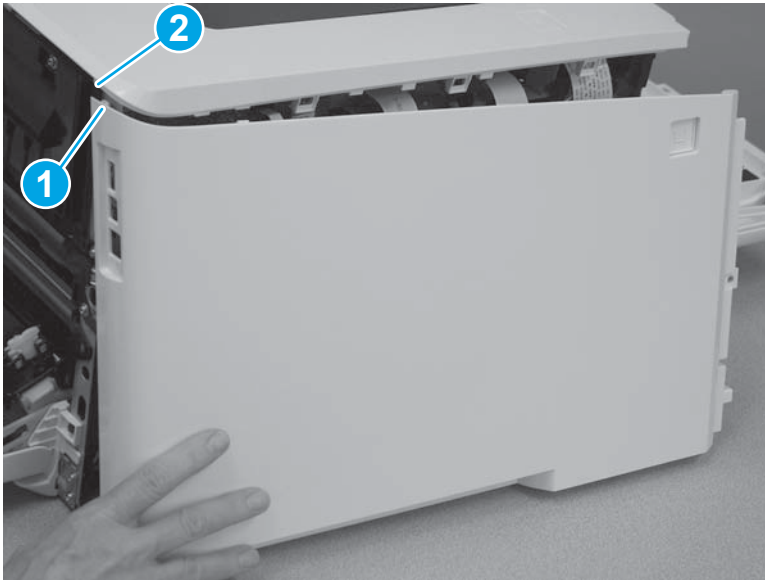
1. Position the hook (callout 1) on the cover in the slot (callout 2) on the printer. Position three tabs (callout 3) on the back of the cover in the slots (callout 4) in the printer.

Figure 1-3337 Position three tabs



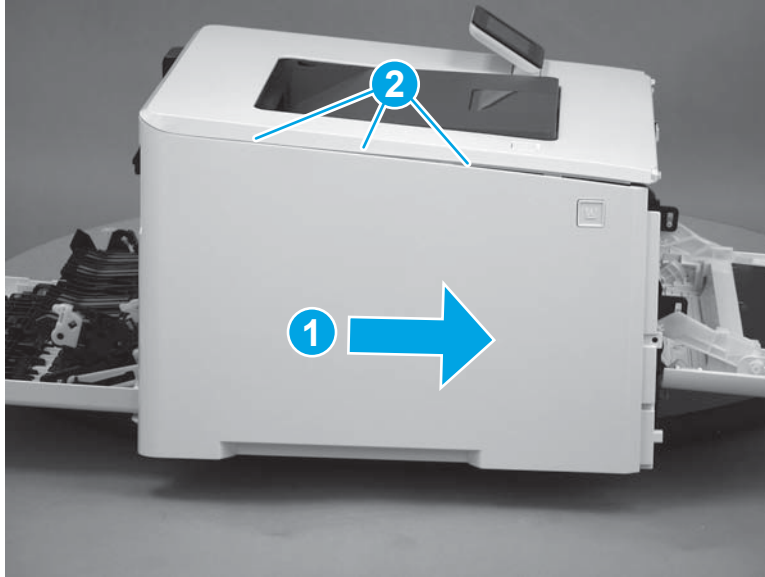
2. At the back of the printer, install the tab (callout 1) under the edge of the top cover (callout 2).

Figure 1-3338 Install one tab



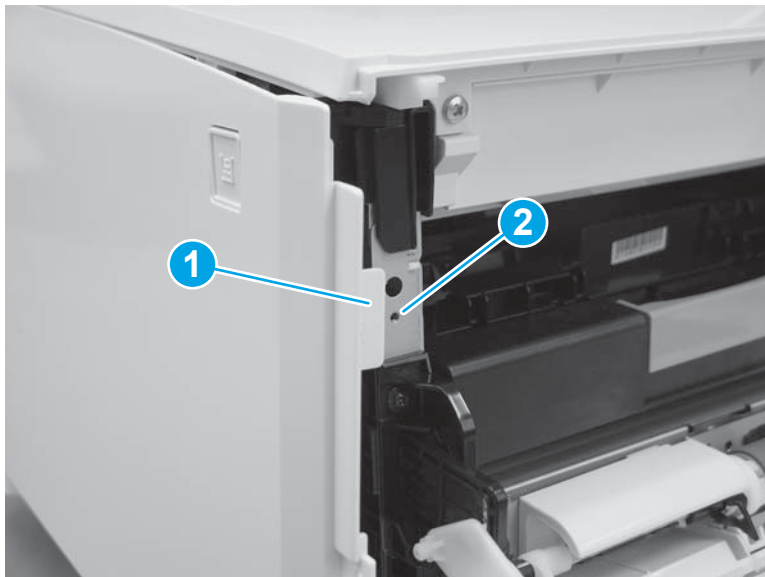
3. Slide the cover toward the front of the printer (callout 1), and then engage three tabs (callout 2) on the top of the cover.

Figure 1-3339 Install the left cover



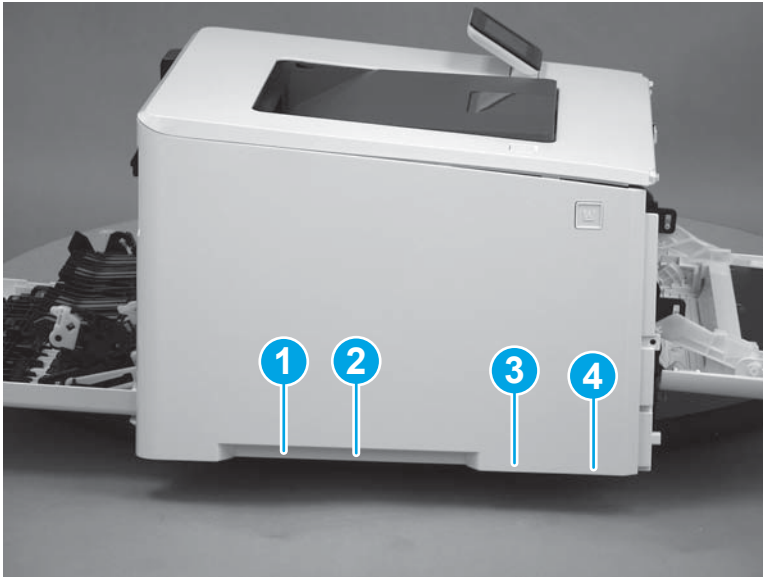
CAUTION: Make sure that the tab (callout 1) does not get caught behind the printer frame (callout 2).

Figure 1-3340 Make sure the tab does not get caught



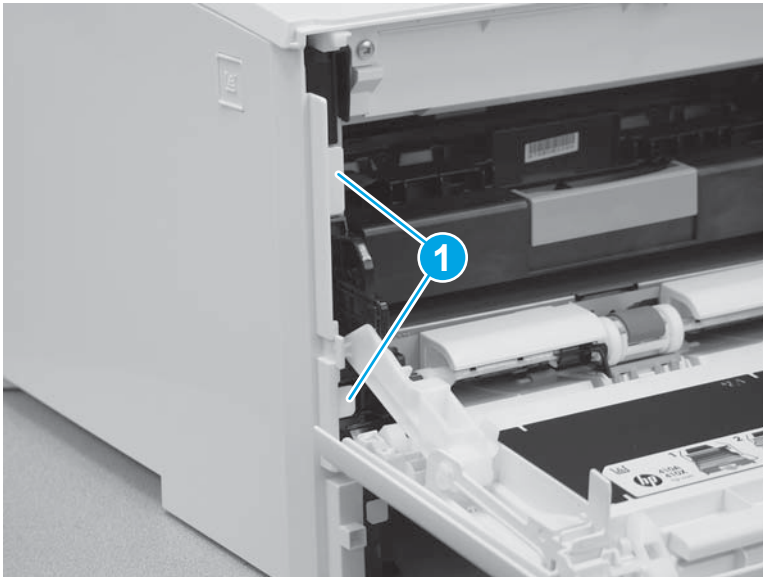
4. Slide the printer to the edge of a work surface in order to access the tabs on the bottom of the cover. Beginning from the back of the cover, install four tabs (callouts 1-4) on the lower edge of the cover.

Figure 1-3341 Install four tabs



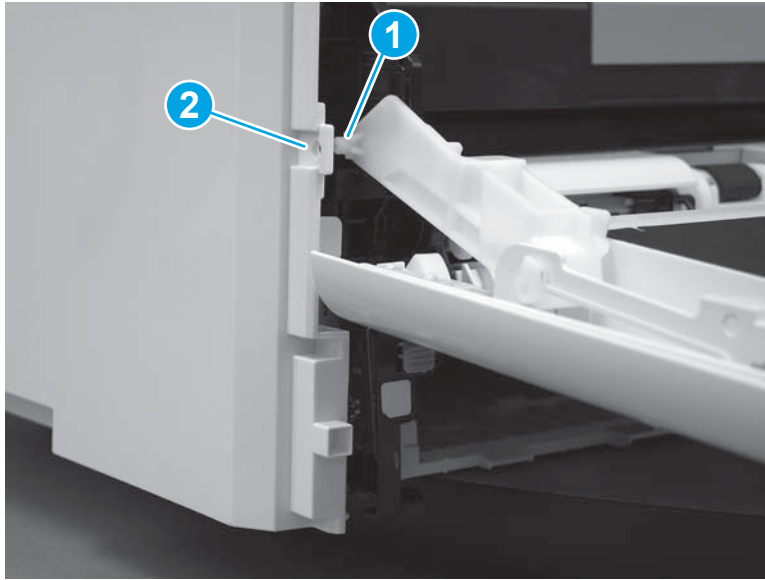
5. Install two tabs (callout 1) at the front of the cover.

Figure 1-3342 Engage two tabs



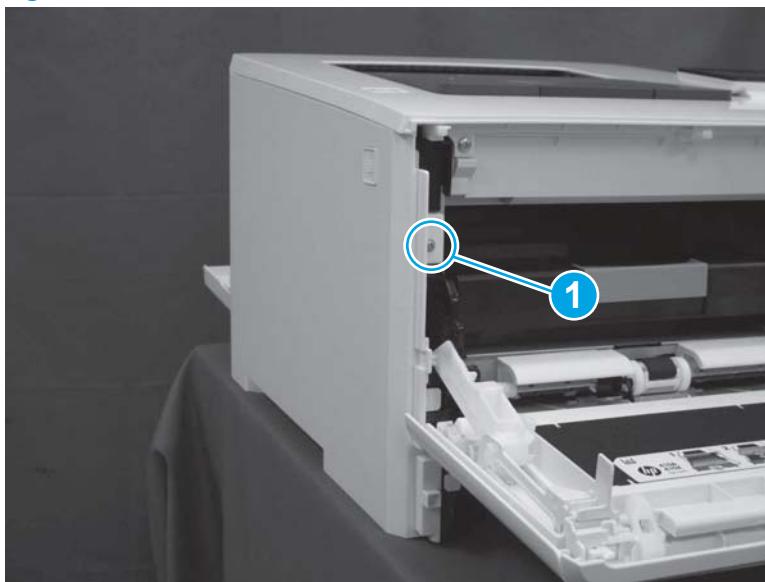
6. Make sure that the hinge pin (callout 1) on the front door fits into the slot (callout 2) on the left cover.

Figure 1-3343 Install hinge pin




7. Install one screw (callout 1).

Figure 1-3344 Install one screw

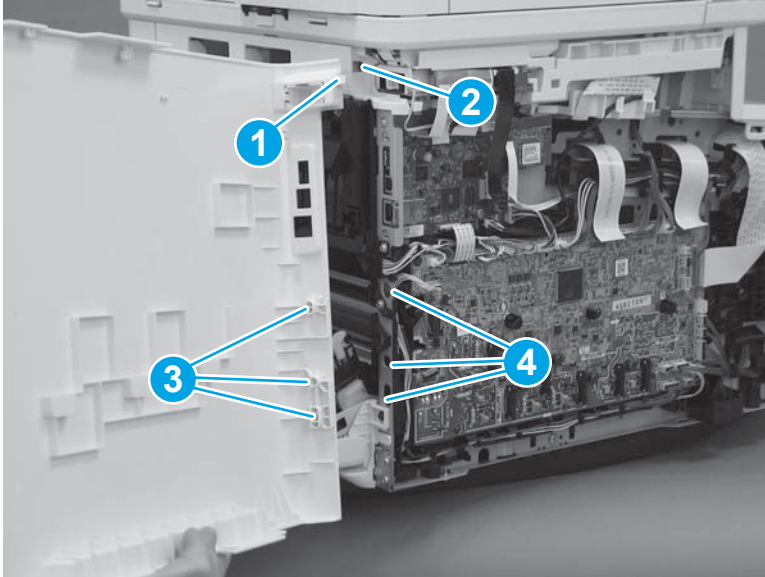


Step 21: Install the left cover (M377, M477 models)

 **NOTE:** This step is for the M377, M477 models. For the M452 models, skip this step and go to [Step 22: Install the right cover \(M452 models\) on page 1782.](#)

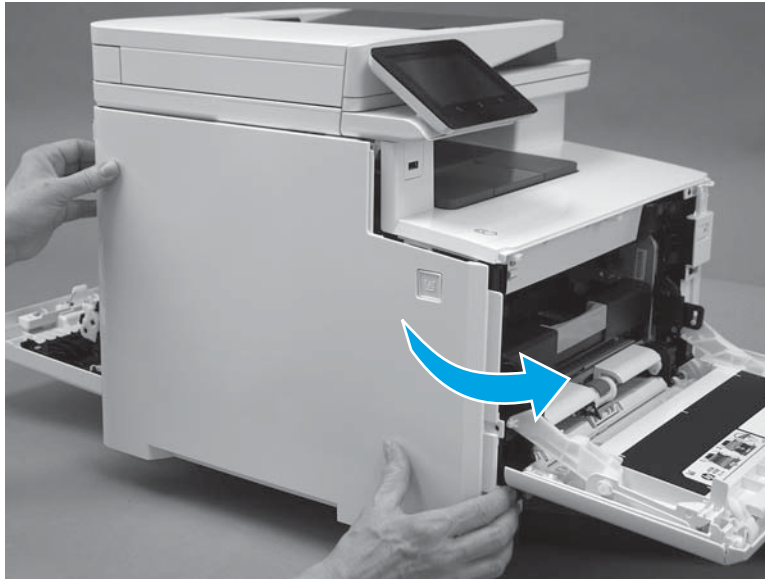
1. At the back of the printer, install the tab (callout 1) on the cover into the slot (callout 2) in the printer. Install the locator pins (callout 3) into the slots (callout 4) in the printer.

Figure 1-3345 Install one tab



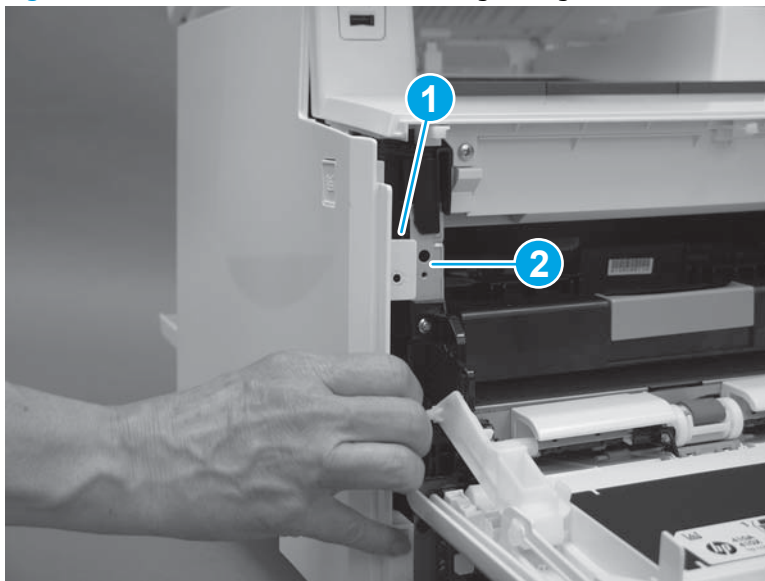
2. Rotate the cover toward the printer.

Figure 1-3346 Rotate the left cover



⚠ CAUTION: Make sure that the tab (callout 1) does not get caught behind the printer frame (callout 2).

Figure 1-3347 Make sure the tab does not get caught



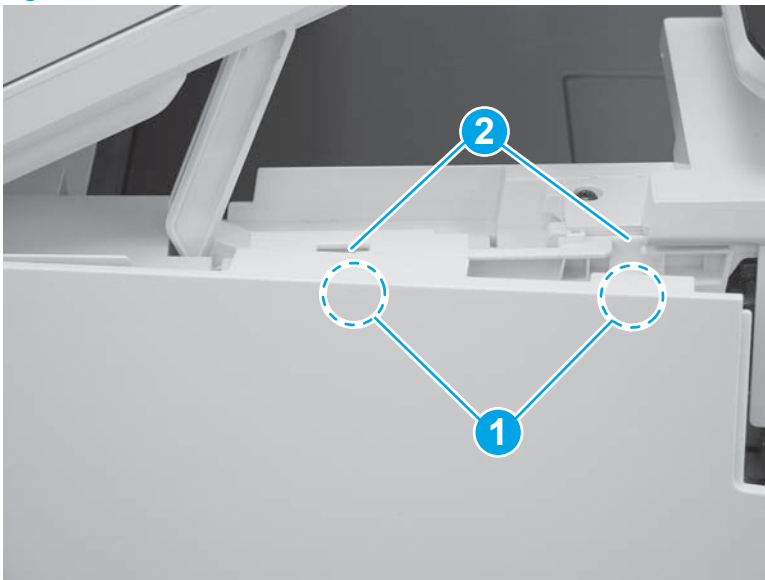
3. Raise the scanner.

Figure 1-3348 Raise the scanner



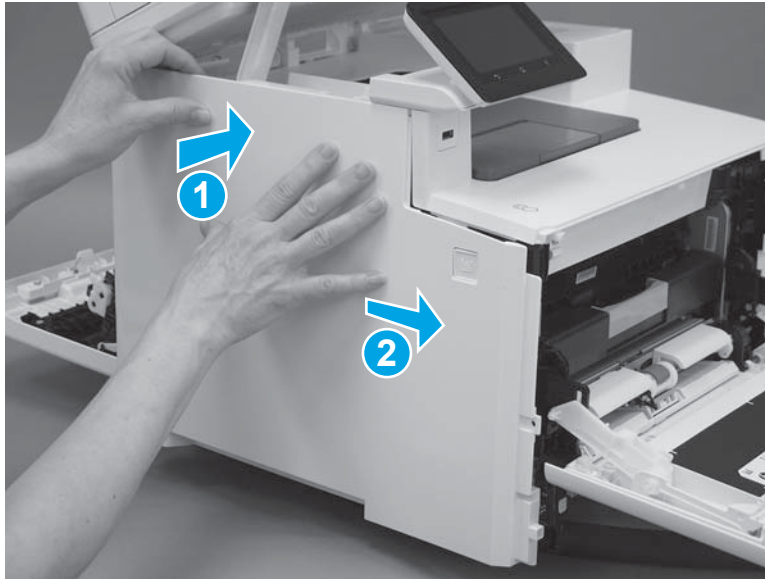
4. Position the hooks (callout 1) on the inside of the cover into the slots (callout 2) on the printer.

Figure 1-3349 Position the hooks in the slots



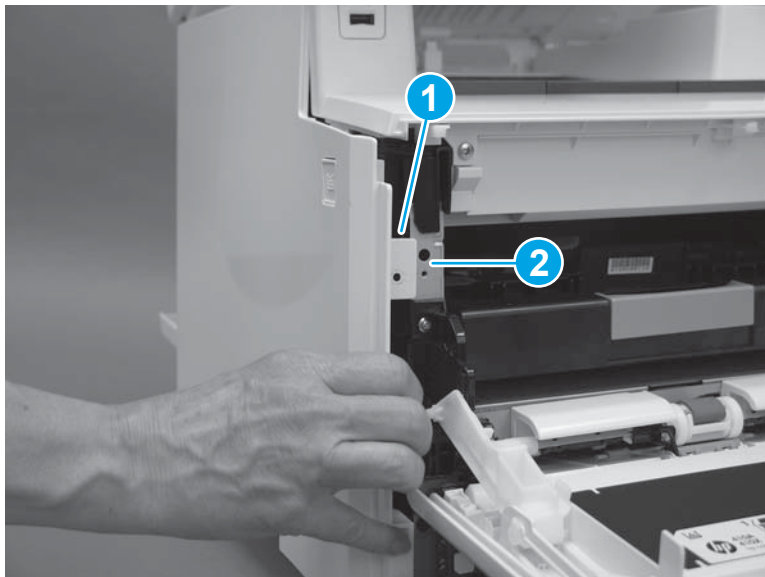
5. Hold the cover against the printer (callout 1), and then slide it (callout 2) toward the front of the printer.

Figure 1-3350 Install the top hooks



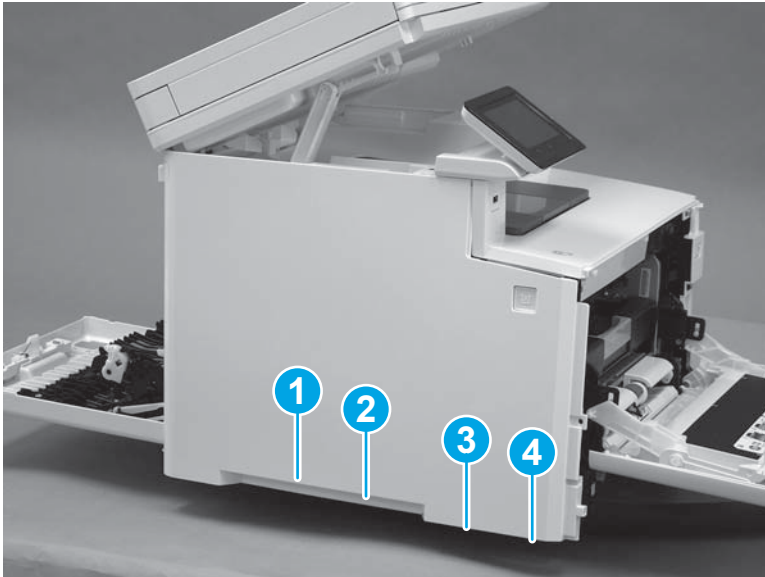
⚠ CAUTION: Make sure that the tab (callout 1) on the front of the cover does not get caught behind the printer frame (callout 2).

Figure 1-3351 Make sure the tab does not get caught



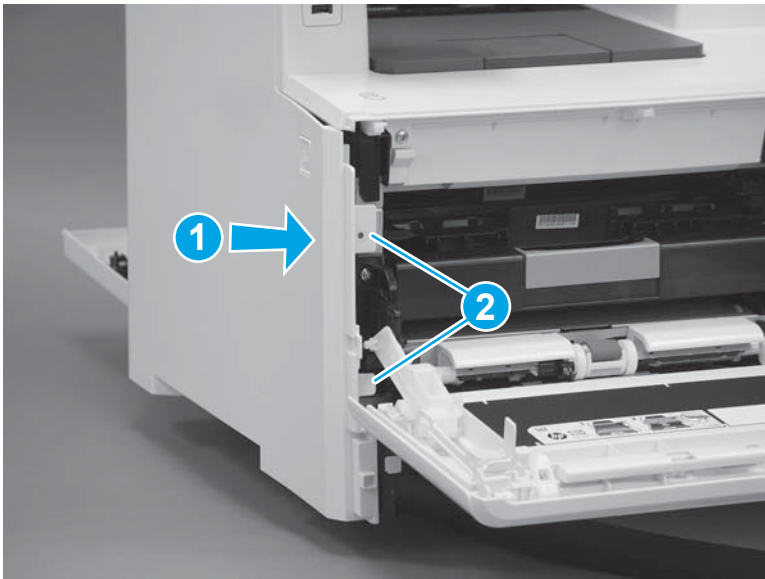
6. Slide the printer to the edge of a work surface in order to access the tabs on the bottom of the cover. Beginning from the back of the cover, install four tabs (callouts 1-4) on the lower edge of the cover.

Figure 1-3352 Install four tabs



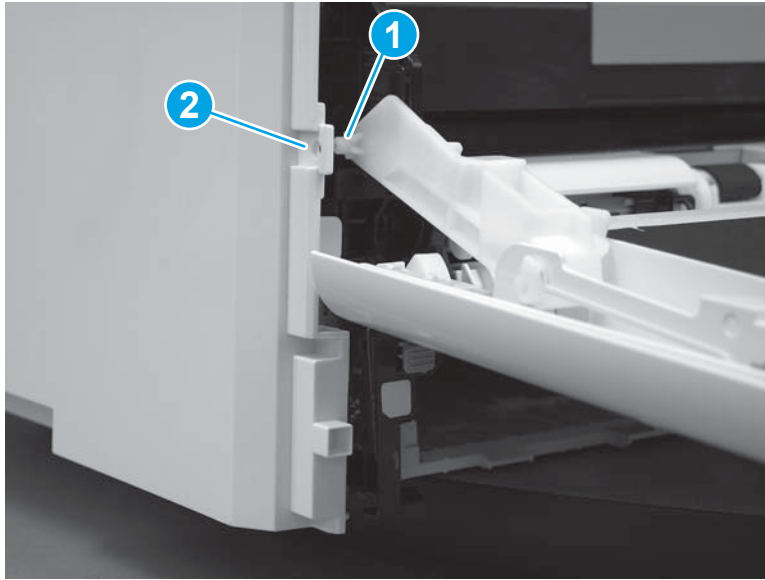
7. Press the cover toward the printer (callout 1), and then install two tabs (callout 2) at the front of the cover.

Figure 1-3353 Install two tabs



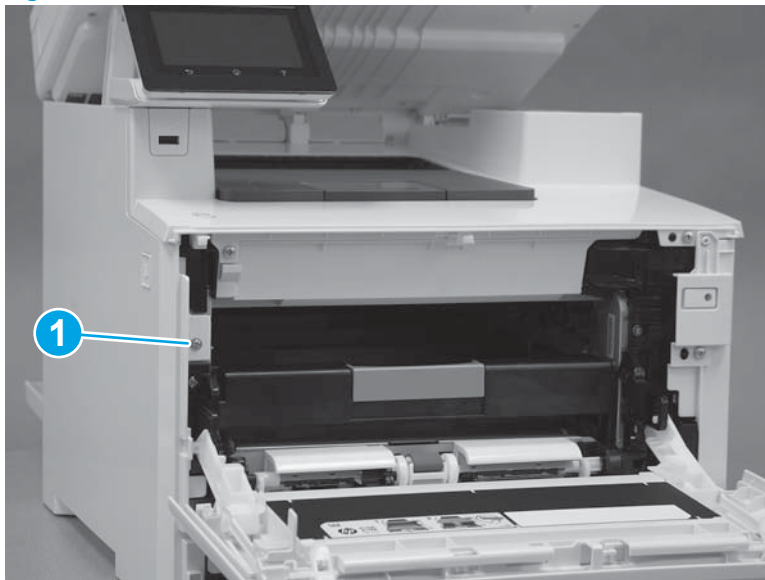
8. Make sure that the hinge pin (callout 1) on the front door fits into the slot (callout 2) on the left cover.

Figure 1-3354 Install hinge pin



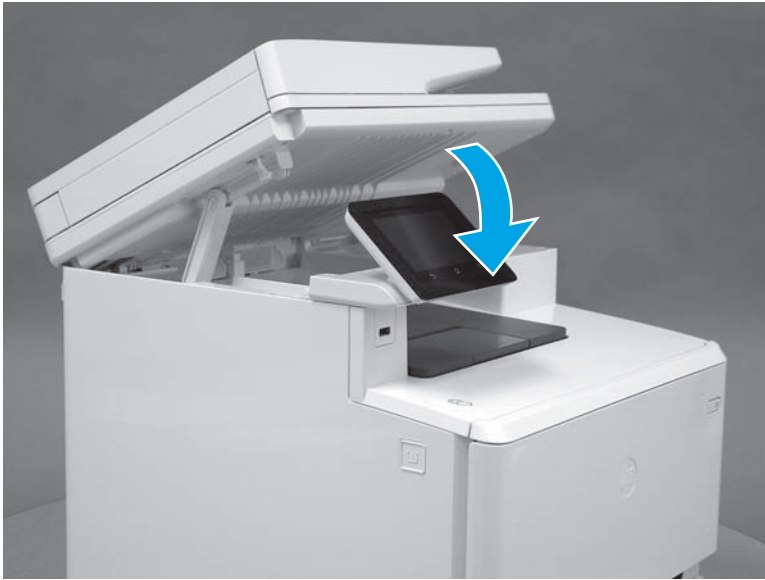
9. Install one screw (callout 1).

Figure 1-3355 Install one screw



10. Lower the scanner.

Figure 1-3356 Lower the scanner

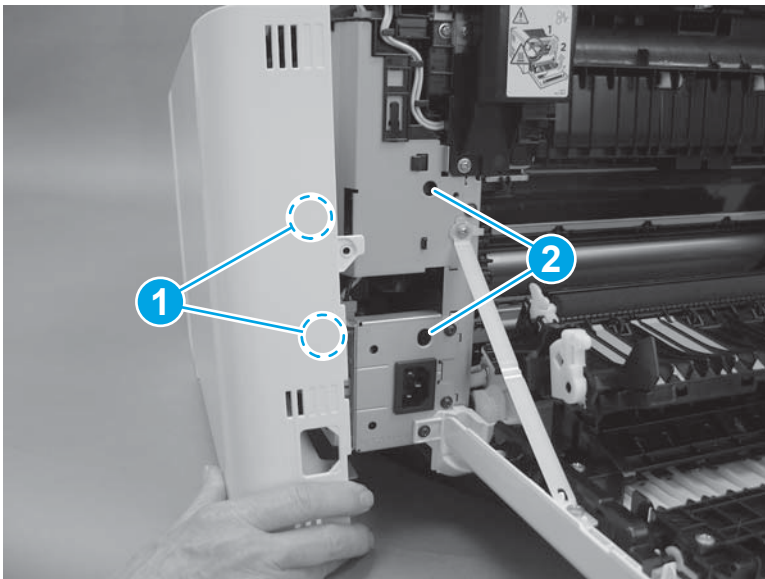


Step 22: Install the right cover (M452 models)

 **NOTE:** This step is for the M452 models. For the M377, M477 models, skip this step and go to [Step 23: Install the right cover \(M377, M477 models\) on page 1786](#).

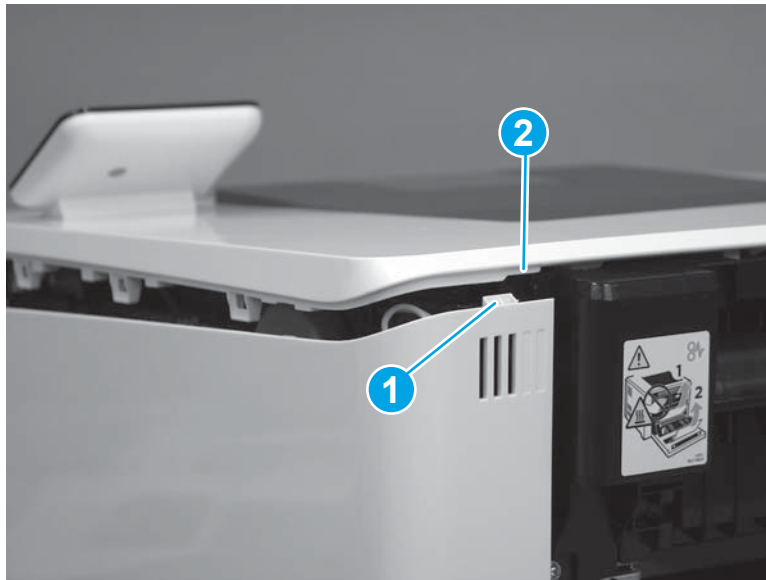
1. Position two tabs (callout 1) on the back of the cover in the slots (callout 2) in the printer.

Figure 1-3357 Position two tabs



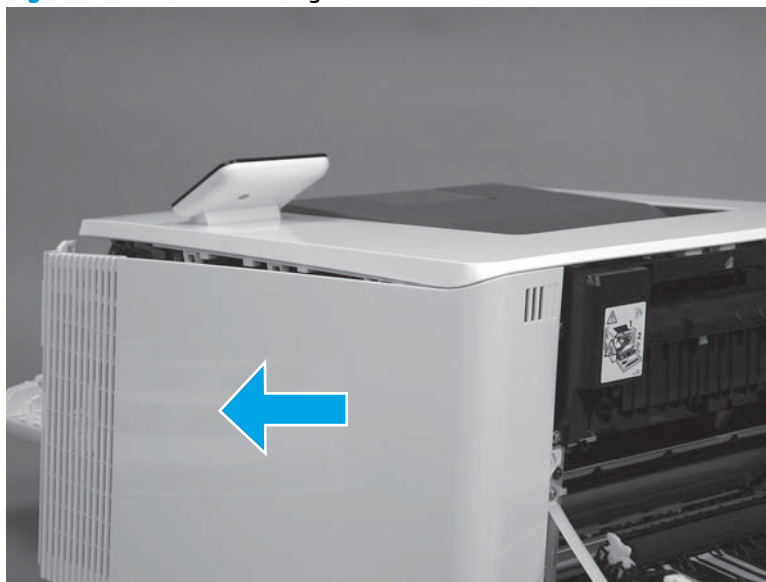
2. At the back of the printer, install the tab (callout 1) under the edge of the top cover (callout 2).

Figure 1-3358 Install rear tab



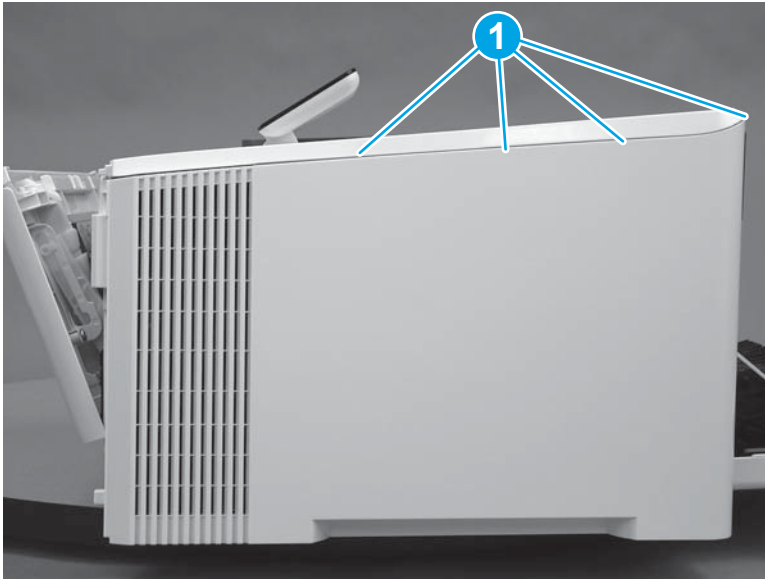
3. Slide the cover toward the front of the printer to install it.

Figure 1-3359 Install the right cover



4. Engage three tabs (callout 2) on the top of the cover.

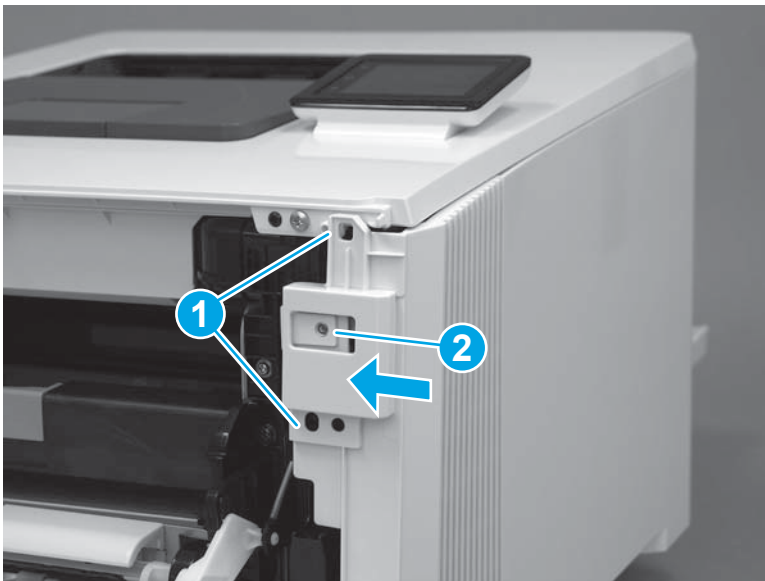
Figure 1-3360 Install upper tabs



5. At the front of the printer, position the front of the cover over two tabs (callout 1).

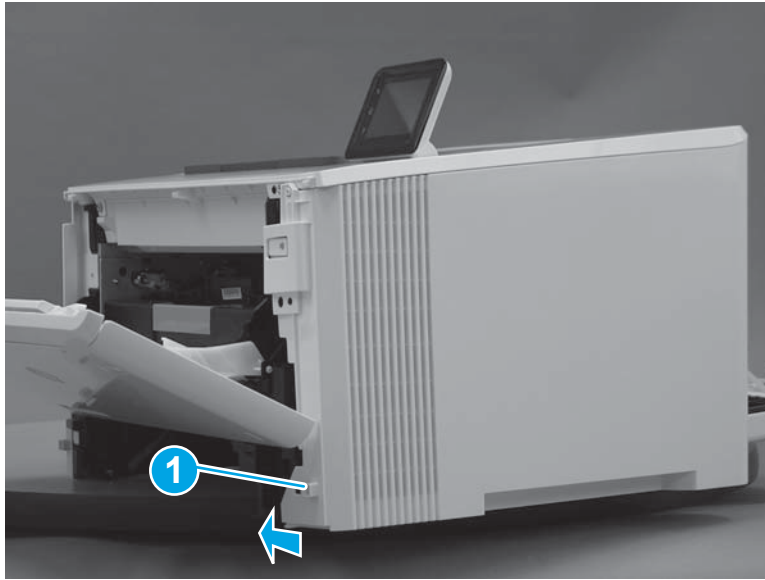
CAUTION: Be careful not to dislodge the power switch (callout 2).

Figure 1-3361 Install the front tabs



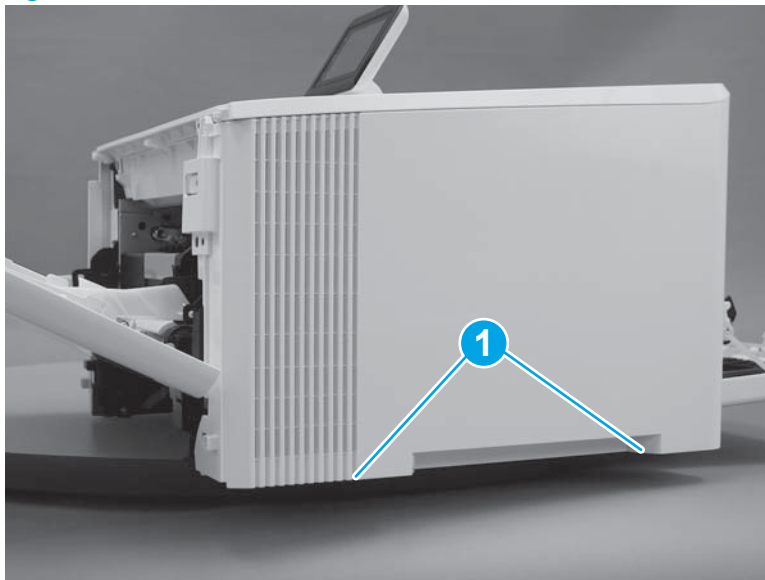
6. Press the right cover toward the printer to engage one tab (callout 1) on the front of the cover.

Figure 1-3362 Install the front lower tab



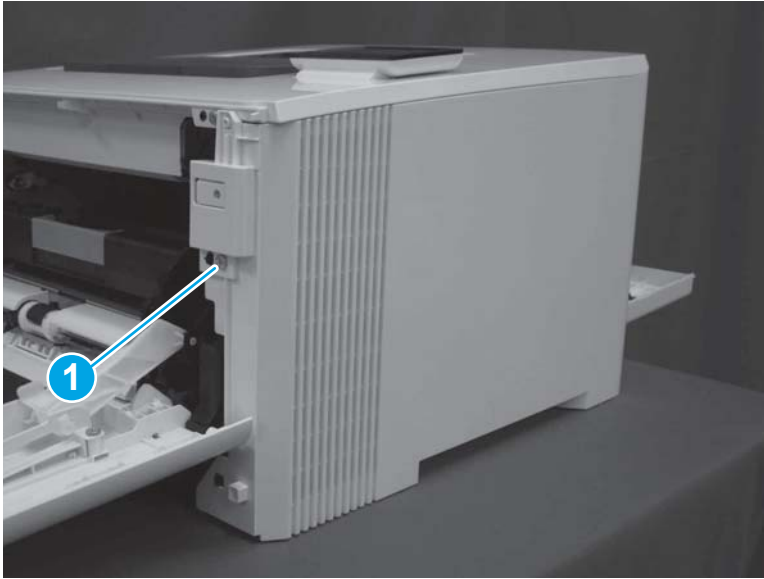
7. Install two tabs on the bottom of the cover (callout 1).

Figure 1-3363 Install two tabs



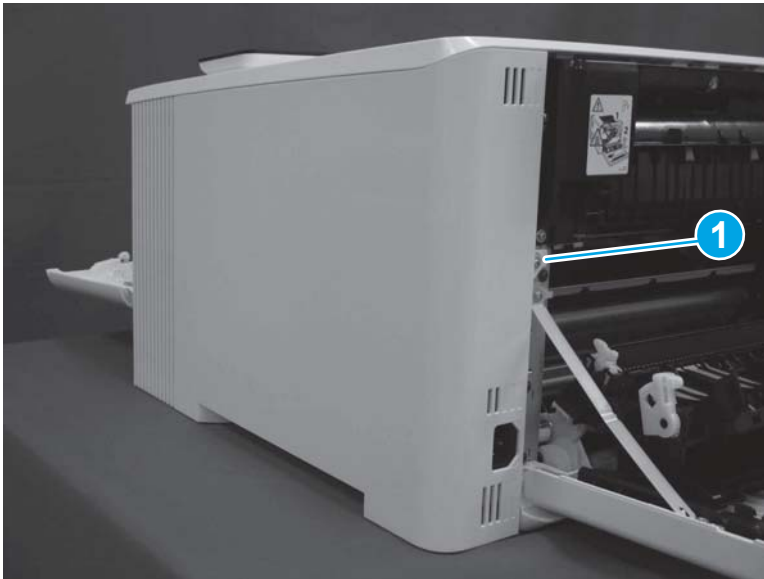
8. At the front of the printer, install one screw (callout 1).

Figure 1-3364 Install one screw



9. At the back of the printer, install one screw (callout 1).

Figure 1-3365 Install one screw

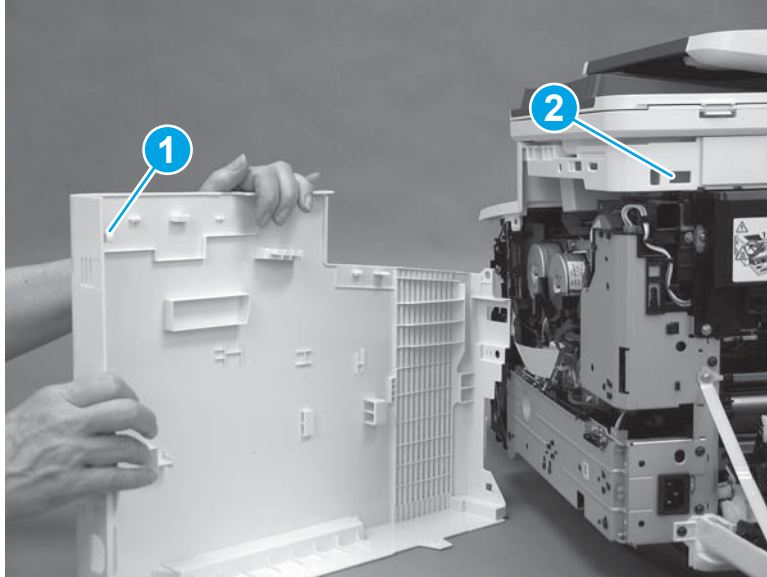


Step 23: Install the right cover (M377, M477 models)

 **NOTE:** This step is for the M377, M477 models. For the M452 models, skip this step and go to [Step 24: Close the front door and rear door or duplexer door on page 1792.](#)

1. At the back of the printer, install the tab (callout 1) on the cover into the slot (callout 2) on the printer.

Figure 1-3366 Install rear tab



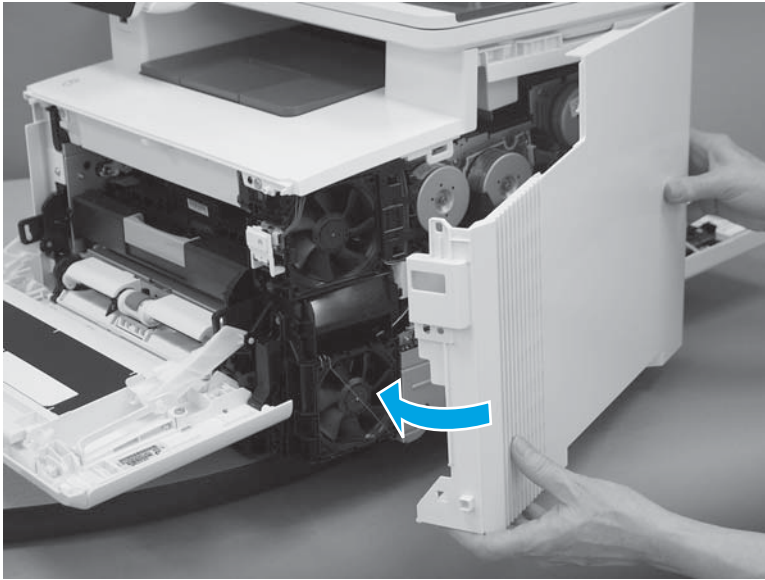
2. Raise the scanner.

Figure 1-3367 Raise the scanner



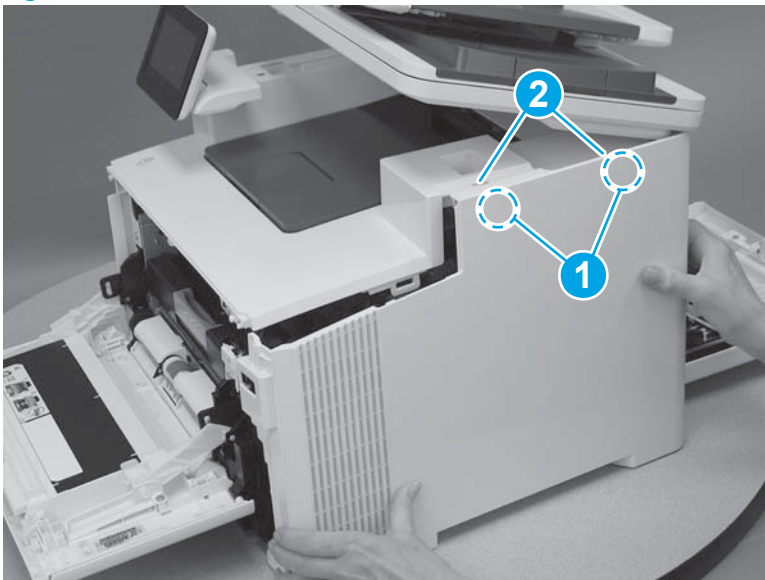
3. Rotate the right cover toward the printer.

Figure 1-3368 Rotate the right cover



4. Position the hooks (callout 1) on the inside of the cover into the slots (callout 2) in the printer.

Figure 1-3369 Position the hooks in the slots



- Engage one hook (callout 1) on the inside of the cover. Hold the top of the cover closed (callout 2) while sliding the cover toward the front of the printer (callout 3).

Figure 1-3370 Slide the cover



- Rotate the front of the cover toward the printer (callout 1).

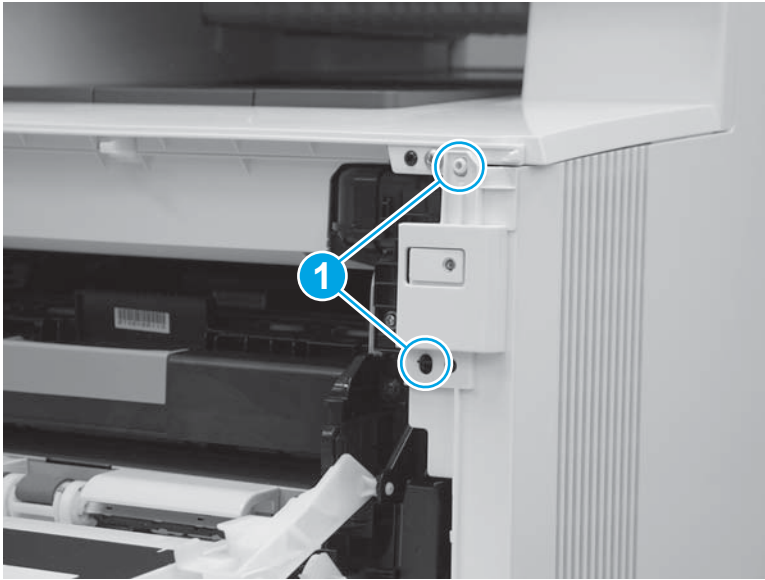
⚠ CAUTION: Be careful not to dislodge the power switch (callout 2).

Figure 1-3371 Rotate the front of the cover



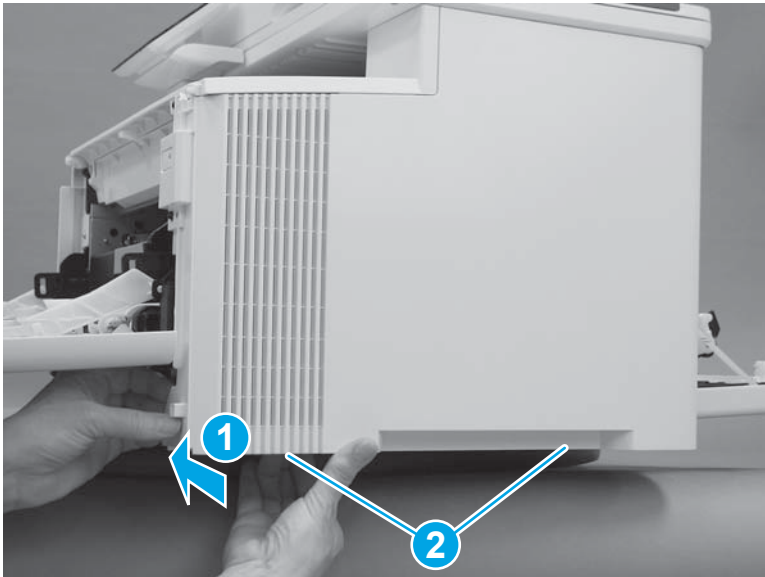
7. Install two tabs at the front of the printer (callout 1).

Figure 1-3372 Install two tabs



8. Press the right cover toward the printer (callout 1) to engage one tab on the front of the cover, and two tabs (callout 2) on the lower edge of the cover.

Figure 1-3373 Install the front and lower tabs



9. At the front of the printer, install one screw (callout 1).

Figure 1-3374 Install one screw



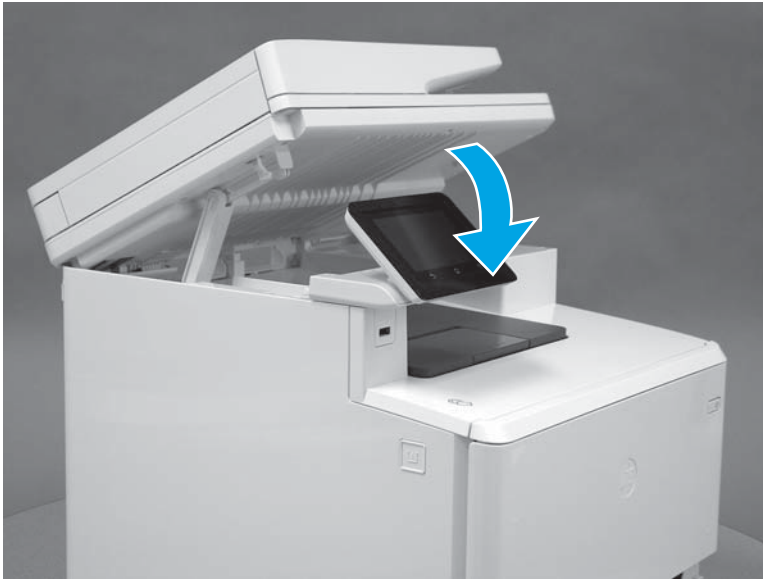
10. At the back of the printer, install one screw (callout 1).

Figure 1-3375 Install one screw



11. Lower the scanner.

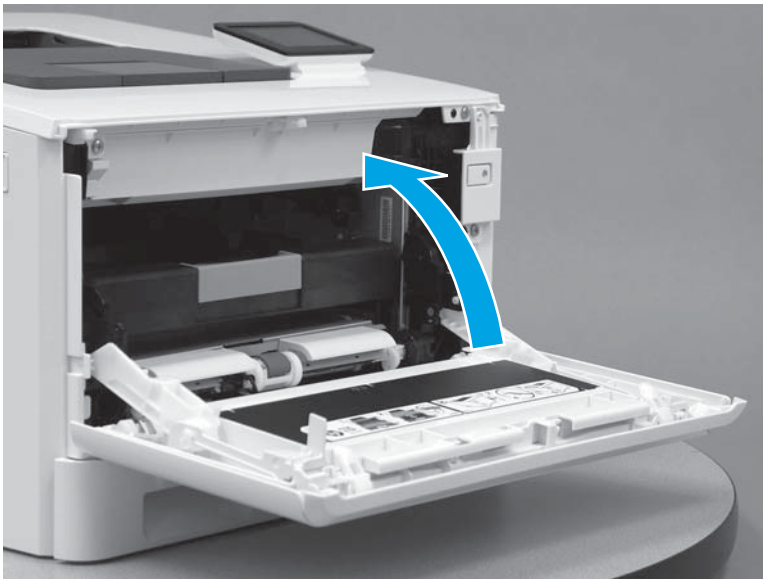
Figure 1-3376 Lower the scanner



Step 24: Close the front door and rear door or duplexer door

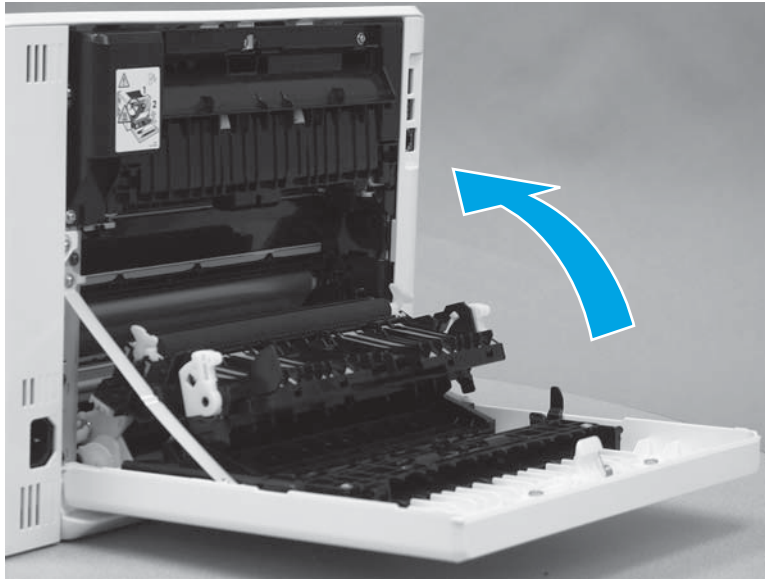
1. Close the front door.

Figure 1-3377 Close the front door



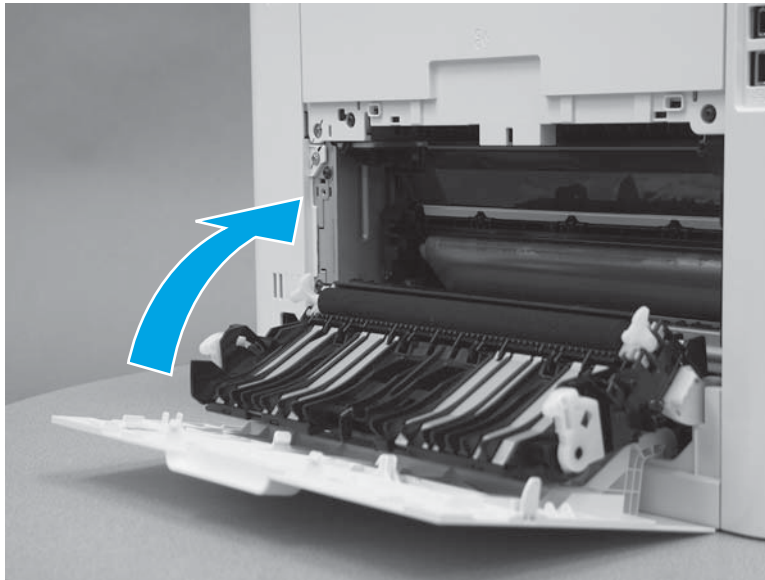
2. **Duplex models:** Close the duplexer door.

Figure 1-3378 Close the duplexer door



3. **Simplex models:** Close the rear door.

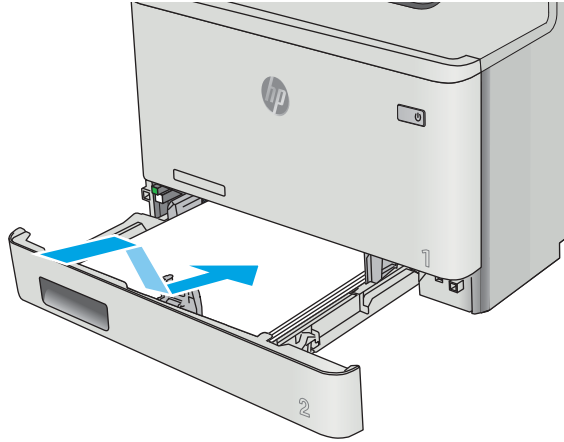
Figure 1-3379 Close the rear door



Step 25: Install Tray 2

- ▲ With the front of the tray slightly lifted, align the sides of the tray with the rails in the printer, and then carefully slide the tray into the printer. As the tray slides into the printer, lower the front of the tray, and then close it.

Figure 1-3380 Install the tray



Removal and replacement: Laser scanner (M452 models)

- [Introduction](#)
- [Step 1: Remove Tray 2](#)
- [Step 2: Open the front door and rear door or duplexer door](#)
- [Step 3: Remove the right cover \(M452 models\)](#)
- [Step 4: Remove the left cover \(M452 models\)](#)
- [Step 5: Remove the rear top cover \(simplex model\)](#)
- [Step 6: Remove the top cover \(M452 models\)](#)
- [Step 7: Remove the memory PCA](#)
- [Step 8: Remove the NFC PCA \(M452dw model\)](#)
- [Step 9: Remove the laser scanner \(M452 models\)](#)
- [Step 10: Unpack the replacement part](#)
- [Step 11: Install the laser scanner \(M452 models\)](#)
- [Step 12: Install the NFC PCA \(M452dw model\)](#)
- [Step 13: Install the memory PCA](#)
- [Step 14: Install the top cover](#)
- [Step 15: Install the rear top cover \(simplex model\)](#)
- [Step 16: Install the left cover \(M452 models\)](#)
- [Step 17: Install the right cover \(M452 models\)](#)
- [Step 18: Close the front door and rear door or duplexer door](#)
- [Step 19: Install Tray 2](#)

Introduction

This document provides the procedures to remove and replace the laser scanner for the M452.



NOTE: The removal and replacement of the laser scanner is time-consuming and should be performed in a clean environment to avoid introducing contaminants into the laser imaging system. For these reasons, HP recommends replacing this part at an authorized repair center.

Before you begin

- Turn off the printer.
- Disconnect the power cable.

WARNING! To avoid damage to the printer, turn the printer off, wait 30 seconds, and then remove the power cord before attempting to service the printer.

- Use the table below to identify the correct part number for your printer. To order the part, go to www.hp.com/buy/parts.

Laser scanner part number

RM2-5611-000CNLaser scanner

Required tools

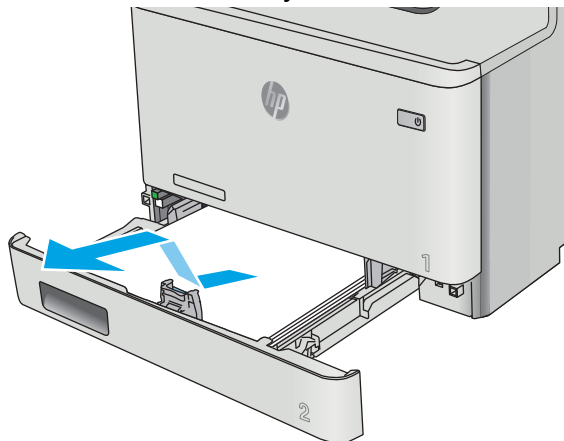
- #2 Phillips screwdriver with a magnetic tip
- Small flat-blade screwdriver
- Needle-nose pliers

After performing service

- Connect the power cable.
- Use the power switch to turn the power on.

Step 1: Remove Tray 2

- ▲ Pull the tray out until it stops. Lift the front of the tray, and then pull it out of the printer to remove it.

Figure 1-3381 Remove the tray**Step 2: Open the front door and rear door or duplexer door**

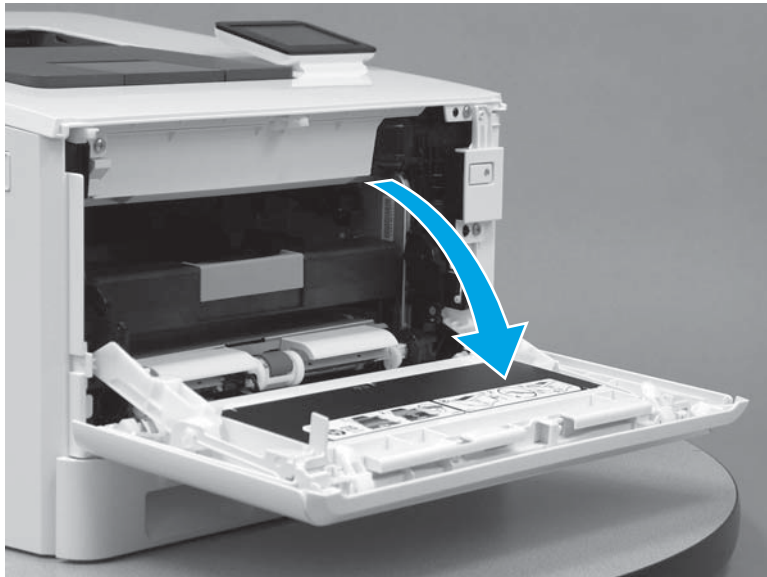
1. Press the button (callout 1) on the left side of the printer to release the front door.

Figure 1-3382 Release the front door



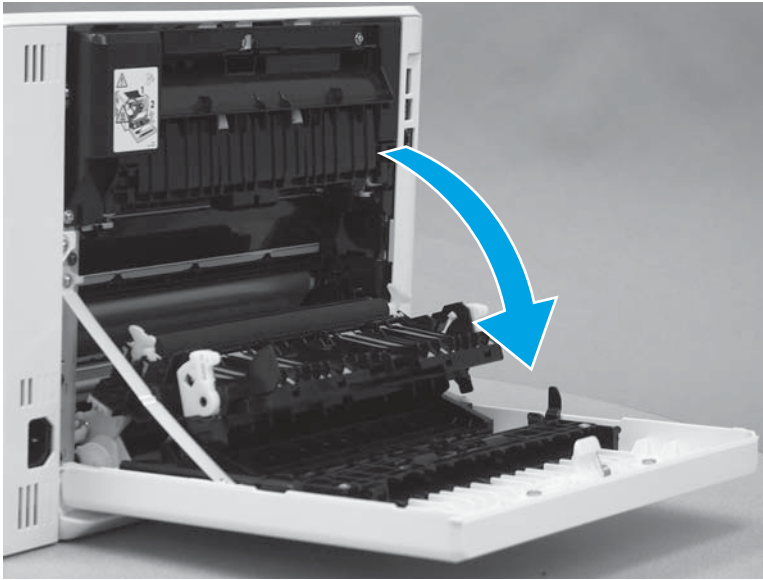
2. Open the front door.

Figure 1-3383 Open the front door



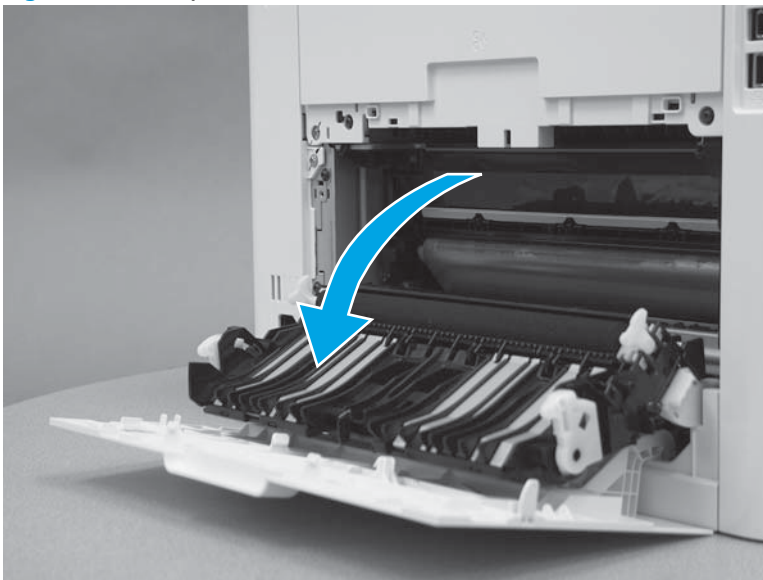
3. **Duplex models:** Open the duplexer door.

Figure 1-3384 Open the duplexer door



4. **Simplex models:** Open the rear door.

Figure 1-3385 Open the rear door



Step 3: Remove the right cover (M452 models)

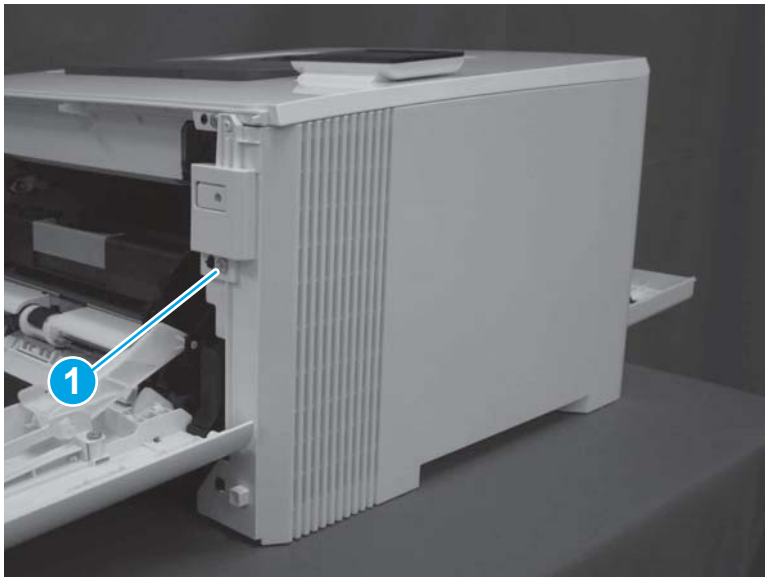
1. At the back of the printer, remove one screw (callout 1).

Figure 1-3386 Remove one screw



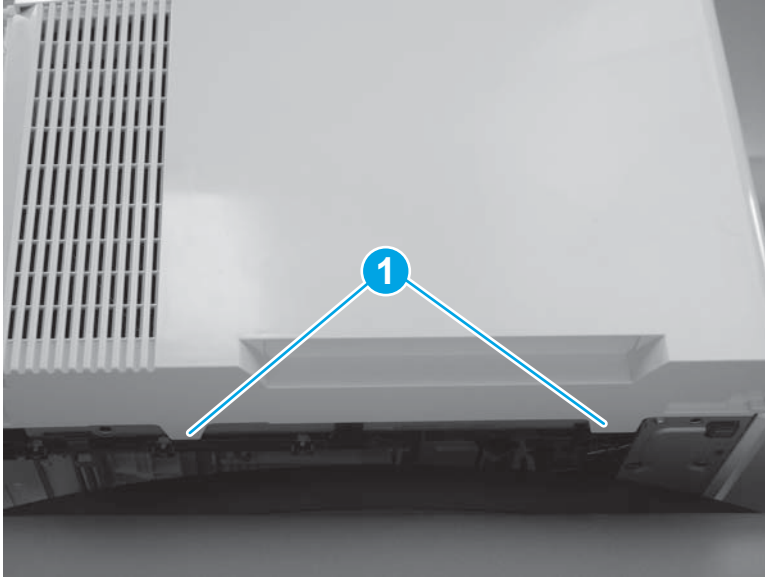
2. At the front of the printer, remove one screw (callout 1).

Figure 1-3387 Remove one screw



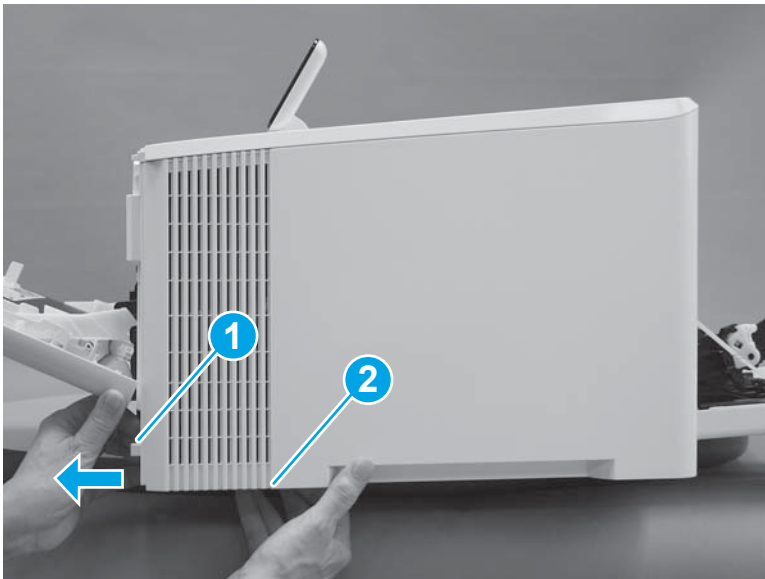
3. Slide the printer to the edge of a work surface. Note the location of the tabs on the lower edge of the cover (callout 1).

Figure 1-3388 Locate the tabs



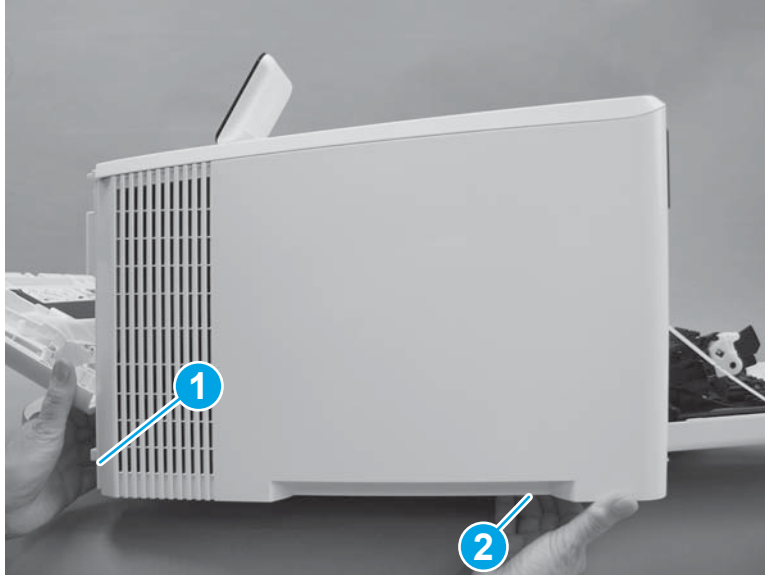
4. Release one tab (callout 1) on the front of the cover by slightly pulling the cover away from the printer. While holding the cover in the released position, release one tab (callout 2) on the bottom of the cover.

Figure 1-3389 Release front lower tabs



5. Hold the front tabs in the released position (callout 1), and then release one tab (callout 2) on the bottom of the cover, toward the back of the printer.

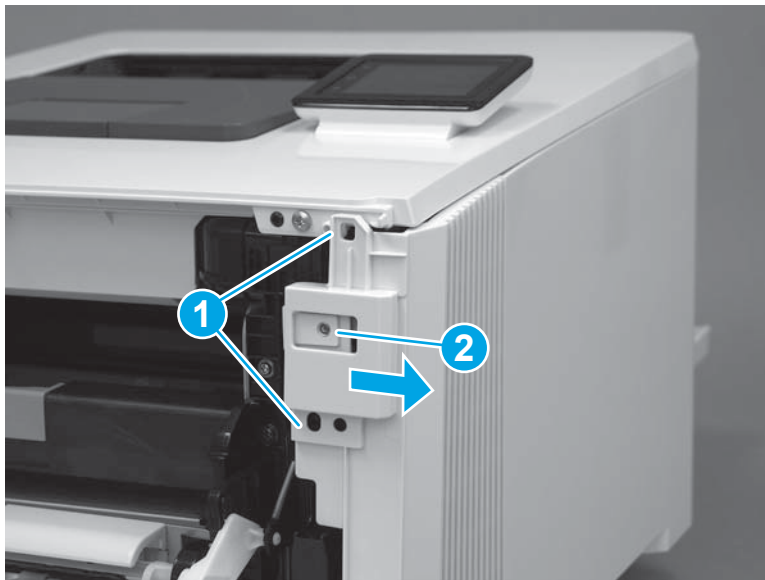
Figure 1-3390 Release lower rear tab



6. Release two tabs at the front of the printer (callout 1) by slightly pulling the cover away from the printer.

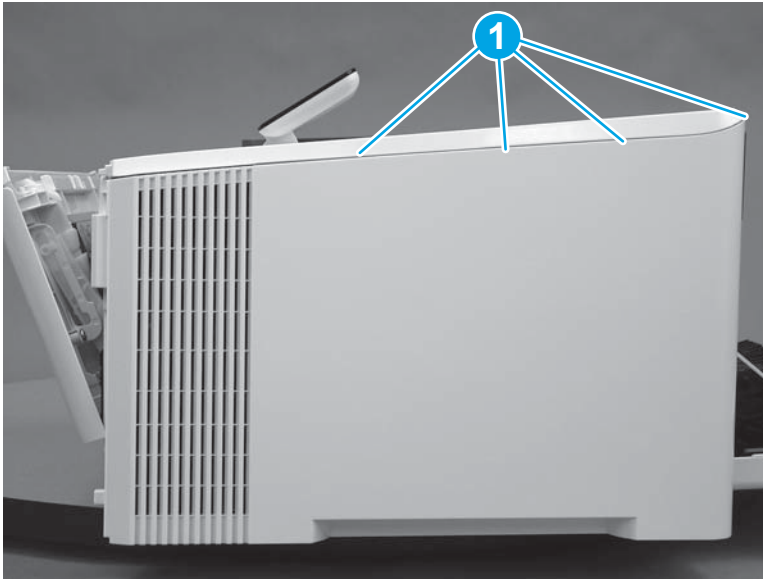
⚠ CAUTION: Be careful not to dislodge the power switch (callout 2).

Figure 1-3391 Release two front tabs



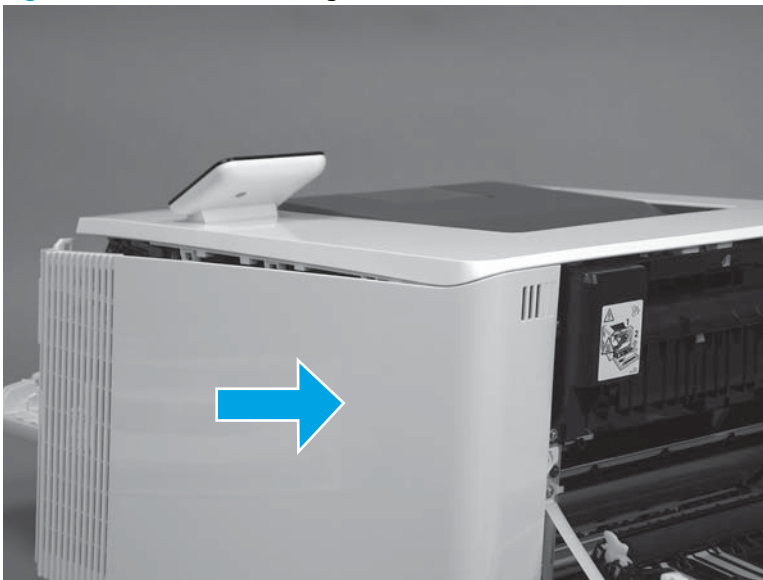
7. Release four tabs on the top of the printer (callout 1).

Figure 1-3392 Release upper tabs



8. Slide the cover toward the back of the printer to remove it.

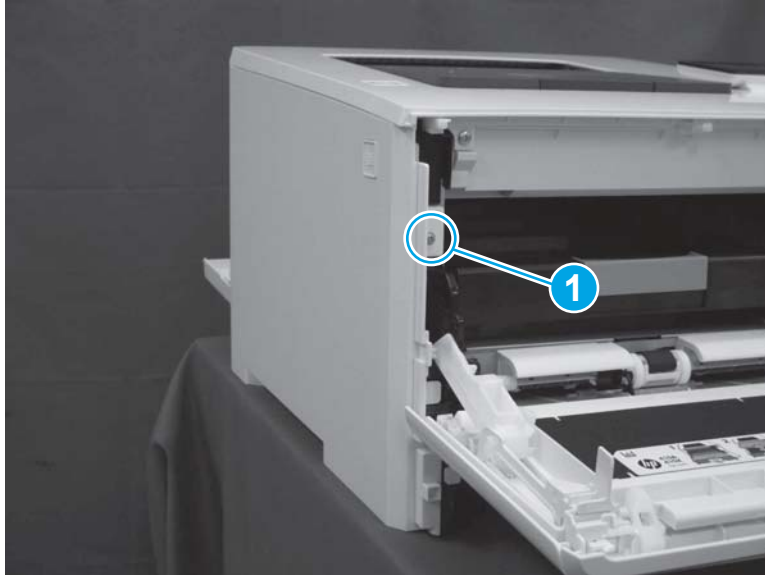
Figure 1-3393 Remove the right cover



Step 4: Remove the left cover (M452 models)

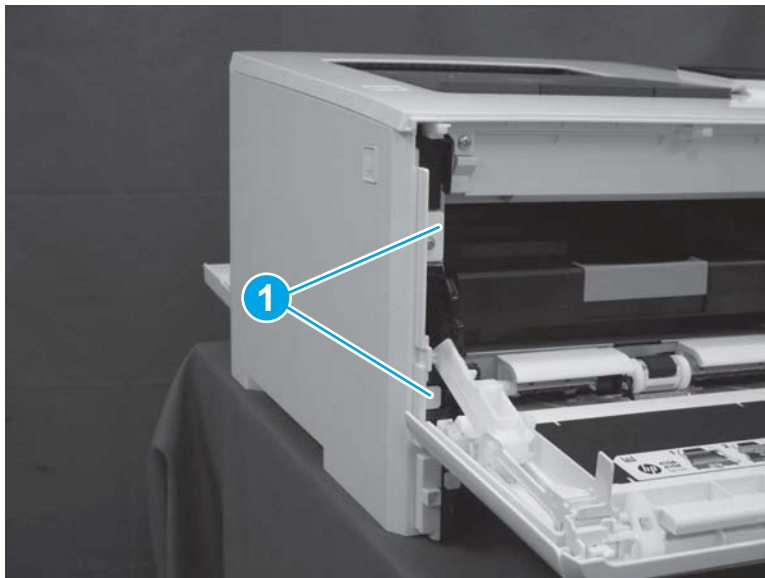
1. At the front of the printer, remove one screw (callout 1).

Figure 1-3394 Remove one screw



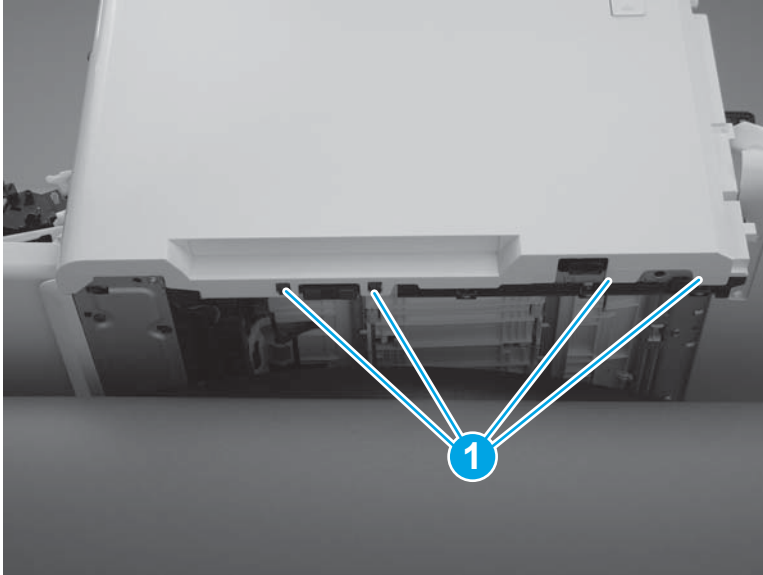
2. Release two tabs (callout 1) at the front of the cover. Hold the cover open to prevent the tabs from reengaging.

Figure 1-3395 Release two tabs



3. Slide the printer to the edge of a work surface. Note the location of the tabs on the lower edge of the cover (callout 1).

Figure 1-3396 Locate the tabs



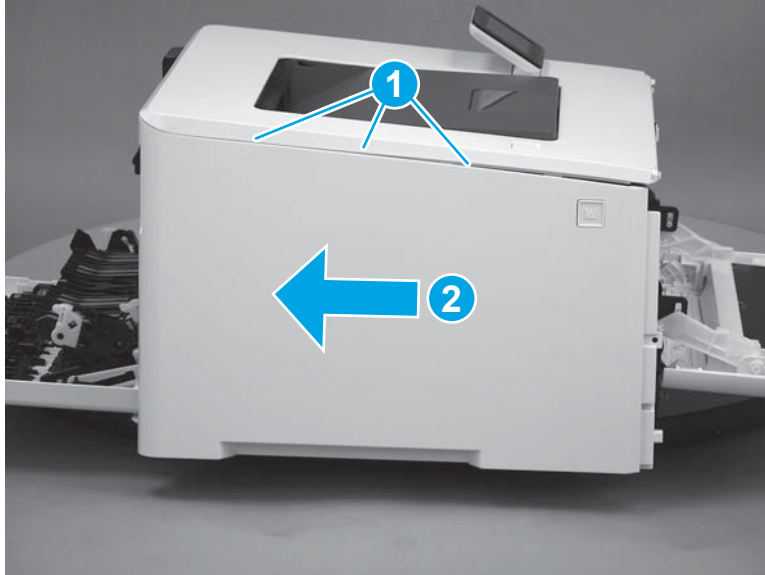
4. Beginning from the front of the cover, release four tabs (callouts 1-4) on the lower edge of the cover.

Figure 1-3397 Release bottom tabs




5. Release three tabs at the top of the cover (callout 1), and then slide the cover toward the rear of the printer to remove it.

Figure 1-3398 Release three tabs

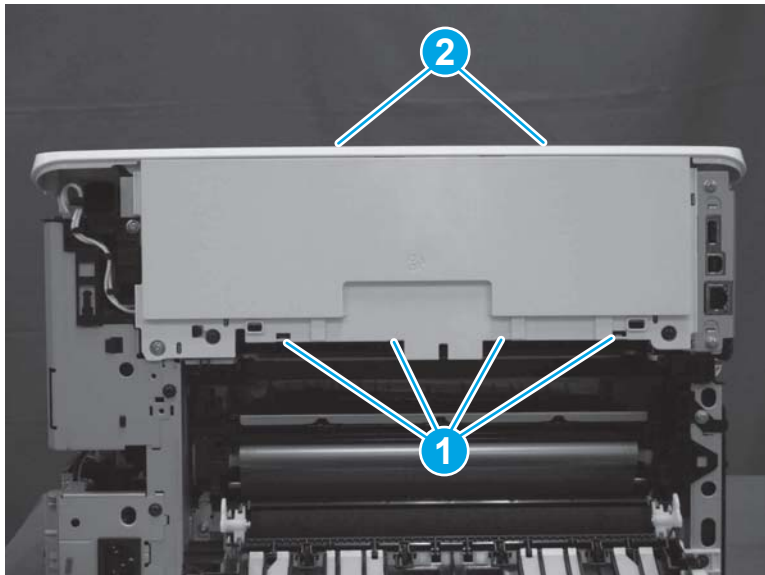


Step 5: Remove the rear top cover (simplex model)

 **NOTE:** This step is for simplex models. For duplex models, skip this step and go to [Step 6: Remove the top cover \(M452 models\) on page 1806](#).

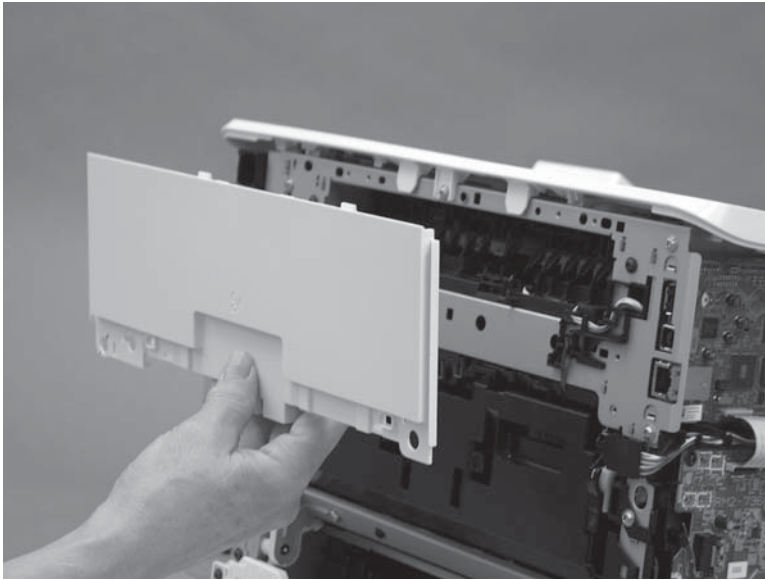
1. At the back of the printer, release four tabs (callout 1) on the bottom of the cover and two tabs (callout 2) on the top of the cover.

Figure 1-3399 Release six tabs



2. Remove the rear top cover.

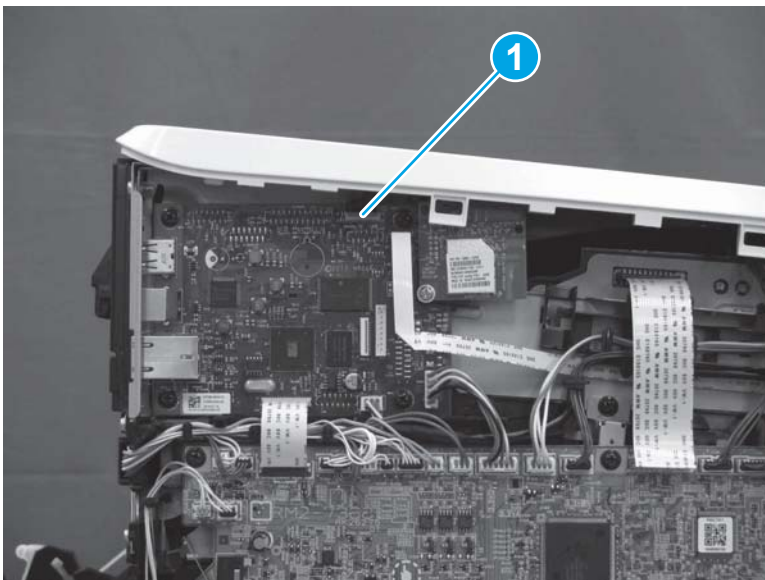
Figure 1-3400 Remove the rear top cover



Step 6: Remove the top cover (M452 models)

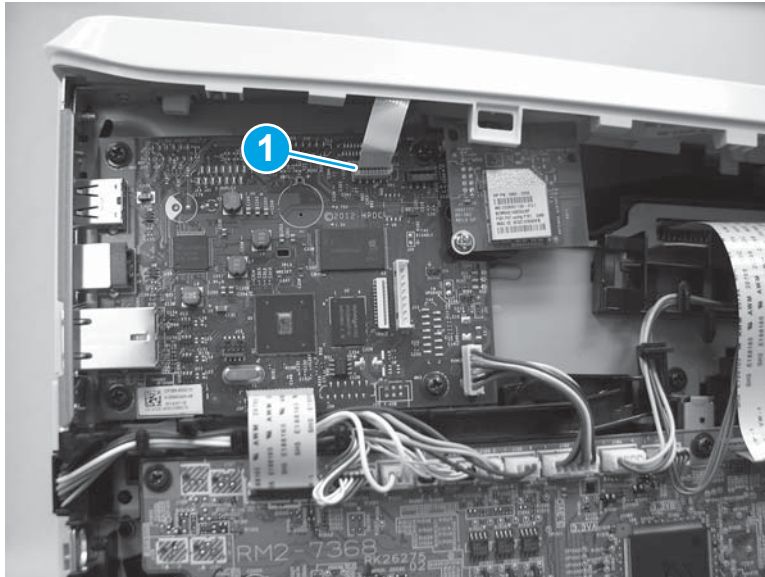
1. **M452dw model only:** On the left side of the printer, on the formatter, disconnect one connector (callout 1).

Figure 1-3401 Disconnect one connector



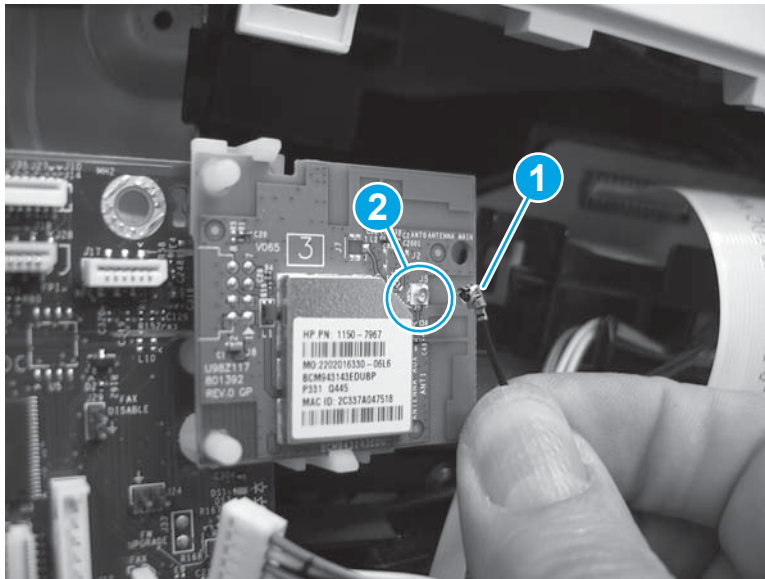
2. **M452nw/dn models only:** On the left side of the printer, on the formatter, disconnect one connector (callout 1).

Figure 1-3402 Disconnect one connector



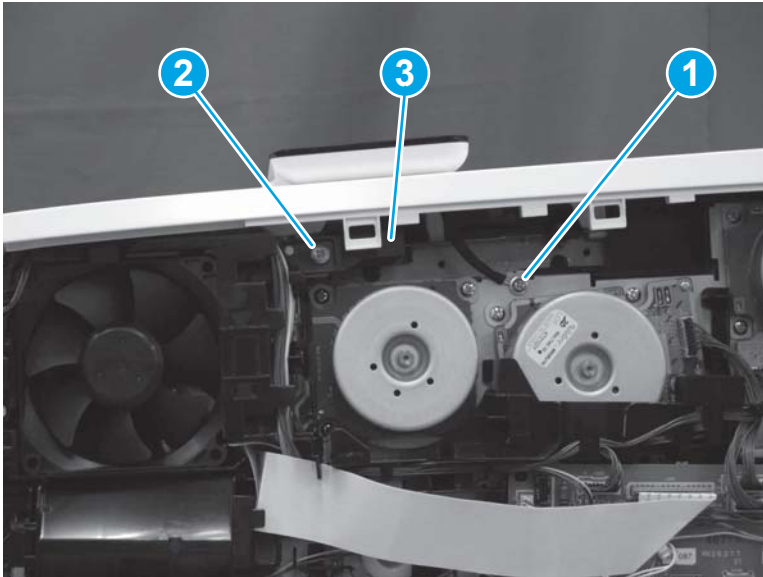
3. **M452nw/dw models only:** Disconnect the antenna (callout 1) from the connector (callout 2) on the wireless PCA.

Figure 1-3403 Disconnect the antenna



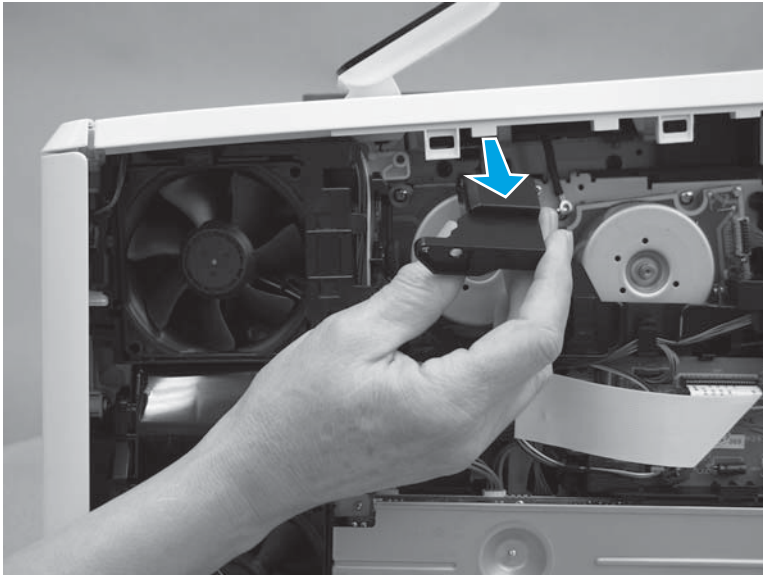
4. **M452dw model only:** Remove one screw (callout 1) and release one ground wire. Remove one screw (callout 2). Note the location (callout 3) of the guide.

Figure 1-3404 Remove two screws



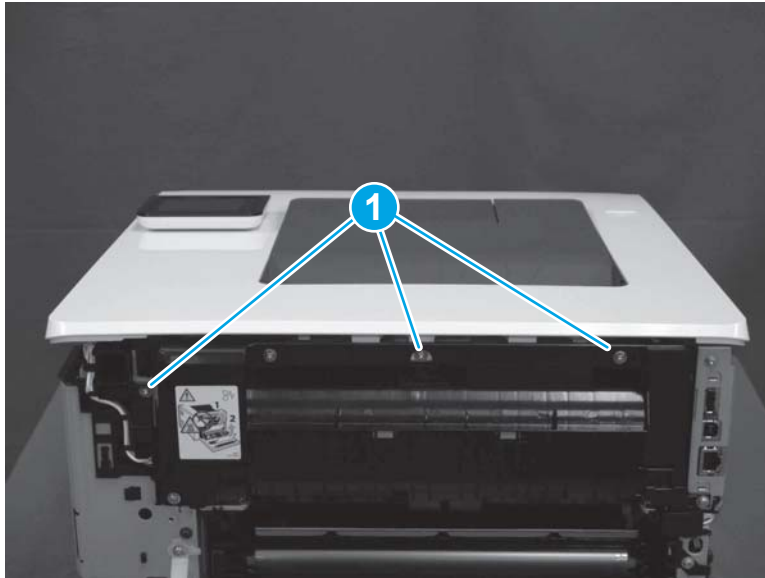
5. **M452dw model only:** Remove the guide.

Figure 1-3405 Remove the guide



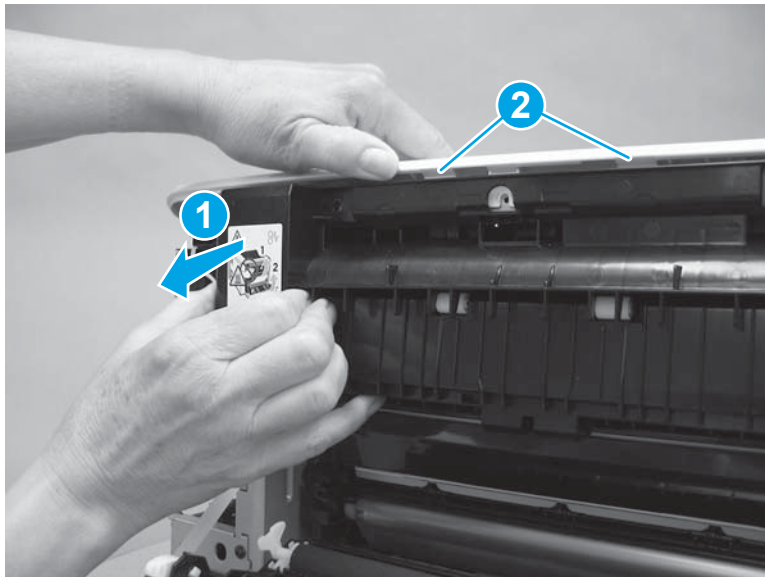
6. **M452dn/dw models only:** At the back of the printer, remove three screws (callout 1).

Figure 1-3406 Remove three screws



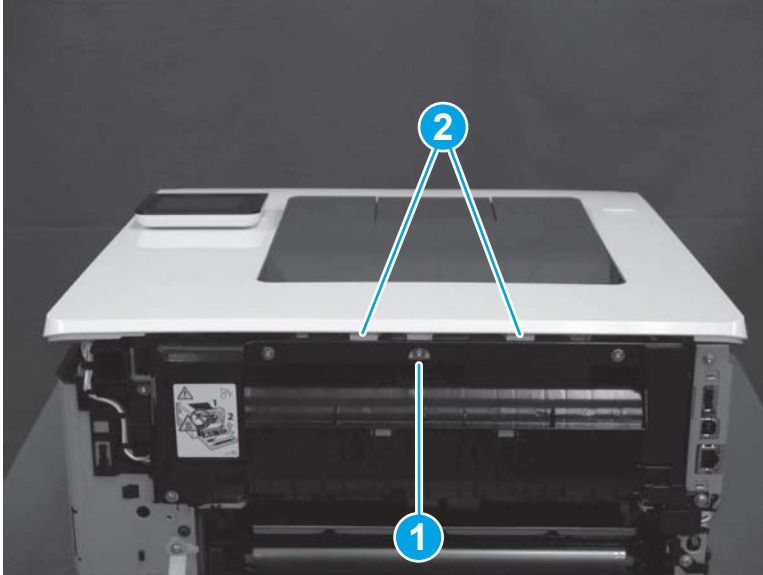
7. **M452dn/dw models only:** Gently pull the top of the fuser away (callout 1), and then release two tabs (callout 2).

Figure 1-3407 Release two tabs



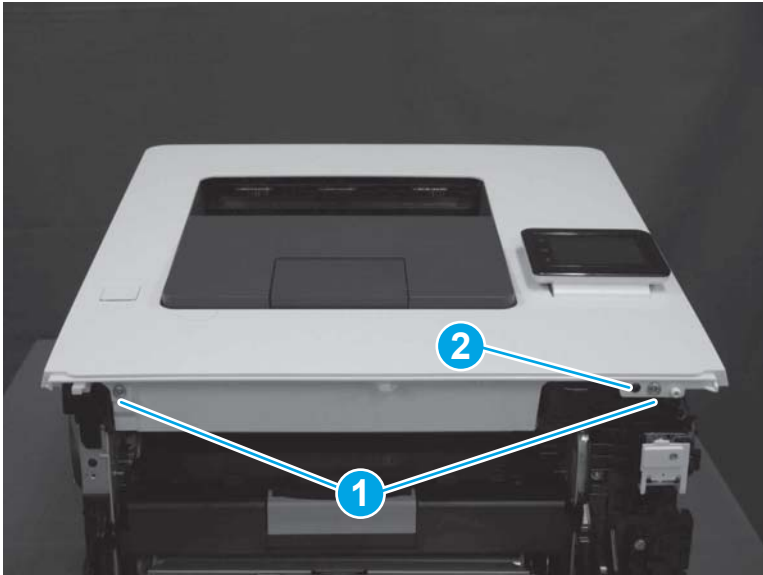
- 8. M452nw model only:** At the back of the printer, remove one screw (callout 1), and then release two tabs (callout 2).

Figure 1-3408 Remove screw and release two tabs



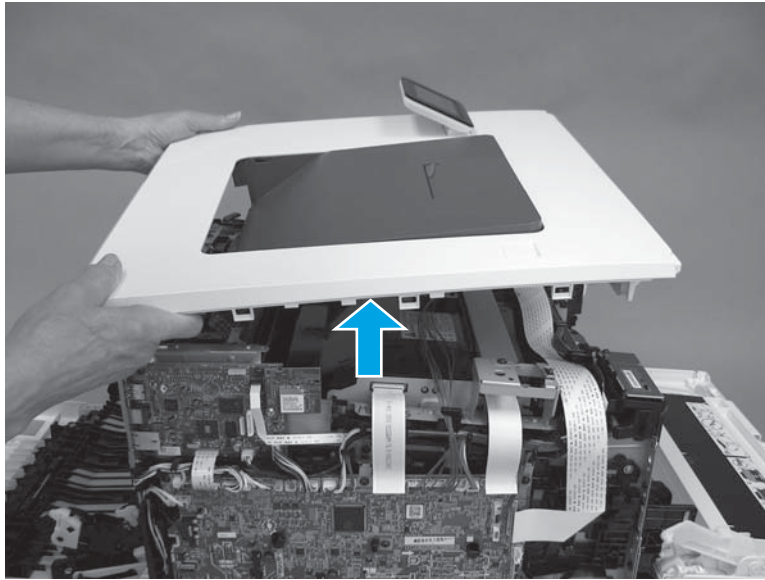
- 9.** At the front of the printer, remove two screws (callout 1), and then release one tab (callout 2).

Figure 1-3409 Remove two screws and release one tab



10. Remove the top cover.

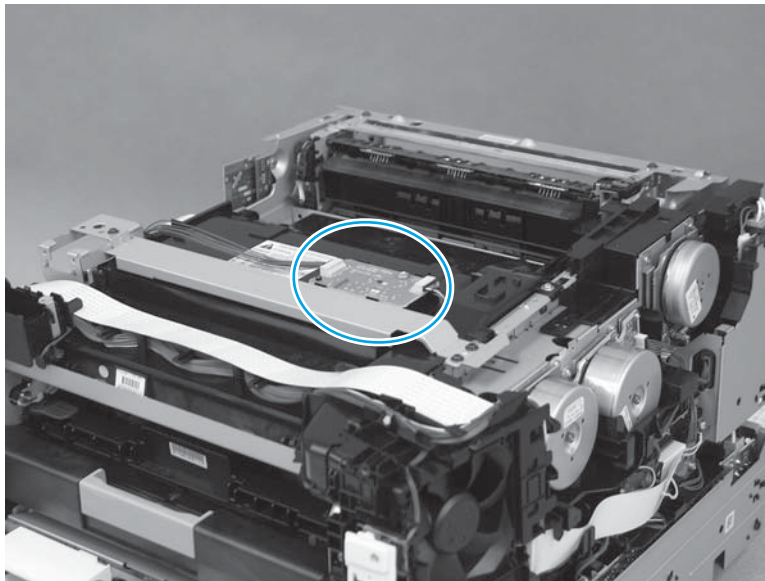
Figure 1-3410 Remove the top cover



Step 7: Remove the memory PCA

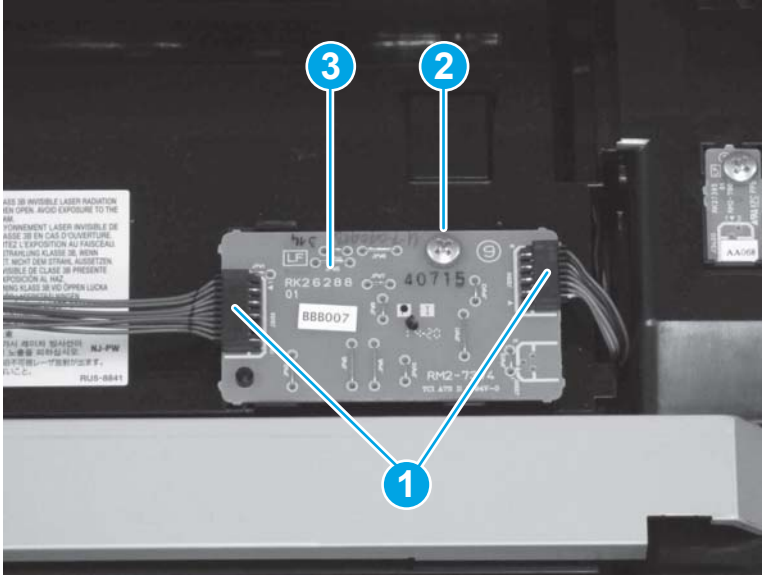
1. Locate the memory PCA on the top of the printer.

Figure 1-3411 Locate the memory PCA




2. Disconnect two connectors (callout 1), remove one screw (callout 2), and then remove the memory PCA (callout 3).

Figure 1-3412 Remove the memory PCA

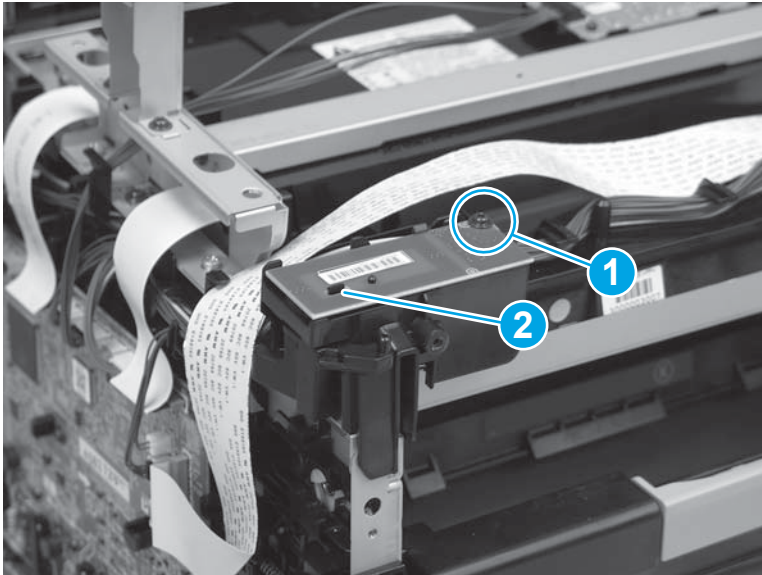


Step 8: Remove the NFC PCA (M452dw model)

 **NOTE:** This step is for the M452dw model only. For all other models, skip this step and go to [Step 9: Remove the laser scanner \(M452 models\) on page 1813](#).

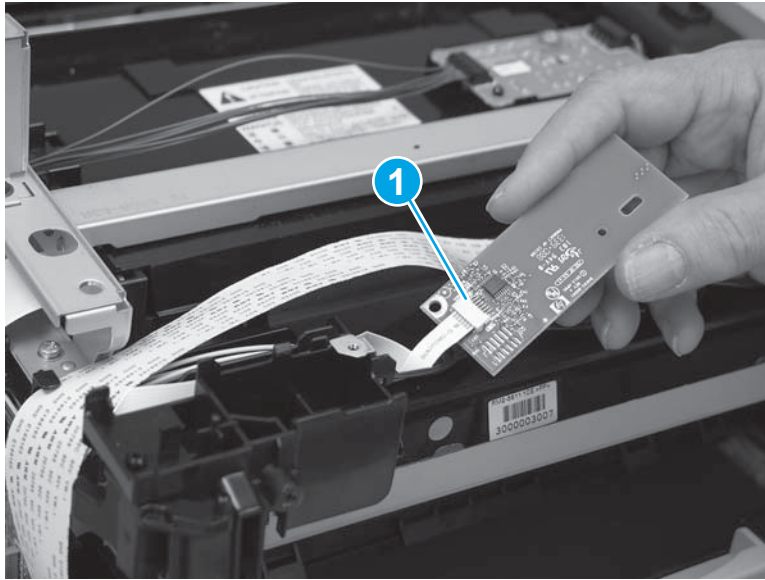
1. Remove one screw (callout 1), and then release one tab (callout 2).

Figure 1-3413 Remove one screw and release one tab



2. Disconnect one connector (callout 1), and then remove the NFC PCA.

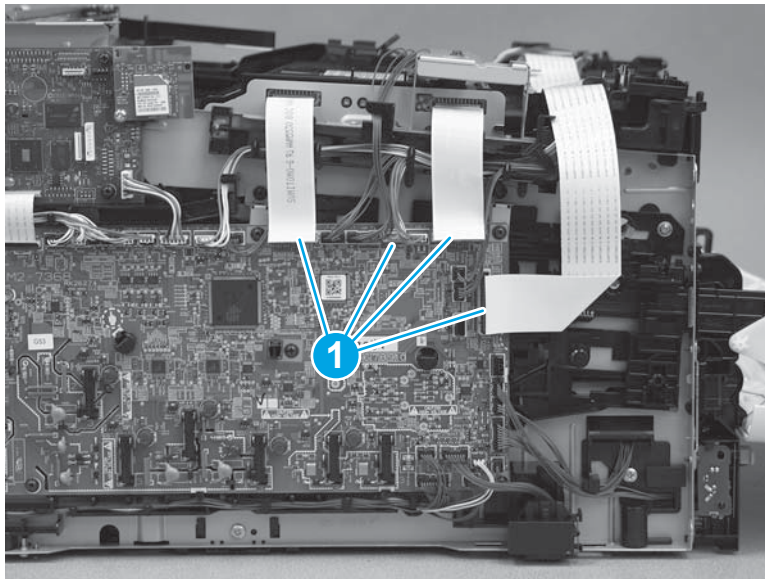
Figure 1-3414 Disconnect one connector



Step 9: Remove the laser scanner (M452 models)

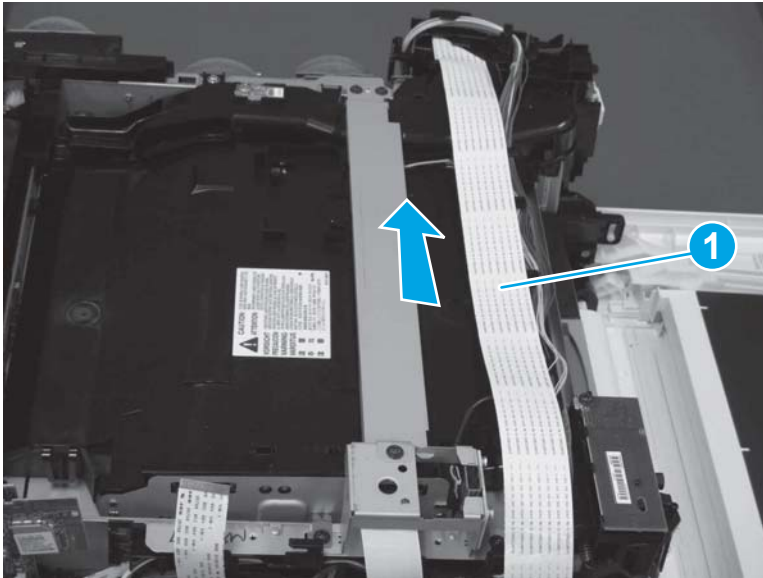
1. On the left side of the printer, on the formatter PCA, disconnect four connectors (callout 1).

Figure 1-3415 Disconnect four connectors



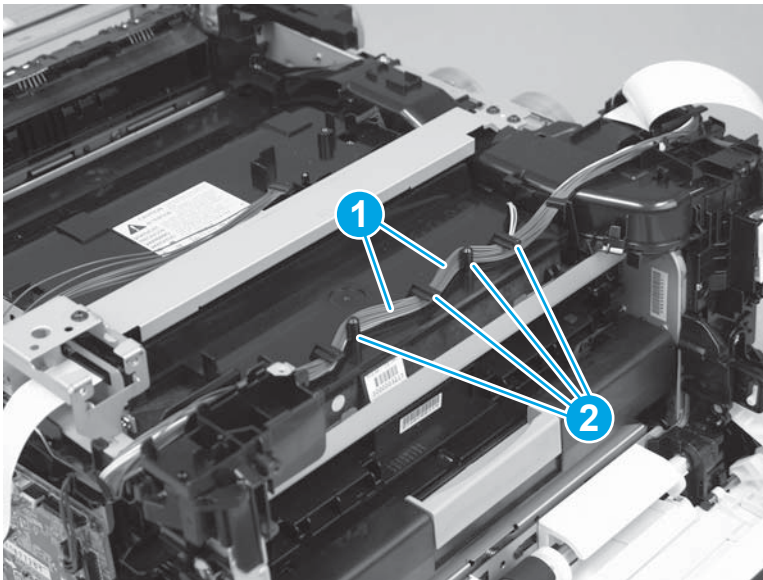
2. Lift the flat cable (callout 1) over to the right side of the printer to allow access to the cables under it.

Figure 1-3416 Lift the flat cable



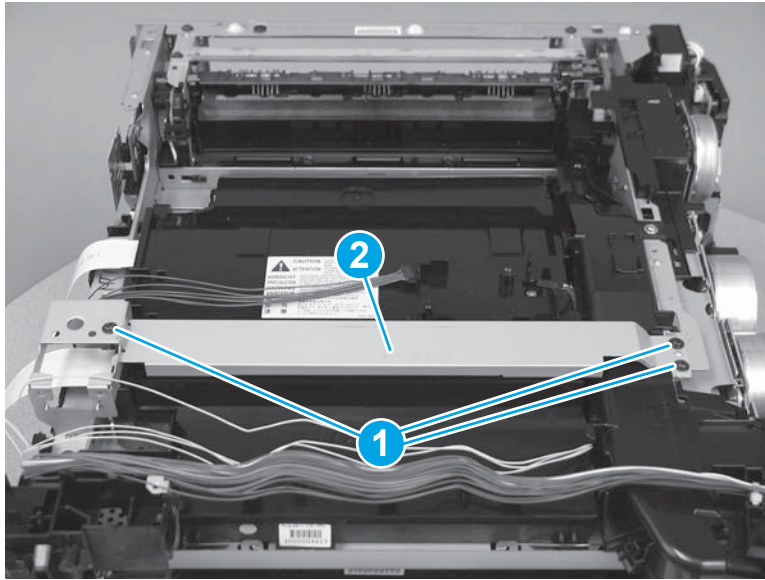
3. Release all of the cables (callout 1) from the cable guides (callout 2).

Figure 1-3417 Release the cables from the guides



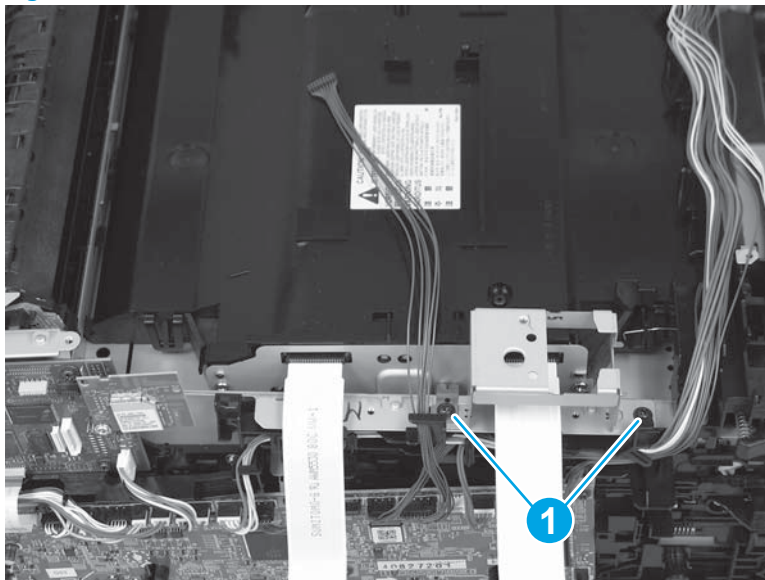
4. Remove three screws (callout 1), and then remove the metal bracket (callout 2).

Figure 1-3418 Remove the bracket



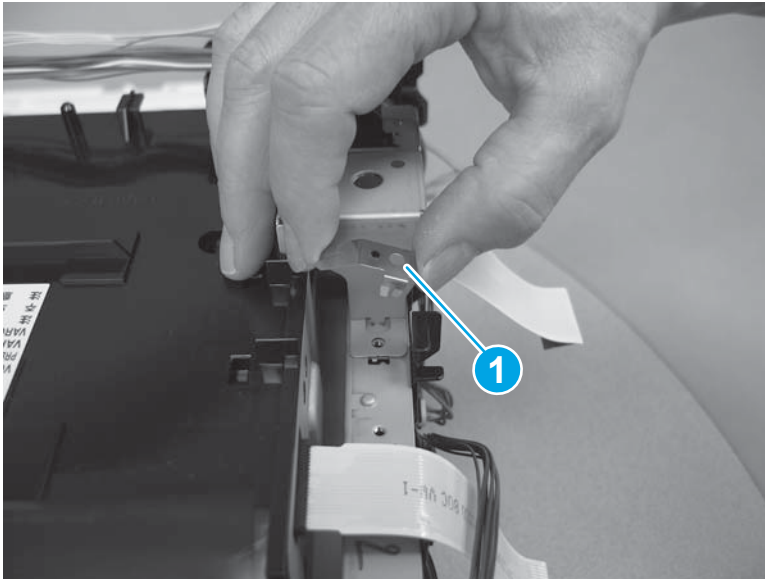
5. Remove two screws (callout 1).

Figure 1-3419 Remove two screws



6. Remove the grounding plate (callout 1).

Figure 1-3420 Remove the grounding plate



7. **M452dw only:** Disconnect one connector (callout 1) on the walk-up USB port.

Figure 1-3421 Disconnect one connector



8. Remove the USB bracket (callout 1).


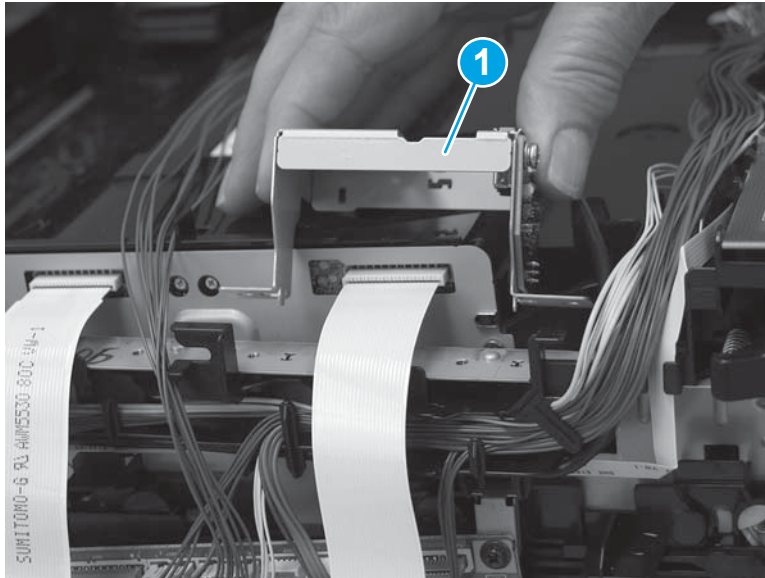
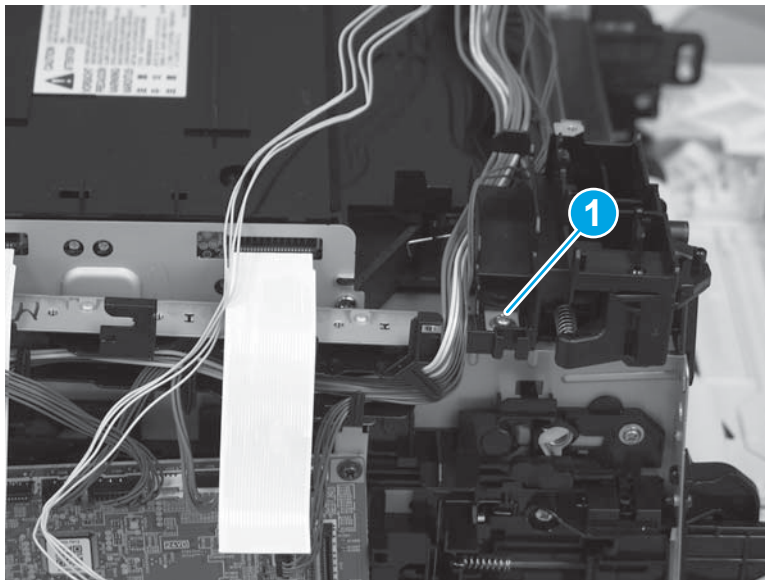
 **NOTE:** The M452dw model is shown in the figure below. The walk-up USB port is attached to the USB bracket for this model only.

Figure 1-3422 Remove the USB bracket



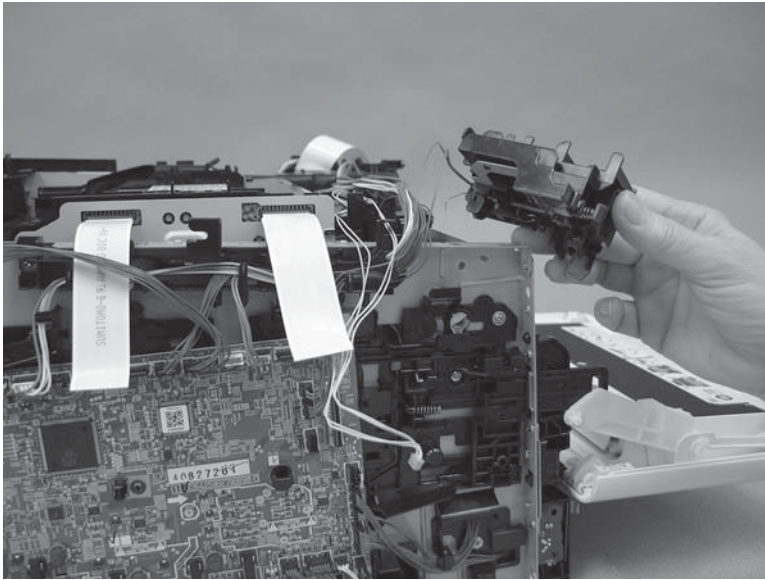
9. Remove one screw (callout 1).

Figure 1-3423 Remove one screw



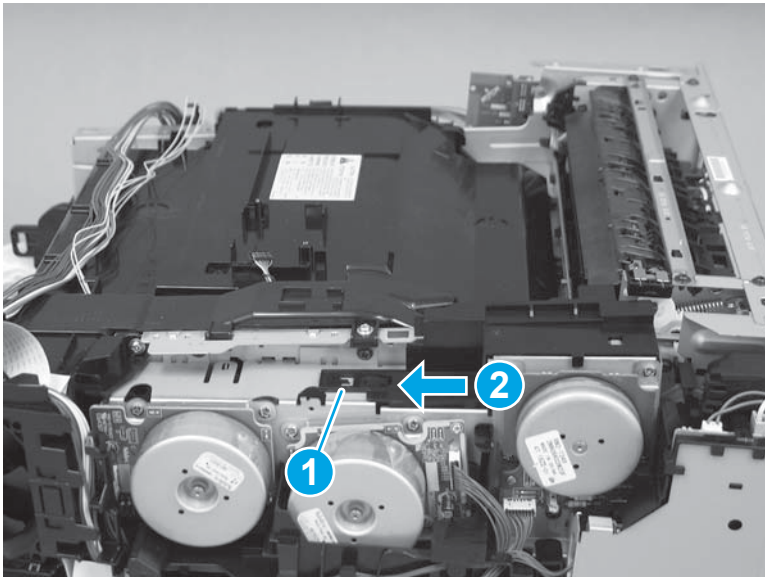
10. Remove the front door switch holder.

Figure 1-3424 Remove the front door switch holder



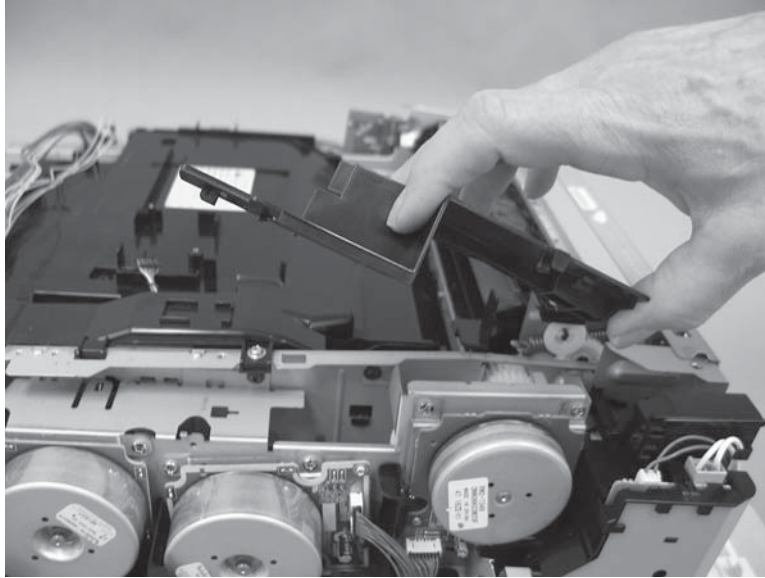
11. On the right side of the printer, toward the back, release one tab (callout 1) and then slide (callout 2) the black cover toward the front of the printer.

Figure 1-3425 Release one tab on the cover



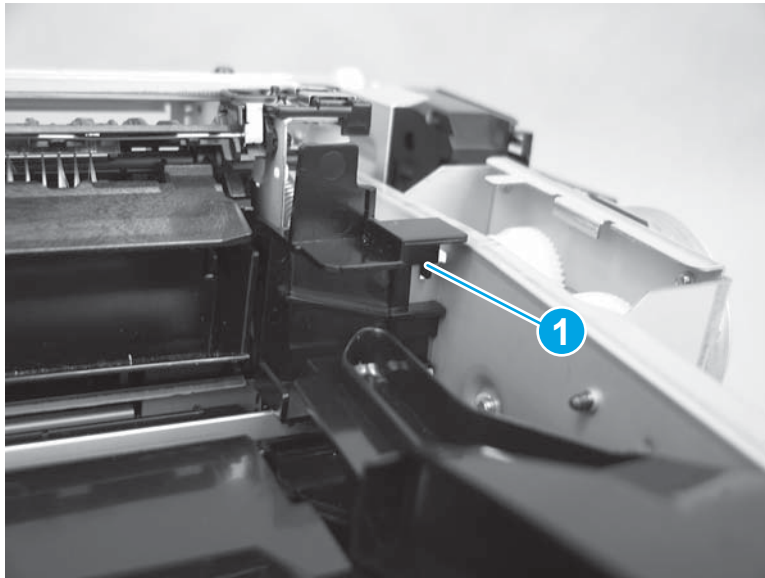
12. Remove the cover.

Figure 1-3426 Remove the cover



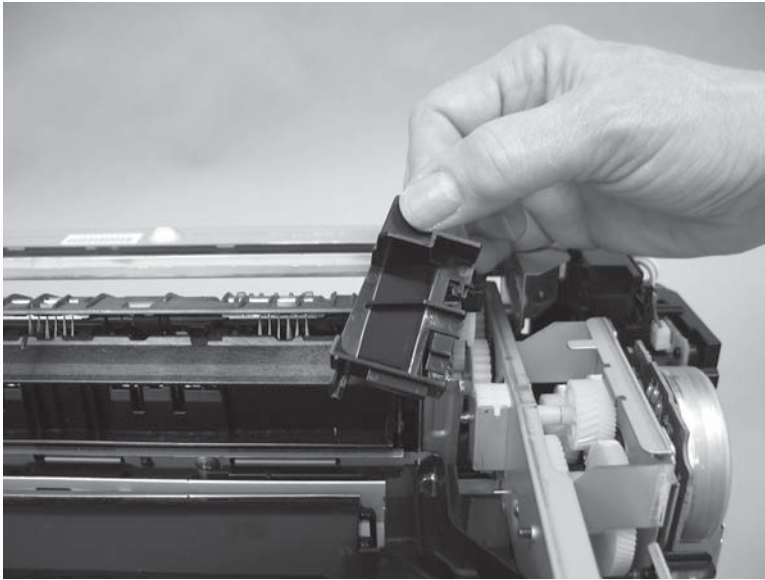
13. Release one tab (callout 1).

Figure 1-3427 Release one tab



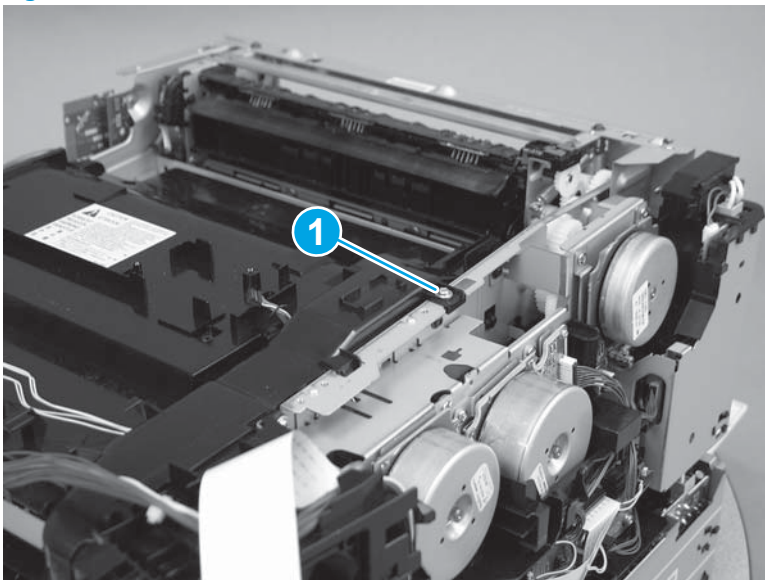
14. Remove the cover.

Figure 1-3428 Remove the cover



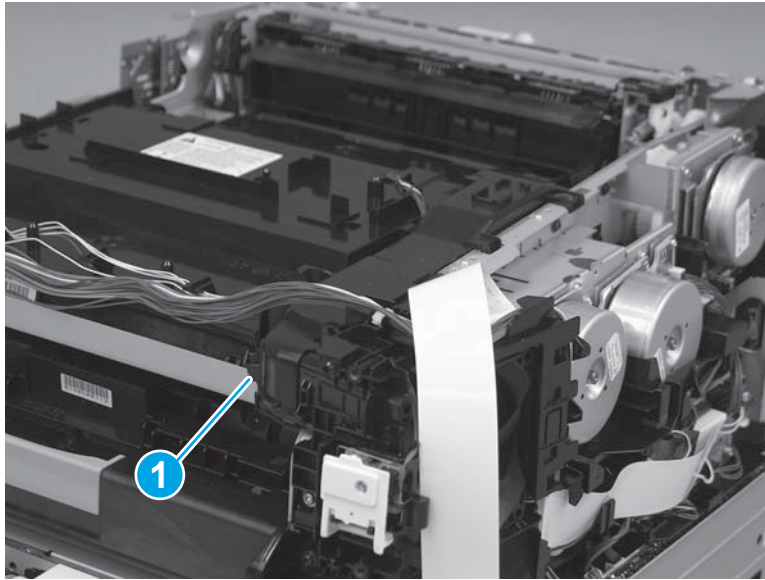
15. Remove one screw (callout 1).

Figure 1-3429 Remove one screw



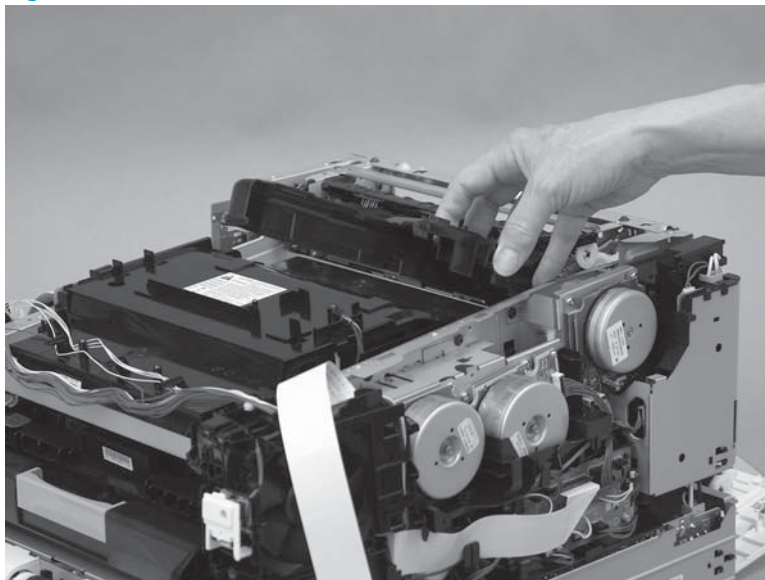
16. Release one tab (callout 1).

Figure 1-3430 Release one tab



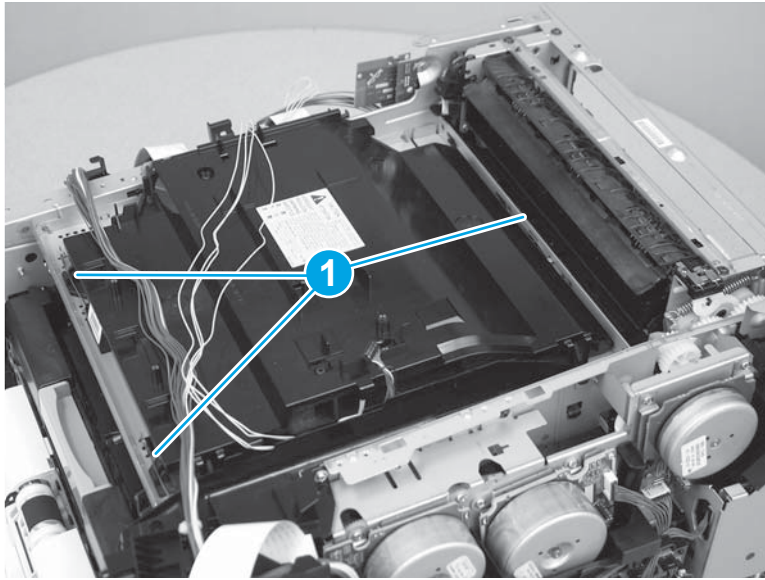
17. Remove the exhaust duct.

Figure 1-3431 Remove the exhaust duct



18. Use needle-nose pliers to release three springs (callout 1).

Figure 1-3432 Release three springs




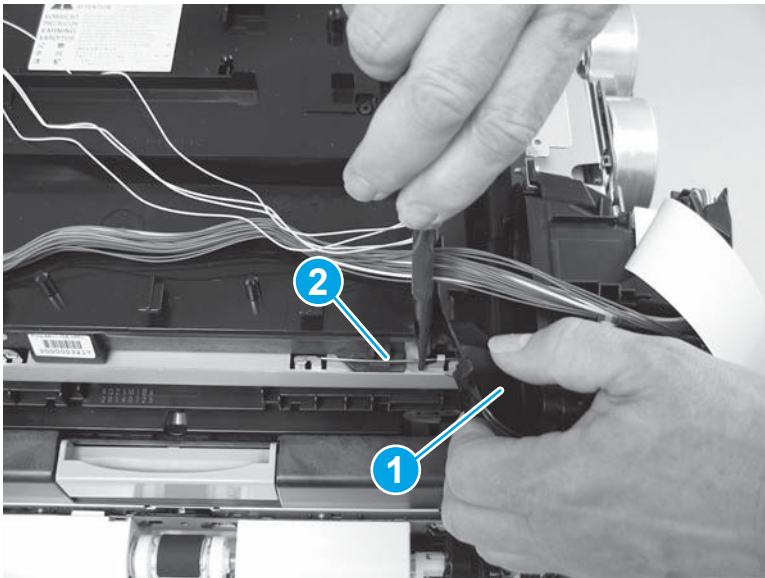
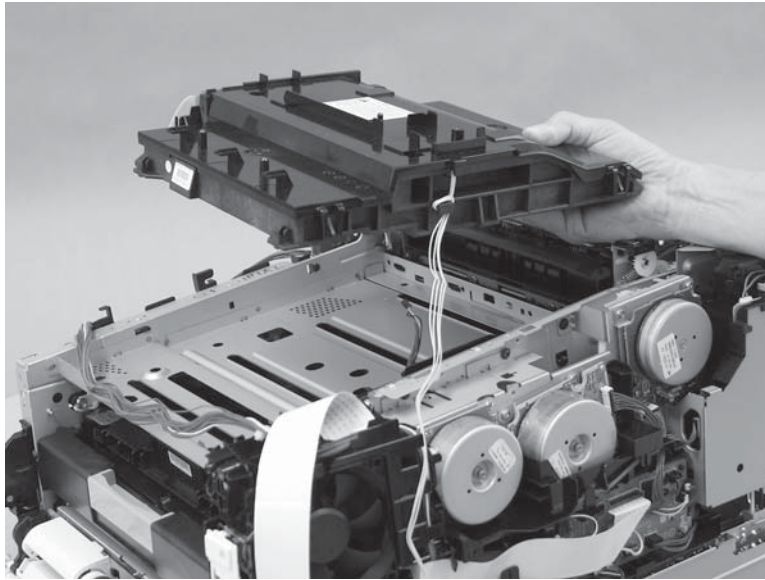
 **TIP:** Lift up the edge of the duct (callout 1) to release the right front spring (callout 2).

Figure 1-3433 Lift the duct to release the spring



19. Remove the laser scanner.

Figure 1-3434 Remove the laser scanner



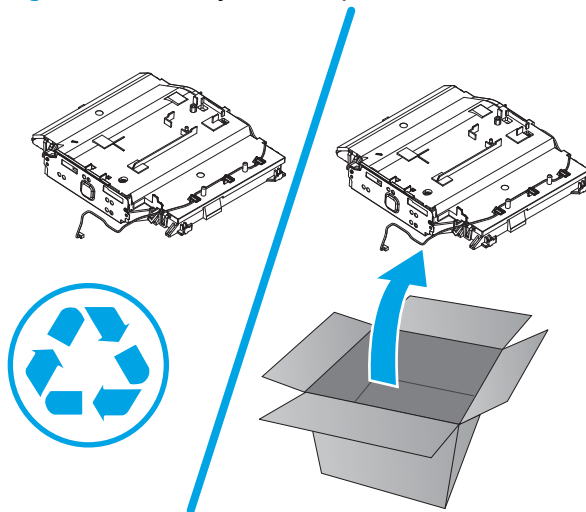
Step 10: Unpack the replacement part

Remove the new part from its package. Save all packaging for recycling the used part.

For complete information on HP's recycling programs, go to [Product return and recycling](#).

 **NOTE:** HP recommends responsible disposal of the defective part.

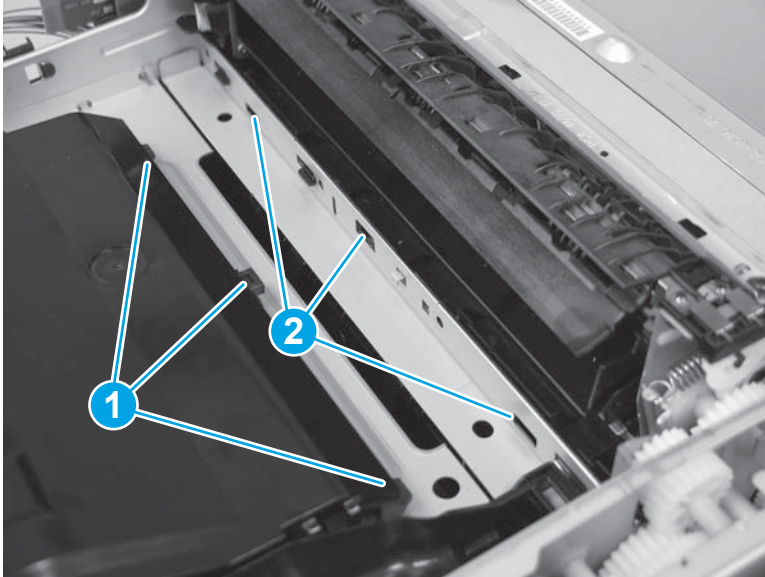
Figure 1-3435 Recycle and unpack



Step 11: Install the laser scanner (M452 models)

1. Install three tabs (callout 1) on back of the laser scanner into the slots (callout 2) in the printer frame.

Figure 1-3436 Install three tabs



2. Install the five tabs (callout 1) on the bottom of the laser scanner into the holes (callout 2) in the top of the printer.


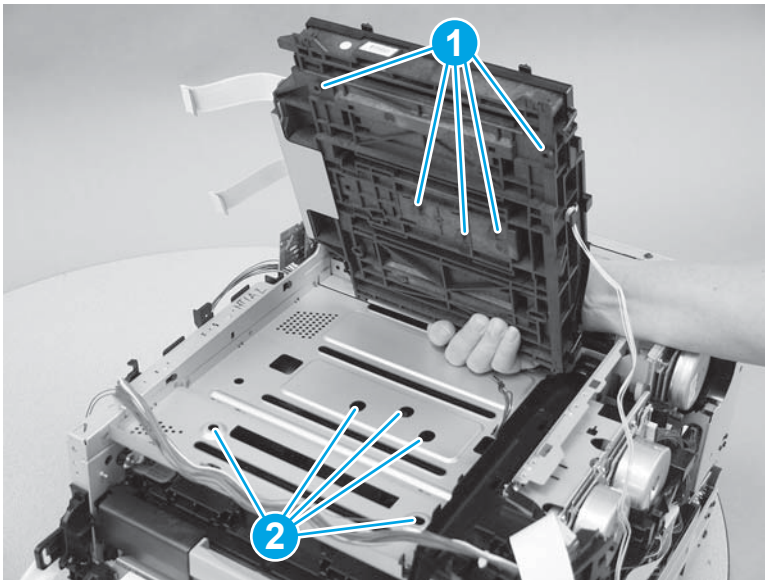
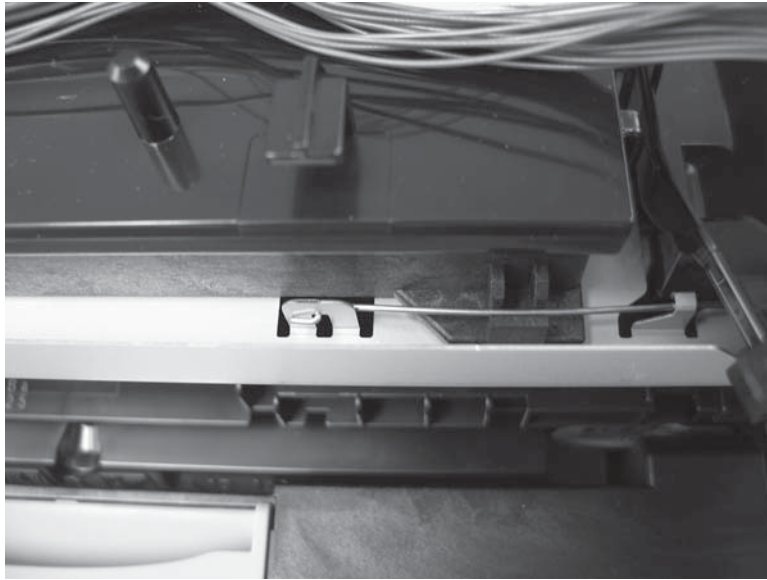
 **TIP:** Check the tabs by feeling along the underside of the sheet metal and verifying they are all fully installed.

Figure 1-3437 Install five tabs



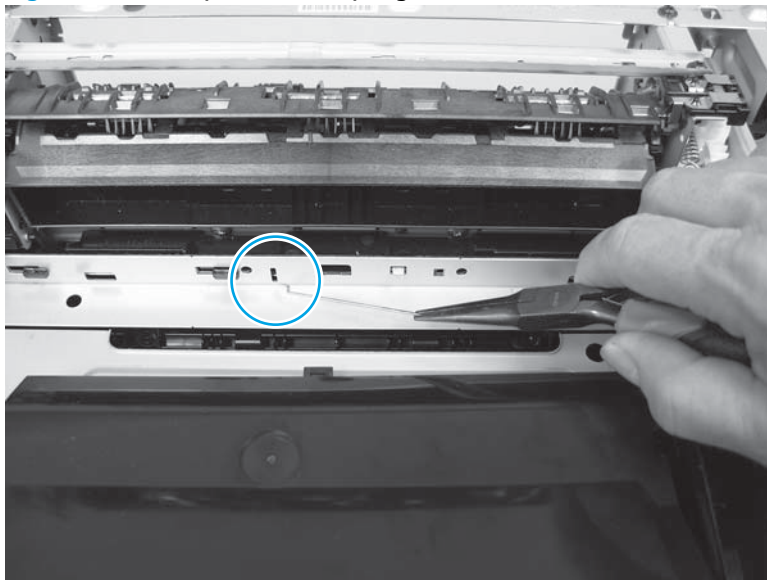
3. Before installing the springs in the next step, note the proper position of the springs when installed.

Figure 1-3438 Spring position



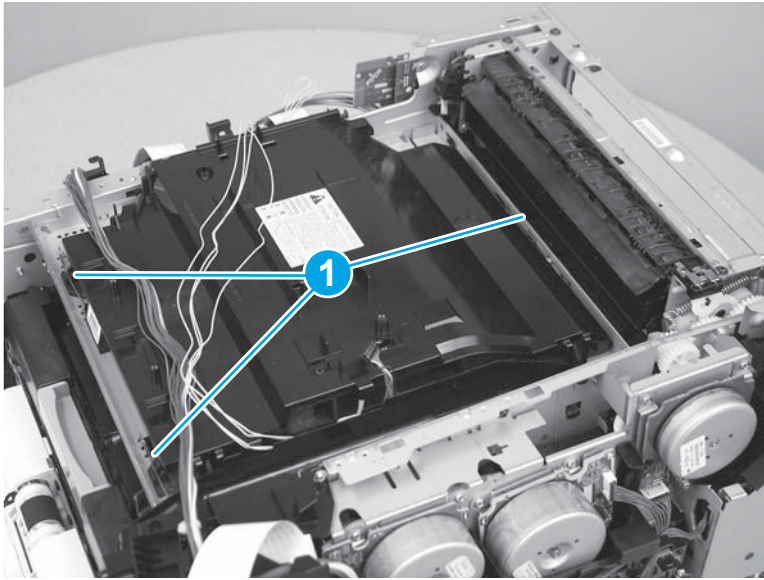
4. If the rear spring becomes dislodged from the printer frame, reposition it as shown below.

Figure 1-3439 Reposition the spring



5. Use needle-nose pliers to install three springs (callout 1).

Figure 1-3440 Install three springs




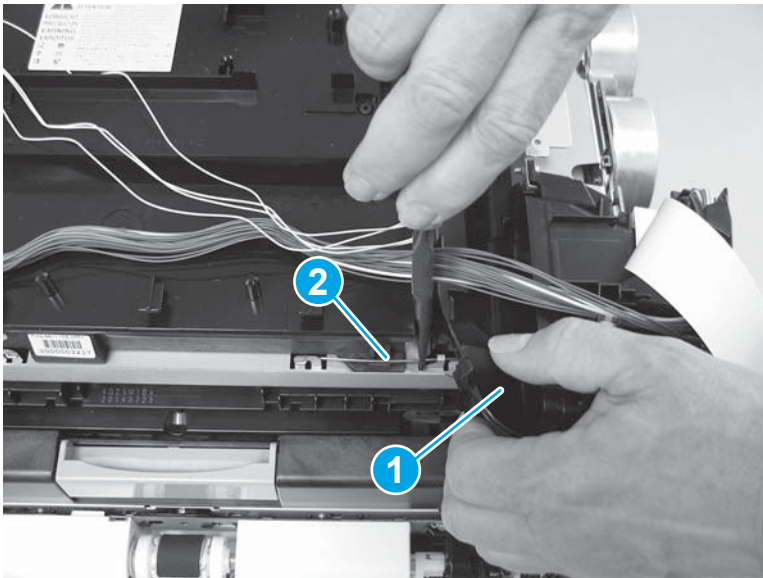
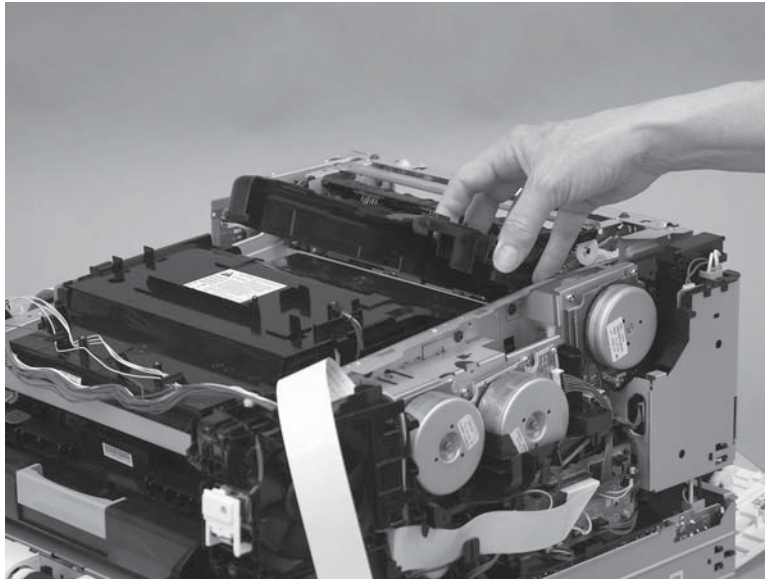
 **TIP:** Lift up the edge of the duct (callout 1) to install the right front spring (callout 2).

Figure 1-3441 Lift the duct to install the spring



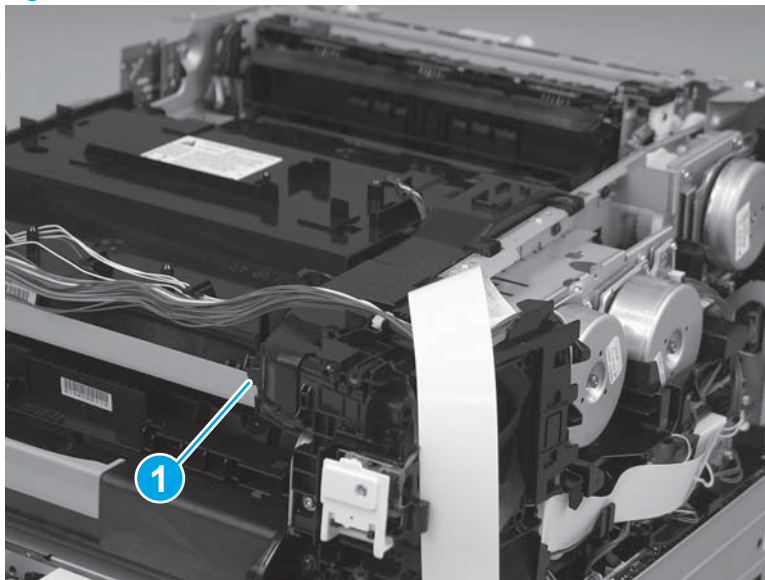
6. Position the exhaust duct on top of the printer.

Figure 1-3442 Position the exhaust duct



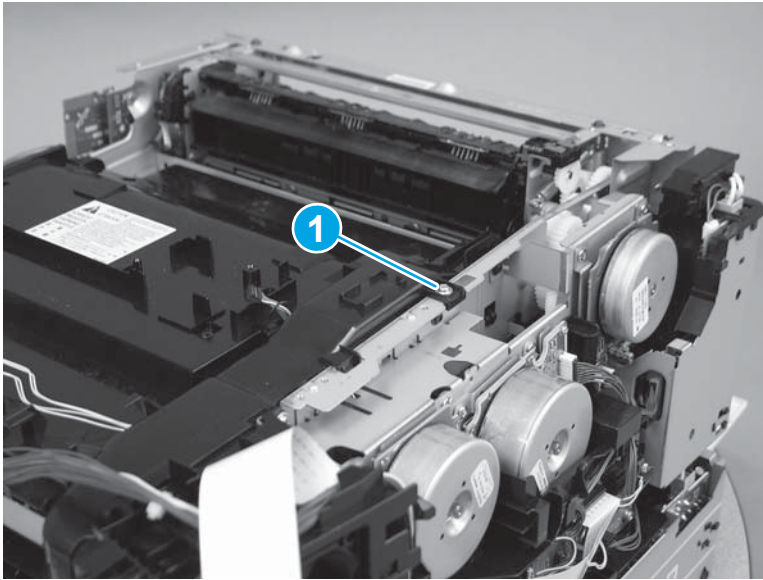
7. Install one tab (callout 1).

Figure 1-3443 Install one tab



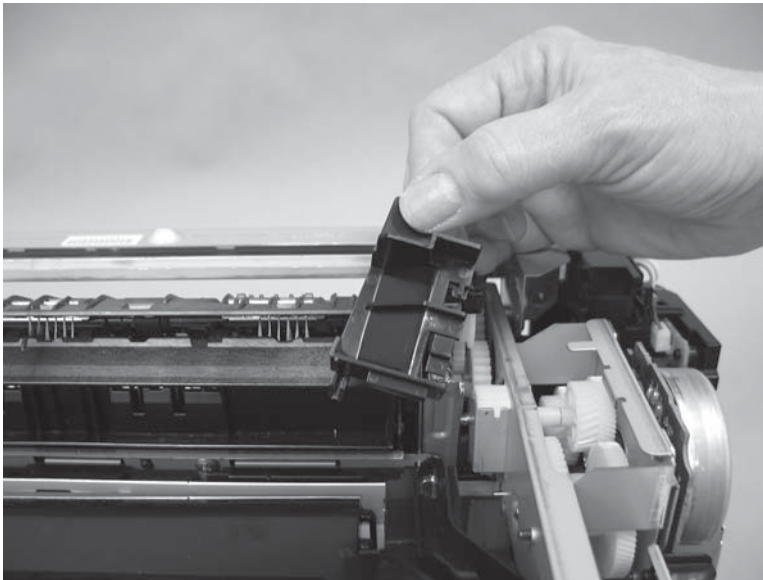
8. Install one screw (callout 1).

Figure 1-3444 Install one screw



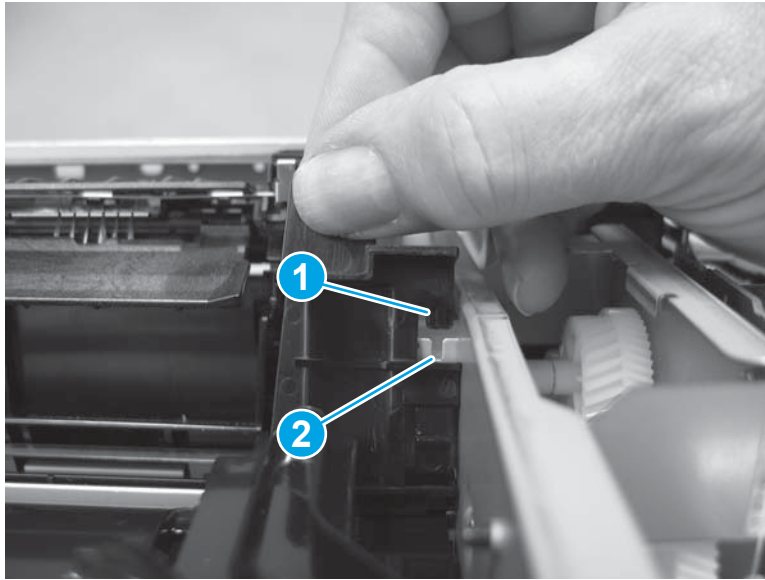
9. Position the cover on top of the printer.

Figure 1-3445 Position the cover



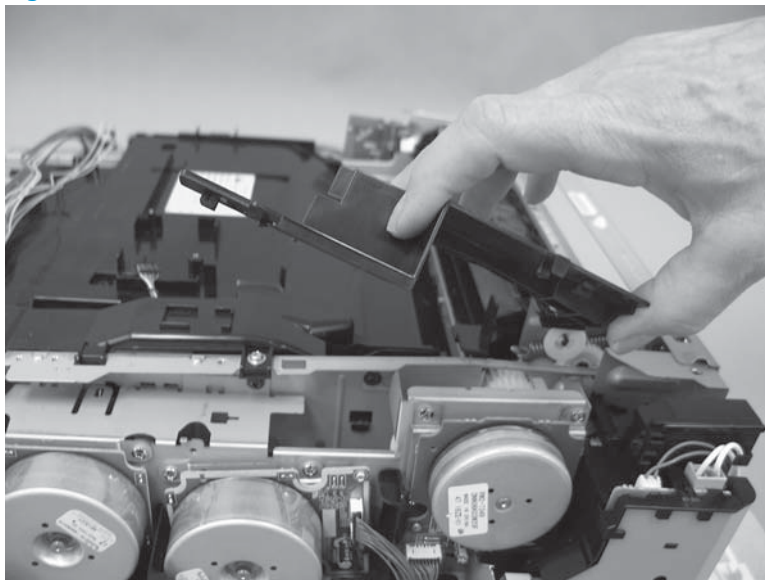
10. Install the tab (callout 1) on the cover in the slot (callout 2) in the printer frame and install the cover.

Figure 1-3446 Install the cover



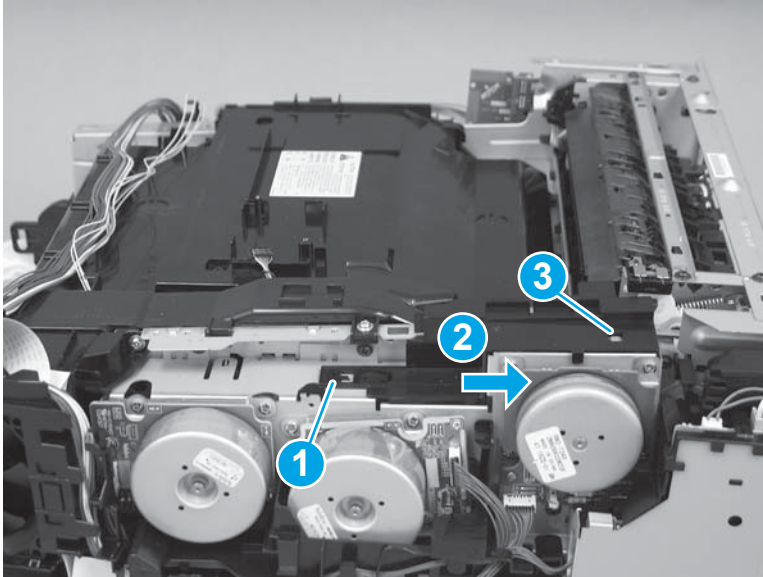
11. Position the cover on top of the printer.

Figure 1-3447 Position the cover



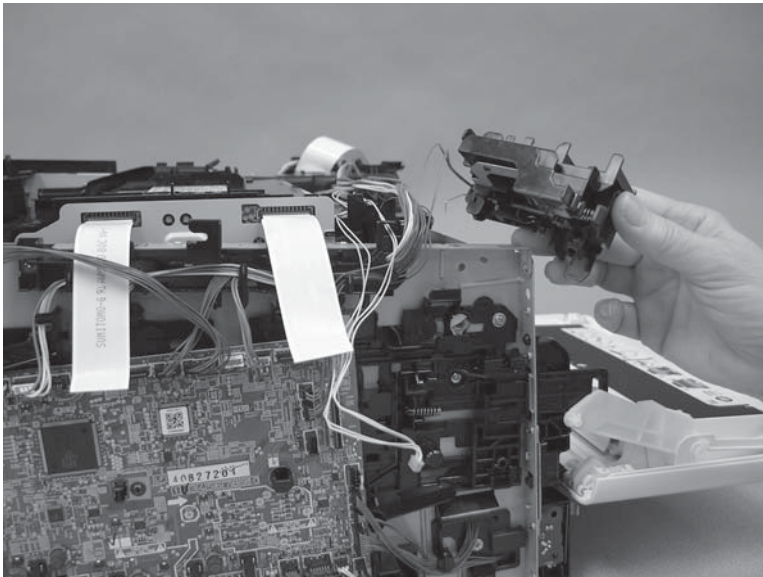
12. Install one tab (callout 1), and then slide the cover (callout 2) toward the back of the printer to install it. Make sure that the tab (callout 3) slides under the sheet metal.

Figure 1-3448 Install the cover



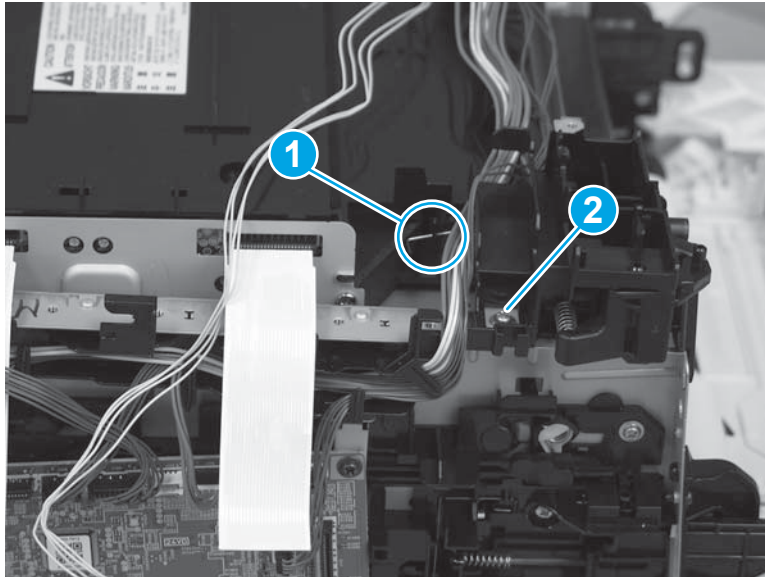
13. Position the front door switch holder on the printer.

Figure 1-3449 Position the front door switch holder



14. Position the spring on the switch holder over the lever on the laser scanner (callout 1), and then install one screw (callout 2).

Figure 1-3450 Position the spring and install one screw



15. Install the tabs (callout 1) on the USB bracket in the slots (callout 2) on the printer.


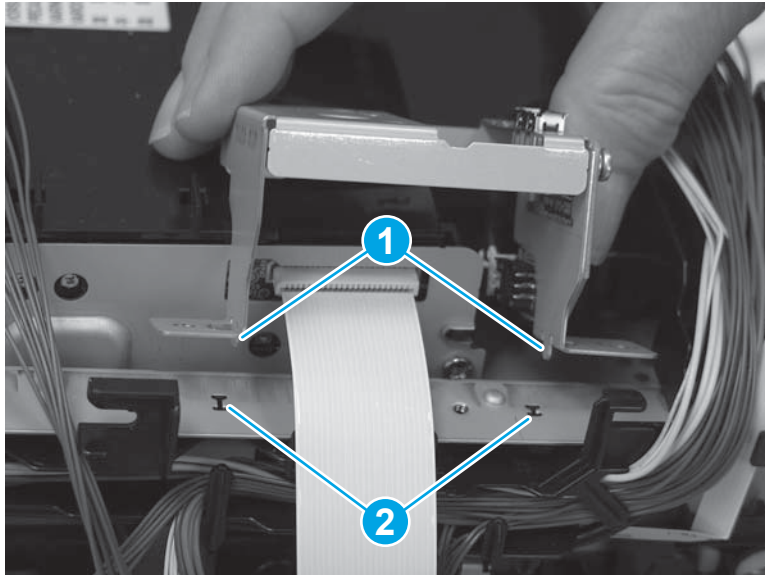
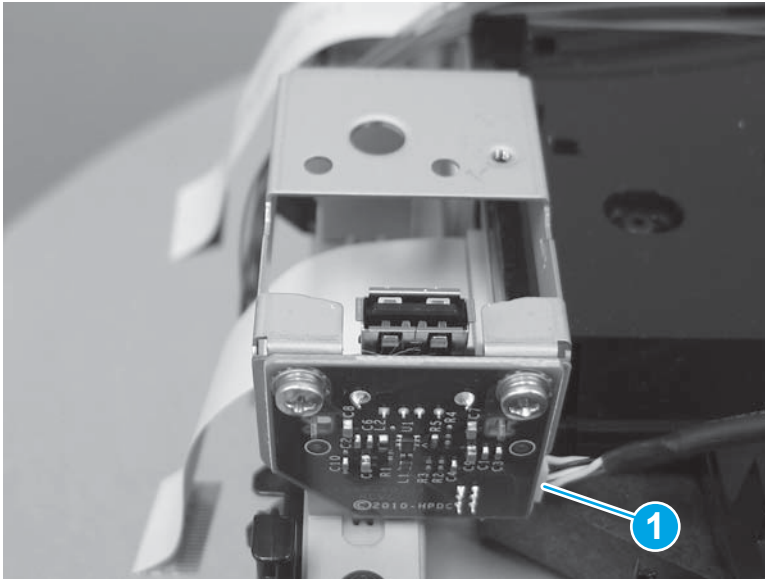
 **NOTE:** The M452dw model is shown in the figure below. The walk-up USB port is attached to the USB bracket for this model only.

Figure 1-3451 Install the USB bracket



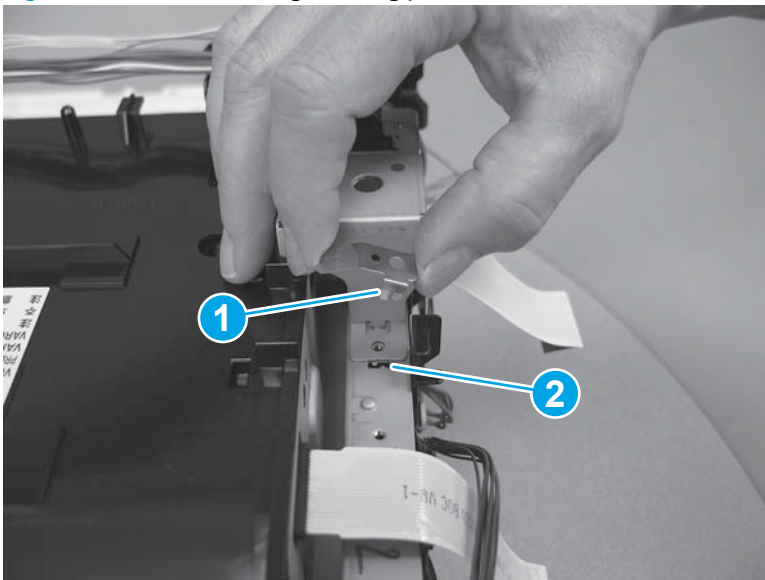
16. **M452dw only:** Connect one connector (callout 1) on the walk-up USB port.

Figure 1-3452 Connect one connector



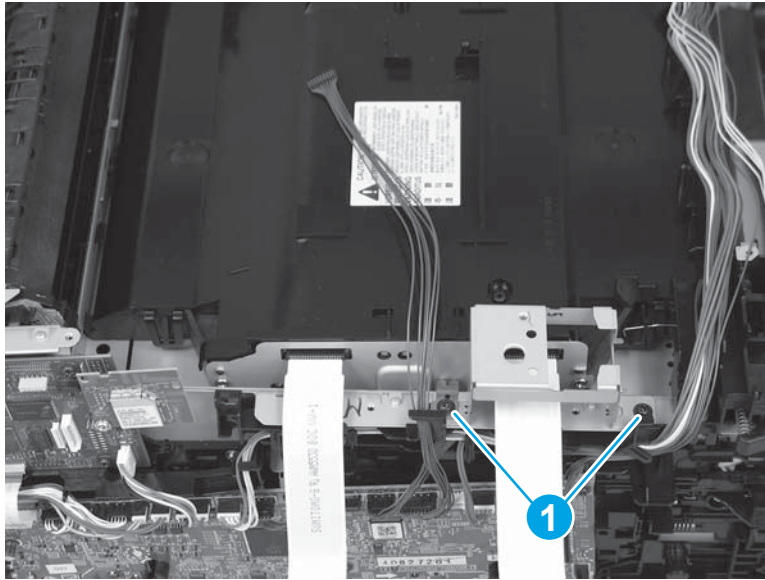
17. Install the tab on the grounding plate (callout 1) in the slot (callout 2) in the printer frame.

Figure 1-3453 Install the grounding plate



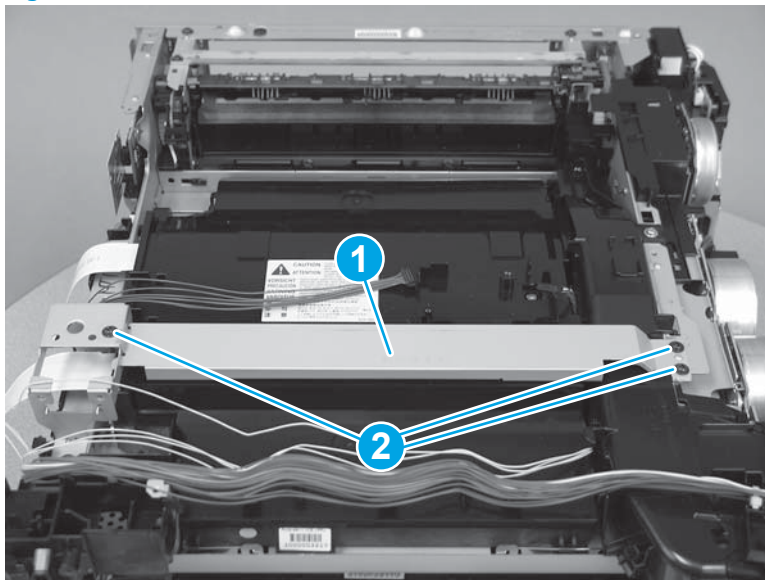
18. Install two screws (callout 1).

Figure 1-3454 Install two screws



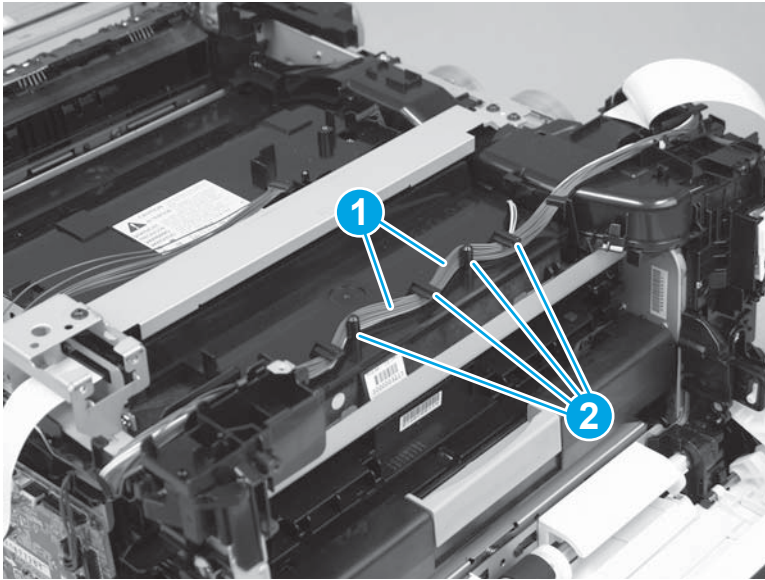
19. Position the metal bracket (callout 1) on top of the printer, and then install three screws (callout 2).

Figure 1-3455 Install the bracket



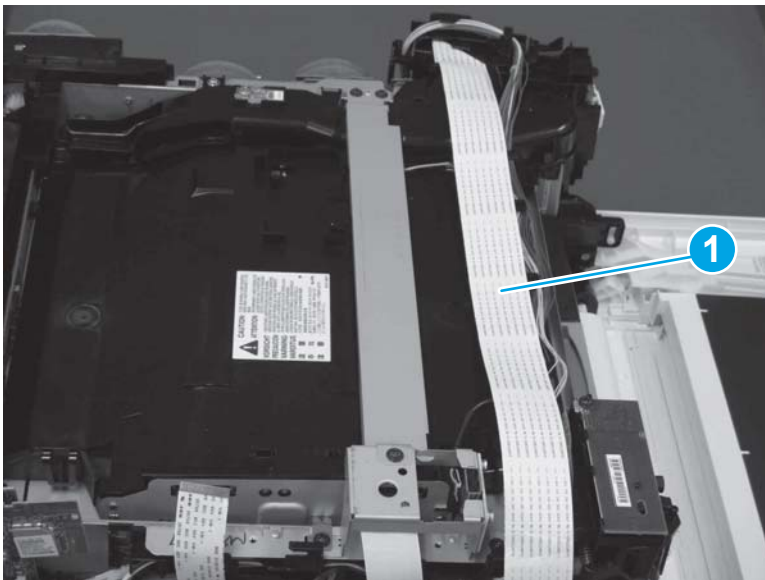
20. Install all of the cables (callout 1) into the cable guides (callout 2).

Figure 1-3456 Install the cables in the guides



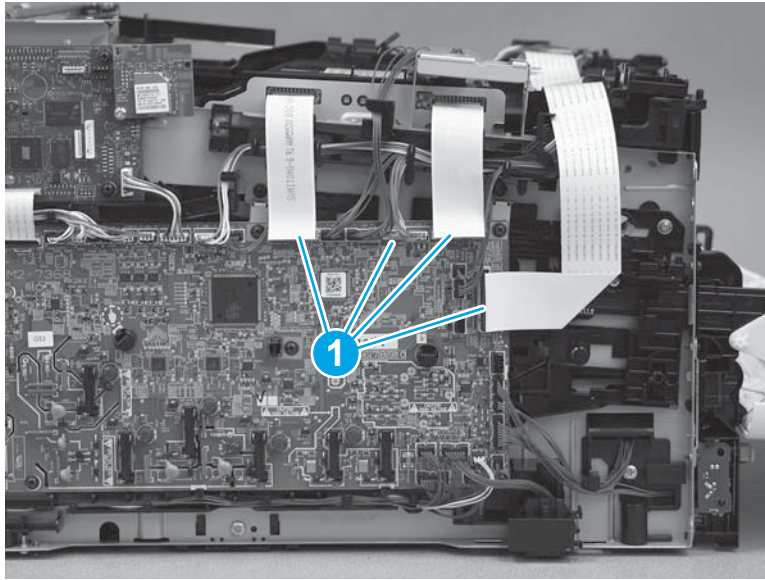
21. Position the flat cable (callout 1) over the top of the printer.

Figure 1-3457 Position the flat cable




22. On the left side of the printer, on the formatter PCA, connect four connectors (callout 1).

Figure 1-3458 Connect four connectors

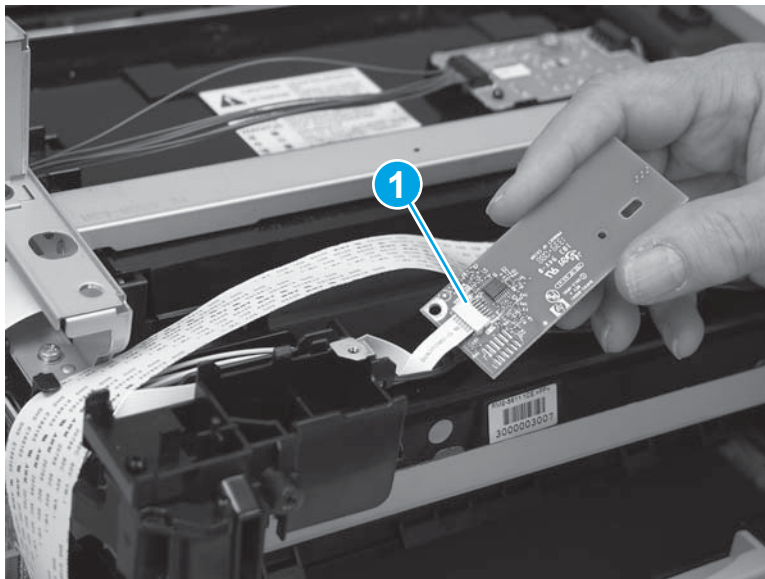


Step 12: Install the NFC PCA (M452dw model)

 **NOTE:** This step is for the M452dw model only. For all other models, skip this step and go to [Step 13: Install the memory PCA on page 1836](#).

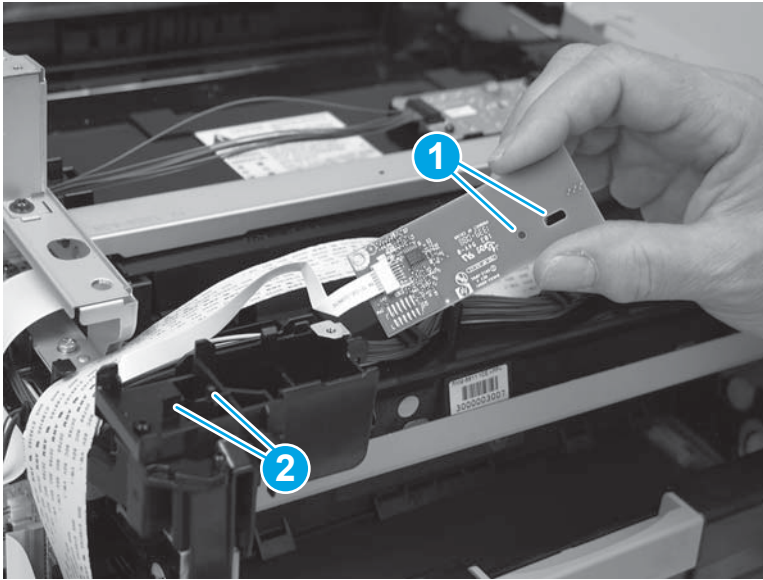
1. Connect one connector (callout 1), and then remove the NFC PCA.

Figure 1-3459 Connect one connector



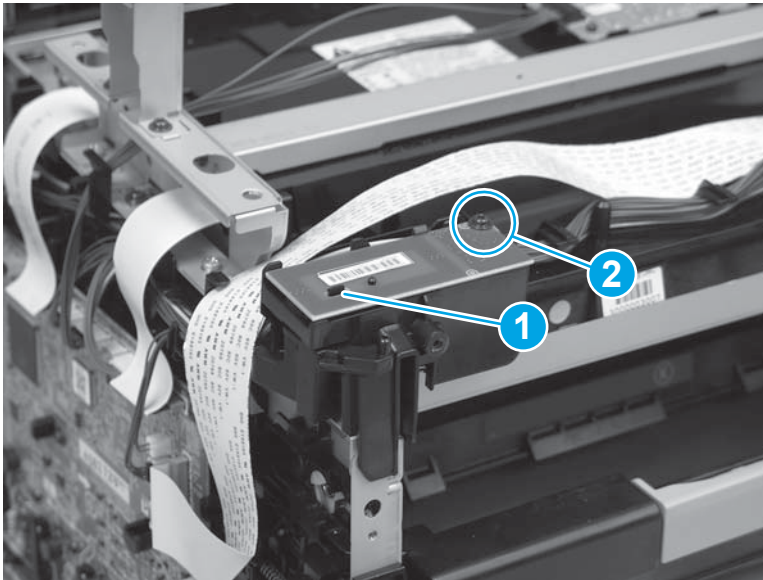
2. Position the slots (callout 1) on the NFC PCA over the tabs (callout 2) on the printer.

Figure 1-3460 Position the NFC PCA



3. Install one tab (callout 1), and then install one screw (callout 2).

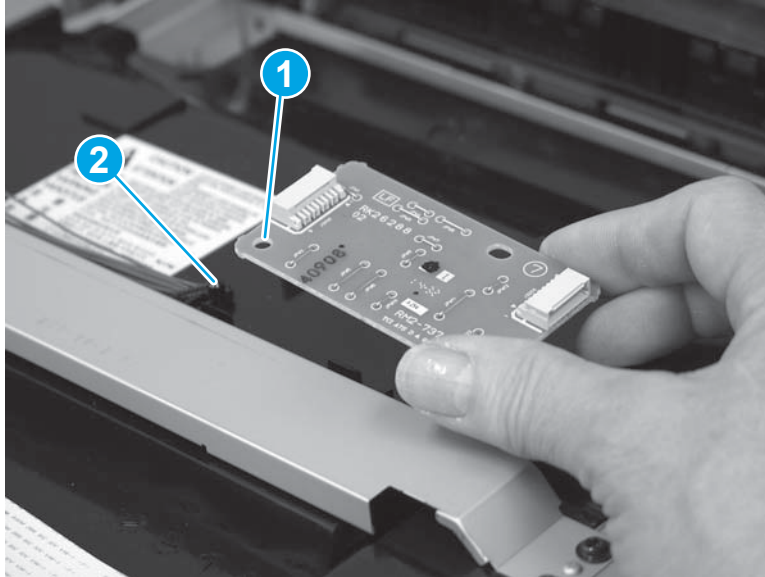
Figure 1-3461 Install one tab and one screw



Step 13: Install the memory PCA

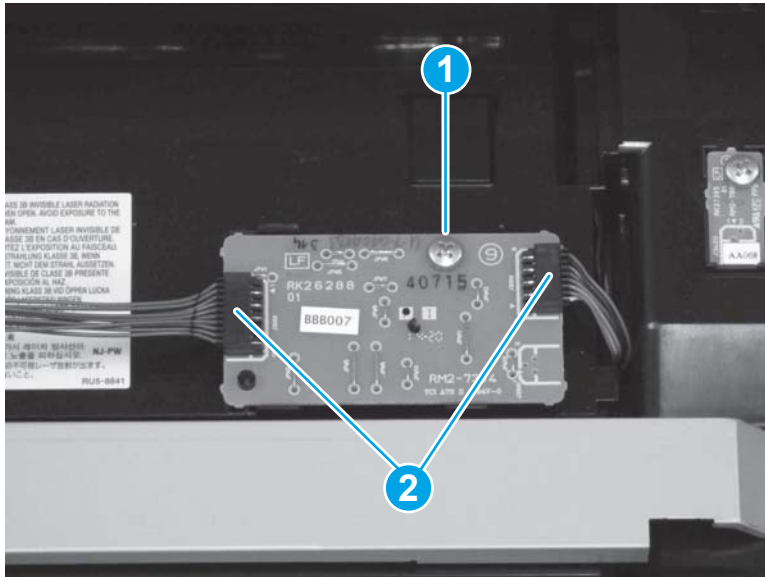
1. Position the hole (callout 1) on the memory PCA over the post (callout 2) on the printer.

Figure 1-3462 Position the memory PCA



2. Install one screw (callout 1), and then connect two connectors (callout 2).

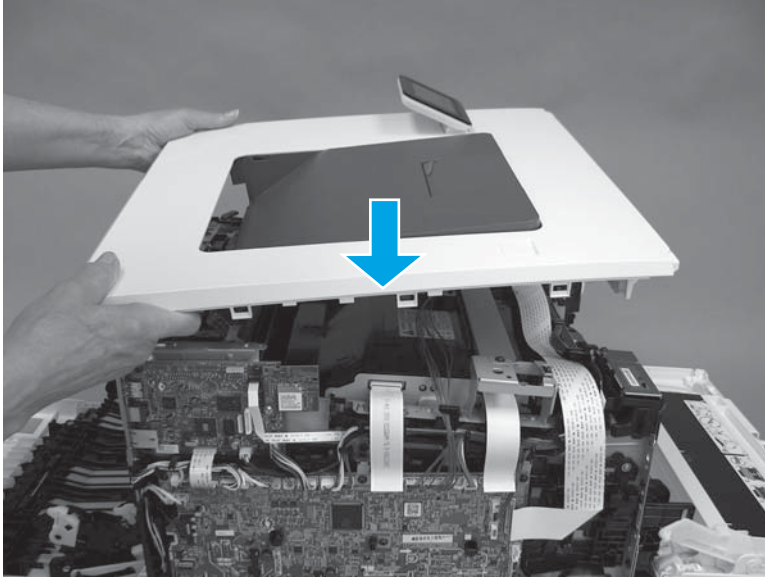
Figure 1-3463 Install the memory PCA



Step 14: Install the top cover

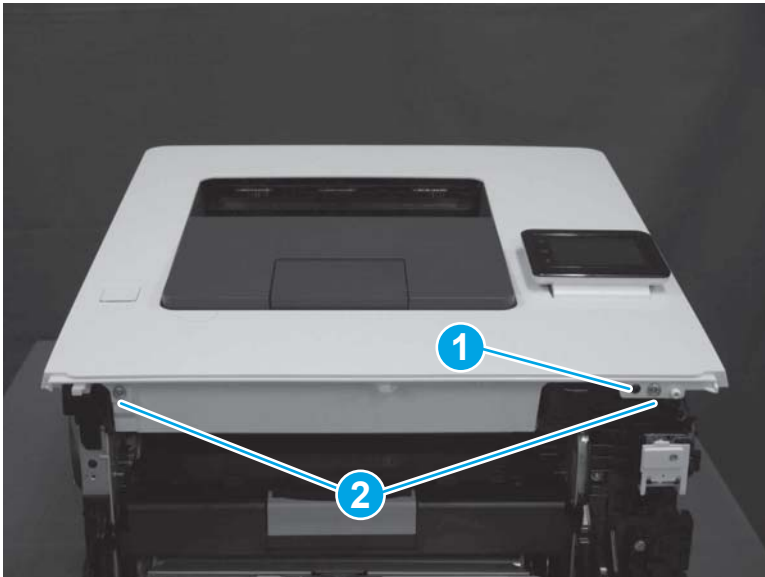
1. Position the top cover on top of the printer.

Figure 1-3464 Position the top cover



2. At the front of the printer, engage one tab (callout 1), and then install two screws (callout 2).

Figure 1-3465 Engage tab and install screws



- M452nw model only:** At the back of the printer, install two tabs (callout 1), and then install one screw (callout 2).


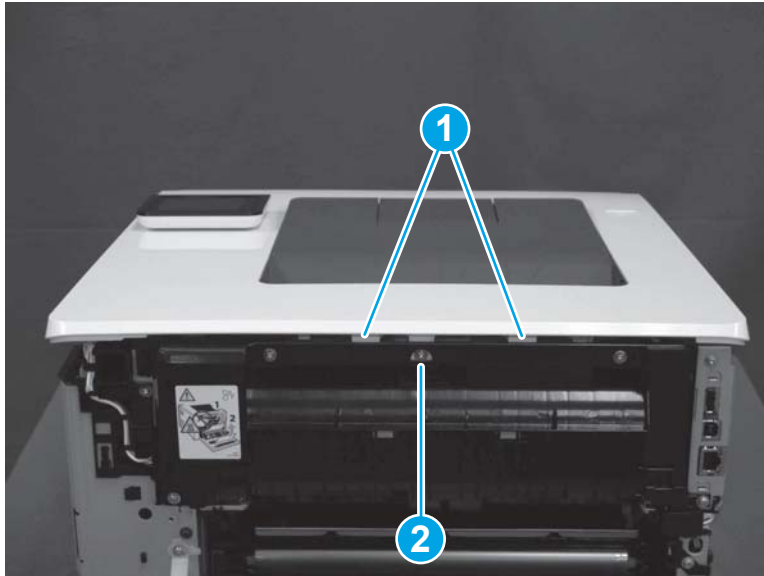
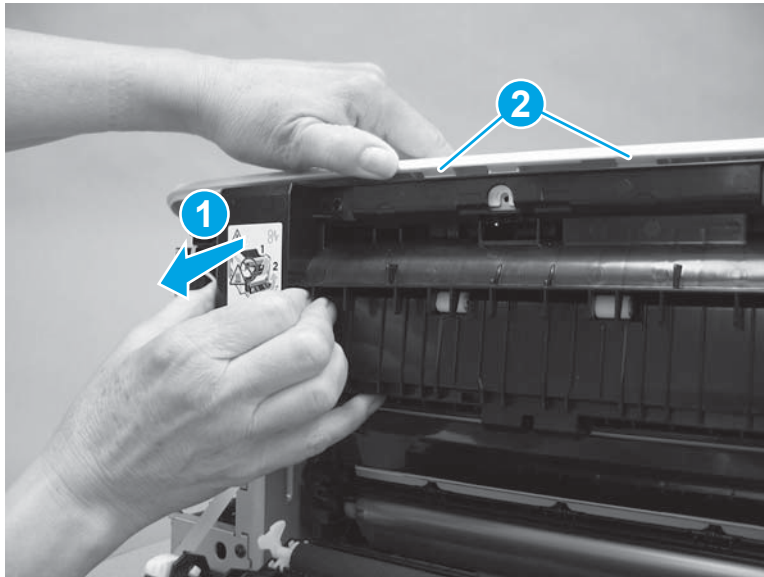
 **NOTE:** The M452dw model is shown. The procedure is correct for the M452nw model.

Figure 1-3466 Install two tabs and one screw



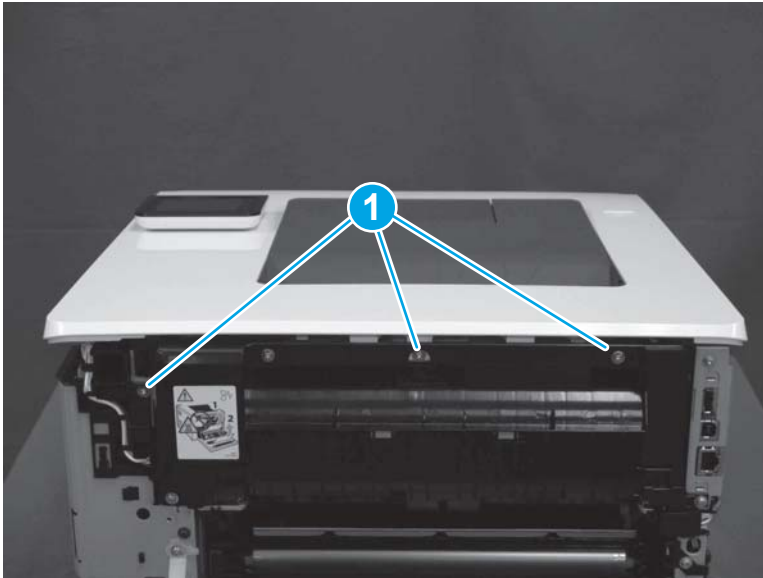
- M452dn/dw models only:** Gently pull the top of the fuser away (callout 1), and then install two tabs (callout 2).

Figure 1-3467 Install two tabs



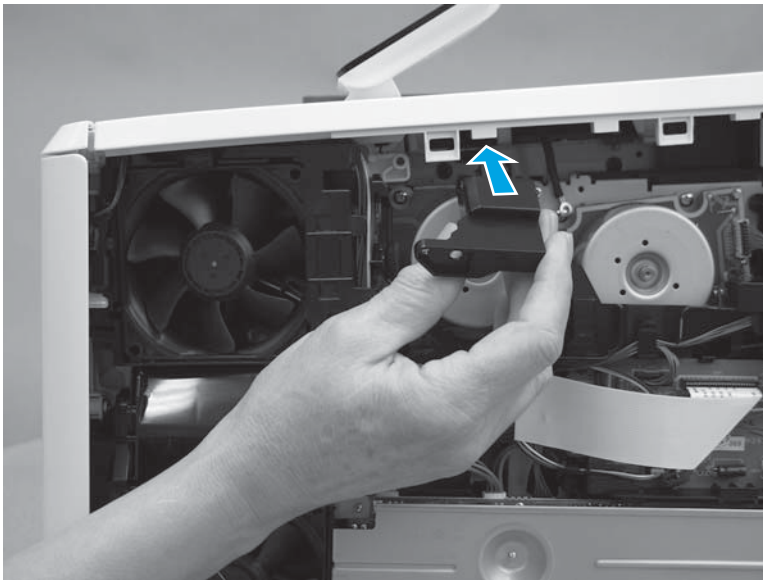
5. **M452dn/dw models only:** At the back of the printer, install three screws (callout 1).

Figure 1-3468 Install three screws



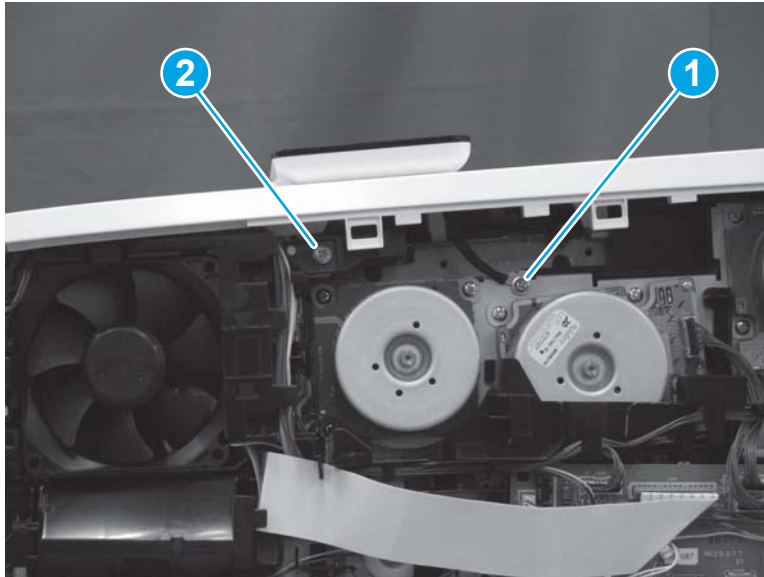
6. **M452dw model only:** Position the guide in the printer.

Figure 1-3469 Install the guide



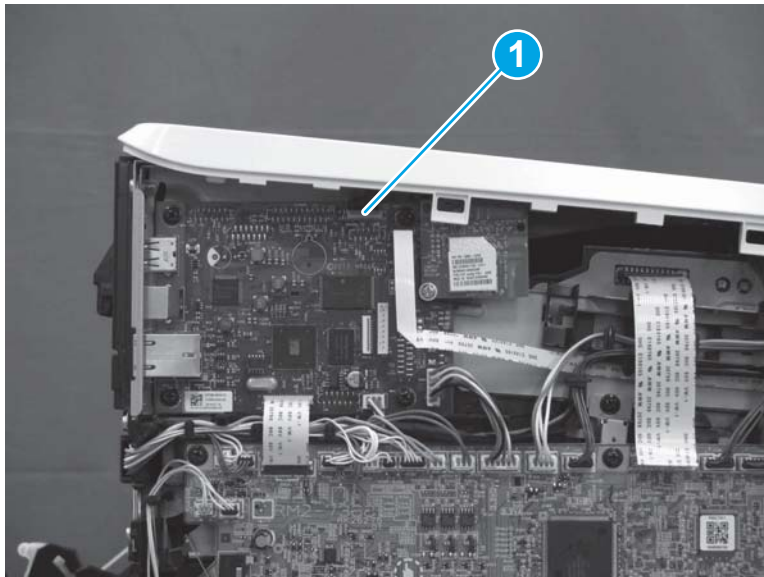
- 7. M452dw model only:** Position the ground wire and Install one screw (callout 1). Install one screw (callout 2).

Figure 1-3470 Install two screws



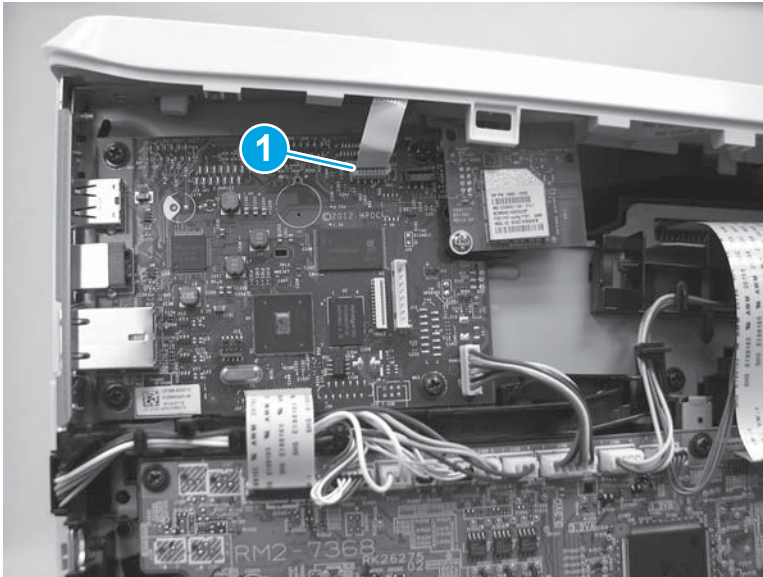
- 8. M452dw model only:** On the left side of the printer, on the formatter, connect one connector (callout 1).

Figure 1-3471 Connect one connector



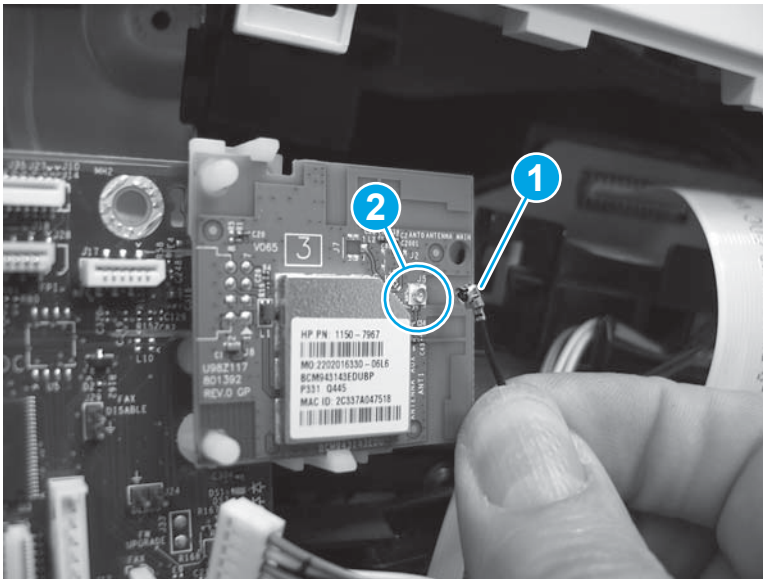
9. **M452nw/dn models only:** On the left side of the printer, on the formatter, connect one connector (callout 1).

Figure 1-3472 Connect one connector




10. **M452nw/dw models only:** Connect the antenna (callout 1) to the connector (callout 2) on the wireless PCA.

Figure 1-3473 Connect the antenna

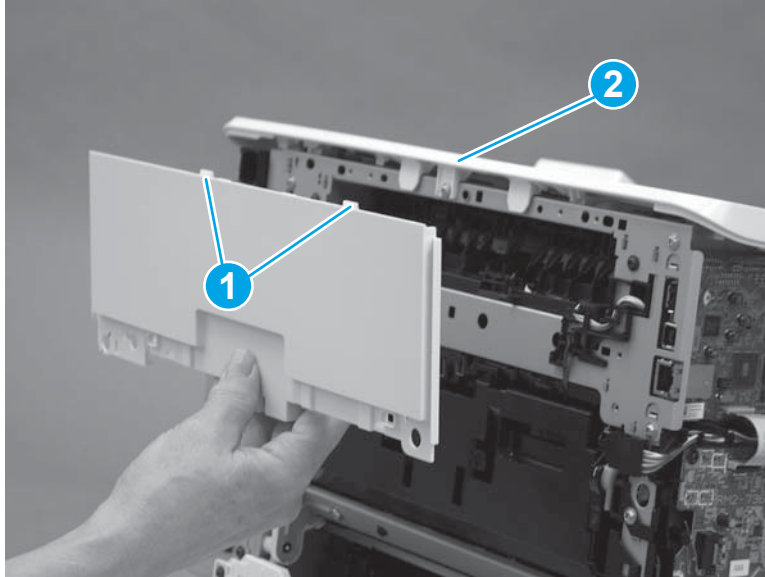


Step 15: Install the rear top cover (simplex model)

 **NOTE:** This step is for simplex models. For duplex models, skip this step and go to [Step 16: Install the left cover \(M452 models\) on page 1843](#).

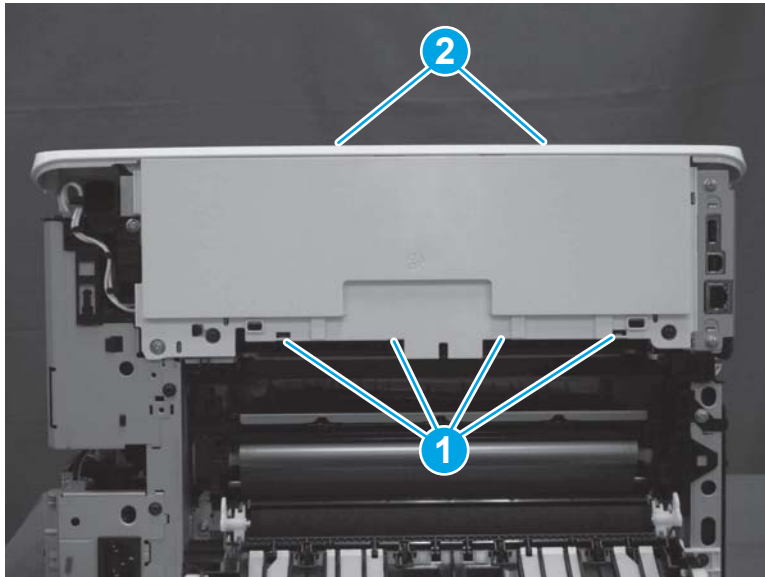
1. Position the tabs on top of the rear top cover (callout 1) under the edge of the top cover (callout 2).

Figure 1-3474 Install the rear top cover



2. Make sure that the tabs on the bottom (callout 1) and the tabs on the top (callout 2) snap into place.

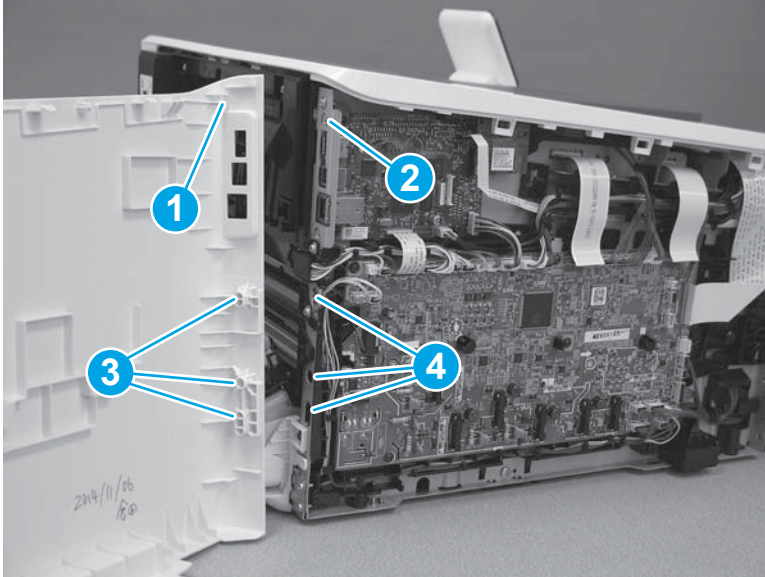
Figure 1-3475 Release two tabs



Step 16: Install the left cover (M452 models)

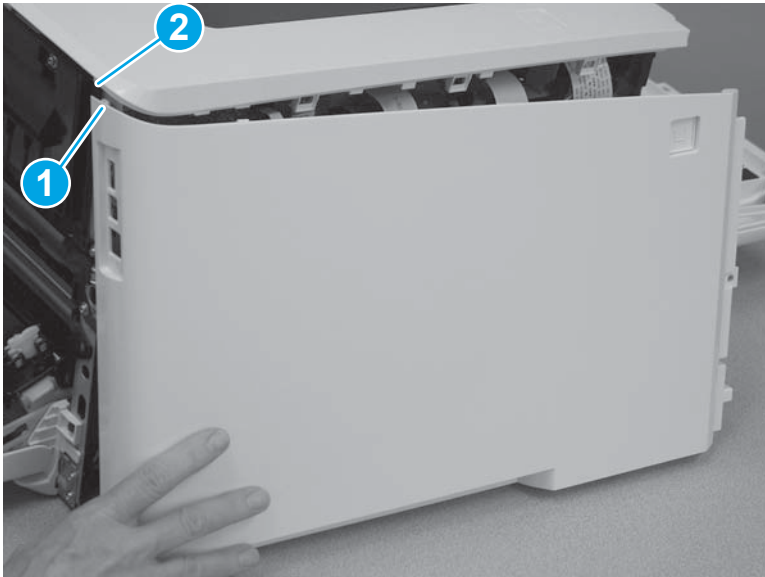
1. Position the hook (callout 1) on the cover in the slot (callout 2) on the printer. Position three tabs (callout 3) on the back of the cover in the slots (callout 4) in the printer.

Figure 1-3476 Position three tabs



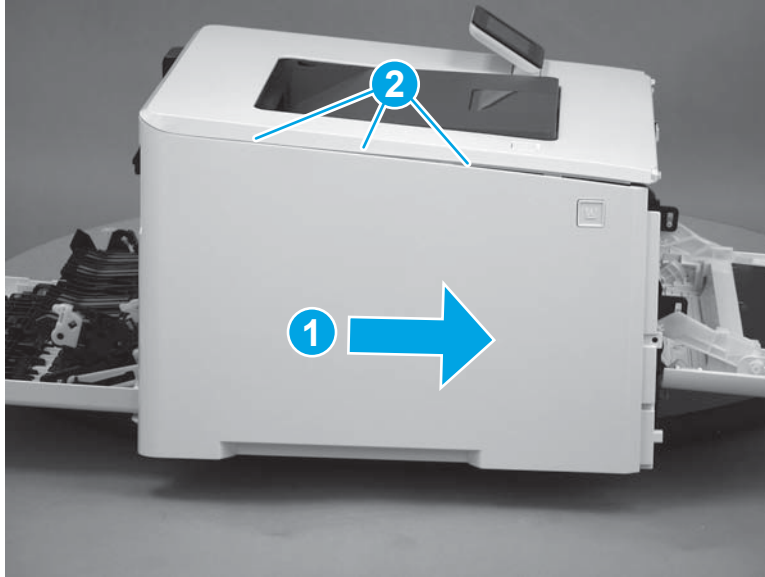
2. At the back of the printer, install the tab (callout 1) under the edge of the top cover (callout 2).

Figure 1-3477 Install one tab



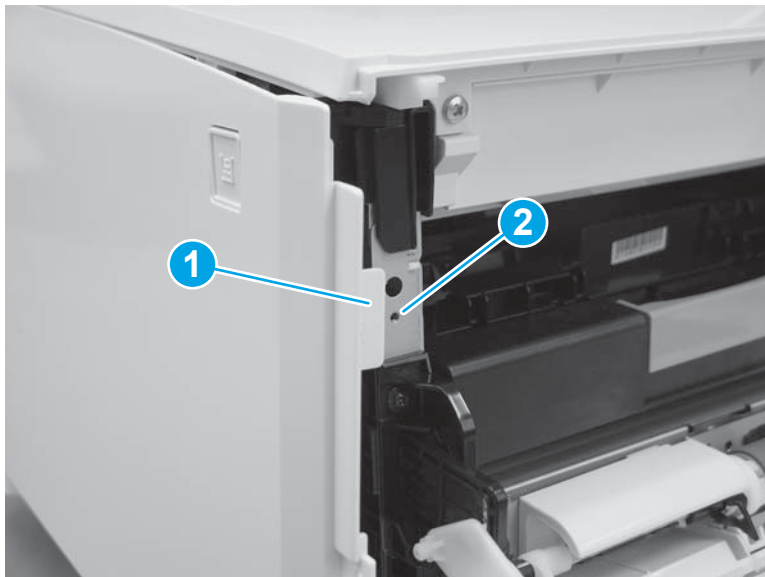
3. Slide the cover toward the front of the printer (callout 1), and then engage three tabs (callout 2) on the top of the cover.

Figure 1-3478 Install the left cover



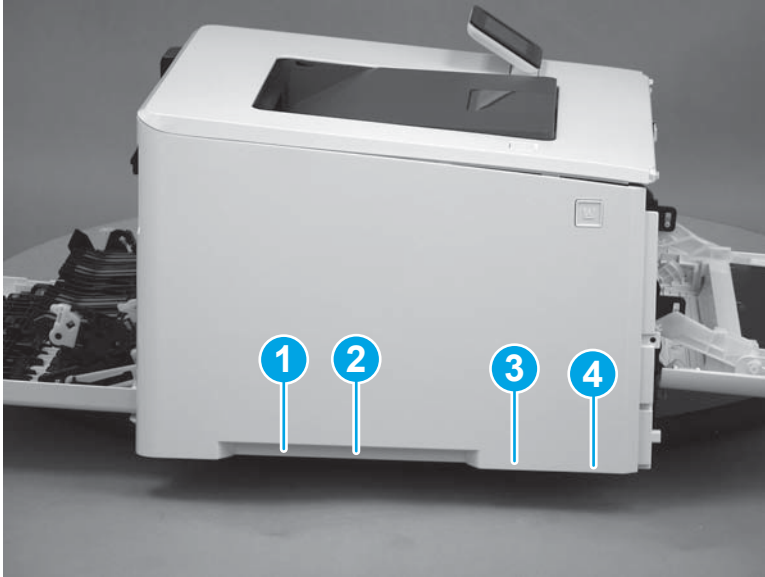
CAUTION: Make sure that the tab (callout 1) does not get caught behind the printer frame (callout 2).

Figure 1-3479 Make sure the tab does not get caught



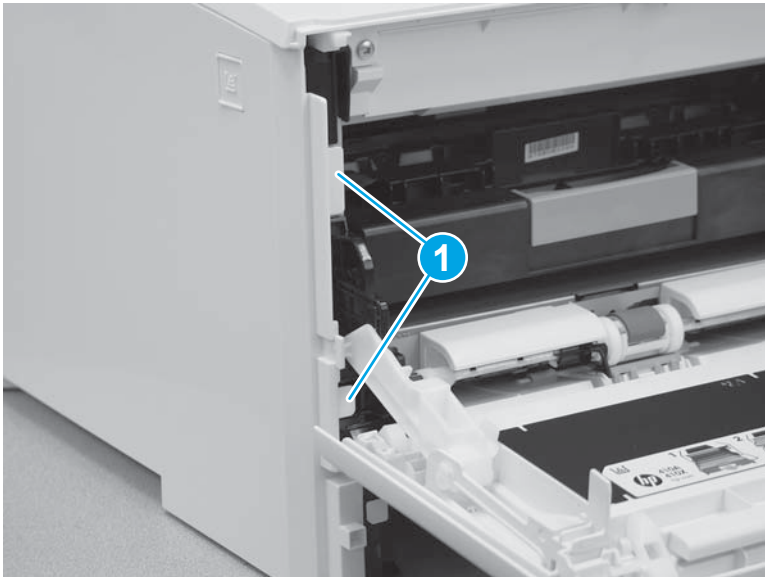
4. Slide the printer to the edge of a work surface in order to access the tabs on the bottom of the cover. Beginning from the back of the cover, install four tabs (callouts 1-4) on the lower edge of the cover.

Figure 1-3480 Install four tabs



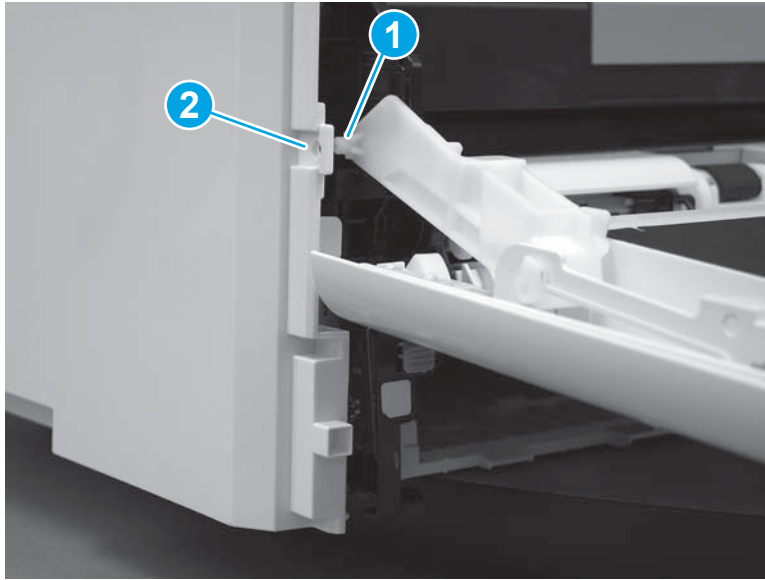
5. Install two tabs (callout 1) at the front of the cover.

Figure 1-3481 Engage two tabs



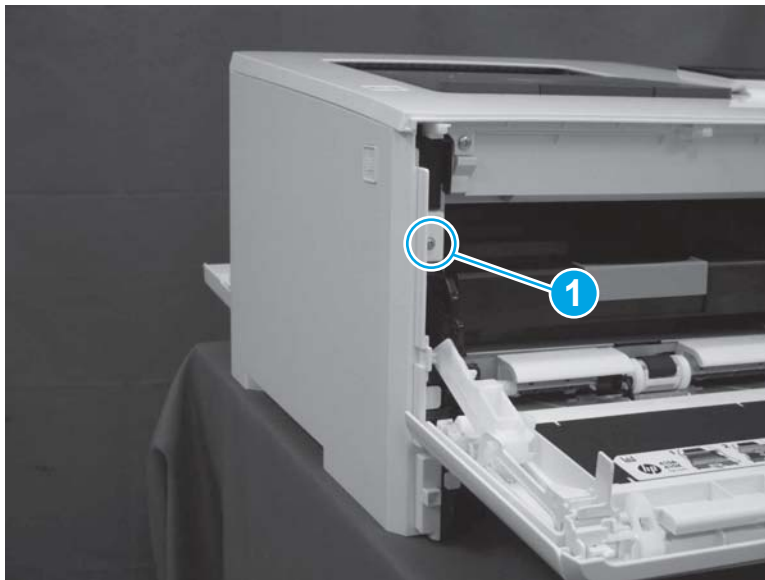
6. Make sure that the hinge pin (callout 1) on the front door fits into the slot (callout 2) on the left cover.

Figure 1-3482 Install hinge pin



7. Install one screw (callout 1).

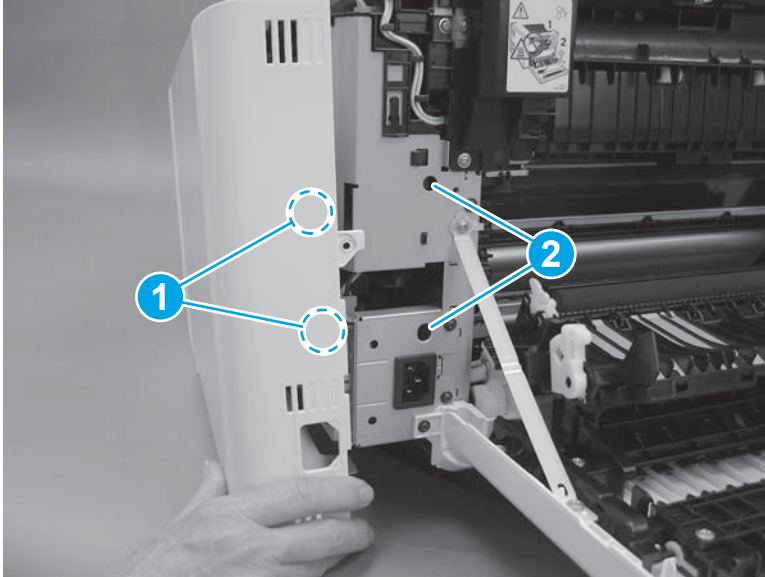
Figure 1-3483 Install one screw



Step 17: Install the right cover (M452 models)

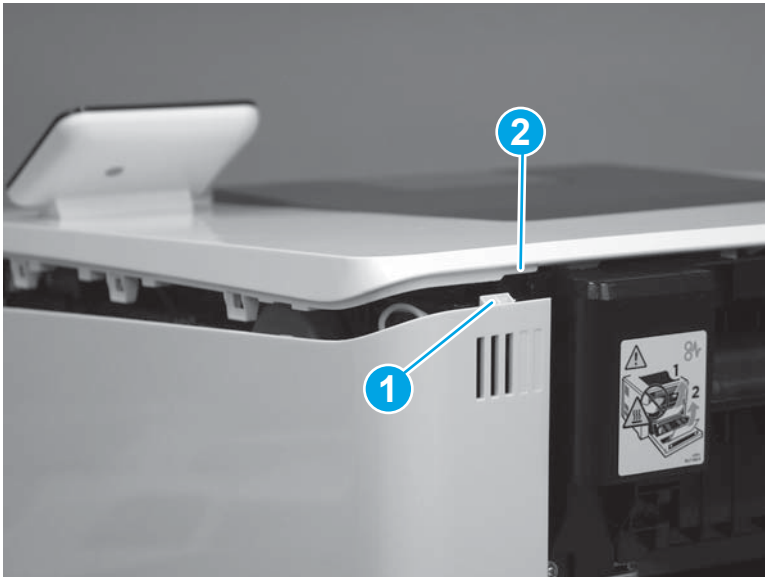
1. Position two tabs (callout 1) on the back of the cover in the slots (callout 2) in the printer.

Figure 1-3484 Position two tabs



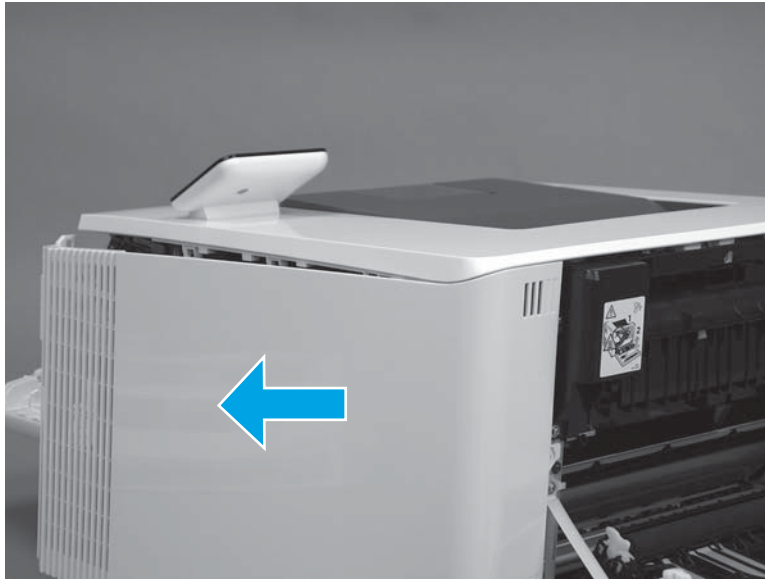
2. At the back of the printer, install the tab (callout 1) under the edge of the top cover (callout 2).

Figure 1-3485 Install rear tab



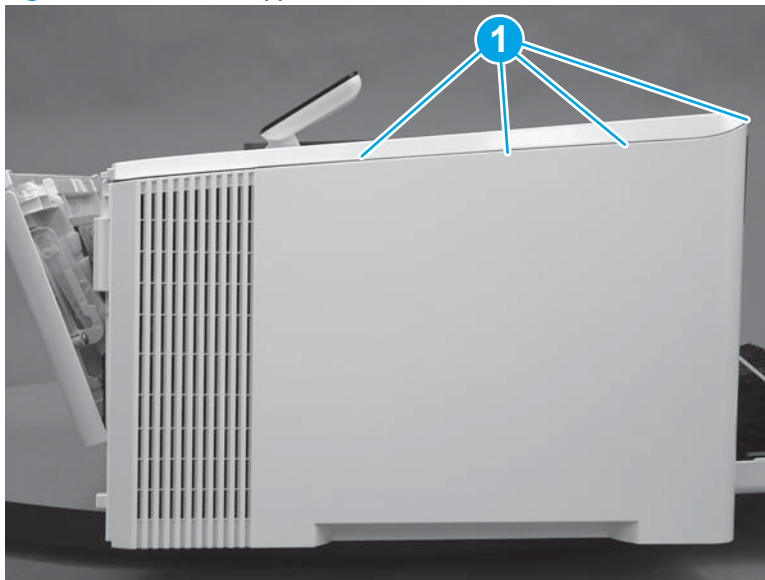
3. Slide the cover toward the front of the printer to install it.

Figure 1-3486 Install the right cover



4. Engage three tabs (callout 2) on the top of the cover.

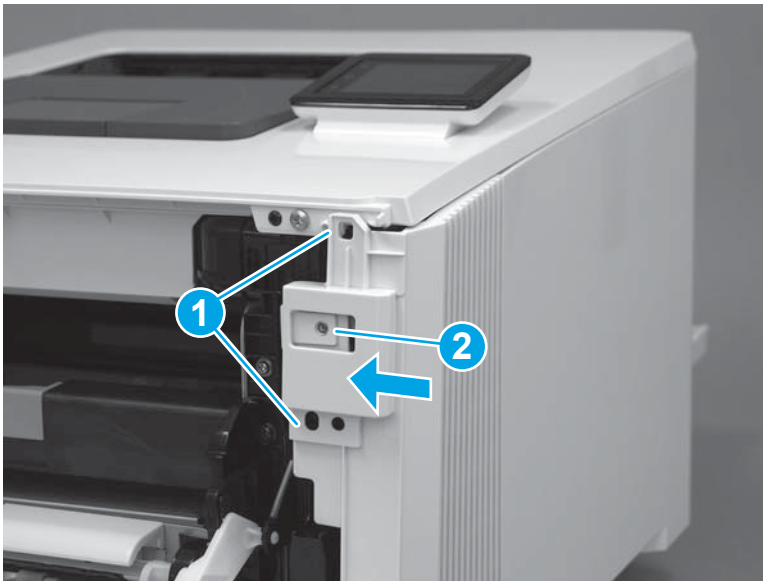
Figure 1-3487 Install upper tabs



5. At the front of the printer, position the front of the cover over two tabs (callout 1).

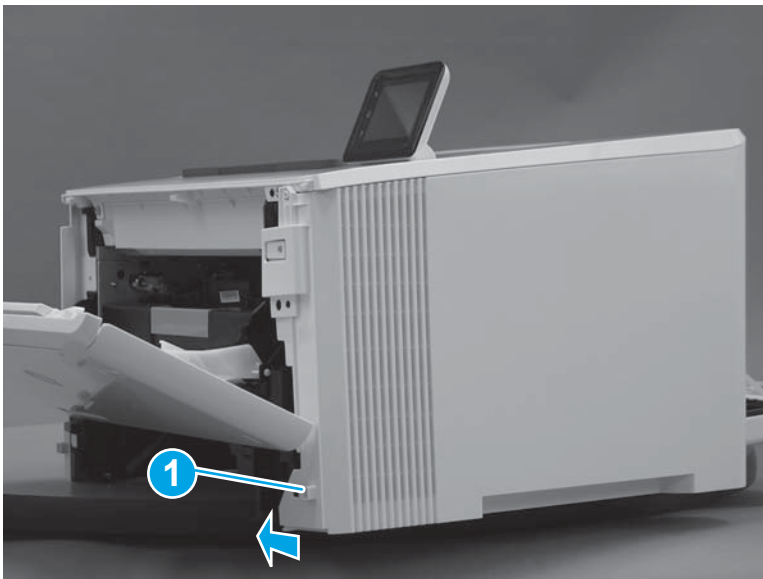
⚠ CAUTION: Be careful not to dislodge the power switch (callout 2).

Figure 1-3488 Install the front tabs



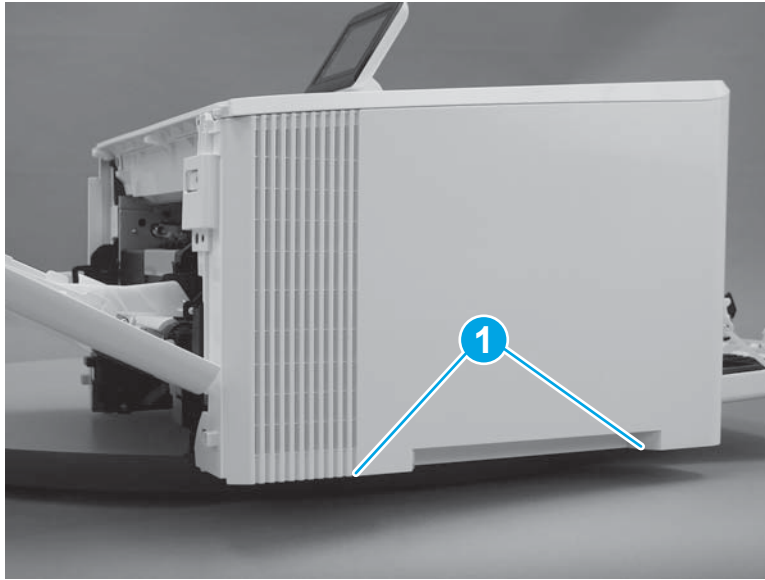
6. Press the right cover toward the printer to engage one tab (callout 1) on the front of the cover.

Figure 1-3489 Install the front lower tab



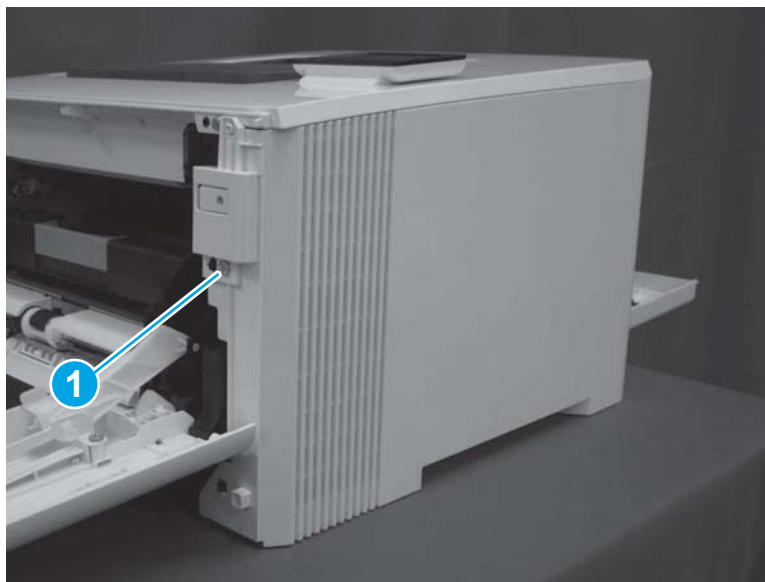
7. Install two tabs on the bottom of the cover (callout 1).

Figure 1-3490 Install two tabs



8. At the front of the printer, install one screw (callout 1).

Figure 1-3491 Install one screw



9. At the back of the printer, install one screw (callout 1).

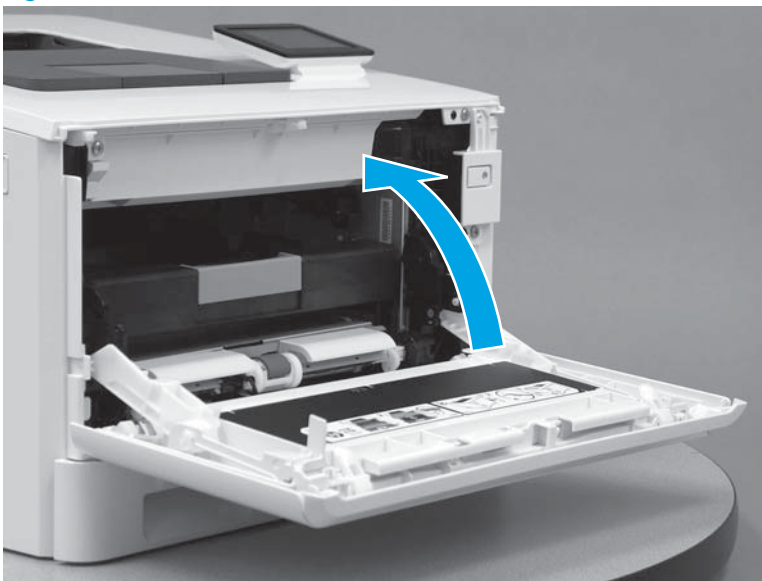
Figure 1-3492 Install one screw



Step 18: Close the front door and rear door or duplexer door

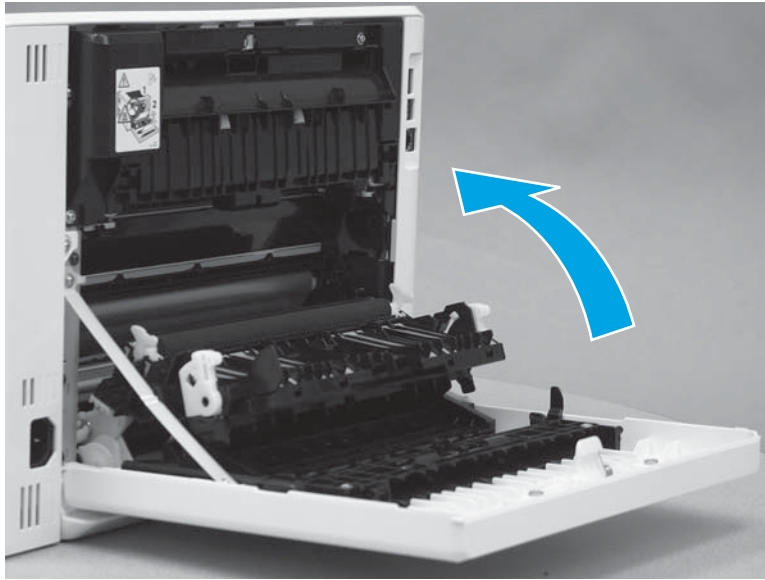
1. Close the front door.

Figure 1-3493 Close the front door



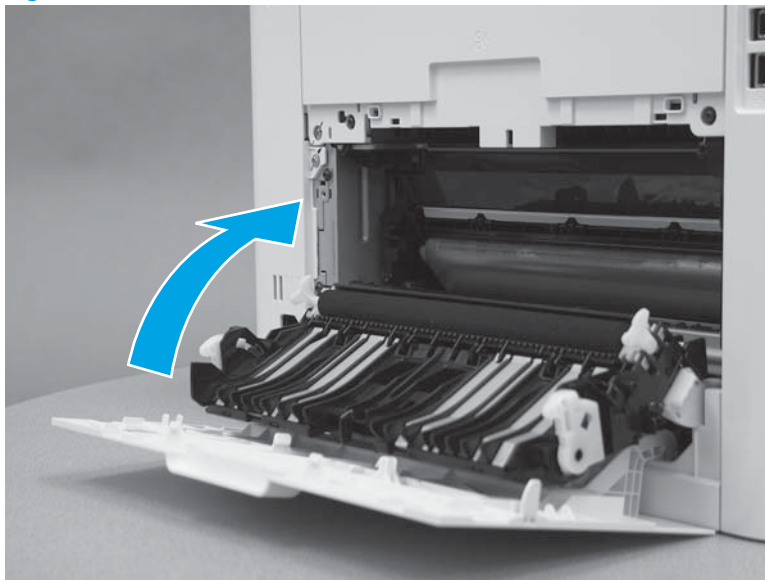
2. **Duplex models:** Close the duplexer door.

Figure 1-3494 Close the duplexer door



3. **Simplex models:** Close the rear door.

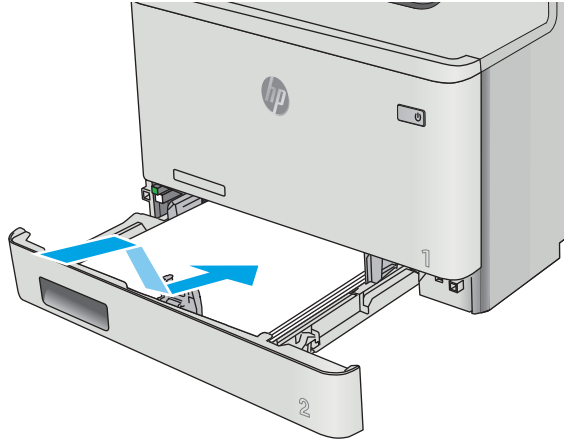
Figure 1-3495 Close the rear door



Step 19: Install Tray 2

- ▲ With the front of the tray slightly lifted, align the sides of the tray with the rails in the printer, and then carefully slide the tray into the printer. As the tray slides into the printer, lower the front of the tray, and then close it.

Figure 1-3496 Install the tray



Removal and replacement: Laser scanner (M377, M477 models)

- [Introduction](#)
- [Step 1: Remove Tray 2](#)
- [Step 2: Open the front door and rear door or duplexer door](#)
- [Step 3: Remove the right cover \(M377, M477 models\)](#)
- [Step 4: Remove the left cover \(M377, M477 models\)](#)
- [Step 5: Remove the rear top cover \(simplex model\)](#)
- [Step 6: Remove the integrated scanner assembly \(M377, M477 models\)](#)
- [Step 7: Remove the fax PCA \(M477 models\)](#)
- [Step 8: Remove the top cover \(M377, M477 models\)](#)
- [Step 9: Remove the memory PCA](#)
- [Step 10: Remove the NFC PCA \(M477fdw model\)](#)
- [Step 11: Remove the laser scanner \(M377, M477 models\)](#)
- [Step 12: Unpack the replacement part](#)
- [Step 13: Install the laser scanner \(M377, M477 models\)](#)
- [Step 14: Install the NFC PCA \(M477fdw model\)](#)
- [Step 15: Install the memory PCA](#)
- [Step 16: Install the top cover \(M377, M477 models\)](#)
- [Step 17: Install the fax PCA \(M477 models\)](#)
- [Step 18: Install the integrated scanner assembly \(M377, M477 models\)](#)
- [Step 19: Install the rear top cover \(simplex model\)](#)
- [Step 20: Install the left cover \(M377, M477 models\)](#)
- [Step 21: Install the right cover \(M377, M477 models\)](#)
- [Step 22: Close the front door and rear door or duplexer door](#)
- [Step 23: Install Tray 2](#)

Introduction

This document provides the procedures to remove and replace the laser scanner for the M477.



NOTE: The removal and replacement of the laser scanner is time-consuming and should be performed in a clean environment to avoid introducing contaminants into the laser imaging system. For these reasons, HP recommends replacing this part at an authorized repair center.

Before you begin

- Turn off the printer.
- Disconnect the power cable.

⚠ WARNING! To avoid damage to the printer, turn the printer off, wait 30 seconds, and then remove the power cord before attempting to service the printer.

- Use the table below to identify the correct part number for your printer. To order the part, go to www.hp.com/buy/parts.

| Laser scanner part number | |
|---------------------------|---------------|
| RM2-5611-000CN | Laser scanner |

Required tools

- #2 Phillips screwdriver with a magnetic tip
- Small flat-blade screwdriver
- Needle-nose pliers

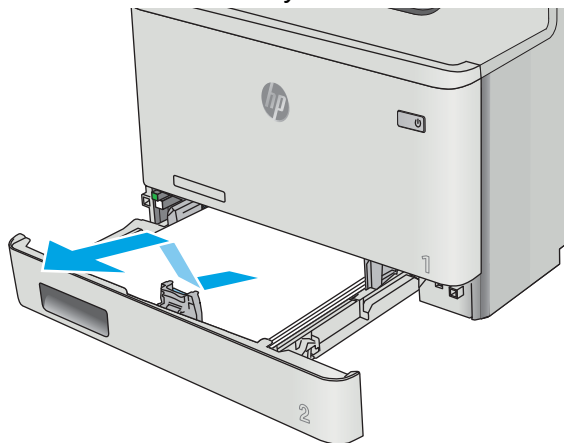
After performing service

- Connect the power cable.
- Use the power switch to turn the power on.

Step 1: Remove Tray 2

- ▲ Pull the tray out until it stops. Lift the front of the tray, and then pull it out of the printer to remove it.

Figure 1-3497 Remove the tray



Step 2: Open the front door and rear door or duplexer door

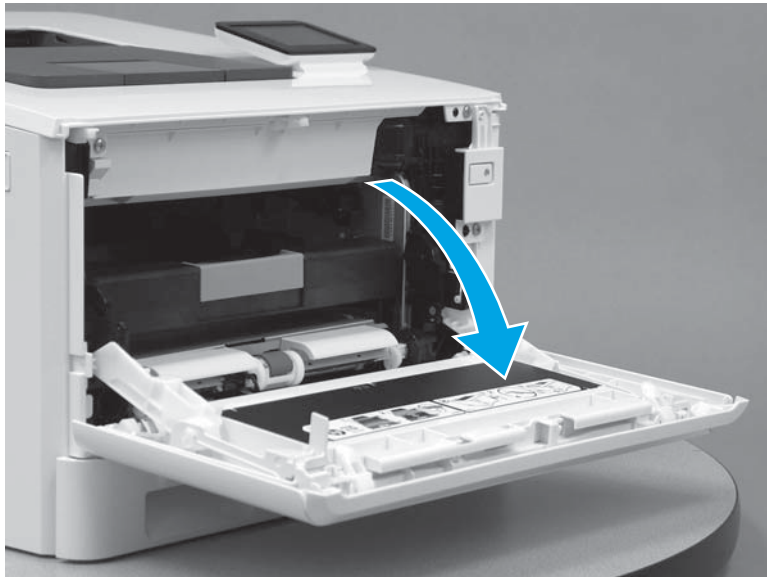
1. Press the button (callout 1) on the left side of the printer to release the front door.

Figure 1-3498 Release the front door



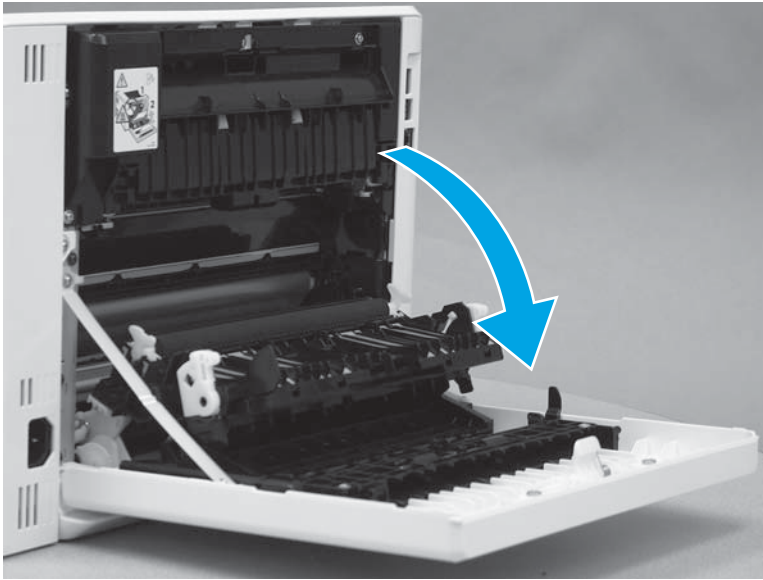
2. Open the front door.

Figure 1-3499 Open the front door



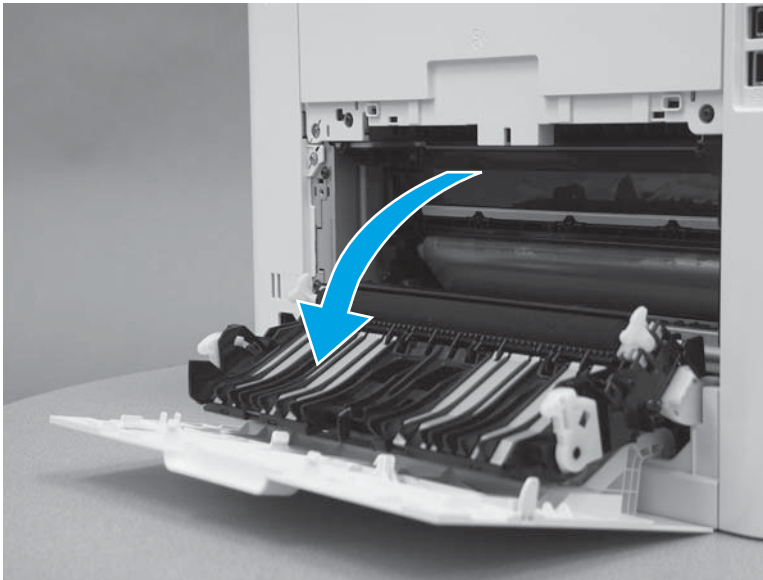
3. **Duplex models:** Open the duplexer door.

Figure 1-3500 Open the duplexer door



4. **Simplex models:** Open the rear door.

Figure 1-3501 Open the rear door



Step 3: Remove the right cover (M377, M477 models)

1. Raise the scanner.

Figure 1-3502 Raise the scanner



2. At the back of the printer, remove one screw (callout 1).

Figure 1-3503 Remove one screw



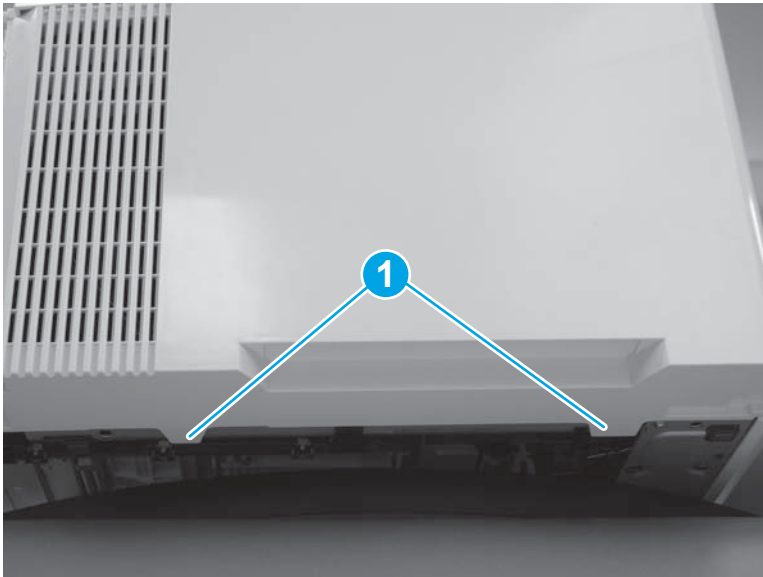
3. At the front of the printer, remove one screw (callout 1).

Figure 1-3504 Remove one screw



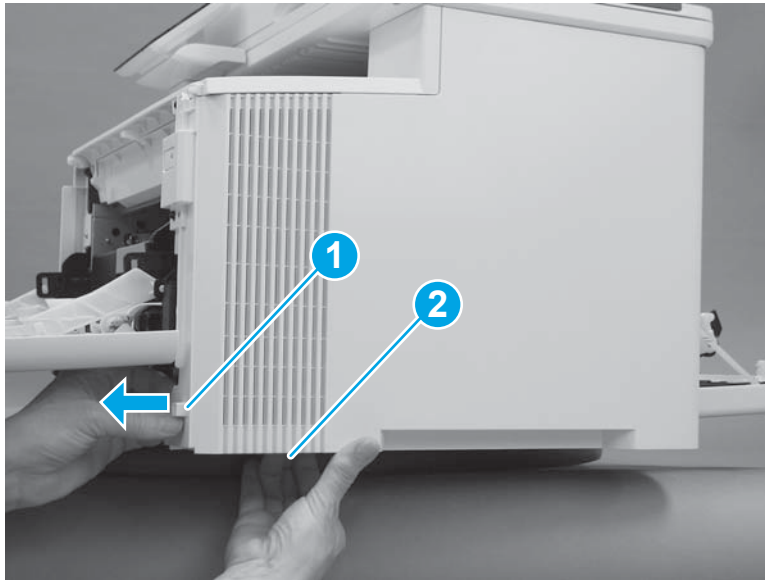
4. Slide the printer to the edge of a work surface. Note the location of the tabs on the lower edge of the cover (callout 1).

Figure 1-3505 Locate the tabs



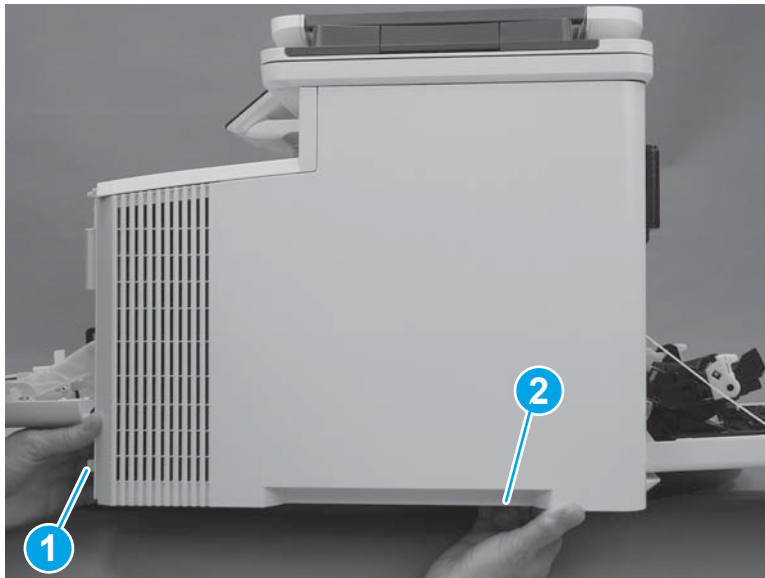
5. Release one tab (callout 1) on the front of the cover by slightly pulling the cover away from the printer. While holding the cover in the released position, release one tab (callout 2) on the lower edge of the cover.

Figure 1-3506 Release front lower tabs



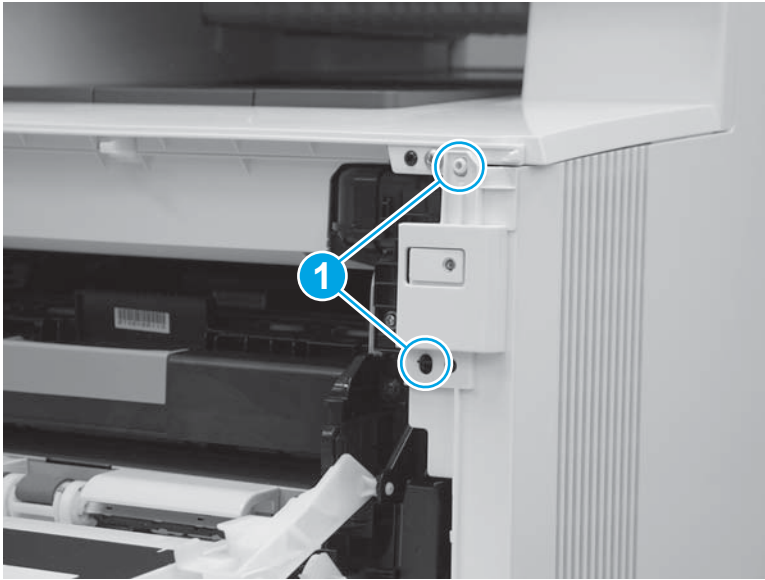
6. Hold the front tabs in the released position (callout 1), and then release one tab (callout 2) on the lower edge of the cover, toward the back of the printer.

Figure 1-3507 Release lower rear tab



7. Release two tabs at the front of the printer (callout 1) by slightly pulling the cover away from the printer.

Figure 1-3508 Release front upper tabs



8. Rotate the front of the cover away from the printer (callout 1).

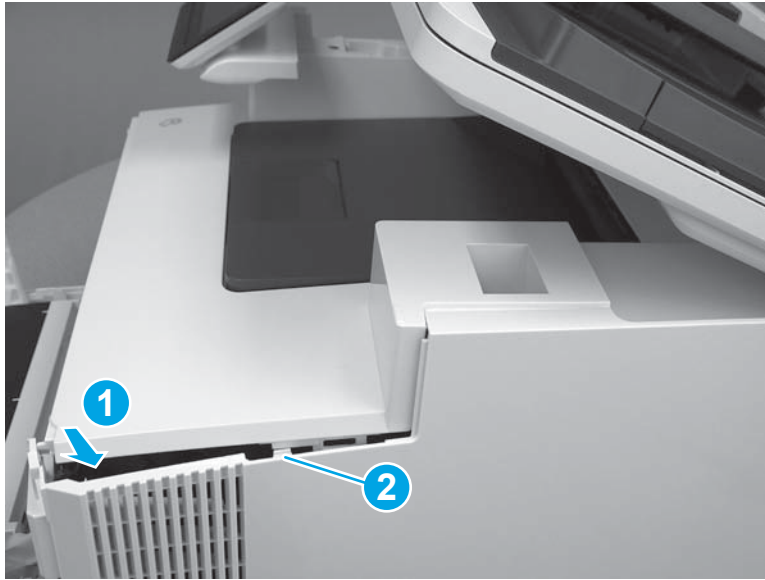
CAUTION: Be careful not to dislodge the power switch (callout 2).

Figure 1-3509 Rotate the front of the cover



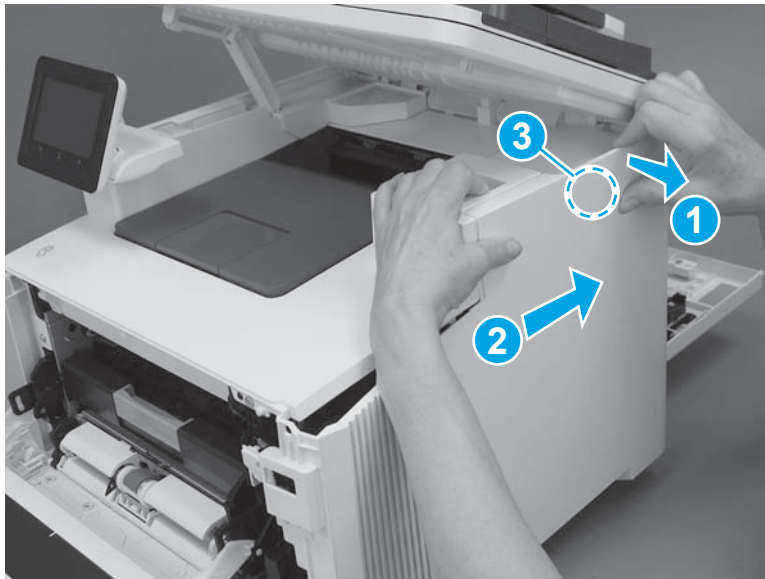
9. Slightly pull the front of the cover away from the printer (callout 1) to release one tab (callout 2).

Figure 1-3510 Release top tabs



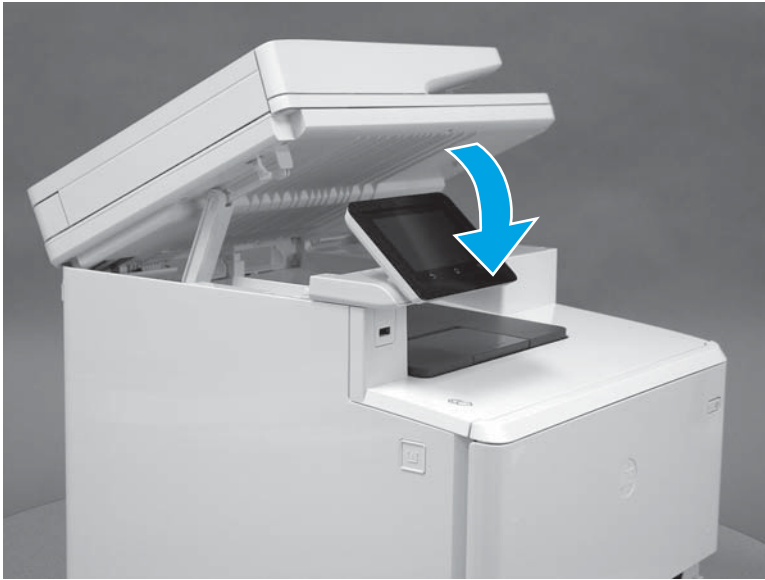
10. At the top of the printer, slightly pull the top of the cover away from the printer to release one retention tab (callout 1) on the inside of the cover. While holding the cover away, slide the cover toward the back of the printer (callout 2) to release one hook (callout 3) on the inside of the cover.

Figure 1-3511 Release one tab and one hook



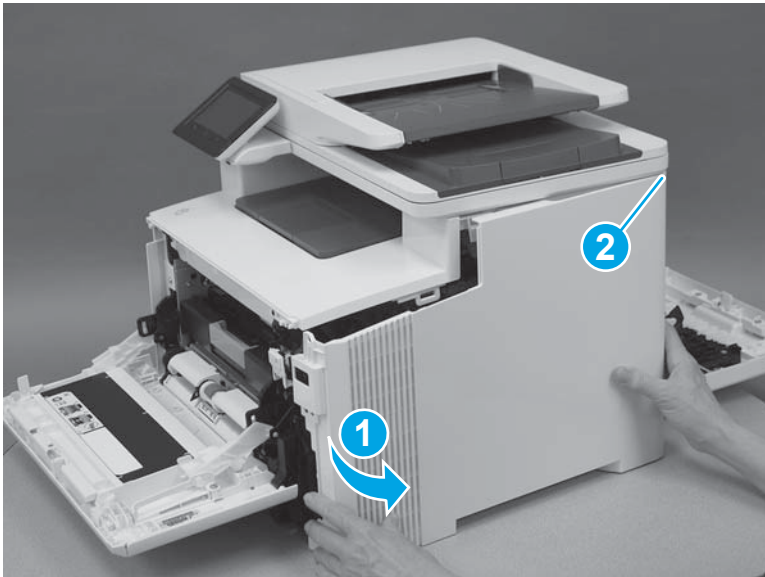
11. Lower the scanner.

Figure 1-3512 Lower the scanner



12. Rotate the cover away from the printer (callout 1) to release one tab (callout 2) at the back of the printer, and then remove the cover.

Figure 1-3513 Remove the right cover



Step 4: Remove the left cover (M377, M477 models)

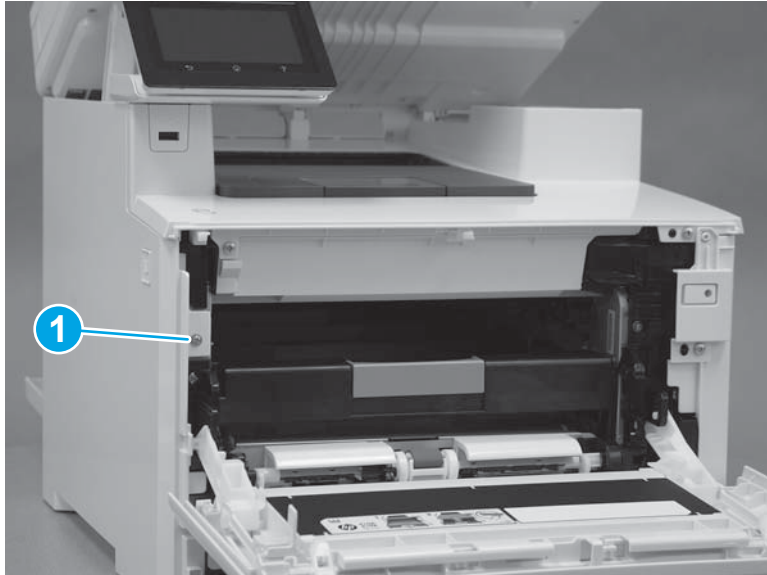
1. Raise the scanner.

Figure 1-3514 Raise the scanner



2. At the front of the printer, remove one screw (callout 1).

Figure 1-3515 Remove one screw



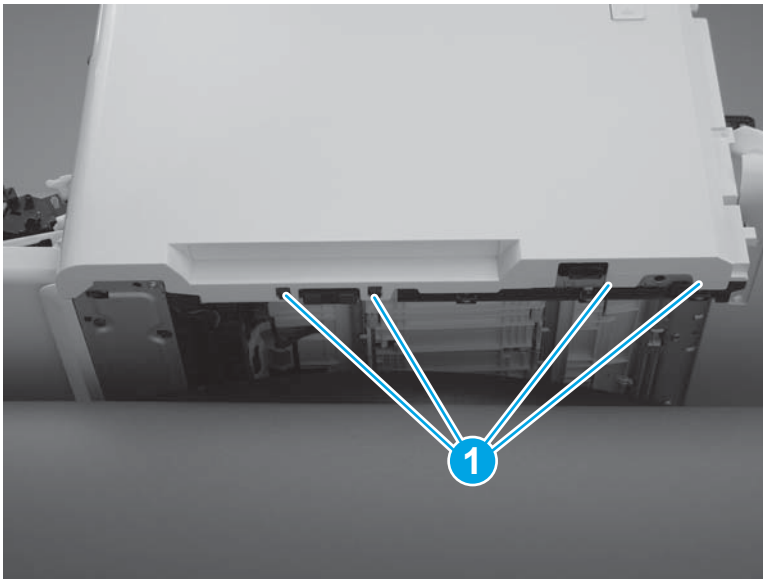
3. Release two tabs (callout 1) at the front of the cover. Hold the cover open to prevent the tabs from re-engaging.

Figure 1-3516 Release two tabs



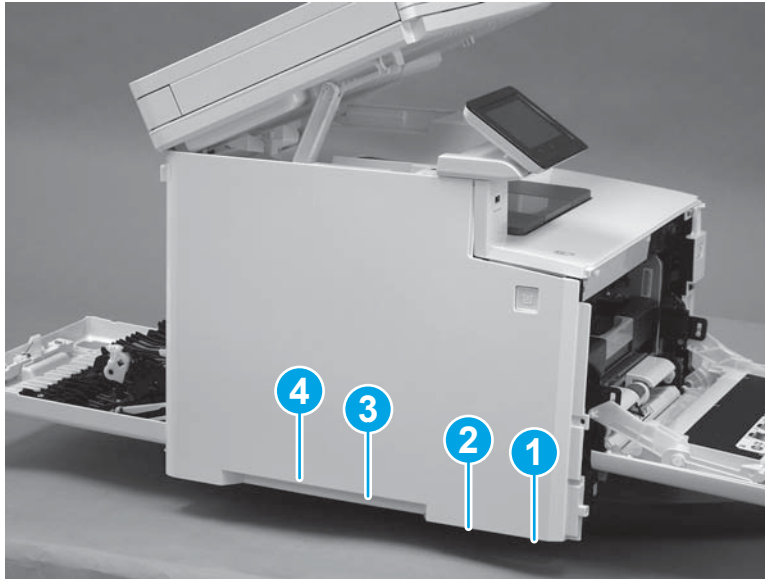
4. Slide the printer to the edge of a work surface. Note the location of the tabs on the lower edge of the cover (callout 1).

Figure 1-3517 Locate the tabs



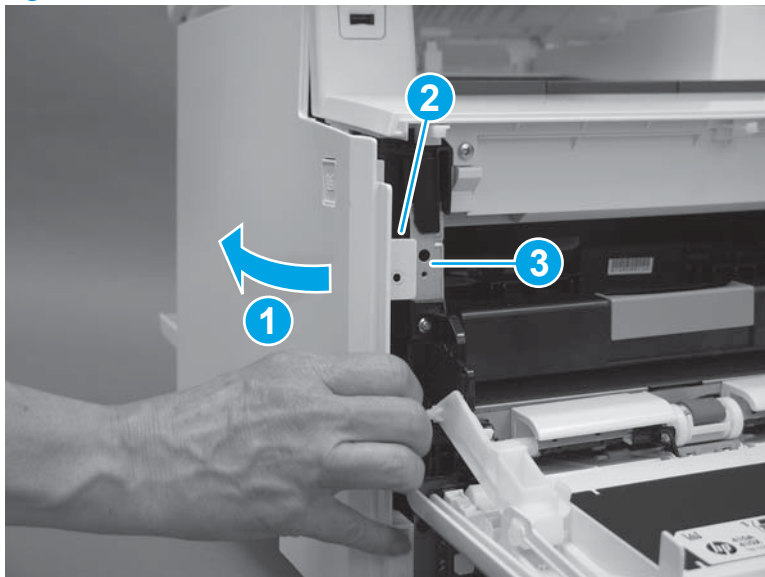
5. Beginning from the front of the cover, release the four tabs (callouts 1-4) on the lower edge of the cover.

Figure 1-3518 Release four tabs



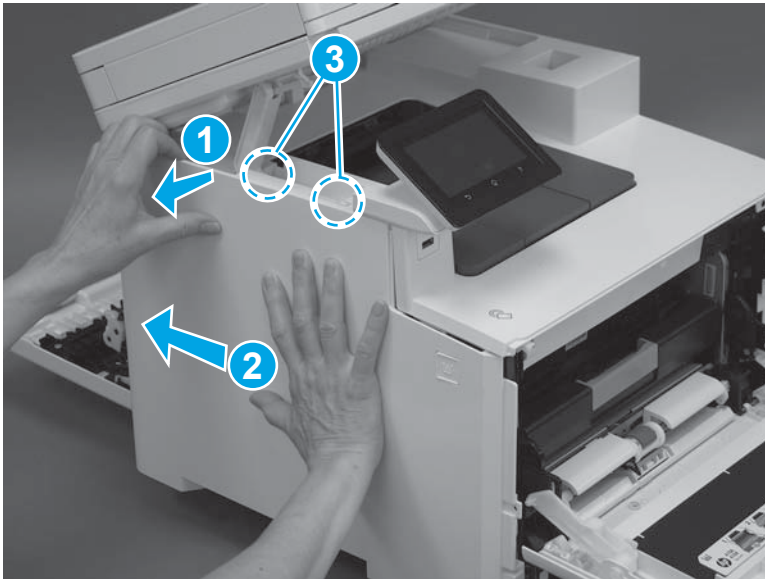
6. Rotate the front of the cover away from the printer (callout 1). Make sure that the tab (callout 2) does not get caught on the printer frame (callout 3).

Figure 1-3519 Rotate the cover



7. At the top of the printer, slightly pull the top of the cover away from the printer to release one retention tab (callout 1) on the inside of the cover. While holding the cover away, slide the cover toward the back of the printer (callout 2) to release two hooks (callout 3) inside the cover.

Figure 1-3520 Release one tab and two hooks



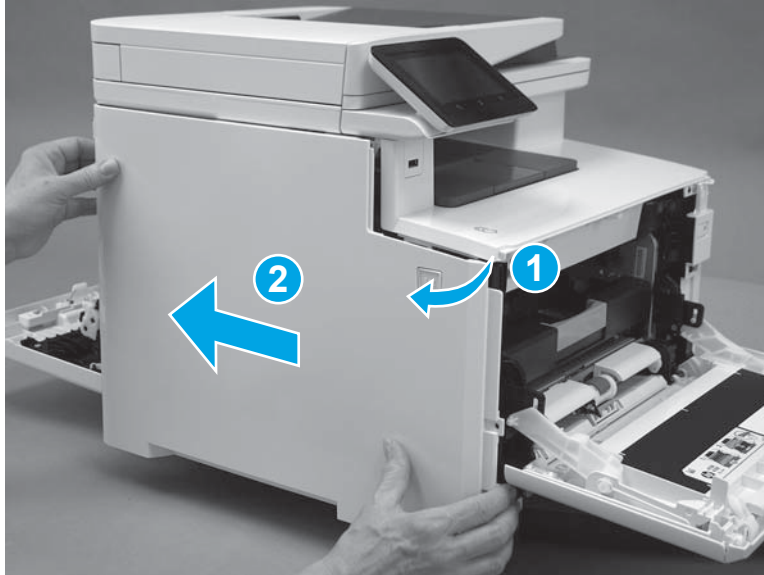
8. Lower the scanner.

Figure 1-3521 Lower the scanner




9. Rotate the cover away from the printer (callout 1), and then slide the cover (callout 2) toward the back of the printer to remove it.

Figure 1-3522 Remove the left cover

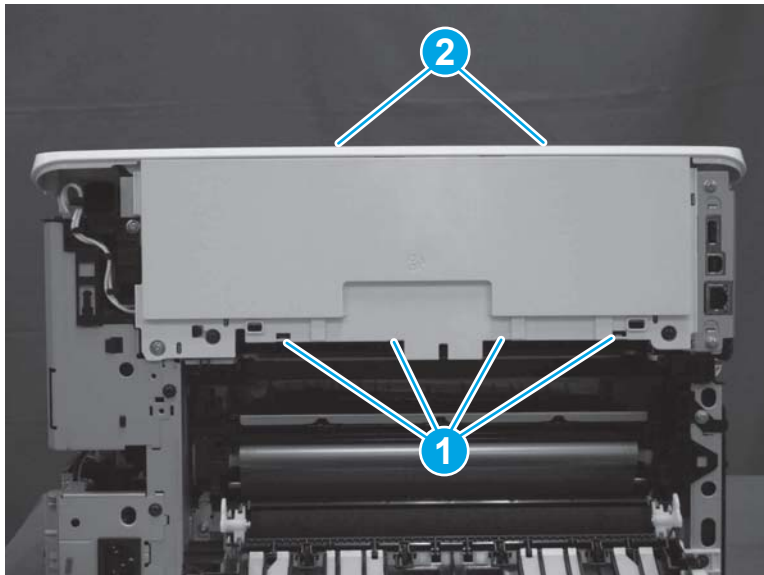


Step 5: Remove the rear top cover (simplex model)

 **NOTE:** This step is for simplex models. For duplex models, skip this step and go to [Step 6: Remove the integrated scanner assembly \(M377, M477 models\) on page 1870](#).

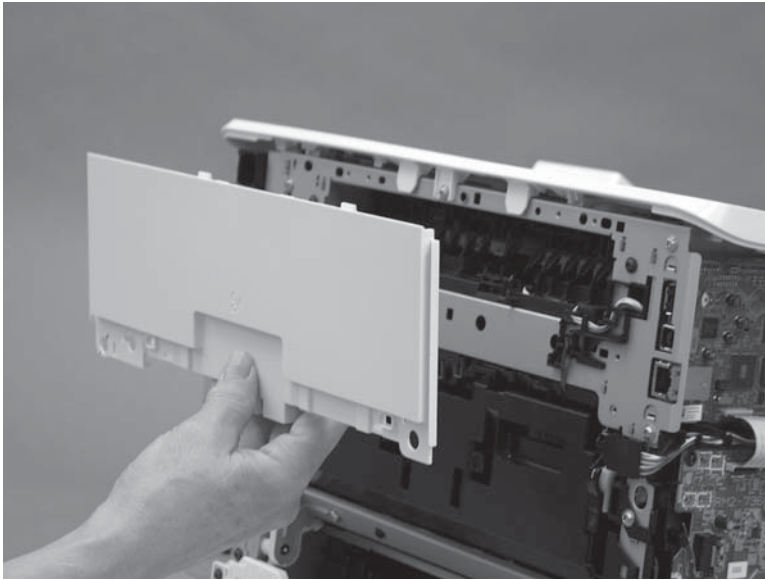
1. At the back of the printer, release four tabs (callout 1) on the bottom of the cover and two tabs (callout 2) on the top of the cover.

Figure 1-3523 Release six tabs



2. Remove the rear top cover.

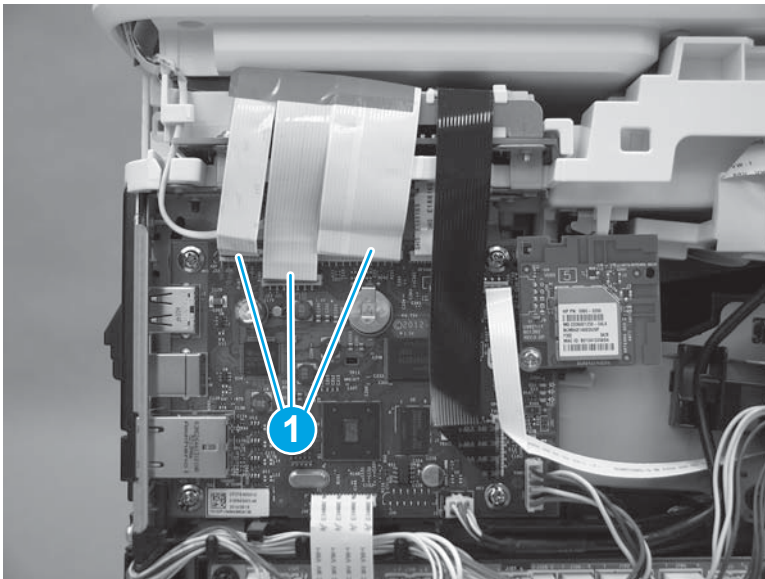
Figure 1-3524 Remove the rear top cover



Step 6: Remove the integrated scanner assembly (M377, M477 models)

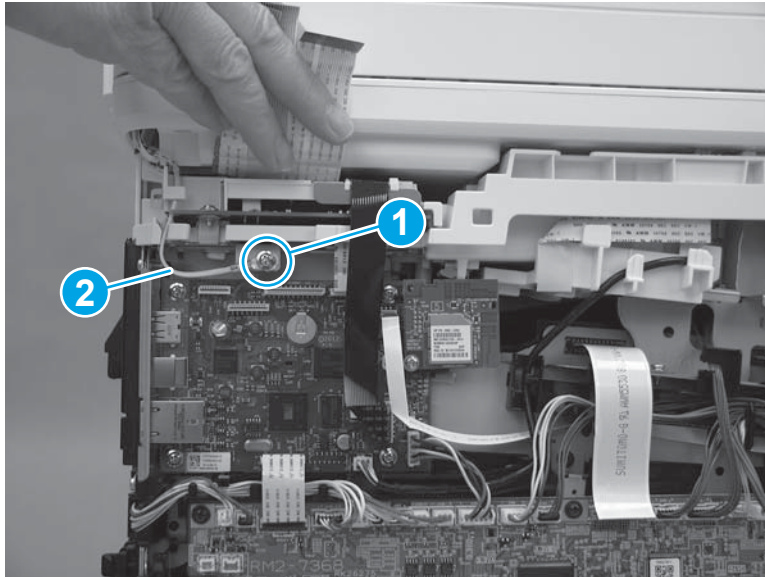
1. On the left side of the printer, disconnect three connectors (callout 1).

Figure 1-3525 Disconnect the scanner cables



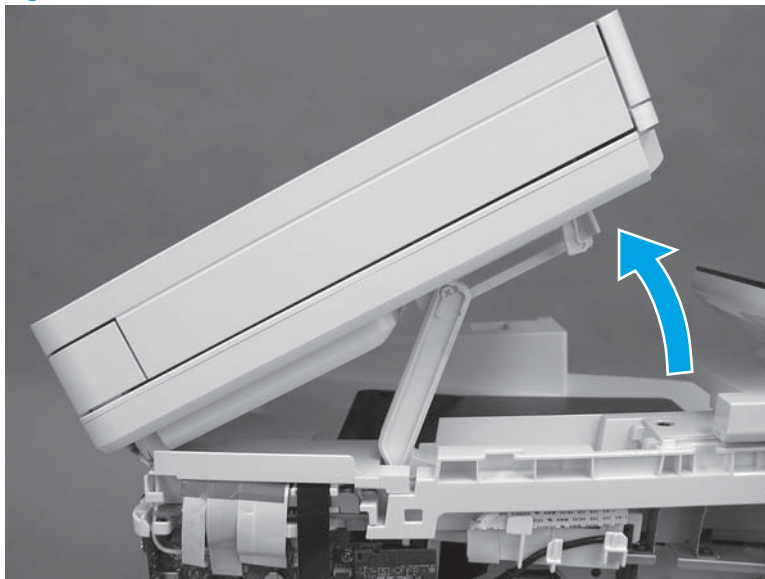
2. Raise the scanner cables up, and then remove one screw (callout 1) to release the ground wire (callout 2).

Figure 1-3526 Remove one screw and release the ground wire



3. Raise the scanner.

Figure 1-3527 Raise the scanner



4. With the scanner lifted, release the tab (callout 1) on the scanner support arm pin from the slot and rotate the pin in the direction indicated.

Figure 1-3528 Release the scanner arm pin



5. Remove the scanner arm pin.

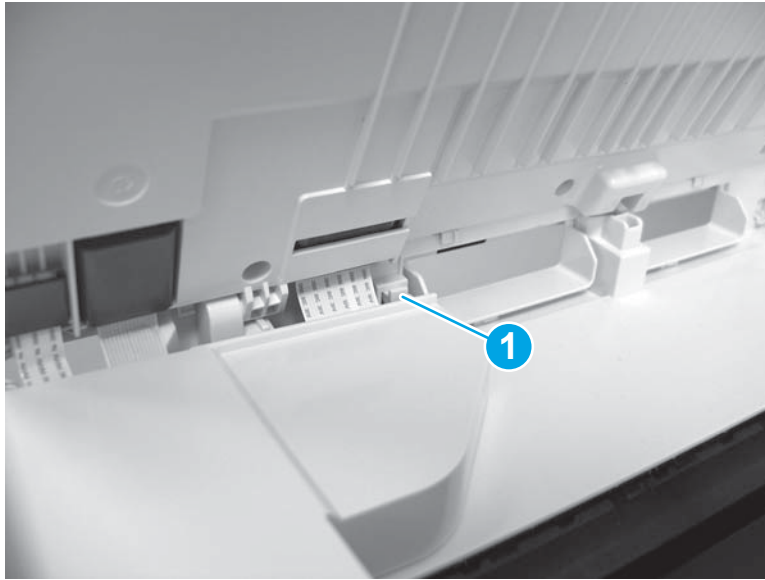
CAUTION: Once the scanner arm pin is removed, support the scanner with one hand at all times so that it does not fall backwards off of the printer.

Figure 1-3529 Remove the scanner arm pin.



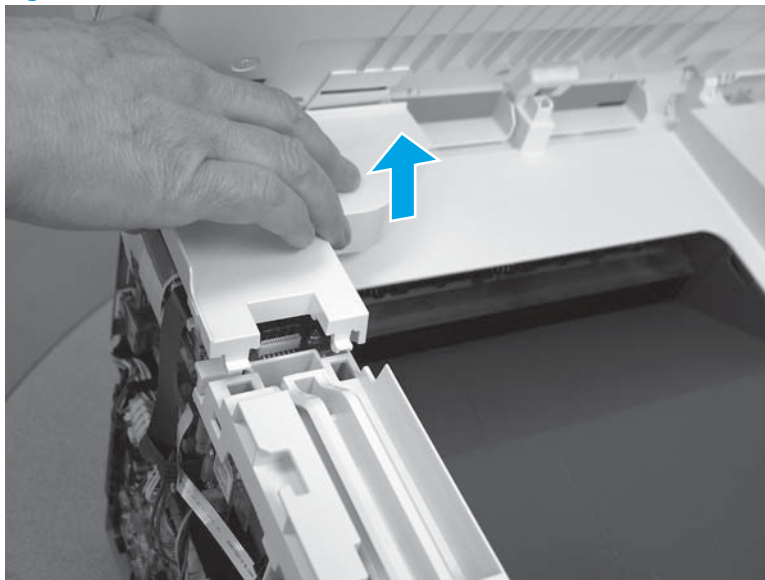
6. On the top of the printer, use a flat-blade screwdriver to release one tab (callout 1).

Figure 1-3530 Release one tab



7. Remove the scanner cable cover.

Figure 1-3531 Remove the scanner cable cover



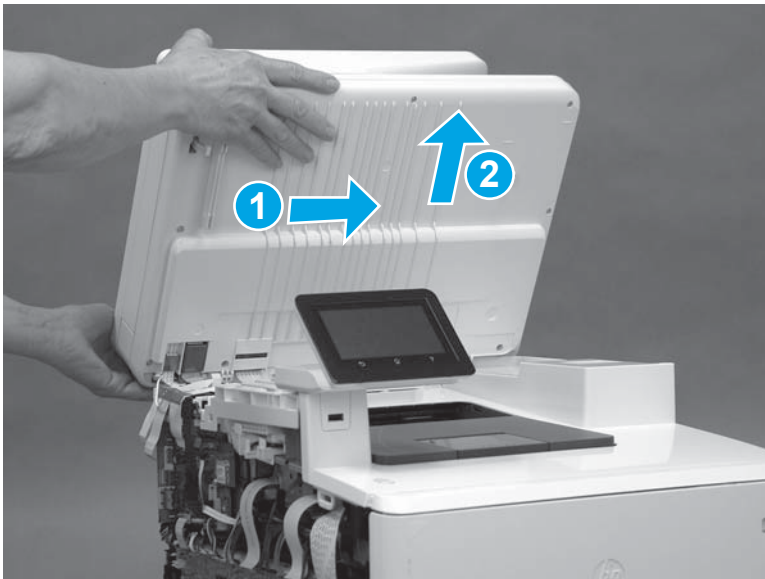
8. The scanner cables (callout 1) are held in place on the top cover with double-sided tape. Carefully release the cables from the top cover.

Figure 1-3532 Release the cables




9. Open the scanner assembly fully, slide the assembly toward the right side of the printer, and then lift the assembly off of the printer.

Figure 1-3533 Remove the scanner assembly

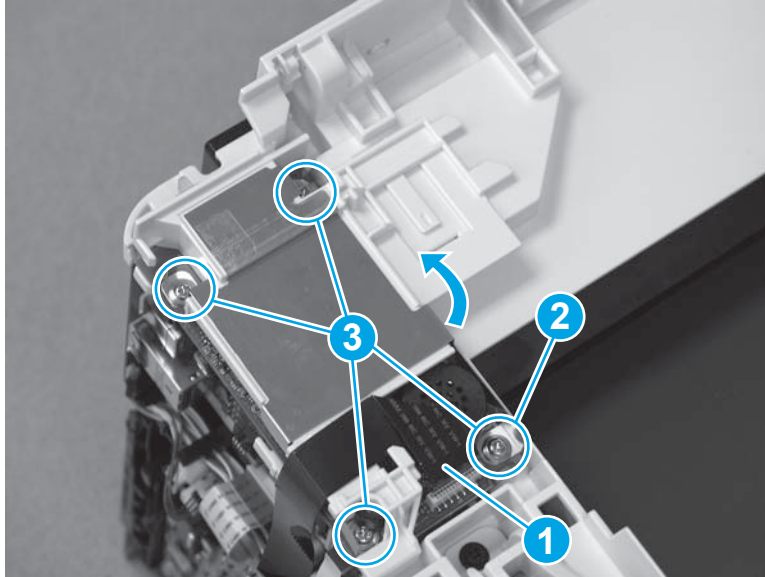


Step 7: Remove the fax PCA (M477 models)

 **NOTE:** This step is for M477 fax models only. Skip this step for non-fax models.

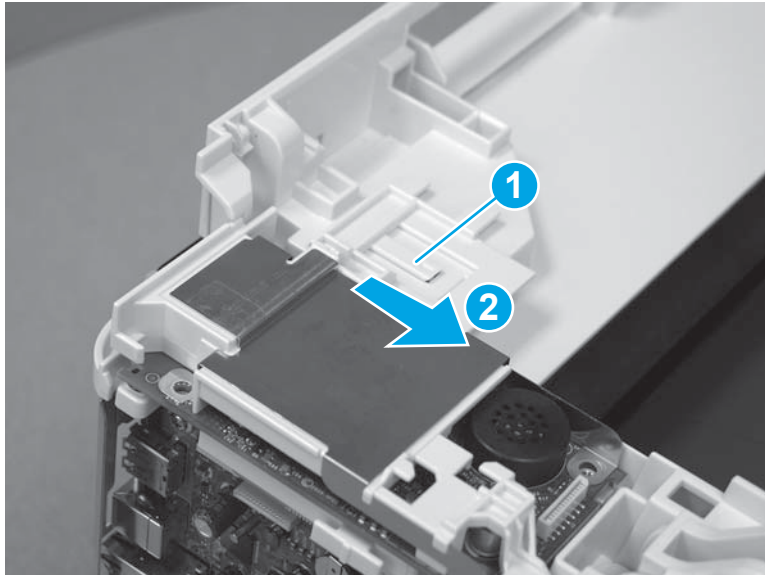
1. Disconnect one connector (callout 1). Beginning with the top right screw (callout 2) remove four screws (callout 3) in a counterclockwise direction.

Figure 1-3534 Disconnect one connector and remove four screws



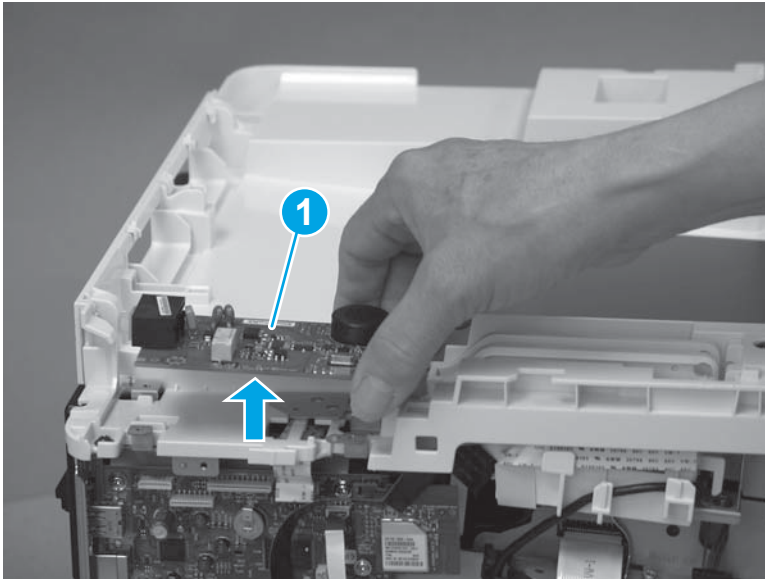
2. Release one tab (callout 1), and then slide the fax cover (callout 2) toward the front of the printer to remove it.

Figure 1-3535 Remove the fax cover



3. Lift up to remove the fax PCA (callout 1).

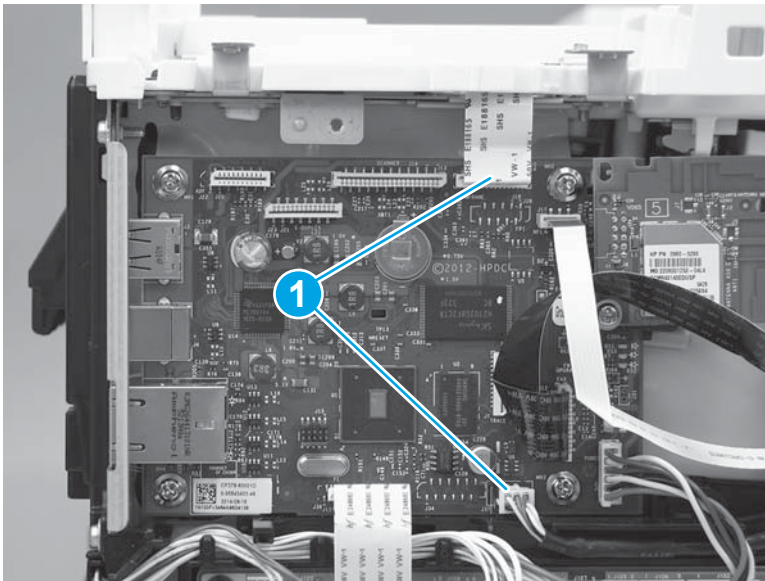
Figure 1-3536 Remove the fax PCA



Step 8: Remove the top cover (M377, M477 models)

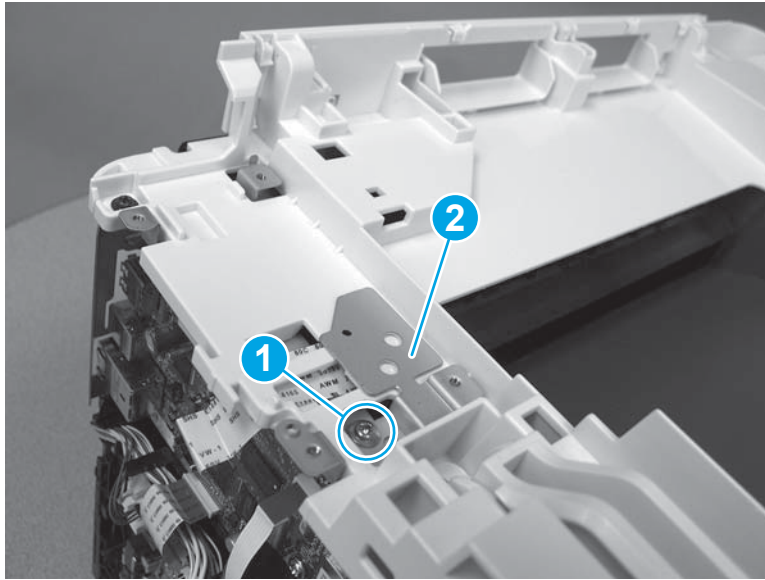
1. On the left side of the printer, on the formatter PCA, disconnect two connectors (callout 1).

Figure 1-3537 Disconnect two connectors



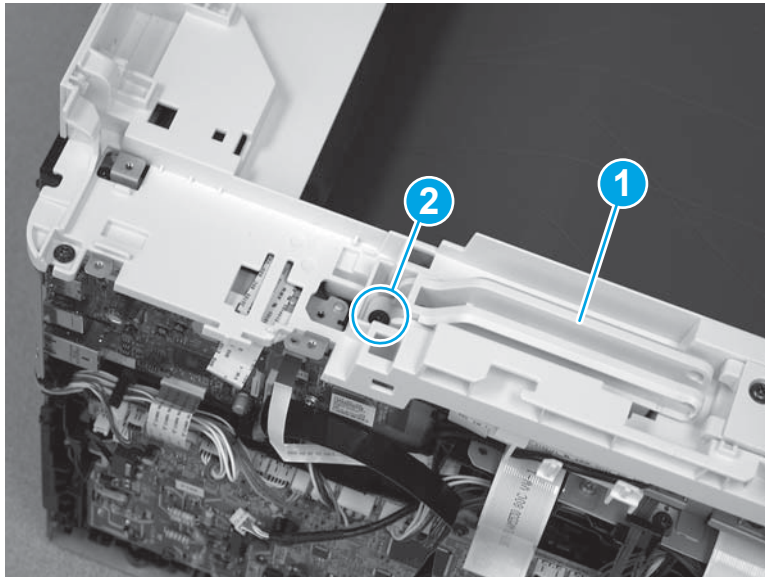
2. On the top cover, remove one screw (callout 1) and the sheet metal plate (callout 2).

Figure 1-3538 Remove one screw and the sheet metal plate



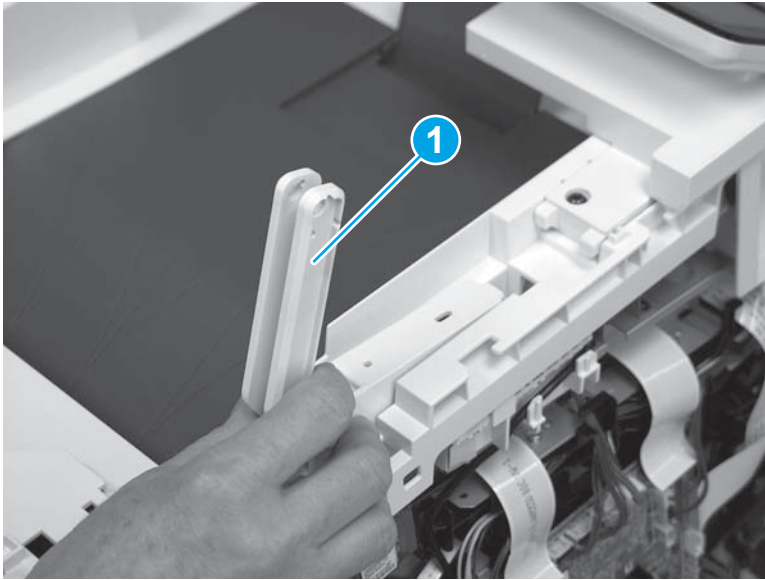
3. At the top of the printer, lower the scanner support arm (callout 1), and then remove one screw (callout 2).

Figure 1-3539 Lower the support arm and remove one screw



4. Remove the scanner support arm (callout 1).

Figure 1-3540 Remove the scanner support arm



5. At the top of the printer, remove three screws (callout 1).


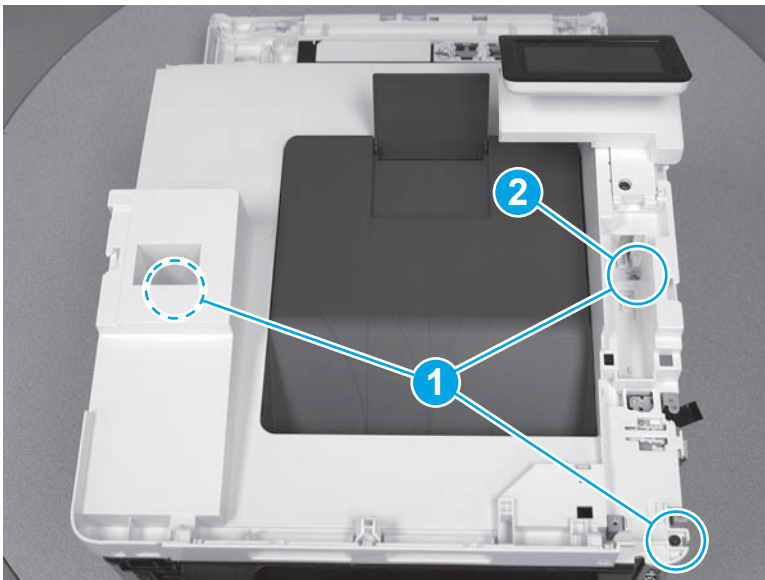
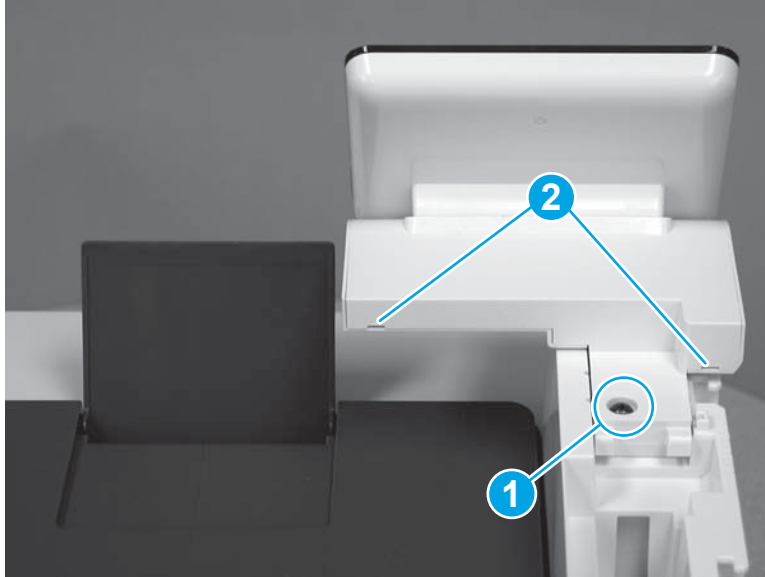
 **Reinstallation tip:** One screw (callout 2) is longer than the other screws. Make sure that this screw is reinstalled in the correct position.

Figure 1-3541 Remove three screws



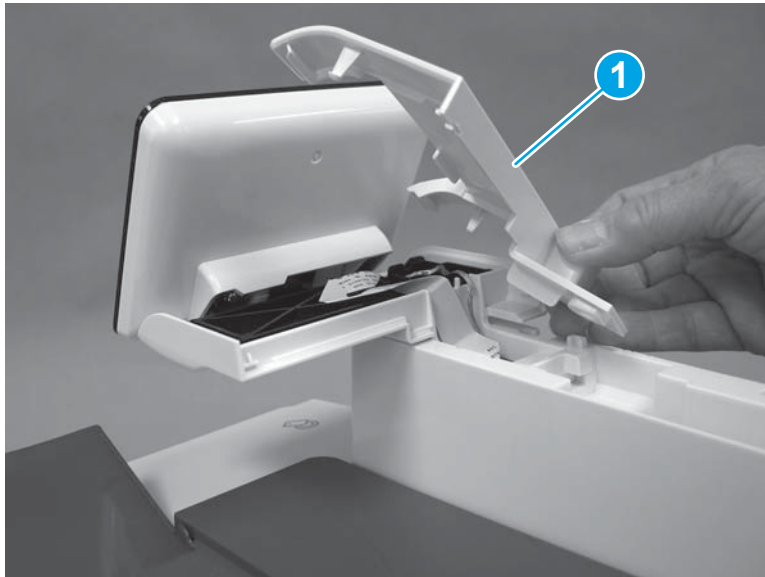
6. Behind the control panel, remove one screw (callout 1), and then use a small flat-blade screwdriver at two pry points (callout 2) to release the control panel cover from the top cover.

Figure 1-3542 Release the control panel cover



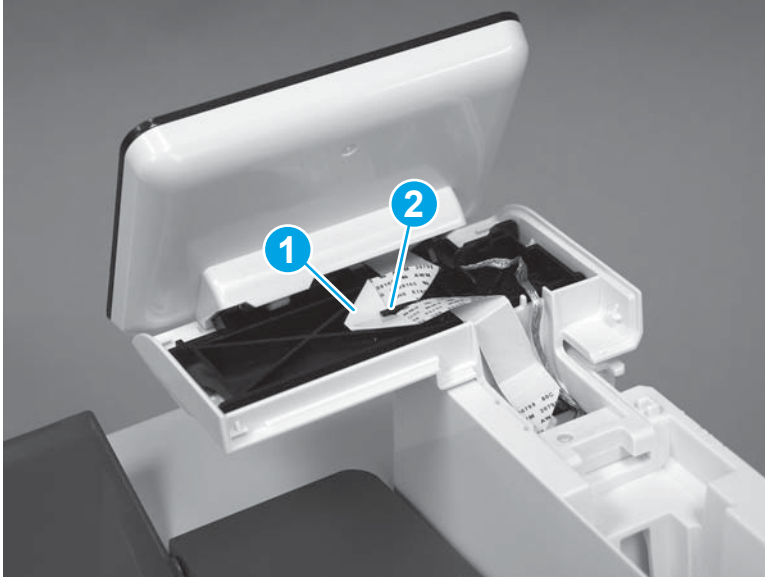
7. Remove the control panel cover (callout 1).

Figure 1-3543 Remove the control panel cover



8. Remove the flat cable (callout 1) from the retaining guide (callout 2).

Figure 1-3544 Release the flat cable



9. Remove two screws (callout 1), and then remove one screw (callout 2) and release one ground wire.

 **Reinstallation tip:** The two screws toward the front of the control panel (callout 1) are longer than the other screw. Make sure these screws are installed in the correct position when reinstalling the part.

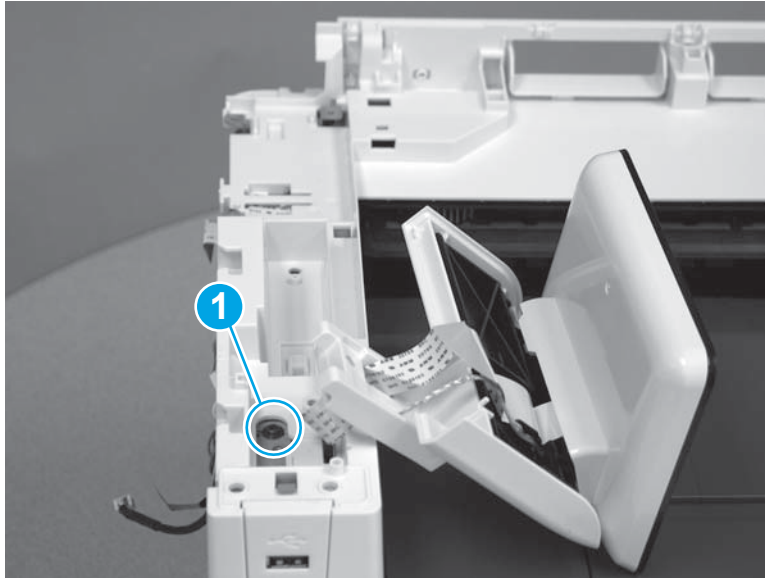
Figure 1-3545 Remove three screws



10. Carefully lift the control panel away and rest it on the top cover, and then remove one screw (callout 1).

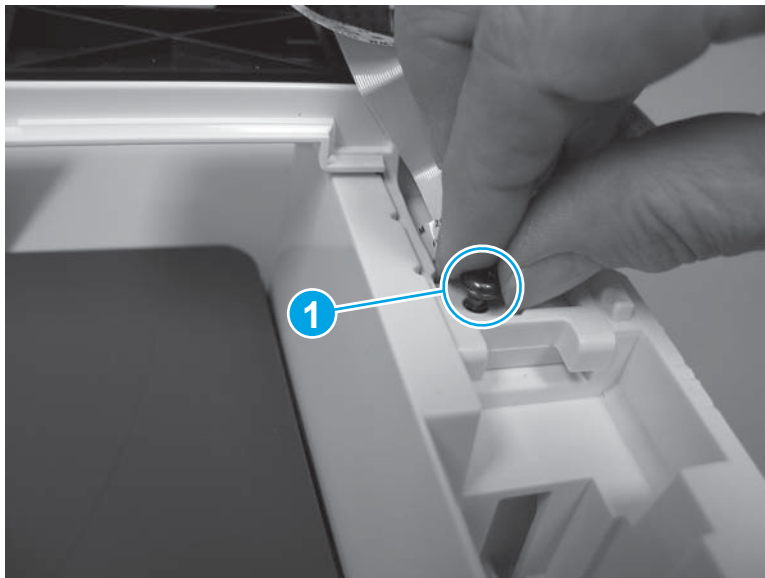
CAUTION: The control panel is still attached to the top cover by the flat cable.

Figure 1-3546 Remove one screw



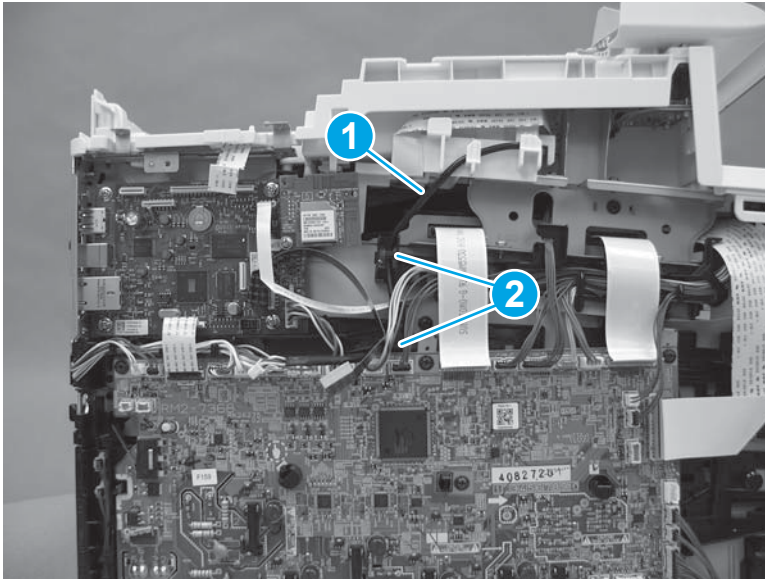
11. Place the control panel back into position. With your hand, refasten the screw (callout 1) that was previously removed from the control panel cover to temporarily reattach the control panel to the top cover. Doing this should protect the flat cable from being damaged.

Figure 1-3547 Refasten the control panel to the top cover



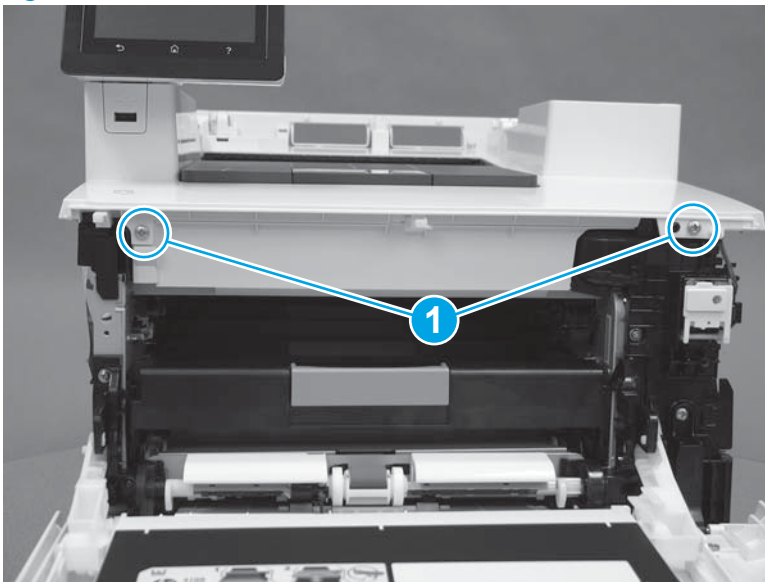
12. Remove the USB cable (callout 1) from the cable guides (callout 2).

Figure 1-3548 Release the USB cable



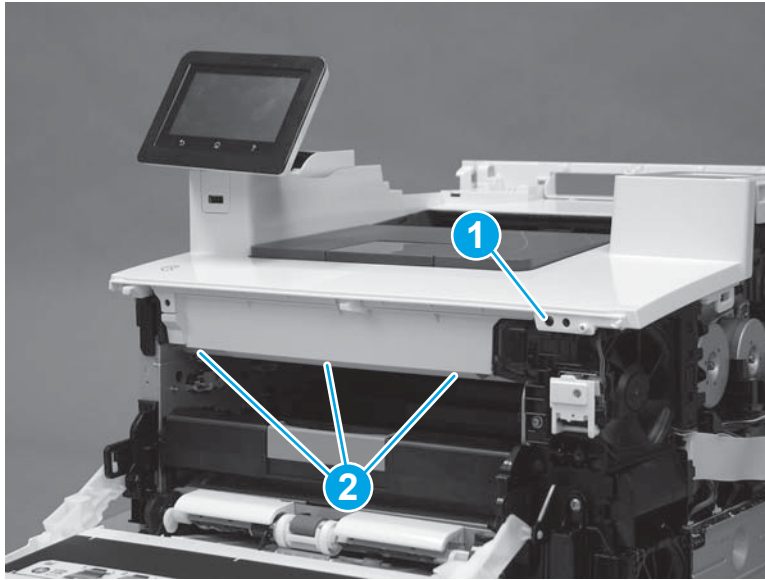
13. At the front of the printer, remove two screws (callout 1).

Figure 1-3549 Remove two screws



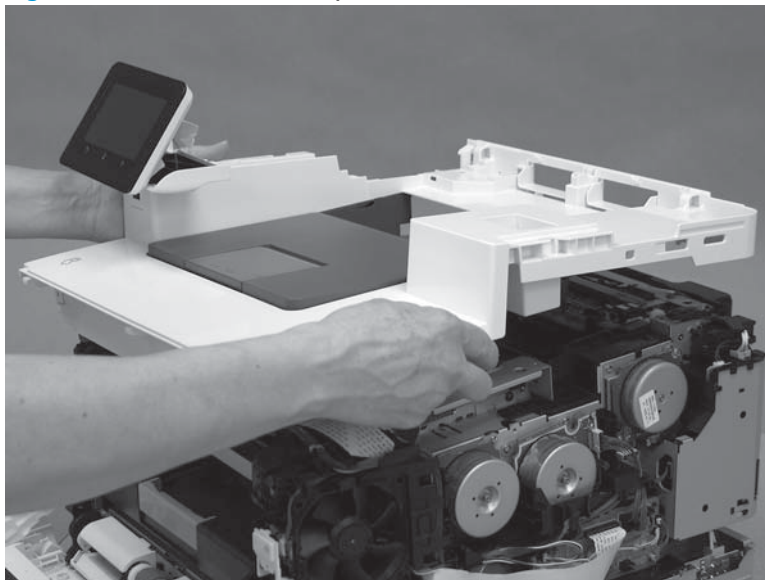
14. Release one retainer (callout 1), and then release three tabs (callout 2).

Figure 1-3550 Release one retainer and three tabs



15. Remove the top cover.

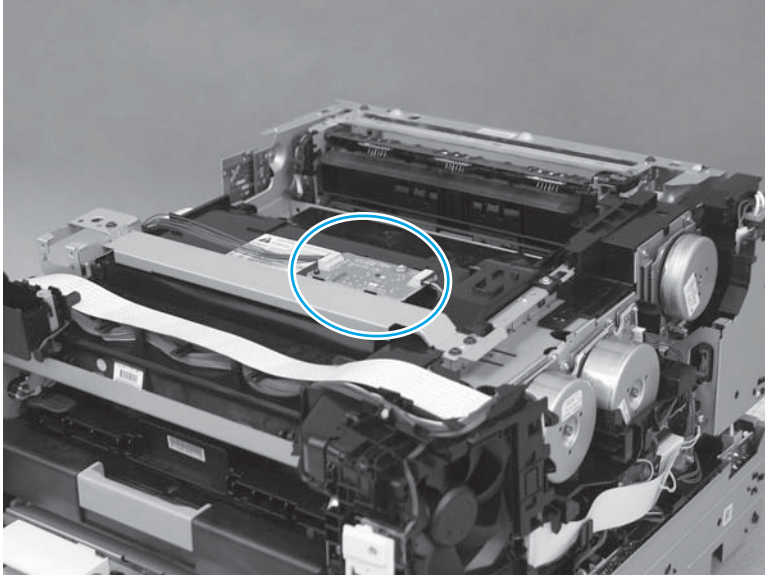
Figure 1-3551 Remove the top cover



Step 9: Remove the memory PCA

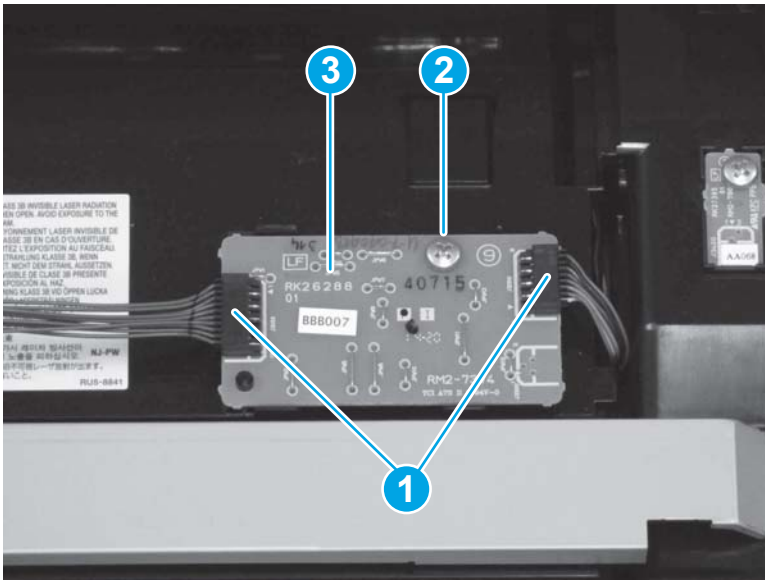
1. Locate the memory PCA on the top of the printer.

Figure 1-3552 Locate the memory PCA



2. Disconnect two connectors (callout 1), remove one screw (callout 2), and then remove the memory PCA (callout 3).

Figure 1-3553 Remove the memory PCA



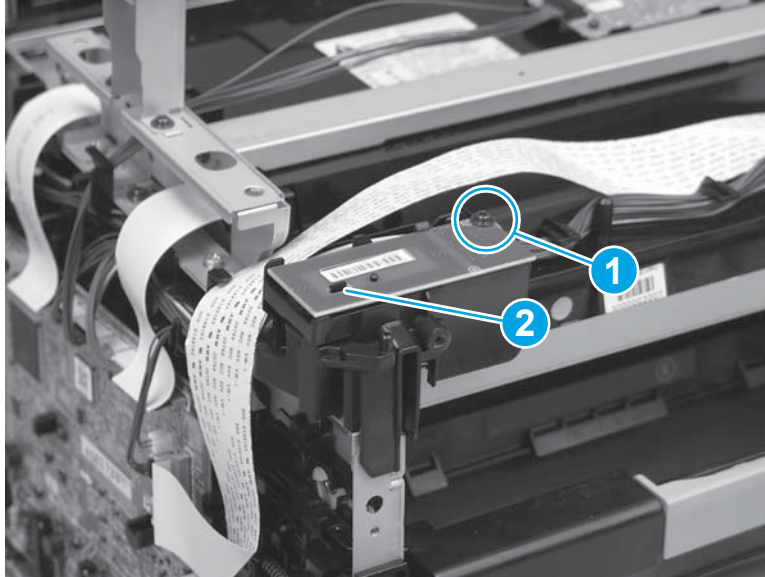
Step 10: Remove the NFC PCA (M477fdw model)



NOTE: This step is for the M477fdw model only. For all other models, skip this step and go to [Step 11: Remove the laser scanner \(M377, M477 models\) on page 1885.](#)

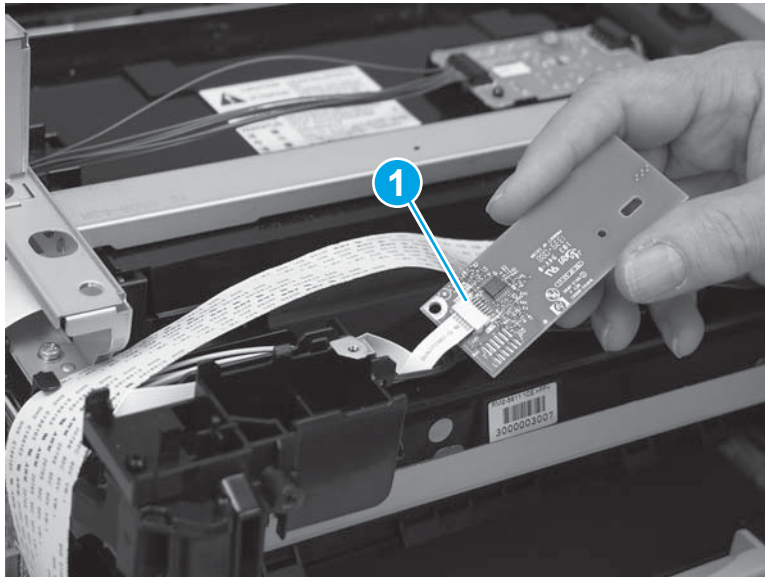
1. Remove one screw (callout 1), and then release one tab (callout 2).

Figure 1-3554 Remove one screw and release one tab



2. Disconnect one connector (callout 1), and then remove the NFC PCA.

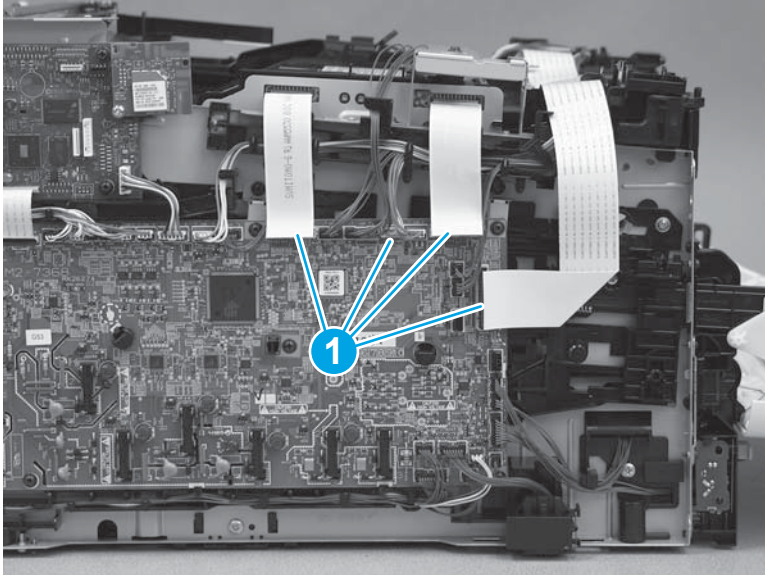
Figure 1-3555 Disconnect one connector



Step 11: Remove the laser scanner (M377, M477 models)

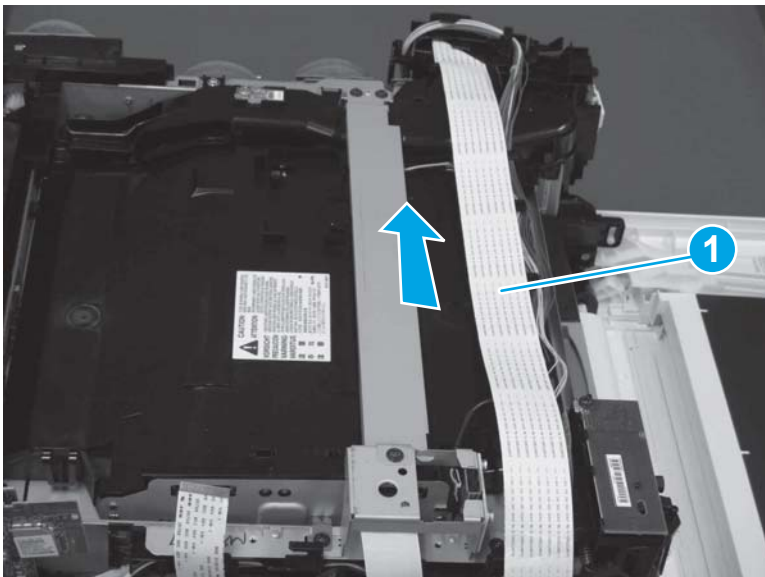
1. On the left side of the printer, on the formatter PCA, disconnect four connectors (callout 1).

Figure 1-3556 Disconnect four connectors



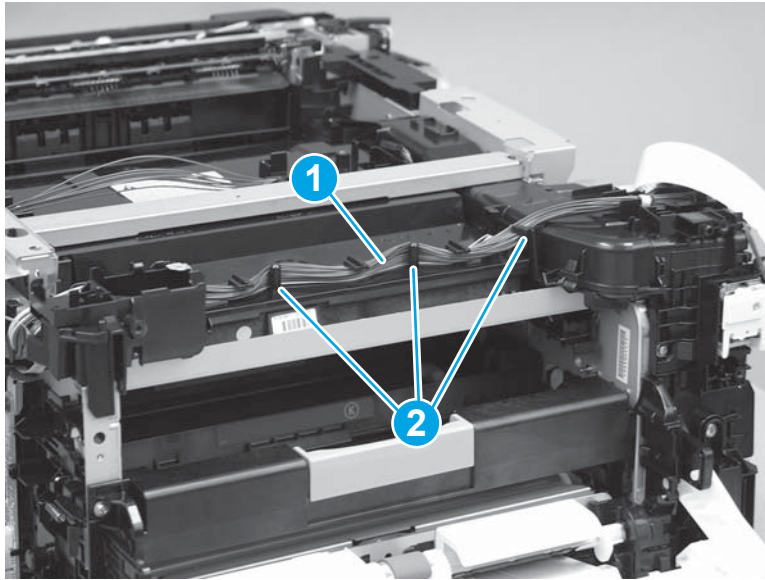
2. Lift the flat cable (callout 1) over to the right side of the printer to allow access to the cables under it.

Figure 1-3557 Lift the flat cable



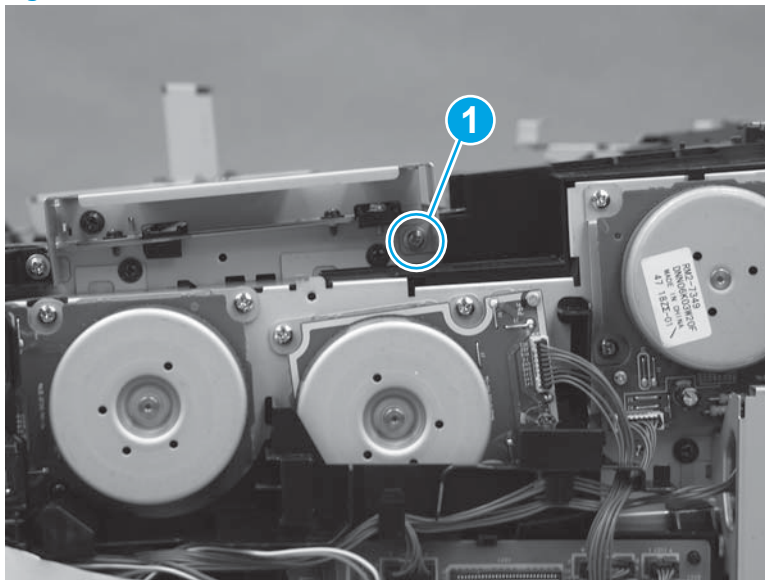
3. Release all of the cables (callout 1) from the cable guides (callout 2).

Figure 1-3558 Release the cables from the guides



4. On the right side of the printer, remove one screw (callout 1).

Figure 1-3559 Remove one screw



5. On the left side of the printer on top, remove two screws (callout 1). On the right side of the printer on top, remove two screws (callout 2).


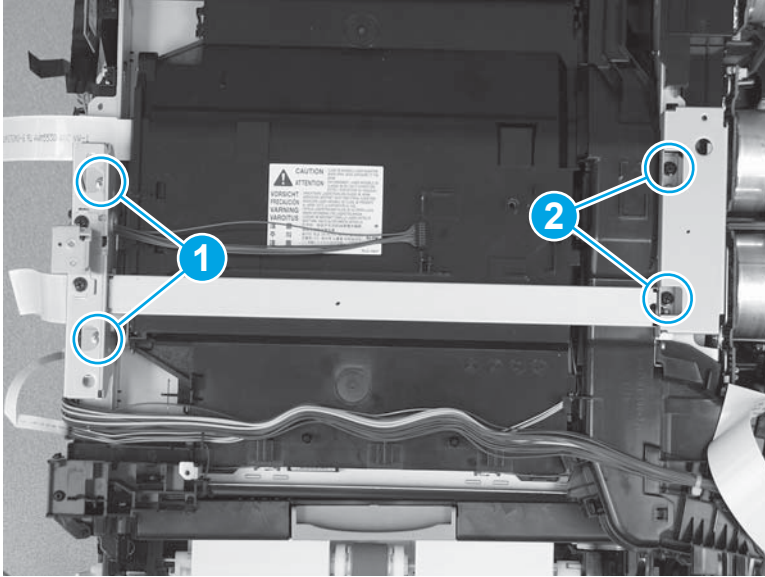
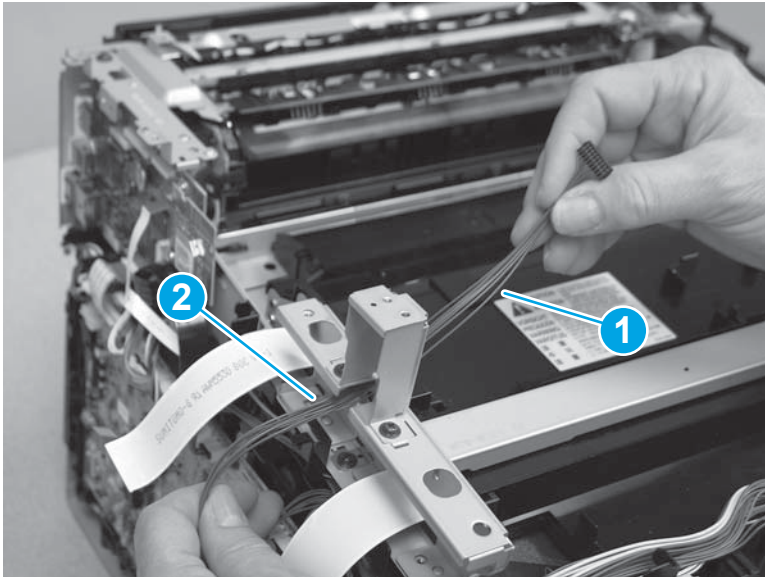
 **Reinstallation tip:** The screws on the left (callout 1) are a different type of screw than the screws on the right. When reinstalling the screws, make sure they are in the correct position.

Figure 1-3560 Remove four screws



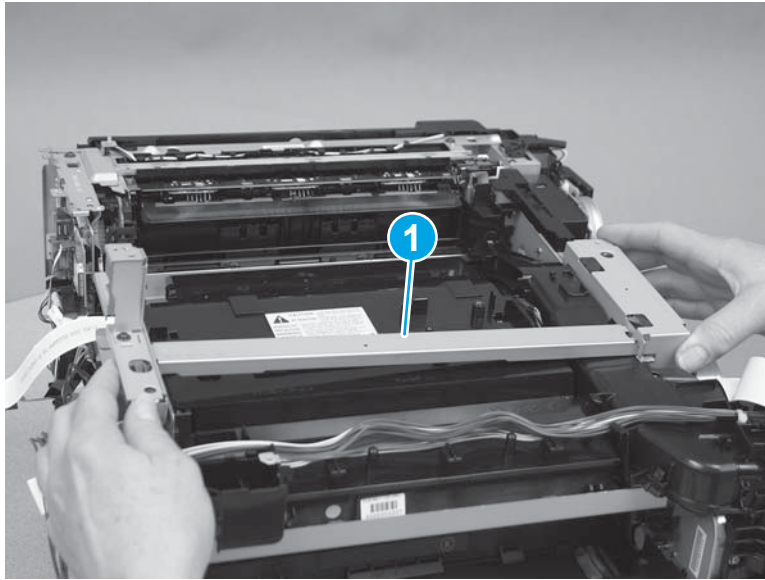
6. Release the cables (callout 1) through the opening in the bracket (callout 2).

Figure 1-3561 Release the cables



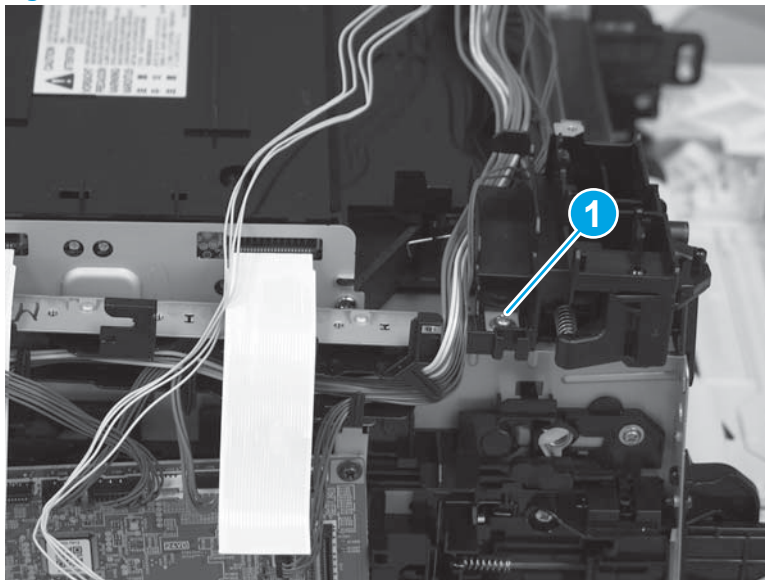
7. Remove the metal bracket (callout 1).

Figure 1-3562 Remove the metal bracket



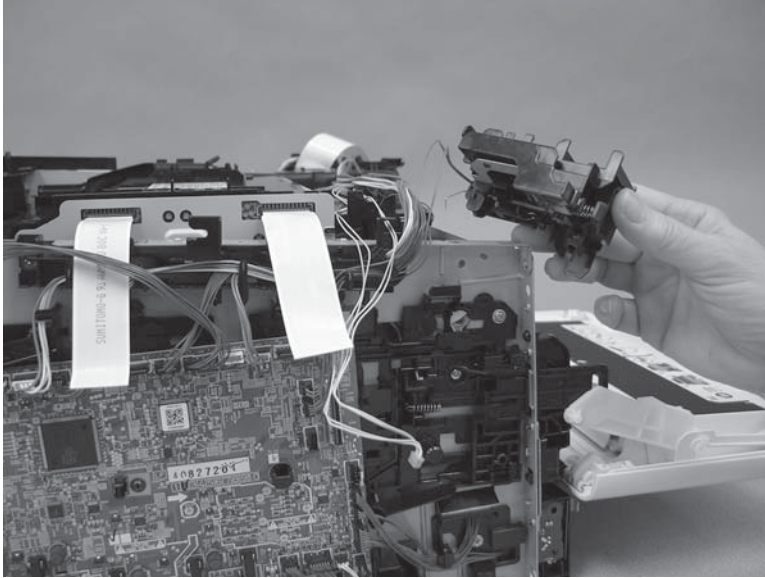
8. Remove one screw (callout 1).

Figure 1-3563 Remove one screw



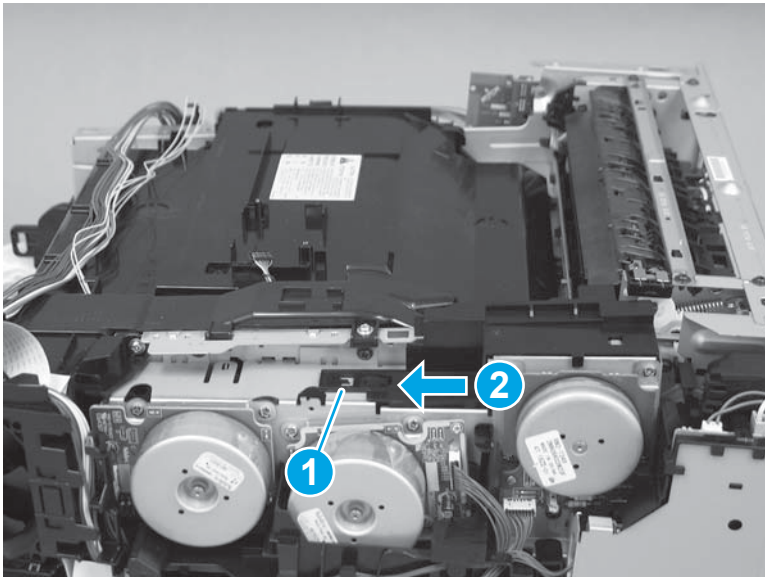
9. Remove the front door switch holder.

Figure 1-3564 Remove the front door switch holder



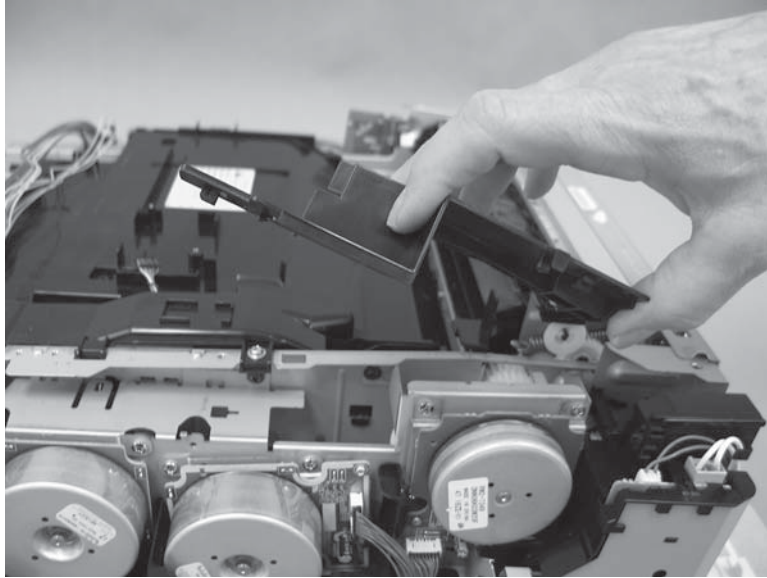
10. On the right side of the printer, toward the back, release one tab (callout 1) and then slide (callout 2) the black cover toward the front of the printer.

Figure 1-3565 Release one tab on the cover



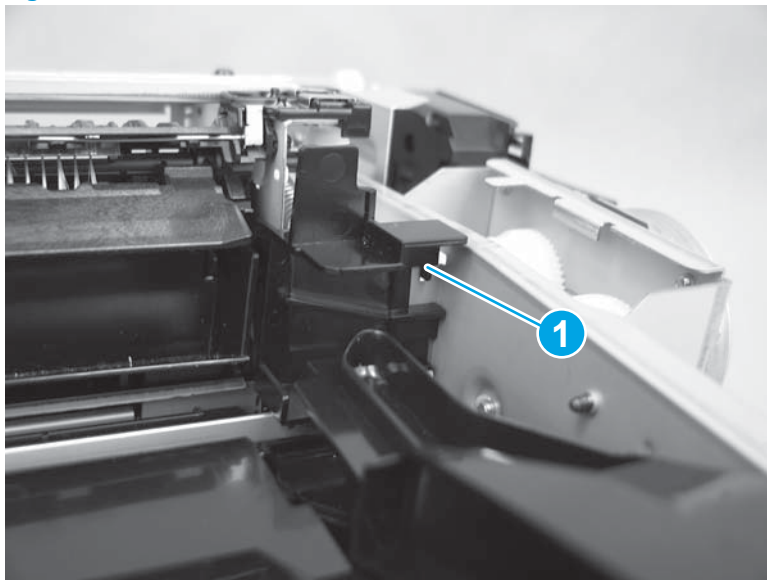
11. Remove the cover.

Figure 1-3566 Remove the cover



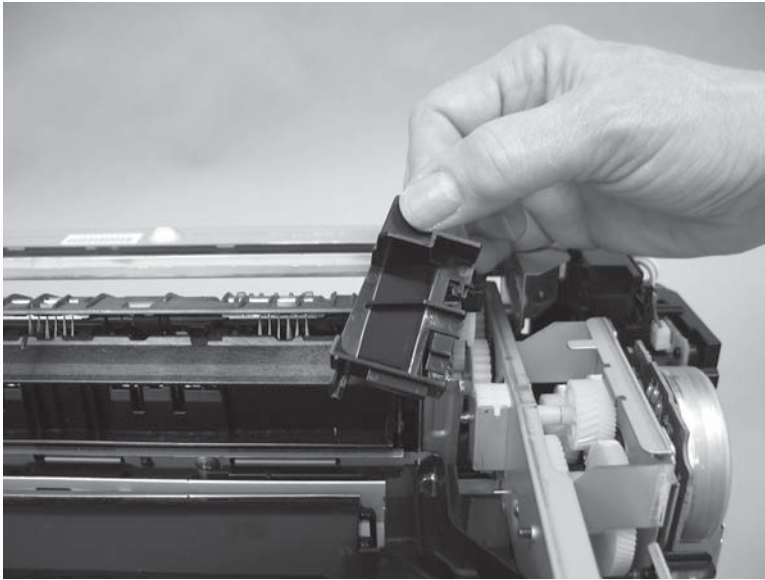
12. Release one tab (callout 1).

Figure 1-3567 Release one tab



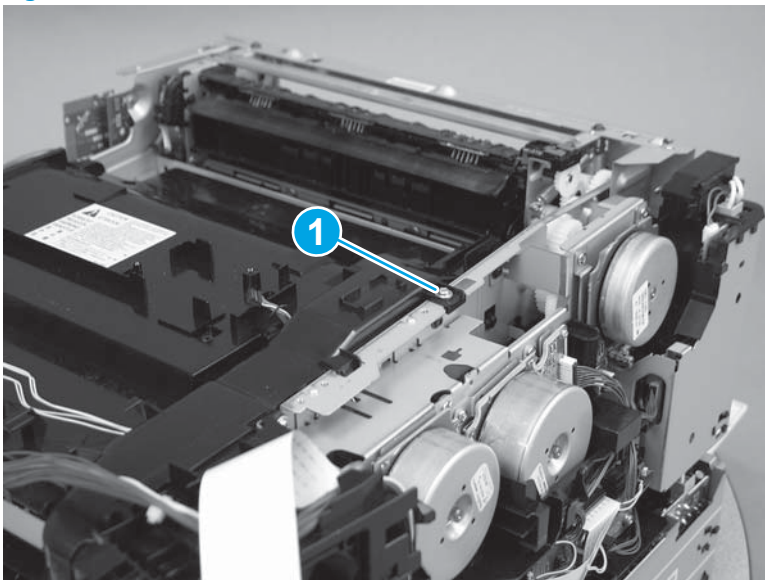
13. Remove the cover.

Figure 1-3568 Remove the cover



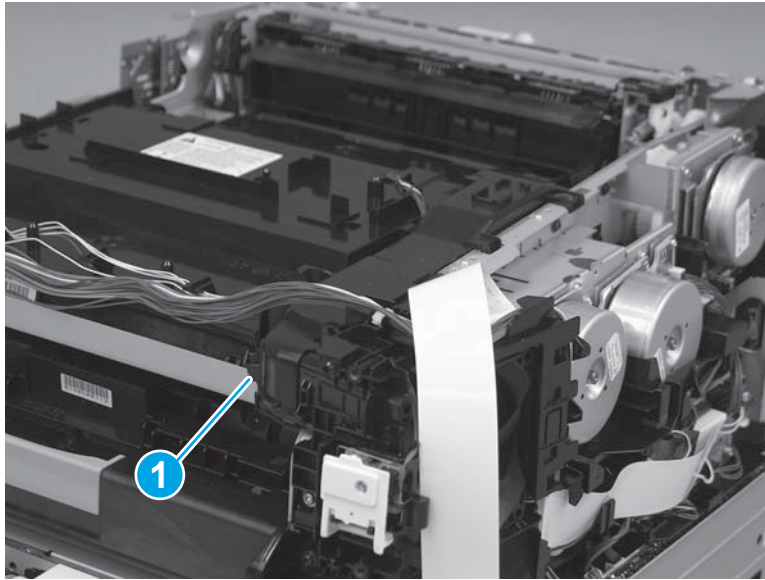
14. Remove one screw (callout 1).

Figure 1-3569 Remove one screw



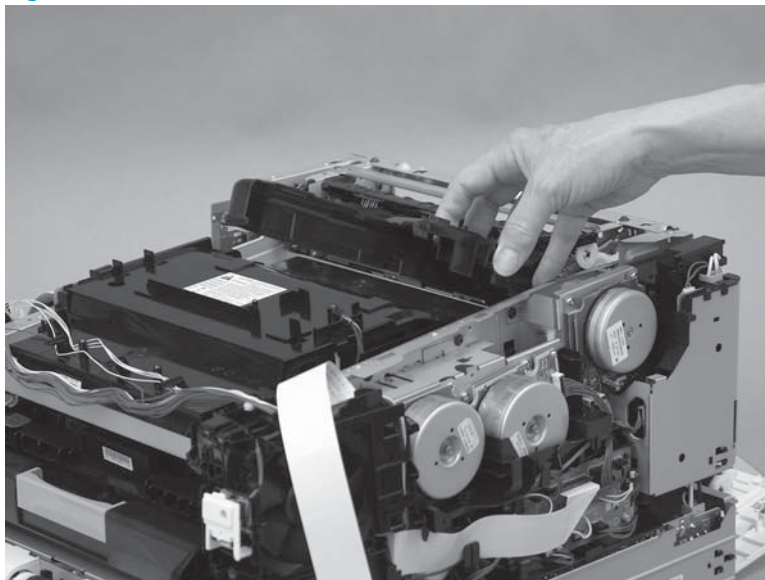
15. Release one tab (callout 1).

Figure 1-3570 Release one tab



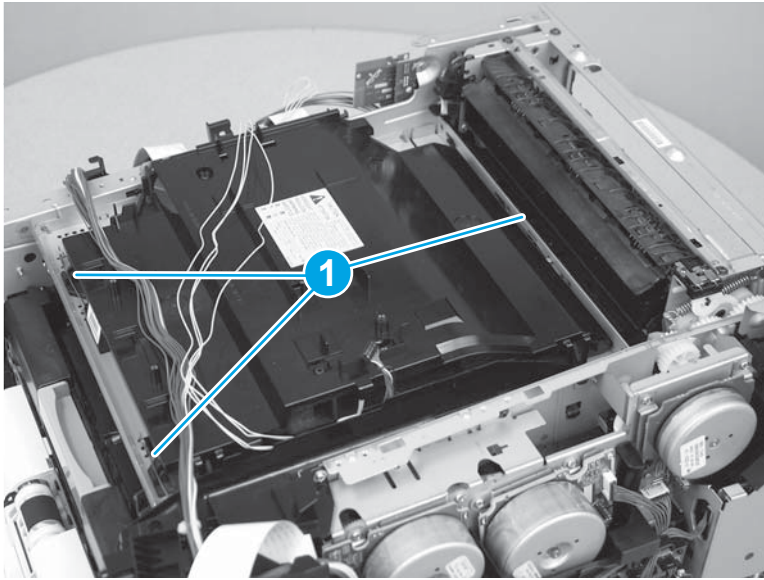
16. Remove the exhaust duct.

Figure 1-3571 Remove the exhaust duct



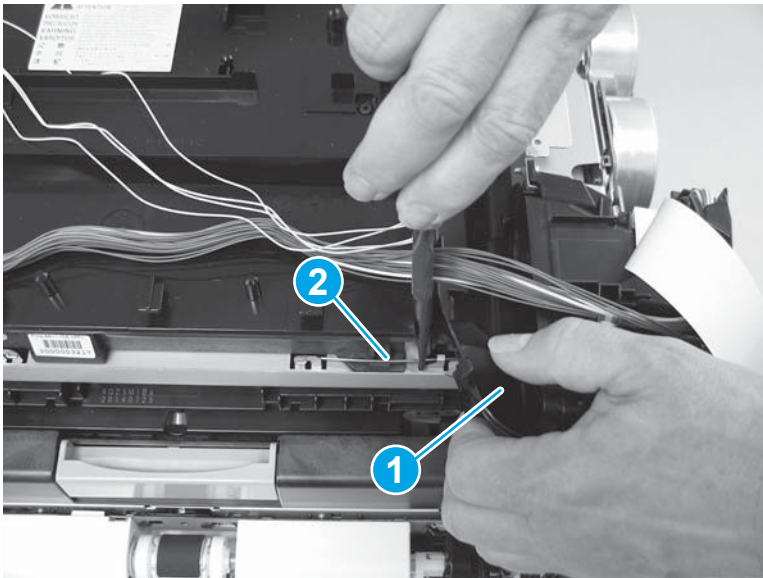
17. Use needle-nose pliers to release three springs (callout 1).

Figure 1-3572 Release three springs



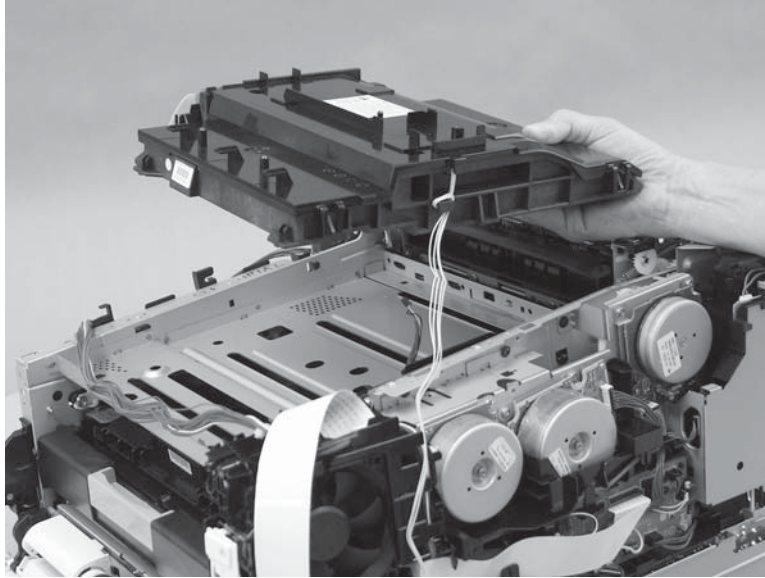
TIP: Lift up the edge of the duct (callout 1) to release the right front spring (callout 2).

Figure 1-3573 Lift the duct to release the spring



18. Remove the laser scanner.

Figure 1-3574 Remove the laser scanner



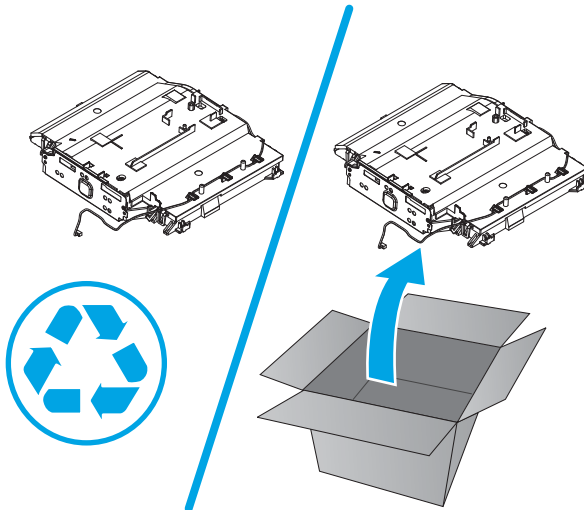
Step 12: Unpack the replacement part

Remove the new part from its package. Save all packaging for recycling the used part.

For complete information on HP's recycling programs, go to [Product return and recycling](#).

 **NOTE:** HP recommends responsible disposal of the defective part.

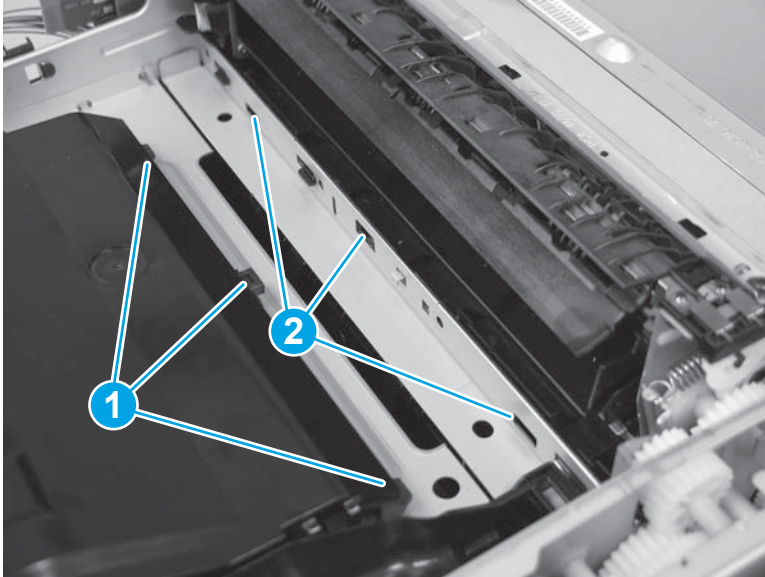
Figure 1-3575 Recycle and unpack



Step 13: Install the laser scanner (M377, M477 models)

1. Install three tabs (callout 1) on back of the laser scanner into the slots (callout 2) in the printer frame.

Figure 1-3576 Install three tabs



2. Install the five tabs (callout 1) on the bottom of the laser scanner into the holes (callout 2) in the top of the printer.


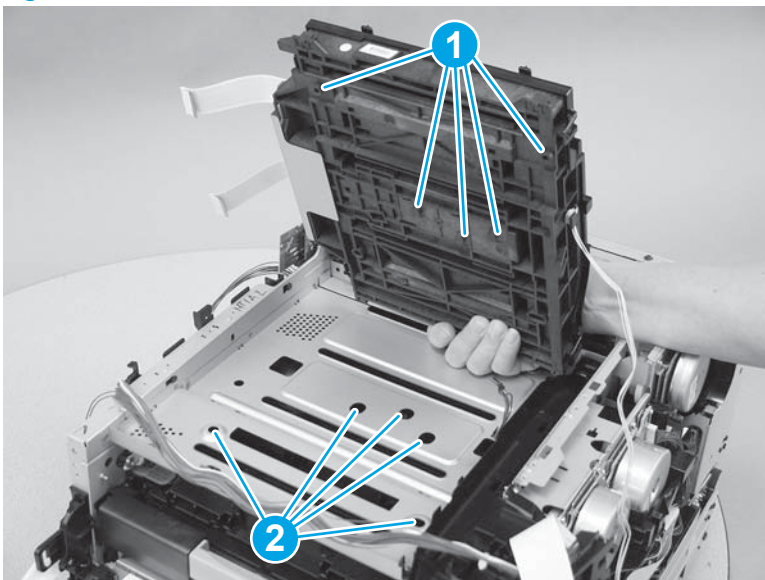
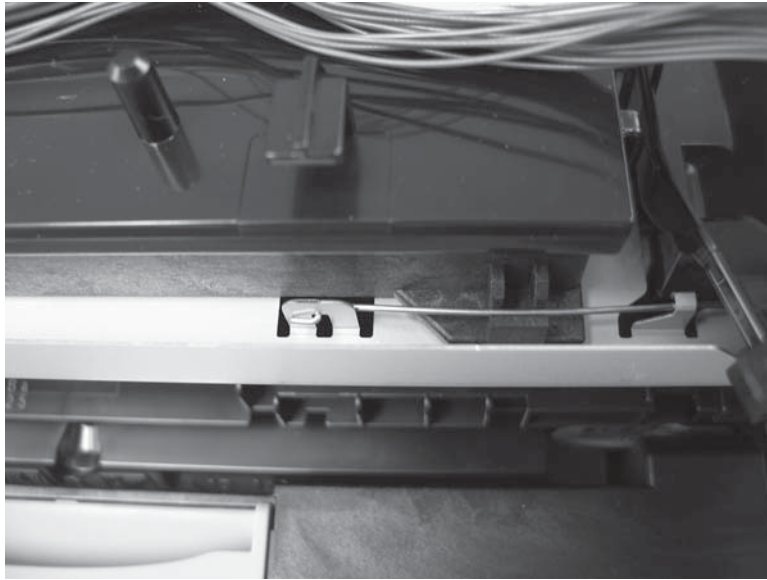
 **TIP:** Check the tabs by feeling along the underside of the sheet metal and verifying they are all fully installed.

Figure 1-3577 Install five tabs



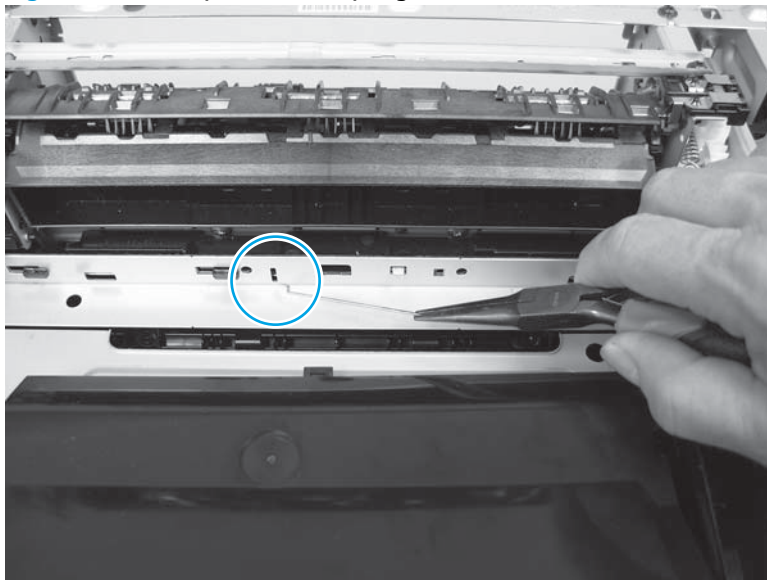
3. Before installing the springs in the next step, note the proper position of the springs when installed.

Figure 1-3578 Spring position



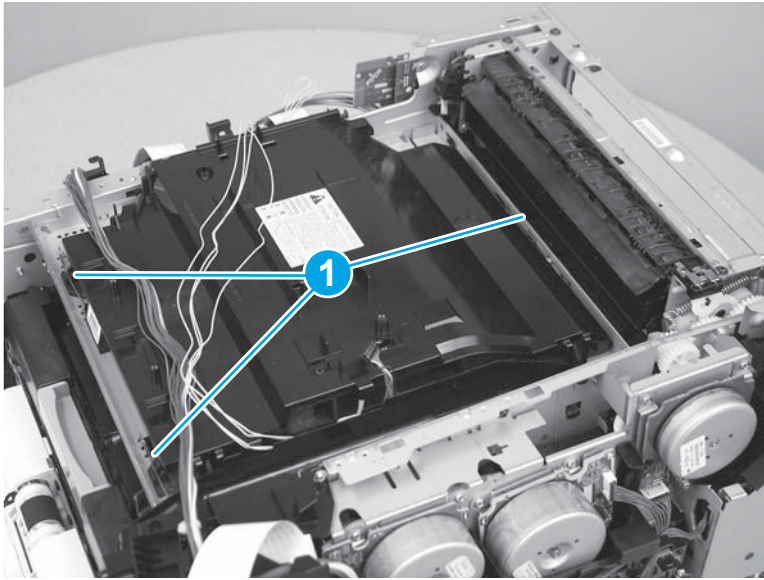
4. If the rear spring becomes dislodged from the printer frame, reposition it as shown below.

Figure 1-3579 Reposition the spring



5. Use needle-nose pliers to install three springs (callout 1).

Figure 1-3580 Install three springs




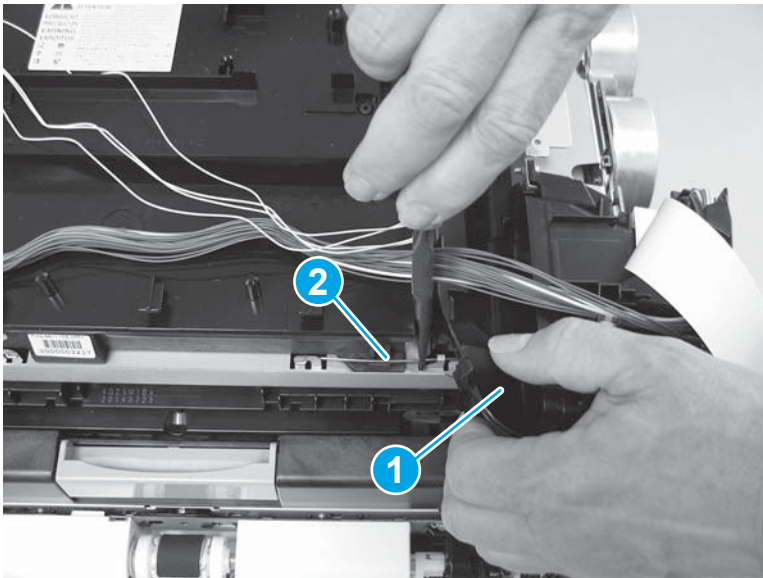
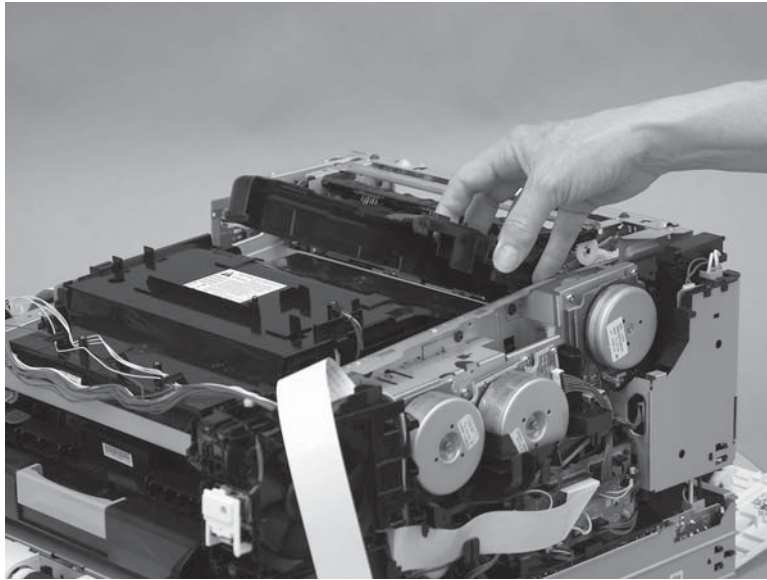
 **TIP:** Lift up the edge of the duct (callout 1) to install the right front spring (callout 2).

Figure 1-3581 Lift the duct to install the spring



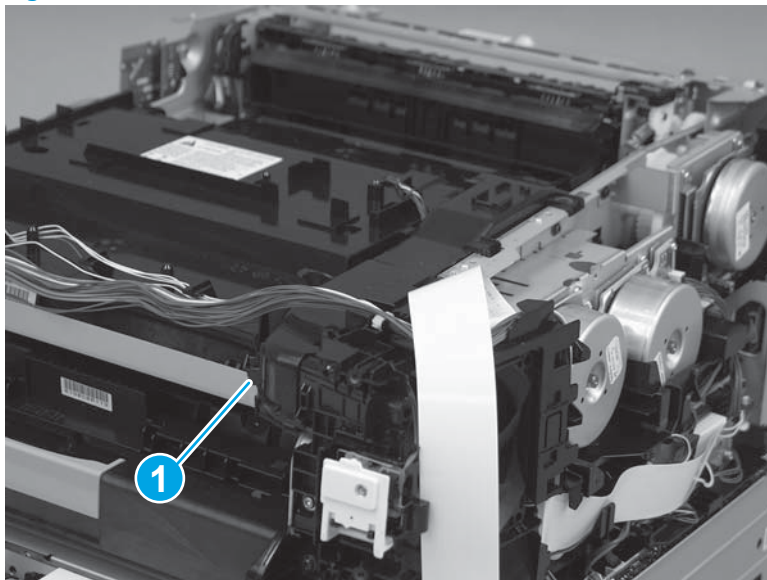
6. Position the exhaust duct on top of the printer.

Figure 1-3582 Position the exhaust duct



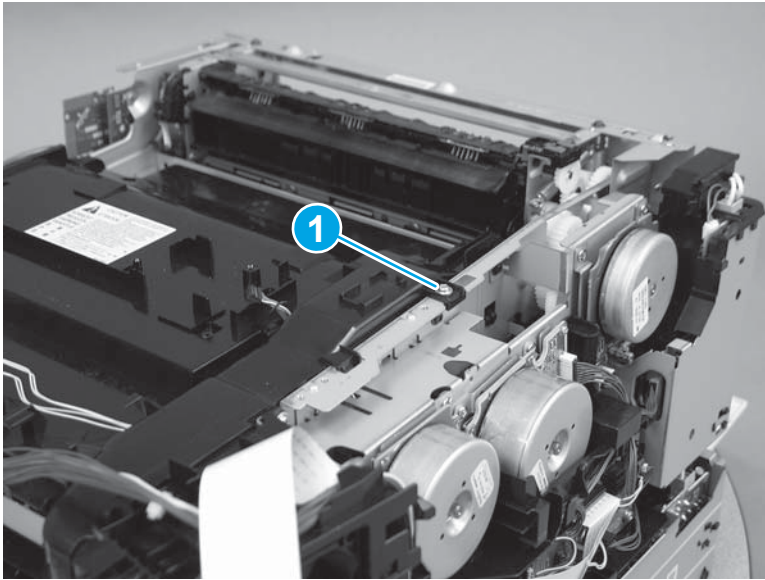
7. Install one tab (callout 1).

Figure 1-3583 Install one tab



8. Install one screw (callout 1).

Figure 1-3584 Install one screw



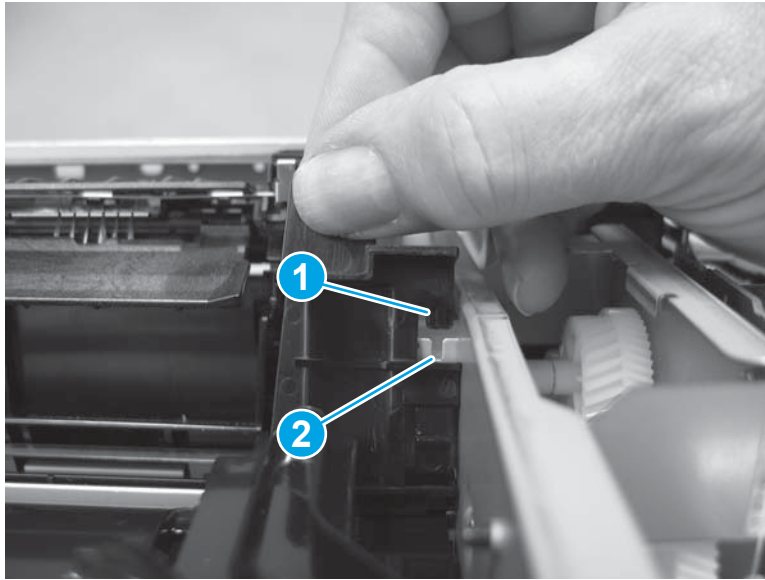
9. Position the cover on top of the printer.

Figure 1-3585 Position the cover



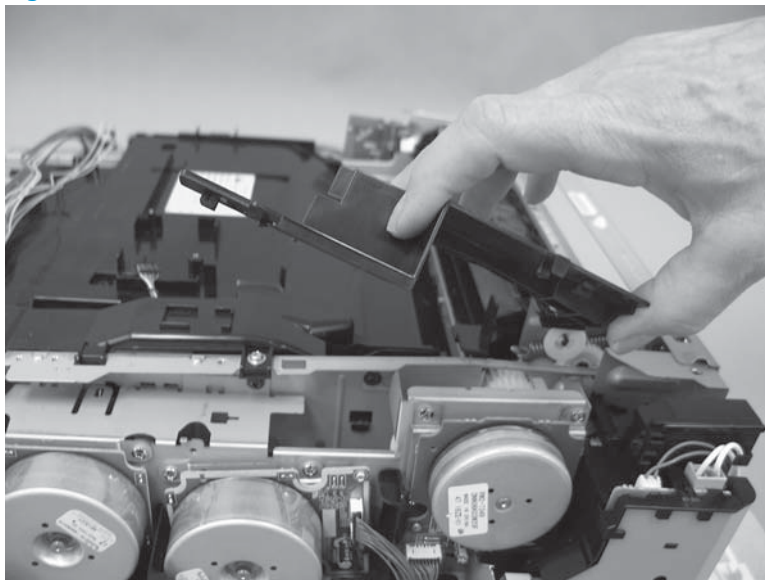
10. Install the tab (callout 1) on the cover in the slot (callout 2) in the printer frame and install the cover.

Figure 1-3586 Install the cover



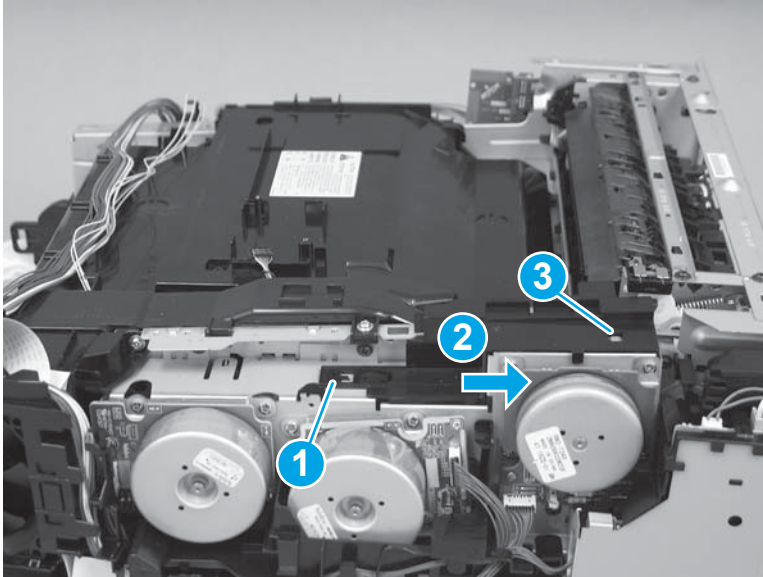
11. Position the cover on top of the printer.

Figure 1-3587 Position the cover



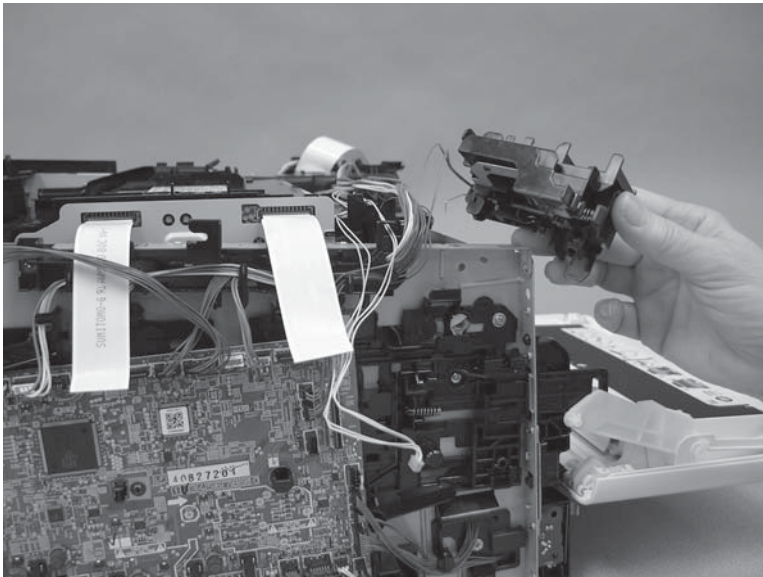
12. Install one tab (callout 1), and then slide the cover (callout 2) toward the back of the printer to install it. Make sure that the tab (callout 3) slides under the sheet metal.

Figure 1-3588 Install the cover



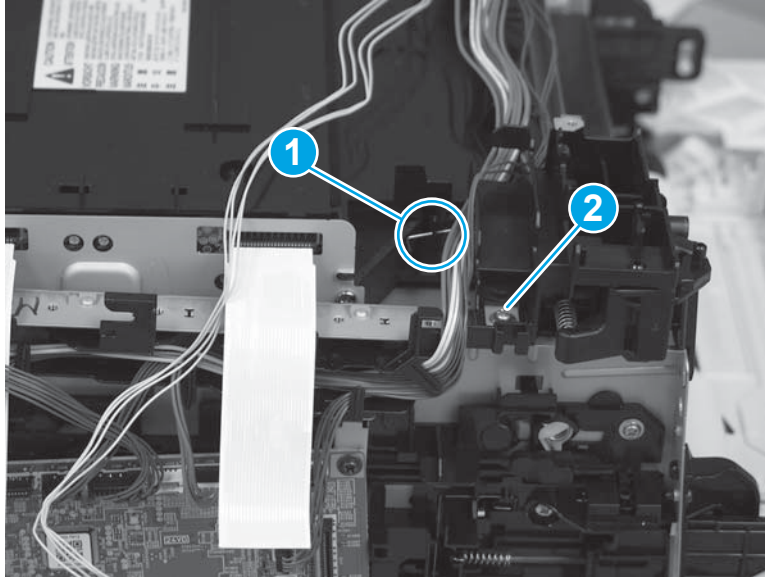
13. Position the front door switch holder on the printer.

Figure 1-3589 Position the front door switch holder



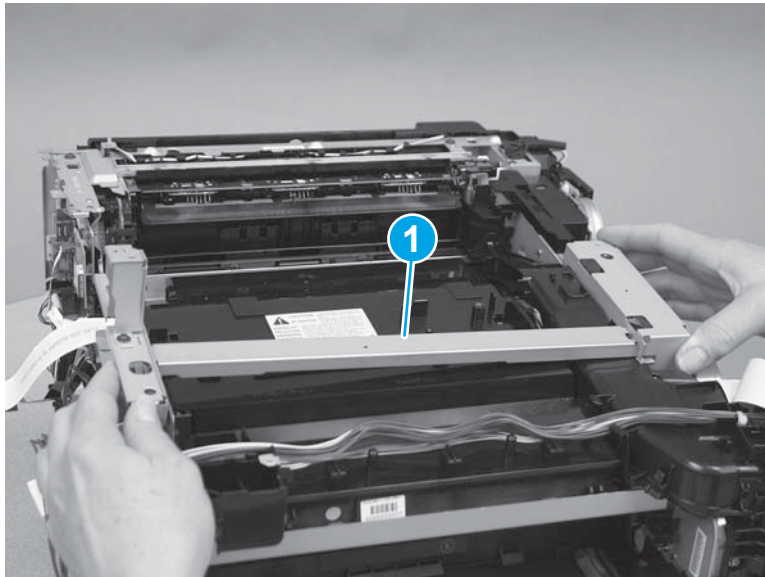
14. Position the spring on the switch holder over the lever on the laser scanner (callout 1), and then install one screw (callout 2).

Figure 1-3590 Position the spring and install one screw



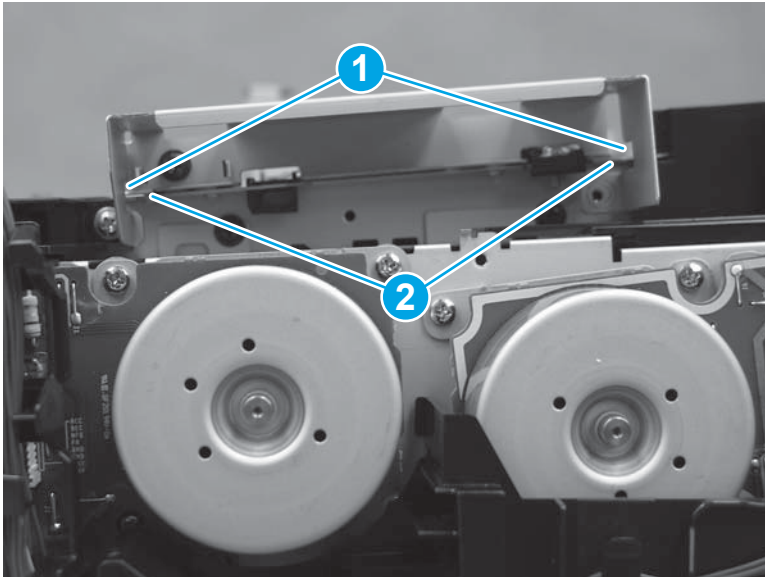
15. Position the metal bracket (callout 1) on top of the printer.

Figure 1-3591 Position the metal bracket



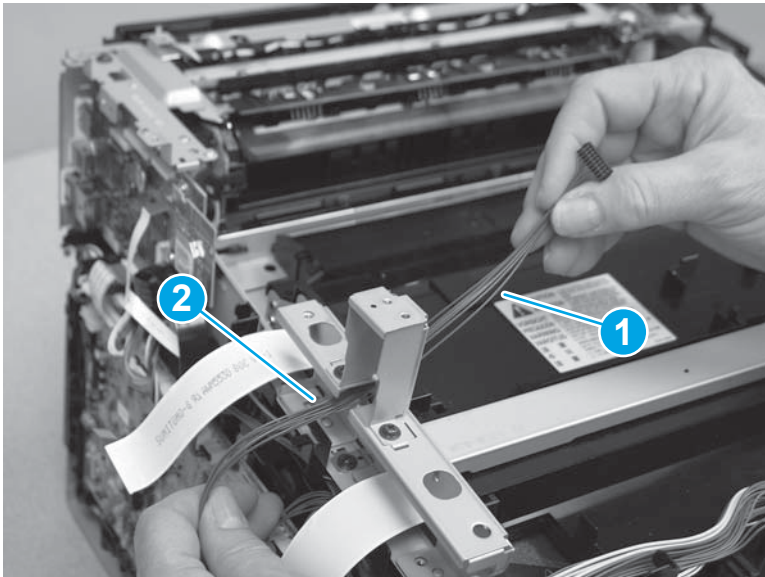
16. On the right side of the printer, position the slots (callout 1) on the metal bracket over the edge (callout 2) of the printer frame.

Figure 1-3592 Install the metal bracket



17. Insert the cables (callout 1) through the opening in the bracket (callout 2).

Figure 1-3593 Insert the cables



18. On the left side of the printer on top, install two screws (callout 1). On the right side of the printer on top, install two screws (callout 2).


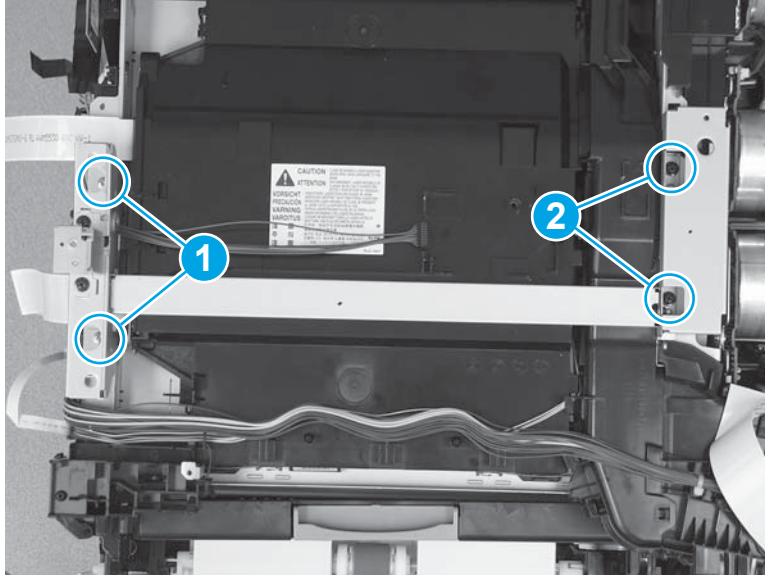
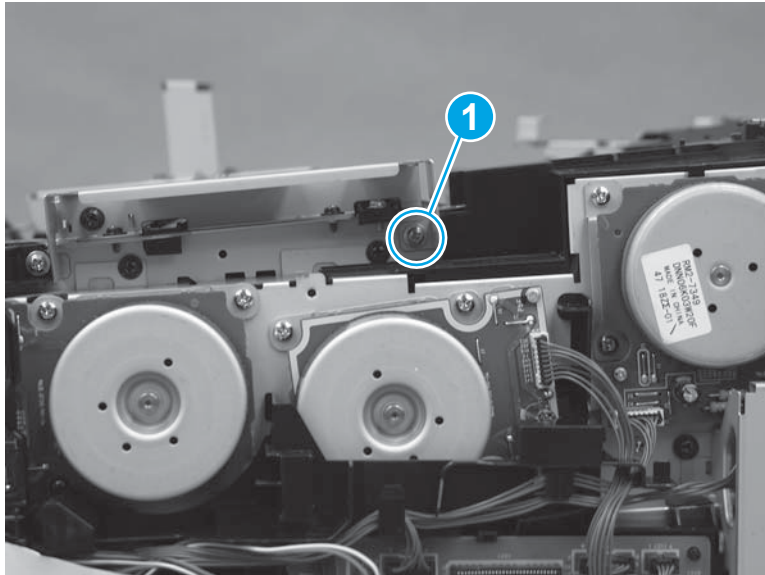
 **TIP:** The screws on the left (callout 1) are a different type of screw than the screws on the right. When reinstalling the screws, make sure they are in the correct position.

Figure 1-3594 Install four screws



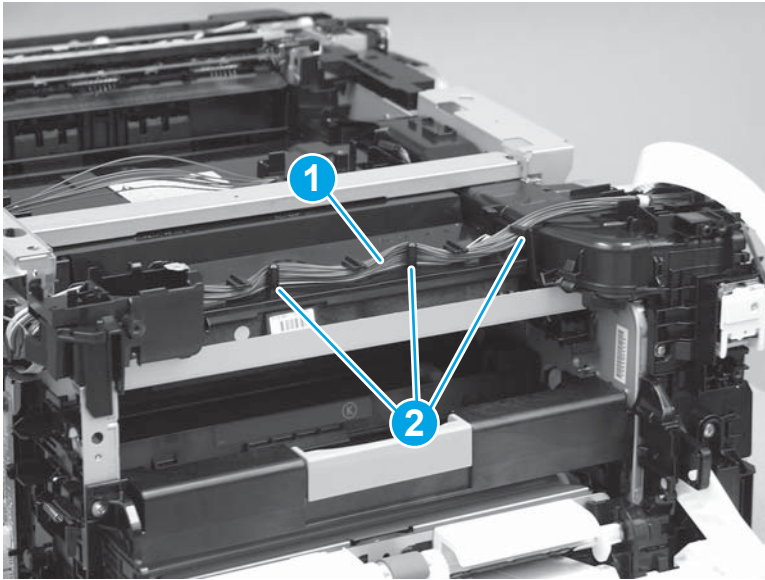
19. On the right side of the printer, install one screw (callout 1).

Figure 1-3595 Install one screw



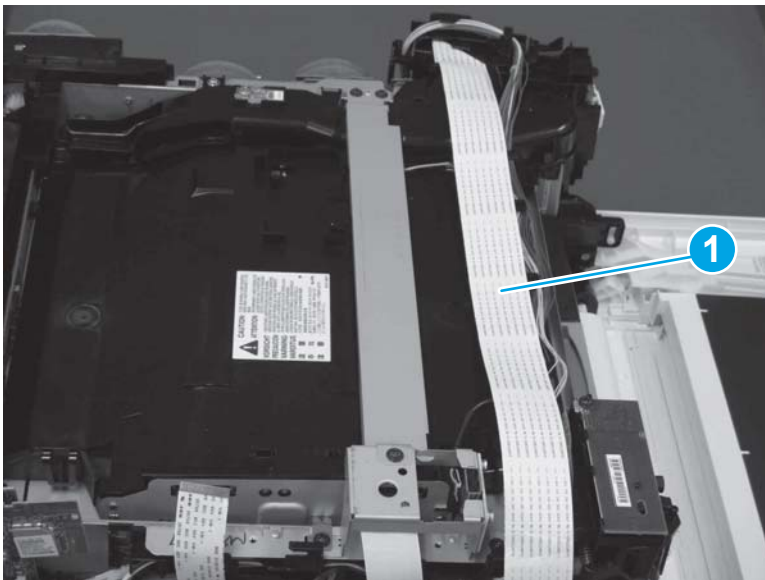
20. Install all of the cables (callout 1) into the cable guides (callout 2).

Figure 1-3596 Install the cables in the guides



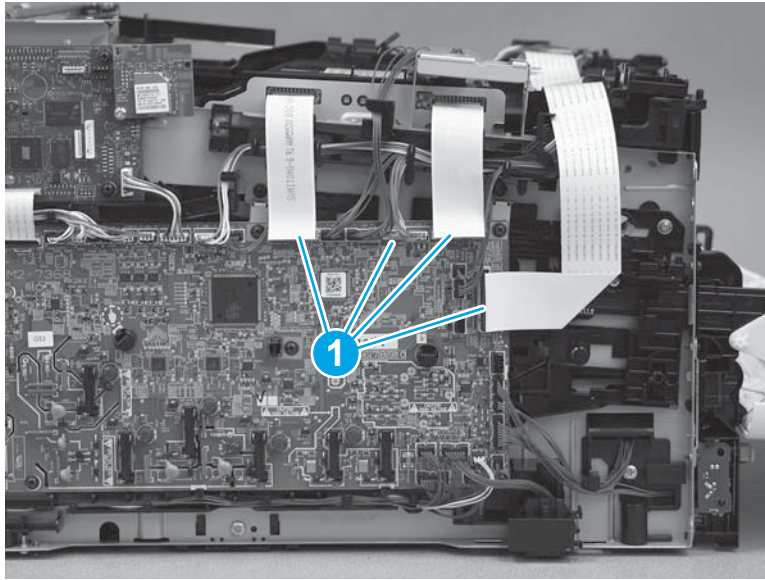
21. Position the flat cable (callout 1) over the top of the printer.

Figure 1-3597 Position the flat cable




22. On the left side of the printer, on the formatter PCA, connect four connectors (callout 1).

Figure 1-3598 Connect four connectors

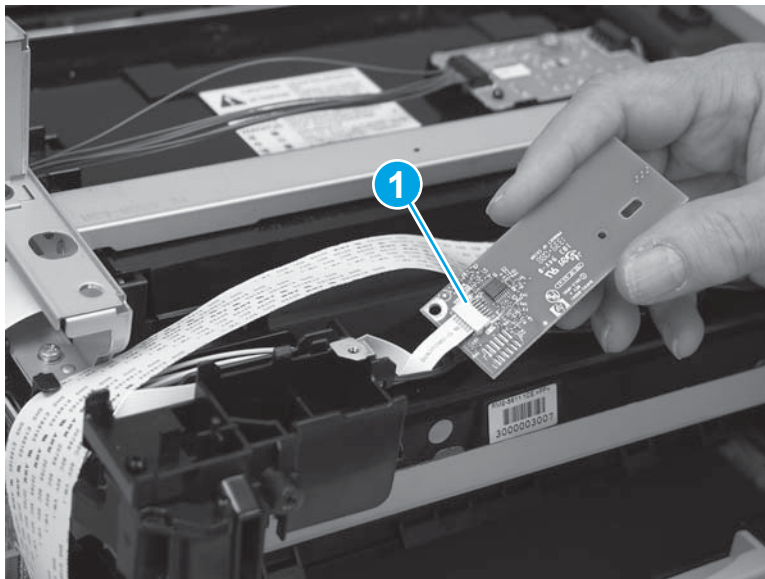


Step 14: Install the NFC PCA (M477fdw model)

 **NOTE:** This step is for the M477fdw model only. For all other models, skip this step and go to [Step 15: Install the memory PCA on page 1908](#).

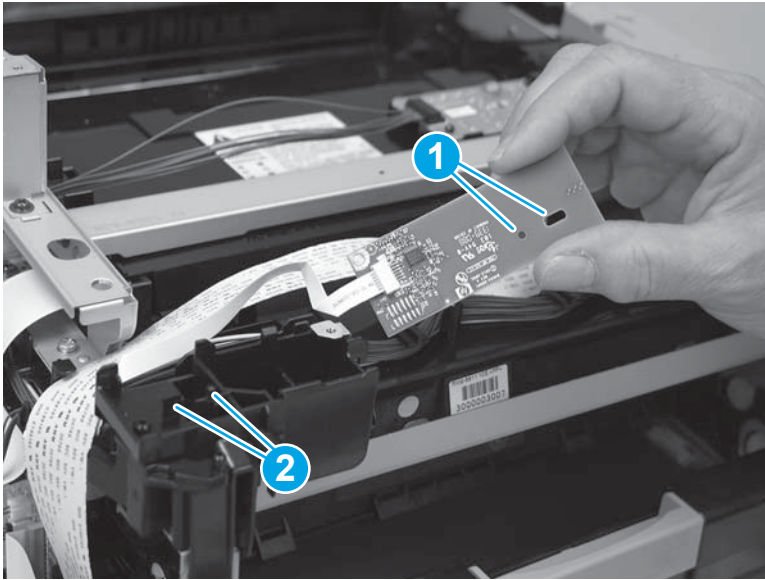
1. Connect one connector (callout 1), and then remove the NFC PCA.

Figure 1-3599 Connect one connector



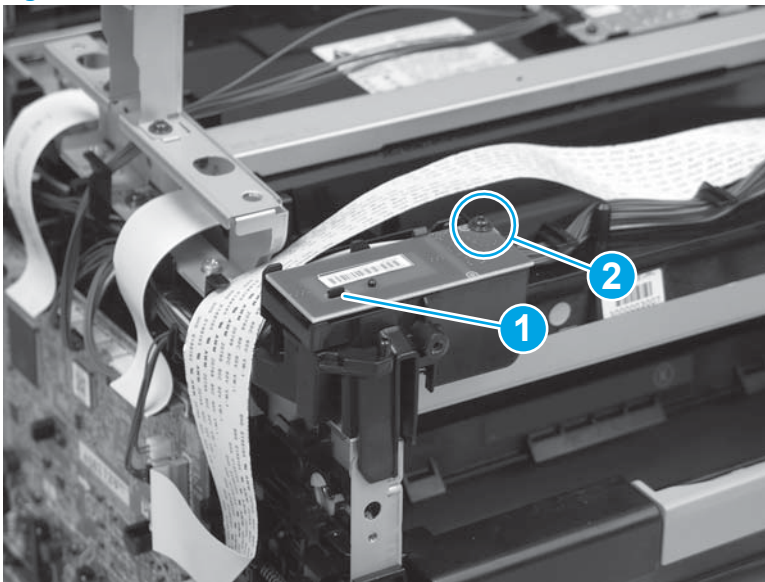
2. Position the slots (callout 1) on the NFC PCA over the tabs (callout 2) on the printer.

Figure 1-3600 Position the NFC PCA



3. Install one tab (callout 1), and then install one screw (callout 2).

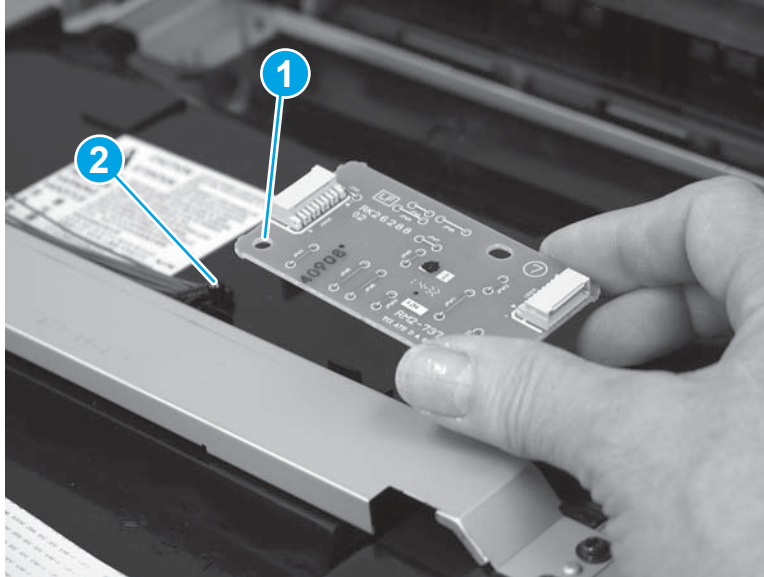
Figure 1-3601 Install one tab and one screw



Step 15: Install the memory PCA

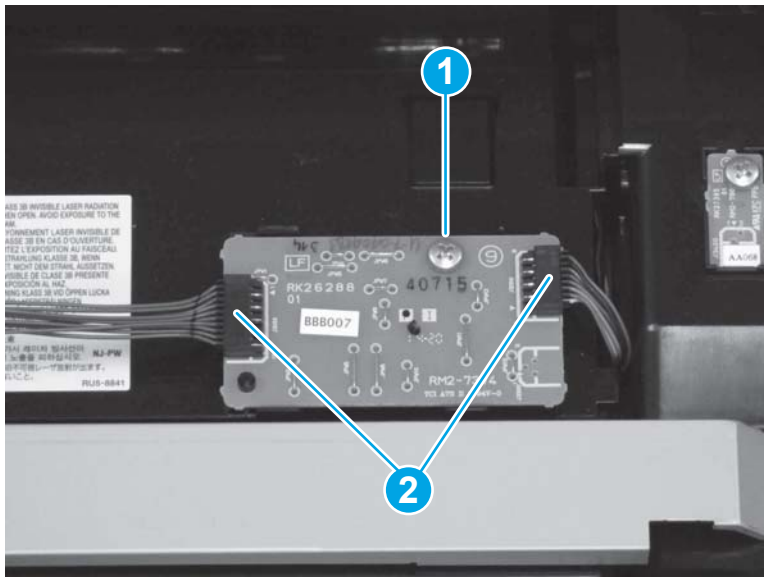
1. Position the hole (callout 1) on the memory PCA over the post (callout 2) on the printer.

Figure 1-3602 Position the memory PCA



2. Install one screw (callout 1), and then connect two connectors (callout 2).

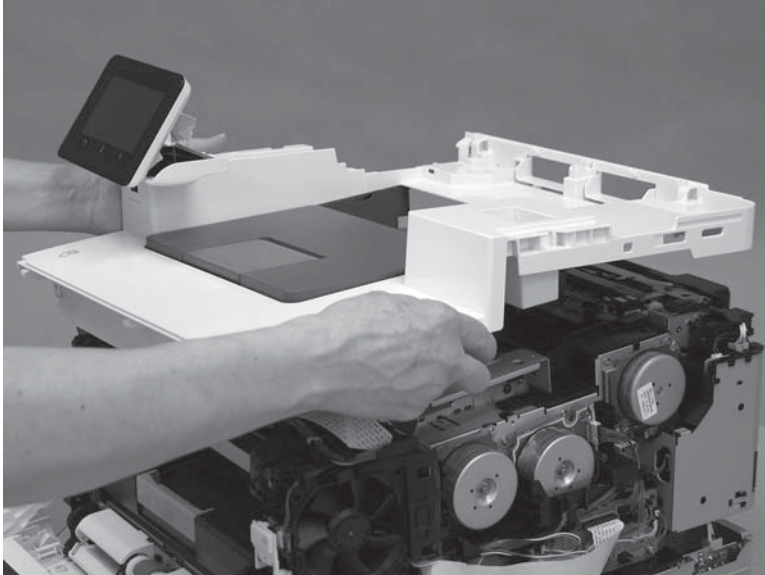
Figure 1-3603 Install the memory PCA



Step 16: Install the top cover (M377, M477 models)

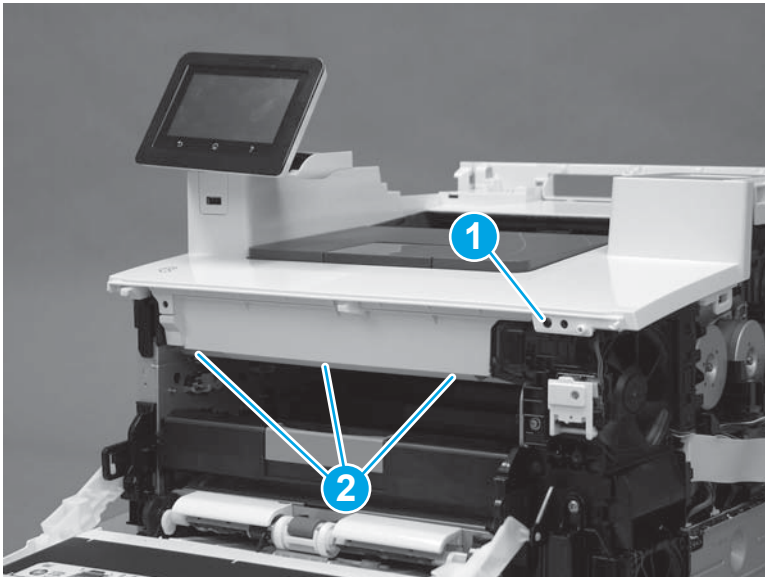
1. Position the top cover on the printer.

Figure 1-3604 Position the top cover



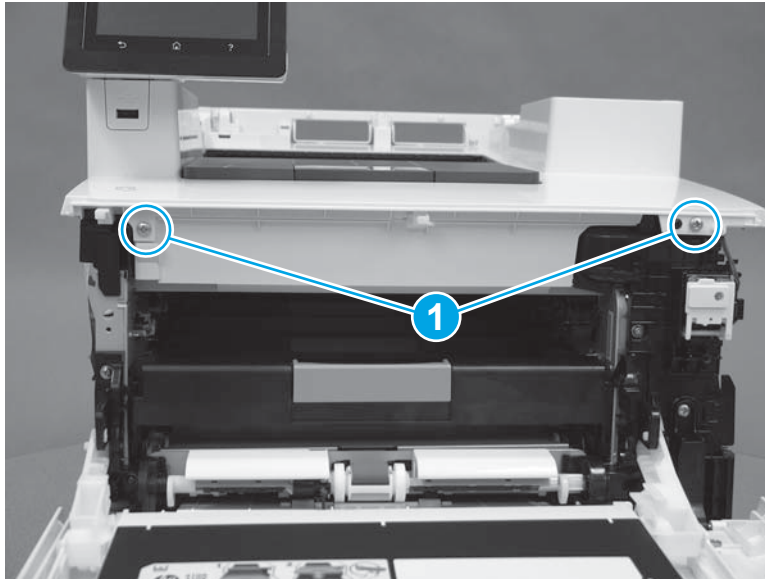
2. At the front of the printer, install one retainer (callout 1), and then install three tabs (callout 2).

Figure 1-3605 Install one retainer and three tabs



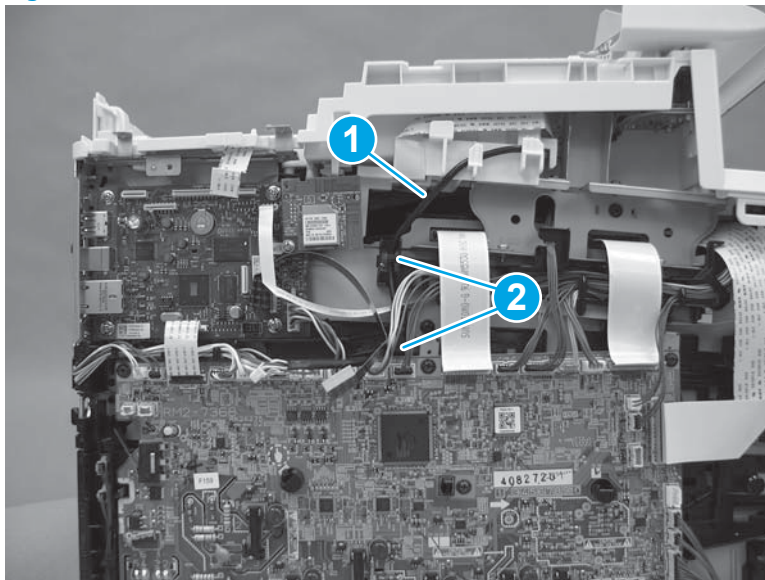
3. Install two screws (callout 1).

Figure 1-3606 Install two screws



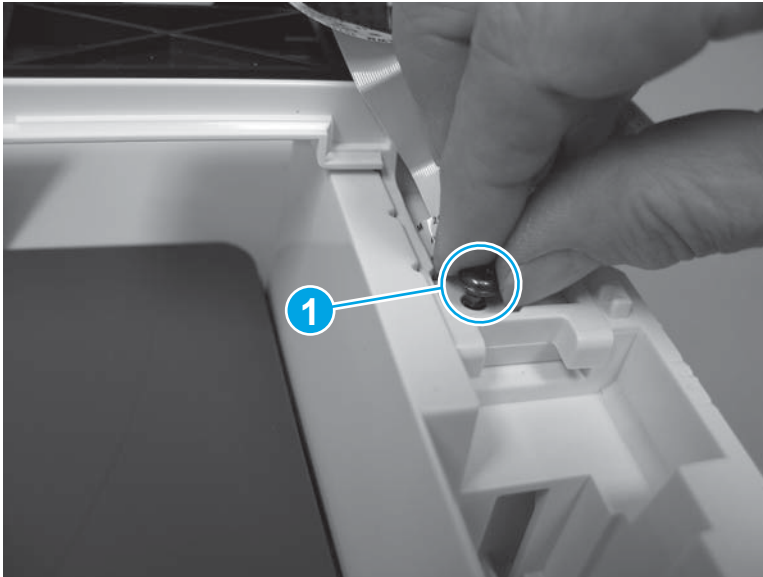
4. Install the USB cable (callout 1) into the cable guides (callout 2).

Figure 1-3607 Install the USB cable



5. With your hand, remove the screw (callout 1) that was previously installed to temporarily reattach the control panel to the top cover.

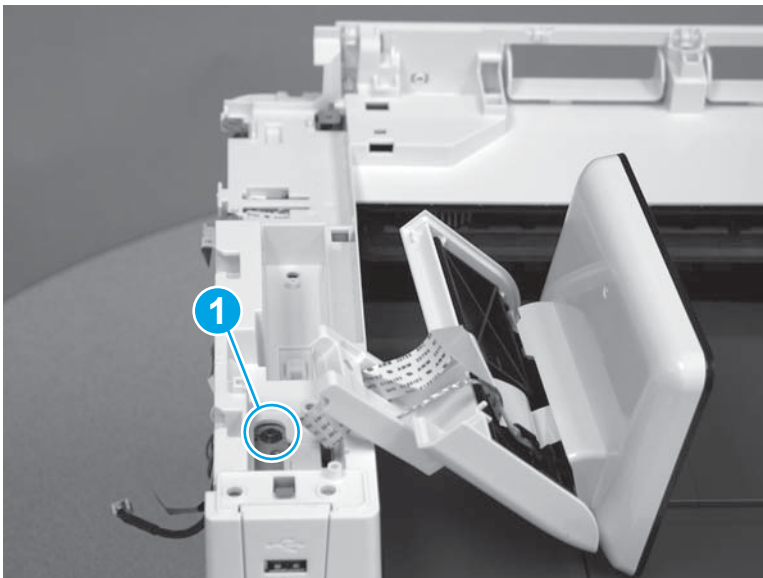
Figure 1-3608 Remove one screw



6. Carefully lift the control panel away and rest it on the top cover, and then install one screw (callout 1).

CAUTION: The control panel is still attached to the top cover by the flat cable.

Figure 1-3609 Install one screw



7. Install two screws (callout 1), and then position the ground wire and install one screw (callout 2).


 **Reinstallation tip:** The two screws toward the front of the control panel (callout 1) are longer than the other screw. Make sure these screws are installed in the correct position when reinstalling the part.

Figure 1-3610 Install three screws



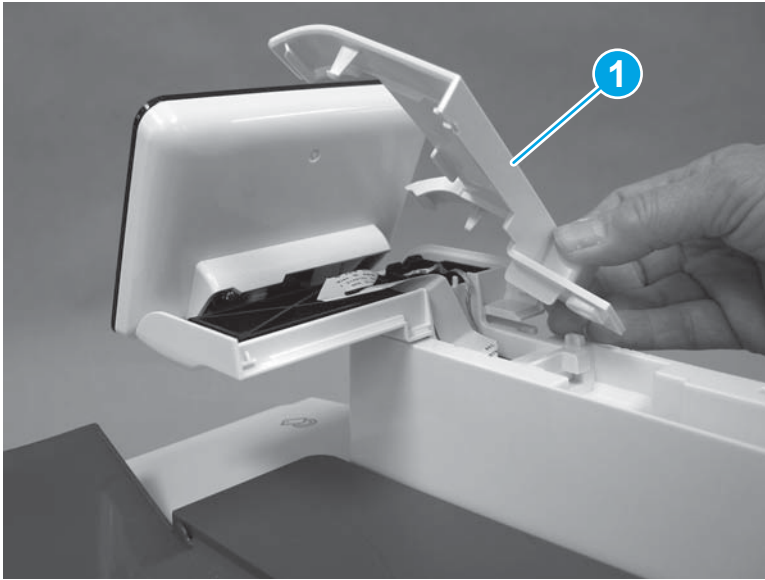
8. Install the flat cable (callout 1) under the retaining guide (callout 2).

Figure 1-3611 Install the flat cable



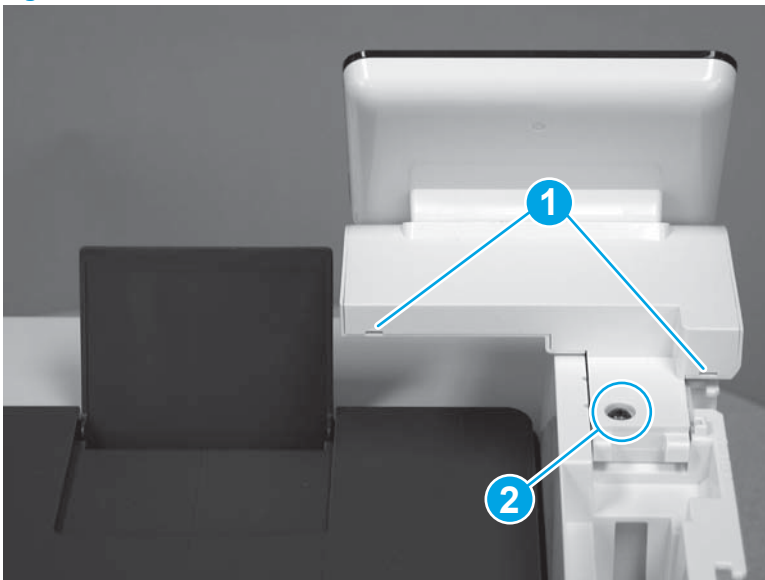
9. Install the control panel cover (callout 1) behind the control panel.

Figure 1-3612 Install the control panel cover



10. Make sure that two tabs (callout 1) are snapped into position, and then install one screw (callout 2).

Figure 1-3613 Install one screw



11. At the top of the printer, install three screws (callout 1).


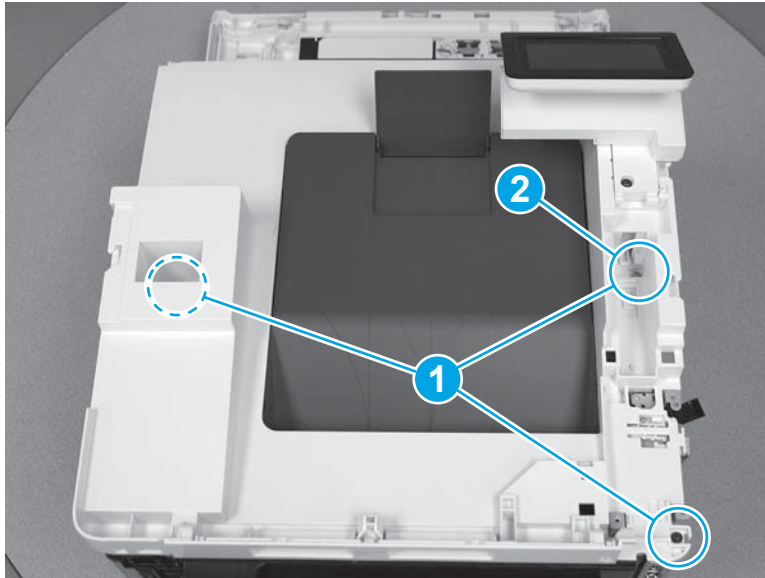
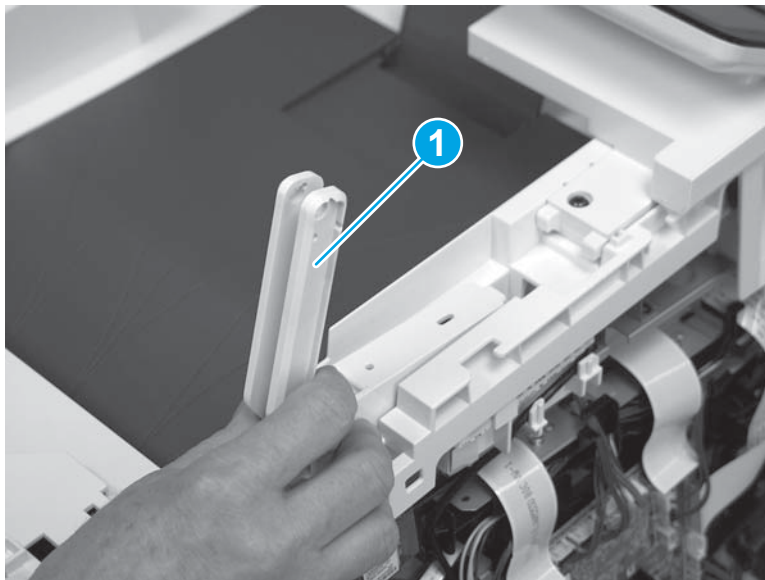
 **TIP:** One screw (callout 2) is longer than the other screws. Make sure that this screw is installed in the correct position.

Figure 1-3614 Install three screws



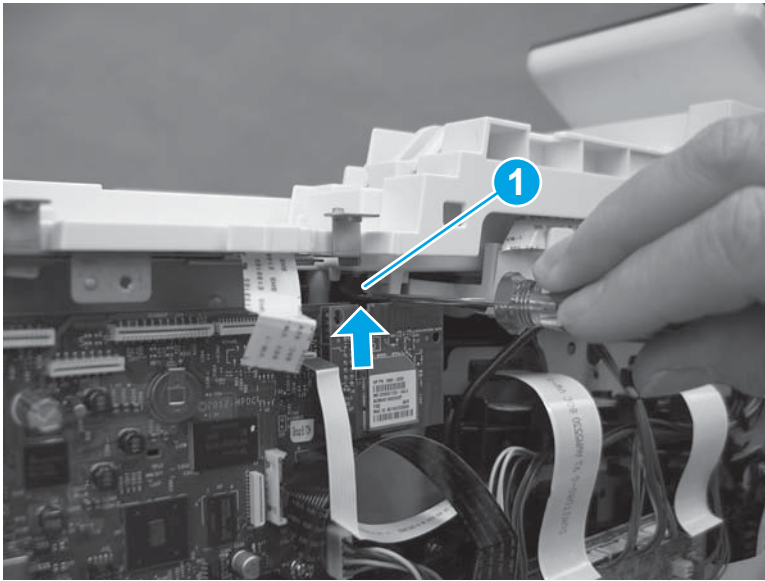
12. Install the scanner support arm (callout 1).

Figure 1-3615 Install the scanner support arm



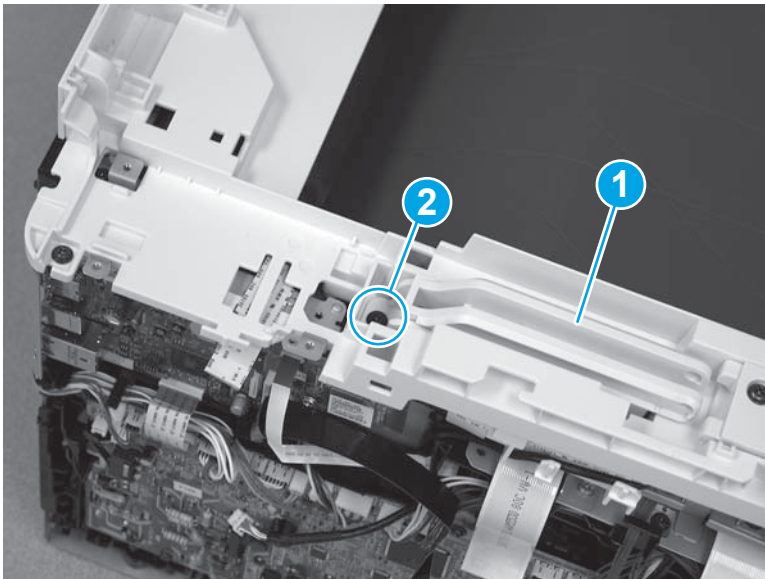
13. Before installing the scanner support arm screw in the next step, use a small flat-blade screwdriver to hold the metal plate (callout 1) up. Continue to hold the plate up while installing the screw so that the screw attaches to the plate.

Figure 1-3616 Raise the metal plate



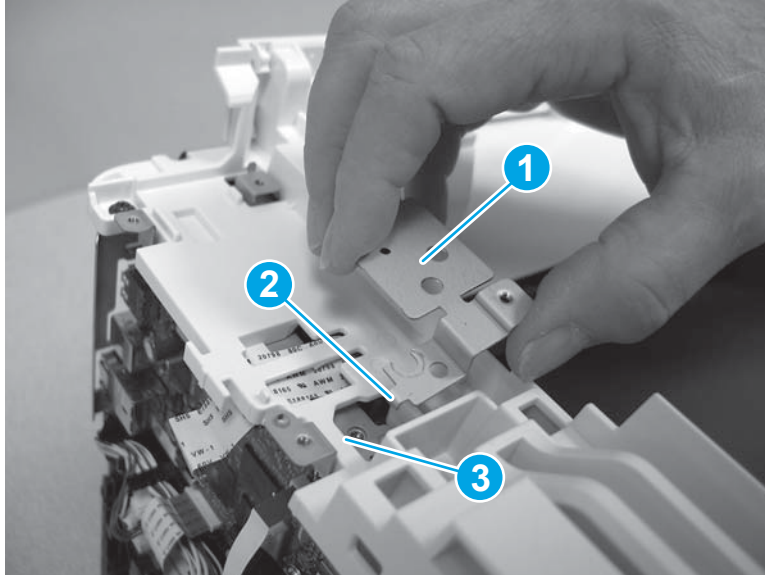
14. Lower the scanner support arm (callout 1), and then install one screw (callout 2).

Figure 1-3617 Lower the support arm and install one screw



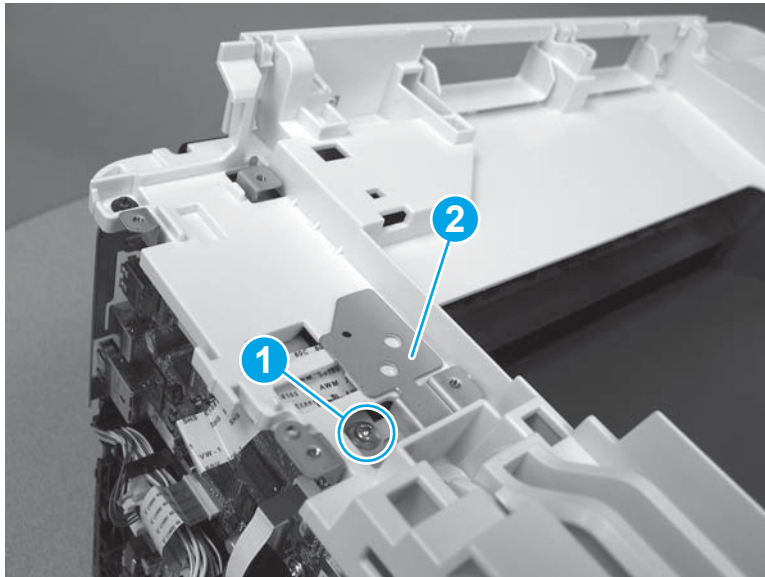
15. Reinstall the metal plate (callout 1). Position the tab (callout 2) under the edge of the top cover (callout 3).

Figure 1-3618 Install the metal plate



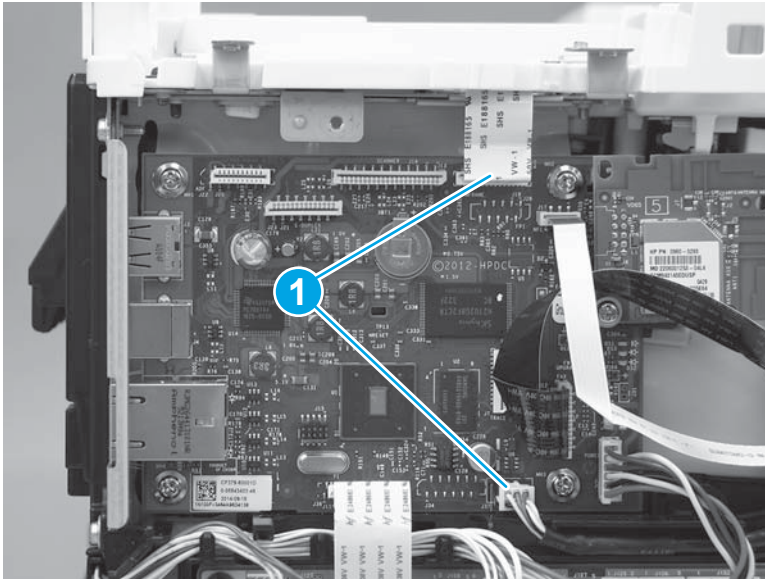
16. Install one screw (callout 1) to secure the sheet metal plate (callout 2).

Figure 1-3619 Install one screw



17. On the left side of the printer, on the formatter PCA, Connect two connectors (callout 1).

Figure 1-3620 Connect two connectors

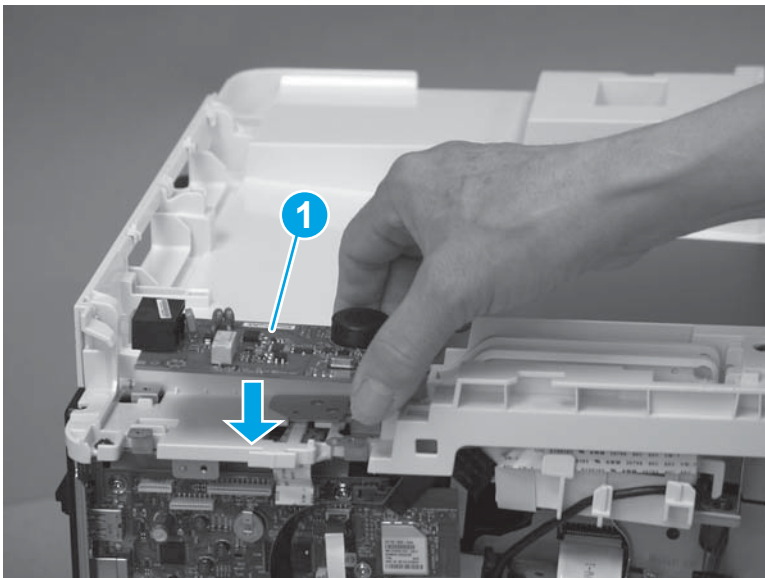


Step 17: Install the fax PCA (M477 models)

 **NOTE:** This step is for M477 fax models only. Skip this step for non-fax models.

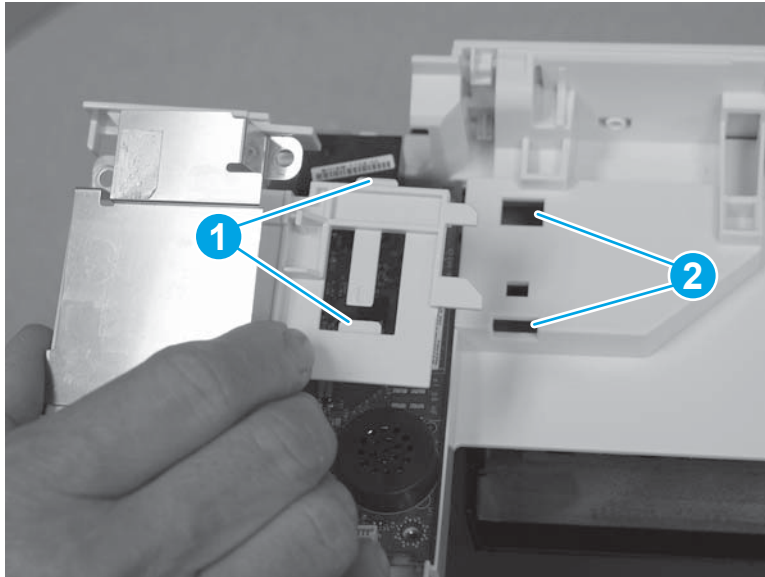
1. Position the fax PCA (callout 1) on the printer.

Figure 1-3621 Install the fax PCA



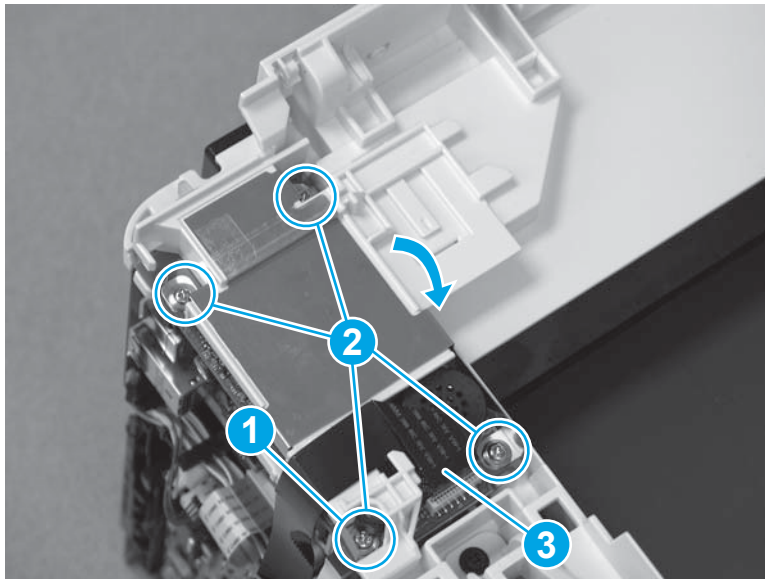
2. Install the tabs (callout 1) on the fax cover in the slots (callout 2) on the top cover. Slide the cover toward the back of the printer to install it.

Figure 1-3622 Install the fax cover



3. Beginning with the lower right screw (callout 1) install four screws (callout 2) in a clockwise direction. Connect one connector (callout 3).

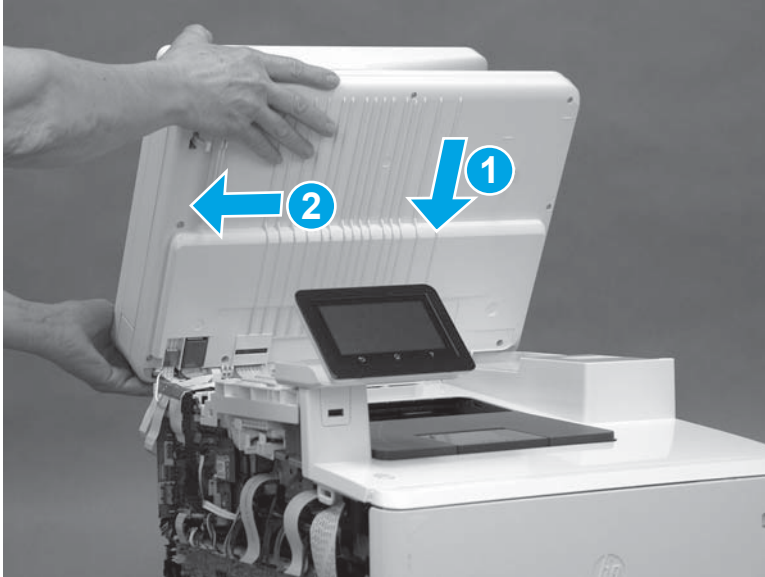
Figure 1-3623 Install four screws and connect one connector



Step 18: Install the integrated scanner assembly (M377, M477 models)

1. Lower the scanner assembly onto the printer, and then slide the assembly toward the left side of the printer to install it.

Figure 1-3624 Install the scanner assembly



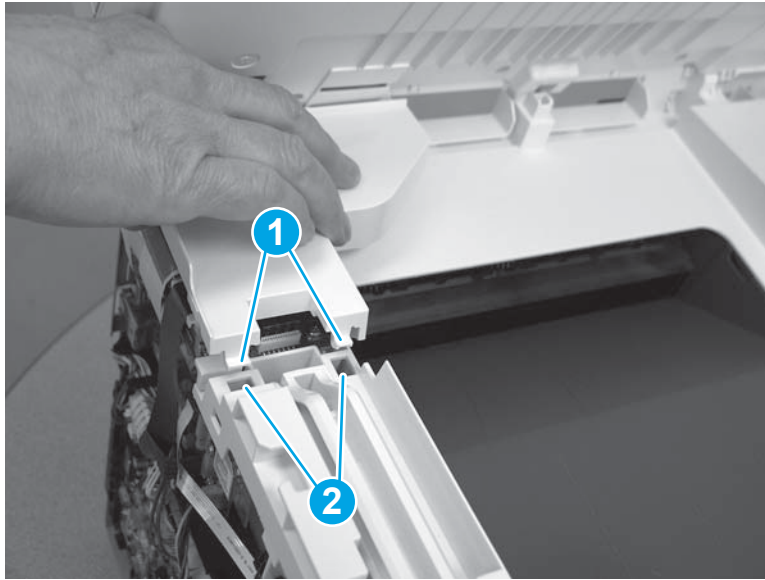
2. Press the scanner cables (callout 1) down onto the double-sided tape on the top cover.

Figure 1-3625 Press the cables



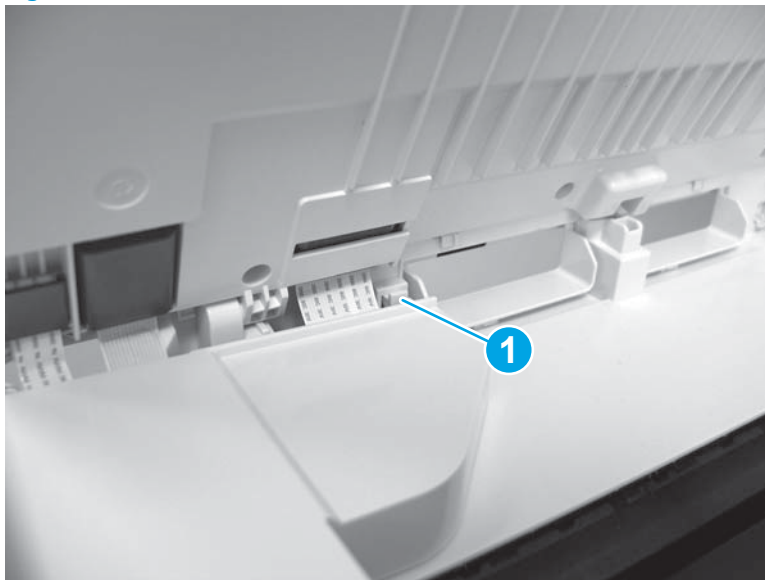
3. Install the tabs (callout 1) on the front of the scanner cable cover in the slots (callout 2) on the top cover.

Figure 1-3626 Position the scanner cable cover



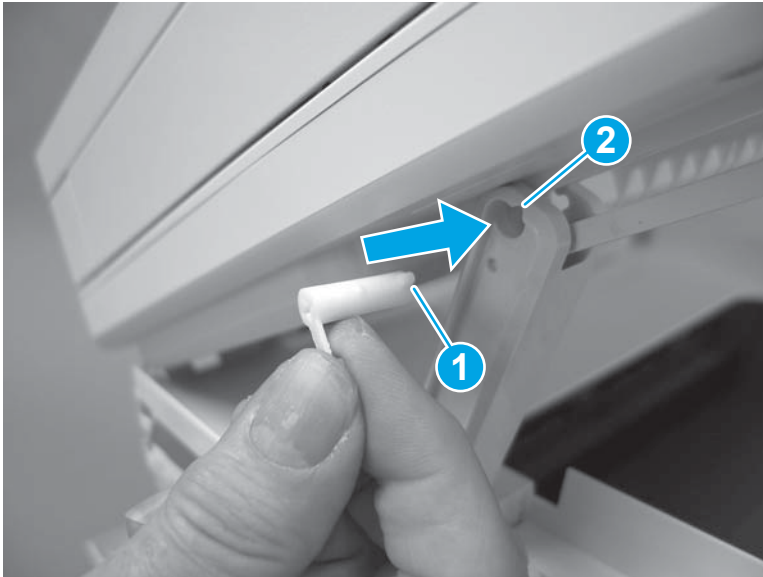
4. Press down on the back of the scanner cable cover to engage one tab (callout 1).

Figure 1-3627 Install the scanner cable cover



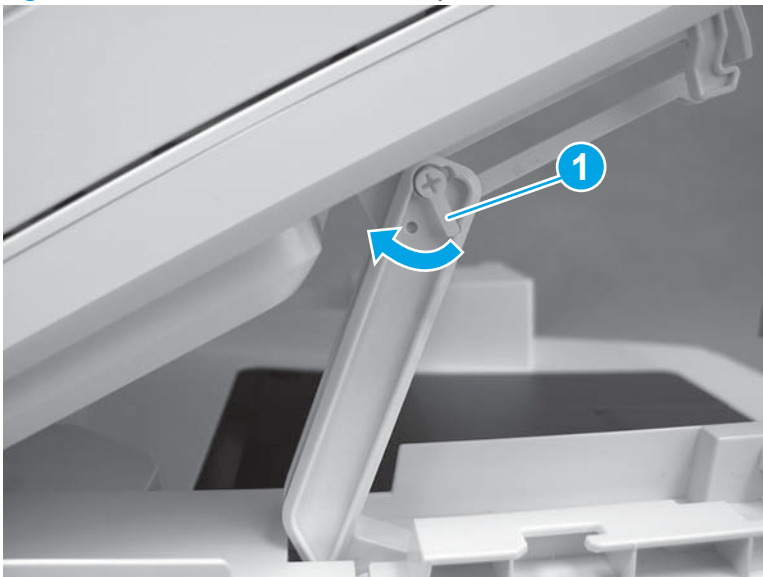
5. With the scanner lid lifted, insert the scanner support arm pin (callout 1) into the slot in the scanner support arm (callout 2).

Figure 1-3628 Install the scanner arm pin



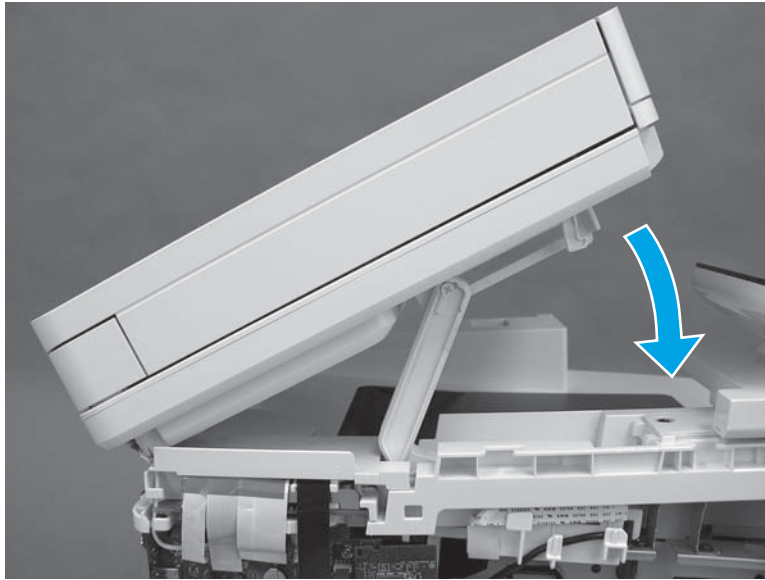
6. Rotate the tab on the scanner arm pin (callout 1) in the direction indicated to snap it into place.

Figure 1-3629 Secure the scanner arm pin



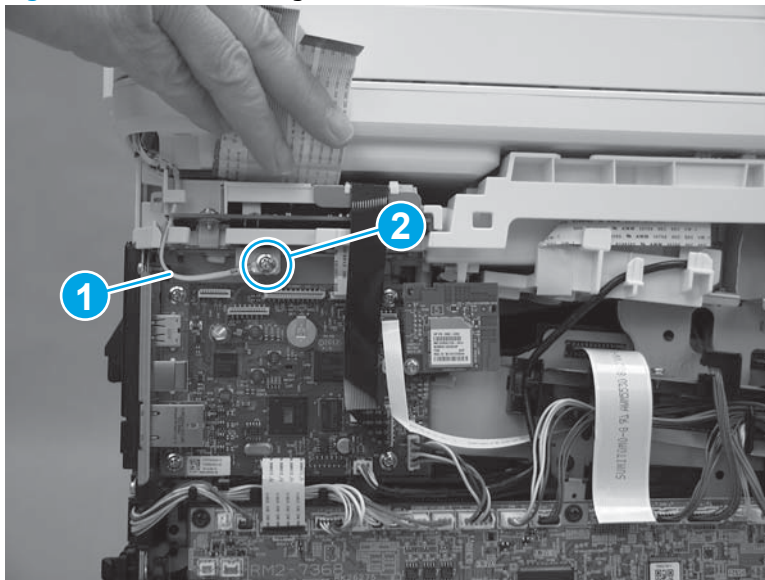
7. Lower the scanner.

Figure 1-3630 Lower the scanner



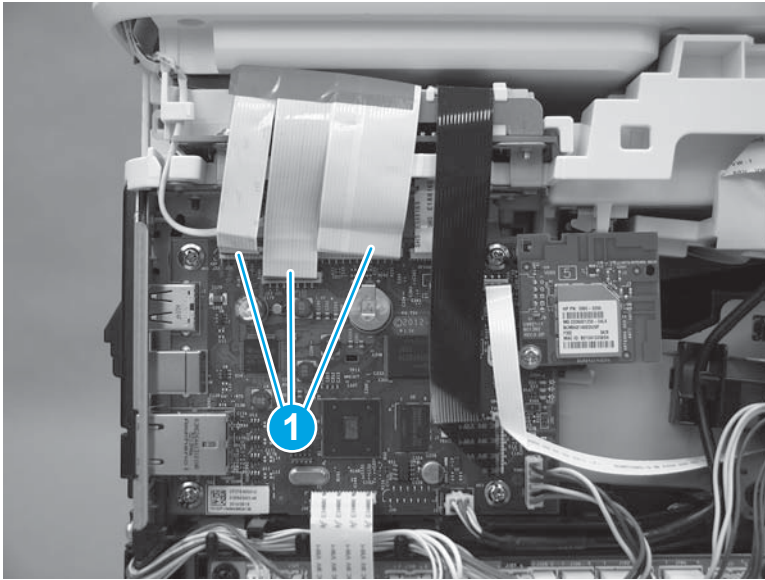
8. Raise the scanner cables up, position the ground wire (callout 1), and then install one screw (callout 2).

Figure 1-3631 Install the ground wire



9. Connect three connectors (callout 1).

Figure 1-3632 Install the M377, M477 scanner



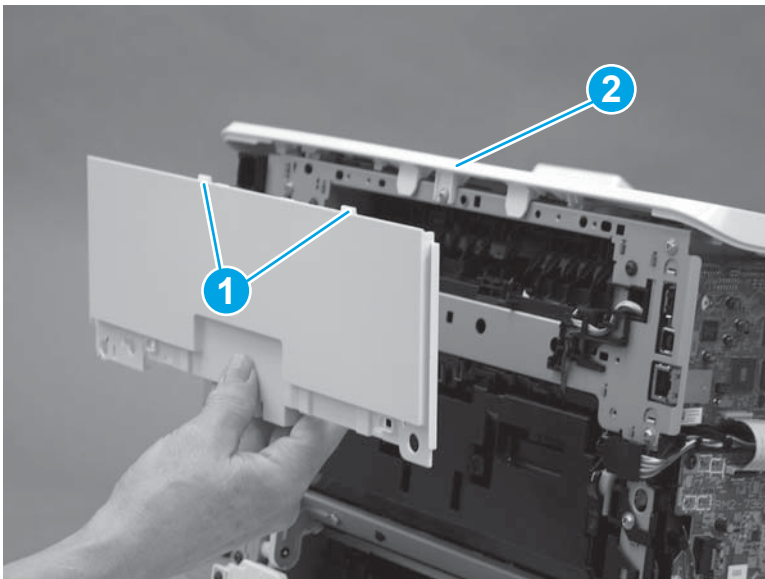
Step 19: Install the rear top cover (simplex model)



NOTE: This step is for simplex models. For duplex models, skip this step and go to [Step 20: Install the left cover \(M377, M477 models\) on page 1925](#).

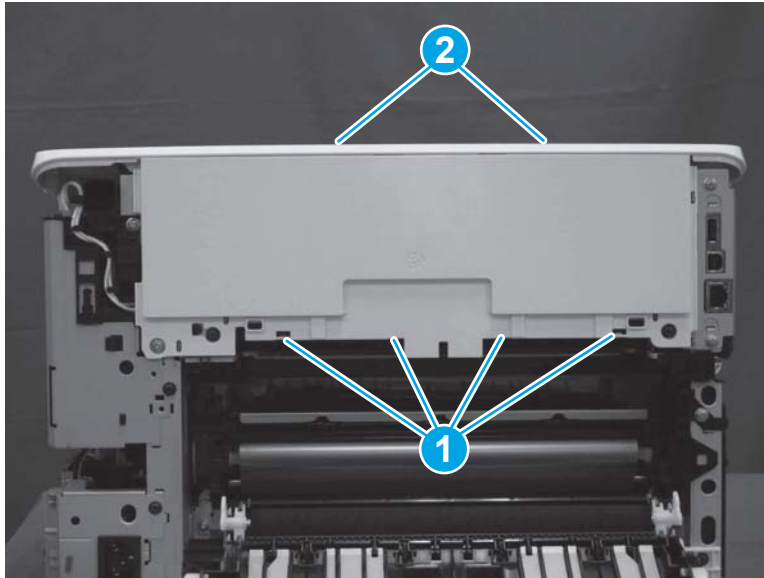
1. Position the tabs on top of the rear top cover (callout 1) under the edge of the top cover (callout 2).

Figure 1-3633 Install the rear top cover



2. Make sure that the tabs on the bottom (callout 1) and the tabs on the top (callout 2) snap into place.

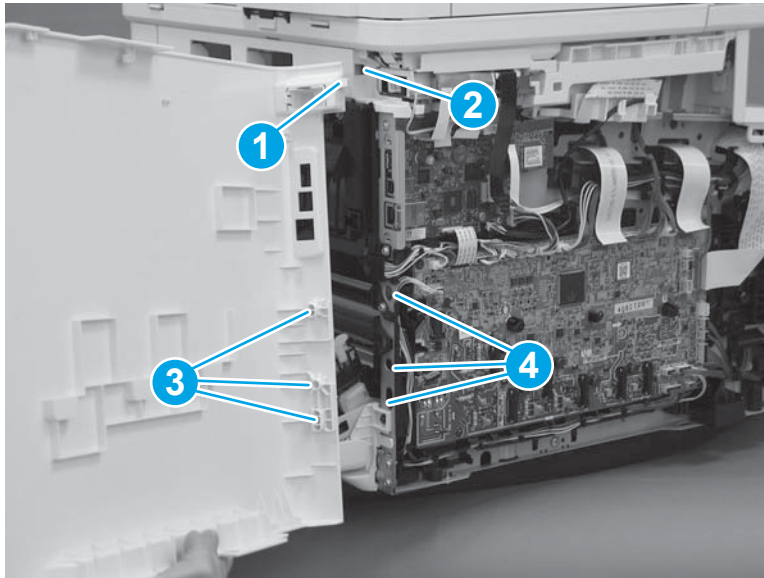
Figure 1-3634 Release two tabs



Step 20: Install the left cover (M377, M477 models)

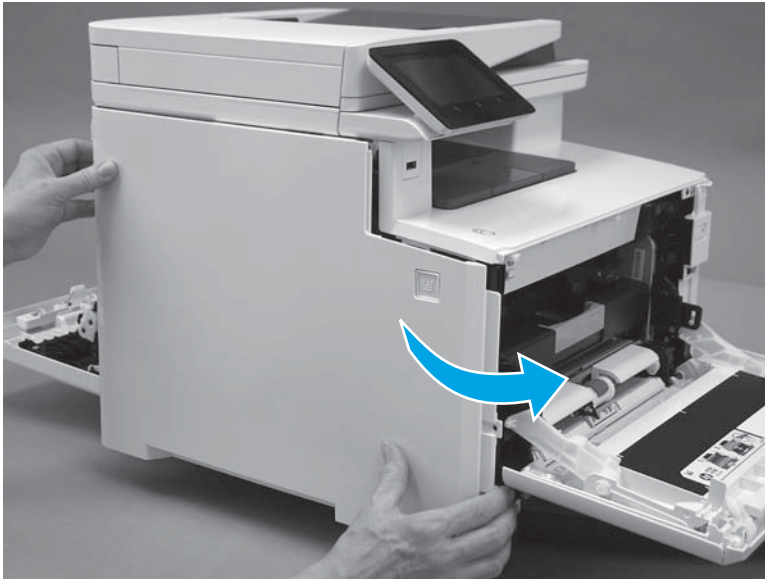
1. At the back of the printer, install the tab (callout 1) on the cover into the slot (callout 2) in the printer. Install the locator pins (callout 3) into the slots (callout 4) in the printer.

Figure 1-3635 Install one tab



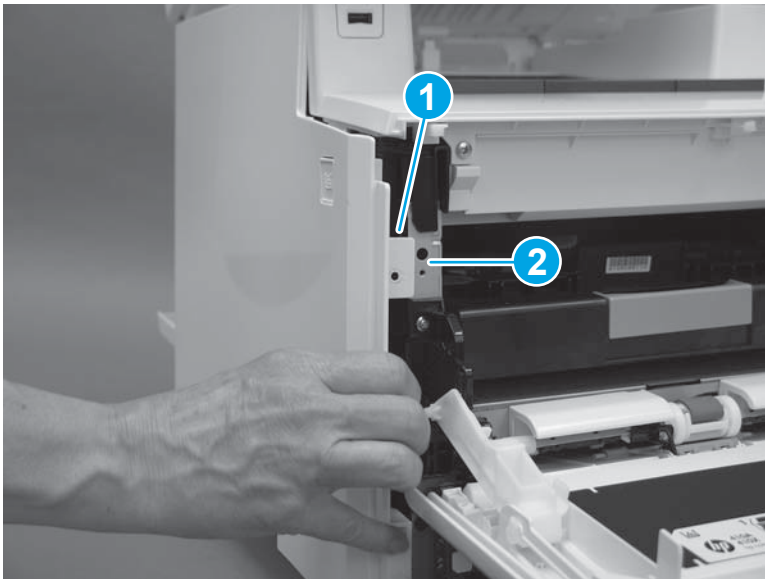
2. Rotate the cover toward the printer.

Figure 1-3636 Rotate the left cover



CAUTION: Make sure that the tab (callout 1) does not get caught behind the printer frame (callout 2).

Figure 1-3637 Make sure the tab does not get caught



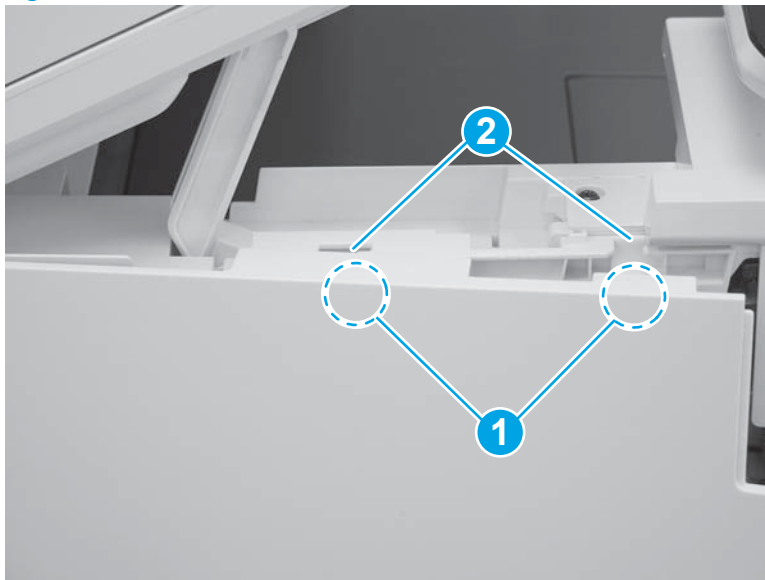
3. Raise the scanner.

Figure 1-3638 Raise the scanner



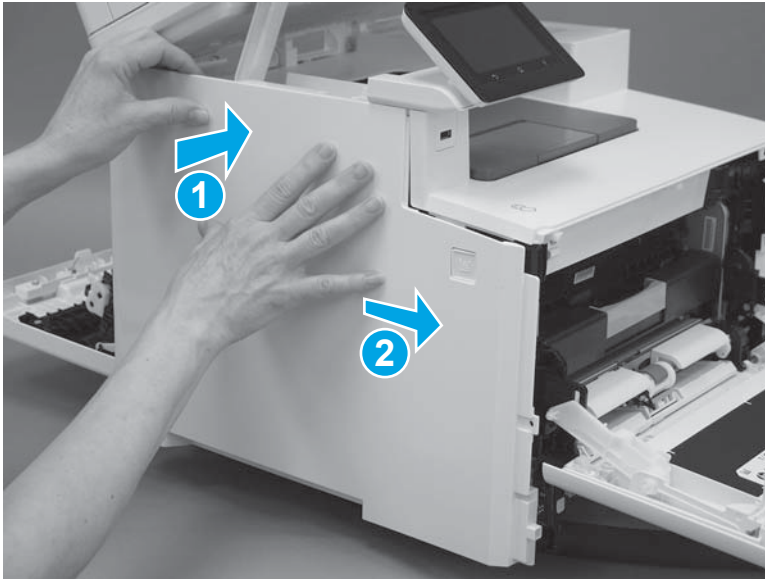
4. Position the hooks (callout 1) on the inside of the cover into the slots (callout 2) on the printer.

Figure 1-3639 Position the hooks in the slots



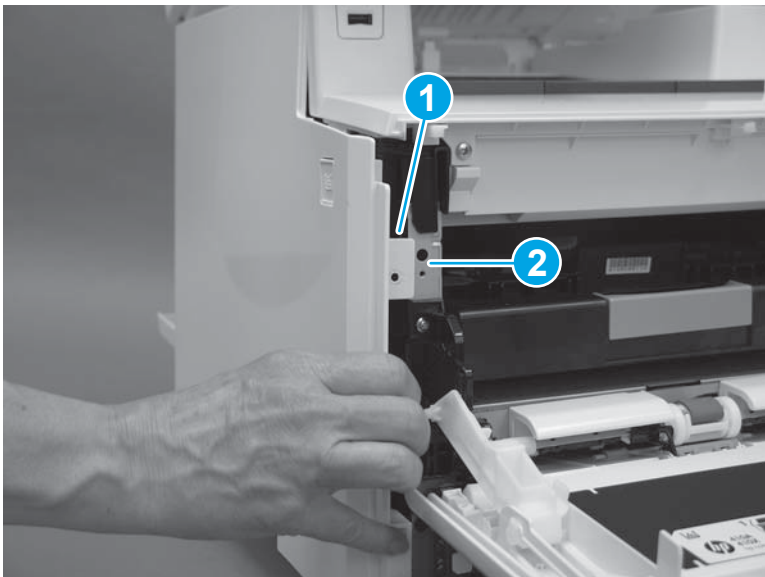
5. Hold the cover against the printer (callout 1), and then slide it (callout 2) toward the front of the printer.

Figure 1-3640 Install the top hooks



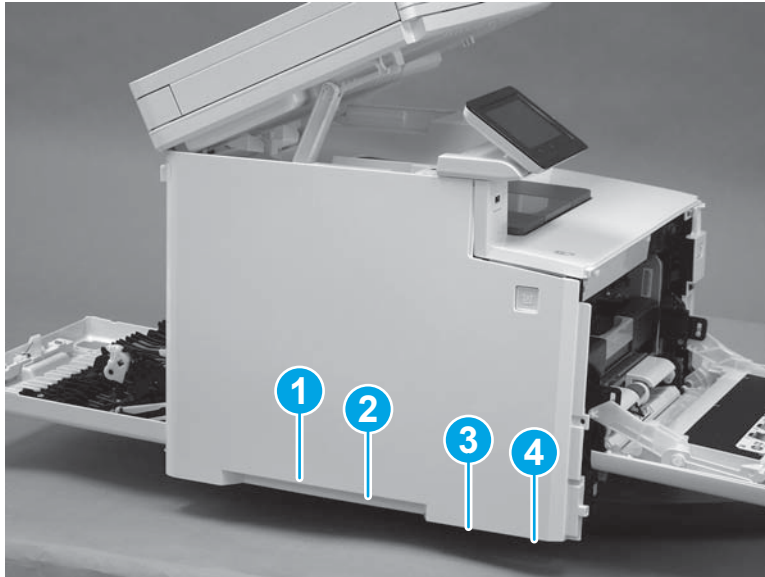
CAUTION: Make sure that the tab (callout 1) on the front of the cover does not get caught behind the printer frame (callout 2).

Figure 1-3641 Make sure the tab does not get caught



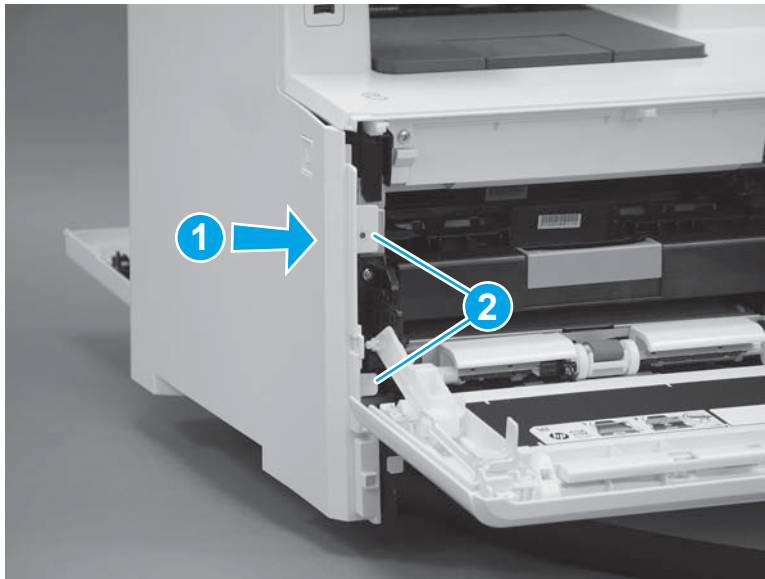
6. Slide the printer to the edge of a work surface in order to access the tabs on the bottom of the cover. Beginning from the back of the cover, install four tabs (callouts 1-4) on the lower edge of the cover.

Figure 1-3642 Install four tabs



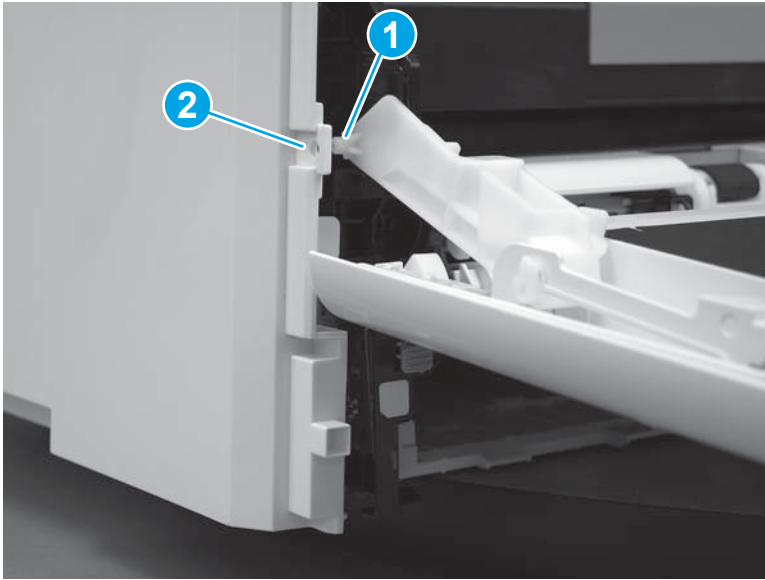
7. Press the cover toward the printer (callout 1), and then install two tabs (callout 2) at the front of the cover.

Figure 1-3643 Install two tabs



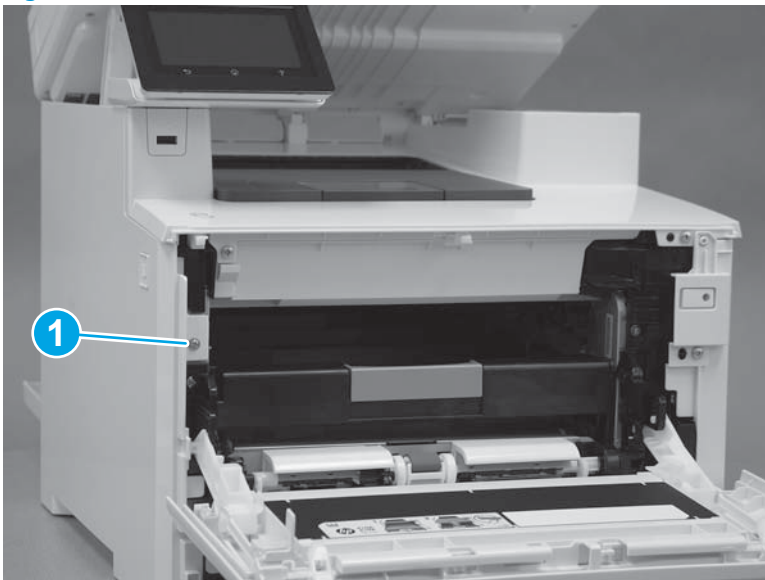
8. Make sure that the hinge pin (callout 1) on the front door fits into the slot (callout 2) on the left cover.

Figure 1-3644 Install hinge pin



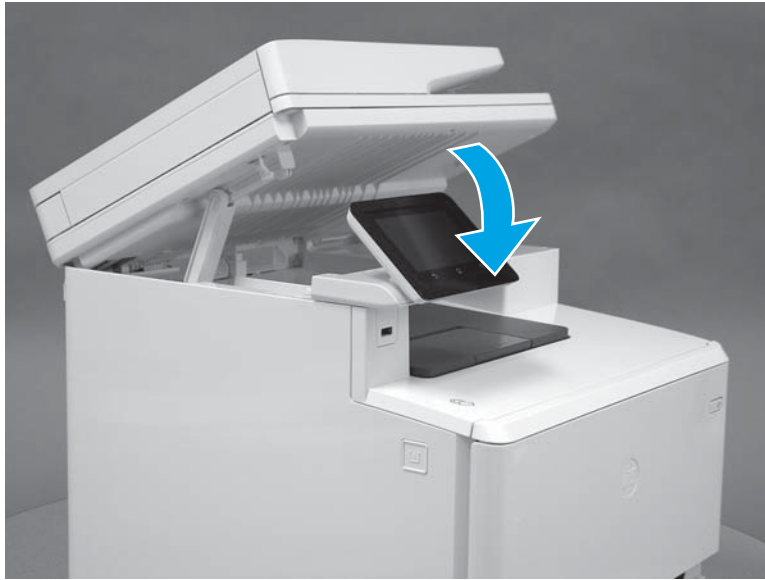
9. Install one screw (callout 1).

Figure 1-3645 Install one screw



10. Lower the scanner.

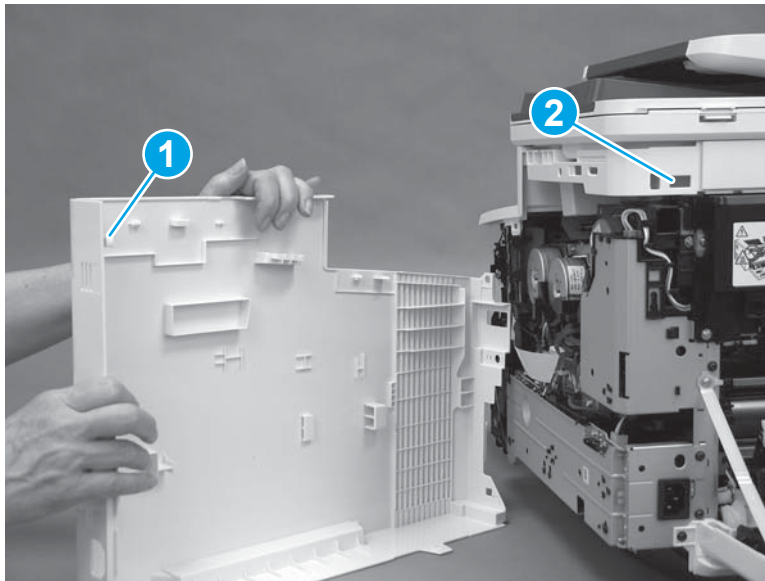
Figure 1-3646 Lower the scanner



Step 21: Install the right cover (M377, M477 models)

1. At the back of the printer, install the tab (callout 1) on the cover into the slot (callout 2) on the printer.

Figure 1-3647 Install rear tab



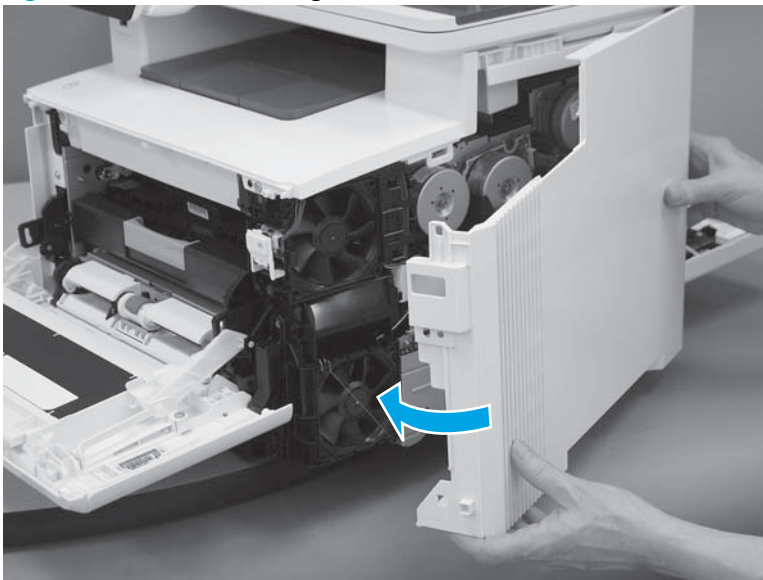
2. Raise the scanner.

Figure 1-3648 Raise the scanner



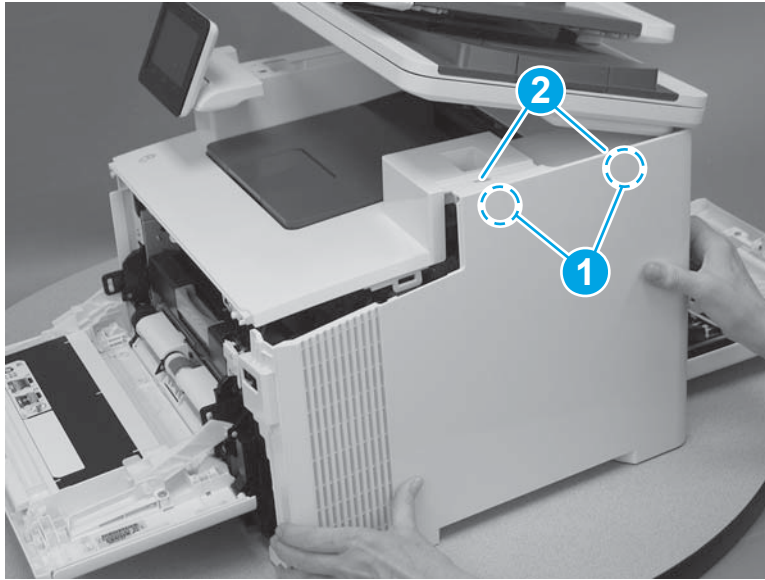
3. Rotate the right cover toward the printer.

Figure 1-3649 Rotate the right cover



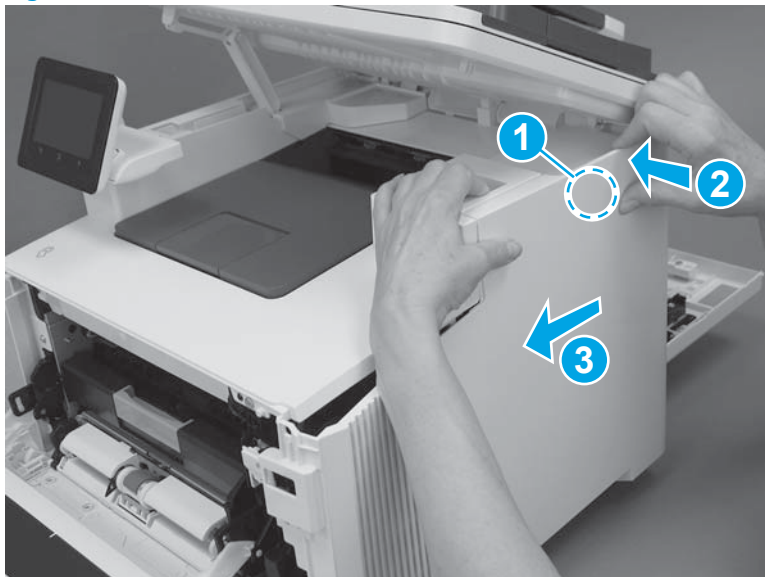
4. Position the hooks (callout 1) on the inside of the cover into the slots (callout 2) in the printer.

Figure 1-3650 Position the hooks in the slots



5. Engage one hook (callout 1) on the inside of the cover. Hold the top of the cover closed (callout 2) while sliding the cover toward the front of the printer (callout 3).

Figure 1-3651 Slide the cover



6. Rotate the front of the cover toward the printer (callout 1).

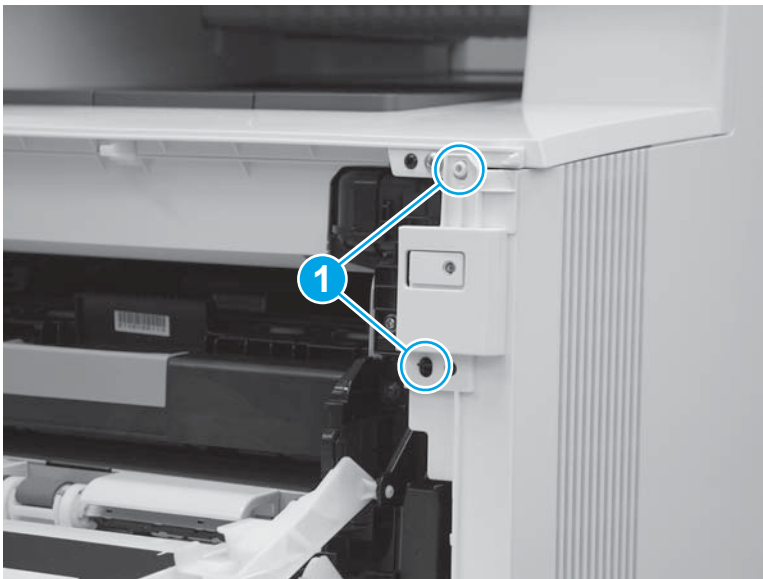
⚠ CAUTION: Be careful not to dislodge the power switch (callout 2).

Figure 1-3652 Rotate the front of the cover



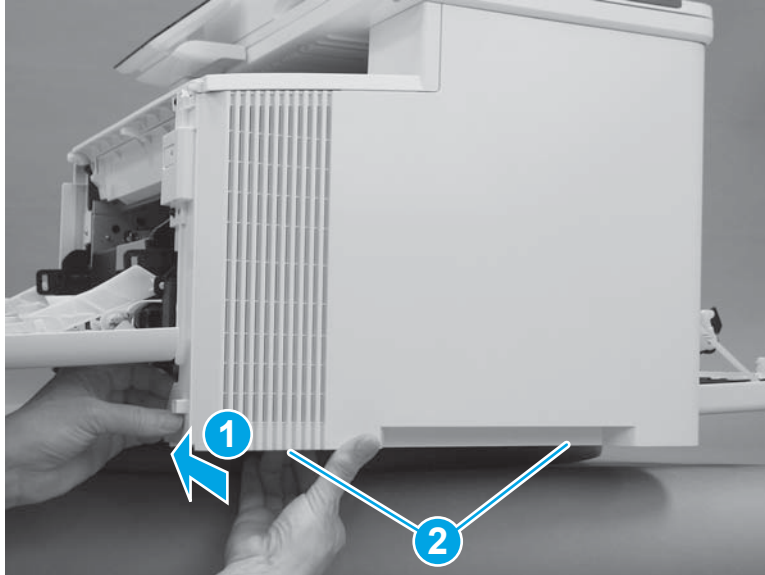
7. Install two tabs at the front of the printer (callout 1).

Figure 1-3653 Install two tabs



8. Press the right cover toward the printer (callout 1) to engage one tab on the front of the cover, and two tabs (callout 2) on the lower edge of the cover.

Figure 1-3654 Install the front and lower tabs



9. At the front of the printer, install one screw (callout 1).

Figure 1-3655 Install one screw



10. At the back of the printer, install one screw (callout 1).

Figure 1-3656 Install one screw



11. Lower the scanner.

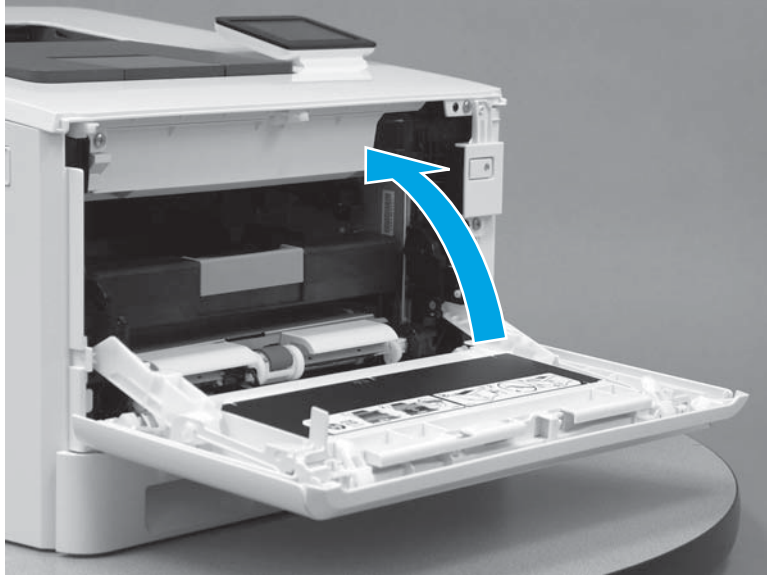
Figure 1-3657 Lower the scanner



Step 22: Close the front door and rear door or duplexer door

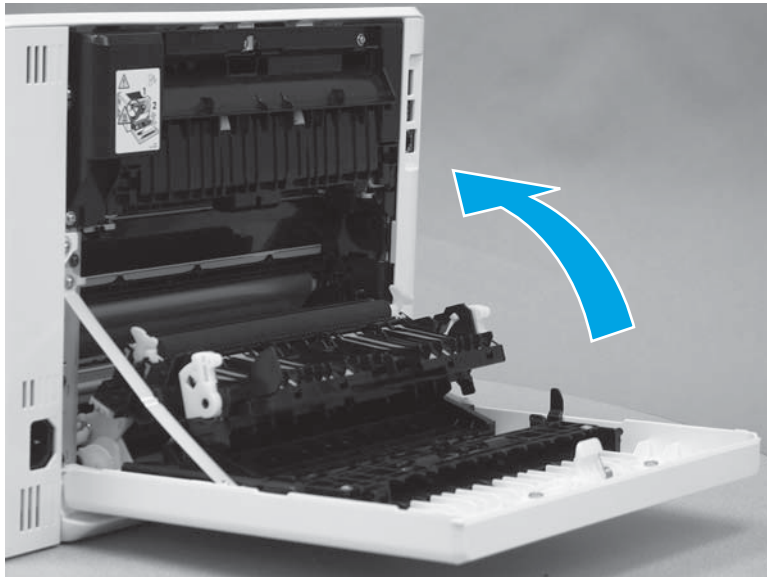
1. Close the front door.

Figure 1-3658 Close the front door



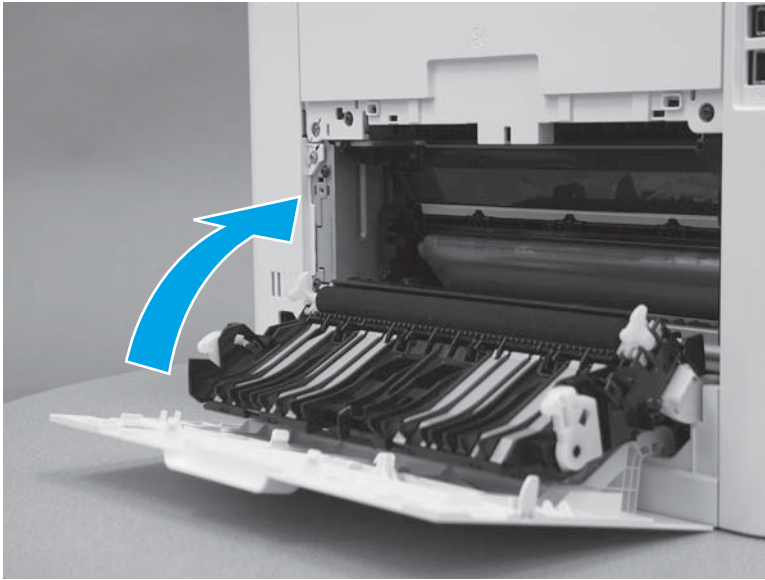
- 2. Duplex models:** Close the duplexer door.

Figure 1-3659 Close the duplexer door



3. **Simplex models:** Close the rear door.

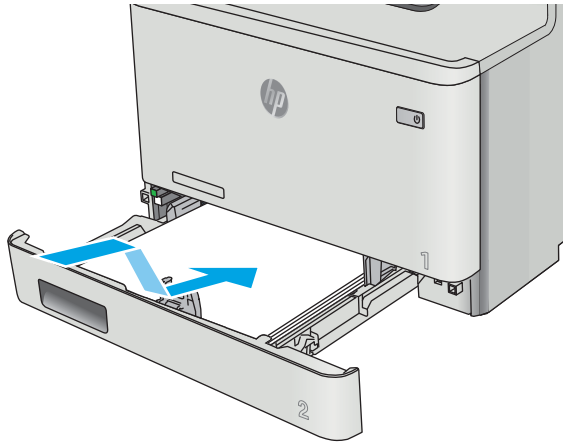
Figure 1-3660 Close the rear door



Step 23: Install Tray 2

- ▲ With the front of the tray slightly lifted, align the sides of the tray with the rails in the printer, and then carefully slide the tray into the printer. As the tray slides into the printer, lower the front of the tray, and then close it.

Figure 1-3661 Install the tray



Removal and replacement: Fuser (simplex models)

- [Introduction](#)
- [Step 1: Remove Tray 2](#)
- [Step 2: Open the front door and rear door](#)
- [Step 3: Remove the right cover \(M452 models\)](#)
- [Step 4: Remove the right cover \(M477 models\)](#)
- [Step 5: Remove the left cover \(M452 models\)](#)
- [Step 6: Remove the left cover \(M477 models\)](#)
- [Step 7: Remove the rear top cover \(simplex models\)](#)
- [Step 8: Remove the integrated scanner assembly \(M477 models\)](#)
- [Step 9: Remove the fax PCA \(M477 models\)](#)
- [Step 10: Remove the top cover \(M477 models\)](#)
- [Step 11: Remove the top cover \(M452 models\)](#)
- [Step 12: Remove the fuser \(simplex models\)](#)
- [Step 13: Unpack the replacement part](#)
- [Step 14: Install the fuser \(simplex models\)](#)
- [Step 15: Install the top cover \(M452 models\)](#)
- [Step 16: Install the top cover \(M477 models\)](#)
- [Step 17: Install the fax PCA \(M477 models\)](#)
- [Step 18: Install the integrated scanner assembly \(M477 models\)](#)
- [Step 19: Install the rear top cover \(simplex models\)](#)
- [Step 20: Install the left cover \(M452 models\)](#)
- [Step 21: Install the left cover \(M477 models\)](#)
- [Step 22: Install the right cover \(M452 models\)](#)
- [Step 23: Install the right cover \(M477 models\)](#)
- [Step 24: Close the front door and rear door](#)
- [Step 25: Install Tray 2](#)

Introduction

This document provides the procedures to remove and replace the fuser for simplex models.

Before you begin

- Turn off the printer.
- Disconnect the power cable.

⚠ WARNING! To avoid damage to the printer, turn the printer off, wait 30 seconds, and then remove the power cord before attempting to service the printer.

- Use the table below to identify the correct part number for your printer. To order the part, go to www.hp.com/buy/parts.

| Fuser part number | |
|-------------------|----------------------|
| RM2-6431-000CN | Fuser (110V simplex) |
| RM2-6436-000CN | Fuser (220V simplex) |

Required tools

- #2 Phillips screwdriver with a magnetic tip
- Small flat-blade screwdriver

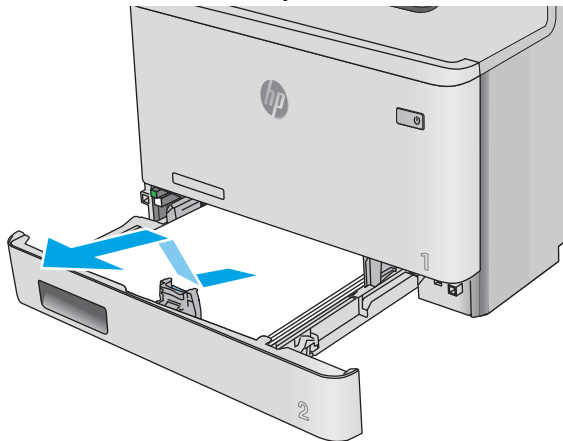
After performing service

- Connect the power cable.
- Use the power switch to turn the power on.

Step 1: Remove Tray 2

- ▲ Pull the tray out until it stops. Lift the front of the tray, and then pull it out of the printer to remove it.

Figure 1-3662 Remove the tray



Step 2: Open the front door and rear door

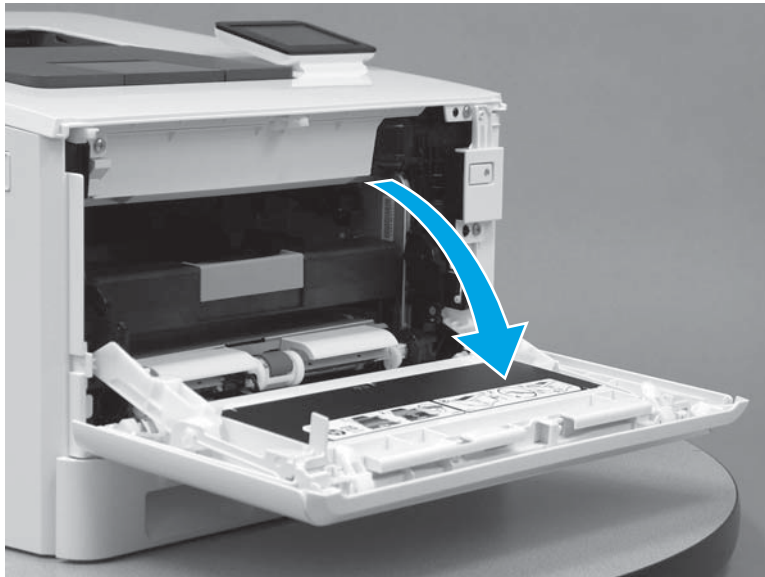
1. Press the button (callout 1) on the left side of the printer to release the front door.

Figure 1-3663 Release the front door



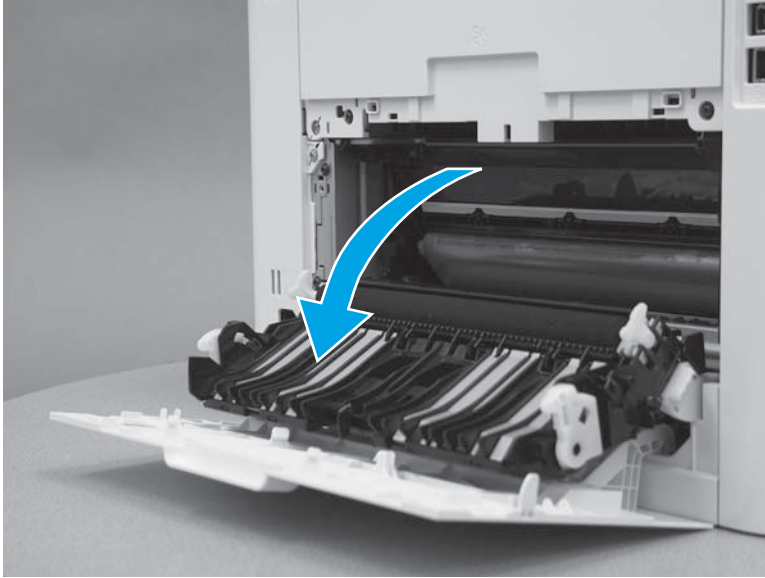
2. Open the front door.

Figure 1-3664 Open the front door



3. Open the rear door.

Figure 1-3665 Open the rear door



Step 3: Remove the right cover (M452 models)



NOTE: This step is for the M452 models. For the M477 models, skip this step and go to [Step 4: Remove the right cover \(M477 models\) on page 1946](#).

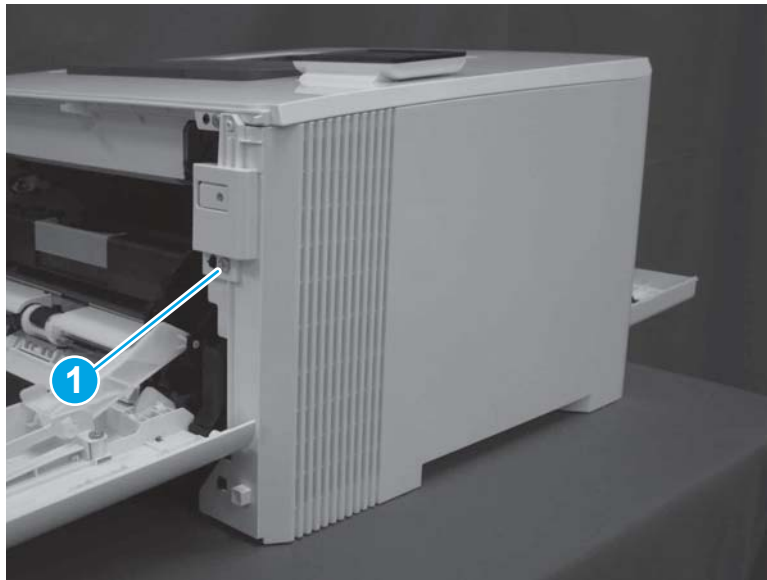
1. At the back of the printer, remove one screw (callout 1).

Figure 1-3666 Remove one screw



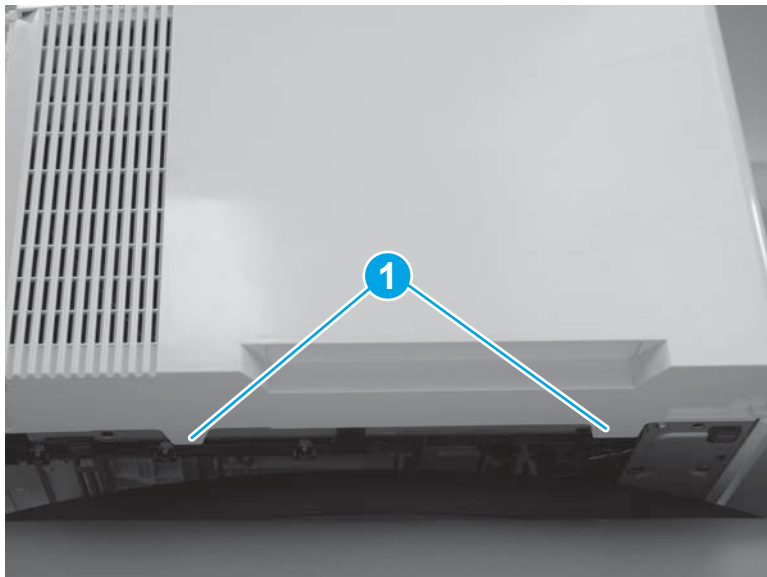
2. At the front of the printer, remove one screw (callout 1).

Figure 1-3667 Remove one screw



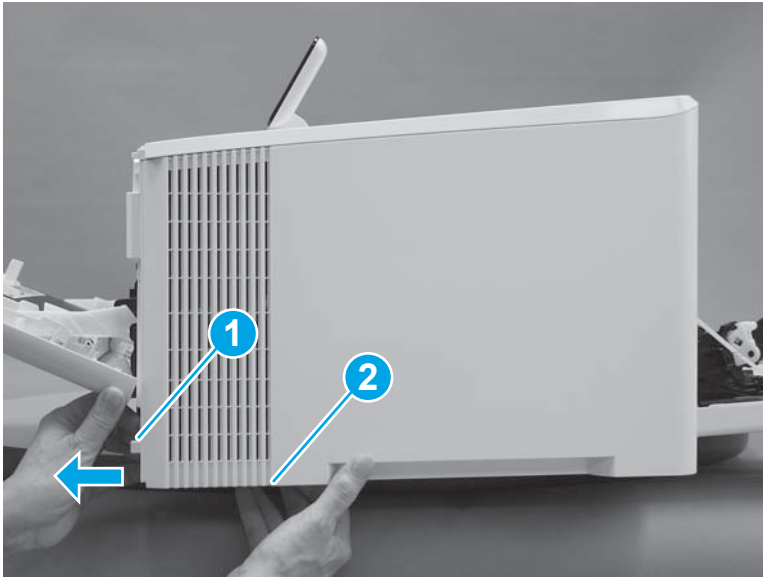
3. Slide the printer to the edge of a work surface. Note the location of the tabs on the lower edge of the cover (callout 1).

Figure 1-3668 Locate the tabs



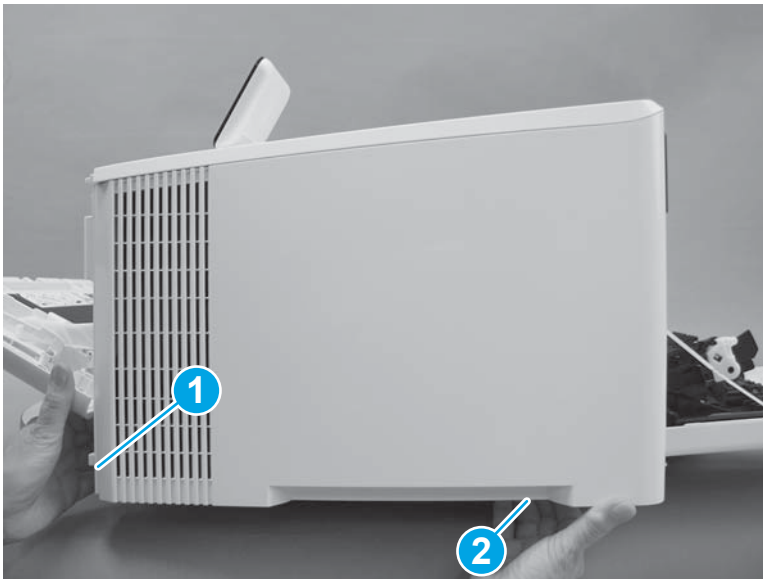
4. Release one tab (callout 1) on the front of the cover by slightly pulling the cover away from the printer. While holding the cover in the released position, release one tab (callout 2) on the bottom of the cover.

Figure 1-3669 Release front lower tabs



5. Hold the front tabs in the released position (callout 1), and then release one tab (callout 2) on the bottom of the cover, toward the back of the printer.

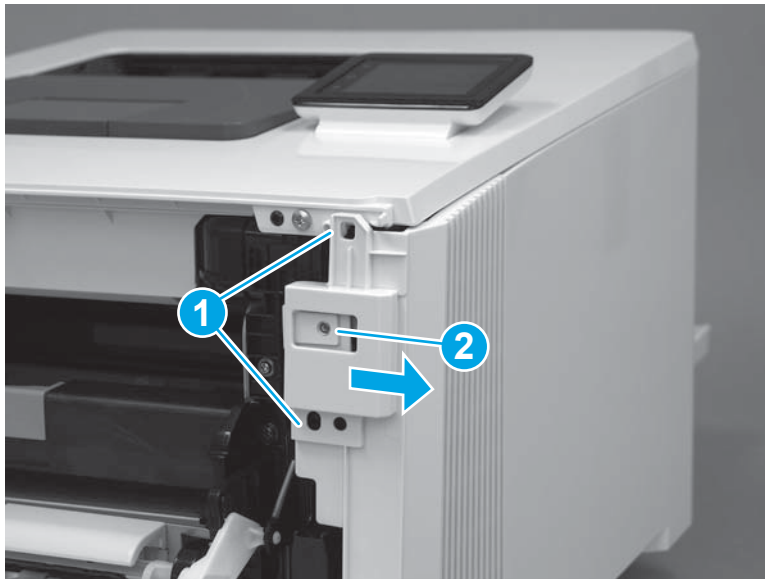
Figure 1-3670 Release lower rear tab



6. Release two tabs at the front of the printer (callout 1) by slightly pulling the cover away from the printer.

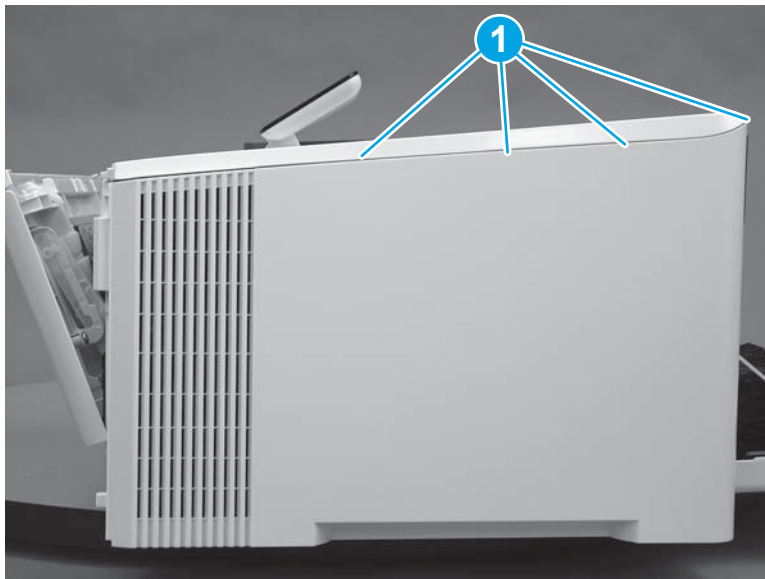
CAUTION: Be careful not to dislodge the power switch (callout 2).

Figure 1-3671 Release two front tabs



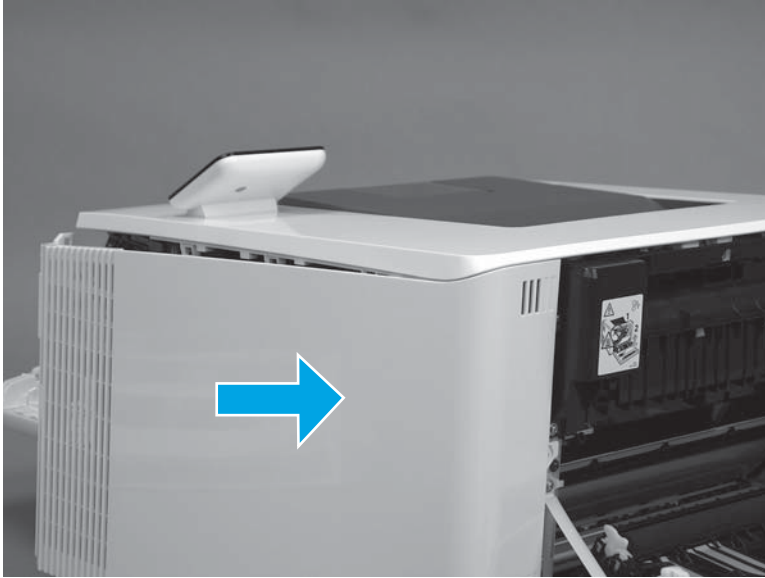
7. Release four tabs on the top of the printer (callout 1).

Figure 1-3672 Release upper tabs



8. Slide the cover toward the back of the printer to remove it.

Figure 1-3673 Remove the right cover



Step 4: Remove the right cover (M477 models)



NOTE: This step is for the M477 models. For the M452 models, skip this step and go to [Step 5: Remove the left cover \(M452 models\) on page 1952](#).

1. Raise the scanner.

Figure 1-3674 Raise the scanner



2. At the back of the printer, remove one screw (callout 1).

Figure 1-3675 Remove one screw



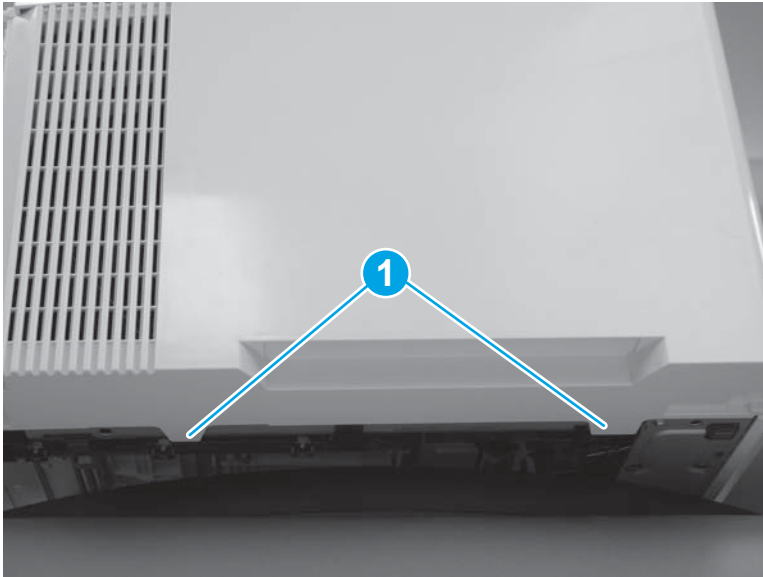
3. At the front of the printer, remove one screw (callout 1).

Figure 1-3676 Remove one screw



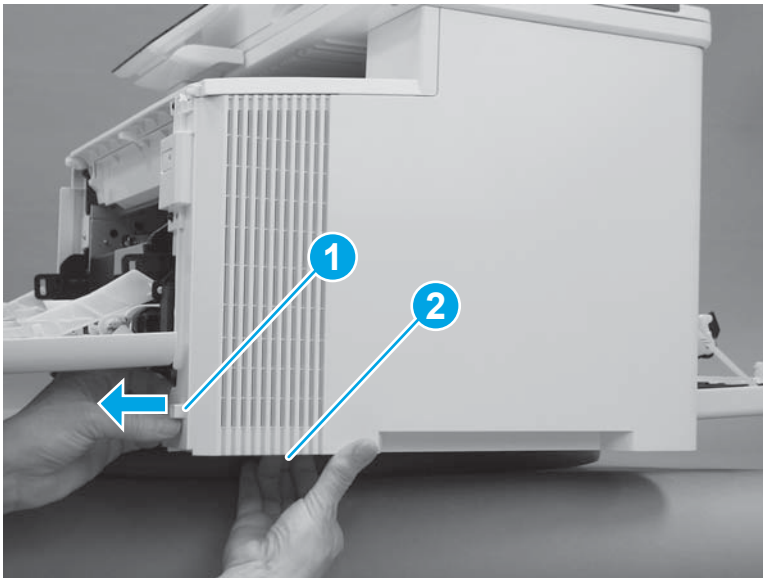
4. Slide the printer to the edge of a work surface. Note the location of the tabs on the lower edge of the cover (callout 1).

Figure 1-3677 Locate the tabs



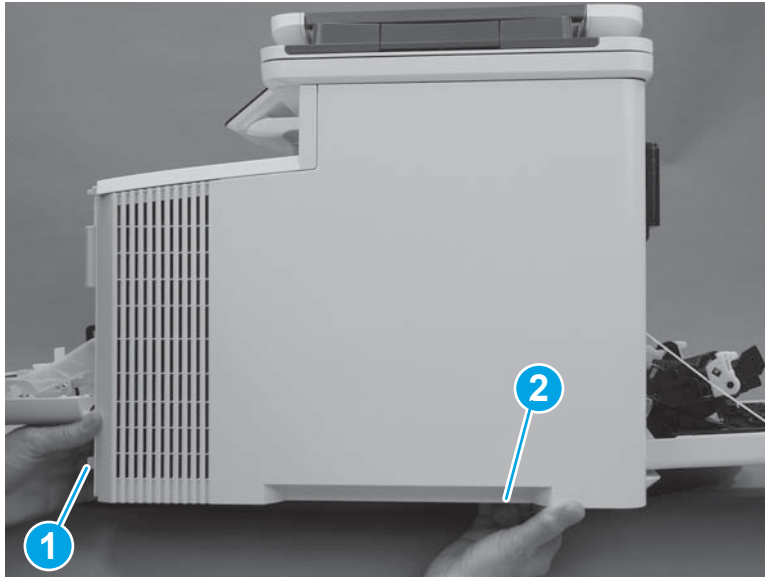
5. Release one tab (callout 1) on the front of the cover by slightly pulling the cover away from the printer. While holding the cover in the released position, release one tab (callout 2) on the lower edge of the cover.

Figure 1-3678 Release front lower tabs



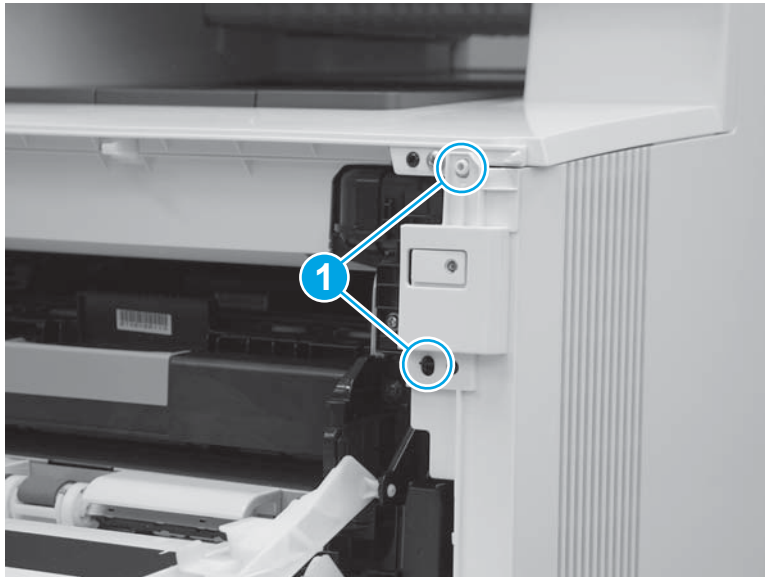
6. Hold the front tabs in the released position (callout 1), and then release one tab (callout 2) on the lower edge of the cover, toward the back of the printer.

Figure 1-3679 Release lower rear tab



7. Release two tabs at the front of the printer (callout 1) by slightly pulling the cover away from the printer.

Figure 1-3680 Release front upper tabs



8. Rotate the front of the cover away from the printer (callout 1).

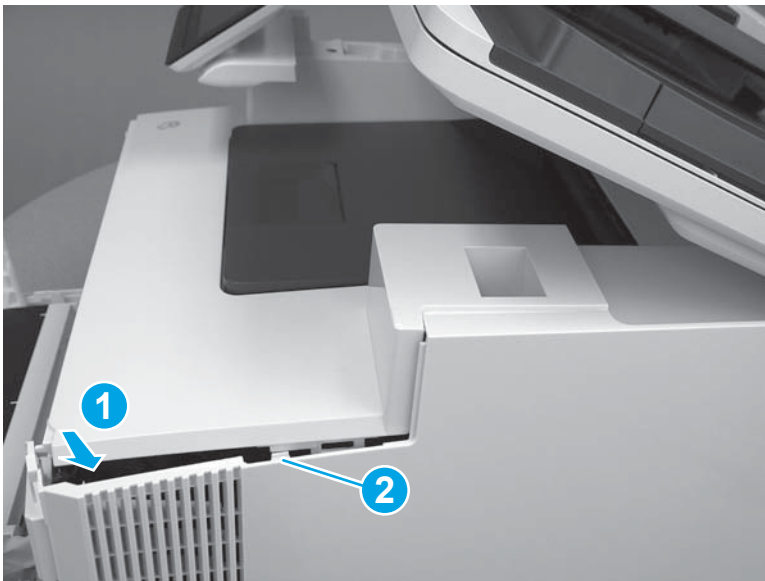
⚠ CAUTION: Be careful not to dislodge the power switch (callout 2).

Figure 1-3681 Rotate the front of the cover



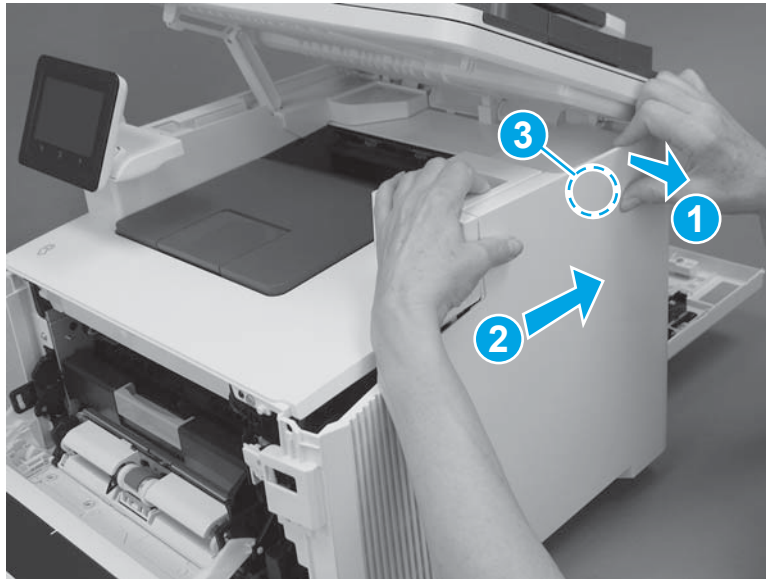
9. Slightly pull the front of the cover away from the printer (callout 1) to release one tab (callout 2).

Figure 1-3682 Release top tabs



10. At the top of the printer, slightly pull the top of the cover away from the printer to release one retention tab (callout 1) on the inside of the cover. While holding the cover away, slide the cover toward the back of the printer (callout 2) to release one hook (callout 3) on the inside of the cover.

Figure 1-3683 Release one tab and one hook



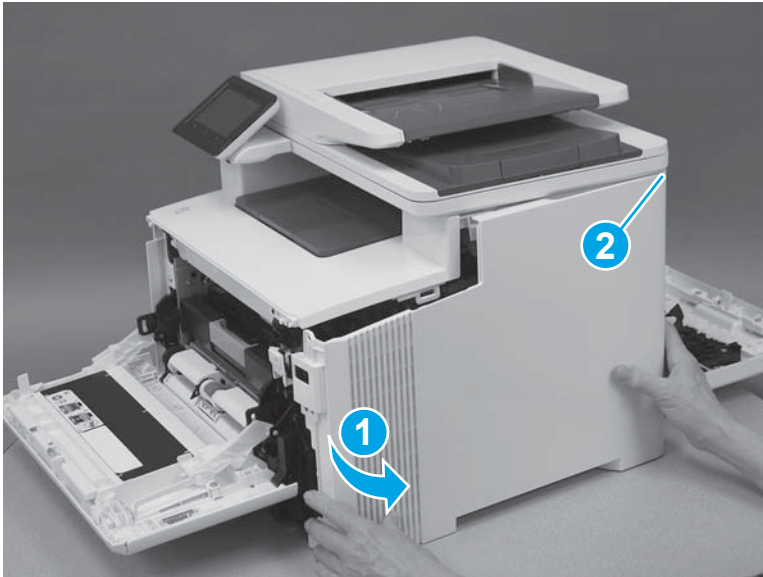
11. Lower the scanner.

Figure 1-3684 Lower the scanner




12. Rotate the cover away from the printer (callout 1) to release one tab (callout 2) at the back of the printer, and then remove the cover.

Figure 1-3685 Remove the right cover

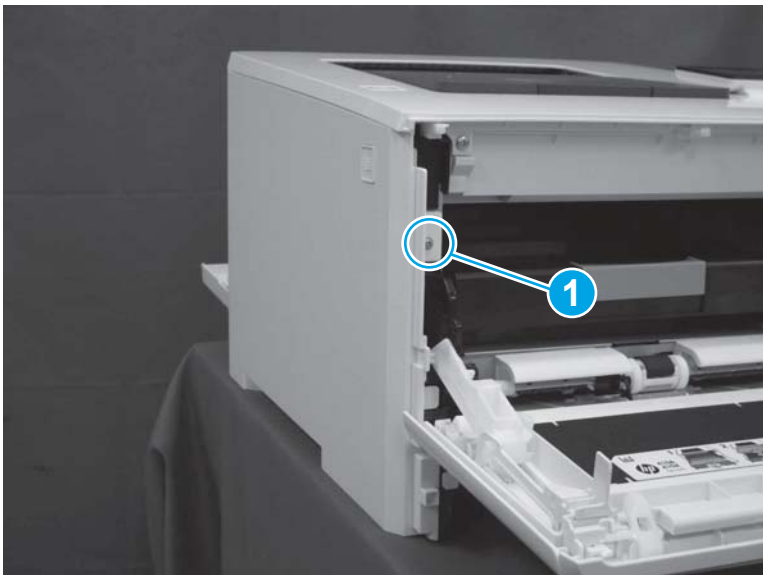


Step 5: Remove the left cover (M452 models)

 **NOTE:** This step is for the M452 models. For the M477 models, skip this step and go to [Step 6: Remove the left cover \(M477 models\) on page 1954](#).

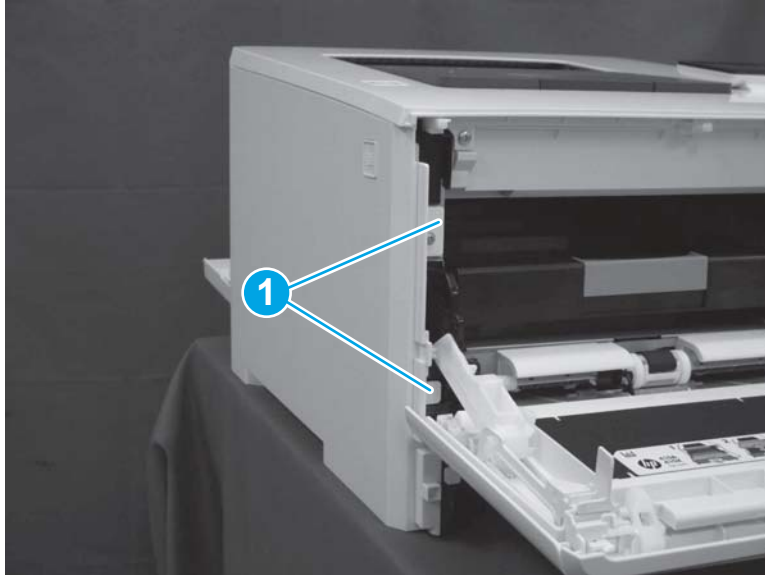
1. At the front of the printer, remove one screw (callout 1).

Figure 1-3686 Remove one screw



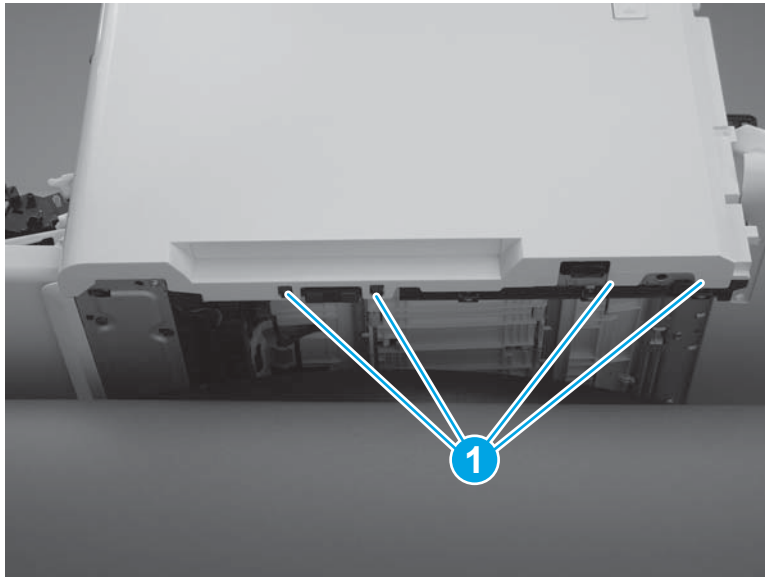
2. Release two tabs (callout 1) at the front of the cover. Hold the cover open to prevent the tabs from reengaging.

Figure 1-3687 Release two tabs



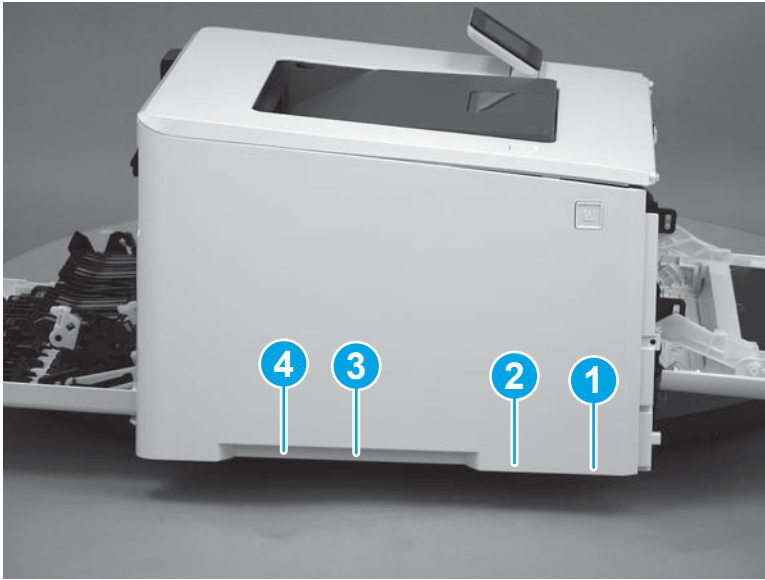
3. Slide the printer to the edge of a work surface. Note the location of the tabs on the lower edge of the cover (callout 1).

Figure 1-3688 Locate the tabs



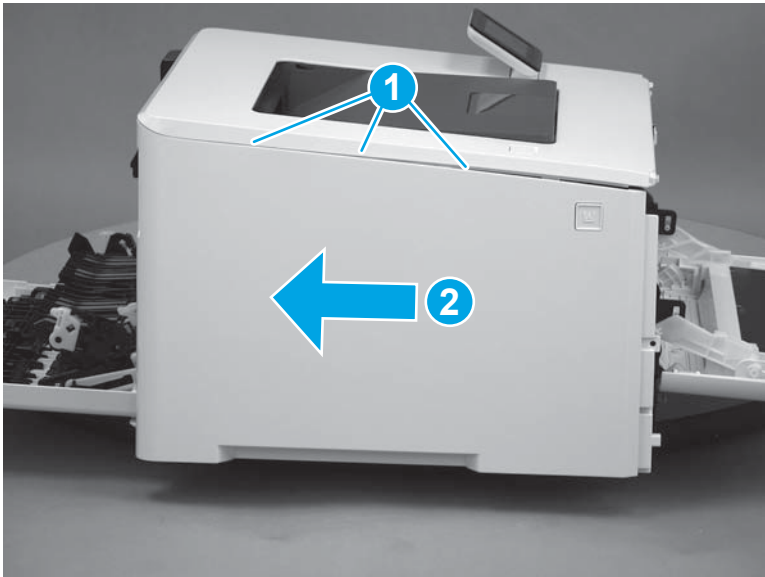
4. Beginning from the front of the cover, release four tabs (callouts 1-4) on the lower edge of the cover.

Figure 1-3689 Release bottom tabs




5. Release three tabs at the top of the cover (callout 1), and then slide the cover toward the rear of the printer to remove it.

Figure 1-3690 Release three tabs



Step 6: Remove the left cover (M477 models)

 **NOTE:** This step is for the M477 models. For the M452 models, skip this step and go to [Step 7: Remove the rear top cover \(simplex models\) on page 1959](#).

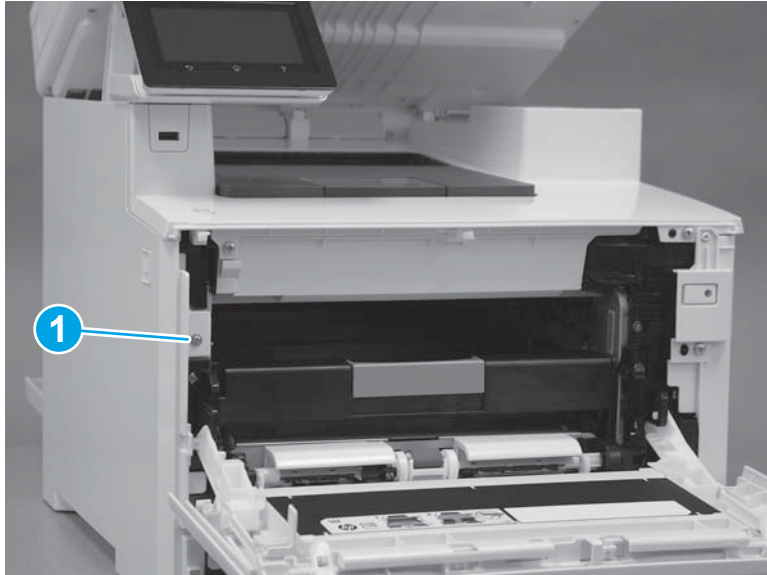
1. Raise the scanner.

Figure 1-3691 Raise the scanner



2. At the front of the printer, remove one screw (callout 1).

Figure 1-3692 Remove one screw



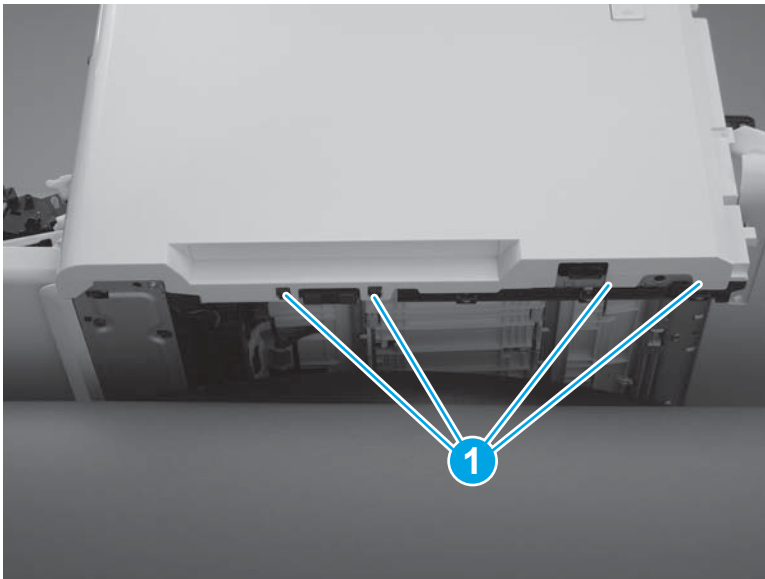
3. Release two tabs (callout 1) at the front of the cover. Hold the cover open to prevent the tabs from re-engaging.

Figure 1-3693 Release two tabs



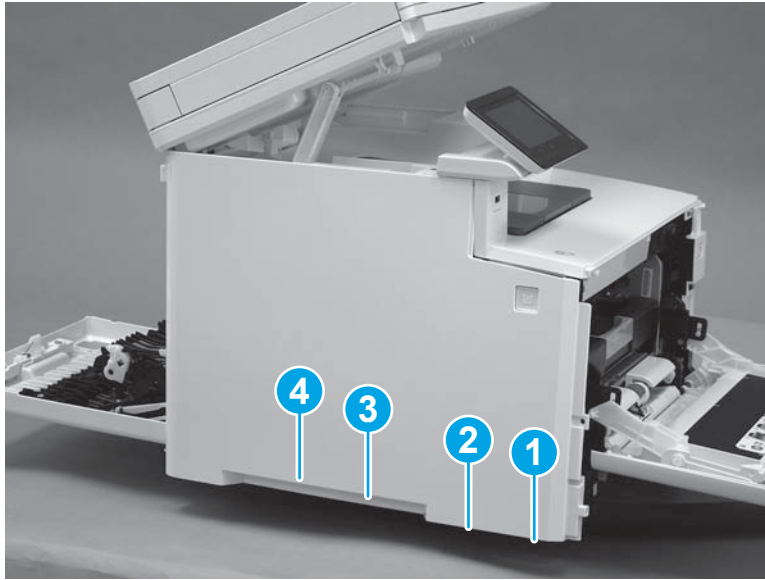
4. Slide the printer to the edge of a work surface. Note the location of the tabs on the lower edge of the cover (callout 1).

Figure 1-3694 Locate the tabs



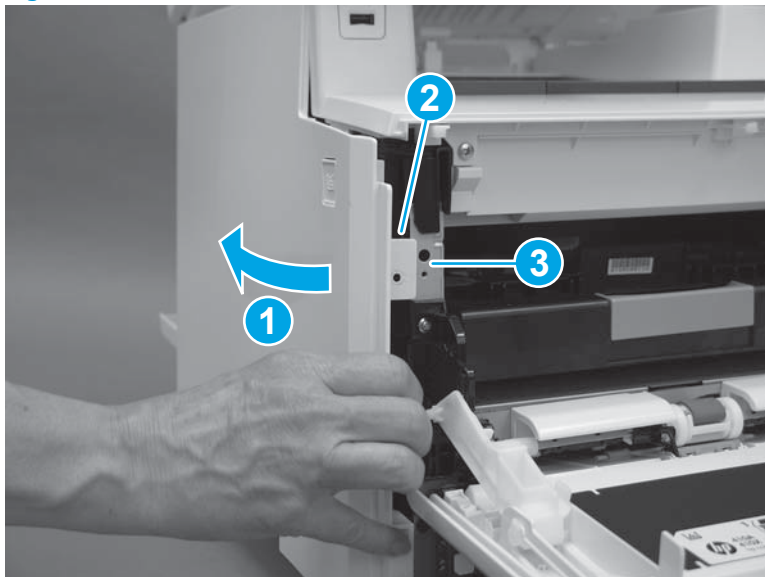
5. Beginning from the front of the cover, release the four tabs (callouts 1-4) on the lower edge of the cover.

Figure 1-3695 Release four tabs



6. Rotate the front of the cover away from the printer (callout 1). Make sure that the tab (callout 2) does not get caught on the printer frame (callout 3).

Figure 1-3696 Rotate the cover



7. At the top of the printer, slightly pull the top of the cover away from the printer to release one retention tab (callout 1) on the inside of the cover. While holding the cover away, slide the cover toward the back of the printer (callout 2) to release two hooks (callout 3) inside the cover.

Figure 1-3697 Release one tab and two hooks



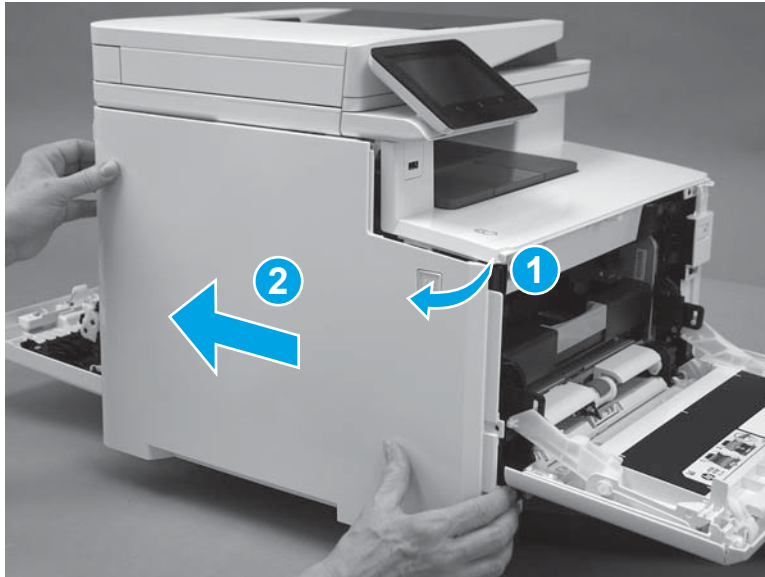
8. Lower the scanner.

Figure 1-3698 Lower the scanner



9. Rotate the cover away from the printer (callout 1), and then slide the cover (callout 2) toward the back of the printer to remove it.

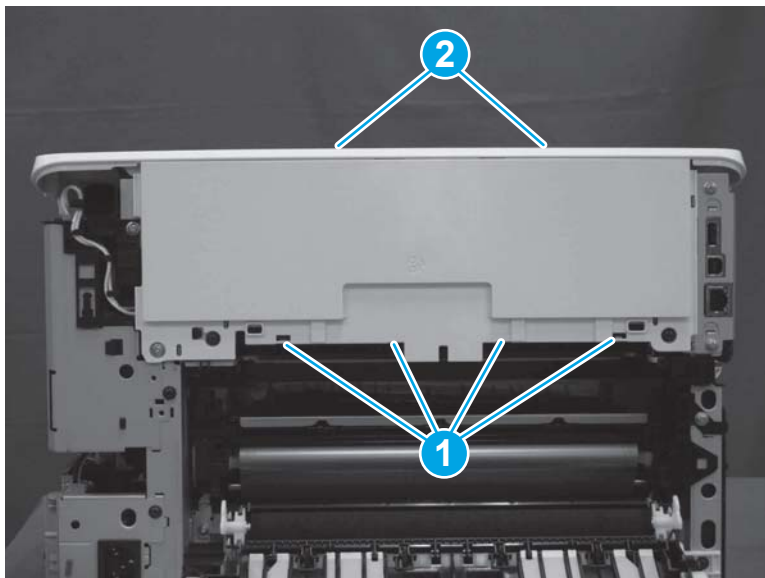
Figure 1-3699 Remove the left cover



Step 7: Remove the rear top cover (simplex models)

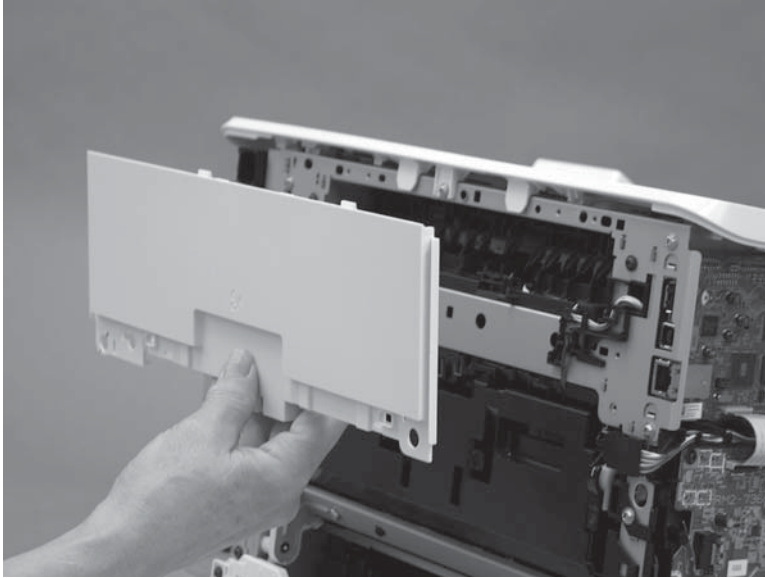
1. At the back of the printer, release four tabs (callout 1) on the bottom of the cover and two tabs (callout 2) on the top of the cover.

Figure 1-3700 Release six tabs




2. Remove the rear top cover.

Figure 1-3701 Remove the rear top cover

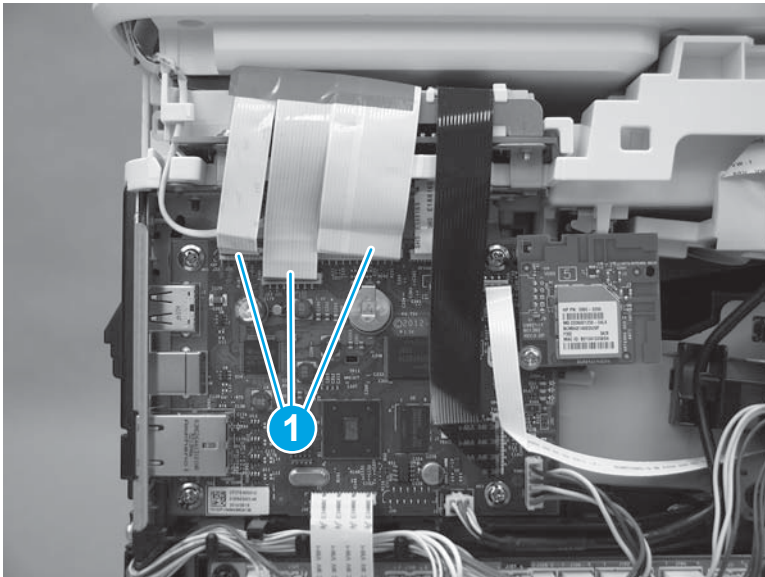


Step 8: Remove the integrated scanner assembly (M477 models)

 **NOTE:** This step is for the M477 models. For the M452 models, skip this step and go to [Step 11: Remove the top cover \(M452 models\) on page 1973](#).

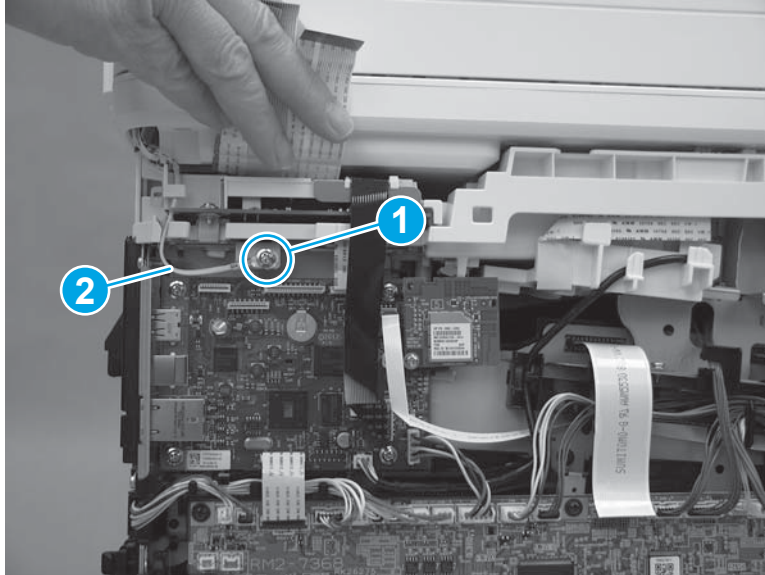
1. On the left side of the printer, disconnect three connectors (callout 1).

Figure 1-3702 Disconnect the scanner cables



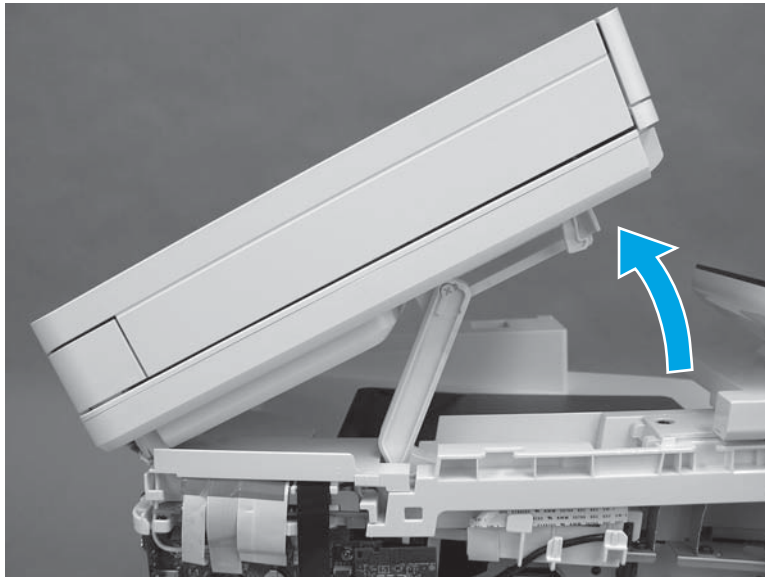
2. Raise the scanner cables up, and then remove one screw (callout 1) to release the ground wire (callout 2).

Figure 1-3703 Remove one screw and release the ground wire



3. Raise the scanner.

Figure 1-3704 Raise the scanner



4. With the scanner lifted, release the tab (callout 1) on the scanner support arm pin from the slot and rotate the pin in the direction indicated.

Figure 1-3705 Release the scanner arm pin



5. Remove the scanner arm pin.

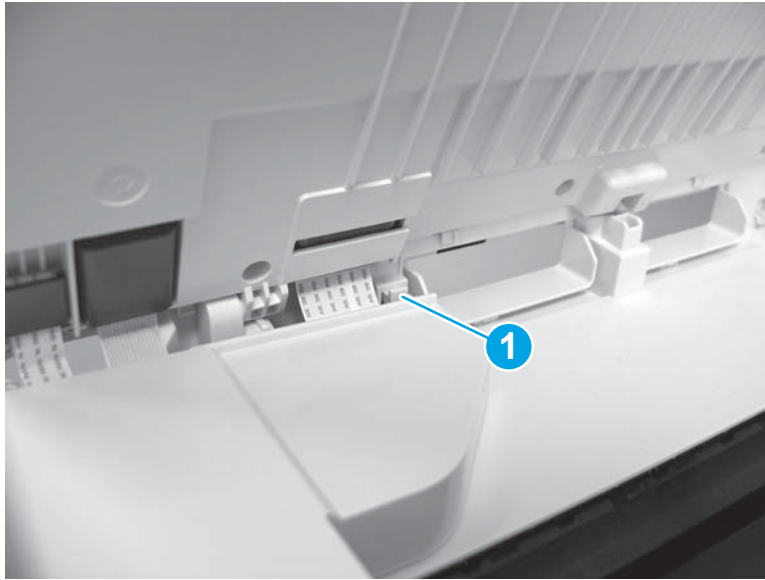
CAUTION: Once the scanner arm pin is removed, support the scanner with one hand at all times so that it does not fall backwards off of the printer.

Figure 1-3706 Remove the scanner arm pin.



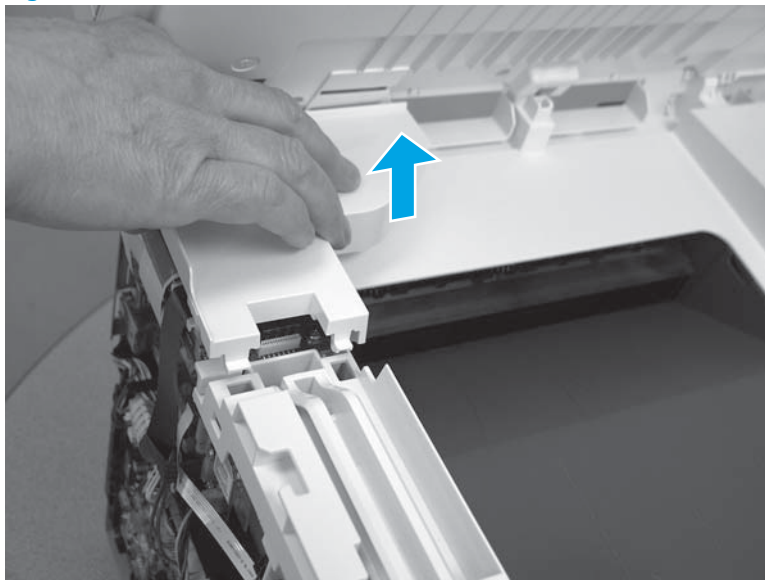
6. On the top of the printer, use a flat-blade screwdriver to release one tab (callout 1).

Figure 1-3707 Release one tab



7. Remove the scanner cable cover.

Figure 1-3708 Remove the scanner cable cover



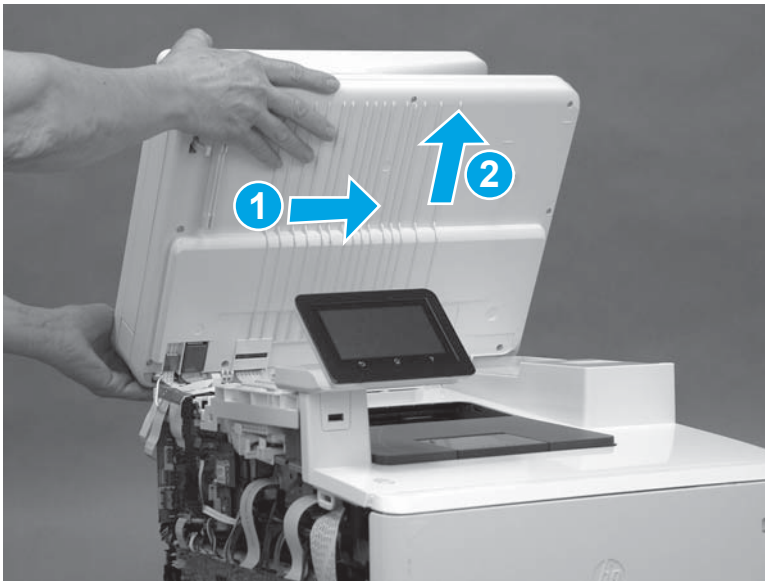
8. The scanner cables (callout 1) are held in place on the top cover with double-sided tape. Carefully release the cables from the top cover.

Figure 1-3709 Release the cables



9. Open the scanner assembly fully, slide the assembly toward the right side of the printer, and then lift the assembly off of the printer.

Figure 1-3710 Remove the scanner assembly



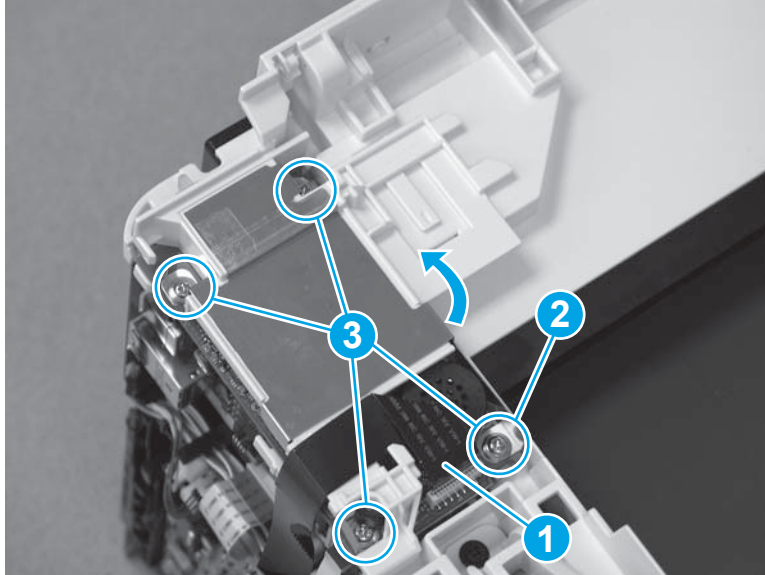
Step 9: Remove the fax PCA (M477 models)



NOTE: This step is for M477 fax models only. Skip this step for non-fax models.

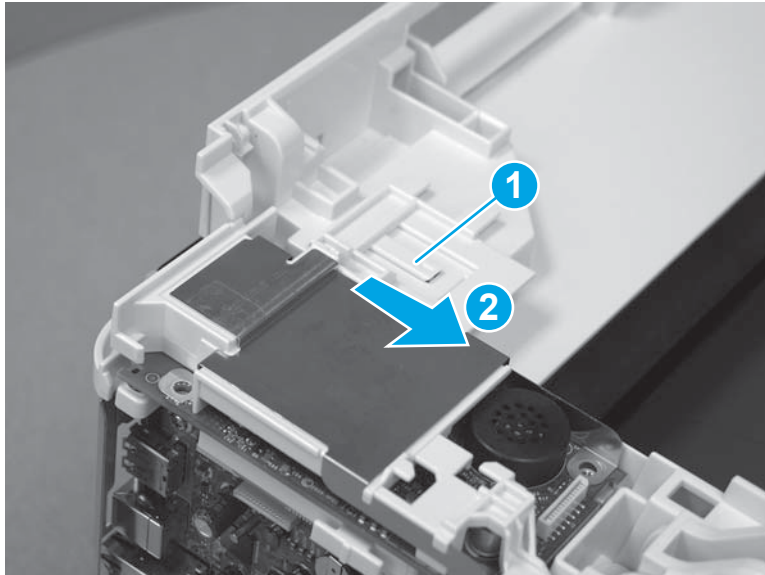
1. Disconnect one connector (callout 1). Beginning with the top right screw (callout 2) remove four screws (callout 3) in a counterclockwise direction.

Figure 1-3711 Disconnect one connector and remove four screws



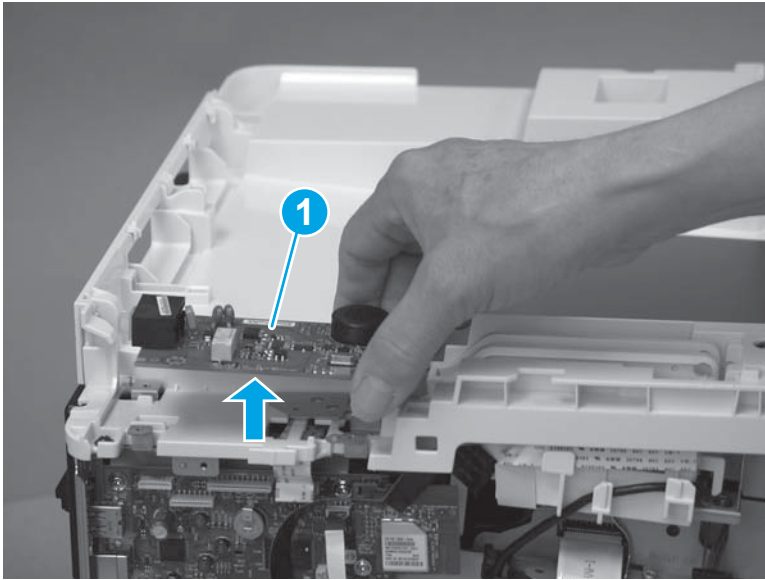
2. Release one tab (callout 1), and then slide the fax cover (callout 2) toward the front of the printer to remove it.

Figure 1-3712 Remove the fax cover



3. Lift up to remove the fax PCA (callout 1).

Figure 1-3713 Remove the fax PCA



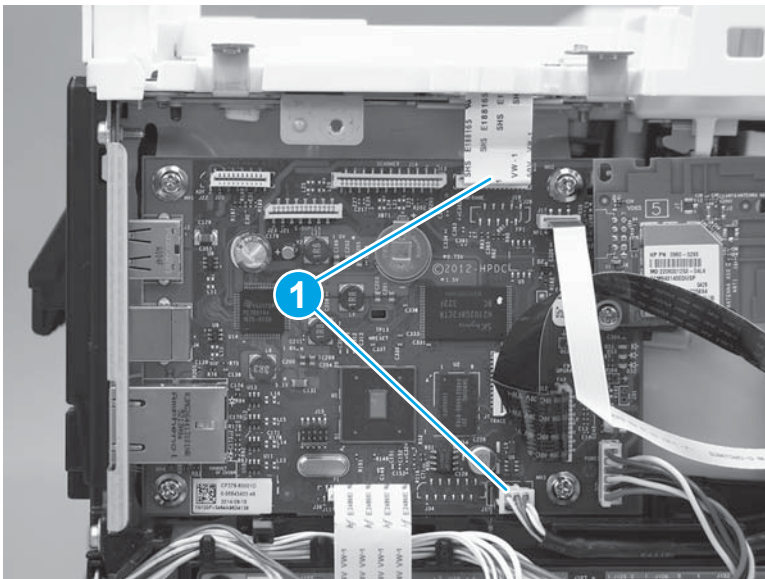
Step 10: Remove the top cover (M477 models)



NOTE: This step is for the M477 models. For the M452 models, skip this step and go to [Step 11: Remove the top cover \(M452 models\) on page 1973](#).

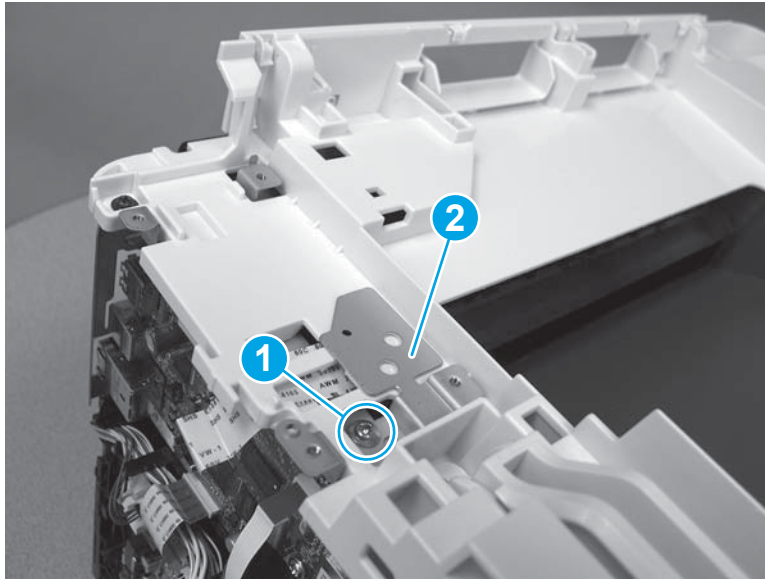
1. On the left side of the printer, on the formatter PCA, disconnect two connectors (callout 1).

Figure 1-3714 Disconnect two connectors



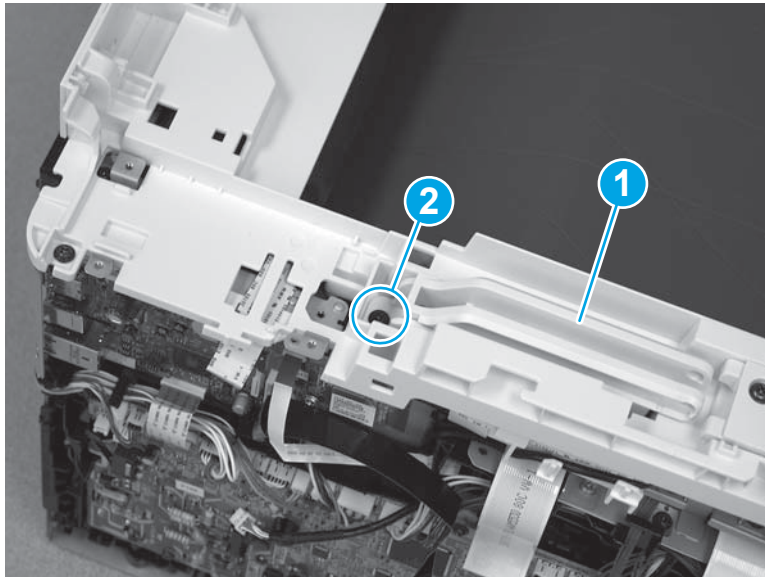
2. On the top cover, remove one screw (callout 1) and the sheet metal plate (callout 2).

Figure 1-3715 Remove one screw and the sheet metal plate



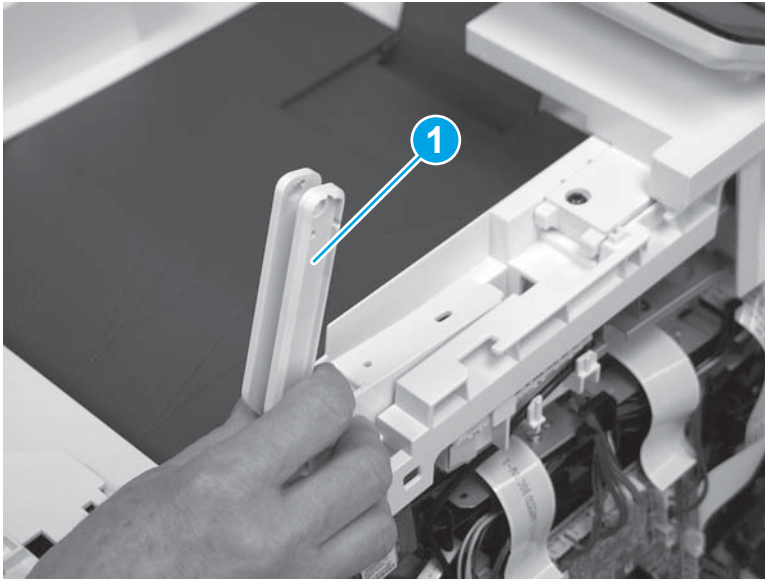
3. At the top of the printer, lower the scanner support arm (callout 1), and then remove one screw (callout 2).

Figure 1-3716 Lower the support arm and remove one screw



4. Remove the scanner support arm (callout 1).

Figure 1-3717 Remove the scanner support arm



5. At the top of the printer, remove three screws (callout 1).


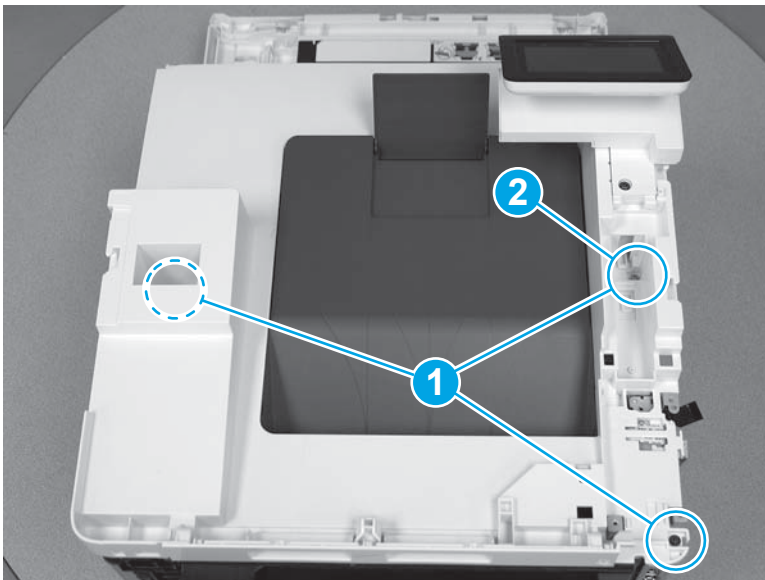
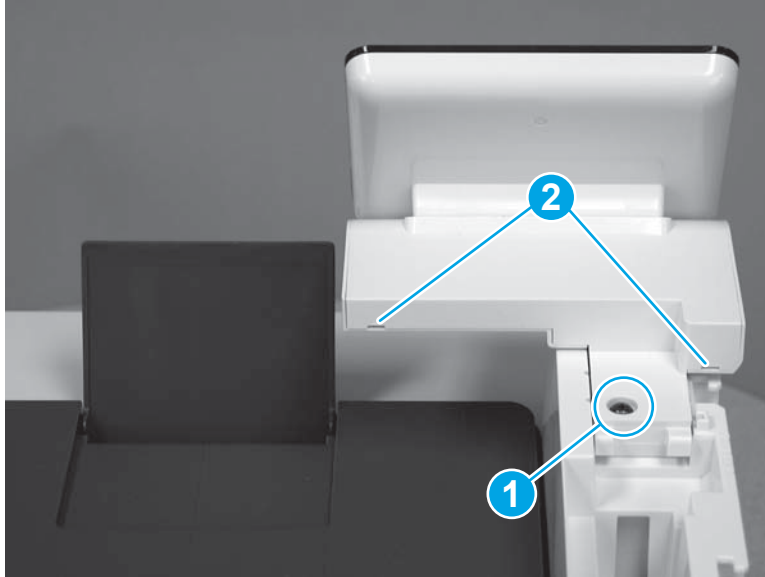
 **Reinstallation tip:** One screw (callout 2) is longer than the other screws. Make sure that this screw is reinstalled in the correct position.

Figure 1-3718 Remove three screws



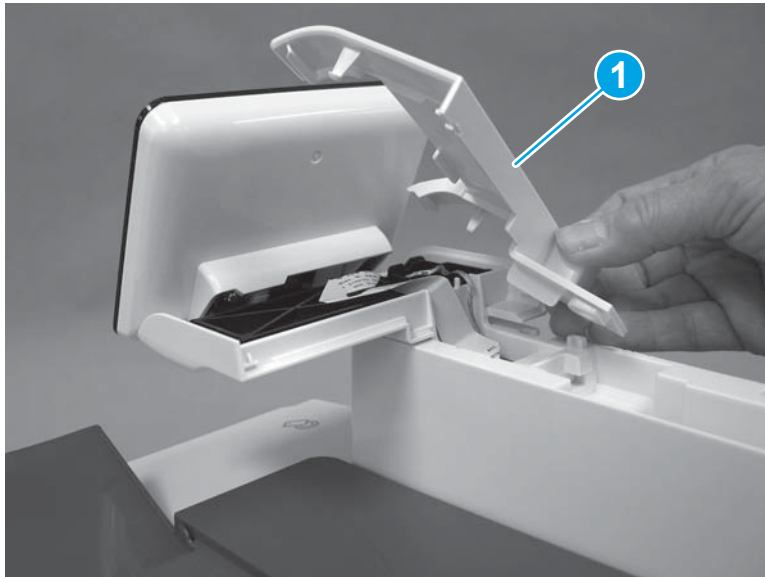
6. Behind the control panel, remove one screw (callout 1), and then use a small flat-blade screwdriver at two pry points (callout 2) to release the control panel cover from the top cover.

Figure 1-3719 Release the control panel cover



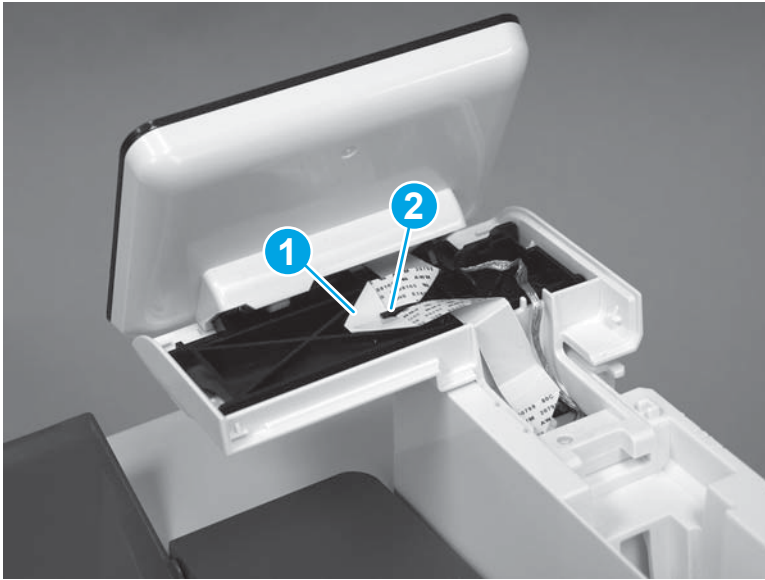
7. Remove the control panel cover (callout 1).

Figure 1-3720 Remove the control panel cover



8. Remove the flat cable (callout 1) from the retaining guide (callout 2).

Figure 1-3721 Release the flat cable



9. Remove two screws (callout 1), and then remove one screw (callout 2) and release one ground wire.

 **Reinstallation tip:** The two screws toward the front of the control panel (callout 1) are longer than the other screw. Make sure these screws are installed in the correct position when reinstalling the part.

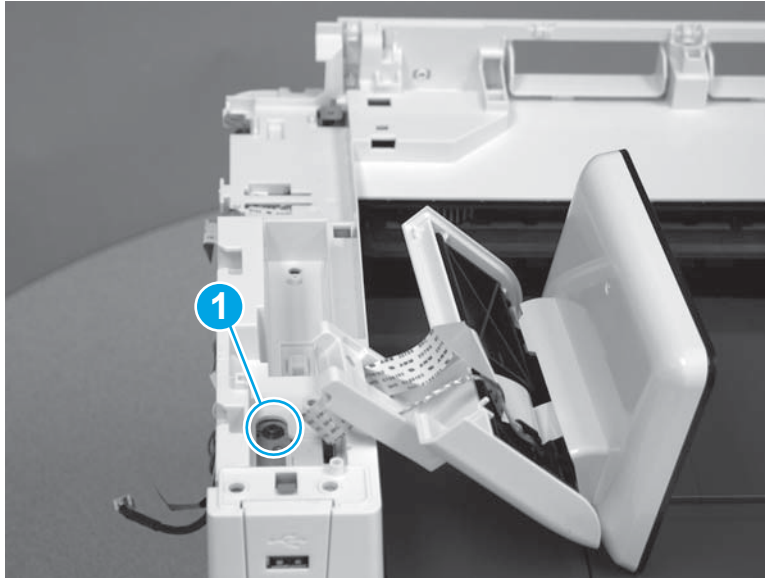
Figure 1-3722 Remove three screws



10. Carefully lift the control panel away and rest it on the top cover, and then remove one screw (callout 1).

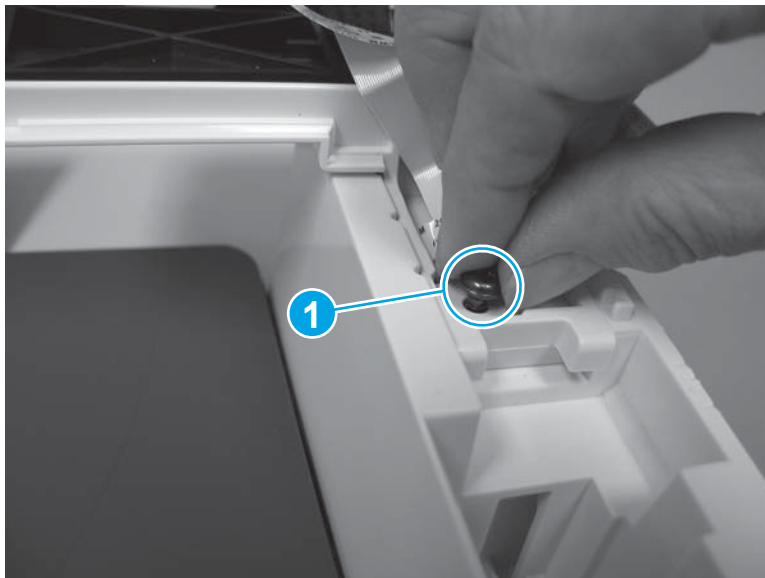
CAUTION: The control panel is still attached to the top cover by the flat cable.

Figure 1-3723 Remove one screw



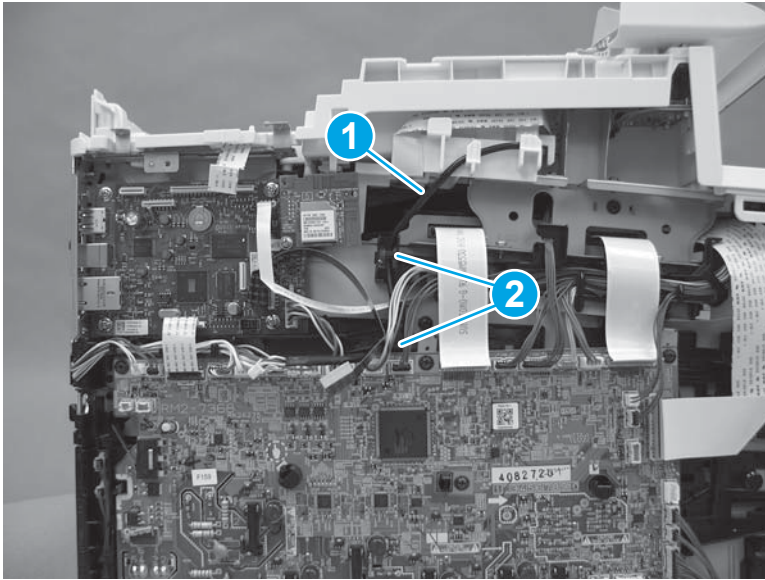
11. Place the control panel back into position. With your hand, refasten the screw (callout 1) that was previously removed from the control panel cover to temporarily reattach the control panel to the top cover. Doing this should protect the flat cable from being damaged.

Figure 1-3724 Refasten the control panel to the top cover



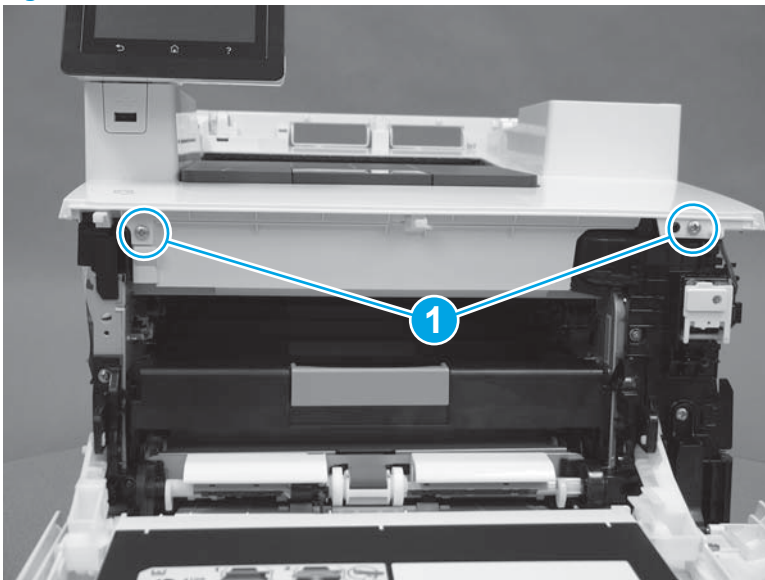
12. Remove the USB cable (callout 1) from the cable guides (callout 2).

Figure 1-3725 Release the USB cable



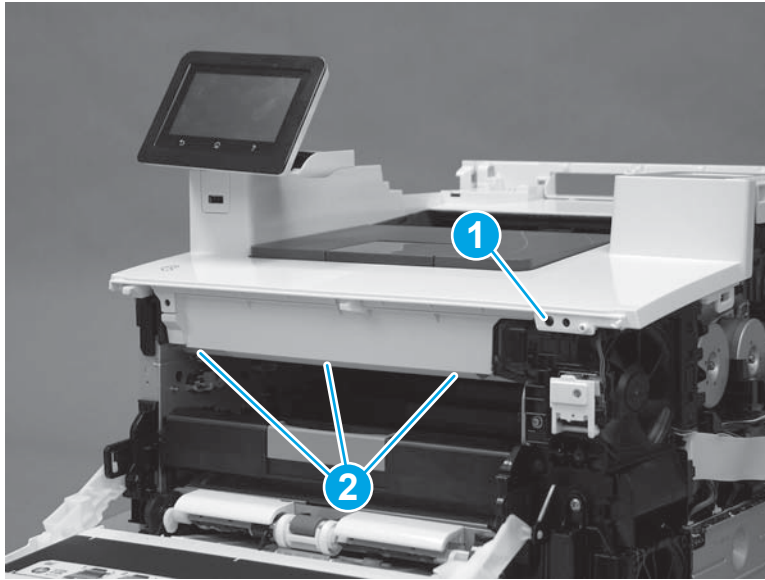
13. At the front of the printer, remove two screws (callout 1).

Figure 1-3726 Remove two screws



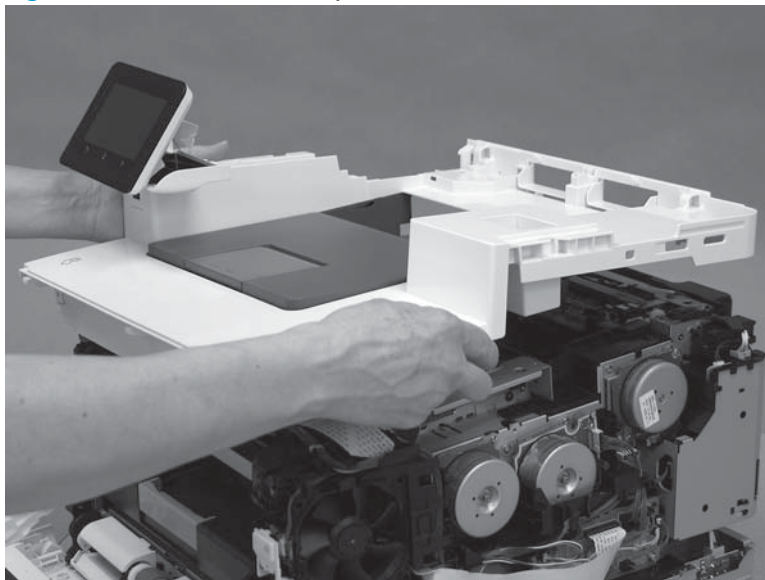
14. Release one retainer (callout 1), and then release three tabs (callout 2).

Figure 1-3727 Release one retainer and three tabs




15. Remove the top cover.

Figure 1-3728 Remove the top cover

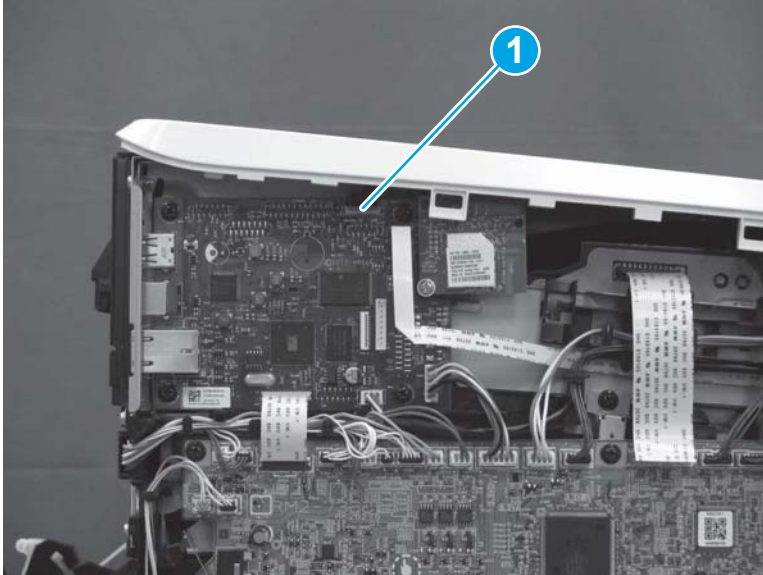


Step 11: Remove the top cover (M452 models)

 **NOTE:** This step is for the M452 models. For the M477 models, skip this step and go to [Step 12: Remove the fuser \(simplex models\) on page 1978](#).

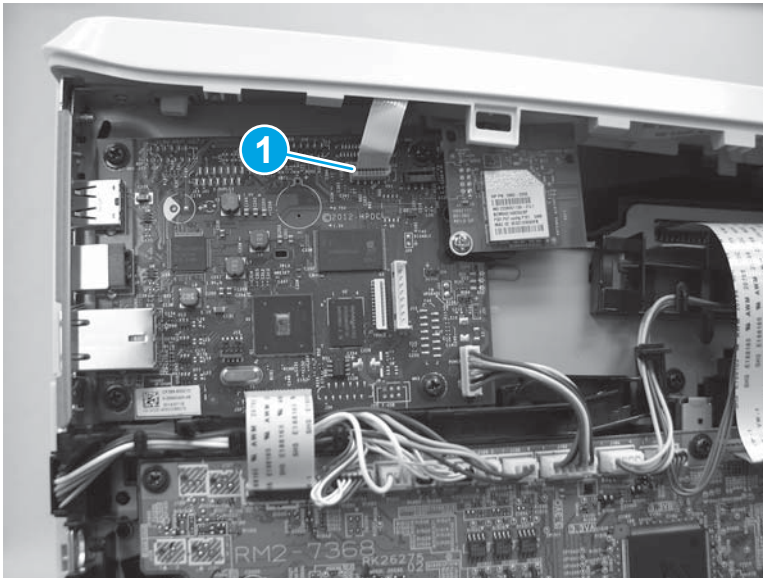
1. **M452dw model only:** On the left side of the printer, on the formatter, disconnect one connector (callout 1).

Figure 1-3729 Disconnect one connector



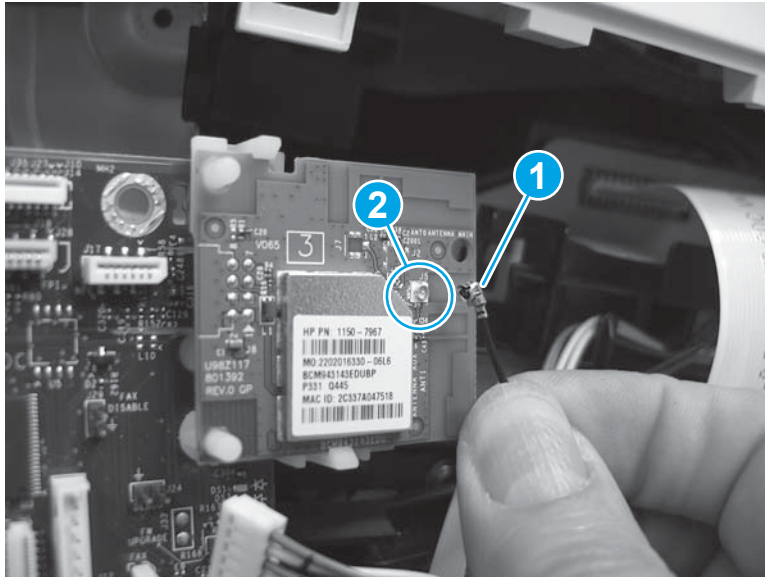
2. **M452nw/dn models only:** On the left side of the printer, on the formatter, disconnect one connector (callout 1).

Figure 1-3730 Disconnect one connector



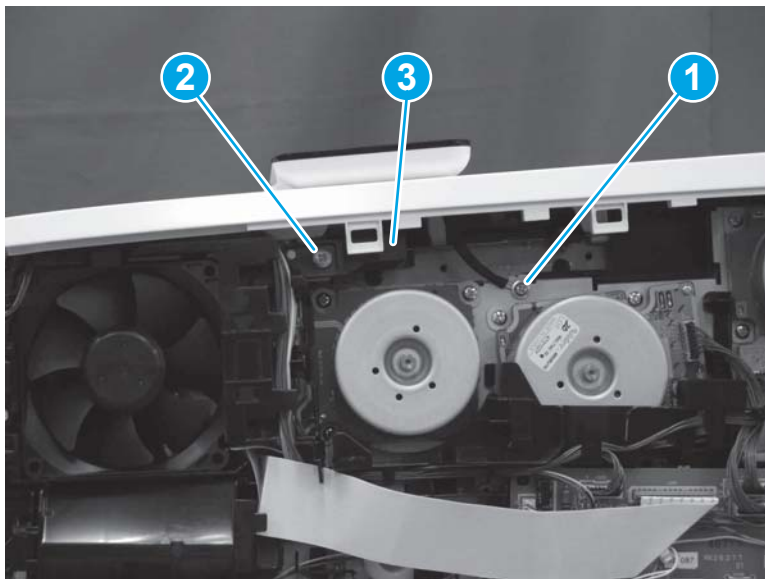
- 3. M452nw/dw models only:** Disconnect the antenna (callout 1) from the connector (callout 2) on the wireless PCA.

Figure 1-3731 Disconnect the antenna



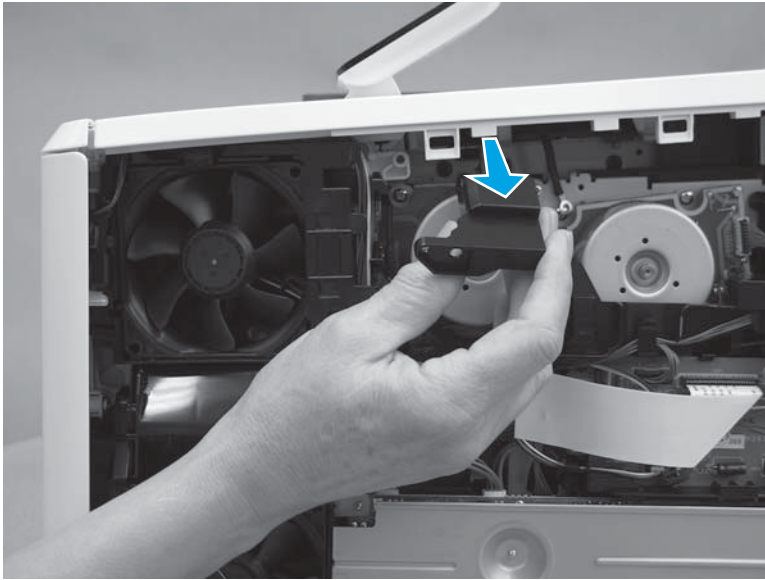
- 4. M452dw model only:** Remove one screw (callout 1) and release one ground wire. Remove one screw (callout 2). Note the location (callout 3) of the guide.

Figure 1-3732 Remove two screws



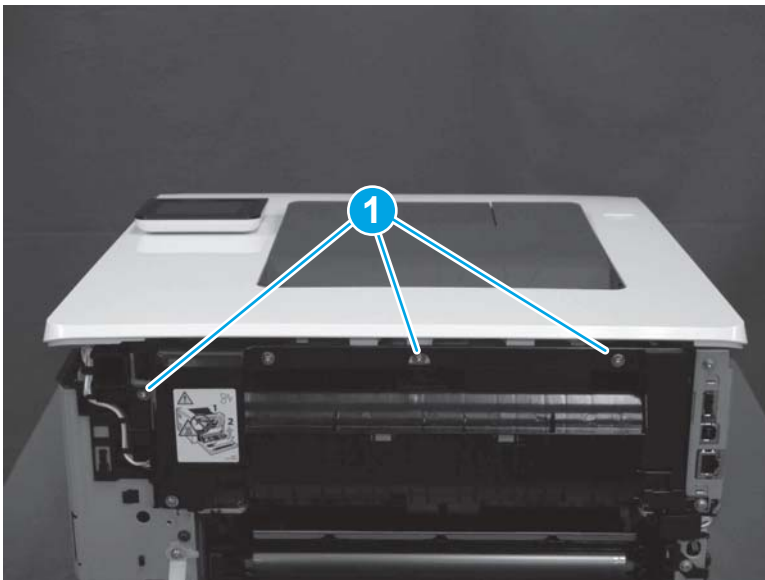
5. **M452dw model only:** Remove the guide.

Figure 1-3733 Remove the guide



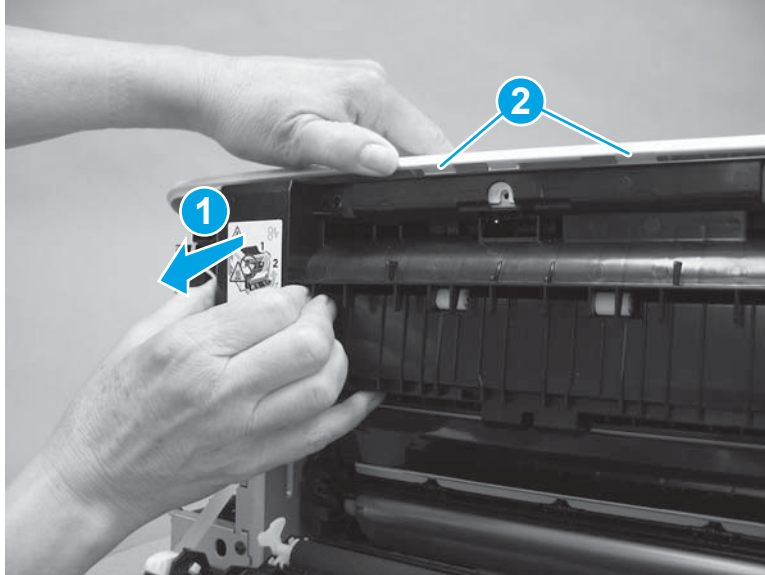
6. **M452dn/dw models only:** At the back of the printer, remove three screws (callout 1).

Figure 1-3734 Remove three screws



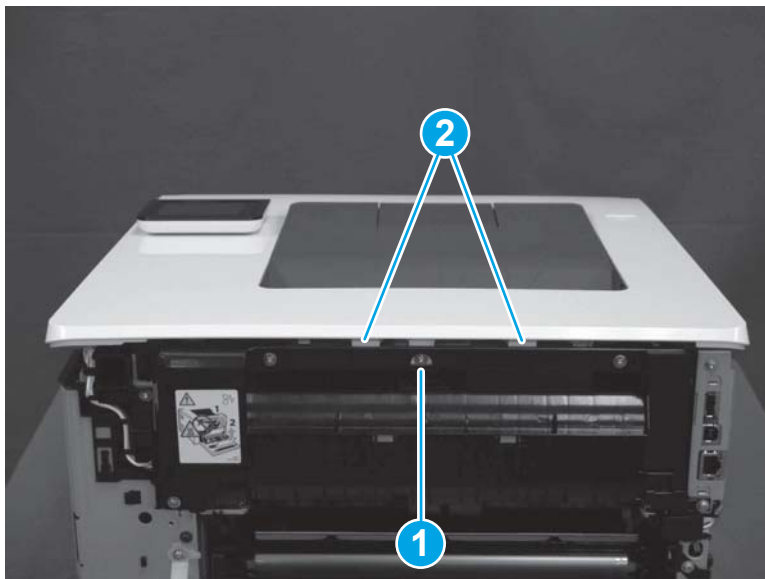
- 7. M452dn/dw models only:** Gently pull the top of the fuser away (callout 1), and then release two tabs (callout 2).

Figure 1-3735 Release two tabs



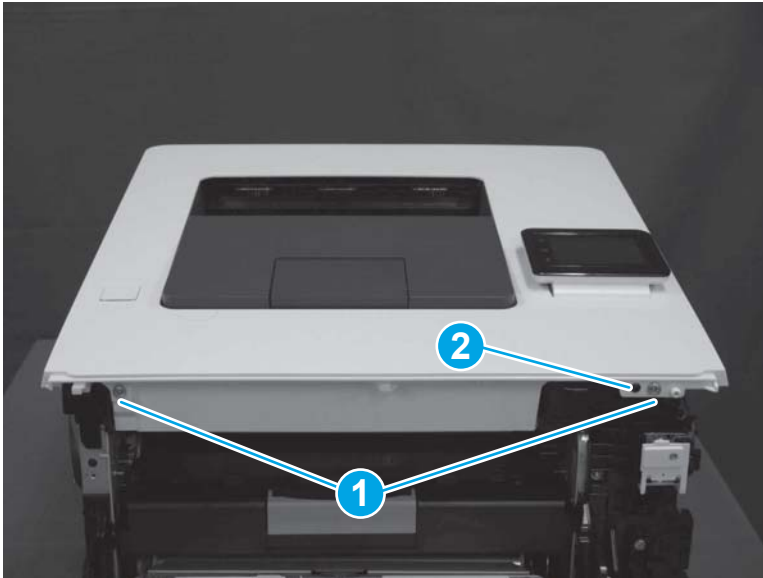
- 8. M452nw model only:** At the back of the printer, remove one screw (callout 1), and then release two tabs (callout 2).

Figure 1-3736 Remove screw and release two tabs



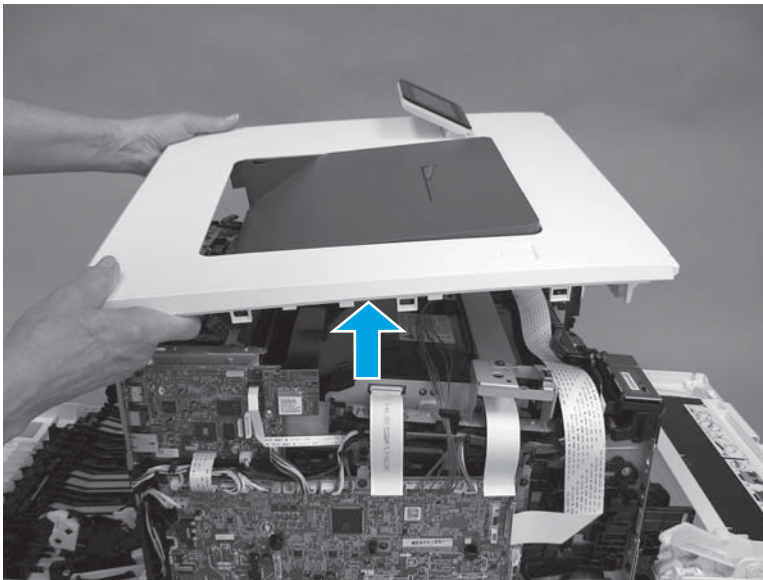
9. At the front of the printer, remove two screws (callout 1), and then release one tab (callout 2).

Figure 1-3737 Remove two screws and release one tab



10. Remove the top cover.

Figure 1-3738 Remove the top cover



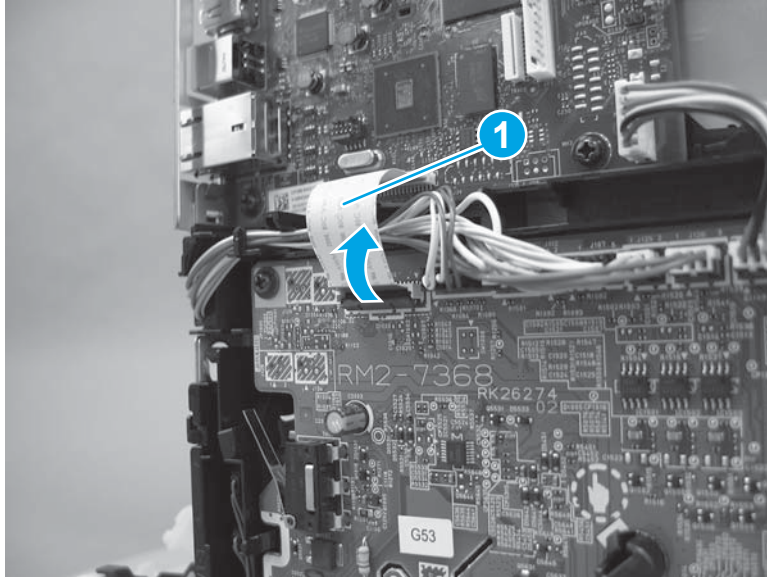
Step 12: Remove the fuser (simplex models)

1. Disconnect one connector (callout 1) on the engine controller PCA.



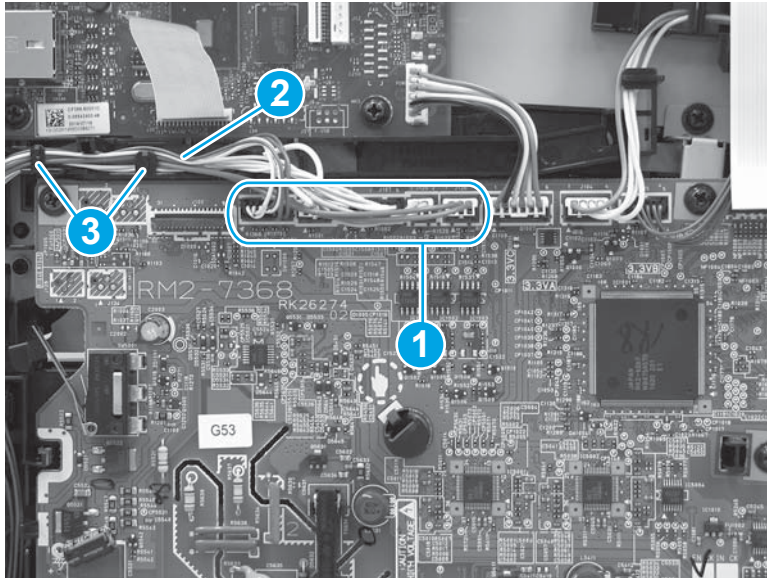
NOTE: This connector is a zero-insertion force (ZIF) connector. Lift the latch on the connector before removing the flat cable.

Figure 1-3739 Disconnect one connector



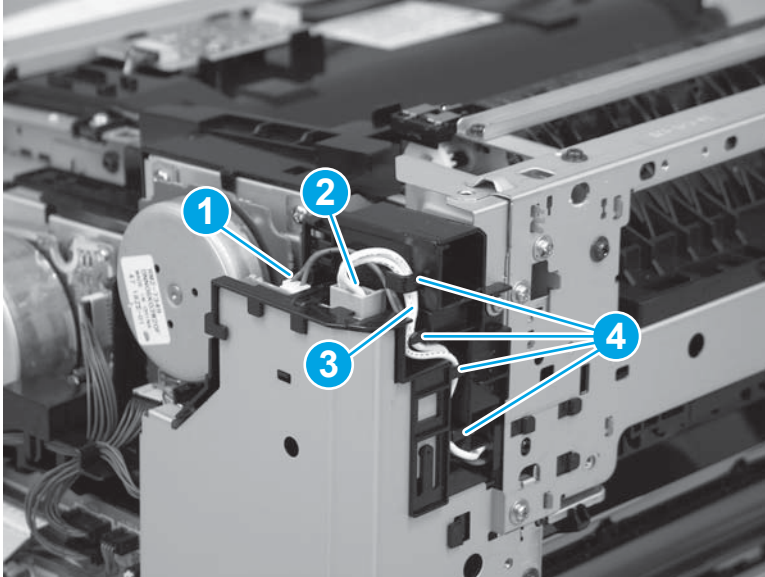
2. Disconnect six connectors on the engine controller PCA (callout 1), and then remove the cables (callout 2) from the guides (callout 3).

Figure 1-3740 Disconnect six connectors



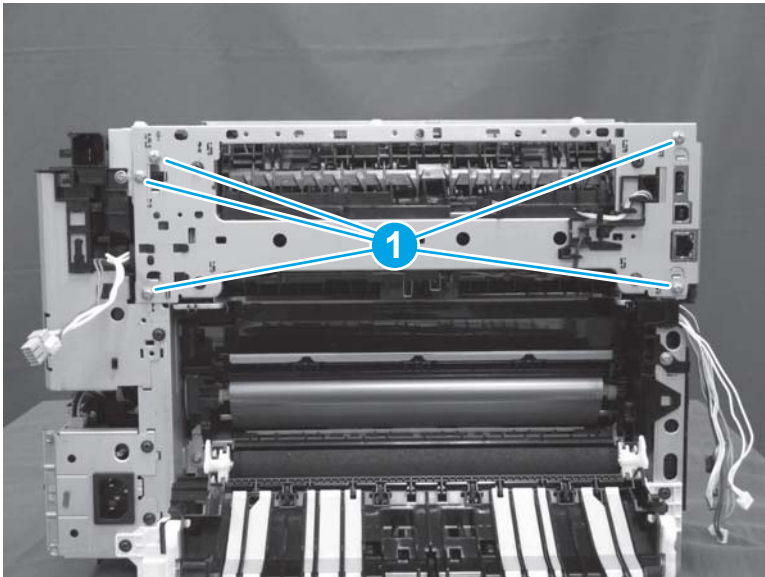
3. Disconnect one connector (callout 1). Release the connector latch, and then disconnect one connector (callout 2). Remove the cables (callout 3) from the guides (callout 4).

Figure 1-3741 Disconnect two connectors



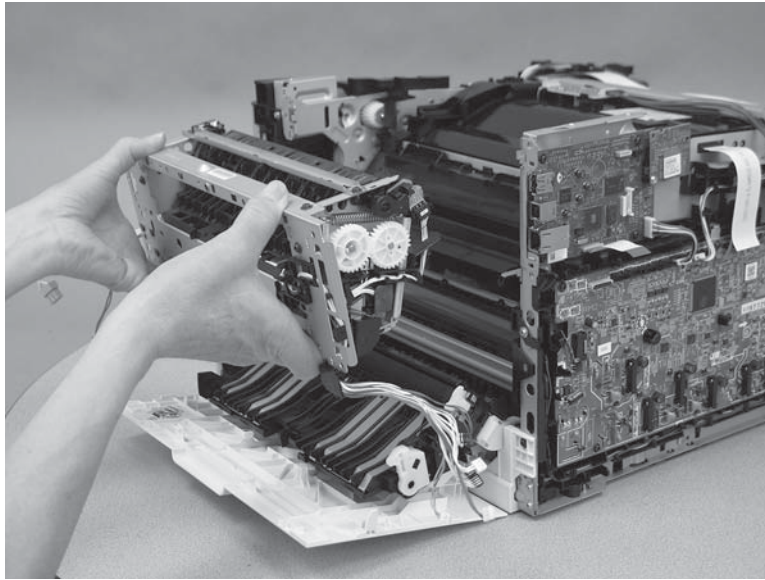
4. Remove five screws.

Figure 1-3742 Remove five screws



5. Remove the fuser.

Figure 1-3743 Remove the fuser



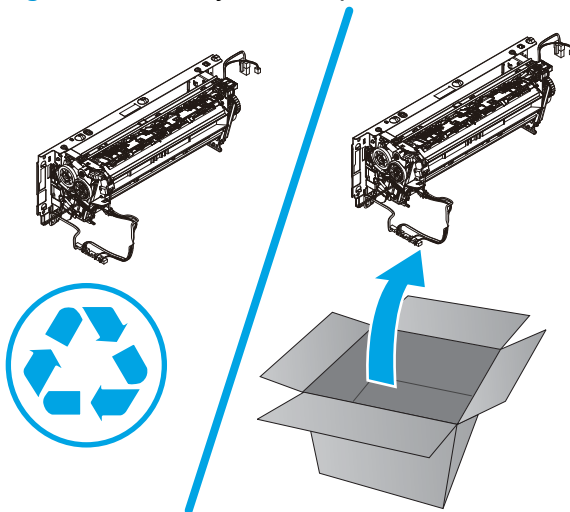
Step 13: Unpack the replacement part

Remove the new part from its package. Save all packaging for recycling the used part.

For complete information on HP's recycling programs, go to [Product return and recycling](#).

 **NOTE:** HP recommends responsible disposal of the defective part.

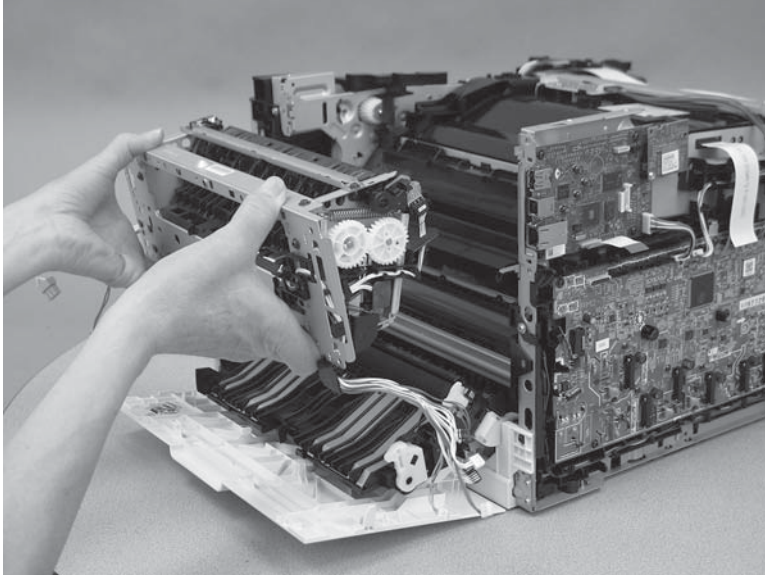
Figure 1-3744 Recycle and unpack



Step 14: Install the fuser (simplex models)

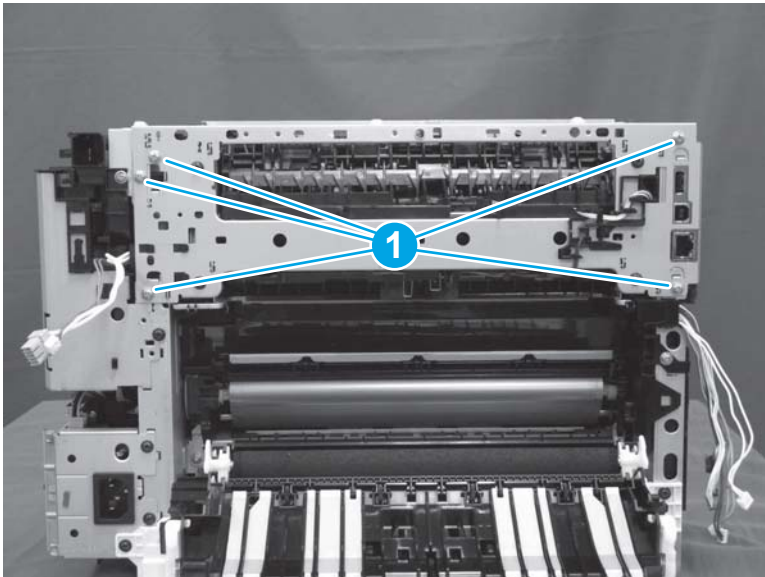
1. Position the fuser on the printer.

Figure 1-3745 Position the fuser



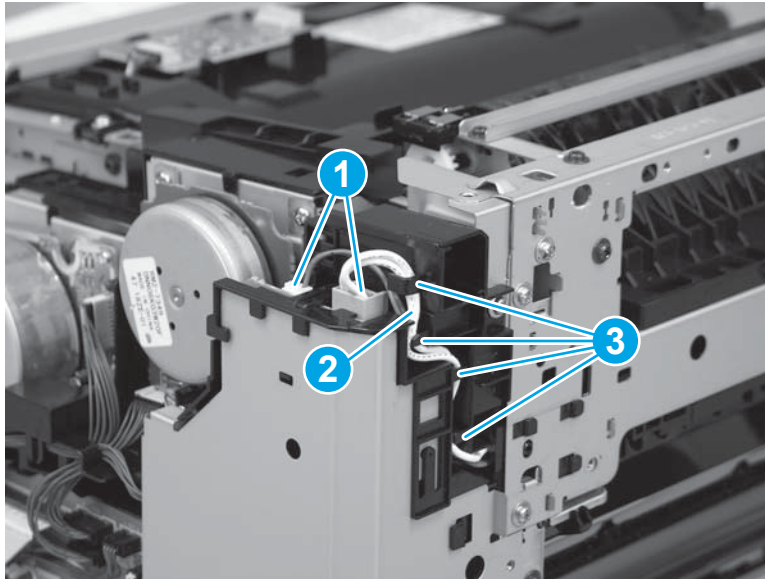
2. Install five screws.

Figure 1-3746 Install five screws



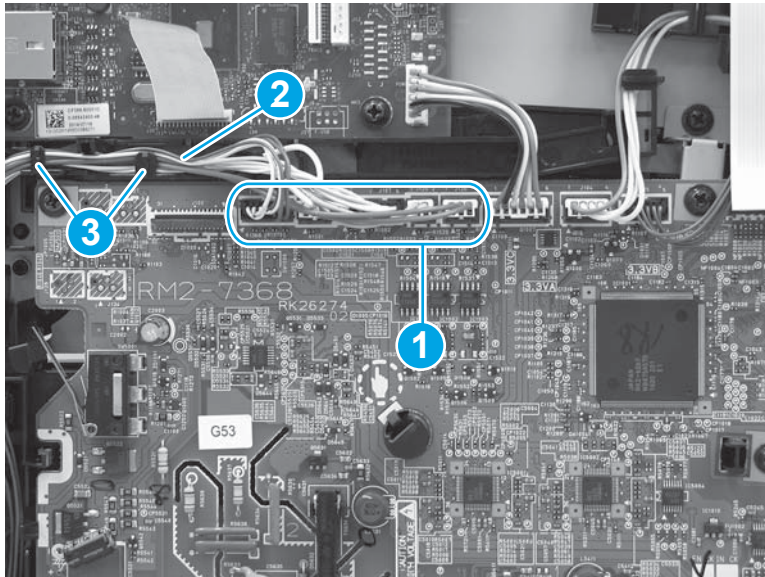
3. Connect two connectors (callout 1), and then install the cables (callout 2) in the guides (callout 3).

Figure 1-3747 Connect two connectors



4. Connect six connectors on the engine controller PCA (callout 1), and then install the cables (callout 2) in the guides (callout 3).

Figure 1-3748 Connect six connectors



5. Connect one connector (callout 1) on the engine controller PCA.


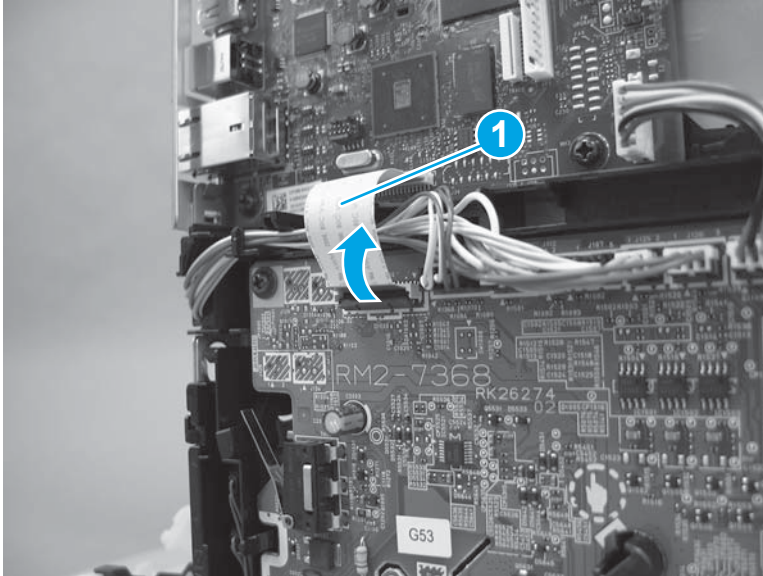

 **NOTE:** This connector is a zero-insertion force (ZIF) connector. Lift the latch on the connector before installing the flat cable and then lower the latch to secure the cable.

Figure 1-3749 Connect one connector

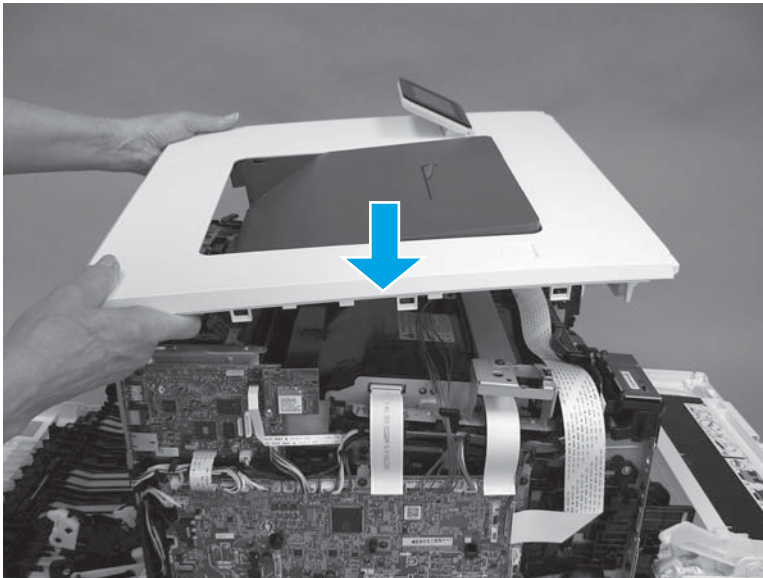


Step 15: Install the top cover (M452 models)

 **NOTE:** This step is for the M452 models. For the M477 models, skip this step and go to [Step 16: Install the top cover \(M477 models\) on page 1989](#).

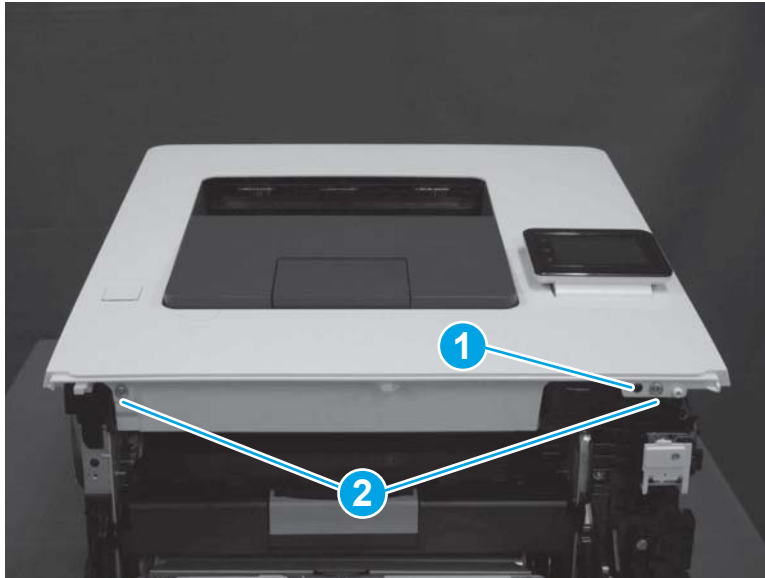
1. Position the top cover on top of the printer.

Figure 1-3750 Position the top cover



2. At the front of the printer, engage one tab (callout 1), and then install two screws (callout 2).

Figure 1-3751 Engage tab and install screws

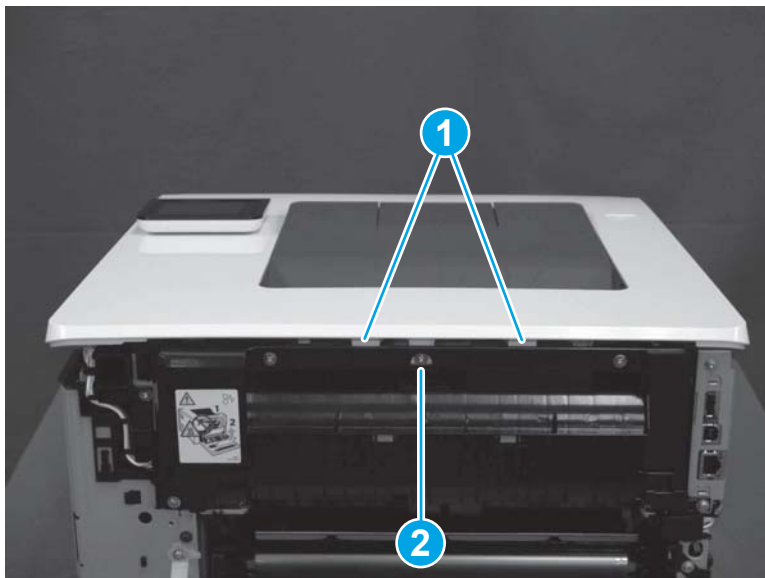


3. **M452nw model only:** At the back of the printer, install two tabs (callout 1), and then install one screw (callout 2).



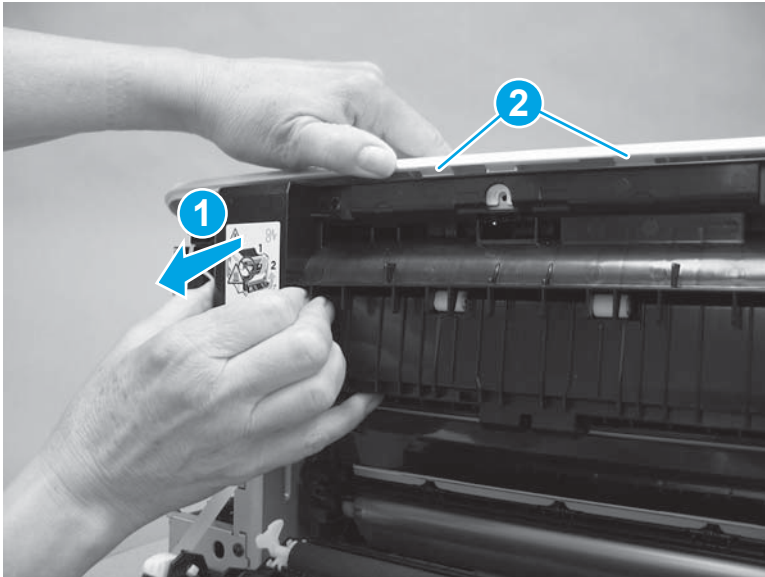
NOTE: The M452dw model is shown. The procedure is correct for the M452nw model.

Figure 1-3752 Install two tabs and one screw



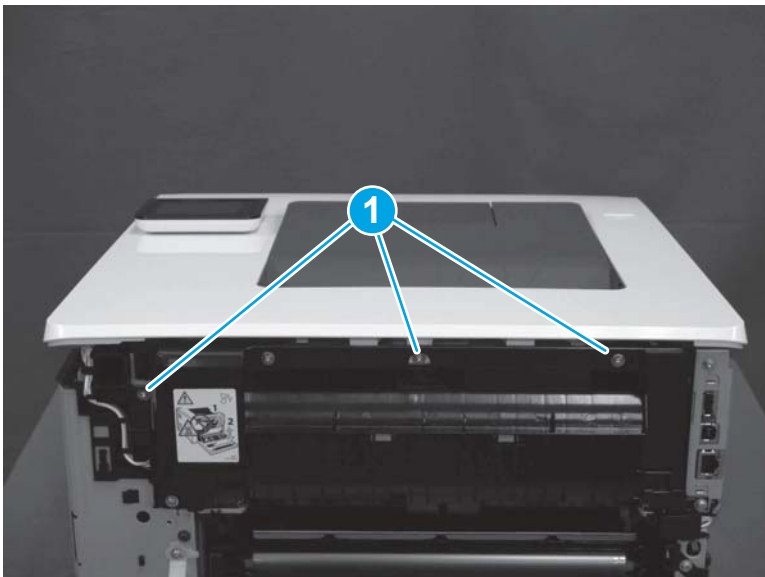
4. **M452dn/dw models only:** Gently pull the top of the fuser away (callout 1), and then install two tabs (callout 2).

Figure 1-3753 Install two tabs



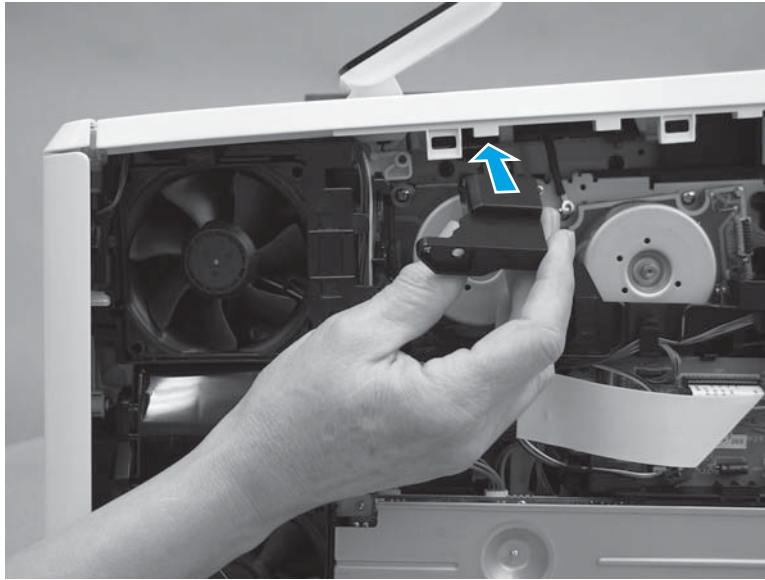
5. **M452dn/dw models only:** At the back of the printer, install three screws (callout 1).

Figure 1-3754 Install three screws



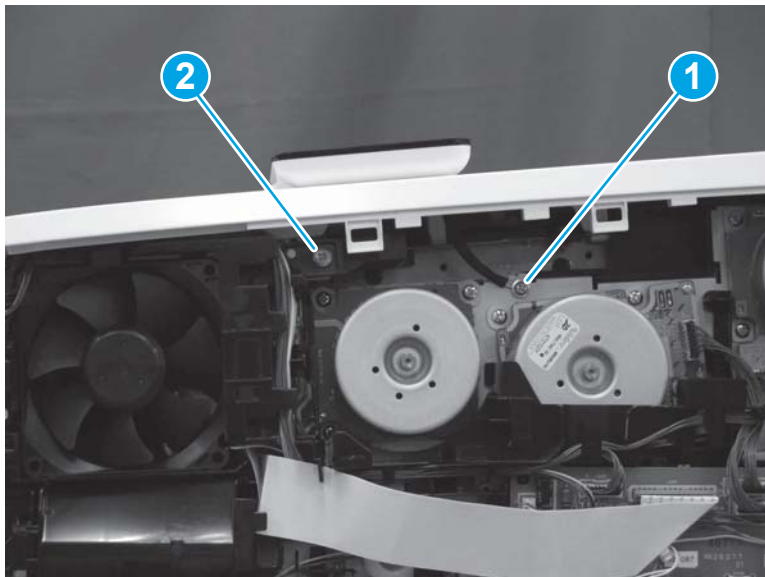
6. **M452dw model only:** Position the guide in the printer.

Figure 1-3755 Install the guide



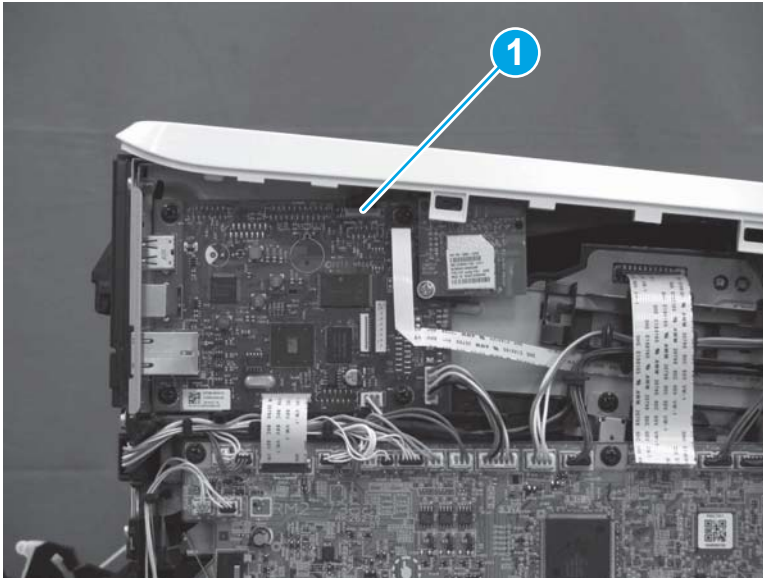
7. **M452dw model only:** Position the ground wire and Install one screw (callout 1). Install one screw (callout 2).

Figure 1-3756 Install two screws



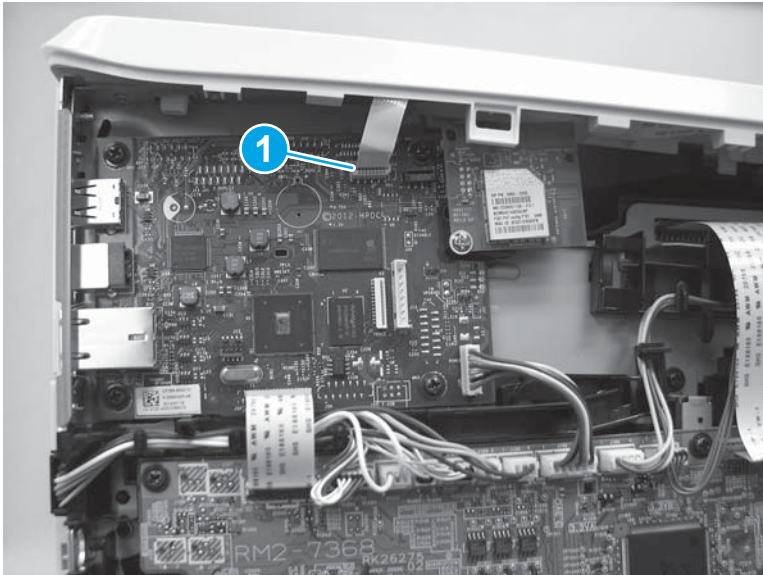
- 8. M452dw model only:** On the left side of the printer, on the formatter, connect one connector (callout 1).

Figure 1-3757 Connect one connector



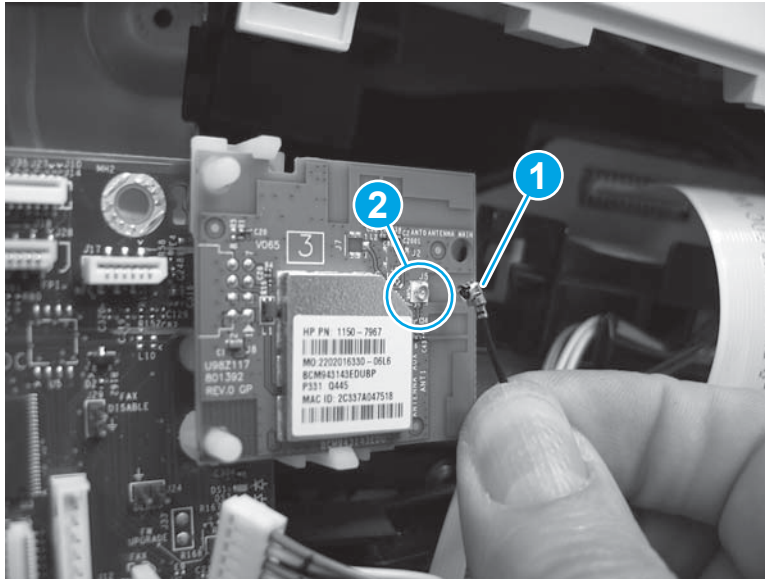
- 9. M452nw/dn models only:** On the left side of the printer, on the formatter, connect one connector (callout 1).

Figure 1-3758 Connect one connector




- 10. M452nw/dw models only:** Connect the antenna (callout 1) to the connector (callout 2) on the wireless PCA.

Figure 1-3759 Connect the antenna

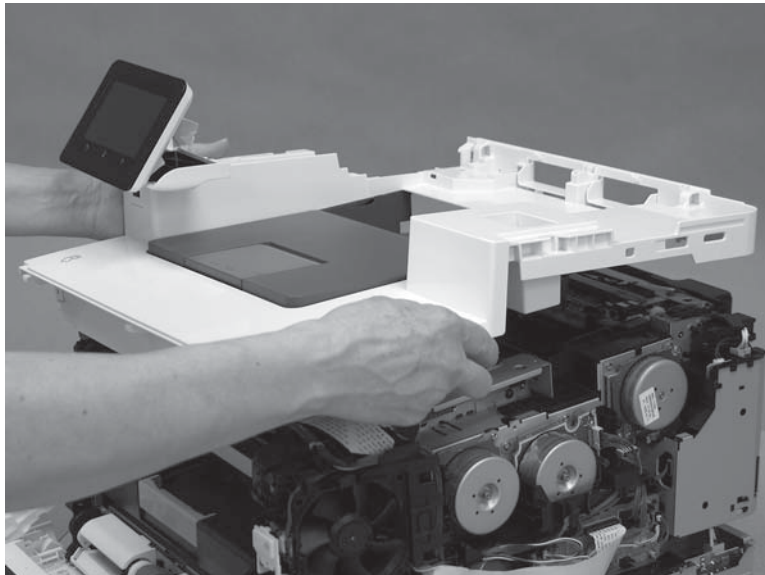


Step 16: Install the top cover (M477 models)

 **NOTE:** This step is for the M477 models. For the M452 models, skip this step and go to [Step 19: Install the rear top cover \(simplex models\) on page 2003](#).

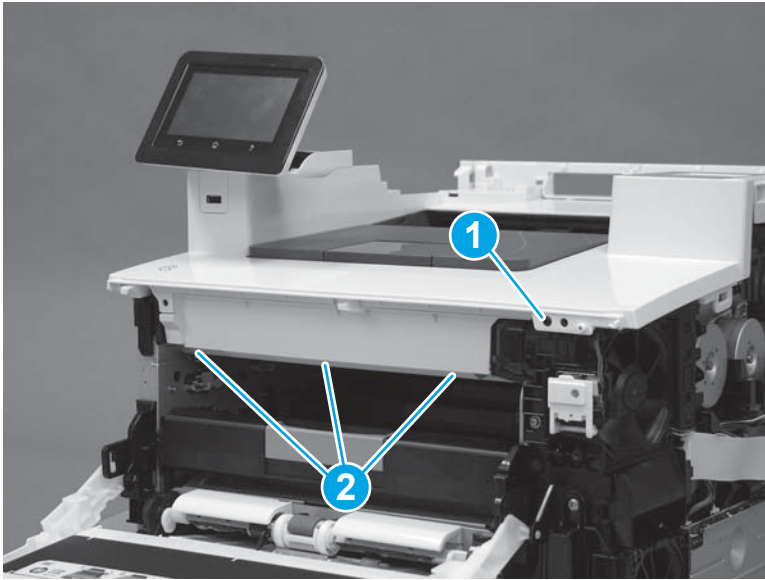
1. Position the top cover on the printer.

Figure 1-3760 Position the top cover



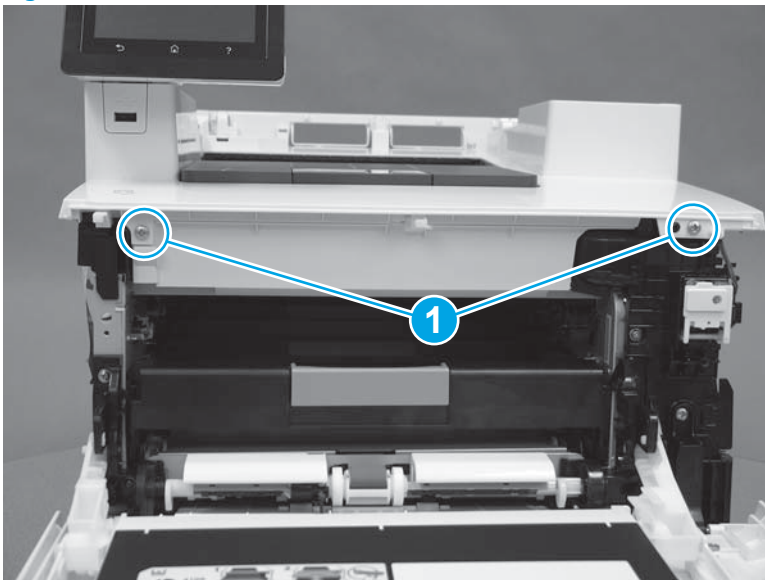
2. At the front of the printer, install one retainer (callout 1), and then install three tabs (callout 2).

Figure 1-3761 Install one retainer and three tabs



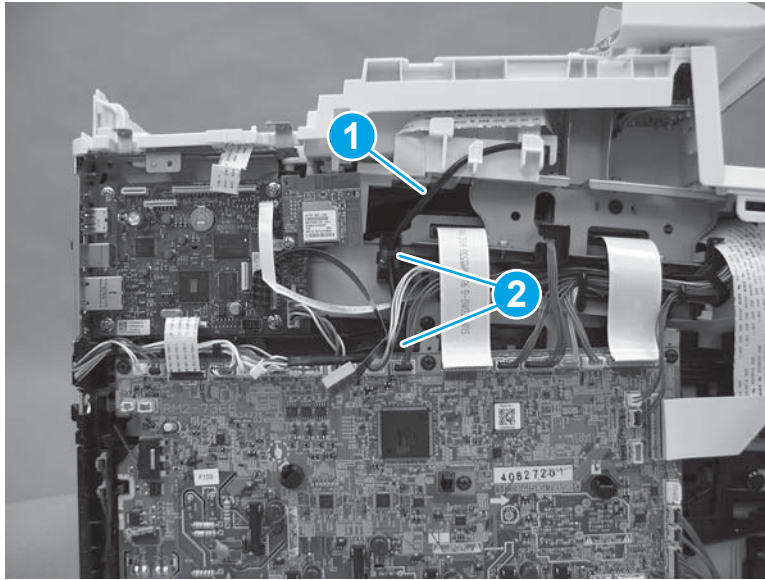
3. Install two screws (callout 1).

Figure 1-3762 Install two screws



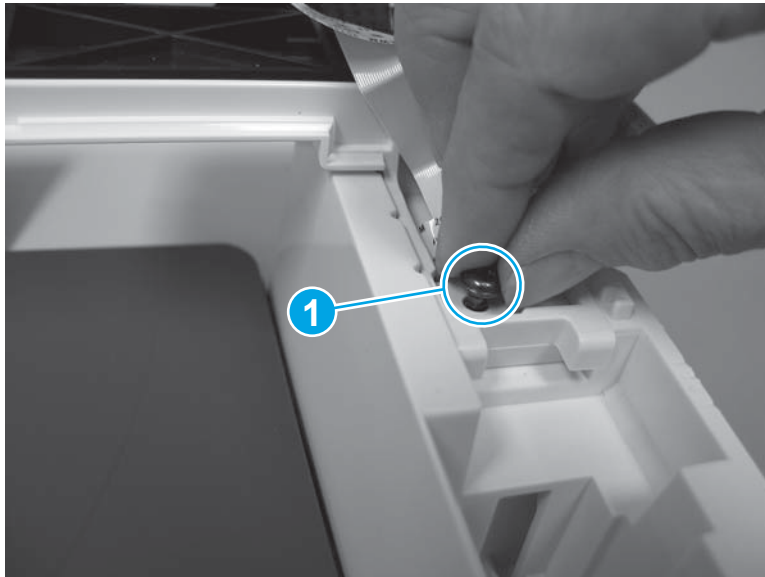
4. Install the USB cable (callout 1) into the cable guides (callout 2).

Figure 1-3763 Install the USB cable



5. With your hand, remove the screw (callout 1) that was previously installed to temporarily reattach the control panel to the top cover.

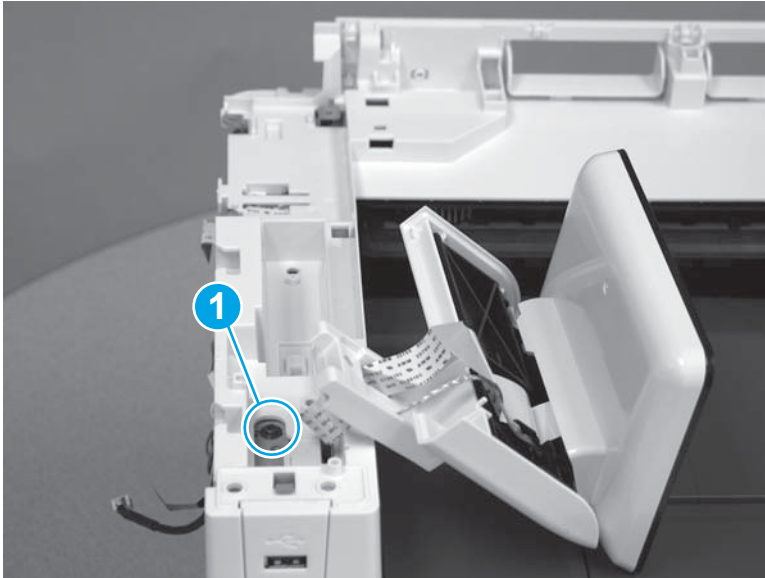
Figure 1-3764 Remove one screw



- Carefully lift the control panel away and rest it on the top cover, and then install one screw (callout 1).

⚠ CAUTION: The control panel is still attached to the top cover by the flat cable.

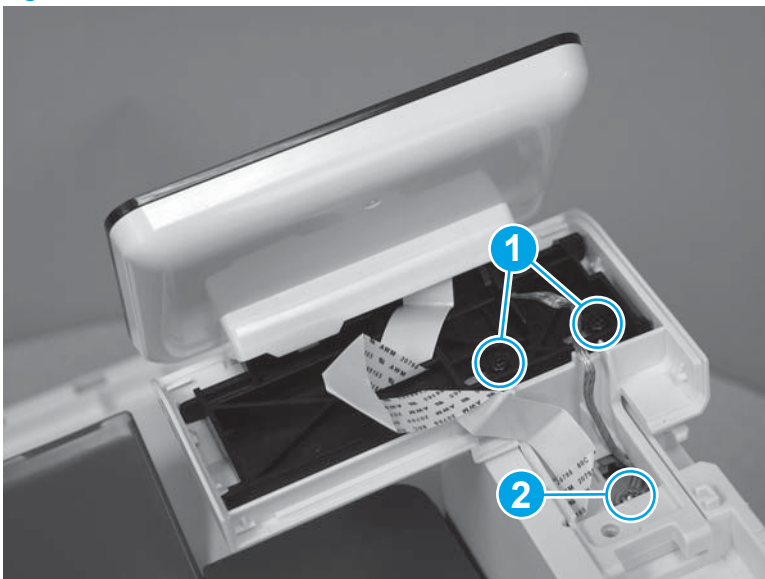
Figure 1-3765 Install one screw



- Install two screws (callout 1), and then position the ground wire and install one screw (callout 2).

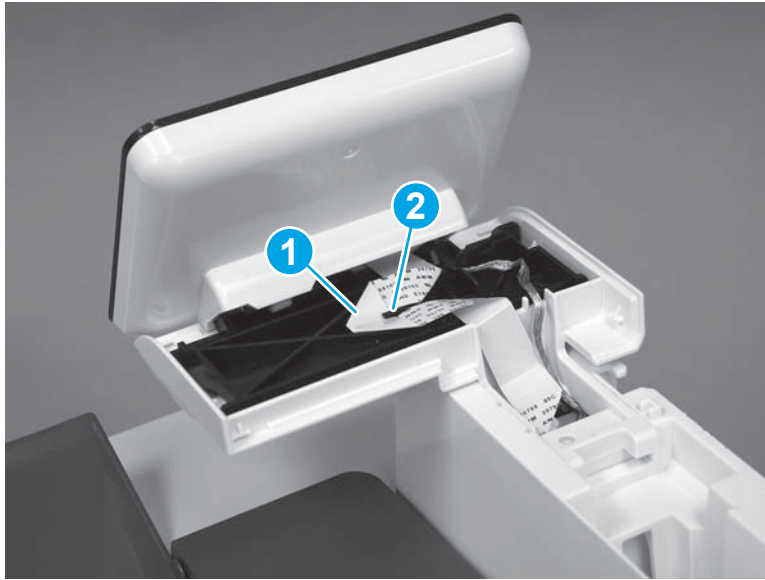
💡 Reinstallation tip: The two screws toward the front of the control panel (callout 1) are longer than the other screw. Make sure these screws are installed in the correct position when reinstalling the part.

Figure 1-3766 Install three screws



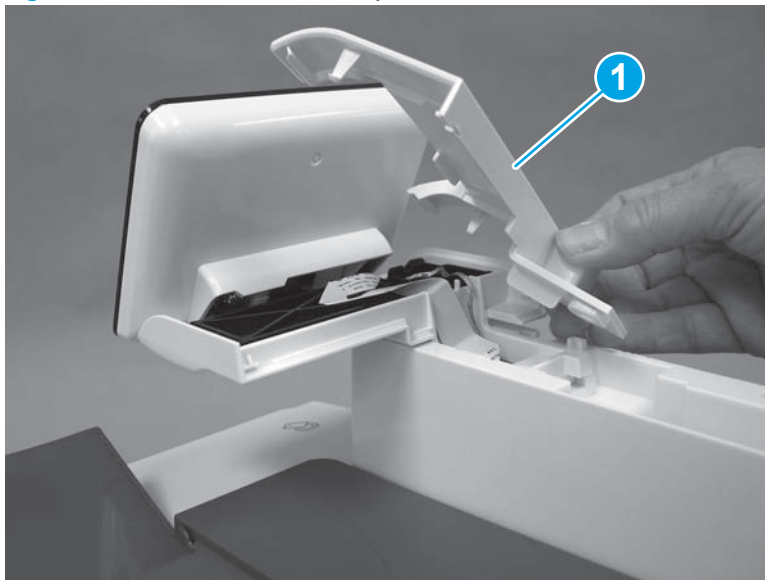
8. Install the flat cable (callout 1) under the retaining guide (callout 2).

Figure 1-3767 Install the flat cable



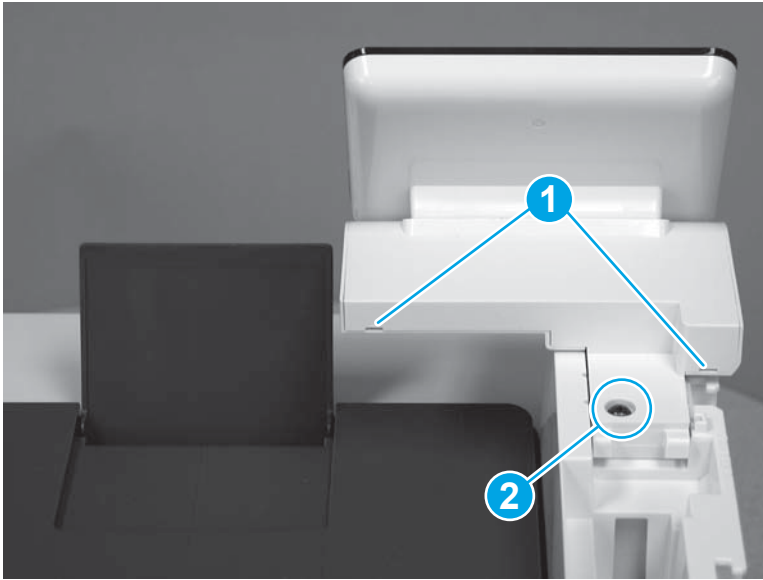
9. Install the control panel cover (callout 1) behind the control panel.

Figure 1-3768 Install the control panel cover



10. Make sure that two tabs (callout 1) are snapped into position, and then install one screw (callout 2).

Figure 1-3769 Install one screw



11. At the top of the printer, install three screws (callout 1).


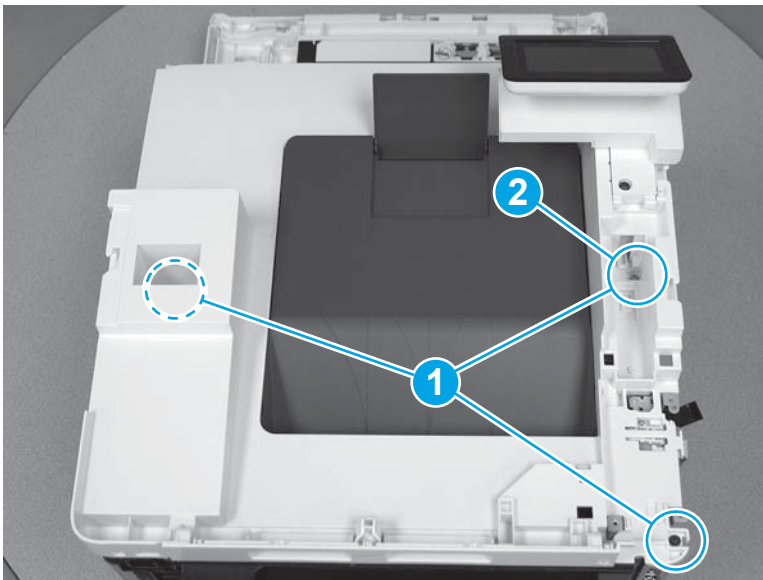
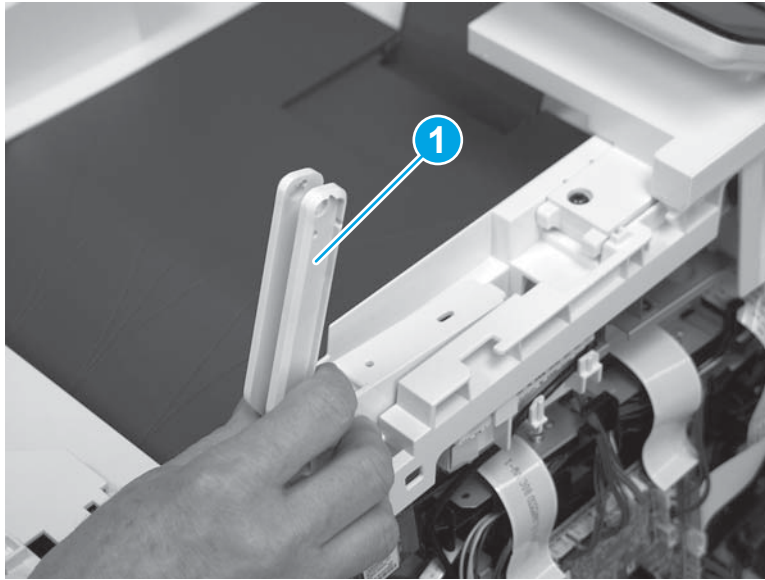
 **TIP:** One screw (callout 2) is longer than the other screws. Make sure that this screw is installed in the correct position.

Figure 1-3770 Install three screws



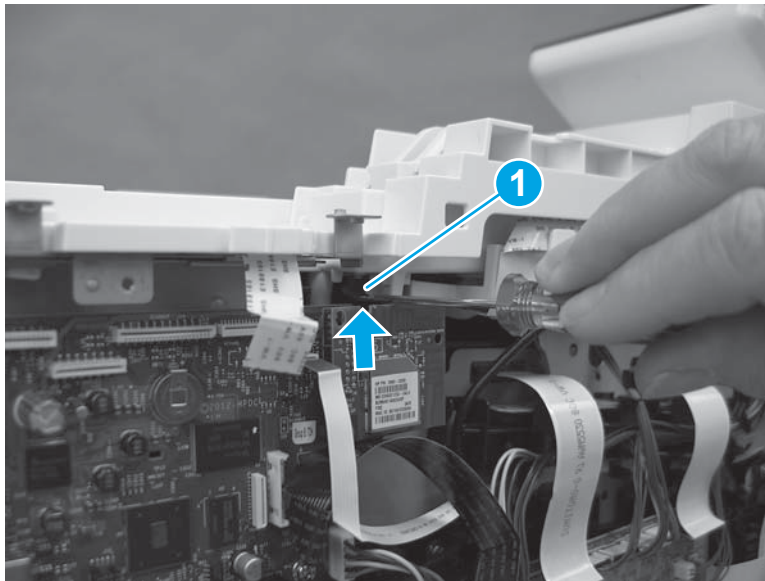
12. Install the scanner support arm (callout 1).

Figure 1-3771 Install the scanner support arm



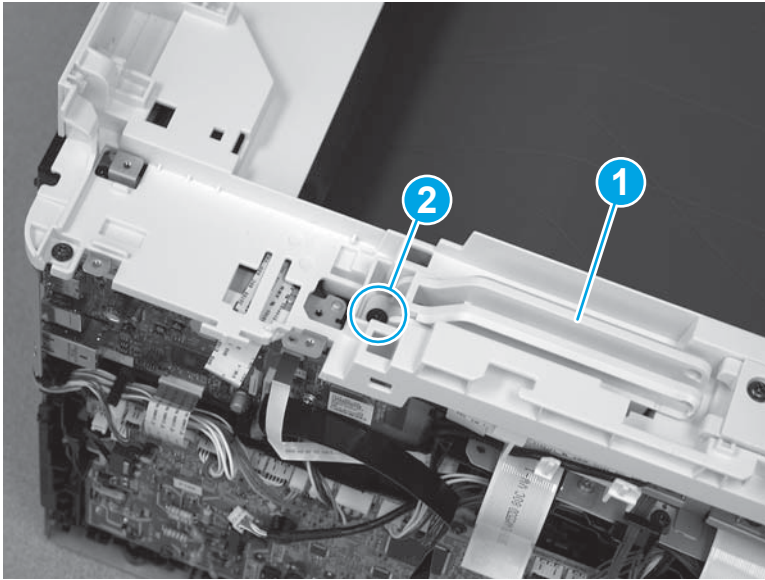
13. Before installing the scanner support arm screw in the next step, use a small flat-blade screwdriver to hold the metal plate (callout 1) up. Continue to hold the plate up while installing the screw so that the screw attaches to the plate.

Figure 1-3772 Raise the metal plate



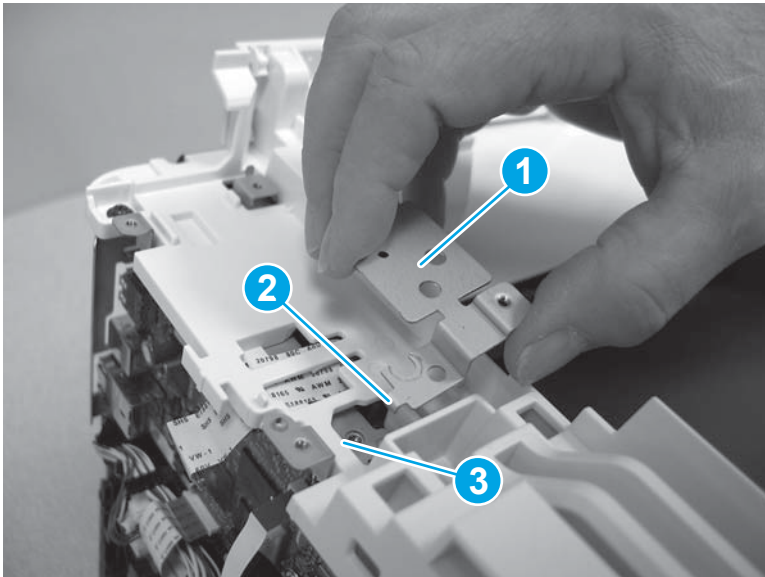
14. Lower the scanner support arm (callout 1), and then install one screw (callout 2).

Figure 1-3773 Lower the support arm and install one screw



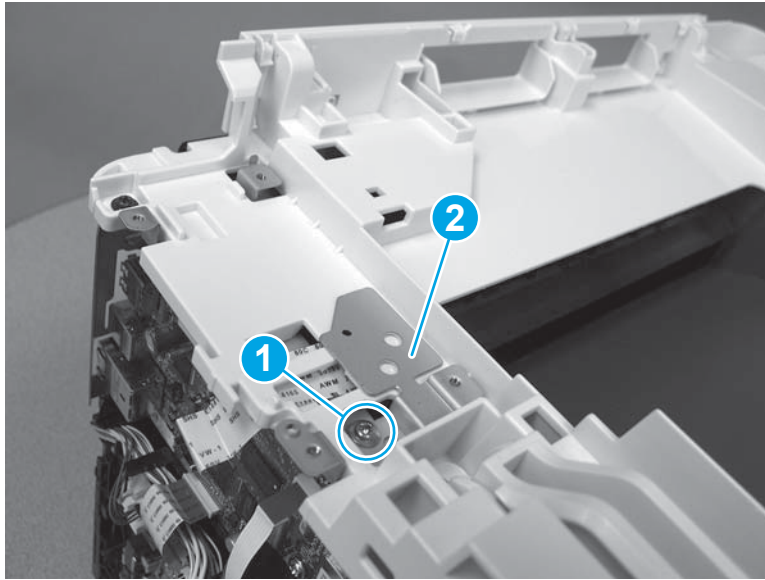
15. Reinstall the metal plate (callout 1). Position the tab (callout 2) under the edge of the top cover (callout 3).

Figure 1-3774 Install the metal plate



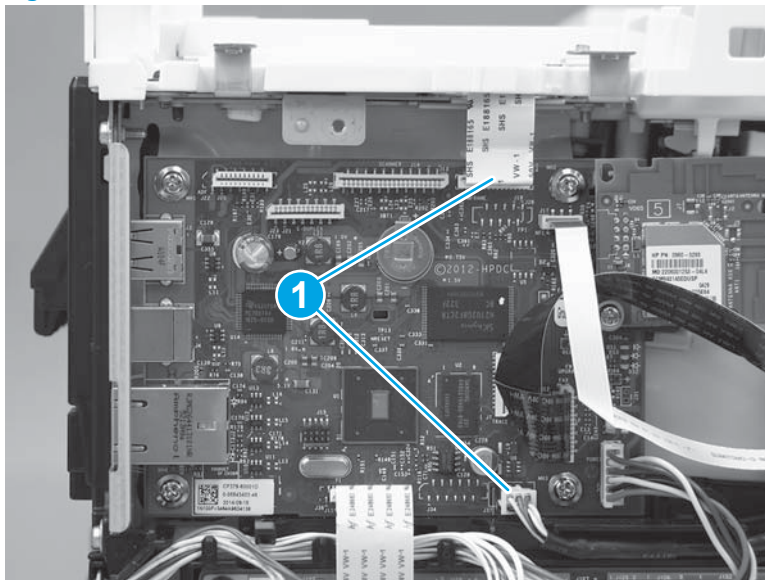
16. Install one screw (callout 1) to secure the sheet metal plate (callout 2).

Figure 1-3775 Install one screw




17. On the left side of the printer, on the formatter PCA, Connect two connectors (callout 1).

Figure 1-3776 Connect two connectors

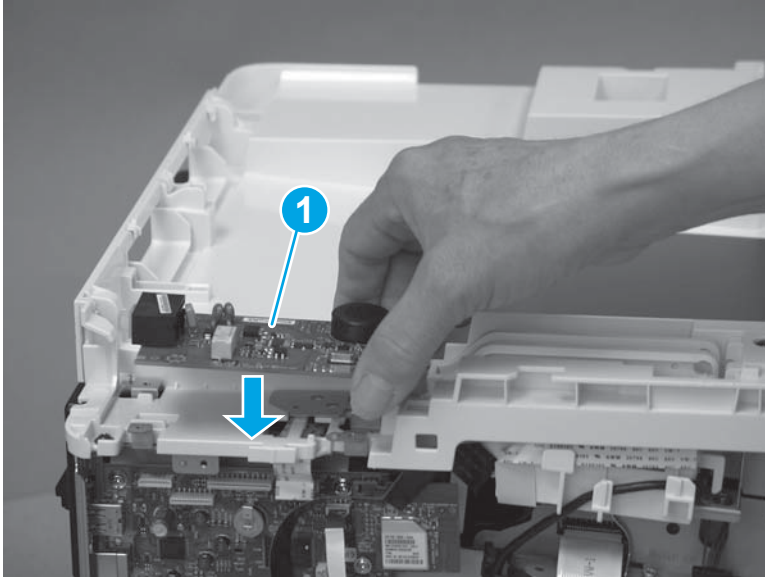


Step 17: Install the fax PCA (M477 models)

 **NOTE:** This step is for M477 fax models only. Skip this step for non-fax models.

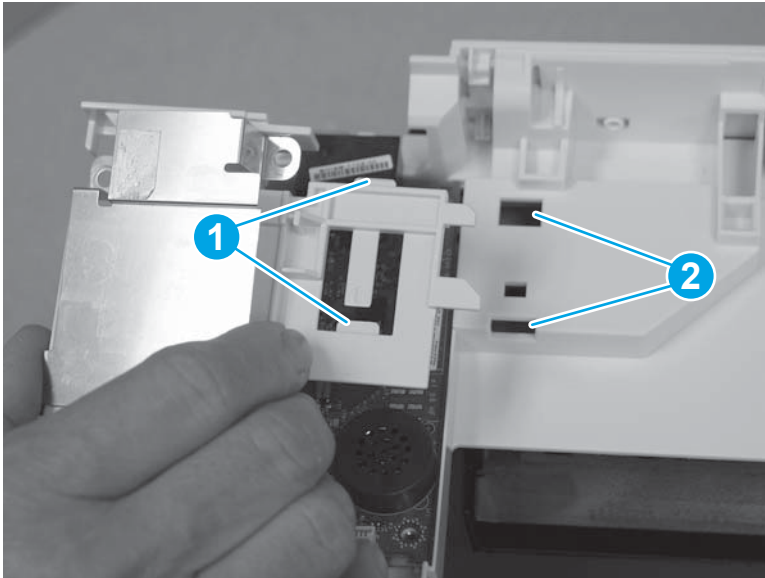
1. Position the fax PCA (callout 1) on the printer.

Figure 1-3777 Install the fax PCA



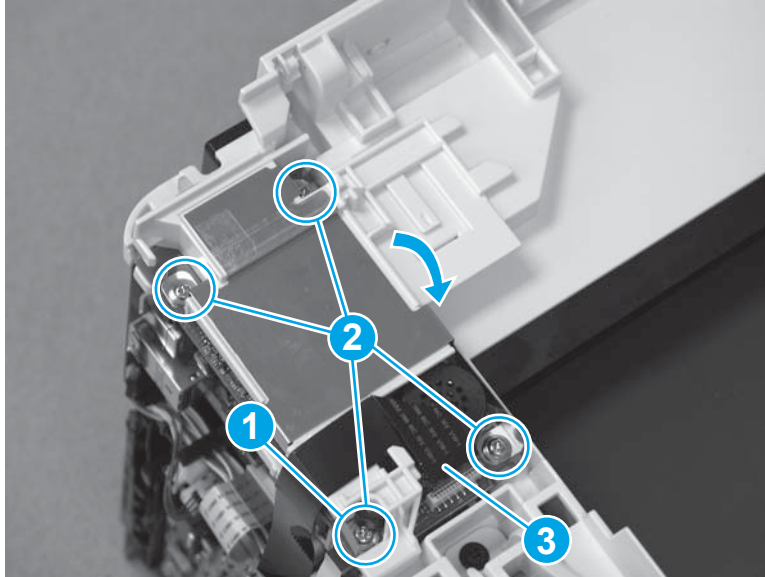
2. Install the tabs (callout 1) on the fax cover in the slots (callout 2) on the top cover. Slide the cover toward the back of the printer to install it.

Figure 1-3778 Install the fax cover




3. Beginning with the lower right screw (callout 1) install four screws (callout 2) in a clockwise direction. Connect one connector (callout 3).

Figure 1-3779 Install four screws and connect one connector

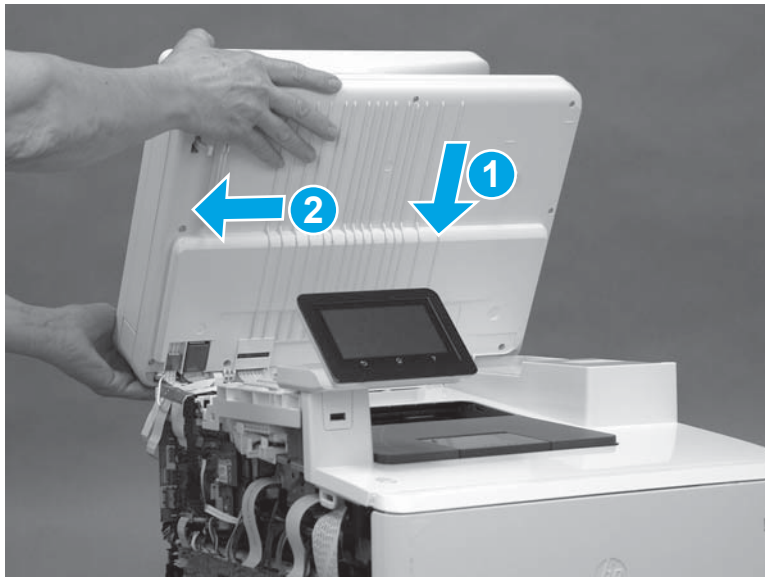


Step 18: Install the integrated scanner assembly (M477 models)

 **NOTE:** This step is for the M477 models. For the M452 models, skip this step and go to [Step 19: Install the rear top cover \(simplex models\) on page 2003](#).

1. Lower the scanner assembly onto the printer, and then slide the assembly toward the left side of the printer to install it.

Figure 1-3780 Install the scanner assembly



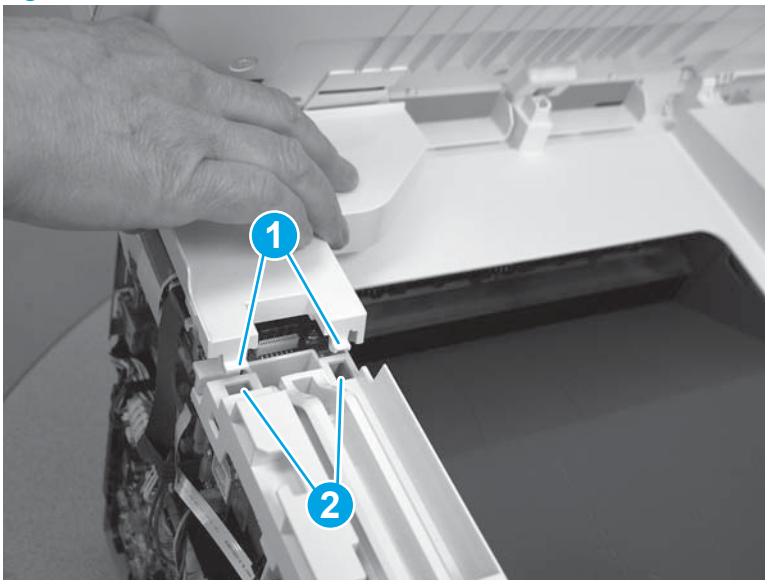
2. Press the scanner cables (callout 1) down onto the double-sided tape on the top cover.

Figure 1-3781 Press the cables



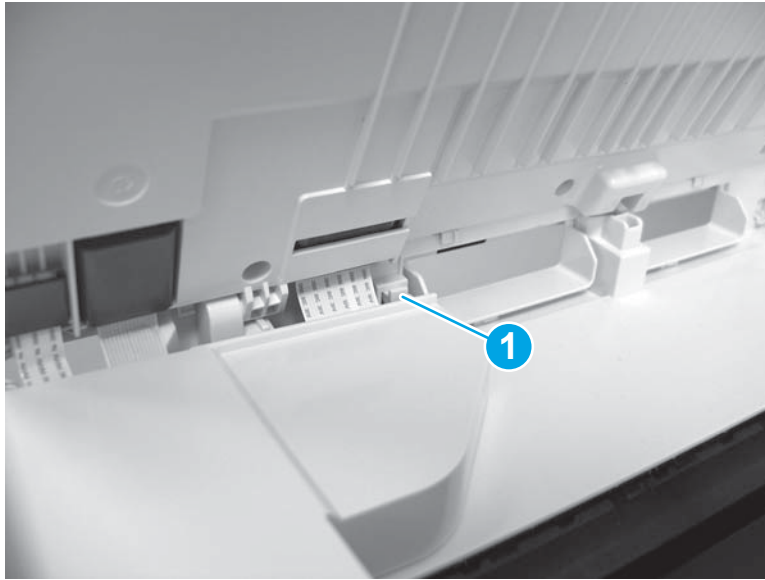
3. Install the tabs (callout 1) on the front of the scanner cable cover in the slots (callout 2) on the top cover.

Figure 1-3782 Position the scanner cable cover



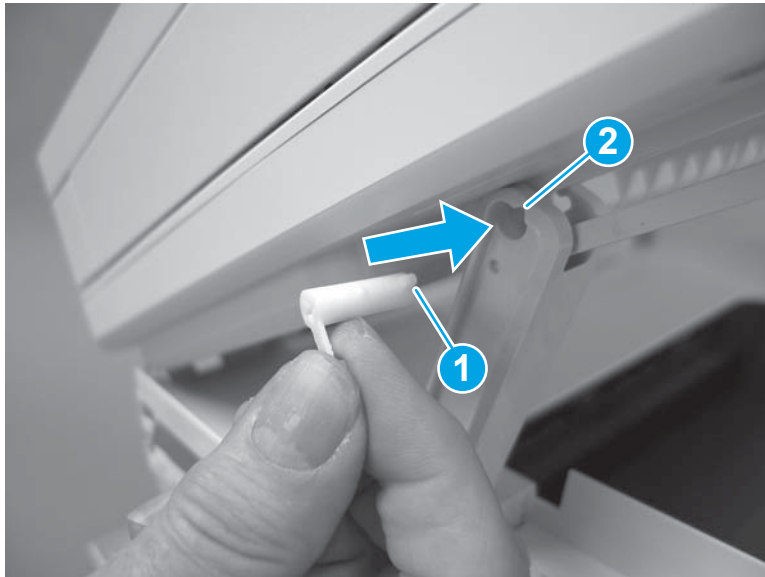
4. Press down on the back of the scanner cable cover to engage one tab (callout 1).

Figure 1-3783 Install the scanner cable cover



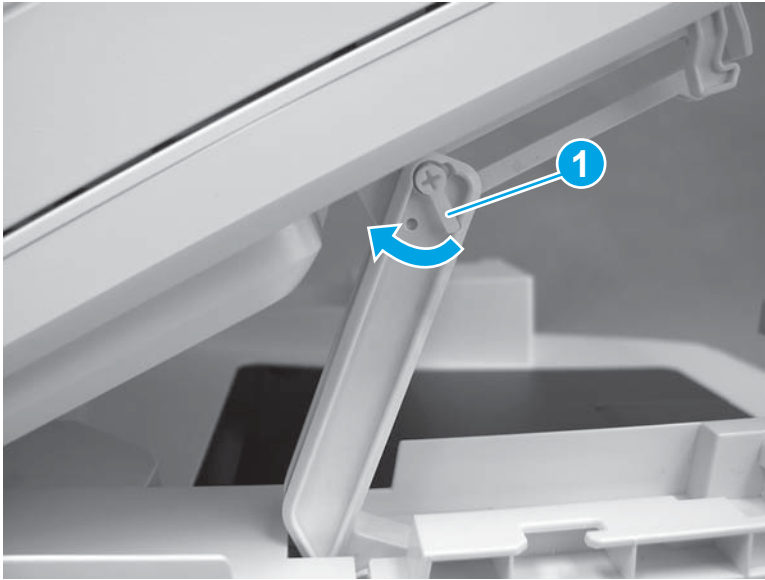
5. With the scanner lid lifted, insert the scanner support arm pin (callout 1) into the slot in the scanner support arm (callout 2).

Figure 1-3784 Install the scanner arm pin



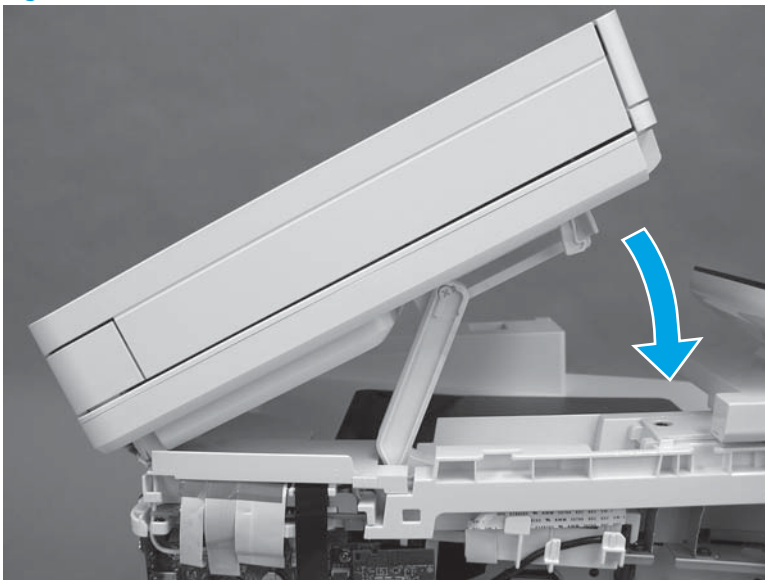
6. Rotate the tab on the scanner arm pin (callout 1) in the direction indicated to snap it into place.

Figure 1-3785 Secure the scanner arm pin



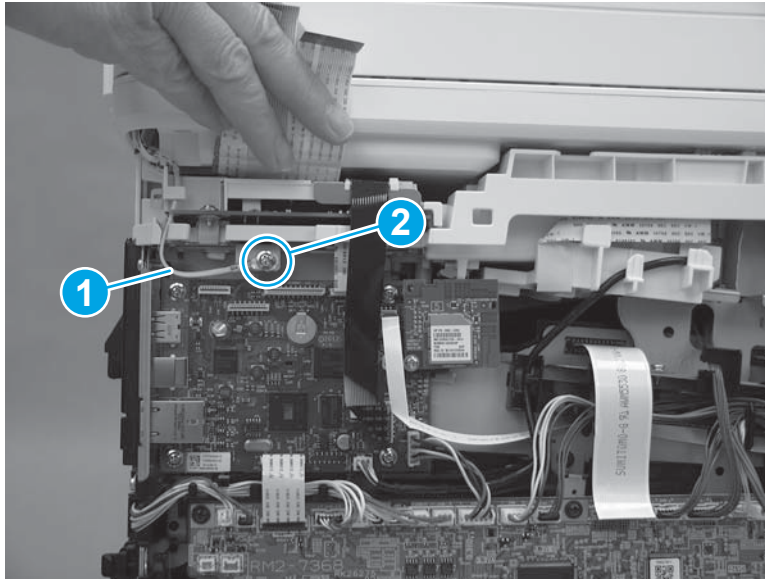
7. Lower the scanner.

Figure 1-3786 Lower the scanner



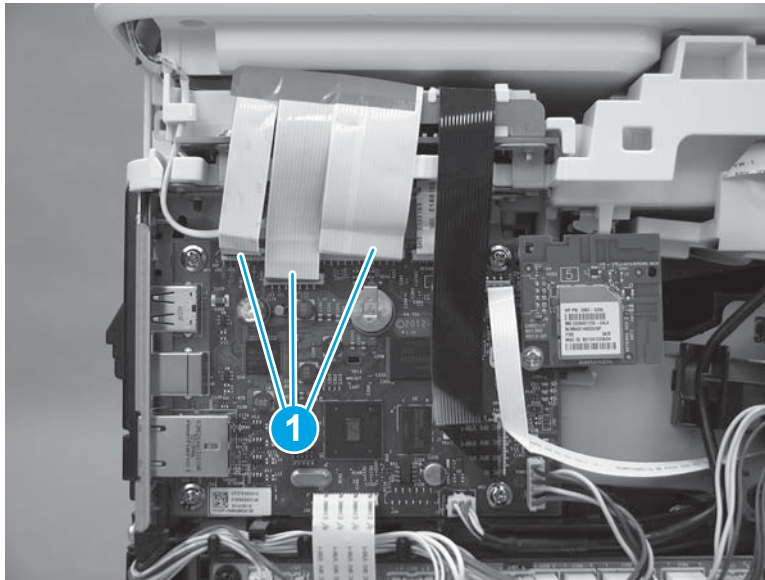
8. Raise the scanner cables up, position the ground wire (callout 1), and then install one screw (callout 2).

Figure 1-3787 Install the ground wire



9. Connect three connectors (callout 1).

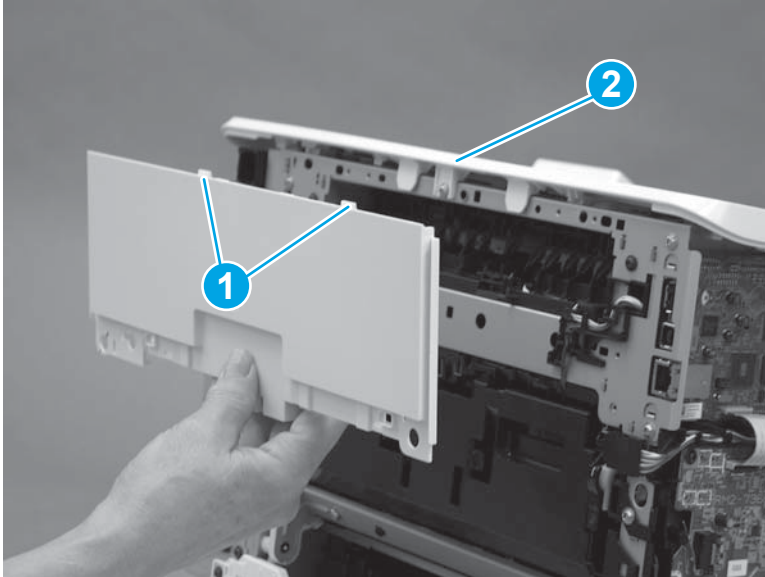
Figure 1-3788 Install the M377, M477 scanner



Step 19: Install the rear top cover (simplex models)

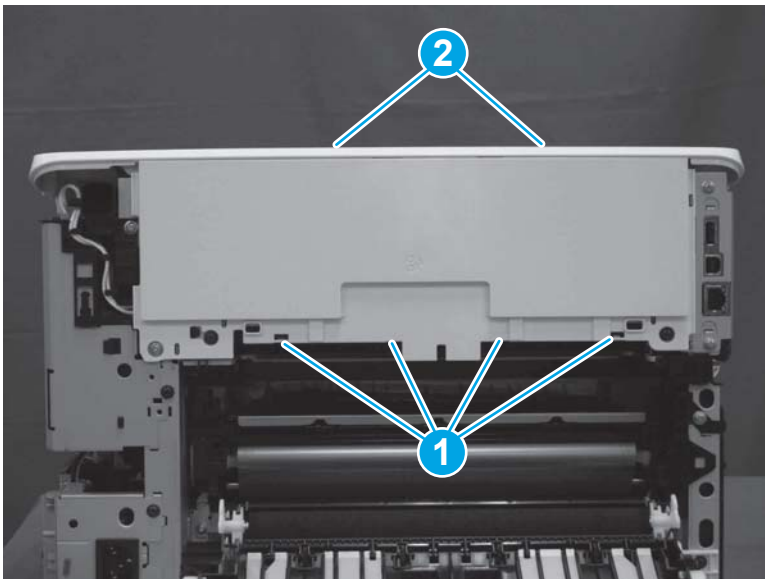
1. Position the tabs on top of the rear top cover (callout 1) under the edge of the top cover (callout 2).

Figure 1-3789 Install the rear top cover




2. Make sure that the tabs on the bottom (callout 1) and the tabs on the top (callout 2) snap into place.

Figure 1-3790 Release two tabs

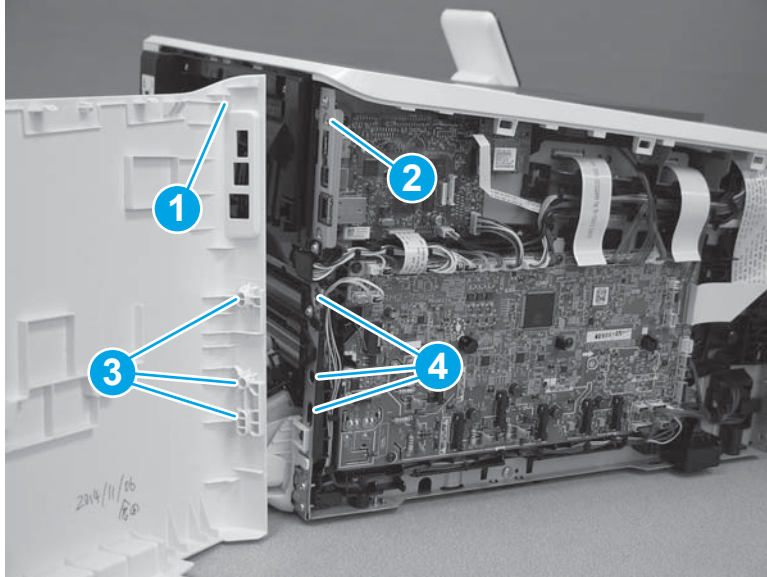


Step 20: Install the left cover (M452 models)

 **NOTE:** This step is for the M452 models. For the M477 models, skip this step and go to [Step 21: Install the left cover \(M477 models\) on page 2008](#).

1. Position the hook (callout 1) on the cover in the slot (callout 2) on the printer. Position three tabs (callout 3) on the back of the cover in the slots (callout 4) in the printer.

Figure 1-3791 Position three tabs



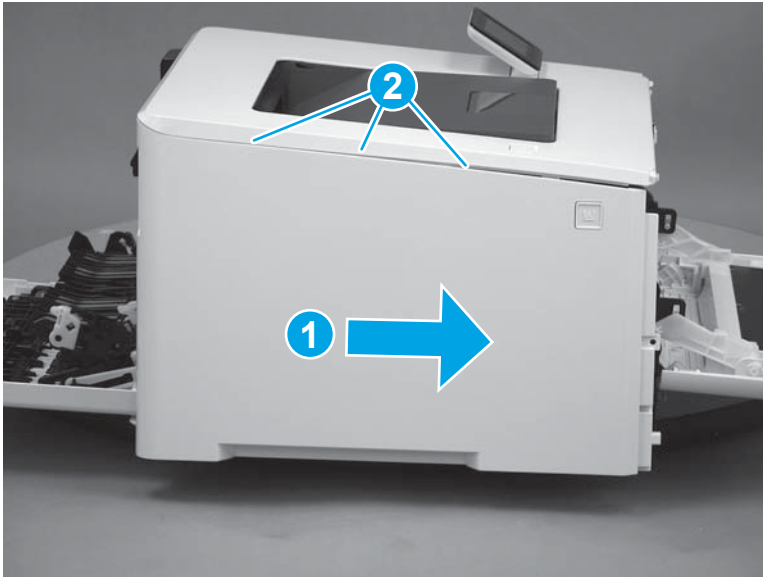
2. At the back of the printer, install the tab (callout 1) under the edge of the top cover (callout 2).

Figure 1-3792 Install one tab



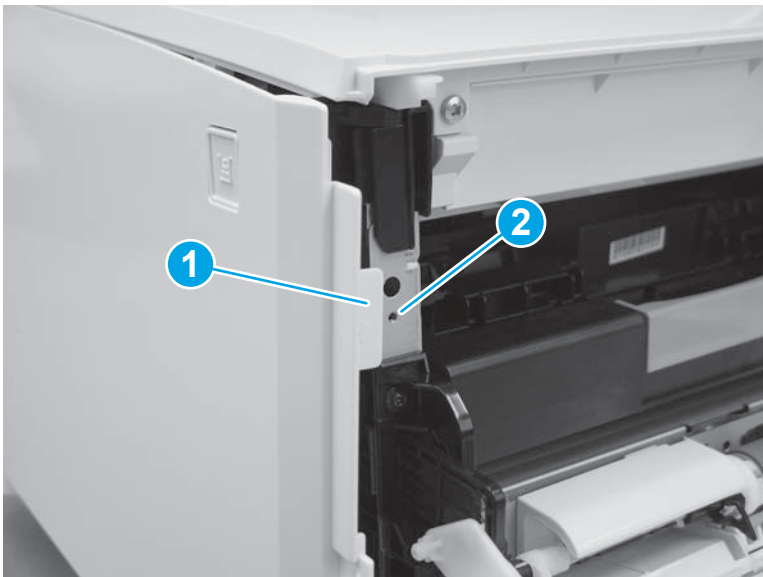
3. Slide the cover toward the front of the printer (callout 1), and then engage three tabs (callout 2) on the top of the cover.

Figure 1-3793 Install the left cover



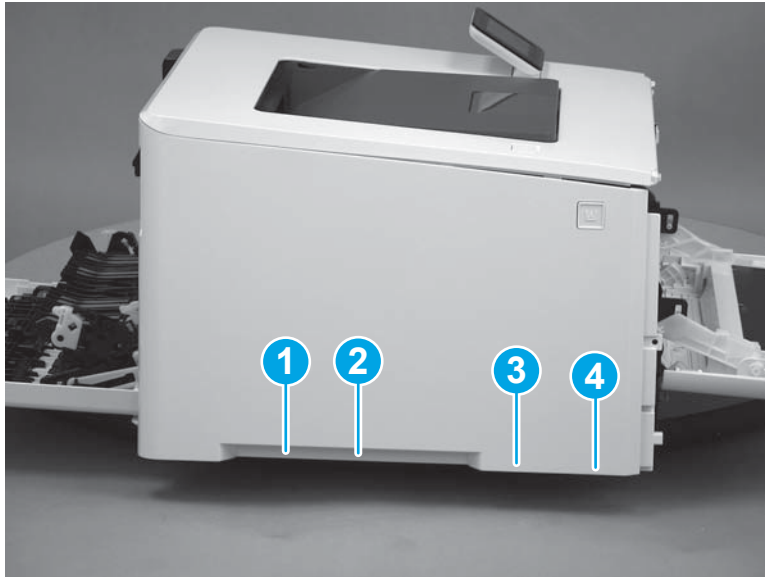
CAUTION: Make sure that the tab (callout 1) does not get caught behind the printer frame (callout 2).

Figure 1-3794 Make sure the tab does not get caught



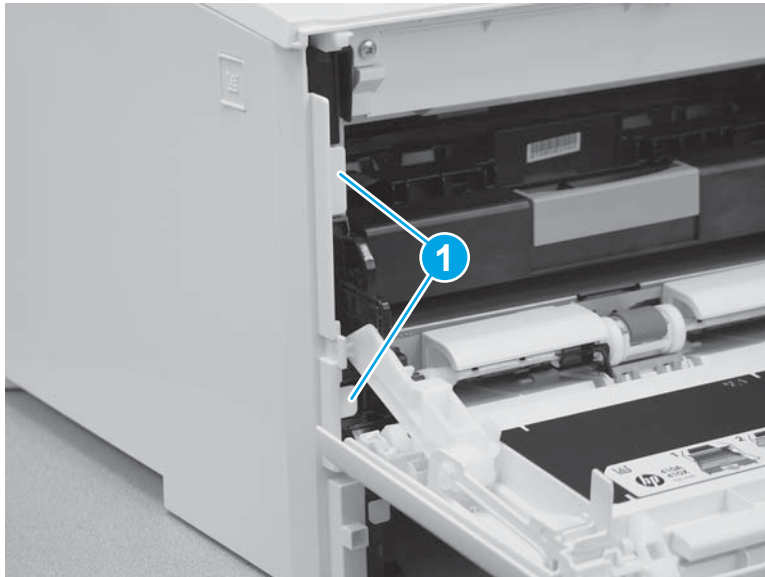
4. Slide the printer to the edge of a work surface in order to access the tabs on the bottom of the cover. Beginning from the back of the cover, install four tabs (callouts 1-4) on the lower edge of the cover.

Figure 1-3795 Install four tabs



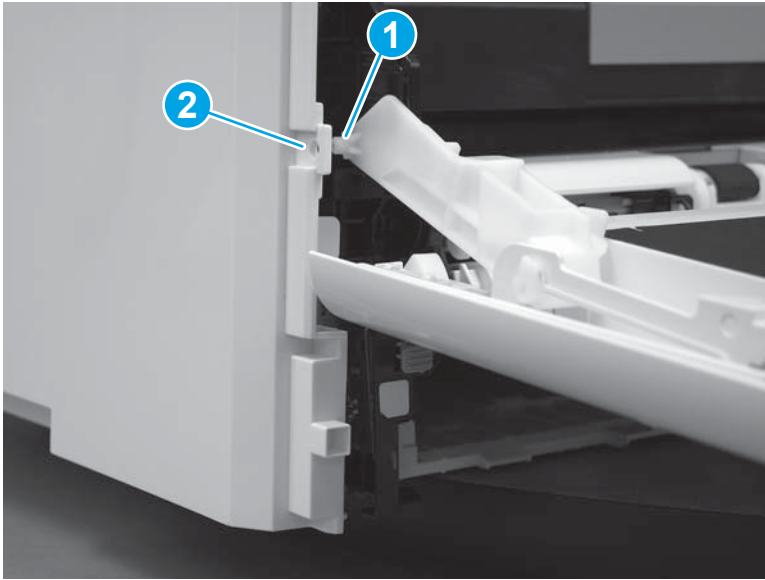
5. Install two tabs (callout 1) at the front of the cover.

Figure 1-3796 Engage two tabs



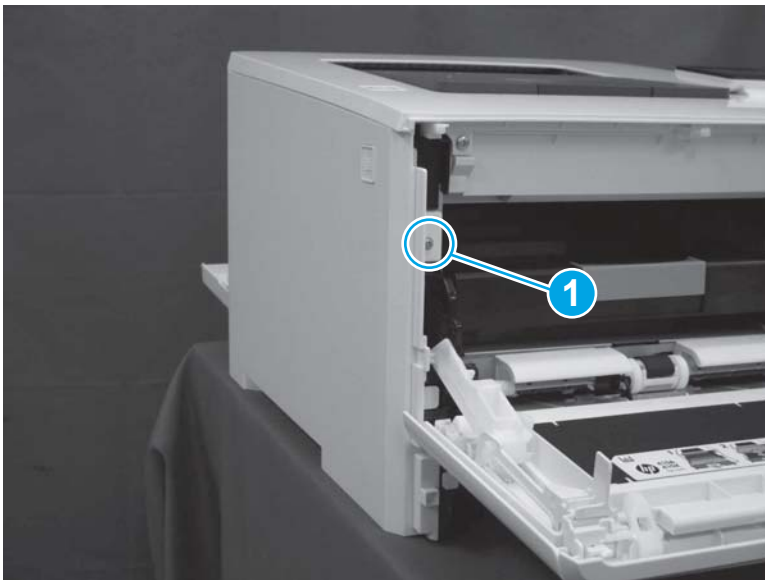
6. Make sure that the hinge pin (callout 1) on the front door fits into the slot (callout 2) on the left cover.

Figure 1-3797 Install hinge pin




7. Install one screw (callout 1).

Figure 1-3798 Install one screw

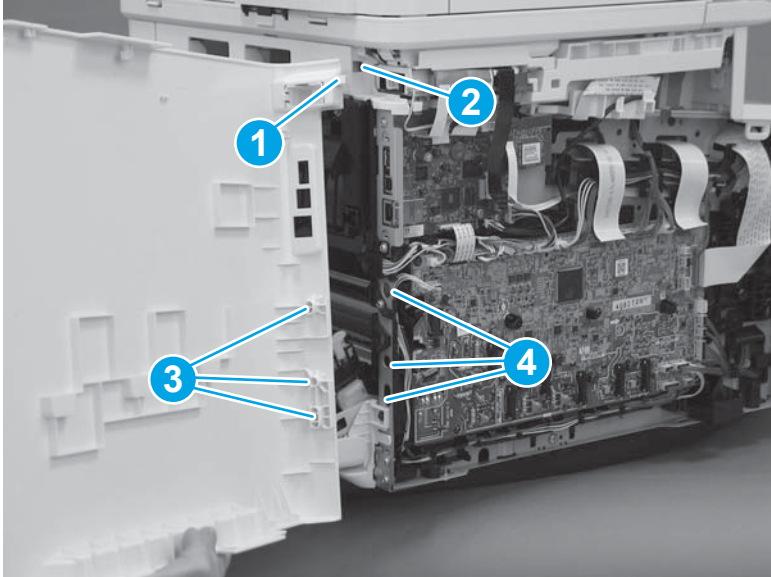


Step 21: Install the left cover (M477 models)

 **NOTE:** This step is for the M477 models. For the M452 models, skip this step and go to [Step 22: Install the right cover \(M452 models\) on page 2015](#).

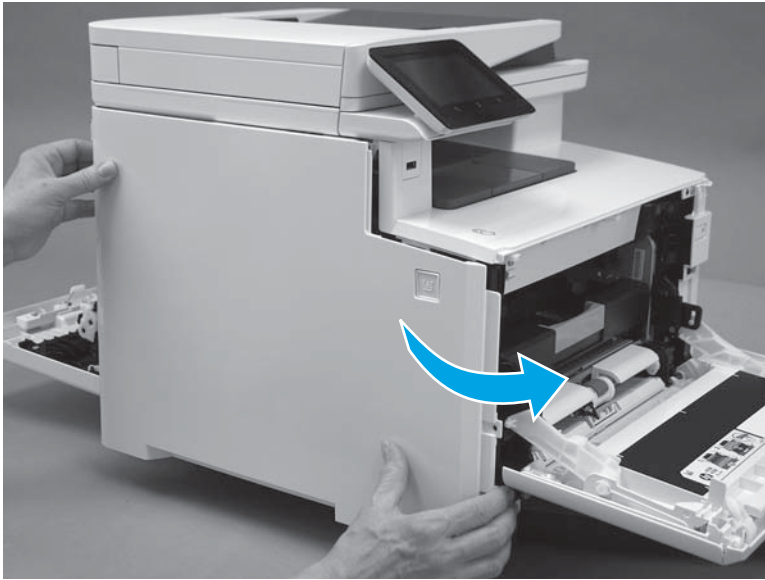
1. At the back of the printer, install the tab (callout 1) on the cover into the slot (callout 2) in the printer. Install the locator pins (callout 3) into the slots (callout 4) in the printer.

Figure 1-3799 Install one tab



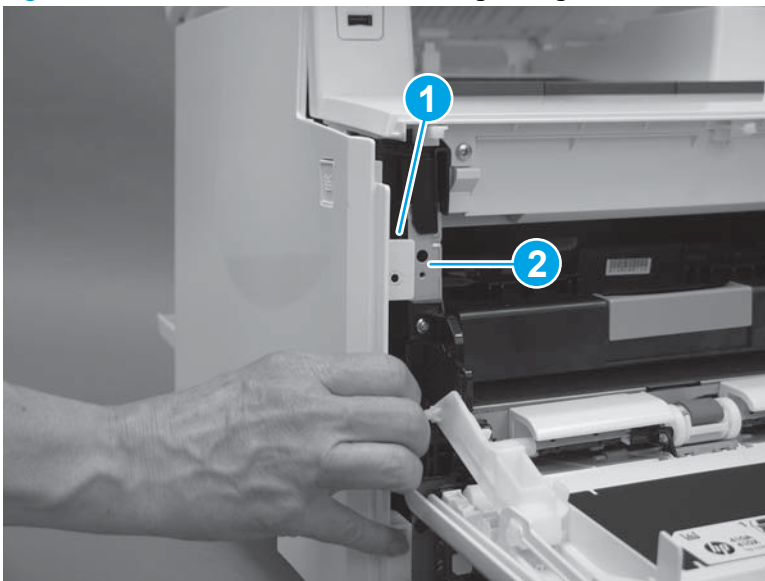
2. Rotate the cover toward the printer.

Figure 1-3800 Rotate the left cover



CAUTION: Make sure that the tab (callout 1) does not get caught behind the printer frame (callout 2).

Figure 1-3801 Make sure the tab does not get caught



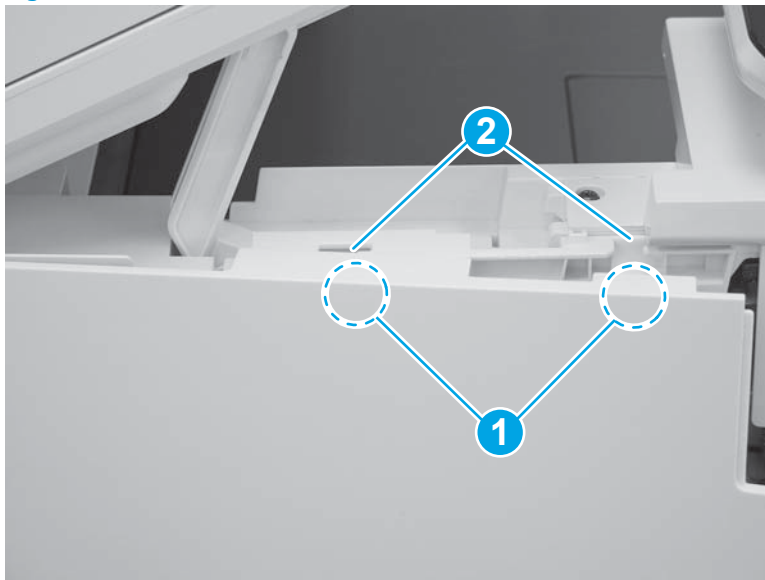
3. Raise the scanner.

Figure 1-3802 Raise the scanner



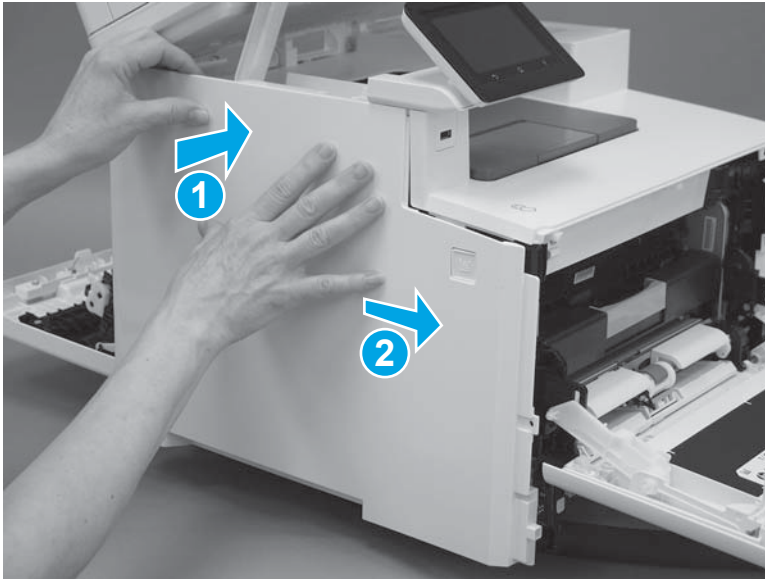
4. Position the hooks (callout 1) on the inside of the cover into the slots (callout 2) on the printer.

Figure 1-3803 Position the hooks in the slots



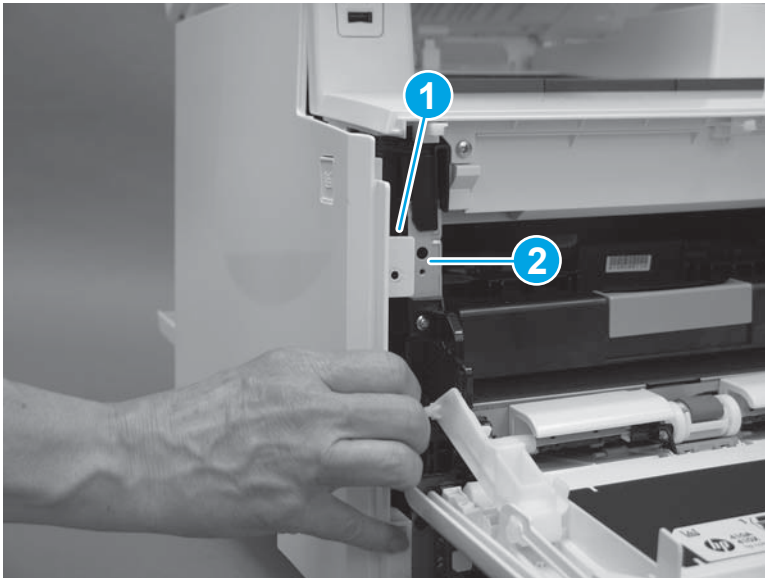
5. Hold the cover against the printer (callout 1), and then slide it (callout 2) toward the front of the printer.

Figure 1-3804 Install the top hooks



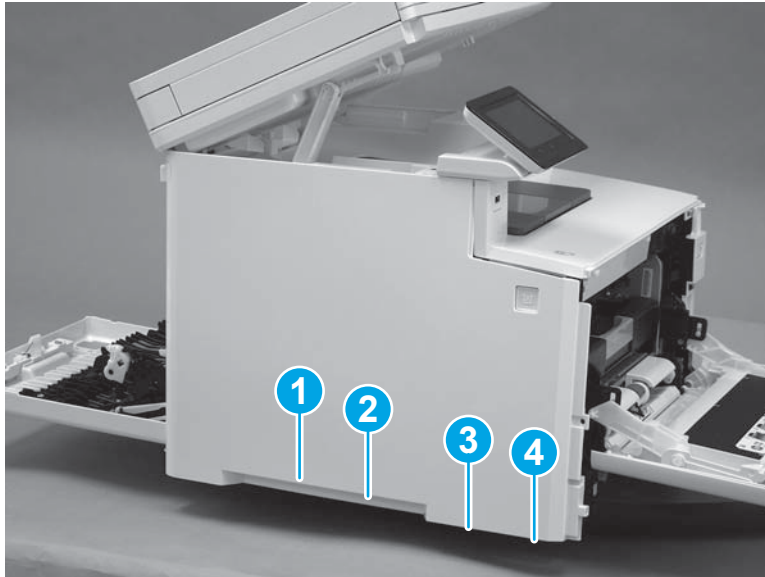
CAUTION: Make sure that the tab (callout 1) on the front of the cover does not get caught behind the printer frame (callout 2).

Figure 1-3805 Make sure the tab does not get caught



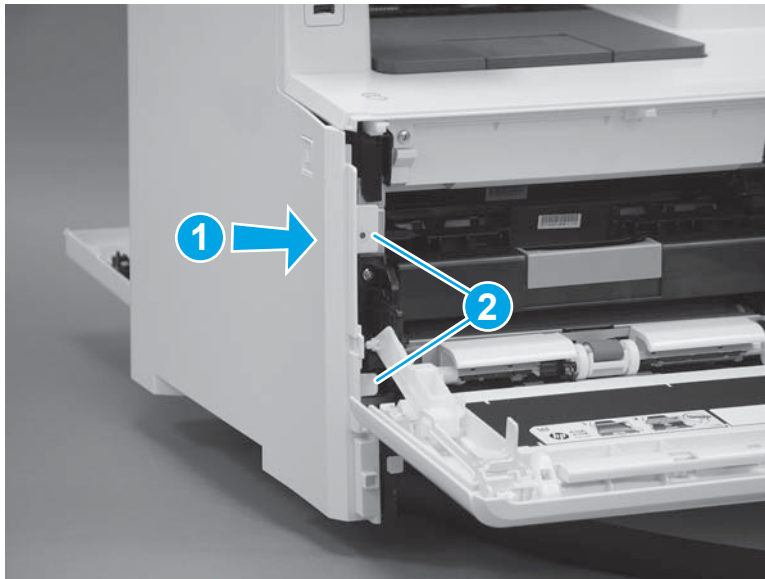
6. Slide the printer to the edge of a work surface in order to access the tabs on the bottom of the cover. Beginning from the back of the cover, install four tabs (callouts 1-4) on the lower edge of the cover.

Figure 1-3806 Install four tabs



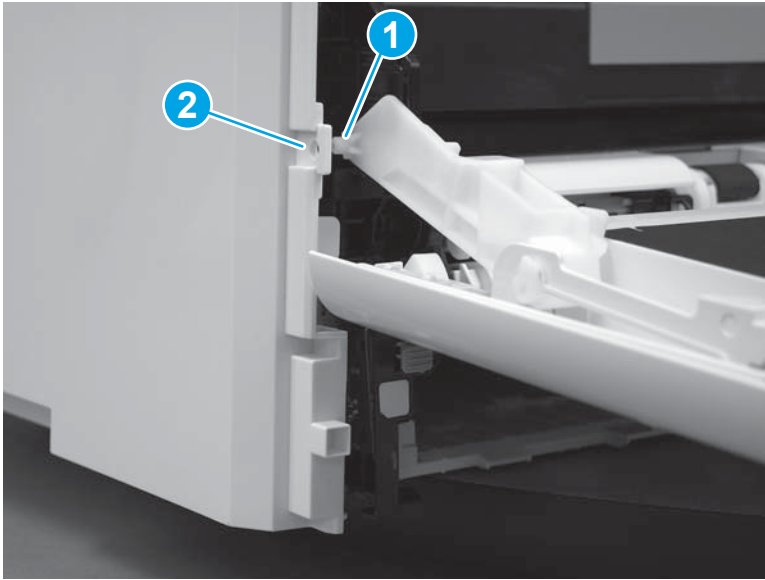
7. Press the cover toward the printer (callout 1), and then install two tabs (callout 2) at the front of the cover.

Figure 1-3807 Install two tabs



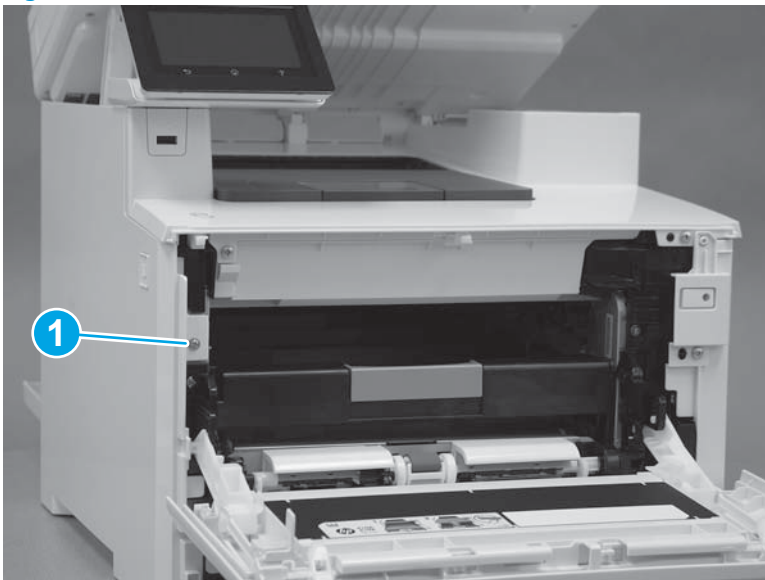
8. Make sure that the hinge pin (callout 1) on the front door fits into the slot (callout 2) on the left cover.

Figure 1-3808 Install hinge pin



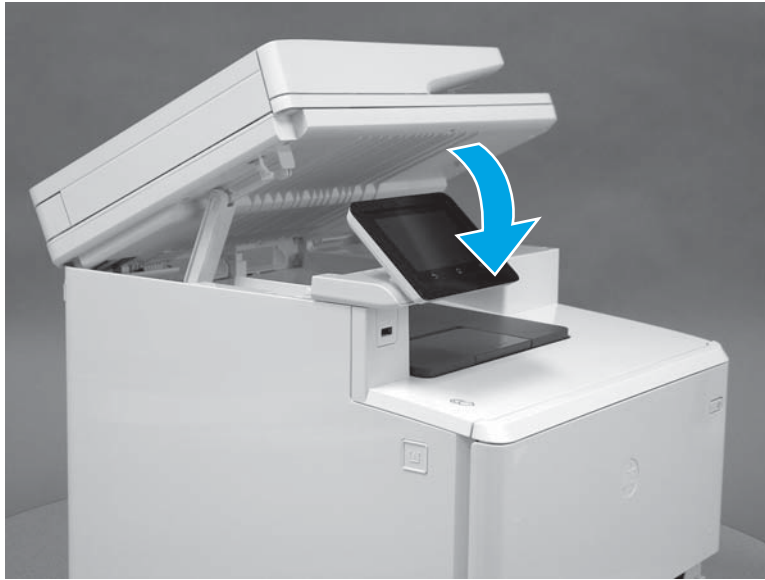
9. Install one screw (callout 1).

Figure 1-3809 Install one screw




10. Lower the scanner.

Figure 1-3810 Lower the scanner

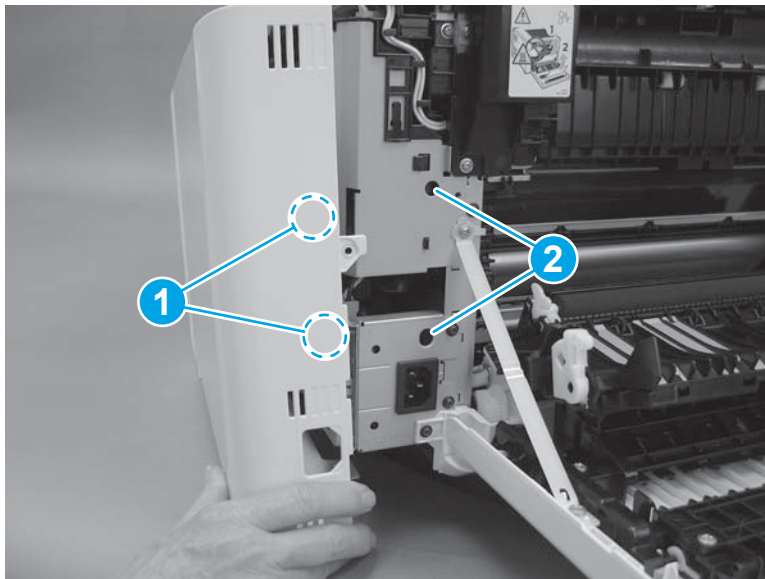


Step 22: Install the right cover (M452 models)

 **NOTE:** This step is for the M452 models. For the M477 models, skip this step and go to [Step 23: Install the right cover \(M477 models\) on page 2019](#).

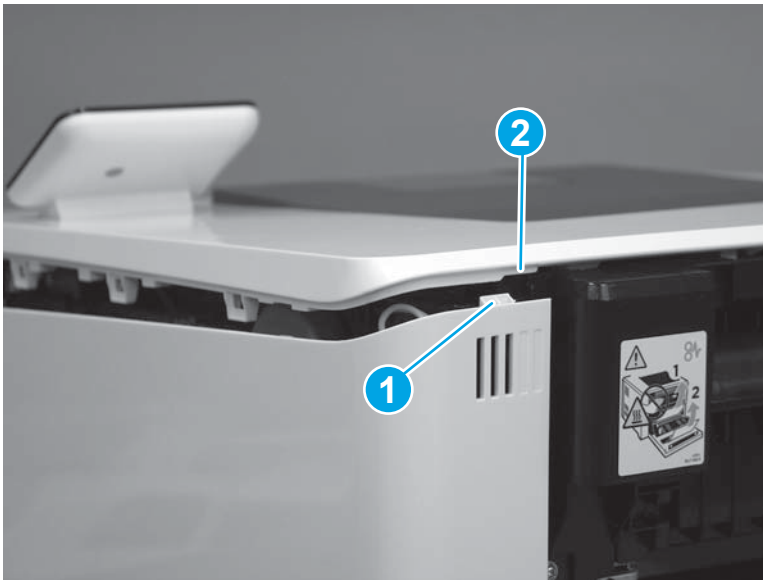
1. Position two tabs (callout 1) on the back of the cover in the slots (callout 2) in the printer.

Figure 1-3811 Position two tabs



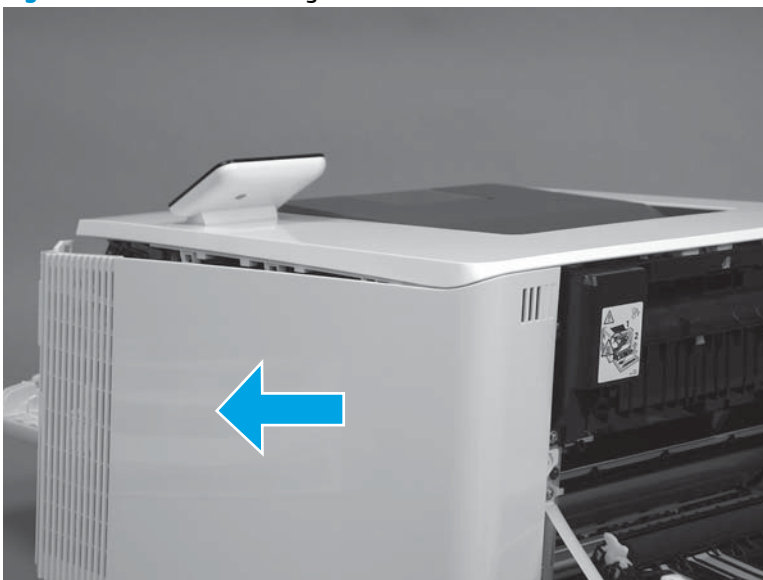
2. At the back of the printer, install the tab (callout 1) under the edge of the top cover (callout 2).

Figure 1-3812 Install rear tab



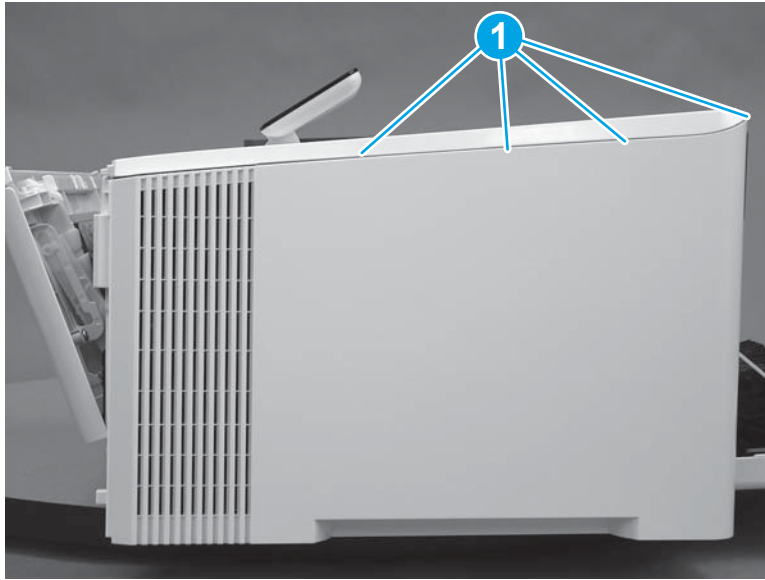
3. Slide the cover toward the front of the printer to install it.

Figure 1-3813 Install the right cover



- Engage three tabs (callout 2) on the top of the cover.

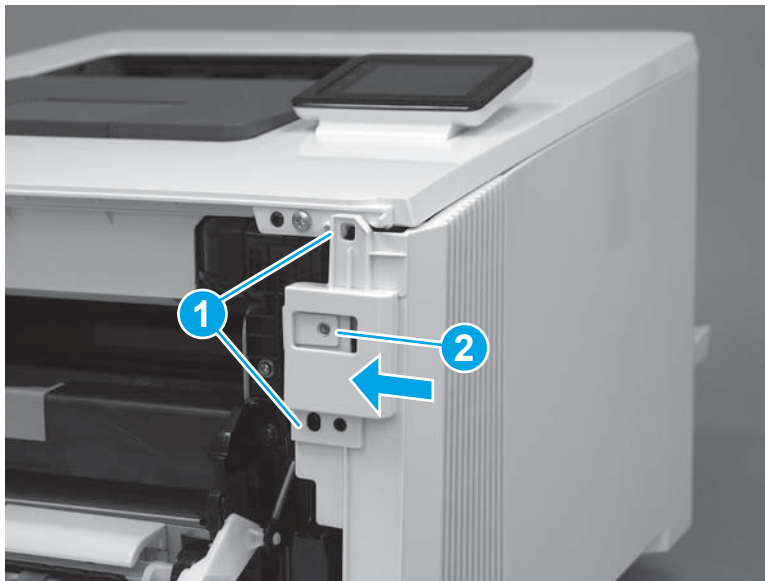
Figure 1-3814 Install upper tabs



- At the front of the printer, position the front of the cover over two tabs (callout 1).

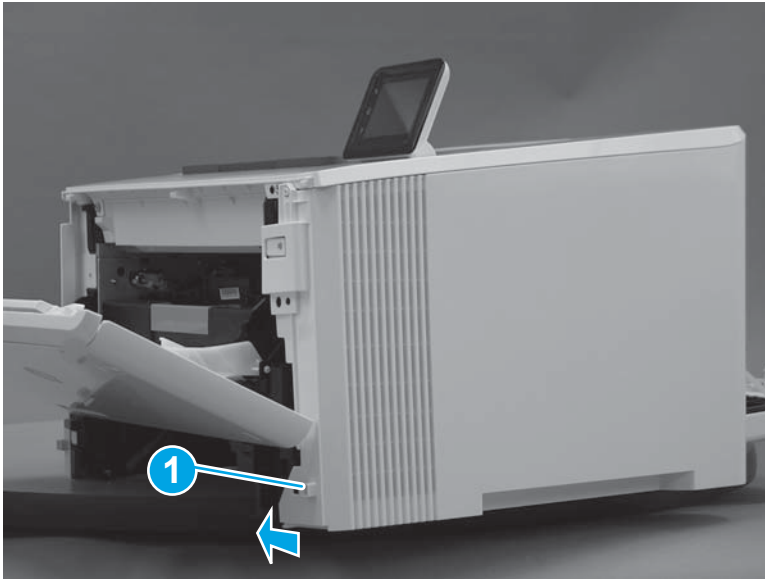
CAUTION: Be careful not to dislodge the power switch (callout 2).

Figure 1-3815 Install the front tabs



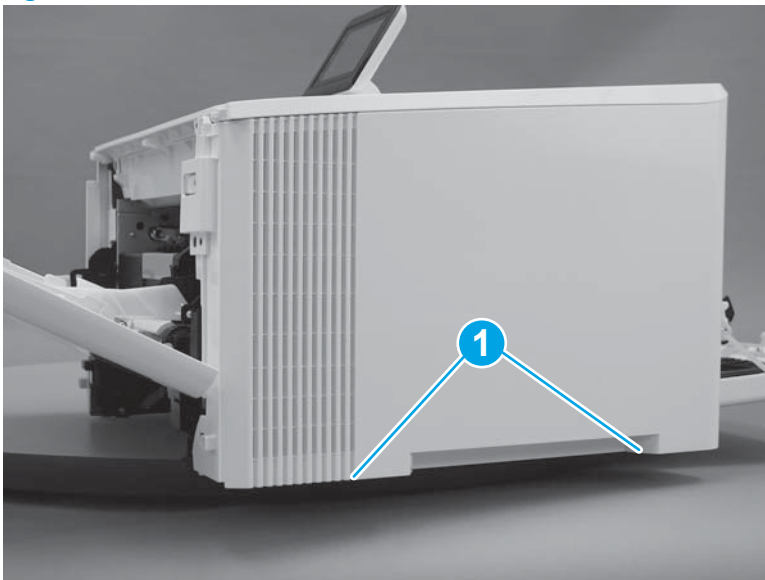
6. Press the right cover toward the printer to engage one tab (callout 1) on the front of the cover.

Figure 1-3816 Install the front lower tab



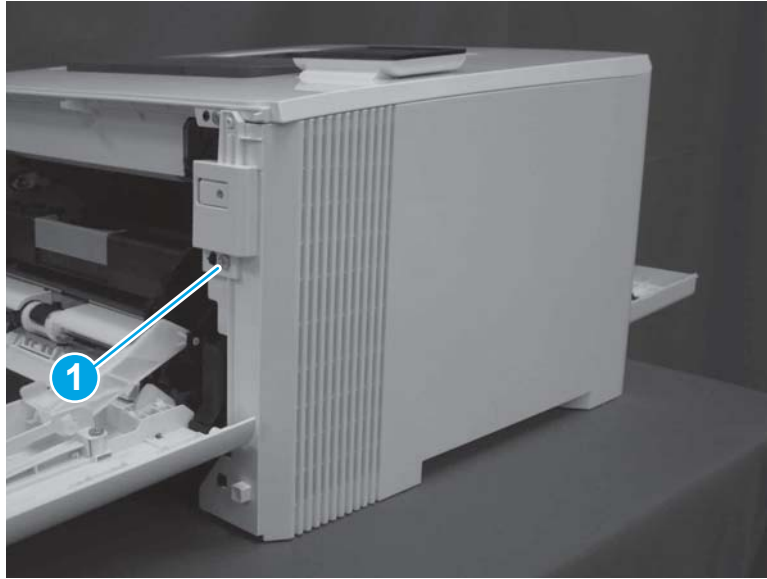
7. Install two tabs on the bottom of the cover (callout 1).

Figure 1-3817 Install two tabs



8. At the front of the printer, install one screw (callout 1).

Figure 1-3818 Install one screw




9. At the back of the printer, install one screw (callout 1).

Figure 1-3819 Install one screw

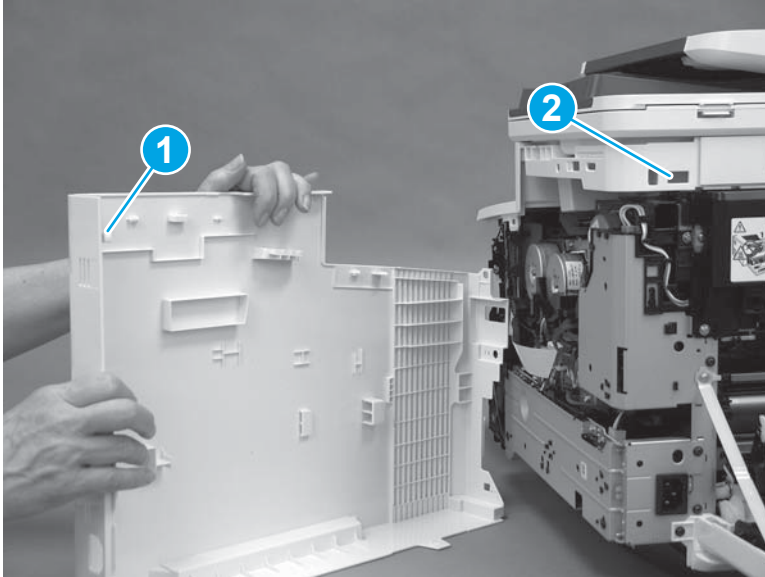


Step 23: Install the right cover (M477 models)

 **NOTE:** This step is for the M477 models. For the M452 models, skip this step and go to [Step 24: Close the front door and rear door on page 2025](#).

1. At the back of the printer, install the tab (callout 1) on the cover into the slot (callout 2) on the printer.

Figure 1-3820 Install rear tab



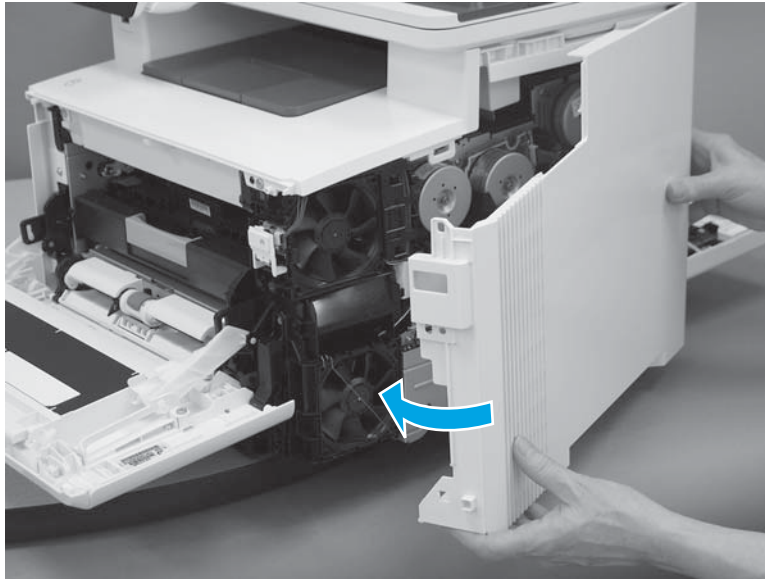
2. Raise the scanner.

Figure 1-3821 Raise the scanner



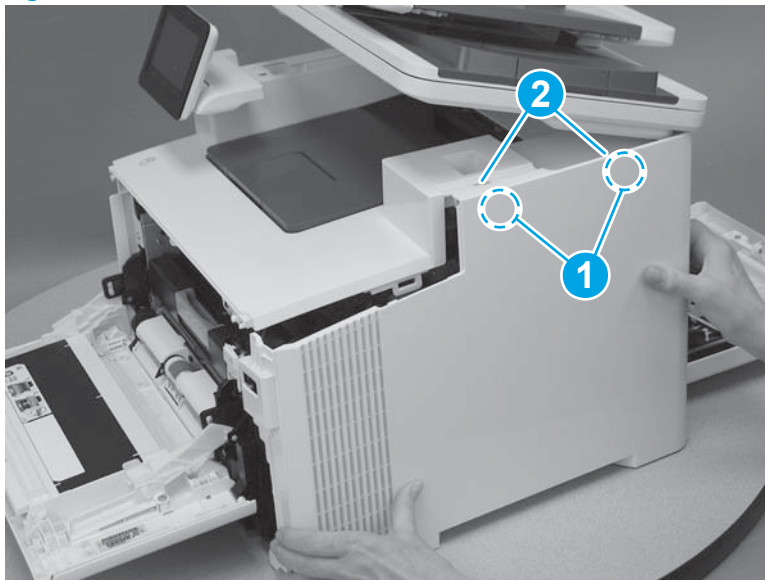
3. Rotate the right cover toward the printer.

Figure 1-3822 Rotate the right cover



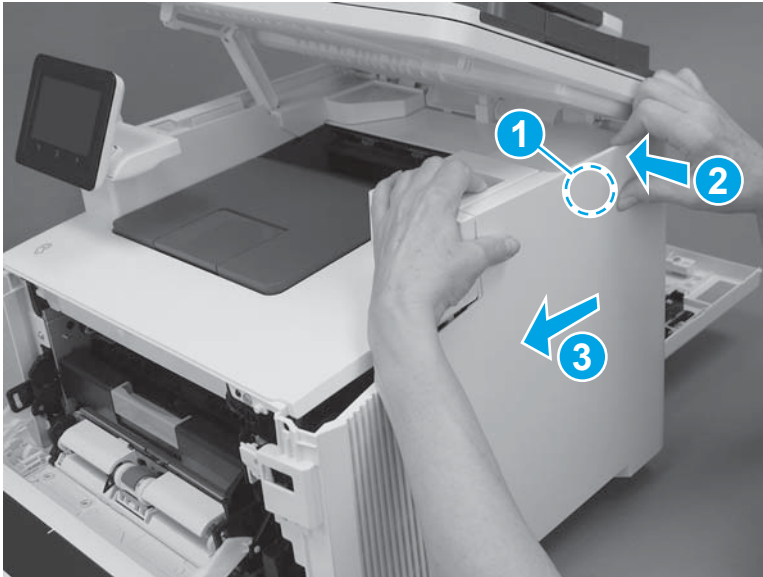
4. Position the hooks (callout 1) on the inside of the cover into the slots (callout 2) in the printer.

Figure 1-3823 Position the hooks in the slots



- Engage one hook (callout 1) on the inside of the cover. Hold the top of the cover closed (callout 2) while sliding the cover toward the front of the printer (callout 3).

Figure 1-3824 Slide the cover



- Rotate the front of the cover toward the printer (callout 1).

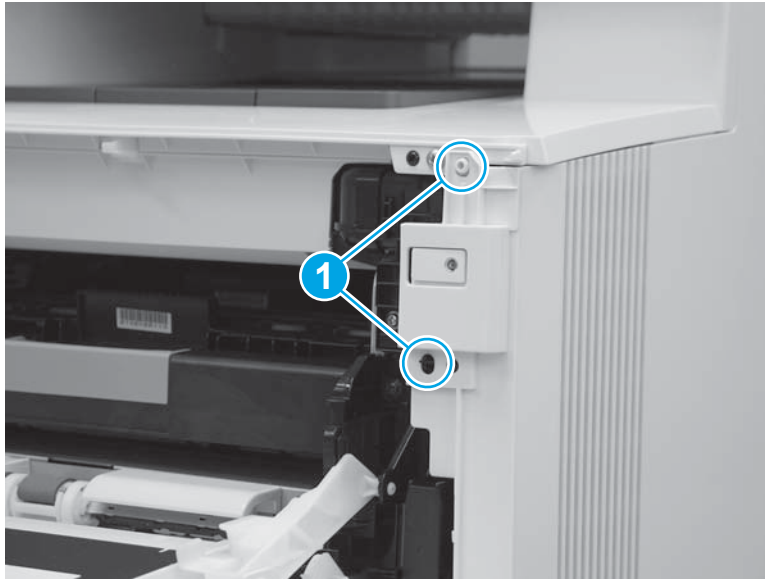
CAUTION: Be careful not to dislodge the power switch (callout 2).

Figure 1-3825 Rotate the front of the cover



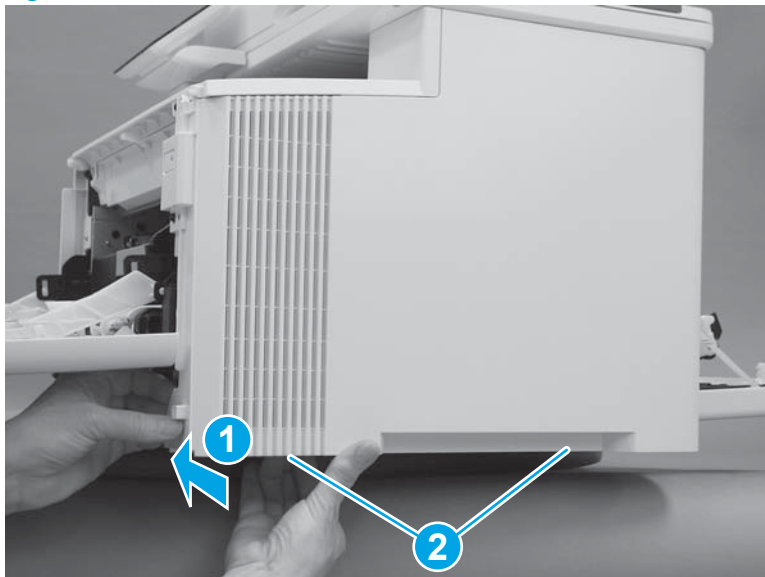
7. Install two tabs at the front of the printer (callout 1).

Figure 1-3826 Install two tabs



8. Press the right cover toward the printer (callout 1) to engage one tab on the front of the cover, and two tabs (callout 2) on the lower edge of the cover.

Figure 1-3827 Install the front and lower tabs



9. At the front of the printer, install one screw (callout 1).

Figure 1-3828 Install one screw



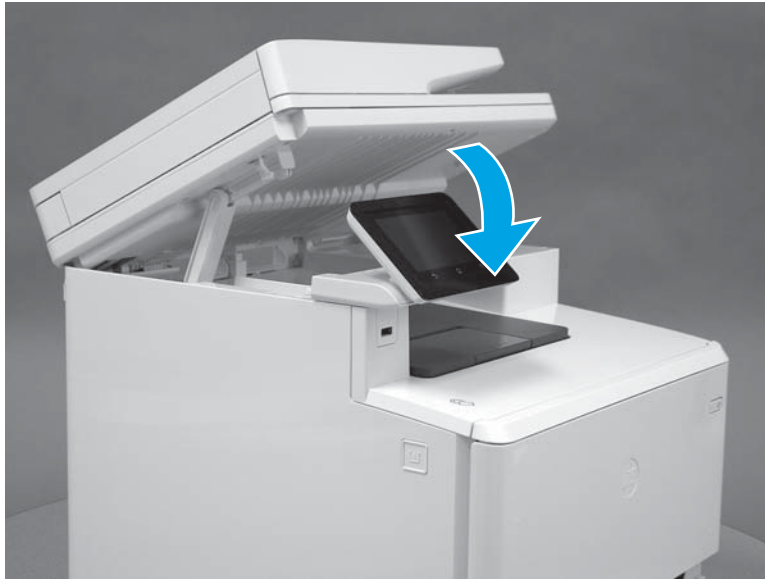
10. At the back of the printer, install one screw (callout 1).

Figure 1-3829 Install one screw



11. Lower the scanner.

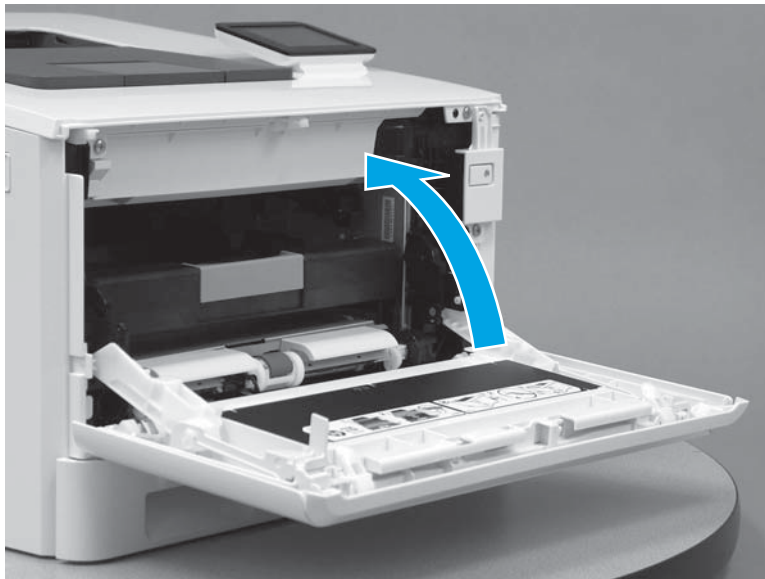
Figure 1-3830 Lower the scanner



Step 24: Close the front door and rear door

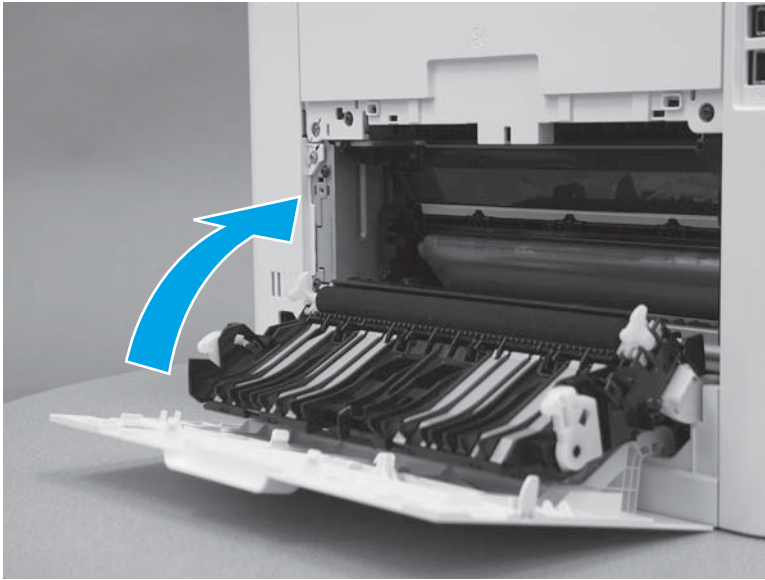
1. Close the front door.

Figure 1-3831 Close the front door



2. Close the rear door.

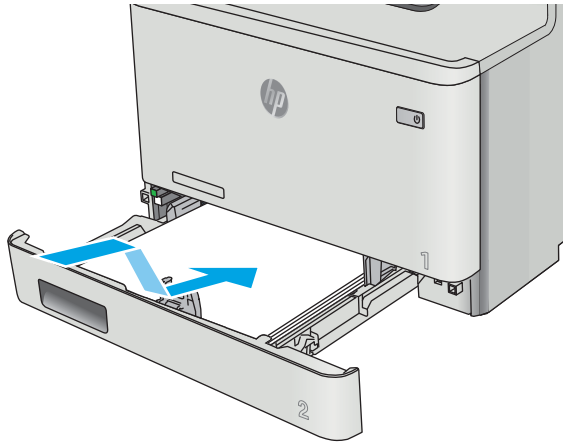
Figure 1-3832 Close the rear door



Step 25: Install Tray 2

- ▲ With the front of the tray slightly lifted, align the sides of the tray with the rails in the printer, and then carefully slide the tray into the printer. As the tray slides into the printer, lower the front of the tray, and then close it.

Figure 1-3833 Install the tray



Removal and replacement: Fuser (duplex models)

- [Introduction](#)
- [Step 1: Remove Tray 2](#)
- [Step 2: Open the front door and duplexer door](#)
- [Step 3: Remove the right cover \(M452 models\)](#)
- [Step 4: Remove the right cover \(M377, M477 models\)](#)
- [Step 5: Remove the left cover \(M452 models\)](#)
- [Step 6: Remove the left cover \(M377, M477 models\)](#)
- [Step 7: Remove the integrated scanner assembly \(M377, M477 models\)](#)
- [Step 8: Remove the fax PCA \(M477 models\)](#)
- [Step 9: Remove the top cover \(M377, M477 models\)](#)
- [Step 10: Remove the top cover \(M452 models\)](#)
- [Step 11: Remove the fuser \(duplex models\)](#)
- [Step 12: Unpack the replacement part](#)
- [Step 13: Install the fuser \(duplex models\)](#)
- [Step 14: Install the top cover \(M452 models\)](#)
- [Step 15: Install the top cover \(M377, M477 models\)](#)
- [Step 16: Install the fax PCA \(M477 models\)](#)
- [Step 17: Install the integrated scanner assembly \(M377, M477 models\)](#)
- [Step 18: Install the left cover \(M452 models\)](#)
- [Step 19: Install the left cover \(M377, M477 models\)](#)
- [Step 20: Install the right cover \(M452 models\)](#)
- [Step 21: Install the right cover \(M377, M477 models\)](#)
- [Step 22: Close the front door and duplexer door](#)
- [Step 23: Install Tray 2](#)

Introduction

This document provides the procedures to remove and replace the fuser for duplex models.

Before you begin

- Turn off the printer.
- Disconnect the power cable.

⚠ WARNING! To avoid damage to the printer, turn the printer off, wait 30 seconds, and then remove the power cord before attempting to service the printer.

- Use the table below to identify the correct part number for your printer. To order the part, go to www.hp.com/buy/parts.

| Fuser part number | |
|-------------------|---------------------|
| RM2-6418-000CN | Fuser (110V duplex) |
| RM2-6435-000CN | Fuser (220V duplex) |

Required tools

- #2 Phillips screwdriver with a magnetic tip
- Small flat-blade screwdriver

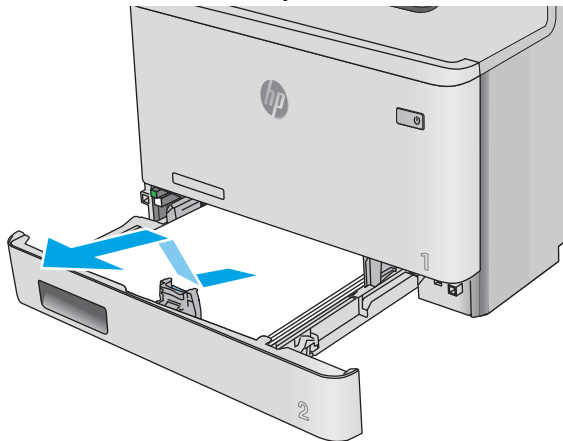
After performing service

- Connect the power cable.
- Use the power switch to turn the power on.

Step 1: Remove Tray 2

- ▲ Pull the tray out until it stops. Lift the front of the tray, and then pull it out of the printer to remove it.

Figure 1-3834 Remove the tray



Step 2: Open the front door and duplexer door

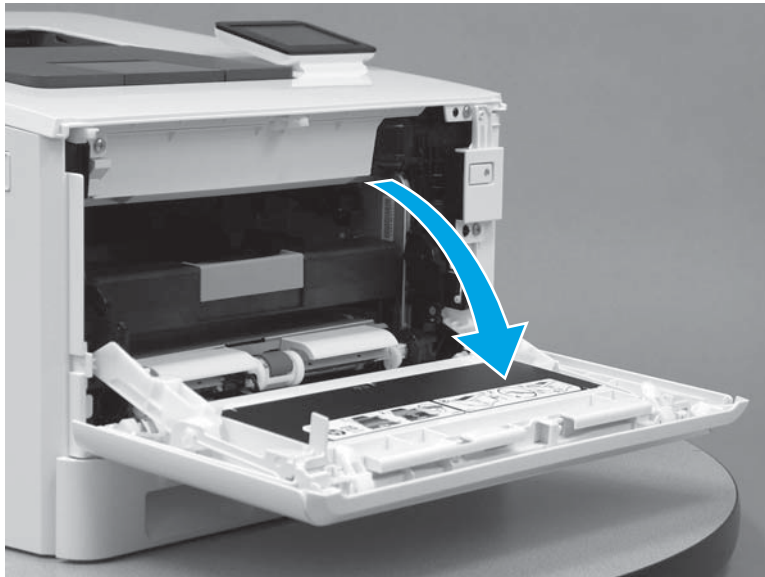
1. Press the button (callout 1) on the left side of the printer to release the front door.

Figure 1-3835 Release the front door



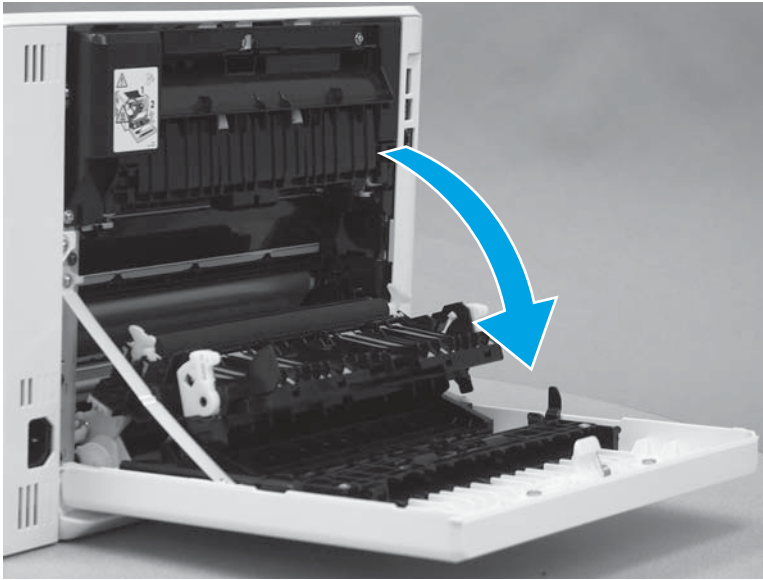
2. Open the front door.

Figure 1-3836 Open the front door



3. Open the duplexer door.

Figure 1-3837 Open the duplexer door



Step 3: Remove the right cover (M452 models)



NOTE: This step is for the M452 models. For the M377, M477 models, skip this step and go to [Step 4: Remove the right cover \(M377, M477 models\) on page 2034](#).

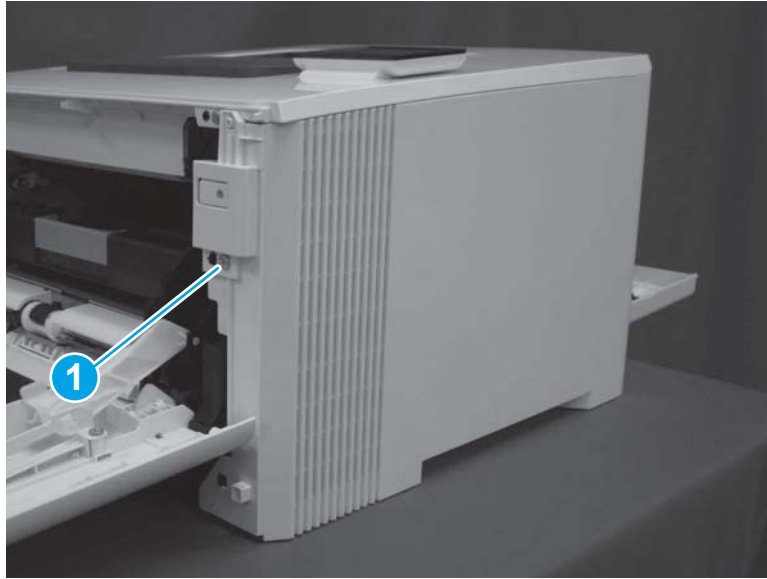
1. At the back of the printer, remove one screw (callout 1).

Figure 1-3838 Remove one screw



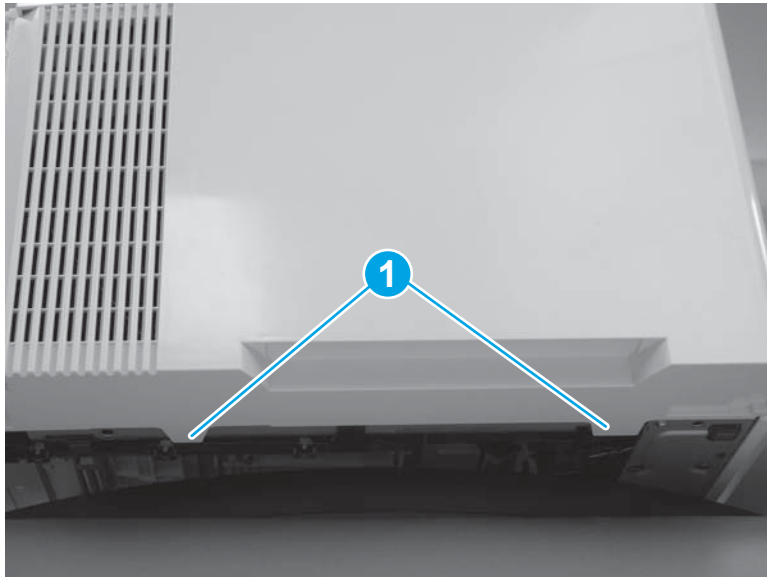
2. At the front of the printer, remove one screw (callout 1).

Figure 1-3839 Remove one screw



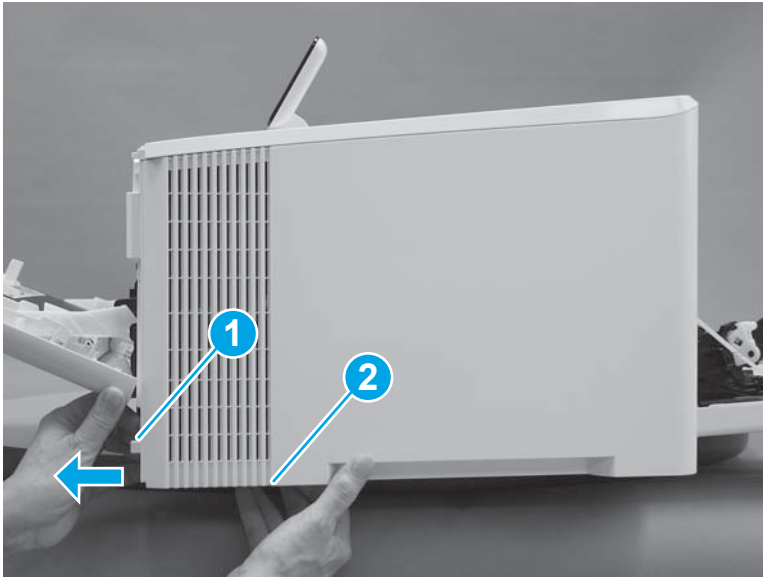
3. Slide the printer to the edge of a work surface. Note the location of the tabs on the lower edge of the cover (callout 1).

Figure 1-3840 Locate the tabs



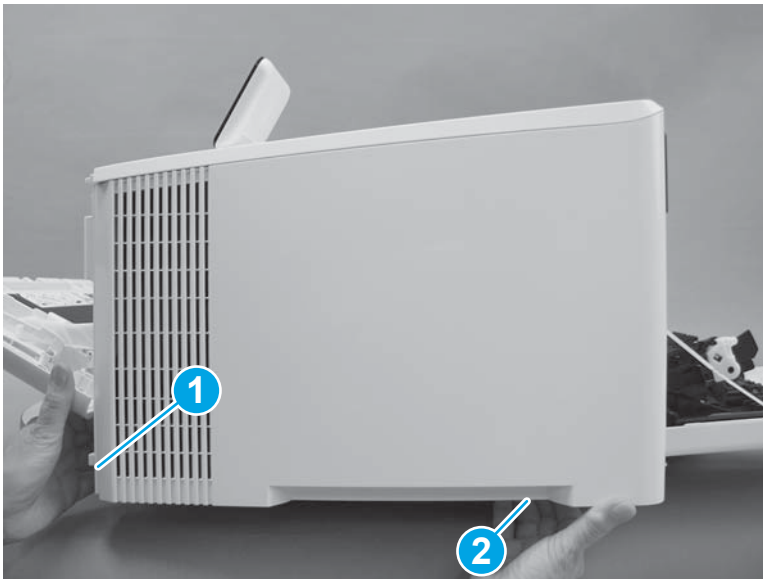
4. Release one tab (callout 1) on the front of the cover by slightly pulling the cover away from the printer. While holding the cover in the released position, release one tab (callout 2) on the bottom of the cover.

Figure 1-3841 Release front lower tabs



5. Hold the front tabs in the released position (callout 1), and then release one tab (callout 2) on the bottom of the cover, toward the back of the printer.

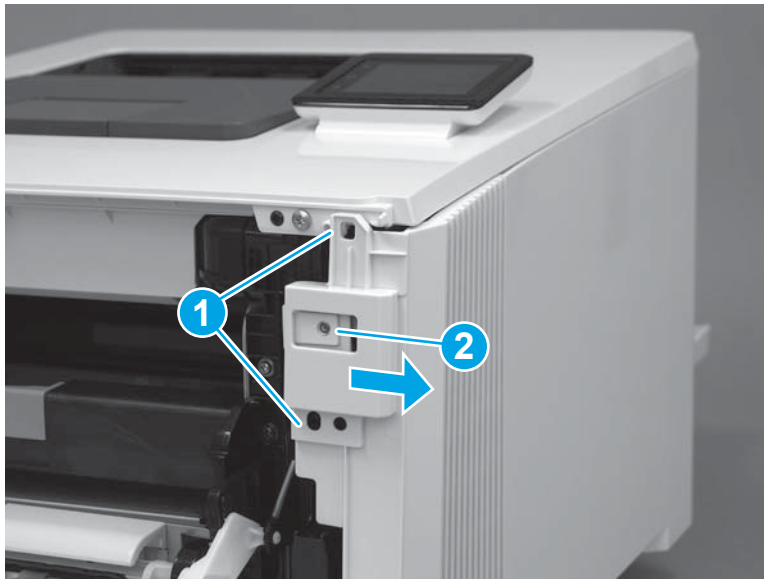
Figure 1-3842 Release lower rear tab



6. Release two tabs at the front of the printer (callout 1) by slightly pulling the cover away from the printer.

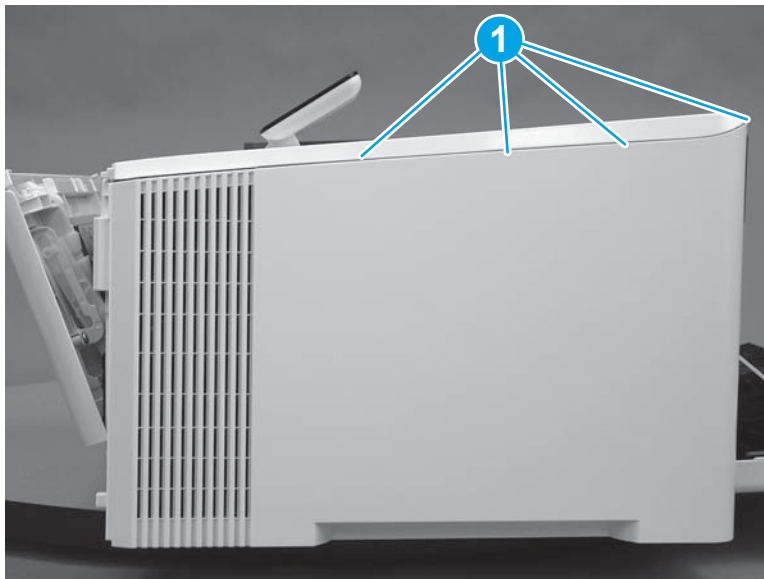
CAUTION: Be careful not to dislodge the power switch (callout 2).

Figure 1-3843 Release two front tabs



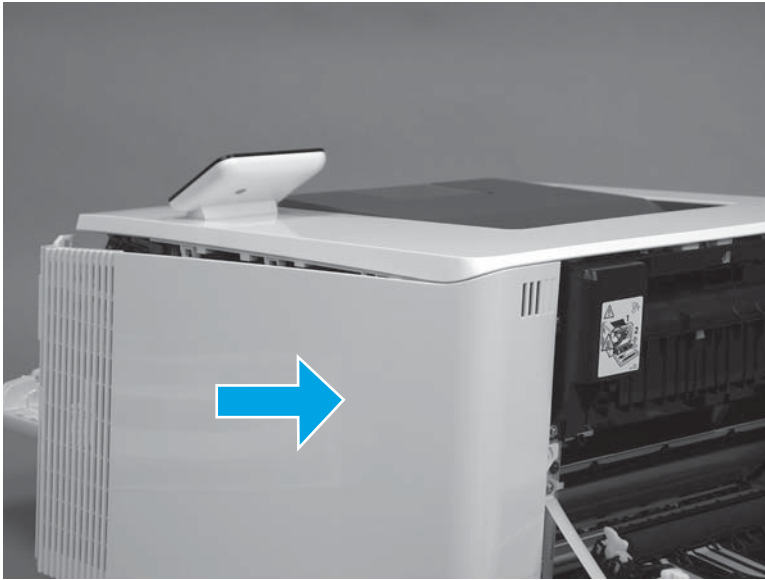
7. Release four tabs on the top of the printer (callout 1).

Figure 1-3844 Release upper tabs



8. Slide the cover toward the back of the printer to remove it.

Figure 1-3845 Remove the right cover



Step 4: Remove the right cover (M377, M477 models)



NOTE: This step is for the M377, M477 models. For the M452 models, skip this step and go to [Step 5: Remove the left cover \(M452 models\) on page 2040](#).

1. Raise the scanner.

Figure 1-3846 Raise the scanner



2. At the back of the printer, remove one screw (callout 1).

Figure 1-3847 Remove one screw



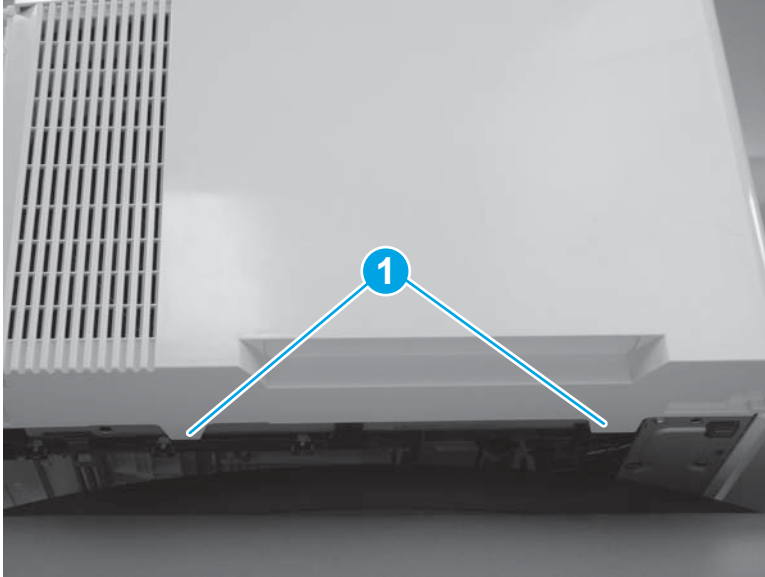
3. At the front of the printer, remove one screw (callout 1).

Figure 1-3848 Remove one screw



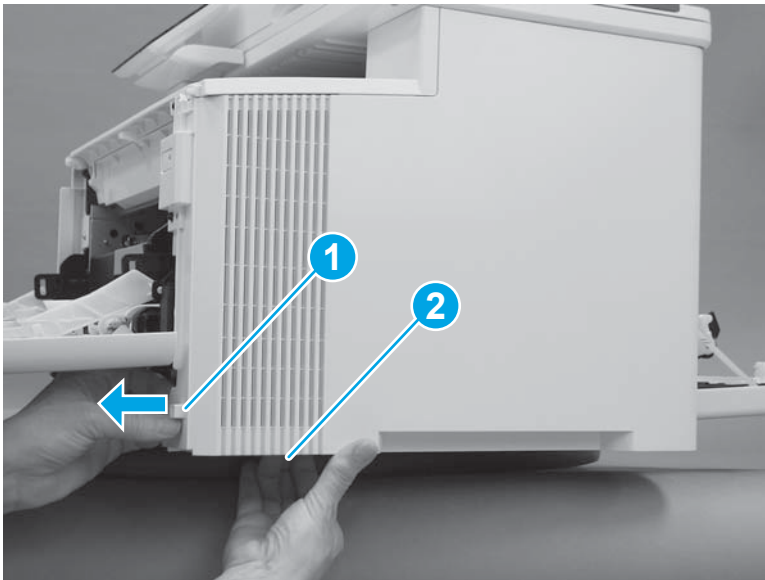
4. Slide the printer to the edge of a work surface. Note the location of the tabs on the lower edge of the cover (callout 1).

Figure 1-3849 Locate the tabs



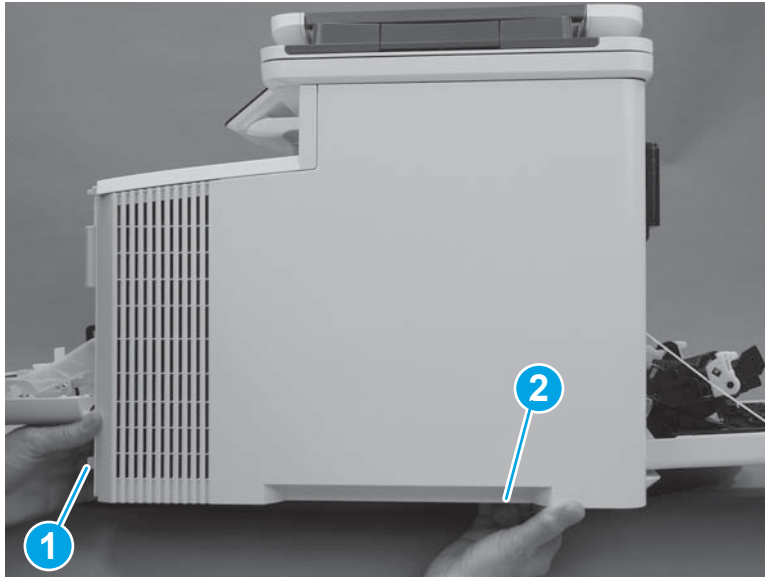
5. Release one tab (callout 1) on the front of the cover by slightly pulling the cover away from the printer. While holding the cover in the released position, release one tab (callout 2) on the lower edge of the cover.

Figure 1-3850 Release front lower tabs



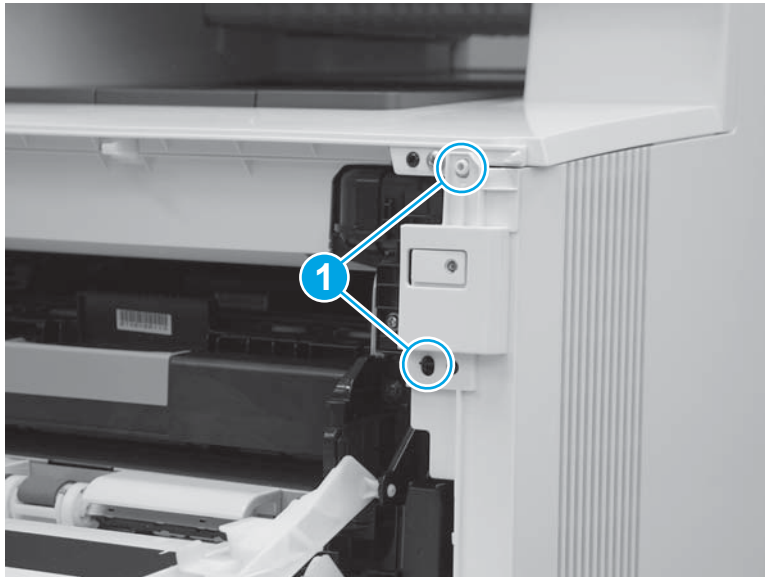
6. Hold the front tabs in the released position (callout 1), and then release one tab (callout 2) on the lower edge of the cover, toward the back of the printer.

Figure 1-3851 Release lower rear tab



7. Release two tabs at the front of the printer (callout 1) by slightly pulling the cover away from the printer.

Figure 1-3852 Release front upper tabs



8. Rotate the front of the cover away from the printer (callout 1).

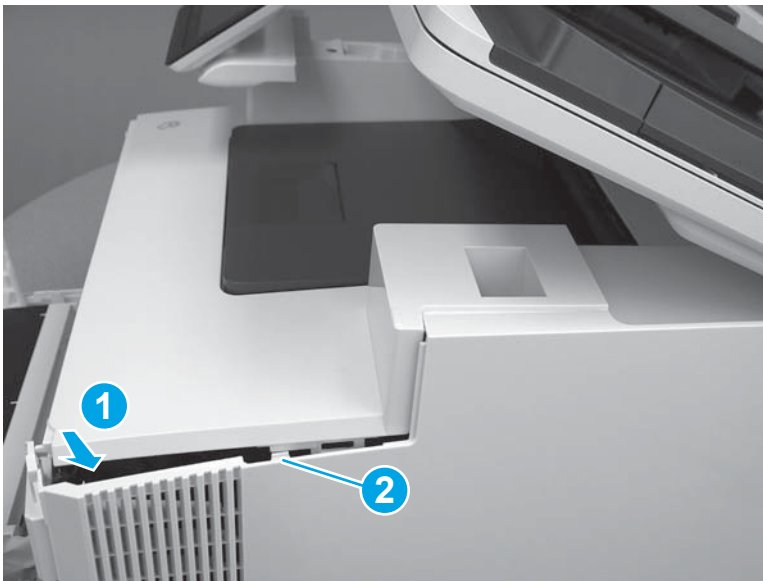
⚠ CAUTION: Be careful not to dislodge the power switch (callout 2).

Figure 1-3853 Rotate the front of the cover



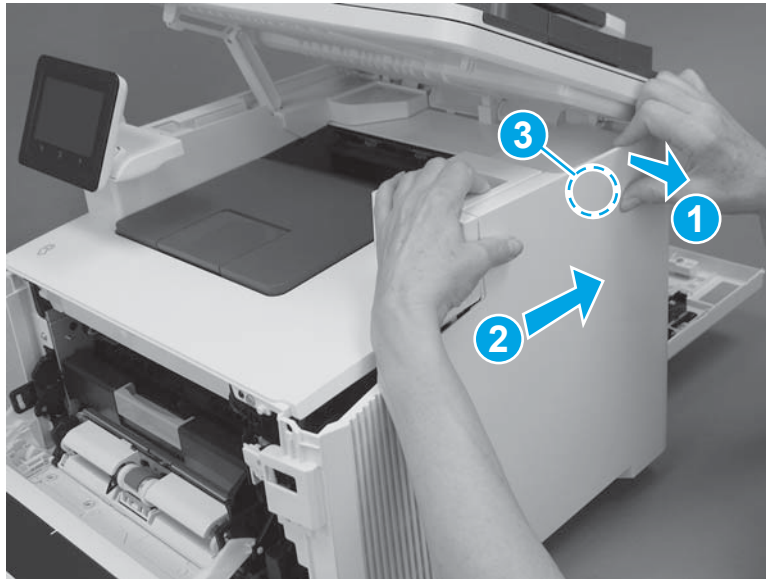
9. Slightly pull the front of the cover away from the printer (callout 1) to release one tab (callout 2).

Figure 1-3854 Release top tabs



10. At the top of the printer, slightly pull the top of the cover away from the printer to release one retention tab (callout 1) on the inside of the cover. While holding the cover away, slide the cover toward the back of the printer (callout 2) to release one hook (callout 3) on the inside of the cover.

Figure 1-3855 Release one tab and one hook



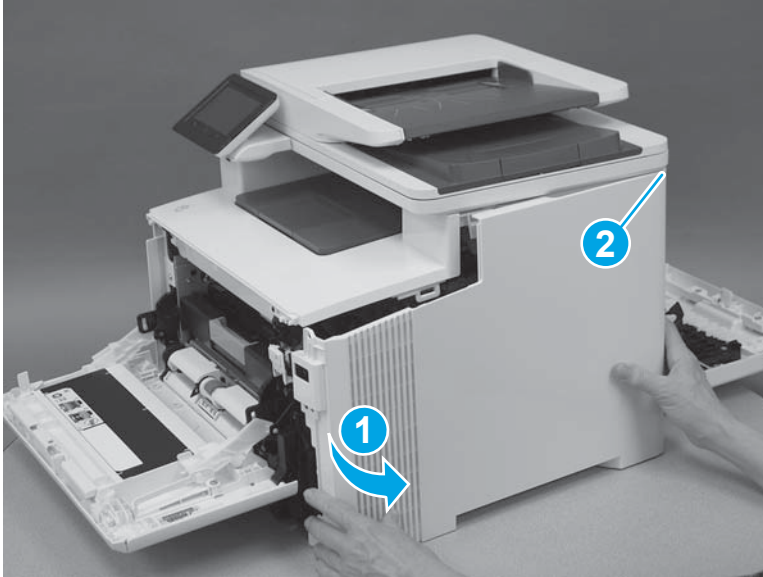
11. Lower the scanner.

Figure 1-3856 Lower the scanner




12. Rotate the cover away from the printer (callout 1) to release one tab (callout 2) at the back of the printer, and then remove the cover.

Figure 1-3857 Remove the right cover

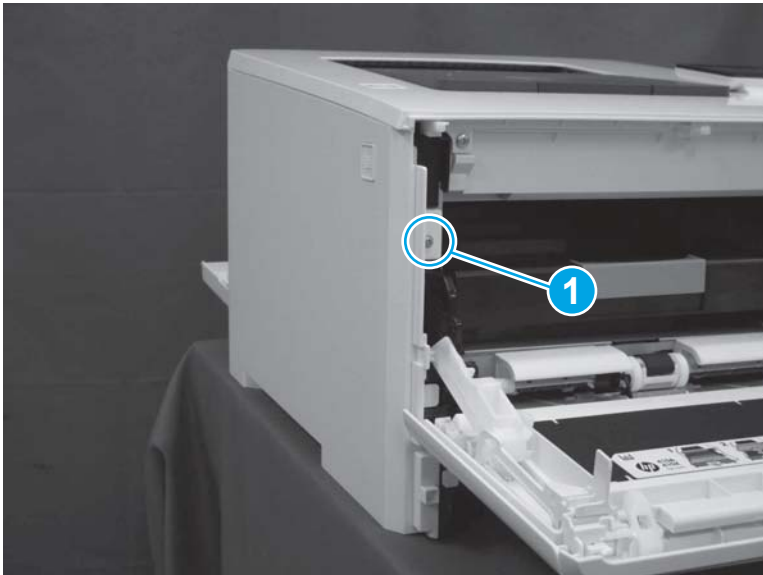


Step 5: Remove the left cover (M452 models)

 **NOTE:** This step is for the M452 models. For the M377, M477 models, skip this step and go to [Step 6: Remove the left cover \(M377, M477 models\) on page 2042.](#)

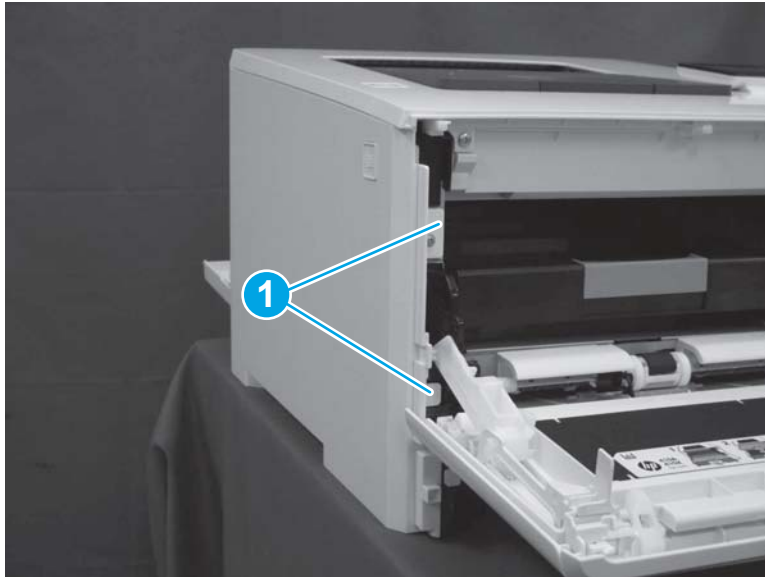
1. At the front of the printer, remove one screw (callout 1).

Figure 1-3858 Remove one screw



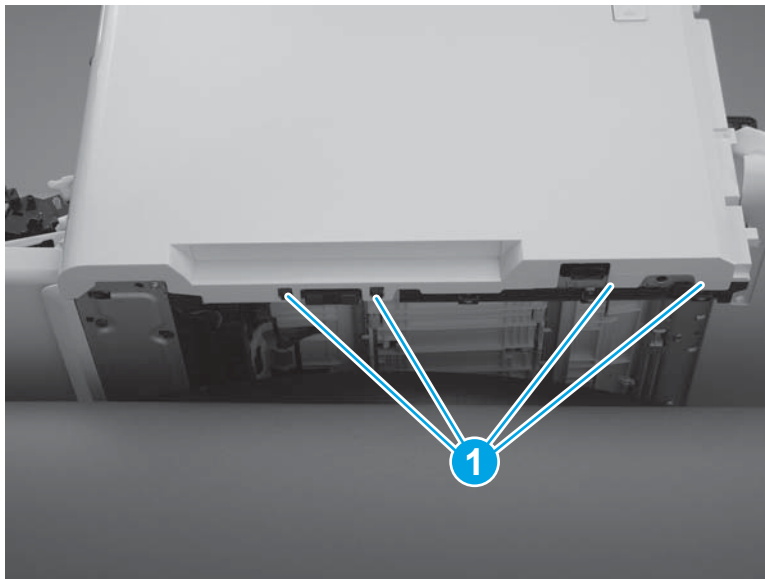
2. Release two tabs (callout 1) at the front of the cover. Hold the cover open to prevent the tabs from reengaging.

Figure 1-3859 Release two tabs



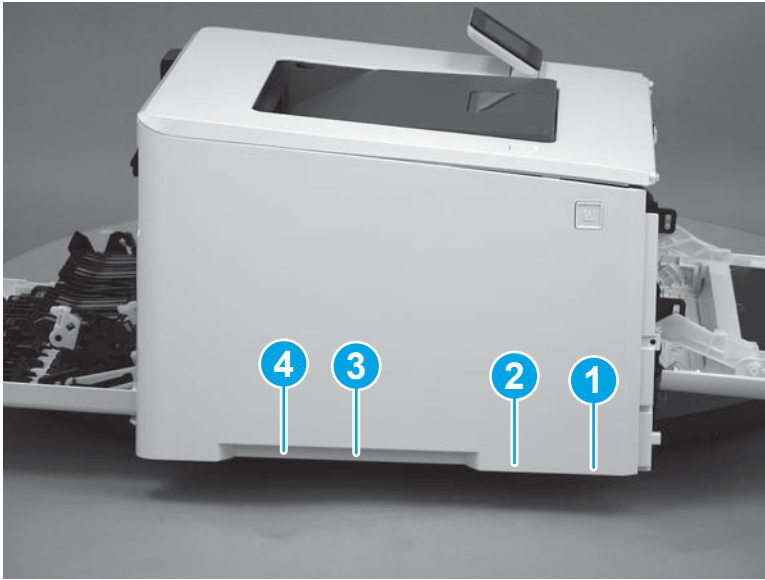
3. Slide the printer to the edge of a work surface. Note the location of the tabs on the lower edge of the cover (callout 1).

Figure 1-3860 Locate the tabs



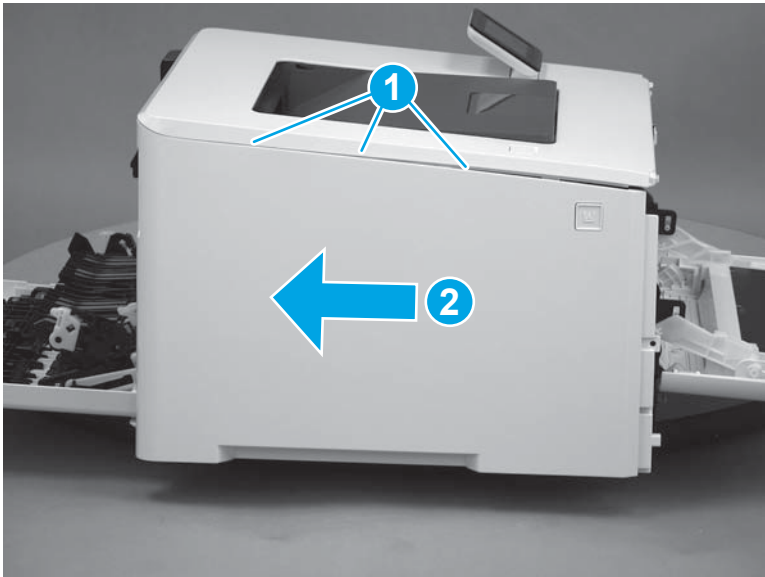
4. Beginning from the front of the cover, release four tabs (callouts 1-4) on the lower edge of the cover.

Figure 1-3861 Release bottom tabs




5. Release three tabs at the top of the cover (callout 1), and then slide the cover toward the rear of the printer to remove it.

Figure 1-3862 Release three tabs



Step 6: Remove the left cover (M377, M477 models)

 **NOTE:** This step is for the M377, M477 models. For the M452 models, skip this step and go to [Step 10: Remove the top cover \(M452 models\) on page 2060.](#)

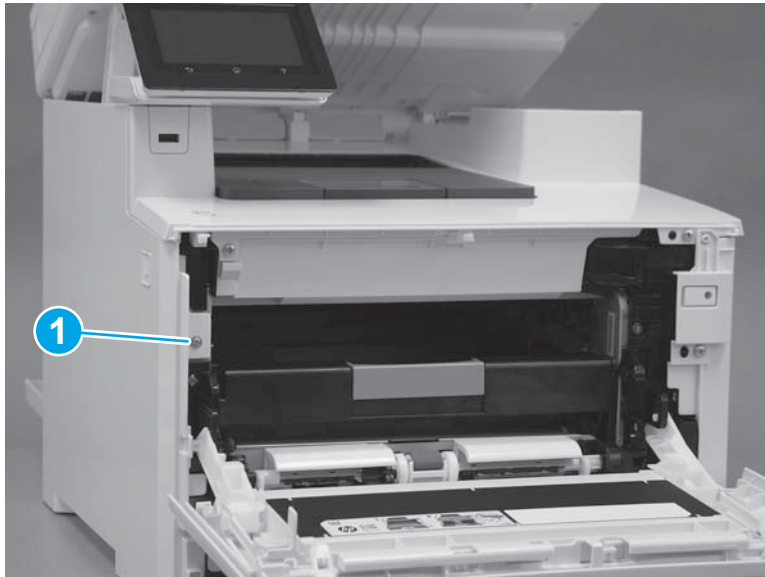
1. Raise the scanner.

Figure 1-3863 Raise the scanner



2. At the front of the printer, remove one screw (callout 1).

Figure 1-3864 Remove one screw



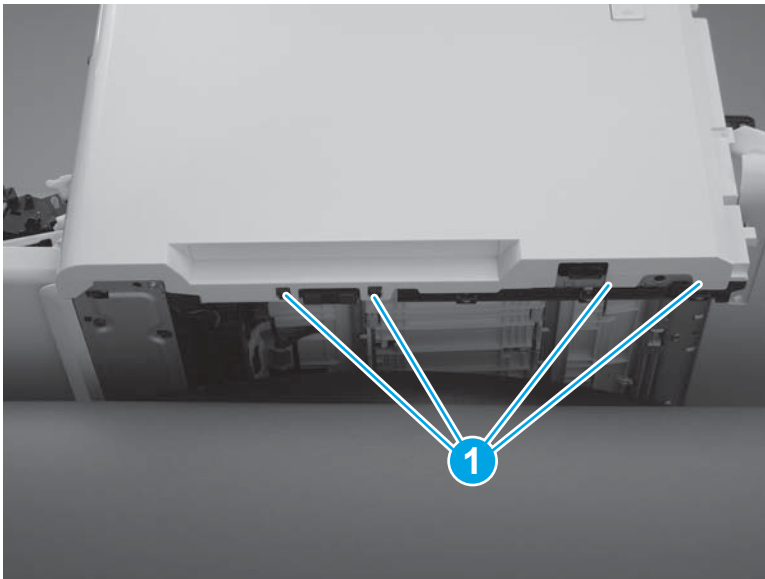
3. Release two tabs (callout 1) at the front of the cover. Hold the cover open to prevent the tabs from re-engaging.

Figure 1-3865 Release two tabs



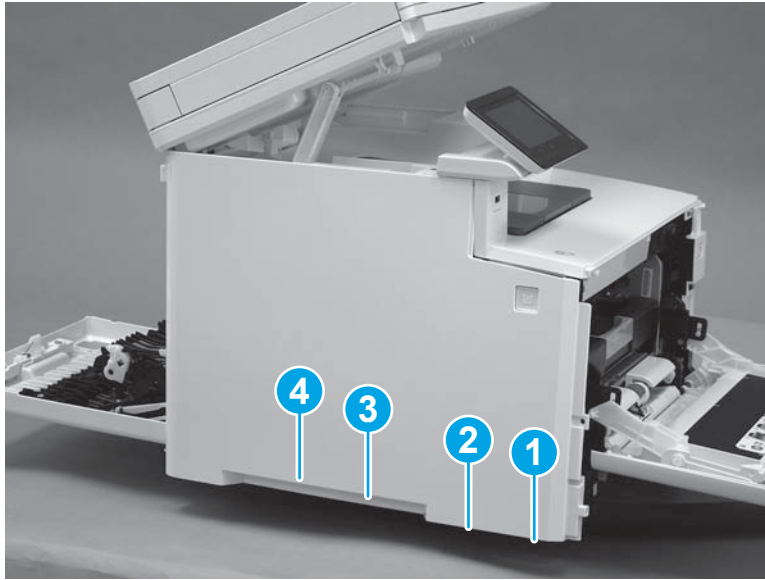
4. Slide the printer to the edge of a work surface. Note the location of the tabs on the lower edge of the cover (callout 1).

Figure 1-3866 Locate the tabs



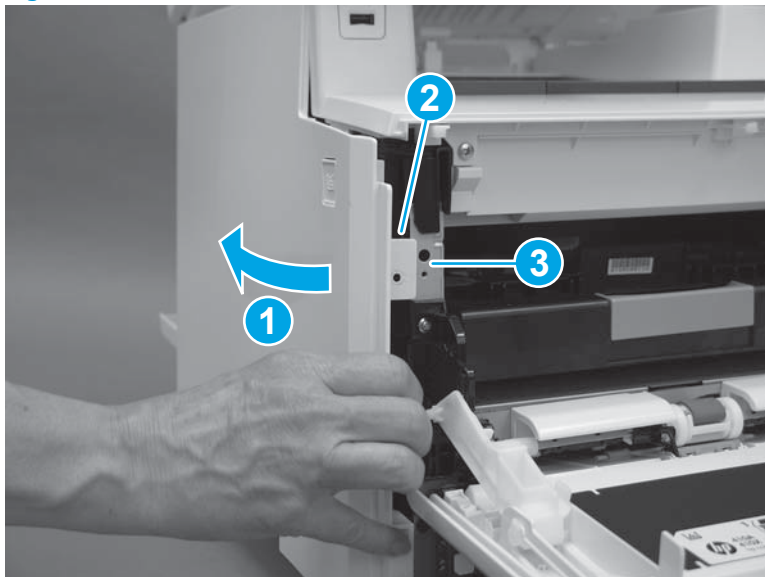
5. Beginning from the front of the cover, release the four tabs (callouts 1-4) on the lower edge of the cover.

Figure 1-3867 Release four tabs



6. Rotate the front of the cover away from the printer (callout 1). Make sure that the tab (callout 2) does not get caught on the printer frame (callout 3).

Figure 1-3868 Rotate the cover



7. At the top of the printer, slightly pull the top of the cover away from the printer to release one retention tab (callout 1) on the inside of the cover. While holding the cover away, slide the cover toward the back of the printer (callout 2) to release two hooks (callout 3) inside the cover.

Figure 1-3869 Release one tab and two hooks



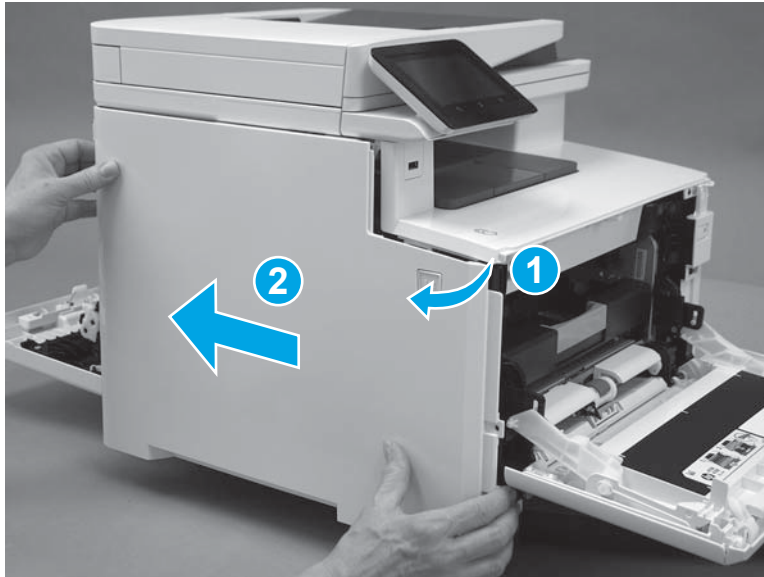
8. Lower the scanner.

Figure 1-3870 Lower the scanner




9. Rotate the cover away from the printer (callout 1), and then slide the cover (callout 2) toward the back of the printer to remove it.

Figure 1-3871 Remove the left cover

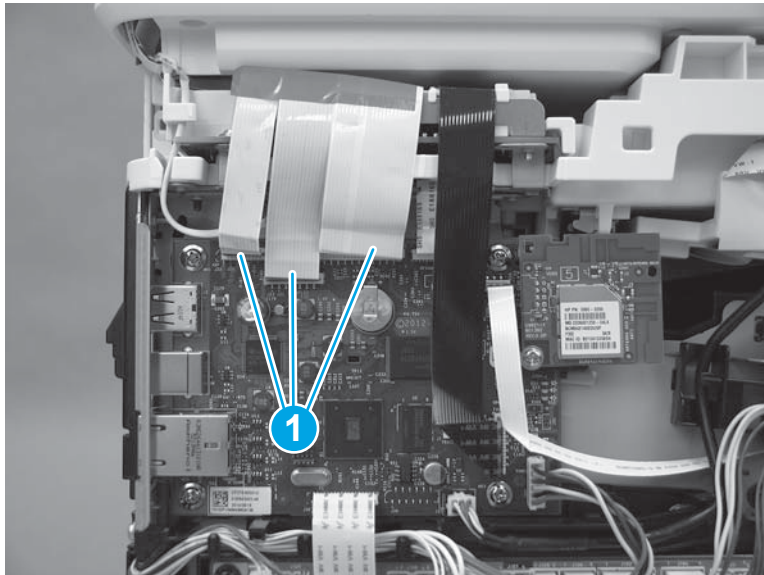


Step 7: Remove the integrated scanner assembly (M377, M477 models)

 **NOTE:** This step is for the M377, M477 models. For the M452 models, skip this step and go to [Step 10: Remove the top cover \(M452 models\) on page 2060](#).

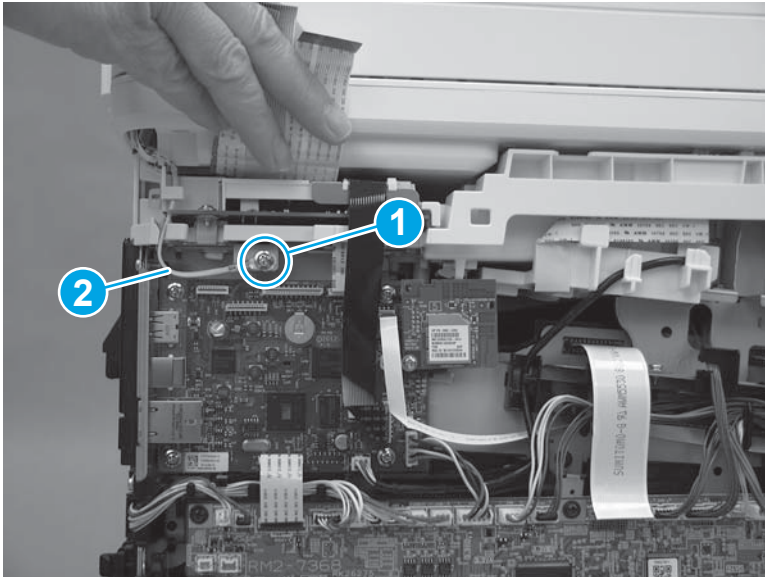
1. On the left side of the printer, disconnect three connectors (callout 1).

Figure 1-3872 Disconnect the scanner cables



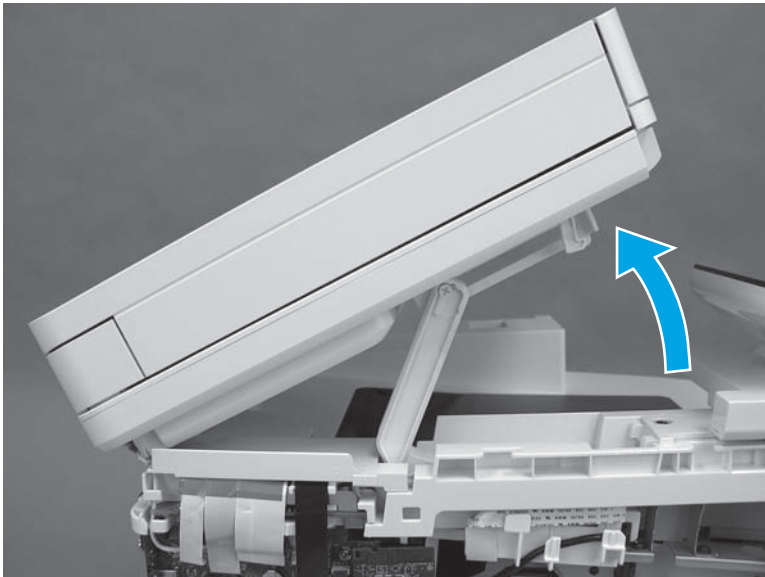
2. Raise the scanner cables up, and then remove one screw (callout 1) to release the ground wire (callout 2).

Figure 1-3873 Remove one screw and release the ground wire



3. Raise the scanner.

Figure 1-3874 Raise the scanner



4. With the scanner lifted, release the tab (callout 1) on the scanner support arm pin from the slot and rotate the pin in the direction indicated.

Figure 1-3875 Release the scanner arm pin



5. Remove the scanner arm pin.

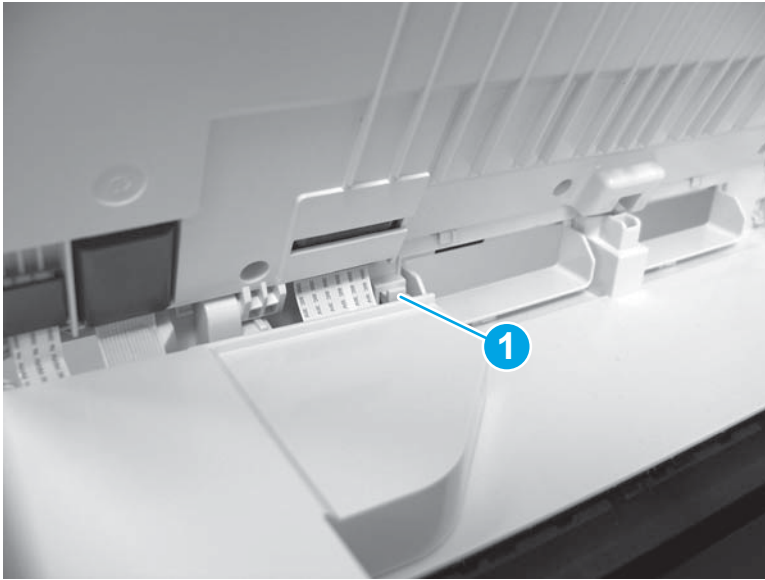
⚠ CAUTION: Once the scanner arm pin is removed, support the scanner with one hand at all times so that it does not fall backwards off of the printer.

Figure 1-3876 Remove the scanner arm pin.



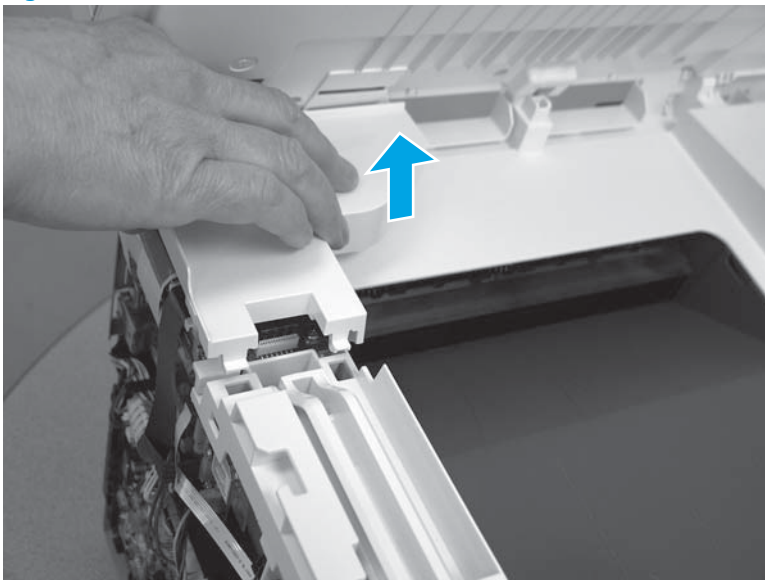
6. On the top of the printer, use a flat-blade screwdriver to release one tab (callout 1).

Figure 1-3877 Release one tab



7. Remove the scanner cable cover.

Figure 1-3878 Remove the scanner cable cover



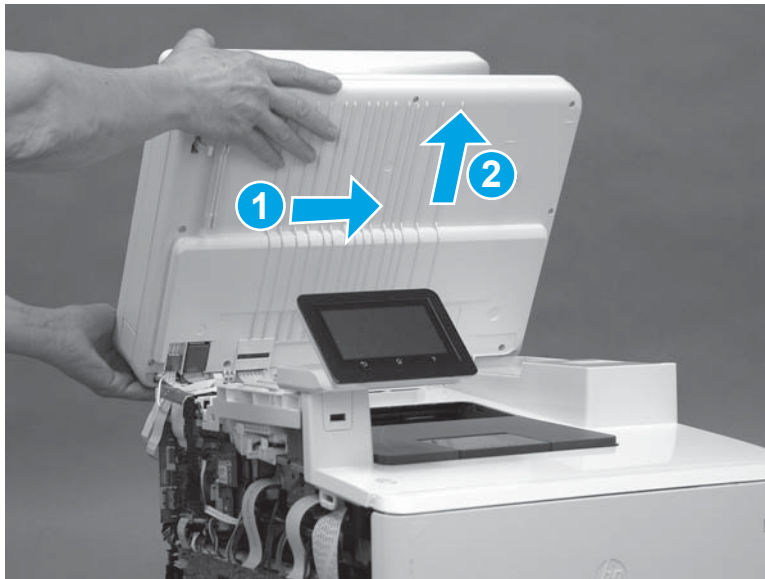
8. The scanner cables (callout 1) are held in place on the top cover with double-sided tape. Carefully release the cables from the top cover.

Figure 1-3879 Release the cables




9. Open the scanner assembly fully, slide the assembly toward the right side of the printer, and then lift the assembly off of the printer.

Figure 1-3880 Remove the scanner assembly

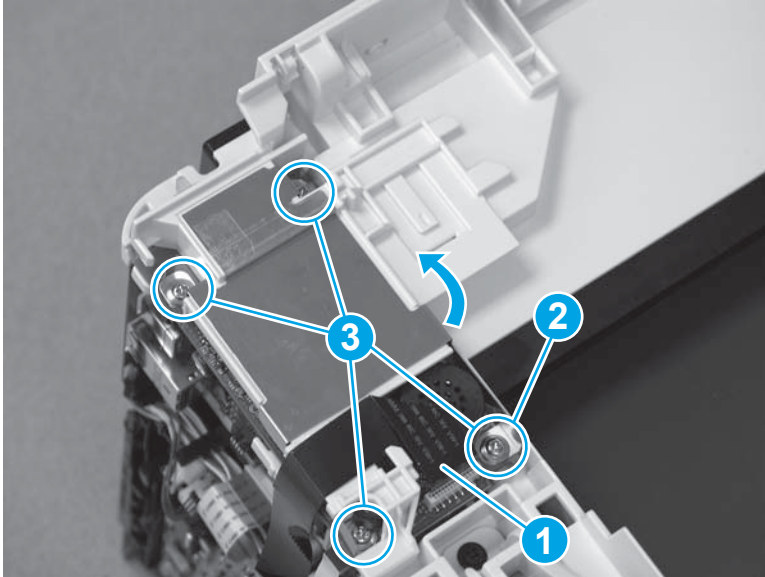


Step 8: Remove the fax PCA (M477 models)

 **NOTE:** This step is for M477 fax models only. Skip this step for non-fax models.

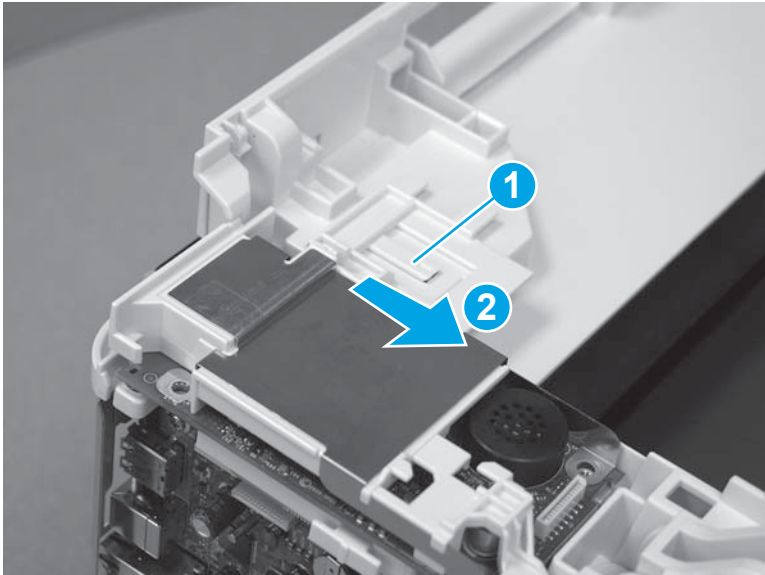
1. Disconnect one connector (callout 1). Beginning with the top right screw (callout 2) remove four screws (callout 3) in a counterclockwise direction.

Figure 1-3881 Disconnect one connector and remove four screws



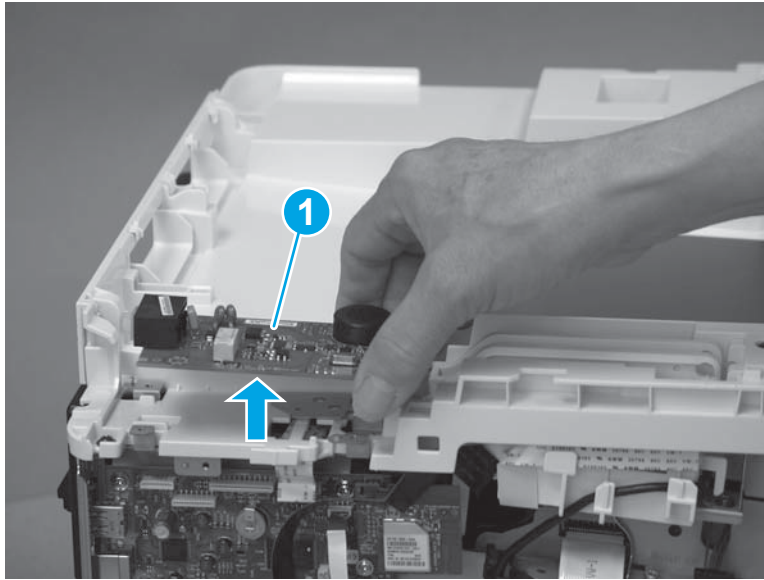
2. Release one tab (callout 1), and then slide the fax cover (callout 2) toward the front of the printer to remove it.

Figure 1-3882 Remove the fax cover




3. Lift up to remove the fax PCA (callout 1).

Figure 1-3883 Remove the fax PCA

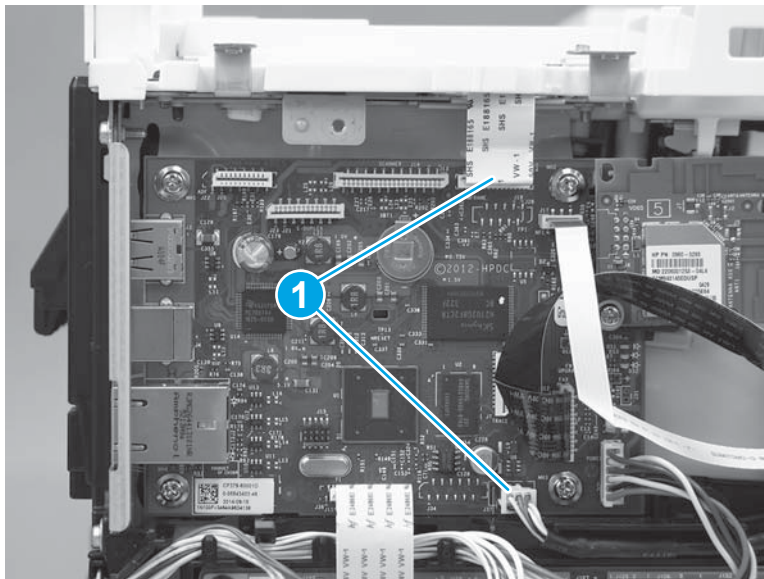


Step 9: Remove the top cover (M377, M477 models)

 **NOTE:** This step is for the M377, M477 models. For the M452 models, skip this step and go to [Step 10: Remove the top cover \(M452 models\) on page 2060](#).

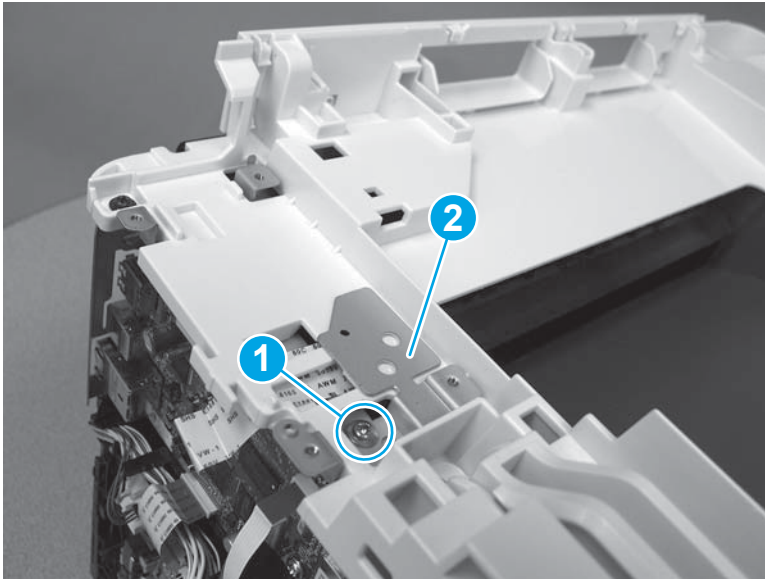
1. On the left side of the printer, on the formatter PCA, disconnect two connectors (callout 1).

Figure 1-3884 Disconnect two connectors



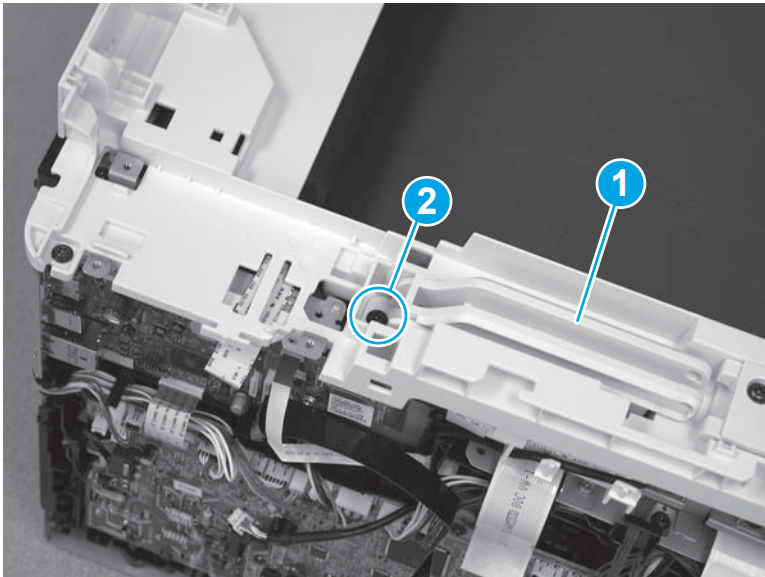
2. On the top cover, remove one screw (callout 1) and the sheet metal plate (callout 2).

Figure 1-3885 Remove one screw and the sheet metal plate



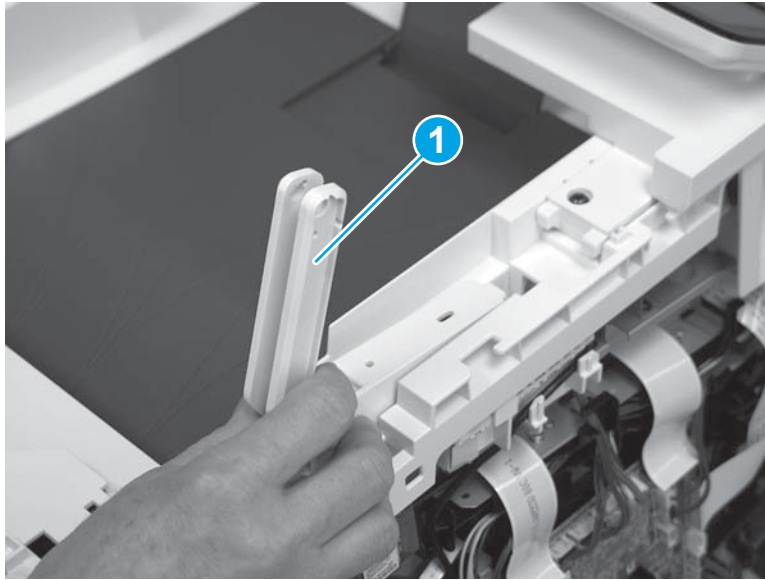
3. At the top of the printer, lower the scanner support arm (callout 1), and then remove one screw (callout 2).

Figure 1-3886 Lower the support arm and remove one screw



4. Remove the scanner support arm (callout 1).

Figure 1-3887 Remove the scanner support arm



5. At the top of the printer, remove three screws (callout 1).


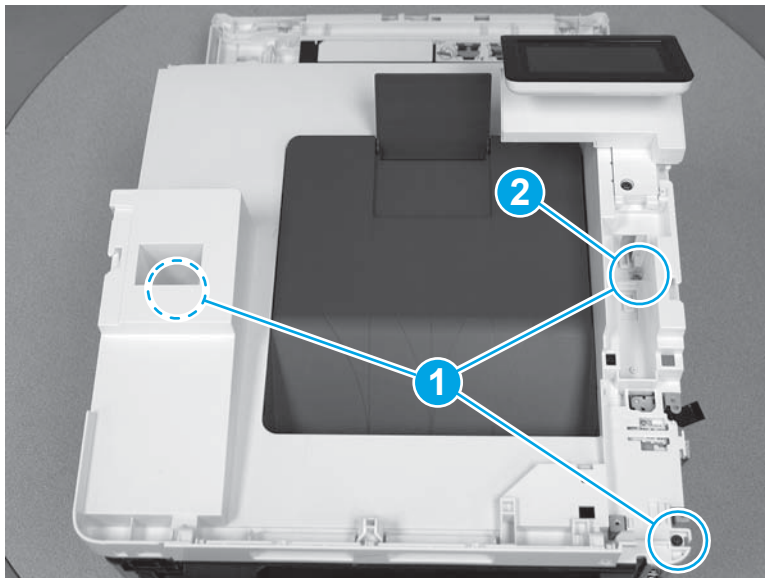
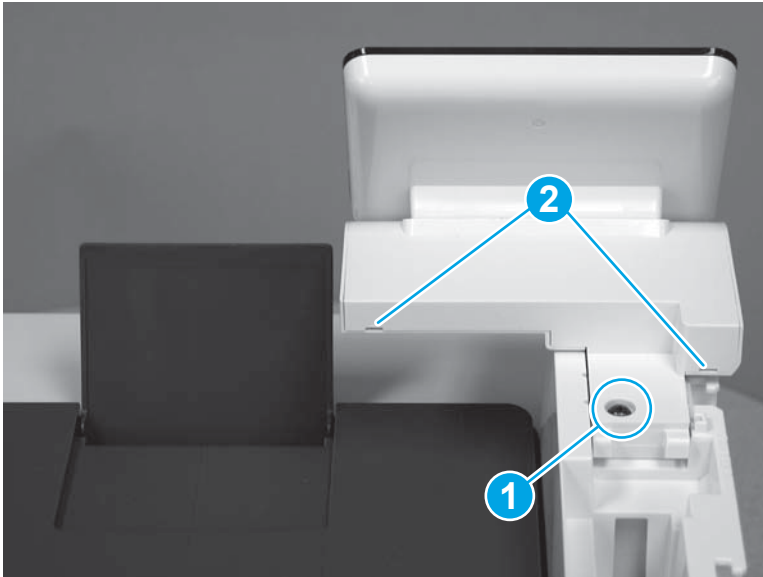
 **Reinstallation tip:** One screw (callout 2) is longer than the other screws. Make sure that this screw is reinstalled in the correct position.

Figure 1-3888 Remove three screws



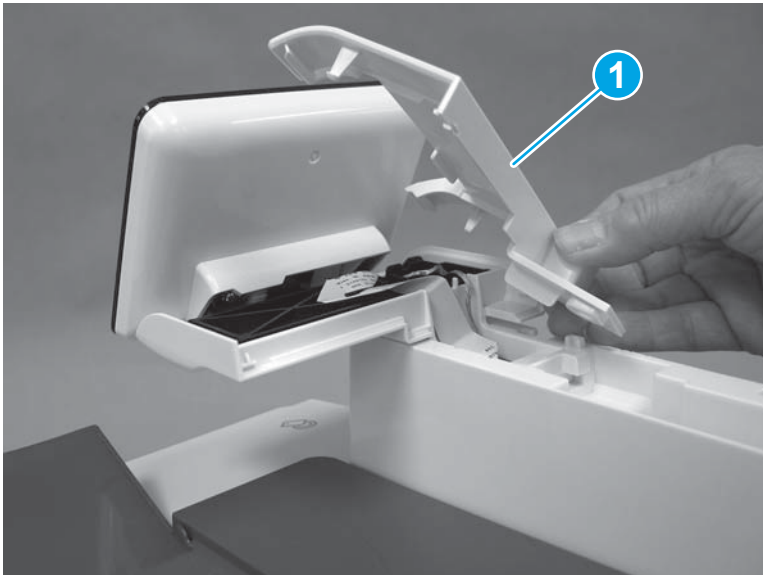
6. Behind the control panel, remove one screw (callout 1), and then use a small flat-blade screwdriver at two pry points (callout 2) to release the control panel cover from the top cover.

Figure 1-3889 Release the control panel cover



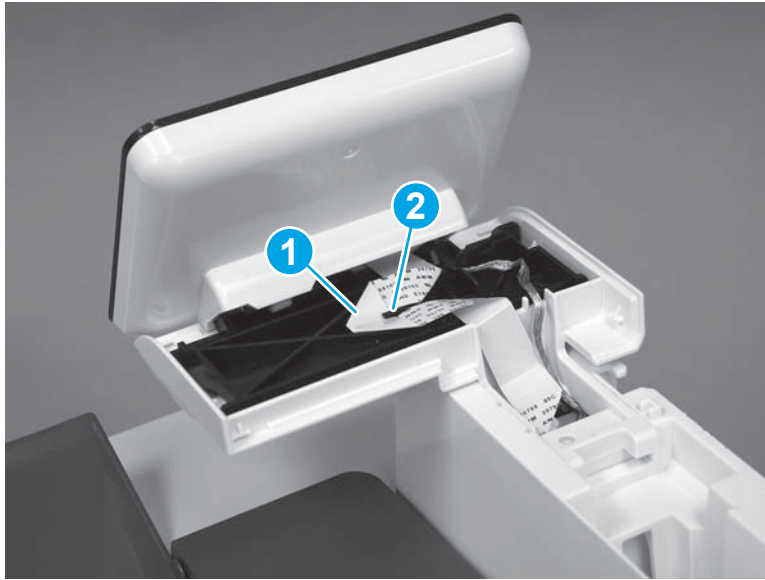
7. Remove the control panel cover (callout 1).

Figure 1-3890 Remove the control panel cover



8. Remove the flat cable (callout 1) from the retaining guide (callout 2).

Figure 1-3891 Release the flat cable



9. Remove two screws (callout 1), and then remove one screw (callout 2) and release one ground wire.


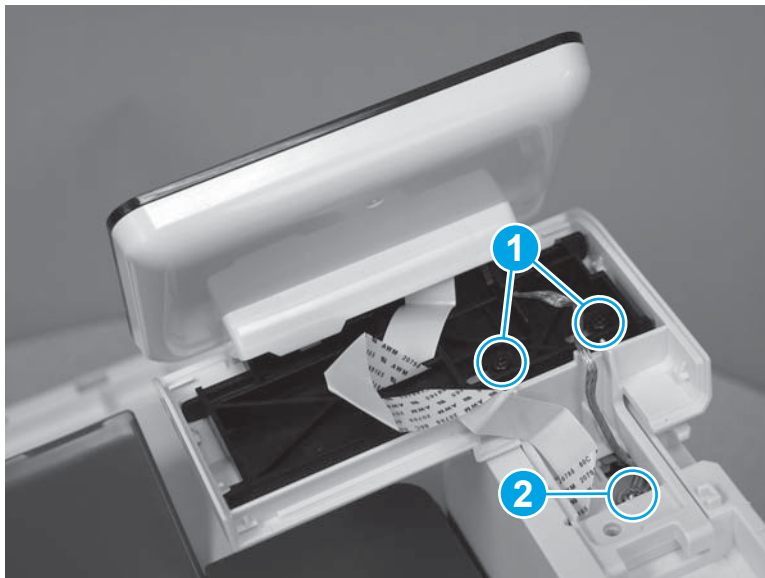
 **Reinstallation tip:** The two screws toward the front of the control panel (callout 1) are longer than the other screw. Make sure these screws are installed in the correct position when reinstalling the part.

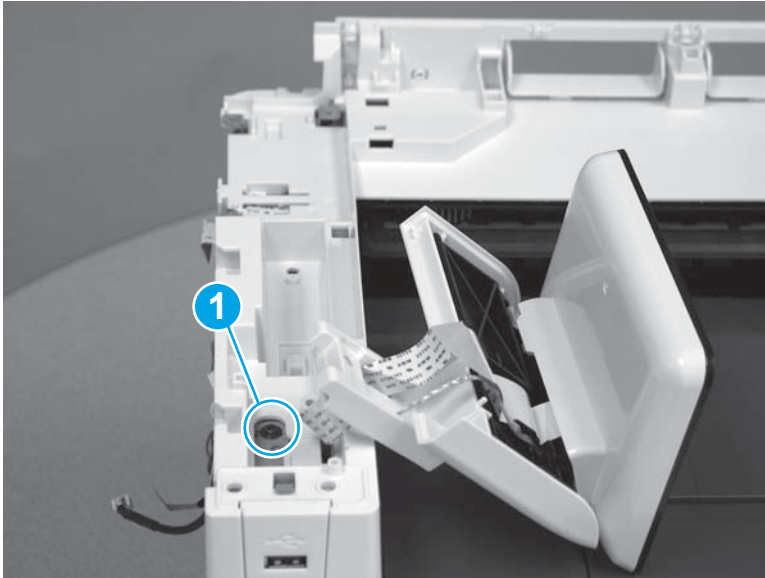
Figure 1-3892 Remove three screws



10. Carefully lift the control panel away and rest it on the top cover, and then remove one screw (callout 1).

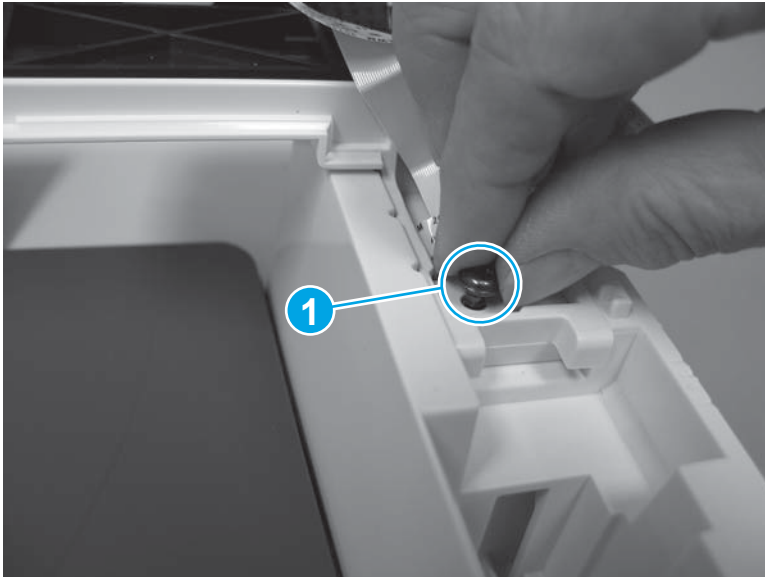
⚠ CAUTION: The control panel is still attached to the top cover by the flat cable.

Figure 1-3893 Remove one screw



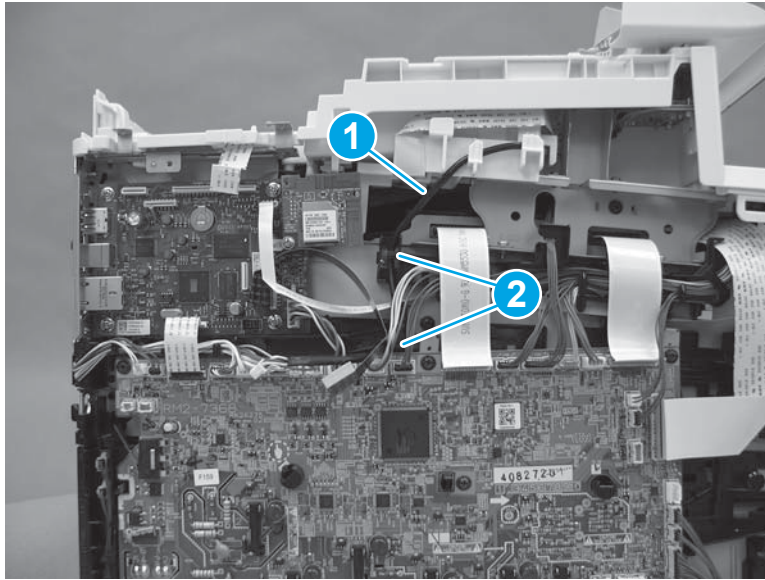
11. Place the control panel back into position. With your hand, refasten the screw (callout 1) that was previously removed from the control panel cover to temporarily reattach the control panel to the top cover. Doing this should protect the flat cable from being damaged.

Figure 1-3894 Refasten the control panel to the top cover



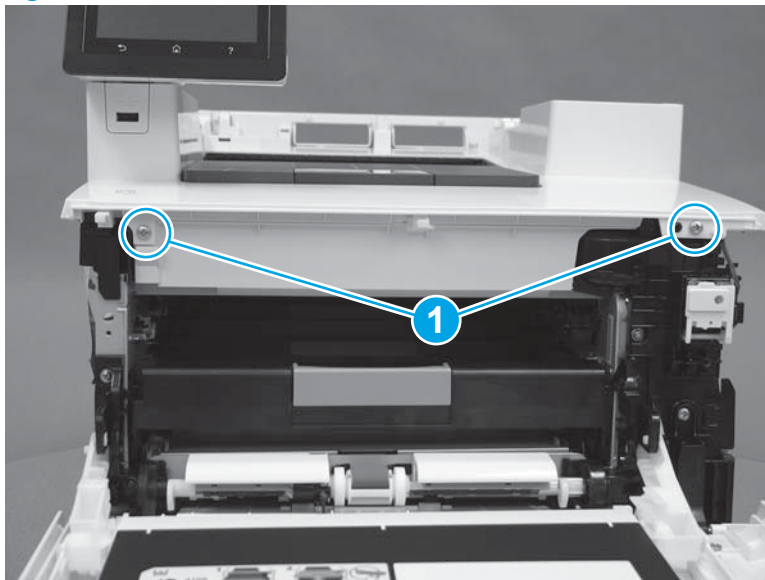
12. Remove the USB cable (callout 1) from the cable guides (callout 2).

Figure 1-3895 Release the USB cable



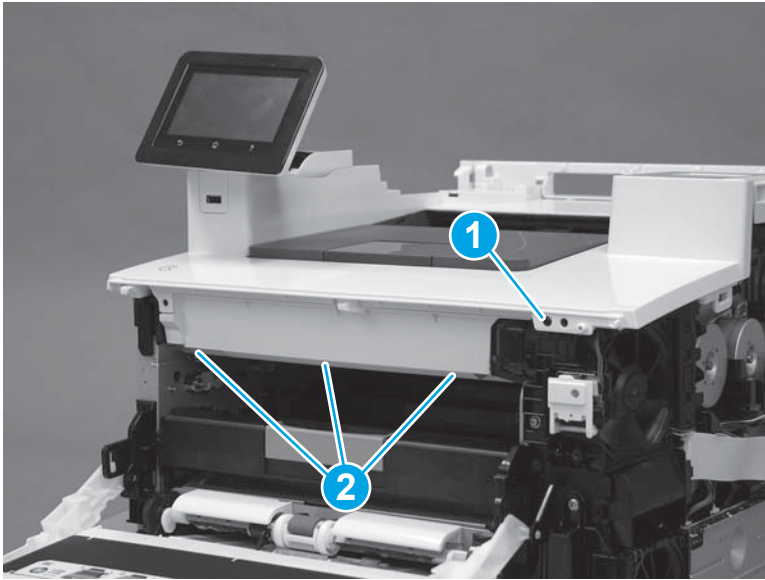
13. At the front of the printer, remove two screws (callout 1).

Figure 1-3896 Remove two screws



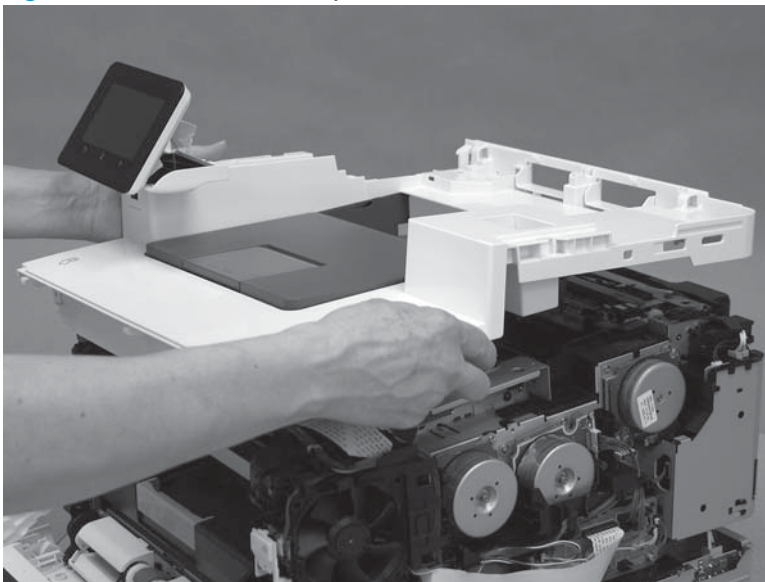
14. Release one retainer (callout 1), and then release three tabs (callout 2).

Figure 1-3897 Release one retainer and three tabs




15. Remove the top cover.

Figure 1-3898 Remove the top cover

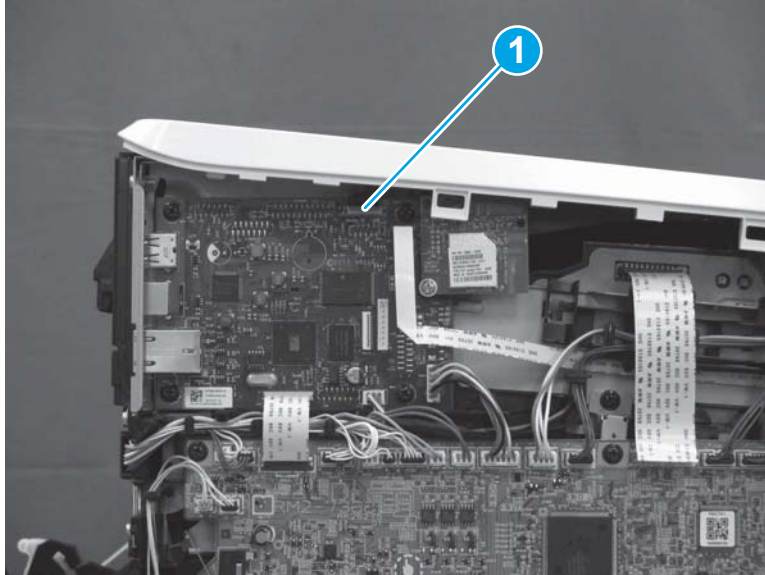


Step 10: Remove the top cover (M452 models)

 **NOTE:** This step is for the M452 models. For the M377, M477 models, skip this step and go to [Step 11: Remove the fuser \(duplex models\) on page 2065](#).

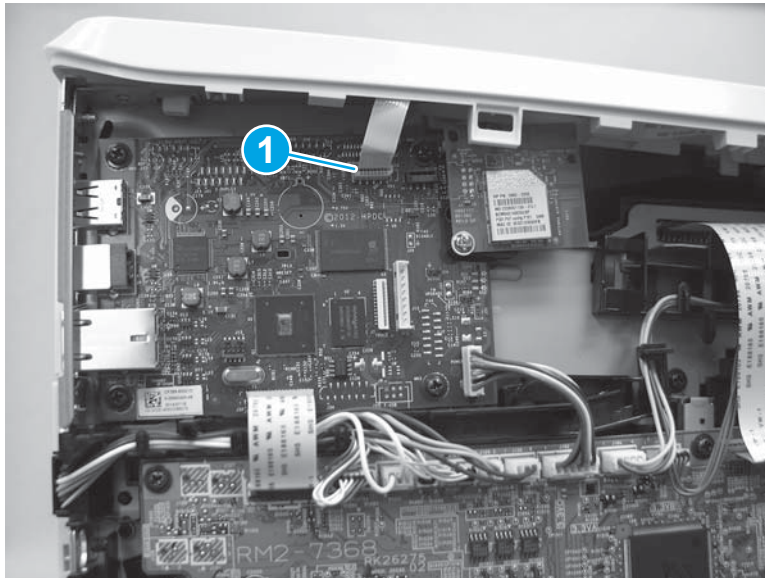
1. **M452dw model only:** On the left side of the printer, on the formatter, disconnect one connector (callout 1).

Figure 1-3899 Disconnect one connector



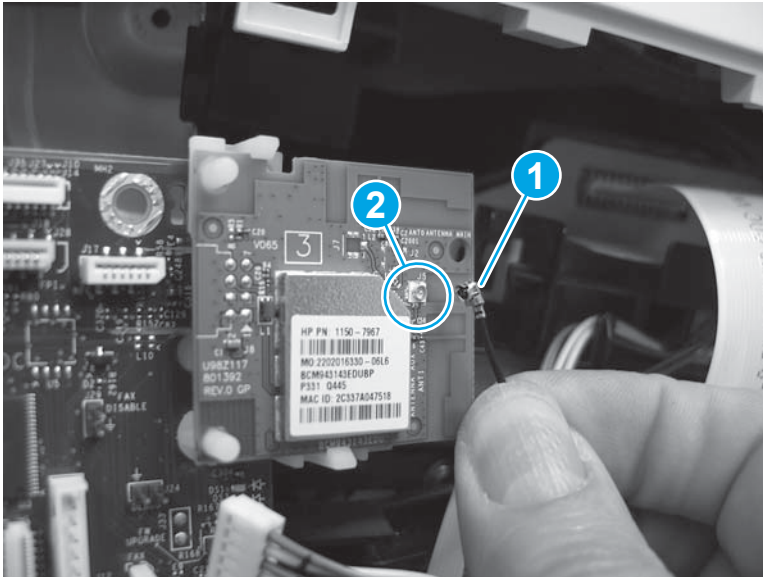
- 2. M452nw/dn models only:** On the left side of the printer, on the formatter, disconnect one connector (callout 1).

Figure 1-3900 Disconnect one connector



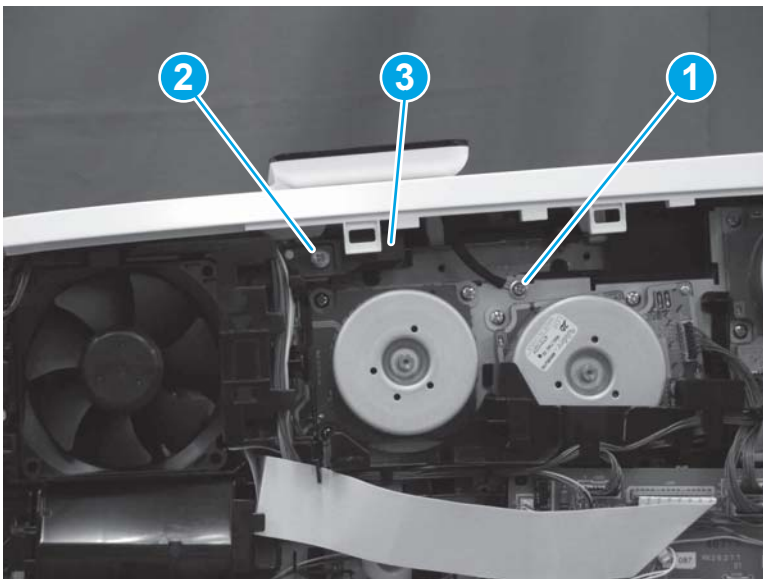
- 3. M452nw/dw models only:** Disconnect the antenna (callout 1) from the connector (callout 2) on the wireless PCA.

Figure 1-3901 Disconnect the antenna



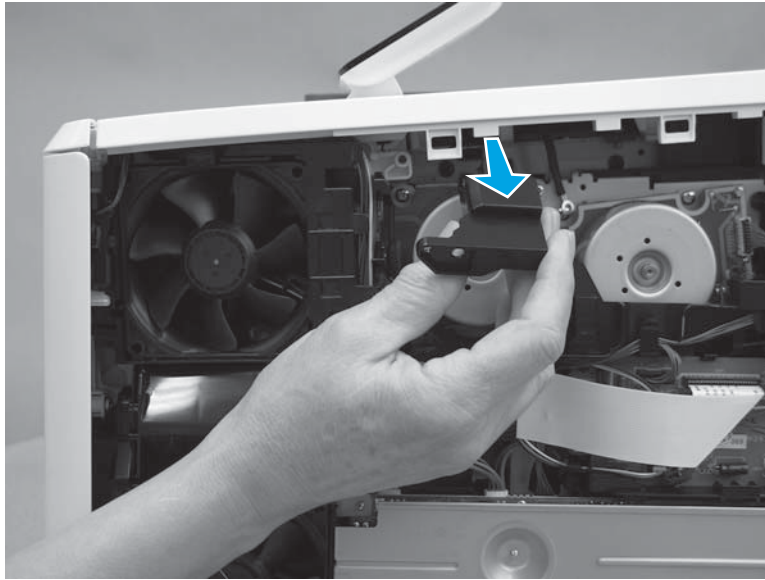
- 4. M452dw model only:** Remove one screw (callout 1) and release one ground wire. Remove one screw (callout 2). Note the location (callout 3) of the guide.

Figure 1-3902 Remove two screws



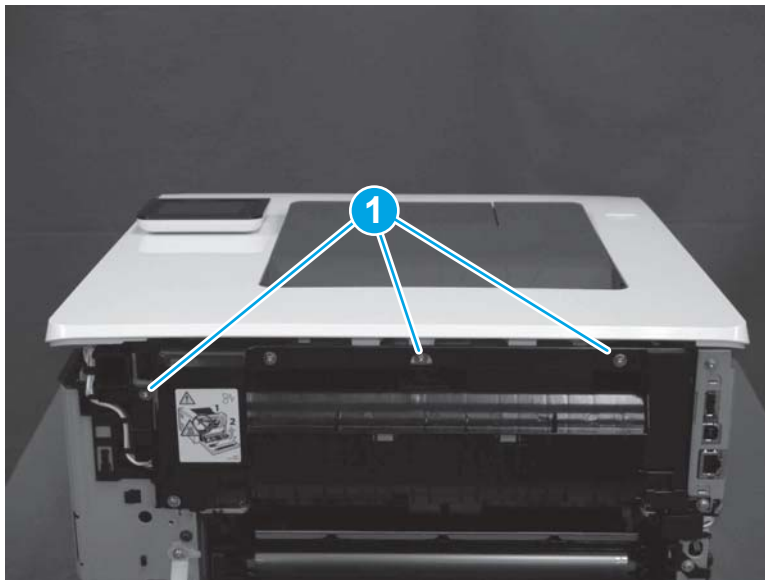
5. **M452dw model only:** Remove the guide.

Figure 1-3903 Remove the guide



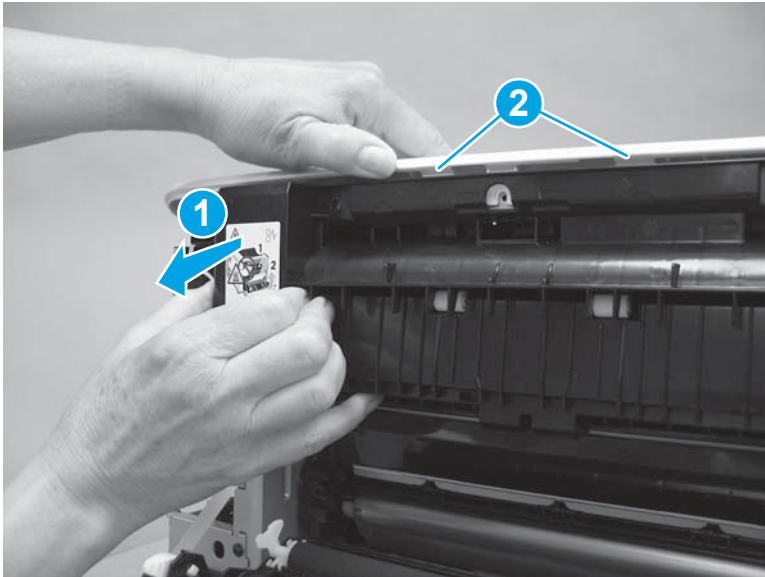
6. **M452dn/dw models only:** At the back of the printer, remove three screws (callout 1).

Figure 1-3904 Remove three screws



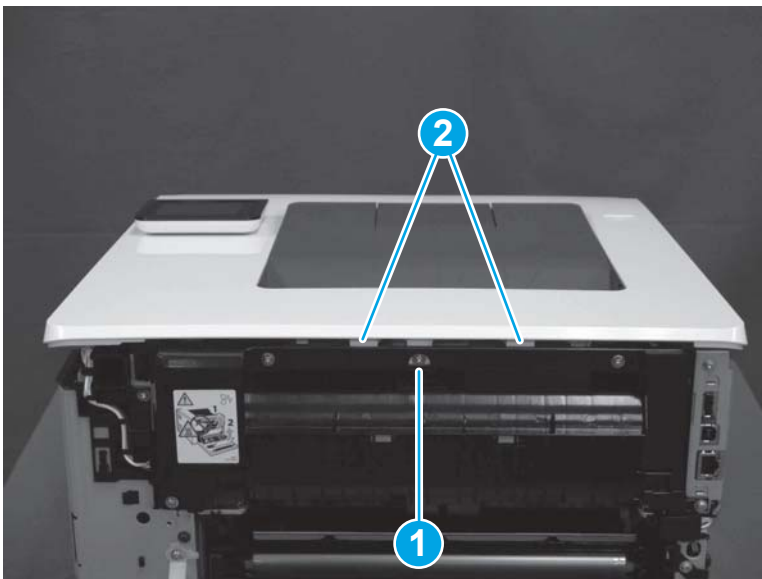
7. **M452dn/dw models only:** Gently pull the top of the fuser away (callout 1), and then release two tabs (callout 2).

Figure 1-3905 Release two tabs



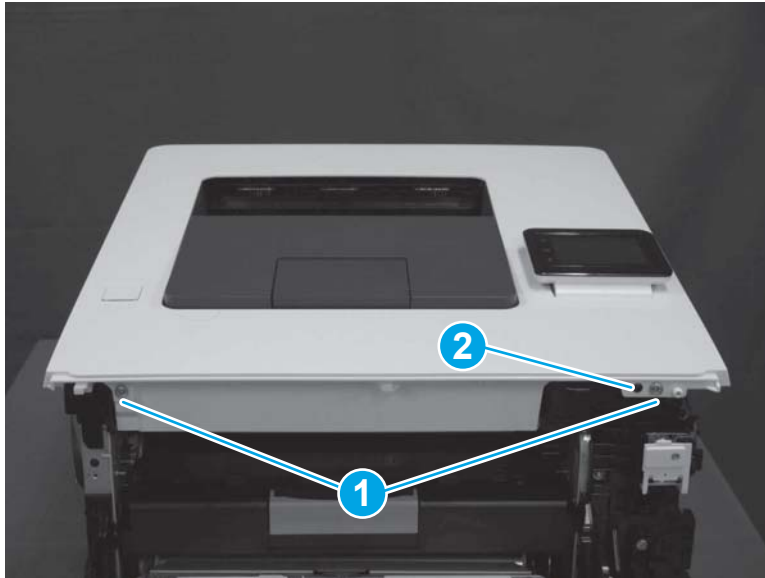
8. **M452nw model only:** At the back of the printer, remove one screw (callout 1), and then release two tabs (callout 2).

Figure 1-3906 Remove screw and release two tabs



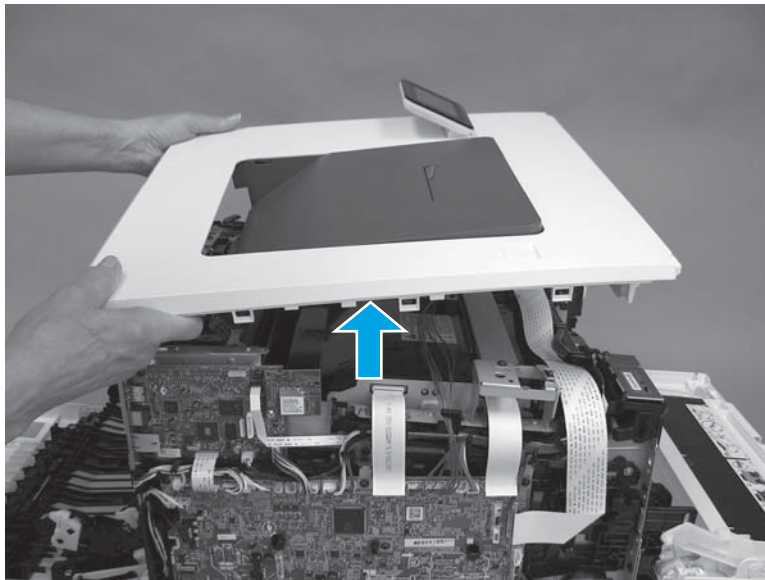
9. At the front of the printer, remove two screws (callout 1), and then release one tab (callout 2).

Figure 1-3907 Remove two screws and release one tab



10. Remove the top cover.

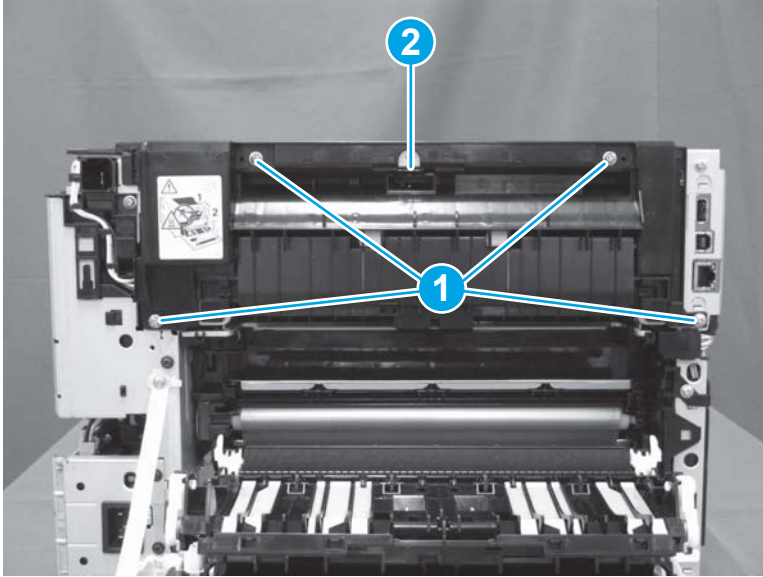
Figure 1-3908 Remove the top cover



Step 11: Remove the fuser (duplex models)

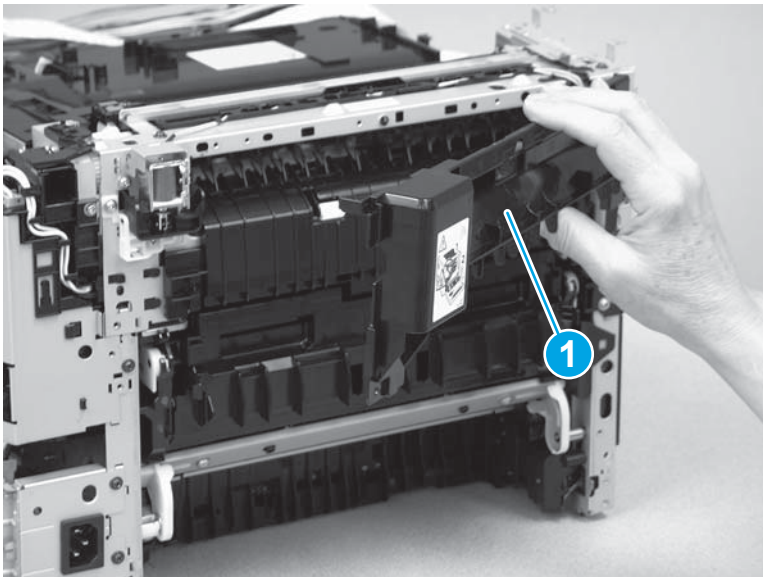
1. Remove four screws (callout 1), and then release one tab (callout 2).

Figure 1-3909 Remove four screws



2. Remove the guide (callout 1).

Figure 1-3910 Remove the guide



3. Disconnect one connector (callout 1) on the engine controller PCA.


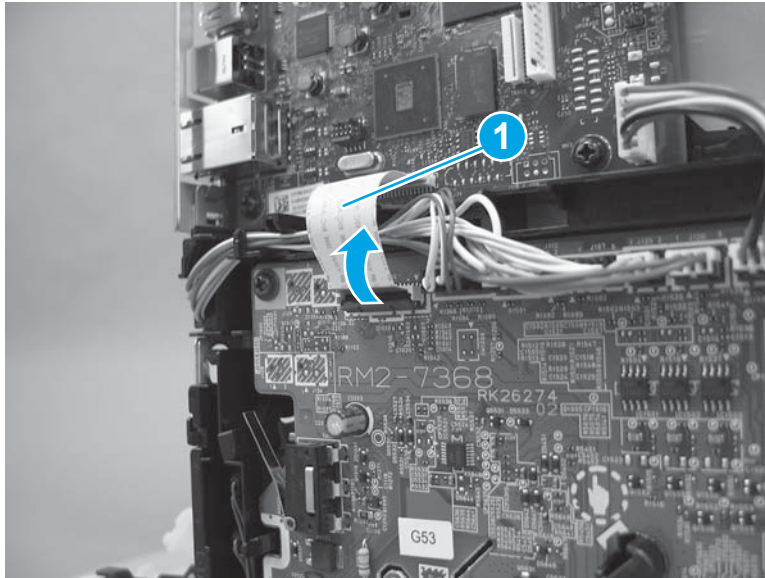
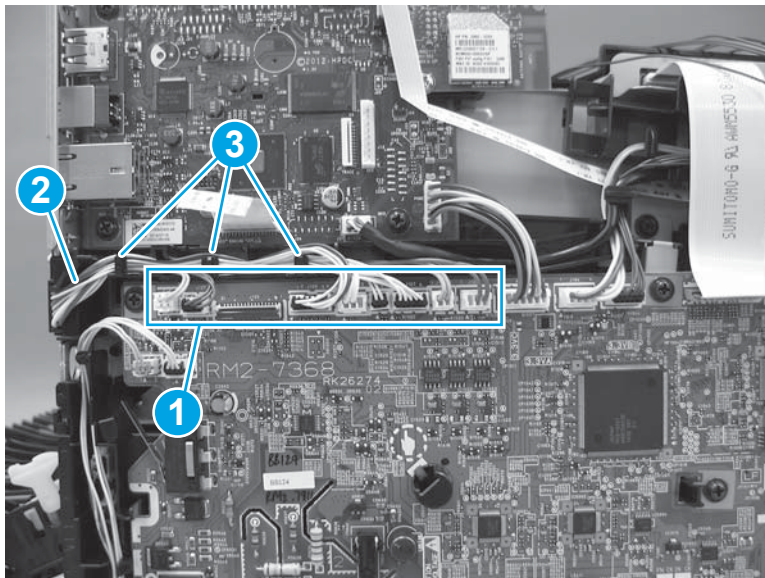
 **NOTE:** This connector is a zero-insertion force (ZIF) connector. Lift the latch on the connector before removing the flat cable.

Figure 1-3911 Disconnect one connector



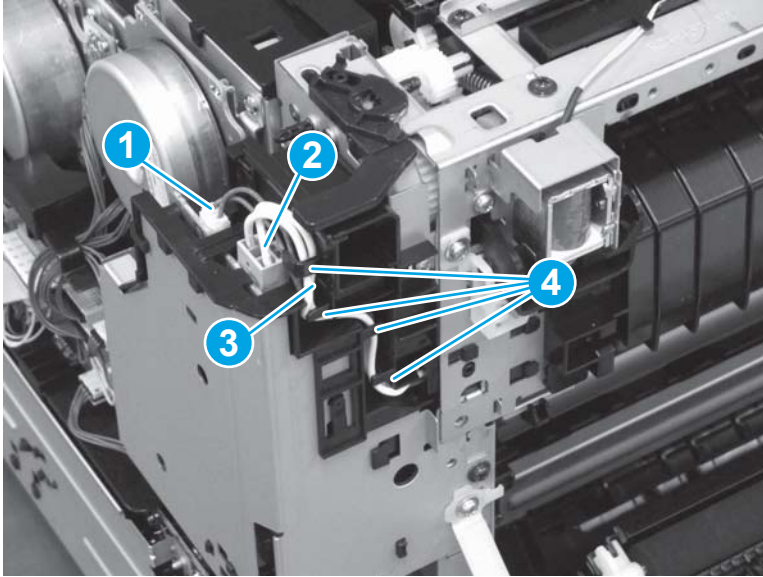
4. Disconnect eight connectors on the engine controller PCA (callout 1), and then remove the cables (callout 2) from the guides (callout 3).

Figure 1-3912 Disconnect eight connectors



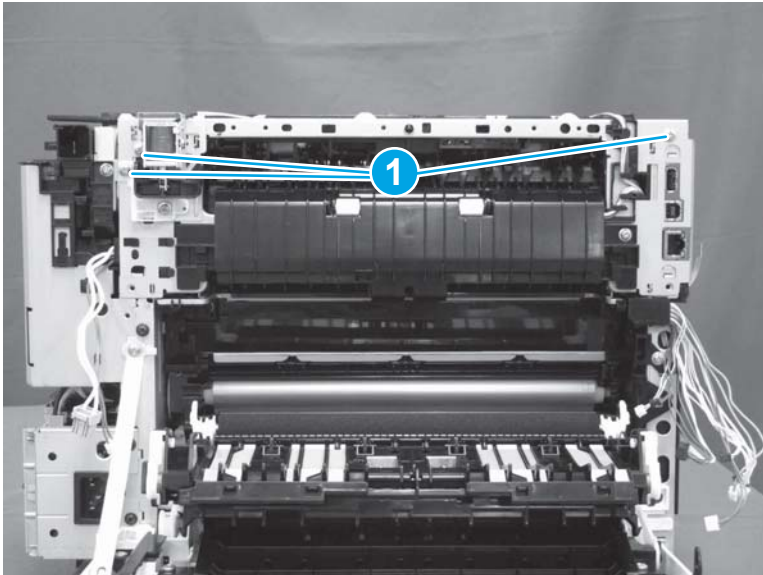
5. Disconnect one connector (callout 1). Release the connector latch, and then disconnect one connector (callout 2). Remove the cables (callout 3) from the guides (callout 4).

Figure 1-3913 Disconnect two connectors



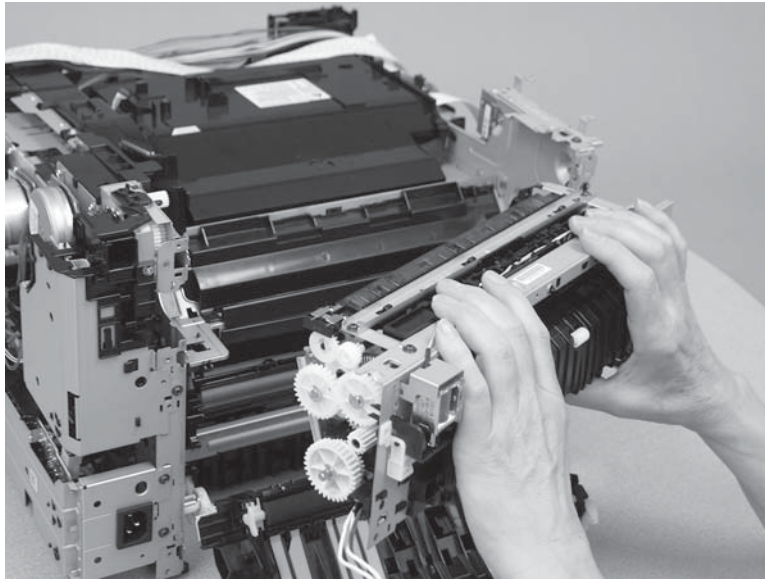
6. Remove three screws.

Figure 1-3914 Remove three screws



7. Remove the fuser.

Figure 1-3915 Remove the fuser



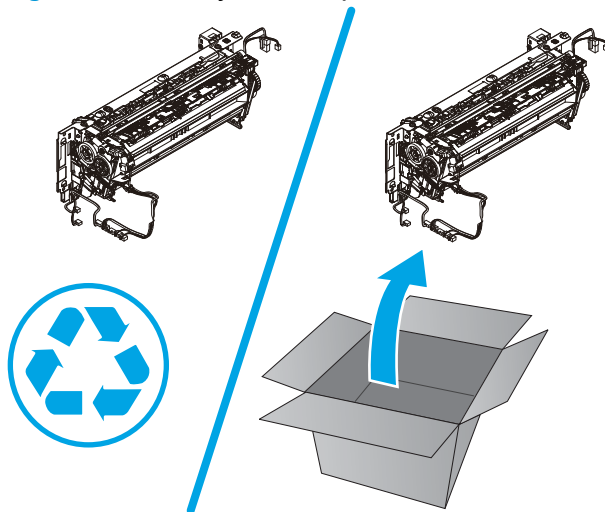
Step 12: Unpack the replacement part

Remove the new part from its package. Save all packaging for recycling the used part.

For complete information on HP's recycling programs, go to [Product return and recycling](#).

 **NOTE:** HP recommends responsible disposal of the defective part.

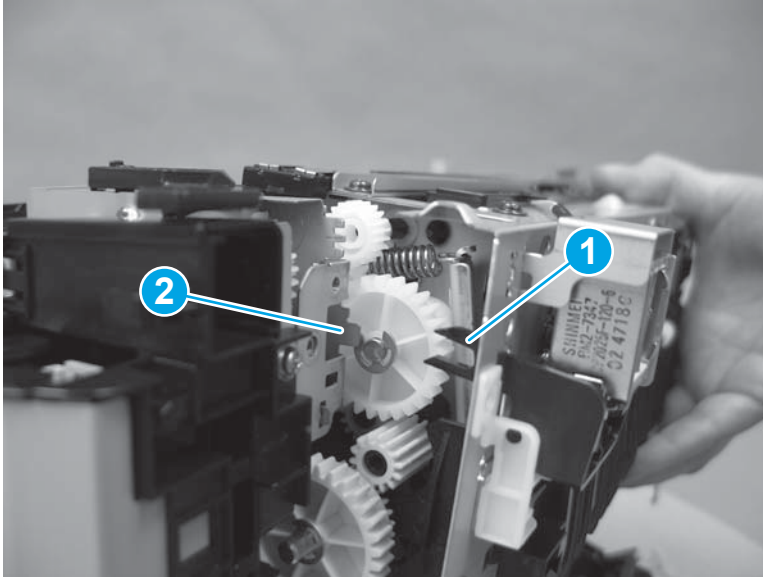
Figure 1-3916 Recycle and unpack



Step 13: Install the fuser (duplex models)

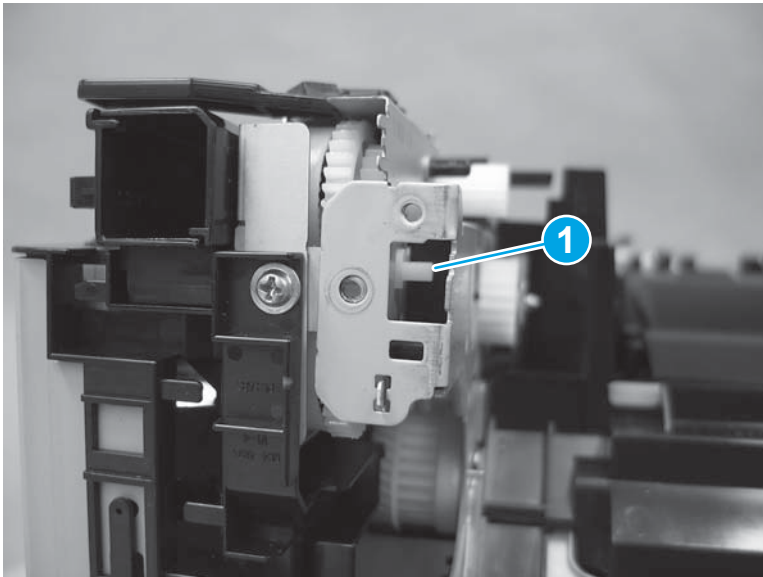
1. Position the fuser on the printer. When installing the fuser, make sure that the switchback lever (callout 1) is installed completely through the opening (callout 2) in the printer frame.

Figure 1-3917 Install the lever through the opening



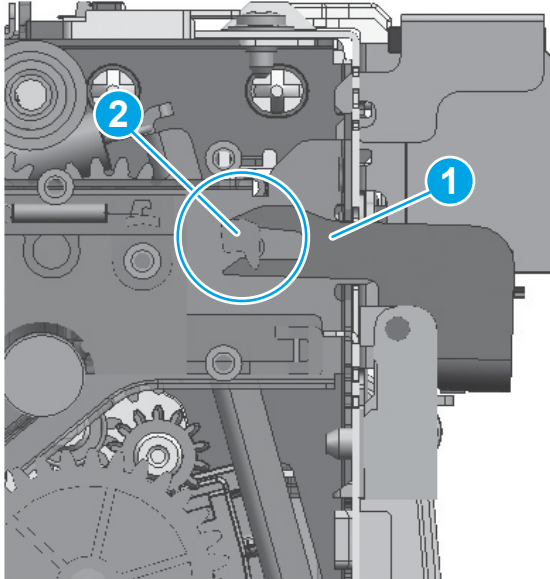
2. The fingers on the switchback lever will fit around the shaft (callout 1) inside the printer.

Figure 1-3918 Switchback lever shaft



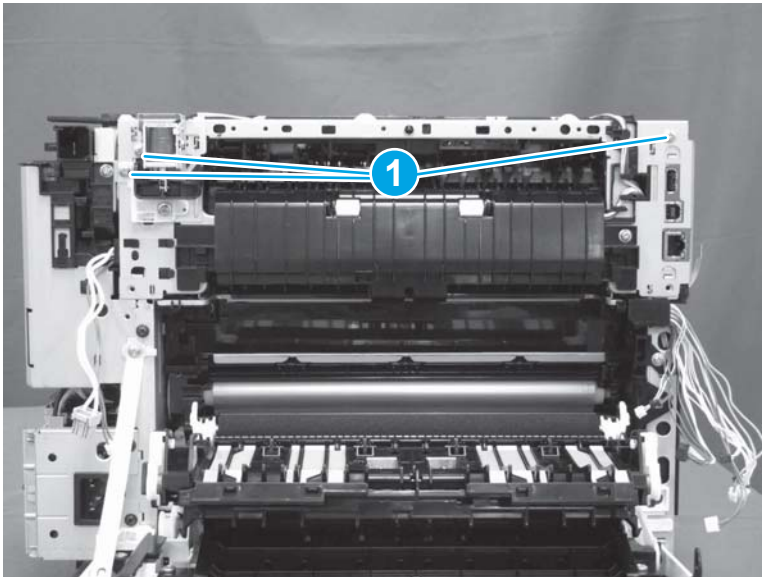
3. The figure below shows a cross section view of the proper position of the switchback lever (callout 1) around the shaft (callout 2).

Figure 1-3919 Switchback lever position



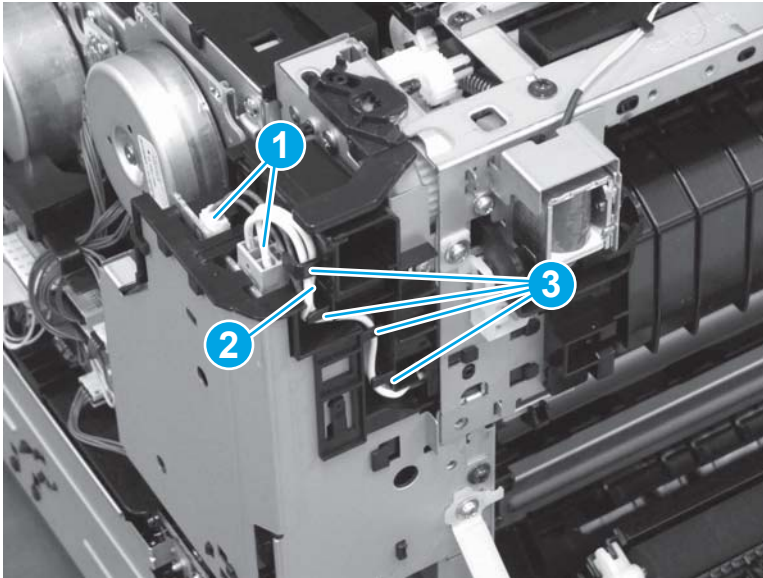
4. Install three screws.

Figure 1-3920 Install three screws



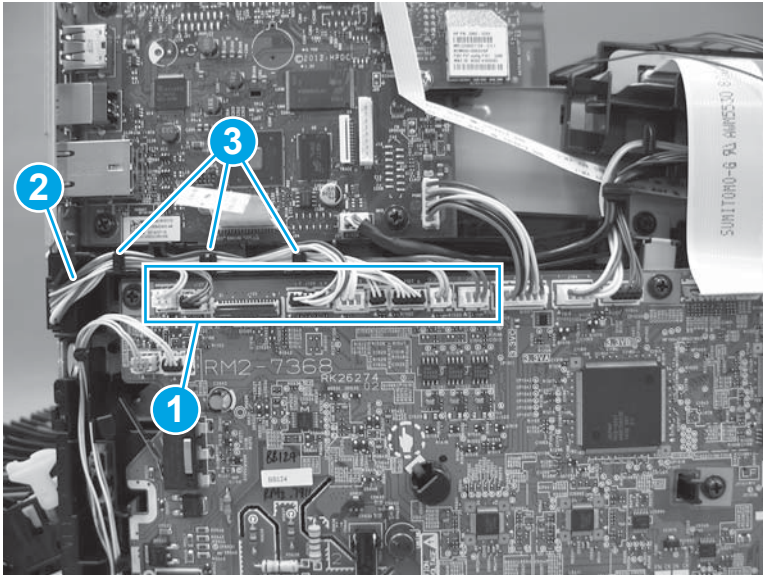
5. Connect two connectors (callout 1), and then install the cables (callout 2) in the guides (callout 3).

Figure 1-3921 Connect two connectors



6. Connect eight connectors on the engine controller PCA (callout 1), and then install the cables (callout 2) in the guides (callout 3).

Figure 1-3922 Connect eight connectors



7. Connect one connector (callout 1) on the engine controller PCA.


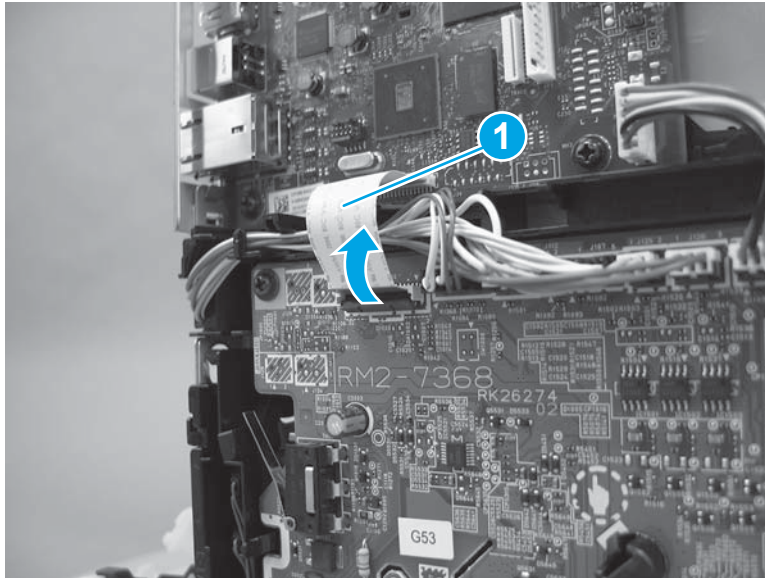
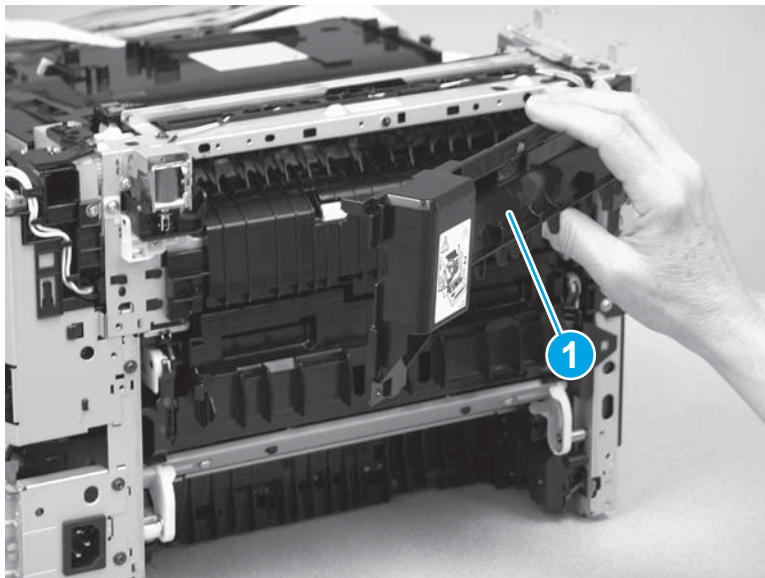
 **NOTE:** This connector is a zero-insertion force (ZIF) connector. Lift the latch on the connector before installing the flat cable and then lower the latch to secure the cable.

Figure 1-3923 Connect one connector



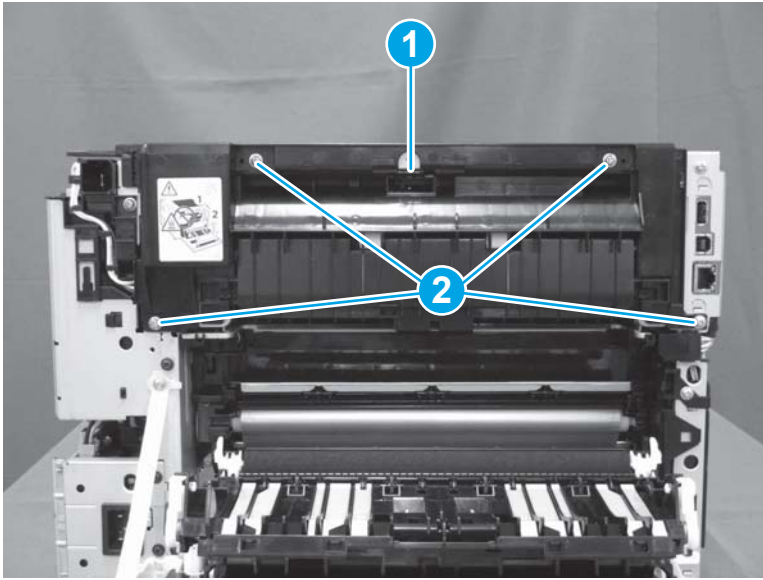
8. Position the guide (callout 1) on the printer.

Figure 1-3924 Position the guide



9. Install one tab (callout 1), and then install four screws (callout 2).

Figure 1-3925 Install four screws

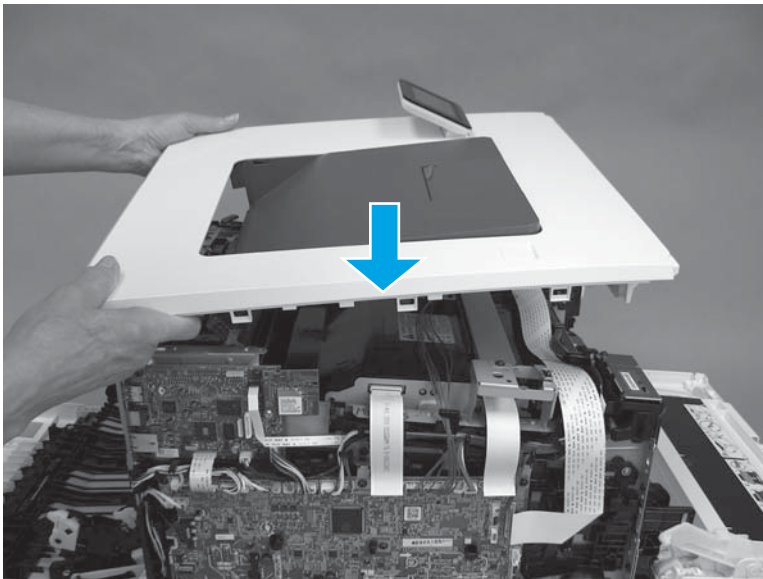


Step 14: Install the top cover (M452 models)

 **NOTE:** This step is for the M452 models. For the M377, M477 models, skip this step and go to [Step 15: Install the top cover \(M377, M477 models\) on page 2079.](#)

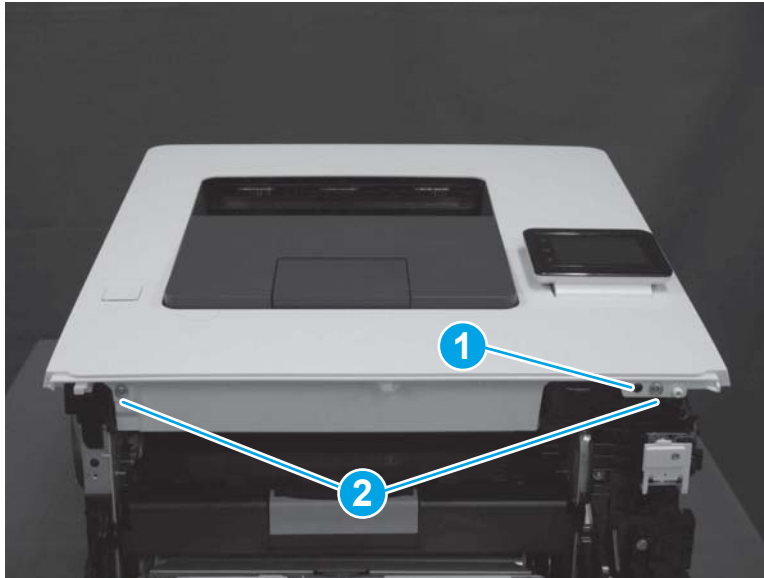
1. Position the top cover on top of the printer.

Figure 1-3926 Position the top cover



2. At the front of the printer, engage one tab (callout 1), and then install two screws (callout 2).

Figure 1-3927 Engage tab and install screws

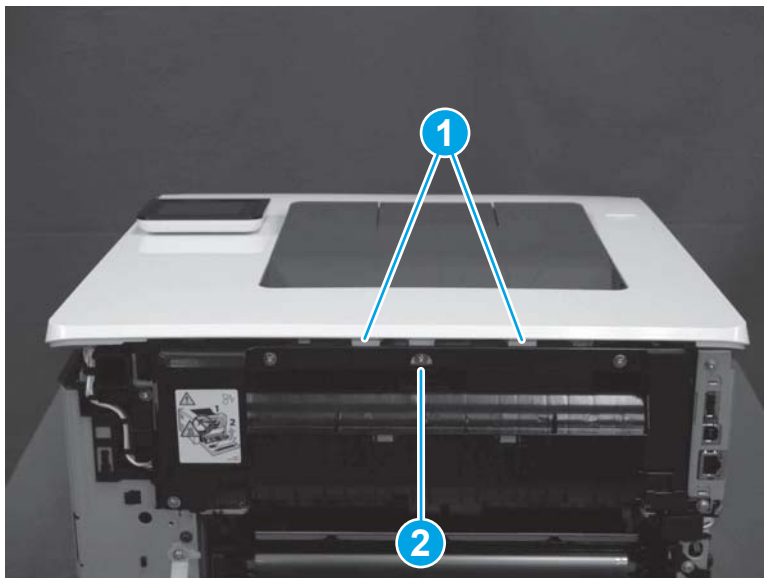


3. **M452nw model only:** At the back of the printer, install two tabs (callout 1), and then install one screw (callout 2).



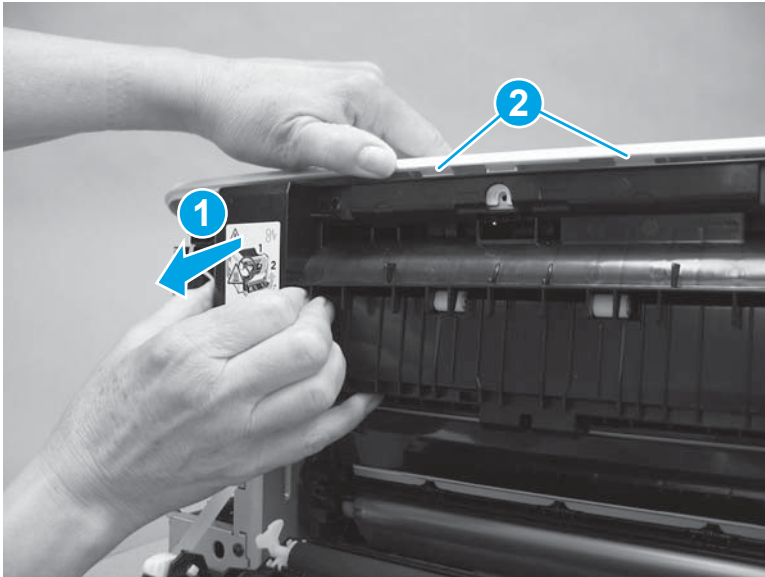
NOTE: The M452dw model is shown. The procedure is correct for the M452nw model.

Figure 1-3928 Install two tabs and one screw



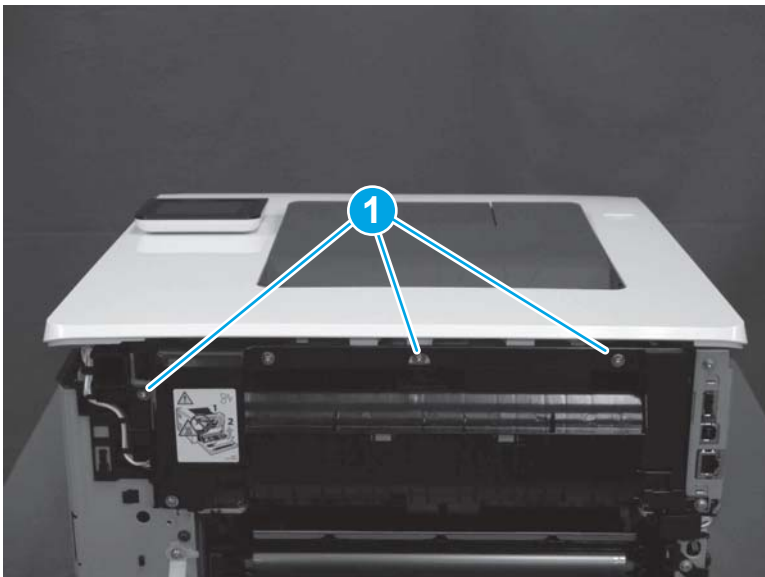
4. **M452dn/dw models only:** Gently pull the top of the fuser away (callout 1), and then install two tabs (callout 2).

Figure 1-3929 Install two tabs



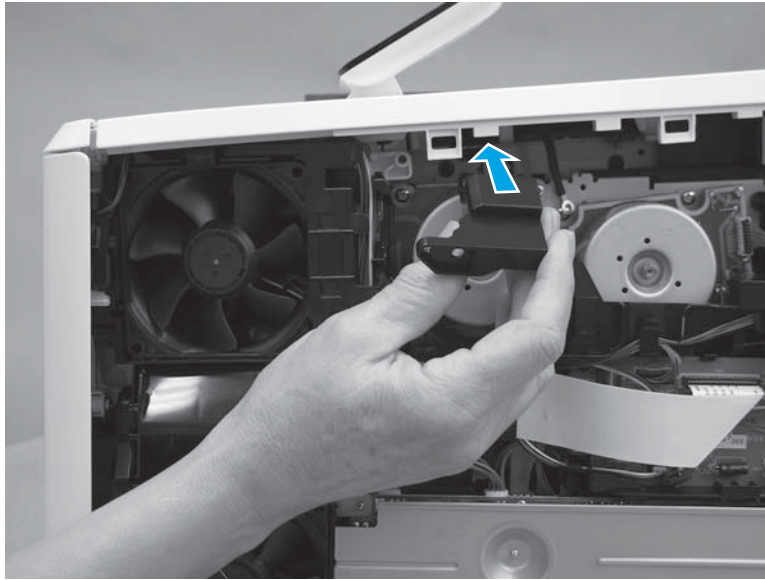
5. **M452dn/dw models only:** At the back of the printer, install three screws (callout 1).

Figure 1-3930 Install three screws



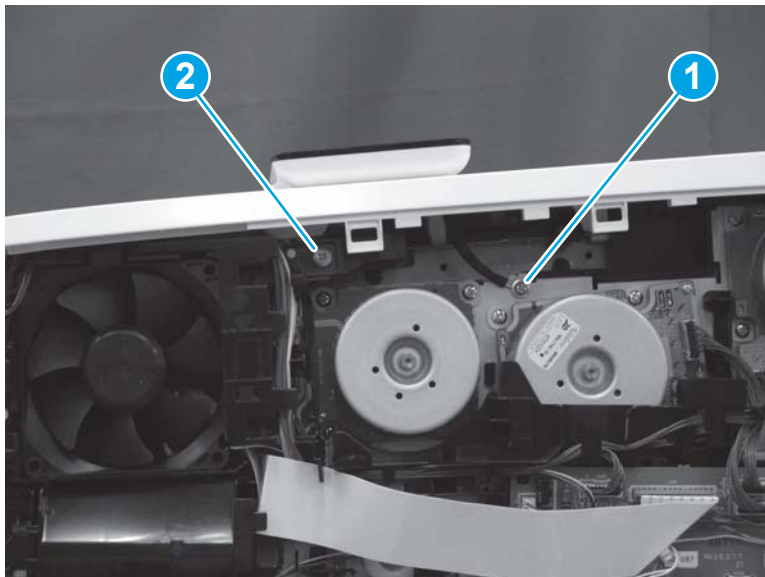
6. **M452dw model only:** Position the guide in the printer.

Figure 1-3931 Install the guide



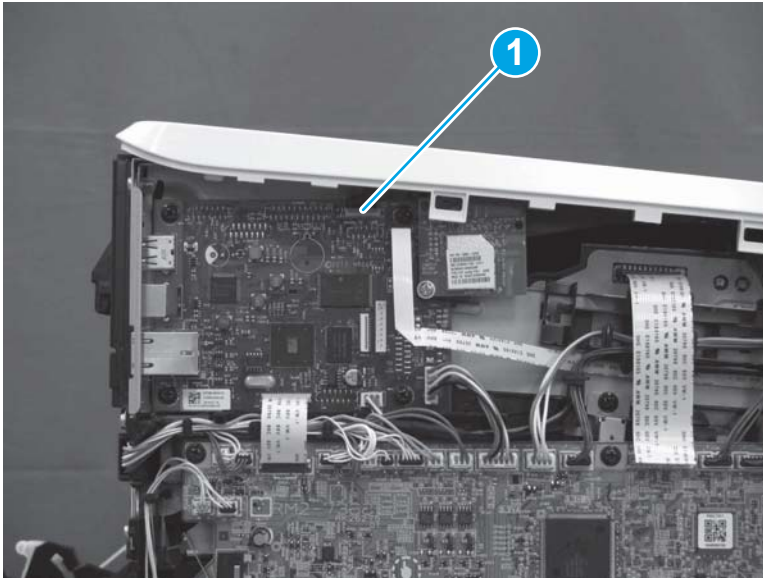
7. **M452dw model only:** Position the ground wire and Install one screw (callout 1). Install one screw (callout 2).

Figure 1-3932 Install two screws



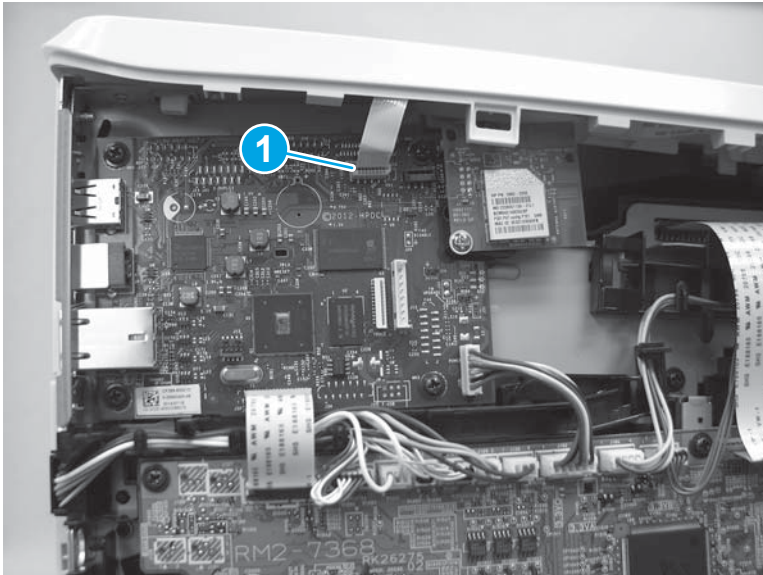
- 8. M452dw model only:** On the left side of the printer, on the formatter, connect one connector (callout 1).

Figure 1-3933 Connect one connector



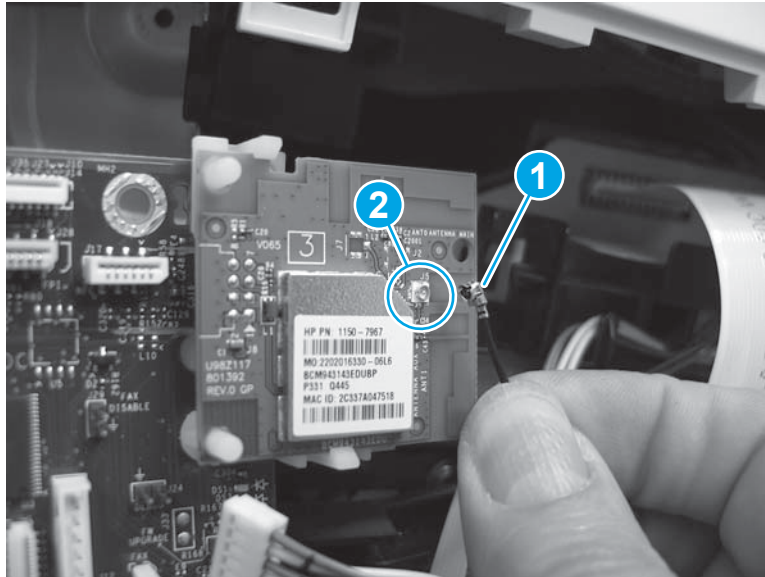
- 9. M452nw/dn models only:** On the left side of the printer, on the formatter, connect one connector (callout 1).

Figure 1-3934 Connect one connector




- 10. M452nw/dw models only:** Connect the antenna (callout 1) to the connector (callout 2) on the wireless PCA.

Figure 1-3935 Connect the antenna

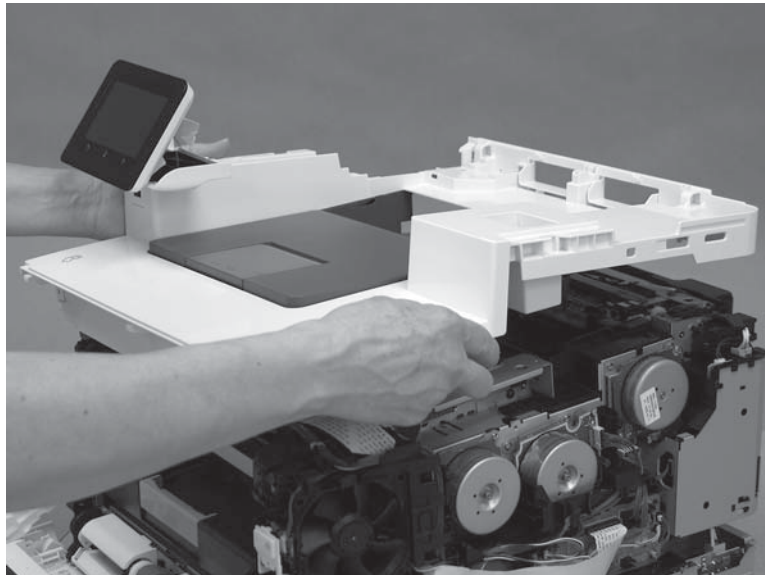


Step 15: Install the top cover (M377, M477 models)

 **NOTE:** This step is for the M377, M477 models. For the M452 models, skip this step and go to [Step 18: Install the left cover \(M452 models\) on page 2093](#).

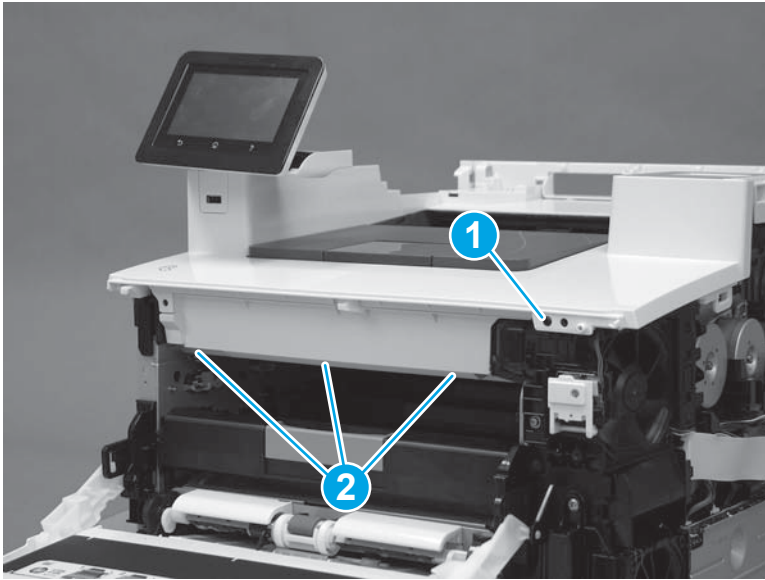
1. Position the top cover on the printer.

Figure 1-3936 Position the top cover



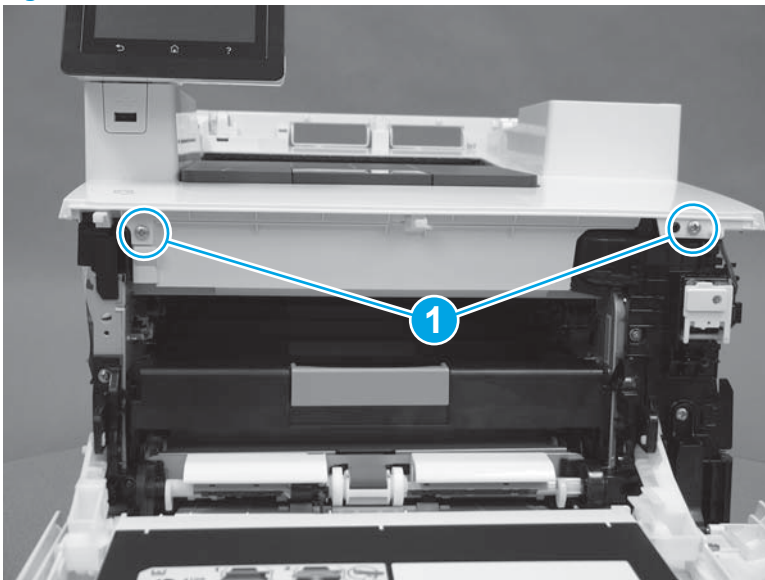
2. At the front of the printer, install one retainer (callout 1), and then install three tabs (callout 2).

Figure 1-3937 Install one retainer and three tabs



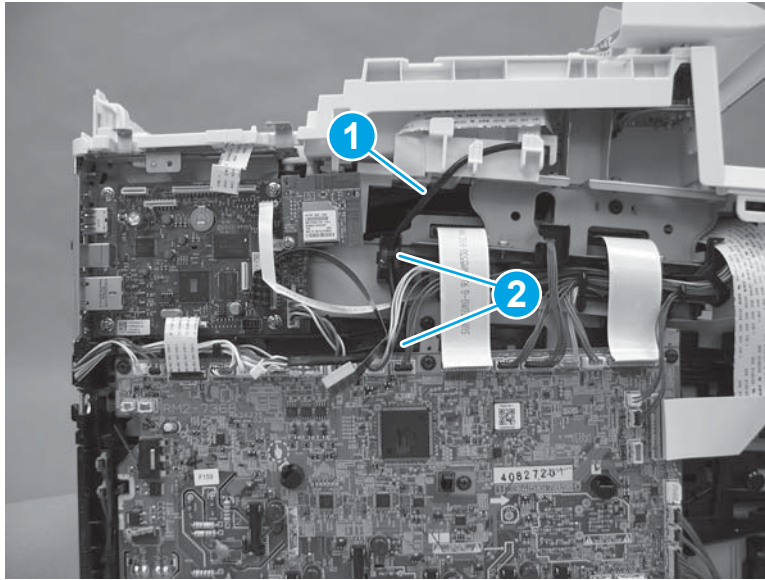
3. Install two screws (callout 1).

Figure 1-3938 Install two screws



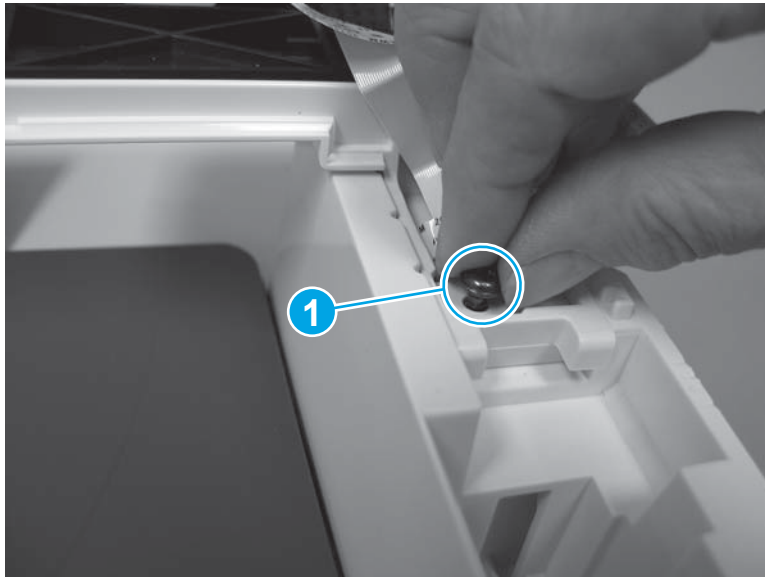
4. Install the USB cable (callout 1) into the cable guides (callout 2).

Figure 1-3939 Install the USB cable



5. With your hand, remove the screw (callout 1) that was previously installed to temporarily reattach the control panel to the top cover.

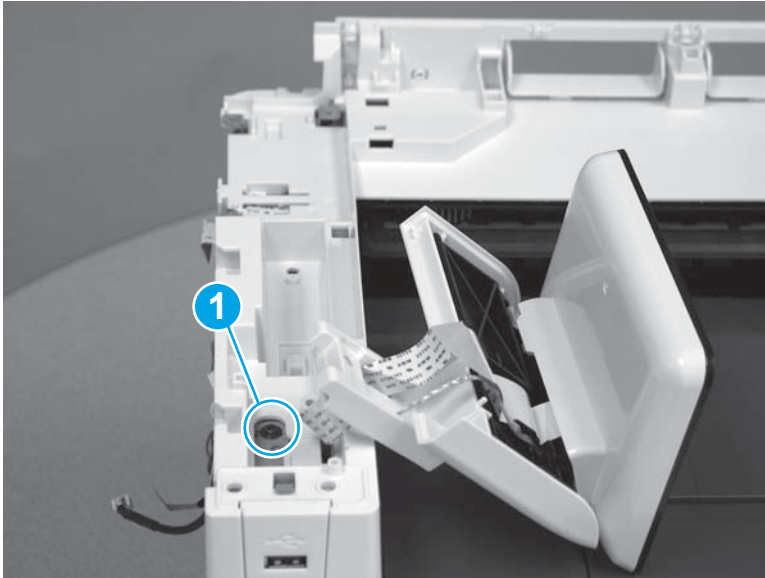
Figure 1-3940 Remove one screw



- Carefully lift the control panel away and rest it on the top cover, and then install one screw (callout 1).

CAUTION: The control panel is still attached to the top cover by the flat cable.

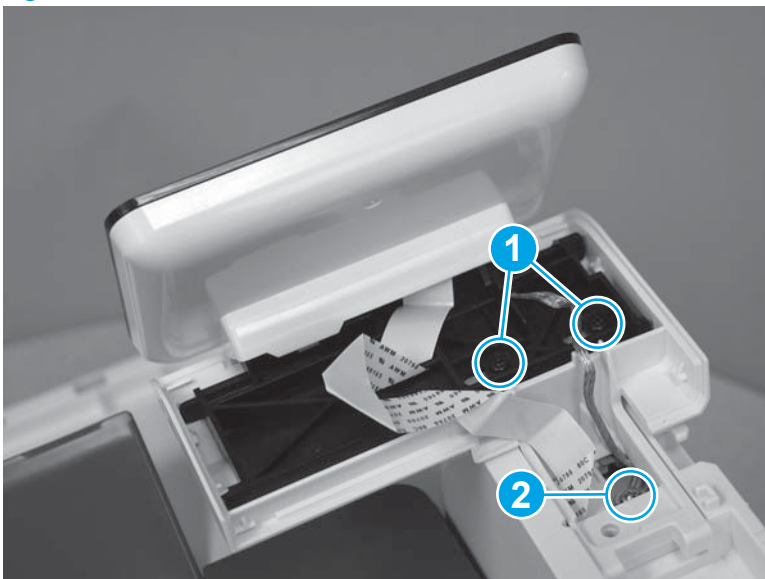
Figure 1-3941 Install one screw



- Install two screws (callout 1), and then position the ground wire and install one screw (callout 2).

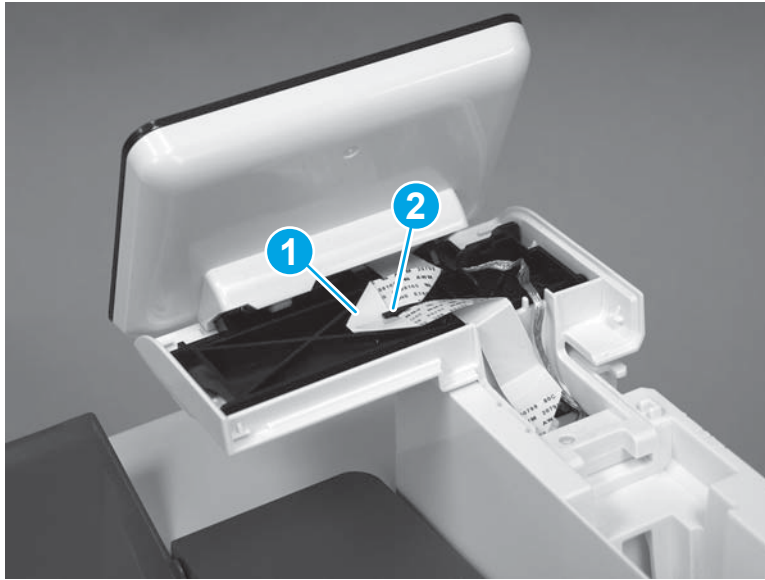
Reinstallation tip: The two screws toward the front of the control panel (callout 1) are longer than the other screw. Make sure these screws are installed in the correct position when reinstalling the part.

Figure 1-3942 Install three screws



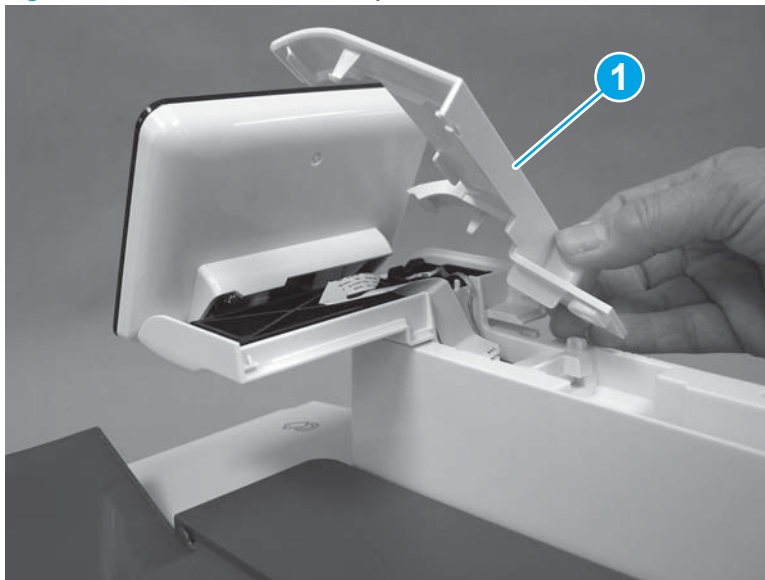
8. Install the flat cable (callout 1) under the retaining guide (callout 2).

Figure 1-3943 Install the flat cable



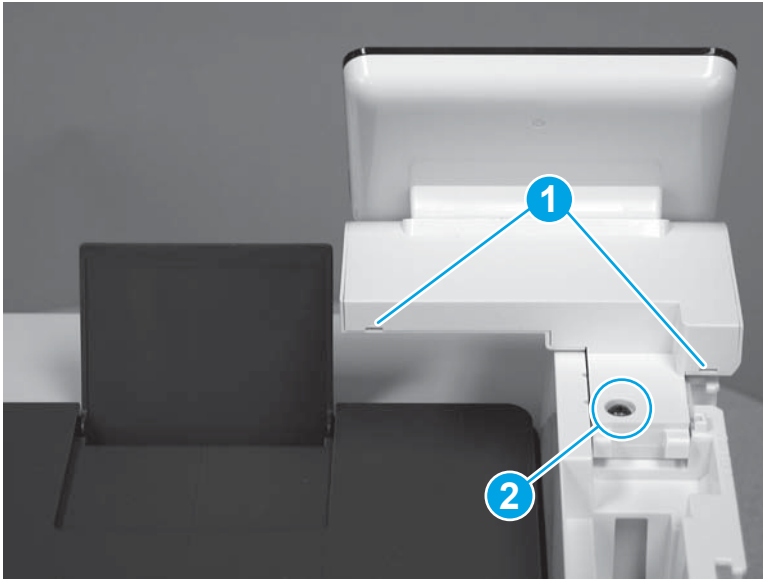
9. Install the control panel cover (callout 1) behind the control panel.

Figure 1-3944 Install the control panel cover



10. Make sure that two tabs (callout 1) are snapped into position, and then install one screw (callout 2).

Figure 1-3945 Install one screw



11. At the top of the printer, install three screws (callout 1).


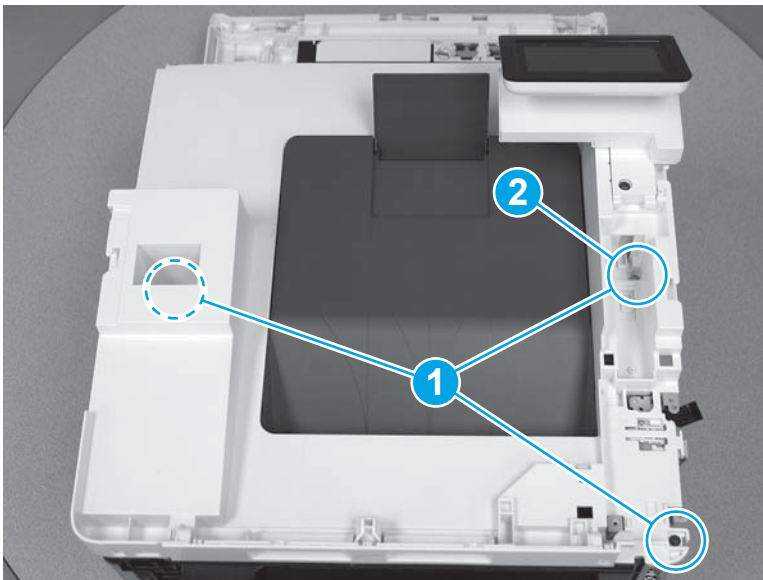
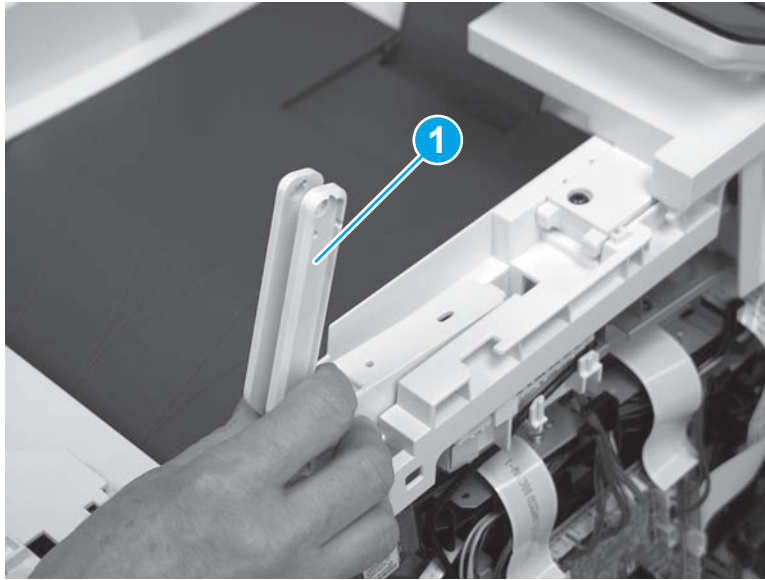
 **TIP:** One screw (callout 2) is longer than the other screws. Make sure that this screw is installed in the correct position.

Figure 1-3946 Install three screws



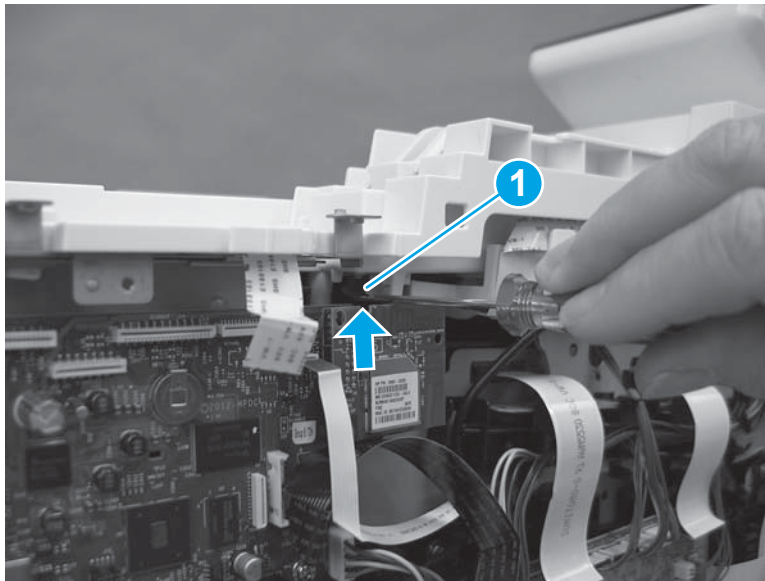
12. Install the scanner support arm (callout 1).

Figure 1-3947 Install the scanner support arm



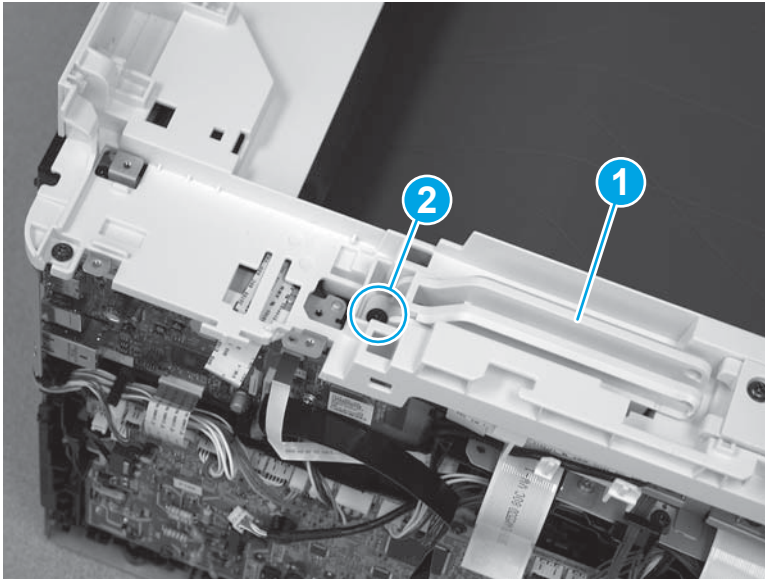
13. Before installing the scanner support arm screw in the next step, use a small flat-blade screwdriver to hold the metal plate (callout 1) up. Continue to hold the plate up while installing the screw so that the screw attaches to the plate.

Figure 1-3948 Raise the metal plate



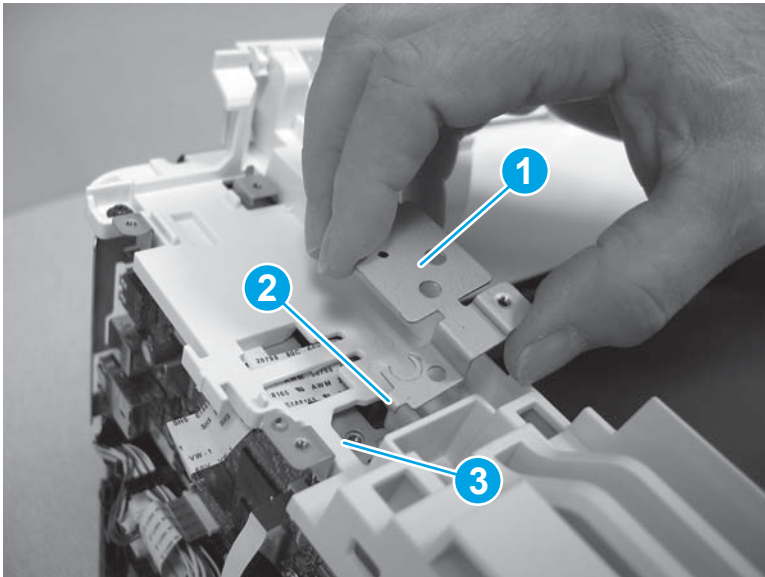
14. Lower the scanner support arm (callout 1), and then install one screw (callout 2).

Figure 1-3949 Lower the support arm and install one screw



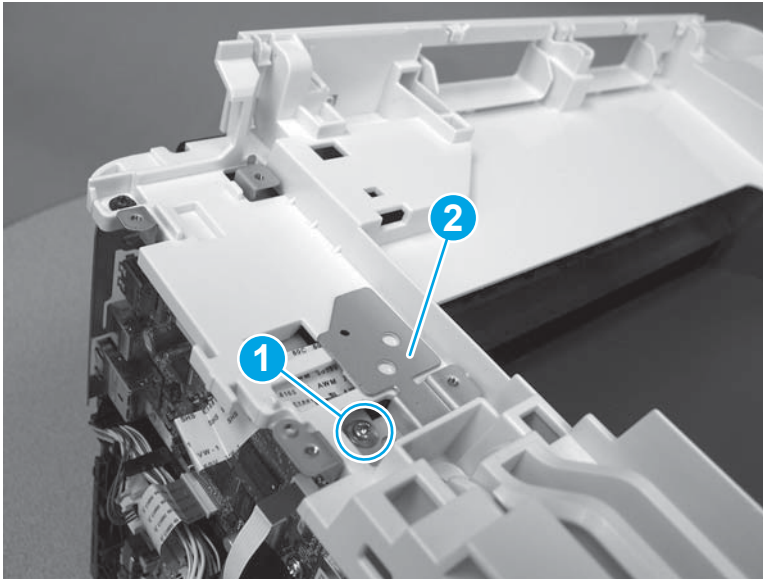
15. Reinstall the metal plate (callout 1). Position the tab (callout 2) under the edge of the top cover (callout 3).

Figure 1-3950 Install the metal plate



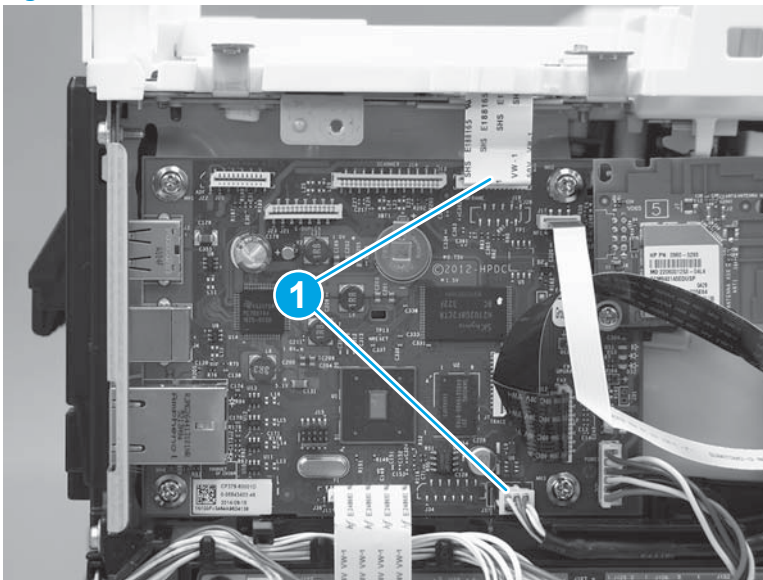
16. Install one screw (callout 1) to secure the sheet metal plate (callout 2).

Figure 1-3951 Install one screw




17. On the left side of the printer, on the formatter PCA, Connect two connectors (callout 1).

Figure 1-3952 Connect two connectors

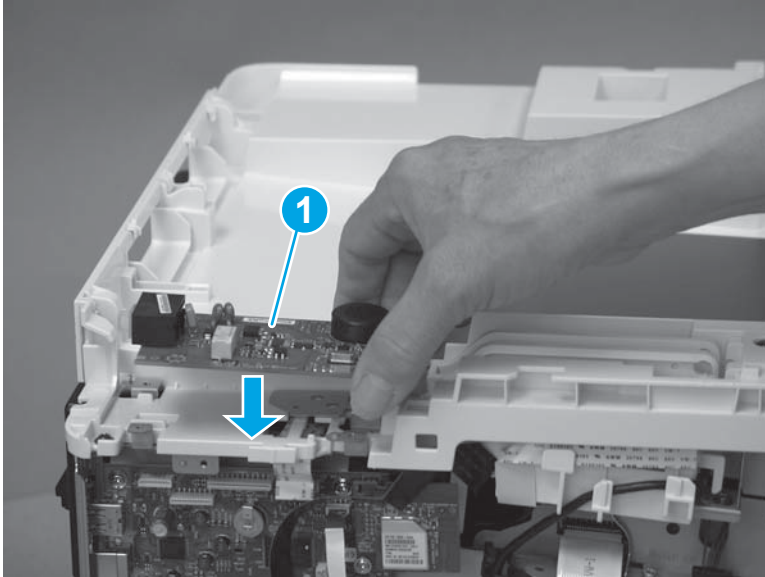


Step 16: Install the fax PCA (M477 models)

 **NOTE:** This step is for M477 fax models only. Skip this step for non-fax models.

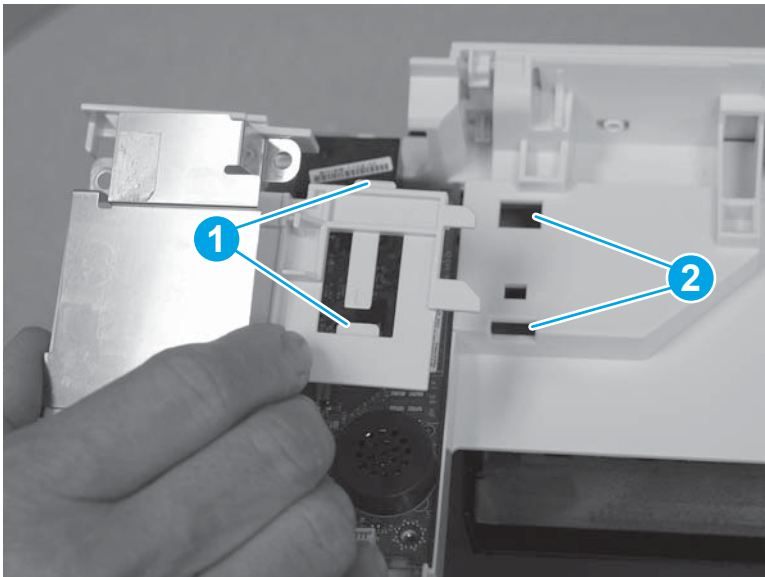
1. Position the fax PCA (callout 1) on the printer.

Figure 1-3953 Install the fax PCA



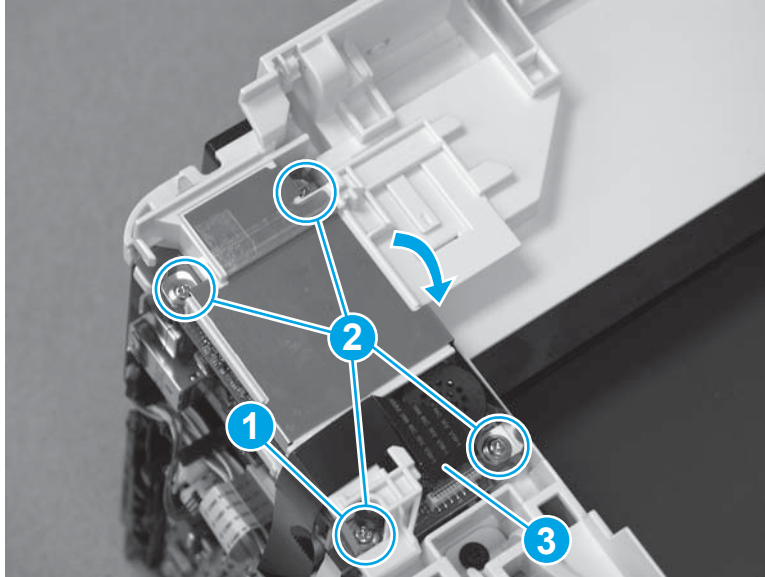
2. Install the tabs (callout 1) on the fax cover in the slots (callout 2) on the top cover. Slide the cover toward the back of the printer to install it.

Figure 1-3954 Install the fax cover




3. Beginning with the lower right screw (callout 1) install four screws (callout 2) in a clockwise direction. Connect one connector (callout 3).

Figure 1-3955 Install four screws and connect one connector

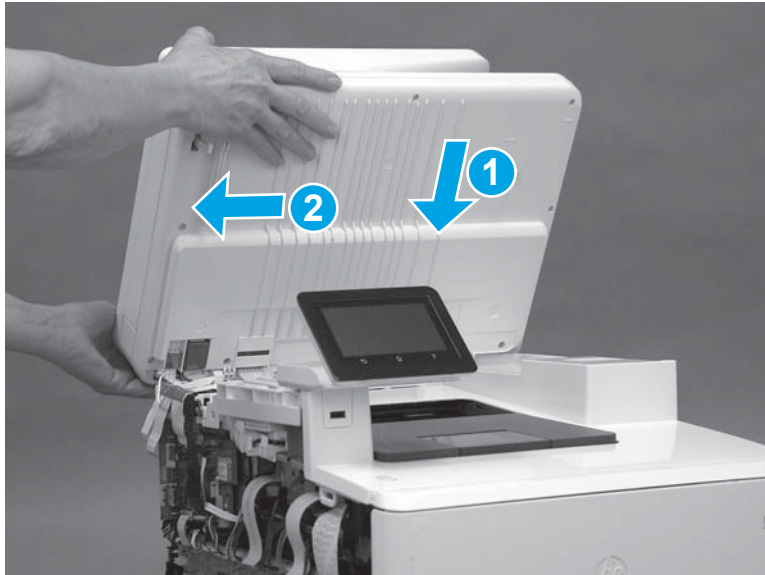


Step 17: Install the integrated scanner assembly (M377, M477 models)

 **NOTE:** This step is for the M377, M477 models. For the M452 models, skip this step and go to [Step 18: Install the left cover \(M452 models\) on page 2093](#).

1. Lower the scanner assembly onto the printer, and then slide the assembly toward the left side of the printer to install it.

Figure 1-3956 Install the scanner assembly



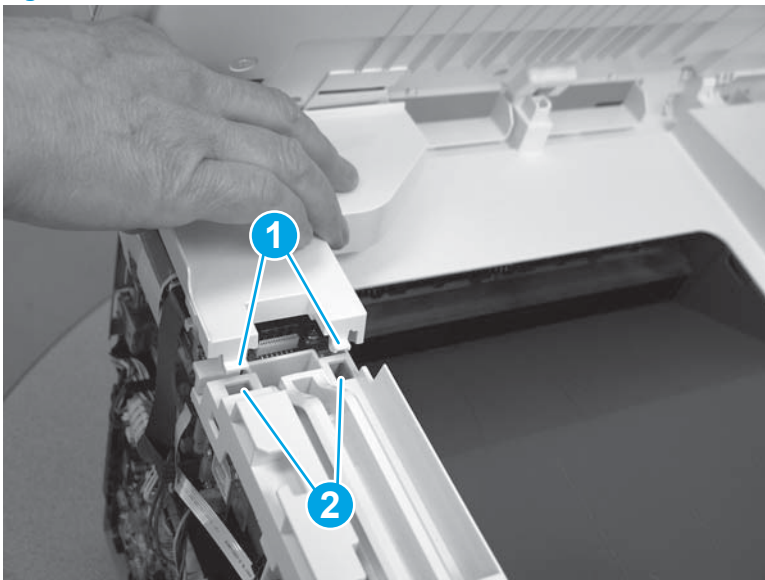
2. Press the scanner cables (callout 1) down onto the double-sided tape on the top cover.

Figure 1-3957 Press the cables



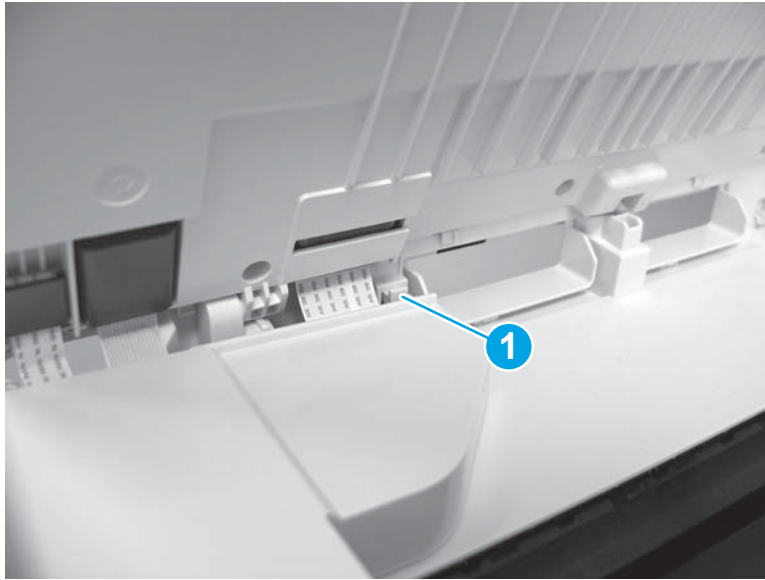
3. Install the tabs (callout 1) on the front of the scanner cable cover in the slots (callout 2) on the top cover.

Figure 1-3958 Position the scanner cable cover



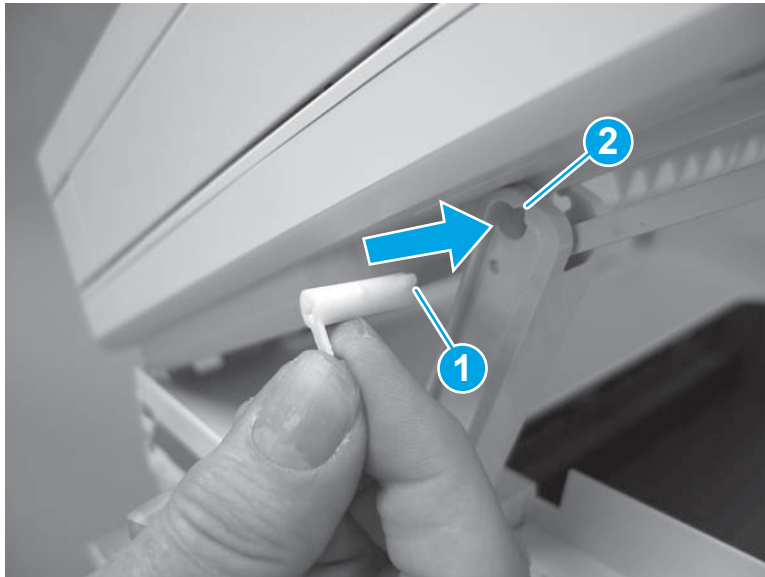
4. Press down on the back of the scanner cable cover to engage one tab (callout 1).

Figure 1-3959 Install the scanner cable cover



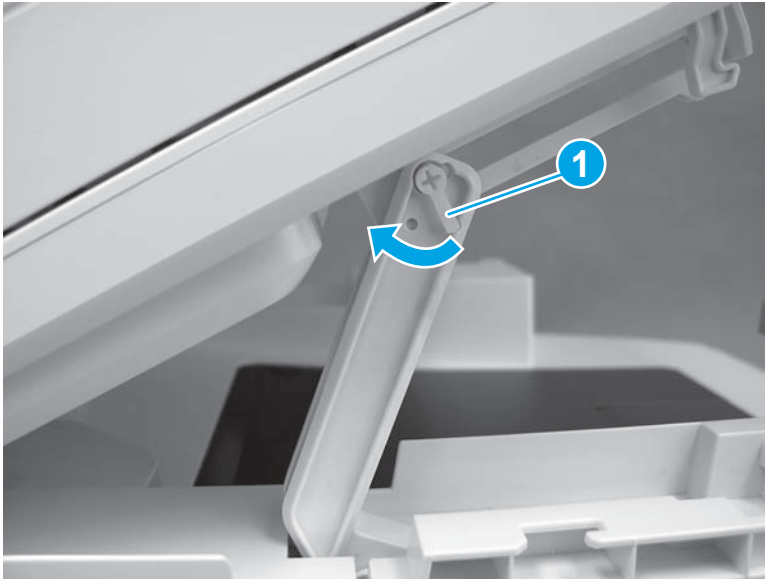
5. With the scanner lid lifted, insert the scanner support arm pin (callout 1) into the slot in the scanner support arm (callout 2).

Figure 1-3960 Install the scanner arm pin



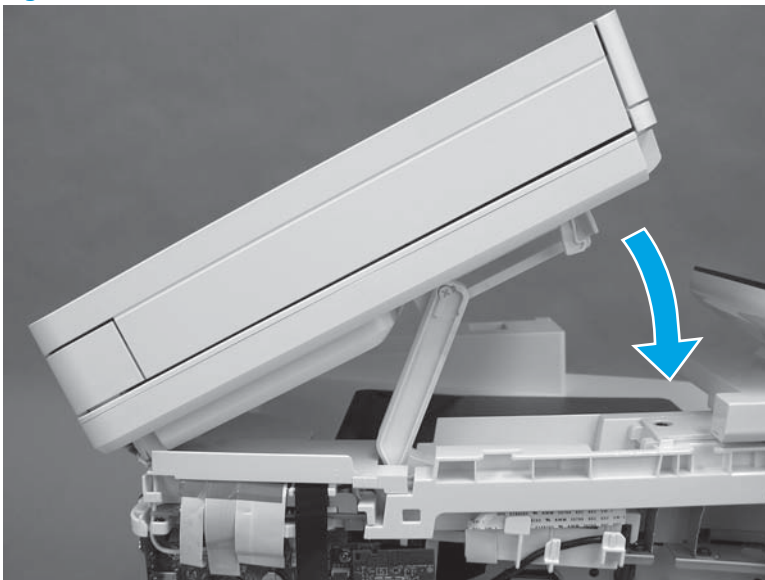
6. Rotate the tab on the scanner arm pin (callout 1) in the direction indicated to snap it into place.

Figure 1-3961 Secure the scanner arm pin



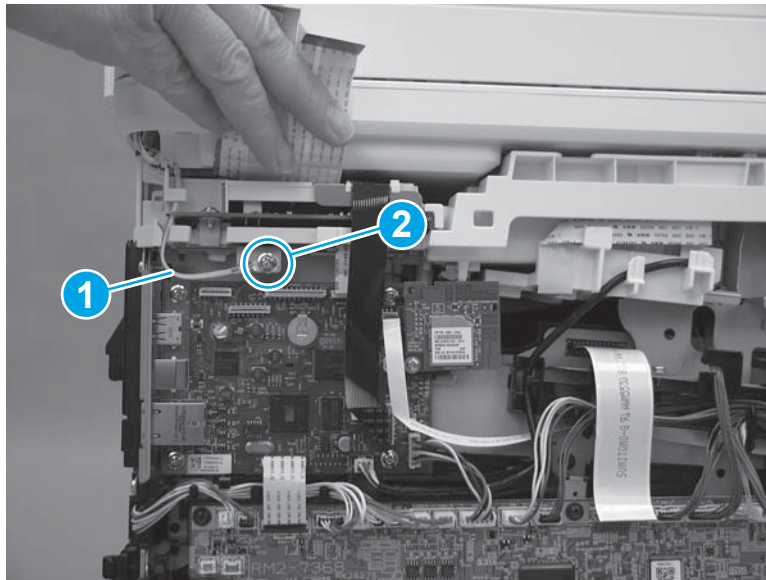
7. Lower the scanner.

Figure 1-3962 Lower the scanner



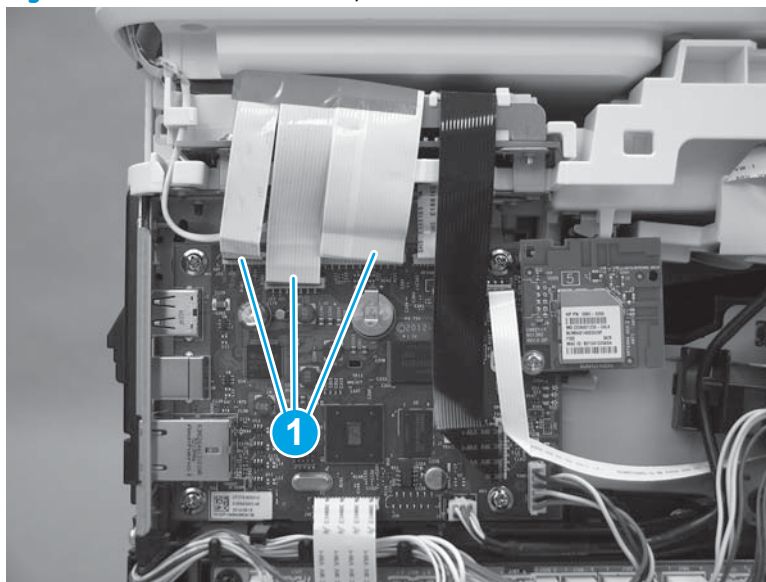
8. Raise the scanner cables up, position the ground wire (callout 1), and then install one screw (callout 2).

Figure 1-3963 Install the ground wire



9. Connect three connectors (callout 1).

Figure 1-3964 Install the M377, M477 scanner

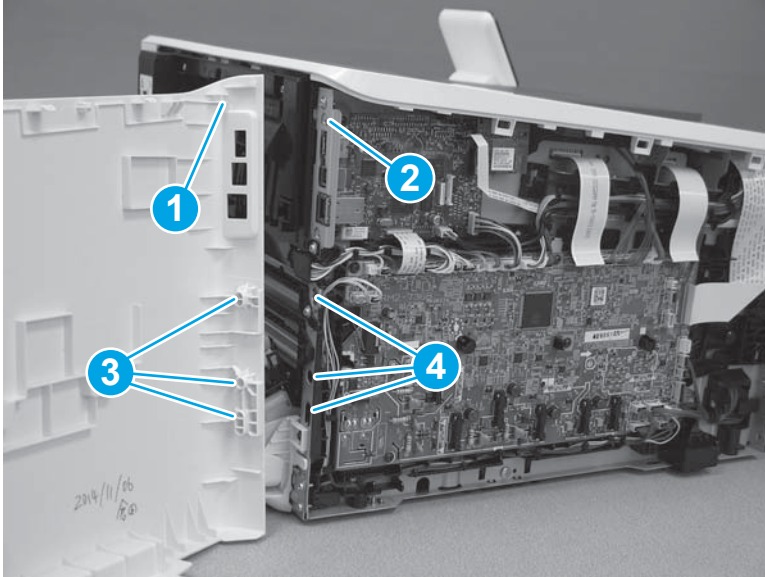


Step 18: Install the left cover (M452 models)

 **NOTE:** This step is for the M452 models. For the M377, M477 models, skip this step and go to [Step 19: Install the left cover \(M377, M477 models\) on page 2097.](#)

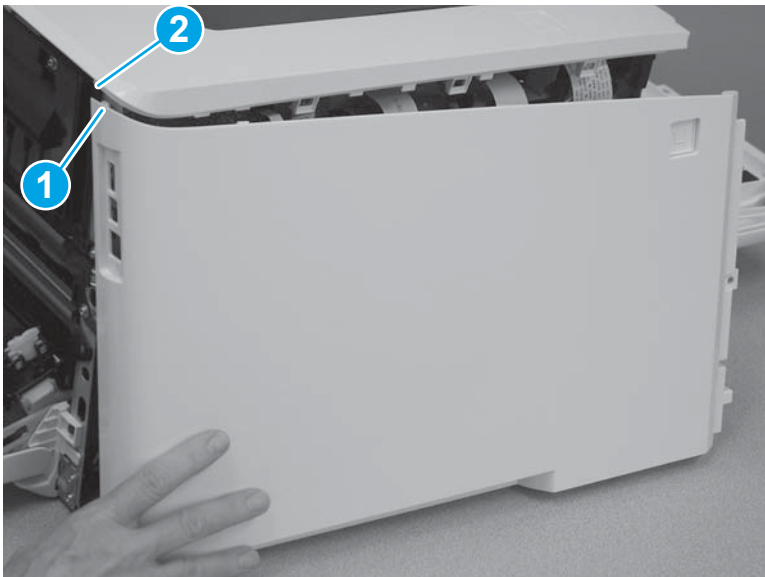
1. Position the hook (callout 1) on the cover in the slot (callout 2) on the printer. Position three tabs (callout 3) on the back of the cover in the slots (callout 4) in the printer.

Figure 1-3965 Position three tabs



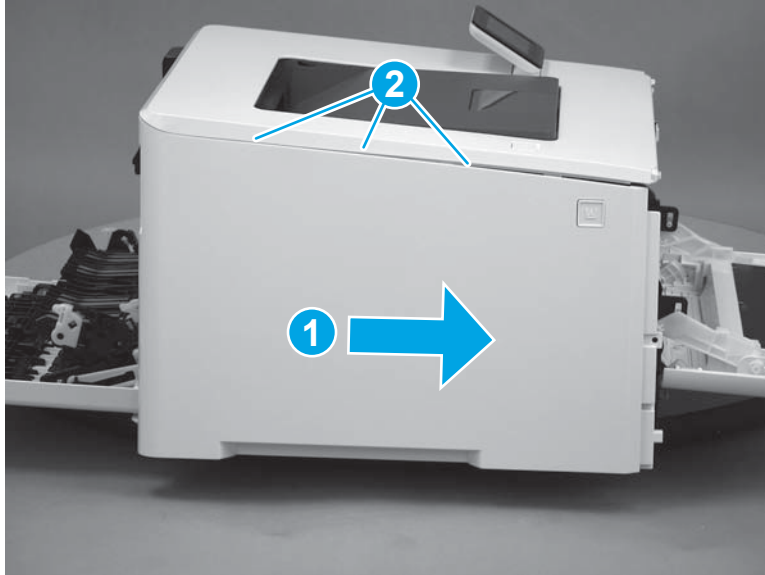
2. At the back of the printer, install the tab (callout 1) under the edge of the top cover (callout 2).

Figure 1-3966 Install one tab



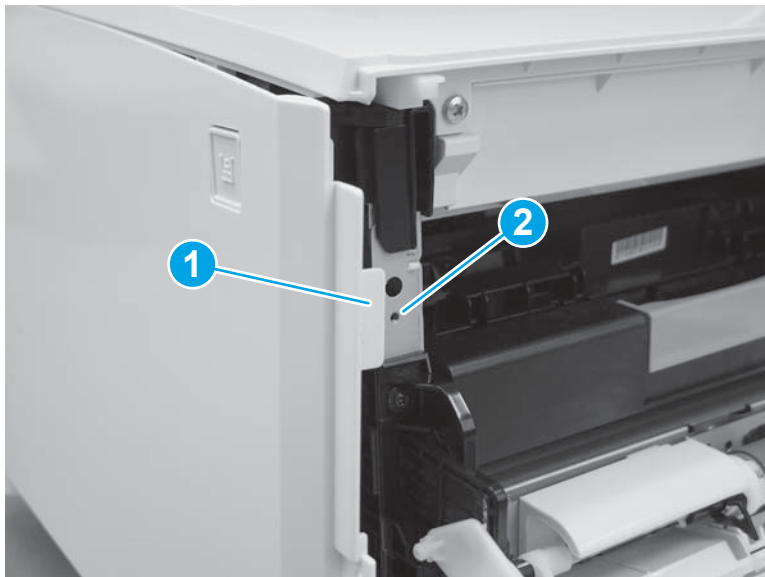
3. Slide the cover toward the front of the printer (callout 1), and then engage three tabs (callout 2) on the top of the cover.

Figure 1-3967 Install the left cover



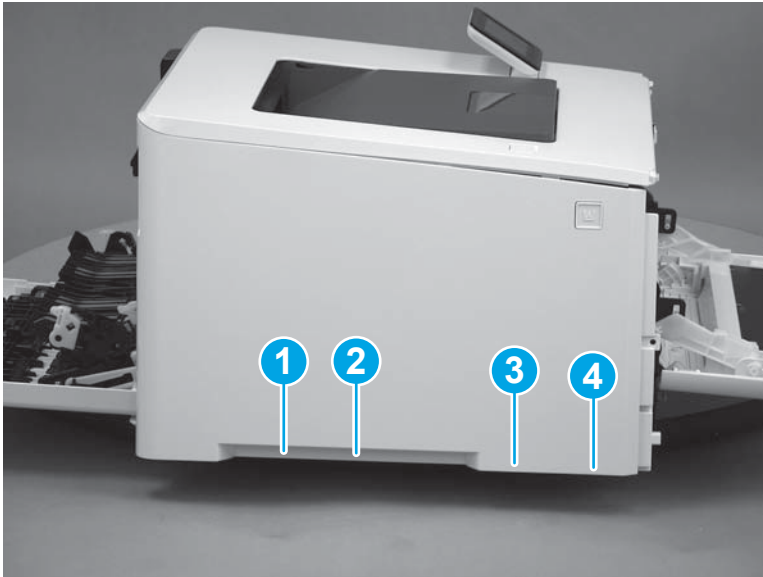
⚠ CAUTION: Make sure that the tab (callout 1) does not get caught behind the printer frame (callout 2).

Figure 1-3968 Make sure the tab does not get caught



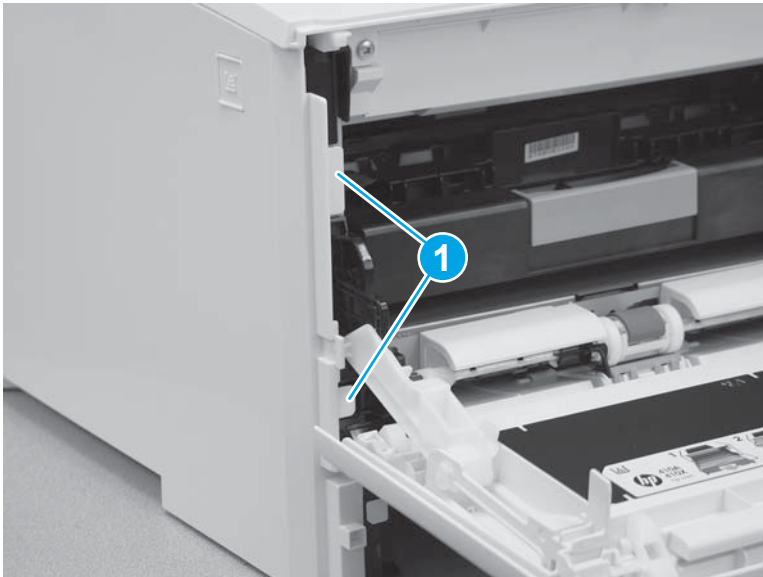
4. Slide the printer to the edge of a work surface in order to access the tabs on the bottom of the cover. Beginning from the back of the cover, install four tabs (callouts 1-4) on the lower edge of the cover.

Figure 1-3969 Install four tabs



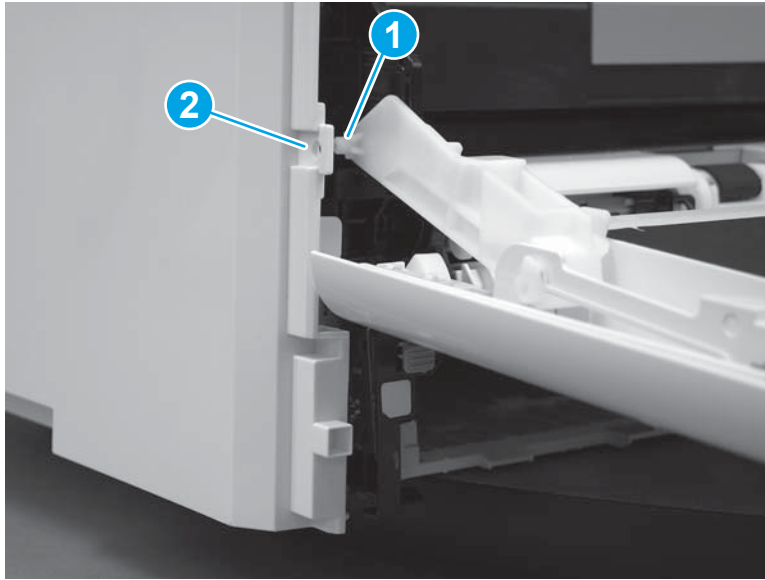
5. Install two tabs (callout 1) at the front of the cover.

Figure 1-3970 Engage two tabs



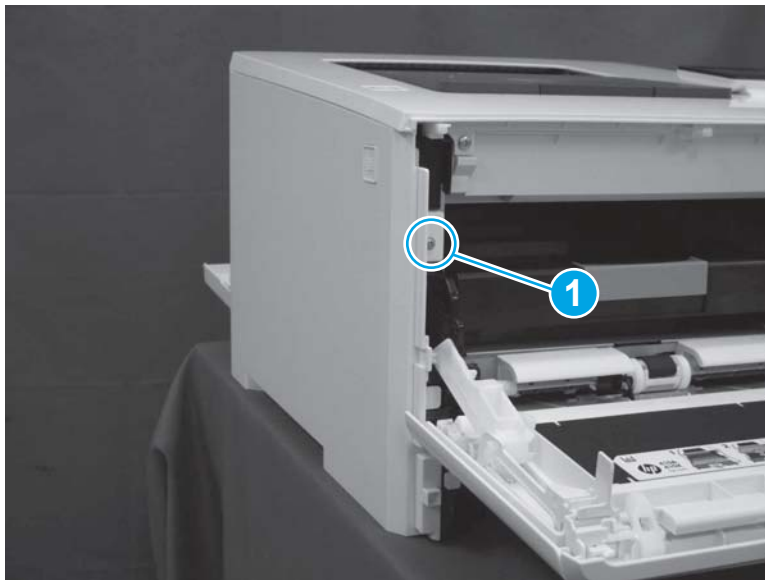
6. Make sure that the hinge pin (callout 1) on the front door fits into the slot (callout 2) on the left cover.

Figure 1-3971 Install hinge pin




7. Install one screw (callout 1).

Figure 1-3972 Install one screw

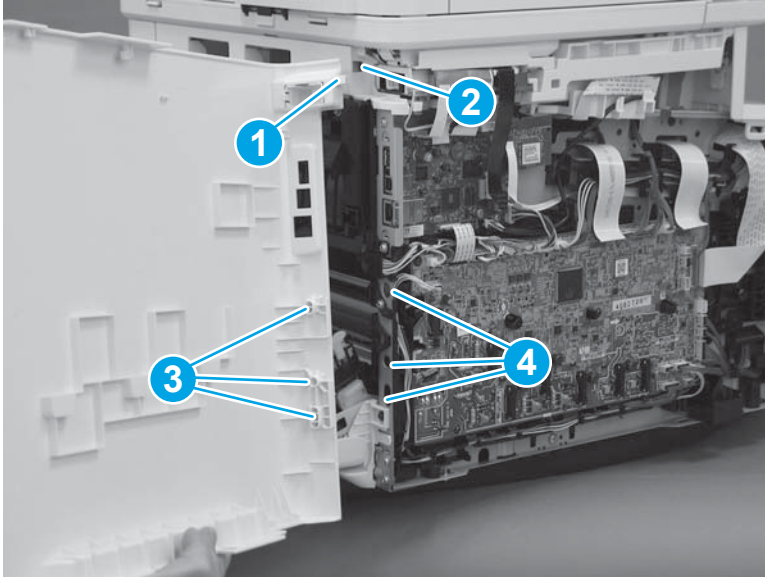


Step 19: Install the left cover (M377, M477 models)

 **NOTE:** This step is for the M377, M477 models. For the M452 models, skip this step and go to [Step 20: Install the right cover \(M452 models\) on page 2104.](#)

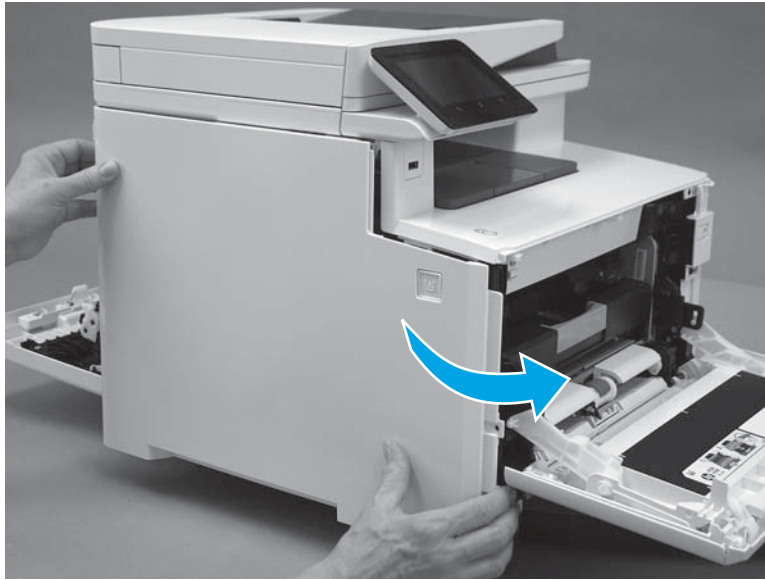
1. At the back of the printer, install the tab (callout 1) on the cover into the slot (callout 2) in the printer. Install the locator pins (callout 3) into the slots (callout 4) in the printer.

Figure 1-3973 Install one tab



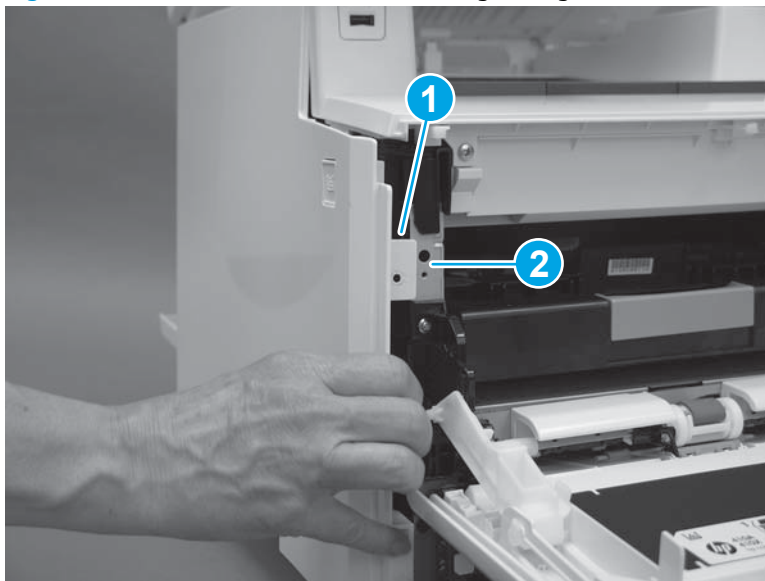
2. Rotate the cover toward the printer.

Figure 1-3974 Rotate the left cover



⚠ CAUTION: Make sure that the tab (callout 1) does not get caught behind the printer frame (callout 2).

Figure 1-3975 Make sure the tab does not get caught



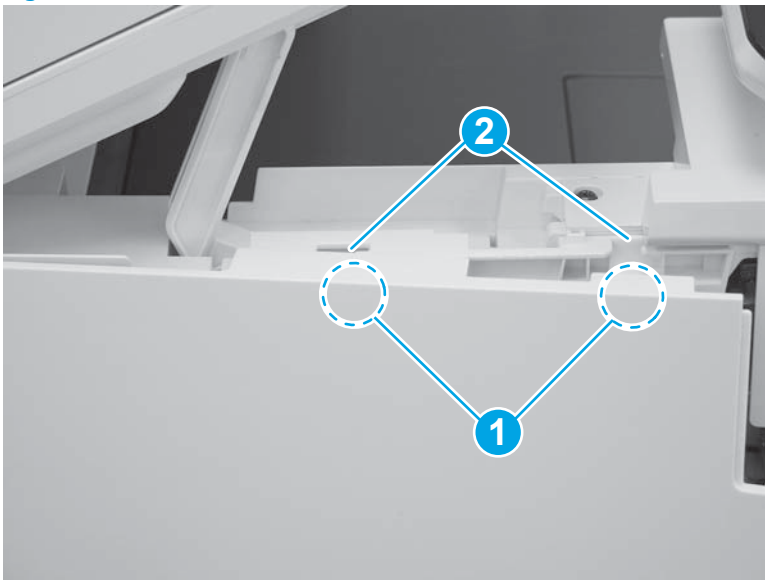
3. Raise the scanner.

Figure 1-3976 Raise the scanner



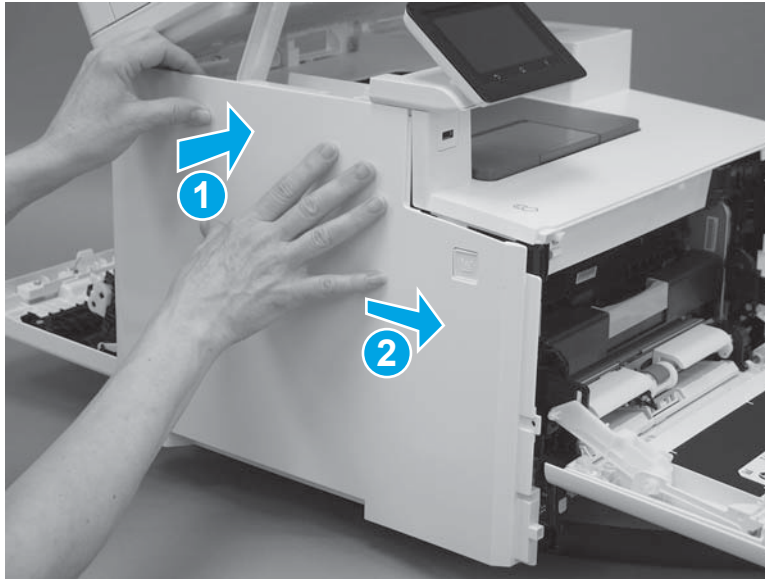
4. Position the hooks (callout 1) on the inside of the cover into the slots (callout 2) on the printer.

Figure 1-3977 Position the hooks in the slots



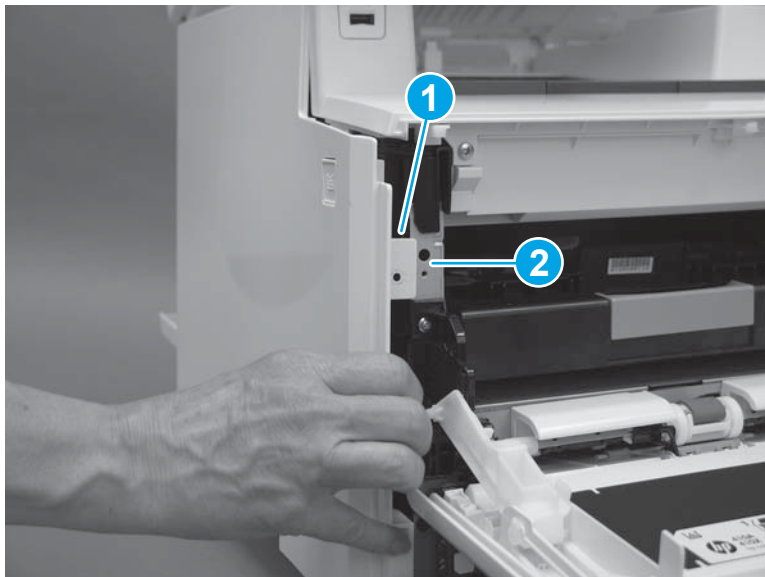
5. Hold the cover against the printer (callout 1), and then slide it (callout 2) toward the front of the printer.

Figure 1-3978 Install the top hooks



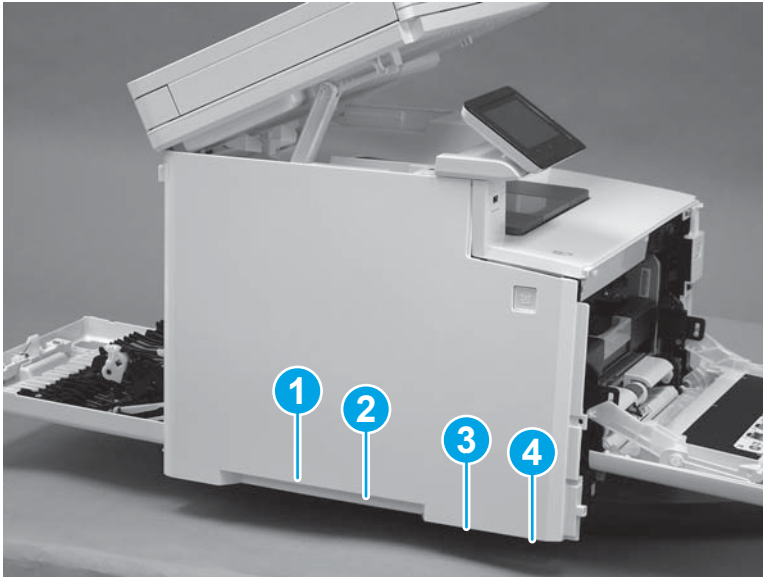
⚠ CAUTION: Make sure that the tab (callout 1) on the front of the cover does not get caught behind the printer frame (callout 2).

Figure 1-3979 Make sure the tab does not get caught



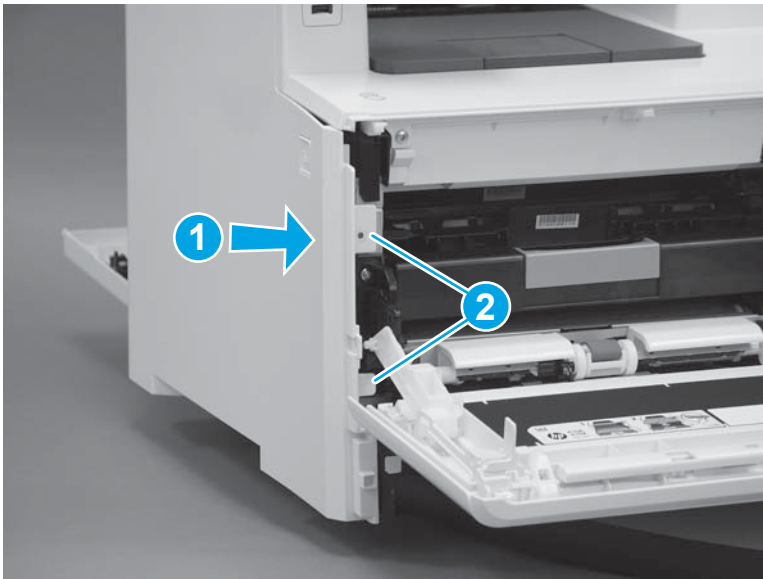
6. Slide the printer to the edge of a work surface in order to access the tabs on the bottom of the cover. Beginning from the back of the cover, install four tabs (callouts 1-4) on the lower edge of the cover.

Figure 1-3980 Install four tabs



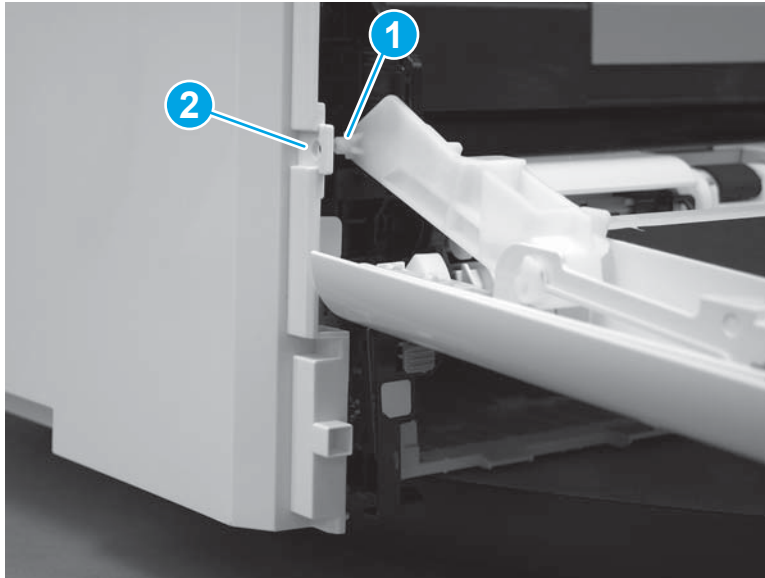
7. Press the cover toward the printer (callout 1), and then install two tabs (callout 2) at the front of the cover.

Figure 1-3981 Install two tabs



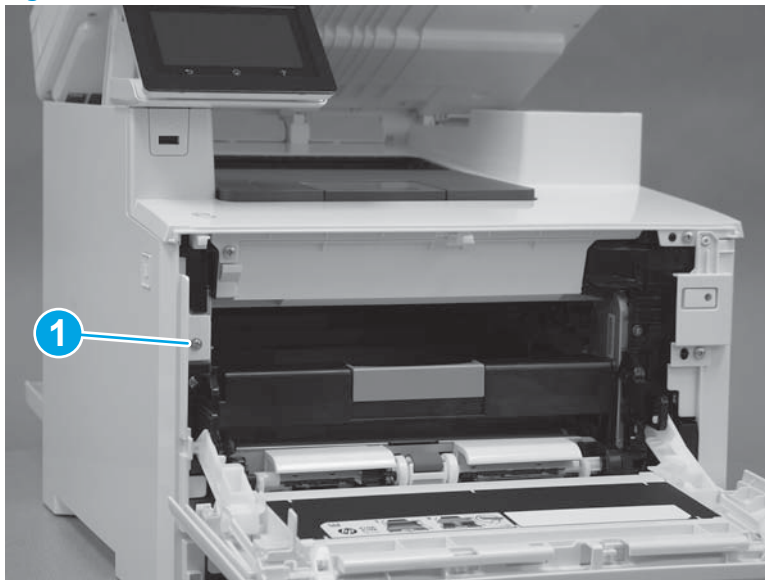
8. Make sure that the hinge pin (callout 1) on the front door fits into the slot (callout 2) on the left cover.

Figure 1-3982 Install hinge pin



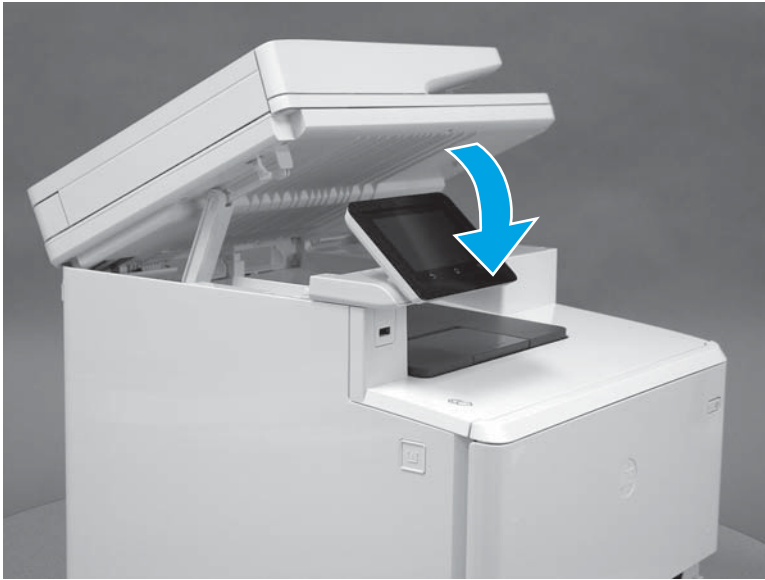
9. Install one screw (callout 1).

Figure 1-3983 Install one screw



10. Lower the scanner.

Figure 1-3984 Lower the scanner



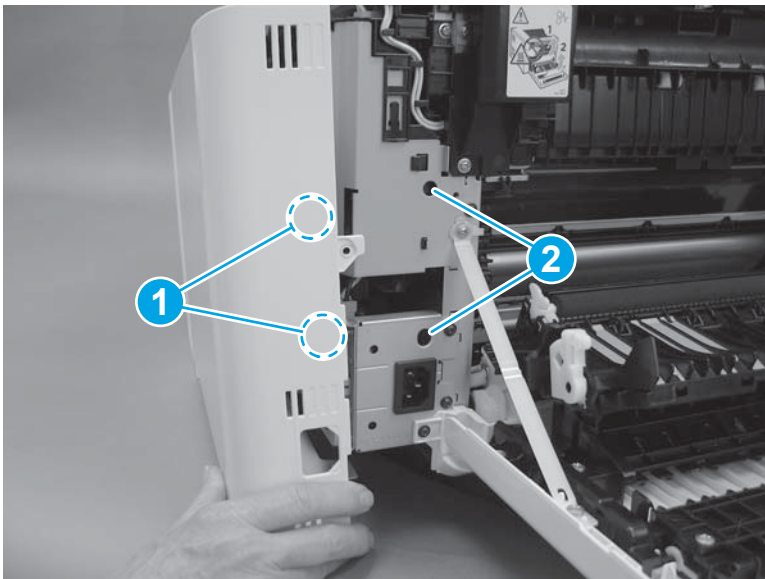
Step 20: Install the right cover (M452 models)



NOTE: This step is for the M452 models. For the M377, M477 models, skip this step and go to [Step 21: Install the right cover \(M377, M477 models\) on page 2108](#).

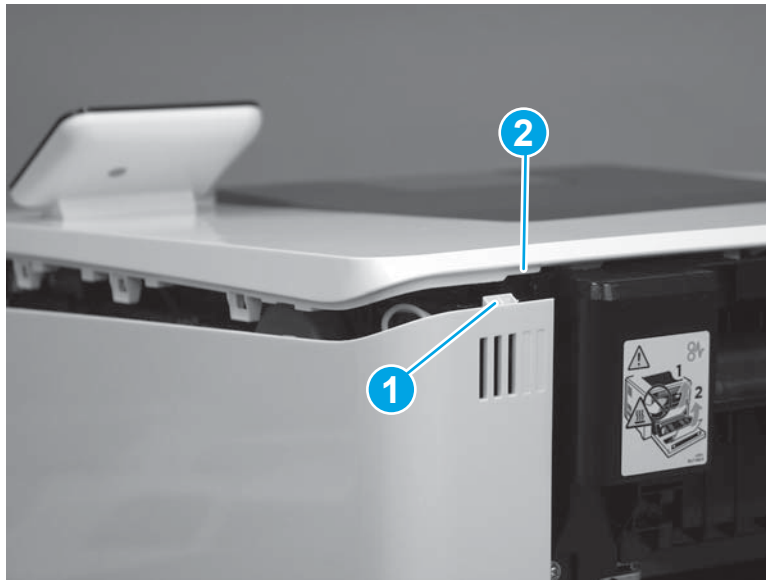
1. Position two tabs (callout 1) on the back of the cover in the slots (callout 2) in the printer.

Figure 1-3985 Position two tabs



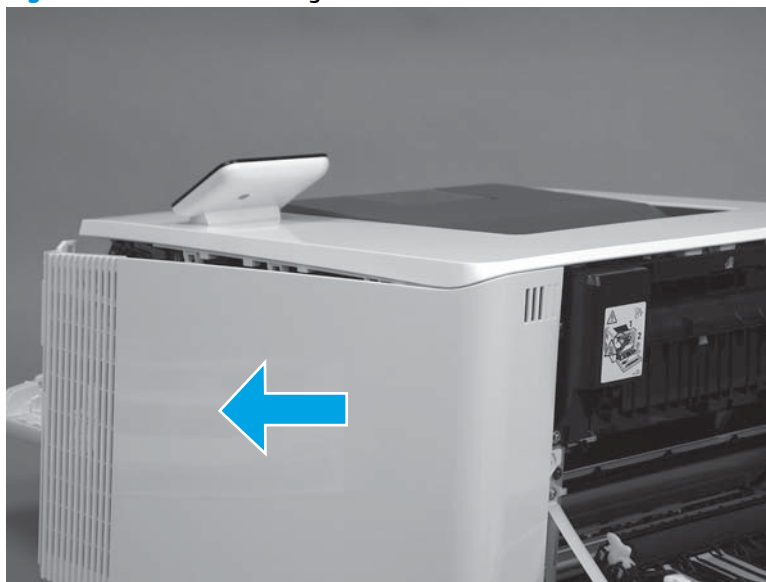
2. At the back of the printer, install the tab (callout 1) under the edge of the top cover (callout 2).

Figure 1-3986 Install rear tab



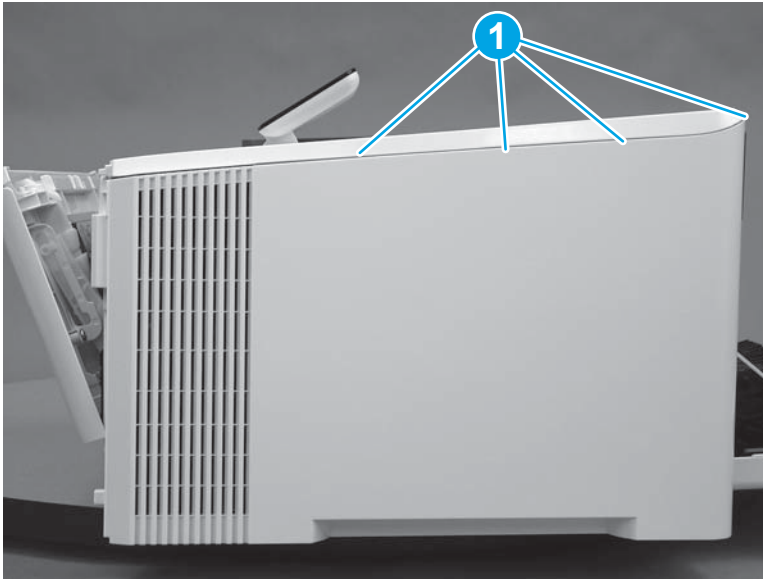
3. Slide the cover toward the front of the printer to install it.

Figure 1-3987 Install the right cover



- Engage three tabs (callout 2) on the top of the cover.

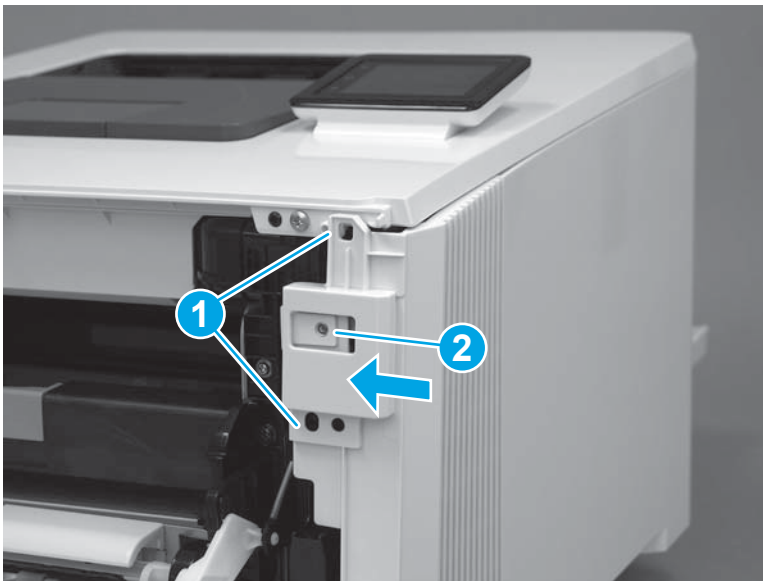
Figure 1-3988 Install upper tabs



- At the front of the printer, position the front of the cover over two tabs (callout 1).

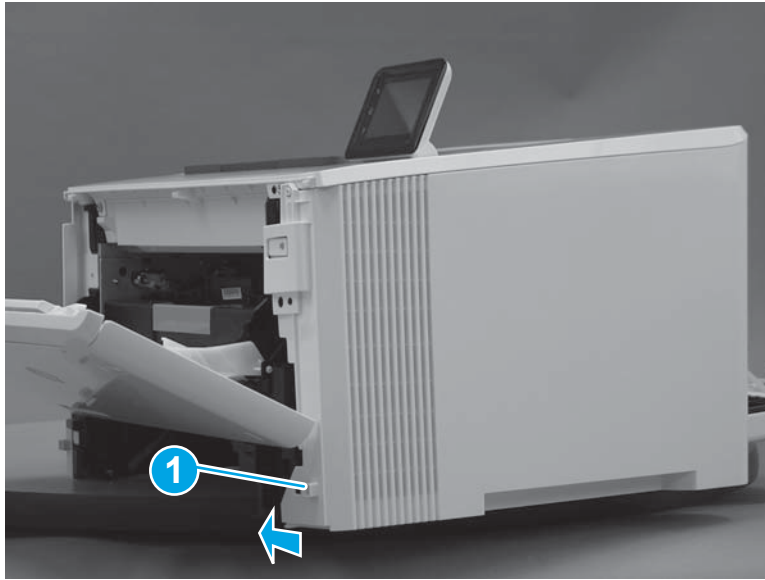
CAUTION: Be careful not to dislodge the power switch (callout 2).

Figure 1-3989 Install the front tabs



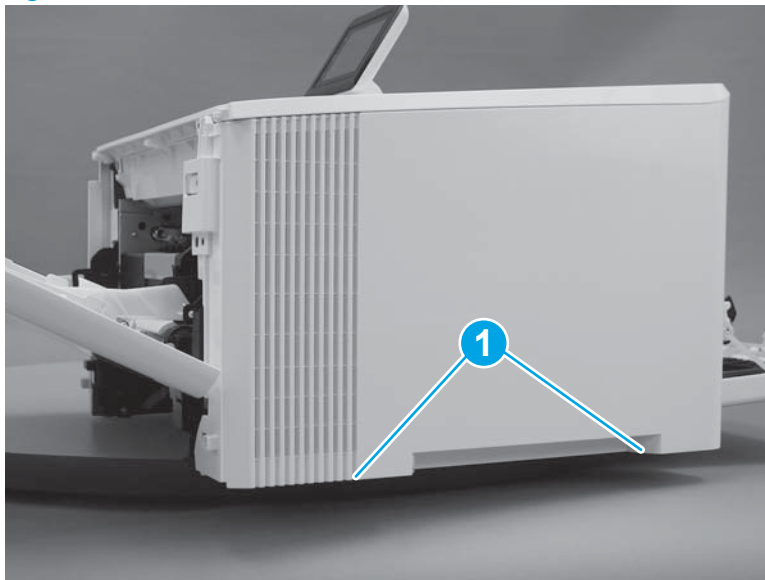
6. Press the right cover toward the printer to engage one tab (callout 1) on the front of the cover.

Figure 1-3990 Install the front lower tab



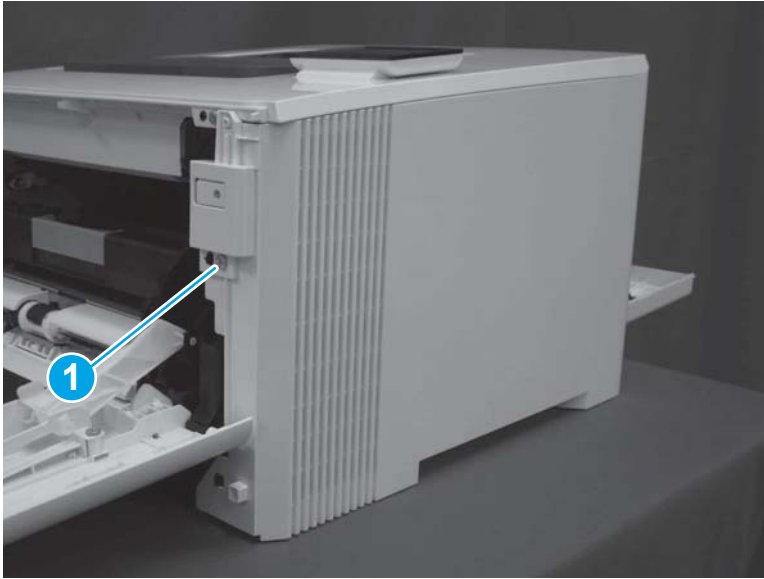
7. Install two tabs on the bottom of the cover (callout 1).

Figure 1-3991 Install two tabs



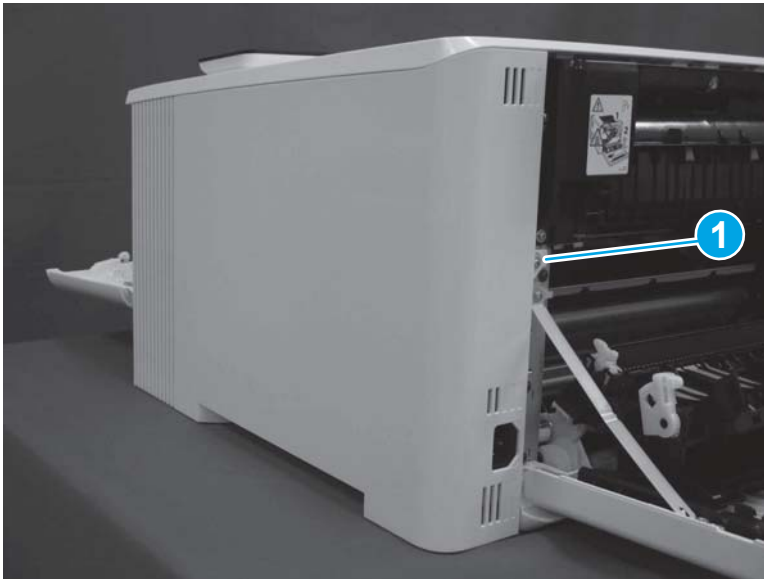
8. At the front of the printer, install one screw (callout 1).

Figure 1-3992 Install one screw




9. At the back of the printer, install one screw (callout 1).

Figure 1-3993 Install one screw

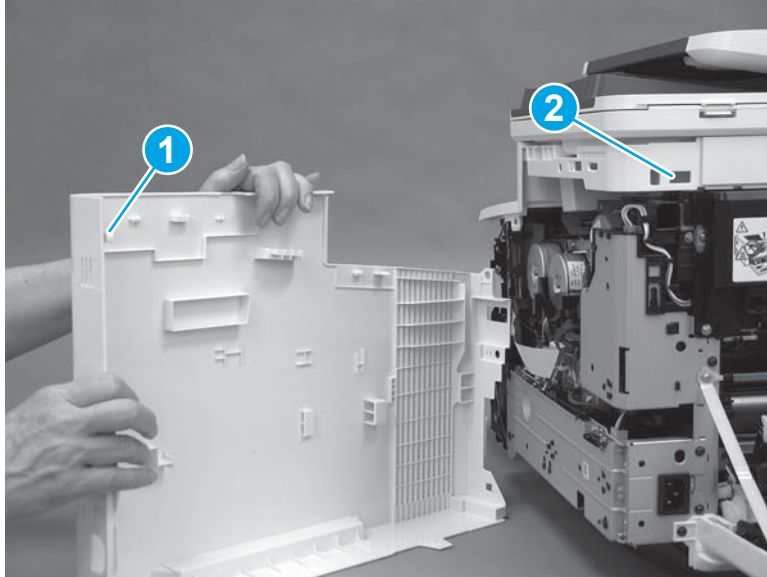


Step 21: Install the right cover (M377, M477 models)

 **NOTE:** This step is for the M377, M477 models. For the M452 models, skip this step and go to [Step 22: Close the front door and duplexer door on page 2114.](#)

1. At the back of the printer, install the tab (callout 1) on the cover into the slot (callout 2) on the printer.

Figure 1-3994 Install rear tab



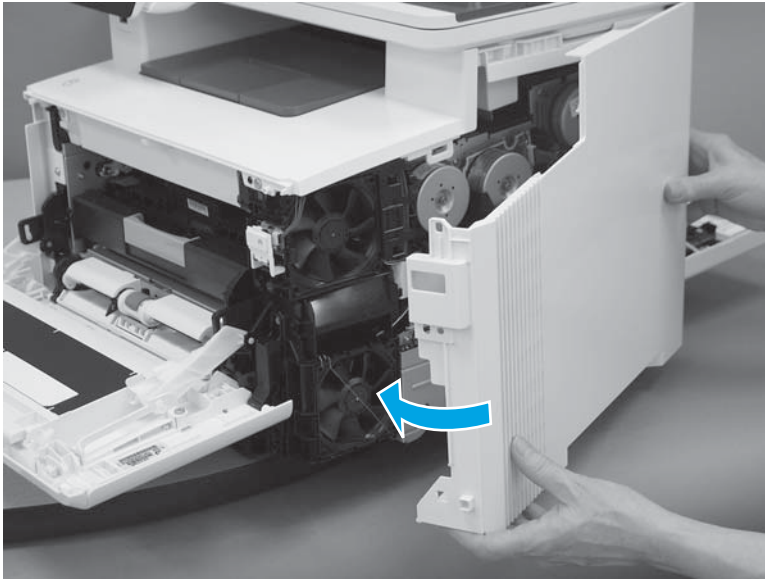
2. Raise the scanner.

Figure 1-3995 Raise the scanner



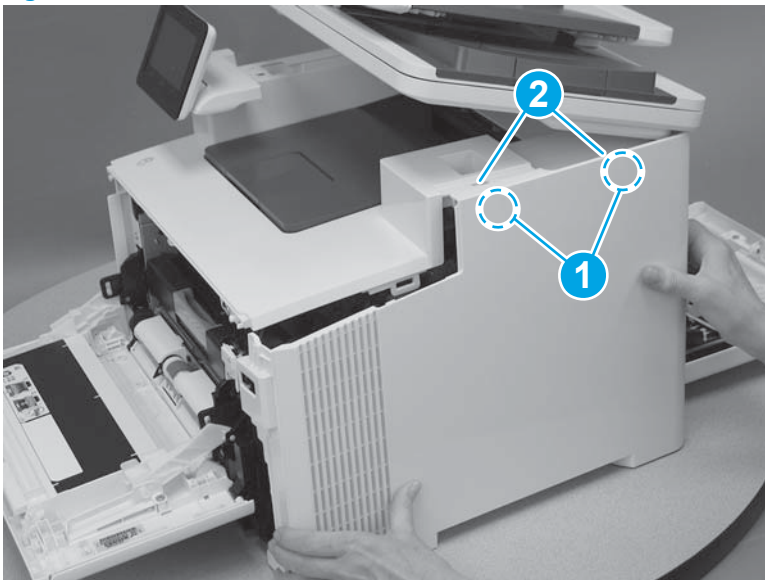
3. Rotate the right cover toward the printer.

Figure 1-3996 Rotate the right cover



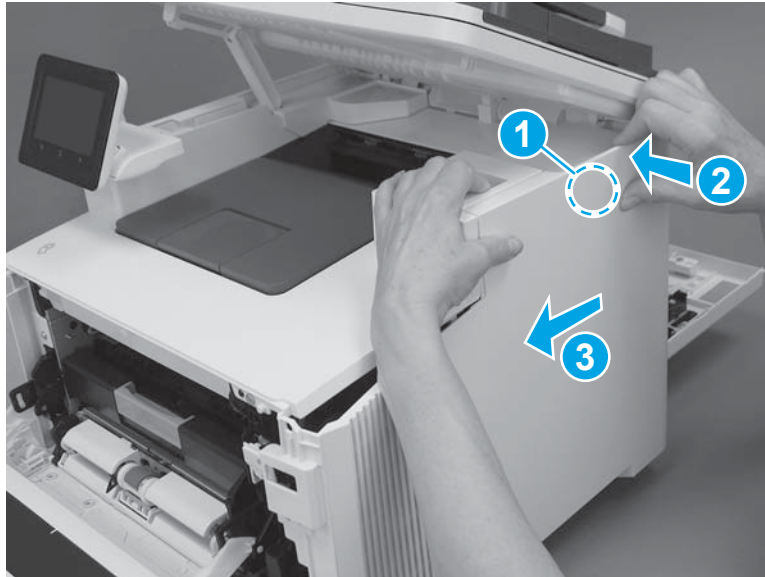
4. Position the hooks (callout 1) on the inside of the cover into the slots (callout 2) in the printer.

Figure 1-3997 Position the hooks in the slots



- Engage one hook (callout 1) on the inside of the cover. Hold the top of the cover closed (callout 2) while sliding the cover toward the front of the printer (callout 3).

Figure 1-3998 Slide the cover



- Rotate the front of the cover toward the printer (callout 1).

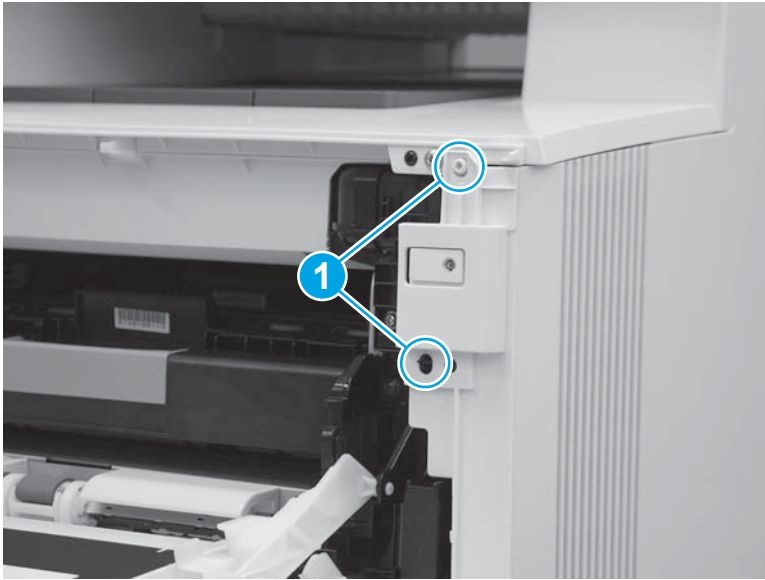
CAUTION: Be careful not to dislodge the power switch (callout 2).

Figure 1-3999 Rotate the front of the cover



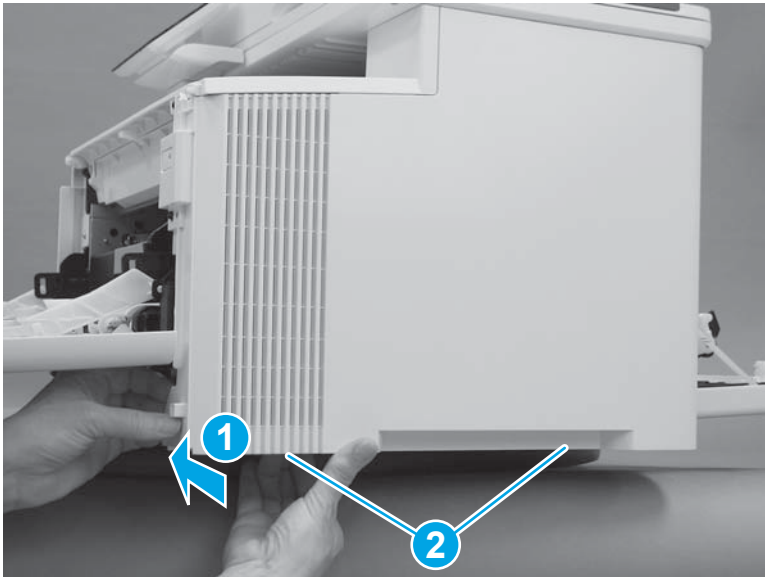
7. Install two tabs at the front of the printer (callout 1).

Figure 1-4000 Install two tabs



8. Press the right cover toward the printer (callout 1) to engage one tab on the front of the cover, and two tabs (callout 2) on the lower edge of the cover.

Figure 1-4001 Install the front and lower tabs



9. At the front of the printer, install one screw (callout 1).

Figure 1-4002 Install one screw



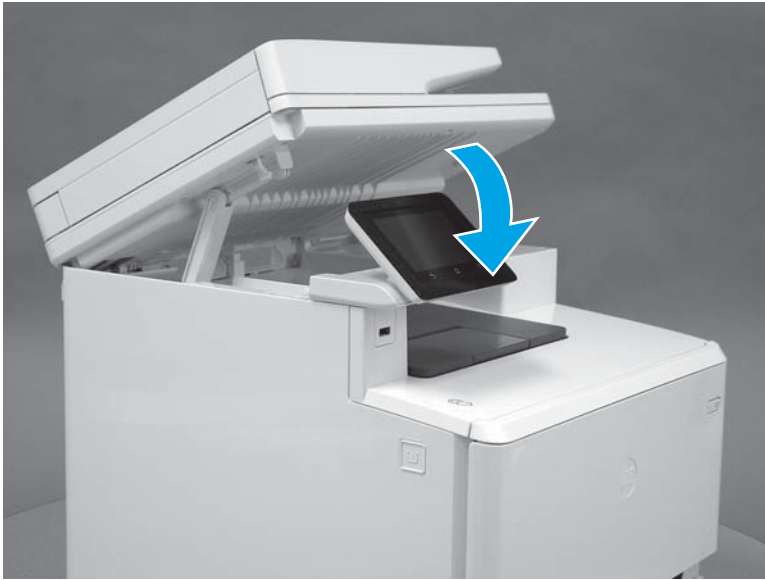
10. At the back of the printer, install one screw (callout 1).

Figure 1-4003 Install one screw



11. Lower the scanner.

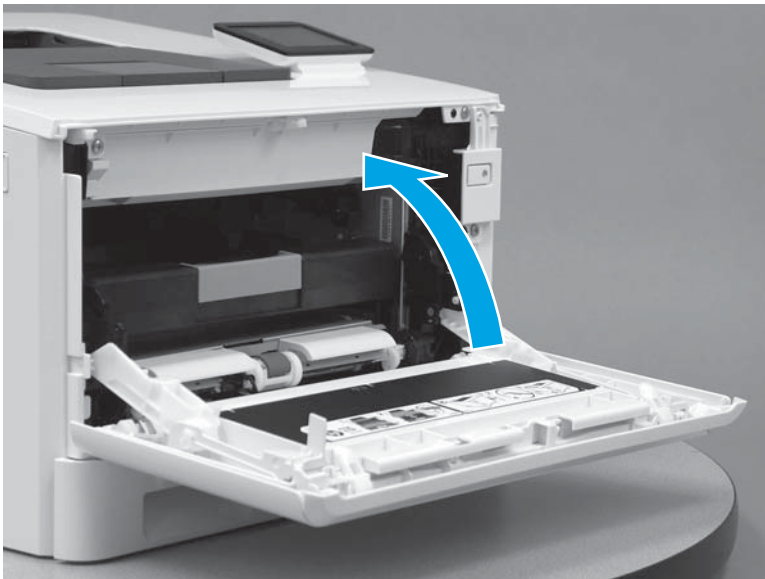
Figure 1-4004 Lower the scanner



Step 22: Close the front door and duplexer door

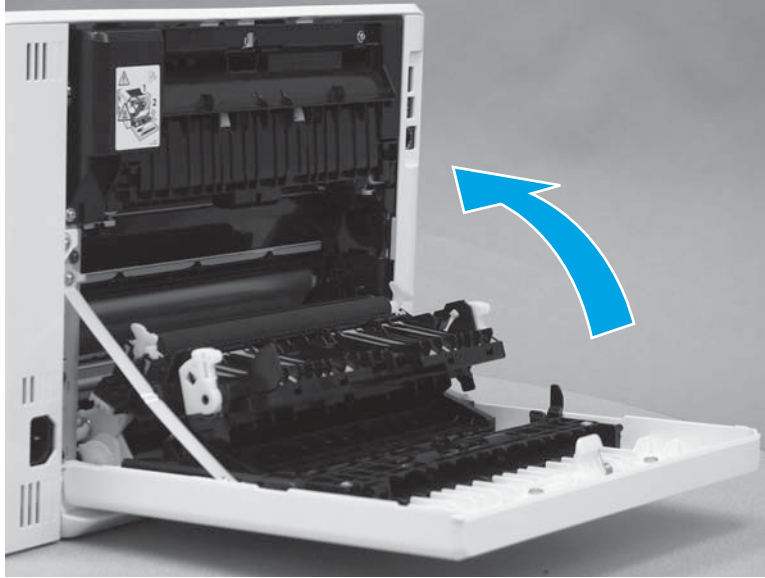
1. Close the front door.

Figure 1-4005 Close the front door



2. Close the duplexer door.

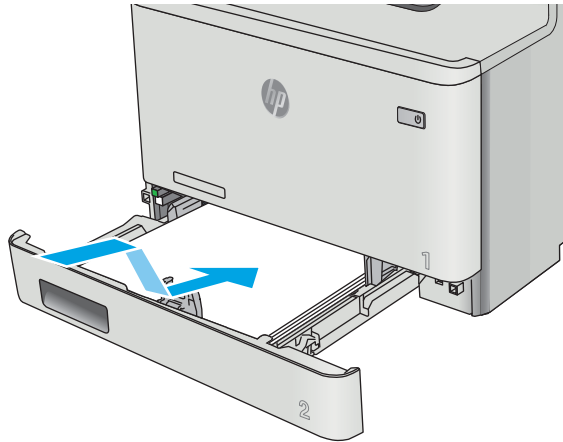
Figure 1-4006 Close the duplexer door



Step 23: Install Tray 2

- ▲ With the front of the tray slightly lifted, align the sides of the tray with the rails in the printer, and then carefully slide the tray into the printer. As the tray slides into the printer, lower the front of the tray, and then close it.

Figure 1-4007 Install the tray



Removal and replacement: Fuser power supply


- [Introduction](#)
- [Step 1: Remove Tray 2](#)
- [Step 2: Open the front door and rear door or duplexer door](#)
- [Step 3: Remove the right cover \(M452 models\)](#)
- [Step 4: Remove the right cover \(M377, M477 models\)](#)
- [Step 5: Remove the fuser power supply](#)
- [Step 6: Unpack the replacement part](#)
- [Step 7: Install the fuser power supply](#)
- [Step 8: Install the right cover \(M452 models\)](#)
- [Step 9: Install the right cover \(M377, M477 models\)](#)
- [Step 10: Close the front door and rear door or duplexer door](#)
- [Step 11: Install Tray 2](#)

Introduction

This document provides the procedures to remove and replace the fuser power supply

Before you begin

- Turn off the printer.
- Disconnect the power cable.

 **WARNING!** To avoid damage to the printer, turn the printer off, wait 30 seconds, and then remove the power cord before attempting to service the printer.

- Use the table below to identify the correct part number for your printer. To order the part, go to www.hp.com/buy/parts.

| Fuser power supply part numbers | |
|---------------------------------|---------------------------|
| RM2-6440-000CN | Fuser power supply (110V) |
| RM2-6441-000CN | Fuser power supply (220V) |

Required tools

- #2 Phillips screwdriver with a magnetic tip

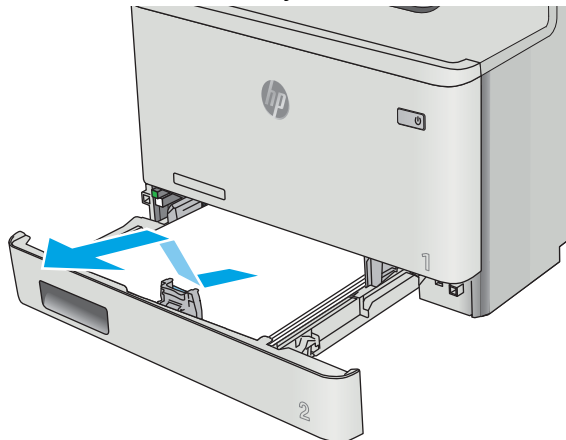
After performing service

- Connect the power cable.
- Use the power switch to turn the power on.

Step 1: Remove Tray 2

- ▲ Pull the tray out until it stops. Lift the front of the tray, and then pull it out of the printer to remove it.

Figure 1-4008 Remove the tray



Step 2: Open the front door and rear door or duplexer door

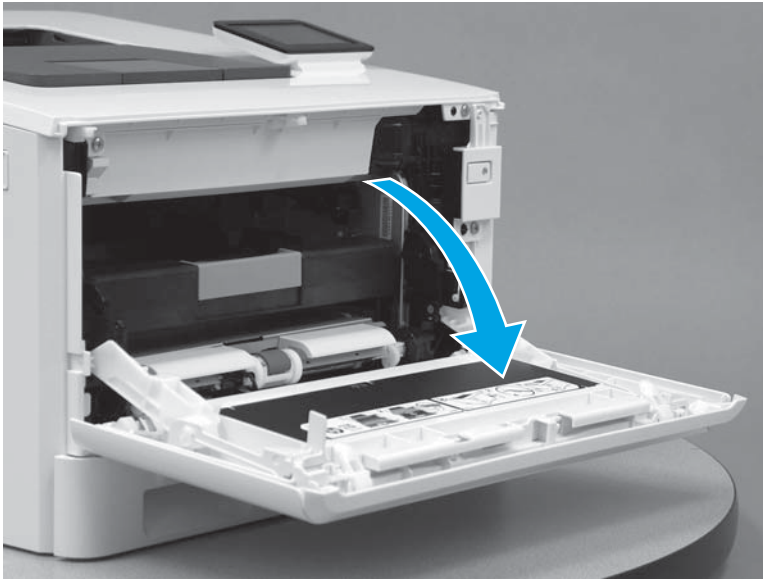
1. Press the button (callout 1) on the left side of the printer to release the front door.

Figure 1-4009 Release the front door



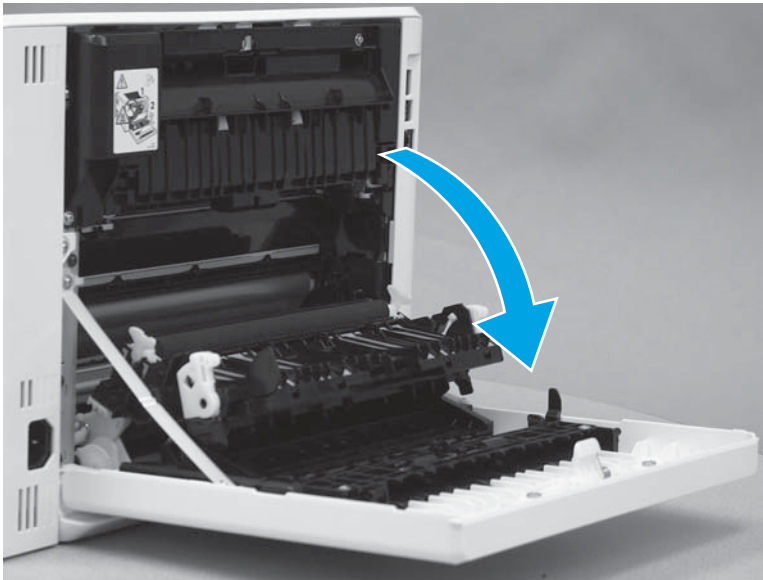
2. Open the front door.

Figure 1-4010 Open the front door



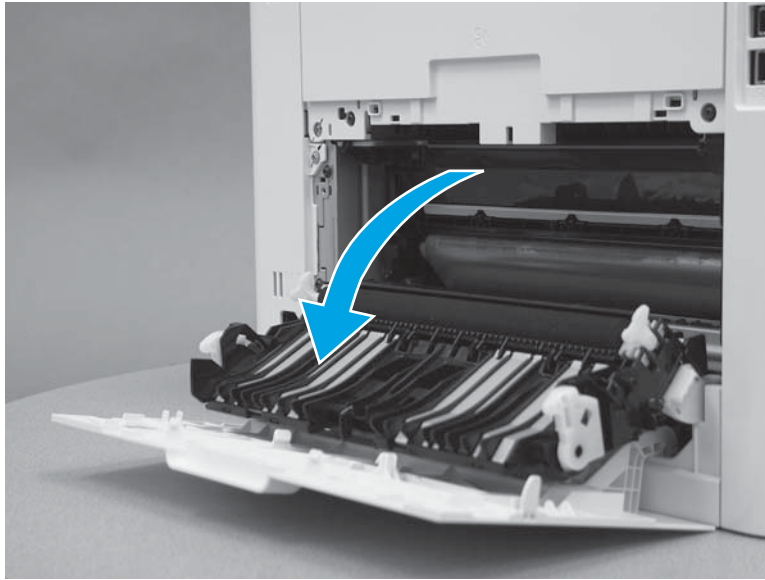
3. **Duplex models:** Open the duplexer door.

Figure 1-4011 Open the duplexer door




4. **Simplex models:** Open the rear door.

Figure 1-4012 Open the rear door



Step 3: Remove the right cover (M452 models)

 **NOTE:** This step is for the M452 models. For the M377, M477 models, skip this step and go to [Step 4: Remove the right cover \(M377, M477 models\) on page 2123](#).

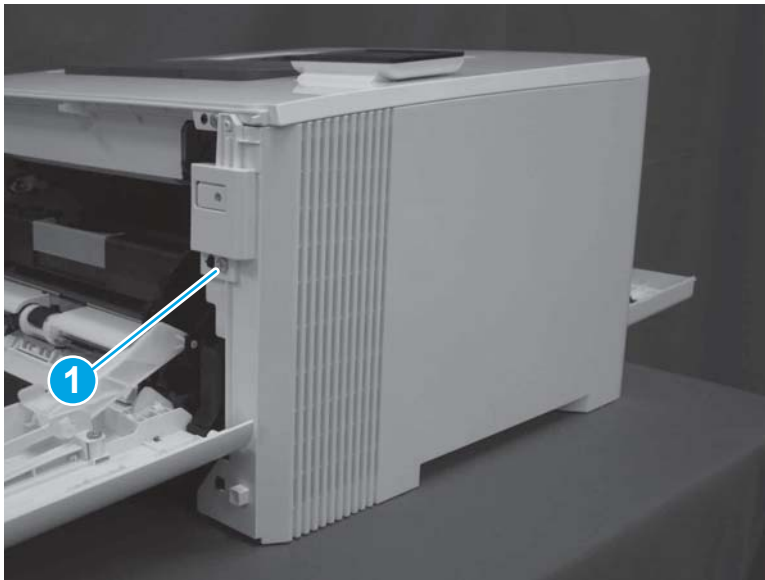
1. At the back of the printer, remove one screw (callout 1).

Figure 1-4013 Remove one screw



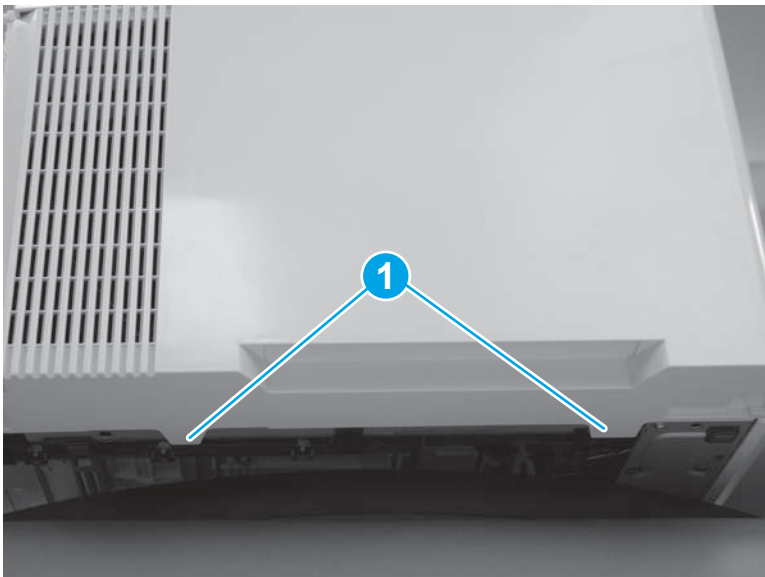
2. At the front of the printer, remove one screw (callout 1).

Figure 1-4014 Remove one screw



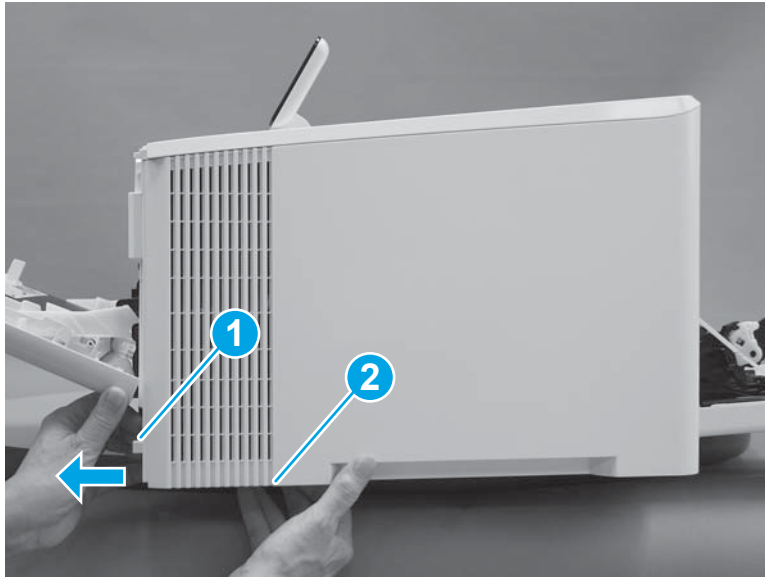
3. Slide the printer to the edge of a work surface. Note the location of the tabs on the lower edge of the cover (callout 1).

Figure 1-4015 Locate the tabs



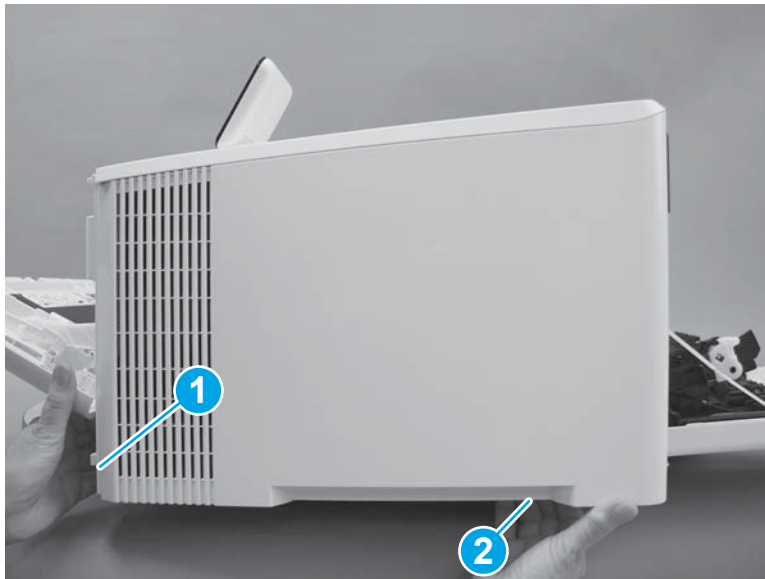
4. Release one tab (callout 1) on the front of the cover by slightly pulling the cover away from the printer. While holding the cover in the released position, release one tab (callout 2) on the bottom of the cover.

Figure 1-4016 Release front lower tabs



5. Hold the front tabs in the released position (callout 1), and then release one tab (callout 2) on the bottom of the cover, toward the back of the printer.

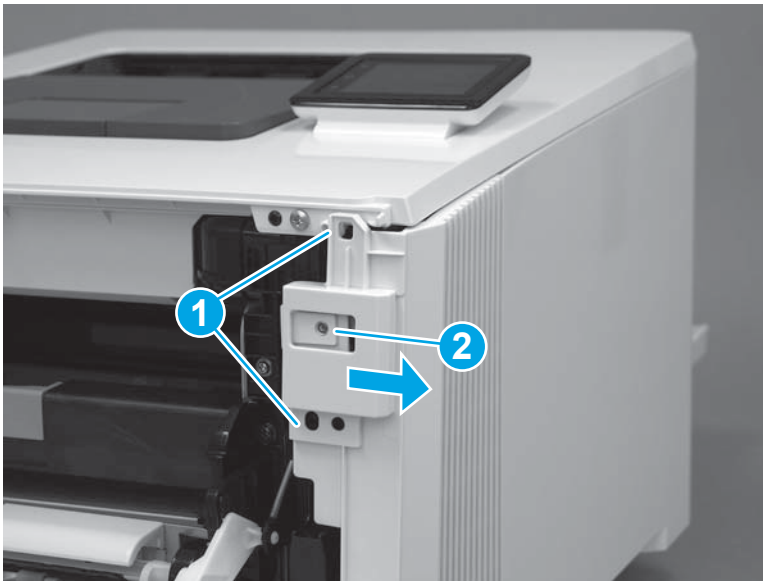
Figure 1-4017 Release lower rear tab



6. Release two tabs at the front of the printer (callout 1) by slightly pulling the cover away from the printer.

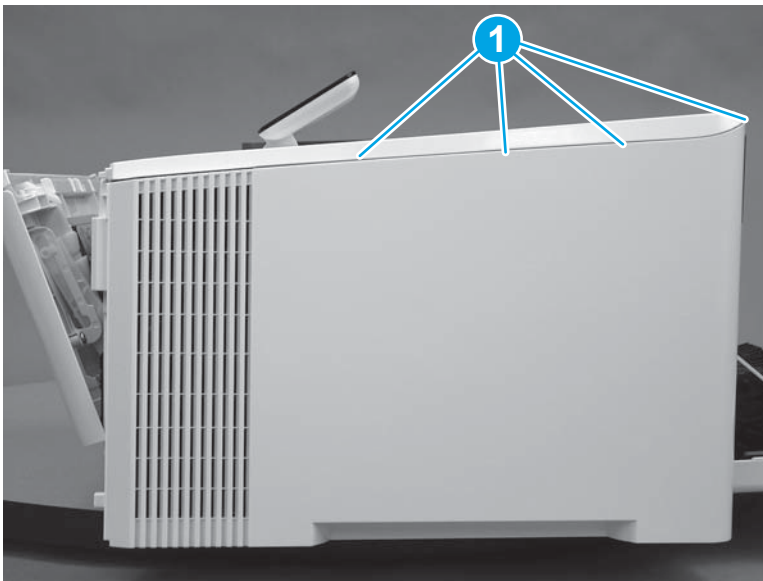
⚠ CAUTION: Be careful not to dislodge the power switch (callout 2).

Figure 1-4018 Release two front tabs



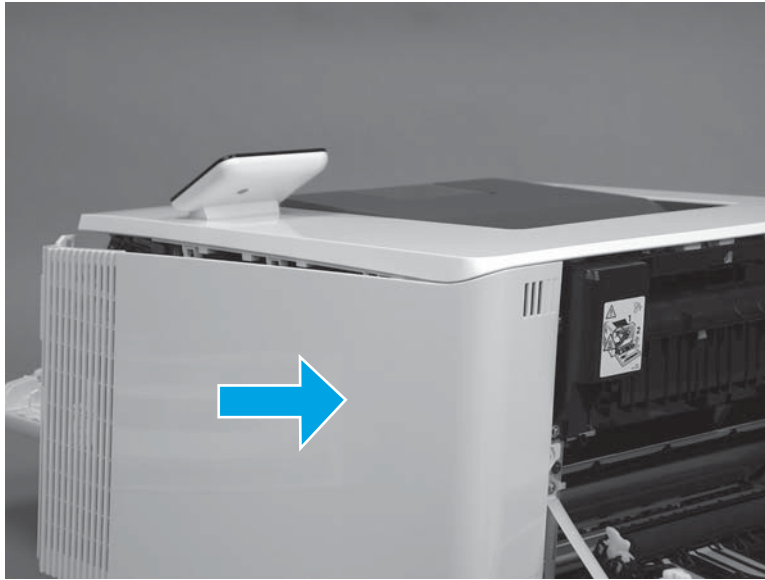
7. Release four tabs on the top of the printer (callout 1).

Figure 1-4019 Release upper tabs




8. Slide the cover toward the back of the printer to remove it.

Figure 1-4020 Remove the right cover



Step 4: Remove the right cover (M377, M477 models)

 **NOTE:** This step is for the M377, M477 models. For the M452 models, skip this step and go to [Step 5: Remove the fuser power supply on page 2129.](#)

1. Raise the scanner.

Figure 1-4021 Raise the scanner



2. At the back of the printer, remove one screw (callout 1).

Figure 1-4022 Remove one screw



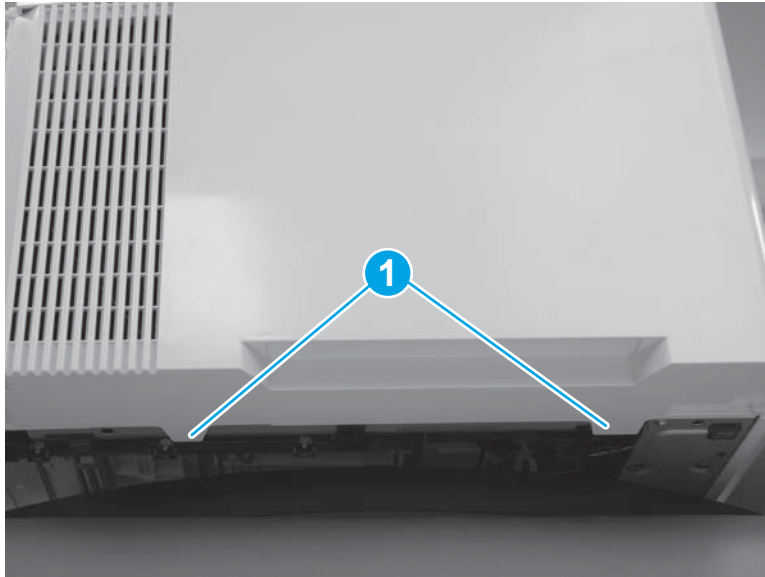
3. At the front of the printer, remove one screw (callout 1).

Figure 1-4023 Remove one screw



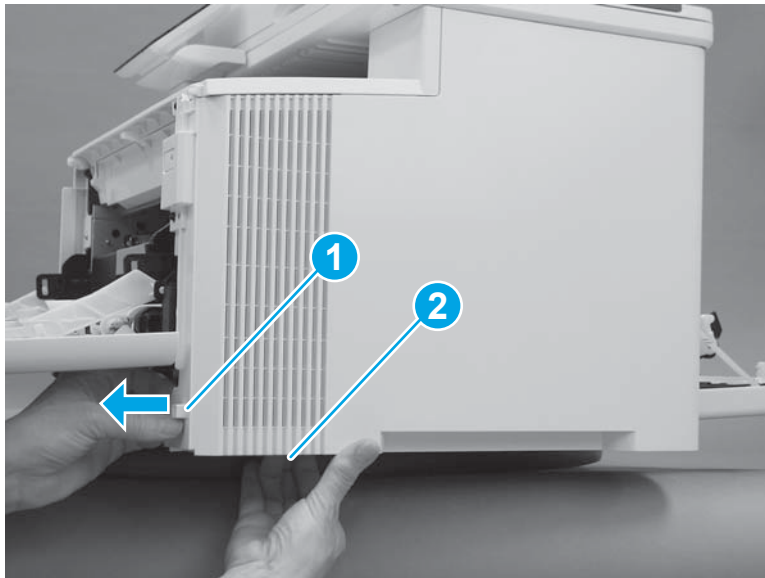
4. Slide the printer to the edge of a work surface. Note the location of the tabs on the lower edge of the cover (callout 1).

Figure 1-4024 Locate the tabs



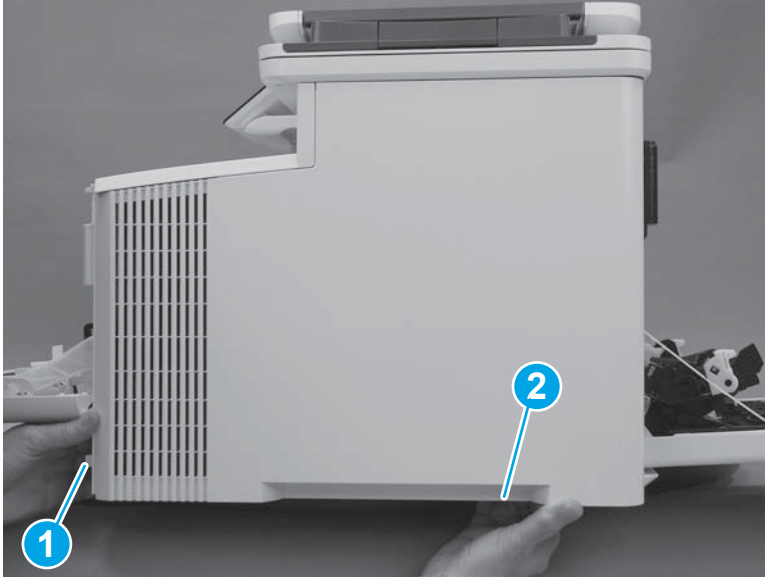
5. Release one tab (callout 1) on the front of the cover by slightly pulling the cover away from the printer. While holding the cover in the released position, release one tab (callout 2) on the lower edge of the cover.

Figure 1-4025 Release front lower tabs



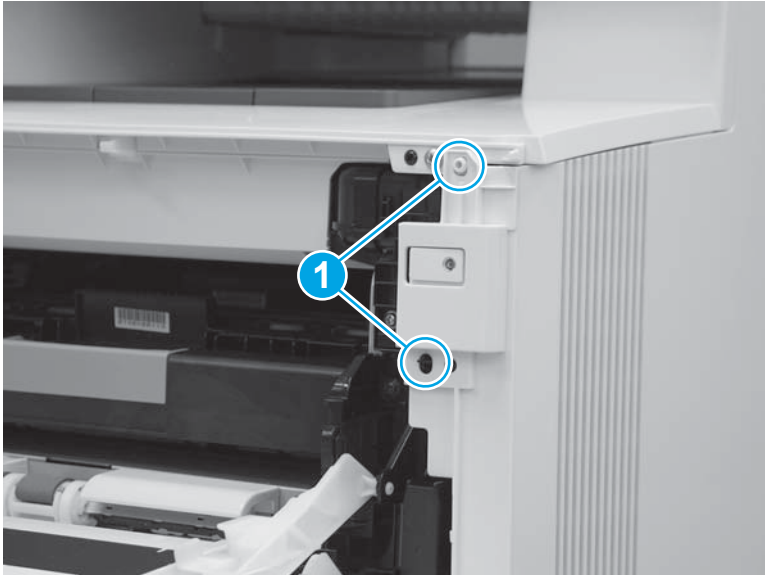
6. Hold the front tabs in the released position (callout 1), and then release one tab (callout 2) on the lower edge of the cover, toward the back of the printer.

Figure 1-4026 Release lower rear tab



7. Release two tabs at the front of the printer (callout 1) by slightly pulling the cover away from the printer.

Figure 1-4027 Release front upper tabs



8. Rotate the front of the cover away from the printer (callout 1).

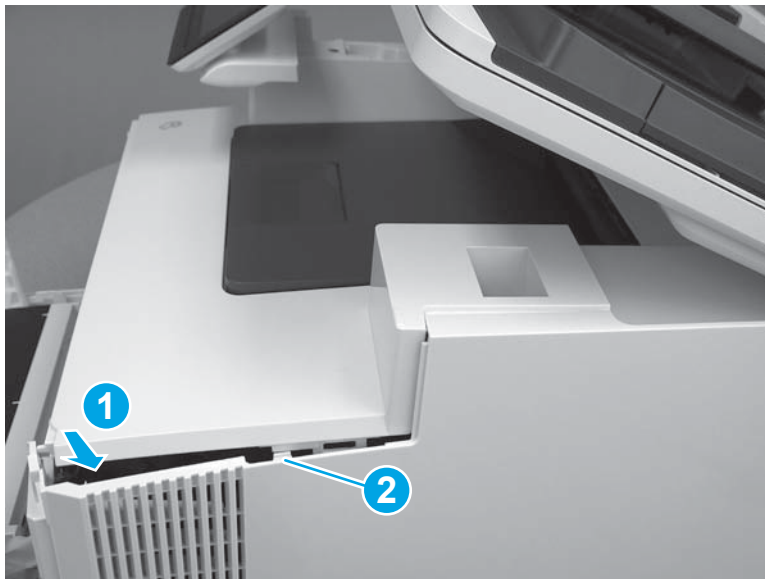
⚠ CAUTION: Be careful not to dislodge the power switch (callout 2).

Figure 1-4028 Rotate the front of the cover



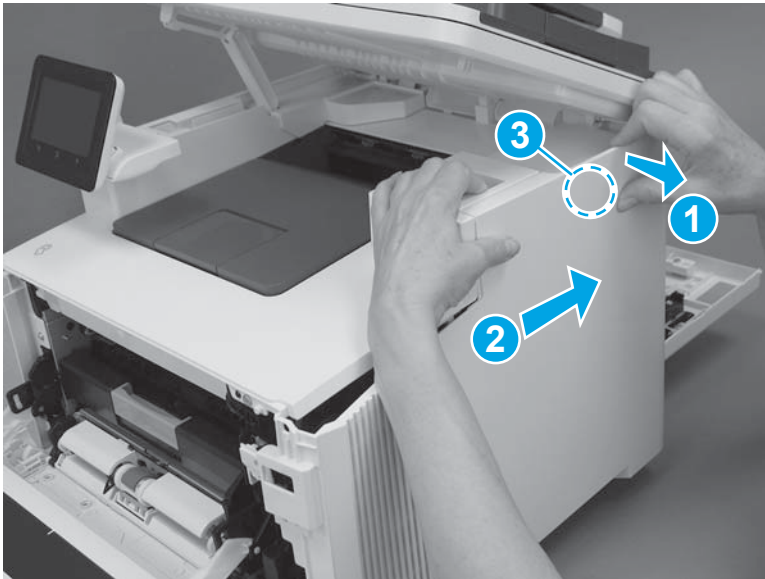
9. Slightly pull the front of the cover away from the printer (callout 1) to release one tab (callout 2).

Figure 1-4029 Release top tabs



10. At the top of the printer, slightly pull the top of the cover away from the printer to release one retention tab (callout 1) on the inside of the cover. While holding the cover away, slide the cover toward the back of the printer (callout 2) to release one hook (callout 3) on the inside of the cover.

Figure 1-4030 Release one tab and one hook



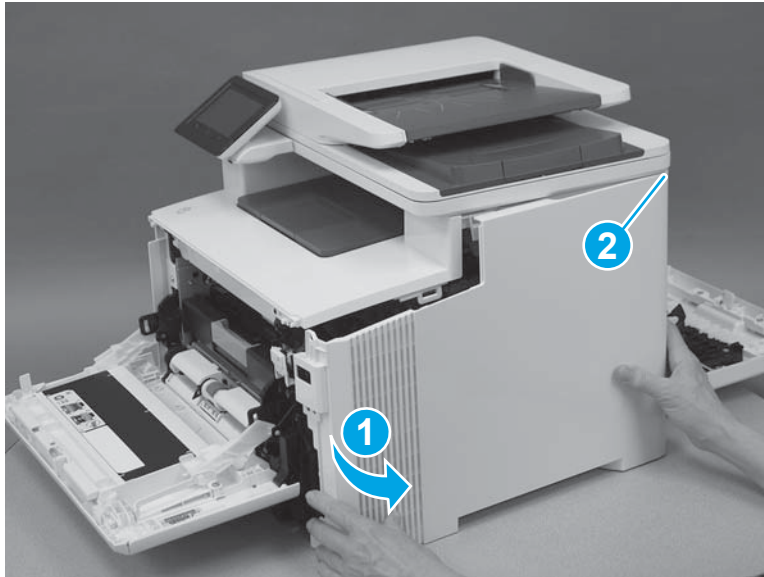
11. Lower the scanner.

Figure 1-4031 Lower the scanner



12. Rotate the cover away from the printer (callout 1) to release one tab (callout 2) at the back of the printer, and then remove the cover.

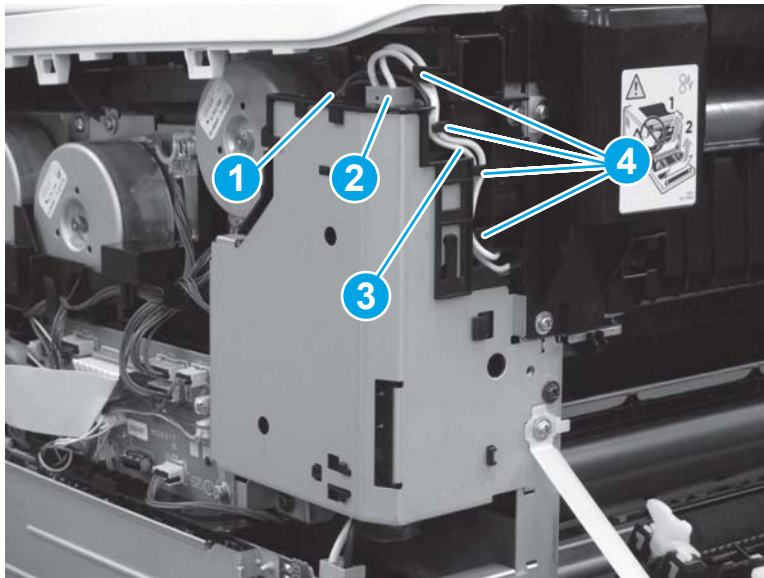
Figure 1-4032 Remove the right cover



Step 5: Remove the fuser power supply

1. Disconnect one connector (callout 1). Release the connector latch, and then disconnect one connector (callout 2). Remove the cables (callout 3) from the guides (callout 4).

Figure 1-4033 Disconnect two connectors



2. Remove two screws (callout 1).


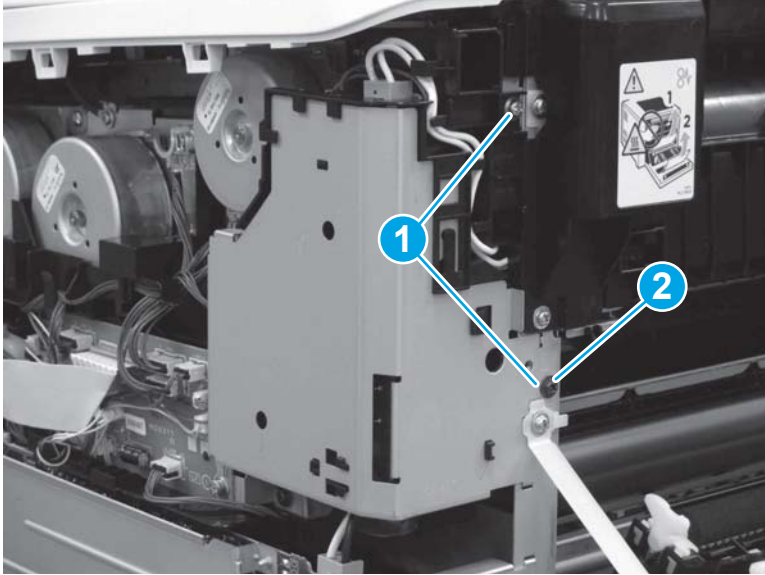
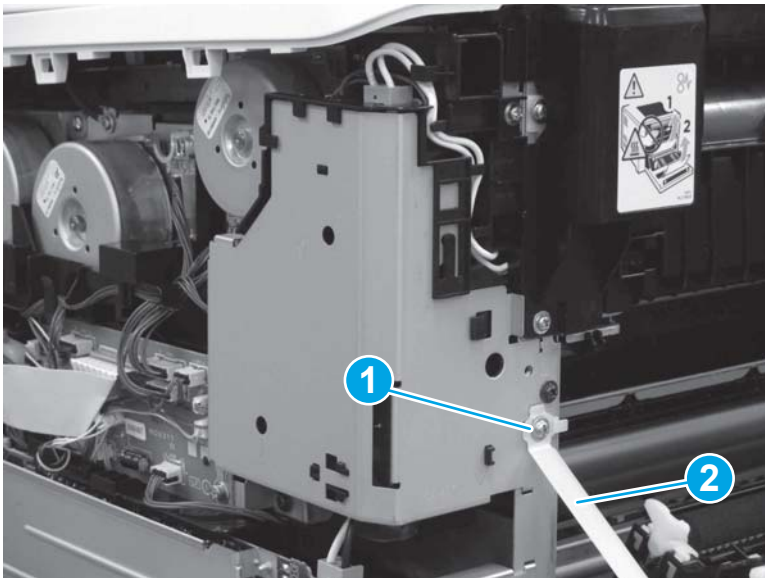
 **Reinstallation tip:** The lower screw (callout 2) is shorter than the other screw. Make sure that this screw is reinstalled in the correct position.

Figure 1-4034 Remove two screws



3. **Duplex models only:** Remove one screw (callout 1), and then release the retainer arm (callout 2).

Figure 1-4035 Release the retainer arm



4. Disconnect one connector (callout 1). Release the connector latch, and then disconnect one connector (callout 2). Remove three screws (callout 3).


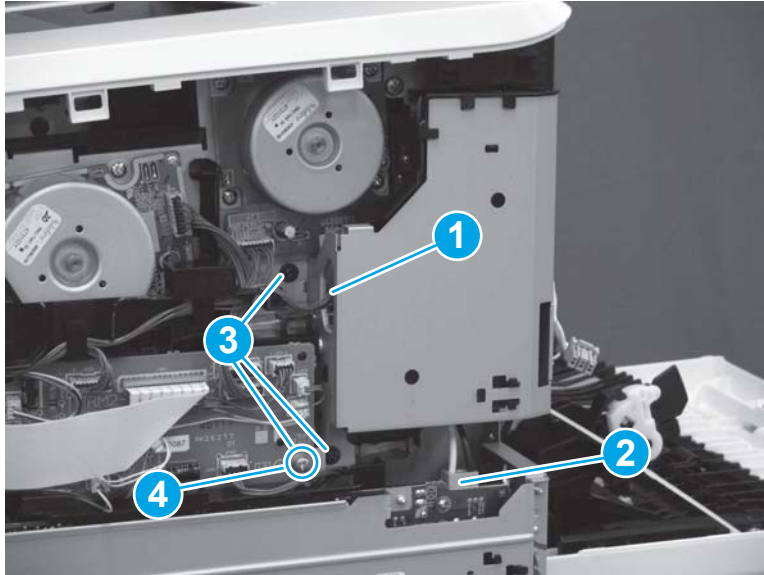
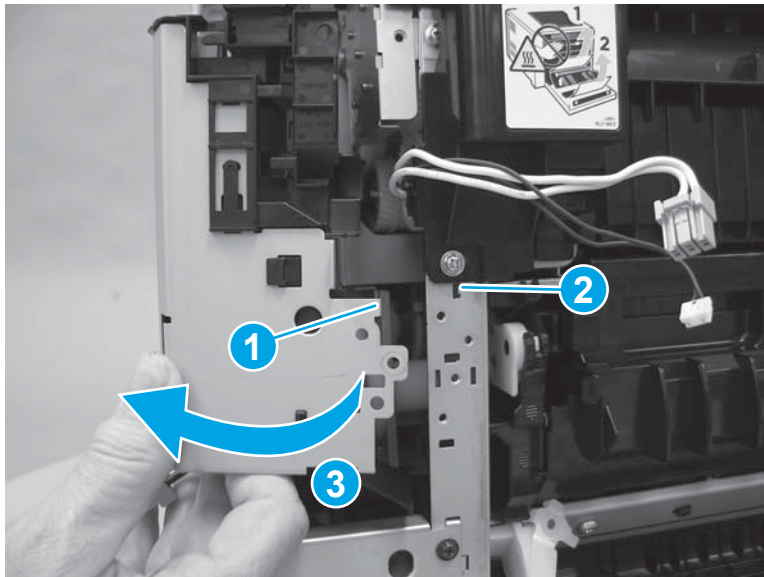
 **Reinstallation tip:** The screw on the driver PCA (callout 4) is different from the other screws. Make sure that this screw is reinstalled in the correct position.

Figure 1-4036 Disconnect two connectors and remove three screws



5. Release one tab (callout 1) on the back of the fuser power supply from the slot (callout 2) in the printer frame. Rotate the fuser power supply away from the printer to remove it (callout 3).

Figure 1-4037 Remove the fuser power supply



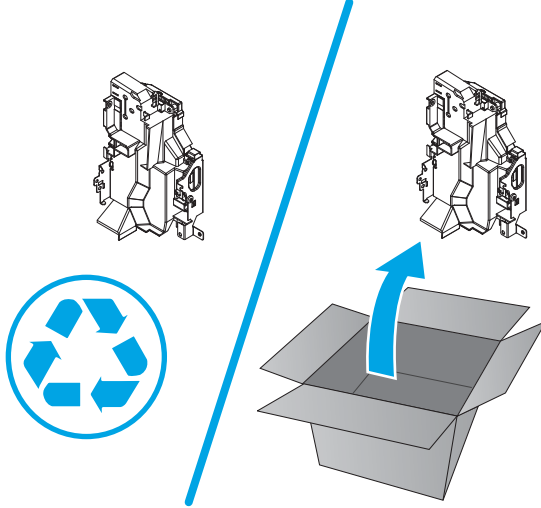
Step 6: Unpack the replacement part

Remove the new part from its package. Save all packaging for recycling the used part.

For complete information on HP's recycling programs, go to [Product return and recycling](#).

 **NOTE:** HP recommends responsible disposal of the defective part.

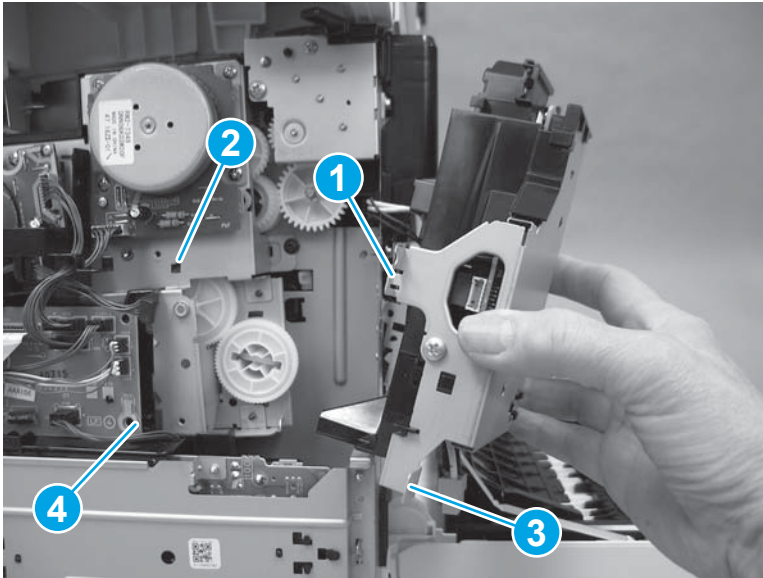
Figure 1-4038 Recycle and unpack



Step 7: Install the fuser power supply

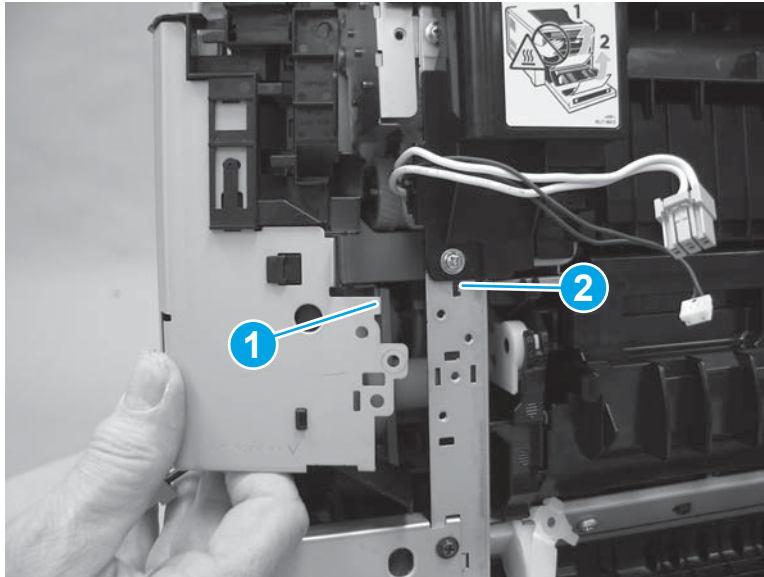
1. Install the tab (callout 1) on the fuser power supply into the slot (callout 2) in the printer. Make sure that the metal tab (callout 3) on the fuser power supply fits behind the edge of the driver PCA (callout 4).

Figure 1-4039 Install two tabs



2. Install the tab (callout 1) on the back of the fuser power supply into the slot (callout 2) in the printer frame.

Figure 1-4040 Install one tab



3. Install three screws (callout 1), and then connect two connectors (callout 2).


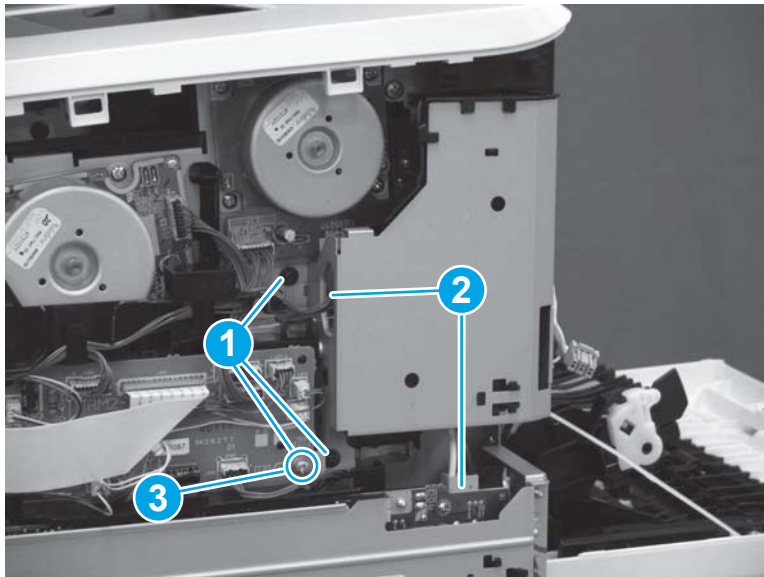
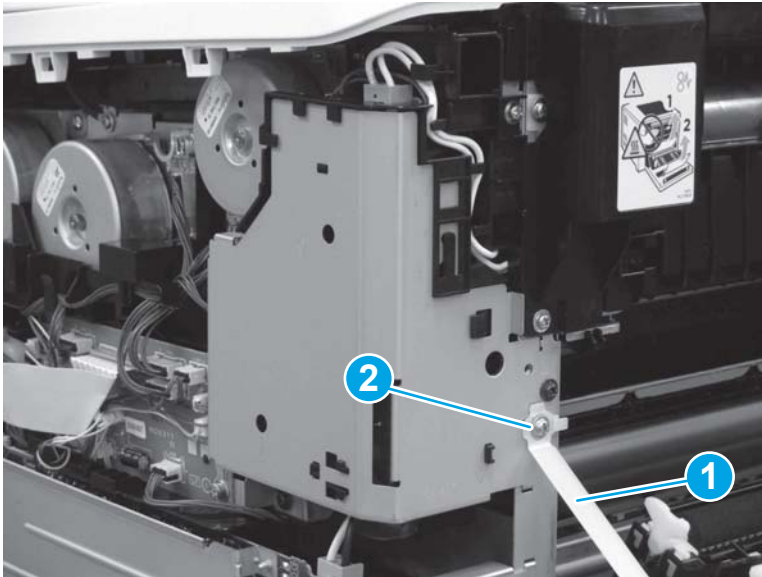
 **Reinstallation tip:** The screw on the driver PCA (callout 3) is different from the other screws. Make sure that this screw is reinstalled in the correct position.

Figure 1-4041 Disconnect two connectors and remove three screws



4. **Duplex models only:** Position the retainer arm (callout 1) on the printer frame, and then install one screw (callout 2).

Figure 1-4042 Install the retainer arm



5. Install two screws (callout 1).


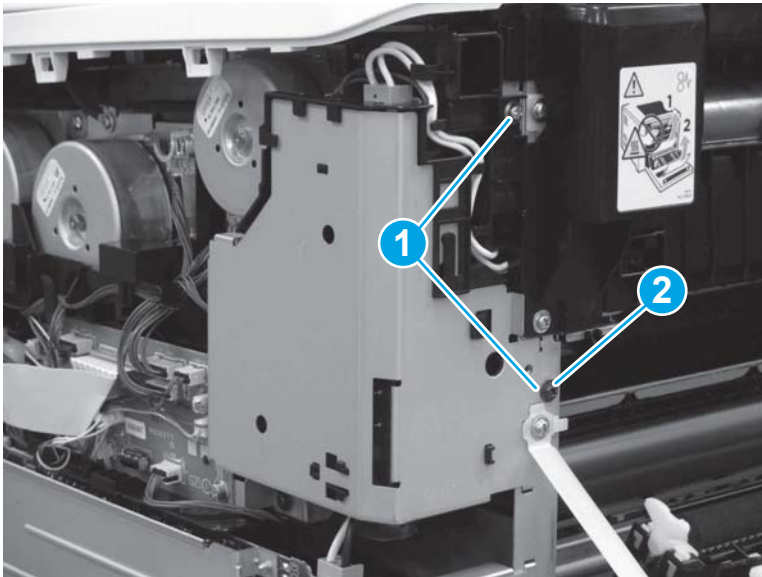
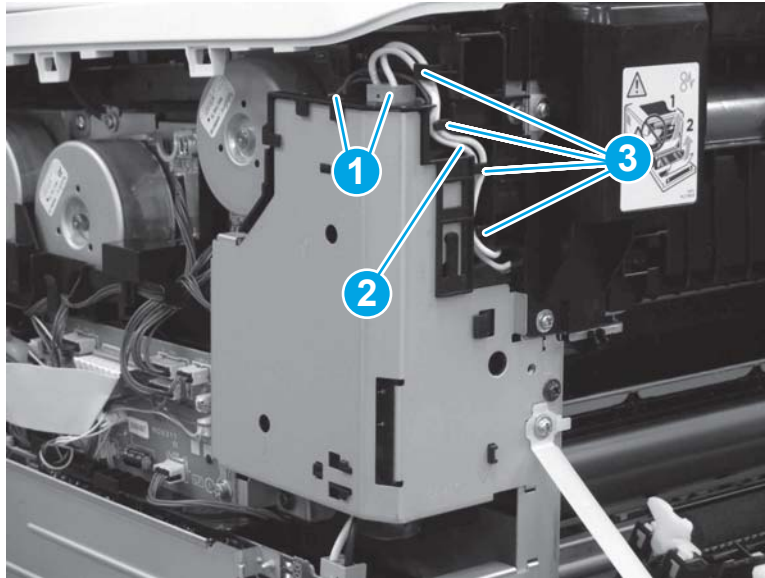
 **Reinstallation tip:** The lower screw (callout 2) is shorter than the other screw. Make sure that this screw is reinstalled in the correct position.

Figure 1-4043 Install two screws




6. Connect two connectors (callout 1), and then install the cables (callout 2) into the guides (callout 3).

Figure 1-4044 Connect two connectors

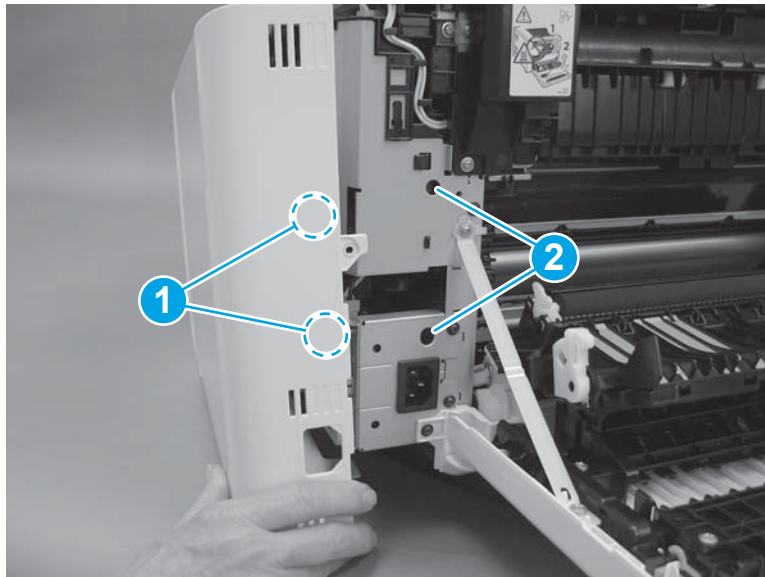


Step 8: Install the right cover (M452 models)

 **NOTE:** This step is for the M452 models. For the M377, M477 models, skip this step and go to [Step 9: Install the right cover \(M377, M477 models\) on page 2139](#).

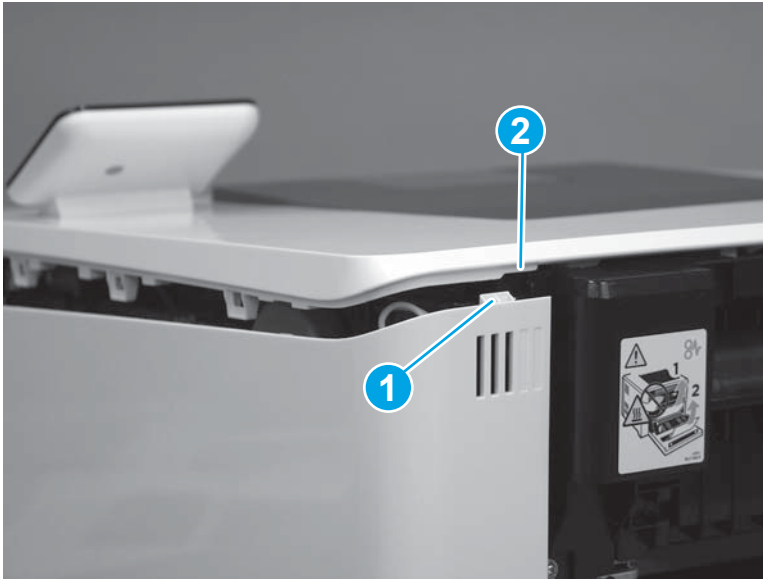
1. Position two tabs (callout 1) on the back of the cover in the slots (callout 2) in the printer.

Figure 1-4045 Position two tabs



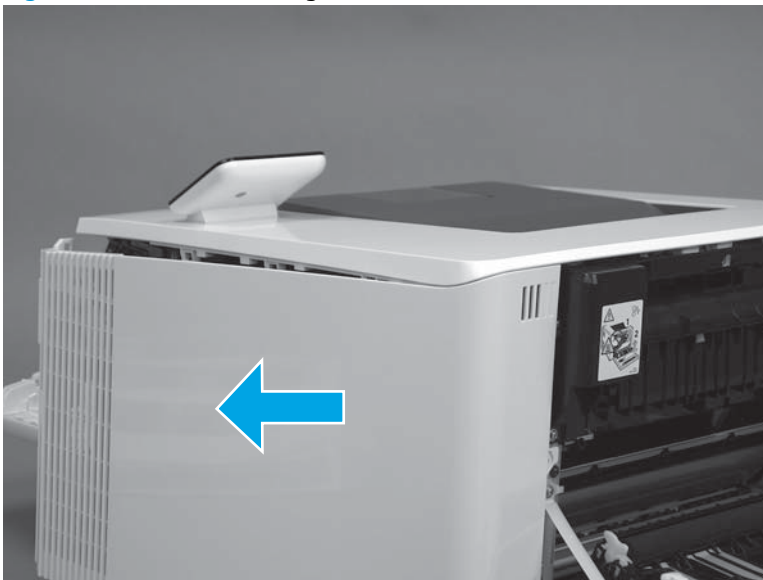
2. At the back of the printer, install the tab (callout 1) under the edge of the top cover (callout 2).

Figure 1-4046 Install rear tab



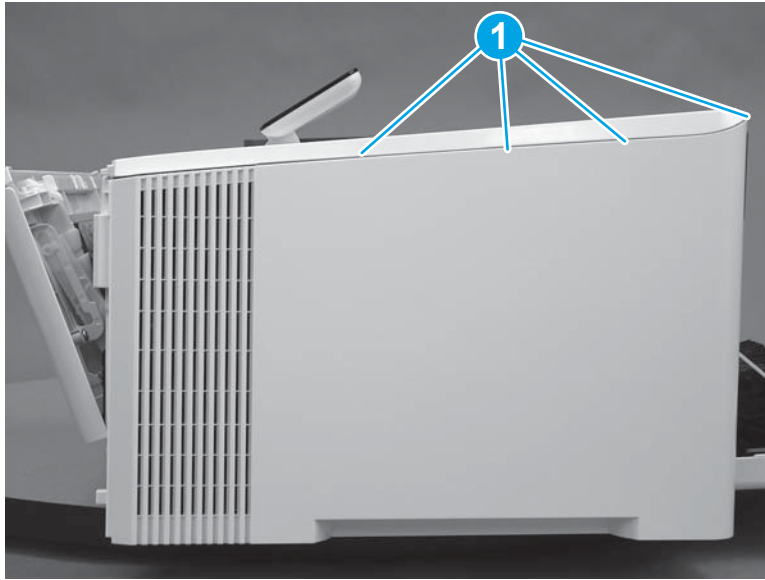
3. Slide the cover toward the front of the printer to install it.

Figure 1-4047 Install the right cover



- Engage three tabs (callout 2) on the top of the cover.

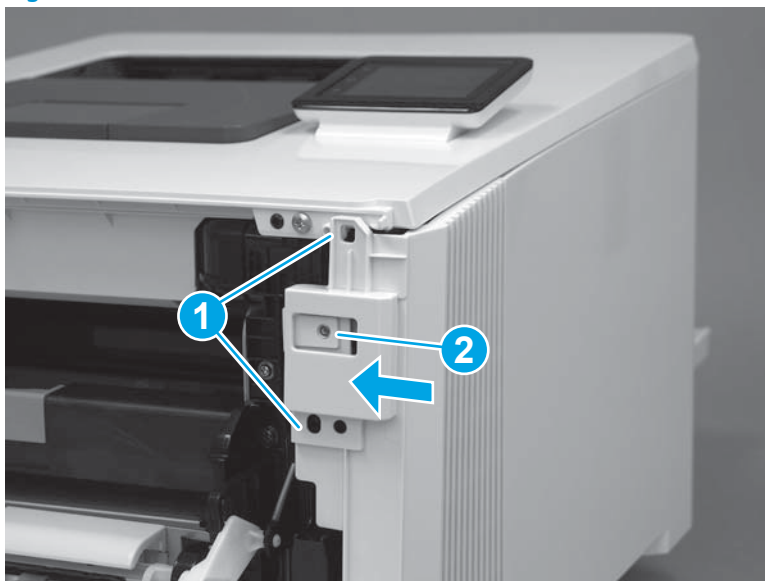
Figure 1-4048 Install upper tabs



- At the front of the printer, position the front of the cover over two tabs (callout 1).

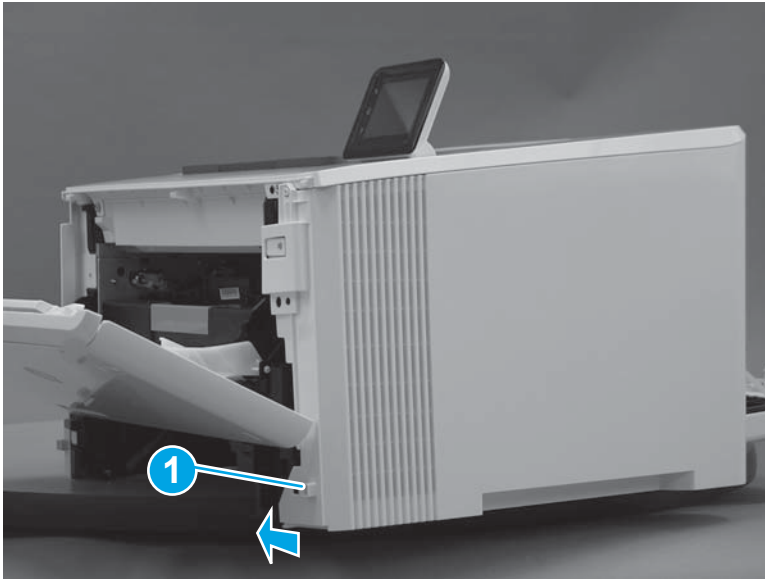
CAUTION: Be careful not to dislodge the power switch (callout 2).

Figure 1-4049 Install the front tabs



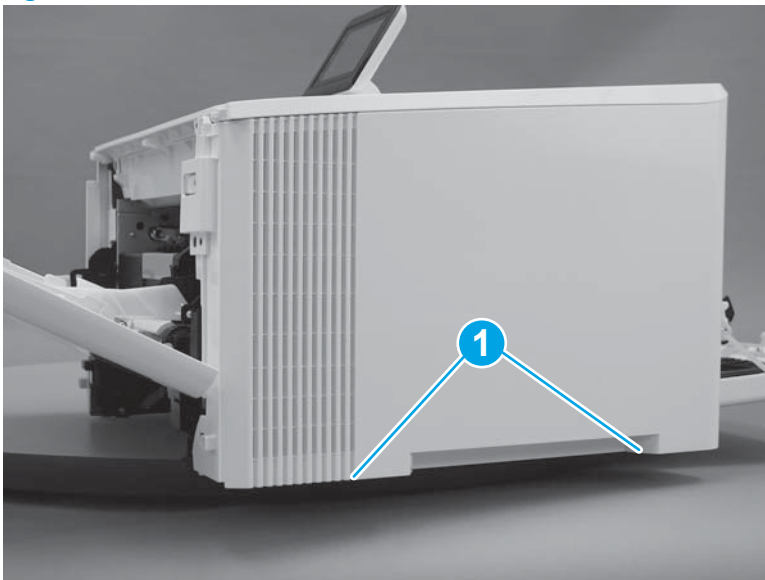
6. Press the right cover toward the printer to engage one tab (callout 1) on the front of the cover.

Figure 1-4050 Install the front lower tab



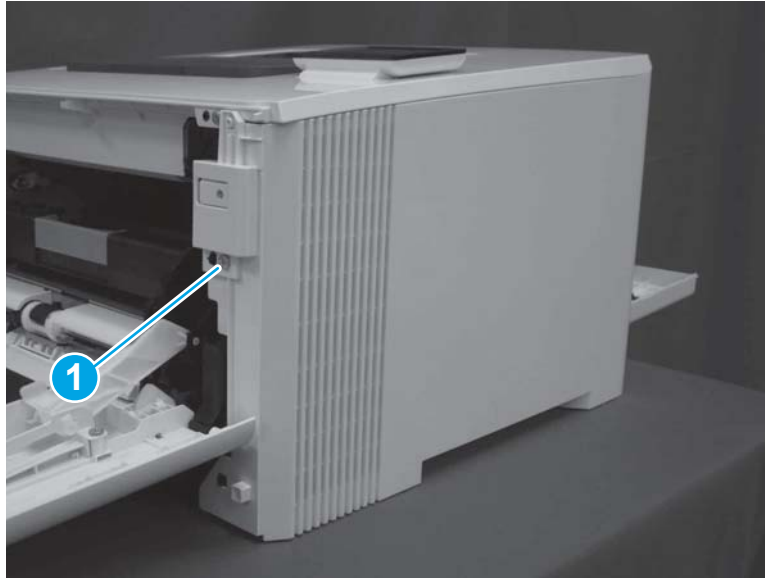
7. Install two tabs on the bottom of the cover (callout 1).

Figure 1-4051 Install two tabs



8. At the front of the printer, install one screw (callout 1).

Figure 1-4052 Install one screw




9. At the back of the printer, install one screw (callout 1).

Figure 1-4053 Install one screw

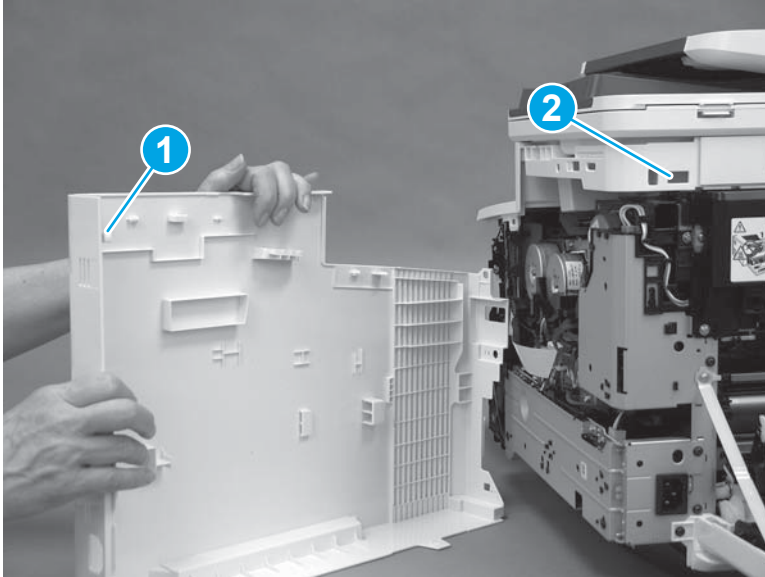


Step 9: Install the right cover (M377, M477 models)

 **NOTE:** This step is for the M377, M477 models. For the M452 models, skip this step and go to [Step 10: Close the front door and rear door or duplexer door on page 2145.](#)

1. At the back of the printer, install the tab (callout 1) on the cover into the slot (callout 2) on the printer.

Figure 1-4054 Install rear tab



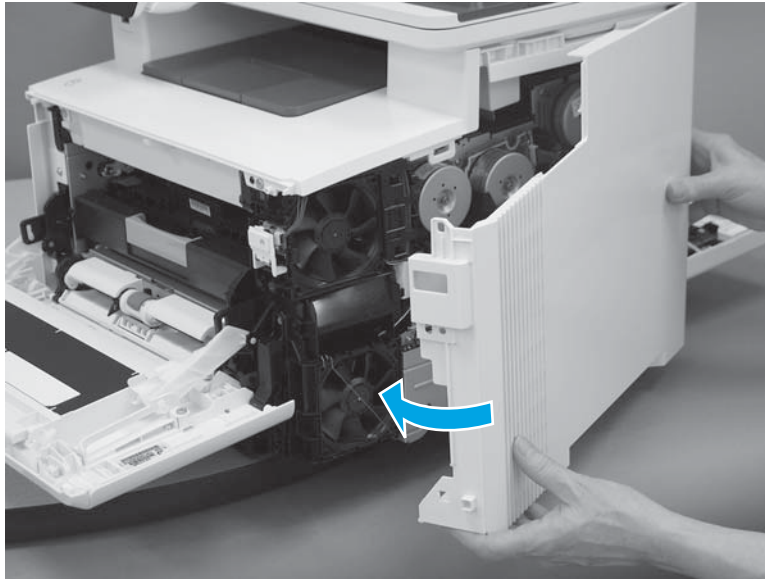
2. Raise the scanner.

Figure 1-4055 Raise the scanner



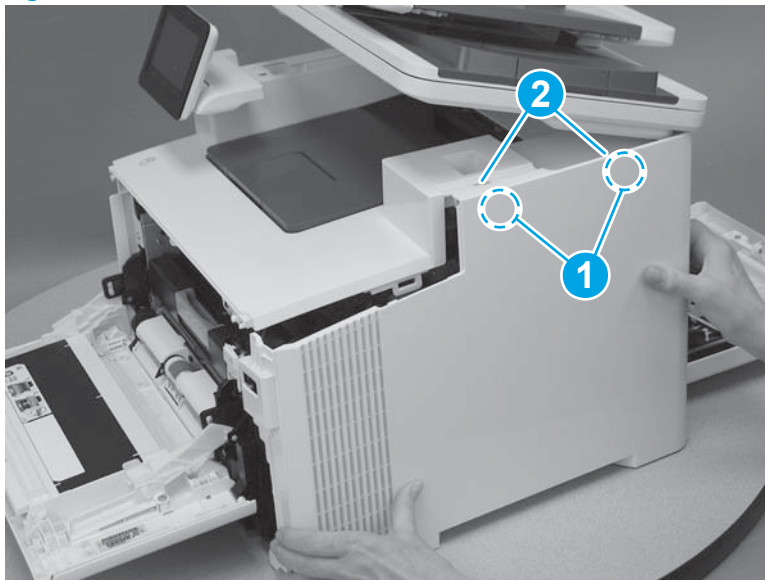
3. Rotate the right cover toward the printer.

Figure 1-4056 Rotate the right cover



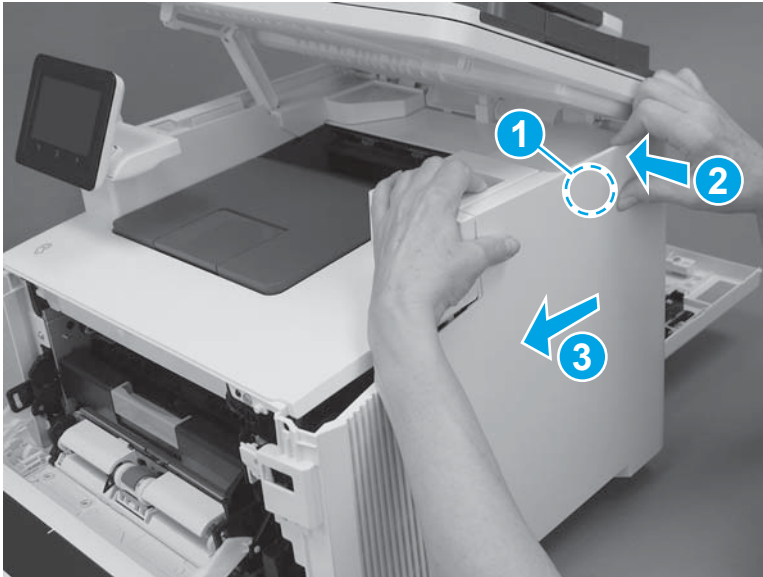
4. Position the hooks (callout 1) on the inside of the cover into the slots (callout 2) in the printer.

Figure 1-4057 Position the hooks in the slots



- Engage one hook (callout 1) on the inside of the cover. Hold the top of the cover closed (callout 2) while sliding the cover toward the front of the printer (callout 3).

Figure 1-4058 Slide the cover



- Rotate the front of the cover toward the printer (callout 1).

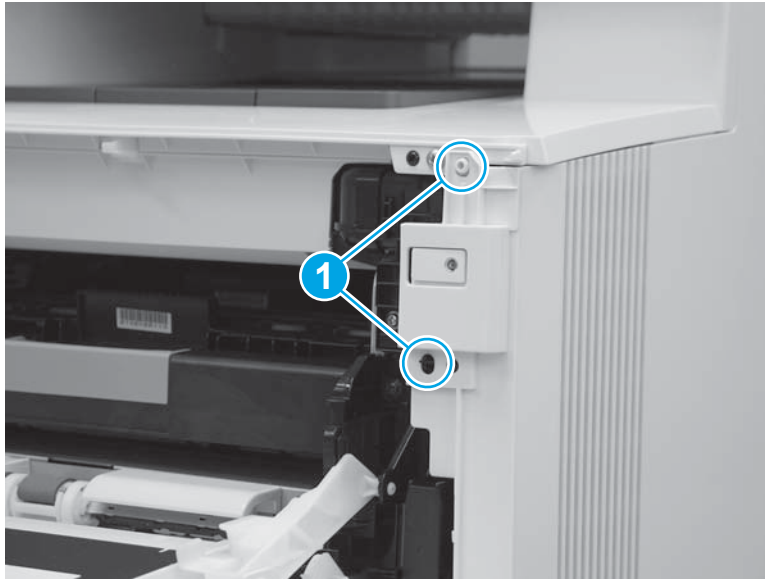
CAUTION: Be careful not to dislodge the power switch (callout 2).

Figure 1-4059 Rotate the front of the cover



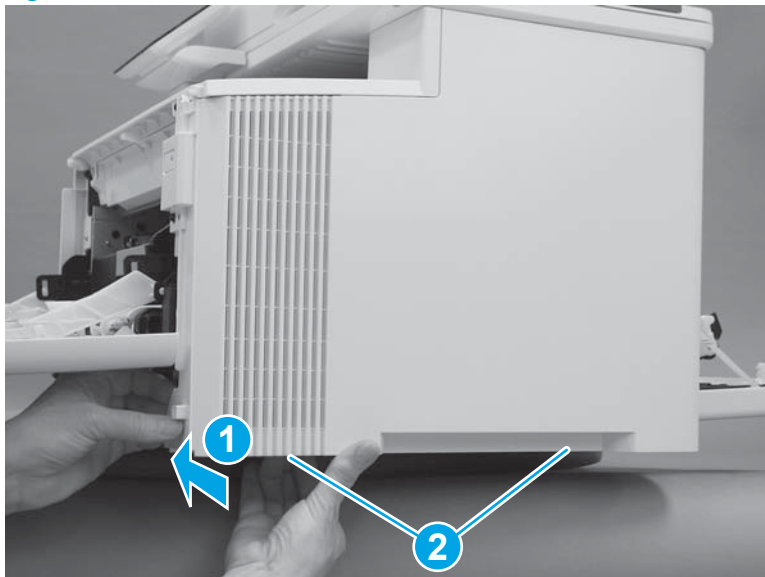
7. Install two tabs at the front of the printer (callout 1).

Figure 1-4060 Install two tabs



8. Press the right cover toward the printer (callout 1) to engage one tab on the front of the cover, and two tabs (callout 2) on the lower edge of the cover.

Figure 1-4061 Install the front and lower tabs



9. At the front of the printer, install one screw (callout 1).

Figure 1-4062 Install one screw



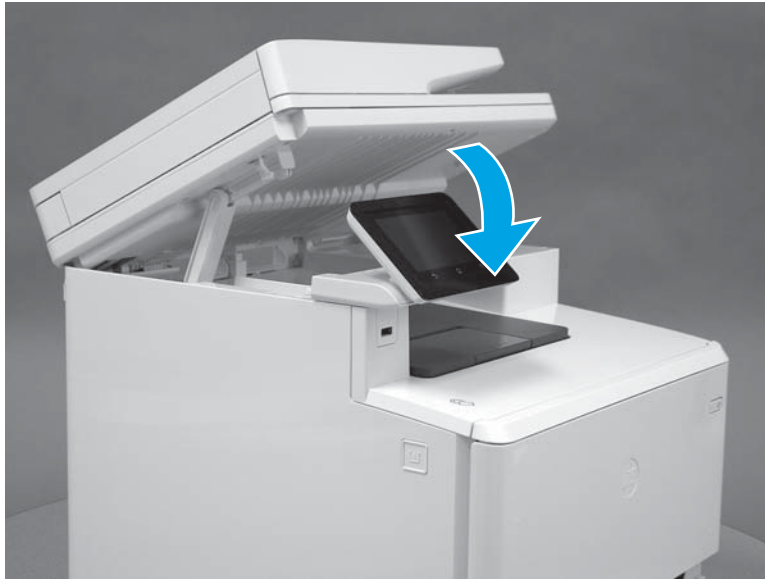
10. At the back of the printer, install one screw (callout 1).

Figure 1-4063 Install one screw



11. Lower the scanner.

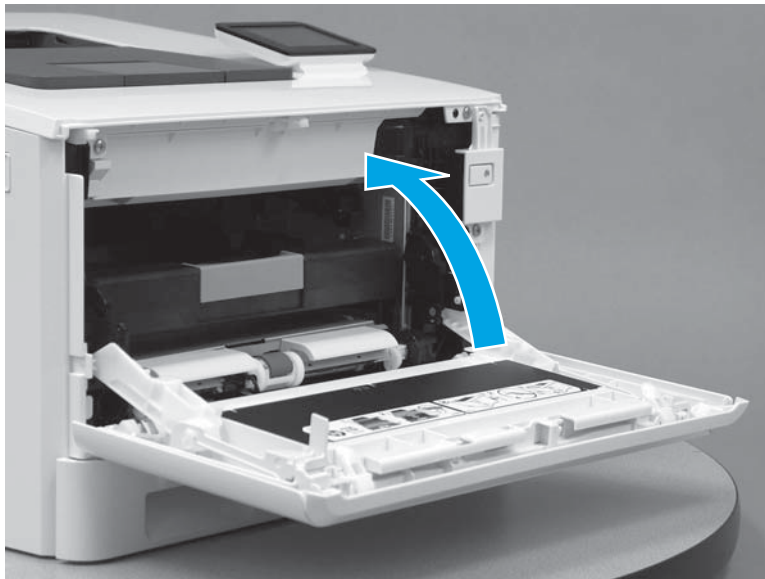
Figure 1-4064 Lower the scanner



Step 10: Close the front door and rear door or duplexer door

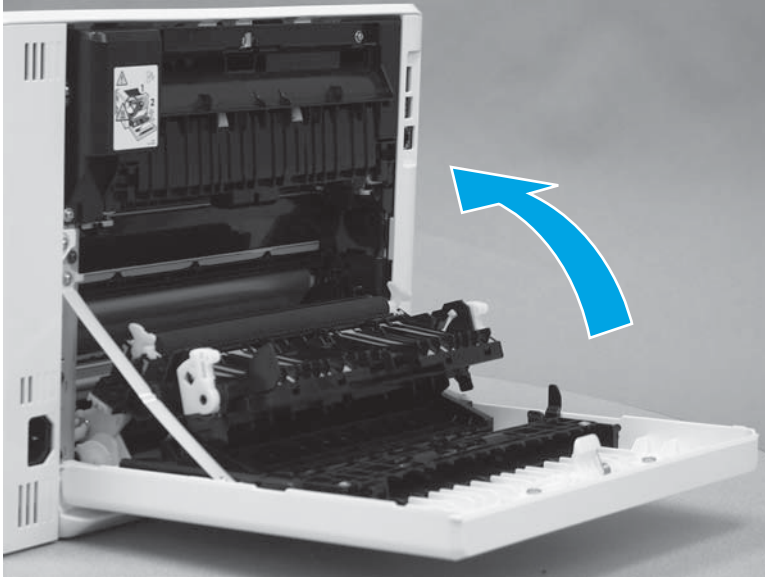
1. Close the front door.

Figure 1-4065 Close the front door



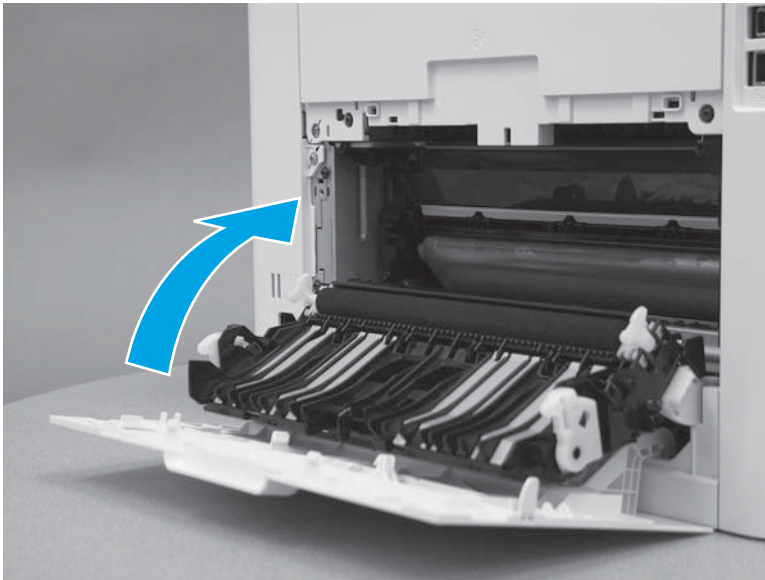
2. **Duplex models:** Close the duplexer door.

Figure 1-4066 Close the duplexer door



3. **Simplex models:** Close the rear door.

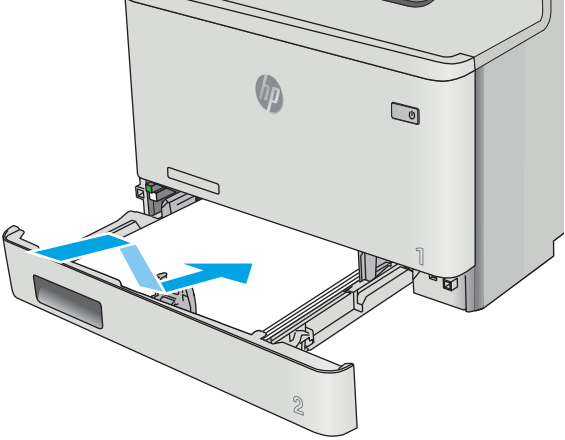
Figure 1-4067 Close the rear door



Step 11: Install Tray 2

- ▲ With the front of the tray slightly lifted, align the sides of the tray with the rails in the printer, and then carefully slide the tray into the printer. As the tray slides into the printer, lower the front of the tray, and then close it.

Figure 1-4068 Install the tray



Removal and replacement: Fuser motor


- [Introduction](#)
- [Step 1: Remove Tray 2](#)
- [Step 2: Open the front door and rear door or duplexer door](#)
- [Step 3: Remove the right cover \(M452 models\)](#)
- [Step 4: Remove the right cover \(M377, M477 models\)](#)
- [Step 5: Remove the fuser power supply](#)
- [Step 6: Remove the fuser motor](#)
- [Step 7: Unpack the replacement part](#)
- [Step 8: Install the fuser motor](#)
- [Step 9: Install the fuser power supply](#)
- [Step 10: Install the right cover \(M452 models\)](#)
- [Step 11: Install the right cover \(M377, M477 models\)](#)
- [Step 12: Close the front door and rear door or duplexer door](#)
- [Step 13: Install Tray 2](#)

Introduction

This document provides the procedures to remove and replace the fuser motor.

Before you begin

- Turn off the printer.
- Disconnect the power cable.

 **WARNING!** To avoid damage to the printer, turn the printer off, wait 30 seconds, and then remove the power cord before attempting to service the printer.

- Use the table below to identify the correct part number for your printer. To order the part, go to www.hp.com/buy/parts.

| Fuser motor part number | |
|-------------------------|-------------|
| RM2-7348-000CN | Fuser motor |

Required tools

- #2 Phillips screwdriver with a magnetic tip

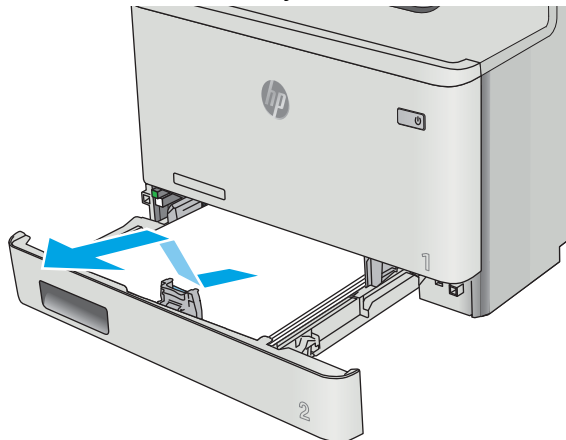
After performing service

- Connect the power cable.
- Use the power switch to turn the power on.

Step 1: Remove Tray 2

- ▲ Pull the tray out until it stops. Lift the front of the tray, and then pull it out of the printer to remove it.

Figure 1-4069 Remove the tray



Step 2: Open the front door and rear door or duplexer door

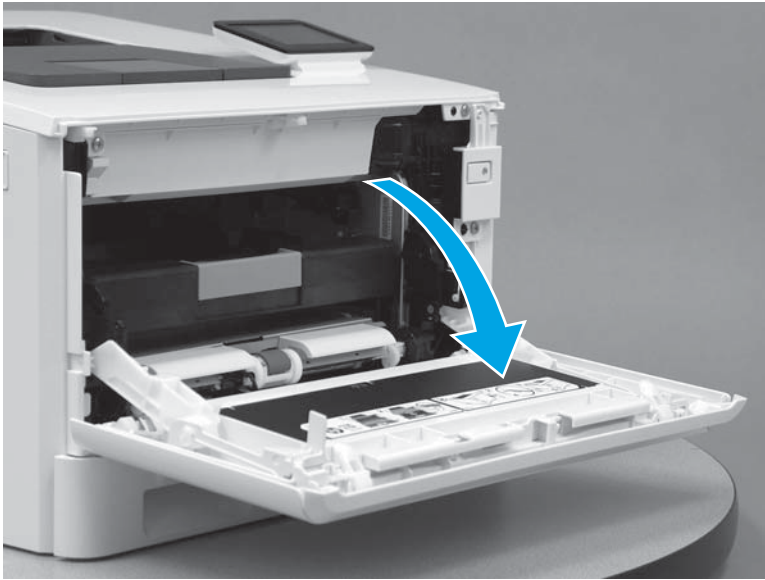
1. Press the button (callout 1) on the left side of the printer to release the front door.

Figure 1-4070 Release the front door



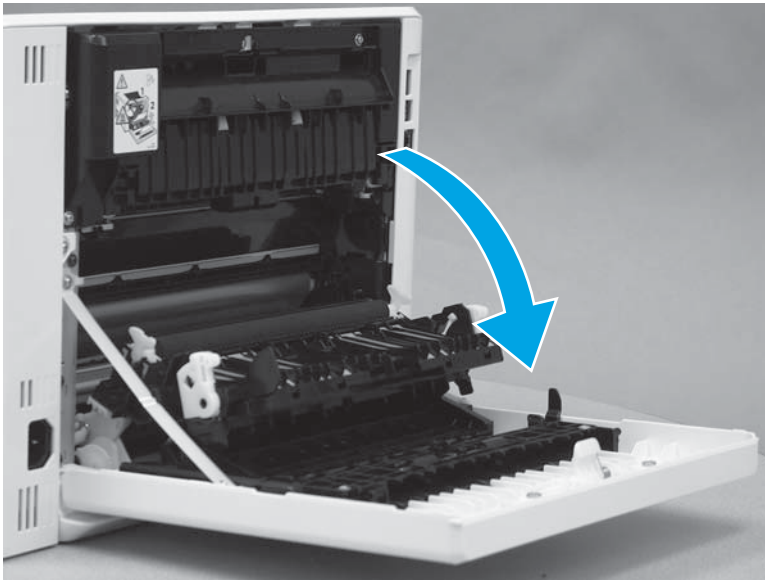
2. Open the front door.

Figure 1-4071 Open the front door



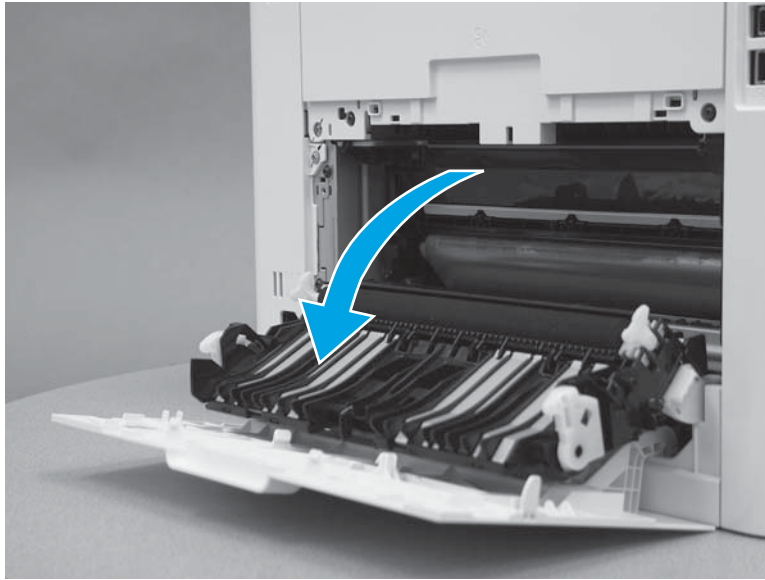
3. **Duplex models:** Open the duplexer door.

Figure 1-4072 Open the duplexer door



4. **Simplex models:** Open the rear door.

Figure 1-4073 Open the rear door



Step 3: Remove the right cover (M452 models)

 **NOTE:** This step is for the M452 models. For the M377, M477 models, skip this step and go to [Step 4: Remove the right cover \(M377, M477 models\) on page 2155.](#)

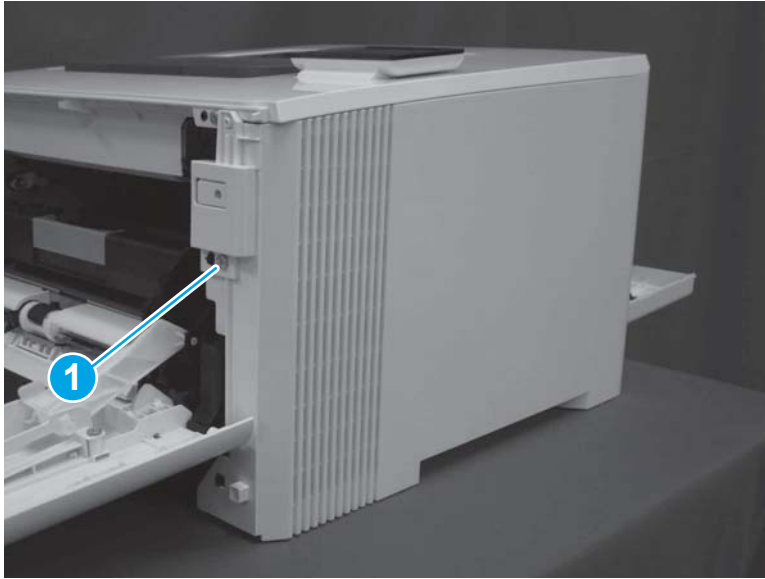
1. At the back of the printer, remove one screw (callout 1).

Figure 1-4074 Remove one screw



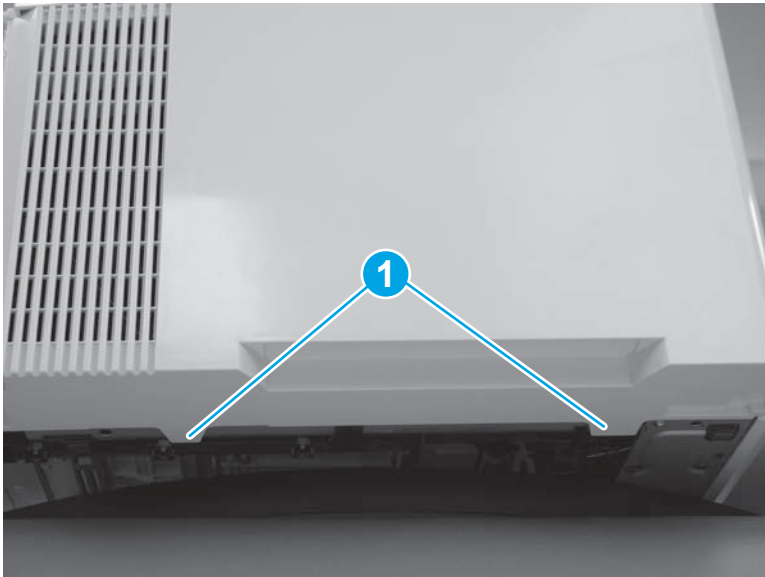
2. At the front of the printer, remove one screw (callout 1).

Figure 1-4075 Remove one screw



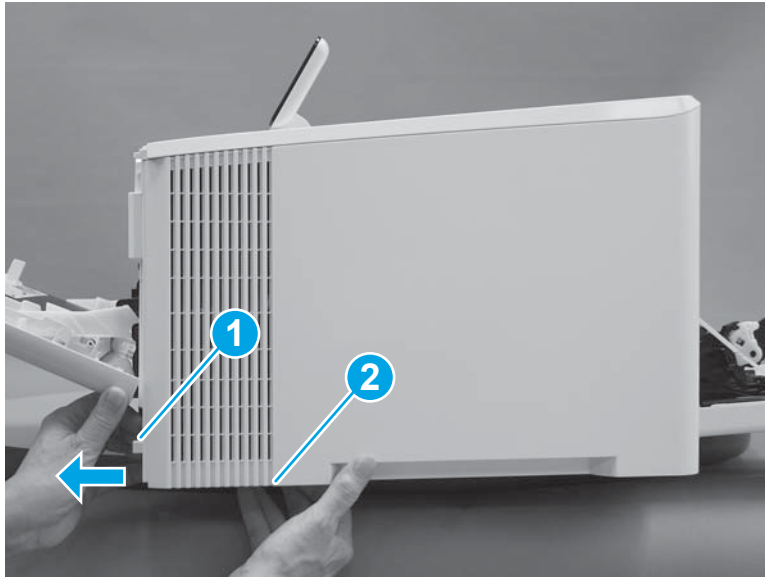
3. Slide the printer to the edge of a work surface. Note the location of the tabs on the lower edge of the cover (callout 1).

Figure 1-4076 Locate the tabs



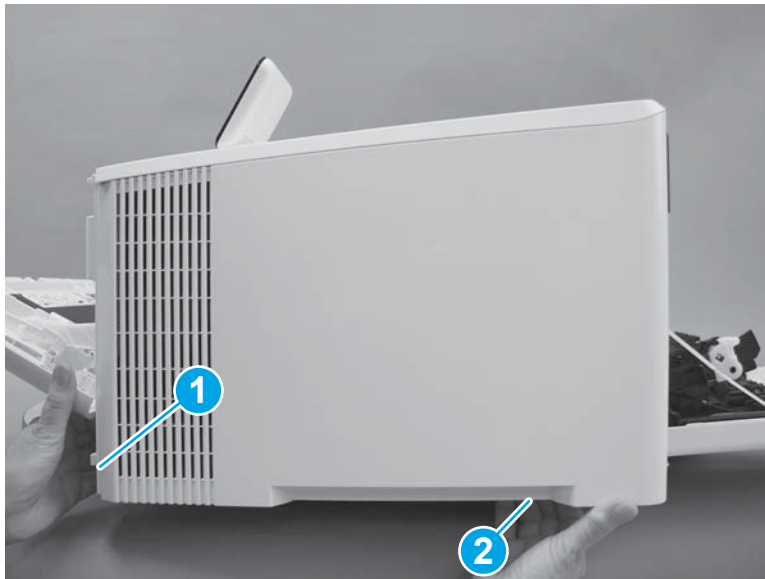
4. Release one tab (callout 1) on the front of the cover by slightly pulling the cover away from the printer. While holding the cover in the released position, release one tab (callout 2) on the bottom of the cover.

Figure 1-4077 Release front lower tabs



5. Hold the front tabs in the released position (callout 1), and then release one tab (callout 2) on the bottom of the cover, toward the back of the printer.

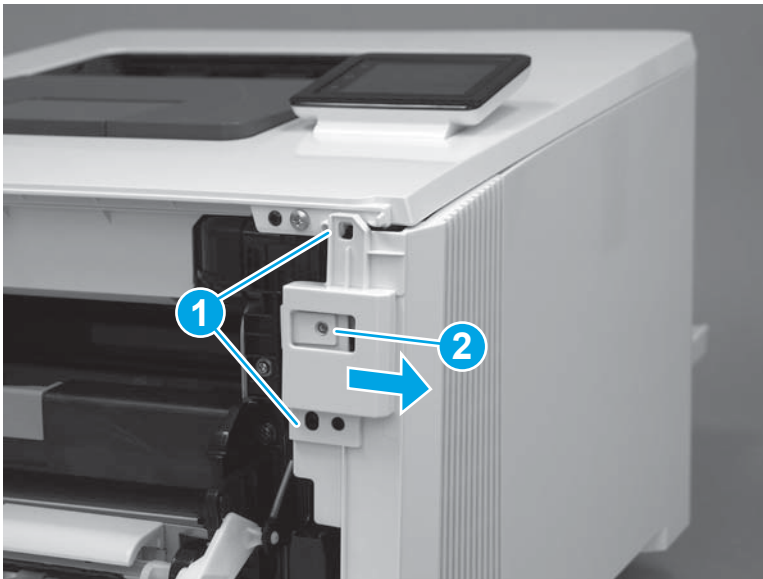
Figure 1-4078 Release lower rear tab



6. Release two tabs at the front of the printer (callout 1) by slightly pulling the cover away from the printer.

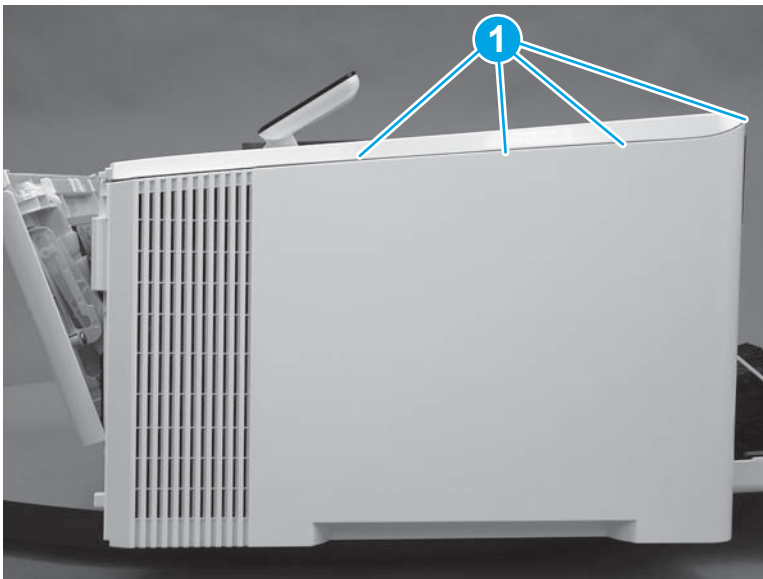
⚠ CAUTION: Be careful not to dislodge the power switch (callout 2).

Figure 1-4079 Release two front tabs



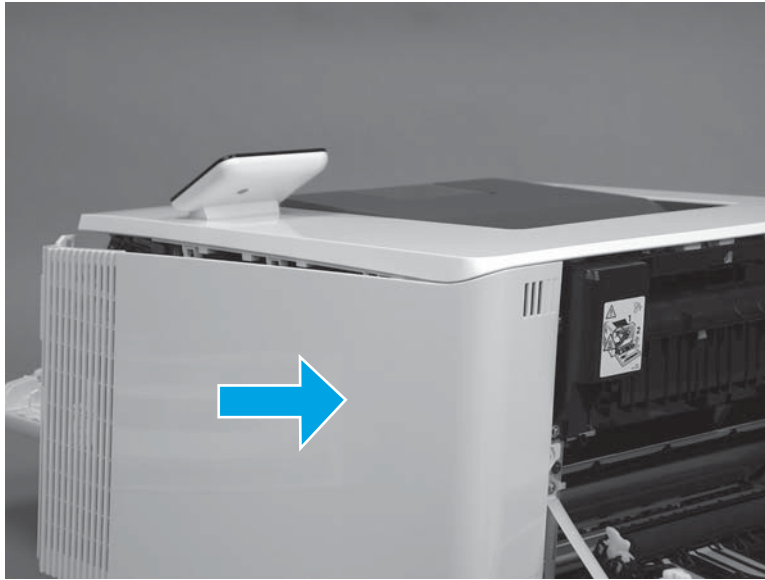
7. Release four tabs on the top of the printer (callout 1).

Figure 1-4080 Release upper tabs




8. Slide the cover toward the back of the printer to remove it.

Figure 1-4081 Remove the right cover



Step 4: Remove the right cover (M377, M477 models)

 **NOTE:** This step is for the M377, M477 models. For the M452 models, skip this step and go to [Step 5: Remove the fuser power supply on page 2161](#).

1. Raise the scanner.

Figure 1-4082 Raise the scanner



2. At the back of the printer, remove one screw (callout 1).

Figure 1-4083 Remove one screw



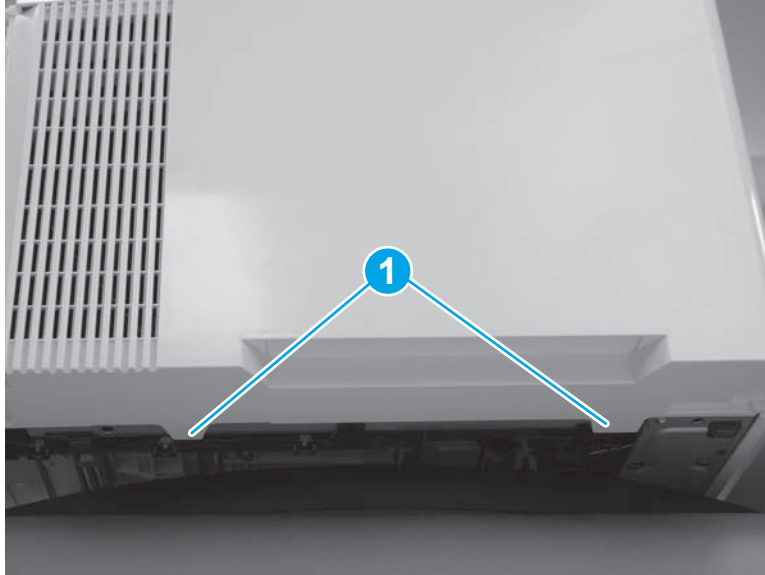
3. At the front of the printer, remove one screw (callout 1).

Figure 1-4084 Remove one screw



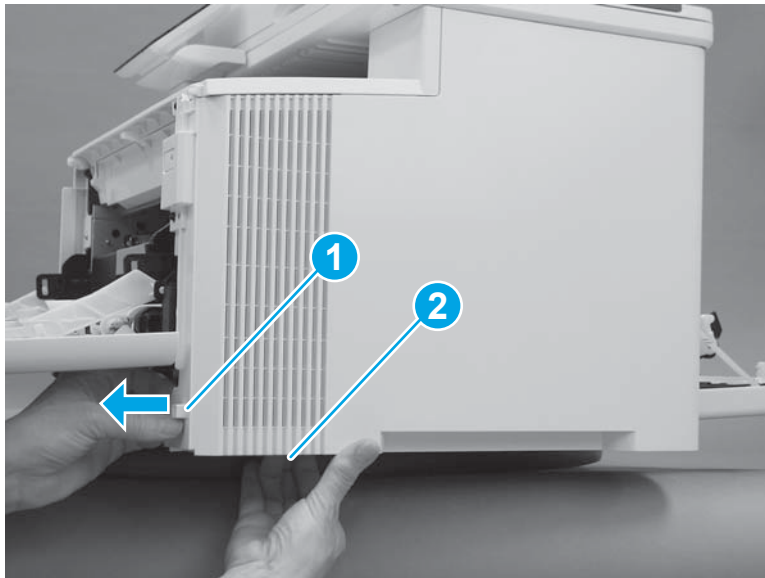
4. Slide the printer to the edge of a work surface. Note the location of the tabs on the lower edge of the cover (callout 1).

Figure 1-4085 Locate the tabs



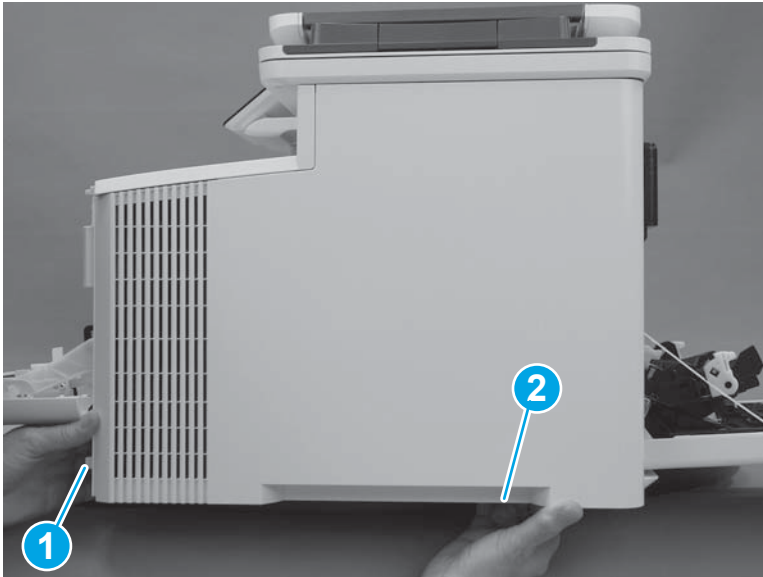
5. Release one tab (callout 1) on the front of the cover by slightly pulling the cover away from the printer. While holding the cover in the released position, release one tab (callout 2) on the lower edge of the cover.

Figure 1-4086 Release front lower tabs



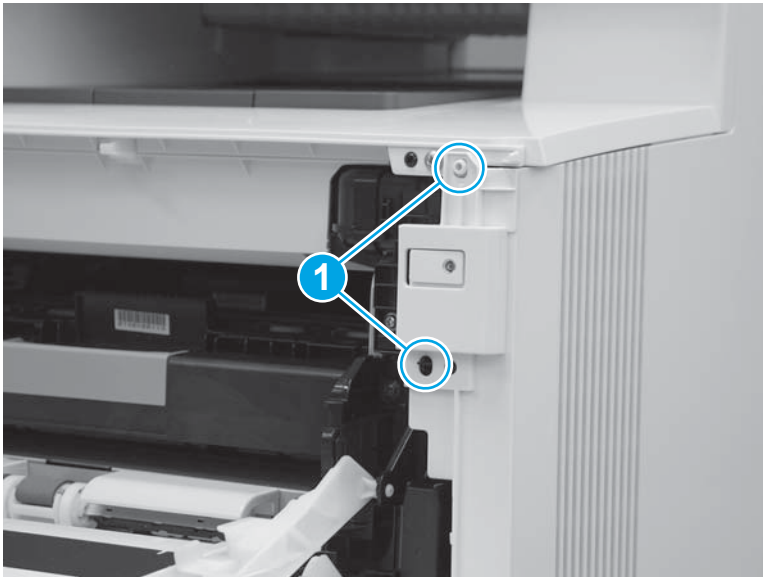
6. Hold the front tabs in the released position (callout 1), and then release one tab (callout 2) on the lower edge of the cover, toward the back of the printer.

Figure 1-4087 Release lower rear tab



7. Release two tabs at the front of the printer (callout 1) by slightly pulling the cover away from the printer.

Figure 1-4088 Release front upper tabs



8. Rotate the front of the cover away from the printer (callout 1).

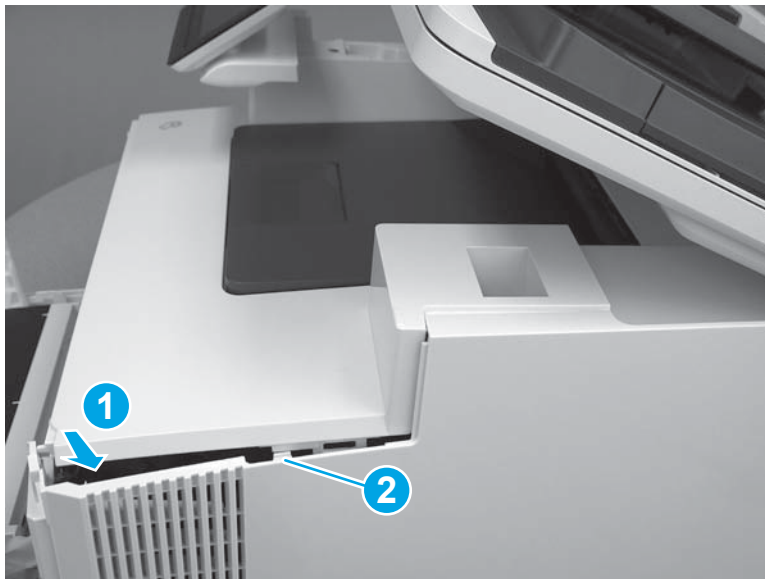
⚠ CAUTION: Be careful not to dislodge the power switch (callout 2).

Figure 1-4089 Rotate the front of the cover



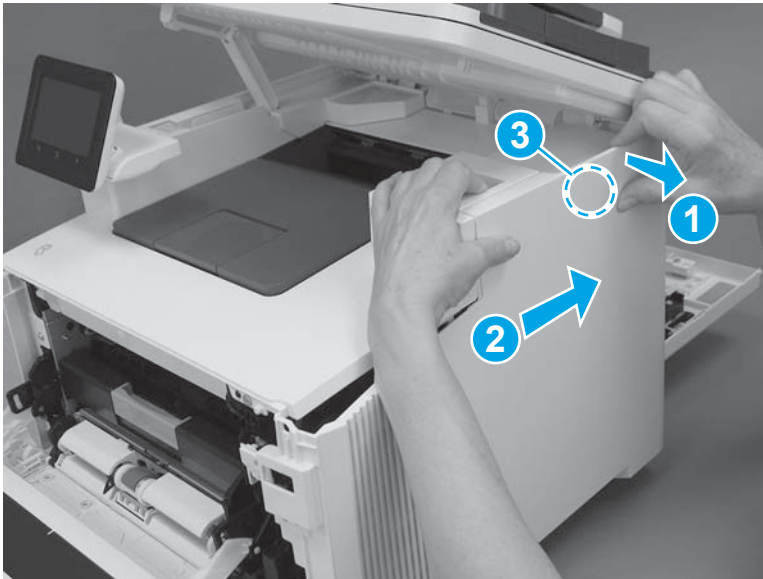
9. Slightly pull the front of the cover away from the printer (callout 1) to release one tab (callout 2).

Figure 1-4090 Release top tabs



10. At the top of the printer, slightly pull the top of the cover away from the printer to release one retention tab (callout 1) on the inside of the cover. While holding the cover away, slide the cover toward the back of the printer (callout 2) to release one hook (callout 3) on the inside of the cover.

Figure 1-4091 Release one tab and one hook



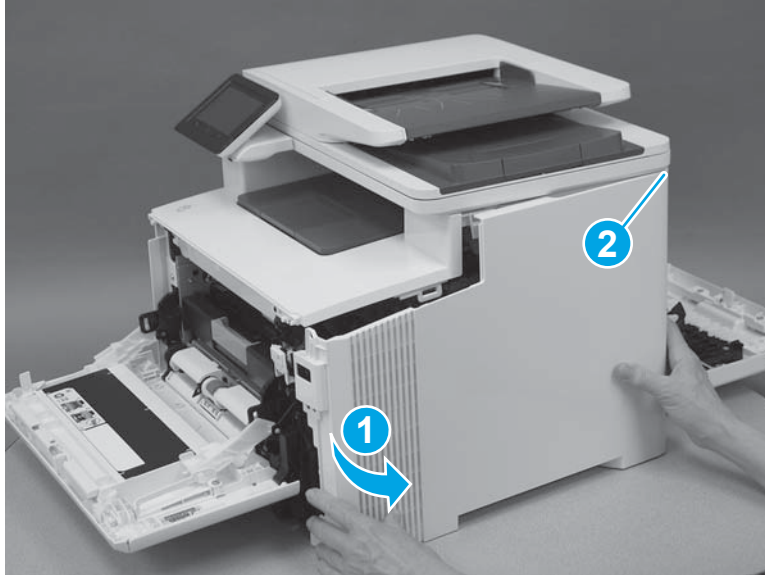
11. Lower the scanner.

Figure 1-4092 Lower the scanner



12. Rotate the cover away from the printer (callout 1) to release one tab (callout 2) at the back of the printer, and then remove the cover.

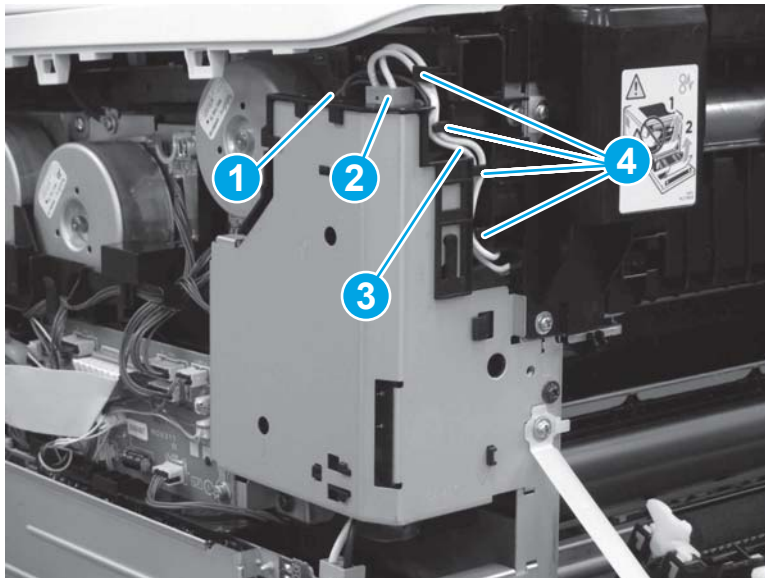
Figure 1-4093 Remove the right cover



Step 5: Remove the fuser power supply

1. Disconnect one connector (callout 1). Release the connector latch, and then disconnect one connector (callout 2). Remove the cables (callout 3) from the guides (callout 4).

Figure 1-4094 Disconnect two connectors



2. Remove two screws (callout 1).


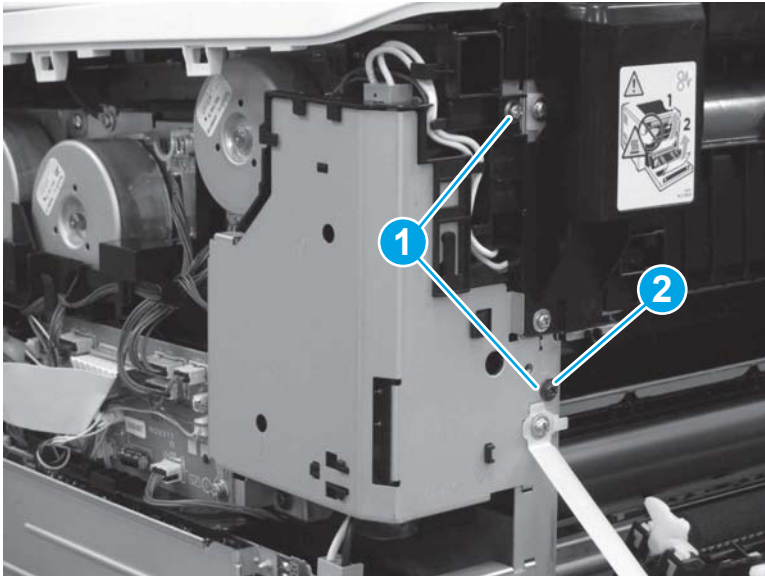
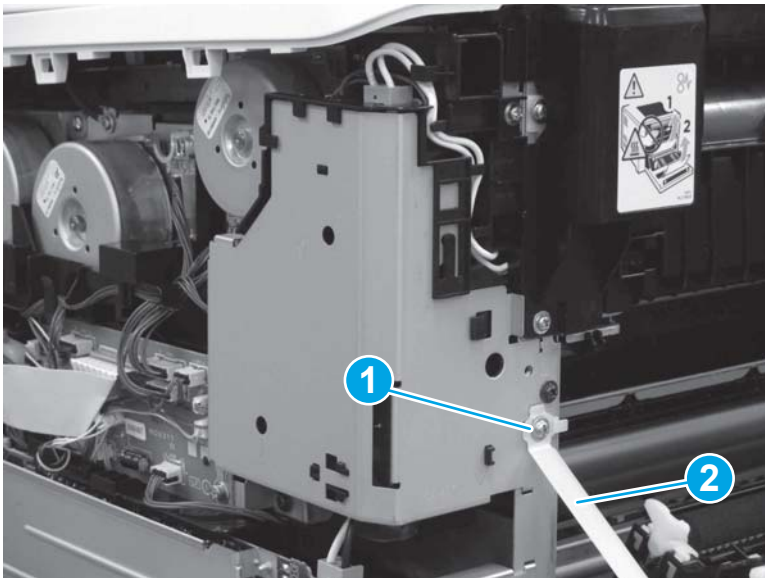
 **Reinstallation tip:** The lower screw (callout 2) is shorter than the other screw. Make sure that this screw is reinstalled in the correct position.

Figure 1-4095 Remove two screws



3. **Duplex models only:** Remove one screw (callout 1), and then release the retainer arm (callout 2).

Figure 1-4096 Release the retainer arm



4. Disconnect one connector (callout 1). Release the connector latch, and then disconnect one connector (callout 2). Remove three screws (callout 3).


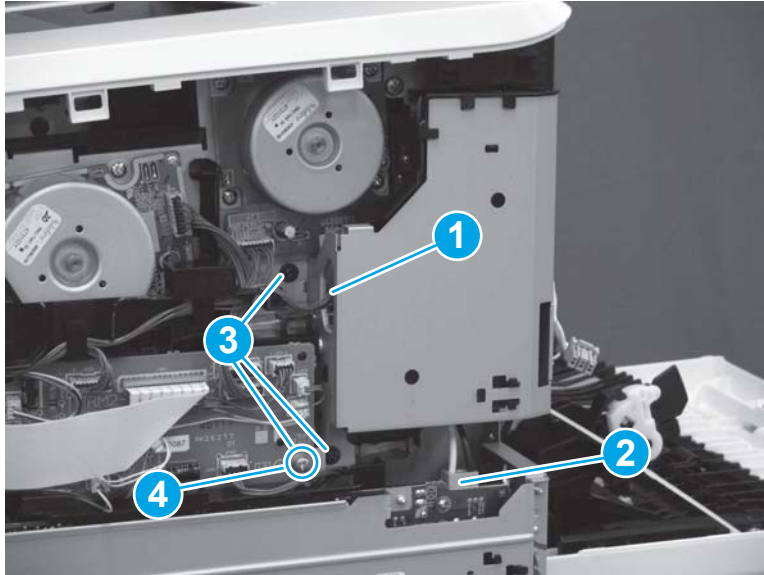
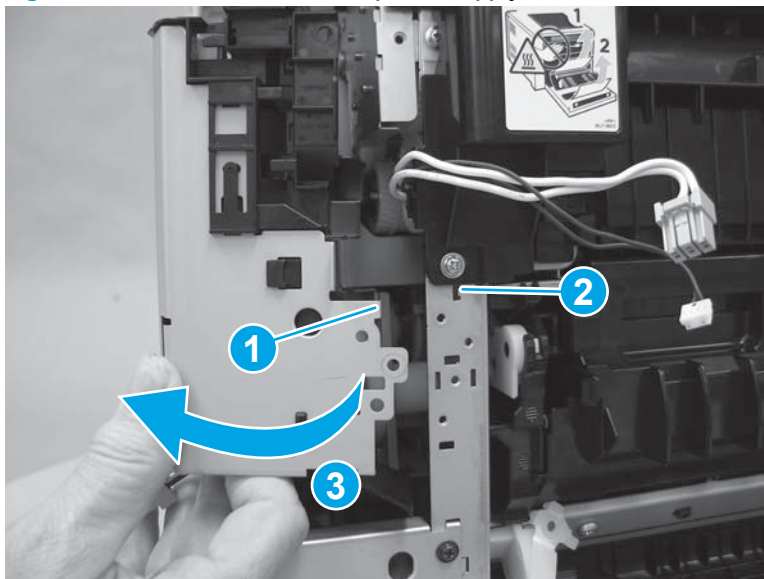
 **Reinstallation tip:** The screw on the driver PCA (callout 4) is different from the other screws. Make sure that this screw is reinstalled in the correct position.

Figure 1-4097 Disconnect two connectors and remove three screws



5. Release one tab (callout 1) on the back of the fuser power supply from the slot (callout 2) in the printer frame. Rotate the fuser power supply away from the printer to remove it (callout 3).

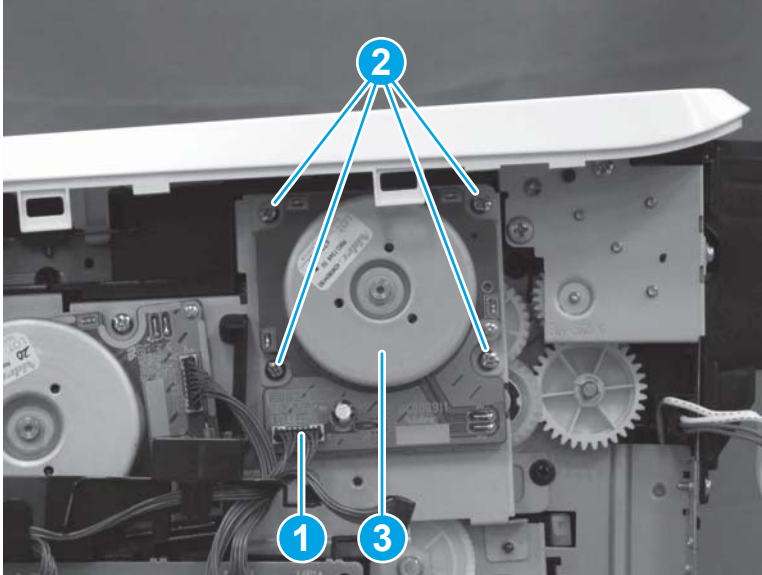
Figure 1-4098 Remove the fuser power supply



Step 6: Remove the fuser motor

- ▲ Disconnect one connector (callout 1), remove four screws (callout 2), and then remove the fuser motor (callout 3).

Figure 1-4099 Remove the fuser motor



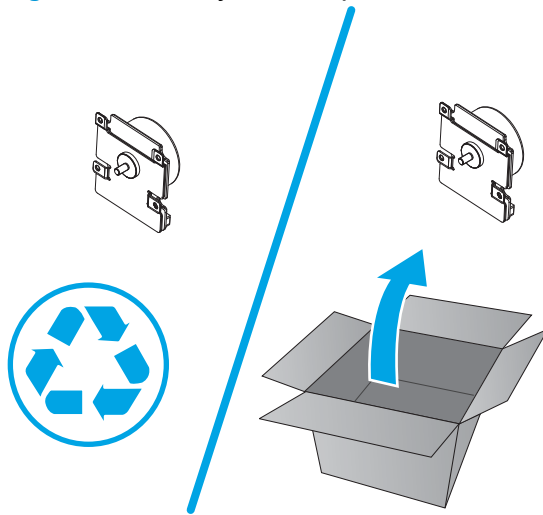
Step 7: Unpack the replacement part

Remove the new part from its package. Save all packaging for recycling the used part.

For complete information on HP's recycling programs, go to [Product return and recycling](#).

 **NOTE:** HP recommends responsible disposal of the defective part.

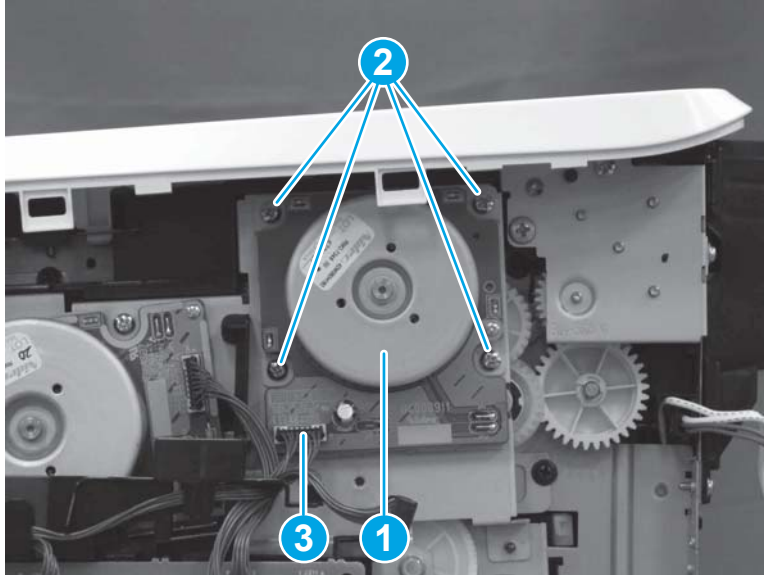
Figure 1-4100 Recycle and unpack



Step 8: Install the fuser motor

- ▲ Position the fuser motor on the printer (callout 1). Install four screws (callout 2), and then connect one connector (callout 3).

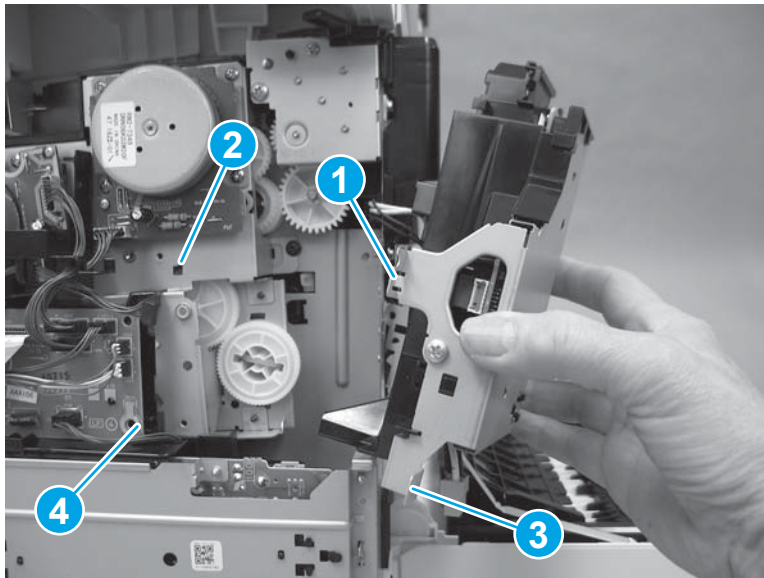
Figure 1-4101 Install the fuser motor



Step 9: Install the fuser power supply

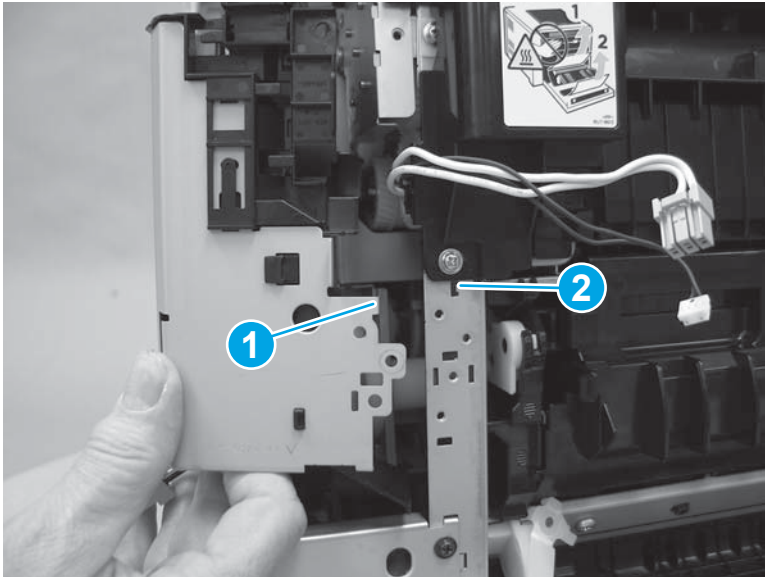
1. Install the tab (callout 1) on the fuser power supply into the slot (callout 2) in the printer. Make sure that the metal tab (callout 3) on the fuser power supply fits behind the edge of the driver PCA (callout 4).

Figure 1-4102 Install two tabs



2. Install the tab (callout 1) on the back of the fuser power supply into the slot (callout 2) in the printer frame.

Figure 1-4103 Install one tab



3. Install three screws (callout 1), and then connect two connectors (callout 2).


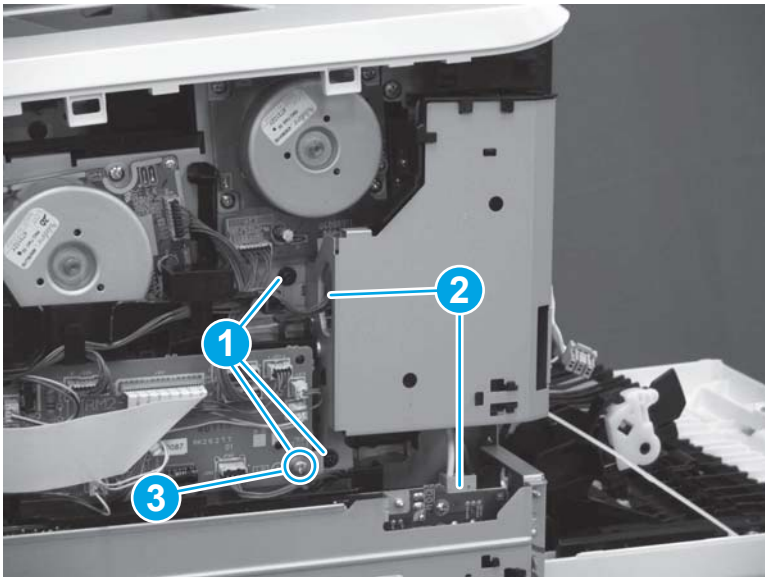
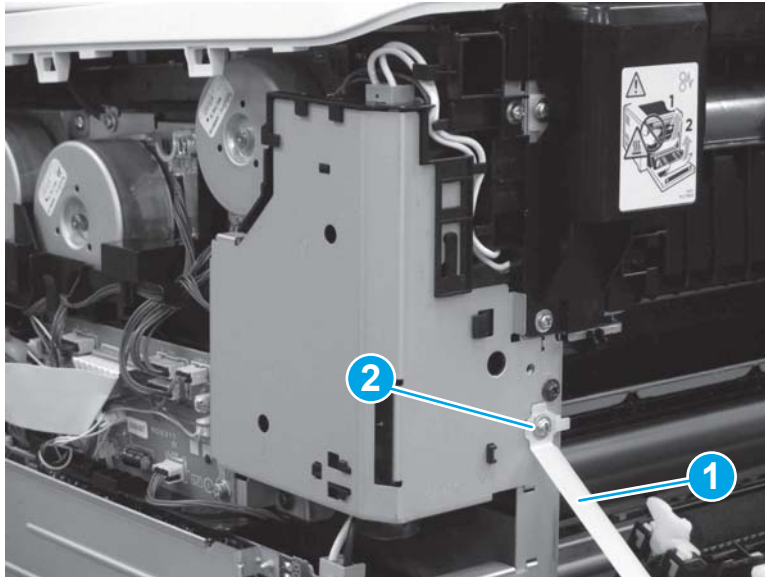
 **Reinstallation tip:** The screw on the driver PCA (callout 3) is different from the other screws. Make sure that this screw is reinstalled in the correct position.

Figure 1-4104 Disconnect two connectors and remove three screws



- 4. Duplex models only:** Position the retainer arm (callout 1) on the printer frame, and then install one screw (callout 2).

Figure 1-4105 Install the retainer arm



- 5.** Install two screws (callout 1).


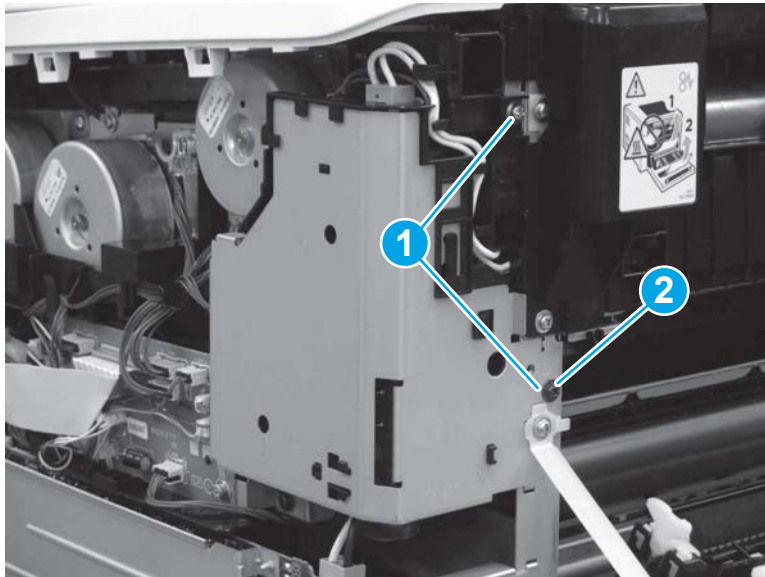
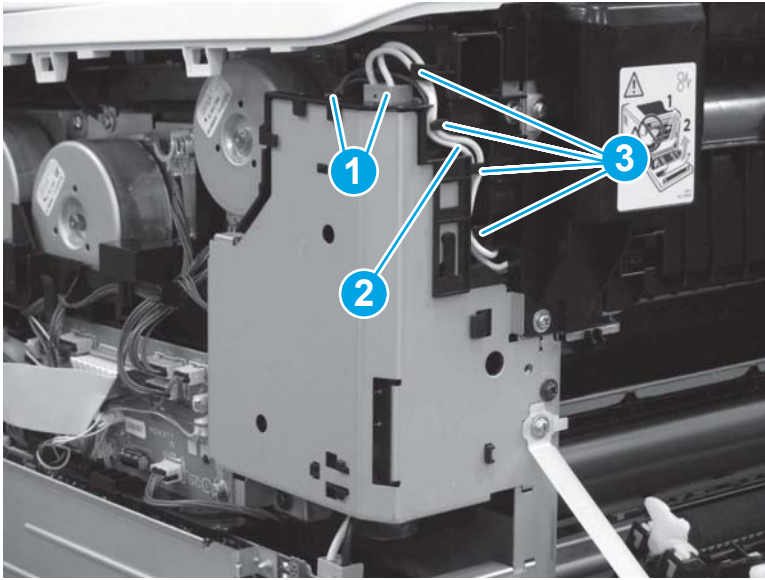
 **Reinstallation tip:** The lower screw (callout 2) is shorter than the other screw. Make sure that this screw is reinstalled in the correct position.

Figure 1-4106 Install two screws




6. Connect two connectors (callout 1), and then install the cables (callout 2) into the guides (callout 3).

Figure 1-4107 Connect two connectors

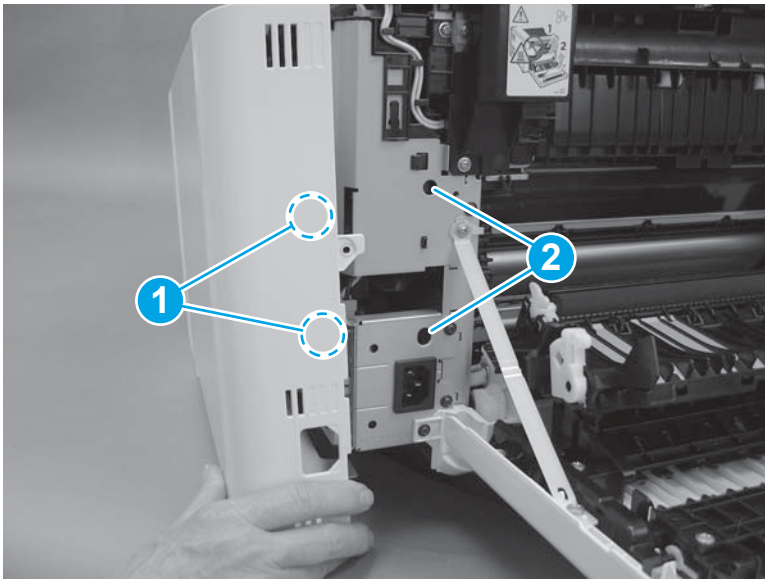


Step 10: Install the right cover (M452 models)

 **NOTE:** This step is for the M452 models. For the M377, M477 models, skip this step and go to [Step 11: Install the right cover \(M377, M477 models\) on page 2172](#).

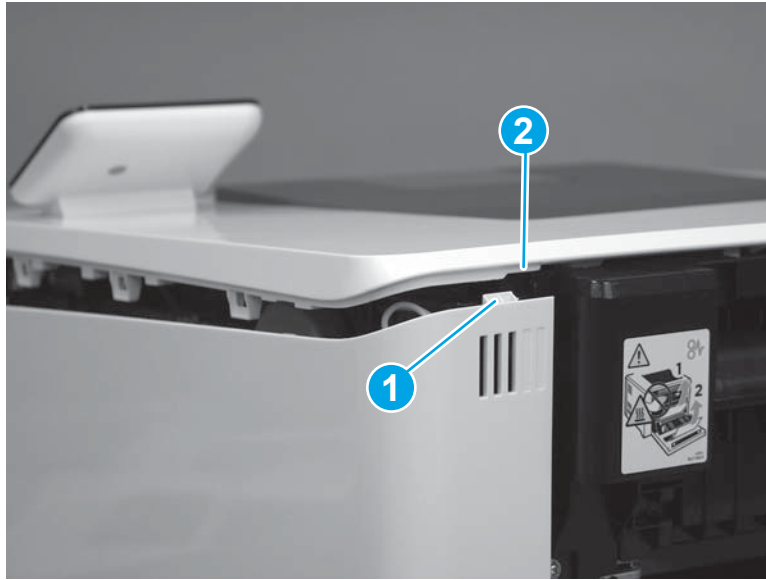
1. Position two tabs (callout 1) on the back of the cover in the slots (callout 2) in the printer.

Figure 1-4108 Position two tabs



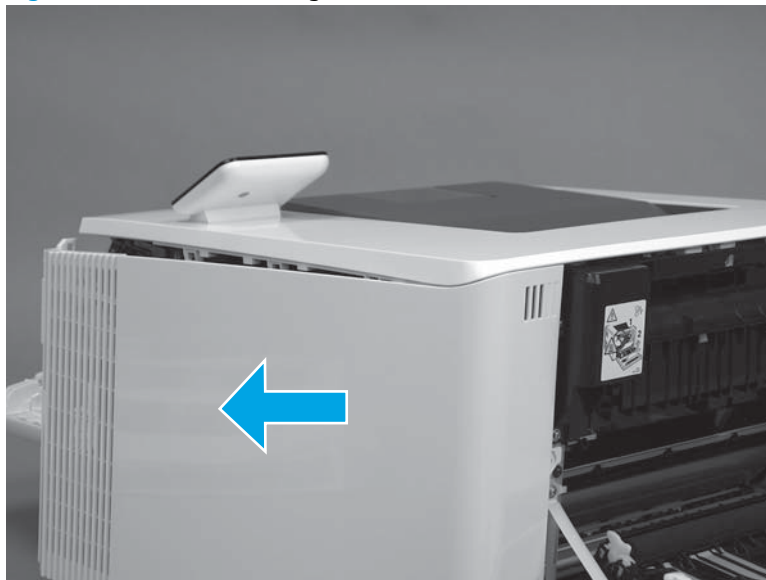
2. At the back of the printer, install the tab (callout 1) under the edge of the top cover (callout 2).

Figure 1-4109 Install rear tab



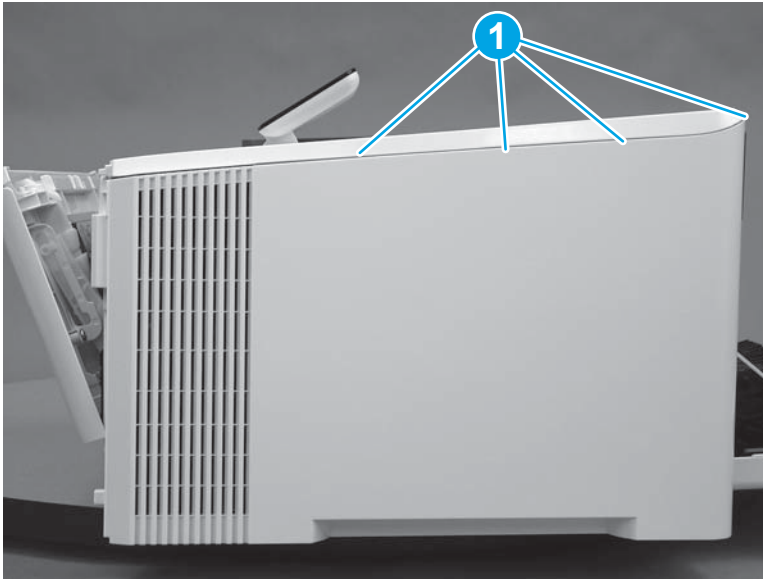
3. Slide the cover toward the front of the printer to install it.

Figure 1-4110 Install the right cover



- Engage three tabs (callout 2) on the top of the cover.

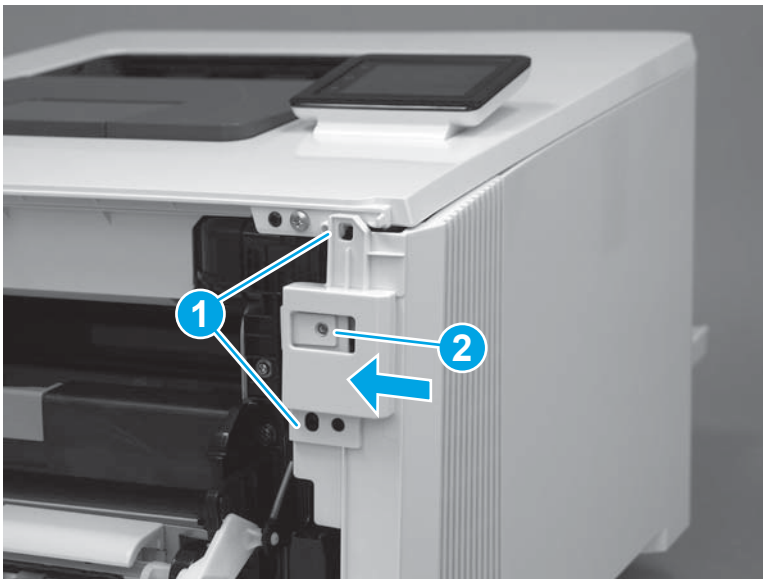
Figure 1-4111 Install upper tabs



- At the front of the printer, position the front of the cover over two tabs (callout 1).

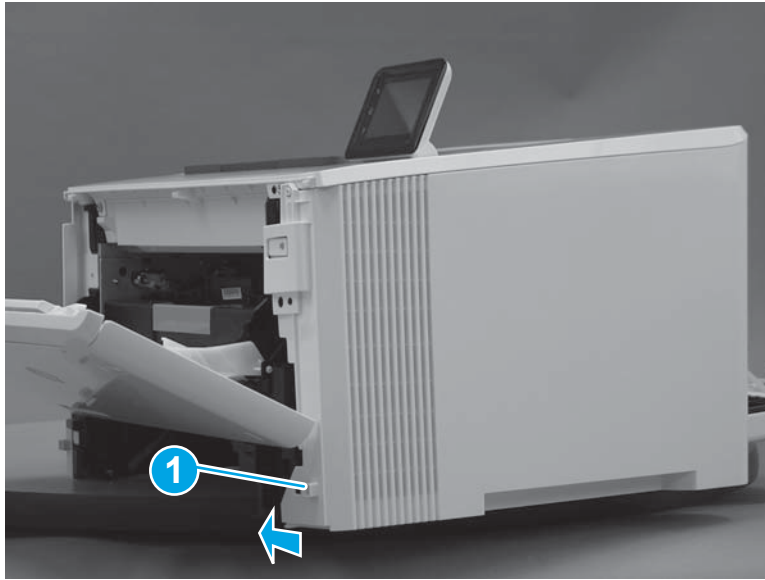
CAUTION: Be careful not to dislodge the power switch (callout 2).

Figure 1-4112 Install the front tabs



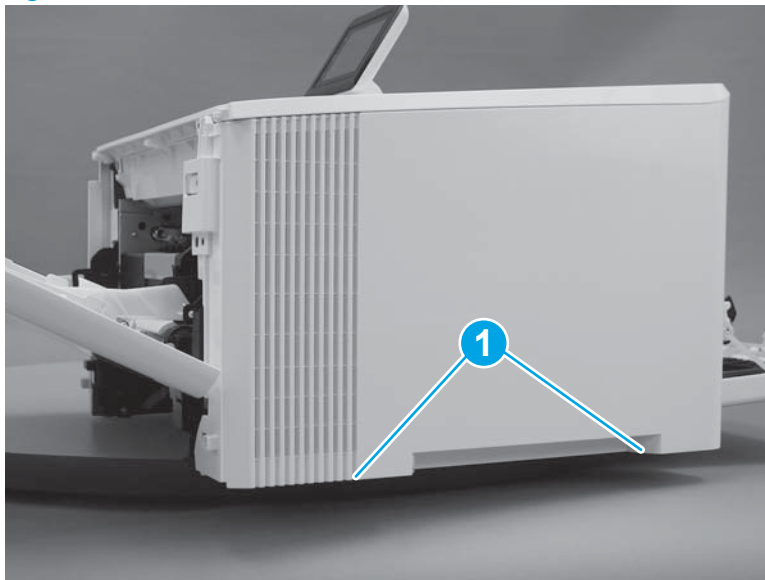
6. Press the right cover toward the printer to engage one tab (callout 1) on the front of the cover.

Figure 1-4113 Install the front lower tab



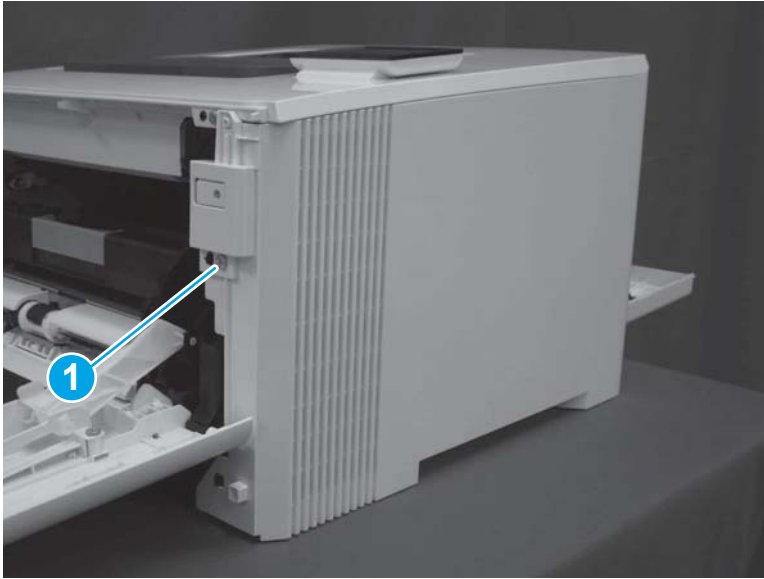
7. Install two tabs on the bottom of the cover (callout 1).

Figure 1-4114 Install two tabs



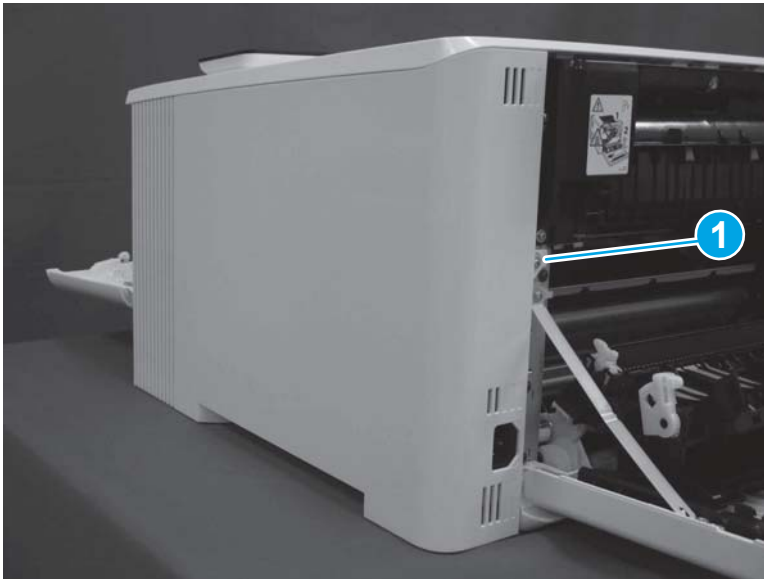
8. At the front of the printer, install one screw (callout 1).

Figure 1-4115 Install one screw



9. At the back of the printer, install one screw (callout 1).

Figure 1-4116 Install one screw

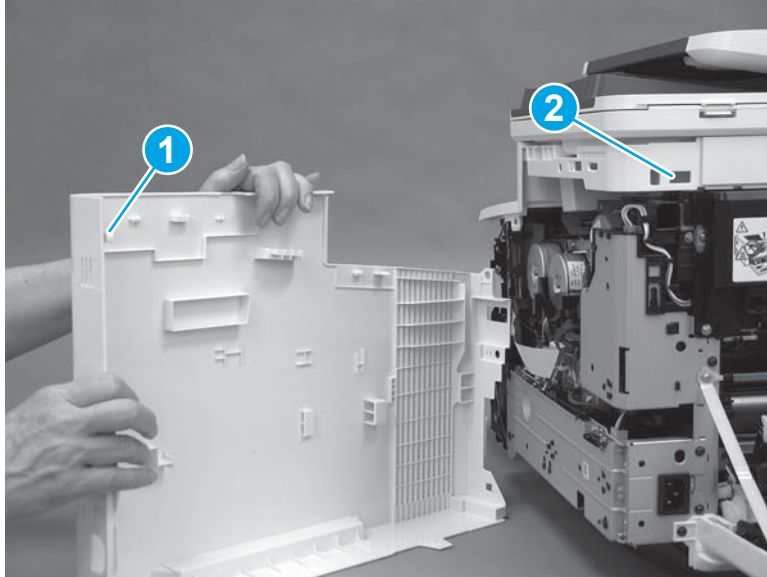


Step 11: Install the right cover (M377, M477 models)

 **NOTE:** This step is for the M377, M477 models. For the M452 models, skip this step and go to [Step 12: Close the front door and rear door or duplexer door on page 2178](#).

1. At the back of the printer, install the tab (callout 1) on the cover into the slot (callout 2) on the printer.

Figure 1-4117 Install rear tab



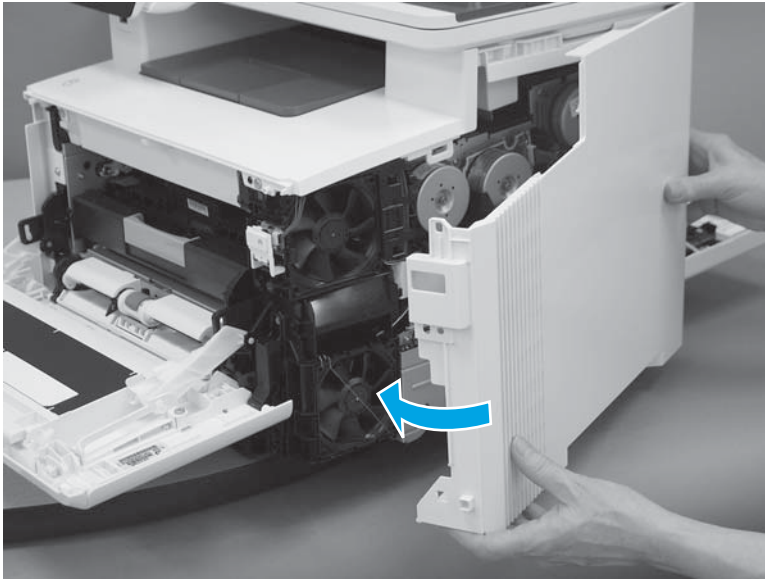
2. Raise the scanner.

Figure 1-4118 Raise the scanner



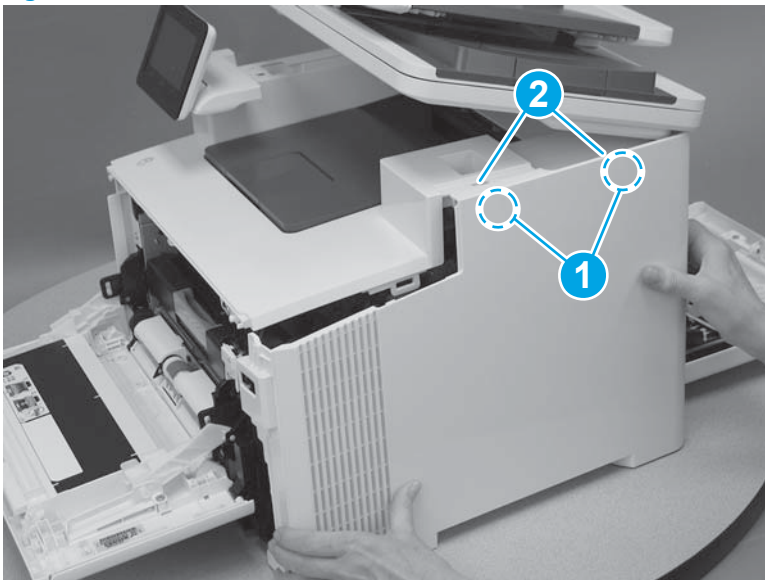
3. Rotate the right cover toward the printer.

Figure 1-4119 Rotate the right cover



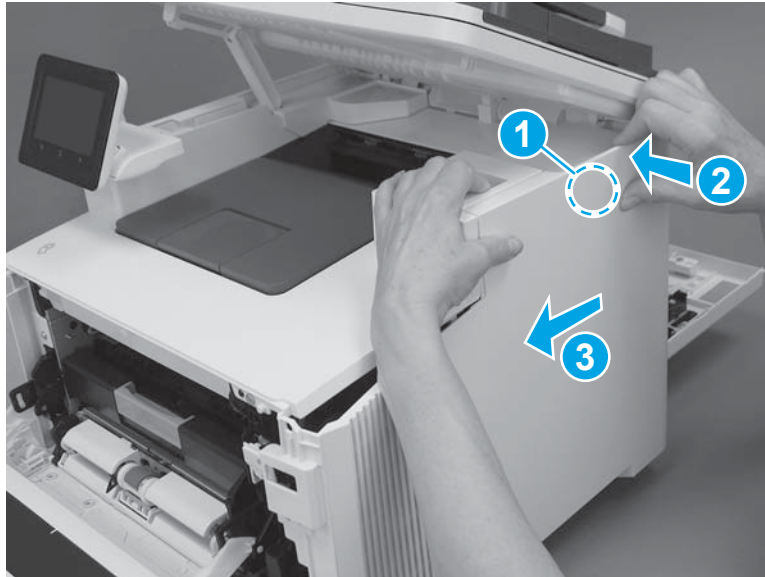
4. Position the hooks (callout 1) on the inside of the cover into the slots (callout 2) in the printer.

Figure 1-4120 Position the hooks in the slots



5. Engage one hook (callout 1) on the inside of the cover. Hold the top of the cover closed (callout 2) while sliding the cover toward the front of the printer (callout 3).

Figure 1-4121 Slide the cover



6. Rotate the front of the cover toward the printer (callout 1).

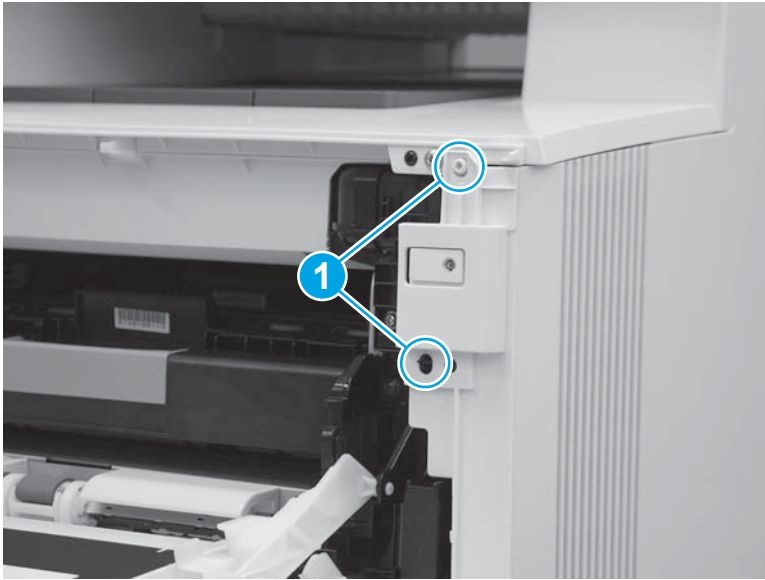
⚠ CAUTION: Be careful not to dislodge the power switch (callout 2).

Figure 1-4122 Rotate the front of the cover



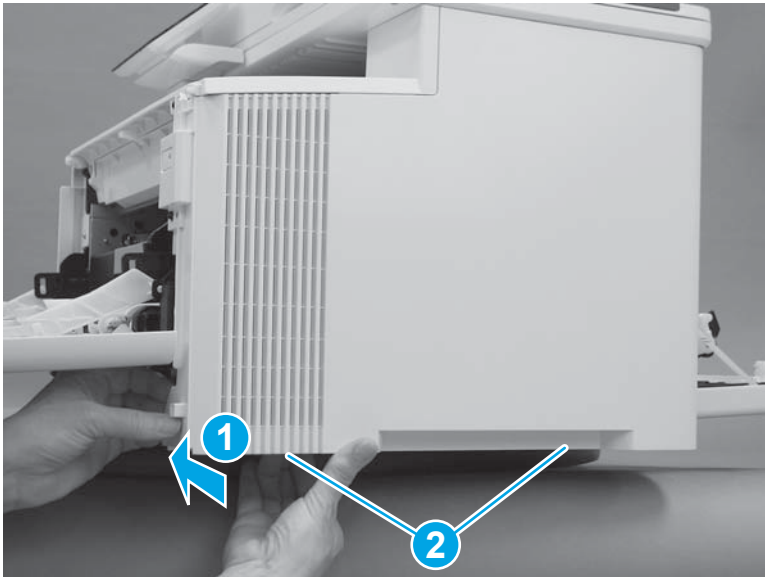
7. Install two tabs at the front of the printer (callout 1).

Figure 1-4123 Install two tabs



8. Press the right cover toward the printer (callout 1) to engage one tab on the front of the cover, and two tabs (callout 2) on the lower edge of the cover.

Figure 1-4124 Install the front and lower tabs



9. At the front of the printer, install one screw (callout 1).

Figure 1-4125 Install one screw



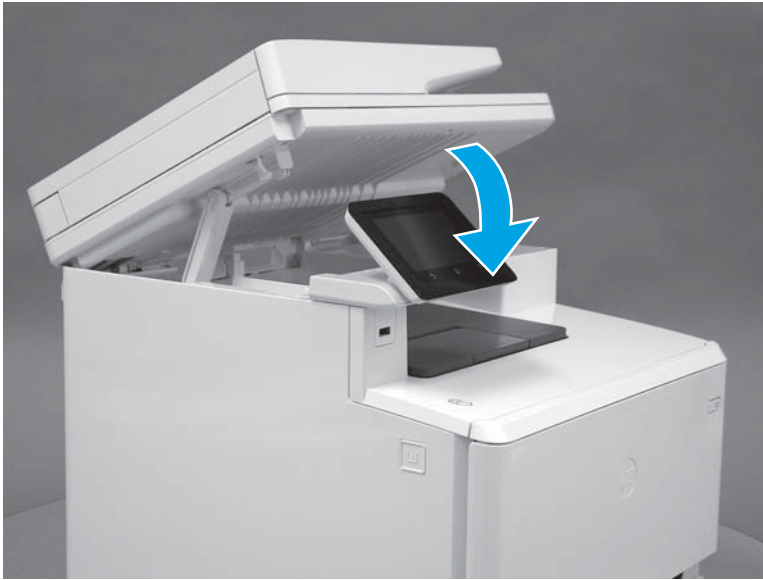
10. At the back of the printer, install one screw (callout 1).

Figure 1-4126 Install one screw



11. Lower the scanner.

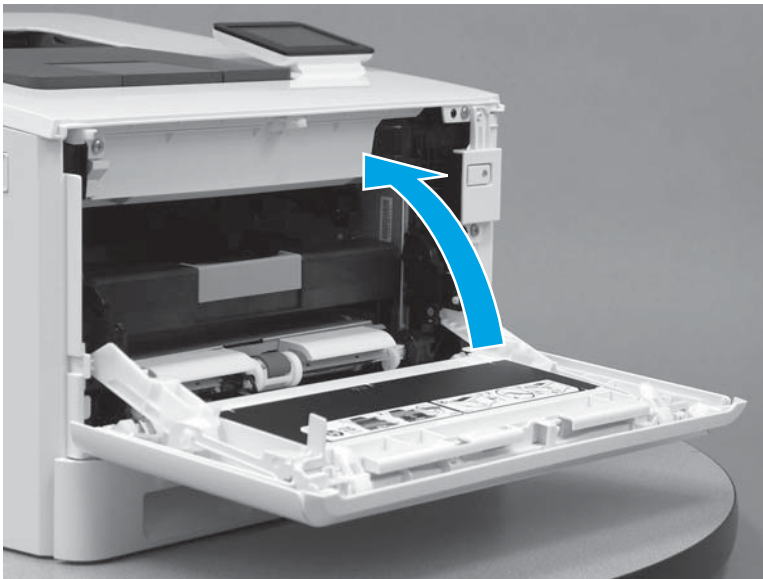
Figure 1-4127 Lower the scanner



Step 12: Close the front door and rear door or duplexer door

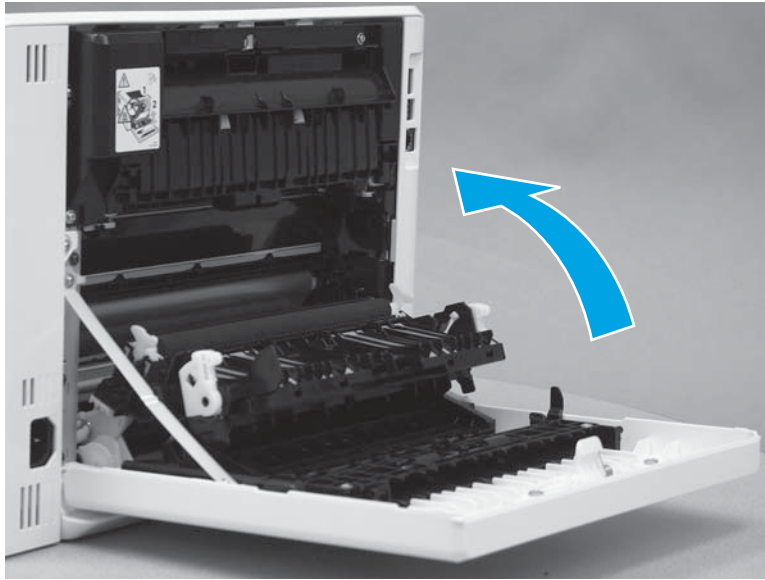
1. Close the front door.

Figure 1-4128 Close the front door



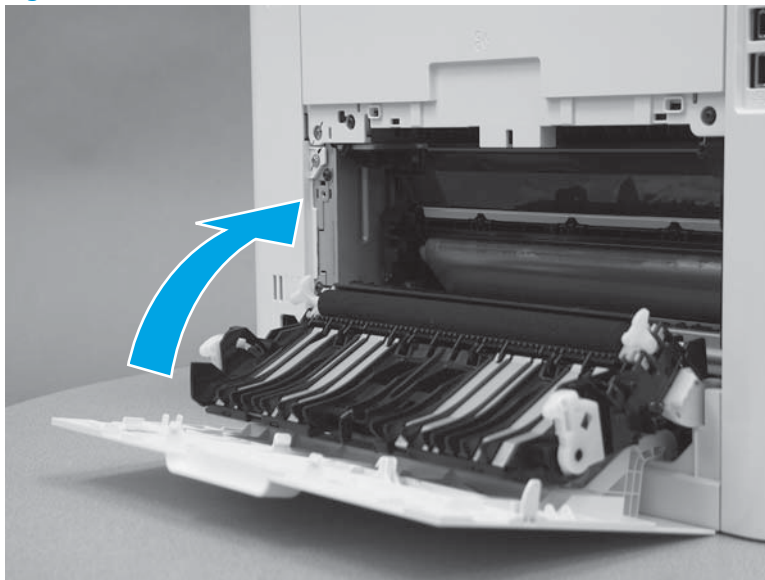
2. **Duplex models:** Close the duplexer door.

Figure 1-4129 Close the duplexer door



3. **Simplex models:** Close the rear door.

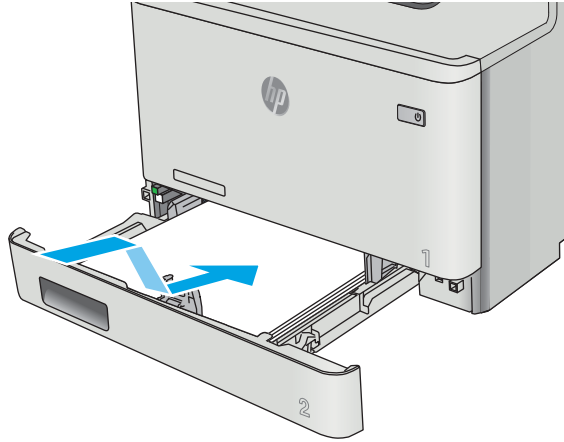
Figure 1-4130 Close the rear door



Step 13: Install Tray 2

- ▲ With the front of the tray slightly lifted, align the sides of the tray with the rails in the printer, and then carefully slide the tray into the printer. As the tray slides into the printer, lower the front of the tray, and then close it.

Figure 1-4131 Install the tray



Removal and replacement: Duplex drive assembly (duplex models)

- [Introduction](#)
- [Step 1: Remove Tray 2](#)
- [Step 2: Open the front door and duplexer door](#)
- [Step 3: Remove the right cover \(M452 models\)](#)
- [Step 4: Remove the right cover \(M377, M477 models\)](#)
- [Step 5: Remove the left cover \(M452 models\)](#)
- [Step 6: Remove the left cover \(M377, M477 models\)](#)
- [Step 7: Remove the integrated scanner assembly \(M377, M477 models\)](#)
- [Step 8: Remove the fax PCA \(M477 models\)](#)
- [Step 9: Remove the top cover \(M377, M477 models\)](#)
- [Step 10: Remove the top cover \(M452 models\)](#)
- [Step 11: Remove the fuser \(duplex models\)](#)
- [Step 12: Remove the fuser power supply](#)
- [Step 13: Remove the duplex drive assembly](#)
- [Step 14: Unpack the replacement part](#)
- [Step 15: Install the duplex drive assembly](#)
- [Step 16: Install the fuser power supply](#)
- [Step 17: Install the fuser \(duplex models\)](#)
- [Step 18: Install the top cover \(M452 models\)](#)
- [Step 19: Install the top cover \(M377, M477 models\)](#)
- [Step 20: Install the fax PCA \(M477 models\)](#)
- [Step 21: Install the integrated scanner assembly \(M377, M477 models\)](#)
- [Step 22: Install the left cover \(M452 models\)](#)
- [Step 23: Install the left cover \(M377, M477 models\)](#)
- [Step 24: Install the right cover \(M452 models\)](#)
- [Step 25: Install the right cover \(M377, M477 models\)](#)
- [Step 26: Close the front door and duplexer door](#)
- [Step 27: Install Tray 2](#)

Introduction

This document provides the procedures to remove and replace the duplex drive assembly for duplex models.

Before you begin

- Turn off the printer.
- Disconnect the power cable.

⚠ WARNING! To avoid damage to the printer, turn the printer off, wait 30 seconds, and then remove the power cord before attempting to service the printer.

- Use the table below to identify the correct part number for your printer. To order the part, go to www.hp.com/buy/parts.

| Duplex drive assembly part number | |
|-----------------------------------|-----------------------|
| RM2-6389-000CN | Duplex drive assembly |

Required tools

- #2 Phillips screwdriver with a magnetic tip
- Small flat-blade screwdriver

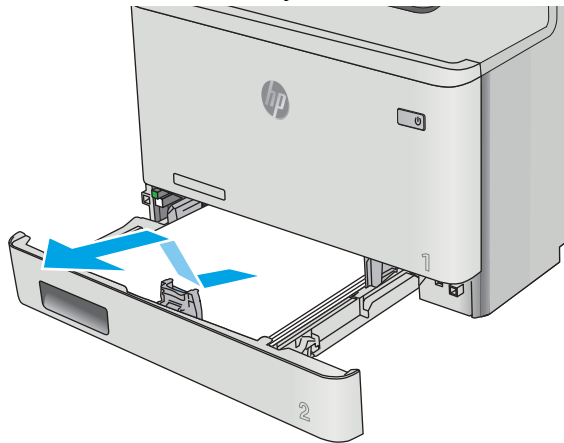
After performing service

- Connect the power cable.
- Use the power switch to turn the power on.

Step 1: Remove Tray 2

- ▲ Pull the tray out until it stops. Lift the front of the tray, and then pull it out of the printer to remove it.

Figure 1-4132 Remove the tray



Step 2: Open the front door and duplexer door

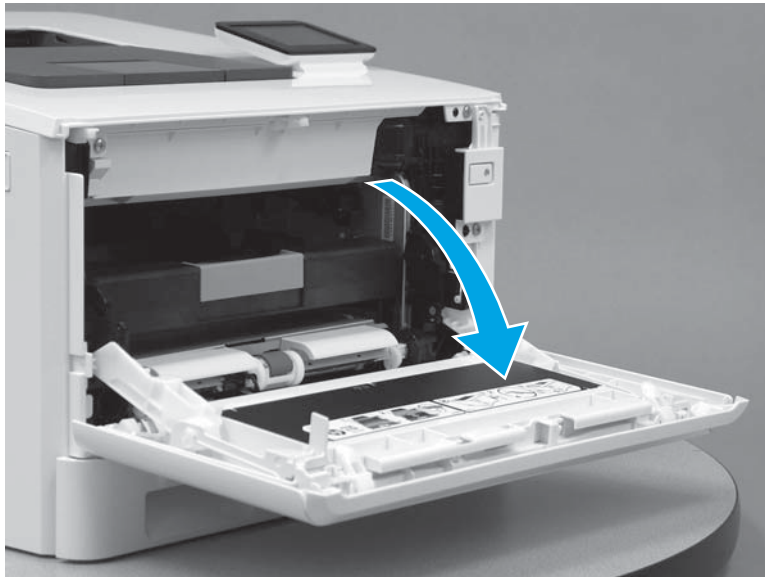
1. Press the button (callout 1) on the left side of the printer to release the front door.

Figure 1-4133 Release the front door



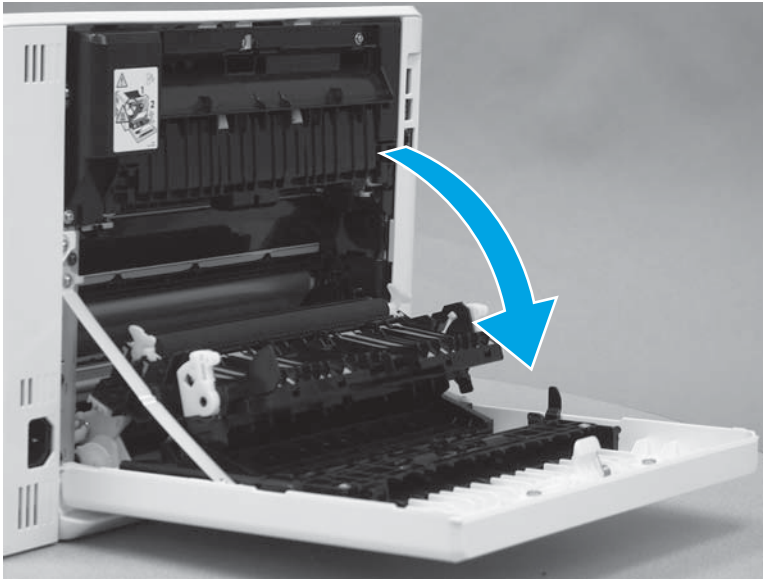
2. Open the front door.

Figure 1-4134 Open the front door




3. Open the duplexer door.

Figure 1-4135 Open the duplexer door



Step 3: Remove the right cover (M452 models)

 **NOTE:** This step is for the M452 models. For the M377, M477 models, skip this step and go to [Step 4: Remove the right cover \(M377, M477 models\) on page 2188](#).

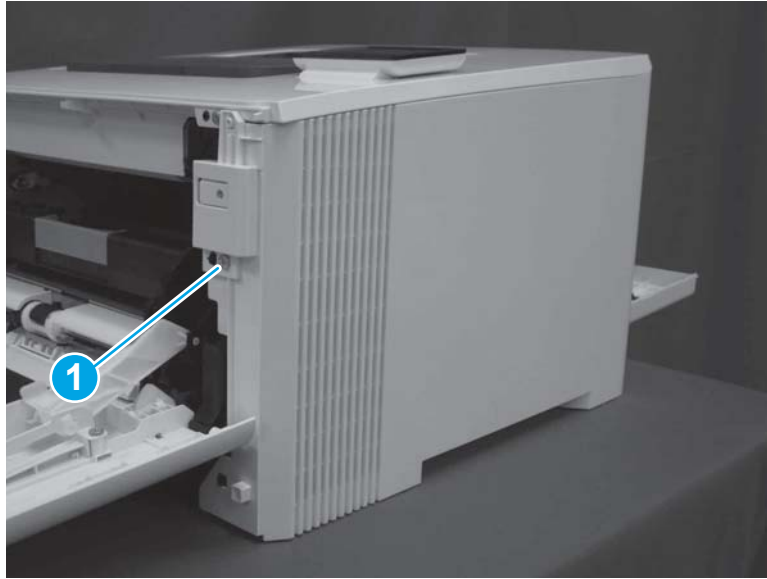
1. At the back of the printer, remove one screw (callout 1).

Figure 1-4136 Remove one screw



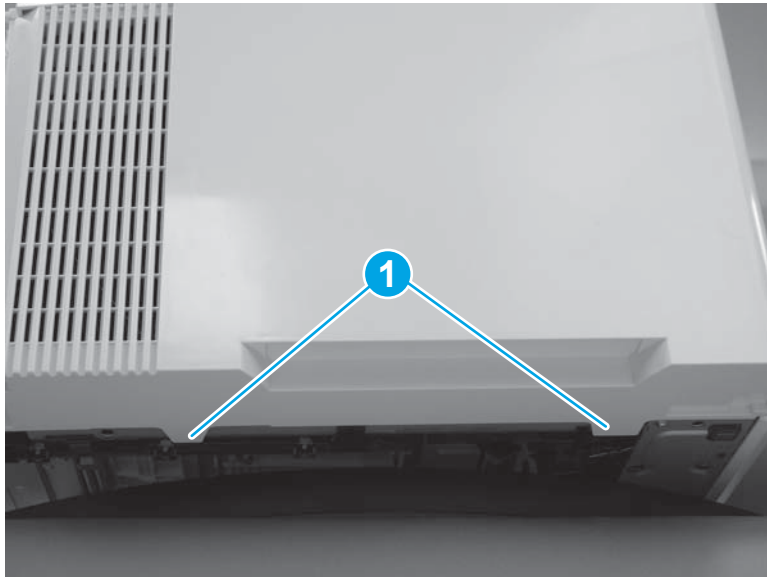
2. At the front of the printer, remove one screw (callout 1).

Figure 1-4137 Remove one screw



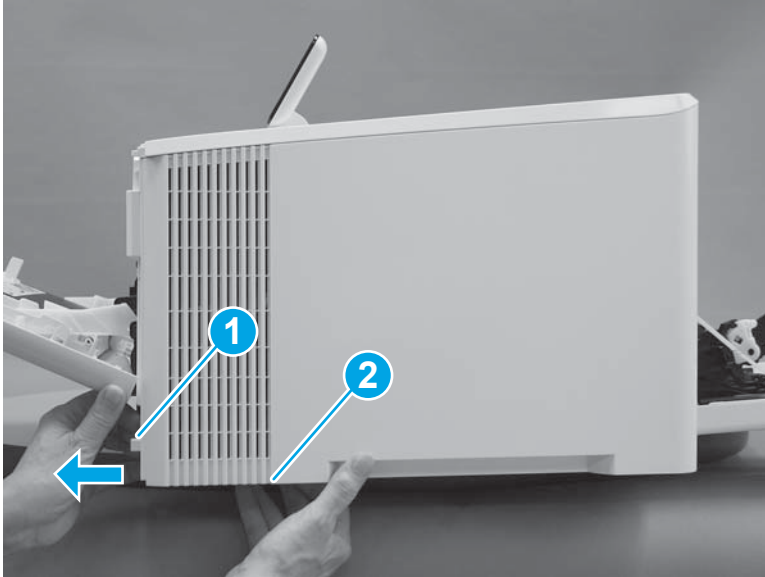
3. Slide the printer to the edge of a work surface. Note the location of the tabs on the lower edge of the cover (callout 1).

Figure 1-4138 Locate the tabs



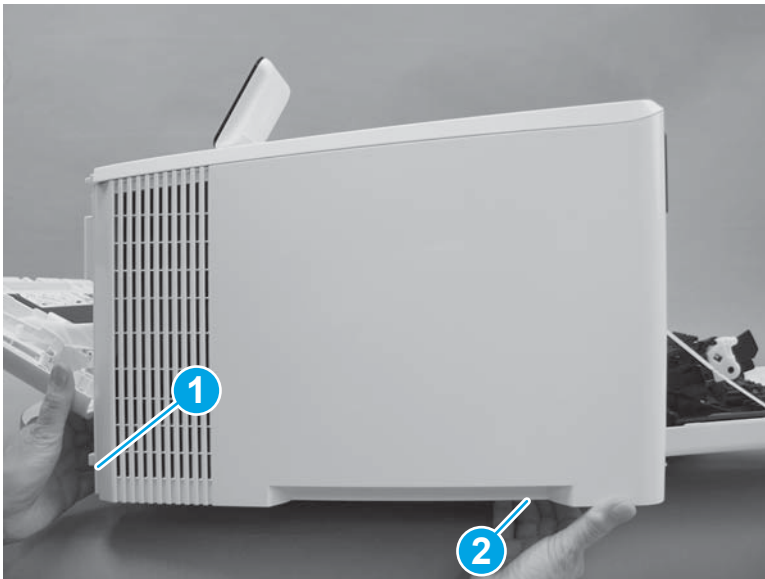
4. Release one tab (callout 1) on the front of the cover by slightly pulling the cover away from the printer. While holding the cover in the released position, release one tab (callout 2) on the bottom of the cover.

Figure 1-4139 Release front lower tabs



5. Hold the front tabs in the released position (callout 1), and then release one tab (callout 2) on the bottom of the cover, toward the back of the printer.

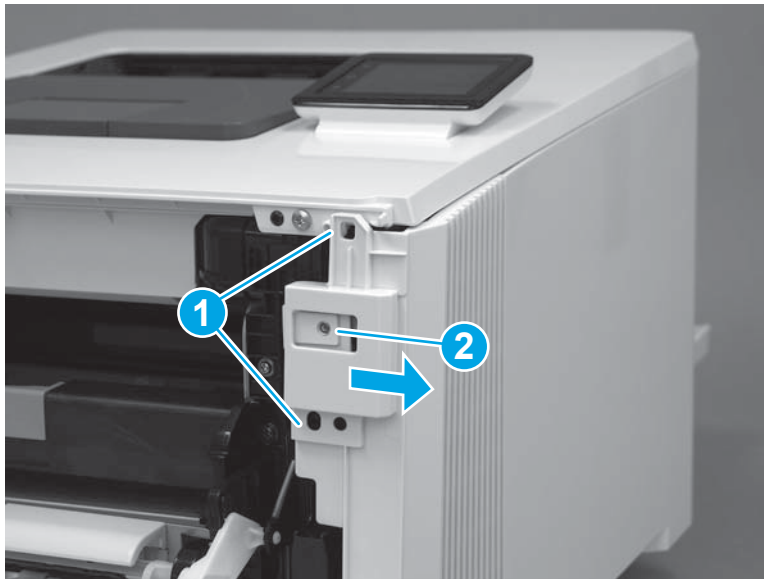
Figure 1-4140 Release lower rear tab



6. Release two tabs at the front of the printer (callout 1) by slightly pulling the cover away from the printer.

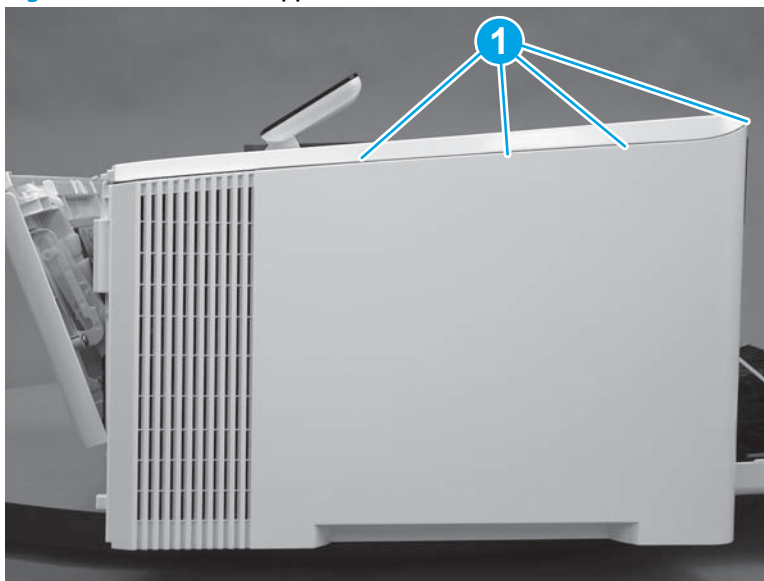
CAUTION: Be careful not to dislodge the power switch (callout 2).

Figure 1-4141 Release two front tabs



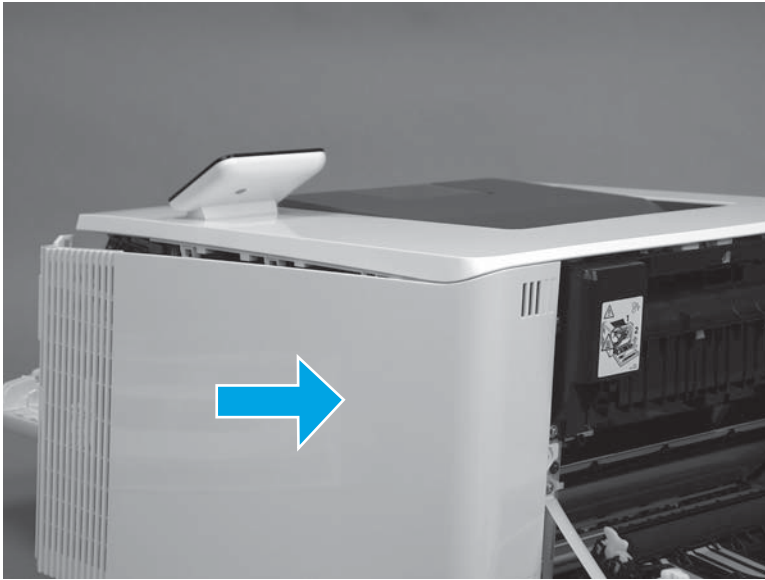
7. Release four tabs on the top of the printer (callout 1).

Figure 1-4142 Release upper tabs



8. Slide the cover toward the back of the printer to remove it.

Figure 1-4143 Remove the right cover



Step 4: Remove the right cover (M377, M477 models)



NOTE: This step is for the M377, M477 models. For the M452 models, skip this step and go to [Step 5: Remove the left cover \(M452 models\) on page 2194](#).

1. Raise the scanner.

Figure 1-4144 Raise the scanner



2. At the back of the printer, remove one screw (callout 1).

Figure 1-4145 Remove one screw



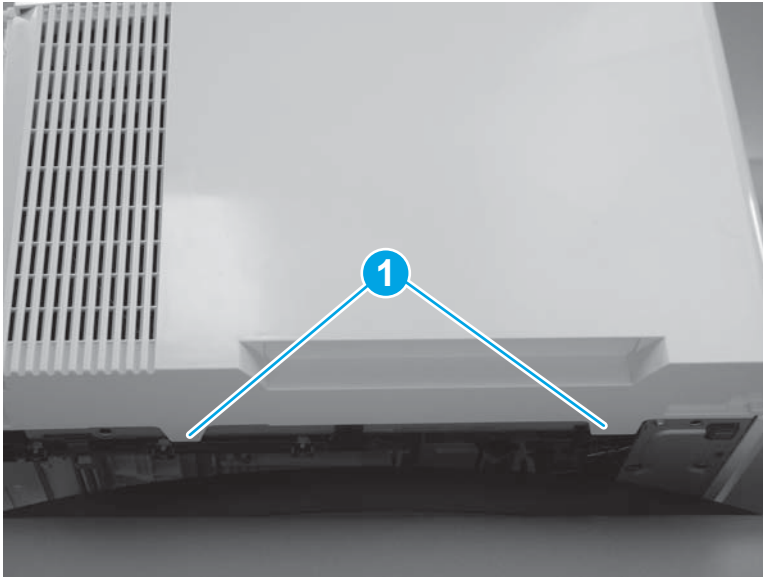
3. At the front of the printer, remove one screw (callout 1).

Figure 1-4146 Remove one screw



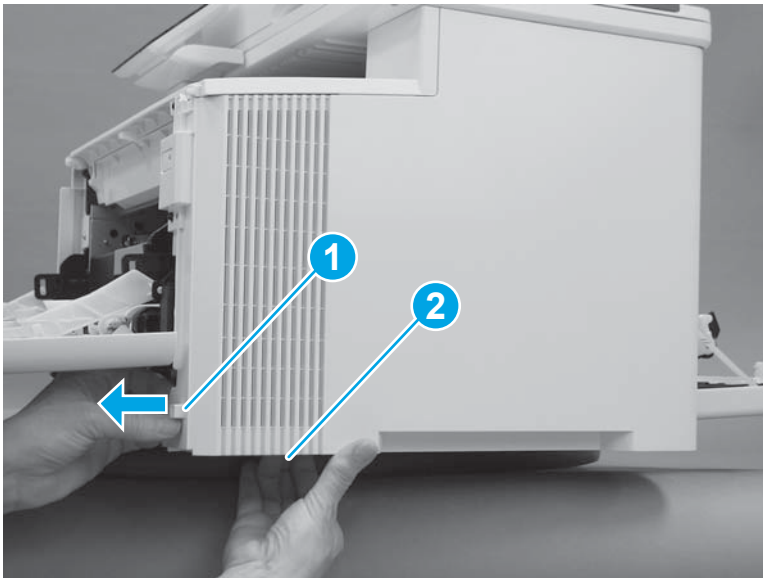
4. Slide the printer to the edge of a work surface. Note the location of the tabs on the lower edge of the cover (callout 1).

Figure 1-4147 Locate the tabs



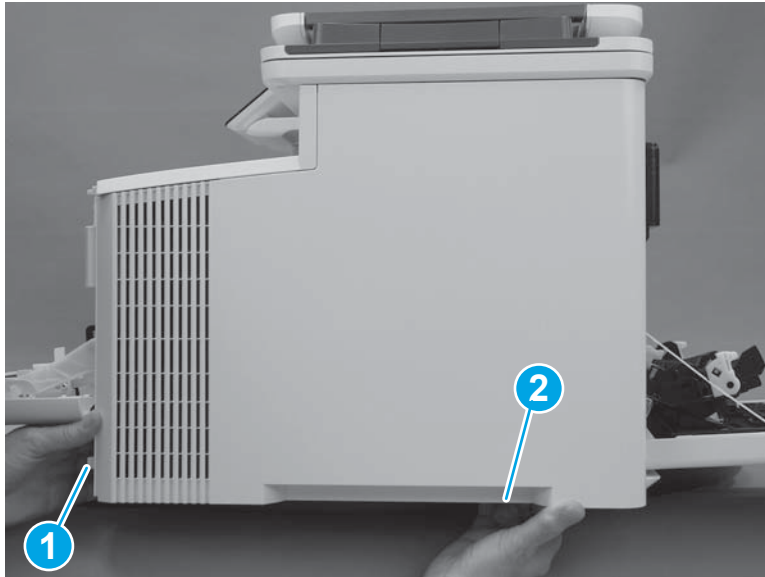
5. Release one tab (callout 1) on the front of the cover by slightly pulling the cover away from the printer. While holding the cover in the released position, release one tab (callout 2) on the lower edge of the cover.

Figure 1-4148 Release front lower tabs



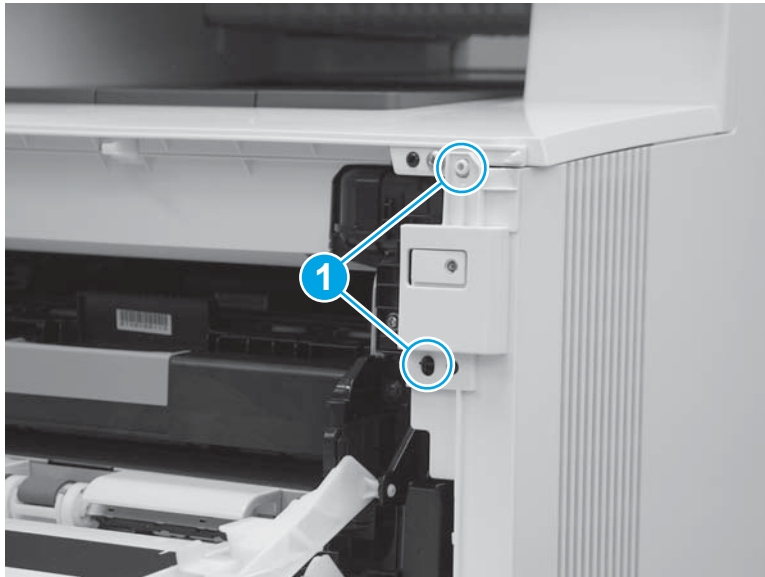
6. Hold the front tabs in the released position (callout 1), and then release one tab (callout 2) on the lower edge of the cover, toward the back of the printer.

Figure 1-4149 Release lower rear tab



7. Release two tabs at the front of the printer (callout 1) by slightly pulling the cover away from the printer.

Figure 1-4150 Release front upper tabs



8. Rotate the front of the cover away from the printer (callout 1).

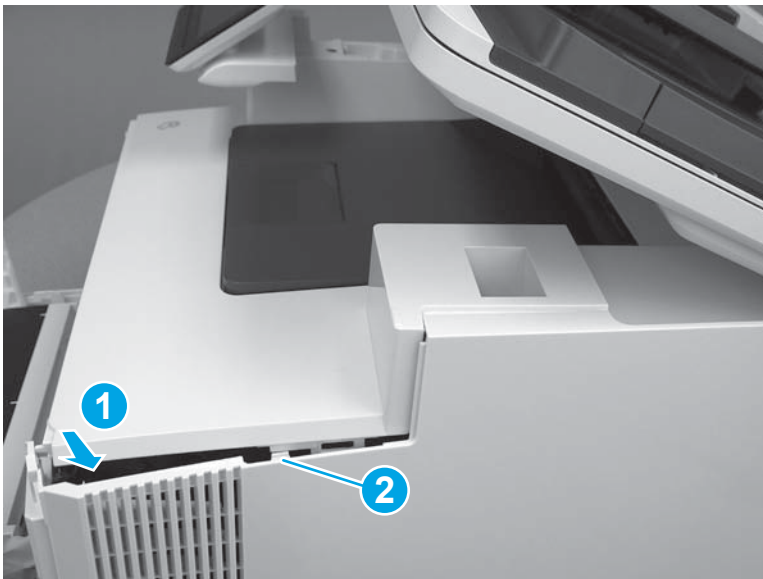
⚠ CAUTION: Be careful not to dislodge the power switch (callout 2).

Figure 1-4151 Rotate the front of the cover



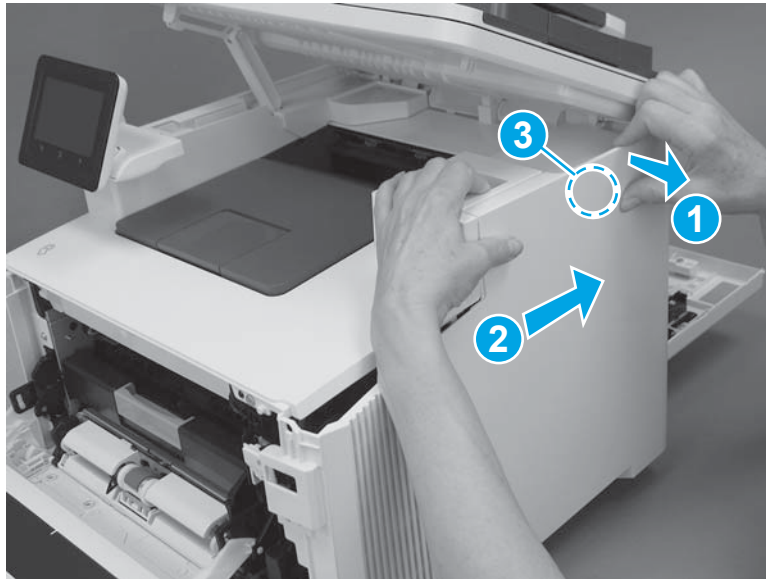
9. Slightly pull the front of the cover away from the printer (callout 1) to release one tab (callout 2).

Figure 1-4152 Release top tabs



10. At the top of the printer, slightly pull the top of the cover away from the printer to release one retention tab (callout 1) on the inside of the cover. While holding the cover away, slide the cover toward the back of the printer (callout 2) to release one hook (callout 3) on the inside of the cover.

Figure 1-4153 Release one tab and one hook



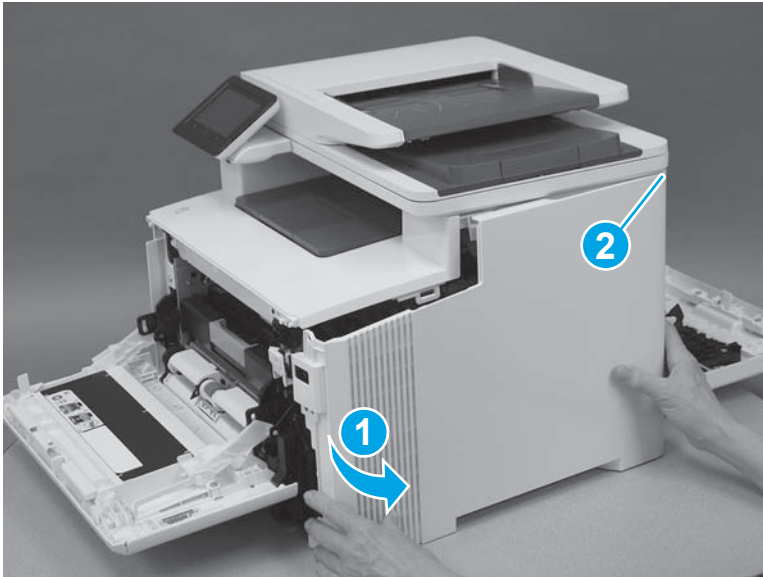
11. Lower the scanner.

Figure 1-4154 Lower the scanner




12. Rotate the cover away from the printer (callout 1) to release one tab (callout 2) at the back of the printer, and then remove the cover.

Figure 1-4155 Remove the right cover

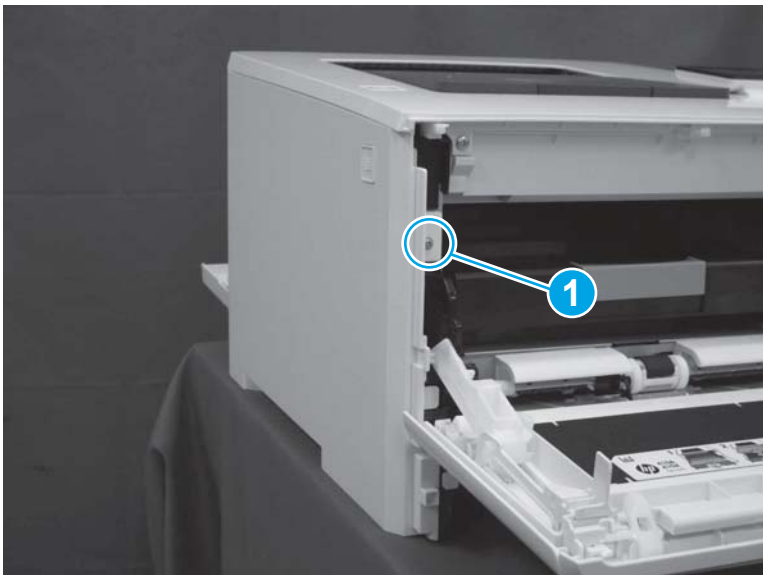


Step 5: Remove the left cover (M452 models)

 **NOTE:** This step is for the M452 models. For the M377, M477 models, skip this step and go to [Step 6: Remove the left cover \(M377, M477 models\) on page 2196](#).

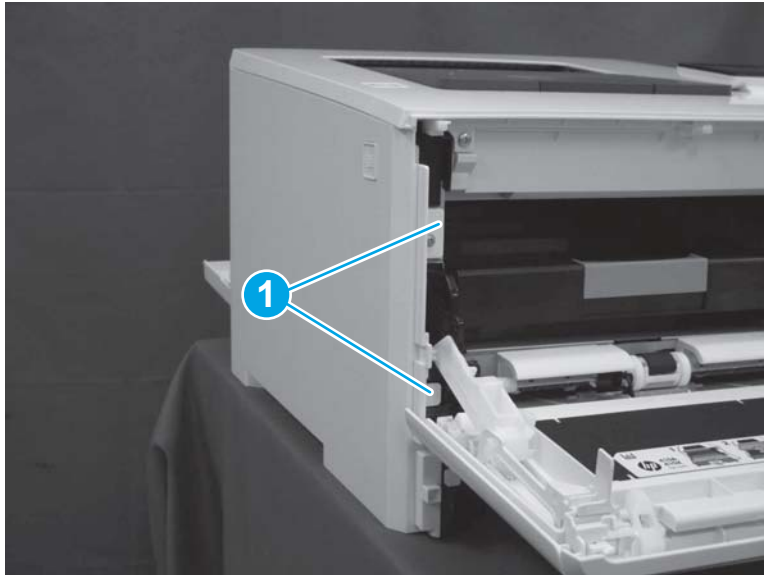
1. At the front of the printer, remove one screw (callout 1).

Figure 1-4156 Remove one screw



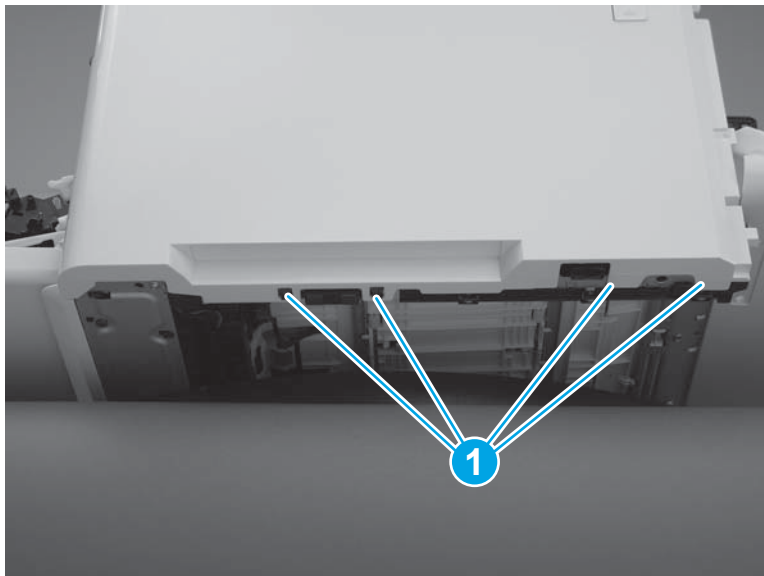
2. Release two tabs (callout 1) at the front of the cover. Hold the cover open to prevent the tabs from reengaging.

Figure 1-4157 Release two tabs



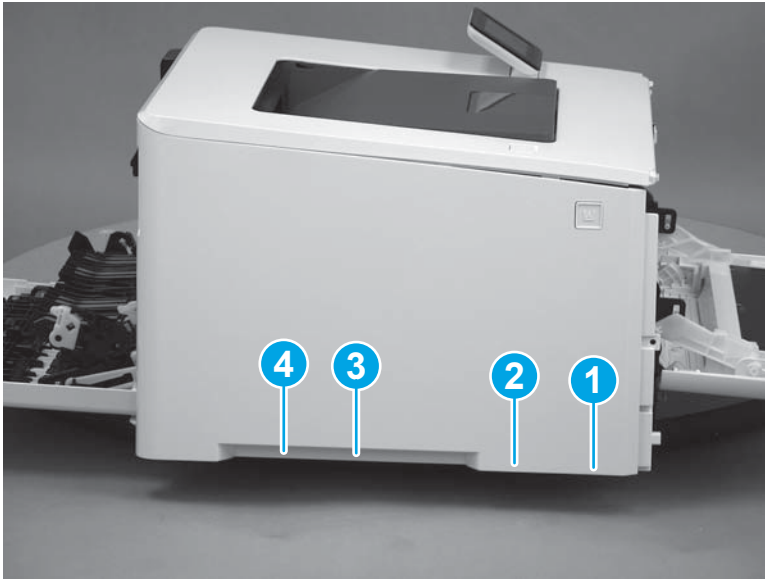
3. Slide the printer to the edge of a work surface. Note the location of the tabs on the lower edge of the cover (callout 1).

Figure 1-4158 Locate the tabs



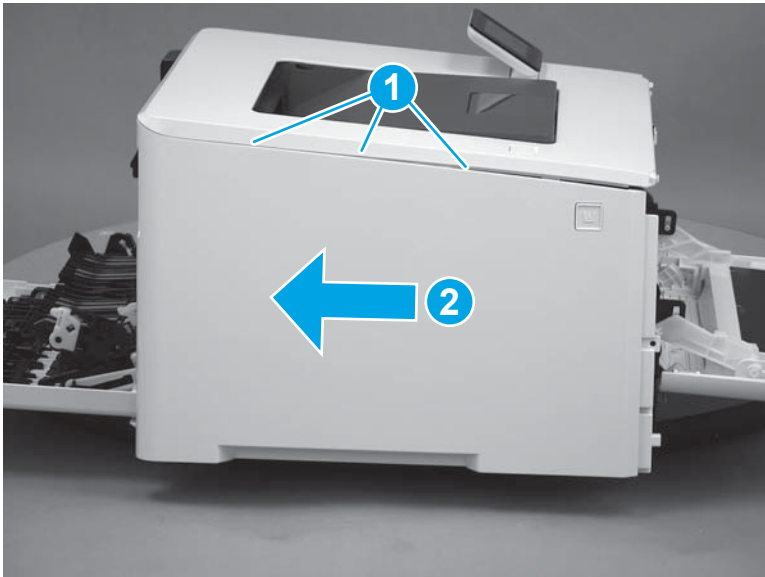
4. Beginning from the front of the cover, release four tabs (callouts 1-4) on the lower edge of the cover.

Figure 1-4159 Release bottom tabs




5. Release three tabs at the top of the cover (callout 1), and then slide the cover toward the rear of the printer to remove it.

Figure 1-4160 Release three tabs



Step 6: Remove the left cover (M377, M477 models)

 **NOTE:** This step is for the M377, M477 models. For the M452 models, skip this step and go to [Step 10: Remove the top cover \(M452 models\) on page 2214.](#)

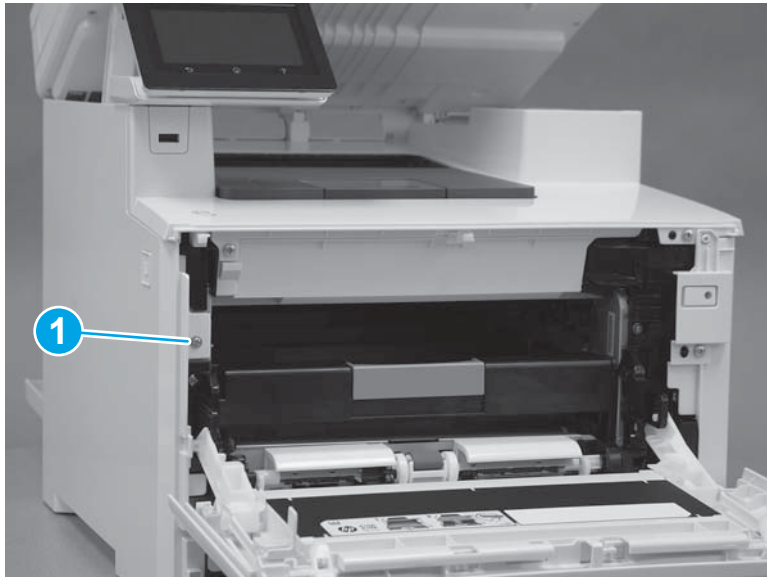
1. Raise the scanner.

Figure 1-4161 Raise the scanner



2. At the front of the printer, remove one screw (callout 1).

Figure 1-4162 Remove one screw



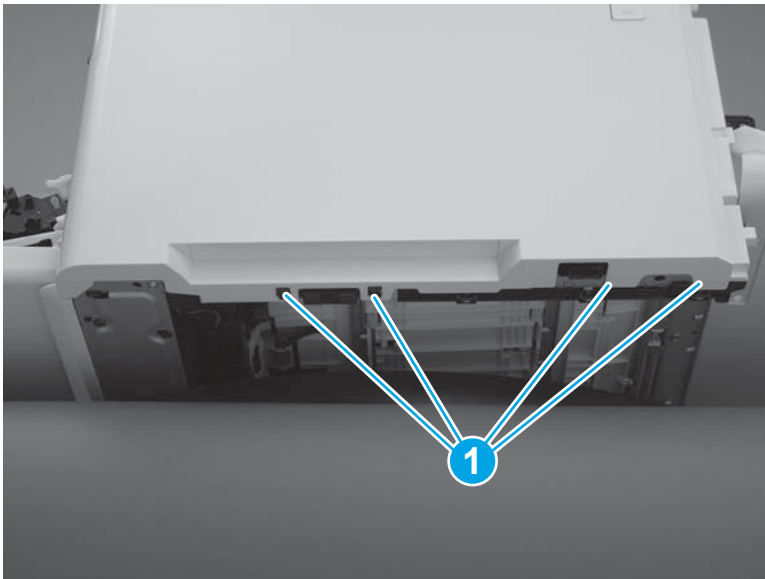
3. Release two tabs (callout 1) at the front of the cover. Hold the cover open to prevent the tabs from re-engaging.

Figure 1-4163 Release two tabs



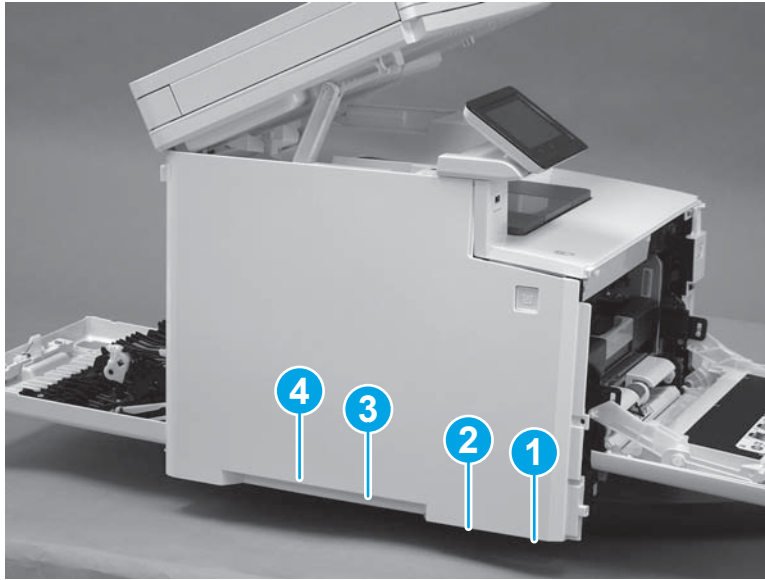
4. Slide the printer to the edge of a work surface. Note the location of the tabs on the lower edge of the cover (callout 1).

Figure 1-4164 Locate the tabs



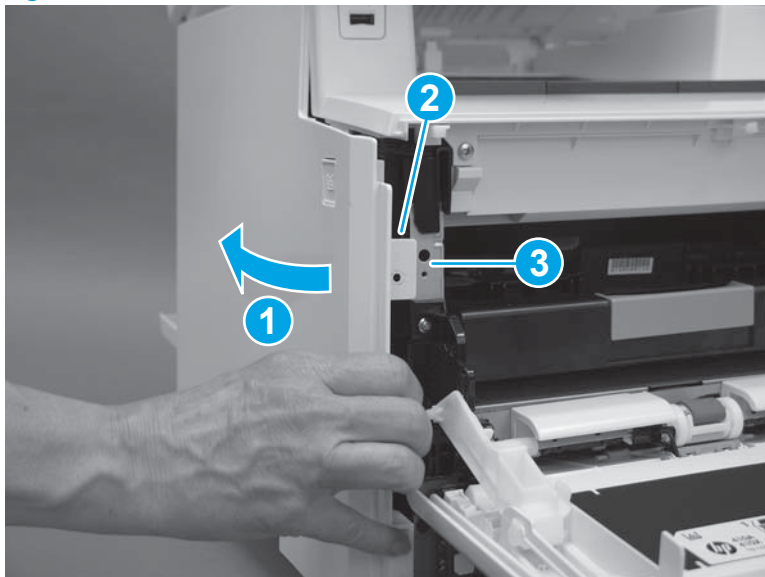
5. Beginning from the front of the cover, release the four tabs (callouts 1-4) on the lower edge of the cover.

Figure 1-4165 Release four tabs



6. Rotate the front of the cover away from the printer (callout 1). Make sure that the tab (callout 2) does not get caught on the printer frame (callout 3).

Figure 1-4166 Rotate the cover



7. At the top of the printer, slightly pull the top of the cover away from the printer to release one retention tab (callout 1) on the inside of the cover. While holding the cover away, slide the cover toward the back of the printer (callout 2) to release two hooks (callout 3) inside the cover.

Figure 1-4167 Release one tab and two hooks



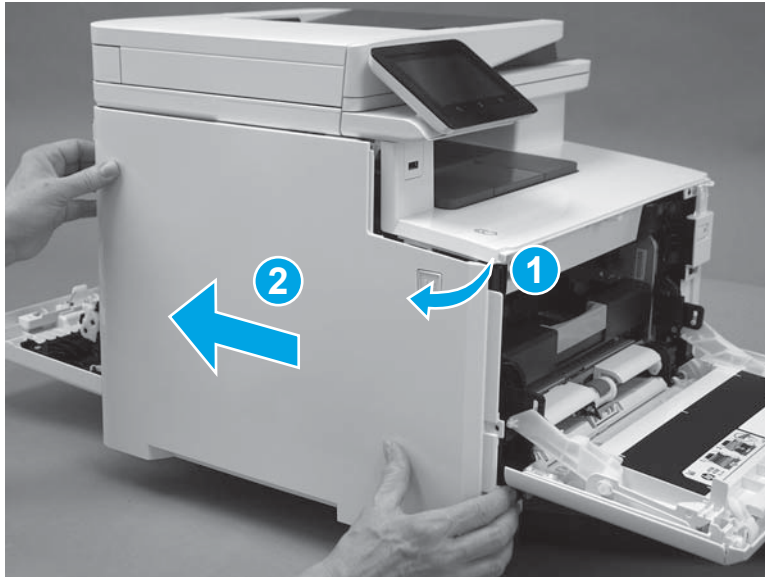
8. Lower the scanner.

Figure 1-4168 Lower the scanner




9. Rotate the cover away from the printer (callout 1), and then slide the cover (callout 2) toward the back of the printer to remove it.

Figure 1-4169 Remove the left cover

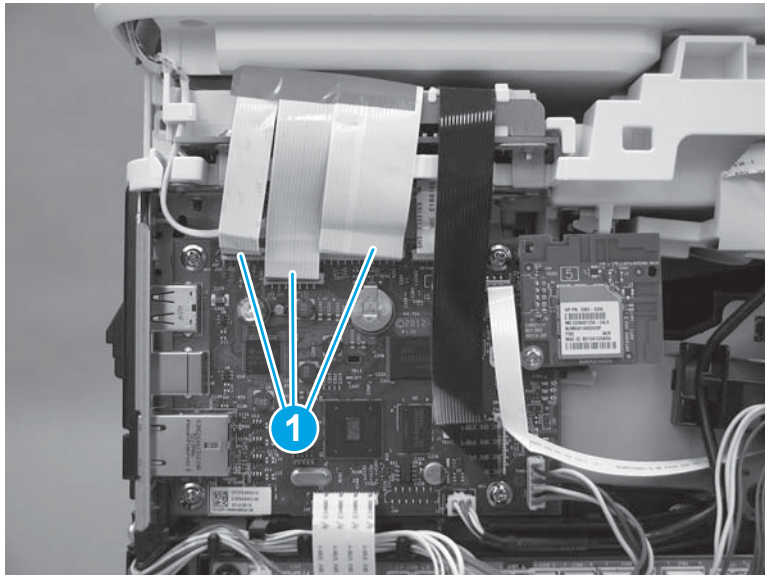


Step 7: Remove the integrated scanner assembly (M377, M477 models)

 **NOTE:** This step is for the M377, M477 models. For the M452 models, skip this step and go to [Step 10: Remove the top cover \(M452 models\) on page 2214](#).

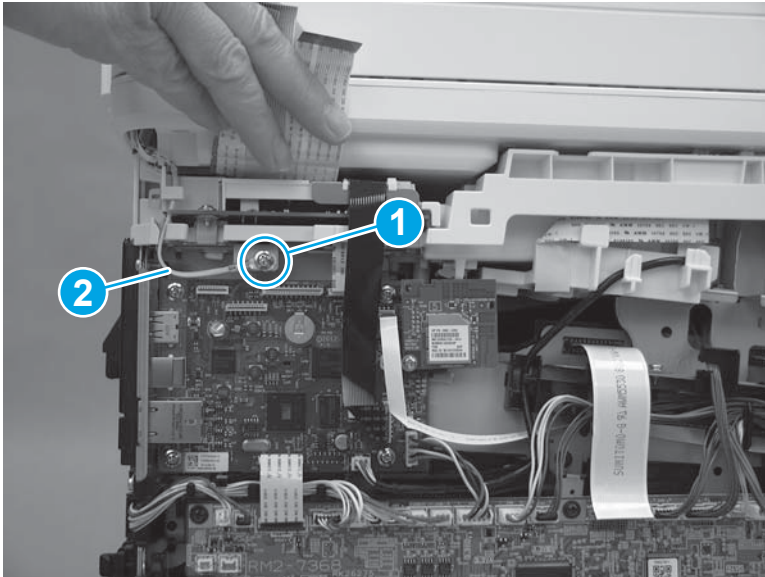
1. On the left side of the printer, disconnect three connectors (callout 1).

Figure 1-4170 Disconnect the scanner cables



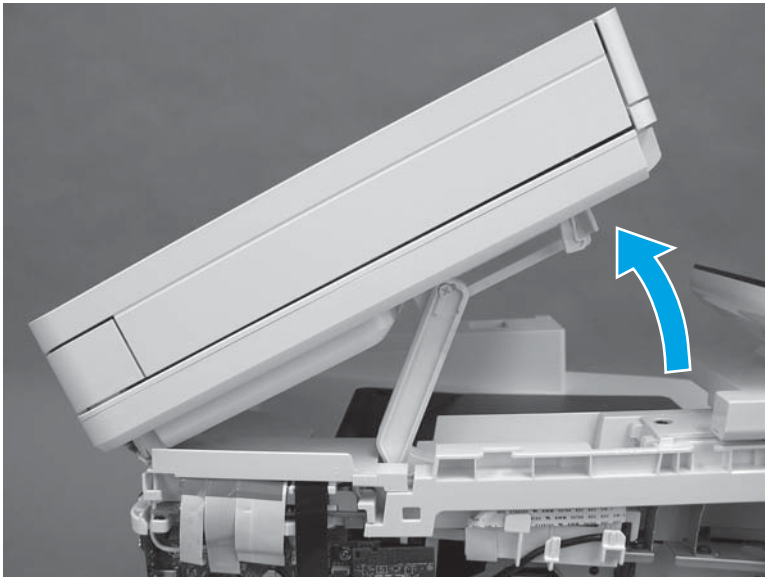
2. Raise the scanner cables up, and then remove one screw (callout 1) to release the ground wire (callout 2).

Figure 1-4171 Remove one screw and release the ground wire



3. Raise the scanner.

Figure 1-4172 Raise the scanner



4. With the scanner lifted, release the tab (callout 1) on the scanner support arm pin from the slot and rotate the pin in the direction indicated.

Figure 1-4173 Release the scanner arm pin



5. Remove the scanner arm pin.

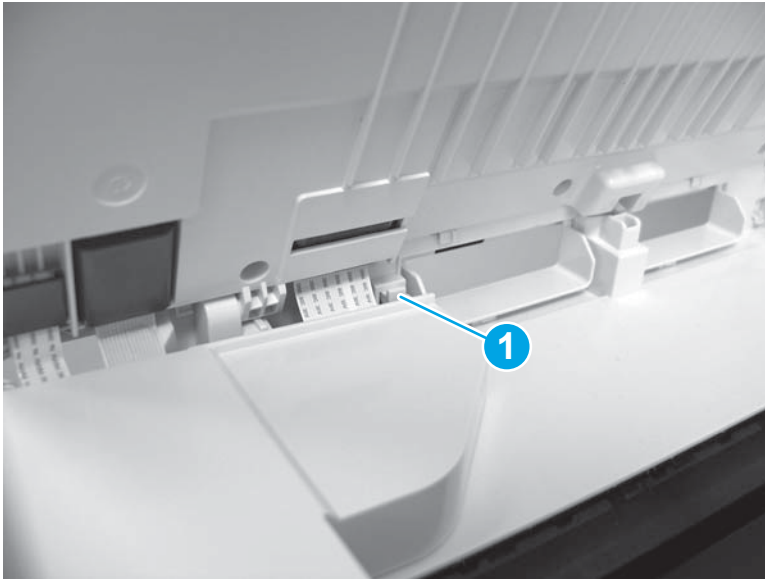
⚠ CAUTION: Once the scanner arm pin is removed, support the scanner with one hand at all times so that it does not fall backwards off of the printer.

Figure 1-4174 Remove the scanner arm pin.



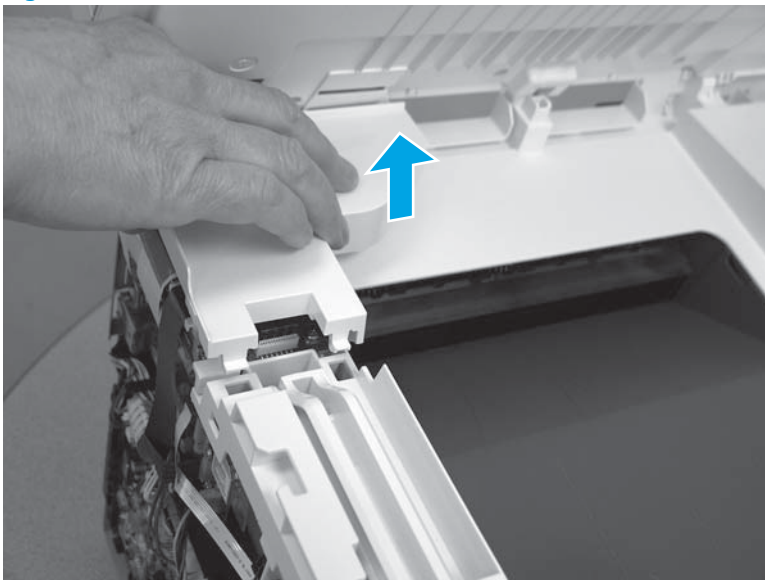
6. On the top of the printer, use a flat-blade screwdriver to release one tab (callout 1).

Figure 1-4175 Release one tab



7. Remove the scanner cable cover.

Figure 1-4176 Remove the scanner cable cover



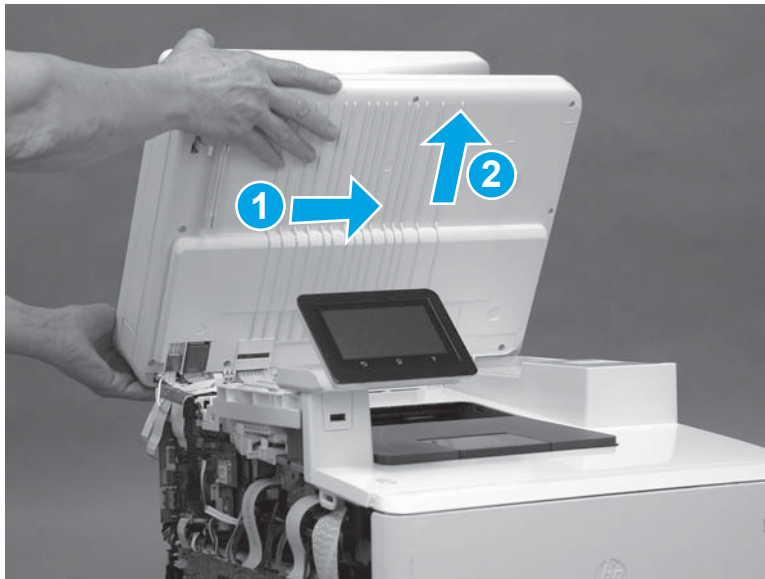
8. The scanner cables (callout 1) are held in place on the top cover with double-sided tape. Carefully release the cables from the top cover.

Figure 1-4177 Release the cables




9. Open the scanner assembly fully, slide the assembly toward the right side of the printer, and then lift the assembly off of the printer.

Figure 1-4178 Remove the scanner assembly

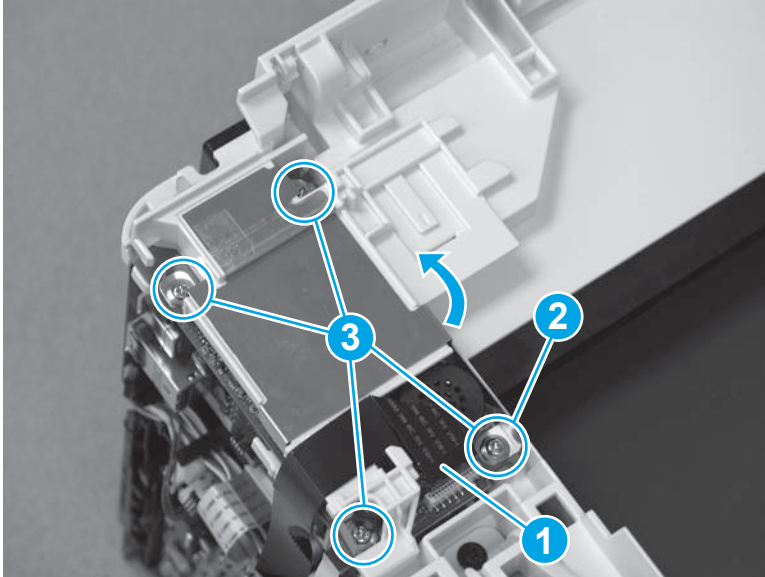


Step 8: Remove the fax PCA (M477 models)

 **NOTE:** This step is for M477 fax models only. Skip this step for non-fax models.

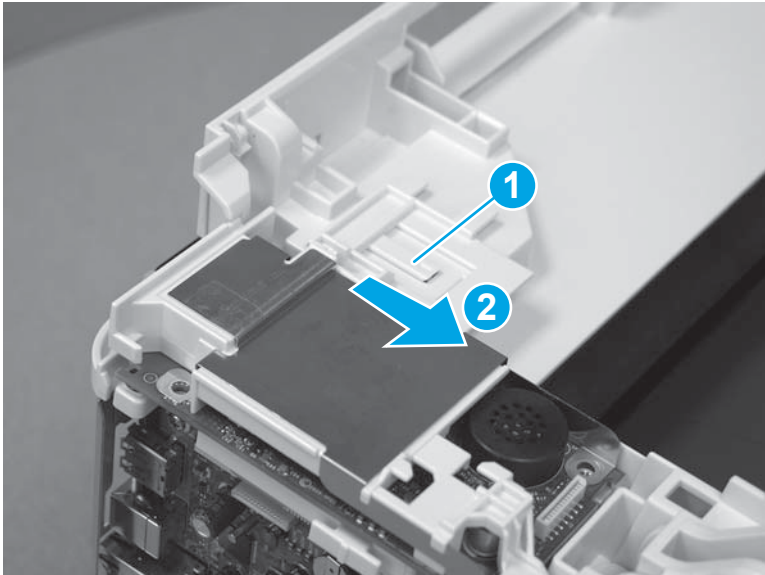
1. Disconnect one connector (callout 1). Beginning with the top right screw (callout 2) remove four screws (callout 3) in a counterclockwise direction.

Figure 1-4179 Disconnect one connector and remove four screws



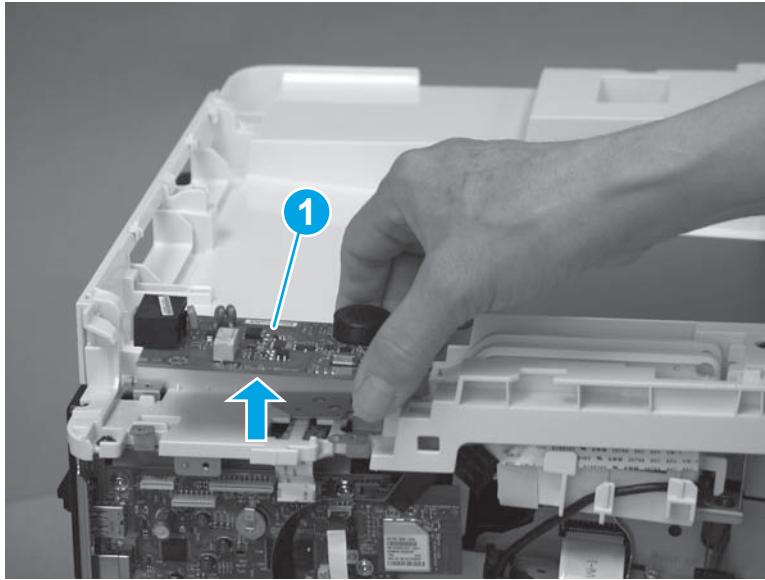
2. Release one tab (callout 1), and then slide the fax cover (callout 2) toward the front of the printer to remove it.

Figure 1-4180 Remove the fax cover




3. Lift up to remove the fax PCA (callout 1).

Figure 1-4181 Remove the fax PCA

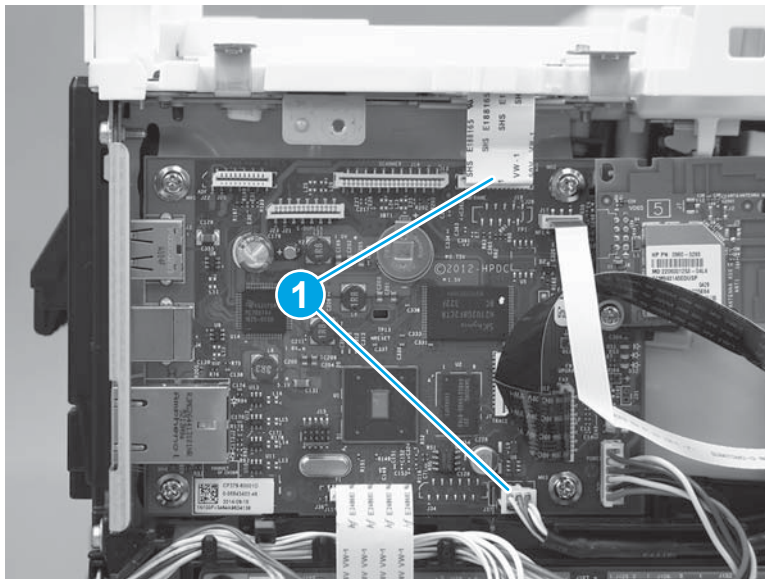


Step 9: Remove the top cover (M377, M477 models)

 **NOTE:** This step is for the M377, M477 models. For the M452 models, skip this step and go to [Step 10: Remove the top cover \(M452 models\) on page 2214](#).

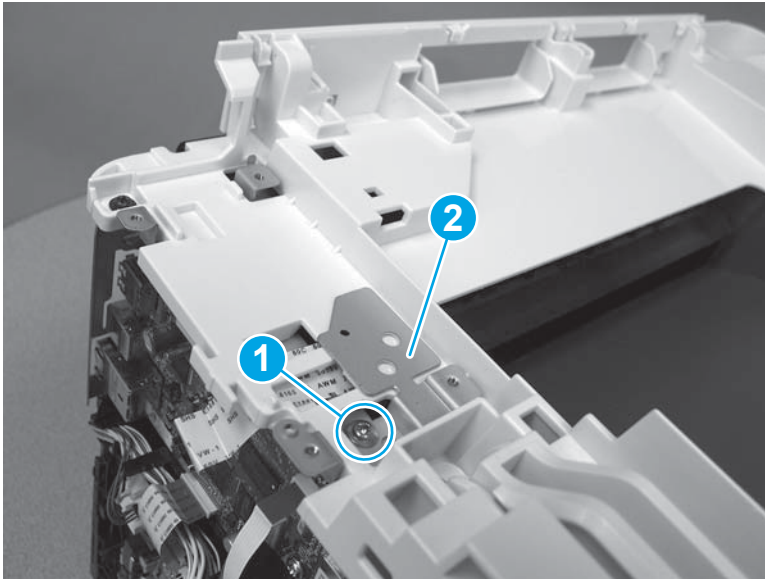
1. On the left side of the printer, on the formatter PCA, disconnect two connectors (callout 1).

Figure 1-4182 Disconnect two connectors



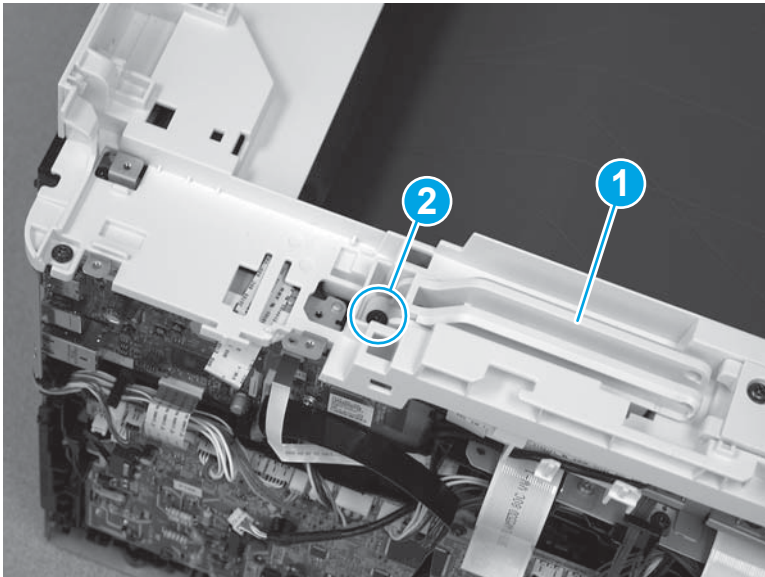
2. On the top cover, remove one screw (callout 1) and the sheet metal plate (callout 2).

Figure 1-4183 Remove one screw and the sheet metal plate



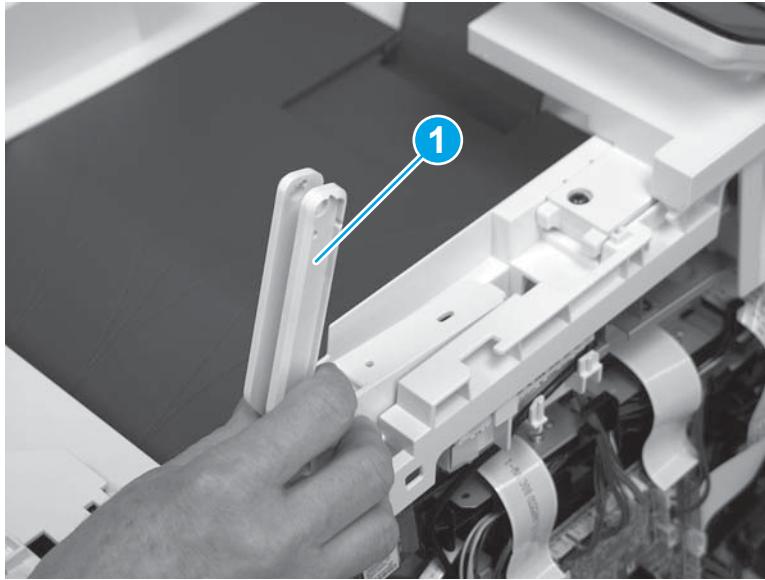
3. At the top of the printer, lower the scanner support arm (callout 1), and then remove one screw (callout 2).

Figure 1-4184 Lower the support arm and remove one screw



4. Remove the scanner support arm (callout 1).

Figure 1-4185 Remove the scanner support arm



5. At the top of the printer, remove three screws (callout 1).


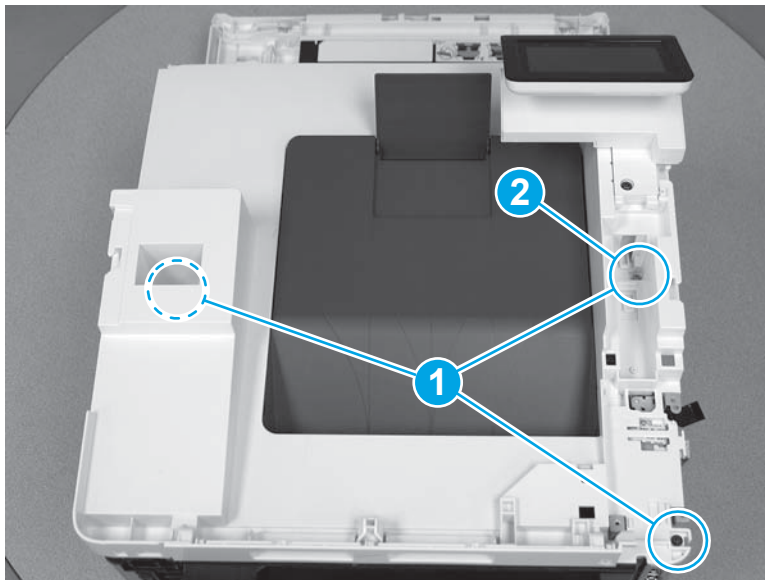
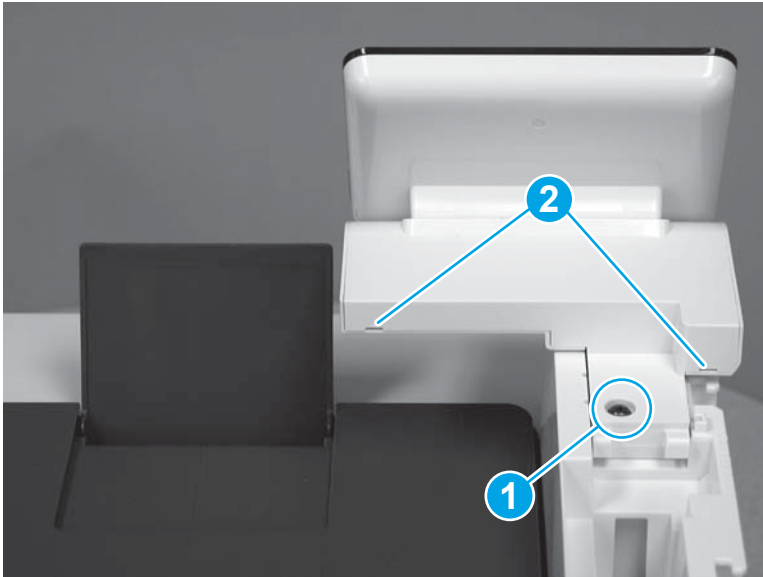
 **Reinstallation tip:** One screw (callout 2) is longer than the other screws. Make sure that this screw is reinstalled in the correct position.

Figure 1-4186 Remove three screws



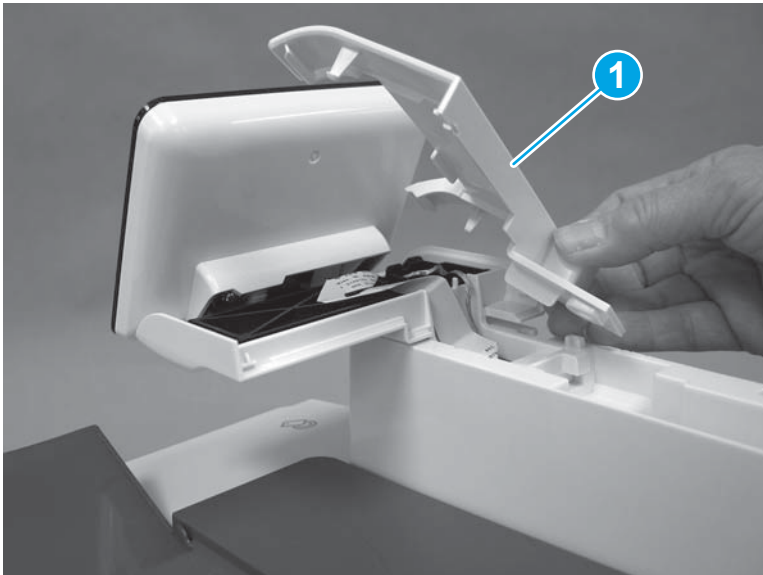
6. Behind the control panel, remove one screw (callout 1), and then use a small flat-blade screwdriver at two pry points (callout 2) to release the control panel cover from the top cover.

Figure 1-4187 Release the control panel cover



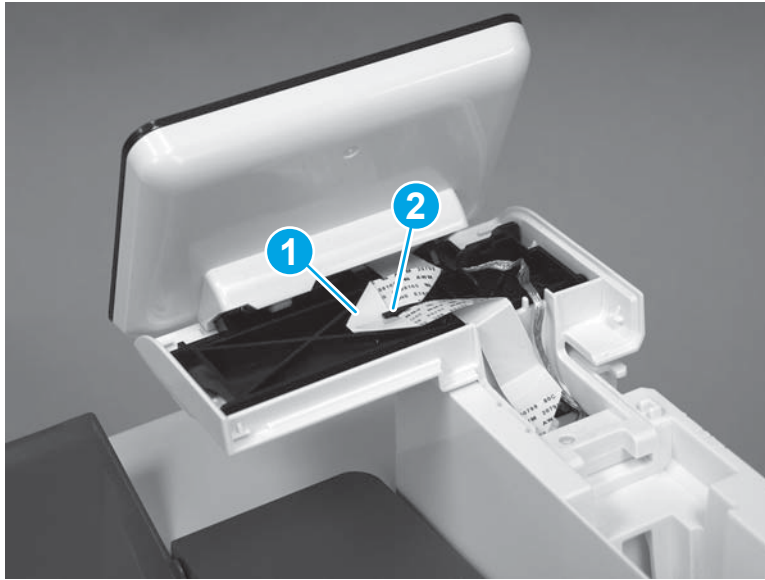
7. Remove the control panel cover (callout 1).

Figure 1-4188 Remove the control panel cover



8. Remove the flat cable (callout 1) from the retaining guide (callout 2).

Figure 1-4189 Release the flat cable



9. Remove two screws (callout 1), and then remove one screw (callout 2) and release one ground wire.


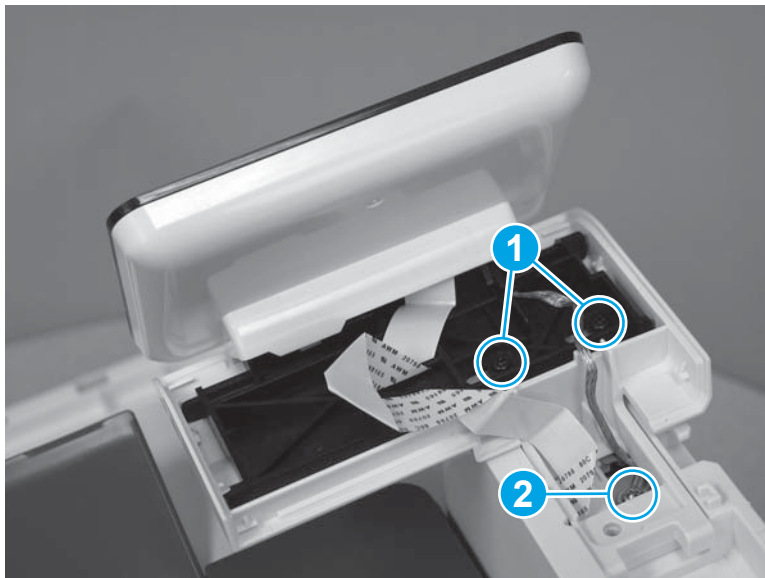
 **Reinstallation tip:** The two screws toward the front of the control panel (callout 1) are longer than the other screw. Make sure these screws are installed in the correct position when reinstalling the part.

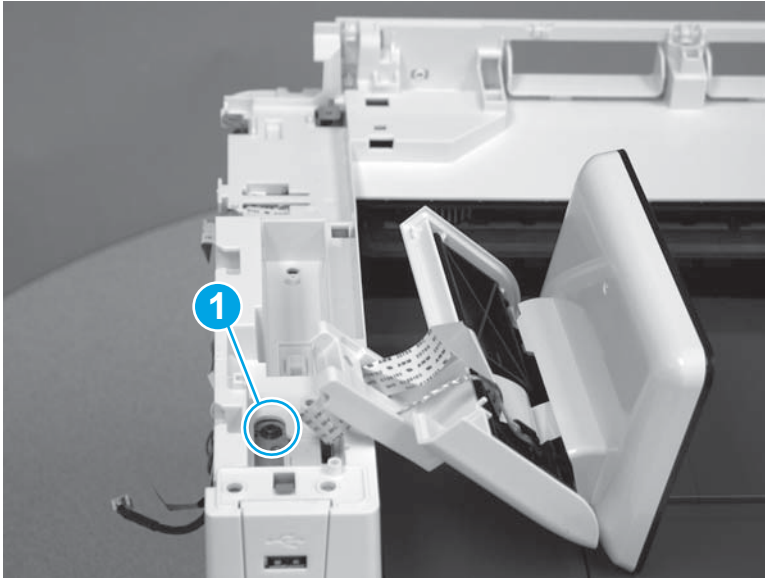
Figure 1-4190 Remove three screws



- Carefully lift the control panel away and rest it on the top cover, and then remove one screw (callout 1).

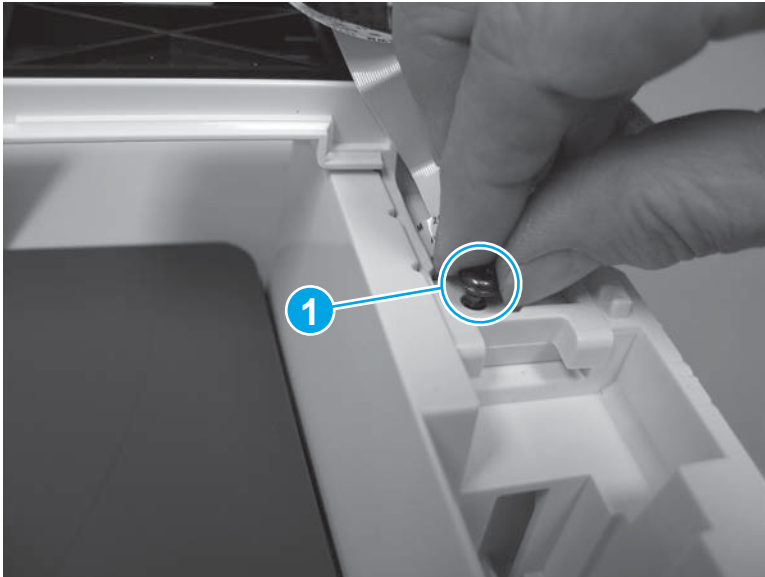
⚠ CAUTION: The control panel is still attached to the top cover by the flat cable.

Figure 1-4191 Remove one screw



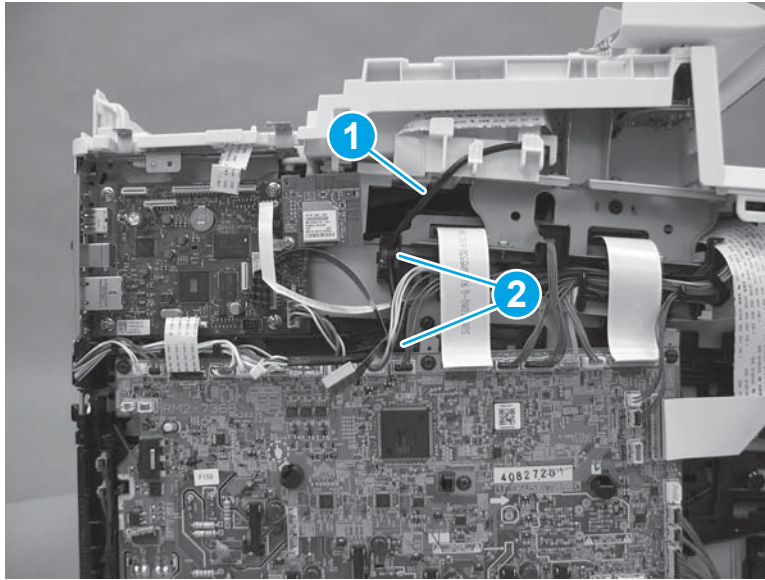
- Place the control panel back into position. With your hand, refasten the screw (callout 1) that was previously removed from the control panel cover to temporarily reattach the control panel to the top cover. Doing this should protect the flat cable from being damaged.

Figure 1-4192 Refasten the control panel to the top cover



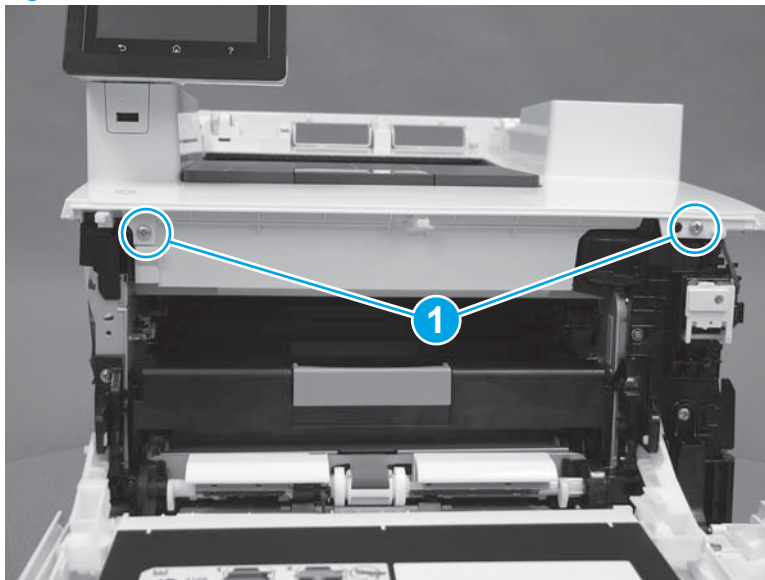
12. Remove the USB cable (callout 1) from the cable guides (callout 2).

Figure 1-4193 Release the USB cable



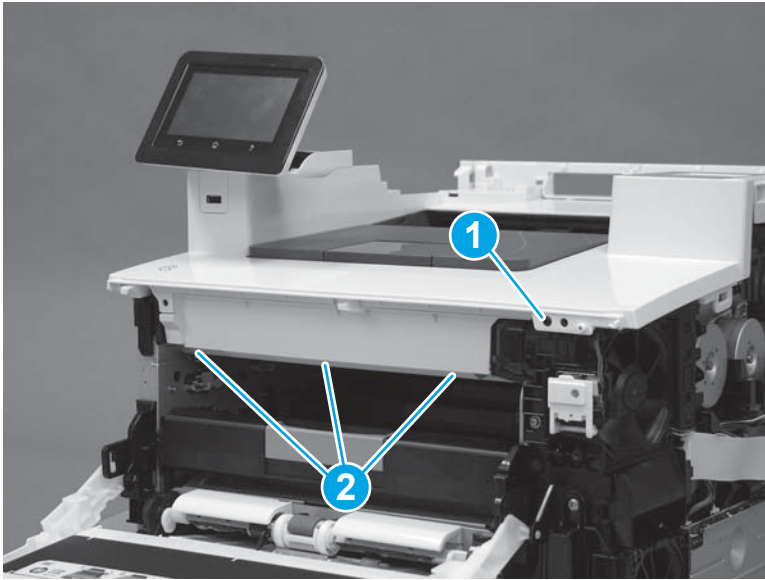
13. At the front of the printer, remove two screws (callout 1).

Figure 1-4194 Remove two screws



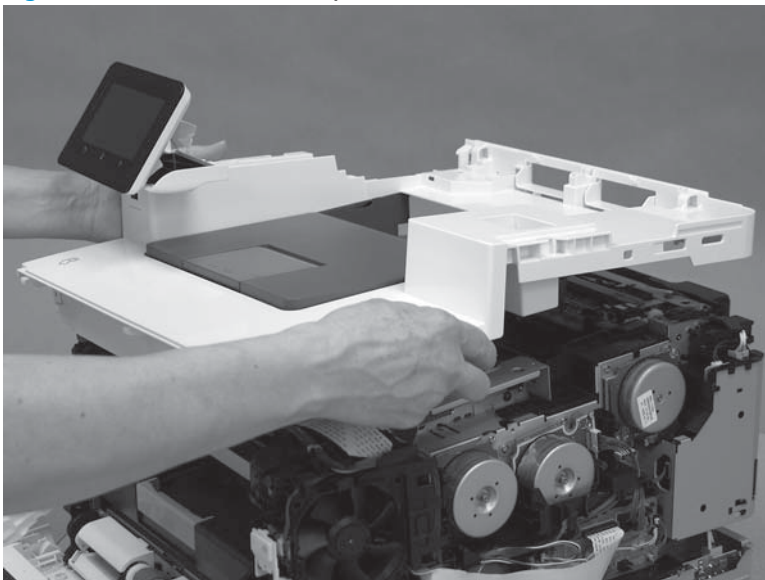
14. Release one retainer (callout 1), and then release three tabs (callout 2).

Figure 1-4195 Release one retainer and three tabs




15. Remove the top cover.

Figure 1-4196 Remove the top cover

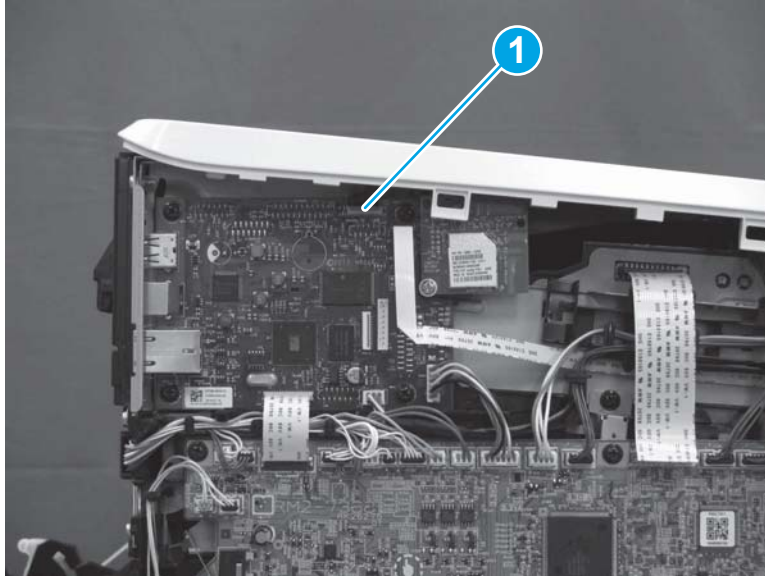


Step 10: Remove the top cover (M452 models)

 **NOTE:** This step is for the M452 models. For the M377, M477 models, skip this step and go to [Step 11: Remove the fuser \(duplex models\) on page 2219](#).

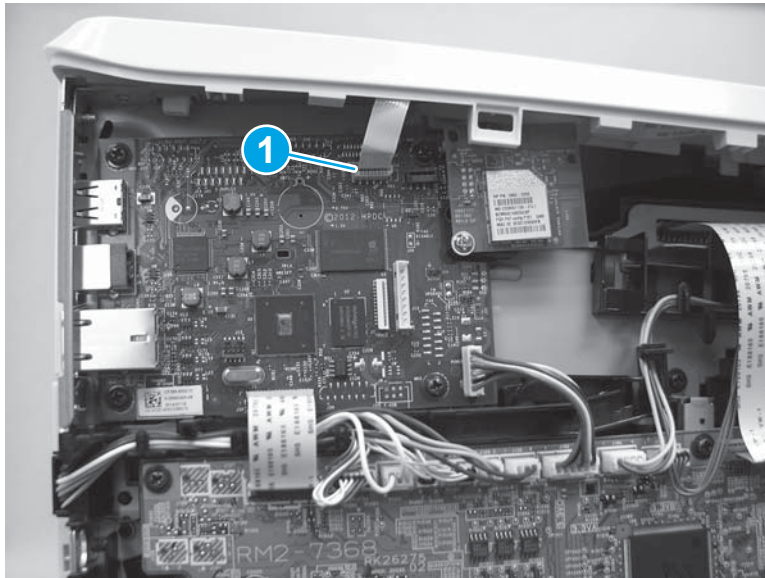
1. **M452dw model only:** On the left side of the printer, on the formatter, disconnect one connector (callout 1).

Figure 1-4197 Disconnect one connector



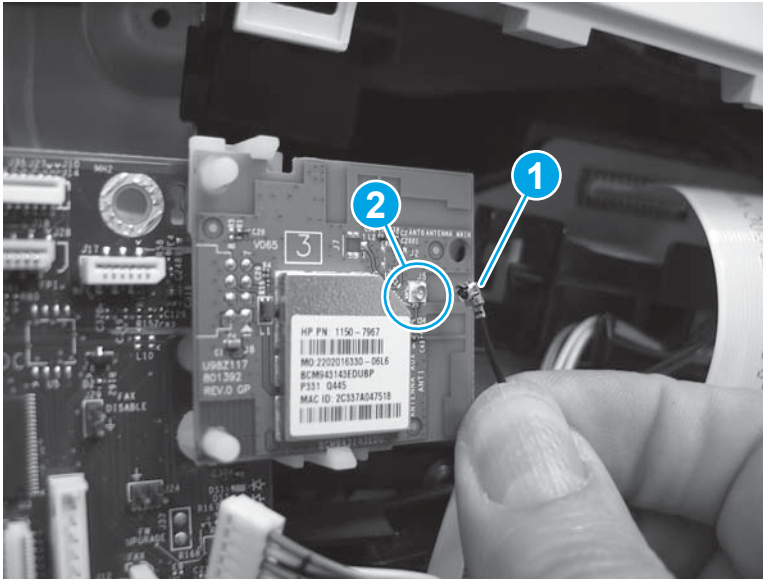
- 2. M452nw/dn models only:** On the left side of the printer, on the formatter, disconnect one connector (callout 1).

Figure 1-4198 Disconnect one connector



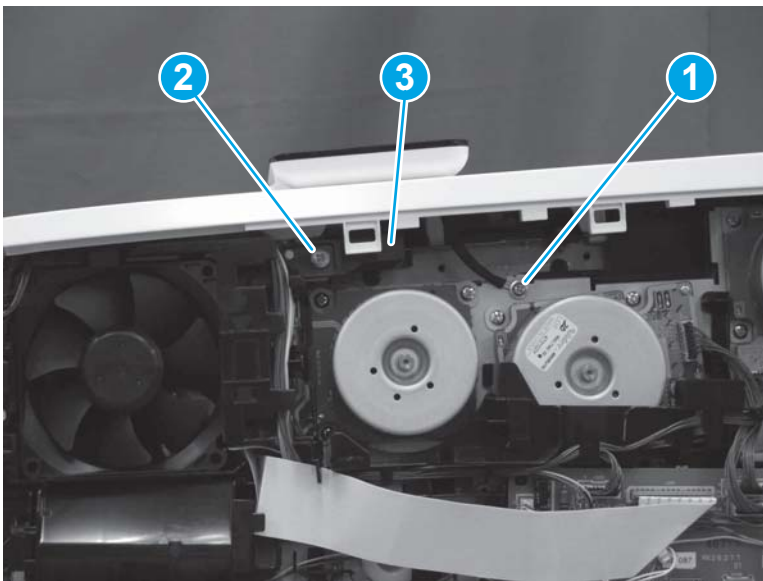
3. **M452nw/dw models only:** Disconnect the antenna (callout 1) from the connector (callout 2) on the wireless PCA.

Figure 1-4199 Disconnect the antenna



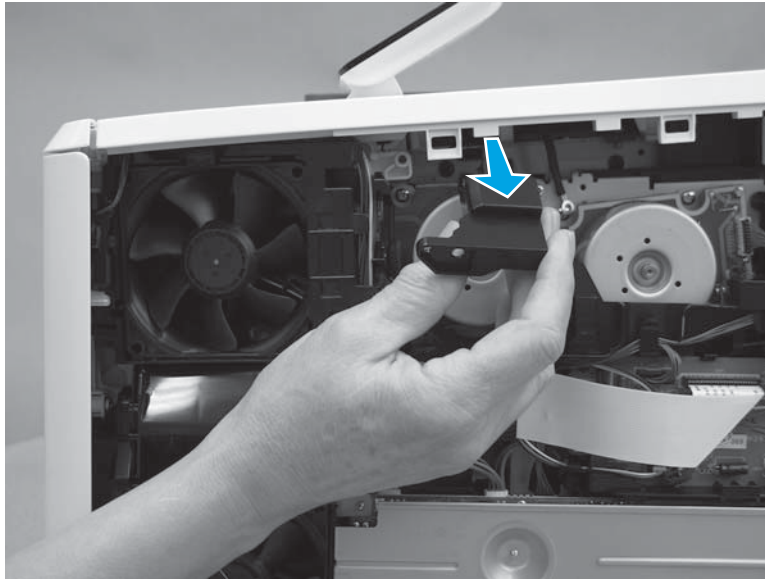
4. **M452dw model only:** Remove one screw (callout 1) and release one ground wire. Remove one screw (callout 2). Note the location (callout 3) of the guide.

Figure 1-4200 Remove two screws



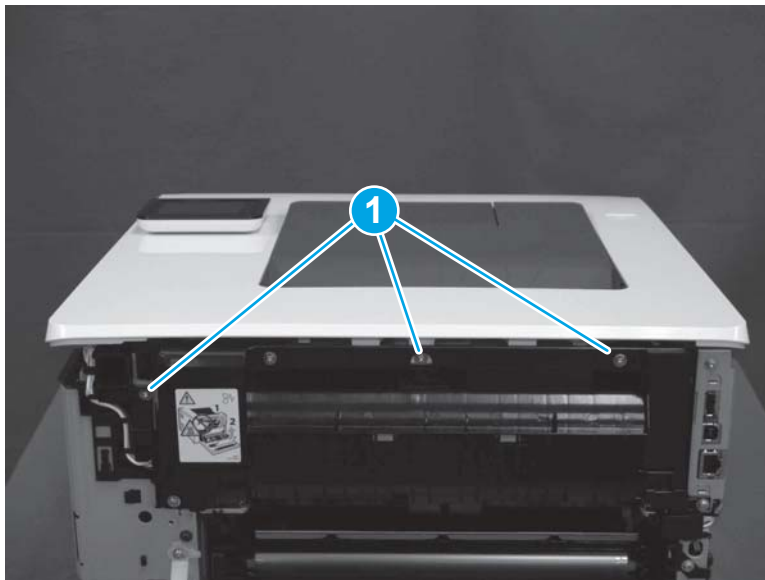
5. **M452dw model only:** Remove the guide.

Figure 1-4201 Remove the guide



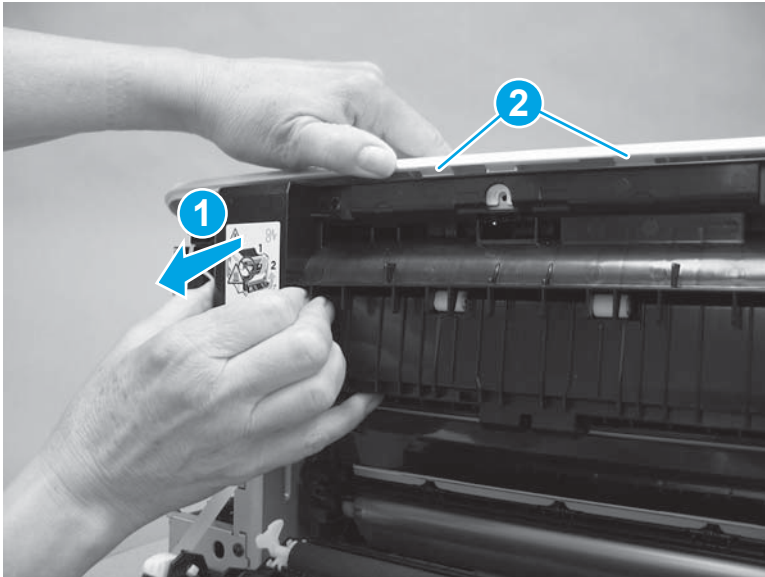
6. **M452dn/dw models only:** At the back of the printer, remove three screws (callout 1).

Figure 1-4202 Remove three screws



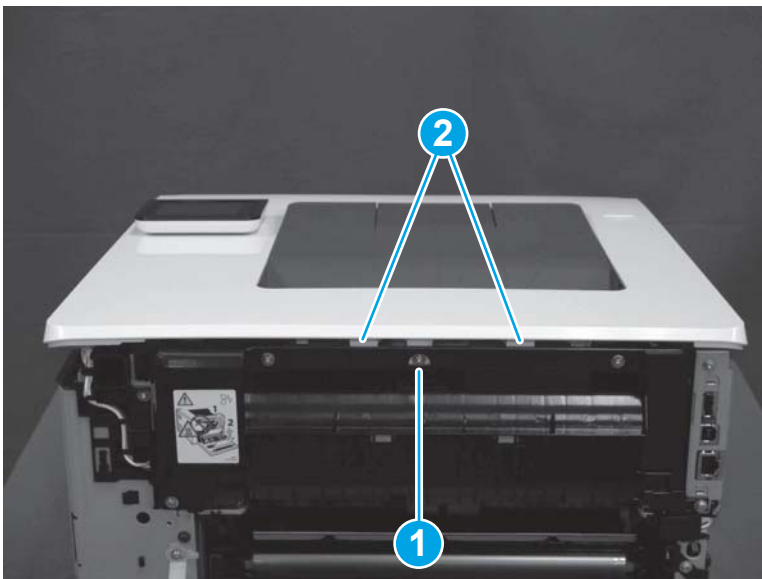
7. **M452dn/dw models only:** Gently pull the top of the fuser away (callout 1), and then release two tabs (callout 2).

Figure 1-4203 Release two tabs



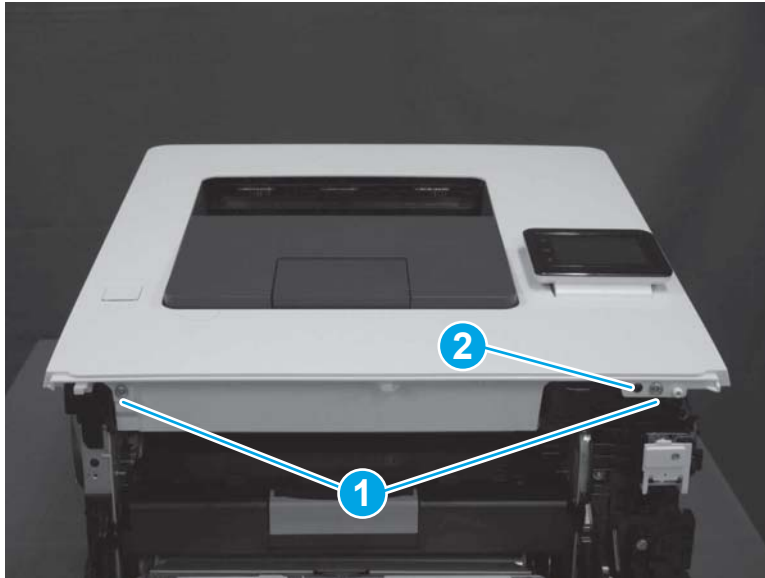
8. **M452nw model only:** At the back of the printer, remove one screw (callout 1), and then release two tabs (callout 2).

Figure 1-4204 Remove screw and release two tabs



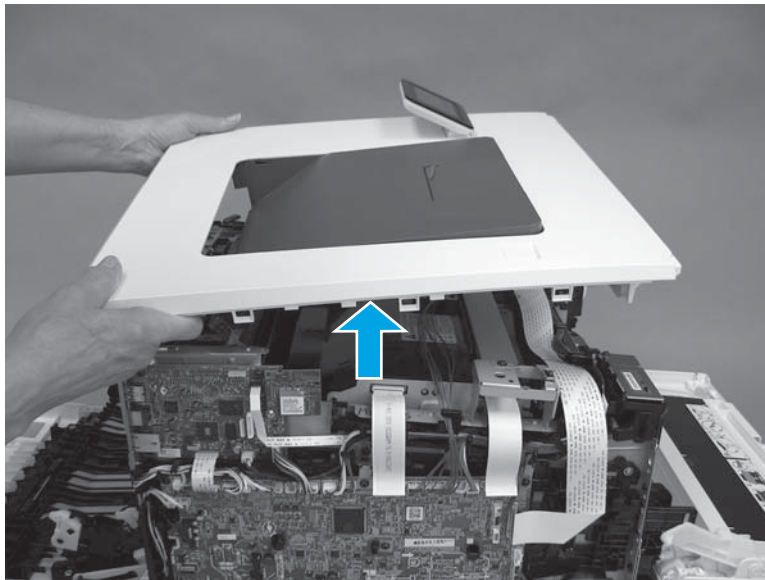
9. At the front of the printer, remove two screws (callout 1), and then release one tab (callout 2).

Figure 1-4205 Remove two screws and release one tab



10. Remove the top cover.

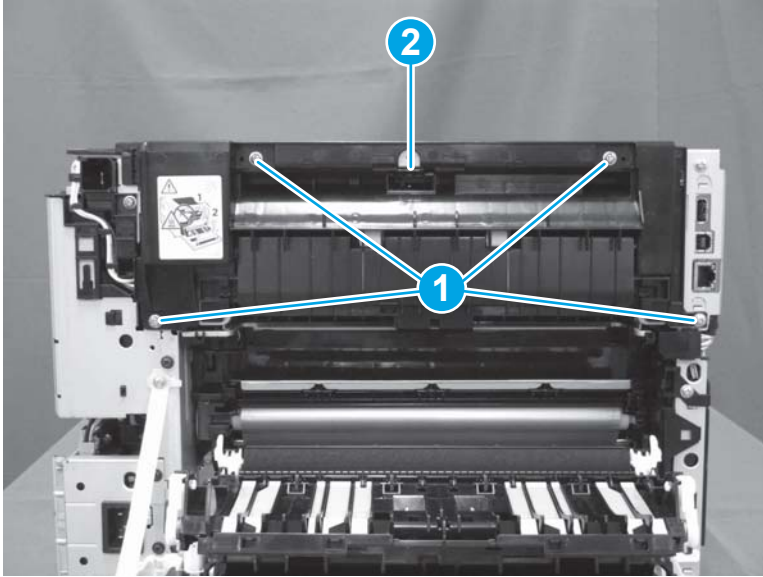
Figure 1-4206 Remove the top cover



Step 11: Remove the fuser (duplex models)

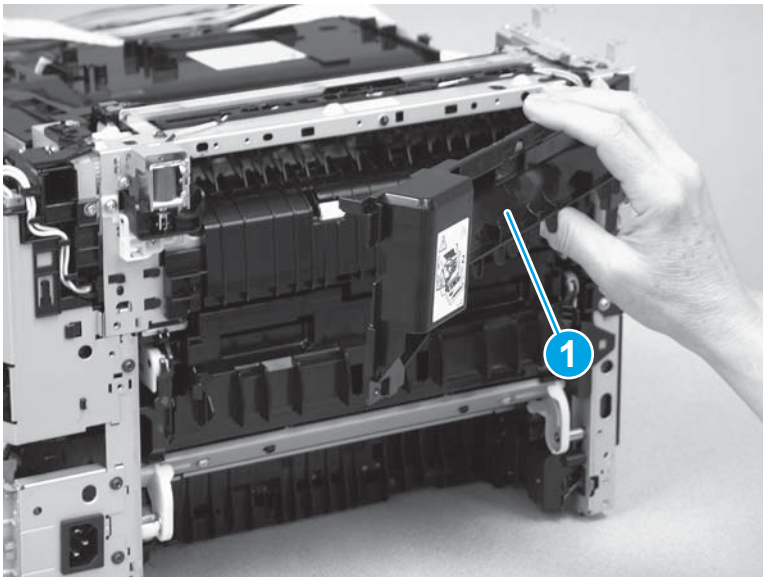
1. Remove four screws (callout 1), and then release one tab (callout 2).

Figure 1-4207 Remove four screws



2. Remove the guide (callout 1).

Figure 1-4208 Remove the guide



3. Disconnect one connector (callout 1) on the engine controller PCA.


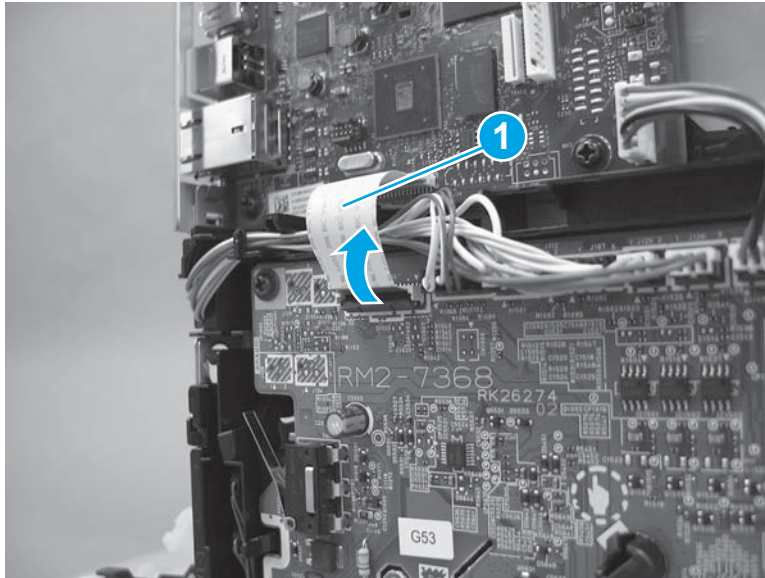
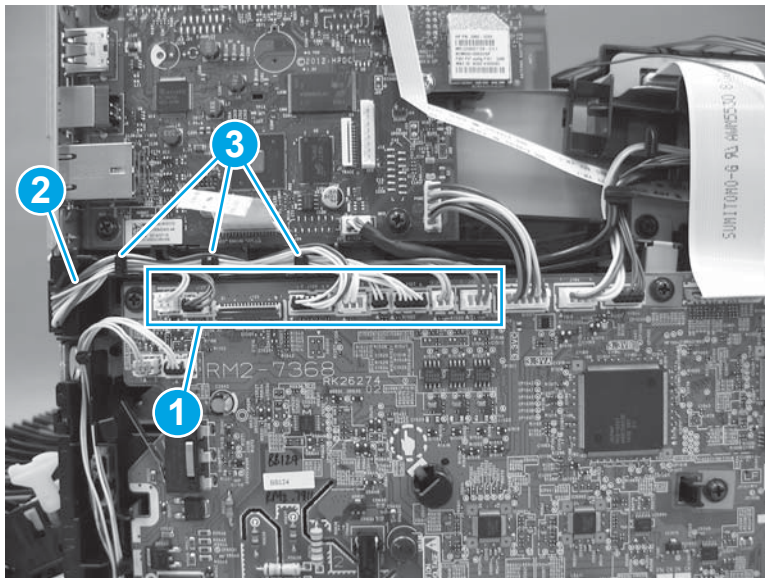
 **NOTE:** This connector is a zero-insertion force (ZIF) connector. Lift the latch on the connector before removing the flat cable.

Figure 1-4209 Disconnect one connector



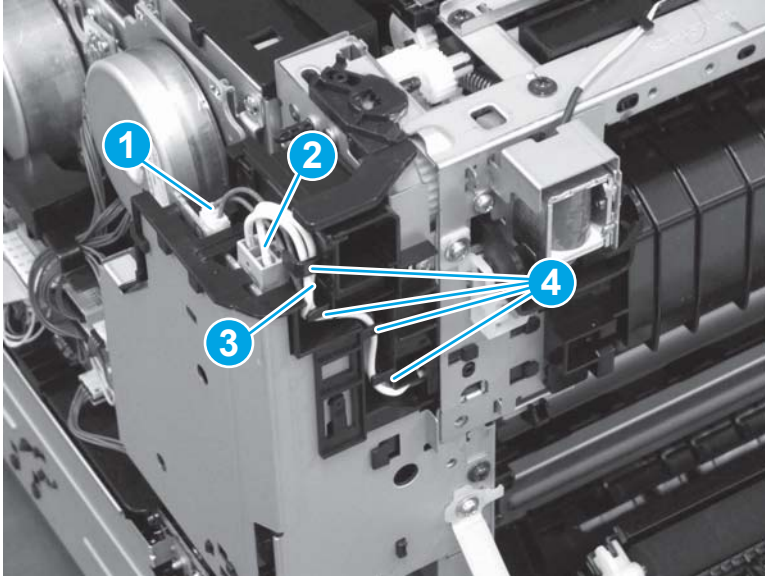
4. Disconnect eight connectors on the engine controller PCA (callout 1), and then remove the cables (callout 2) from the guides (callout 3).

Figure 1-4210 Disconnect eight connectors



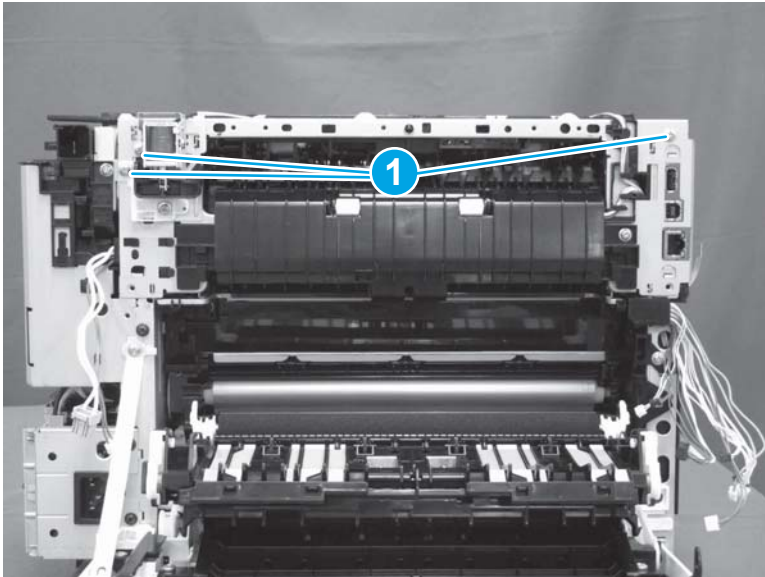
5. Disconnect one connector (callout 1). Release the connector latch, and then disconnect one connector (callout 2). Remove the cables (callout 3) from the guides (callout 4).

Figure 1-4211 Disconnect two connectors



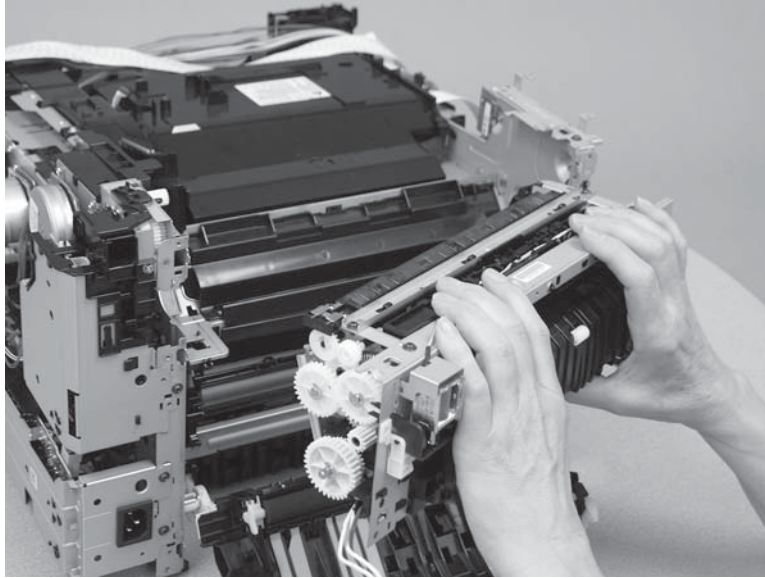
6. Remove three screws.

Figure 1-4212 Remove three screws



7. Remove the fuser.

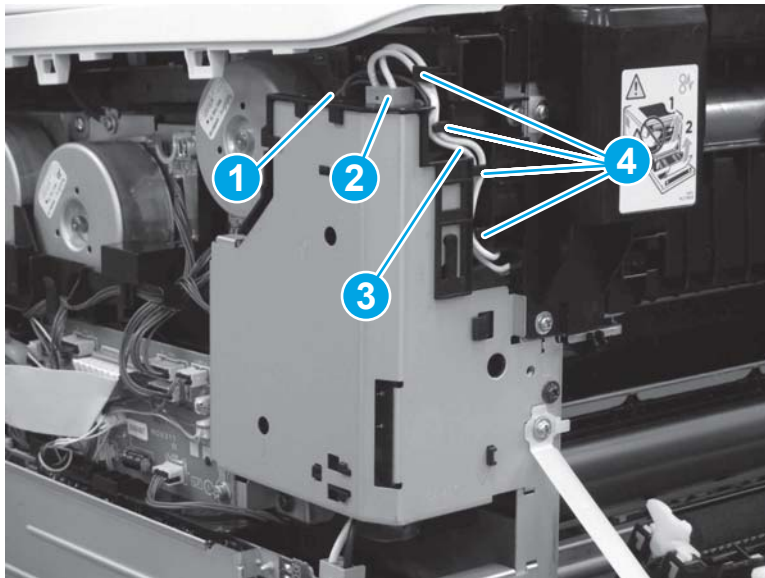
Figure 1-4213 Remove the fuser



Step 12: Remove the fuser power supply

1. Disconnect one connector (callout 1). Release the connector latch, and then disconnect one connector (callout 2). Remove the cables (callout 3) from the guides (callout 4).

Figure 1-4214 Disconnect two connectors



2. Remove two screws (callout 1).


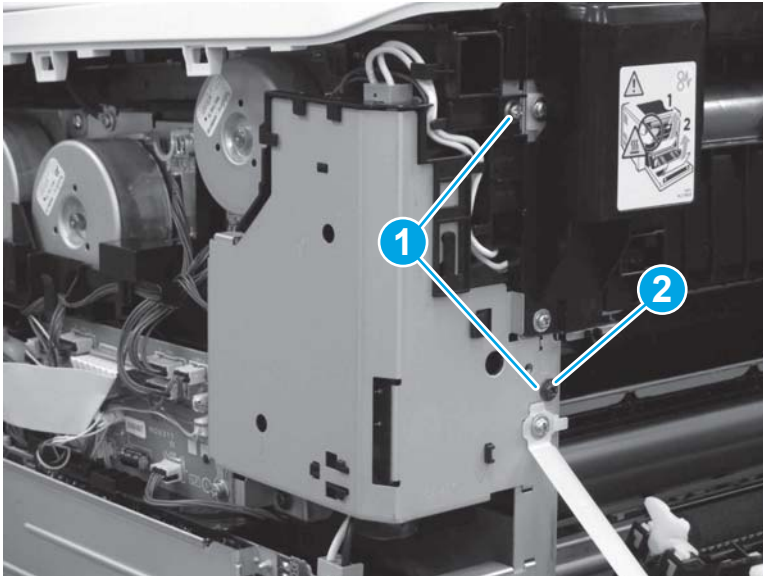
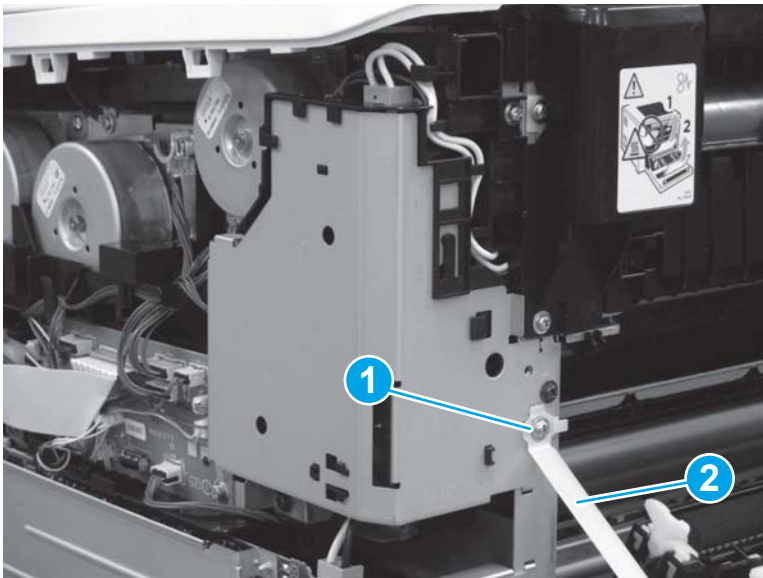
 **Reinstallation tip:** The lower screw (callout 2) is shorter than the other screw. Make sure that this screw is reinstalled in the correct position.

Figure 1-4215 Remove two screws



3. **Duplex models only:** Remove one screw (callout 1), and then release the retainer arm (callout 2).

Figure 1-4216 Release the retainer arm



4. Disconnect one connector (callout 1). Release the connector latch, and then disconnect one connector (callout 2). Remove three screws (callout 3).


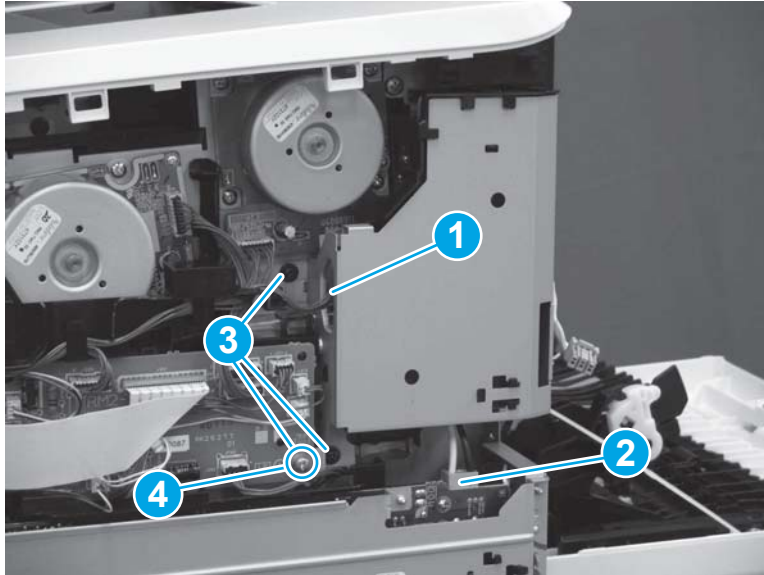
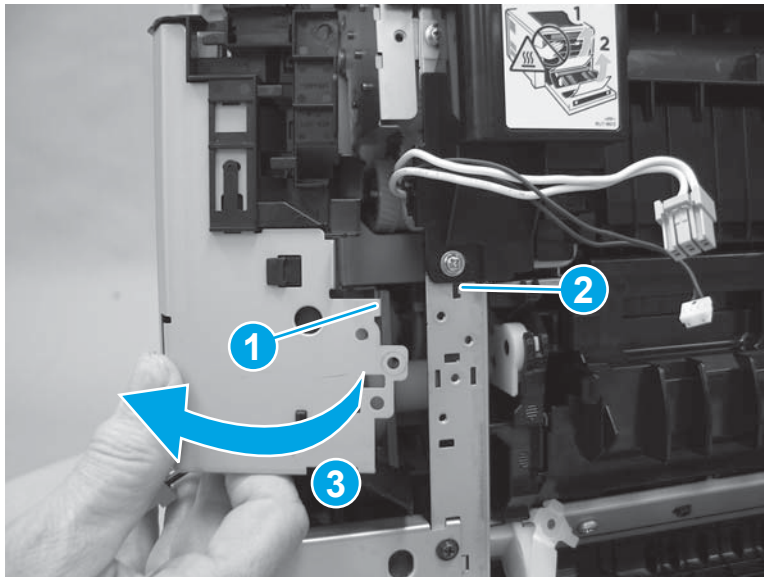
 **Reinstallation tip:** The screw on the driver PCA (callout 4) is different from the other screws. Make sure that this screw is reinstalled in the correct position.

Figure 1-4217 Disconnect two connectors and remove three screws



5. Release one tab (callout 1) on the back of the fuser power supply from the slot (callout 2) in the printer frame. Rotate the fuser power supply away from the printer to remove it (callout 3).

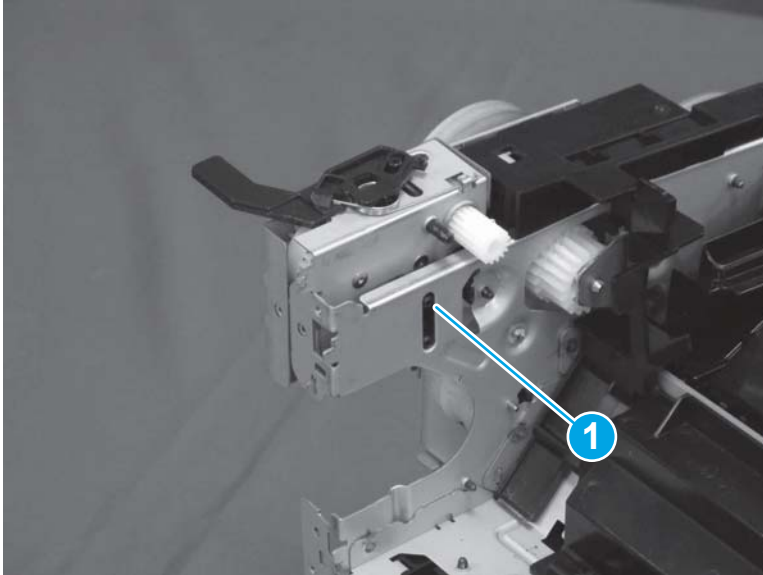
Figure 1-4218 Remove the fuser power supply



Step 13: Remove the duplex drive assembly

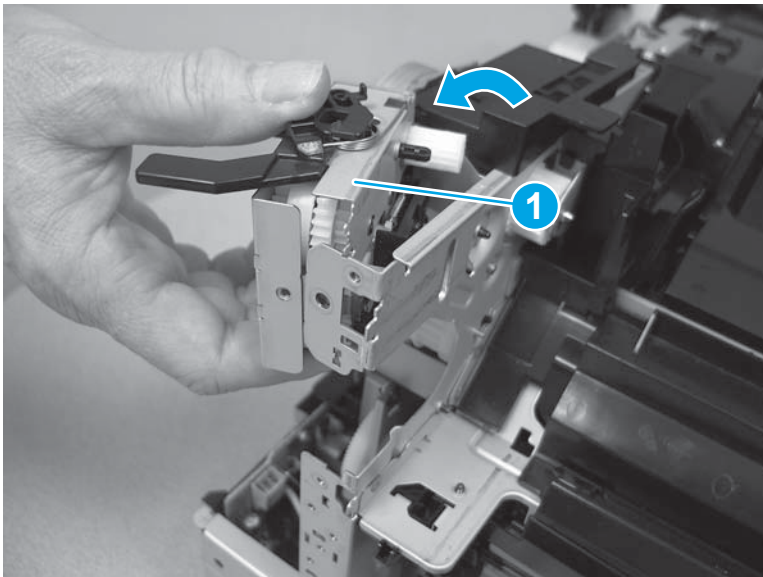
1. Release one tab (callout 1).

Figure 1-4219 Release one tab



2. Rotate the duplex drive assembly (callout 1) away from the printer to remove it.

Figure 1-4220 Remove the duplex drive assembly



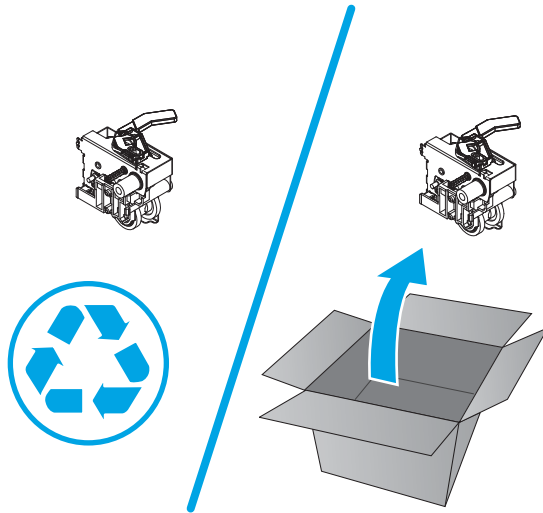
Step 14: Unpack the replacement part

Remove the new part from its package. Save all packaging for recycling the used part.

For complete information on HP's recycling programs, go to [Product return and recycling](#).

 **NOTE:** HP recommends responsible disposal of the defective part.

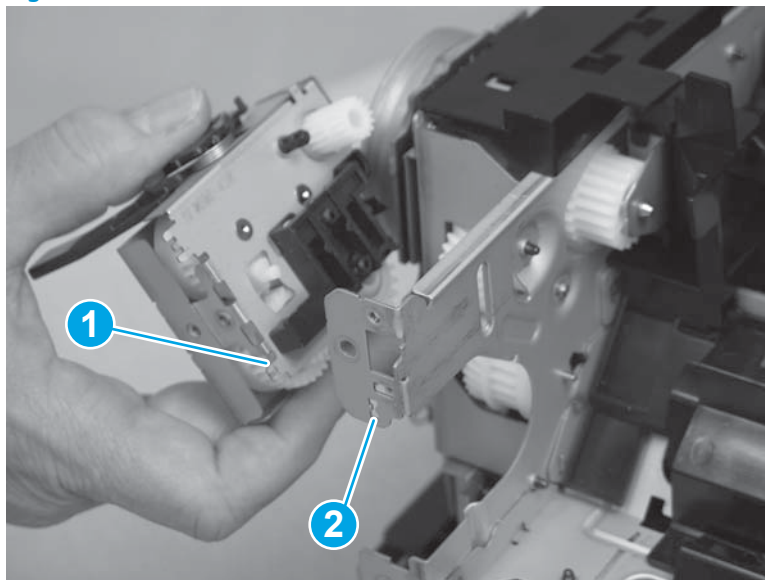
Figure 1-4221 Recycle and unpack



Step 15: Install the duplex drive assembly

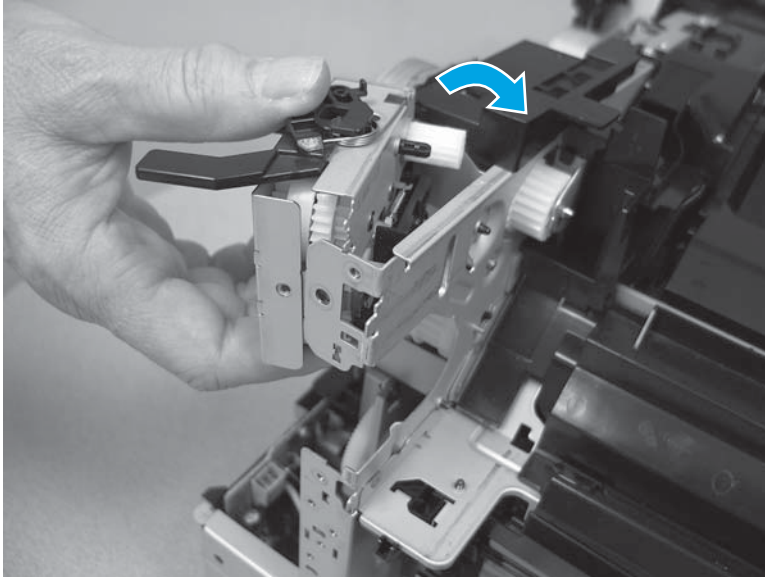
1. Install the tab (callout 1) on the duplex drive assembly in the slot (callout 2) on the printer.

Figure 1-4222 Install one tab



2. Rotate the duplex drive assembly toward the printer to install it.

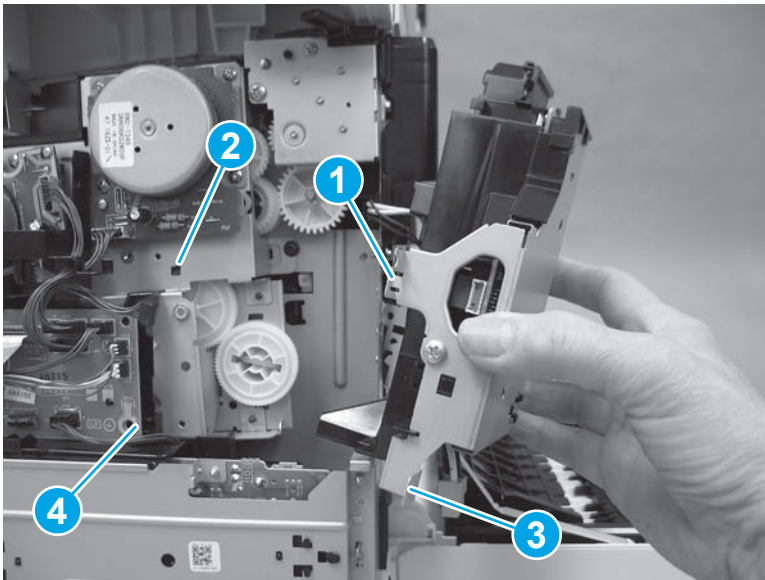
Figure 1-4223 Install the duplex drive assembly



Step 16: Install the fuser power supply

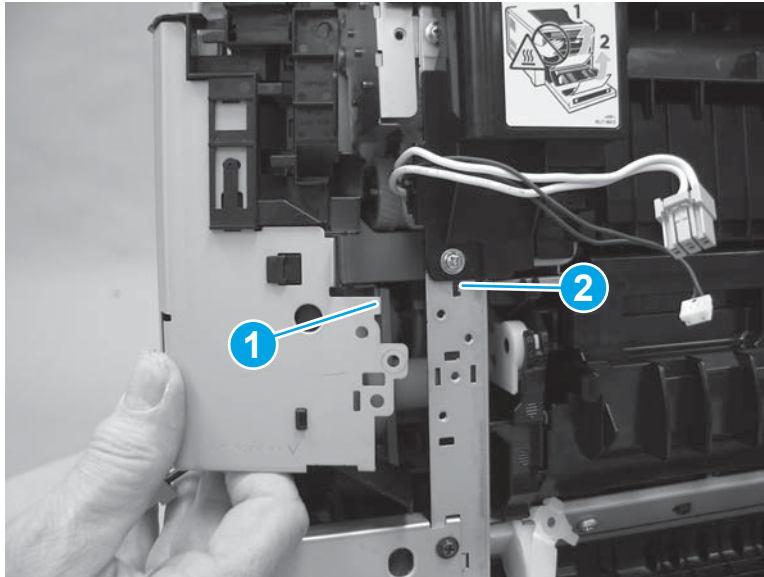
1. Install the tab (callout 1) on the fuser power supply into the slot (callout 2) in the printer. Make sure that the metal tab (callout 3) on the fuser power supply fits behind the edge of the driver PCA (callout 4).

Figure 1-4224 Install two tabs



2. Install the tab (callout 1) on the back of the fuser power supply into the slot (callout 2) in the printer frame.

Figure 1-4225 Install one tab



3. Install three screws (callout 1), and then connect two connectors (callout 2).


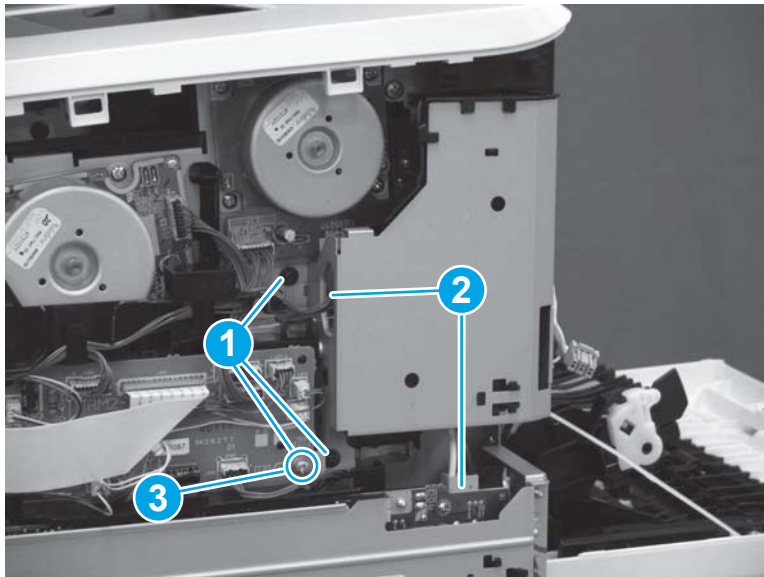
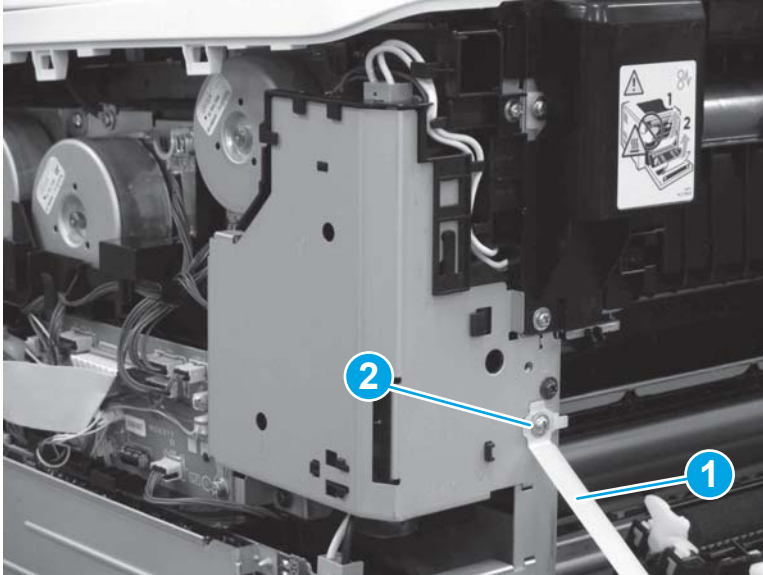
 **Reinstallation tip:** The screw on the driver PCA (callout 3) is different from the other screws. Make sure that this screw is reinstalled in the correct position.

Figure 1-4226 Disconnect two connectors and remove three screws



4. **Duplex models only:** Position the retainer arm (callout 1) on the printer frame, and then install one screw (callout 2).

Figure 1-4227 Install the retainer arm



5. Install two screws (callout 1).


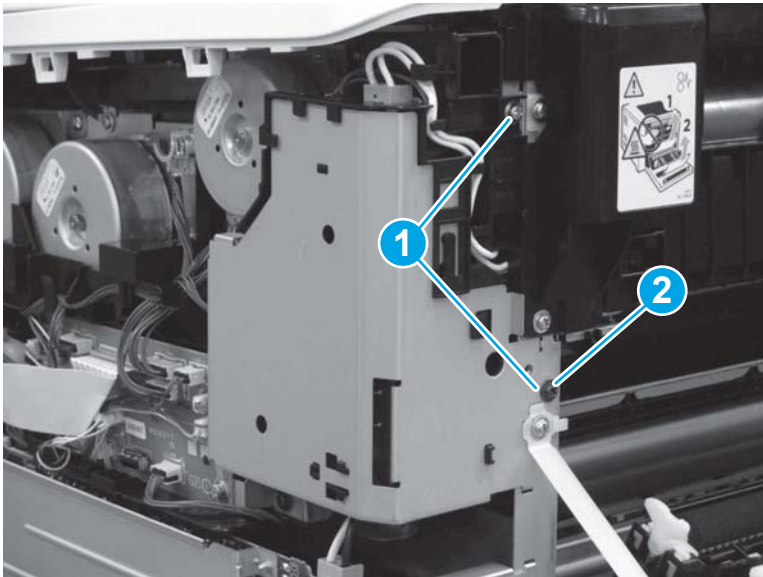
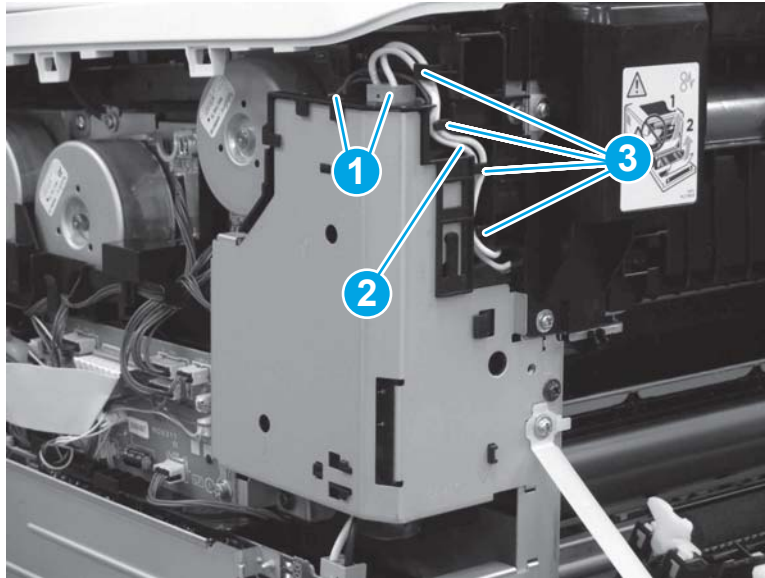
 **Reinstallation tip:** The lower screw (callout 2) is shorter than the other screw. Make sure that this screw is reinstalled in the correct position.

Figure 1-4228 Install two screws



6. Connect two connectors (callout 1), and then install the cables (callout 2) into the guides (callout 3).

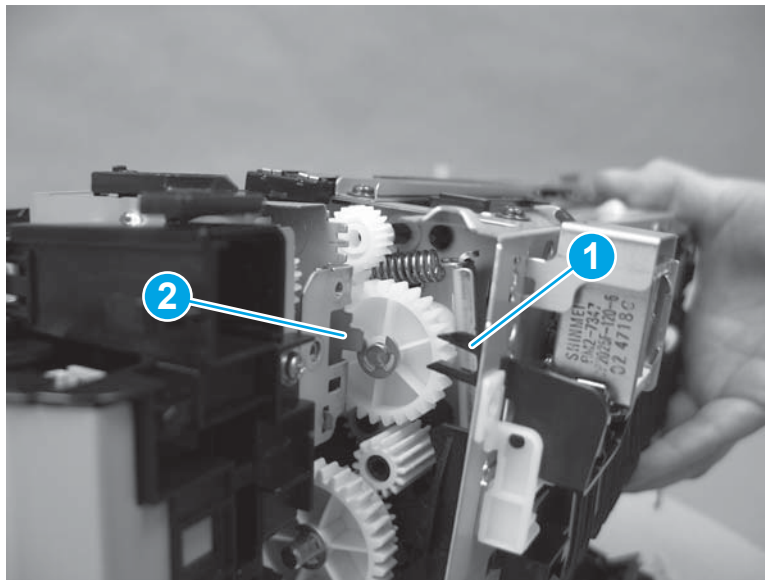
Figure 1-4229 Connect two connectors



Step 17: Install the fuser (duplex models)

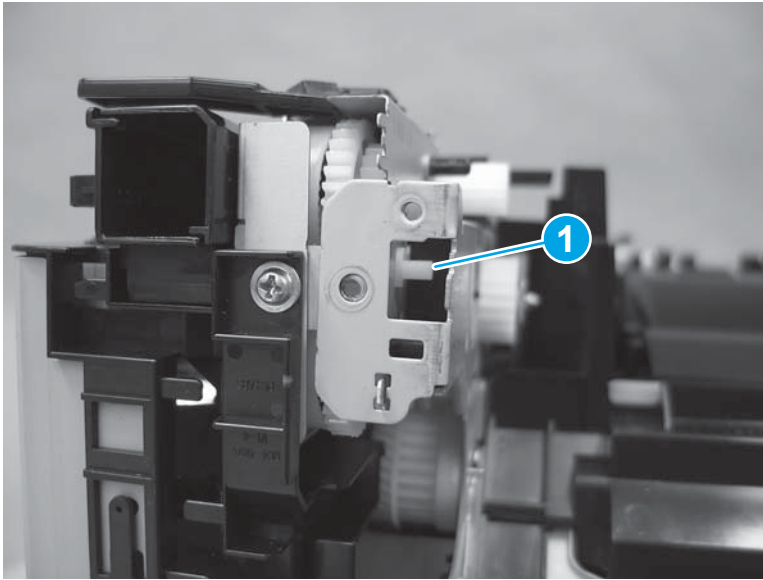
1. Position the fuser on the printer. When installing the fuser, make sure that the switchback lever (callout 1) is installed completely through the opening (callout 2) in the printer frame.

Figure 1-4230 Install the lever through the opening



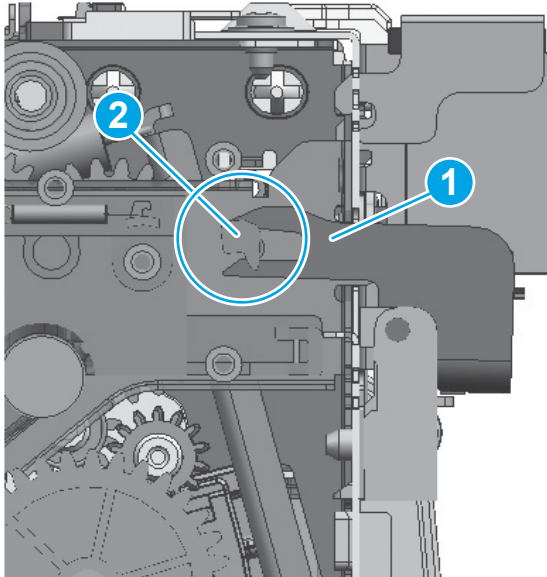
2. The fingers on the switchback lever will fit around the shaft (callout 1) inside the printer.

Figure 1-4231 Switchback lever shaft



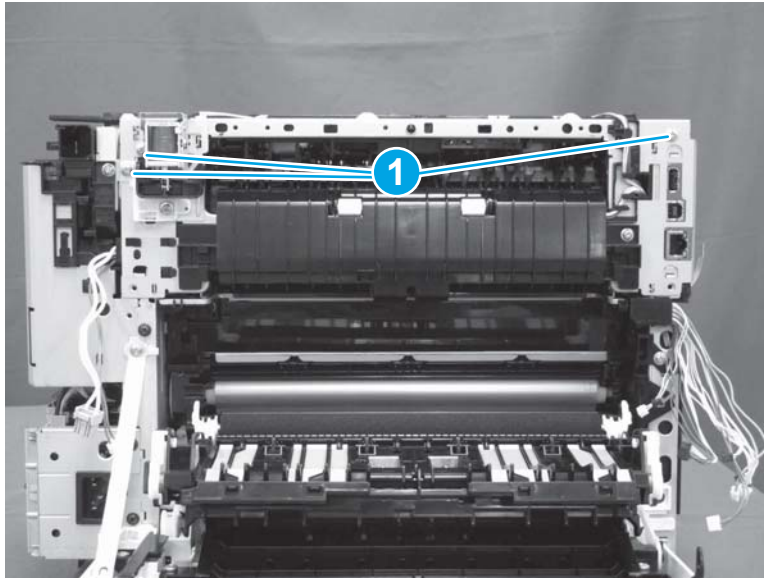
3. The figure below shows a cross section view of the proper position of the switchback lever (callout 1) around the shaft (callout 2).

Figure 1-4232 Switchback lever position



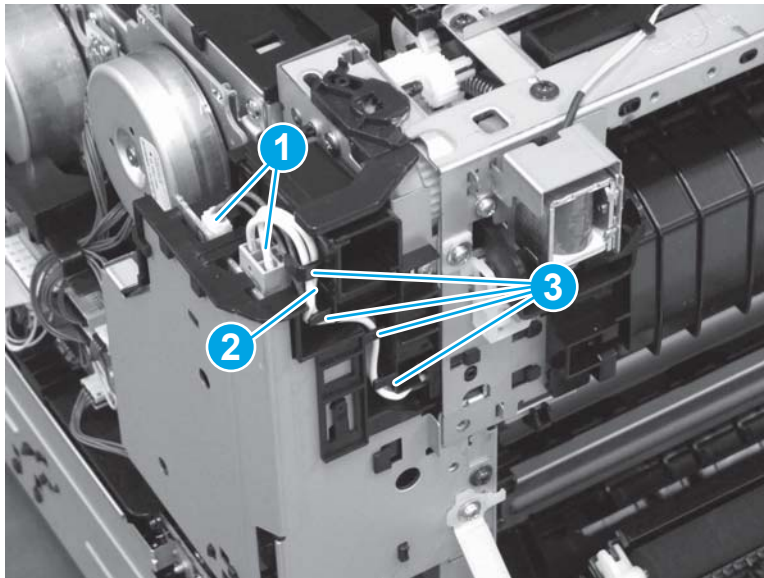
4. Install three screws.

Figure 1-4233 Install three screws



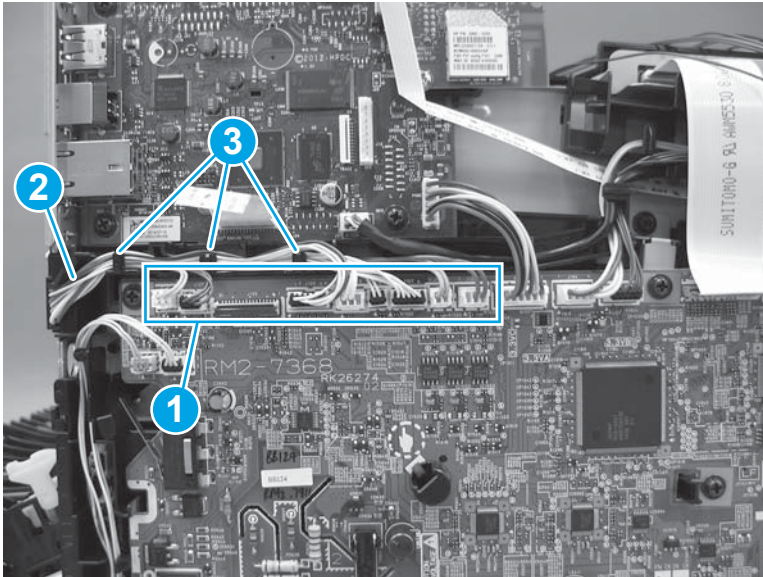
5. Connect two connectors (callout 1), and then install the cables (callout 2) in the guides (callout 3).

Figure 1-4234 Connect two connectors



6. Connect eight connectors on the engine controller PCA (callout 1), and then install the cables (callout 2) in the guides (callout 3).

Figure 1-4235 Connect eight connectors



7. Connect one connector (callout 1) on the engine controller PCA.


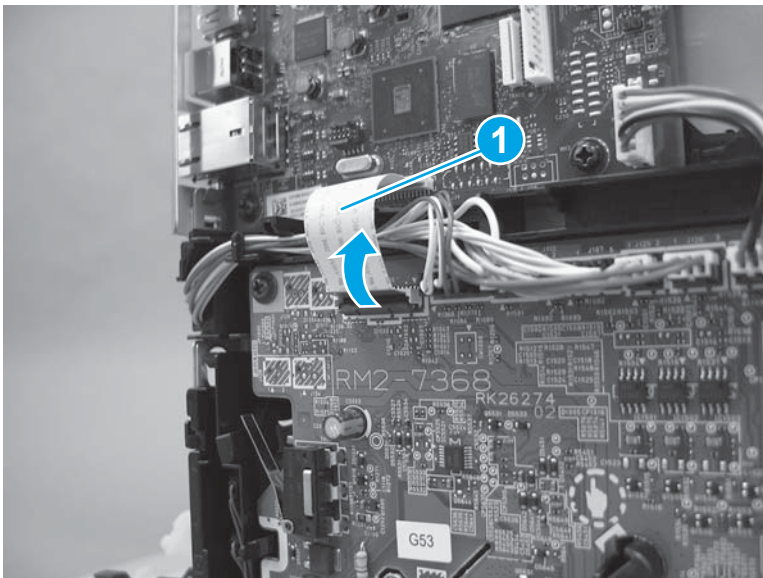
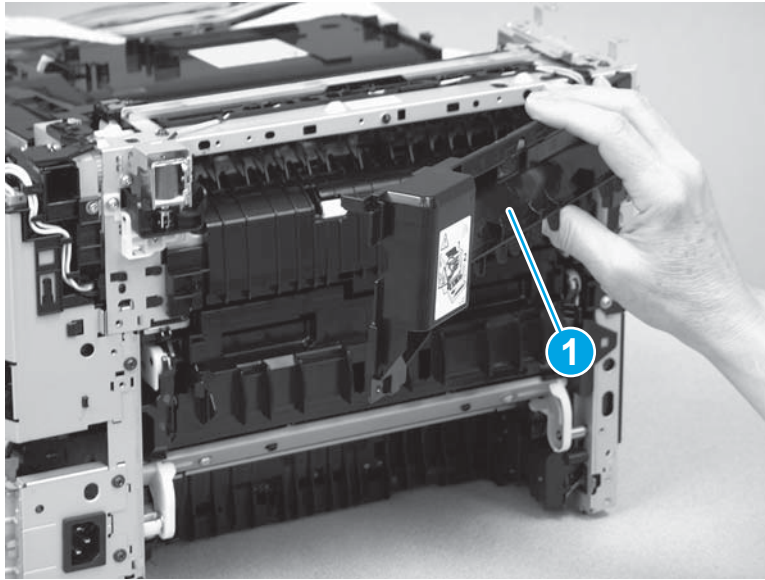
 **NOTE:** This connector is a zero-insertion force (ZIF) connector. Lift the latch on the connector before installing the flat cable and then lower the latch to secure the cable.

Figure 1-4236 Connect one connector



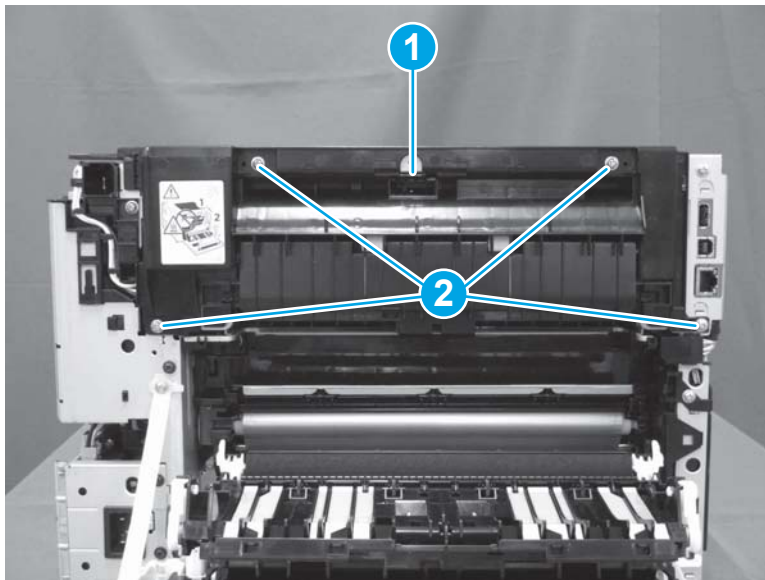
8. Position the guide (callout 1) on the printer.

Figure 1-4237 Position the guide



9. Install one tab (callout 1), and then install four screws (callout 2).

Figure 1-4238 Install four screws

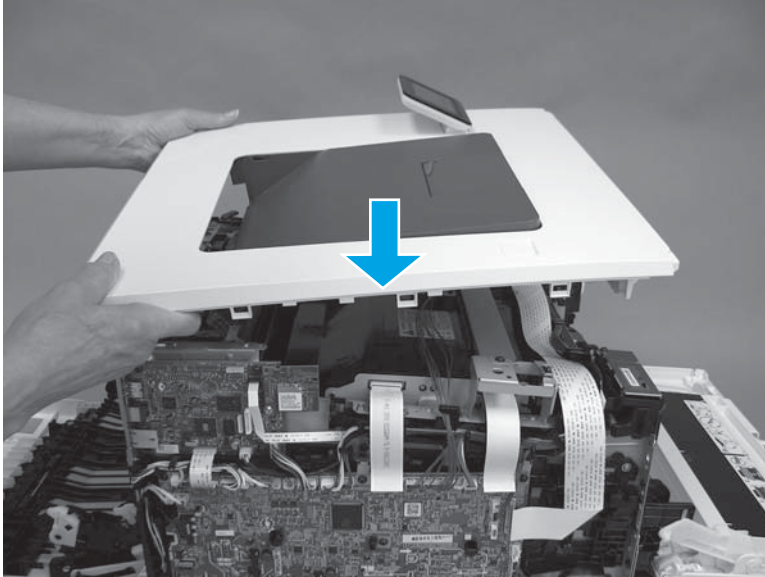


Step 18: Install the top cover (M452 models)

 **NOTE:** This step is for the M452 models. For the M377, M477 models, skip this step and go to [Step 19: Install the top cover \(M377, M477 models\) on page 2240.](#)

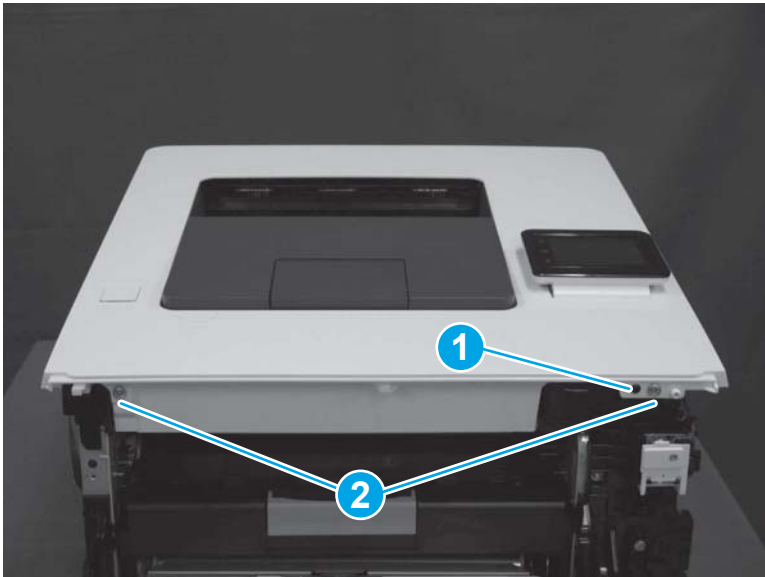
1. Position the top cover on top of the printer.

Figure 1-4239 Position the top cover



2. At the front of the printer, engage one tab (callout 1), and then install two screws (callout 2).

Figure 1-4240 Engage tab and install screws



- M452nw model only:** At the back of the printer, install two tabs (callout 1), and then install one screw (callout 2).


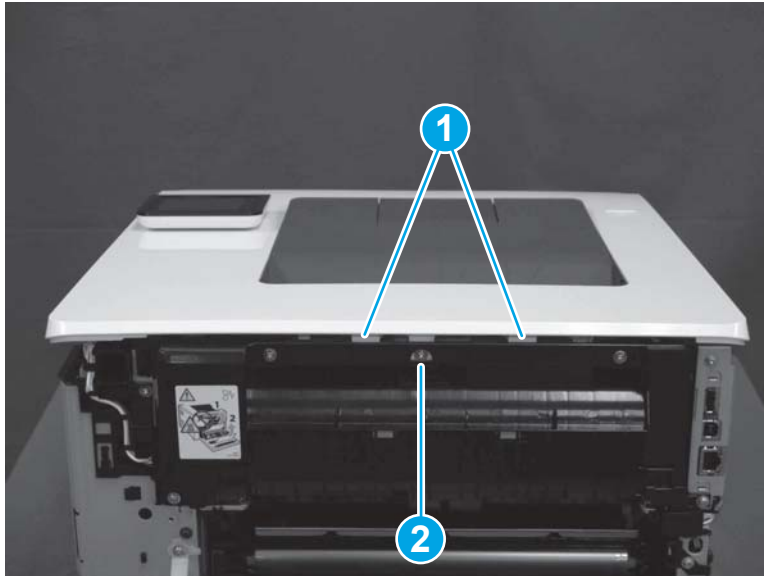
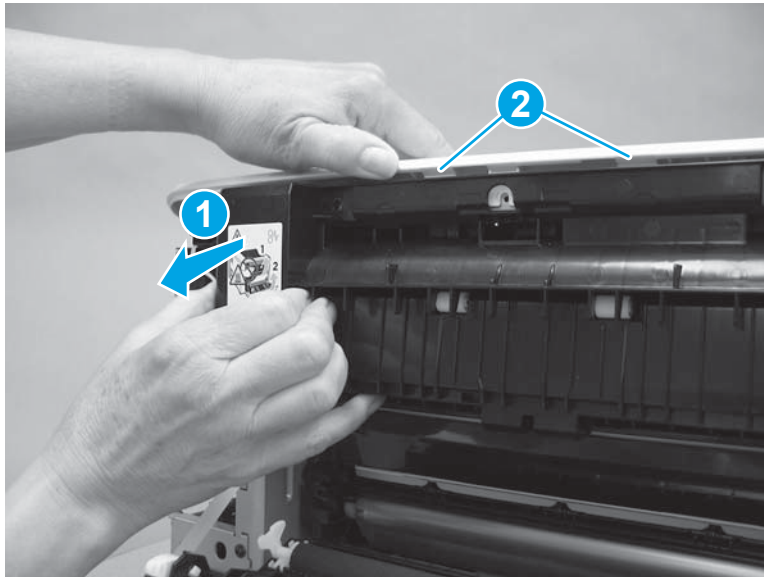
 **NOTE:** The M452dw model is shown. The procedure is correct for the M452nw model.

Figure 1-4241 Install two tabs and one screw



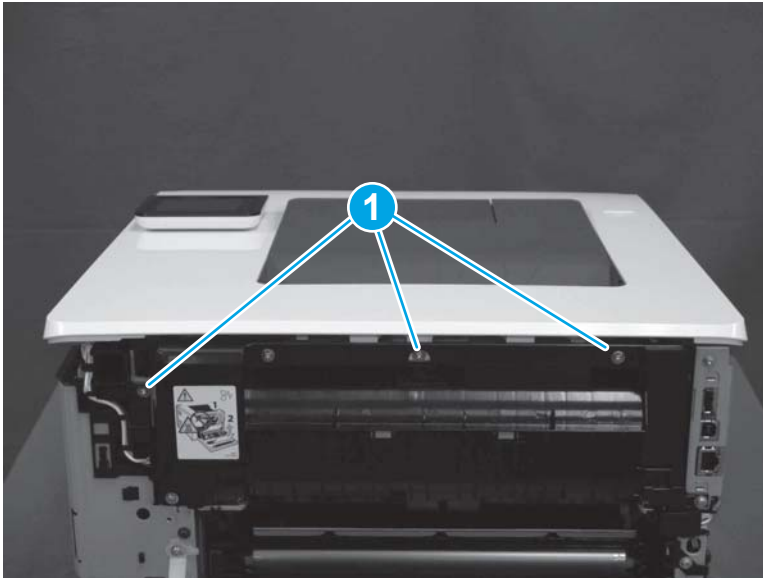
- M452dn/dw models only:** Gently pull the top of the fuser away (callout 1), and then install two tabs (callout 2).

Figure 1-4242 Install two tabs



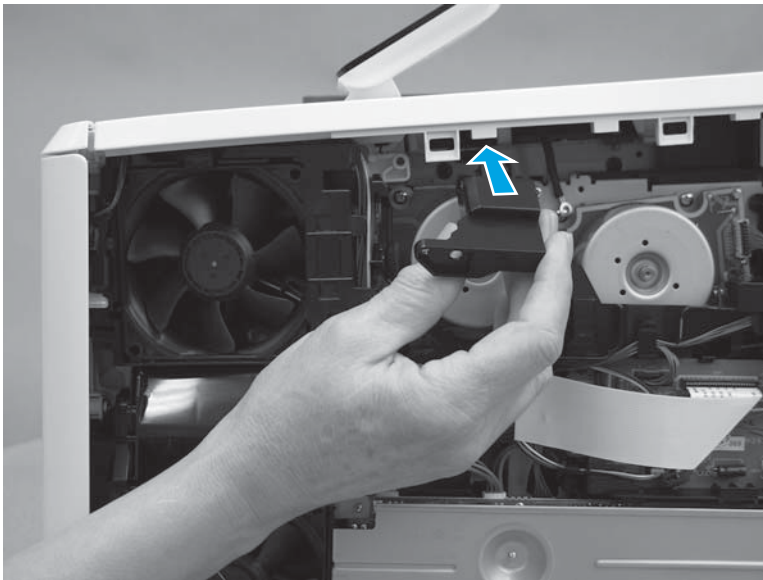
5. **M452dn/dw models only:** At the back of the printer, install three screws (callout 1).

Figure 1-4243 Install three screws



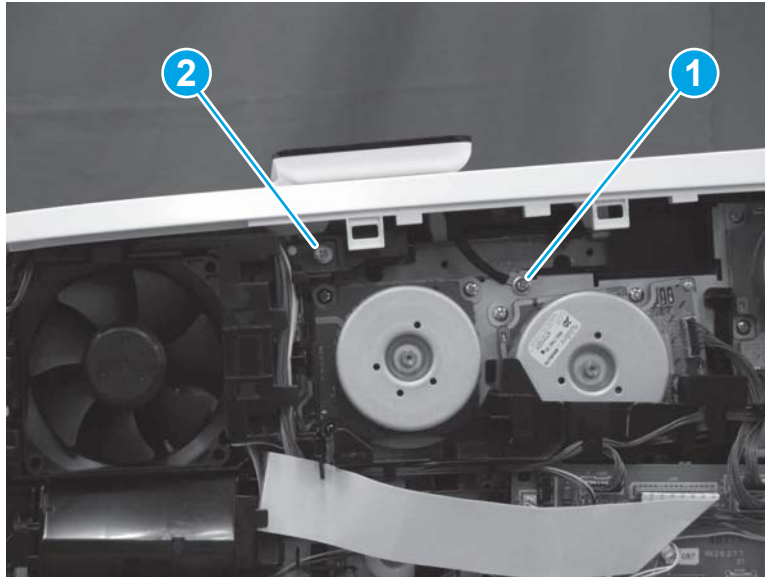
6. **M452dw model only:** Position the guide in the printer.

Figure 1-4244 Install the guide



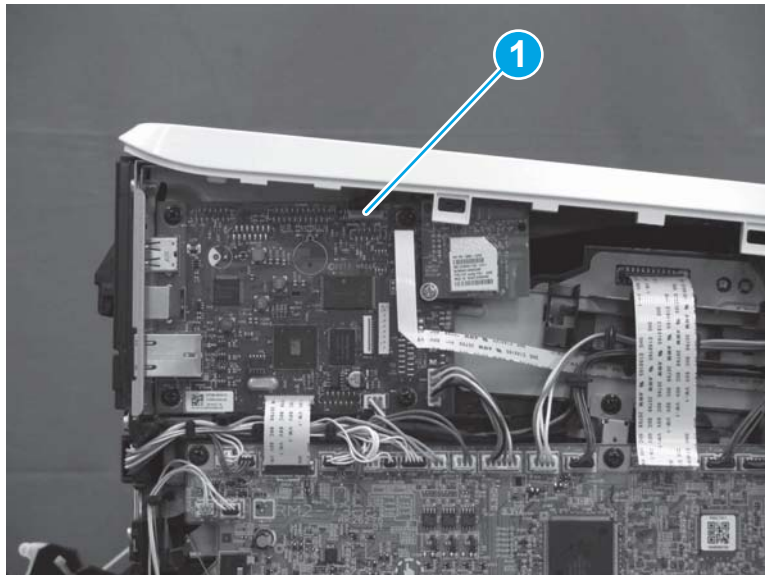
- 7. M452dw model only:** Position the ground wire and install one screw (callout 1). Install one screw (callout 2).

Figure 1-4245 Install two screws



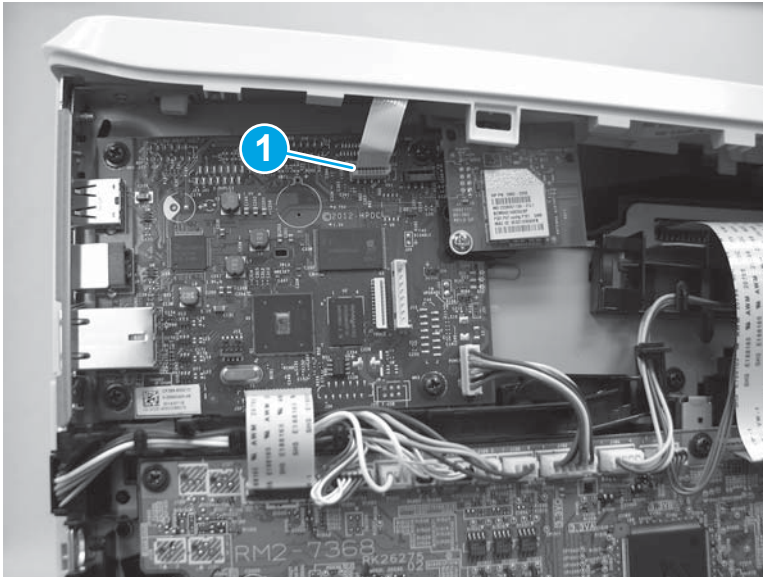
- 8. M452dw model only:** On the left side of the printer, on the formatter, connect one connector (callout 1).

Figure 1-4246 Connect one connector



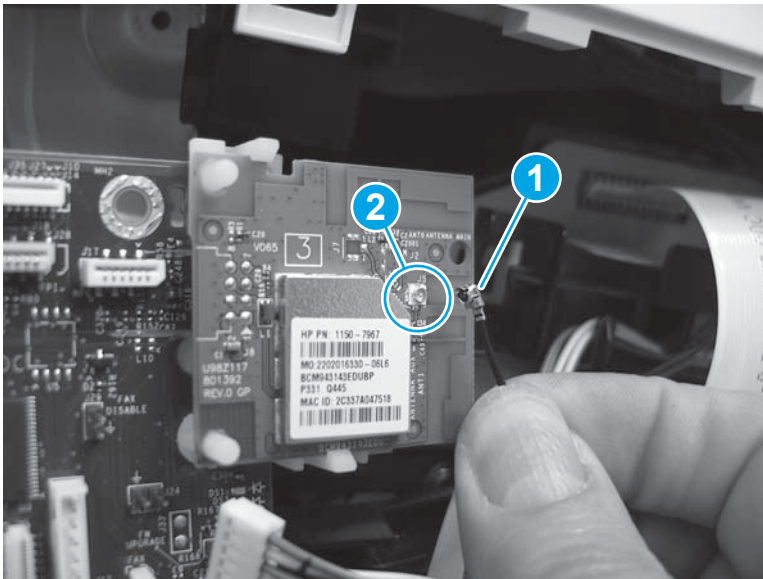
9. **M452nw/dn models only:** On the left side of the printer, on the formatter, connect one connector (callout 1).

Figure 1-4247 Connect one connector




10. **M452nw/dw models only:** Connect the antenna (callout 1) to the connector (callout 2) on the wireless PCA.

Figure 1-4248 Connect the antenna

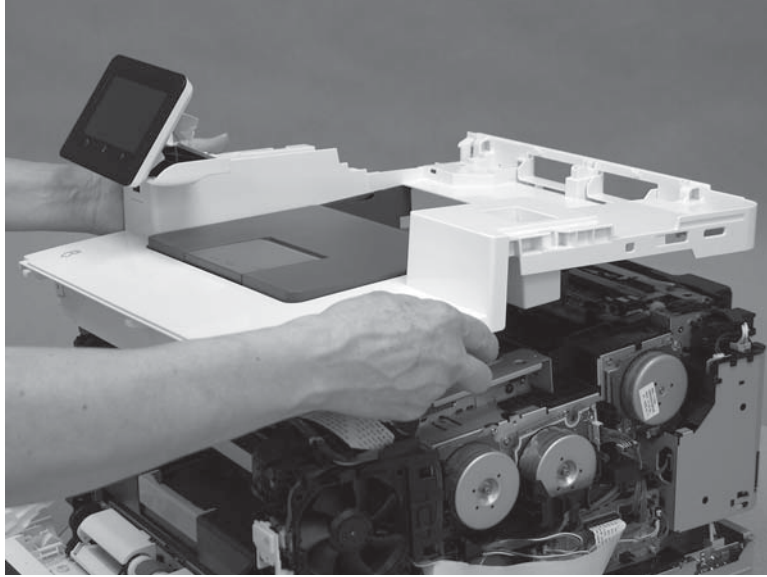


Step 19: Install the top cover (M377, M477 models)

 **NOTE:** This step is for the M377, M477 models. For the M452 models, skip this step and go to [Step 22: Install the left cover \(M452 models\) on page 2255](#).

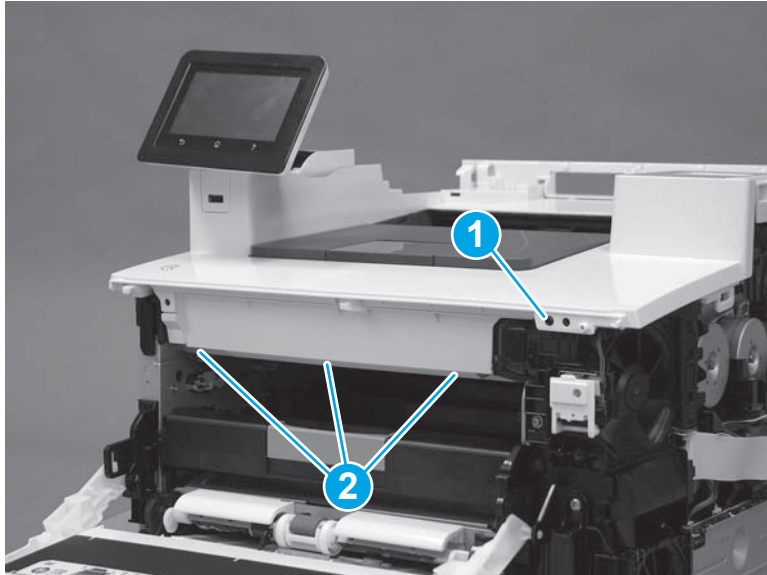
1. Position the top cover on the printer.

Figure 1-4249 Position the top cover



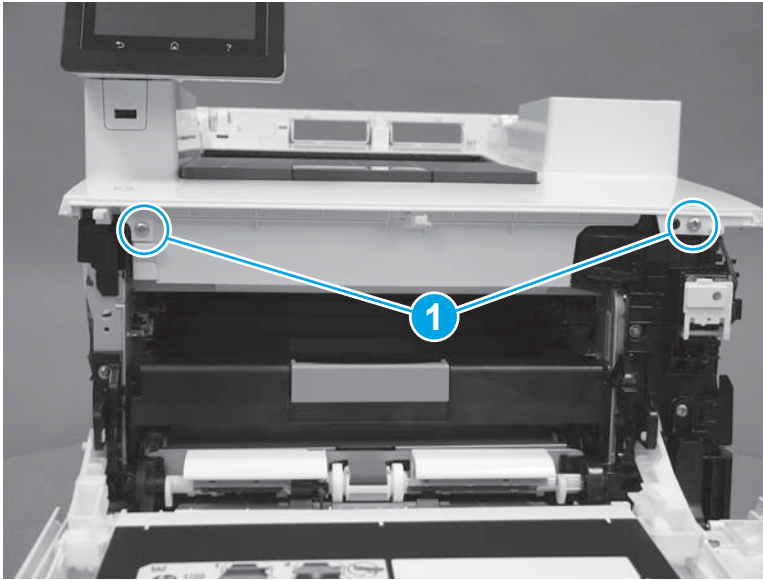
2. At the front of the printer, install one retainer (callout 1), and then install three tabs (callout 2).

Figure 1-4250 Install one retainer and three tabs



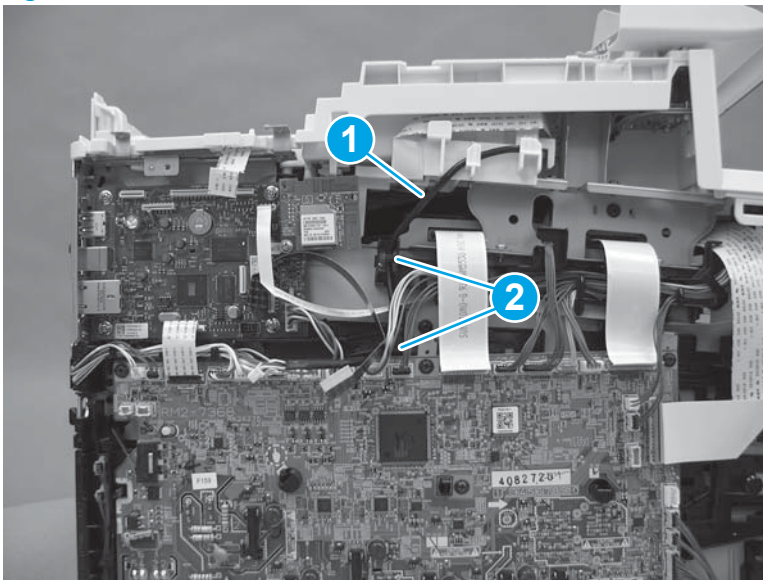
3. Install two screws (callout 1).

Figure 1-4251 Install two screws



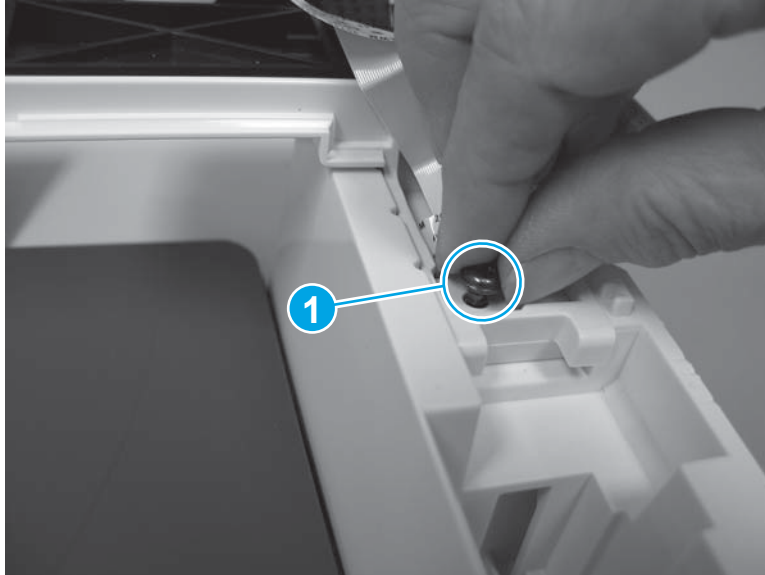
4. Install the USB cable (callout 1) into the cable guides (callout 2).

Figure 1-4252 Install the USB cable



5. With your hand, remove the screw (callout 1) that was previously installed to temporarily reattach the control panel to the top cover.

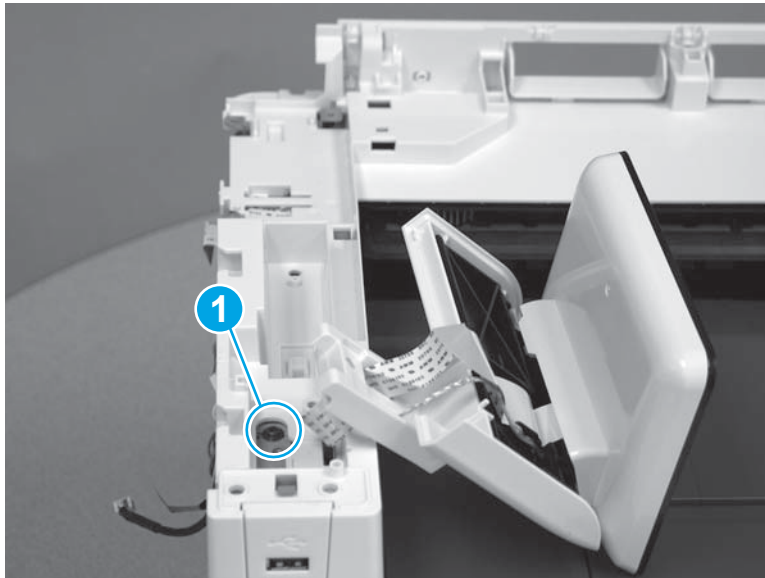
Figure 1-4253 Remove one screw



6. Carefully lift the control panel away and rest it on the top cover, and then install one screw (callout 1).

CAUTION: The control panel is still attached to the top cover by the flat cable.

Figure 1-4254 Install one screw



7. Install two screws (callout 1), and then position the ground wire and install one screw (callout 2).


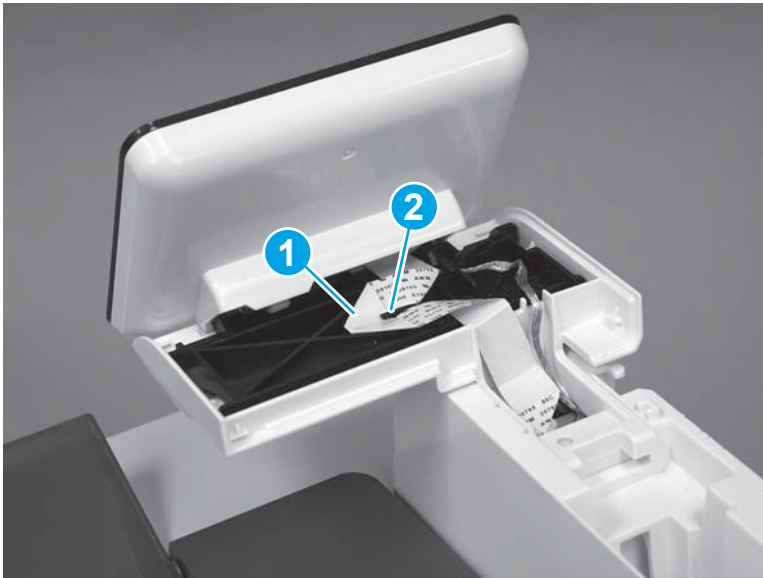
 **Reinstallation tip:** The two screws toward the front of the control panel (callout 1) are longer than the other screw. Make sure these screws are installed in the correct position when reinstalling the part.

Figure 1-4255 Install three screws



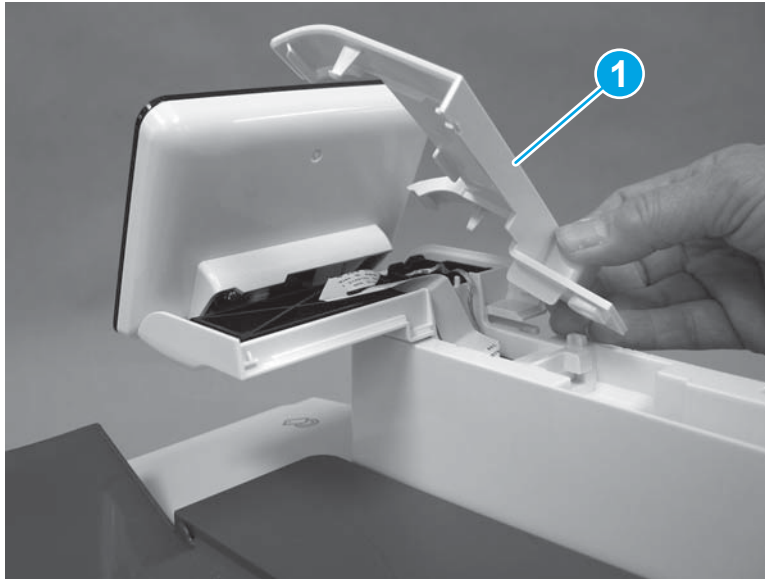
8. Install the flat cable (callout 1) under the retaining guide (callout 2).

Figure 1-4256 Install the flat cable



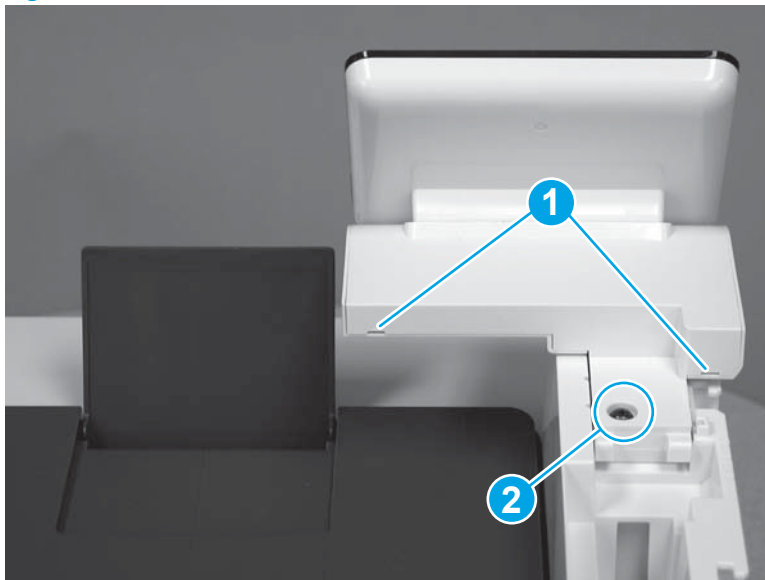
9. Install the control panel cover (callout 1) behind the control panel.

Figure 1-4257 Install the control panel cover



10. Make sure that two tabs (callout 1) are snapped into position, and then install one screw (callout 2).

Figure 1-4258 Install one screw



11. At the top of the printer, install three screws (callout 1).


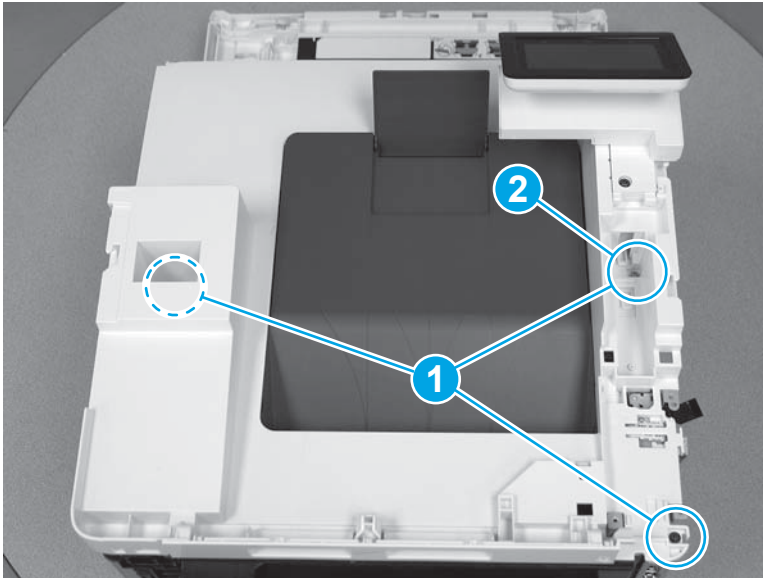
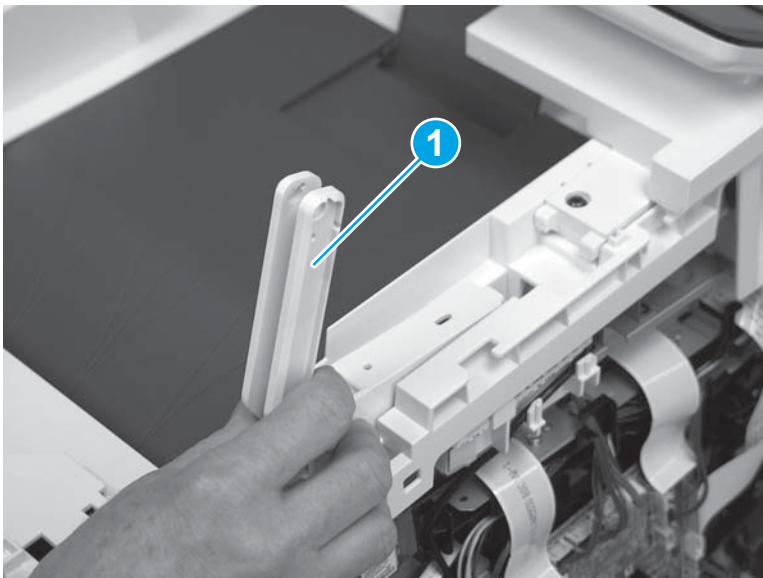
 **TIP:** One screw (callout 2) is longer than the other screws. Make sure that this screw is installed in the correct position.

Figure 1-4259 Install three screws



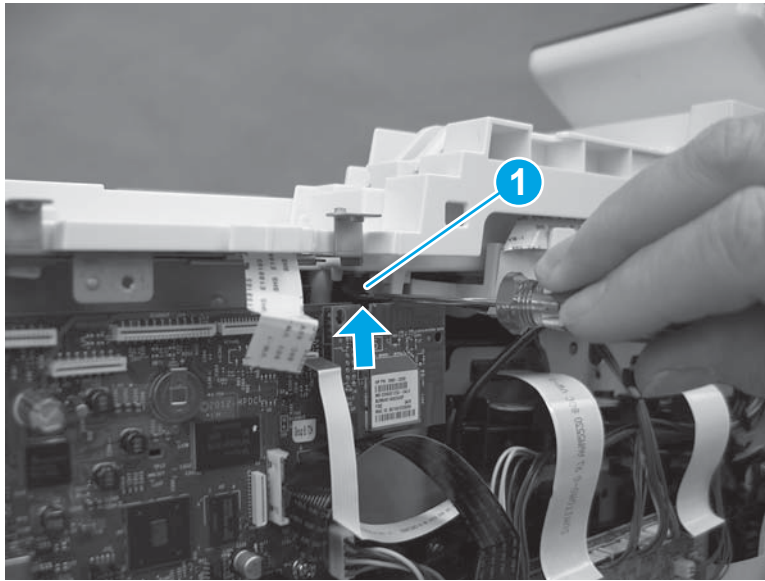
12. Install the scanner support arm (callout 1).

Figure 1-4260 Install the scanner support arm



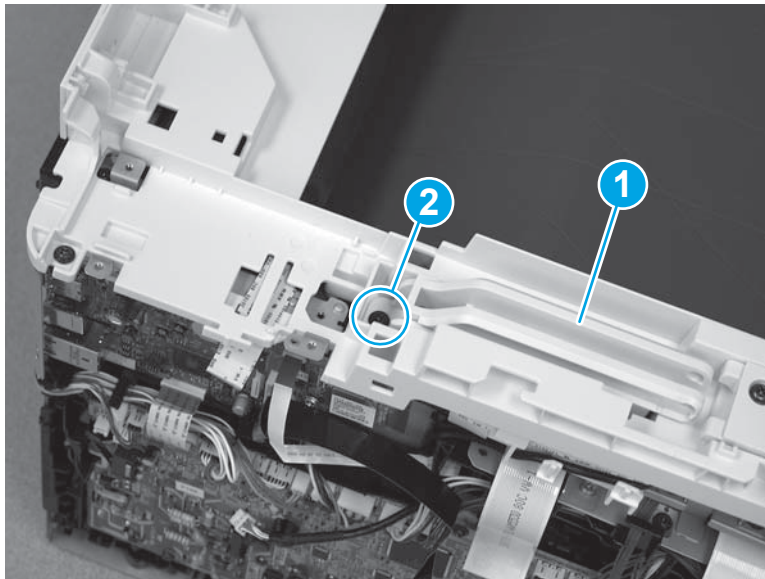
13. Before installing the scanner support arm screw in the next step, use a small flat-blade screwdriver to hold the metal plate (callout 1) up. Continue to hold the plate up while installing the screw so that the screw attaches to the plate.

Figure 1-4261 Raise the metal plate



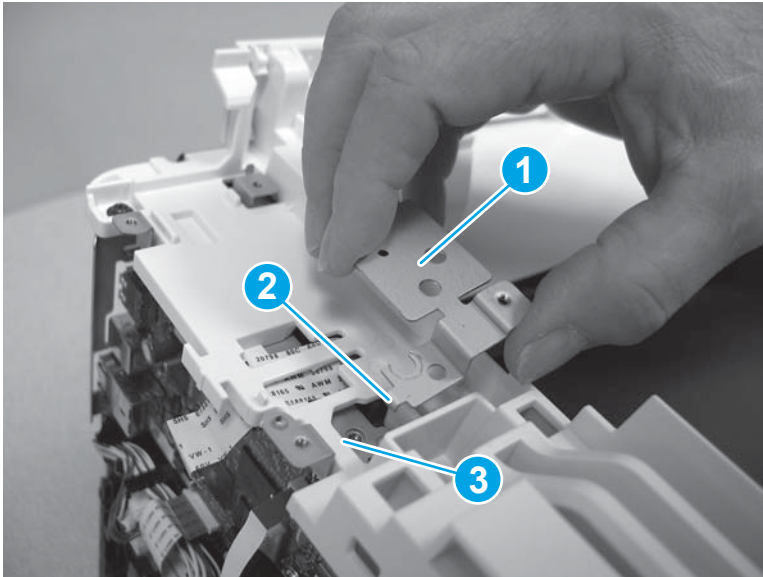
14. Lower the scanner support arm (callout 1), and then install one screw (callout 2).

Figure 1-4262 Lower the support arm and install one screw



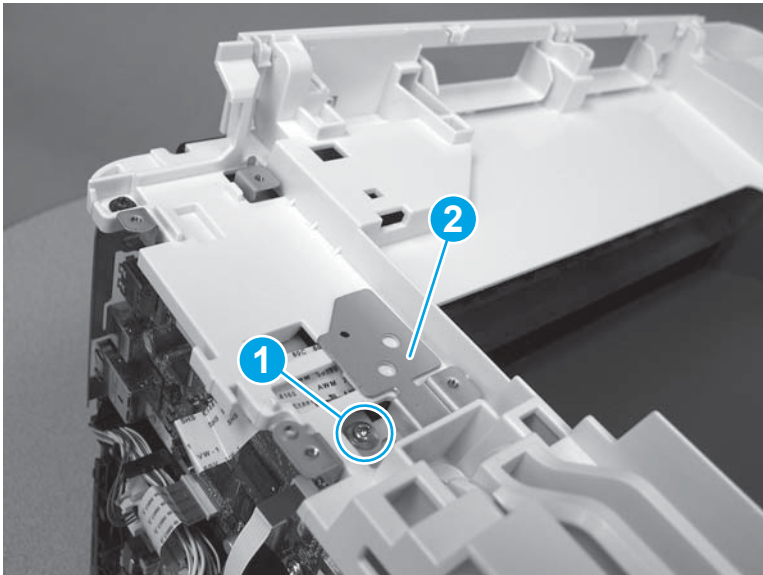
15. Reinstall the metal plate (callout 1). Position the tab (callout 2) under the edge of the top cover (callout 3).

Figure 1-4263 Install the metal plate



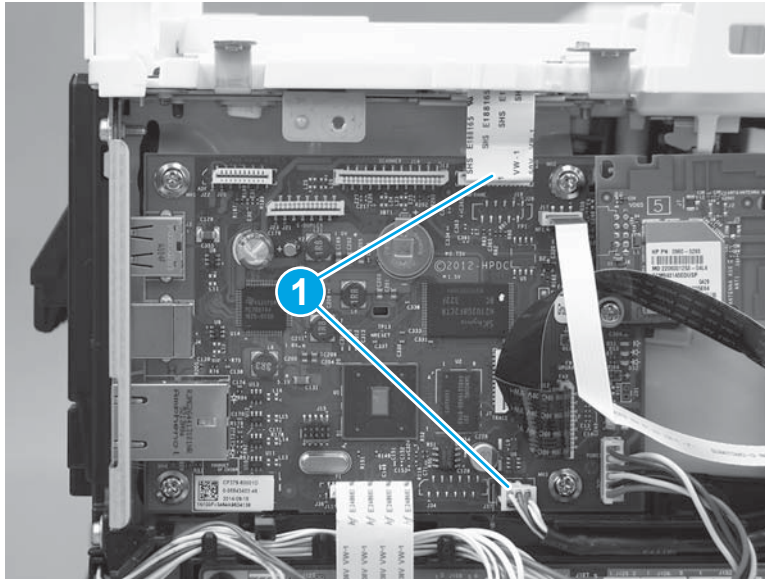
16. Install one screw (callout 1) to secure the sheet metal plate (callout 2).

Figure 1-4264 Install one screw




17. On the left side of the printer, on the formatter PCA, Connect two connectors (callout 1).

Figure 1-4265 Connect two connectors

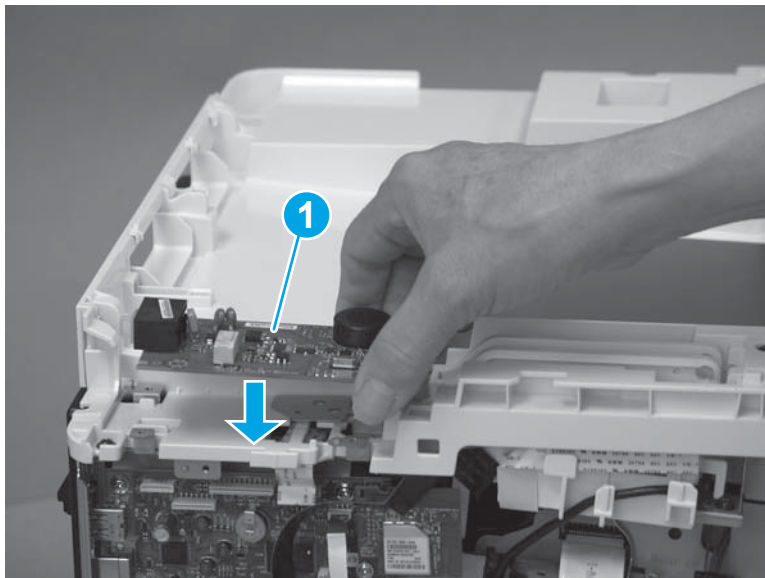


Step 20: Install the fax PCA (M477 models)

 **NOTE:** This step is for M477 fax models only. Skip this step for non-fax models.

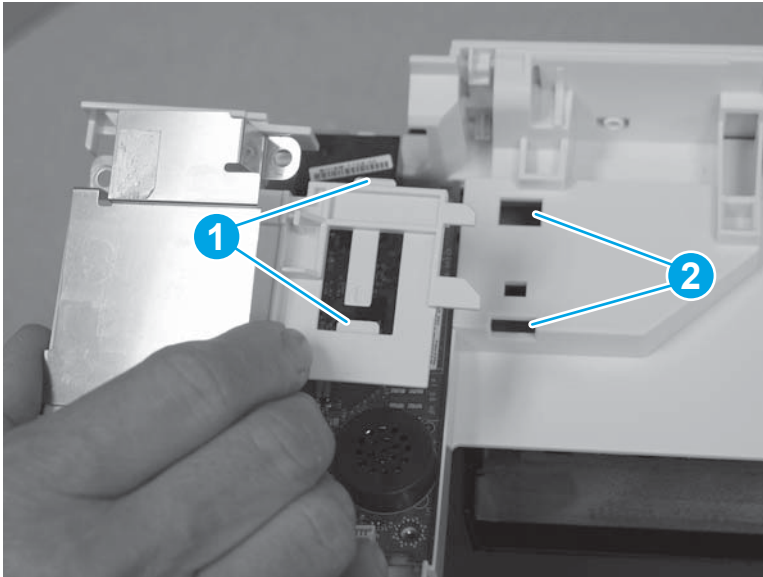
1. Position the fax PCA (callout 1) on the printer.

Figure 1-4266 Install the fax PCA



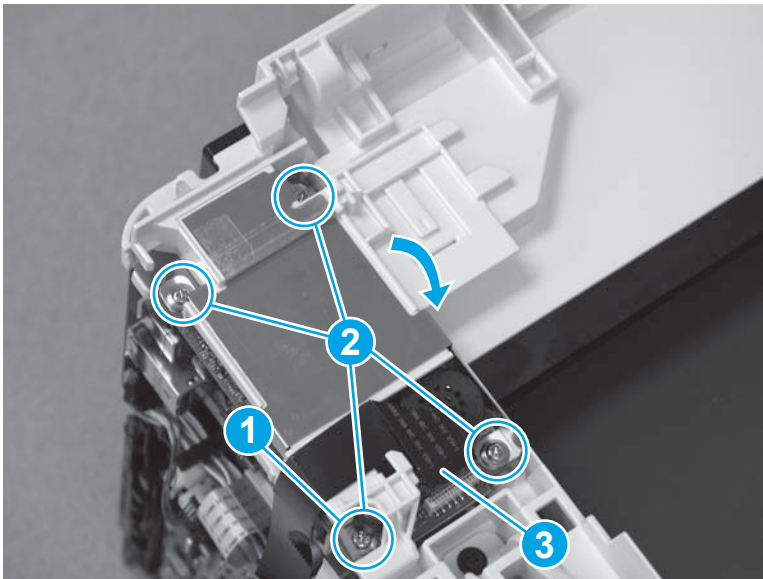
2. Install the tabs (callout 1) on the fax cover in the slots (callout 2) on the top cover. Slide the cover toward the back of the printer to install it.

Figure 1-4267 Install the fax cover




3. Beginning with the lower right screw (callout 1) install four screws (callout 2) in a clockwise direction. Connect one connector (callout 3).

Figure 1-4268 Install four screws and connect one connector

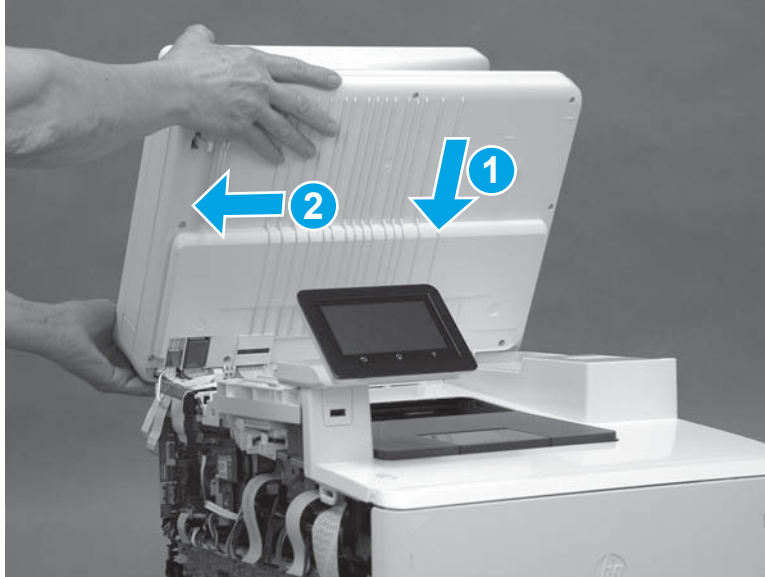


Step 21: Install the integrated scanner assembly (M377, M477 models)

 **NOTE:** This step is for the M377, M477 models. For the M452 models, skip this step and go to [Step 22: Install the left cover \(M452 models\) on page 2255.](#)

1. Lower the scanner assembly onto the printer, and then slide the assembly toward the left side of the printer to install it.

Figure 1-4269 Install the scanner assembly



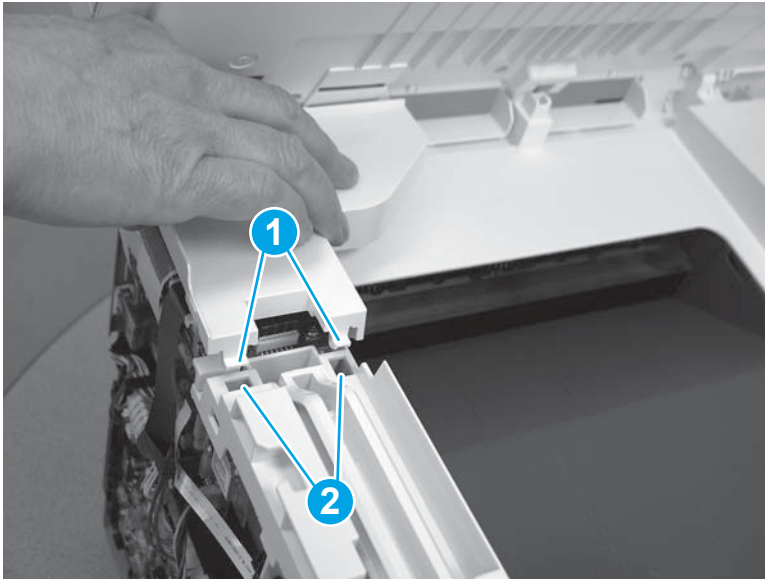
2. Press the scanner cables (callout 1) down onto the double-sided tape on the top cover.

Figure 1-4270 Press the cables



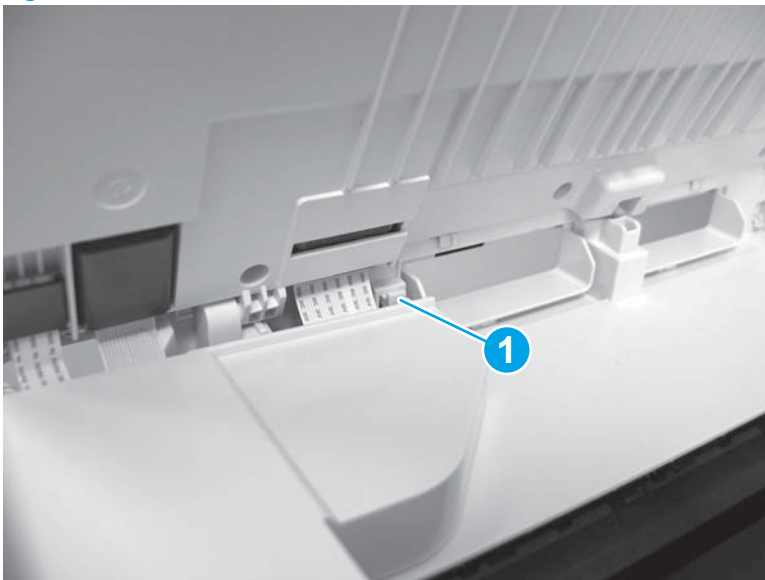
3. Install the tabs (callout 1) on the front of the scanner cable cover in the slots (callout 2) on the top cover.

Figure 1-4271 Position the scanner cable cover



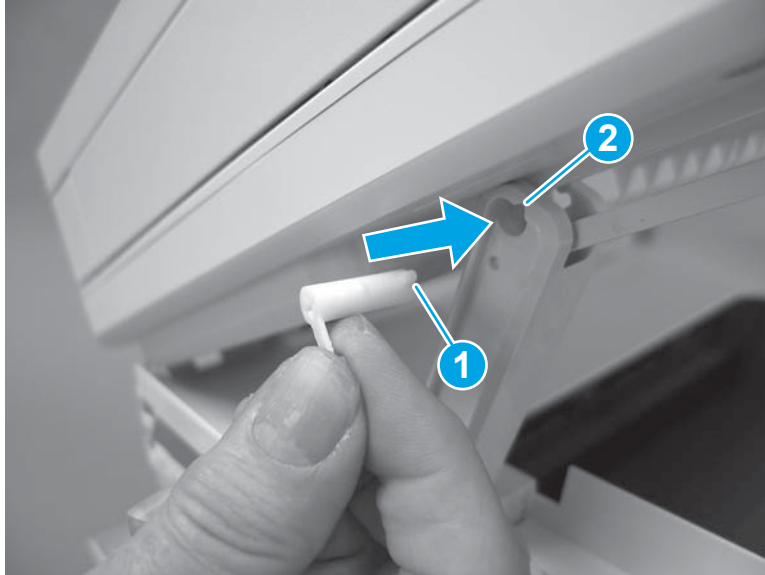
4. Press down on the back of the scanner cable cover to engage one tab (callout 1).

Figure 1-4272 Install the scanner cable cover



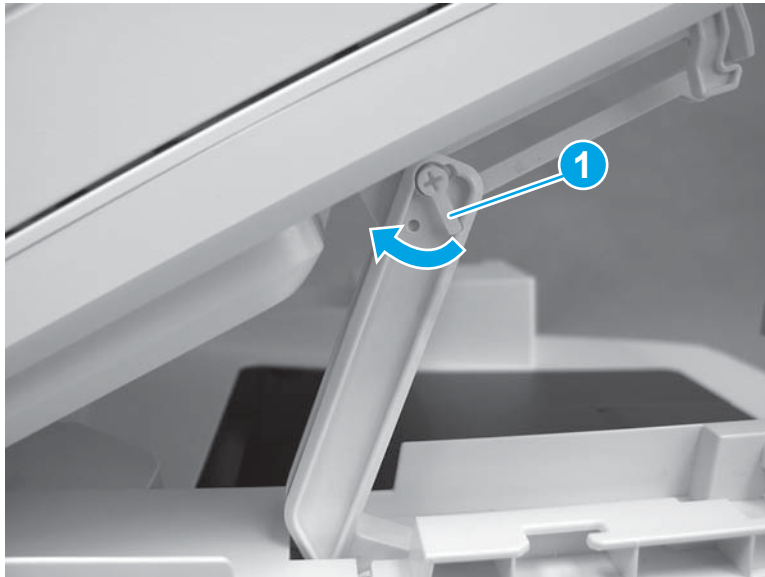
5. With the scanner lid lifted, insert the scanner support arm pin (callout 1) into the slot in the scanner support arm (callout 2).

Figure 1-4273 Install the scanner arm pin



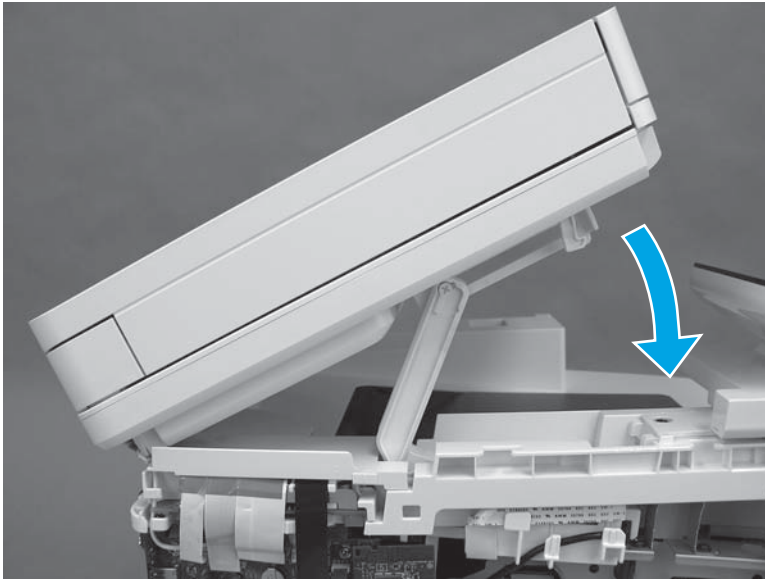
6. Rotate the tab on the scanner arm pin (callout 1) in the direction indicated to snap it into place.

Figure 1-4274 Secure the scanner arm pin



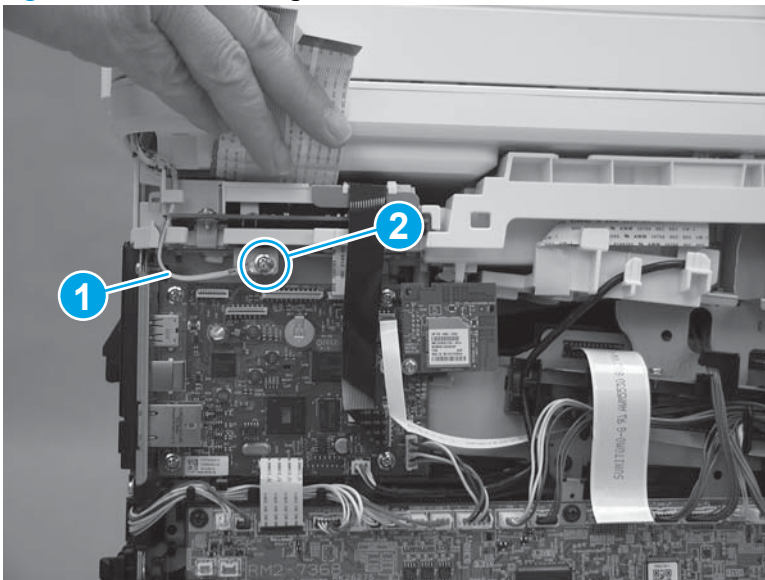
7. Lower the scanner.

Figure 1-4275 Lower the scanner



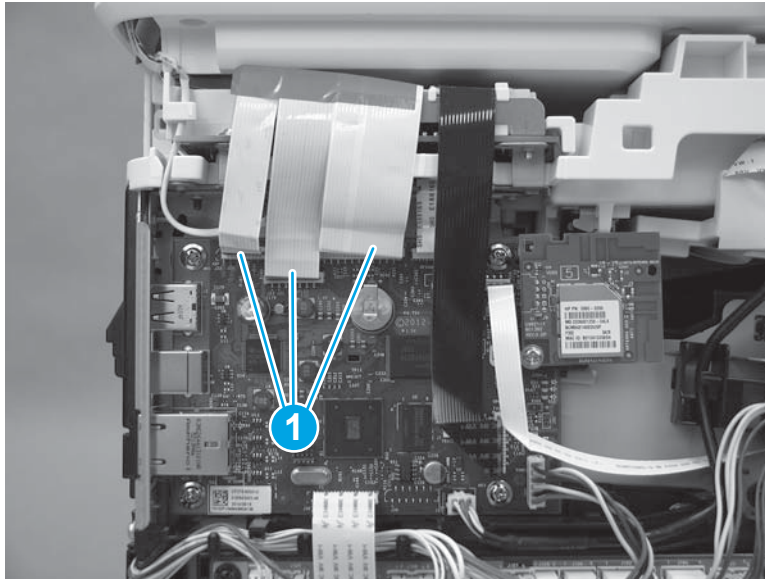
8. Raise the scanner cables up, position the ground wire (callout 1), and then install one screw (callout 2).

Figure 1-4276 Install the ground wire



9. Connect three connectors (callout 1).

Figure 1-4277 Install the M377, M477 scanner

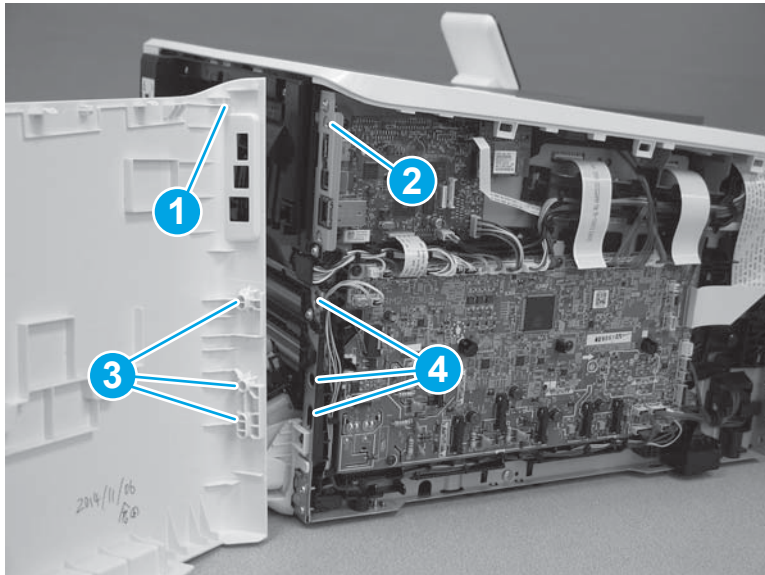


Step 22: Install the left cover (M452 models)

 **NOTE:** This step is for the M452 models. For the M377, M477 models, skip this step and go to [Step 23: Install the left cover \(M377, M477 models\) on page 2259](#).

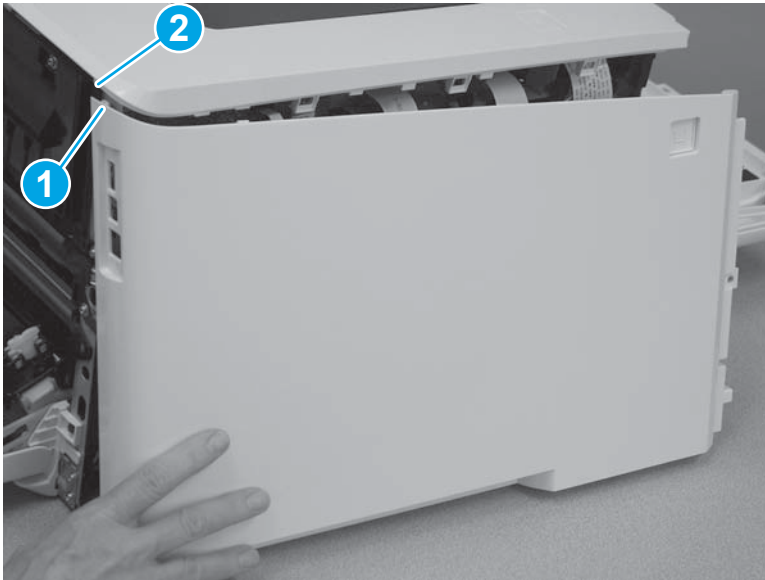
1. Position the hook (callout 1) on the cover in the slot (callout 2) on the printer. Position three tabs (callout 3) on the back of the cover in the slots (callout 4) in the printer.

Figure 1-4278 Position three tabs



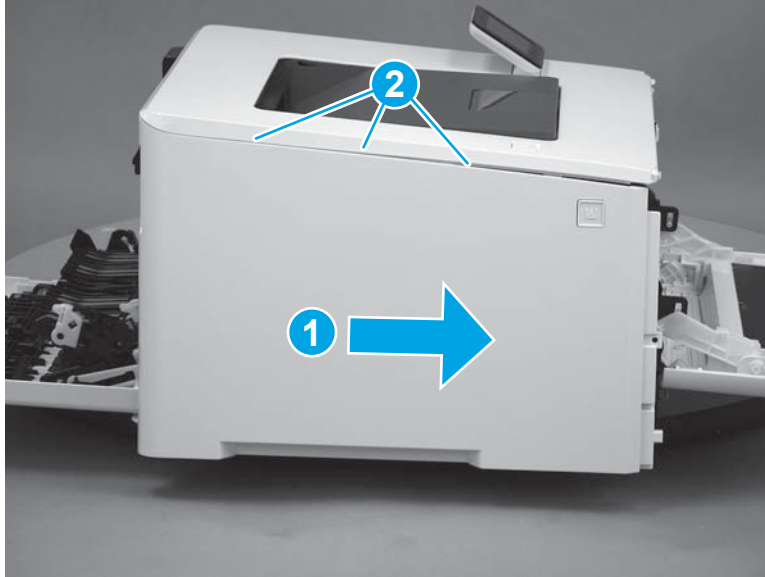
2. At the back of the printer, install the tab (callout 1) under the edge of the top cover (callout 2).

Figure 1-4279 Install one tab



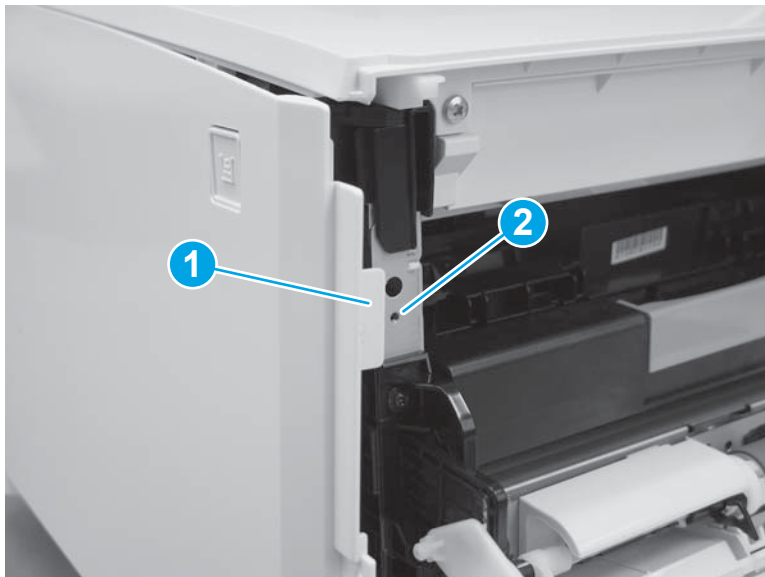
3. Slide the cover toward the front of the printer (callout 1), and then engage three tabs (callout 2) on the top of the cover.

Figure 1-4280 Install the left cover



CAUTION: Make sure that the tab (callout 1) does not get caught behind the printer frame (callout 2).

Figure 1-4281 Make sure the tab does not get caught



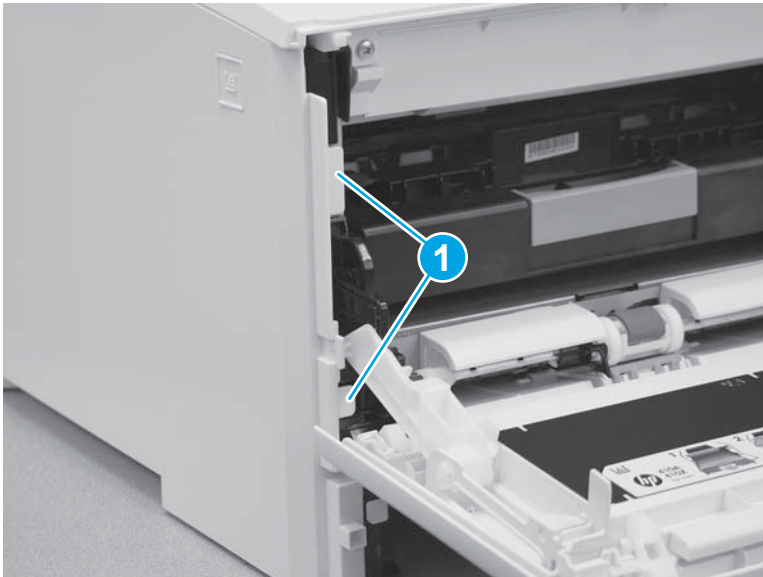
4. Slide the printer to the edge of a work surface in order to access the tabs on the bottom of the cover. Beginning from the back of the cover, install four tabs (callouts 1-4) on the lower edge of the cover.

Figure 1-4282 Install four tabs



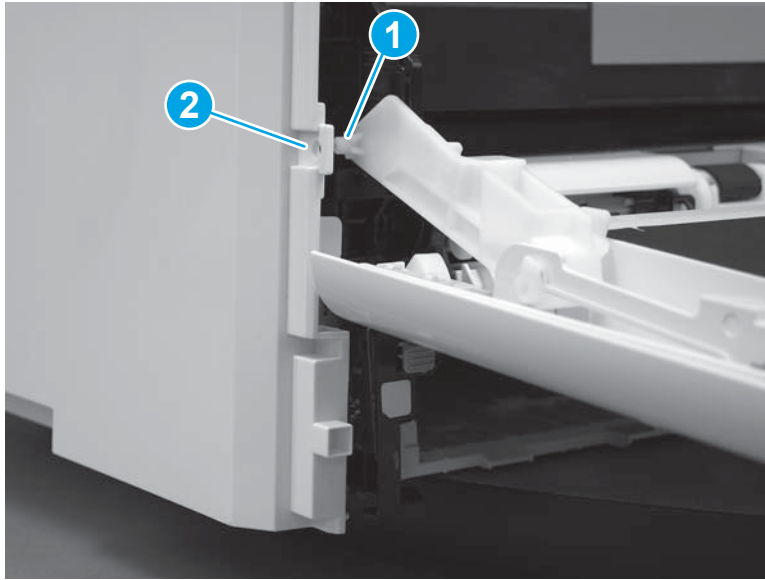
5. Install two tabs (callout 1) at the front of the cover.

Figure 1-4283 Engage two tabs



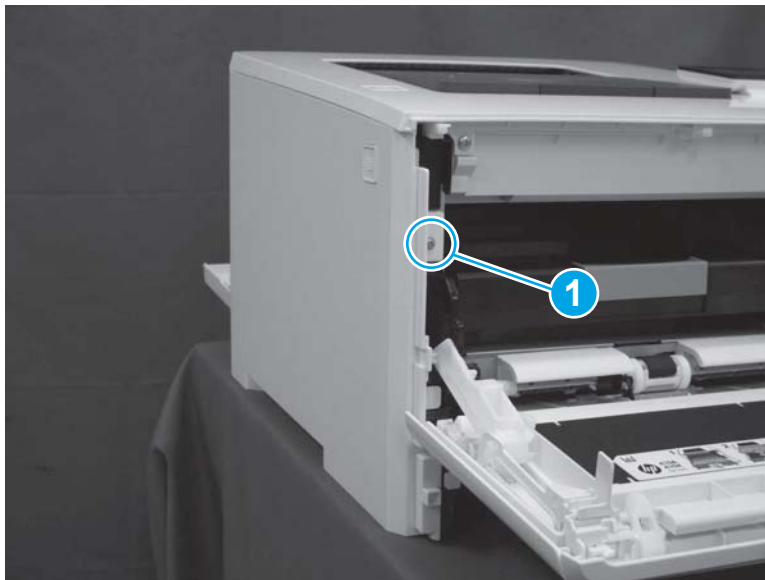
6. Make sure that the hinge pin (callout 1) on the front door fits into the slot (callout 2) on the left cover.

Figure 1-4284 Install hinge pin




7. Install one screw (callout 1).

Figure 1-4285 Install one screw

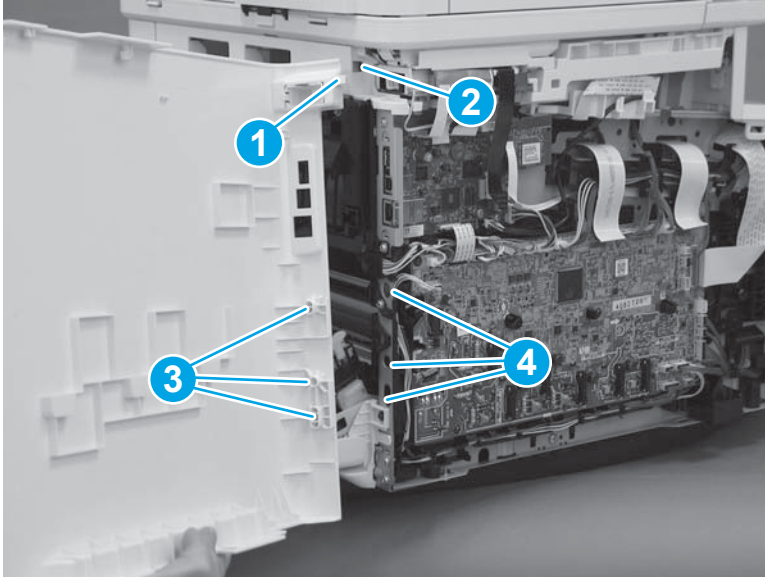


Step 23: Install the left cover (M377, M477 models)

 **NOTE:** This step is for the M377, M477 models. For the M452 models, skip this step and go to [Step 24: Install the right cover \(M452 models\) on page 2266](#).

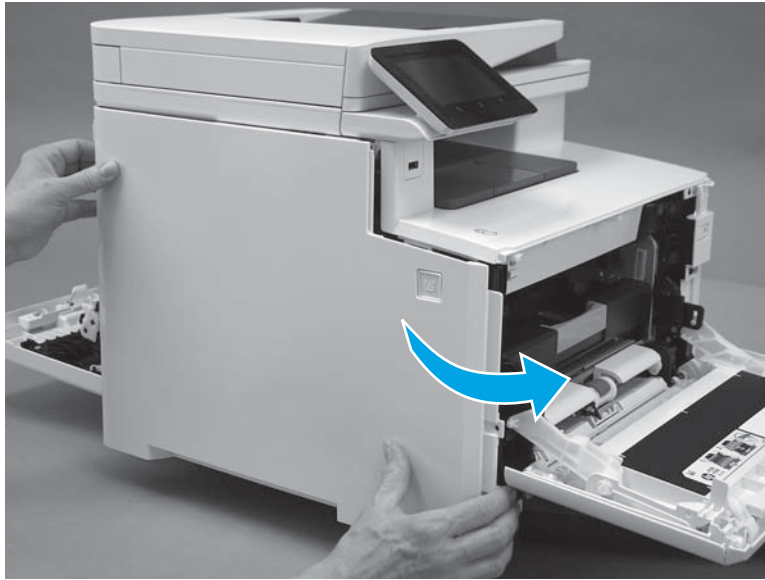
1. At the back of the printer, install the tab (callout 1) on the cover into the slot (callout 2) in the printer. Install the locator pins (callout 3) into the slots (callout 4) in the printer.

Figure 1-4286 Install one tab



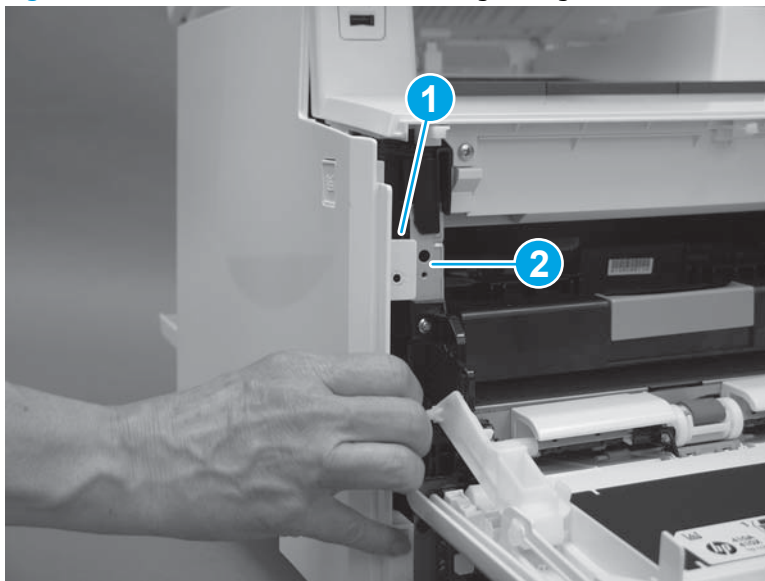
2. Rotate the cover toward the printer.

Figure 1-4287 Rotate the left cover



⚠ CAUTION: Make sure that the tab (callout 1) does not get caught behind the printer frame (callout 2).

Figure 1-4288 Make sure the tab does not get caught



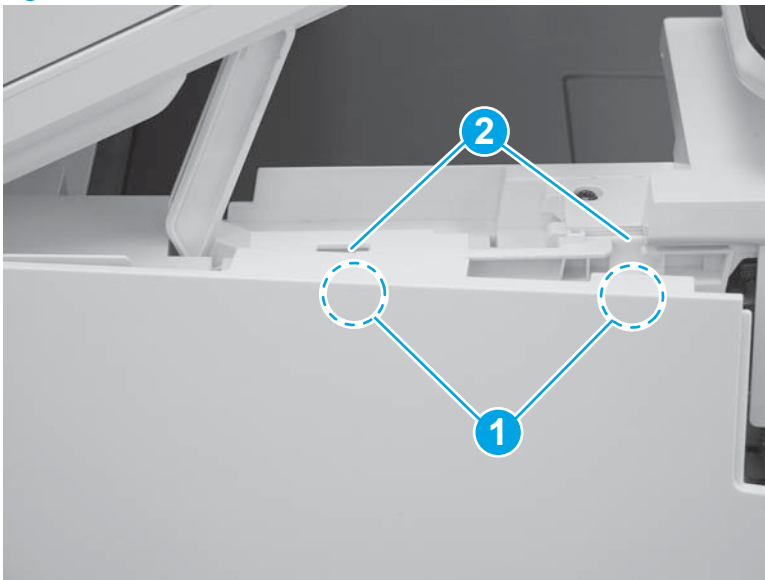
3. Raise the scanner.

Figure 1-4289 Raise the scanner



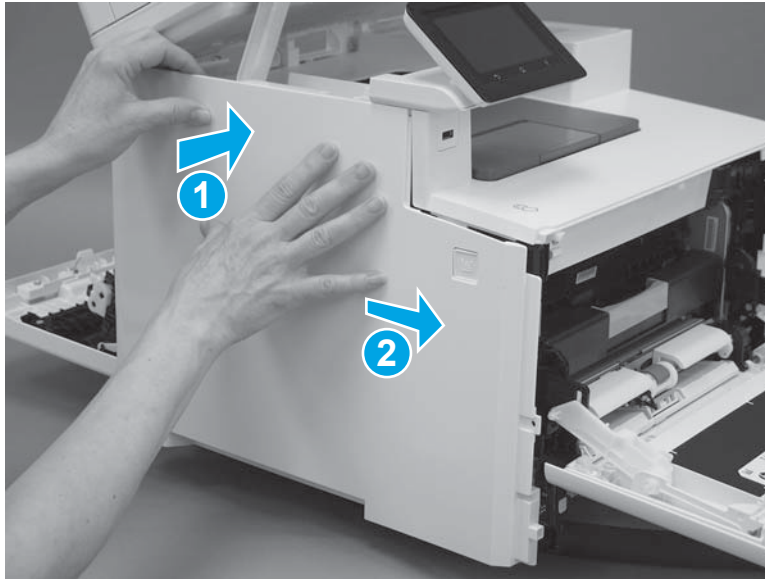
4. Position the hooks (callout 1) on the inside of the cover into the slots (callout 2) on the printer.

Figure 1-4290 Position the hooks in the slots



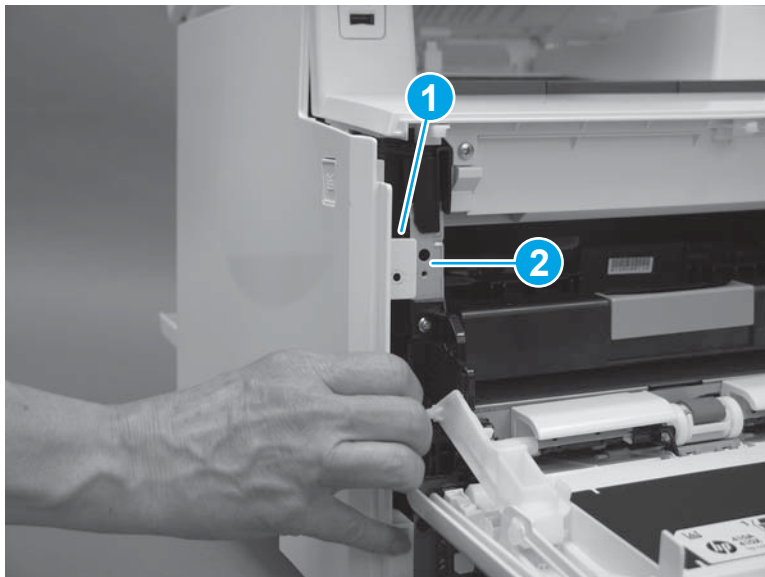
5. Hold the cover against the printer (callout 1), and then slide it (callout 2) toward the front of the printer.

Figure 1-4291 Install the top hooks



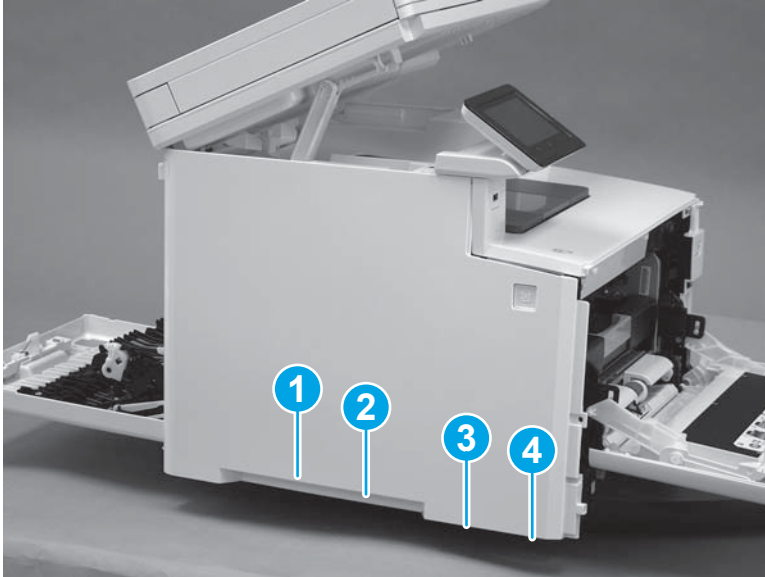
⚠ CAUTION: Make sure that the tab (callout 1) on the front of the cover does not get caught behind the printer frame (callout 2).

Figure 1-4292 Make sure the tab does not get caught



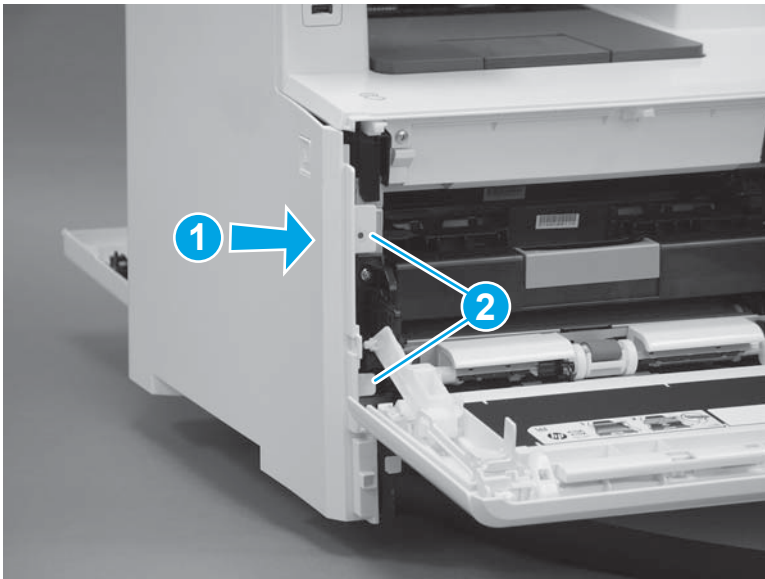
6. Slide the printer to the edge of a work surface in order to access the tabs on the bottom of the cover. Beginning from the back of the cover, install four tabs (callouts 1-4) on the lower edge of the cover.

Figure 1-4293 Install four tabs



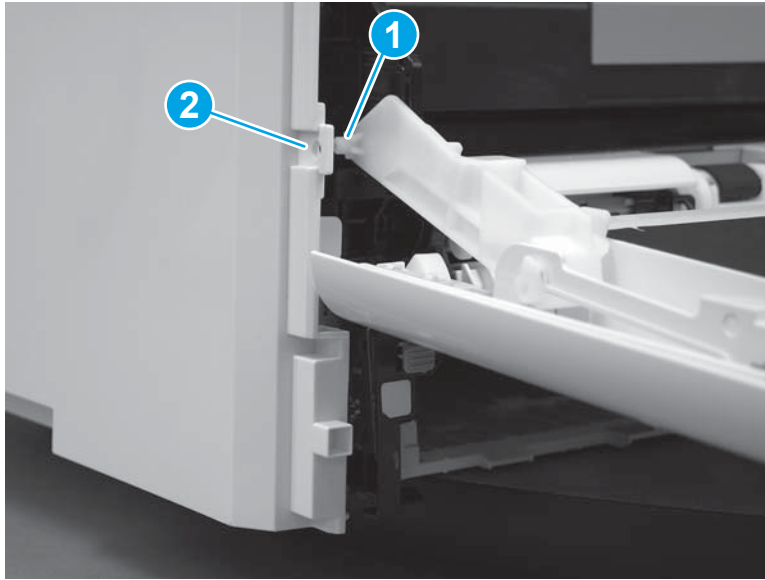
7. Press the cover toward the printer (callout 1), and then install two tabs (callout 2) at the front of the cover.

Figure 1-4294 Install two tabs



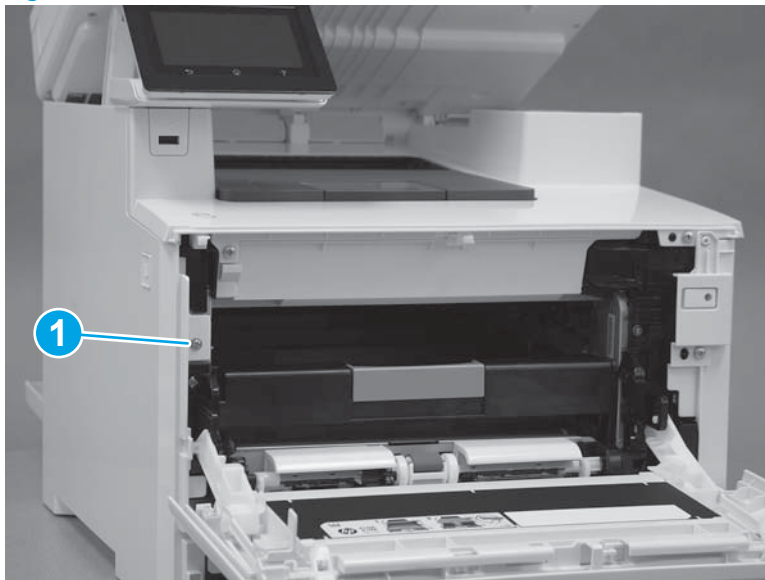
8. Make sure that the hinge pin (callout 1) on the front door fits into the slot (callout 2) on the left cover.

Figure 1-4295 Install hinge pin



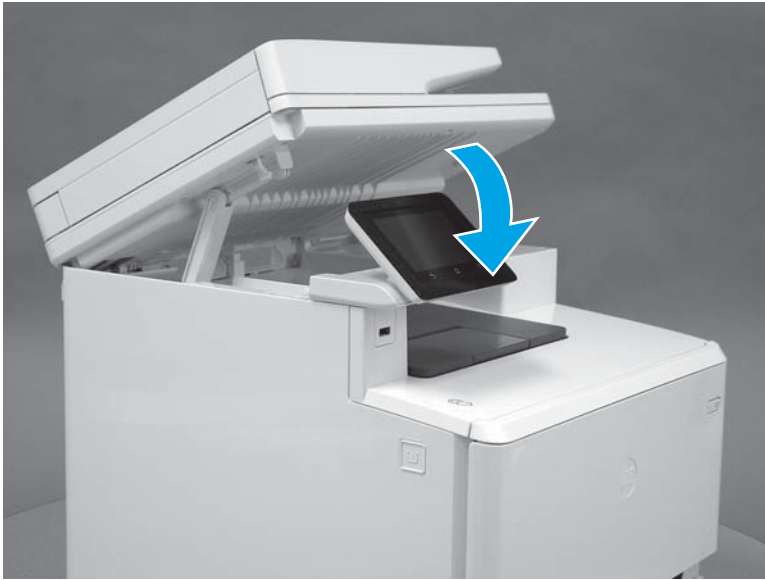
9. Install one screw (callout 1).

Figure 1-4296 Install one screw




10. Lower the scanner.

Figure 1-4297 Lower the scanner

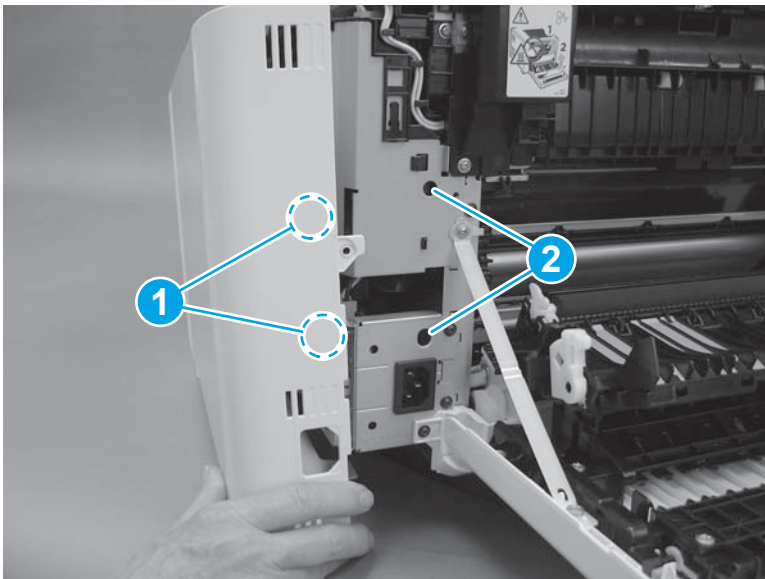


Step 24: Install the right cover (M452 models)

 **NOTE:** This step is for the M452 models. For the M377, M477 models, skip this step and go to [Step 25: Install the right cover \(M377, M477 models\) on page 2270.](#)

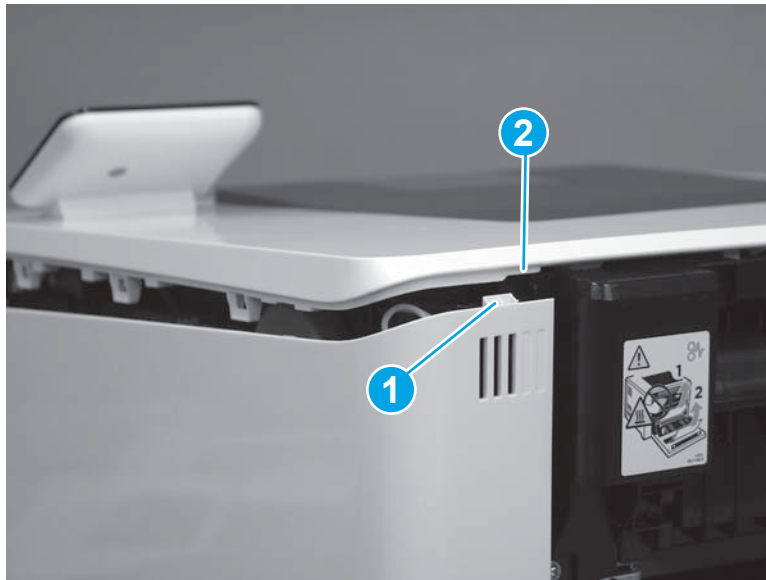
1. Position two tabs (callout 1) on the back of the cover in the slots (callout 2) in the printer.

Figure 1-4298 Position two tabs



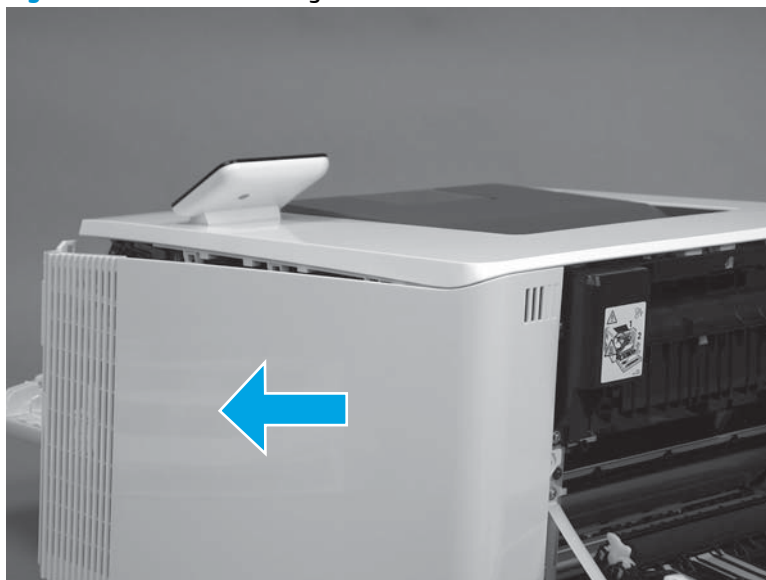
2. At the back of the printer, install the tab (callout 1) under the edge of the top cover (callout 2).

Figure 1-4299 Install rear tab



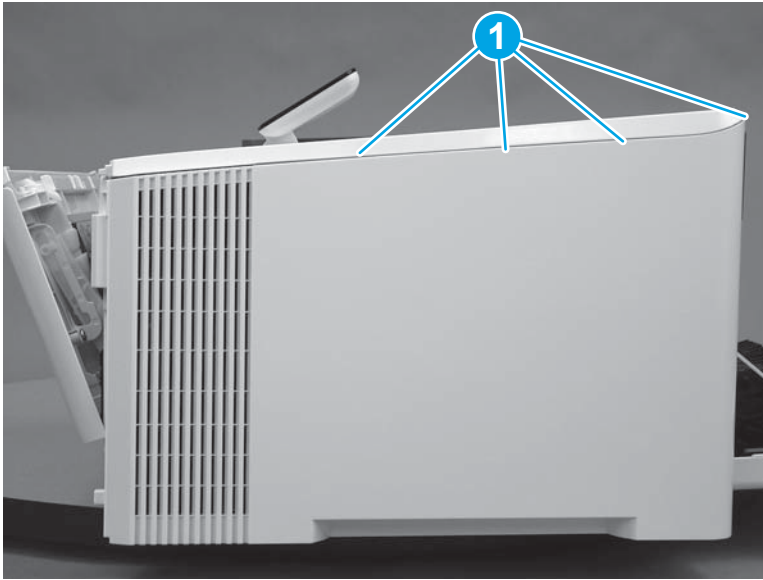
3. Slide the cover toward the front of the printer to install it.

Figure 1-4300 Install the right cover



- Engage three tabs (callout 2) on the top of the cover.

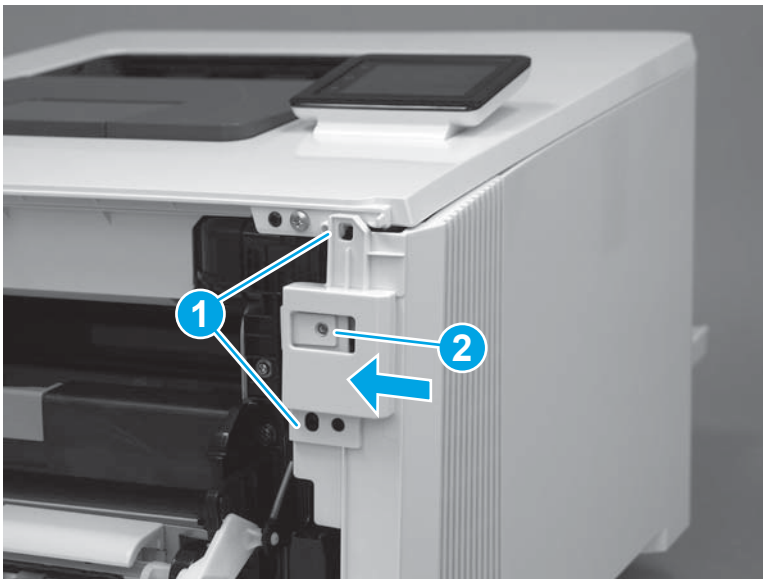
Figure 1-4301 Install upper tabs



- At the front of the printer, position the front of the cover over two tabs (callout 1).

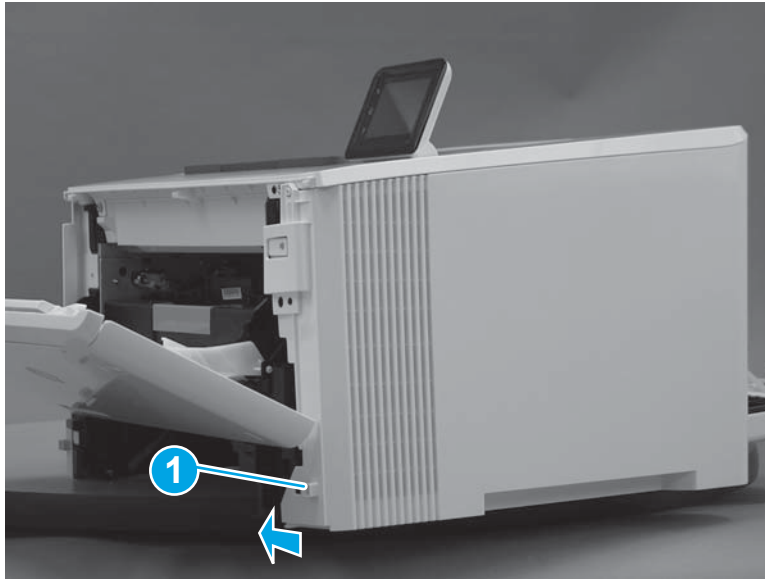
CAUTION: Be careful not to dislodge the power switch (callout 2).

Figure 1-4302 Install the front tabs



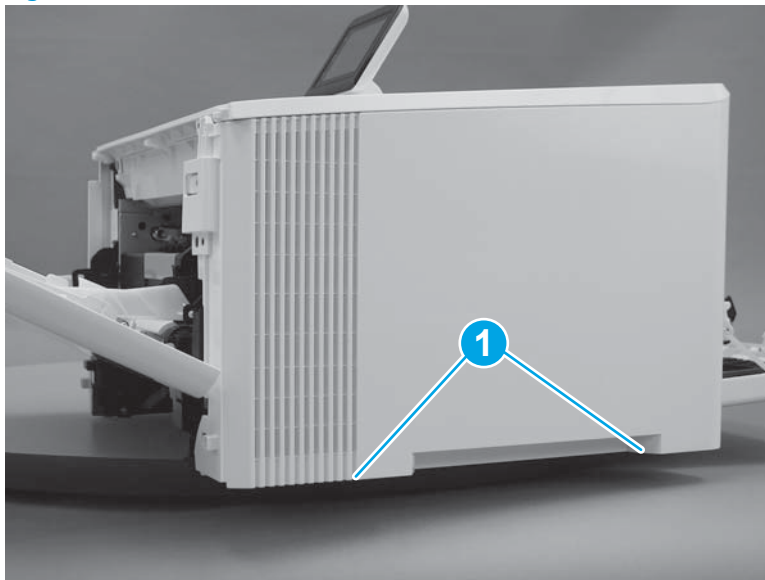
6. Press the right cover toward the printer to engage one tab (callout 1) on the front of the cover.

Figure 1-4303 Install the front lower tab



7. Install two tabs on the bottom of the cover (callout 1).

Figure 1-4304 Install two tabs



8. At the front of the printer, install one screw (callout 1).

Figure 1-4305 Install one screw




9. At the back of the printer, install one screw (callout 1).

Figure 1-4306 Install one screw

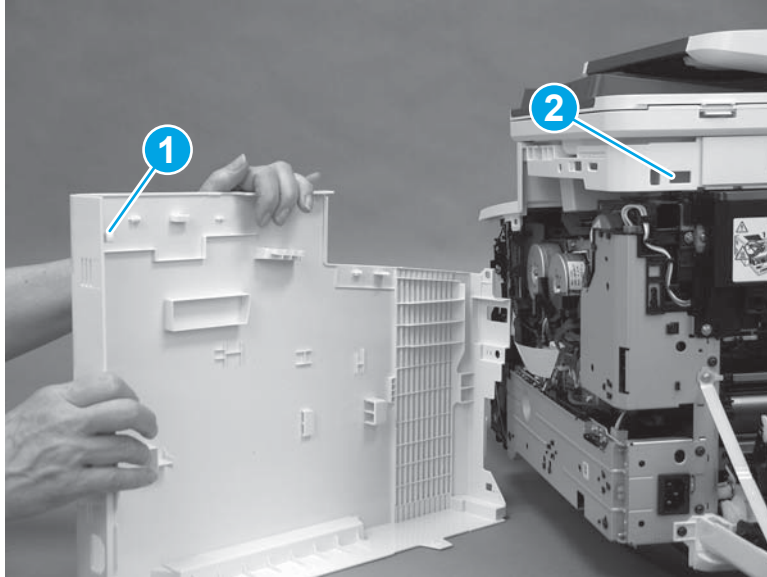


Step 25: Install the right cover (M377, M477 models)

 **NOTE:** This step is for the M377, M477 models. For the M452 models, skip this step and go to [Step 26: Close the front door and duplexer door on page 2276](#).

1. At the back of the printer, install the tab (callout 1) on the cover into the slot (callout 2) on the printer.

Figure 1-4307 Install rear tab



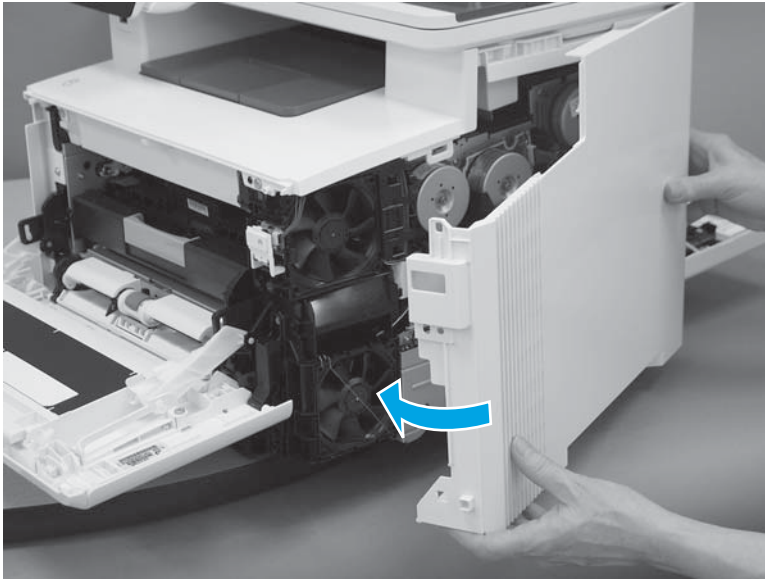
2. Raise the scanner.

Figure 1-4308 Raise the scanner



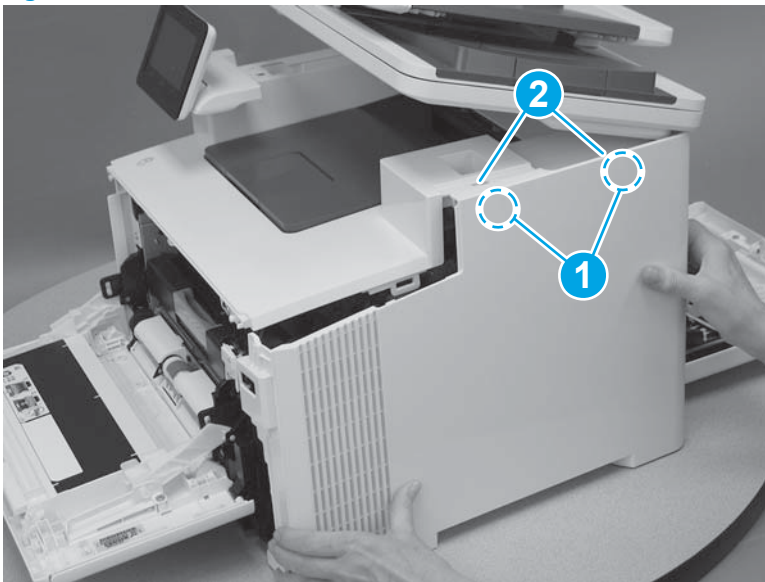
3. Rotate the right cover toward the printer.

Figure 1-4309 Rotate the right cover



4. Position the hooks (callout 1) on the inside of the cover into the slots (callout 2) in the printer.

Figure 1-4310 Position the hooks in the slots



- Engage one hook (callout 1) on the inside of the cover. Hold the top of the cover closed (callout 2) while sliding the cover toward the front of the printer (callout 3).

Figure 1-4311 Slide the cover



- Rotate the front of the cover toward the printer (callout 1).

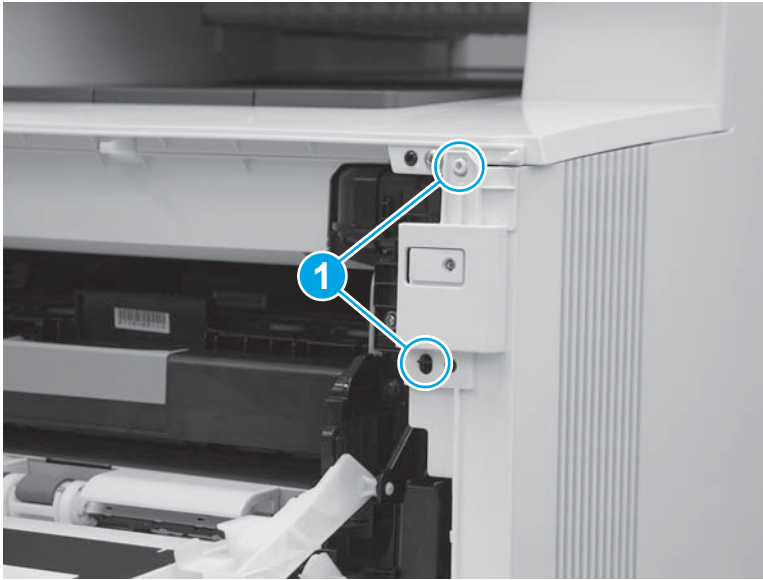
⚠ CAUTION: Be careful not to dislodge the power switch (callout 2).

Figure 1-4312 Rotate the front of the cover



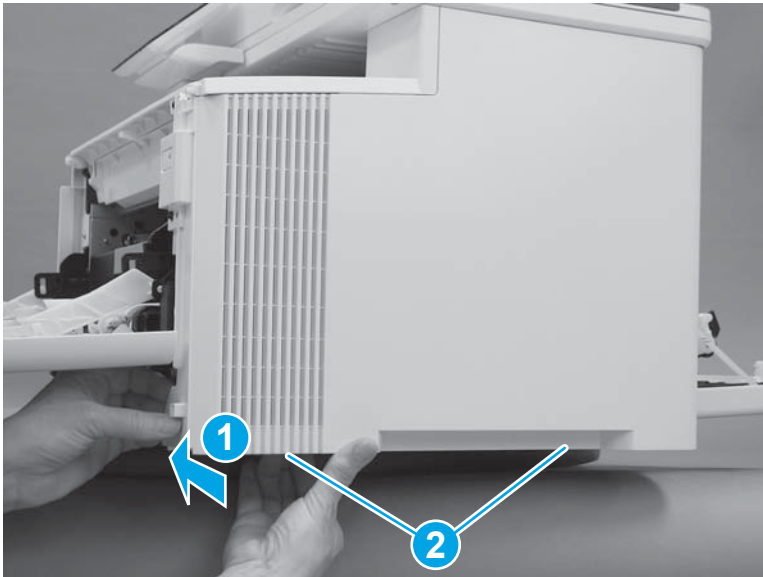
7. Install two tabs at the front of the printer (callout 1).

Figure 1-4313 Install two tabs



8. Press the right cover toward the printer (callout 1) to engage one tab on the front of the cover, and two tabs (callout 2) on the lower edge of the cover.

Figure 1-4314 Install the front and lower tabs



9. At the front of the printer, install one screw (callout 1).

Figure 1-4315 Install one screw



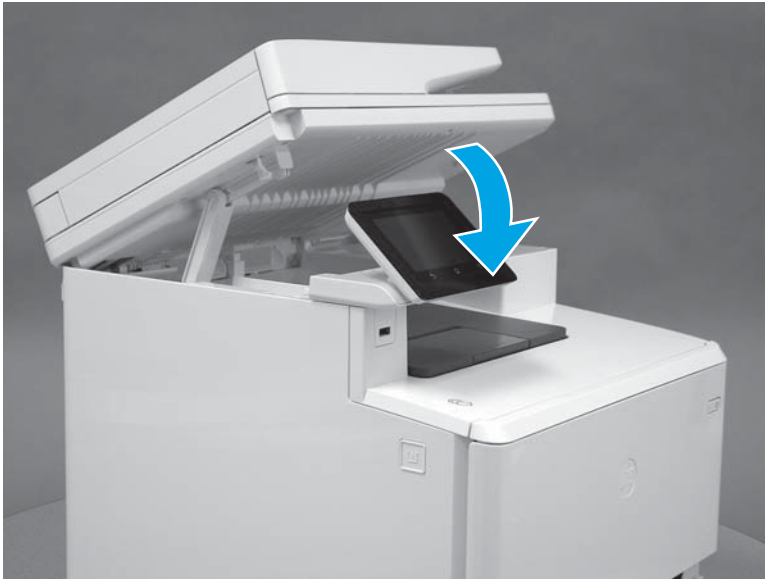
10. At the back of the printer, install one screw (callout 1).

Figure 1-4316 Install one screw



11. Lower the scanner.

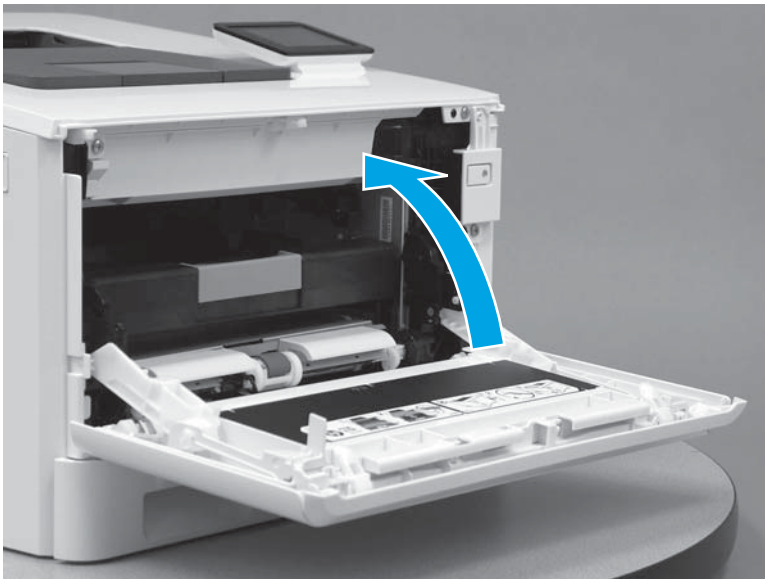
Figure 1-4317 Lower the scanner



Step 26: Close the front door and duplexer door

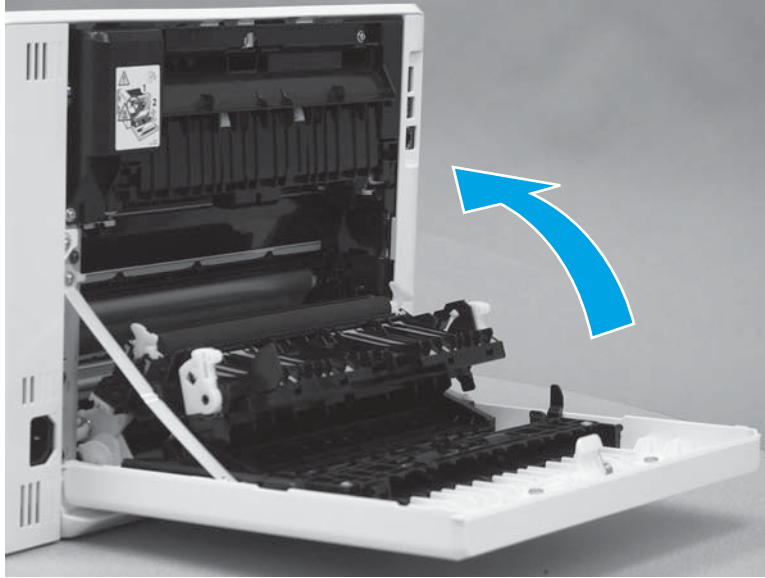
1. Close the front door.

Figure 1-4318 Close the front door



2. Close the duplexer door.

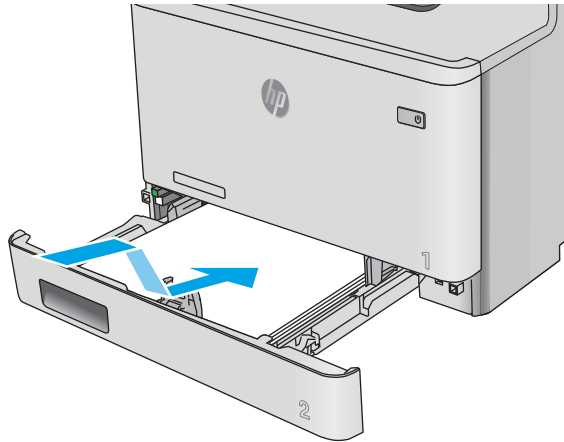
Figure 1-4319 Close the duplexer door



Step 27: Install Tray 2

- ▲ With the front of the tray slightly lifted, align the sides of the tray with the rails in the printer, and then carefully slide the tray into the printer. As the tray slides into the printer, lower the front of the tray, and then close it.

Figure 1-4320 Install the tray



Removal and replacement: Wireless antenna (M452nw/dw models)


- [Introduction](#)
- [Step 1: Remove Tray 2](#)
- [Step 2: Open the front door and rear door or duplexer door](#)
- [Step 3: Remove the right cover \(M452 models\)](#)
- [Step 4: Remove the left cover \(M452 models\)](#)
- [Step 5: Remove the rear top cover \(simplex model\)](#)
- [Step 6: Remove the top cover \(M452 models\)](#)
- [Step 7: Remove the wireless antenna \(M452nw/dw models\)](#)
- [Step 8: Unpack the replacement part](#)
- [Step 9: Install the wireless antenna \(M452nw/dw models\)](#)
- [Step 10: Install the top cover \(M452 models\)](#)
- [Step 11: Install the rear top cover \(simplex model\)](#)
- [Step 12: Install the left cover \(M452 models\)](#)
- [Step 13: Install the right cover \(M452 models\)](#)
- [Step 14: Close the front door and rear door or duplexer door](#)
- [Step 15: Install Tray 2](#)

Introduction

This document provides the procedures to remove and replace the wireless antenna for the M452nw and M452dw.

Before you begin

- Turn off the printer.
- Disconnect the power cable.

 **WARNING!** To avoid damage to the printer, turn the printer off, wait 30 seconds, and then remove the power cord before attempting to service the printer.

- Use the table below to identify the correct part number for your printer. To order the part, go to www.hp.com/buy/parts.

| Wireless antenna part number | |
|------------------------------|----------------------------------|
| 0960-3467 | Remote antenna (M452nw/dw model) |

Required tools

- #2 Phillips screwdriver with a magnetic tip
- Small flat-blade screwdriver

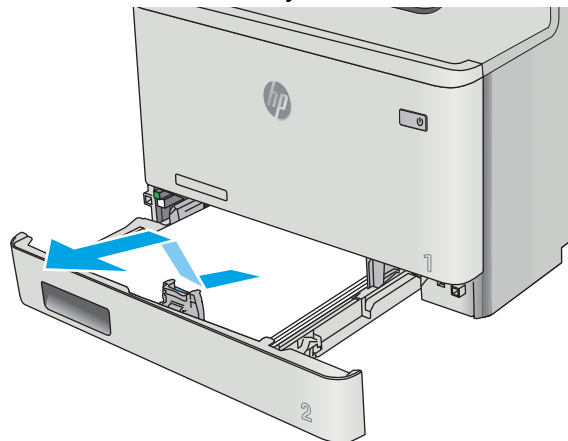
After performing service

- Connect the power cable.
- Use the power switch to turn the power on.

Step 1: Remove Tray 2

- ▲ Pull the tray out until it stops. Lift the front of the tray, and then pull it out of the printer to remove it.

Figure 1-4321 Remove the tray



Step 2: Open the front door and rear door or duplexer door

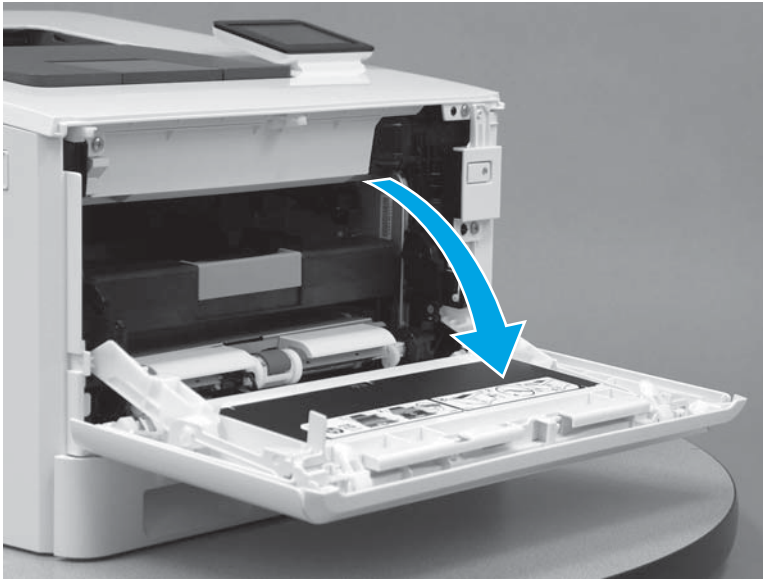
1. Press the button (callout 1) on the left side of the printer to release the front door.

Figure 1-4322 Release the front door



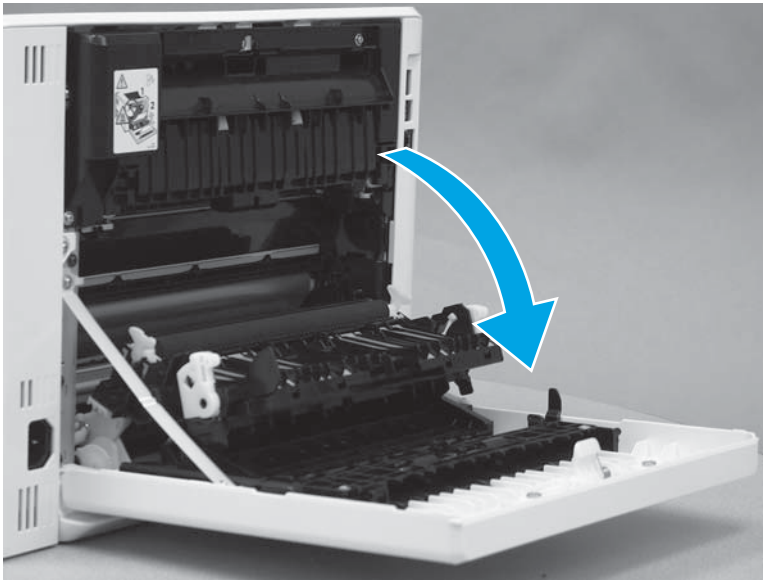
2. Open the front door.

Figure 1-4323 Open the front door



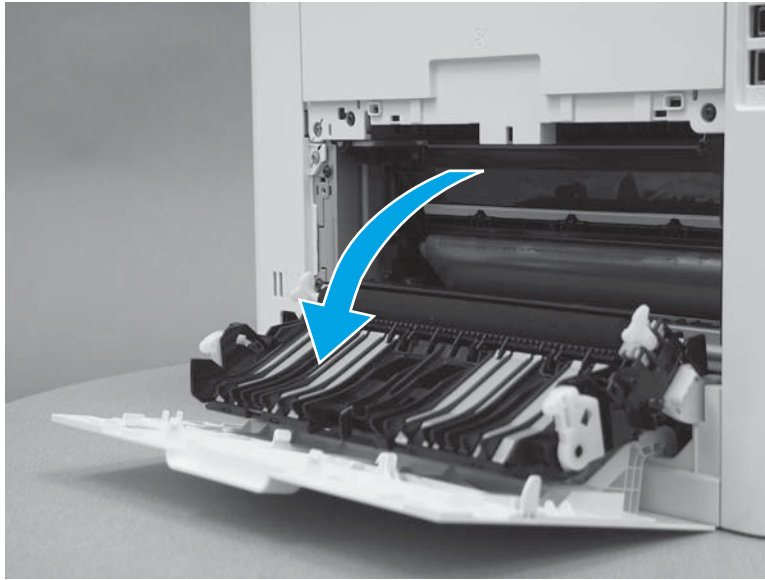
3. **Duplex models:** Open the duplexer door.

Figure 1-4324 Open the duplexer door



4. **Simplex models:** Open the rear door.

Figure 1-4325 Open the rear door



Step 3: Remove the right cover (M452 models)

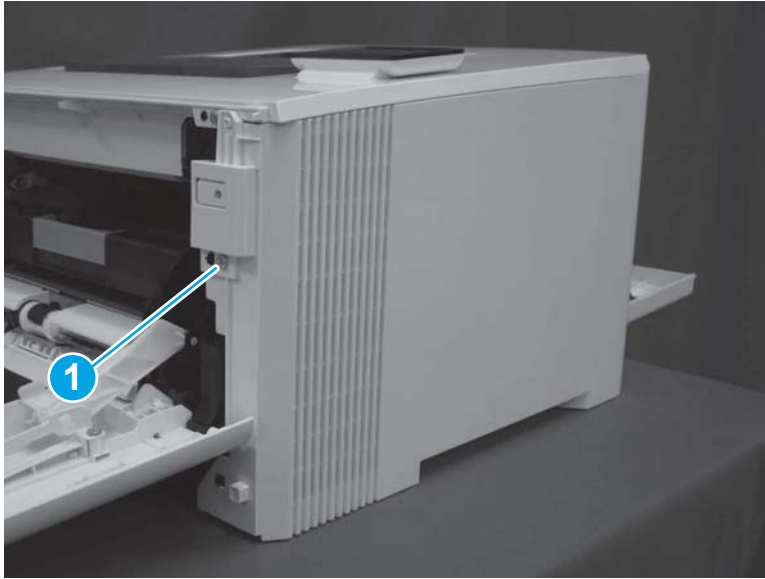
1. At the back of the printer, remove one screw (callout 1).

Figure 1-4326 Remove one screw



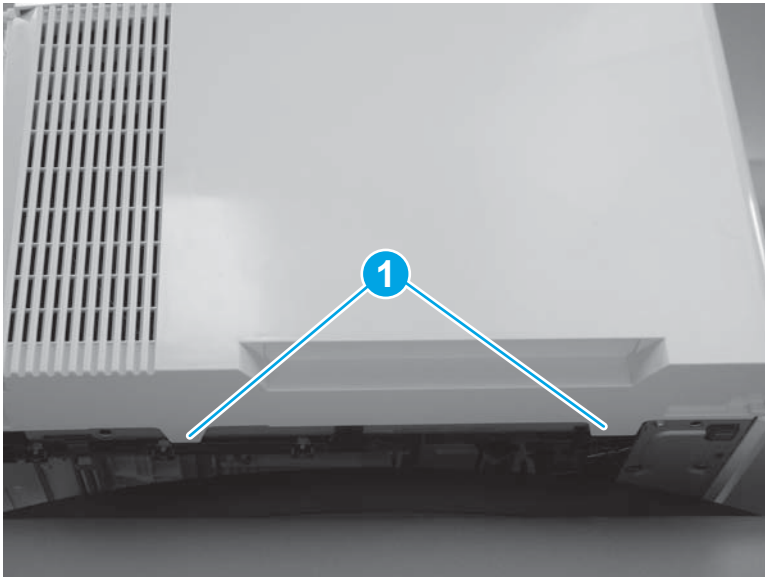
2. At the front of the printer, remove one screw (callout 1).

Figure 1-4327 Remove one screw



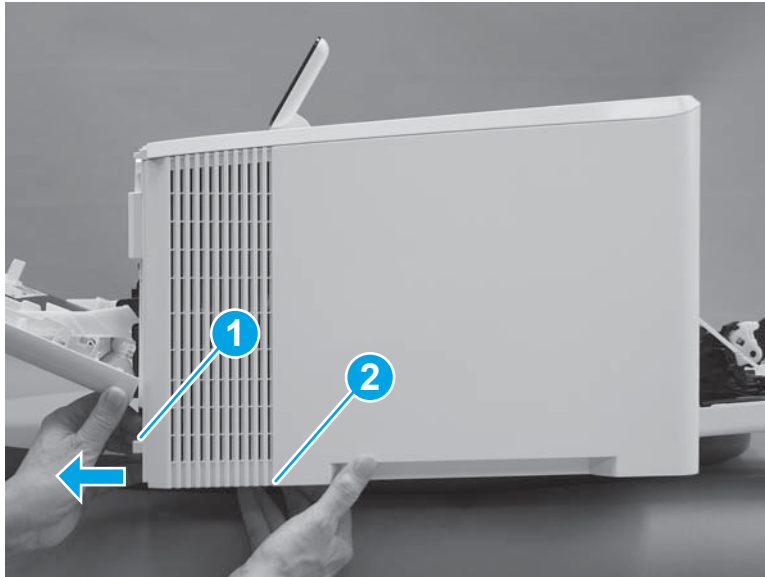
3. Slide the printer to the edge of a work surface. Note the location of the tabs on the lower edge of the cover (callout 1).

Figure 1-4328 Locate the tabs



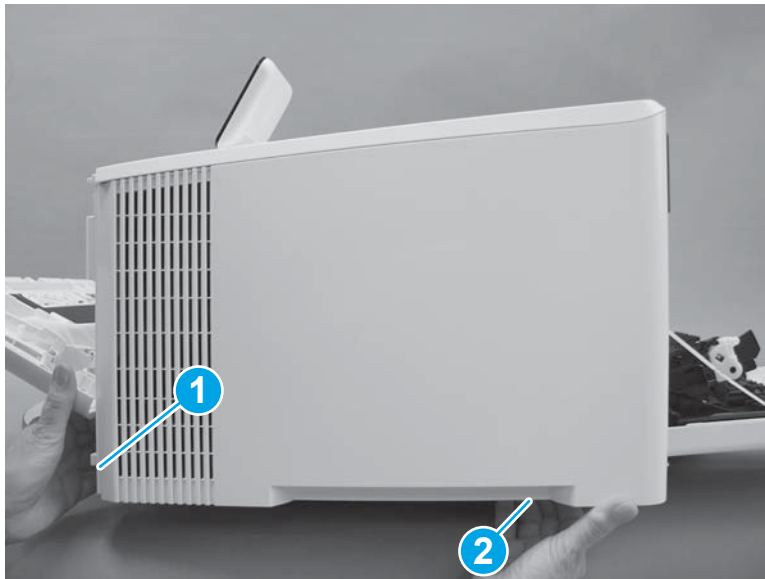
4. Release one tab (callout 1) on the front of the cover by slightly pulling the cover away from the printer. While holding the cover in the released position, release one tab (callout 2) on the bottom of the cover.

Figure 1-4329 Release front lower tabs



5. Hold the front tabs in the released position (callout 1), and then release one tab (callout 2) on the bottom of the cover, toward the back of the printer.

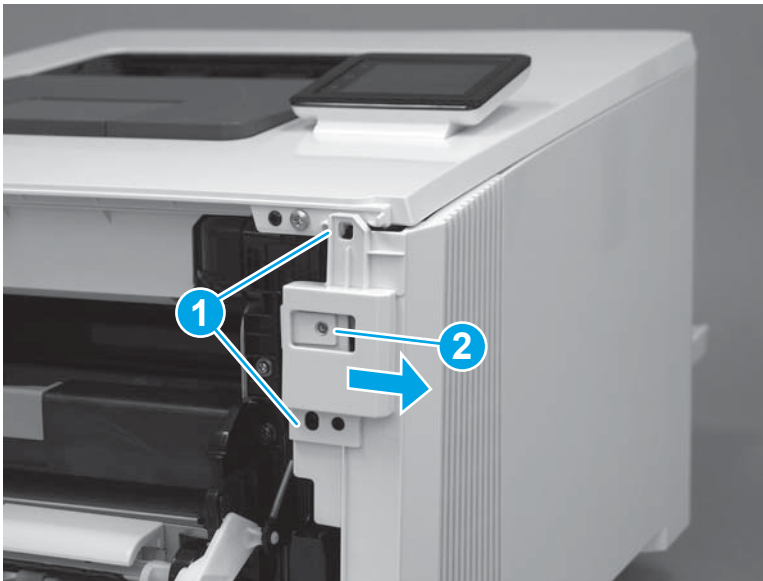
Figure 1-4330 Release lower rear tab



6. Release two tabs at the front of the printer (callout 1) by slightly pulling the cover away from the printer.

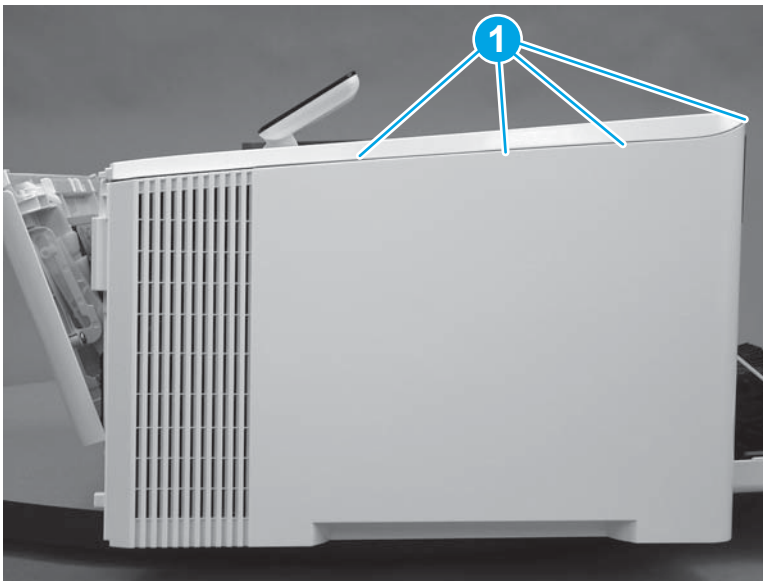
⚠ CAUTION: Be careful not to dislodge the power switch (callout 2).

Figure 1-4331 Release two front tabs



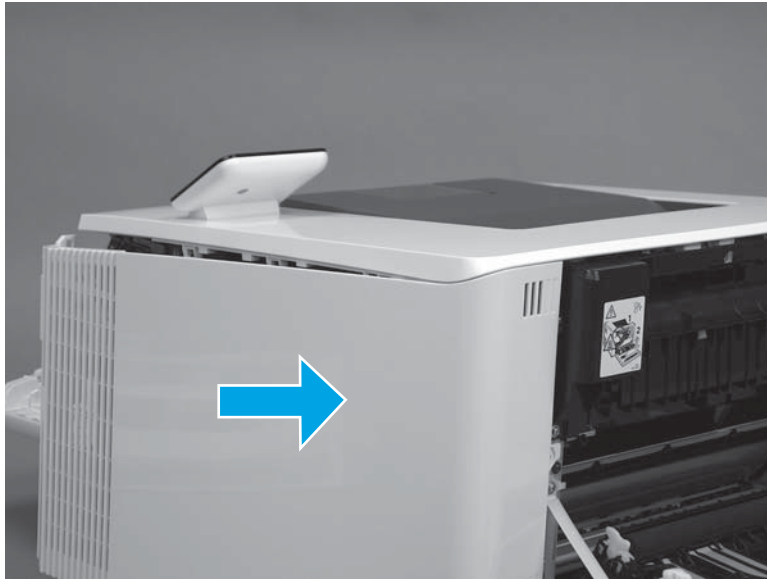
7. Release four tabs on the top of the printer (callout 1).

Figure 1-4332 Release upper tabs



8. Slide the cover toward the back of the printer to remove it.

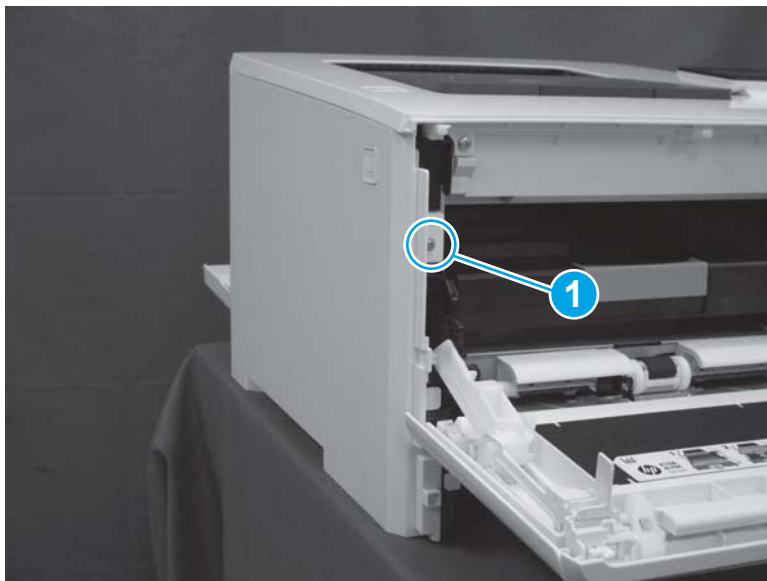
Figure 1-4333 Remove the right cover



Step 4: Remove the left cover (M452 models)

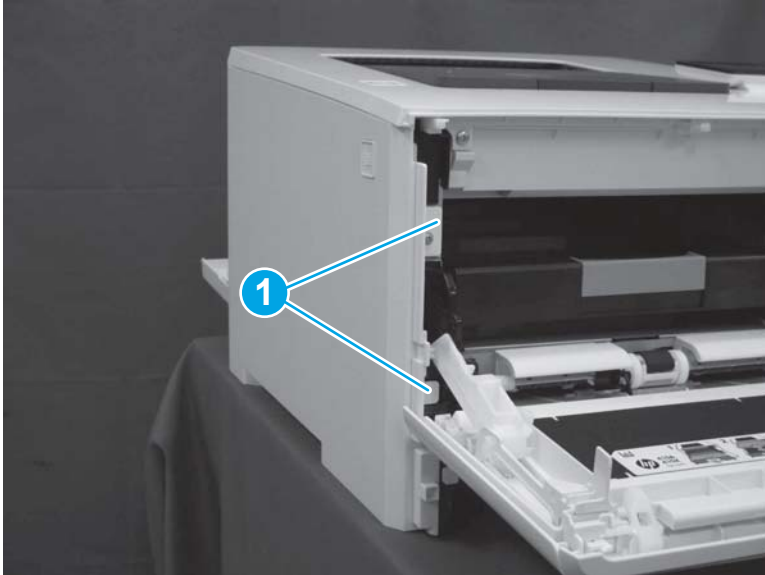
1. At the front of the printer, remove one screw (callout 1).

Figure 1-4334 Remove one screw



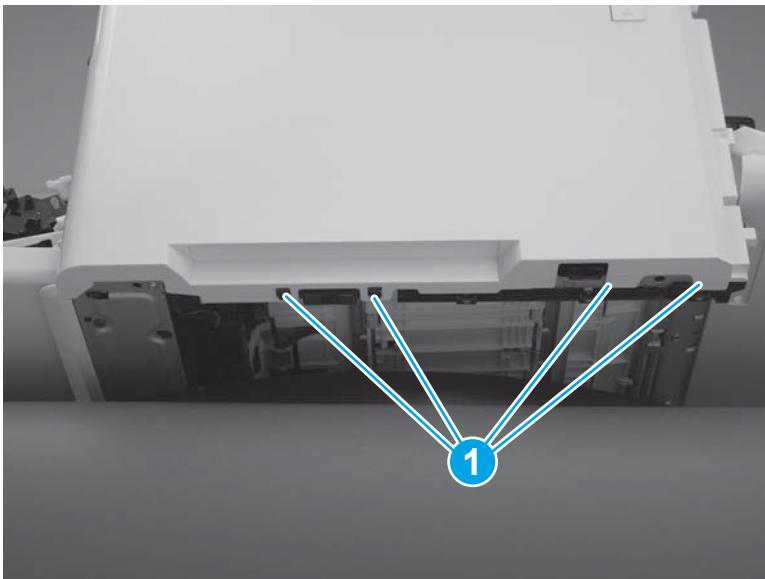
2. Release two tabs (callout 1) at the front of the cover. Hold the cover open to prevent the tabs from reengaging.

Figure 1-4335 Release two tabs



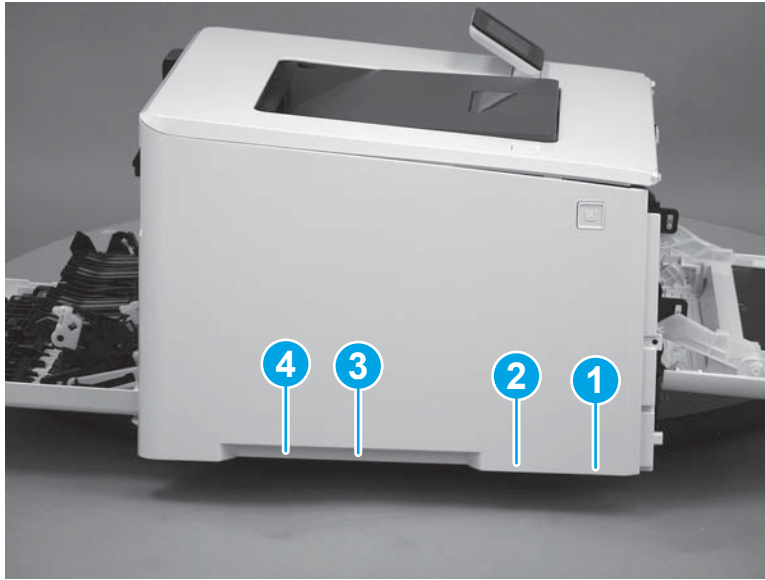
3. Slide the printer to the edge of a work surface. Note the location of the tabs on the lower edge of the cover (callout 1).

Figure 1-4336 Locate the tabs



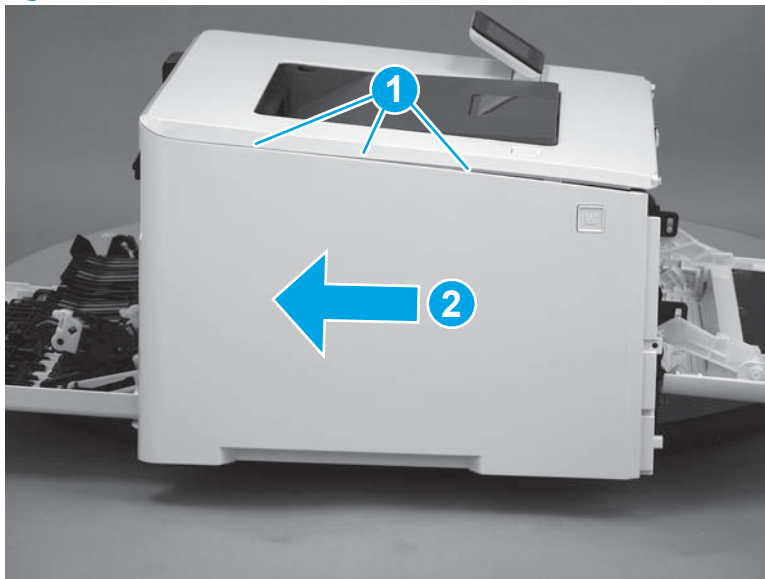
4. Beginning from the front of the cover, release four tabs (callouts 1-4) on the lower edge of the cover.

Figure 1-4337 Release bottom tabs




5. Release three tabs at the top of the cover (callout 1), and then slide the cover toward the rear of the printer to remove it.

Figure 1-4338 Release three tabs

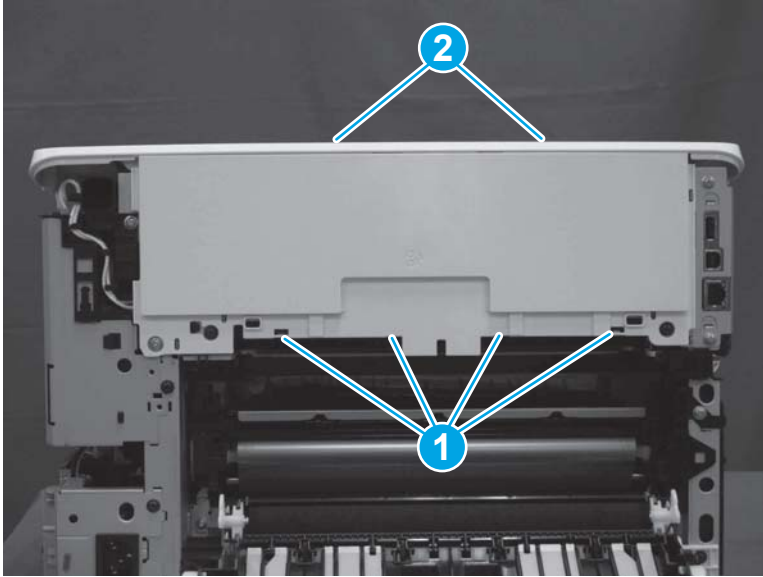


Step 5: Remove the rear top cover (simplex model)

 **NOTE:** This step is for simplex models. For duplex models, skip this step and go to [Step 6: Remove the top cover \(M452 models\) on page 2288](#).

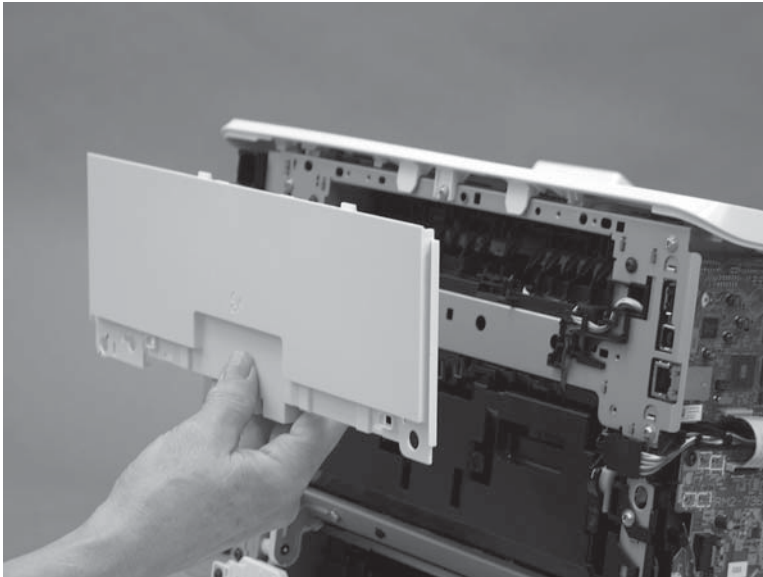
1. At the back of the printer, release four tabs (callout 1) on the bottom of the cover and two tabs (callout 2) on the top of the cover.

Figure 1-4339 Release six tabs



2. Remove the rear top cover.

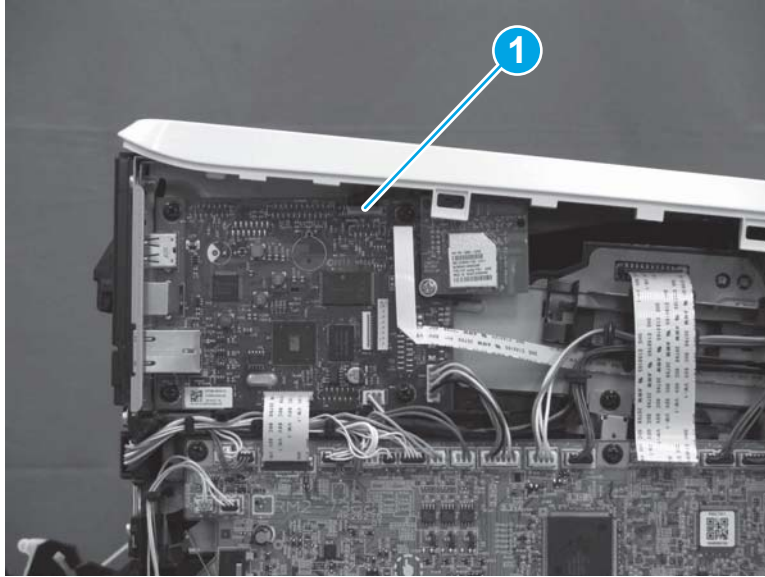
Figure 1-4340 Remove the rear top cover



Step 6: Remove the top cover (M452 models)

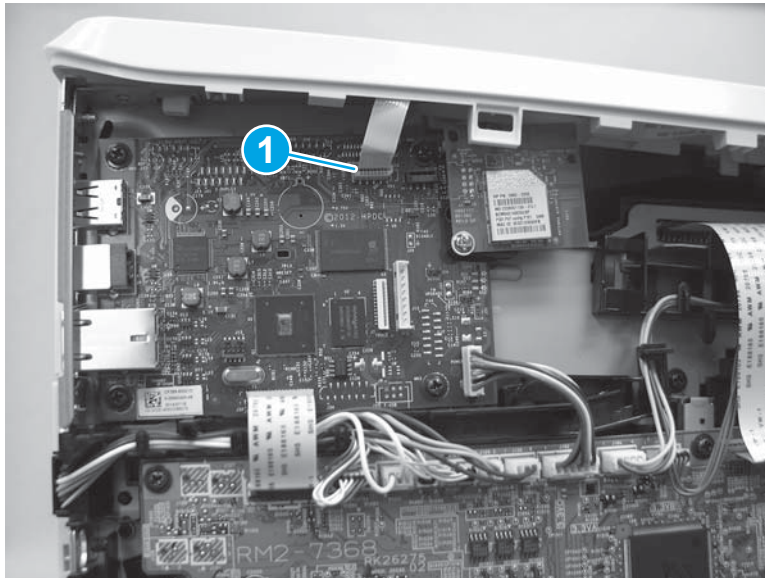
1. **M452dw model only:** On the left side of the printer, on the formatter, disconnect one connector (callout 1).

Figure 1-4341 Disconnect one connector



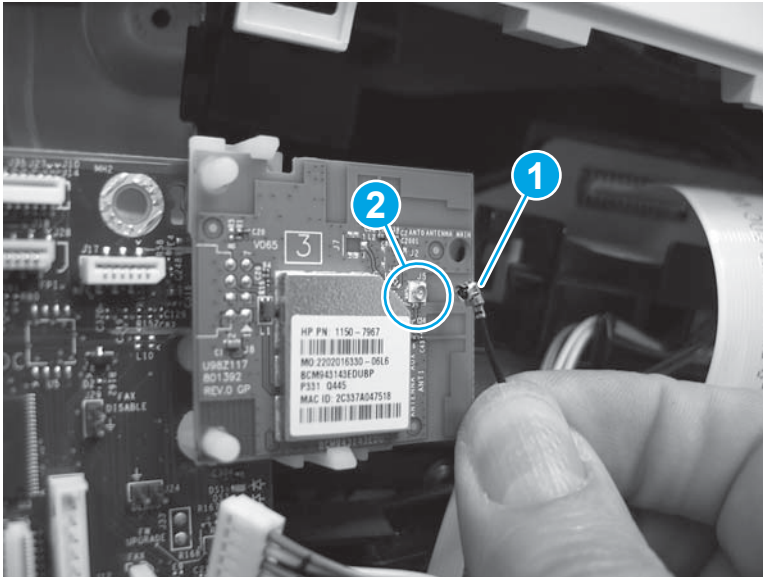
- 2. M452nw/dn models only:** On the left side of the printer, on the formatter, disconnect one connector (callout 1).

Figure 1-4342 Disconnect one connector



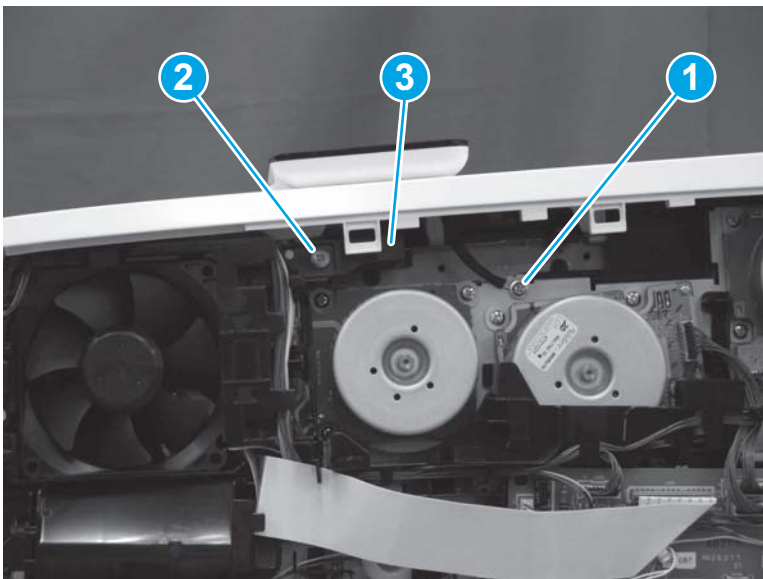
- 3. M452nw/dw models only:** Disconnect the antenna (callout 1) from the connector (callout 2) on the wireless PCA.

Figure 1-4343 Disconnect the antenna



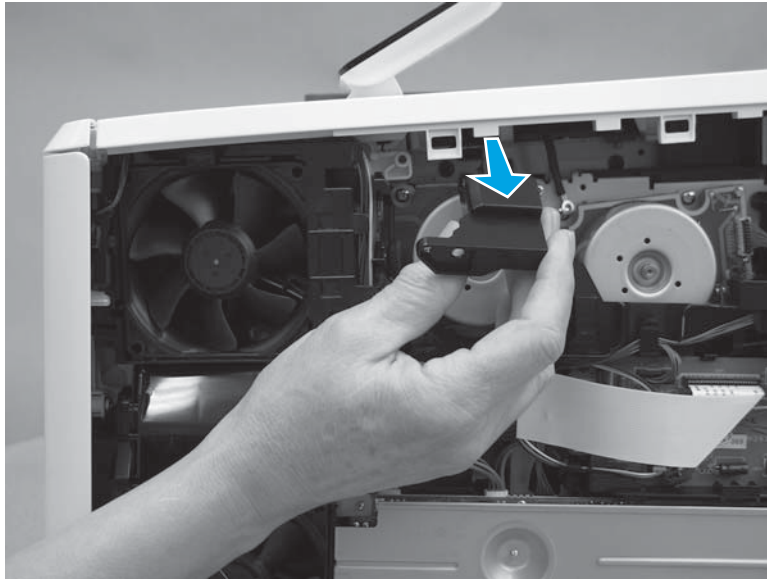
- 4. M452dw model only:** Remove one screw (callout 1) and release one ground wire. Remove one screw (callout 2). Note the location (callout 3) of the guide.

Figure 1-4344 Remove two screws



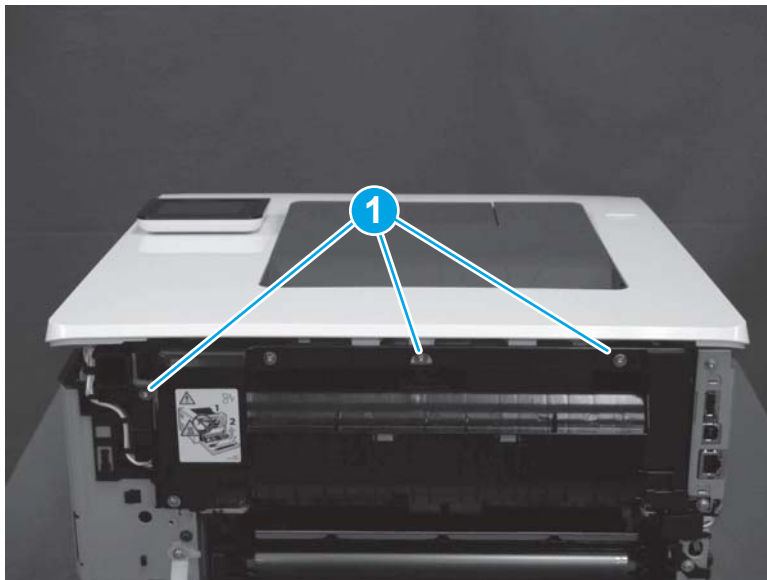
5. **M452dw model only:** Remove the guide.

Figure 1-4345 Remove the guide



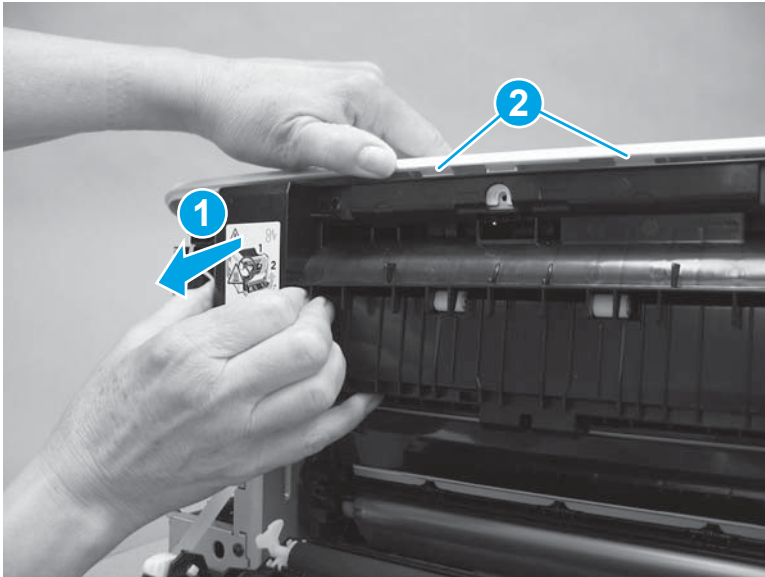
6. **M452dn/dw models only:** At the back of the printer, remove three screws (callout 1).

Figure 1-4346 Remove three screws



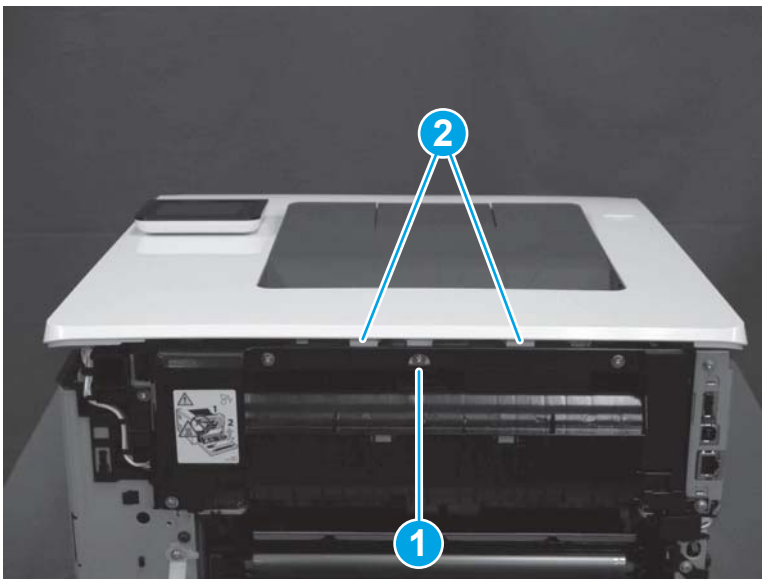
7. **M452dn/dw models only:** Gently pull the top of the fuser away (callout 1), and then release two tabs (callout 2).

Figure 1-4347 Release two tabs



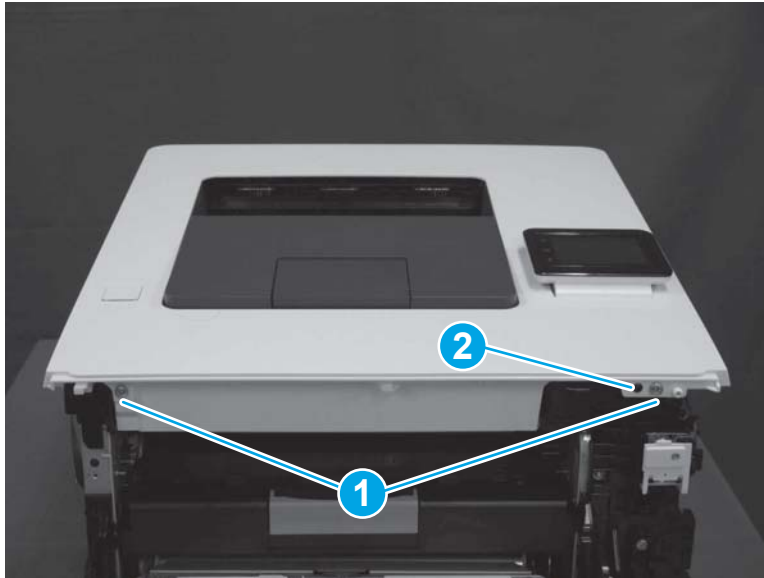
8. **M452nw model only:** At the back of the printer, remove one screw (callout 1), and then release two tabs (callout 2).

Figure 1-4348 Remove screw and release two tabs



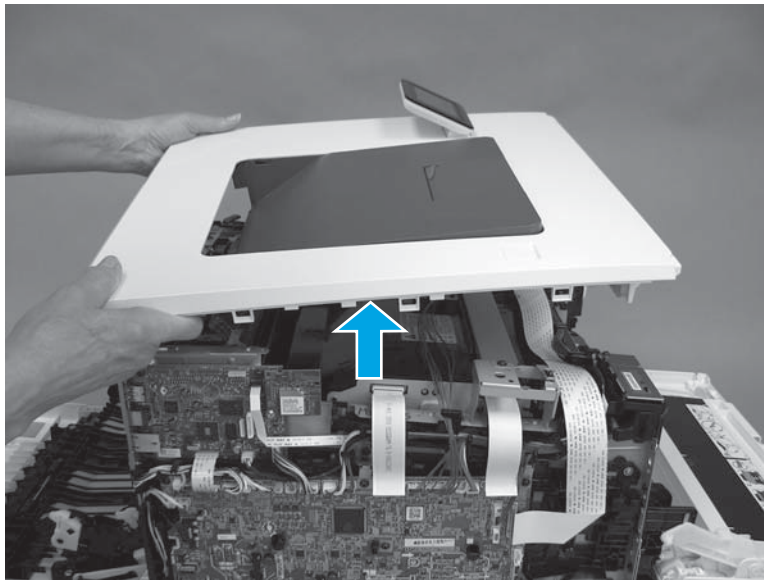
9. At the front of the printer, remove two screws (callout 1), and then release one tab (callout 2).

Figure 1-4349 Remove two screws and release one tab



10. Remove the top cover.

Figure 1-4350 Remove the top cover



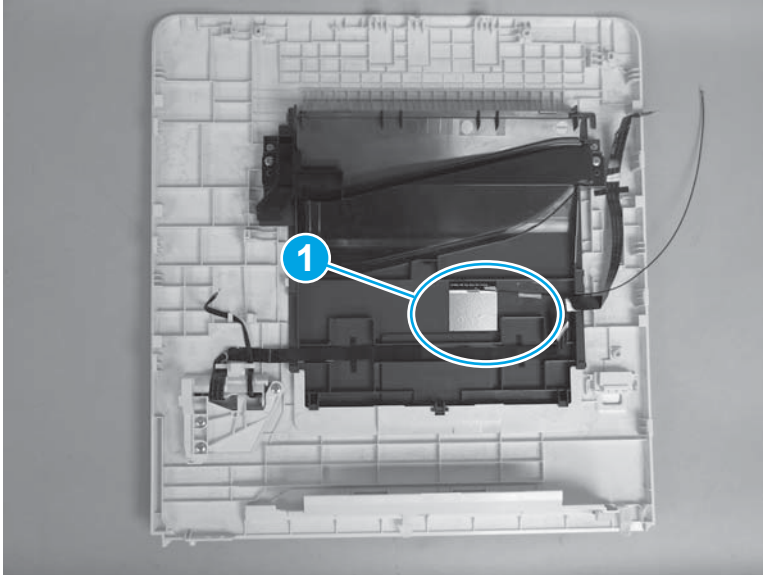
Step 7: Remove the wireless antenna (M452nw/dw models)

1. On the underside of the top cover, locate the wireless antenna (callout 1).



NOTE: The M452dw model is shown in the figures below. The procedure is also correct for the M452nw model.

Figure 1-4351 Locate the wireless antenna

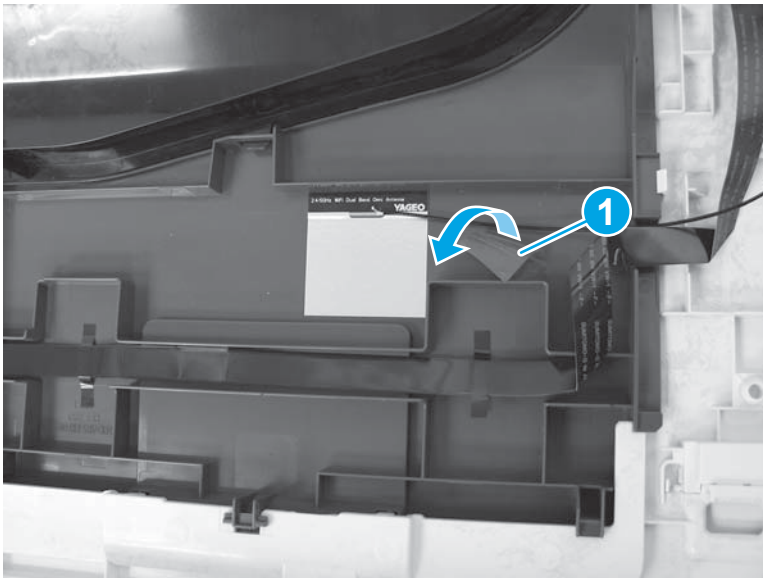


2. Loosen one edge of the tape holding down the antenna cable (callout 1).



NOTE: Do not completely remove the tape. It will be used to secure the cable on the replacement antenna.

Figure 1-4352 Loosen the tape



3. Lift the edge of the silver tape, and then peel the antenna off of the top cover.


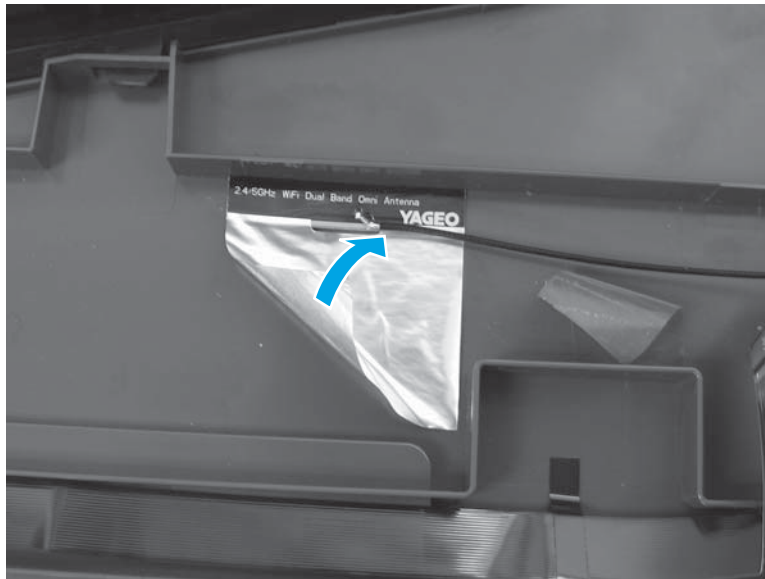
 **NOTE:** Remove any adhesive residue that remains on the top cover after removing the antenna.

Figure 1-4353 Remove the antenna



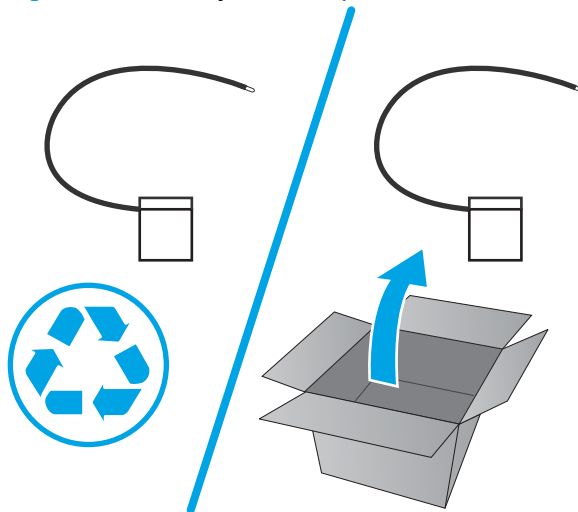
Step 8: Unpack the replacement part

Remove the new part from its package. Save all packaging for recycling the used part.

For complete information on HP's recycling programs, go to [Product return and recycling](#).

 **NOTE:** HP recommends responsible disposal of the defective part.

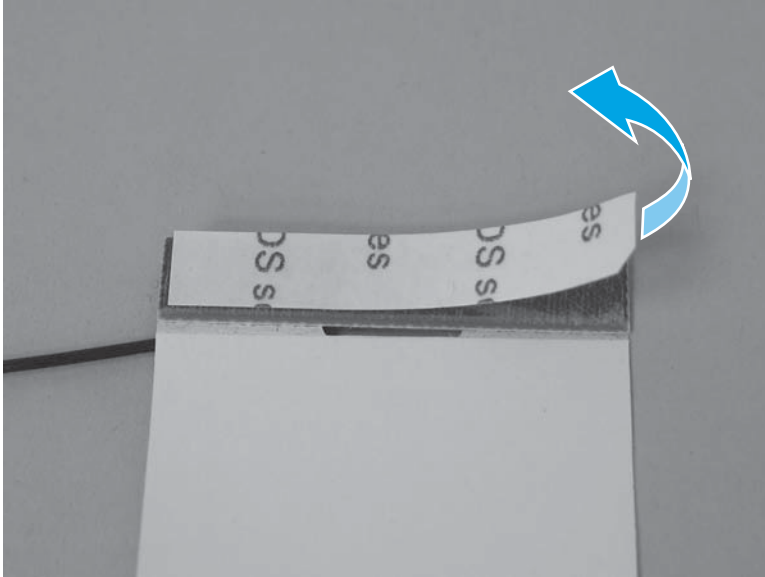
Figure 1-4354 Recycle and unpack



Step 9: Install the wireless antenna (M452nw/dw models)

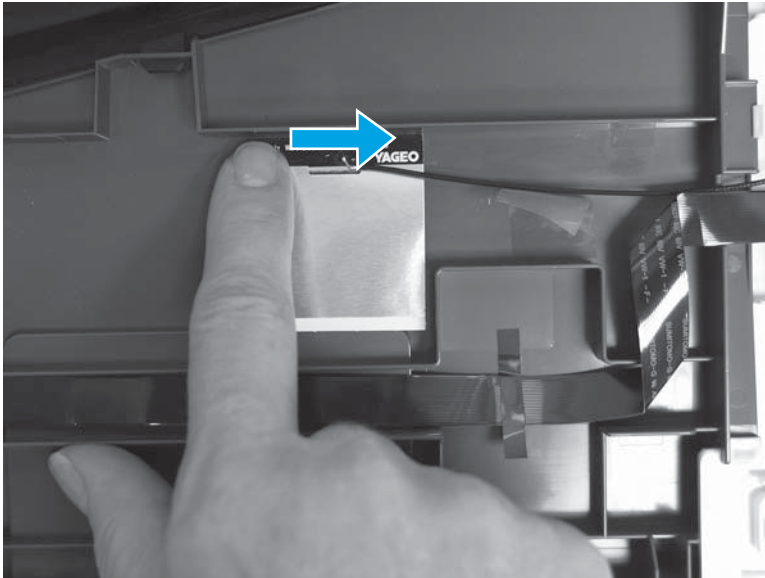
1. On the back of the antenna at the top edge, peel the protective backing off of the adhesive strip.

Figure 1-4355 Remove protective backing from adhesive strip



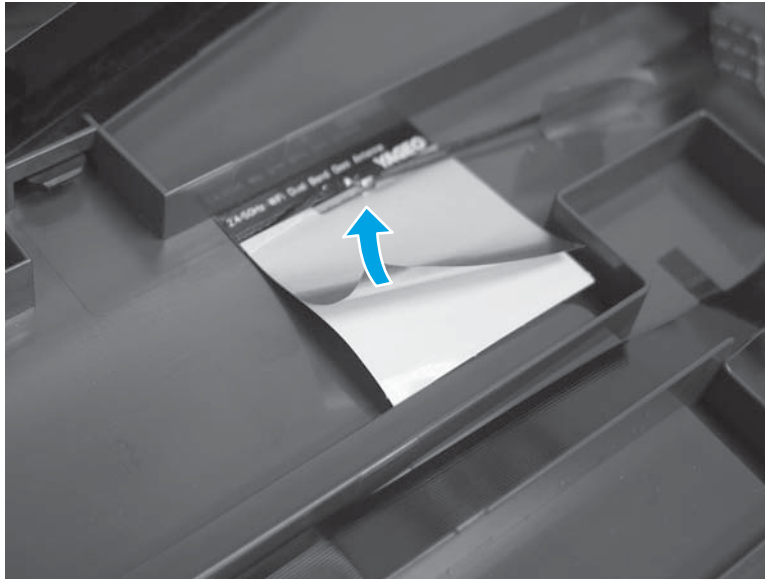
2. Position the antenna on the top cover, and then press along the top edge to make sure that the adhesive strip is securely in place.

Figure 1-4356 Install the top adhesive strip



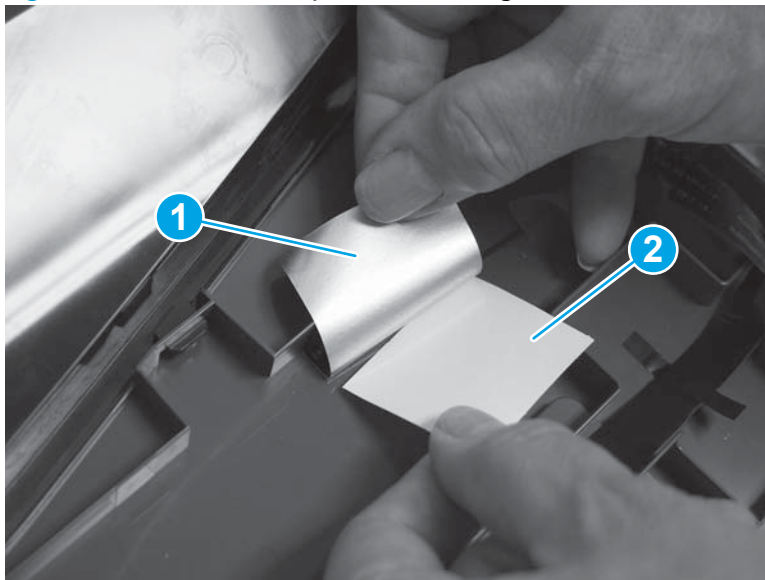
3. Begin peeling the silver tape up and away from the protective backing.

Figure 1-4357 Peel the silver tape up



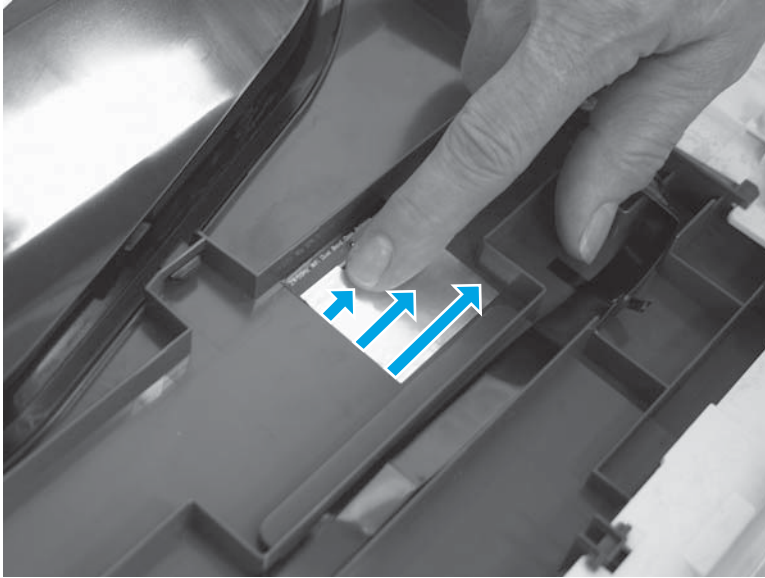
4. Peel the silver tape (callout 1) all the way up, and then remove the protective backing (callout 2).

Figure 1-4358 Remove the protective backing



5. Press the entire surface of the silver tape down to make sure it is securely attached to the top cover.

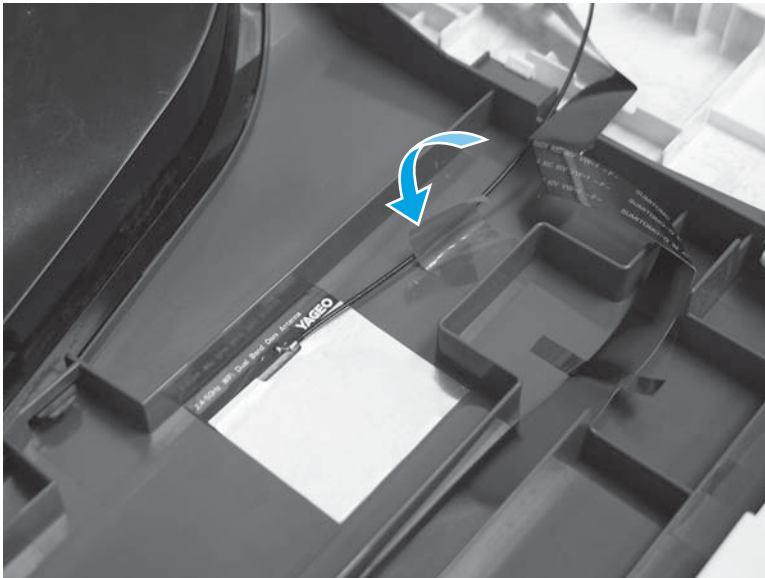
Figure 1-4359 Press the silver tape



6. Position the tape over the antenna cable to hold it securely against the top cover.

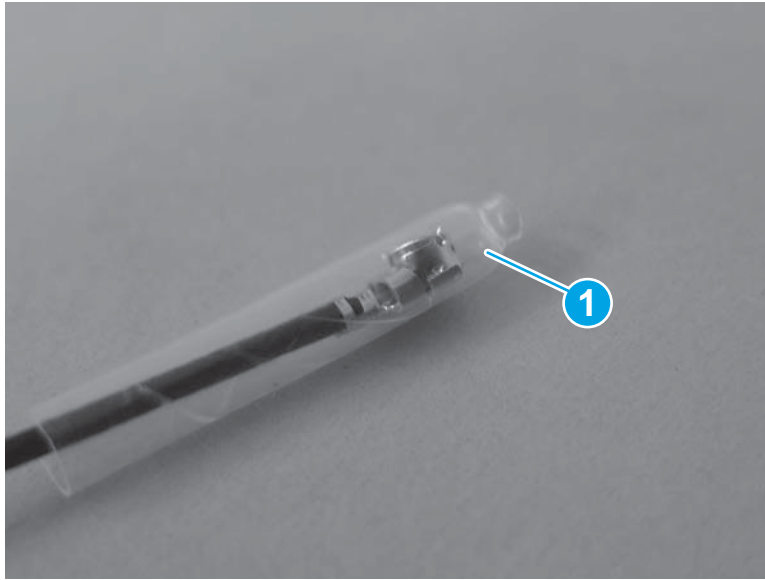
 **NOTE:** If the tape is missing, use a small piece of electrical tape to secure the antenna to the top cover at the location shown.

Figure 1-4360 Position the tape



7. Remove the protective cover (callout 1) from the end of the antenna cable.

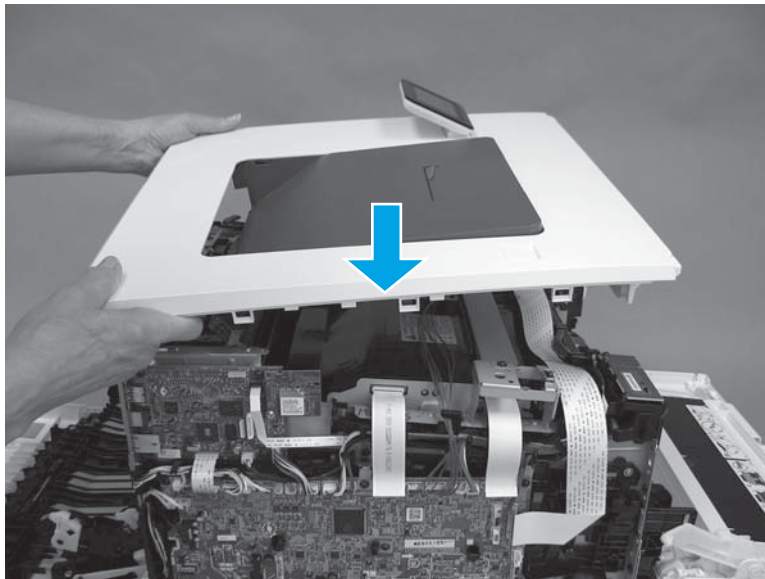
Figure 1-4361 Remove the protective cover



Step 10: Install the top cover (M452 models)

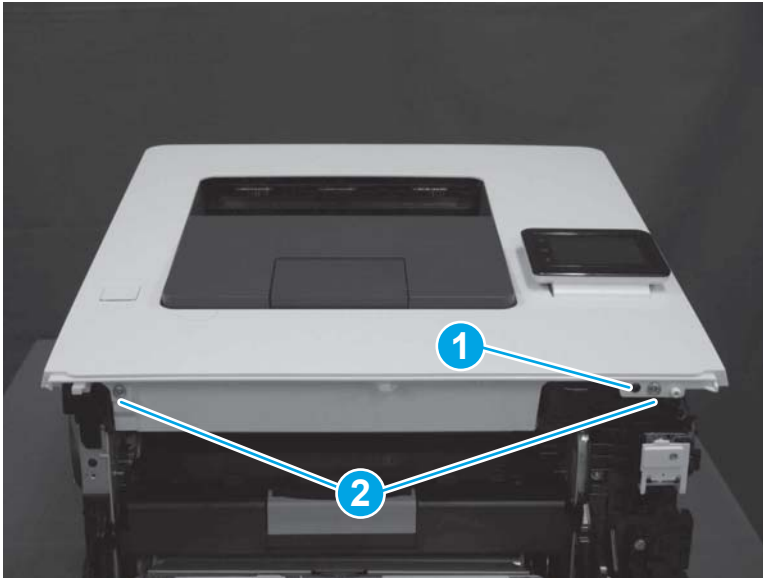
1. Position the top cover on top of the printer.

Figure 1-4362 Position the top cover



2. At the front of the printer, engage one tab (callout 1), and then install two screws (callout 2).

Figure 1-4363 Engage tab and install screws

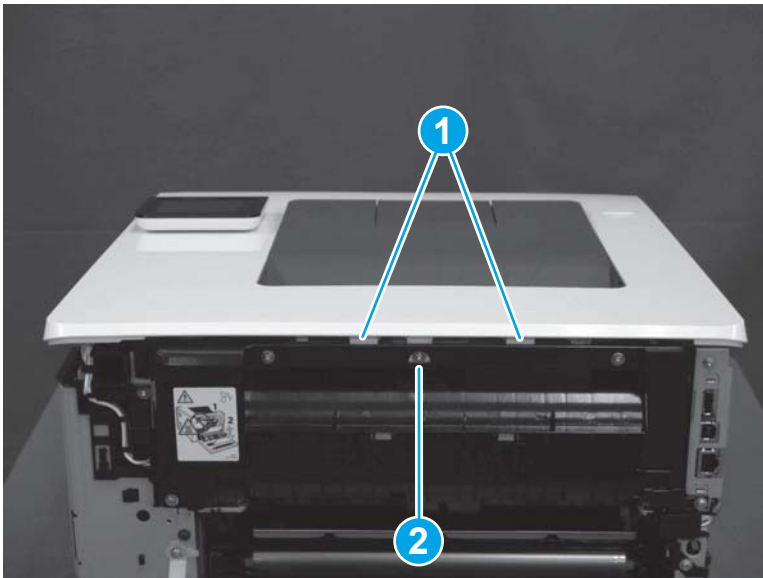


3. **M452nw model only:** At the back of the printer, install two tabs (callout 1), and then install one screw (callout 2).



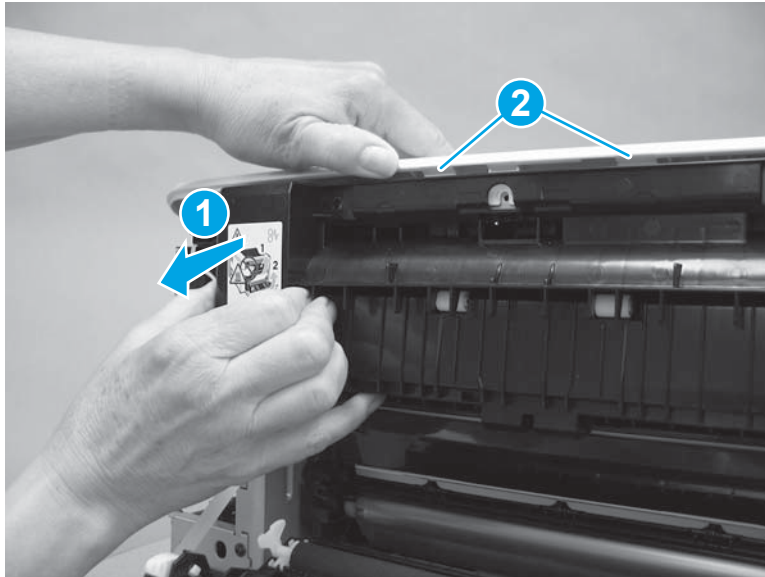
NOTE: The M452dw model is shown. The procedure is correct for the M452nw model.

Figure 1-4364 Install two tabs and one screw



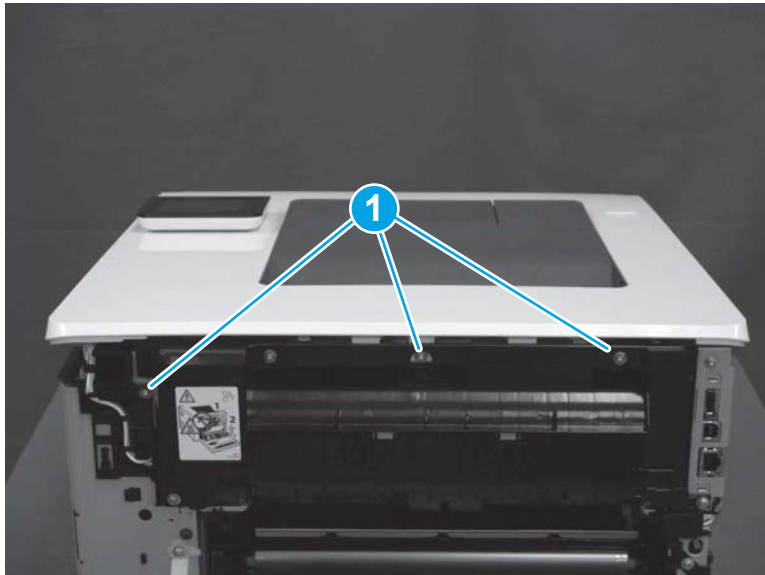
- M452dn/dw models only:** Gently pull the top of the fuser away (callout 1), and then install two tabs (callout 2).

Figure 1-4365 Install two tabs



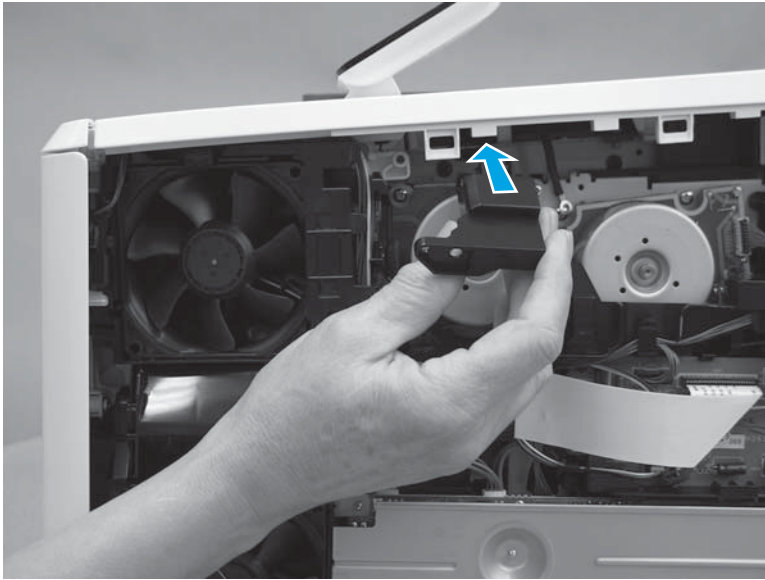
- M452dn/dw models only:** At the back of the printer, install three screws (callout 1).

Figure 1-4366 Install three screws



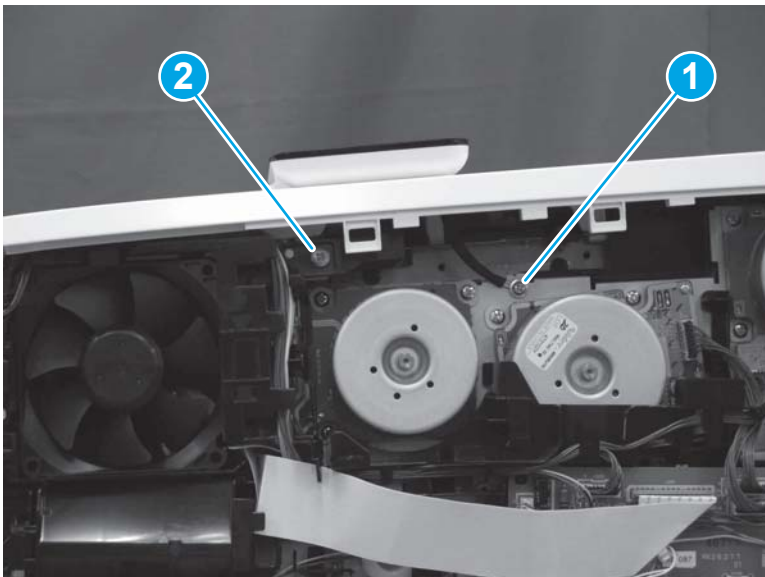
6. **M452dw model only:** Position the guide in the printer.

Figure 1-4367 Install the guide



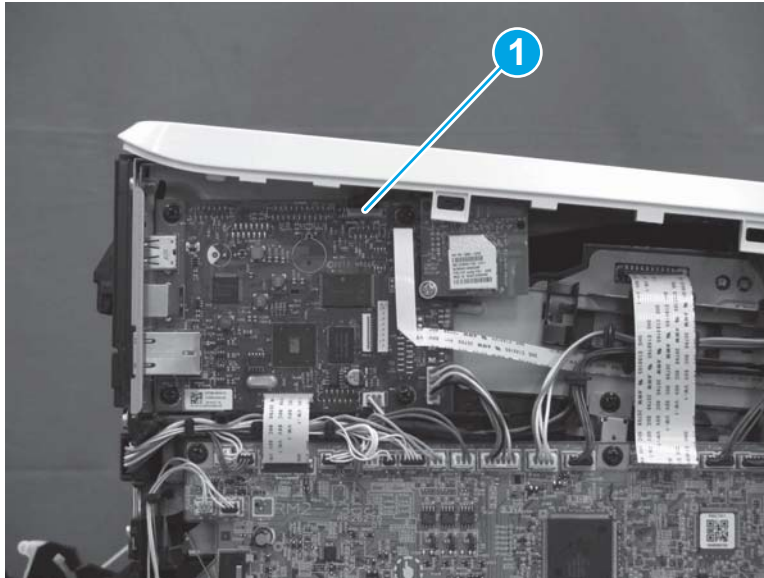
7. **M452dw model only:** Position the ground wire and Install one screw (callout 1). Install one screw (callout 2).

Figure 1-4368 Install two screws



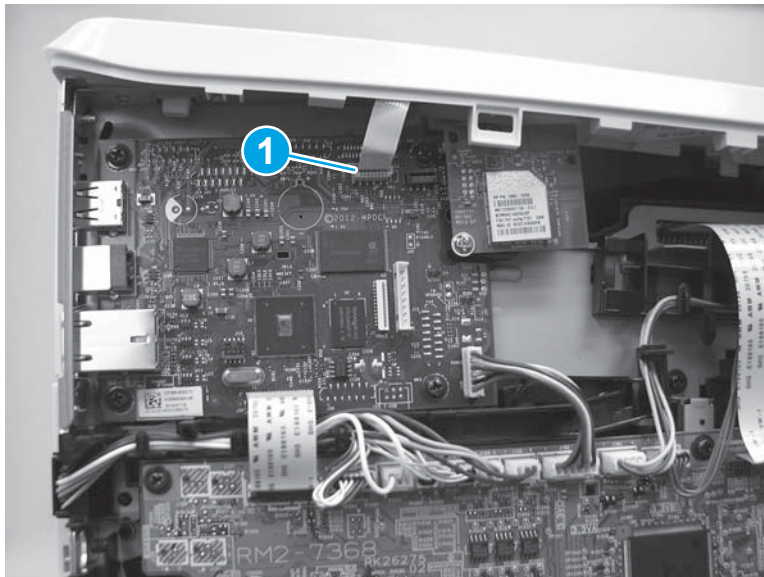
- 8. M452dw model only:** On the left side of the printer, on the formatter, connect one connector (callout 1).

Figure 1-4369 Connect one connector



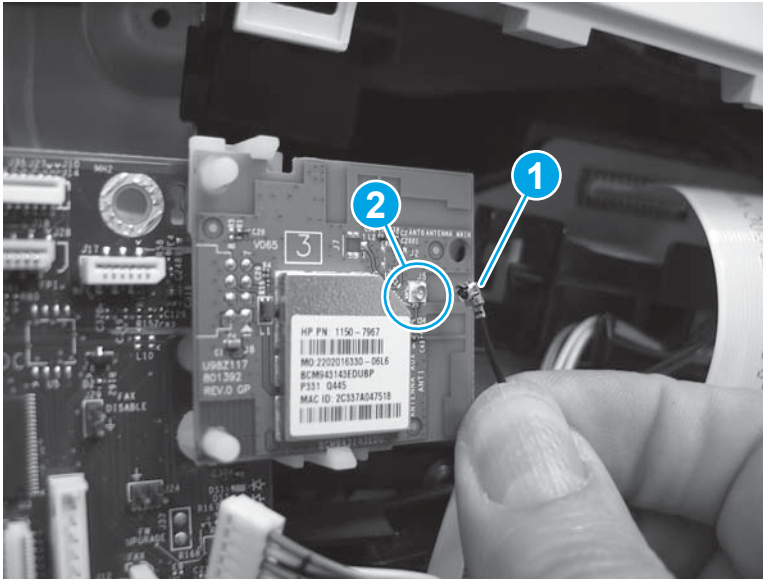
- 9. M452nw/dn models only:** On the left side of the printer, on the formatter, connect one connector (callout 1).

Figure 1-4370 Connect one connector



- 10. M452nw/dw models only:** Connect the antenna (callout 1) to the connector (callout 2) on the wireless PCA.

Figure 1-4371 Connect the antenna

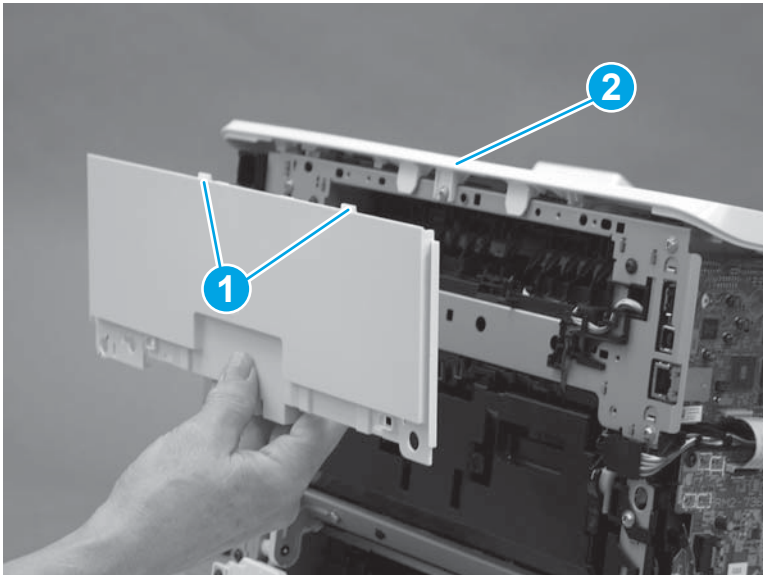


Step 11: Install the rear top cover (simplex model)

 **NOTE:** This step is for simplex models. For duplex models, skip this step and go to [Step 12: Install the left cover \(M452 models\) on page 2305](#).

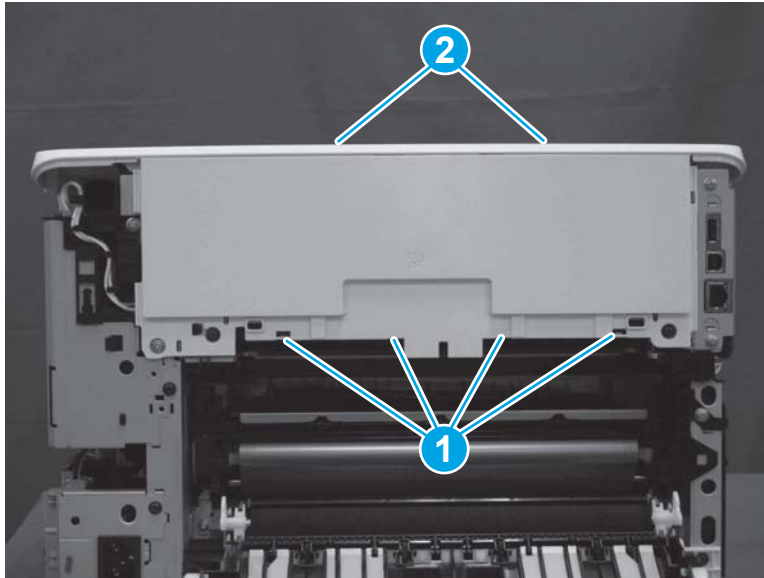
1. Position the tabs on top of the rear top cover (callout 1) under the edge of the top cover (callout 2).

Figure 1-4372 Install the rear top cover



2. Make sure that the tabs on the bottom (callout 1) and the tabs on the top (callout 2) snap into place.

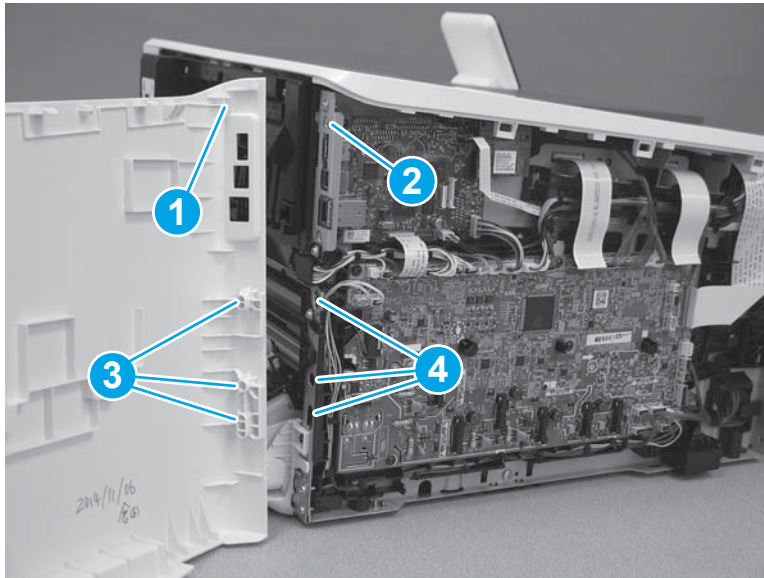
Figure 1-4373 Release two tabs



Step 12: Install the left cover (M452 models)

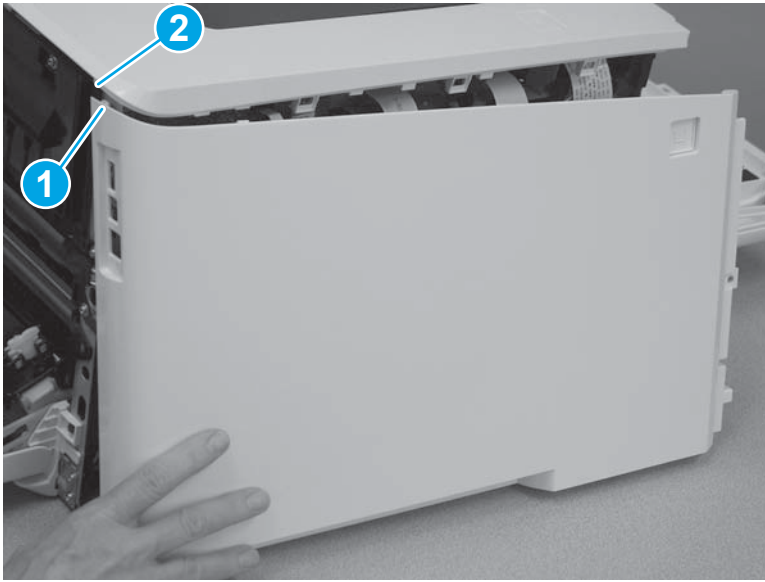
1. Position the hook (callout 1) on the cover in the slot (callout 2) on the printer. Position three tabs (callout 3) on the back of the cover in the slots (callout 4) in the printer.

Figure 1-4374 Position three tabs



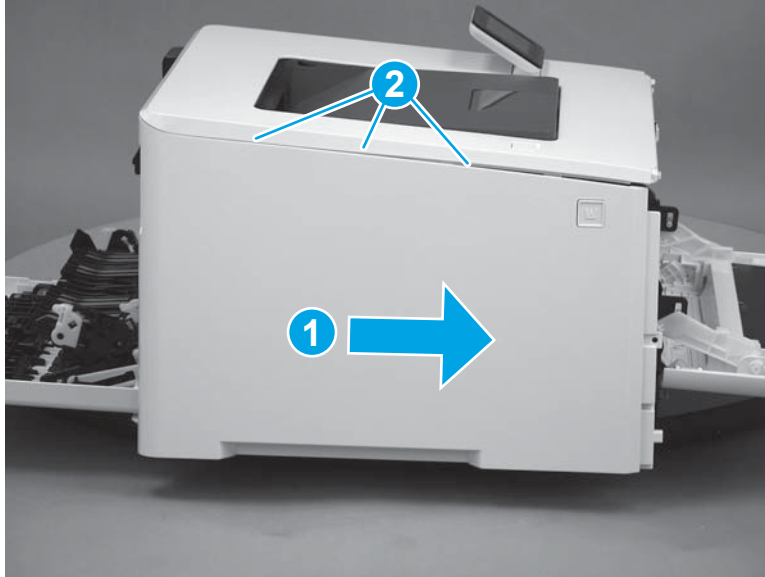
2. At the back of the printer, install the tab (callout 1) under the edge of the top cover (callout 2).

Figure 1-4375 Install one tab



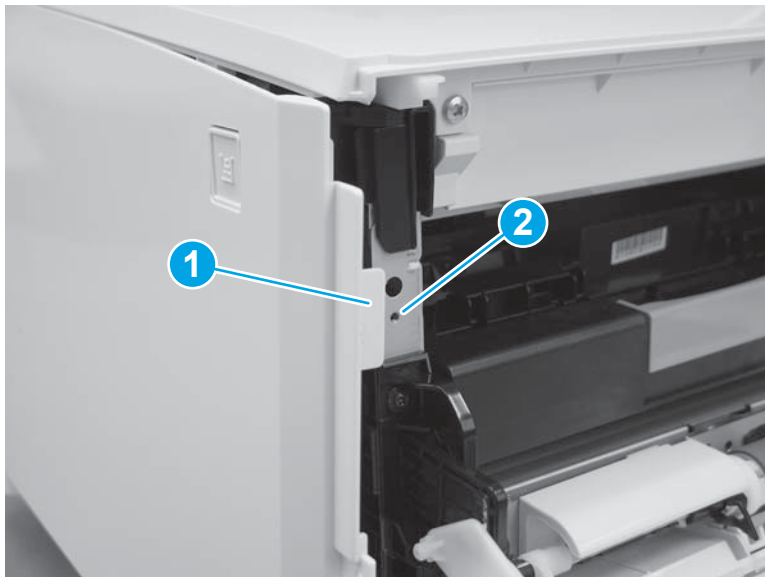
3. Slide the cover toward the front of the printer (callout 1), and then engage three tabs (callout 2) on the top of the cover.

Figure 1-4376 Install the left cover



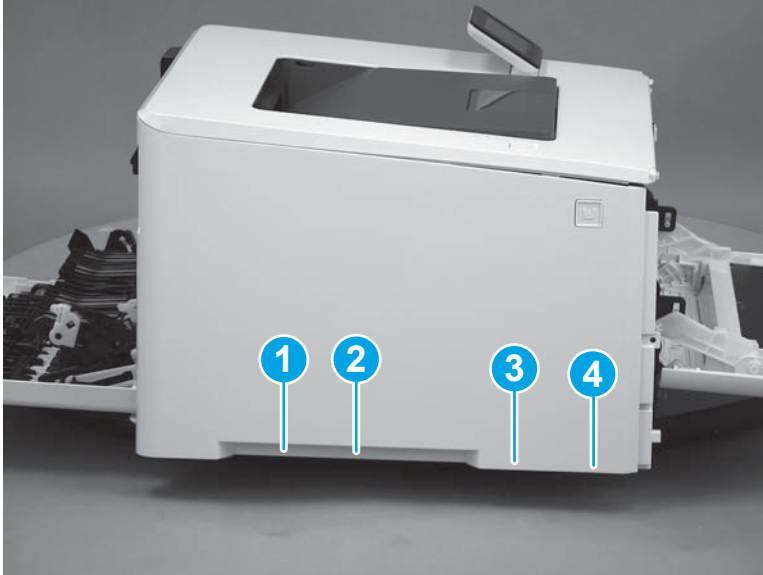
⚠ CAUTION: Make sure that the tab (callout 1) does not get caught behind the printer frame (callout 2).

Figure 1-4377 Make sure the tab does not get caught



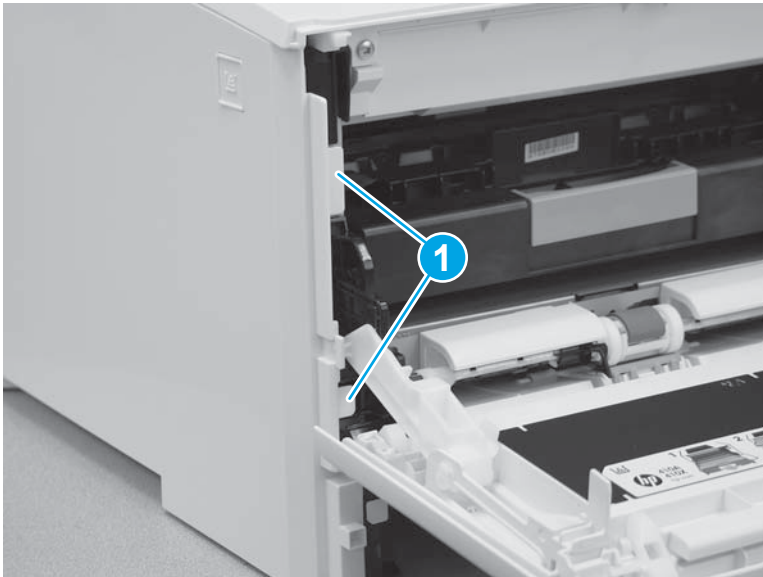
4. Slide the printer to the edge of a work surface in order to access the tabs on the bottom of the cover. Beginning from the back of the cover, install four tabs (callouts 1-4) on the lower edge of the cover.

Figure 1-4378 Install four tabs



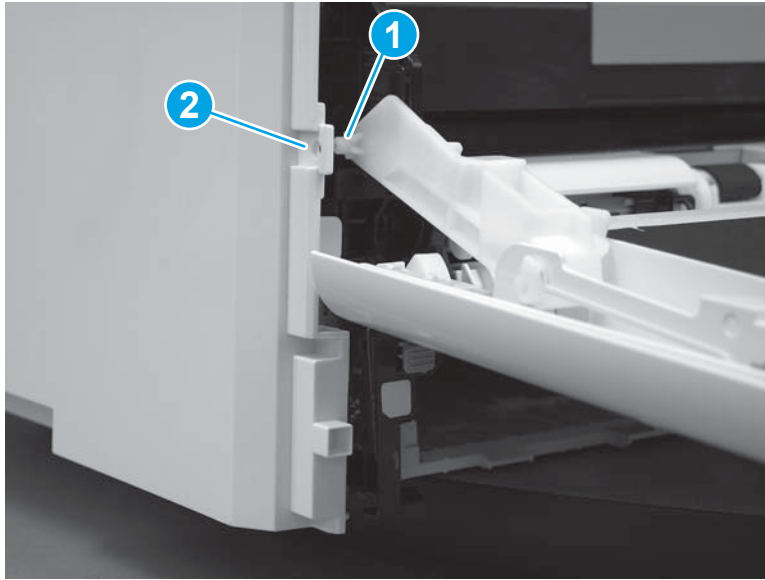
5. Install two tabs (callout 1) at the front of the cover.

Figure 1-4379 Engage two tabs



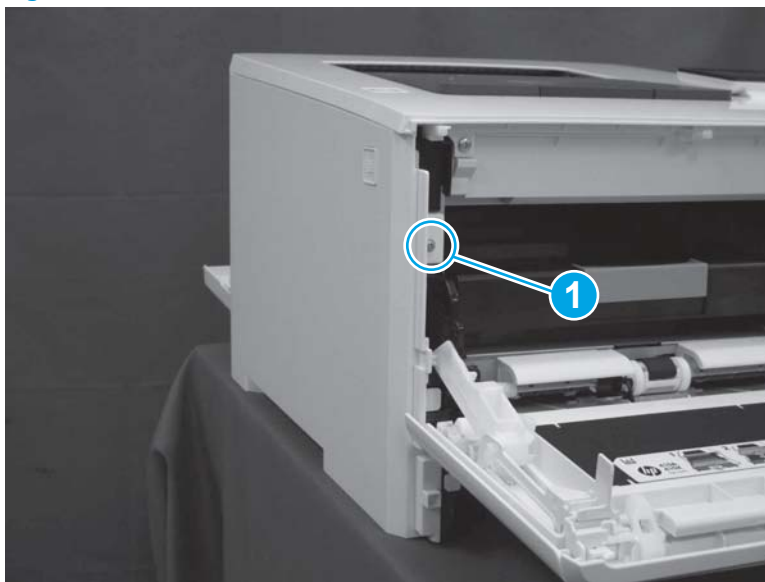
6. Make sure that the hinge pin (callout 1) on the front door fits into the slot (callout 2) on the left cover.

Figure 1-4380 Install hinge pin



7. Install one screw (callout 1).

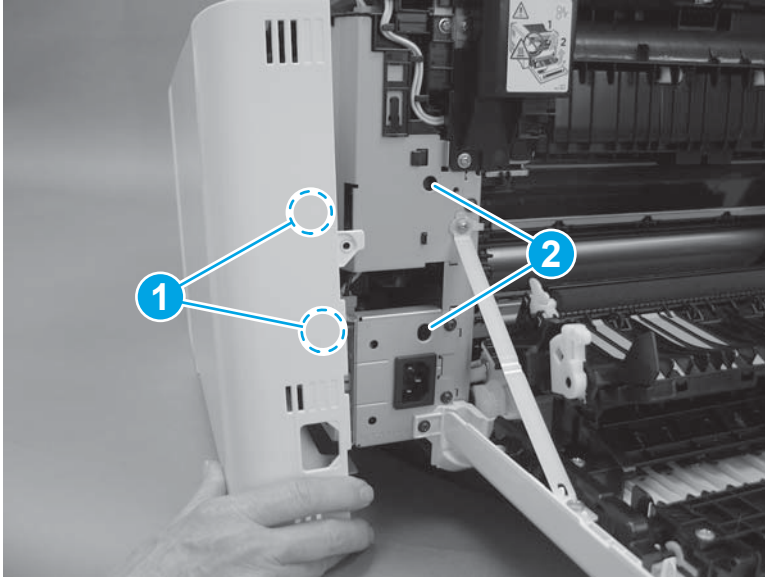
Figure 1-4381 Install one screw



Step 13: Install the right cover (M452 models)

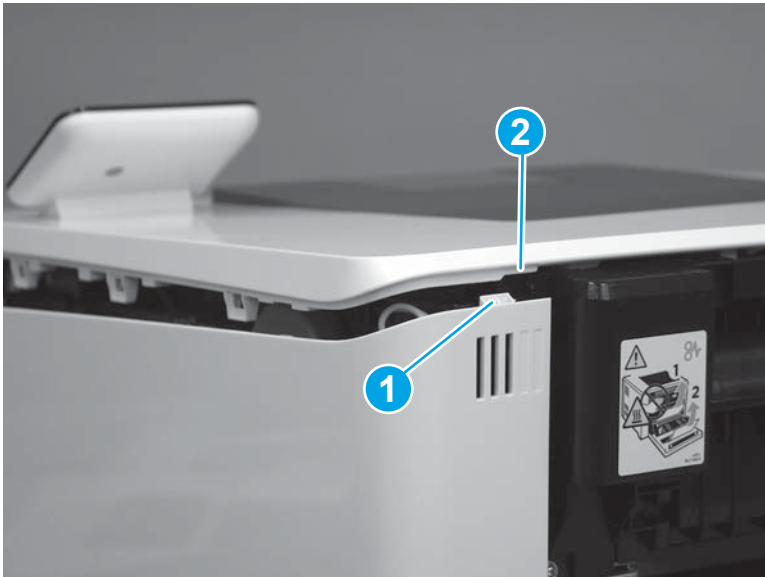
1. Position two tabs (callout 1) on the back of the cover in the slots (callout 2) in the printer.

Figure 1-4382 Position two tabs



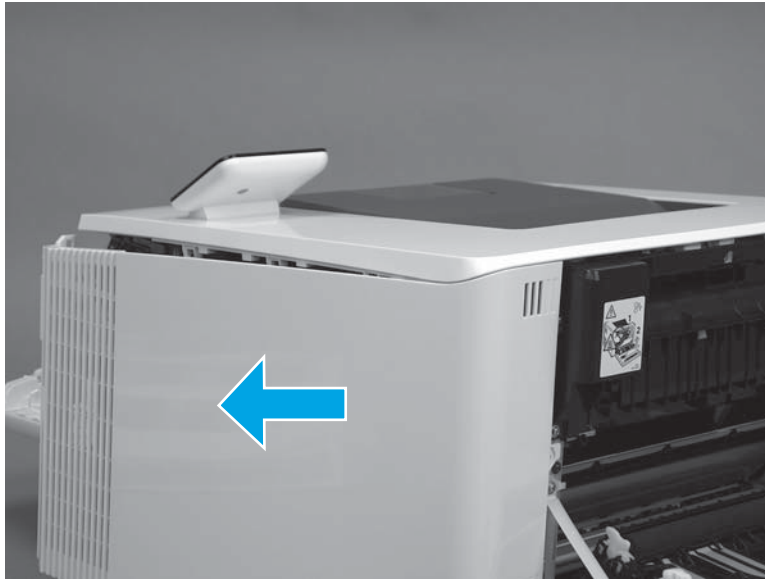
2. At the back of the printer, install the tab (callout 1) under the edge of the top cover (callout 2).

Figure 1-4383 Install rear tab



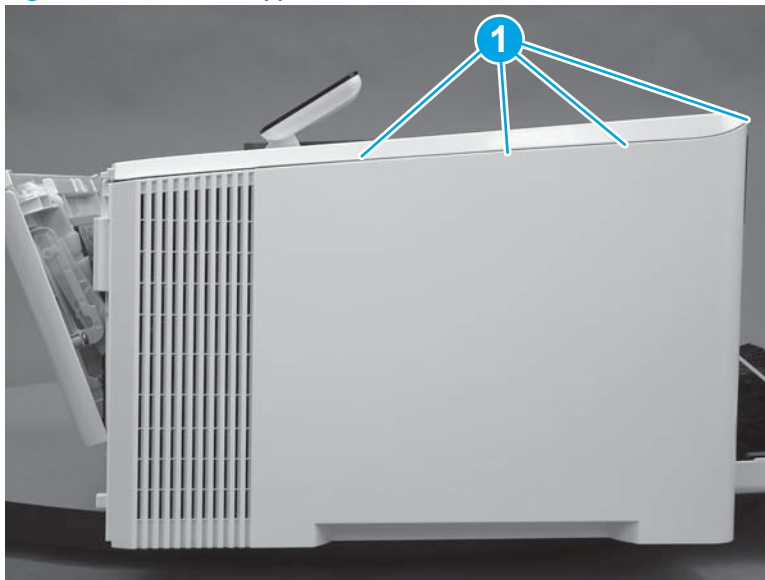
3. Slide the cover toward the front of the printer to install it.

Figure 1-4384 Install the right cover



4. Engage three tabs (callout 2) on the top of the cover.

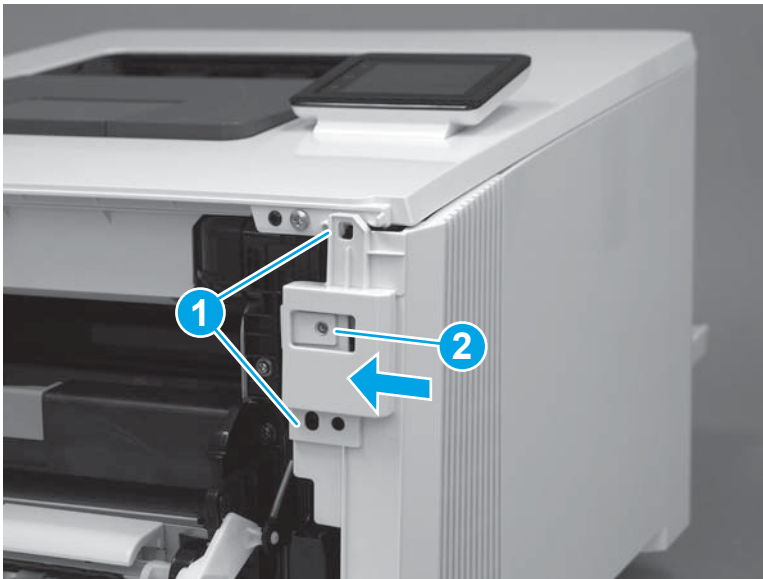
Figure 1-4385 Install upper tabs



5. At the front of the printer, position the front of the cover over two tabs (callout 1).

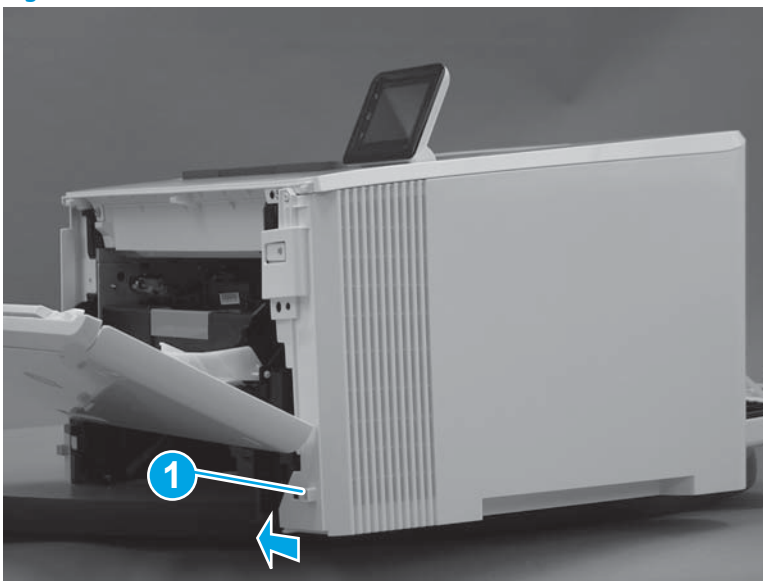
⚠ CAUTION: Be careful not to dislodge the power switch (callout 2).

Figure 1-4386 Install the front tabs



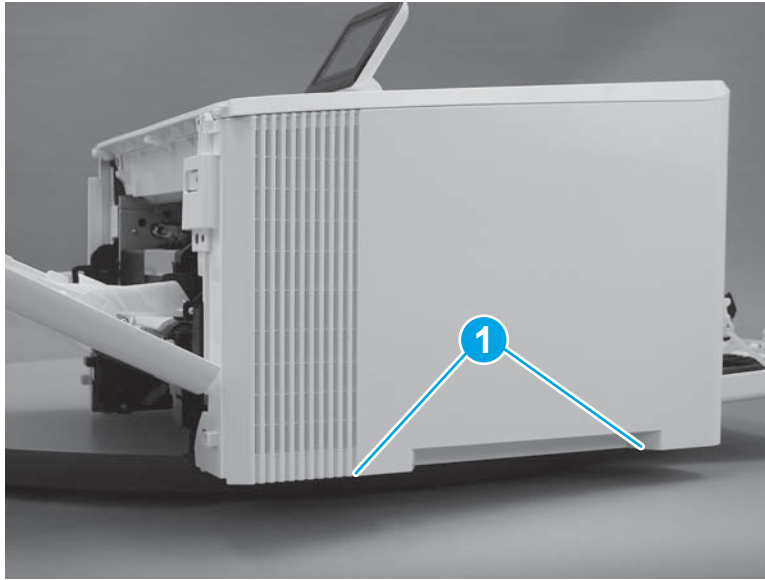
6. Press the right cover toward the printer to engage one tab (callout 1) on the front of the cover.

Figure 1-4387 Install the front lower tab



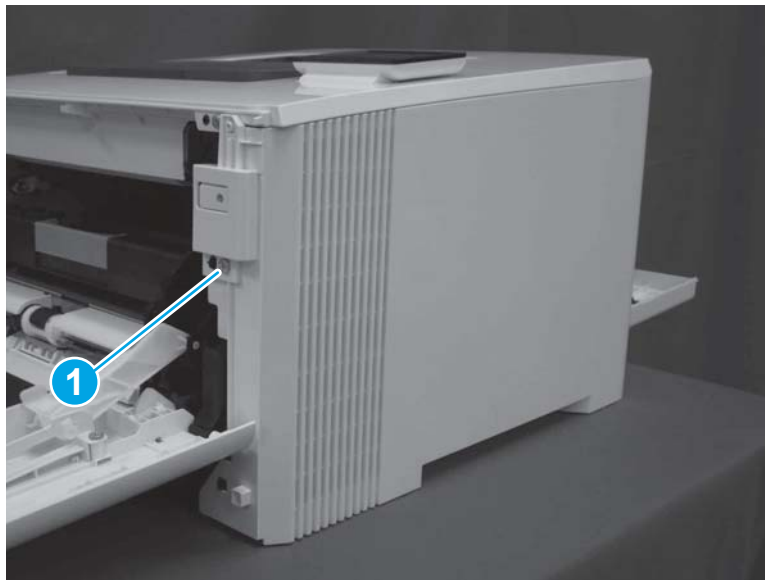
7. Install two tabs on the bottom of the cover (callout 1).

Figure 1-4388 Install two tabs



8. At the front of the printer, install one screw (callout 1).

Figure 1-4389 Install one screw



9. At the back of the printer, install one screw (callout 1).

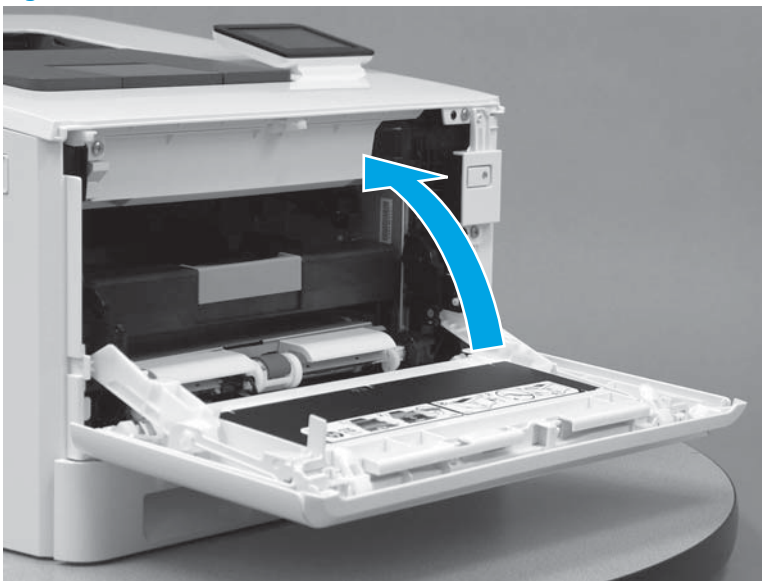
Figure 1-4390 Install one screw



Step 14: Close the front door and rear door or duplexer door

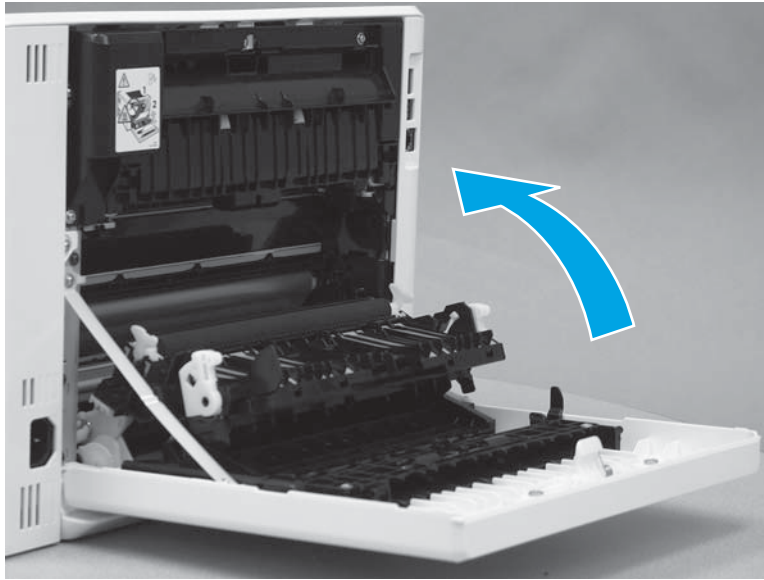
1. Close the front door.

Figure 1-4391 Close the front door



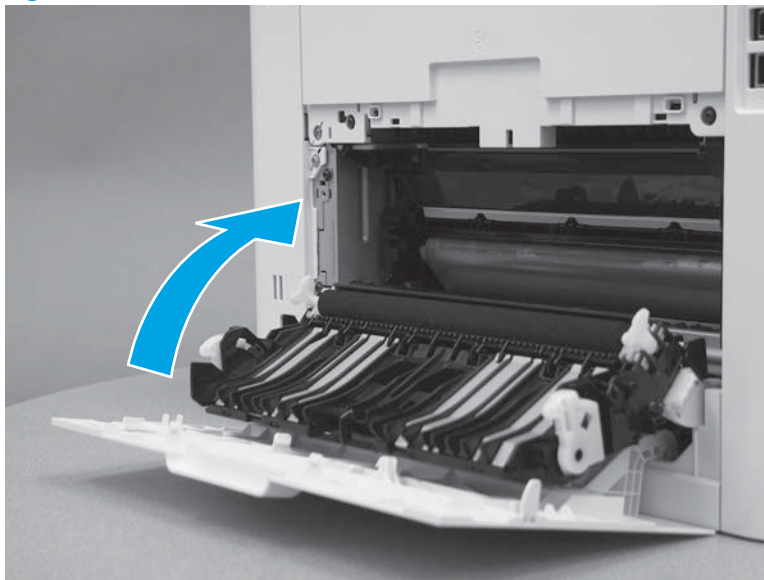
2. **Duplex models:** Close the duplexer door.

Figure 1-4392 Close the duplexer door



3. **Simplex models:** Close the rear door.

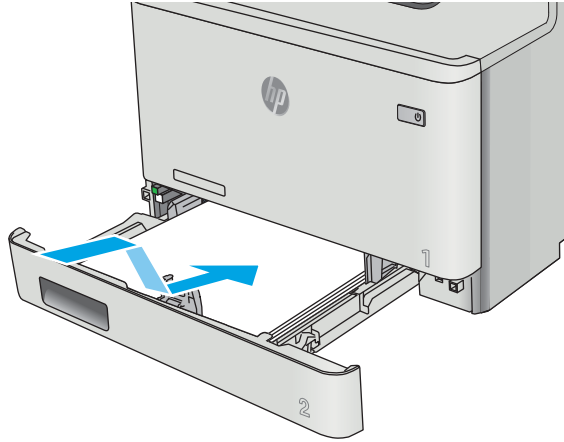
Figure 1-4393 Close the rear door



Step 15: Install Tray 2

- ▲ With the front of the tray slightly lifted, align the sides of the tray with the rails in the printer, and then carefully slide the tray into the printer. As the tray slides into the printer, lower the front of the tray, and then close it.

Figure 1-4394 Install the tray



Removal and replacement: Wireless PCA (M452nw/dw models)


- [Introduction](#)
- [Step 1: Remove Tray 2](#)
- [Step 2: Open the front door and rear door or duplexer door](#)
- [Step 3: Remove the left cover \(M452 models\)](#)
- [Step 4: Remove the formatter PCA](#)
- [Step 5: Remove the wireless PCA \(M452nw/dw models\)](#)
- [Step 6: Unpack the replacement part](#)
- [Step 7: Install the wireless PCA \(M452nw/dw models\)](#)
- [Step 8: Install the formatter PCA](#)
- [Step 9: Install the left cover \(M452 models\)](#)
- [Step 10: Close the front door and rear door or duplexer door](#)
- [Step 11: Install Tray 2](#)

Introduction

This document provides the procedures to remove and replace the wireless PCA for the M452nw and M452dw.

Before you begin

- Turn off the printer.
- Disconnect the power cable.

 **WARNING!** To avoid damage to the printer, turn the printer off, wait 30 seconds, and then remove the power cord before attempting to service the printer.

- Use the table below to identify the correct part number for your printer. To order the part, go to www.hp.com/buy/parts.

Wireless PCA part numbers

0960-3295Wireless PCA (M452nw/dw)

Required tools

- #2 Phillips screwdriver with a magnetic tip

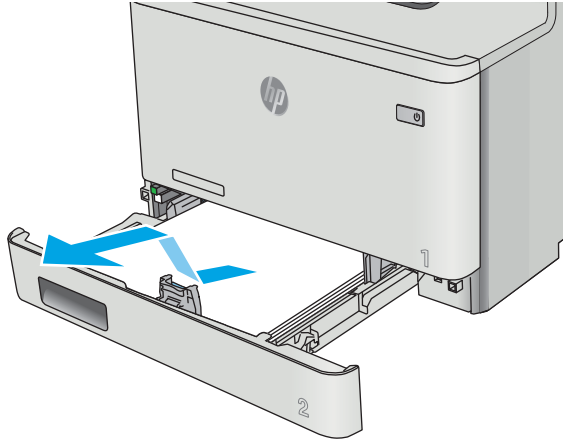
After performing service

- Connect the power cable.
- Use the power switch to turn the power on.

Step 1: Remove Tray 2

- ▲ Pull the tray out until it stops. Lift the front of the tray, and then pull it out of the printer to remove it.

Figure 1-4395 Remove the tray



Step 2: Open the front door and rear door or duplexer door

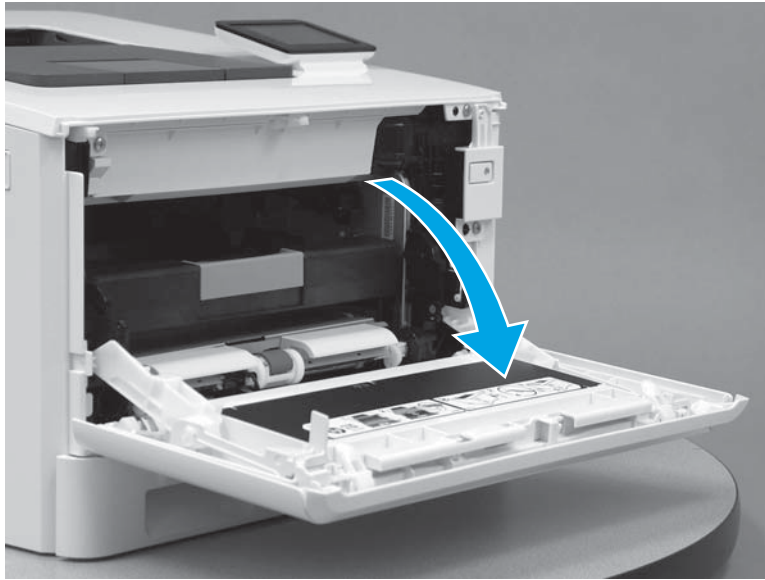
1. Press the button (callout 1) on the left side of the printer to release the front door.

Figure 1-4396 Release the front door



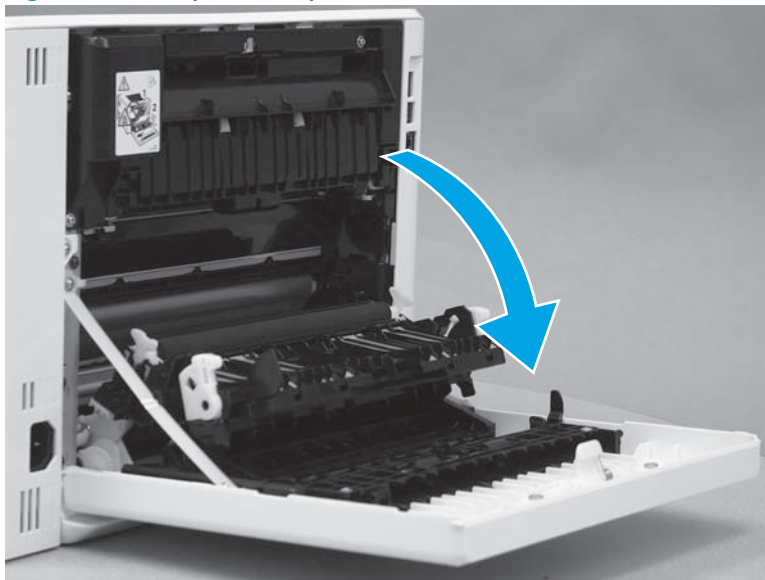
2. Open the front door.

Figure 1-4397 Open the front door



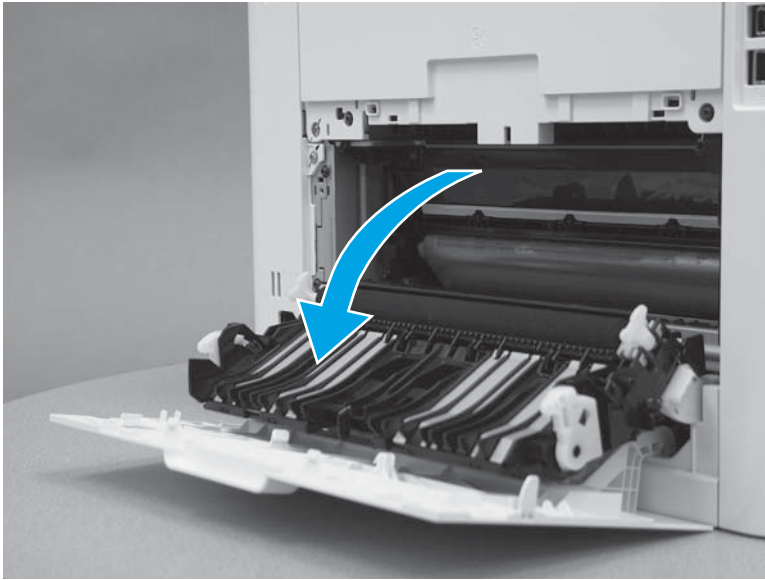
3. **Duplex models:** Open the duplexer door.

Figure 1-4398 Open the duplexer door



4. **Simplex models:** Open the rear door.

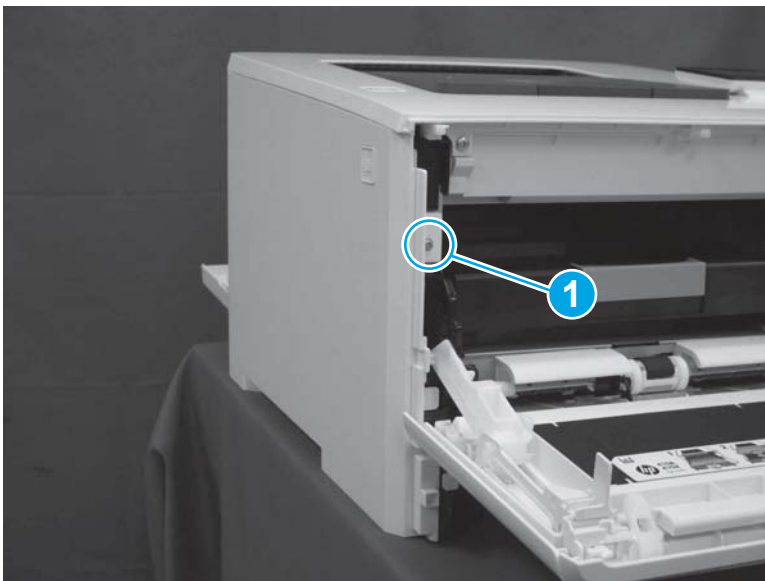
Figure 1-4399 Open the rear door



Step 3: Remove the left cover (M452 models)

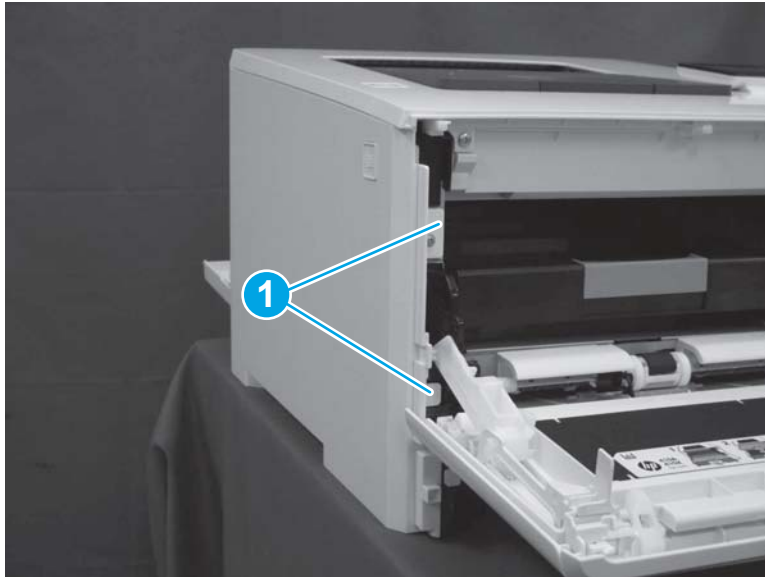
1. At the front of the printer, remove one screw (callout 1).

Figure 1-4400 Remove one screw



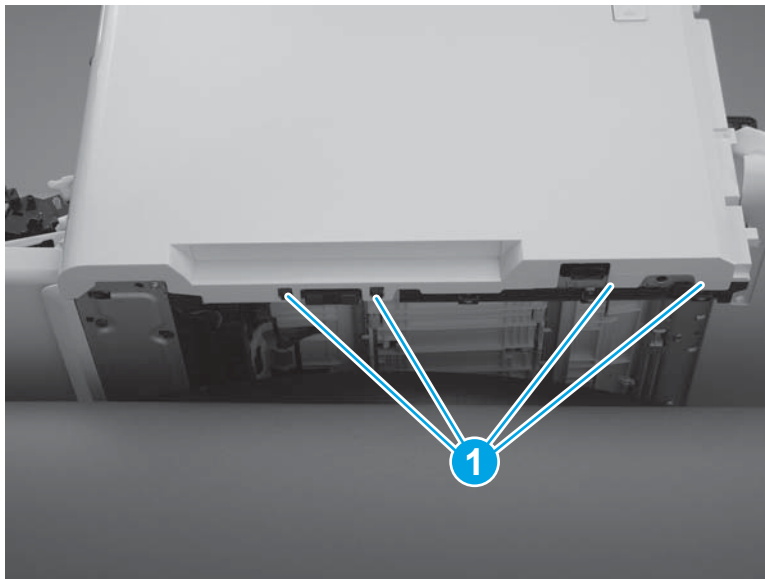
2. Release two tabs (callout 1) at the front of the cover. Hold the cover open to prevent the tabs from reengaging.

Figure 1-4401 Release two tabs



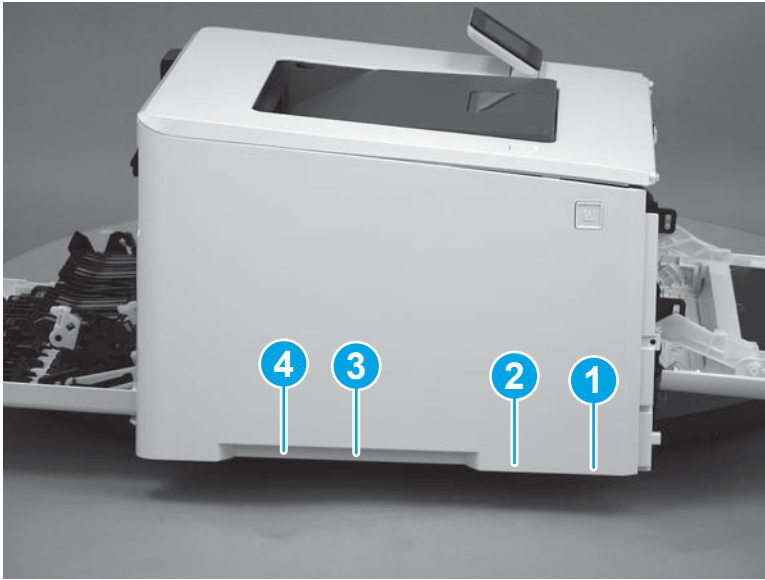
3. Slide the printer to the edge of a work surface. Note the location of the tabs on the lower edge of the cover (callout 1).

Figure 1-4402 Locate the tabs



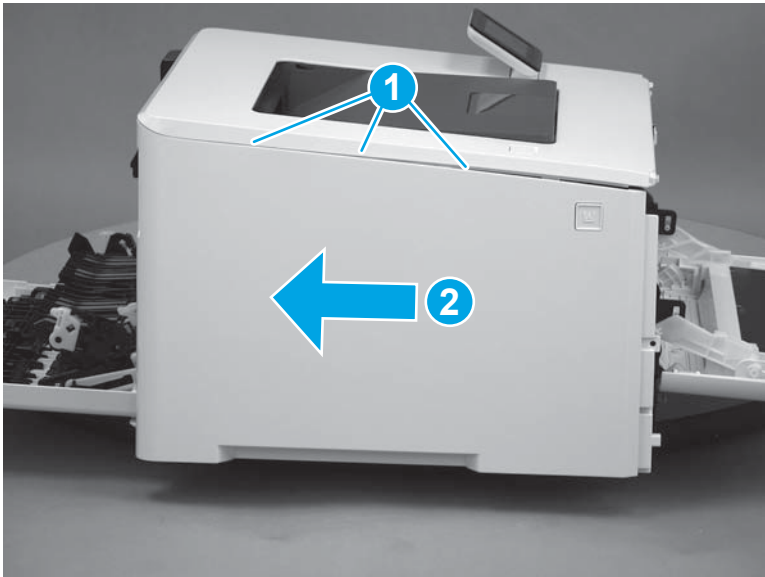
4. Beginning from the front of the cover, release four tabs (callouts 1-4) on the lower edge of the cover.

Figure 1-4403 Release bottom tabs



5. Release three tabs at the top of the cover (callout 1), and then slide the cover toward the rear of the printer to remove it.

Figure 1-4404 Release three tabs



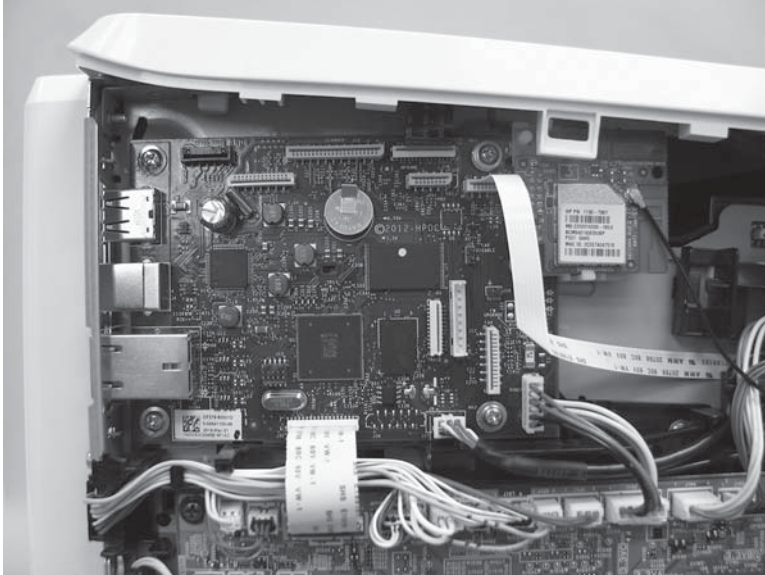
Step 4: Remove the formatter PCA



NOTE: The M452dw model is shown in the figures below. The formatter PCA on other models might look differently and have a different number of connections. However, the procedure is correct for all models.

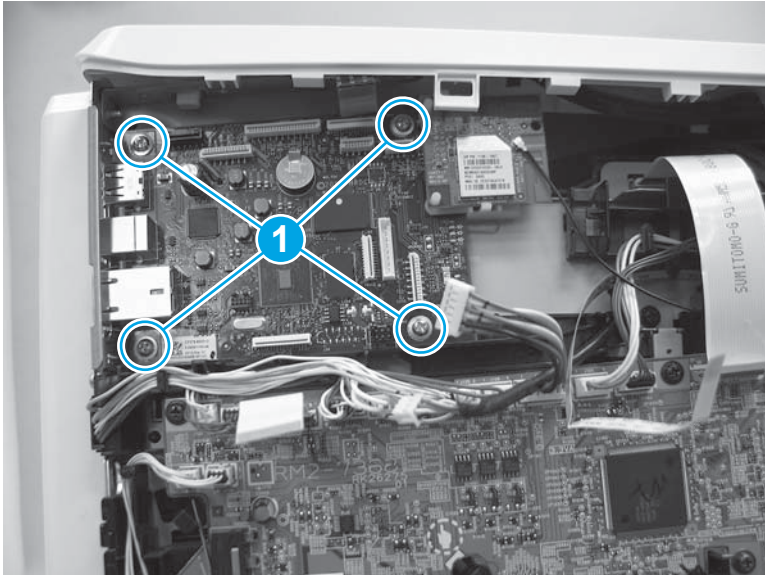
1. Disconnect all of the connectors on the formatter PCA.

Figure 1-4405 Disconnect all of the connectors)



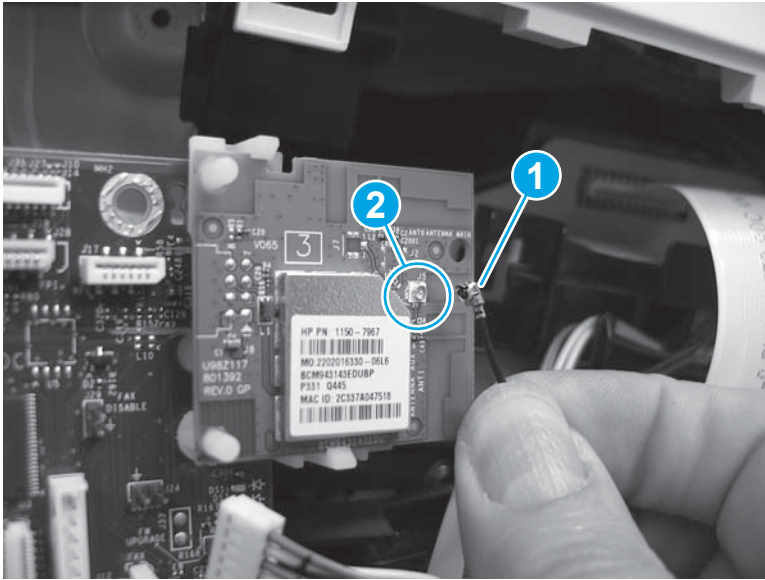
2. Remove four screws (callout 1).

Figure 1-4406 Remove four screws



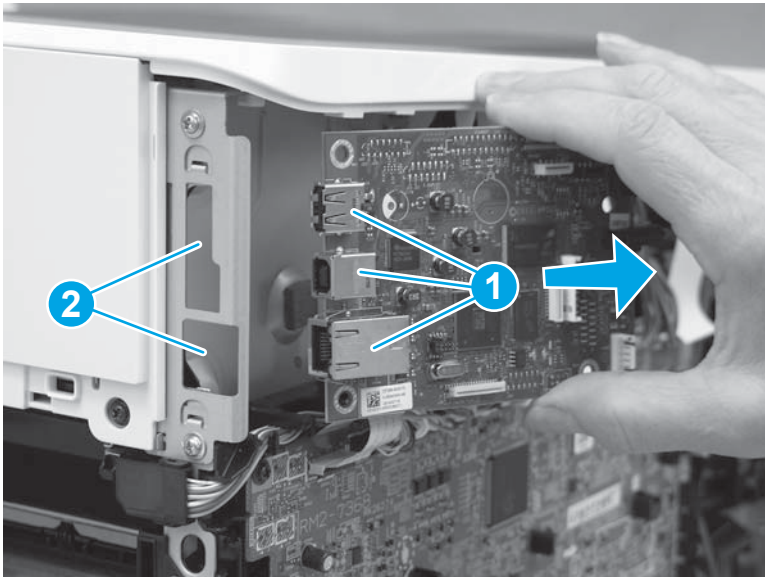
3. Disconnect the antenna (callout 1) from the connector (callout 2).

Figure 1-4407 Disconnect the antenna



4. Slide the formatter PCA to the right to release the ports (callout 1) from the openings in the printer frame (callout 2), and then remove the formatter PCA.

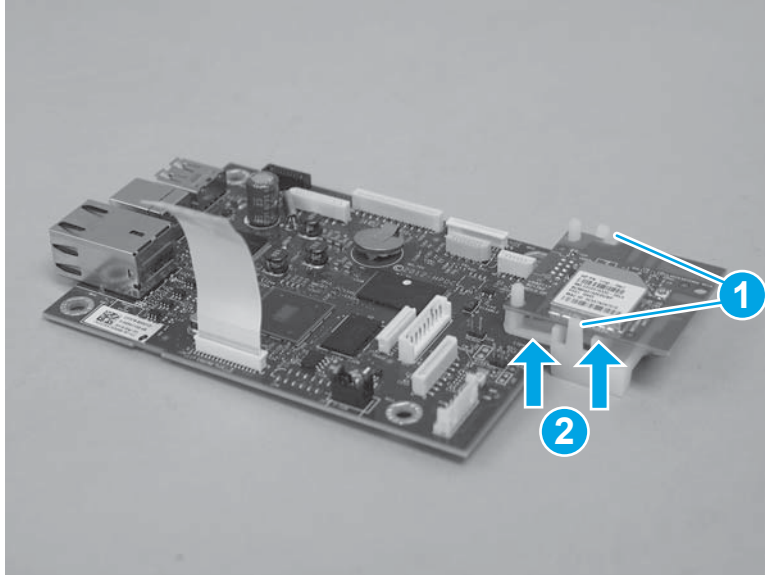
Figure 1-4408 Remove the formatter PCA



Step 5: Remove the wireless PCA (M452nw/dw models)

- ▲ Lay the formatter PCA on a flat surface. Release two tabs (callout 1), and then lift the wireless PCA up (callout 2) to release it from the bracket and disconnect it from the formatter PCA.

Figure 1-4409 Remove the wireless PCA



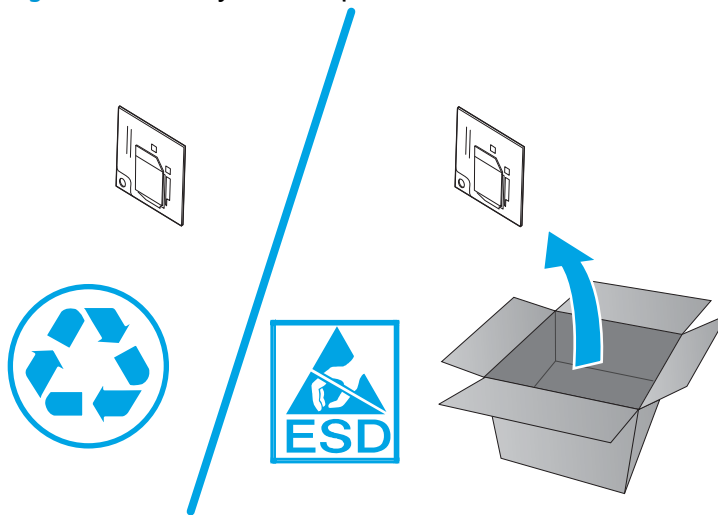
Step 6: Unpack the replacement part

Remove the new part from its package. Save all packaging for recycling the used part.

For complete information on HP's recycling programs, go to [Product return and recycling](#).

 **NOTE:** HP recommends responsible disposal of the defective part.

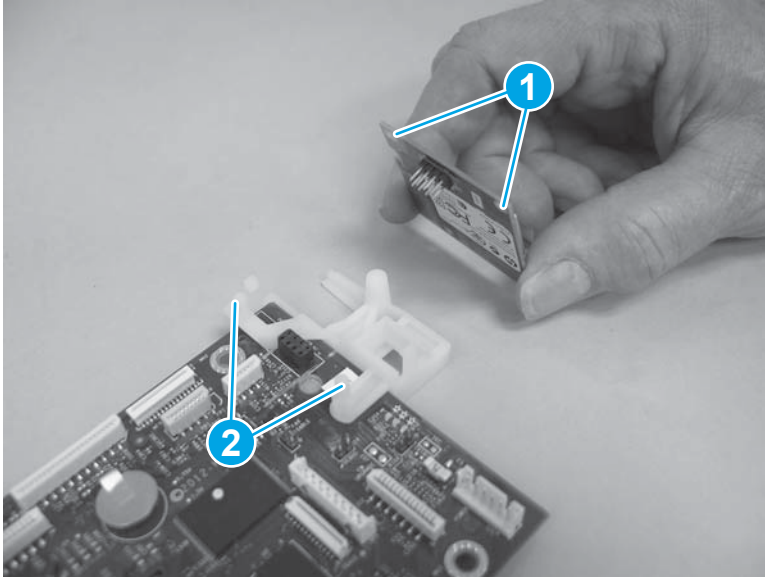
Figure 1-4410 Recycle and unpack



Step 7: Install the wireless PCA (M452nw/dw models)

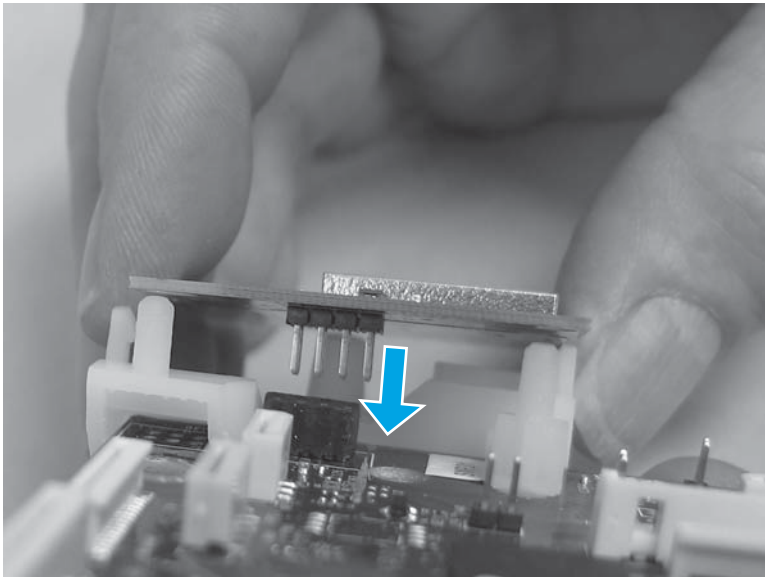
1. Position the holes (callout 1) on the wireless PCA over the posts (callout 2) on the bracket.

Figure 1-4411 Position the wireless PCA



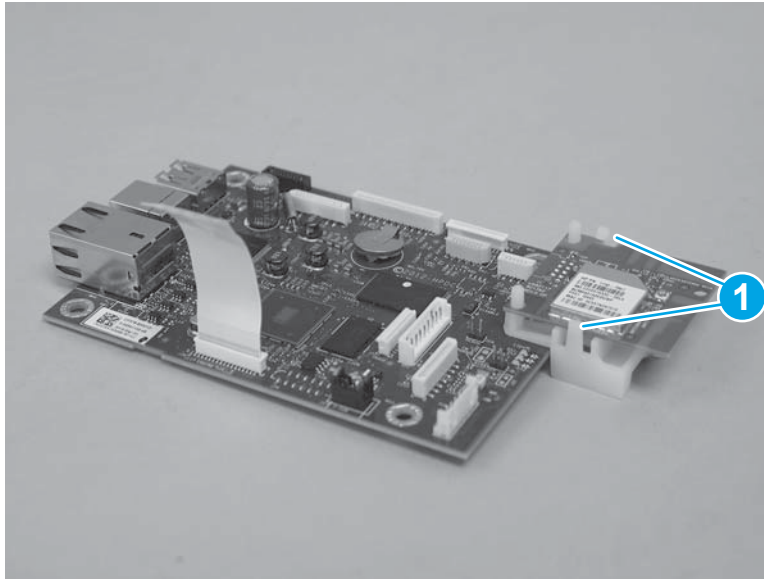
2. Press the connector on the wireless PCA onto the connector on the formatter PCA.

Figure 1-4412 Connect the wireless PCA




3. Make sure that two tabs (callout 1) snap into place.

Figure 1-4413 Check the tabs

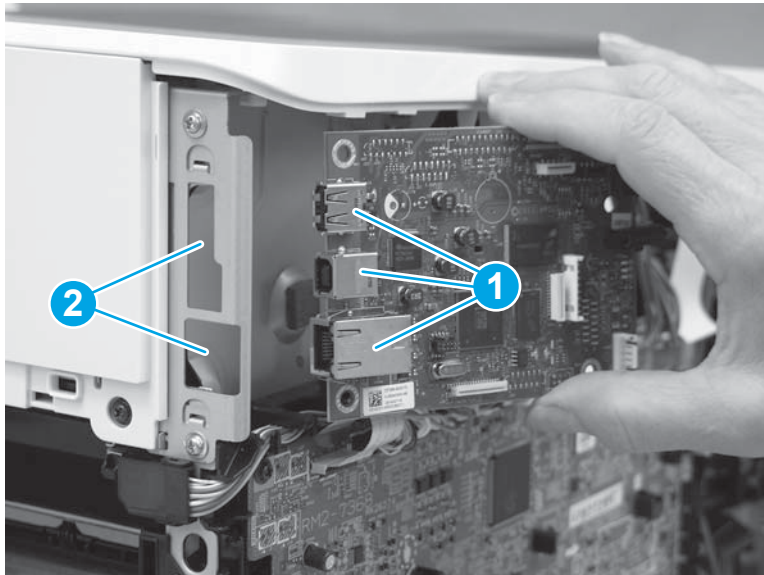


Step 8: Install the formatter PCA

 **NOTE:** The M452dw model is shown in the figures below. The formatter PCA on other models might look differently and have a different number of connections. However, the procedure is correct for all models.

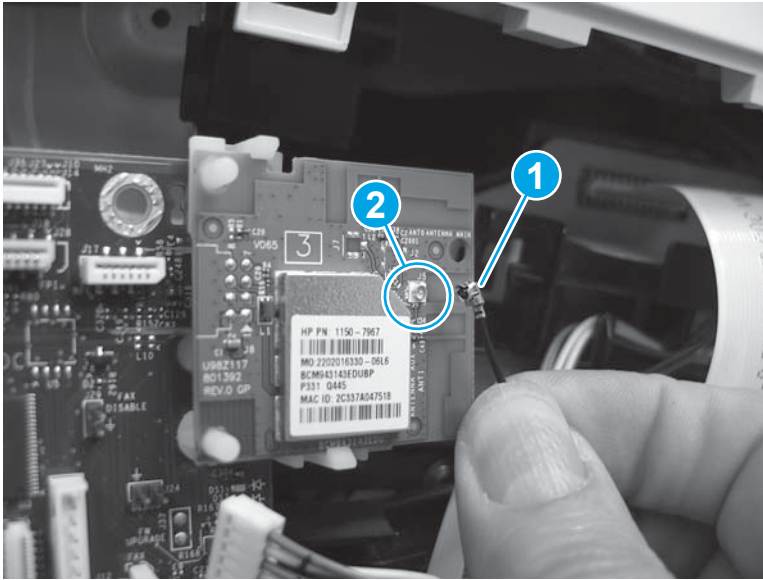
1. Install the ports (callout 1) on the side of the formatter PCA through the openings in the printer frame (callout 2).

Figure 1-4414 Position the formatter PCA ports



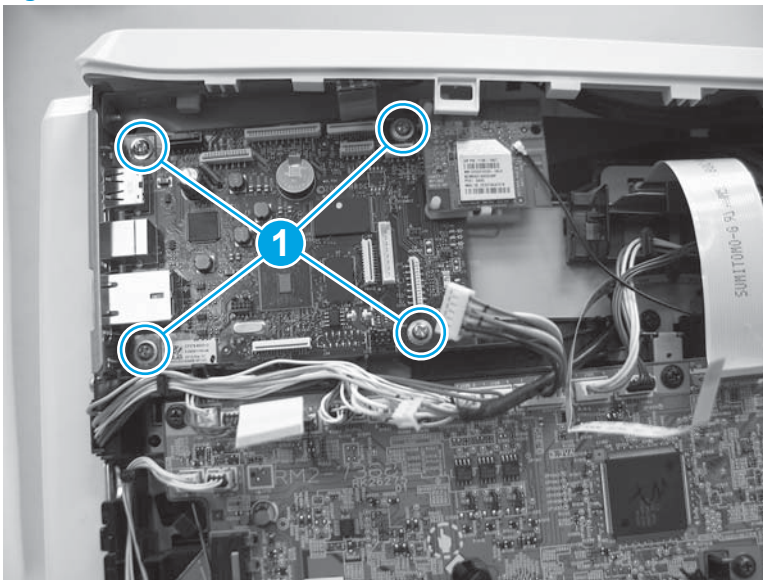
2. Connect the antenna (callout 1) to the connector (callout 2).

Figure 1-4415 Connect the antenna



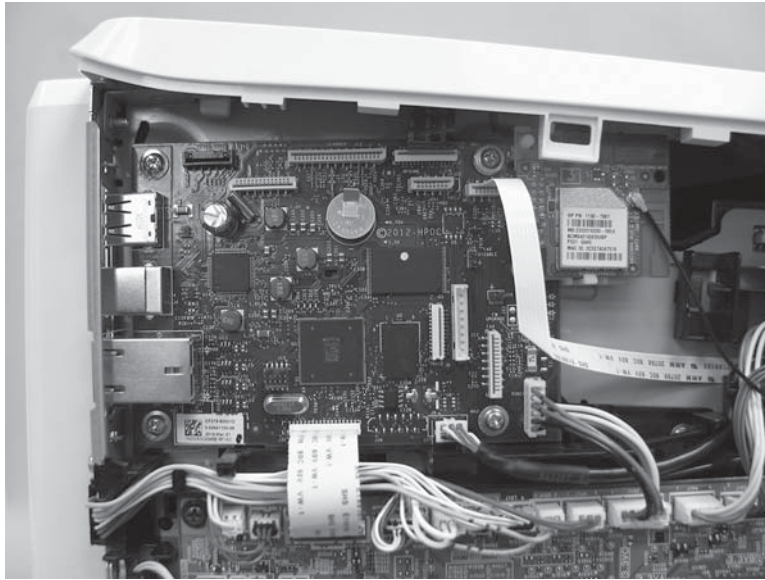
3. Set the formatter PCA in place, and then install four screws (callout 1).

Figure 1-4416 Install four screws



4. Connect all connectors on the formatter PCA.

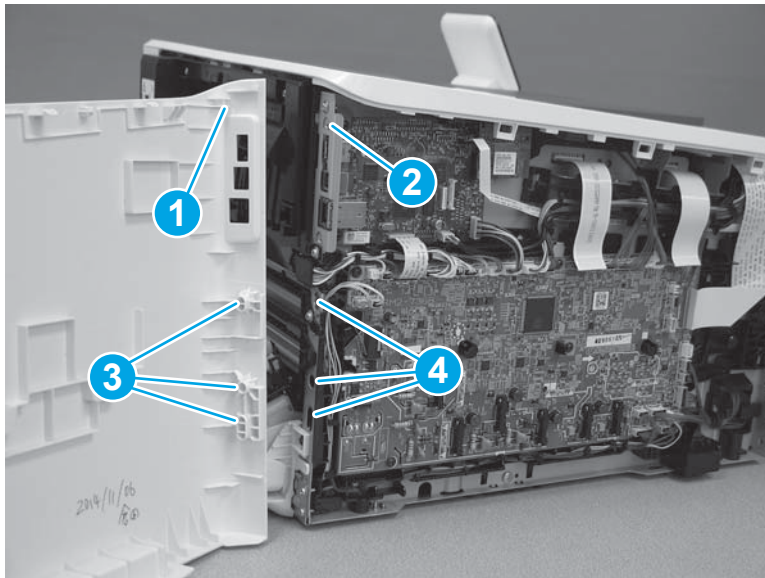
Figure 1-4417 Connect all of the connectors



Step 9: Install the left cover (M452 models)

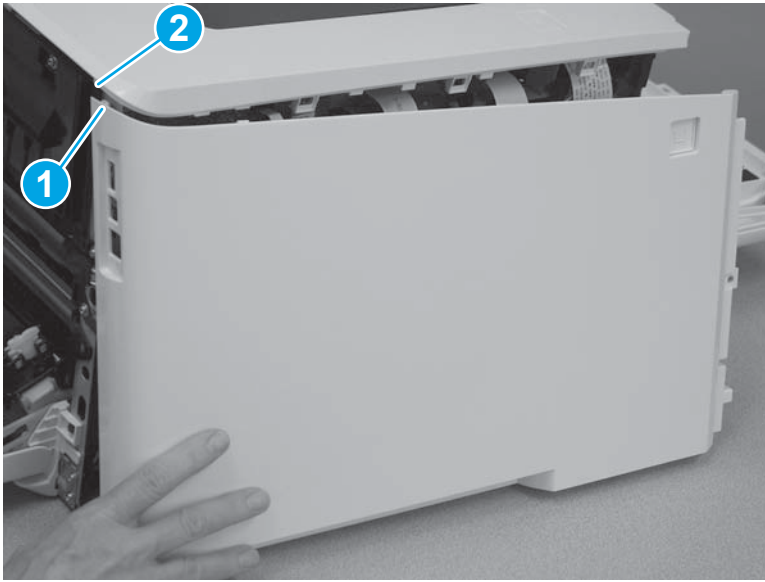
1. Position the hook (callout 1) on the cover in the slot (callout 2) on the printer. Position three tabs (callout 3) on the back of the cover in the slots (callout 4) in the printer.

Figure 1-4418 Position three tabs



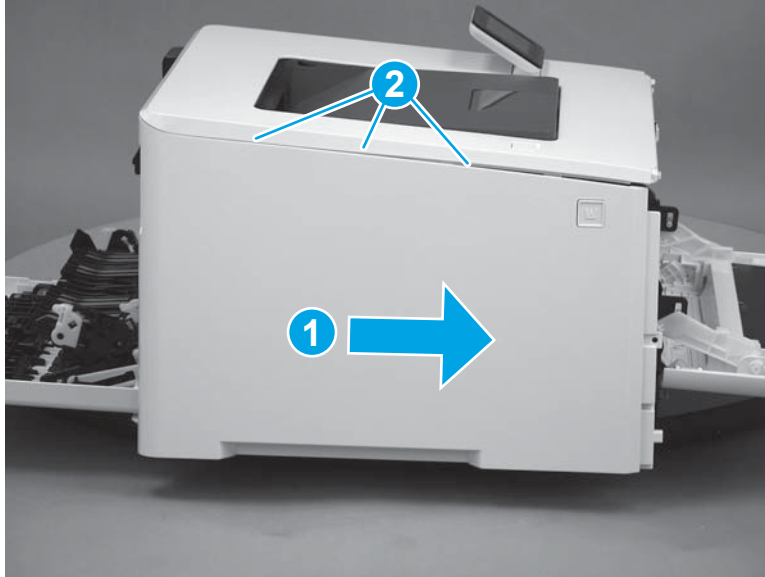
2. At the back of the printer, install the tab (callout 1) under the edge of the top cover (callout 2).

Figure 1-4419 Install one tab



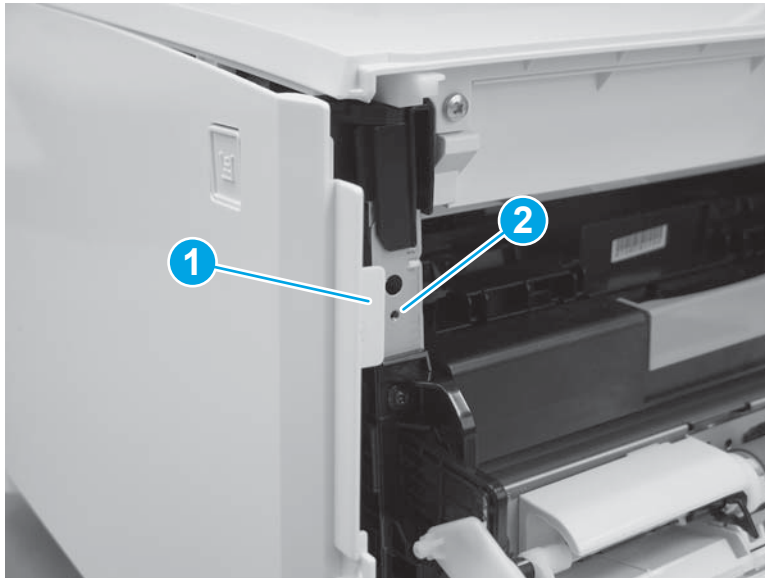
3. Slide the cover toward the front of the printer (callout 1), and then engage three tabs (callout 2) on the top of the cover.

Figure 1-4420 Install the left cover



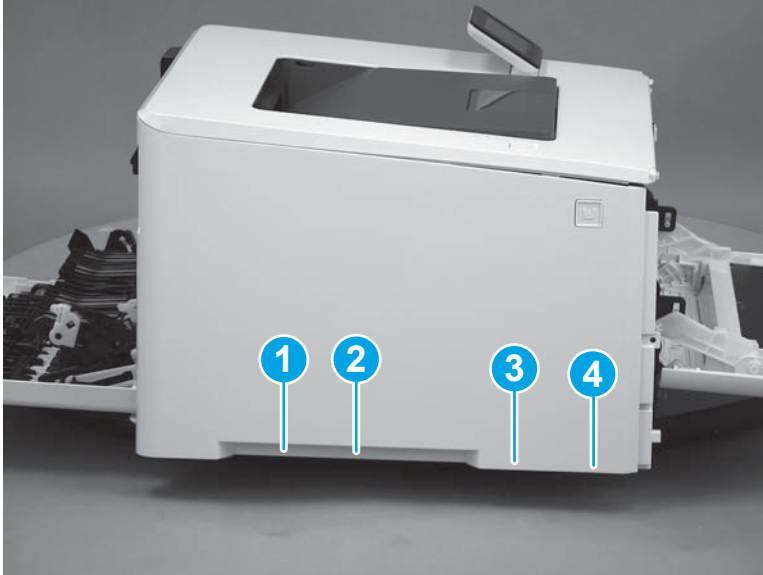
⚠ CAUTION: Make sure that the tab (callout 1) does not get caught behind the printer frame (callout 2).

Figure 1-4421 Make sure the tab does not get caught



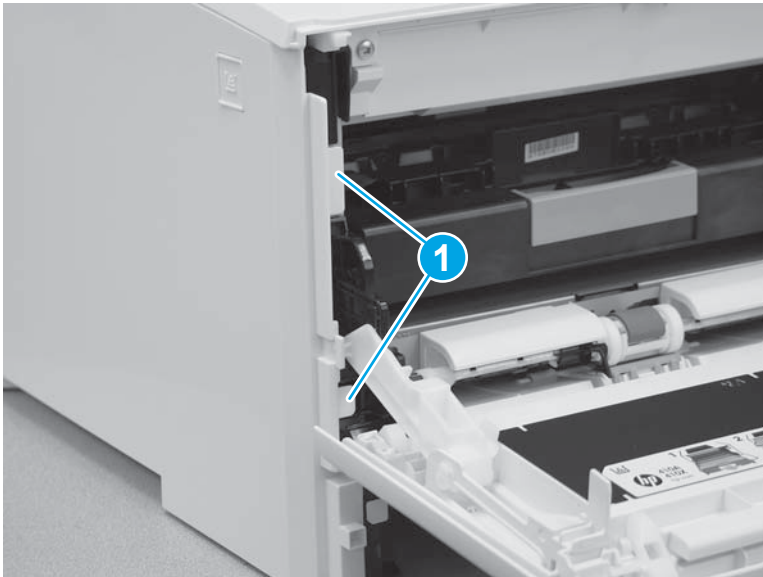
4. Slide the printer to the edge of a work surface in order to access the tabs on the bottom of the cover. Beginning from the back of the cover, install four tabs (callouts 1-4) on the lower edge of the cover.

Figure 1-4422 Install four tabs



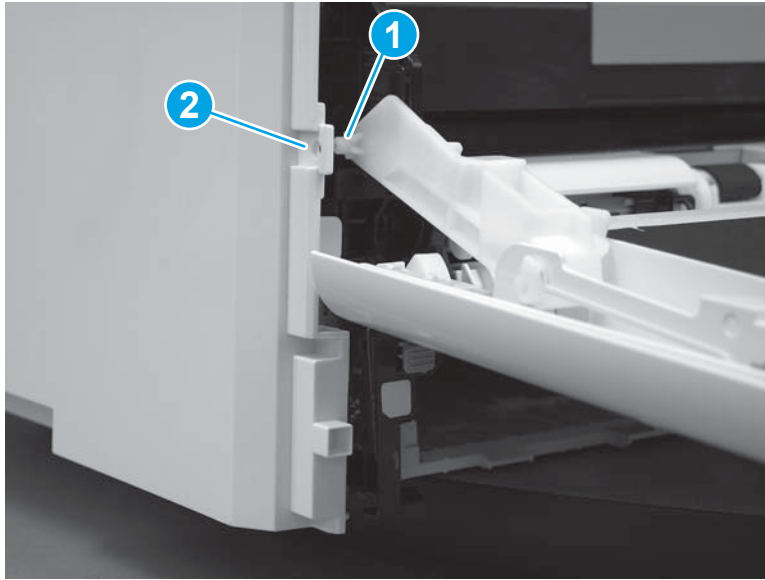
5. Install two tabs (callout 1) at the front of the cover.

Figure 1-4423 Engage two tabs



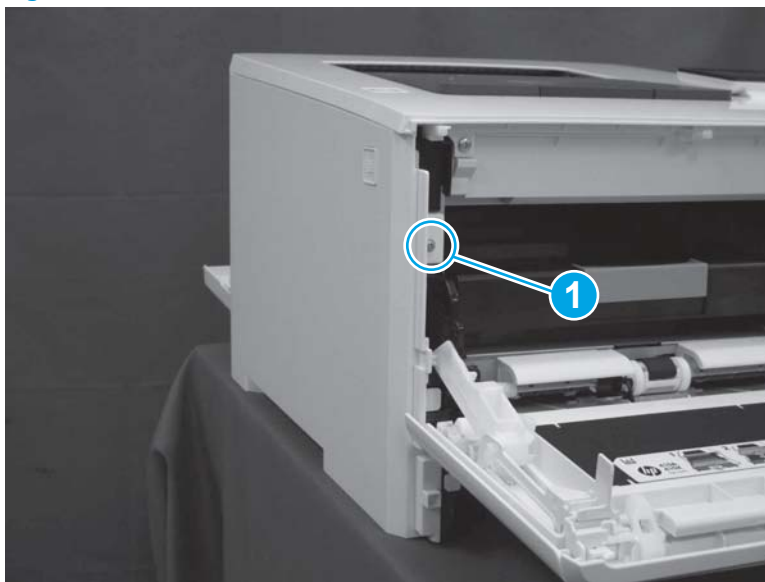
6. Make sure that the hinge pin (callout 1) on the front door fits into the slot (callout 2) on the left cover.

Figure 1-4424 Install hinge pin



7. Install one screw (callout 1).

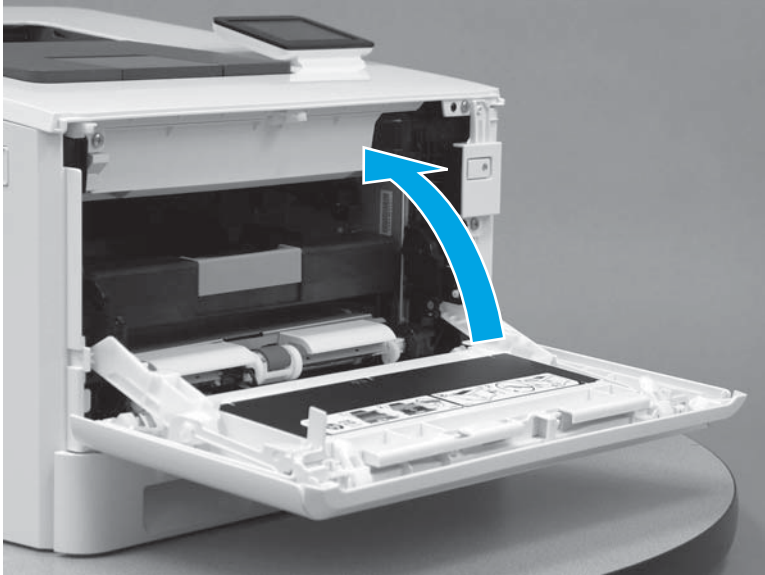
Figure 1-4425 Install one screw



Step 10: Close the front door and rear door or duplexer door

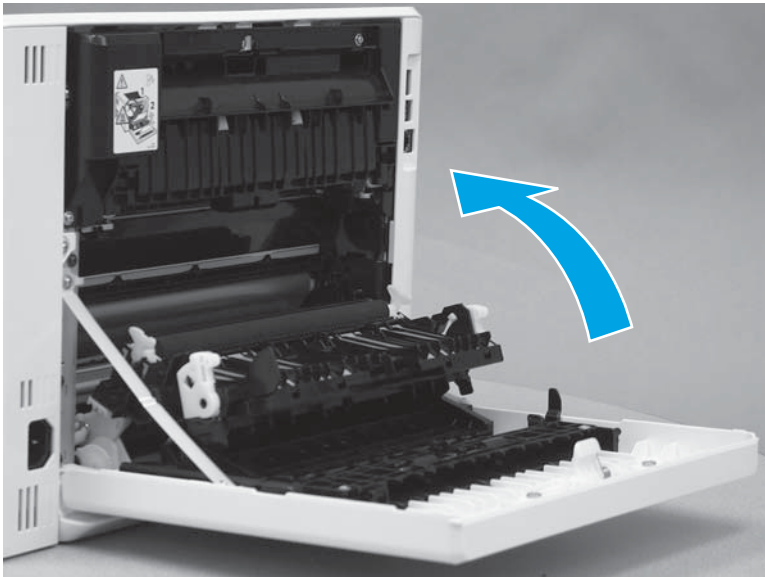
1. Close the front door.

Figure 1-4426 Close the front door



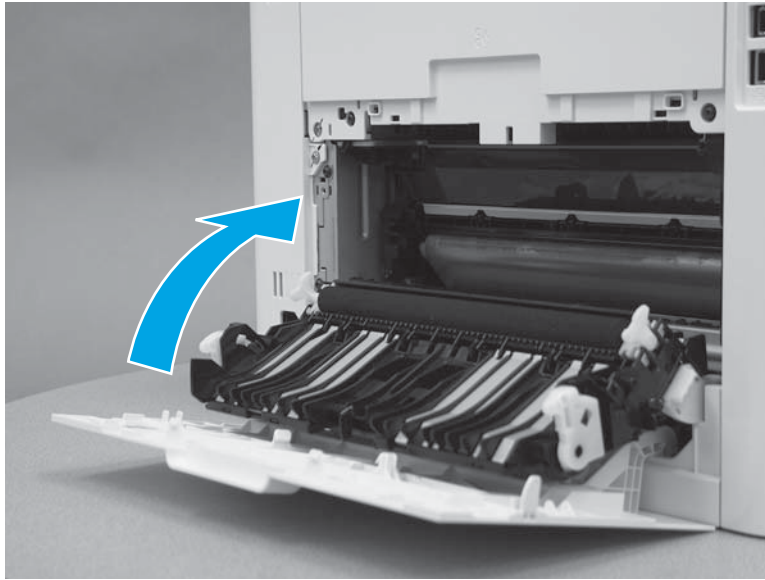
- 2. Duplex models:** Close the duplexer door.

Figure 1-4427 Close the duplexer door



3. **Simplex models:** Close the rear door.

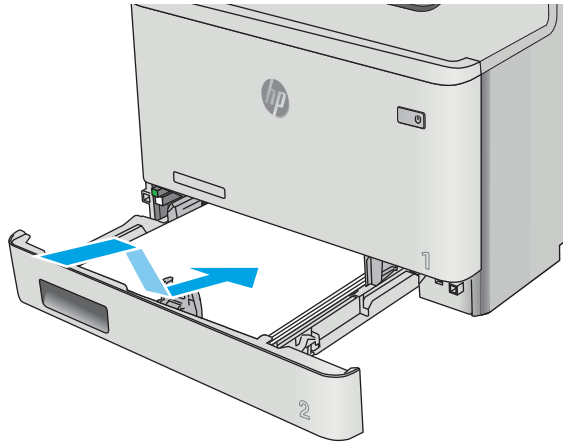
Figure 1-4428 Close the rear door



Step 11: Install Tray 2

- ▲ With the front of the tray slightly lifted, align the sides of the tray with the rails in the printer, and then carefully slide the tray into the printer. As the tray slides into the printer, lower the front of the tray, and then close it.

Figure 1-4429 Install the tray



Removal and replacement: Wireless PCA (M377, M477fnw/fdw models)


- [Introduction](#)
- [Step 1: Remove Tray 2](#)
- [Step 2: Open the front door and rear door or duplexer door](#)
- [Step 3: Remove the left cover \(M377, M477 models\)](#)
- [Step 4: Remove the wireless PCA \(M377, M477fnw/fdw models\)](#)
- [Step 5: Unpack the replacement part](#)
- [Step 6: Install the wireless PCA \(M377, M477fnw/fdw models\)](#)
- [Step 7: Install the left cover \(M377, M477 models\)](#)
- [Step 8: Close the front door and rear door or duplexer door](#)
- [Step 9: Install Tray 2](#)

Introduction

This document provides the procedures to remove and replace the wireless PCA for the M377, M477fnw and M477fdw.

Before you begin

- Turn off the printer.
- Disconnect the power cable.

 **WARNING!** To avoid damage to the printer, turn the printer off, wait 30 seconds, and then remove the power cord before attempting to service the printer.

- Use the table below to identify the correct part number for your printer. To order the part, go to www.hp.com/buy/parts.

Wireless PCA part numbers

1150-7940

Wireless PCA (M377, M477fnw/fdw)

Required tools

- #2 Phillips screwdriver with a magnetic tip

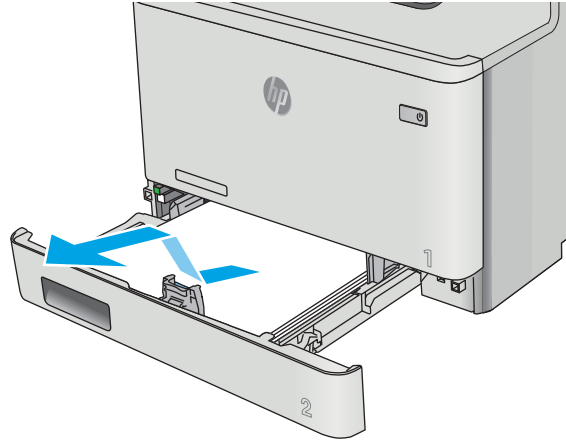
After performing service

- Connect the power cable.
- Use the power switch to turn the power on.

Step 1: Remove Tray 2

- ▲ Pull the tray out until it stops. Lift the front of the tray, and then pull it out of the printer to remove it.

Figure 1-4430 Remove the tray



Step 2: Open the front door and rear door or duplexer door

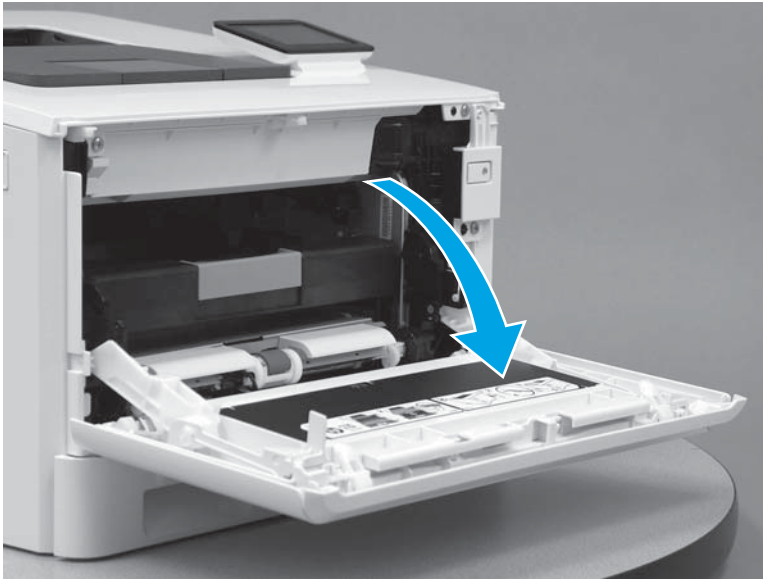
1. Press the button (callout 1) on the left side of the printer to release the front door.

Figure 1-4431 Release the front door



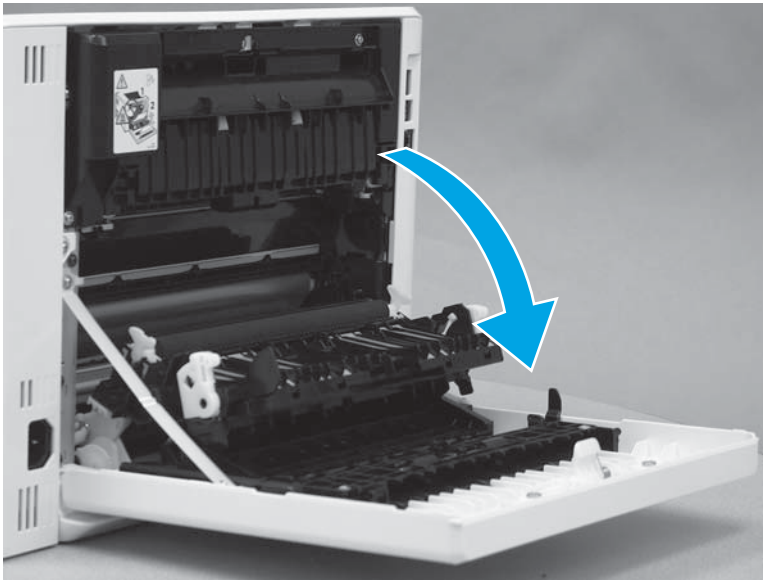
2. Open the front door.

Figure 1-4432 Open the front door



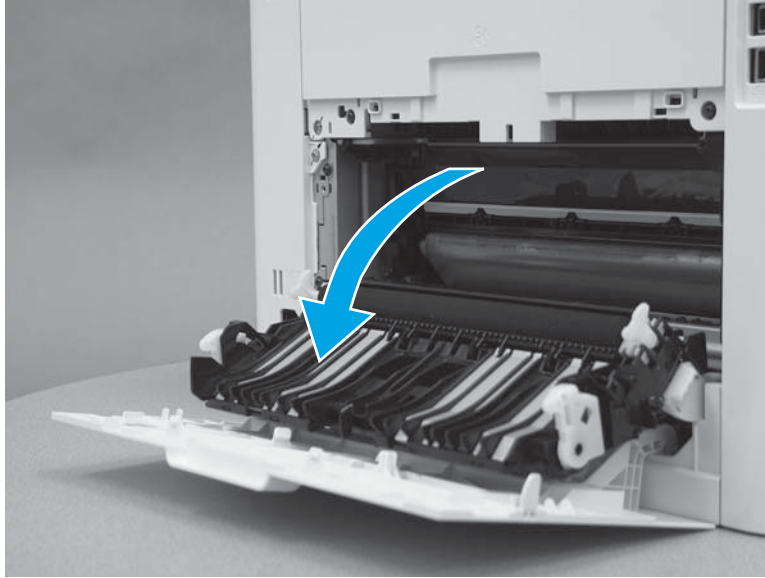
3. **Duplex models:** Open the duplexer door.

Figure 1-4433 Open the duplexer door



4. **Simplex models:** Open the rear door.

Figure 1-4434 Open the rear door



Step 3: Remove the left cover (M377, M477 models)

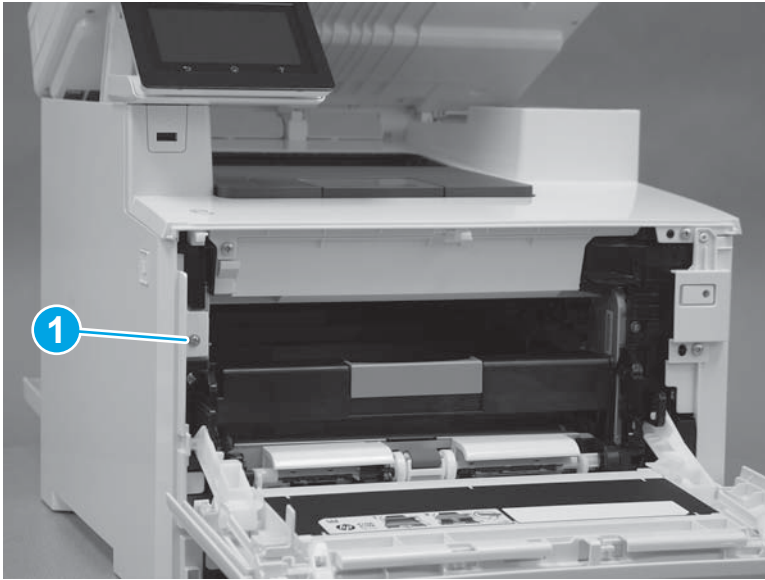
1. Raise the scanner.

Figure 1-4435 Raise the scanner



2. At the front of the printer, remove one screw (callout 1).

Figure 1-4436 Remove one screw



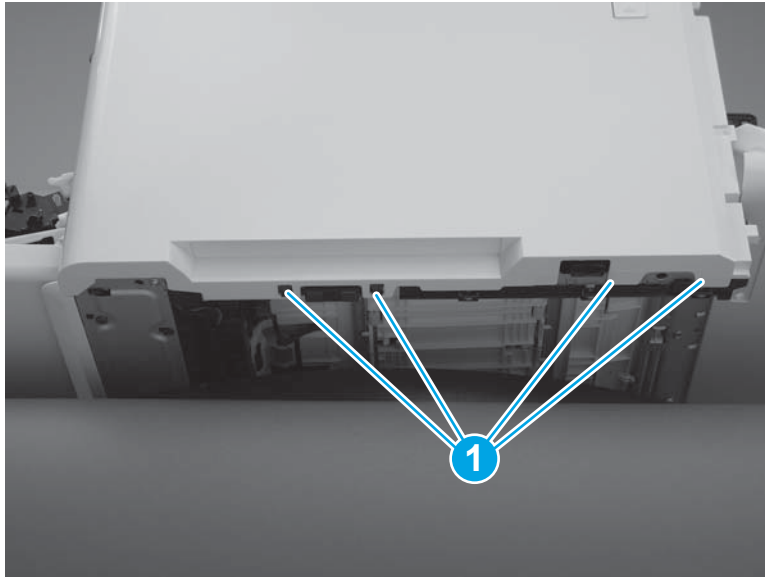
3. Release two tabs (callout 1) at the front of the cover. Hold the cover open to prevent the tabs from re-engaging.

Figure 1-4437 Release two tabs



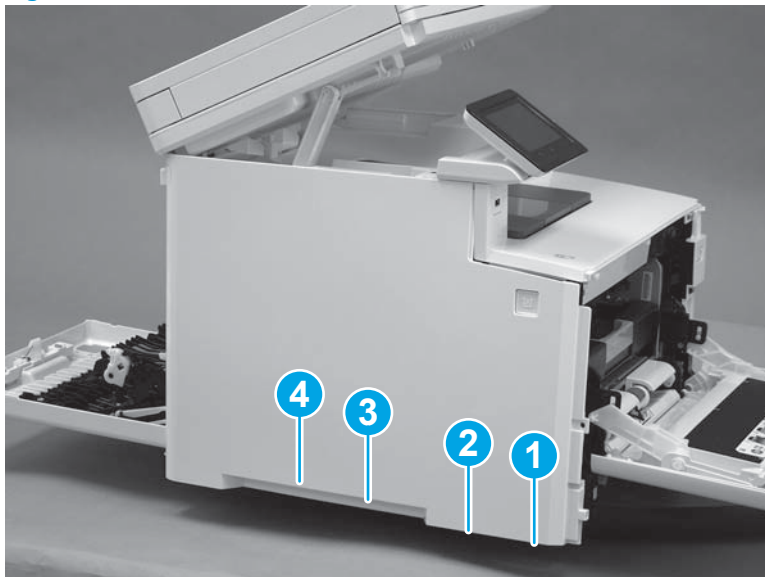
4. Slide the printer to the edge of a work surface. Note the location of the tabs on the lower edge of the cover (callout 1).

Figure 1-4438 Locate the tabs



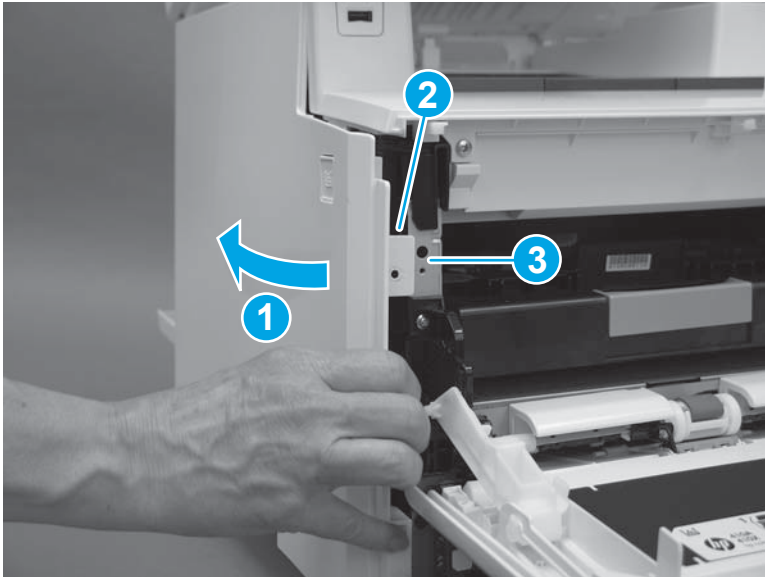
5. Beginning from the front of the cover, release the four tabs (callouts 1-4) on the lower edge of the cover.

Figure 1-4439 Release four tabs



6. Rotate the front of the cover away from the printer (callout 1). Make sure that the tab (callout 2) does not get caught on the printer frame (callout 3).

Figure 1-4440 Rotate the cover



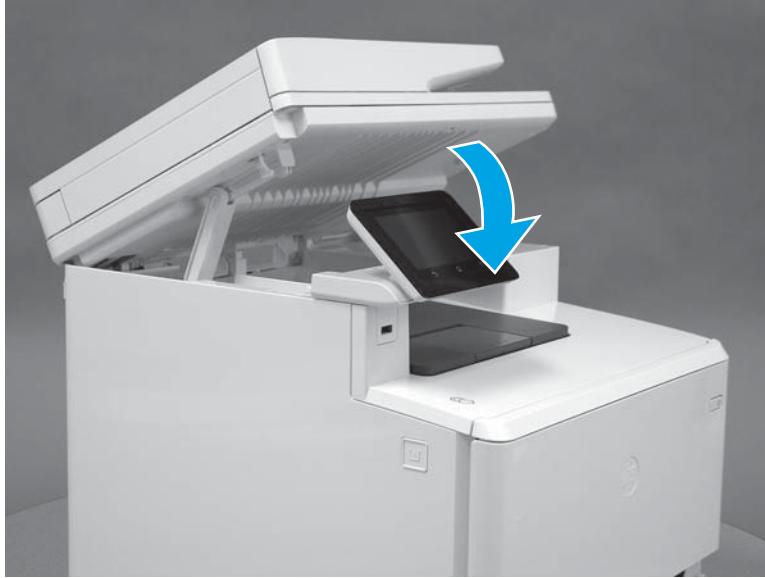
7. At the top of the printer, slightly pull the top of the cover away from the printer to release one retention tab (callout 1) on the inside of the cover. While holding the cover away, slide the cover toward the back of the printer (callout 2) to release two hooks (callout 3) inside the cover.

Figure 1-4441 Release one tab and two hooks



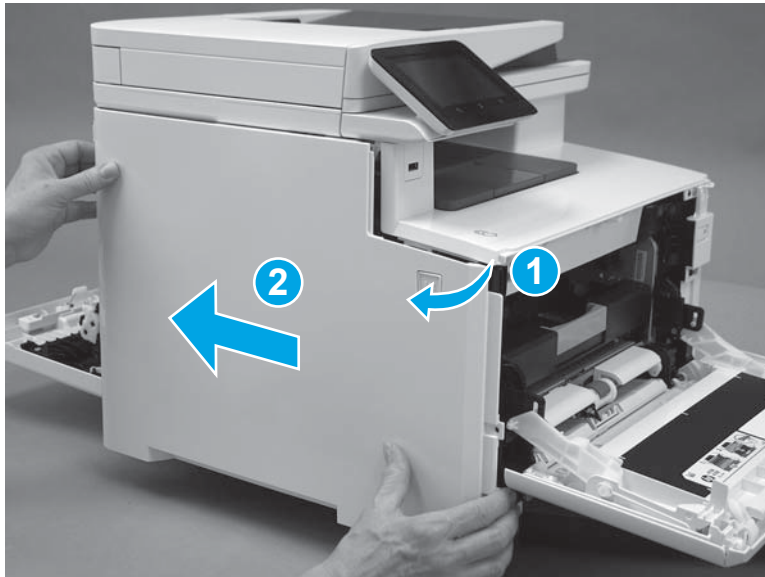
8. Lower the scanner.

Figure 1-4442 Lower the scanner



9. Rotate the cover away from the printer (callout 1), and then slide the cover (callout 2) toward the back of the printer to remove it.

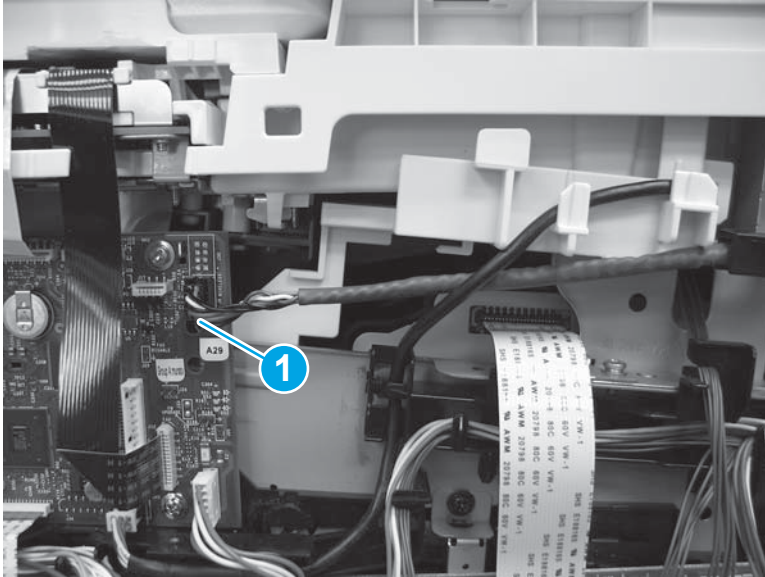
Figure 1-4443 Remove the left cover



Step 4: Remove the wireless PCA (M377, M477fnw/fdw models)

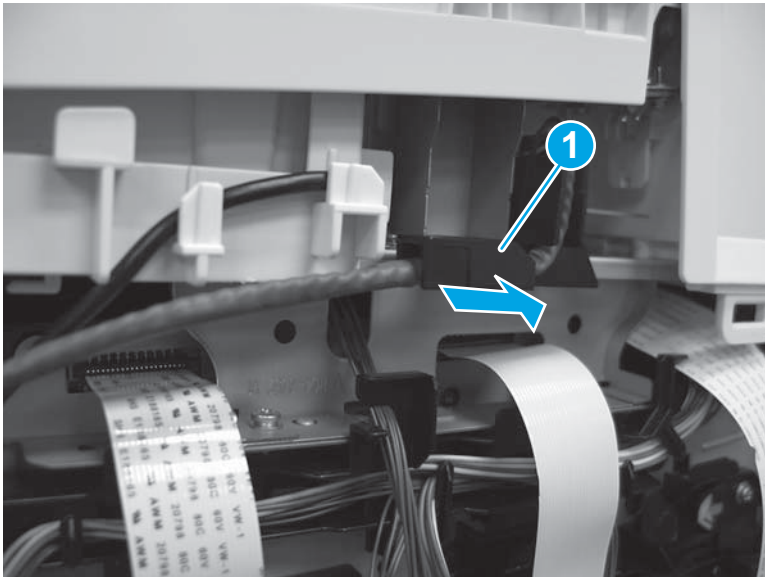
1. Disconnect one connector on the formatter PCA (callout 1).

Figure 1-4444 Disconnect one connector



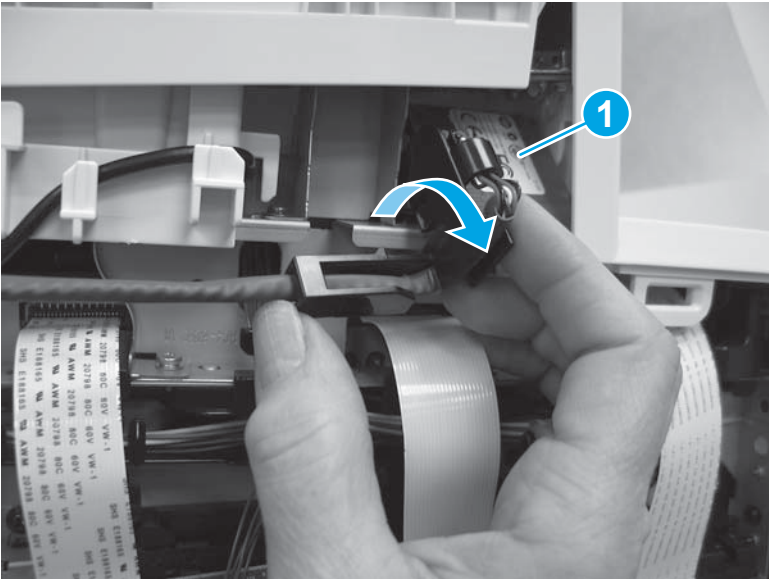
2. Slide the wireless PCA holder (callout 1) toward the front of the printer.

Figure 1-4445 Slide the wireless PCA holder forward



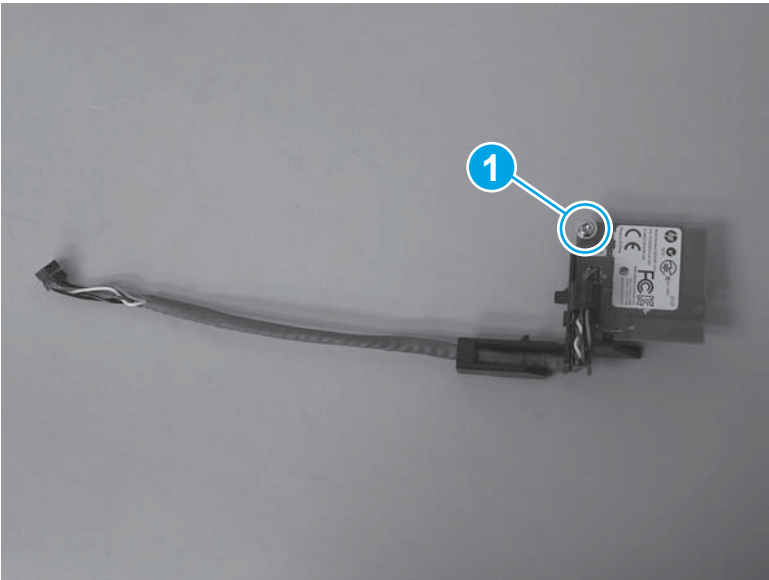
- 3. Rotate the wireless PCA holder away from the printer to remove it.

Figure 1-4446 Remove the wireless PCA holder



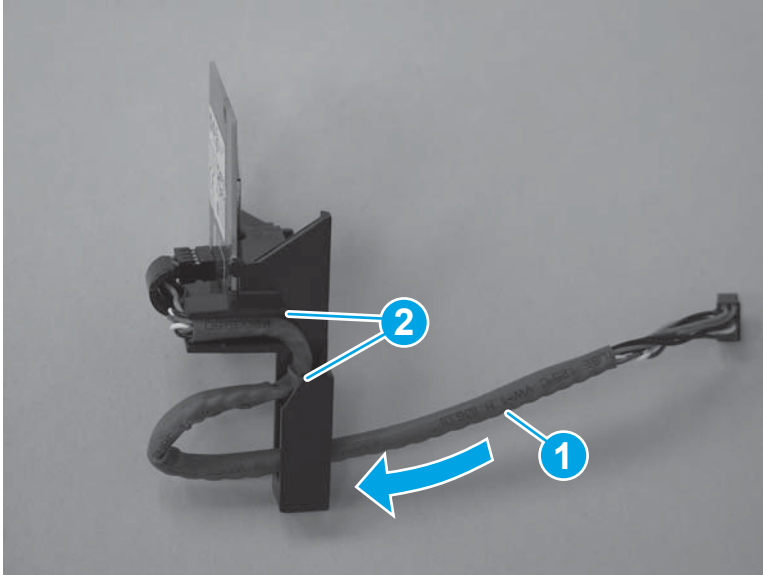
- 4. Remove one screw (callout 1).

Figure 1-4447 Remove one screw



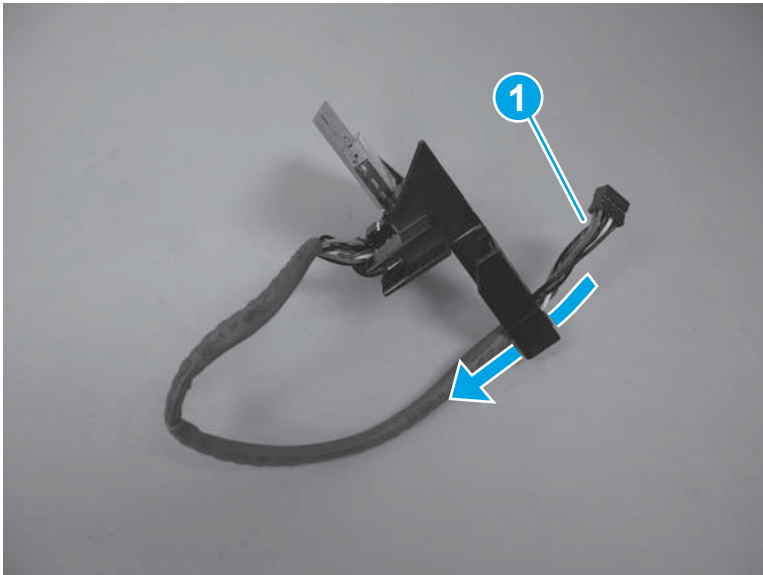
5. Loosen the cable (callout 1) in the holder by feeding it partially through the holder opening. Release the cable from the guides (callout 2).

Figure 1-4448 Release the cable



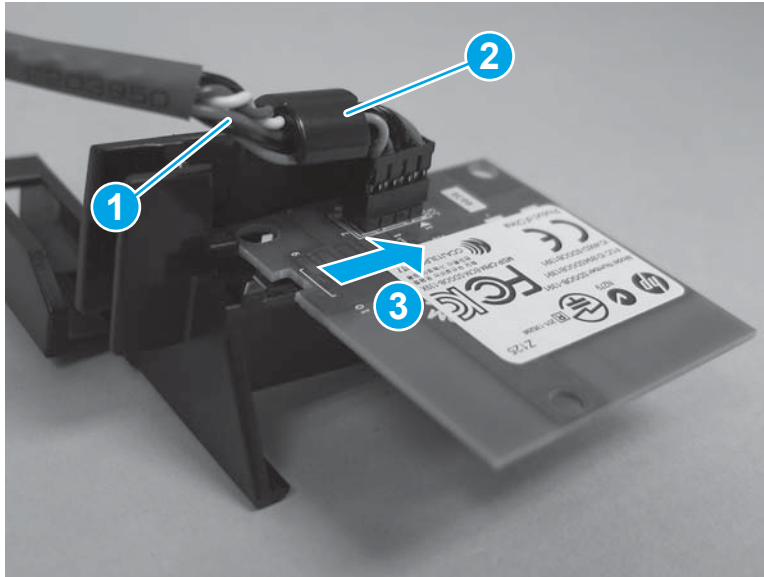
6. Feed the cable (callout 1) all the way through the opening in the holder.

Figure 1-4449 Feed the cable through the holder



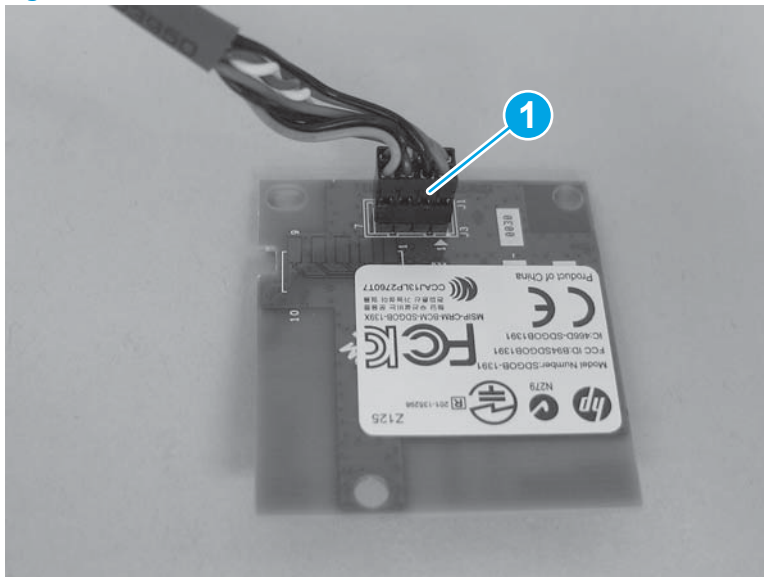
7. Release the cable (callout 1) from the guide (callout 2) on the holder, and then slide the wireless PCA to the right (callout 3) to remove it from the holder.

Figure 1-4450 Remove the wireless PCA from the holder



8. Disconnect one connector (callout 1).

Figure 1-4451 Disconnect one connector



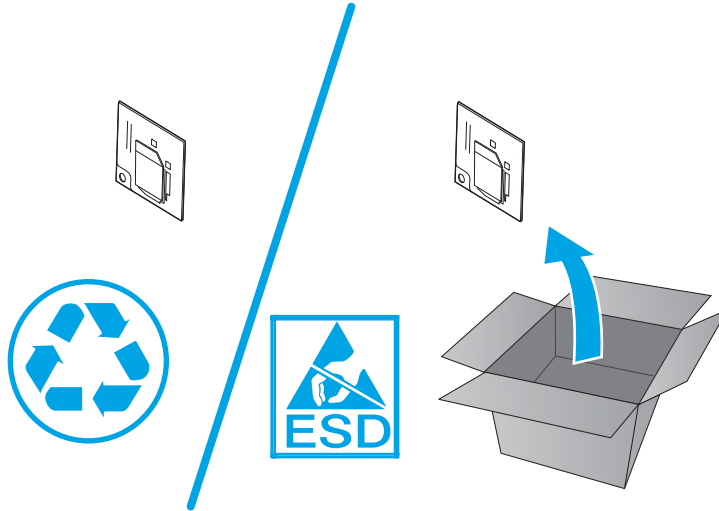
Step 5: Unpack the replacement part

Remove the new part from its package. Save all packaging for recycling the used part.

For complete information on HP's recycling programs, go to [Product return and recycling](#).

 **NOTE:** HP recommends responsible disposal of the defective part.

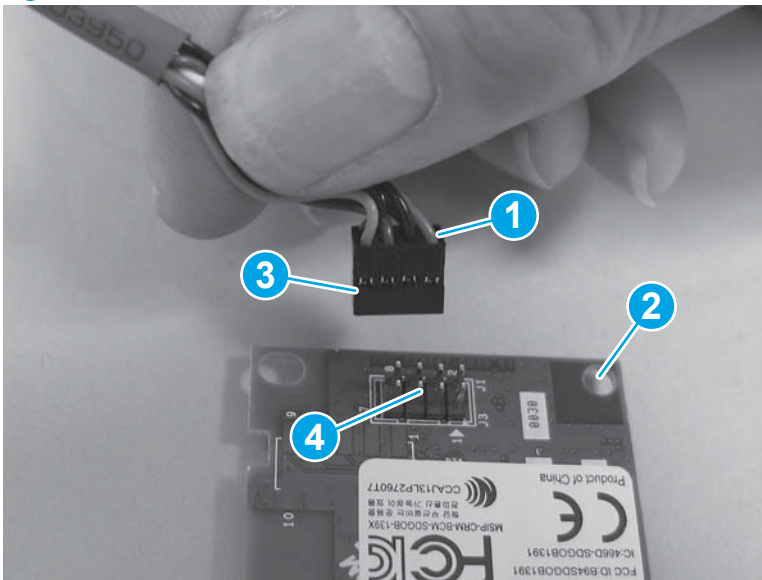
Figure 1-4452 Recycle and unpack



Step 6: Install the wireless PCA (M377, M477fnw/fdw models)

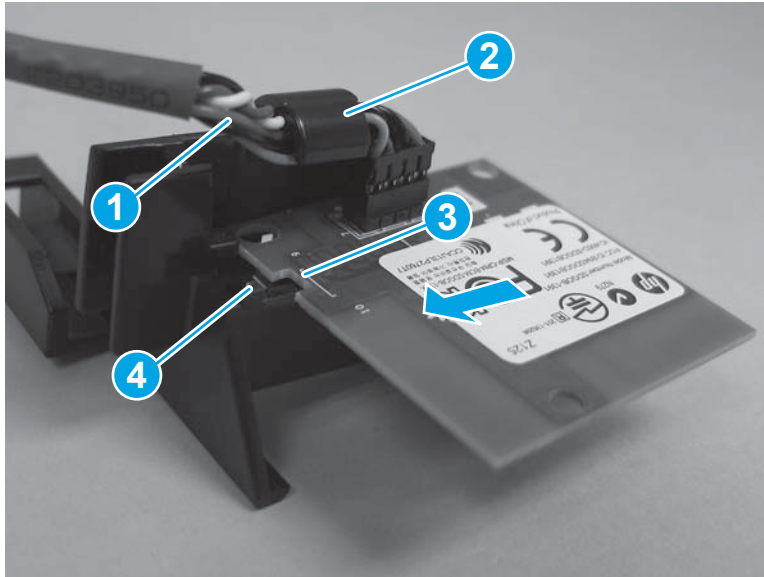
1. Position the cable so that the red wires on the connector (callout 1) are on the side of the PCA close to the hole (callout 2) where the screw will be installed. Install the connector on the cable (callout 3) into the connector on the wireless PCA (callout 4).

Figure 1-4453 Connect one connector



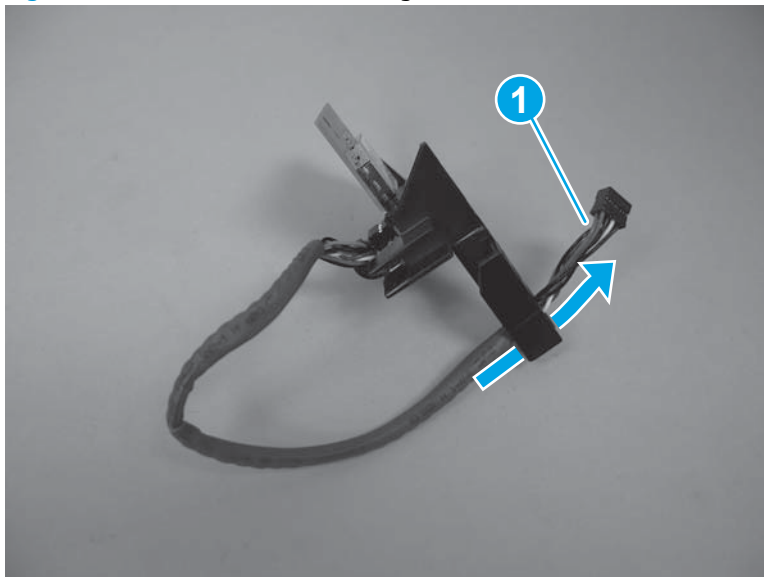
2. Install the cable (callout 1) under the guide (callout 2) on the holder. Align the notch (callout 3) on the wireless PCA with the tab (callout 4) on the holder, and then slide the wireless PCA onto the holder.

Figure 1-4454 Install the wireless PCA on the holder



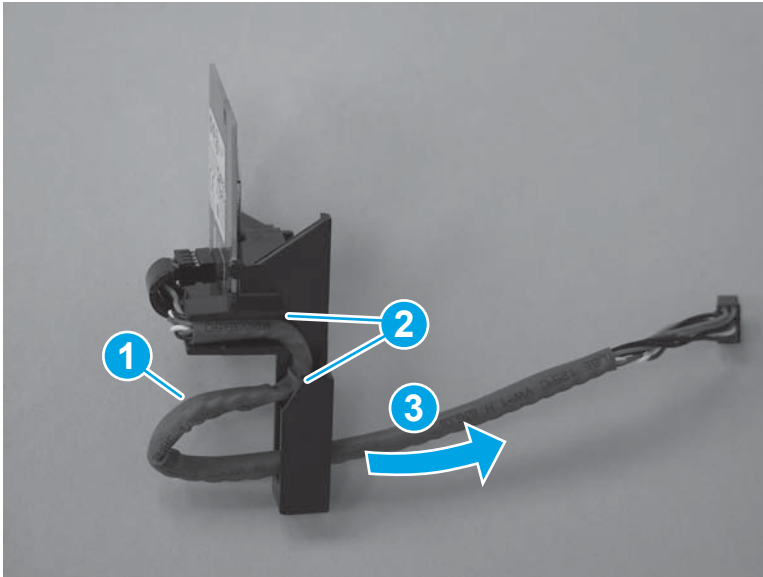
3. Feed the cable (callout 1) partially through the opening in the holder

Figure 1-4455 Feed the cable through the holder



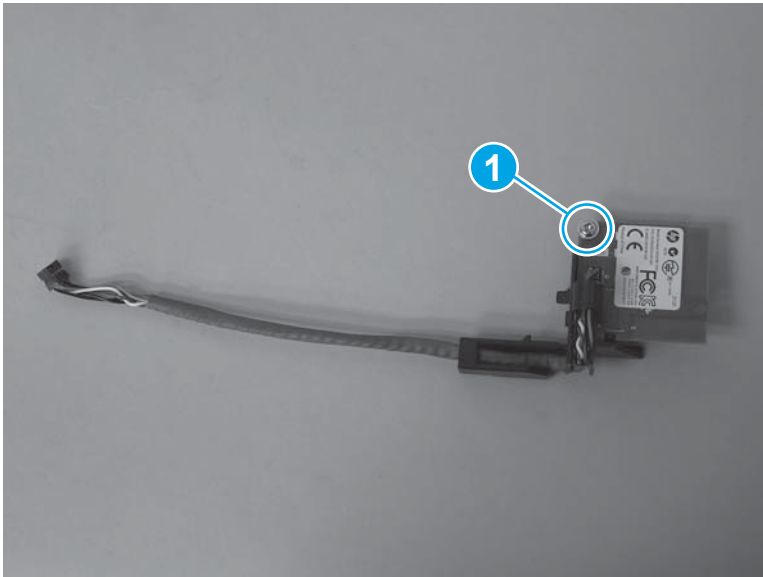
4. Install the cable (callout 1) in the guides (callout 2), and then pull the cable (callout 3) through the opening until it is completely installed in the holder.

Figure 1-4456 Install the cable



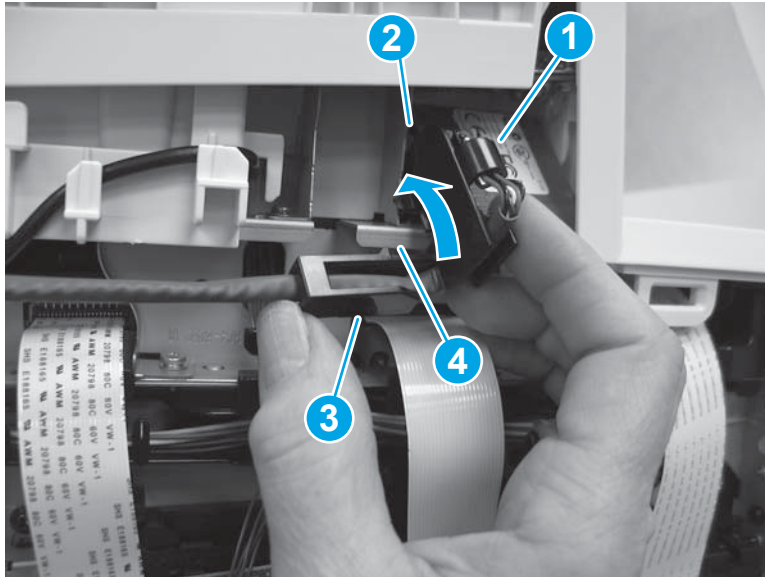
5. Install one screw (callout 1).

Figure 1-4457 Install one screw



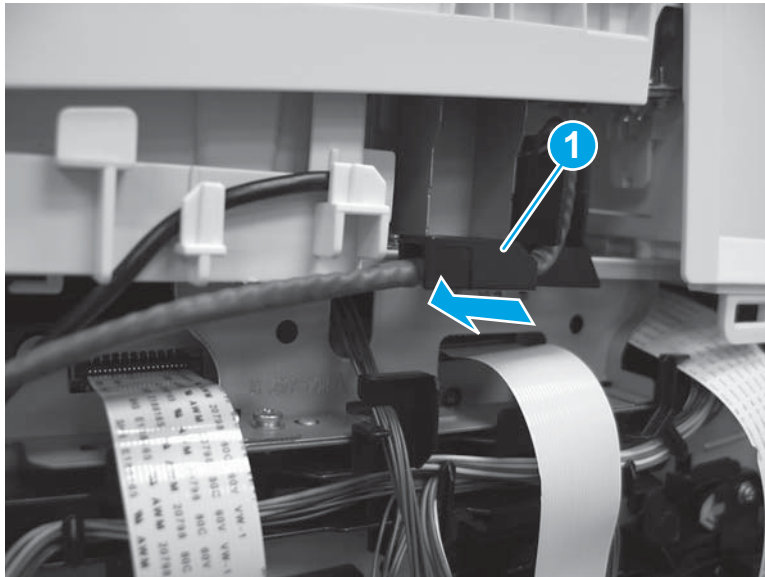
6. Rotate the wireless PCA holder (callout 1) into the opening (callout 2) on the printer. Install the edge of the wireless PCA holder (callout 3) over the edge (callout 4) of the sheet metal bracket.

Figure 1-4458 Install the wireless PCA holder



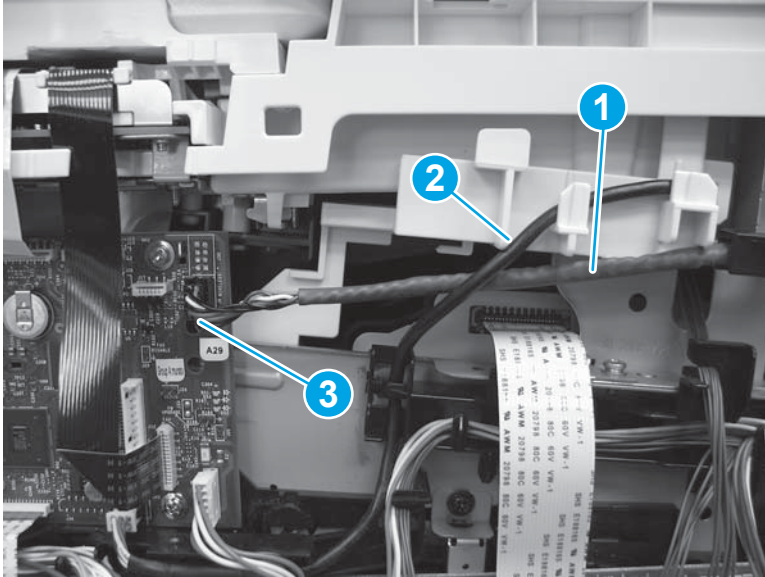
7. Slide the wireless PCA holder (callout 1) toward the back of the printer.

Figure 1-4459 Slide the wireless PCA holder



8. Position the wireless PCA cable (callout 1) behind the USB cable (callout 2), and then connect one connector (callout 3).

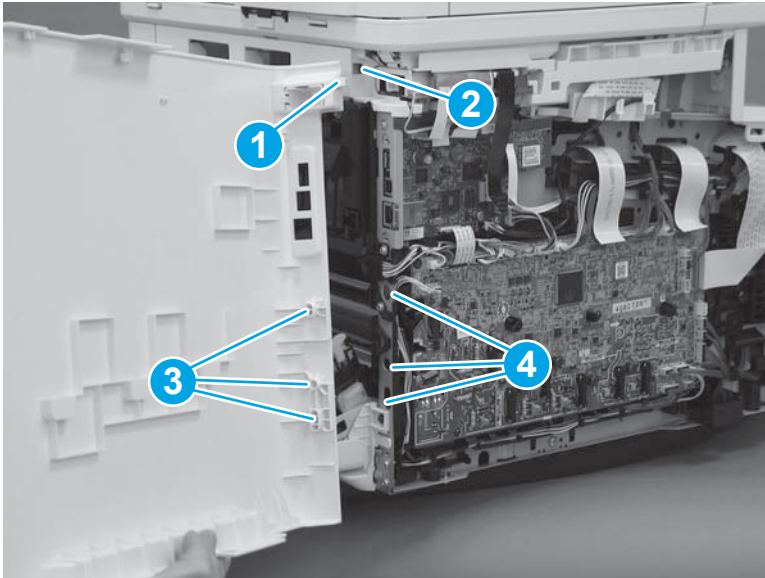
Figure 1-4460 Connect one connector



Step 7: Install the left cover (M377, M477 models)

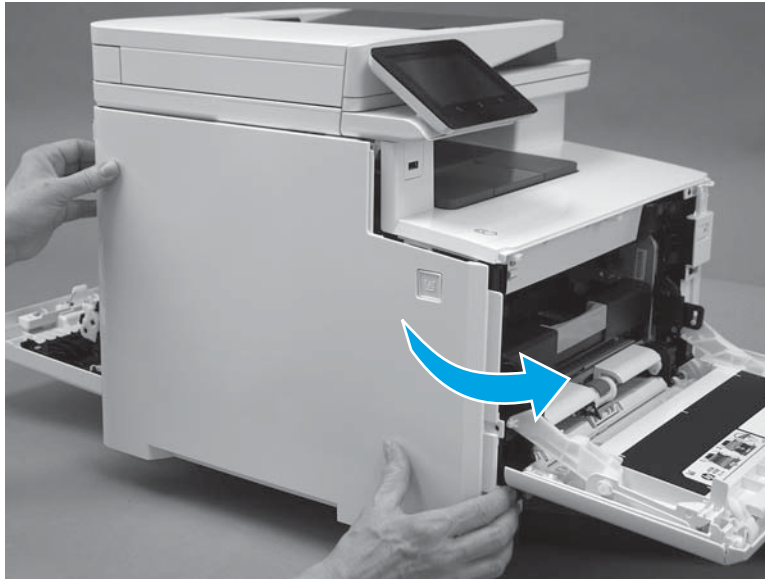
1. At the back of the printer, install the tab (callout 1) on the cover into the slot (callout 2) in the printer. Install the locator pins (callout 3) into the slots (callout 4) in the printer.

Figure 1-4461 Install one tab



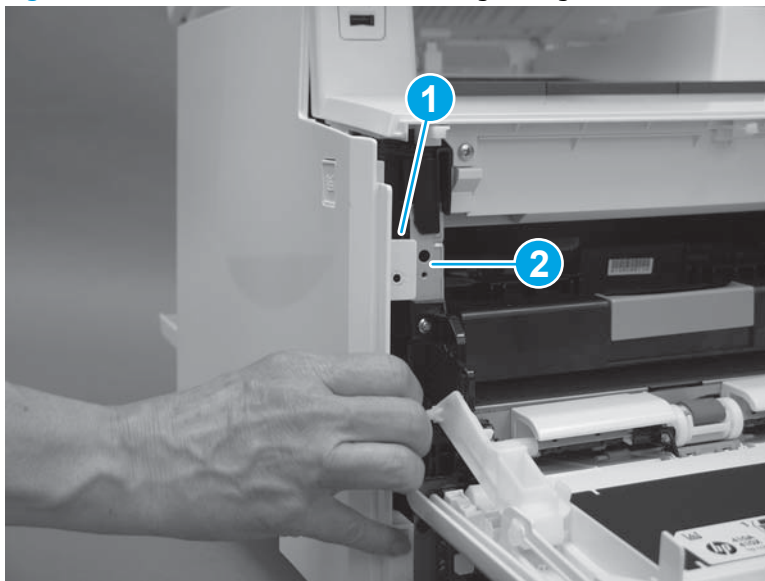
2. Rotate the cover toward the printer.

Figure 1-4462 Rotate the left cover



⚠ CAUTION: Make sure that the tab (callout 1) does not get caught behind the printer frame (callout 2).

Figure 1-4463 Make sure the tab does not get caught



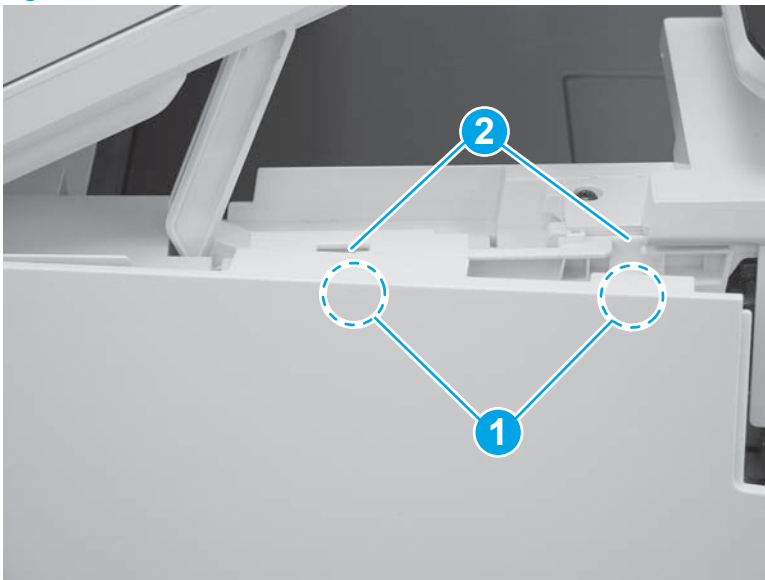
3. Raise the scanner.

Figure 1-4464 Raise the scanner



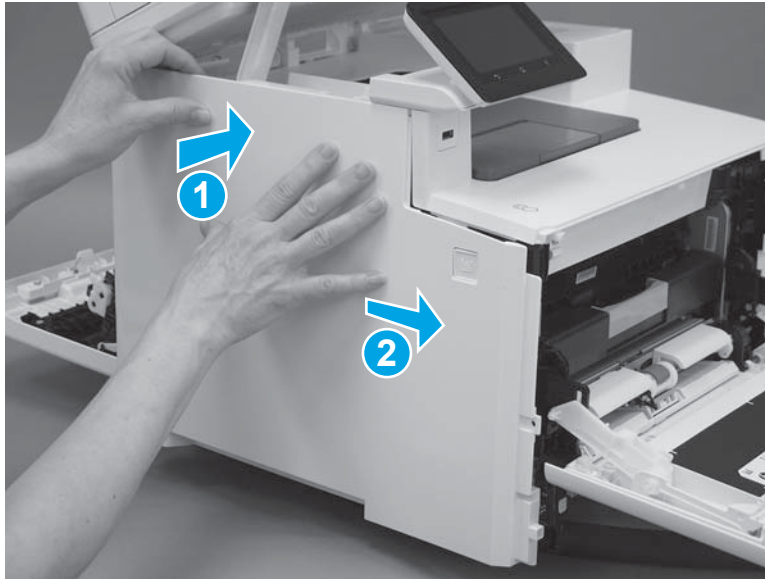
4. Position the hooks (callout 1) on the inside of the cover into the slots (callout 2) on the printer.

Figure 1-4465 Position the hooks in the slots



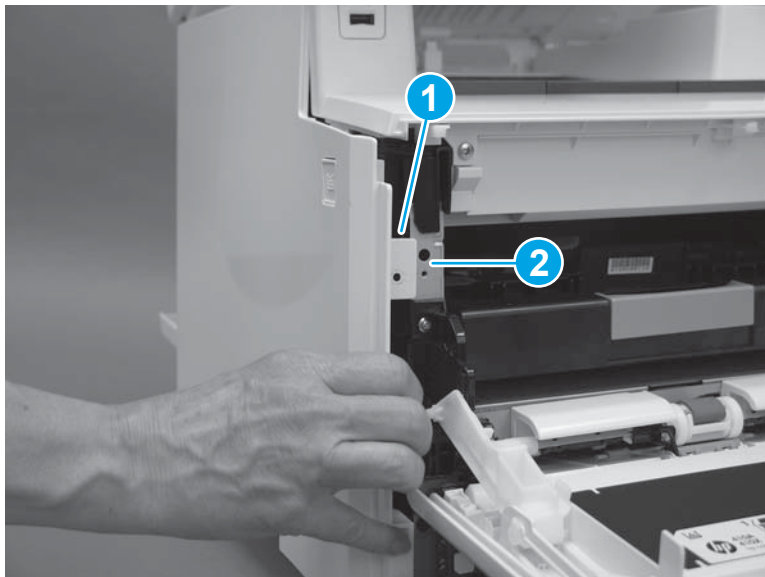
5. Hold the cover against the printer (callout 1), and then slide it (callout 2) toward the front of the printer.

Figure 1-4466 Install the top hooks



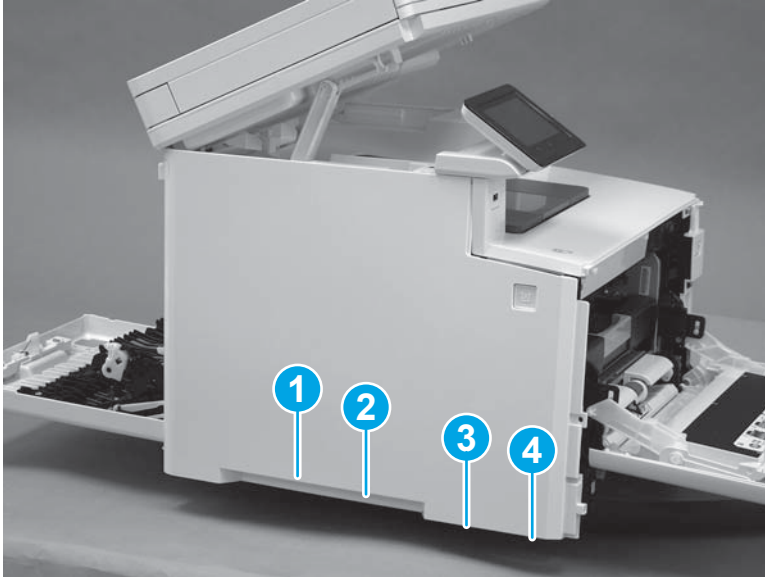
CAUTION: Make sure that the tab (callout 1) on the front of the cover does not get caught behind the printer frame (callout 2).

Figure 1-4467 Make sure the tab does not get caught



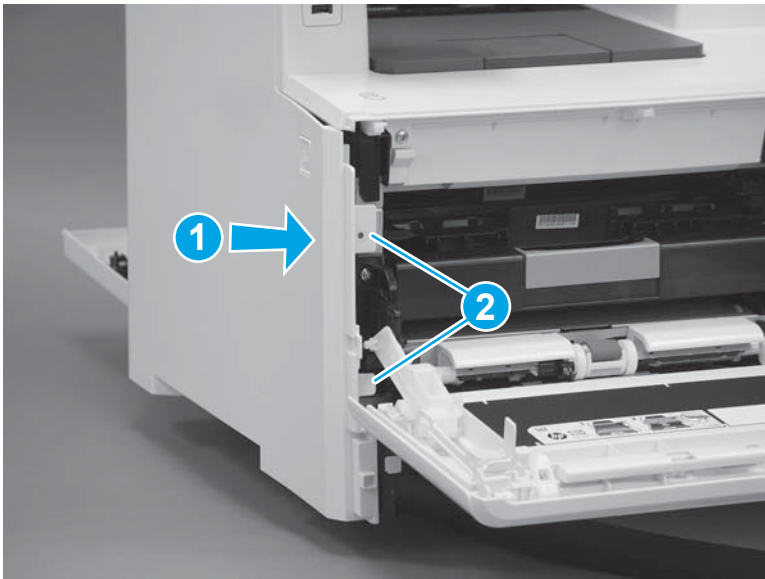
6. Slide the printer to the edge of a work surface in order to access the tabs on the bottom of the cover. Beginning from the back of the cover, install four tabs (callouts 1-4) on the lower edge of the cover.

Figure 1-4468 Install four tabs



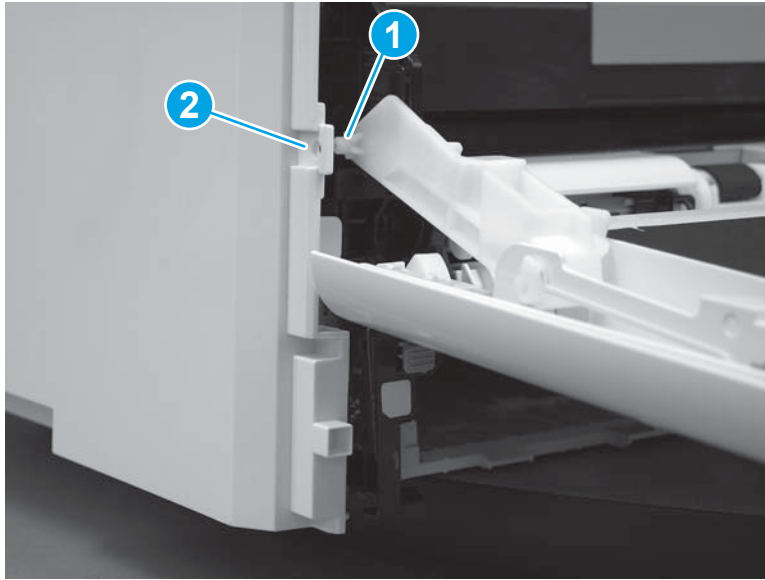
7. Press the cover toward the printer (callout 1), and then install two tabs (callout 2) at the front of the cover.

Figure 1-4469 Install two tabs



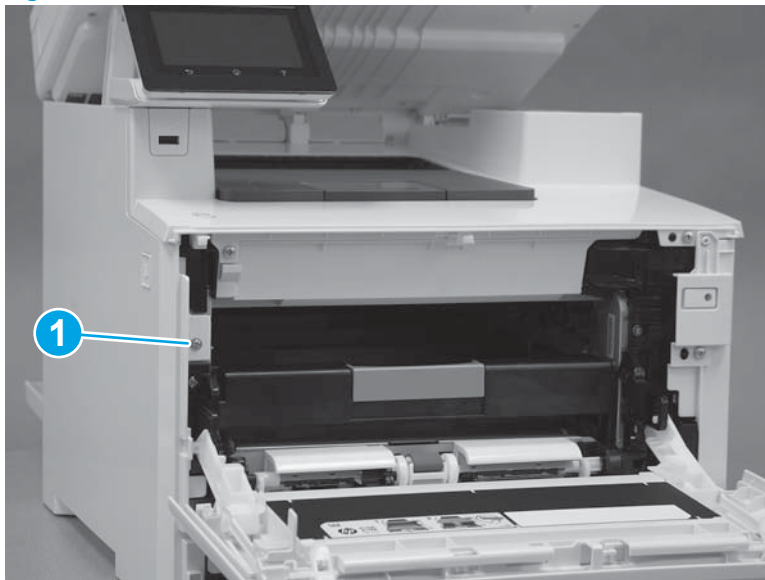
8. Make sure that the hinge pin (callout 1) on the front door fits into the slot (callout 2) on the left cover.

Figure 1-4470 Install hinge pin



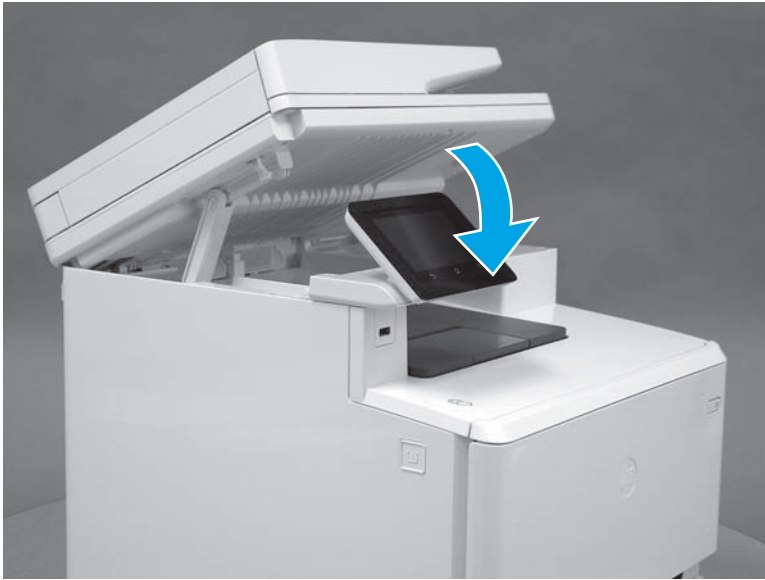
9. Install one screw (callout 1).

Figure 1-4471 Install one screw



10. Lower the scanner.

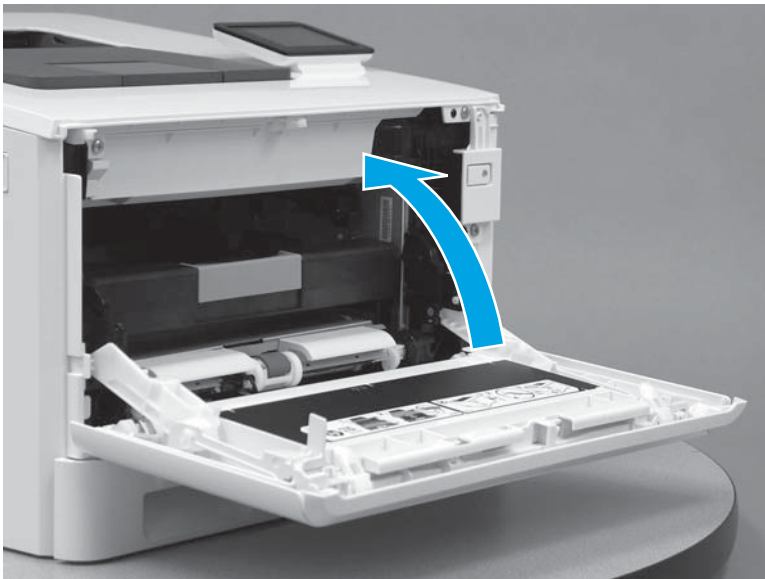
Figure 1-4472 Lower the scanner



Step 8: Close the front door and rear door or duplexer door

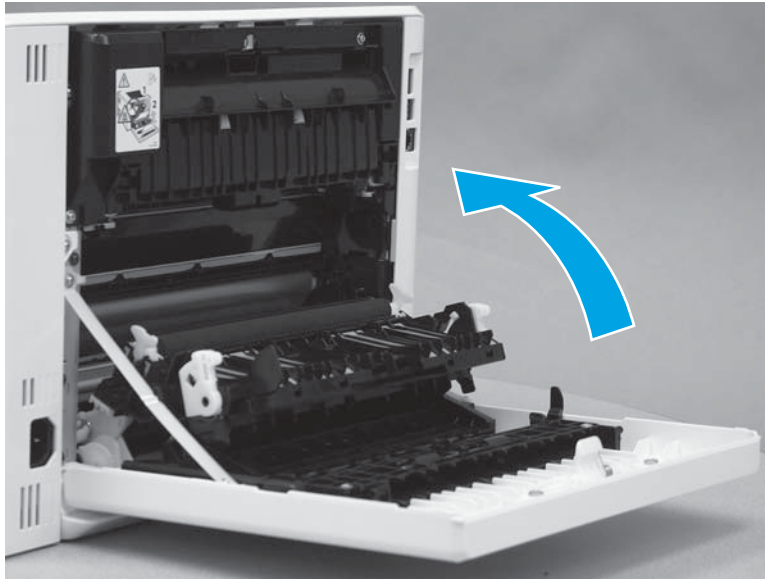
1. Close the front door.

Figure 1-4473 Close the front door



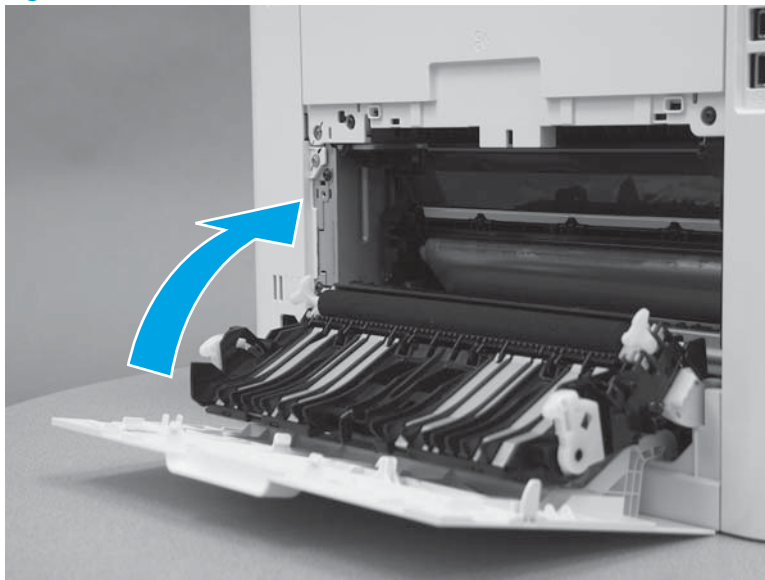
2. **Duplex models:** Close the duplexer door.

Figure 1-4474 Close the duplexer door



3. **Simplex models:** Close the rear door.

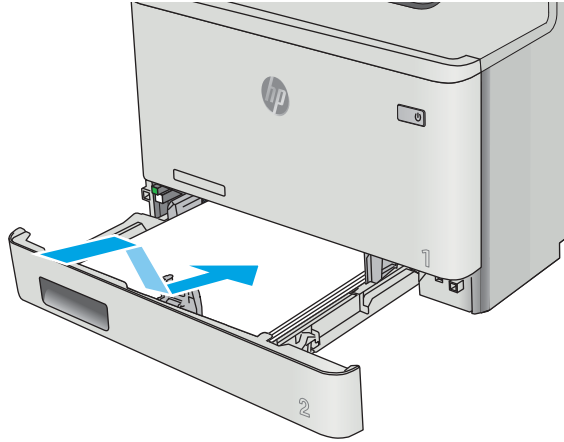
Figure 1-4475 Close the rear door



Step 9: Install Tray 2

- ▲ With the front of the tray slightly lifted, align the sides of the tray with the rails in the printer, and then carefully slide the tray into the printer. As the tray slides into the printer, lower the front of the tray, and then close it.

Figure 1-4476 Install the tray



Removal and replacement: Formatter PCA


- [Introduction](#)
- [Step 1: Remove Tray 2](#)
- [Step 2: Open the front door and rear door or duplexer door](#)
- [Step 3: Remove the left cover \(M452 models\)](#)
- [Step 4: Remove the left cover \(M377, M477 models\)](#)
- [Step 5: Remove the formatter PCA](#)
- [Step 6: Unpack the replacement part](#)
- [Step 7: Install the formatter PCA](#)
- [Step 8: Install the left cover \(M452 models\)](#)
- [Step 9: Install the left cover \(M377, M477 models\)](#)
- [Step 10: Close the front door and rear door or duplexer door](#)
- [Step 11: Install Tray 2](#)

Introduction

This document provides the procedures to remove and replace the formatter PCA.

Before you begin

- Turn off the printer.
- Disconnect the power cable.

 **WARNING!** To avoid damage to the printer, turn the printer off, wait 30 seconds, and then remove the power cord before attempting to service the printer.

- Use the table below to identify the correct part number for your printer. To order the part, go to www.hp.com/buy/parts.

| Formatter PCA part number | |
|---------------------------|-------------------------------------|
| CF388-60003 | Formatter PCA (M452nw) |
| CF388-67018 | Formatter PCA (M452nw; China only) |
| CF389-60002 | Formatter PCA (M452dn) |
| CF389-67018 | Formatter PCA (M452dn; China only) |
| CF394-60002 | Formatter PCA (M452dw) |
| CF394-67018 | Formatter PCA (M452dw; China only) |
| CF377-60001 | Formatter PCA (M477fnw) |
| CF377-67018 | Formatter PCA (M477fnw; China only) |

| Formatter PCA part number | |
|---------------------------|-------------------------------------|
| CF378-60002 | Formatter PCA (M477fdn) |
| CF378-67018 | Formatter PCA (M477fdn; China only) |
| CF379-60003 | Formatter PCA (M477fdw) |
| CF379-67018 | Formatter PCA (M477fdw; China only) |
| CF378-67902 | Formatter PCA (M377dw) |
| CF378-67901 | Formatter PCA (M377dw; China only) |

Required tools

- #2 Phillips screwdriver with a magnetic tip

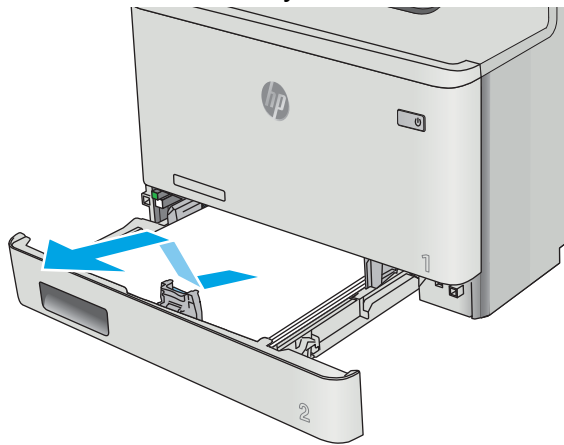
After performing service

- Connect the power cable.
- Use the power switch to turn the power on.

Step 1: Remove Tray 2

- ▲ Pull the tray out until it stops. Lift the front of the tray, and then pull it out of the printer to remove it.

Figure 1-4477 Remove the tray



Step 2: Open the front door and rear door or duplexer door

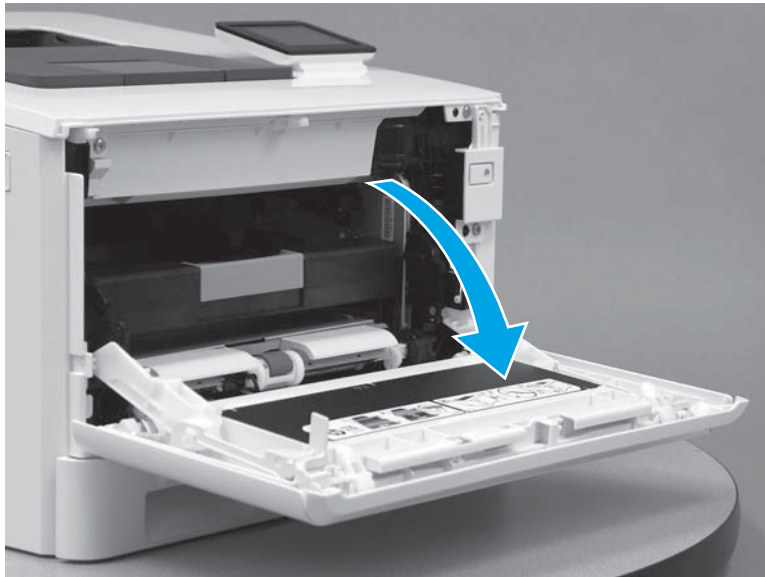
1. Press the button (callout 1) on the left side of the printer to release the front door.

Figure 1-4478 Release the front door



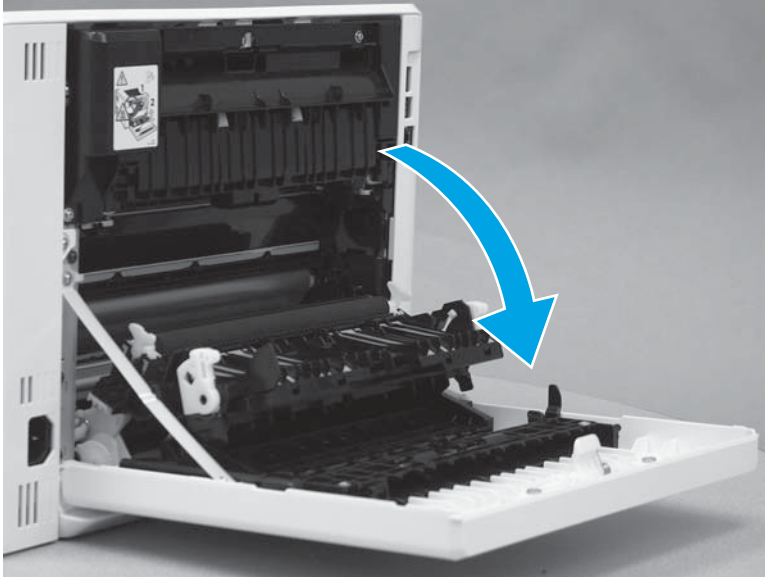
2. Open the front door.

Figure 1-4479 Open the front door



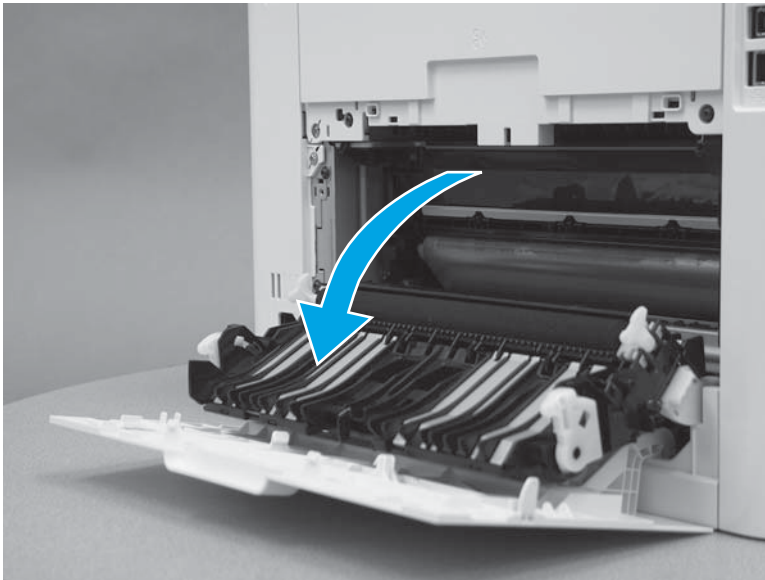
3. **Duplex models:** Open the duplexer door.

Figure 1-4480 Open the duplexer door



4. **Simplex models:** Open the rear door.

Figure 1-4481 Open the rear door



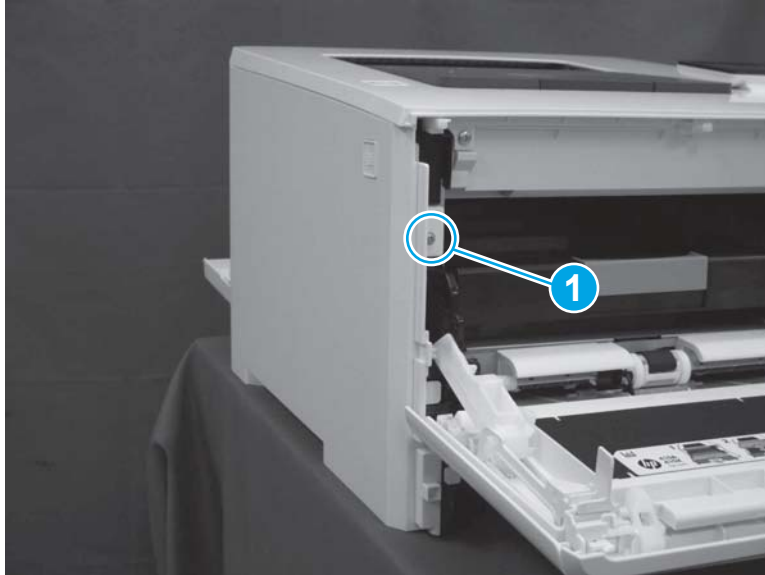
Step 3: Remove the left cover (M452 models)



NOTE: This step is for the M452 models. For the M377, M477 models, skip this step and go to [Step 4: Remove the left cover \(M377, M477 models\) on page 2367](#).

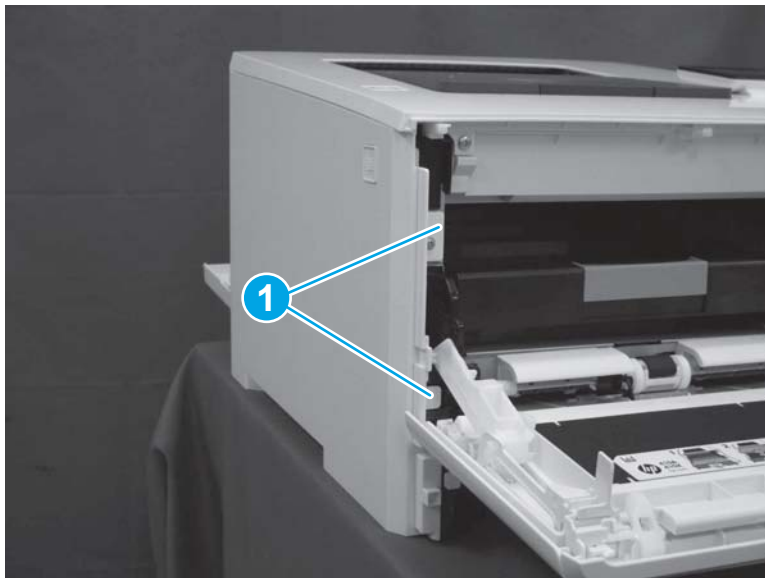
1. At the front of the printer, remove one screw (callout 1).

Figure 1-4482 Remove one screw



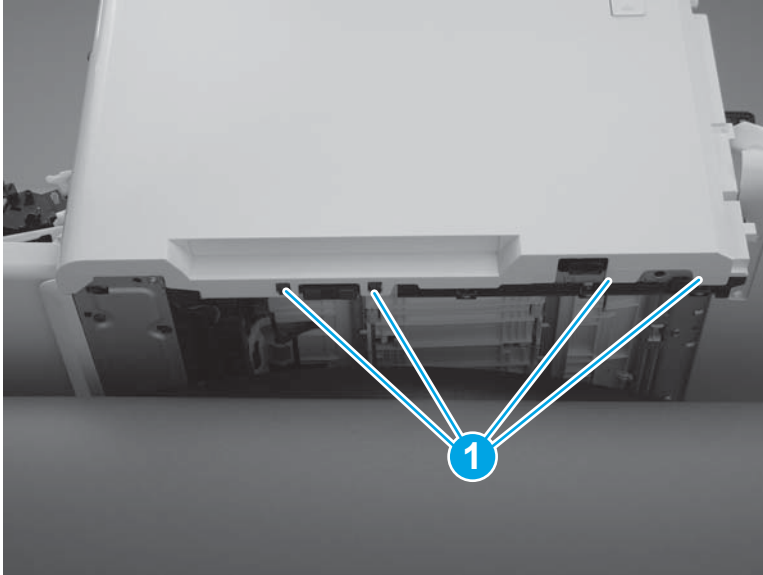
2. Release two tabs (callout 1) at the front of the cover. Hold the cover open to prevent the tabs from reengaging.

Figure 1-4483 Release two tabs



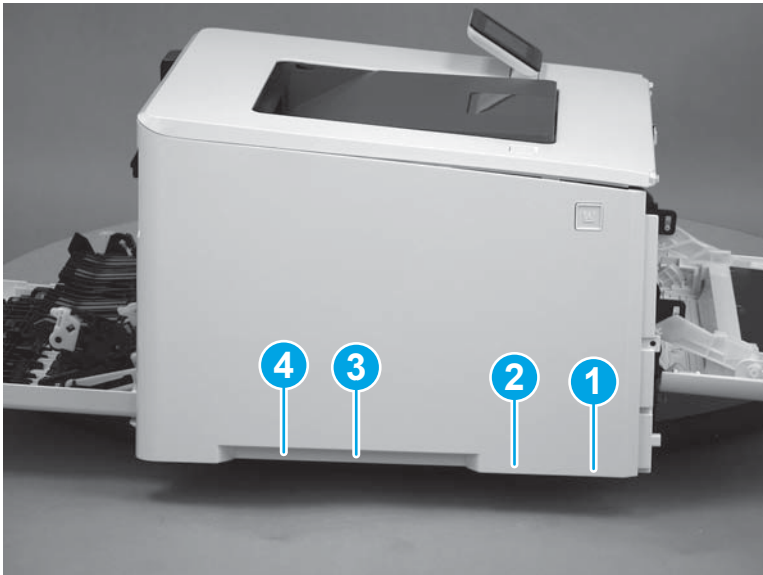
3. Slide the printer to the edge of a work surface. Note the location of the tabs on the lower edge of the cover (callout 1).

Figure 1-4484 Locate the tabs



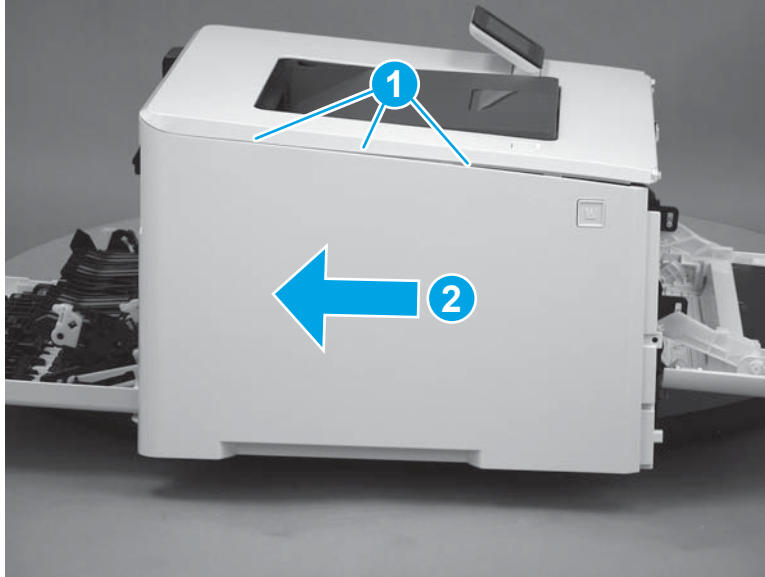
4. Beginning from the front of the cover, release four tabs (callouts 1-4) on the lower edge of the cover.

Figure 1-4485 Release bottom tabs



5. Release three tabs at the top of the cover (callout 1), and then slide the cover toward the rear of the printer to remove it.

Figure 1-4486 Release three tabs



Step 4: Remove the left cover (M377, M477 models)

 **NOTE:** This step is for the M377, M477 models. For the M452 models, skip this step and go to [Step 5: Remove the formatter PCA on page 2371](#).

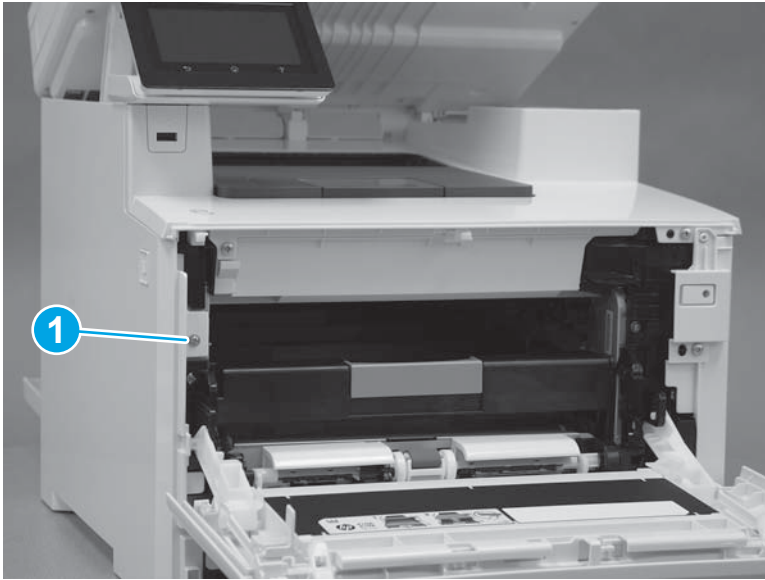
1. Raise the scanner.

Figure 1-4487 Raise the scanner



2. At the front of the printer, remove one screw (callout 1).

Figure 1-4488 Remove one screw



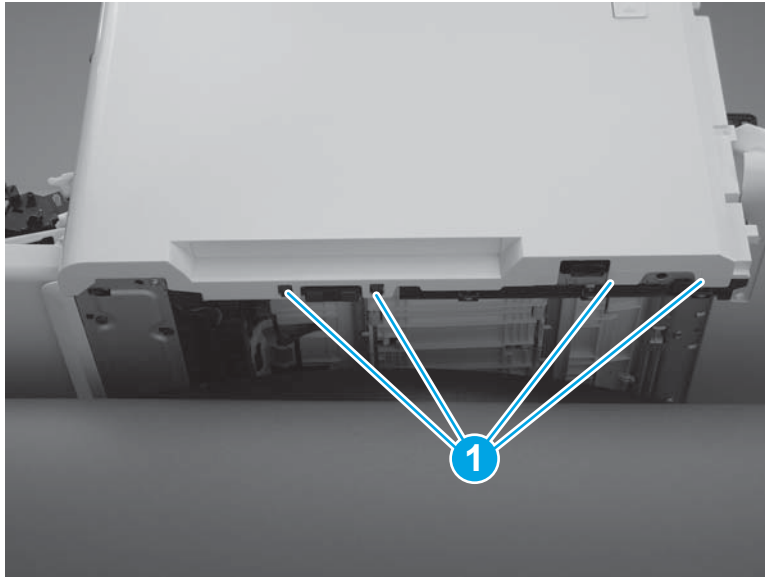
3. Release two tabs (callout 1) at the front of the cover. Hold the cover open to prevent the tabs from re-engaging.

Figure 1-4489 Release two tabs



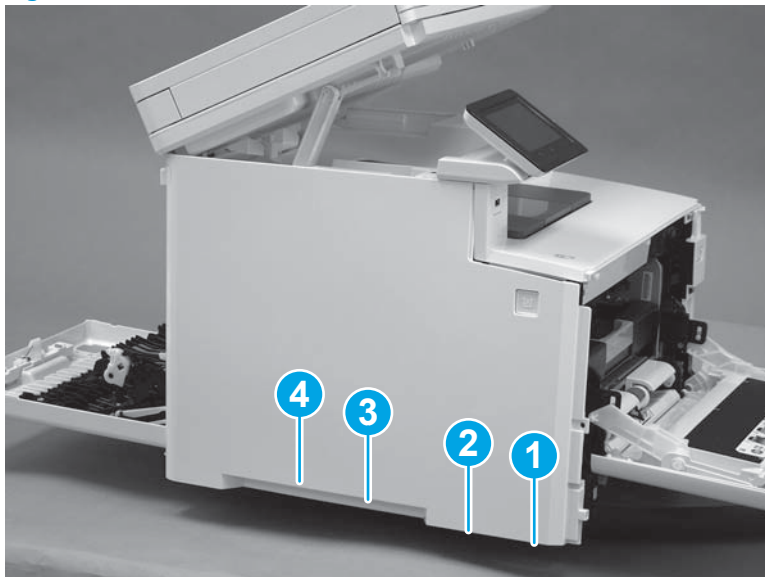
4. Slide the printer to the edge of a work surface. Note the location of the tabs on the lower edge of the cover (callout 1).

Figure 1-4490 Locate the tabs



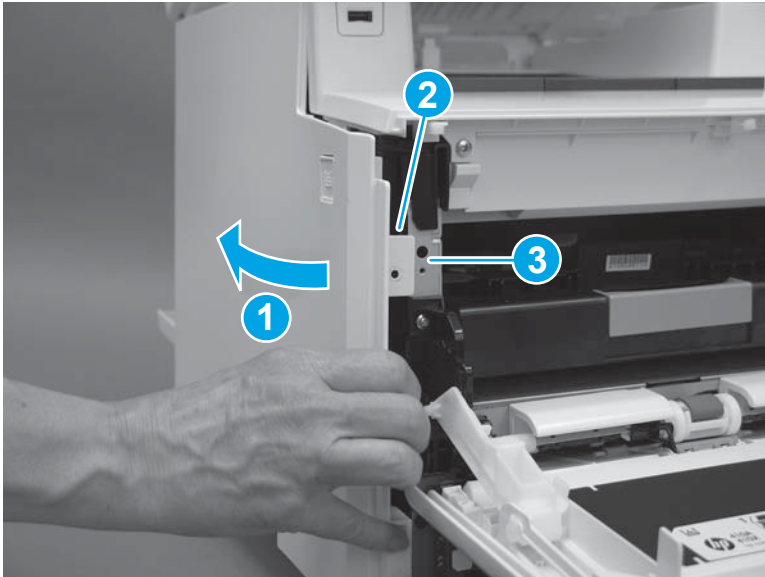
5. Beginning from the front of the cover, release the four tabs (callouts 1-4) on the lower edge of the cover.

Figure 1-4491 Release four tabs



6. Rotate the front of the cover away from the printer (callout 1). Make sure that the tab (callout 2) does not get caught on the printer frame (callout 3).

Figure 1-4492 Rotate the cover



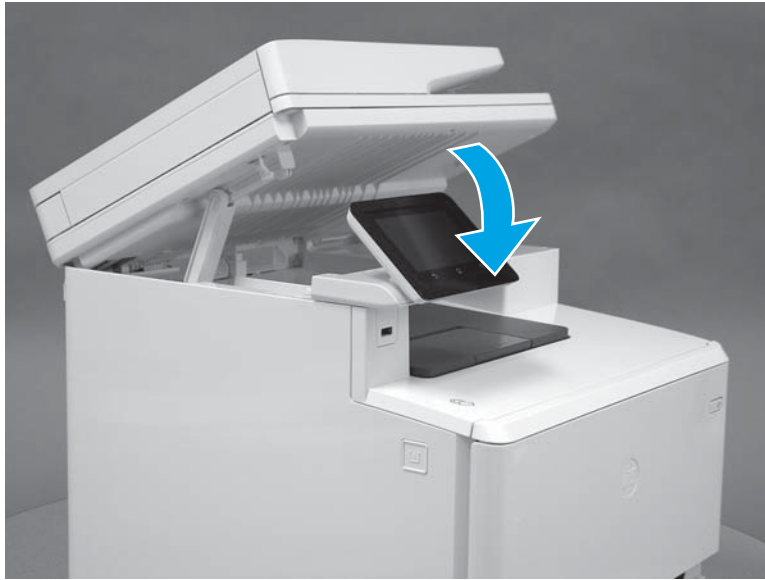
7. At the top of the printer, slightly pull the top of the cover away from the printer to release one retention tab (callout 1) on the inside of the cover. While holding the cover away, slide the cover toward the back of the printer (callout 2) to release two hooks (callout 3) inside the cover.

Figure 1-4493 Release one tab and two hooks



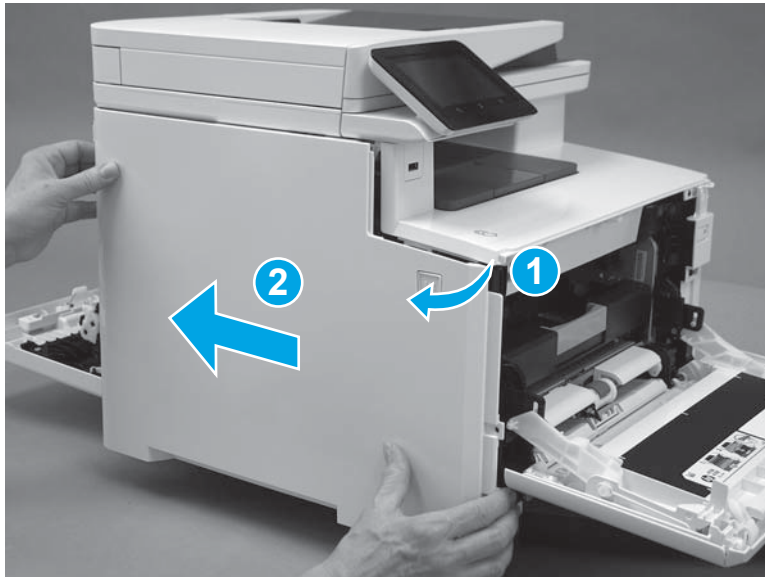
8. Lower the scanner.

Figure 1-4494 Lower the scanner



9. Rotate the cover away from the printer (callout 1), and then slide the cover (callout 2) toward the back of the printer to remove it.

Figure 1-4495 Remove the left cover

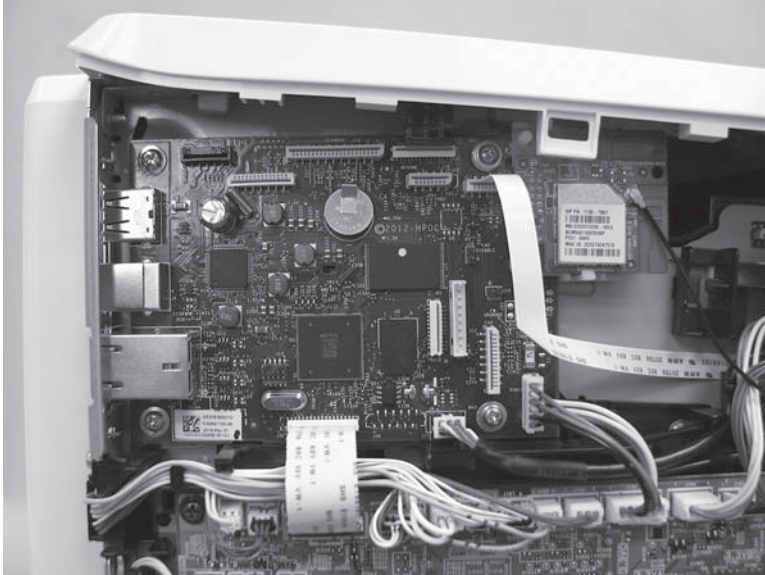


Step 5: Remove the formatter PCA

 **NOTE:** The M452dw model is shown in the figures below. The formatter PCA on other models might look differently and have a different number of connections. However, the procedure is correct for all models.

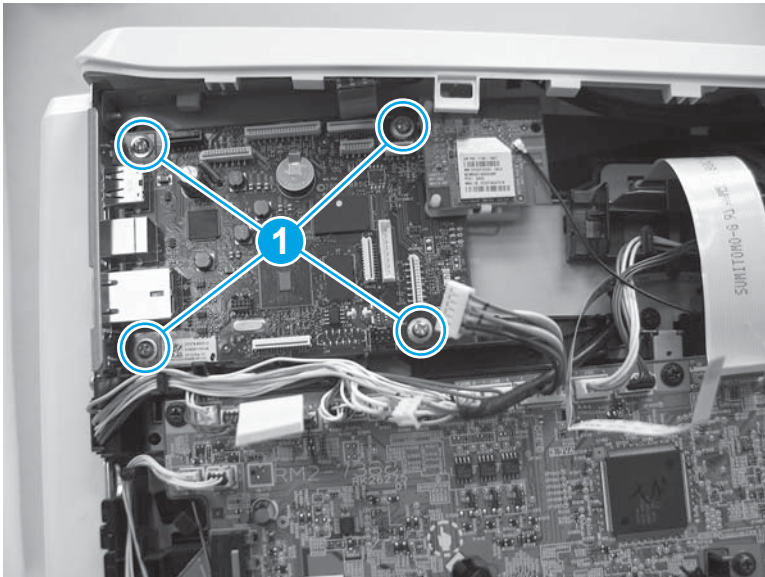
1. Disconnect all of the connectors on the formatter PCA.

Figure 1-4496 Disconnect all of the connectors)



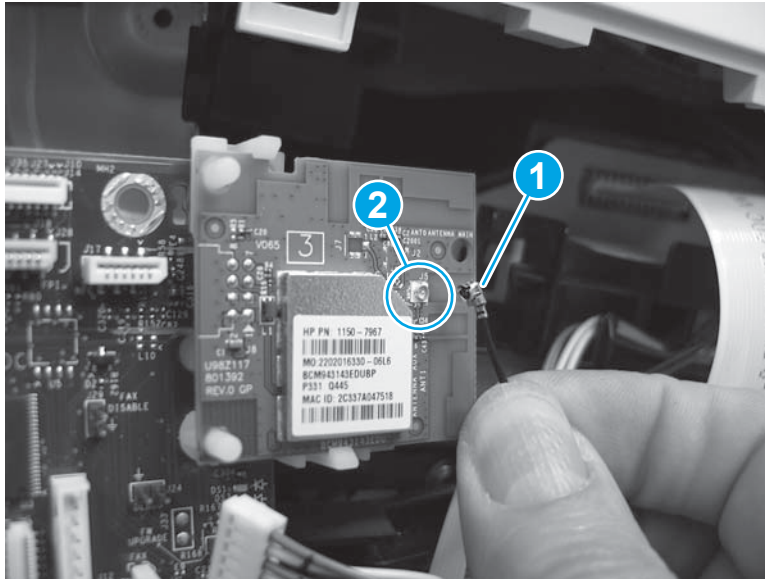
2. Remove four screws (callout 1).

Figure 1-4497 Remove four screws



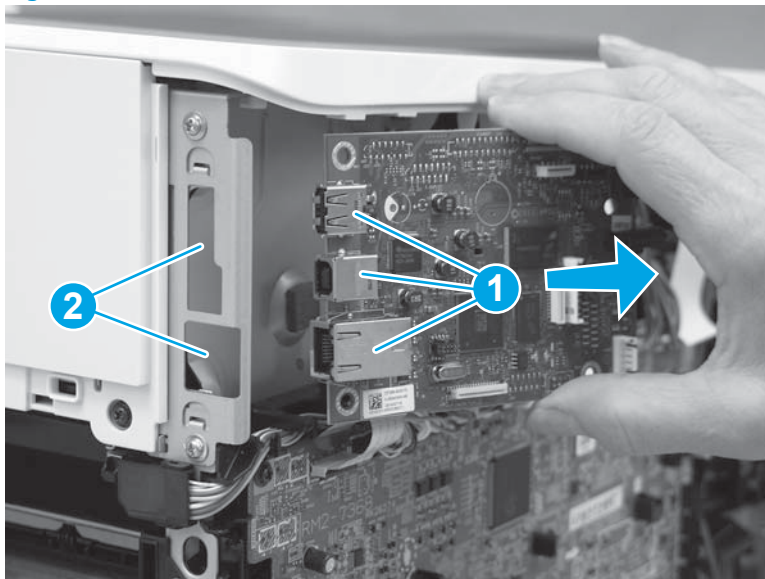
- 3. M452nw and M452dw only:** Disconnect the antenna (callout 1) from the connector (callout 2).

Figure 1-4498 Disconnect the antenna



- 4.** Slide the formatter PCA to the right to release the ports (callout 1) from the openings in the printer frame (callout 2), and then remove the formatter PCA.

Figure 1-4499 Remove the formatter PCA



- 5. M452nw and M452dw only:** Lay the formatter PCA on a flat surface. Release two tabs (callout 1), and then lift the wireless PCA up (callout 2) to release it from the bracket and disconnect it from the formatter PCA.


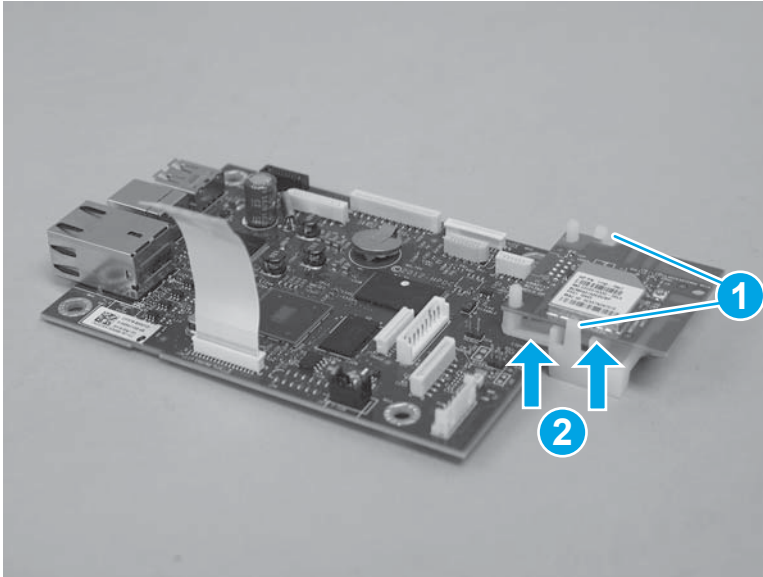
 **NOTE:** Set the wireless PCA aside to be installed on the replacement formatter PCA.

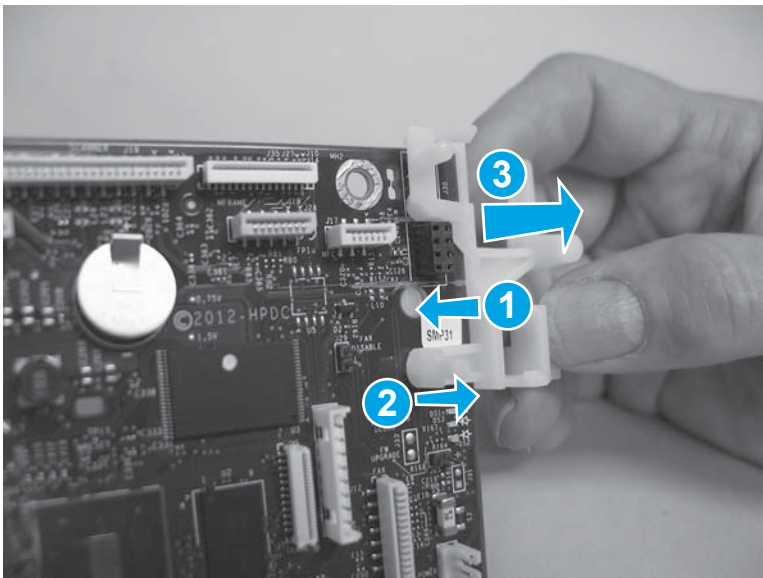
Figure 1-4500 Remove the wireless PCA



- 6. M452nw and M452dw only:** Press down to release one tab (callout 1) on the back of the formatter PCA while lifting up to release a second tab (callout 2). Slide the bracket to the right (callout 3) to remove it from the formatter PCA.

 **NOTE:** Set the bracket aside to be installed on the replacement formatter PCA.

Figure 1-4501 Remove the bracket



Step 6: Unpack the replacement part

Remove the new part from its package. Save all packaging for recycling the used part.

For complete information on HP's recycling programs, go to [Product return and recycling](#).


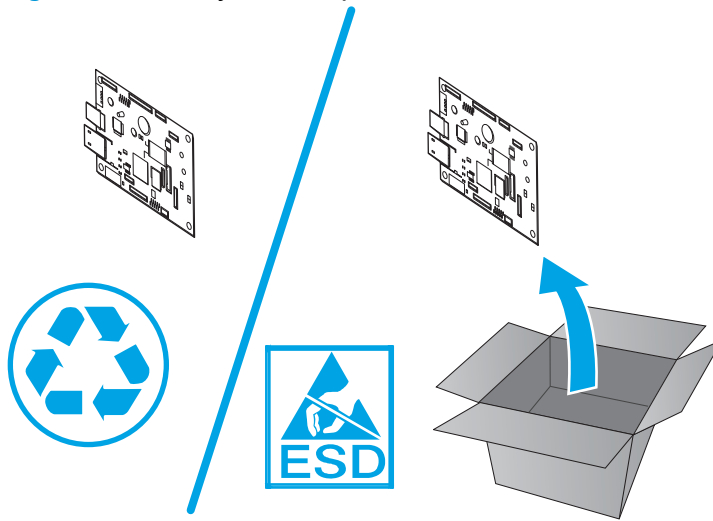

 **NOTE:** HP recommends responsible disposal of the defective part.

Figure 1-4502 Recycle and unpack

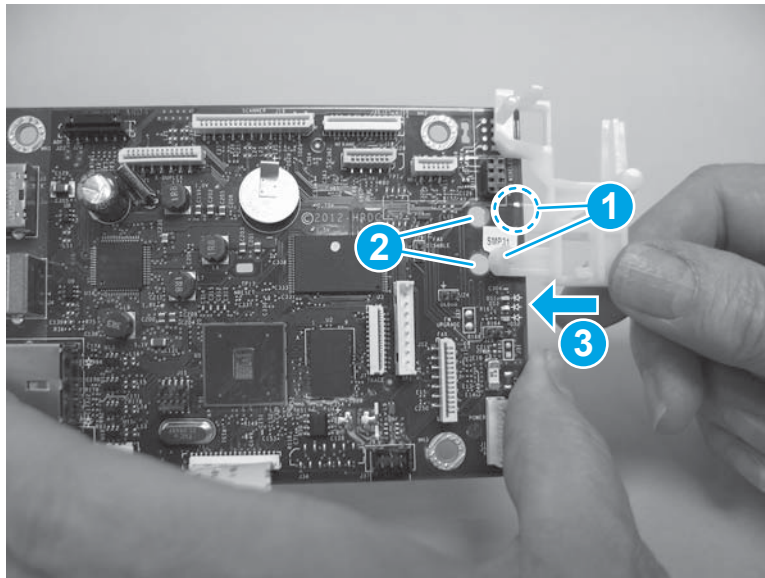


Step 7: Install the formatter PCA

 **NOTE:** The M452dw model is shown in the figures below. The formatter PCA on other models might look differently and have a different number of connections. However, the procedure is correct for all models.

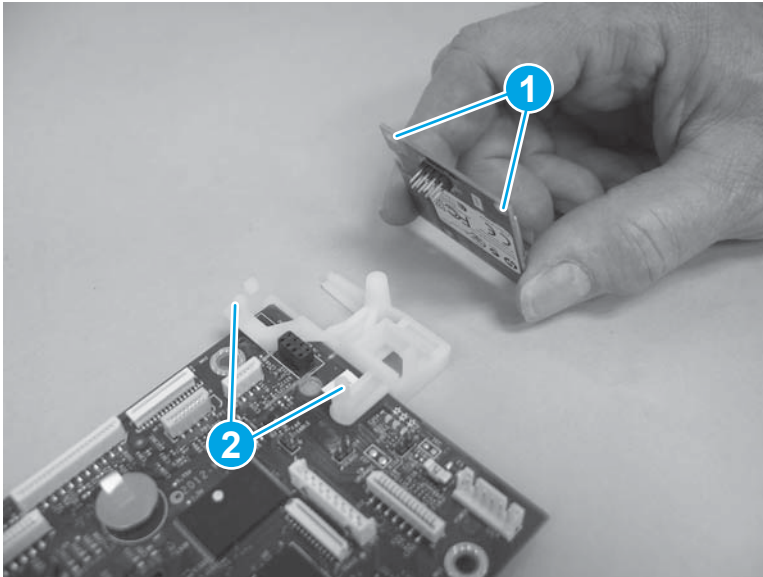
- 1. M452nw and M452dw only:** To install the wireless bracket from the old formatter PCA onto the new formatter PCA, position the tabs (callout 1) on the bracket into the holes (callout 2) on the formatter PCA. Slide the bracket to the left (callout 3) until the tabs snap into place.

Figure 1-4503 Install the bracket



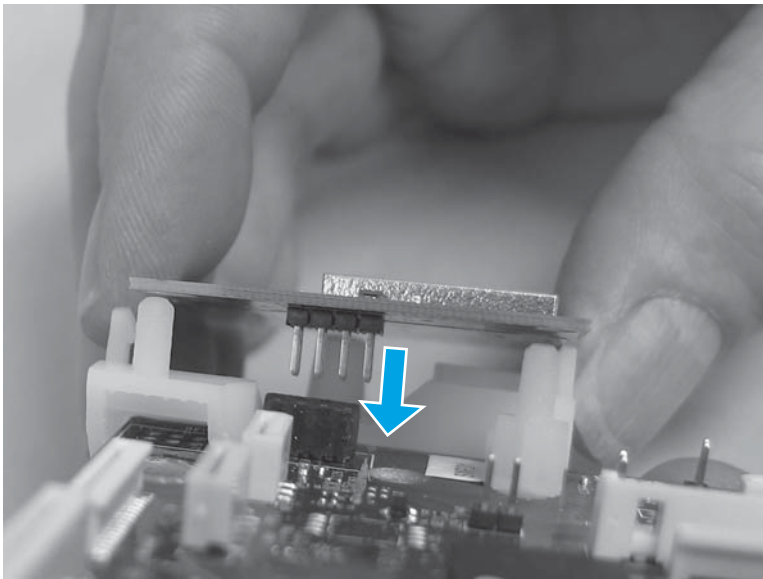
2. **M452nw and M452dw only:** Position the holes (callout 1) on the wireless PCA over the posts (callout 2) on the bracket.

Figure 1-4504 Position the wireless PCA



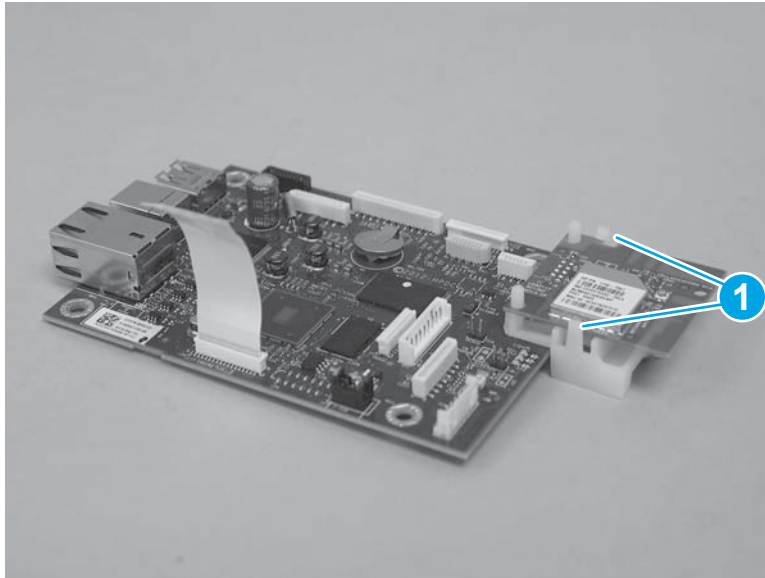
3. **M452nw and M452dw only:** Press the connector on the wireless PCA onto the connector on the formatter PCA.

Figure 1-4505 Connect the wireless PCA



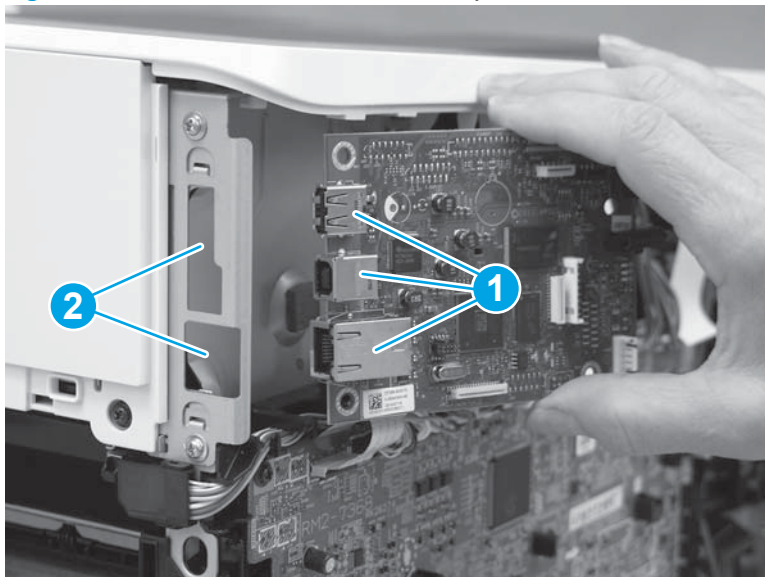
4. **M452nw and M452dw only:** Make sure that two tabs (callout 1) snap into place.

Figure 1-4506 Check the tabs



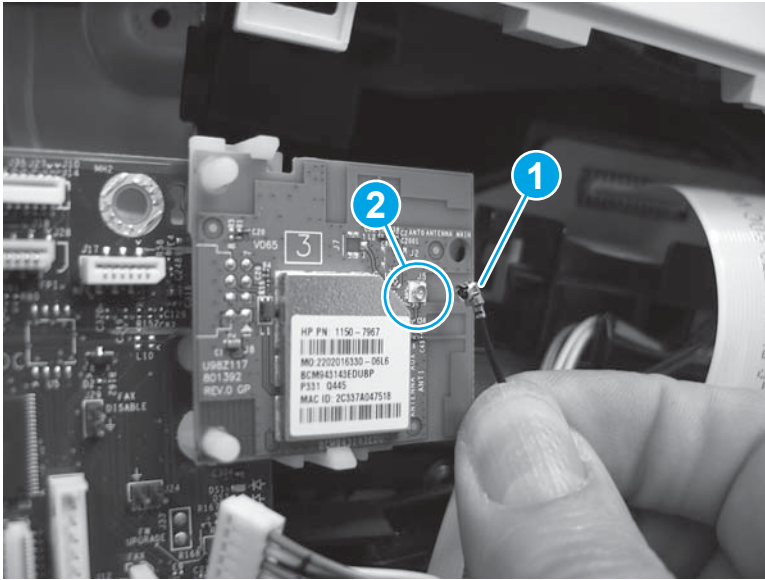
5. Install the ports (callout 1) on the side of the formatter PCA through the openings in the printer frame (callout 2).

Figure 1-4507 Position the formatter PCA ports



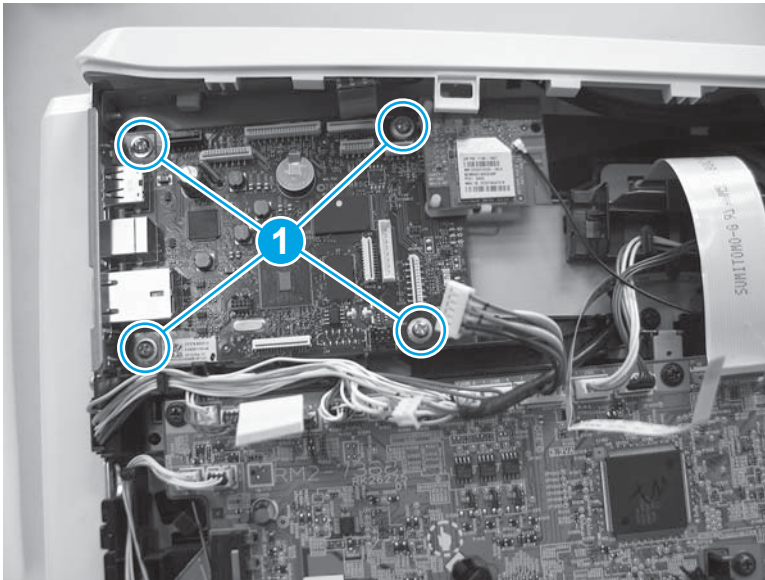
6. **M452nw and M452dw only:** Connect the antenna (callout 1) to the connector (callout 2).

Figure 1-4508 Connect the antenna



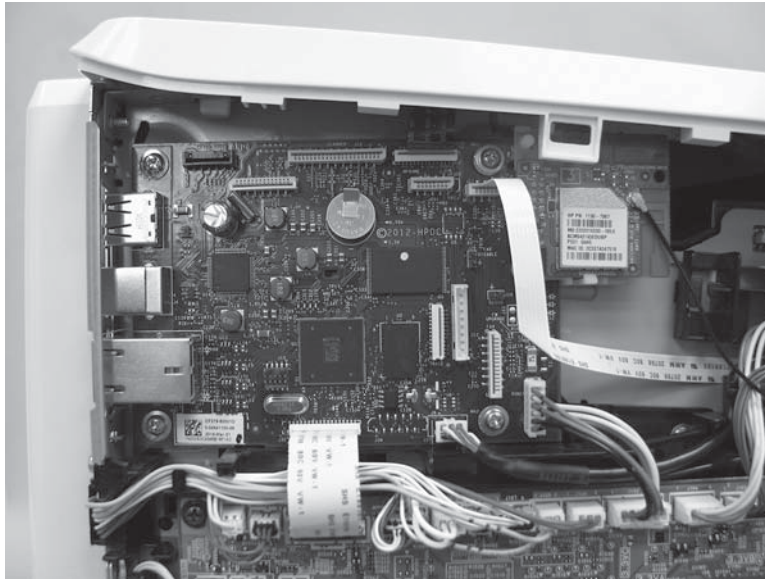
7. Set the formatter PCA in place, and then install four screws (callout 1).

Figure 1-4509 Install four screws




8. Connect all connectors on the formatter PCA.

Figure 1-4510 Connect all of the connectors

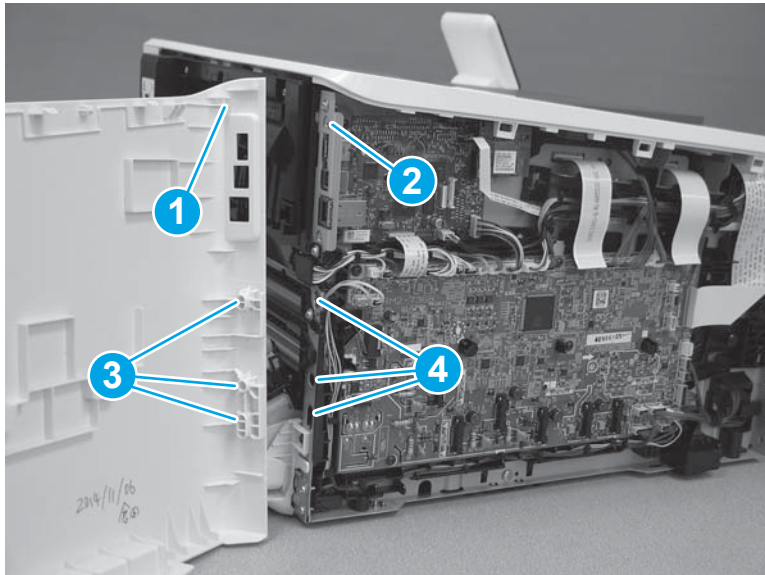


Step 8: Install the left cover (M452 models)

 **NOTE:** This step is for the M452 models. For the M377, M477 models, skip this step and go to [Step 9: Install the left cover \(M377, M477 models\) on page 2383](#).

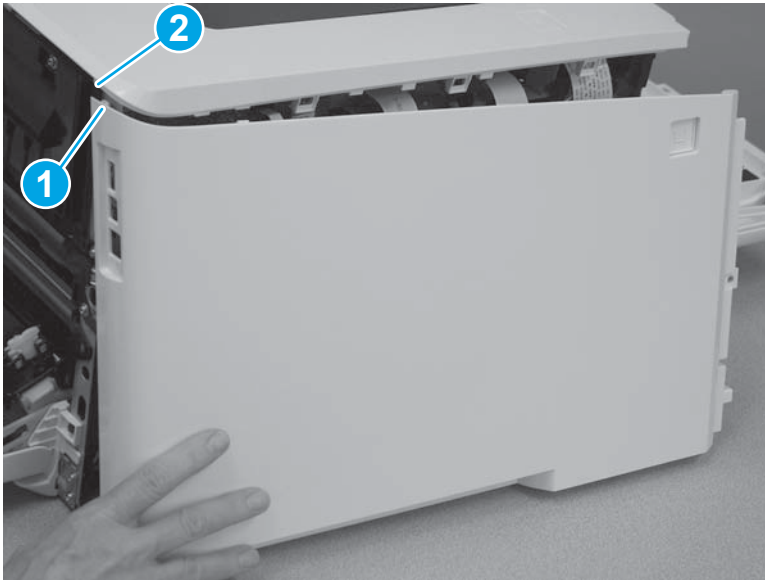
1. Position the hook (callout 1) on the cover in the slot (callout 2) on the printer. Position three tabs (callout 3) on the back of the cover in the slots (callout 4) in the printer.

Figure 1-4511 Position three tabs



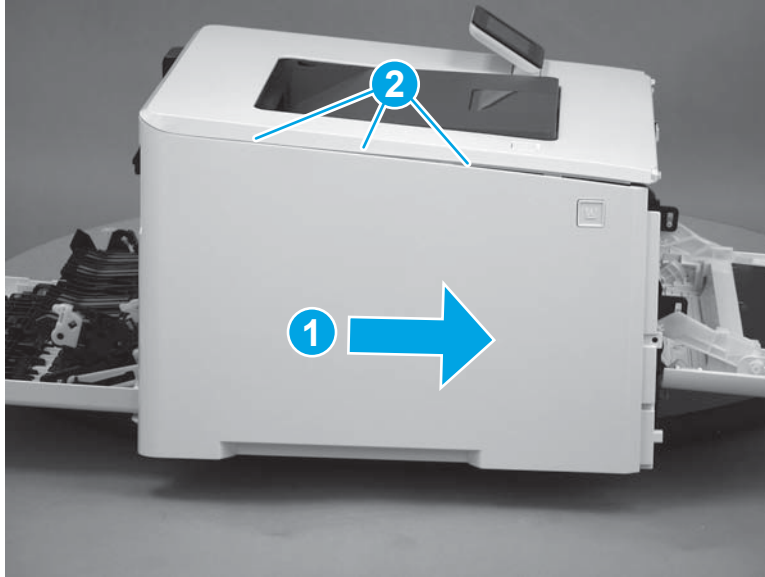
2. At the back of the printer, install the tab (callout 1) under the edge of the top cover (callout 2).

Figure 1-4512 Install one tab



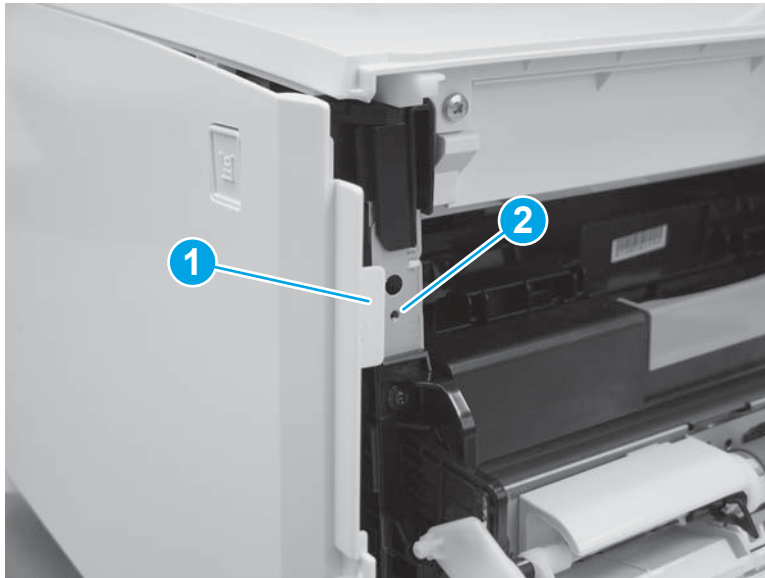
3. Slide the cover toward the front of the printer (callout 1), and then engage three tabs (callout 2) on the top of the cover.

Figure 1-4513 Install the left cover



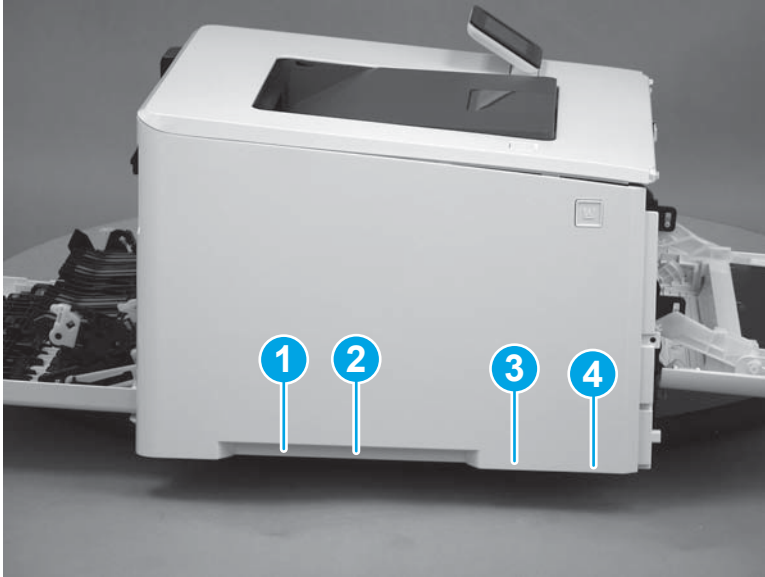
⚠ CAUTION: Make sure that the tab (callout 1) does not get caught behind the printer frame (callout 2).

Figure 1-4514 Make sure the tab does not get caught



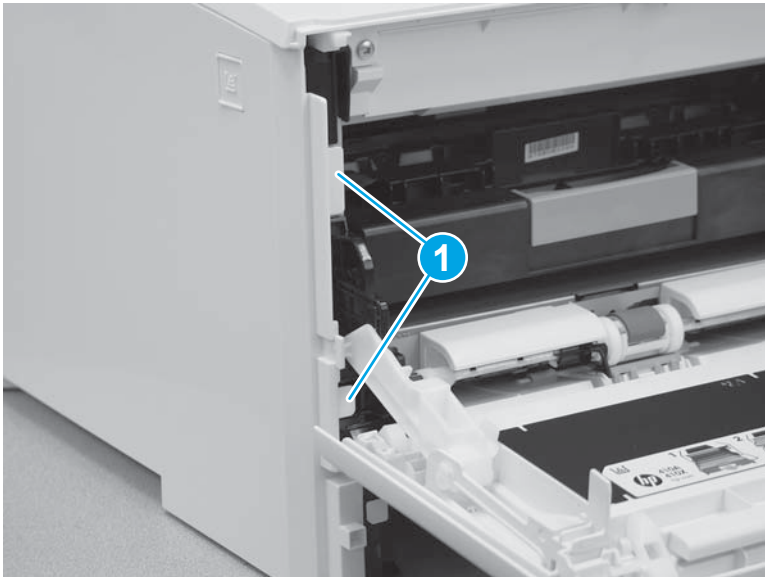
4. Slide the printer to the edge of a work surface in order to access the tabs on the bottom of the cover. Beginning from the back of the cover, install four tabs (callouts 1-4) on the lower edge of the cover.

Figure 1-4515 Install four tabs



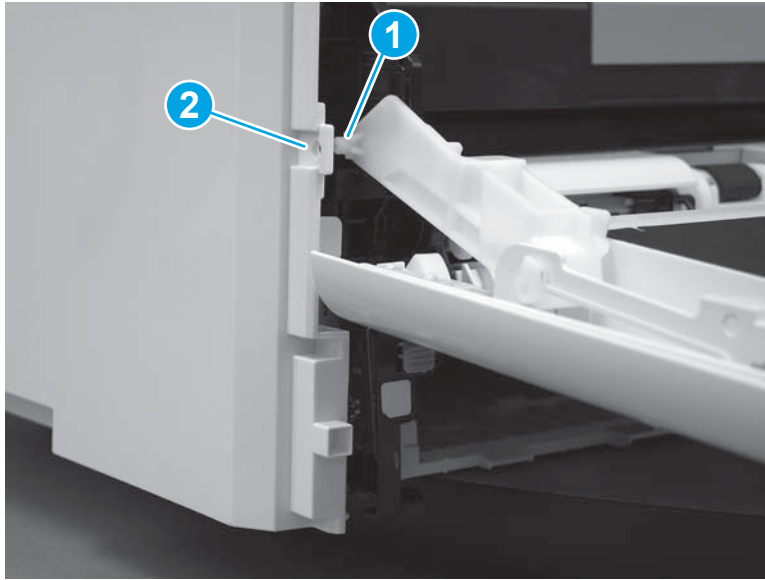
5. Install two tabs (callout 1) at the front of the cover.

Figure 1-4516 Engage two tabs



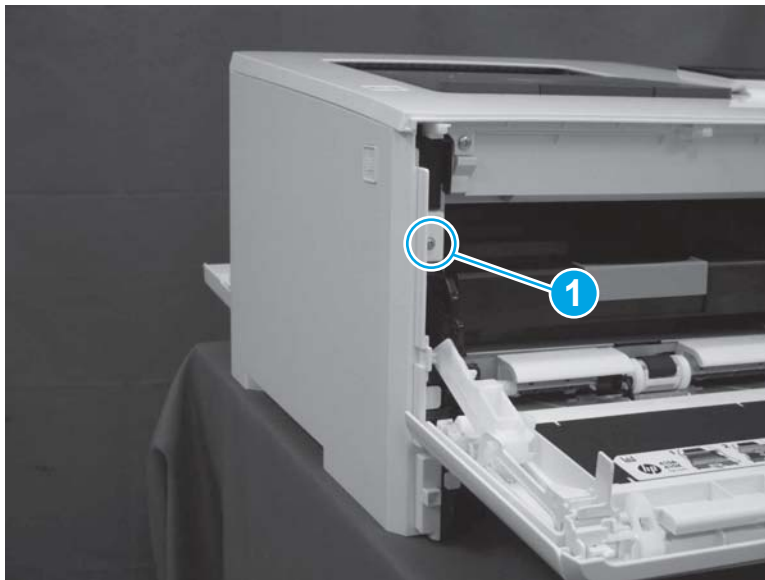
6. Make sure that the hinge pin (callout 1) on the front door fits into the slot (callout 2) on the left cover.

Figure 1-4517 Install hinge pin



7. Install one screw (callout 1).

Figure 1-4518 Install one screw

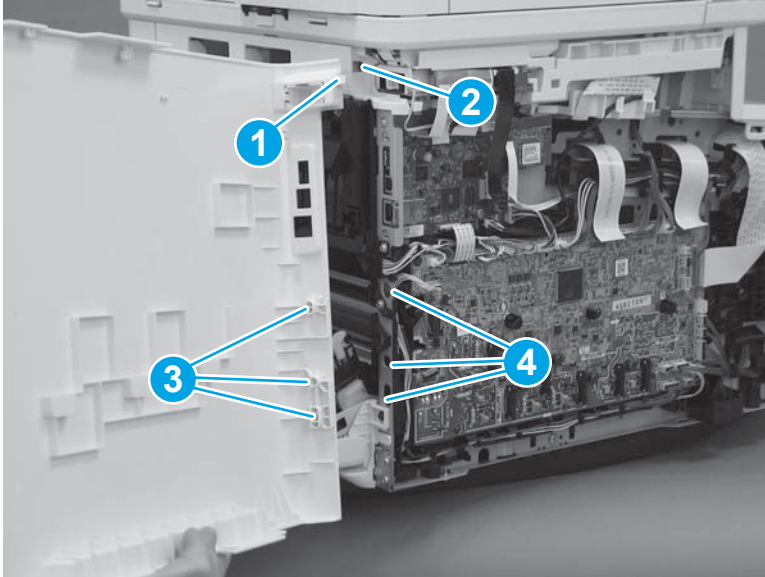


Step 9: Install the left cover (M377, M477 models)

 **NOTE:** This step is for the M377, M477 models. For the M452 models, skip this step and go to [Step 10: Close the front door and rear door or duplexer door on page 2390.](#)

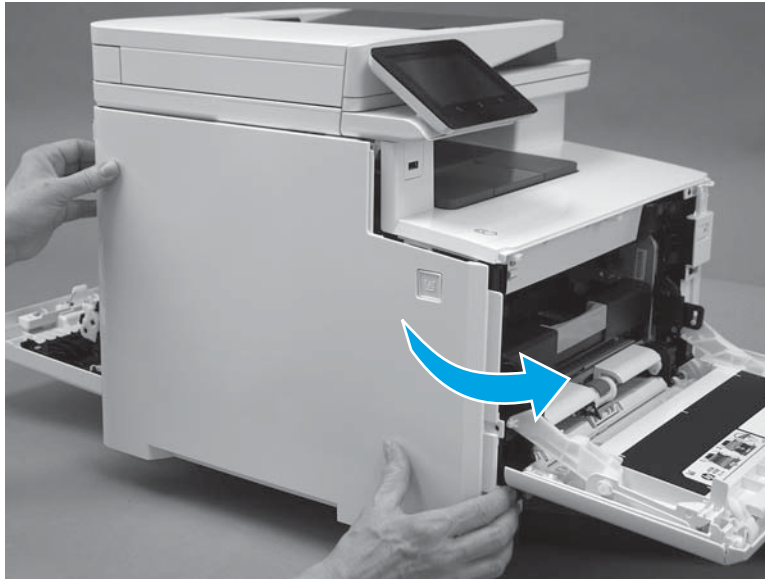
1. At the back of the printer, install the tab (callout 1) on the cover into the slot (callout 2) in the printer. Install the locator pins (callout 3) into the slots (callout 4) in the printer.

Figure 1-4519 Install one tab



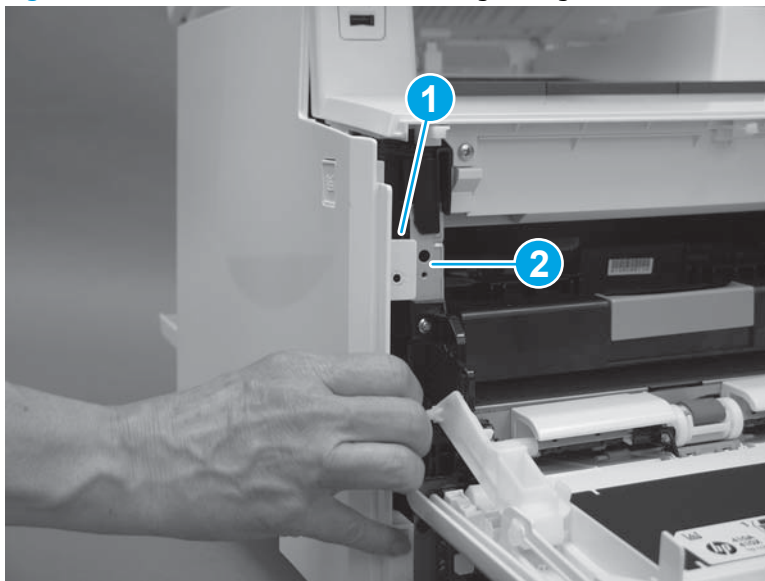
2. Rotate the cover toward the printer.

Figure 1-4520 Rotate the left cover



⚠ CAUTION: Make sure that the tab (callout 1) does not get caught behind the printer frame (callout 2).

Figure 1-4521 Make sure the tab does not get caught



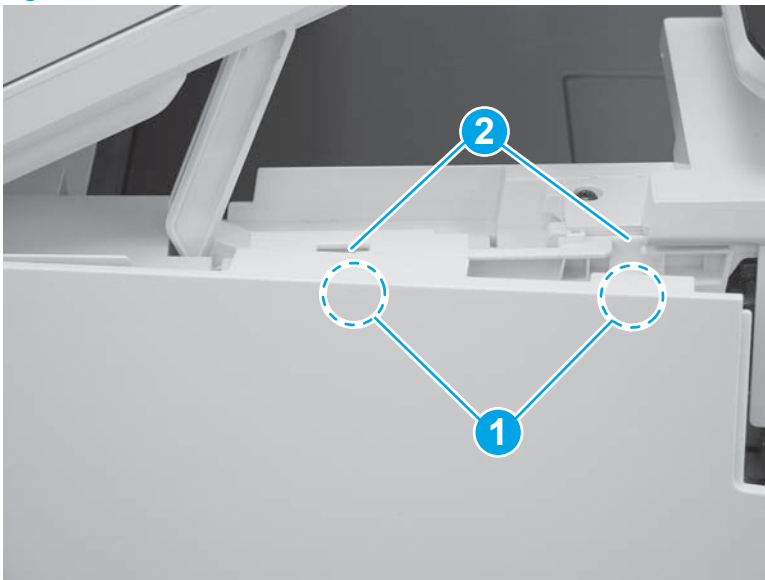
3. Raise the scanner.

Figure 1-4522 Raise the scanner



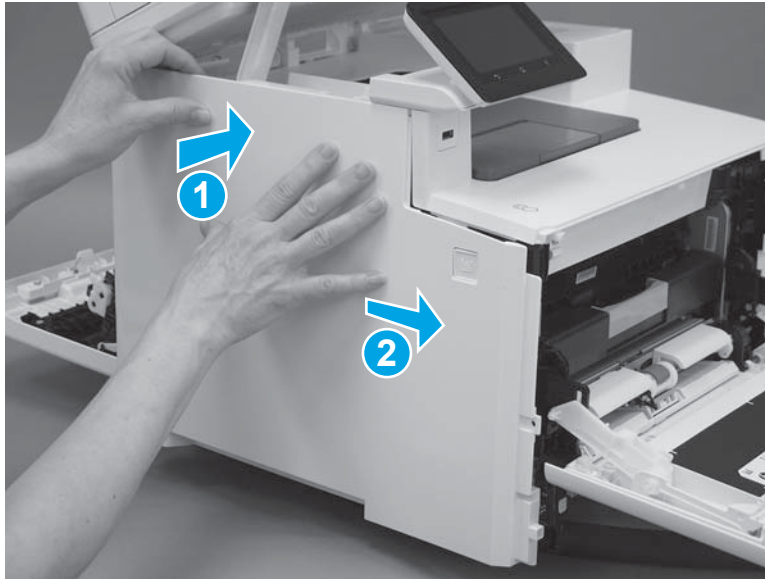
4. Position the hooks (callout 1) on the inside of the cover into the slots (callout 2) on the printer.

Figure 1-4523 Position the hooks in the slots



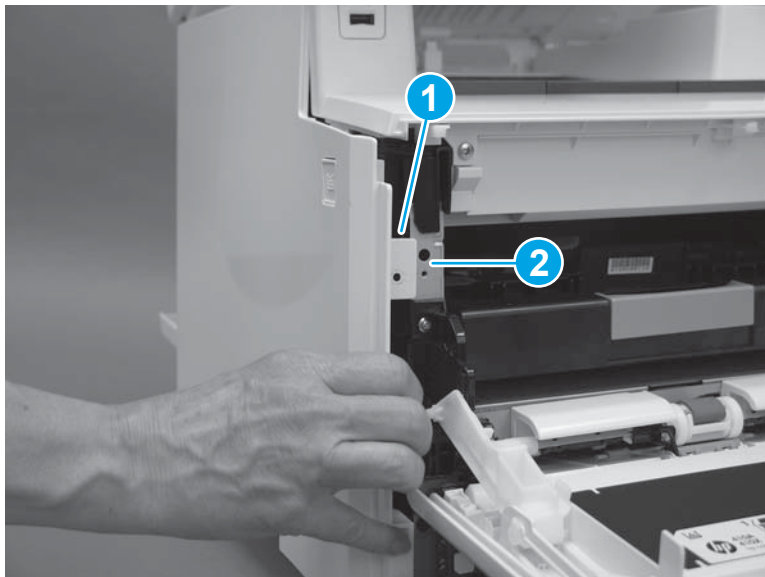
5. Hold the cover against the printer (callout 1), and then slide it (callout 2) toward the front of the printer.

Figure 1-4524 Install the top hooks



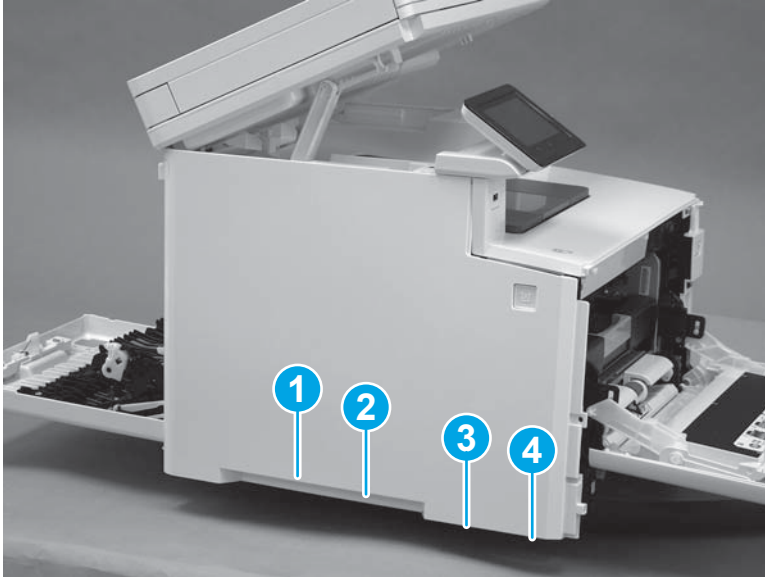
⚠ CAUTION: Make sure that the tab (callout 1) on the front of the cover does not get caught behind the printer frame (callout 2).

Figure 1-4525 Make sure the tab does not get caught



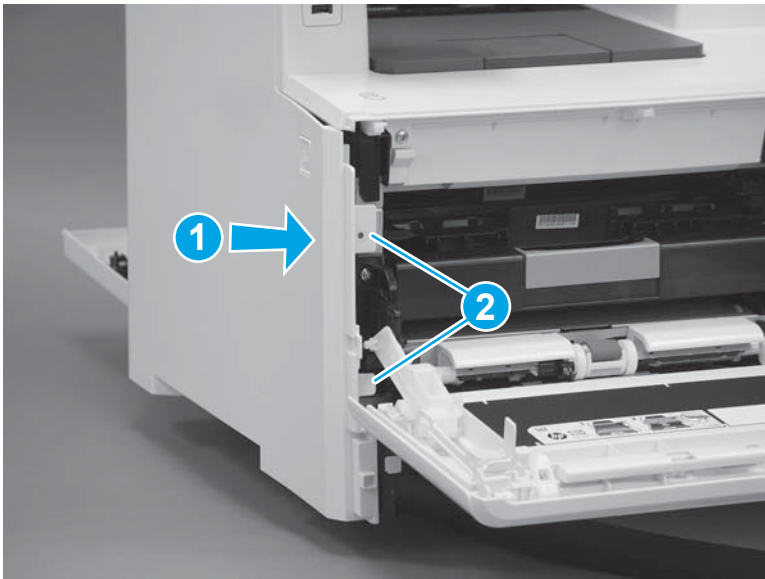
6. Slide the printer to the edge of a work surface in order to access the tabs on the bottom of the cover. Beginning from the back of the cover, install four tabs (callouts 1-4) on the lower edge of the cover.

Figure 1-4526 Install four tabs



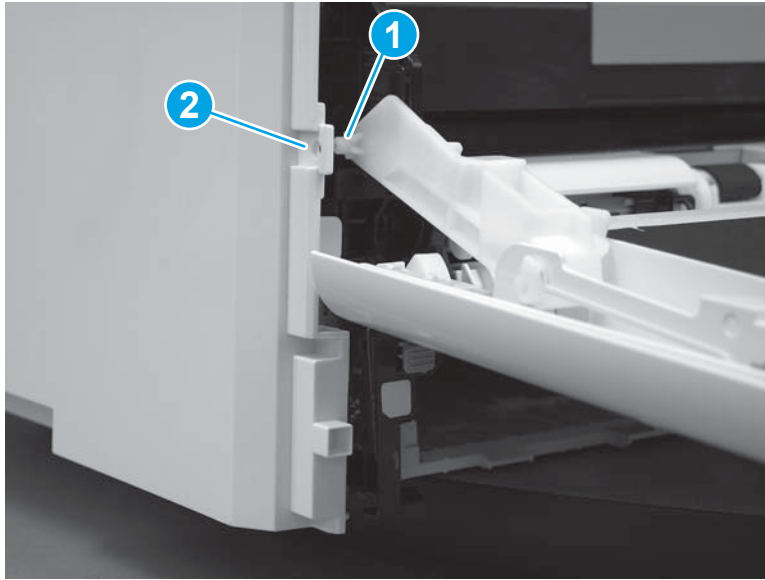
7. Press the cover toward the printer (callout 1), and then install two tabs (callout 2) at the front of the cover.

Figure 1-4527 Install two tabs



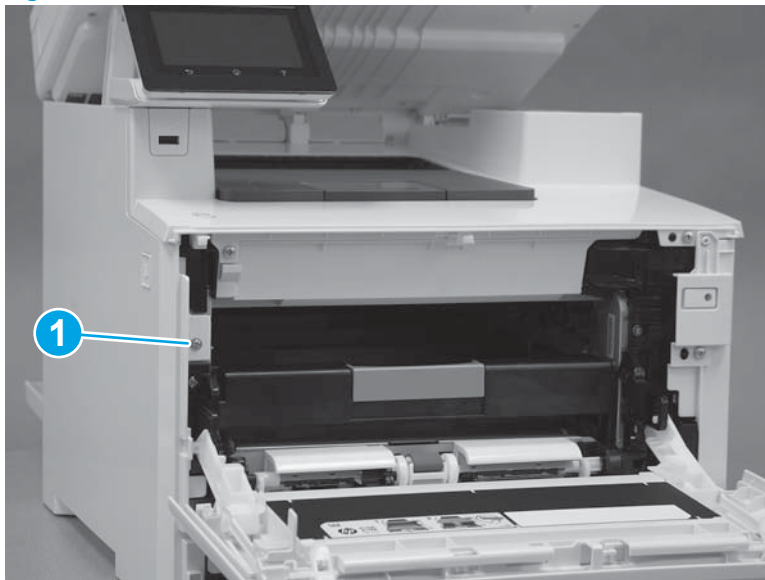
8. Make sure that the hinge pin (callout 1) on the front door fits into the slot (callout 2) on the left cover.

Figure 1-4528 Install hinge pin



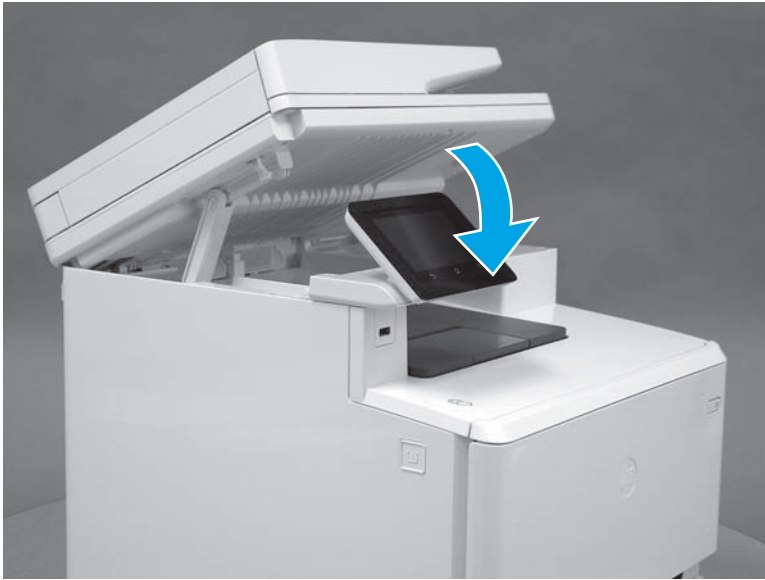
9. Install one screw (callout 1).

Figure 1-4529 Install one screw



10. Lower the scanner.

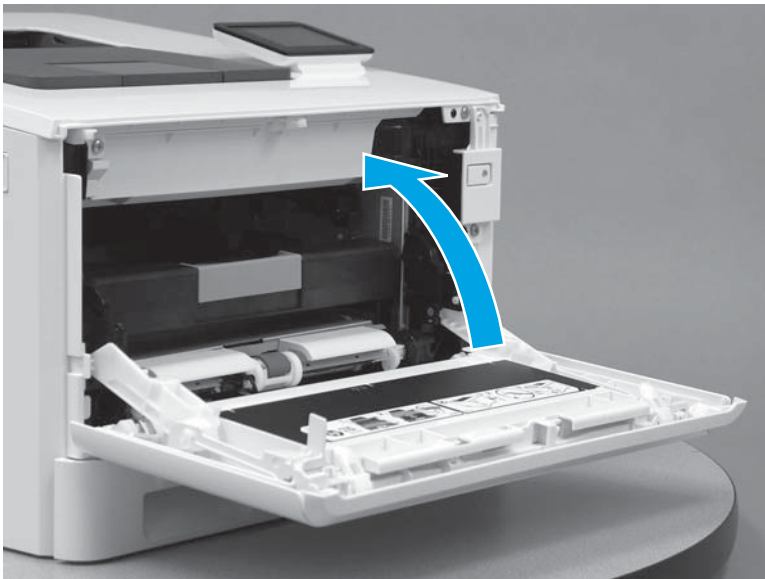
Figure 1-4530 Lower the scanner



Step 10: Close the front door and rear door or duplexer door

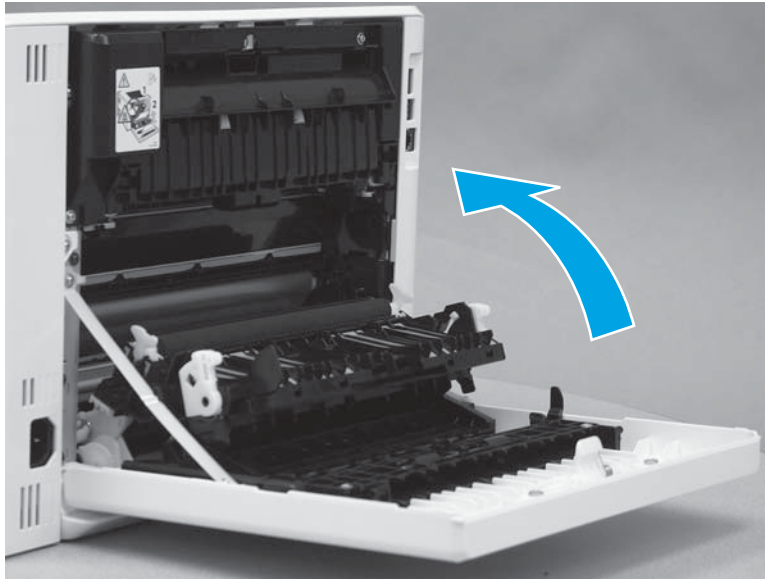
1. Close the front door.

Figure 1-4531 Close the front door



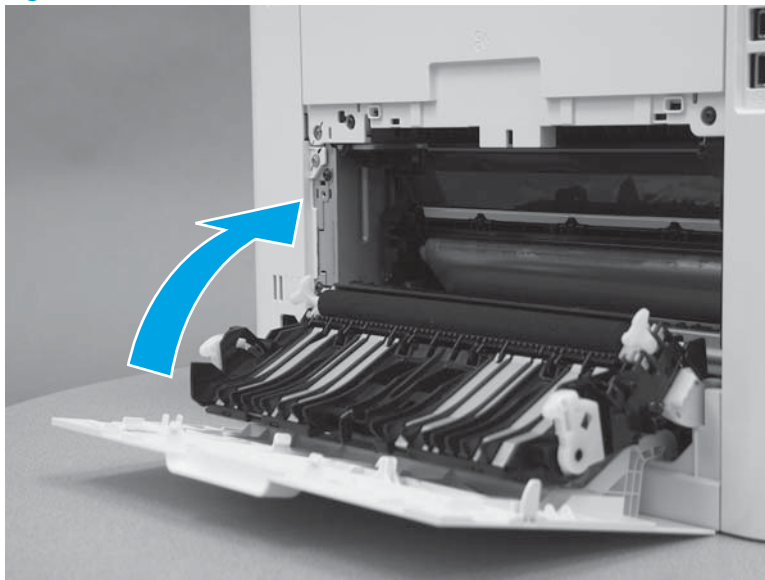
2. **Duplex models:** Close the duplexer door.

Figure 1-4532 Close the duplexer door



3. **Simplex models:** Close the rear door.

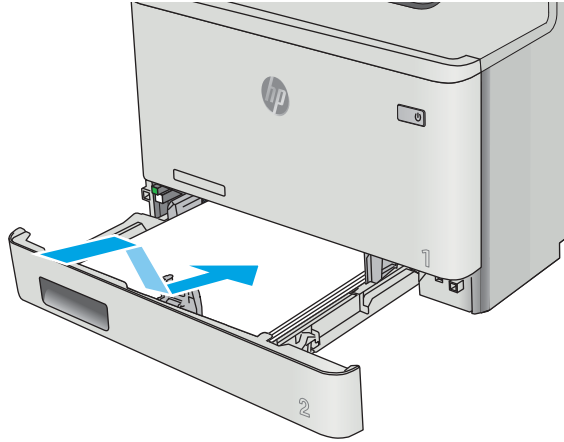
Figure 1-4533 Close the rear door



Step 11: Install Tray 2

- ▲ With the front of the tray slightly lifted, align the sides of the tray with the rails in the printer, and then carefully slide the tray into the printer. As the tray slides into the printer, lower the front of the tray, and then close it.

Figure 1-4534 Install the tray



Removal and replacement: Environmental sensor


- [Introduction](#)
- [Step 1: Remove Tray 2](#)
- [Step 2: Open the front door and rear door or duplexer door](#)
- [Step 3: Remove the left cover \(M452 models\)](#)
- [Step 4: Remove the left cover \(M377, M477 models\)](#)
- [Step 5: Remove the environmental sensor](#)
- [Step 6: Unpack the replacement part](#)
- [Step 7: Install the environmental sensor](#)
- [Step 8: Install the left cover \(M452 models\)](#)
- [Step 9: Install the left cover \(M377, M477 models\)](#)
- [Step 10: Close the front door and rear door or duplexer door](#)
- [Step 11: Install Tray 2](#)

Introduction

This document provides the procedures to remove and replace the environmental sensor.

Before you begin

- Turn off the printer.
- Disconnect the power cable.

 **WARNING!** To avoid damage to the printer, turn the printer off, wait 30 seconds, and then remove the power cord before attempting to service the printer.

- Use the table below to identify the correct part number for your printer. To order the part, go to www.hp.com/buy/parts.

| Environmental sensor part number | |
|----------------------------------|--|
|----------------------------------|--|

| |
|----------------|
| RM2-7376-000CN |
|----------------|

| |
|----------------------|
| Environmental sensor |
|----------------------|

Required tools

- #2 Phillips screwdriver with a magnetic tip

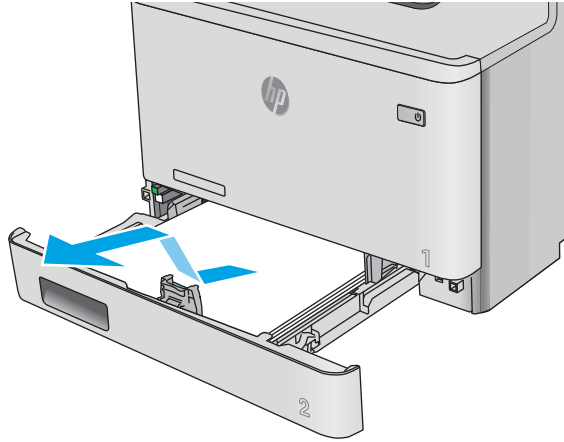
After performing service

- Connect the power cable.
- Use the power switch to turn the power on.

Step 1: Remove Tray 2

- ▲ Pull the tray out until it stops. Lift the front of the tray, and then pull it out of the printer to remove it.

Figure 1-4535 Remove the tray



Step 2: Open the front door and rear door or duplexer door

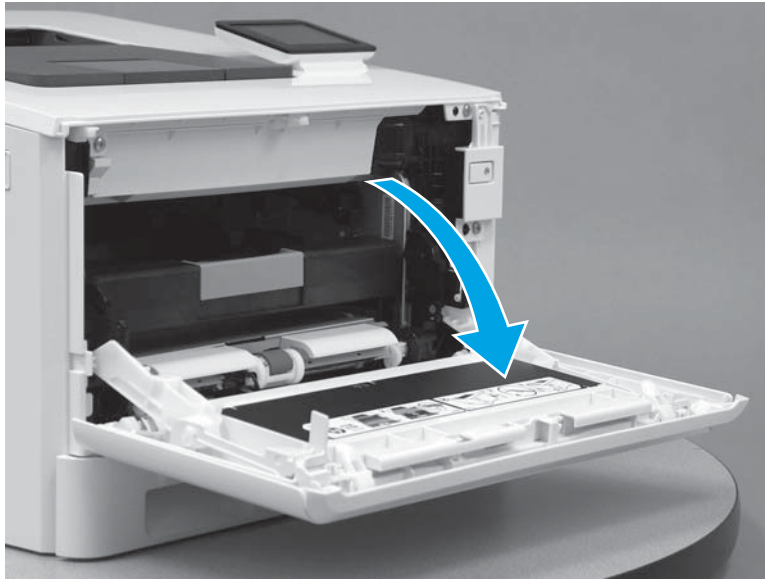
1. Press the button (callout 1) on the left side of the printer to release the front door.

Figure 1-4536 Release the front door



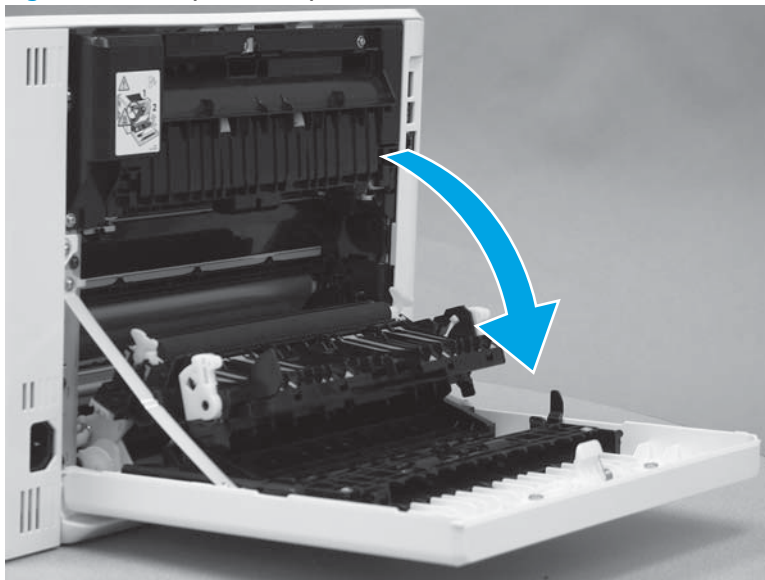
2. Open the front door.

Figure 1-4537 Open the front door



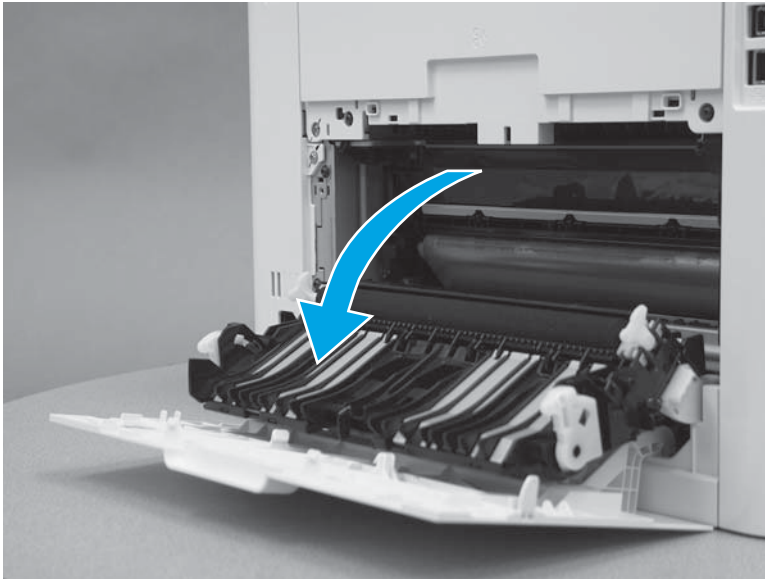
3. **Duplex models:** Open the duplexer door.

Figure 1-4538 Open the duplexer door




4. **Simplex models:** Open the rear door.

Figure 1-4539 Open the rear door

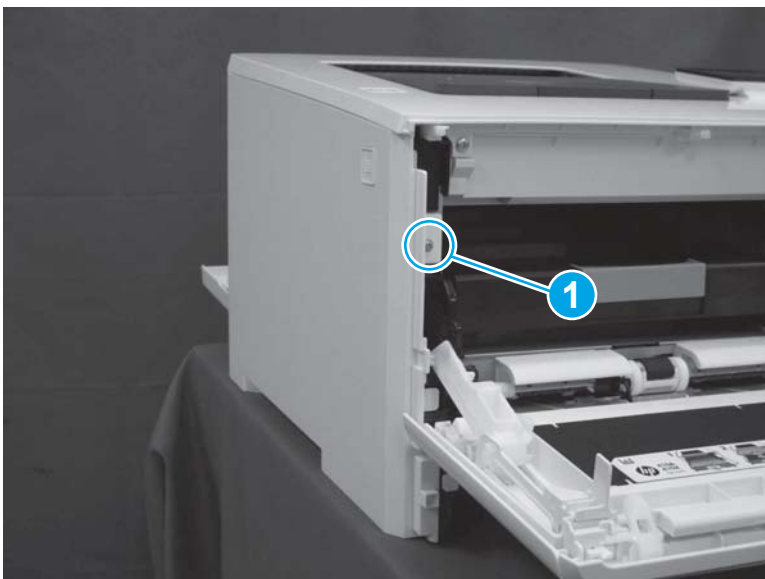


Step 3: Remove the left cover (M452 models)

 **NOTE:** This step is for the M452 models. For the M377, M477 models, skip this step and go to [Step 4: Remove the left cover \(M377, M477 models\) on page 2398](#).

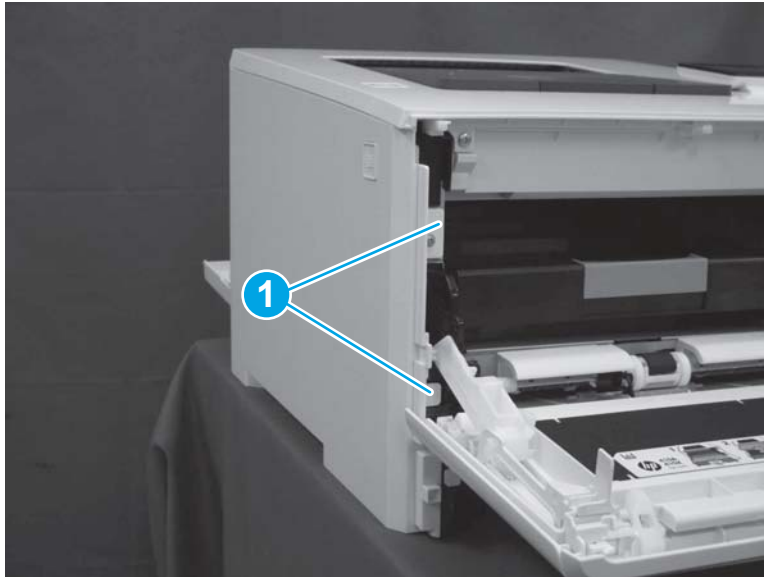
1. At the front of the printer, remove one screw (callout 1).

Figure 1-4540 Remove one screw



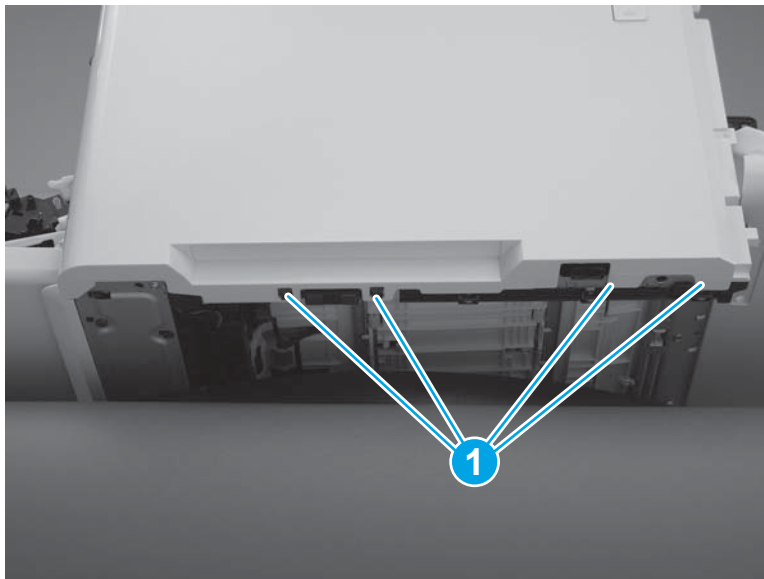
2. Release two tabs (callout 1) at the front of the cover. Hold the cover open to prevent the tabs from reengaging.

Figure 1-4541 Release two tabs



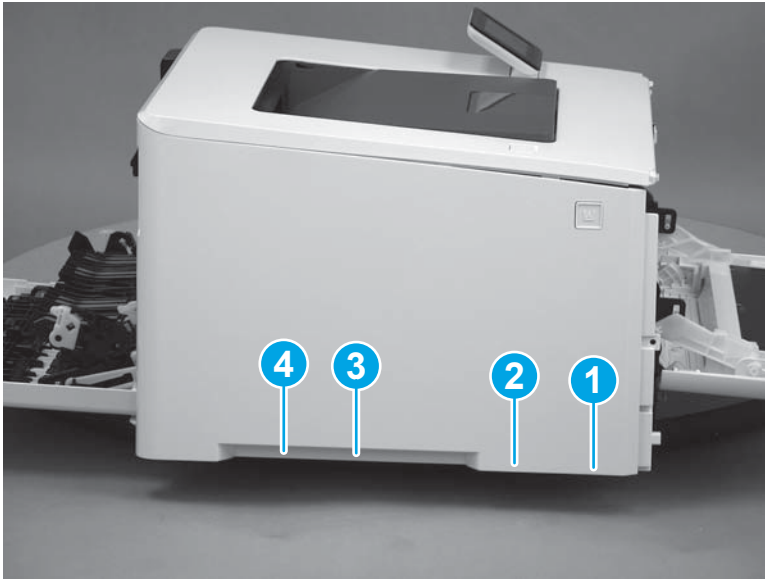
3. Slide the printer to the edge of a work surface. Note the location of the tabs on the lower edge of the cover (callout 1).

Figure 1-4542 Locate the tabs



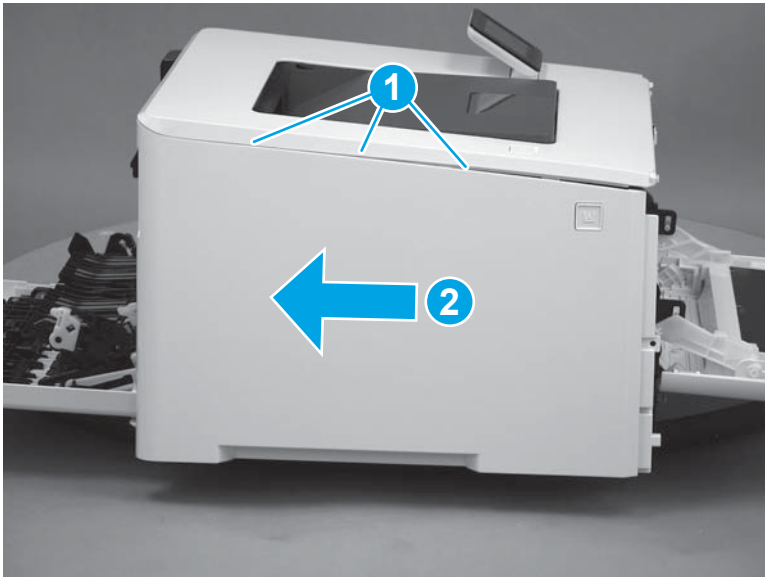
4. Beginning from the front of the cover, release four tabs (callouts 1-4) on the lower edge of the cover.

Figure 1-4543 Release bottom tabs




5. Release three tabs at the top of the cover (callout 1), and then slide the cover toward the rear of the printer to remove it.

Figure 1-4544 Release three tabs



Step 4: Remove the left cover (M377, M477 models)

 **NOTE:** This step is for the M377, M477 models. For the M452 models, skip this step and go to [Step 5: Remove the environmental sensor on page 2403.](#)

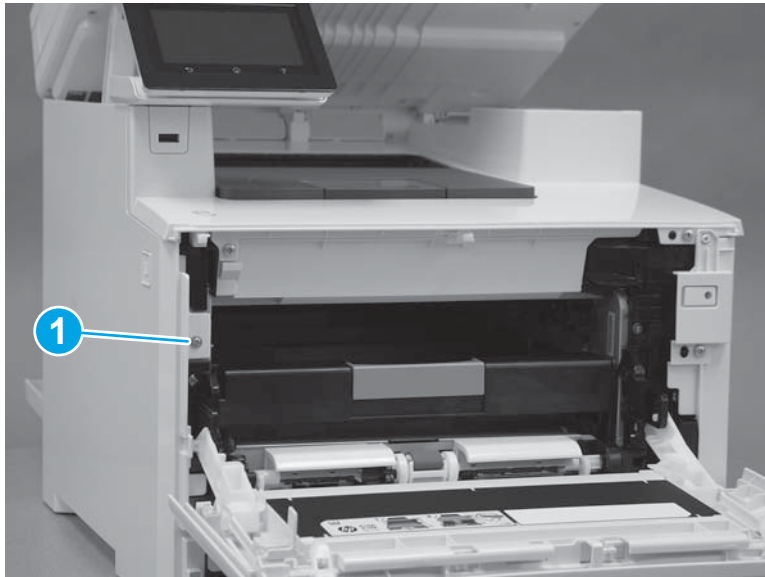
1. Raise the scanner.

Figure 1-4545 Raise the scanner



2. At the front of the printer, remove one screw (callout 1).

Figure 1-4546 Remove one screw



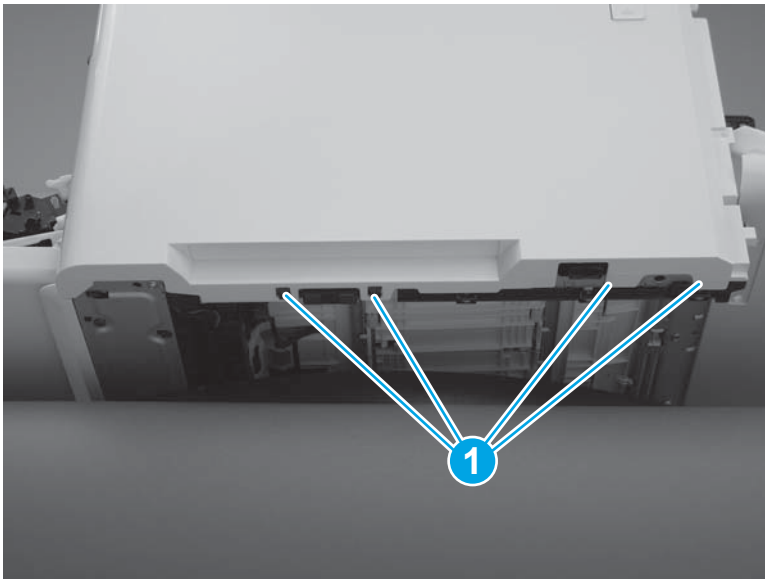
3. Release two tabs (callout 1) at the front of the cover. Hold the cover open to prevent the tabs from re-engaging.

Figure 1-4547 Release two tabs



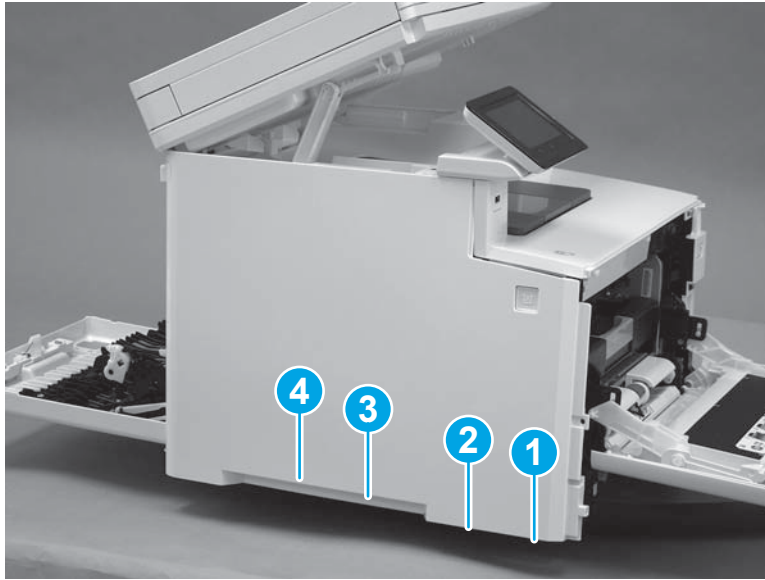
4. Slide the printer to the edge of a work surface. Note the location of the tabs on the lower edge of the cover (callout 1).

Figure 1-4548 Locate the tabs



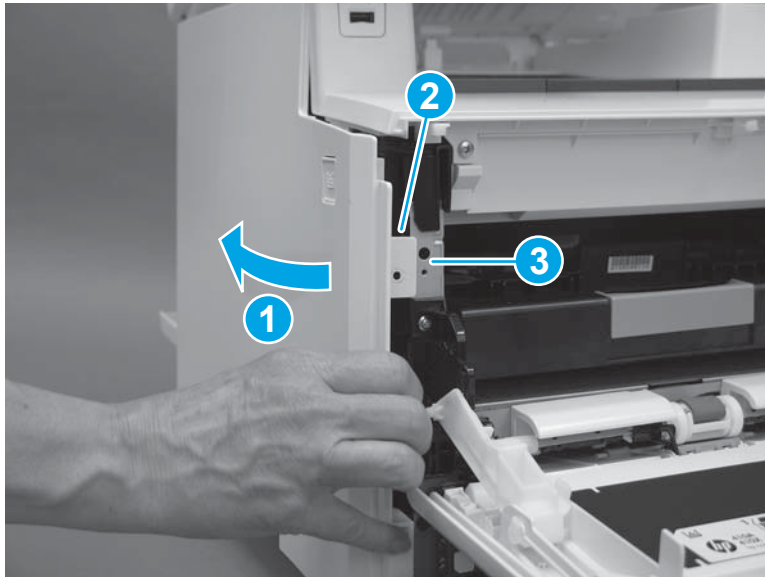
5. Beginning from the front of the cover, release the four tabs (callouts 1-4) on the lower edge of the cover.

Figure 1-4549 Release four tabs



6. Rotate the front of the cover away from the printer (callout 1). Make sure that the tab (callout 2) does not get caught on the printer frame (callout 3).

Figure 1-4550 Rotate the cover



7. At the top of the printer, slightly pull the top of the cover away from the printer to release one retention tab (callout 1) on the inside of the cover. While holding the cover away, slide the cover toward the back of the printer (callout 2) to release two hooks (callout 3) inside the cover.

Figure 1-4551 Release one tab and two hooks



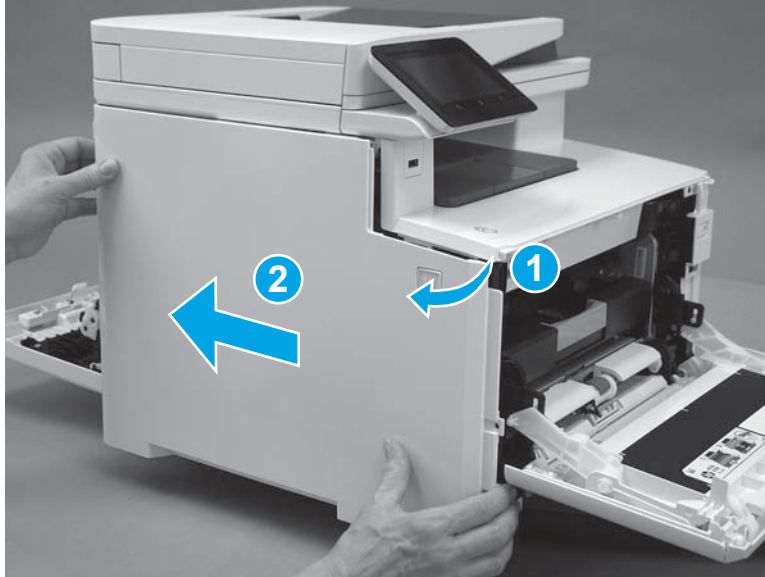
8. Lower the scanner.

Figure 1-4552 Lower the scanner



9. Rotate the cover away from the printer (callout 1), and then slide the cover (callout 2) toward the back of the printer to remove it.

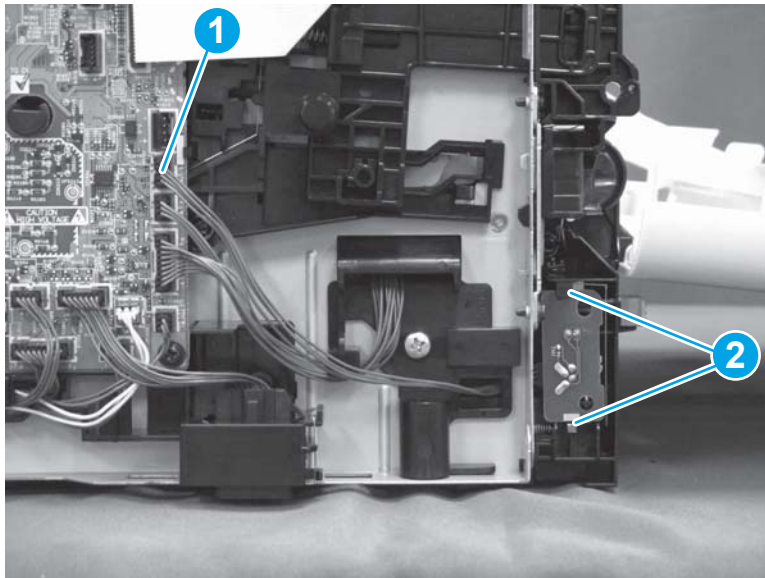
Figure 1-4553 Remove the left cover



Step 5: Remove the environmental sensor

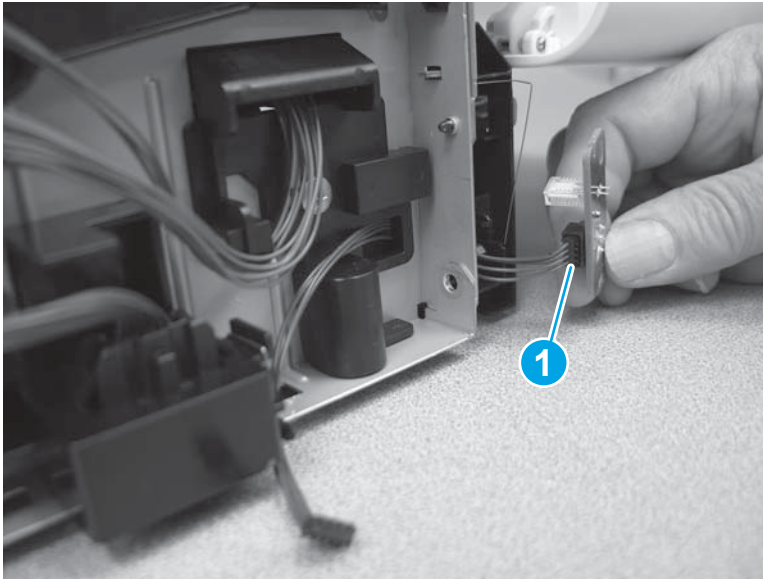
1. On the left side of the printer, disconnect one connector (callout 1), and then release two tabs (callout 2).

Figure 1-4554 Disconnect one connector and release two tabs



2. Disconnect one connector (callout 1), and then remove the environmental sensor.

Figure 1-4555 Disconnect one connector and remove the sensor



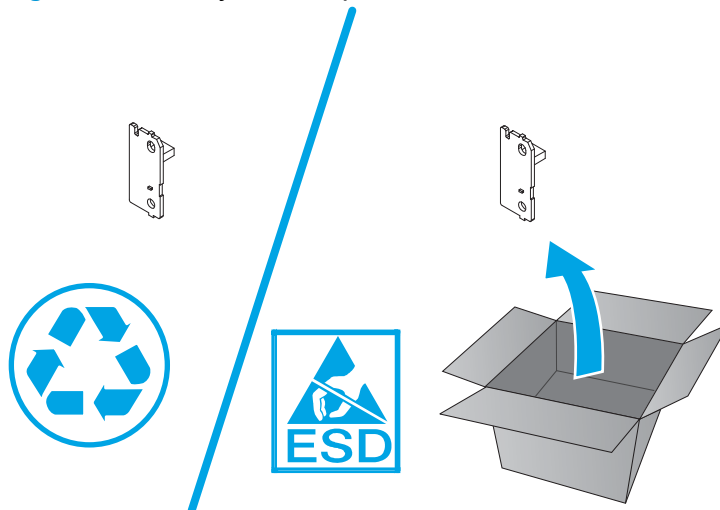
Step 6: Unpack the replacement part

Remove the new part from its package. Save all packaging for recycling the used part.

For complete information on HP's recycling programs, go to [Product return and recycling](#).

 **NOTE:** HP recommends responsible disposal of the defective part.

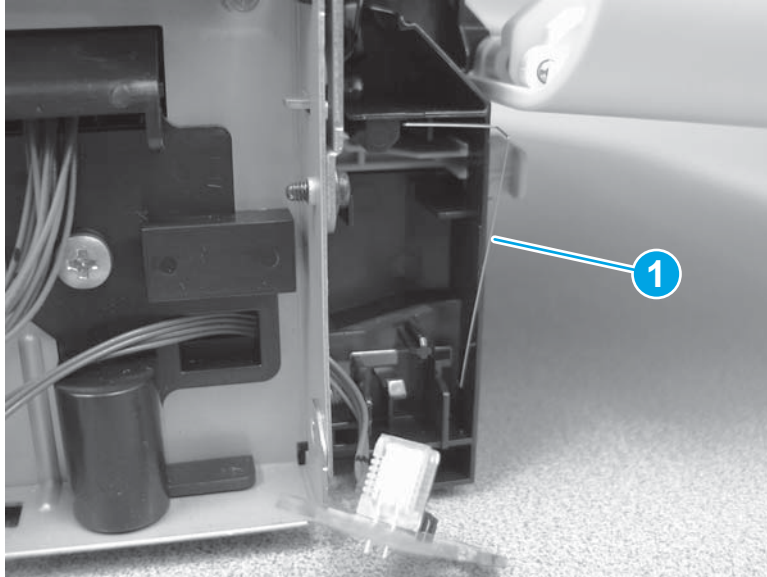
Figure 1-4556 Recycle and unpack



Step 7: Install the environmental sensor

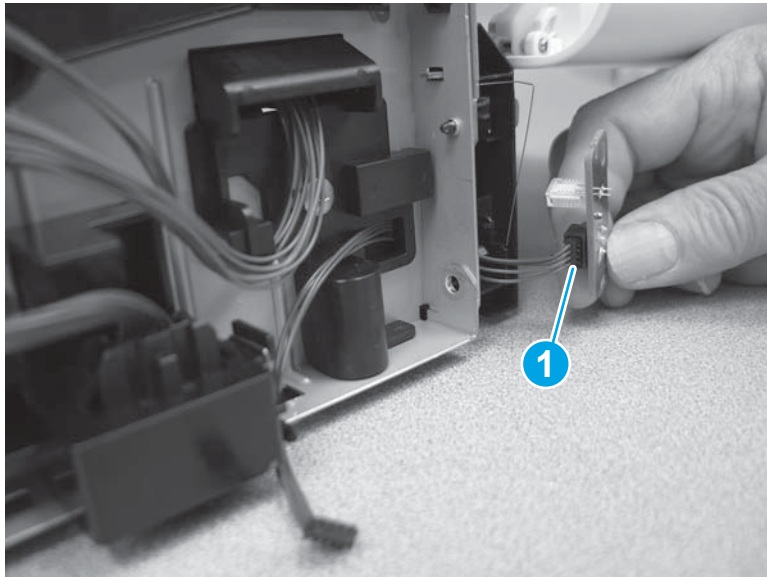
1. If the spring (callout 1) becomes dislodged, reposition it as shown below.

Figure 1-4557 Reposition the spring



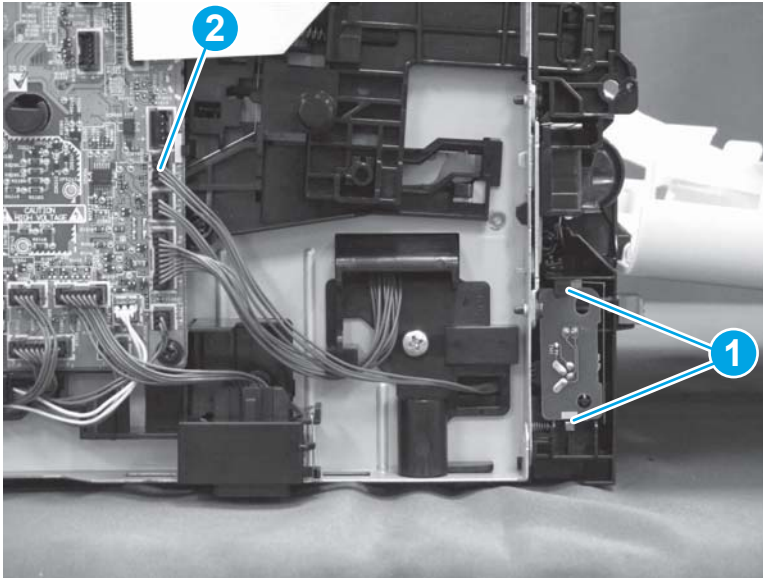
2. Connect one connector (callout 1).

Figure 1-4558 Connect one connector




3. On the left side of the printer, install two tabs (callout 1), and then connect one connector (callout 2).

Figure 1-4559 Install two tabs and connect one connector

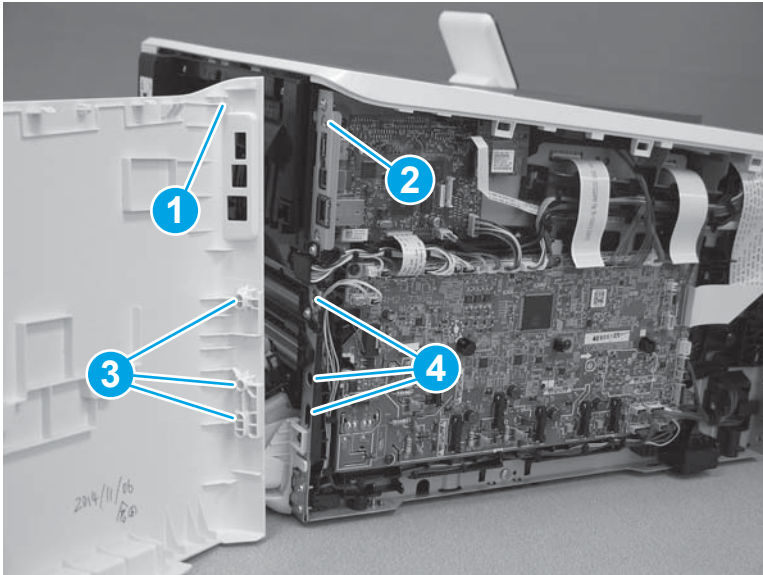


Step 8: Install the left cover (M452 models)

 **NOTE:** This step is for the M452 models. For the M377, M477 models, skip this step and go to [Step 9: Install the left cover \(M377, M477 models\) on page 2410](#).

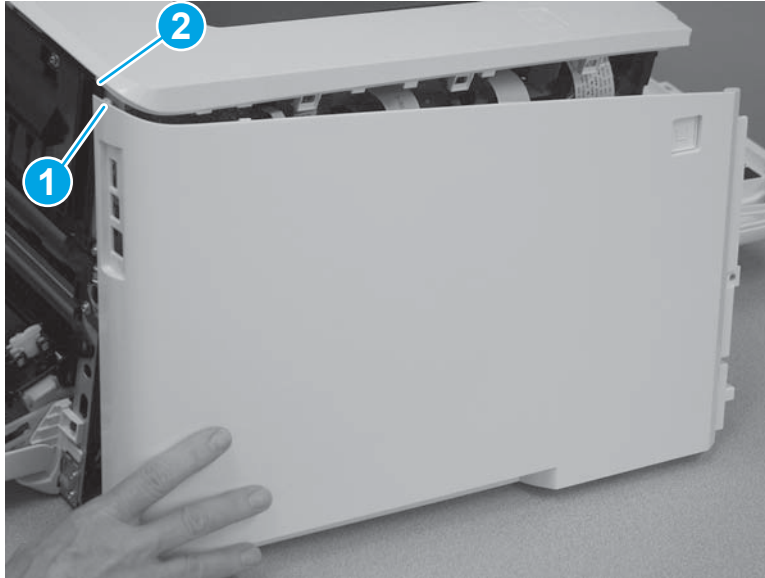
1. Position the hook (callout 1) on the cover in the slot (callout 2) on the printer. Position three tabs (callout 3) on the back of the cover in the slots (callout 4) in the printer.

Figure 1-4560 Position three tabs



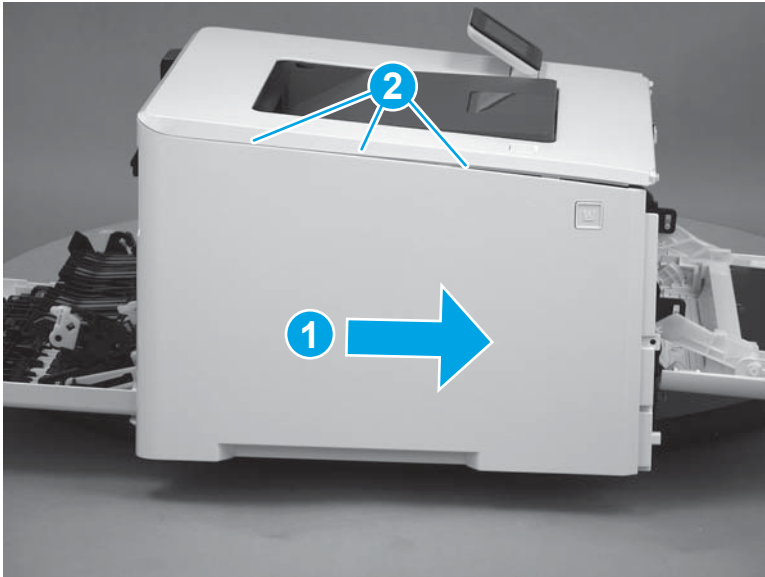
2. At the back of the printer, install the tab (callout 1) under the edge of the top cover (callout 2).

Figure 1-4561 Install one tab



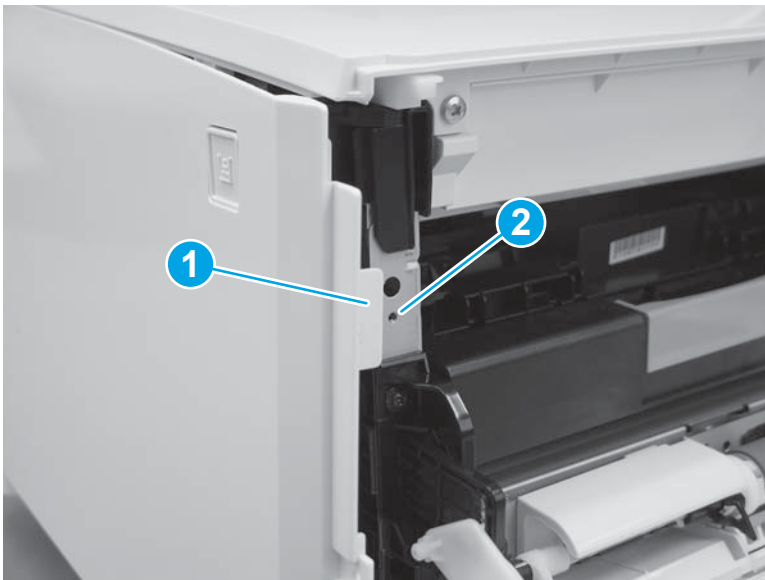
3. Slide the cover toward the front of the printer (callout 1), and then engage three tabs (callout 2) on the top of the cover.

Figure 1-4562 Install the left cover



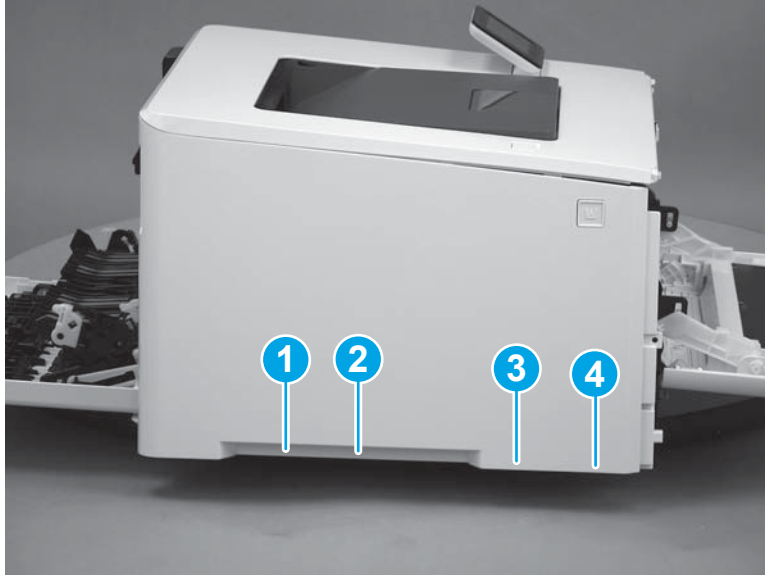
CAUTION: Make sure that the tab (callout 1) does not get caught behind the printer frame (callout 2).

Figure 1-4563 Make sure the tab does not get caught



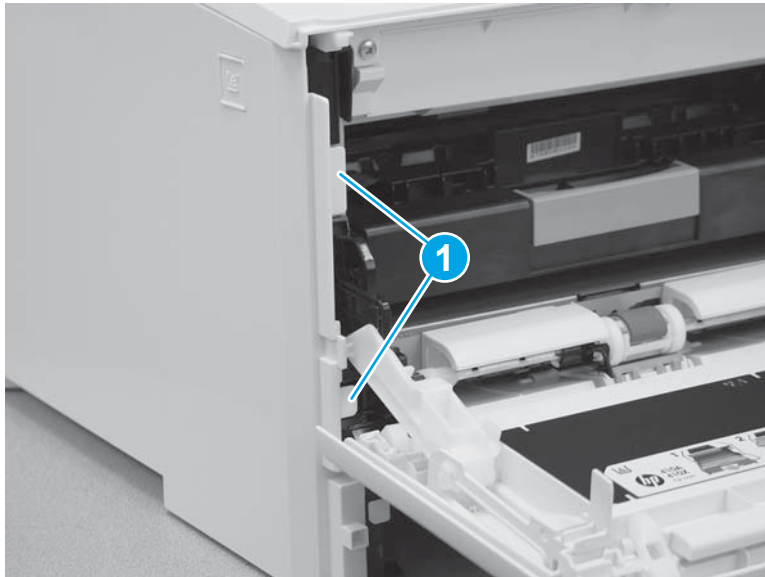
4. Slide the printer to the edge of a work surface in order to access the tabs on the bottom of the cover. Beginning from the back of the cover, install four tabs (callouts 1-4) on the lower edge of the cover.

Figure 1-4564 Install four tabs



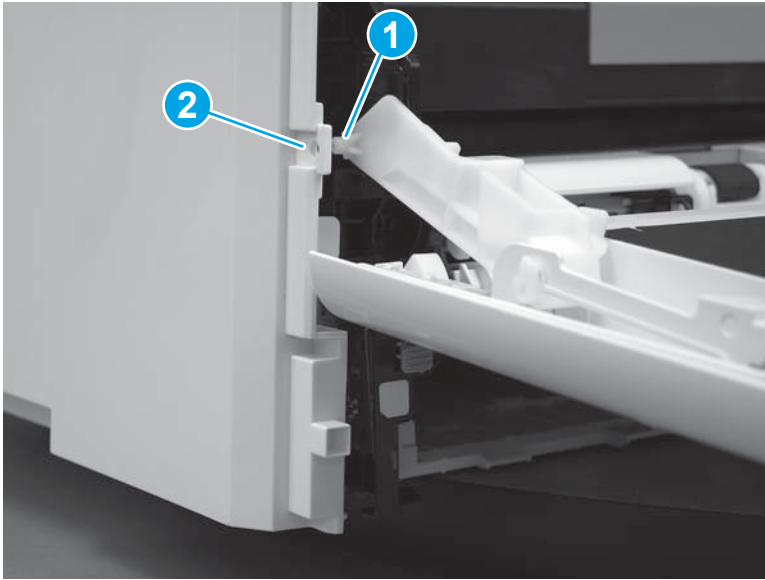
5. Install two tabs (callout 1) at the front of the cover.

Figure 1-4565 Engage two tabs



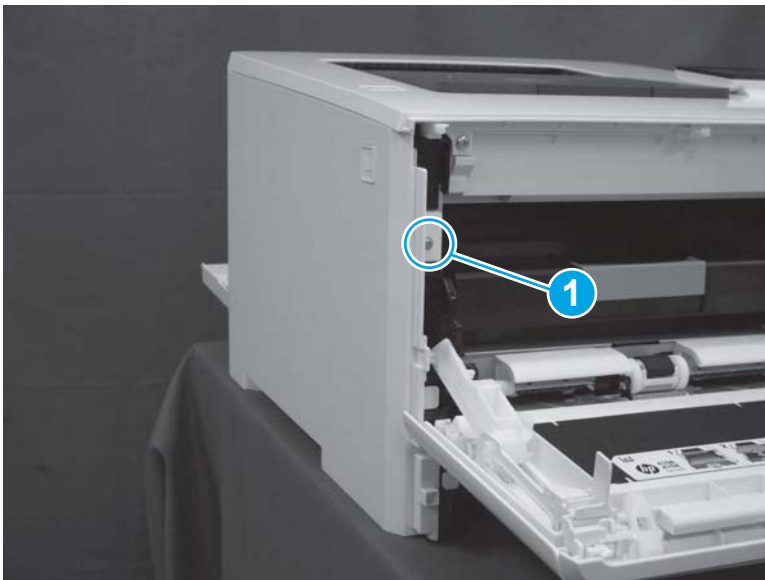
6. Make sure that the hinge pin (callout 1) on the front door fits into the slot (callout 2) on the left cover.

Figure 1-4566 Install hinge pin



7. Install one screw (callout 1).

Figure 1-4567 Install one screw

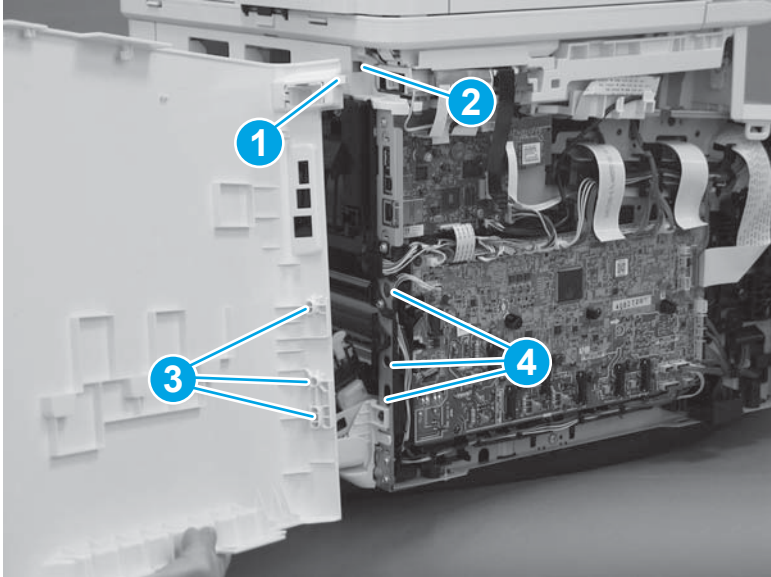


Step 9: Install the left cover (M377, M477 models)

 **NOTE:** This step is for the M377, M477 models. For the M452 models, skip this step and go to [Step 10: Close the front door and rear door or duplexer door on page 2417.](#)

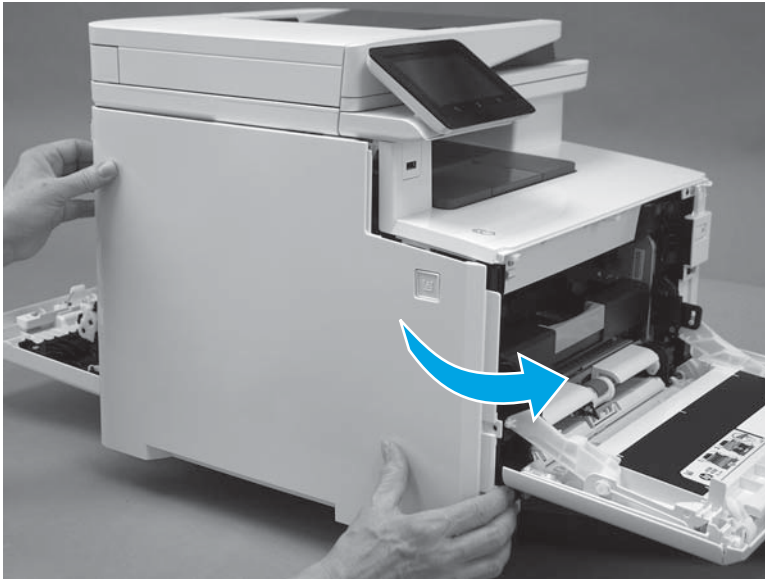
1. At the back of the printer, install the tab (callout 1) on the cover into the slot (callout 2) in the printer. Install the locator pins (callout 3) into the slots (callout 4) in the printer.

Figure 1-4568 Install one tab



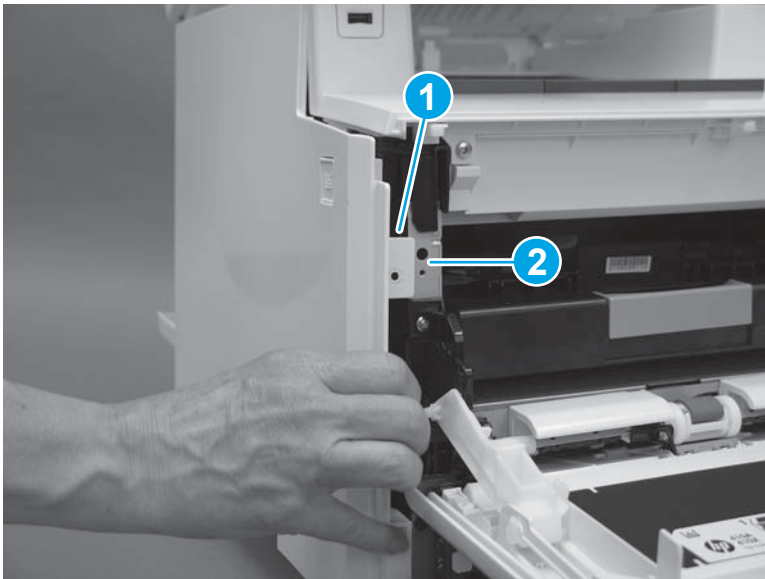
2. Rotate the cover toward the printer.

Figure 1-4569 Rotate the left cover



CAUTION: Make sure that the tab (callout 1) does not get caught behind the printer frame (callout 2).

Figure 1-4570 Make sure the tab does not get caught



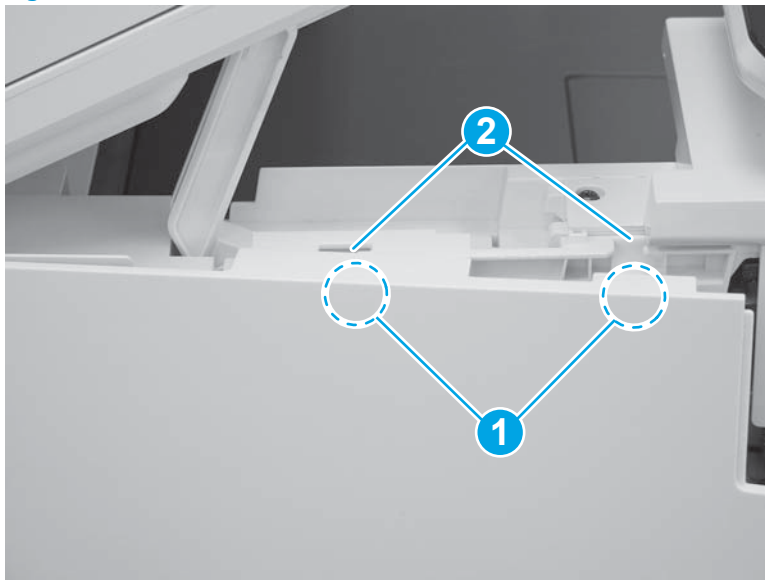
3. Raise the scanner.

Figure 1-4571 Raise the scanner



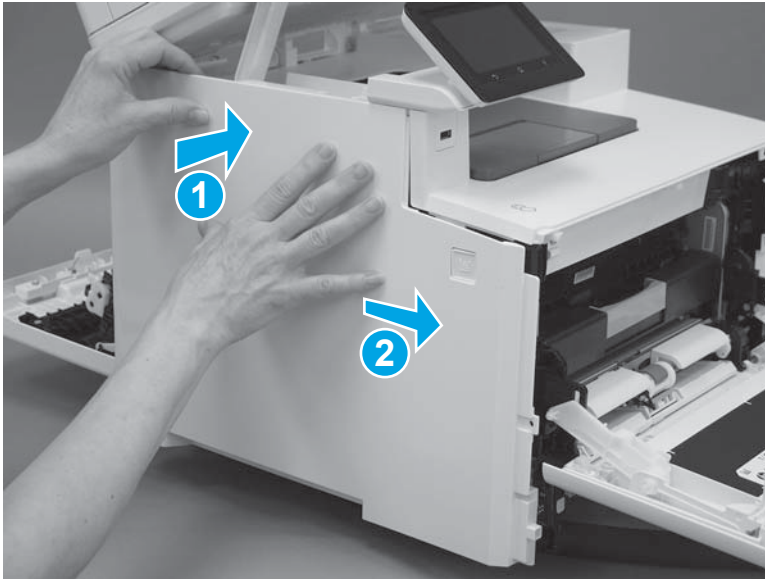
4. Position the hooks (callout 1) on the inside of the cover into the slots (callout 2) on the printer.

Figure 1-4572 Position the hooks in the slots



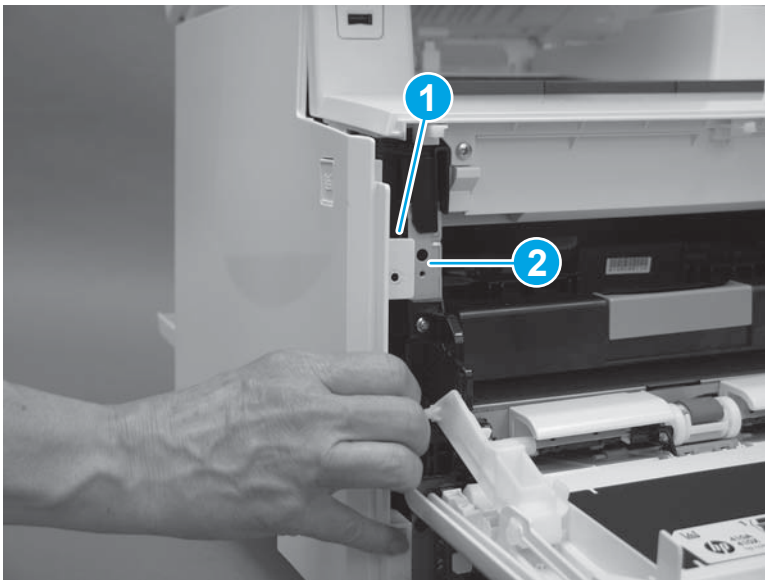
5. Hold the cover against the printer (callout 1), and then slide it (callout 2) toward the front of the printer.

Figure 1-4573 Install the top hooks



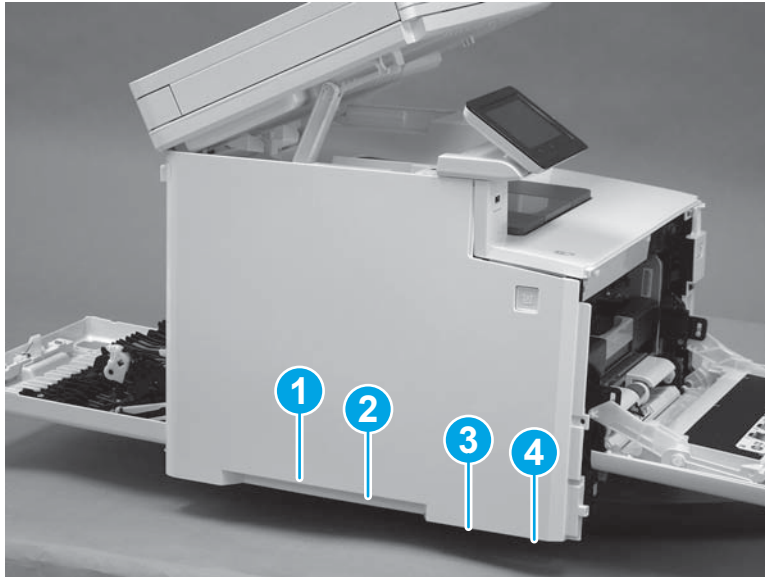
CAUTION: Make sure that the tab (callout 1) on the front of the cover does not get caught behind the printer frame (callout 2).

Figure 1-4574 Make sure the tab does not get caught



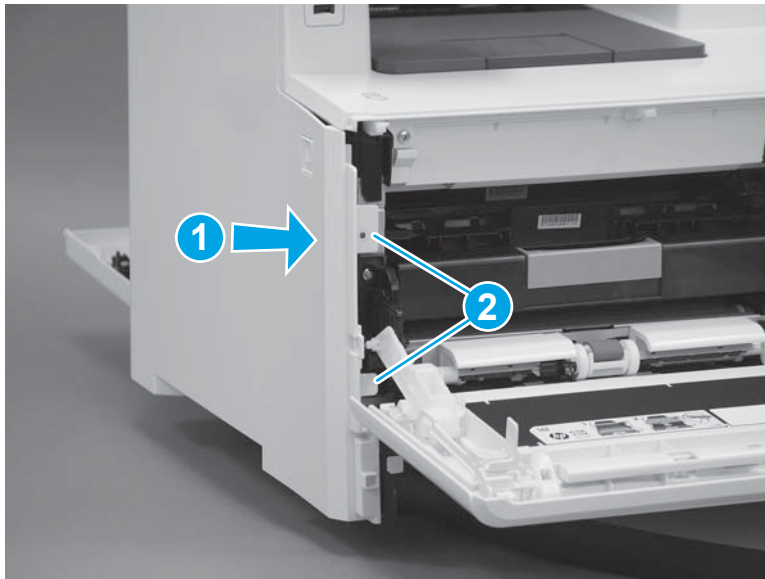
6. Slide the printer to the edge of a work surface in order to access the tabs on the bottom of the cover. Beginning from the back of the cover, install four tabs (callouts 1-4) on the lower edge of the cover.

Figure 1-4575 Install four tabs



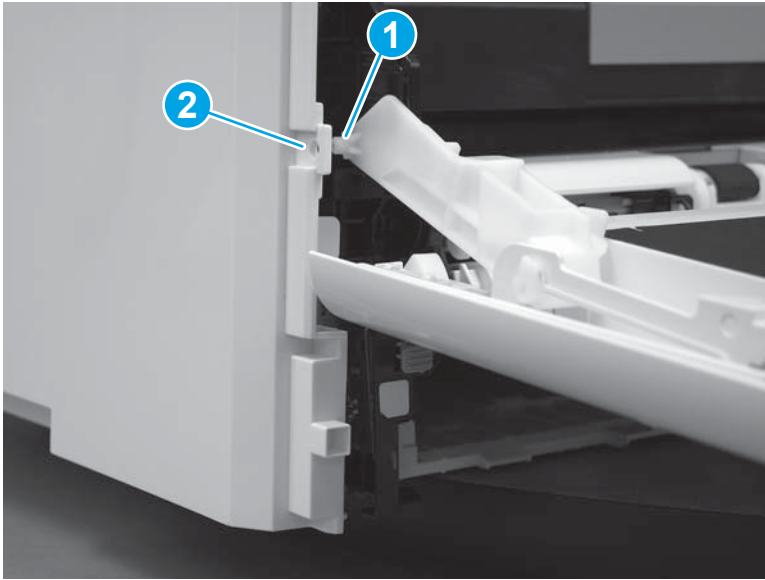
7. Press the cover toward the printer (callout 1), and then install two tabs (callout 2) at the front of the cover.

Figure 1-4576 Install two tabs



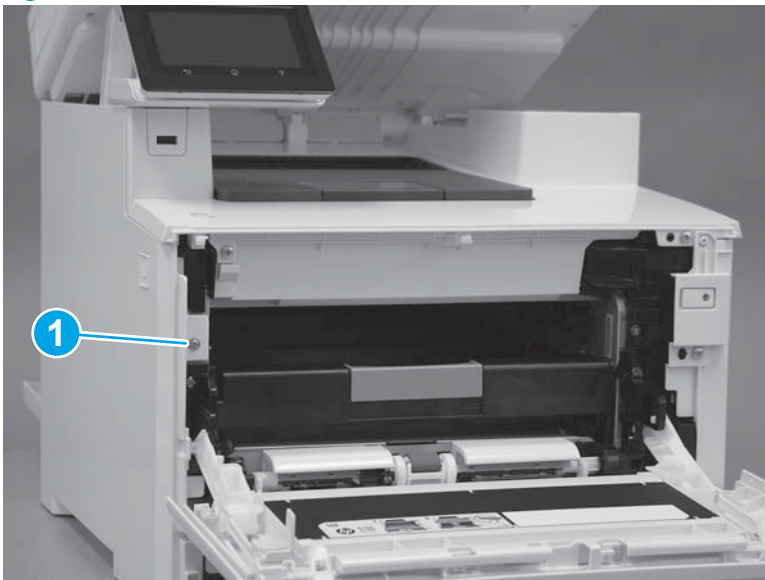
8. Make sure that the hinge pin (callout 1) on the front door fits into the slot (callout 2) on the left cover.

Figure 1-4577 Install hinge pin



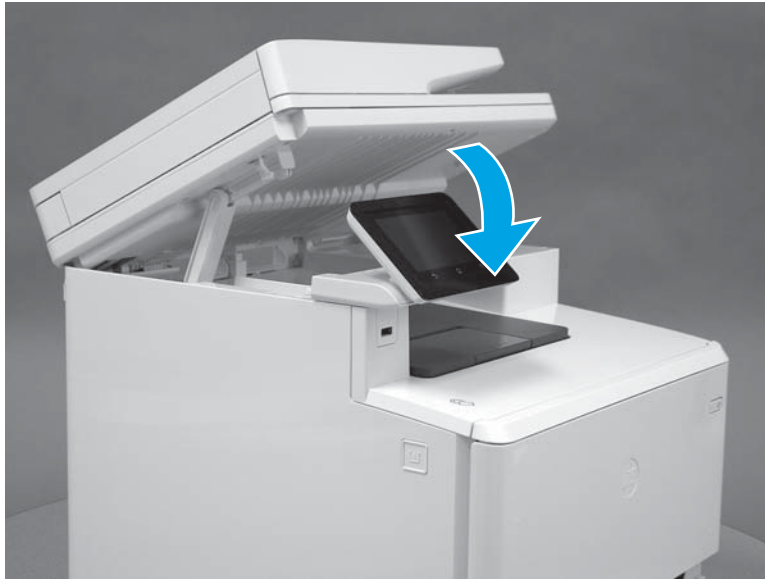
9. Install one screw (callout 1).

Figure 1-4578 Install one screw



10. Lower the scanner.

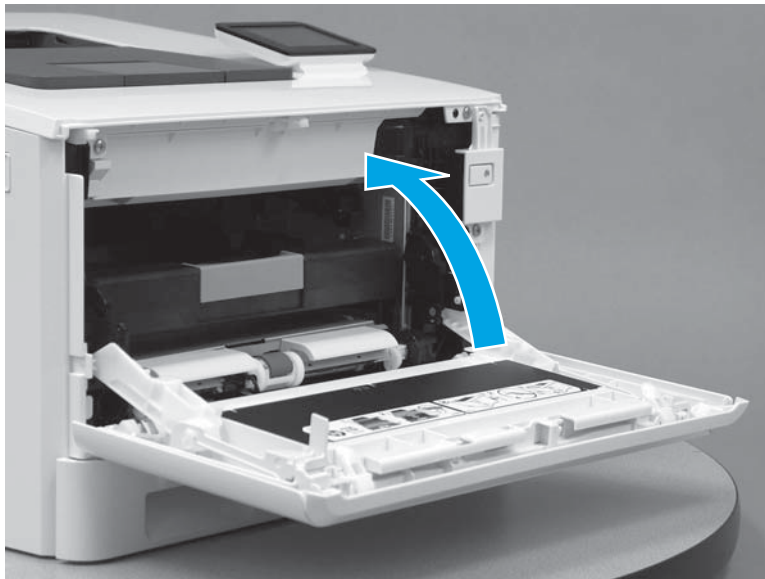
Figure 1-4579 Lower the scanner



Step 10: Close the front door and rear door or duplexer door

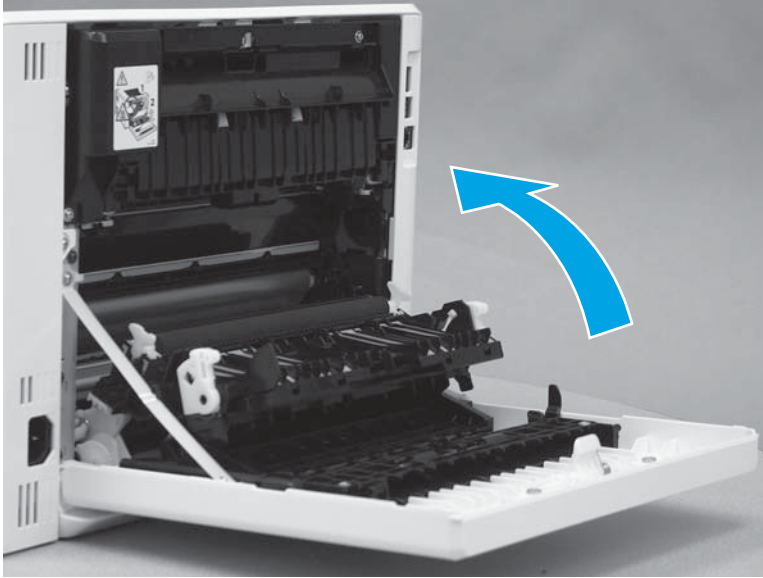
1. Close the front door.

Figure 1-4580 Close the front door



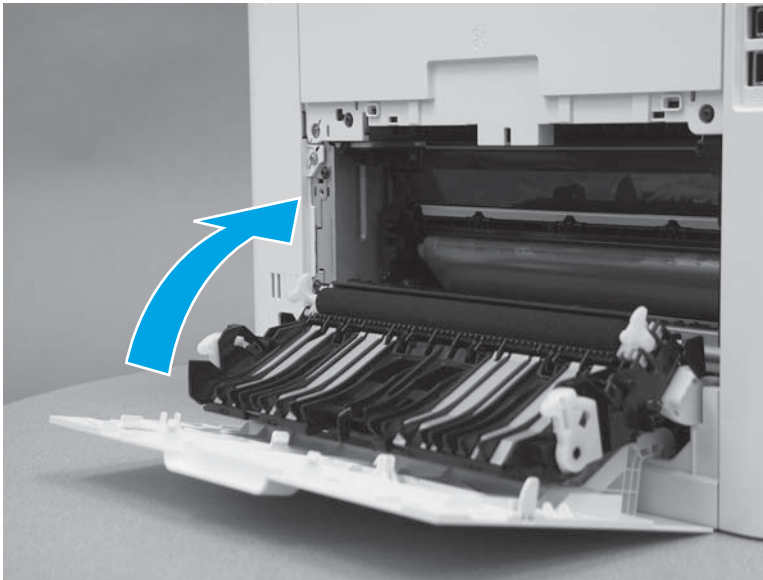
2. **Duplex models:** Close the duplexer door.

Figure 1-4581 Close the duplexer door



3. **Simplex models:** Close the rear door.

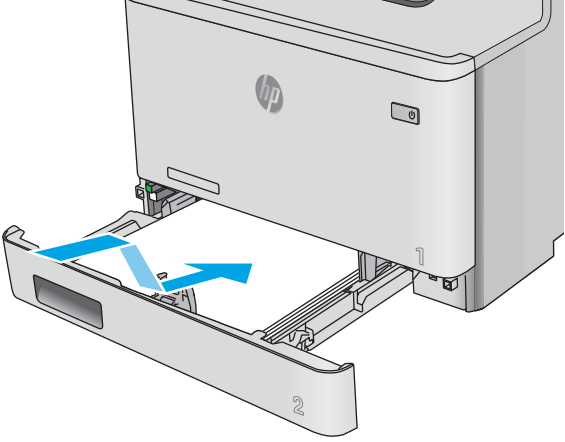
Figure 1-4582 Close the rear door



Step 11: Install Tray 2

- ▲ With the front of the tray slightly lifted, align the sides of the tray with the rails in the printer, and then carefully slide the tray into the printer. As the tray slides into the printer, lower the front of the tray, and then close it.

Figure 1-4583 Install the tray



Removal and replacement: Fax PCA (M477 models)


- [Introduction](#)
- [Step 1: Remove Tray 2](#)
- [Step 2: Open the front door and rear door or duplexer door](#)
- [Step 3: Remove the right cover \(M477 models\)](#)
- [Step 4: Remove the left cover \(M477 models\)](#)
- [Step 5: Remove the integrated scanner assembly \(M477 models\)](#)
- [Step 6: Remove the fax PCA \(M477 models\)](#)
- [Step 7: Unpack the replacement part](#)
- [Step 8: Install the fax PCA \(M477 models\)](#)
- [Step 9: Install the integrated scanner assembly \(M477models\)](#)
- [Step 10: Install the left cover \(M477 models\)](#)
- [Step 11: Install the right cover \(M477 models\)](#)
- [Step 12: Close the front door and rear door or duplexer door](#)
- [Step 13: Install Tray 2](#)

Introduction

This document provides the procedures to remove and replace the fax PCA.

Before you begin

- Turn off the printer.
- Disconnect the power cable.

 **WARNING!** To avoid damage to the printer, turn the printer off, wait 30 seconds, and then remove the power cord before attempting to service the printer.

- Use the table below to identify the correct part number for your printer. To order the part, go to www.hp.com/buy/parts.

| Fax PCA part number | |
|---------------------|-------------------------|
| CF206-60001 | Fax PCA (United States) |
| CF207-60001 | FAX PCA (Europe) |
| CF208-60001 | FAX PCA (Brazil) |

Required tools

- #2 Phillips screwdriver with a magnetic tip
- Small flat-blade screwdriver

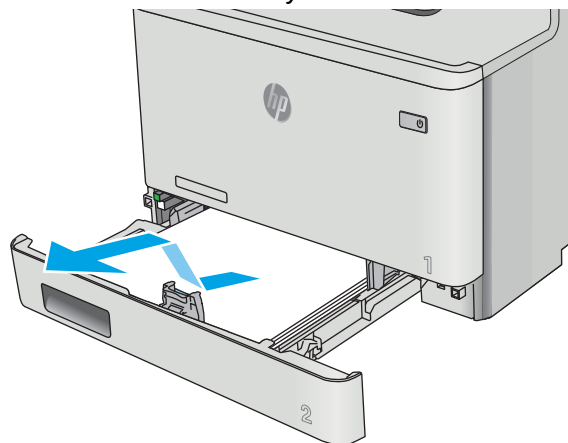
After performing service

- Connect the power cable.
- Use the power switch to turn the power on.

Step 1: Remove Tray 2

- ▲ Pull the tray out until it stops. Lift the front of the tray, and then pull it out of the printer to remove it.

Figure 1-4584 Remove the tray



Step 2: Open the front door and rear door or duplexer door

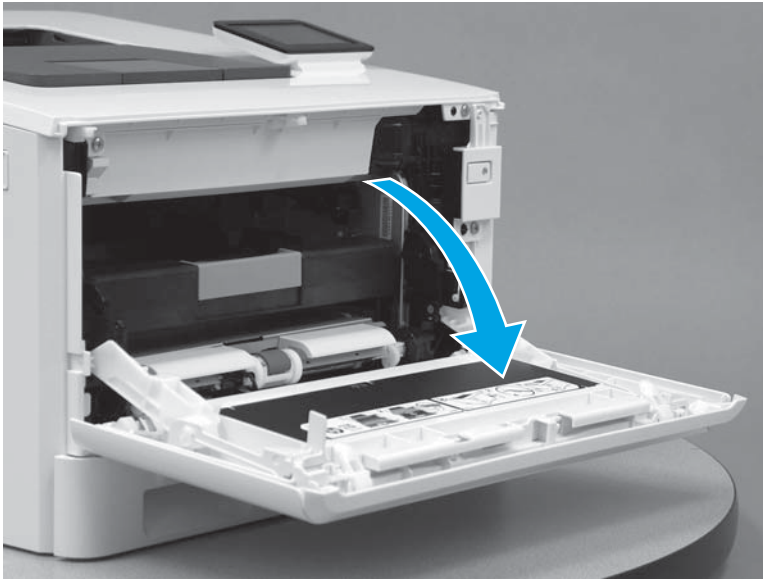
1. Press the button (callout 1) on the left side of the printer to release the front door.

Figure 1-4585 Release the front door



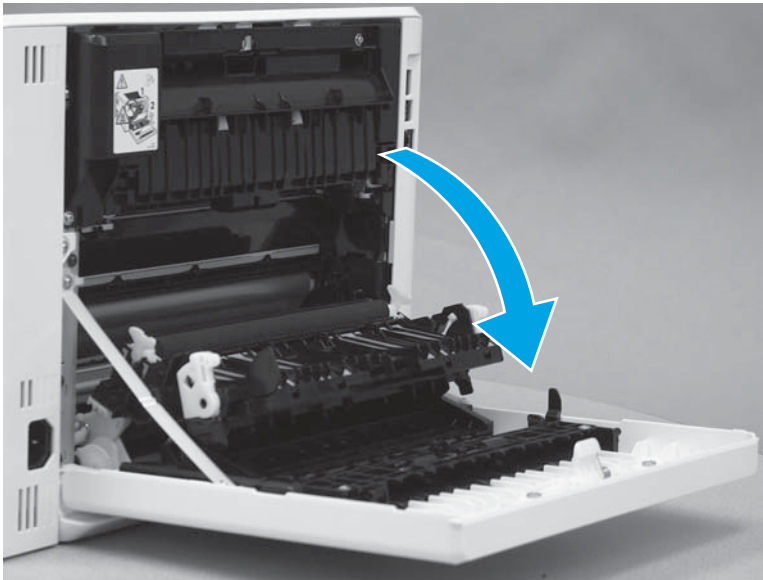
2. Open the front door.

Figure 1-4586 Open the front door



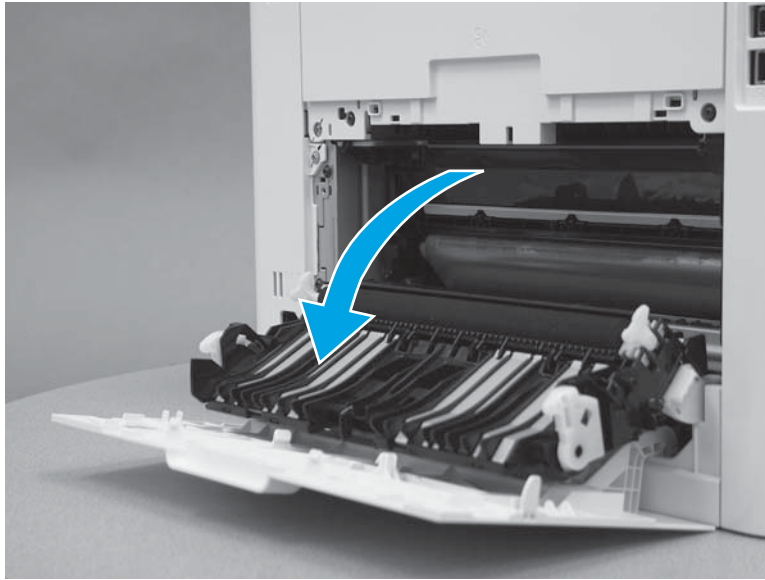
3. **Duplex models:** Open the duplexer door.

Figure 1-4587 Open the duplexer door



4. **Simplex models:** Open the rear door.

Figure 1-4588 Open the rear door



Step 3: Remove the right cover (M477 models)

1. Raise the scanner.

Figure 1-4589 Raise the scanner



2. At the back of the printer, remove one screw (callout 1).

Figure 1-4590 Remove one screw



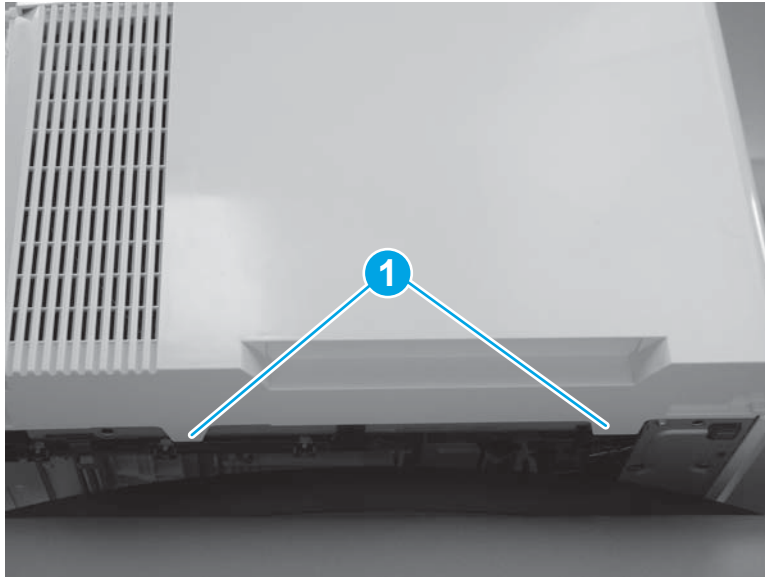
3. At the front of the printer, remove one screw (callout 1).

Figure 1-4591 Remove one screw



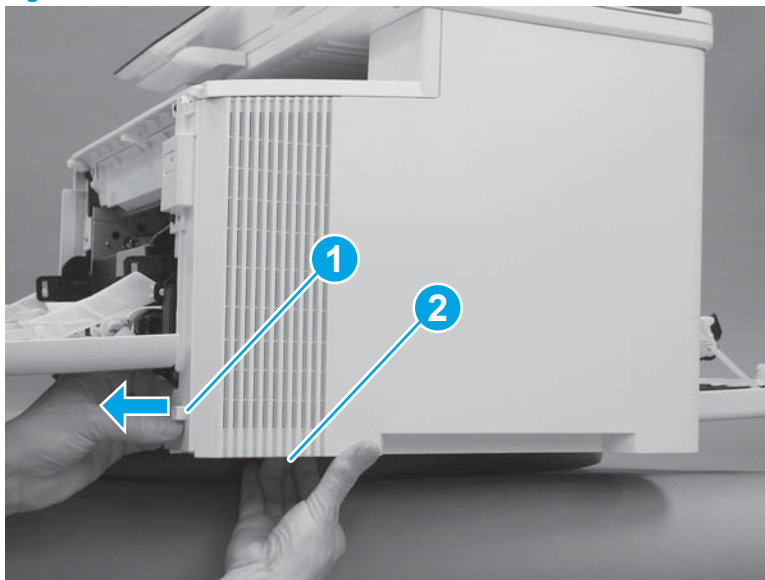
4. Slide the printer to the edge of a work surface. Note the location of the tabs on the lower edge of the cover (callout 1).

Figure 1-4592 Locate the tabs



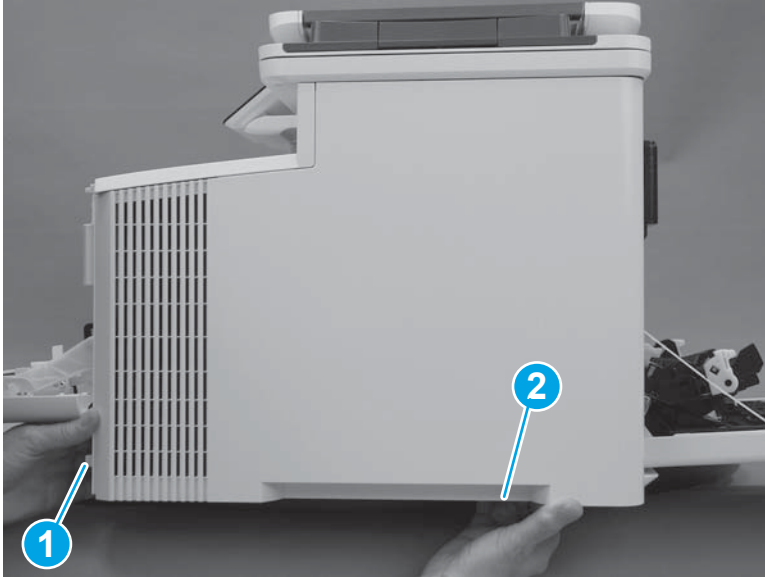
5. Release one tab (callout 1) on the front of the cover by slightly pulling the cover away from the printer. While holding the cover in the released position, release one tab (callout 2) on the lower edge of the cover.

Figure 1-4593 Release front lower tabs



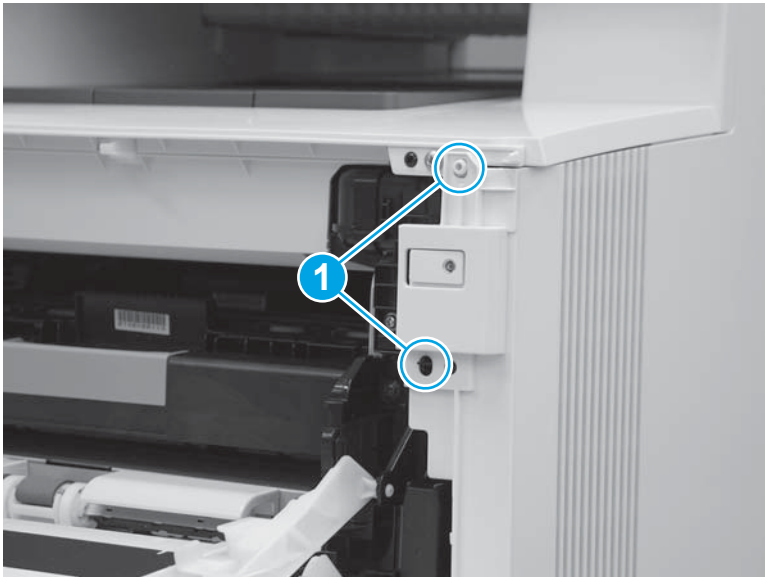
6. Hold the front tabs in the released position (callout 1), and then release one tab (callout 2) on the lower edge of the cover, toward the back of the printer.

Figure 1-4594 Release lower rear tab



7. Release two tabs at the front of the printer (callout 1) by slightly pulling the cover away from the printer.

Figure 1-4595 Release front upper tabs



8. Rotate the front of the cover away from the printer (callout 1).

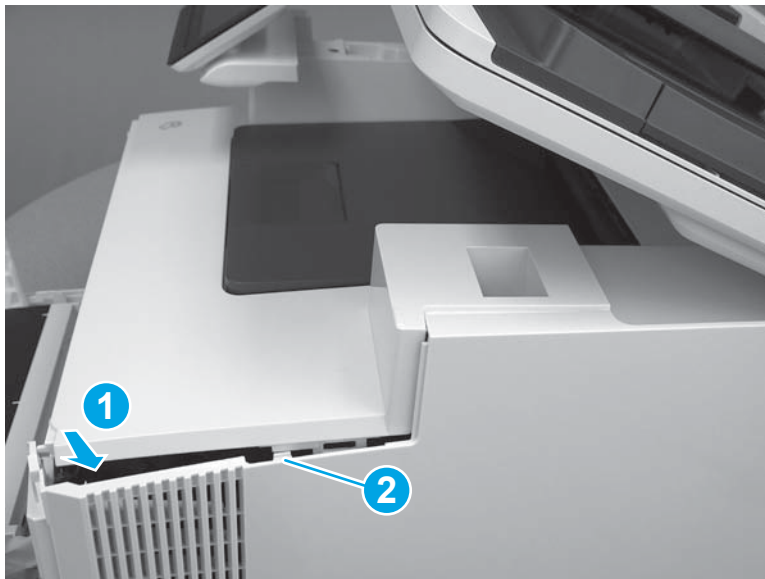
⚠ CAUTION: Be careful not to dislodge the power switch (callout 2).

Figure 1-4596 Rotate the front of the cover



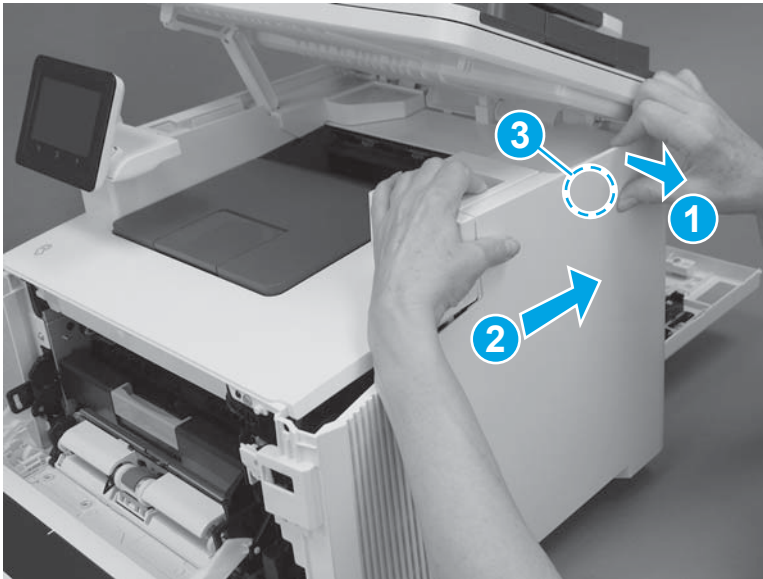
9. Slightly pull the front of the cover away from the printer (callout 1) to release one tab (callout 2).

Figure 1-4597 Release top tabs



10. At the top of the printer, slightly pull the top of the cover away from the printer to release one retention tab (callout 1) on the inside of the cover. While holding the cover away, slide the cover toward the back of the printer (callout 2) to release one hook (callout 3) on the inside of the cover.

Figure 1-4598 Release one tab and one hook



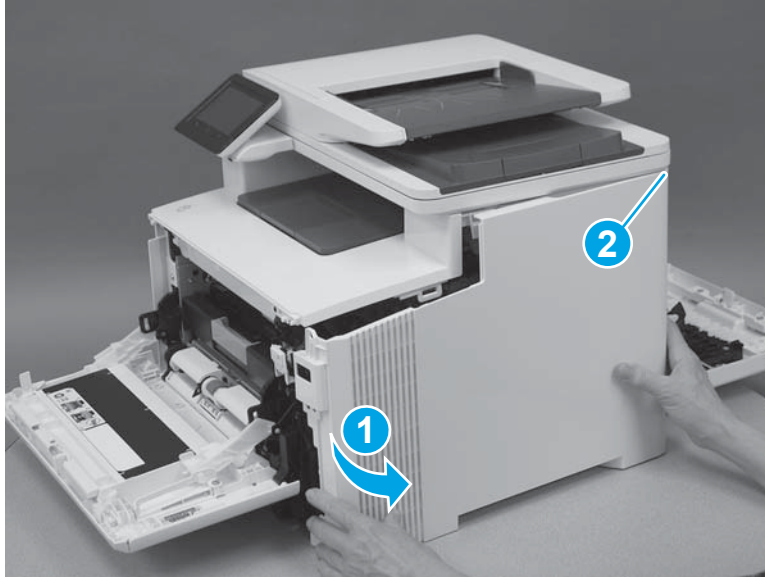
11. Lower the scanner.

Figure 1-4599 Lower the scanner



12. Rotate the cover away from the printer (callout 1) to release one tab (callout 2) at the back of the printer, and then remove the cover.

Figure 1-4600 Remove the right cover



Step 4: Remove the left cover (M477 models)

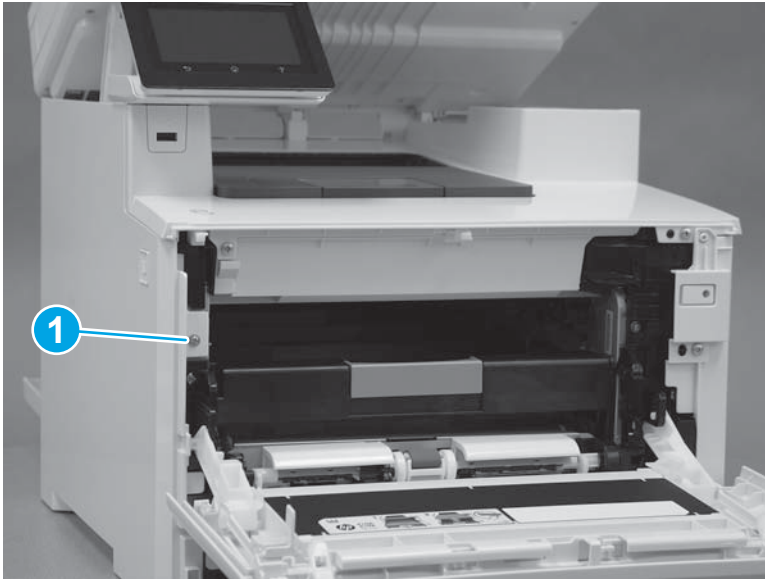
1. Raise the scanner.

Figure 1-4601 Raise the scanner



2. At the front of the printer, remove one screw (callout 1).

Figure 1-4602 Remove one screw



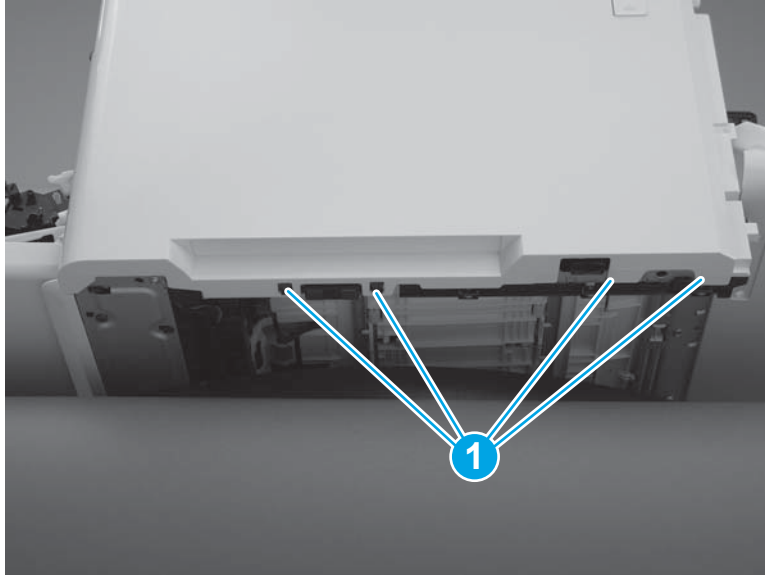
3. Release two tabs (callout 1) at the front of the cover. Hold the cover open to prevent the tabs from re-engaging.

Figure 1-4603 Release two tabs



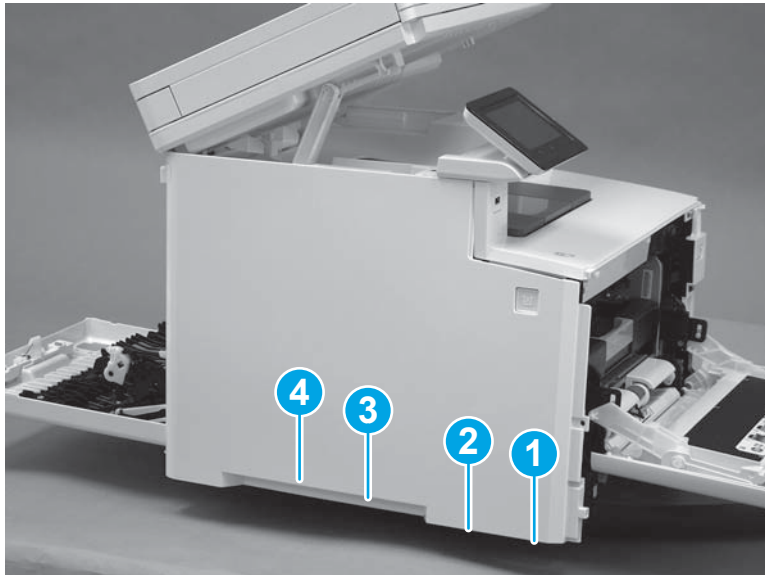
4. Slide the printer to the edge of a work surface. Note the location of the tabs on the lower edge of the cover (callout 1).

Figure 1-4604 Locate the tabs



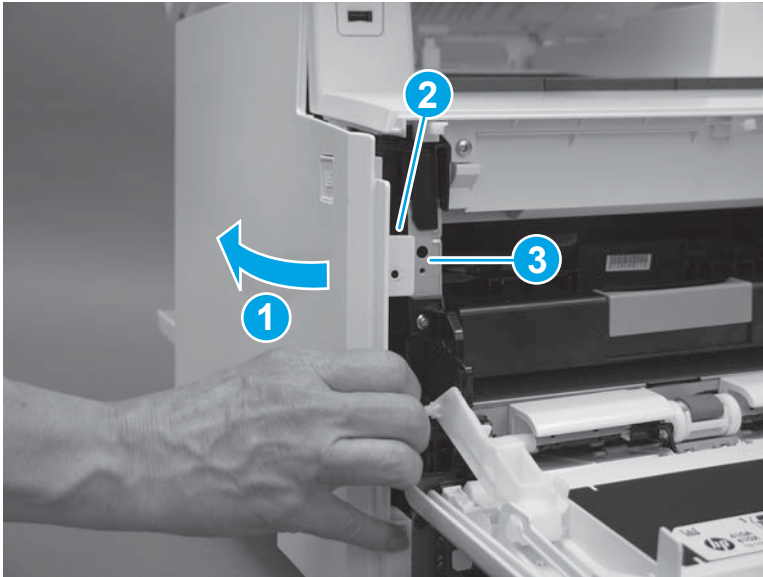
5. Beginning from the front of the cover, release the four tabs (callouts 1-4) on the lower edge of the cover.

Figure 1-4605 Release four tabs



6. Rotate the front of the cover away from the printer (callout 1). Make sure that the tab (callout 2) does not get caught on the printer frame (callout 3).

Figure 1-4606 Rotate the cover



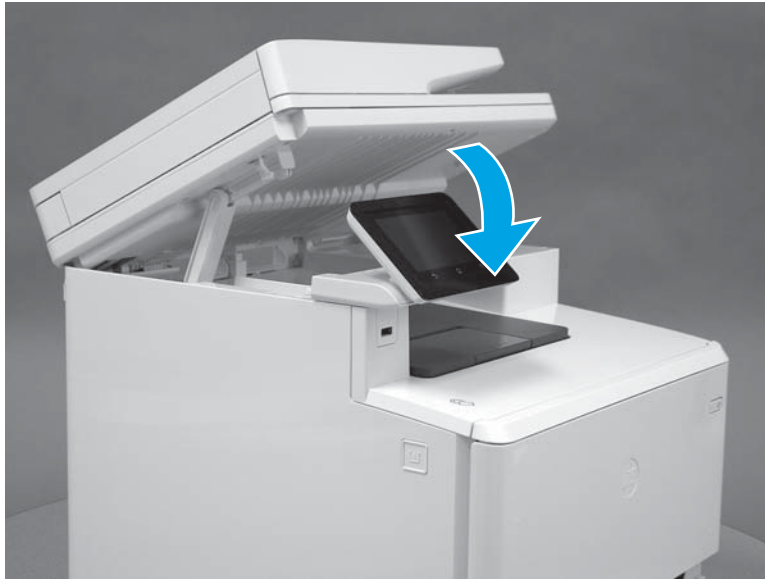
7. At the top of the printer, slightly pull the top of the cover away from the printer to release one retention tab (callout 1) on the inside of the cover. While holding the cover away, slide the cover toward the back of the printer (callout 2) to release two hooks (callout 3) inside the cover.

Figure 1-4607 Release one tab and two hooks



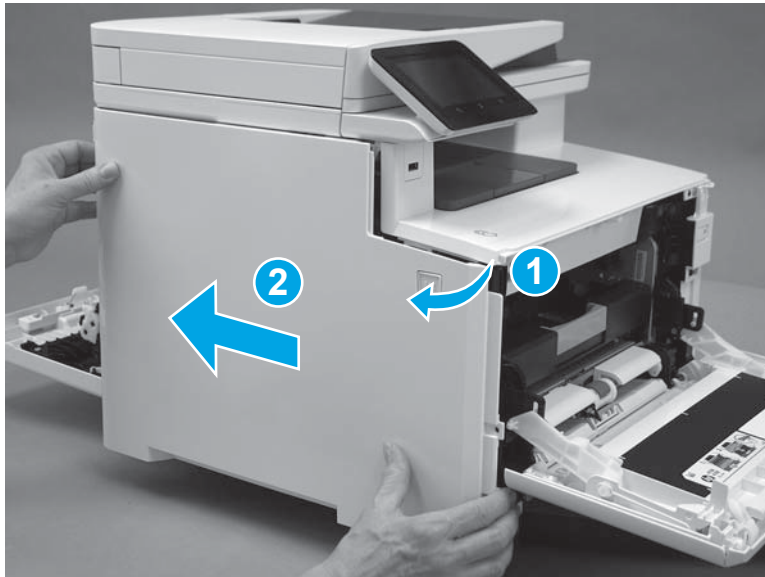
8. Lower the scanner.

Figure 1-4608 Lower the scanner



9. Rotate the cover away from the printer (callout 1), and then slide the cover (callout 2) toward the back of the printer to remove it.

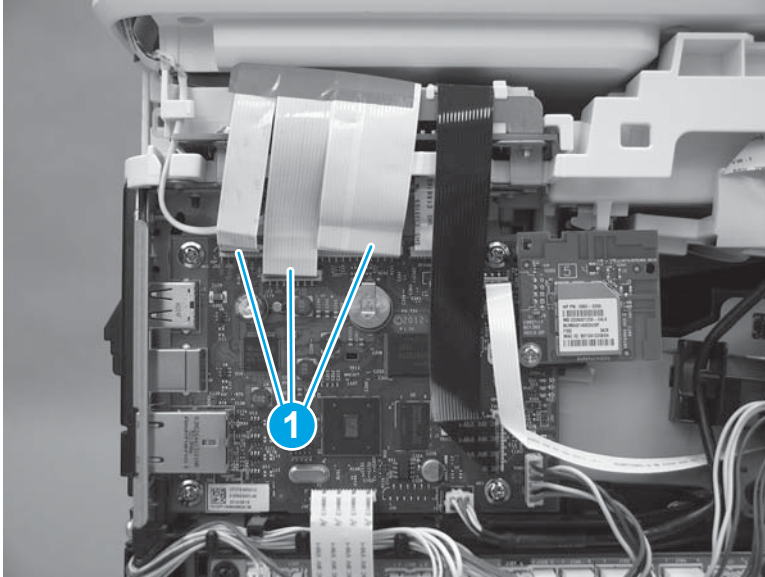
Figure 1-4609 Remove the left cover



Step 5: Remove the integrated scanner assembly (M477 models)

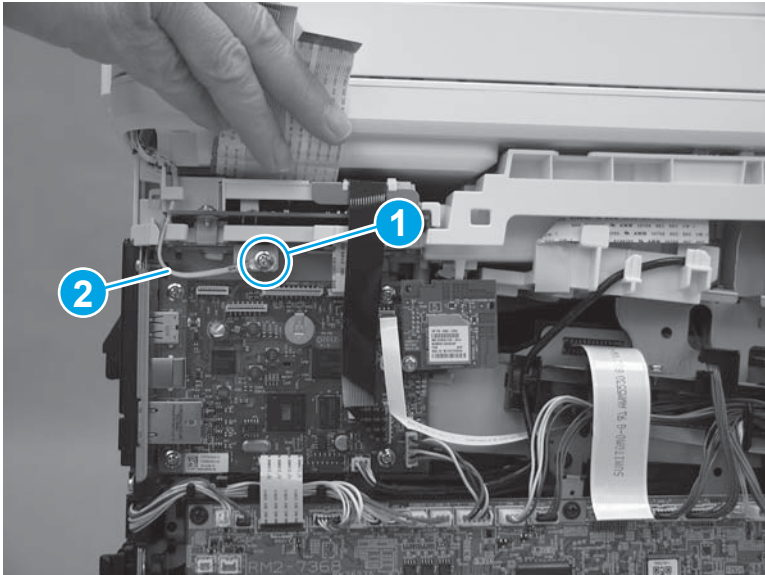
1. On the left side of the printer, disconnect three connectors (callout 1).

Figure 1-4610 Disconnect the scanner cables



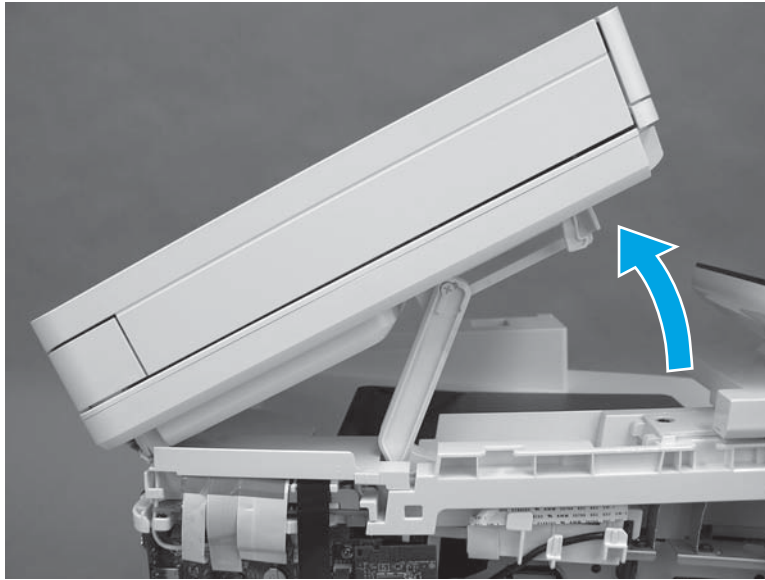
2. Raise the scanner cables up, and then remove one screw (callout 1) to release the ground wire (callout 2).

Figure 1-4611 Remove one screw and release the ground wire



3. Raise the scanner.

Figure 1-4612 Raise the scanner



4. With the scanner lifted, release the tab (callout 1) on the scanner support arm pin from the slot and rotate the pin in the direction indicated.

Figure 1-4613 Release the scanner arm pin



5. Remove the scanner arm pin.

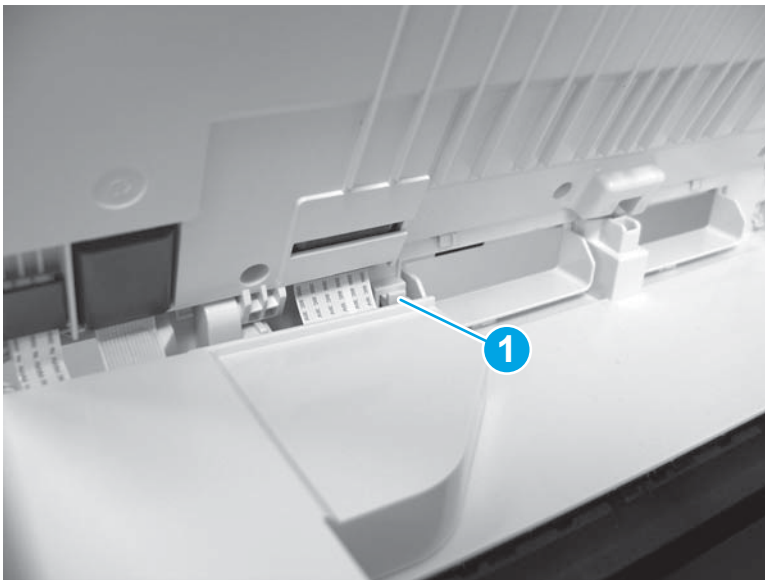
⚠ CAUTION: Once the scanner arm pin is removed, support the scanner with one hand at all times so that it does not fall backwards off of the printer.

Figure 1-4614 Remove the scanner arm pin.



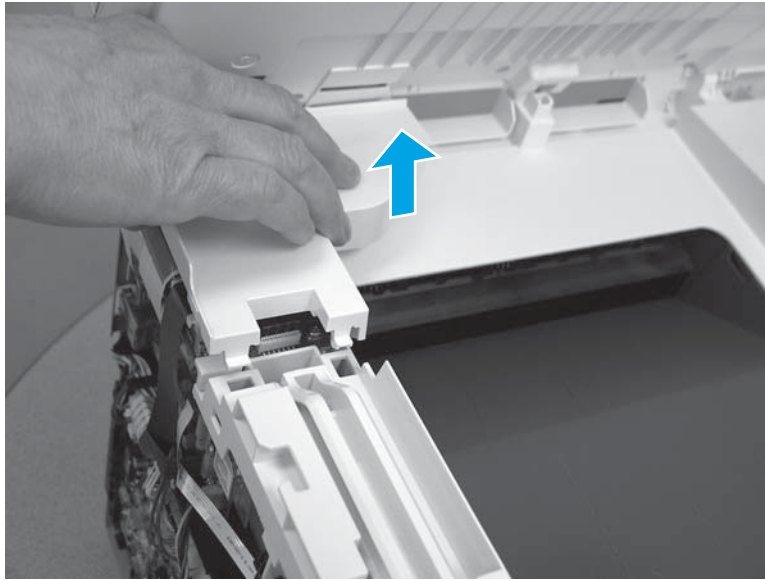
6. On the top of the printer, use a flat-blade screwdriver to release one tab (callout 1).

Figure 1-4615 Release one tab



7. Remove the scanner cable cover.

Figure 1-4616 Remove the scanner cable cover



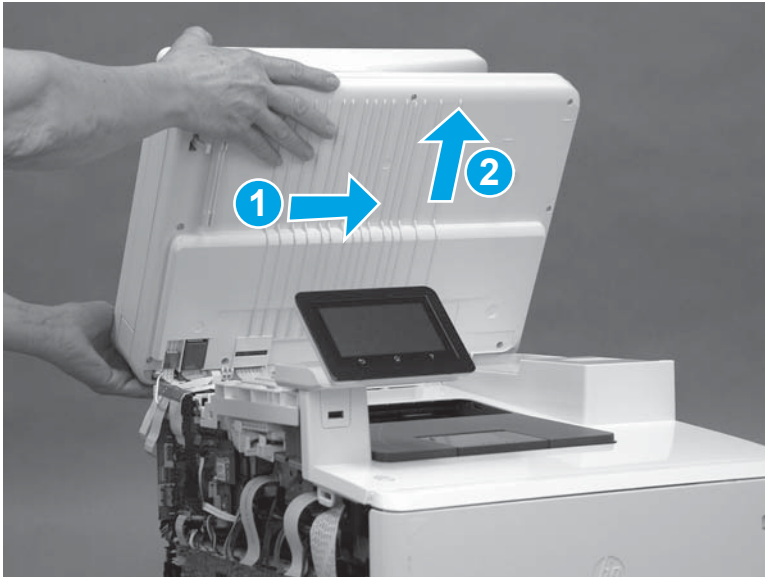
8. The scanner cables (callout 1) are held in place on the top cover with double-sided tape. Carefully release the cables from the top cover.

Figure 1-4617 Release the cables



9. Open the scanner assembly fully, slide the assembly toward the right side of the printer, and then lift the assembly off of the printer.

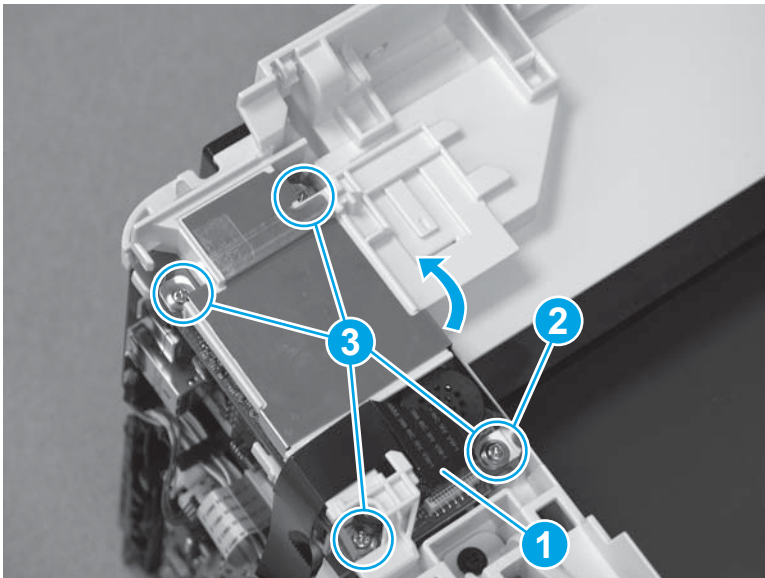
Figure 1-4618 Remove the scanner assembly



Step 6: Remove the fax PCA (M477 models)

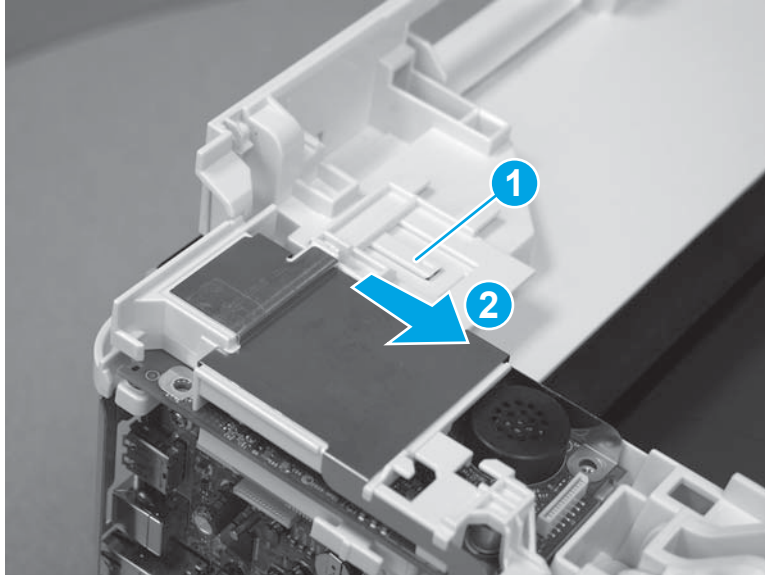
1. Disconnect one connector (callout 1). Beginning with the top right screw (callout 2) remove four screws (callout 3) in a counterclockwise direction.

Figure 1-4619 Disconnect one connector and remove four screws



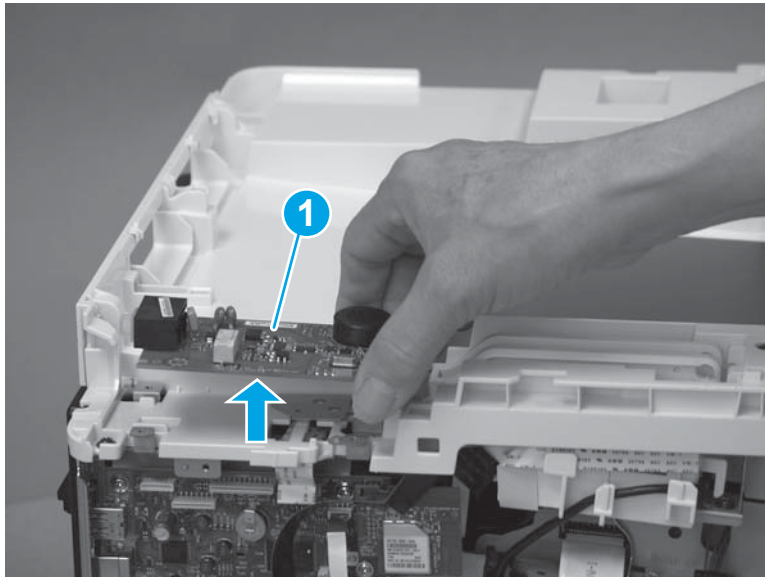
2. Release one tab (callout 1), and then slide the fax cover (callout 2) toward the front of the printer to remove it.

Figure 1-4620 Remove the fax cover



3. Lift up to remove the fax PCA (callout 1).

Figure 1-4621 Remove the fax PCA



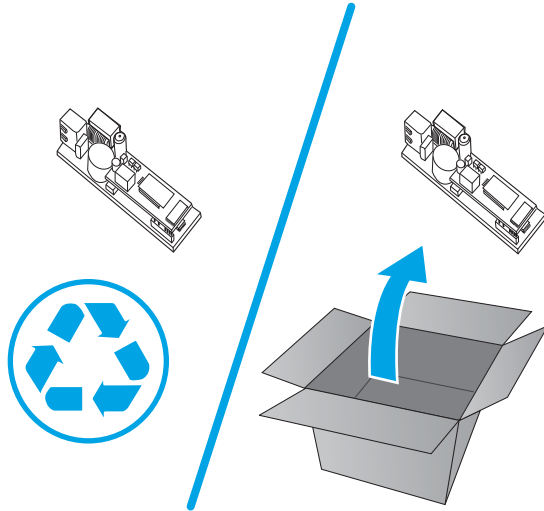
Step 7: Unpack the replacement part

Remove the new part from its package. Save all packaging for recycling the used part.

For complete information on HP's recycling programs, go to [Product return and recycling](#).

 **NOTE:** HP recommends responsible disposal of the defective part.

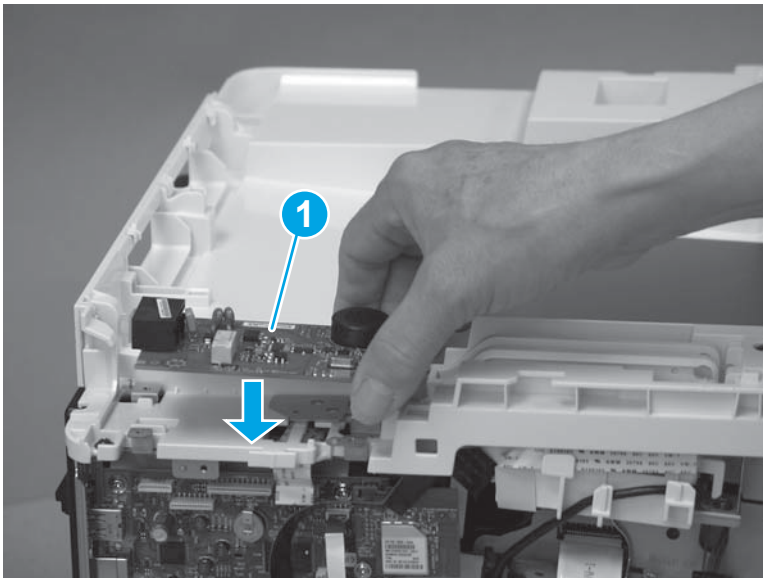
Figure 1-4622 Recycle and unpack



Step 8: Install the fax PCA (M477 models)

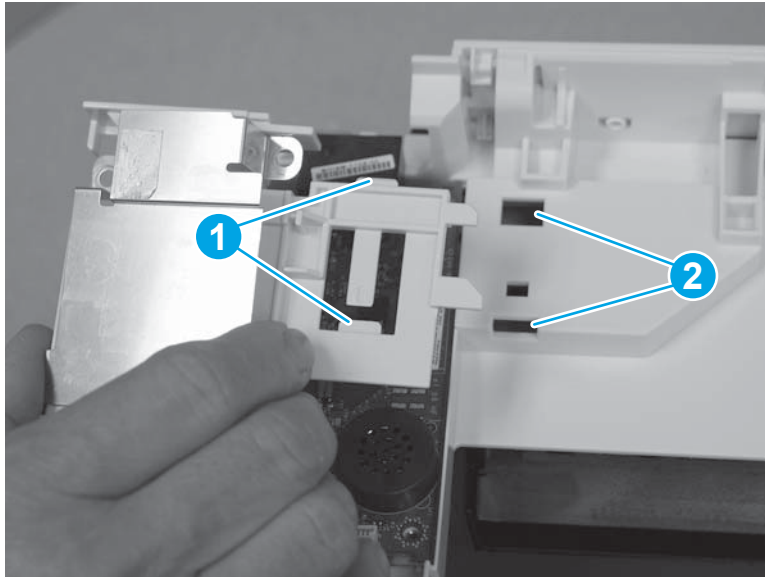
1. Position the fax PCA (callout 1) on the printer.

Figure 1-4623 Install the fax PCA



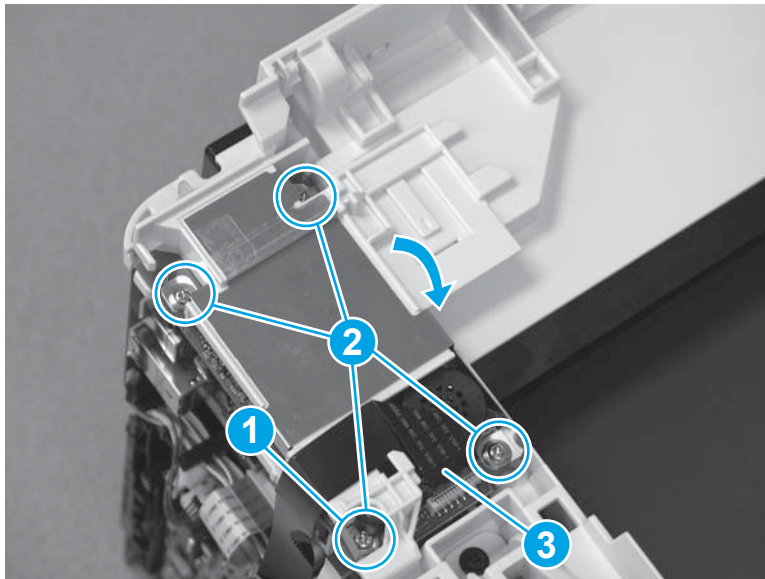
2. Install the tabs (callout 1) on the fax cover in the slots (callout 2) on the top cover. Slide the cover toward the back of the printer to install it.

Figure 1-4624 Install the fax cover



3. Beginning with the lower right screw (callout 1) install four screws (callout 2) in a clockwise direction. Connect one connector (callout 3).

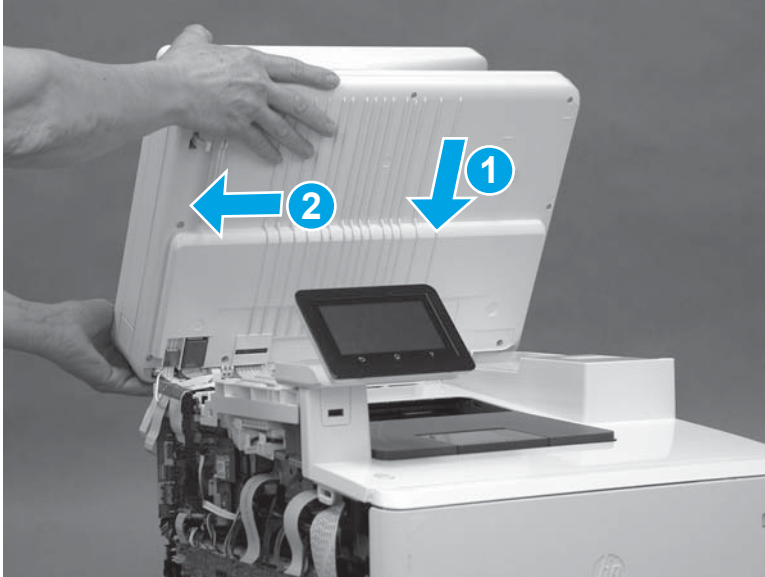
Figure 1-4625 Install four screws and connect one connector



Step 9: Install the integrated scanner assembly (M477 models)

1. Lower the scanner assembly onto the printer, and then slide the assembly toward the left side of the printer to install it.

Figure 1-4626 Install the scanner assembly



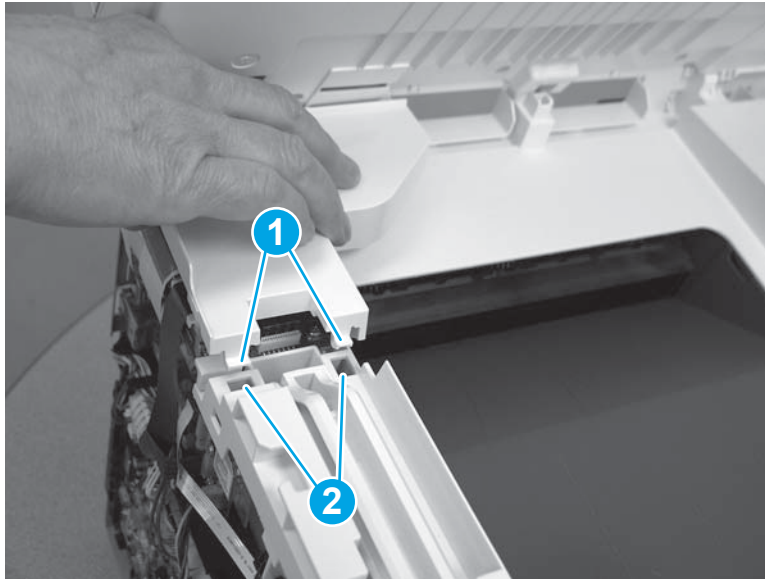
2. Press the scanner cables (callout 1) down onto the double-sided tape on the top cover.

Figure 1-4627 Press the cables



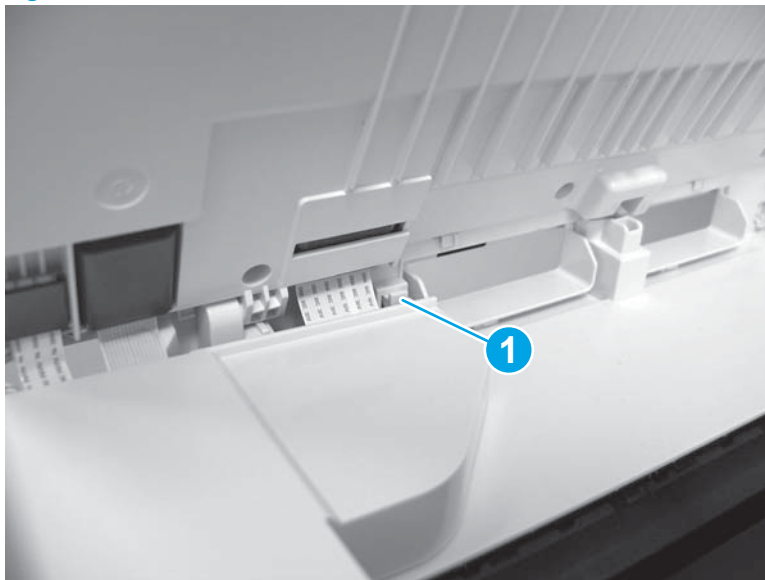
3. Install the tabs (callout 1) on the front of the scanner cable cover in the slots (callout 2) on the top cover.

Figure 1-4628 Position the scanner cable cover



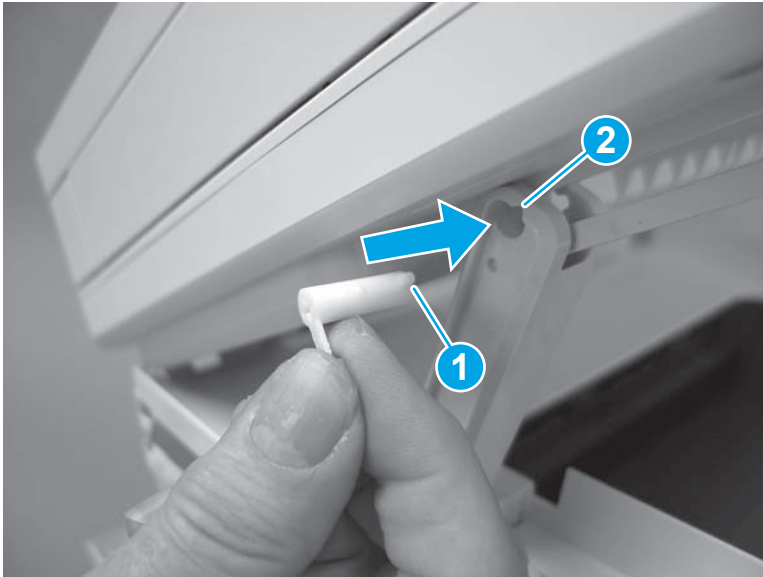
4. Press down on the back of the scanner cable cover to engage one tab (callout 1).

Figure 1-4629 Install the scanner cable cover



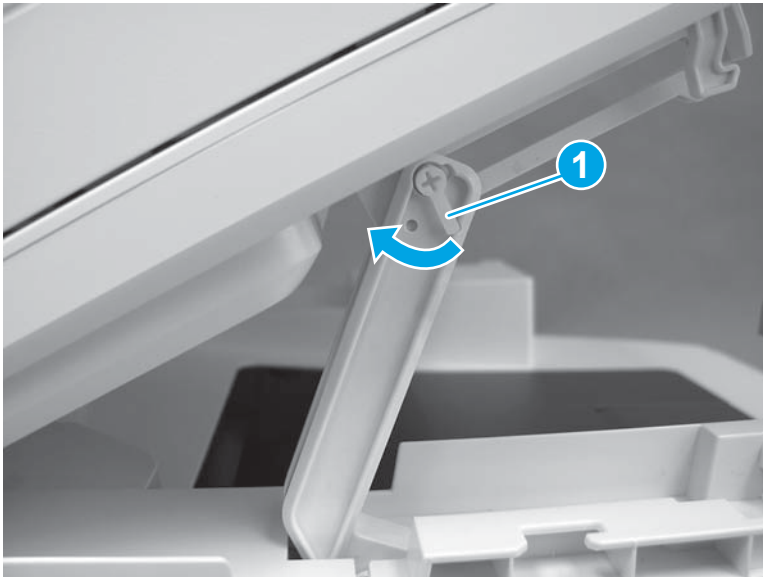
5. With the scanner lid lifted, insert the scanner support arm pin (callout 1) into the slot in the scanner support arm (callout 2).

Figure 1-4630 Install the scanner arm pin



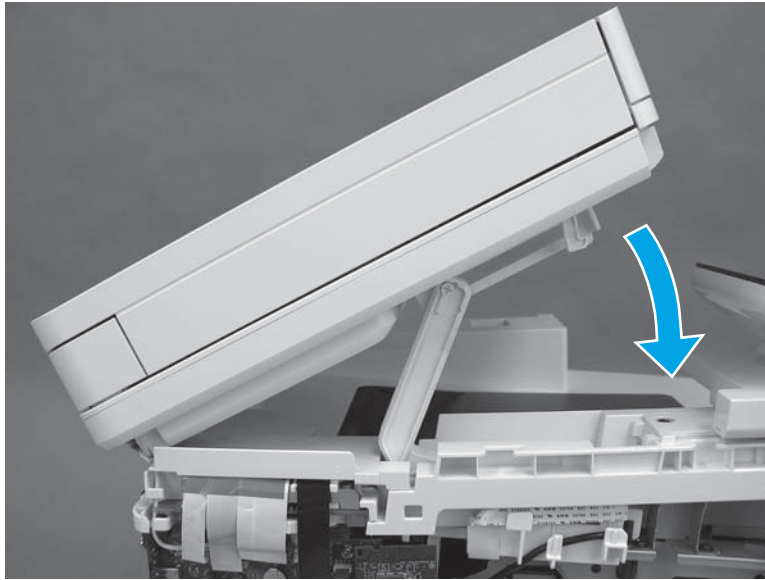
6. Rotate the tab on the scanner arm pin (callout 1) in the direction indicated to snap it into place.

Figure 1-4631 Secure the scanner arm pin



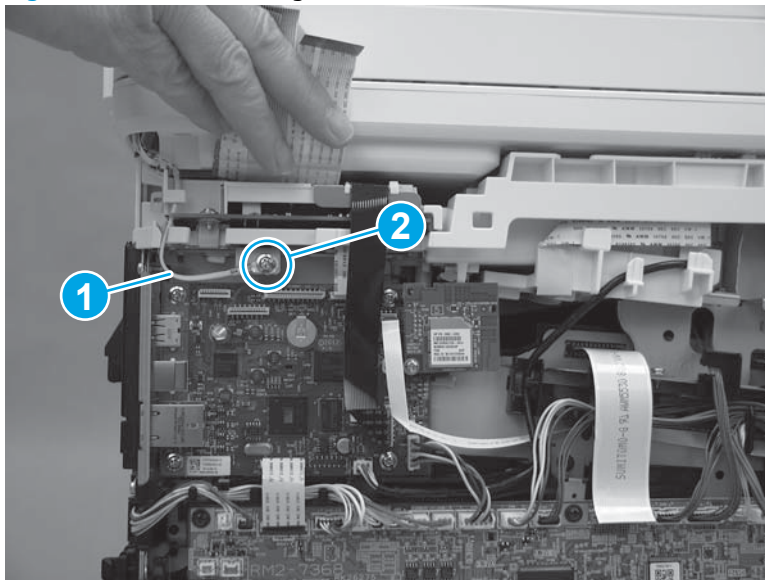
7. Lower the scanner.

Figure 1-4632 Lower the scanner



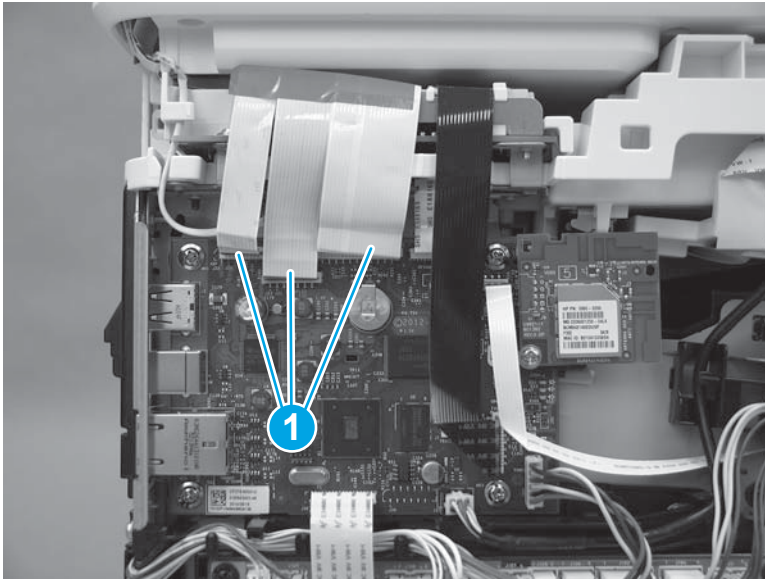
8. Raise the scanner cables up, position the ground wire (callout 1), and then install one screw (callout 2).

Figure 1-4633 Install the ground wire



9. Connect three connectors (callout 1).

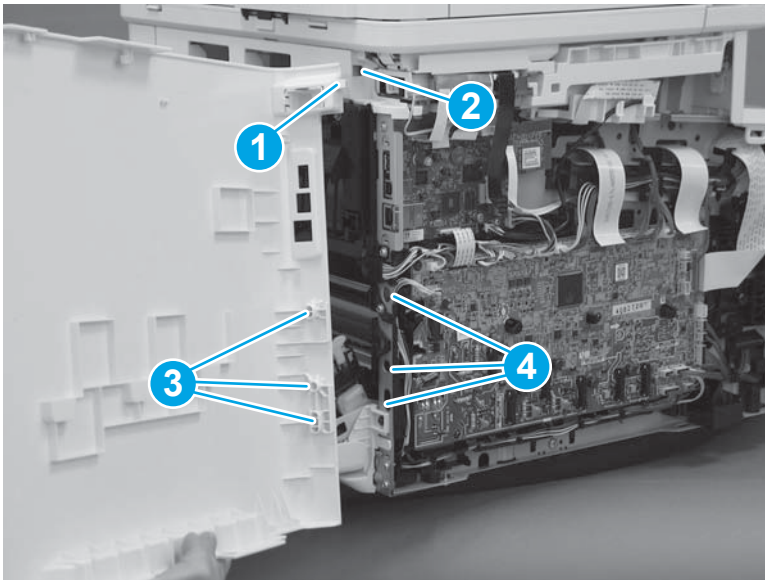
Figure 1-4634 Install the M377, M477 scanner



Step 10: Install the left cover (M477 models)

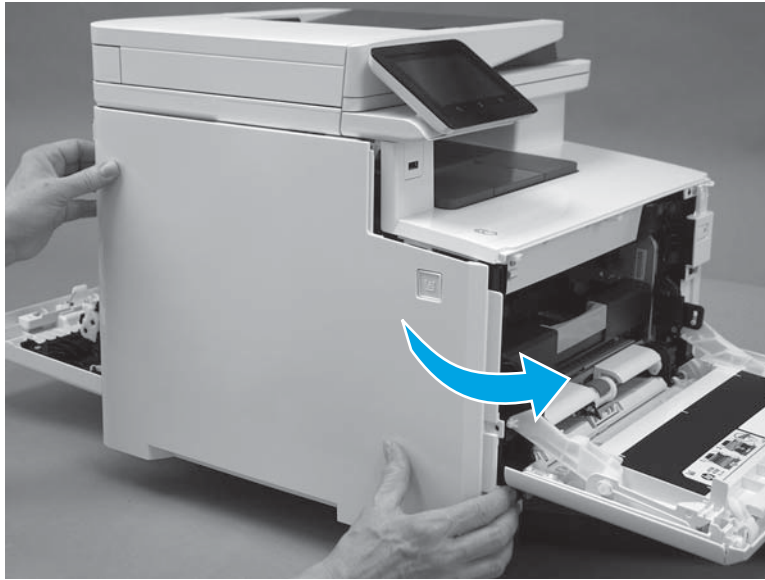
1. At the back of the printer, install the tab (callout 1) on the cover into the slot (callout 2) in the printer. Install the locator pins (callout 3) into the slots (callout 4) in the printer.

Figure 1-4635 Install one tab



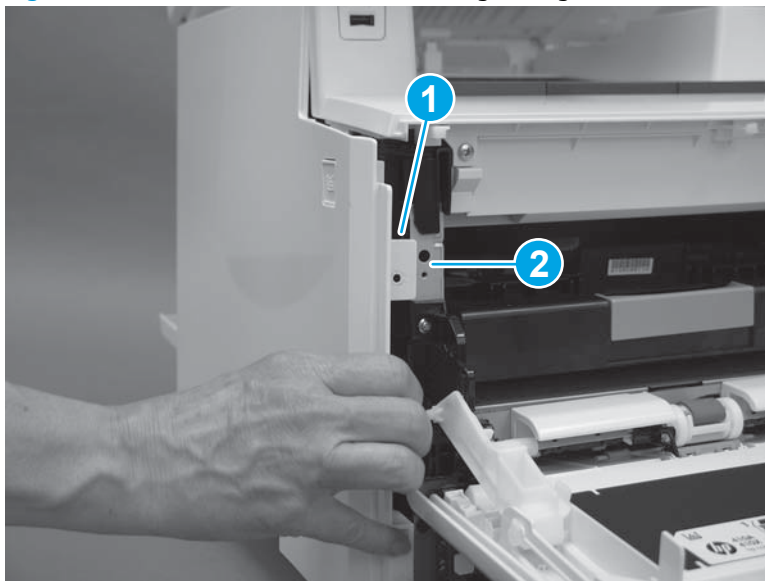
2. Rotate the cover toward the printer.

Figure 1-4636 Rotate the left cover



⚠ CAUTION: Make sure that the tab (callout 1) does not get caught behind the printer frame (callout 2).

Figure 1-4637 Make sure the tab does not get caught



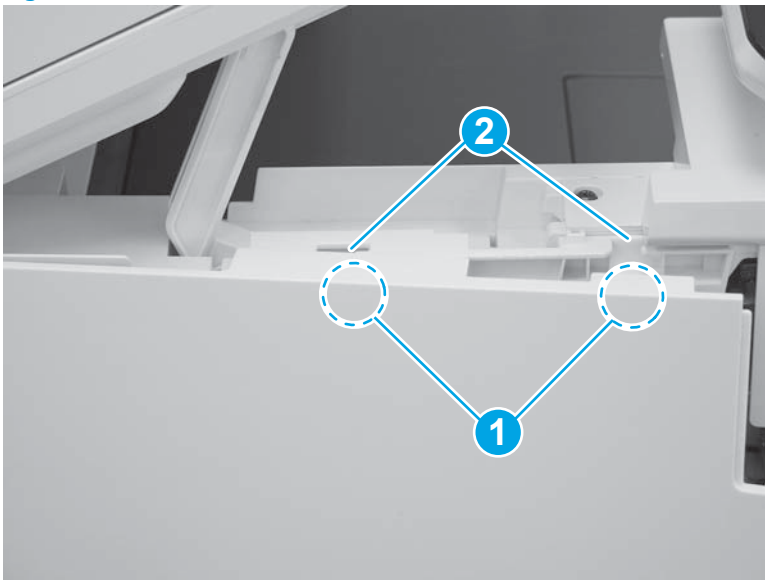
3. Raise the scanner.

Figure 1-4638 Raise the scanner



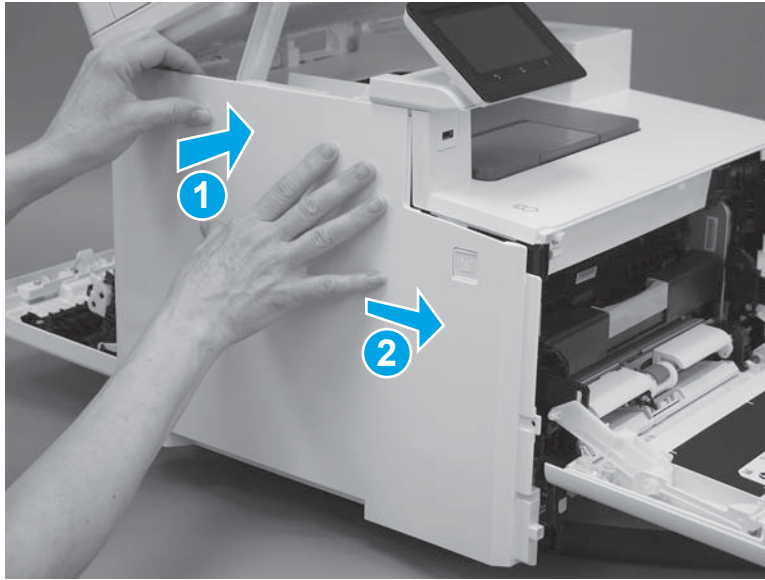
4. Position the hooks (callout 1) on the inside of the cover into the slots (callout 2) on the printer.

Figure 1-4639 Position the hooks in the slots



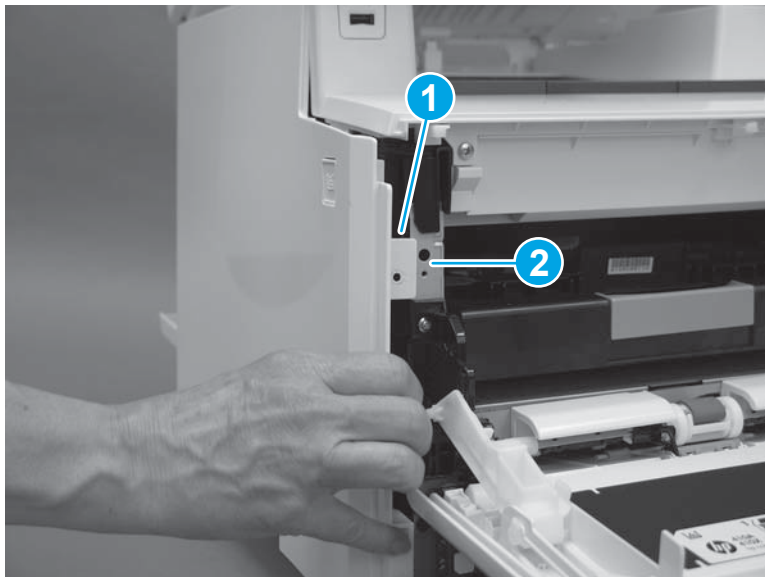
5. Hold the cover against the printer (callout 1), and then slide it (callout 2) toward the front of the printer.

Figure 1-4640 Install the top hooks



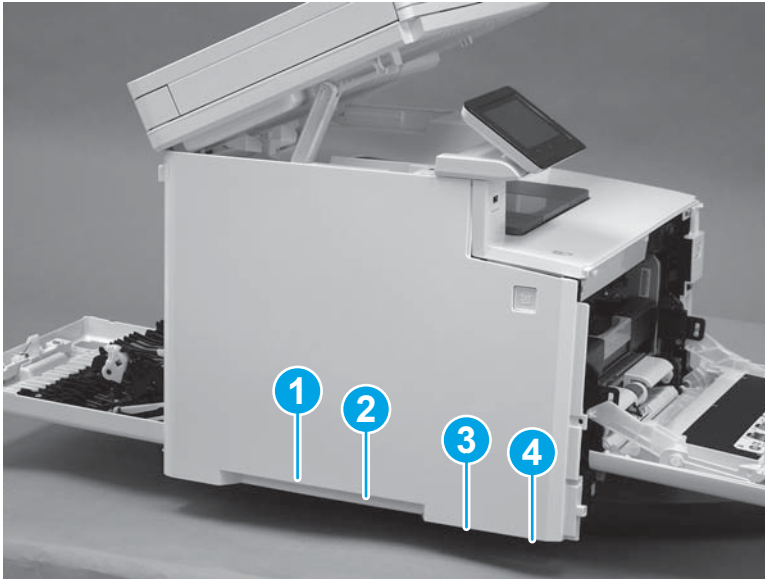
CAUTION: Make sure that the tab (callout 1) on the front of the cover does not get caught behind the printer frame (callout 2).

Figure 1-4641 Make sure the tab does not get caught



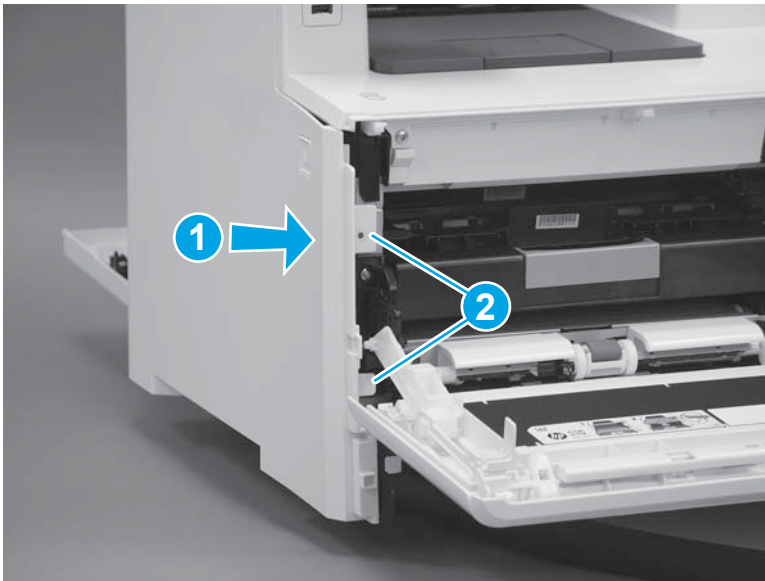
6. Slide the printer to the edge of a work surface in order to access the tabs on the bottom of the cover. Beginning from the back of the cover, install four tabs (callouts 1-4) on the lower edge of the cover.

Figure 1-4642 Install four tabs



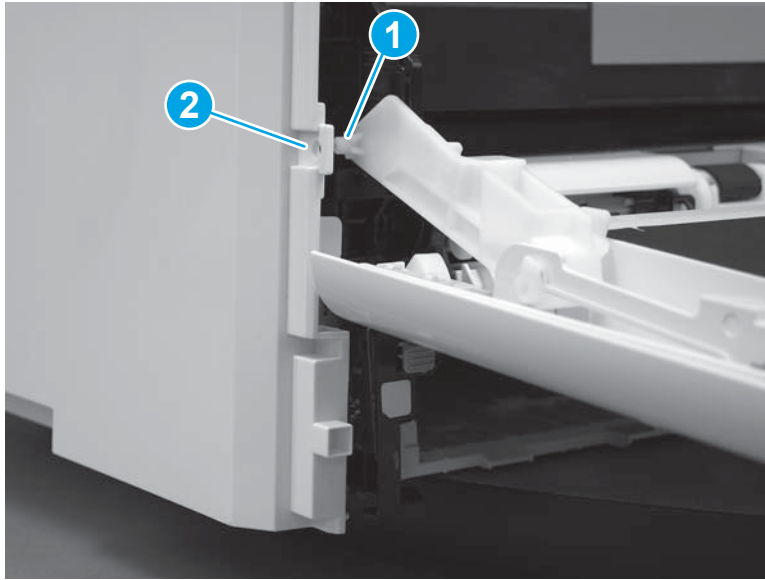
7. Press the cover toward the printer (callout 1), and then install two tabs (callout 2) at the front of the cover.

Figure 1-4643 Install two tabs



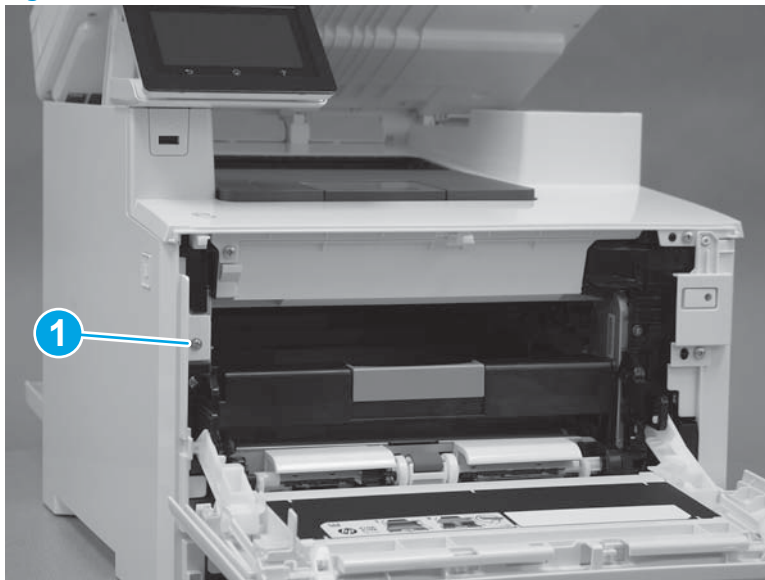
8. Make sure that the hinge pin (callout 1) on the front door fits into the slot (callout 2) on the left cover.

Figure 1-4644 Install hinge pin



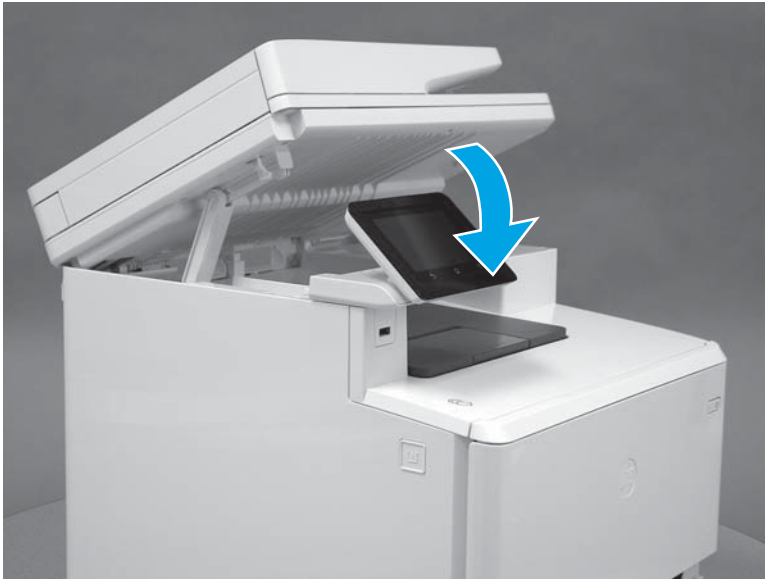
9. Install one screw (callout 1).

Figure 1-4645 Install one screw



10. Lower the scanner.

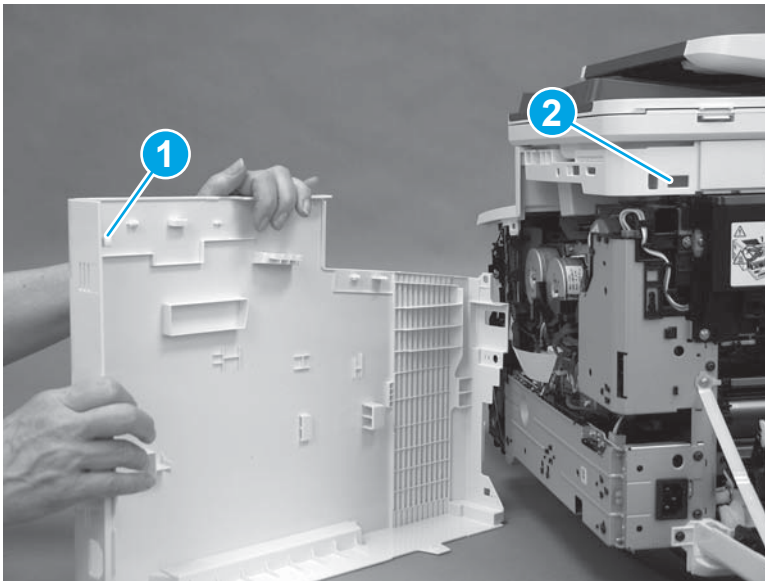
Figure 1-4646 Lower the scanner



Step 11: Install the right cover (M477 models)

1. At the back of the printer, install the tab (callout 1) on the cover into the slot (callout 2) on the printer.

Figure 1-4647 Install rear tab



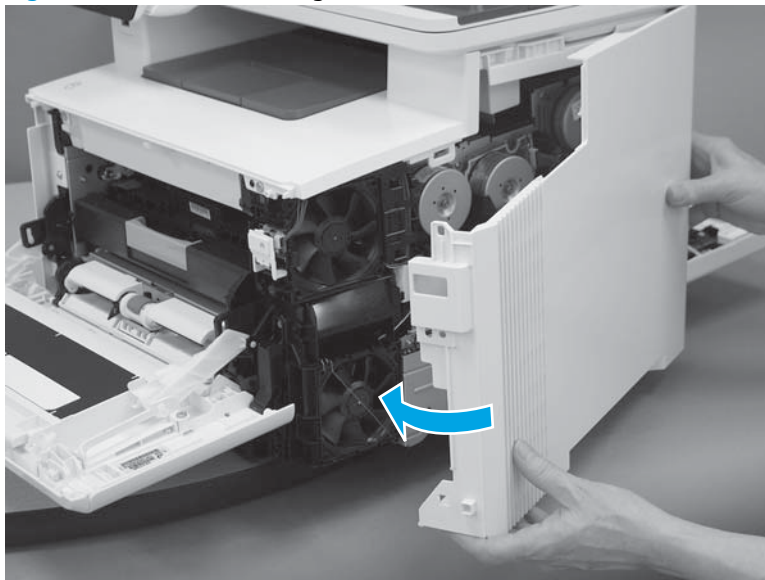
2. Raise the scanner.

Figure 1-4648 Raise the scanner



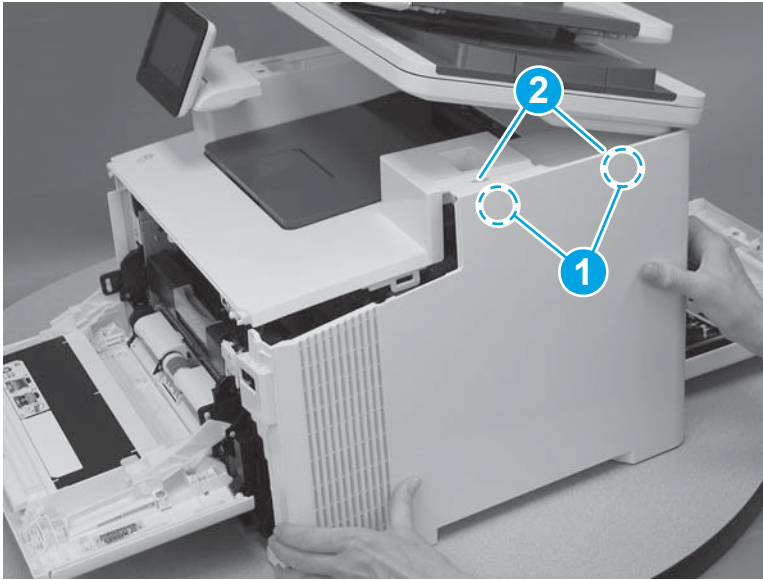
3. Rotate the right cover toward the printer.

Figure 1-4649 Rotate the right cover



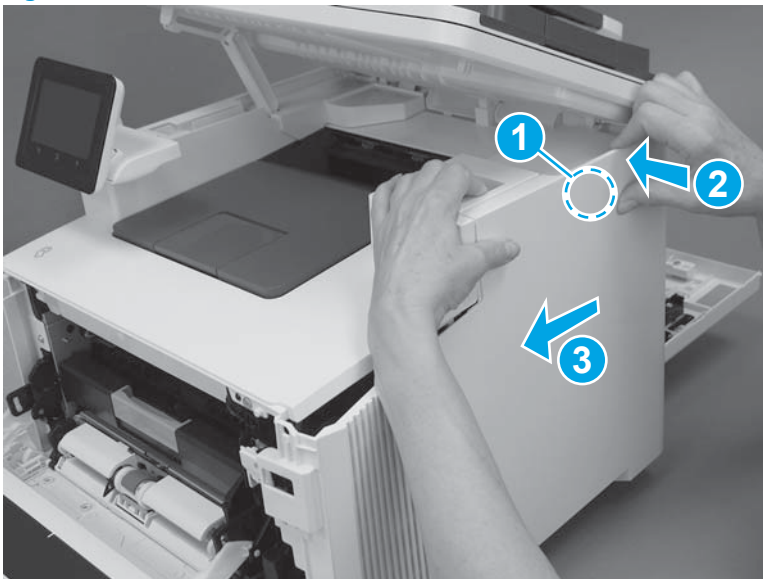
4. Position the hooks (callout 1) on the inside of the cover into the slots (callout 2) in the printer.

Figure 1-4650 Position the hooks in the slots



5. Engage one hook (callout 1) on the inside of the cover. Hold the top of the cover closed (callout 2) while sliding the cover toward the front of the printer (callout 3).

Figure 1-4651 Slide the cover



6. Rotate the front of the cover toward the printer (callout 1).

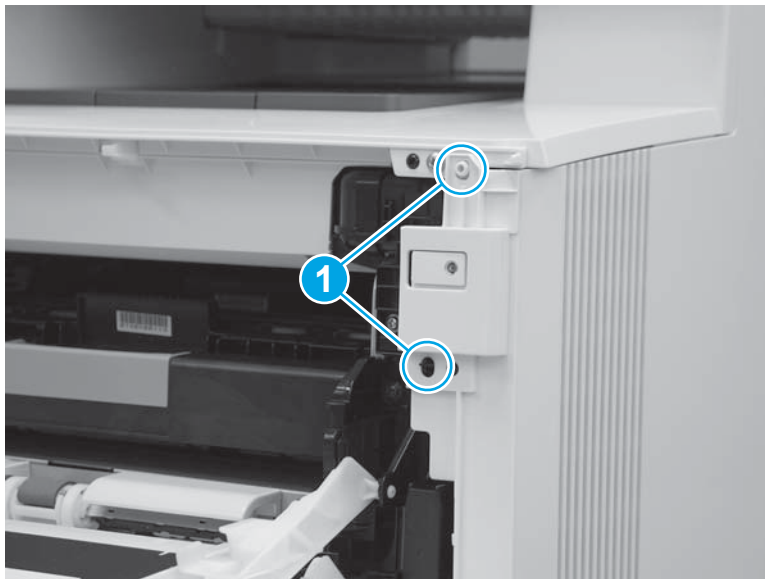
⚠ CAUTION: Be careful not to dislodge the power switch (callout 2).

Figure 1-4652 Rotate the front of the cover



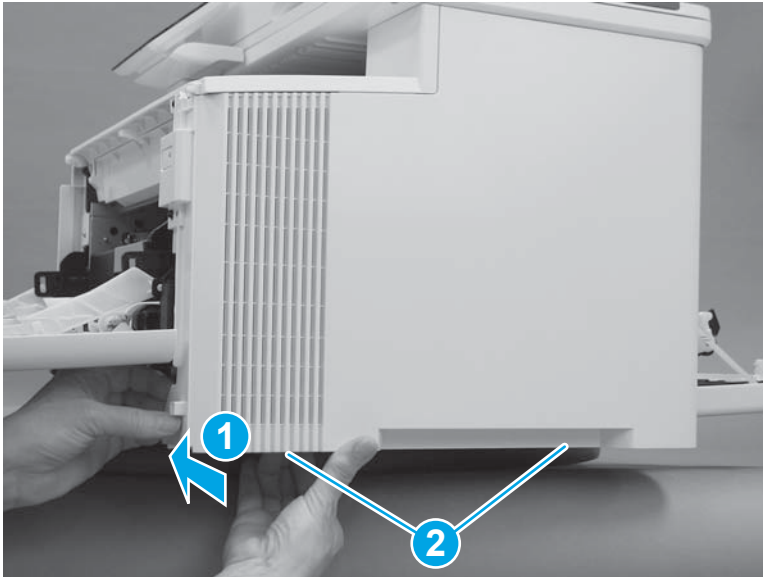
7. Install two tabs at the front of the printer (callout 1).

Figure 1-4653 Install two tabs



8. Press the right cover toward the printer (callout 1) to engage one tab on the front of the cover, and two tabs (callout 2) on the lower edge of the cover.

Figure 1-4654 Install the front and lower tabs



9. At the front of the printer, install one screw (callout 1).

Figure 1-4655 Install one screw



10. At the back of the printer, install one screw (callout 1).

Figure 1-4656 Install one screw



11. Lower the scanner.

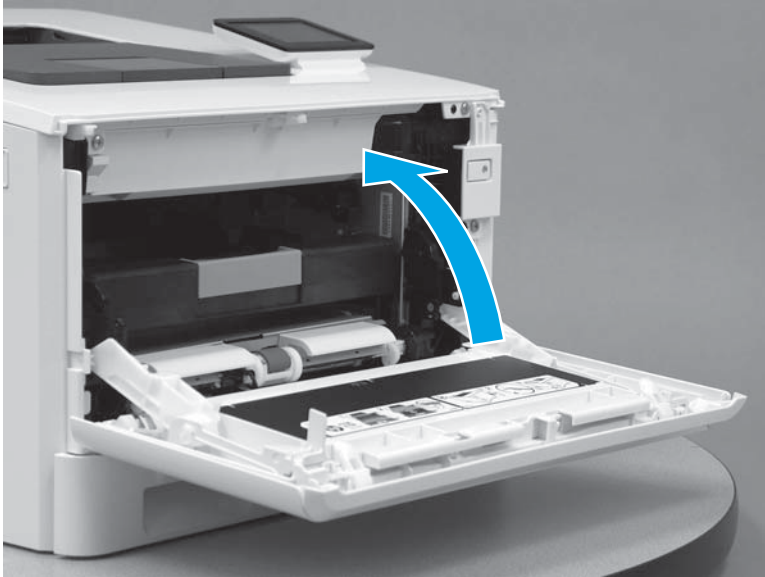
Figure 1-4657 Lower the scanner



Step 12: Close the front door and rear door or duplexer door

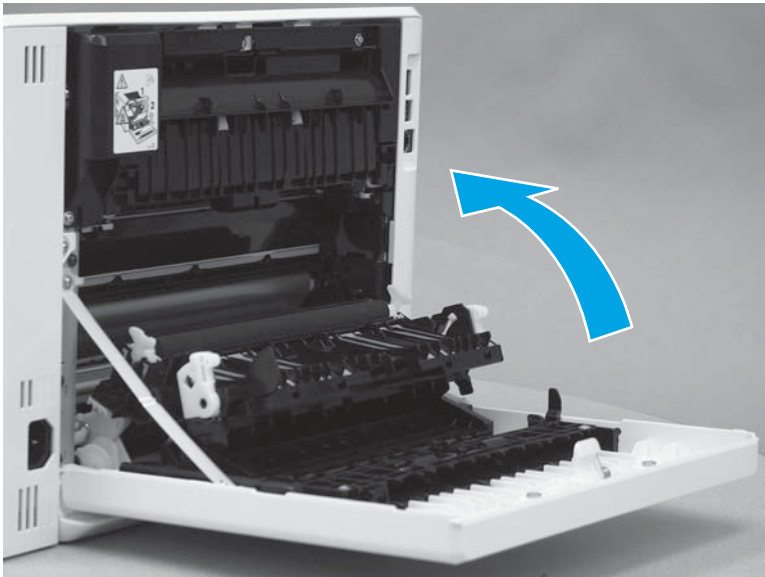
1. Close the front door.

Figure 1-4658 Close the front door



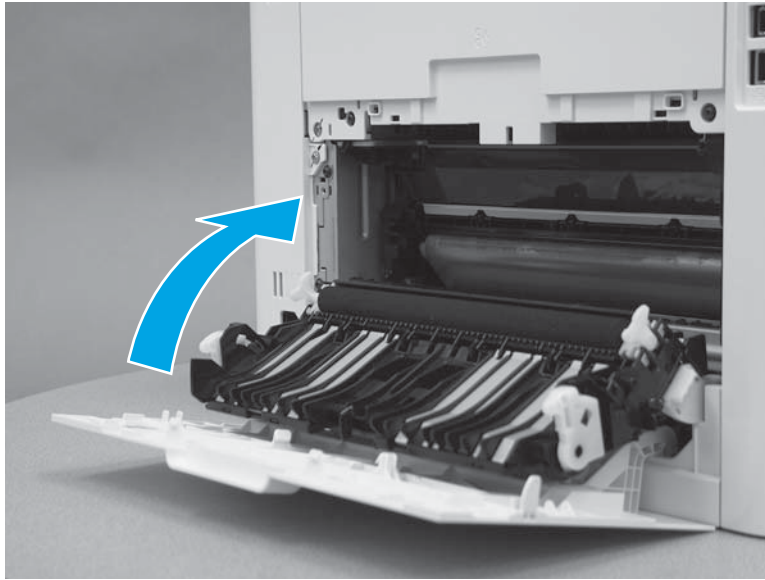
- 2. Duplex models:** Close the duplexer door.

Figure 1-4659 Close the duplexer door



3. **Simplex models:** Close the rear door.

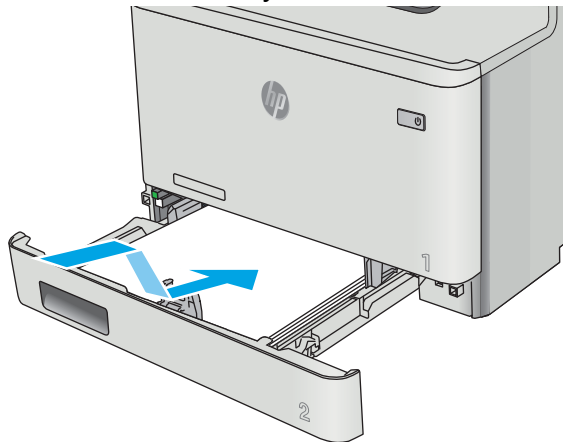
Figure 1-4660 Close the rear door



Step 13: Install Tray 2

- ▲ With the front of the tray slightly lifted, align the sides of the tray with the rails in the printer, and then carefully slide the tray into the printer. As the tray slides into the printer, lower the front of the tray, and then close it.

Figure 1-4661 Install the tray



Removal and replacement: NFC PCA (M452dw and M477dw models)

- [Introduction](#)
- [Step 1: Remove Tray 2](#)
- [Step 2: Open the front door and duplexer door](#)
- [Step 3: Remove the right cover \(M452 models\)](#)
- [Step 4: Remove the right cover \(M477 models\)](#)
- [Step 5: Remove the left cover \(M452 models\)](#)
- [Step 6: Remove the left cover \(M477 models\)](#)
- [Step 7: Remove the integrated scanner assembly \(M477 models\)](#)
- [Step 8: Remove the fax PCA \(M477 models\)](#)
- [Step 9: Remove the top cover \(M477 models\)](#)
- [Step 10: Remove the top cover \(M452 models\)](#)
- [Step 11: Remove the NFC PCA \(M452dw and M477dw models\)](#)
- [Step 12: Unpack the replacement part](#)
- [Step 13: Install the NFC PCA \(M452dw and M477dw models\)](#)
- [Step 14: Install the top cover \(M452 models\)](#)
- [Step 15: Install the top cover \(M477 models\)](#)
- [Step 16: Install the fax PCA \(M477 models\)](#)
- [Step 17: Install the integrated scanner assembly \(M477 models\)](#)
- [Step 18: Install the left cover \(M452 models\)](#)
- [Step 19: Install the left cover \(M477 models\)](#)
- [Step 20: Install the right cover \(M452 models\)](#)
- [Step 21: Install the right cover \(M477 models\)](#)
- [Step 22: Close the front door and duplexer door](#)
- [Step 23: Install Tray 2](#)

Introduction

This document provides the procedures to remove and replace the NFC PCA.

Before you begin

- Turn off the printer.
- Disconnect the power cable.

⚠ WARNING! To avoid damage to the printer, turn the printer off, wait 30 seconds, and then remove the power cord before attempting to service the printer.

- Use the table below to identify the correct part number for your printer. To order the part, go to www.hp.com/buy/parts.

NFC PCA part number

B4K93-60001

NFC PCA

Required tools

- #2 Phillips screwdriver with a magnetic tip
- Small flat-blade screwdriver

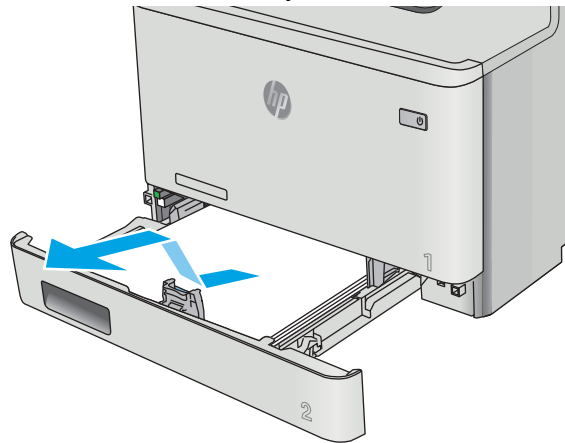
After performing service

- Connect the power cable.
- Use the power switch to turn the power on.

Step 1: Remove Tray 2

- ▲ Pull the tray out until it stops. Lift the front of the tray, and then pull it out of the printer to remove it.

Figure 1-4662 Remove the tray



Step 2: Open the front door and duplexer door

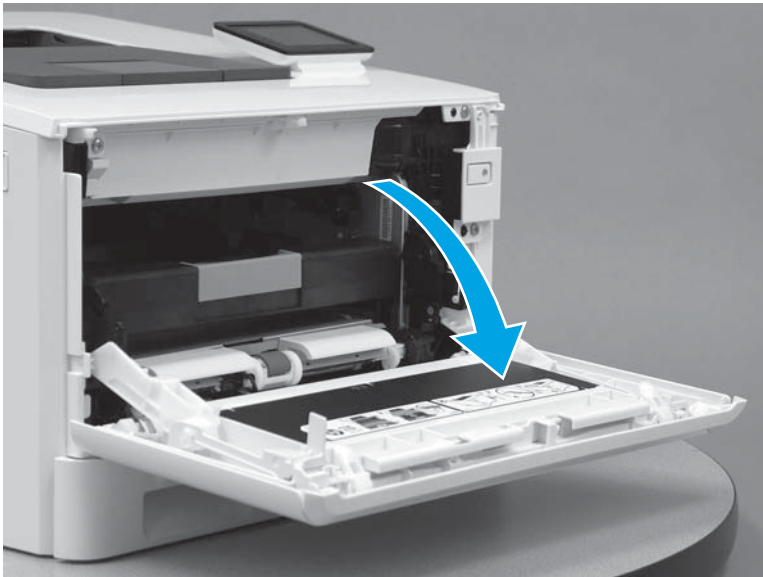
1. Press the button (callout 1) on the left side of the printer to release the front door.

Figure 1-4663 Release the front door



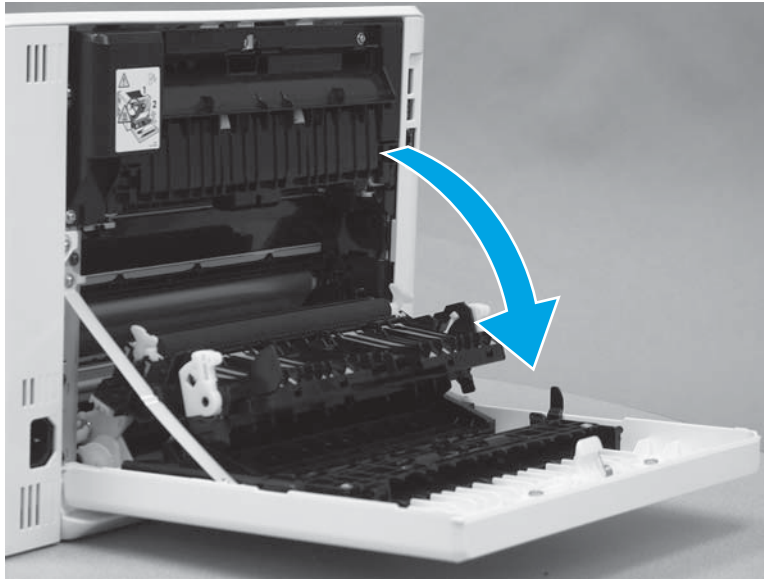
2. Open the front door.

Figure 1-4664 Open the front door




3. Open the duplexer door.

Figure 1-4665 Open the duplexer door



Step 3: Remove the right cover (M452 models)

 **NOTE:** This step is for the M452 models. For the M477 models, skip this step and go to [Step 4: Remove the right cover \(M477 models\) on page 2467](#).

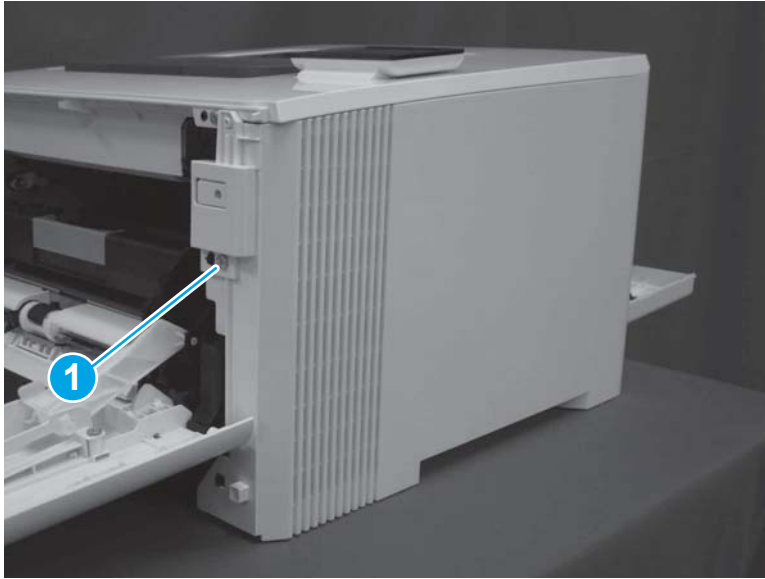
1. At the back of the printer, remove one screw (callout 1).

Figure 1-4666 Remove one screw



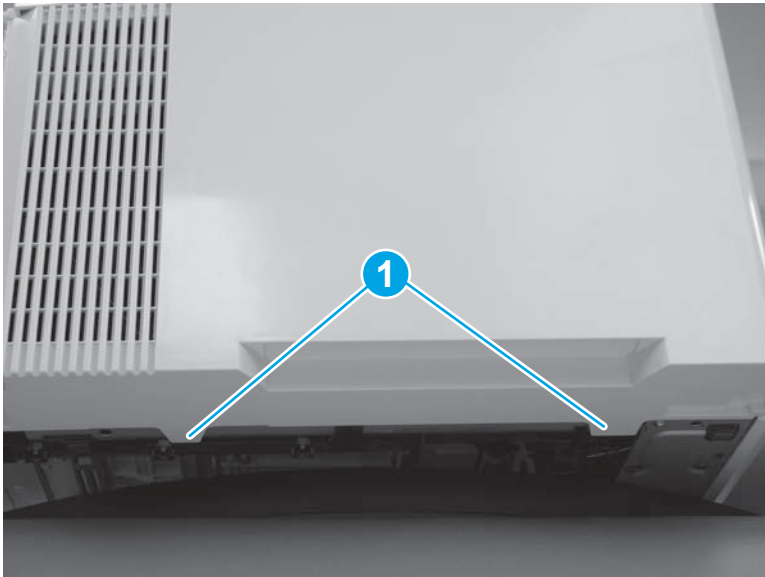
2. At the front of the printer, remove one screw (callout 1).

Figure 1-4667 Remove one screw



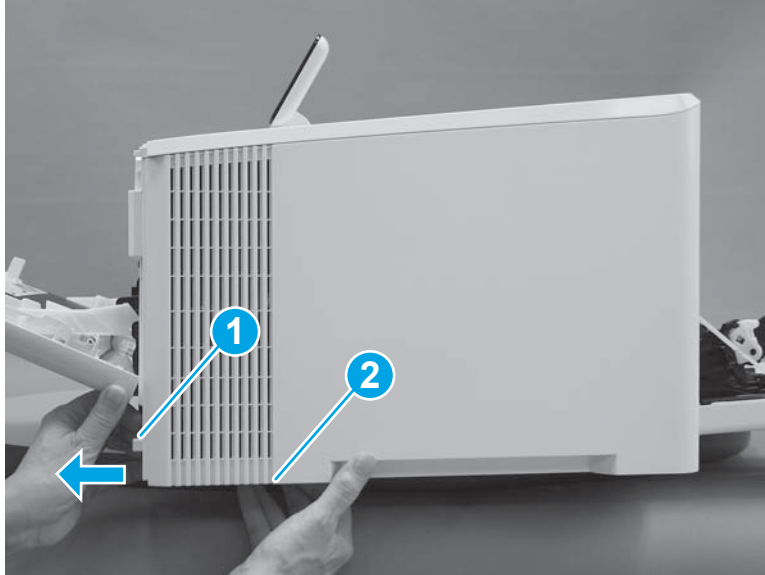
3. Slide the printer to the edge of a work surface. Note the location of the tabs on the lower edge of the cover (callout 1).

Figure 1-4668 Locate the tabs



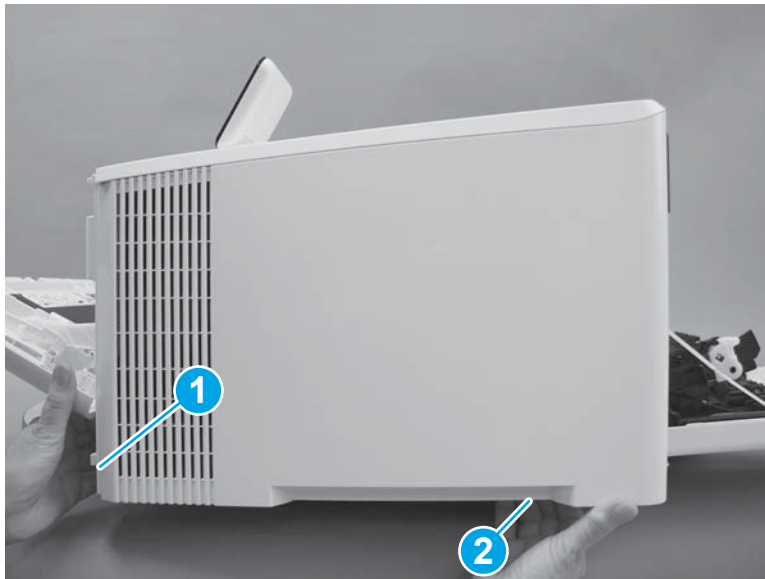
4. Release one tab (callout 1) on the front of the cover by slightly pulling the cover away from the printer. While holding the cover in the released position, release one tab (callout 2) on the bottom of the cover.

Figure 1-4669 Release front lower tabs



5. Hold the front tabs in the released position (callout 1), and then release one tab (callout 2) on the bottom of the cover, toward the back of the printer.

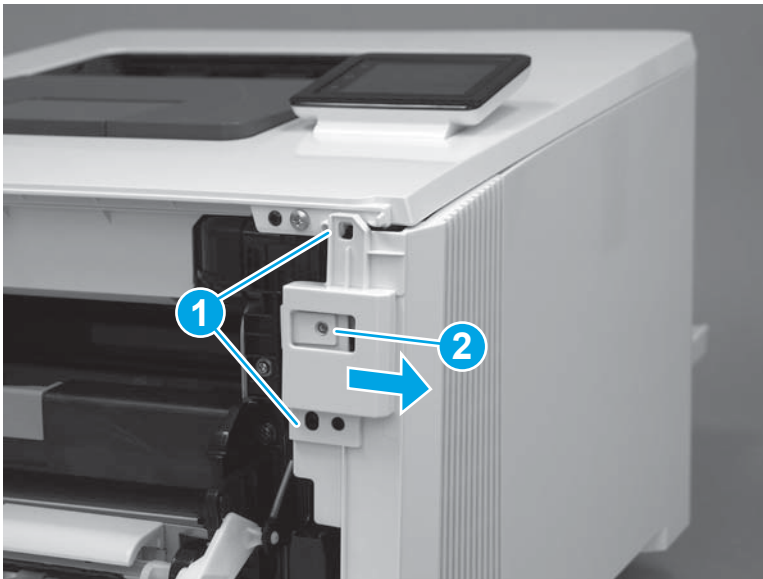
Figure 1-4670 Release lower rear tab



6. Release two tabs at the front of the printer (callout 1) by slightly pulling the cover away from the printer.

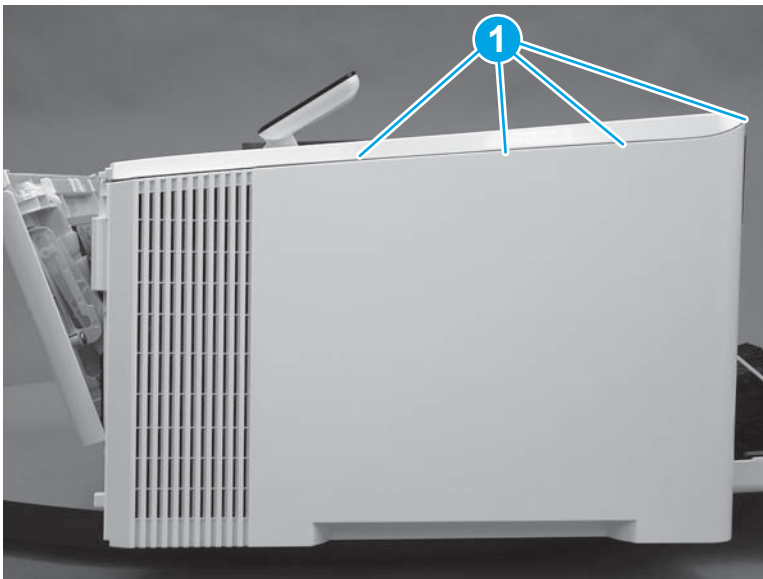
⚠ CAUTION: Be careful not to dislodge the power switch (callout 2).

Figure 1-4671 Release two front tabs



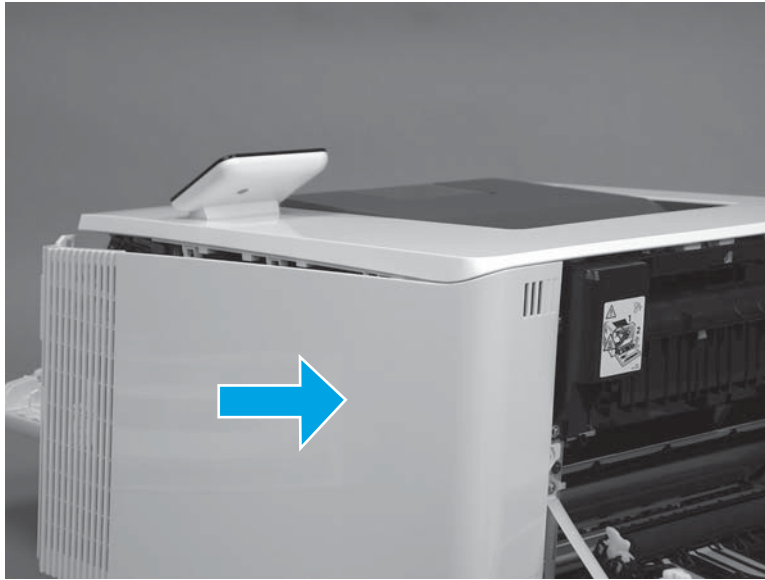
7. Release four tabs on the top of the printer (callout 1).

Figure 1-4672 Release upper tabs




8. Slide the cover toward the back of the printer to remove it.

Figure 1-4673 Remove the right cover



Step 4: Remove the right cover (M477 models)

 **NOTE:** This step is for the M477 models. For the M452 models, skip this step and go to [Step 5: Remove the left cover \(M452 models\) on page 2473](#).

1. Raise the scanner.

Figure 1-4674 Raise the scanner



2. At the back of the printer, remove one screw (callout 1).

Figure 1-4675 Remove one screw



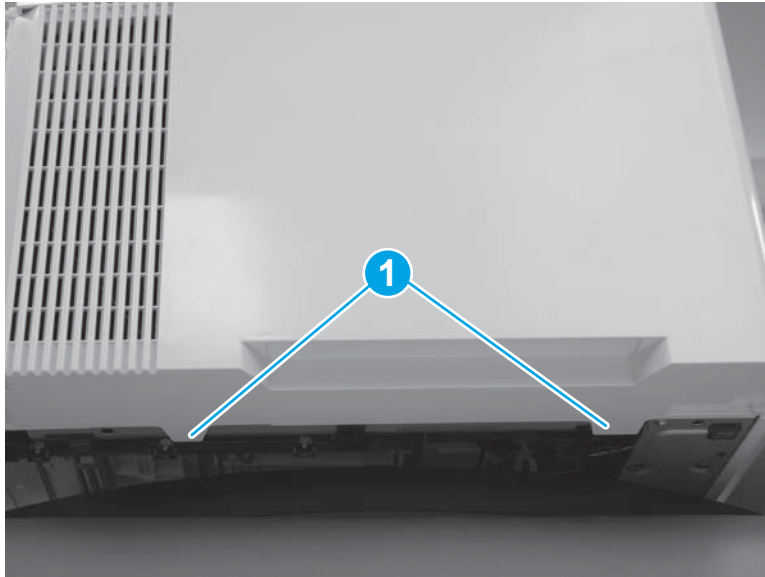
3. At the front of the printer, remove one screw (callout 1).

Figure 1-4676 Remove one screw



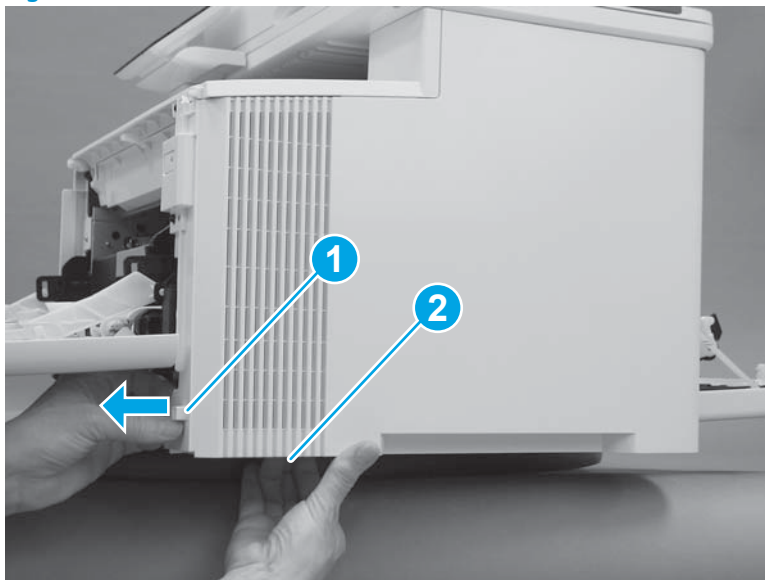
4. Slide the printer to the edge of a work surface. Note the location of the tabs on the lower edge of the cover (callout 1).

Figure 1-4677 Locate the tabs



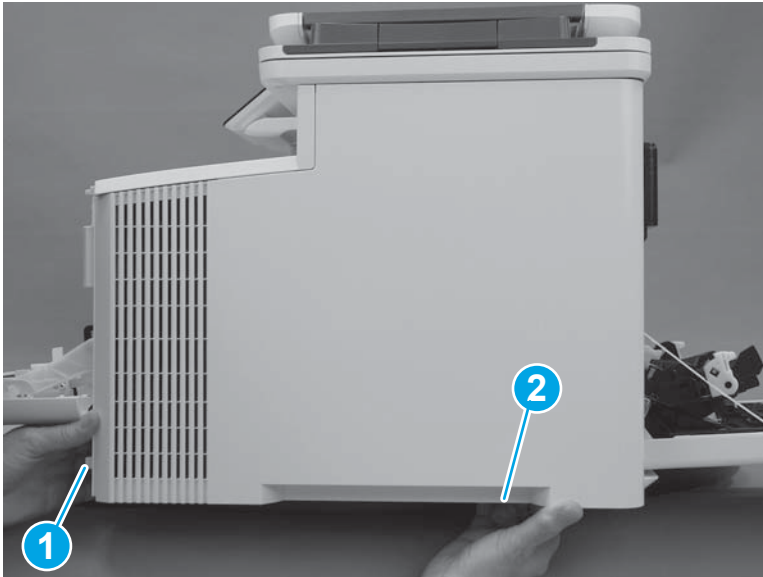
5. Release one tab (callout 1) on the front of the cover by slightly pulling the cover away from the printer. While holding the cover in the released position, release one tab (callout 2) on the lower edge of the cover.

Figure 1-4678 Release front lower tabs



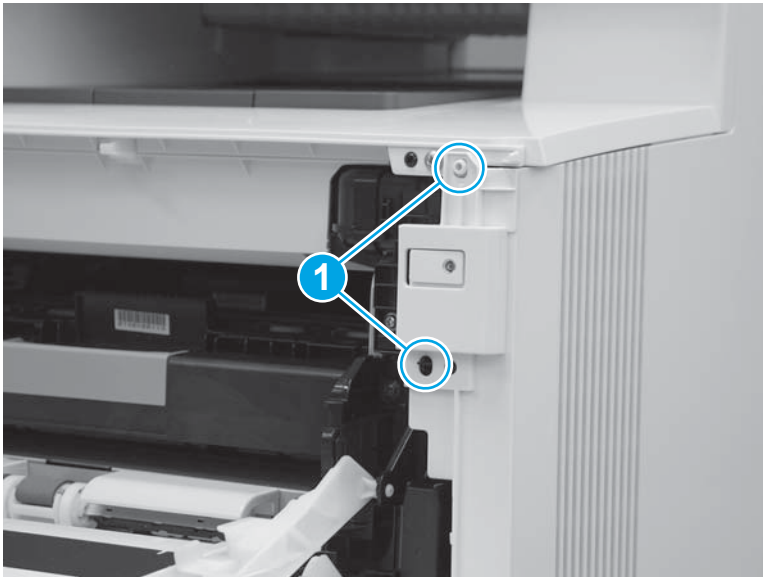
6. Hold the front tabs in the released position (callout 1), and then release one tab (callout 2) on the lower edge of the cover, toward the back of the printer.

Figure 1-4679 Release lower rear tab



7. Release two tabs at the front of the printer (callout 1) by slightly pulling the cover away from the printer.

Figure 1-4680 Release front upper tabs



8. Rotate the front of the cover away from the printer (callout 1).

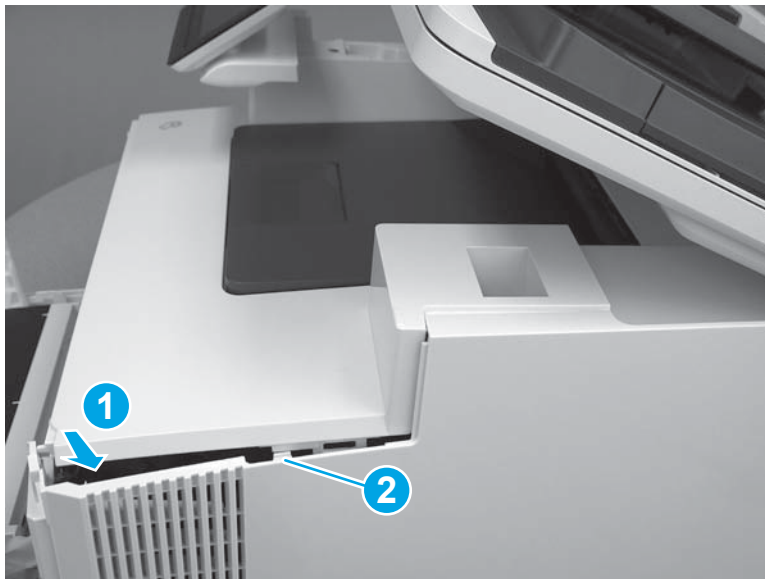
CAUTION: Be careful not to dislodge the power switch (callout 2).

Figure 1-4681 Rotate the front of the cover



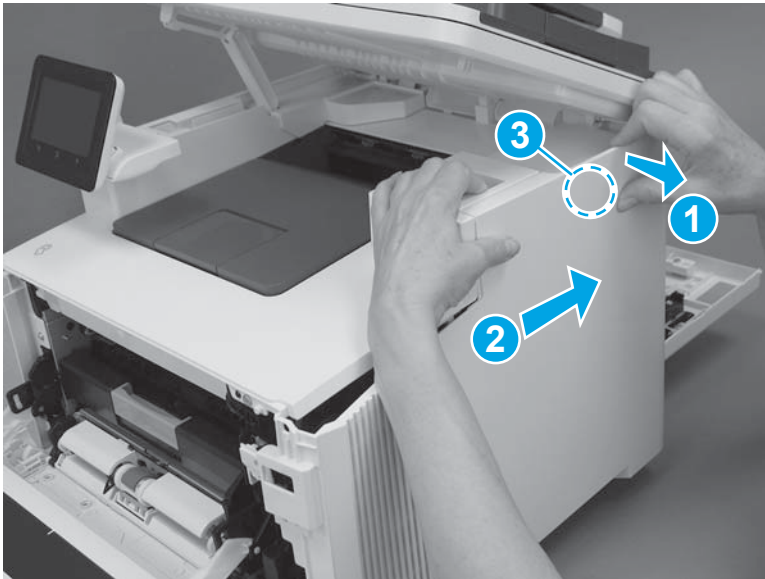
9. Slightly pull the front of the cover away from the printer (callout 1) to release one tab (callout 2).

Figure 1-4682 Release top tabs



10. At the top of the printer, slightly pull the top of the cover away from the printer to release one retention tab (callout 1) on the inside of the cover. While holding the cover away, slide the cover toward the back of the printer (callout 2) to release one hook (callout 3) on the inside of the cover.

Figure 1-4683 Release one tab and one hook



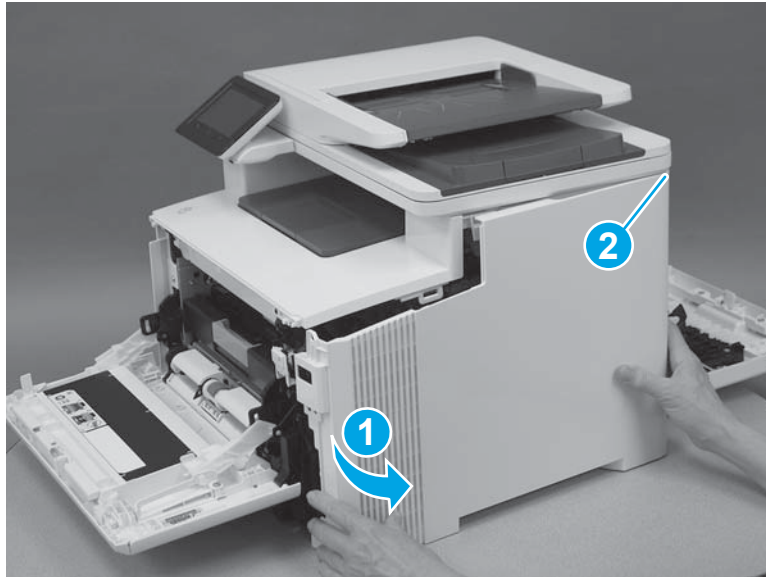
11. Lower the scanner.

Figure 1-4684 Lower the scanner




12. Rotate the cover away from the printer (callout 1) to release one tab (callout 2) at the back of the printer, and then remove the cover.

Figure 1-4685 Remove the right cover

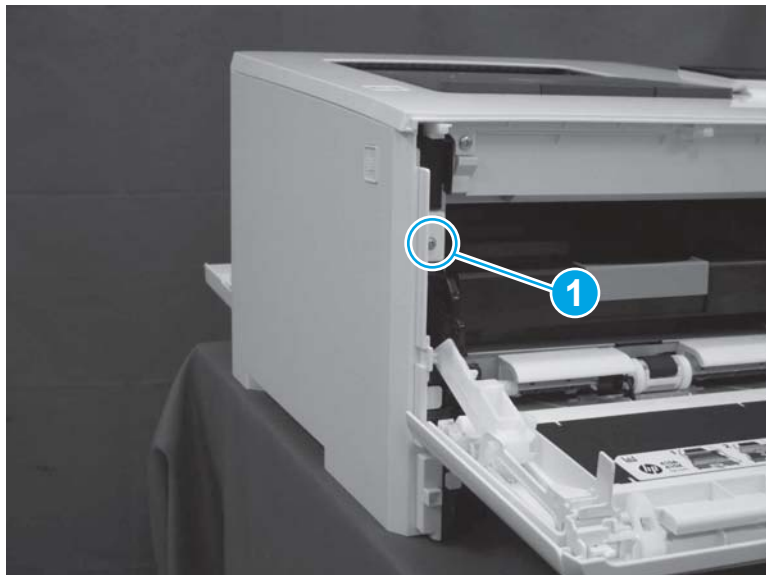


Step 5: Remove the left cover (M452 models)

 **NOTE:** This step is for the M452 models. For the M477 models, skip this step and go to [Step 6: Remove the left cover \(M477 models\) on page 2475](#).

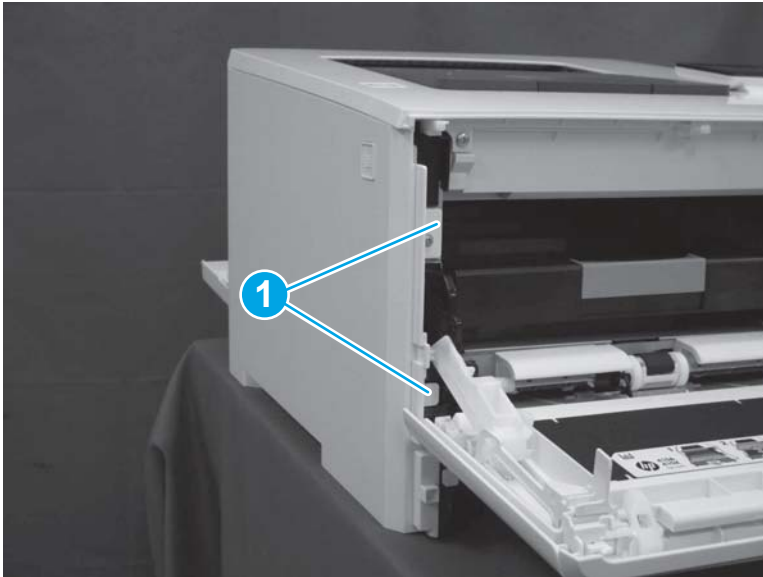
1. At the front of the printer, remove one screw (callout 1).

Figure 1-4686 Remove one screw



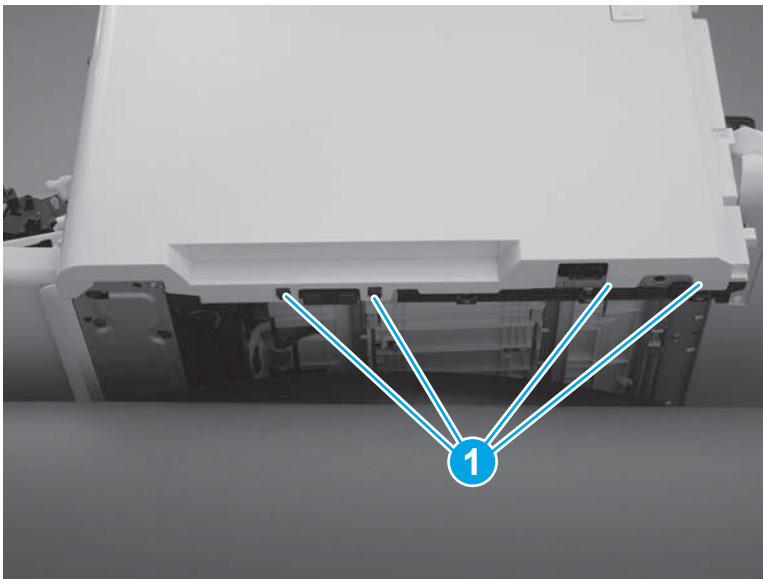
2. Release two tabs (callout 1) at the front of the cover. Hold the cover open to prevent the tabs from reengaging.

Figure 1-4687 Release two tabs



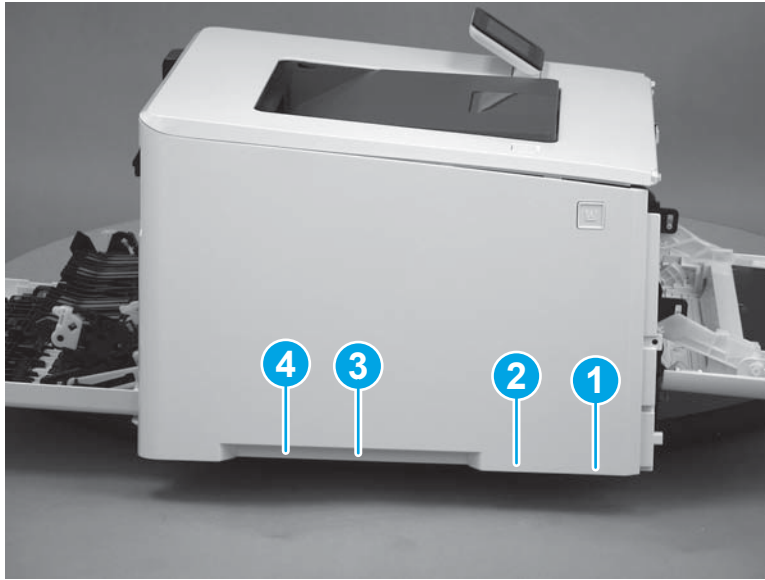
3. Slide the printer to the edge of a work surface. Note the location of the tabs on the lower edge of the cover (callout 1).

Figure 1-4688 Locate the tabs



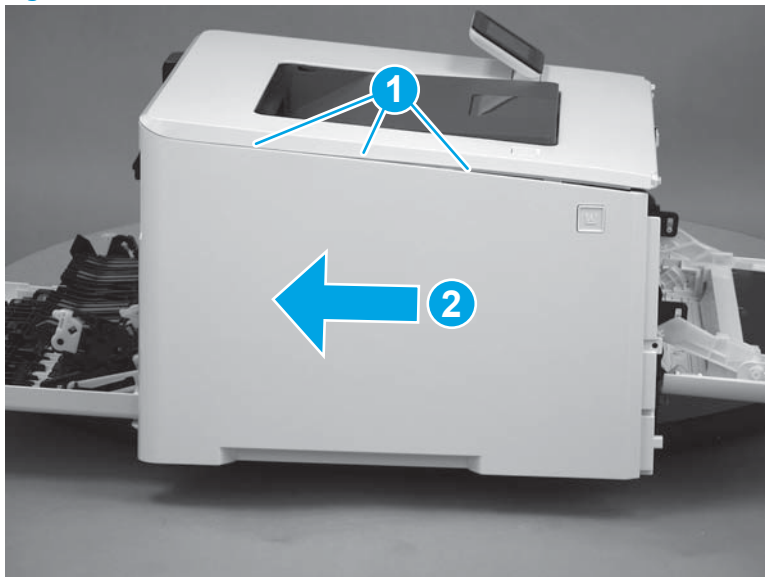
4. Beginning from the front of the cover, release four tabs (callouts 1-4) on the lower edge of the cover.

Figure 1-4689 Release bottom tabs




5. Release three tabs at the top of the cover (callout 1), and then slide the cover toward the rear of the printer to remove it.

Figure 1-4690 Release three tabs

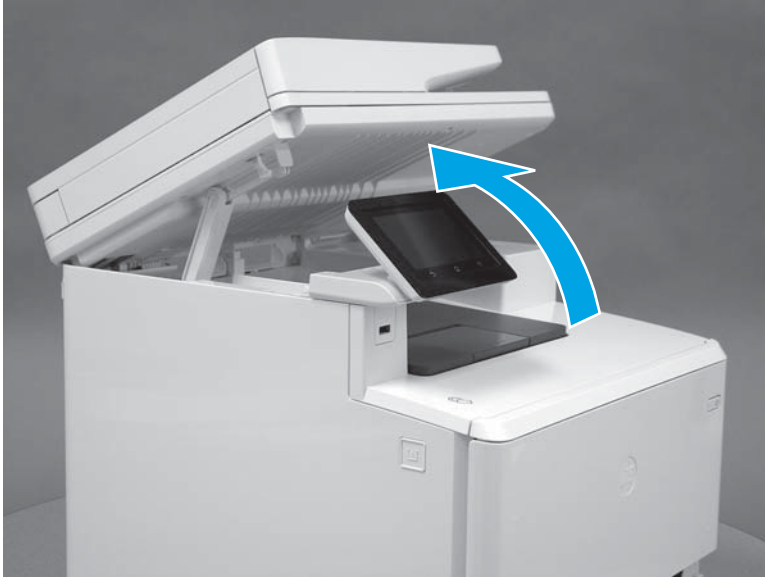


Step 6: Remove the left cover (M477 models)

 **NOTE:** This step is for the M477 models. For the M452 models, skip this step and go to [Step 10: Remove the top cover \(M452 models\) on page 2493](#).

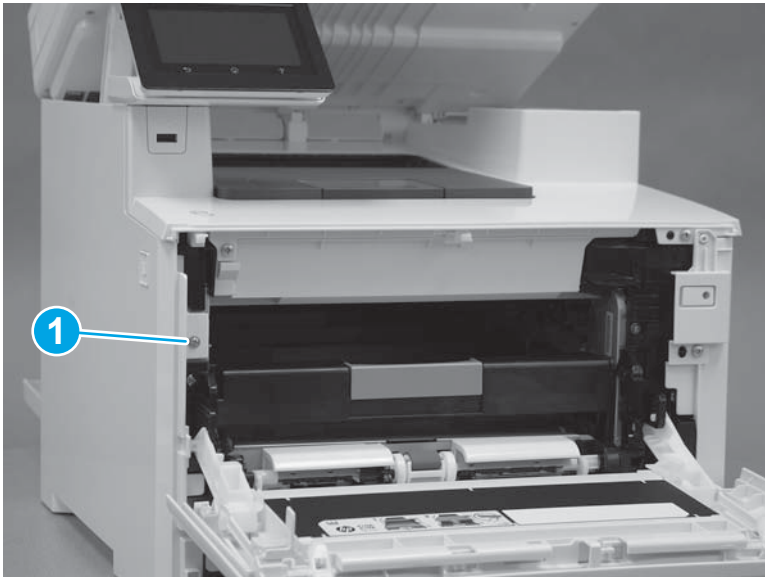
1. Raise the scanner.

Figure 1-4691 Raise the scanner



2. At the front of the printer, remove one screw (callout 1).

Figure 1-4692 Remove one screw



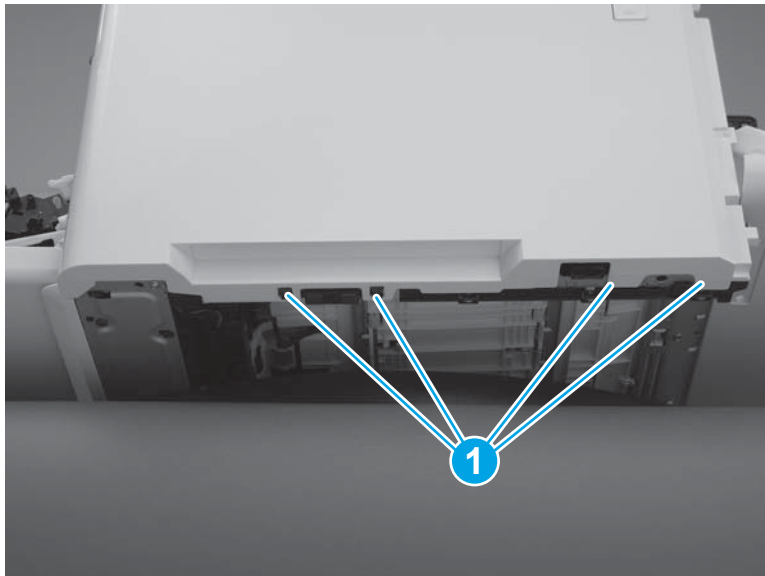
3. Release two tabs (callout 1) at the front of the cover. Hold the cover open to prevent the tabs from re-engaging.

Figure 1-4693 Release two tabs



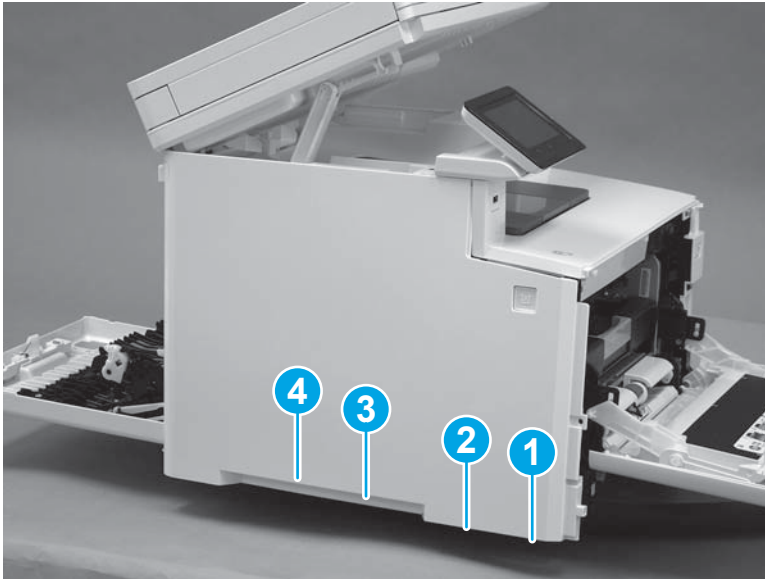
4. Slide the printer to the edge of a work surface. Note the location of the tabs on the lower edge of the cover (callout 1).

Figure 1-4694 Locate the tabs



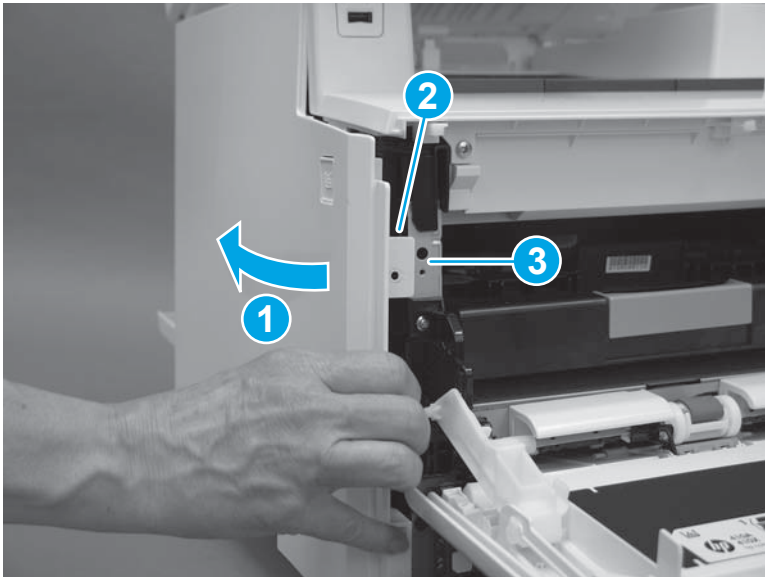
5. Beginning from the front of the cover, release the four tabs (callouts 1-4) on the lower edge of the cover.

Figure 1-4695 Release four tabs



6. Rotate the front of the cover away from the printer (callout 1). Make sure that the tab (callout 2) does not get caught on the printer frame (callout 3).

Figure 1-4696 Rotate the cover



7. At the top of the printer, slightly pull the top of the cover away from the printer to release one retention tab (callout 1) on the inside of the cover. While holding the cover away, slide the cover toward the back of the printer (callout 2) to release two hooks (callout 3) inside the cover.

Figure 1-4697 Release one tab and two hooks



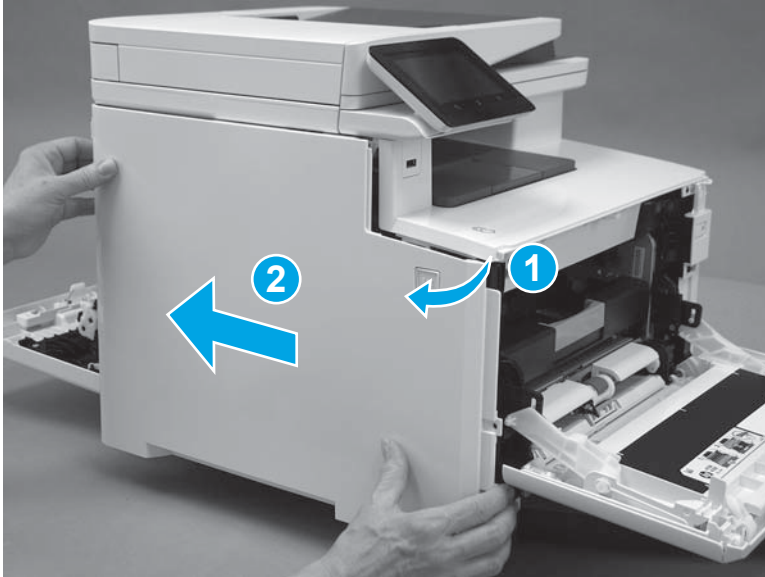
8. Lower the scanner.

Figure 1-4698 Lower the scanner




9. Rotate the cover away from the printer (callout 1), and then slide the cover (callout 2) toward the back of the printer to remove it.

Figure 1-4699 Remove the left cover

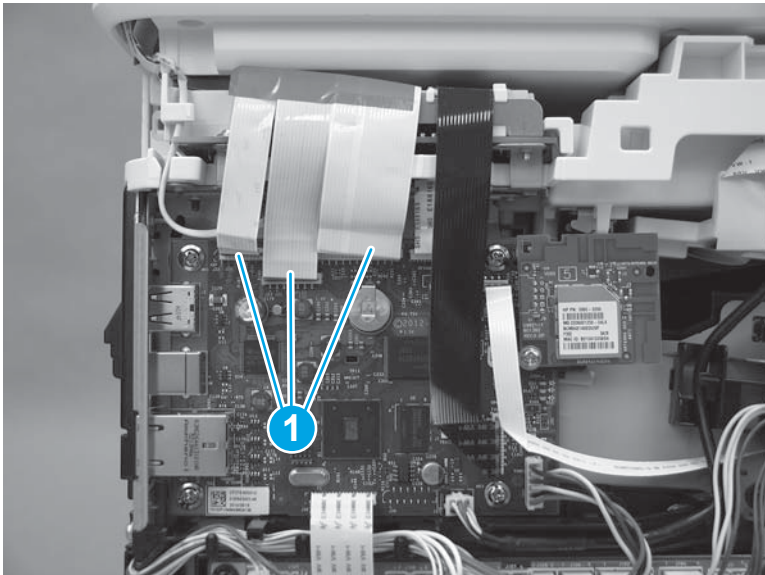


Step 7: Remove the integrated scanner assembly (M477 models)

 **NOTE:** This step is for the M477 models. For the M452 models, skip this step and go to [Step 10: Remove the top cover \(M452 models\) on page 2493](#).

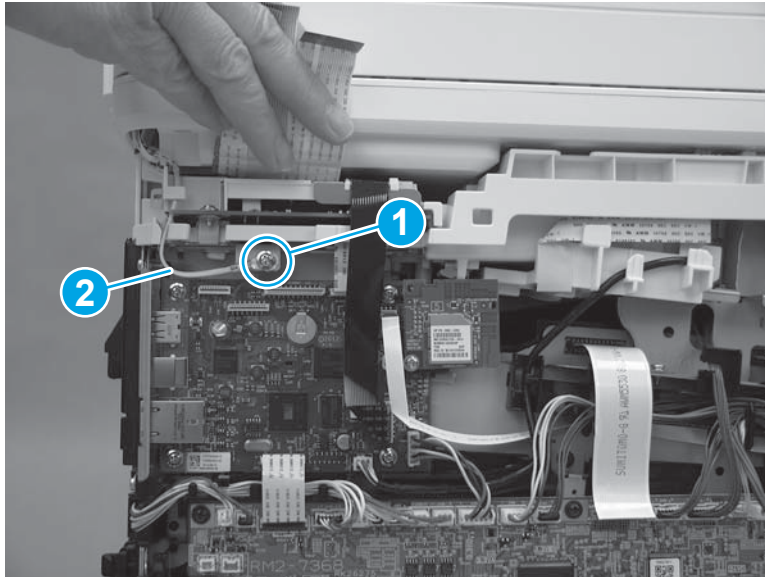
1. On the left side of the printer, disconnect three connectors (callout 1).

Figure 1-4700 Disconnect the scanner cables



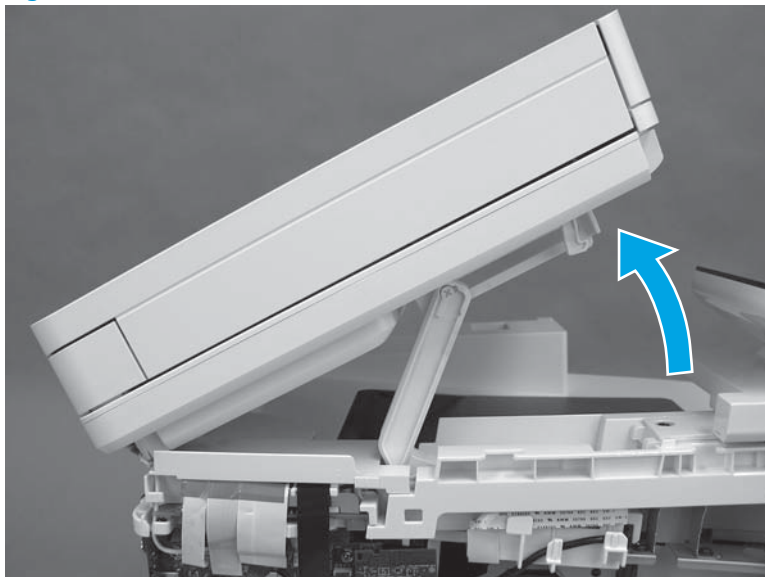
2. Raise the scanner cables up, and then remove one screw (callout 1) to release the ground wire (callout 2).

Figure 1-4701 Remove one screw and release the ground wire



3. Raise the scanner.

Figure 1-4702 Raise the scanner



4. With the scanner lifted, release the tab (callout 1) on the scanner support arm pin from the slot and rotate the pin in the direction indicated.

Figure 1-4703 Release the scanner arm pin



5. Remove the scanner arm pin.

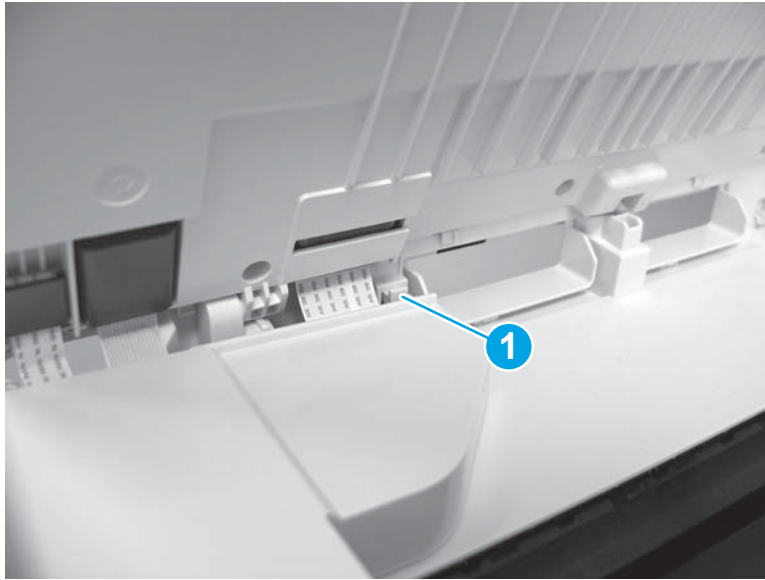
CAUTION: Once the scanner arm pin is removed, support the scanner with one hand at all times so that it does not fall backwards off of the printer.

Figure 1-4704 Remove the scanner arm pin.



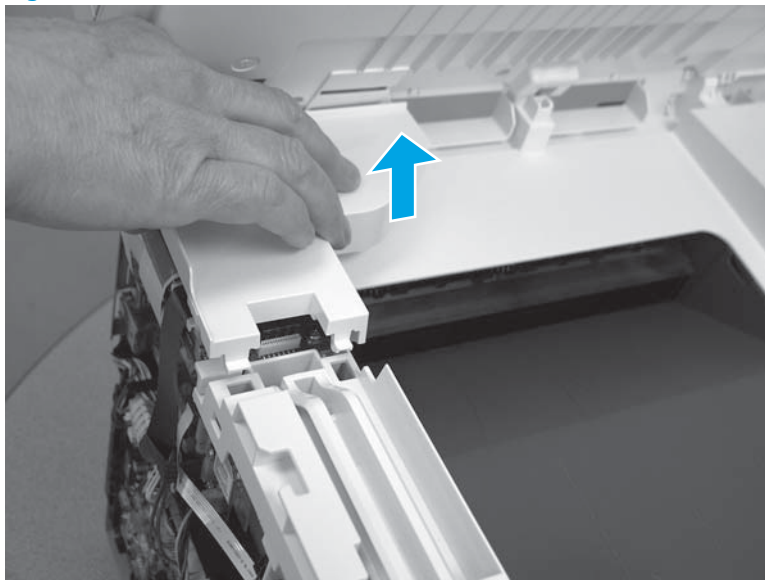
6. On the top of the printer, use a flat-blade screwdriver to release one tab (callout 1).

Figure 1-4705 Release one tab



7. Remove the scanner cable cover.

Figure 1-4706 Remove the scanner cable cover



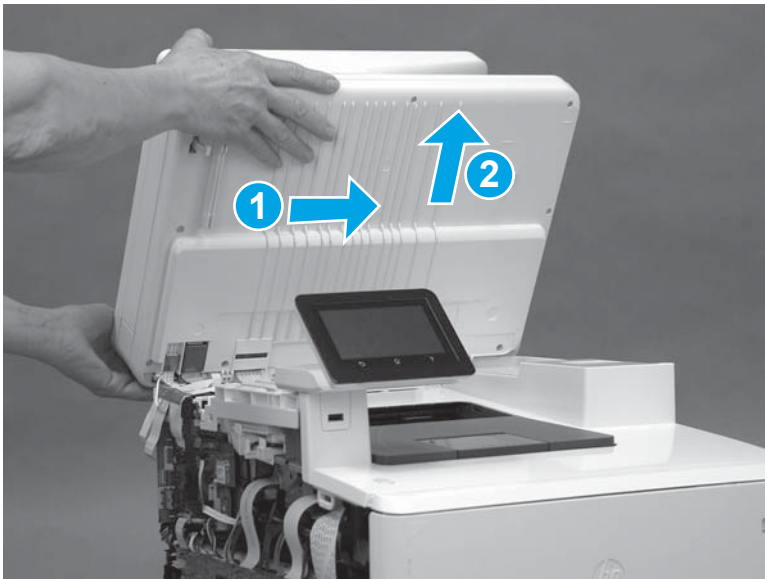
8. The scanner cables (callout 1) are held in place on the top cover with double-sided tape. Carefully release the cables from the top cover.

Figure 1-4707 Release the cables



9. Open the scanner assembly fully, slide the assembly toward the right side of the printer, and then lift the assembly off of the printer.

Figure 1-4708 Remove the scanner assembly



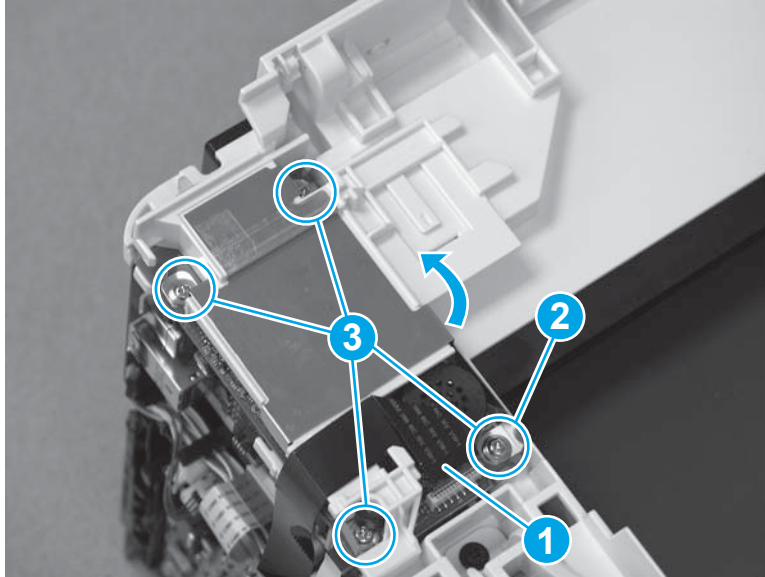
Step 8: Remove the fax PCA (M477 models)



NOTE: This step is for M477 fax models only. Skip this step for non-fax models.

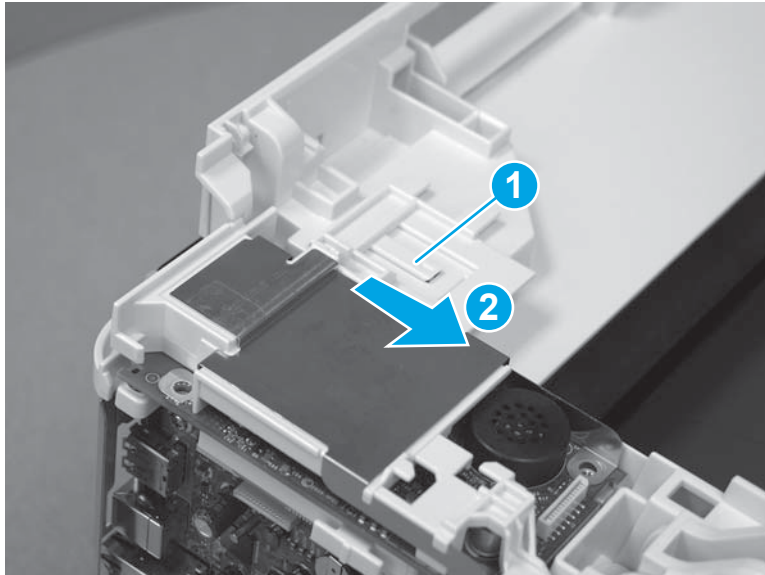
1. Disconnect one connector (callout 1). Beginning with the top right screw (callout 2) remove four screws (callout 3) in a counterclockwise direction.

Figure 1-4709 Disconnect one connector and remove four screws



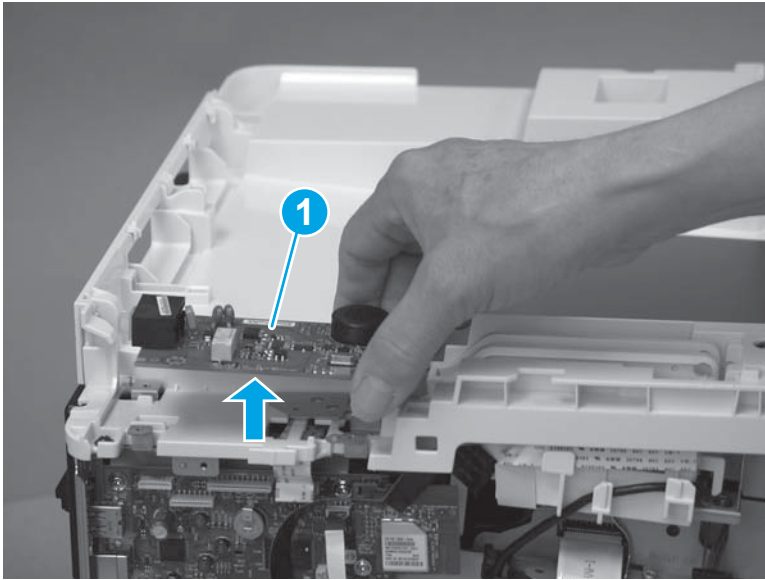
2. Release one tab (callout 1), and then slide the fax cover (callout 2) toward the front of the printer to remove it.

Figure 1-4710 Remove the fax cover



3. Lift up to remove the fax PCA (callout 1).

Figure 1-4711 Remove the fax PCA



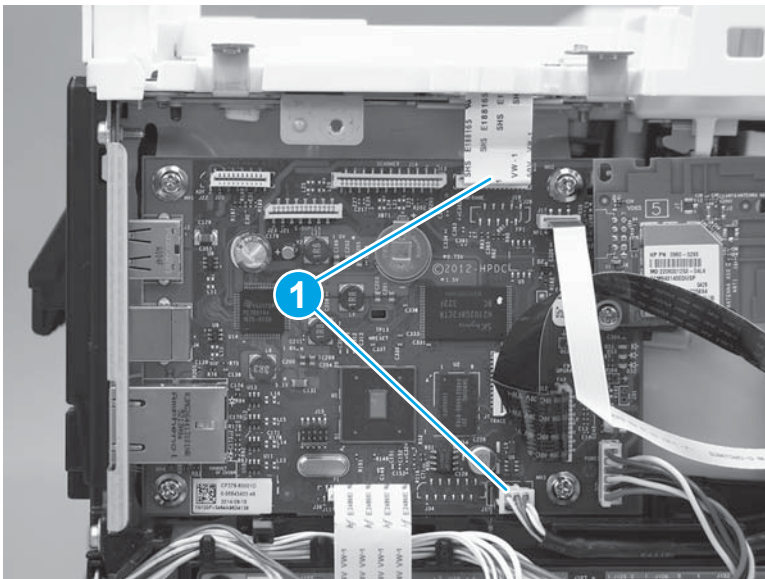
Step 9: Remove the top cover (M477 models)



NOTE: This step is for the M477 models. For the M452 models, skip this step and go to [Step 10: Remove the top cover \(M452 models\) on page 2493](#).

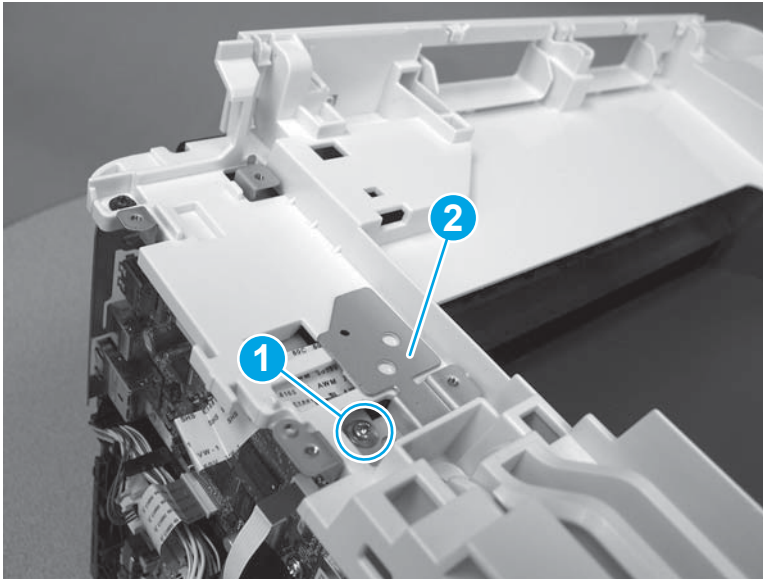
1. On the left side of the printer, on the formatter PCA, disconnect two connectors (callout 1).

Figure 1-4712 Disconnect two connectors



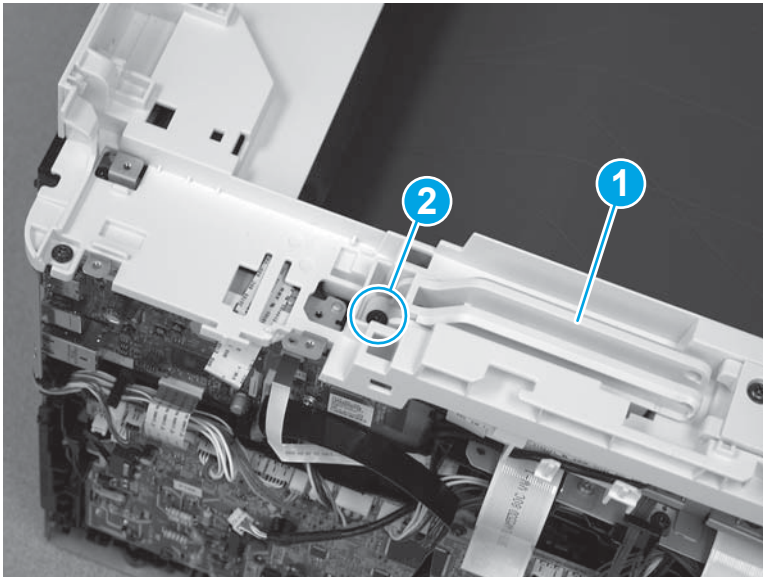
2. On the top cover, remove one screw (callout 1) and the sheet metal plate (callout 2).

Figure 1-4713 Remove one screw and the sheet metal plate



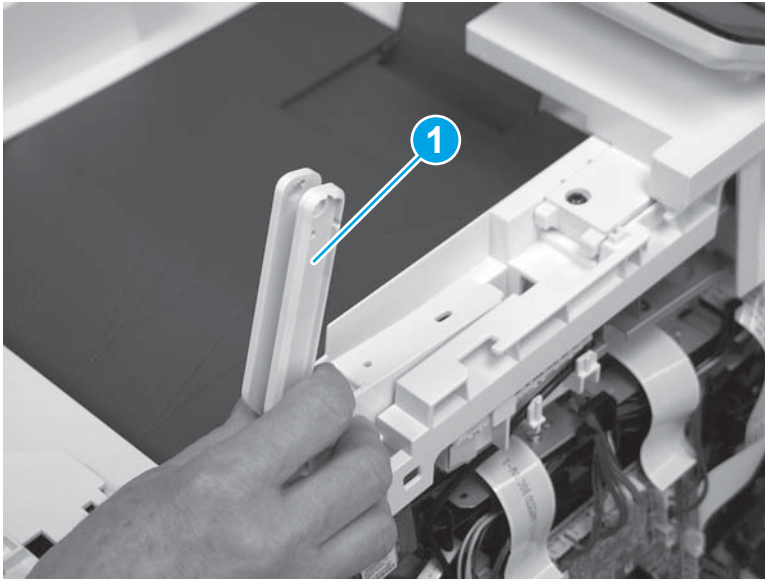
3. At the top of the printer, lower the scanner support arm (callout 1), and then remove one screw (callout 2).

Figure 1-4714 Lower the support arm and remove one screw



4. Remove the scanner support arm (callout 1).

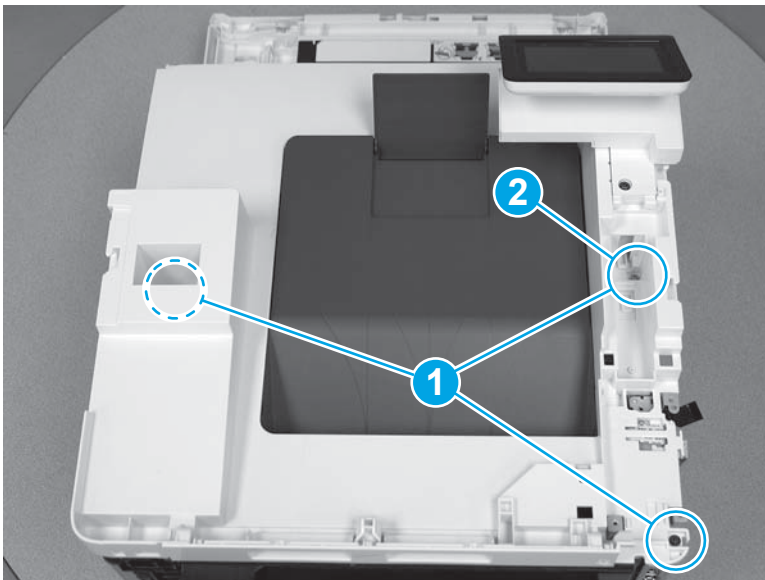
Figure 1-4715 Remove the scanner support arm



5. At the top of the printer, remove three screws (callout 1).

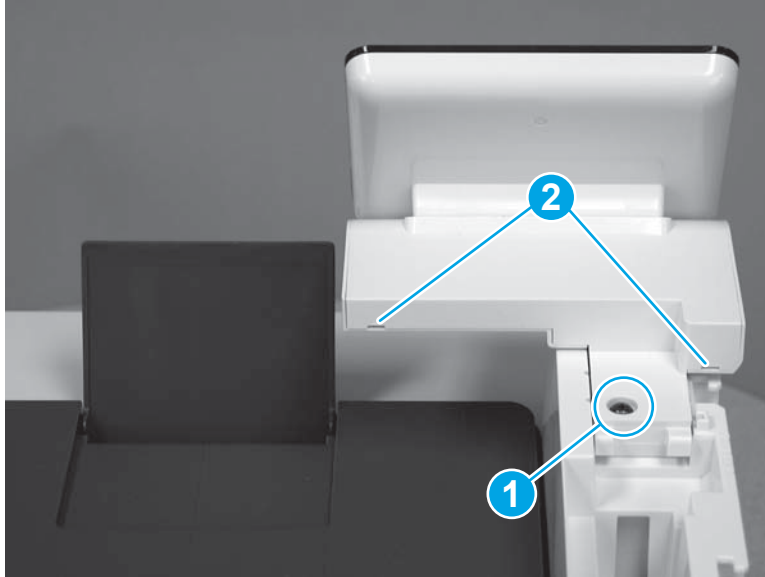
 **Reinstallation tip:** One screw (callout 2) is longer than the other screws. Make sure that this screw is reinstalled in the correct position.

Figure 1-4716 Remove three screws



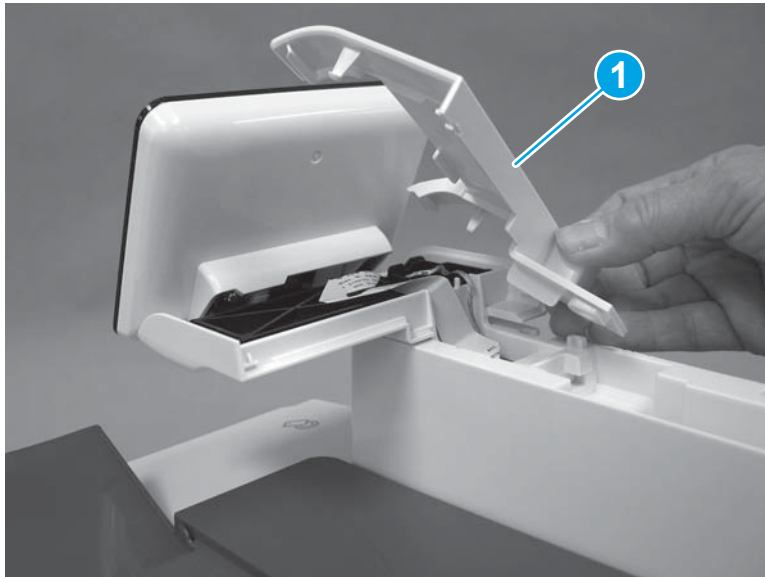
6. Behind the control panel, remove one screw (callout 1), and then use a small flat-blade screwdriver at two pry points (callout 2) to release the control panel cover from the top cover.

Figure 1-4717 Release the control panel cover



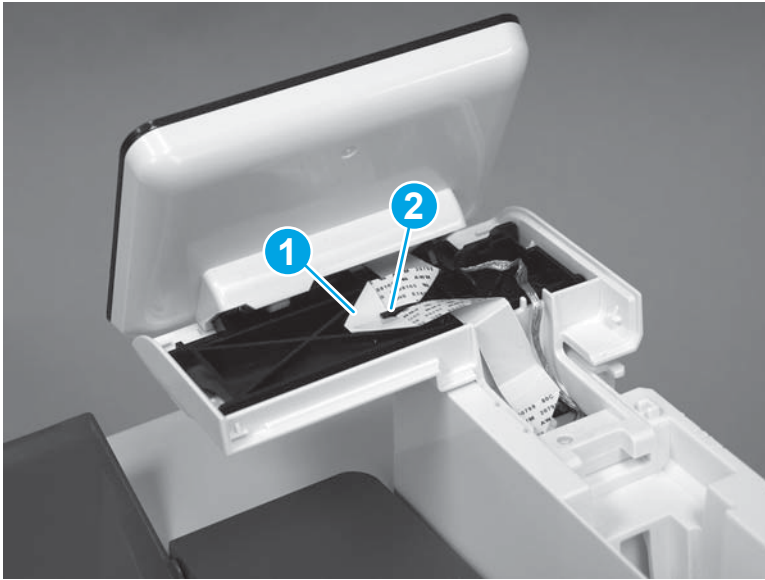
7. Remove the control panel cover (callout 1).

Figure 1-4718 Remove the control panel cover



8. Remove the flat cable (callout 1) from the retaining guide (callout 2).

Figure 1-4719 Release the flat cable



9. Remove two screws (callout 1), and then remove one screw (callout 2) and release one ground wire.

 **Reinstallation tip:** The two screws toward the front of the control panel (callout 1) are longer than the other screw. Make sure these screws are installed in the correct position when reinstalling the part.

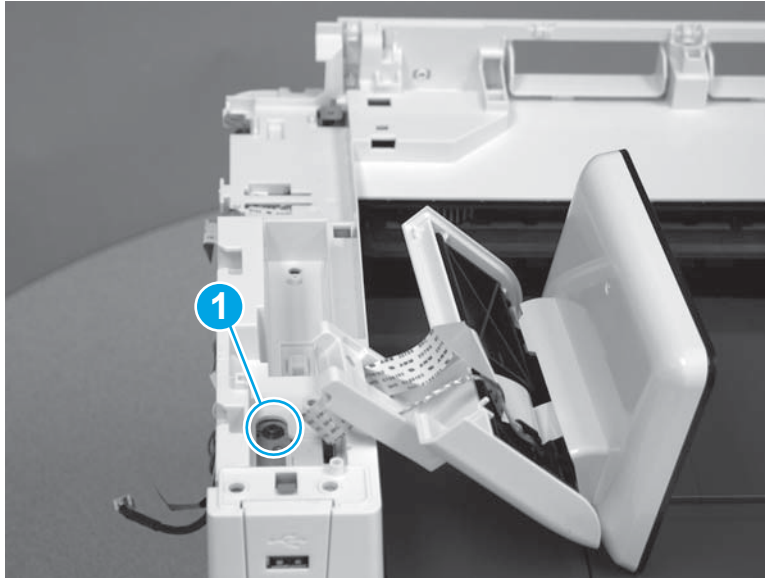
Figure 1-4720 Remove three screws



10. Carefully lift the control panel away and rest it on the top cover, and then remove one screw (callout 1).

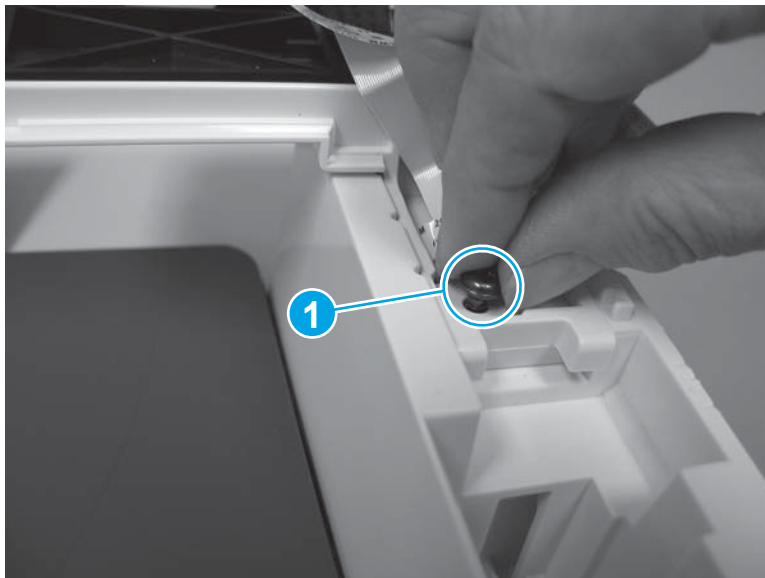
CAUTION: The control panel is still attached to the top cover by the flat cable.

Figure 1-4721 Remove one screw



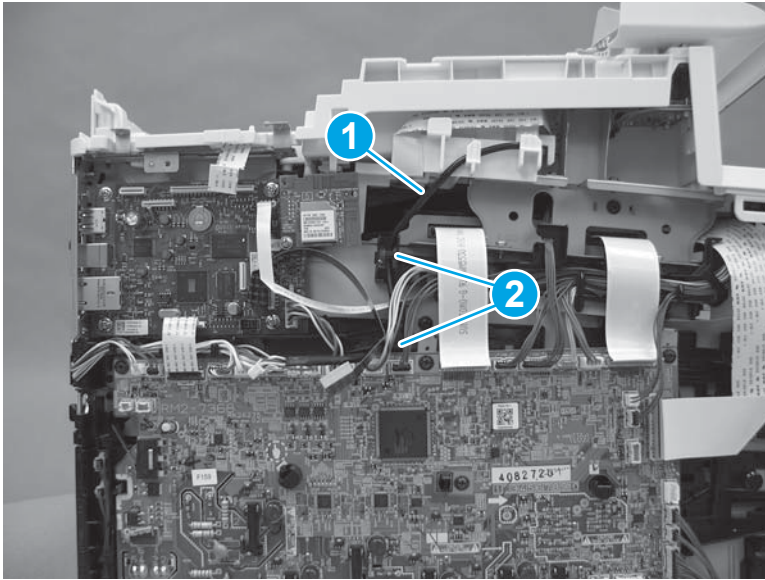
11. Place the control panel back into position. With your hand, refasten the screw (callout 1) that was previously removed from the control panel cover to temporarily reattach the control panel to the top cover. Doing this should protect the flat cable from being damaged.

Figure 1-4722 Refasten the control panel to the top cover



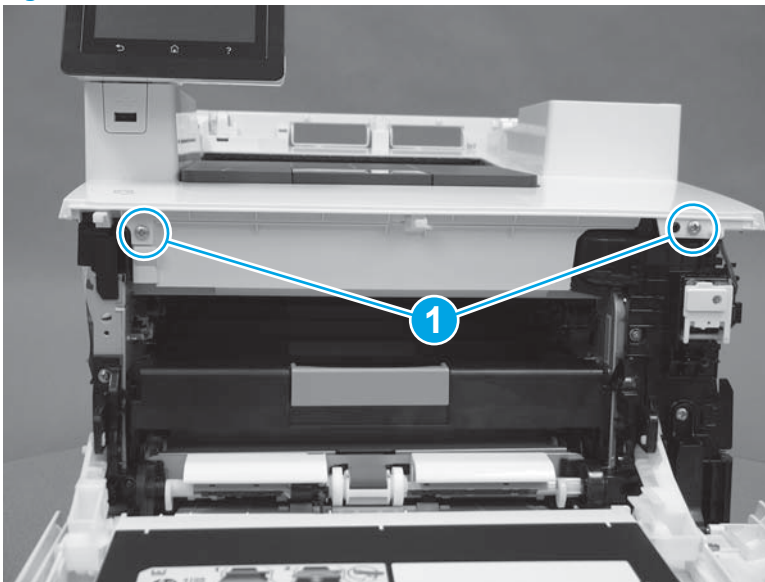
12. Remove the USB cable (callout 1) from the cable guides (callout 2).

Figure 1-4723 Release the USB cable



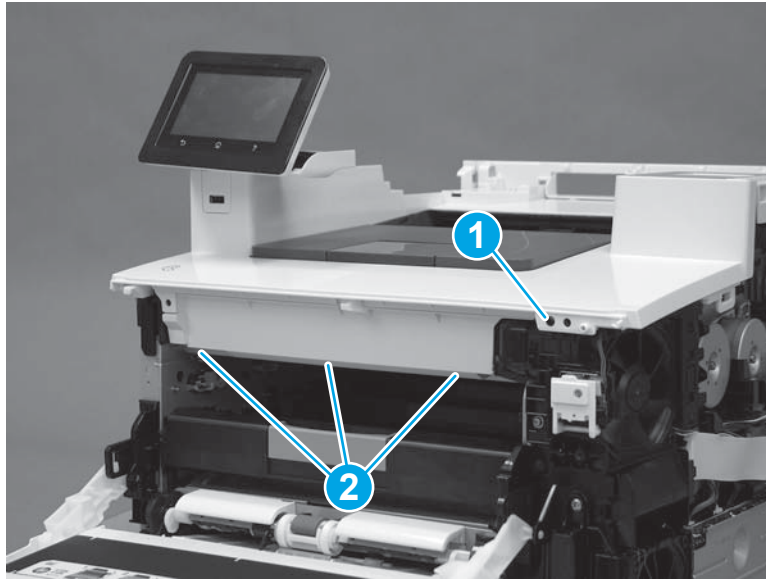
13. At the front of the printer, remove two screws (callout 1).

Figure 1-4724 Remove two screws



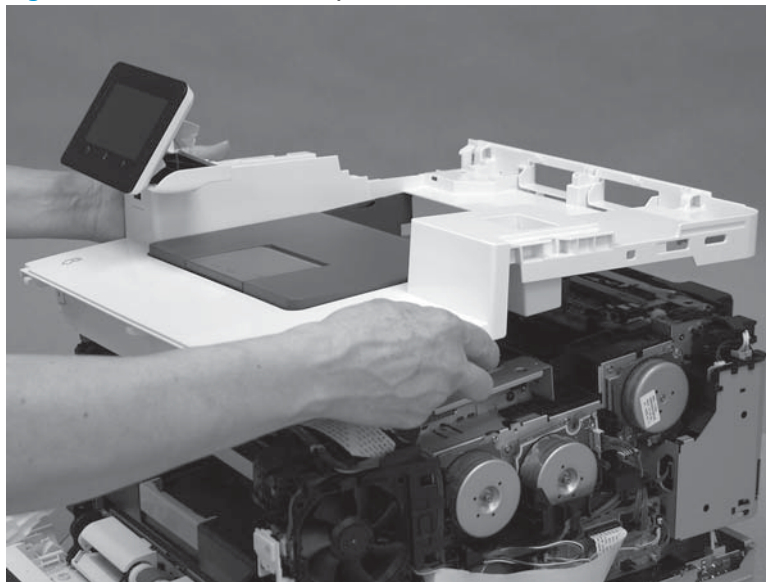
14. Release one retainer (callout 1), and then release three tabs (callout 2).

Figure 1-4725 Release one retainer and three tabs




15. Remove the top cover.

Figure 1-4726 Remove the top cover

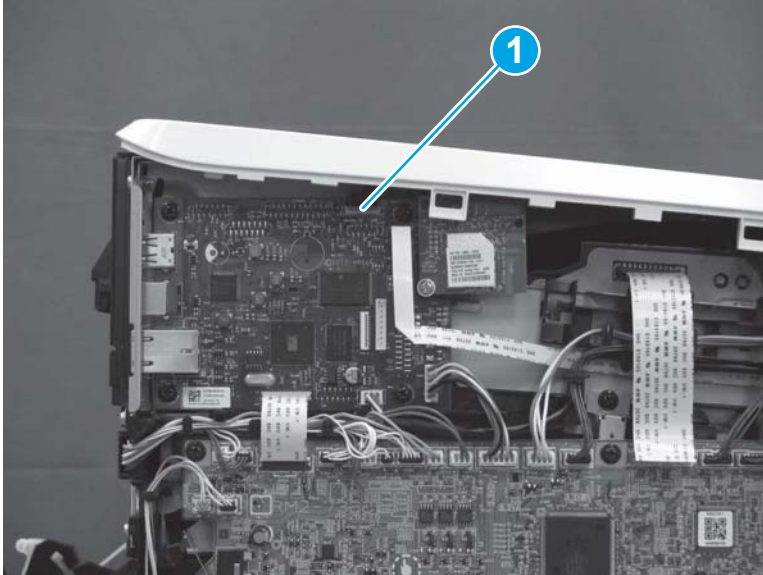


Step 10: Remove the top cover (M452 models)

 **NOTE:** This step is for the M452 models. For the M477 models, skip this step and go to [Step 11: Remove the NFC PCA \(M452dw and M477dw models\) on page 2498.](#)

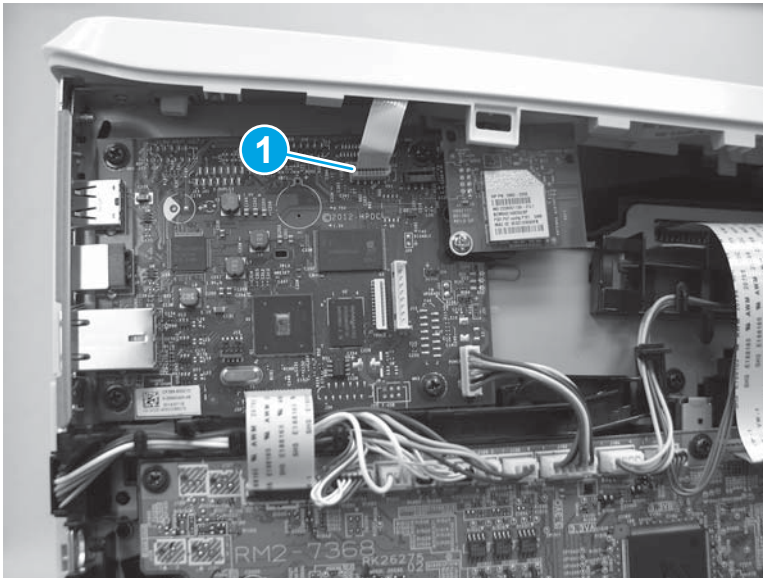
1. **M452dw model only:** On the left side of the printer, on the formatter, disconnect one connector (callout 1).

Figure 1-4727 Disconnect one connector



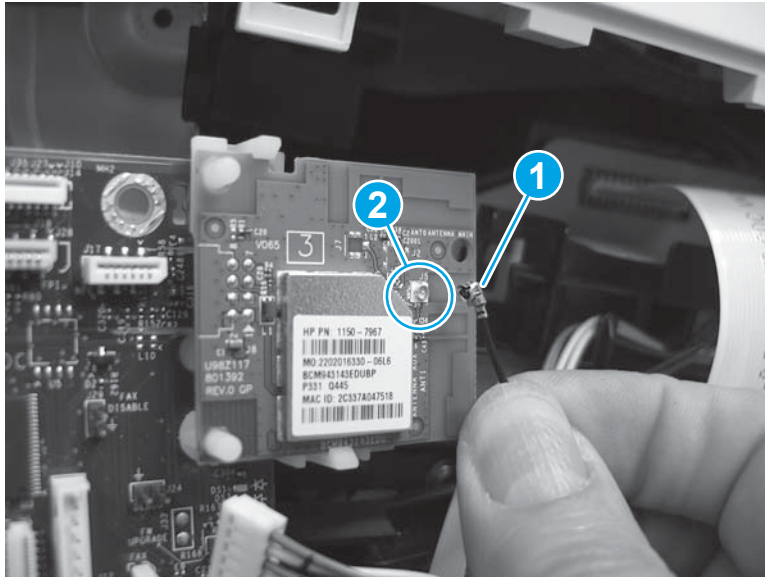
- 2. M452nw/dn models only:** On the left side of the printer, on the formatter, disconnect one connector (callout 1).

Figure 1-4728 Disconnect one connector



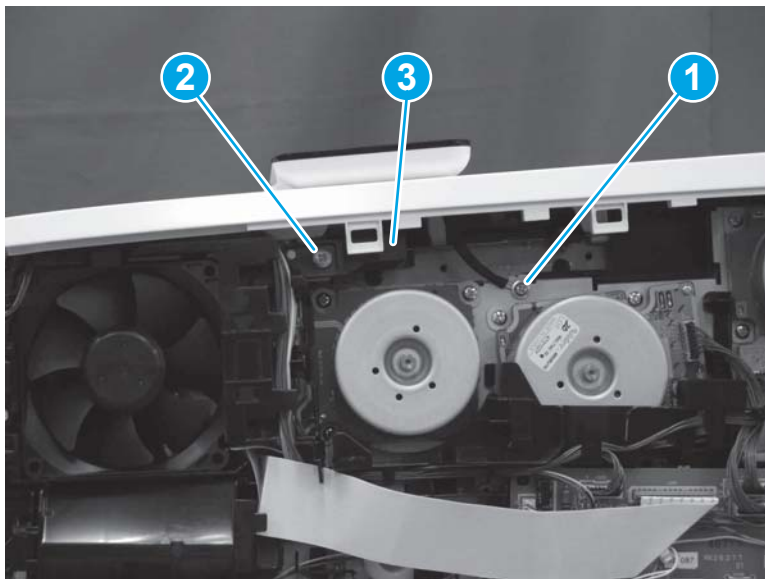
- 3. M452nw/dw models only:** Disconnect the antenna (callout 1) from the connector (callout 2) on the wireless PCA.

Figure 1-4729 Disconnect the antenna



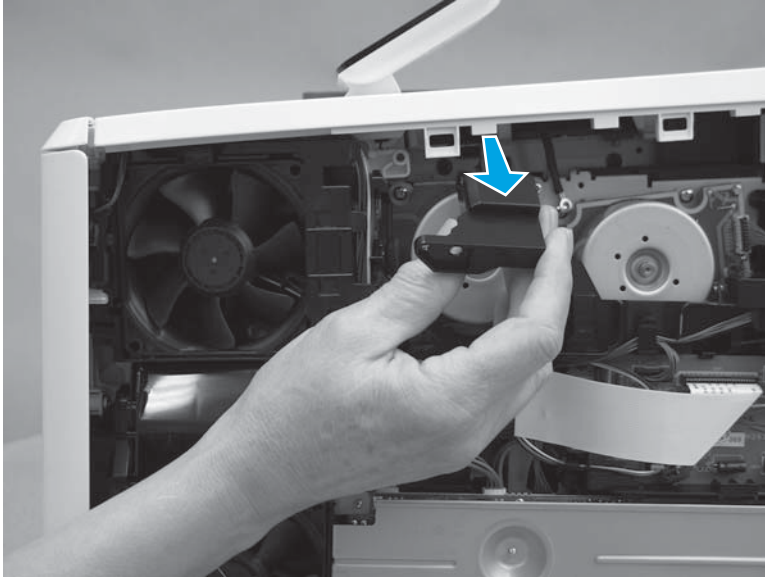
- 4. M452dw model only:** Remove one screw (callout 1) and release one ground wire. Remove one screw (callout 2). Note the location (callout 3) of the guide.

Figure 1-4730 Remove two screws



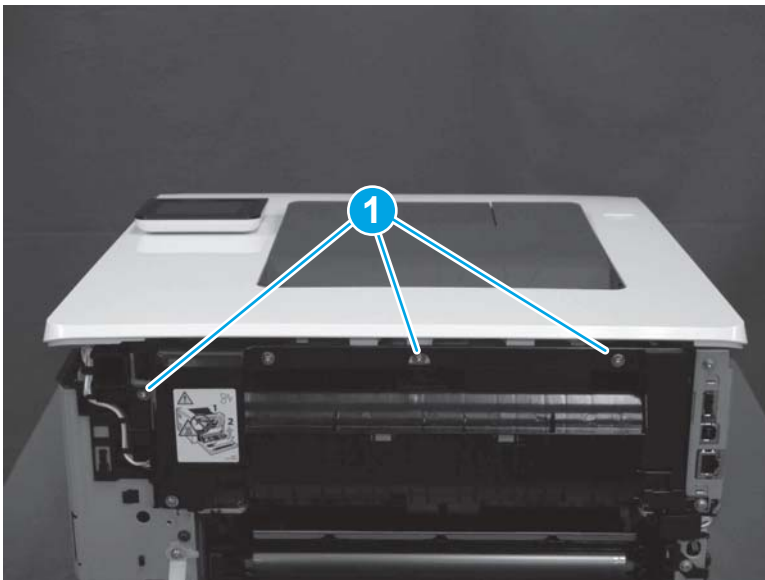
5. **M452dw model only:** Remove the guide.

Figure 1-4731 Remove the guide



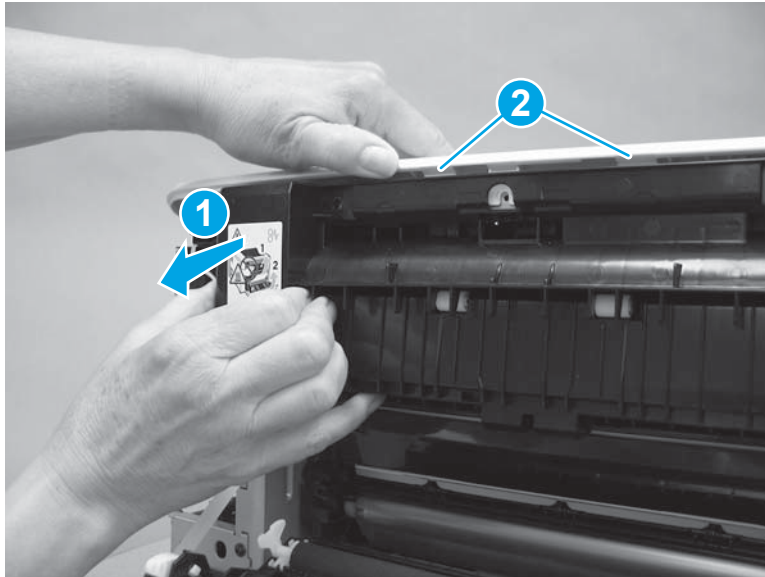
6. **M452dn/dw models only:** At the back of the printer, remove three screws (callout 1).

Figure 1-4732 Remove three screws



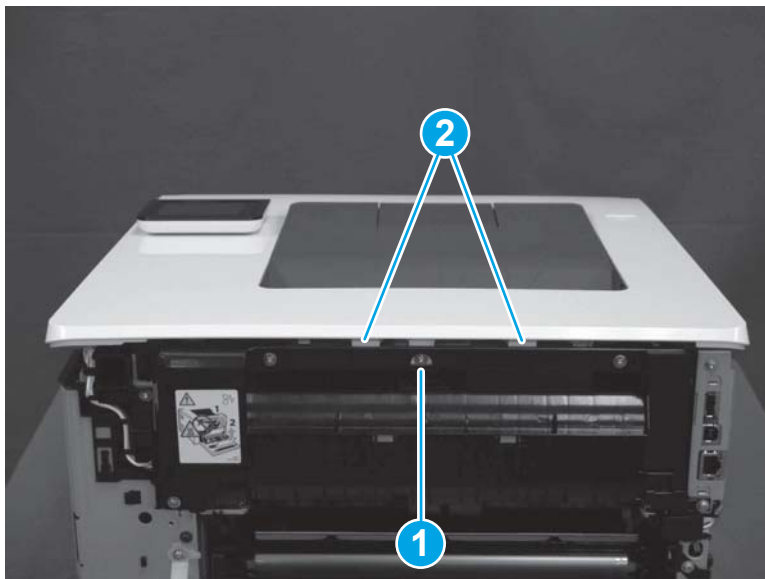
- 7. M452dn/dw models only:** Gently pull the top of the fuser away (callout 1), and then release two tabs (callout 2).

Figure 1-4733 Release two tabs



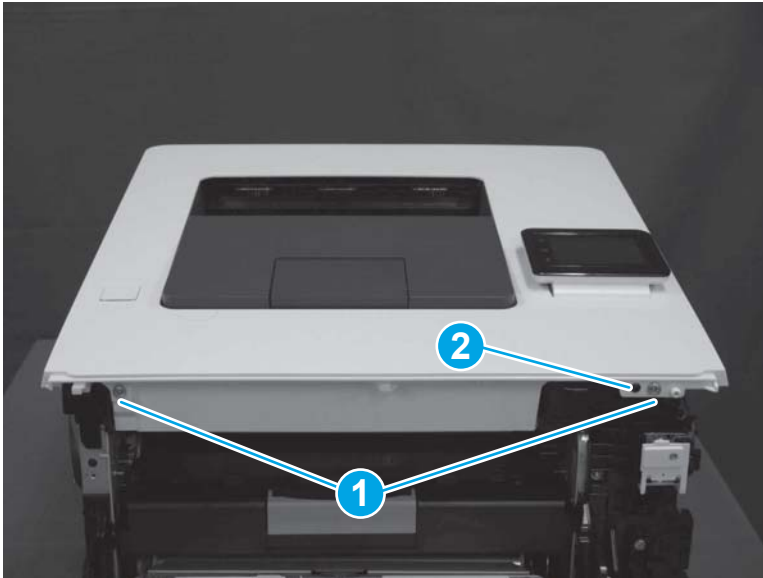
- 8. M452nw model only:** At the back of the printer, remove one screw (callout 1), and then release two tabs (callout 2).

Figure 1-4734 Remove screw and release two tabs



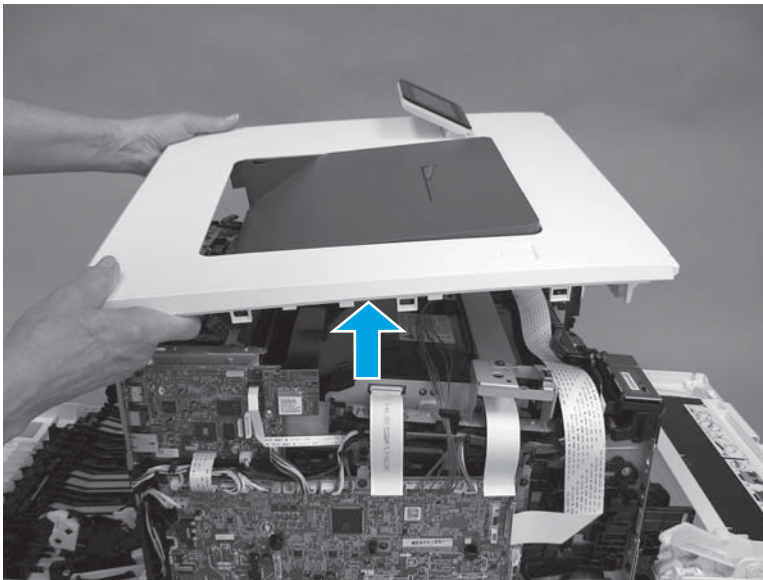
9. At the front of the printer, remove two screws (callout 1), and then release one tab (callout 2).

Figure 1-4735 Remove two screws and release one tab



10. Remove the top cover.

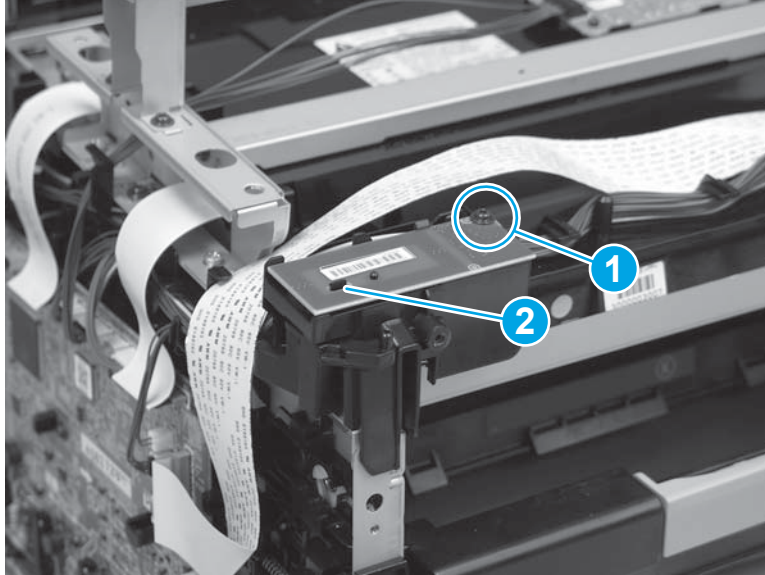
Figure 1-4736 Remove the top cover



Step 11: Remove the NFC PCA (M452dw and M477dw models)

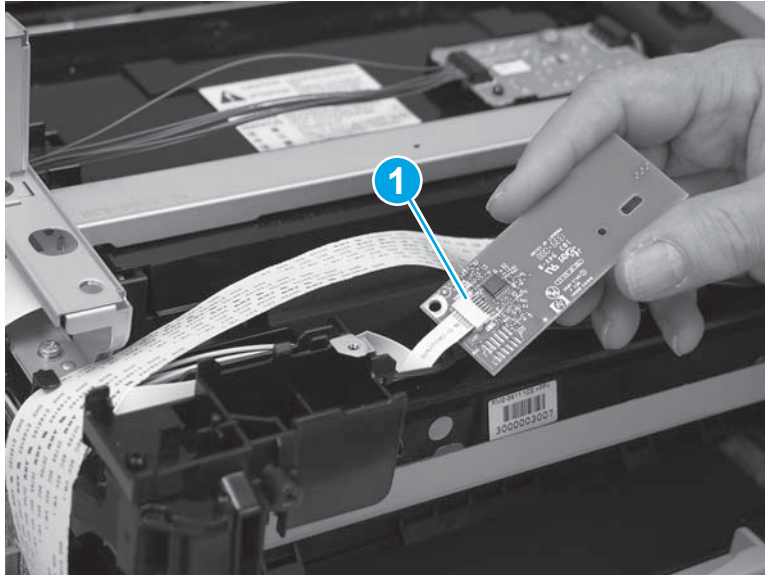
1. Remove one screw (callout 1), and then release one tab (callout 2).

Figure 1-4737 Remove one screw and release one tab



2. Disconnect one connector (callout 1), and then remove the NFC PCA.

Figure 1-4738 Disconnect one connector



Step 12: Unpack the replacement part

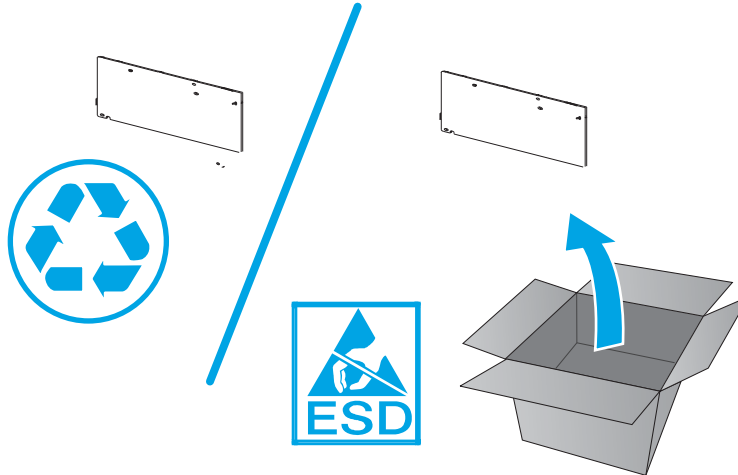
Remove the new part from its package. Save all packaging for recycling the used part.

For complete information on HP's recycling programs, go to [Product return and recycling](#).



NOTE: HP recommends responsible disposal of the defective part.

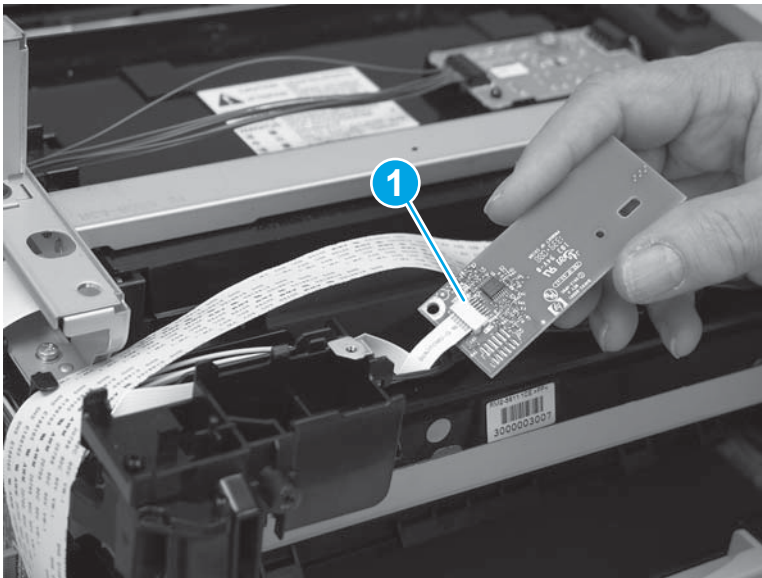
Figure 1-4739 Recycle and unpack



Step 13: Install the NFC PCA (M452dw and M477dw models)

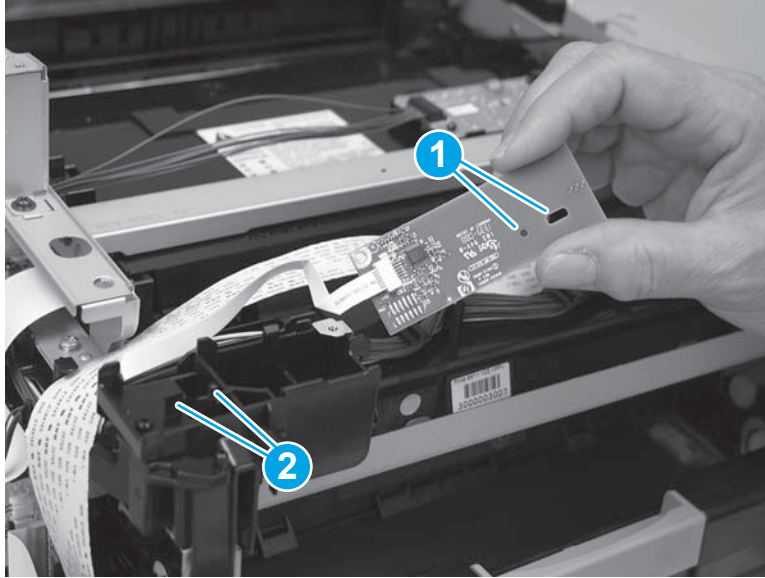
1. Connect one connector (callout 1), and then remove the NFC PCA.

Figure 1-4740 Connect one connector



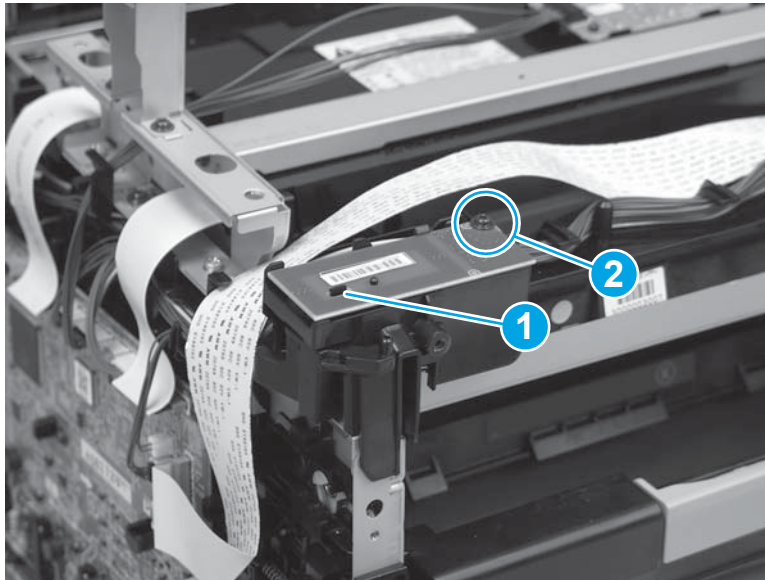
2. Position the slots (callout 1) on the NFC PCA over the tabs (callout 2) on the printer.

Figure 1-4741 Position the NFC PCA




3. Install one tab (callout 1), and then install one screw (callout 2).

Figure 1-4742 Install one tab and one screw

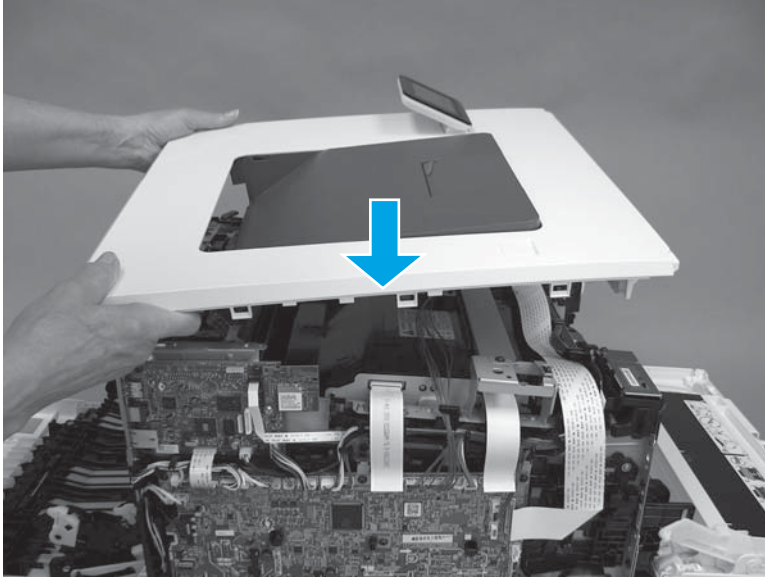


Step 14: Install the top cover (M452 models)

 **NOTE:** This step is for the M452 models. For the M477 models, skip this step and go to [Step 15: Install the top cover \(M477 models\) on page 2506](#).

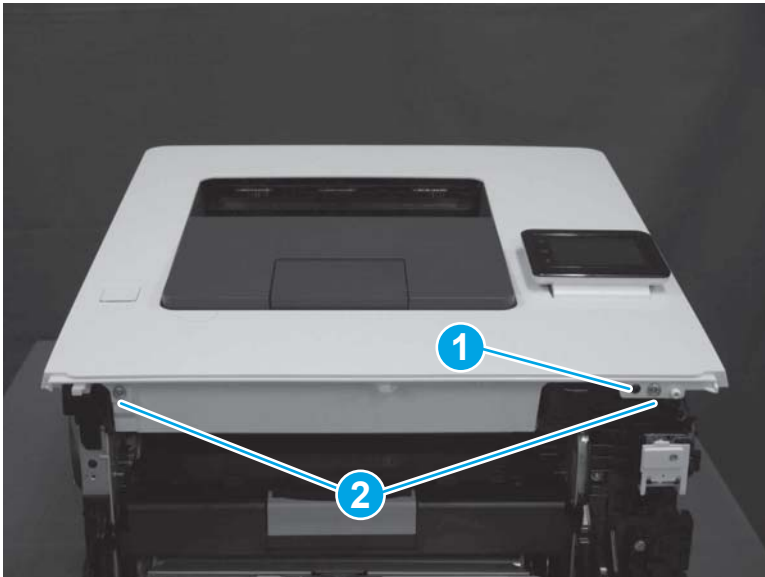
1. Position the top cover on top of the printer.

Figure 1-4743 Position the top cover



2. At the front of the printer, engage one tab (callout 1), and then install two screws (callout 2).

Figure 1-4744 Engage tab and install screws



- M452nw model only:** At the back of the printer, install two tabs (callout 1), and then install one screw (callout 2).


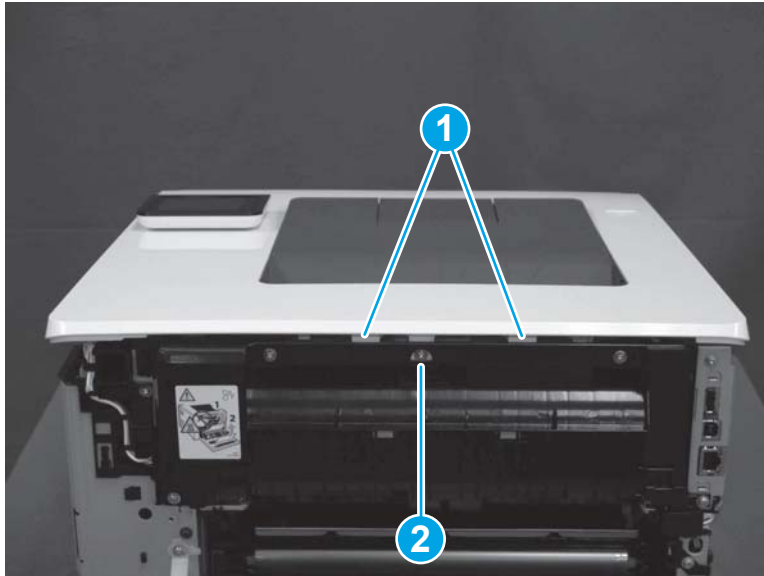
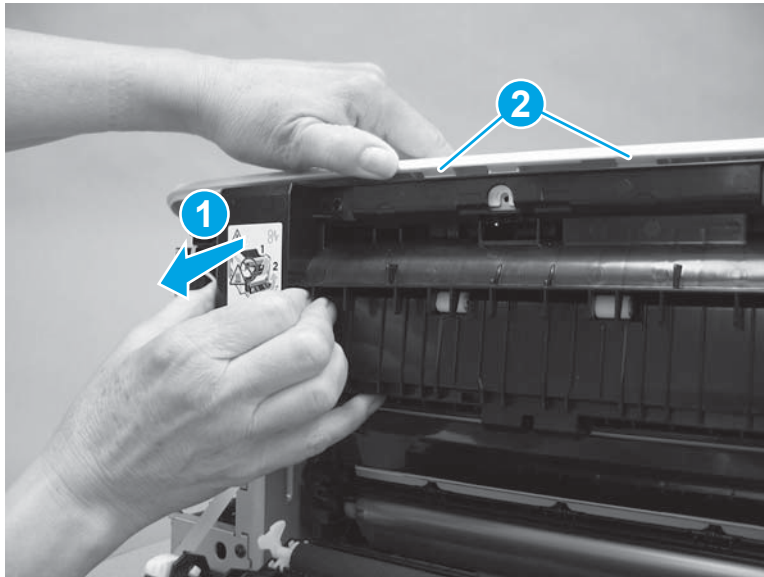
 **NOTE:** The M452dw model is shown. The procedure is correct for the M452nw model.

Figure 1-4745 Install two tabs and one screw



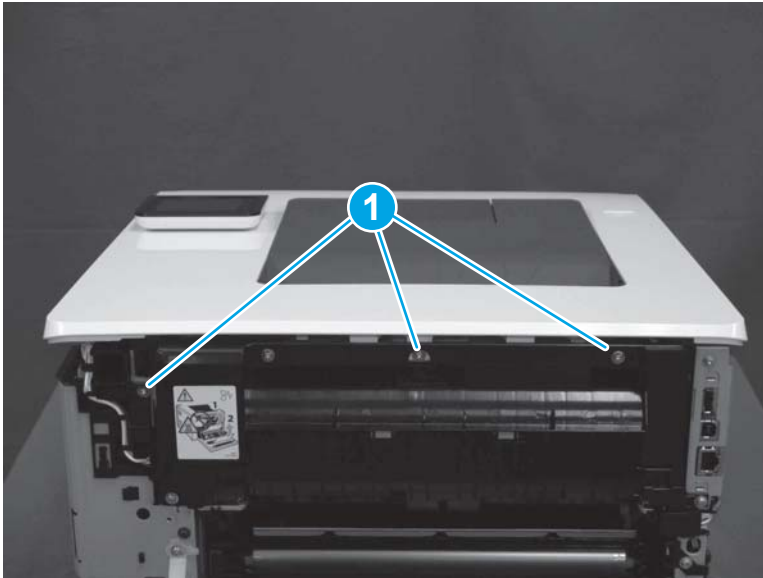
- M452dn/dw models only:** Gently pull the top of the fuser away (callout 1), and then install two tabs (callout 2).

Figure 1-4746 Install two tabs



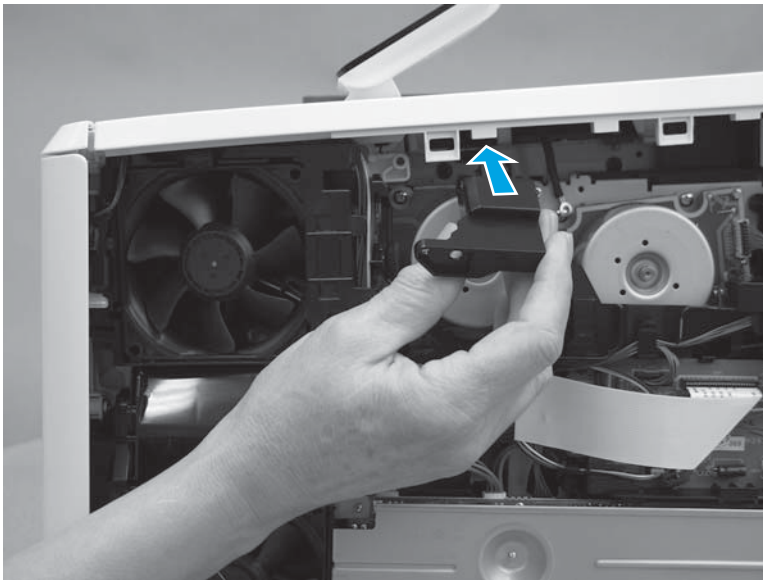
5. **M452dn/dw models only:** At the back of the printer, install three screws (callout 1).

Figure 1-4747 Install three screws



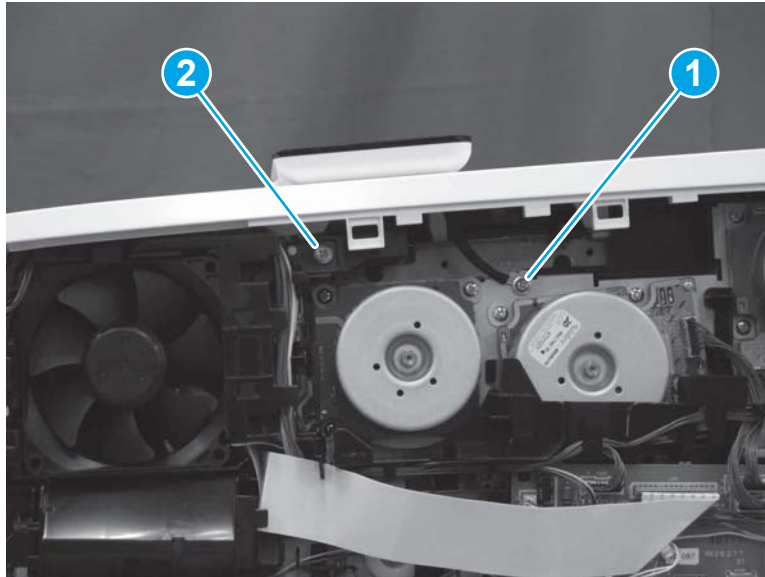
6. **M452dw model only:** Position the guide in the printer.

Figure 1-4748 Install the guide



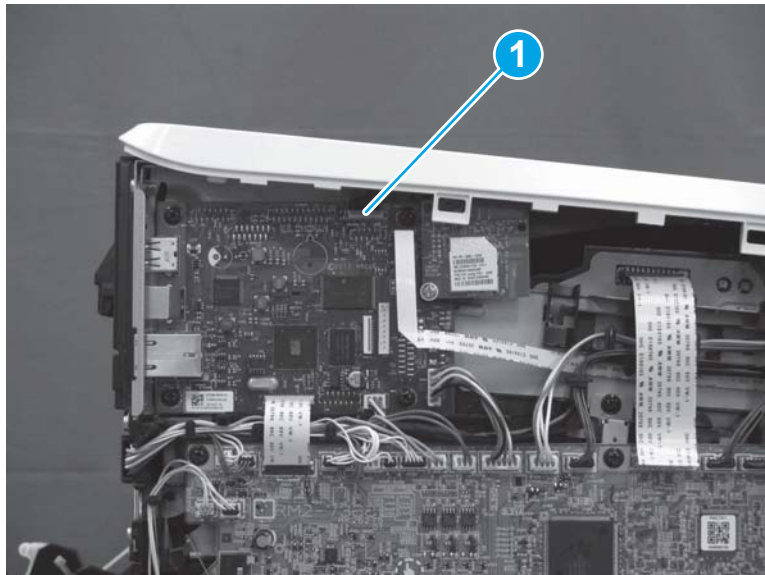
- 7. M452dw model only:** Position the ground wire and install one screw (callout 1). Install one screw (callout 2).

Figure 1-4749 Install two screws



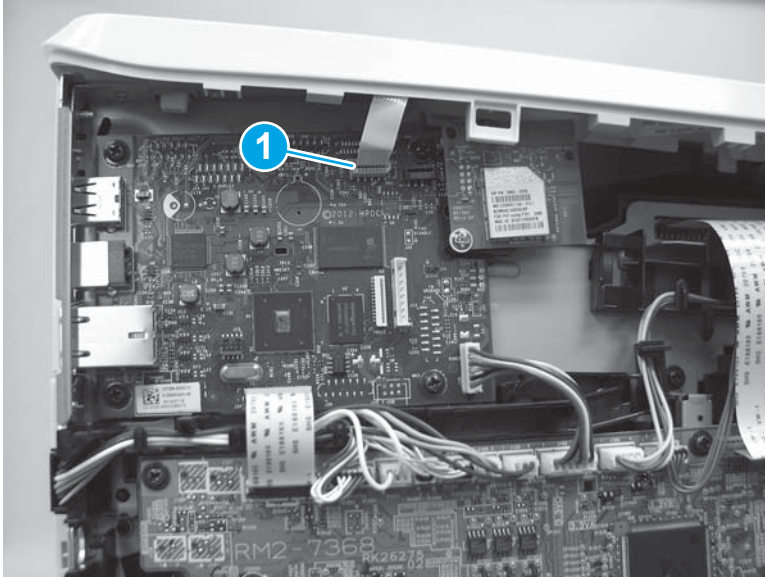
- 8. M452dw model only:** On the left side of the printer, on the formatter, connect one connector (callout 1).

Figure 1-4750 Connect one connector



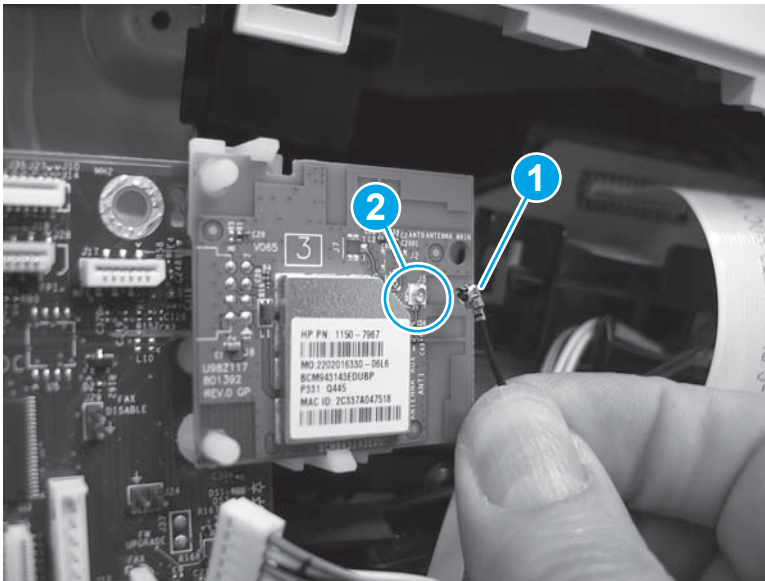
9. **M452nw/dn models only:** On the left side of the printer, on the formatter, connect one connector (callout 1).

Figure 1-4751 Connect one connector




10. **M452nw/dw models only:** Connect the antenna (callout 1) to the connector (callout 2) on the wireless PCA.

Figure 1-4752 Connect the antenna

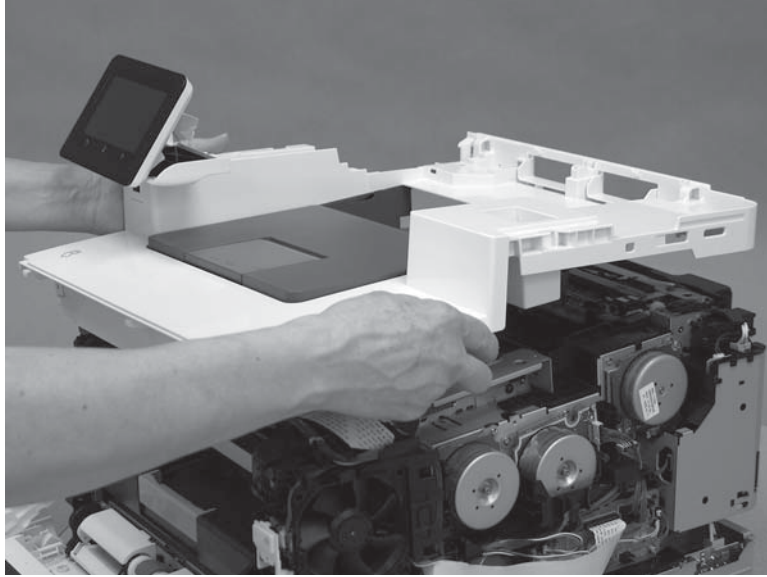


Step 15: Install the top cover (M477 models)

 **NOTE:** This step is for the M477 models. For the M452 models, skip this step and go to [Step 18: Install the left cover \(M452 models\) on page 2521](#).

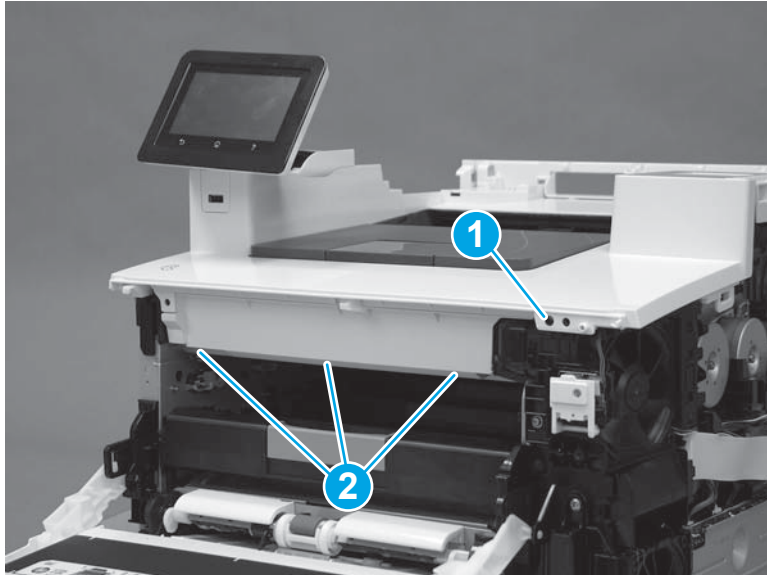
1. Position the top cover on the printer.

Figure 1-4753 Position the top cover



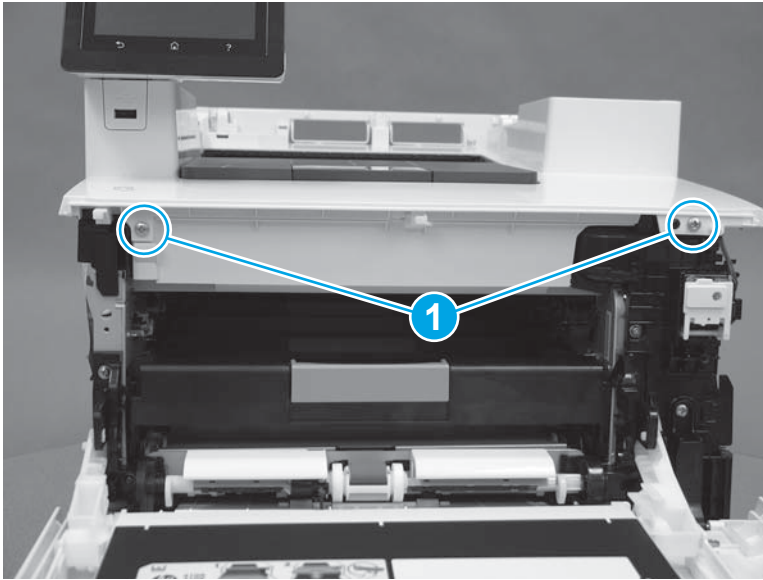
2. At the front of the printer, install one retainer (callout 1), and then install three tabs (callout 2).

Figure 1-4754 Install one retainer and three tabs



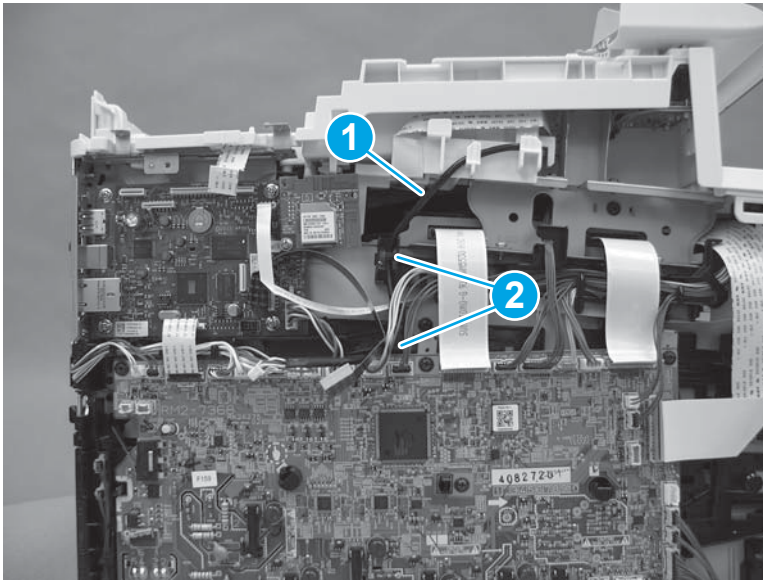
3. Install two screws (callout 1).

Figure 1-4755 Install two screws



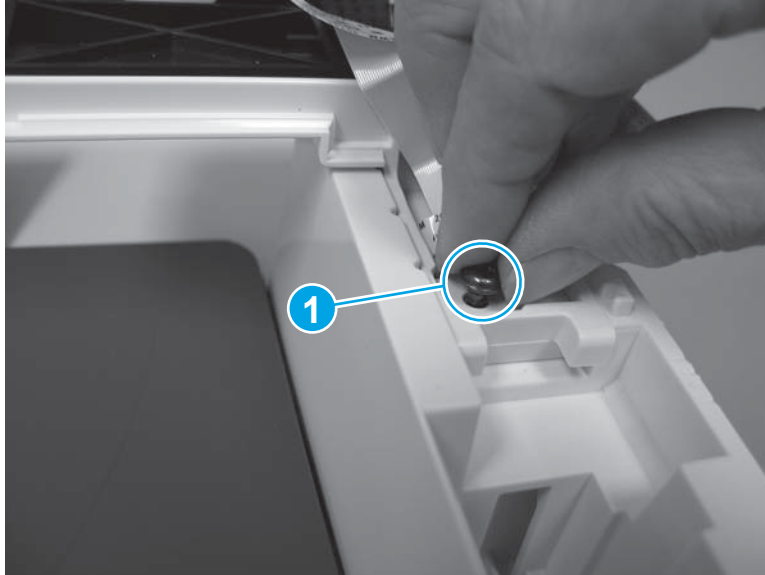
4. Install the USB cable (callout 1) into the cable guides (callout 2).

Figure 1-4756 Install the USB cable



5. With your hand, remove the screw (callout 1) that was previously installed to temporarily reattach the control panel to the top cover.

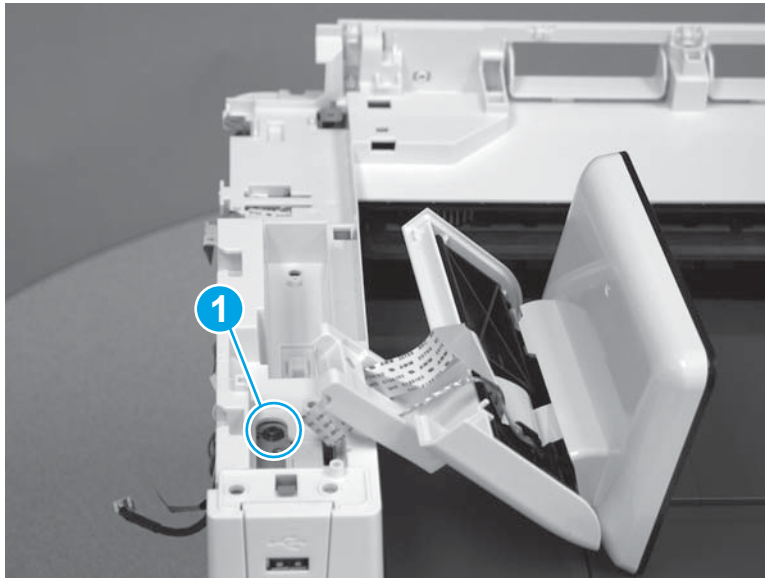
Figure 1-4757 Remove one screw



6. Carefully lift the control panel away and rest it on the top cover, and then install one screw (callout 1).

CAUTION: The control panel is still attached to the top cover by the flat cable.

Figure 1-4758 Install one screw



7. Install two screws (callout 1), and then position the ground wire and install one screw (callout 2).


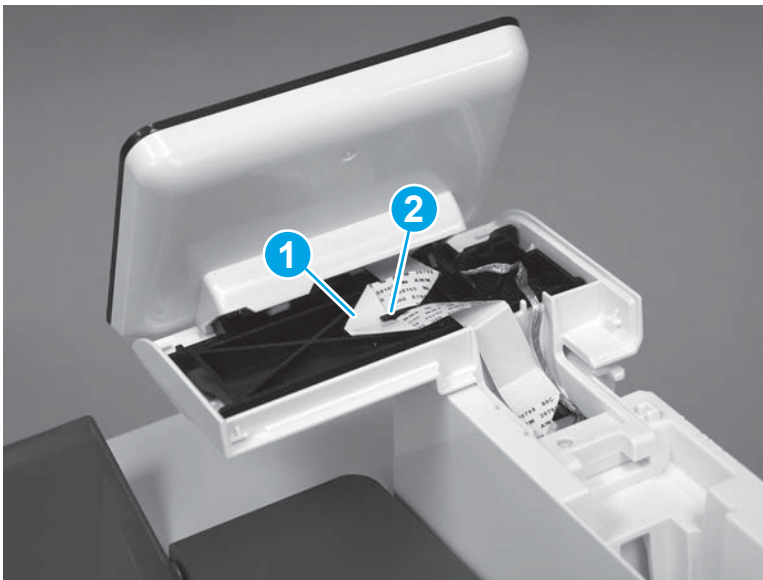
 **Reinstallation tip:** The two screws toward the front of the control panel (callout 1) are longer than the other screw. Make sure these screws are installed in the correct position when reinstalling the part.

Figure 1-4759 Install three screws



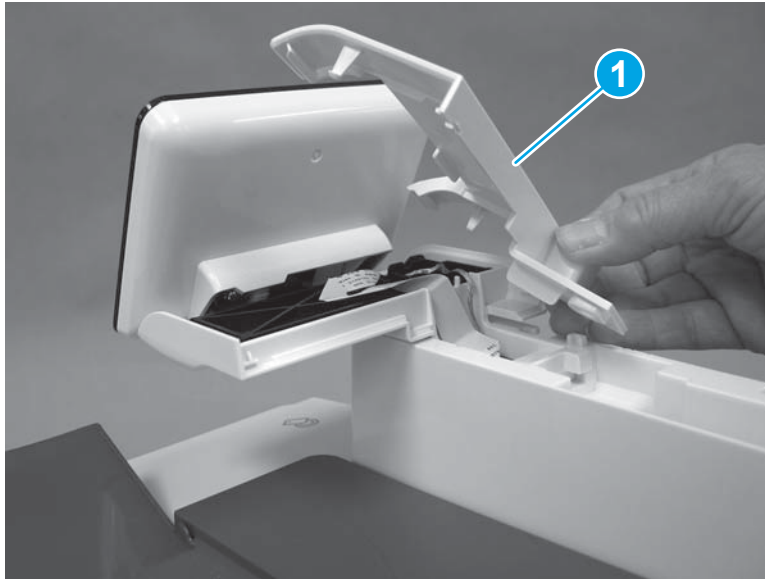
8. Install the flat cable (callout 1) under the retaining guide (callout 2).

Figure 1-4760 Install the flat cable



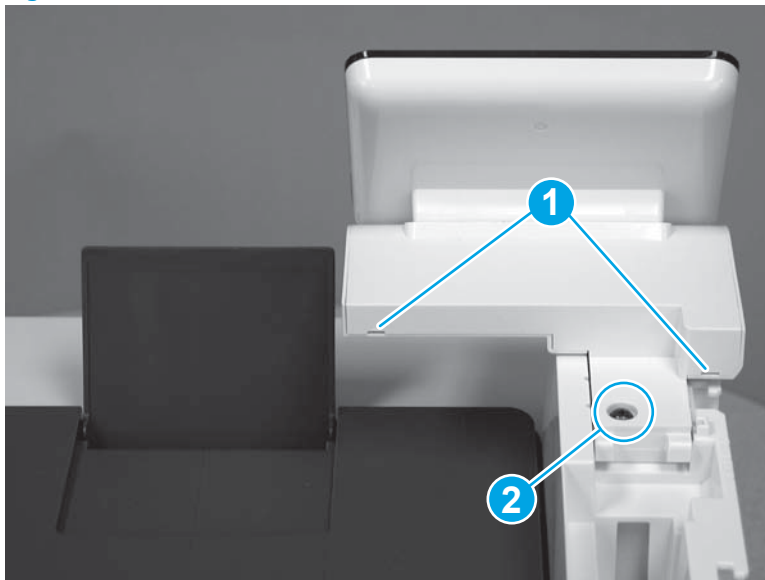
9. Install the control panel cover (callout 1) behind the control panel.

Figure 1-4761 Install the control panel cover



10. Make sure that two tabs (callout 1) are snapped into position, and then install one screw (callout 2).

Figure 1-4762 Install one screw



11. At the top of the printer, install three screws (callout 1).


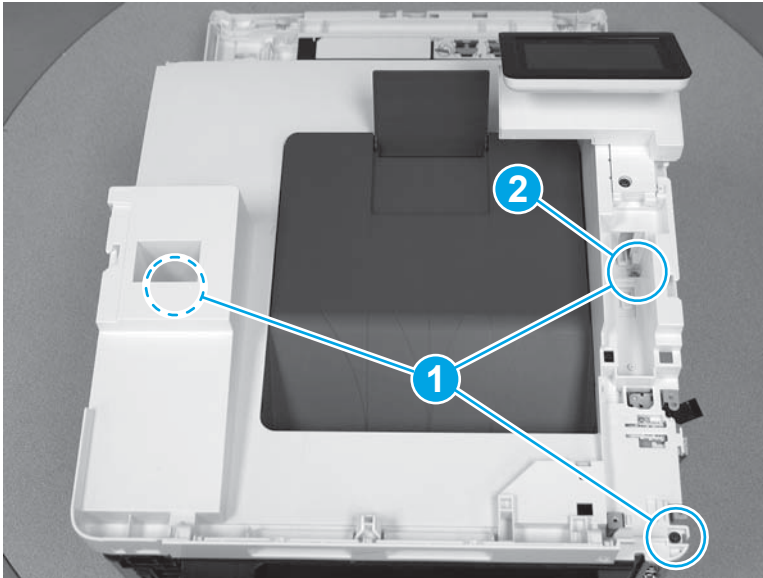
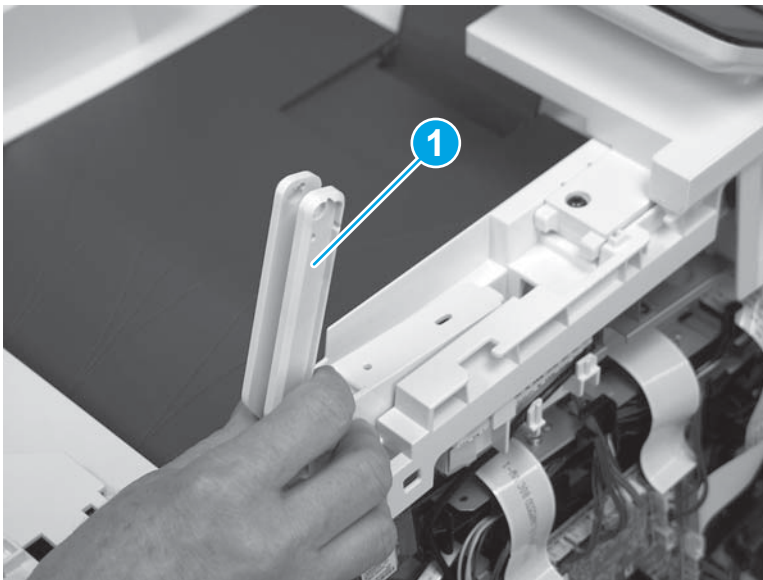
 **TIP:** One screw (callout 2) is longer than the other screws. Make sure that this screw is installed in the correct position.

Figure 1-4763 Install three screws



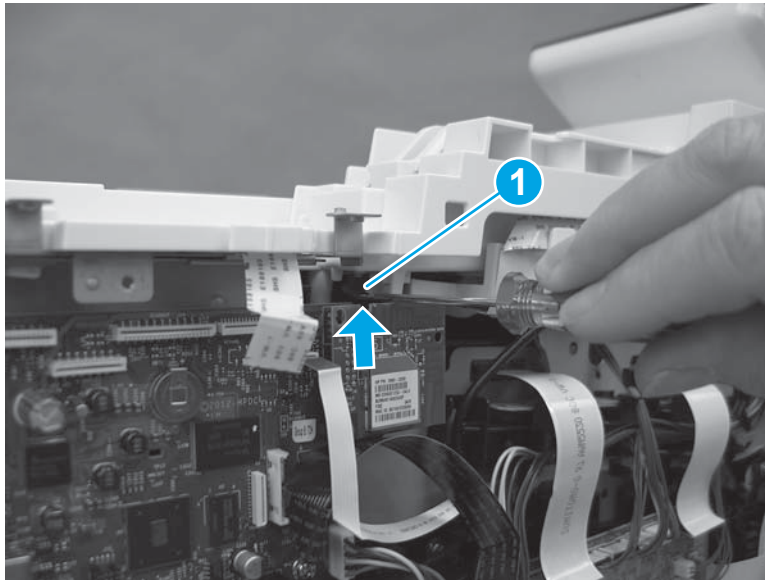
12. Install the scanner support arm (callout 1).

Figure 1-4764 Install the scanner support arm



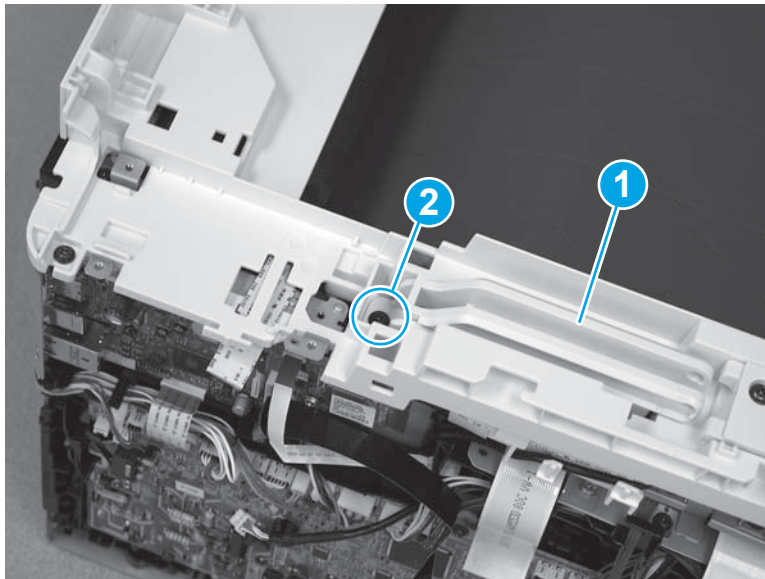
13. Before installing the scanner support arm screw in the next step, use a small flat-blade screwdriver to hold the metal plate (callout 1) up. Continue to hold the plate up while installing the screw so that the screw attaches to the plate.

Figure 1-4765 Raise the metal plate



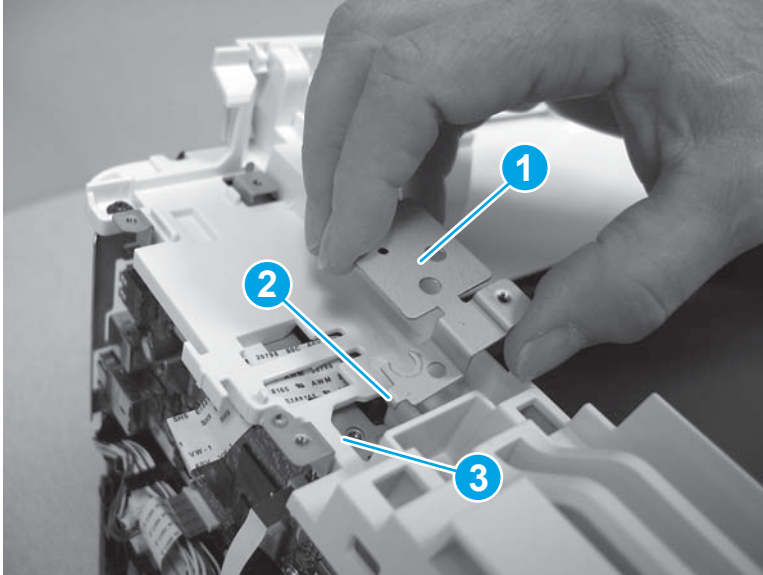
14. Lower the scanner support arm (callout 1), and then install one screw (callout 2).

Figure 1-4766 Lower the support arm and install one screw



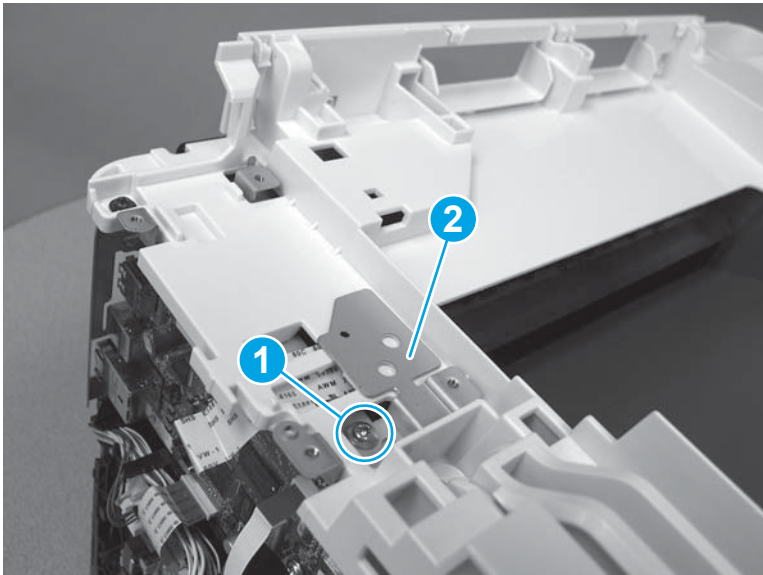
15. Reinstall the metal plate (callout 1). Position the tab (callout 2) under the edge of the top cover (callout 3).

Figure 1-4767 Install the metal plate



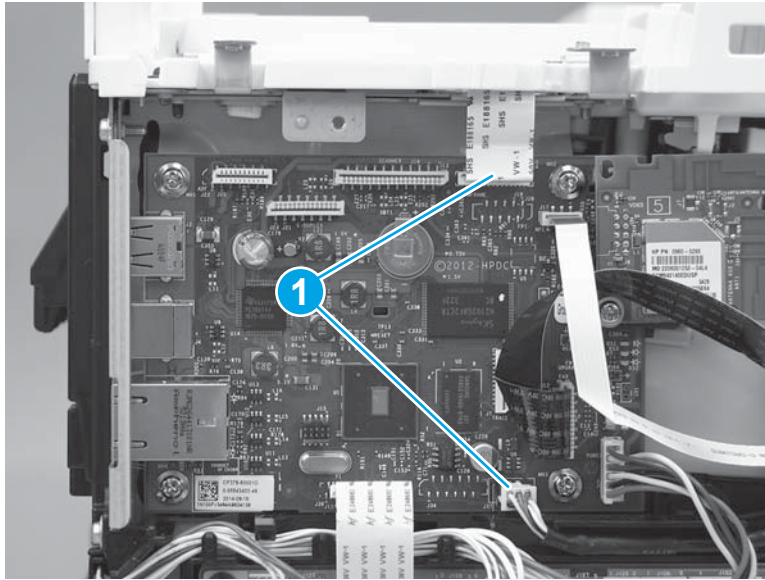
16. Install one screw (callout 1) to secure the sheet metal plate (callout 2).

Figure 1-4768 Install one screw




17. On the left side of the printer, on the formatter PCA, Connect two connectors (callout 1).

Figure 1-4769 Connect two connectors

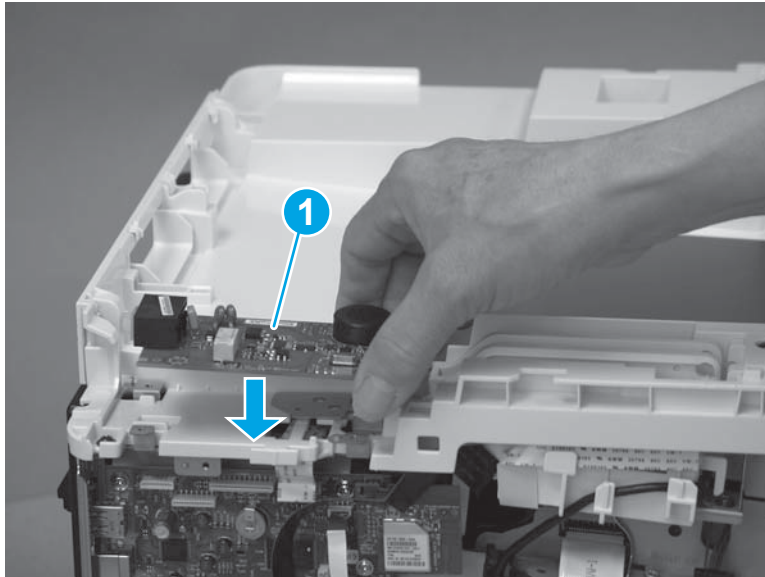


Step 16: Install the fax PCA (M477 models)

 **NOTE:** This step is for M477 fax models only. Skip this step for non-fax models.

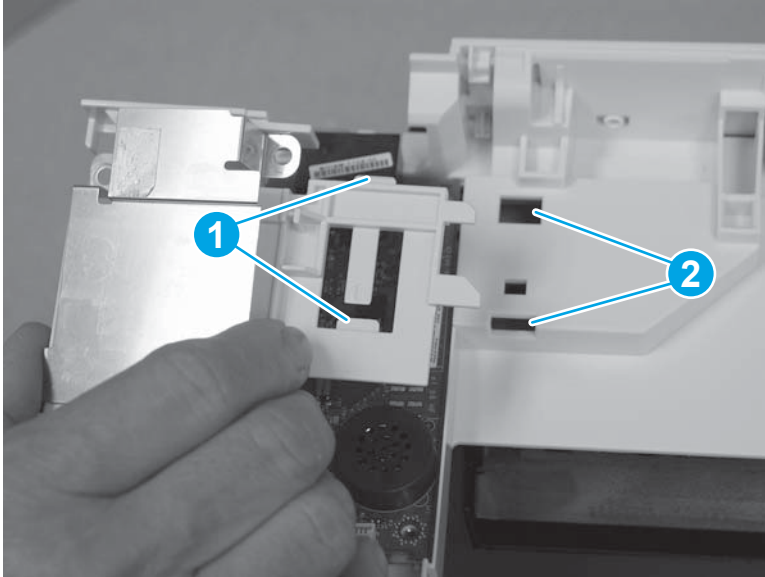
1. Position the fax PCA (callout 1) on the printer.

Figure 1-4770 Install the fax PCA



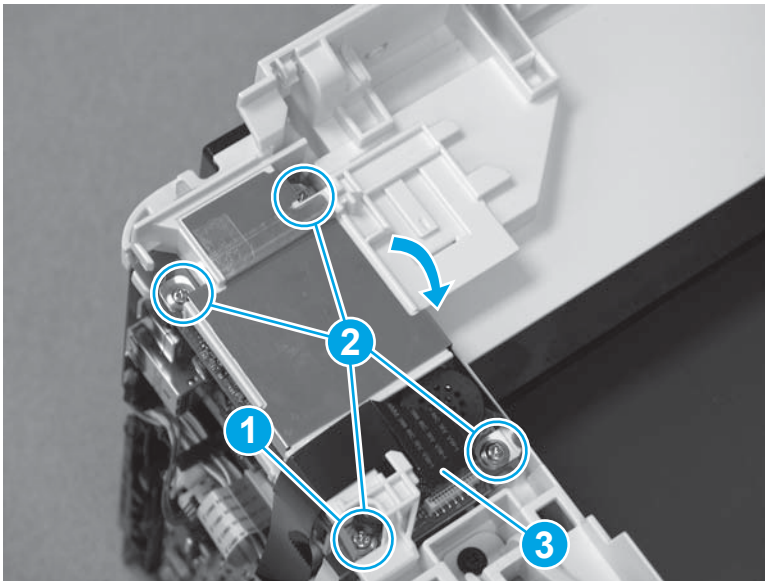
2. Install the tabs (callout 1) on the fax cover in the slots (callout 2) on the top cover. Slide the cover toward the back of the printer to install it.

Figure 1-4771 Install the fax cover




3. Beginning with the lower right screw (callout 1) install four screws (callout 2) in a clockwise direction. Connect one connector (callout 3).

Figure 1-4772 Install four screws and connect one connector

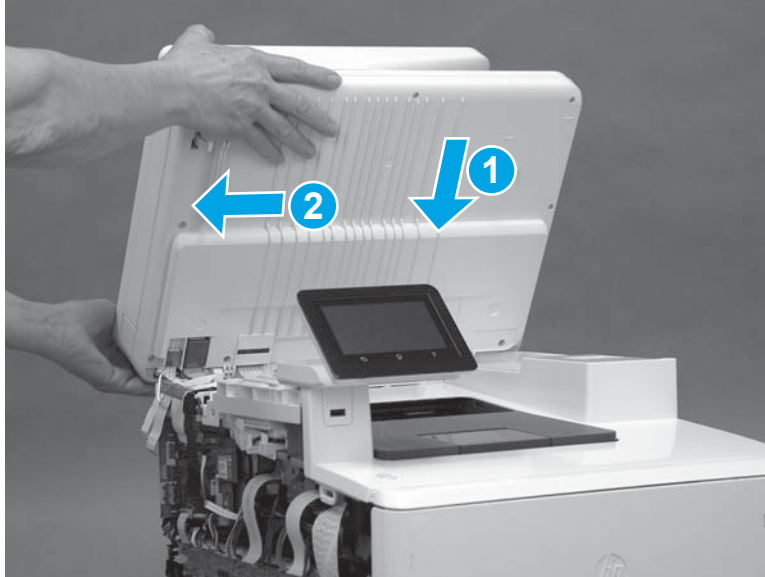


Step 17: Install the integrated scanner assembly (M477 models)

 **NOTE:** This step is for the M477 models. For the M452 models, skip this step and go to [Step 18: Install the left cover \(M452 models\) on page 2521](#).

1. Lower the scanner assembly onto the printer, and then slide the assembly toward the left side of the printer to install it.

Figure 1-4773 Install the scanner assembly



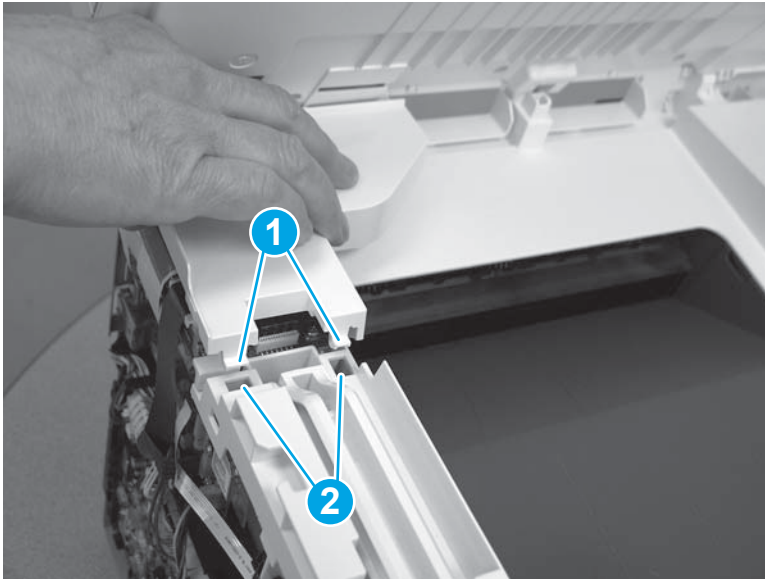
2. Press the scanner cables (callout 1) down onto the double-sided tape on the top cover.

Figure 1-4774 Press the cables



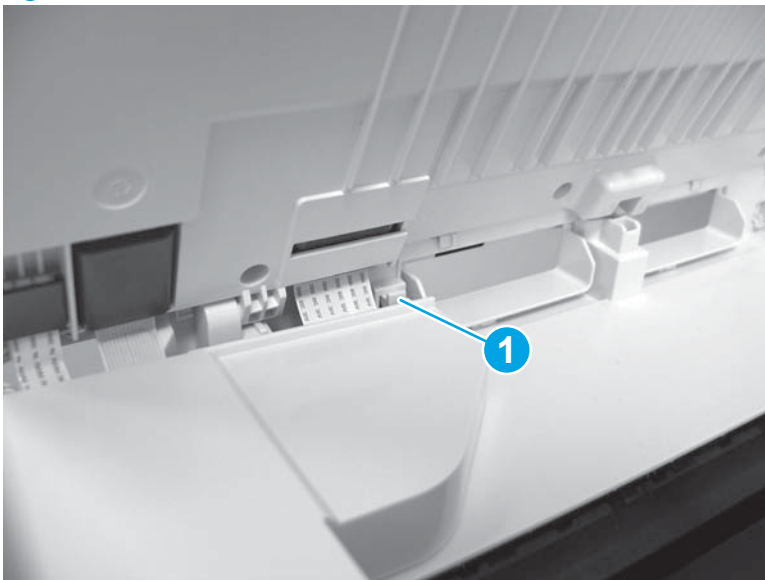
3. Install the tabs (callout 1) on the front of the scanner cable cover in the slots (callout 2) on the top cover.

Figure 1-4775 Position the scanner cable cover



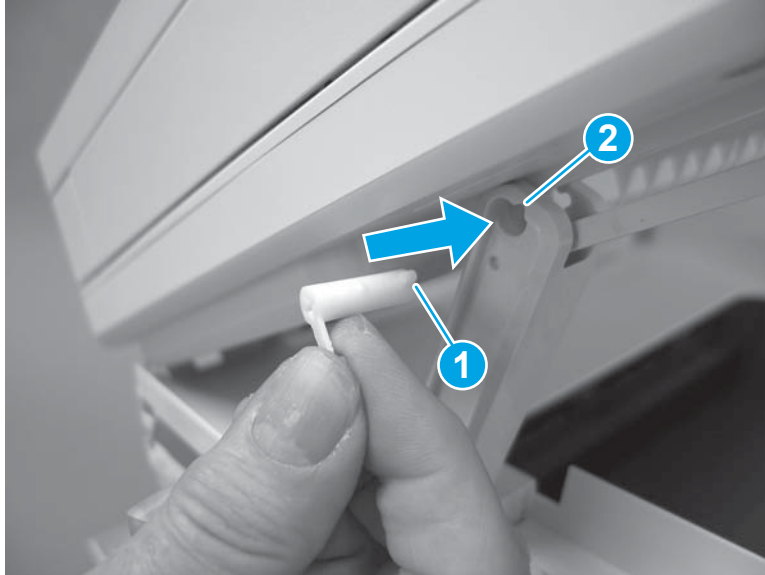
4. Press down on the back of the scanner cable cover to engage one tab (callout 1).

Figure 1-4776 Install the scanner cable cover



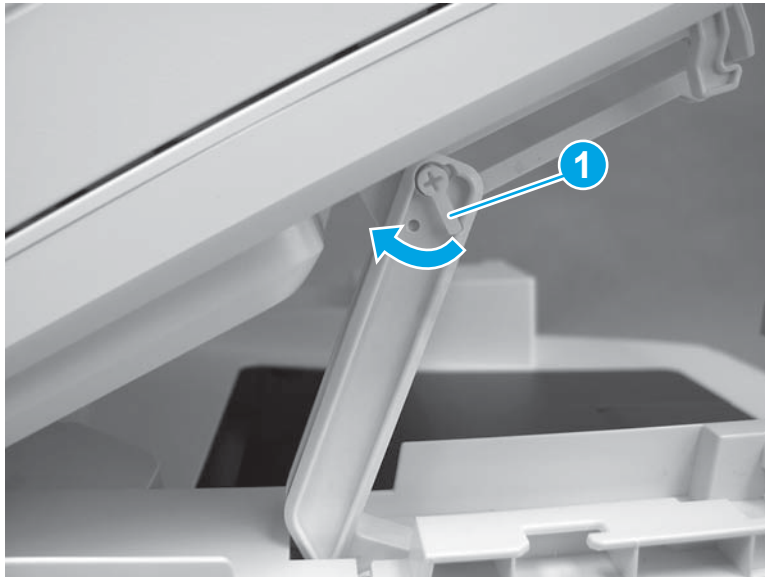
5. With the scanner lid lifted, insert the scanner support arm pin (callout 1) into the slot in the scanner support arm (callout 2).

Figure 1-4777 Install the scanner arm pin



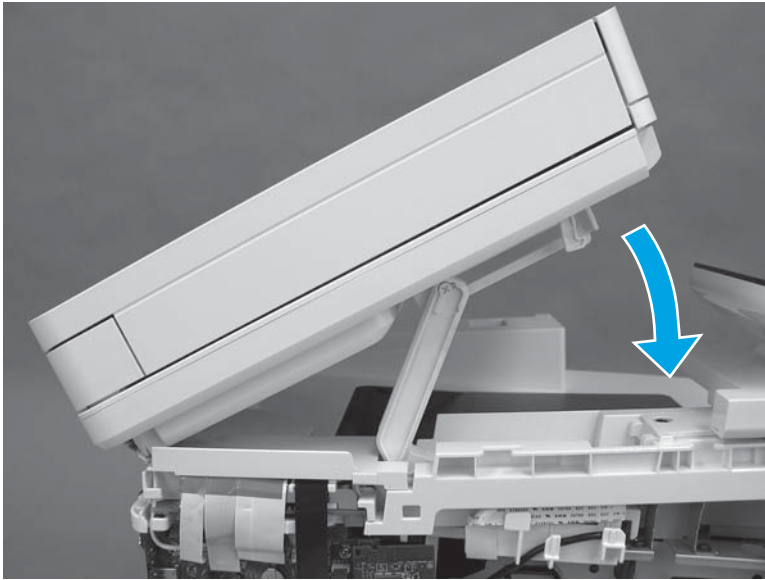
6. Rotate the tab on the scanner arm pin (callout 1) in the direction indicated to snap it into place.

Figure 1-4778 Secure the scanner arm pin



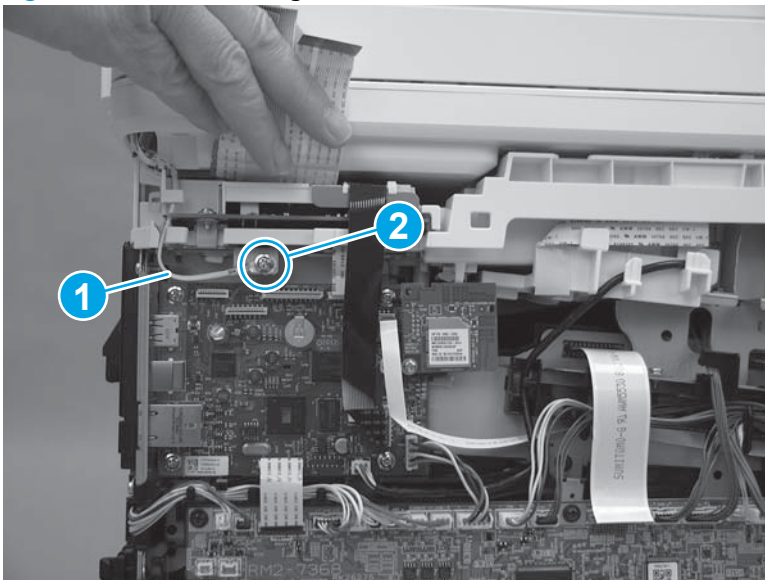
7. Lower the scanner.

Figure 1-4779 Lower the scanner



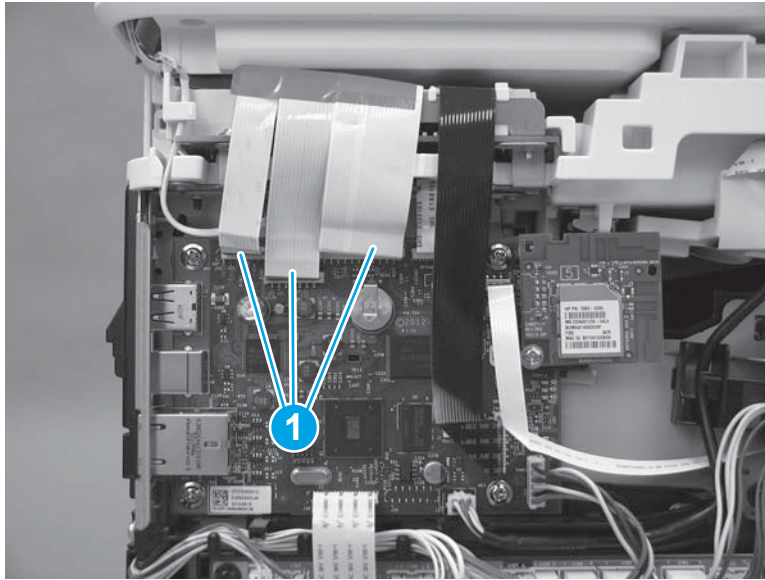
8. Raise the scanner cables up, position the ground wire (callout 1), and then install one screw (callout 2).

Figure 1-4780 Install the ground wire




9. Connect three connectors (callout 1).

Figure 1-4781 Install the M377, M477 scanner

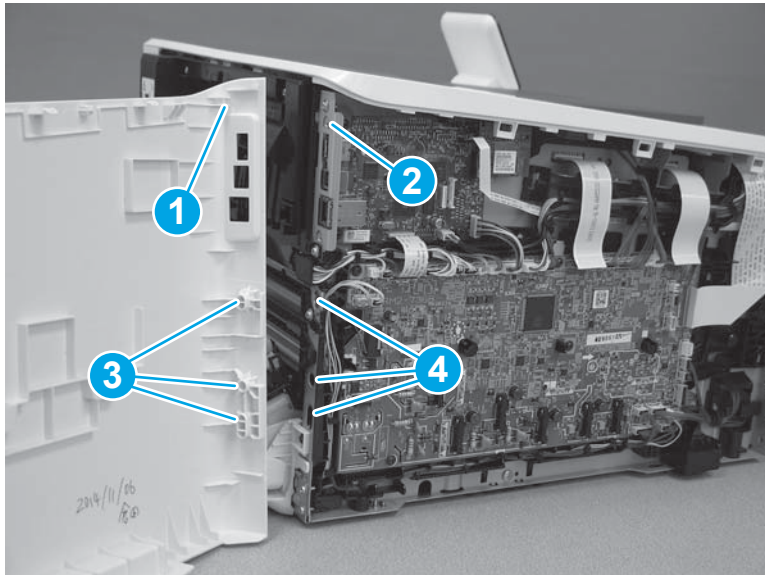


Step 18: Install the left cover (M452 models)

 **NOTE:** This step is for the M452 models. For the M477 models, skip this step and go to [Step 19: Install the left cover \(M477 models\) on page 2525](#).

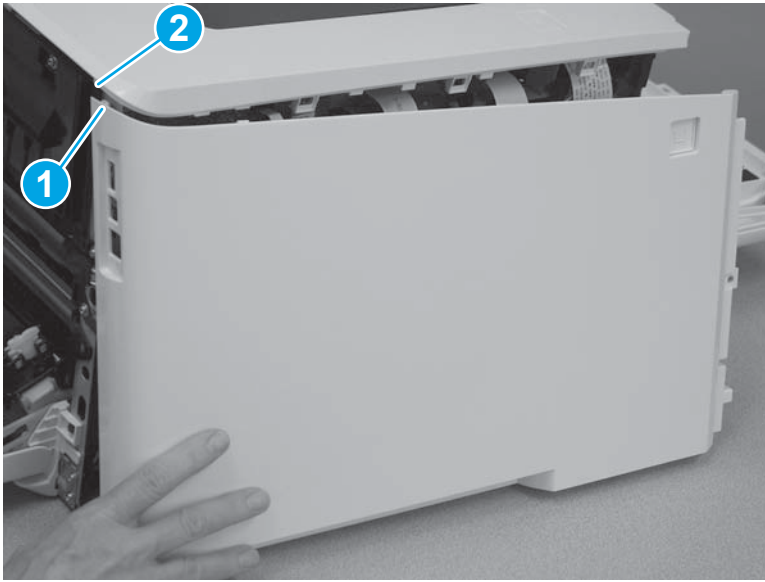
1. Position the hook (callout 1) on the cover in the slot (callout 2) on the printer. Position three tabs (callout 3) on the back of the cover in the slots (callout 4) in the printer.

Figure 1-4782 Position three tabs



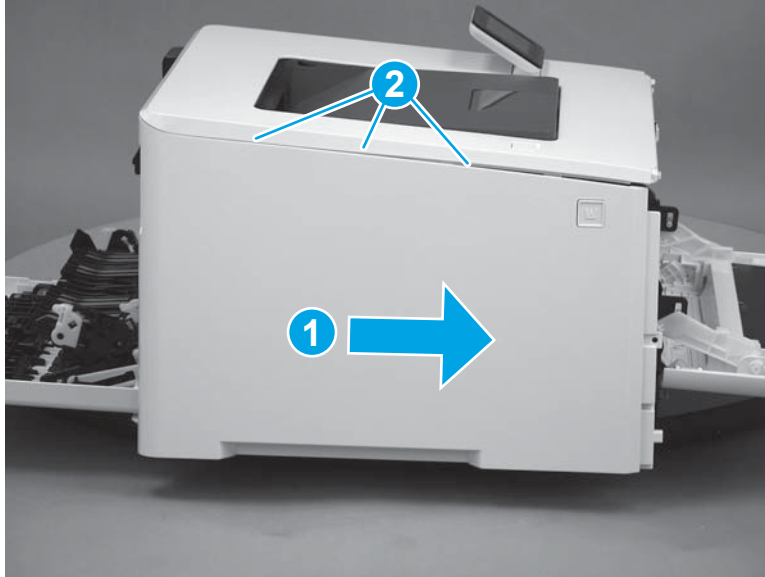
2. At the back of the printer, install the tab (callout 1) under the edge of the top cover (callout 2).

Figure 1-4783 Install one tab



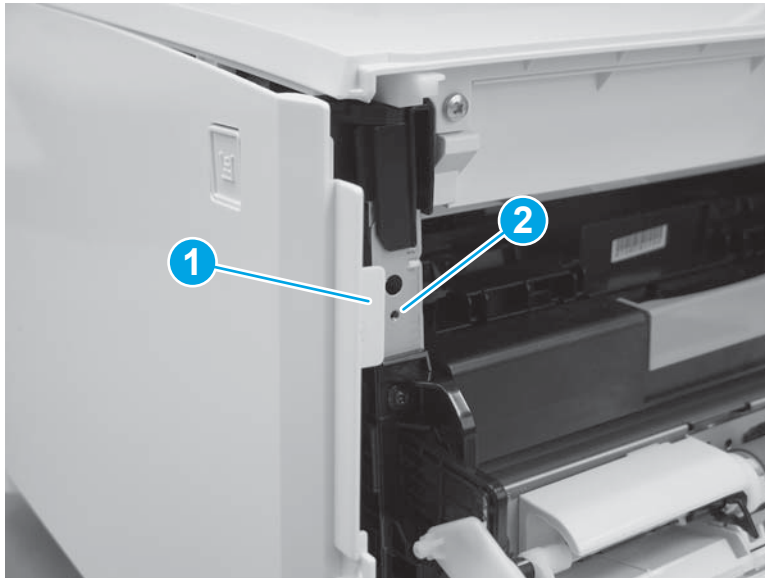
3. Slide the cover toward the front of the printer (callout 1), and then engage three tabs (callout 2) on the top of the cover.

Figure 1-4784 Install the left cover



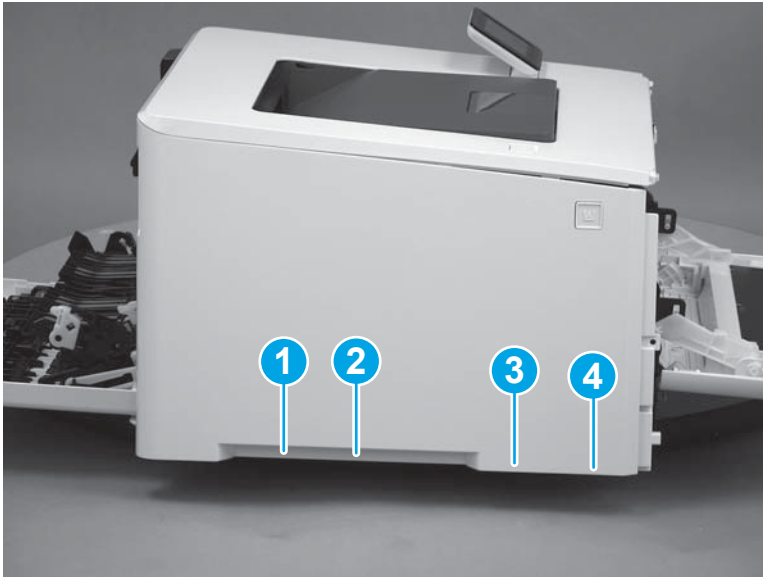
⚠ CAUTION: Make sure that the tab (callout 1) does not get caught behind the printer frame (callout 2).

Figure 1-4785 Make sure the tab does not get caught



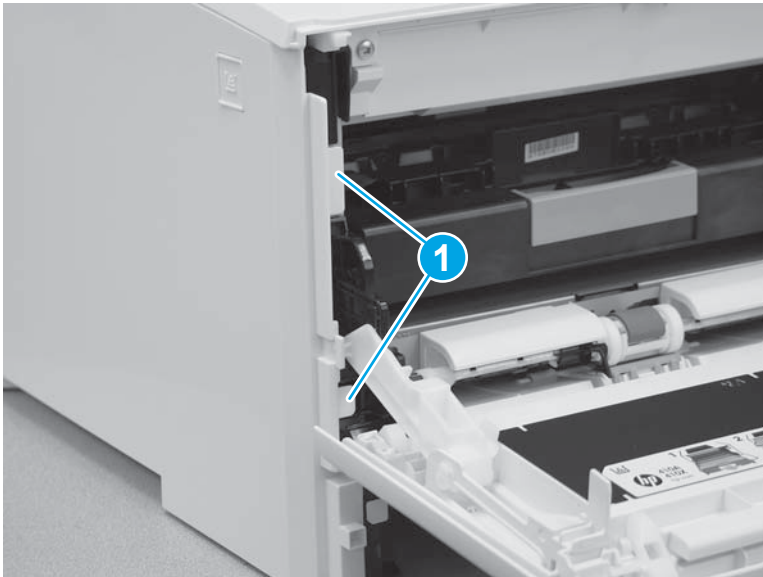
4. Slide the printer to the edge of a work surface in order to access the tabs on the bottom of the cover. Beginning from the back of the cover, install four tabs (callouts 1-4) on the lower edge of the cover.

Figure 1-4786 Install four tabs



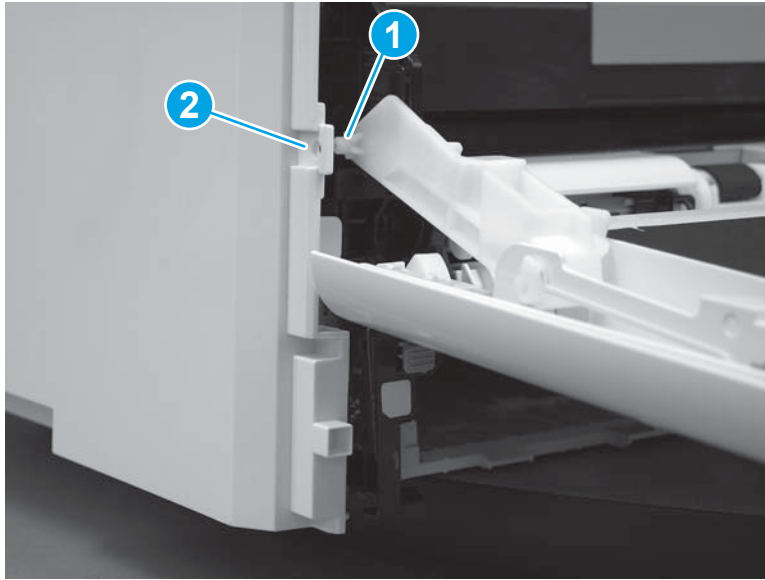
5. Install two tabs (callout 1) at the front of the cover.

Figure 1-4787 Engage two tabs



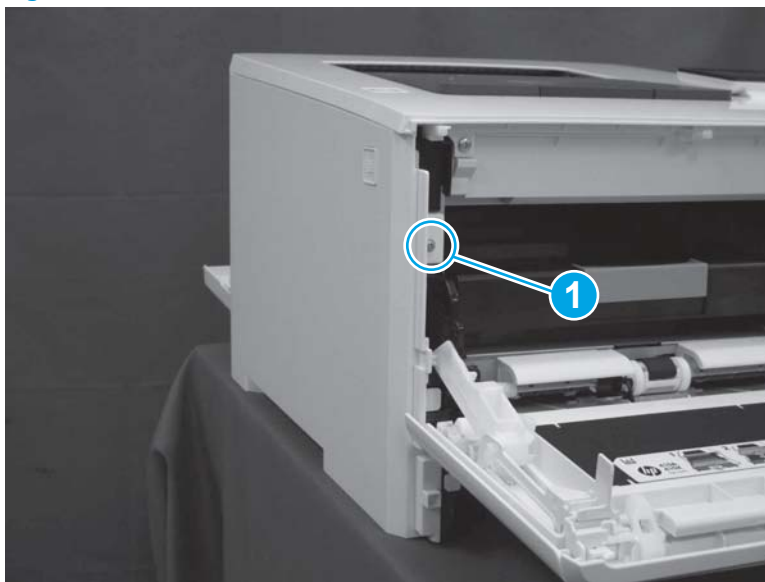
6. Make sure that the hinge pin (callout 1) on the front door fits into the slot (callout 2) on the left cover.

Figure 1-4788 Install hinge pin




7. Install one screw (callout 1).

Figure 1-4789 Install one screw

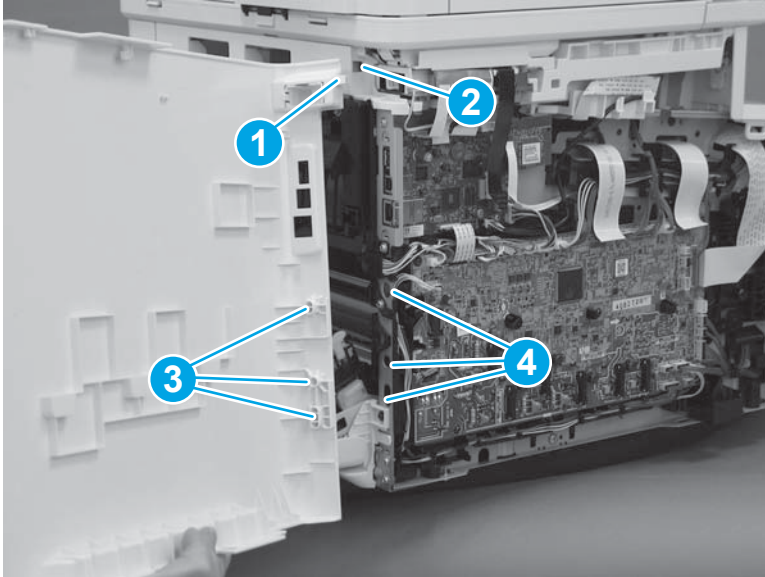


Step 19: Install the left cover (M477 models)

 **NOTE:** This step is for the M477 models. For the M452 models, skip this step and go to [Step 20: Install the right cover \(M452 models\) on page 2532](#).

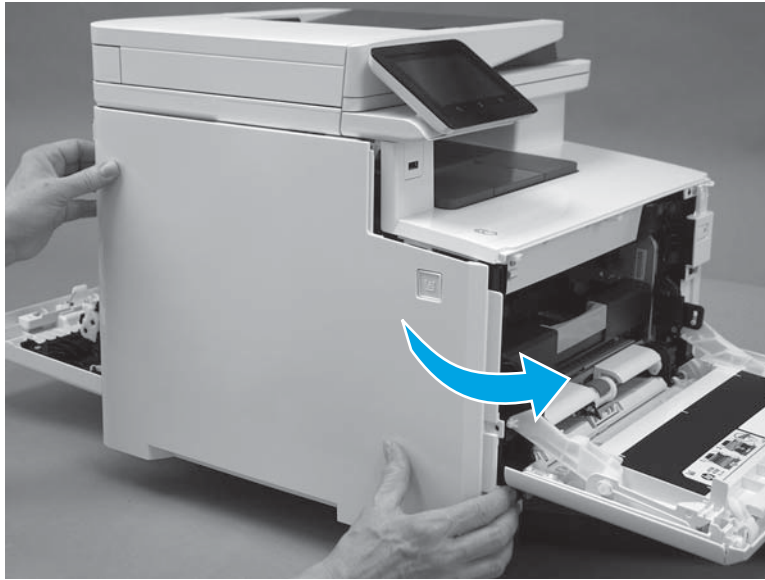
1. At the back of the printer, install the tab (callout 1) on the cover into the slot (callout 2) in the printer. Install the locator pins (callout 3) into the slots (callout 4) in the printer.

Figure 1-4790 Install one tab



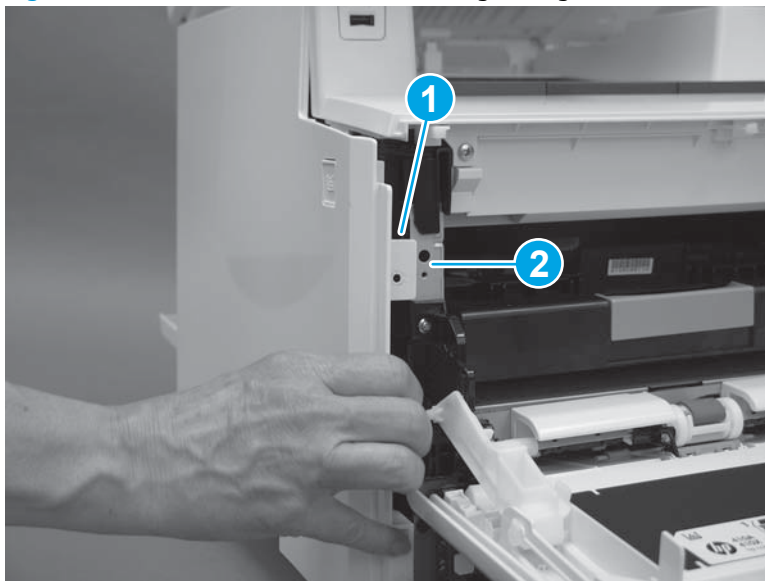
2. Rotate the cover toward the printer.

Figure 1-4791 Rotate the left cover



⚠ CAUTION: Make sure that the tab (callout 1) does not get caught behind the printer frame (callout 2).

Figure 1-4792 Make sure the tab does not get caught



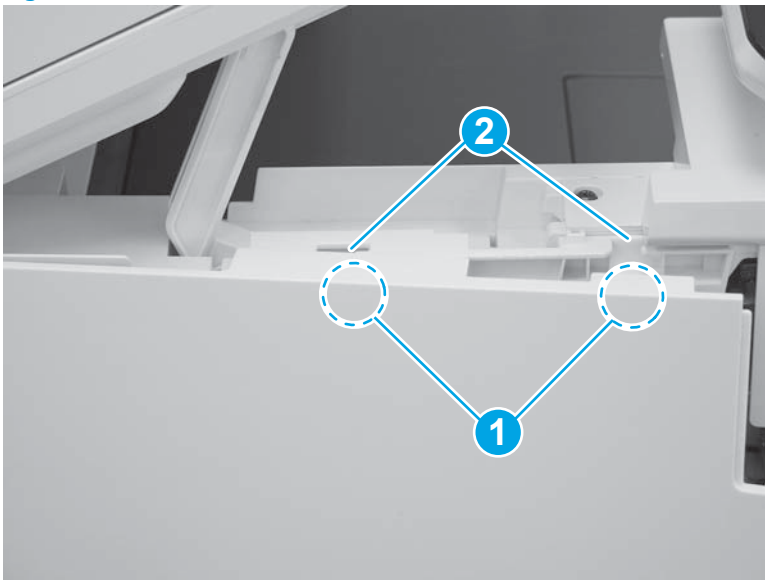
3. Raise the scanner.

Figure 1-4793 Raise the scanner



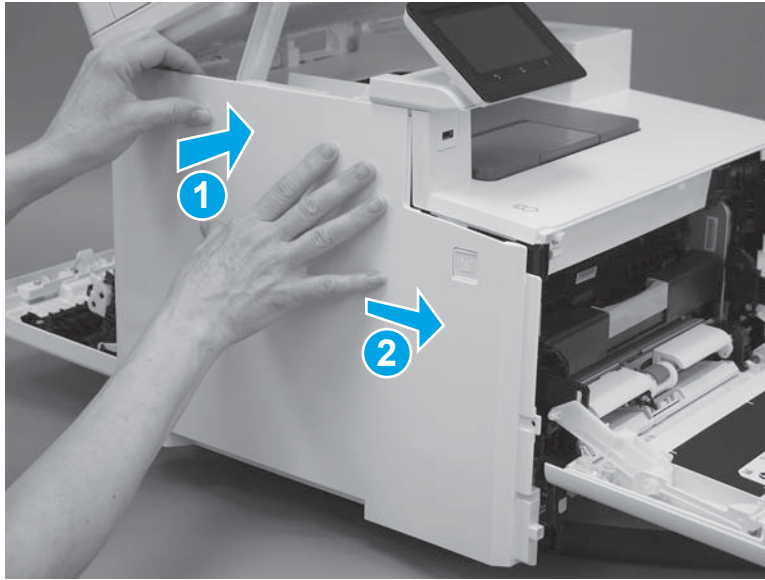
4. Position the hooks (callout 1) on the inside of the cover into the slots (callout 2) on the printer.

Figure 1-4794 Position the hooks in the slots



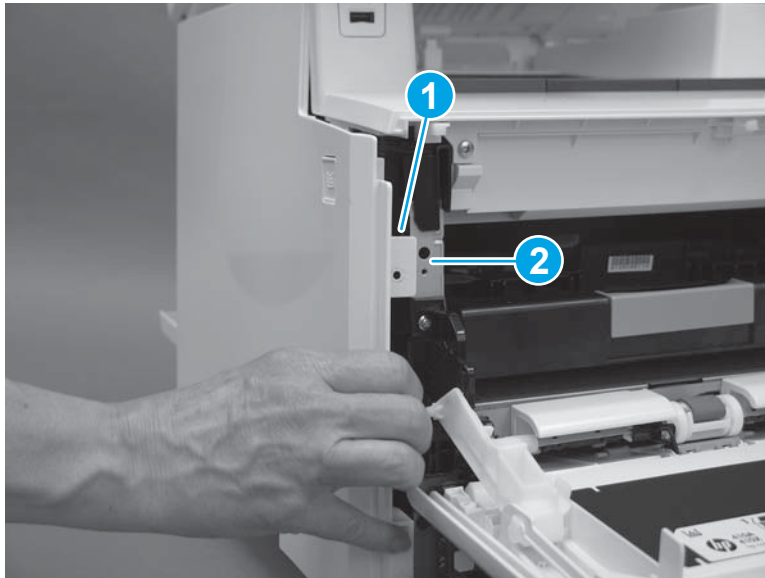
5. Hold the cover against the printer (callout 1), and then slide it (callout 2) toward the front of the printer.

Figure 1-4795 Install the top hooks



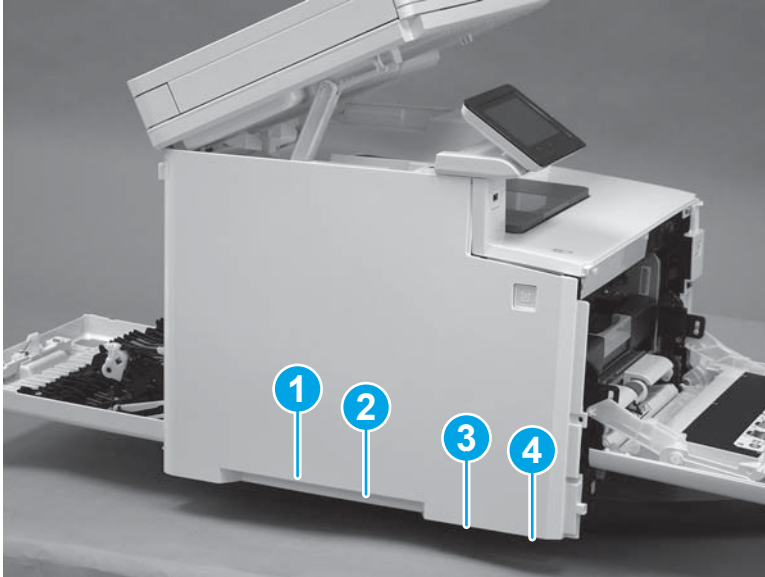
⚠ CAUTION: Make sure that the tab (callout 1) on the front of the cover does not get caught behind the printer frame (callout 2).

Figure 1-4796 Make sure the tab does not get caught



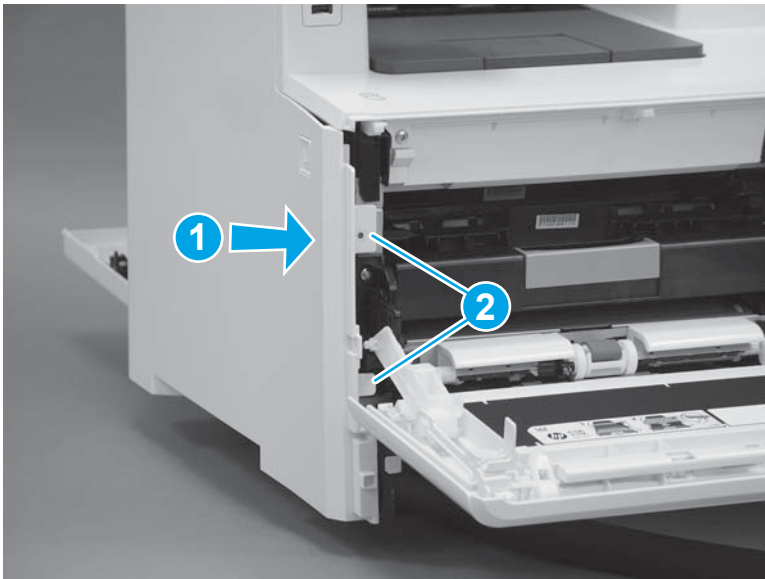
6. Slide the printer to the edge of a work surface in order to access the tabs on the bottom of the cover. Beginning from the back of the cover, install four tabs (callouts 1-4) on the lower edge of the cover.

Figure 1-4797 Install four tabs



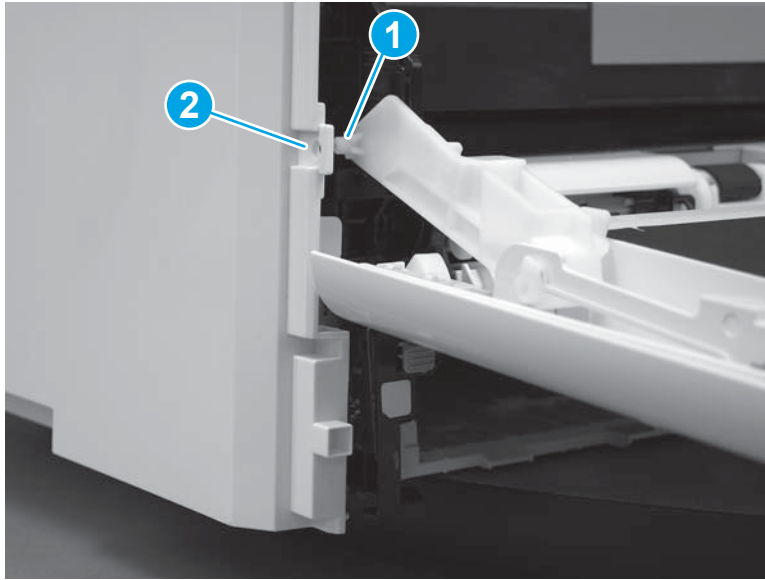
7. Press the cover toward the printer (callout 1), and then install two tabs (callout 2) at the front of the cover.

Figure 1-4798 Install two tabs



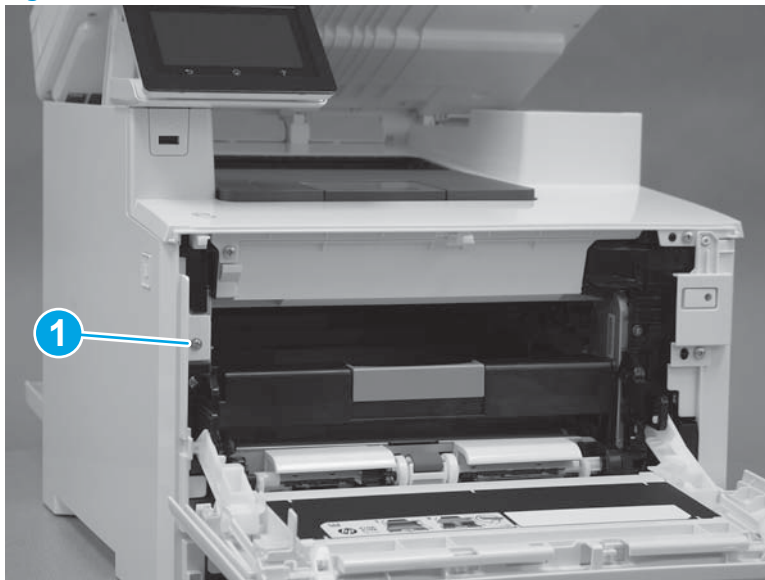
8. Make sure that the hinge pin (callout 1) on the front door fits into the slot (callout 2) on the left cover.

Figure 1-4799 Install hinge pin



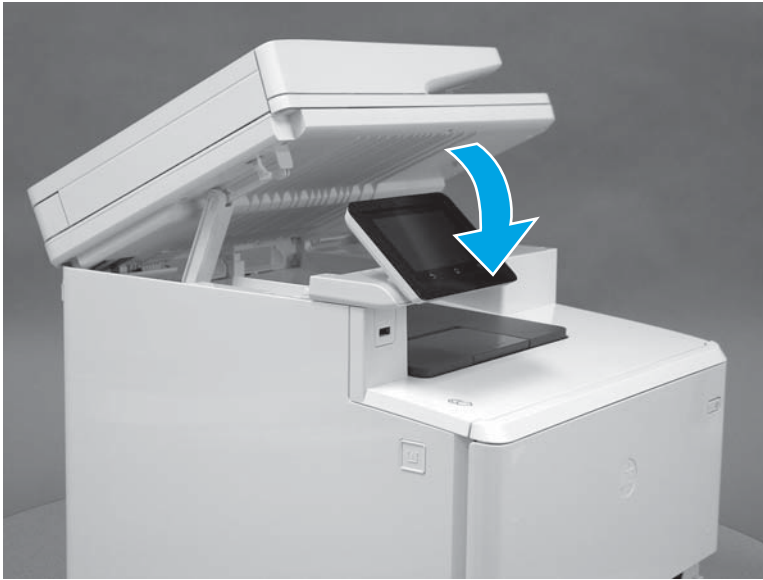
9. Install one screw (callout 1).

Figure 1-4800 Install one screw



10. Lower the scanner.

Figure 1-4801 Lower the scanner



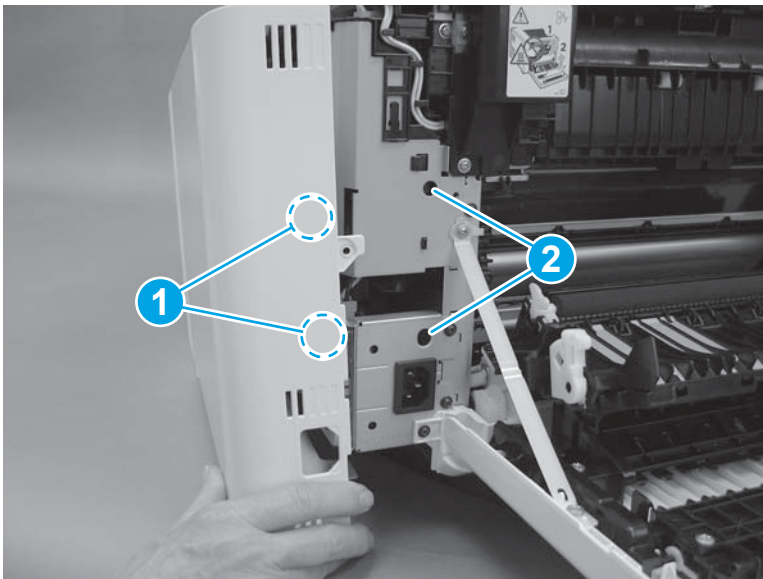
Step 20: Install the right cover (M452 models)



NOTE: This step is for the M452 models. For the M477 models, skip this step and go to [Step 21: Install the right cover \(M477 models\) on page 2536](#).

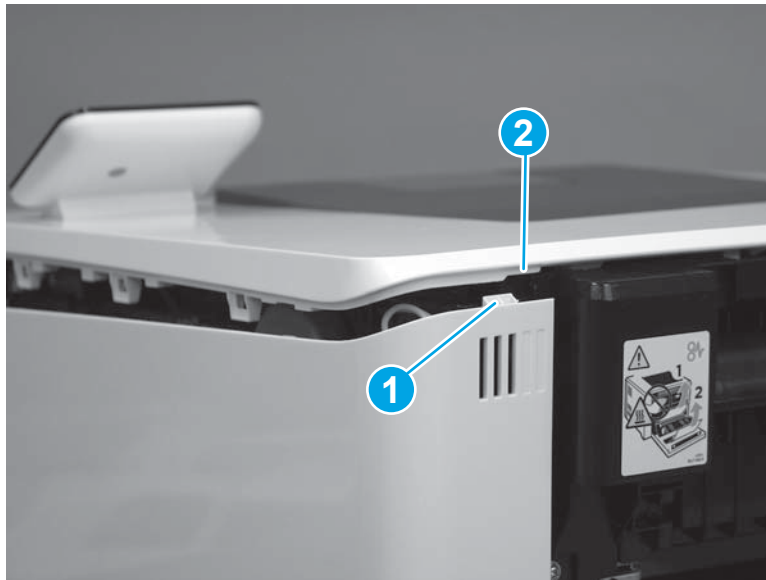
1. Position two tabs (callout 1) on the back of the cover in the slots (callout 2) in the printer.

Figure 1-4802 Position two tabs



2. At the back of the printer, install the tab (callout 1) under the edge of the top cover (callout 2).

Figure 1-4803 Install rear tab



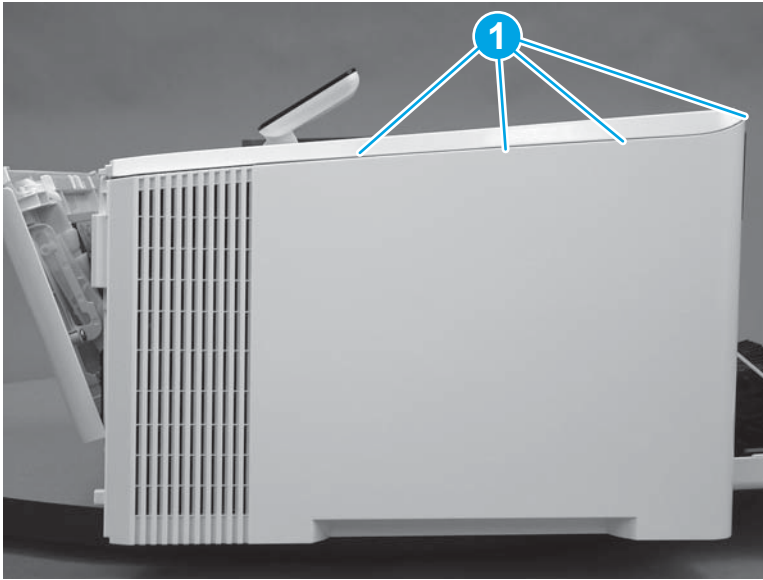
3. Slide the cover toward the front of the printer to install it.

Figure 1-4804 Install the right cover



- Engage three tabs (callout 2) on the top of the cover.

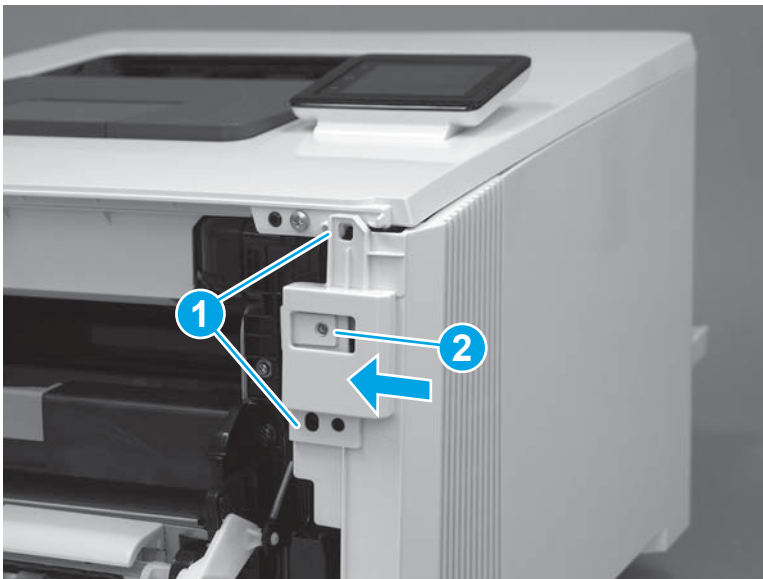
Figure 1-4805 Install upper tabs



- At the front of the printer, position the front of the cover over two tabs (callout 1).

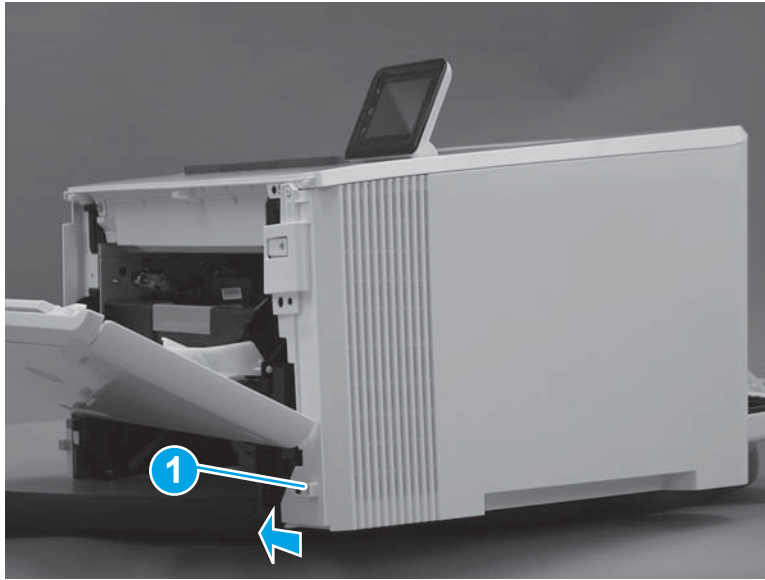
CAUTION: Be careful not to dislodge the power switch (callout 2).

Figure 1-4806 Install the front tabs



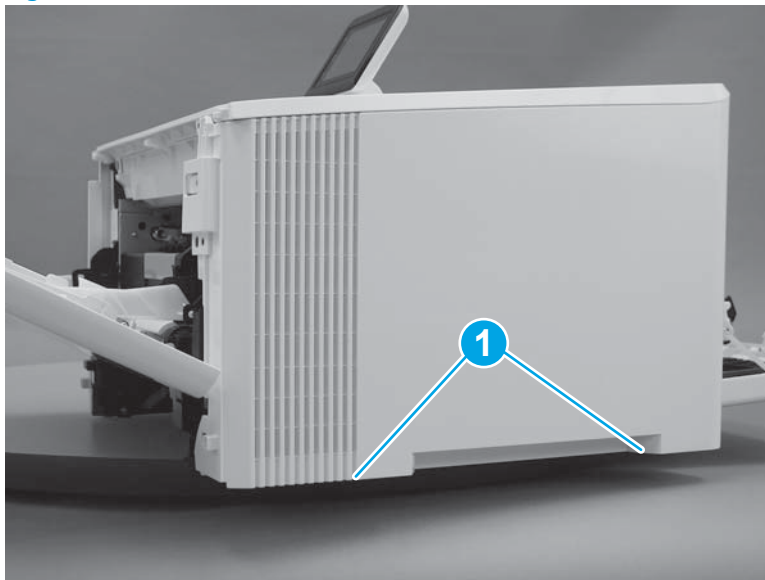
6. Press the right cover toward the printer to engage one tab (callout 1) on the front of the cover.

Figure 1-4807 Install the front lower tab



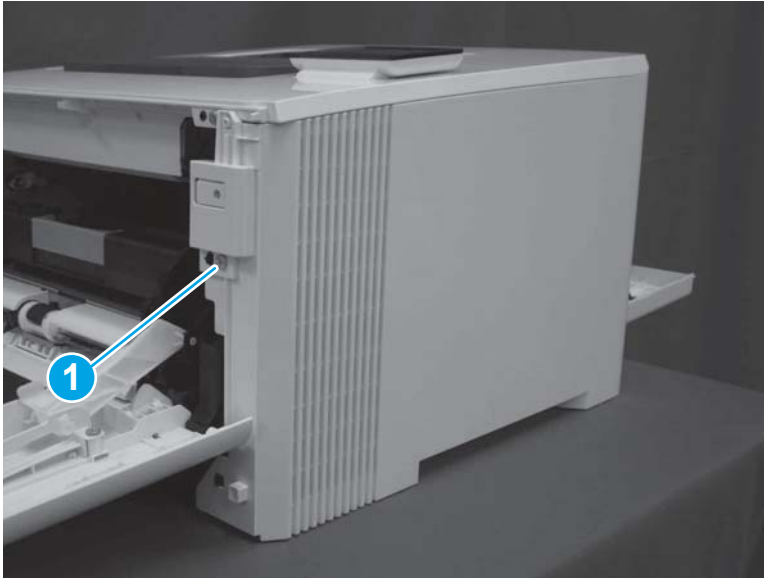
7. Install two tabs on the bottom of the cover (callout 1).

Figure 1-4808 Install two tabs



8. At the front of the printer, install one screw (callout 1).

Figure 1-4809 Install one screw



9. At the back of the printer, install one screw (callout 1).

Figure 1-4810 Install one screw



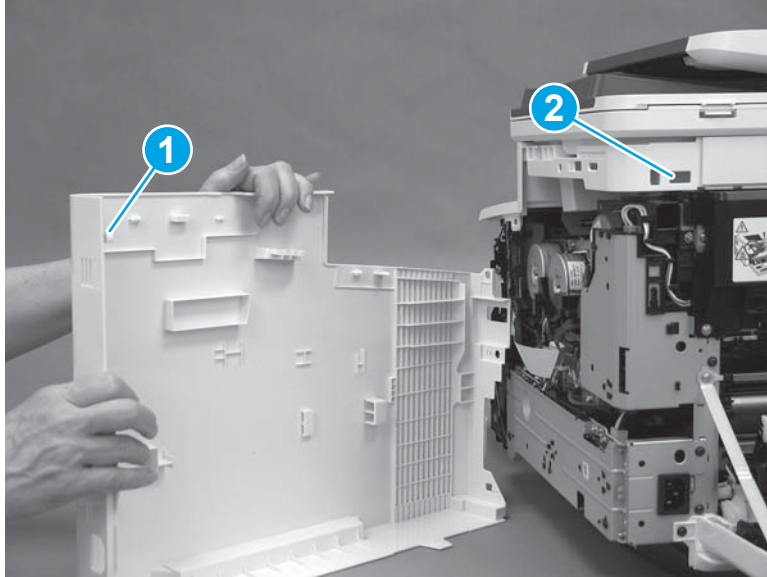
Step 21: Install the right cover (M477 models)



NOTE: This step is for the M477 models. For the M452 models, skip this step and go to [Step 22: Close the front door and duplexer door on page 2542](#).

1. At the back of the printer, install the tab (callout 1) on the cover into the slot (callout 2) on the printer.

Figure 1-4811 Install rear tab



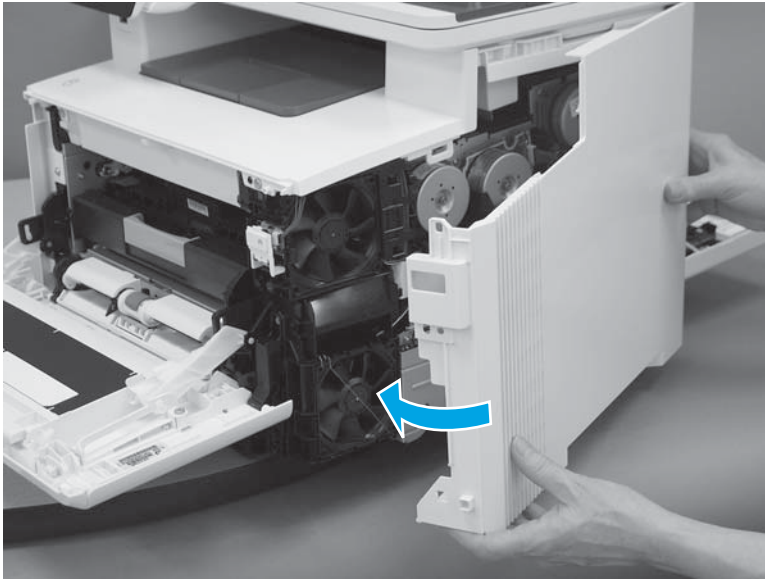
2. Raise the scanner.

Figure 1-4812 Raise the scanner



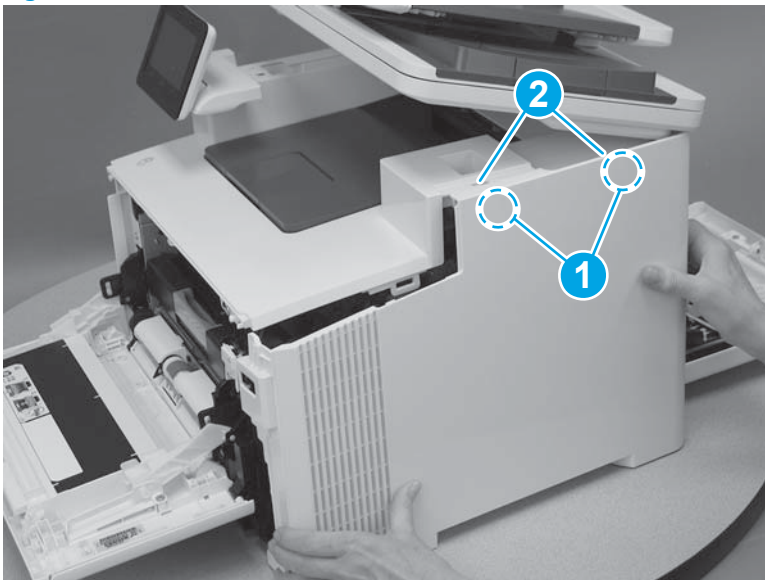
3. Rotate the right cover toward the printer.

Figure 1-4813 Rotate the right cover



4. Position the hooks (callout 1) on the inside of the cover into the slots (callout 2) in the printer.

Figure 1-4814 Position the hooks in the slots



- Engage one hook (callout 1) on the inside of the cover. Hold the top of the cover closed (callout 2) while sliding the cover toward the front of the printer (callout 3).

Figure 1-4815 Slide the cover



- Rotate the front of the cover toward the printer (callout 1).

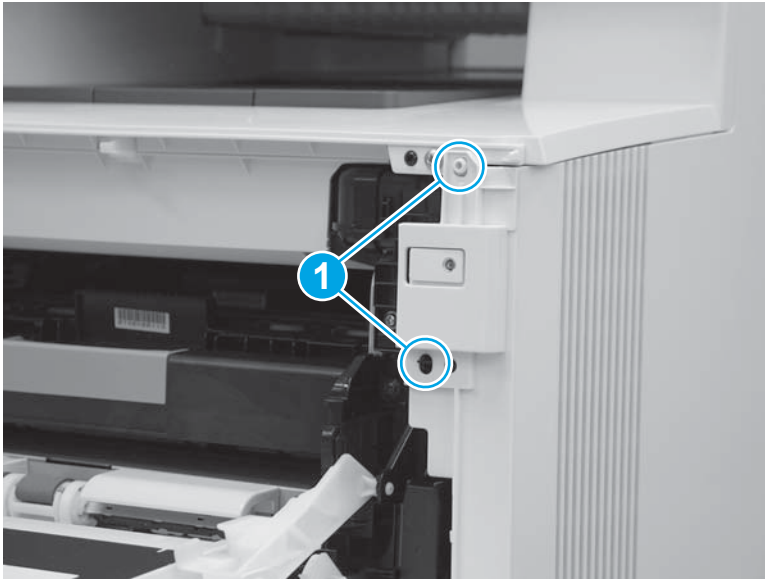
⚠ CAUTION: Be careful not to dislodge the power switch (callout 2).

Figure 1-4816 Rotate the front of the cover



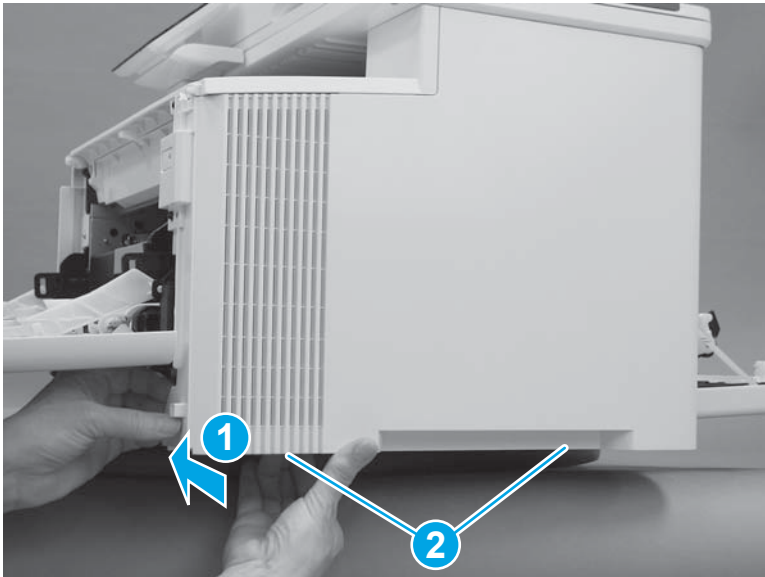
7. Install two tabs at the front of the printer (callout 1).

Figure 1-4817 Install two tabs



8. Press the right cover toward the printer (callout 1) to engage one tab on the front of the cover, and two tabs (callout 2) on the lower edge of the cover.

Figure 1-4818 Install the front and lower tabs



9. At the front of the printer, install one screw (callout 1).

Figure 1-4819 Install one screw



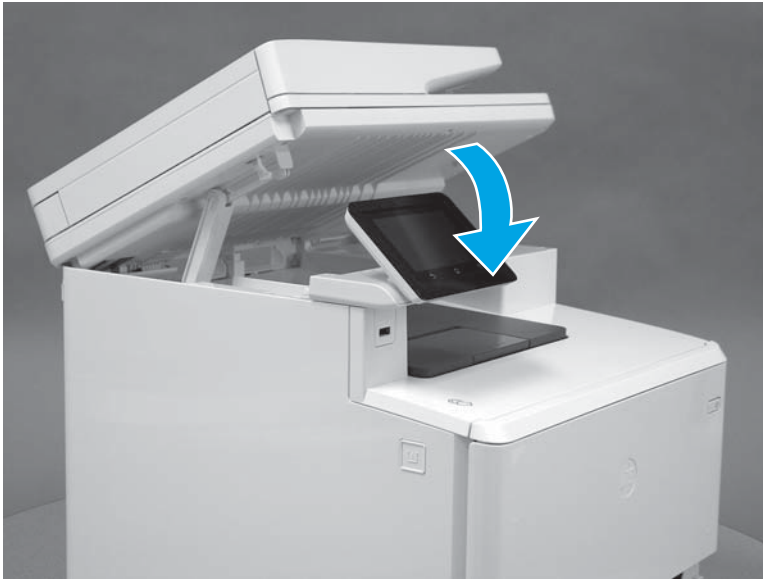
10. At the back of the printer, install one screw (callout 1).

Figure 1-4820 Install one screw



11. Lower the scanner.

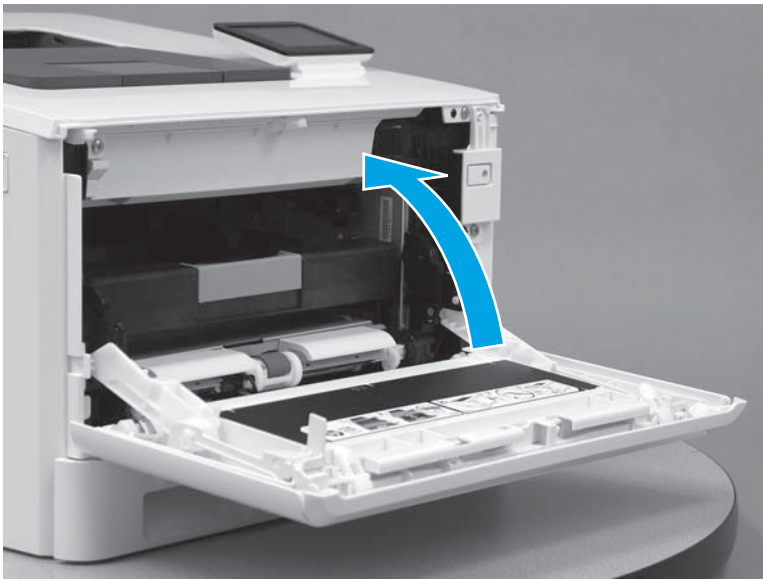
Figure 1-4821 Lower the scanner



Step 22: Close the front door and duplexer door

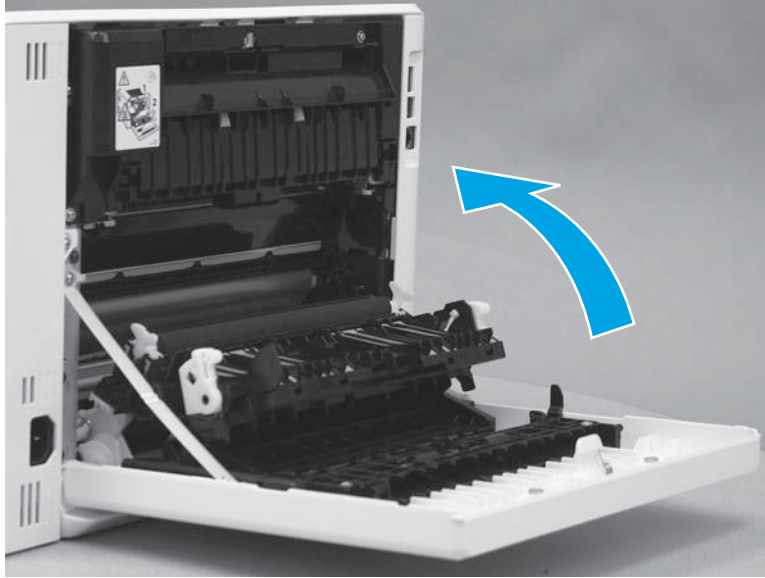
1. Close the front door.

Figure 1-4822 Close the front door



2. Close the duplexer door.

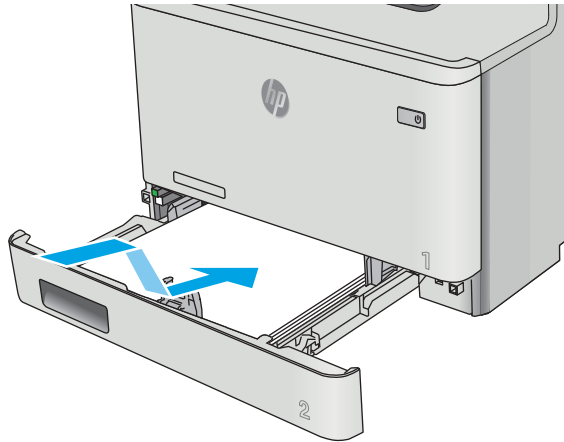
Figure 1-4823 Close the duplexer door



Step 23: Install Tray 2

- ▲ With the front of the tray slightly lifted, align the sides of the tray with the rails in the printer, and then carefully slide the tray into the printer. As the tray slides into the printer, lower the front of the tray, and then close it.

Figure 1-4824 Install the tray



Removal and replacement: Walk-up USB port (M452dw model)


- [Introduction](#)
- [Step 1: Remove Tray 2](#)
- [Step 2: Open the front door and duplexer door](#)
- [Step 3: Remove the right cover \(M452 models\)](#)
- [Step 4: Remove the left cover \(M452 models\)](#)
- [Step 5: Remove the top cover \(M452 models\)](#)
- [Step 6: Remove the walk-up USB port \(M452dw model\)](#)
- [Step 7: Unpack the replacement part](#)
- [Step 8: Install the walk-up USB port \(M452dw model\)](#)
- [Step 9: Install the top cover \(M452 models\)](#)
- [Step 10: Install the left cover \(M452 models\)](#)
- [Step 11: Install the right cover \(M452 models\)](#)
- [Step 12: Close the front door and duplexer door](#)
- [Step 13: Install Tray 2](#)

Introduction

This document provides the procedures to remove and replace the walk-up USB port for the M452.

Before you begin

- Turn off the printer.
- Disconnect the power cable.

 **WARNING!** To avoid damage to the printer, turn the printer off, wait 30 seconds, and then remove the power cord before attempting to service the printer.

- Use the table below to identify the correct part number for your printer. To order the part, go to www.hp.com/buy/parts.

| Walk-up USB port part number |
|------------------------------|
|------------------------------|

| |
|-------------|
| CF368-60001 |
|-------------|

| |
|------------------|
| Walk-up USB port |
|------------------|

Required tools

- #2 Phillips screwdriver with a magnetic tip
- Small flat-blade screwdriver

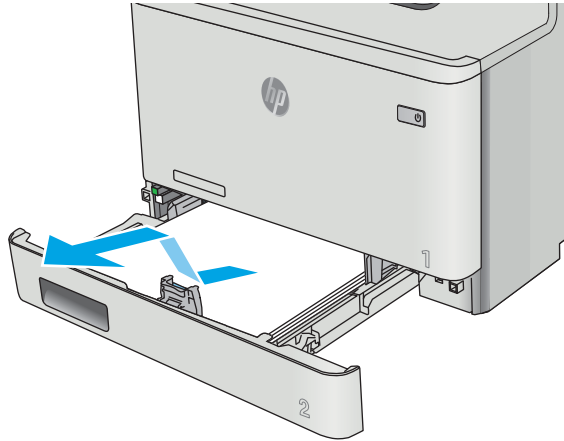
After performing service

- Connect the power cable.
- Use the power switch to turn the power on.

Step 1: Remove Tray 2

- ▲ Pull the tray out until it stops. Lift the front of the tray, and then pull it out of the printer to remove it.

Figure 1-4825 Remove the tray



Step 2: Open the front door and duplexer door

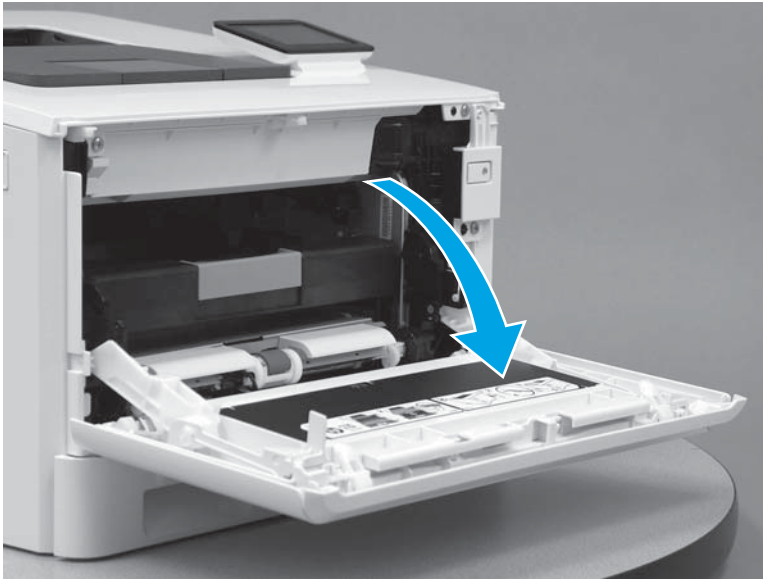
1. Press the button (callout 1) on the left side of the printer to release the front door.

Figure 1-4826 Release the front door



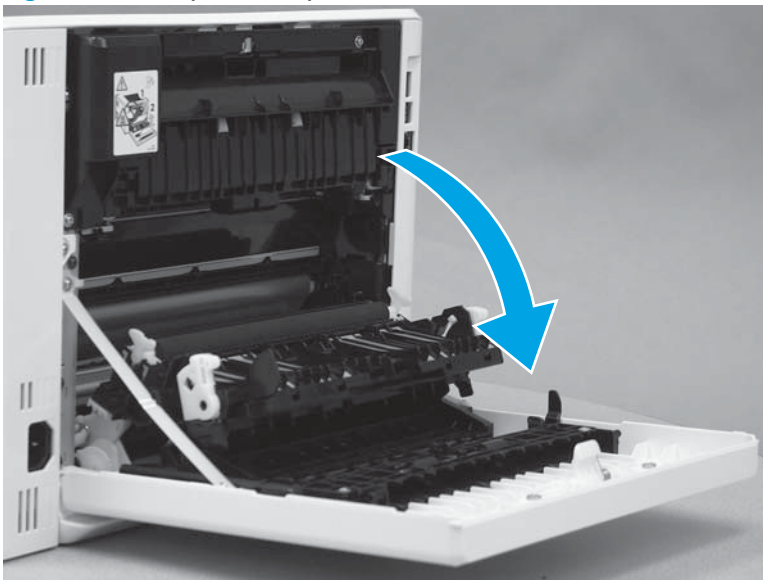
2. Open the front door.

Figure 1-4827 Open the front door



3. Open the duplexer door.

Figure 1-4828 Open the duplexer door



Step 3: Remove the right cover (M452 models)

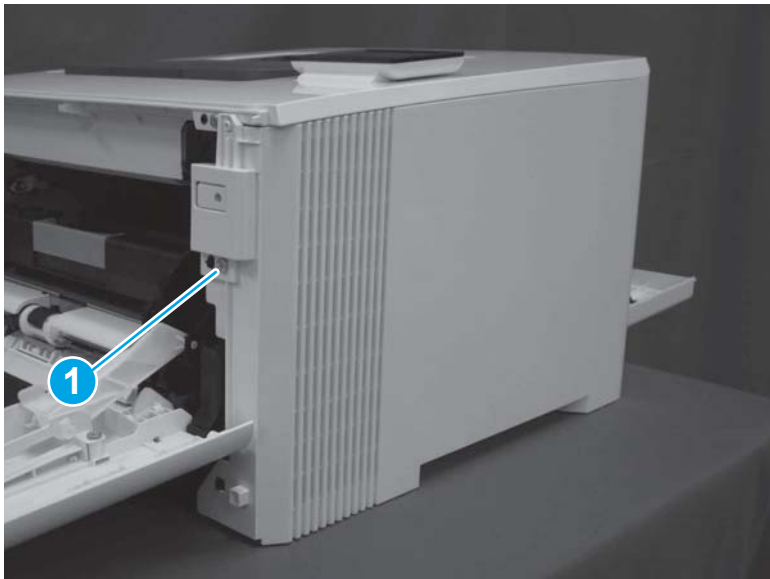
1. At the back of the printer, remove one screw (callout 1).

Figure 1-4829 Remove one screw



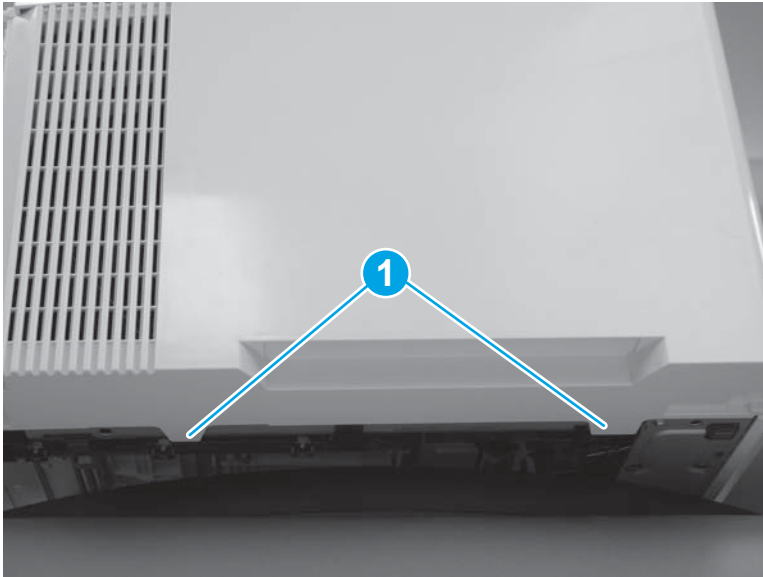
2. At the front of the printer, remove one screw (callout 1).

Figure 1-4830 Remove one screw



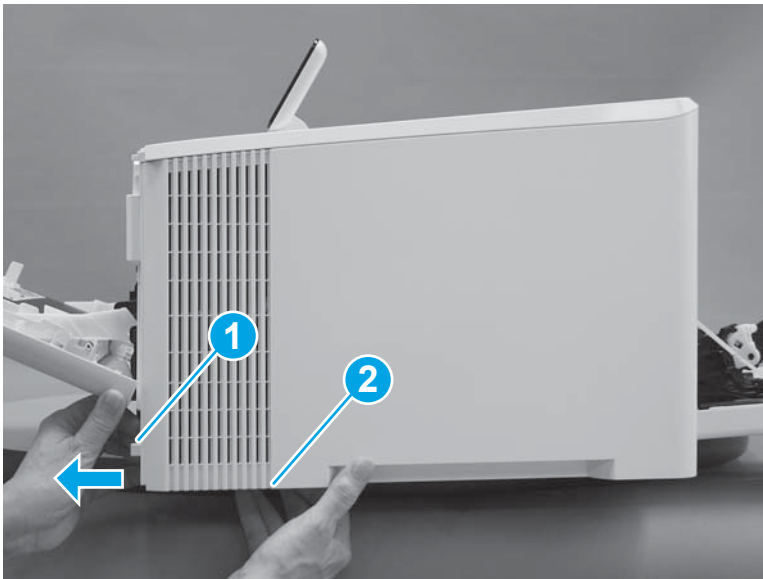
3. Slide the printer to the edge of a work surface. Note the location of the tabs on the lower edge of the cover (callout 1).

Figure 1-4831 Locate the tabs



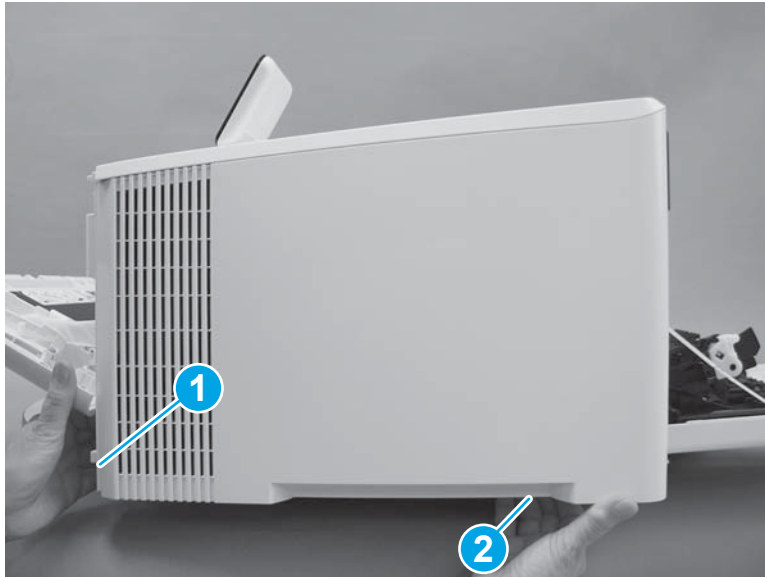
4. Release one tab (callout 1) on the front of the cover by slightly pulling the cover away from the printer. While holding the cover in the released position, release one tab (callout 2) on the bottom of the cover.

Figure 1-4832 Release front lower tabs



5. Hold the front tabs in the released position (callout 1), and then release one tab (callout 2) on the bottom of the cover, toward the back of the printer.

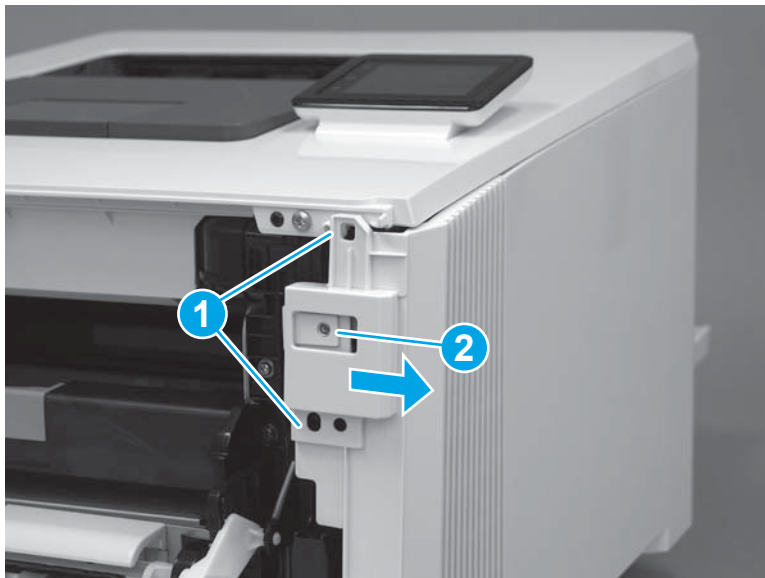
Figure 1-4833 Release lower rear tab



6. Release two tabs at the front of the printer (callout 1) by slightly pulling the cover away from the printer.

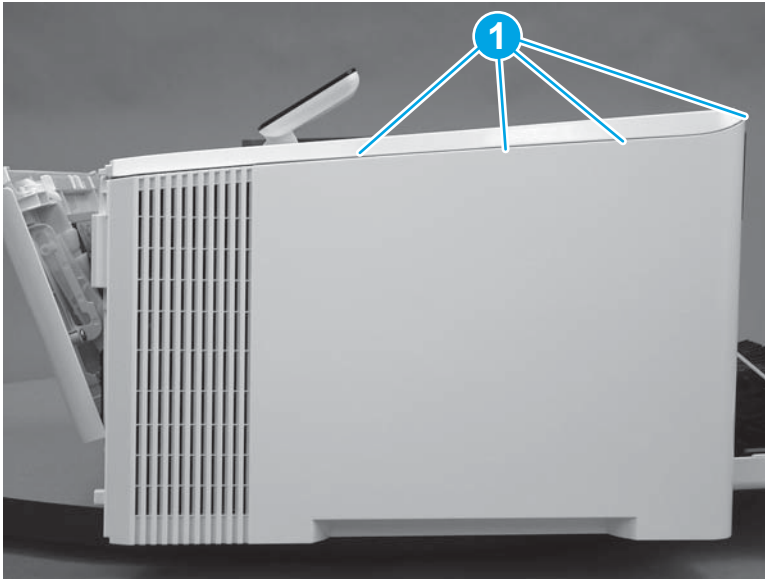
⚠ CAUTION: Be careful not to dislodge the power switch (callout 2).

Figure 1-4834 Release two front tabs



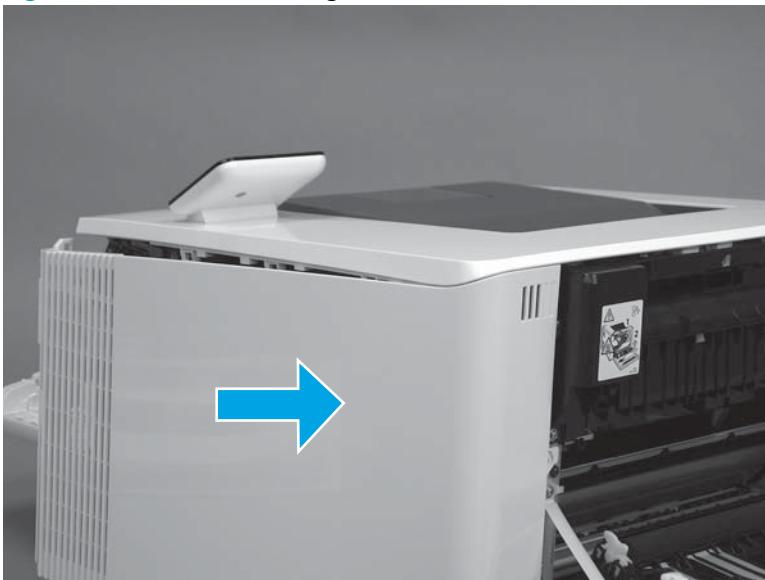
7. Release four tabs on the top of the printer (callout 1).

Figure 1-4835 Release upper tabs



8. Slide the cover toward the back of the printer to remove it.

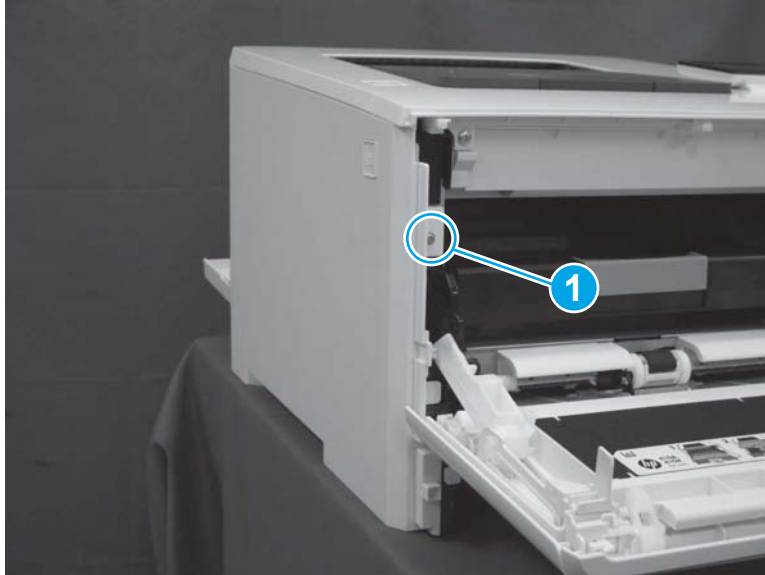
Figure 1-4836 Remove the right cover



Step 4: Remove the left cover (M452 models)

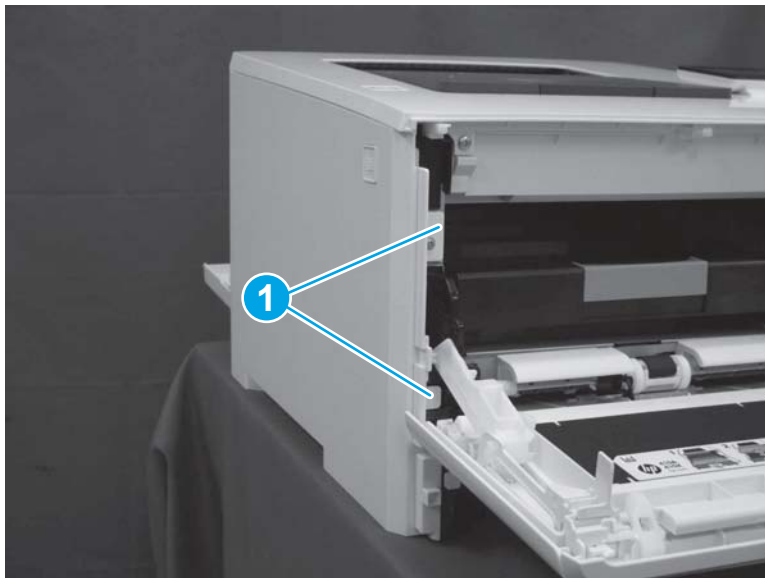
1. At the front of the printer, remove one screw (callout 1).

Figure 1-4837 Remove one screw



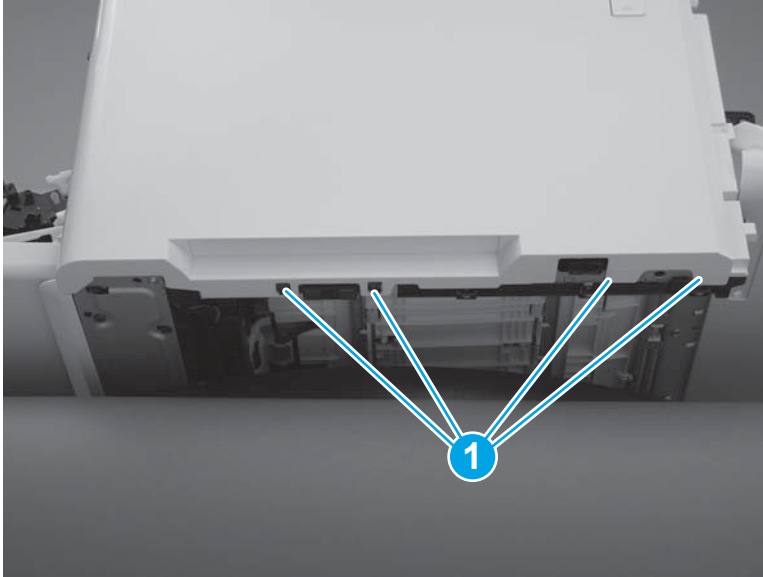
2. Release two tabs (callout 1) at the front of the cover. Hold the cover open to prevent the tabs from reengaging.

Figure 1-4838 Release two tabs



3. Slide the printer to the edge of a work surface. Note the location of the tabs on the lower edge of the cover (callout 1).

Figure 1-4839 Locate the tabs



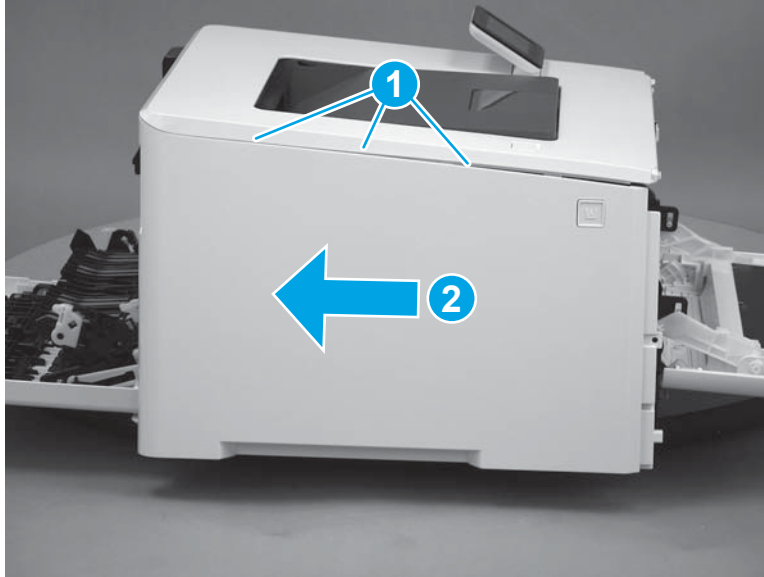
4. Beginning from the front of the cover, release four tabs (callouts 1-4) on the lower edge of the cover.

Figure 1-4840 Release bottom tabs



5. Release three tabs at the top of the cover (callout 1), and then slide the cover toward the rear of the printer to remove it.

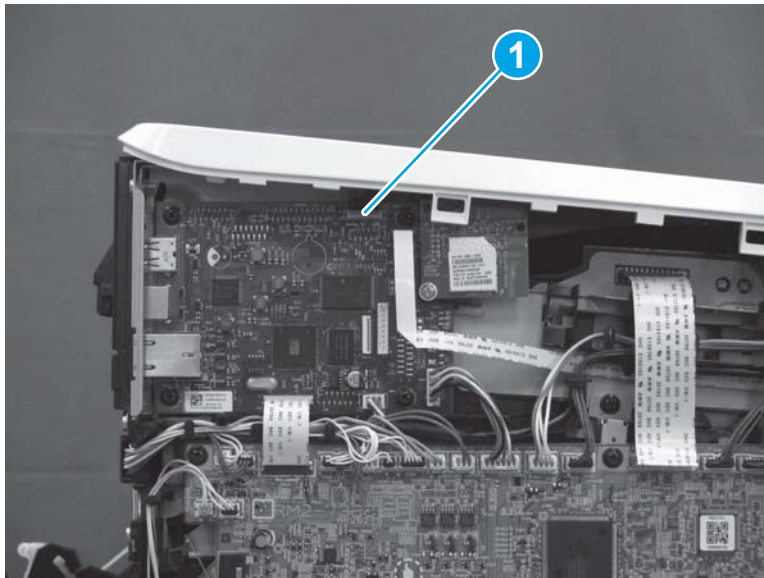
Figure 1-4841 Release three tabs



Step 5: Remove the top cover (M452 models)

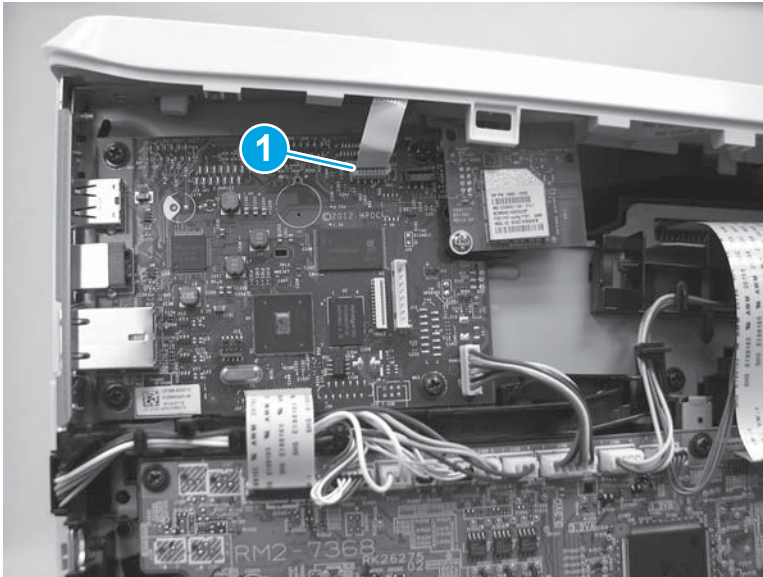
1. **M452dw model only:** On the left side of the printer, on the formatter, disconnect one connector (callout 1).

Figure 1-4842 Disconnect one connector



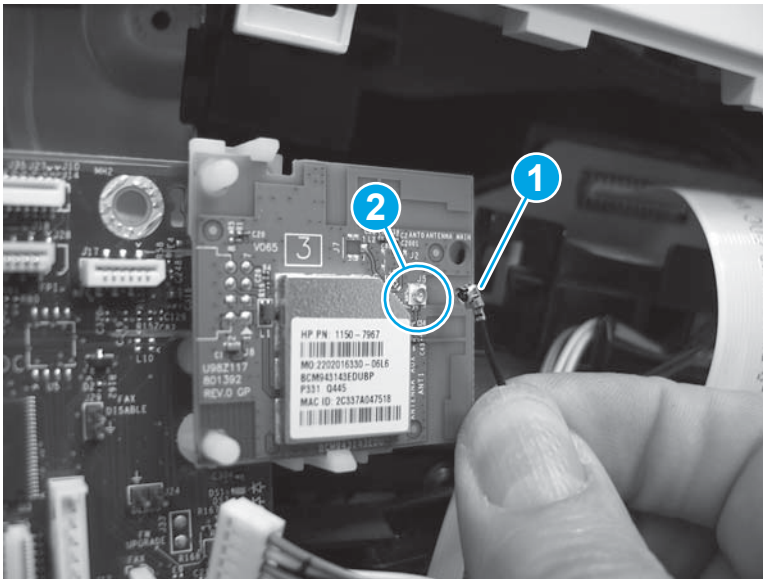
2. **M452nw/dn models only:** On the left side of the printer, on the formatter, disconnect one connector (callout 1).

Figure 1-4843 Disconnect one connector



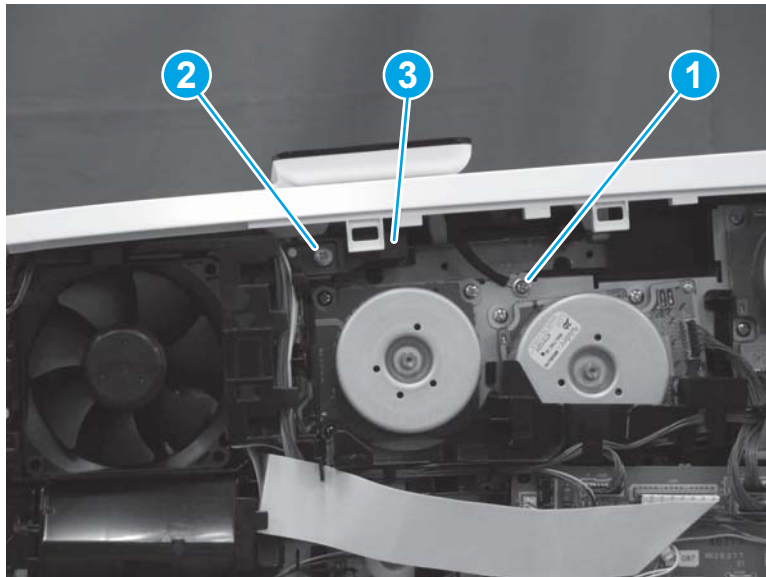
3. **M452nw/dw models only:** Disconnect the antenna (callout 1) from the connector (callout 2) on the wireless PCA.

Figure 1-4844 Disconnect the antenna



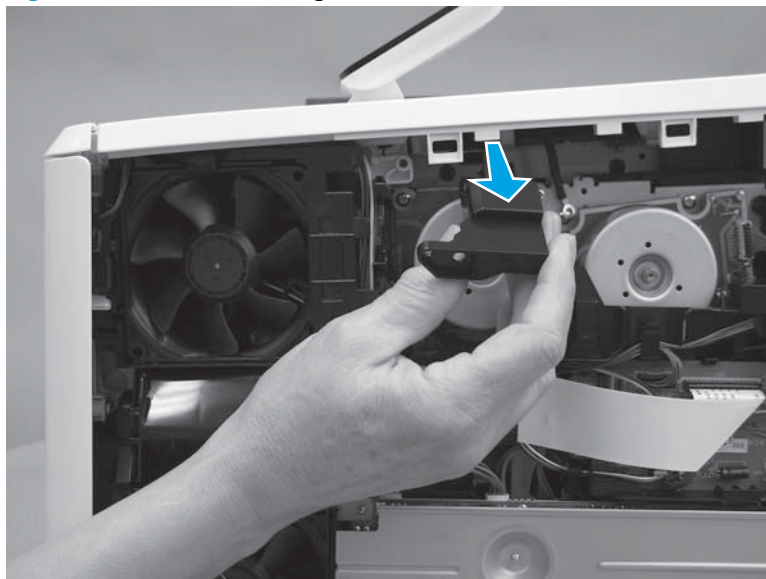
4. **M452dw model only:** Remove one screw (callout 1) and release one ground wire. Remove one screw (callout 2). Note the location (callout 3) of the guide.

Figure 1-4845 Remove two screws



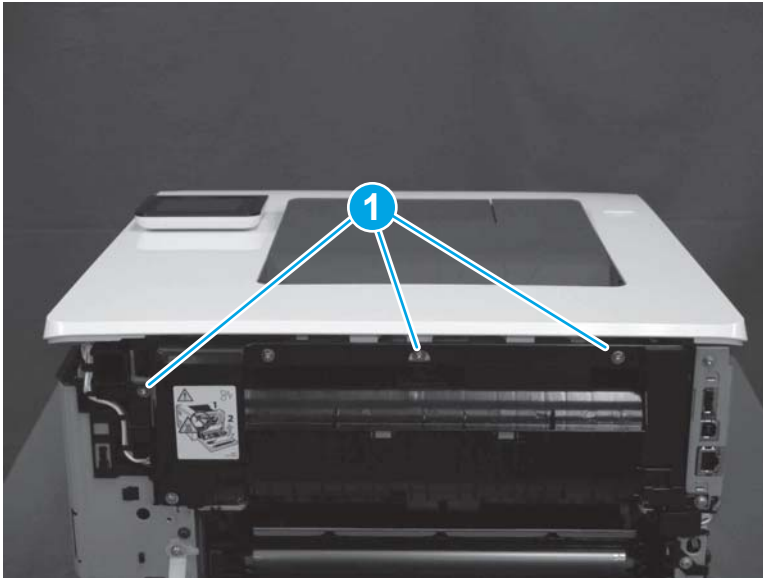
5. **M452dw model only:** Remove the guide.

Figure 1-4846 Remove the guide



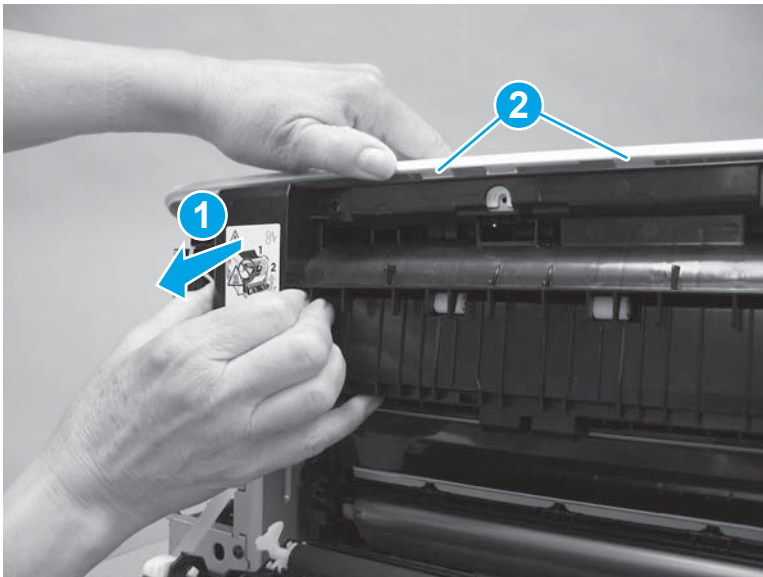
6. **M452dn/dw models only:** At the back of the printer, remove three screws (callout 1).

Figure 1-4847 Remove three screws



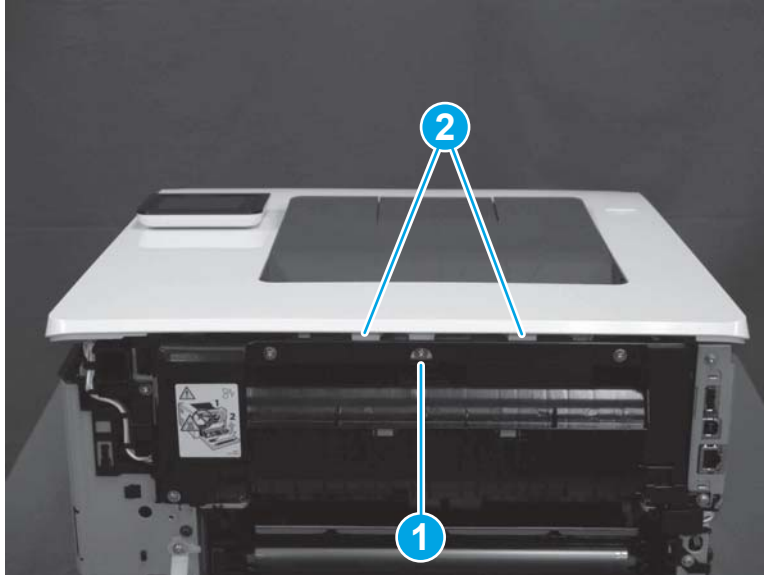
7. **M452dn/dw models only:** Gently pull the top of the fuser away (callout 1), and then release two tabs (callout 2).

Figure 1-4848 Release two tabs



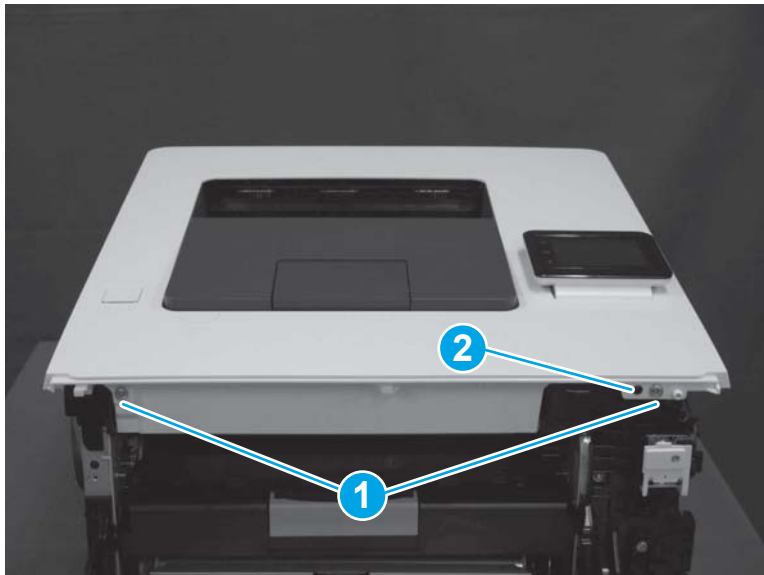
8. **M452nw model only:** At the back of the printer, remove one screw (callout 1), and then release two tabs (callout 2).

Figure 1-4849 Remove screw and release two tabs



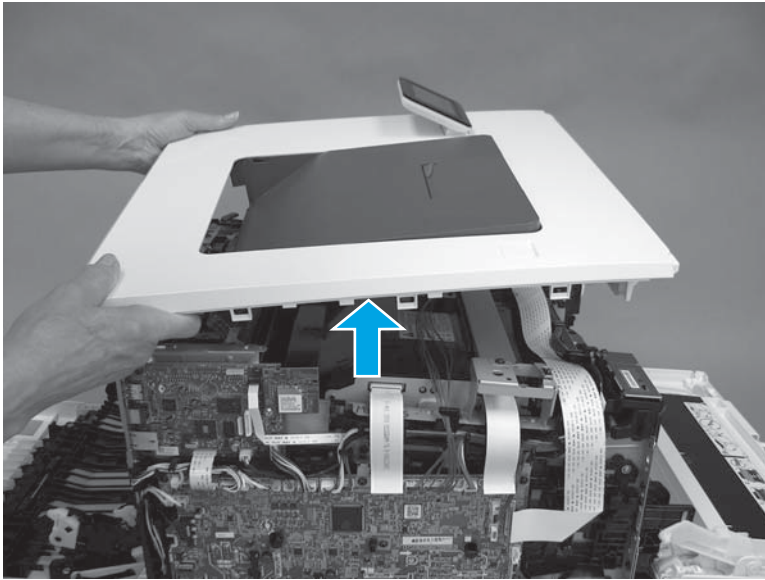
9. At the front of the printer, remove two screws (callout 1), and then release one tab (callout 2).

Figure 1-4850 Remove two screws and release one tab



10. Remove the top cover.

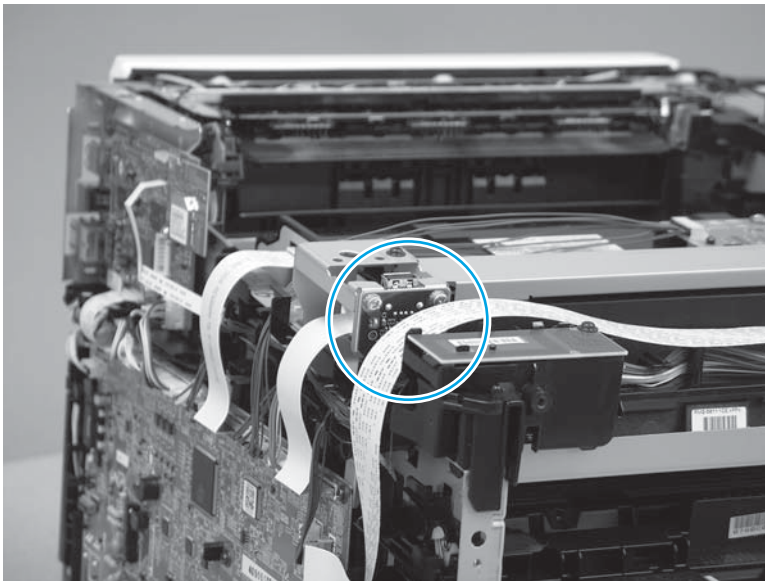
Figure 1-4851 Remove the top cover



Step 6: Remove the walk-up USB port (M452dw model)

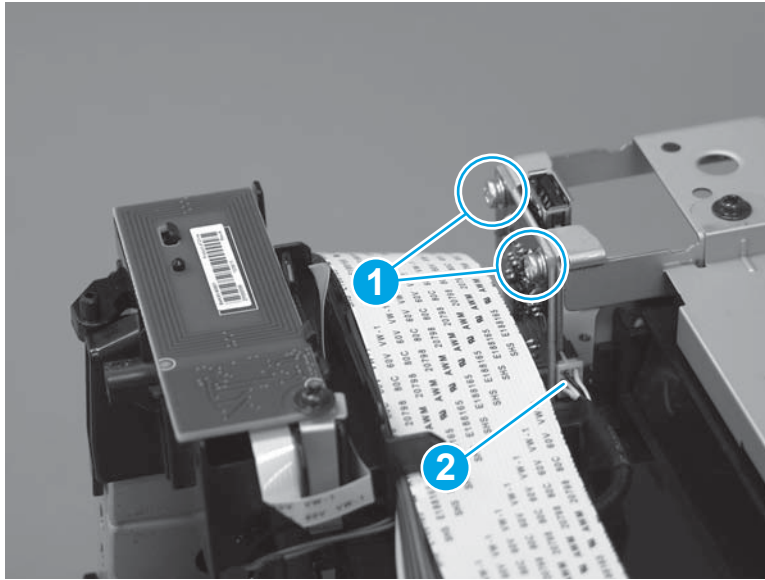
1. Locate the walk-up USB port.

Figure 1-4852 Locate the walk-up USB port



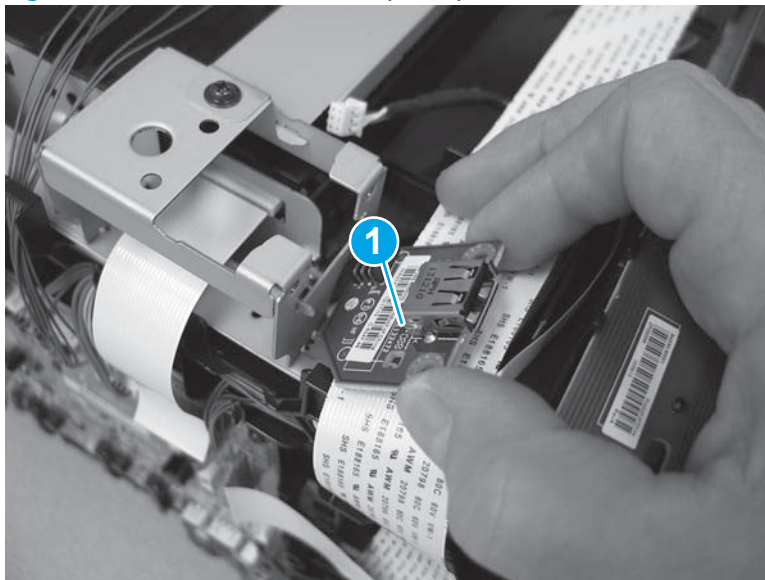
2. Remove two screws (callout 1), and then disconnect one connector (callout 2).

Figure 1-4853 Remove screws and disconnect connector



3. Remove the walk-up USB port (callout 1).

Figure 1-4854 Remove the walk-up USB port



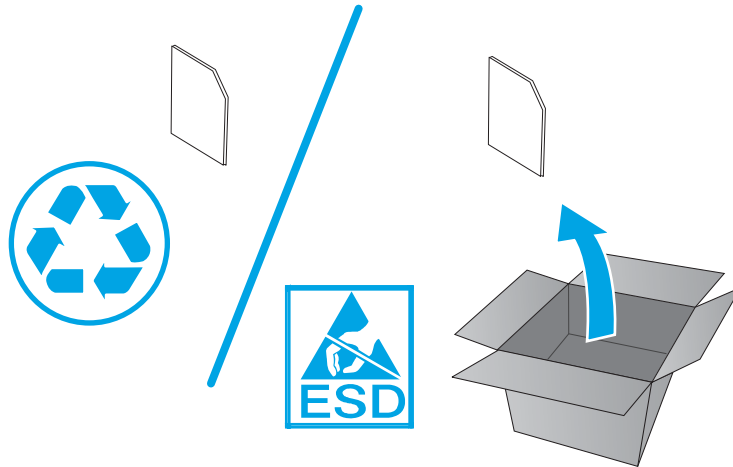
Step 7: Unpack the replacement part

Remove the new part from its package. Save all packaging for recycling the used part.

For complete information on HP's recycling programs, go to [Product return and recycling](#).

 **NOTE:** HP recommends responsible disposal of the defective part.

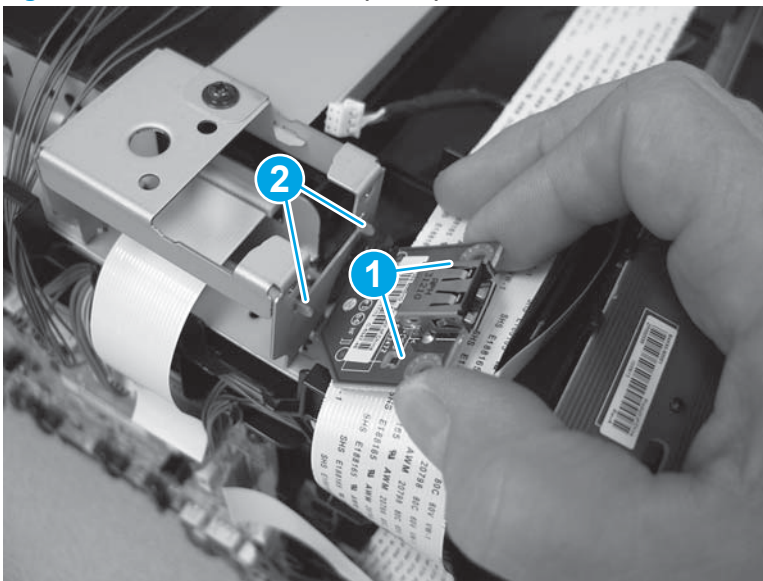
Figure 1-4855 Recycle and unpack



Step 8: Install the walk-up USB port (M452dw model)

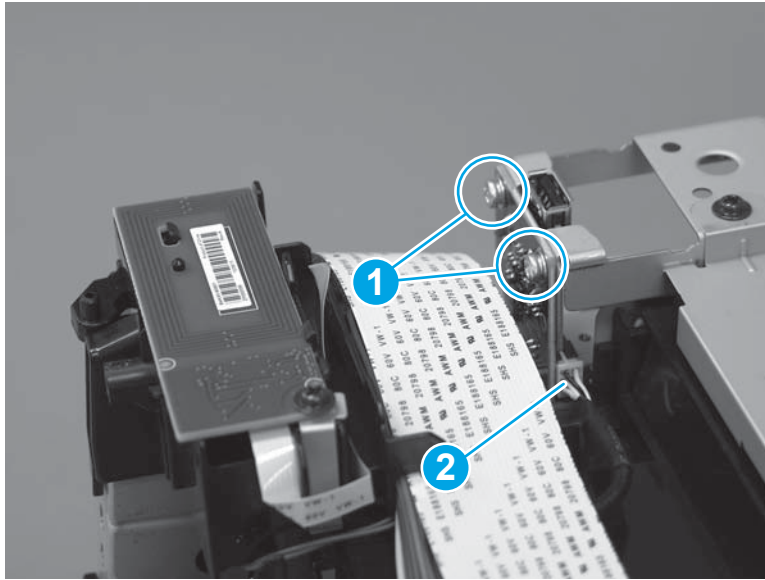
1. Position the slots (callout 1) on the walk-up USB port over the tabs (callout 2) on the printer.

Figure 1-4856 Install the walk-up USB port



2. Install two screws (callout 1), and then connect one connector (callout 2).

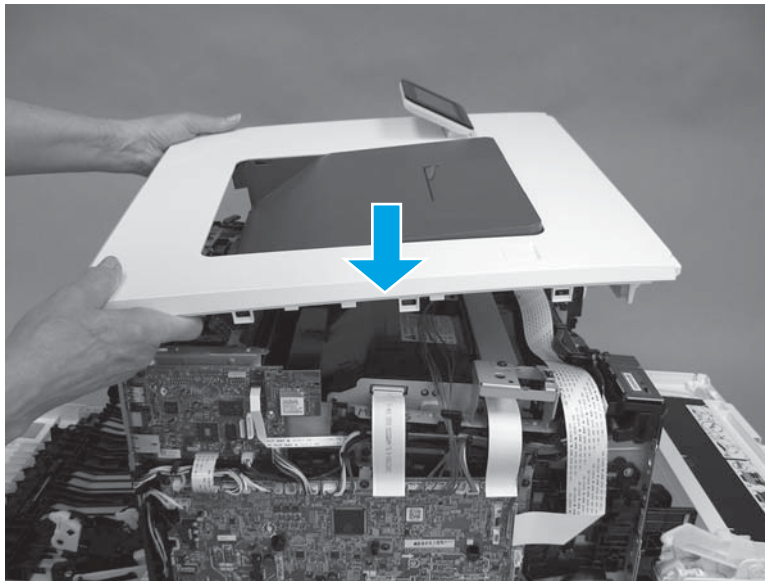
Figure 1-4857 Install screws and connect connector



Step 9: Install the top cover (M452 models)

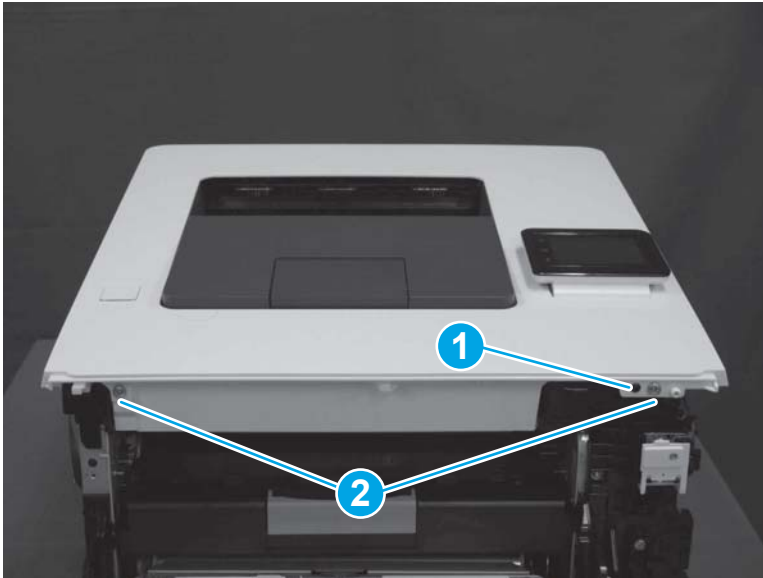
1. Position the top cover on top of the printer.

Figure 1-4858 Position the top cover



2. At the front of the printer, engage one tab (callout 1), and then install two screws (callout 2).

Figure 1-4859 Engage tab and install screws

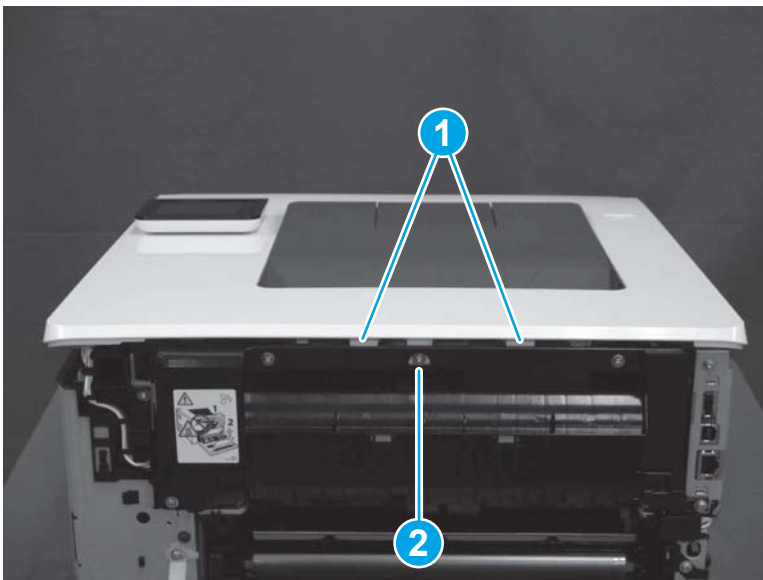


3. **M452nw model only:** At the back of the printer, install two tabs (callout 1), and then install one screw (callout 2).



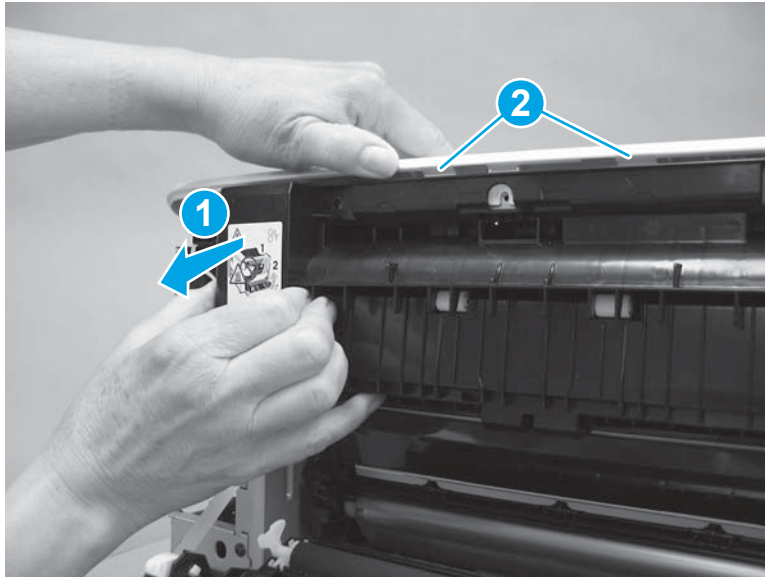
NOTE: The M452dw model is shown. The procedure is correct for the M452nw model.

Figure 1-4860 Install two tabs and one screw



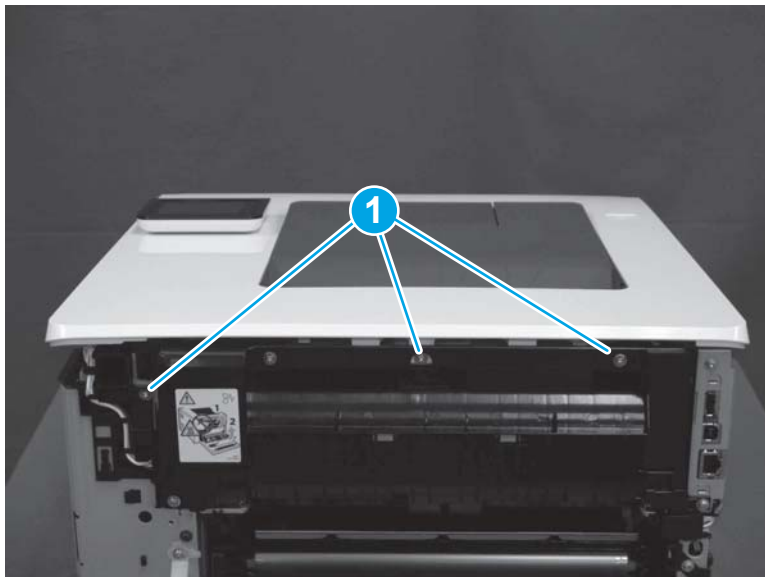
- M452dn/dw models only:** Gently pull the top of the fuser away (callout 1), and then install two tabs (callout 2).

Figure 1-4861 Install two tabs



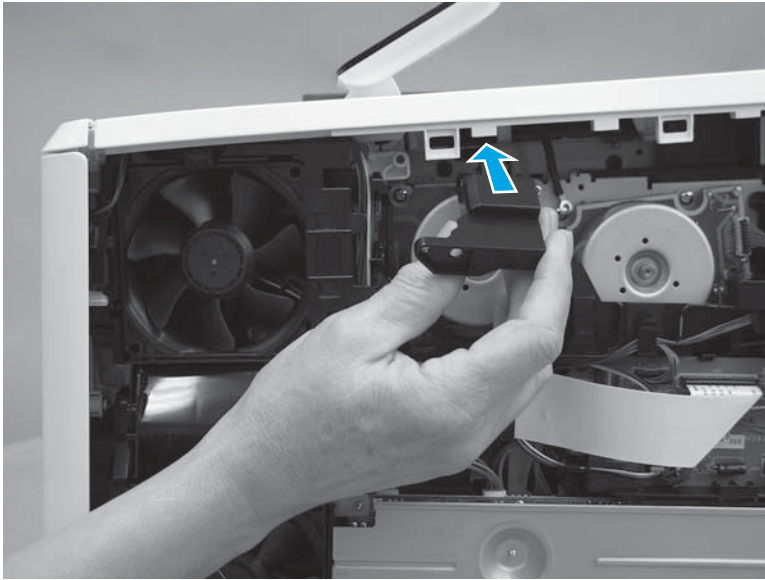
- M452dn/dw models only:** At the back of the printer, install three screws (callout 1).

Figure 1-4862 Install three screws



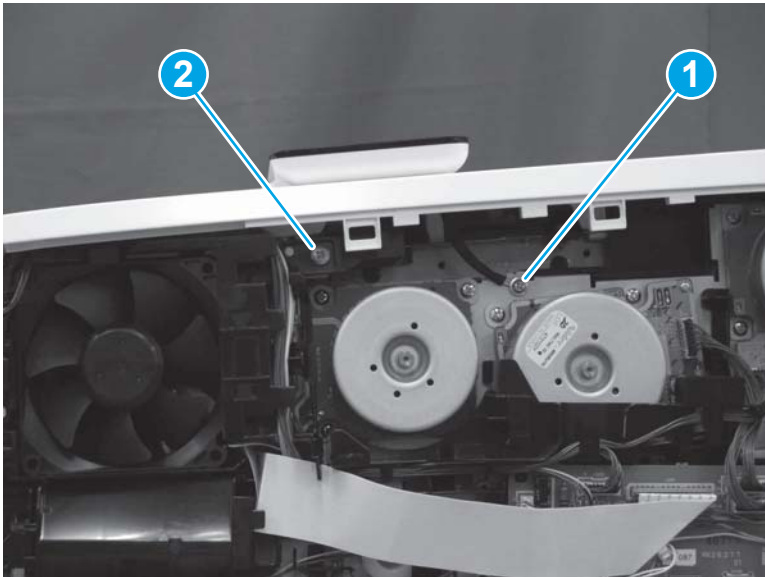
6. **M452dw model only:** Position the guide in the printer.

Figure 1-4863 Install the guide



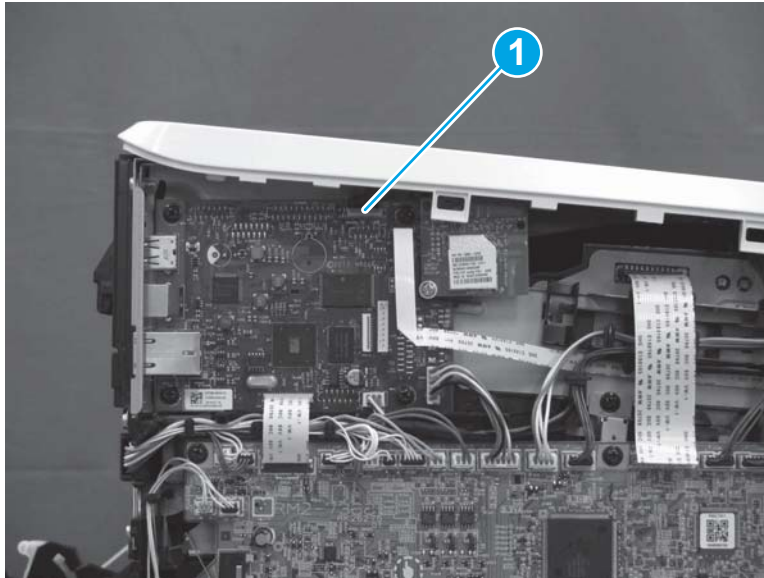
7. **M452dw model only:** Position the ground wire and Install one screw (callout 1). Install one screw (callout 2).

Figure 1-4864 Install two screws



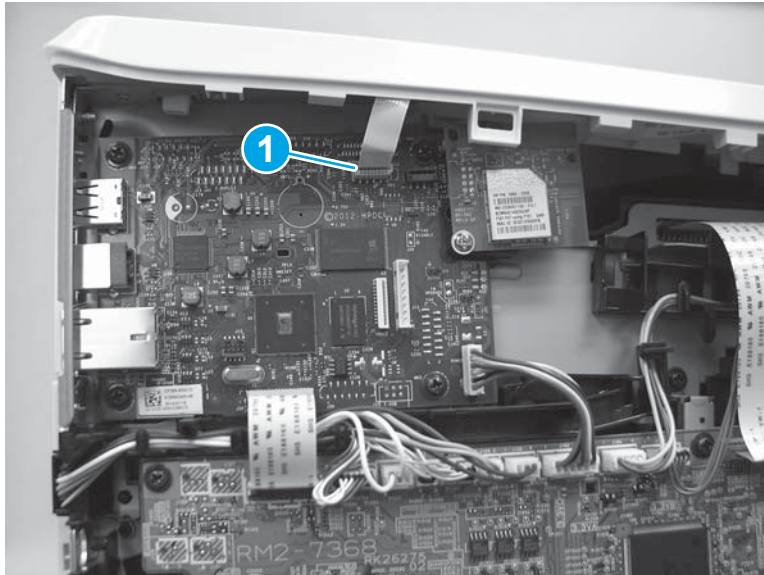
- 8. M452dw model only:** On the left side of the printer, on the formatter, connect one connector (callout 1).

Figure 1-4865 Connect one connector



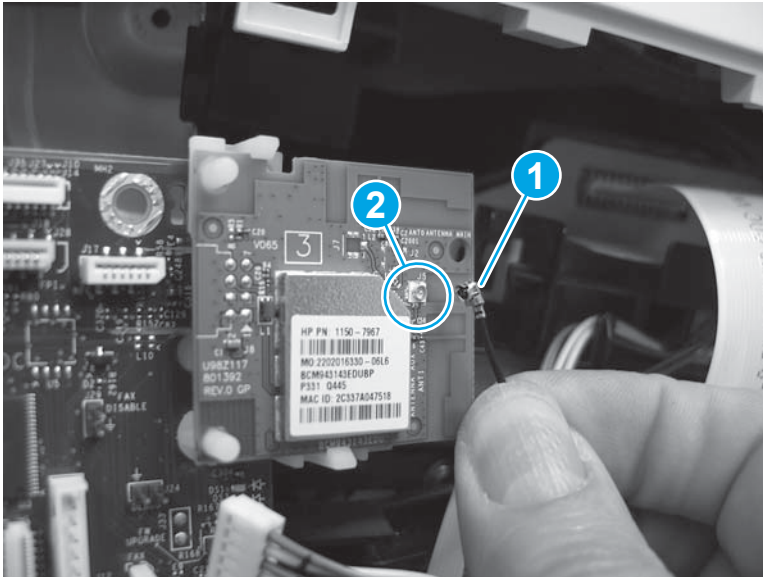
- 9. M452nw/dn models only:** On the left side of the printer, on the formatter, connect one connector (callout 1).

Figure 1-4866 Connect one connector



- 10. M452nw/dw models only:** Connect the antenna (callout 1) to the connector (callout 2) on the wireless PCA.

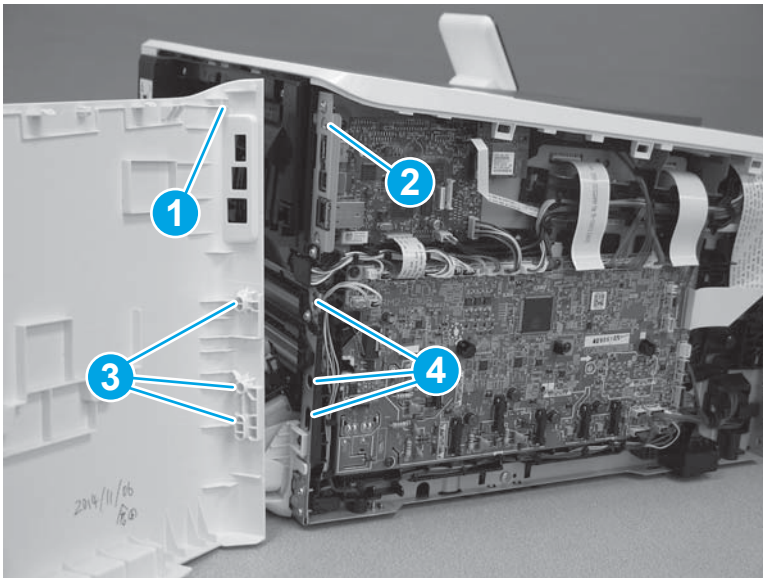
Figure 1-4867 Connect the antenna



Step 10: Install the left cover (M452 models)

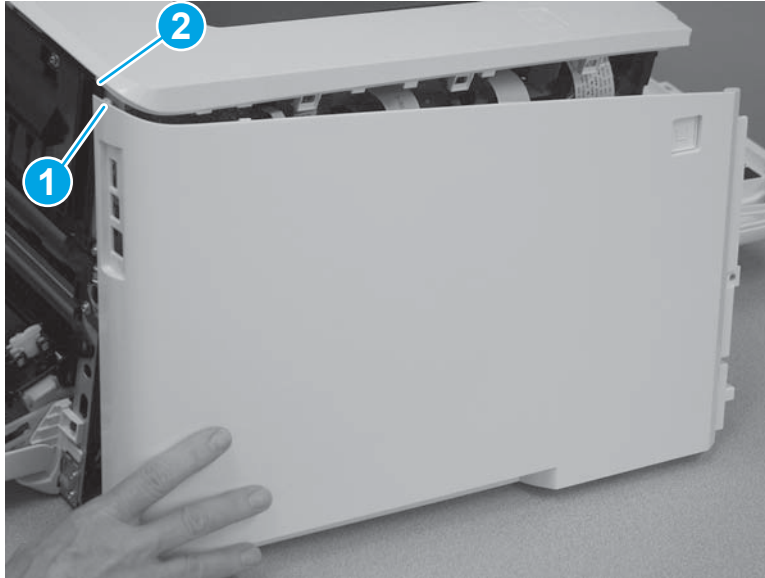
1. Position the hook (callout 1) on the cover in the slot (callout 2) on the printer. Position three tabs (callout 3) on the back of the cover in the slots (callout 4) in the printer.

Figure 1-4868 Position three tabs



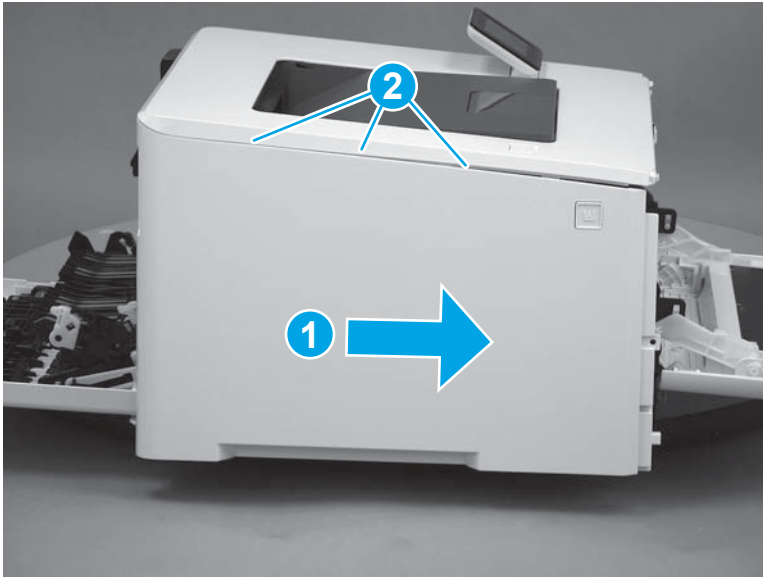
2. At the back of the printer, install the tab (callout 1) under the edge of the top cover (callout 2).

Figure 1-4869 Install one tab



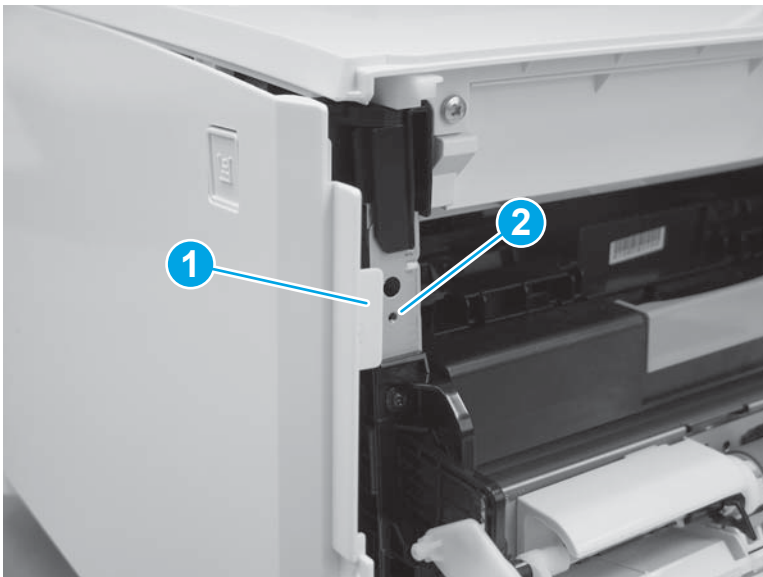
3. Slide the cover toward the front of the printer (callout 1), and then engage three tabs (callout 2) on the top of the cover.

Figure 1-4870 Install the left cover



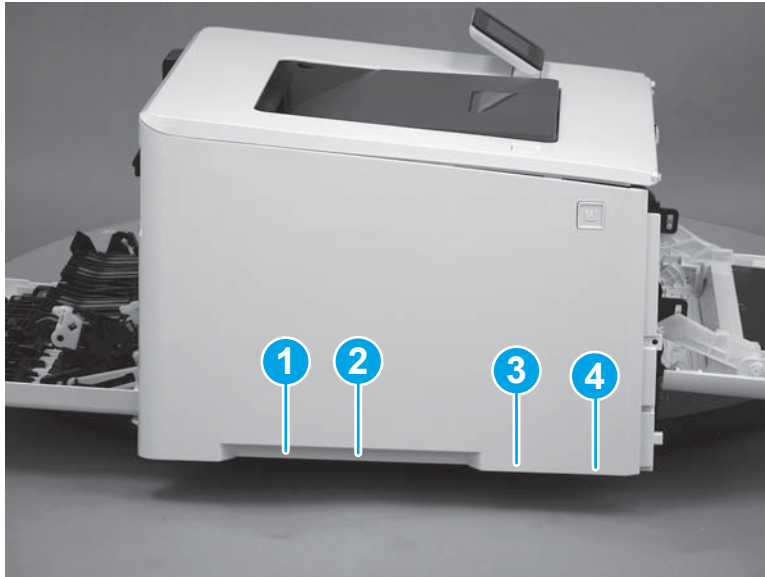
CAUTION: Make sure that the tab (callout 1) does not get caught behind the printer frame (callout 2).

Figure 1-4871 Make sure the tab does not get caught



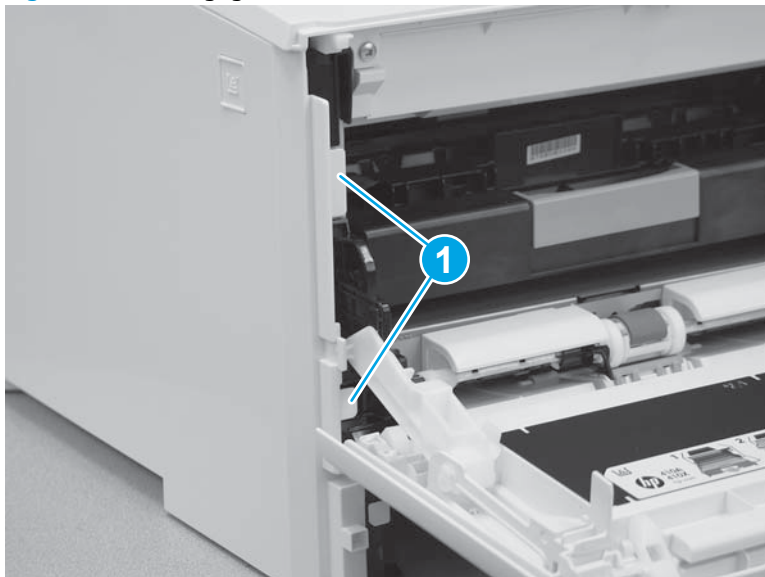
- Slide the printer to the edge of a work surface in order to access the tabs on the bottom of the cover. Beginning from the back of the cover, install four tabs (callouts 1-4) on the lower edge of the cover.

Figure 1-4872 Install four tabs



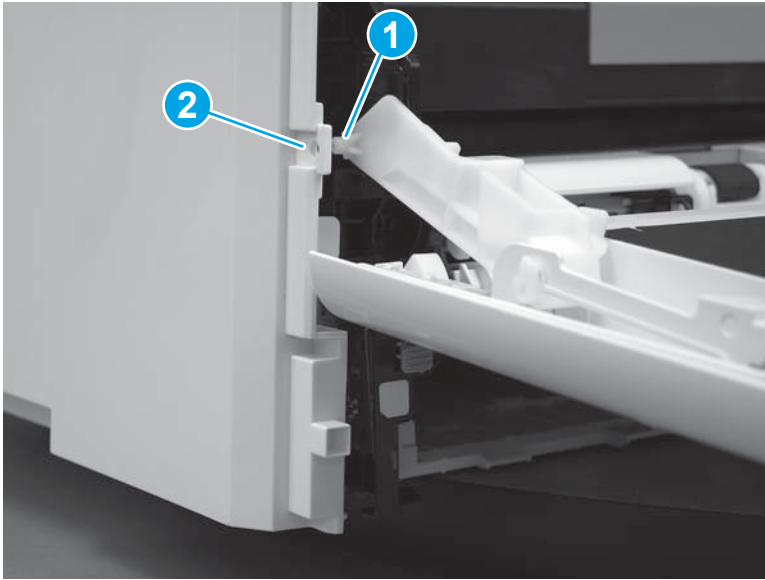
- Install two tabs (callout 1) at the front of the cover.

Figure 1-4873 Engage two tabs



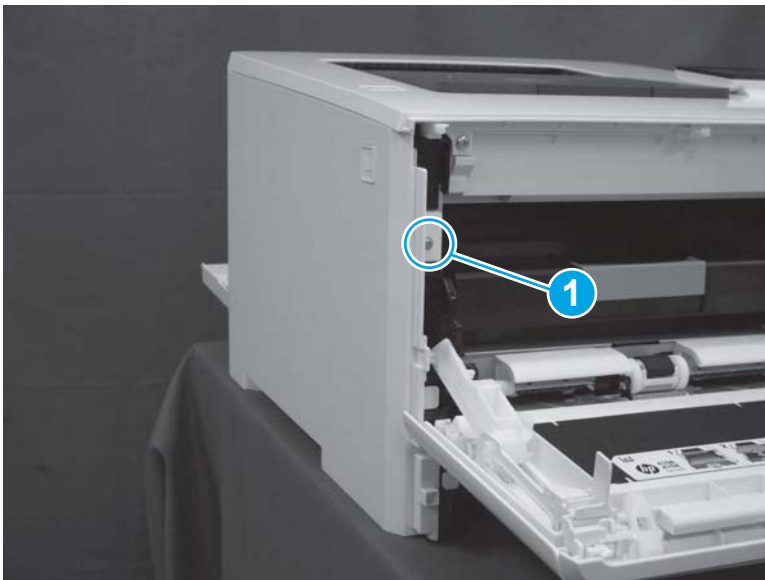
6. Make sure that the hinge pin (callout 1) on the front door fits into the slot (callout 2) on the left cover.

Figure 1-4874 Install hinge pin



7. Install one screw (callout 1).

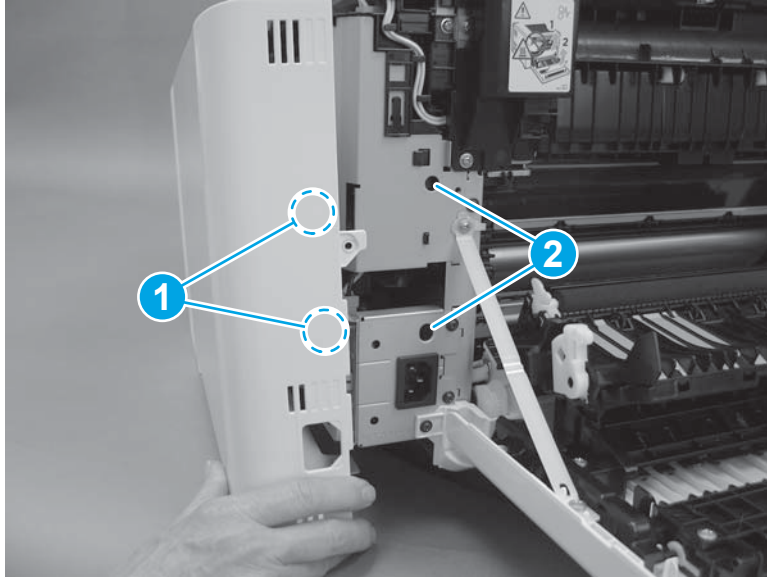
Figure 1-4875 Install one screw



Step 11: Install the right cover (M452 models)

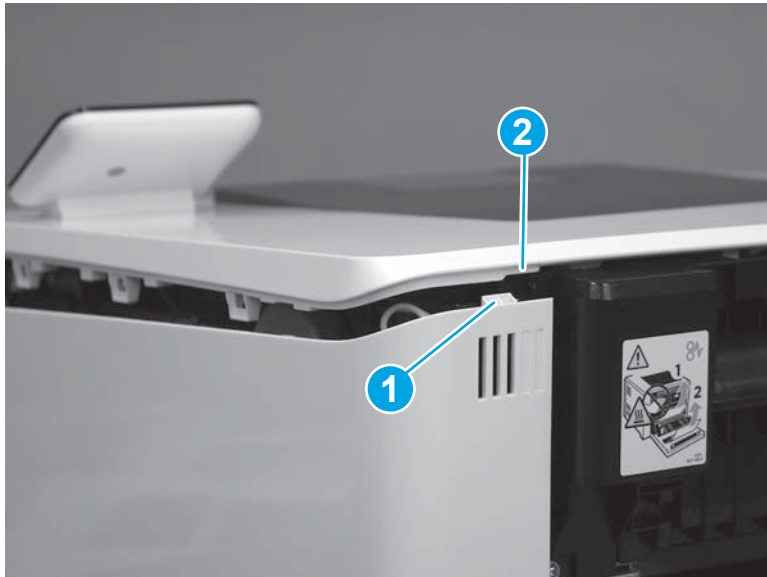
1. Position two tabs (callout 1) on the back of the cover in the slots (callout 2) in the printer.

Figure 1-4876 Position two tabs



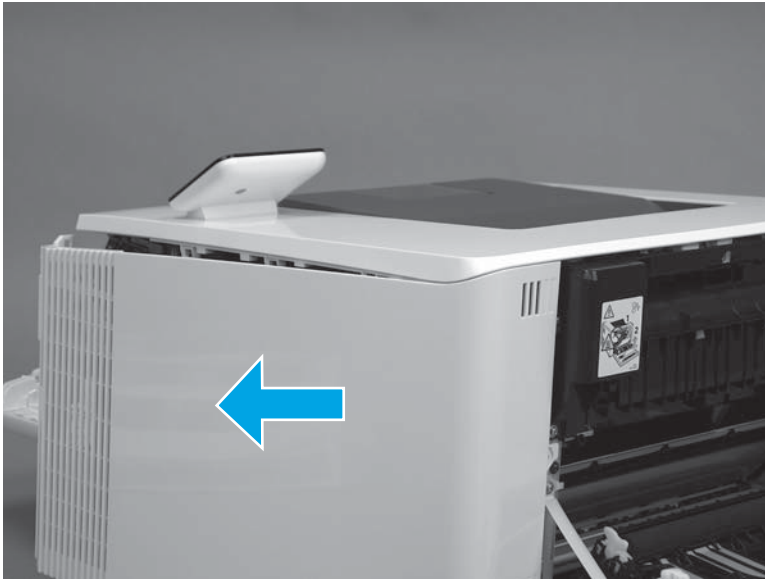
2. At the back of the printer, install the tab (callout 1) under the edge of the top cover (callout 2).

Figure 1-4877 Install rear tab



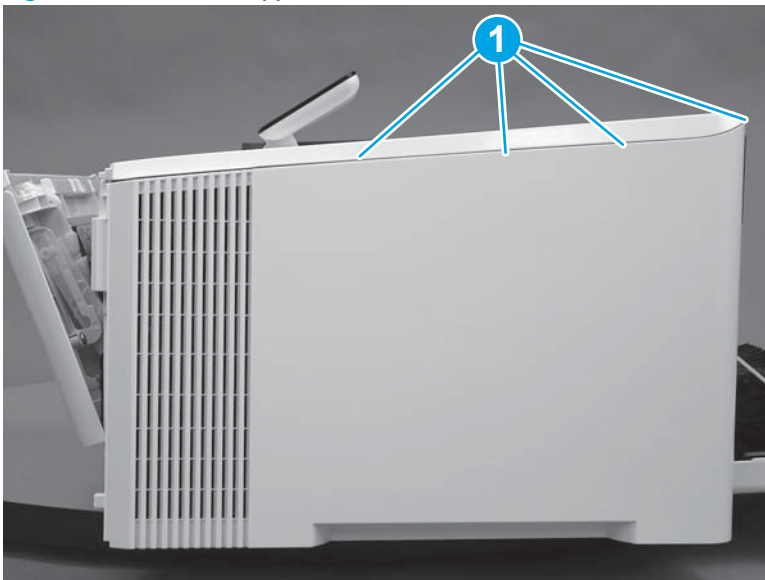
3. Slide the cover toward the front of the printer to install it.

Figure 1-4878 Install the right cover



4. Engage three tabs (callout 2) on the top of the cover.

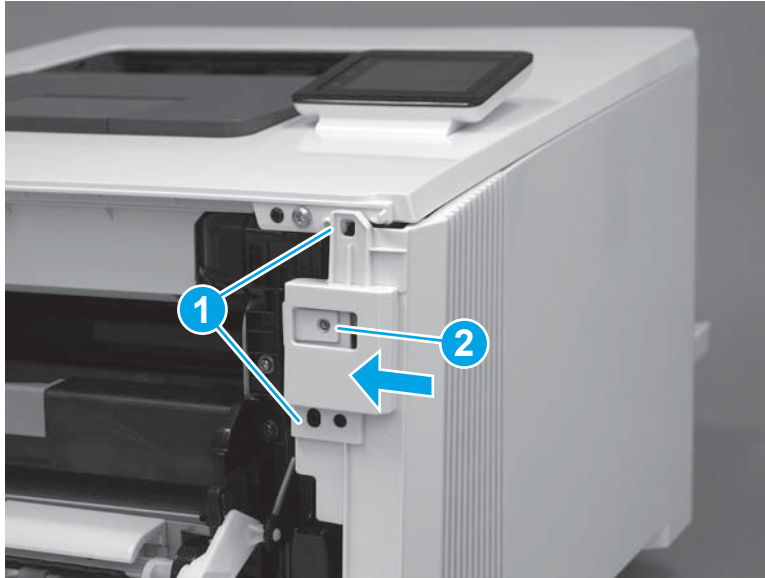
Figure 1-4879 Install upper tabs



5. At the front of the printer, position the front of the cover over two tabs (callout 1).

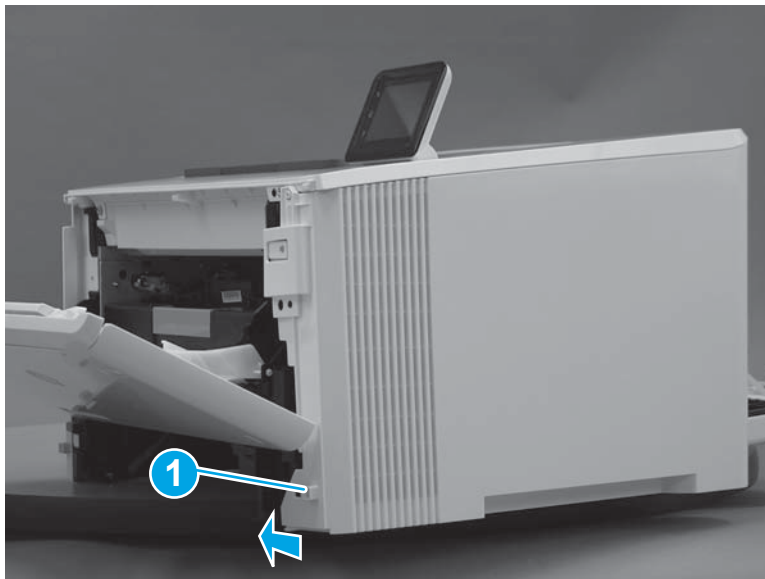
CAUTION: Be careful not to dislodge the power switch (callout 2).

Figure 1-4880 Install the front tabs



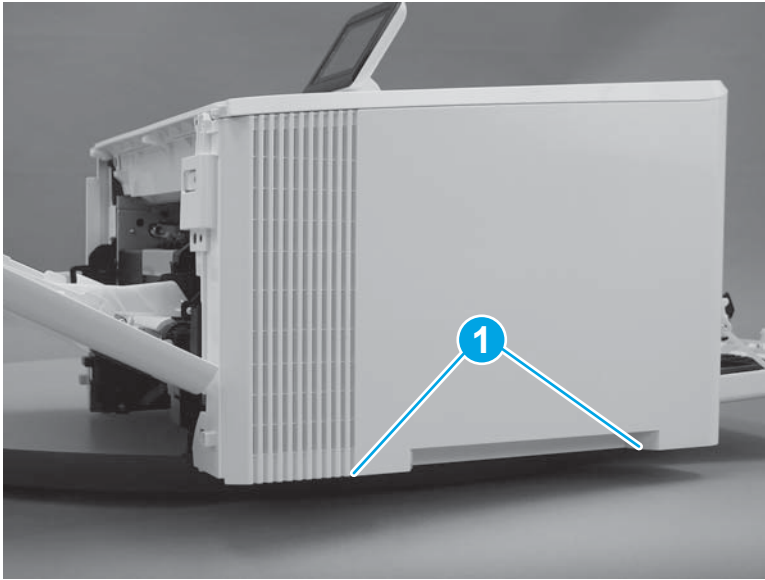
6. Press the right cover toward the printer to engage one tab (callout 1) on the front of the cover.

Figure 1-4881 Install the front lower tab



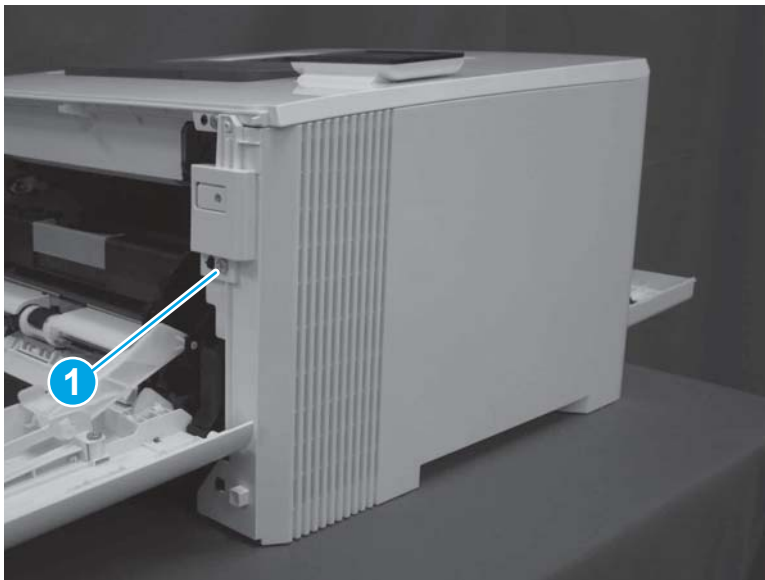
7. Install two tabs on the bottom of the cover (callout 1).

Figure 1-4882 Install two tabs



8. At the front of the printer, install one screw (callout 1).

Figure 1-4883 Install one screw



9. At the back of the printer, install one screw (callout 1).

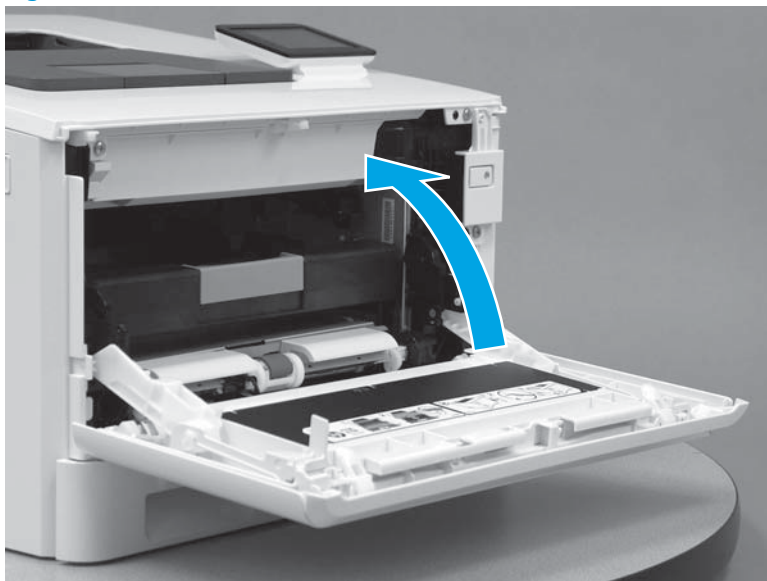
Figure 1-4884 Install one screw



Step 12: Close the front door and duplexer door

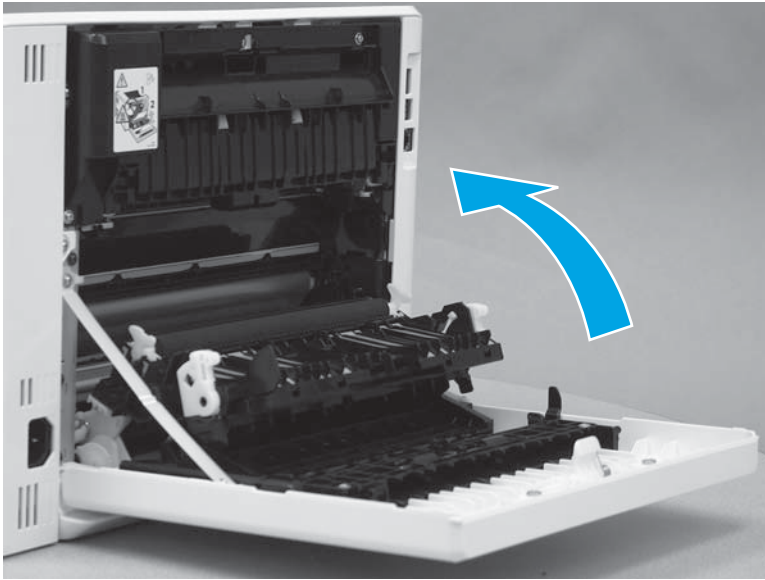
1. Close the front door.

Figure 1-4885 Close the front door



2. Close the duplexer door.

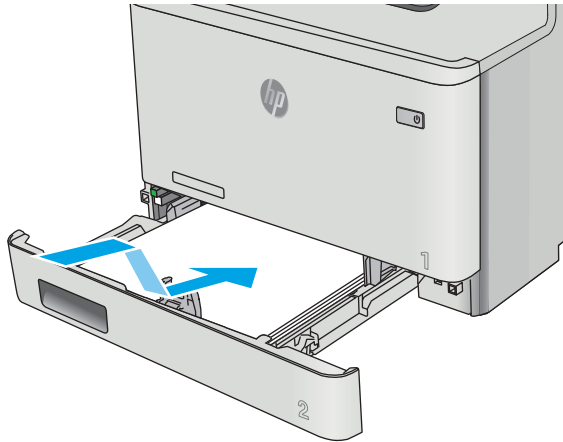
Figure 1-4886 Close the duplexer door



Step 13: Install Tray 2

- ▲ With the front of the tray slightly lifted, align the sides of the tray with the rails in the printer, and then carefully slide the tray into the printer. As the tray slides into the printer, lower the front of the tray, and then close it.

Figure 1-4887 Install the tray



Removal and replacement: Walk-up USB port (M377, M477 models)


- [Introduction](#)
- [Step 1: Remove Tray 2](#)
- [Step 2: Open the front door and rear door or duplexer door](#)
- [Step 3: Remove the right cover \(M377, M477 models\)](#)
- [Step 4: Remove the left cover \(M377, M477 models\)](#)
- [Step 5: Remove the rear top cover \(simplex model\)](#)
- [Step 6: Remove the integrated scanner assembly \(M377, M477 models\)](#)
- [Step 7: Remove the fax PCA \(M477 models\)](#)
- [Step 8: Remove the top cover \(M377, M477 models\)](#)
- [Step 9: Remove the walk-up USB port \(M377, M477 models\)](#)
- [Step 10: Unpack the replacement part](#)
- [Step 11: Install the walk-up USB port \(M377, M477 models\)](#)
- [Step 12: Install the top cover \(M377, M477 models\)](#)
- [Step 13: Install the fax PCA \(M477 models\)](#)
- [Step 14: Install the integrated scanner assembly \(M377, M477 models\)](#)
- [Step 15: Install the rear top cover \(simplex model\)](#)
- [Step 16: Install the left cover \(M377, M477 models\)](#)
- [Step 17: Install the right cover \(M377, M477 models\)](#)
- [Step 18: Close the front door and rear door or duplexer door](#)
- [Step 19: Install Tray 2](#)

Introduction

This document provides the procedures to remove and replace the walk-up USB port for the M377, M477.

Before you begin

- Turn off the printer.
- Disconnect the power cable.

 **WARNING!** To avoid damage to the printer, turn the printer off, wait 30 seconds, and then remove the power cord before attempting to service the printer.

- Use the table below to identify the correct part number for your printer. To order the part, go to www.hp.com/buy/parts.

Walk-up USB port part number

CF368-60001Walk-up USB port

Required tools

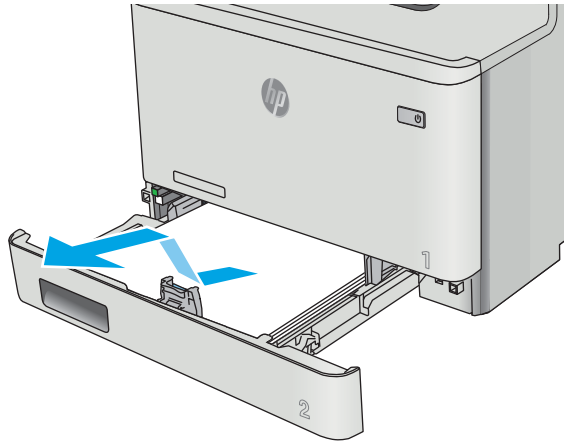
- #2 Phillips screwdriver with a magnetic tip

After performing service

- Connect the power cable.
- Use the power switch to turn the power on.

Step 1: Remove Tray 2

- ▲ Pull the tray out until it stops. Lift the front of the tray, and then pull it out of the printer to remove it.

Figure 1-4888 Remove the tray**Step 2: Open the front door and rear door or duplexer door**

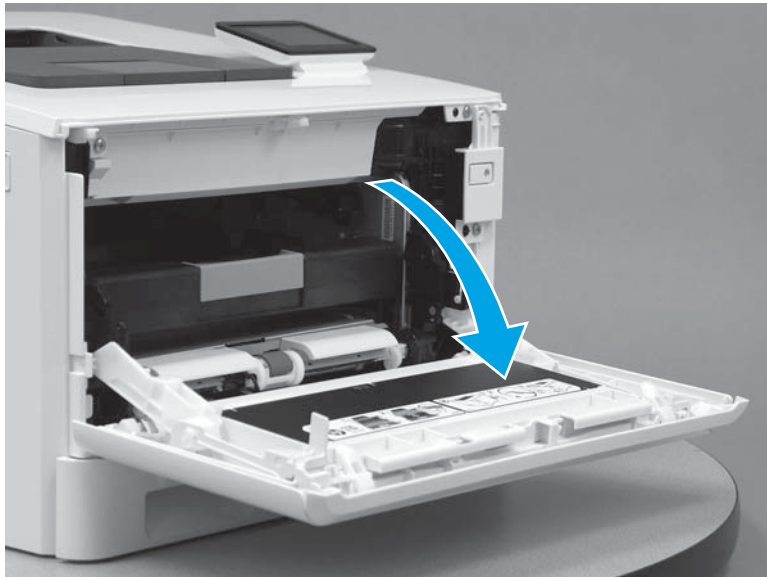
1. Press the button (callout 1) on the left side of the printer to release the front door.

Figure 1-4889 Release the front door



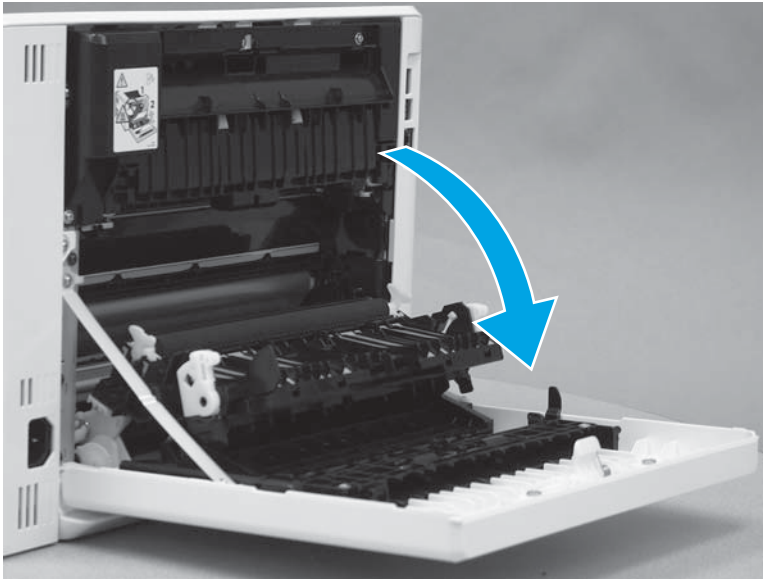
2. Open the front door.

Figure 1-4890 Open the front door



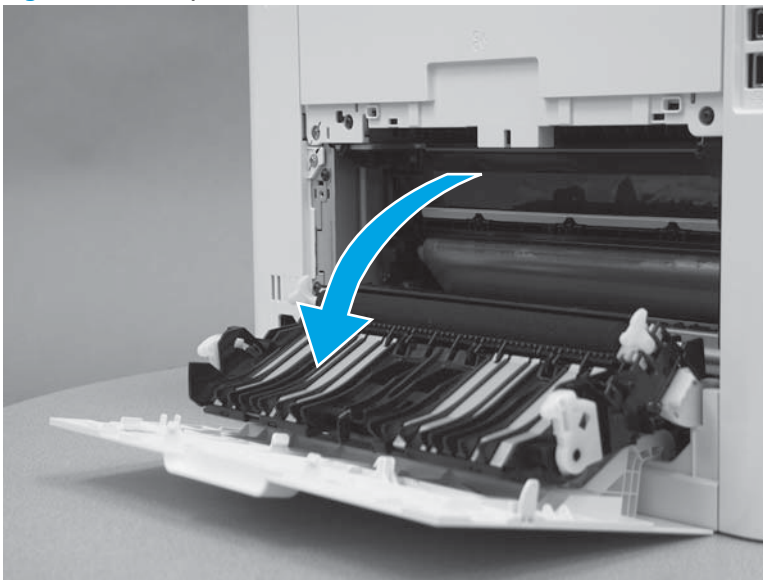
3. **Duplex models:** Open the duplexer door.

Figure 1-4891 Open the duplexer door



4. **Simplex models:** Open the rear door.

Figure 1-4892 Open the rear door



Step 3: Remove the right cover (M377, M477 models)

1. Raise the scanner.

Figure 1-4893 Raise the scanner



2. At the back of the printer, remove one screw (callout 1).

Figure 1-4894 Remove one screw



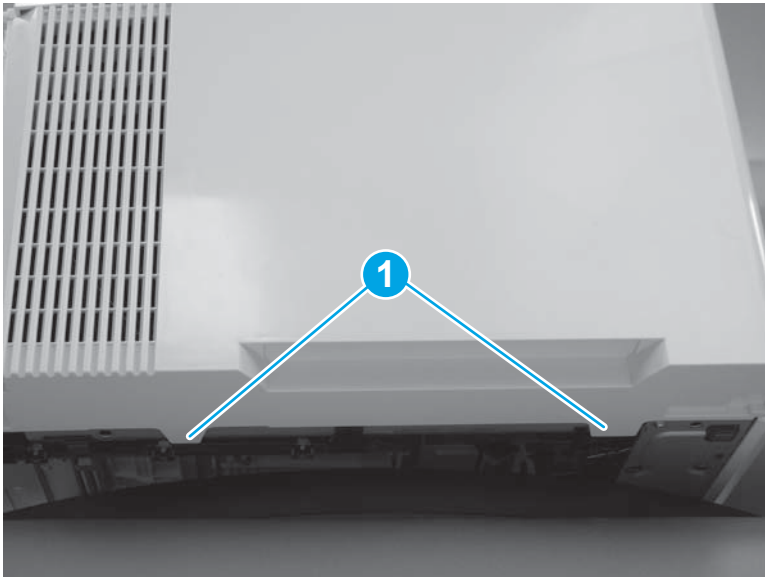
3. At the front of the printer, remove one screw (callout 1).

Figure 1-4895 Remove one screw



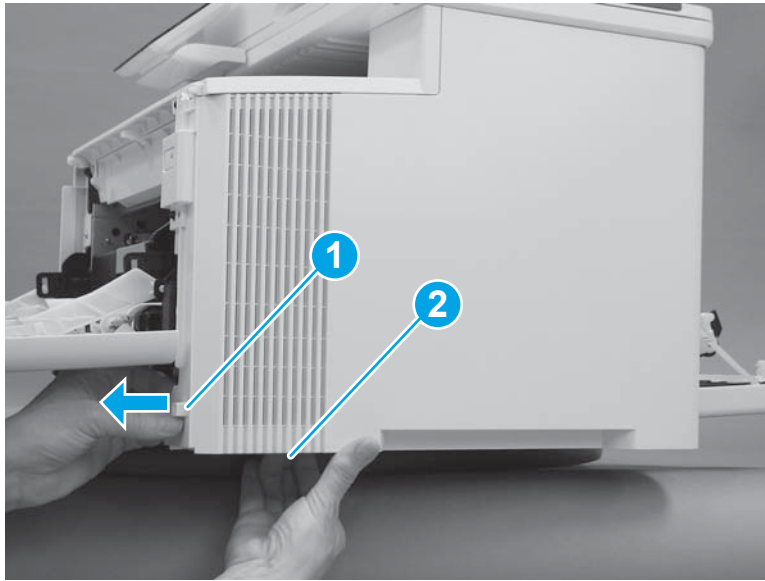
4. Slide the printer to the edge of a work surface. Note the location of the tabs on the lower edge of the cover (callout 1).

Figure 1-4896 Locate the tabs



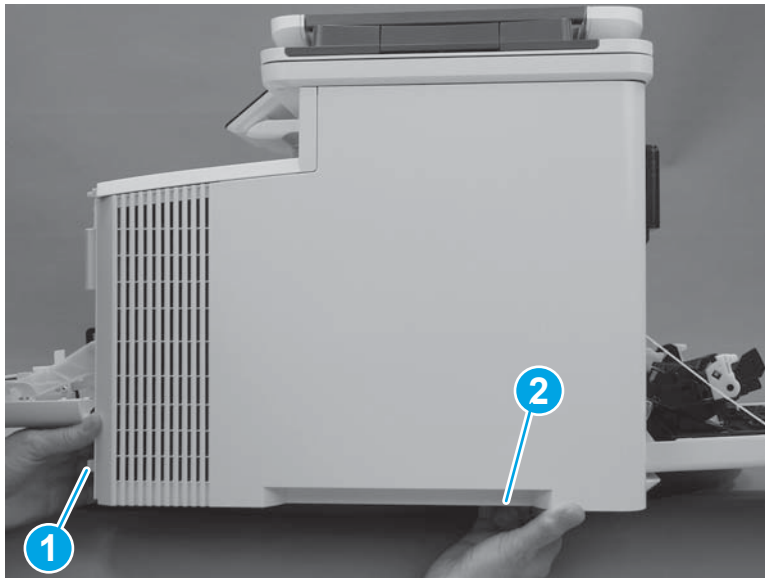
5. Release one tab (callout 1) on the front of the cover by slightly pulling the cover away from the printer. While holding the cover in the released position, release one tab (callout 2) on the lower edge of the cover.

Figure 1-4897 Release front lower tabs



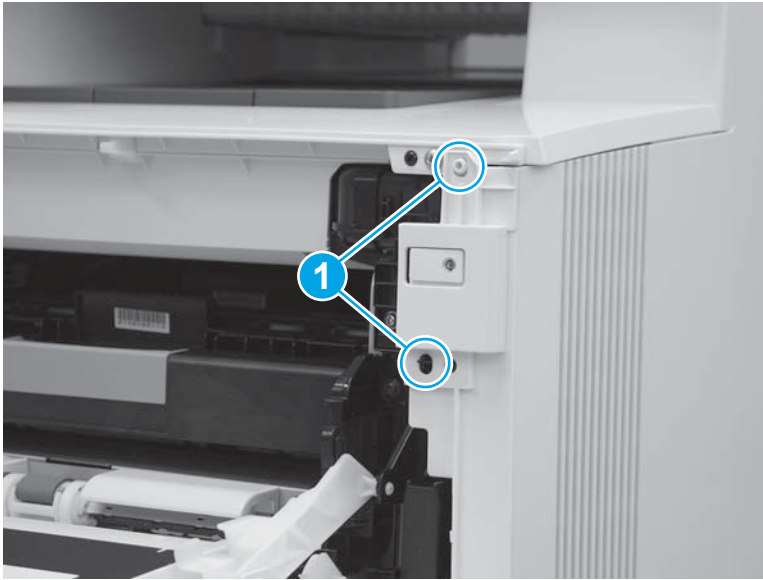
6. Hold the front tabs in the released position (callout 1), and then release one tab (callout 2) on the lower edge of the cover, toward the back of the printer.

Figure 1-4898 Release lower rear tab



7. Release two tabs at the front of the printer (callout 1) by slightly pulling the cover away from the printer.

Figure 1-4899 Release front upper tabs



8. Rotate the front of the cover away from the printer (callout 1).

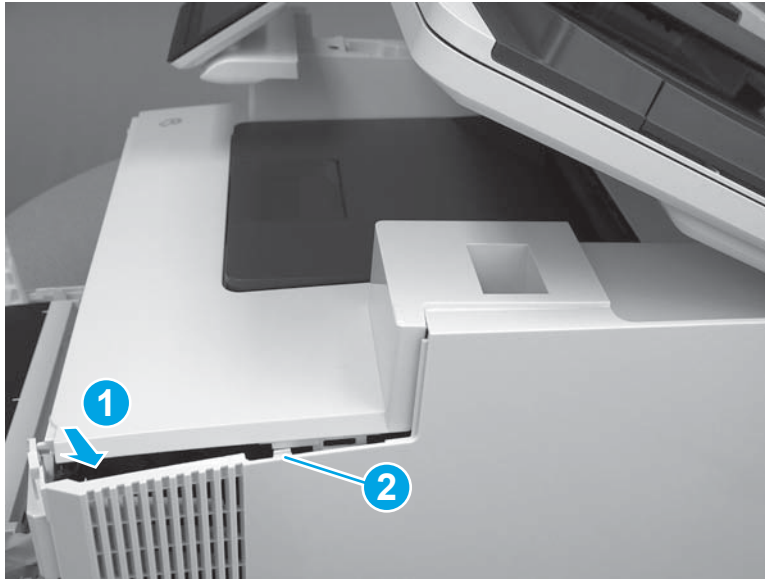
CAUTION: Be careful not to dislodge the power switch (callout 2).

Figure 1-4900 Rotate the front of the cover



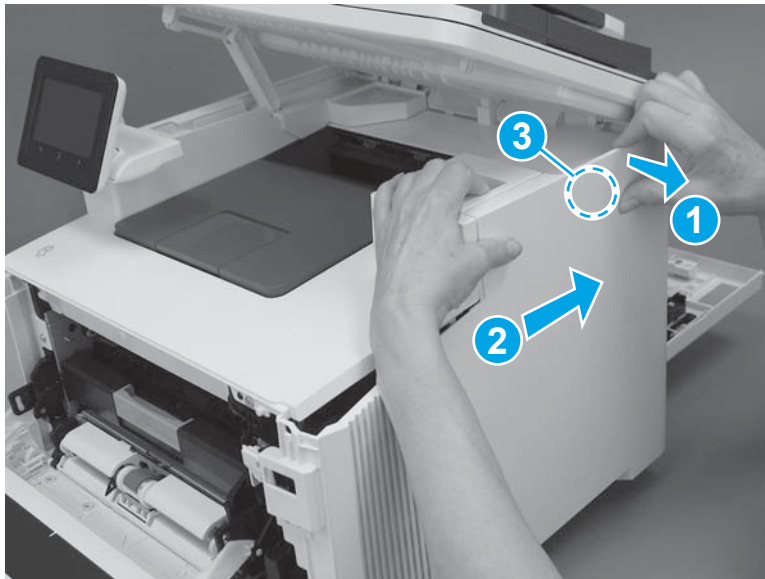
9. Slightly pull the front of the cover away from the printer (callout 1) to release one tab (callout 2).

Figure 1-4901 Release top tabs



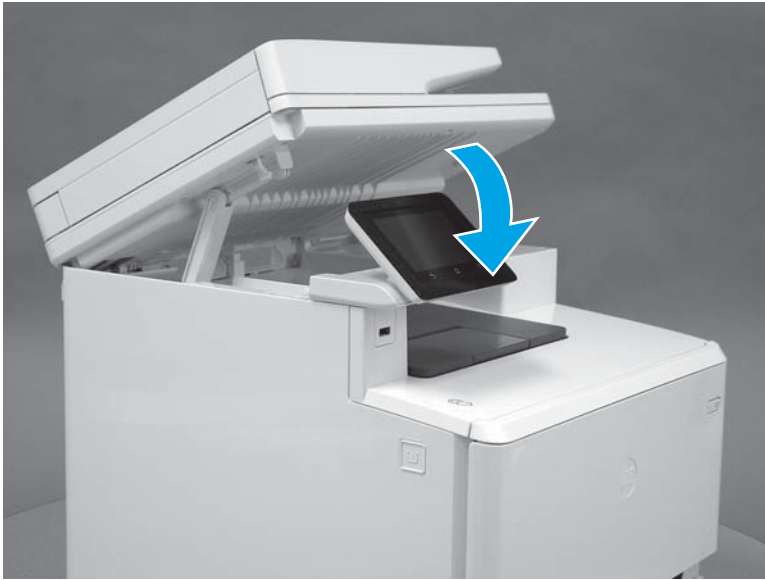
10. At the top of the printer, slightly pull the top of the cover away from the printer to release one retention tab (callout 1) on the inside of the cover. While holding the cover away, slide the cover toward the back of the printer (callout 2) to release one hook (callout 3) on the inside of the cover.

Figure 1-4902 Release one tab and one hook



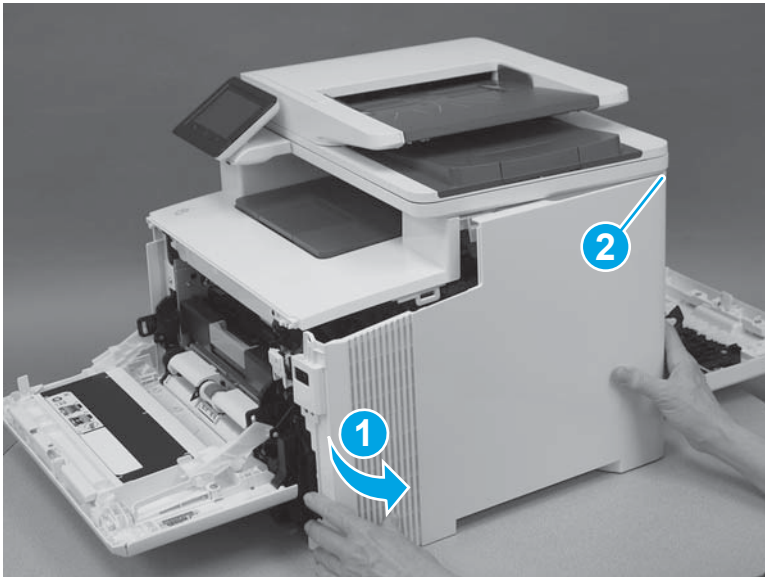
11. Lower the scanner.

Figure 1-4903 Lower the scanner



12. Rotate the cover away from the printer (callout 1) to release one tab (callout 2) at the back of the printer, and then remove the cover.

Figure 1-4904 Remove the right cover



Step 4: Remove the left cover (M377, M477 models)

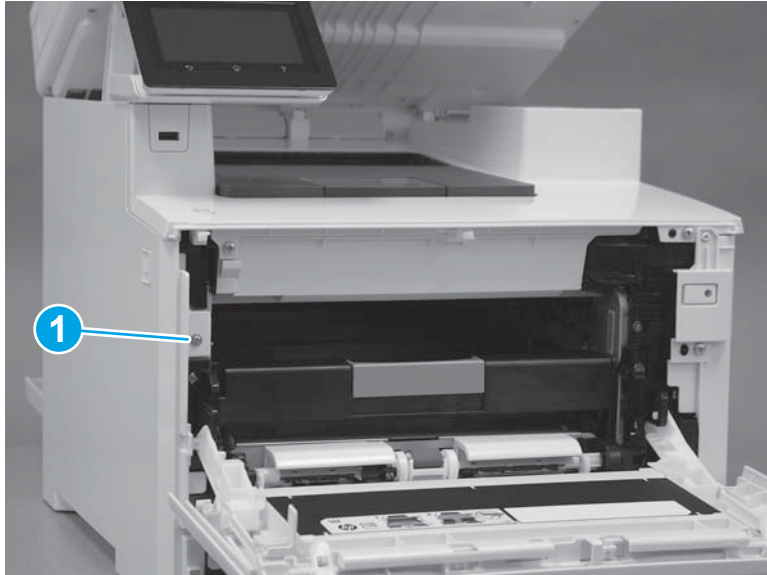
1. Raise the scanner.

Figure 1-4905 Raise the scanner



2. At the front of the printer, remove one screw (callout 1).

Figure 1-4906 Remove one screw



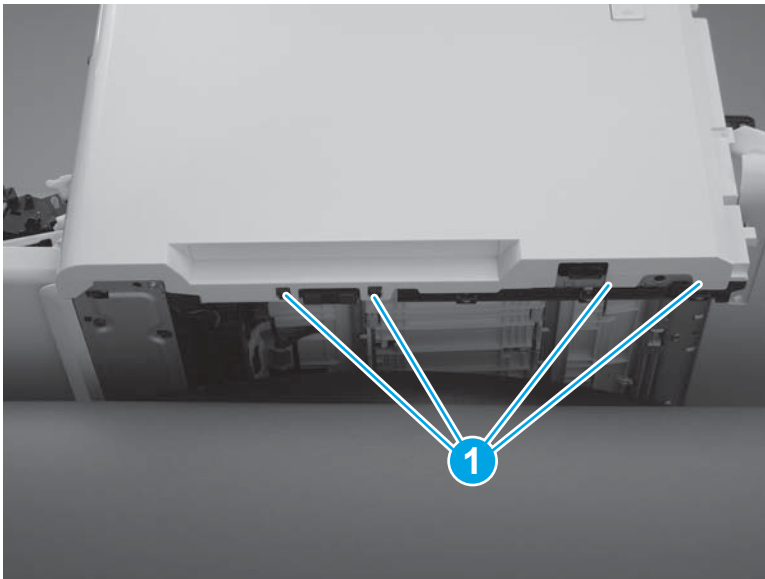
3. Release two tabs (callout 1) at the front of the cover. Hold the cover open to prevent the tabs from re-engaging.

Figure 1-4907 Release two tabs



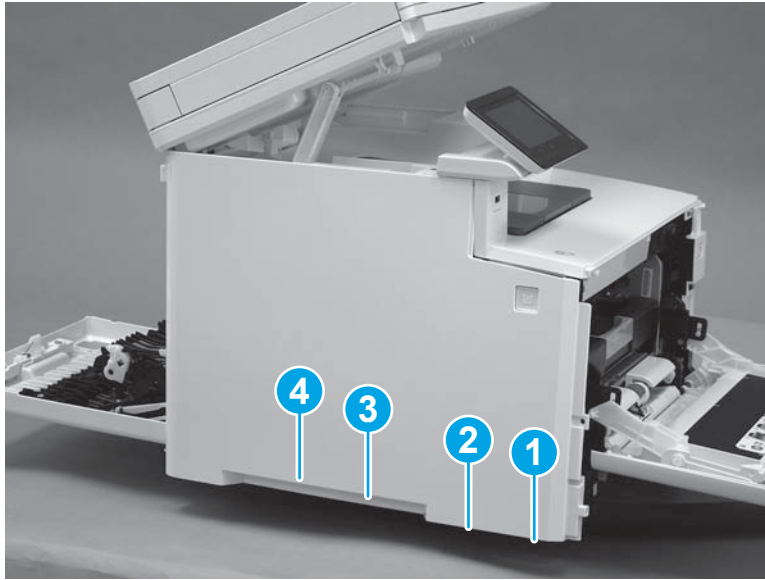
4. Slide the printer to the edge of a work surface. Note the location of the tabs on the lower edge of the cover (callout 1).

Figure 1-4908 Locate the tabs



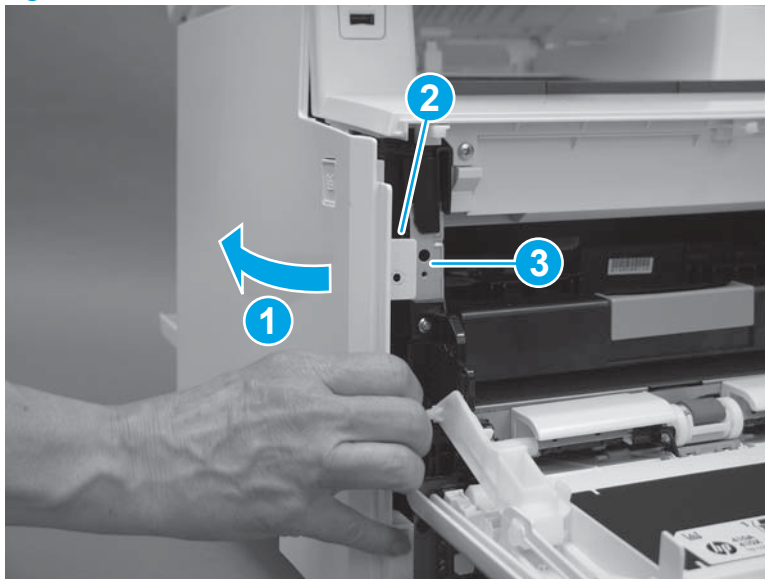
5. Beginning from the front of the cover, release the four tabs (callouts 1-4) on the lower edge of the cover.

Figure 1-4909 Release four tabs



6. Rotate the front of the cover away from the printer (callout 1). Make sure that the tab (callout 2) does not get caught on the printer frame (callout 3).

Figure 1-4910 Rotate the cover



7. At the top of the printer, slightly pull the top of the cover away from the printer to release one retention tab (callout 1) on the inside of the cover. While holding the cover away, slide the cover toward the back of the printer (callout 2) to release two hooks (callout 3) inside the cover.

Figure 1-4911 Release one tab and two hooks



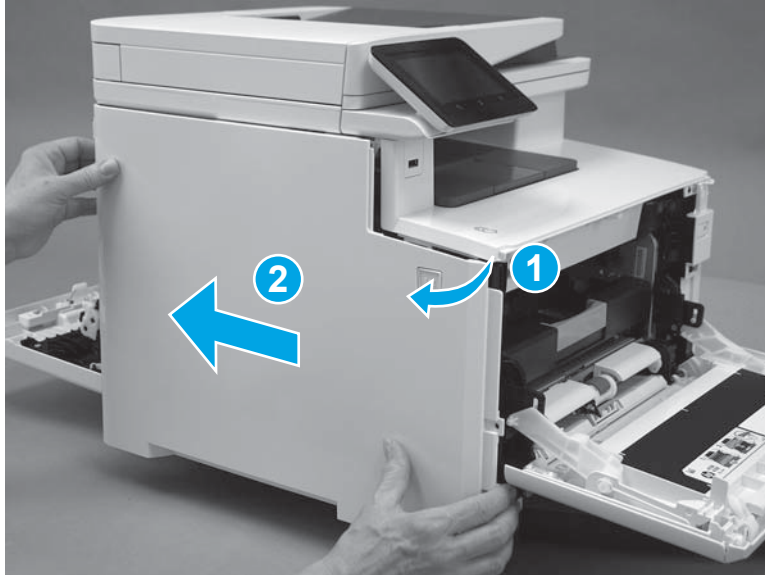
8. Lower the scanner.

Figure 1-4912 Lower the scanner



9. Rotate the cover away from the printer (callout 1), and then slide the cover (callout 2) toward the back of the printer to remove it.

Figure 1-4913 Remove the left cover

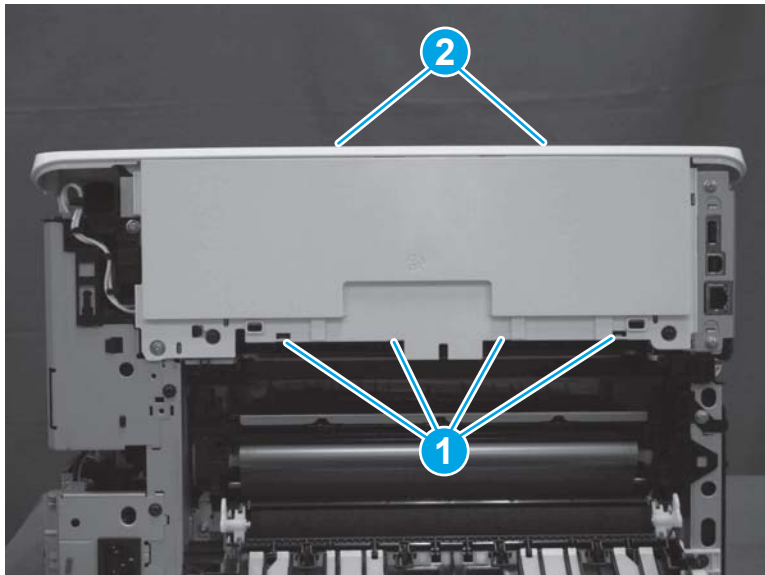


Step 5: Remove the rear top cover (simplex model)

 **NOTE:** This step is for simplex models. For duplex models, skip this step and go to [Step 6: Remove the integrated scanner assembly \(M377, M477 models\) on page 2592](#).

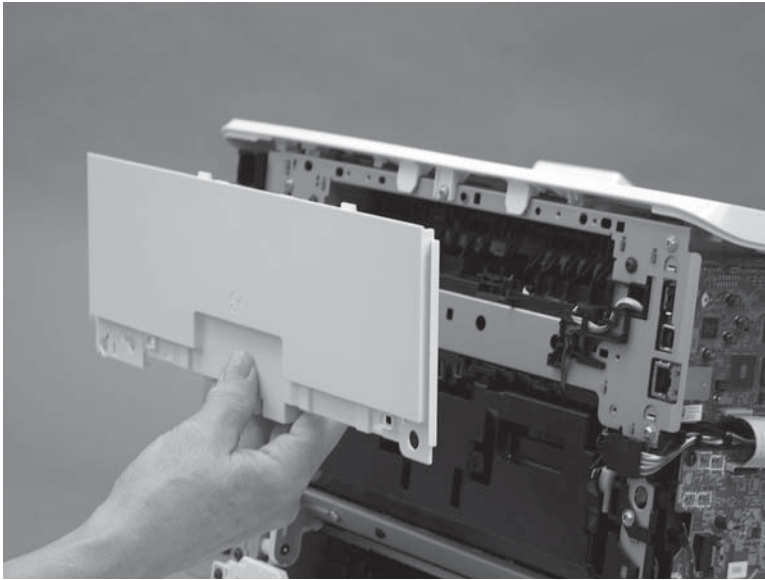
1. At the back of the printer, release four tabs (callout 1) on the bottom of the cover and two tabs (callout 2) on the top of the cover.

Figure 1-4914 Release six tabs



2. Remove the rear top cover.

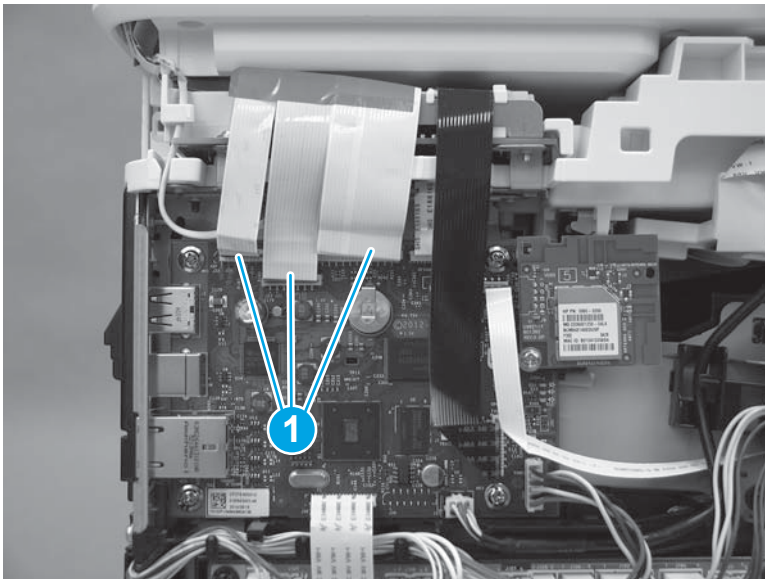
Figure 1-4915 Remove the rear top cover



Step 6: Remove the integrated scanner assembly (M377, M477 models)

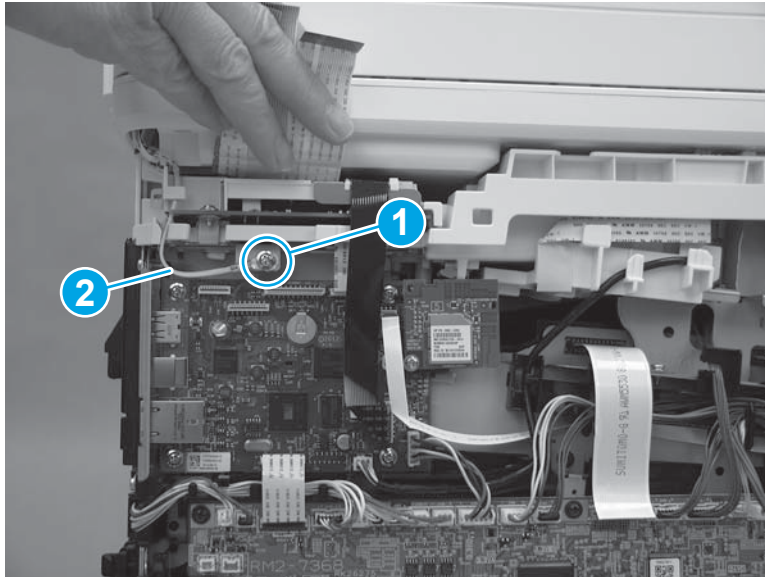
1. On the left side of the printer, disconnect three connectors (callout 1).

Figure 1-4916 Disconnect the scanner cables



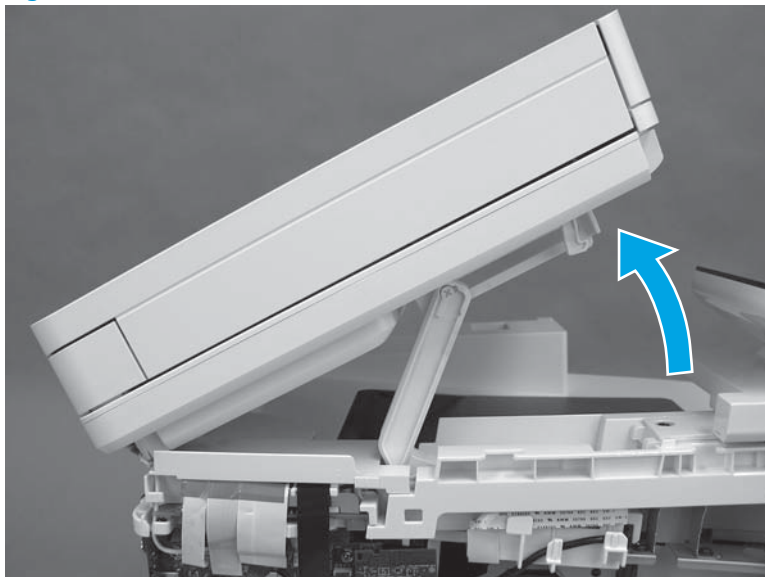
2. Raise the scanner cables up, and then remove one screw (callout 1) to release the ground wire (callout 2).

Figure 1-4917 Remove one screw and release the ground wire



3. Raise the scanner.

Figure 1-4918 Raise the scanner



4. With the scanner lifted, release the tab (callout 1) on the scanner support arm pin from the slot and rotate the pin in the direction indicated.

Figure 1-4919 Release the scanner arm pin



5. Remove the scanner arm pin.

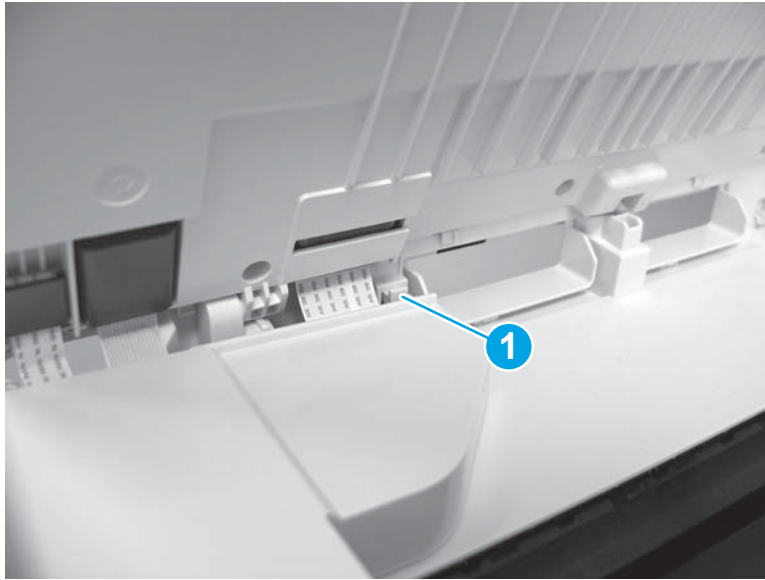
CAUTION: Once the scanner arm pin is removed, support the scanner with one hand at all times so that it does not fall backwards off of the printer.

Figure 1-4920 Remove the scanner arm pin.



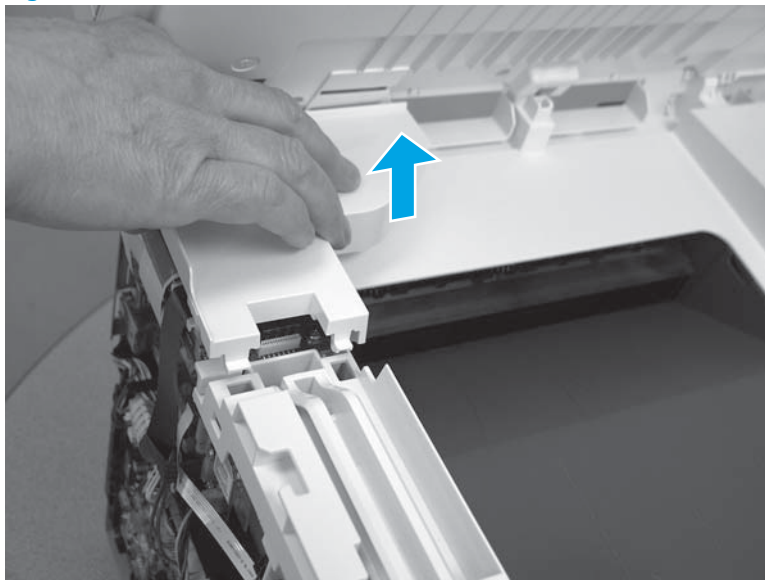
6. On the top of the printer, use a flat-blade screwdriver to release one tab (callout 1).

Figure 1-4921 Release one tab



7. Remove the scanner cable cover.

Figure 1-4922 Remove the scanner cable cover



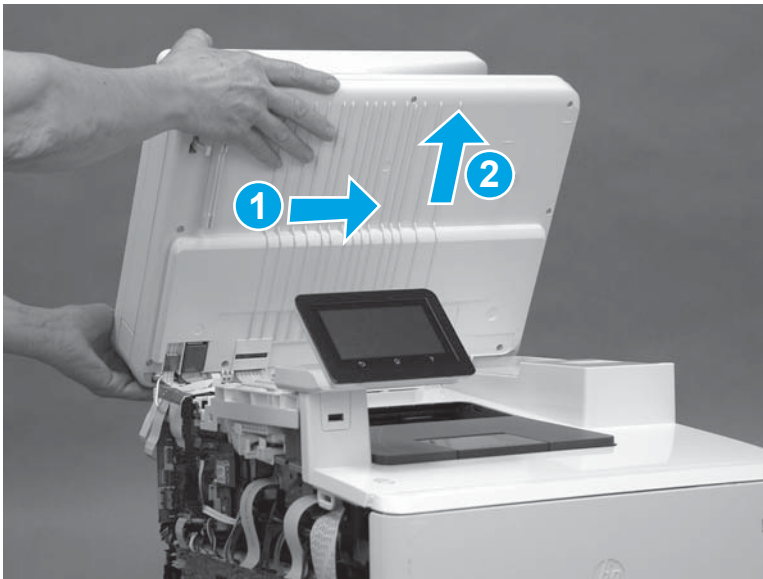
8. The scanner cables (callout 1) are held in place on the top cover with double-sided tape. Carefully release the cables from the top cover.

Figure 1-4923 Release the cables




9. Open the scanner assembly fully, slide the assembly toward the right side of the printer, and then lift the assembly off of the printer.

Figure 1-4924 Remove the scanner assembly

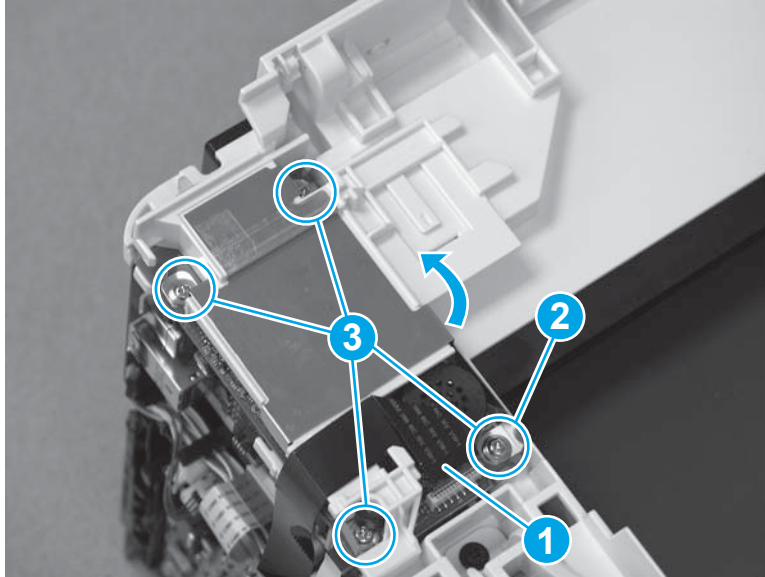


Step 7: Remove the fax PCA (M477 models)

 **NOTE:** This step is for M477 fax models only. Skip this step for non-fax models.

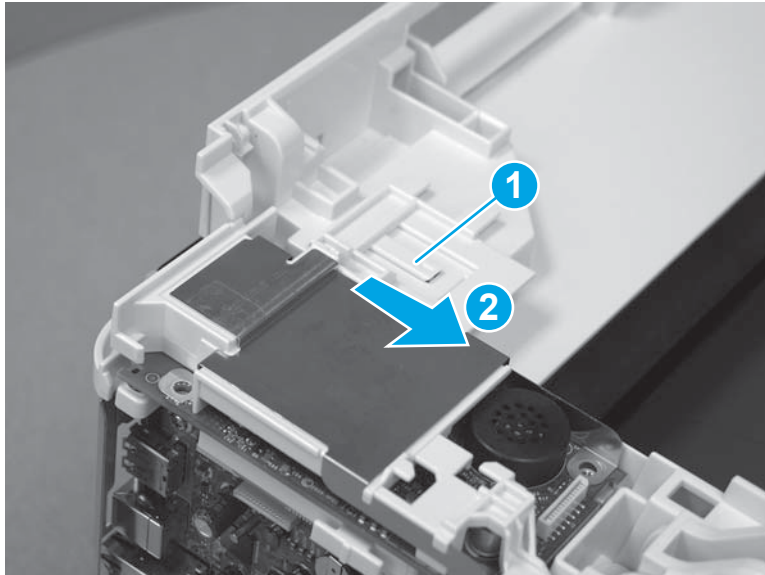
1. Disconnect one connector (callout 1). Beginning with the top right screw (callout 2) remove four screws (callout 3) in a counterclockwise direction.

Figure 1-4925 Disconnect one connector and remove four screws



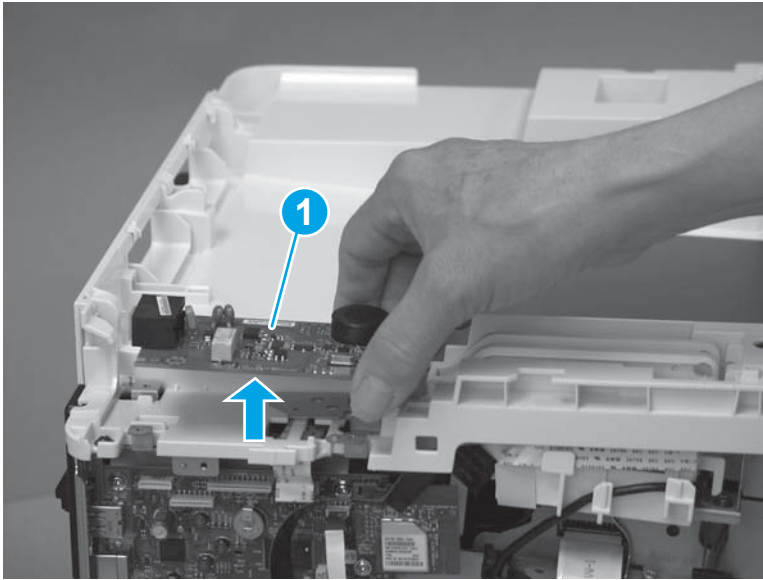
2. Release one tab (callout 1), and then slide the fax cover (callout 2) toward the front of the printer to remove it.

Figure 1-4926 Remove the fax cover



3. Lift up to remove the fax PCA (callout 1).

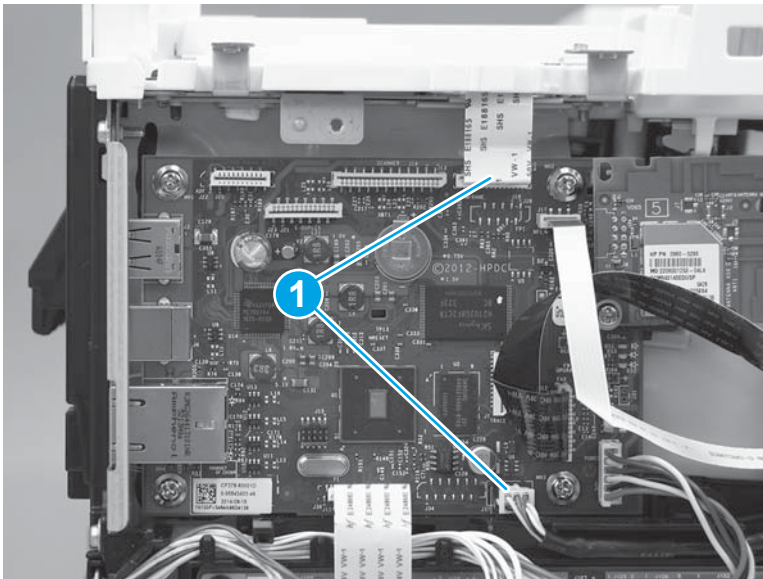
Figure 1-4927 Remove the fax PCA



Step 8: Remove the top cover (M377, M477 models)

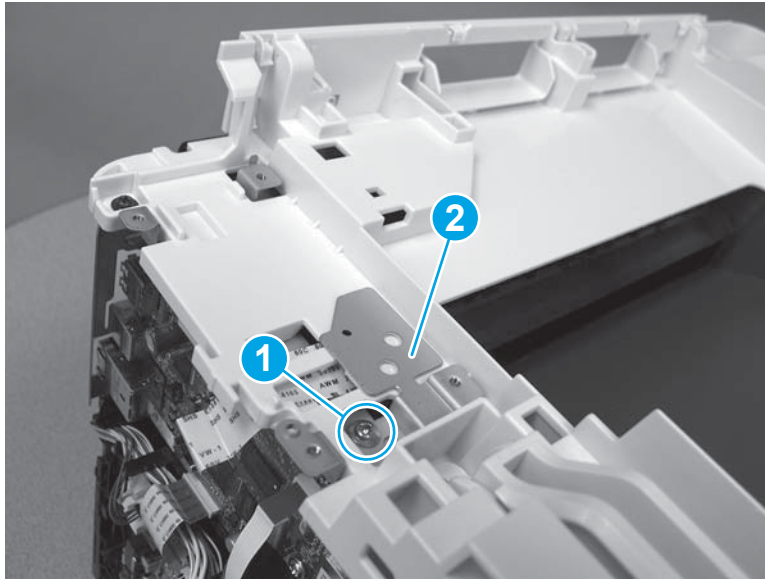
1. On the left side of the printer, on the formatter PCA, disconnect two connectors (callout 1).

Figure 1-4928 Disconnect two connectors



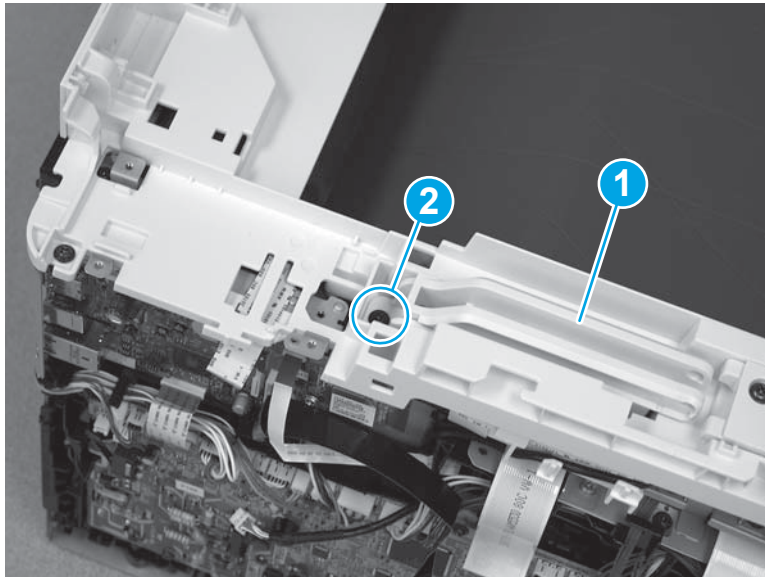
2. On the top cover, remove one screw (callout 1) and the sheet metal plate (callout 2).

Figure 1-4929 Remove one screw and the sheet metal plate



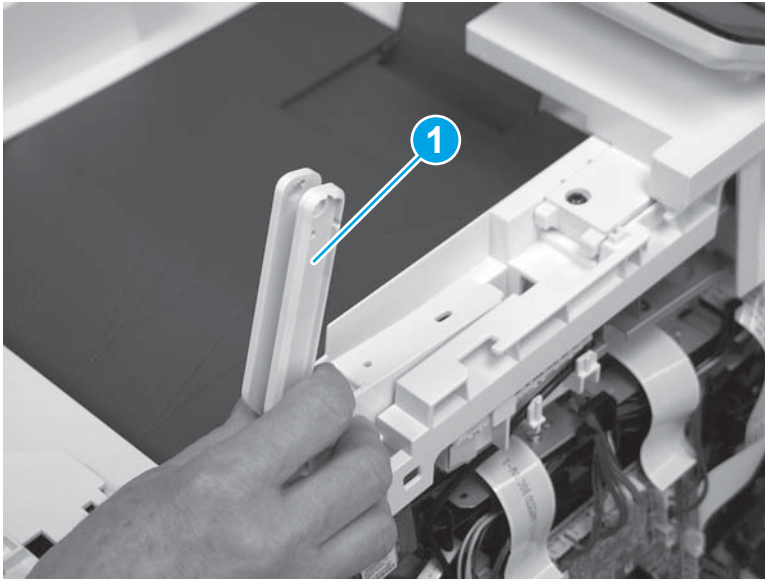
3. At the top of the printer, lower the scanner support arm (callout 1), and then remove one screw (callout 2).

Figure 1-4930 Lower the support arm and remove one screw



4. Remove the scanner support arm (callout 1).

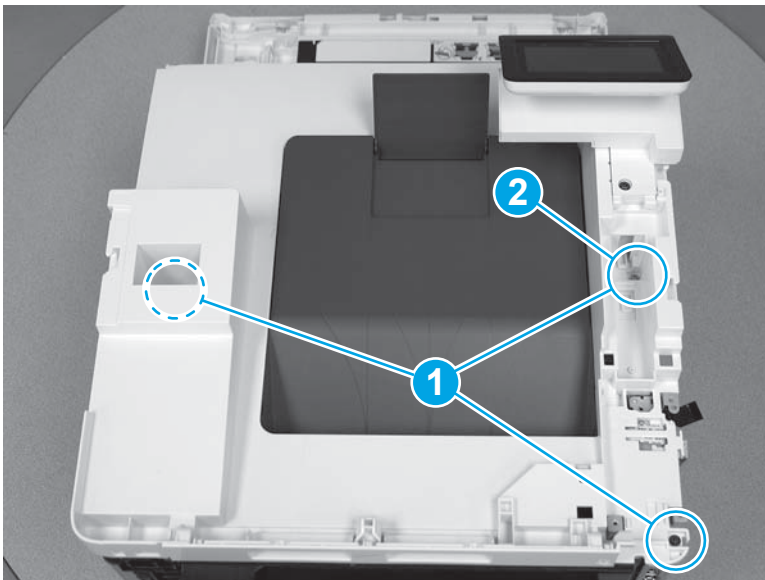
Figure 1-4931 Remove the scanner support arm



5. At the top of the printer, remove three screws (callout 1).

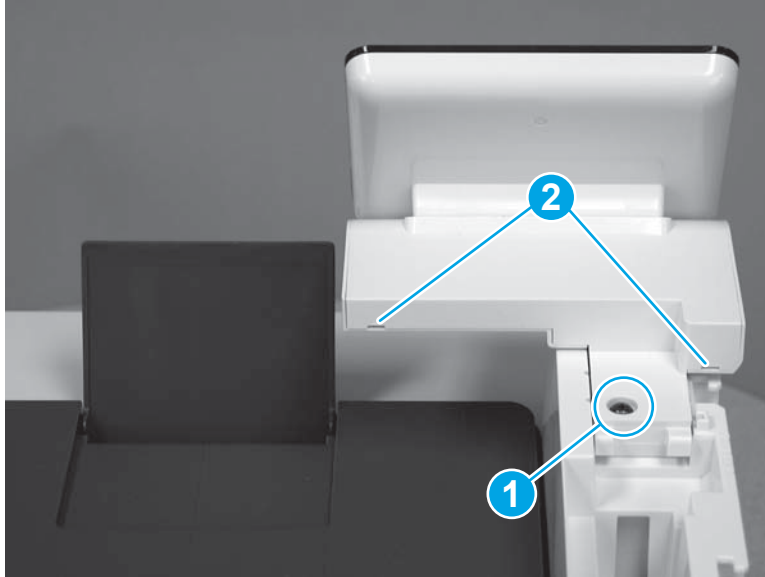
 **Reinstallation tip:** One screw (callout 2) is longer than the other screws. Make sure that this screw is reinstalled in the correct position.

Figure 1-4932 Remove three screws



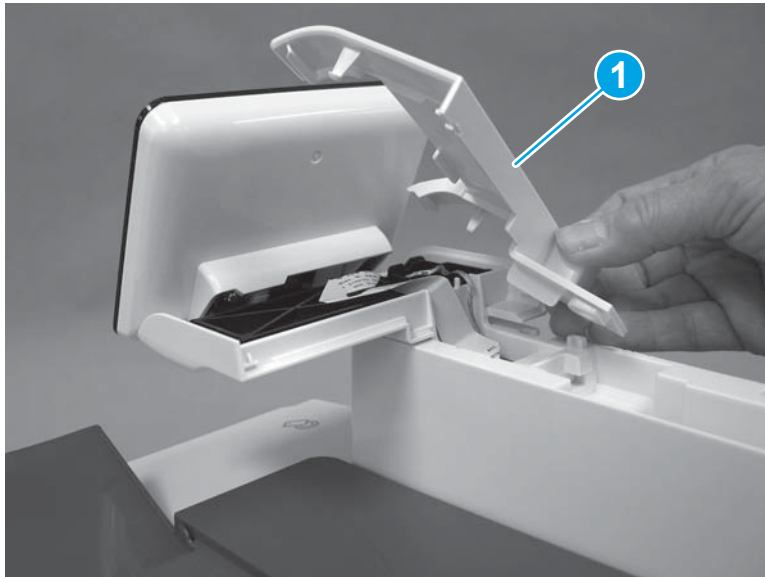
6. Behind the control panel, remove one screw (callout 1), and then use a small flat-blade screwdriver at two pry points (callout 2) to release the control panel cover from the top cover.

Figure 1-4933 Release the control panel cover



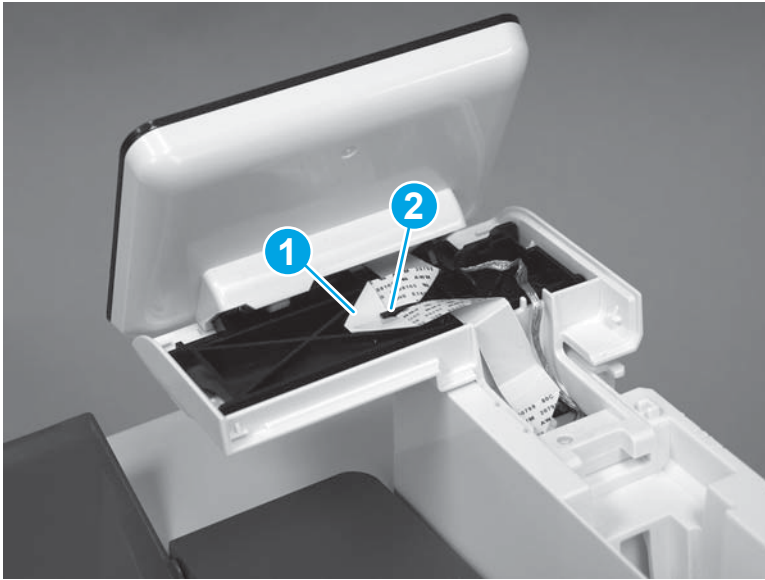
7. Remove the control panel cover (callout 1).

Figure 1-4934 Remove the control panel cover



8. Remove the flat cable (callout 1) from the retaining guide (callout 2).

Figure 1-4935 Release the flat cable



9. Remove two screws (callout 1), and then remove one screw (callout 2) and release one ground wire.

 **Reinstallation tip:** The two screws toward the front of the control panel (callout 1) are longer than the other screw. Make sure these screws are installed in the correct position when reinstalling the part.

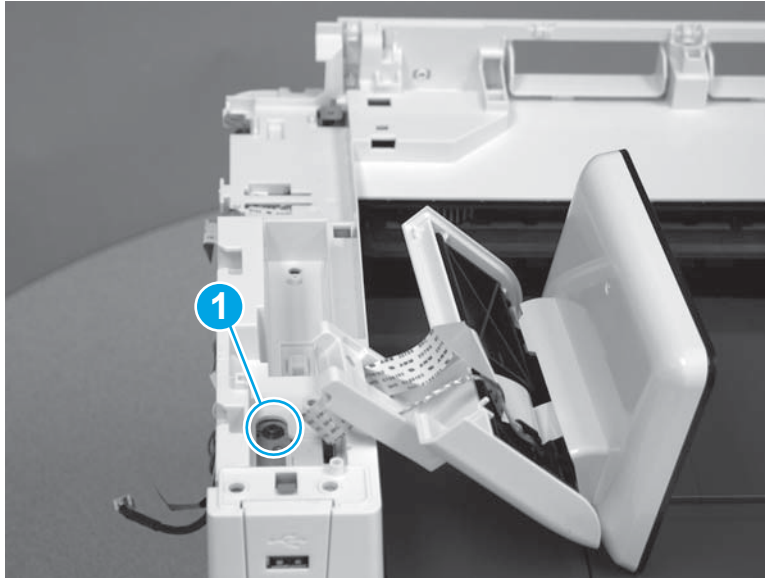
Figure 1-4936 Remove three screws



10. Carefully lift the control panel away and rest it on the top cover, and then remove one screw (callout 1).

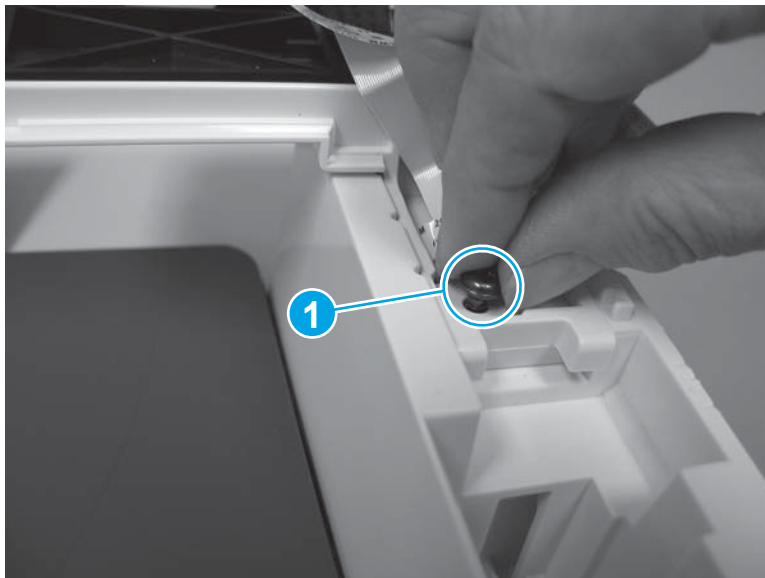
CAUTION: The control panel is still attached to the top cover by the flat cable.

Figure 1-4937 Remove one screw



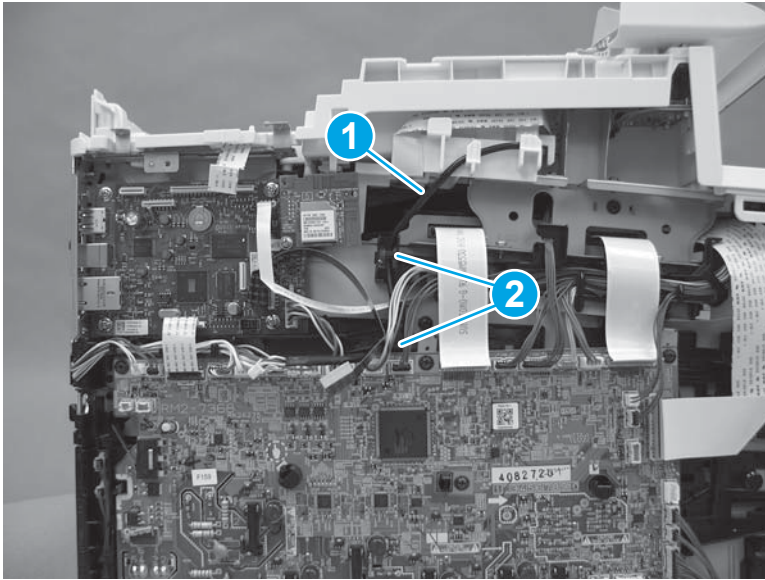
11. Place the control panel back into position. With your hand, refasten the screw (callout 1) that was previously removed from the control panel cover to temporarily reattach the control panel to the top cover. Doing this should protect the flat cable from being damaged.

Figure 1-4938 Refasten the control panel to the top cover



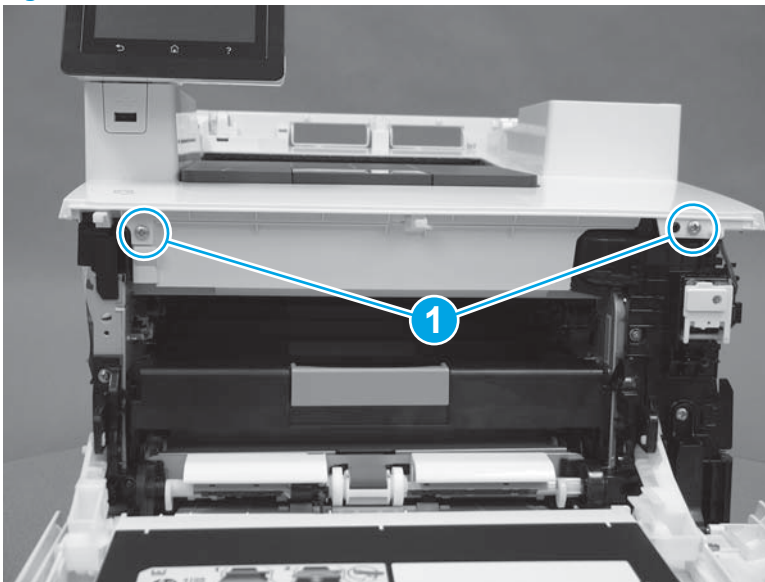
12. Remove the USB cable (callout 1) from the cable guides (callout 2).

Figure 1-4939 Release the USB cable



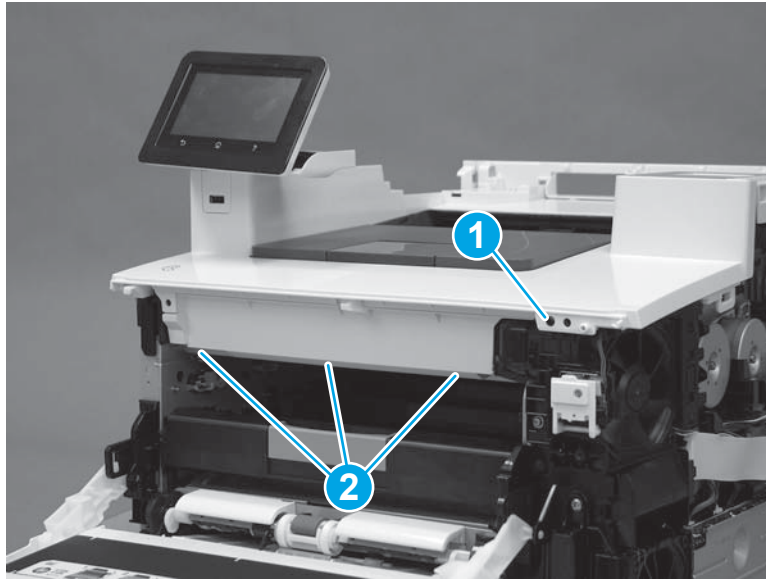
13. At the front of the printer, remove two screws (callout 1).

Figure 1-4940 Remove two screws



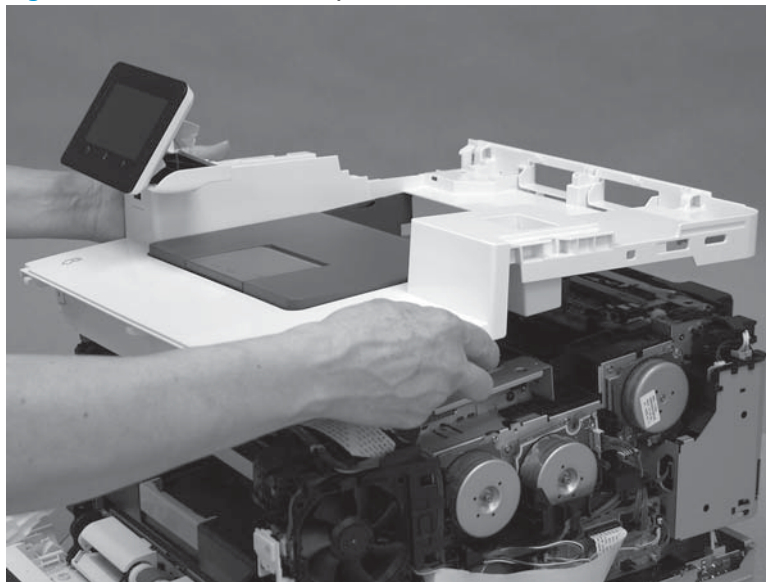
14. Release one retainer (callout 1), and then release three tabs (callout 2).

Figure 1-4941 Release one retainer and three tabs



15. Remove the top cover.

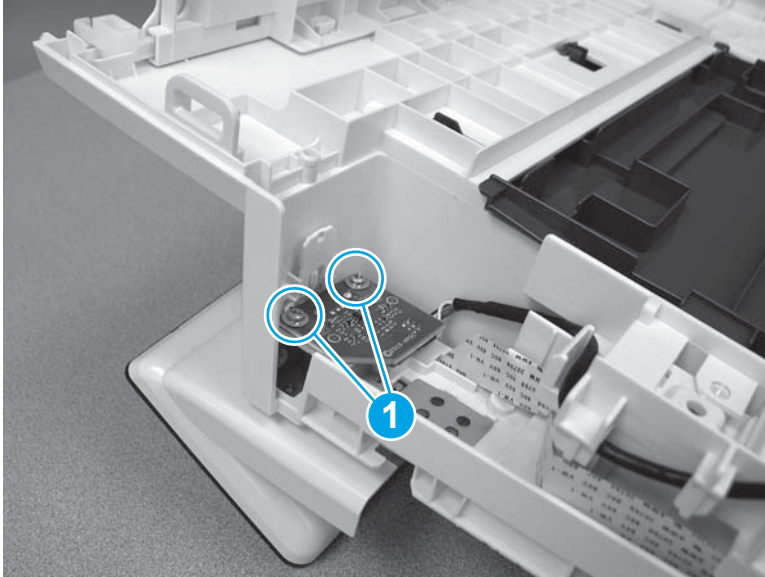
Figure 1-4942 Remove the top cover



Step 9: Remove the walk-up USB port (M377, M477 models)

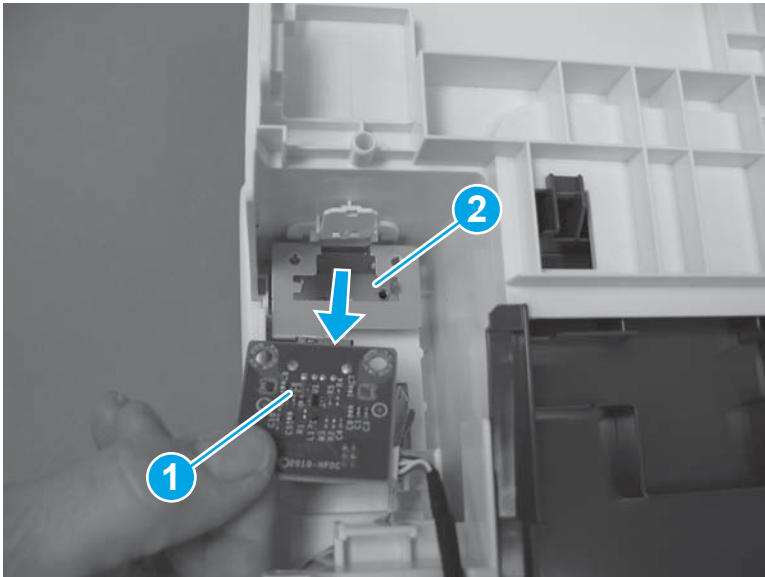
1. Lay the top cover face-down. Behind the control panel, remove two screws (callout 1).

Figure 1-4943 Remove two screws



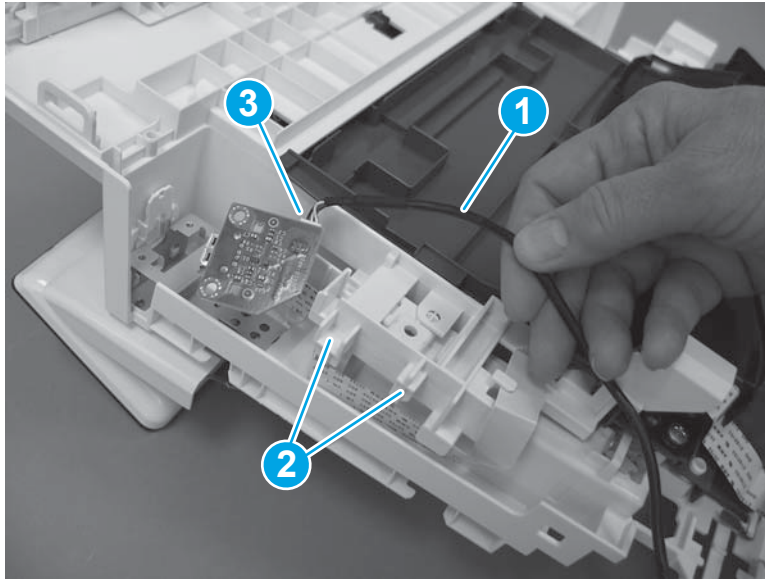
2. Slide the walk-up USB port (callout 1) out of the sheet metal opening (callout 2).

Figure 1-4944 Slide the walk-up USB port



3. Release the cable (callout 1) from the guides (callout 2), and then disconnect one connector (callout 3).

Figure 1-4945 Remove the walk-up USB port



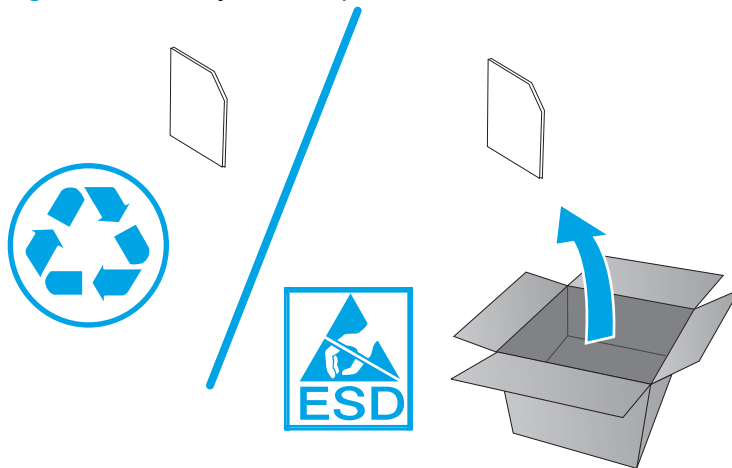
Step 10: Unpack the replacement part

Remove the new part from its package. Save all packaging for recycling the used part.

For complete information on HP's recycling programs, go to [Product return and recycling](#).

 **NOTE:** HP recommends responsible disposal of the defective part.

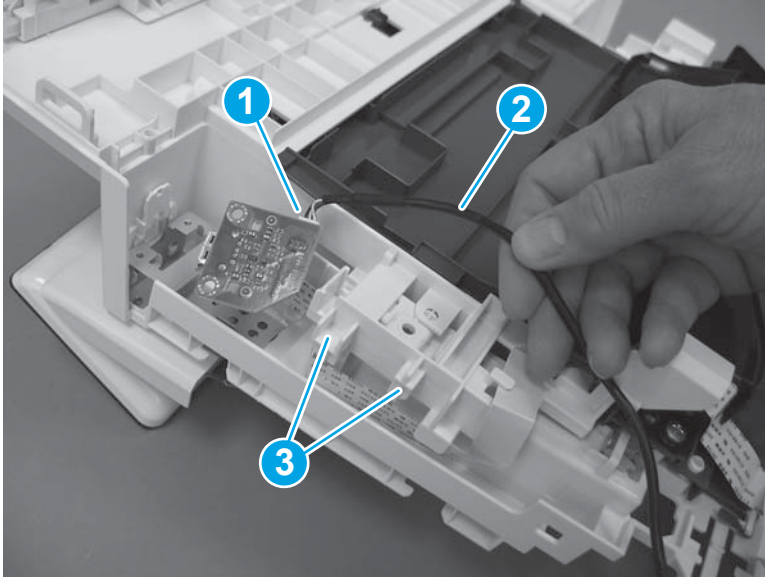
Figure 1-4946 Recycle and unpack



Step 11: Install the walk-up USB port (M377, M477 models)

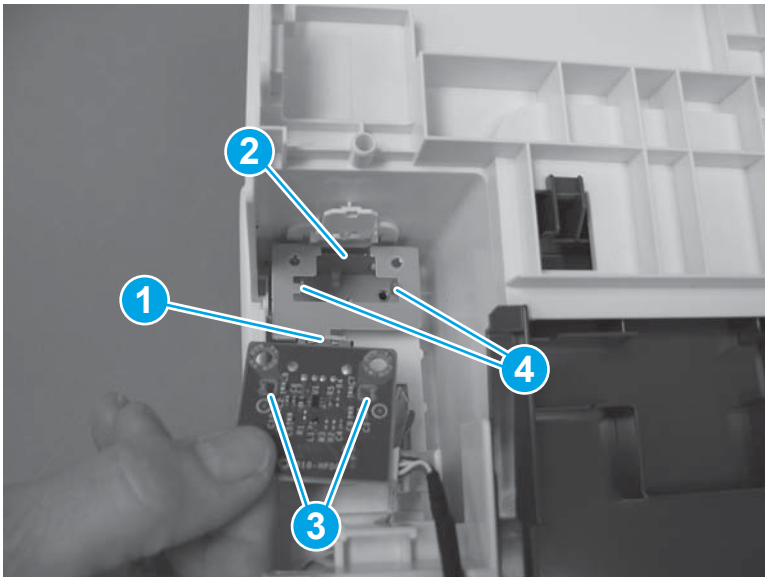
1. Connect one connector (callout 2), and then install the cable (callout 2) in the guides (callout 3).

Figure 1-4947 Connect the walk-up USB port



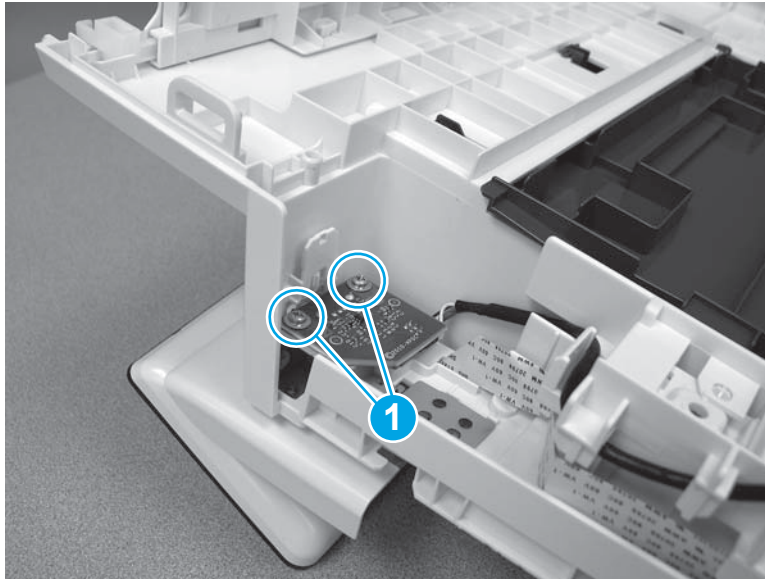
2. Install the USB port (callout 1) into the sheet metal opening (callout 2), and then install the slots (callout 3) on the walk-up USB port over the tabs (callout 4) on the top cover.

Figure 1-4948 Install the walk-up USB port



3. Install two screws (callout 1).

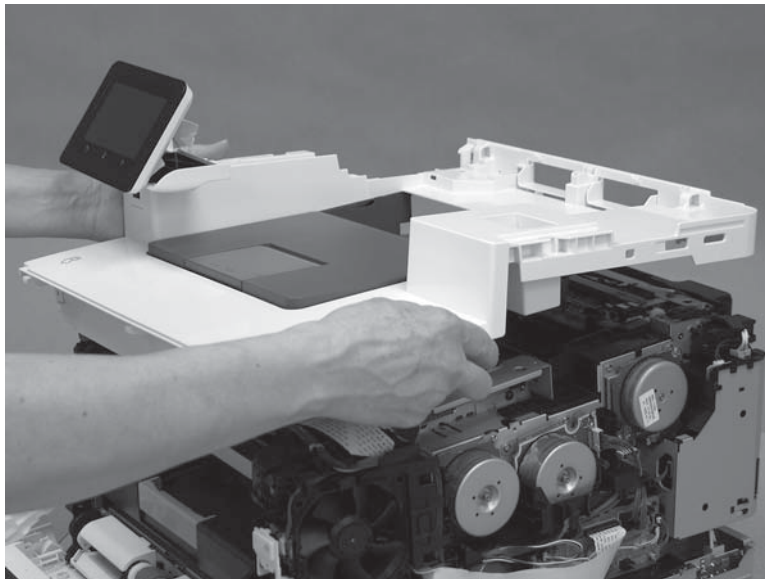
Figure 1-4949 Install two screws



Step 12: Install the top cover (M377, M477 models)

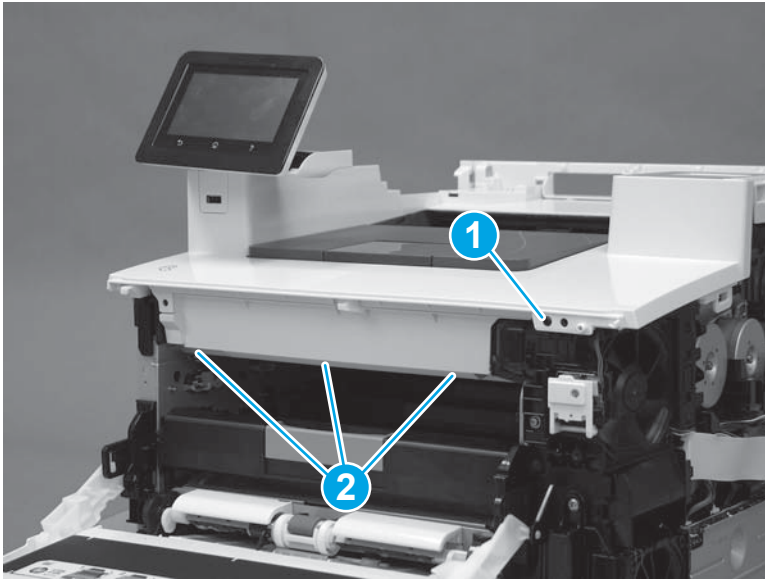
1. Position the top cover on the printer.

Figure 1-4950 Position the top cover



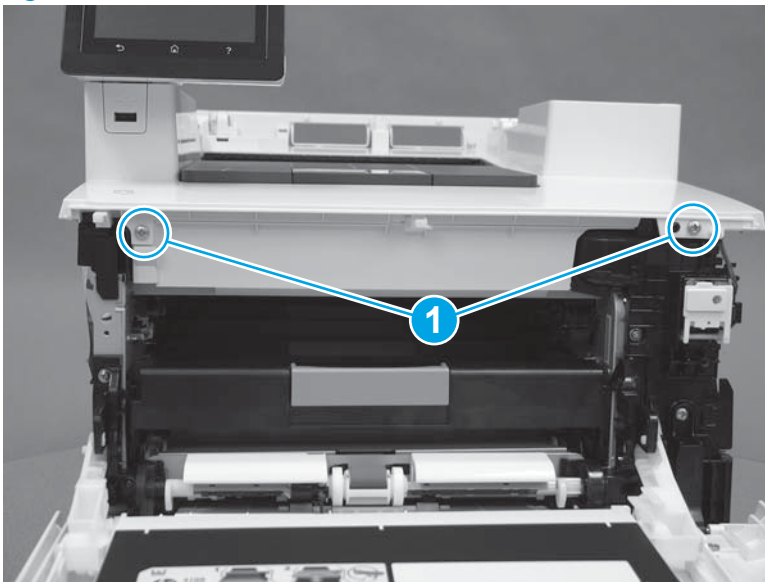
2. At the front of the printer, install one retainer (callout 1), and then install three tabs (callout 2).

Figure 1-4951 Install one retainer and three tabs



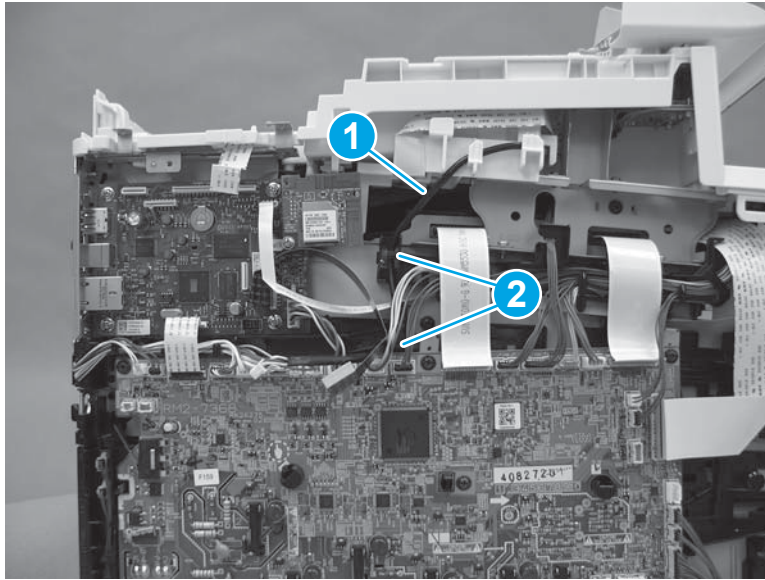
3. Install two screws (callout 1).

Figure 1-4952 Install two screws



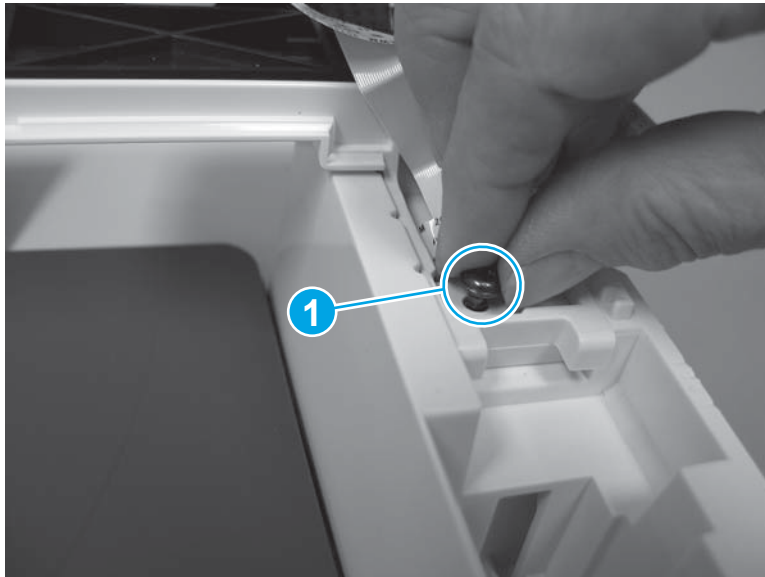
4. Install the USB cable (callout 1) into the cable guides (callout 2).

Figure 1-4953 Install the USB cable



5. With your hand, remove the screw (callout 1) that was previously installed to temporarily reattach the control panel to the top cover.

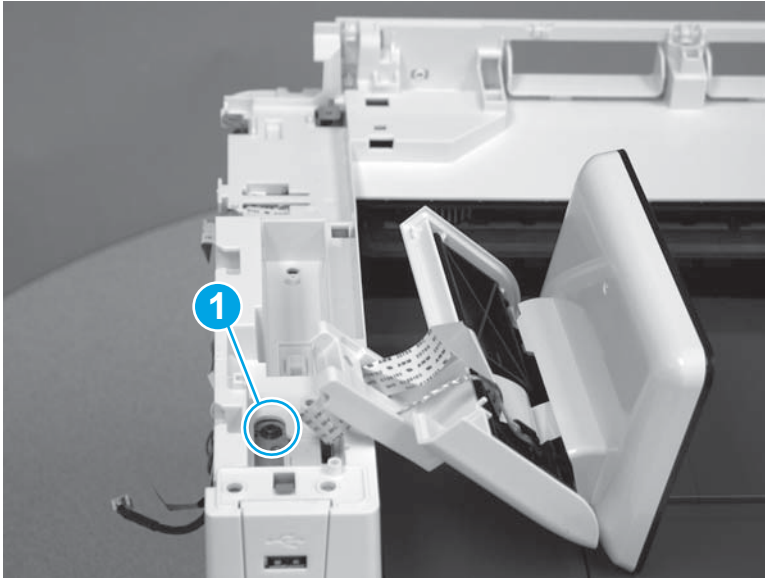
Figure 1-4954 Remove one screw



- Carefully lift the control panel away and rest it on the top cover, and then install one screw (callout 1).

⚠ CAUTION: The control panel is still attached to the top cover by the flat cable.

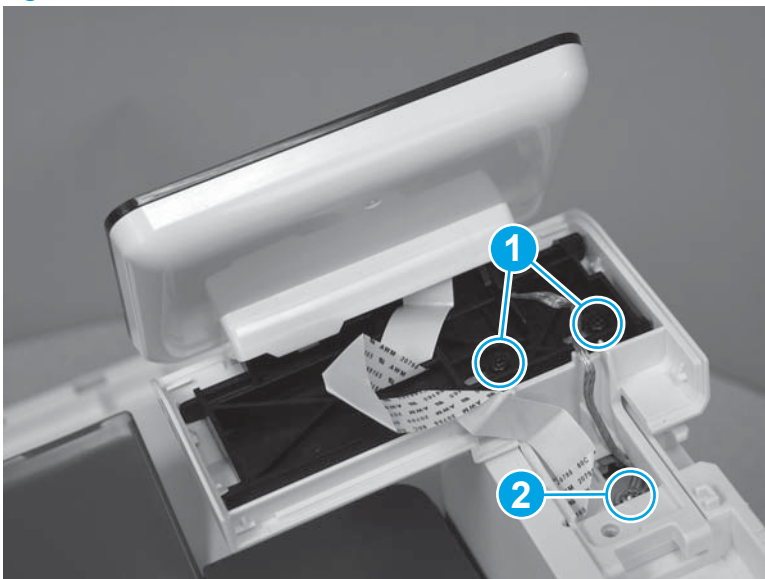
Figure 1-4955 Install one screw



- Install two screws (callout 1), and then position the ground wire and install one screw (callout 2).

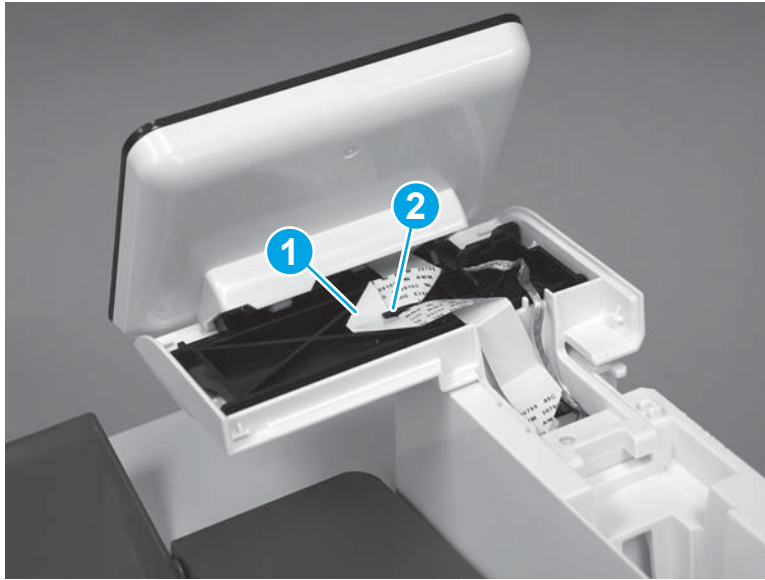
💡 Reinstallation tip: The two screws toward the front of the control panel (callout 1) are longer than the other screw. Make sure these screws are installed in the correct position when reinstalling the part.

Figure 1-4956 Install three screws



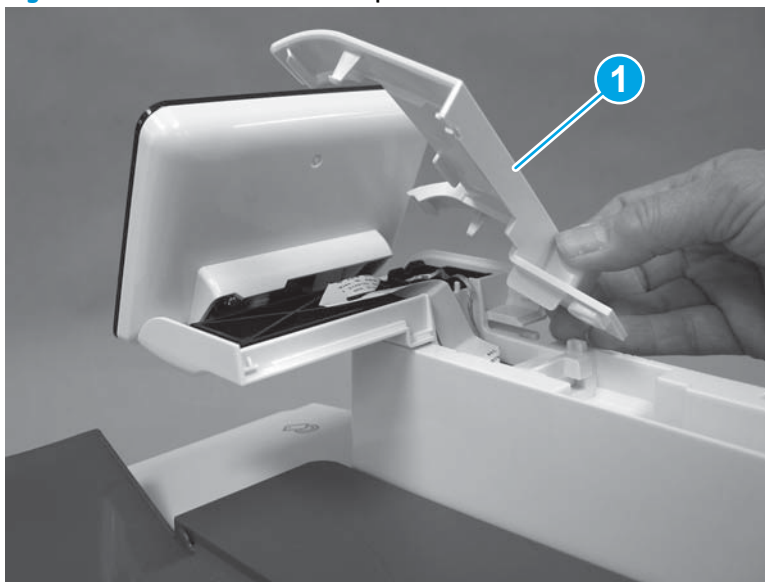
8. Install the flat cable (callout 1) under the retaining guide (callout 2).

Figure 1-4957 Install the flat cable



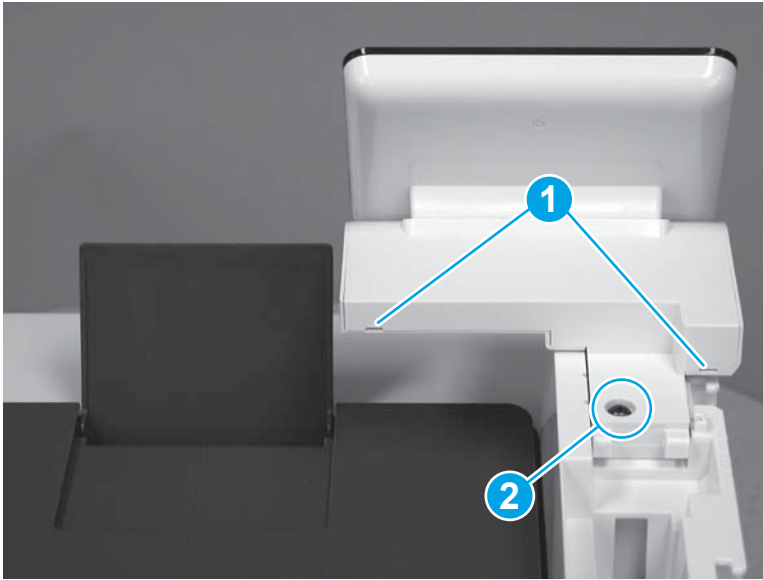
9. Install the control panel cover (callout 1) behind the control panel.

Figure 1-4958 Install the control panel cover



10. Make sure that two tabs (callout 1) are snapped into position, and then install one screw (callout 2).

Figure 1-4959 Install one screw



11. At the top of the printer, install three screws (callout 1).


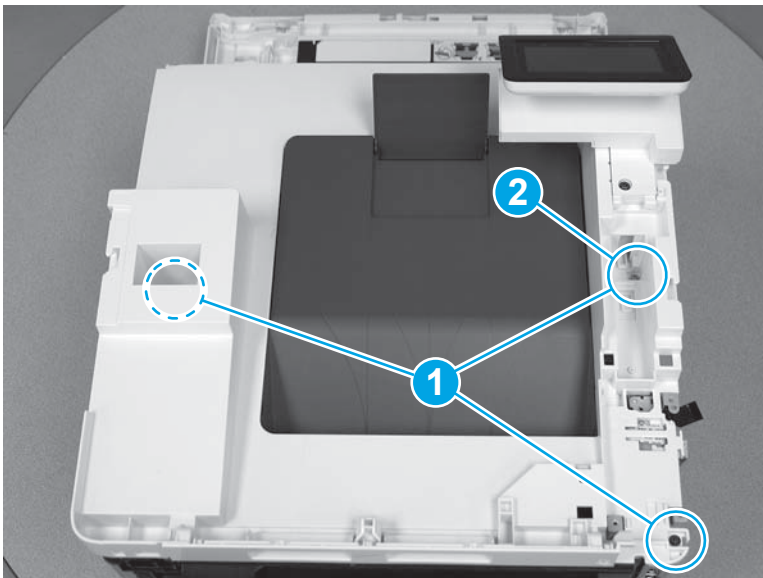
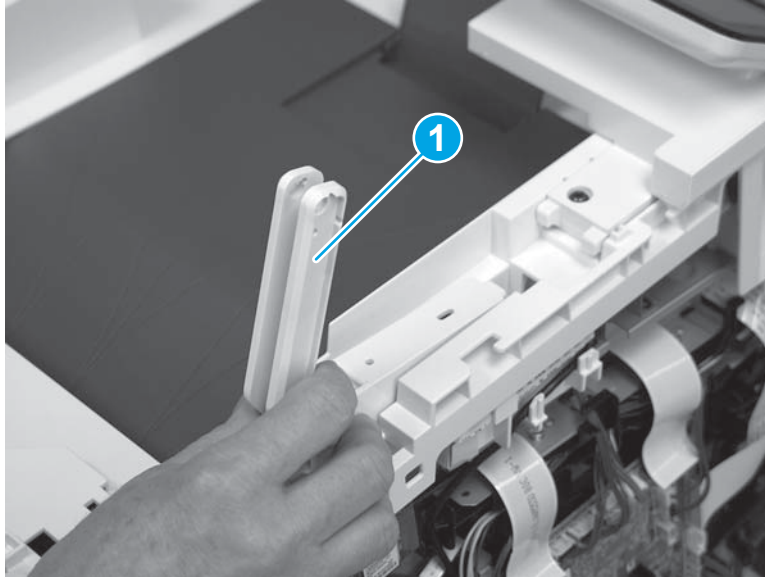
 **TIP:** One screw (callout 2) is longer than the other screws. Make sure that this screw is installed in the correct position.

Figure 1-4960 Install three screws



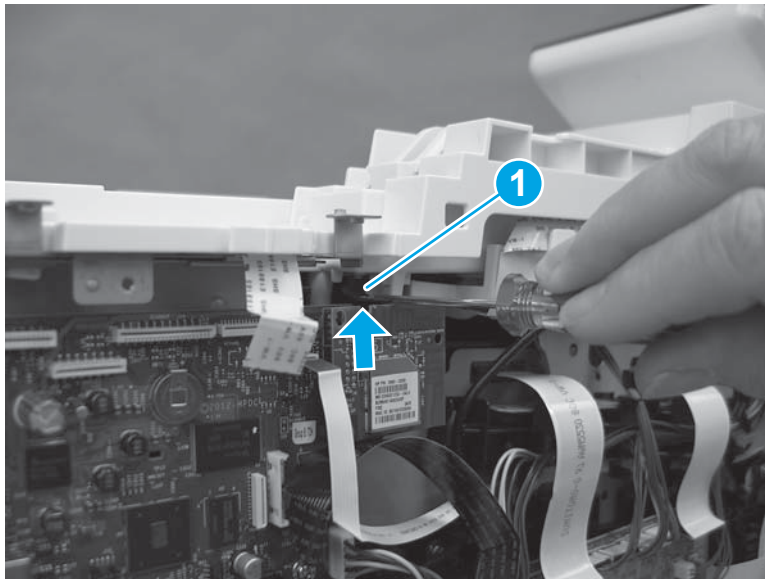
12. Install the scanner support arm (callout 1).

Figure 1-4961 Install the scanner support arm



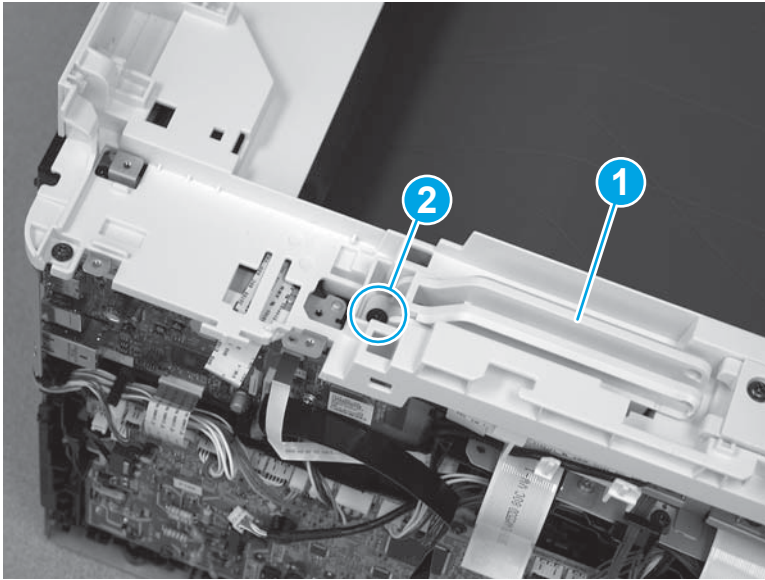
13. Before installing the scanner support arm screw in the next step, use a small flat-blade screwdriver to hold the metal plate (callout 1) up. Continue to hold the plate up while installing the screw so that the screw attaches to the plate.

Figure 1-4962 Raise the metal plate



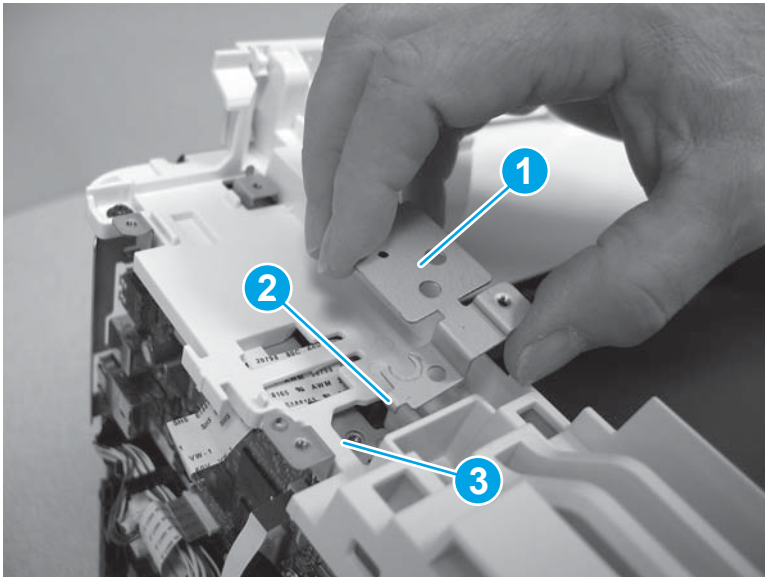
14. Lower the scanner support arm (callout 1), and then install one screw (callout 2).

Figure 1-4963 Lower the support arm and install one screw



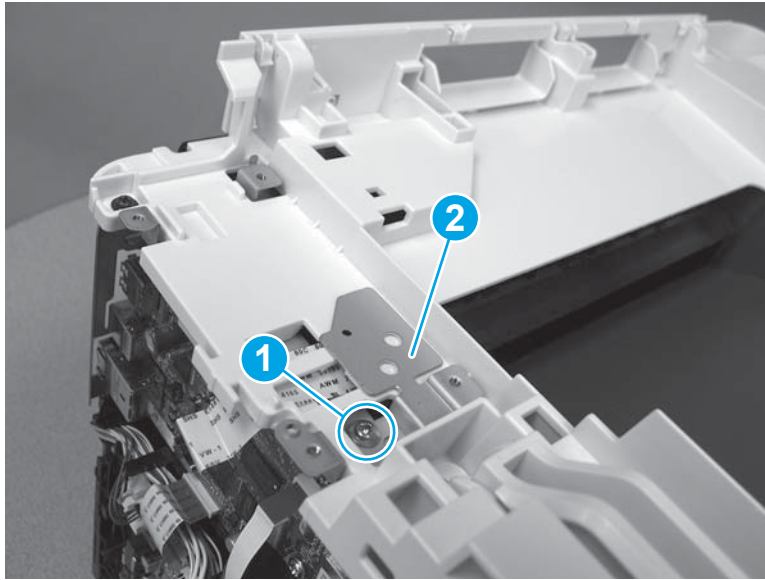
15. Reinstall the metal plate (callout 1). Position the tab (callout 2) under the edge of the top cover (callout 3).

Figure 1-4964 Install the metal plate



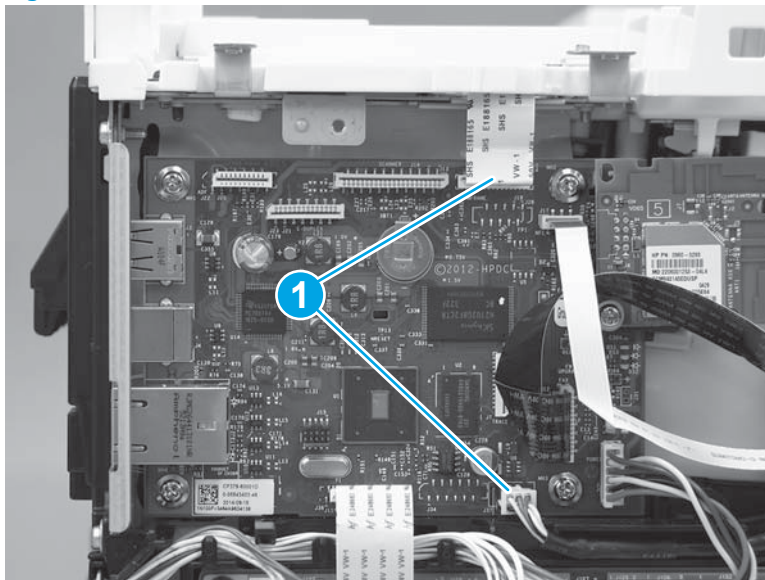
16. Install one screw (callout 1) to secure the sheet metal plate (callout 2).

Figure 1-4965 Install one screw




17. On the left side of the printer, on the formatter PCA, Connect two connectors (callout 1).

Figure 1-4966 Connect two connectors

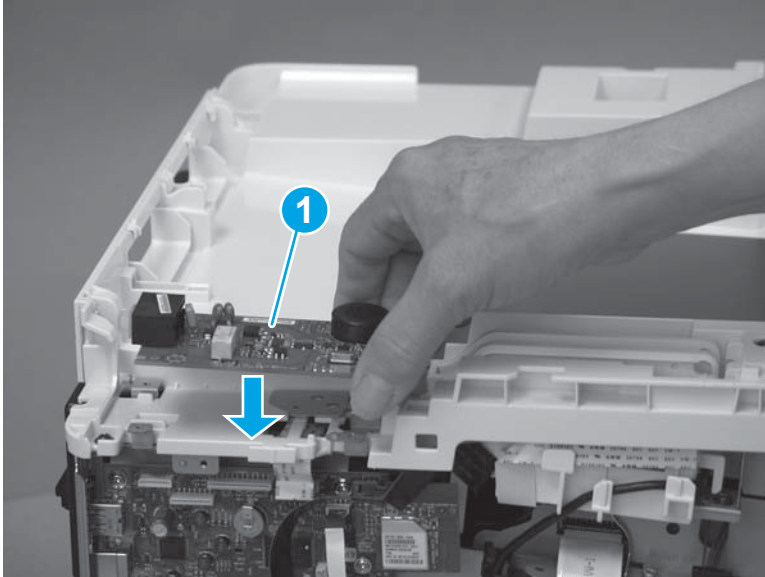


Step 13: Install the fax PCA (M477 models)

 **NOTE:** This step is for M477 fax models only. Skip this step for non-fax models.

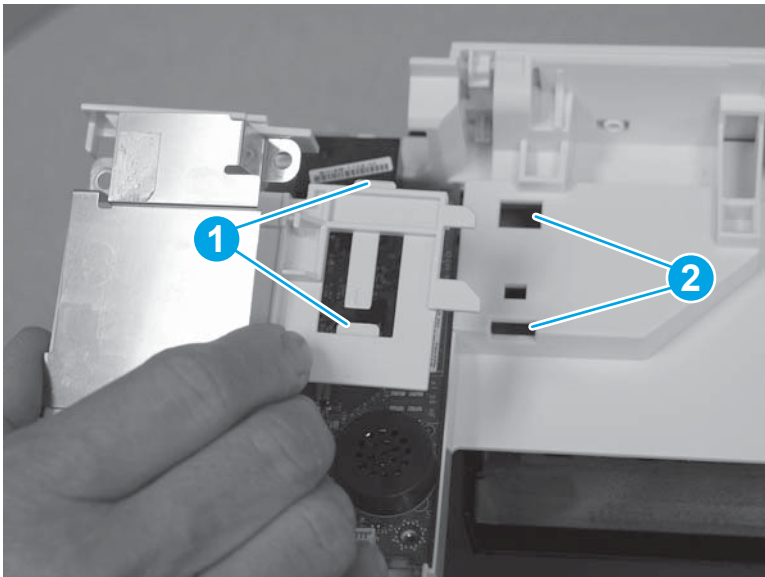
1. Position the fax PCA (callout 1) on the printer.

Figure 1-4967 Install the fax PCA



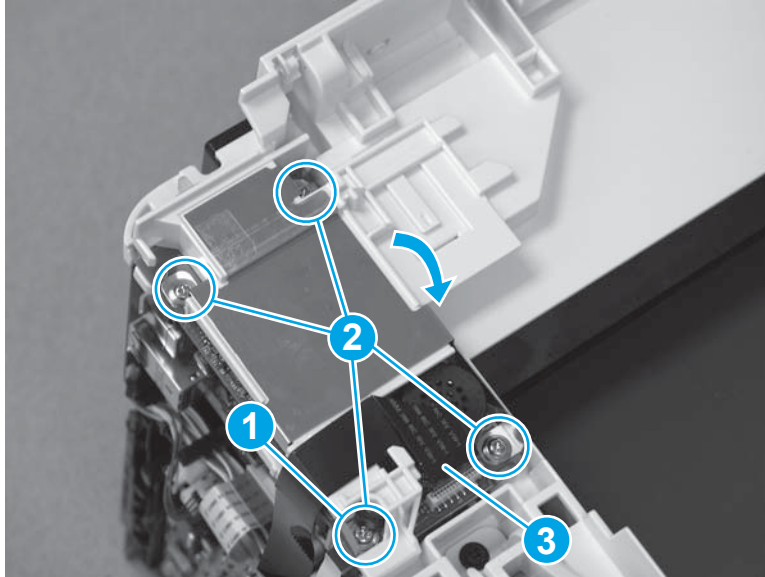
2. Install the tabs (callout 1) on the fax cover in the slots (callout 2) on the top cover. Slide the cover toward the back of the printer to install it.

Figure 1-4968 Install the fax cover



3. Beginning with the lower right screw (callout 1) install four screws (callout 2) in a clockwise direction. Connect one connector (callout 3).

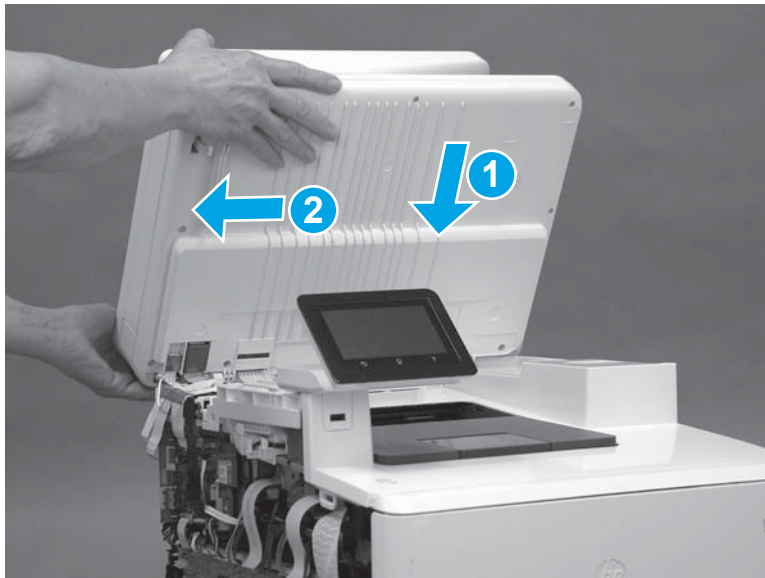
Figure 1-4969 Install four screws and connect one connector



Step 14: Install the integrated scanner assembly (M377, M477 models)

1. Lower the scanner assembly onto the printer, and then slide the assembly toward the left side of the printer to install it.

Figure 1-4970 Install the scanner assembly



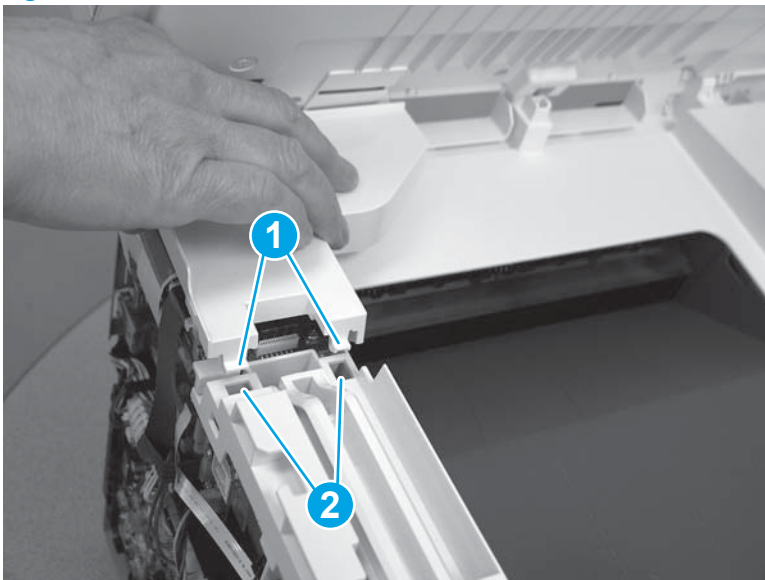
2. Press the scanner cables (callout 1) down onto the double-sided tape on the top cover.

Figure 1-4971 Press the cables



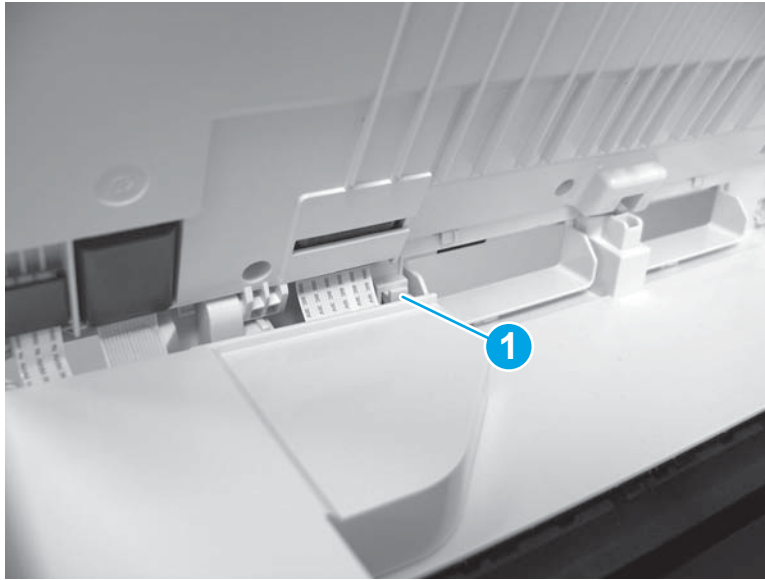
3. Install the tabs (callout 1) on the front of the scanner cable cover in the slots (callout 2) on the top cover.

Figure 1-4972 Position the scanner cable cover



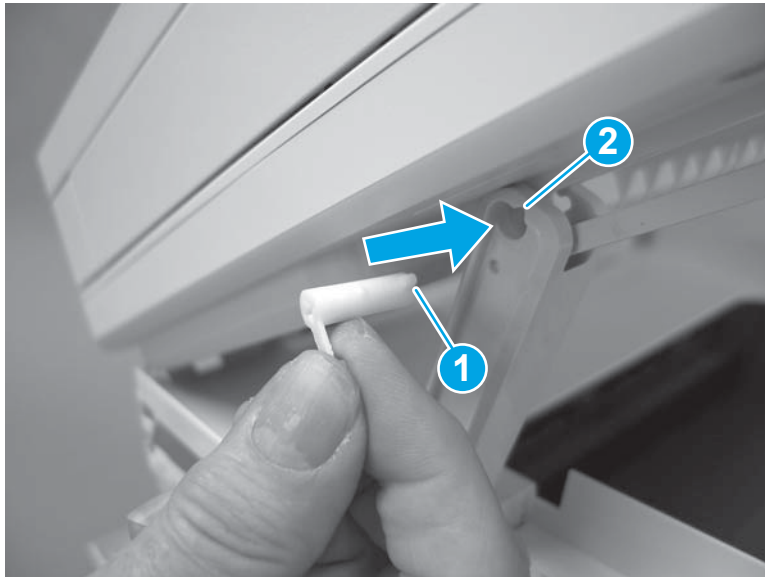
4. Press down on the back of the scanner cable cover to engage one tab (callout 1).

Figure 1-4973 Install the scanner cable cover



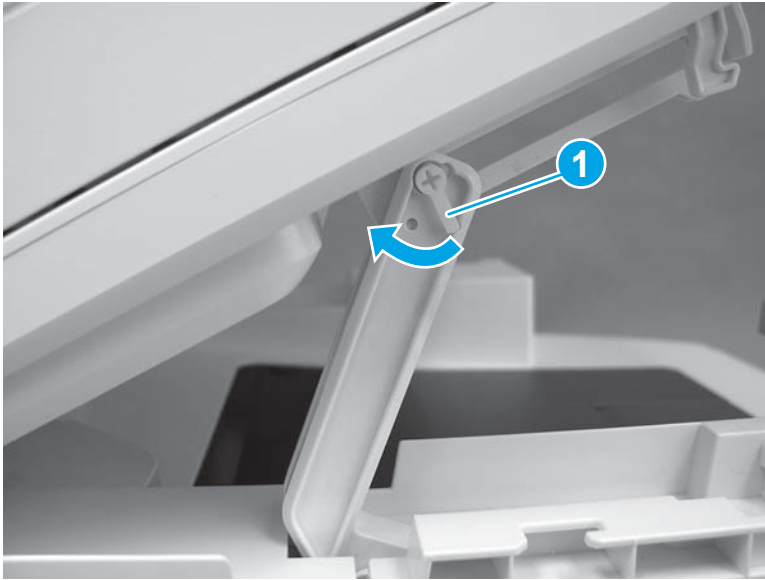
5. With the scanner lid lifted, insert the scanner support arm pin (callout 1) into the slot in the scanner support arm (callout 2).

Figure 1-4974 Install the scanner arm pin



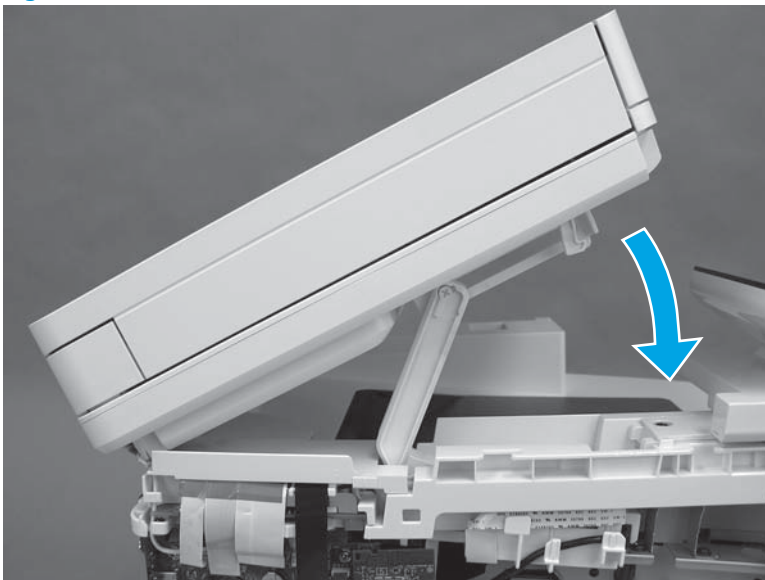
6. Rotate the tab on the scanner arm pin (callout 1) in the direction indicated to snap it into place.

Figure 1-4975 Secure the scanner arm pin



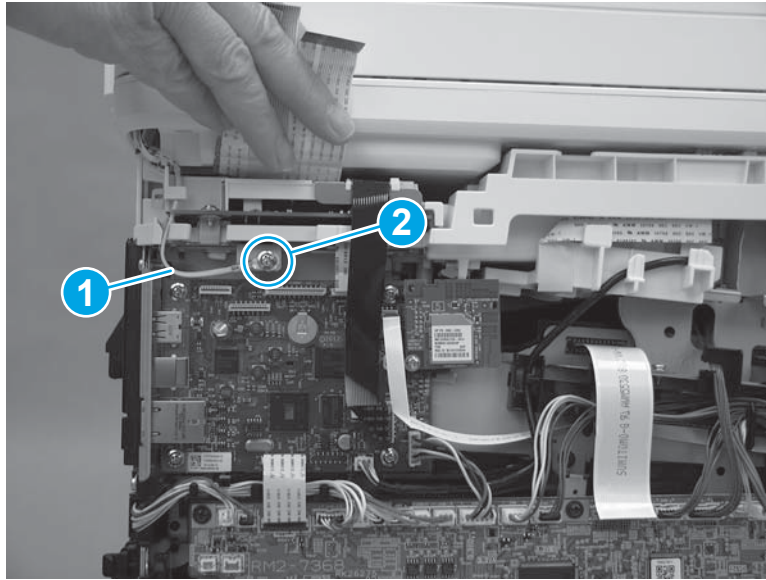
7. Lower the scanner.

Figure 1-4976 Lower the scanner



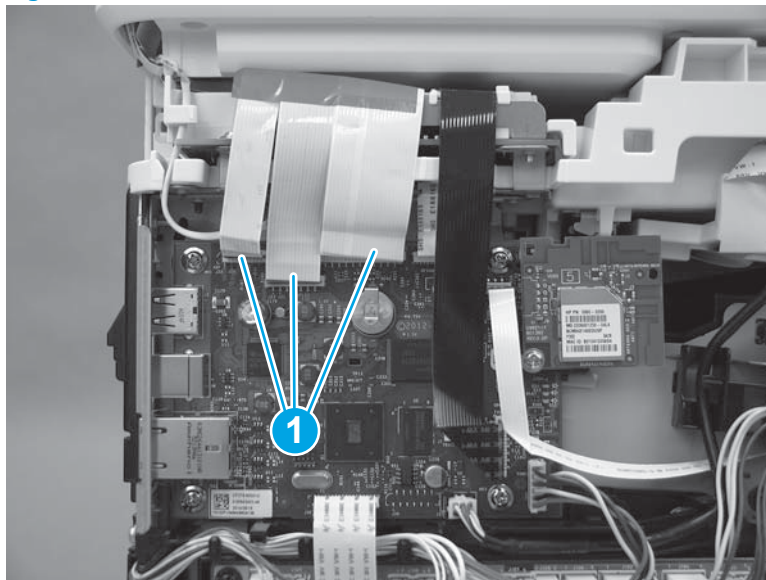
8. Raise the scanner cables up, position the ground wire (callout 1), and then install one screw (callout 2).

Figure 1-4977 Install the ground wire



9. Connect three connectors (callout 1).

Figure 1-4978 Install the M377, M477 scanner

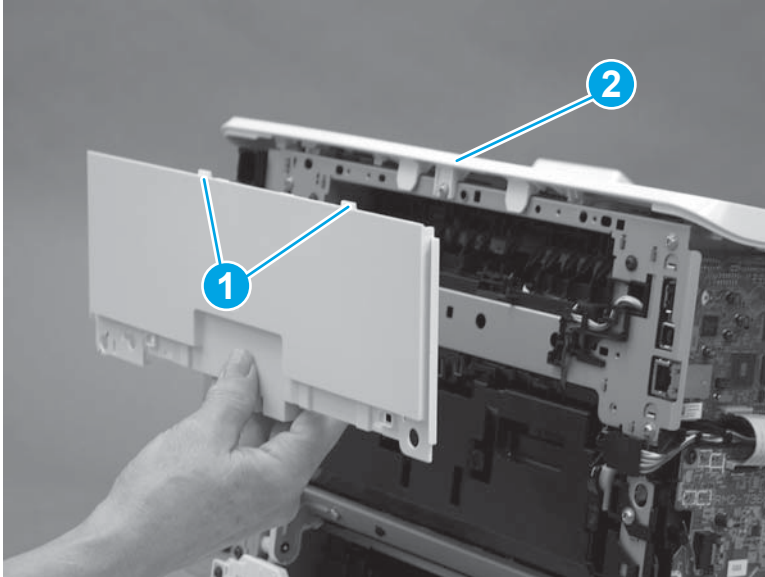


Step 15: Install the rear top cover (simplex model)

 **NOTE:** This step is for simplex models. For duplex models, skip this step and go to [Step 16: Install the left cover \(M377, M477 models\) on page 2624](#).

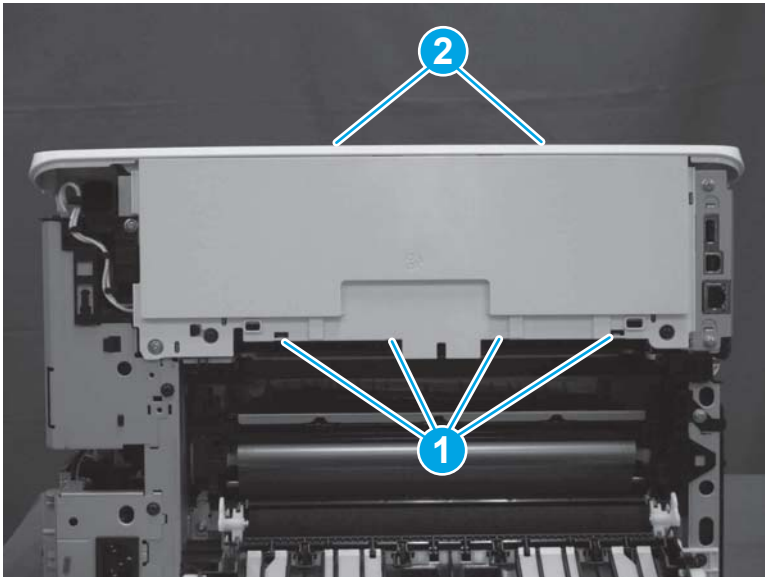
1. Position the tabs on top of the rear top cover (callout 1) under the edge of the top cover (callout 2).

Figure 1-4979 Install the rear top cover



2. Make sure that the tabs on the bottom (callout 1) and the tabs on the top (callout 2) snap into place.

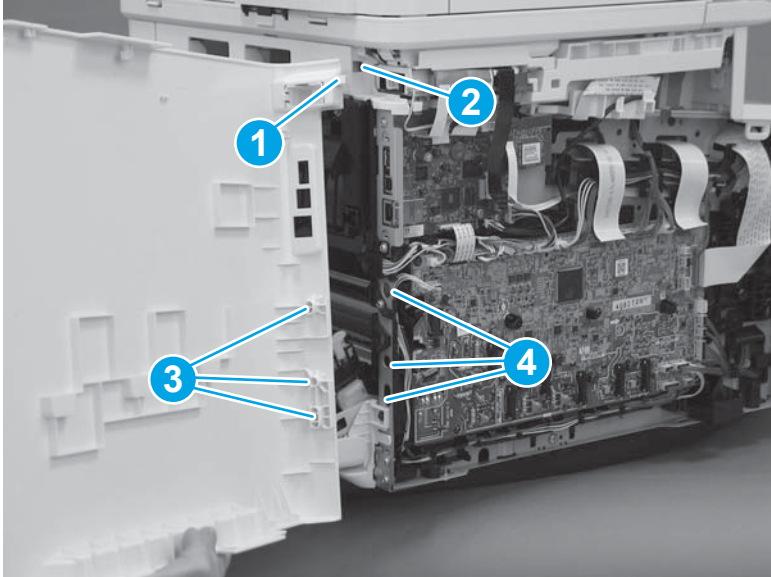
Figure 1-4980 Release two tabs



Step 16: Install the left cover (M377, M477 models)

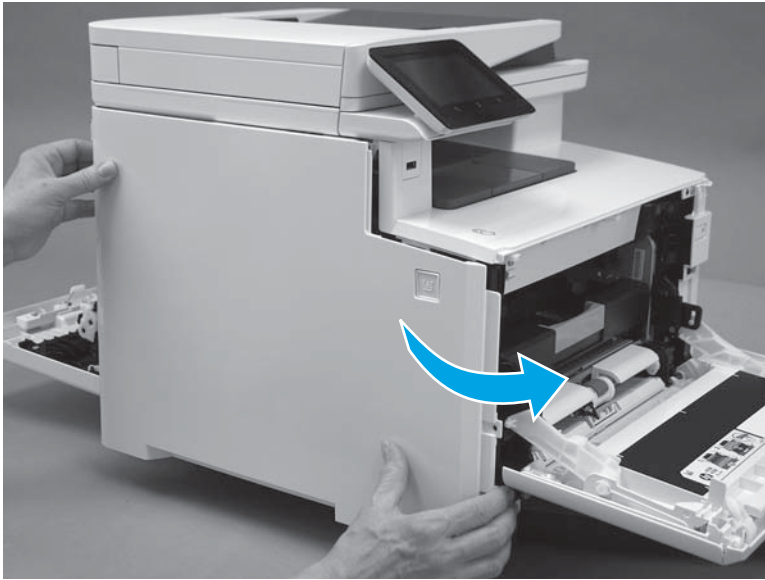
1. At the back of the printer, install the tab (callout 1) on the cover into the slot (callout 2) in the printer. Install the locator pins (callout 3) into the slots (callout 4) in the printer.

Figure 1-4981 Install one tab



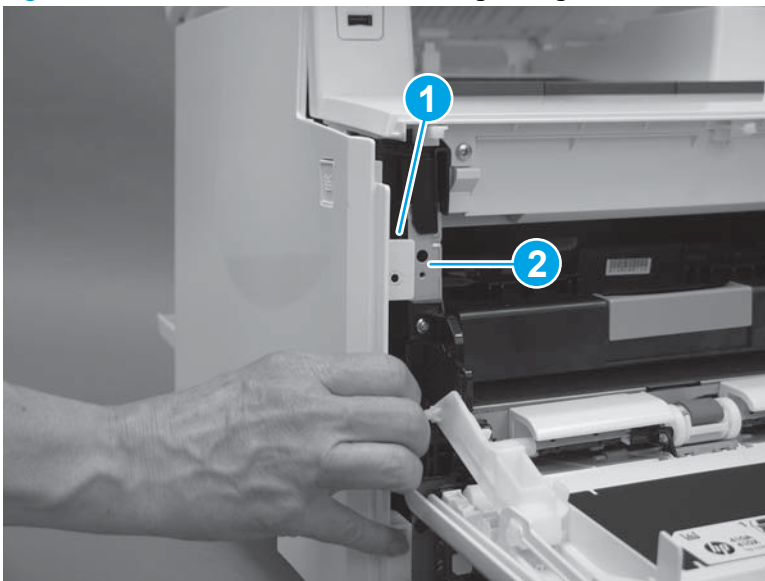
2. Rotate the cover toward the printer.

Figure 1-4982 Rotate the left cover



CAUTION: Make sure that the tab (callout 1) does not get caught behind the printer frame (callout 2).

Figure 1-4983 Make sure the tab does not get caught



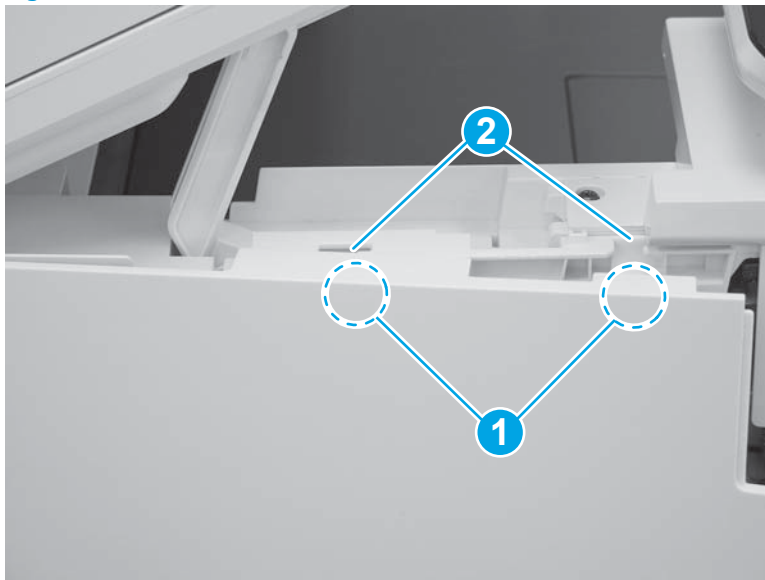
3. Raise the scanner.

Figure 1-4984 Raise the scanner



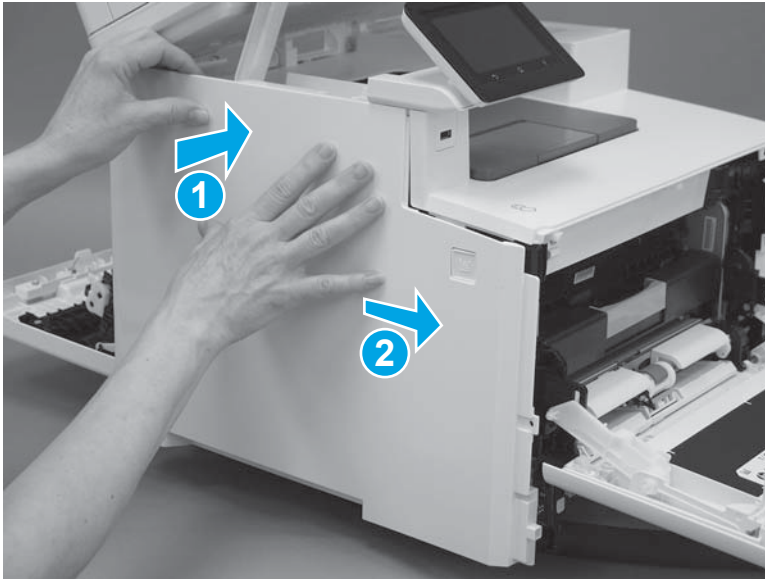
4. Position the hooks (callout 1) on the inside of the cover into the slots (callout 2) on the printer.

Figure 1-4985 Position the hooks in the slots



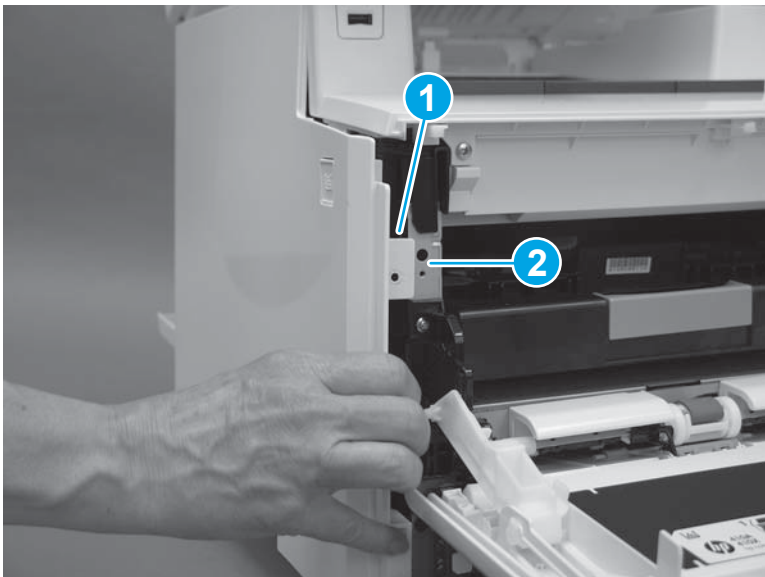
5. Hold the cover against the printer (callout 1), and then slide it (callout 2) toward the front of the printer.

Figure 1-4986 Install the top hooks



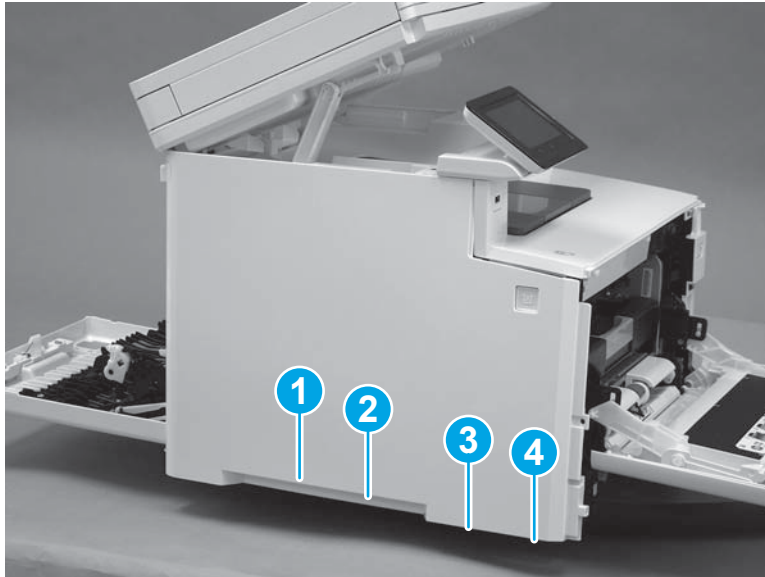
CAUTION: Make sure that the tab (callout 1) on the front of the cover does not get caught behind the printer frame (callout 2).

Figure 1-4987 Make sure the tab does not get caught



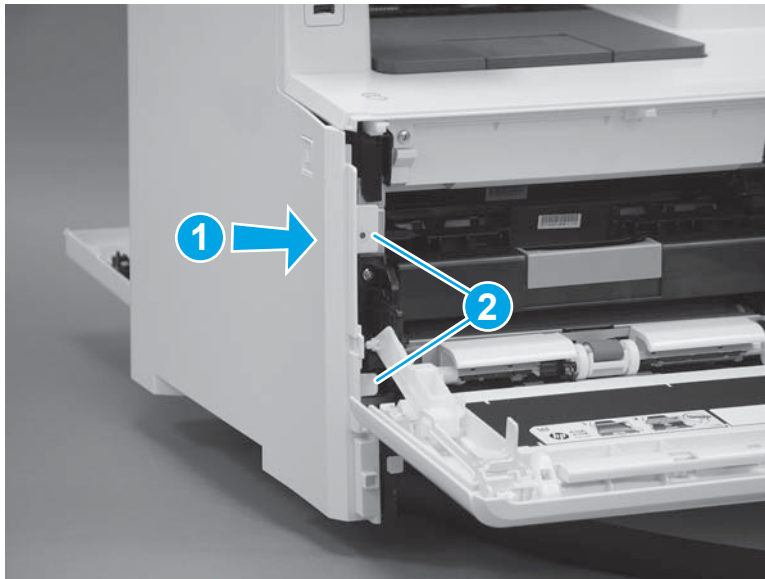
6. Slide the printer to the edge of a work surface in order to access the tabs on the bottom of the cover. Beginning from the back of the cover, install four tabs (callouts 1-4) on the lower edge of the cover.

Figure 1-4988 Install four tabs



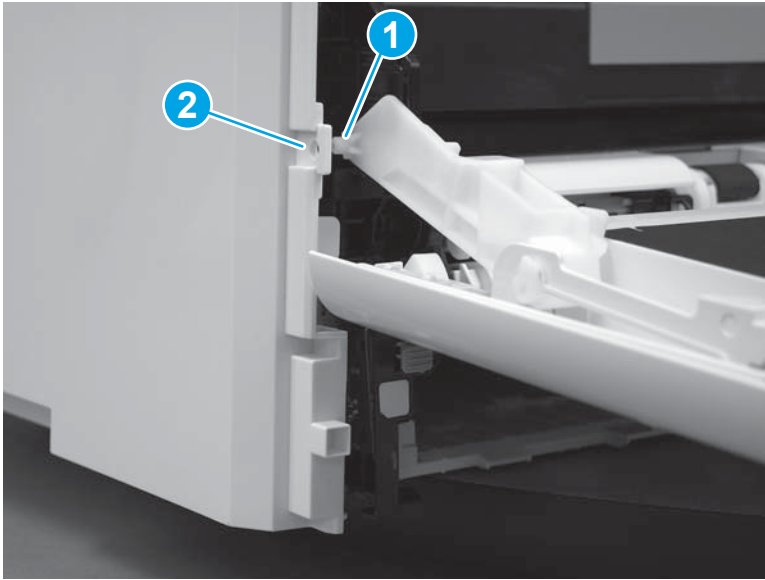
7. Press the cover toward the printer (callout 1), and then install two tabs (callout 2) at the front of the cover.

Figure 1-4989 Install two tabs



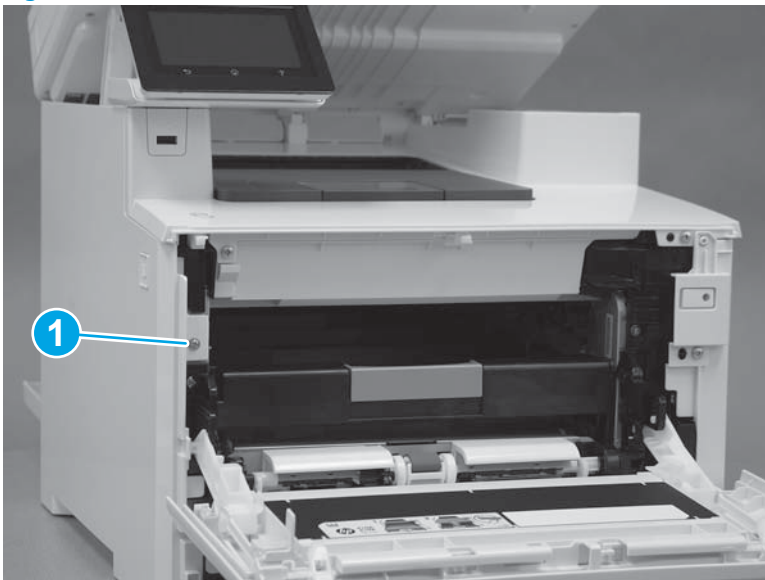
8. Make sure that the hinge pin (callout 1) on the front door fits into the slot (callout 2) on the left cover.

Figure 1-4990 Install hinge pin



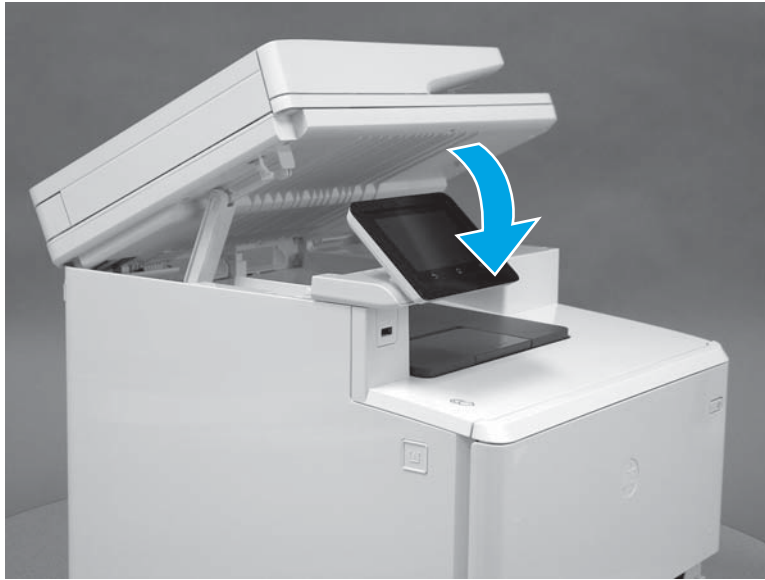
9. Install one screw (callout 1).

Figure 1-4991 Install one screw



10. Lower the scanner.

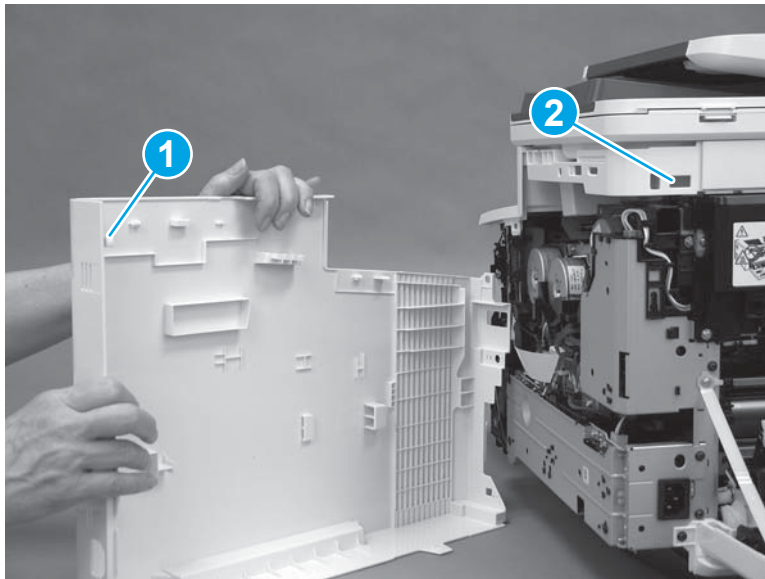
Figure 1-4992 Lower the scanner



Step 17: Install the right cover (M377, M477 models)

1. At the back of the printer, install the tab (callout 1) on the cover into the slot (callout 2) on the printer.

Figure 1-4993 Install rear tab



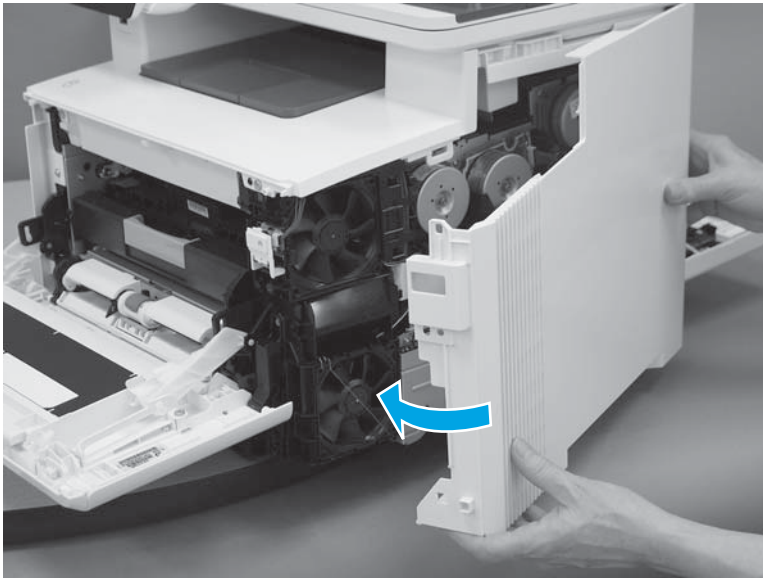
2. Raise the scanner.

Figure 1-4994 Raise the scanner



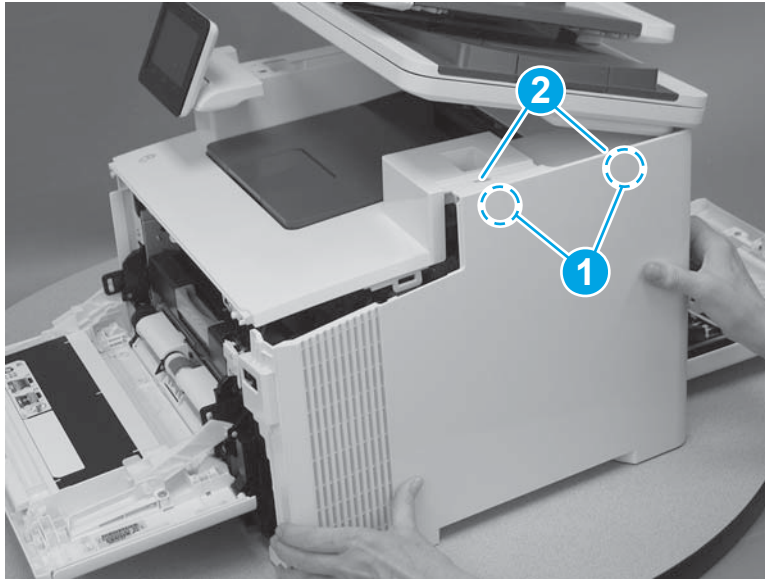
3. Rotate the right cover toward the printer.

Figure 1-4995 Rotate the right cover



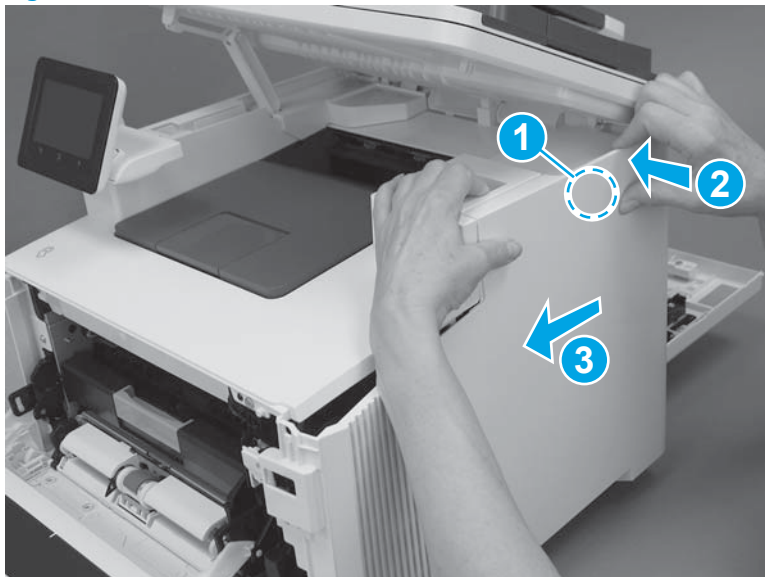
4. Position the hooks (callout 1) on the inside of the cover into the slots (callout 2) in the printer.

Figure 1-4996 Position the hooks in the slots



5. Engage one hook (callout 1) on the inside of the cover. Hold the top of the cover closed (callout 2) while sliding the cover toward the front of the printer (callout 3).

Figure 1-4997 Slide the cover



6. Rotate the front of the cover toward the printer (callout 1).

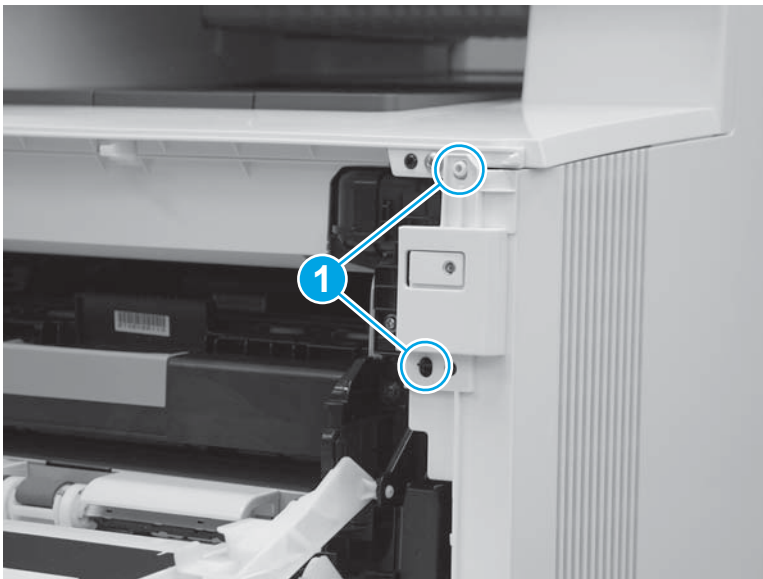
⚠ CAUTION: Be careful not to dislodge the power switch (callout 2).

Figure 1-4998 Rotate the front of the cover



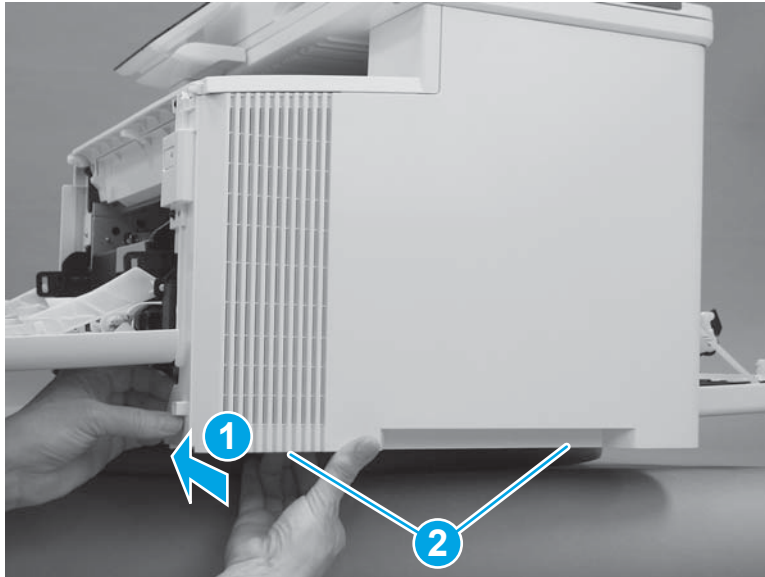
7. Install two tabs at the front of the printer (callout 1).

Figure 1-4999 Install two tabs



8. Press the right cover toward the printer (callout 1) to engage one tab on the front of the cover, and two tabs (callout 2) on the lower edge of the cover.

Figure 1-5000 Install the front and lower tabs



9. At the front of the printer, install one screw (callout 1).

Figure 1-5001 Install one screw



10. At the back of the printer, install one screw (callout 1).

Figure 1-5002 Install one screw



11. Lower the scanner.

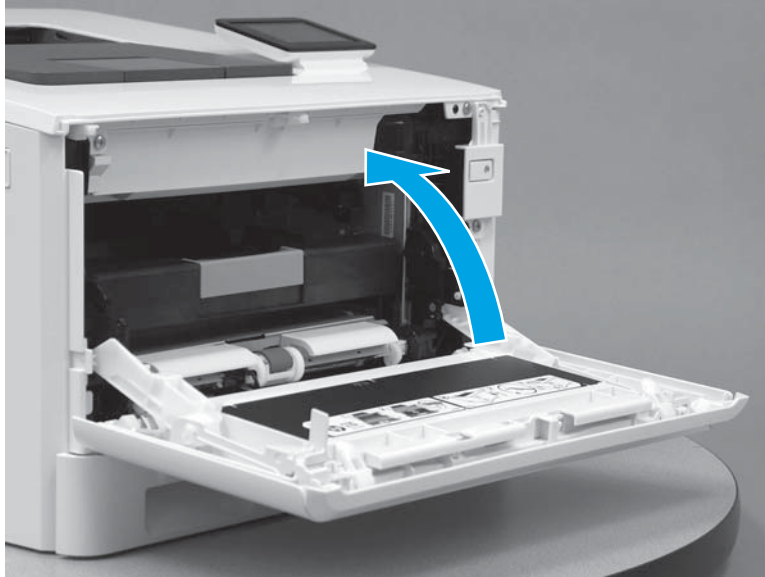
Figure 1-5003 Lower the scanner



Step 18: Close the front door and rear door or duplexer door

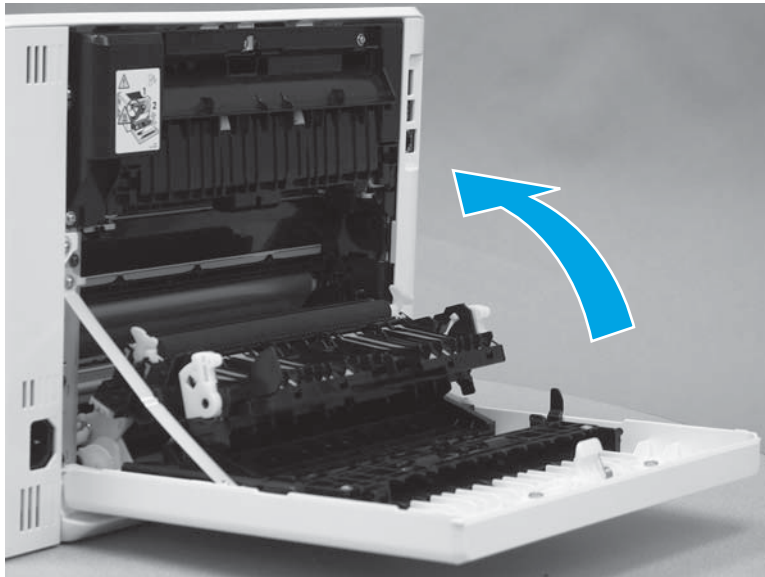
1. Close the front door.

Figure 1-5004 Close the front door



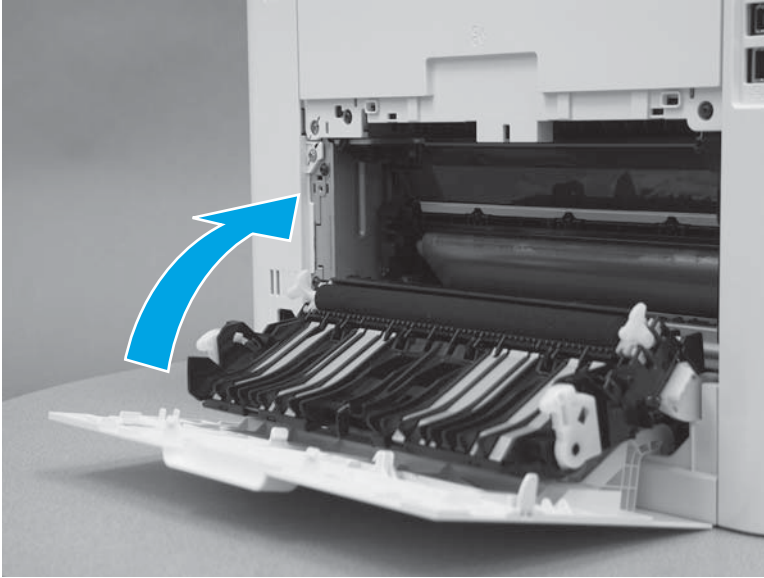
- 2. Duplex models:** Close the duplexer door.

Figure 1-5005 Close the duplexer door



3. **Simplex models:** Close the rear door.

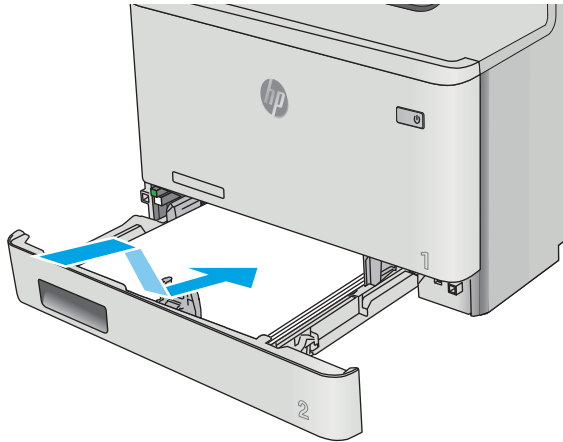
Figure 1-5006 Close the rear door



Step 19: Install Tray 2

- ▲ With the front of the tray slightly lifted, align the sides of the tray with the rails in the printer, and then carefully slide the tray into the printer. As the tray slides into the printer, lower the front of the tray, and then close it.

Figure 1-5007 Install the tray



Removal and replacement: Drawer connector


- [Introduction](#)
- [Step 1: Remove Tray 2](#)
- [Step 2: Open the front door and rear door or duplexer door](#)
- [Step 3: Remove the left cover \(M452 models\)](#)
- [Step 4: Remove the left cover \(M377, M477 models\)](#)
- [Step 5: Remove the drawer connector](#)
- [Step 6: Unpack the replacement part](#)
- [Step 7: Install the drawer connector](#)
- [Step 8: Install the left cover \(M452 models\)](#)
- [Step 9: Install the left cover \(M377, M477 models\)](#)
- [Step 10: Close the front door and rear door or duplexer door](#)
- [Step 11: Install Tray 2](#)

Introduction

This document provides the procedures to remove and replace the drawer connector.

Before you begin

- Turn off the printer.
- Disconnect the power cable.

 **WARNING!** To avoid damage to the printer, turn the printer off, wait 30 seconds, and then remove the power cord before attempting to service the printer.

- Use the table below to identify the correct part number for your printer. To order the part, go to www.hp.com/buy/parts.

| Drawer connector part number | |
|------------------------------|--|
|------------------------------|--|

| |
|----------------|
| VS1-7258-007CN |
|----------------|

| |
|------------------|
| Drawer connector |
|------------------|

Required tools

- #2 Phillips screwdriver with a magnetic tip

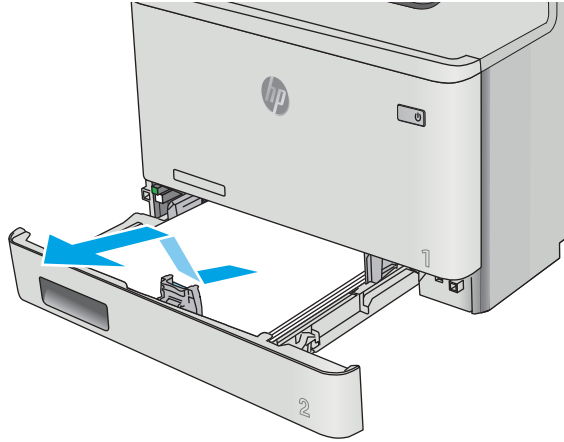
After performing service

- Connect the power cable.
- Use the power switch to turn the power on.

Step 1: Remove Tray 2

- ▲ Pull the tray out until it stops. Lift the front of the tray, and then pull it out of the printer to remove it.

Figure 1-5008 Remove the tray



Step 2: Open the front door and rear door or duplexer door

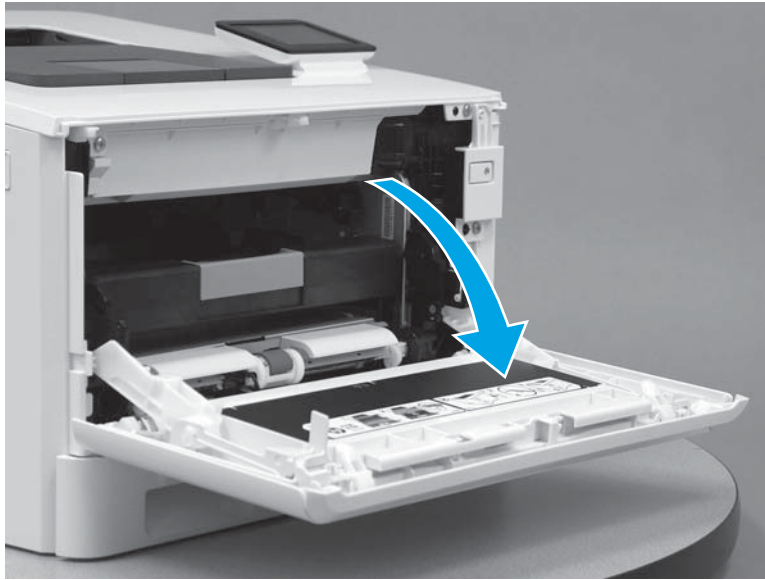
1. Press the button (callout 1) on the left side of the printer to release the front door.

Figure 1-5009 Release the front door



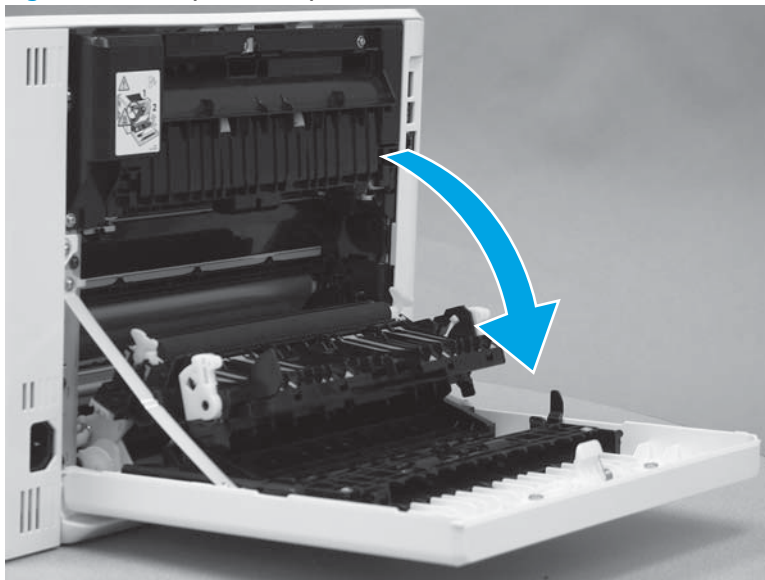
2. Open the front door.

Figure 1-5010 Open the front door



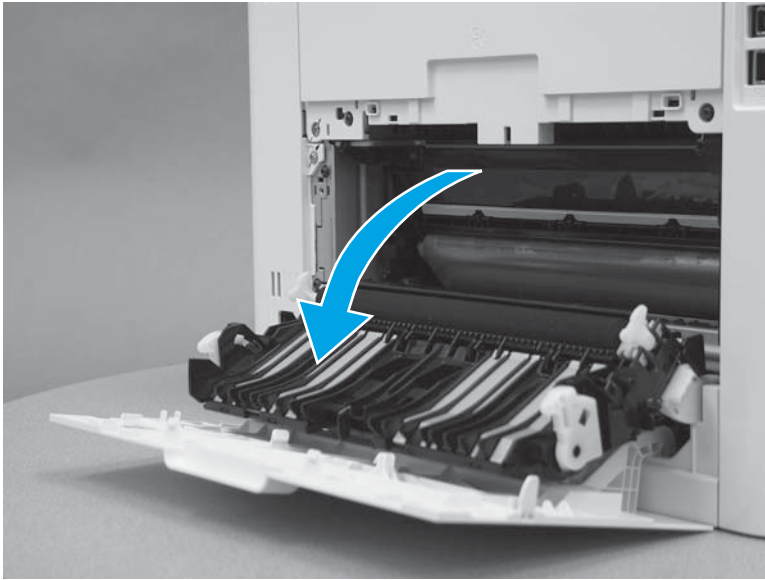
3. **Duplex models:** Open the duplexer door.

Figure 1-5011 Open the duplexer door



4. **Simplex models:** Open the rear door.

Figure 1-5012 Open the rear door



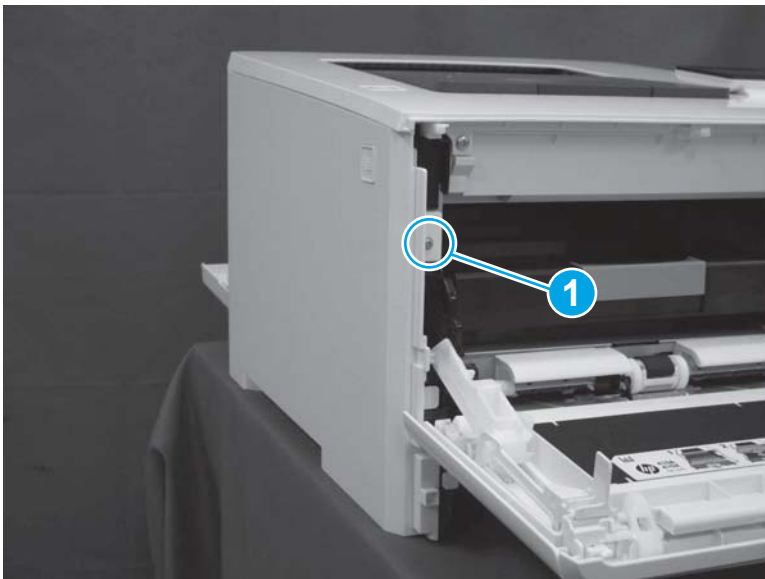
Step 3: Remove the left cover (M452 models)



NOTE: This step is for the M452 models. For the M377, M477 models, skip this step and go to [Step 4: Remove the left cover \(M377, M477 models\) on page 2644](#).

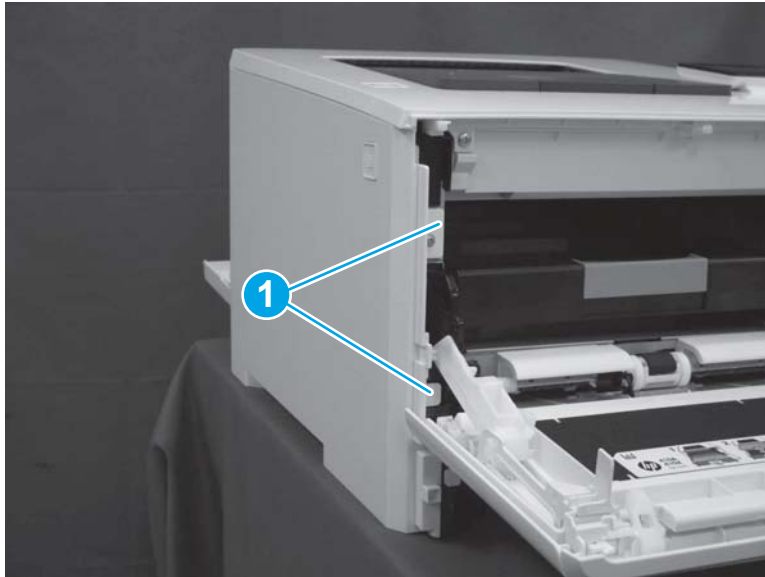
1. At the front of the printer, remove one screw (callout 1).

Figure 1-5013 Remove one screw



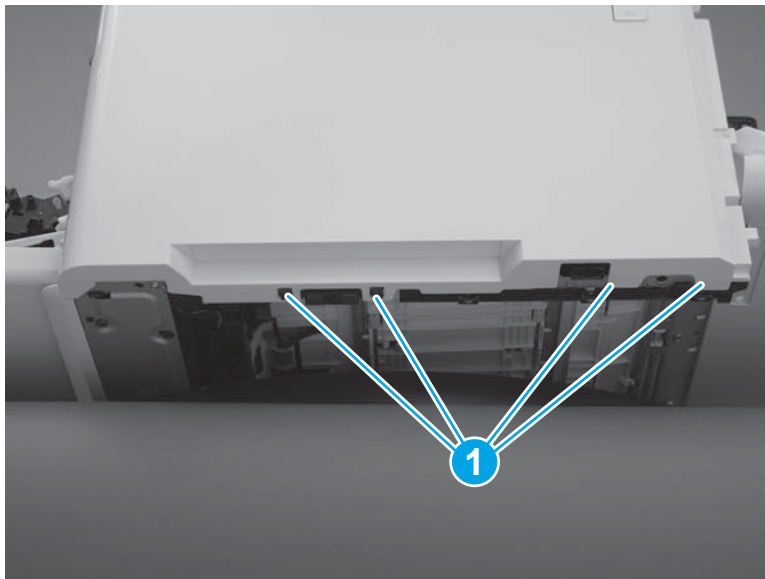
2. Release two tabs (callout 1) at the front of the cover. Hold the cover open to prevent the tabs from reengaging.

Figure 1-5014 Release two tabs



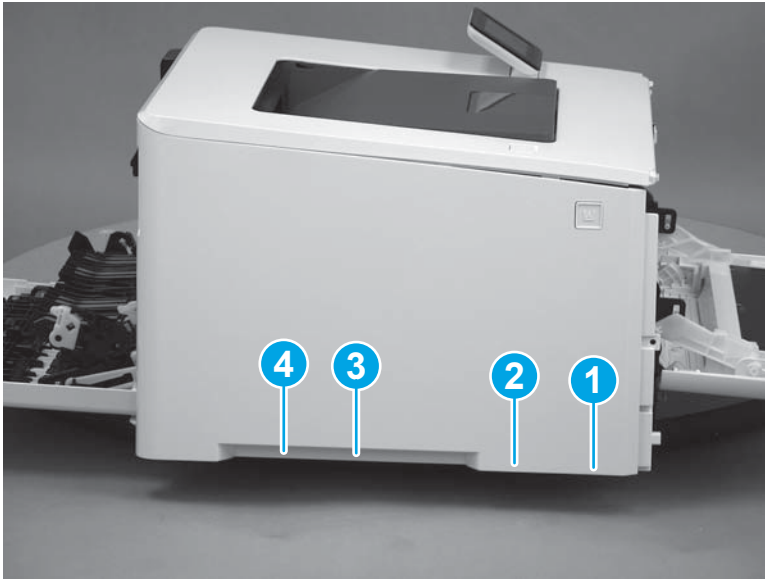
3. Slide the printer to the edge of a work surface. Note the location of the tabs on the lower edge of the cover (callout 1).

Figure 1-5015 Locate the tabs



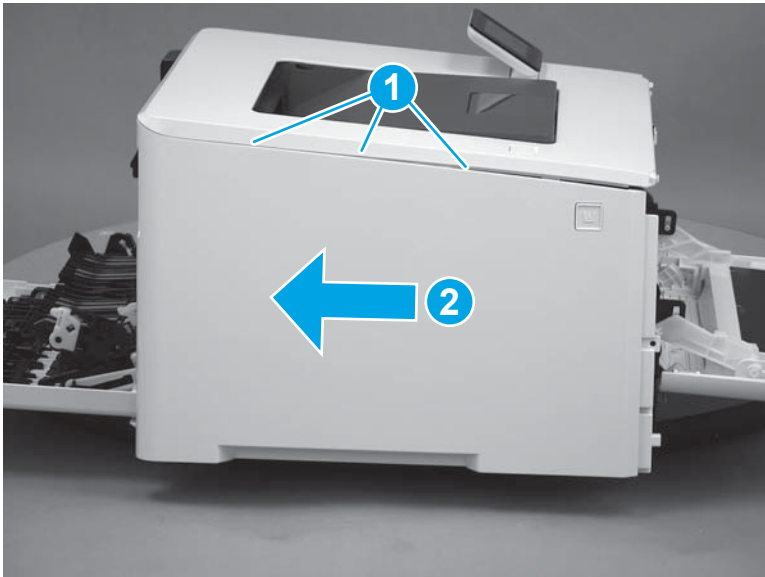
4. Beginning from the front of the cover, release four tabs (callouts 1-4) on the lower edge of the cover.

Figure 1-5016 Release bottom tabs



5. Release three tabs at the top of the cover (callout 1), and then slide the cover toward the rear of the printer to remove it.

Figure 1-5017 Release three tabs



Step 4: Remove the left cover (M377, M477 models)

 **NOTE:** This step is for the M377, M477 models. For the M452 models, skip this step and go to [Step 5: Remove the drawer connector on page 2649.](#)

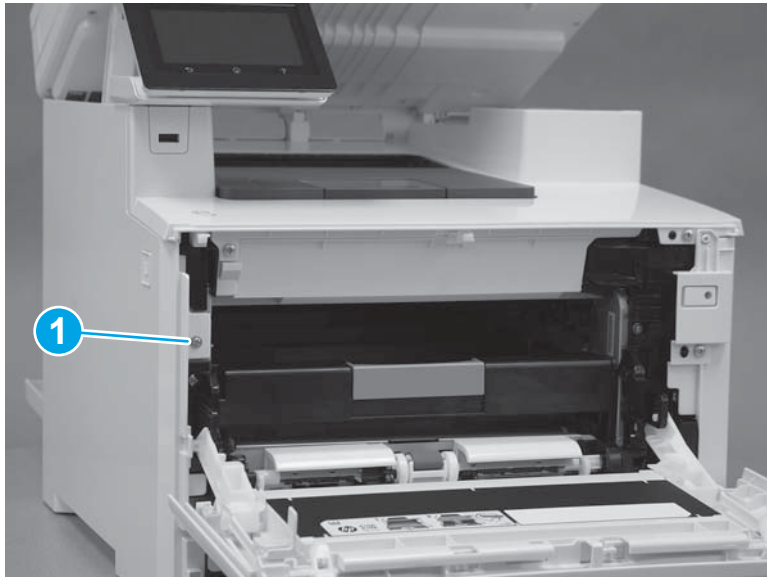
1. Raise the scanner.

Figure 1-5018 Raise the scanner



2. At the front of the printer, remove one screw (callout 1).

Figure 1-5019 Remove one screw



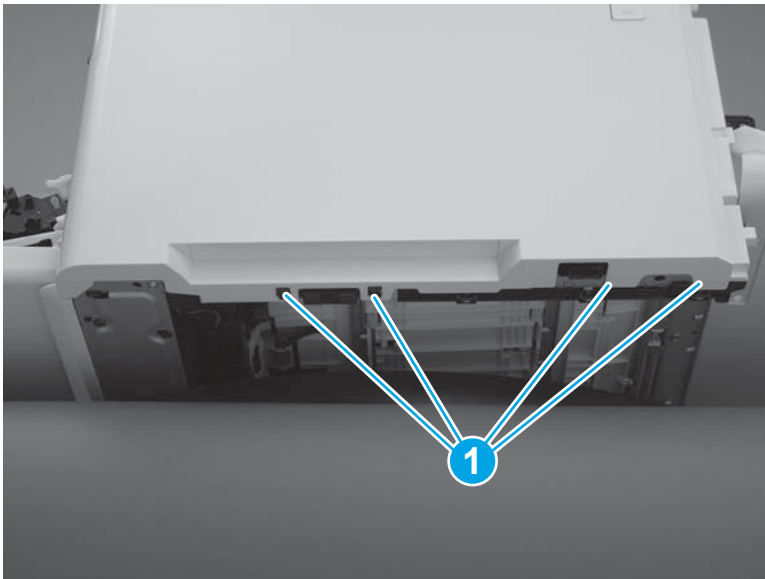
3. Release two tabs (callout 1) at the front of the cover. Hold the cover open to prevent the tabs from re-engaging.

Figure 1-5020 Release two tabs



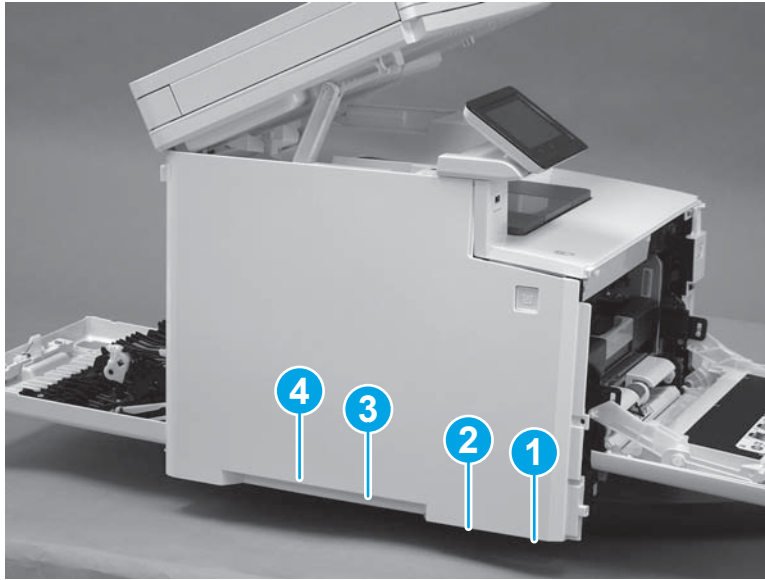
4. Slide the printer to the edge of a work surface. Note the location of the tabs on the lower edge of the cover (callout 1).

Figure 1-5021 Locate the tabs



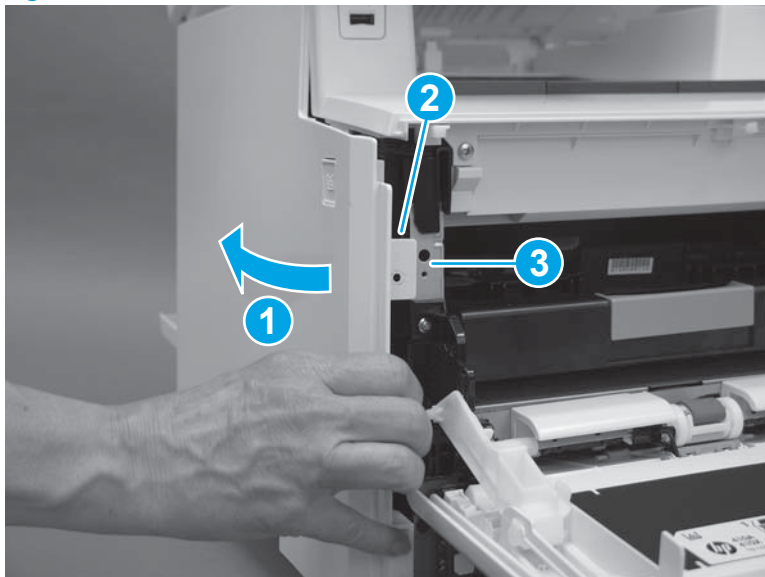
5. Beginning from the front of the cover, release the four tabs (callouts 1-4) on the lower edge of the cover.

Figure 1-5022 Release four tabs



6. Rotate the front of the cover away from the printer (callout 1). Make sure that the tab (callout 2) does not get caught on the printer frame (callout 3).

Figure 1-5023 Rotate the cover



7. At the top of the printer, slightly pull the top of the cover away from the printer to release one retention tab (callout 1) on the inside of the cover. While holding the cover away, slide the cover toward the back of the printer (callout 2) to release two hooks (callout 3) inside the cover.

Figure 1-5024 Release one tab and two hooks



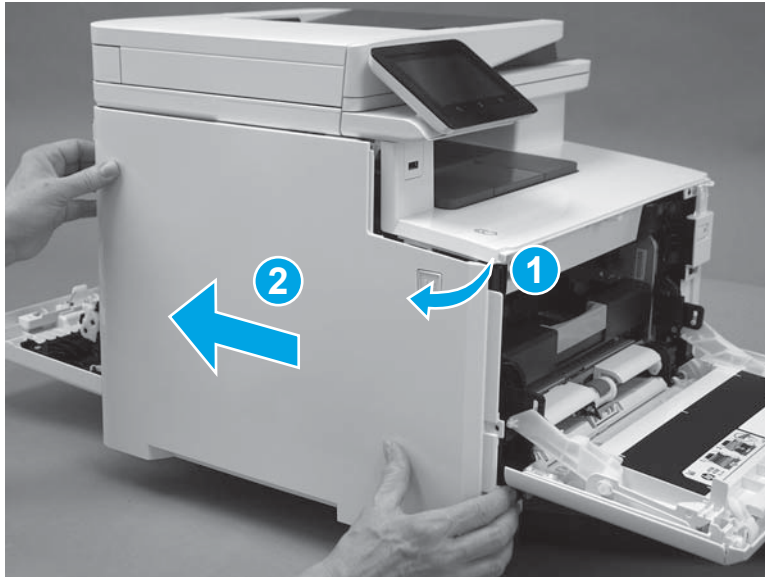
8. Lower the scanner.

Figure 1-5025 Lower the scanner



9. Rotate the cover away from the printer (callout 1), and then slide the cover (callout 2) toward the back of the printer to remove it.

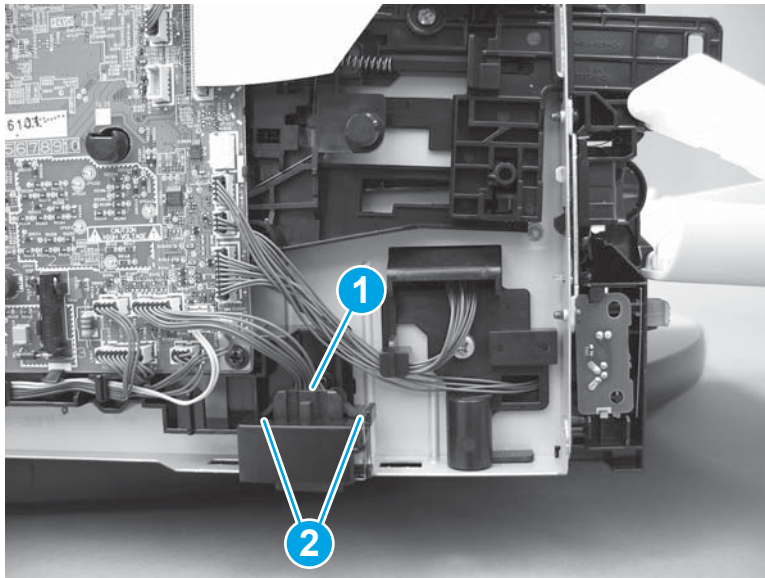
Figure 1-5026 Remove the left cover



Step 5: Remove the drawer connector

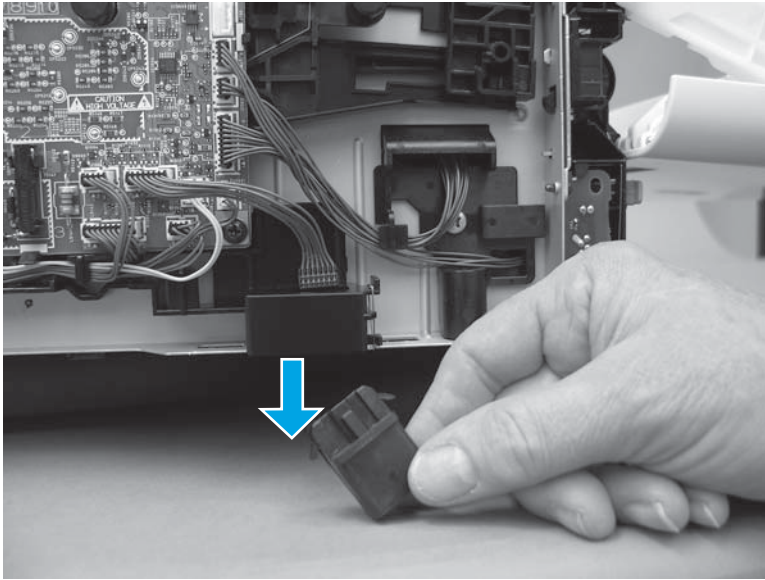
1. Slide the printer slightly over the edge of the work surface in order to access the connector location. On the left side of the printer, disconnect one connector (callout 1), and then release two tabs (callout 2).

Figure 1-5027 Disconnect one connector and release two tabs



2. Remove the drawer connector.

Figure 1-5028 Remove the drawer connector



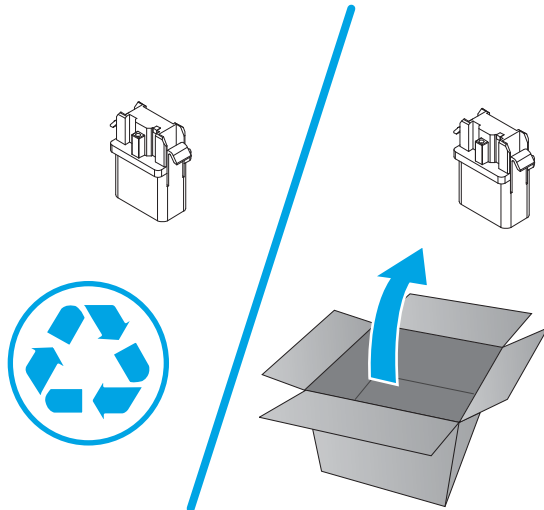
Step 6: Unpack the replacement part

Remove the new part from its package. Save all packaging for recycling the used part.

For complete information on HP's recycling programs, go to [Product return and recycling](#).

 **NOTE:** HP recommends responsible disposal of the defective part.

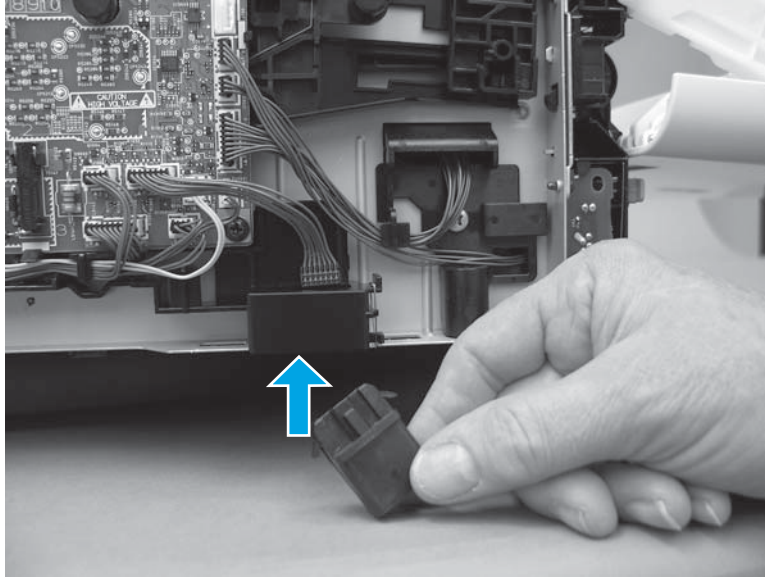
Figure 1-5029 Recycle and unpack



Step 7: Install the drawer connector

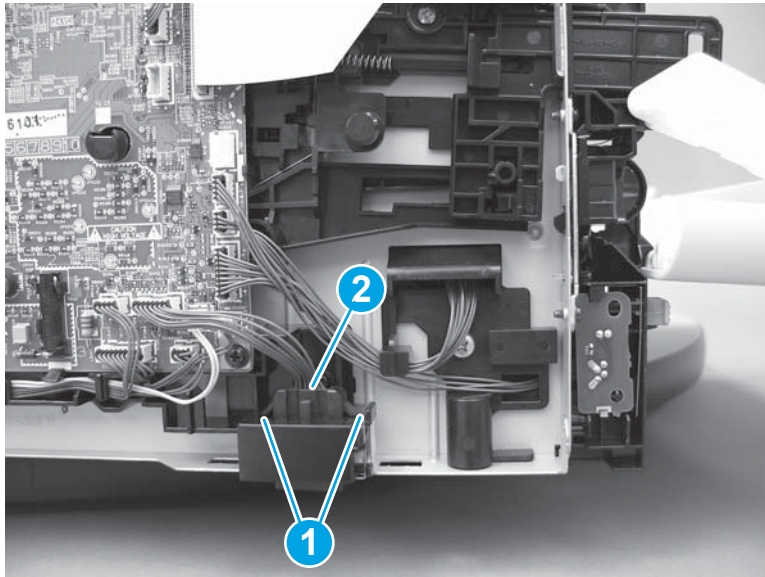
1. Install the drawer connector through the bottom of the connector holder.

Figure 1-5030 Install the drawer connector



2. Install two tabs (callout 1), and then connect one connector (callout 2).

Figure 1-5031 Install two tabs and connect one connector



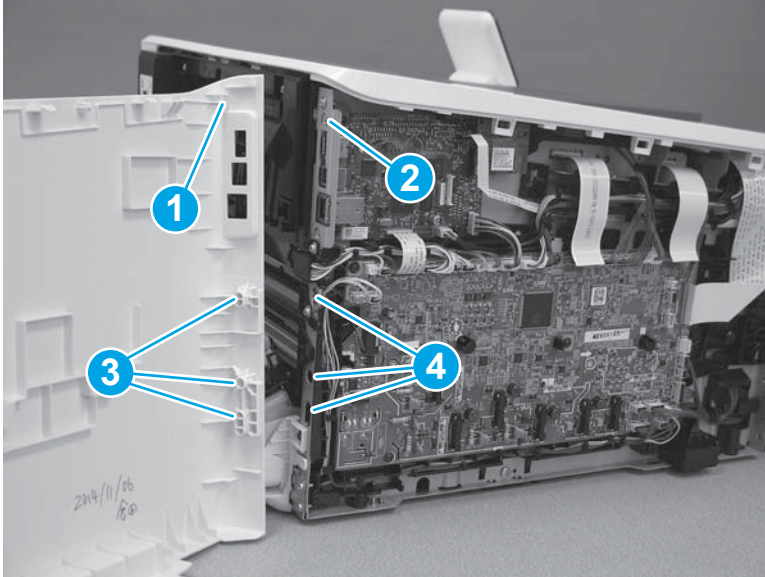
Step 8: Install the left cover (M452 models)



NOTE: This step is for the M452 models. For the M377, M477 models, skip this step and go to [Step 9: Install the left cover \(M377, M477 models\) on page 2655](#).

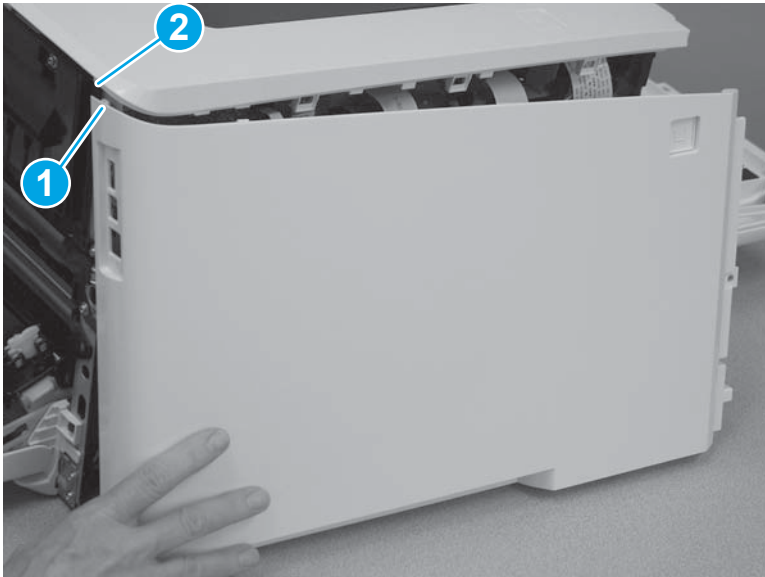
1. Position the hook (callout 1) on the cover in the slot (callout 2) on the printer. Position three tabs (callout 3) on the back of the cover in the slots (callout 4) in the printer.

Figure 1-5032 Position three tabs



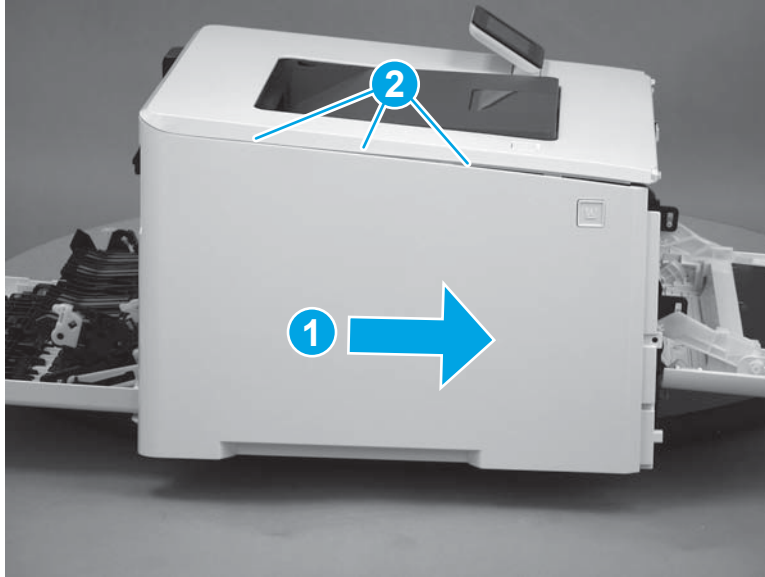
2. At the back of the printer, install the tab (callout 1) under the edge of the top cover (callout 2).

Figure 1-5033 Install one tab



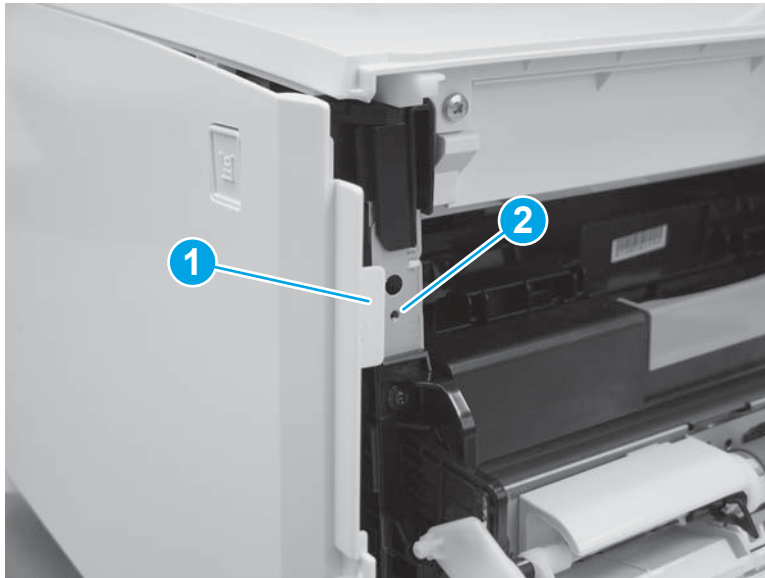
3. Slide the cover toward the front of the printer (callout 1), and then engage three tabs (callout 2) on the top of the cover.

Figure 1-5034 Install the left cover



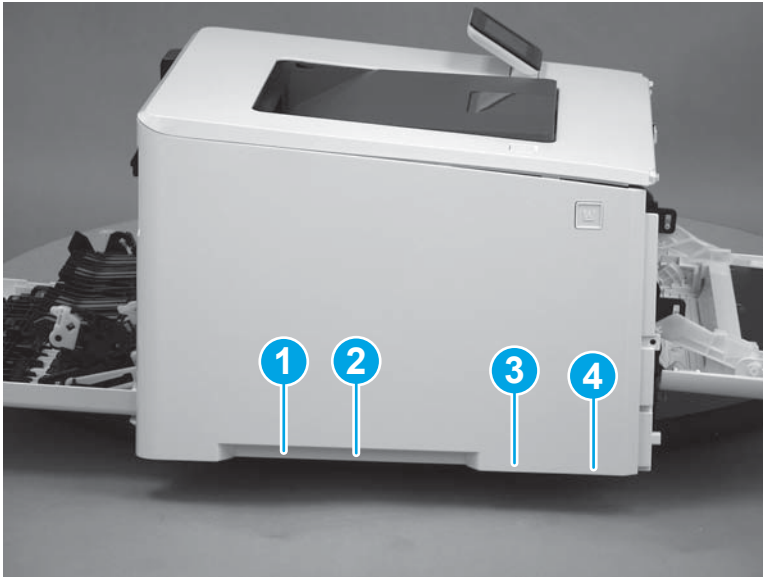
⚠ CAUTION: Make sure that the tab (callout 1) does not get caught behind the printer frame (callout 2).

Figure 1-5035 Make sure the tab does not get caught



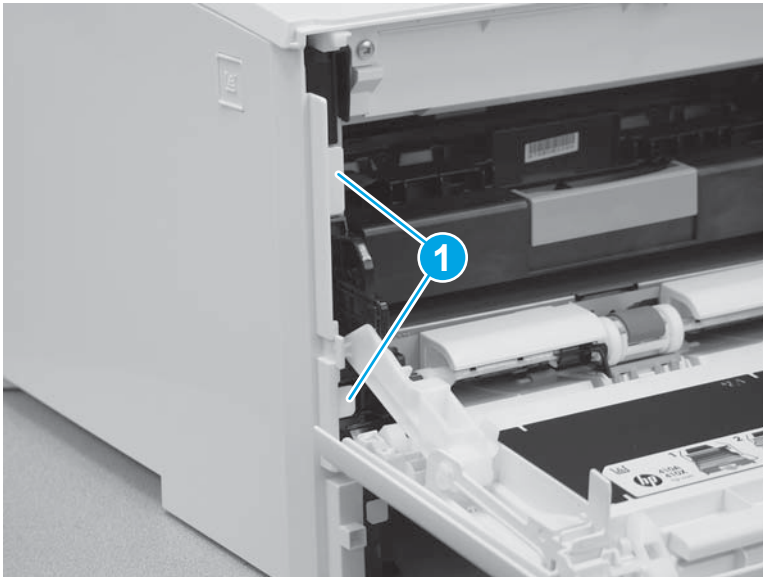
4. Slide the printer to the edge of a work surface in order to access the tabs on the bottom of the cover. Beginning from the back of the cover, install four tabs (callouts 1-4) on the lower edge of the cover.

Figure 1-5036 Install four tabs



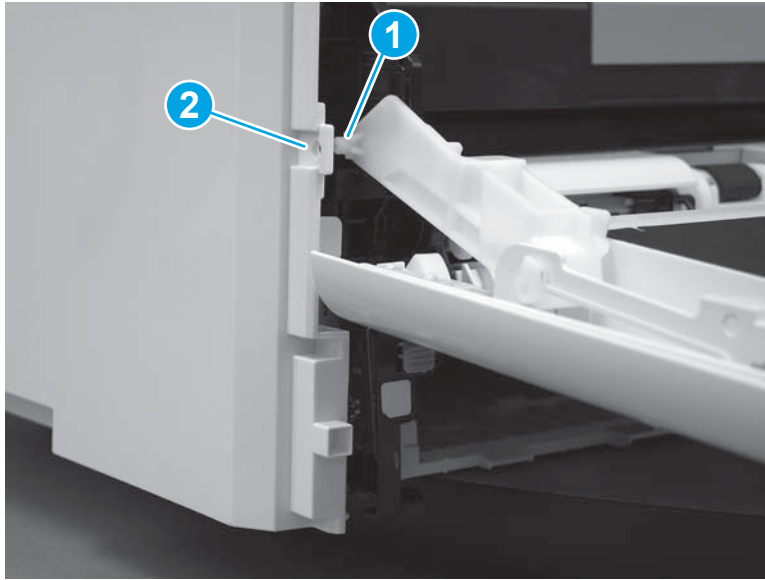
5. Install two tabs (callout 1) at the front of the cover.

Figure 1-5037 Engage two tabs



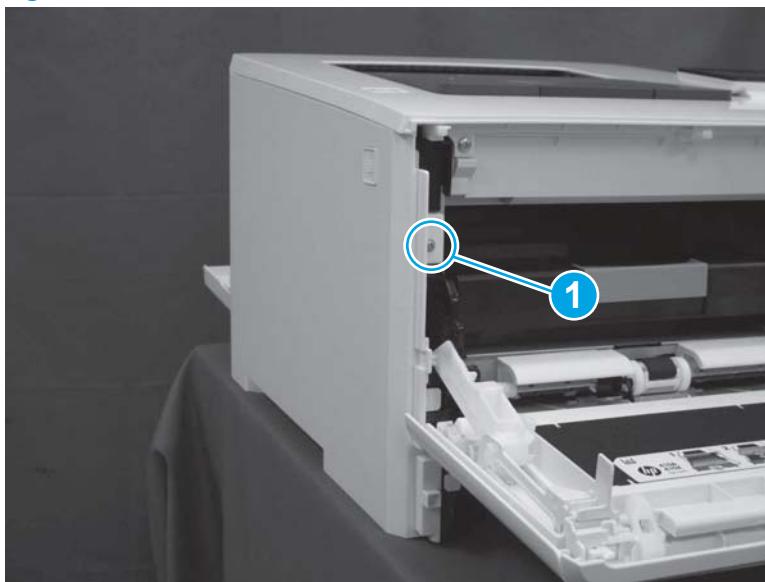
6. Make sure that the hinge pin (callout 1) on the front door fits into the slot (callout 2) on the left cover.

Figure 1-5038 Install hinge pin



7. Install one screw (callout 1).

Figure 1-5039 Install one screw

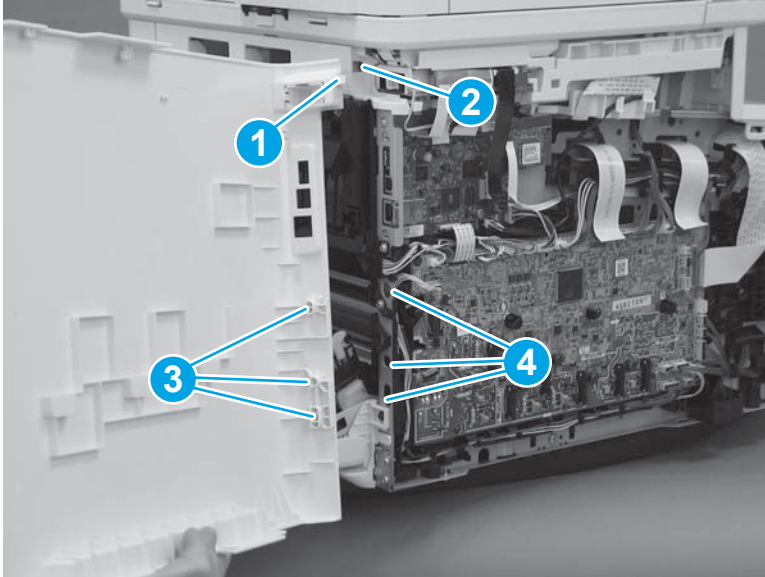


Step 9: Install the left cover (M377, M477 models)

 **NOTE:** This step is for the M377, M477 models. For the M452 models, skip this step and go to [Step 10: Close the front door and rear door or duplexer door on page 2662.](#)

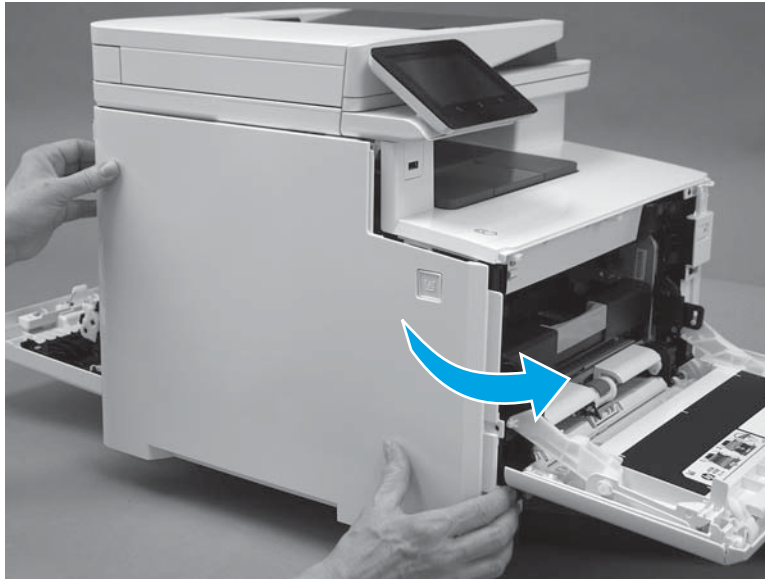
1. At the back of the printer, install the tab (callout 1) on the cover into the slot (callout 2) in the printer. Install the locator pins (callout 3) into the slots (callout 4) in the printer.

Figure 1-5040 Install one tab



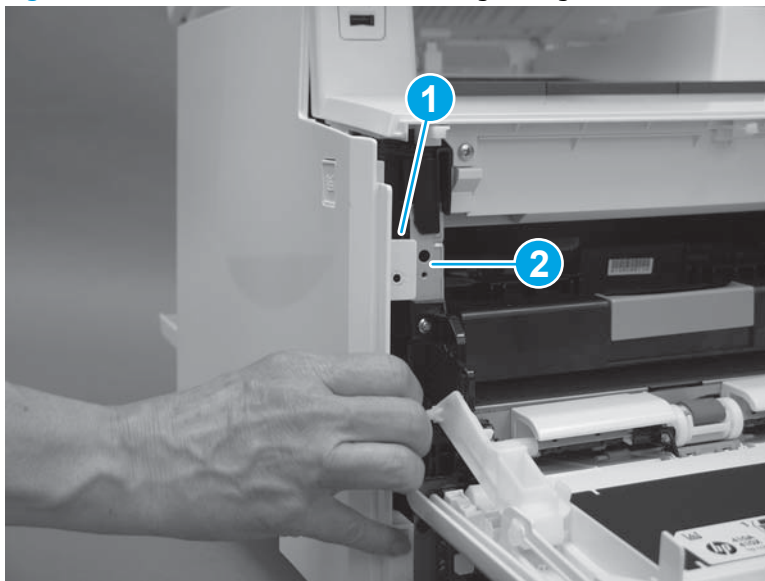
2. Rotate the cover toward the printer.

Figure 1-5041 Rotate the left cover



⚠ CAUTION: Make sure that the tab (callout 1) does not get caught behind the printer frame (callout 2).

Figure 1-5042 Make sure the tab does not get caught



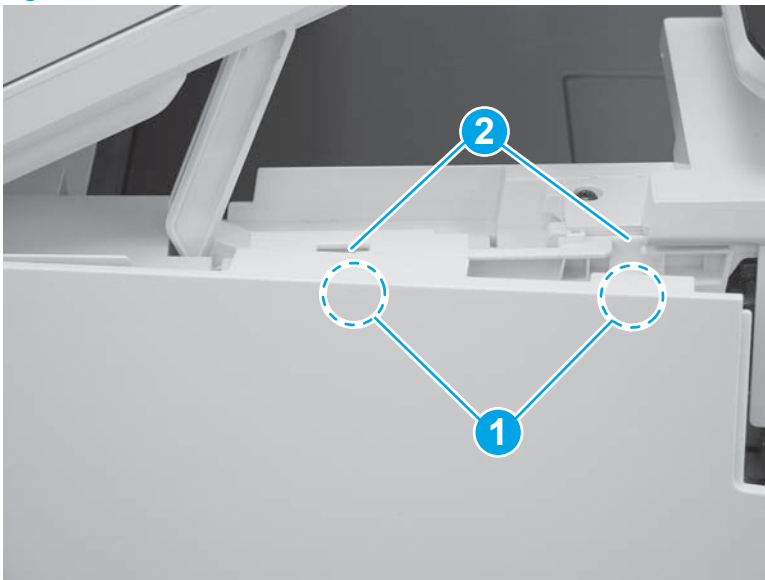
3. Raise the scanner.

Figure 1-5043 Raise the scanner



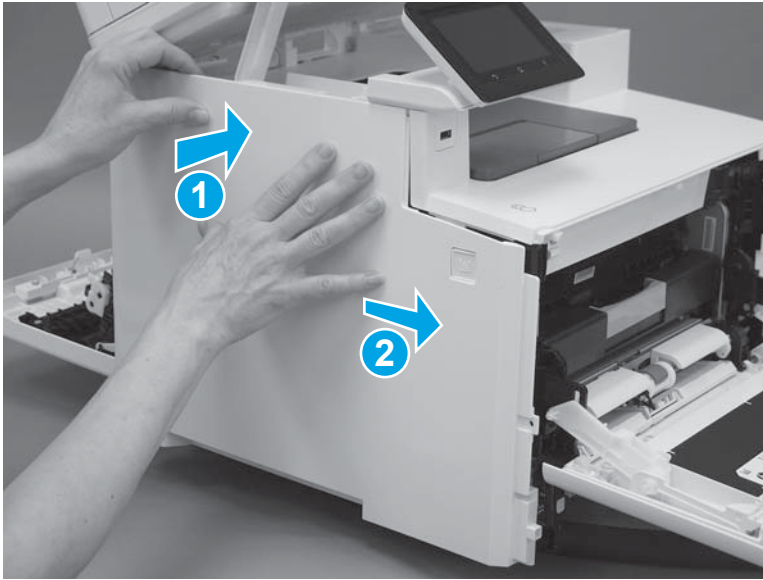
4. Position the hooks (callout 1) on the inside of the cover into the slots (callout 2) on the printer.

Figure 1-5044 Position the hooks in the slots



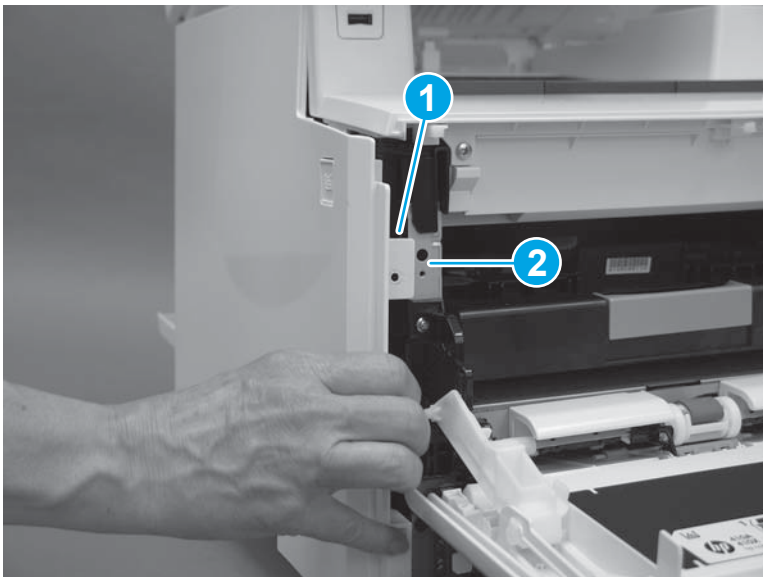
5. Hold the cover against the printer (callout 1), and then slide it (callout 2) toward the front of the printer.

Figure 1-5045 Install the top hooks



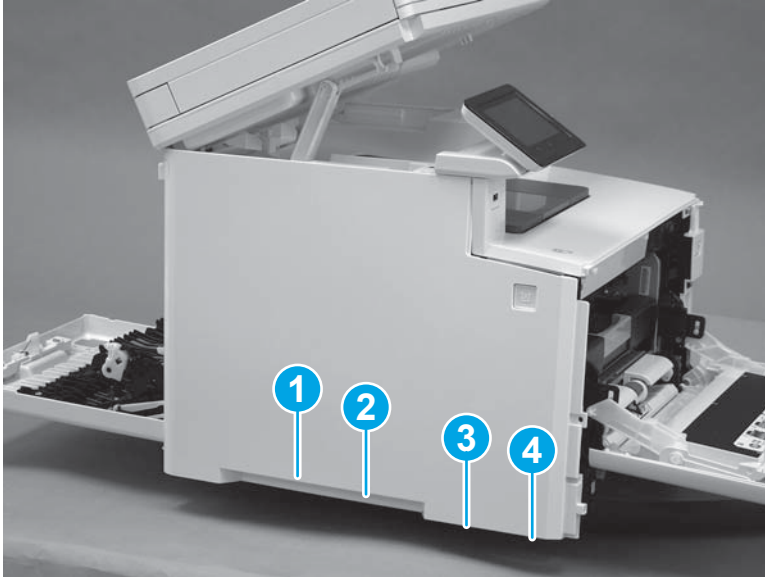
⚠ CAUTION: Make sure that the tab (callout 1) on the front of the cover does not get caught behind the printer frame (callout 2).

Figure 1-5046 Make sure the tab does not get caught



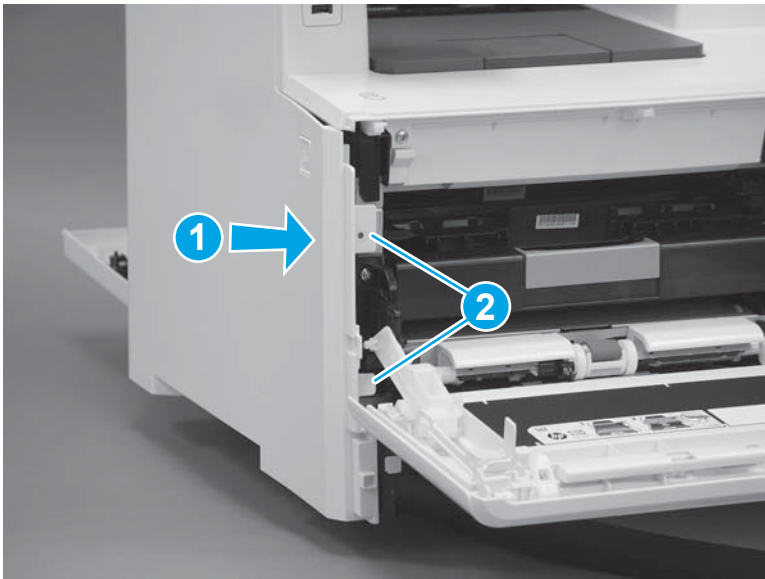
6. Slide the printer to the edge of a work surface in order to access the tabs on the bottom of the cover. Beginning from the back of the cover, install four tabs (callouts 1-4) on the lower edge of the cover.

Figure 1-5047 Install four tabs



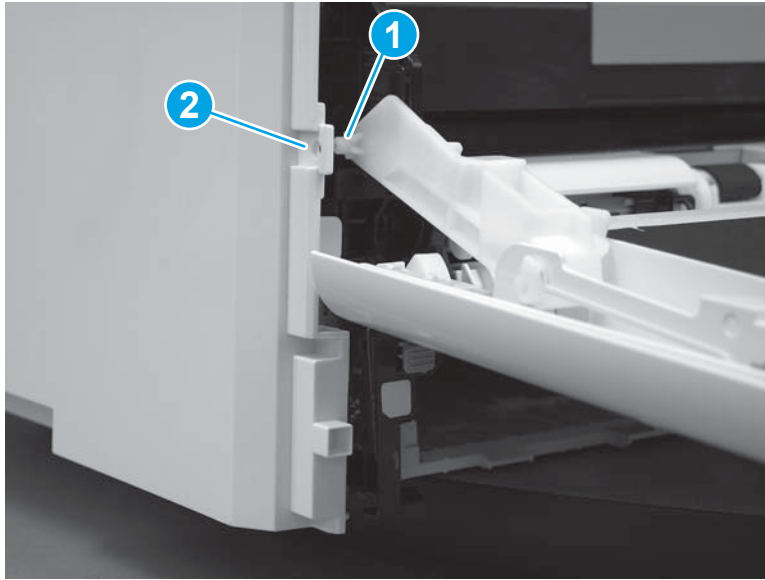
7. Press the cover toward the printer (callout 1), and then install two tabs (callout 2) at the front of the cover.

Figure 1-5048 Install two tabs



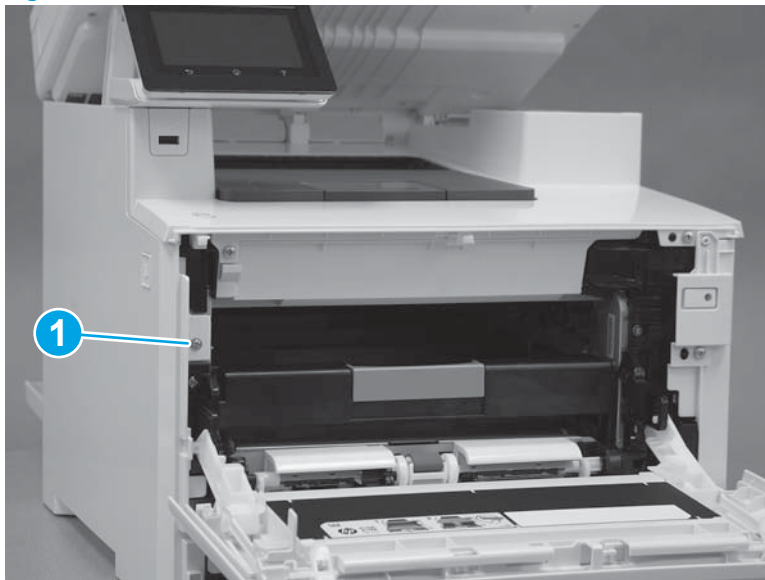
8. Make sure that the hinge pin (callout 1) on the front door fits into the slot (callout 2) on the left cover.

Figure 1-5049 Install hinge pin



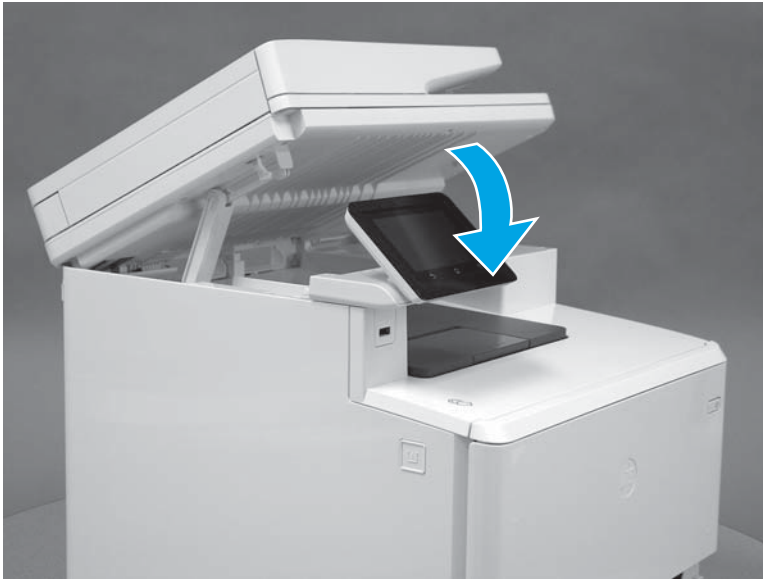
9. Install one screw (callout 1).

Figure 1-5050 Install one screw



10. Lower the scanner.

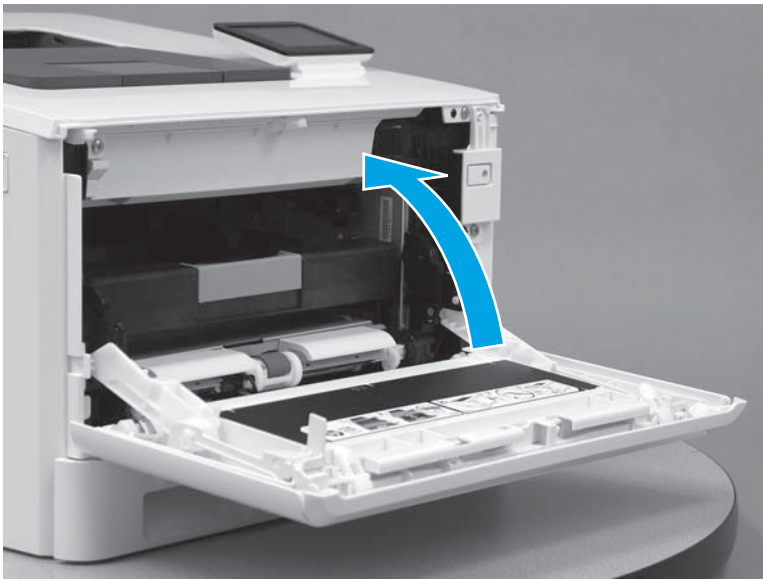
Figure 1-5051 Lower the scanner



Step 10: Close the front door and rear door or duplexer door

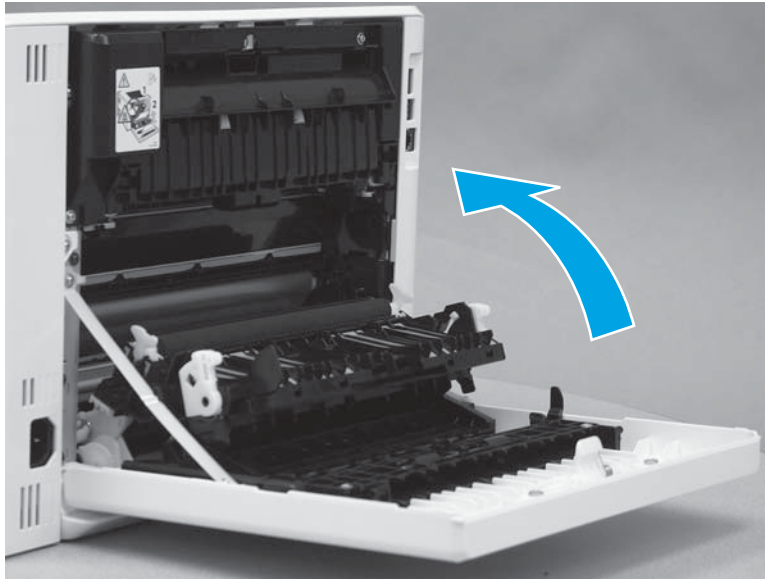
1. Close the front door.

Figure 1-5052 Close the front door



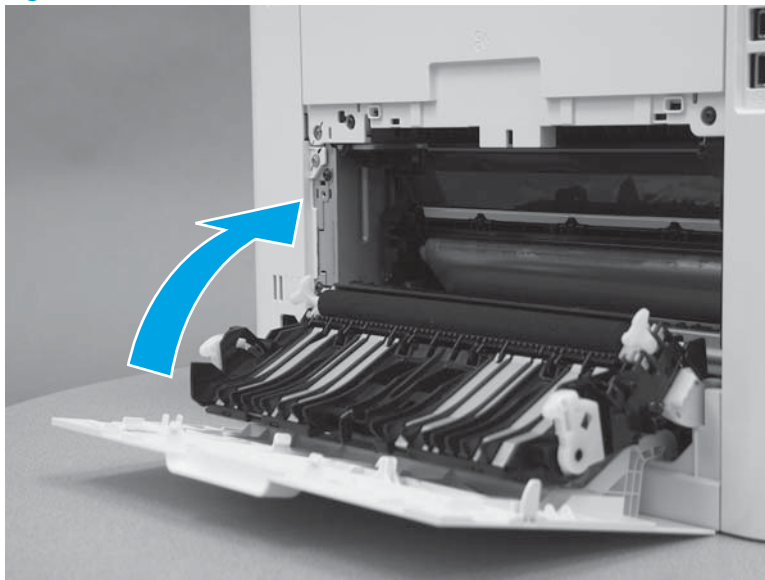
2. **Duplex models:** Close the duplexer door.

Figure 1-5053 Close the duplexer door



3. **Simplex models:** Close the rear door.

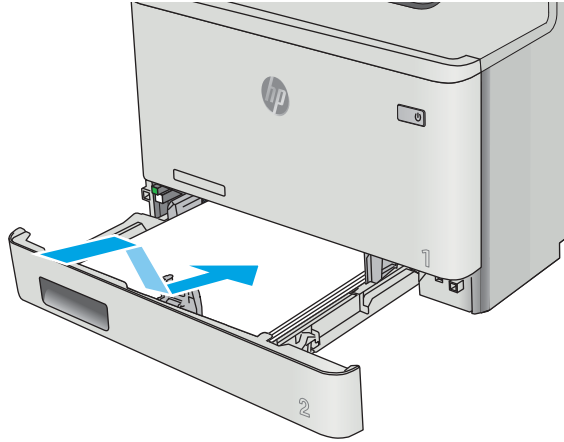
Figure 1-5054 Close the rear door



Step 11: Install Tray 2

- ▲ With the front of the tray slightly lifted, align the sides of the tray with the rails in the printer, and then carefully slide the tray into the printer. As the tray slides into the printer, lower the front of the tray, and then close it.

Figure 1-5055 Install the tray



Removal and replacement: Accessories

- [550-sheet paper feeder](#)

550-sheet paper feeder



NOTE: HP recommends removing the accessories from the printer before servicing them.

- [Removal and replacement: Right cover \(550-sheet paper feeder\)](#)
- [Removal and replacement: Left cover \(550-sheet paper feeder\)](#)
- [Removal and replacement: Rear cover \(550-sheet paper feeder\)](#)
- [Removal and replacement: Switch cable assembly \(550-sheet paper feeder\)](#)
- [Removal and replacement: Lifter drive assembly \(550-sheet paper feeder\)](#)
- [Removal and replacement: Pickup assembly \(550-sheet paper feeder\)](#)
- [Removal and replacement: Front feed guide assembly \(550-sheet paper feeder\)](#)
- [Removal and replacement: Rear feed guide assembly \(550-sheet paper feeder\)](#)
- [Removal and replacement: Paper feed assembly \(550-sheet paper feeder\)](#)
- [Removal and replacement: Pickup motor \(550-sheet paper feeder\)](#)
- [Removal and replacement: Drawer connector \(550-sheet paper feeder\)](#)
- [Removal and replacement: Driver PCA \(550-sheet paper feeder\)](#)

Removal and replacement: Right cover (550-sheet paper feeder)


- [Introduction](#)
- [Step 1: Remove Tray 3](#)
- [Step 2: Remove the right cover \(550-sheet paper feeder\)](#)
- [Step 3: Unpack the replacement part](#)
- [Step 4: Install the right cover \(550-sheet paper feeder\)](#)
- [Step 5: Install Tray 3](#)

Introduction

This document provides the procedures to remove and replace the right cover for the 550-sheet paper feeder.

Before you begin

- Turn off the printer.
- Disconnect the power cable.

 **WARNING!** To avoid damage to the printer, turn the printer off, wait 30 seconds, and then remove the power cord before attempting to service the printer.

- Use the table below to identify the correct part number for your printer. To order the part, go to www.hp.com/buy/parts.

Right cover part number (550-sheet paper feeder)

| | |
|-----------------------|--------------------------------------|
| RC4-2202-000CN | Right cover (550-sheet paper feeder) |
|-----------------------|--------------------------------------|

Required tools

- #2 Phillips screwdriver with a magnetic tip

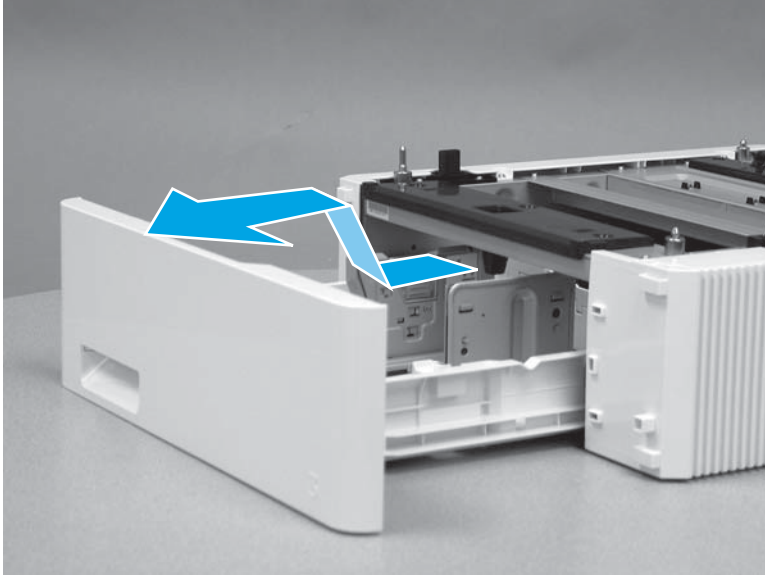
After performing service

- Connect the power cable.
- Use the power switch to turn the power on.

Step 1: Remove Tray 3

- ▲ Pull the tray out until it stops. Lift the front of the tray, and then pull it out of the printer to remove it.

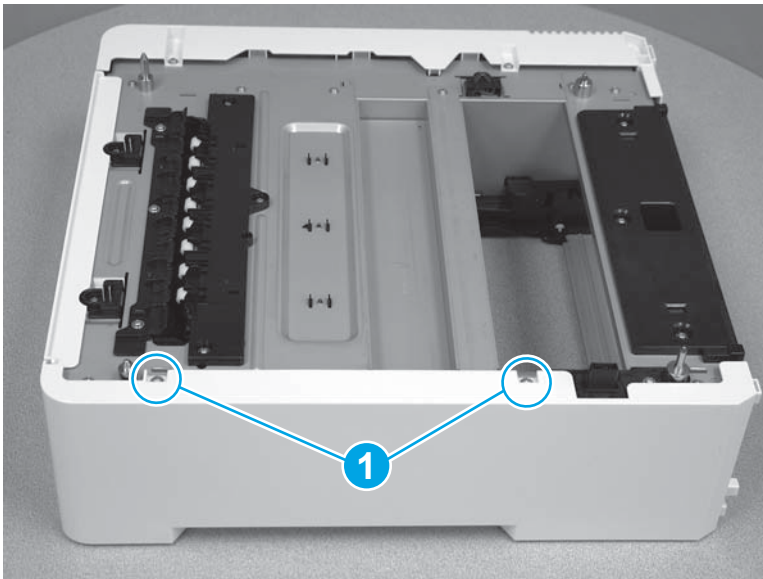
Figure 1-5056 Remove the tray



Step 2: Remove the right cover (550-sheet paper feeder)

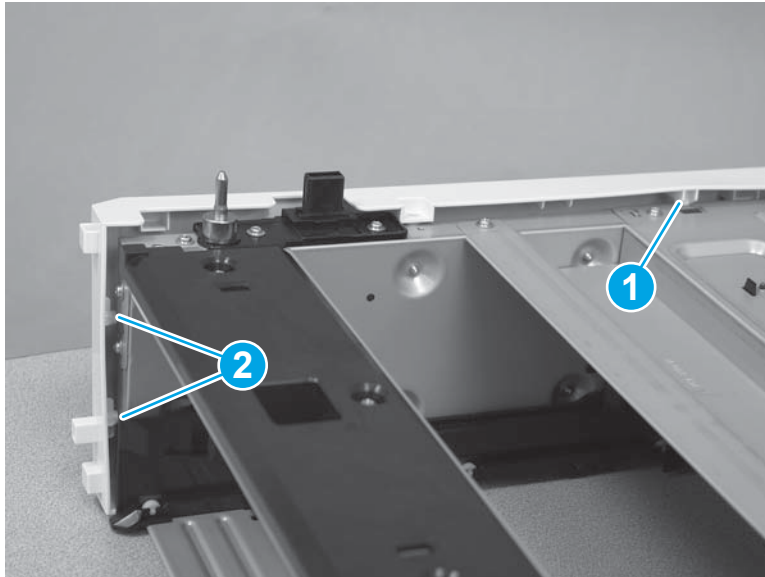
1. Remove two screws (callout 1).

Figure 1-5057 Remove two screws



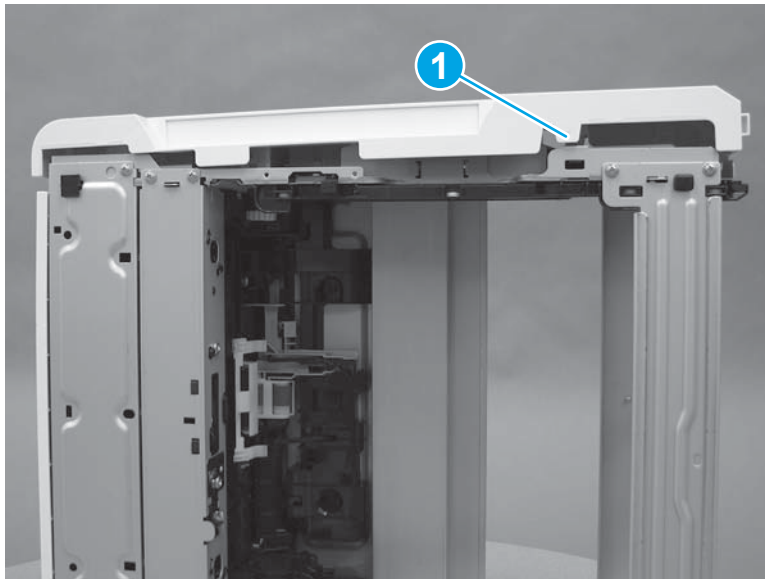
2. Release one tab (callout 1) on the top of the feeder, and then release two tabs (callout 2) at the front of the feeder.

Figure 1-5058 Release three tabs



3. Lay the feeder on the left side so that the right side is facing up, and then release one tab (callout 1) on the bottom of the feeder. Remove the right cover.

Figure 1-5059 Release one tab



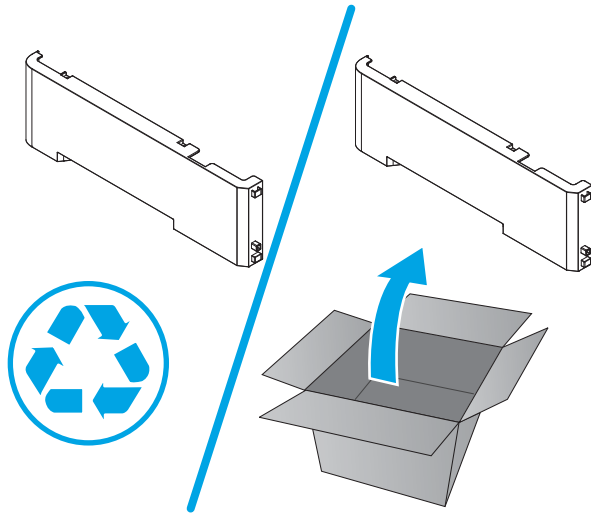
Step 3: Unpack the replacement part

Remove the new part from its package. Save all packaging for recycling the used part.

For complete information on HP's recycling programs, go to [Product return and recycling](#).

 **NOTE:** HP recommends responsible disposal of the defective part.

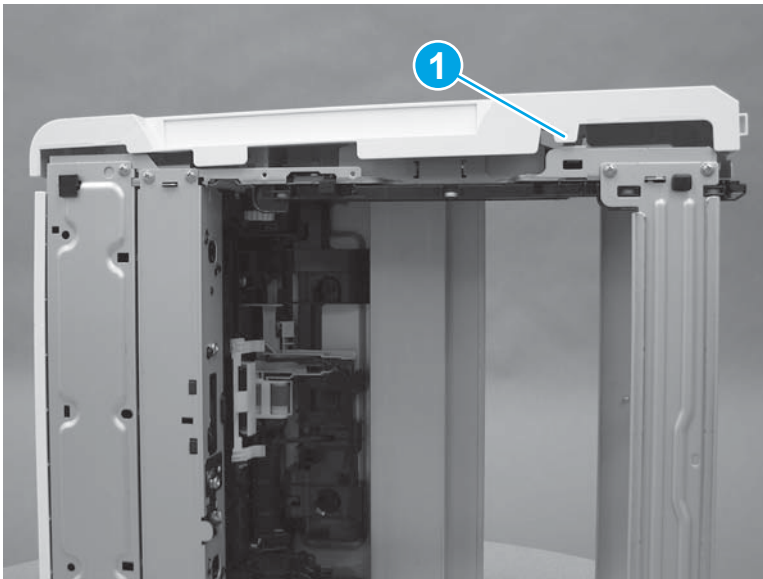
Figure 1-5060 Recycle and unpack



Step 4: Install the right cover (550-sheet paper feeder)

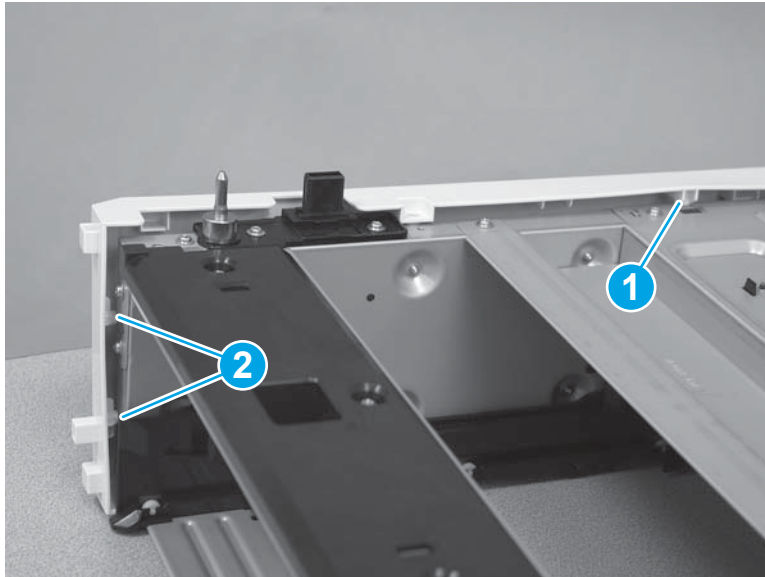
1. Lay the feeder on the left side so that the right side is facing up, and then install one tab (callout 1) on the bottom of the feeder.

Figure 1-5061 Install one tab



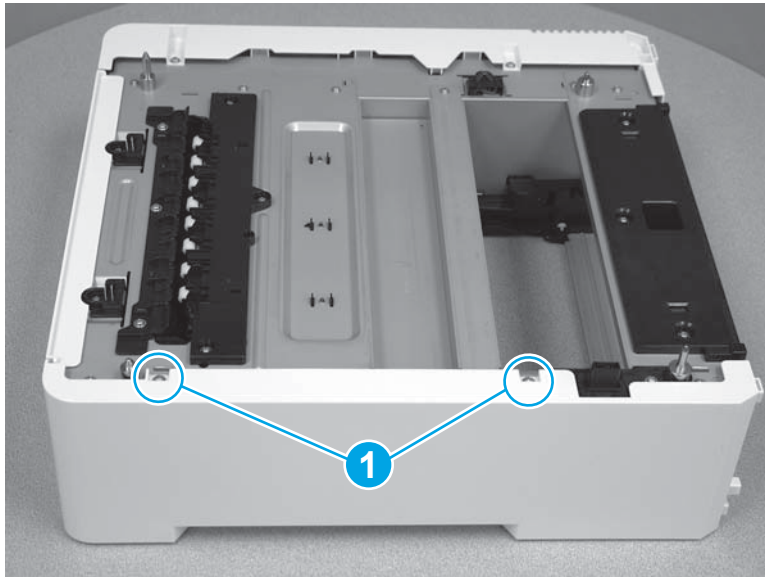
2. Turn the feeder to an upright position with the top facing up. Install one tab (callout 1) on the top of the feeder, and then install two tabs (callout 2) at the front of the feeder.

Figure 1-5062 Install three tabs



3. Install two screws (callout 1).

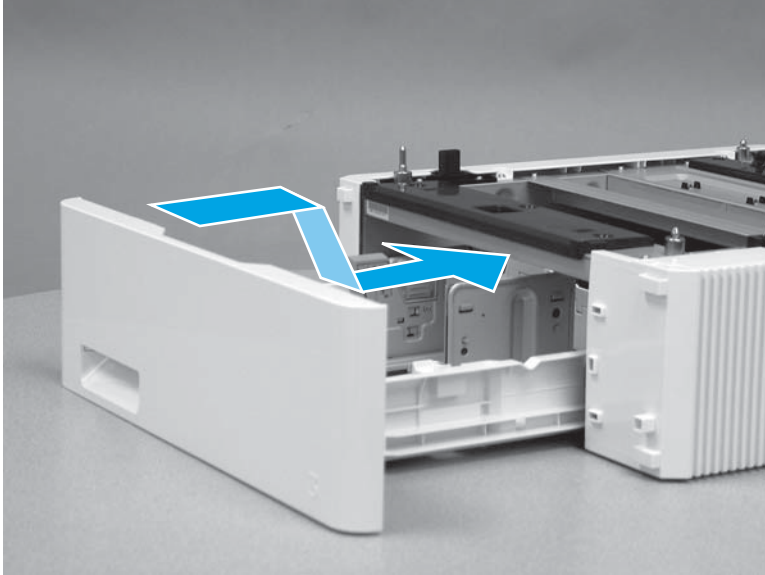
Figure 1-5063 Install two screws



Step 5: Install Tray 3

- ▲ With the front of the tray slightly lifted, align the sides of the tray with the rails in the feeder, and then carefully slide the tray into the feeder. As the tray slides into the feeder, lower the front of the tray, and then close it.

Figure 1-5064 Install the tray



Removal and replacement: Left cover (550-sheet paper feeder)


- [Introduction](#)
- [Step 1: Remove Tray 3](#)
- [Step 2: Remove the left cover \(550-sheet paper feeder\)](#)
- [Step 3: Unpack the replacement part](#)
- [Step 4: Install the left cover \(550-sheet paper feeder\)](#)
- [Step 5: Install Tray 3](#)

Introduction

This document provides the procedures to remove and replace the left cover for the 550-sheet paper feeder.

Before you begin

- Turn off the printer.
- Disconnect the power cable.

 **WARNING!** To avoid damage to the printer, turn the printer off, wait 30 seconds, and then remove the power cord before attempting to service the printer.

- Use the table below to identify the correct part number for your printer. To order the part, go to www.hp.com/buy/parts.

Left cover part number (550-sheet paper feeder)

| | |
|-----------------------|-------------------------------------|
| RC4-2201-000CN | Left cover (550-sheet paper feeder) |
|-----------------------|-------------------------------------|

Required tools

- #2 Phillips screwdriver with a magnetic tip

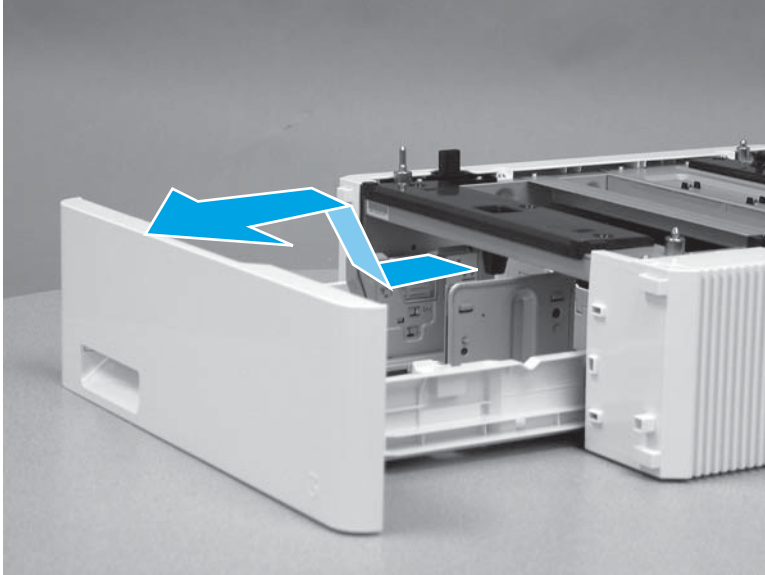
After performing service

- Connect the power cable.
- Use the power switch to turn the power on.

Step 1: Remove Tray 3

- ▲ Pull the tray out until it stops. Lift the front of the tray, and then pull it out of the printer to remove it.

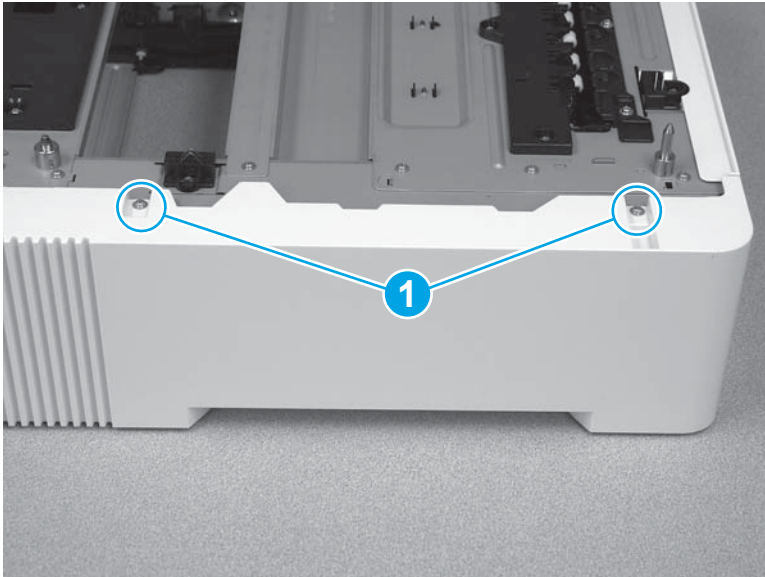
Figure 1-5065 Remove the tray



Step 2: Remove the left cover (550-sheet paper feeder)

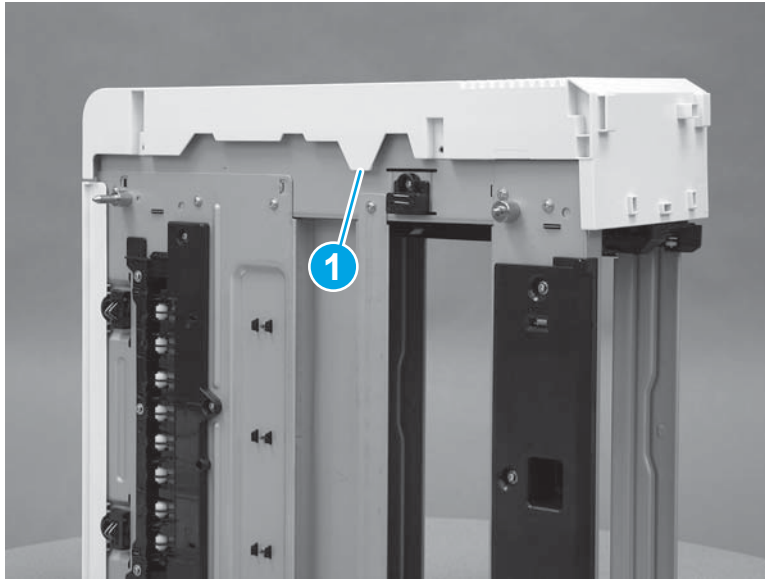
1. Remove two screws (callout 1).

Figure 1-5066 Remove two screws



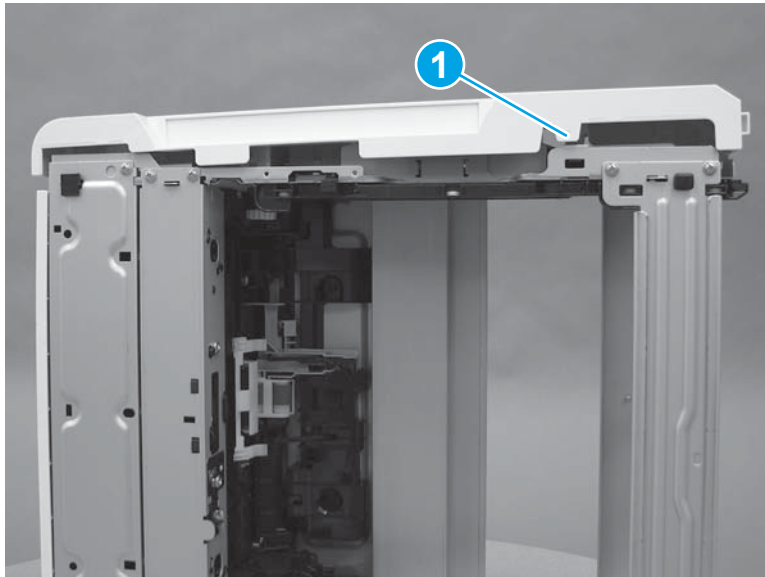
2. Release one tab (callout 1) on the top of the feeder.

Figure 1-5067 Release one tab



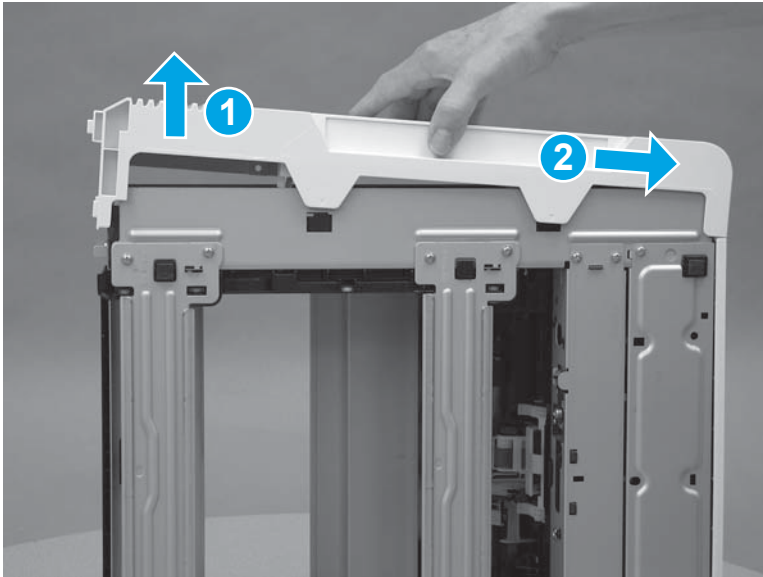
3. Lay the feeder on the right side so that the left side is facing up. Release two tabs (callout 1) on the bottom of the feeder, and then release two tabs (callout 2) on the front of the feeder.

Figure 1-5068 Release four tabs



4. Lift the front of the cover up (callout 1), and then slide the cover (callout 2) toward the back of the feeder to remove it.

Figure 1-5069 Remove the cover



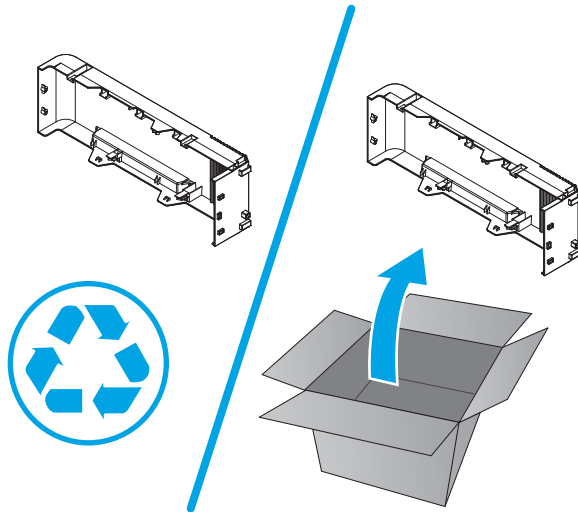
Step 3: Unpack the replacement part

Remove the new part from its package. Save all packaging for recycling the used part.

For complete information on HP's recycling programs, go to [Product return and recycling](#).

 **NOTE:** HP recommends responsible disposal of the defective part.

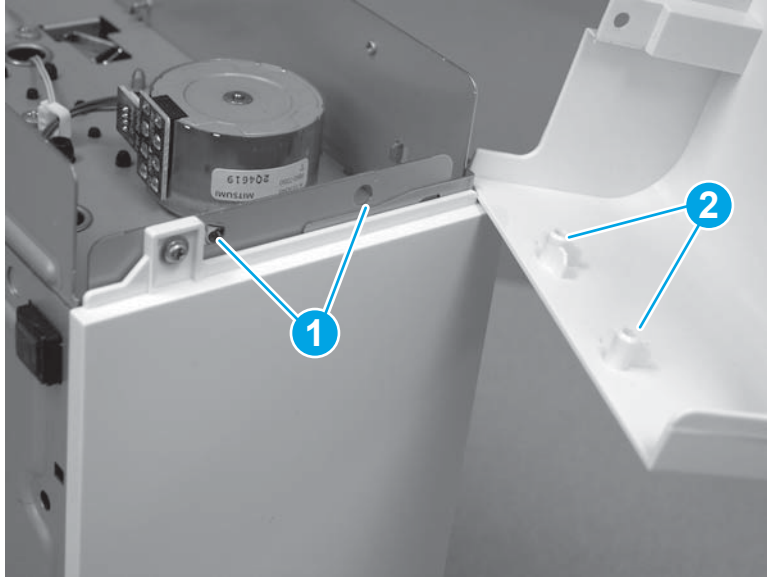
Figure 1-5070 Recycle and unpack



Step 4: Install the left cover (550-sheet paper feeder)

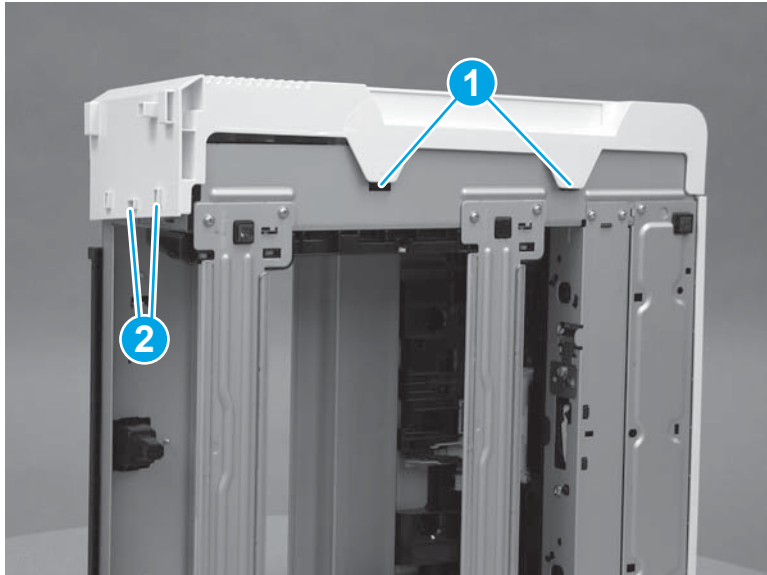
1. Lay the feeder on the right side so that the left side is facing up. At the back of the feeder, install the tabs (callout 1) on the cover in the holes (callout 2) on the feeder.

Figure 1-5071 Install two tabs



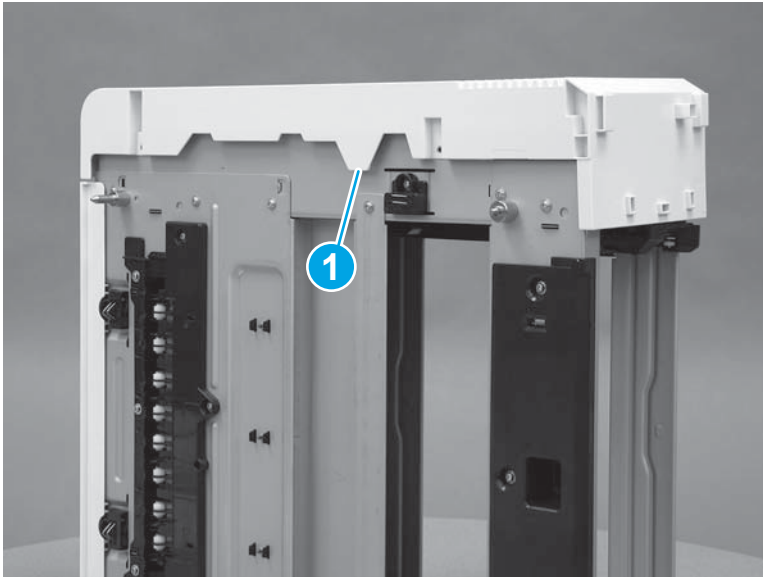
2. Install two tabs (callout 1) on the bottom of the feeder, and then install two tabs (callout 2) on the front of the feeder.

Figure 1-5072 Install four tabs



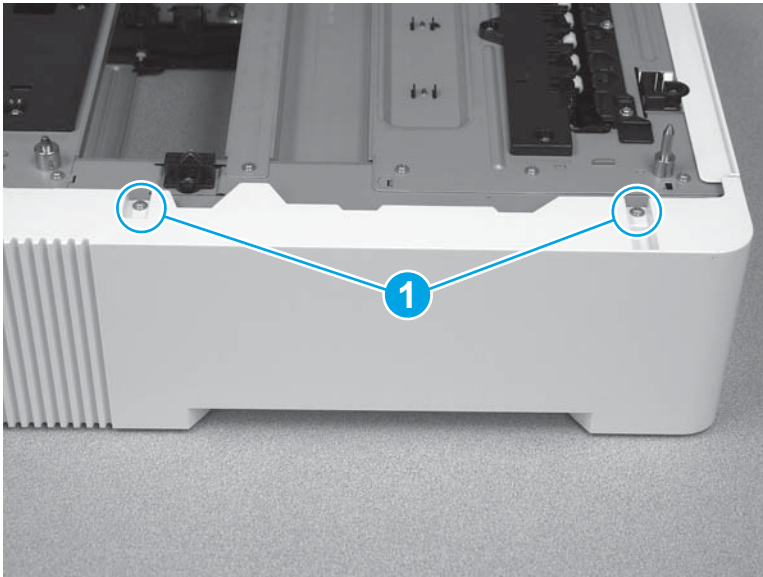
3. Turn the feeder to an upright position with the top facing up. Install one tab (callout 1) on the top of the feeder.

Figure 1-5073 Install three tabs



4. Install two screws (callout 1).

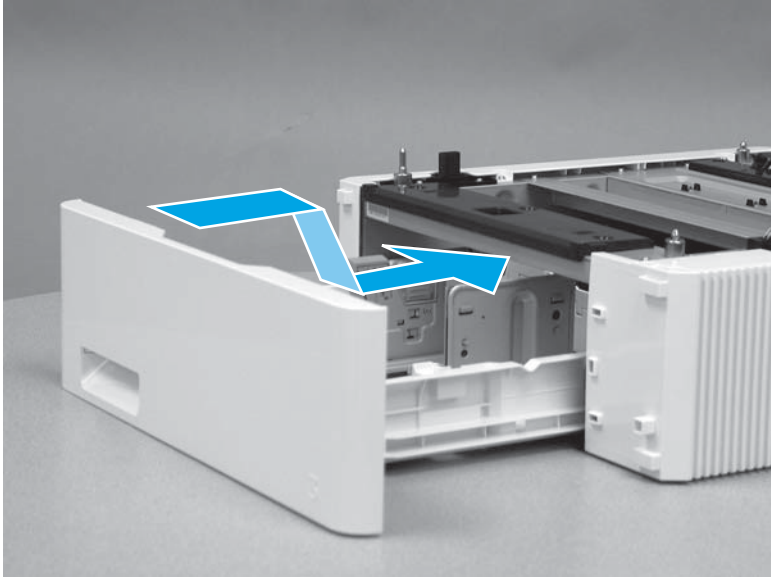
Figure 1-5074 Install two screws



Step 5: Install Tray 3

- ▲ With the front of the tray slightly lifted, align the sides of the tray with the rails in the feeder, and then carefully slide the tray into the feeder. As the tray slides into the feeder, lower the front of the tray, and then close it.

Figure 1-5075 Install the tray



Removal and replacement: Rear cover (550-sheet paper feeder)


- [Introduction](#)
- [Step 1: Remove Tray 3](#)
- [Step 2: Remove the right cover \(550-sheet paper feeder\)](#)
- [Step 3: Remove the left cover \(550-sheet paper feeder\)](#)
- [Step 4: Remove the rear cover \(550-sheet paper feeder\)](#)
- [Step 5: Unpack the replacement part](#)
- [Step 6: Install the rear cover \(550-sheet paper feeder\)](#)
- [Step 7: Install the left cover \(550-sheet paper feeder\)](#)
- [Step 8: Install the right cover \(550-sheet paper feeder\)](#)
- [Step 9: Install Tray 3](#)

Introduction

This document provides the procedures to remove and replace the rear cover for the 550-sheet paper feeder.

Before you begin

- Turn off the printer.
- Disconnect the power cable.

 **WARNING!** To avoid damage to the printer, turn the printer off, wait 30 seconds, and then remove the power cord before attempting to service the printer.

- Use the table below to identify the correct part number for your printer. To order the part, go to www.hp.com/buy/parts.

Rear cover part number (550-sheet paper feeder)

| | |
|-----------------------|-------------------------------------|
| RC4-2203-000CN | Rear cover (550-sheet paper feeder) |
|-----------------------|-------------------------------------|

Required tools

- #2 Phillips screwdriver with a magnetic tip

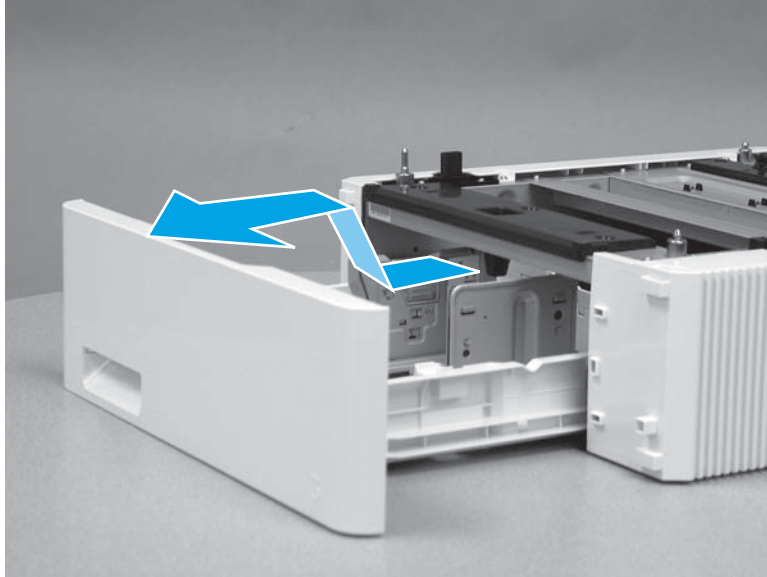
After performing service

- Connect the power cable.
- Use the power switch to turn the power on.

Step 1: Remove Tray 3

- ▲ Pull the tray out until it stops. Lift the front of the tray, and then pull it out of the printer to remove it.

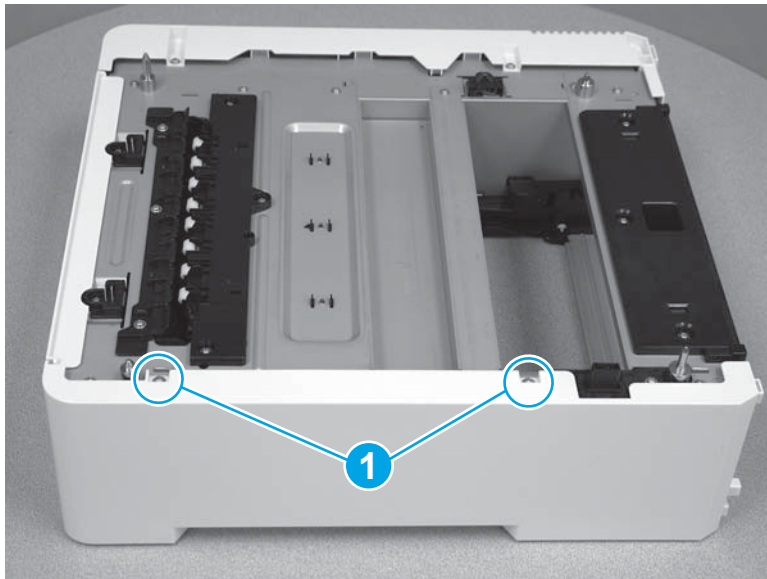
Figure 1-5076 Remove the tray



Step 2: Remove the right cover (550-sheet paper feeder)

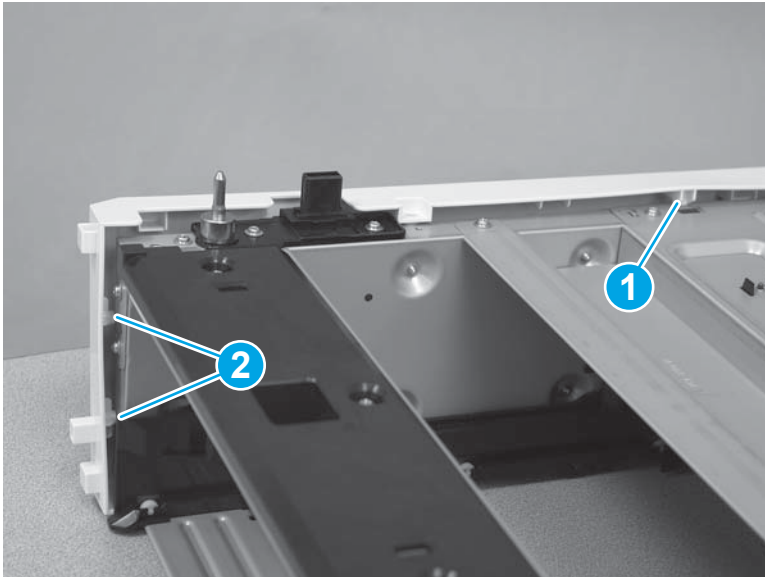
1. Remove two screws (callout 1).

Figure 1-5077 Remove two screws



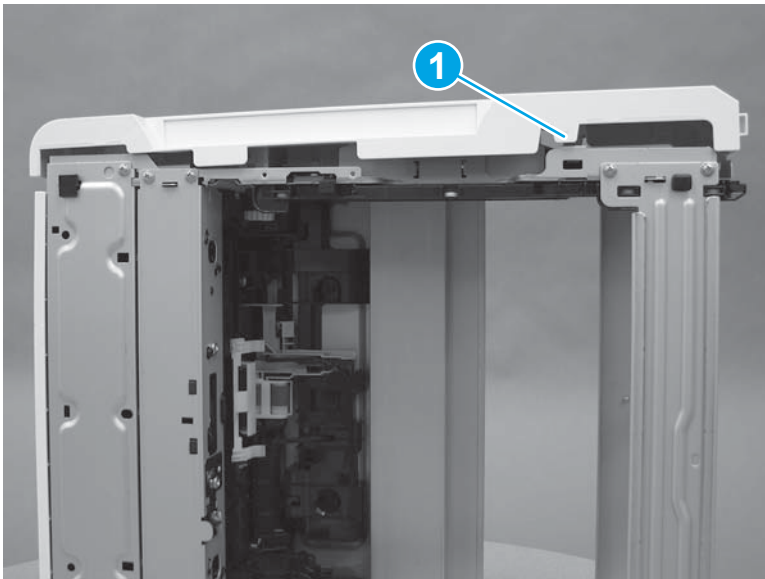
2. Release one tab (callout 1) on the top of the feeder, and then release two tabs (callout 2) at the front of the feeder.

Figure 1-5078 Release three tabs



3. Lay the feeder on the left side so that the right side is facing up, and then release one tab (callout 1) on the bottom of the feeder. Remove the right cover.

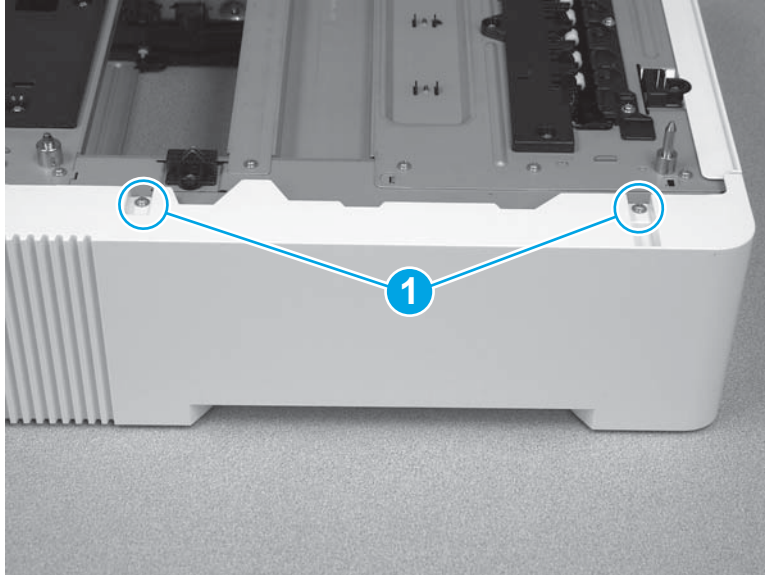
Figure 1-5079 Release one tab



Step 3: Remove the left cover (550-sheet paper feeder)

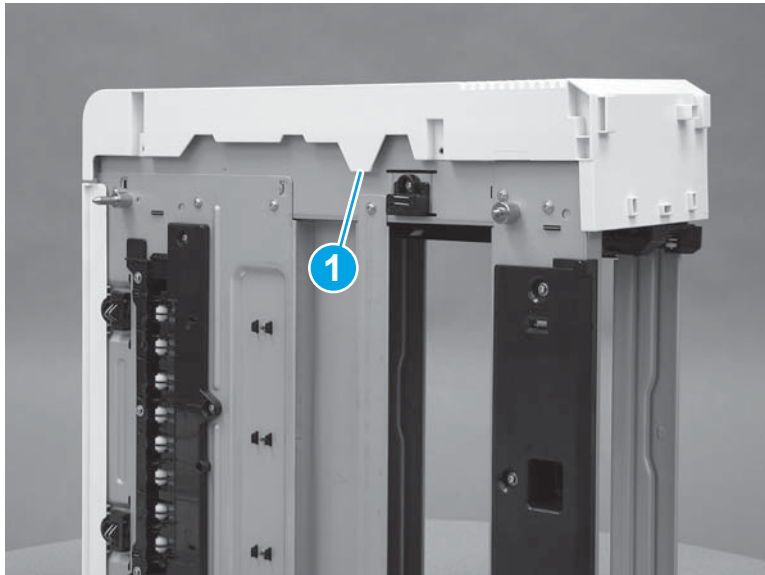
1. Remove two screws (callout 1).

Figure 1-5080 Remove two screws



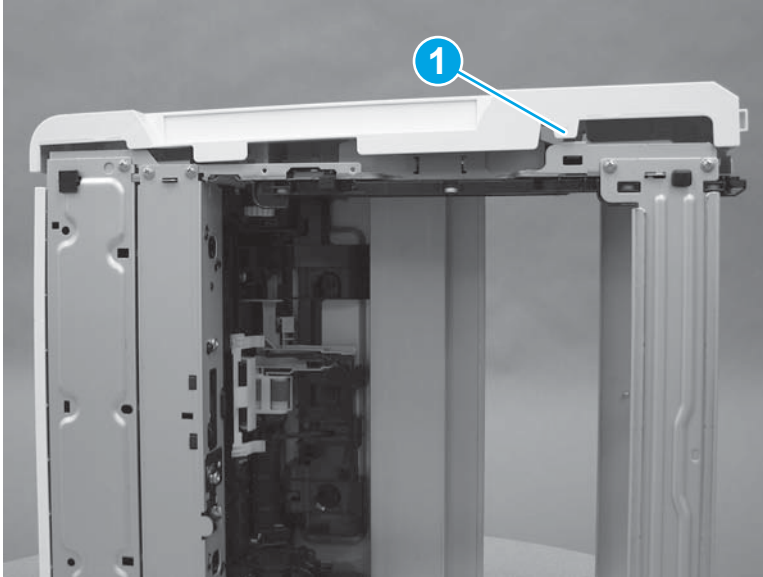
2. Release one tab (callout 1) on the top of the feeder.

Figure 1-5081 Release one tab



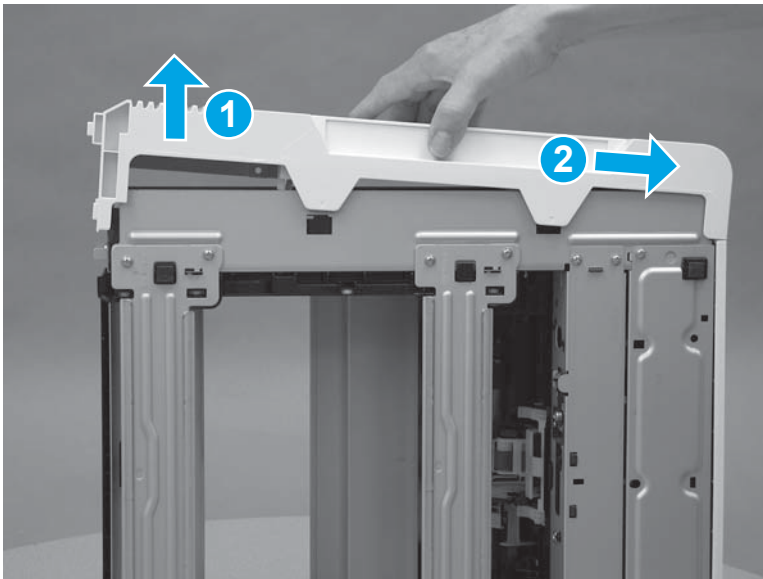
3. Lay the feeder on the right side so that the left side is facing up. Release two tabs (callout 1) on the bottom of the feeder, and then release two tabs (callout 2) on the front of the feeder.

Figure 1-5082 Release four tabs



4. Lift the front of the cover up (callout 1), and then slide the cover (callout 2) toward the back of the feeder to remove it.

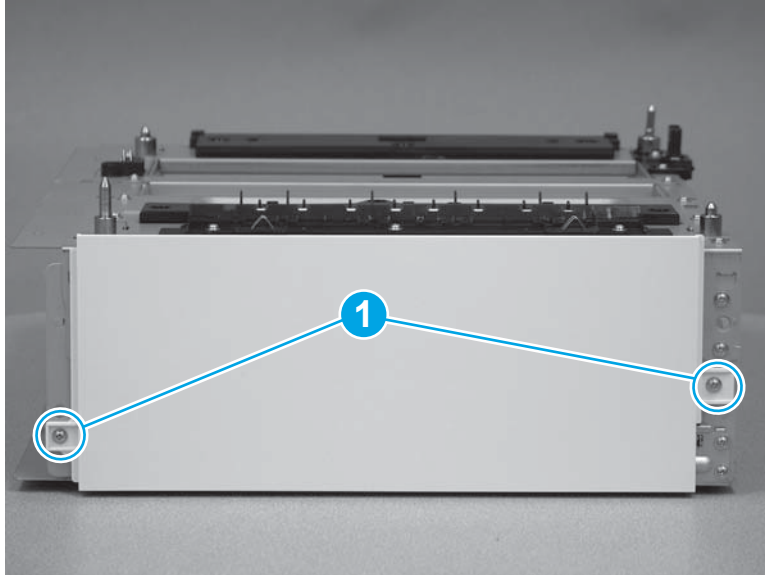
Figure 1-5083 Remove the cover



Step 4: Remove the rear cover (550-sheet paper feeder)

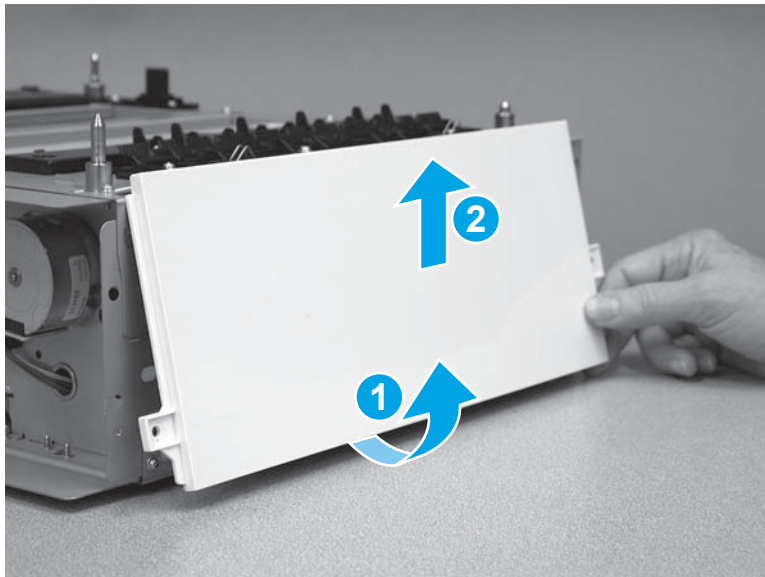
1. Remove two screws (callout 1).

Figure 1-5084 Remove two screws



2. Rotate the bottom edge of the cover (callout 1) away from the feeder, and then raise the cover up (callout 2) to remove it.

Figure 1-5085 Remove the rear cover



Step 5: Unpack the replacement part

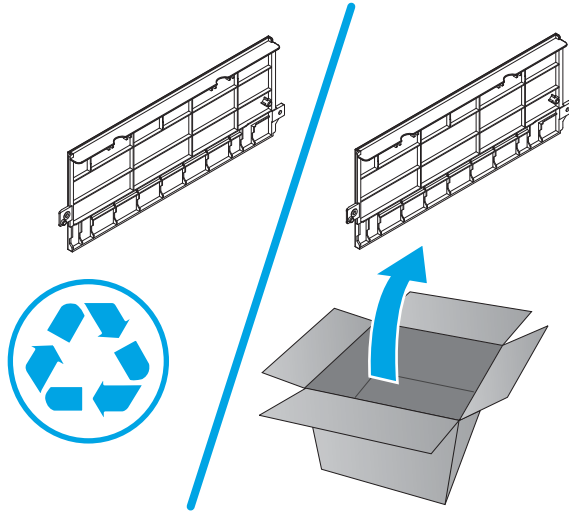
Remove the new part from its package. Save all packaging for recycling the used part.

For complete information on HP's recycling programs, go to [Product return and recycling](#).



NOTE: HP recommends responsible disposal of the defective part.

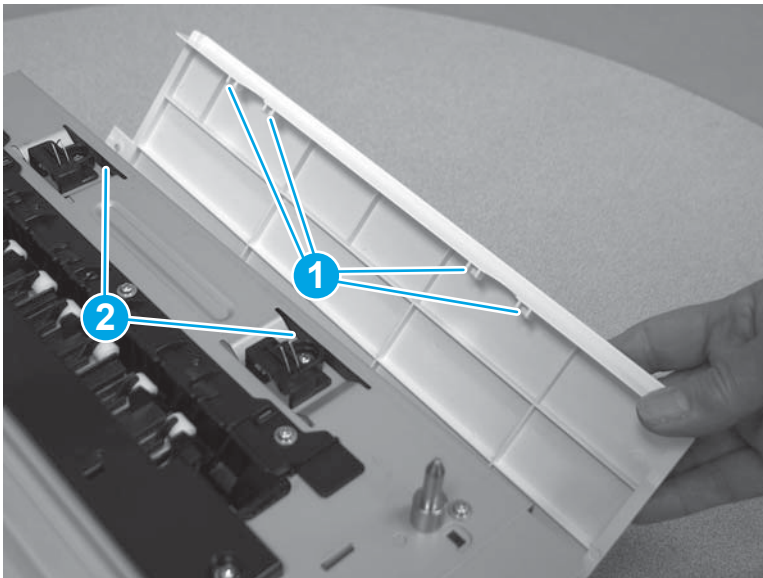
Figure 1-5086 Recycle and unpack



Step 6: Install the rear cover (550-sheet paper feeder)

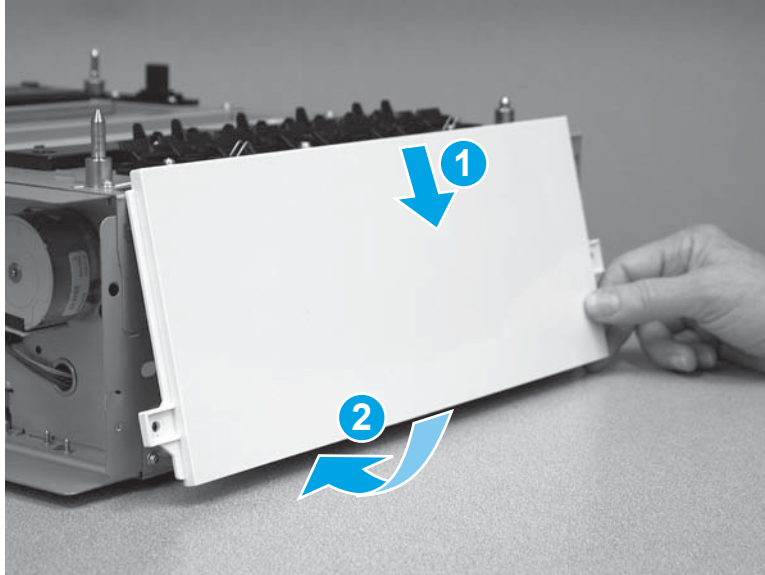
1. Install the tabs (callout 1) on the rear cover in the slots (callout 2) on the feeder.

Figure 1-5087 Install the tabs



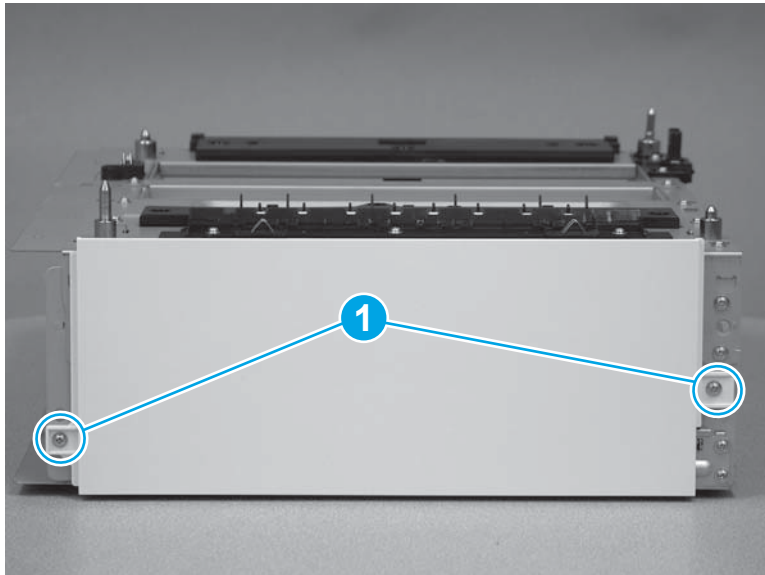
2. Make sure that the top of the rear cover (callout 1) is seated in the tabs, and then rotate the bottom of the cover (callout 2) toward the feeder.

Figure 1-5088 Rotate the cover



3. Install two screws (callout 1).

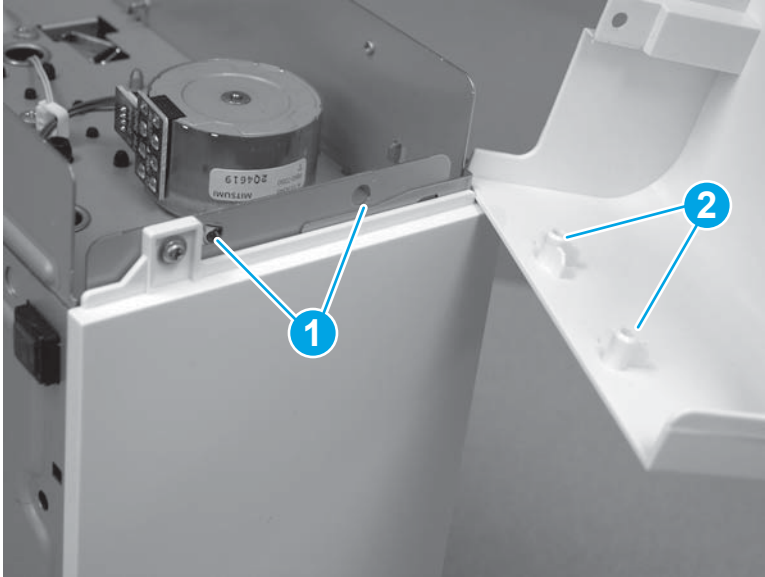
Figure 1-5089 Install two screws



Step 7: Install the left cover (550-sheet paper feeder)

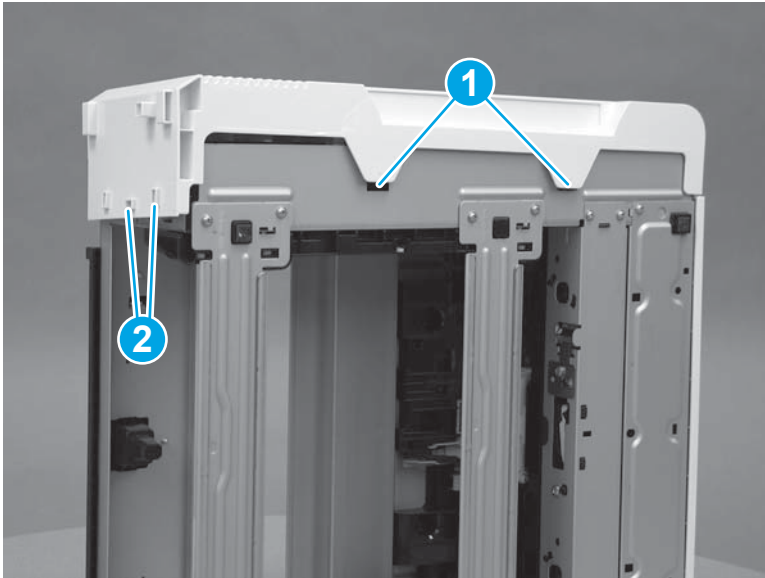
1. Lay the feeder on the right side so that the left side is facing up. At the back of the feeder, install the tabs (callout 1) on the cover in the holes (callout 2) on the feeder.

Figure 1-5090 Install two tabs



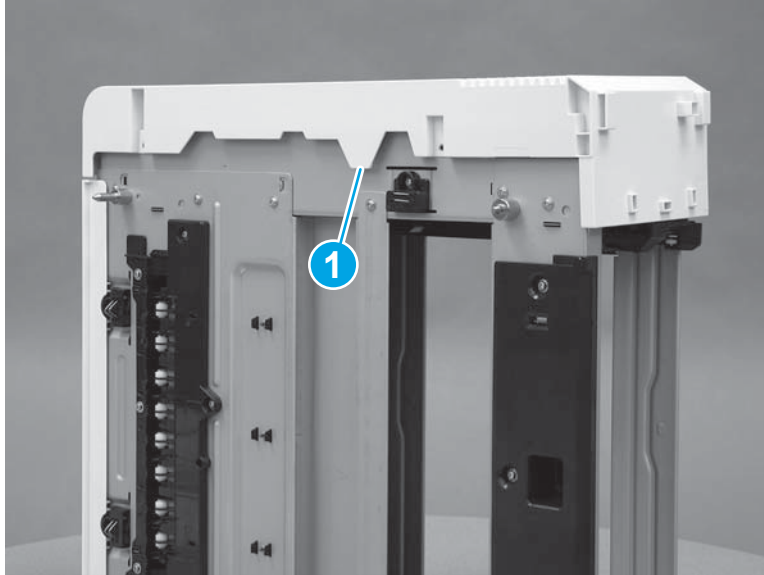
2. Install two tabs (callout 1) on the bottom of the feeder, and then install two tabs (callout 2) on the front of the feeder.

Figure 1-5091 Install four tabs



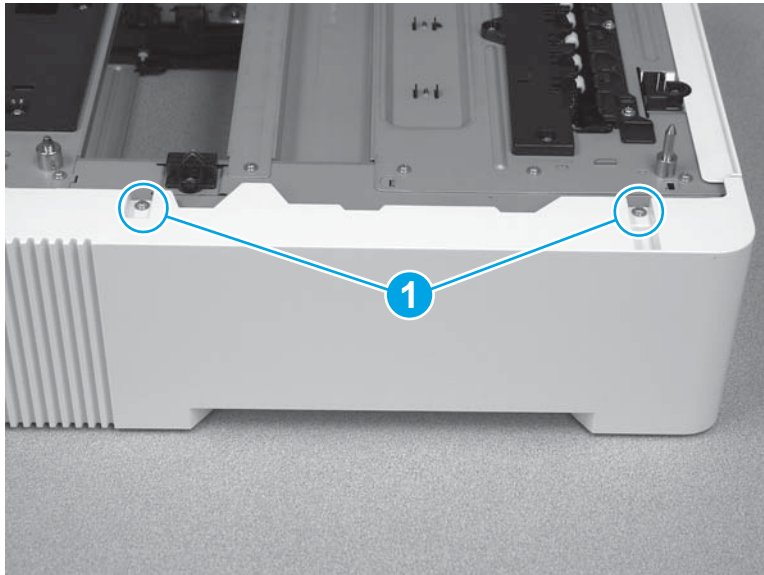
3. Turn the feeder to an upright position with the top facing up. Install one tab (callout 1) on the top of the feeder.

Figure 1-5092 Install three tabs



4. Install two screws (callout 1).

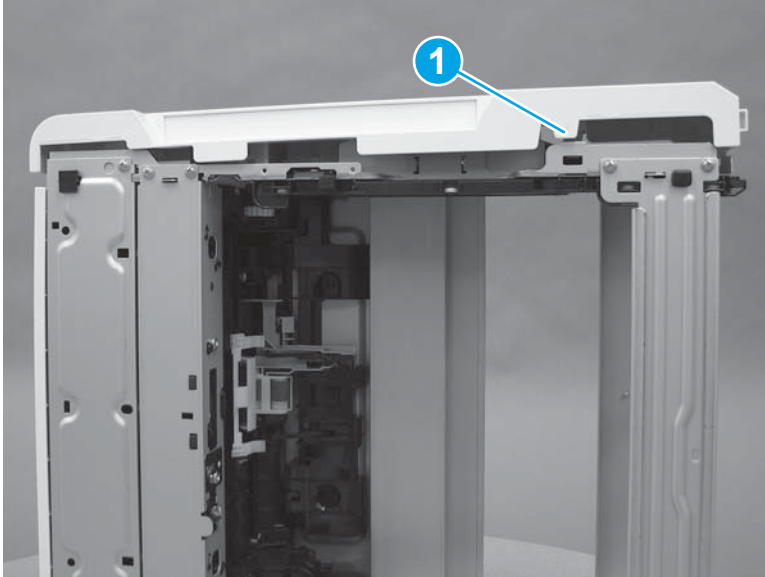
Figure 1-5093 Install two screws



Step 8: Install the right cover (550-sheet paper feeder)

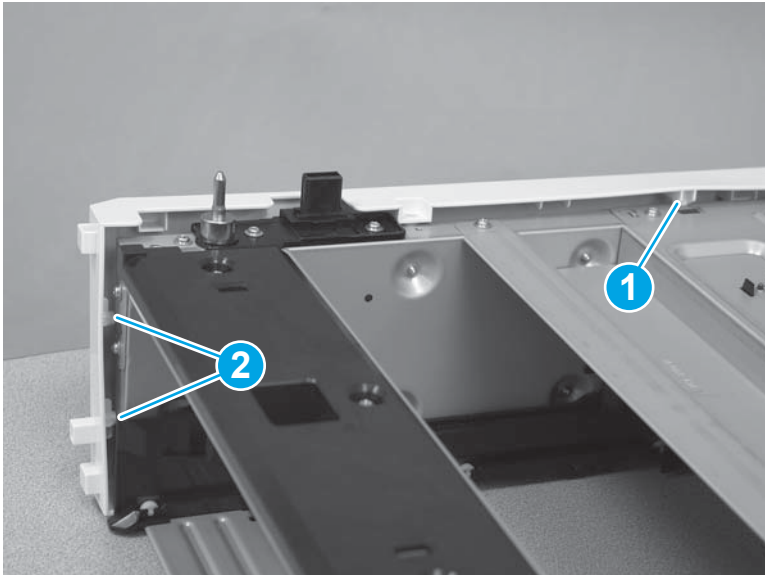
1. Lay the feeder on the left side so that the right side is facing up, and then install one tab (callout 1) on the bottom of the feeder.

Figure 1-5094 Install one tab



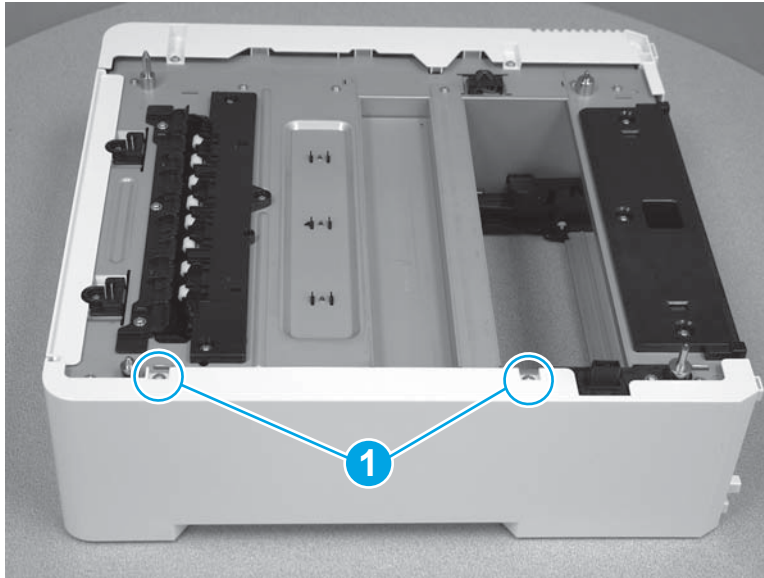
2. Turn the feeder to an upright position with the top facing up. Install one tab (callout 1) on the top of the feeder, and then install two tabs (callout 2) at the front of the feeder.

Figure 1-5095 Install three tabs



3. Install two screws (callout 1).

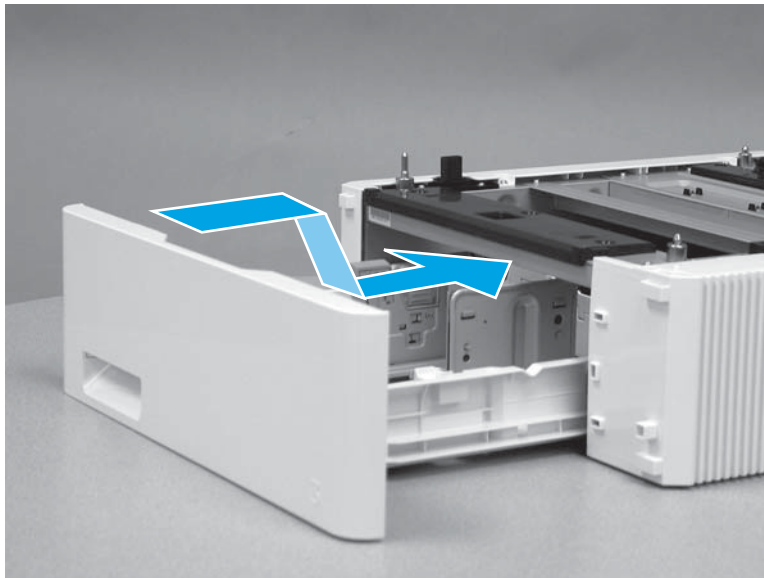
Figure 1-5096 Install two screws



Step 9: Install Tray 3

- ▲ With the front of the tray slightly lifted, align the sides of the tray with the rails in the feeder, and then carefully slide the tray into the feeder. As the tray slides into the feeder, lower the front of the tray, and then close it.

Figure 1-5097 Install the tray



Removal and replacement: Switch cable assembly (550-sheet paper feeder)


- [Introduction](#)
- [Step 1: Remove Tray 3](#)
- [Step 2: Remove the right cover \(550-sheet paper feeder\)](#)
- [Step 3: Remove the left cover \(550-sheet paper feeder\)](#)
- [Step 4: Remove the rear cover \(550-sheet paper feeder\)](#)
- [Step 5: Remove the PCA cover \(550-sheet paper feeder\)](#)
- [Step 6: Remove the baseplate \(550-sheet paper feeder\)](#)
- [Step 7: Remove the feed frame assembly \(550-sheet paper feeder\)](#)
- [Step 8: Remove the switch cable assembly \(550-sheet paper feeder\)](#)
- [Step 9: Unpack the replacement part](#)
- [Step 10: Install the switch cable assembly \(550-sheet paper feeder\)](#)
- [Step 11: Install the feed frame assembly \(550-sheet paper feeder\)](#)
- [Step 12: Install the baseplate \(550-sheet paper feeder\)](#)
- [Step 13: Install the PCA cover \(550-sheet paper feeder\)](#)
- [Step 14: Install the rear cover \(550-sheet paper feeder\)](#)
- [Step 15: Install the left cover \(550-sheet paper feeder\)](#)
- [Step 16: Install the right cover \(550-sheet paper feeder\)](#)
- [Step 17: Install Tray 3](#)

Introduction

This document provides the procedures to remove and replace the switch cable assembly for the 550-sheet feeder.

Before you begin

- Turn off the printer.
- Disconnect the power cable.

 **WARNING!** To avoid damage to the printer, turn the printer off, wait 30 seconds, and then remove the power cord before attempting to service the printer.

- Use the table below to identify the correct part number for your printer. To order the part, go to www.hp.com/buy/parts.

Switch cable assembly part number

RM2-7897-000CNSwitch cable assembly (550-sheet feeder)

Required tools

- #2 Phillips screwdriver with a magnetic tip
- Small flat-blade screwdriver

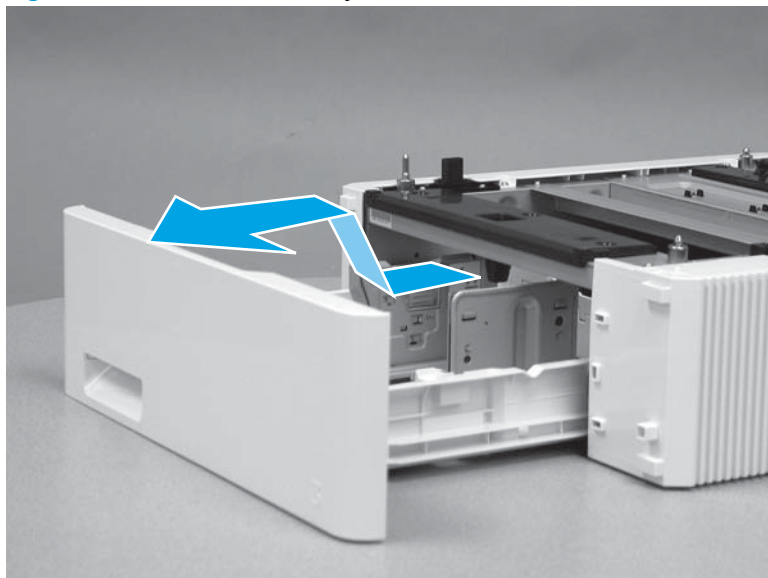
After performing service

- Connect the power cable.
- Use the power switch to turn the power on.

Step 1: Remove Tray 3

- ▲ Pull the tray out until it stops. Lift the front of the tray, and then pull it out of the printer to remove it.

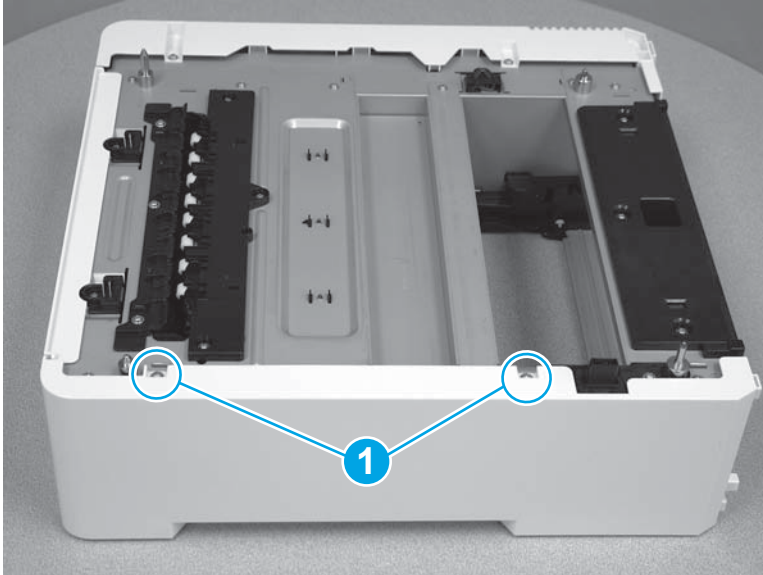
Figure 1-5098 Remove the tray



Step 2: Remove the right cover (550-sheet paper feeder)

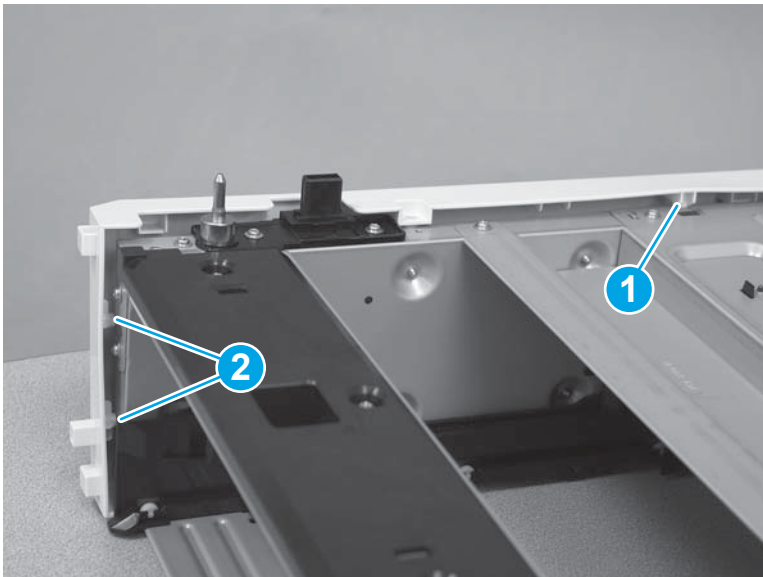
1. Remove two screws (callout 1).

Figure 1-5099 Remove two screws



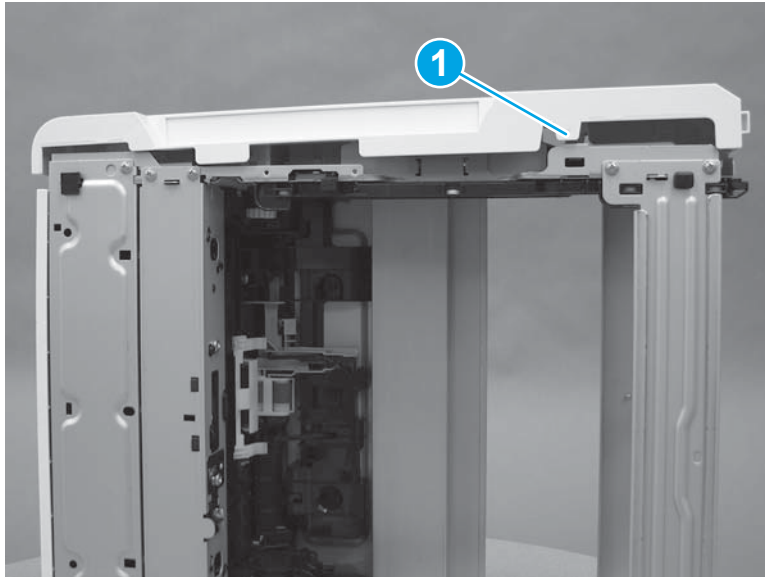
2. Release one tab (callout 1) on the top of the feeder, and then release two tabs (callout 2) at the front of the feeder.

Figure 1-5100 Release three tabs



3. Lay the feeder on the left side so that the right side is facing up, and then release one tab (callout 1) on the bottom of the feeder. Remove the right cover.

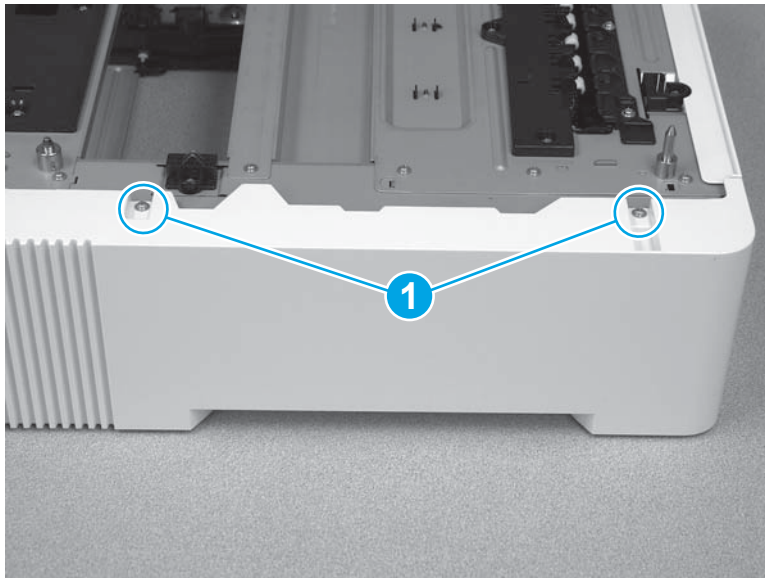
Figure 1-5101 Release one tab



Step 3: Remove the left cover (550-sheet paper feeder)

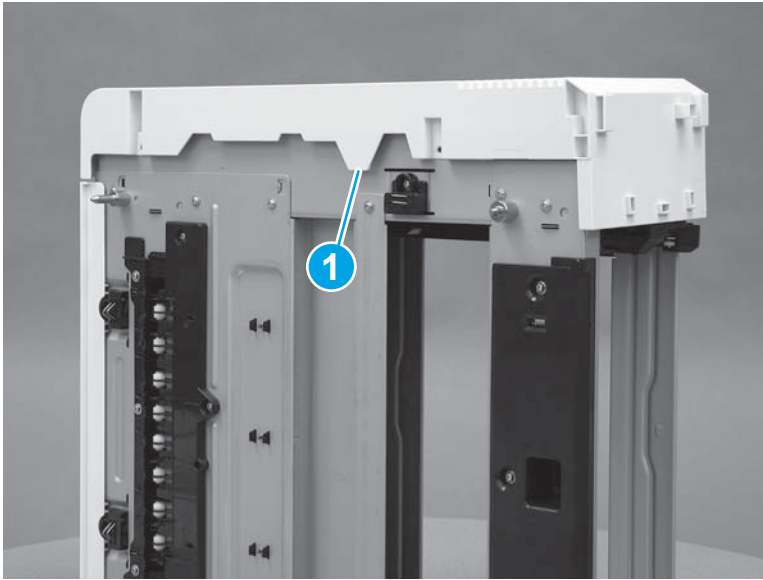
1. Remove two screws (callout 1).

Figure 1-5102 Remove two screws



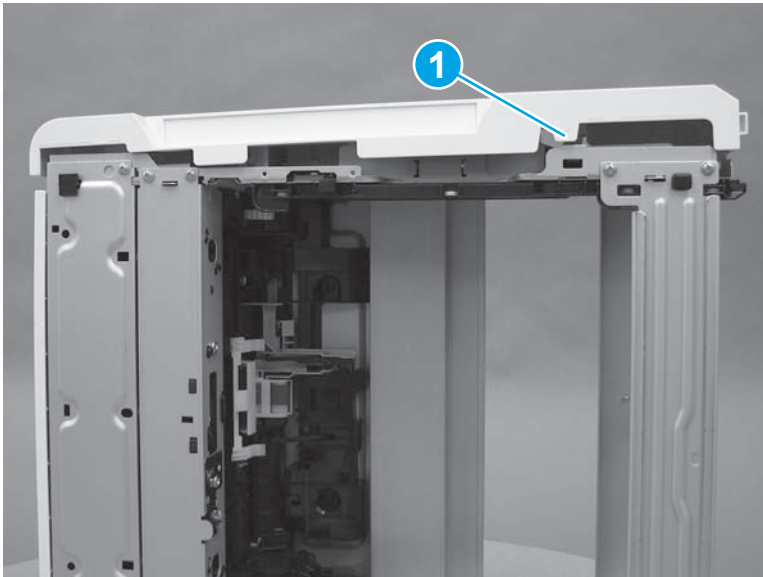
2. Release one tab (callout 1) on the top of the feeder.

Figure 1-5103 Release one tab



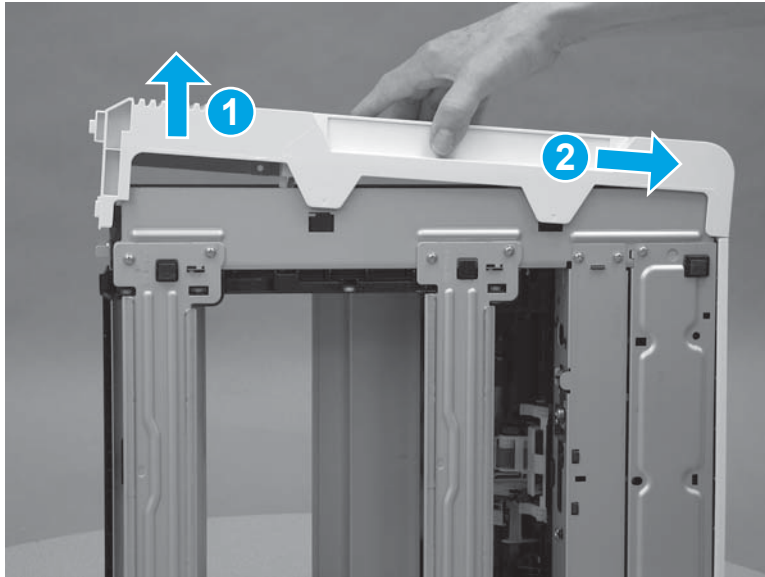
3. Lay the feeder on the right side so that the left side is facing up. Release two tabs (callout 1) on the bottom of the feeder, and then release two tabs (callout 2) on the front of the feeder.

Figure 1-5104 Release four tabs



4. Lift the front of the cover up (callout 1), and then slide the cover (callout 2) toward the back of the feeder to remove it.

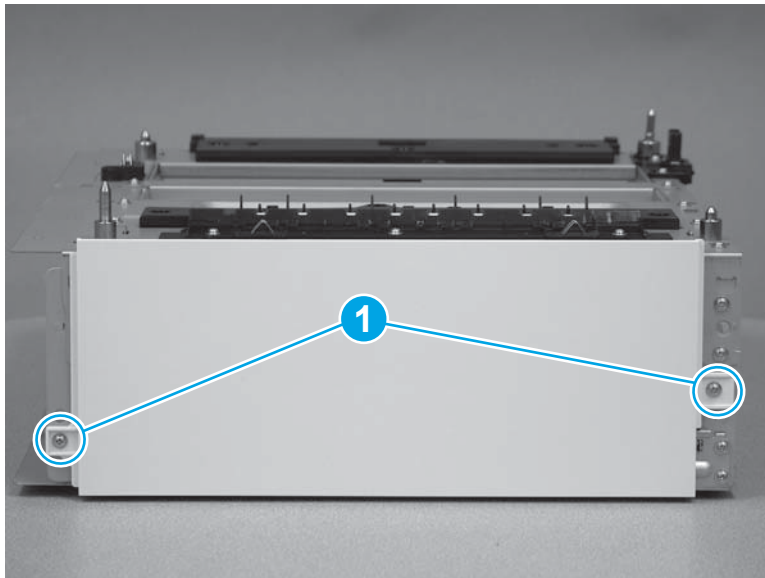
Figure 1-5105 Remove the cover



Step 4: Remove the rear cover (550-sheet paper feeder)

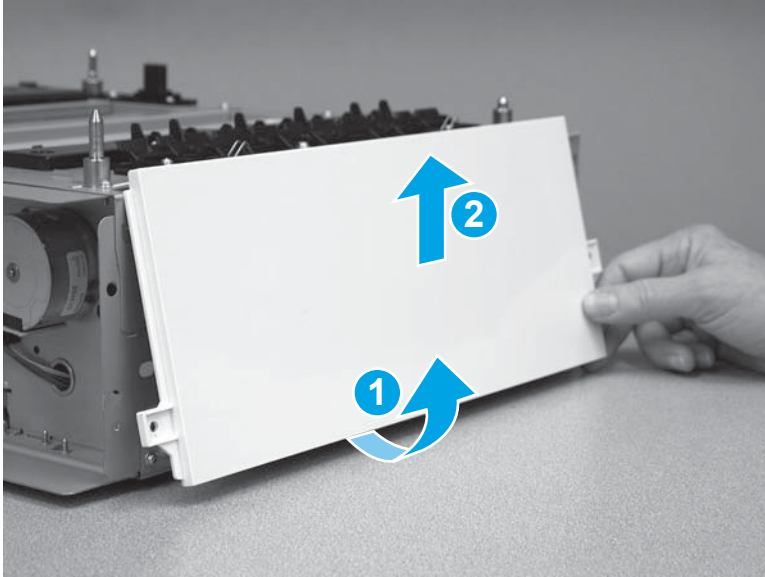
1. Remove two screws (callout 1).

Figure 1-5106 Remove two screws



2. Rotate the bottom edge of the cover (callout 1) away from the feeder, and then raise the cover up (callout 2) to remove it.

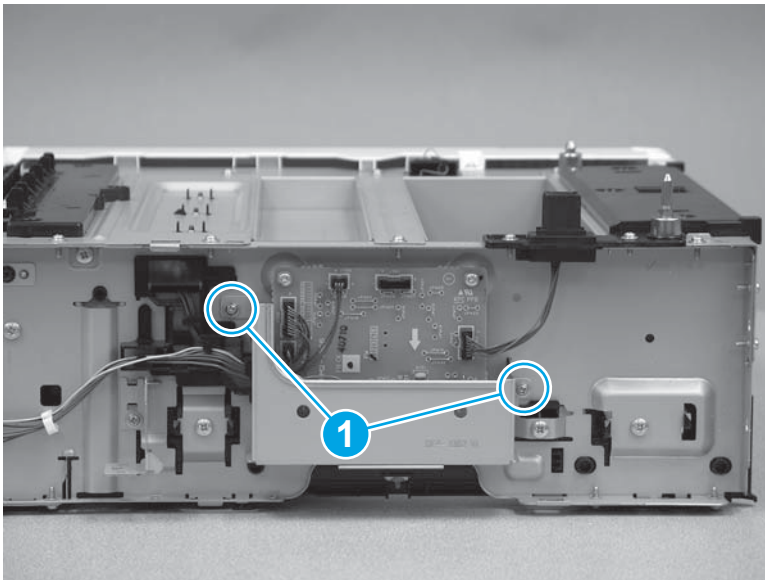
Figure 1-5107 Remove the rear cover



Step 5: Remove the PCA cover (550-sheet paper feeder)

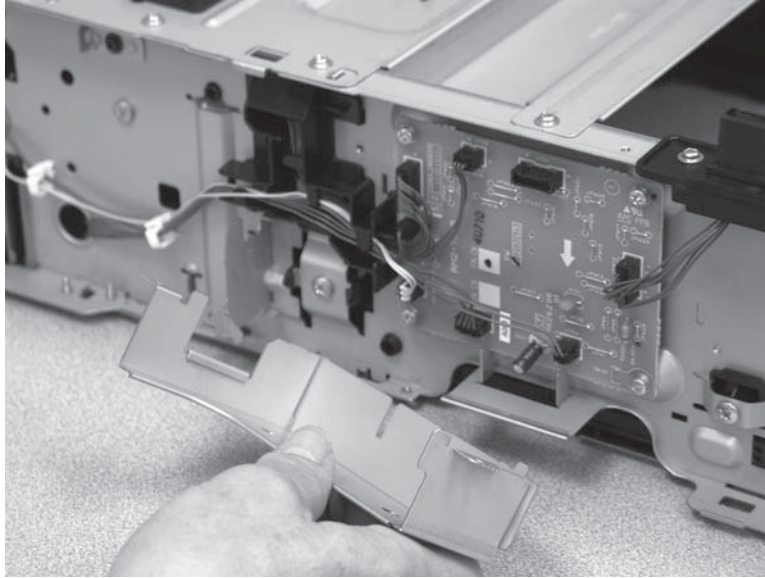
1. On the left side of the feeder, remove two screws (callout 1).

Figure 1-5108 Remove two screws



2. Remove the PCA cover.

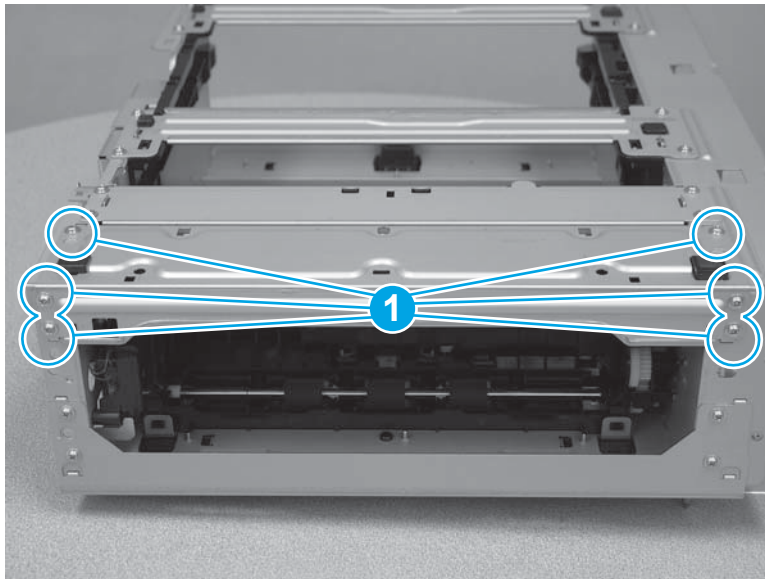
Figure 1-5109 Remove the PCA cover



Step 6: Remove the baseplate (550-sheet paper feeder)

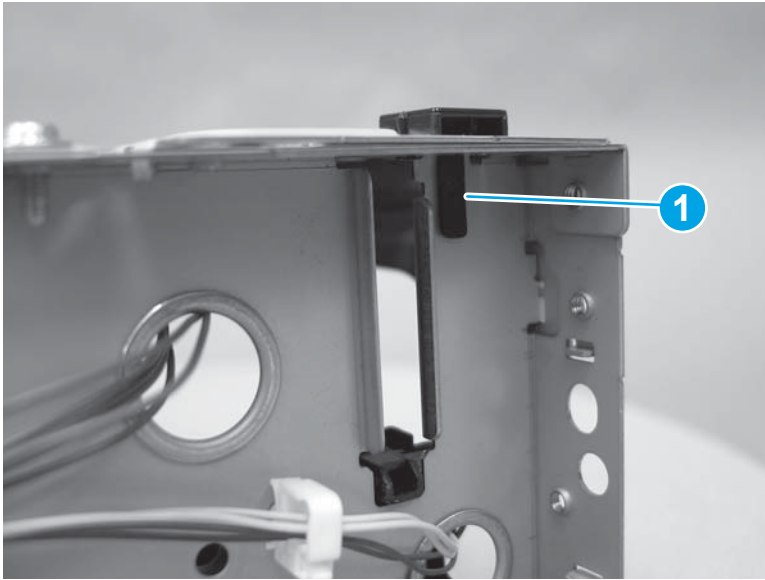
1. Lay the feeder on the top side so that the bottom side is facing up. Remove six screws (callout 1).

Figure 1-5110 Remove six screws



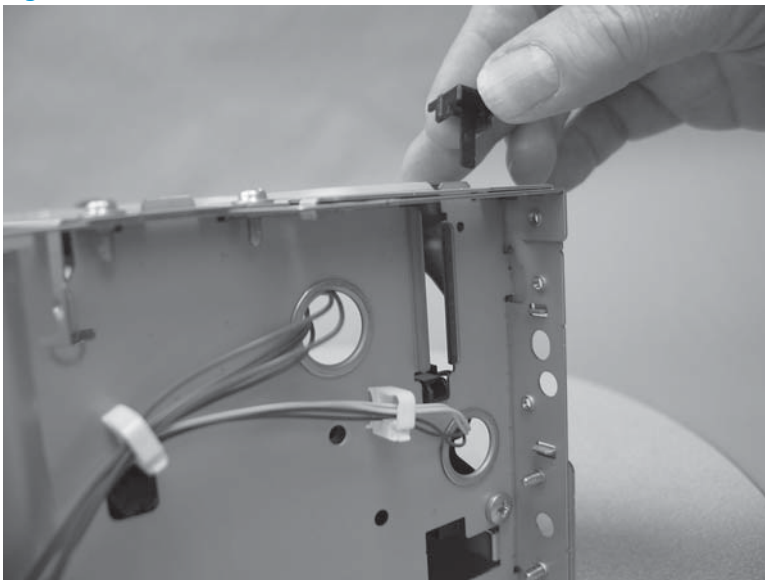
2. On the left side of the feeder, release one tab (callout 1) on the foot.

Figure 1-5111 Release one tab



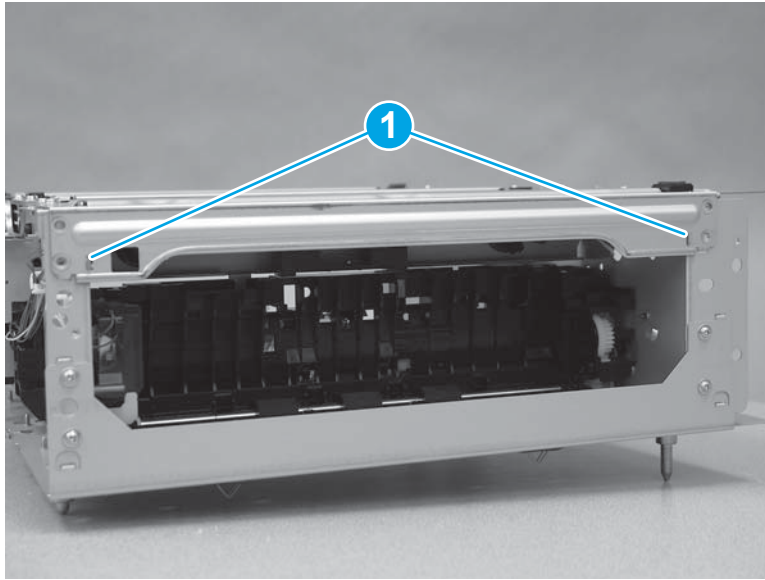
3. Remove the foot.

Figure 1-5112 Remove the foot



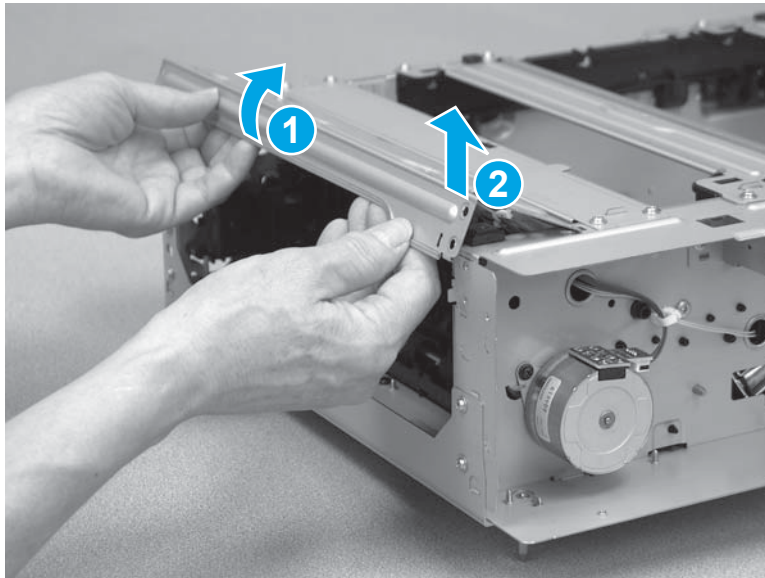
4. Release two tabs (callout 1).

Figure 1-5113 Release two tabs



5. Rotate the edge of the baseplate up (callout 1), and then lift it up (callout 2) to remove it.

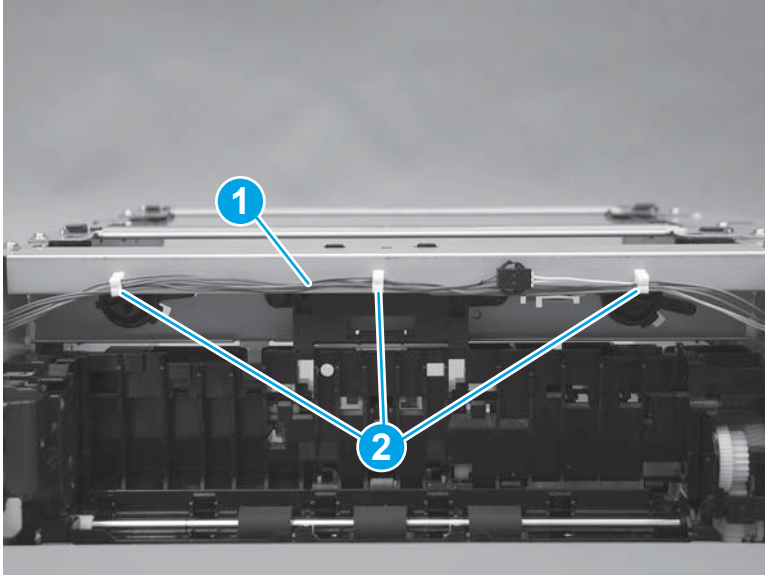
Figure 1-5114 Remove the baseplate



Step 7: Remove the feed frame assembly (550-sheet paper feeder)

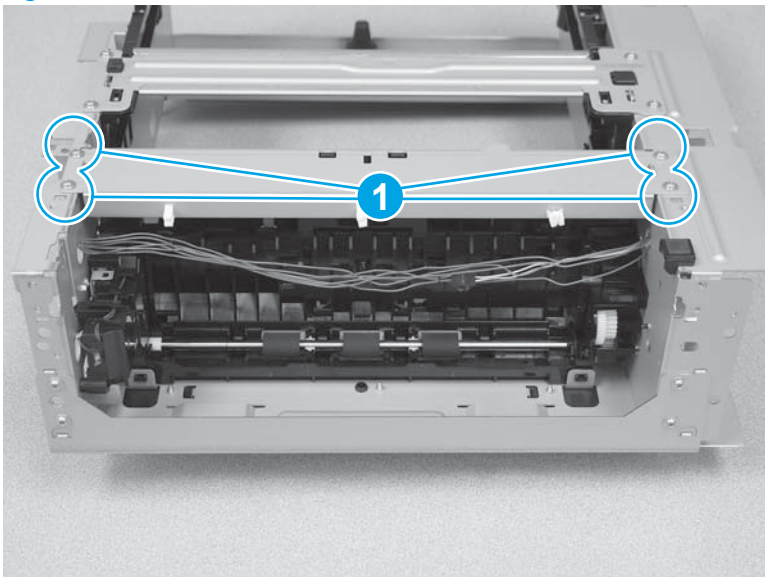
1. Release the cables (callout 1) from the retainers (callout 2).

Figure 1-5115 Release the cables



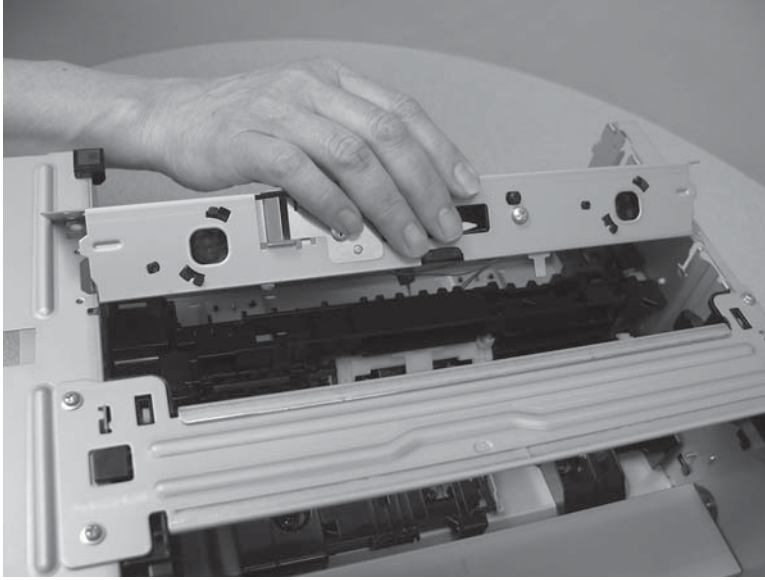
2. Remove four screws (callout 1).

Figure 1-5116 Remove four screws



3. Remove the feed frame assembly.

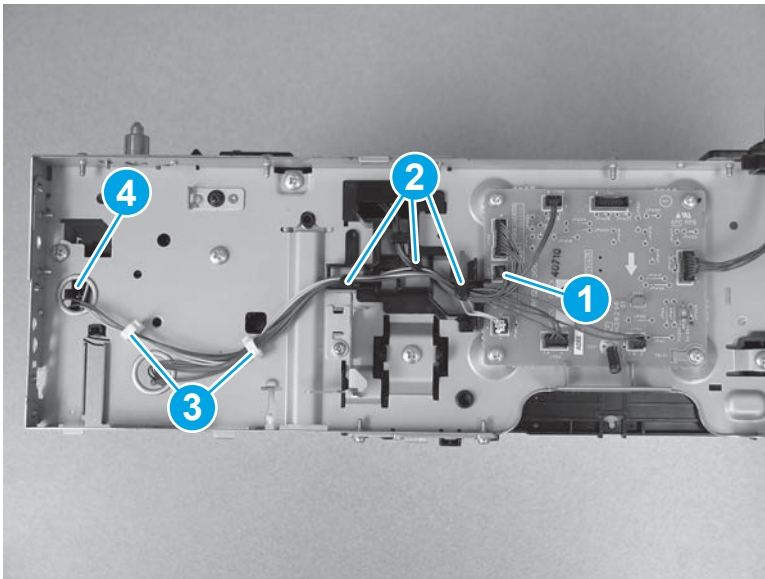
Figure 1-5117 Remove the feed frame assembly



Step 8: Remove the switch cable assembly (550-sheet paper feeder)

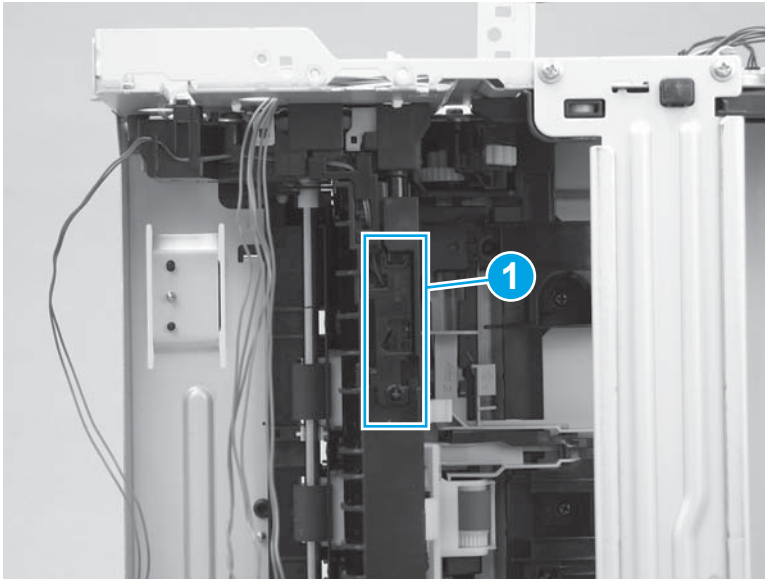
1. Lay the feeder on the right side so that the left side is facing up. Disconnect one connector (callout 1), and remove the cables from the guides (callout 2). Release two retainers (callout 3), remove the cables from the retainers, and then thread the connector and cable down through the opening (callout 4) in the sheet metal.

Figure 1-5118 Disconnect connector and remove five screws



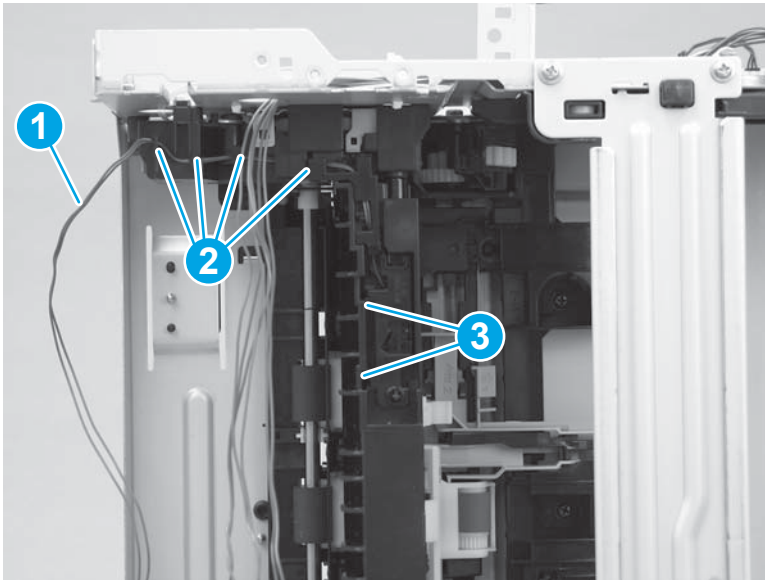
2. Locate the switch cable assembly (callout 1).

Figure 1-5119 Locate the switch cable assembly



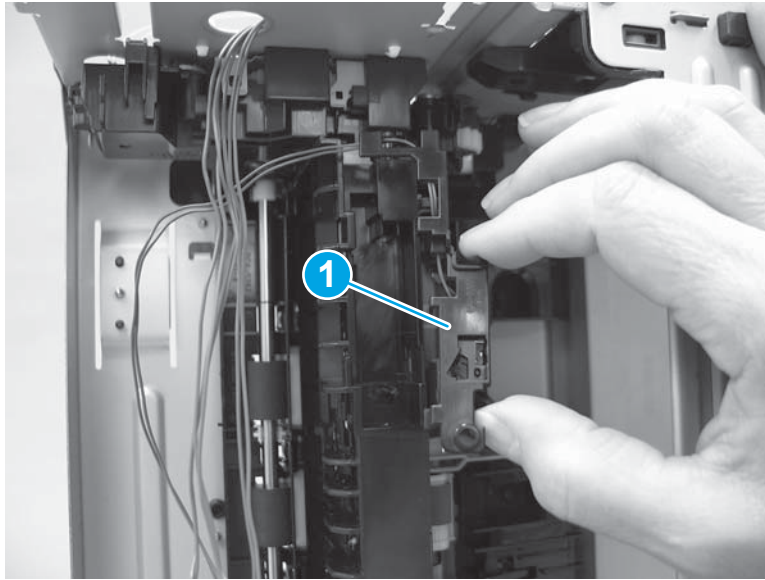
3. Release the cables (callout 1) from the guides (callout 2), and then release two tabs (callout 3).

Figure 1-5120 Release the cables from the guides



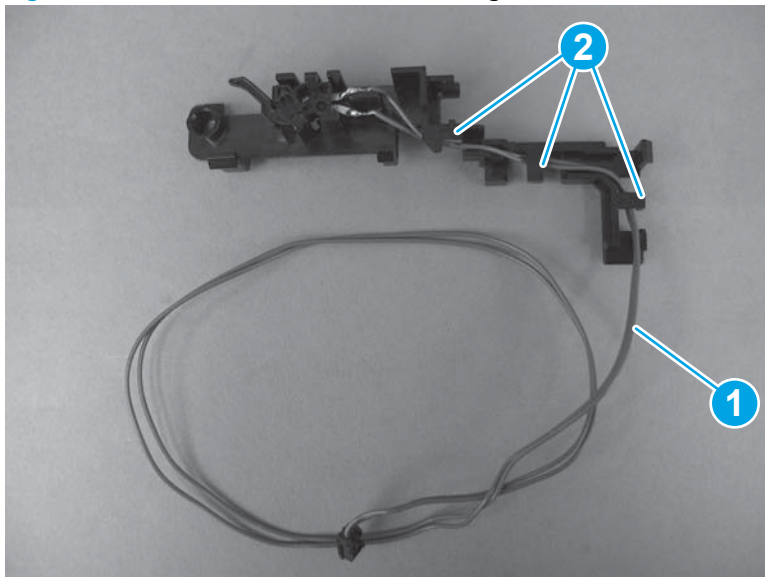
4. Remove the switch cable assembly and holder (callout 1).

Figure 1-5121 Remove the switch cable assembly and holder



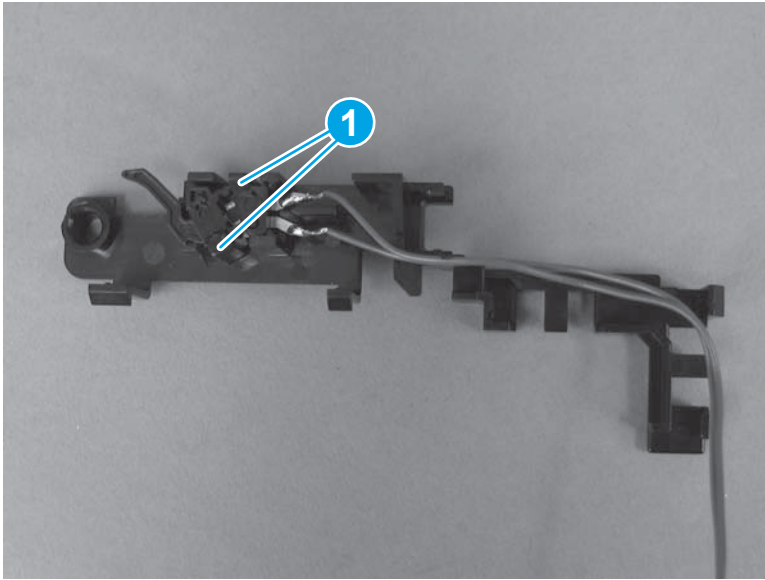
5. Remove the cables (callout 1) on the switch cable assembly from the guides (callout 2) on the switch holder.

Figure 1-5122 Remove the cables from the guides



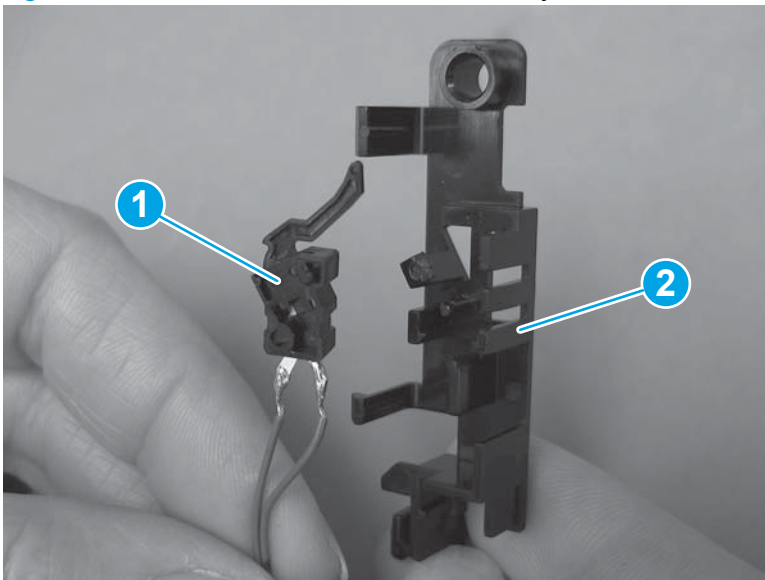
6. Release two tabs (callout 1).

Figure 1-5123 Release two tabs



7. Remove the switch cable assembly (callout 1) from the switch holder (callout 2).

Figure 1-5124 Remove the switch cable assembly



Step 9: Unpack the replacement part

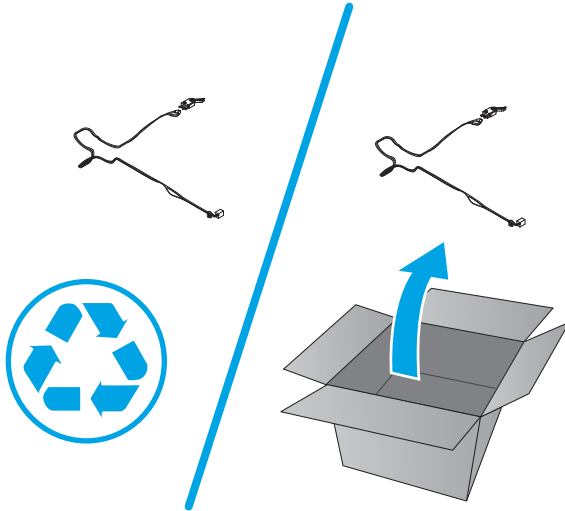
Remove the new part from its package. Save all packaging for recycling the used part.

For complete information on HP's recycling programs, go to [Product return and recycling](#).



NOTE: HP recommends responsible disposal of the defective part.

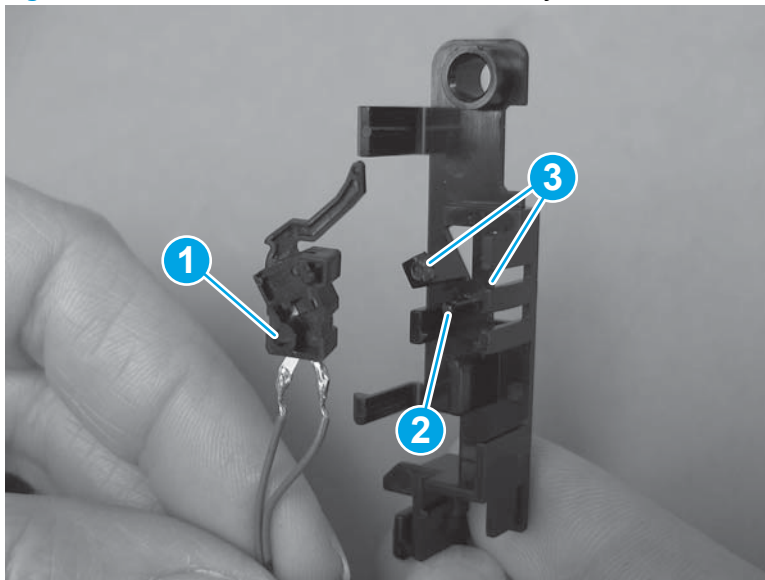
Figure 1-5125 Recycle and unpack



Step 10: Install the switch cable assembly (550-sheet paper feeder)

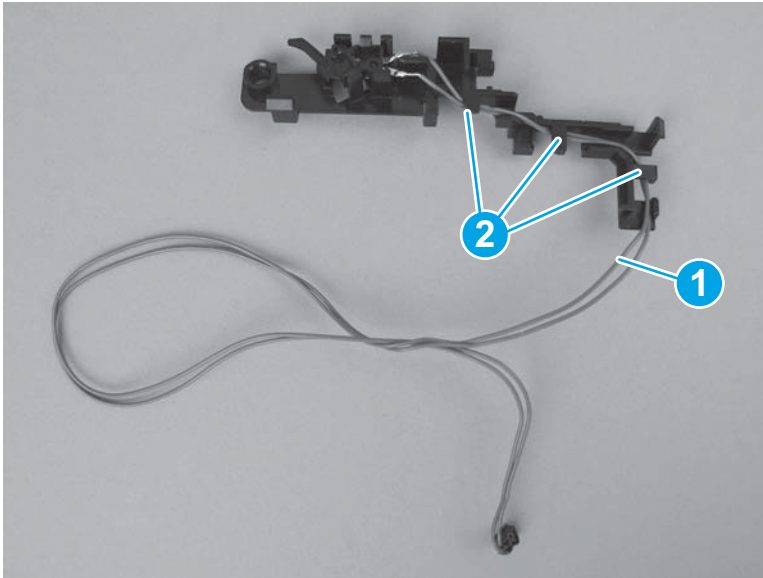
1. Position the switch cable assembly into the switch holder so that the hole (callout 1) on the cable assembly fits over the post (callout 2) on the switch holder. Make sure that two tabs (callout 3) snap into place.

Figure 1-5126 Position the switch cable assembly



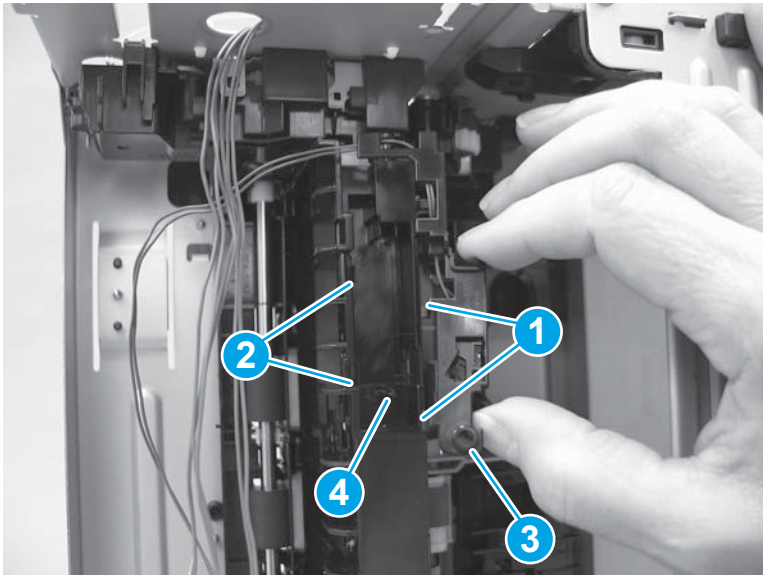
2. Install the cables (callout 1) on the switch cable assembly into the guides (callout 2) on the switch holder.

Figure 1-5127 Install the cables in the guides



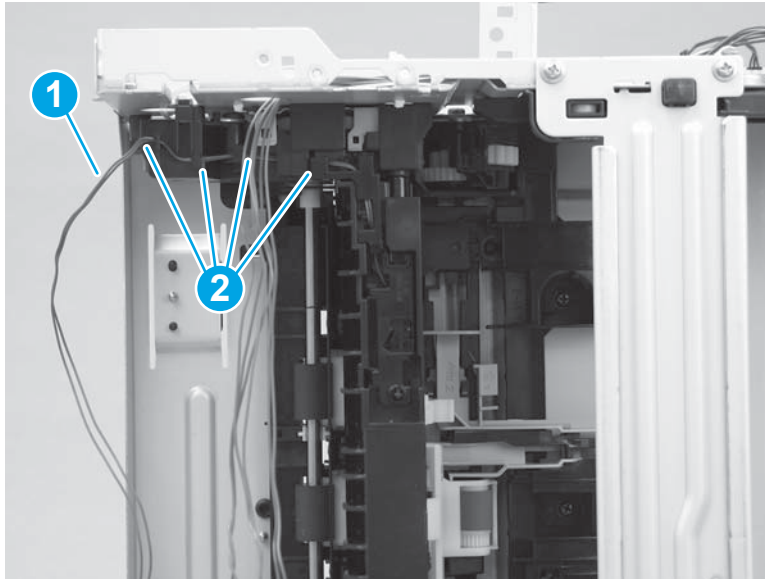
3. Install the switch cable assembly on the feeder. Make sure that two tabs (callout 1) snap into the slots (callout 2), and that the hole (callout 3) on the switch holder fits over the post (callout 4) on the feeder.

Figure 1-5128 Install the switch cable assembly



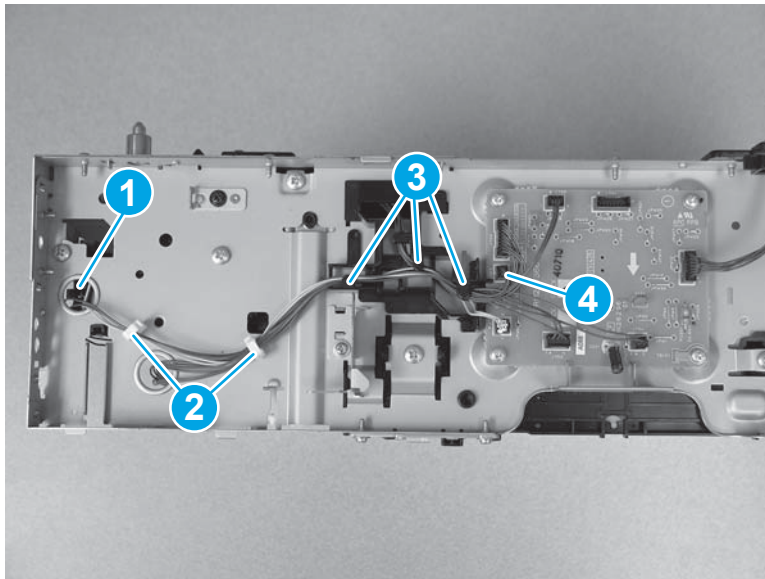
4. Install the cables (callout 1) in the guides (callout 2).

Figure 1-5129 Install the cables in the guides



5. Thread the connector and cables up through the opening (callout 1) in the sheet metal. Install the cables in two retainers (callout 2), and then close the retainers. Install the cables in the guides (callout 3), and connect one connector (callout 4).

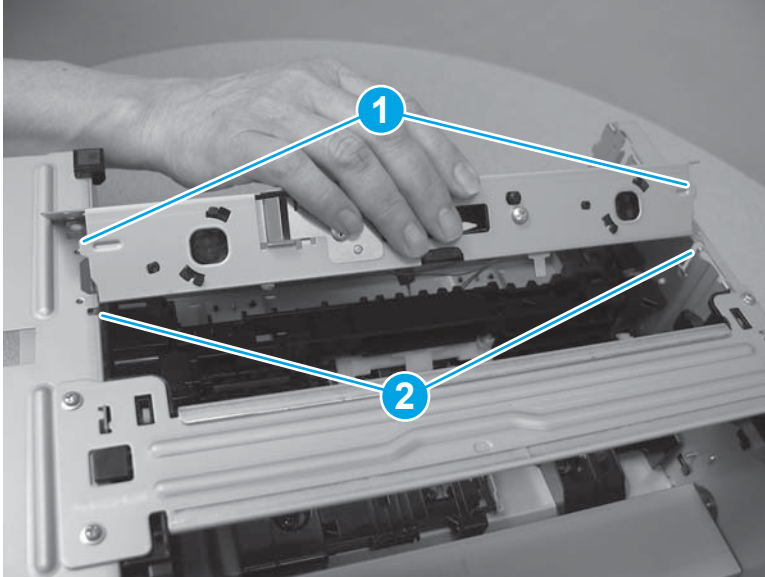
Figure 1-5130 Install the cables and connect one connector



Step 11: Install the feed frame assembly (550-sheet paper feeder)

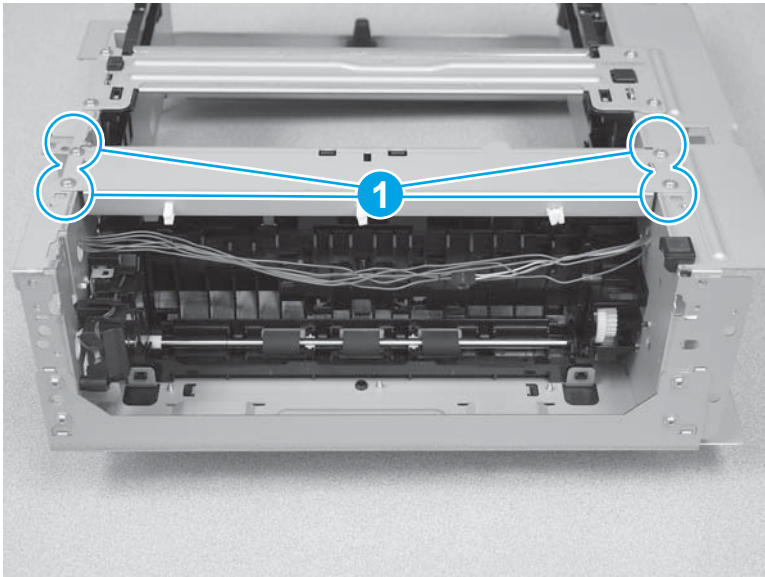
1. Install the tabs (callout 1) on the feed frame assembly in the slots (callout 2) on the feeder.

Figure 1-5131 Install the feed frame assembly



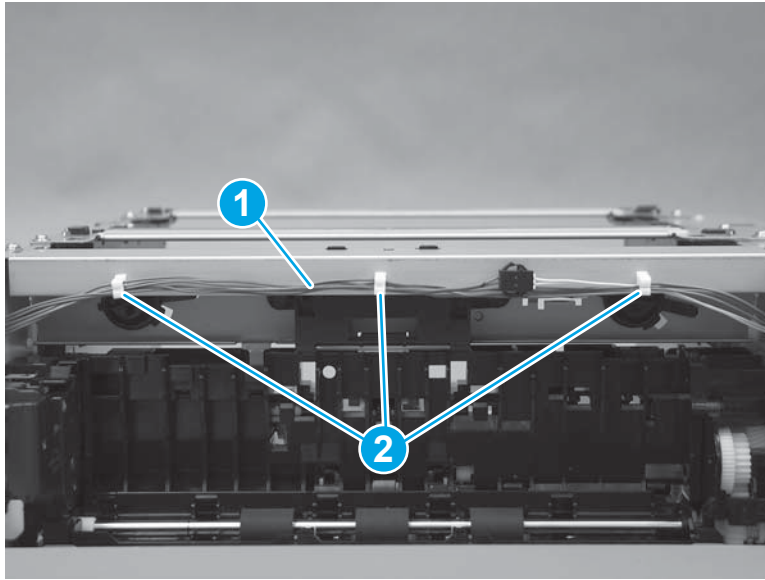
2. Install four screws (callout 1).

Figure 1-5132 Install four screws



3. Install the cables (callout 1) in the retainers (callout 2).

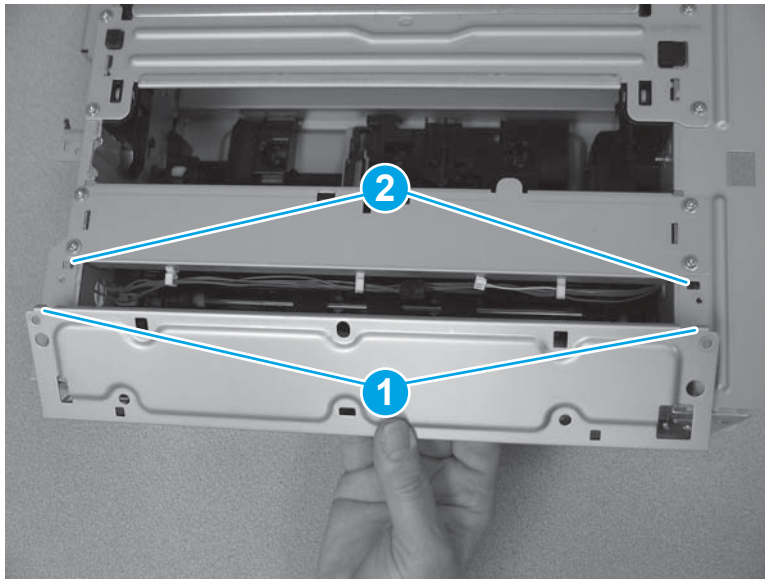
Figure 1-5133 Install the cables



Step 12: Install the baseplate (550-sheet paper feeder)

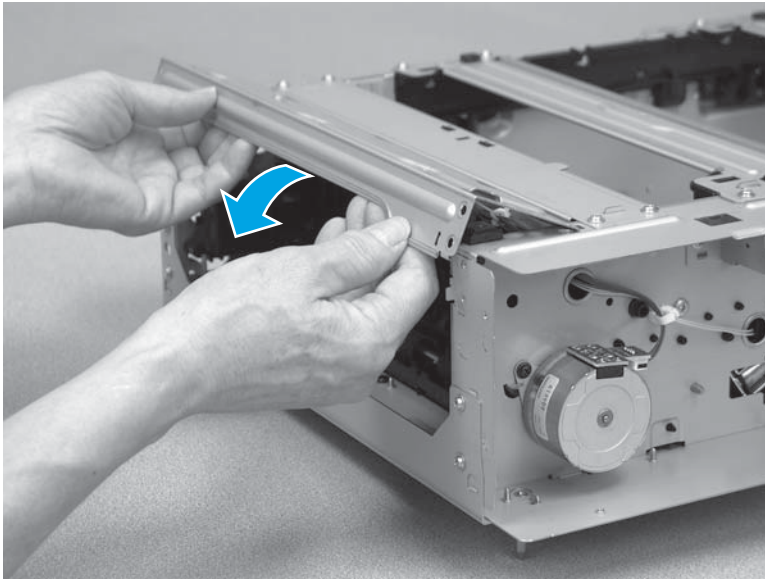
1. Install the tabs (callout 1) on the baseplate into the slots (callout 2) on the feeder.

Figure 1-5134 Release two tabs



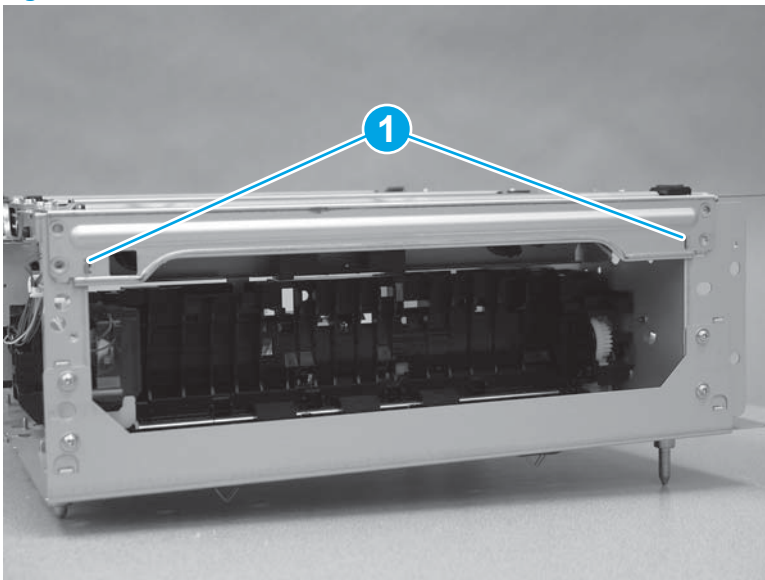
2. Rotate the edge of the baseplate down.

Figure 1-5135 Rotate the baseplate down



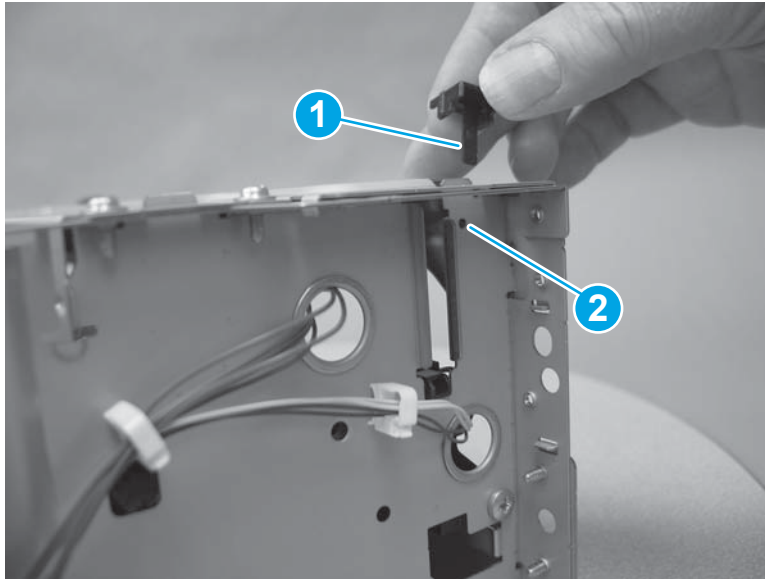
3. Install two tabs (callout 1).

Figure 1-5136 Install two tabs



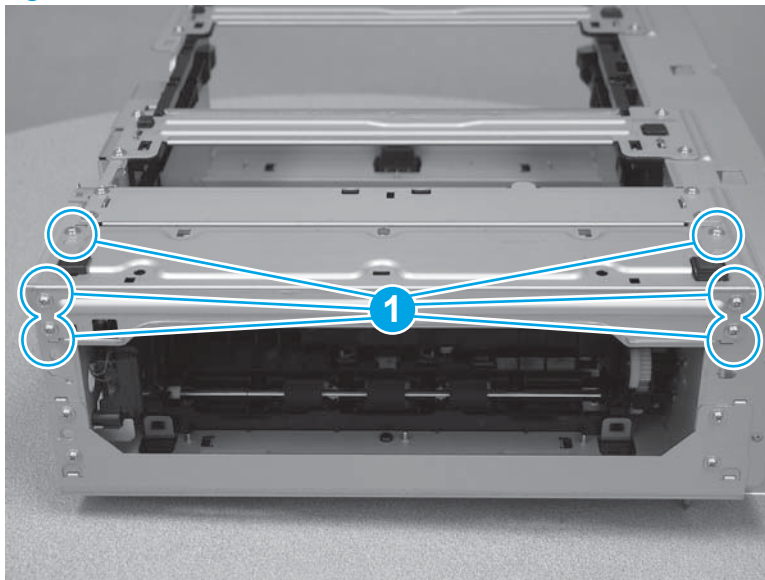
4. Install the foot. Make sure that the tab (callout 1) on the foot fits in the slot (callout 2) on the feeder.

Figure 1-5137 Remove the foot



5. Install six screws (callout 1).

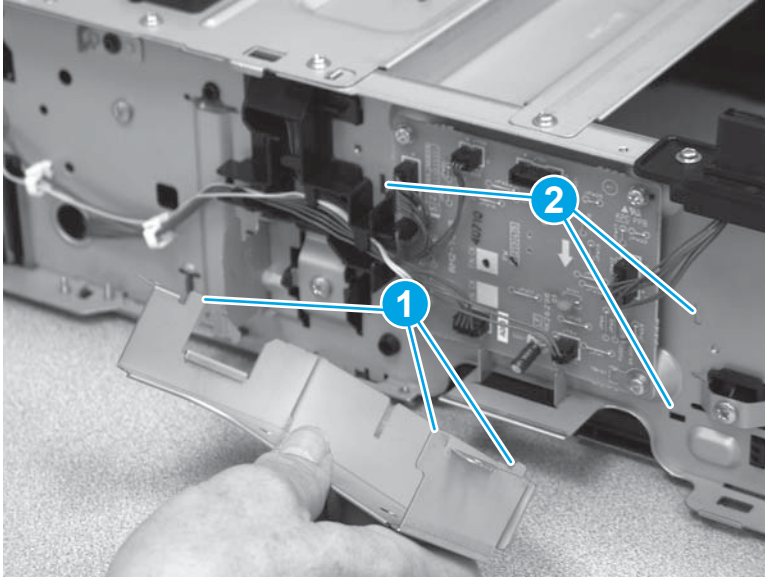
Figure 1-5138 Install six screws



Step 13: Install the PCA cover (550-sheet paper feeder)

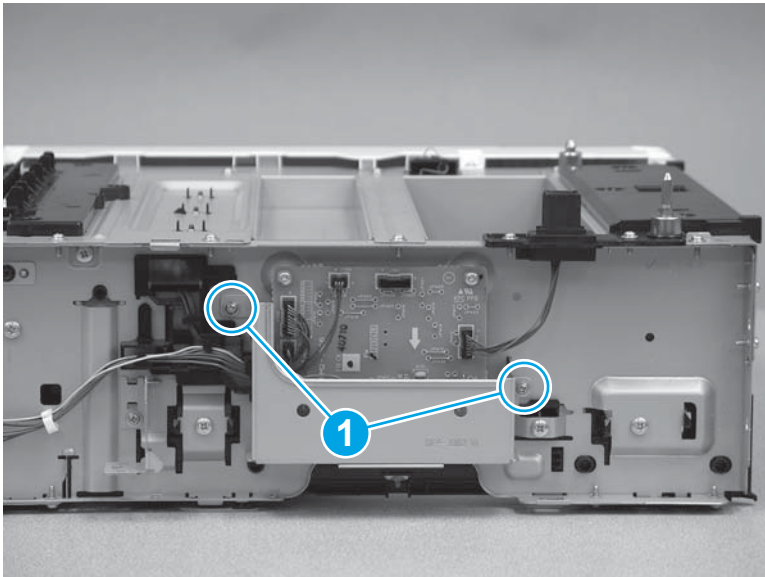
1. Install the tabs (callout 1) on the PCA cover in the slots (callout 2) on the feeder.

Figure 1-5139 Install the PCA cover



2. Install two screws (callout 1).

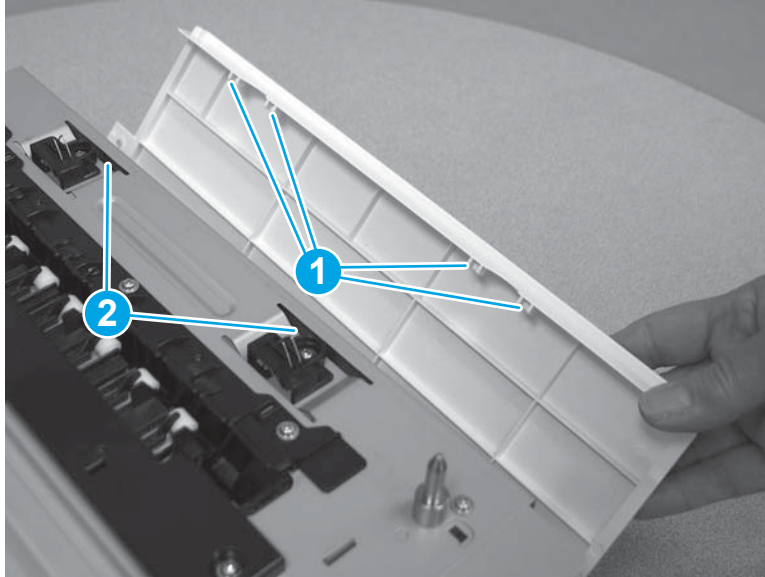
Figure 1-5140 Install two screws



Step 14: Install the rear cover (550-sheet paper feeder)

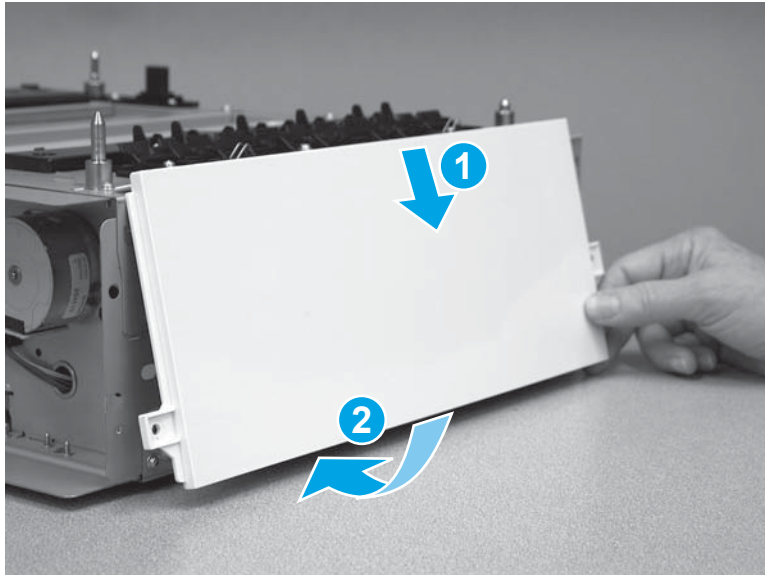
1. Install the tabs (callout 1) on the rear cover in the slots (callout 2) on the feeder.

Figure 1-5141 Install the tabs



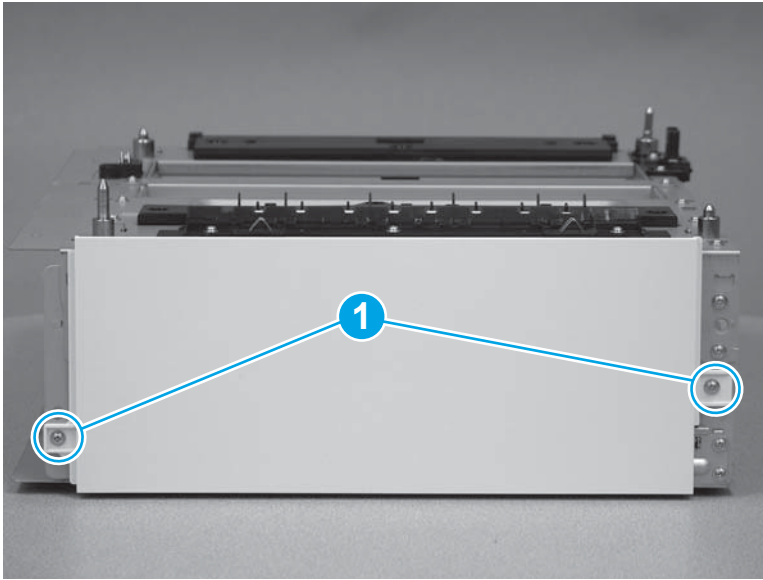
2. Make sure that the top of the rear cover (callout 1) is seated in the tabs, and then rotate the bottom of the cover (callout 2) toward the feeder.

Figure 1-5142 Rotate the cover



3. Install two screws (callout 1).

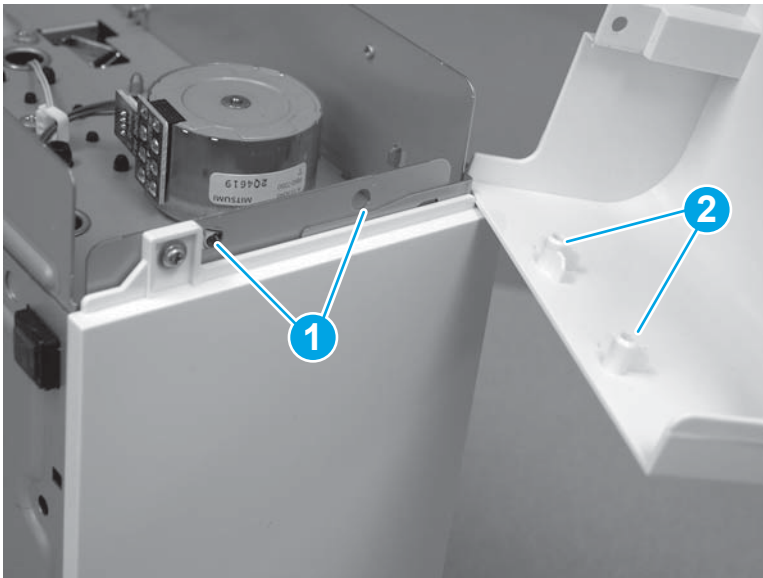
Figure 1-5143 Install two screws



Step 15: Install the left cover (550-sheet paper feeder)

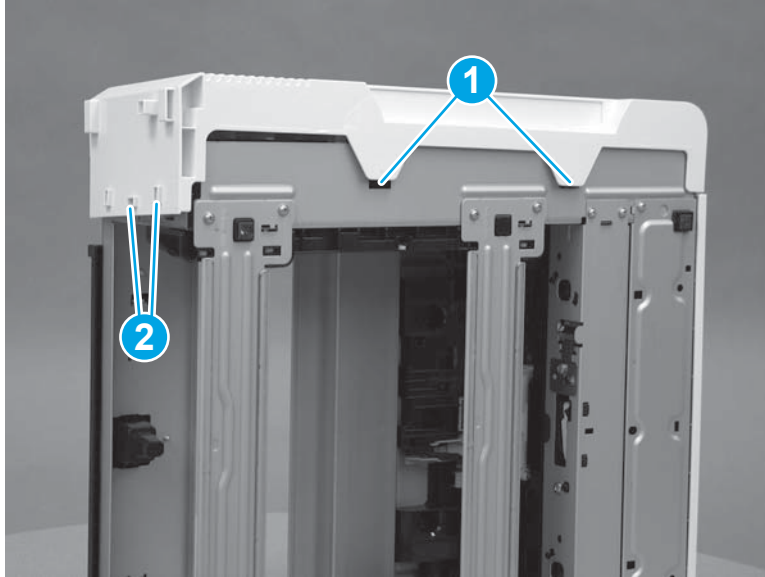
1. Lay the feeder on the right side so that the left side is facing up. At the back of the feeder, install the tabs (callout 1) on the cover in the holes (callout 2) on the feeder.

Figure 1-5144 Install two tabs



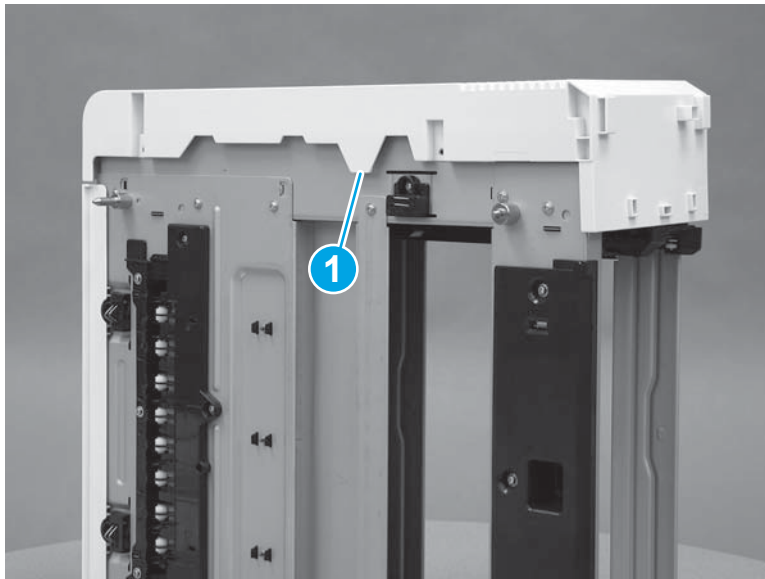
2. Install two tabs (callout 1) on the bottom of the feeder, and then install two tabs (callout 2) on the front of the feeder.

Figure 1-5145 Install four tabs



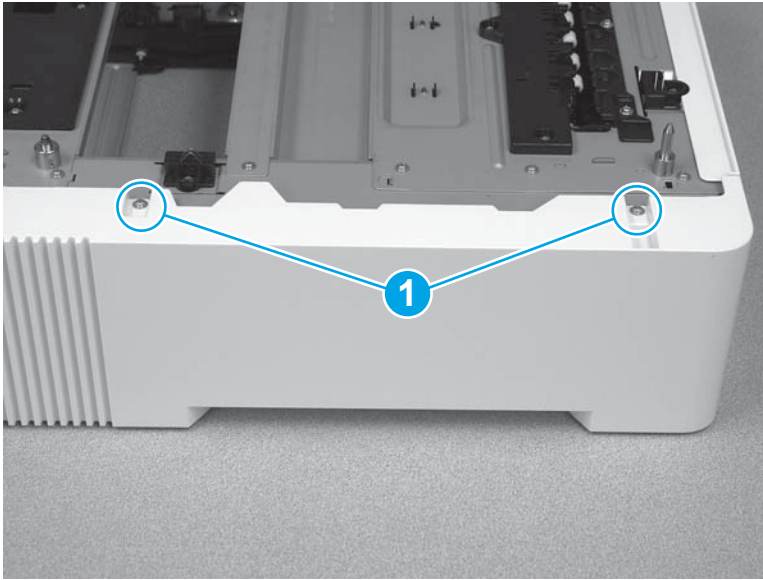
3. Turn the feeder to an upright position with the top facing up. Install one tab (callout 1) on the top of the feeder.

Figure 1-5146 Install three tabs



4. Install two screws (callout 1).

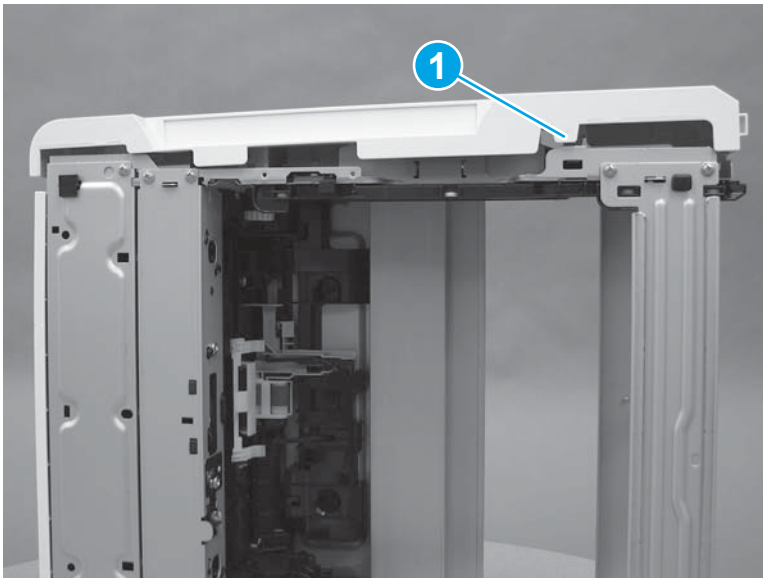
Figure 1-5147 Install two screws



Step 16: Install the right cover (550-sheet paper feeder)

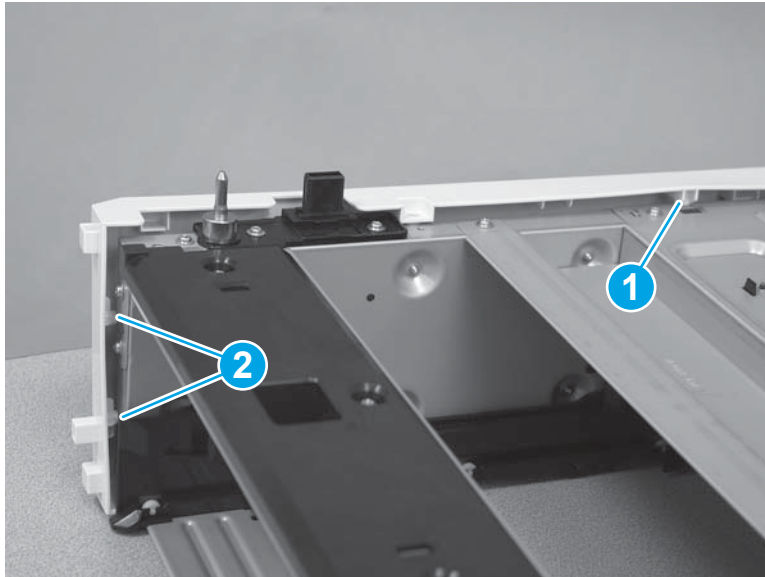
1. Lay the feeder on the left side so that the right side is facing up, and then install one tab (callout 1) on the bottom of the feeder.

Figure 1-5148 Install one tab



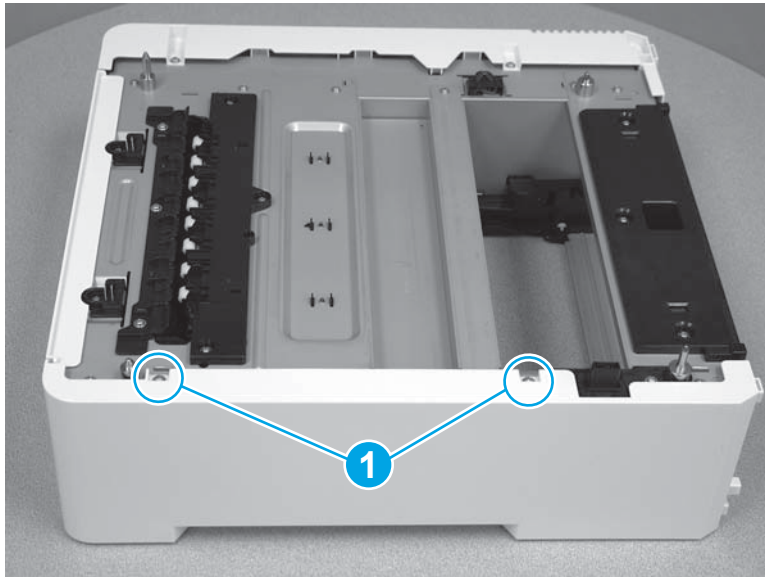
2. Turn the feeder to an upright position with the top facing up. Install one tab (callout 1) on the top of the feeder, and then install two tabs (callout 2) at the front of the feeder.

Figure 1-5149 Install three tabs



3. Install two screws (callout 1).

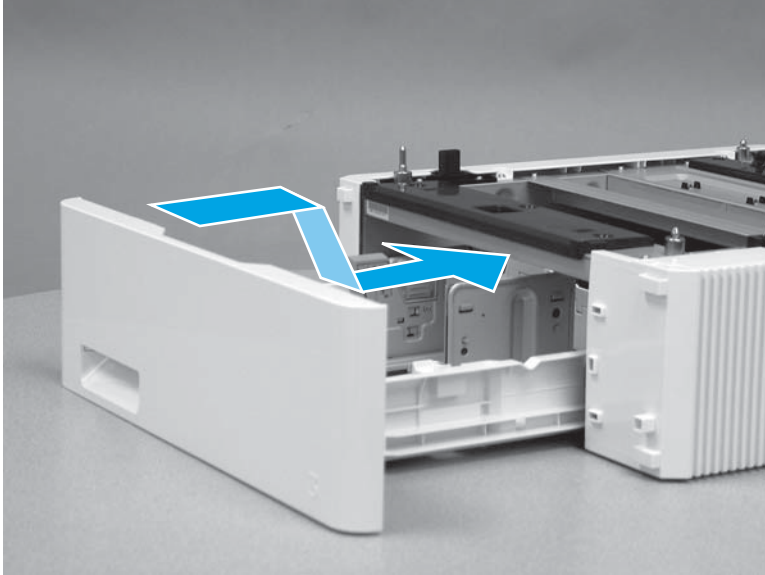
Figure 1-5150 Install two screws



Step 17: Install Tray 3

- ▲ With the front of the tray slightly lifted, align the sides of the tray with the rails in the feeder, and then carefully slide the tray into the feeder. As the tray slides into the feeder, lower the front of the tray, and then close it.

Figure 1-5151 Install the tray



Removal and replacement: Lifter drive assembly (550-sheet paper feeder)


- [Introduction](#)
- [Step 1: Remove Tray 3](#)
- [Step 2: Remove the right cover \(550-sheet paper feeder\)](#)
- [Step 3: Remove the left cover \(550-sheet paper feeder\)](#)
- [Step 4: Remove the rear cover \(550-sheet paper feeder\)](#)
- [Step 5: Remove the PCA cover \(550-sheet paper feeder\)](#)
- [Step 6: Remove the baseplate \(550-sheet paper feeder\)](#)
- [Step 7: Remove the feed frame assembly \(550-sheet paper feeder\)](#)
- [Step 8: Remove the lifter drive assembly \(550-sheet paper feeder\)](#)
- [Step 9: Unpack the replacement part](#)
- [Step 10: Install the lifter drive assembly \(550-sheet paper feeder\)](#)
- [Step 11: Install the feed frame assembly \(550-sheet paper feeder\)](#)
- [Step 12: Install the baseplate \(550-sheet paper feeder\)](#)
- [Step 13: Install the PCA cover \(550-sheet paper feeder\)](#)
- [Step 14: Install the rear cover \(550-sheet paper feeder\)](#)
- [Step 15: Install the left cover \(550-sheet paper feeder\)](#)
- [Step 16: Install the right cover \(550-sheet paper feeder\)](#)
- [Step 17: Install Tray 3](#)

Introduction

This document provides the procedures to remove and replace the lifter drive assembly for the 550-sheet feeder.

Before you begin

- Turn off the printer.
- Disconnect the power cable.

 **WARNING!** To avoid damage to the printer, turn the printer off, wait 30 seconds, and then remove the power cord before attempting to service the printer.

- Use the table below to identify the correct part number for your printer. To order the part, go to www.hp.com/buy/parts.

Lifter drive assembly part number

RM2-6493-000CNLifter drive assembly (550-sheet feeder)

Required tools

- #2 Phillips screwdriver with a magnetic tip
- Small flat-blade screwdriver

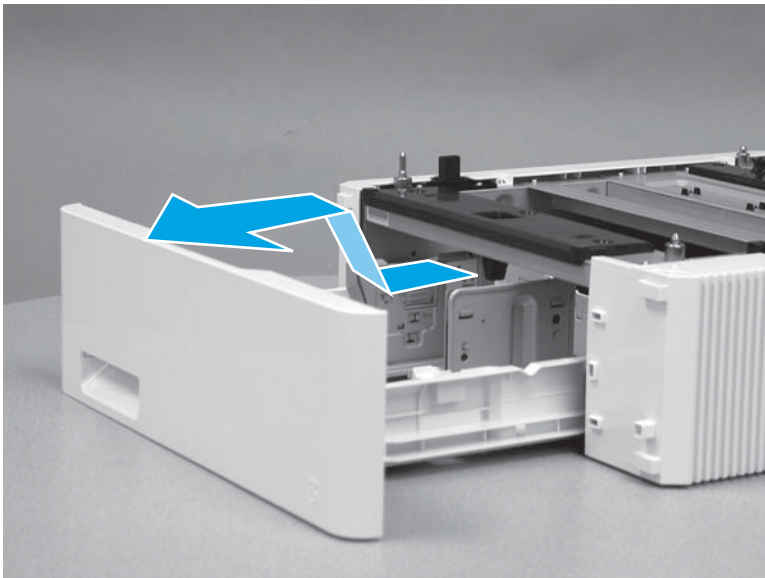
After performing service

- Connect the power cable.
- Use the power switch to turn the power on.

Step 1: Remove Tray 3

- ▲ Pull the tray out until it stops. Lift the front of the tray, and then pull it out of the printer to remove it.

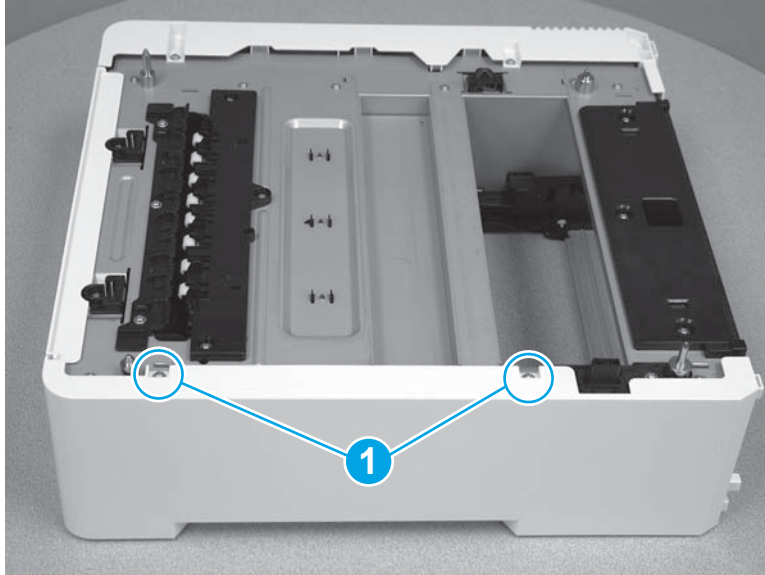
Figure 1-5152 Remove the tray



Step 2: Remove the right cover (550-sheet paper feeder)

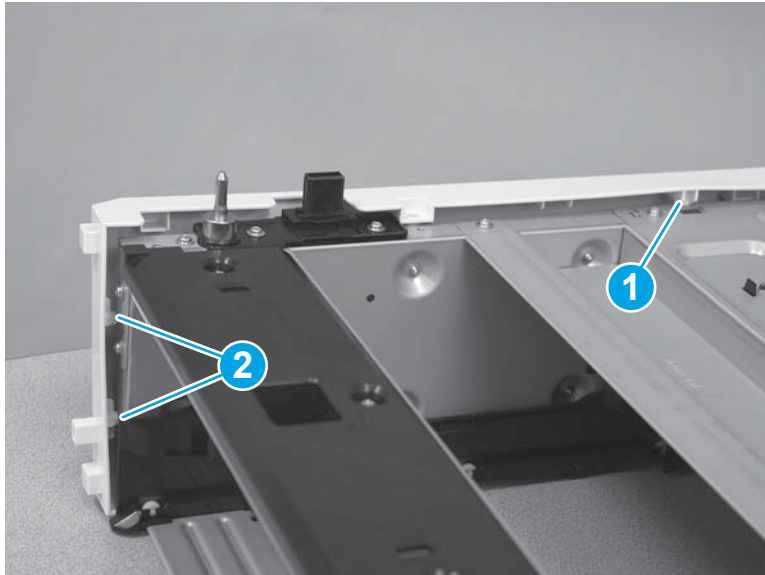
1. Remove two screws (callout 1).

Figure 1-5153 Remove two screws



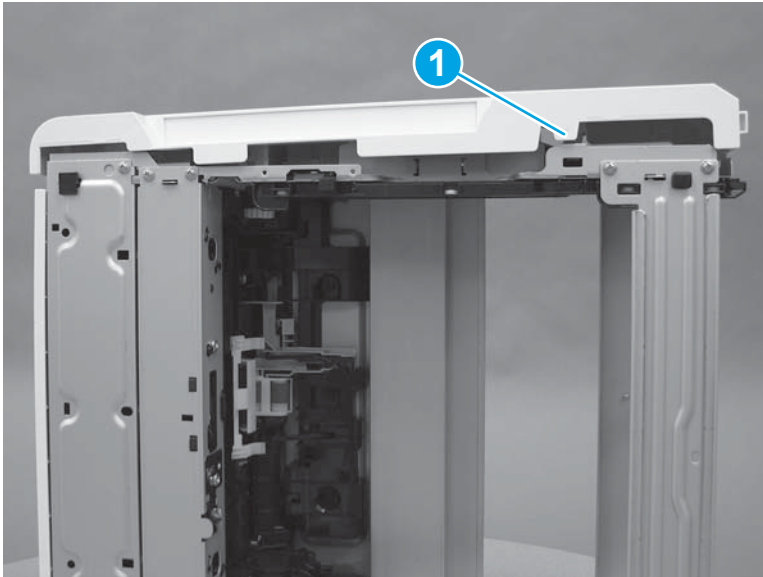
2. Release one tab (callout 1) on the top of the feeder, and then release two tabs (callout 2) at the front of the feeder.

Figure 1-5154 Release three tabs



3. Lay the feeder on the left side so that the right side is facing up, and then release one tab (callout 1) on the bottom of the feeder. Remove the right cover.

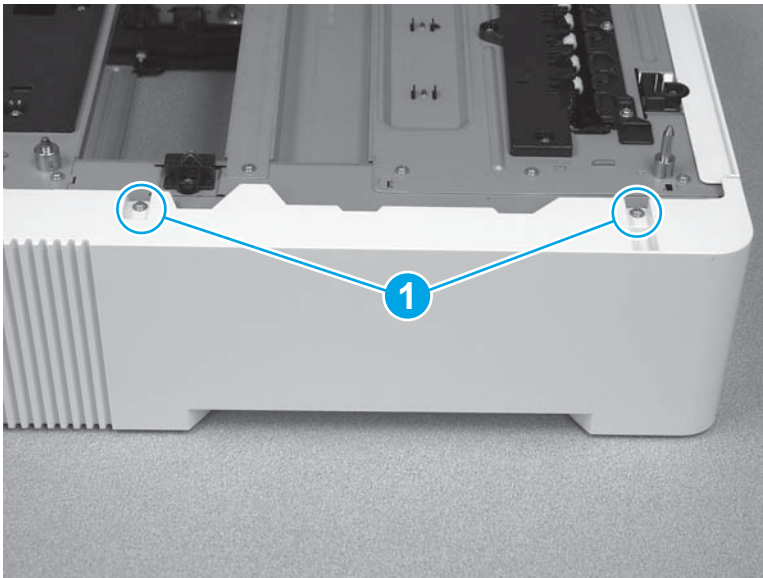
Figure 1-5155 Release one tab



Step 3: Remove the left cover (550-sheet paper feeder)

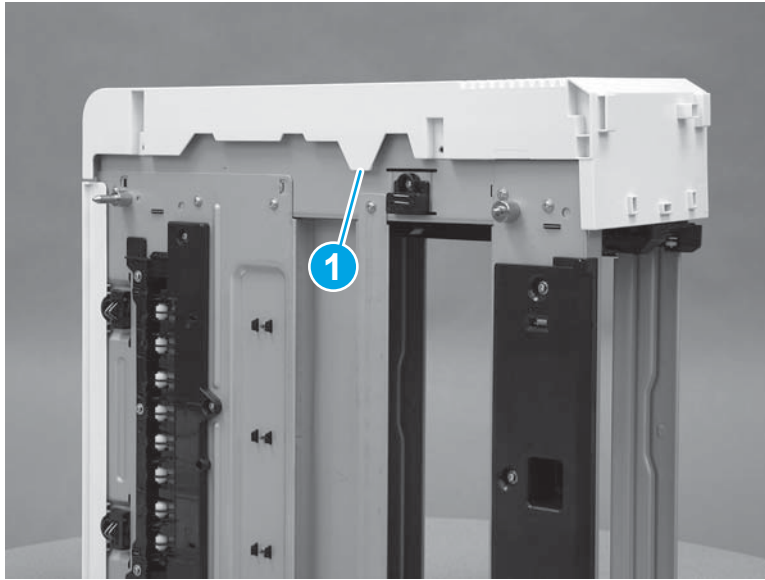
1. Remove two screws (callout 1).

Figure 1-5156 Remove two screws



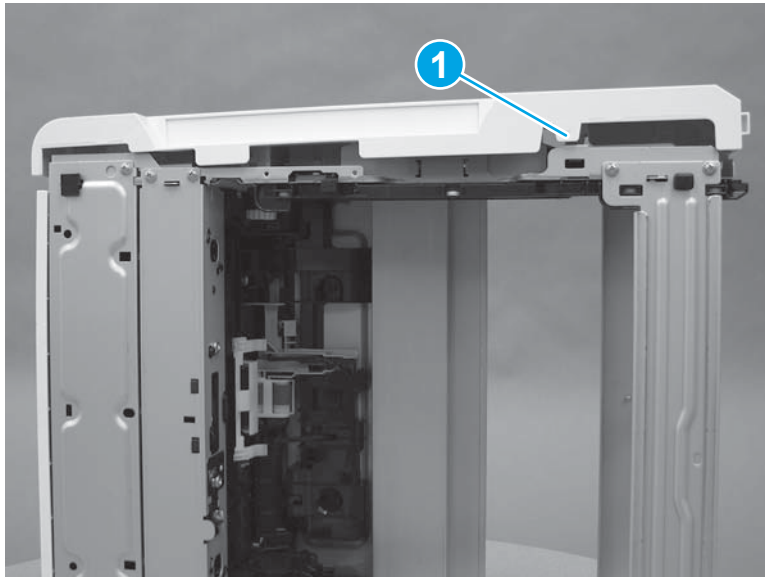
2. Release one tab (callout 1) on the top of the feeder.

Figure 1-5157 Release one tab



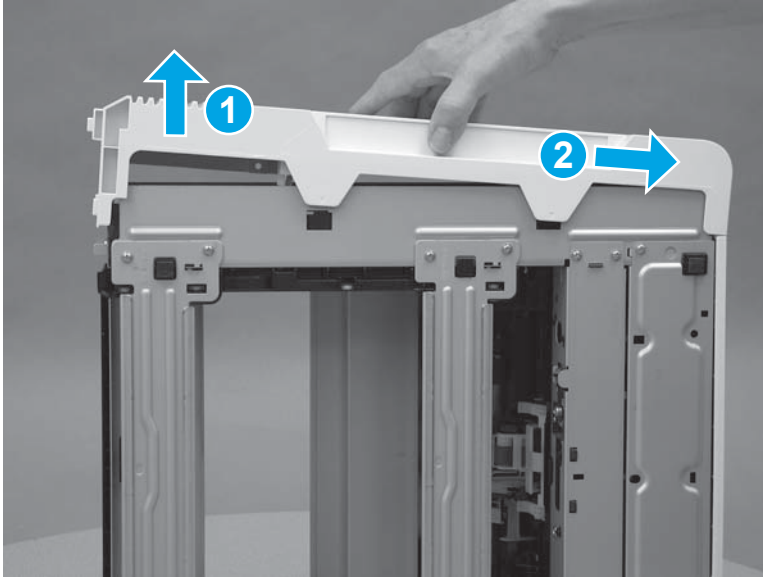
3. Lay the feeder on the right side so that the left side is facing up. Release two tabs (callout 1) on the bottom of the feeder, and then release two tabs (callout 2) on the front of the feeder.

Figure 1-5158 Release four tabs



4. Lift the front of the cover up (callout 1), and then slide the cover (callout 2) toward the back of the feeder to remove it.

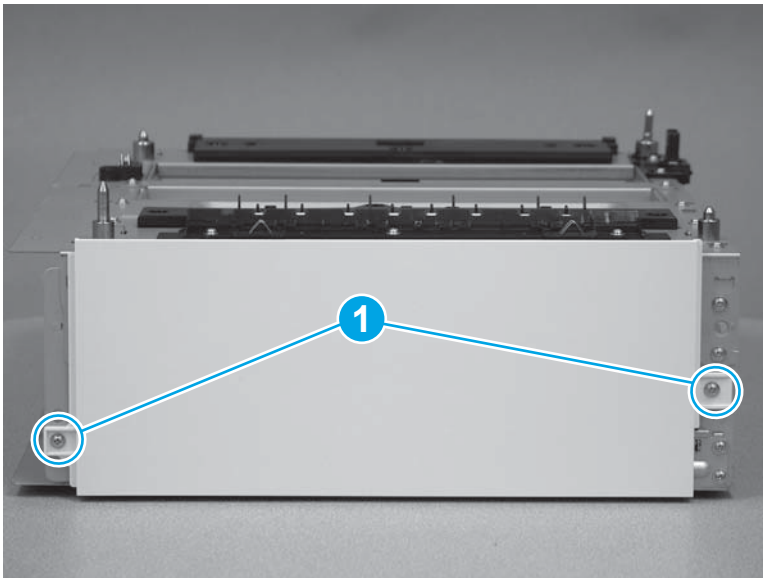
Figure 1-5159 Remove the cover



Step 4: Remove the rear cover (550-sheet paper feeder)

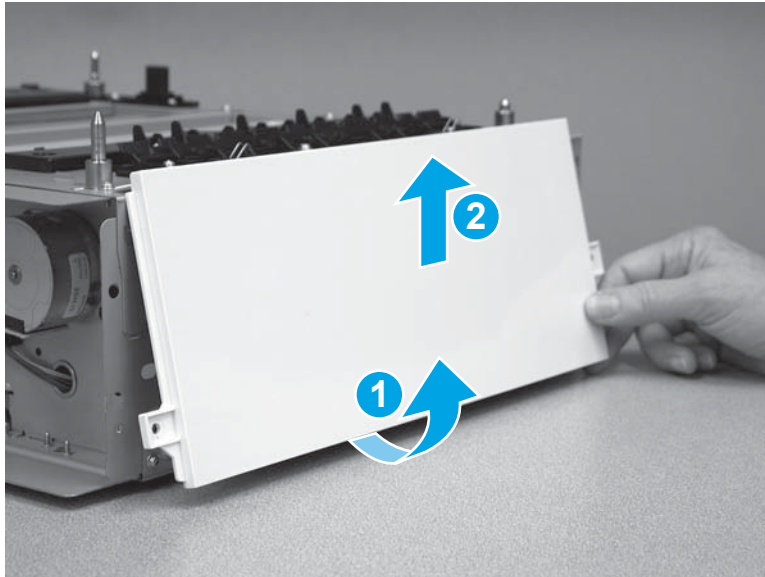
1. Remove two screws (callout 1).

Figure 1-5160 Remove two screws



2. Rotate the bottom edge of the cover (callout 1) away from the feeder, and then raise the cover up (callout 2) to remove it.

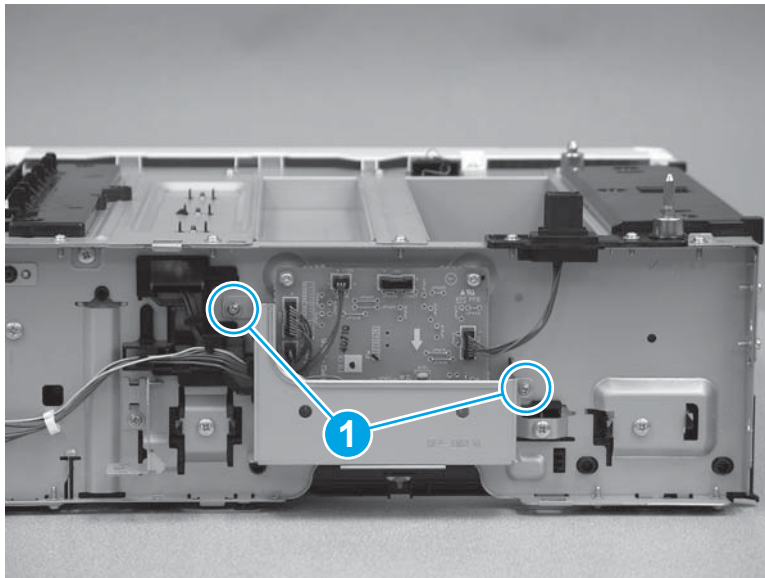
Figure 1-5161 Remove the rear cover



Step 5: Remove the PCA cover (550-sheet paper feeder)

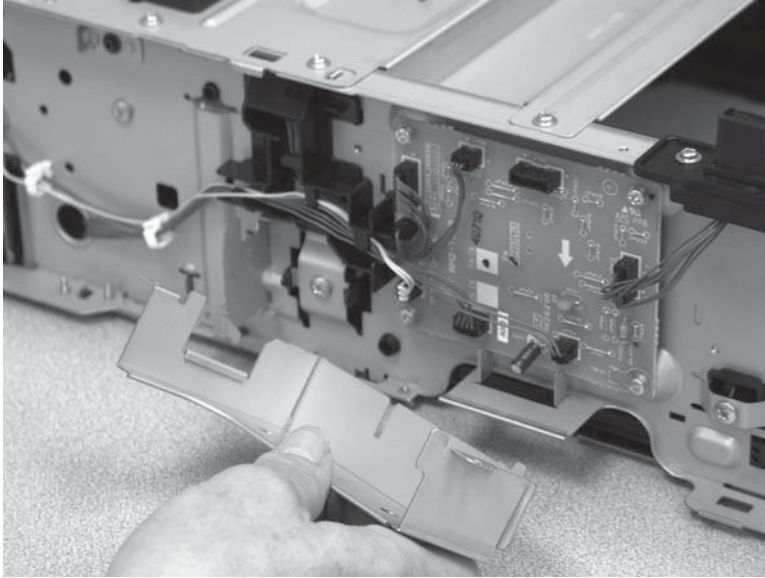
1. On the left side of the feeder, remove two screws (callout 1).

Figure 1-5162 Remove two screws



2. Remove the PCA cover.

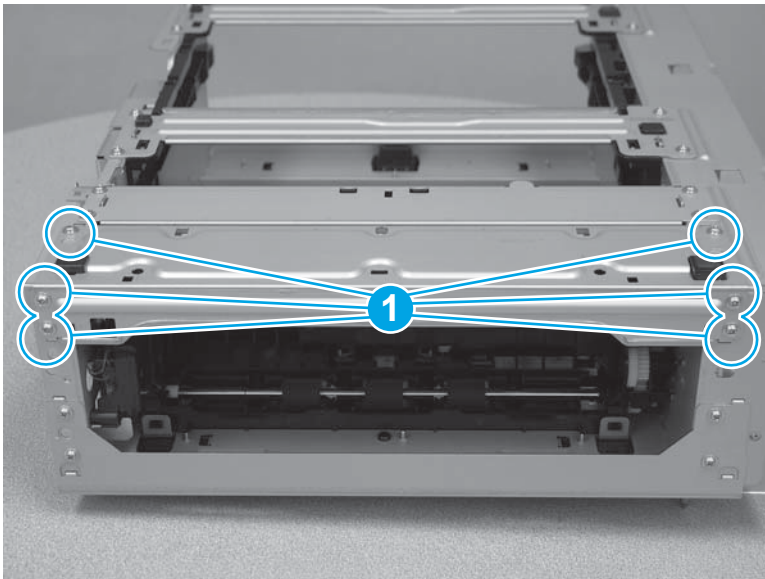
Figure 1-5163 Remove the PCA cover



Step 6: Remove the baseplate (550-sheet paper feeder)

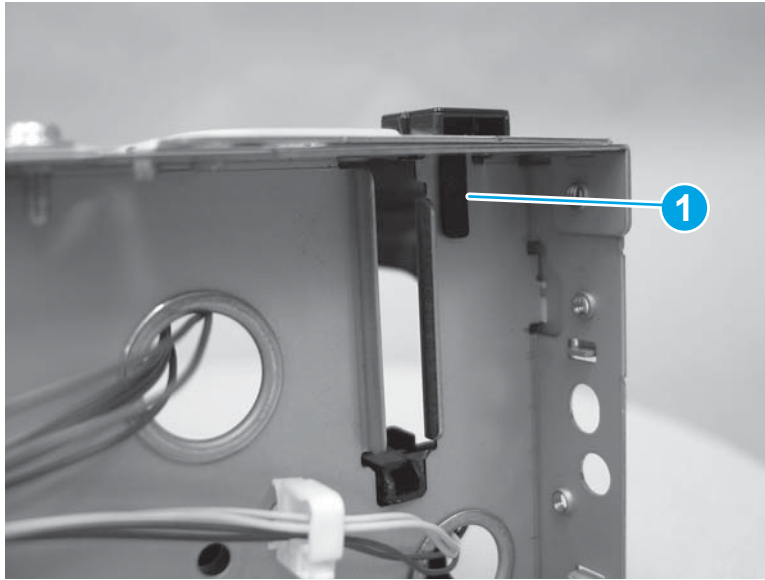
1. Lay the feeder on the top side so that the bottom side is facing up. Remove six screws (callout 1).

Figure 1-5164 Remove six screws



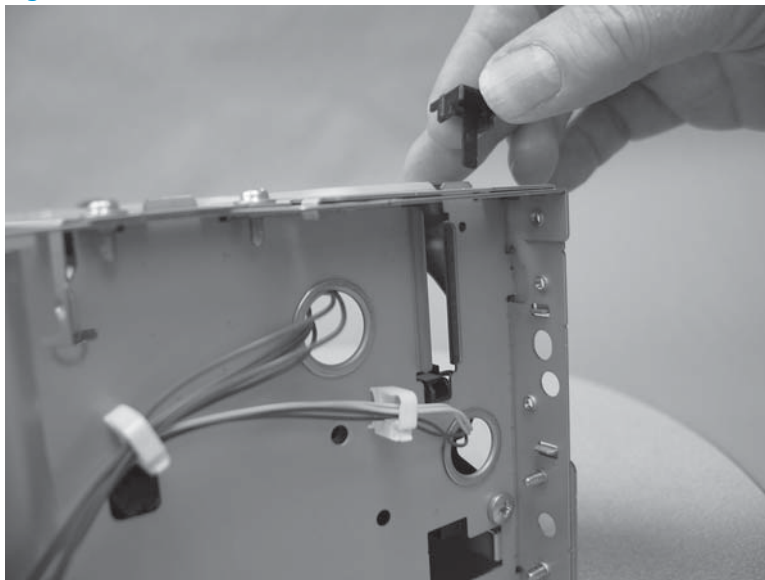
2. On the left side of the feeder, release one tab (callout 1) on the foot.

Figure 1-5165 Release one tab



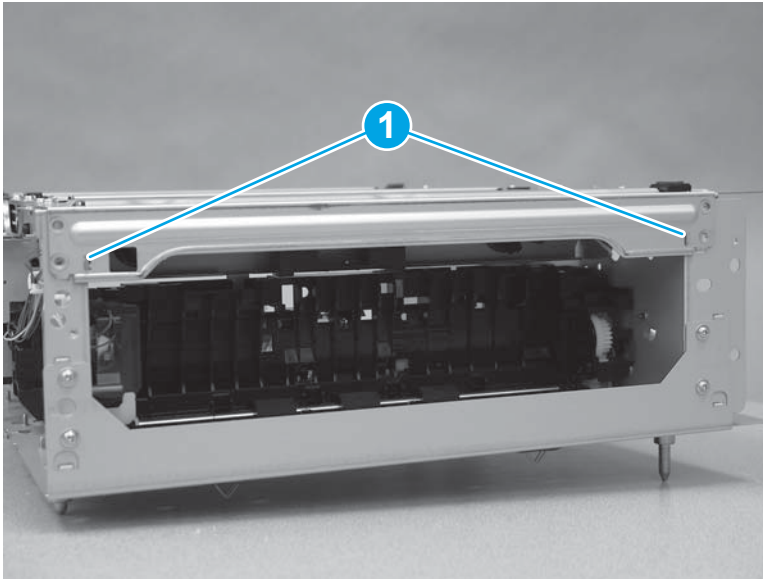
3. Remove the foot.

Figure 1-5166 Remove the foot



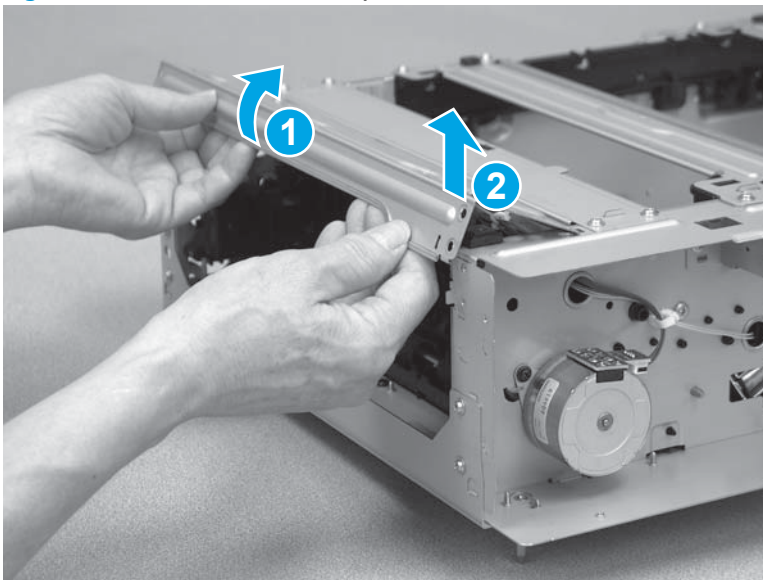
4. Release two tabs (callout 1).

Figure 1-5167 Release two tabs



5. Rotate the edge of the baseplate up (callout 1), and then lift it up (callout 2) to remove it.

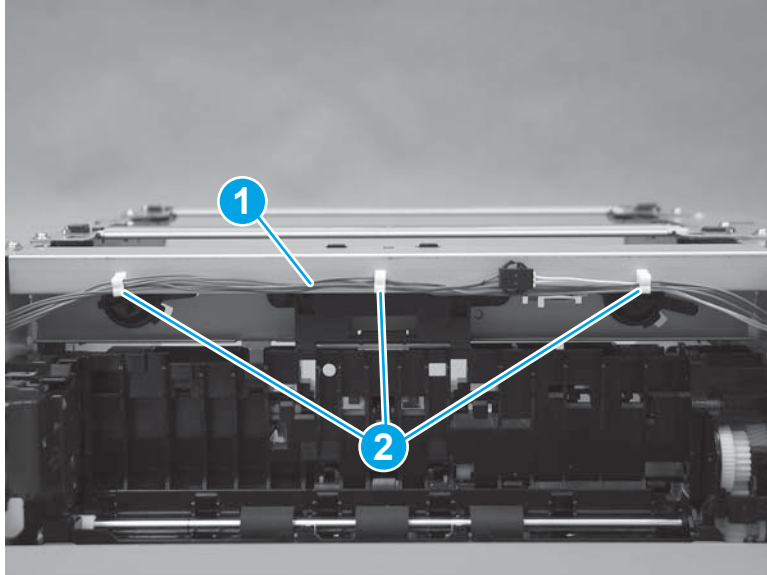
Figure 1-5168 Remove the baseplate



Step 7: Remove the feed frame assembly (550-sheet paper feeder)

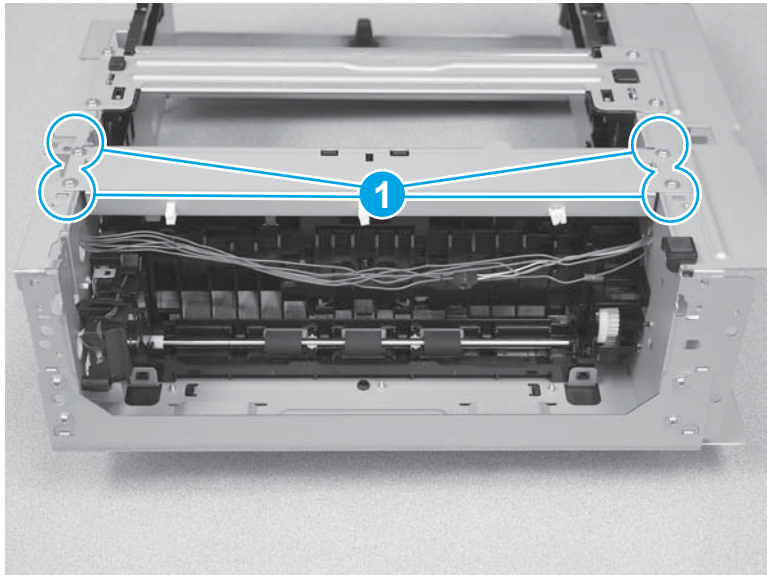
1. Release the cables (callout 1) from the retainers (callout 2).

Figure 1-5169 Release the cables



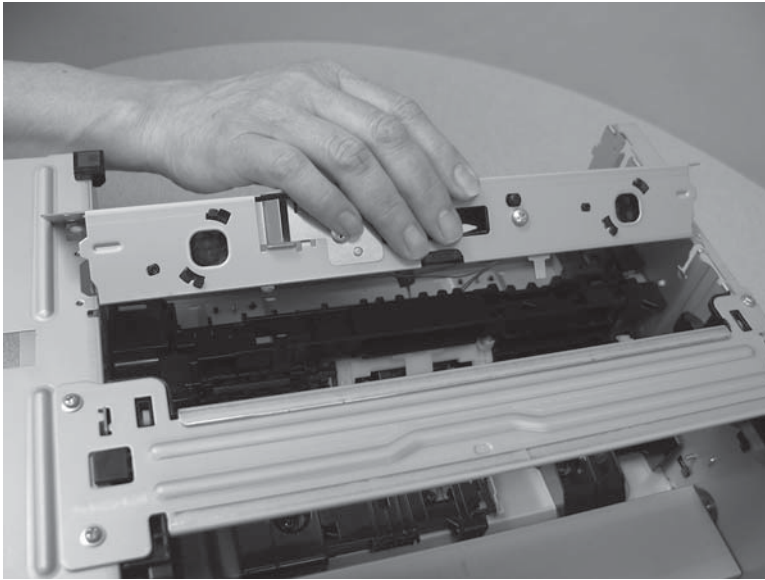
2. Remove four screws (callout 1).

Figure 1-5170 Remove four screws



3. Remove the feed frame assembly.

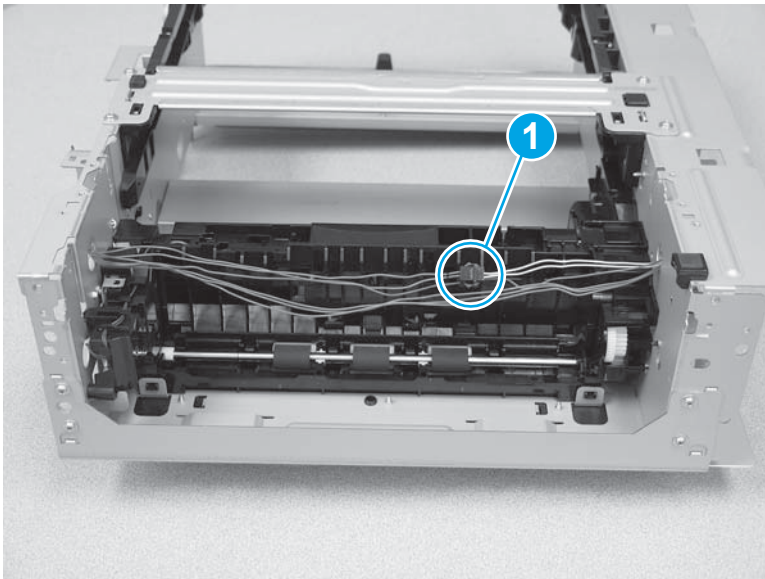
Figure 1-5171 Remove the feed frame assembly



Step 8: Remove the lifter drive assembly (550-sheet paper feeder)

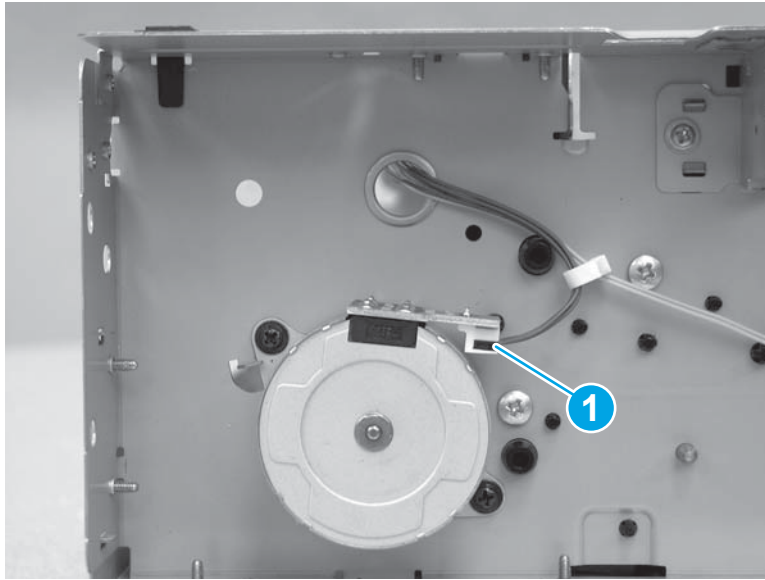
1. Lay the feeder on the top so that the bottom is facing up. Disconnect one in-line connector (callout 1).

Figure 1-5172 Disconnect one connector



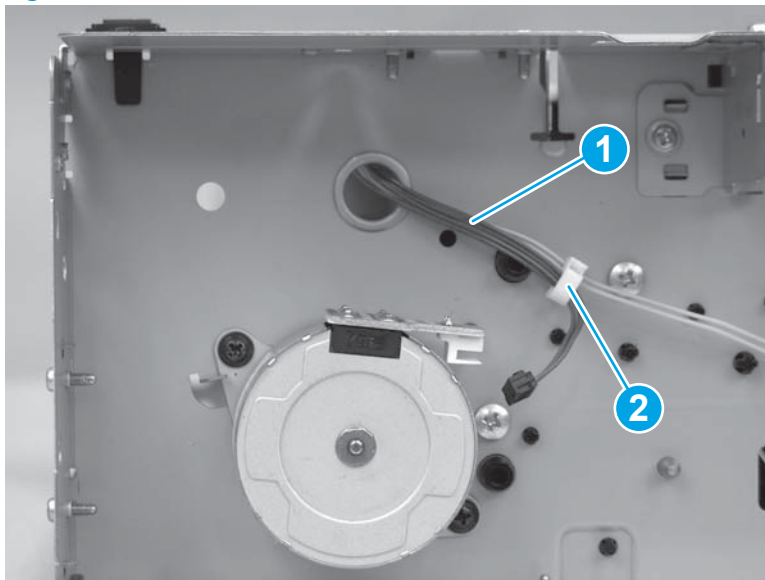
2. On the right side of the feeder, disconnect one connector (callout 1) from the motor.

Figure 1-5173 Disconnect one connector



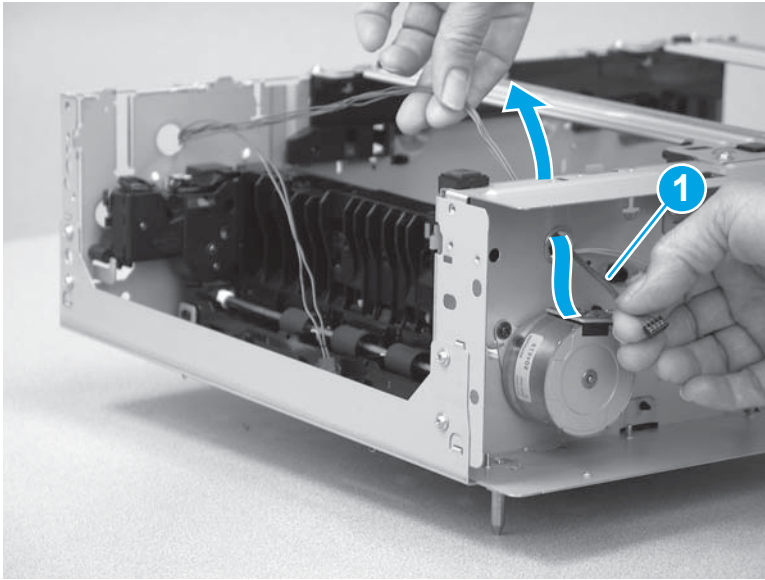
3. Release the cables (callout 1) from the retainer (callout 2).

Figure 1-5174 Release the cables



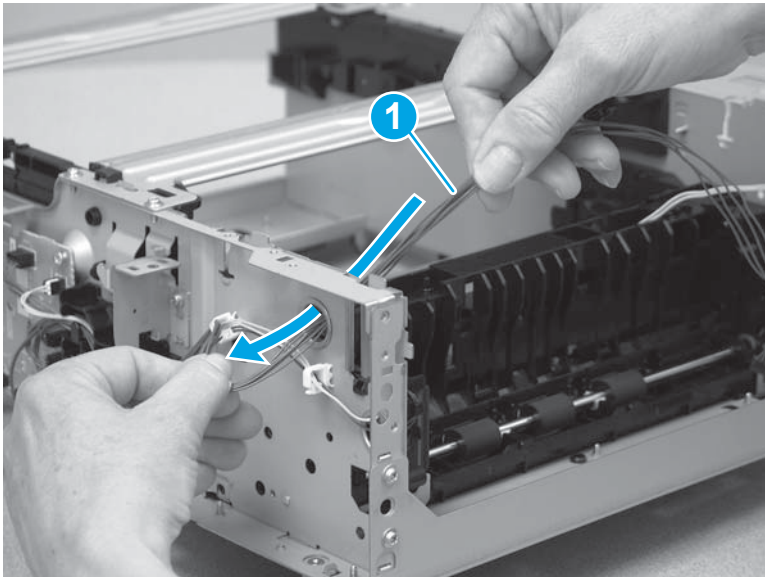
4. Release the cables (callout 1) through the hole in the sheet metal.

Figure 1-5175 Release the cables



5. On the left side of the feeder, remove all of the cables (callout 1) through the opening in the paper feeder.

Figure 1-5176 Remove the cables



6. Lay the feeder on the right side so that the left side is facing up. Disconnect two connectors (callout 1), and remove the cables (callout 2) from the guides (callout 3). Remove one screw (callout 4), and then remove four more screws (callout 5).


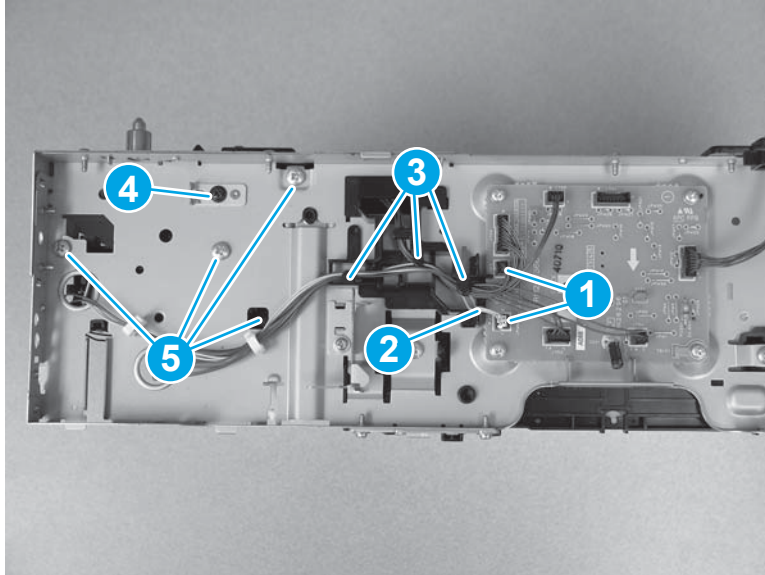
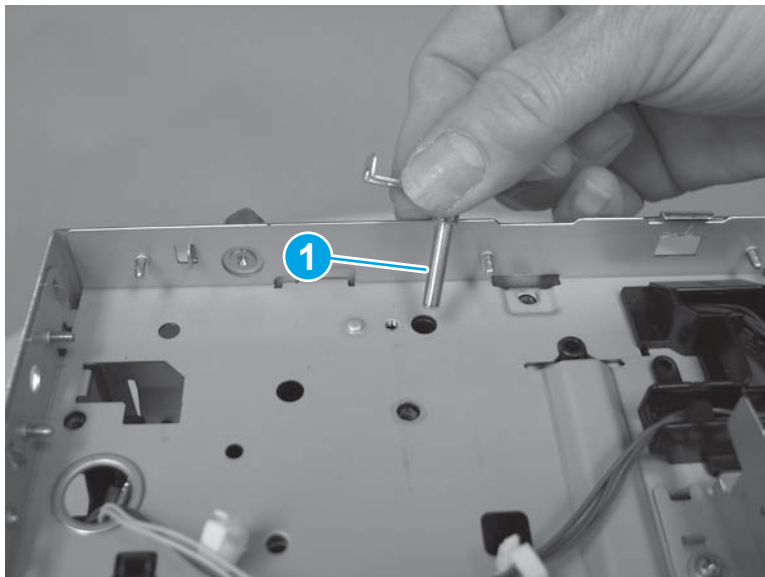
 **Reinstallation tip:** One screw (callout 4) is different from the other screws. Make sure that this screw is installed in the correct position.

Figure 1-5177 Disconnect connector and remove five screws



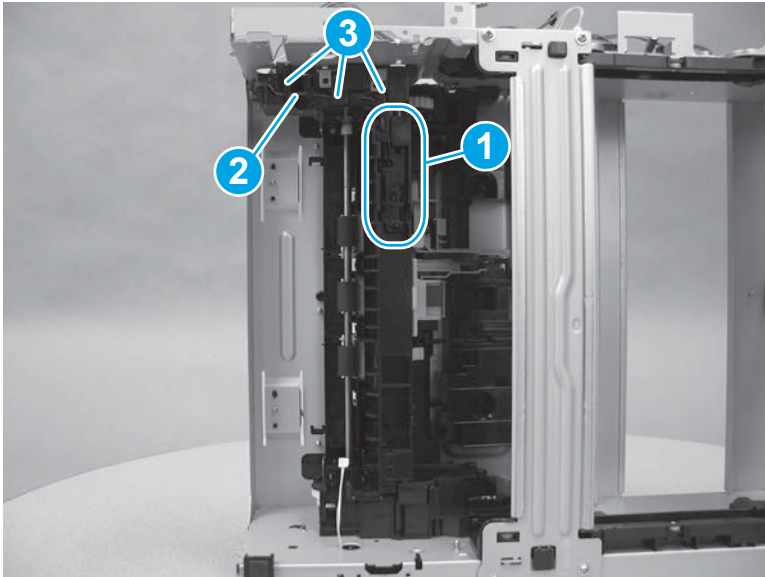
7. Remove the shaft (callout 1).

Figure 1-5178 Remove the shaft



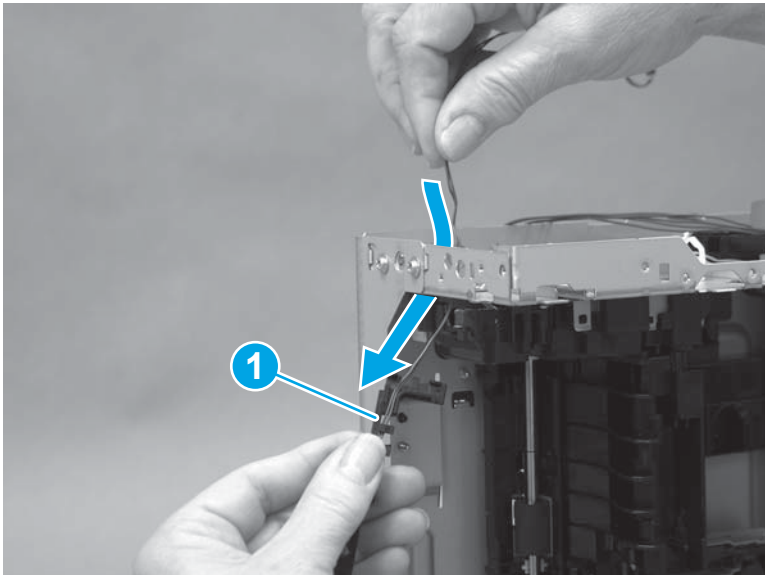
8. Release the tray sensor switch (callout 1), and then remove the cables (callout 2) from the guides (callout 3).

Figure 1-5179 Release the tray sensor switch



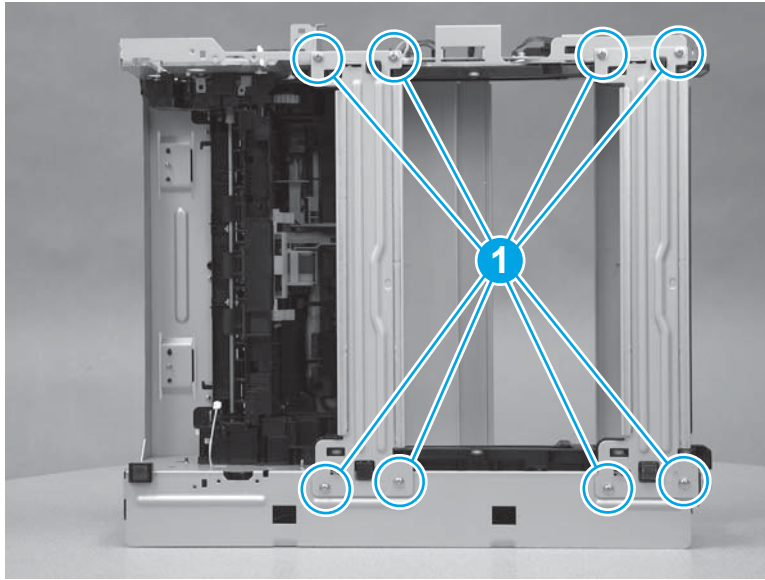
9. Release the tray sensor switch cables (callout 1) through the hole in the sheet metal.

Figure 1-5180 Release the tray sensor switch cables



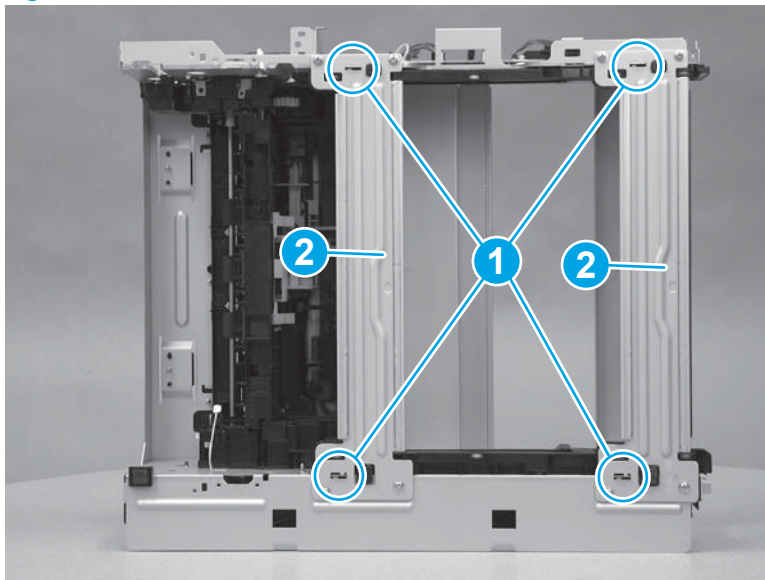
10. Remove eight screws (callout 1).

Figure 1-5181 Remove eight screws



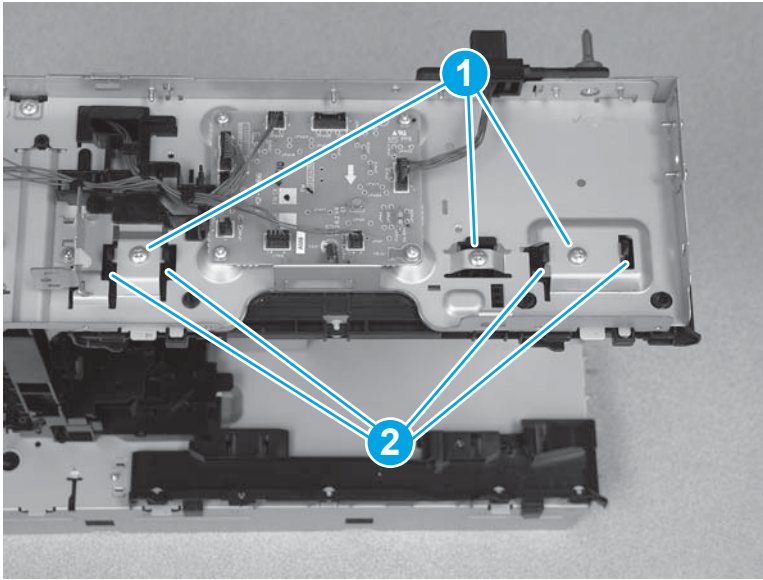
11. Release four tabs (callout 1), and then remove the cross braces (callout 2).

Figure 1-5182 Remove the cross braces



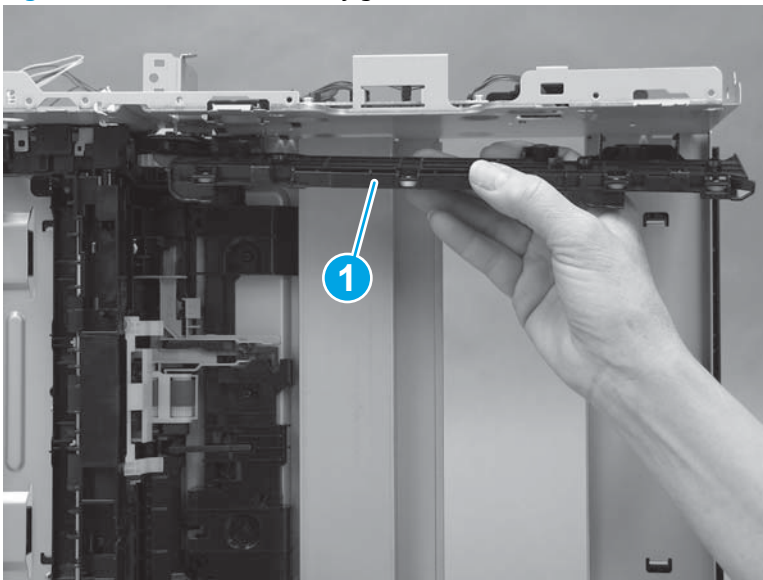
12. On the left side of the feeder, remove three screws (callout 1), and then release three tabs (callout 2).

Figure 1-5183 Remove screws and release tabs



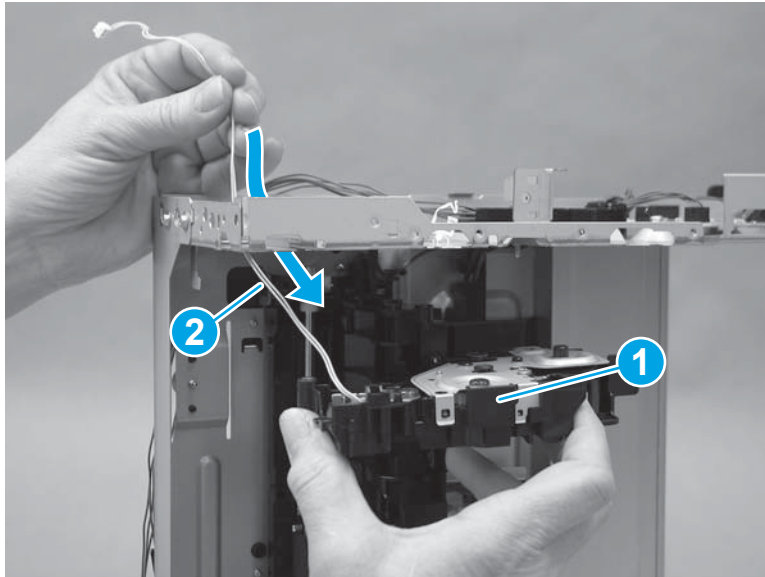
13. Remove the tray guide (callout 1).

Figure 1-5184 Remove the tray guide



14. Remove the lifter drive assembly (callout 1), and then release the cables (callout 2) through the feeder frame.

Figure 1-5185 Remove the lifter drive assembly



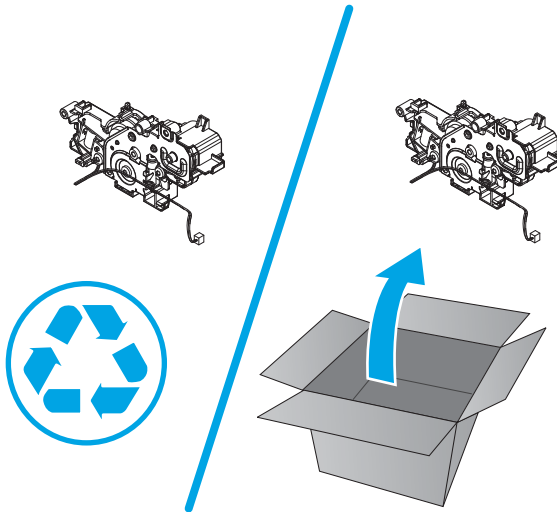
Step 9: Unpack the replacement part

Remove the new part from its package. Save all packaging for recycling the used part.

For complete information on HP's recycling programs, go to [Product return and recycling](#).

 **NOTE:** HP recommends responsible disposal of the defective part.

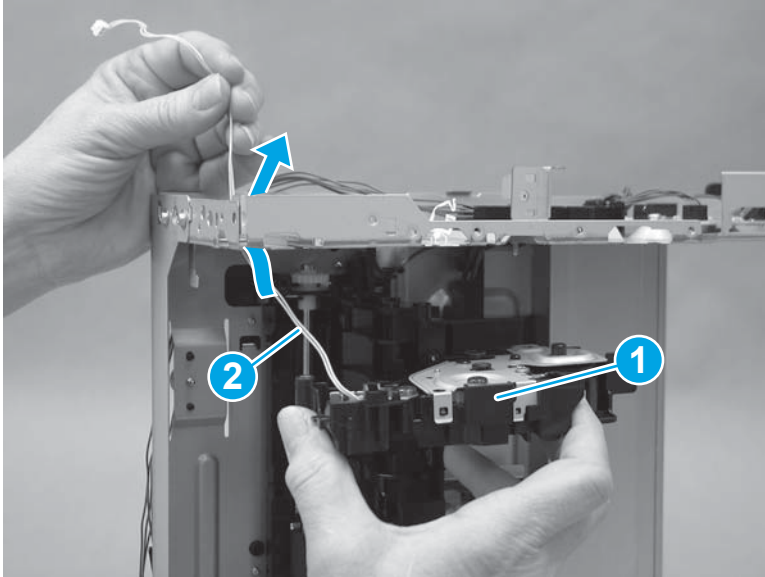
Figure 1-5186 Recycle and unpack



Step 10: Install the lifter drive assembly (550-sheet paper feeder)

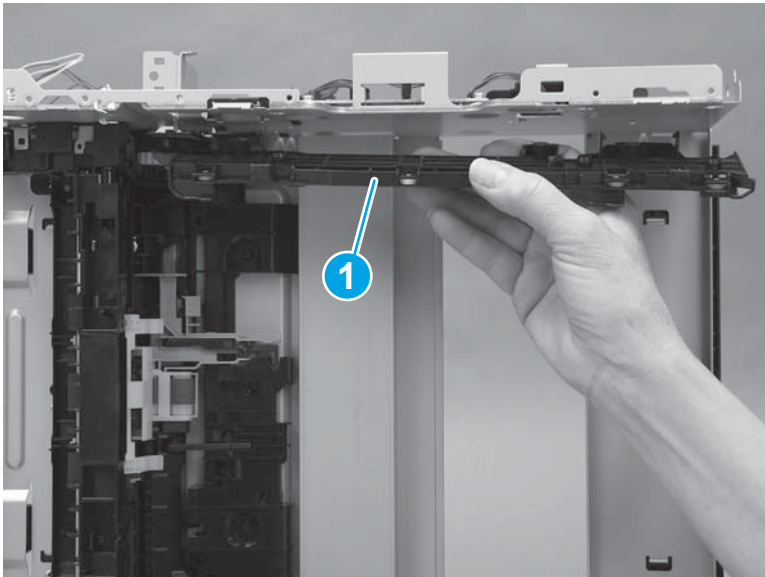
1. Install the cables (callout 1) on the lifter drive assembly up through the printer frame, and then install the lifter drive assembly (callout 2).

Figure 1-5187 Install the lifter drive assembly



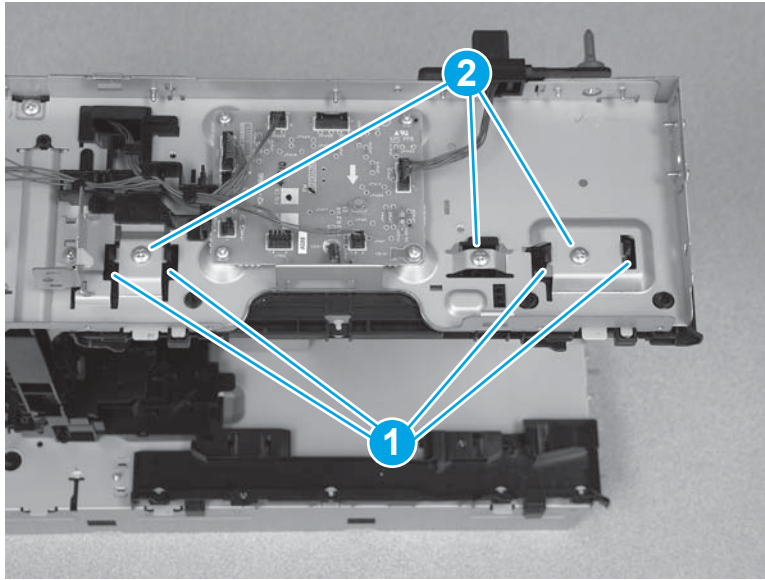
2. Install the tray guide (callout 1).

Figure 1-5188 Install the tray guide



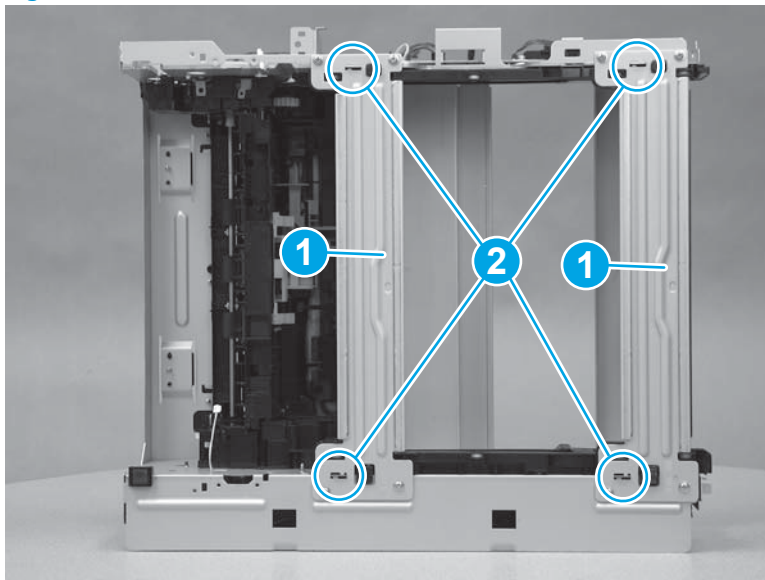
3. Install three tabs (callout 1), and then install three screws (callout 2).

Figure 1-5189 Install screws and tabs



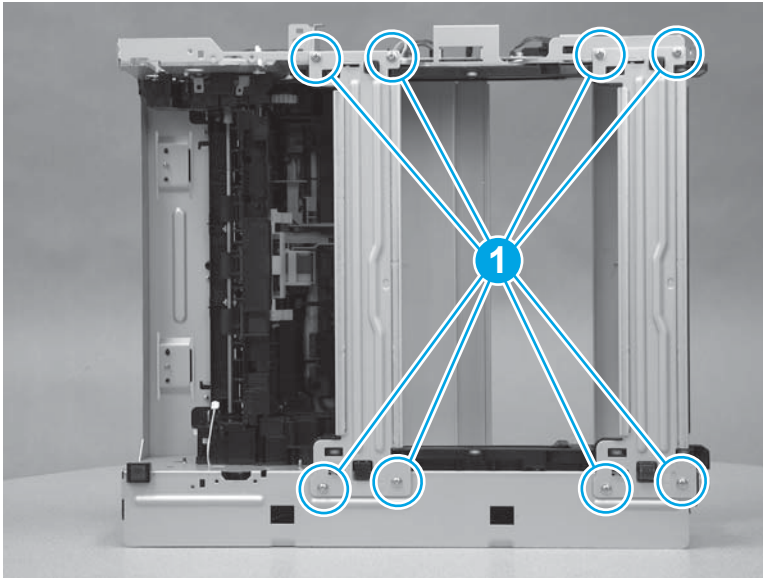
4. Position the cross braces (callout 1), and then install four tabs (callout 2).

Figure 1-5190 Install the cross braces



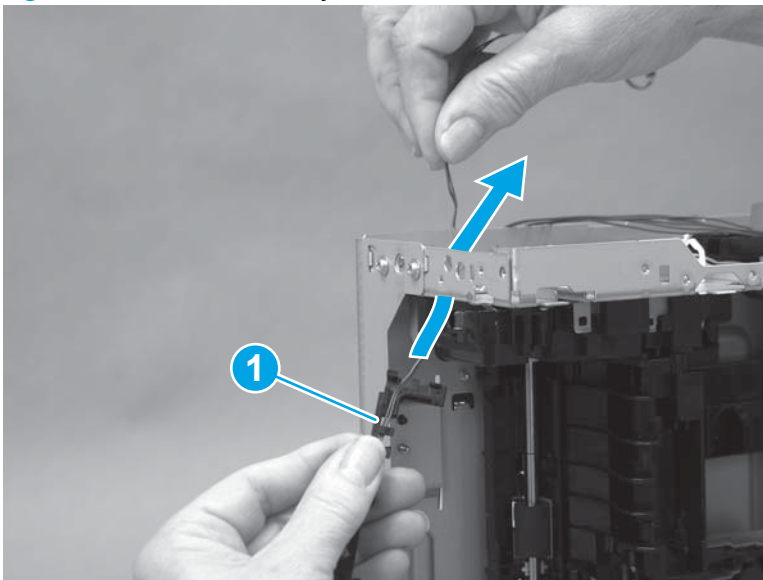
5. Install eight screws (callout 1).

Figure 1-5191 Install eight screws



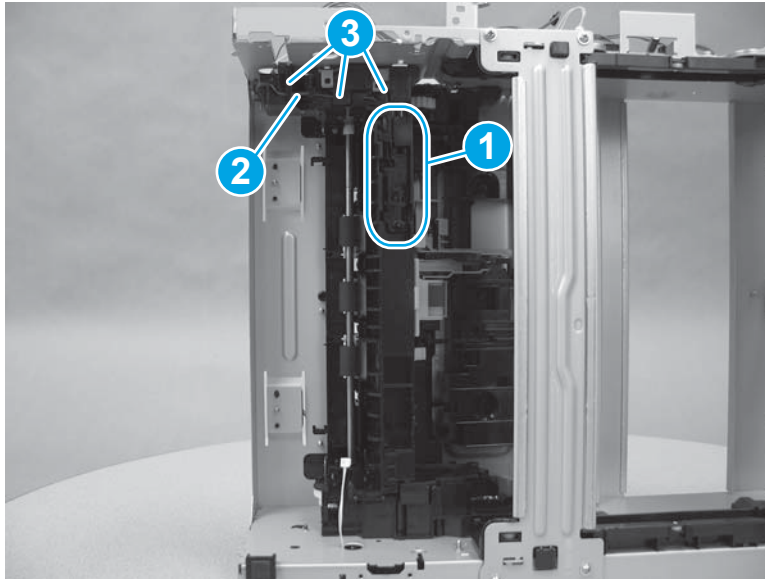
6. Install the tray sensor switch cables (callout 1) through the hole in the sheet metal.

Figure 1-5192 Install the tray sensor switch cables



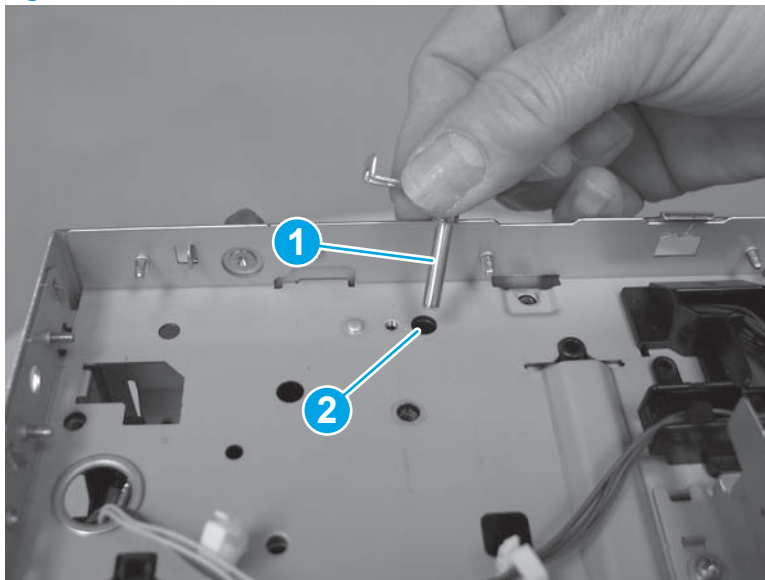
7. Install the tray sensor switch (callout 1), and then install the cables (callout 2) in the guides (callout 3).

Figure 1-5193 Install the tray sensor switch



8. Install the shaft (callout 1) in the hole (callout 2) in the feeder.

Figure 1-5194 Install the shaft



9. Connect two connectors (callout 1), and install the cables (callout 2) in the guides (callout 3). Install one screw (callout 4), and then install four more screws (callout 5).


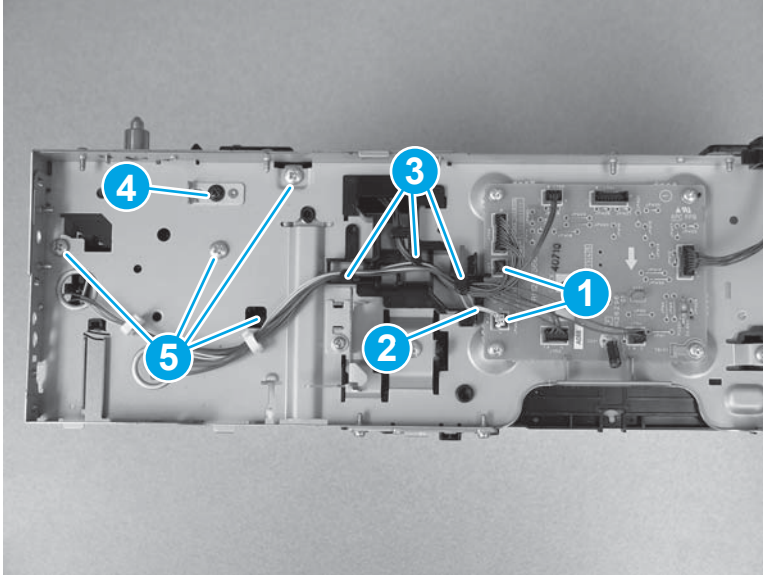
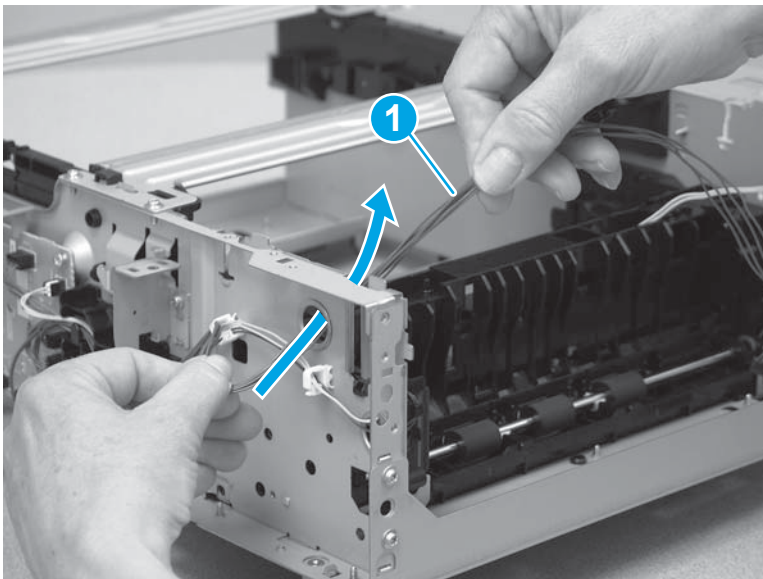
 **Reinstallation tip:** One screw (callout 4) is different from the other screws. Make sure that this screw is installed in the correct position.

Figure 1-5195 Disconnect connector and remove five screws



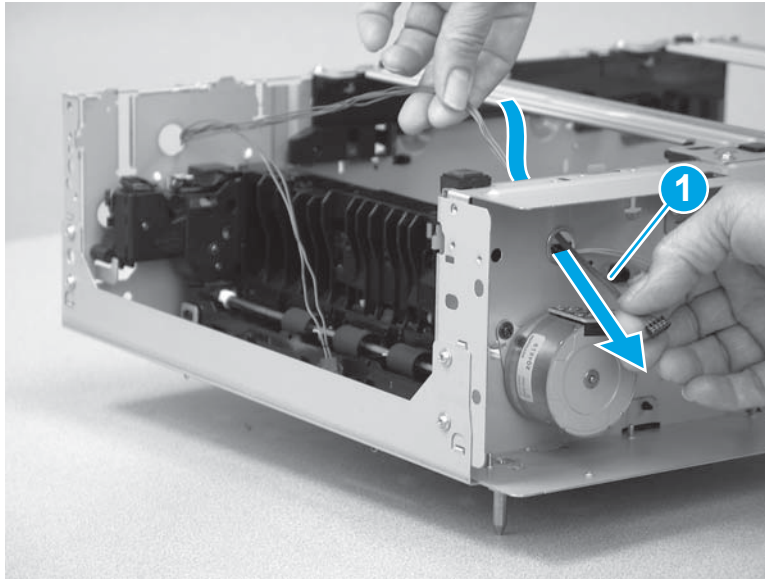
10. Turn the printer so that the bottom side is up. On the left side of the feeder, install all of the cables (callout 1) through the opening in the paper feeder.

Figure 1-5196 Install the cables



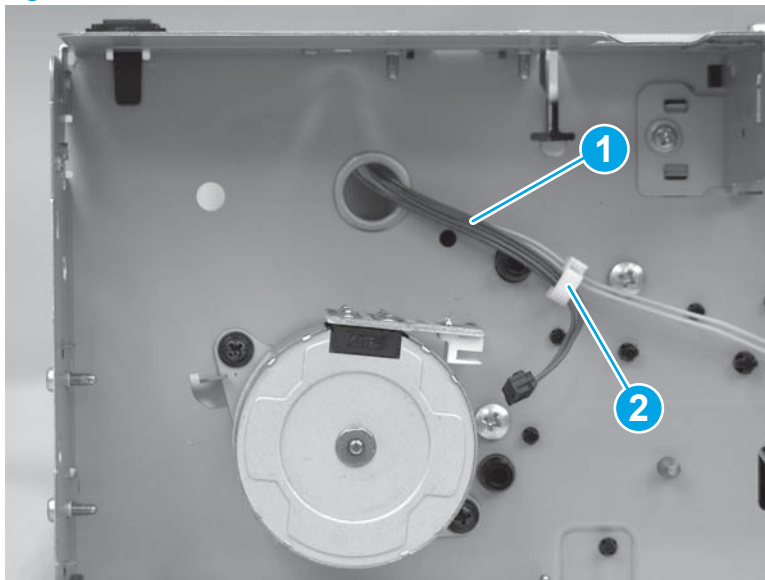
11. On the right side of the feeder, install the cables (callout 1) through the hole in the sheet metal.

Figure 1-5197 Install the cables



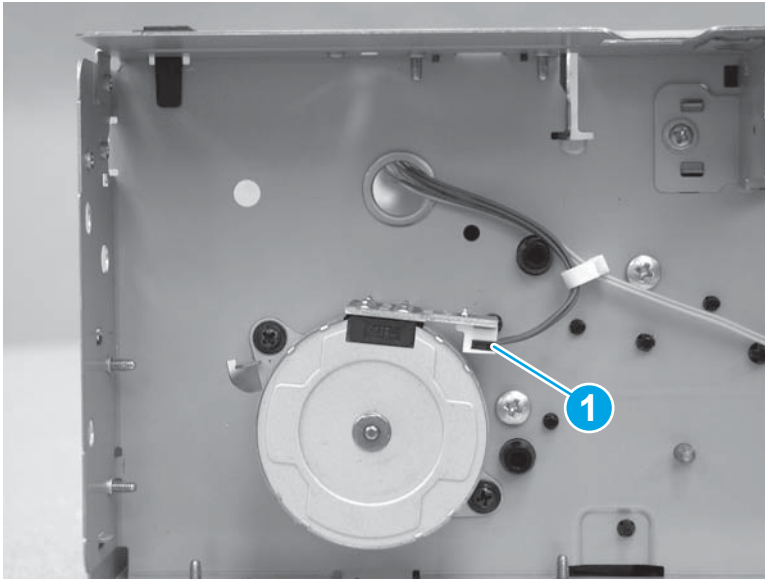
12. Install the cables (callout 1) in the retainer (callout 2).

Figure 1-5198 Install the cables



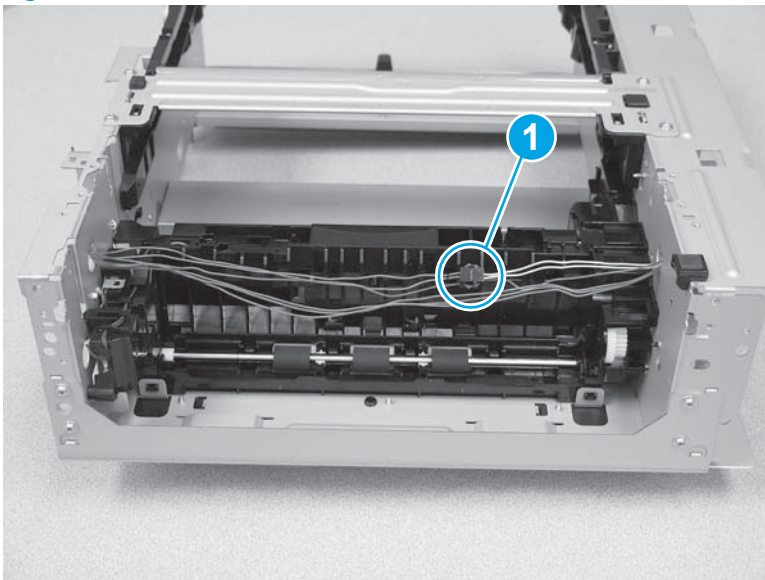
13. Connect one connector (callout 1) to the motor.

Figure 1-5199 Connect one connector



14. Connect one in-line connector (callout 1).

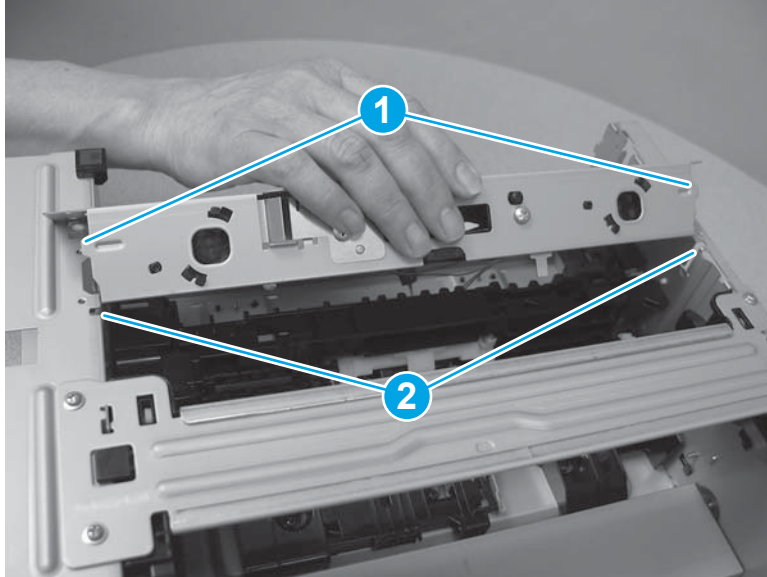
Figure 1-5200 Connect one connector



Step 11: Install the feed frame assembly (550-sheet paper feeder)

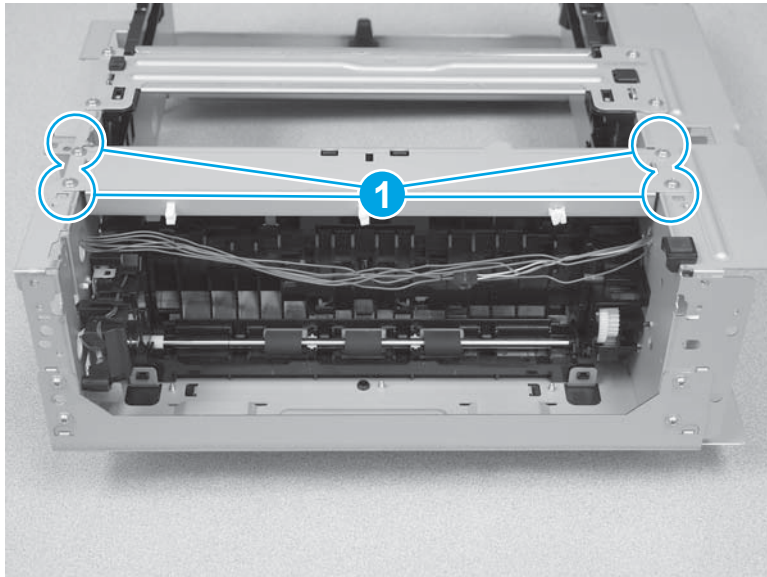
1. Install the tabs (callout 1) on the feed frame assembly in the slots (callout 2) on the feeder.

Figure 1-5201 Install the feed frame assembly



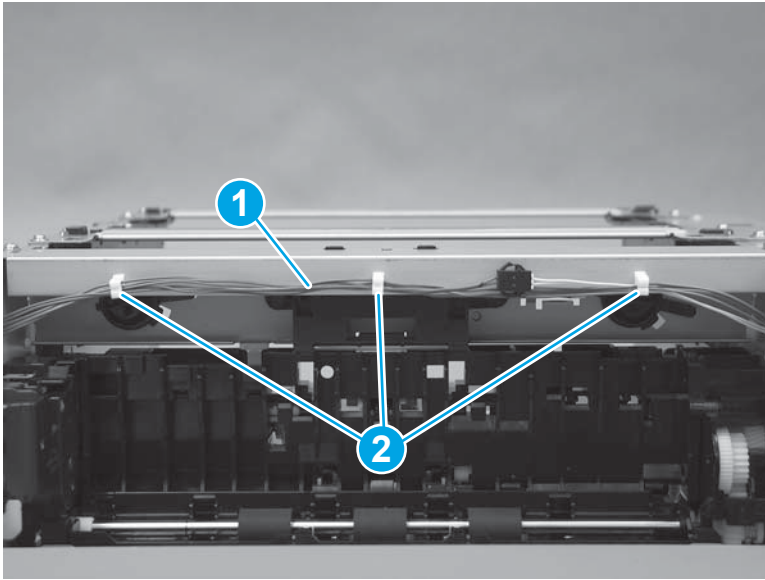
2. Install four screws (callout 1).

Figure 1-5202 Install four screws



3. Install the cables (callout 1) in the retainers (callout 2).

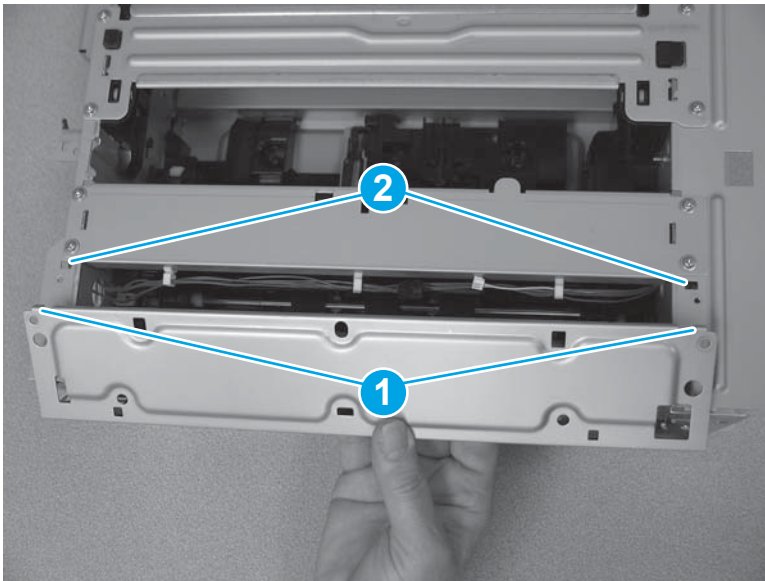
Figure 1-5203 Install the cables



Step 12: Install the baseplate (550-sheet paper feeder)

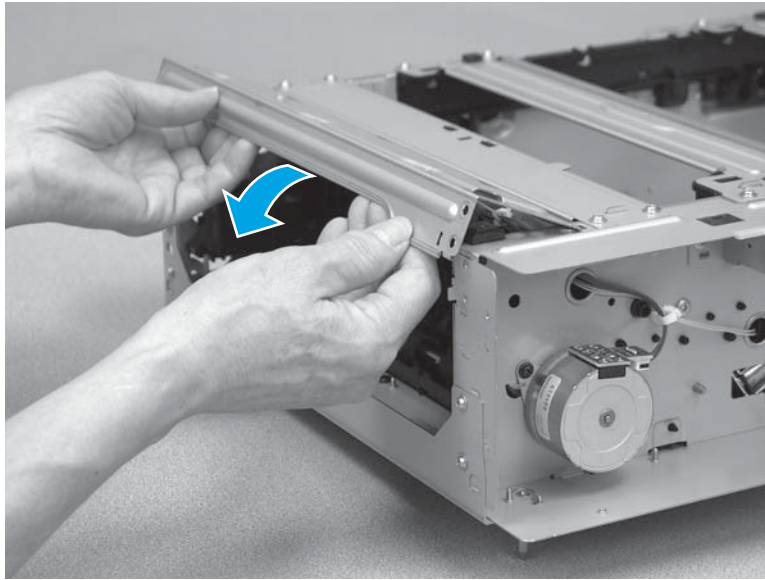
1. Install the tabs (callout 1) on the baseplate into the slots (callout 2) on the feeder.

Figure 1-5204 Release two tabs



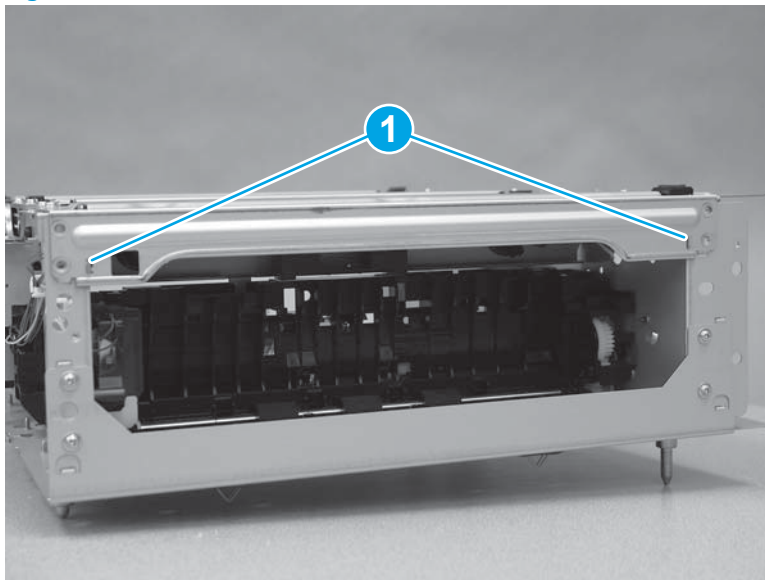
2. Rotate the edge of the baseplate down.

Figure 1-5205 Rotate the baseplate down



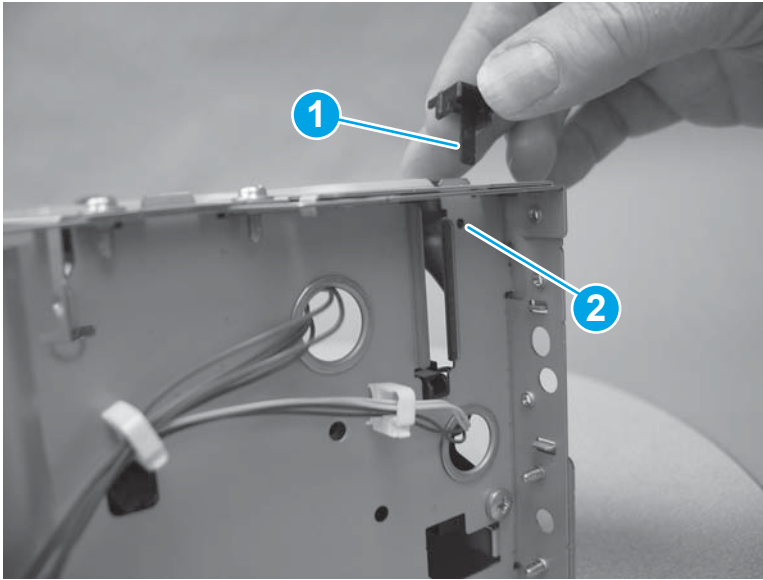
3. Install two tabs (callout 1).

Figure 1-5206 Install two tabs



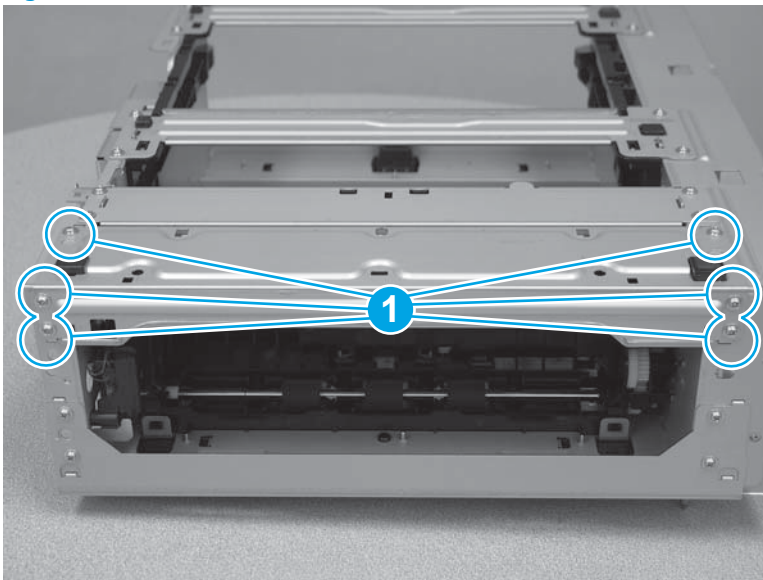
4. Install the foot. Make sure that the tab (callout 1) on the foot fits in the slot (callout 2) on the feeder.

Figure 1-5207 Remove the foot



5. Install six screws (callout 1).

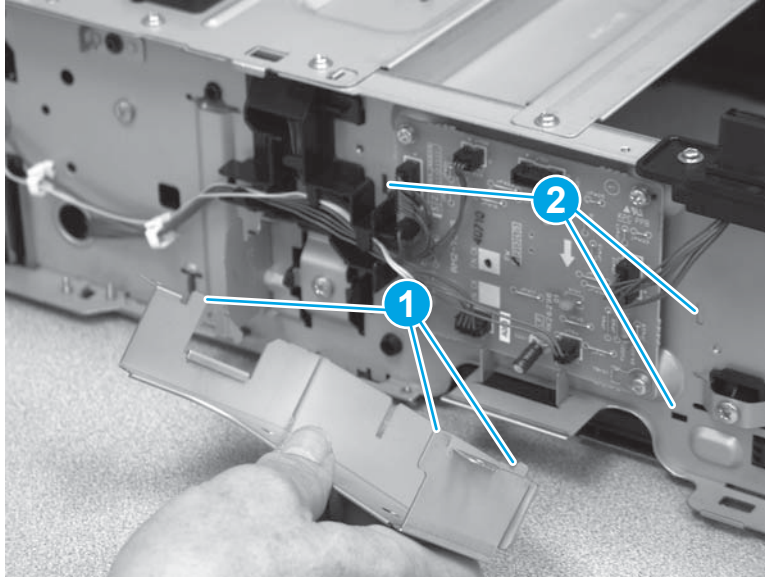
Figure 1-5208 Install six screws



Step 13: Install the PCA cover (550-sheet paper feeder)

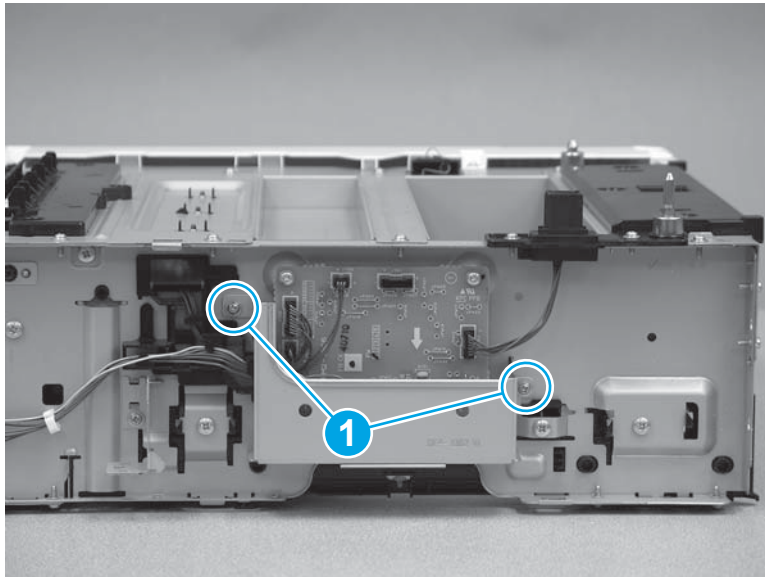
1. Install the tabs (callout 1) on the PCA cover in the slots (callout 2) on the feeder.

Figure 1-5209 Install the PCA cover



2. Install two screws (callout 1).

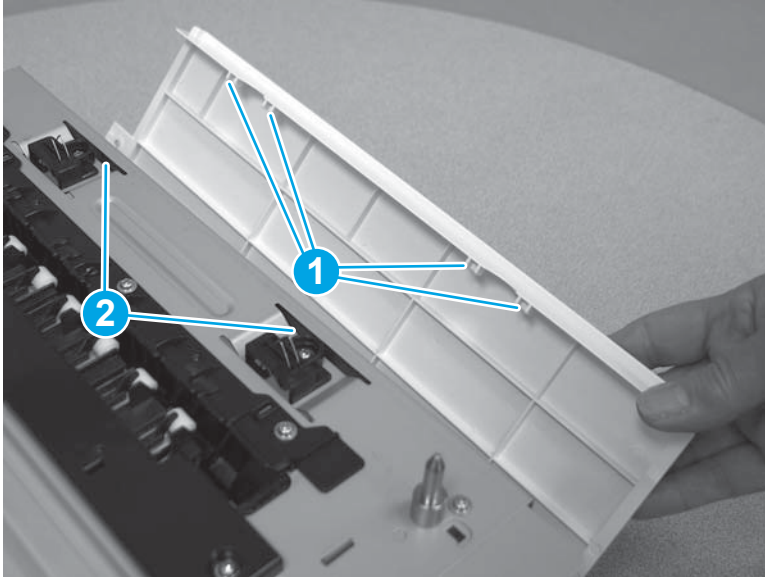
Figure 1-5210 Install two screws



Step14: Install the rear cover (550-sheet paper feeder)

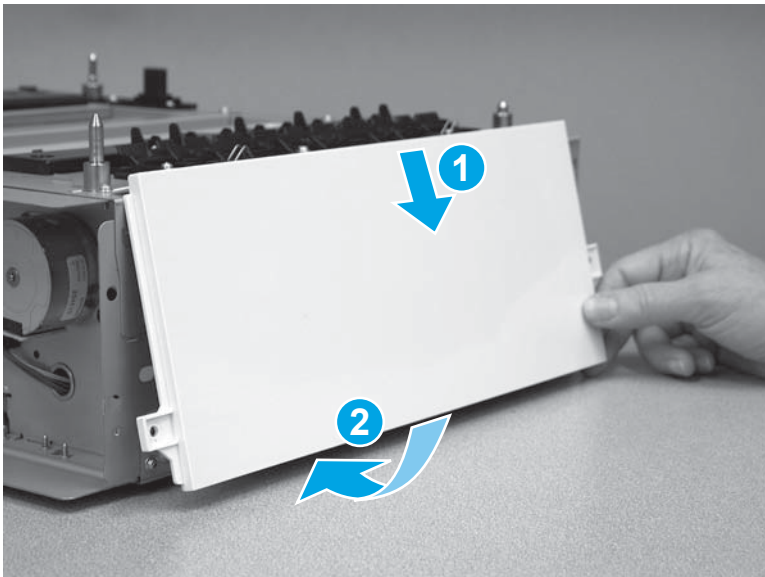
1. Install the tabs (callout 1) on the rear cover in the slots (callout 2) on the feeder.

Figure 1-5211 Install the tabs



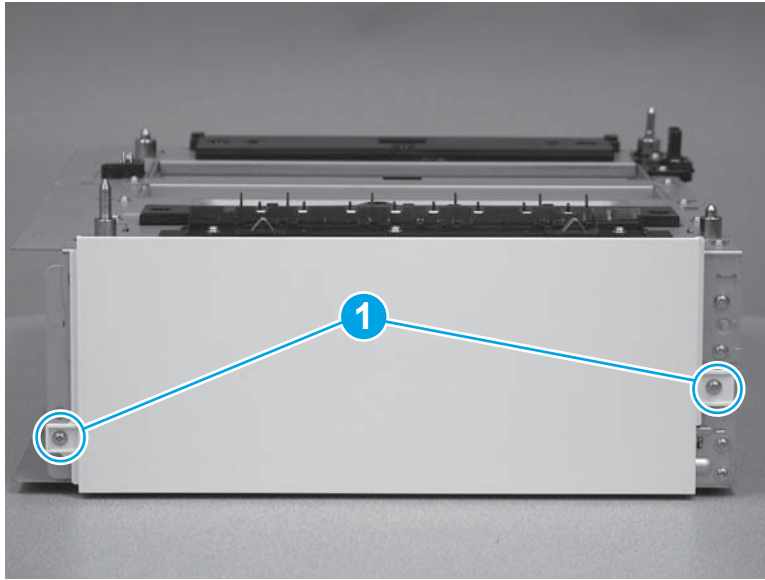
2. Make sure that the top of the rear cover (callout 1) is seated in the tabs, and then rotate the bottom of the cover (callout 2) toward the feeder.

Figure 1-5212 Rotate the cover



3. Install two screws (callout 1).

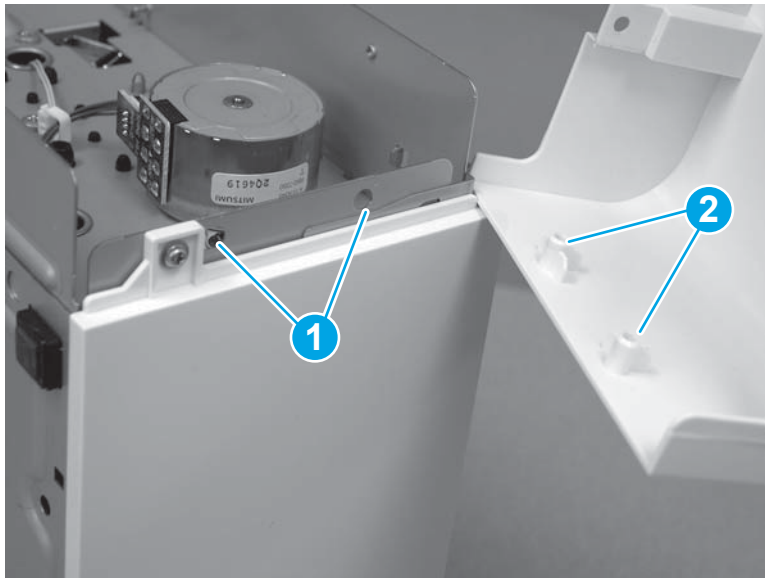
Figure 1-5213 Install two screws



Step 15: Install the left cover (550-sheet paper feeder)

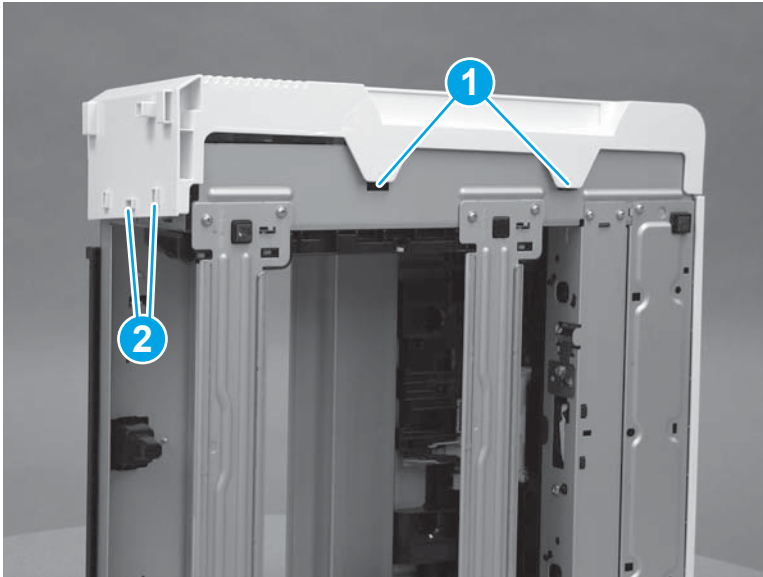
1. Lay the feeder on the right side so that the left side is facing up. At the back of the feeder, install the tabs (callout 1) on the cover in the holes (callout 2) on the feeder.

Figure 1-5214 Install two tabs



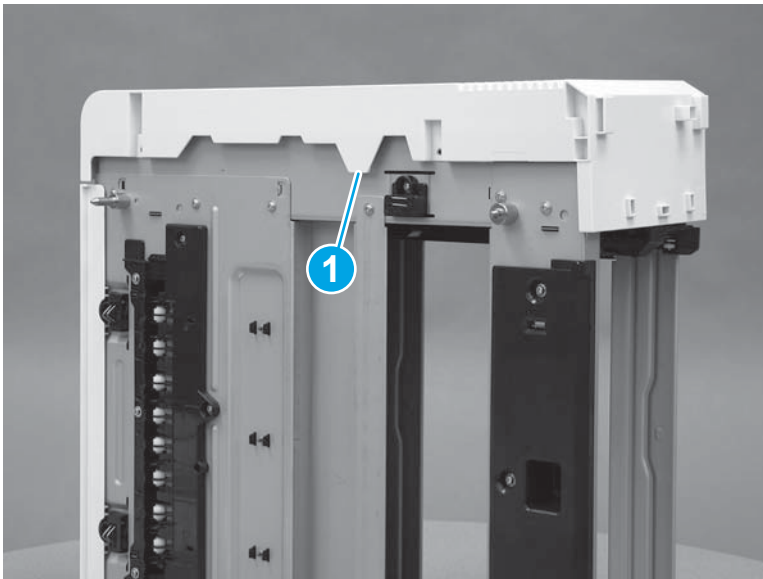
2. Install two tabs (callout 1) on the bottom of the feeder, and then install two tabs (callout 2) on the front of the feeder.

Figure 1-5215 Install four tabs



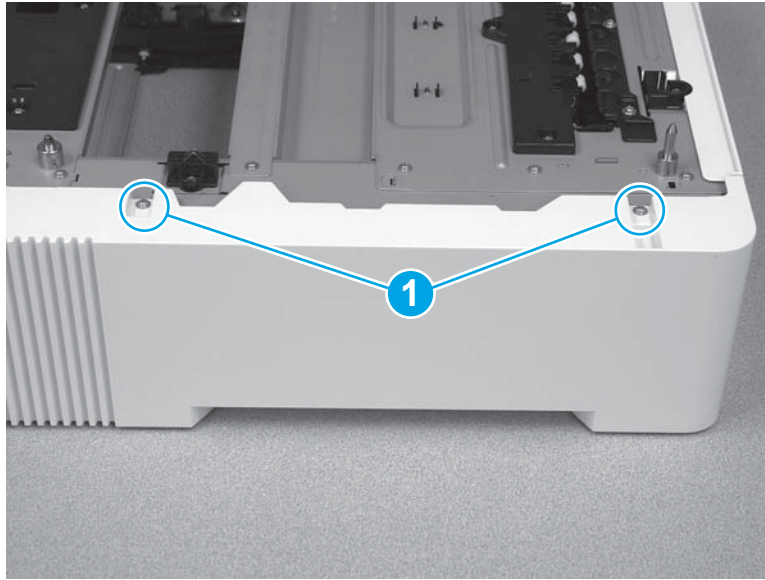
3. Turn the feeder to an upright position with the top facing up. Install one tab (callout 1) on the top of the feeder.

Figure 1-5216 Install three tabs



4. Install two screws (callout 1).

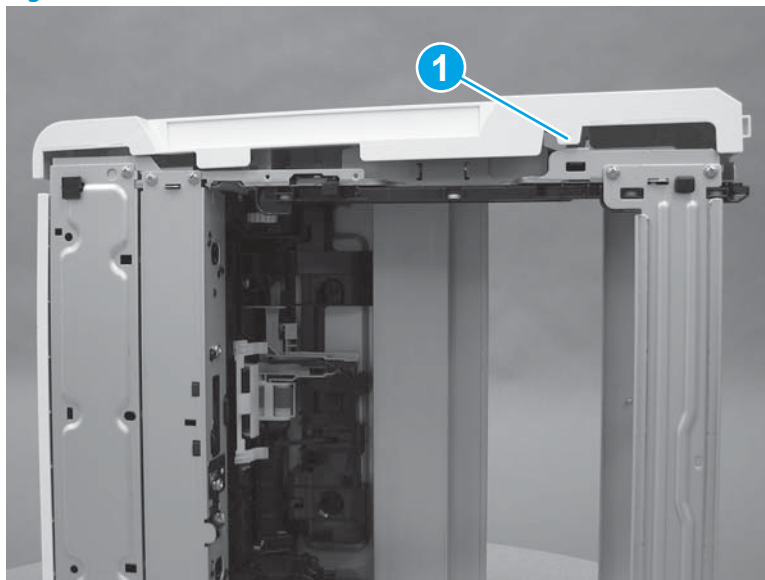
Figure 1-5217 Install two screws



Step 16: Install the right cover (550-sheet paper feeder)

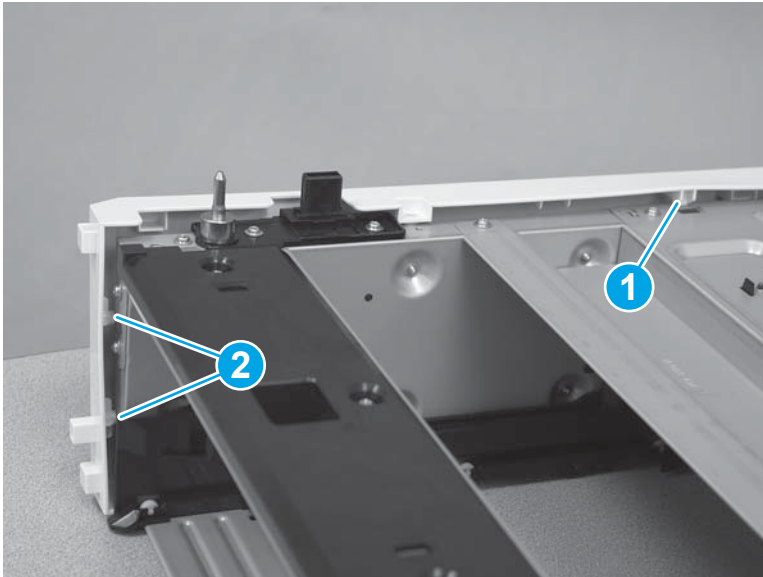
1. Lay the feeder on the left side so that the right side is facing up, and then install one tab (callout 1) on the bottom of the feeder.

Figure 1-5218 Install one tab



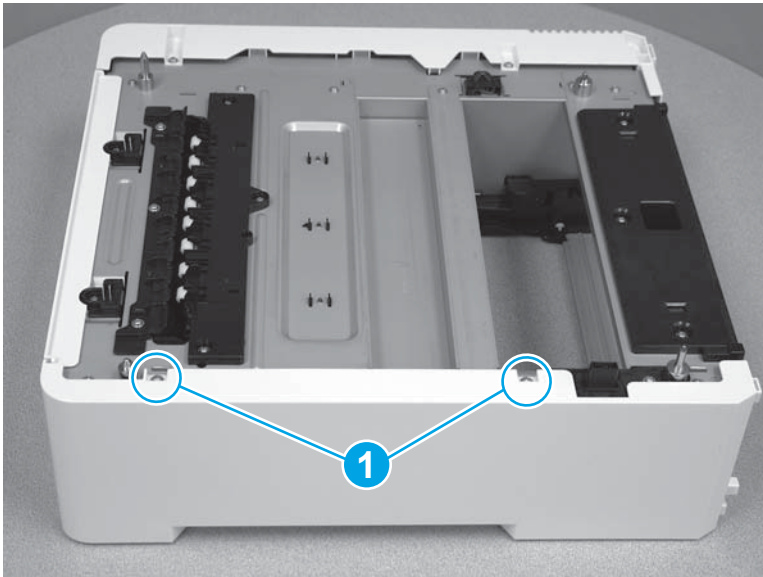
2. Turn the feeder to an upright position with the top facing up. Install one tab (callout 1) on the top of the feeder, and then install two tabs (callout 2) at the front of the feeder.

Figure 1-5219 Install three tabs



3. Install two screws (callout 1).

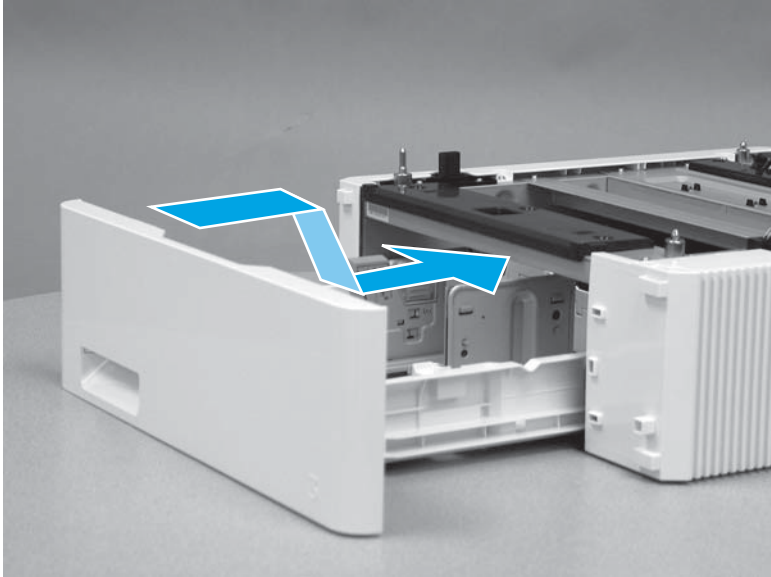
Figure 1-5220 Install two screws



Step 17: Install Tray 3

- ▲ With the front of the tray slightly lifted, align the sides of the tray with the rails in the feeder, and then carefully slide the tray into the feeder. As the tray slides into the feeder, lower the front of the tray, and then close it.

Figure 1-5221 Install the tray



Removal and replacement: Pickup assembly (550-sheet paper feeder)


- [Introduction](#)
- [Step 1: Remove Tray 3](#)
- [Step 2: Remove the right cover \(550-sheet paper feeder\)](#)
- [Step 3: Remove the left cover \(550-sheet paper feeder\)](#)
- [Step 4: Remove the rear cover \(550-sheet paper feeder\)](#)
- [Step 5: Remove the PCA cover \(550-sheet paper feeder\)](#)
- [Step 6: Remove the baseplate \(550-sheet paper feeder\)](#)
- [Step 7: Remove the feed frame assembly \(550-sheet paper feeder\)](#)
- [Step 8: Remove the lifter drive assembly \(550-sheet paper feeder\)](#)
- [Step 9: Remove the pickup assembly \(550-sheet paper feeder\)](#)
- [Step 10: Unpack the replacement part](#)
- [Step 11: Install the pickup assembly \(550-sheet paper feeder\)](#)
- [Step 12: Install the lifter drive assembly \(550-sheet paper feeder\)](#)
- [Step 13: Install the feed frame assembly \(550-sheet paper feeder\)](#)
- [Step 14: Install the baseplate \(550-sheet paper feeder\)](#)
- [Step 15: Install the PCA cover \(550-sheet paper feeder\)](#)
- [Step 16: Install the rear cover \(550-sheet paper feeder\)](#)
- [Step 17: Install the left cover \(550-sheet paper feeder\)](#)
- [Step 18: Install the right cover \(550-sheet paper feeder\)](#)
- [Step 19: Install Tray 3](#)

Introduction

This document provides the procedures to remove and replace the pickup assembly for the 550-sheet feeder.

Before you begin

- Turn off the printer.
- Disconnect the power cable.

 **WARNING!** To avoid damage to the printer, turn the printer off, wait 30 seconds, and then remove the power cord before attempting to service the printer.

- Use the table below to identify the correct part number for your printer. To order the part, go to www.hp.com/buy/parts.

Pickup assembly part number

RM2-6490-000CNPickup assembly (550-sheet feeder)

Required tools

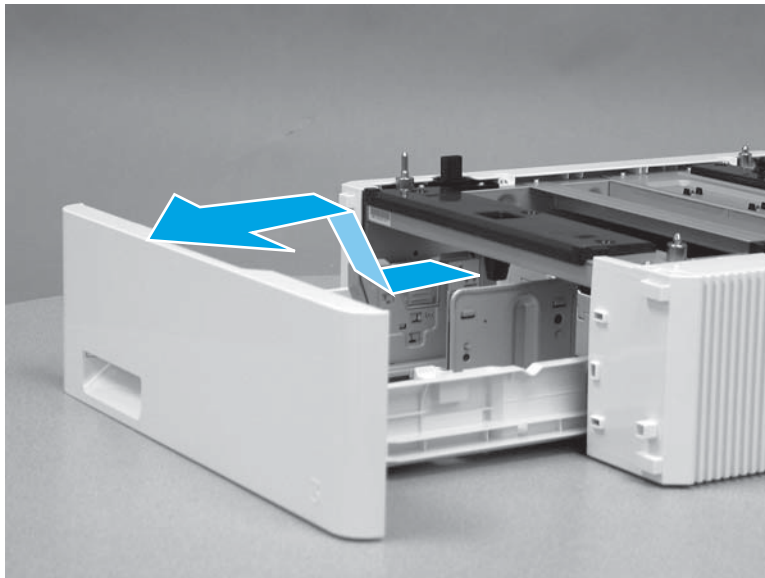
- #2 Phillips screwdriver with a magnetic tip
- Small flat-blade screwdriver

After performing service

- Connect the power cable.
- Use the power switch to turn the power on.

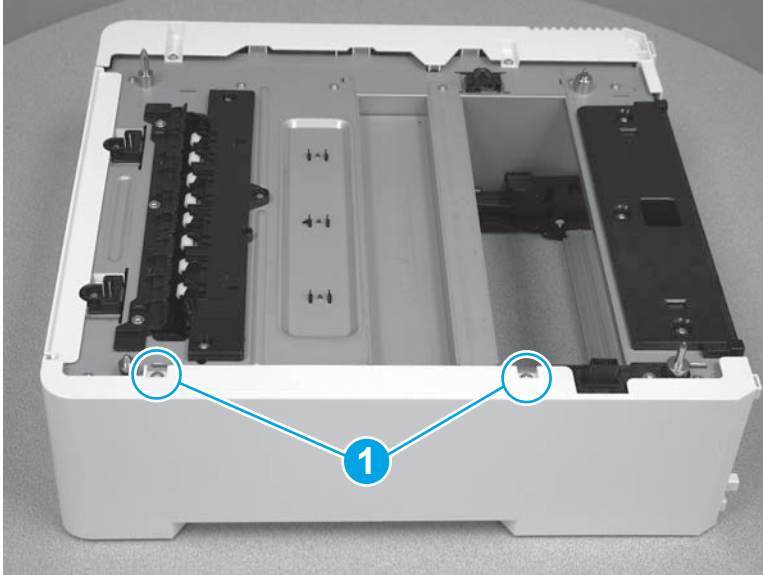
Step 1: Remove Tray 3

- ▲ Pull the tray out until it stops. Lift the front of the tray, and then pull it out of the printer to remove it.

Figure 1-5222 Remove the tray**Step 2: Remove the right cover (550-sheet paper feeder)**

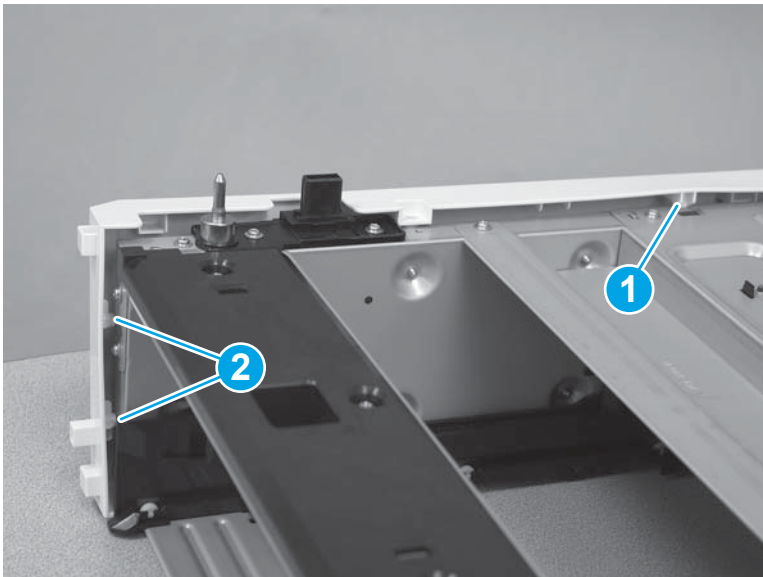
1. Remove two screws (callout 1).

Figure 1-5223 Remove two screws



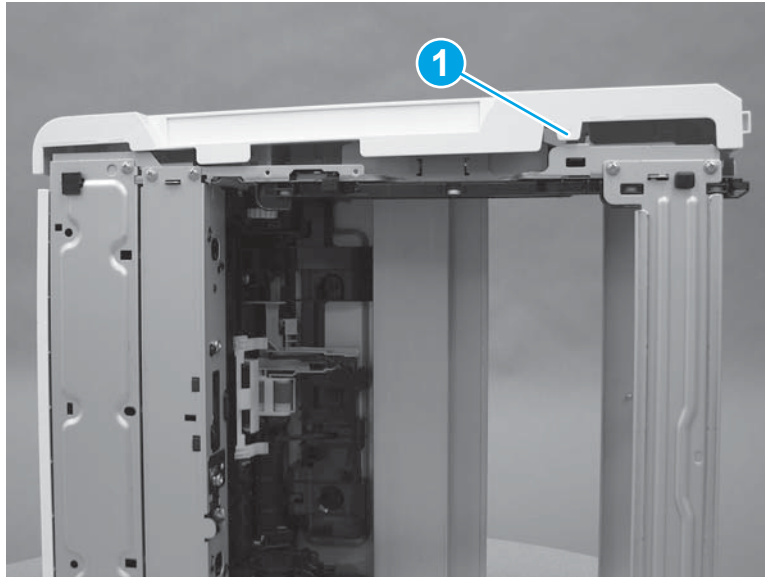
2. Release one tab (callout 1) on the top of the feeder, and then release two tabs (callout 2) at the front of the feeder.

Figure 1-5224 Release three tabs



3. Lay the feeder on the left side so that the right side is facing up, and then release one tab (callout 1) on the bottom of the feeder. Remove the right cover.

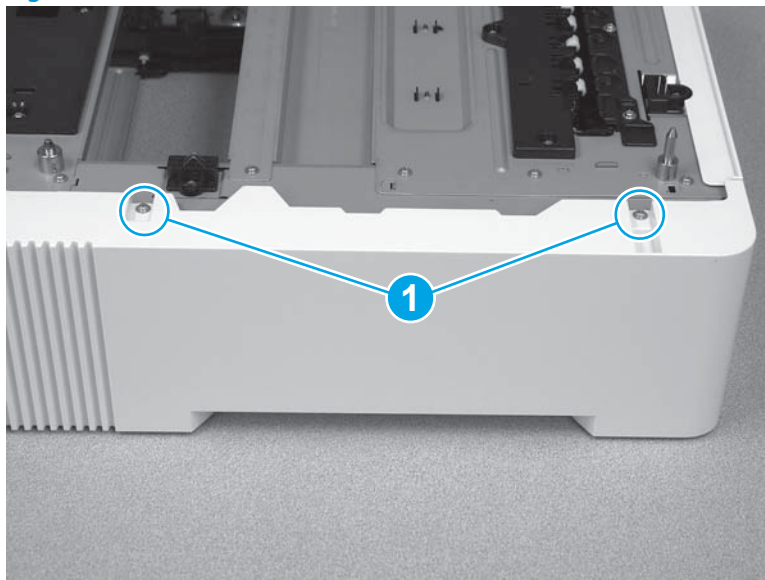
Figure 1-5225 Release one tab



Step 3: Remove the left cover (550-sheet paper feeder)

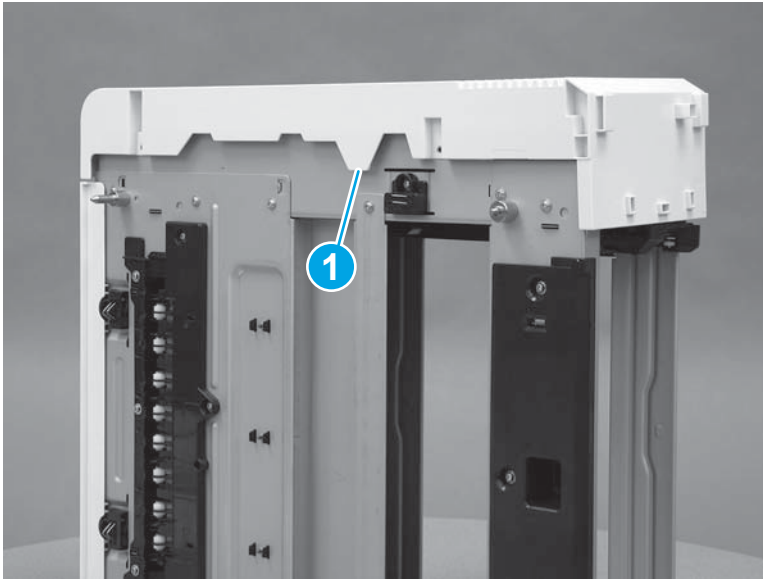
1. Remove two screws (callout 1).

Figure 1-5226 Remove two screws



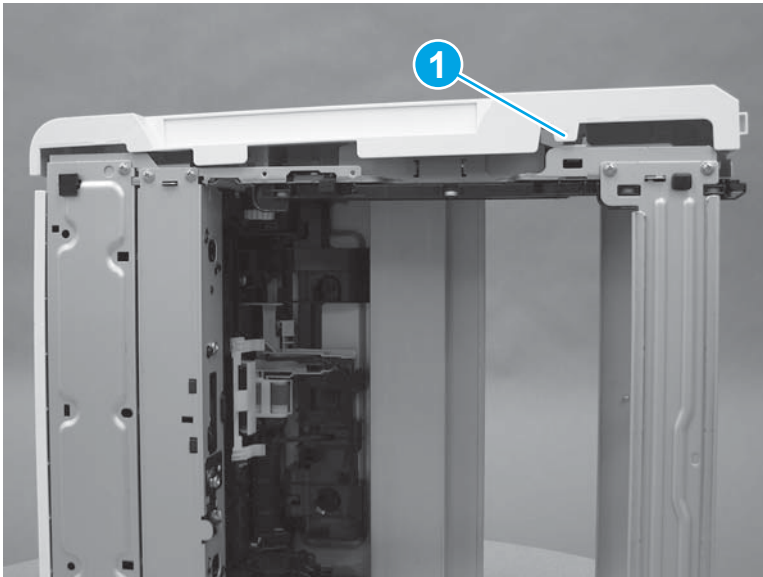
2. Release one tab (callout 1) on the top of the feeder.

Figure 1-5227 Release one tab



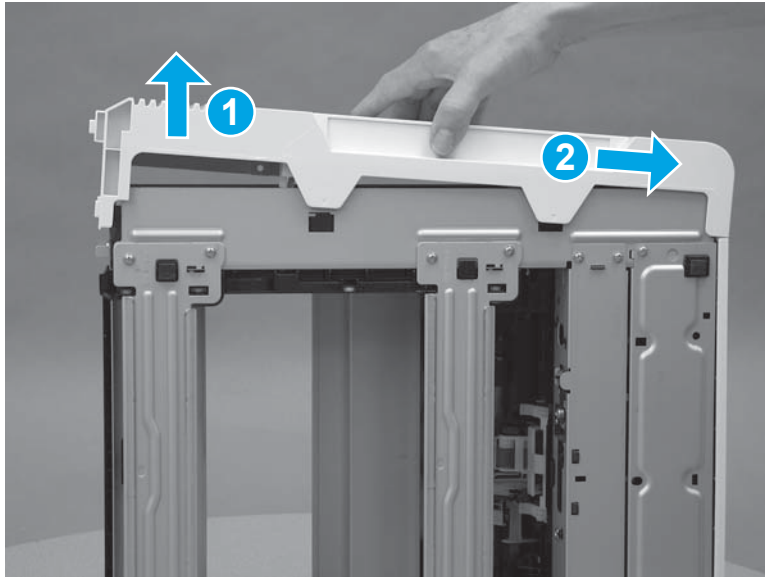
3. Lay the feeder on the right side so that the left side is facing up. Release two tabs (callout 1) on the bottom of the feeder, and then release two tabs (callout 2) on the front of the feeder.

Figure 1-5228 Release four tabs



4. Lift the front of the cover up (callout 1), and then slide the cover (callout 2) toward the back of the feeder to remove it.

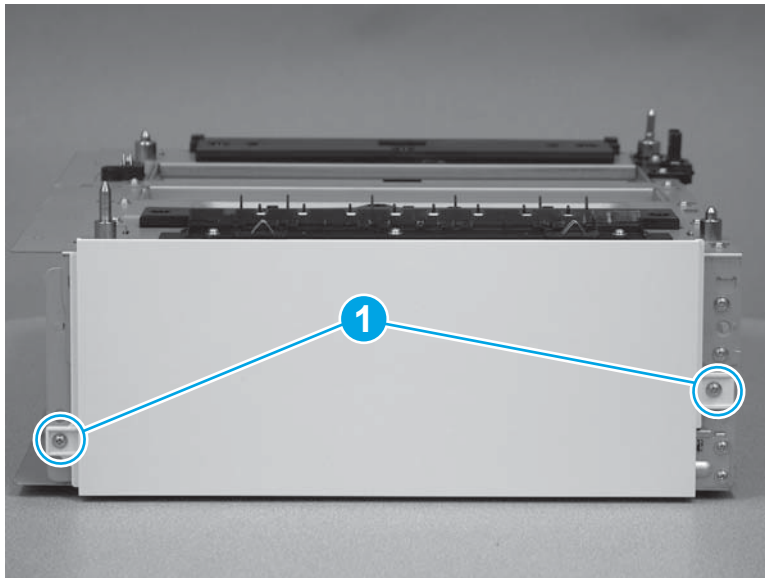
Figure 1-5229 Remove the cover



Step 4: Remove the rear cover (550-sheet paper feeder)

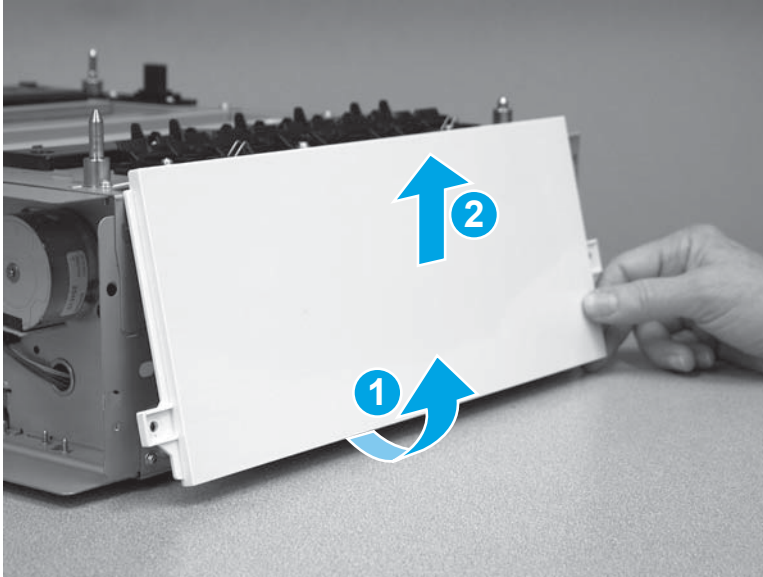
1. Remove two screws (callout 1).

Figure 1-5230 Remove two screws



2. Rotate the bottom edge of the cover (callout 1) away from the feeder, and then raise the cover up (callout 2) to remove it.

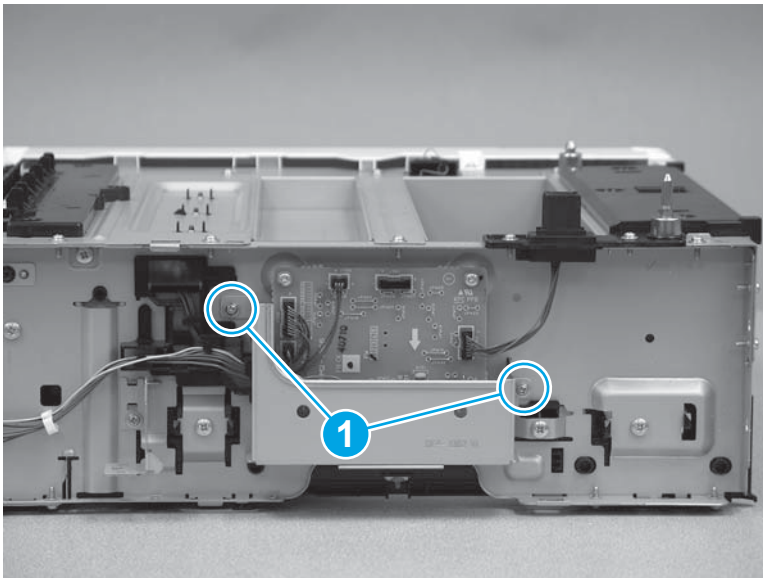
Figure 1-5231 Remove the rear cover



Step 5: Remove the PCA cover (550-sheet paper feeder)

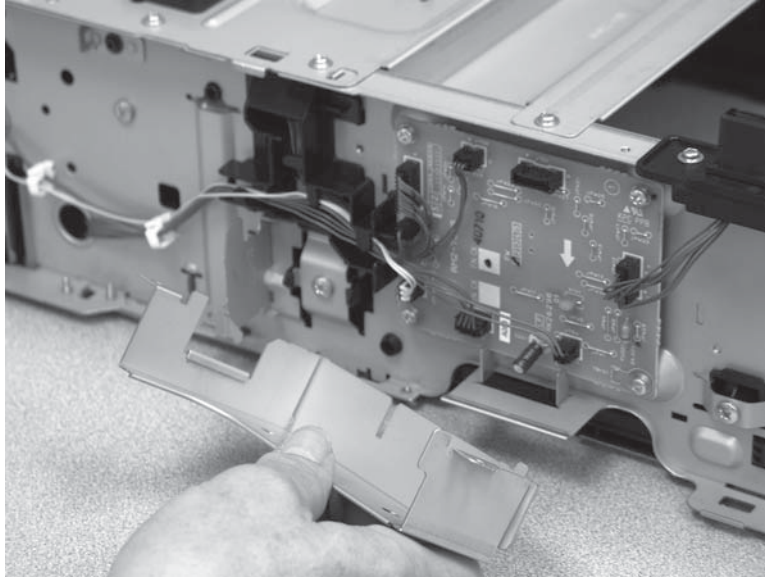
1. On the left side of the feeder, remove two screws (callout 1).

Figure 1-5232 Remove two screws



2. Remove the PCA cover.

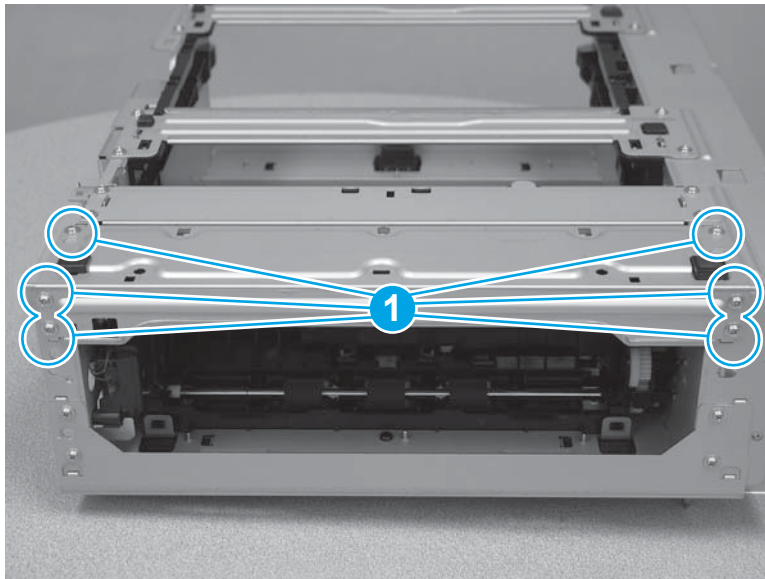
Figure 1-5233 Remove the PCA cover



Step 6: Remove the baseplate (550-sheet paper feeder)

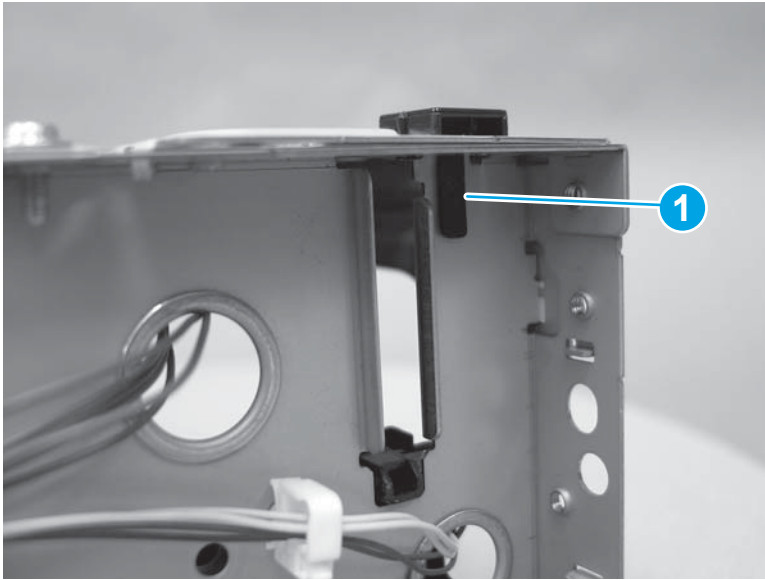
1. Lay the feeder on the top side so that the bottom side is facing up. Remove six screws (callout 1).

Figure 1-5234 Remove six screws



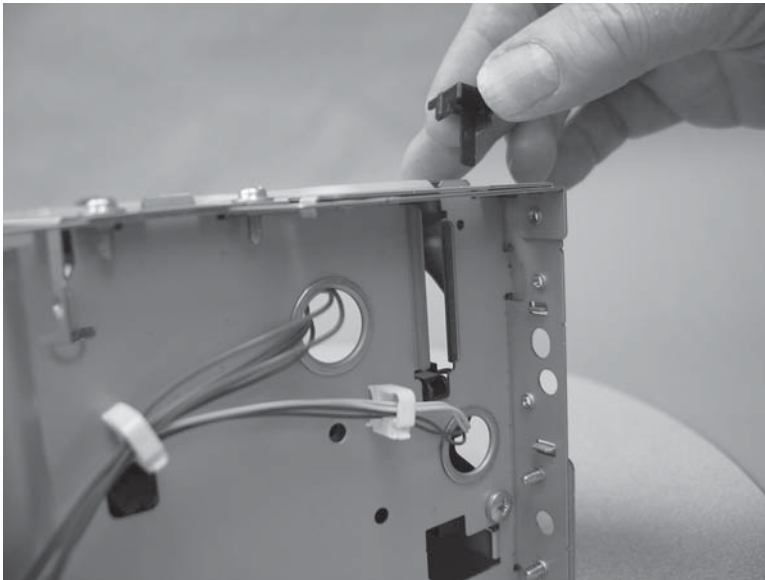
2. On the left side of the feeder, release one tab (callout 1) on the foot.

Figure 1-5235 Release one tab



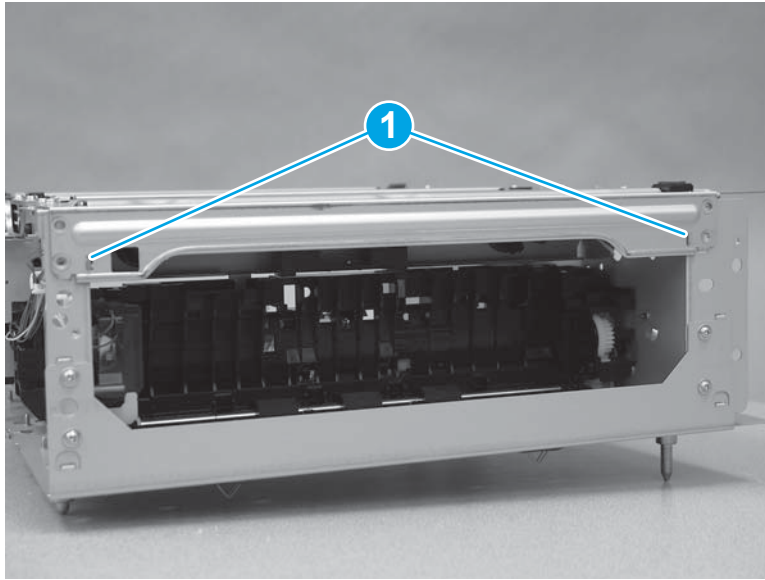
3. Remove the foot.

Figure 1-5236 Remove the foot



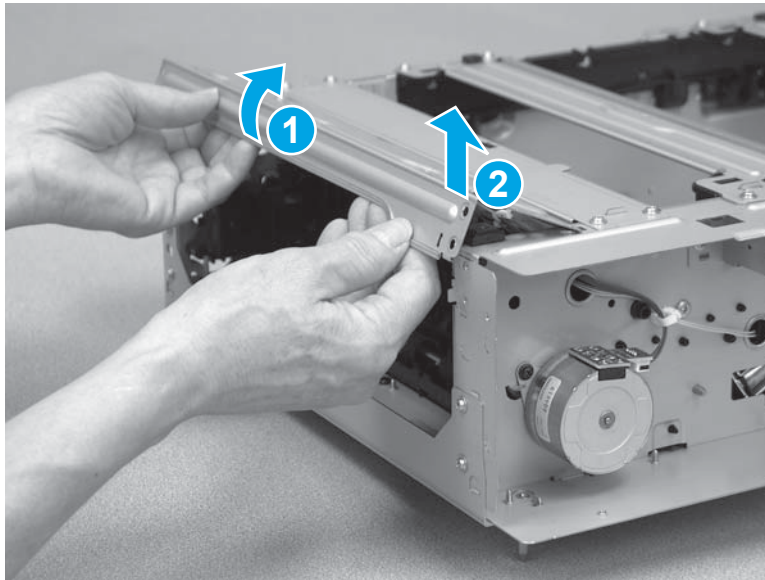
4. Release two tabs (callout 1).

Figure 1-5237 Release two tabs



5. Rotate the edge of the baseplate up (callout 1), and then lift it up (callout 2) to remove it.

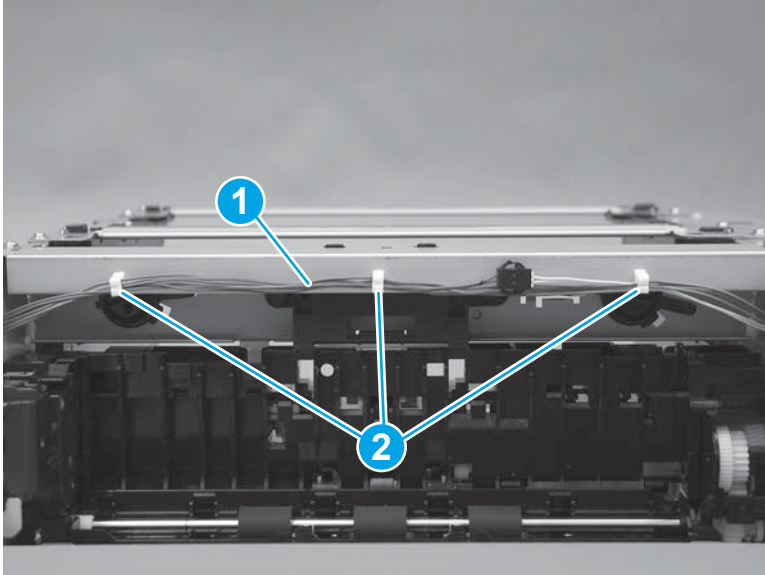
Figure 1-5238 Remove the baseplate



Step 7: Remove the feed frame assembly (550-sheet paper feeder)

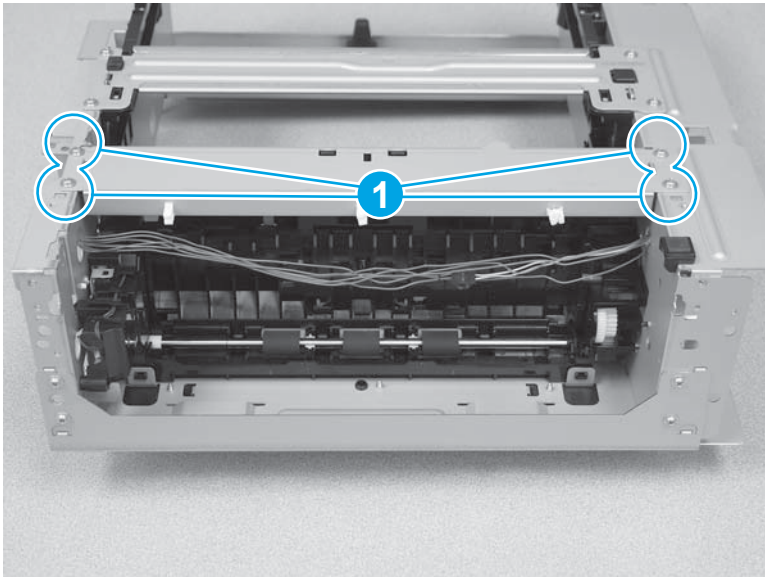
1. Release the cables (callout 1) from the retainers (callout 2).

Figure 1-5239 Release the cables



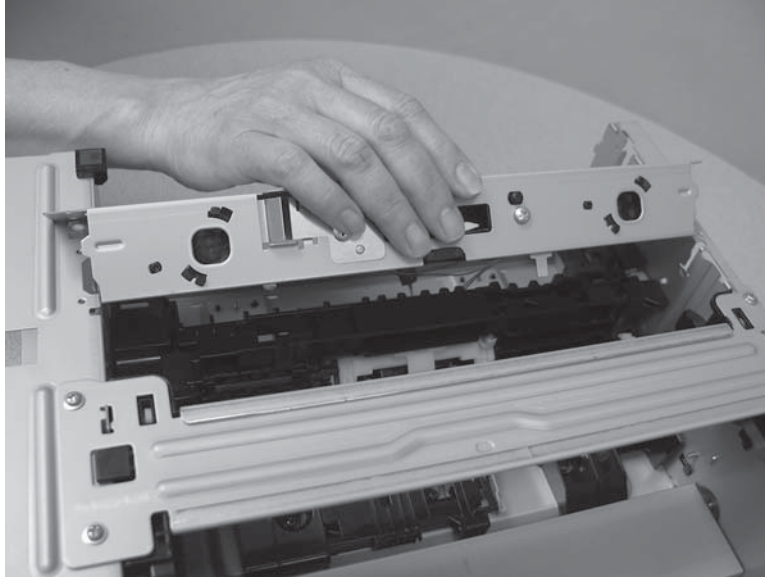
2. Remove four screws (callout 1).

Figure 1-5240 Remove four screws



3. Remove the feed frame assembly.

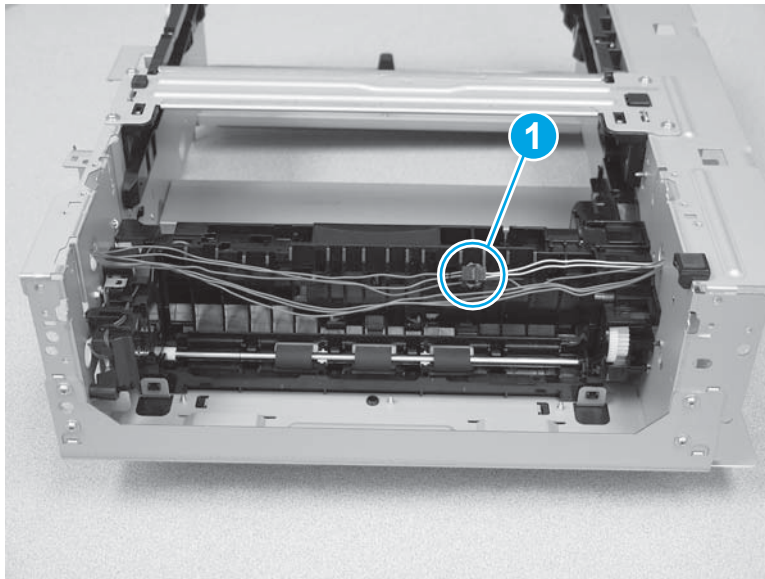
Figure 1-5241 Remove the feed frame assembly



Step 8: Remove the lifter drive assembly (550-sheet paper feeder)

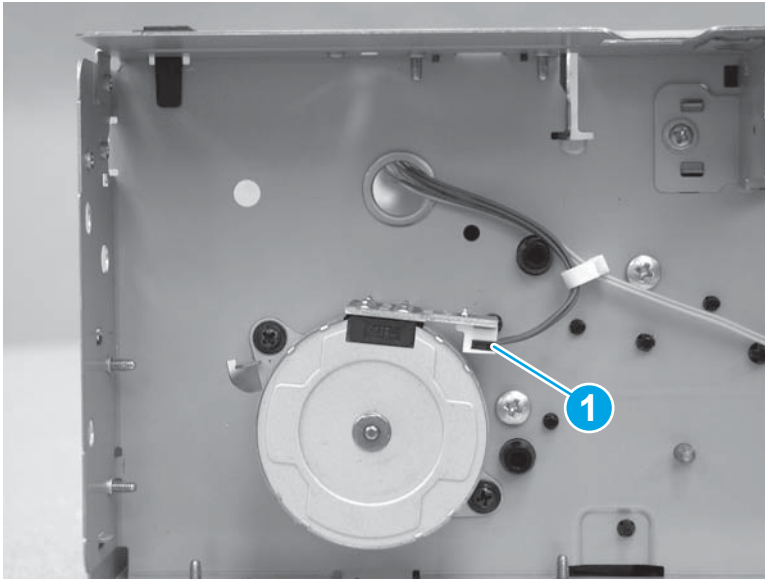
1. Lay the feeder on the top so that the bottom is facing up. Disconnect one in-line connector (callout 1).

Figure 1-5242 Disconnect one connector



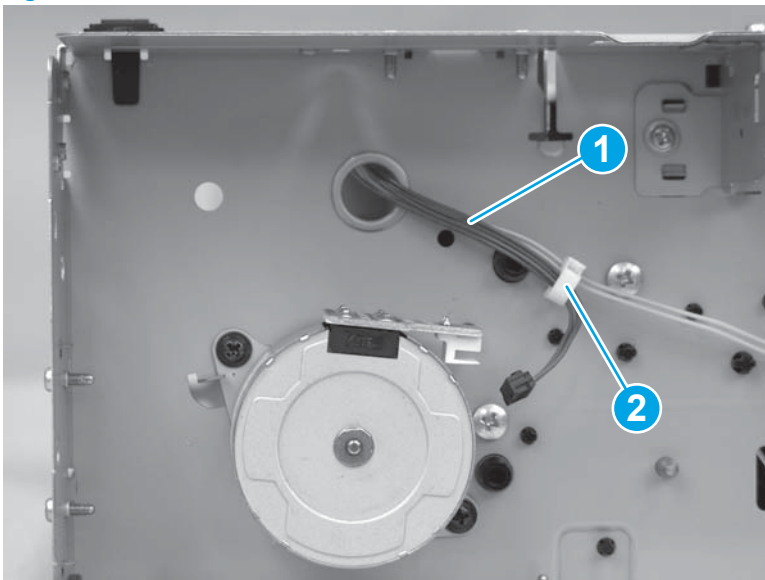
2. On the right side of the feeder, disconnect one connector (callout 1) from the motor.

Figure 1-5243 Disconnect one connector



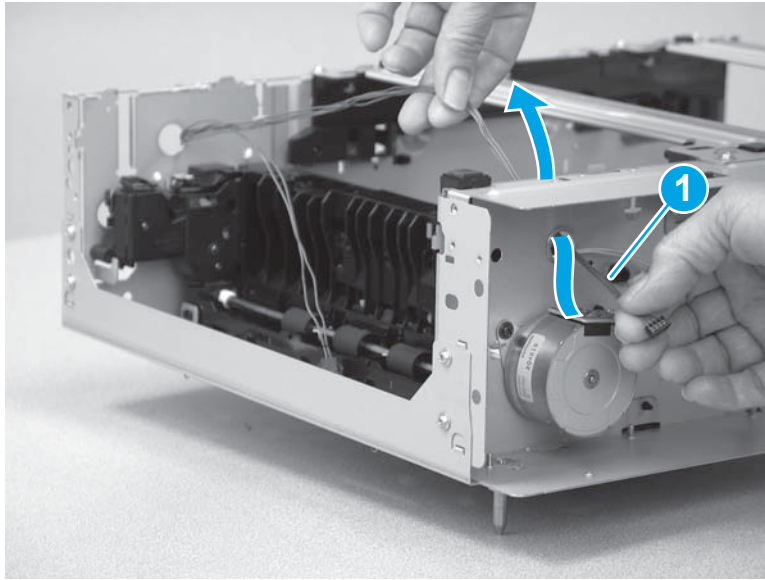
3. Release the cables (callout 1) from the retainer (callout 2).

Figure 1-5244 Release the cables



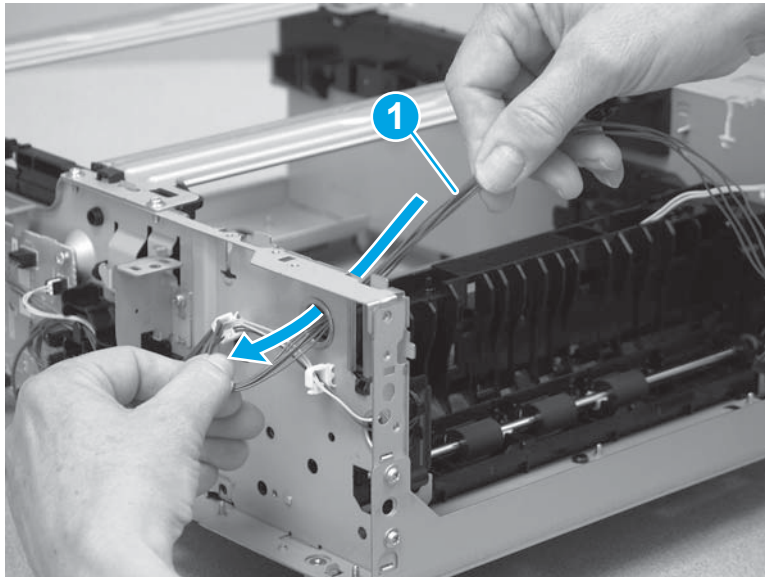
4. Release the cables (callout 1) through the hole in the sheet metal.

Figure 1-5245 Release the cables



5. On the left side of the feeder, remove all of the cables (callout 1) through the opening in the paper feeder.

Figure 1-5246 Remove the cables



6. Lay the feeder on the right side so that the left side is facing up. Disconnect two connectors (callout 1), and remove the cables (callout 2) from the guides (callout 3). Remove one screw (callout 4), and then remove four more screws (callout 5).


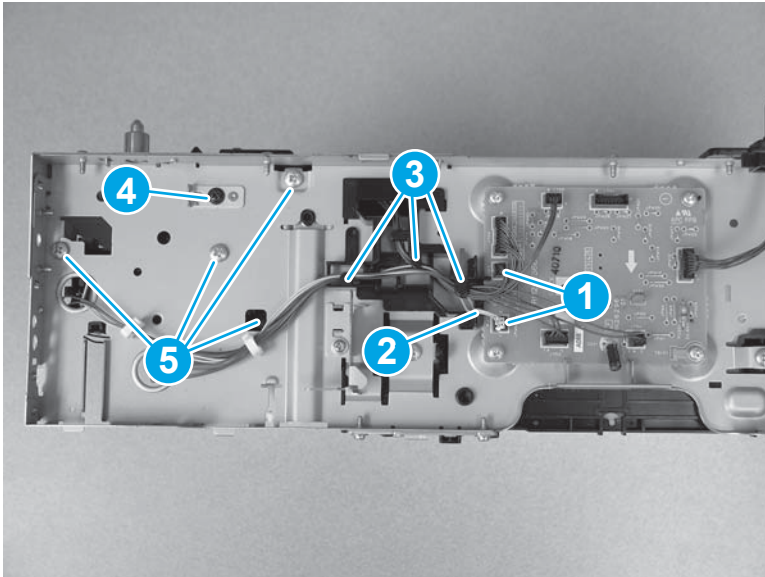
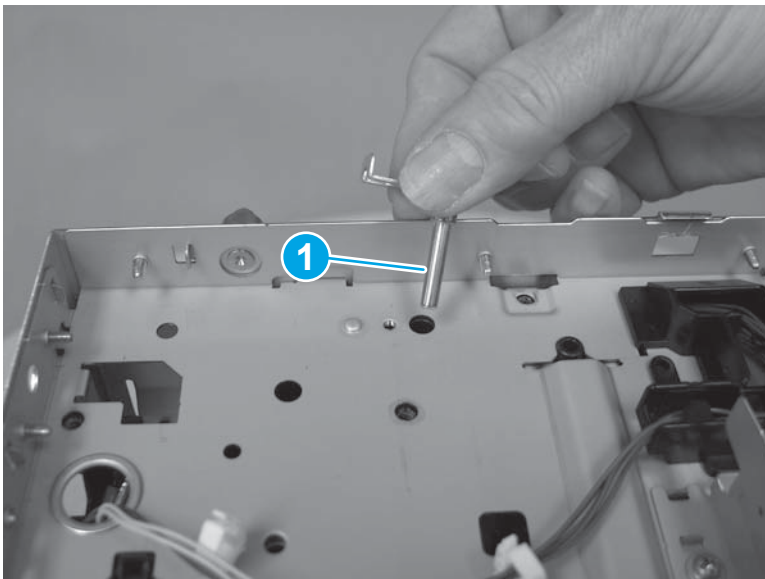
 **Reinstallation tip:** One screw (callout 4) is different from the other screws. Make sure that this screw is installed in the correct position.

Figure 1-5247 Disconnect connector and remove five screws



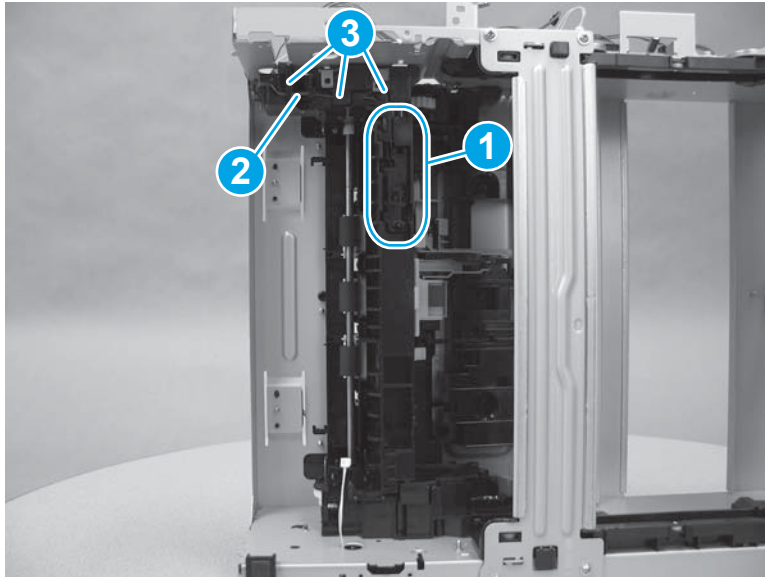
7. Remove the shaft (callout 1).

Figure 1-5248 Remove the shaft



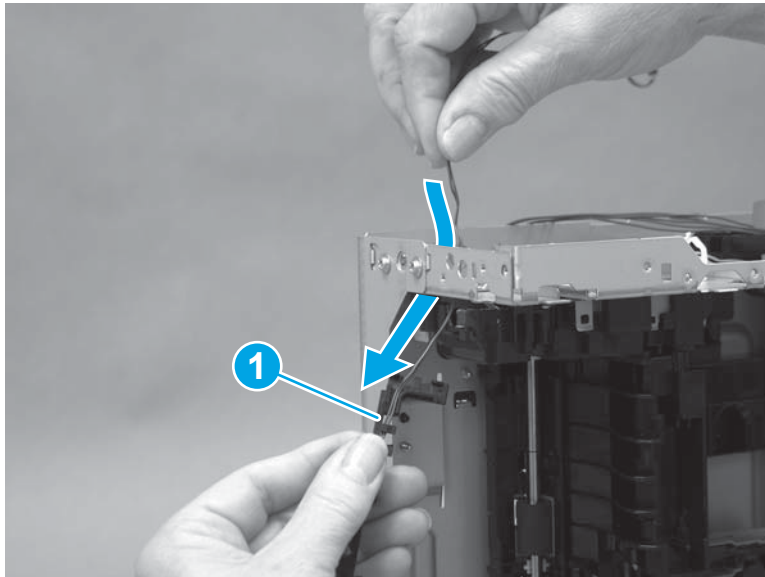
8. Release the tray sensor switch (callout 1), and then remove the cables (callout 2) from the guides (callout 3).

Figure 1-5249 Release the tray sensor switch



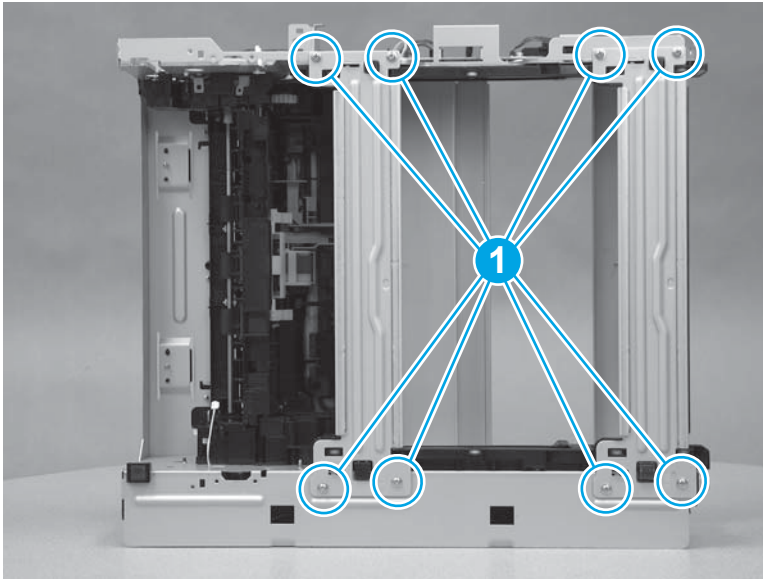
9. Release the tray sensor switch cables (callout 1) through the hole in the sheet metal.

Figure 1-5250 Release the tray sensor switch cables



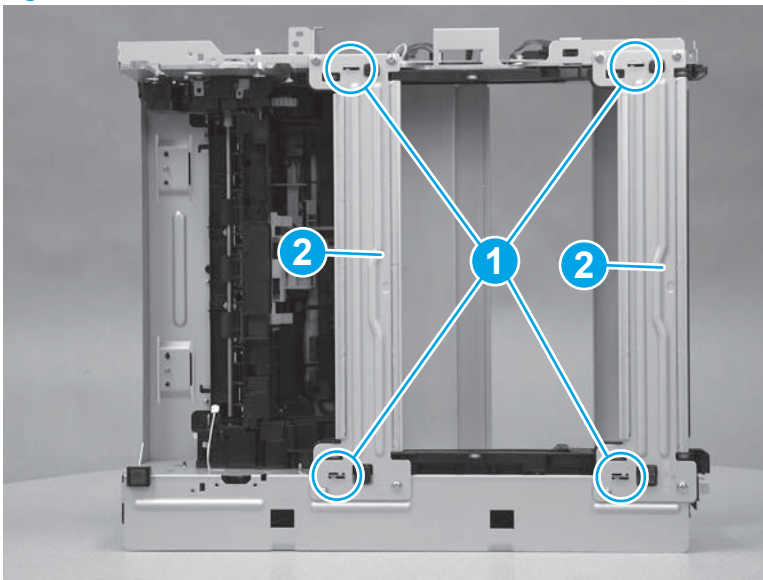
10. Remove eight screws (callout 1).

Figure 1-5251 Remove eight screws



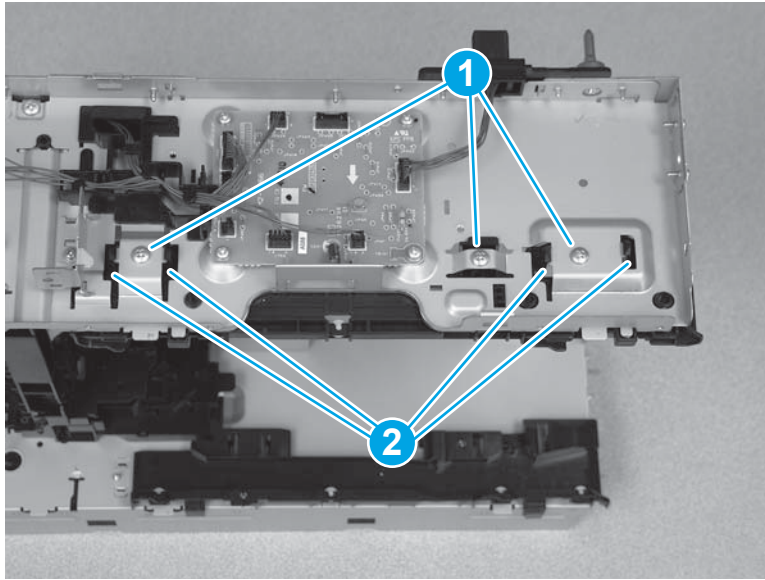
11. Release four tabs (callout 1), and then remove the cross braces (callout 2).

Figure 1-5252 Remove the cross braces



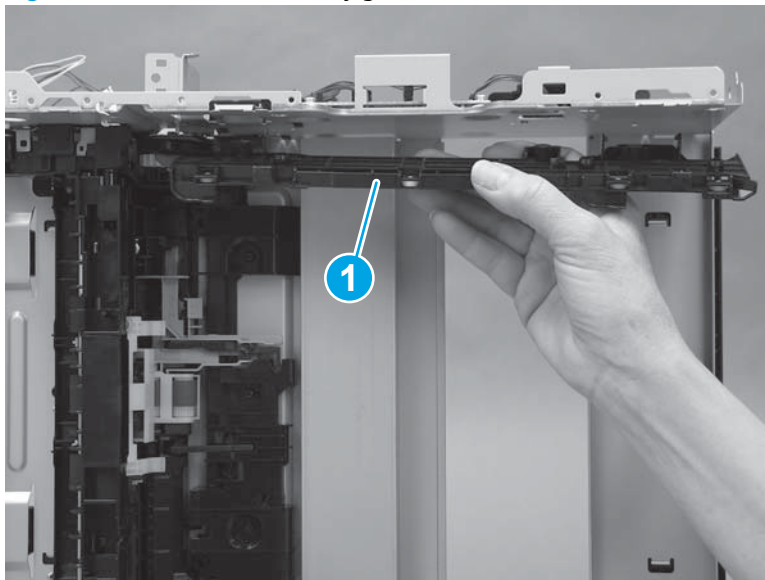
12. On the left side of the feeder, remove three screws (callout 1), and then release three tabs (callout 2).

Figure 1-5253 Remove screws and release tabs



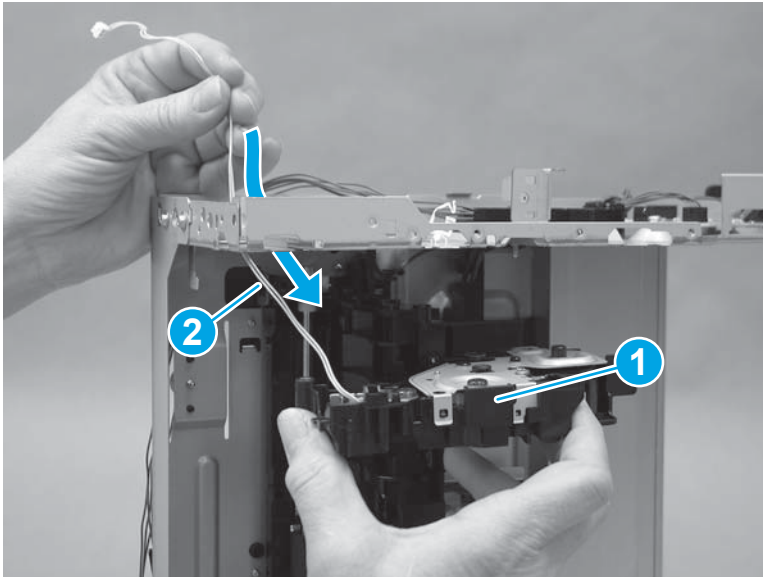
13. Remove the tray guide (callout 1).

Figure 1-5254 Remove the tray guide



14. Remove the lifter drive assembly (callout 1), and then release the cables (callout 2) through the feeder frame.

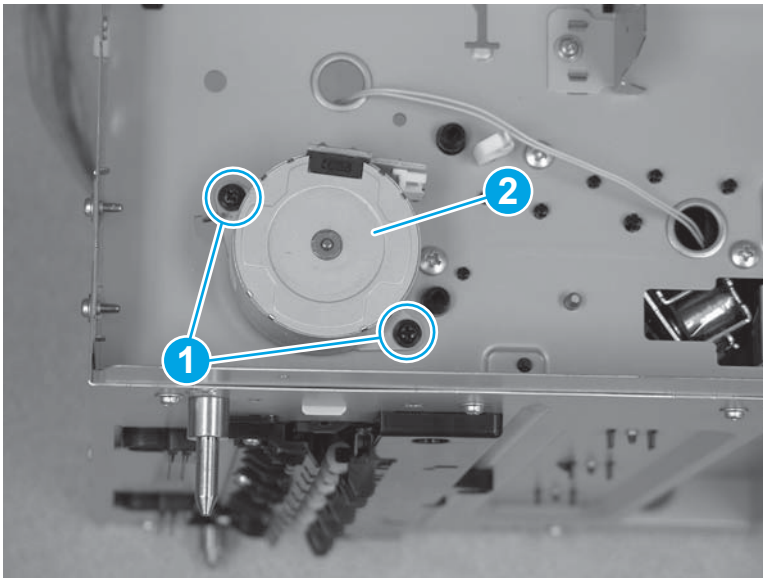
Figure 1-5255 Remove the lifter drive assembly



Step 9: Remove the pickup assembly (550-sheet paper feeder)

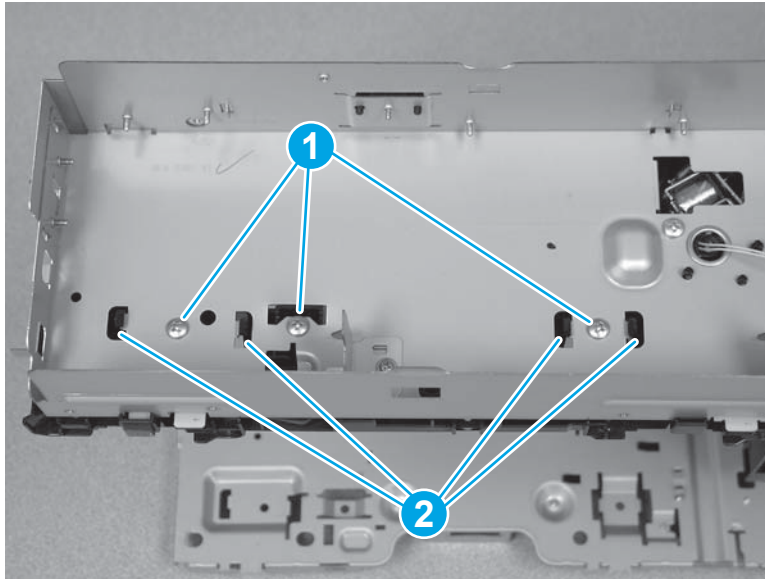
1. Lay the feeder on the left side so that the right side is facing up. Remove two screws (callout 1), and then remove the motor (callout 2).

Figure 1-5256 Remove the motor



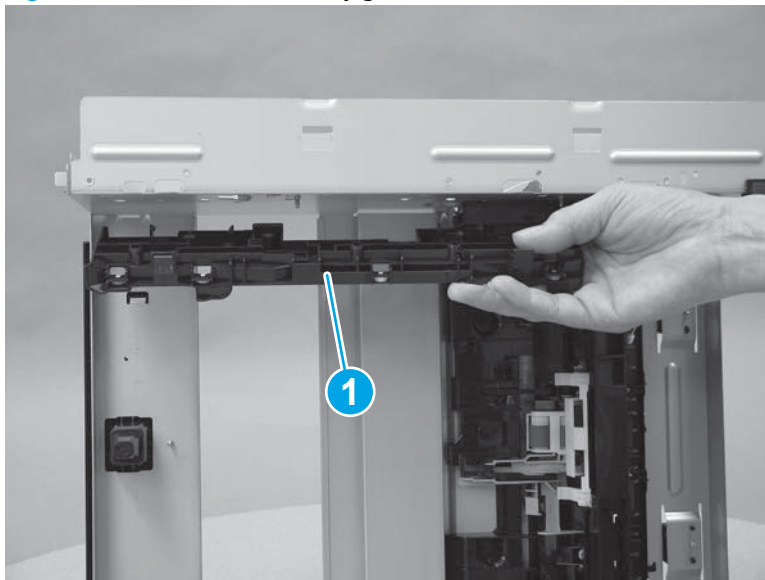
2. Remove three screws (callout 1), and then release three tabs (callout 2).

Figure 1-5257 Remove screws and release tabs



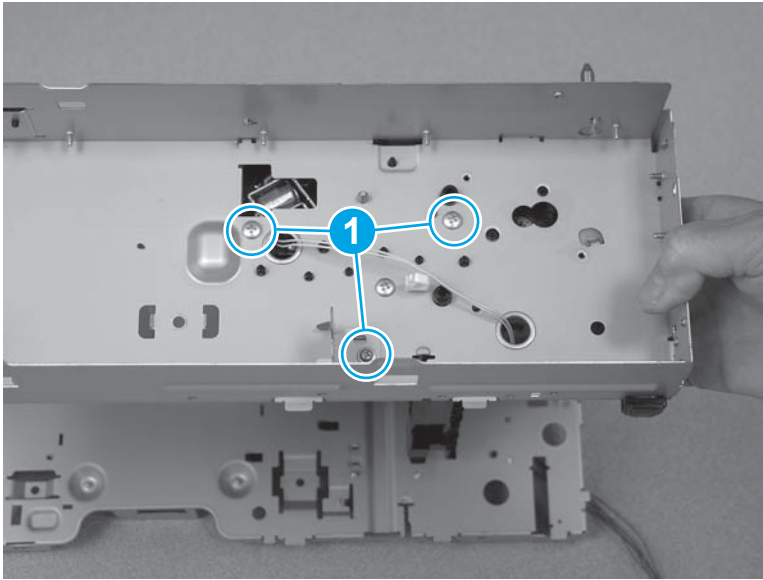
3. Remove the tray guide (callout 1).

Figure 1-5258 Remove the tray guide



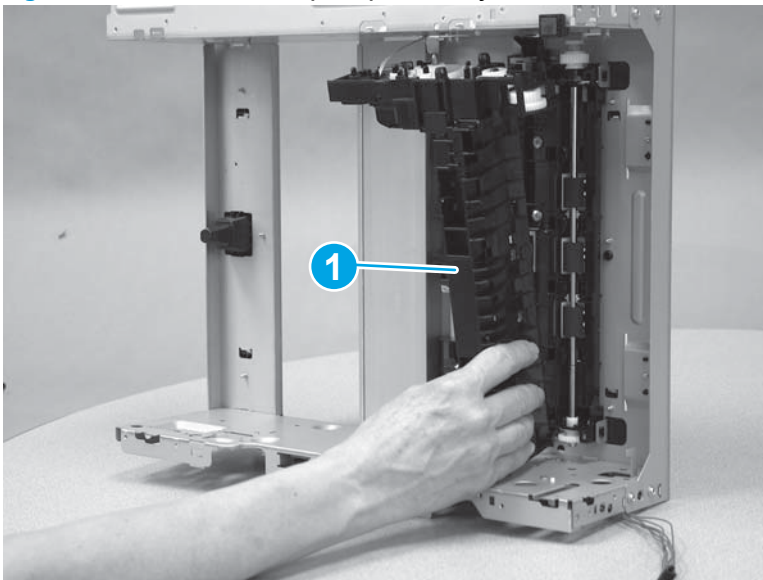
4. Remove three screws (callout 1).

Figure 1-5259 Remove three screws



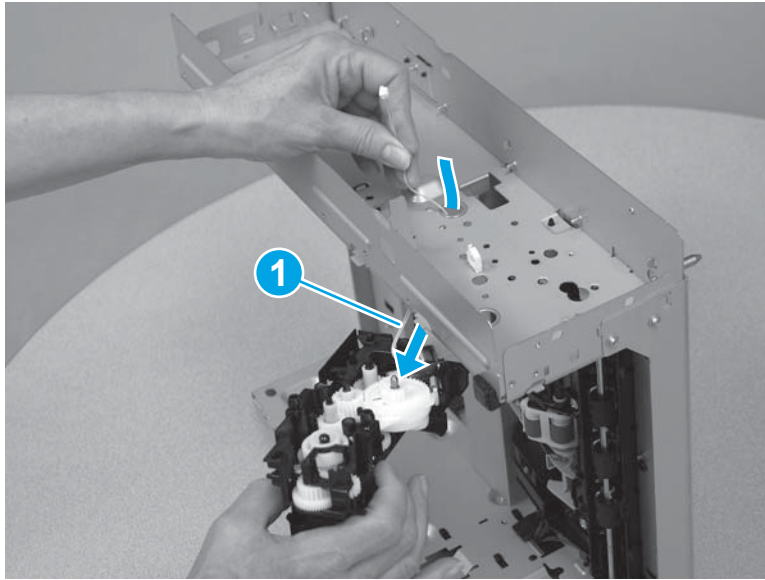
5. Remove the pickup assembly (callout 1).

Figure 1-5260 Remove the pickup assembly



6. Release the cables (callout 1) through the feeder frame.

Figure 1-5261 Release the cables



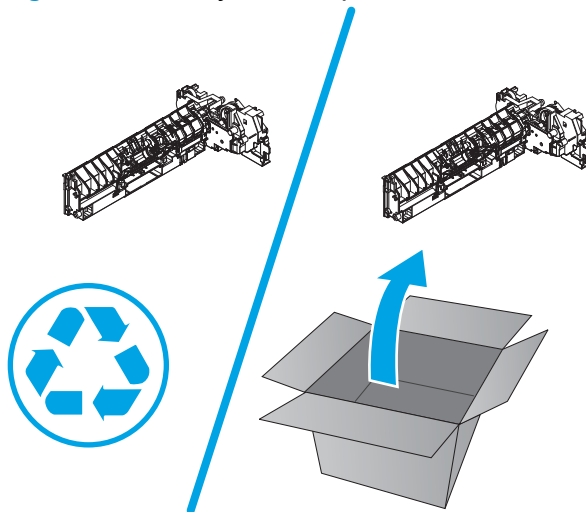
Step 10: Unpack the replacement part

Remove the new part from its package. Save all packaging for recycling the used part.

For complete information on HP's recycling programs, go to [Product return and recycling](#).

 **NOTE:** HP recommends responsible disposal of the defective part.

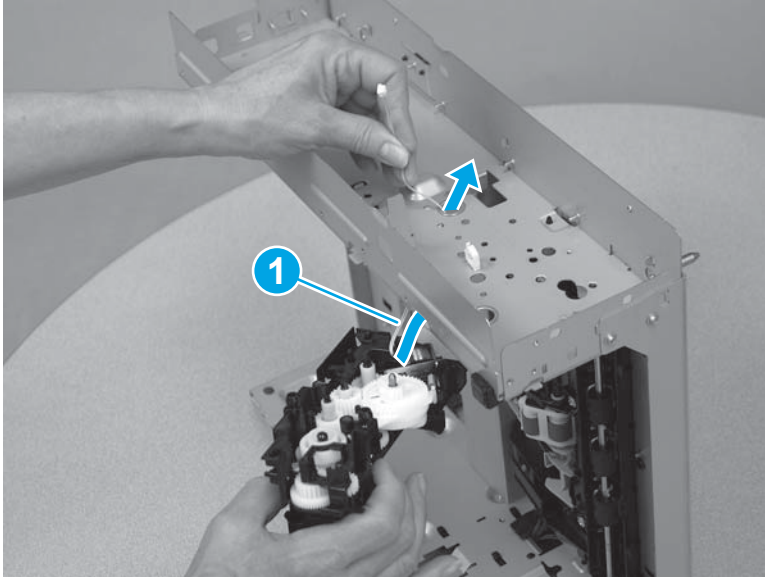
Figure 1-5262 Recycle and unpack



Step 11: Install the pickup assembly (550-sheet paper feeder)

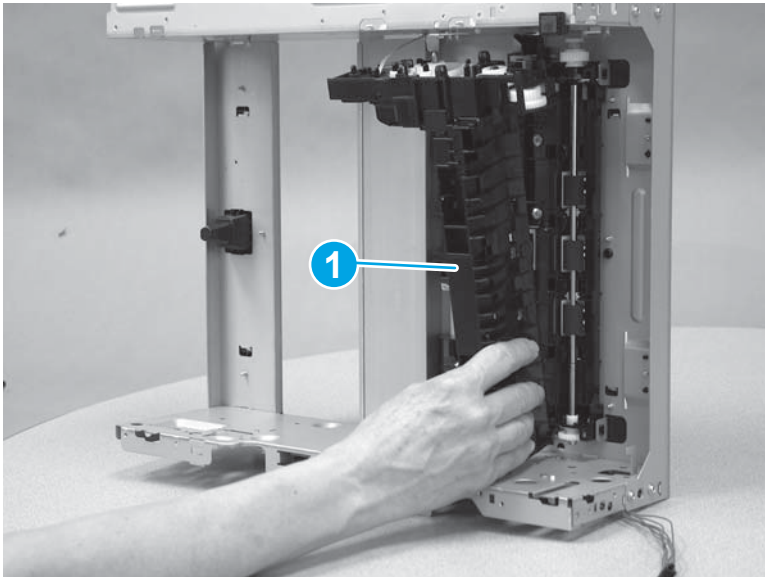
1. Lay the feeder on the left side so that the right side is facing up. Install the cables (callout 1) through the feeder frame.

Figure 1-5263 Install the cables



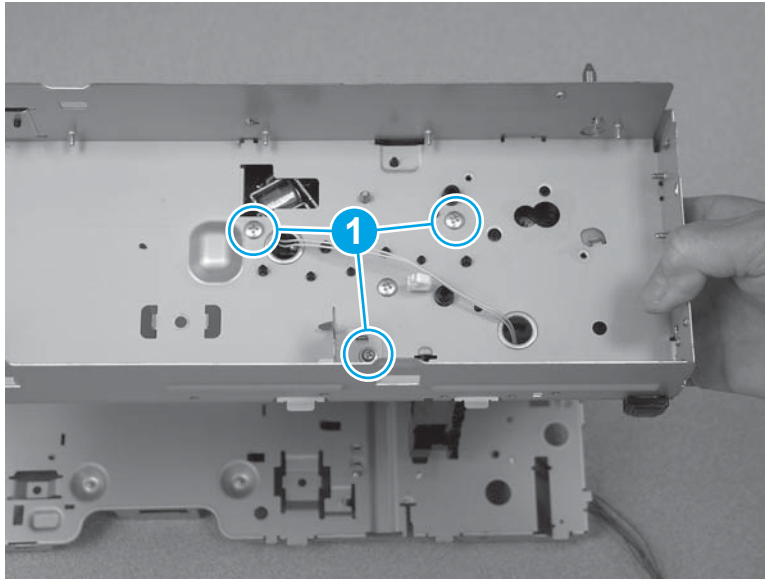
2. Install the pickup assembly (callout 1).

Figure 1-5264 Install the pickup assembly



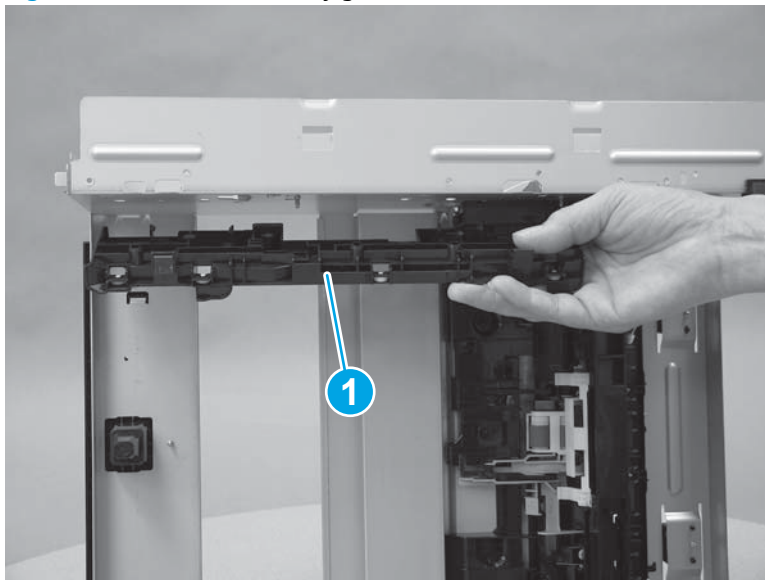
3. Install three screws (callout 1).

Figure 1-5265 Install three screws



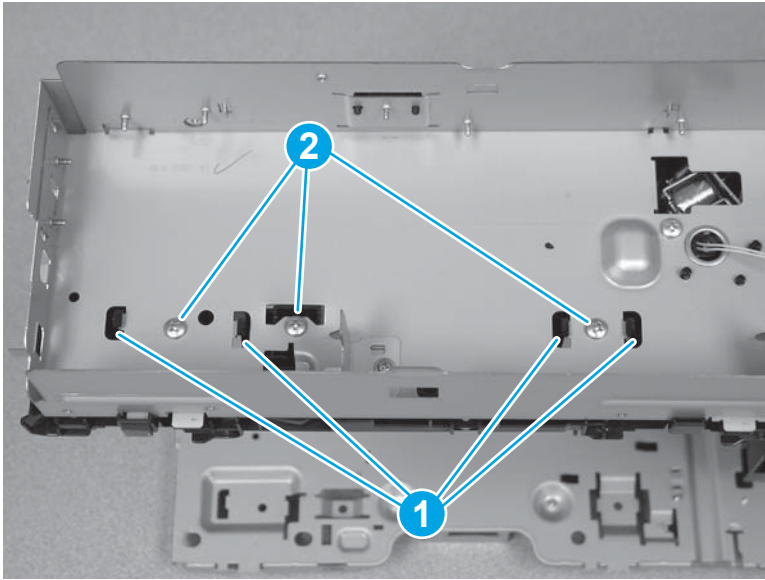
4. Install the tray guide (callout 1).

Figure 1-5266 Install the tray guide



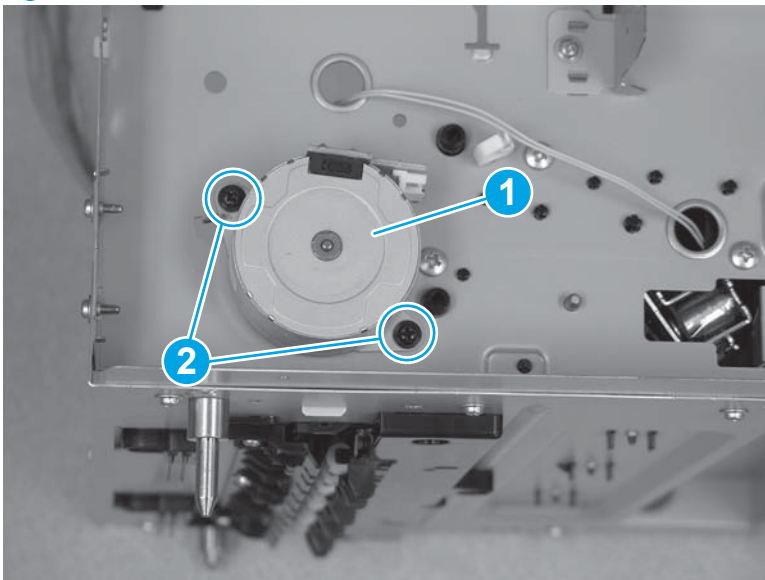
5. Install three tabs (callout 1), and then install three screws (callout 2).

Figure 1-5267 Install screws and tabs



6. Install the motor (callout 1), and then install two screws (callout 2).

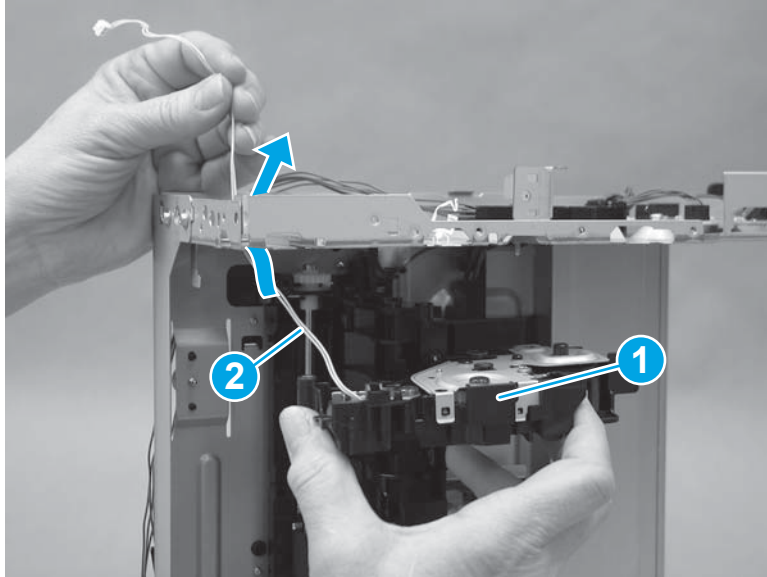
Figure 1-5268 Install the motor



Step 12: Install the lifter drive assembly (550-sheet paper feeder)

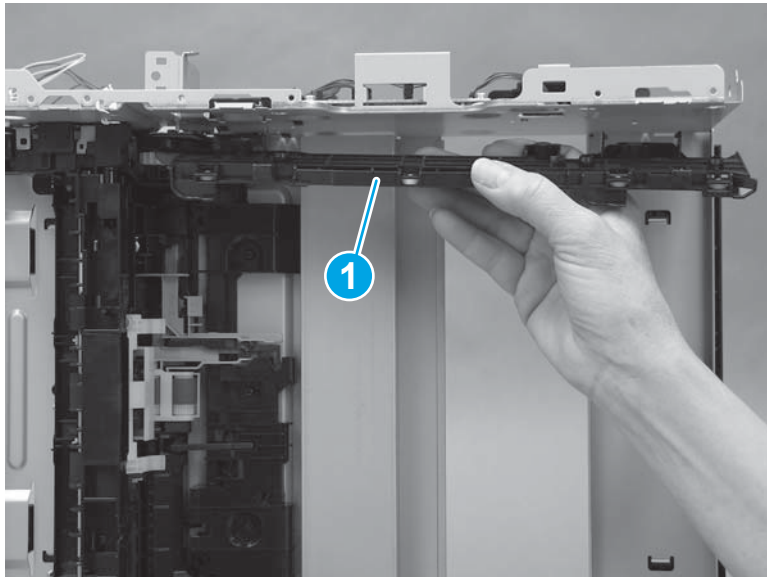
1. Install the cables (callout 1) on the lifter drive assembly up through the printer frame, and then install the lifter drive assembly (callout 2).

Figure 1-5269 Install the lifter drive assembly



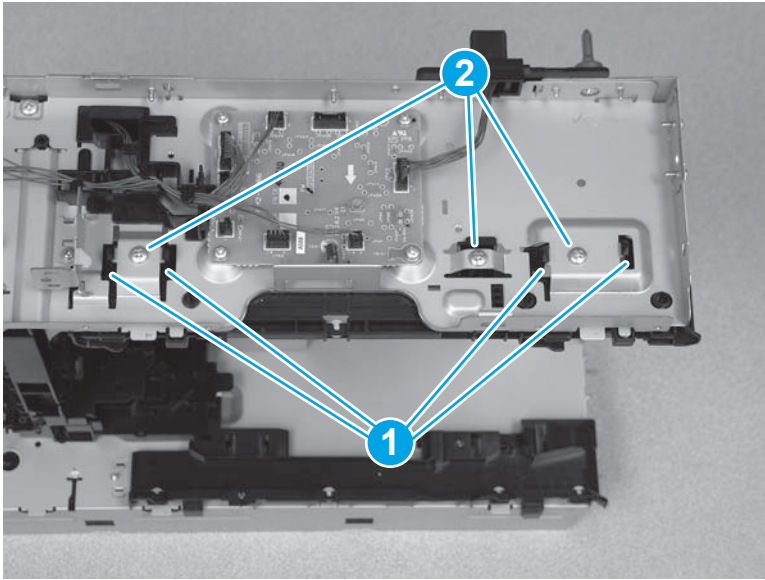
2. Install the tray guide (callout 1).

Figure 1-5270 Install the tray guide



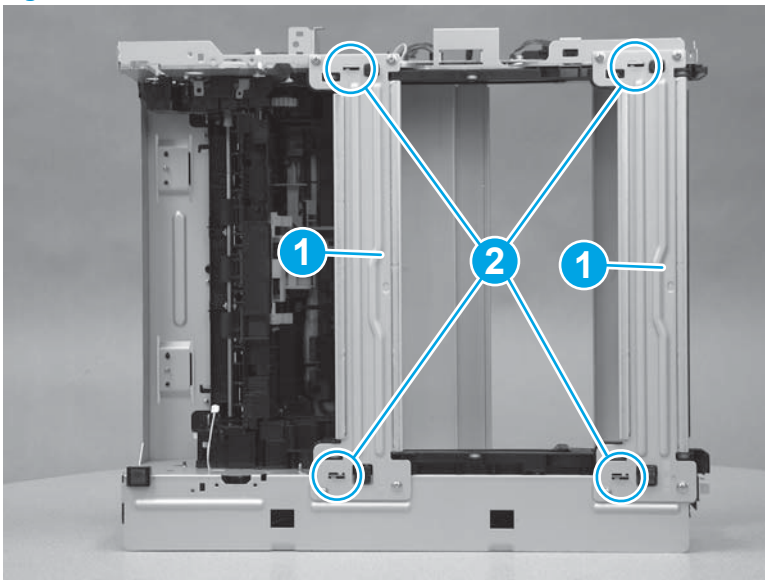
3. Install three tabs (callout 1), and then install three screws (callout 2).

Figure 1-5271 Install screws and tabs



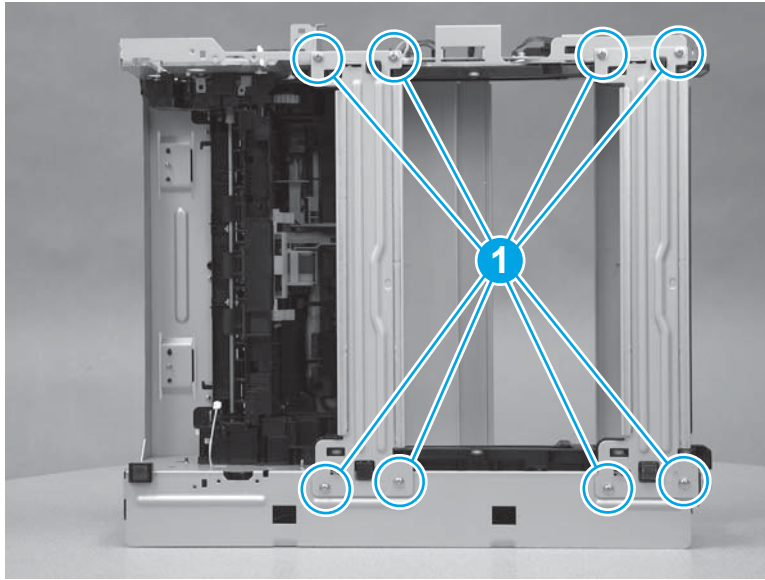
4. Position the cross braces (callout 1), and then install four tabs (callout 2).

Figure 1-5272 Install the cross braces



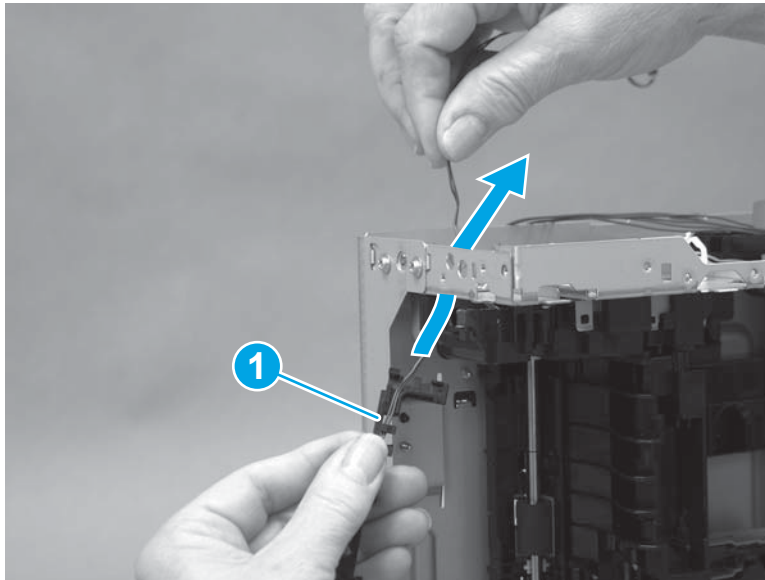
5. Install eight screws (callout 1).

Figure 1-5273 Install eight screws



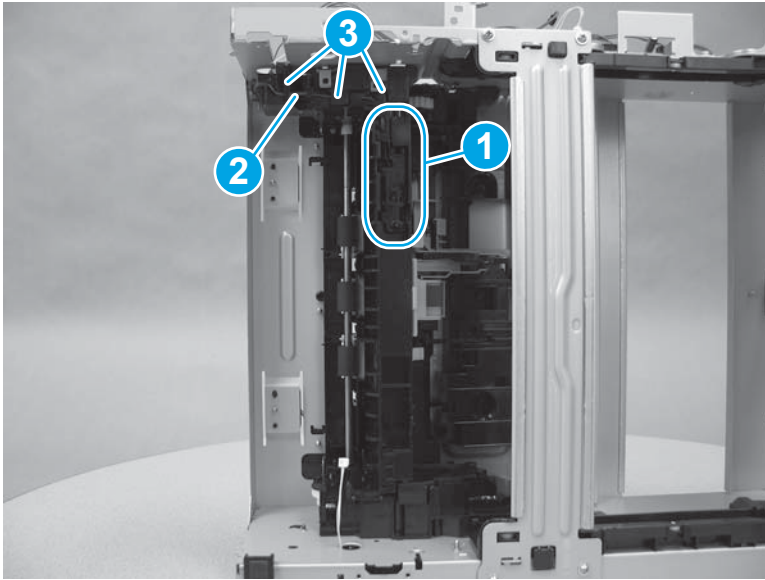
6. Install the tray sensor switch cables (callout 1) through the hole in the sheet metal.

Figure 1-5274 Install the tray sensor switch cables



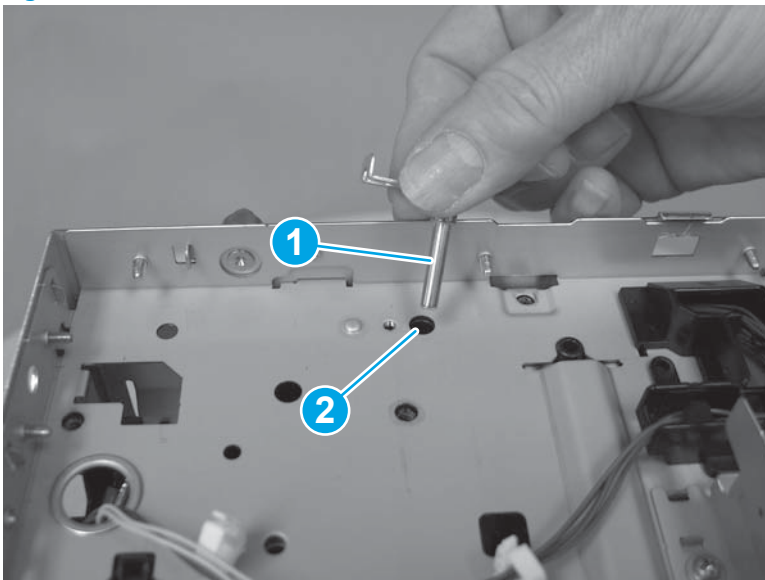
7. Install the tray sensor switch (callout 1), and then install the cables (callout 2) in the guides (callout 3).

Figure 1-5275 Install the tray sensor switch



8. Install the shaft (callout 1) in the hole (callout 2) in the feeder.

Figure 1-5276 Install the shaft



9. Connect two connectors (callout 1), and install the cables (callout 2) in the guides (callout 3). Install one screw (callout 4), and then install four more screws (callout 5).


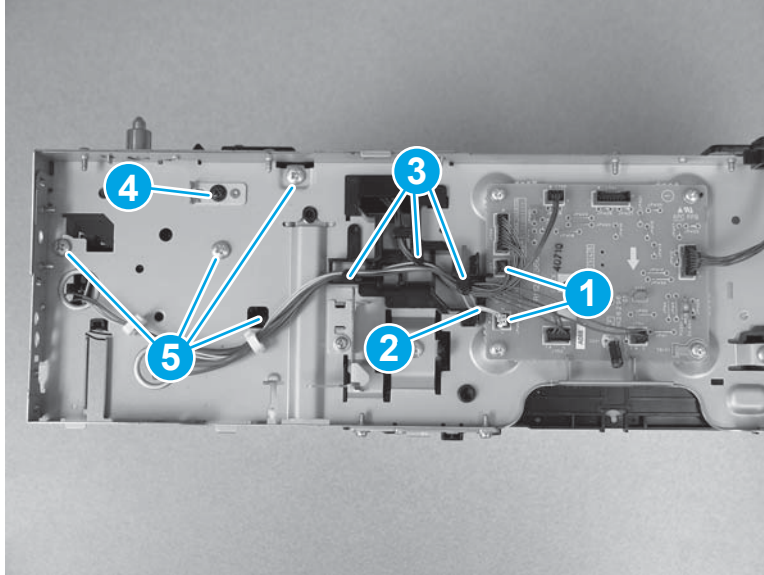
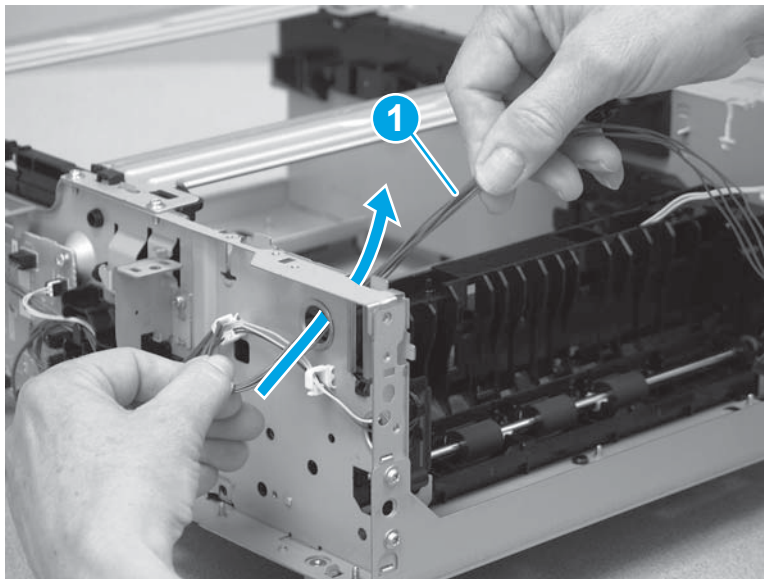
 **Reinstallation tip:** One screw (callout 4) is different from the other screws. Make sure that this screw is installed in the correct position.

Figure 1-5277 Disconnect connector and remove five screws



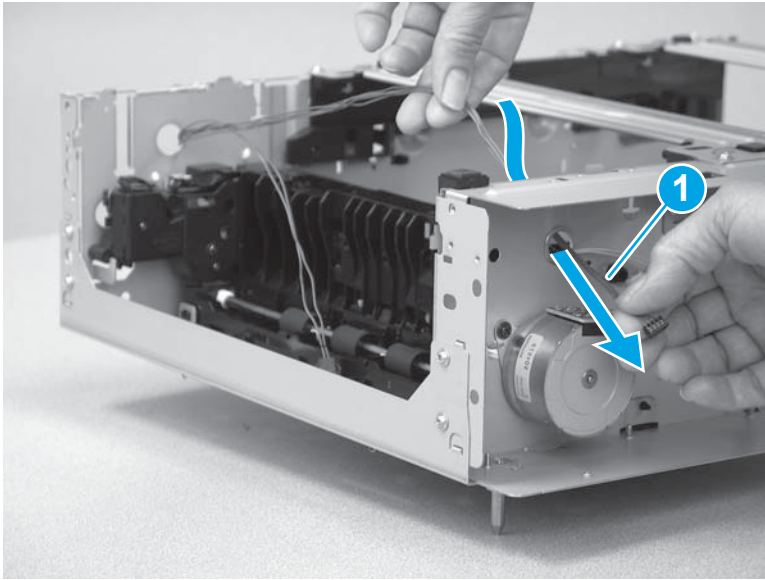
10. Turn the printer so that the bottom side is up. On the left side of the feeder, install all of the cables (callout 1) through the opening in the paper feeder.

Figure 1-5278 Install the cables



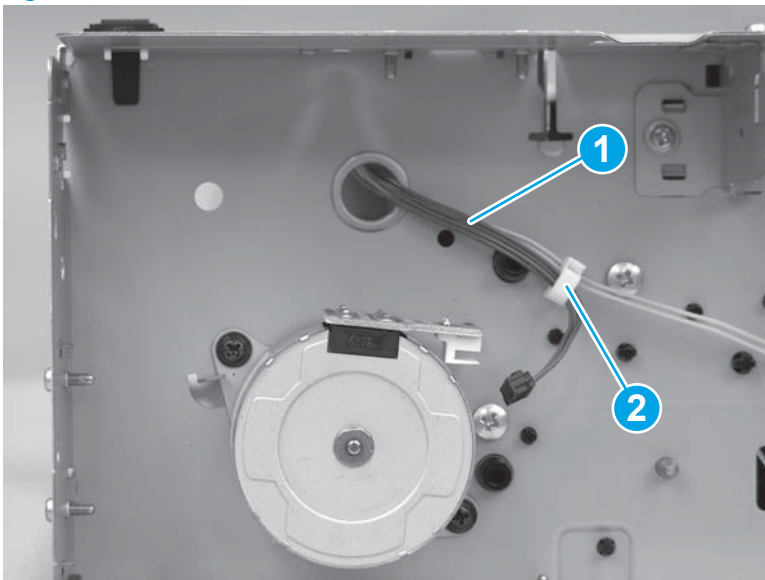
11. On the right side of the feeder, install the cables (callout 1) through the hole in the sheet metal.

Figure 1-5279 Install the cables



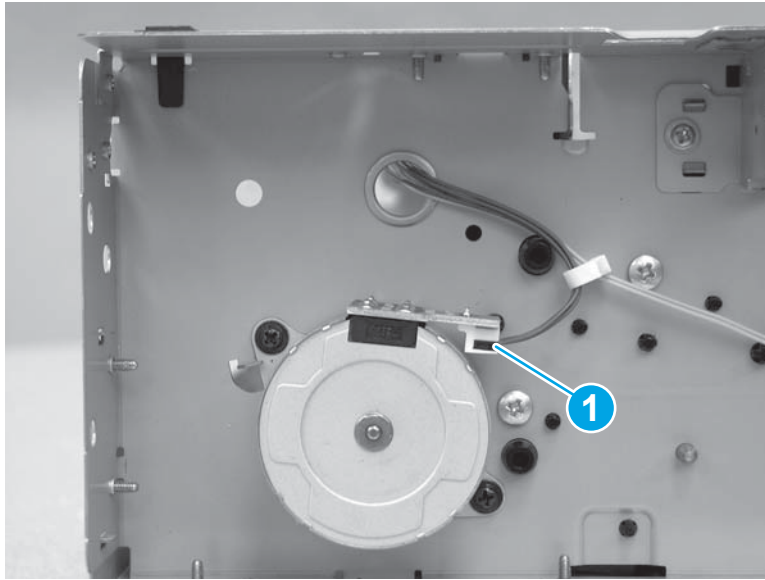
12. Install the cables (callout 1) in the retainer (callout 2).

Figure 1-5280 Install the cables



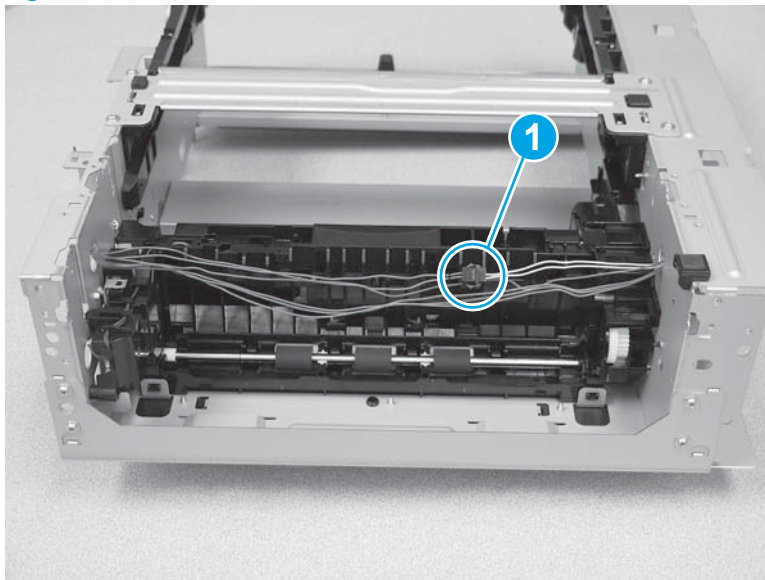
13. Connect one connector (callout 1) to the motor.

Figure 1-5281 Connect one connector



14. Connect one in-line connector (callout 1).

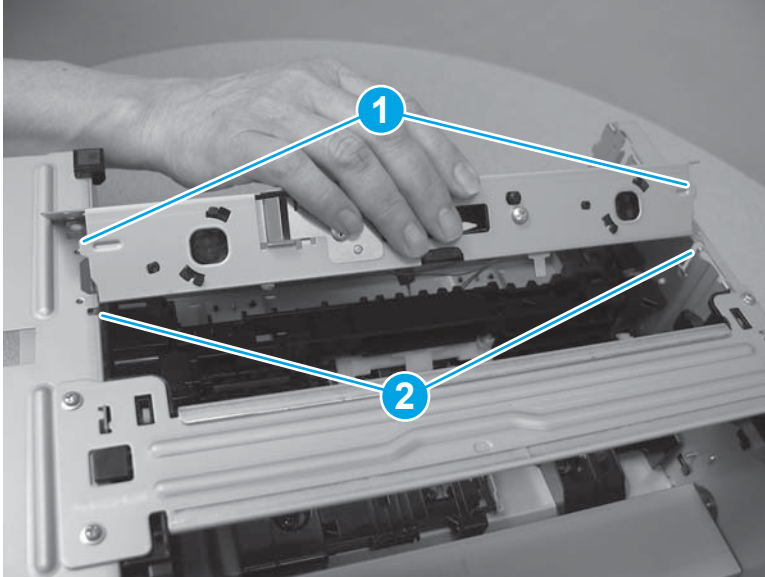
Figure 1-5282 Connect one connector



Step 13: Install the feed frame assembly (550-sheet paper feeder)

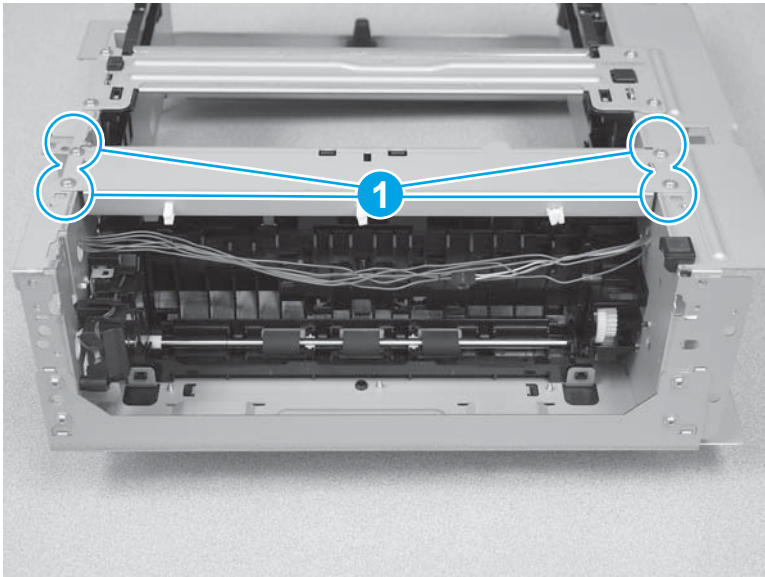
1. Install the tabs (callout 1) on the feed frame assembly in the slots (callout 2) on the feeder.

Figure 1-5283 Install the feed frame assembly



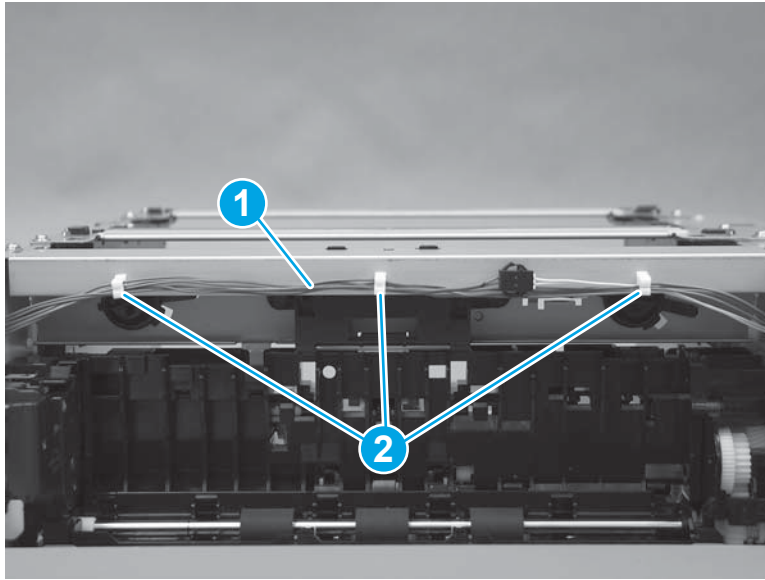
2. Install four screws (callout 1).

Figure 1-5284 Install four screws



3. Install the cables (callout 1) in the retainers (callout 2).

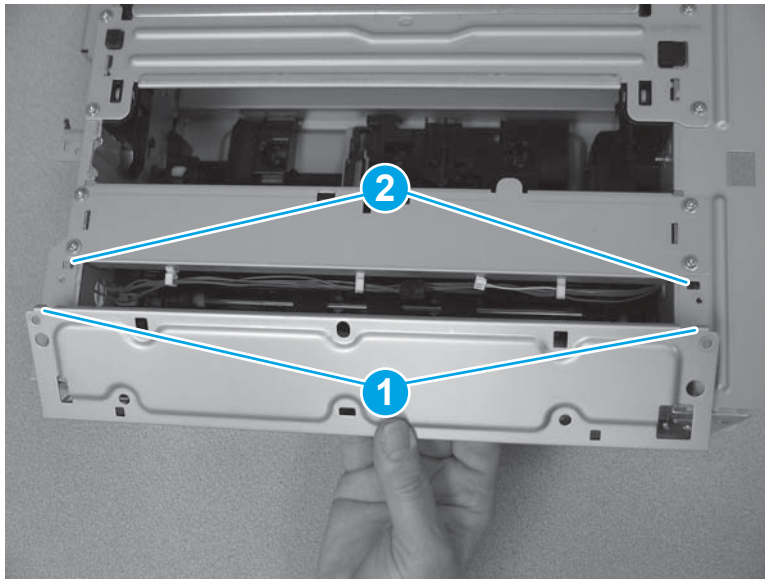
Figure 1-5285 Install the cables



Step 14: Install the baseplate (550-sheet paper feeder)

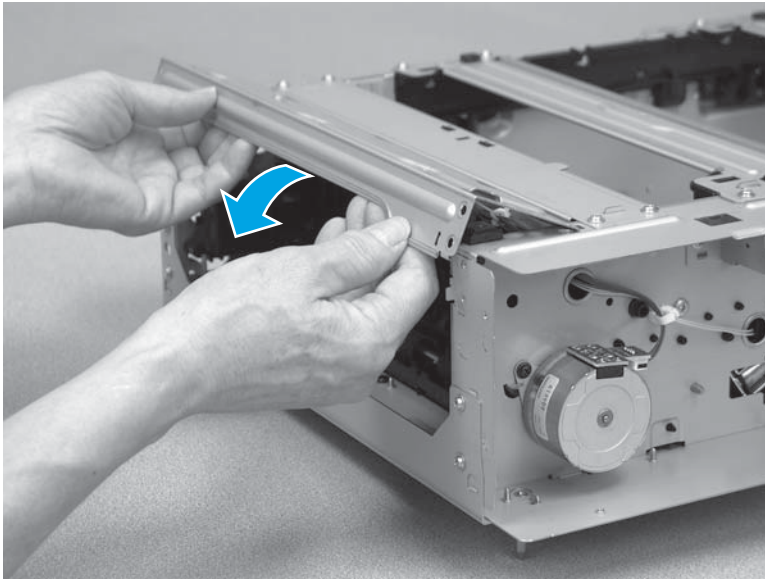
1. Install the tabs (callout 1) on the baseplate into the slots (callout 2) on the feeder.

Figure 1-5286 Release two tabs



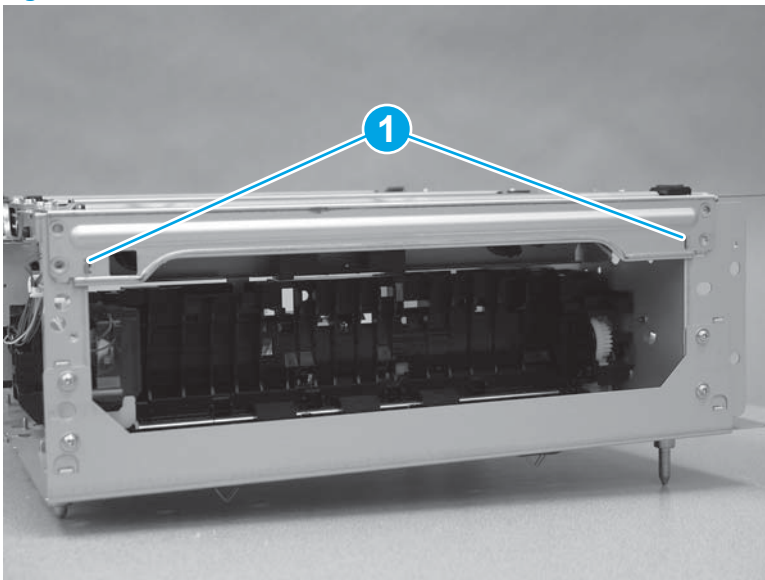
2. Rotate the edge of the baseplate down.

Figure 1-5287 Rotate the baseplate down



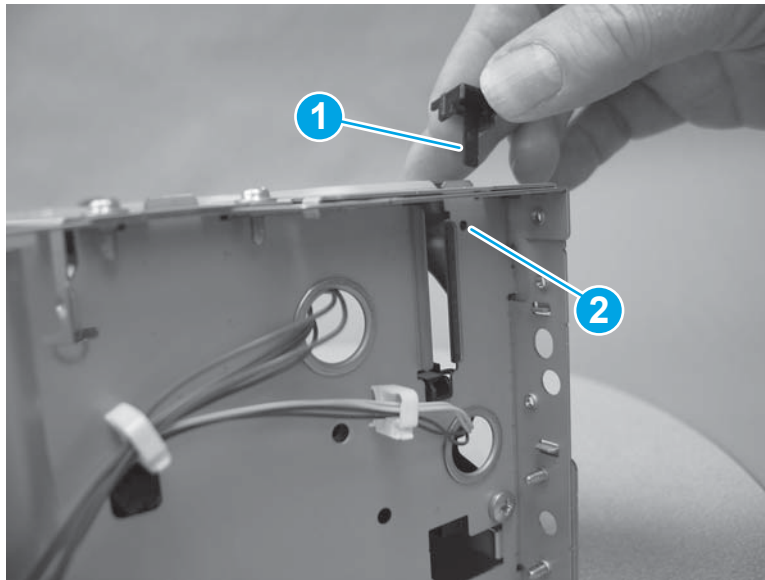
3. Install two tabs (callout 1).

Figure 1-5288 Install two tabs



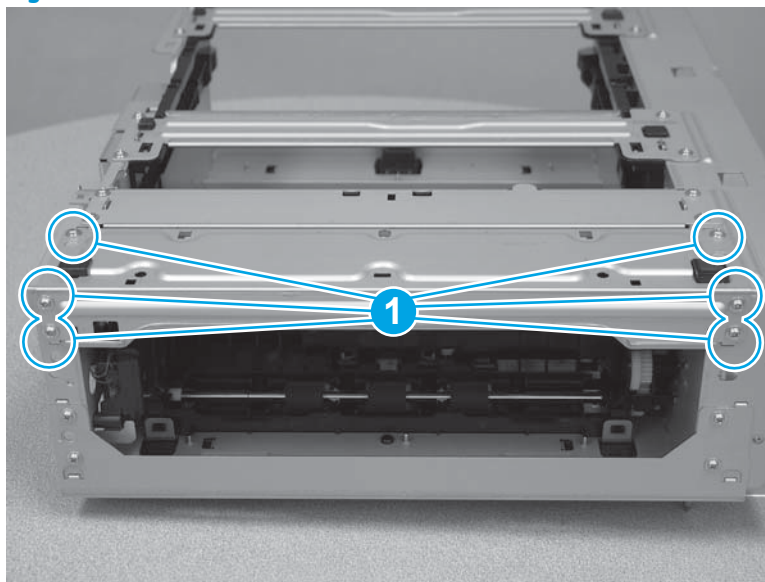
4. Install the foot. Make sure that the tab (callout 1) on the foot fits in the slot (callout 2) on the feeder.

Figure 1-5289 Remove the foot



5. Install six screws (callout 1).

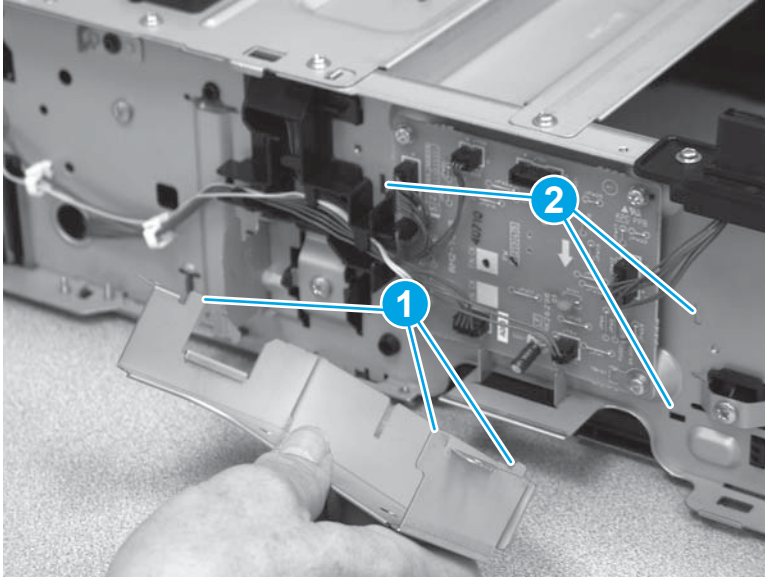
Figure 1-5290 Install six screws



Step 15: Install the PCA cover (550-sheet paper feeder)

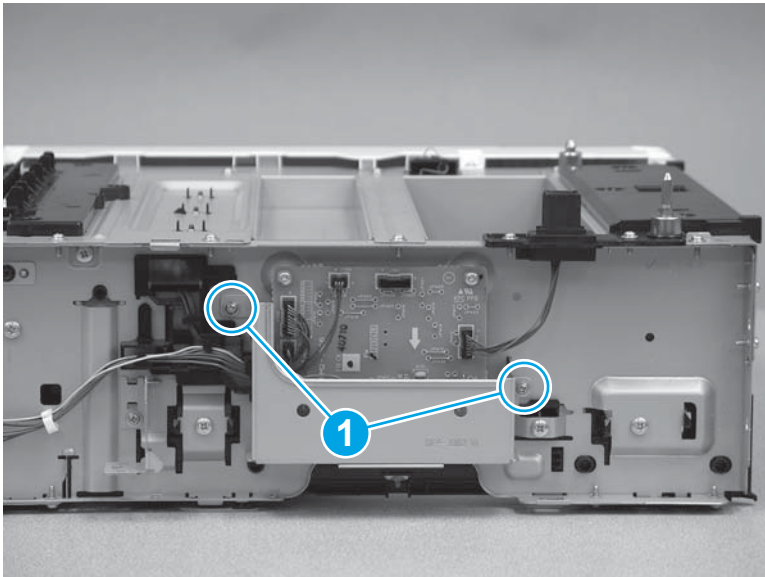
1. Install the tabs (callout 1) on the PCA cover in the slots (callout 2) on the feeder.

Figure 1-5291 Install the PCA cover



2. Install two screws (callout 1).

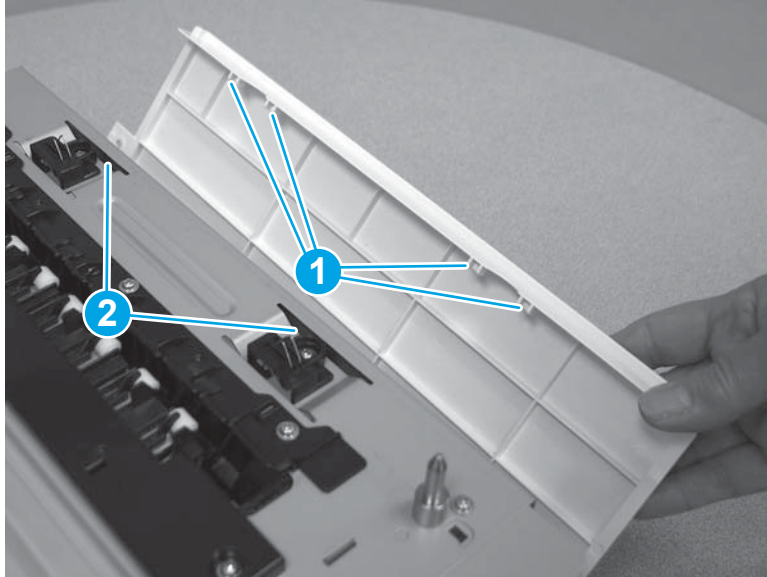
Figure 1-5292 Install two screws



Step 16: Install the rear cover (550-sheet paper feeder)

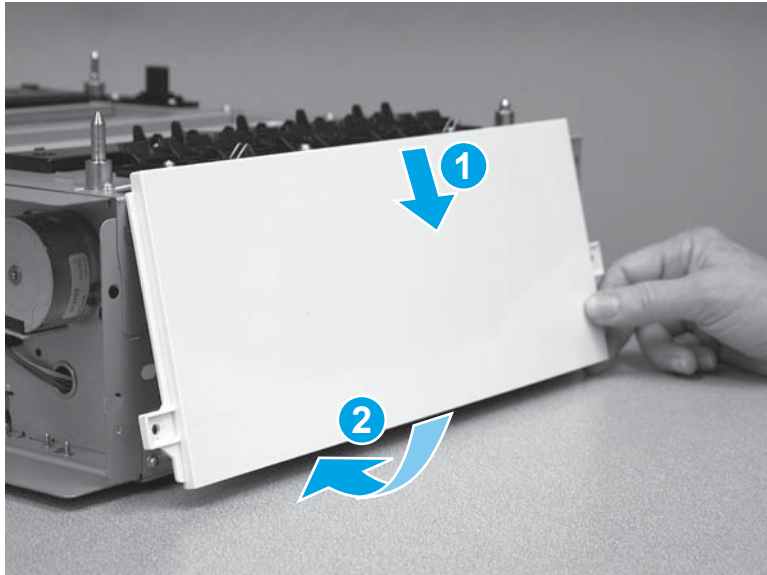
1. Install the tabs (callout 1) on the rear cover in the slots (callout 2) on the feeder.

Figure 1-5293 Install the tabs



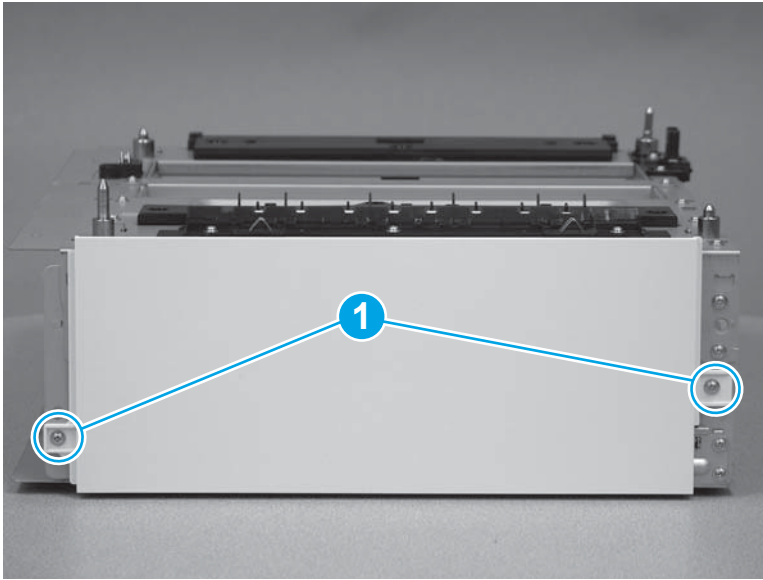
2. Make sure that the top of the rear cover (callout 1) is seated in the tabs, and then rotate the bottom of the cover (callout 2) toward the feeder.

Figure 1-5294 Rotate the cover



3. Install two screws (callout 1).

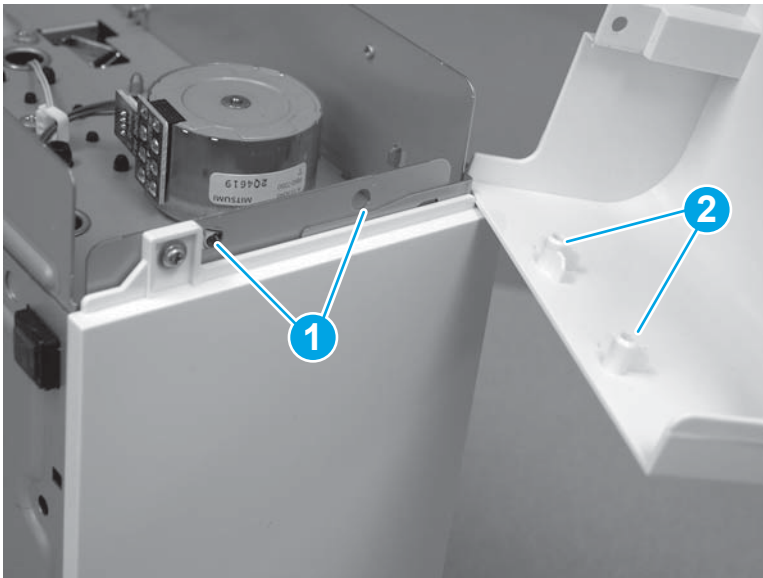
Figure 1-5295 Install two screws



Step 17: Install the left cover (550-sheet paper feeder)

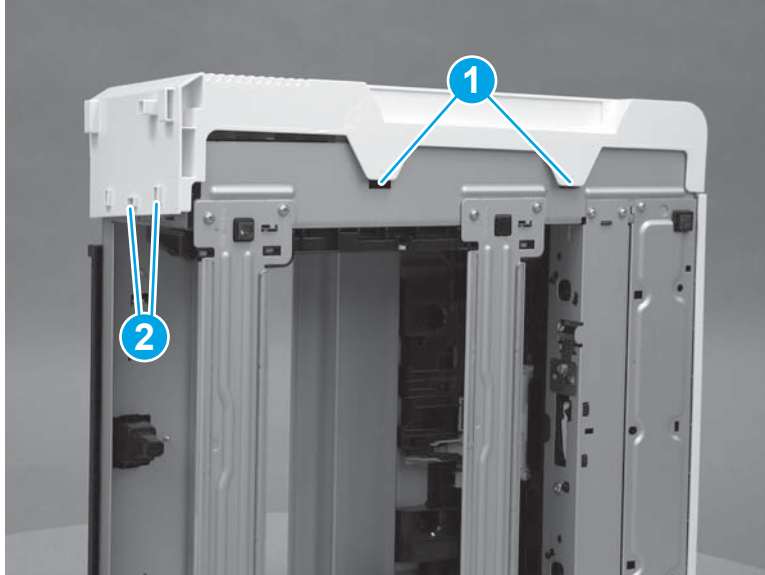
1. Lay the feeder on the right side so that the left side is facing up. At the back of the feeder, install the tabs (callout 1) on the cover in the holes (callout 2) on the feeder.

Figure 1-5296 Install two tabs



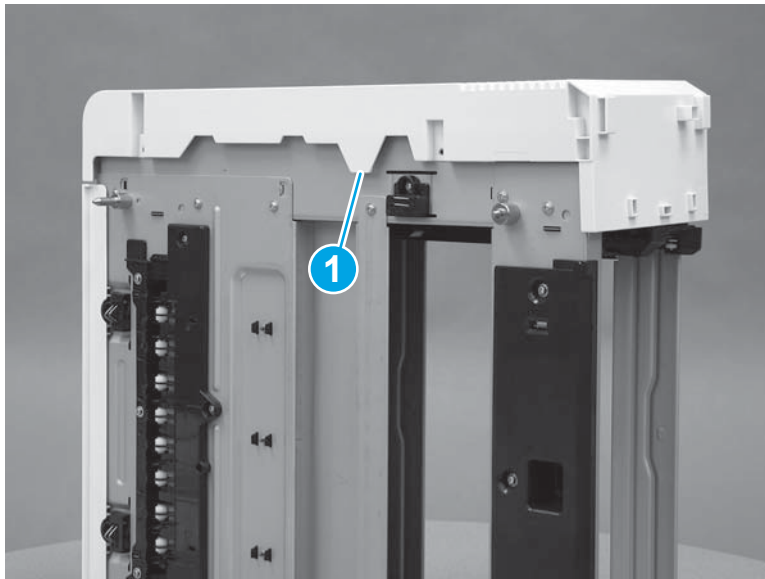
2. Install two tabs (callout 1) on the bottom of the feeder, and then install two tabs (callout 2) on the front of the feeder.

Figure 1-5297 Install four tabs



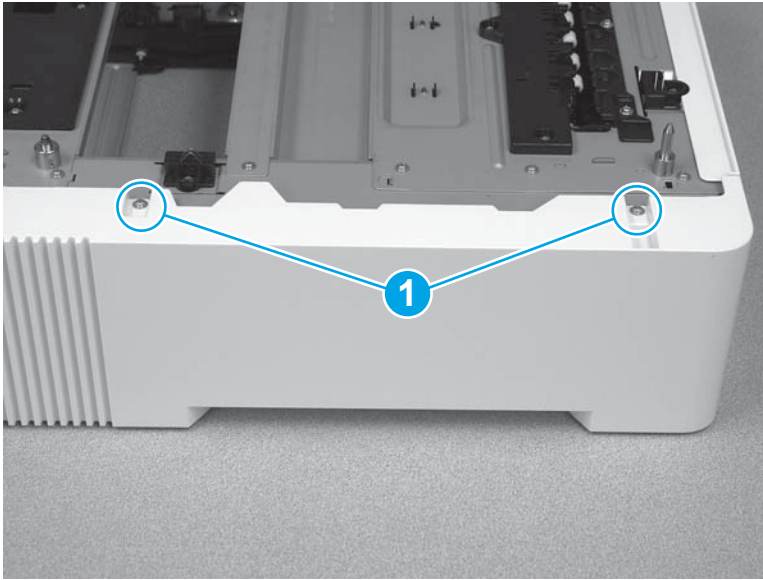
3. Turn the feeder to an upright position with the top facing up. Install one tab (callout 1) on the top of the feeder.

Figure 1-5298 Install three tabs



4. Install two screws (callout 1).

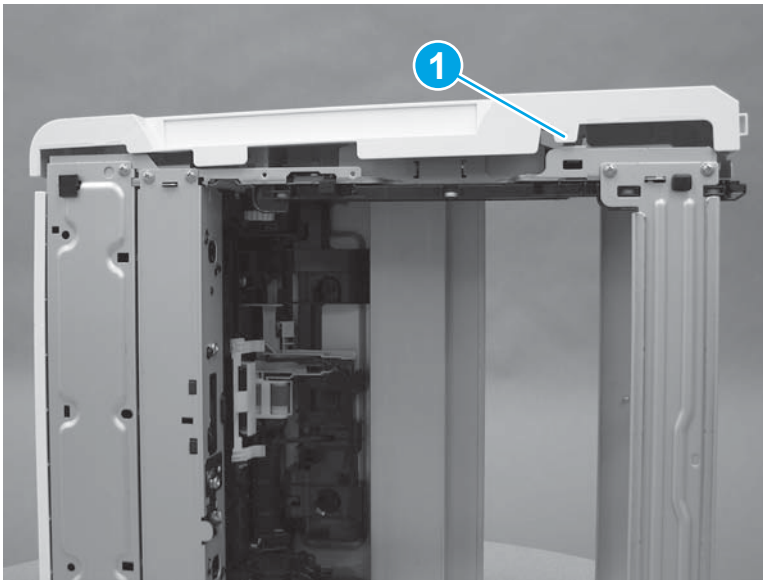
Figure 1-5299 Install two screws



Step 18: Install the right cover (550-sheet paper feeder)

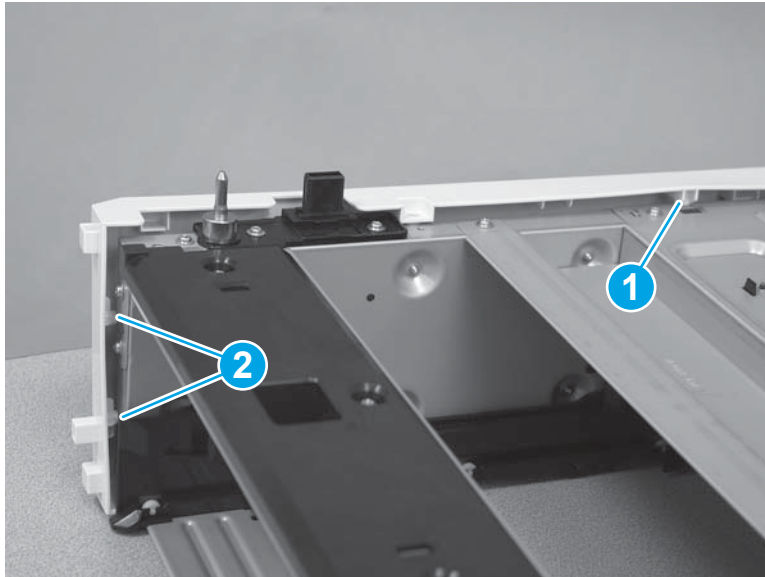
1. Lay the feeder on the left side so that the right side is facing up, and then install one tab (callout 1) on the bottom of the feeder.

Figure 1-5300 Install one tab



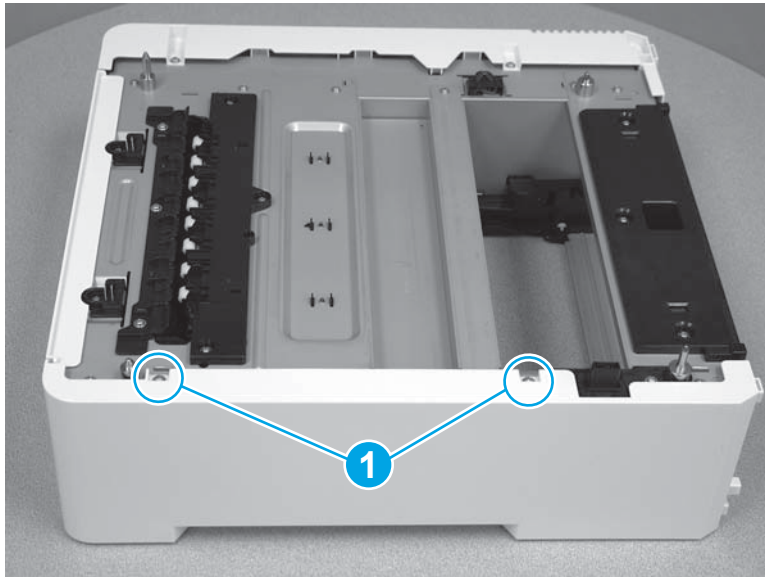
2. Turn the feeder to an upright position with the top facing up. Install one tab (callout 1) on the top of the feeder, and then install two tabs (callout 2) at the front of the feeder.

Figure 1-5301 Install three tabs



3. Install two screws (callout 1).

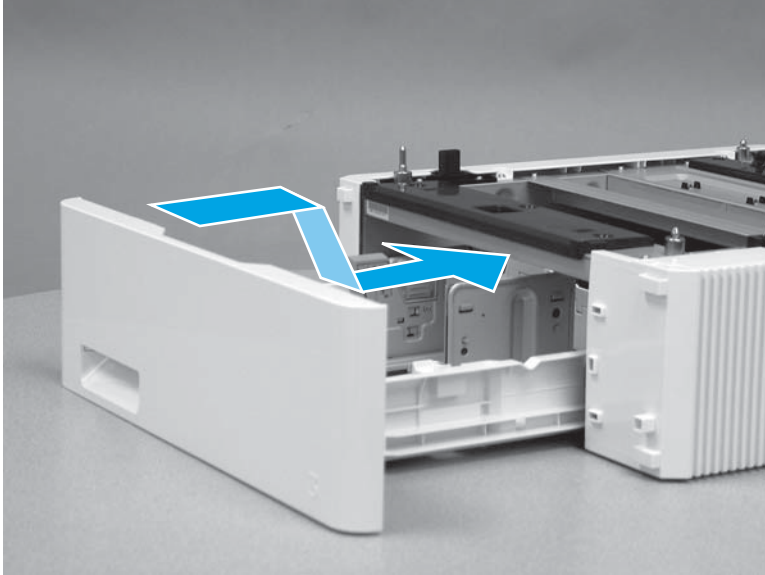
Figure 1-5302 Install two screws



Step 19: Install Tray 3

- ▲ With the front of the tray slightly lifted, align the sides of the tray with the rails in the feeder, and then carefully slide the tray into the feeder. As the tray slides into the feeder, lower the front of the tray, and then close it.

Figure 1-5303 Install the tray



Removal and replacement: Front feed guide assembly (550-sheet paper feeder)


- [Introduction](#)
- [Step 1: Remove Tray 3](#)
- [Step 2: Remove the right cover \(550-sheet paper feeder\)](#)
- [Step 3: Remove the left cover \(550-sheet paper feeder\)](#)
- [Step 4: Remove the rear cover \(550-sheet paper feeder\)](#)
- [Step 5: Remove the PCA cover \(550-sheet paper feeder\)](#)
- [Step 6: Remove the baseplate \(550-sheet paper feeder\)](#)
- [Step 7: Remove the feed frame assembly \(550-sheet paper feeder\)](#)
- [Step 8: Remove the lifter drive assembly \(550-sheet paper feeder\)](#)
- [Step 9: Remove the pickup assembly \(550-sheet paper feeder\)](#)
- [Step 10: Remove the front feed guide assembly \(550-sheet paper feeder\)](#)
- [Step 11: Unpack the replacement part](#)
- [Step 12: Install the front feed guide assembly \(550-sheet paper feeder\)](#)
- [Step 13: Install the pickup assembly \(550-sheet paper feeder\)](#)
- [Step 14: Install the lifter drive assembly \(550-sheet paper feeder\)](#)
- [Step 15: Install the feed frame assembly \(550-sheet paper feeder\)](#)
- [Step 16: Install the baseplate \(550-sheet paper feeder\)](#)
- [Step 17: Install the PCA cover \(550-sheet paper feeder\)](#)
- [Step 18: Install the rear cover \(550-sheet paper feeder\)](#)
- [Step 19: Install the left cover \(550-sheet paper feeder\)](#)
- [Step 20: Install the right cover \(550-sheet paper feeder\)](#)
- [Step 21: Install Tray 3](#)

Introduction

This document provides the procedures to remove and replace the front feed guide assembly for the 550-sheet feeder.

Before you begin

- Turn off the printer.
- Disconnect the power cable.

 **WARNING!** To avoid damage to the printer, turn the printer off, wait 30 seconds, and then remove the power cord before attempting to service the printer.

- Use the table below to identify the correct part number for your printer. To order the part, go to www.hp.com/buy/parts.

Front feed guide assembly part number

RM2-6492-000CNFront feed guide assembly (550-sheet feeder)

Required tools

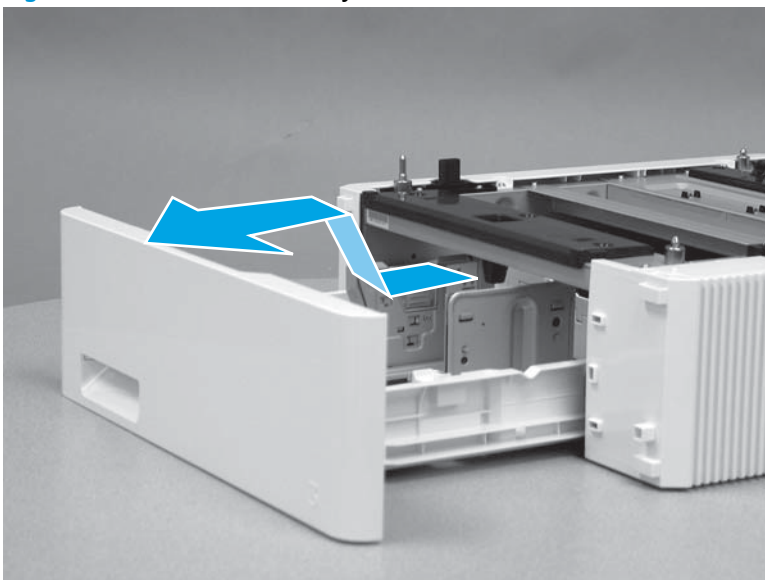
- #2 Phillips screwdriver with a magnetic tip
- Small flat-blade screwdriver

After performing service

- Connect the power cable.
- Use the power switch to turn the power on.

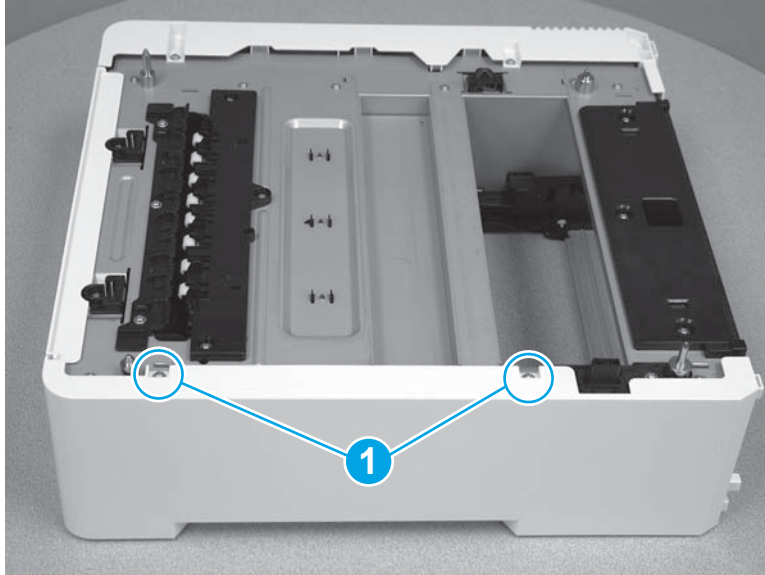
Step 1: Remove Tray 3

- ▲ Pull the tray out until it stops. Lift the front of the tray, and then pull it out of the printer to remove it.

Figure 1-5304 Remove the tray**Step 2: Remove the right cover (550-sheet paper feeder)**

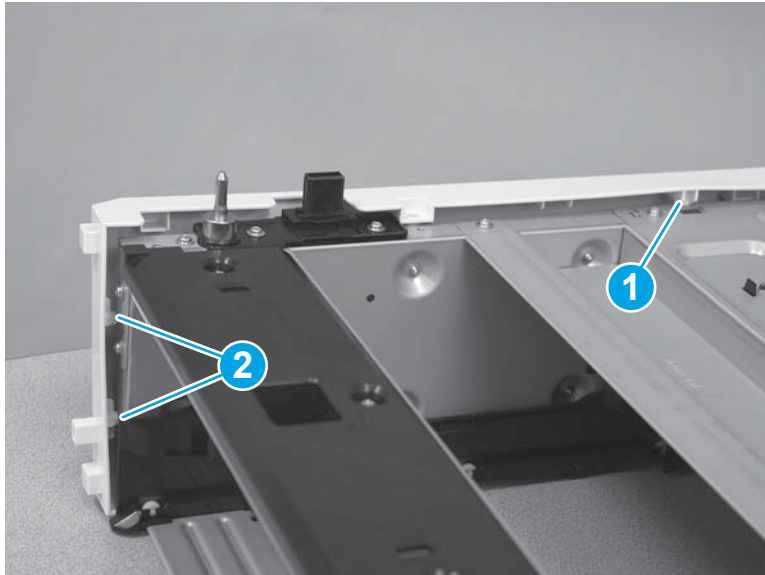
1. Remove two screws (callout 1).

Figure 1-5305 Remove two screws



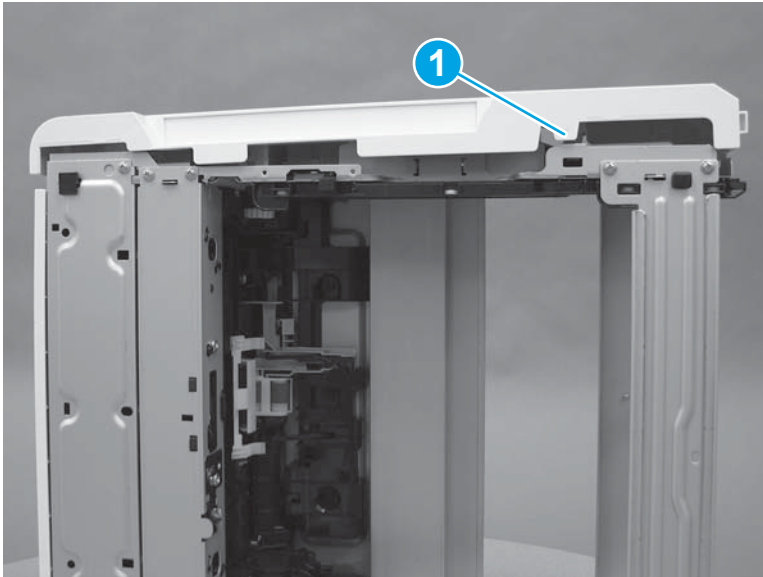
2. Release one tab (callout 1) on the top of the feeder, and then release two tabs (callout 2) at the front of the feeder.

Figure 1-5306 Release three tabs



3. Lay the feeder on the left side so that the right side is facing up, and then release one tab (callout 1) on the bottom of the feeder. Remove the right cover.

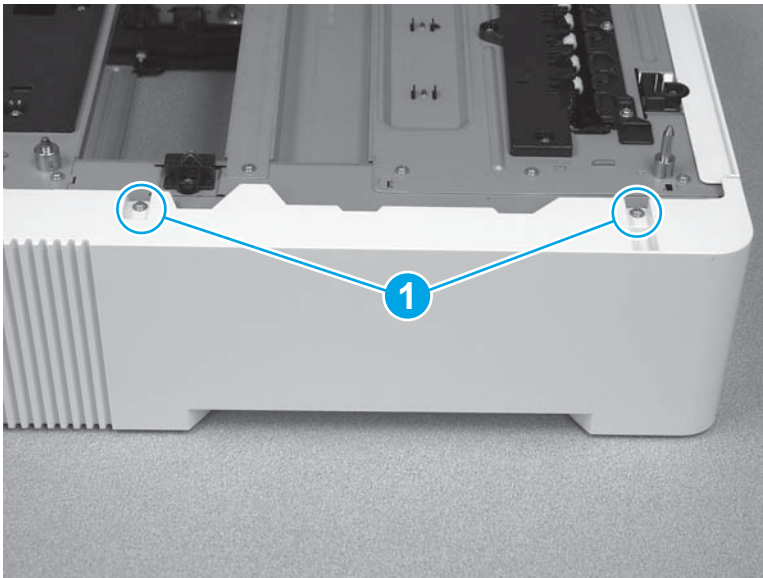
Figure 1-5307 Release one tab



Step 3: Remove the left cover (550-sheet paper feeder)

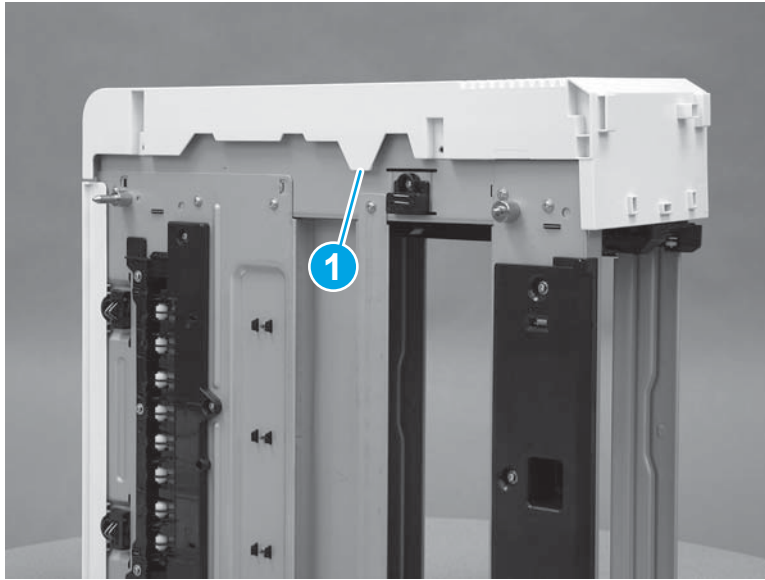
1. Remove two screws (callout 1).

Figure 1-5308 Remove two screws



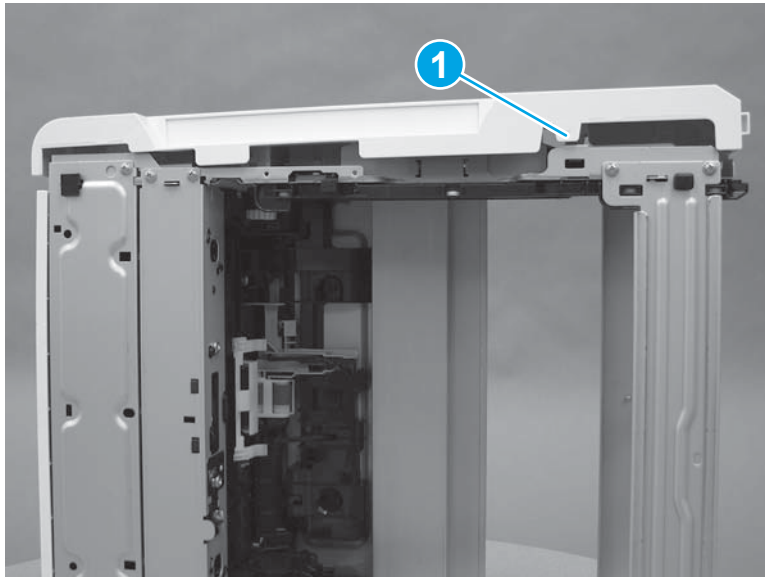
2. Release one tab (callout 1) on the top of the feeder.

Figure 1-5309 Release one tab



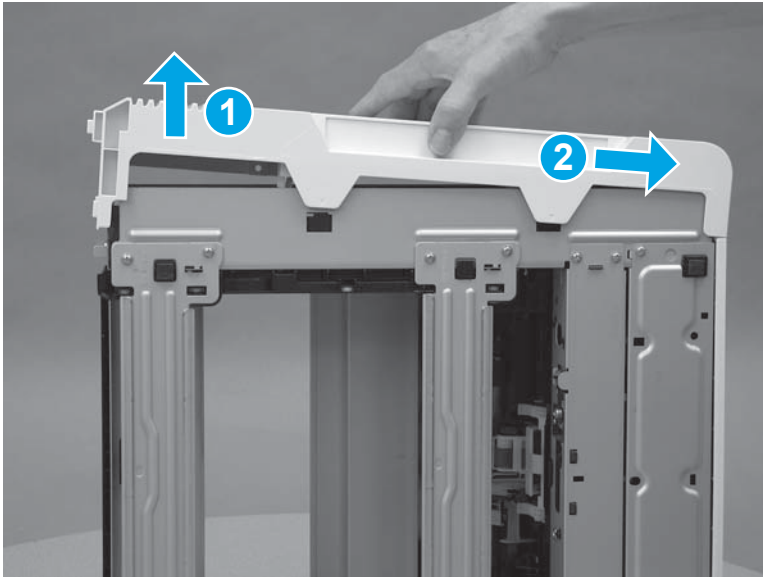
3. Lay the feeder on the right side so that the left side is facing up. Release two tabs (callout 1) on the bottom of the feeder, and then release two tabs (callout 2) on the front of the feeder.

Figure 1-5310 Release four tabs



4. Lift the front of the cover up (callout 1), and then slide the cover (callout 2) toward the back of the feeder to remove it.

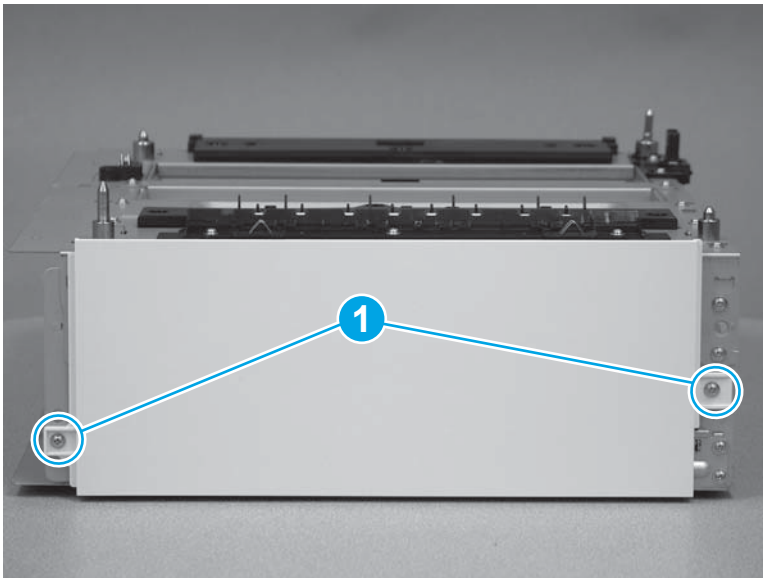
Figure 1-5311 Remove the cover



Step 4: Remove the rear cover (550-sheet paper feeder)

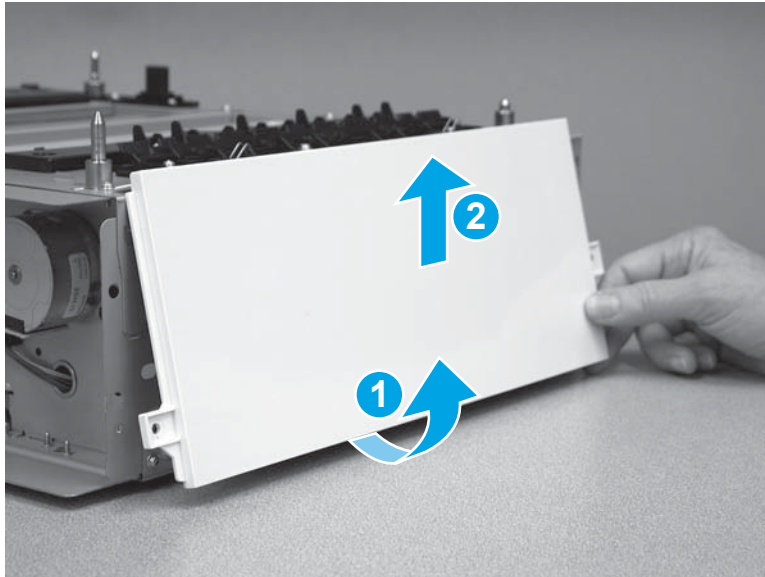
1. Remove two screws (callout 1).

Figure 1-5312 Remove two screws



2. Rotate the bottom edge of the cover (callout 1) away from the feeder, and then raise the cover up (callout 2) to remove it.

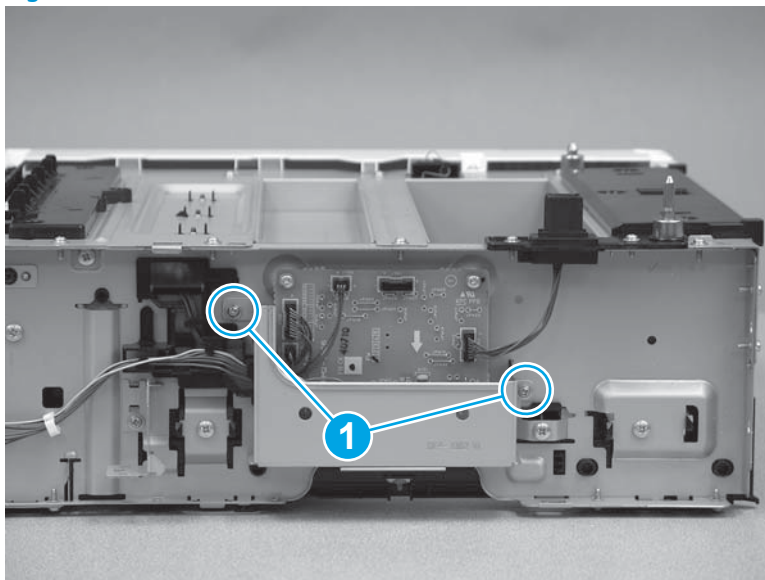
Figure 1-5313 Remove the rear cover



Step 5: Remove the PCA cover (550-sheet paper feeder)

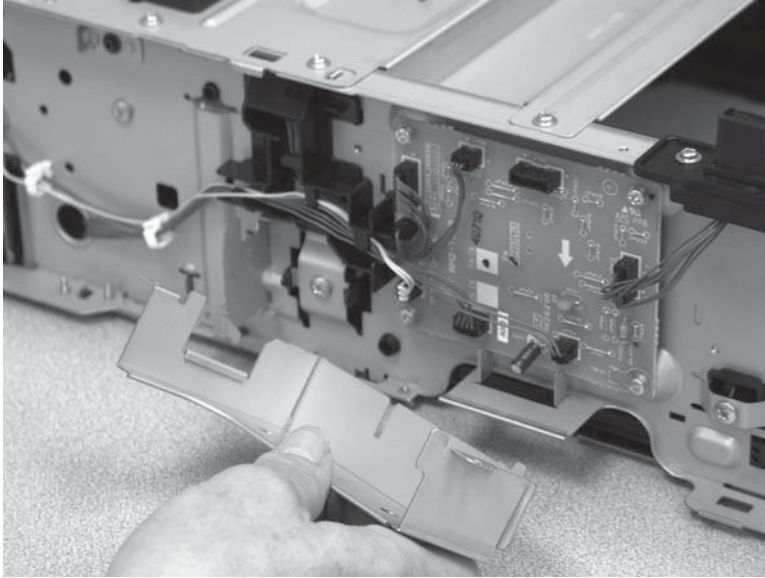
1. On the left side of the feeder, remove two screws (callout 1).

Figure 1-5314 Remove two screws



2. Remove the PCA cover.

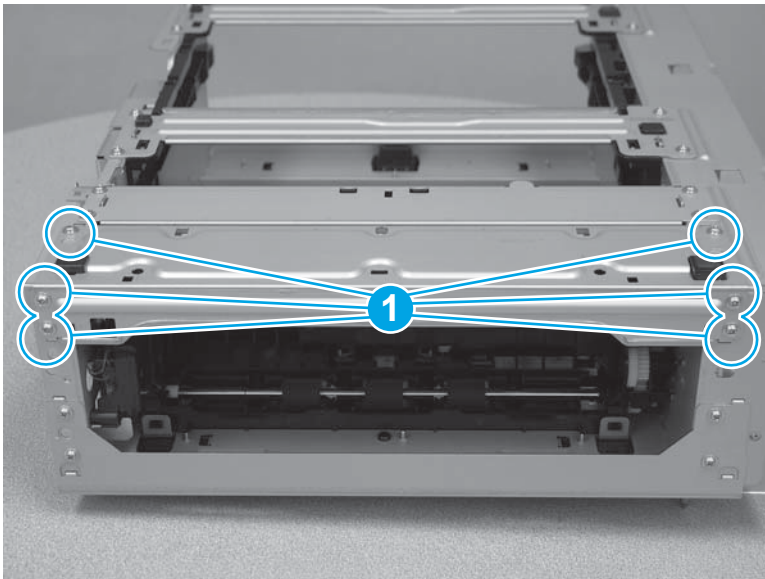
Figure 1-5315 Remove the PCA cover



Step 6: Remove the baseplate (550-sheet paper feeder)

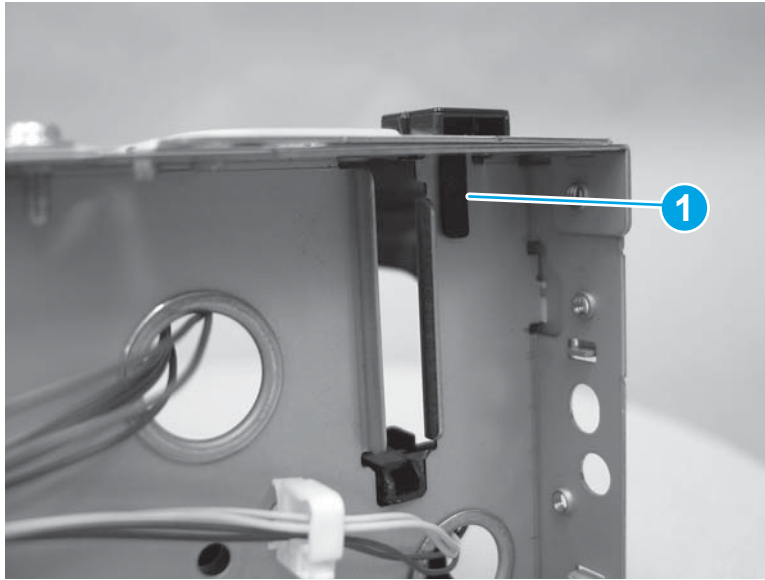
1. Lay the feeder on the top side so that the bottom side is facing up. Remove six screws (callout 1).

Figure 1-5316 Remove six screws



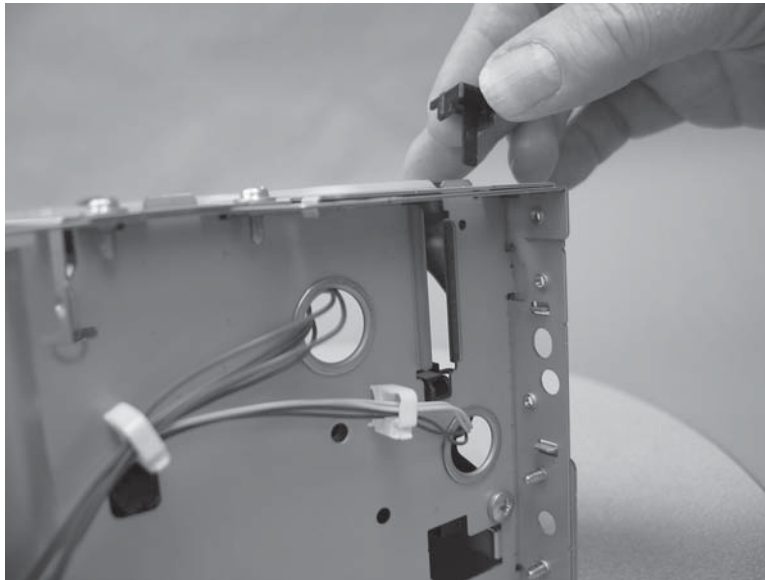
2. On the left side of the feeder, release one tab (callout 1) on the foot.

Figure 1-5317 Release one tab



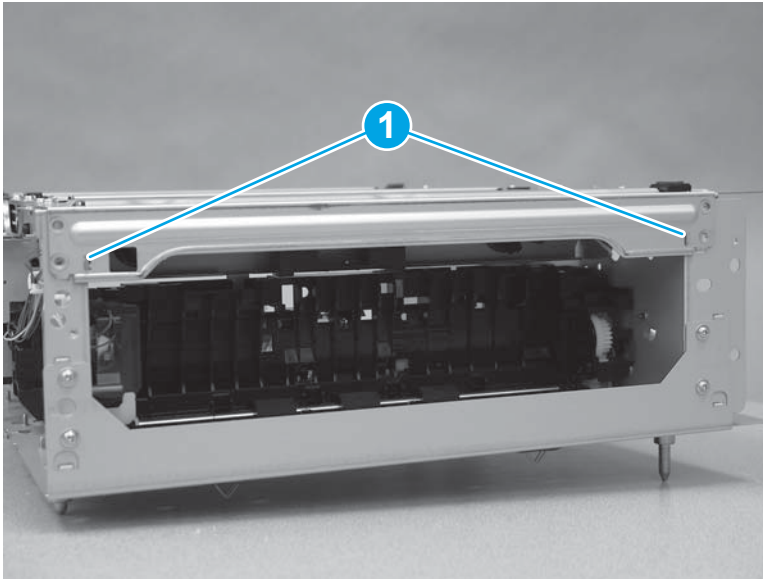
3. Remove the foot.

Figure 1-5318 Remove the foot



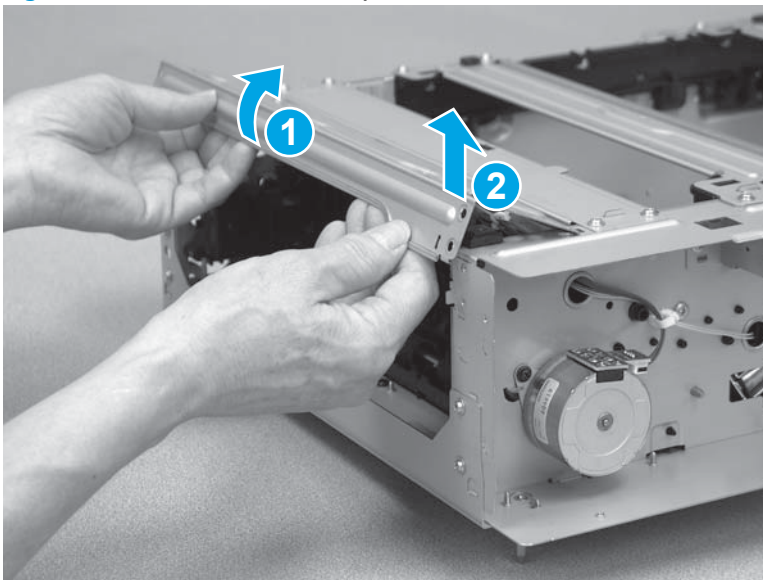
4. Release two tabs (callout 1).

Figure 1-5319 Release two tabs



5. Rotate the edge of the baseplate up (callout 1), and then lift it up (callout 2) to remove it.

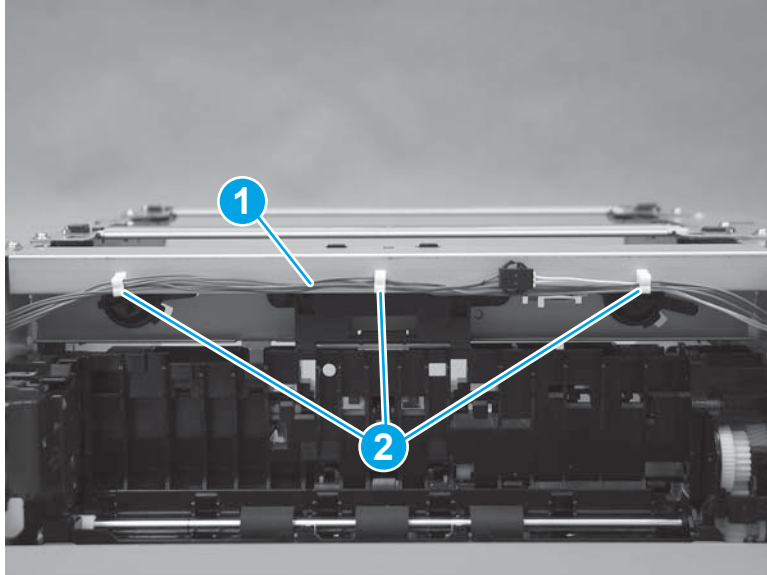
Figure 1-5320 Remove the baseplate



Step 7: Remove the feed frame assembly (550-sheet paper feeder)

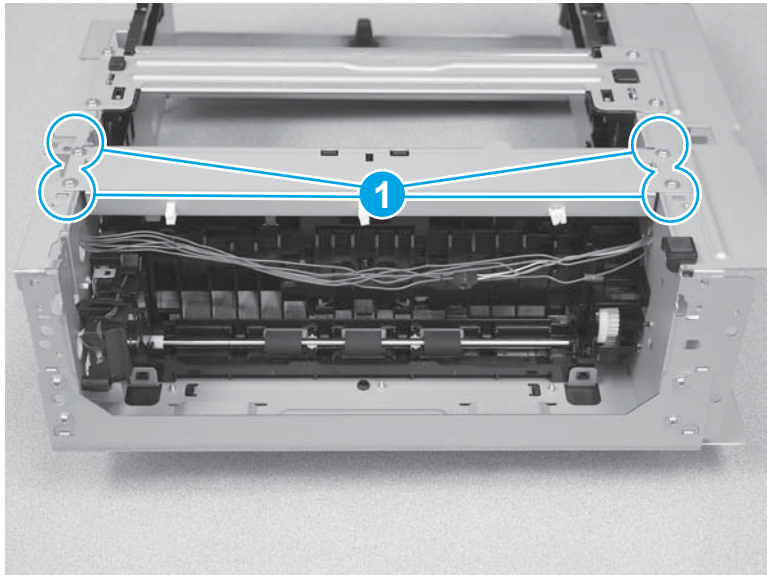
1. Release the cables (callout 1) from the retainers (callout 2).

Figure 1-5321 Release the cables



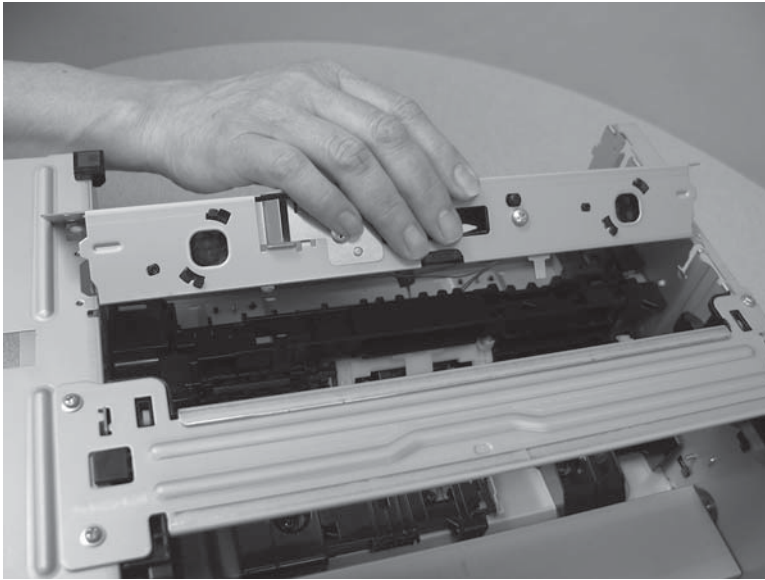
2. Remove four screws (callout 1).

Figure 1-5322 Remove four screws



3. Remove the feed frame assembly.

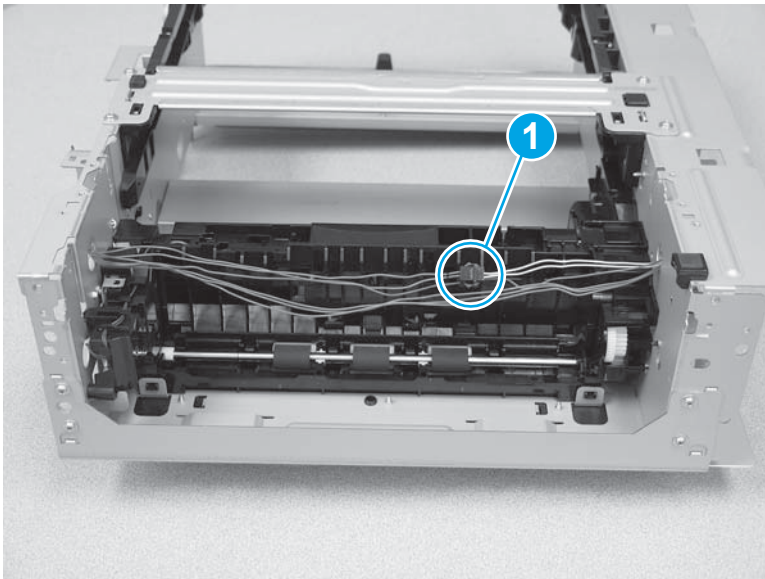
Figure 1-5323 Remove the feed frame assembly



Step 8: Remove the lifter drive assembly (550-sheet paper feeder)

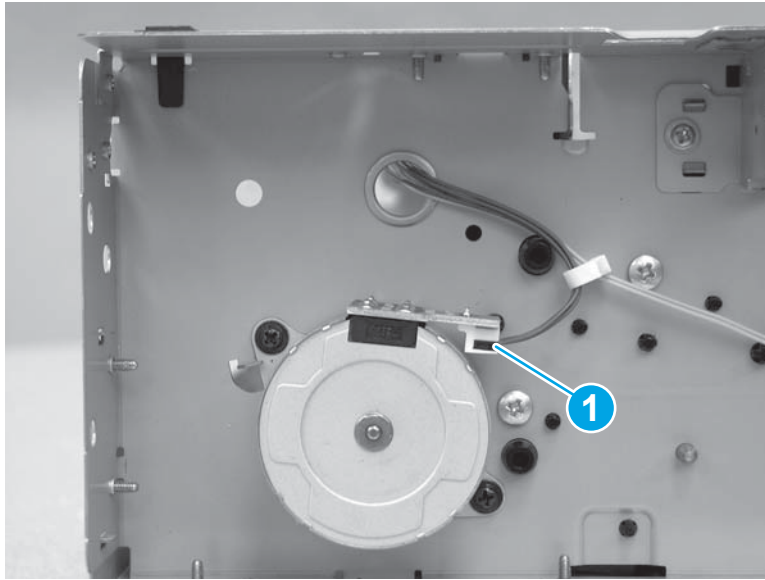
1. Lay the feeder on the top so that the bottom is facing up. Disconnect one in-line connector (callout 1).

Figure 1-5324 Disconnect one connector



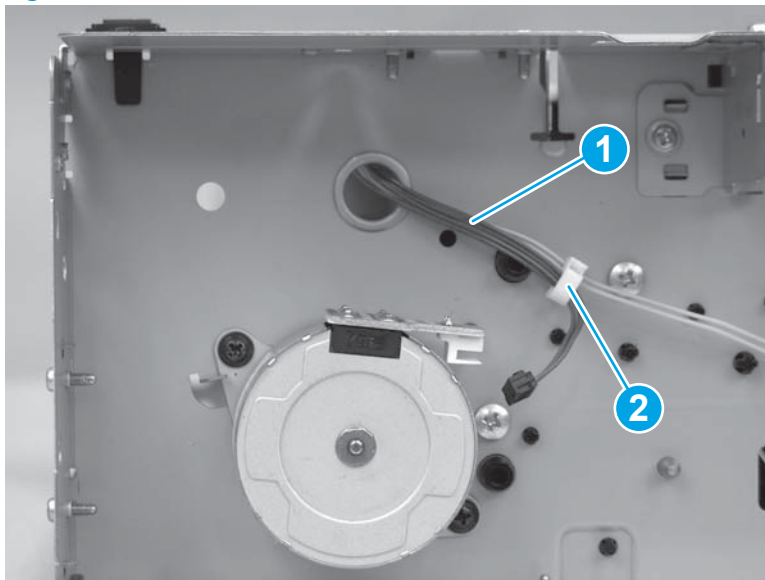
2. On the right side of the feeder, disconnect one connector (callout 1) from the motor.

Figure 1-5325 Disconnect one connector



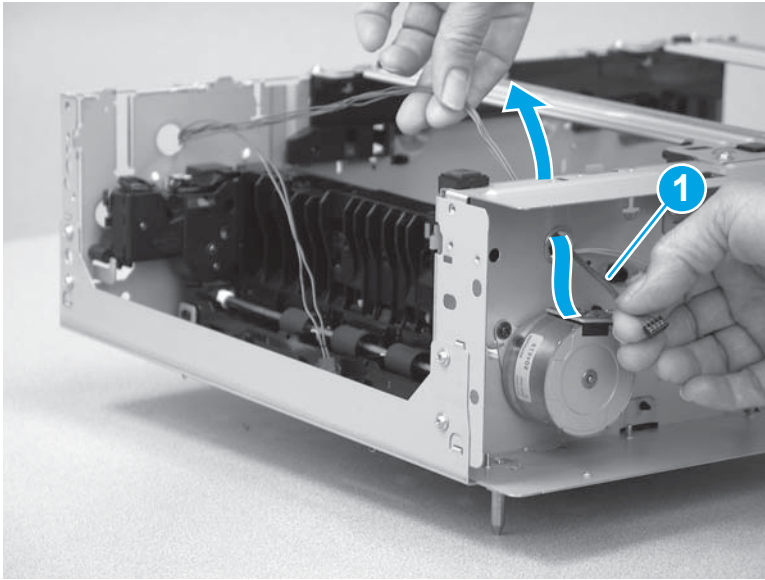
3. Release the cables (callout 1) from the retainer (callout 2).

Figure 1-5326 Release the cables



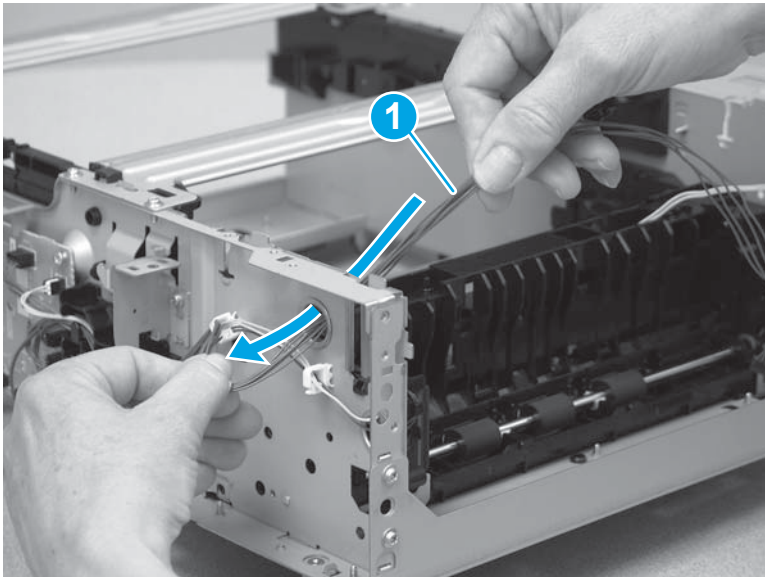
4. Release the cables (callout 1) through the hole in the sheet metal.

Figure 1-5327 Release the cables



5. On the left side of the feeder, remove all of the cables (callout 1) through the opening in the paper feeder.

Figure 1-5328 Remove the cables



6. Lay the feeder on the right side so that the left side is facing up. Disconnect two connectors (callout 1), and remove the cables (callout 2) from the guides (callout 3). Remove one screw (callout 4), and then remove four more screws (callout 5).


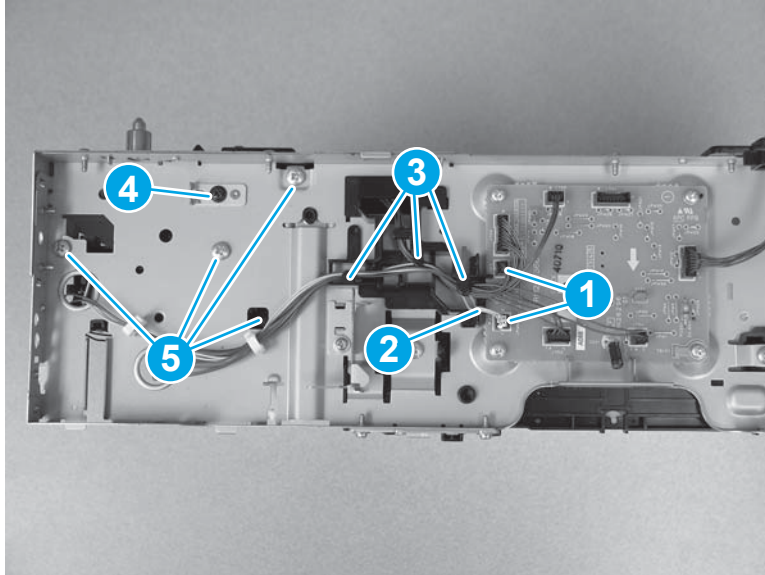
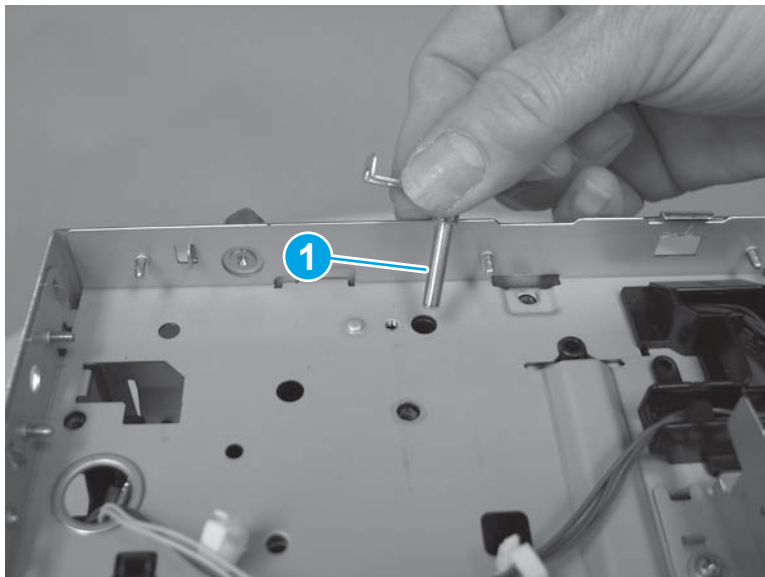
 **Reinstallation tip:** One screw (callout 4) is different from the other screws. Make sure that this screw is installed in the correct position.

Figure 1-5329 Disconnect connector and remove five screws



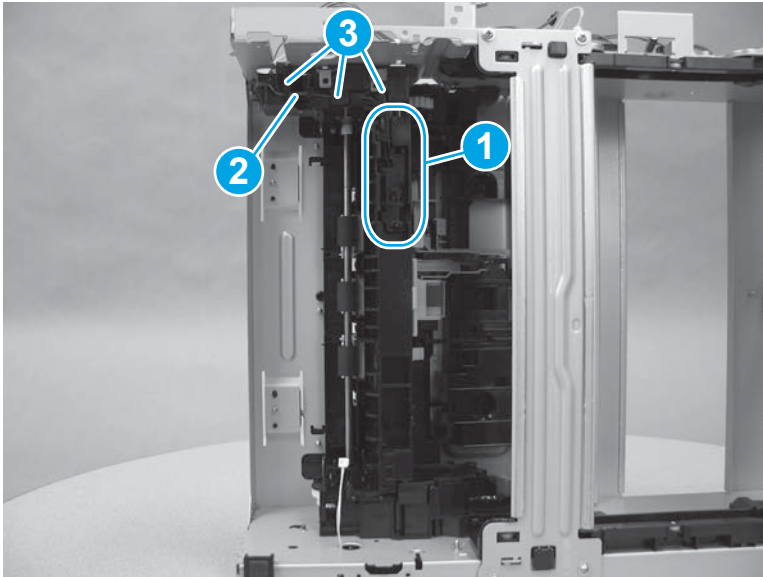
7. Remove the shaft (callout 1).

Figure 1-5330 Remove the shaft



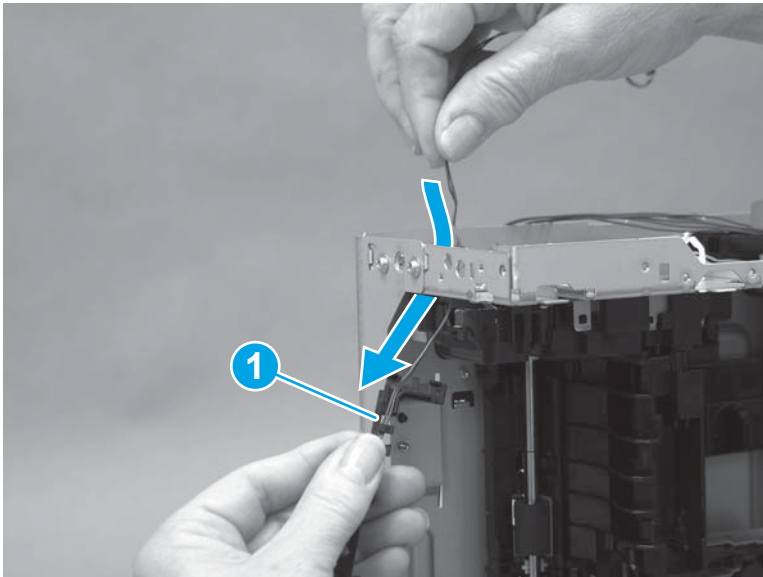
8. Release the tray sensor switch (callout 1), and then remove the cables (callout 2) from the guides (callout 3).

Figure 1-5331 Release the tray sensor switch



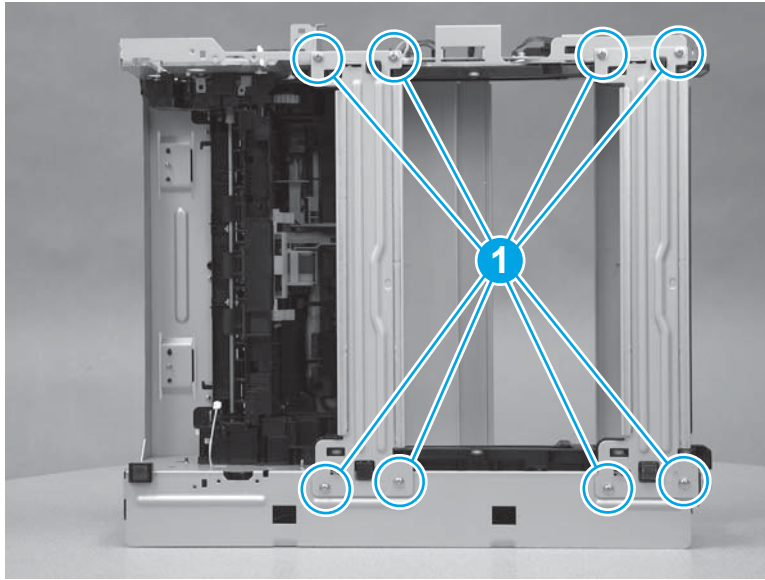
9. Release the tray sensor switch cables (callout 1) through the hole in the sheet metal.

Figure 1-5332 Release the tray sensor switch cables



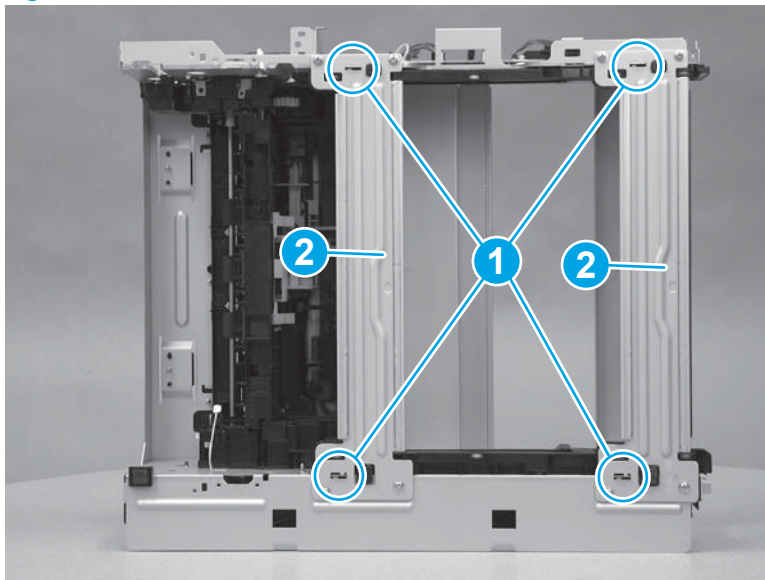
10. Remove eight screws (callout 1).

Figure 1-5333 Remove eight screws



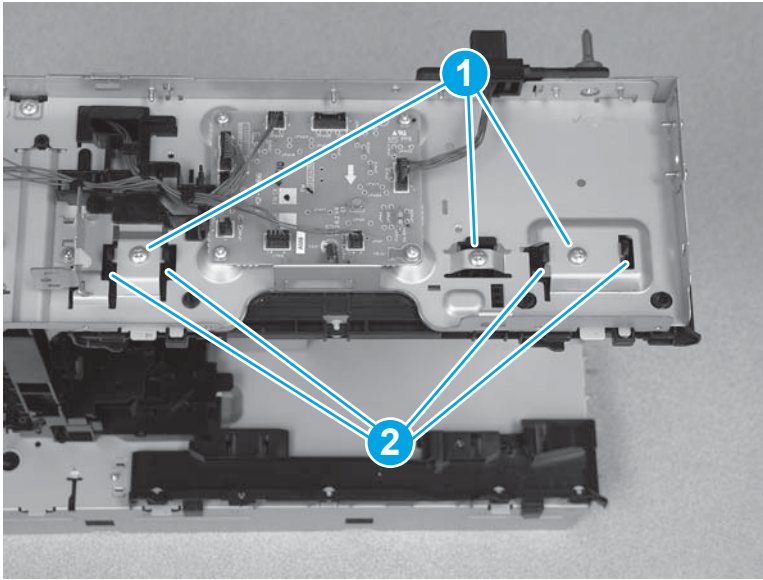
11. Release four tabs (callout 1), and then remove the cross braces (callout 2).

Figure 1-5334 Remove the cross braces



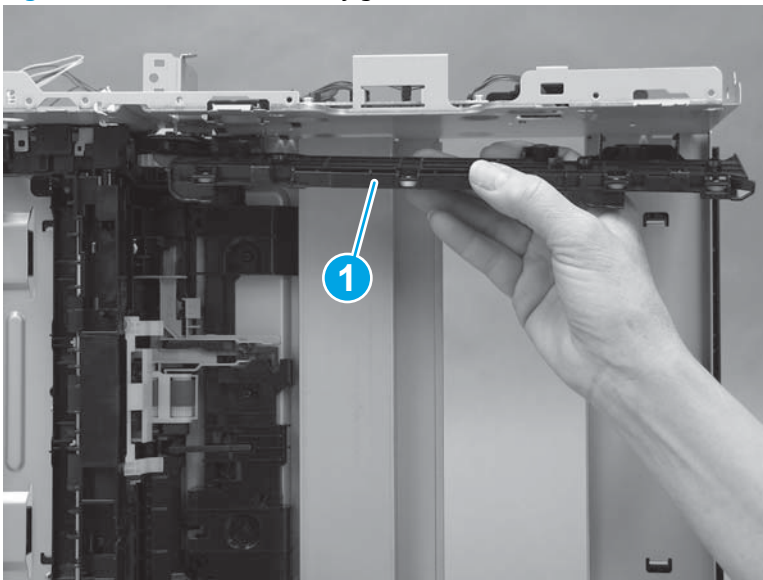
12. On the left side of the feeder, remove three screws (callout 1), and then release three tabs (callout 2).

Figure 1-5335 Remove screws and release tabs



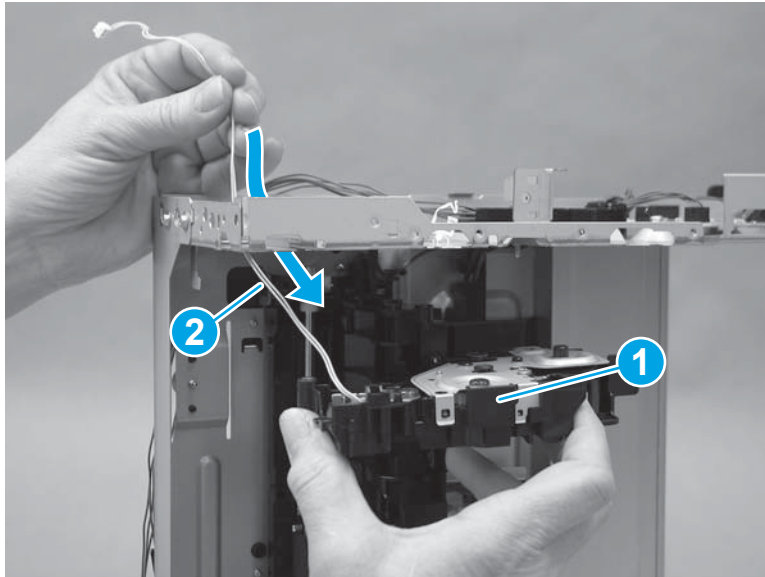
13. Remove the tray guide (callout 1).

Figure 1-5336 Remove the tray guide



14. Remove the lifter drive assembly (callout 1), and then release the cables (callout 2) through the feeder frame.

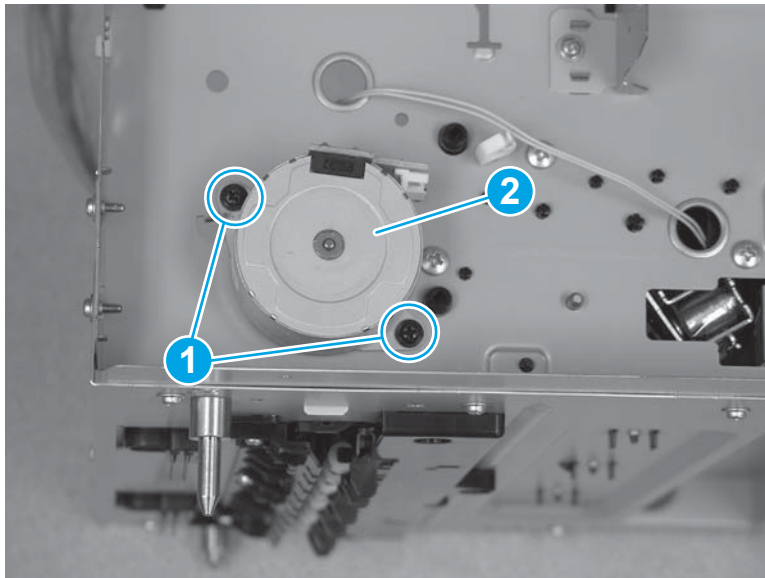
Figure 1-5337 Remove the lifter drive assembly



Step 9: Remove the pickup assembly (550-sheet paper feeder)

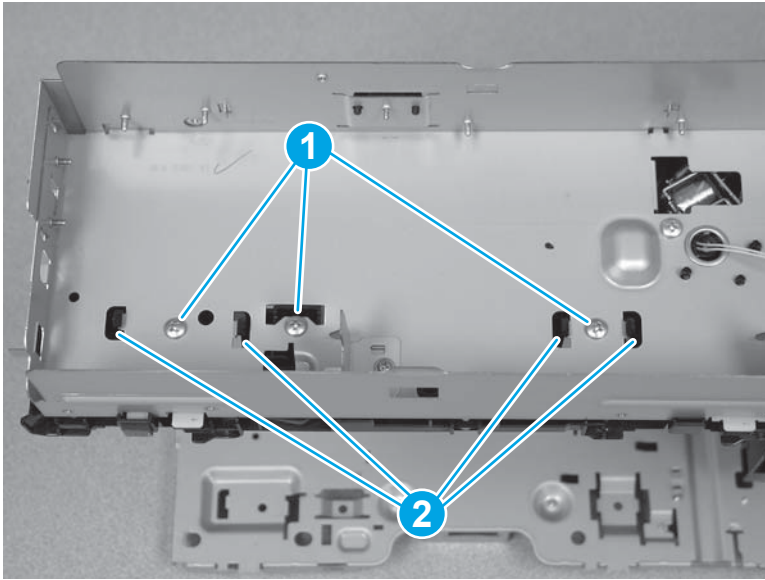
1. Lay the feeder on the left side so that the right side is facing up. Remove two screws (callout 1), and then remove the motor (callout 2).

Figure 1-5338 Remove the motor



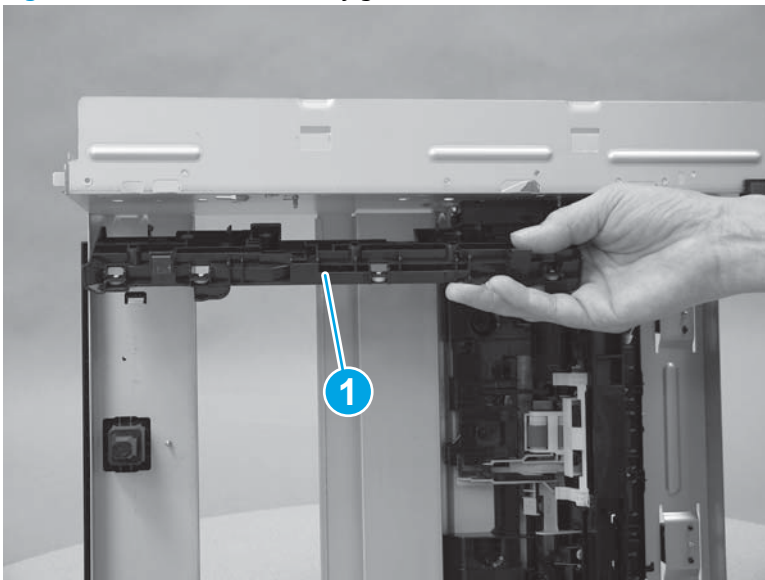
2. Remove three screws (callout 1), and then release three tabs (callout 2).

Figure 1-5339 Remove screws and release tabs



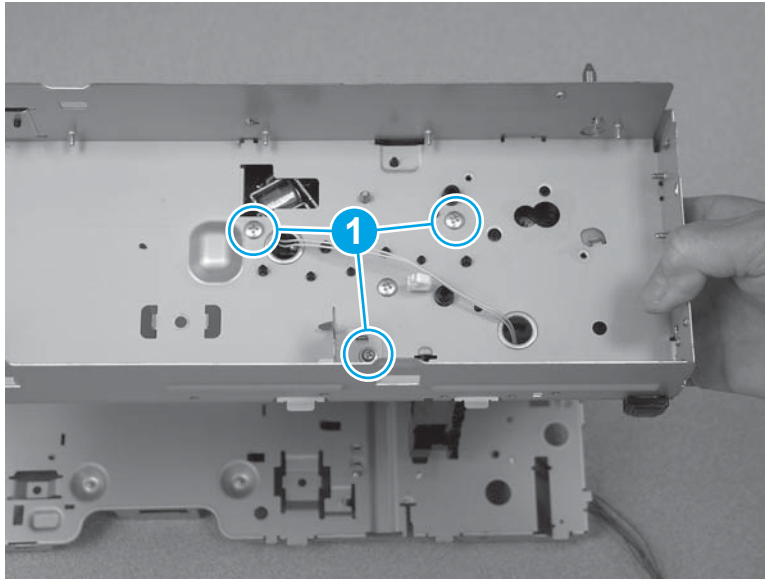
3. Remove the tray guide (callout 1).

Figure 1-5340 Remove the tray guide



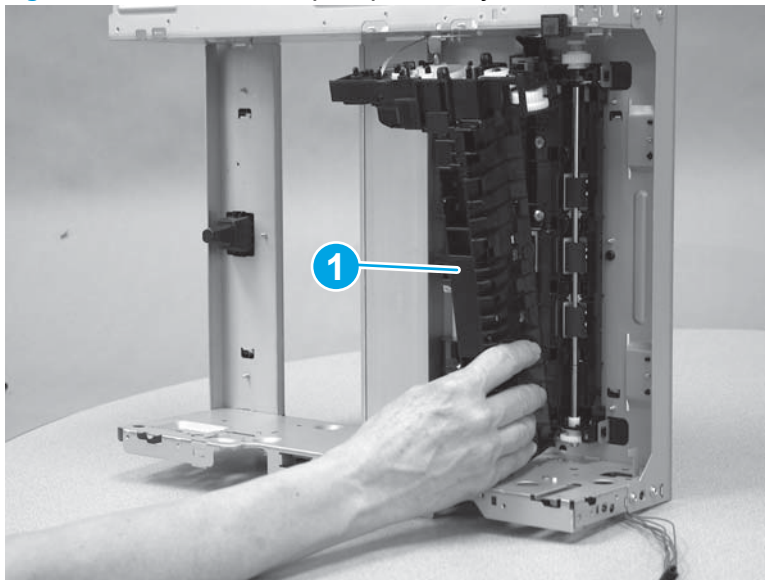
4. Remove three screws (callout 1).

Figure 1-5341 Remove three screws



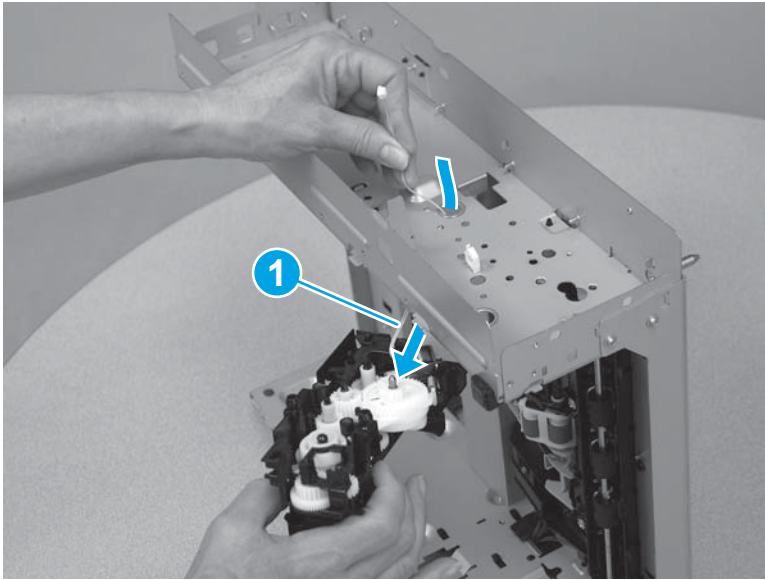
5. Remove the pickup assembly (callout 1).

Figure 1-5342 Remove the pickup assembly



6. Release the cables (callout 1) through the feeder frame.

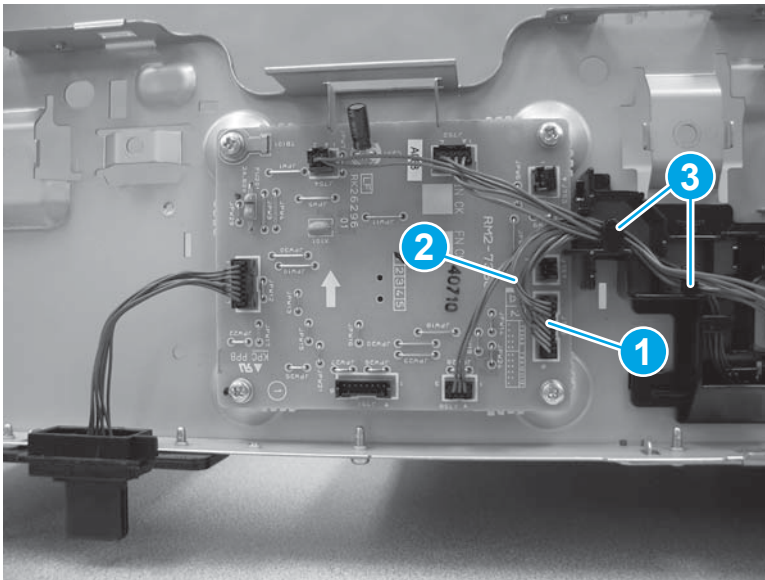
Figure 1-5343 Release the cables



Step 10: Remove the front feed guide assembly (550-sheet paper feeder)

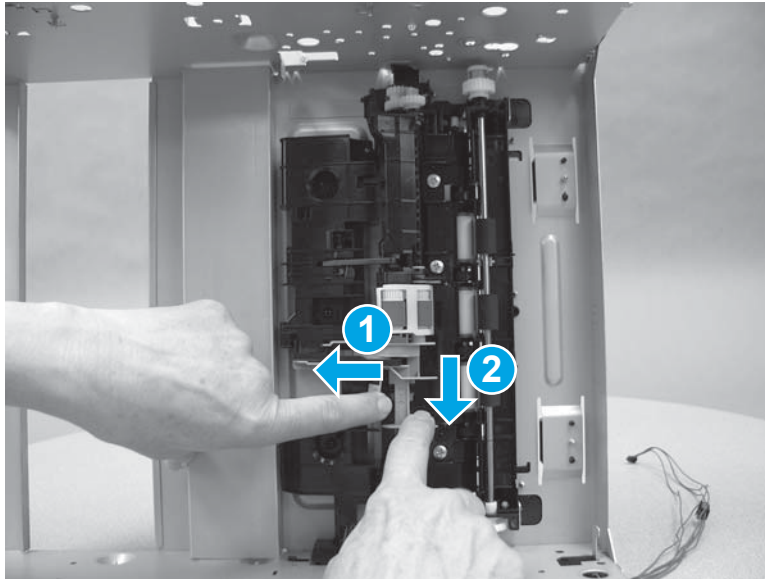
1. Lay the feeder on the right side so that the left side is facing up. Disconnect one connector (callout 1), and then remove the cables (callout 2) from the guides (callout 3).

Figure 1-5344 Disconnect one connector



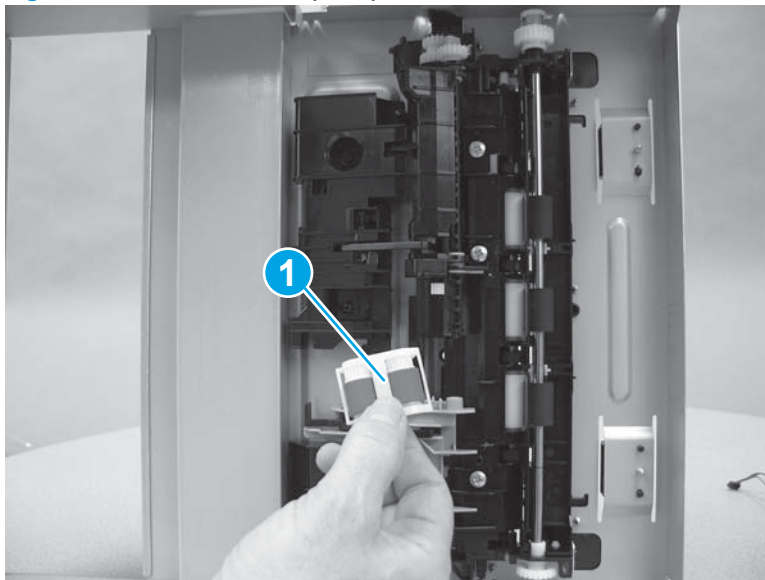
2. Press the lever (callout 1) on the roller holder, and then slide the roller holder down (callout 2).

Figure 1-5345 Slide the roller holder



3. Remove the roller holder (callout 1).

Figure 1-5346 Remove the pickup and feed rollers



4. Remove three screws (callout 1) on the rear feed guide assembly, and then remove three screws (callout 2) on the front feed guide assembly.


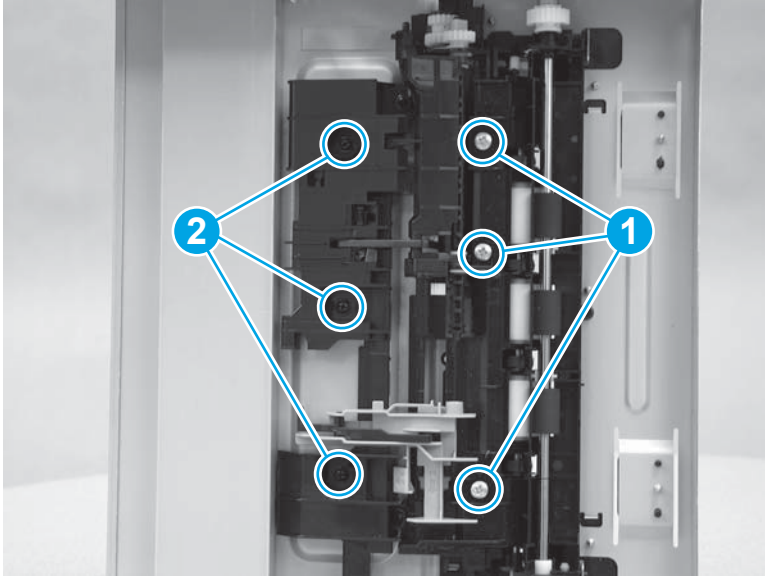
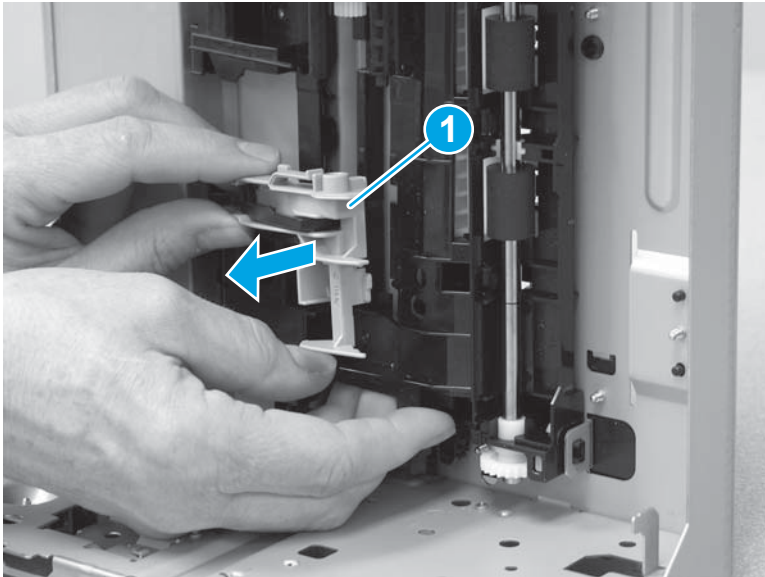
 **Reinstallation tip:** The three screws (callout 1) on the rear feed guide assembly are larger than the screws on the front feed guide assembly.

Figure 1-5347 Remove six screws



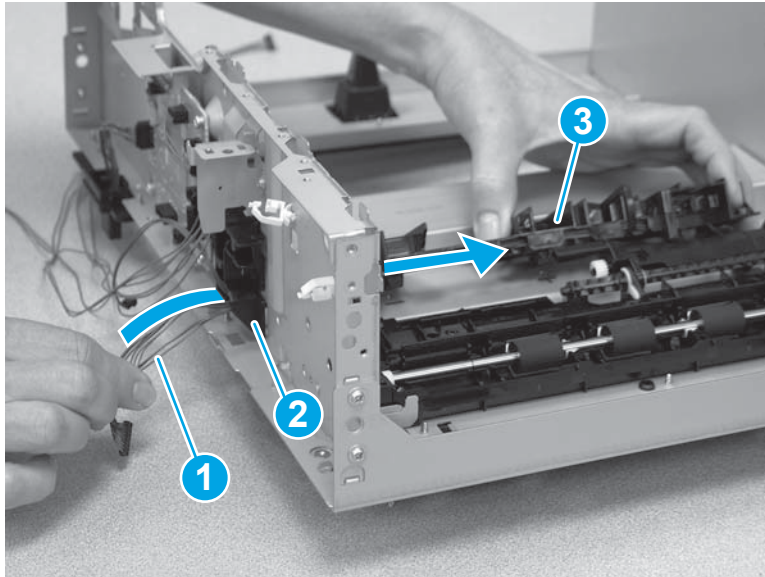
5. Remove the roller holder (callout 1).

Figure 1-5348 Remove the roller holder



6. Release the cables (callout 1) through the feeder frame (callout 2), and then remove the front feed guide assembly (callout 3).

Figure 1-5349 Remove the front feed guide assembly



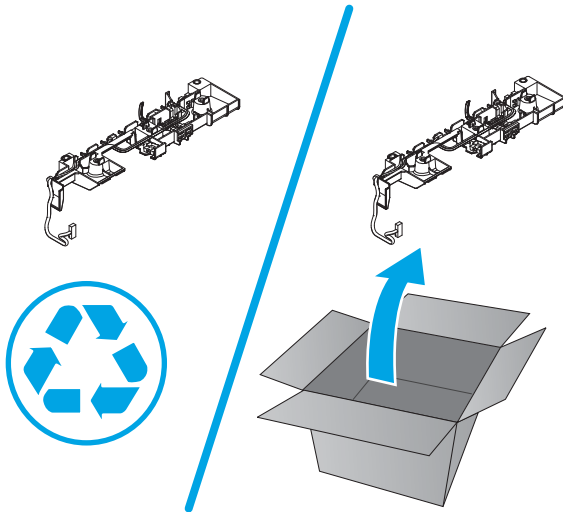
Step 11: Unpack the replacement part

Remove the new part from its package. Save all packaging for recycling the used part.

For complete information on HP's recycling programs, go to [Product return and recycling](#).

 **NOTE:** HP recommends responsible disposal of the defective part.

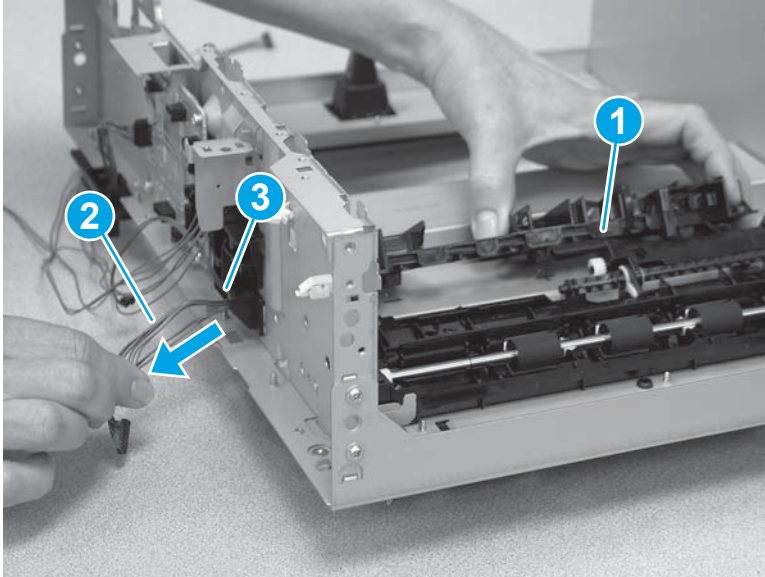
Figure 1-5350 Recycle and unpack



Step 12: Install the front feed guide assembly (550-sheet paper feeder)

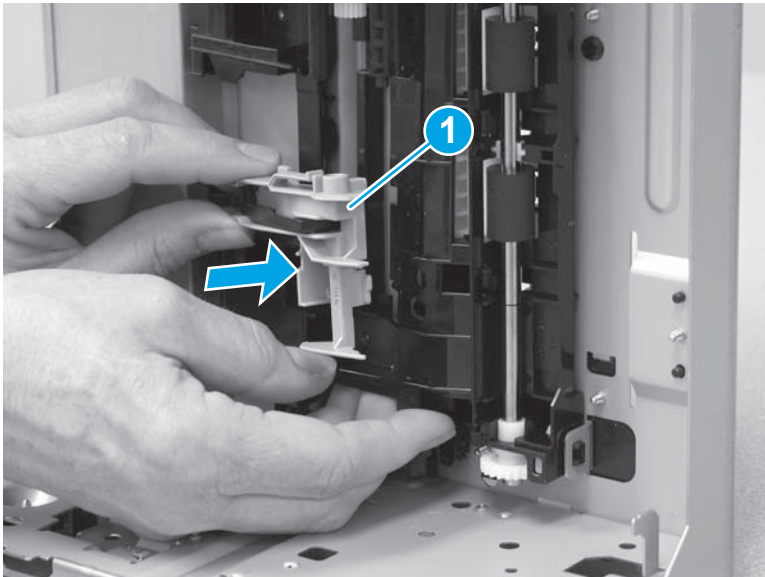
1. Install the front feed guide (callout 1), and then install the cables (callout 2), through the feeder frame (callout 3).

Figure 1-5351 Install the front feed guide assembly



2. Install the roller holder (callout 1).

Figure 1-5352 Install the roller holder



3. Install three screws (callout 1) on the rear feed guide assembly, and then install three screws (callout 2) on the front feed guide assembly.


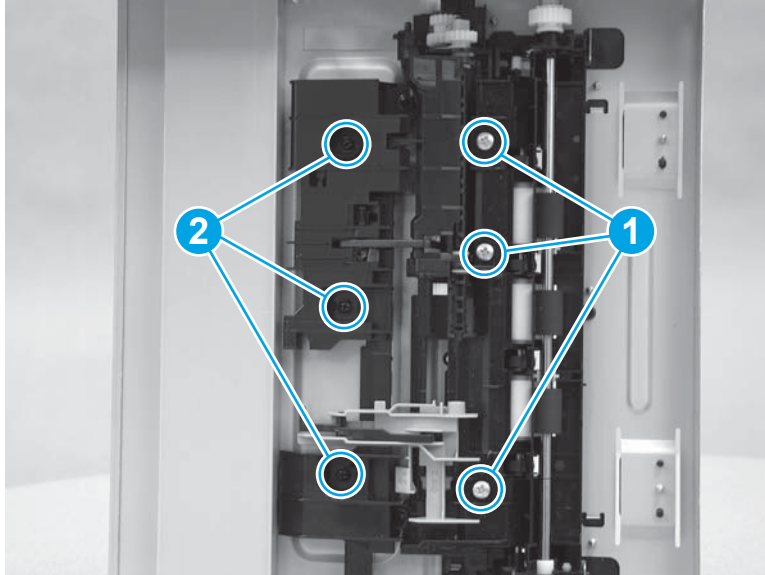
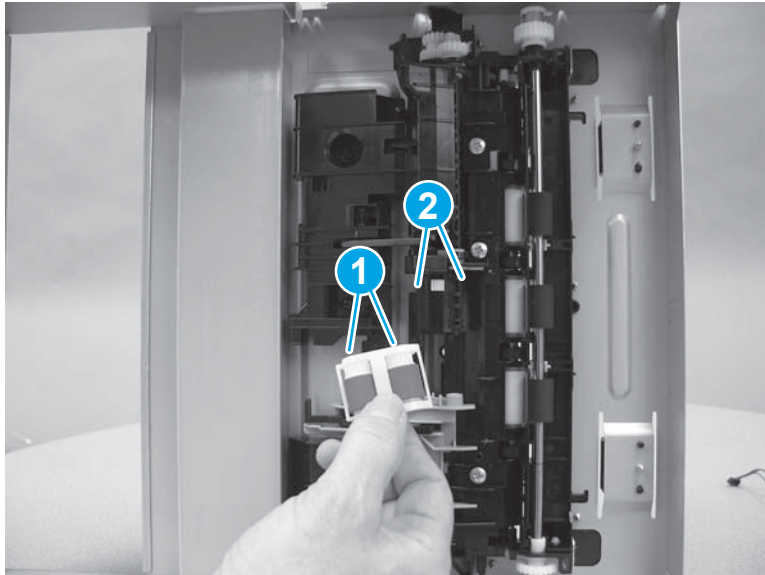
 **Reinstallation tip:** The three screws (callout 1) on the rear feed guide assembly are larger than the screws on the front feed guide assembly.

Figure 1-5353 Install six screws



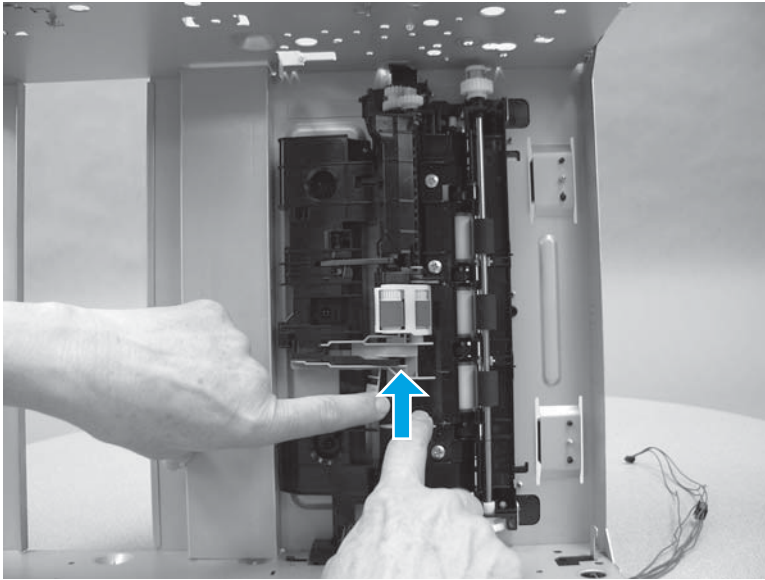
4. Install the pickup and feed roller case (callout 1) on the shafts (callout 2).

Figure 1-5354 Install the pickup and feed rollers



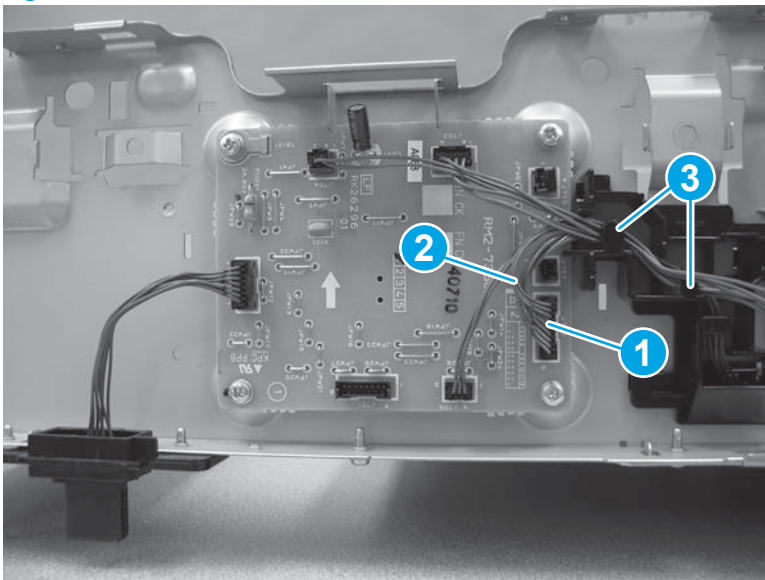
5. Slide the roller holder up until it snaps into place.

Figure 1-5355 Slide the roller holder



6. Connect one connector (callout 1), and then install the cables (callout 2) into the guides (callout 3).

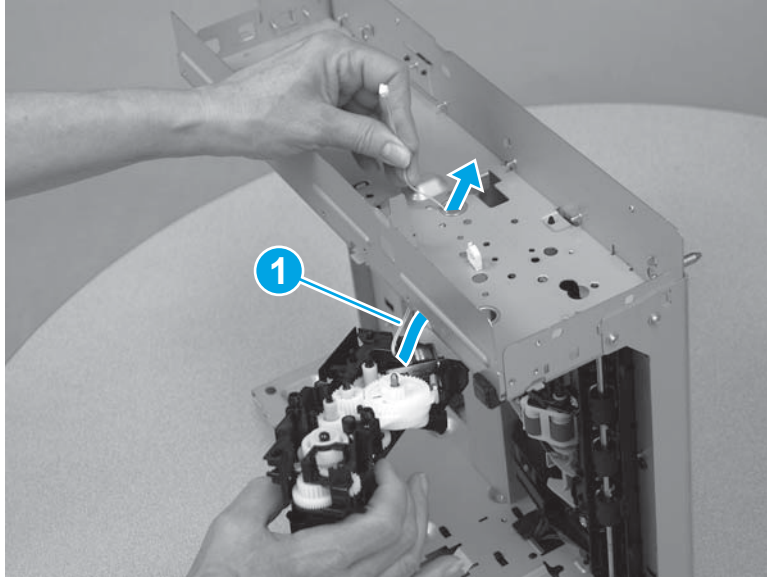
Figure 1-5356 Connect one connector



Step 13: Install the pickup assembly (550-sheet paper feeder)

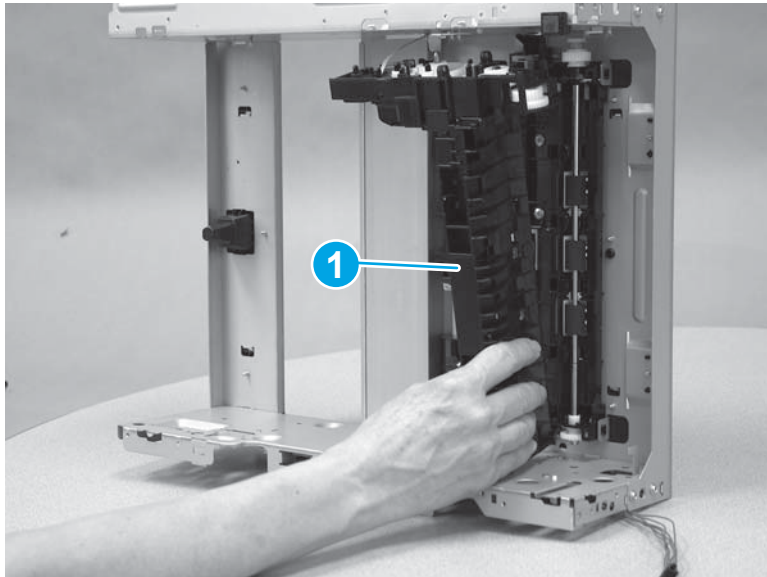
1. Lay the feeder on the left side so that the right side is facing up. Install the cables (callout 1) through the feeder frame.

Figure 1-5357 Install the cables



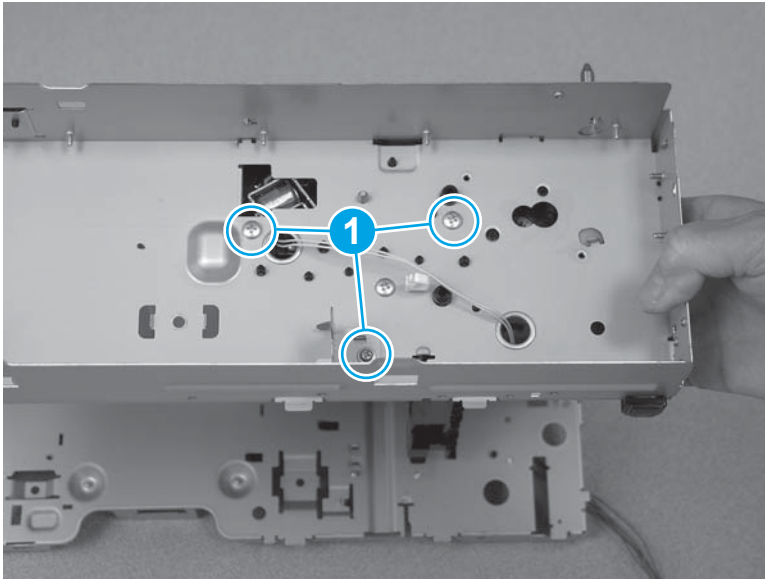
2. Install the pickup assembly (callout 1).

Figure 1-5358 Install the pickup assembly



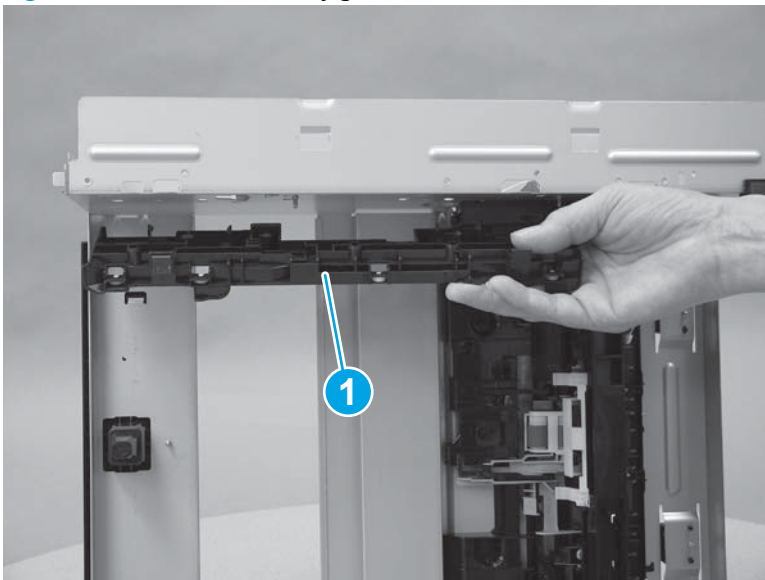
3. Install three screws (callout 1).

Figure 1-5359 Install three screws



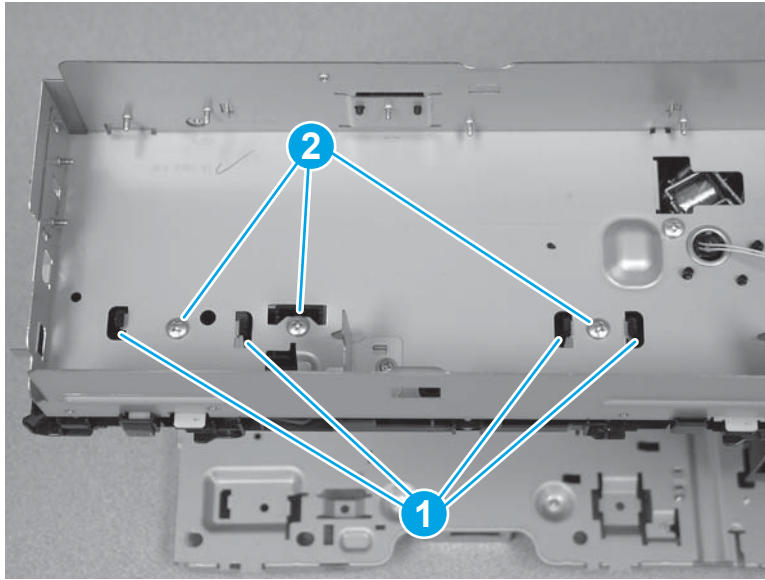
4. Install the tray guide (callout 1).

Figure 1-5360 Install the tray guide



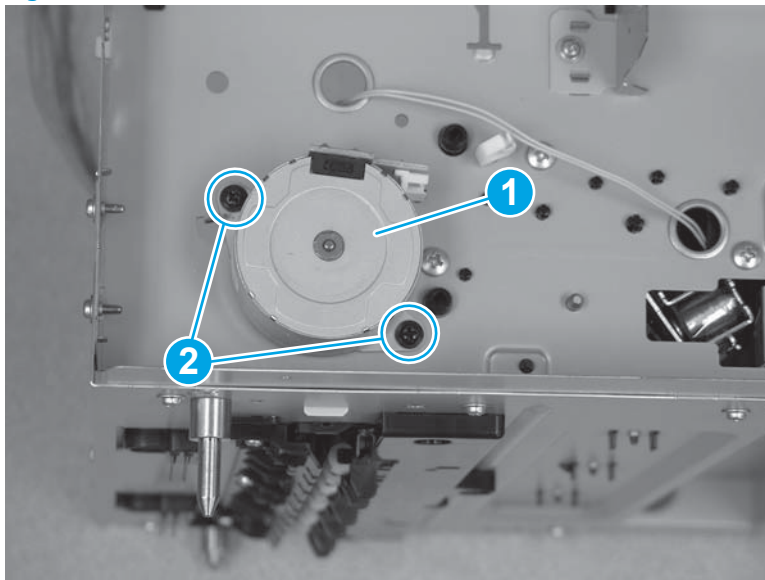
5. Install three tabs (callout 1), and then install three screws (callout 2).

Figure 1-5361 Install screws and tabs



6. Install the motor (callout 1), and then install two screws (callout 2).

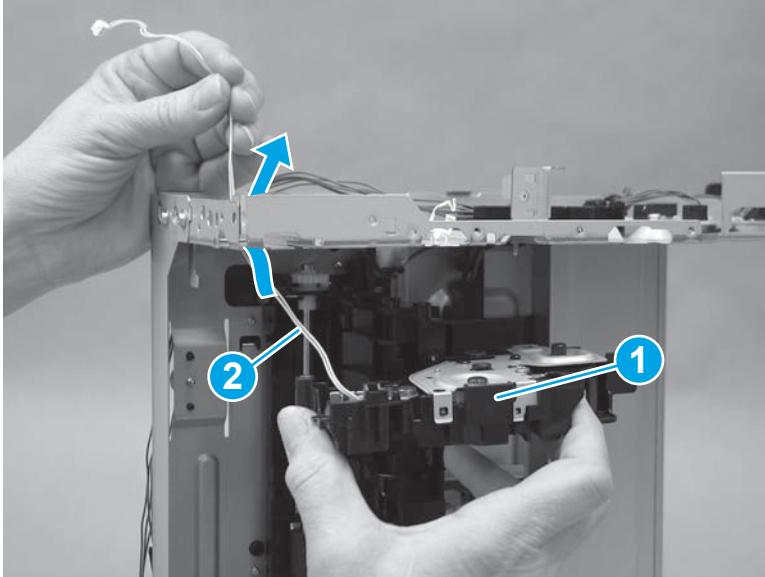
Figure 1-5362 Install the motor



Step 14: Install the lifter drive assembly (550-sheet paper feeder)

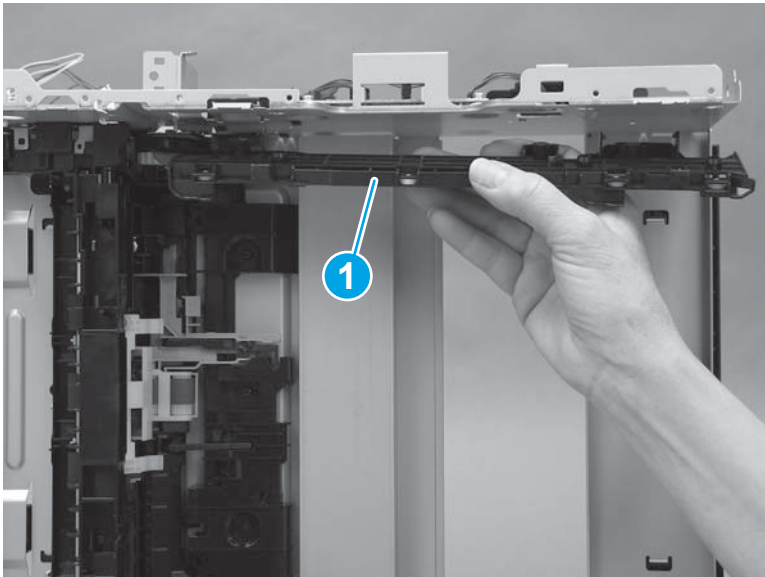
1. Install the cables (callout 1) on the lifter drive assembly up through the printer frame, and then install the lifter drive assembly (callout 2).

Figure 1-5363 Install the lifter drive assembly



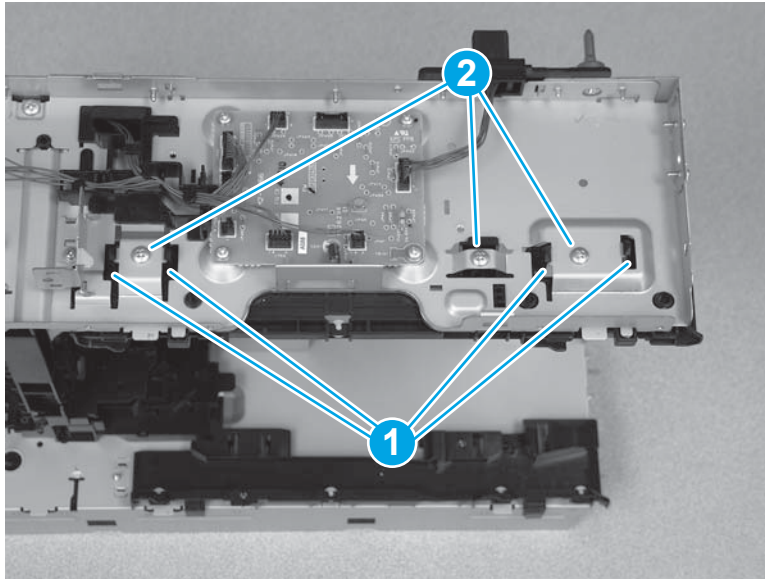
2. Install the tray guide (callout 1).

Figure 1-5364 Install the tray guide



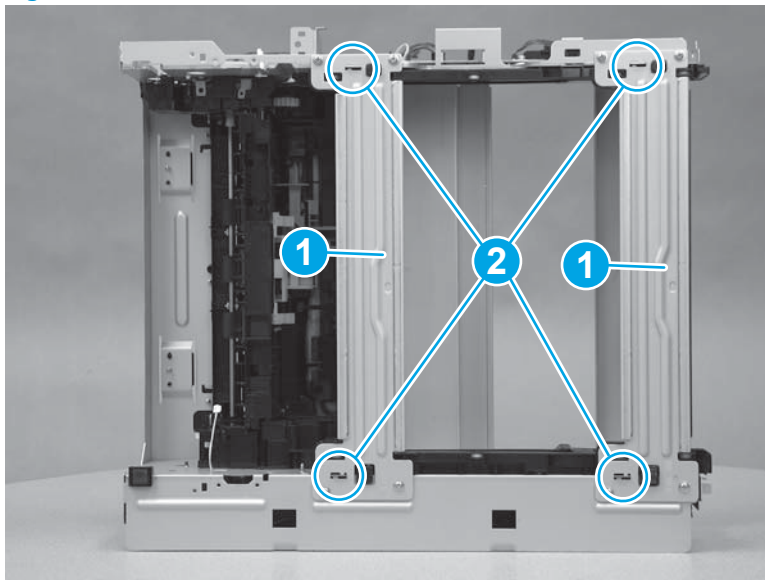
3. Install three tabs (callout 1), and then install three screws (callout 2).

Figure 1-5365 Install screws and tabs



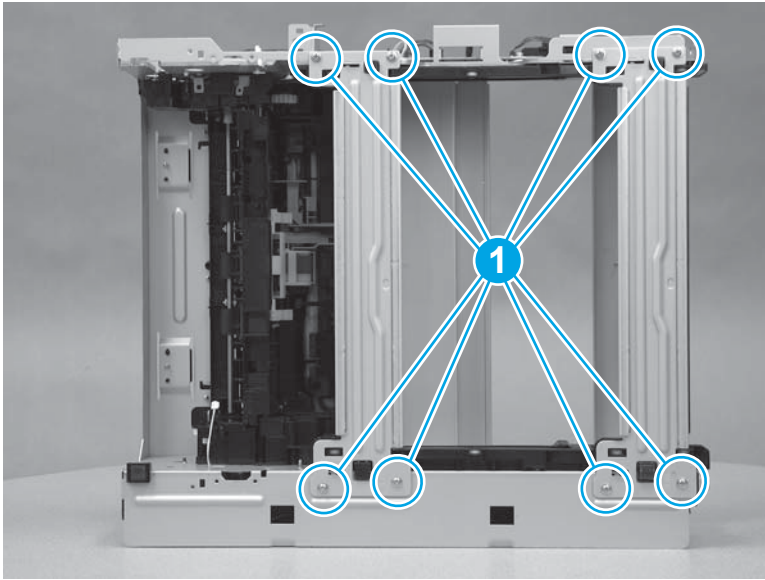
4. Position the cross braces (callout 1), and then install four tabs (callout 2).

Figure 1-5366 Install the cross braces



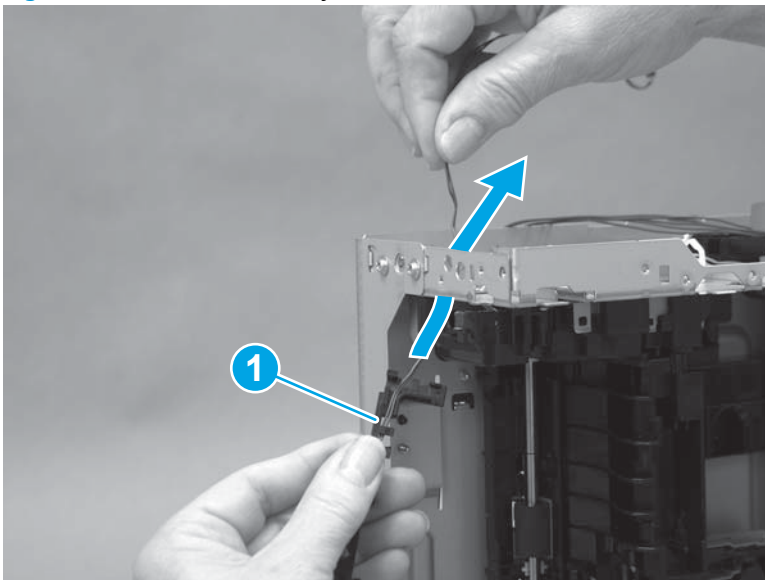
5. Install eight screws (callout 1).

Figure 1-5367 Install eight screws



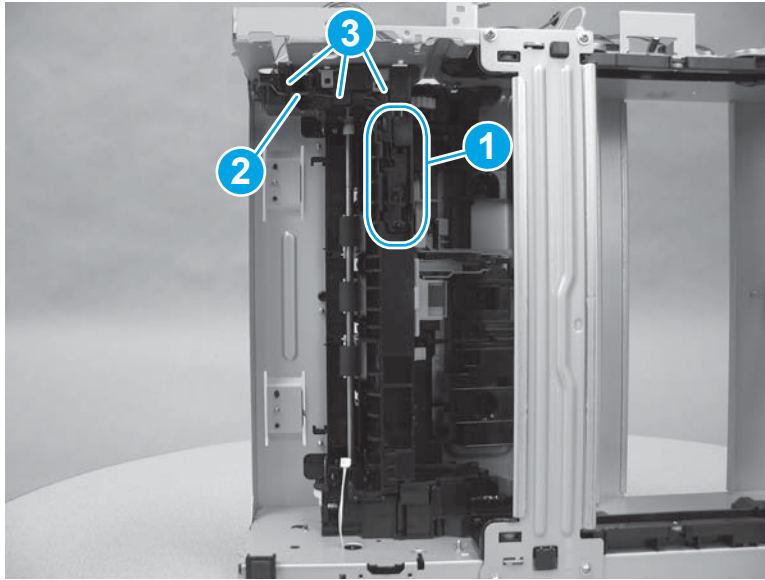
6. Install the tray sensor switch cables (callout 1) through the hole in the sheet metal.

Figure 1-5368 Install the tray sensor switch cables



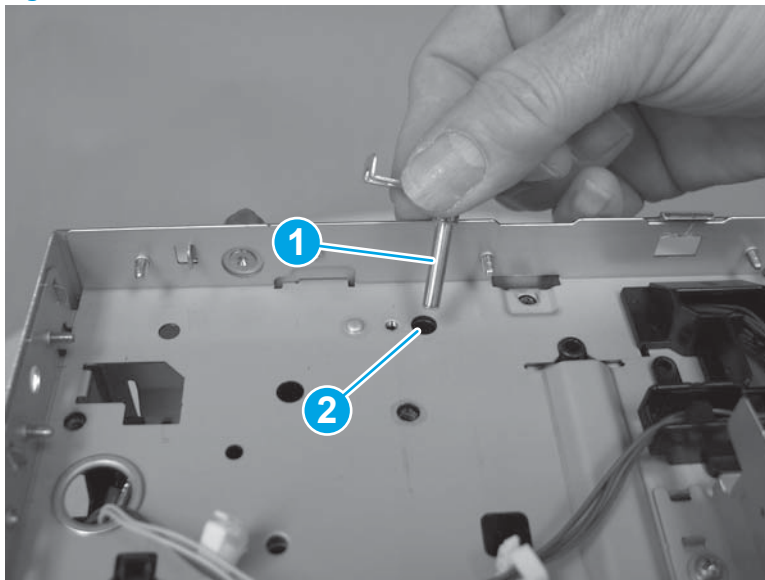
7. Install the tray sensor switch (callout 1), and then install the cables (callout 2) in the guides (callout 3).

Figure 1-5369 Install the tray sensor switch



8. Install the shaft (callout 1) in the hole (callout 2) in the feeder.

Figure 1-5370 Install the shaft



9. Connect two connectors (callout 1), and install the cables (callout 2) in the guides (callout 3). Install one screw (callout 4), and then install four more screws (callout 5).


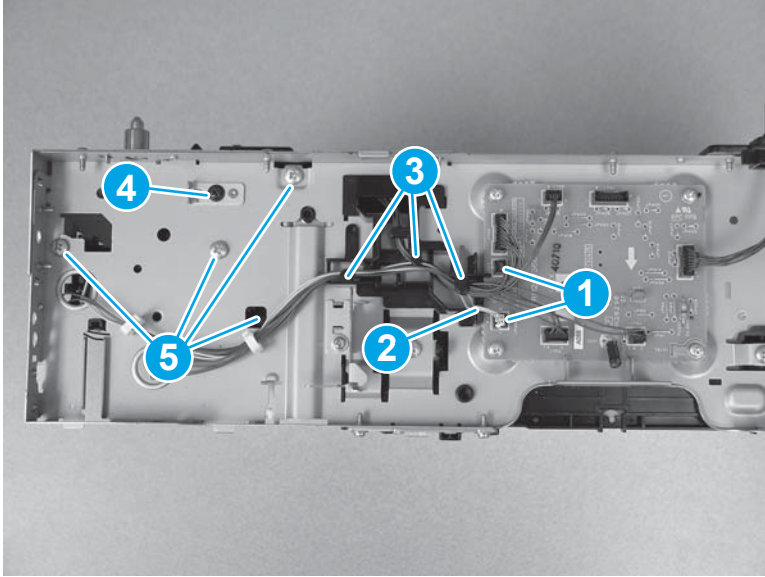
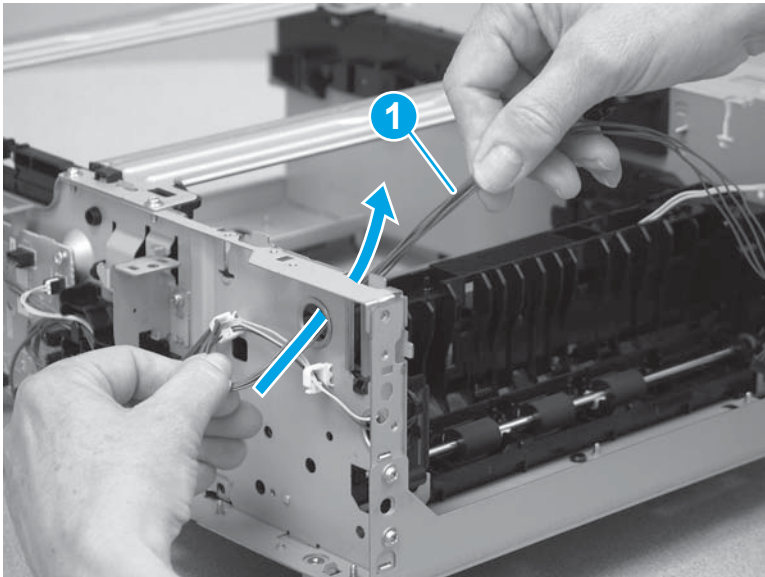
 **Reinstallation tip:** One screw (callout 4) is different from the other screws. Make sure that this screw is installed in the correct position.

Figure 1-5371 Disconnect connector and remove five screws



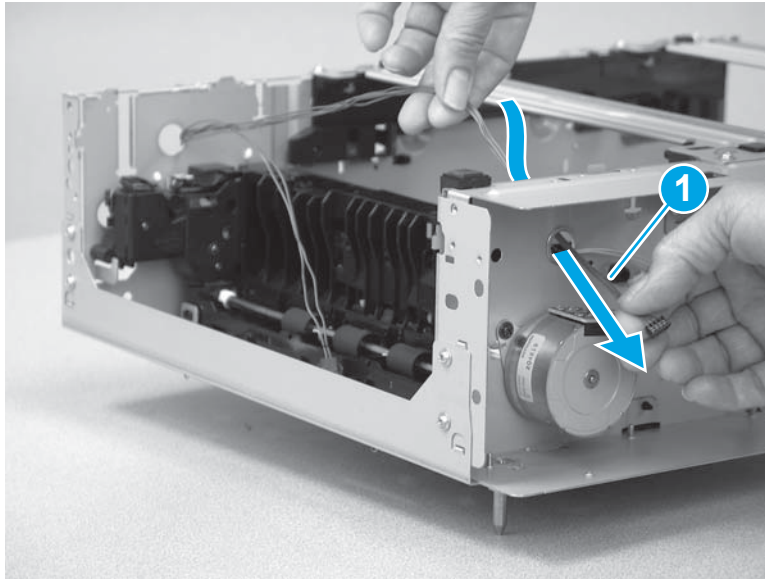
10. Turn the printer so that the bottom side is up. On the left side of the feeder, install all of the cables (callout 1) through the opening in the paper feeder.

Figure 1-5372 Install the cables



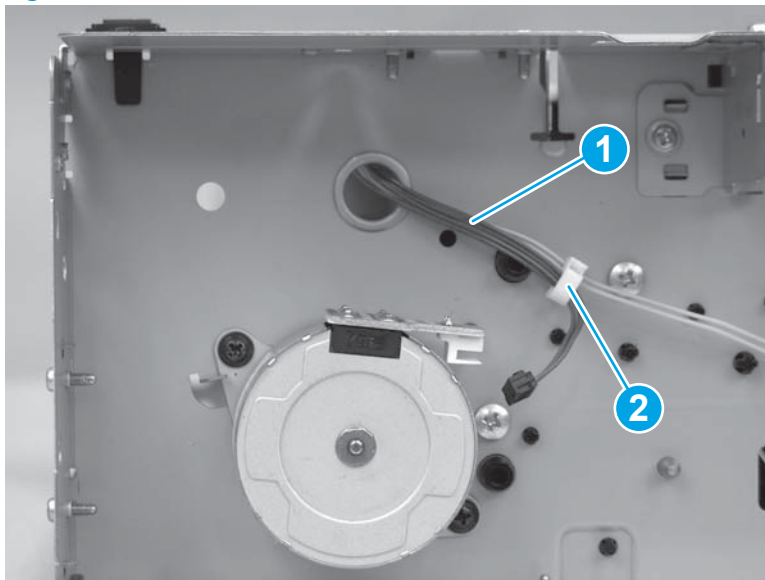
11. On the right side of the feeder, install the cables (callout 1) through the hole in the sheet metal.

Figure 1-5373 Install the cables



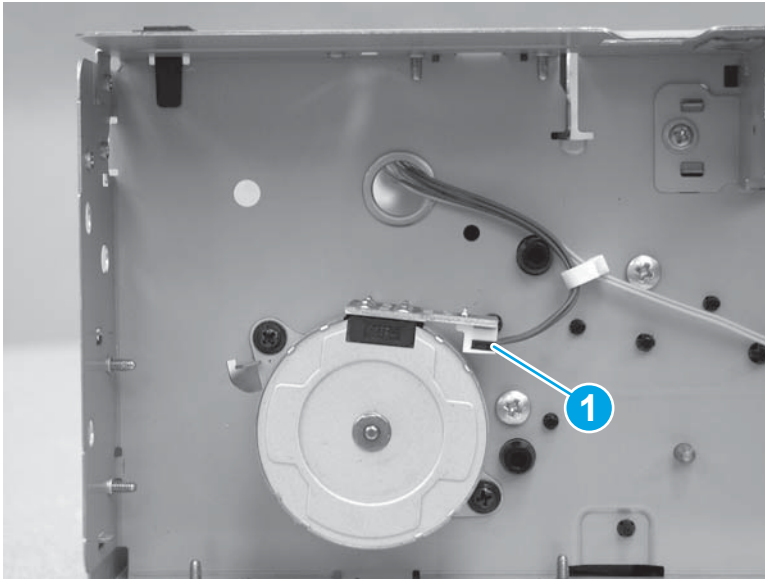
12. Install the cables (callout 1) in the retainer (callout 2).

Figure 1-5374 Install the cables



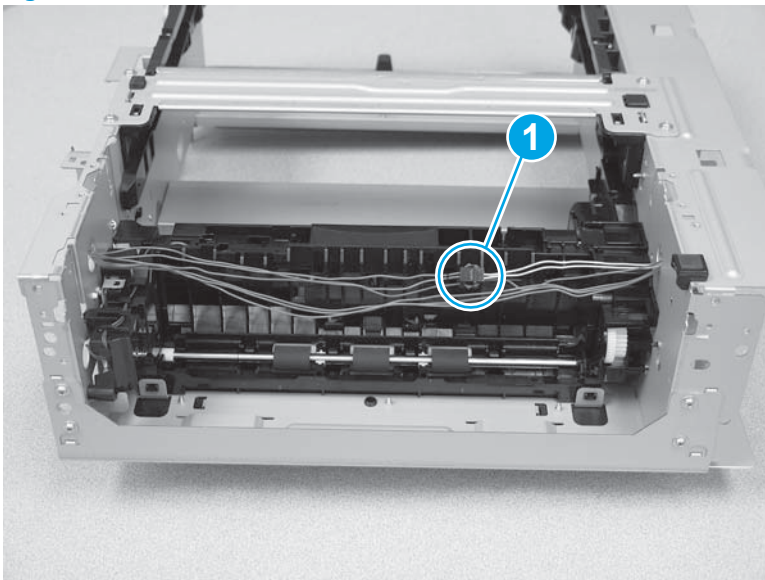
13. Connect one connector (callout 1) to the motor.

Figure 1-5375 Connect one connector



14. Connect one in-line connector (callout 1).

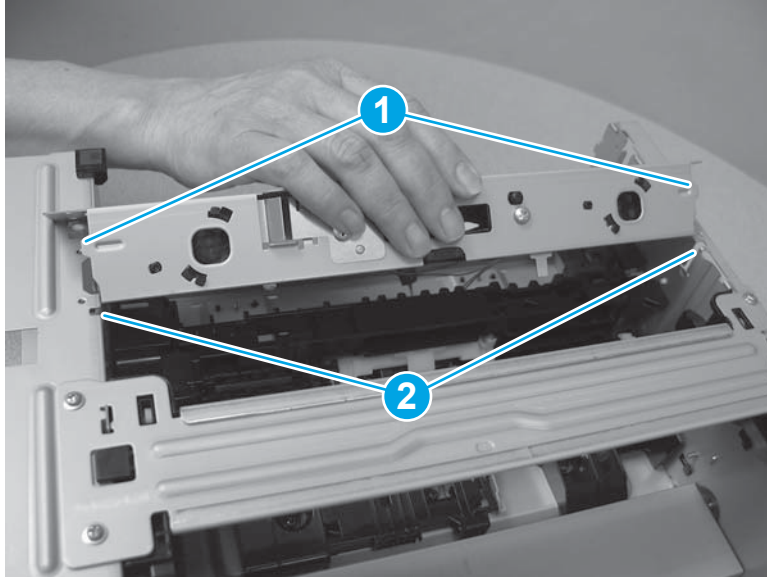
Figure 1-5376 Connect one connector



Step 15: Install the feed frame assembly (550-sheet paper feeder)

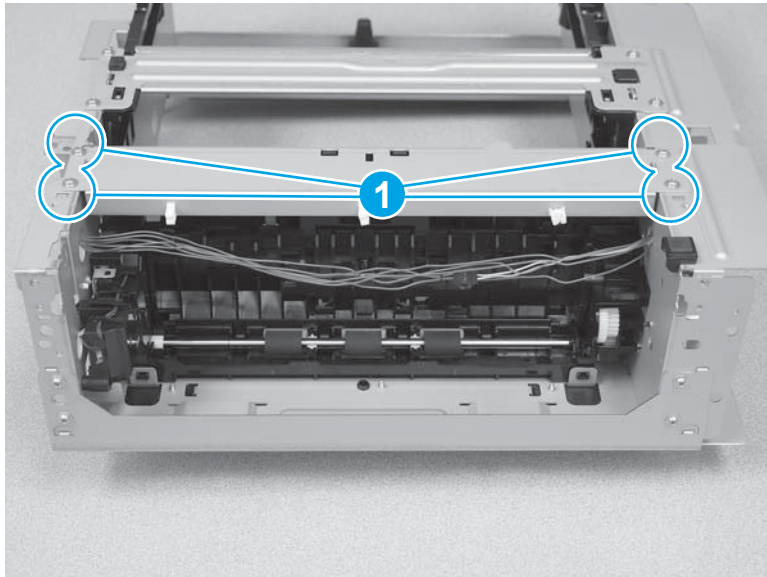
1. Install the tabs (callout 1) on the feed frame assembly in the slots (callout 2) on the feeder.

Figure 1-5377 Install the feed frame assembly



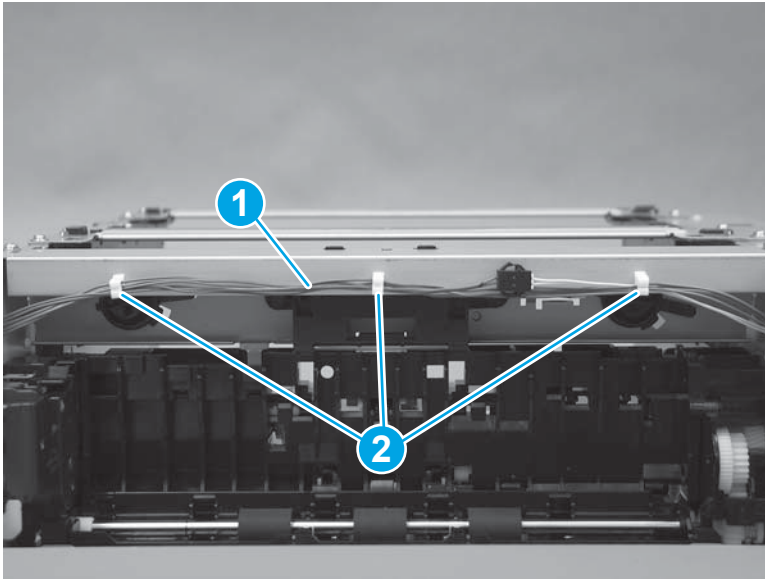
2. Install four screws (callout 1).

Figure 1-5378 Install four screws



3. Install the cables (callout 1) in the retainers (callout 2).

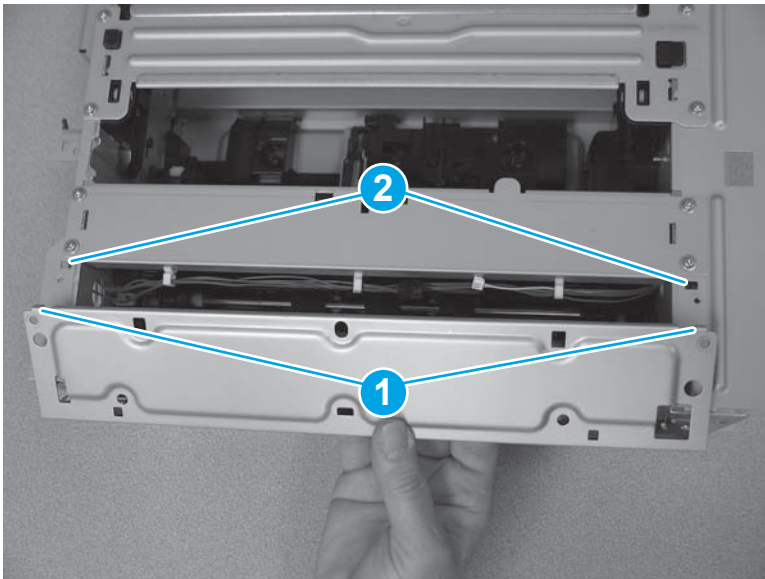
Figure 1-5379 Install the cables



Step 16: Install the baseplate (550-sheet paper feeder)

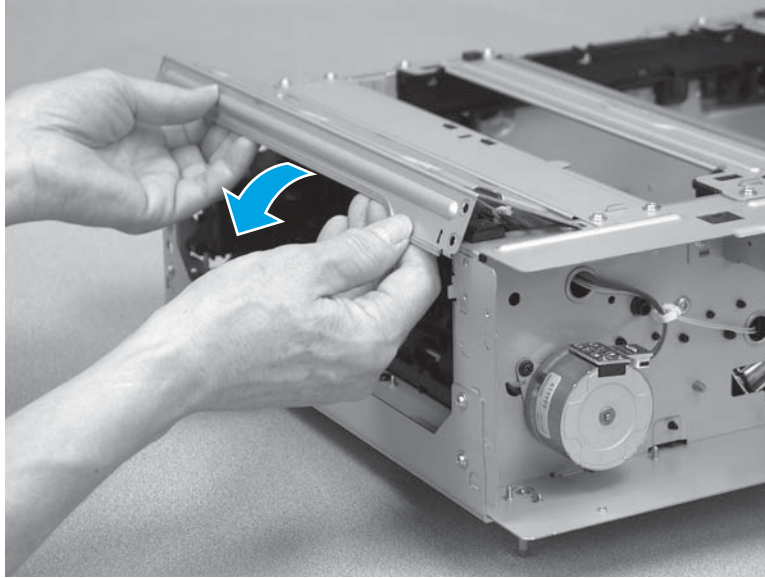
1. Install the tabs (callout 1) on the baseplate into the slots (callout 2) on the feeder.

Figure 1-5380 Release two tabs



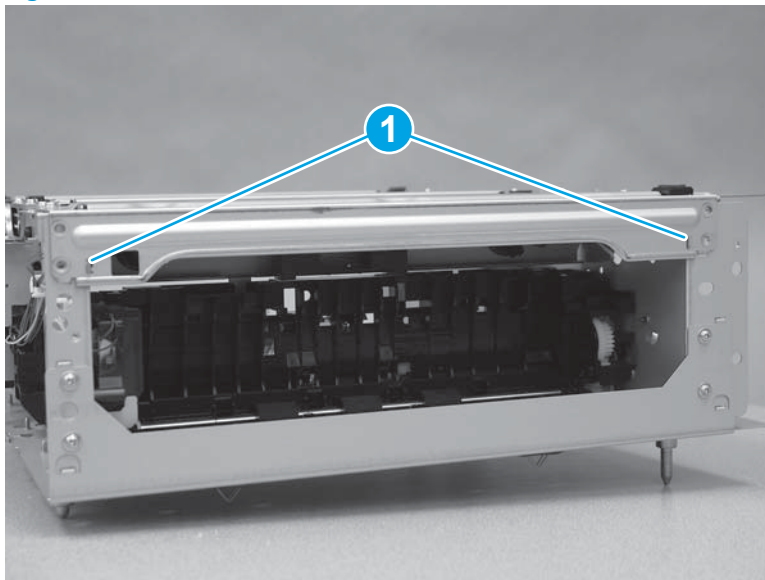
2. Rotate the edge of the baseplate down.

Figure 1-5381 Rotate the baseplate down



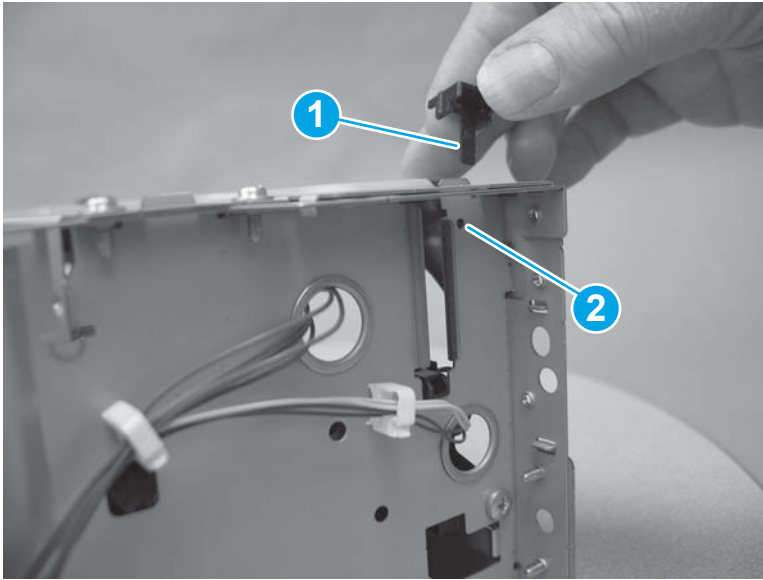
3. Install two tabs (callout 1).

Figure 1-5382 Install two tabs



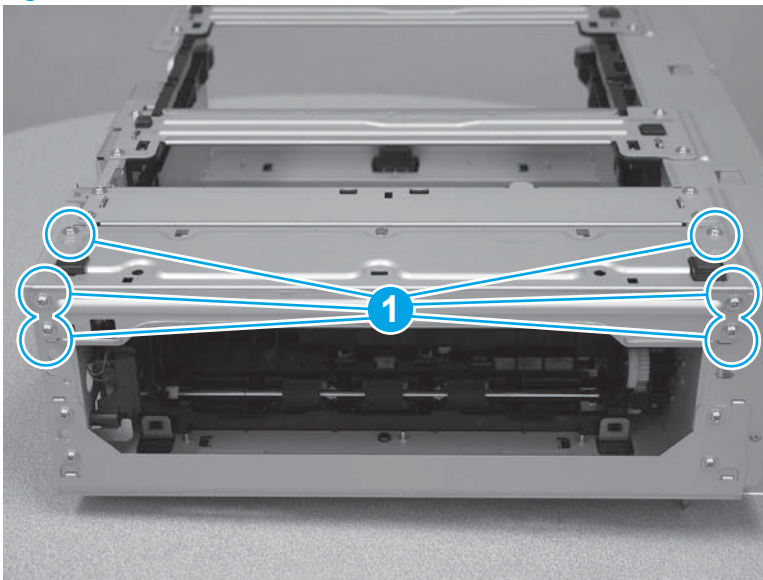
4. Install the foot. Make sure that the tab (callout 1) on the foot fits in the slot (callout 2) on the feeder.

Figure 1-5383 Remove the foot



5. Install six screws (callout 1).

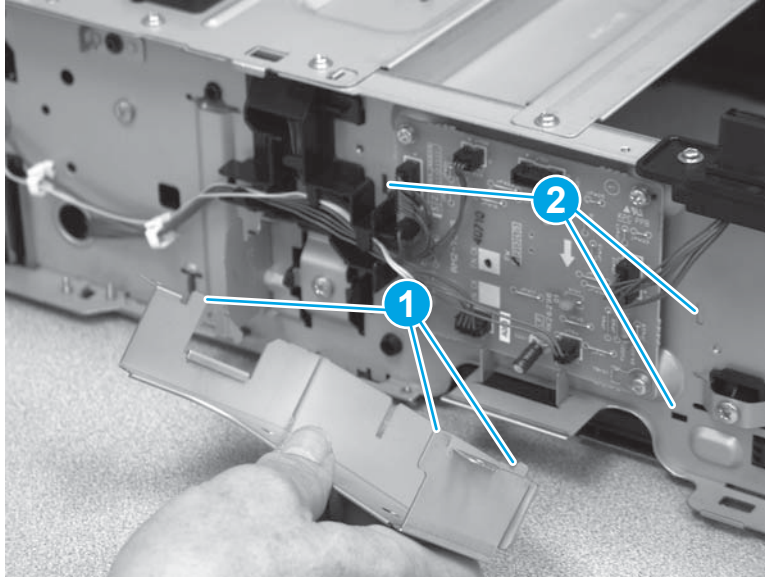
Figure 1-5384 Install six screws



Step 17: Install the PCA cover (550-sheet paper feeder)

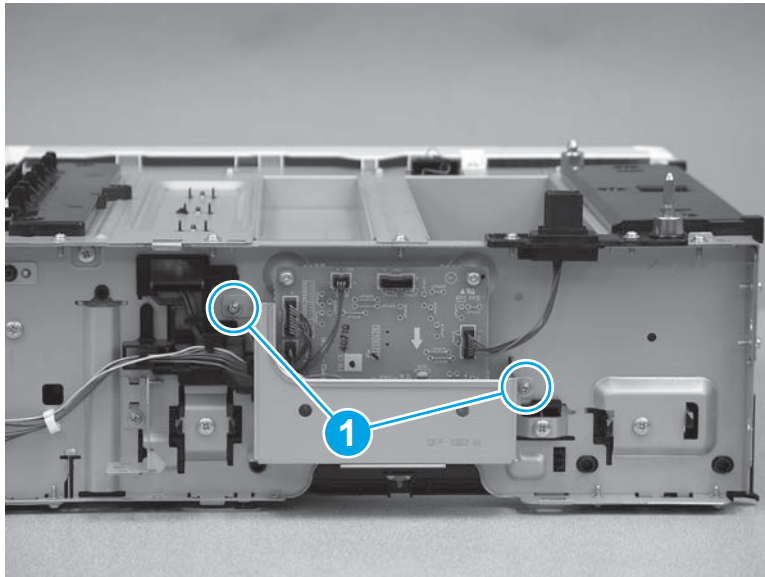
1. Install the tabs (callout 1) on the PCA cover in the slots (callout 2) on the feeder.

Figure 1-5385 Install the PCA cover



2. Install two screws (callout 1).

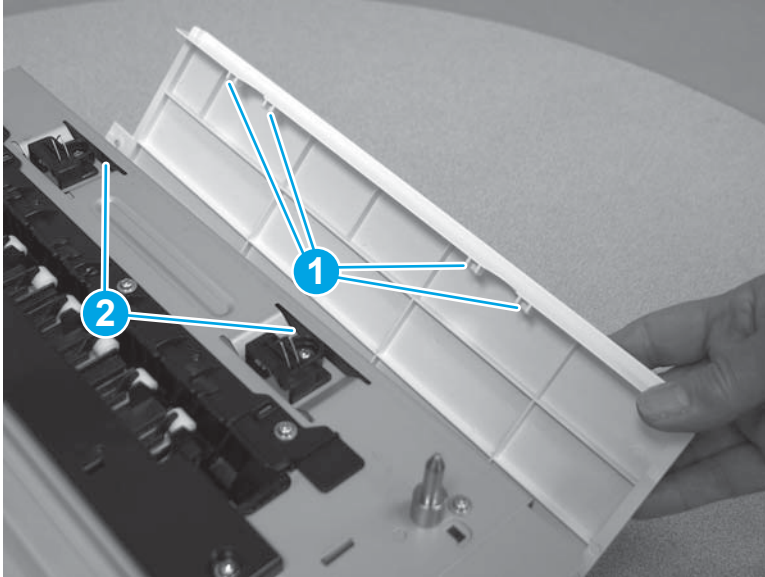
Figure 1-5386 Install two screws



Step 18: Install the rear cover (550-sheet paper feeder)

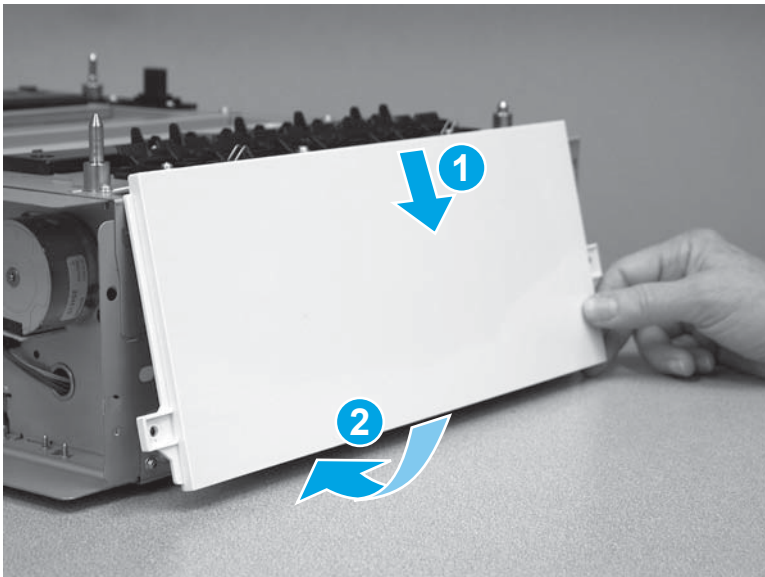
1. Install the tabs (callout 1) on the rear cover in the slots (callout 2) on the feeder.

Figure 1-5387 Install the tabs



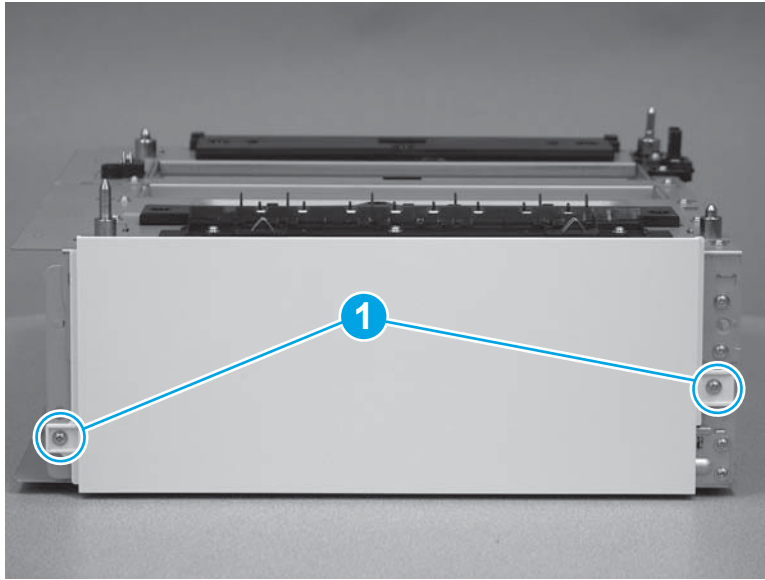
2. Make sure that the top of the rear cover (callout 1) is seated in the tabs, and then rotate the bottom of the cover (callout 2) toward the feeder.

Figure 1-5388 Rotate the cover



3. Install two screws (callout 1).

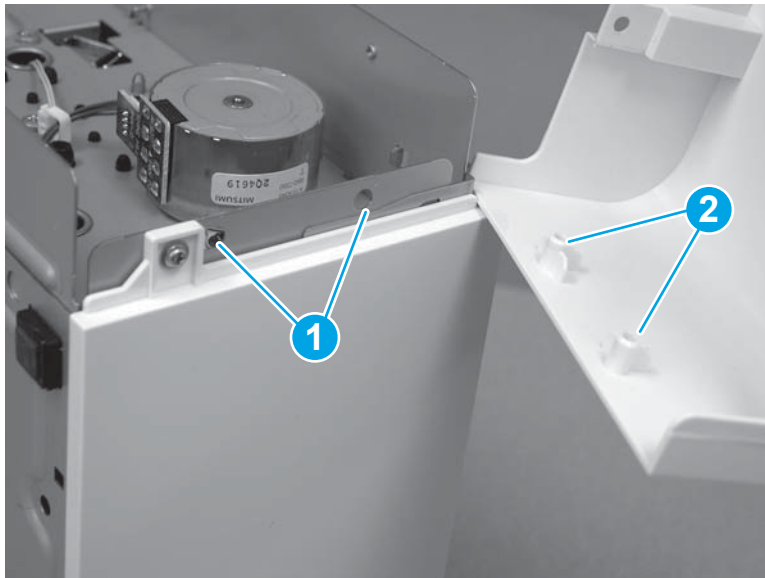
Figure 1-5389 Install two screws



Step 19: Install the left cover (550-sheet paper feeder)

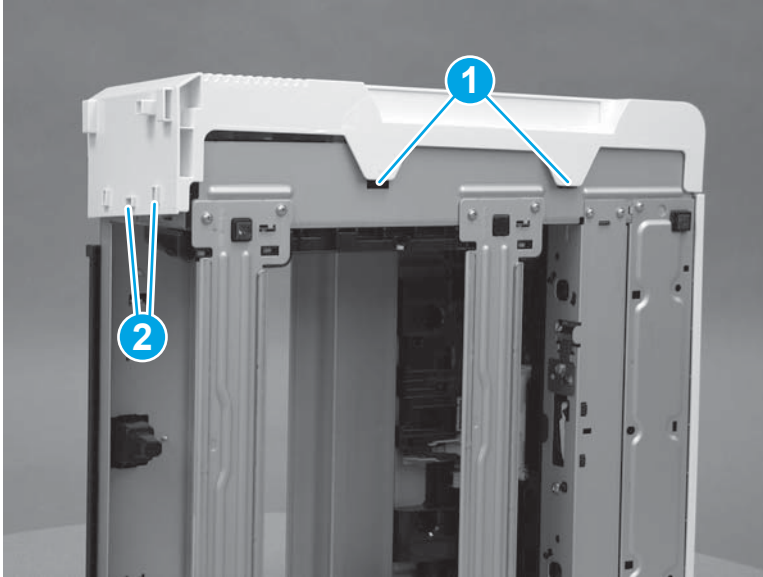
1. Lay the feeder on the right side so that the left side is facing up. At the back of the feeder, install the tabs (callout 1) on the cover in the holes (callout 2) on the feeder.

Figure 1-5390 Install two tabs



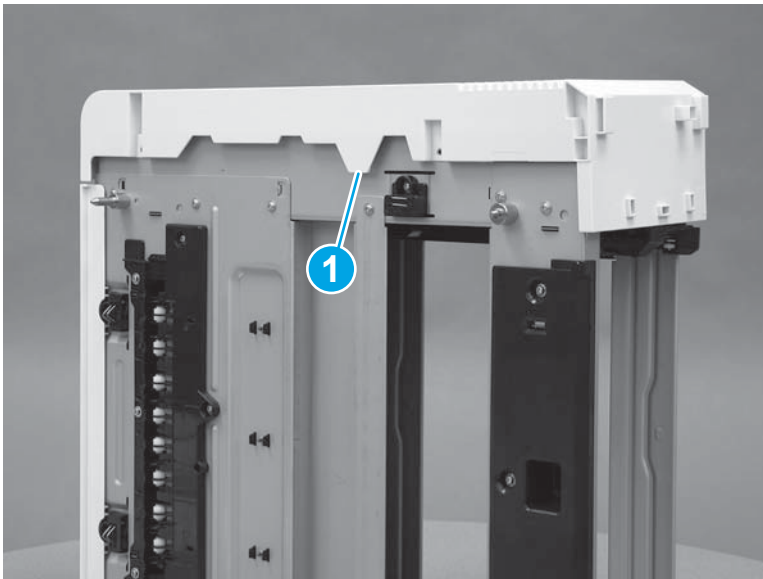
2. Install two tabs (callout 1) on the bottom of the feeder, and then install two tabs (callout 2) on the front of the feeder.

Figure 1-5391 Install four tabs



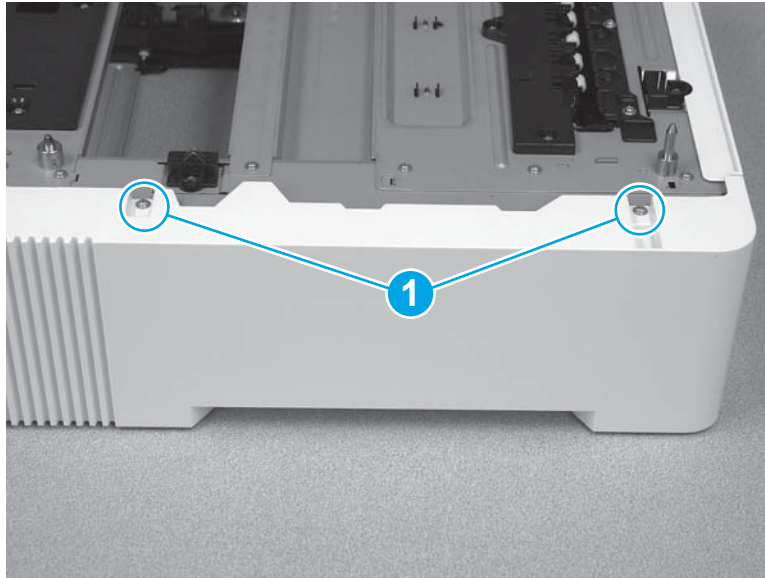
3. Turn the feeder to an upright position with the top facing up. Install one tab (callout 1) on the top of the feeder.

Figure 1-5392 Install three tabs



4. Install two screws (callout 1).

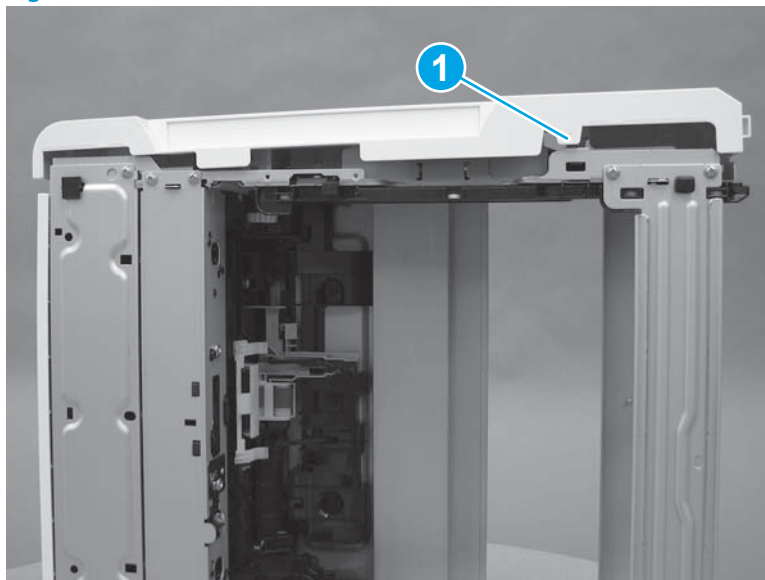
Figure 1-5393 Install two screws



Step 20: Install the right cover (550-sheet paper feeder)

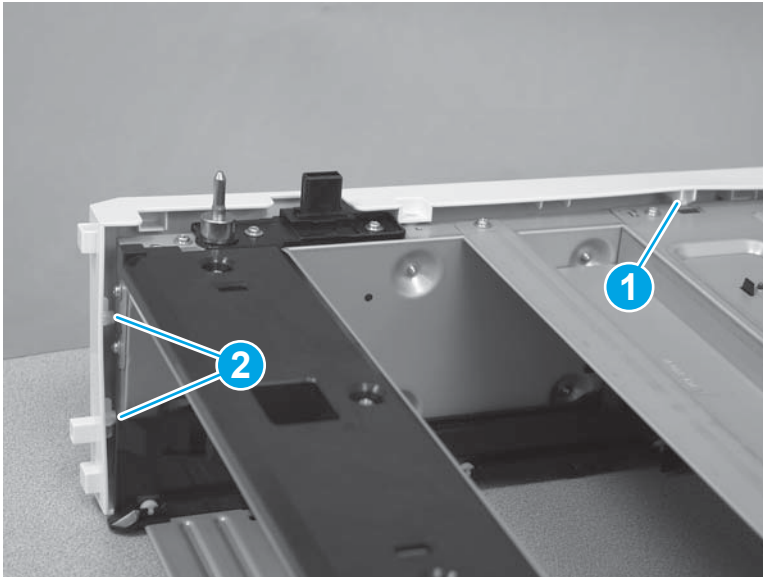
1. Lay the feeder on the left side so that the right side is facing up, and then install one tab (callout 1) on the bottom of the feeder.

Figure 1-5394 Install one tab



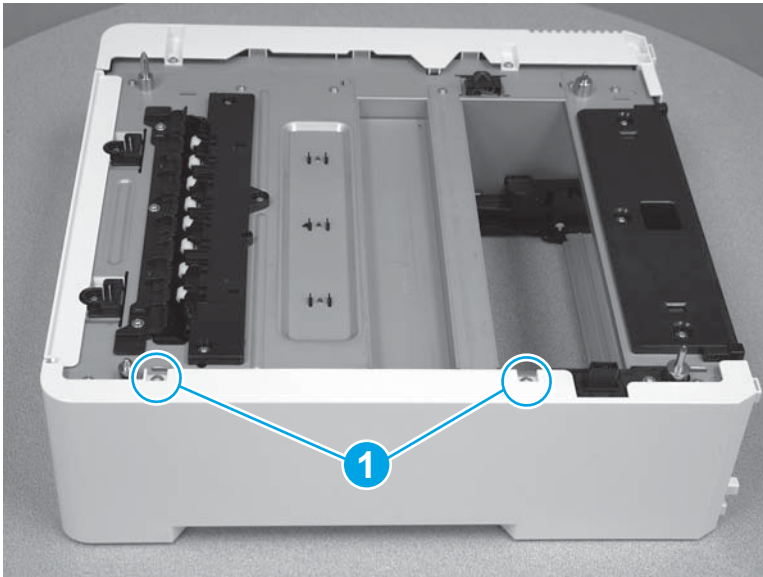
2. Turn the feeder to an upright position with the top facing up. Install one tab (callout 1) on the top of the feeder, and then install two tabs (callout 2) at the front of the feeder.

Figure 1-5395 Install three tabs



3. Install two screws (callout 1).

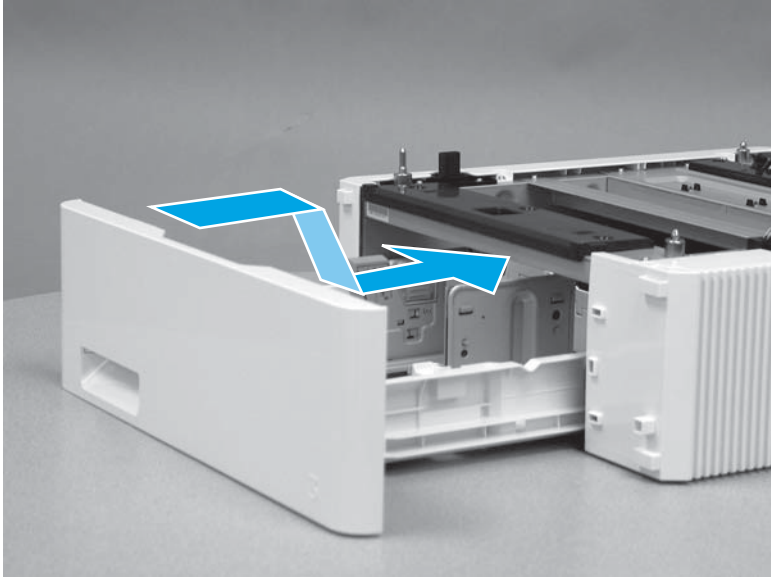
Figure 1-5396 Install two screws



Step 21: Install Tray 3

- ▲ With the front of the tray slightly lifted, align the sides of the tray with the rails in the feeder, and then carefully slide the tray into the feeder. As the tray slides into the feeder, lower the front of the tray, and then close it.

Figure 1-5397 Install the tray



Removal and replacement: Rear feed guide assembly (550-sheet paper feeder)

- [Introduction](#)
- [Step 1: Remove Tray 3](#)
- [Step 2: Remove the right cover \(550-sheet paper feeder\)](#)
- [Step 3: Remove the left cover \(550-sheet paper feeder\)](#)
- [Step 4: Remove the rear cover \(550-sheet paper feeder\)](#)
- [Step 5: Remove the PCA cover \(550-sheet paper feeder\)](#)
- [Step 6: Remove the baseplate \(550-sheet paper feeder\)](#)
- [Step 7: Remove the feed frame assembly \(550-sheet paper feeder\)](#)
- [Step 8: Remove the lifter drive assembly \(550-sheet paper feeder\)](#)
- [Step 9: Remove the pickup assembly \(550-sheet paper feeder\)](#)
- [Step 10: Remove the front feed guide assembly \(550-sheet paper feeder\)](#)
- [Step 11: Remove the rear feed guide assembly \(550-sheet paper feeder\)](#)
- [Step 12: Unpack the replacement part](#)
- [Step 13: Install the rear feed guide assembly \(550-sheet paper feeder\)](#)
- [Step 14: Install the front feed guide assembly \(550-sheet paper feeder\)](#)
- [Step 15: Install the pickup assembly \(550-sheet paper feeder\)](#)
- [Step 16: Install the lifter drive assembly \(550-sheet paper feeder\)](#)
- [Step 17: Install the feed frame assembly \(550-sheet paper feeder\)](#)
- [Step 18: Install the baseplate \(550-sheet paper feeder\)](#)
- [Step 19: Install the PCA cover \(550-sheet paper feeder\)](#)
- [Step 20: Install the rear cover \(550-sheet paper feeder\)](#)
- [Step 21: Install the left cover \(550-sheet paper feeder\)](#)
- [Step 22: Install the right cover \(550-sheet paper feeder\)](#)
- [Step 23: Install Tray 3](#)

Introduction

This document provides the procedures to remove and replace the rear feed guide assembly on the 550-sheet feeder.

Before you begin

- Turn off the printer.
- Disconnect the power cable.

⚠ WARNING! To avoid damage to the printer, turn the printer off, wait 30 seconds, and then remove the power cord before attempting to service the printer.

- Use the table below to identify the correct part number for your printer. To order the part, go to www.hp.com/buy/parts.

Rear feed guide assembly part number

RM2-6366-000CNRear feed guide assembly (550-sheet feeder)

Required tools

- #2 Phillips screwdriver with a magnetic tip
- Small flat-blade screwdriver

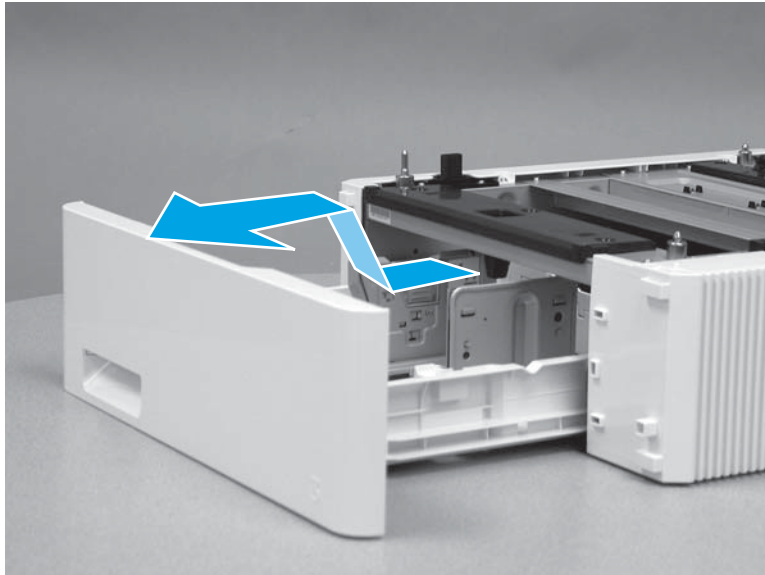
After performing service

- Connect the power cable.
- Use the power switch to turn the power on.

Step 1: Remove Tray 3

- ▲ Pull the tray out until it stops. Lift the front of the tray, and then pull it out of the printer to remove it.

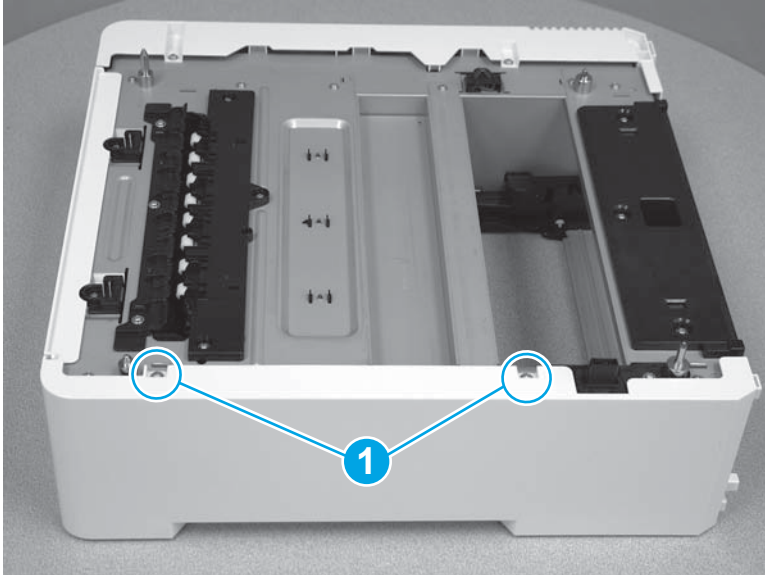
Figure 1-5398 Remove the tray



Step 2: Remove the right cover (550-sheet paper feeder)

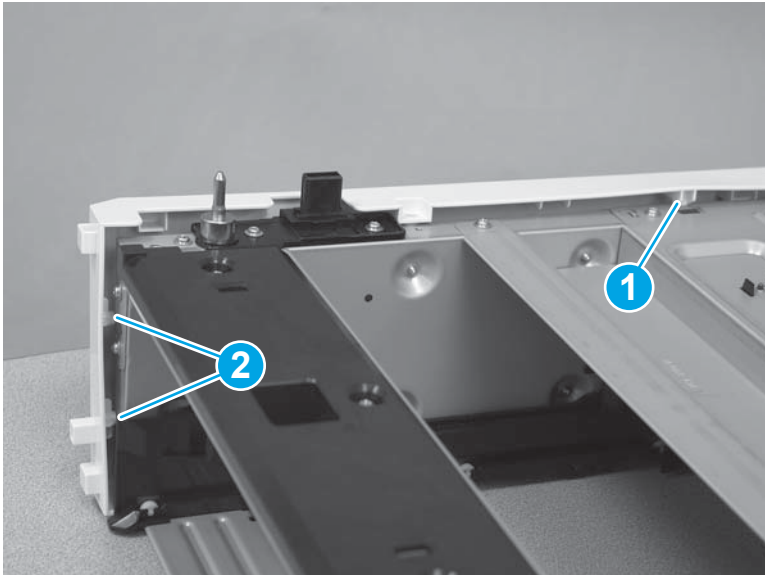
1. Remove two screws (callout 1).

Figure 1-5399 Remove two screws



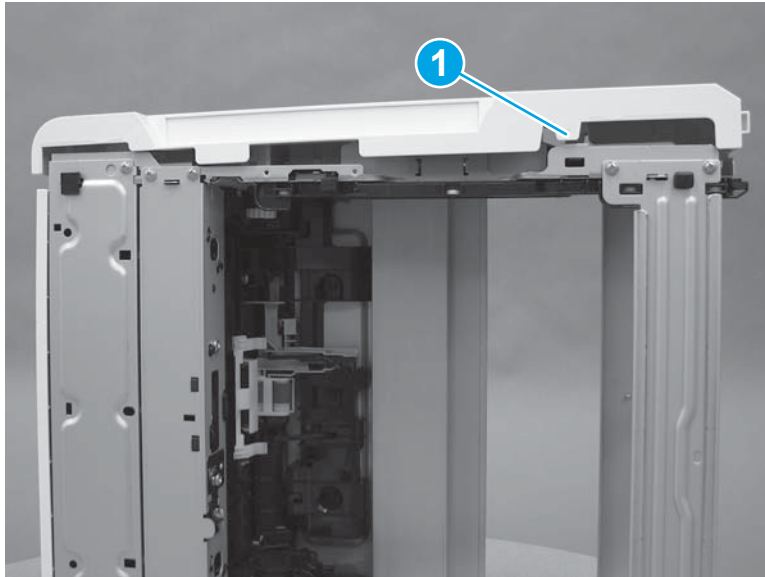
2. Release one tab (callout 1) on the top of the feeder, and then release two tabs (callout 2) at the front of the feeder.

Figure 1-5400 Release three tabs



3. Lay the feeder on the left side so that the right side is facing up, and then release one tab (callout 1) on the bottom of the feeder. Remove the right cover.

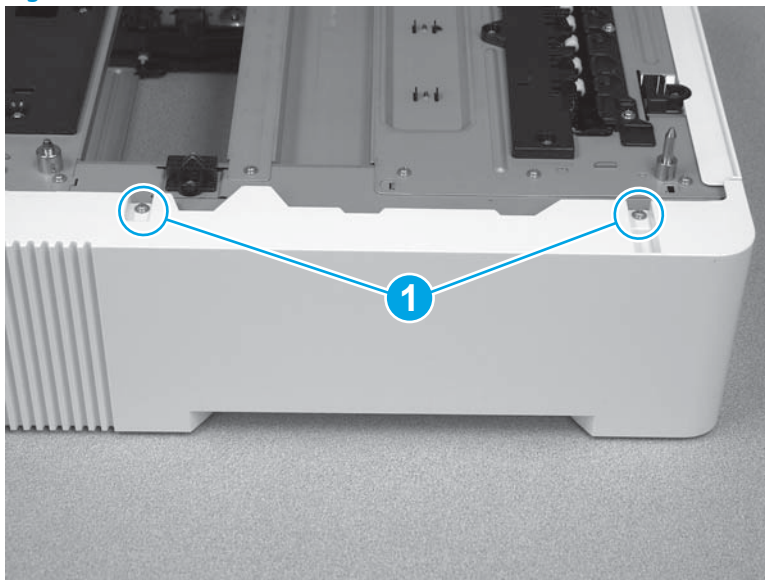
Figure 1-5401 Release one tab



Step 3: Remove the left cover (550-sheet paper feeder)

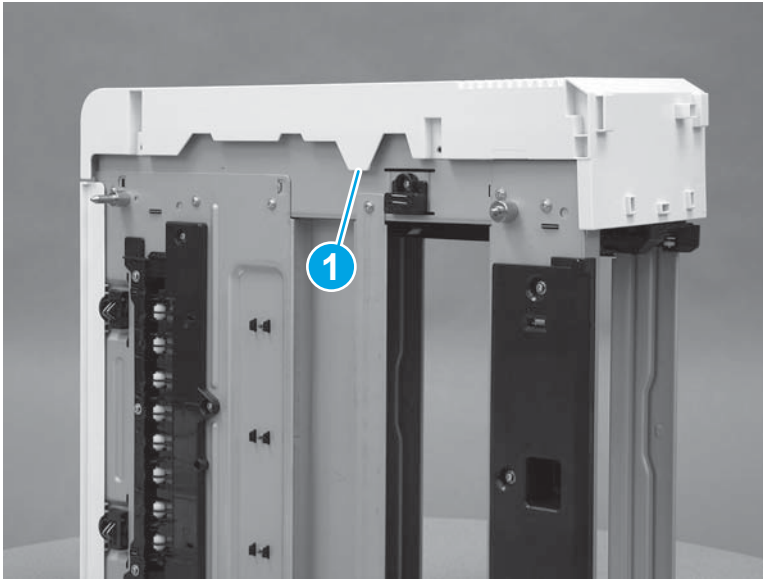
1. Remove two screws (callout 1).

Figure 1-5402 Remove two screws



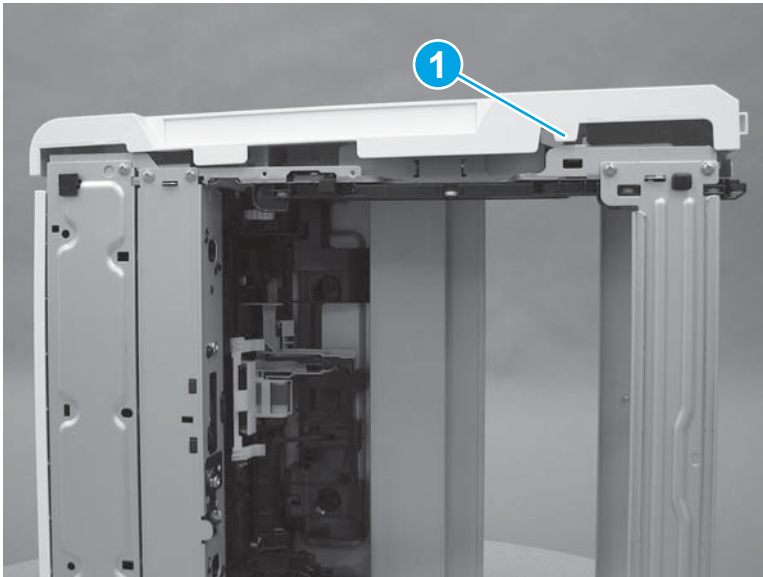
2. Release one tab (callout 1) on the top of the feeder.

Figure 1-5403 Release one tab



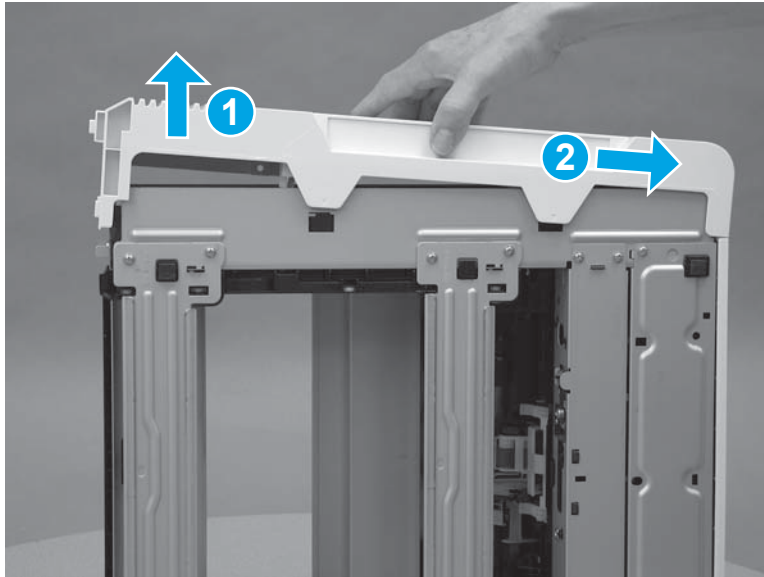
3. Lay the feeder on the right side so that the left side is facing up. Release two tabs (callout 1) on the bottom of the feeder, and then release two tabs (callout 2) on the front of the feeder.

Figure 1-5404 Release four tabs



4. Lift the front of the cover up (callout 1), and then slide the cover (callout 2) toward the back of the feeder to remove it.

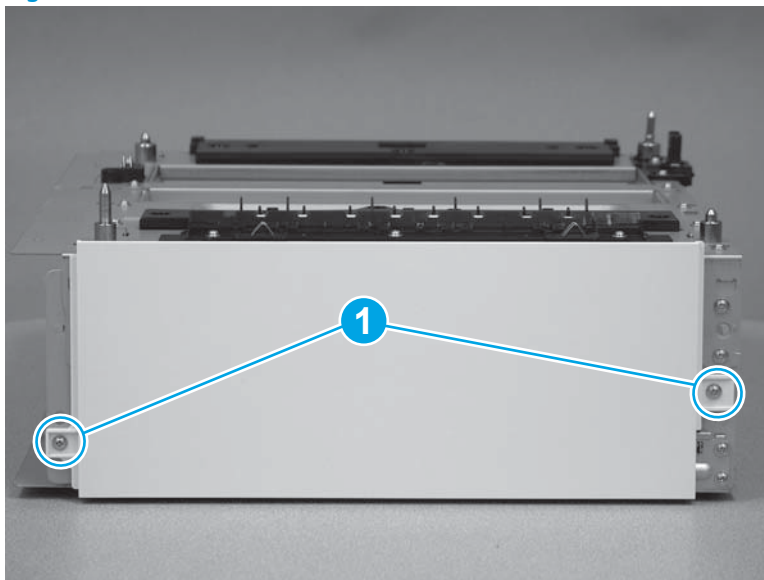
Figure 1-5405 Remove the cover



Step 4: Remove the rear cover (550-sheet paper feeder)

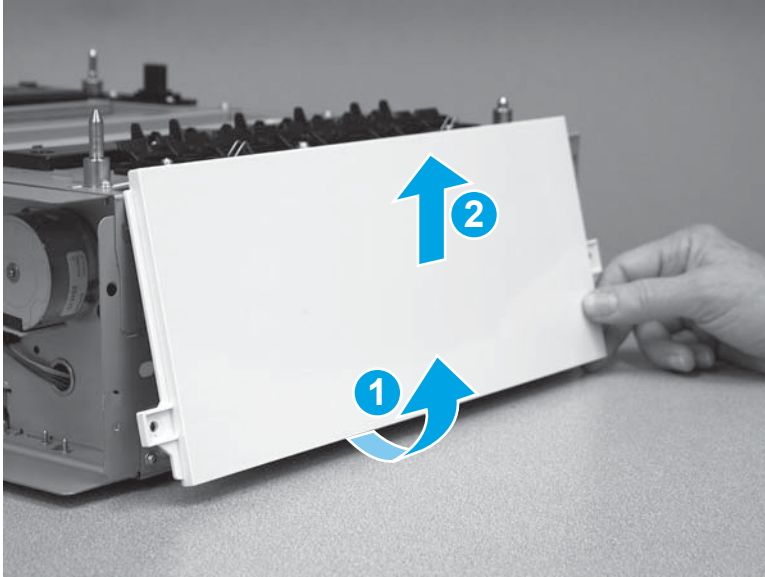
1. Remove two screws (callout 1).

Figure 1-5406 Remove two screws



2. Rotate the bottom edge of the cover (callout 1) away from the feeder, and then raise the cover up (callout 2) to remove it.

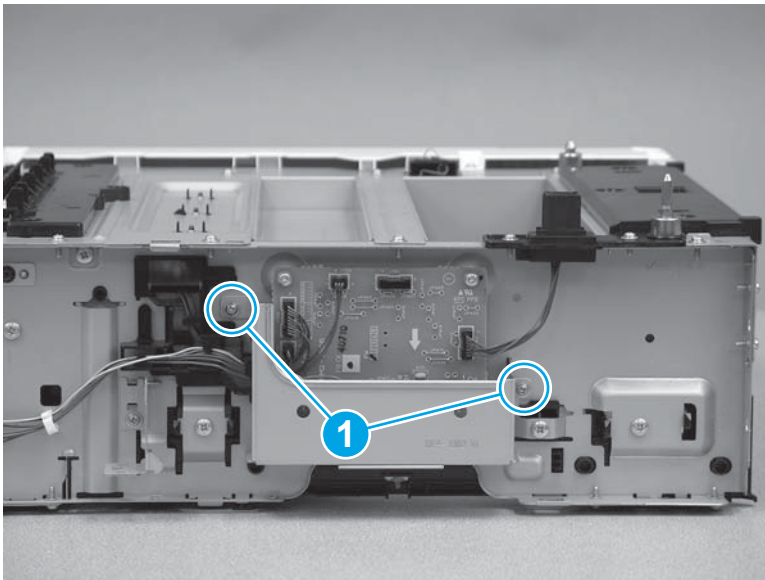
Figure 1-5407 Remove the rear cover



Step 5: Remove the PCA cover (550-sheet paper feeder)

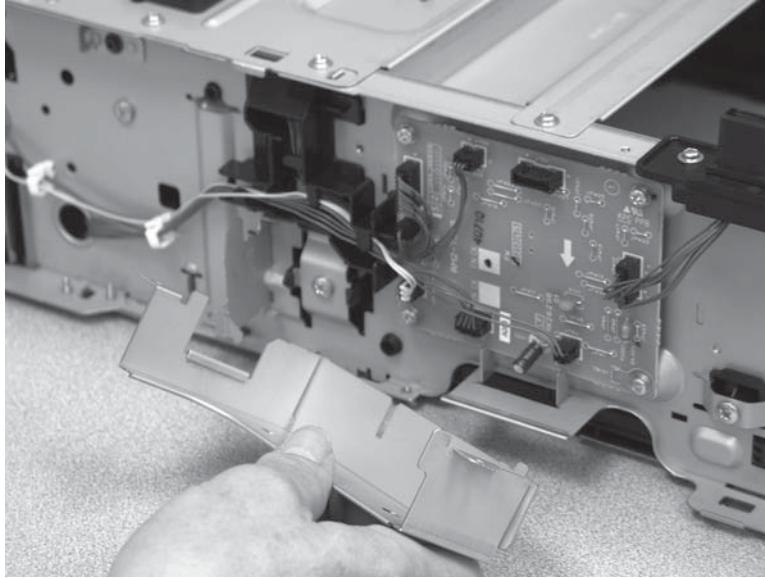
1. On the left side of the feeder, remove two screws (callout 1).

Figure 1-5408 Remove two screws



2. Remove the PCA cover.

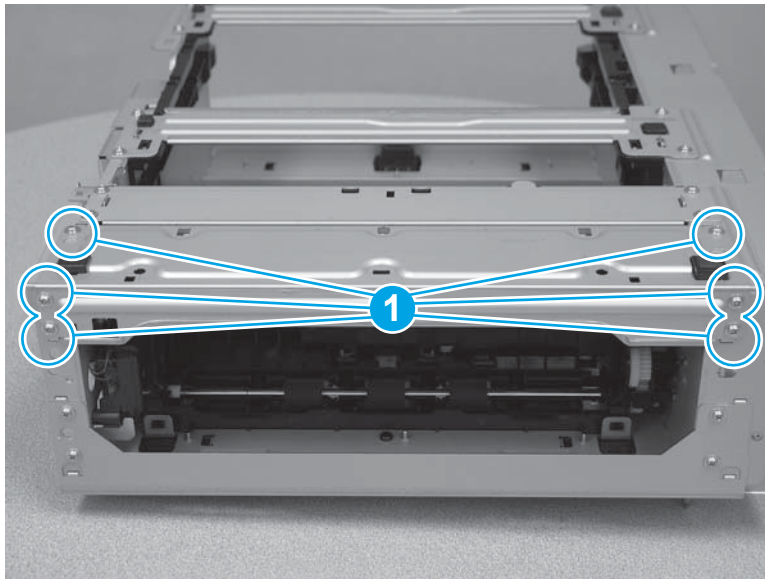
Figure 1-5409 Remove the PCA cover



Step 6: Remove the baseplate (550-sheet paper feeder)

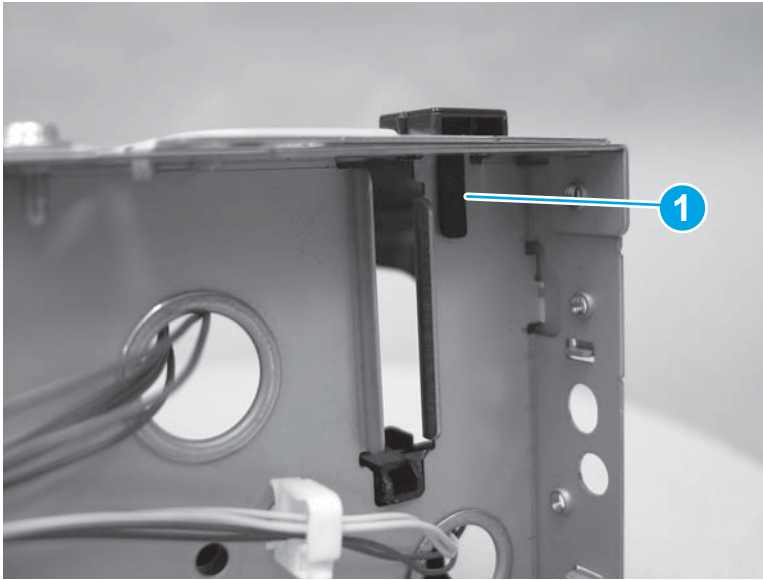
1. Lay the feeder on the top side so that the bottom side is facing up. Remove six screws (callout 1).

Figure 1-5410 Remove six screws



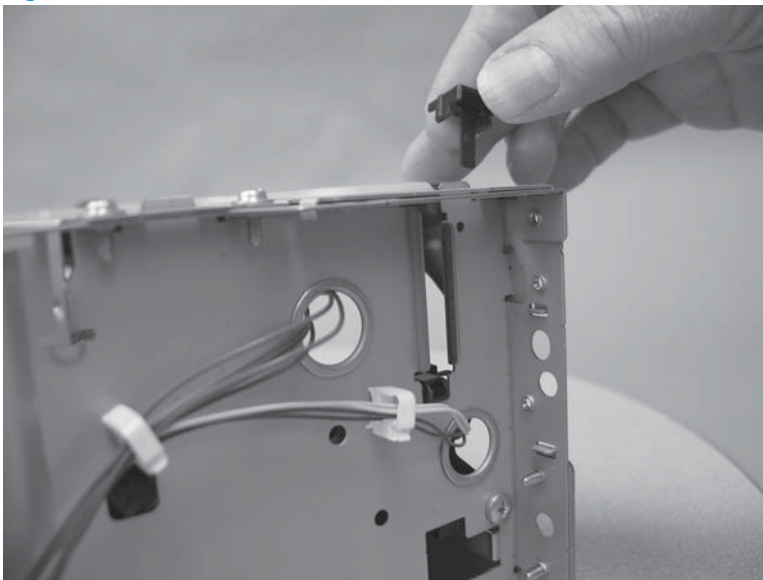
2. On the left side of the feeder, release one tab (callout 1) on the foot.

Figure 1-5411 Release one tab



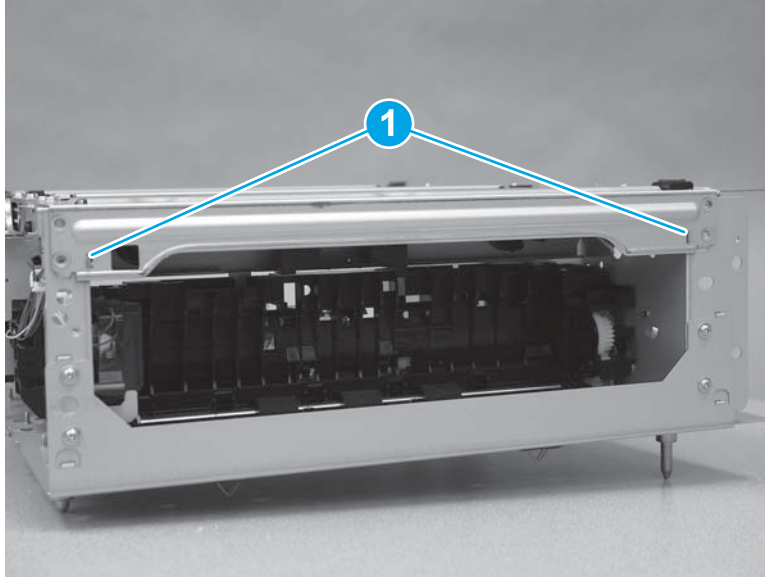
3. Remove the foot.

Figure 1-5412 Remove the foot



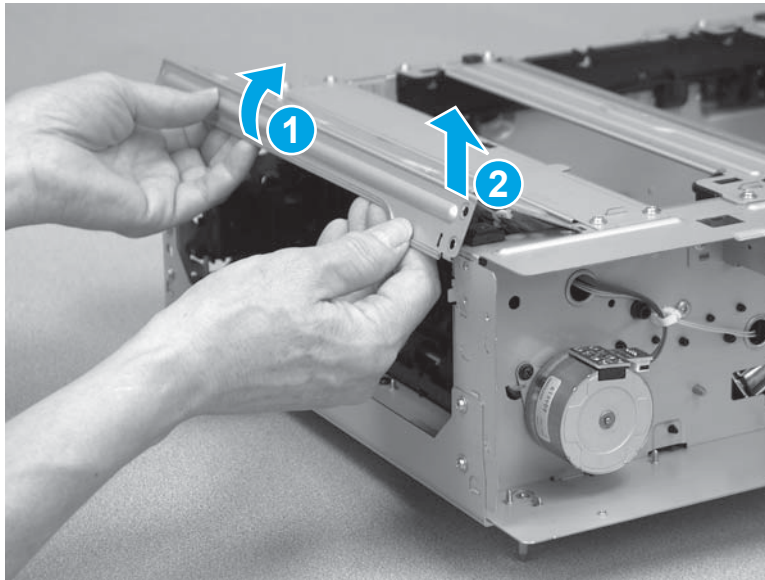
4. Release two tabs (callout 1).

Figure 1-5413 Release two tabs



5. Rotate the edge of the baseplate up (callout 1), and then lift it up (callout 2) to remove it.

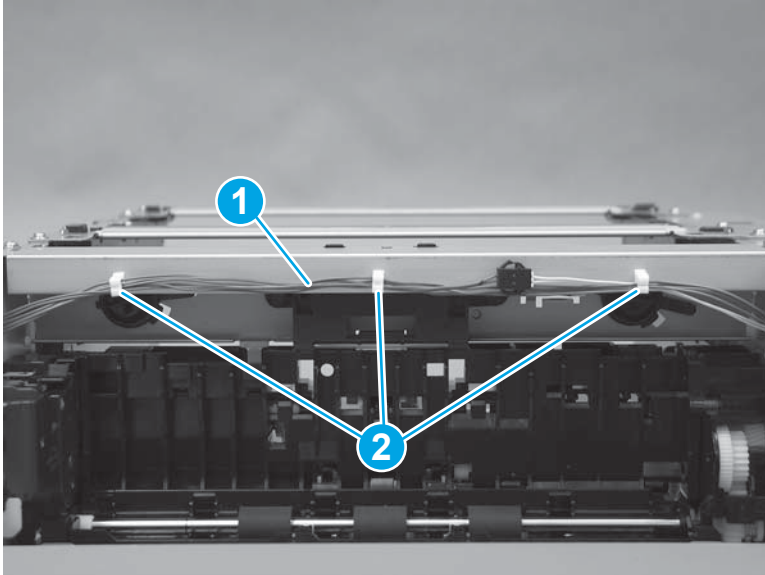
Figure 1-5414 Remove the baseplate



Step 7: Remove the feed frame assembly (550-sheet paper feeder)

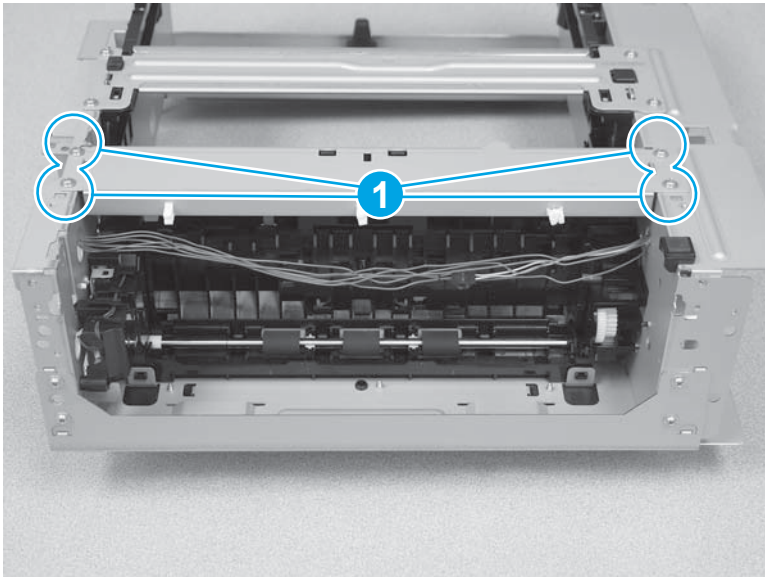
1. Release the cables (callout 1) from the retainers (callout 2).

Figure 1-5415 Release the cables



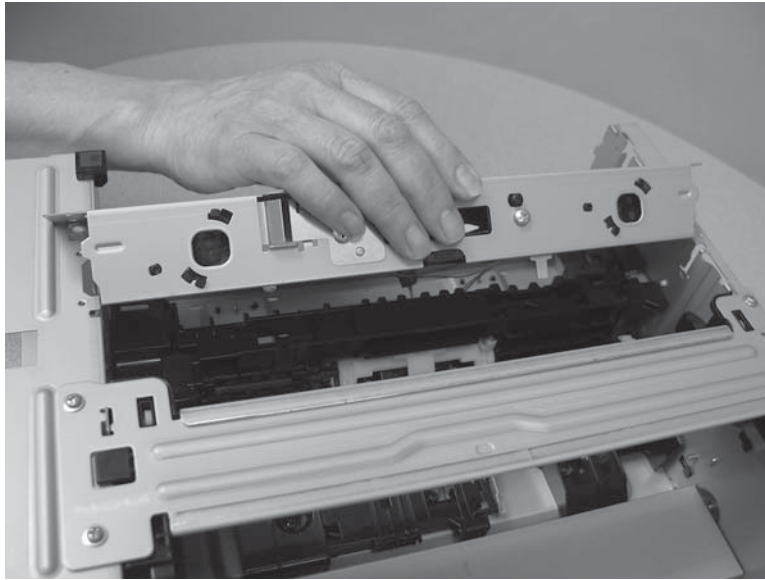
2. Remove four screws (callout 1).

Figure 1-5416 Remove four screws



3. Remove the feed frame assembly.

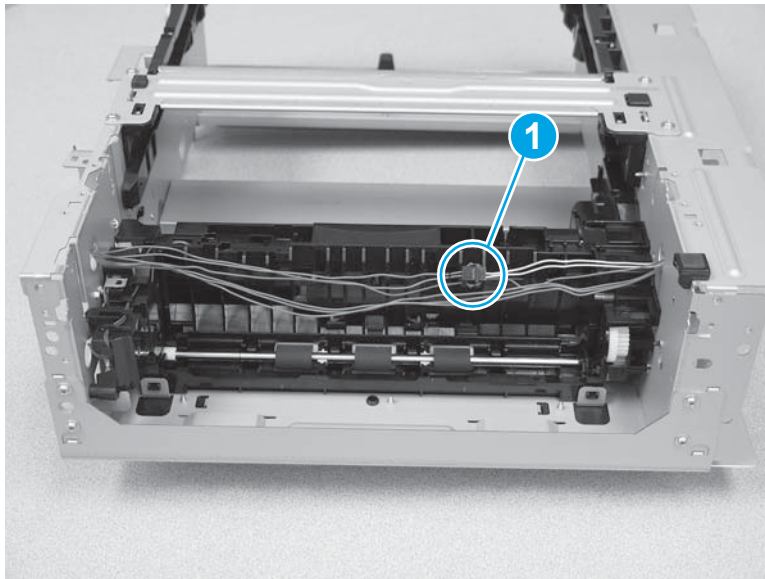
Figure 1-5417 Remove the feed frame assembly



Step 8: Remove the lifter drive assembly (550-sheet paper feeder)

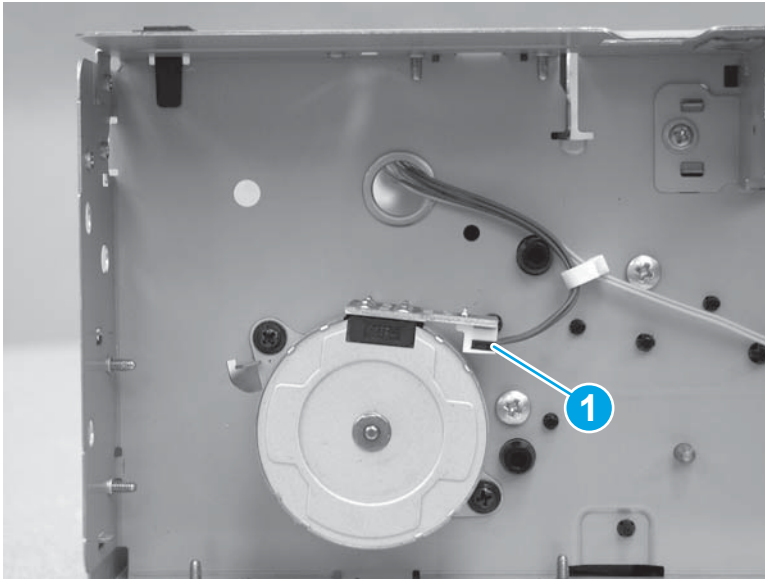
1. Lay the feeder on the top so that the bottom is facing up. Disconnect one in-line connector (callout 1).

Figure 1-5418 Disconnect one connector



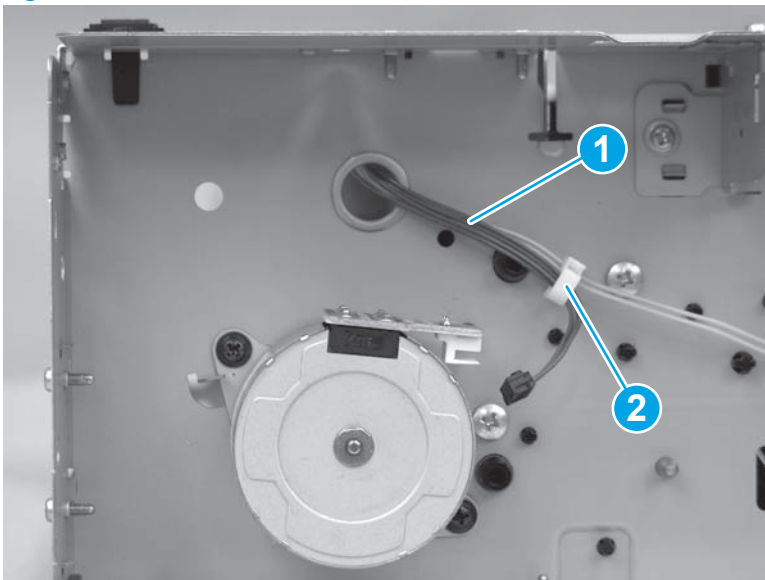
2. On the right side of the feeder, disconnect one connector (callout 1) from the motor.

Figure 1-5419 Disconnect one connector



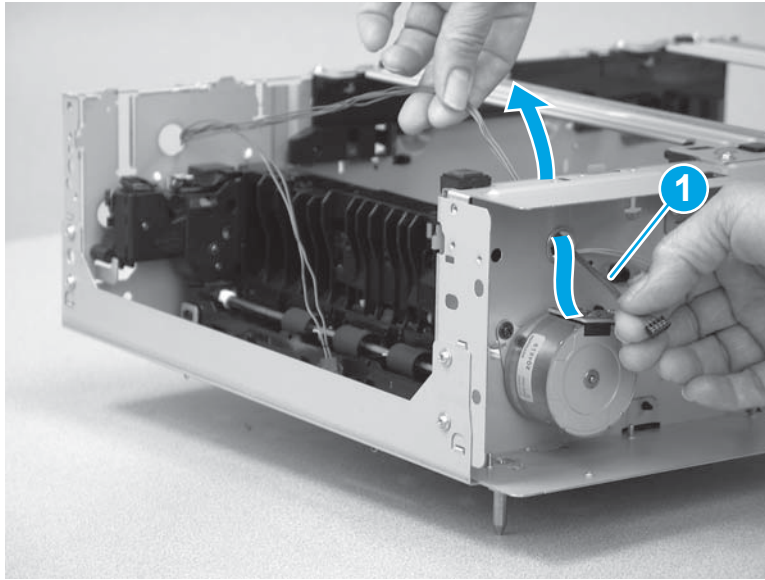
3. Release the cables (callout 1) from the retainer (callout 2).

Figure 1-5420 Release the cables



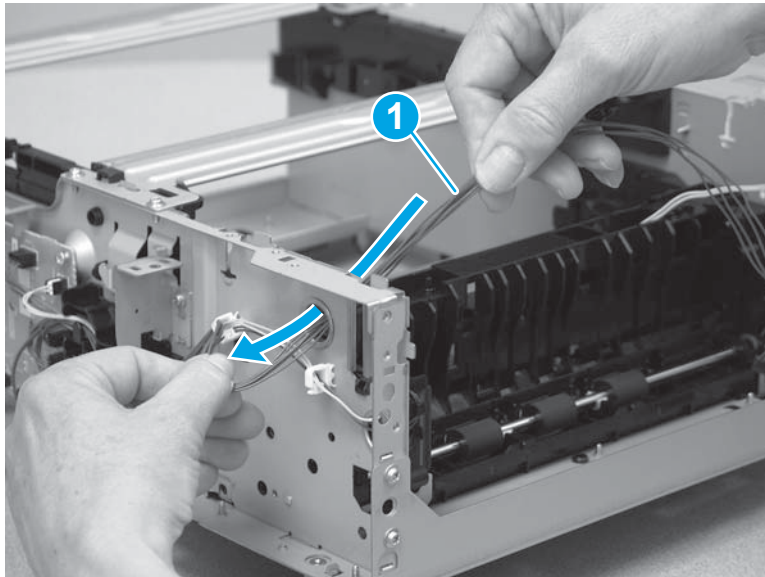
4. Release the cables (callout 1) through the hole in the sheet metal.

Figure 1-5421 Release the cables



5. On the left side of the feeder, remove all of the cables (callout 1) through the opening in the paper feeder.

Figure 1-5422 Remove the cables



6. Lay the feeder on the right side so that the left side is facing up. Disconnect two connectors (callout 1), and remove the cables (callout 2) from the guides (callout 3). Remove one screw (callout 4), and then remove four more screws (callout 5).


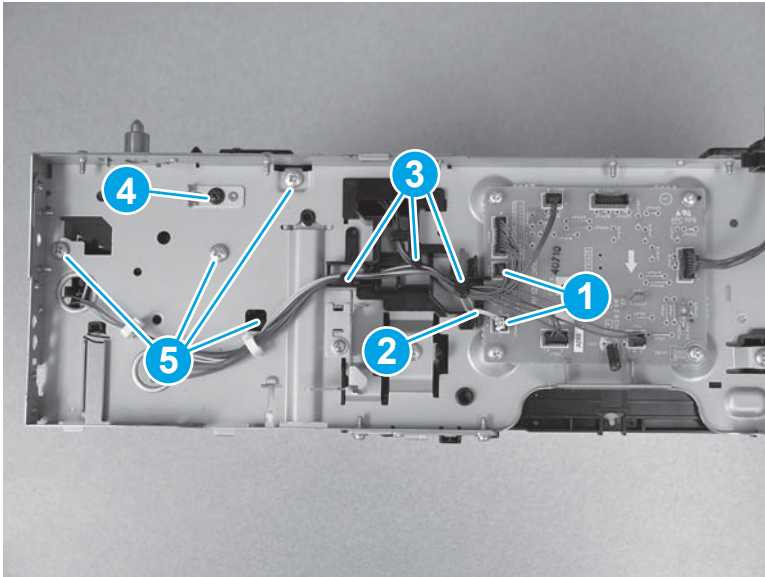
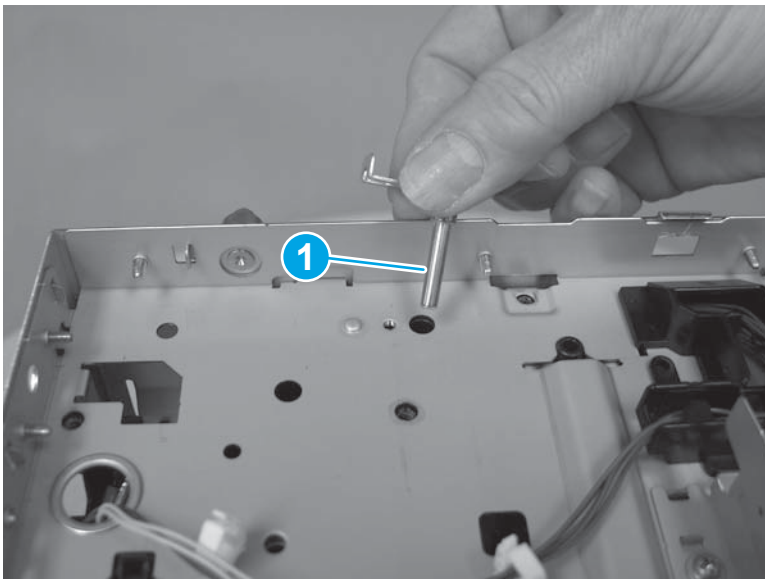
 **Reinstallation tip:** One screw (callout 4) is different from the other screws. Make sure that this screw is installed in the correct position.

Figure 1-5423 Disconnect connector and remove five screws



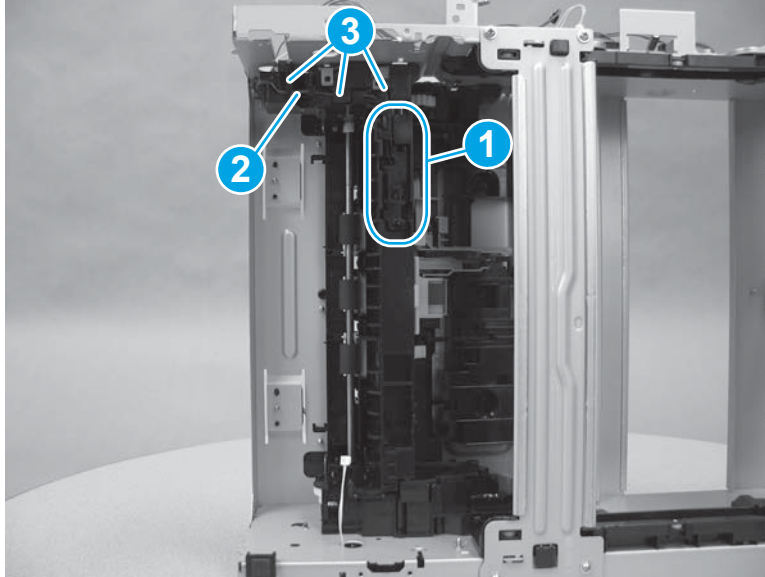
7. Remove the shaft (callout 1).

Figure 1-5424 Remove the shaft



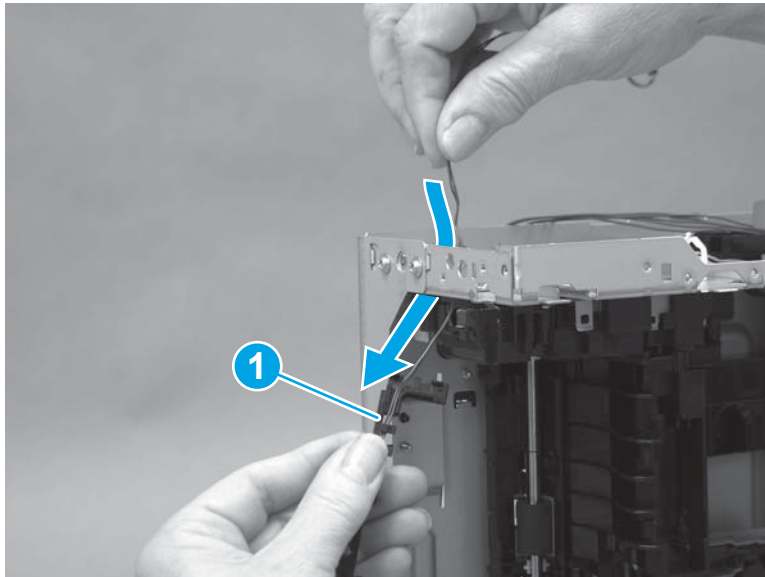
8. Release the tray sensor switch (callout 1), and then remove the cables (callout 2) from the guides (callout 3).

Figure 1-5425 Release the tray sensor switch



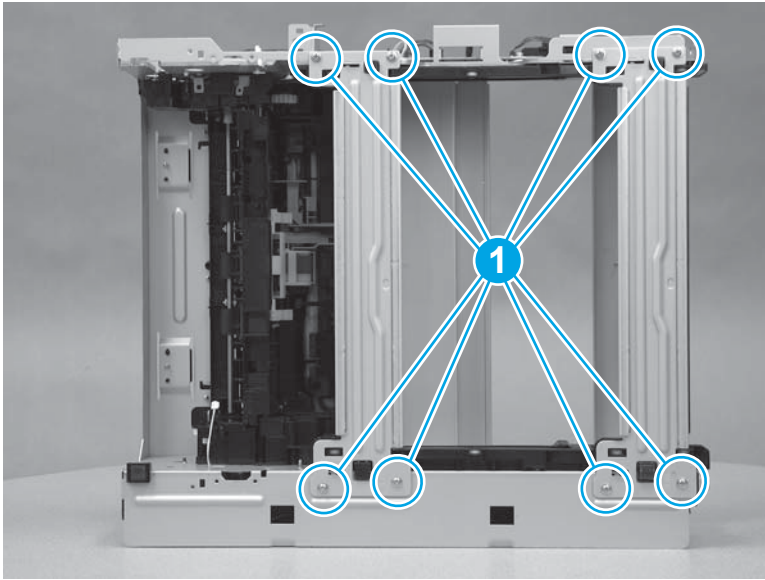
9. Release the tray sensor switch cables (callout 1) through the hole in the sheet metal.

Figure 1-5426 Release the tray sensor switch cables



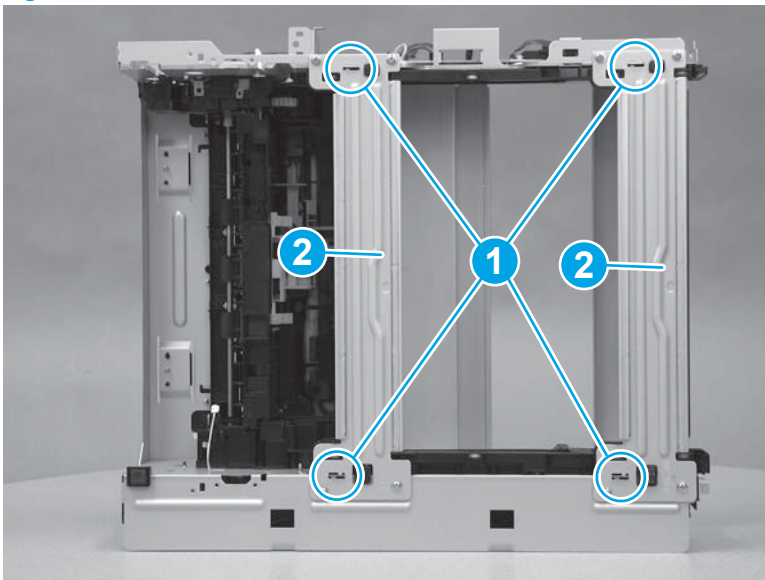
10. Remove eight screws (callout 1).

Figure 1-5427 Remove eight screws



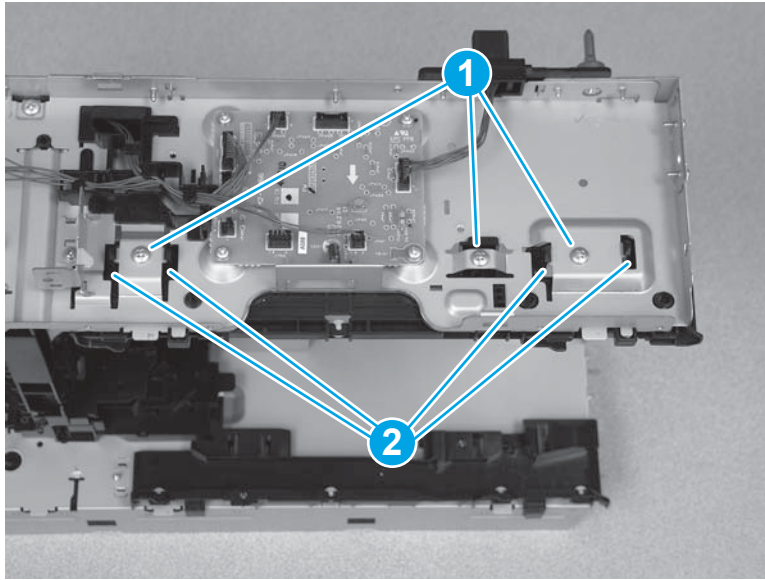
11. Release four tabs (callout 1), and then remove the cross braces (callout 2).

Figure 1-5428 Remove the cross braces



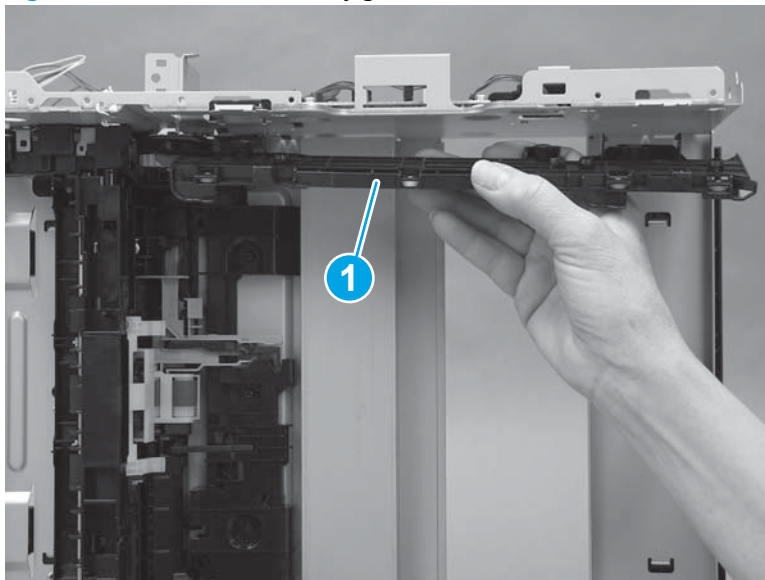
12. On the left side of the feeder, remove three screws (callout 1), and then release three tabs (callout 2).

Figure 1-5429 Remove screws and release tabs



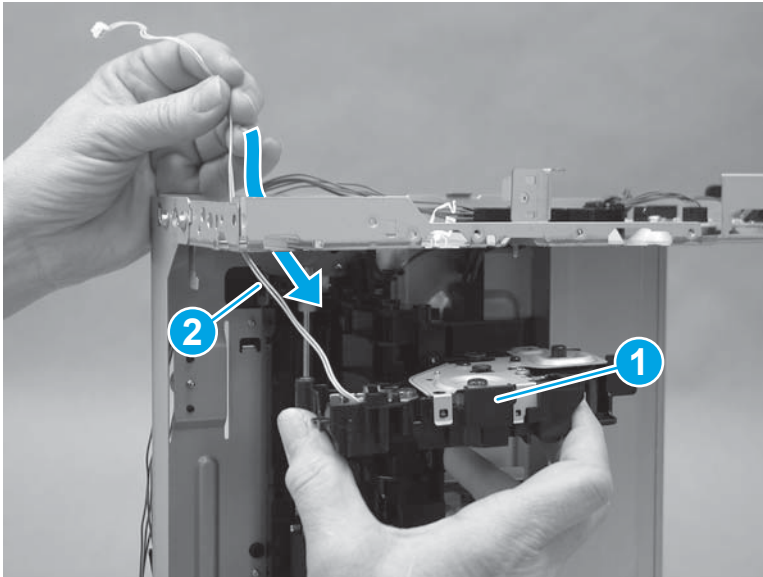
13. Remove the tray guide (callout 1).

Figure 1-5430 Remove the tray guide



14. Remove the lifter drive assembly (callout 1), and then release the cables (callout 2) through the feeder frame.

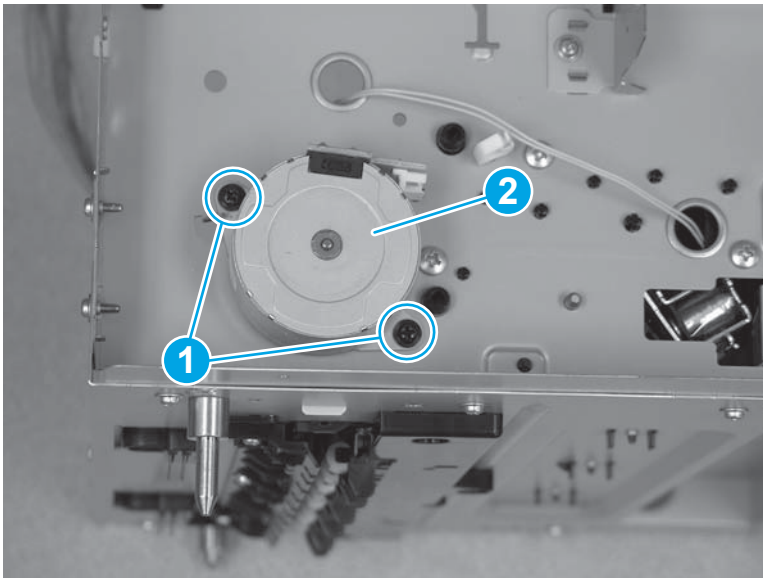
Figure 1-5431 Remove the lifter drive assembly



Step 9: Remove the pickup assembly (550-sheet paper feeder)

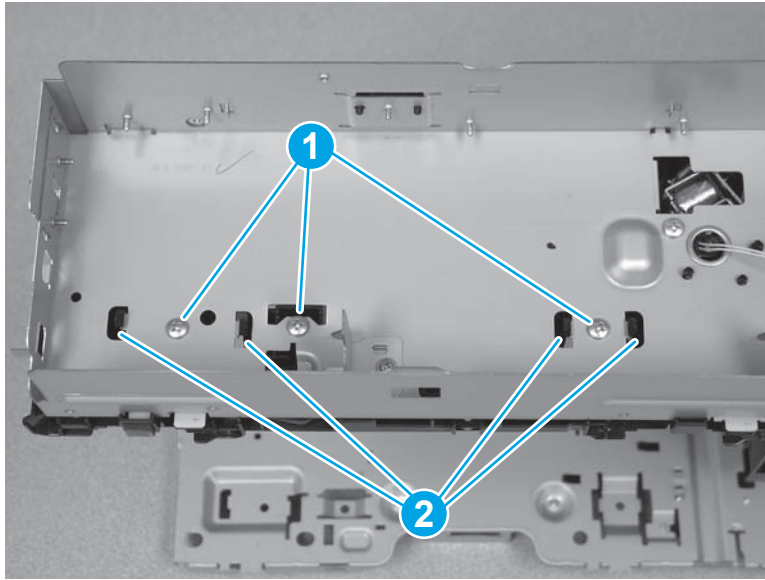
1. Lay the feeder on the left side so that the right side is facing up. Remove two screws (callout 1), and then remove the motor (callout 2).

Figure 1-5432 Remove the motor



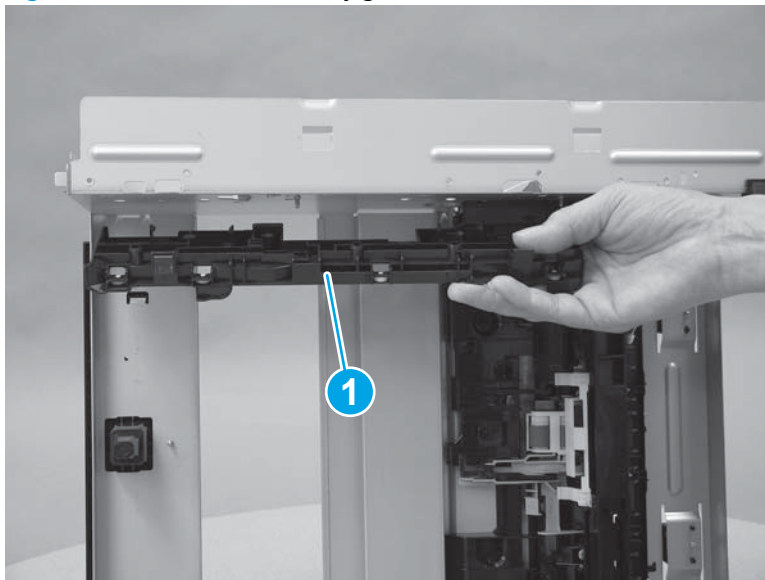
2. Remove three screws (callout 1), and then release three tabs (callout 2).

Figure 1-5433 Remove screws and release tabs



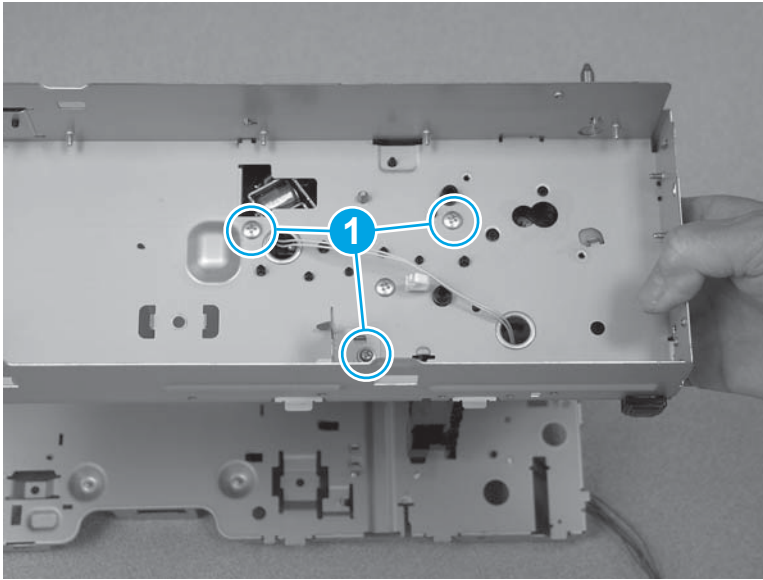
3. Remove the tray guide (callout 1).

Figure 1-5434 Remove the tray guide



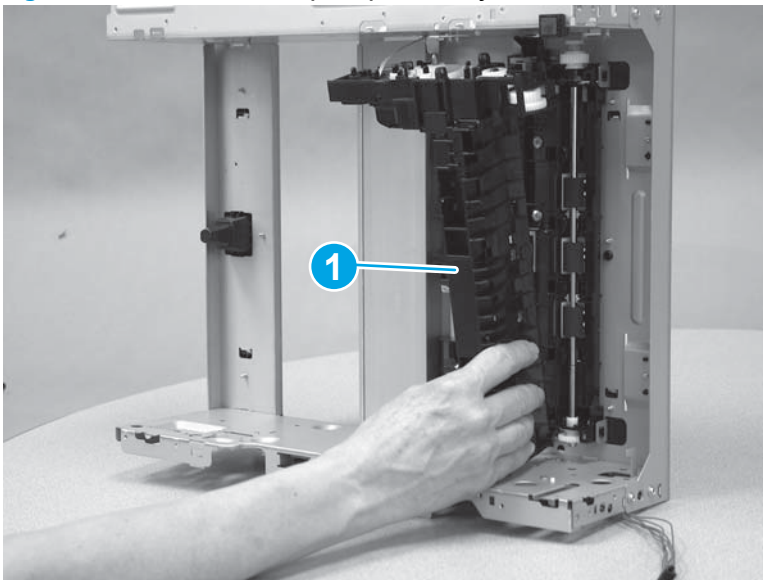
4. Remove three screws (callout 1).

Figure 1-5435 Remove three screws



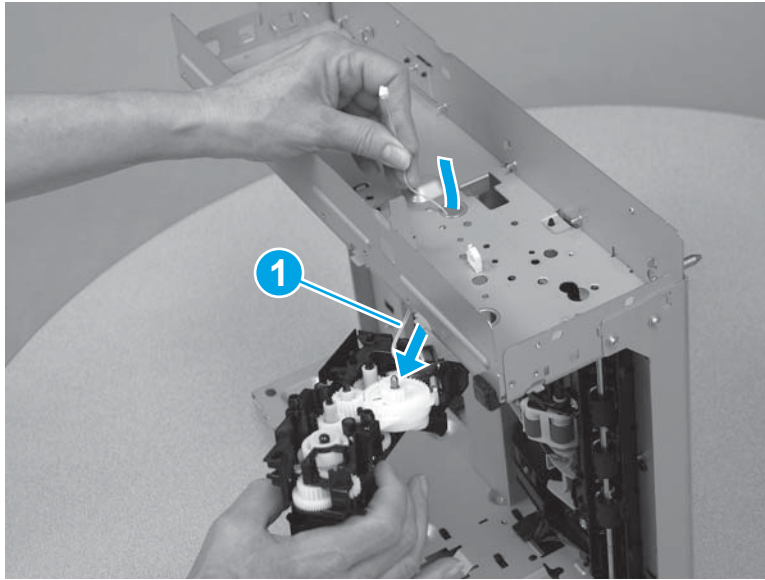
5. Remove the pickup assembly (callout 1).

Figure 1-5436 Remove the pickup assembly



6. Release the cables (callout 1) through the feeder frame.

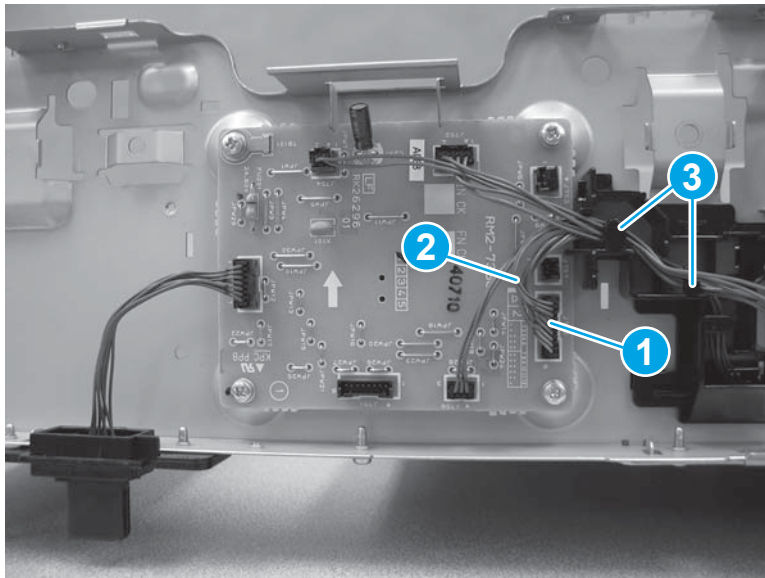
Figure 1-5437 Release the cables



Step 10: Remove the front feed guide assembly (550-sheet paper feeder)

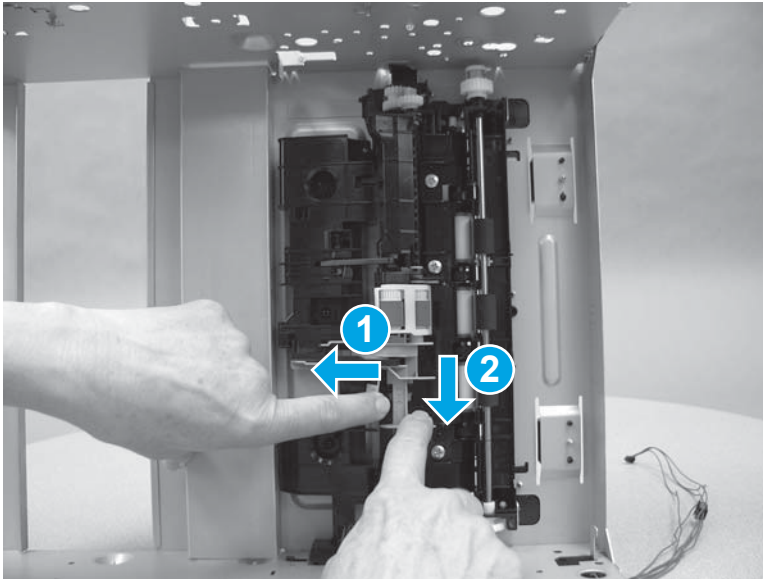
1. Lay the feeder on the right side so that the left side is facing up. Disconnect one connector (callout 1), and then remove the cables (callout 2) from the guides (callout 3).

Figure 1-5438 Disconnect one connector



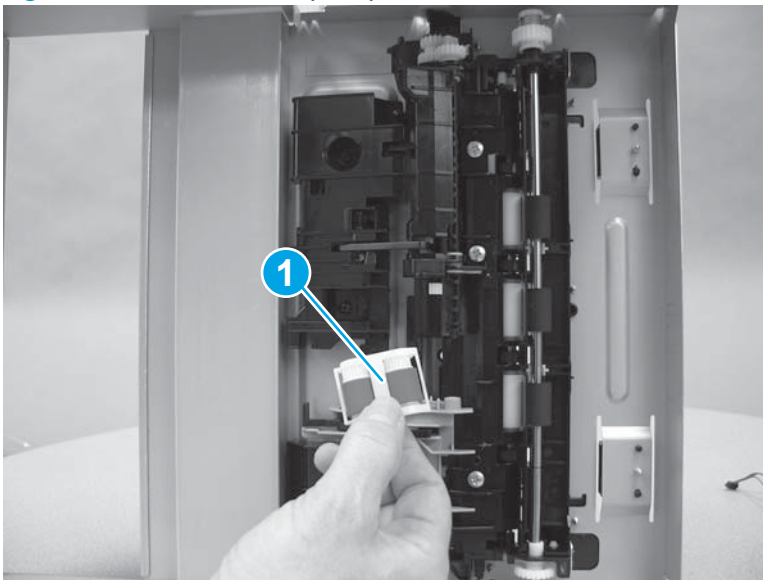
2. Press the lever (callout 1) on the roller holder, and then slide the roller holder down (callout 2).

Figure 1-5439 Slide the roller holder



3. Remove the roller holder (callout 1).

Figure 1-5440 Remove the pickup and feed rollers



4. Remove three screws (callout 1) on the rear feed guide assembly, and then remove three screws (callout 2) on the front feed guide assembly.


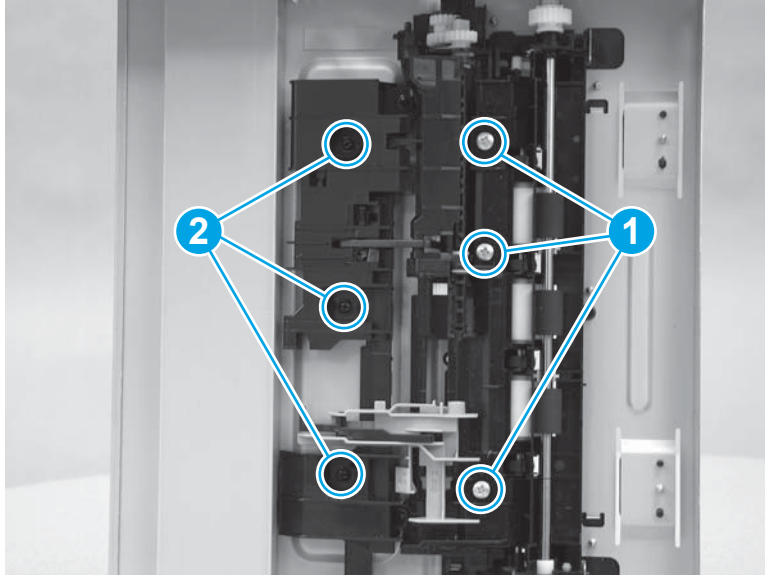
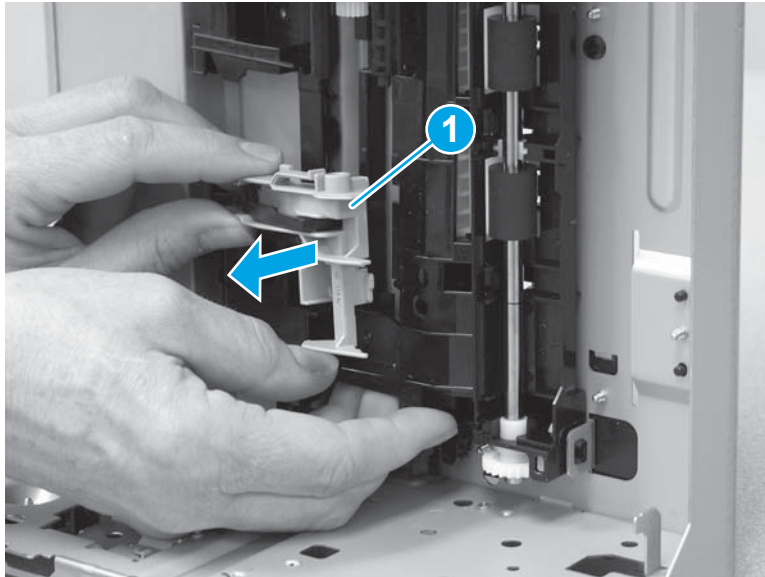
 **Reinstallation tip:** The three screws (callout 1) on the rear feed guide assembly are larger than the screws on the front feed guide assembly.

Figure 1-5441 Remove six screws



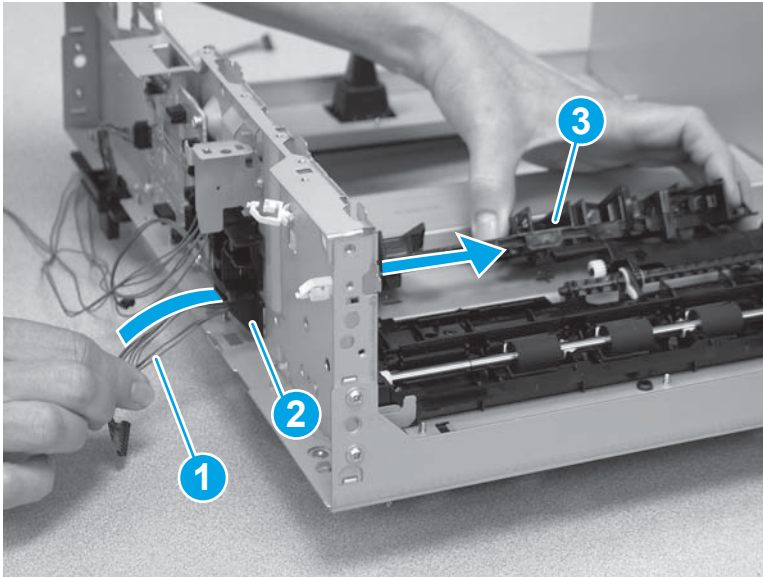
5. Remove the roller holder (callout 1).

Figure 1-5442 Remove the roller holder



6. Release the cables (callout 1) through the feeder frame (callout 2), and then remove the front feed guide assembly (callout 3).

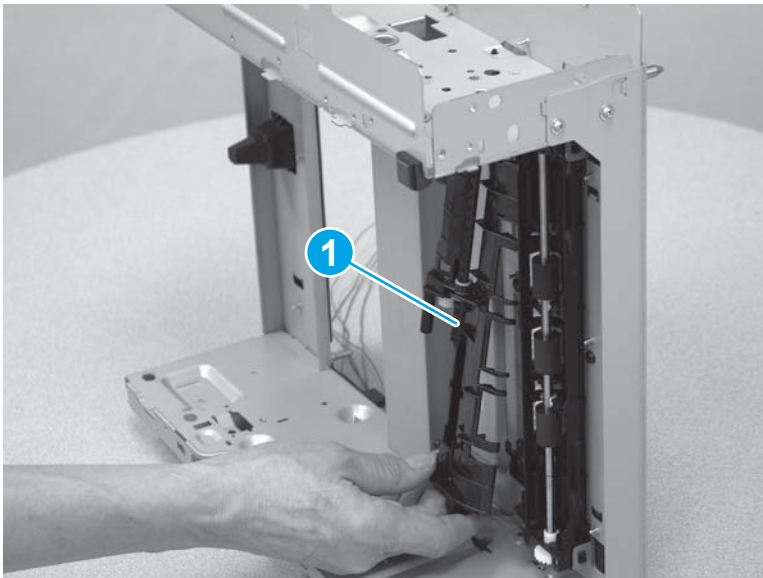
Figure 1-5443 Remove the front feed guide assembly



Step 11: Remove the rear feed guide assembly (550-sheet paper feeder)

- ▲ Remove the rear feed guide assembly (callout 1).

Figure 1-5444 Remove the rear feed guide assembly



Step 12: Unpack the replacement part

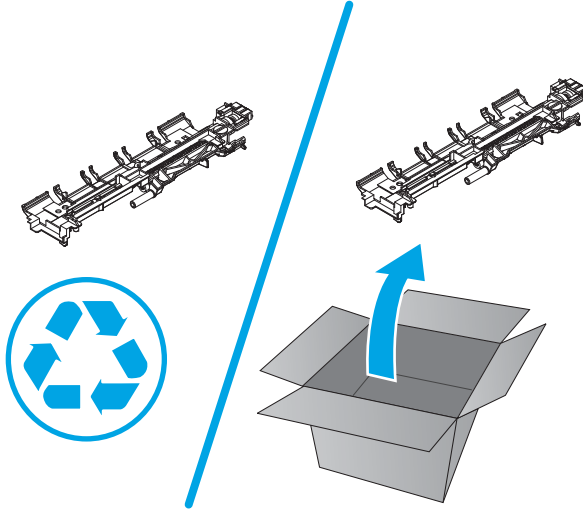
Remove the new part from its package. Save all packaging for recycling the used part.

For complete information on HP's recycling programs, go to [Product return and recycling](#).



NOTE: HP recommends responsible disposal of the defective part.

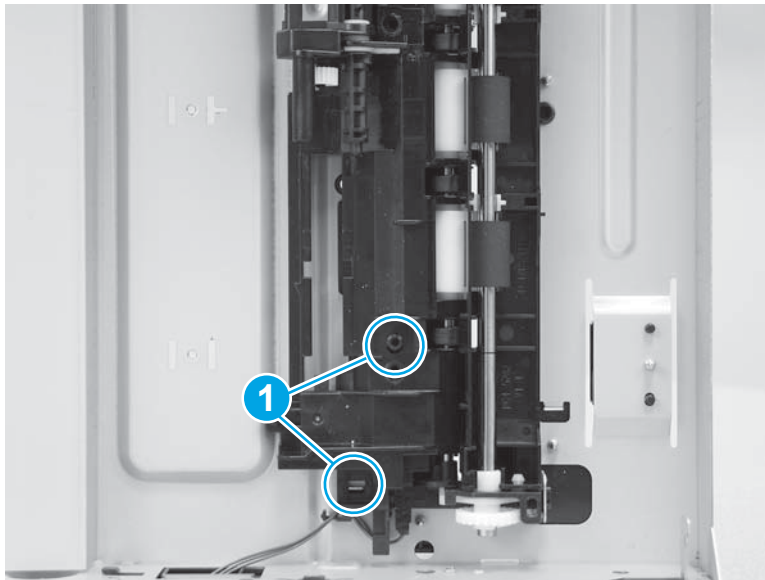
Figure 1-5445 Recycle and unpack



Step 13: Install the rear feed guide assembly (550-sheet paper feeder)

- ▲ Install the rear feed guide assembly. Make sure that the tabs are installed securely (callout 1).

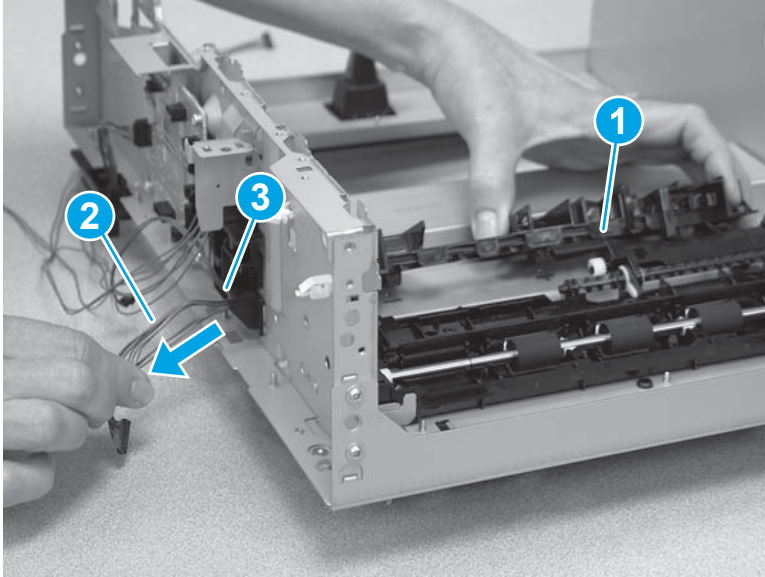
Figure 1-5446 Install the rear feed guide assembly



Step 14: Install the front feed guide assembly (550-sheet paper feeder)

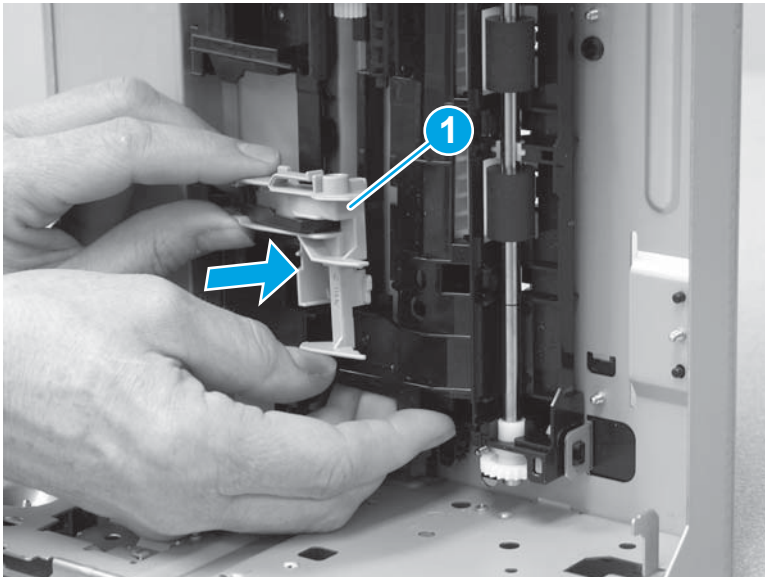
1. Install the front feed guide (callout 1), and then install the cables (callout 2), through the feeder frame (callout 3).

Figure 1-5447 Install the front feed guide assembly



2. Install the roller holder (callout 1).

Figure 1-5448 Install the roller holder



3. Install three screws (callout 1) on the rear feed guide assembly, and then install three screws (callout 2) on the front feed guide assembly.


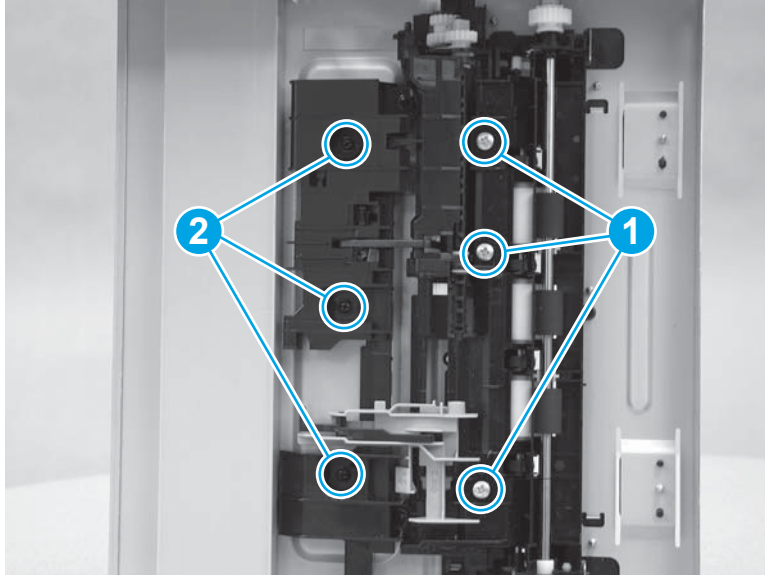
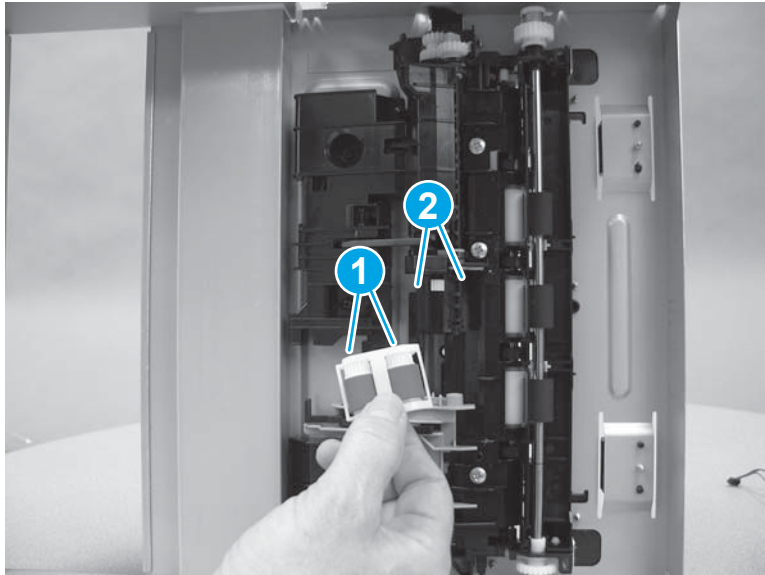
 **Reinstallation tip:** The three screws (callout 1) on the rear feed guide assembly are larger than the screws on the front feed guide assembly.

Figure 1-5449 Install six screws



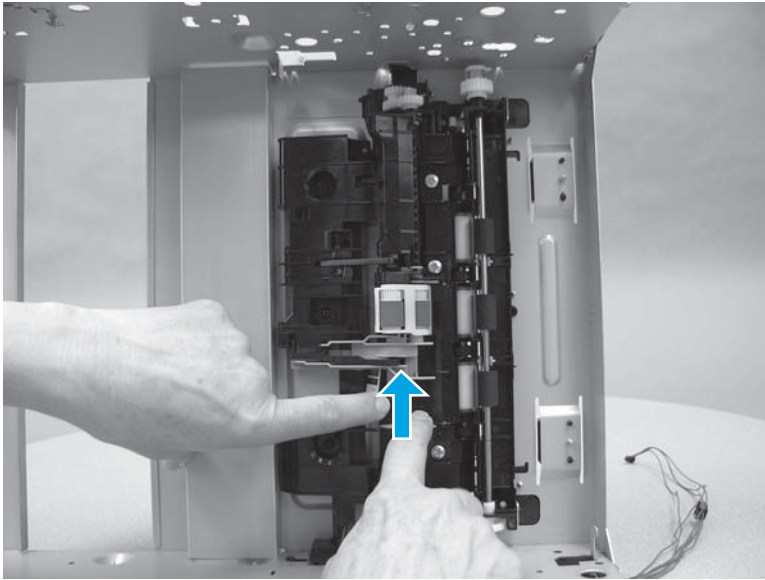
4. Install the pickup and feed roller case (callout 1) on the shafts (callout 2).

Figure 1-5450 Install the pickup and feed rollers



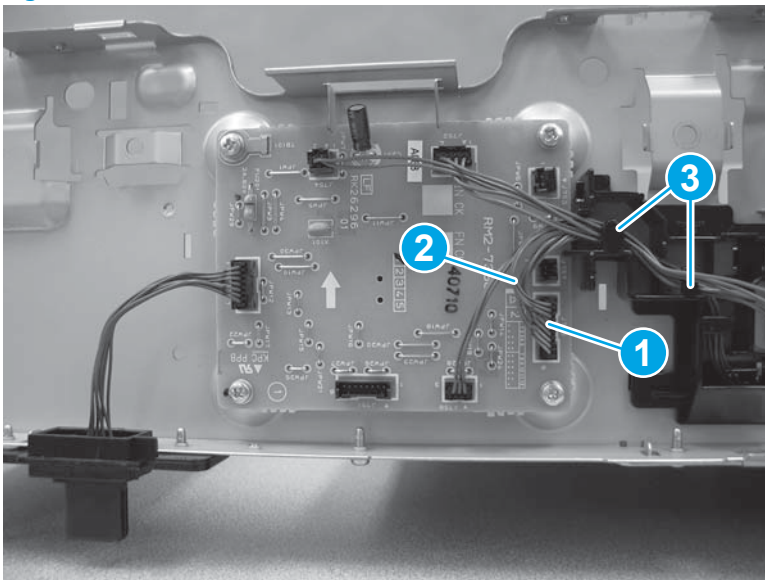
5. Slide the roller holder up until it snaps into place.

Figure 1-5451 Slide the roller holder



6. Connect one connector (callout 1), and then install the cables (callout 2) into the guides (callout 3).

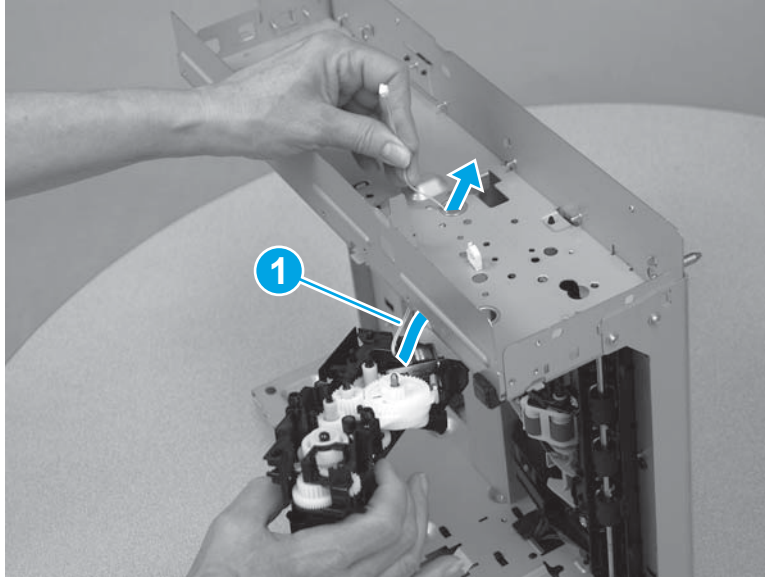
Figure 1-5452 Connect one connector



Step 15: Install the pickup assembly (550-sheet paper feeder)

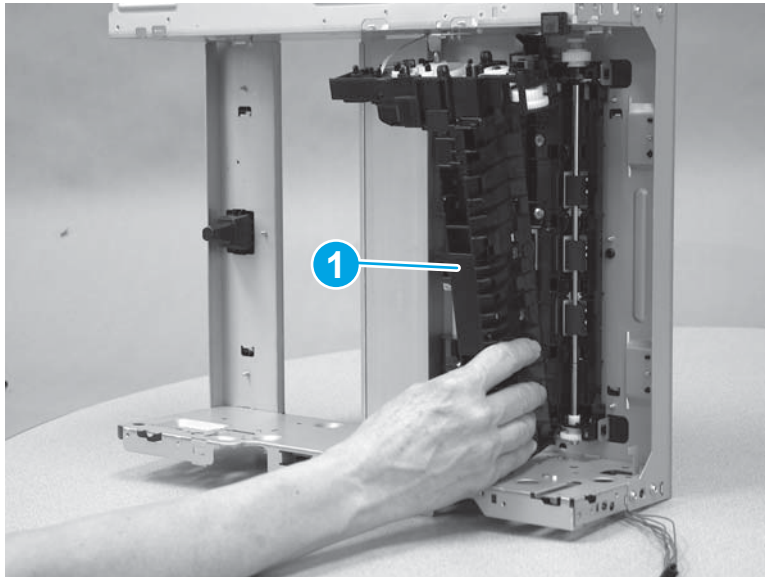
1. Lay the feeder on the left side so that the right side is facing up. Install the cables (callout 1) through the feeder frame.

Figure 1-5453 Install the cables



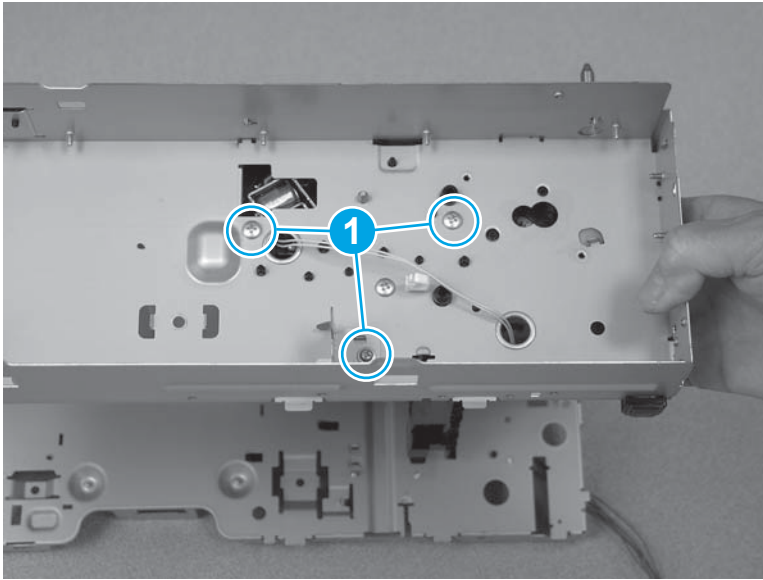
2. Install the pickup assembly (callout 1).

Figure 1-5454 Install the pickup assembly



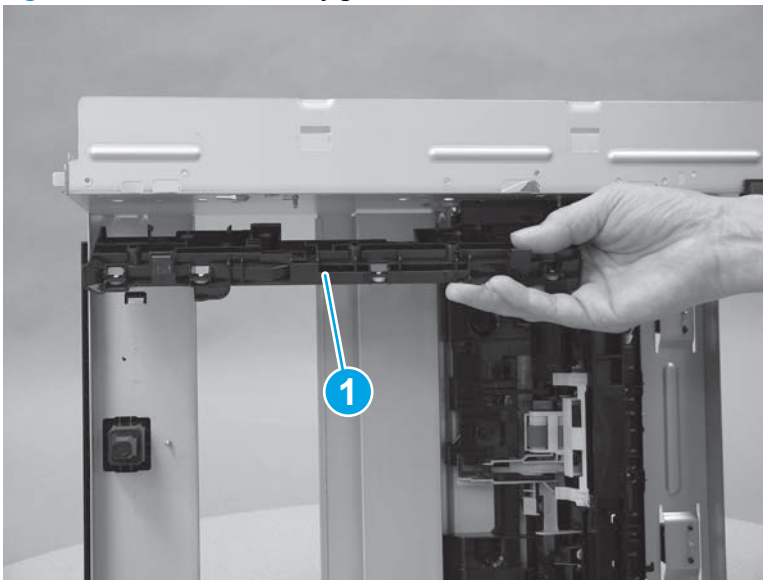
3. Install three screws (callout 1).

Figure 1-5455 Install three screws



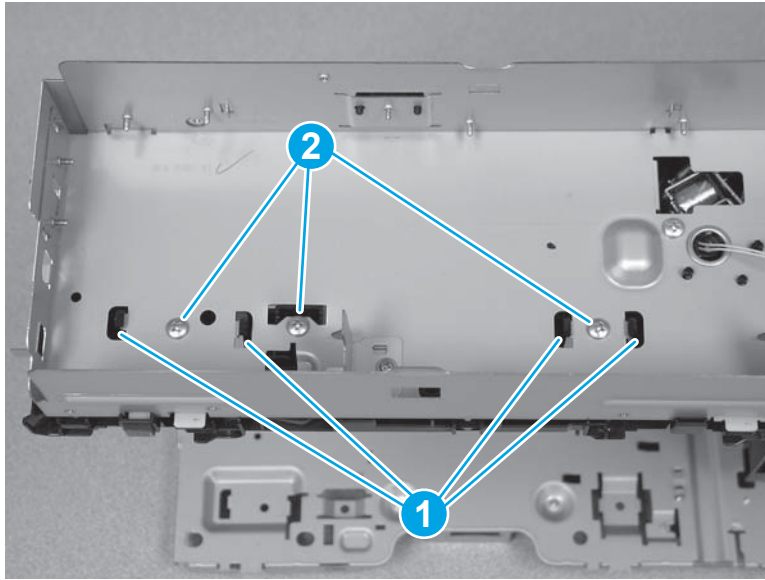
4. Install the tray guide (callout 1).

Figure 1-5456 Install the tray guide



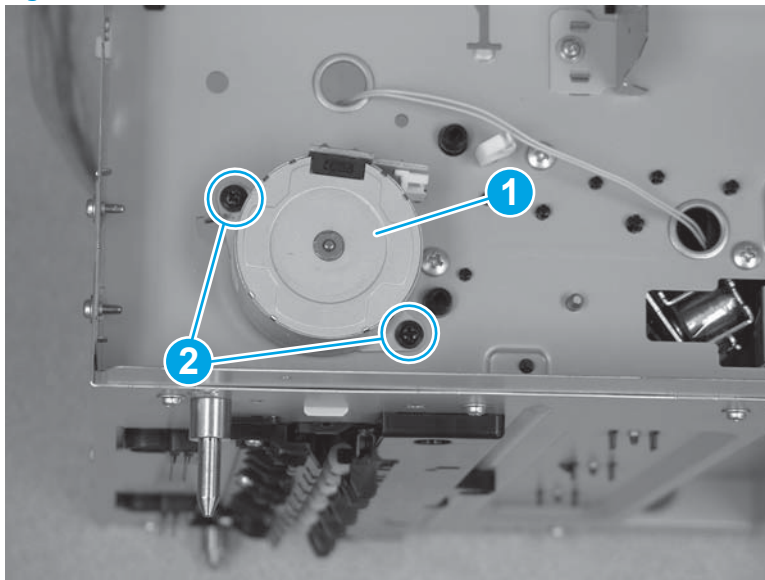
5. Install three tabs (callout 1), and then install three screws (callout 2).

Figure 1-5457 Install screws and tabs



6. Install the motor (callout 1), and then install two screws (callout 2).

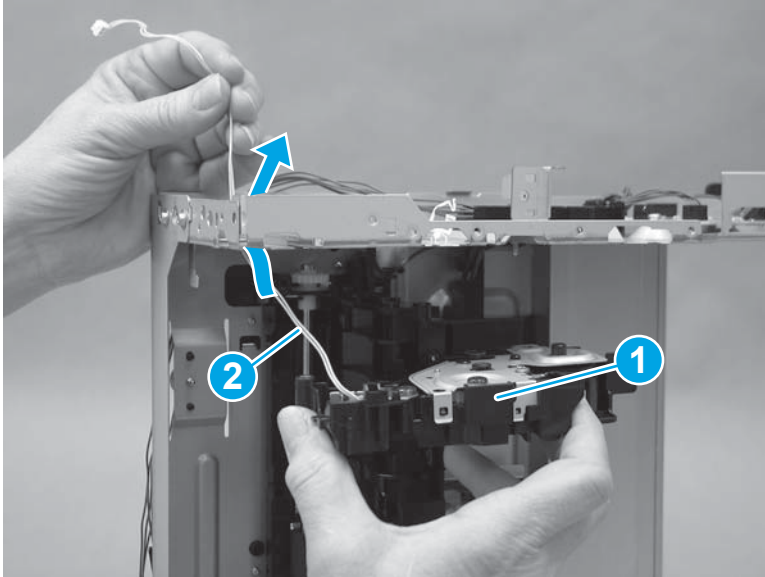
Figure 1-5458 Install the motor



Step 16: Install the lifter drive assembly (550-sheet paper feeder)

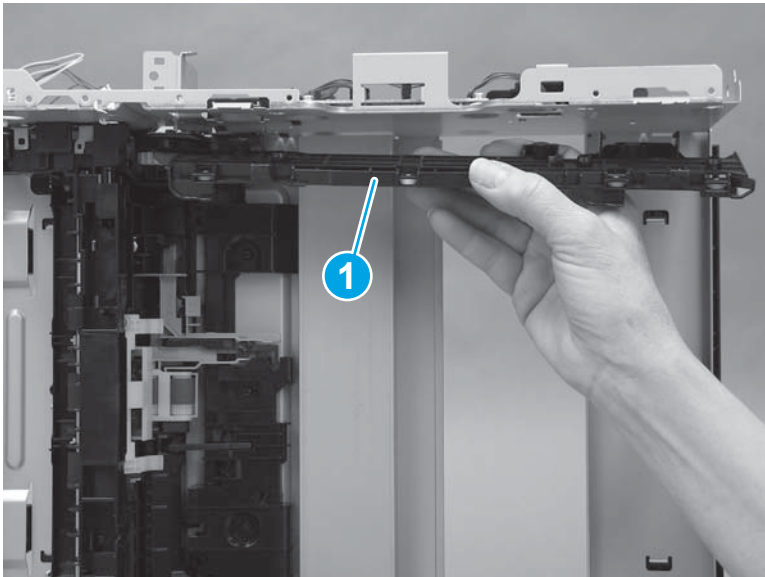
1. Install the cables (callout 1) on the lifter drive assembly up through the printer frame, and then install the lifter drive assembly (callout 2).

Figure 1-5459 Install the lifter drive assembly



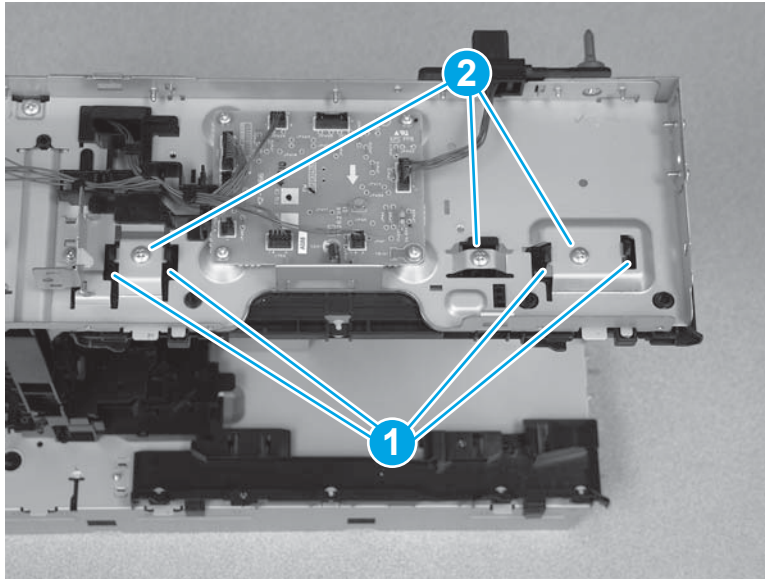
2. Install the tray guide (callout 1).

Figure 1-5460 Install the tray guide



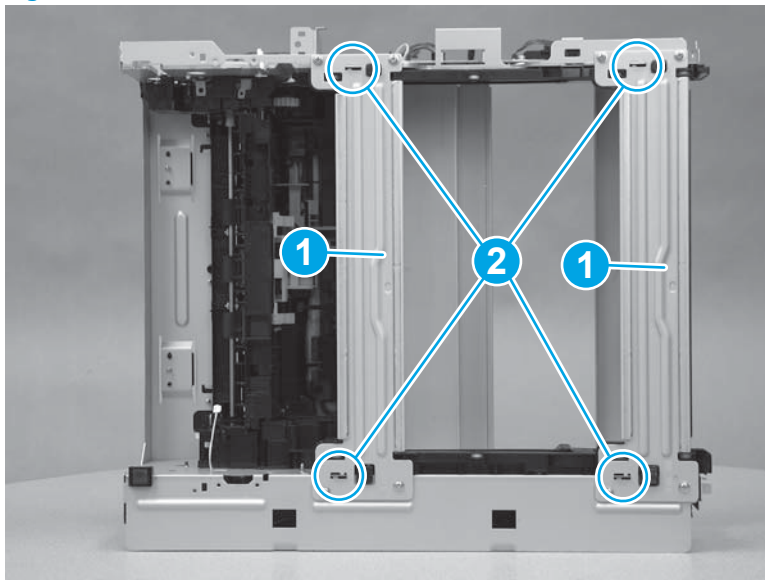
3. Install three tabs (callout 1), and then install three screws (callout 2).

Figure 1-5461 Install screws and tabs



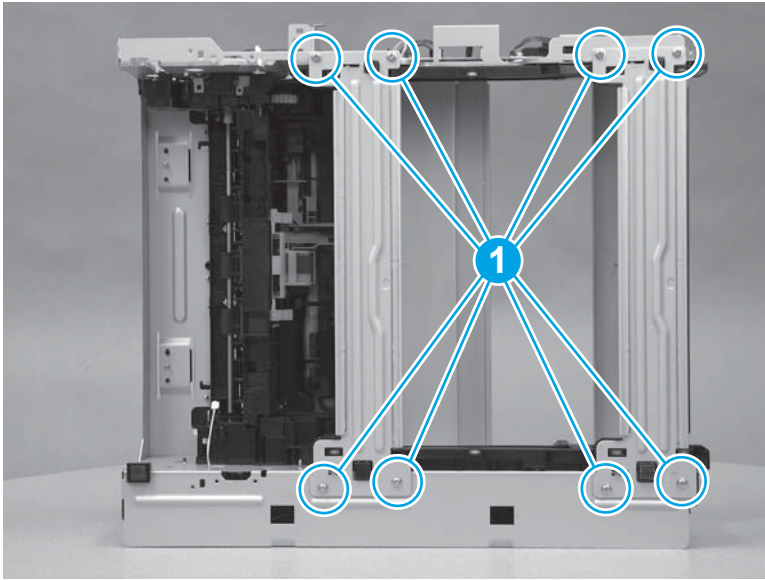
4. Position the cross braces (callout 1), and then install four tabs (callout 2).

Figure 1-5462 Install the cross braces



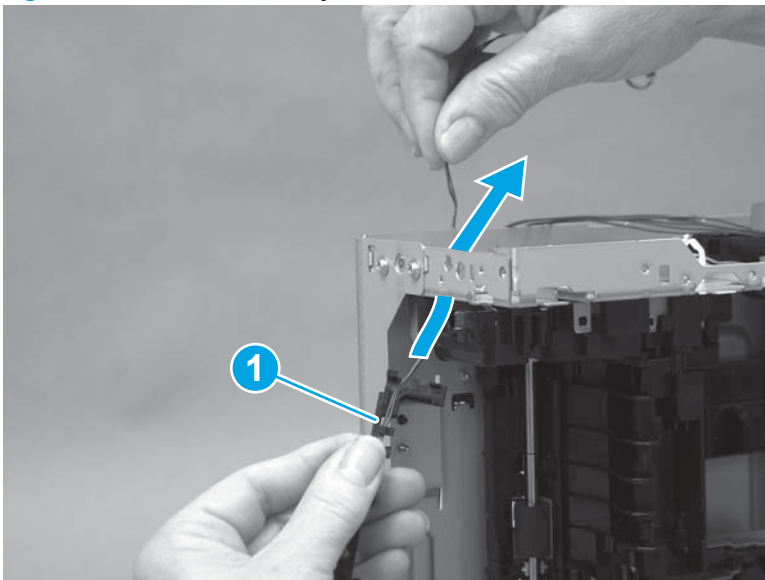
5. Install eight screws (callout 1).

Figure 1-5463 Install eight screws



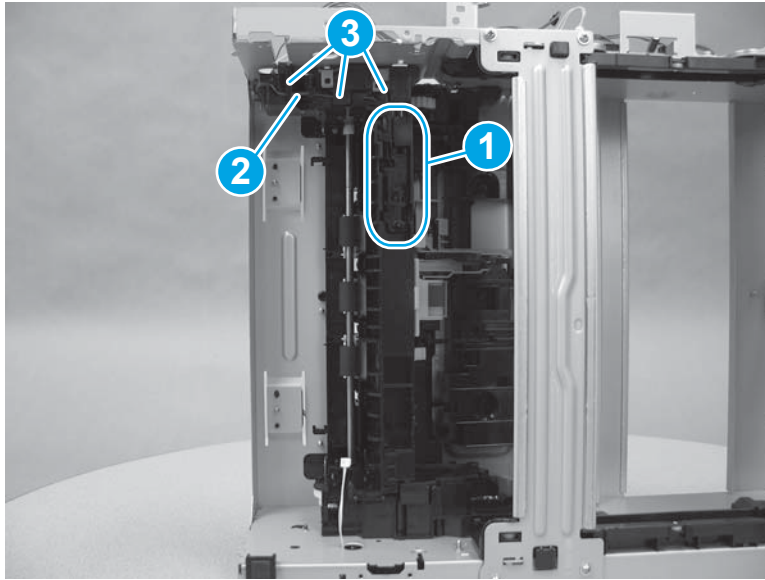
6. Install the tray sensor switch cables (callout 1) through the hole in the sheet metal.

Figure 1-5464 Install the tray sensor switch cables



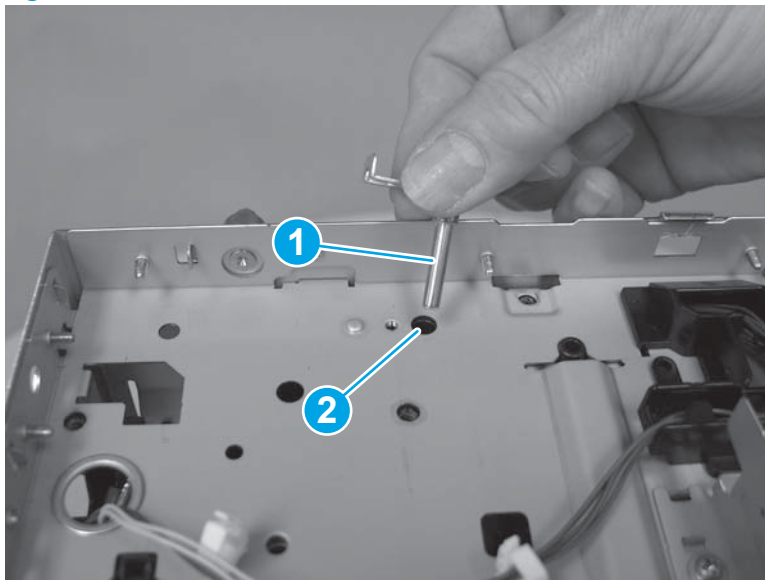
7. Install the tray sensor switch (callout 1), and then install the cables (callout 2) in the guides (callout 3).

Figure 1-5465 Install the tray sensor switch



8. Install the shaft (callout 1) in the hole (callout 2) in the feeder.

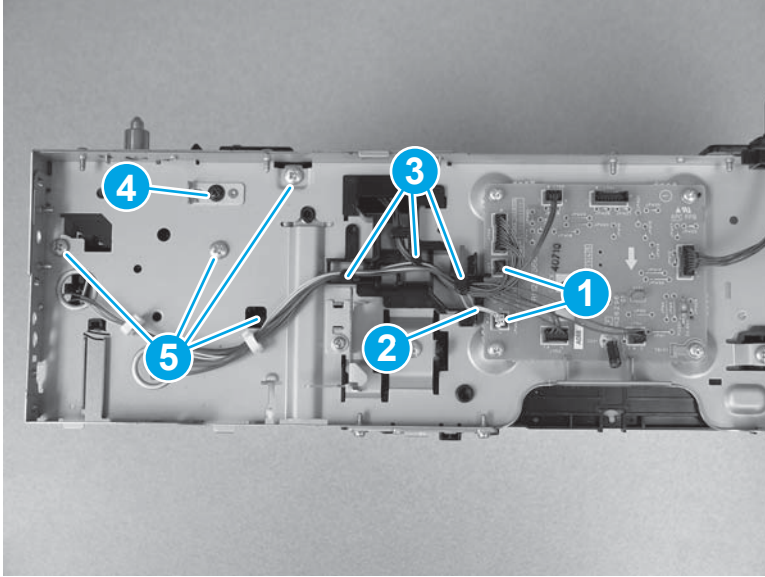
Figure 1-5466 Install the shaft



9. Connect two connectors (callout 1), and install the cables (callout 2) in the guides (callout 3). Install one screw (callout 4), and then install four more screws (callout 5).

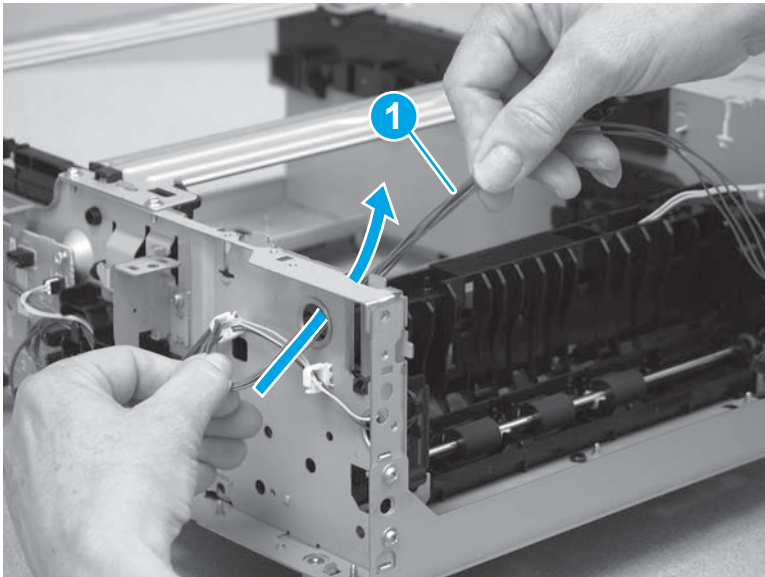
 **Reinstallation tip:** One screw (callout 4) is different from the other screws. Make sure that this screw is installed in the correct position.

Figure 1-5467 Disconnect connector and remove five screws



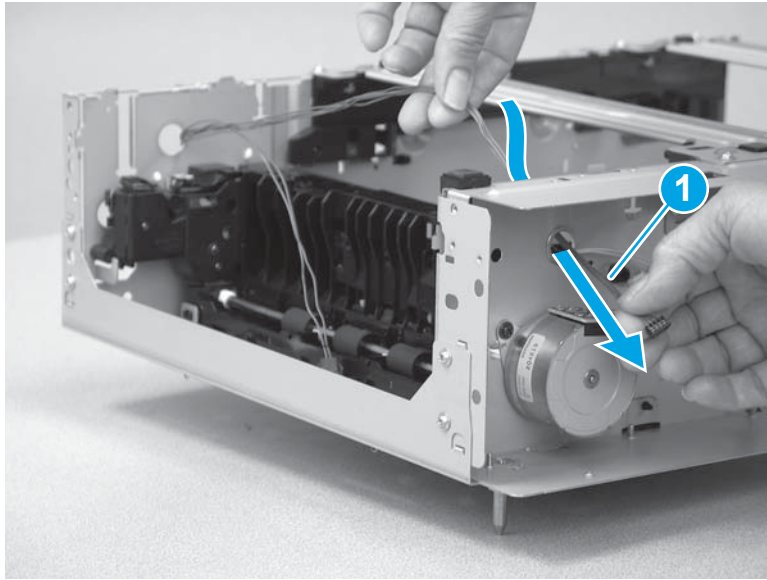
10. Turn the printer so that the bottom side is up. On the left side of the feeder, install all of the cables (callout 1) through the opening in the paper feeder.

Figure 1-5468 Install the cables



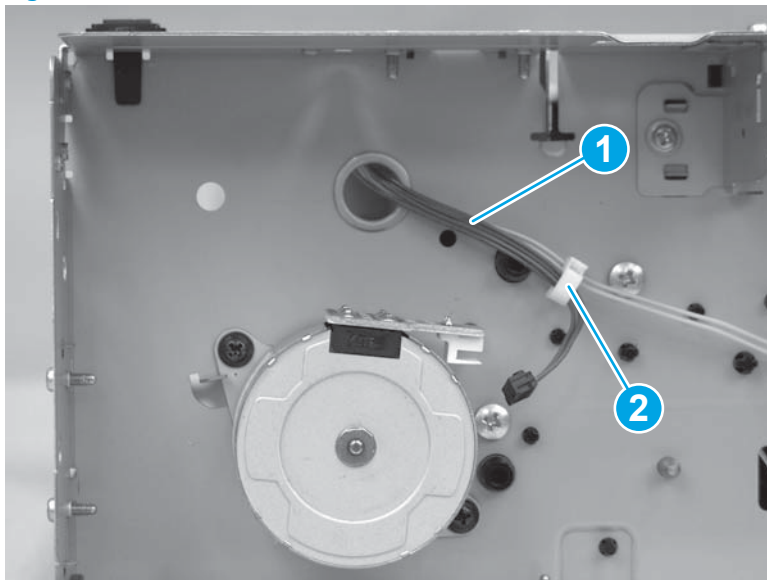
11. On the right side of the feeder, install the cables (callout 1) through the hole in the sheet metal.

Figure 1-5469 Install the cables



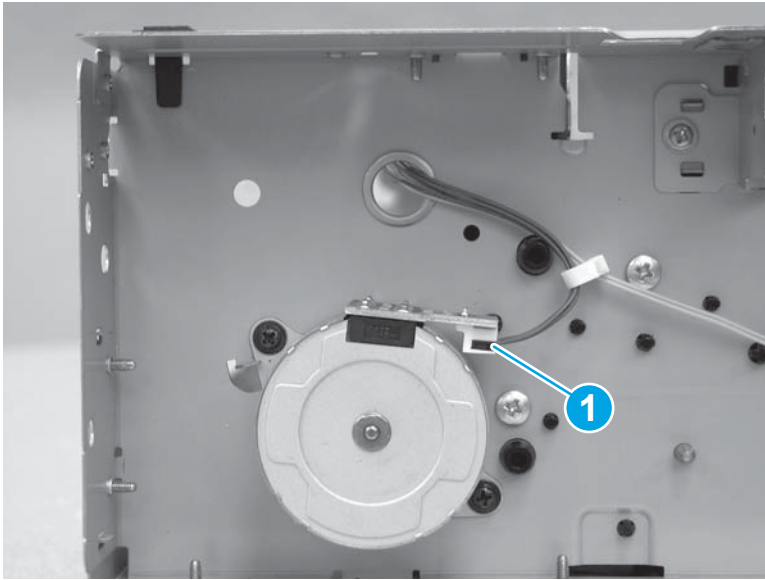
12. Install the cables (callout 1) in the retainer (callout 2).

Figure 1-5470 Install the cables



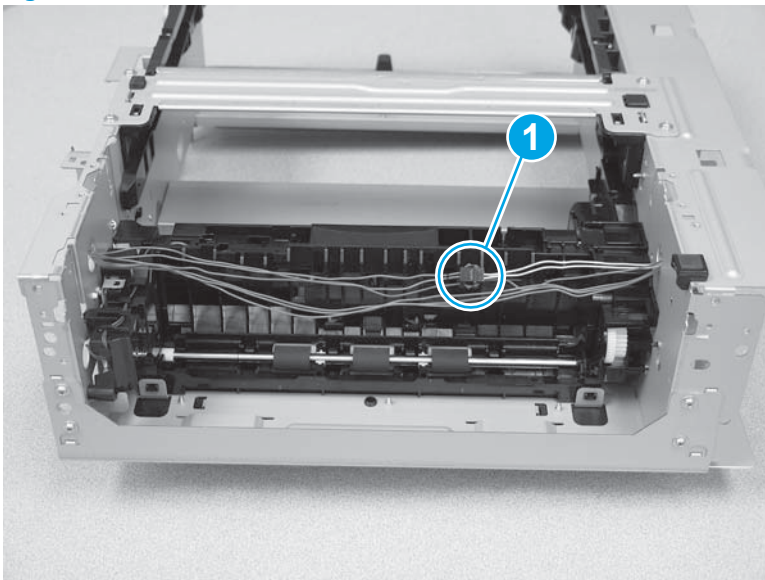
13. Connect one connector (callout 1) to the motor.

Figure 1-5471 Connect one connector



14. Connect one in-line connector (callout 1).

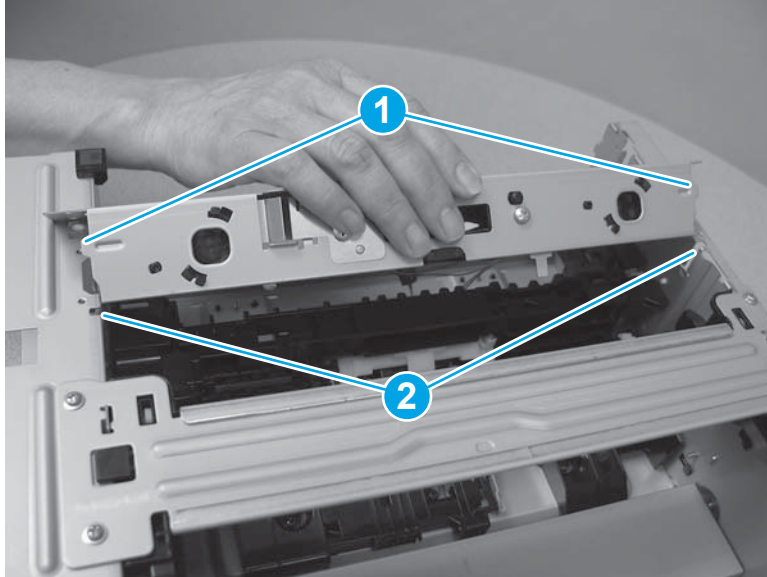
Figure 1-5472 Connect one connector



Step 17: Install the feed frame assembly (550-sheet paper feeder)

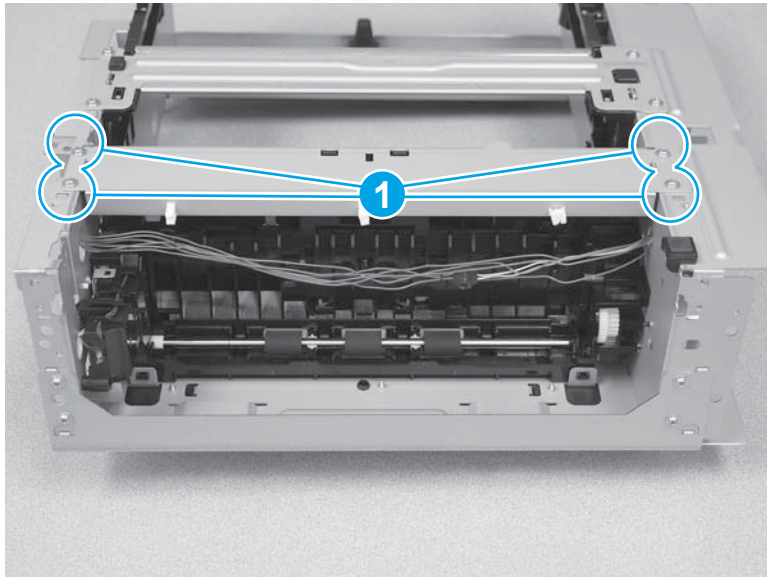
1. Install the tabs (callout 1) on the feed frame assembly in the slots (callout 2) on the feeder.

Figure 1-5473 Install the feed frame assembly



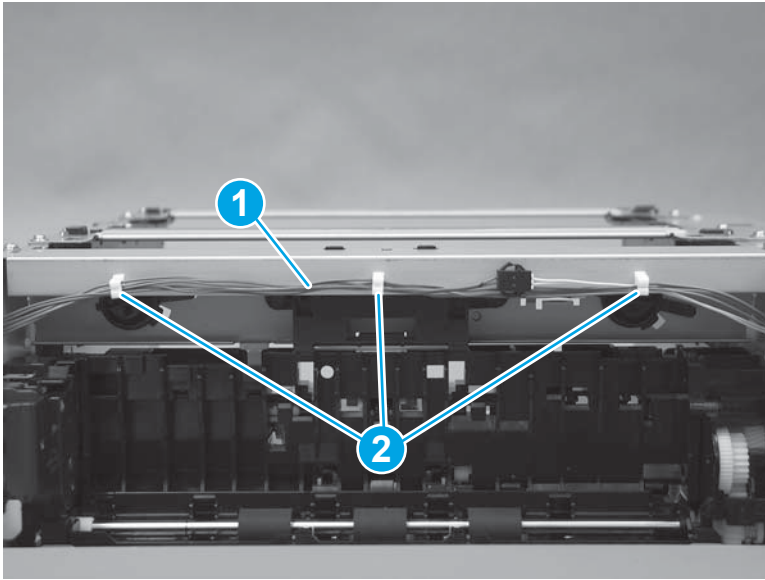
2. Install four screws (callout 1).

Figure 1-5474 Install four screws



3. Install the cables (callout 1) in the retainers (callout 2).

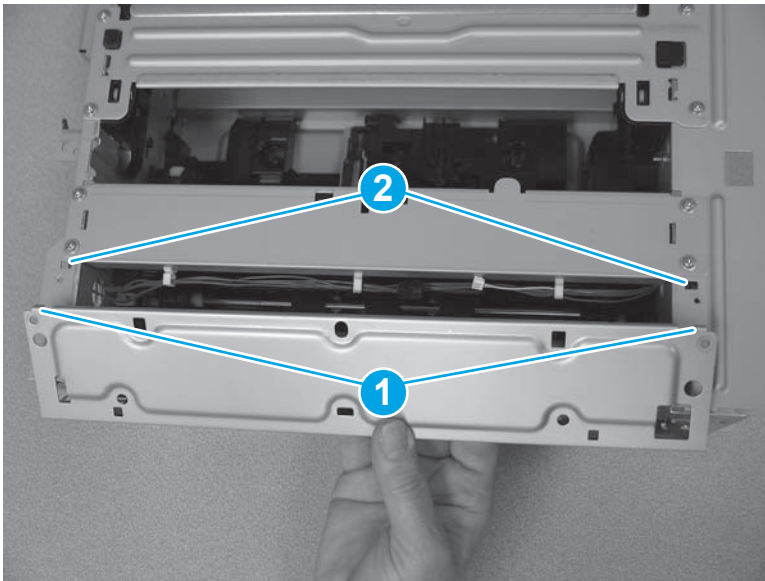
Figure 1-5475 Install the cables



Step 18: Install the baseplate (550-sheet paper feeder)

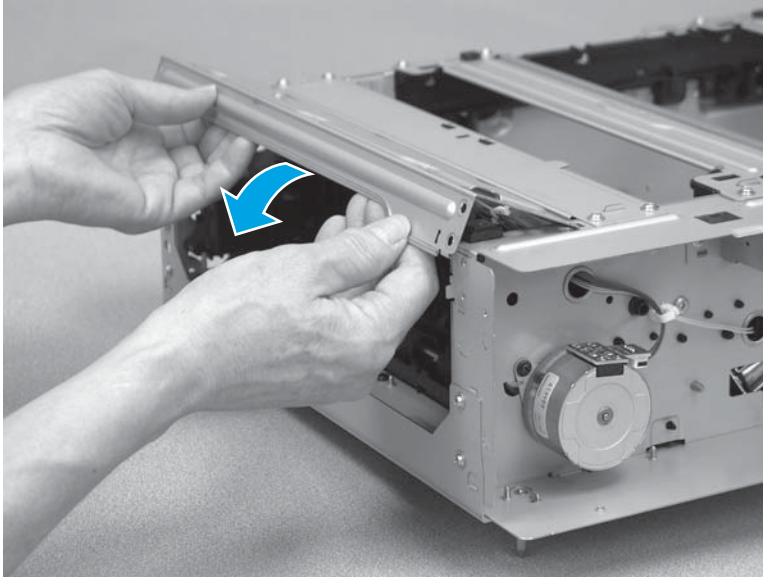
1. Install the tabs (callout 1) on the baseplate into the slots (callout 2) on the feeder.

Figure 1-5476 Release two tabs



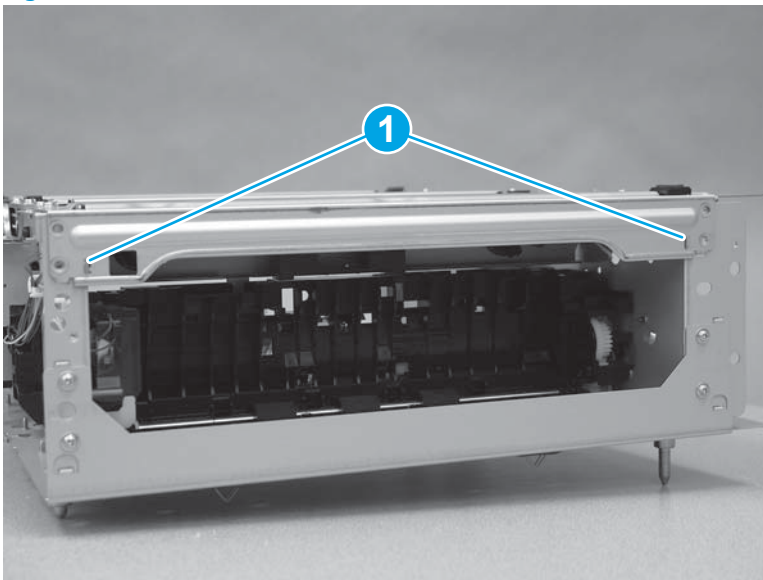
2. Rotate the edge of the baseplate down.

Figure 1-5477 Rotate the baseplate down



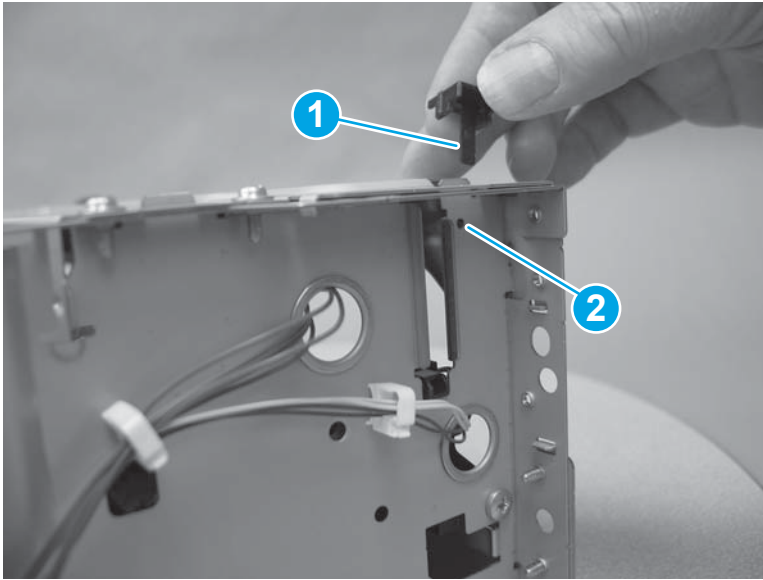
3. Install two tabs (callout 1).

Figure 1-5478 Install two tabs



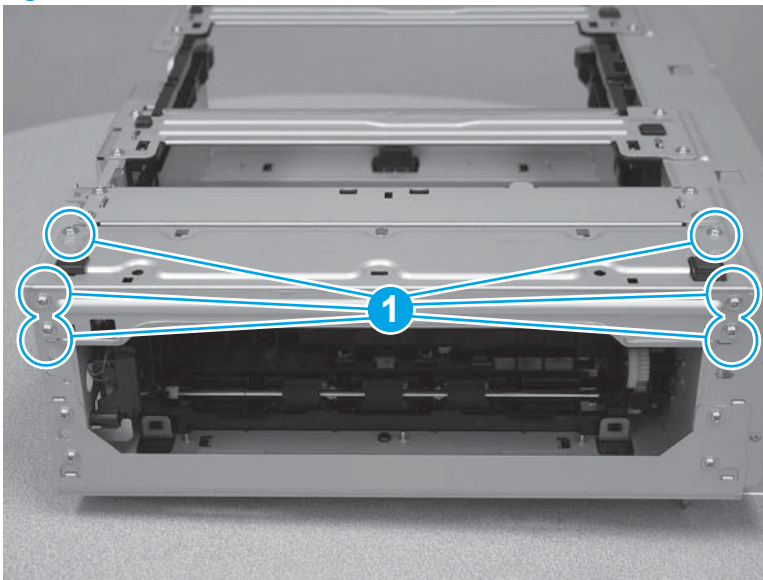
4. Install the foot. Make sure that the tab (callout 1) on the foot fits in the slot (callout 2) on the feeder.

Figure 1-5479 Remove the foot



5. Install six screws (callout 1).

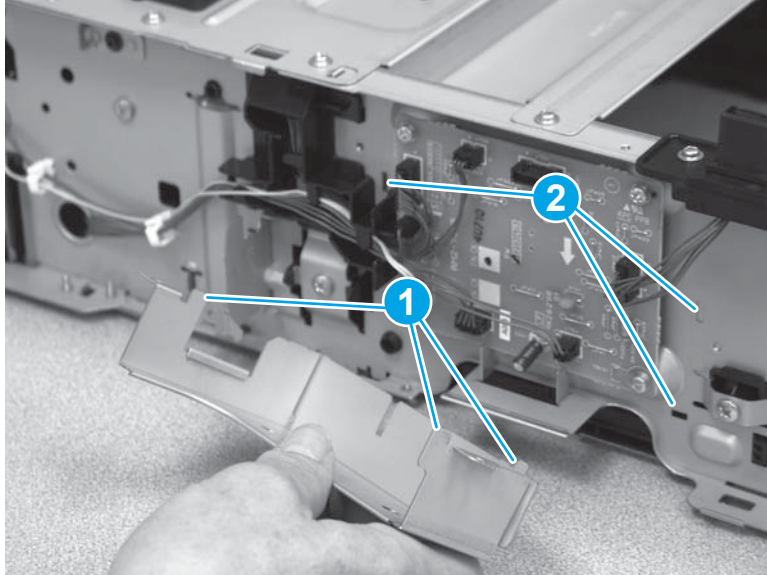
Figure 1-5480 Install six screws



Step 19: Install the PCA cover (550-sheet paper feeder)

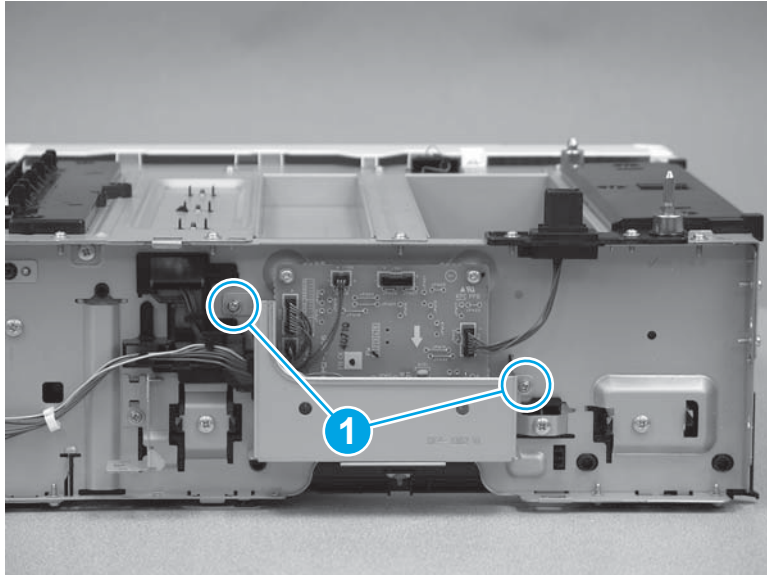
1. Install the tabs (callout 1) on the PCA cover in the slots (callout 2) on the feeder.

Figure 1-5481 Install the PCA cover



2. Install two screws (callout 1).

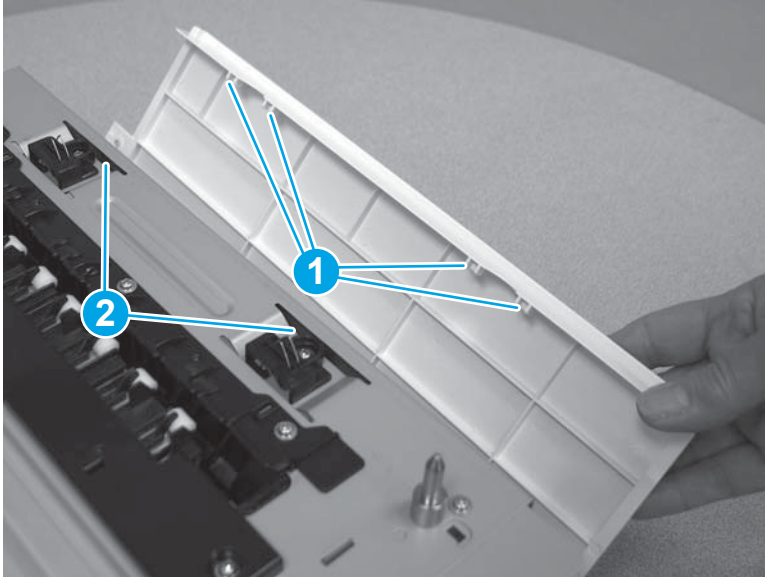
Figure 1-5482 Install two screws



Step 20: Install the rear cover (550-sheet paper feeder)

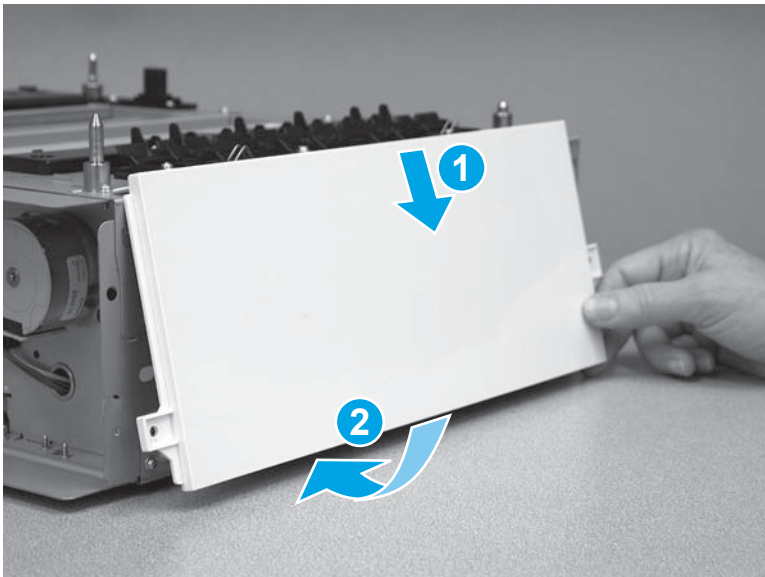
1. Install the tabs (callout 1) on the rear cover in the slots (callout 2) on the feeder.

Figure 1-5483 Install the tabs



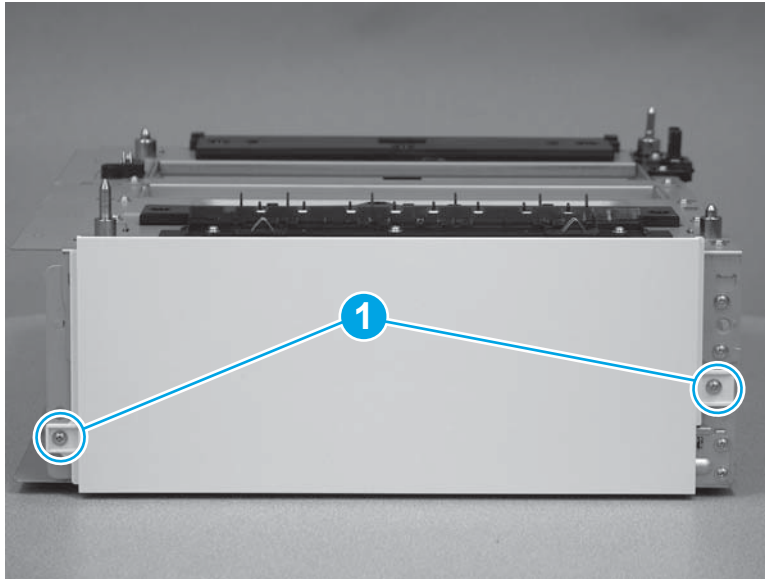
2. Make sure that the top of the rear cover (callout 1) is seated in the tabs, and then rotate the bottom of the cover (callout 2) toward the feeder.

Figure 1-5484 Rotate the cover



3. Install two screws (callout 1).

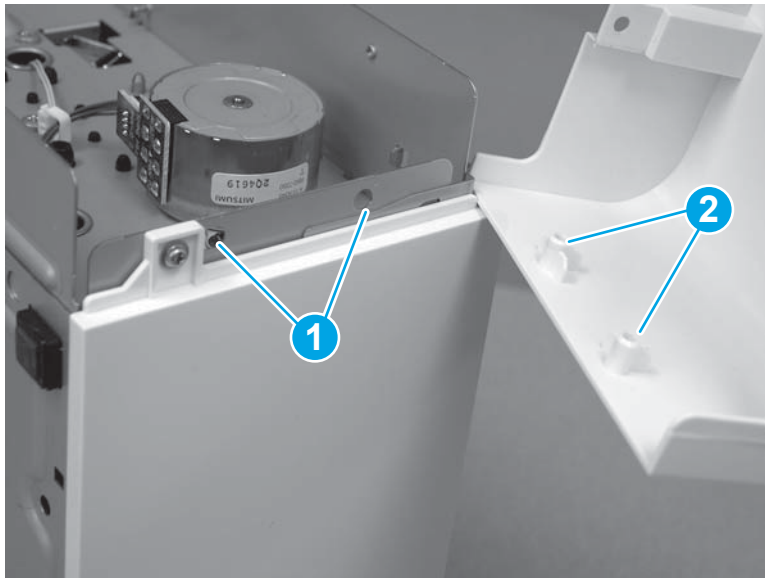
Figure 1-5485 Install two screws



Step 21: Install the left cover (550-sheet paper feeder)

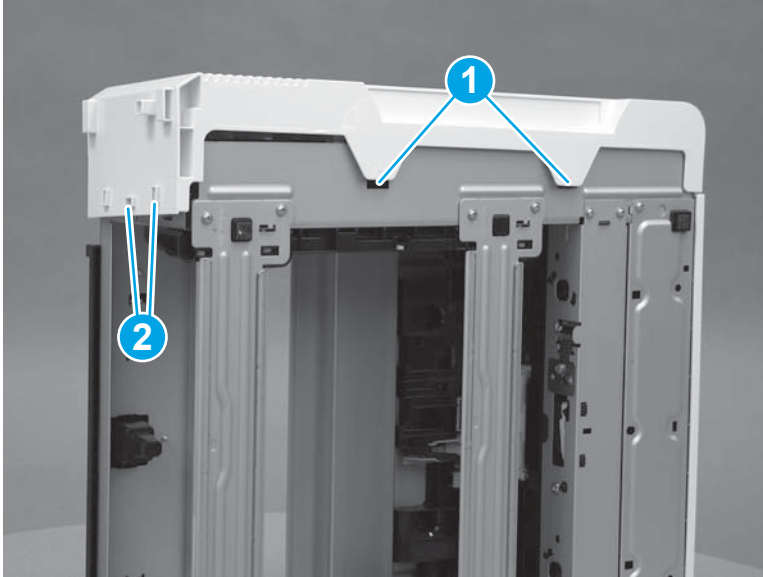
1. Lay the feeder on the right side so that the left side is facing up. At the back of the feeder, install the tabs (callout 1) on the cover in the holes (callout 2) on the feeder.

Figure 1-5486 Install two tabs



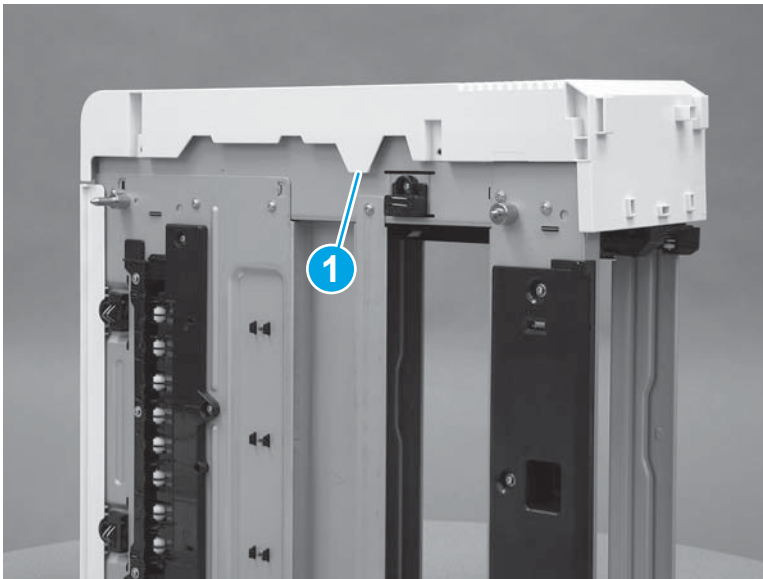
2. Install two tabs (callout 1) on the bottom of the feeder, and then install two tabs (callout 2) on the front of the feeder.

Figure 1-5487 Install four tabs



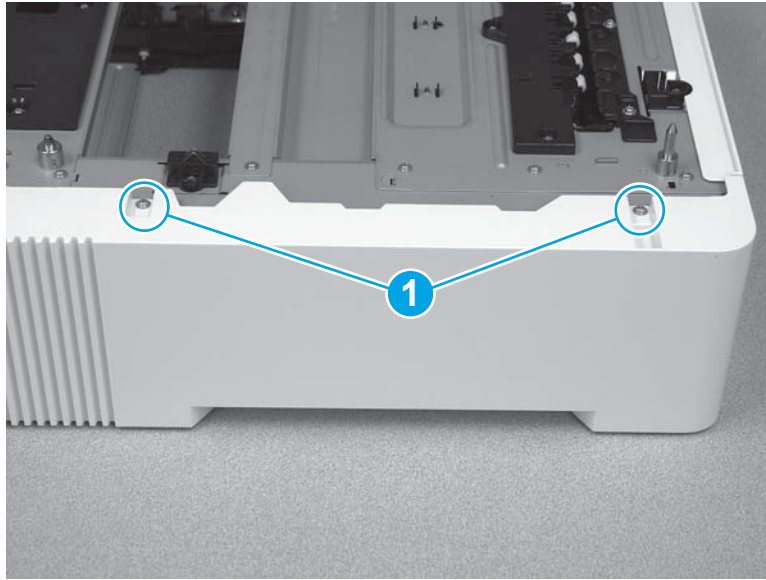
3. Turn the feeder to an upright position with the top facing up. Install one tab (callout 1) on the top of the feeder.

Figure 1-5488 Install three tabs



4. Install two screws (callout 1).

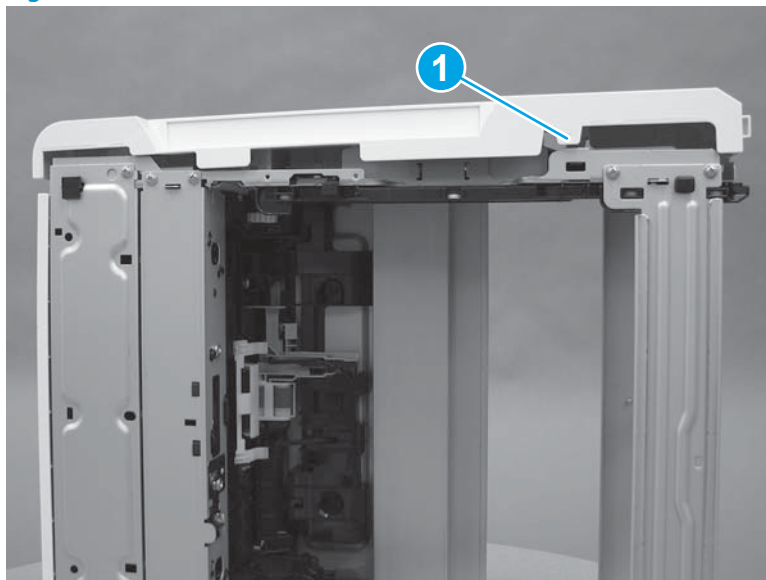
Figure 1-5489 Install two screws



Step 22: Install the right cover (550-sheet paper feeder)

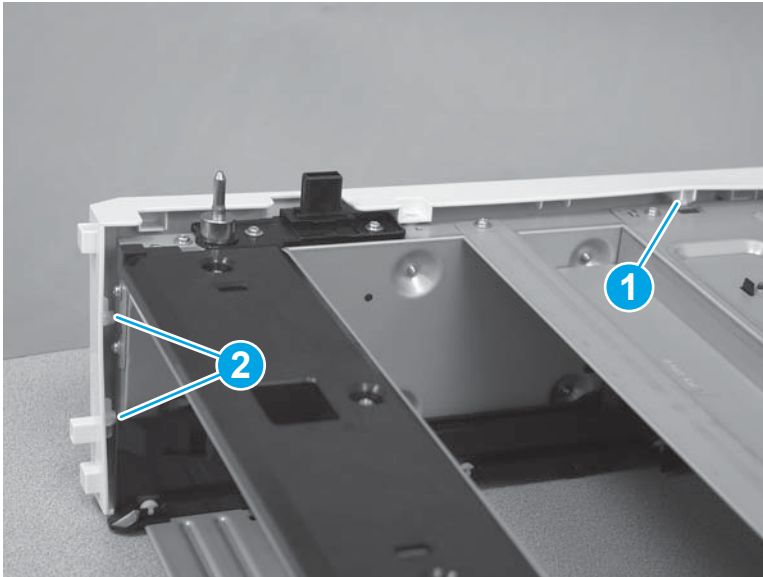
1. Lay the feeder on the left side so that the right side is facing up, and then install one tab (callout 1) on the bottom of the feeder.

Figure 1-5490 Install one tab



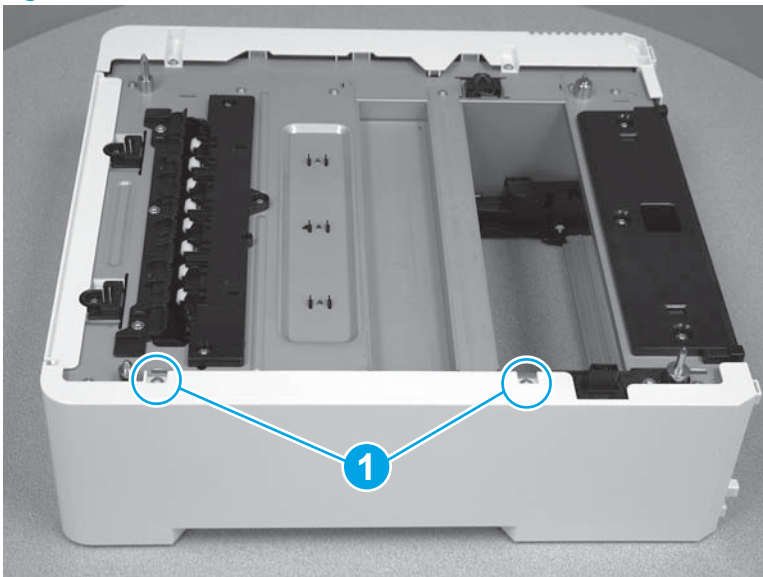
2. Turn the feeder to an upright position with the top facing up. Install one tab (callout 1) on the top of the feeder, and then install two tabs (callout 2) at the front of the feeder.

Figure 1-5491 Install three tabs



3. Install two screws (callout 1).

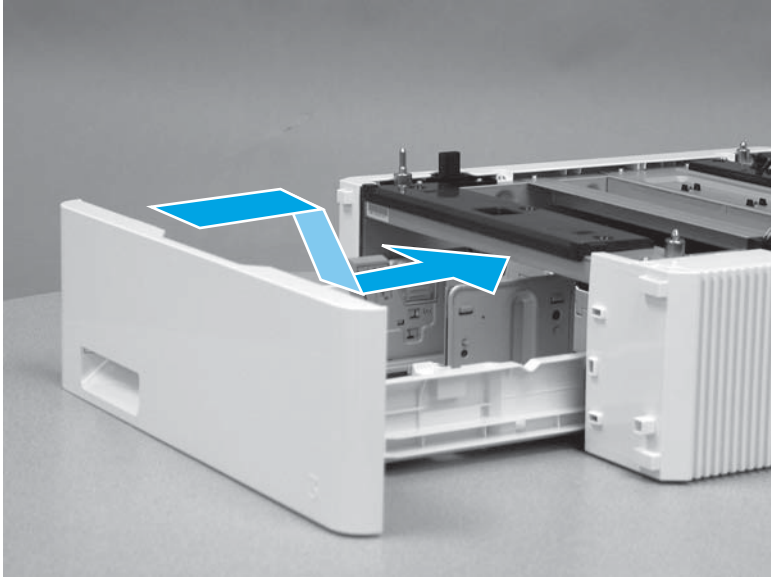
Figure 1-5492 Install two screws



Step 23: Install Tray 3

- ▲ With the front of the tray slightly lifted, align the sides of the tray with the rails in the feeder, and then carefully slide the tray into the feeder. As the tray slides into the feeder, lower the front of the tray, and then close it.

Figure 1-5493 Install the tray



Removal and replacement: Paper feed assembly (550-sheet paper feeder)

- [Introduction](#)
- [Step 1: Remove Tray 3](#)
- [Step 2: Remove the right cover \(550-sheet paper feeder\)](#)
- [Step 3: Remove the left cover \(550-sheet paper feeder\)](#)
- [Step 4: Remove the rear cover \(550-sheet paper feeder\)](#)
- [Step 5: Remove the PCA cover \(550-sheet paper feeder\)](#)
- [Step 6: Remove the baseplate \(550-sheet paper feeder\)](#)
- [Step 7: Remove the feed frame assembly \(550-sheet paper feeder\)](#)
- [Step 8: Remove the lifter drive assembly \(550-sheet paper feeder\)](#)
- [Step 9: Remove the pickup assembly \(550-sheet paper feeder\)](#)
- [Step 10: Remove the front feed guide assembly \(550-sheet paper feeder\)](#)
- [Step 11: Remove the rear feed guide assembly \(550-sheet paper feeder\)](#)
- [Step 12: Remove the paper feed assembly \(550-sheet paper feeder\)](#)
- [Step 13: Unpack the replacement part](#)
- [Step 14: Install the paper feed assembly \(550-sheet paper feeder\)](#)
- [Step 13: Install the rear feed guide assembly \(550-sheet paper feeder\)](#)
- [Step 14: Install the front feed guide assembly \(550-sheet paper feeder\)](#)
- [Step 15: Install the pickup assembly \(550-sheet paper feeder\)](#)
- [Step 16: Install the lifter drive assembly \(550-sheet paper feeder\)](#)
- [Step 17: Install the feed frame assembly \(550-sheet paper feeder\)](#)
- [Step 18: Install the baseplate \(550-sheet paper feeder\)](#)
- [Step 19: Install the PCA cover \(550-sheet paper feeder\)](#)
- [Step 20: Install the rear cover \(550-sheet paper feeder\)](#)
- [Step 21: Install the left cover \(550-sheet paper feeder\)](#)
- [Step 22: Install the right cover \(550-sheet paper feeder\)](#)
- [Step 23: Install Tray 3](#)

Introduction

This document provides the procedures to remove and replace the paper feed assembly on the 550-sheet feeder.

Before you begin

- Turn off the printer.
- Disconnect the power cable.

⚠ WARNING! To avoid damage to the printer, turn the printer off, wait 30 seconds, and then remove the power cord before attempting to service the printer.

- Use the table below to identify the correct part number for your printer. To order the part, go to www.hp.com/buy/parts.

| Paper feed assembly part number | |
|---------------------------------|--|
|---------------------------------|--|

| |
|-----------------------|
| RM2-6494-000CN |
|-----------------------|

| |
|--|
| Paper feed assembly (550-sheet feeder) |
|--|

Required tools

- #2 Phillips screwdriver with a magnetic tip
- Small flat-blade screwdriver

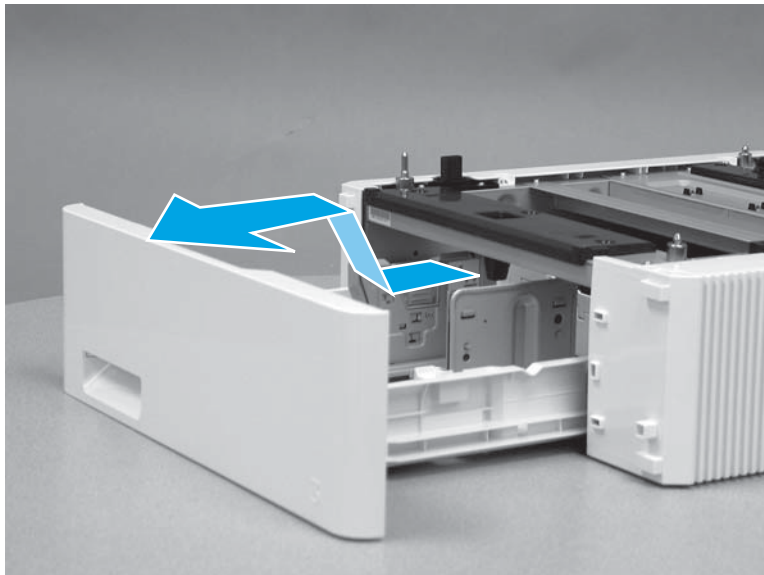
After performing service

- Connect the power cable.
- Use the power switch to turn the power on.

Step 1: Remove Tray 3

- ▲ Pull the tray out until it stops. Lift the front of the tray, and then pull it out of the printer to remove it.

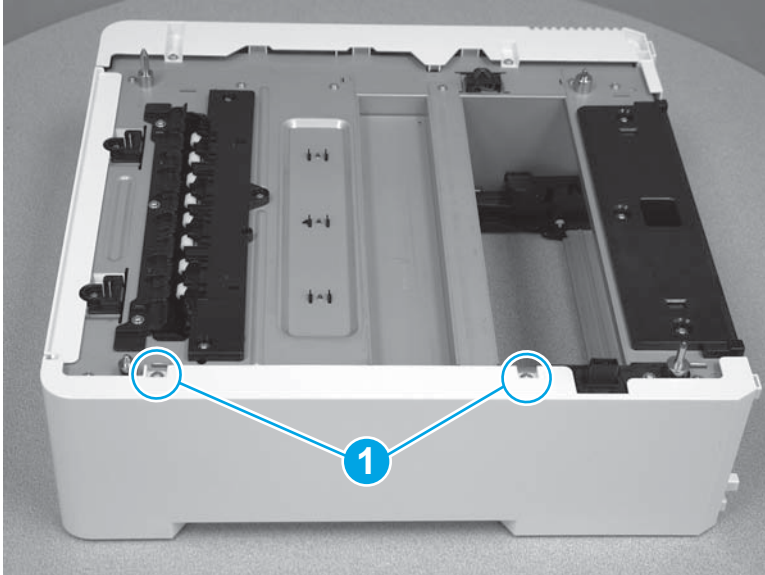
Figure 1-5494 Remove the tray



Step 2: Remove the right cover (550-sheet paper feeder)

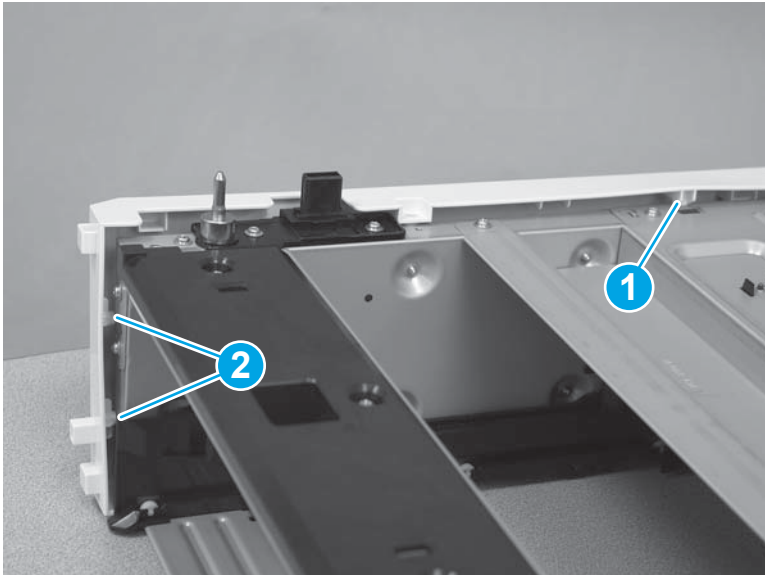
1. Remove two screws (callout 1).

Figure 1-5495 Remove two screws



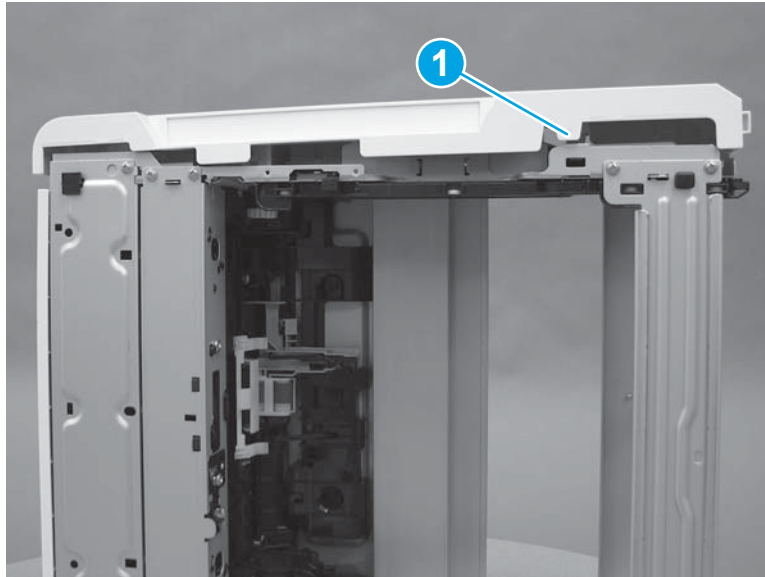
2. Release one tab (callout 1) on the top of the feeder, and then release two tabs (callout 2) at the front of the feeder.

Figure 1-5496 Release three tabs



3. Lay the feeder on the left side so that the right side is facing up, and then release one tab (callout 1) on the bottom of the feeder. Remove the right cover.

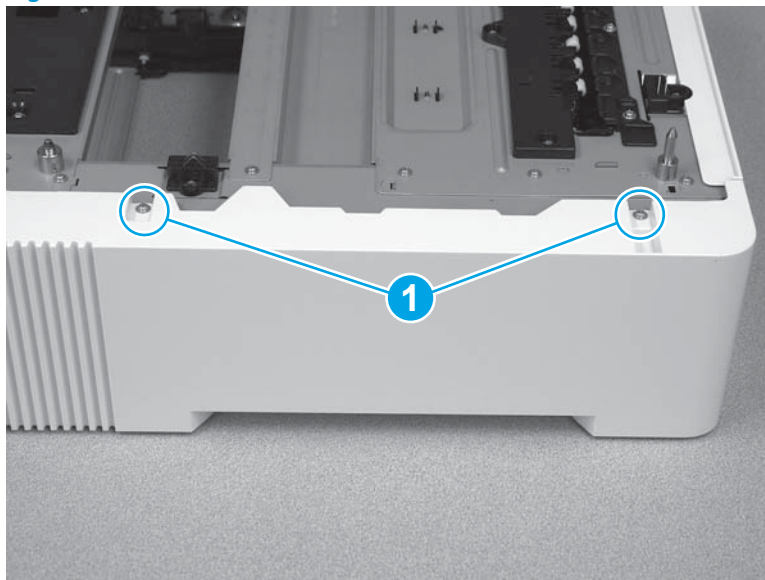
Figure 1-5497 Release one tab



Step 3: Remove the left cover (550-sheet paper feeder)

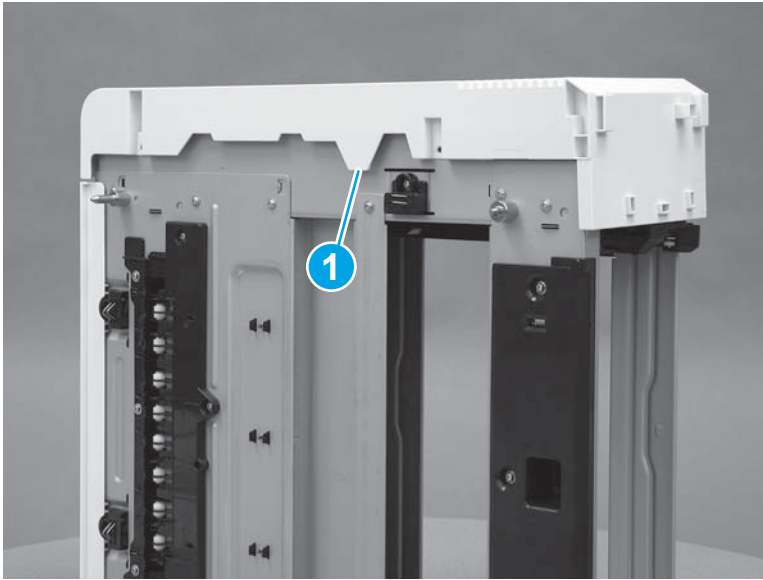
1. Remove two screws (callout 1).

Figure 1-5498 Remove two screws



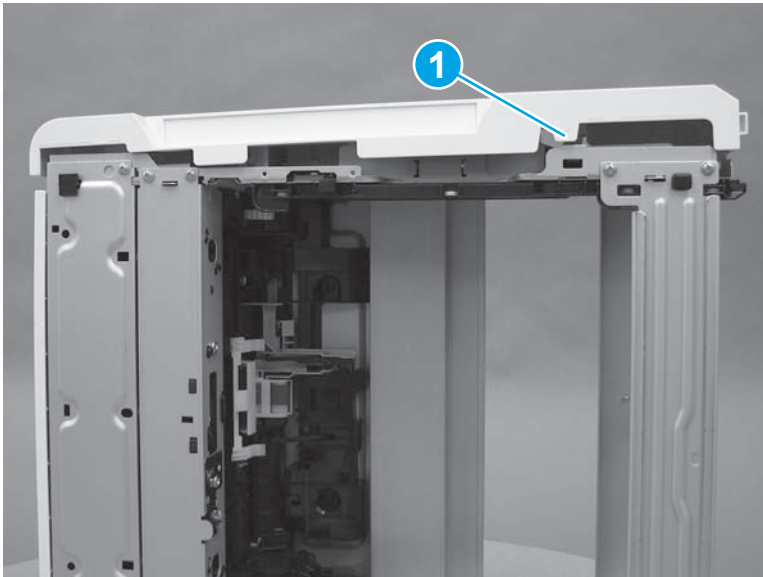
2. Release one tab (callout 1) on the top of the feeder.

Figure 1-5499 Release one tab



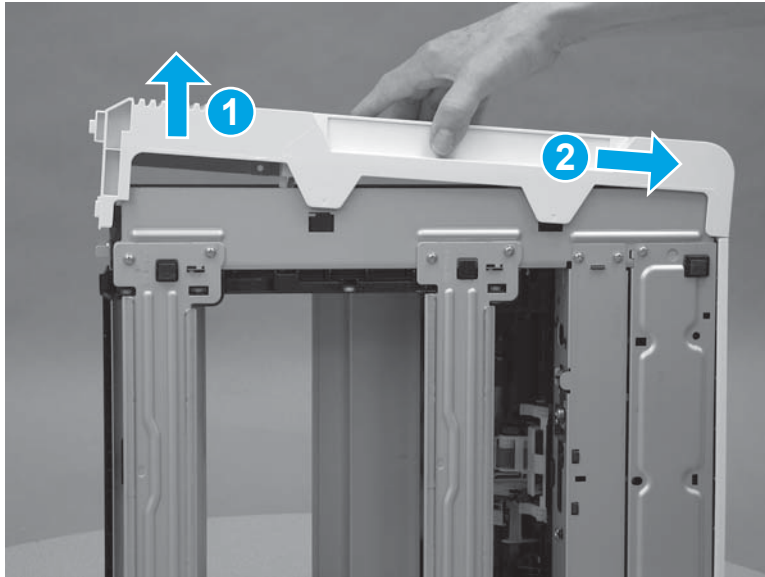
3. Lay the feeder on the right side so that the left side is facing up. Release two tabs (callout 1) on the bottom of the feeder, and then release two tabs (callout 2) on the front of the feeder.

Figure 1-5500 Release four tabs



4. Lift the front of the cover up (callout 1), and then slide the cover (callout 2) toward the back of the feeder to remove it.

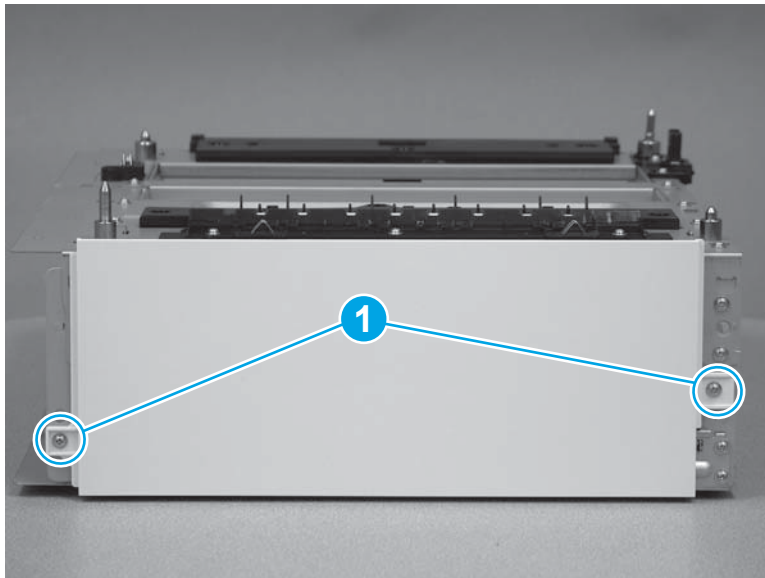
Figure 1-5501 Remove the cover



Step 4: Remove the rear cover (550-sheet paper feeder)

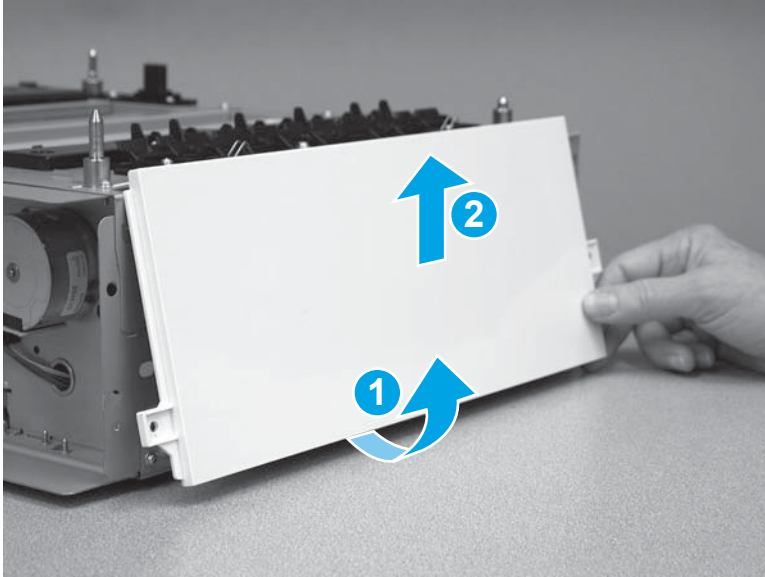
1. Remove two screws (callout 1).

Figure 1-5502 Remove two screws



2. Rotate the bottom edge of the cover (callout 1) away from the feeder, and then raise the cover up (callout 2) to remove it.

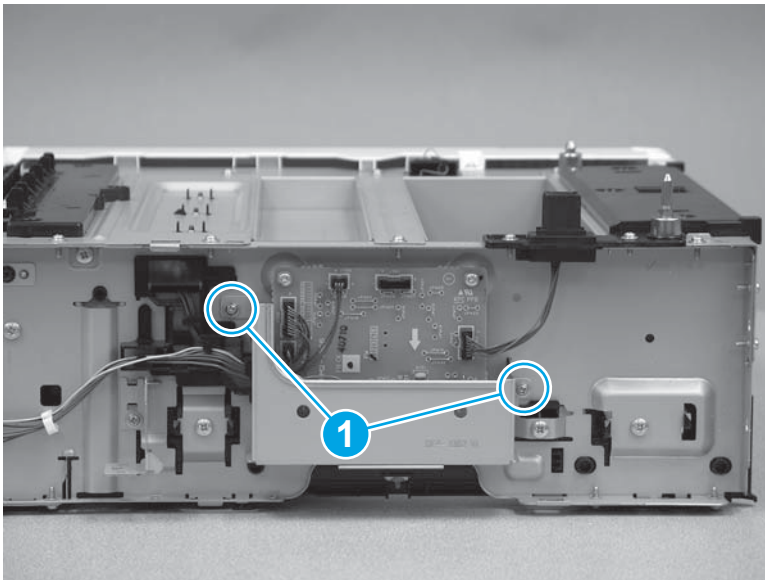
Figure 1-5503 Remove the rear cover



Step 5: Remove the PCA cover (550-sheet paper feeder)

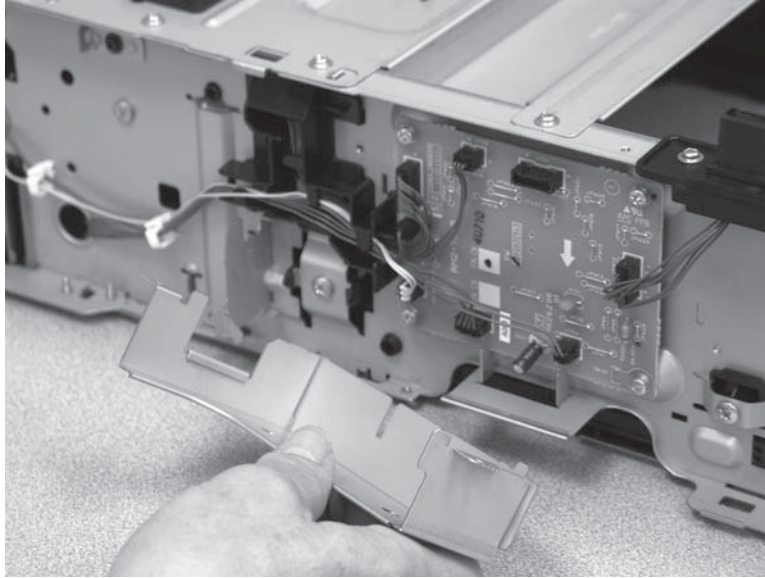
1. On the left side of the feeder, remove two screws (callout 1).

Figure 1-5504 Remove two screws



2. Remove the PCA cover.

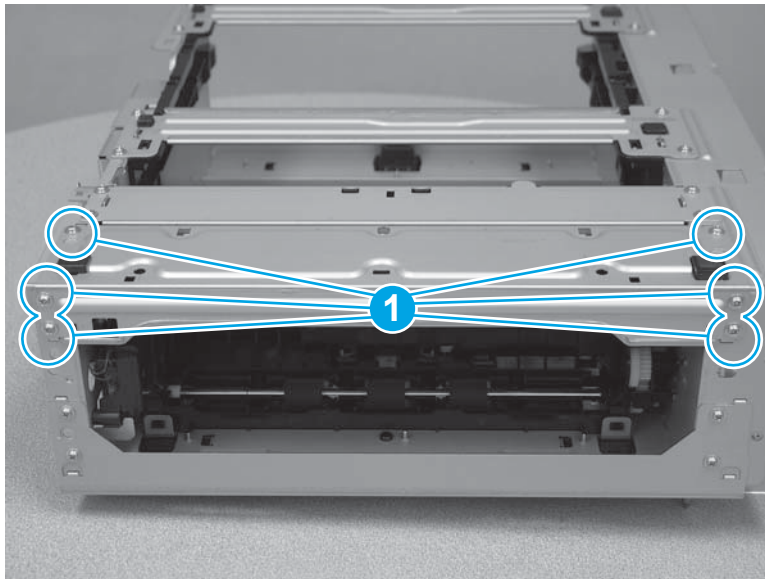
Figure 1-5505 Remove the PCA cover



Step 6: Remove the baseplate (550-sheet paper feeder)

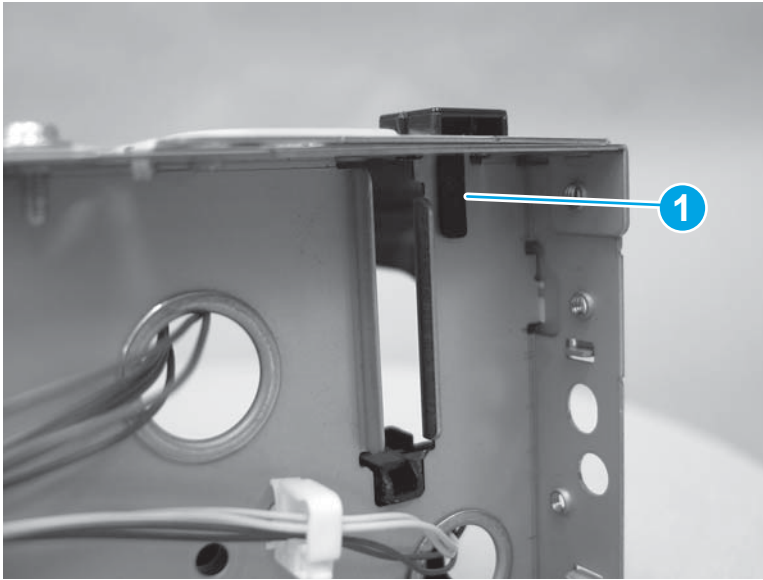
1. Lay the feeder on the top side so that the bottom side is facing up. Remove six screws (callout 1).

Figure 1-5506 Remove six screws



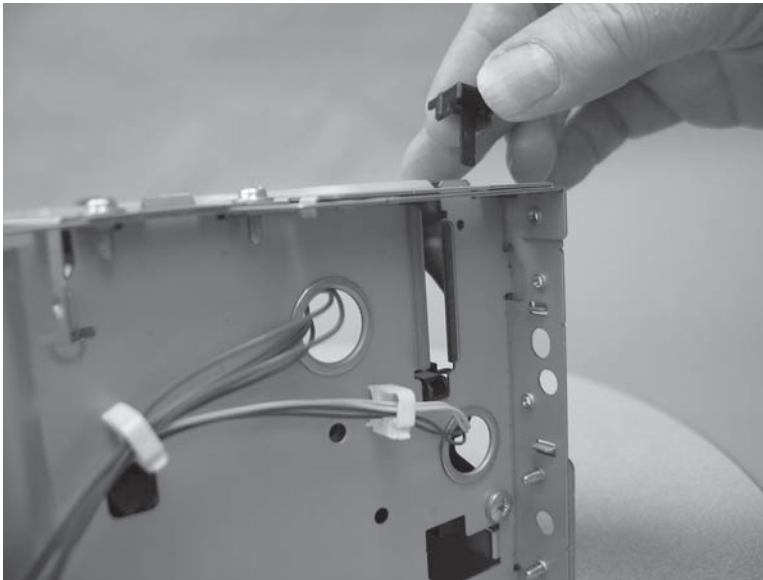
2. On the left side of the feeder, release one tab (callout 1) on the foot.

Figure 1-5507 Release one tab



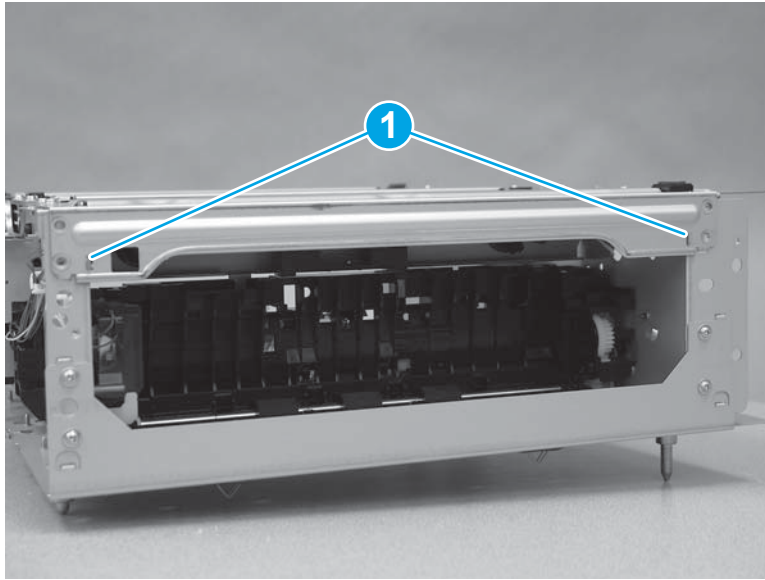
3. Remove the foot.

Figure 1-5508 Remove the foot



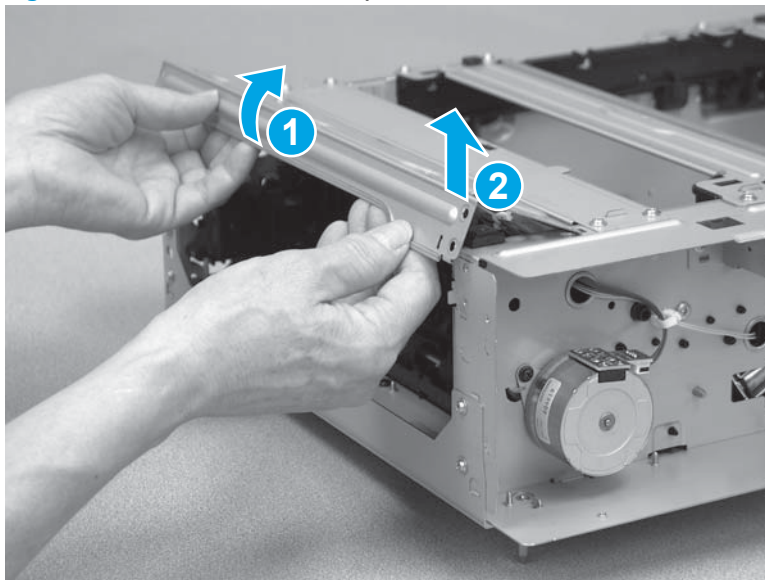
4. Release two tabs (callout 1).

Figure 1-5509 Release two tabs



5. Rotate the edge of the baseplate up (callout 1), and then lift it up (callout 2) to remove it.

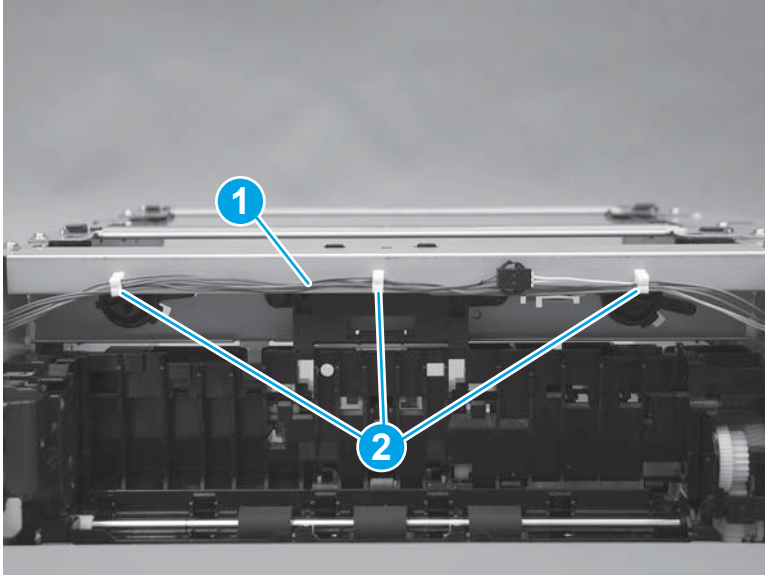
Figure 1-5510 Remove the baseplate



Step 7: Remove the feed frame assembly (550-sheet paper feeder)

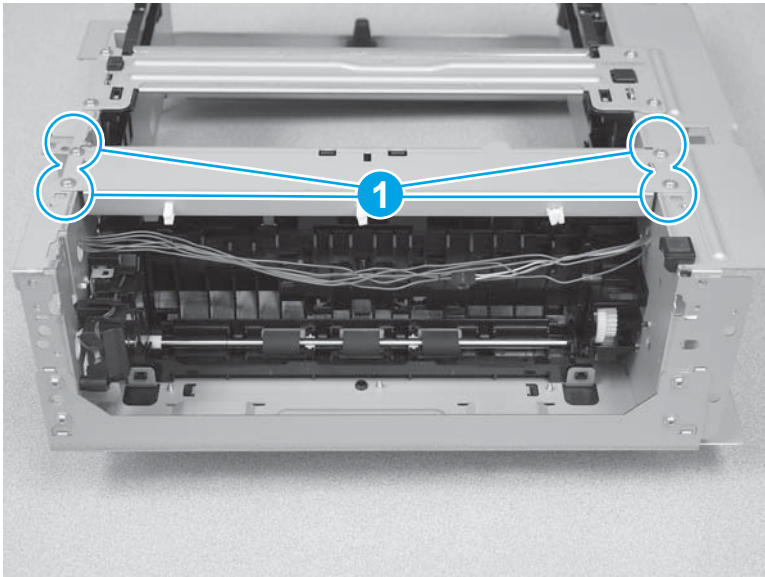
1. Release the cables (callout 1) from the retainers (callout 2).

Figure 1-5511 Release the cables



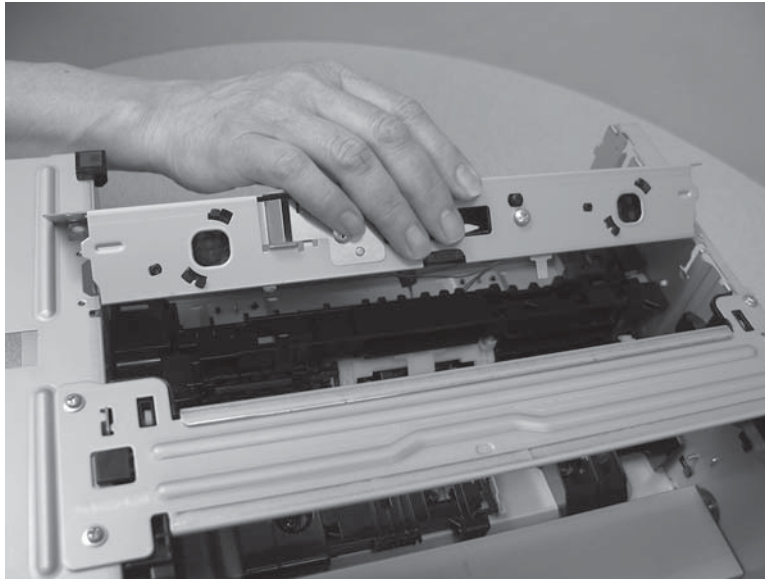
2. Remove four screws (callout 1).

Figure 1-5512 Remove four screws



3. Remove the feed frame assembly.

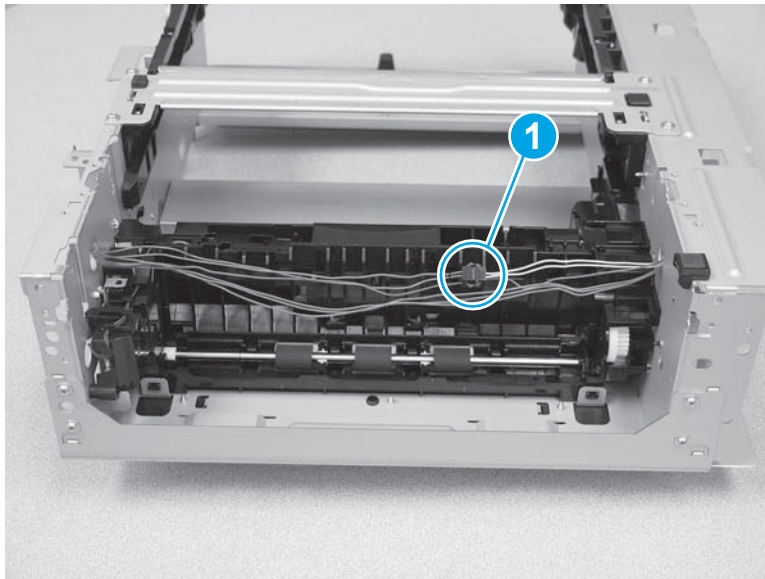
Figure 1-5513 Remove the feed frame assembly



Step 8: Remove the lifter drive assembly (550-sheet paper feeder)

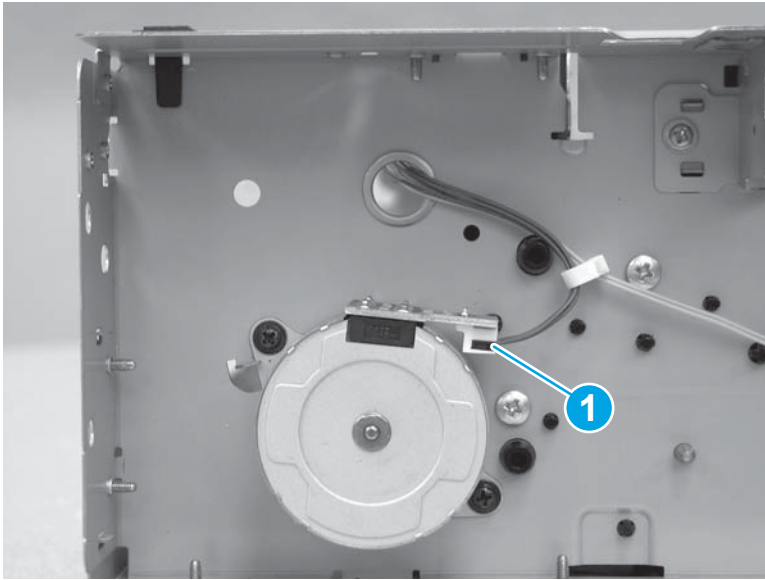
1. Lay the feeder on the top so that the bottom is facing up. Disconnect one in-line connector (callout 1).

Figure 1-5514 Disconnect one connector



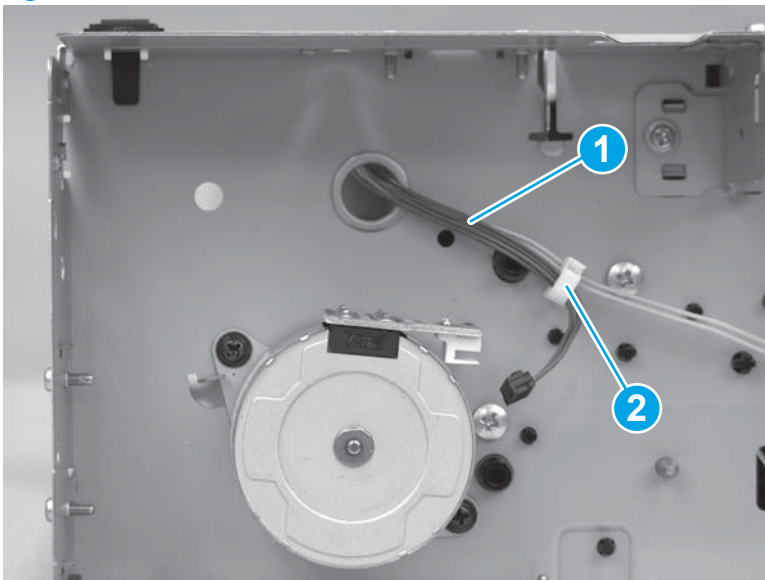
2. On the right side of the feeder, disconnect one connector (callout 1) from the motor.

Figure 1-5515 Disconnect one connector



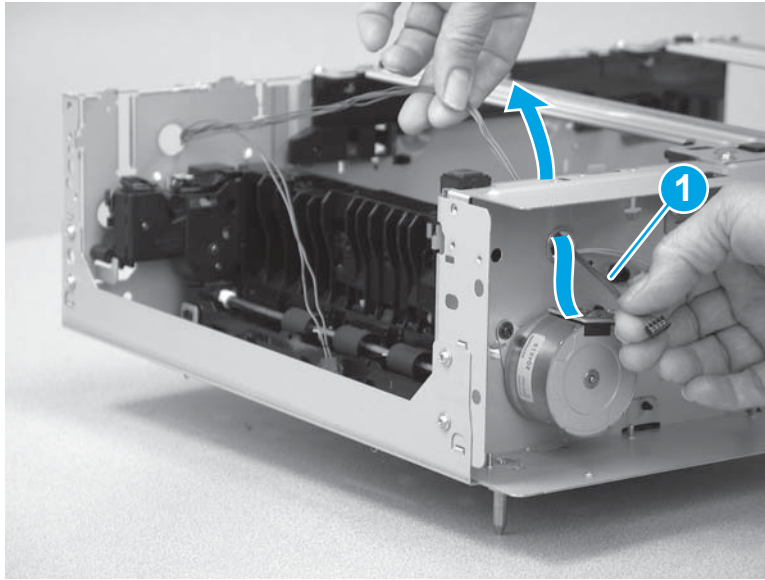
3. Release the cables (callout 1) from the retainer (callout 2).

Figure 1-5516 Release the cables



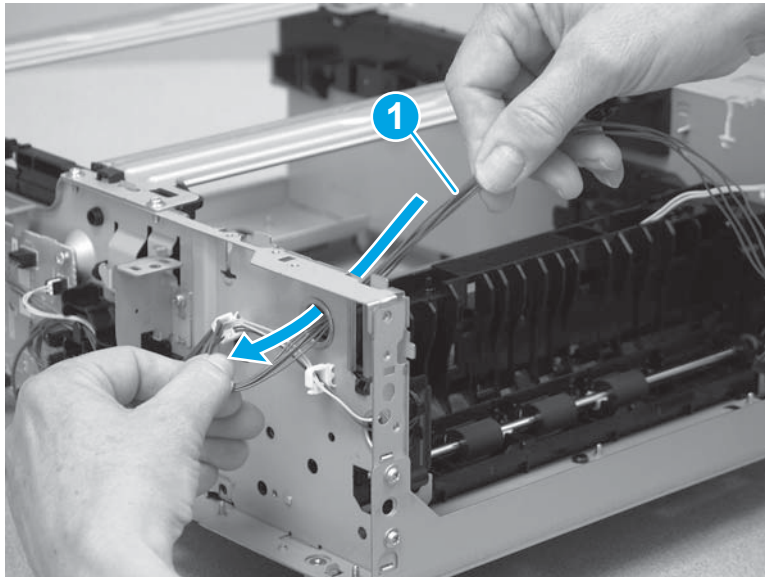
4. Release the cables (callout 1) through the hole in the sheet metal.

Figure 1-5517 Release the cables



5. On the left side of the feeder, remove all of the cables (callout 1) through the opening in the paper feeder.

Figure 1-5518 Remove the cables



6. Lay the feeder on the right side so that the left side is facing up. Disconnect two connectors (callout 1), and remove the cables (callout 2) from the guides (callout 3). Remove one screw (callout 4), and then remove four more screws (callout 5).


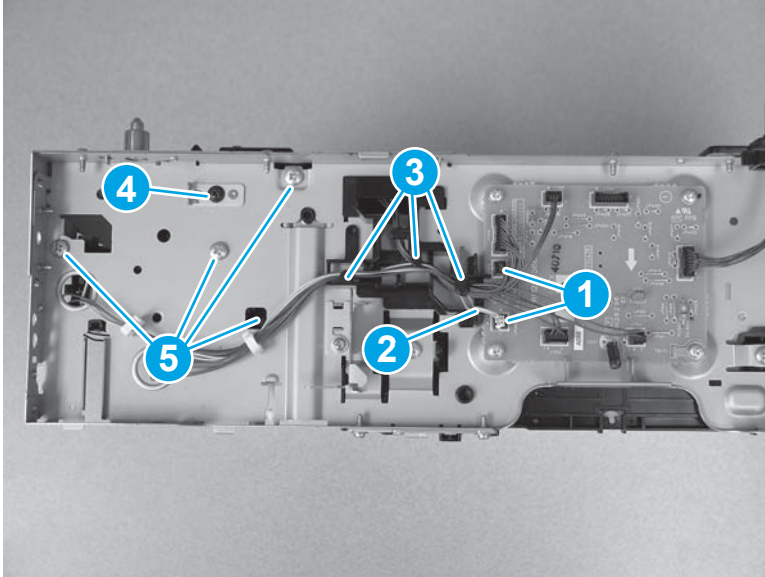
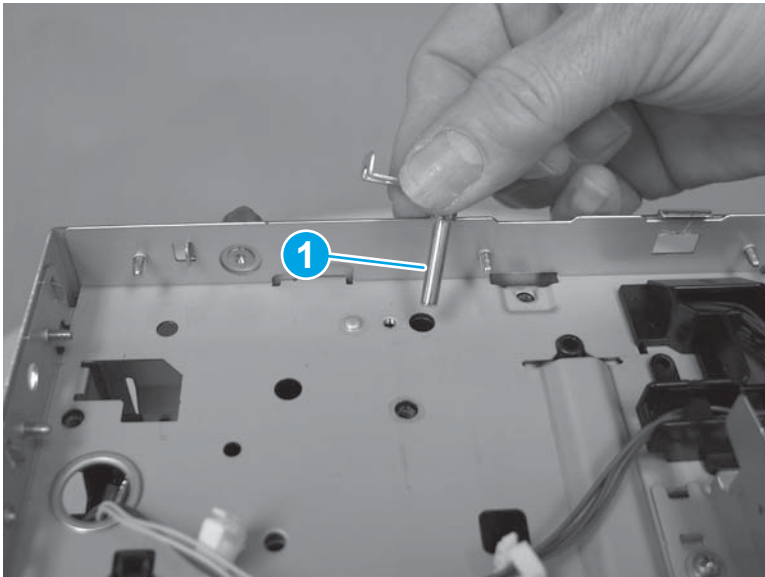
 **Reinstallation tip:** One screw (callout 4) is different from the other screws. Make sure that this screw is installed in the correct position.

Figure 1-5519 Disconnect connector and remove five screws



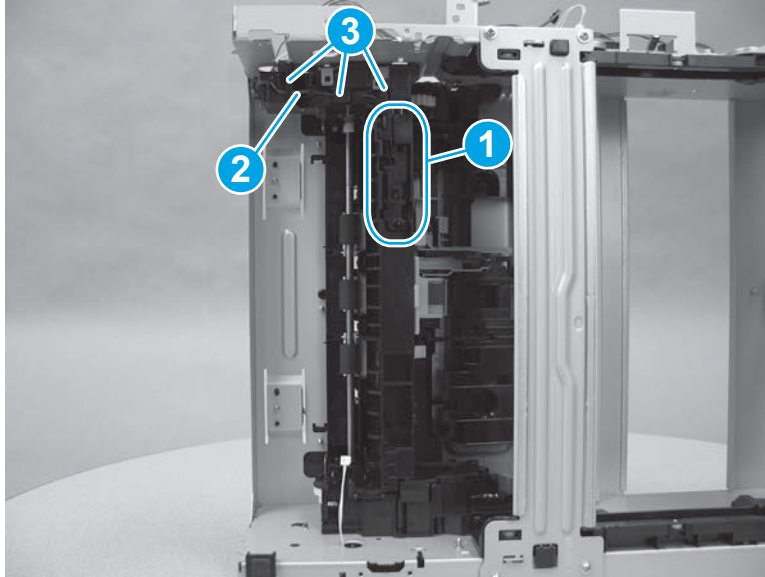
7. Remove the shaft (callout 1).

Figure 1-5520 Remove the shaft



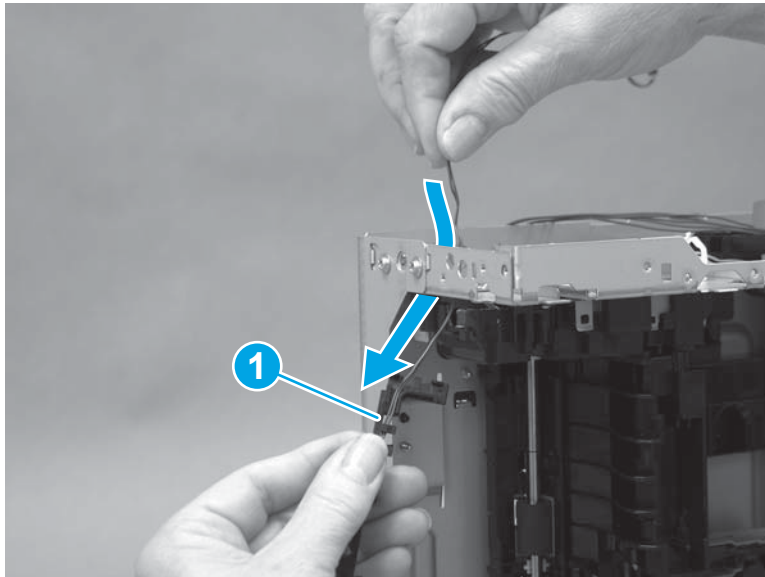
8. Release the tray sensor switch (callout 1), and then remove the cables (callout 2) from the guides (callout 3).

Figure 1-5521 Release the tray sensor switch



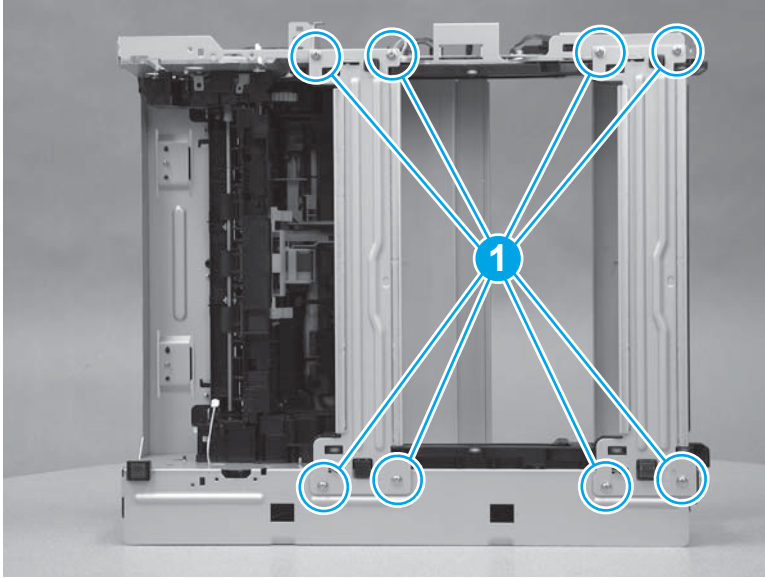
9. Release the tray sensor switch cables (callout 1) through the hole in the sheet metal.

Figure 1-5522 Release the tray sensor switch cables



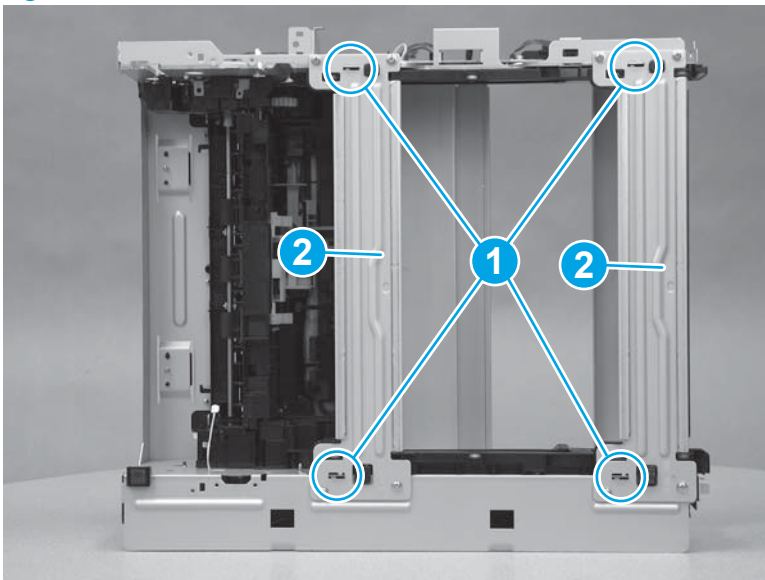
10. Remove eight screws (callout 1).

Figure 1-5523 Remove eight screws



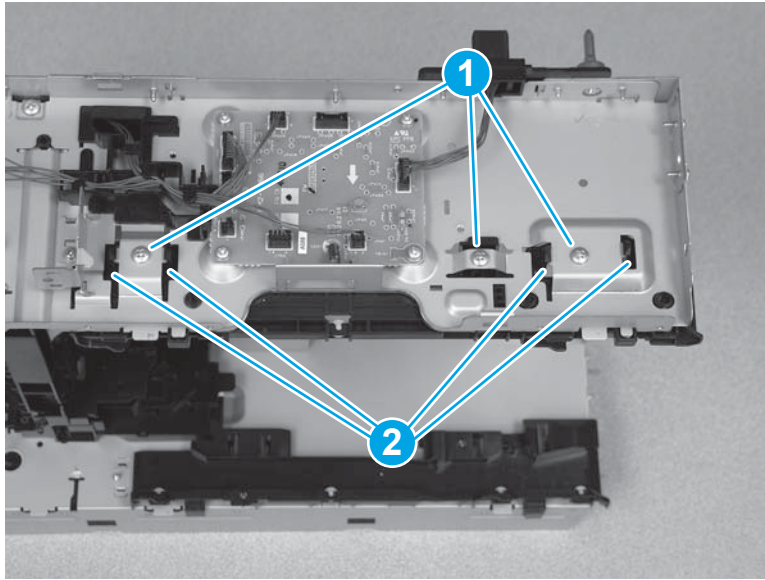
11. Release four tabs (callout 1), and then remove the cross braces (callout 2).

Figure 1-5524 Remove the cross braces



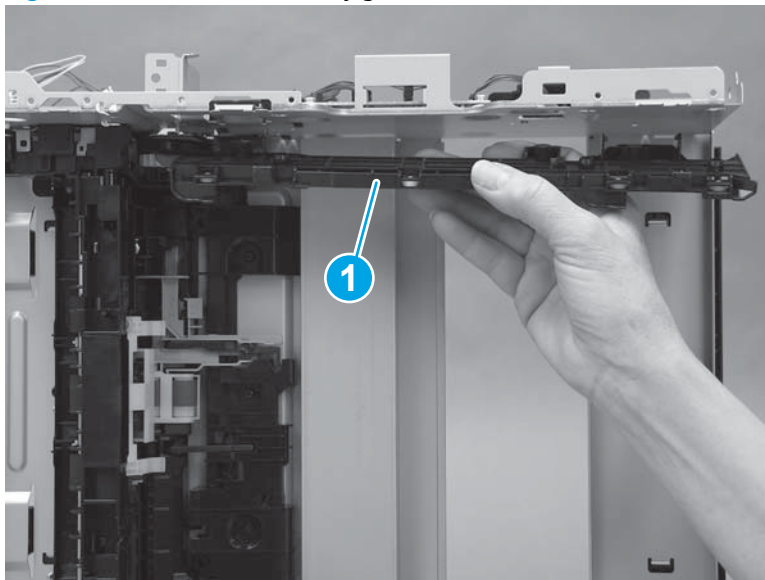
12. On the left side of the feeder, remove three screws (callout 1), and then release three tabs (callout 2).

Figure 1-5525 Remove screws and release tabs



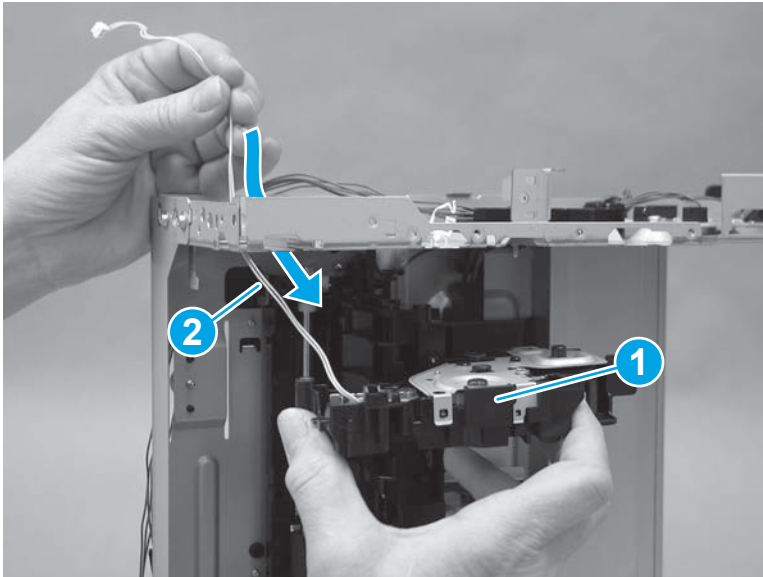
13. Remove the tray guide (callout 1).

Figure 1-5526 Remove the tray guide



14. Remove the lifter drive assembly (callout 1), and then release the cables (callout 2) through the feeder frame.

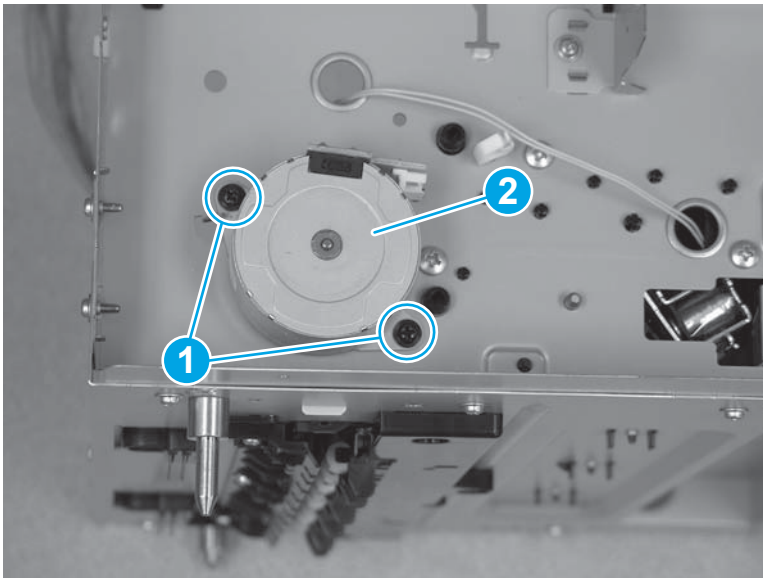
Figure 1-5527 Remove the lifter drive assembly



Step 9: Remove the pickup assembly (550-sheet paper feeder)

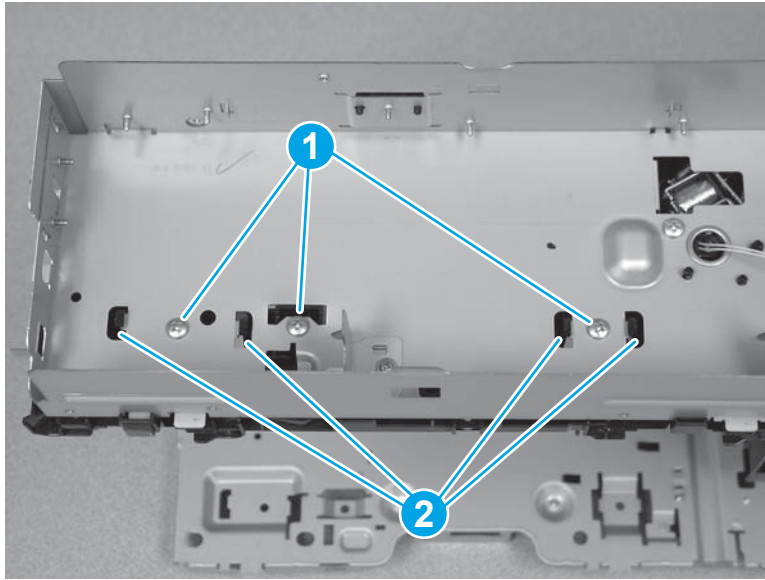
1. Lay the feeder on the left side so that the right side is facing up. Remove two screws (callout 1), and then remove the motor (callout 2).

Figure 1-5528 Remove the motor



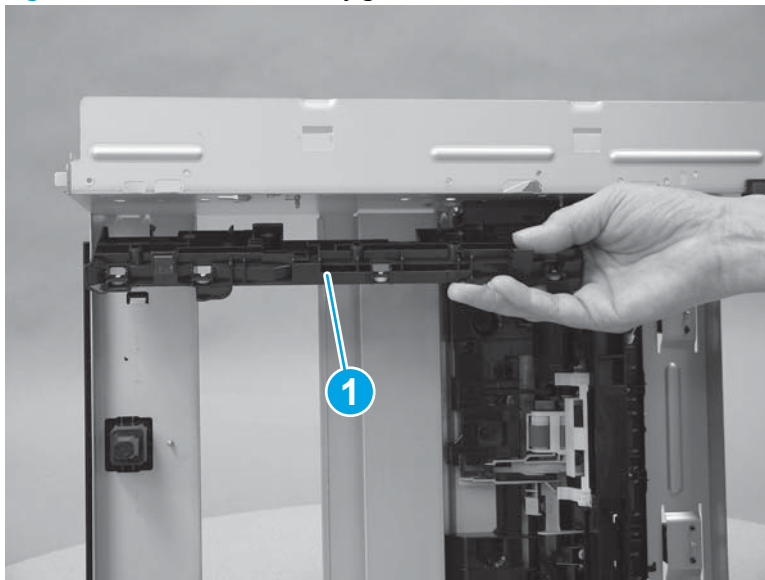
2. Remove three screws (callout 1), and then release three tabs (callout 2).

Figure 1-5529 Remove screws and release tabs



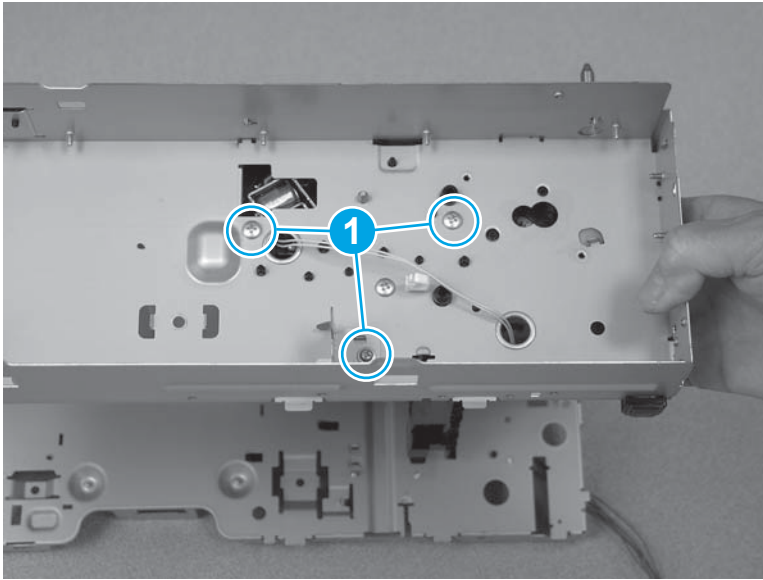
3. Remove the tray guide (callout 1).

Figure 1-5530 Remove the tray guide



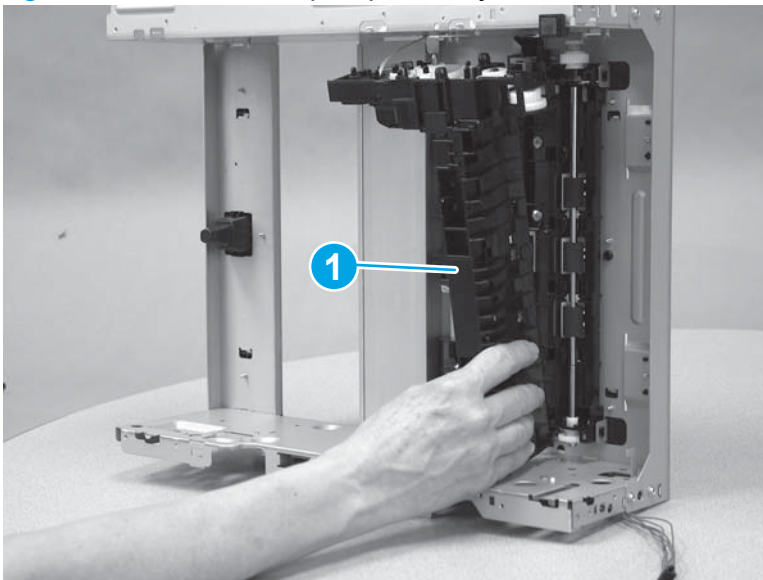
4. Remove three screws (callout 1).

Figure 1-5531 Remove three screws



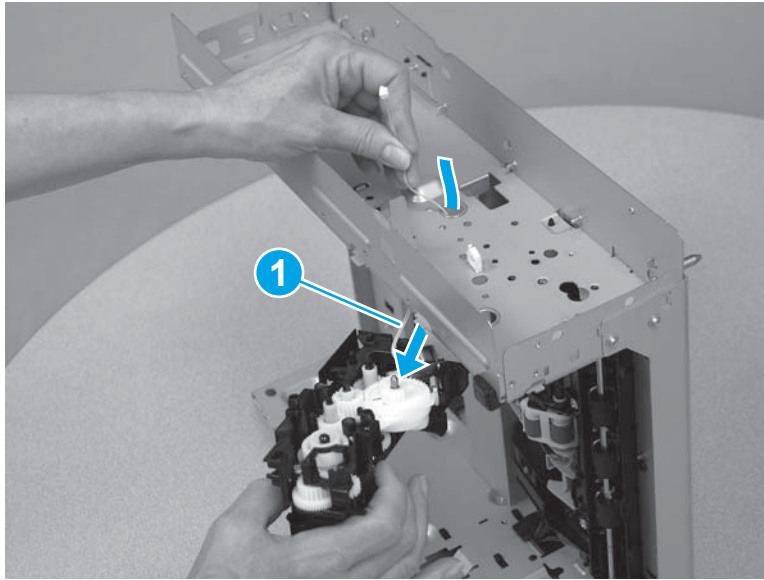
5. Remove the pickup assembly (callout 1).

Figure 1-5532 Remove the pickup assembly



6. Release the cables (callout 1) through the feeder frame.

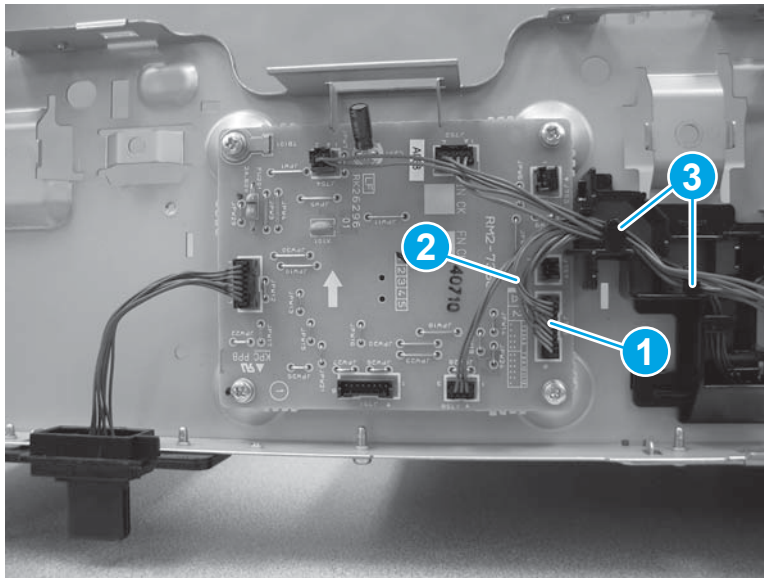
Figure 1-5533 Release the cables



Step 10: Remove the front feed guide assembly (550-sheet paper feeder)

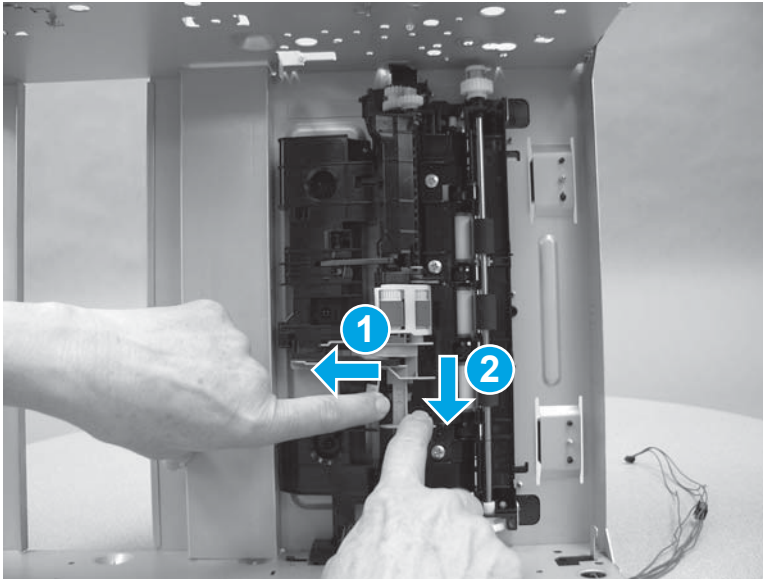
1. Lay the feeder on the right side so that the left side is facing up. Disconnect one connector (callout 1), and then remove the cables (callout 2) from the guides (callout 3).

Figure 1-5534 Disconnect one connector



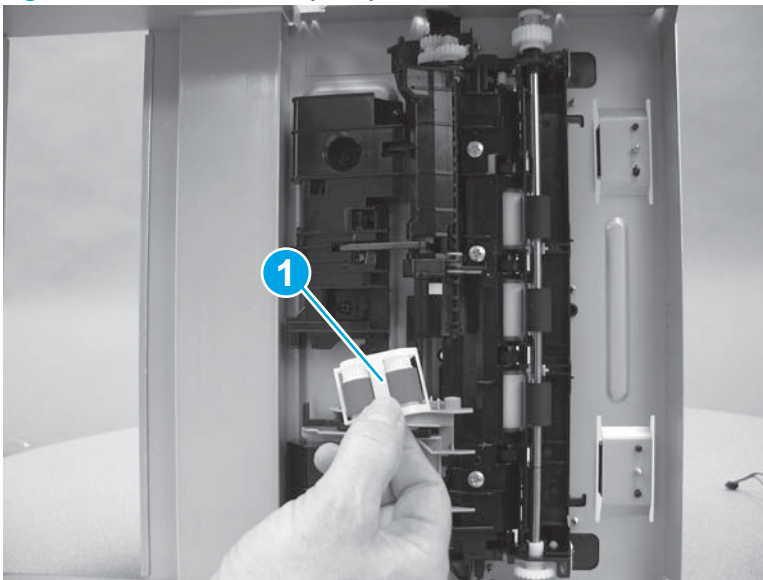
2. Press the lever (callout 1) on the roller holder, and then slide the roller holder down (callout 2).

Figure 1-5535 Slide the roller holder



3. Remove the roller holder (callout 1).

Figure 1-5536 Remove the pickup and feed rollers



4. Remove three screws (callout 1) on the rear feed guide assembly, and then remove three screws (callout 2) on the front feed guide assembly.


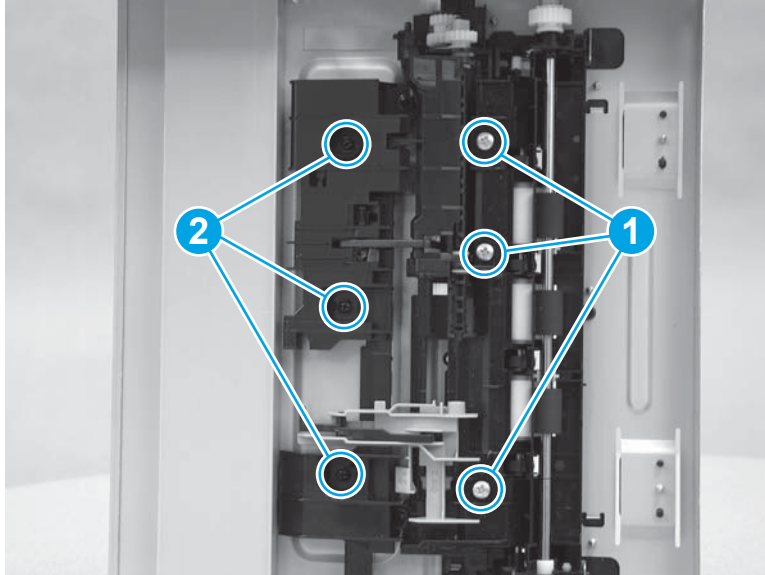
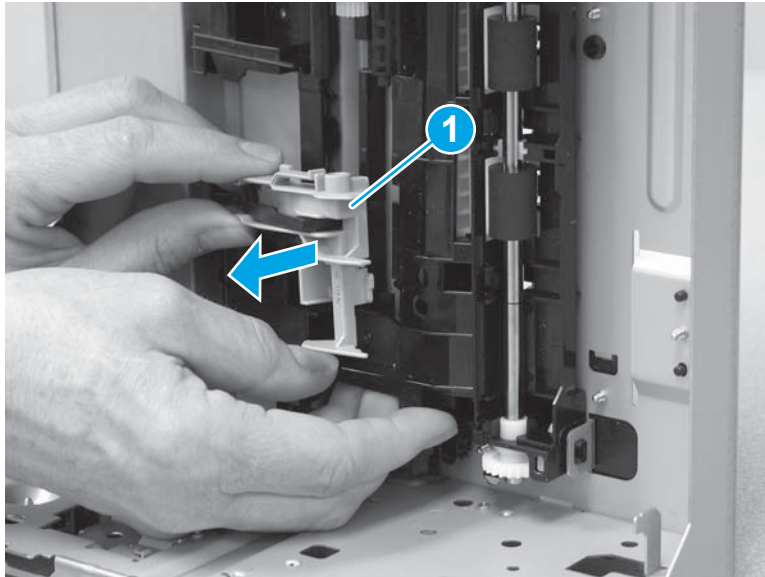
 **Reinstallation tip:** The three screws (callout 1) on the rear feed guide assembly are larger than the screws on the front feed guide assembly.

Figure 1-5537 Remove six screws



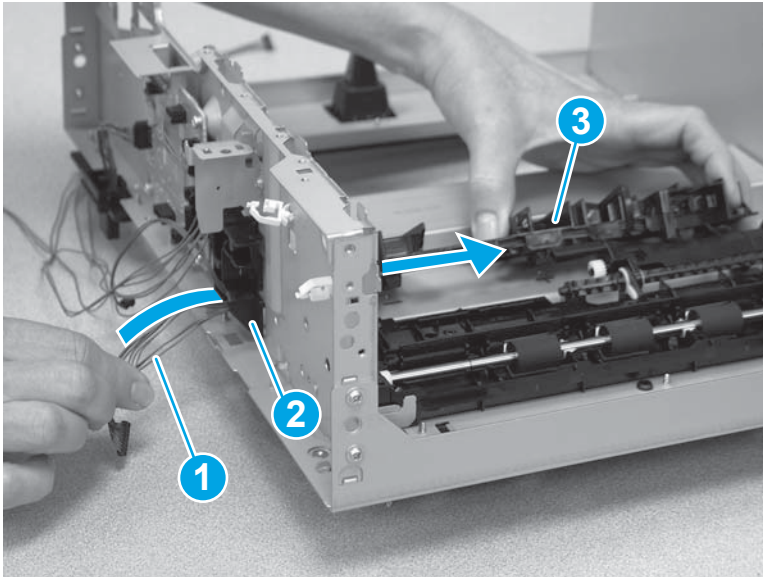
5. Remove the roller holder (callout 1).

Figure 1-5538 Remove the roller holder



6. Release the cables (callout 1) through the feeder frame (callout 2), and then remove the front feed guide assembly (callout 3).

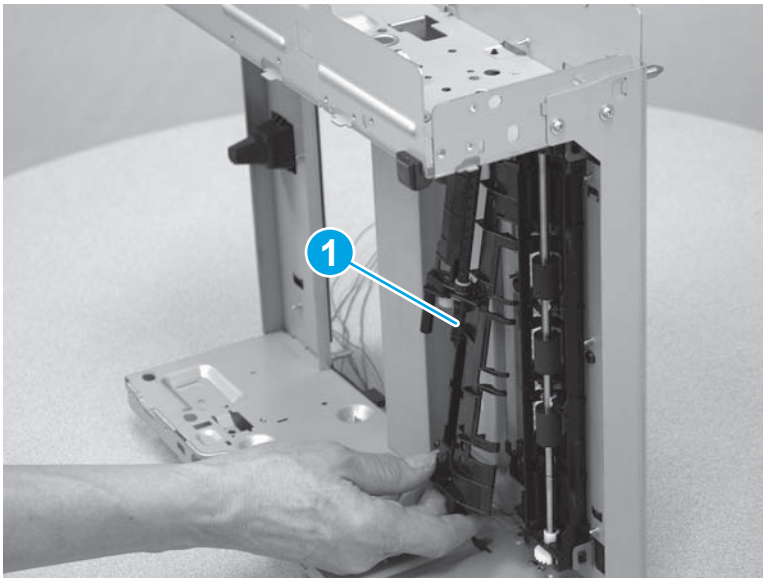
Figure 1-5539 Remove the front feed guide assembly



Step 11: Remove the rear feed guide assembly (550-sheet paper feeder)

- ▲ Remove the rear feed guide assembly (callout 1).

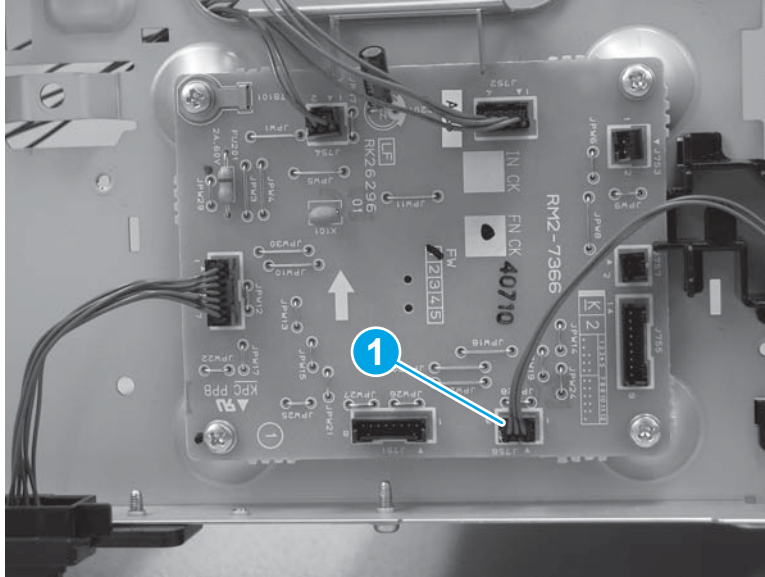
Figure 1-5540 Remove the rear feed guide assembly



Step 12: Remove the paper feed assembly (550-sheet paper feeder)

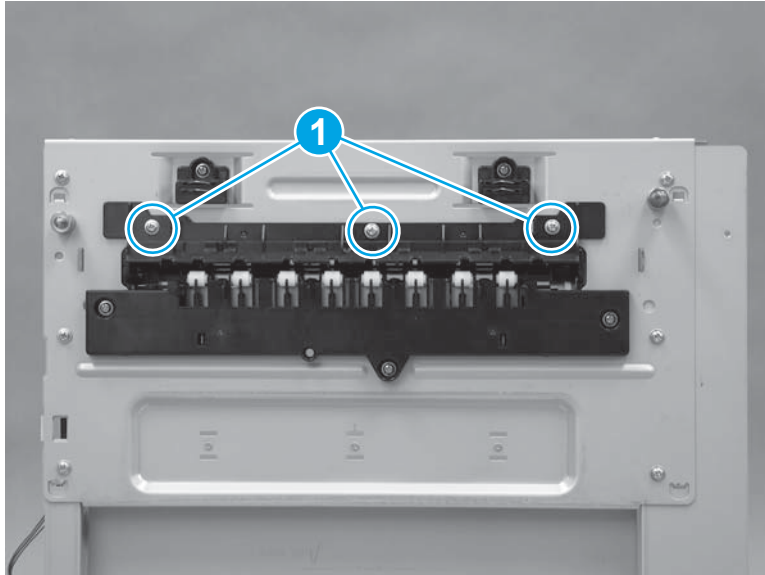
1. On the left side of the feeder, disconnect one connector (callout 1).

Figure 1-5541 Disconnect one connector



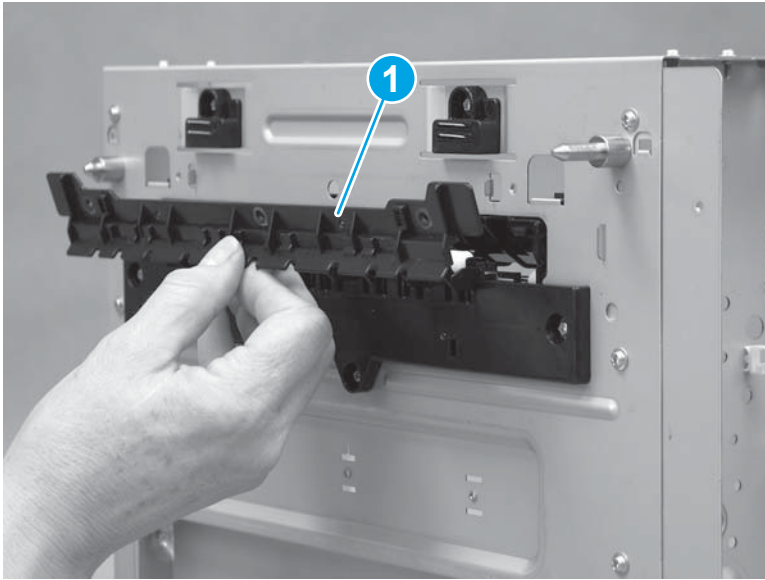
2. On the top of the feeder toward the back, remove three screws (callout 1).

Figure 1-5542 Remove three screws



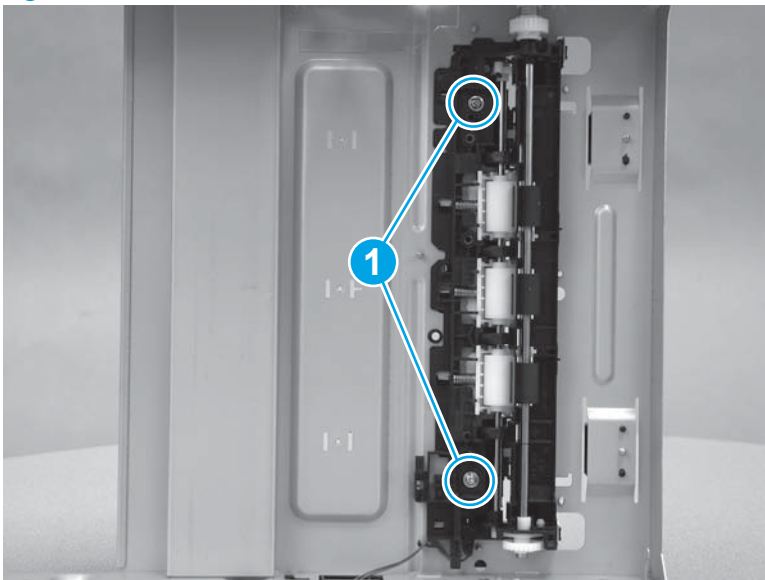
3. Remove the front paper feed guide (callout 1).

Figure 1-5543 Remove the front paper feed guide



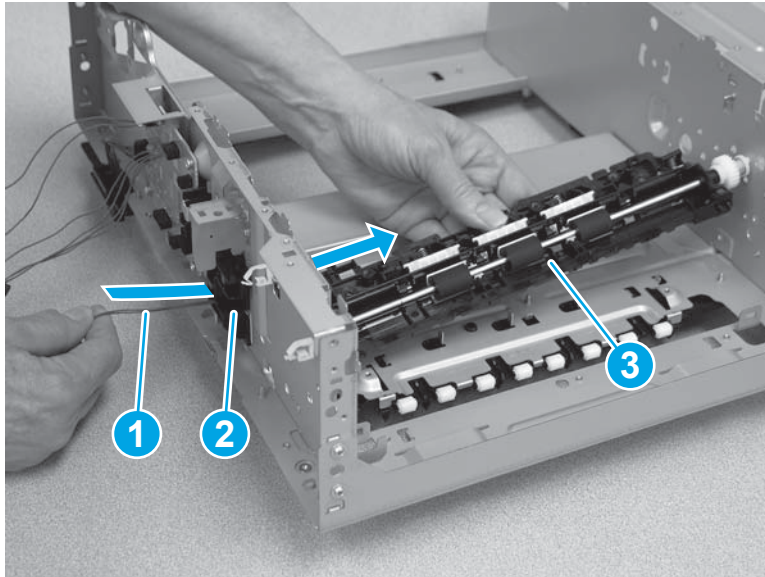
4. Inside the paper feeder toward the back, remove two screws (callout 1).

Figure 1-5544 Remove two screws



5. Release the cables (callout 1) through the opening (callout 2) in the feeder, and then remove the paper feed assembly (callout 3).

Figure 1-5545 Remove the paper feed assembly



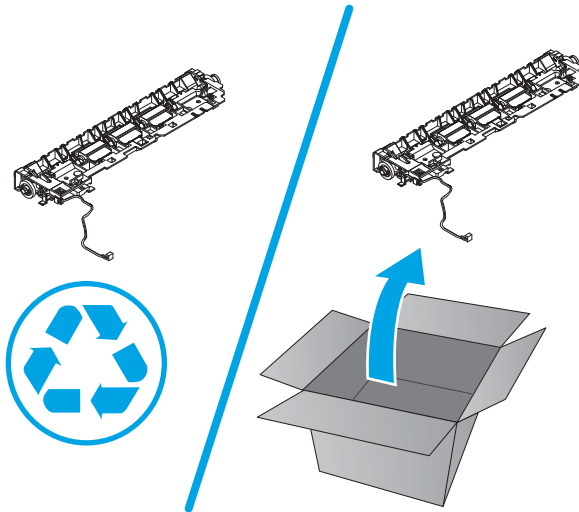
Step 13: Unpack the replacement part

Remove the new part from its package. Save all packaging for recycling the used part.

For complete information on HP's recycling programs, go to [Product return and recycling](#).

 **NOTE:** HP recommends responsible disposal of the defective part.

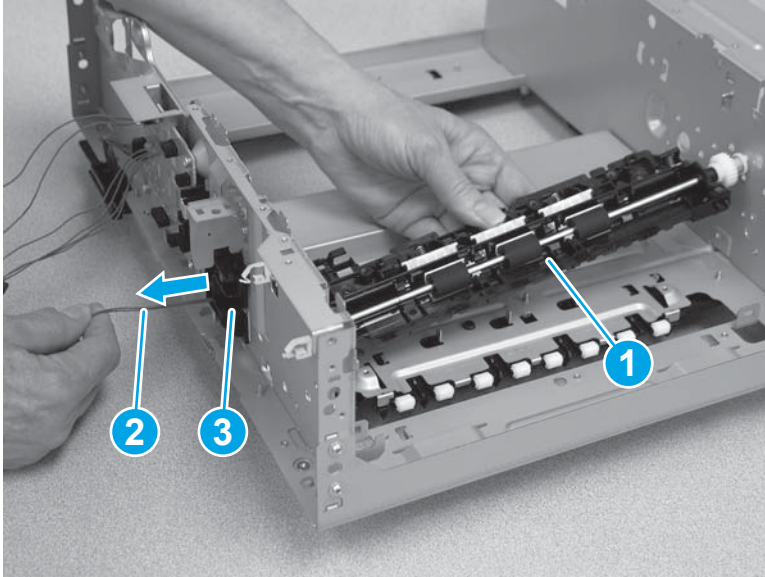
Figure 1-5546 Recycle and unpack



Step 14: Install the paper feed assembly (550-sheet paper feeder)

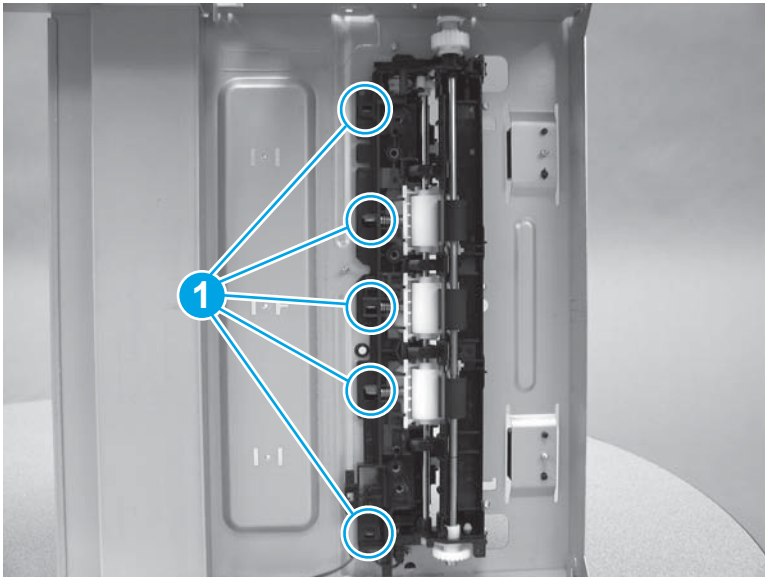
1. Position the paper feed assembly (callout 1) in the feeder. Install the cables (callout 2) through the opening (callout 3) in the feeder.

Figure 1-5547 Install the paper feed assembly



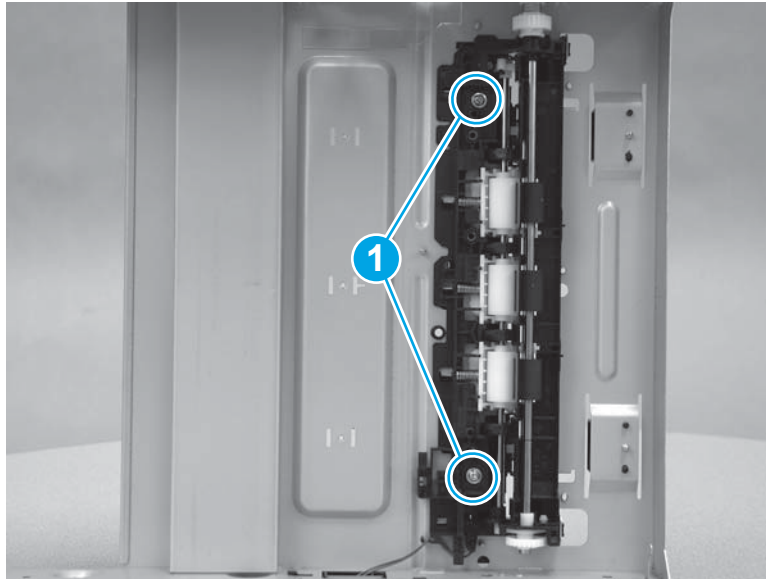
2. When installing the paper feed assembly, make sure that five tabs (callout 1) are installed correctly.

Figure 1-5548 Install five tabs



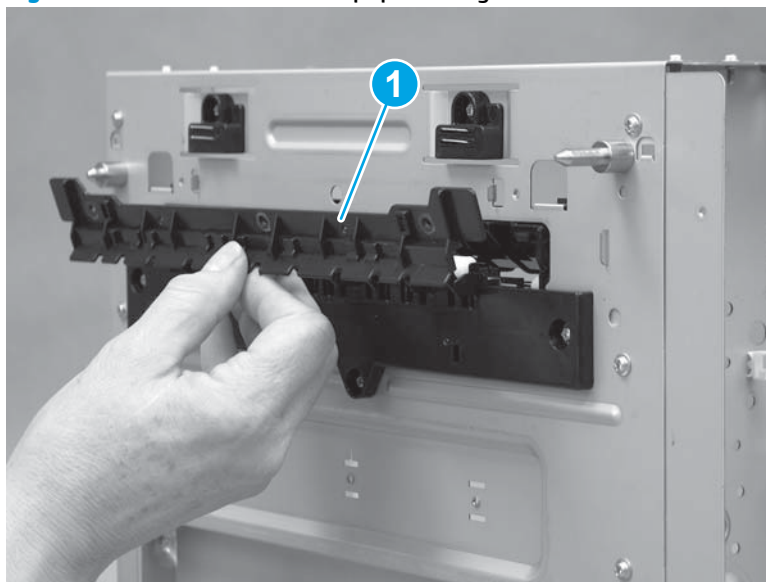
3. Install two screws (callout 1).

Figure 1-5549 Install two screws



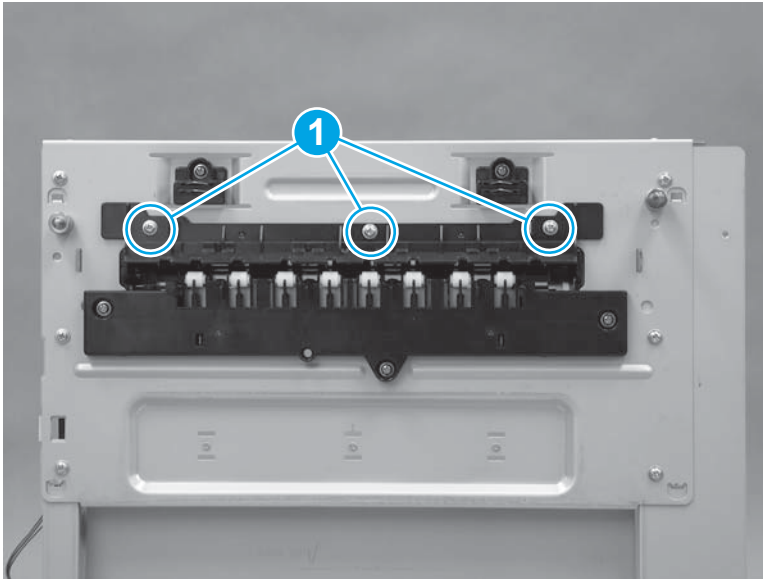
4. On the top of the feeder toward the back, install the front paper feed guide (callout 1).

Figure 1-5550 Install the front paper feed guide



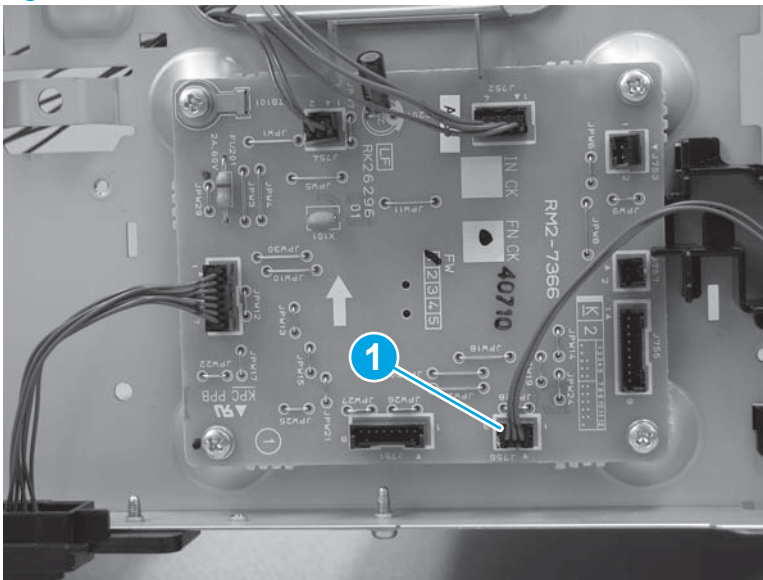
5. Install three screws (callout 1).

Figure 1-5551 Install three screws



6. On the left side of the feeder, connect one connector (callout 1).

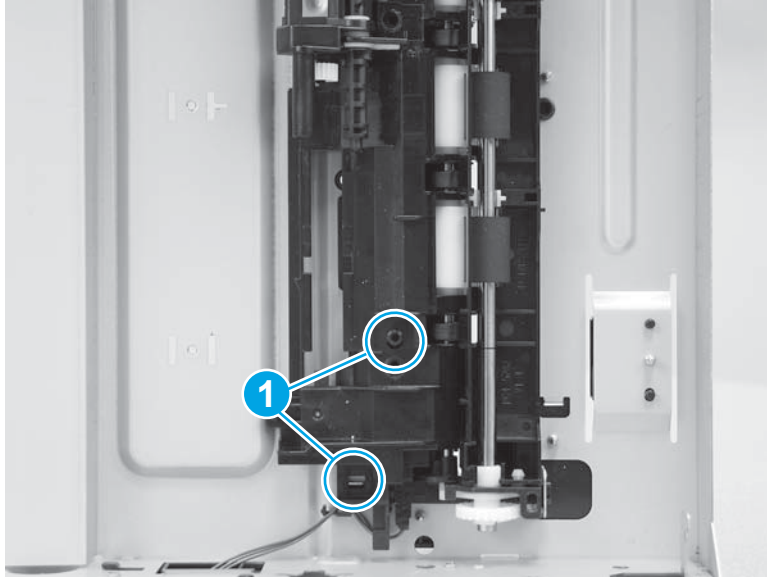
Figure 1-5552 Connect one connector



Step 13: Install the rear feed guide assembly (550-sheet paper feeder)

- ▲ Install the rear feed guide assembly. Make sure that the tabs are installed securely (callout 1).

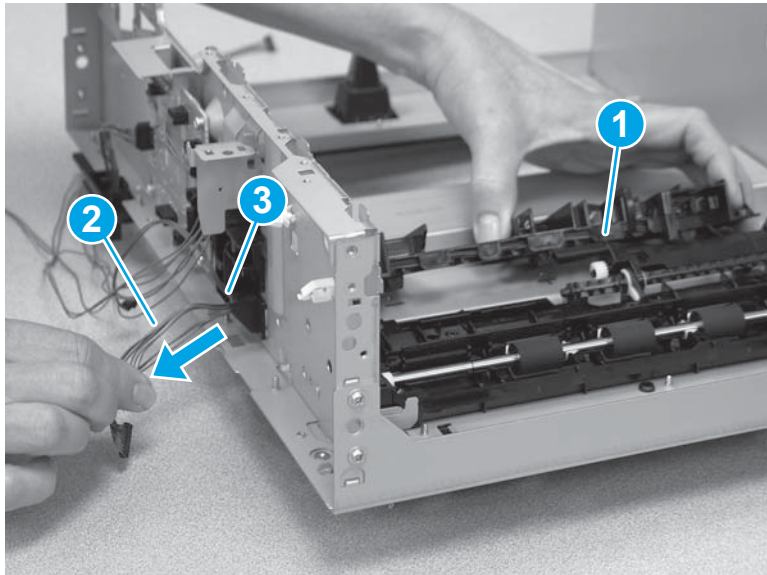
Figure 1-5553 Install the rear feed guide assembly



Step 14: Install the front feed guide assembly (550-sheet paper feeder)

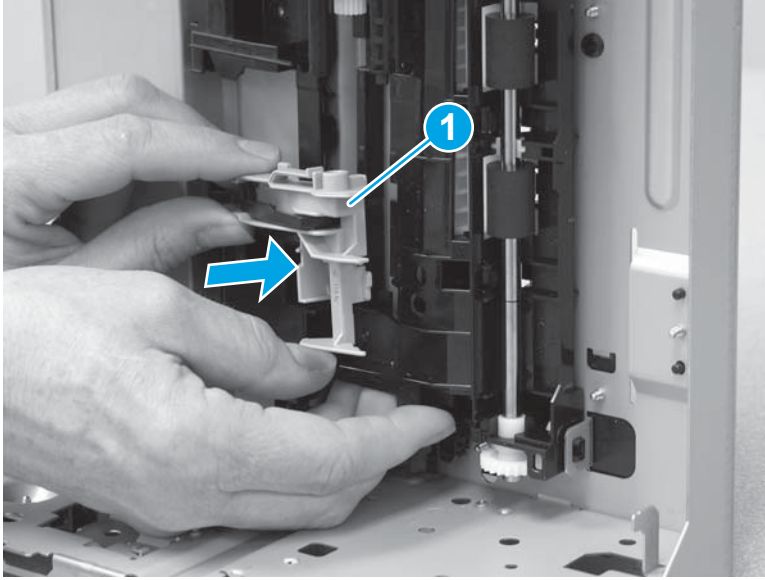
1. Install the front feed guide (callout 1), and then install the cables (callout 2), through the feeder frame (callout 3).

Figure 1-5554 Install the front feed guide assembly



2. Install the roller holder (callout 1).

Figure 1-5555 Install the roller holder



3. Install three screws (callout 1) on the rear feed guide assembly, and then install three screws (callout 2) on the front feed guide assembly.


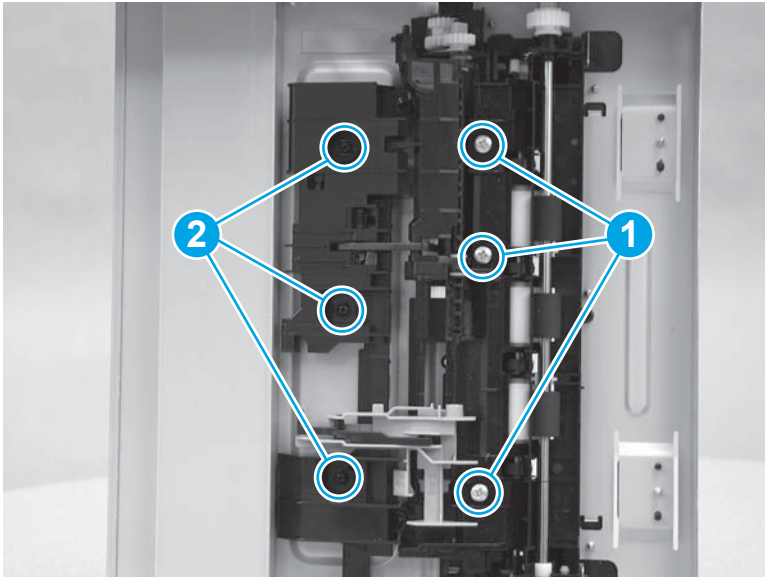
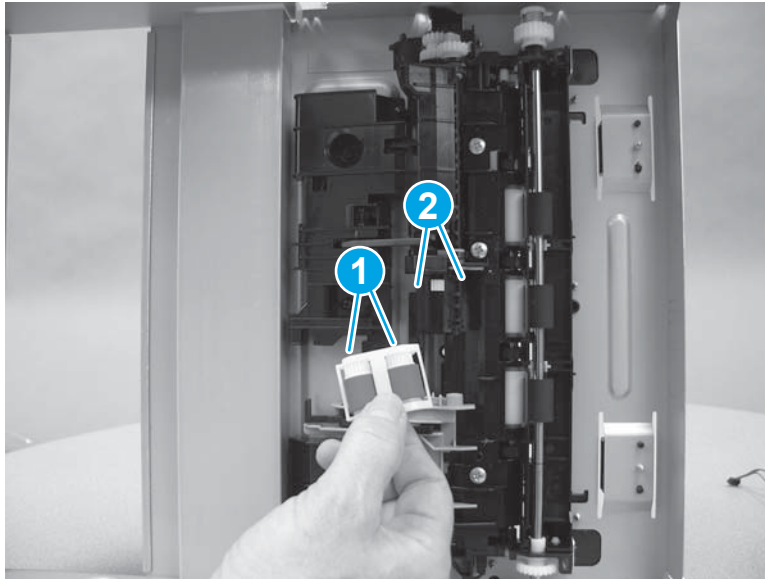
 **Reinstallation tip:** The three screws (callout 1) on the rear feed guide assembly are larger than the screws on the front feed guide assembly.

Figure 1-5556 Install six screws



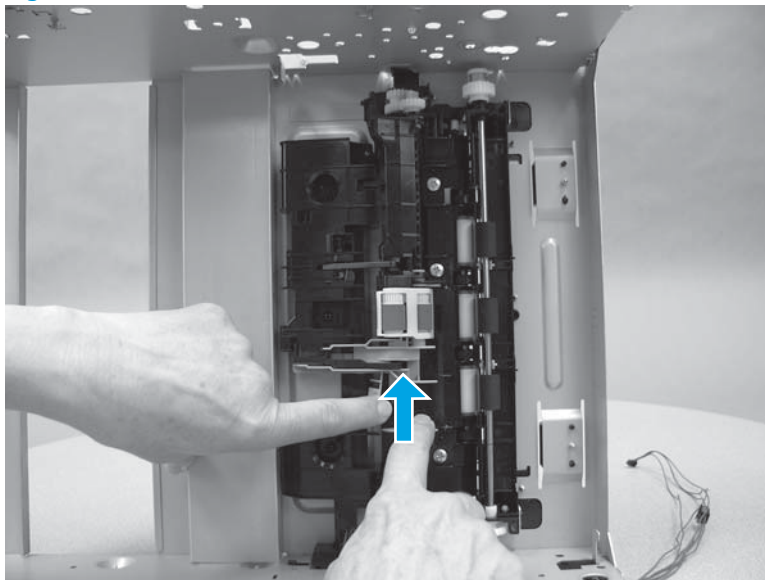
4. Install the pickup and feed roller case (callout 1) on the shafts (callout 2).

Figure 1-5557 Install the pickup and feed rollers



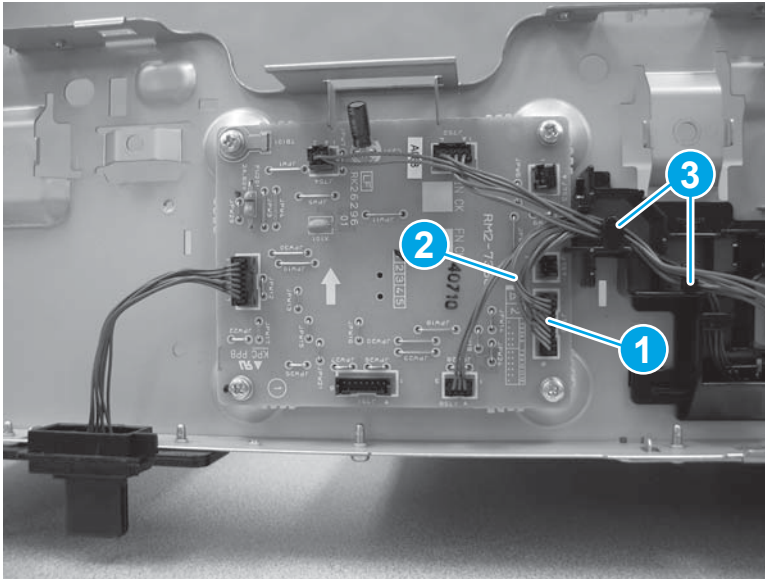
5. Slide the roller holder up until it snaps into place.

Figure 1-5558 Slide the roller holder



6. Connect one connector (callout 1), and then install the cables (callout 2) into the guides (callout 3).

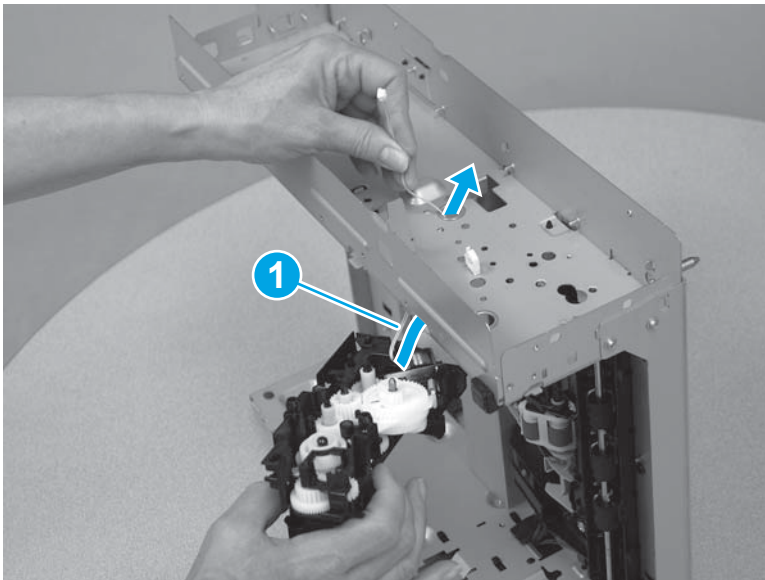
Figure 1-5559 Connect one connector



Step 15: Install the pickup assembly (550-sheet paper feeder)

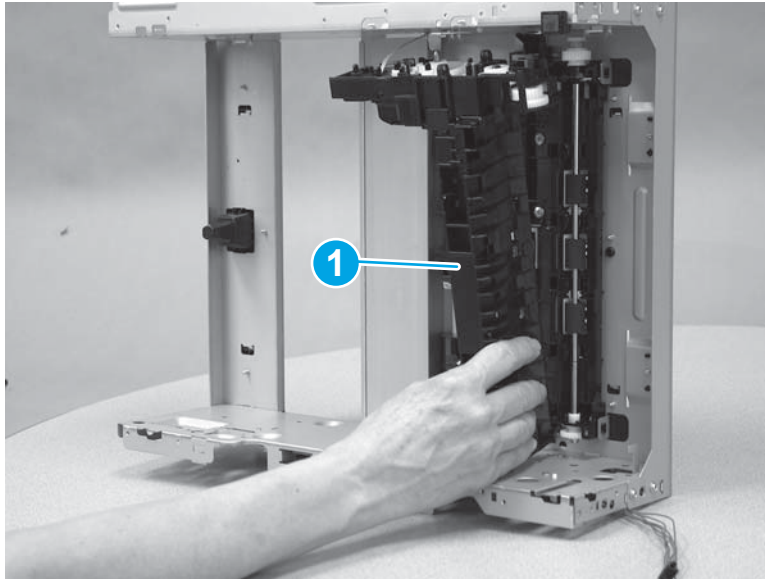
1. Lay the feeder on the left side so that the right side is facing up. Install the cables (callout 1) through the feeder frame.

Figure 1-5560 Install the cables



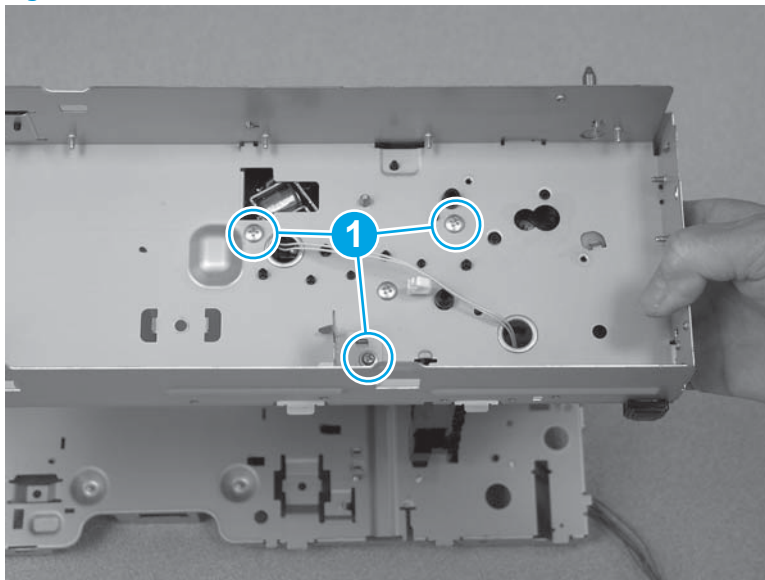
2. Install the pickup assembly (callout 1).

Figure 1-5561 Install the pickup assembly



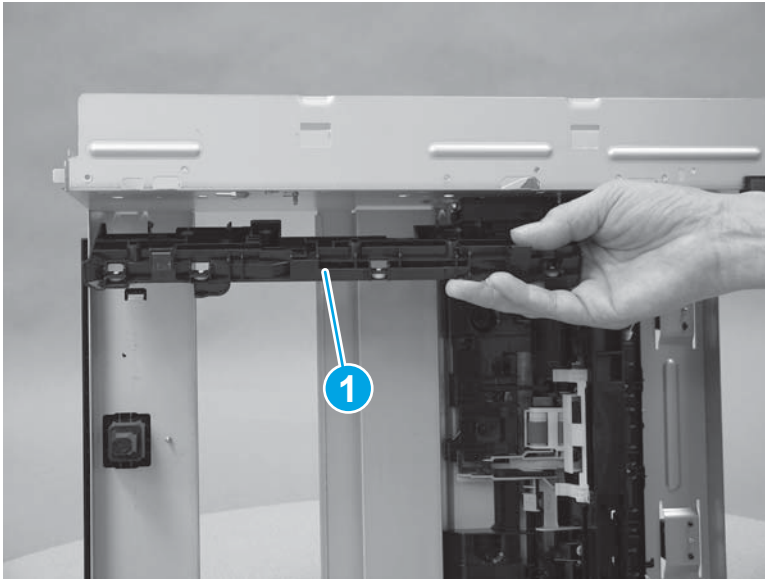
3. Install three screws (callout 1).

Figure 1-5562 Install three screws



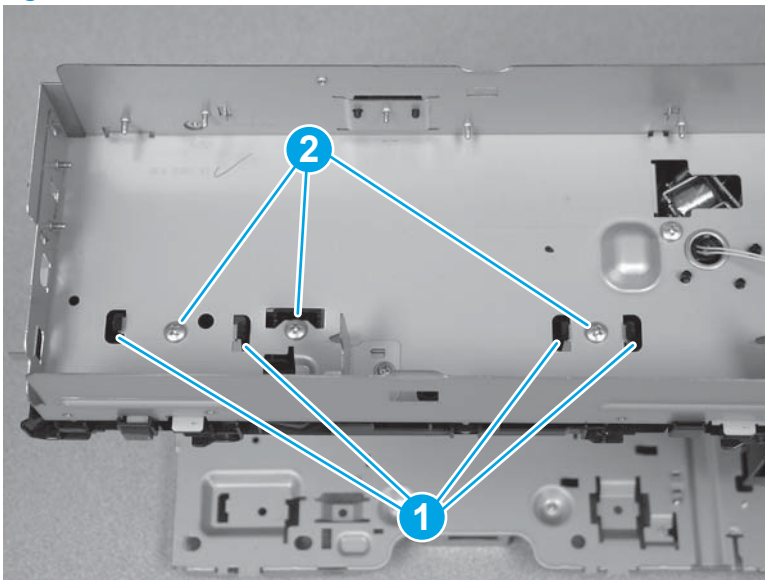
4. Install the tray guide (callout 1).

Figure 1-5563 Install the tray guide



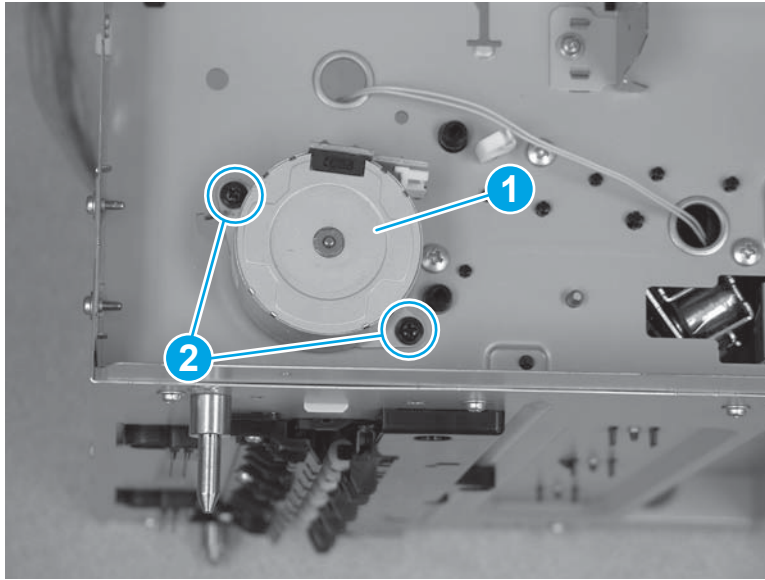
5. Install three tabs (callout 1), and then install three screws (callout 2).

Figure 1-5564 Install screws and tabs



6. Install the motor (callout 1), and then install two screws (callout 2).

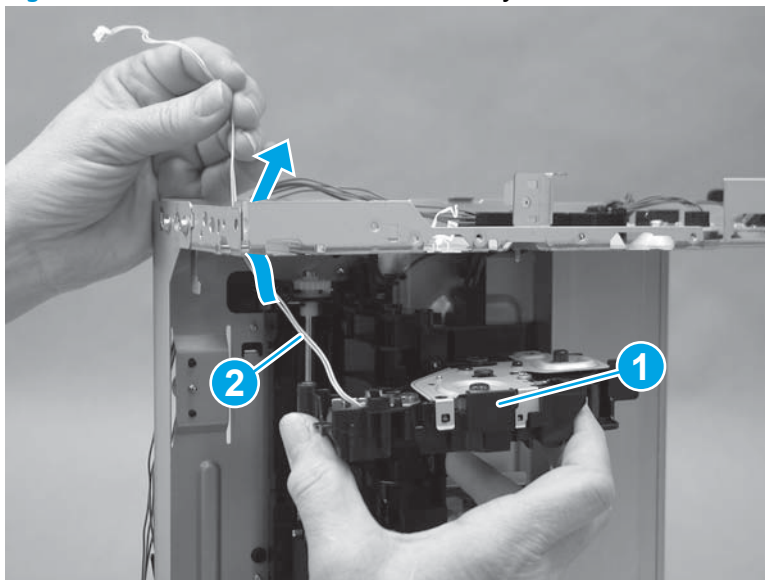
Figure 1-5565 Install the motor



Step 16: Install the lifter drive assembly (550-sheet paper feeder)

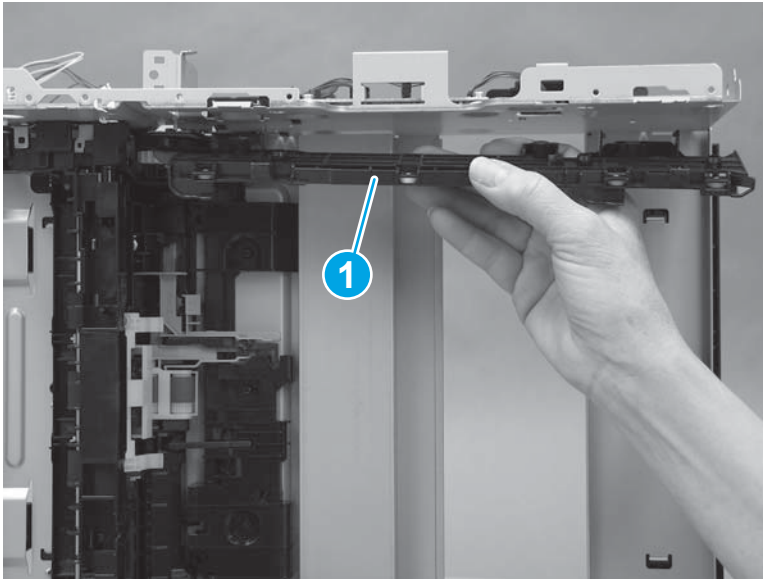
1. Install the cables (callout 1) on the lifter drive assembly up through the printer frame, and then install the lifter drive assembly (callout 2).

Figure 1-5566 Install the lifter drive assembly



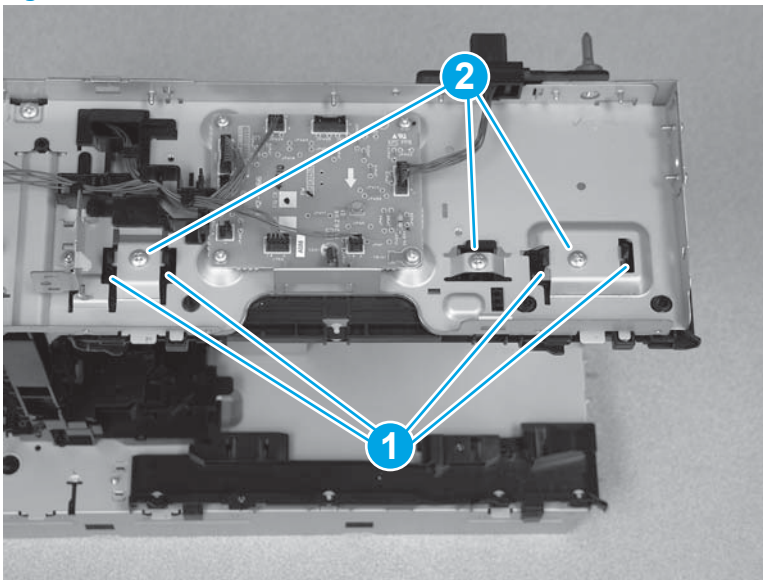
2. Install the tray guide (callout 1).

Figure 1-5567 Install the tray guide



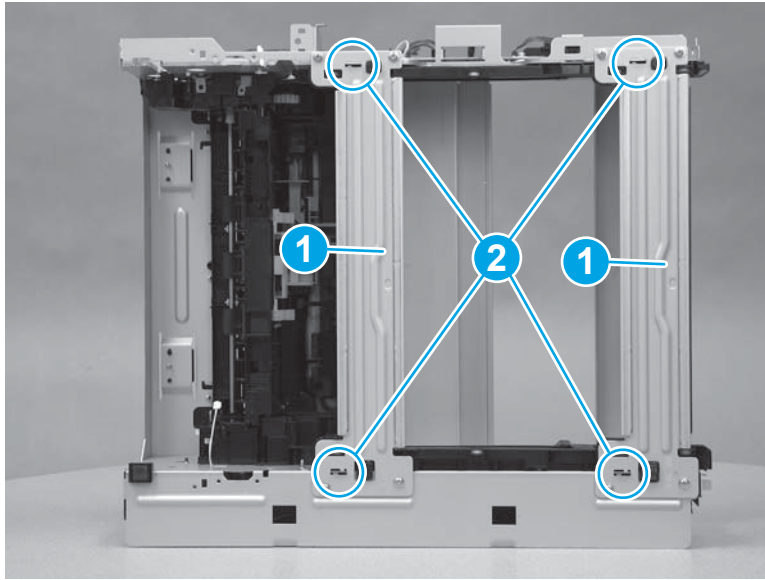
3. Install three tabs (callout 1), and then install three screws (callout 2).

Figure 1-5568 Install screws and tabs



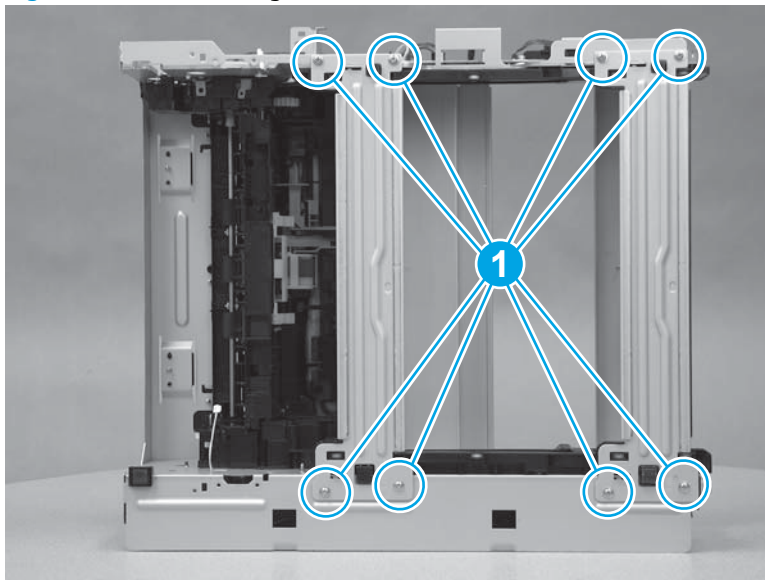
4. Position the cross braces (callout 1), and then install four tabs (callout 2).

Figure 1-5569 Install the cross braces



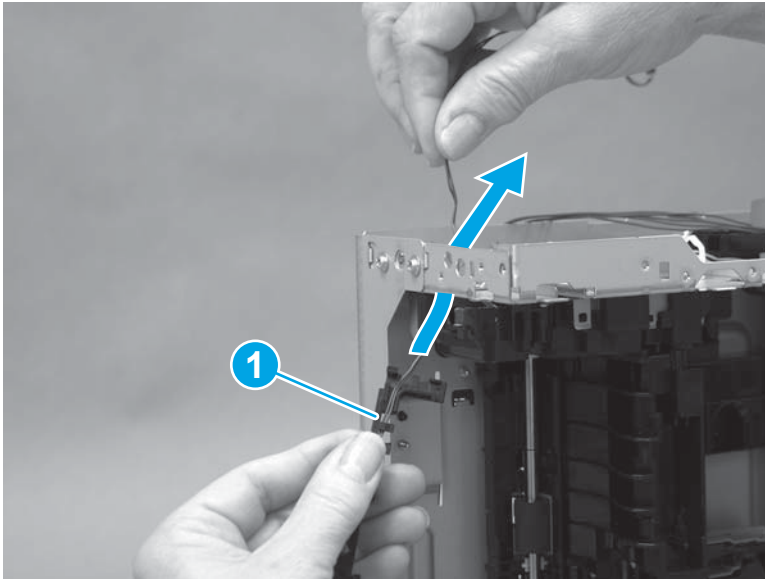
5. Install eight screws (callout 1).

Figure 1-5570 Install eight screws



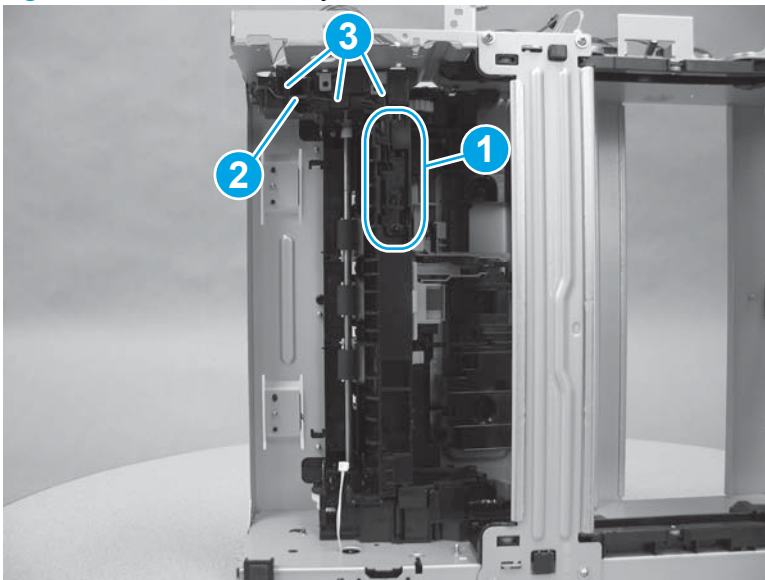
6. Install the tray sensor switch cables (callout 1) through the hole in the sheet metal.

Figure 1-5571 Install the tray sensor switch cables



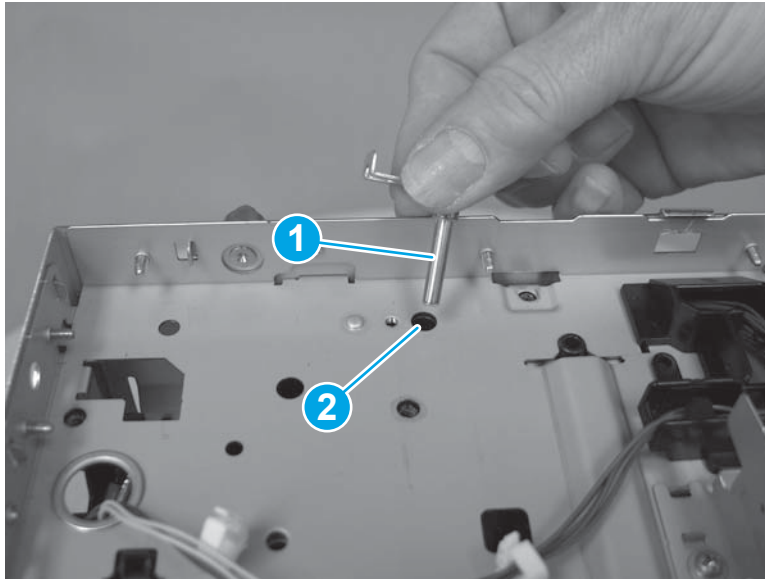
7. Install the tray sensor switch (callout 1), and then install the cables (callout 2) in the guides (callout 3).

Figure 1-5572 Install the tray sensor switch



8. Install the shaft (callout 1) in the hole (callout 2) in the feeder.

Figure 1-5573 Install the shaft



9. Connect two connectors (callout 1), and install the cables (callout 2) in the guides (callout 3). Install one screw (callout 4), and then install four more screws (callout 5).


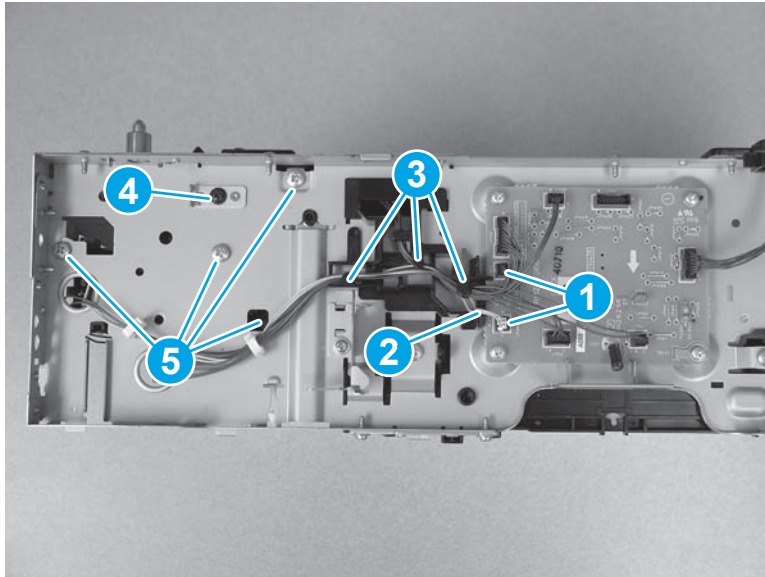
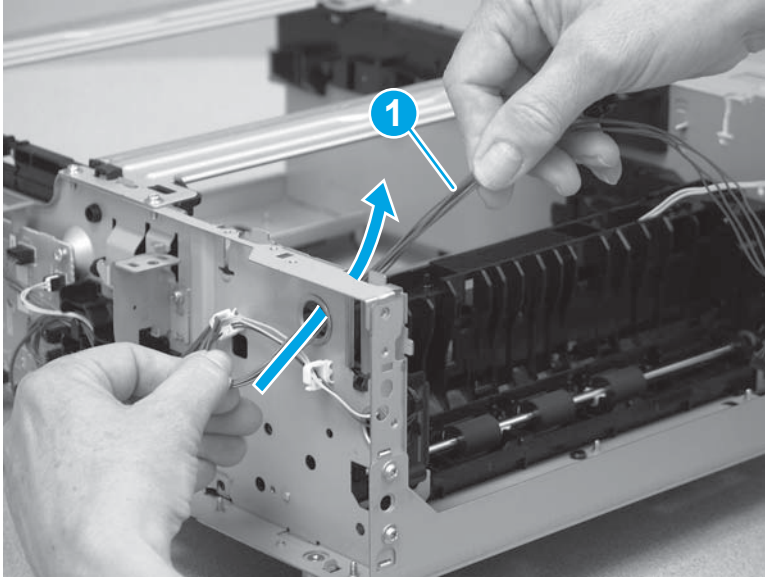
 **Reinstallation tip:** One screw (callout 4) is different from the other screws. Make sure that this screw is installed in the correct position.

Figure 1-5574 Disconnect connector and remove five screws



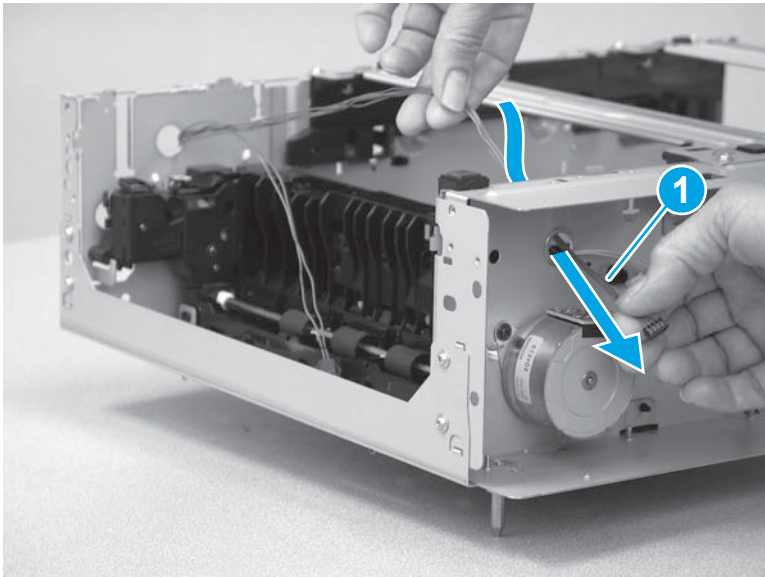
10. Turn the printer so that the bottom side is up. On the left side of the feeder, install all of the cables (callout 1) through the opening in the paper feeder.

Figure 1-5575 Install the cables



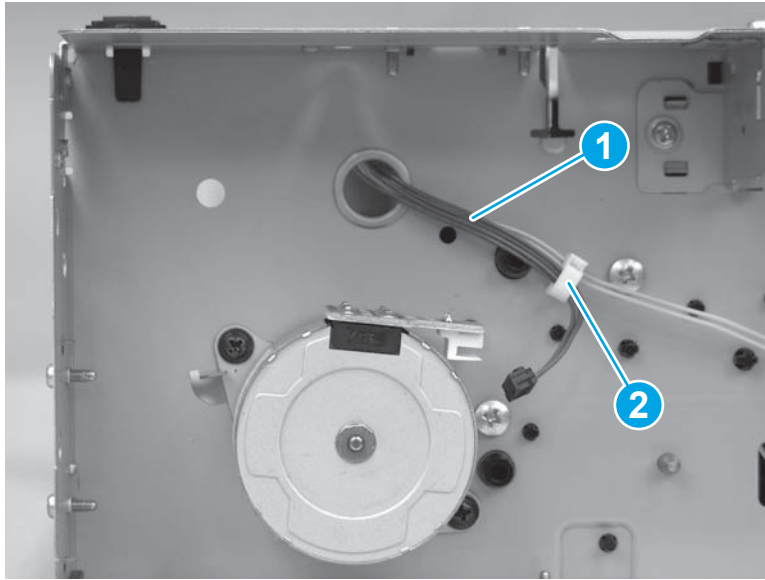
11. On the right side of the feeder, install the cables (callout 1) through the hole in the sheet metal.

Figure 1-5576 Install the cables



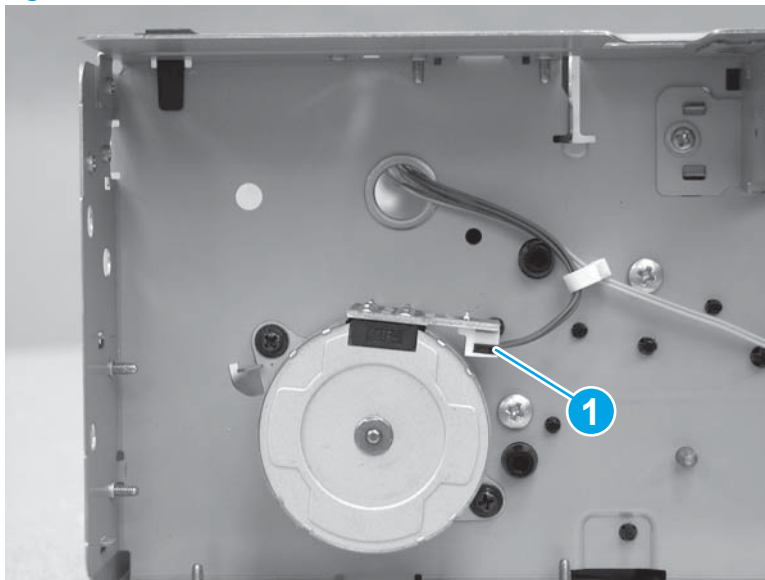
12. Install the cables (callout 1) in the retainer (callout 2).

Figure 1-5577 Install the cables



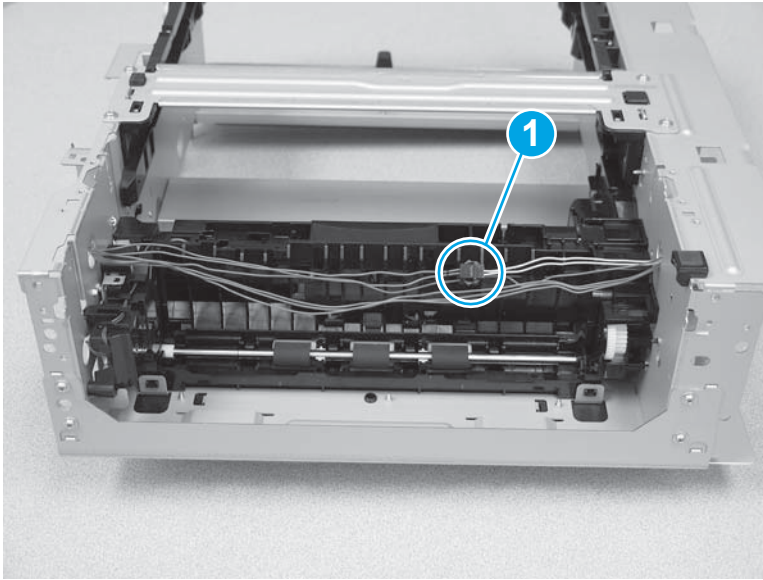
13. Connect one connector (callout 1) to the motor.

Figure 1-5578 Connect one connector



14. Connect one in-line connector (callout 1).

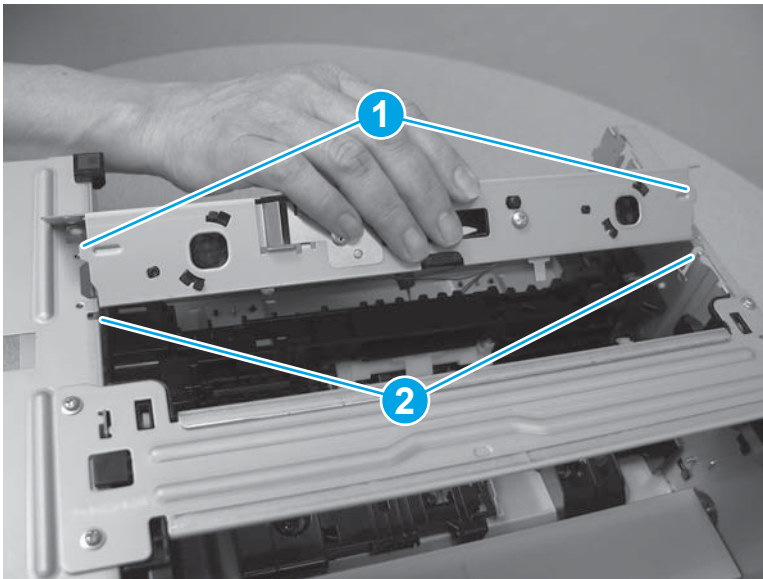
Figure 1-5579 Connect one connector



Step 17: Install the feed frame assembly (550-sheet paper feeder)

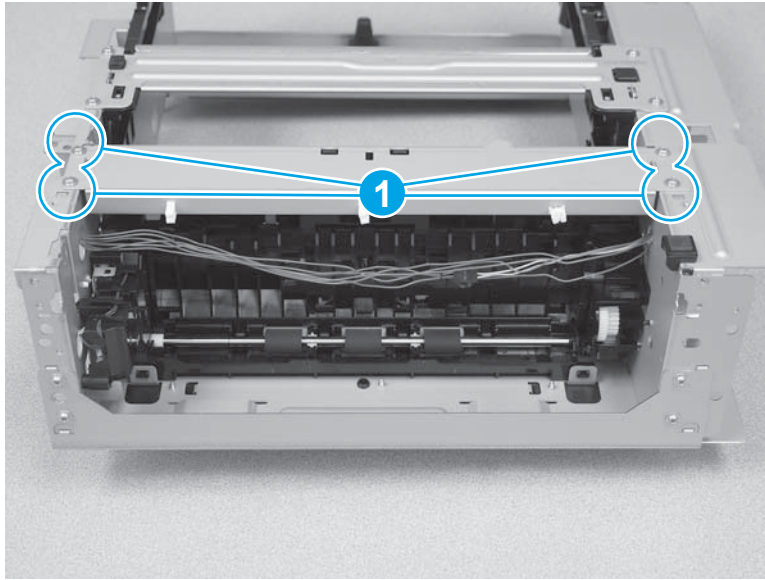
1. Install the tabs (callout 1) on the feed frame assembly in the slots (callout 2) on the feeder.

Figure 1-5580 Install the feed frame assembly



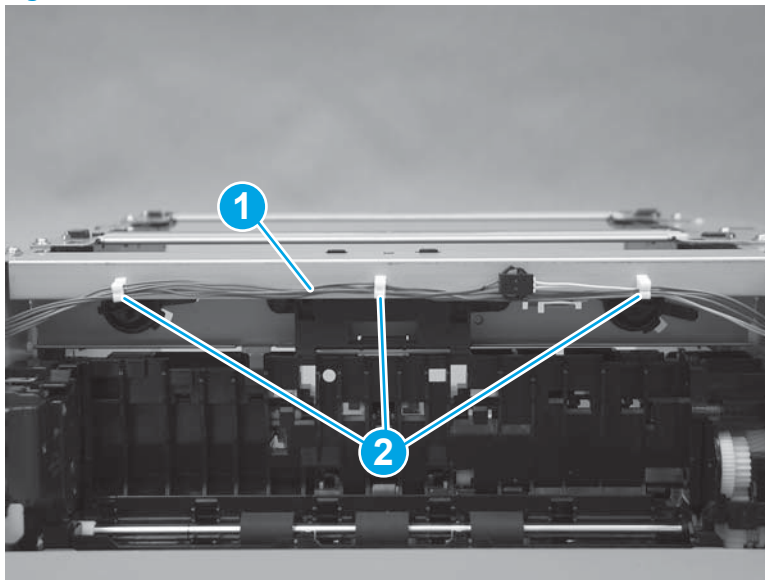
2. Install four screws (callout 1).

Figure 1-5581 Install four screws



3. Install the cables (callout 1) in the retainers (callout 2).

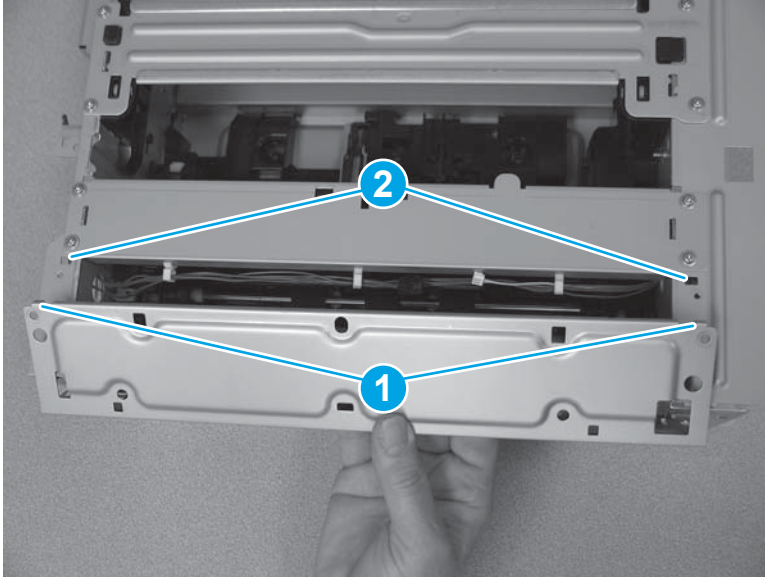
Figure 1-5582 Install the cables



Step 18: Install the baseplate (550-sheet paper feeder)

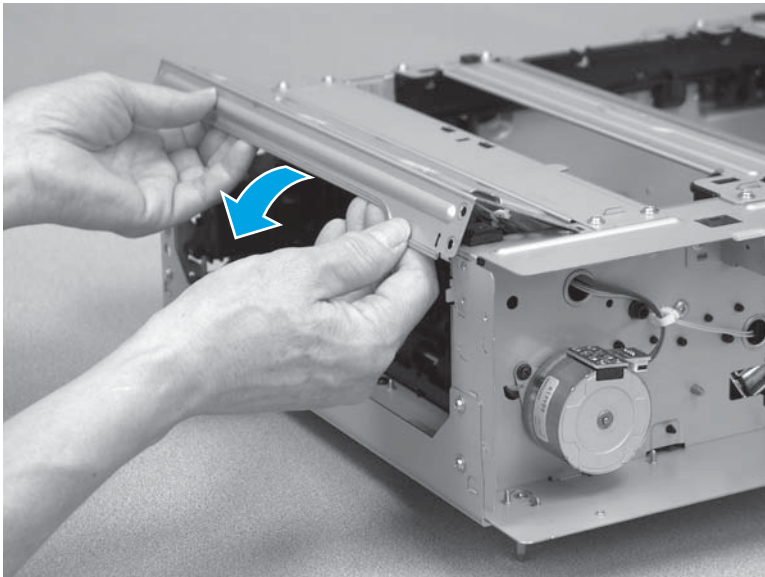
1. Install the tabs (callout 1) on the baseplate into the slots (callout 2) on the feeder.

Figure 1-5583 Release two tabs



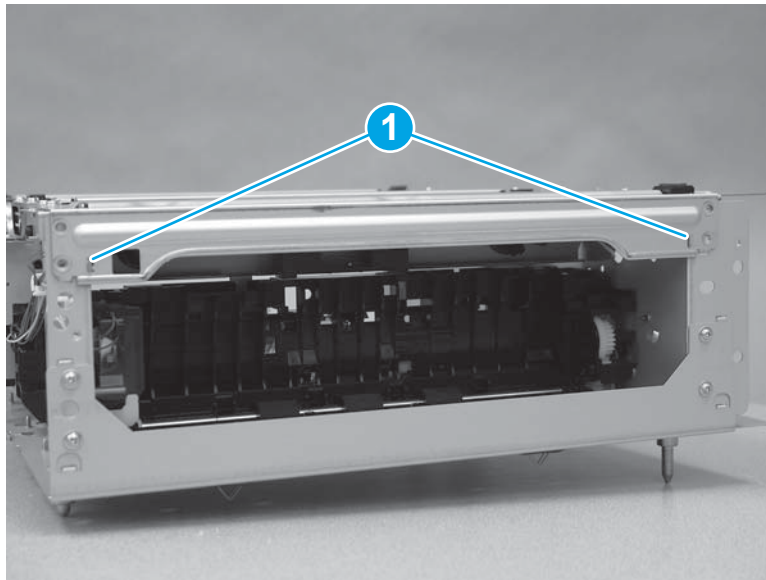
2. Rotate the edge of the baseplate down.

Figure 1-5584 Rotate the baseplate down



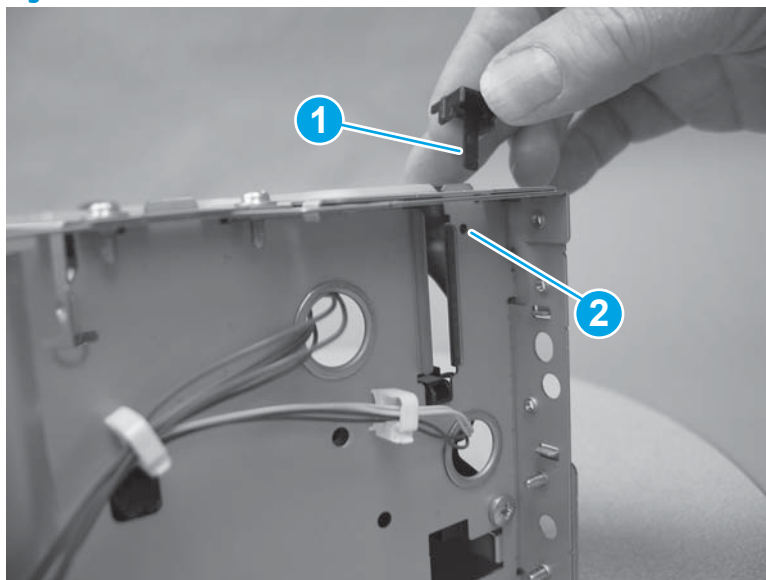
3. Install two tabs (callout 1).

Figure 1-5585 Install two tabs



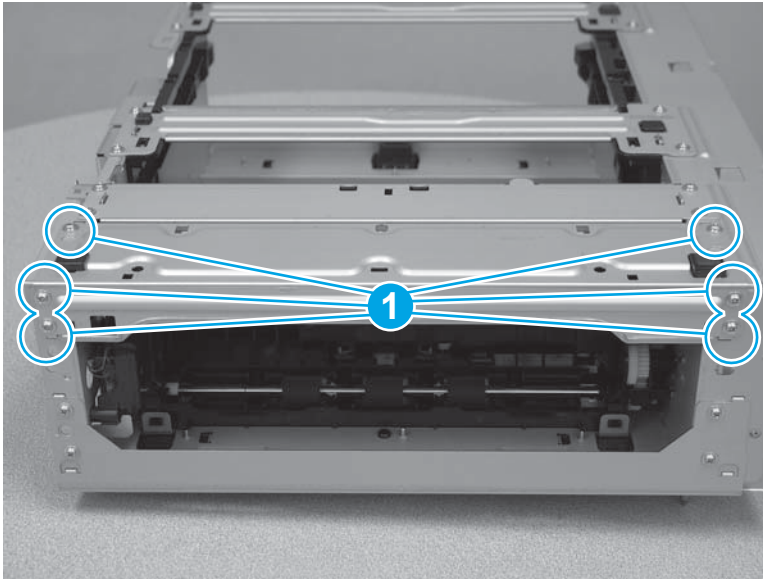
4. Install the foot. Make sure that the tab (callout 1) on the foot fits in the slot (callout 2) on the feeder.

Figure 1-5586 Remove the foot



5. Install six screws (callout 1).

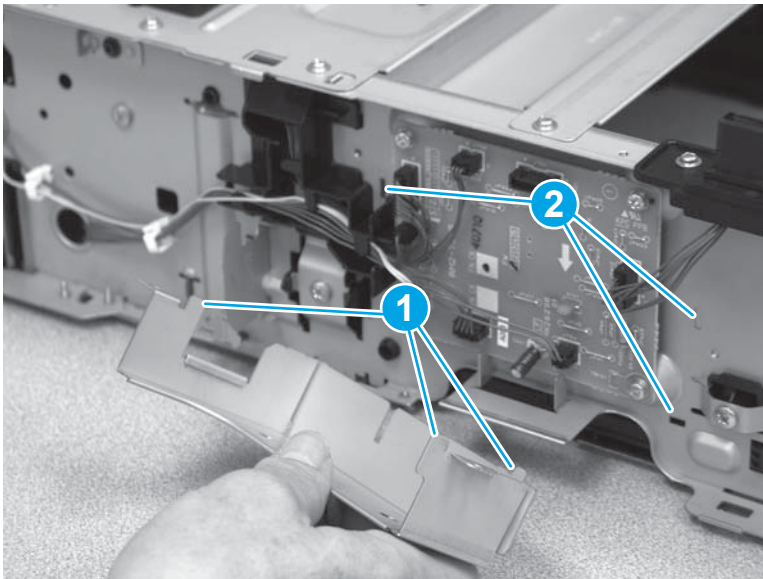
Figure 1-5587 Install six screws



Step 19: Install the PCA cover (550-sheet paper feeder)

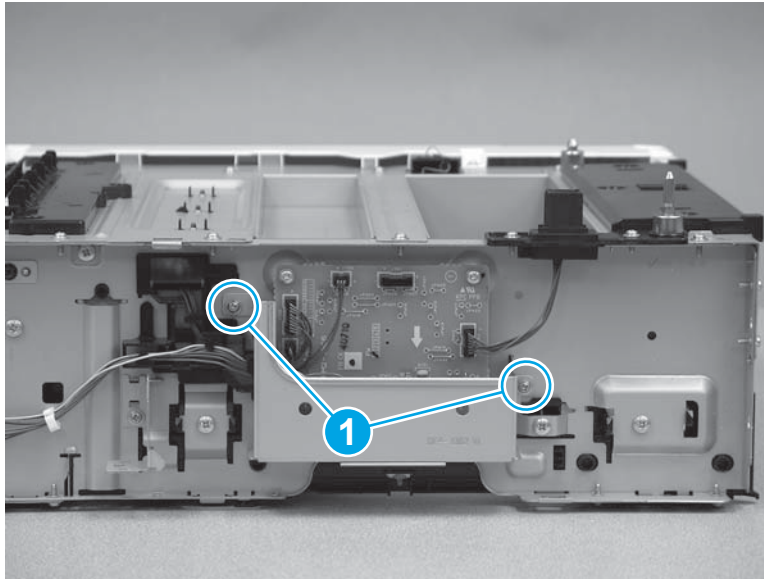
1. Install the tabs (callout 1) on the PCA cover in the slots (callout 2) on the feeder.

Figure 1-5588 Install the PCA cover



2. Install two screws (callout 1).

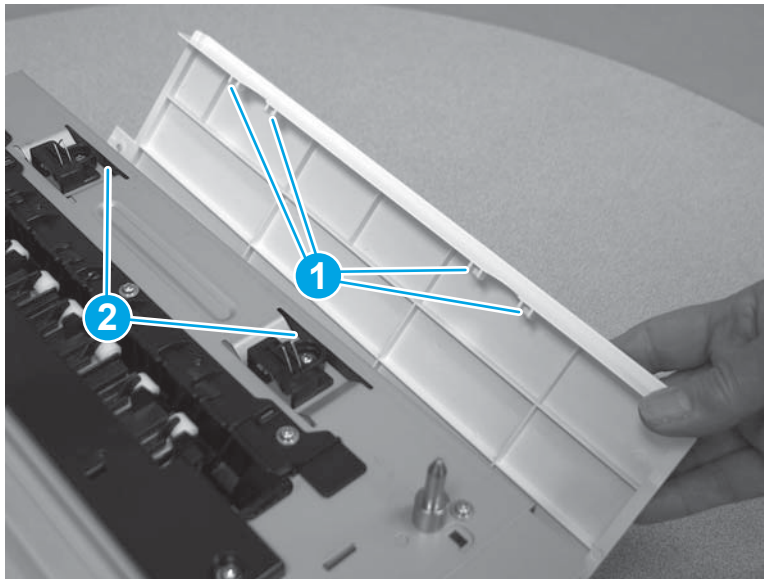
Figure 1-5589 Install two screws



Step 20: Install the rear cover (550-sheet paper feeder)

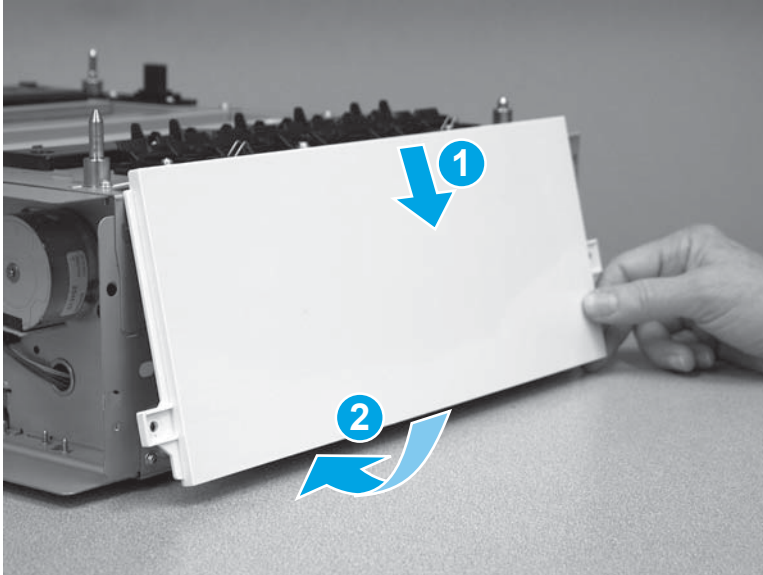
1. Install the tabs (callout 1) on the rear cover in the slots (callout 2) on the feeder.

Figure 1-5590 Install the tabs



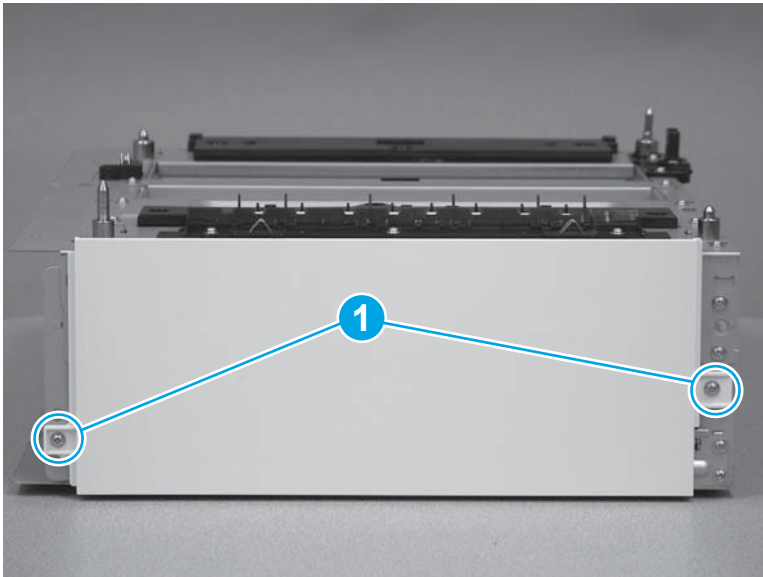
2. Make sure that the top of the rear cover (callout 1) is seated in the tabs, and then rotate the bottom of the cover (callout 2) toward the feeder.

Figure 1-5591 Rotate the cover



3. Install two screws (callout 1).

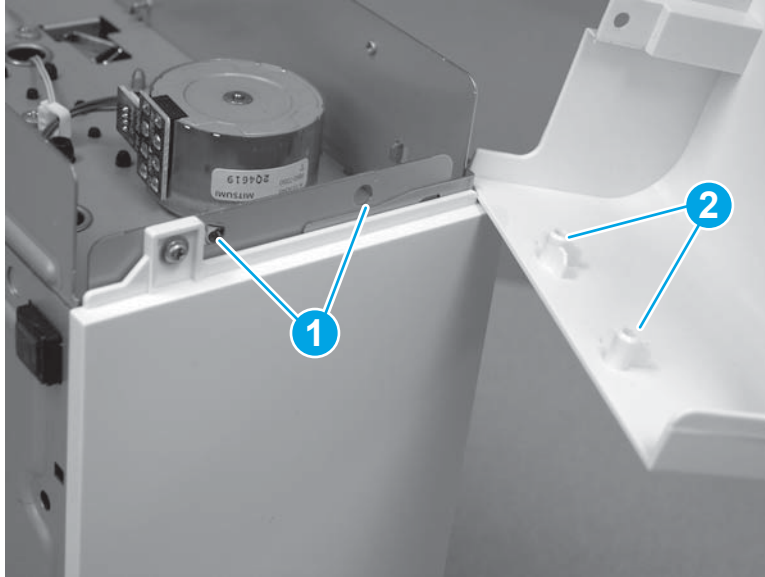
Figure 1-5592 Install two screws



Step 21: Install the left cover (550-sheet paper feeder)

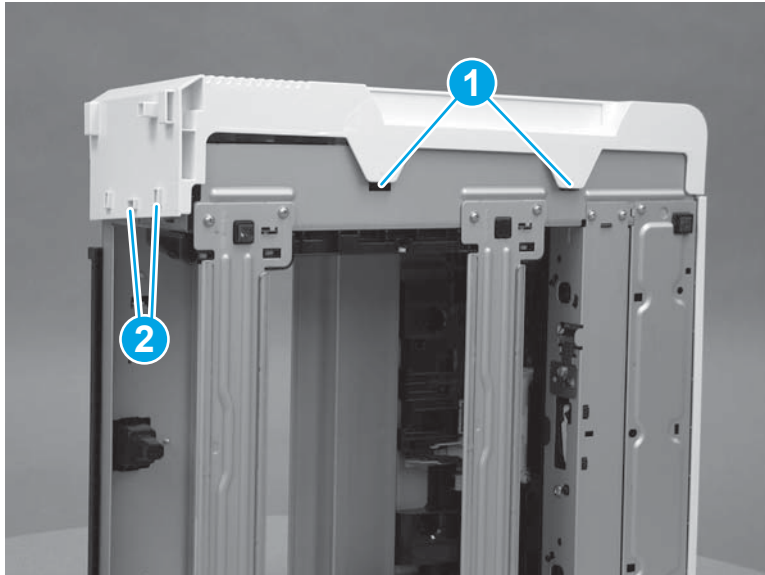
1. Lay the feeder on the right side so that the left side is facing up. At the back of the feeder, install the tabs (callout 1) on the cover in the holes (callout 2) on the feeder.

Figure 1-5593 Install two tabs



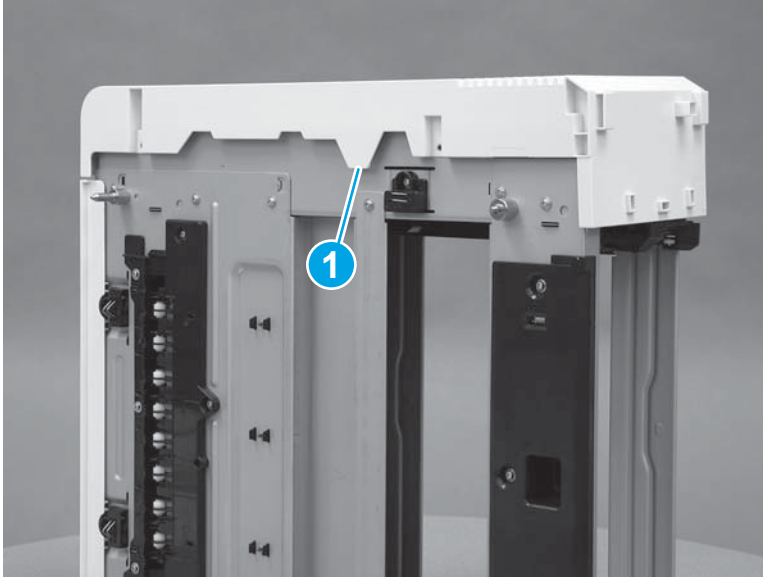
2. Install two tabs (callout 1) on the bottom of the feeder, and then install two tabs (callout 2) on the front of the feeder.

Figure 1-5594 Install four tabs



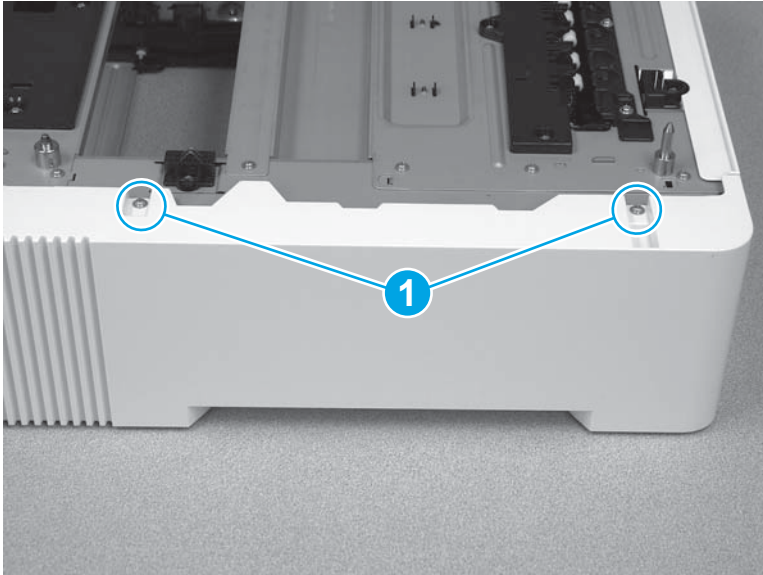
3. Turn the feeder to an upright position with the top facing up. Install one tab (callout 1) on the top of the feeder.

Figure 1-5595 Install three tabs



4. Install two screws (callout 1).

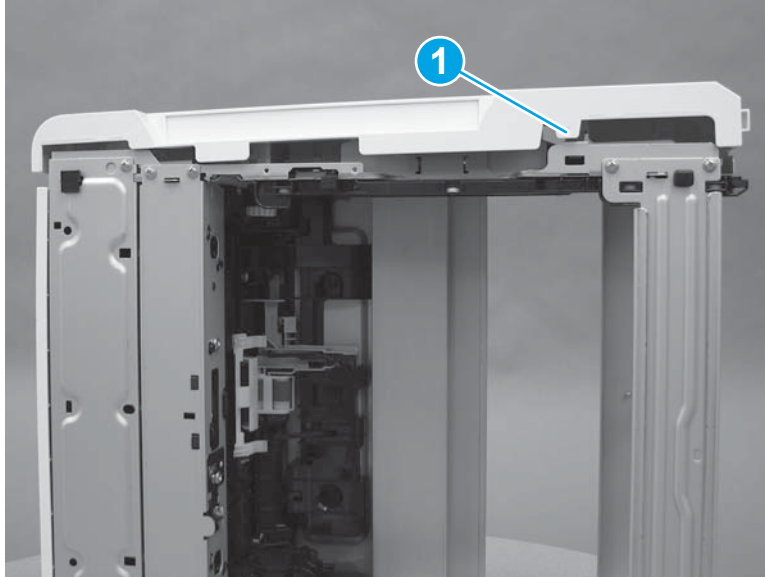
Figure 1-5596 Install two screws



Step 22: Install the right cover (550-sheet paper feeder)

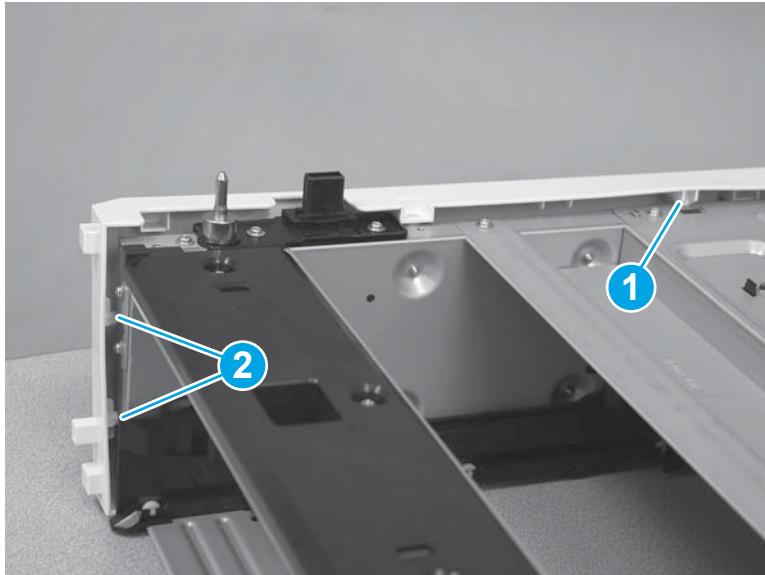
1. Lay the feeder on the left side so that the right side is facing up, and then install one tab (callout 1) on the bottom of the feeder.

Figure 1-5597 Install one tab



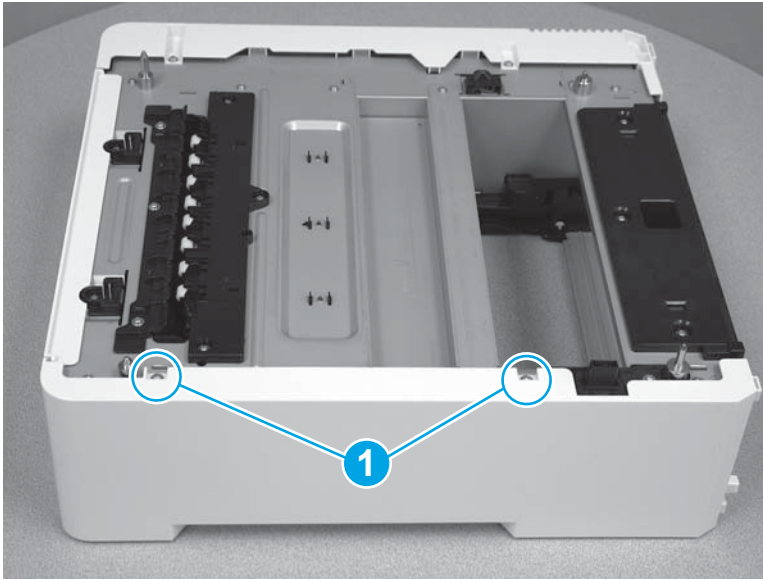
2. Turn the feeder to an upright position with the top facing up. Install one tab (callout 1) on the top of the feeder, and then install two tabs (callout 2) at the front of the feeder.

Figure 1-5598 Install three tabs



3. Install two screws (callout 1).

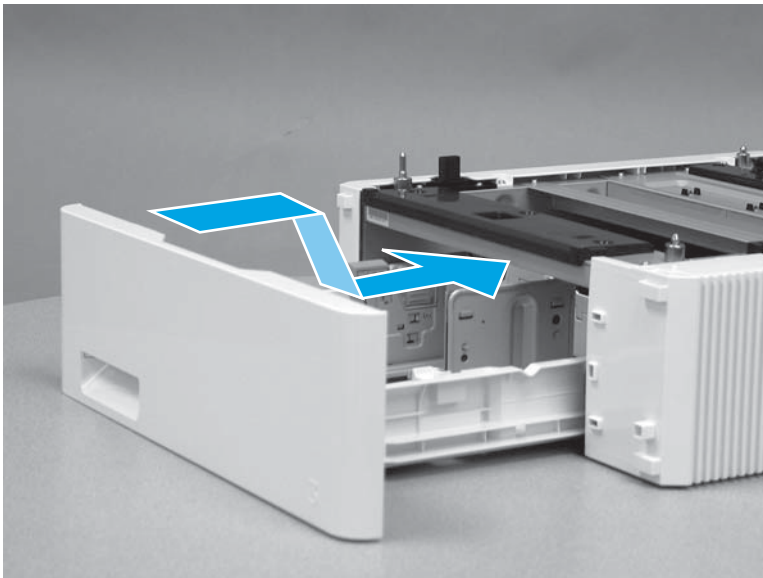
Figure 1-5599 Install two screws



Step 23: Install Tray 3

- ▲ With the front of the tray slightly lifted, align the sides of the tray with the rails in the feeder, and then carefully slide the tray into the feeder. As the tray slides into the feeder, lower the front of the tray, and then close it.

Figure 1-5600 Install the tray



Removal and replacement: Pickup motor (550-sheet paper feeder)


- [Introduction](#)
- [Step 1: Remove Tray 3](#)
- [Step 2: Remove the left cover \(550-sheet paper feeder\)](#)
- [Step 3: Remove the pickup motor \(550-sheet paper feeder\)](#)
- [Step 4: Unpack the replacement part](#)
- [Step 5: Install the pickup motor \(550-sheet paper feeder\)](#)
- [Step 6: Install the left cover \(550-sheet paper feeder\)](#)
- [Step 7: Install Tray 3](#)

Introduction

This document provides the procedures to remove and replace the pickup motor on the 550-sheet feeder.

Before you begin

- Turn off the printer.
- Disconnect the power cable.

 **WARNING!** To avoid damage to the printer, turn the printer off, wait 30 seconds, and then remove the power cord before attempting to service the printer.

- Use the table below to identify the correct part number for your printer. To order the part, go to www.hp.com/buy/parts.

| Pickup motor part number | |
|--------------------------|--|
|--------------------------|--|

| | |
|----------------|---------------------------------|
| RM2-7350-000CN | Pickup motor (550-sheet feeder) |
|----------------|---------------------------------|

Required tools

- #2 Phillips screwdriver with a magnetic tip

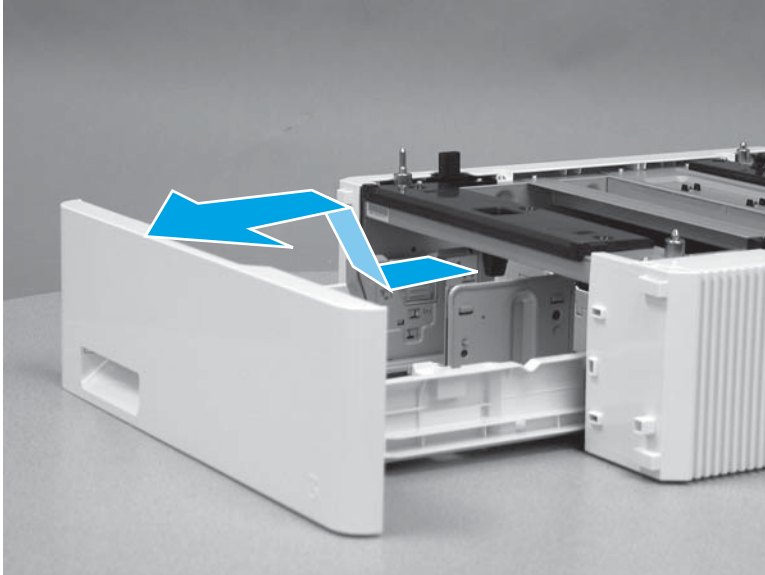
After performing service

- Connect the power cable.
- Use the power switch to turn the power on.

Step 1: Remove Tray 3

- ▲ Pull the tray out until it stops. Lift the front of the tray, and then pull it out of the printer to remove it.

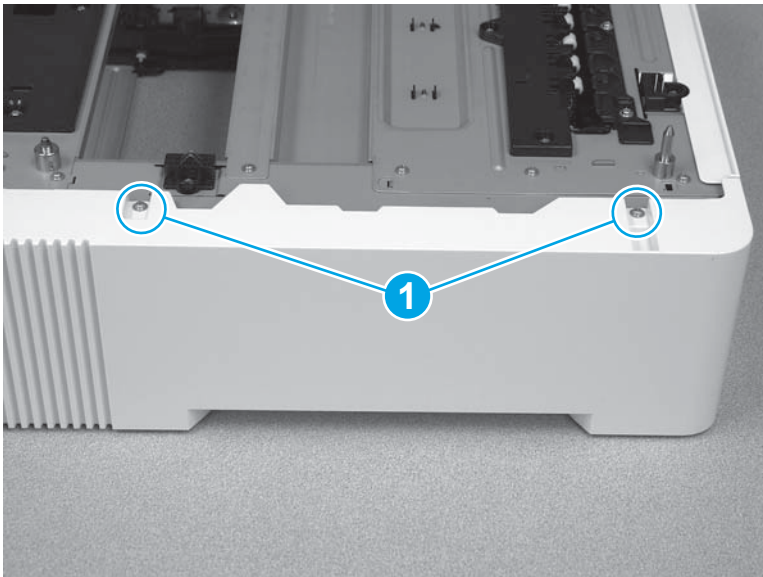
Figure 1-5601 Remove the tray



Step 2: Remove the left cover (550-sheet paper feeder)

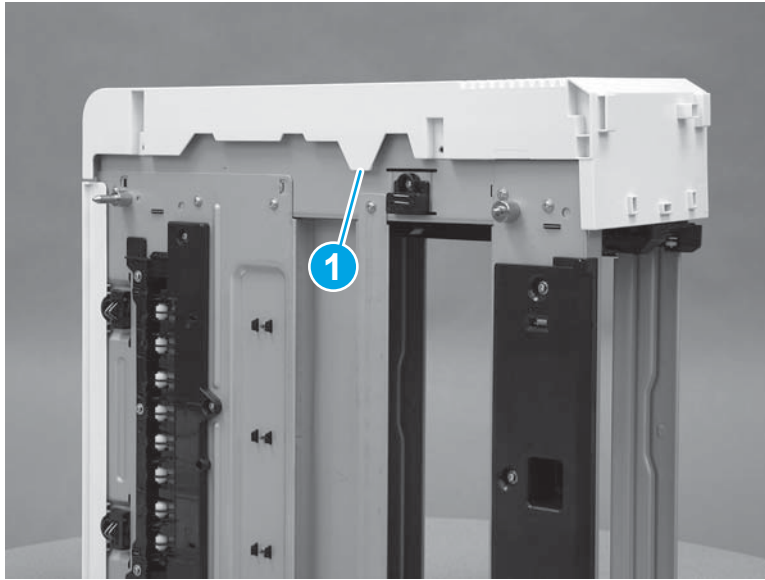
1. Remove two screws (callout 1).

Figure 1-5602 Remove two screws



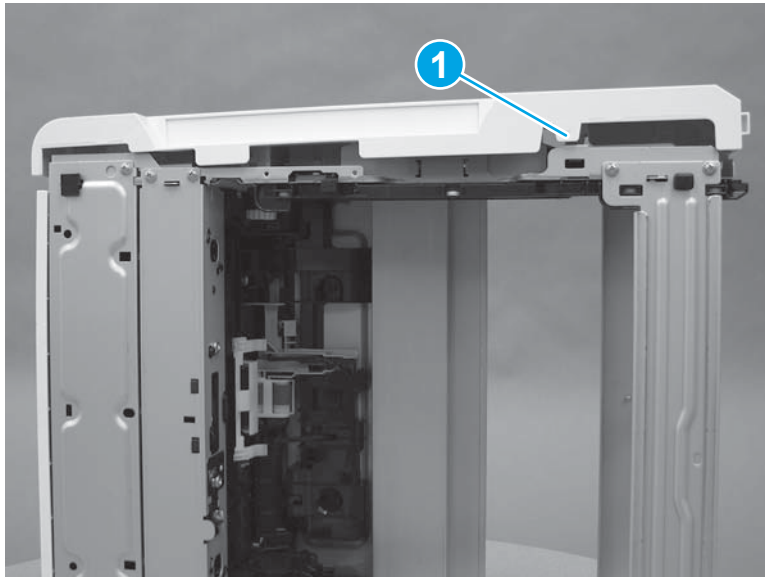
2. Release one tab (callout 1) on the top of the feeder.

Figure 1-5603 Release one tab



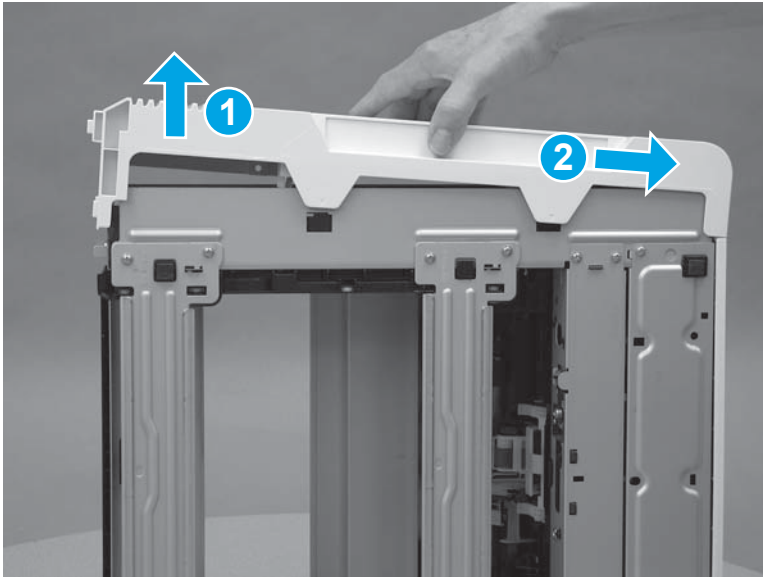
3. Lay the feeder on the right side so that the left side is facing up. Release two tabs (callout 1) on the bottom of the feeder, and then release two tabs (callout 2) on the front of the feeder.

Figure 1-5604 Release four tabs



4. Lift the front of the cover up (callout 1), and then slide the cover (callout 2) toward the back of the feeder to remove it.

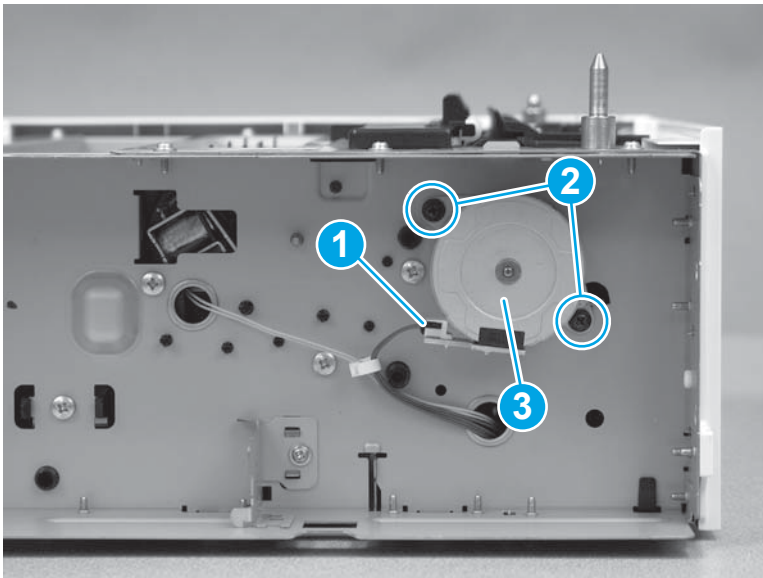
Figure 1-5605 Remove the cover



Step 3: Remove the pickup motor (550-sheet paper feeder)

- ▲ Disconnect one connector (callout 1), remove two screws (callout 2), and then remove the pickup motor (callout 3).

Figure 1-5606 Remove the pickup motor



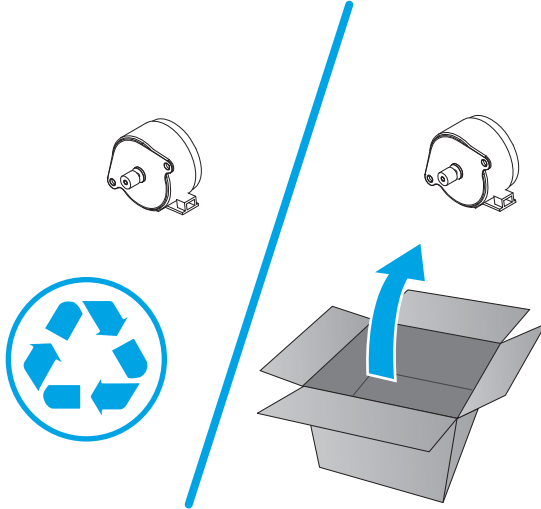
Step 4: Unpack the replacement part

Remove the new part from its package. Save all packaging for recycling the used part.

For complete information on HP's recycling programs, go to [Product return and recycling](#).

 **NOTE:** HP recommends responsible disposal of the defective part.

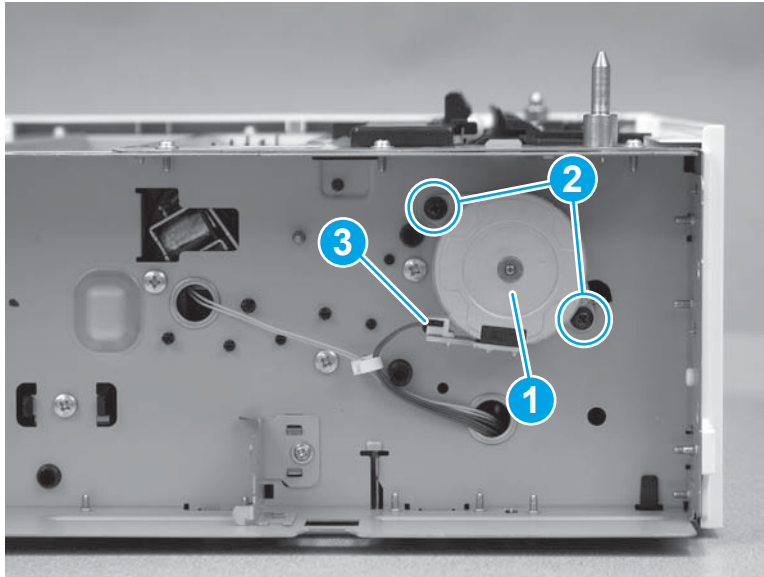
Figure 1-5607 Recycle and unpack



Step 5: Install the pickup motor (550-sheet paper feeder)

- ▲ Install the pickup motor (callout 1), install two screws (callout 2), and then connect one connector (callout 3).

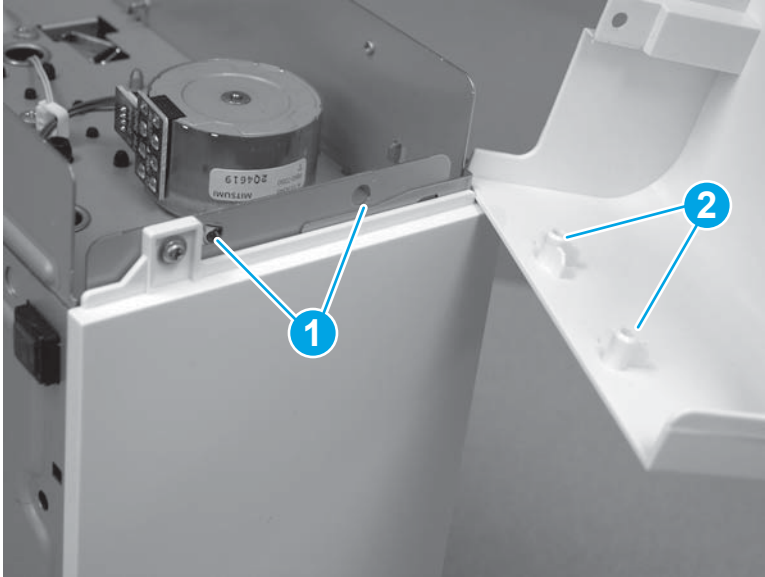
Figure 1-5608 Install the pickup motor



Step 6: Install the left cover (550-sheet paper feeder)

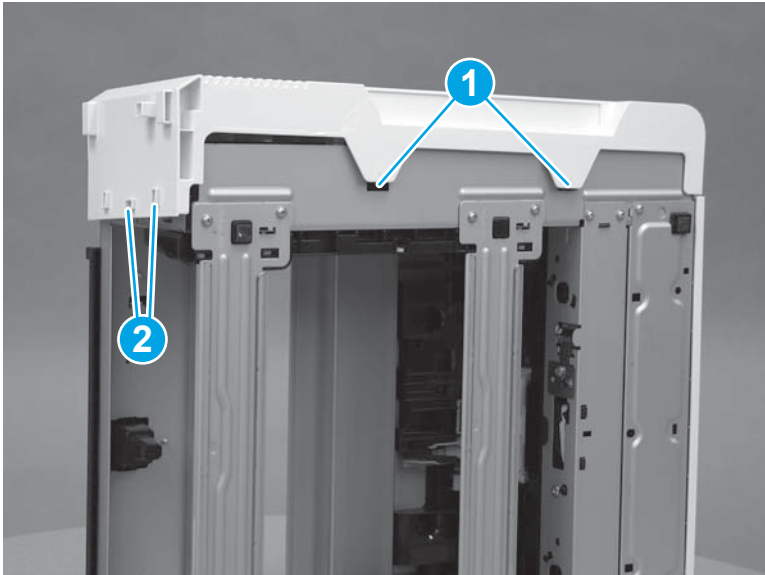
1. Lay the feeder on the right side so that the left side is facing up. At the back of the feeder, install the tabs (callout 1) on the cover in the holes (callout 2) on the feeder.

Figure 1-5609 Install two tabs



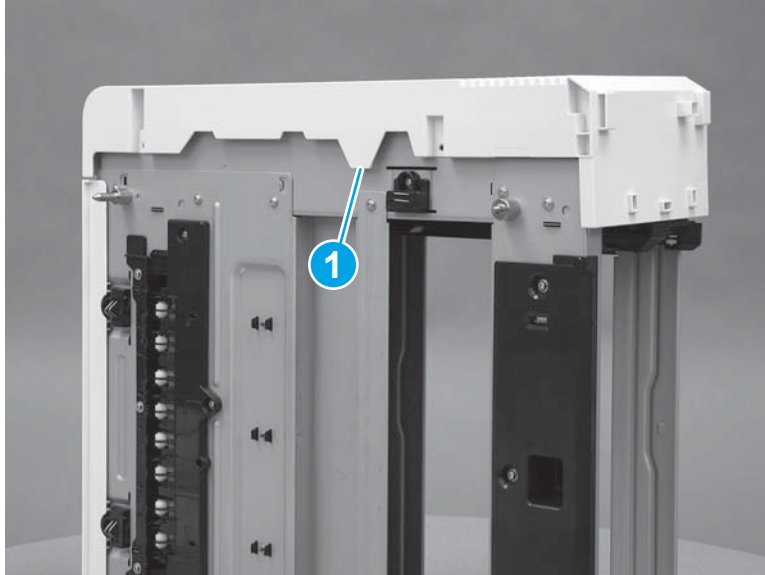
2. Install two tabs (callout 1) on the bottom of the feeder, and then install two tabs (callout 2) on the front of the feeder.

Figure 1-5610 Install four tabs



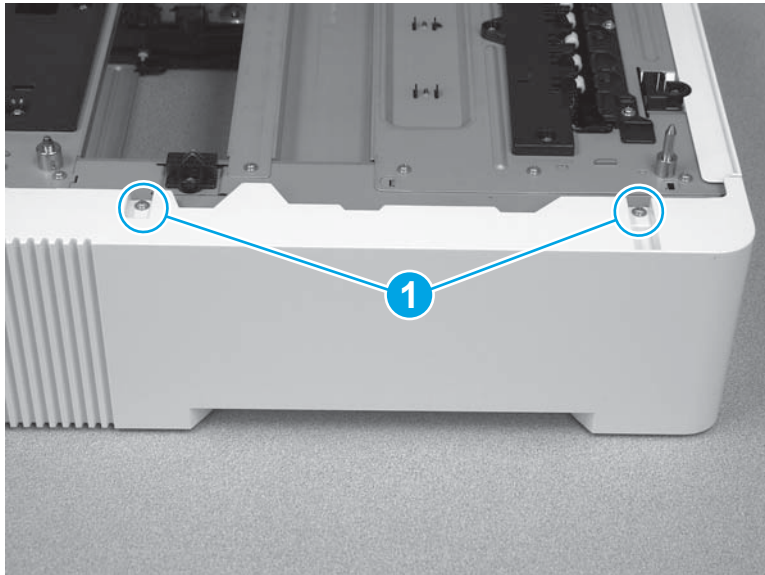
3. Turn the feeder to an upright position with the top facing up. Install one tab (callout 1) on the top of the feeder.

Figure 1-5611 Install three tabs



4. Install two screws (callout 1).

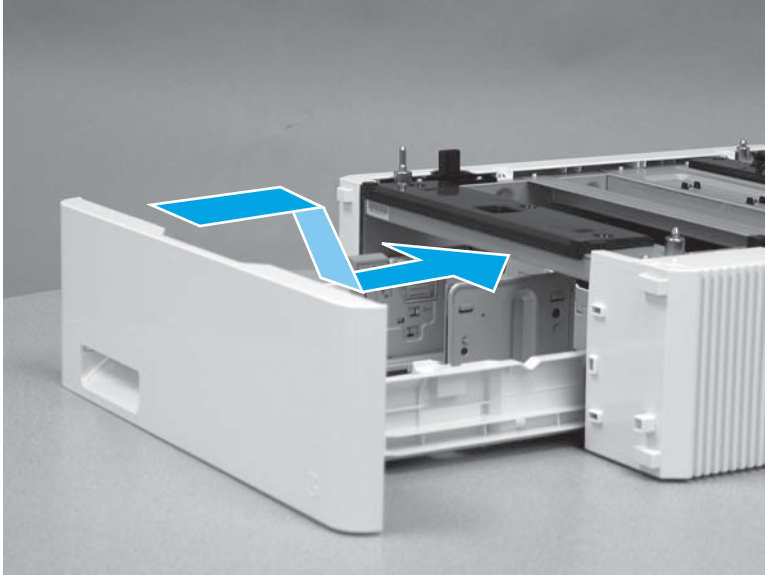
Figure 1-5612 Install two screws



Step 7: Install Tray 3

- ▲ With the front of the tray slightly lifted, align the sides of the tray with the rails in the feeder, and then carefully slide the tray into the feeder. As the tray slides into the feeder, lower the front of the tray, and then close it.

Figure 1-5613 Install the tray



Removal and replacement: Drawer connector (550-sheet paper feeder)


- [Introduction](#)
- [Step 1: Remove Tray 3](#)
- [Step 2: Remove the right cover \(550-sheet paper feeder\)](#)
- [Step 3: Remove the drawer connector \(550-sheet paper feeder\)](#)
- [Step 4: Unpack the replacement part](#)
- [Step 5: Install the drawer connector \(550-sheet paper feeder\)](#)
- [Step 6: Install the right cover \(550-sheet feeder\)](#)
- [Step 7: Install Tray 3](#)

Introduction

This document provides the procedures to remove and replace the drawer connector on the 550-sheet feeder.

Before you begin

- Turn off the printer.
- Disconnect the power cable.

 **WARNING!** To avoid damage to the printer, turn the printer off, wait 30 seconds, and then remove the power cord before attempting to service the printer.

- Use the table below to identify the correct part number for your printer. To order the part, go to www.hp.com/buy/parts.

| Drawer connector part number | |
|------------------------------|--|
|------------------------------|--|

| |
|-----------------------|
| VS1-7257-007CN |
|-----------------------|

| |
|-------------------------------------|
| Drawer connector (550-sheet feeder) |
|-------------------------------------|

Required tools

- #2 Phillips screwdriver with a magnetic tip

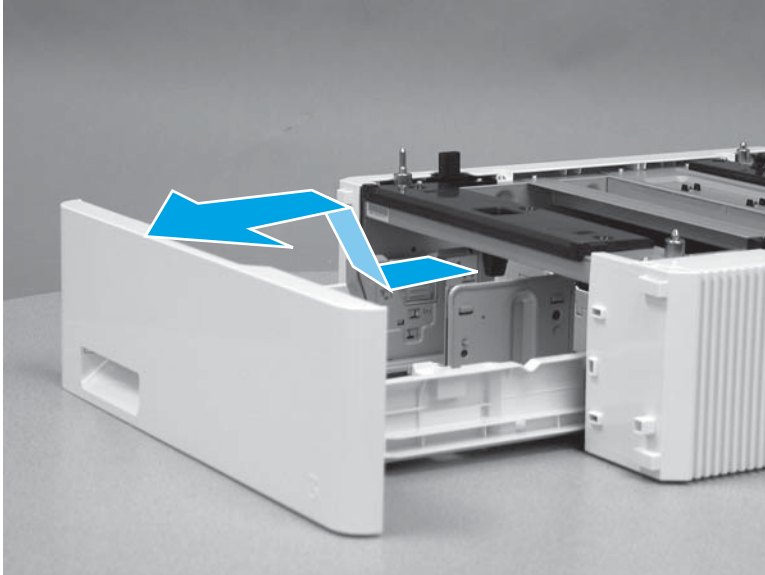
After performing service

- Connect the power cable.
- Use the power switch to turn the power on.

Step 1: Remove Tray 3

- ▲ Pull the tray out until it stops. Lift the front of the tray, and then pull it out of the printer to remove it.

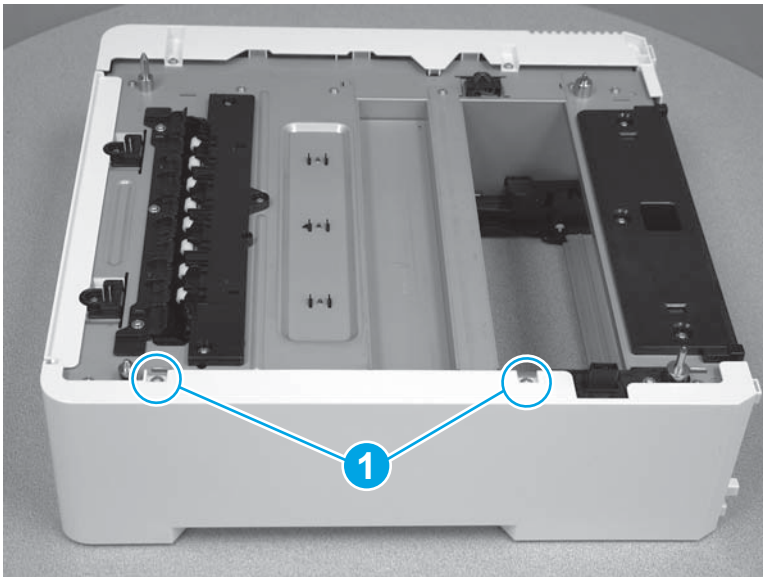
Figure 1-5614 Remove the tray



Step 2: Remove the right cover (550-sheet paper feeder)

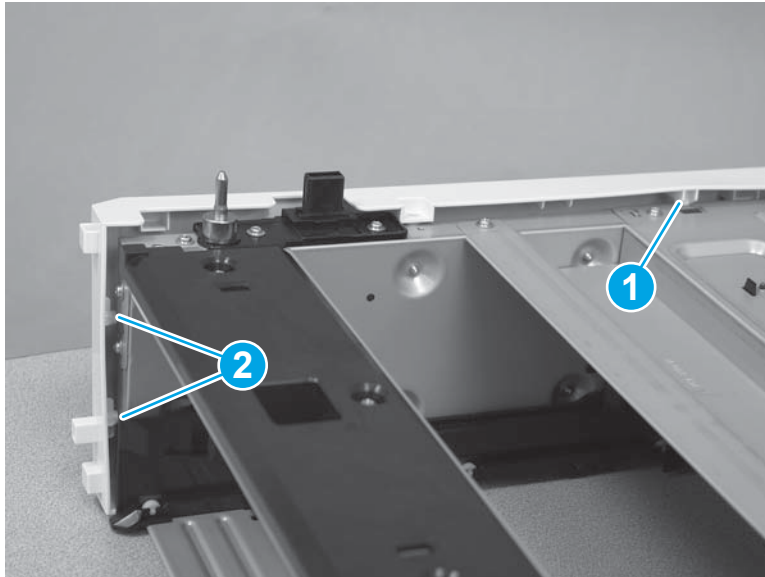
1. Remove two screws (callout 1).

Figure 1-5615 Remove two screws



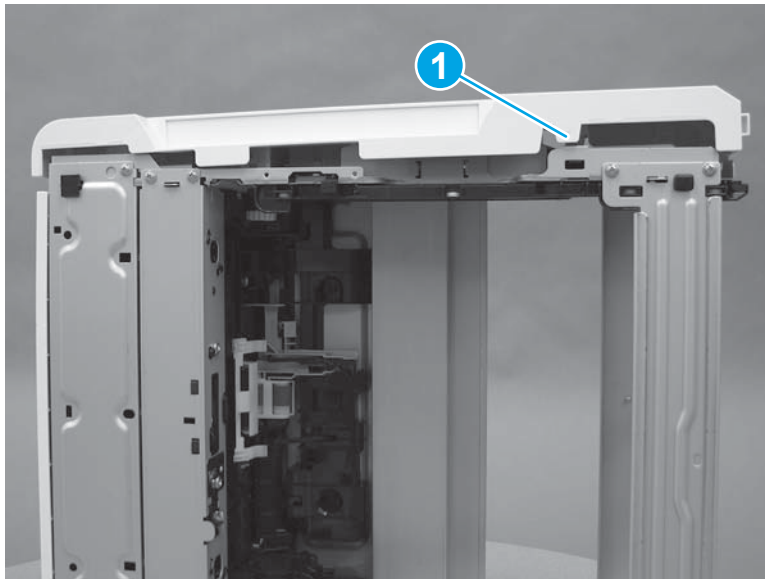
2. Release one tab (callout 1) on the top of the feeder, and then release two tabs (callout 2) at the front of the feeder.

Figure 1-5616 Release three tabs



3. Lay the feeder on the left side so that the right side is facing up, and then release one tab (callout 1) on the bottom of the feeder. Remove the right cover.

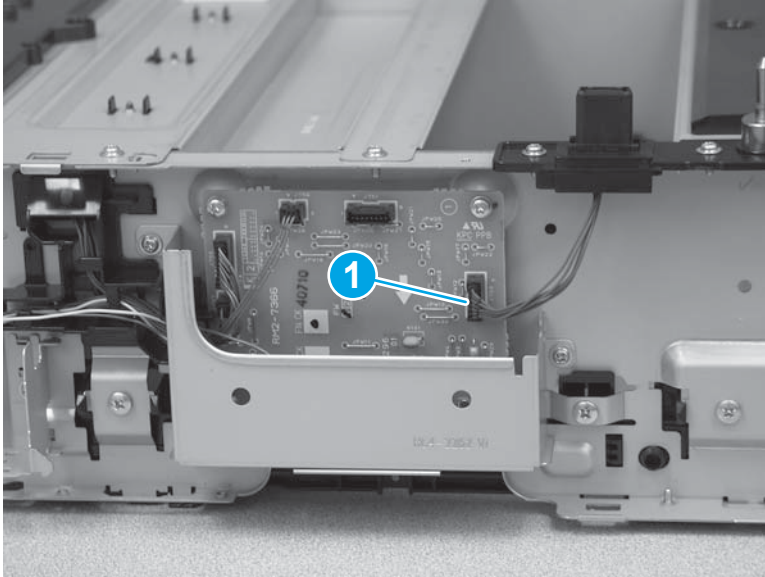
Figure 1-5617 Release one tab



Step 3: Remove the drawer connector (550-sheet paper feeder)

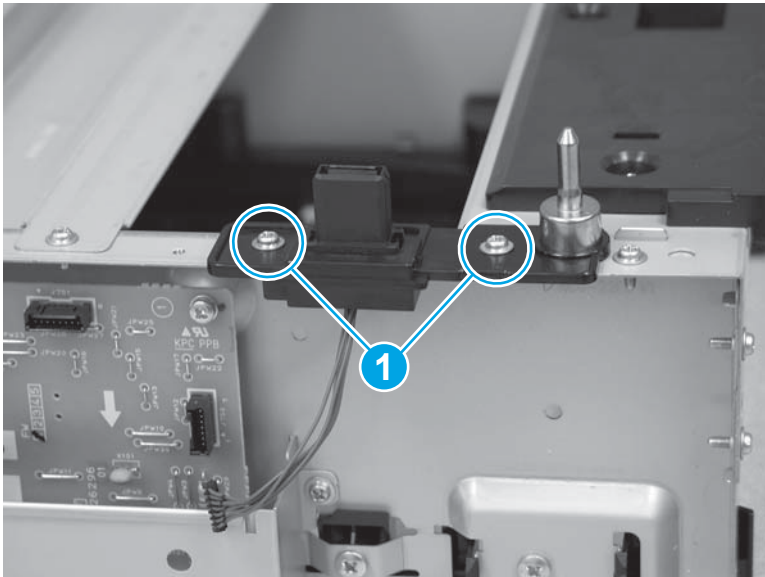
1. On the left side of the feeder, disconnect one connector (callout 1).

Figure 1-5618 Disconnect one connector



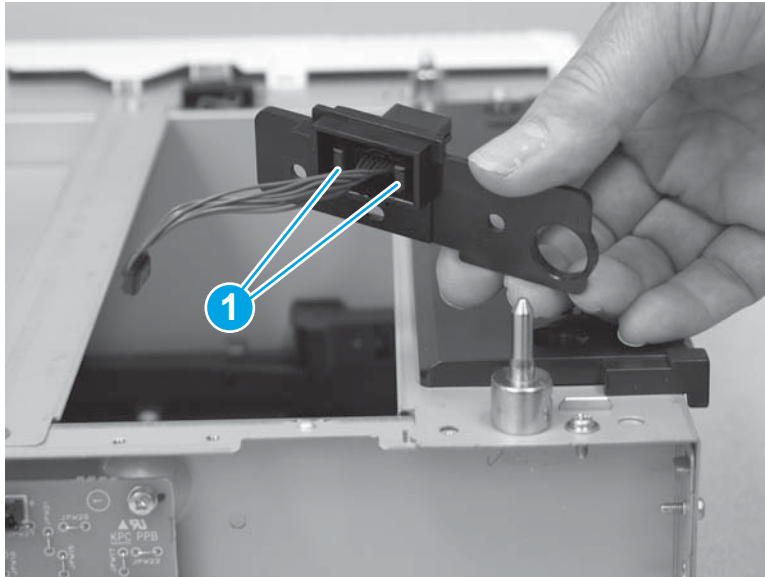
2. Remove two screws (callout 1).

Figure 1-5619 Remove two screws



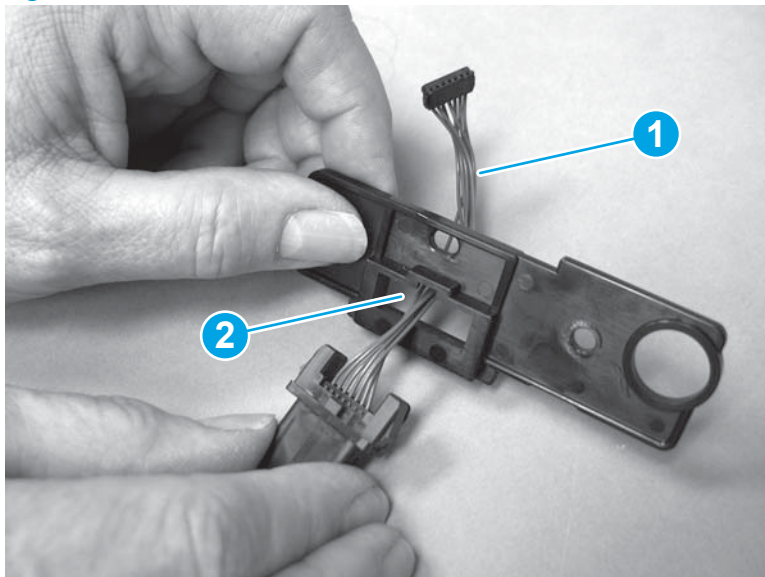
3. Lift the connector holder off of the feeder, and then release two tabs (callout 1) to release the connector from the holder.

Figure 1-5620 Release two tabs



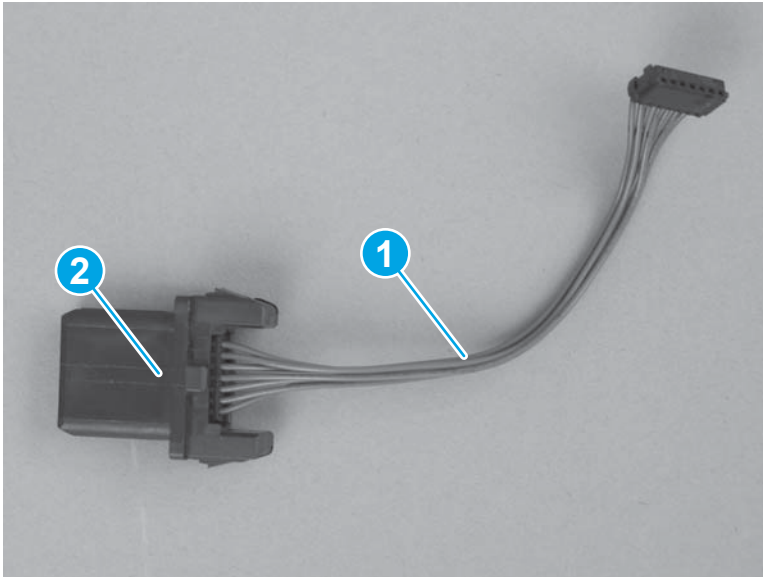
4. Remove the cables (callout 1) through the opening in the connector holder (callout 2).

Figure 1-5621 Remove the cables



5. Disconnect the wire harness (callout 1) from the connector (callout 2). Set the wire harness aside to be installed on the replacement part.

Figure 1-5622 Disconnect the wire harness



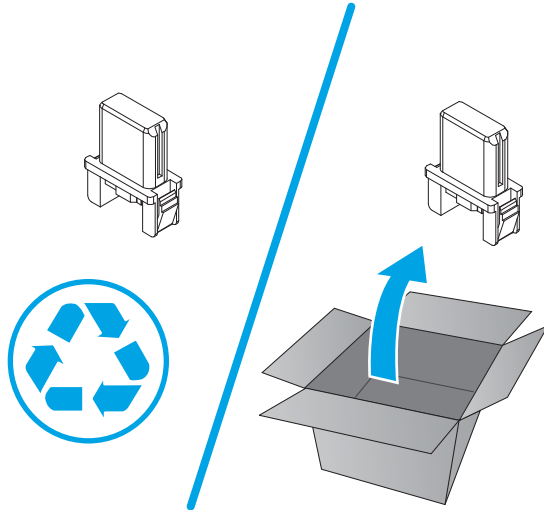
Step 4: Unpack the replacement part

Remove the new part from its package. Save all packaging for recycling the used part.

For complete information on HP's recycling programs, go to [Product return and recycling](#).

 **NOTE:** HP recommends responsible disposal of the defective part.

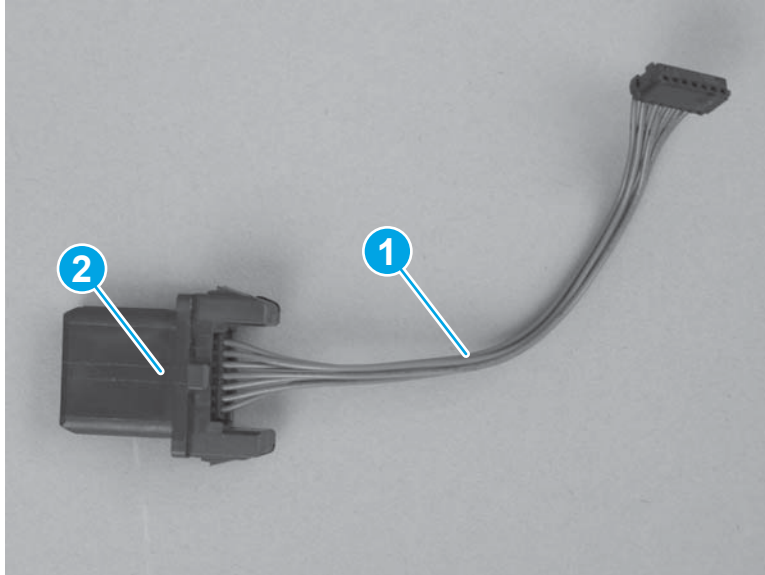
Figure 1-5623 Recycle and unpack



Step 5: Install the drawer connector (550-sheet paper feeder)

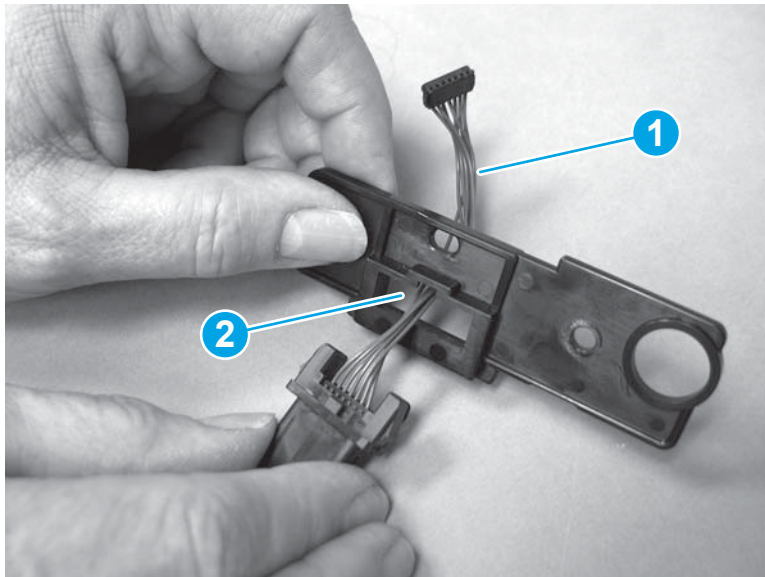
1. Connect the wire harness (callout 1) to the replacement connector (callout 2).

Figure 1-5624 Connect the wire harness



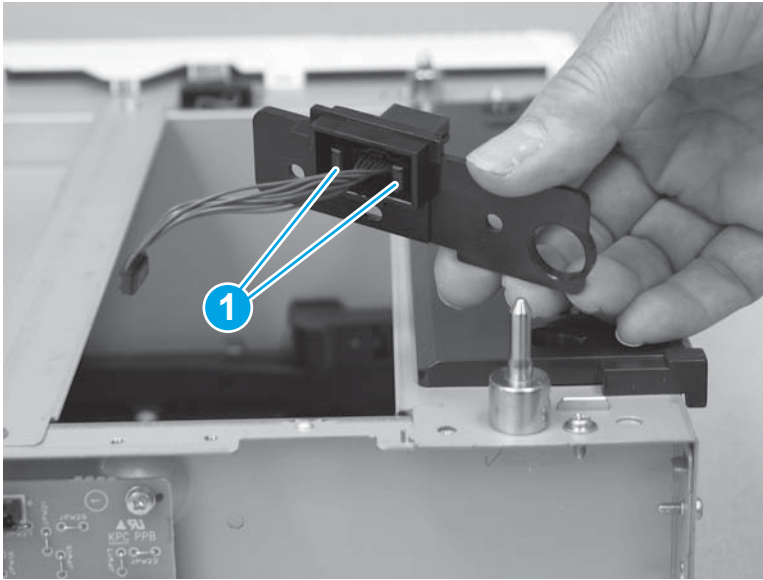
2. Install the cables (callout 1) through the opening in the connector holder (callout 2), and then snap the connector into place.

Figure 1-5625 Install the cables



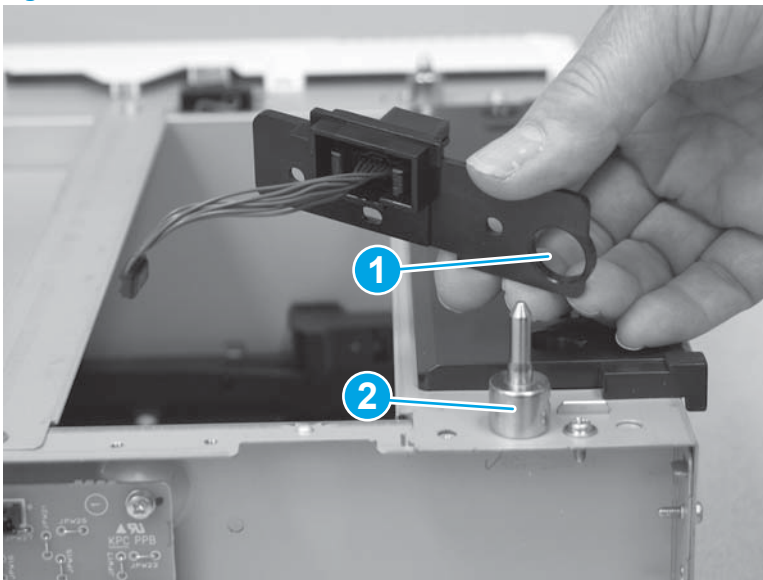
3. Make sure that the two tabs (callout 1) are full installed in the connector holder.

Figure 1-5626 Check the tabs



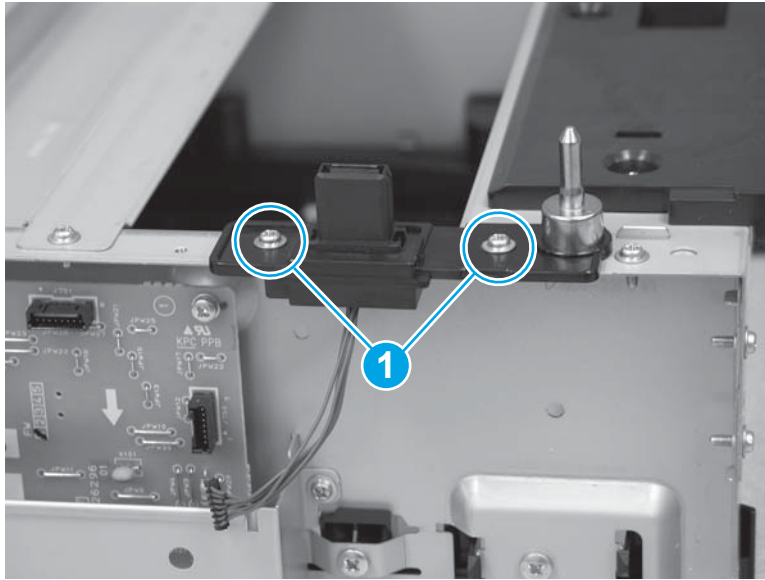
4. Install the hole (callout 1) in the connector holder over the post (callout 2) on the feeder.

Figure 1-5627 Install the connector holder



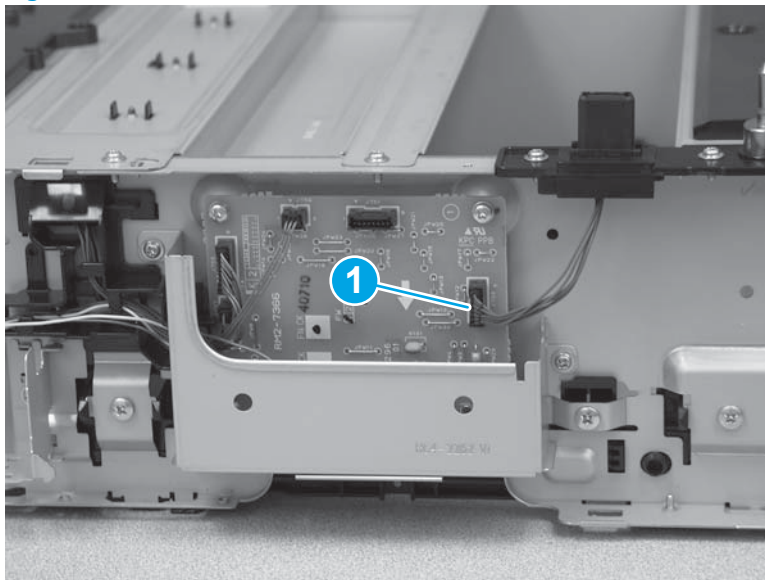
5. Install two screws (callout 1).

Figure 1-5628 Install two screws



6. Connect one connector (callout 1).

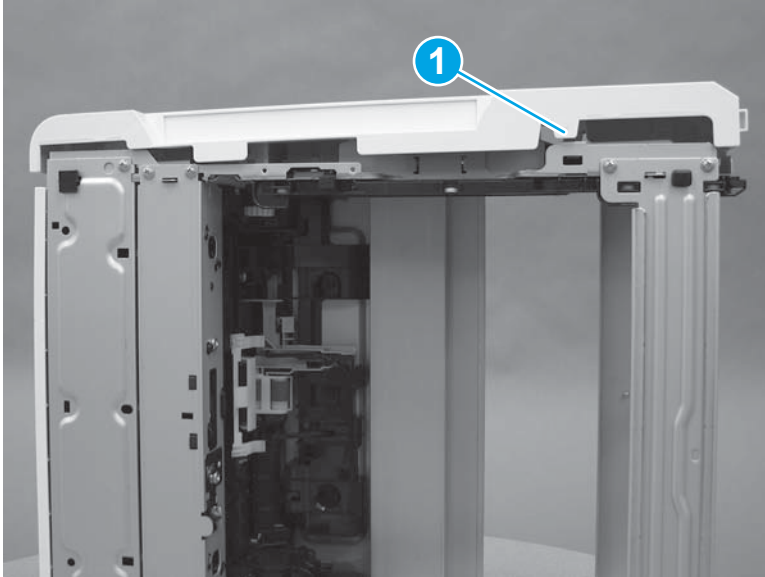
Figure 1-5629 Connect one connector



Step 6: Install the right cover (550-sheet feeder)

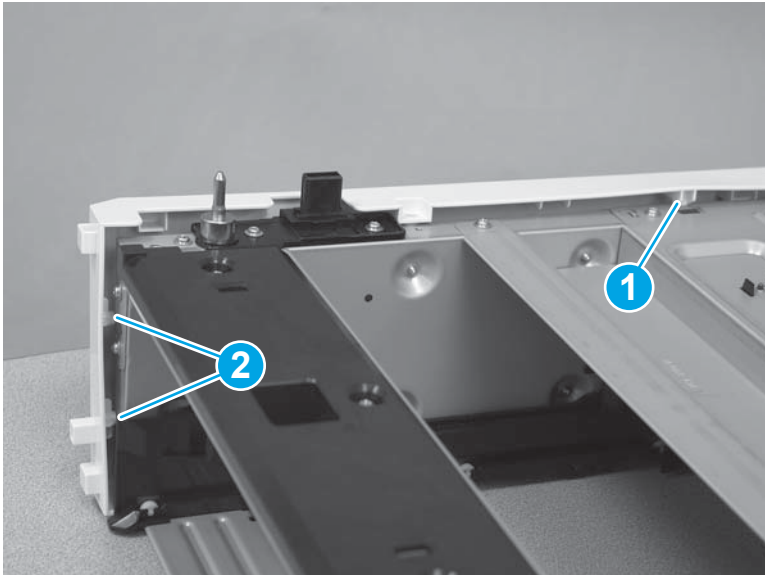
1. Lay the feeder on the left side so that the right side is facing up, and then install one tab (callout 1) on the bottom of the feeder.

Figure 1-5630 Install one tab



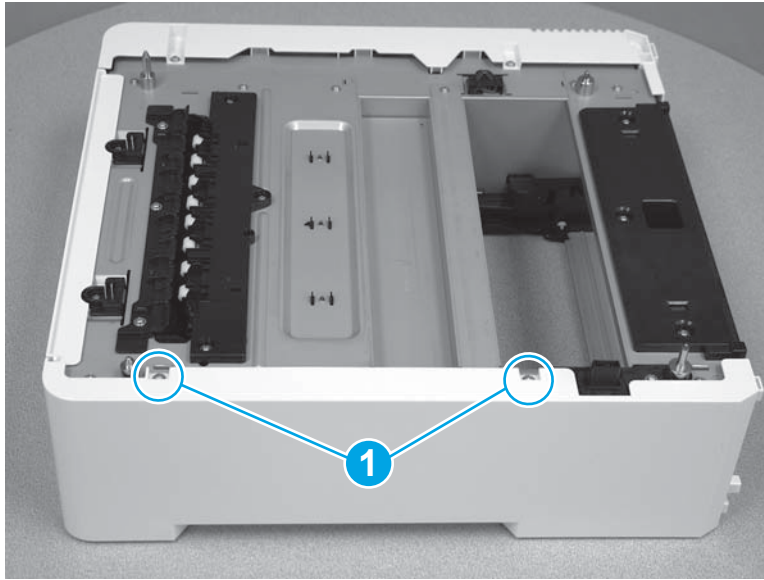
2. Turn the feeder to an upright position with the top facing up. Install one tab (callout 1) on the top of the feeder, and then install two tabs (callout 2) at the front of the feeder.

Figure 1-5631 Install three tabs



3. Install two screws (callout 1).

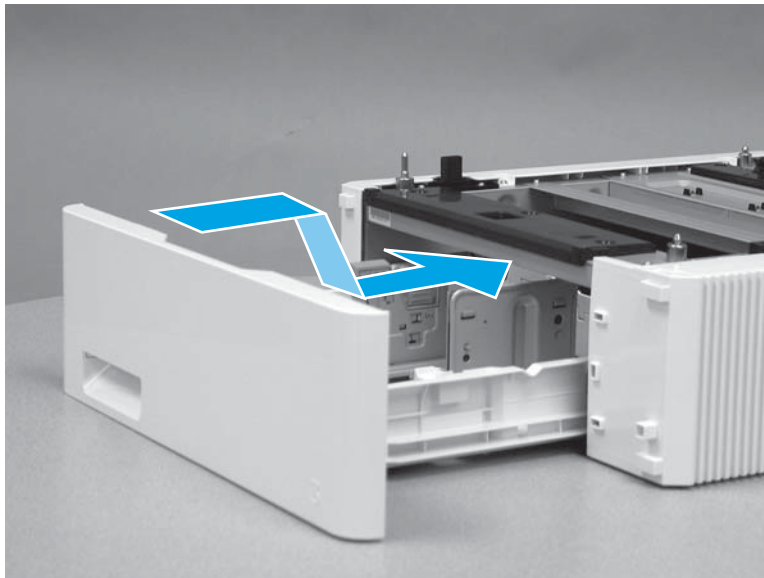
Figure 1-5632 Install two screws



Step 7: Install Tray 3

- ▲ With the front of the tray slightly lifted, align the sides of the tray with the rails in the feeder, and then carefully slide the tray into the feeder. As the tray slides into the feeder, lower the front of the tray, and then close it.

Figure 1-5633 Install the tray



Removal and replacement: Driver PCA (550-sheet paper feeder)


- [Introduction](#)
- [Step 1: Remove Tray 3](#)
- [Step 2: Remove the right cover \(550-sheet feeder\)](#)
- [Step 3: Remove the PCA cover \(550-sheet feeder\)](#)
- [Step 4: Remove the driver PCA \(550-sheet paper feeder\)](#)
- [Step 5: Unpack the replacement part](#)
- [Step 6: Install the driver PCA \(550-sheet paper feeder\)](#)
- [Step 7: Install the PCA cover \(550-sheet feeder\)](#)
- [Step 8: Install the right cover \(550-sheet feeder\)](#)
- [Step 9: Install Tray 3](#)

Introduction

This document provides the procedures to remove and replace the driver PCA on the 550-sheet feeder.

Before you begin

- Turn off the printer.
- Disconnect the power cable.

 **WARNING!** To avoid damage to the printer, turn the printer off, wait 30 seconds, and then remove the power cord before attempting to service the printer.

- Use the table below to identify the correct part number for your printer. To order the part, go to www.hp.com/buy/parts.

| Driver PCA part number | |
|------------------------|-------------------------------|
| RM2-7366-000CN | Driver PCA (550-sheet feeder) |

Required tools

- #2 Phillips screwdriver with a magnetic tip

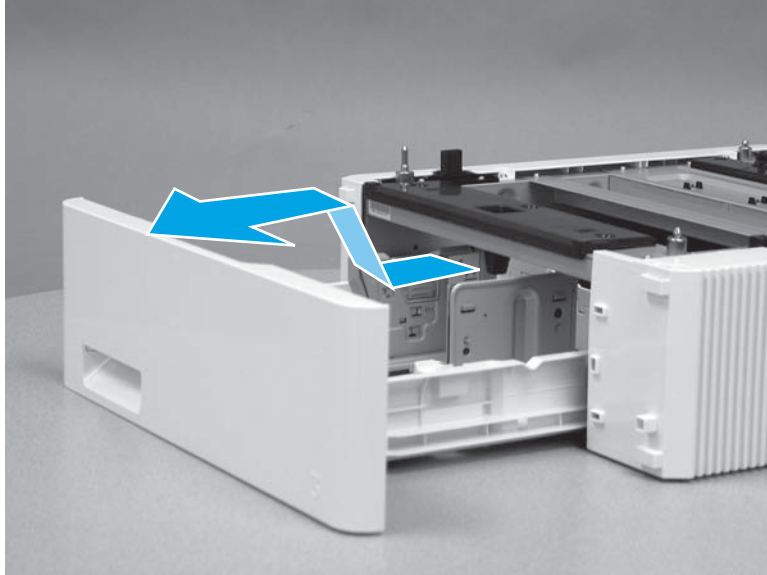
After performing service

- Connect the power cable.
- Use the power switch to turn the power on.

Step 1: Remove Tray 3

- ▲ Pull the tray out until it stops. Lift the front of the tray, and then pull it out of the printer to remove it.

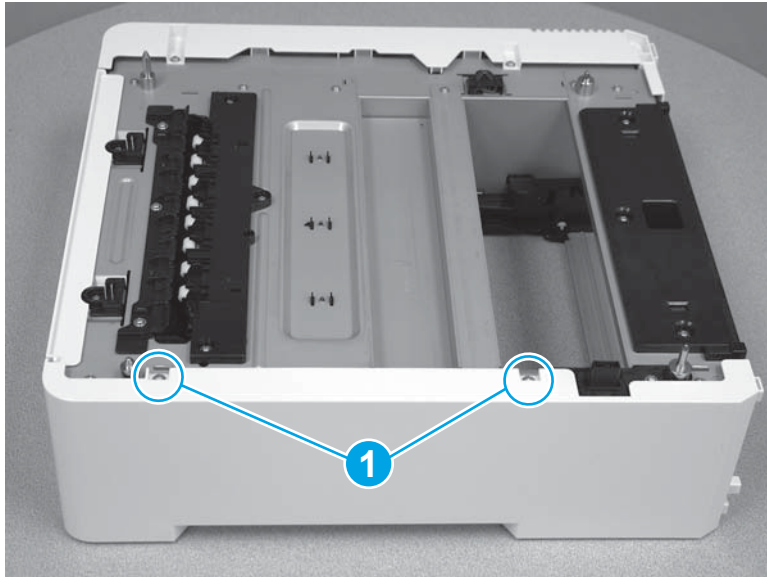
Figure 1-5634 Remove the tray



Step 2: Remove the right cover (550-sheet feeder)

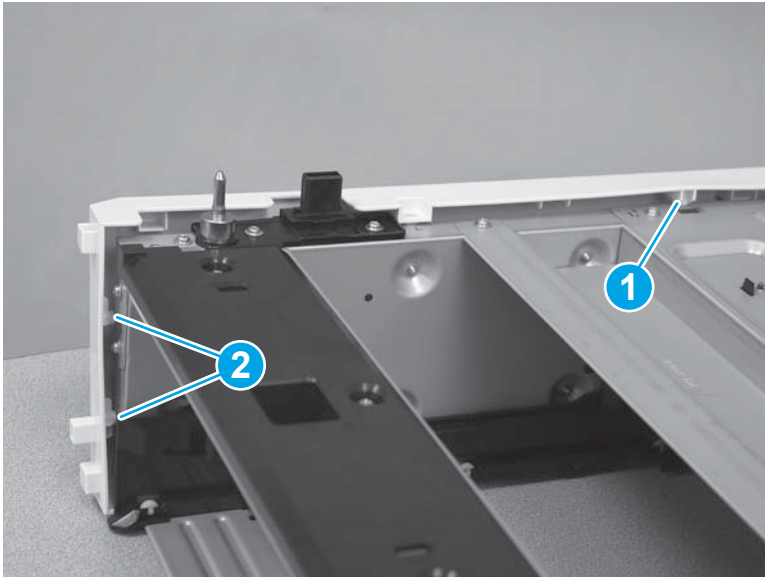
1. Remove two screws (callout 1).

Figure 1-5635 Remove two screws



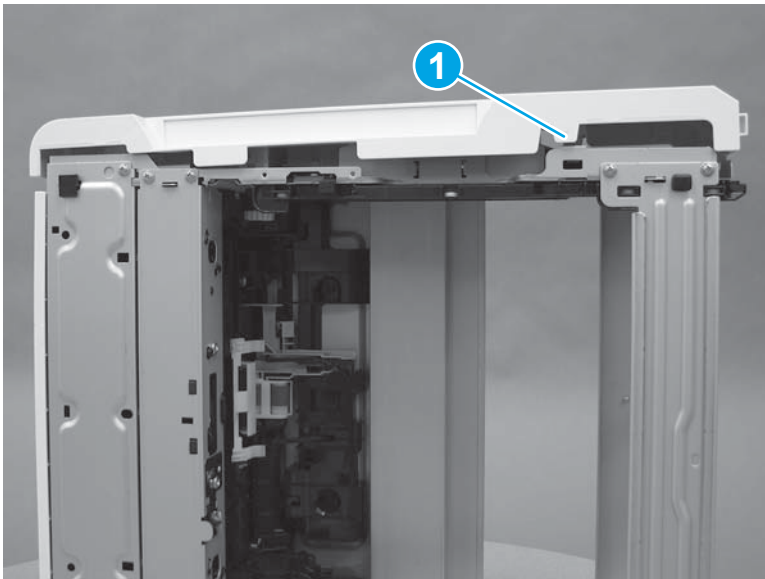
2. Release one tab (callout 1) on the top of the feeder, and then release two tabs (callout 2) at the front of the feeder.

Figure 1-5636 Release three tabs



3. Lay the feeder on the left side so that the right side is facing up, and then release one tab (callout 1) on the bottom of the feeder. Remove the right cover.

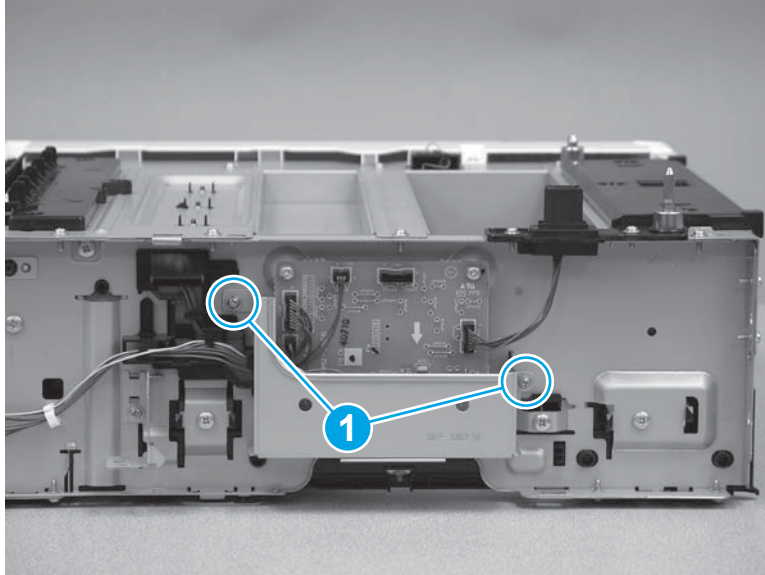
Figure 1-5637 Release one tab



Step 3: Remove the PCA cover (550-sheet feeder)

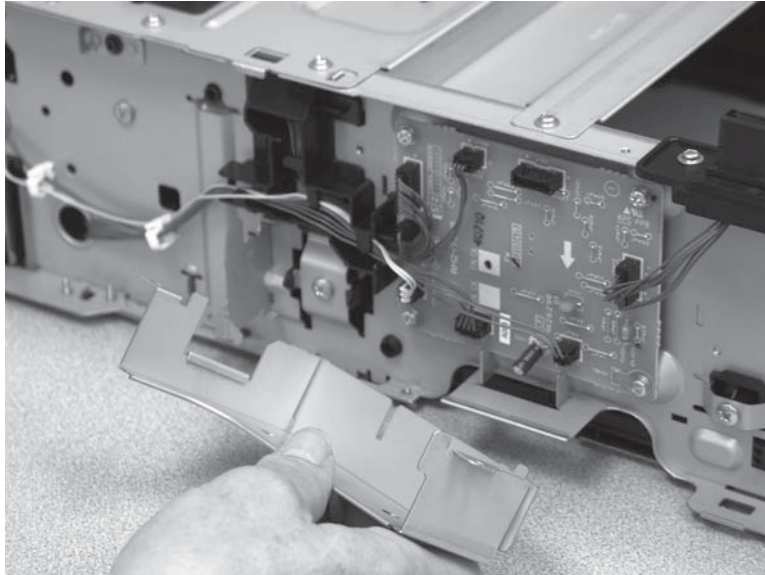
1. On the left side of the feeder, remove two screws (callout 1).

Figure 1-5638 Remove two screws



2. Remove the PCA cover.

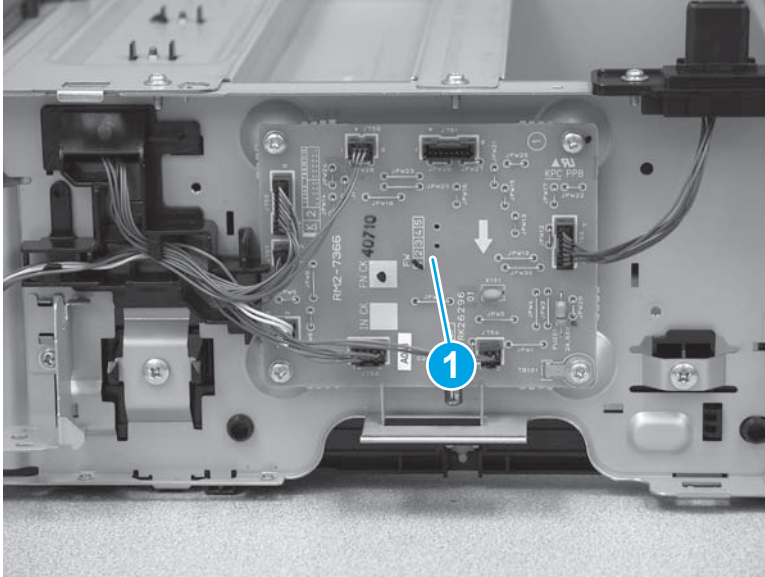
Figure 1-5639 Remove the PCA cover



Step 4: Remove the driver PCA (550-sheet paper feeder)

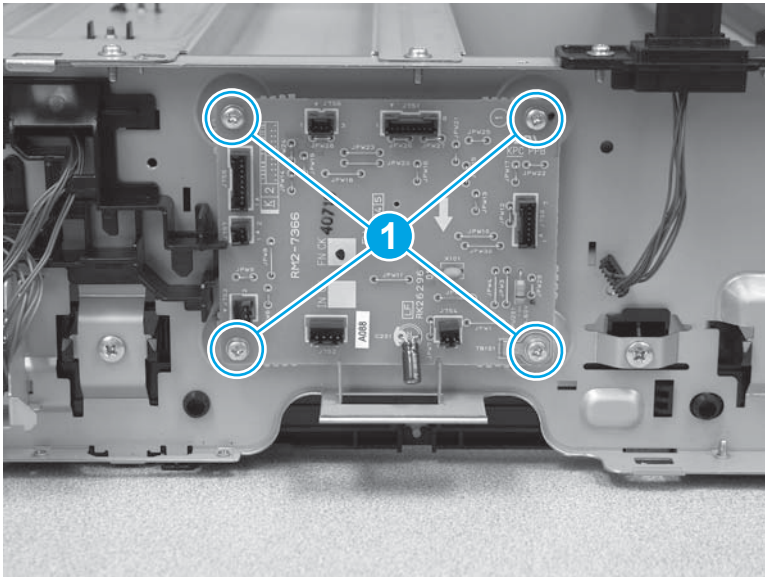
1. Disconnect all of the connectors on the driver PCA (callout 1).

Figure 1-5640 Disconnect all of the connectors



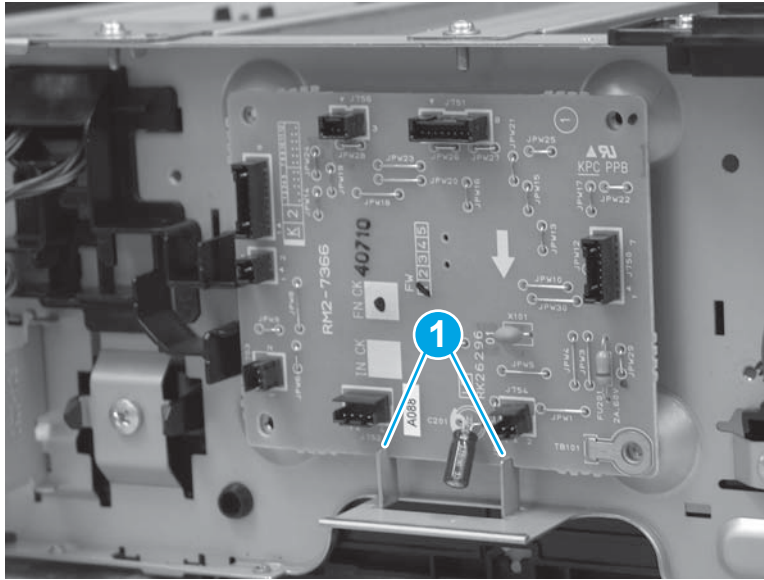
2. Remove four screws (callout 1).

Figure 1-5641 Remove four screws



3. Lift the driver PCA up and off of two brackets (callout 1) to remove it.

Figure 1-5642 Remove the driver PCA



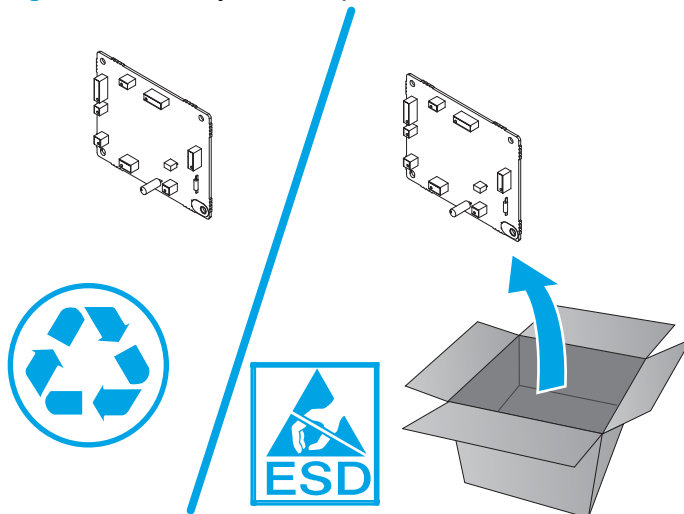
Step 5: Unpack the replacement part

Remove the new part from its package. Save all packaging for recycling the used part.

For complete information on HP's recycling programs, go to [Product return and recycling](#).

 **NOTE:** HP recommends responsible disposal of the defective part.

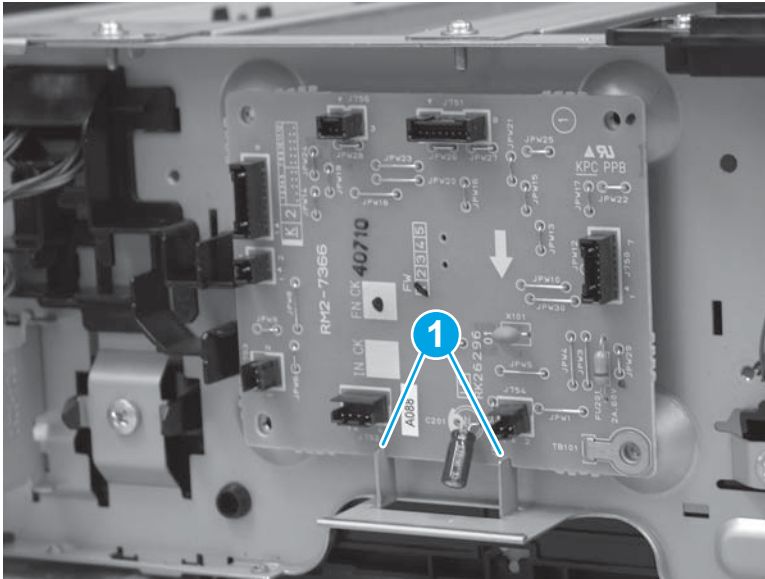
Figure 1-5643 Recycle and unpack



Step 6: Install the driver PCA (550-sheet paper feeder)

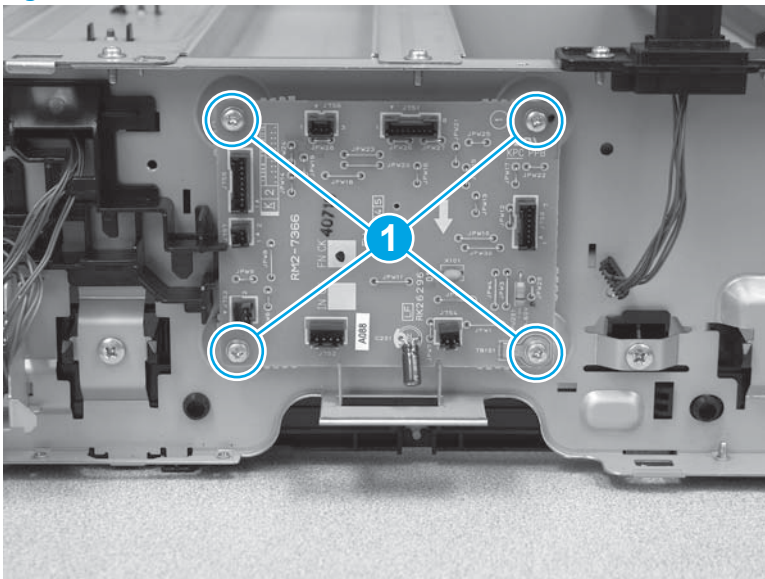
1. Position the driver PCA on two brackets (callout 1).

Figure 1-5644 Position the driver PCA



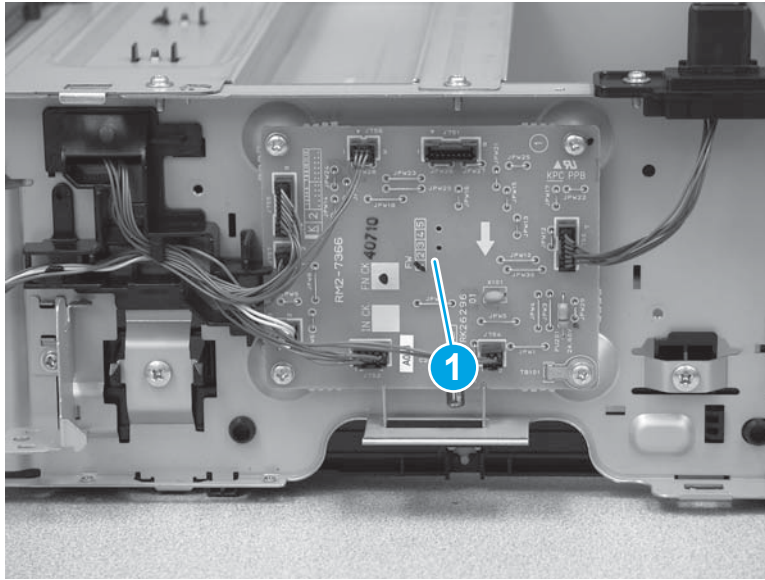
2. Install four screws (callout 1).

Figure 1-5645 Install four screws



3. Connect all of the connectors on the driver PCA (callout 1).

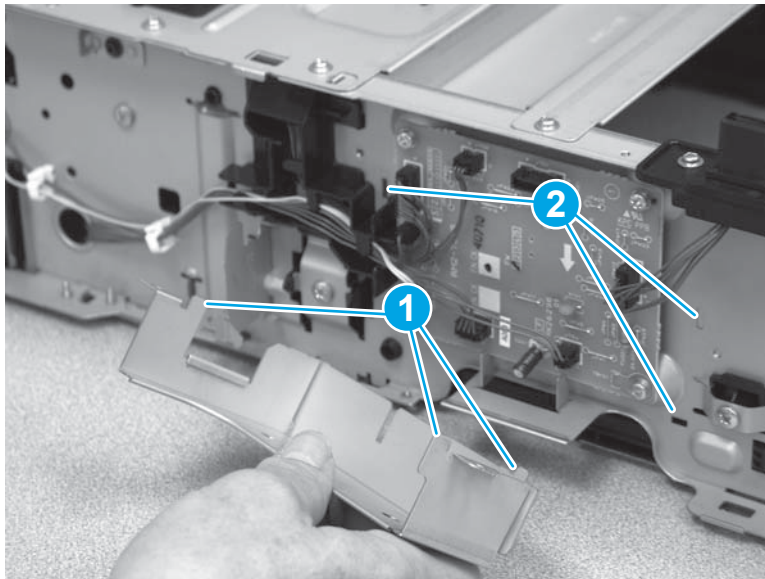
Figure 1-5646 Connect all of the connectors



Step 7: Install the PCA cover (550-sheet feeder)

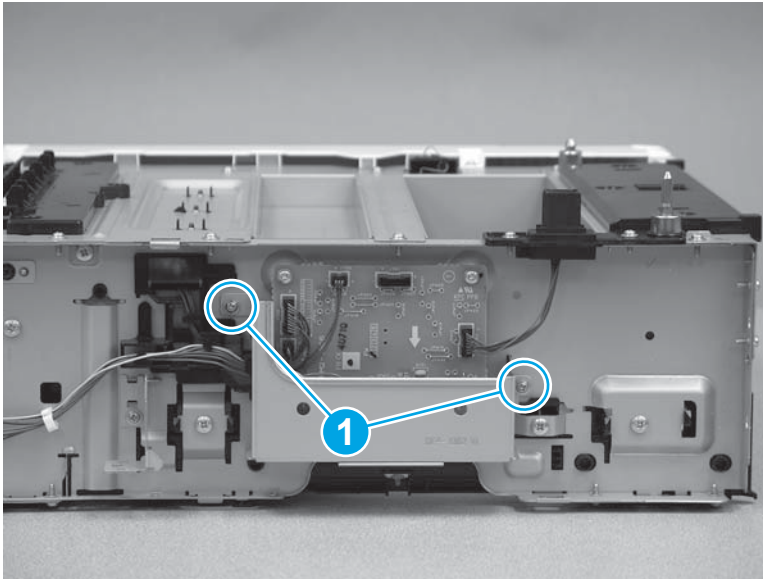
1. Install the tabs (callout 1) on the PCA cover in the slots (callout 2) on the feeder.

Figure 1-5647 Install the PCA cover



2. Install two screws (callout 1).

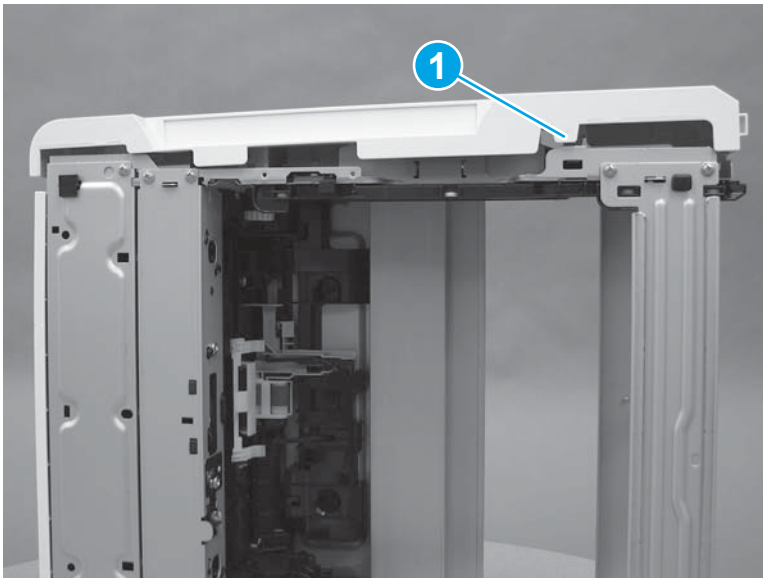
Figure 1-5648 Install two screws



Step 8: Install the right cover (550-sheet feeder)

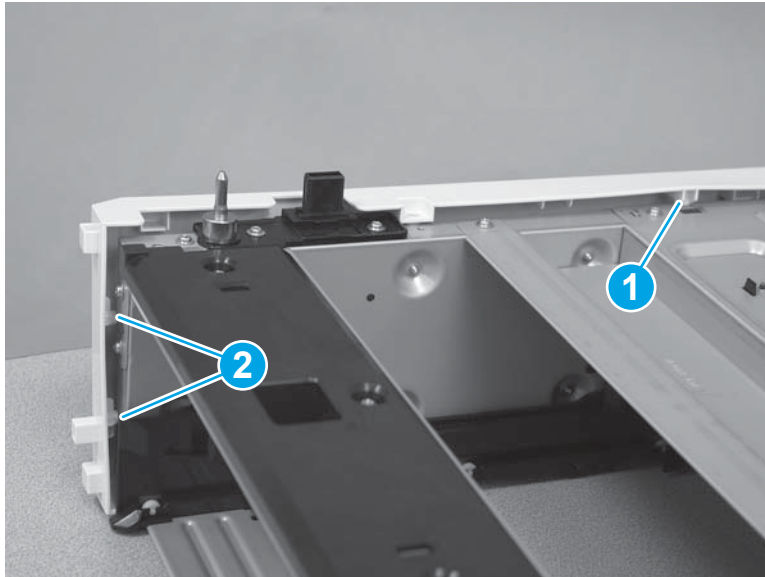
1. Lay the feeder on the left side so that the right side is facing up, and then install one tab (callout 1) on the bottom of the feeder.

Figure 1-5649 Install one tab



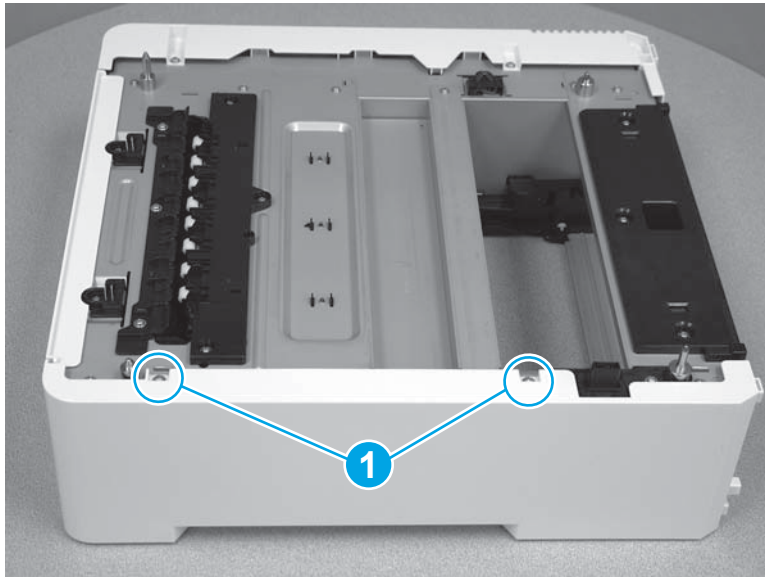
2. Turn the feeder to an upright position with the top facing up. Install one tab (callout 1) on the top of the feeder, and then install two tabs (callout 2) at the front of the feeder.

Figure 1-5650 Install three tabs



3. Install two screws (callout 1).

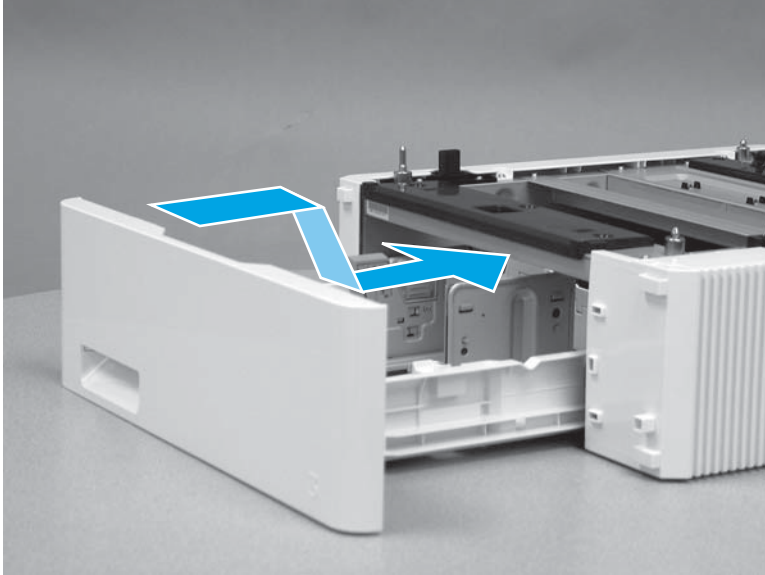
Figure 1-5651 Install two screws



Step 9: Install Tray 3

- ▲ With the front of the tray slightly lifted, align the sides of the tray with the rails in the feeder, and then carefully slide the tray into the feeder. As the tray slides into the feeder, lower the front of the tray, and then close it.

Figure 1-5652 Install the tray



2 Parts and diagrams

- [For additional service and support](#)
- [Assembly locations](#)
- [Order parts, accessories, and supplies](#)
- [How to use the parts lists and diagrams](#)
- [Parts and diagrams: Document feeder and scanner whole units](#)
- [Parts and diagrams: Covers and control panels](#)
- [Parts and diagrams: Internal components](#)
- [Parts and diagrams: 550-sheet paper feeder](#)
- [Alphabetical parts list](#)
- [Numerical parts list](#)

For additional service and support

HP service personnel, go to the Service Access Work Bench (SAW) at <http://h41302.www4.hp.com/km/saw/home.do>.

Channel partners, go to HP Channel Services Network (CSN) at <https://h30125.www3.hp.com/hpcsn>.

At these locations, find information on the following topics:

- Install and configure
- Printer specifications
- Up-to-date control panel message (CPMD) troubleshooting
- Solutions for printer issues and emerging issues
- Remove and replace part instructions and videos
- Service advisories
- Warranty and regulatory information

To access HP PartSurfer information from any mobile device, go to <http://partsurfermobile.hp.com/> or scan the Quick Response (QR) code below.

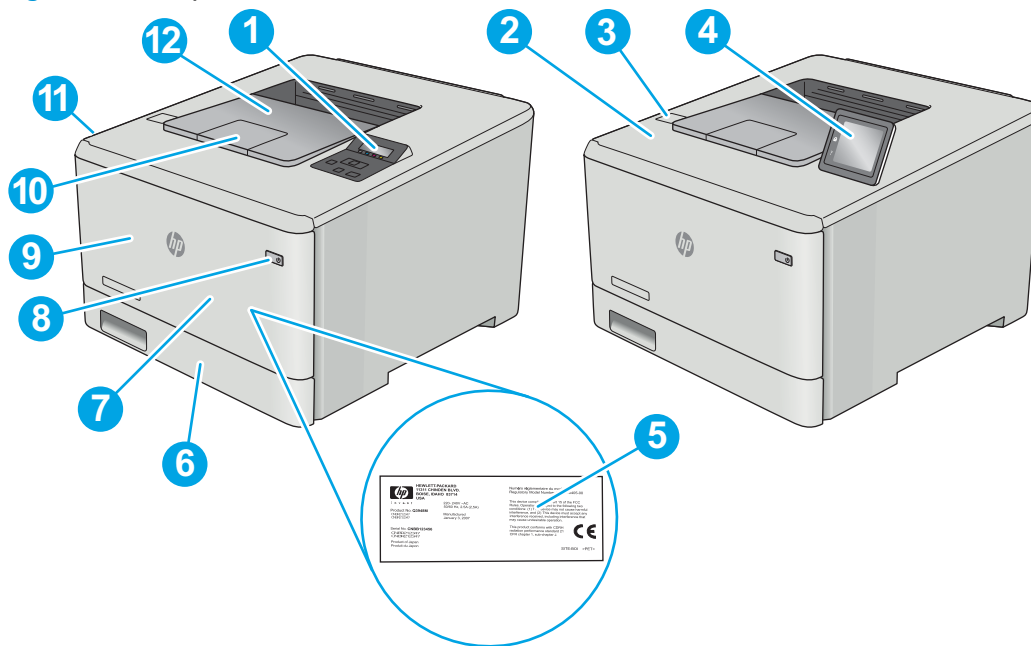


Assembly locations

- [Base printer, M452](#)
- [Base printer, M377 and M477](#)
- [550-sheet paper feeder \(all models\)](#)

Base printer, M452

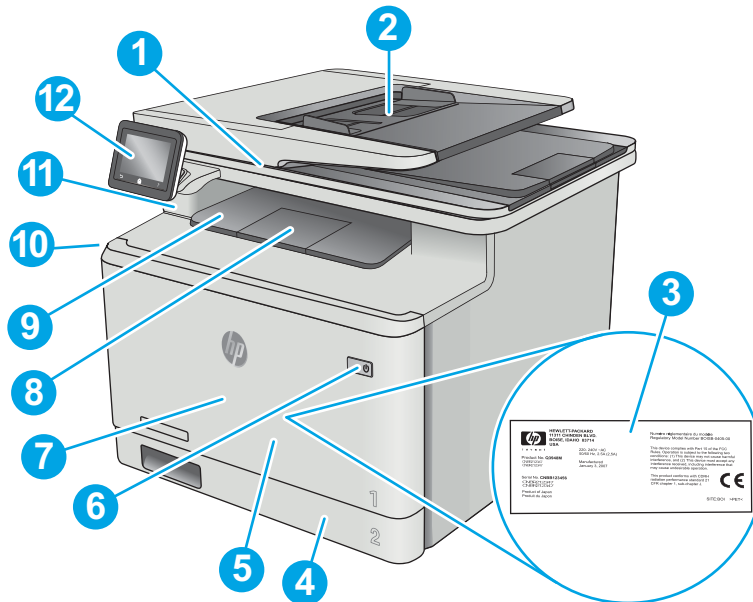
Figure 2-1 Base printer, M452



| | | | |
|---|--|----|--|
| 1 | 2-line control panel (nw and dn models) | 7 | Tray 1 |
| 2 | Near field communication (NFC) internal antenna (dw model only) | 8 | Power on/off button |
| 3 | Walk-up USB port (for printing without a computer) (dw model only) | 9 | Front door (provides toner cartridge access) |
| 4 | Touchscreen control panel (dw model) (tilts up for easier viewing) | 10 | Output bin extension |
| 5 | Regulatory label (inside the front door) | 11 | Front door open button (on left cover) |
| 6 | Tray 2 | 12 | Output bin |

Base printer, M377 and M477

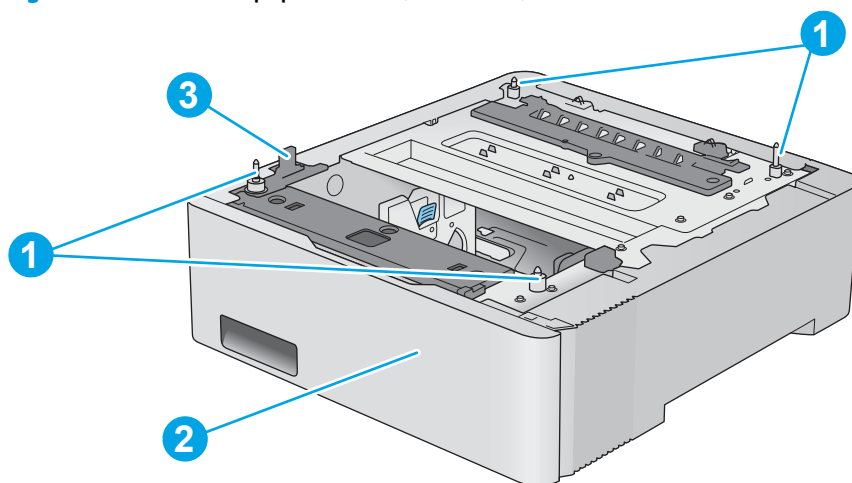
Figure 2-2 Base printer, M377 and M477



| | | | |
|---|--|----|---|
| 1 | Scanner | 7 | Front door (provides toner cartridge access) |
| 2 | Document feeder | 8 | Output bin extension |
| 3 | Regulatory label (inside the front door) | 9 | Output bin |
| 4 | Tray 2 | 10 | Front door open button (on left cover) |
| 5 | Tray 1 | 11 | Walk-up USB port (for printing and scanning without a computer) |
| 6 | Power on/off button | 12 | Touchscreen control panel (tilts up for easier viewing) |

550-sheet paper feeder (all models)

Figure 2-3 550-sheet paper feeder (all models)



| | |
|---|------------------|
| 1 | Positioning pins |
| 2 | Tray 3 |
| 3 | Connector |

Order parts, accessories, and supplies

Ordering

| | |
|--|--|
| Order supplies and paper | www.hp.com/go/suresupply |
| Order genuine HP parts or accessories | www.hp.com/buy/parts or partsurfer.hp.com |
| Order through service or support providers | Contact an HP-authorized service or support provider. |
| Order using the HP Embedded Web Server (EWS) | To access, in a supported Web browser on your computer, enter the printer IP address or host name in the address/URL field. The EWS contains a link to the HP SureSupply Web site, which provides options for purchasing Original HP supplies. |

Orderable parts

Not all of the parts shown in the diagrams in this chapter can be ordered. Refer to the table following the diagram or the parts lists at the end of this chapter to determine if a part is orderable.

Supplies

Following are the part numbers for the supplies available for the printer (all models).

Table 2-4 Supplies

| Item | Description | Part number |
|---|---|-----------------------|
| HP 410A Black Original LaserJet Toner Cartridge | Standard-capacity replacement black toner cartridge (410A) | CF410A (new) |
| | | CF410-67901 (service) |
| HP 410X High Yield Black Original LaserJet Toner Cartridge | High-capacity replacement black toner cartridge (410X) | CF410X (new) |
| | | CF410-67902 (service) |
| HP 410A Cyan Original LaserJet Toner Cartridge | Standard-capacity replacement cyan cartridge (410A) | CF411A (new) |
| | | CF411-67901 (service) |
| HP 410X High Yield Cyan Original LaserJet Toner Cartridge | High-capacity replacement cyan toner cartridge (410X) | CF411X (new) |
| | | CF411-67902 (service) |
| HP 410A Yellow Original LaserJet Toner Cartridge | Standard-capacity replacement yellow toner cartridge (410A) | CF412A (new) |
| | | CF412-67901 (service) |
| HP 410X High Yield Yellow Original LaserJet Toner Cartridge | High-capacity replacement yellow toner cartridge (410X) | CF412X (new) |
| | | CF412-67902 (service) |

Table 2-4 Supplies (continued)

| Item | Description | Part number |
|--|--|-----------------------|
| HP 410A Magenta Original LaserJet Toner Cartridge | Standard-capacity replacement magenta toner cartridge (410A) | CF413A (new) |
| | | CF413-67901 (service) |
| HP 410X High Yield Magenta Original LaserJet Toner Cartridge | High-capacity replacement magenta toner cartridge (410X) | CF413X (new) |
| | | CF413-67902 (service) |

Accessories

Following are the part numbers for the accessories available for the printer (all models).

Table 2-5 Accessories

| Item | Description | Part number |
|------------------------|---------------------------------|-----------------------|
| 550-sheet paper feeder | Optional 550-sheet paper feeder | CF404A (new) |
| | | CF404-67902 (service) |
| USB 2.0 printer cable | A-to-B cable (2-meter standard) | C6518A (new) |
| | | 8121-0868 (service) |

Customer self-repair kits

Following are the customer-replaceable kits available for the printer. Each kit includes parts and installation instructions.

The customer self-repair (CSR) level indicates the expected difficulty the customer will experience when replacing this part:

- **A:** Easy
- **B:** Difficult

| Item | Description | CSR level | Part number |
|------------------------|-----------------------------|-----------|-------------|
| 550-sheet paper feeder | Replacement optional Tray 3 | A | CF404-67902 |


Related documentation and software


HP service personnel, go to the Service Access Work Bench (SAW) at <http://h41302.www4.hp.com/km/saw/home.do>.

Channel partners, go to HP Channel Services Network (CSN) at <https://h30125.www3.hp.com/hpcsn>.

How to use the parts lists and diagrams

The figures in this chapter show the major subassemblies in the printer and their component parts. A parts list table follows each exploded view assembly diagram. Each table lists the item number, the associated part number, and the description of each part. If a part is not listed in the table, then it is not a field replacement unit (FRU).

 **CAUTION:** Be sure to order the correct part. When looking for part numbers for electrical components, pay careful attention to the voltage that is listed in the description column. Doing so will ensure that the part number selected is for the correct model.

 **NOTE:** In this manual, the abbreviation “PCA” stands for “printed circuit-board assembly.” Components described as a PCA might consist of a single circuit board or a circuit board plus other parts, such as cables and sensors.

Parts and diagrams: Document feeder and scanner whole units

 **NOTE:** M377, M477 models only.

Document feeder and scanner (M377, M477)

Figure 2-4 Document feeder and scanner (M377, M477)

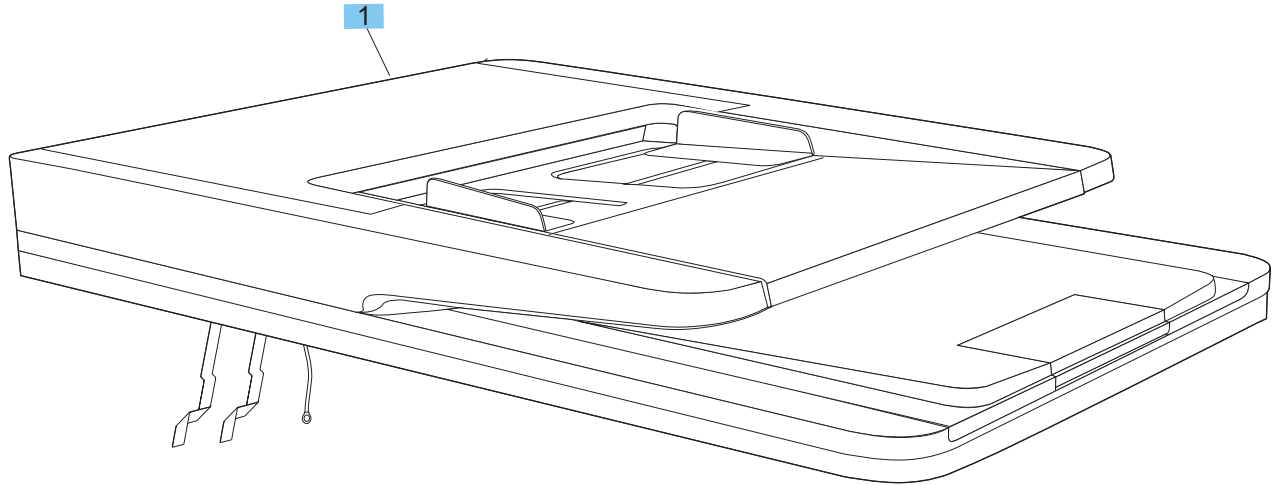


Table 2-6 Document feeder and scanner (M377, M477)

| Ref | Description | Part number | Qty |
|------------|---|--------------------|------------|
| 1 | Integrated scanner assembly (M477) | CF377-60104 | 1 |
| 1 | Integrated scanner assembly (M377) | CF377-60124 | 1 |
| Not shown | Integrated scanner assembly lift assembly (M377, M477) | B3Q10-60128 | 1 |
| Not shown | Slider pin, integrated scanner assembly lift (M377, M477) | B3Q10-40041 | 1 |
| Not shown | Spring, separator pad (M377, M477) | B3Q10-00019 | 1 |
| Not shown | Support, separator pad (M377, M477) | B3Q10-40079 | 1 |
| Not shown | Separator pad (M377, M477) | B3Q10-40080 | 1 |
| Not shown | Cover, document feeder outer (M377, M477) | B3Q10-40013 | 1 |
| Not shown | Document feeder pick assembly (M377, M477) | B3Q10-60105 | 1 |
| Not shown | Shaft, document feeder pick extension (M377, M477) | B3Q10-40081 | 1 |
| Not shown | Bearing extension (M377, M477) | B3Q10-40074 | 1 |
| Not shown | Document feeder input tray assembly (M377, M477) | B3Q10-60107 | 1 |

Parts and diagrams: Covers and control panels

M452 covers and control panels

Figure 2-5 M452 covers and control panels

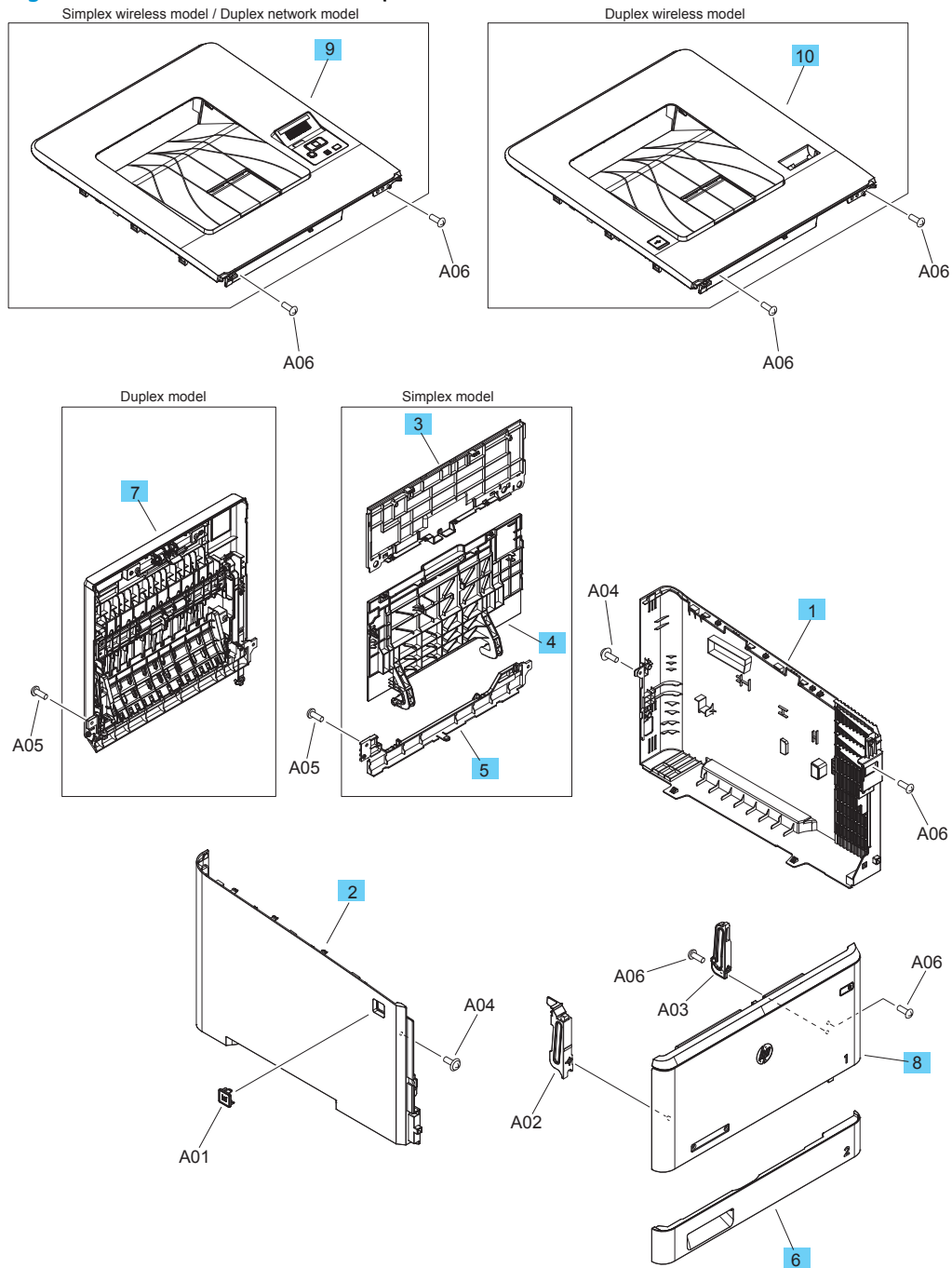


Table 2-7 M452 covers and control panels

| Ref | Description | Part number | Qty |
|------------|---|--------------------|------------|
| 1 | Cover, right (M452) | RC4-4853-000CN | 1 |
| 2 | Cover, left (M452) | RC4-4854-000CN | 1 |
| 3 | Cover, rear (simplex models) | RC4-4855-000CN | 1 |
| 4 | Door, rear (simplex models) | RC4-5130-000CN | 1 |
| 5 | Cover, rear lower (simplex models) | RC4-5131-000CN | 1 |
| 6 | Cover, cassette | RC4-5334-000CN | 1 |
| 7 | Duplexing door assembly (duplex models) | RM2-6383-000CN | 1 |
| 8 | Door, front assembly | RM2-6390-000CN | 1 |
| 9 | Cover, top and control panel (M452nw) | RM2-6433-000CN | 1 |
| 9 | Cover, top and control panel (M452dn) | RM2-6442-000CN | 1 |
| 10 | Cover, top (M452dw) | RM2-6456-000CN | 1 |
| Not shown | Control panel, touchscreen (M452dw) | CF388-60113 | 1 |

M377, M477 covers and control panel

Figure 2-6 M377, M477 covers and control panel

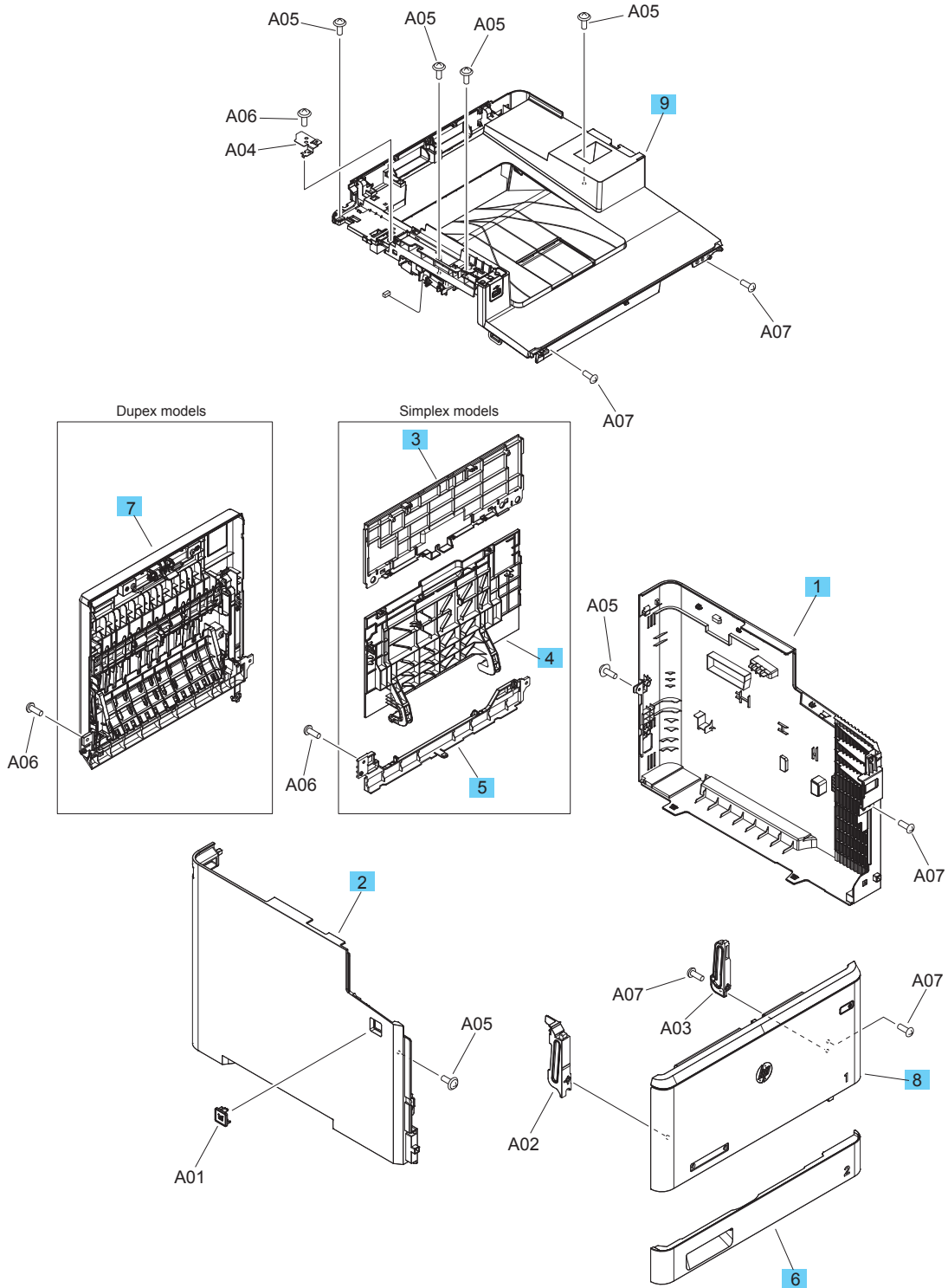


Table 2-8 M377, M477 covers and control panel

| Ref | Description | Part number | Qty |
|------------|--|--------------------|------------|
| 1 | Cover, right (M377, M477) | RC4-6044-000CN | 1 |
| 2 | Cover, left (M377, M477) | RC4-6045-000CN | 1 |
| 3 | Cover, rear (simplex models) | RC4-4855-000CN | 1 |
| 4 | Door, rear (simplex models) | RC4-5130-000CN | 1 |
| 5 | Cover, rear lower (simplex models) | RC4-5131-000CN | 1 |
| 6 | Cover, cassette | RC4-5334-000CN | 1 |
| 7 | Duplexing door assembly (duplex models) | RM2-6383-000CN | 1 |
| 8 | Door, front assembly | RM2-6390-000CN | 1 |
| 9 | Cover, top (M377, M477fdw) | RM2-6468-000CN | 1 |
| 9 | Cover, top (M477fnw/fdn) | RM2-6466-000CN | 1 |
| Not shown | Control panel, touchscreen (M377, M477) | B5L25-60101 | 1 |
| Not shown | Cover, 4.3" control panel back (M377, M477) | CF377-40003 | 1 |
| Not shown | Assembly, control panel mount chassis 4.3 (M377, M477) | CF377-60113 | 1 |
| Not shown | Control panel mount chassis 4.3 (M377, M477) | B3Q10-40055 | 1 |
| Not shown | Gear, control panel friction (M377, M477) | B3Q09-40003 | 1 |
| Not shown | FFC cover (M377, M477) | CF377-40004 | 1 |
| Not shown | Fax cover (M477) | CF377-40005 | 1 |
| Not shown | Fax cable cover (M477) | CF377-40006 | 1 |
| Not shown | Shield, RFI SSA FFC (M377, M477) | CF377-00006 | 1 |

Parts and diagrams: Internal components

Internal components (1 of 5)

Figure 2-7 Internal components (1 of 5)

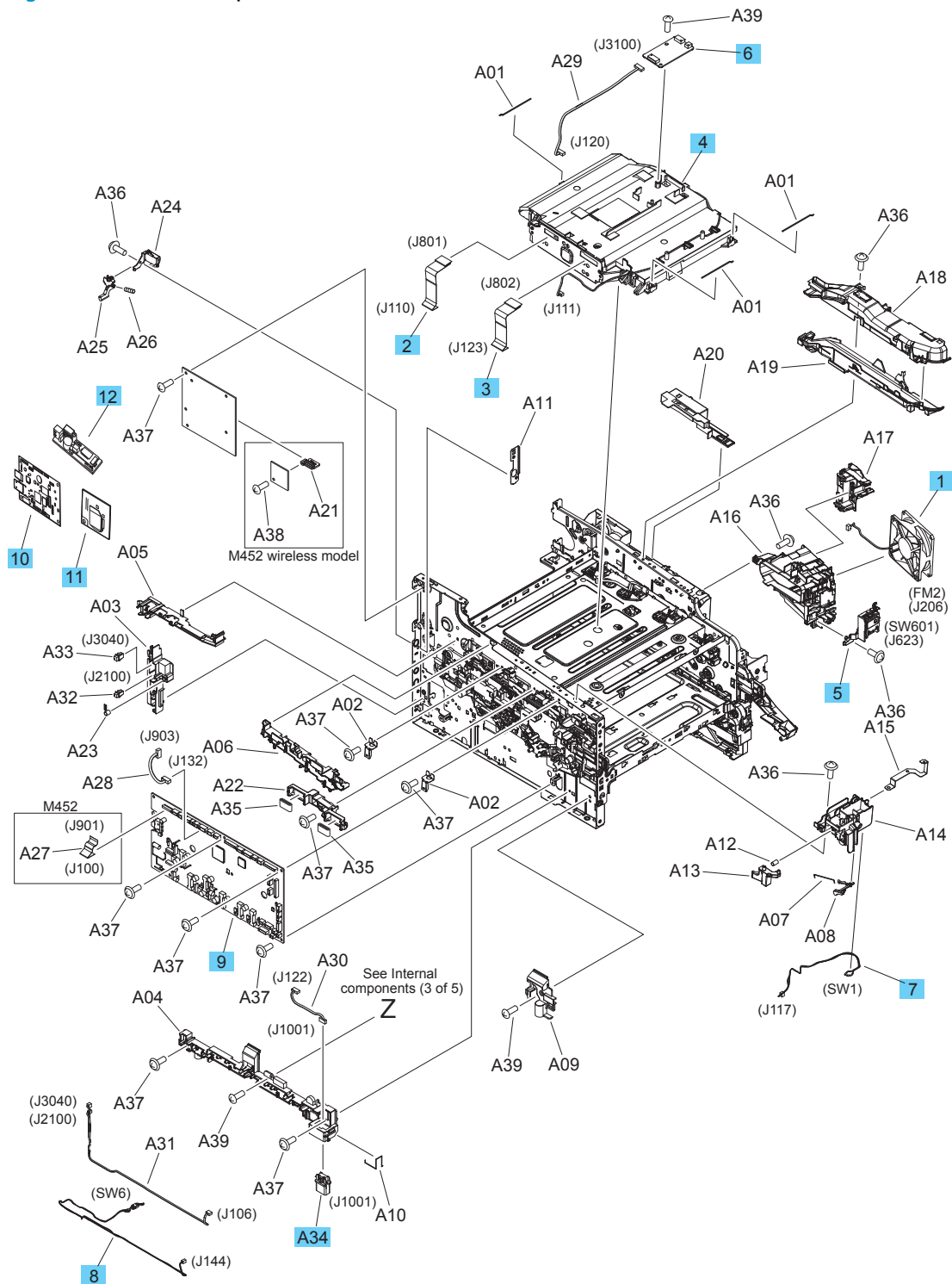


Table 2-9 Internal components (1 of 5)

| Ref | Description | Part number | Qty |
|-----|--|----------------|-----|
| 1 | Fan (FM2) | RK2-6270-000CN | 1 |
| 2 | Cable, flexible flat | RK2-6300-000CN | 1 |
| 3 | Cable, flexible flat | RK2-6302-000CN | 1 |
| 4 | Laser/scanner assembly | RM2-5612-000CN | 1 |
| 5 | Switch assembly, power | RM2-6373-000CN | 1 |
| 6 | Memory PCA | RM2-7374-000CN | 1 |
| 7 | Switch, cable front door assembly | RM2-7889-000CN | 1 |
| 8 | Switch, cassette cable assembly | RM2-7896-000CN | 1 |
| 9 | Engine controller PCA (duplex models) | RM2-7909-000CN | 1 |
| 9 | Engine controller PCA (simplex models) | RM2-7910-000CN | 1 |
| 10 | Formatter PCA, generic (M452nw/dn) | CF389-60001 | 1 |
| 10 | Formatter PCA, generic (M452dw) | CF394-60001 | 1 |
| 10 | Formatter PCA (M452nw) | CF388-60003 | 1 |
| 10 | Formatter PCA (M452nw—China only) | CF388-67018 | 1 |
| 10 | Formatter PCA (M452dn) | CF389-60002 | 1 |
| 10 | Formatter PCA (M452dn—China only) | CF389-67018 | 1 |
| 10 | Formatter PCA (M452dw) | CF394-60002 | 1 |
| 10 | Formatter PCA (M452dw—China only) | CF394-67018 | 1 |
| 10 | Formatter PCA, generic (M477) | CF379-60001 | 1 |
| 10 | Formatter PCA (M477fnw) | CF377-60001 | 1 |
| 10 | Formatter PCA (M477fnw—China only) | CF377-67018 | 1 |
| 10 | Formatter PCA (M477fdn) | CF378-60002 | 1 |
| 10 | Formatter PCA (M477fdn—China only) | CF378-67018 | 1 |
| 10 | Formatter PCA (M477fdw) | CF379-60003 | 1 |
| 10 | Formatter PCA (M477fdw—China only) | CF379-67018 | 1 |
| 10 | Formatter PCA (M377dw) | CF378-67902 | 1 |
| 10 | Formatter PCA (M377dw-China only) | CF378-67901 | 1 |
| 11 | Wireless PCA (M452nw/dw) | 0960-3295 | 1 |
| 11 | Wireless PCA (M377, M477fnw/fdw) | 1150-7967 | 1 |
| 12 | Fax PCA (M477; US) | CF206-60001 | 1 |
| 12 | Fax PCA (M477; Europe) | CF207-60001 | 1 |
| 12 | Fax PCA (M477; Brazil) | CF208-60001 | 1 |
| A34 | Connector, drawer | VS1-7258-007CN | 1 |

Internal components (2 of 5)

Figure 2-8 Internal components (2 of 5)

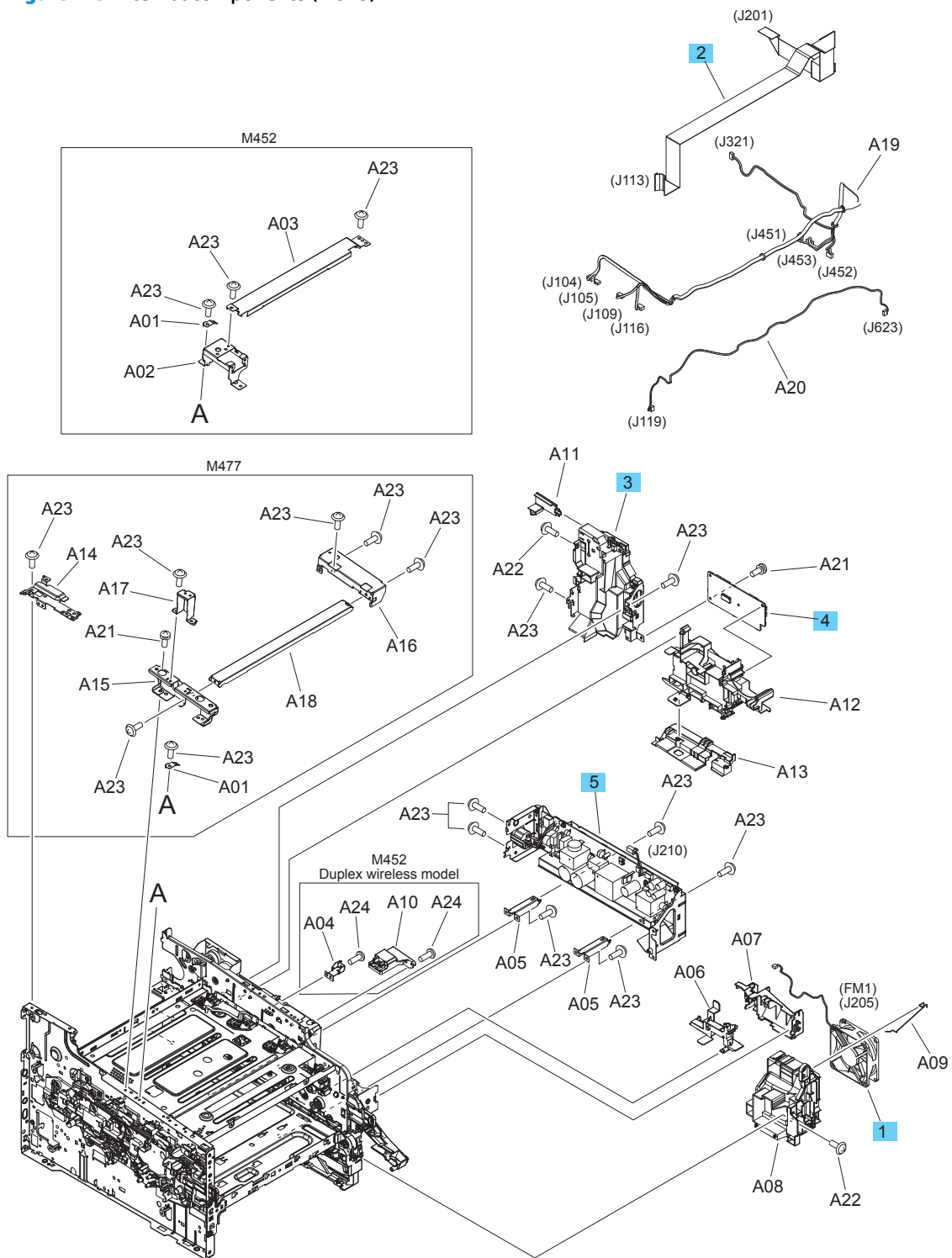


Table 2-10 Internal components (2 of 5)

| Ref | Description | Part number | Qty |
|------------|--------------------------------------|--------------------|------------|
| 1 | Fan (FM1) | RK2-6270-000CN | 1 |
| 2 | Cable, flexible flat | RK2-6298-000CN | 1 |
| 3 | Fuser power supply PCA (110-127V) | RM2-6440-000CN | 1 |
| 3 | Fuser power supply PCA (220-240V) | RM2-6441-000CN | 1 |
| 4 | Driver PCA | RM2-7369-000CN | 1 |
| 5 | Low-voltage power supply (110-127V) | RM2-7913-000CN | 1 |
| 5 | Low-voltage power supply (220-240V) | RM2-7914-000CN | 1 |
| Not shown | Remote antenna (M452nw/dw) | 0960-3467 | 1 |
| Not shown | Wireless bracket (M377, M477fnw/fdw) | CF377-40007 | 1 |
| Not shown | Wireless cable (M377, M477fnw/fdw) | CF377-60115 | 1 |
| Not shown | Cable, fax (M477) | CF377-60105 | 1 |
| Not shown | Cable, FFC (M377, M477) | CF388-60116 | 1 |

Internal components (3 of 5)

Figure 2-9 Internal components (3 of 5)

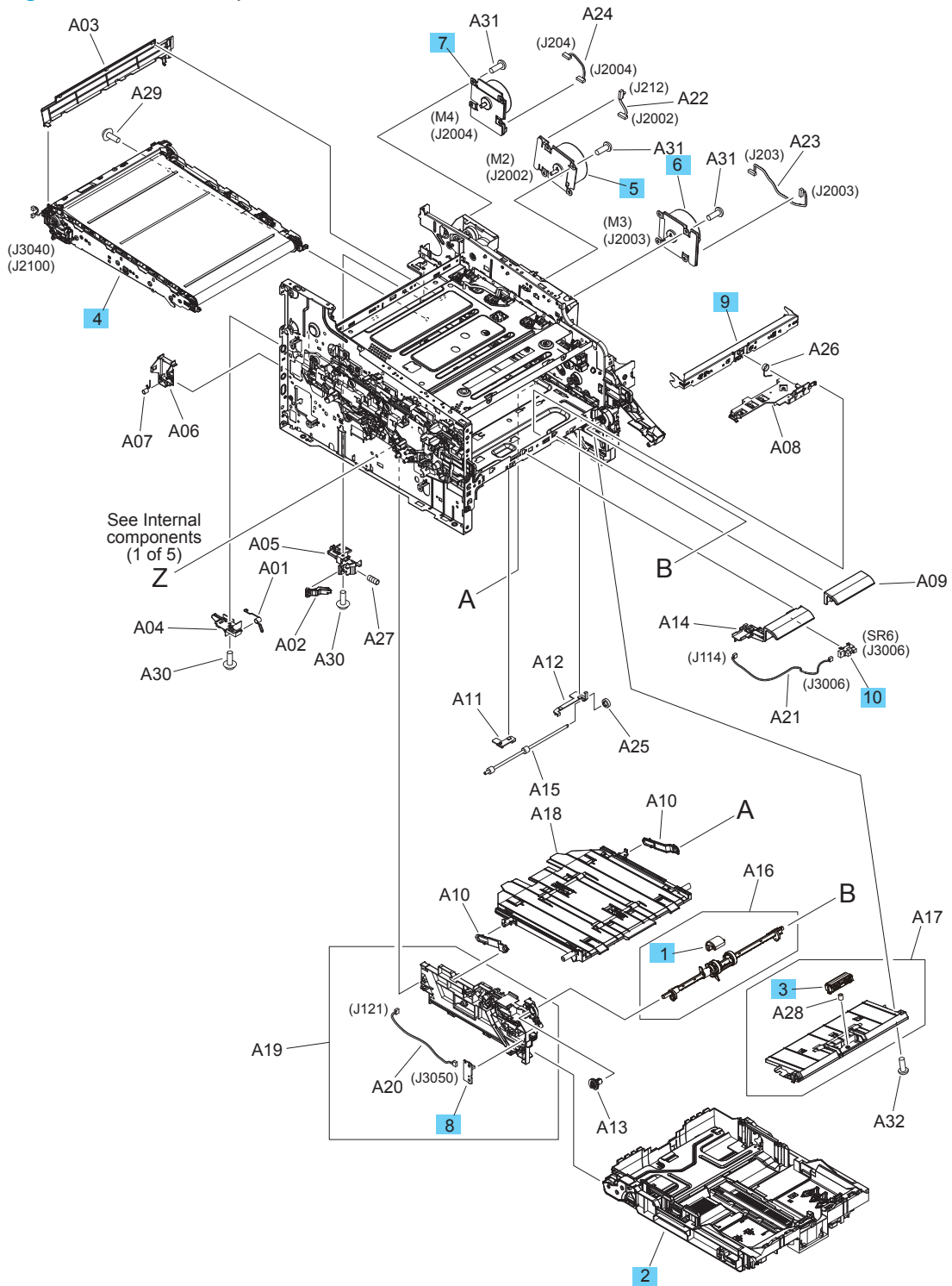


Table 2-11 Internal components (3 of 5)

| Ref | Description | Part number | Qty |
|------------|----------------------------------|--------------------|------------|
| 1 | Roller, paper pickup | RL1-2593-000CN | 1 |
| 2 | Cassette (Tray 2) assembly | RM2-6377-000CN | 1 |
| 3 | Pad, separation | RM2-6406-000CN | 1 |
| 4 | Intermediate transfer belt (ITB) | RM2-6454-000CN | 1 |
| 5 | Motor, drum (M2) | RM2-7342-000CN | 1 |
| 6 | Motor, developing (M3) | RM2-7344-000CN | 1 |
| 7 | Motor, fuser (M4) | RM2-7348-000CN | 1 |
| 8 | Sensor, environment PCA | RM2-7376-000CN | 1 |
| 9 | Sensor, density detect | RM2-7399-000CN | 1 |
| 10 | Photointerrupter | WG8-5935-000CN | 1 |

Internal components (4 of 5)

Figure 2-10 Internal components (4 of 5)

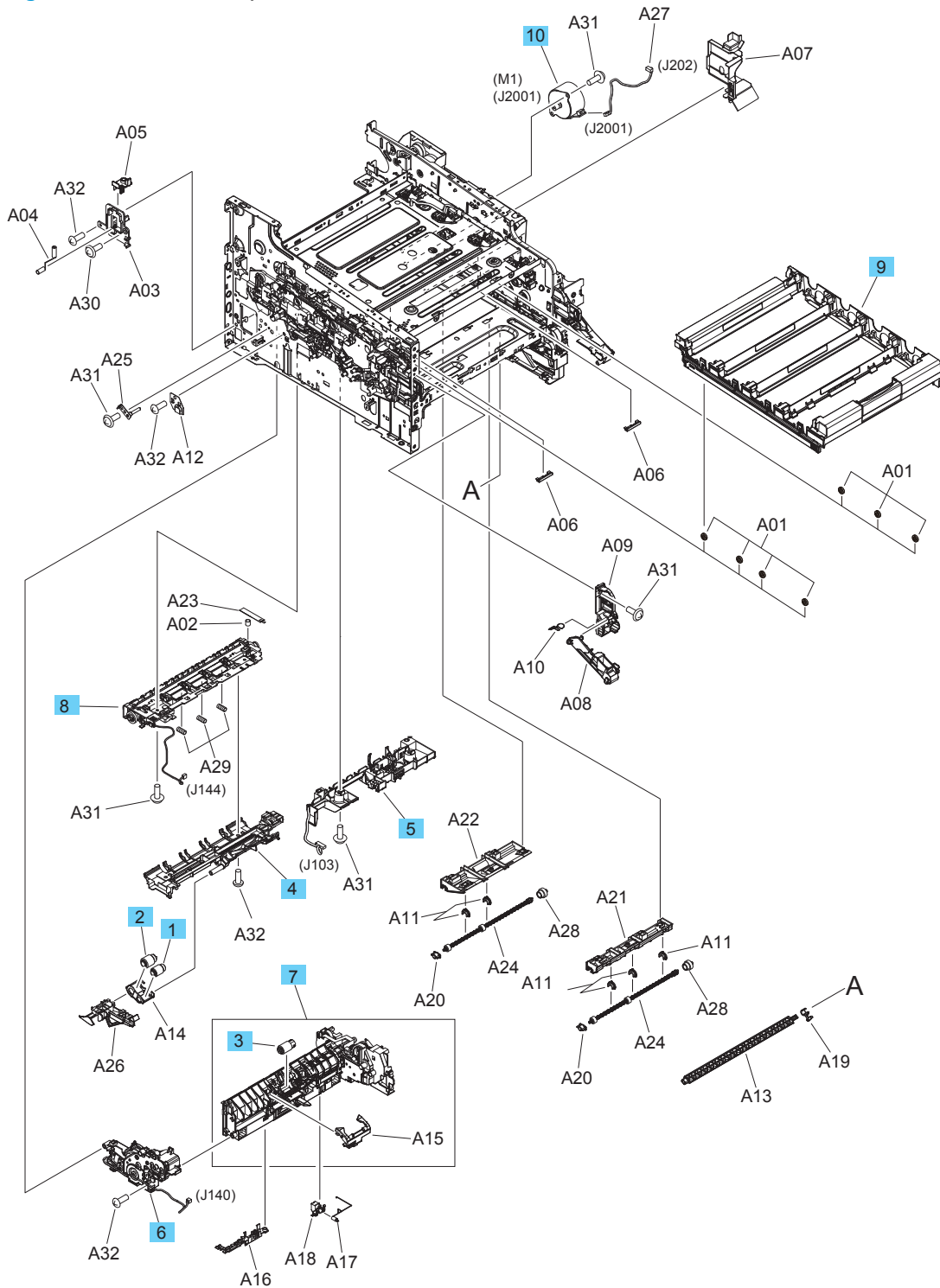


Table 2-12 Internal components (4 of 5)

| Ref | Description | Part number | Qty |
|------------|-------------------------------|--------------------|------------|
| 1 | Roller, paper pickup assembly | RM2-5576-000CN | 1 |
| 2 | Roller, feed assembly | RM2-5577-000CN | 1 |
| 3 | Roller, separation | RM2-5881-000CN | 1 |
| 4 | Feed guide assembly, rear | RM2-6366-000CN | 1 |
| 5 | Feed guide assembly, front | RM2-6368-000CN | 1 |
| 6 | Lifter drive assembly | RM2-6370-000CN | 1 |
| 7 | Paper pickup assembly | RM2-6372-000CN | 1 |
| 8 | Registration assembly | RM2-6374-000CN | 1 |
| 9 | Cartridge tray assembly | RM2-6401-000CN | 1 |
| 10 | Motor, pickup (M1) | RM2-7350-000CN | 1 |

Internal components (5 of 5)

Figure 2-11 Internal components (5 of 5)

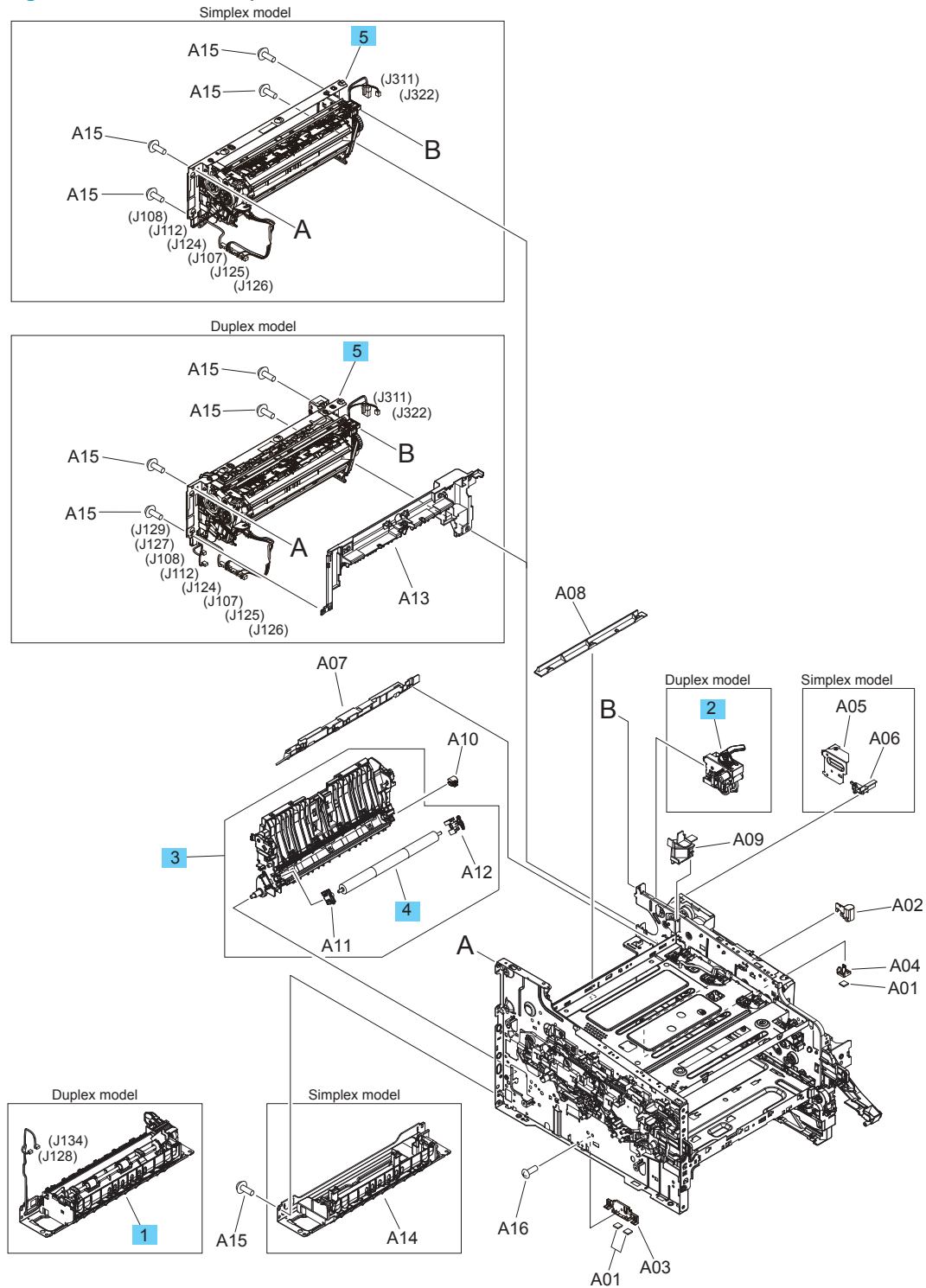


Table 2-13 Internal components (5 of 5)

| Ref | Description | Part number | Qty |
|------------|---|--------------------|------------|
| 1 | Paper pickup assembly (duplex models) | RM2-6387-000CN | 1 |
| 2 | Reverse drive assembly (duplex models) | RM2-6389-000CN | 1 |
| 3 | Secondary transfer assembly (duplex models) | RM2-6397-000CN | 1 |
| 3 | Secondary transfer assembly (simplex models) | RM2-6430-000CN | 1 |
| 4 | Secondary transfer roller | RM2-6455-000CN | 1 |
| 5 | Fuser (duplex; 110-127V) | RM2-6418-000CN | 1 |
| 5 | Fuser (duplex; 220-240V) | RM2-6435-000CN | 1 |
| 5 | Fuser (simplex; 110-127V) | RM2-6431-000CN | 1 |
| 5 | Fuser (simplex; 220-240V) | RM2-6436-000CN | 1 |
| Not shown | Walk-up USB port | CF368-60001 | |
| Not shown | Near-field communication (NFC) PCA (M452dw/M477fdw) | B4K93-60001 | |

Parts and diagrams: 550-sheet paper feeder

550-sheet paper feeder covers

Figure 2-12 550-sheet paper feeder covers

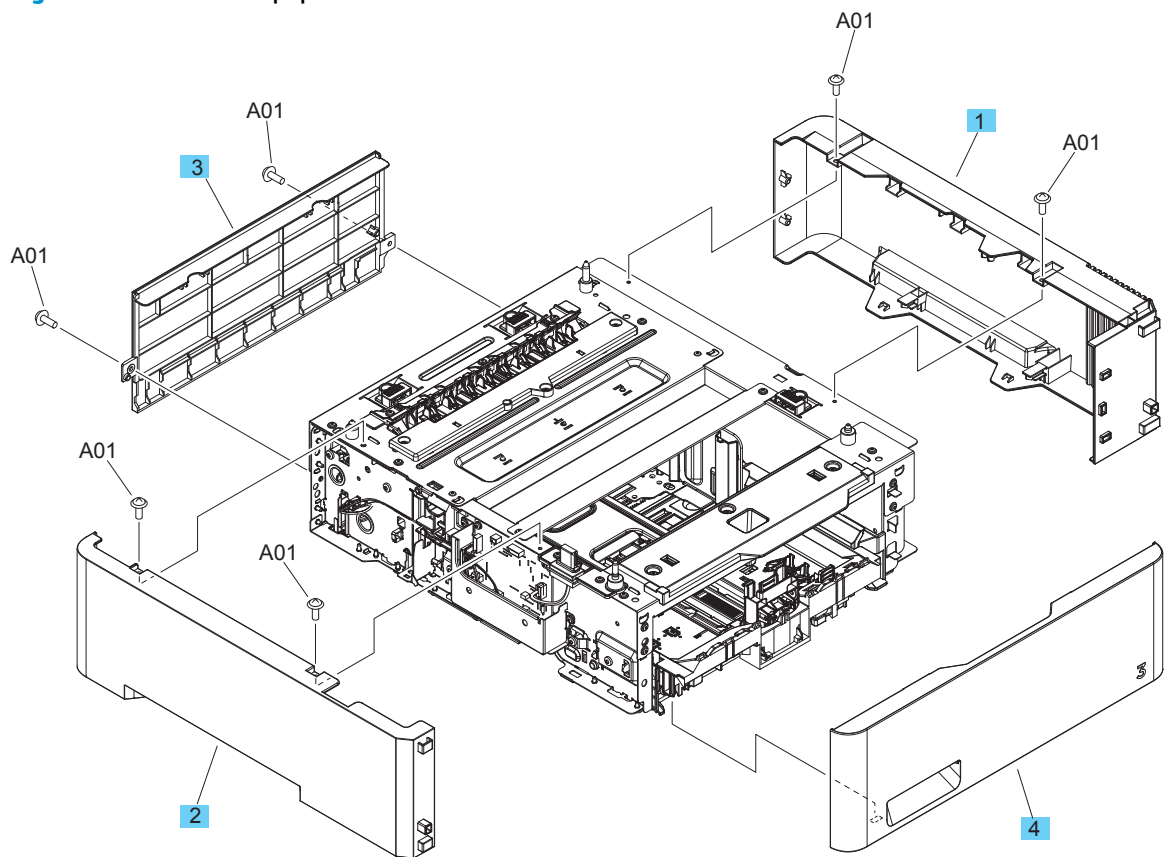


Table 2-14 550-sheet paper feeder covers

| Ref | Description | Part number | Qty |
|------------|------------------------------------|--------------------|------------|
| 1 | Cover, left (550-sheet feeder) | RC4-2201-000CN | 1 |
| 2 | Cover, right (550-sheet feeder) | RC4-2202-000CN | 1 |
| 3 | Cover, rear (550-sheet feeder) | RC4-2203-000CN | 1 |
| 4 | Cover, cassette (550-sheet feeder) | RC4-2224-000CN | 1 |

550-sheet paper feeder main body (1 of 2)

Figure 2-13 550-sheet paper feeder main body (1 of 2)

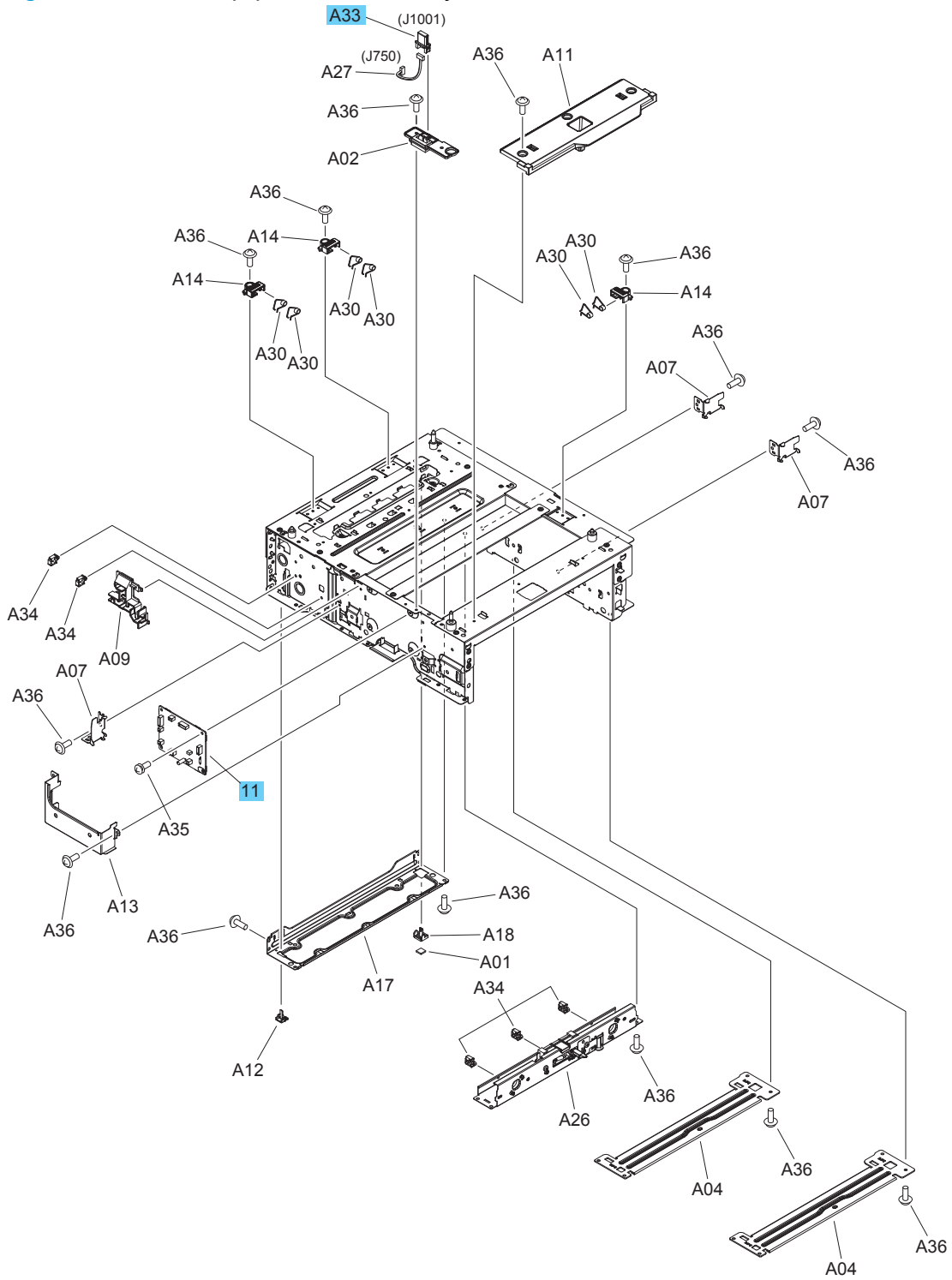


Table 2-15 550-sheet paper feeder main body (1 of 2)

| Ref | Description | Part number | Qty |
|------------|--|--------------------|------------|
| 11 | Paper feeder driver PCA (550-sheet feeder) | RM2-7366-000CN | 1 |
| A33 | Connector, drawer (550-sheet feeder) | VS1-7257-007CN | 1 |

550-sheet paper feeder main body (2 of 2)

Figure 2-14 550-sheet paper feeder main body (2 of 2)

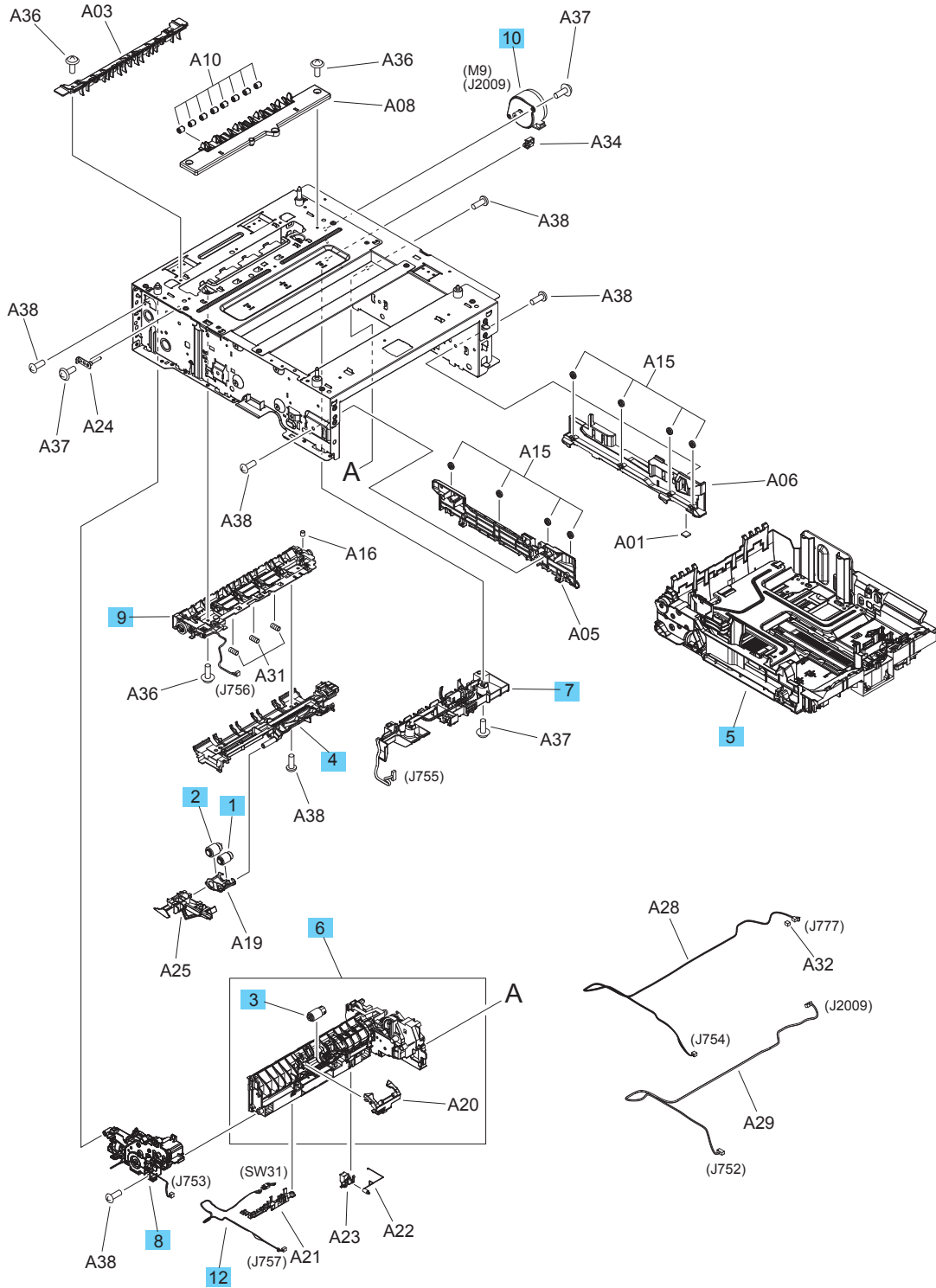


Table 2-16 550-sheet paper feeder main body (2 of 2)

| Ref | Description | Part number | Qty |
|------------|---|--------------------|------------|
| 1 | Paper pickup roller assembly (550-sheet feeder) | RM2-5576-000CN | 1 |
| 2 | Feed roller assembly (550-sheet feeder) | RM2-5577-000CN | 1 |
| 3 | Separation roller assembly (550-sheet feeder) | RM2-5881-000CN | 1 |
| 4 | Feed guide assembly, rear (550-sheet feeder) | RM2-6366-000CN | 1 |
| 5 | Cassette assembly (550-sheet feeder) | RM2-6486-000CN | 1 |
| 6 | Paper pickup assembly (550-sheet feeder) | RM2-6490-000CN | 1 |
| 7 | Feed guide assembly, front (550-sheet feeder) | RM2-6492-000CN | 1 |
| 8 | Lifter drive assembly (550-sheet feeder) | RM2-6493-000CN | 1 |
| 9 | Paper feed assembly (550-sheet feeder) | RM2-6494-000CN | 1 |
| 10 | Pickup motor (M9) (550-sheet feeder) | RM2-7350-000CN | 1 |
| 12 | Switch cable assembly (550-sheet feeder) | RM2-7897-000CN | 1 |

Alphabetical parts list

Table 2-17 Alphabetical parts list

| Description | Part number | Table and page |
|--|----------------|--|
| Assembly, control panel mount chassis 4.3 (M377, M477) | CF377-60113 | M377, M477 covers and control panel on page 2999 |
| Bearing extension (M377, M477) | B3Q10-40074 | Document feeder and scanner (M377, M477) on page 2995 |
| Cable, fax (M477) | CF377-60105 | Internal components (2 of 5) on page 3003 |
| Cable, FFC (M377, M477) | CF388-60116 | Internal components (2 of 5) on page 3003 |
| Cable, flexible flat | RK2-6300-000CN | Internal components (1 of 5) on page 3001 |
| Cable, flexible flat | RK2-6302-000CN | Internal components (1 of 5) on page 3001 |
| Cable, flexible flat | RK2-6298-000CN | Internal components (2 of 5) on page 3003 |
| Cartridge tray assembly | RM2-6401-000CN | Internal components (4 of 5) on page 3007 |
| Cassette (Tray 2) assembly | RM2-6377-000CN | Internal components (3 of 5) on page 3005 |
| Cassette assembly (550-sheet feeder) | RM2-6486-000CN | 550-sheet paper feeder main body (2 of 2) on page 3015 |
| Connector, drawer (550-sheet feeder) | VS1-7257-007CN | 550-sheet paper feeder main body (1 of 2) on page 3013 |
| Connector, drawer | VS1-7258-007CN | Internal components (1 of 5) on page 3001 |
| Control panel mount chassis 4.3 (M377, M477) | B3Q10-40055 | M377, M477 covers and control panel on page 2999 |
| Control panel, touchscreen (M377, M477) | B5L25-60101 | M377, M477 covers and control panel on page 2999 |
| Control panel, touchscreen (M452dw) | CF388-60113 | M452 covers and control panels on page 2997 |
| Cover, 4.3" control panel back (M377, M477) | CF377-40003 | M377, M477 covers and control panel on page 2999 |
| Cover, cassette (550-sheet feeder) | RC4-2224-000CN | 550-sheet paper feeder covers on page 3011 |
| Cover, cassette | RC4-5334-000CN | M452 covers and control panels on page 2997 |
| Cover, cassette | RC4-5334-000CN | M377, M477 covers and control panel on page 2999 |
| Cover, document feeder outer (M377, M477) | B3Q10-40013 | Document feeder and scanner (M377, M477) on page 2995 |

Table 2-17 Alphabetical parts list (continued)

| Description | Part number | Table and page |
|--|--------------------|---|
| Cover, left (550-sheet feeder) | RC4-2201-000CN | 550-sheet paper feeder covers on page 3011 |
| Cover, left (M377, M477) | RC4-6045-000CN | M377, M477 covers and control panel on page 2999 |
| Cover, left (M452) | RC4-4854-000CN | M452 covers and control panels on page 2997 |
| Cover, rear (550-sheet feeder) | RC4-2203-000CN | 550-sheet paper feeder covers on page 3011 |
| Cover, rear (simplex models) | RC4-4855-000CN | M452 covers and control panels on page 2997 |
| Cover, rear (simplex models) | RC4-4855-000CN | M377, M477 covers and control panel on page 2999 |
| Cover, rear lower (simplex models) | RC4-5131-000CN | M452 covers and control panels on page 2997 |
| Cover, rear lower (simplex models) | RC4-5131-000CN | M377, M477 covers and control panel on page 2999 |
| Cover, right (550-sheet feeder) | RC4-2202-000CN | 550-sheet paper feeder covers on page 3011 |
| Cover, right (M377, M477) | RC4-6044-000CN | M377, M477 covers and control panel on page 2999 |
| Cover, right (M452) | RC4-4853-000CN | M452 covers and control panels on page 2997 |
| Cover, top (M377, M477fdw) | RM2-6468-000CN | M377, M477 covers and control panel on page 2999 |
| Cover, top (M452dw) | RM2-6456-000CN | M452 covers and control panels on page 2997 |
| Cover, top (M477fnw/fdn) | RM2-6466-000CN | M377, M477 covers and control panel on page 2999 |
| Cover, top and control panel (M452dn) | RM2-6442-000CN | M452 covers and control panels on page 2997 |
| Cover, top and control panel (M452nw) | RM2-6433-000CN | M452 covers and control panels on page 2997 |
| Document feeder input tray assembly (M377, M477) | B3Q10-60107 | Document feeder and scanner (M377, M477) on page 2995 |
| Document feeder pick assembly (M377, M477) | B3Q10-60105 | Document feeder and scanner (M377, M477) on page 2995 |
| Door, front assembly | RM2-6390-000CN | M452 covers and control panels on page 2997 |
| Door, front assembly | RM2-6390-000CN | M377, M477 covers and control panel on page 2999 |
| Door, rear (simplex models) | RC4-5130-000CN | M452 covers and control panels on page 2997 |

Table 2-17 Alphabetical parts list (continued)

| Description | Part number | Table and page |
|---|--------------------|--|
| Door, rear (simplex models) | RC4-5130-000CN | M377, M477 covers and control panel on page 2999 |
| Driver PCA | RM2-7369-000CN | Internal components (2 of 5) on page 3003 |
| Duplexing door assembly (duplex models) | RM2-6383-000CN | M452 covers and control panels on page 2997 |
| Duplexing door assembly (duplex models) | RM2-6383-000CN | M377, M477 covers and control panel on page 2999 |
| Engine controller PCA (duplex models) | RM2-7909-000CN | Internal components (1 of 5) on page 3001 |
| Engine controller PCA (simplex models) | RM2-7910-000CN | Internal components (1 of 5) on page 3001 |
| Fan (FM1) | RK2-6270-000CN | Internal components (2 of 5) on page 3003 |
| Fan (FM2) | RK2-6270-000CN | Internal components (1 of 5) on page 3001 |
| Fax cable cover (M477) | CF377-40006 | M377, M477 covers and control panel on page 2999 |
| Fax cover (M477) | CF377-40005 | M377, M477 covers and control panel on page 2999 |
| Fax PCA (M477; Brazil) | CF208-60001 | Internal components (1 of 5) on page 3001 |
| Fax PCA (M477; Europe) | CF207-60001 | Internal components (1 of 5) on page 3001 |
| Fax PCA (M477; US) | CF206-60001 | Internal components (1 of 5) on page 3001 |
| Feed guide assembly, front (550-sheet feeder) | RM2-6492-000CN | 550-sheet paper feeder main body (2 of 2) on page 3015 |
| Feed guide assembly, front | RM2-6368-000CN | Internal components (4 of 5) on page 3007 |
| Feed guide assembly, rear (550-sheet feeder) | RM2-6366-000CN | 550-sheet paper feeder main body (2 of 2) on page 3015 |
| Feed guide assembly, rear | RM2-6366-000CN | Internal components (4 of 5) on page 3007 |
| Feed roller assembly (550-sheet feeder) | RM2-5577-000CN | 550-sheet paper feeder main body (2 of 2) on page 3015 |
| FFC cover (M377, M477) | CF377-40004 | M377, M477 covers and control panel on page 2999 |
| Formatter PCA (M377dw) | CF378-67902 | Internal components (1 of 5) on page 3001 |
| Formatter PCA (M377dw-China only) | CF378-67901 | Internal components (1 of 5) on page 3001 |

Table 2-17 Alphabetical parts list (continued)

| Description | Part number | Table and page |
|------------------------------------|--------------------|---|
| Formatter PCA (M452dn) | CF389-60002 | Internal components (1 of 5) on page 3001 |
| Formatter PCA (M452dn—China only) | CF389-67018 | Internal components (1 of 5) on page 3001 |
| Formatter PCA (M452dw) | CF394-60002 | Internal components (1 of 5) on page 3001 |
| Formatter PCA (M452dw—China only) | CF394-67018 | Internal components (1 of 5) on page 3001 |
| Formatter PCA (M452nw) | CF388-60003 | Internal components (1 of 5) on page 3001 |
| Formatter PCA (M452nw—China only) | CF388-67018 | Internal components (1 of 5) on page 3001 |
| Formatter PCA (M477fdn) | CF378-60002 | Internal components (1 of 5) on page 3001 |
| Formatter PCA (M477fdn—China only) | CF378-67018 | Internal components (1 of 5) on page 3001 |
| Formatter PCA (M477fdw) | CF379-60003 | Internal components (1 of 5) on page 3001 |
| Formatter PCA (M477fdw—China only) | CF379-67018 | Internal components (1 of 5) on page 3001 |
| Formatter PCA (M477fnw) | CF377-60001 | Internal components (1 of 5) on page 3001 |
| Formatter PCA (M477fnw—China only) | CF377-67018 | Internal components (1 of 5) on page 3001 |
| Formatter PCA, generic (M452dw) | CF394-60001 | Internal components (1 of 5) on page 3001 |
| Formatter PCA, generic (M452nw/dn) | CF389-60001 | Internal components (1 of 5) on page 3001 |
| Formatter PCA, generic (M477) | CF379-60001 | Internal components (1 of 5) on page 3001 |
| Fuser (duplex; 110-127V) | RM2-6418-000CN | Internal components (5 of 5) on page 3009 |
| Fuser (duplex; 220-240V) | RM2-6435-000CN | Internal components (5 of 5) on page 3009 |
| Fuser (simplex; 110-127V) | RM2-6431-000CN | Internal components (5 of 5) on page 3009 |
| Fuser (simplex; 220-240V) | RM2-6436-000CN | Internal components (5 of 5) on page 3009 |
| Fuser power supply PCA (110-127V) | RM2-6440-000CN | Internal components (2 of 5) on page 3003 |
| Fuser power supply PCA (220-240V) | RM2-6441-000CN | Internal components (2 of 5) on page 3003 |

Table 2-17 Alphabetical parts list (continued)

| Description | Part number | Table and page |
|--|--------------------|--|
| Gear, control panel friction (M377, M477) | B3Q09-40003 | M377, M477 covers and control panel on page 2999 |
| Integrated scanner assembly (M377) | CF377-60124 | Document feeder and scanner (M377, M477) on page 2995 |
| Integrated scanner assembly (M477) | CF377-60104 | Document feeder and scanner (M377, M477) on page 2995 |
| Integrated scanner assembly lift assembly (M377, M477) | B3Q10-60128 | Document feeder and scanner (M377, M477) on page 2995 |
| Intermediate transfer belt (ITB) | RM2-6454-000CN | Internal components (3 of 5) on page 3005 |
| Laser/scanner assembly | RM2-5612-000CN | Internal components (1 of 5) on page 3001 |
| Lifter drive assembly (550-sheet feeder) | RM2-6493-000CN | 550-sheet paper feeder main body (2 of 2) on page 3015 |
| Lifter drive assembly | RM2-6370-000CN | Internal components (4 of 5) on page 3007 |
| Low-voltage power supply (110-127V) | RM2-7913-000CN | Internal components (2 of 5) on page 3003 |
| Low-voltage power supply (220-240V) | RM2-7914-000CN | Internal components (2 of 5) on page 3003 |
| Memory PCA | RM2-7374-000CN | Internal components (1 of 5) on page 3001 |
| Motor, developing (M3) | RM2-7344-000CN | Internal components (3 of 5) on page 3005 |
| Motor, drum (M2) | RM2-7342-000CN | Internal components (3 of 5) on page 3005 |
| Motor, fuser (M4) | RM2-7348-000CN | Internal components (3 of 5) on page 3005 |
| Motor, pickup (M1) | RM2-7350-000CN | Internal components (4 of 5) on page 3007 |
| Near-field communication (NFC) PCA (M452dw/M477fdw) | B4K93-60001 | Internal components (5 of 5) on page 3009 |
| Pad, separation | RM2-6406-000CN | Internal components (3 of 5) on page 3005 |
| Paper feed assembly (550-sheet feeder) | RM2-6494-000CN | 550-sheet paper feeder main body (2 of 2) on page 3015 |
| Paper feeder driver PCA (550-sheet feeder) | RM2-7366-000CN | 550-sheet paper feeder main body (1 of 2) on page 3013 |
| Paper pickup assembly (550-sheet feeder) | RM2-6490-000CN | 550-sheet paper feeder main body (2 of 2) on page 3015 |
| Paper pickup assembly (duplex models) | RM2-6387-000CN | Internal components (5 of 5) on page 3009 |

Table 2-17 Alphabetical parts list (continued)

| Description | Part number | Table and page |
|---|--------------------|--|
| Paper pickup assembly | RM2-6372-000CN | Internal components (4 of 5) on page 3007 |
| Paper pickup roller assembly (550-sheet feeder) | RM2-5576-000CN | 550-sheet paper feeder main body (2 of 2) on page 3015 |
| Photointerrupter | WG8-5935-000CN | Internal components (3 of 5) on page 3005 |
| Pickup motor (M9) (550-sheet feeder) | RM2-7350-000CN | 550-sheet paper feeder main body (2 of 2) on page 3015 |
| Registration assembly | RM2-6374-000CN | Internal components (4 of 5) on page 3007 |
| Remote antenna (M452nw/dw) | 0960-3467 | Internal components (2 of 5) on page 3003 |
| Reverse drive assembly (duplex models) | RM2-6389-000CN | Internal components (5 of 5) on page 3009 |
| Roller, feed assembly | RM2-5577-000CN | Internal components (4 of 5) on page 3007 |
| Roller, paper pickup assembly | RM2-5576-000CN | Internal components (4 of 5) on page 3007 |
| Roller, paper pickup | RL1-2593-000CN | Internal components (3 of 5) on page 3005 |
| Roller, separation | RM2-5881-000CN | Internal components (4 of 5) on page 3007 |
| Secondary transfer assembly (duplex models) | RM2-6397-000CN | Internal components (5 of 5) on page 3009 |
| Secondary transfer assembly (simplex models) | RM2-6430-000CN | Internal components (5 of 5) on page 3009 |
| Secondary transfer roller | RM2-6455-000CN | Internal components (5 of 5) on page 3009 |
| Sensor, density detect | RM2-7399-000CN | Internal components (3 of 5) on page 3005 |
| Sensor, environment PCA | RM2-7376-000CN | Internal components (3 of 5) on page 3005 |
| Separation roller assembly (550-sheet feeder) | RM2-5881-000CN | 550-sheet paper feeder main body (2 of 2) on page 3015 |
| Separator pad (M377, M477) | B3Q10-40080 | Document feeder and scanner (M377, M477) on page 2995 |
| Shaft, document feeder pick extension (M377, M477) | B3Q10-40081 | Document feeder and scanner (M377, M477) on page 2995 |
| Shield, RFI SSA FFC (M377, M477) | CF377-00006 | M377, M477 covers and control panel on page 2999 |
| Slider pin, integrated scanner assembly lift (M377, M477) | B3Q10-40041 | Document feeder and scanner (M377, M477) on page 2995 |

Table 2-17 Alphabetical parts list (continued)

| Description | Part number | Table and page |
|--|--------------------|--|
| Spring, separator pad (M377, M477) | B3Q10-00019 | Document feeder and scanner (M377, M477) on page 2995 |
| Support, separator pad (M377, M477) | B3Q10-40079 | Document feeder and scanner (M377, M477) on page 2995 |
| Switch assembly, power | RM2-6373-000CN | Internal components (1 of 5) on page 3001 |
| Switch cable assembly (550-sheet feeder) | RM2-7897-000CN | 550-sheet paper feeder main body (2 of 2) on page 3015 |
| Switch, cable front door assembly | RM2-7889-000CN | Internal components (1 of 5) on page 3001 |
| Switch, cassette cable assembly | RM2-7896-000CN | Internal components (1 of 5) on page 3001 |
| Walk-up USB port | CF368-60001 | Internal components (5 of 5) on page 3009 |
| Wireless bracket (M377, M477fnw/fdw) | CF377-40007 | Internal components (2 of 5) on page 3003 |
| Wireless cable (M377, M477fnw/fdw) | CF377-60115 | Internal components (2 of 5) on page 3003 |
| Wireless PCA (M377, M477fnw/fdw) | 1150-7967 | Internal components (1 of 5) on page 3001 |
| Wireless PCA (M452nw/dw) | 0960-3295 | Internal components (1 of 5) on page 3001 |

Numerical parts list

Table 2-18 Numerical parts list

| Part number | Description | Table and page |
|-------------|---|---|
| 0960-3295 | Wireless PCA (M452nw/dw) | Internal components (1 of 5) on page 3001 |
| 0960-3467 | Remote antenna (M452nw/dw) | Internal components (2 of 5) on page 3003 |
| 1150-7967 | Wireless PCA (M377, M477fnw/fdw) | Internal components (1 of 5) on page 3001 |
| B3Q09-40003 | Gear, control panel friction (M377, M477) | M377, M477 covers and control panel on page 2999 |
| B3Q10-00019 | Spring, separator pad (M377, M477) | Document feeder and scanner (M377, M477) on page 2995 |
| B3Q10-40013 | Cover, document feeder outer (M377, M477) | Document feeder and scanner (M377, M477) on page 2995 |
| B3Q10-40041 | Slider pin, integrated scanner assembly lift (M377, M477) | Document feeder and scanner (M377, M477) on page 2995 |
| B3Q10-40055 | Control panel mount chassis 4.3 (M377, M477) | M377, M477 covers and control panel on page 2999 |
| B3Q10-40074 | Bearing extension (M377, M477) | Document feeder and scanner (M377, M477) on page 2995 |
| B3Q10-40079 | Support, separator pad (M377, M477) | Document feeder and scanner (M377, M477) on page 2995 |
| B3Q10-40080 | Separator pad (M377, M477) | Document feeder and scanner (M377, M477) on page 2995 |
| B3Q10-40081 | Shaft, document feeder pick extension (M377, M477) | Document feeder and scanner (M377, M477) on page 2995 |
| B3Q10-60105 | Document feeder pick assembly (M377, M477) | Document feeder and scanner (M377, M477) on page 2995 |
| B3Q10-60107 | Document feeder input tray assembly (M377, M477) | Document feeder and scanner (M377, M477) on page 2995 |
| CF377-60124 | Integrated scanner assembly (M377) | Document feeder and scanner (M377, M477) on page 2995 |
| B3Q10-60128 | Integrated scanner assembly lift assembly (M377, M477) | Document feeder and scanner (M377, M477) on page 2995 |
| B4K93-60001 | Near-field communication (NFC) PCA (M452dw/M477fdw) | Internal components (5 of 5) on page 3009 |
| B5L25-60101 | Control panel, touchscreen (M377, M477) | M377, M477 covers and control panel on page 2999 |
| CF206-60001 | Fax PCA (M477; US) | Internal components (1 of 5) on page 3001 |
| CF207-60001 | Fax PCA (M477; Europe) | Internal components (1 of 5) on page 3001 |

Table 2-18 Numerical parts list (continued)

| Part number | Description | Table and page |
|--------------------|--|---|
| CF208-60001 | Fax PCA (M477; Brazil) | Internal components (1 of 5) on page 3001 |
| CF368-60001 | Walk-up USB port | Internal components (5 of 5) on page 3009 |
| CF377-00006 | Shield, RFI SSA FFC (M377, M477) | M377, M477 covers and control panel on page 2999 |
| CF377-40003 | Cover, 4.3" control panel back (M377, M477) | M377, M477 covers and control panel on page 2999 |
| CF377-40004 | FFC cover (M377, M477) | M377, M477 covers and control panel on page 2999 |
| CF377-40005 | Fax cover (M477) | M377, M477 covers and control panel on page 2999 |
| CF377-40006 | Fax cable cover (M477) | M377, M477 covers and control panel on page 2999 |
| CF377-40007 | Wireless bracket (M377, M477fnw/fdw) | Internal components (2 of 5) on page 3003 |
| CF377-60001 | Formatter PCA (M477fnw) | Internal components (1 of 5) on page 3001 |
| CF377-60104 | Integrated scanner assembly (M477) | Document feeder and scanner (M377, M477) on page 2995 |
| CF377-60105 | Cable, fax (M477) | Internal components (2 of 5) on page 3003 |
| CF377-60113 | Assembly, control panel mount chassis 4.3 (M377, M477) | M377, M477 covers and control panel on page 2999 |
| CF377-60115 | Wireless cable (M377, M477fnw/fdw) | Internal components (2 of 5) on page 3003 |
| CF377-67018 | Formatter PCA (M477fnw—China only) | Internal components (1 of 5) on page 3001 |
| CF378-60002 | Formatter PCA (M477fdn) | Internal components (1 of 5) on page 3001 |
| CF378-67018 | Formatter PCA (M477fdn—China only) | Internal components (1 of 5) on page 3001 |
| CF378-67901 | Formatter PCA (M377dw—China only) | Internal components (1 of 5) on page 3001 |
| CF378-67902 | Formatter PCA (M377dw) | Internal components (1 of 5) on page 3001 |
| CF379-60001 | Formatter PCA, generic (M477) | Internal components (1 of 5) on page 3001 |
| CF379-60003 | Formatter PCA (M477fdw) | Internal components (1 of 5) on page 3001 |
| CF379-67018 | Formatter PCA (M477fdw—China only) | Internal components (1 of 5) on page 3001 |

Table 2-18 Numerical parts list (continued)

| Part number | Description | Table and page |
|--------------------|-------------------------------------|--|
| CF388-60003 | Formatter PCA (M452nw) | Internal components (1 of 5) on page 3001 |
| CF388-60113 | Control panel, touchscreen (M452dw) | M452 covers and control panels on page 2997 |
| CF388-60116 | Cable, FFC (M377, M477) | Internal components (2 of 5) on page 3003 |
| CF388-67018 | Formatter PCA (M452nw—China only) | Internal components (1 of 5) on page 3001 |
| CF389-60001 | Formatter PCA, generic (M452nw/dn) | Internal components (1 of 5) on page 3001 |
| CF389-60002 | Formatter PCA (M452dn) | Internal components (1 of 5) on page 3001 |
| CF389-67018 | Formatter PCA (M452dn—China only) | Internal components (1 of 5) on page 3001 |
| CF394-60001 | Formatter PCA, generic (M452dw) | Internal components (1 of 5) on page 3001 |
| CF394-60002 | Formatter PCA (M452dw) | Internal components (1 of 5) on page 3001 |
| CF394-67018 | Formatter PCA (M452dw—China only) | Internal components (1 of 5) on page 3001 |
| RC4-2201-000CN | Cover, left (550-sheet feeder) | 550-sheet paper feeder covers on page 3011 |
| RC4-2202-000CN | Cover, right (550-sheet feeder) | 550-sheet paper feeder covers on page 3011 |
| RC4-2203-000CN | Cover, rear (550-sheet feeder) | 550-sheet paper feeder covers on page 3011 |
| RC4-2224-000CN | Cover, cassette (550-sheet feeder) | 550-sheet paper feeder covers on page 3011 |
| RC4-4853-000CN | Cover, right (M452) | M452 covers and control panels on page 2997 |
| RC4-4854-000CN | Cover, left (M452) | M452 covers and control panels on page 2997 |
| RC4-4855-000CN | Cover, rear (simplex models) | M452 covers and control panels on page 2997 |
| RC4-4855-000CN | Cover, rear (simplex models) | M377, M477 covers and control panel on page 2999 |
| RC4-5130-000CN | Door, rear (simplex models) | M452 covers and control panels on page 2997 |
| RC4-5130-000CN | Door, rear (simplex models) | M377, M477 covers and control panel on page 2999 |
| RC4-5131-000CN | Cover, rear lower (simplex models) | M452 covers and control panels on page 2997 |

Table 2-18 Numerical parts list (continued)

| Part number | Description | Table and page |
|--------------------|---|--|
| RC4-5131-000CN | Cover, rear lower (simplex models) | M377, M477 covers and control panel on page 2999 |
| RC4-5334-000CN | Cover, cassette | M452 covers and control panels on page 2997 |
| RC4-5334-000CN | Cover, cassette | M377, M477 covers and control panel on page 2999 |
| RC4-6044-000CN | Cover, right (M377, M477) | M377, M477 covers and control panel on page 2999 |
| RC4-6045-000CN | Cover, left (M377, M477) | M377, M477 covers and control panel on page 2999 |
| RK2-6270-000CN | Fan (FM2) | Internal components (1 of 5) on page 3001 |
| RK2-6270-000CN | Fan (FM1) | Internal components (2 of 5) on page 3003 |
| RK2-6298-000CN | Cable, flexible flat | Internal components (2 of 5) on page 3003 |
| RK2-6300-000CN | Cable, flexible flat | Internal components (1 of 5) on page 3001 |
| RK2-6302-000CN | Cable, flexible flat | Internal components (1 of 5) on page 3001 |
| RL1-2593-000CN | Roller, paper pickup | Internal components (3 of 5) on page 3005 |
| RM2-5576-000CN | Roller, paper pickup assembly | Internal components (4 of 5) on page 3007 |
| RM2-5576-000CN | Paper pickup roller assembly (550-sheet feeder) | 550-sheet paper feeder main body (2 of 2) on page 3015 |
| RM2-5577-000CN | Roller, feed assembly | Internal components (4 of 5) on page 3007 |
| RM2-5577-000CN | Feed roller assembly (550-sheet feeder) | 550-sheet paper feeder main body (2 of 2) on page 3015 |
| RM2-5612-000CN | Laser/scanner assembly | Internal components (1 of 5) on page 3001 |
| RM2-5881-000CN | Roller, separation | Internal components (4 of 5) on page 3007 |
| RM2-5881-000CN | Separation roller assembly (550-sheet feeder) | 550-sheet paper feeder main body (2 of 2) on page 3015 |
| RM2-6366-000CN | Feed guide assembly, rear | Internal components (4 of 5) on page 3007 |
| RM2-6366-000CN | Feed guide assembly, rear (550-sheet feeder) | 550-sheet paper feeder main body (2 of 2) on page 3015 |
| RM2-6368-000CN | Feed guide assembly, front | Internal components (4 of 5) on page 3007 |

Table 2-18 Numerical parts list (continued)

| Part number | Description | Table and page |
|--------------------|--|--|
| RM2-6370-000CN | Lifter drive assembly | Internal components (4 of 5) on page 3007 |
| RM2-6372-000CN | Paper pickup assembly | Internal components (4 of 5) on page 3007 |
| RM2-6373-000CN | Switch assembly, power | Internal components (1 of 5) on page 3001 |
| RM2-6374-000CN | Registration assembly | Internal components (4 of 5) on page 3007 |
| RM2-6377-000CN | Cassette (Tray 2) assembly | Internal components (3 of 5) on page 3005 |
| RM2-6383-000CN | Duplexing door assembly (duplex models) | M452 covers and control panels on page 2997 |
| RM2-6383-000CN | Duplexing door assembly (duplex models) | M377, M477 covers and control panel on page 2999 |
| RM2-6387-000CN | Paper pickup assembly (duplex models) | Internal components (5 of 5) on page 3009 |
| RM2-6389-000CN | Reverse drive assembly (duplex models) | Internal components (5 of 5) on page 3009 |
| RM2-6390-000CN | Door, front assembly | M452 covers and control panels on page 2997 |
| RM2-6390-000CN | Door, front assembly | M377, M477 covers and control panel on page 2999 |
| RM2-6397-000CN | Secondary transfer assembly (duplex models) | Internal components (5 of 5) on page 3009 |
| RM2-6401-000CN | Cartridge tray assembly | Internal components (4 of 5) on page 3007 |
| RM2-6406-000CN | Pad, separation | Internal components (3 of 5) on page 3005 |
| RM2-6418-000CN | Fuser (duplex; 110-127V) | Internal components (5 of 5) on page 3009 |
| RM2-6430-000CN | Secondary transfer assembly (simplex models) | Internal components (5 of 5) on page 3009 |
| RM2-6431-000CN | Fuser (simplex; 110-127V) | Internal components (5 of 5) on page 3009 |
| RM2-6433-000CN | Cover, top and control panel (M452nw) | M452 covers and control panels on page 2997 |
| RM2-6435-000CN | Fuser (duplex; 220-240V) | Internal components (5 of 5) on page 3009 |
| RM2-6436-000CN | Fuser (simplex; 220-240V) | Internal components (5 of 5) on page 3009 |
| RM2-6440-000CN | Fuser power supply PCA (110-127V) | Internal components (2 of 5) on page 3003 |

Table 2-18 Numerical parts list (continued)

| Part number | Description | Table and page |
|--------------------|---|--|
| RM2-6441-000CN | Fuser power supply PCA (220-240V) | Internal components (2 of 5) on page 3003 |
| RM2-6442-000CN | Cover, top and control panel (M452dn) | M452 covers and control panels on page 2997 |
| RM2-6454-000CN | Intermediate transfer belt (ITB) | Internal components (3 of 5) on page 3005 |
| RM2-6455-000CN | Secondary transfer roller | Internal components (5 of 5) on page 3009 |
| RM2-6456-000CN | Cover, top (M452dw) | M452 covers and control panels on page 2997 |
| RM2-6466-000CN | Cover, top (M477fnw/fdn) | M377, M477 covers and control panel on page 2999 |
| RM2-6468-000CN | Cover, top (M377, M477fdw) | M377, M477 covers and control panel on page 2999 |
| RM2-6486-000CN | Cassette assembly (550-sheet feeder) | 550-sheet paper feeder main body (2 of 2) on page 3015 |
| RM2-6490-000CN | Paper pickup assembly (550-sheet feeder) | 550-sheet paper feeder main body (2 of 2) on page 3015 |
| RM2-6492-000CN | Feed guide assembly, front (550-sheet feeder) | 550-sheet paper feeder main body (2 of 2) on page 3015 |
| RM2-6493-000CN | Lifter drive assembly (550-sheet feeder) | 550-sheet paper feeder main body (2 of 2) on page 3015 |
| RM2-6494-000CN | Paper feed assembly (550-sheet feeder) | 550-sheet paper feeder main body (2 of 2) on page 3015 |
| RM2-7342-000CN | Motor, drum (M2) | Internal components (3 of 5) on page 3005 |
| RM2-7344-000CN | Motor, developing (M3) | Internal components (3 of 5) on page 3005 |
| RM2-7348-000CN | Motor, fuser (M4) | Internal components (3 of 5) on page 3005 |
| RM2-7350-000CN | Motor, pickup (M1) | Internal components (4 of 5) on page 3007 |
| RM2-7350-000CN | Pickup motor (M9) (550-sheet feeder) | 550-sheet paper feeder main body (2 of 2) on page 3015 |
| RM2-7366-000CN | Paper feeder driver PCA (550-sheet feeder) | 550-sheet paper feeder main body (1 of 2) on page 3013 |
| RM2-7369-000CN | Driver PCA | Internal components (2 of 5) on page 3003 |
| RM2-7374-000CN | Memory PCA | Internal components (1 of 5) on page 3001 |
| RM2-7376-000CN | Sensor, environment PCA | Internal components (3 of 5) on page 3005 |

Table 2-18 Numerical parts list (continued)

| Part number | Description | Table and page |
|--------------------|--|--|
| RM2-7399-000CN | Sensor, density detect | Internal components (3 of 5) on page 3005 |
| RM2-7889-000CN | Switch, cable front door assembly | Internal components (1 of 5) on page 3001 |
| RM2-7896-000CN | Switch, cassette cable assembly | Internal components (1 of 5) on page 3001 |
| RM2-7897-000CN | Switch cable assembly (550-sheet feeder) | 550-sheet paper feeder main body (2 of 2) on page 3015 |
| RM2-7909-000CN | Engine controller PCA (duplex models) | Internal components (1 of 5) on page 3001 |
| RM2-7910-000CN | Engine controller PCA (simplex models) | Internal components (1 of 5) on page 3001 |
| RM2-7913-000CN | Low-voltage power supply (110-127V) | Internal components (2 of 5) on page 3003 |
| RM2-7914-000CN | Low-voltage power supply (220-240V) | Internal components (2 of 5) on page 3003 |
| VS1-7257-007CN | Connector, drawer (550-sheet feeder) | 550-sheet paper feeder main body (1 of 2) on page 3013 |
| VS1-7258-007CN | Connector, drawer | Internal components (1 of 5) on page 3001 |
| WG8-5935-000CN | Photointerrupter | Internal components (3 of 5) on page 3005 |

Index

Symbols/Numerics

550-sheet paper feeder
parts lists and diagrams 3010

A

after-service checklist 6
assembly, control panel mount
chassis 4.3 (M377, M477)
location 2999, 3016, 3024
part number 2999, 3016, 3024

B

bearing extension (M377, M477)
location 2995, 3016, 3023
part number 2995, 3016, 3023
before-service checklist 6

C

cable, fax (M477)
part number 3003, 3016, 3024
cable, FFC (M377, M477)
part number 3003, 3016, 3025
cable, flexible flat
location 3001, 3003, 3016,
3026
part number 3001, 3003, 3016,
3026
cartridge fan
removing and replacing 660
cartridge tray assembly
location 3007, 3016, 3027
part number 3007, 3016, 3027
cartridge, toner
ordering 2990
part numbers 2990
cartridges
removing and replacing 12

cassette (Tray 2) assembly
location 3005, 3016, 3027
part number 3005, 3016, 3027
cassette assembly (550-sheet feeder)
location 3015, 3016, 3028
part number 3015, 3016, 3028
cautions iii
connector, drawer
location 3001, 3016, 3029
part number 3001, 3016, 3029
connector, drawer (550-sheet feeder)
location 3013, 3016, 3029
part number 3013, 3016, 3029
control panel mount chassis 4.3
(M377, M477)
location 2999, 3016, 3023
part number 2999, 3016, 3023
control panel, touchscreen (M377,
M477)
location 2999, 3016, 3023
part number 2999, 3016, 3023
control panel, touchscreen (M452dw)
location 2997, 3016, 3025
part number 2997, 3016, 3025
conventions, document iii
cover, 4.3" control panel back (M377,
M477)
location 2999, 3016, 3024
part number 2999, 3016, 3024
cover, cassette
location 2997, 2999, 3016,
3026
part number 2997, 2999, 3016,
3026
cover, cassette (550-sheet feeder)
location 3011, 3016, 3025
part number 3011, 3016, 3025

cover, document feeder outer (M377,
M477)
location 2995, 3016, 3023
part number 2995, 3016, 3023
cover, left (550-sheet feeder)
location 3011, 3017, 3025
part number 3011, 3017, 3025
cover, left (M377, M477)
location 2999, 3017, 3026
part number 2999, 3017, 3026
cover, left (M452)
location 2997, 3017, 3025
part number 2997, 3017, 3025
cover, rear (550-sheet feeder)
location 3011, 3017, 3025
part number 3011, 3017, 3025
cover, rear (simplex models)
location 2997, 2999, 3017,
3025
part number 2997, 2999, 3017,
3025
cover, rear lower (simplex models)
location 2997, 2999, 3017,
3025, 3026
part number 2997, 2999, 3017,
3025, 3026
cover, right (550-sheet feeder)
location 3011, 3017, 3025
part number 3011, 3017, 3025
cover, right (M377, M477)
location 2999, 3017, 3026
part number 2999, 3017, 3026
cover, right (M452)
location 2997, 3017, 3025
part number 2997, 3017, 3025
cover, top (M377, M477fdw)
location 2999, 3017, 3028
part number 2999, 3017, 3028

cover, top (M452dw)
location 2997, 3017, 3028
part number 2997, 3017, 3028

cover, top (M477fnw/fdn)
location 2999, 3017, 3028
part number 2999, 3017, 3028

cover, top and control panel (M452dn)
location 2997, 3017, 3028
part number 2997, 3017, 3028

cover, top and control panel (M452nw)
location 2997, 3017, 3027
part number 2997, 3017, 3027

covers and control panels (M377, M477)
parts lists and diagrams 2998

covers and control panels (M452)
parts lists and diagrams 2996

D

developer motor
removing and replacing 936

document conventions iii

document feeder and scanner whole units
parts lists and diagrams 2994

document feeder input tray assembly (M377, M477)
location 2995, 3017, 3023
part number 2995, 3017, 3023

document feeder pick assembly (M377, M477)
location 2995, 3017, 3023
part number 2995, 3017, 3023

documentation
links 9

door, front assembly
location 2997, 2999, 3017, 3027
part number 2997, 2999, 3017, 3027

door, rear (simplex models)
location 2997, 2999, 3017, 3018, 3025
part number 2997, 2999, 3017, 3018, 3025

drawer connector
removing and replacing 2639

drawer connector (550-sheet paper feeder)
removing and replacing 2963

driver PCA
location 3003, 3018, 3028
part number 3003, 3018, 3028
removing and replacing 839

driver PCA (550-sheet paper feeder)
removing and replacing 2974

drum motor
removing and replacing 869

duplex drive assembly (duplex models)
removing and replacing 2181

duplexer door
removing and replacing 180

duplexing door assembly (duplex models)
location 2997, 2999, 3018, 3027
part number 2997, 2999, 3018, 3027

E

electrostatic discharge (ESD) 4

engine controller PCA
removing and replacing 1222

engine controller PCA (duplex models)
location 3001, 3018, 3029
part number 3001, 3018, 3029

engine controller PCA (simplex models)
location 3001, 3018, 3029
part number 3001, 3018, 3029

environmental sensor
removing and replacing 2393

ESD electrostatic discharge (ESD) 4

external panels, covers, and doors
removing and replacing 78

F

fan (FM1)
location 3003, 3018, 3026
part number 3003, 3018, 3026

fan (FM2)
location 3001, 3018, 3026
part number 3001, 3018, 3026

fax cable cover (M477)
location 2999, 3018, 3024
part number 2999, 3018, 3024

fax cover (M477)
location 2999, 3018, 3024
part number 2999, 3018, 3024

fax PCA (M477 models)
removing and replacing 2420

fax PCA (M477; Brazil)
location 3001, 3018, 3024
part number 3001, 3018, 3024

fax PCA (M477; Europe)
location 3001, 3018, 3023
part number 3001, 3018, 3023

fax PCA (M477; US)
location 3001, 3018, 3023
part number 3001, 3018, 3023

feed guide assembly, front
location 3007, 3018, 3026
part number 3007, 3018, 3026

feed guide assembly, front (550-sheet feeder)
location 3015, 3018, 3028
part number 3015, 3018, 3028

feed guide assembly, rear
location 3007, 3018, 3026
part number 3007, 3018, 3026

feed guide assembly, rear (550-sheet feeder)
location 3015, 3018, 3026
part number 3015, 3018, 3026

feed roller assembly (550-sheet feeder)
location 3015, 3018, 3026
part number 3015, 3018, 3026

FFC cover (M377, M477)
location 2999, 3018, 3024
part number 2999, 3018, 3024

field-replaceable units (FRUs)
replacing 3

formatter PCA
removing and replacing 2361

formatter PCA, (M377dw)
location 3001, 3018, 3024
part number 3001, 3018, 3024

formatter PCA, (M377dw-China only)
location 3001, 3018, 3024
part number 3001, 3018, 3024

- formatter PCA, (M452dn)
 - location 3001, 3019, 3025
 - part number 3001, 3019, 3025
- formatter PCA, (M452dn—China only)
 - location 3001, 3019, 3025
 - part number 3001, 3019, 3025
- formatter PCA, (M452dw)
 - location 3001, 3019, 3025
 - part number 3001, 3019, 3025
- formatter PCA, (M452dw—China only)
 - location 3001, 3019, 3025
 - part number 3001, 3019, 3025
- formatter PCA, (M452nw)
 - location 3001, 3019, 3025
 - part number 3001, 3019, 3025
- formatter PCA, (M452nw—China only)
 - location 3001, 3019, 3025
 - part number 3001, 3019, 3025
- formatter PCA, (M477fdn)
 - location 3001, 3019, 3024
 - part number 3001, 3019, 3024
- formatter PCA, (M477fdn—China only)
 - location 3001, 3019, 3024
 - part number 3001, 3019, 3024
- formatter PCA, (M477fdw)
 - location 3001, 3019, 3024
 - part number 3001, 3019, 3024
- formatter PCA, (M477fdw—China only)
 - location 3001, 3019, 3024
 - part number 3001, 3019, 3024
- formatter PCA, (M477fnw)
 - location 3001, 3019, 3024
 - part number 3001, 3019, 3024
- formatter PCA, (M477fnw—China only)
 - location 3001, 3019, 3024
 - part number 3001, 3019, 3024
- formatter PCA, generic (M452dw)
 - location 3001, 3019, 3025
 - part number 3001, 3019, 3025
- formatter PCA, generic (M452nw/dn)
 - location 3001, 3019, 3025
 - part number 3001, 3019, 3025
- formatter PCA, generic (M477)
 - location 3001, 3019, 3024
 - part number 3001, 3019, 3024
- front door
 - removing and replacing 146
- front feed guide assembly
 - removing and replacing 1411
- front feed guide assembly (550-sheet paper feeder)
 - removing and replacing 2801
- FRUs (field-replaceable units)
 - replacing 3
- fuser (duplex models)
 - removing and replacing 2027
- fuser (duplex; 110-127V)
 - location 3009, 3019, 3027
 - part number 3009, 3019, 3027
- fuser (duplex; 220-240V)
 - location 3009, 3019, 3027
 - part number 3009, 3019, 3027
- fuser (simplex models)
 - removing and replacing 1939
- fuser (simplex; 110-127V)
 - location 3009, 3019, 3027
 - part number 3009, 3019, 3027
- fuser (simplex; 220-240V)
 - location 3009, 3019, 3027
 - part number 3009, 3019, 3027
- fuser motor
 - removing and replacing 2148
- fuser power supply
 - removing and replacing 2116
- fuser power supply PCA (110-127V)
 - location 3003, 3019, 3027
 - part number 3003, 3019, 3027
- fuser power supply PCA (220-240V)
 - location 3003, 3019, 3028
 - part number 3003, 3019, 3028
- G**
- gear, control panel friction (M377, M477)
 - location 2999, 3020, 3023
 - part number 2999, 3020, 3023
- I**
- installation 5
 - screws 5
 - See also* replacing parts
- integrated scanner assembly (M377)
 - location 2995, 3020, 3023
 - part number 2995, 3020, 3023
- integrated scanner assembly (M377, M477 models)
 - removing and replacing 569
- integrated scanner assembly (M477)
 - location 2995, 3020, 3024
 - part number 2995, 3020, 3024
- integrated scanner assembly lift assembly (M377, M477)
 - location 2995, 3020, 3023
 - part number 2995, 3020, 3023
- intermediate transfer belt (ITB)
 - location 3005, 3020, 3028
 - part number 3005, 3020, 3028
 - removing and replacing 1016
- internal components, printer
 - parts lists and diagrams 3000
- internal parts and assemblies
 - removing and replacing 595
- K**
- kit
 - instructions, toner cartridges 12
- L**
- laser scanner
 - warnings for servicing 3
- laser scanner (M377, M477 models)
 - removing and replacing 1855
- laser scanner (M452 models)
 - removing and replacing 1795
- laser/scanner assembly
 - location 3001, 3020, 3026
 - part number 3001, 3020, 3026
- left cover (550-sheet paper feeder)
 - removing and replacing 2673
- left cover (M377, M477 models)
 - removing and replacing 127
- left cover (M452 models)
 - removing and replacing 94
- lifter drive assembly
 - location 3007, 3020, 3027
 - part number 3007, 3020, 3027
 - removing and replacing 1251
- lifter drive assembly (550-sheet feeder)
 - location 3015, 3020, 3028
 - part number 3015, 3020, 3028
- lifter drive assembly (550-sheet paper feeder)
 - removing and replacing 2721

low-voltage power supply (110-127V)
location 3003, 3020, 3029
part number 3003, 3020, 3029
low-voltage power supply (220-240V)
location 3003, 3020, 3029
part number 3003, 3020, 3029
low-voltage power supply (LVPS)
removing and replacing 719

M

memory PCA
location 3001, 3020, 3028
part number 3001, 3020, 3028
removing and replacing 1708
motor, developing (M3)
location 3005, 3020, 3028
part number 3005, 3020, 3028
motor, drum (M2)
location 3005, 3020, 3028
part number 3005, 3020, 3028
motor, fuser (M4)
location 3005, 3020, 3028
part number 3005, 3020, 3028
motor, pickup (M1)
location 3007, 3020, 3028
part number 3007, 3020, 3028

N

near-field communication (NFC) PCA (M452dw/M477fdw)
part number 3009, 3020, 3023
NFC PCA (M452dw and M477dw models)
removing and replacing 2460
notes iii

O

ordering
toner cartridge 2990

P

pad, separation
location 3005, 3020, 3027
part number 3005, 3020, 3027
paper feed assembly (550-sheet feeder)
location 3015, 3020, 3028
part number 3015, 3020, 3028

paper feed assembly (550-sheet paper feeder)
removing and replacing 2900
paper feeder driver PCA (550-sheet feeder)
location 3013, 3020, 3028
part number 3013, 3020, 3028
paper pickup assembly
location 3007, 3021, 3027
part number 3007, 3021, 3027
paper pickup assembly (550-sheet feeder)
location 3015, 3020, 3028
part number 3015, 3020, 3028
paper pickup assembly (duplex models)
location 3009, 3020, 3027
part number 3009, 3020, 3027
paper pickup roller assembly (550-sheet feeder)
location 3015, 3021, 3026
part number 3015, 3021, 3026
part numbers
toner cartridge 2990
parts lists and diagrams 2985
550-sheet paper feeder 3010
covers and control panels (M377, M477) 2998
covers and control panels (M452) 2996
document feeder and scanner whole units 2994
internal components, printer 3000
using 2992
photointerrupter
location 3005, 3021, 3029
part number 3005, 3021, 3029
pickup assembly
removing and replacing 1321
pickup assembly (550-sheet paper feeder)
removing and replacing 2758
pickup motor
removing and replacing 778
pickup motor (550-sheet paper feeder)
removing and replacing 2955

pickup motor (M9) (550-sheet feeder)
location 3015, 3021, 3028
part number 3015, 3021, 3028
power supply fan
removing and replacing 689
power switch assembly
removing and replacing 597

R

re-pickup assembly (duplex models)
removing and replacing 1166
rear cover (550-sheet paper feeder)
removing and replacing 2680
rear door (simplex models)
removing and replacing 317
rear feed guide assembly
removing and replacing 1508
rear feed guide assembly (550-sheet paper feeder)
removing and replacing 2850
rear lower cover (simplex models)
removing and replacing 272
rear top cover (simplex models)
removing and replacing 227
registration assembly
location 3007, 3021, 3027
part number 3007, 3021, 3027
removing and replacing 1606
registration density sensor
removing and replacing 1082
remote antenna (M452nw/dw)
part number 3003, 3021, 3023
removing and replacing
cartridge fan 660
developer motor 936
drawer connector 2639
drawer connector (550-sheet paper feeder) 2963
driver PCA 839
driver PCA (550-sheet paper feeder) 2974
drum motor 869
duplex drive assembly (duplex models) 2181
duplexer door 180
engine controller PCA 1222
environmental sensor 2393
external panels, covers, and doors 78
fax PCA (M477 models) 2420

- formatter PCA 2361
- front door 146
- front feed guide assembly 1411
- front feed guide assembly (550-sheet paper feeder) 2801
- fuser (duplex models) 2027
- fuser (simplex models) 1939
- fuser motor 2148
- fuser power supply 2116
- integrated scanner assembly (M377, M477 models) 569
- intermediate transfer belt (ITB) 1016
- internal parts and assemblies 595
- laser scanner (M377, M477 models) 1855
- laser scanner (M452 models) 1795
- left cover (550-sheet paper feeder) 2673
- left cover (M377, M477 models) 127
- left cover (M452 models) 94
- lifter drive assembly 1251
- lifter drive assembly (550-sheet paper feeder) 2721
- low-voltage power supply (LVPS) 719
- memory PCA 1708
- NFC PCA (M452dw and M477dw models) 2460
- paper feed assembly (550-sheet paper feeder) 2900
- pickup assembly 1321
- pickup assembly (550-sheet paper feeder) 2758
- pickup motor 778
- pickup motor (550-sheet paper feeder) 2955
- power supply fan 689
- power switch assembly 597
- re-pickup assembly (duplex models) 1166
- rear cover (550-sheet paper feeder) 2680
- rear door (simplex models) 317
- rear feed guide assembly 1508
- rear feed guide assembly (550-sheet paper feeder) 2850

- rear lower cover (simplex models) 272
- rear top cover (simplex models) 227
- registration assembly 1606
- registration density sensor 1082
- right cover (550-sheet paper feeder) 2667
- right cover (M377, M477 models) 109
- right cover (M452 models) 79
- rollers 23
- secondary transfer assembly (duplex models) 1009
- secondary transfer assembly (simplex models) 1003
- secondary transfer roller 72
- switch cable assembly (550-sheet paper feeder) 2692
- toner cartridge tray 626
- toner cartridges 12
- top cover (M377, M477 models) 405
- top cover (M452 models) 364
- touchscreen control panel (M377, M477 models) 507
- touchscreen control panel (M452dw model) 470
- tray 1 pickup roller 24
- tray 1 separation pad 29
- Tray 2 19
- tray 2 pickup and feed rollers 34
- tray 2 separation roller 47
- Tray 3 21
- tray 3 pickup and feed rollers 59
- tray 3 separation roller 66
- trays 18
- walk-up USB port (M377, M477 models) 2577
- walk-up USB port (M452dw model) 2544
- wireless antenna (M452nw/dw models) 2278
- wireless PCA (M377, M477fnw/fdw models) 2336
- wireless PCA (M452nw/dw models) 2317
- removing parts
 - after-service checklist 6

- before-service checklist 6
- tools, required 4
- replacing parts
 - about 3
 - after-service checklist 6
 - before-service checklist 6
 - screws 5
 - tools, required 4
- reverse drive assembly (duplex models)
 - location 3009, 3021, 3027
 - part number 3009, 3021, 3027
- right cover (550-sheet paper feeder)
 - removing and replacing 2667
- right cover (M377, M477 models)
 - removing and replacing 109
- right cover (M452 models)
 - removing and replacing 79
- roller, feed assembly
 - location 3007, 3021, 3026
 - part number 3007, 3021, 3026
- roller, paper pickup
 - location 3005, 3021, 3026
 - part number 3005, 3021, 3026
- roller, paper pickup assembly
 - location 3007, 3021, 3026
 - part number 3007, 3021, 3026
- roller, separation
 - location 3007, 3021, 3026
 - part number 3007, 3021, 3026
- rollers
 - removing and replacing 23
- S**
- screwdrivers, required 4
- screws
 - installing 5
 - types of 5
- secondary transfer assembly (duplex models)
 - location 3009, 3021, 3027
 - part number 3009, 3021, 3027
 - removing and replacing 1009
- secondary transfer assembly (simplex models)
 - location 3009, 3021, 3027
 - part number 3009, 3021, 3027
 - removing and replacing 1003
- secondary transfer roller
 - location 3009, 3021, 3028

- part number 3009, 3021, 3028
- removing and replacing 72
- sensor, density detect
 - location 3005, 3021, 3029
 - part number 3005, 3021, 3029
- sensor, environment PCA
 - location 3005, 3021, 3028
 - part number 3005, 3021, 3028
- separation roller assembly (550-sheet feeder)
 - location 3015, 3021, 3026
 - part number 3015, 3021, 3026
- separator pad (M377, M477)
 - location 2995, 3021, 3023
 - part number 2995, 3021, 3023
- service and support information v, 2, 2986, 2991
- shaft, document feeder pick extension (M377, M477)
 - location 2995, 3021, 3023
 - part number 2995, 3021, 3023
- shield, RFI SSA FFC (M377, M477)
 - location 2999, 3021, 3024
 - part number 2999, 3021, 3024
- slider pin, integrated scanner assembly lift (M377, M477)
 - location 2995, 3021, 3023
 - part number 2995, 3021, 3023
- spring, separator pad (M377, M477)
 - location 2995, 3022, 3023
 - part number 2995, 3022, 3023
- static, precautions for 4
- supplies
 - part numbers 9
- support, separator pad (M377, M477)
 - location 2995, 3022, 3023
 - part number 2995, 3022, 3023
- switch assembly, power
 - location 3001, 3022, 3027
 - part number 3001, 3022, 3027
- switch cable assembly (550-sheet feeder)
 - location 3015, 3022, 3029
 - part number 3015, 3022, 3029
- switch cable assembly (550-sheet paper feeder)
 - removing and replacing 2692
- switch, cable front door assembly
 - location 3001, 3022, 3029
 - part number 3001, 3022, 3029

- switch, cassette cable assembly
 - location 3001, 3022, 3029
 - part number 3001, 3022, 3029

T

- tips iii
- toner cartridge
 - ordering 2990
 - part numbers 2990
- toner cartridge tray
 - removing and replacing 626
- toner cartridges
 - removing and replacing 12
- tools, required 4
- top cover (M377, M477 models)
 - removing and replacing 405
- top cover (M452 models)
 - removing and replacing 364
- touchscreen control panel (M377, M477 models)
 - removing and replacing 507
- touchscreen control panel (M452dw model)
 - removing and replacing 470
- tray 1 pickup roller
 - removing and replacing 24
- tray 1 separation pad
 - removing and replacing 29
- Tray 2
 - removing and replacing 19
- tray 2 pickup and feed rollers
 - removing and replacing 34
- tray 2 separation roller
 - removing and replacing 47
- Tray 3
 - removing and replacing 21
- tray 3 pickup and feed rollers
 - removing and replacing 59
- tray 3 separation roller
 - removing and replacing 66
- trays
 - removing and replacing 18

W

- walk-up USB port
 - part number 3009, 3022, 3024
- walk-up USB port (M377, M477 models)
 - removing and replacing 2577

- walk-up USB port (M452dw model)
 - removing and replacing 2544
- warnings iii
- wireless antenna (M452nw/dw models)
 - removing and replacing 2278
- wireless bracket (M477fnw/fdw)
 - part number 3003, 3022, 3024
- wireless cable (M377, M477fnw/fdw)
 - part number 3003, 3022, 3024
- wireless PCA (M377, M477fnw/fdw models)
 - removing and replacing 2336
- wireless PCA (M452nw/dw models)
 - removing and replacing 2317
- wireless PCA, (M377, M477fnw/fdw)
 - location 3001, 3022, 3023
 - part number 3001, 3022, 3023
- wireless PCA, (M452nw/dw)
 - location 3001, 3022, 3023
 - part number 3001, 3022, 3023